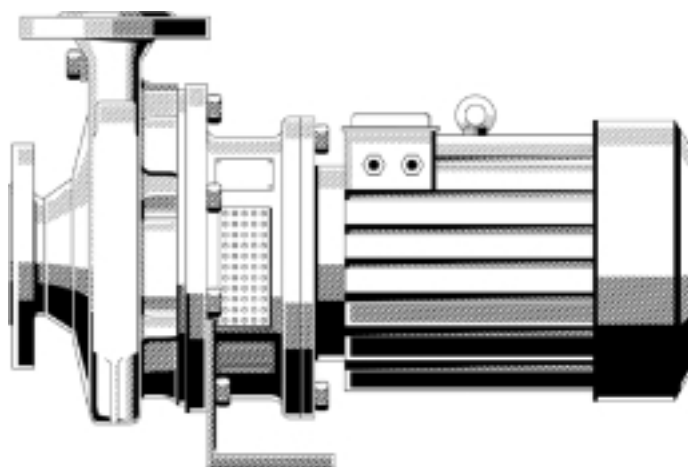


Close-coupled pumps



**Fields of application**

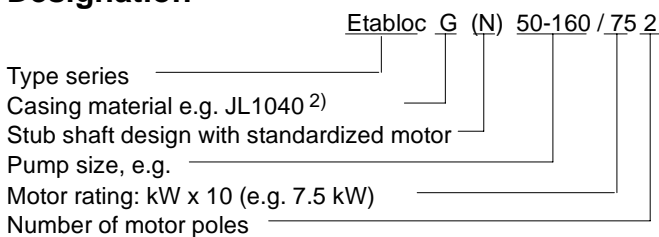
- Water supply
- Sprinkling
- Irrigation
- Drainage
- Heating systems
- Air-conditioning systems
- Drinking water
- Service water
- Hot water
- Cooling water
- Swimming pool water
- Sea water
- Fire-fighting water
- Brackish water
- Condensate
- Brine
- Oils
- Cleaning agents

**Operating data**

Q up to 580 m<sup>3</sup>/h, 161 l/s  
 H up to 95 m  
 t -30 to +140 °C  
 p<sub>2</sub> up to 16 bar<sup>1)</sup>

1) see pressure/temperature limits, page 5

**Designation**



1) to EN 1561 = GJL-250

**Shaft seal**

Mechanical seal to DIN 24 960

**Design/Variants**

Volute casing pumps, single-stage<sup>3)</sup>, with ratings to EN 733. The shaft is fitted with a replaceable shaft sleeve in the shaft seal area. Volute casing and impeller supplied with replaceable wear rings<sup>4)</sup>.

3) Etabloc 32-23 double-stage

4) except Etabloc 25-20 and 32-23

**Etabloc GN, MN, SN, BN, CN**

Pump and motor flanged together to form a close-coupled unit, with standardized motor.

Pump shaft and motor shaft are rigidly connected.

**Etabloc G, M**

Pump and motor flanged together to form a close-coupled unit, with common shaft

**Drive**

**Standard version Etabloc N**

Surface-cooled KSB-IEC three-phase squirrel cage motor.

Winding: up to 2.2 kW 220-240 V/380-420 V  
 3kW and above 380-420/660-725 V  
 Design: up to 4 kW IM V1  
 5.5 kW and above IM V15

Enclosure: IP 55  
 Thermal class: F with temperature sensors: 3 PTC resistors  
 Operating mode: continuous operation S1  
 or  
 surface-cooled three-phase squirrel cage motor as described above, but West European brand to KSB's choice.

**Flameproof version Etabloc N**

Surface-cooled IEC three-phase squirrel cage motor, West European brand to KSB's choice.

Winding: up to 1.85 kW 220-240 V/380-420 V  
 for 2.5 kW and above 380-420/660-725 V  
 Design: up to 3.3 kW IM V1  
 4.6 kW and above IM V15

Enclosure: IP 55 or IP 54  
 Type of protection: EExe II  
 Thermal class: T3  
 Operating mode: continuous operation S1

**Standard version Etabloc G, M**

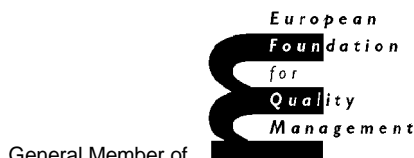
Surface-cooled KSB three-phase squirrel cage motor with longer shaft and special flange

Winding: up to 2.2 kW: 230/400 V  
 for 3 kW and above: 400/690 V  
 Design: up to 4 kW: without foot  
 5.5 kW and above: with foot

Enclosure: IP 55 or IP 54  
 Thermal class: F  
 Operating mode: continuous operation S1

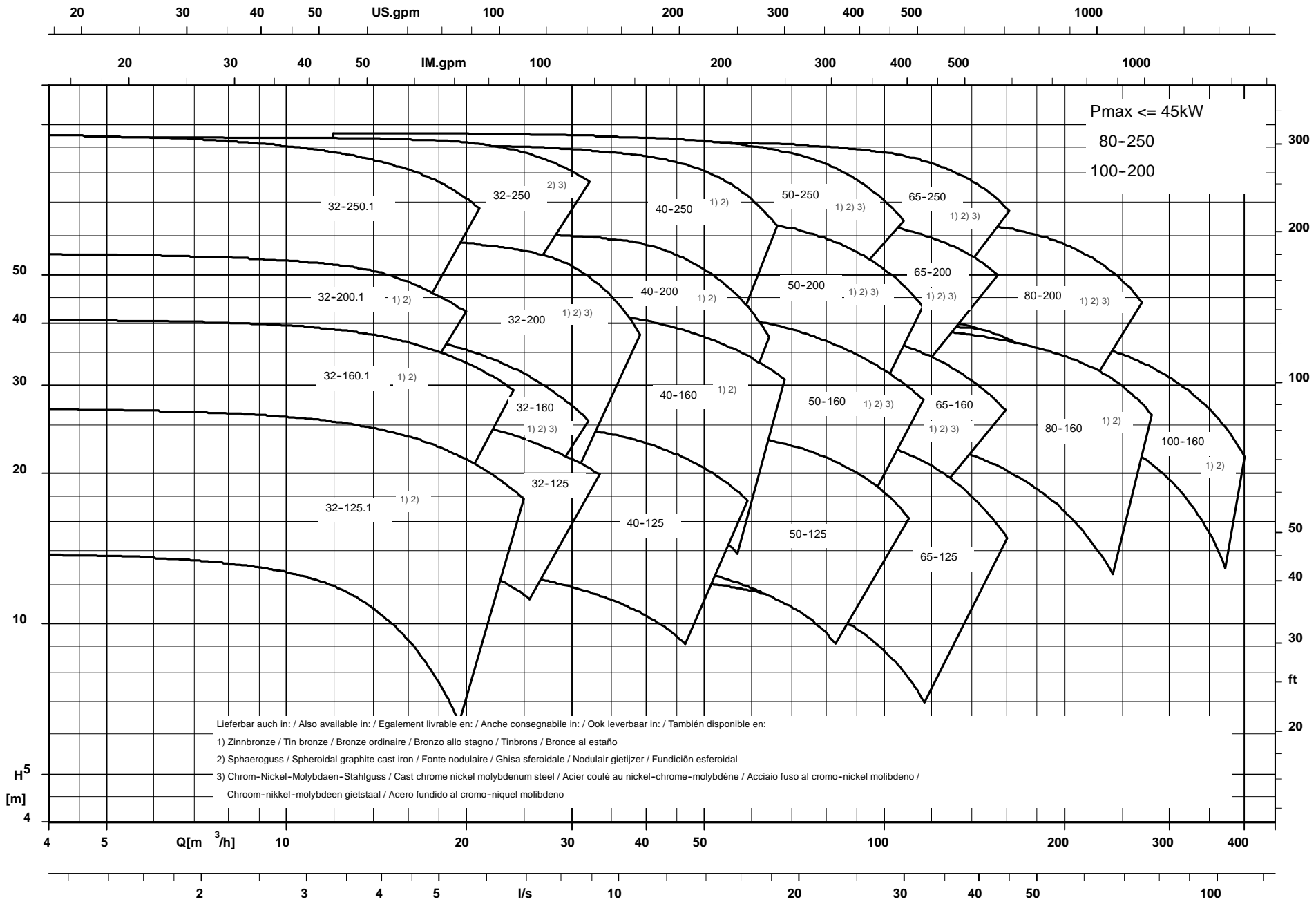
**Contact guard:**

Cover plates on drive lantern to EN 294



General Member of

n ≈ 2900 1/min

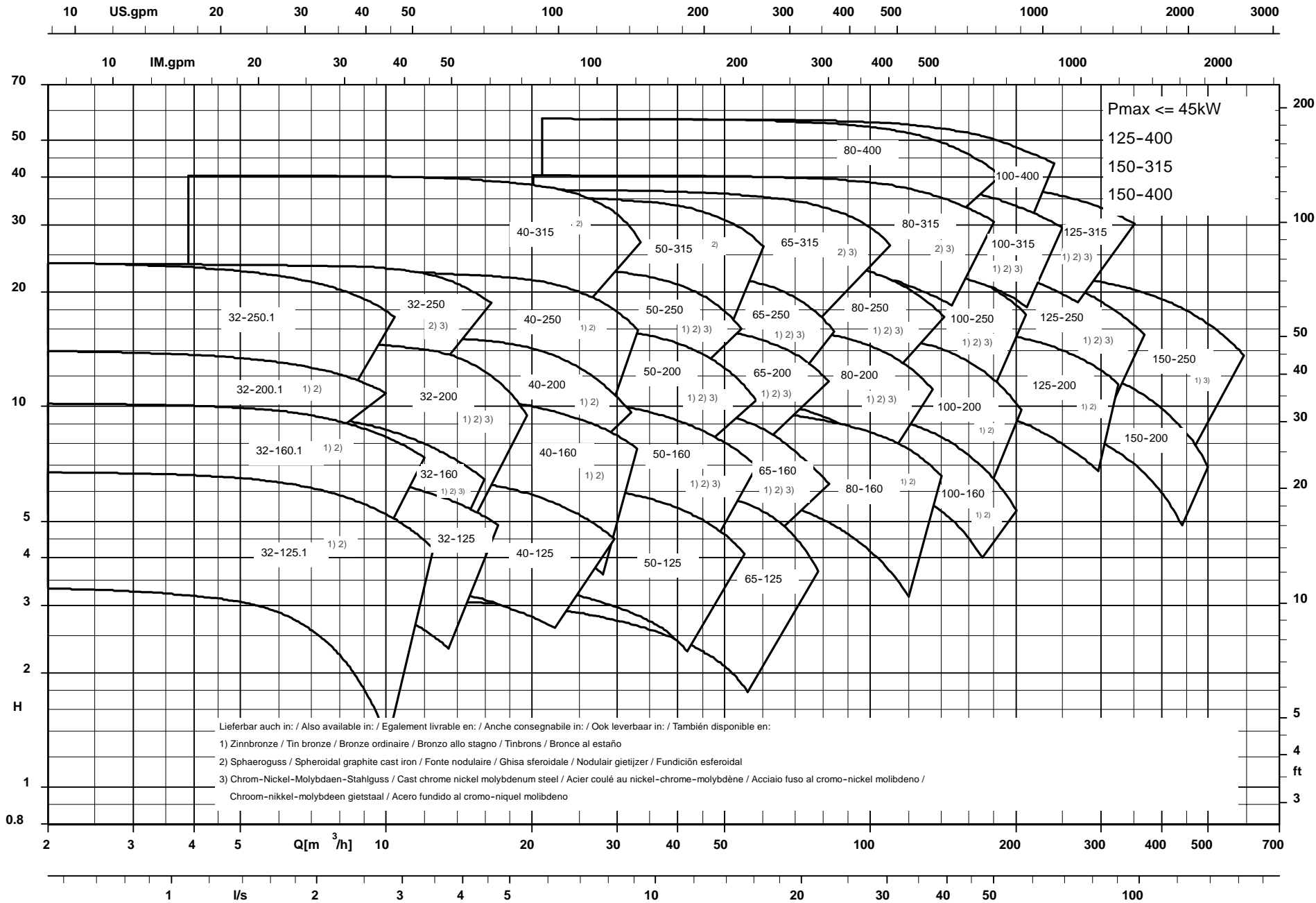


Lieferbar auch in: / Also available in: / Egalement livrable en: / Anche consegnabile in: / Ook leverbaar in: / También disponible en:

- 1) Zinnbronze / Tin bronze / Bronze ordinaire / Bronzo allo stagno / Tinbrons / Bronce al estaño
- 2) Sphaeroguss / Spheroidal graphite cast iron / Fonte nodulaire / Ghisa sferoidale / Nodulair gietijzer / Fundición esferoidal
- 3) Chrom-Nickel-Molybdaen-Stahlguss / Cast chrome nickel molybdenum steel / Acier coulé au nickel-chrome-molybdène / Acciaio fuso al cromo-nichel molibdeno / Chrom-nikkel-molybdeen gietstaal / Acero fundido al cromo-niquel molibdeno

1167.4052/7

n ≈ 1450 1/min



Lieferbar auch in: / Also available in: / Egalement livrable en: / Anche consegnabile in: / Ook leverbaar in: / También disponible en:

- 1) Zinnbronze / Tin bronze / Bronze ordinaire / Bronzo allo stagno / Tinbrons / Bronce al estaño
- 2) Sphaeroguss / Spheroidal graphite cast iron / Fonte nodulaire / Ghisa sferoidale / Nodulair gietijzer / Fundición esférica
- 3) Chrom-Nickel-Molybdaen-Stahlguss / Cast chrome nickel molybdenum steel / Acier coulé au nickel-chrome-molybdène / Acciaio fuso al cromo-nichel molibdeno / Chrom-nikkel-molybdeen gietstaal / Acero fundido al cromo-níquel molibdeno

1167.4054/7

## Materials

|                   | <b>Etabloc G, GN</b>                  | <b>Etabloc M, MN</b>                                      | <b>Etabloc BN</b>                     |
|-------------------|---------------------------------------|---|---------------------------------------|
| Volute casing     | Grey cast iron JL1040 <sup>1)</sup>   | Grey cast iron JL1040 <sup>1)</sup>                       | Tin bronze CC480K-GS <sup>3)</sup>    |
| Discharge cover   | Grey cast iron JL1040 <sup>1)</sup>   | Grey cast iron JL1040 <sup>1)</sup>                       | Tin bronze CC480K-GS <sup>3)</sup>    |
| Impeller          | Grey cast iron JL1040 <sup>1)</sup>   | Tin bronze CC480K-GS <sup>3)</sup>                        | Tin bronze CC480K-GS <sup>3)</sup>    |
| Casing wear rings | Grey cast iron GG                     | Grey cast iron / Leaded bronze GG/CC495K-GS <sup>3)</sup> | Leaded bronze CC495K-GS <sup>3)</sup> |
| Shaft             | Tempering steel C45N                  | Tempering steel C45N                                      | Chrome nickel molybdenum steel 1.4571 |
| Shaft sleeve      | Chrome nickel molybdenum steel 1.4571 | Chrome nickel molybdenum steel 1.4571                     | Chrome nickel molybdenum steel 1.4571 |
| Drive lantern     | Grey cast iron JL1040 <sup>1)</sup>   | Grey cast iron JL1040 <sup>1)</sup>                       | Grey cast iron JL1040 <sup>1)</sup>   |

|                   | <b>Etabloc SN</b>                      | <b>Etabloc CN</b>                          |
|-------------------|--|--|
| Volute casing     | Nodular cast iron JS1025 <sup>2)</sup> | Cast chrome nickel molybdenum steel 1.4408 |
| Discharge cover   | Nodular cast iron JS1025 <sup>2)</sup> | Cast chrome nickel molybdenum steel 1.4408 |
| Impeller          | Grey cast iron JL1040 <sup>1)</sup>    | Cast chrome nickel molybdenum steel 1.4408 |
| Casing wear rings | Grey cast iron GG                      | Cast chrome nickel molybdenum steel 1.4408 |
| Shaft             | Tempering steel C45N                   | Chrome nickel molybdenum steel 1.4571      |
| Shaft sleeve      | Chrome nickel molybdenum steel 1.4571  | Chrome nickel molybdenum steel 1.4571      |
| Drive lantern     | Grey cast iron JL1040 <sup>1)</sup>    | Grey cast iron JL1040 <sup>1)</sup>        |

- 1) to EN 1561 = GJL-250  
 2) to EN 1563 = GJS-400-18-LT  
 3) to EN 1982

## Etabloc N

**Large material selection**  
 Grey cast iron, tin bronze, nodular cast iron, cast chrome nickel molybdenum steel

**Shaft sleeve**  
 prevents wear on the shaft

**Service-friendly,**  
 sturdy KSB IEC three-phase motor

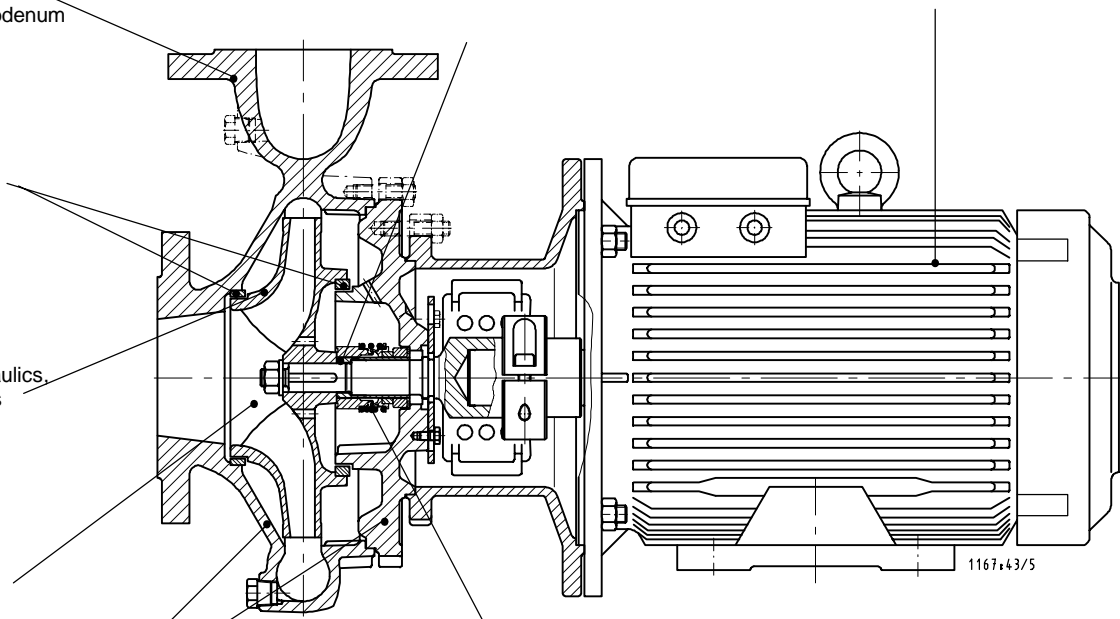
**Casing wear rings**  
 service-friendly, no wear on casing/impeller

**Impeller**  
 with optimized hydraulics, excellent efficiencies

**Suction geometry**  
 designed for max. suction capacity (NPSH) and optimal cavitation behaviour

**Pressure jacket** designed for 16 bar to guarantee high operating reliability

**Reliable standardized mechanical seal,** maintenance-free

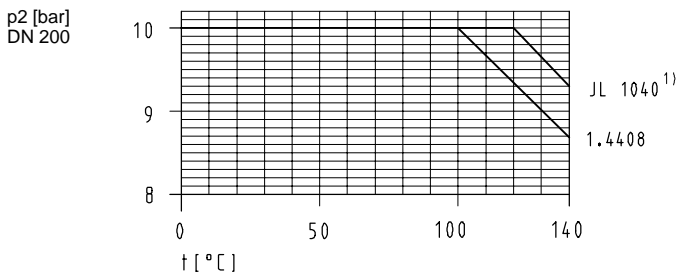
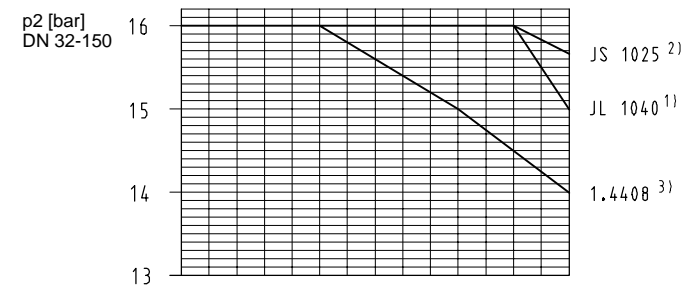


## Pressure and Temperature Limits

| Etabloc | Product temperature<br>1)4) | Discharge pressure $p_2$ <sup>2)</sup> | Test pressure <sup>3)</sup> |
|---------|-----------------------------|--|-----------------------------|
| G, GN   | -30 °C to + 140 °C          | 5)                                     | up to 21 bar                |
| M, MN   | -30 °C to + 140 °C          |  | up to 21 bar                |
| SN      | -30 °C to + 140 °C          |  | up to 25 bar                |
| BN      | -30 °C to + 140 °C          | 10 bar                                 | up to 13 bar                |
| CN      | -30 °C to + 140 °C          | 5)                                     | up to 21 bar                |

- 1) For hot water heating systems to DIN 4752, section 4.5, application limits must be observed.
- 2) The sum of inlet pressure and shut-off head must not exceed the values shown in the diagram.
- 3) The casing components are checked for leakage by means of an internal pressure test to AN 1897/75-03 D00 with water.
- 4) For product temperatures > 140 °C, Etabloc SY, Etaline SY shall be used.
- 5) See diagram

### Pressure/Temperature Diagram for Flanges to ISO 7005-1 and EN 1092-2



1) to EN 1561 = GJL-250

2) to EN 1563 = GJS-400-18-LT

3) DN 65-150 only; DN 32-50 16 bar

12 11 : 173

| Etabloc      |              |              |              |            |            |            |            |            |            |            |                 |
|--------------|--------------|--------------|--------------|------------|------------|------------|------------|------------|------------|------------|-----------------|
| 32-125/1/... | 32-160/1/... | 32-200/1/... | 32-250/1/... | 32-125/... | 32-160/... | 32-200/... | 32-250/... | 40-125/... | 40-160/... | 40-200/... | 40-250/...      |
| X            | X            | X            | X            | X          | X          | X          | X          | X          | X          | X          | X               |
| X            | X            | X            | X            | X          | X          | X          | X          | X          | X          | X          | X               |
| X            | X            | X            | -            | -          | X          | X          | X          | -          | X          | X          | X               |
| X            | X            | X            | -            | -          | X          | X          | X          | -          | X          | X          | X <sup>8)</sup> |
| -            | -            | -            | -            | X          | X          | X          | X          | -          | X          | X          | X               |

| Medium handled                                     | Application limits          | Materials Casing/Impeller       |                             |                                    |                         |                                       | Shaft seal Mechanical seal |          |          |        | Reference code | Comments  |   |
|--|-----------------------------|---------------------------------|-----------------------------|------------------------------------|-------------------------|---------------------------------------|----------------------------|----------|----------|--------|----------------|-----------|---|
|  |                             | Grey cast iron / grey cast iron | Grey cast iron / tin bronze | Nodular cast iron / grey cast iron | Tin bronze / tin bronze | Cast CrNiMo steel / cast CrNiMo steel | U3BEGG                     | U3U3X4GG | Q1Q1X4GG | BQ1EGG |                |           |   |
|  |                             |                                 |                             |                                    |                         |                                       |                            |          |          |        |                |           | G,GN  |
| <b>Water 1)</b>                                    |                             |                                 |                             |                                    |                         |                                       |                            |          |          |        |                |           |   |
| Brackish water 3)                                  | t ± 25 °C<br>p ± 10 bar     |                                 |                             |                                    | X                       |                                       |                            |          | X        |        |                | BN10      | Cast CrNiMo steel possible  |
| Condensate 2)                                      | t ± 120 °C<br>p ± 10 bar    | X                               |                             |                                    |                         |                                       |                            |          |          | X      |                | G11, GN11 |   |
| Condensate, unconditioned                          | t ± 120 °C<br>p ± 10 bar    |                                 |                             |                                    |                         | X                                     |                            |          |          |        | X              | CN11      |   |
| Cooling water 1)<br>(no anti-freezes)              | t ± 60 °C 6)<br>p ± 10 bar  | X                               |                             |                                    |                         |                                       |                            |          | X        |        |                | G10, GN10 | open circuit: M 10/MN 10 required   |
| Cooling water pH value<br>≥ 7.5 (with anti-freeze) | t ± 30-110 °C<br>p ± 10 bar | X                               |                             |                                    |                         |                                       |                            |          |          | X      |                | G11, GN11 | open circuit: M 11/MN 11 required   |
| Dam water 1)                                       | t ± 60 °C 6)<br>p ± 10 bar  |                                 | X                           |                                    |                         |                                       |                            |          |          | X      |                | MN10      | If solids-laden: contact KSB  |
| Drinking water 1)                                  | t ± 60 °C 7)<br>p ± 10 bar  |                                 | X                           |                                    |                         |                                       |                            |          |          |        | X              | MN11      |   |
| Fire-fighting water 1)                             | t ± 60 °C 6)<br>p ± 10 bar  |                                 | X                           |                                    |                         |                                       |                            |          |          | X      |                | M10, MN10 | Please contact KSB if delivery is to VdS guideline  |
| Fully desalinated water                            | t ± 120 °C<br>p ± 10 bar    |                                 |                             |                                    |                         | X                                     |                            |          |          |        | X              | CN11      | Purity requirements cannot be met.  |
| Fully desalinated water as<br>boiler feed water 2) | t ± 120 °C<br>p ± 10 bar    | X                               |                             |                                    |                         |                                       |                            |          |          |        | X              | G11, GN11 |   |
| Heating water 2)                                   | t ± 120 °C<br>p ± 10 bar    | X                               |                             |                                    |                         |                                       |                            |          |          |        | X              | G11, GN11 | If used as circulating pump to DIN 4752: p <sub>max</sub> ≥ 10 bar<br>If tough materials are specified: "S" |
| Heating water 2)                                   | t ± 140 °C<br>p ± 16 bar    | X                               |                             |                                    |                         |                                       | X                          |          |          |        |                | G6, GN6   |   |
| Heating water 2)                                   | t ± 110 °C<br>p ± 10 bar    | X                               |                             |                                    |                         |                                       |                            |          |          | X      |                | G10, GN10 |   |
| Partly desalinated water 2)                        | t ± 120 °C<br>p ± 10 bar    | X                               |                             |                                    |                         |                                       |                            |          |          |        | X              | G11, GN11 |   |
| Pure water 5)                                      | t ± 60 °C 7)<br>p ± 10 bar  | X                               |                             |                                    |                         |                                       |                            |          |          |        | X              | G11, GN11 |   |
| Raw water 1)                                       | t ± 60 °C 6)<br>p ± 10 bar  | X                               |                             |                                    |                         |                                       |                            |          |          | X      |                | G10, GN10 |   |
| Sea water 3)                                       | t ± 25 °C<br>p ± 10 bar     |                                 |                             |                                    | X                       |                                       |                            |          |          | X      |                | BN10      | Cast CrNiMo steel possible, if required   |
| Slightly contaminated water 1)                     | t ± 60 °C 6)<br>p ± 10 bar  | X                               |                             |                                    |                         |                                       |                            |          |          | X      |                | G10, GN10 | open circuit: M 11/MN 11 required   |
| Swimming-pool water<br>(fresh water) 1)            | t ± 60 °C<br>p ± 10 bar     | X                               |                             |                                    |                         |                                       |                            |          |          | X      |                | G10, GN10 | Also applies to requirements to DIN 19 643.   |
| Swimming-pool water<br>(sea water) 2)              | t ± 40 °C<br>p ± 10 bar     |                                 |                             |                                    | X                       |                                       |                            |          |          | X      |                | BN10      | Cast CrNiMo steel possible,<br>for t ± +25 °C   |
| <b>Coolants, cooling brines</b>                    |                             |                                 |                             |                                    |                         |                                       |                            |          |          |        |                |           |   |
| Cooling brine, inorganic,<br>pH value ≥ 7.5        | t -30-+25 °C<br>p ± 10 bar  | X                               |                             |                                    |                         |                                       |                            |          |          |        | X              | G11, GN11 |   |
| Water with anti-freeze,<br>pH value ≥ 7.5 1)5)     | t -30-+110 °C<br>p ± 10 bar | X                               |                             |                                    |                         |                                       |                            |          |          |        | X              | G11, GN11 |   |

- 1) General criteria for results of water analysis: pH value ≥ 7; chloride (Cl) content ≤ 250 mg/kg. Chlorine (Cl<sub>2</sub>) ≤ 0.6 mg/kg.
- 2) Treatment to VdTUV 1466; additional requirement: O<sub>2</sub> ≤ 0.02 mg/l
- 3) Criteria for all parts made of bronze: ammonia (NH<sub>3</sub>) ≤ 5 mg/kg, free from hydrogen sulphide (H<sub>2</sub>S); no limitation of Cl content required in this case. Please contact KSB if limits are exceeded.
- 4) Anti-freeze on ethylene glycol basis with inhibitors. Content > 20 % to 50% (e.g. Antifrogen N)
- 5) No ultra-pure water! Conductivity at 25 °C: ≤ 800 µS/cm, neutral with regard to chemical corrosion
- 6) Mechanical seal suitable for t ≤ 110 °C
- 7) Mechanical seal suitable for t ≤ 120 °C
- 8) Except for Etabloc ≥ 30 kW

**Example:**  
Given: pure water 15 °C; Q = 50 m<sup>3</sup>/h; H = 20 m

**Found:**

Etabloc GN    40 - 125/402    GN 11

Material resp. design variant (as per above table) \_\_\_\_\_

Pump size (as per characteristic curve 2900 1/min) \_\_\_\_\_

Reference code (as per above table) \_\_\_\_\_



**Etabloc G, M 25-20, 32-23**

| Medium handled   | Application limits                    | Materials Casing/Impeller         |                               | Shaft seal Mechanical seal |        | Reference code | Comments   |
|--|---------------------------------------|-----------------------------------|-------------------------------|----------------------------|--------|----------------|--|
|  |                                       | Grey cast iron/<br>grey cast iron | Grey cast iron/<br>tin bronze | BSV/GG                     | BVE/GG |                |  |
|  |                                       | G                                 | M                             | 4                          | 7      |                |  |
| <b>Water <sup>1)</sup></b>   |                                       |                                   |                               |                            |        |                |  |
| Condensate <sup>2)</sup>   | t ± 110 °C<br>p ± 10 bar              | X                                 |                               |                            | X      | G7             | Only Etabloc G 25-20   |
| Cooling water <sup>1)</sup><br>(no anti-freezes)                               | t ± 60 °C <sup>5)</sup><br>p ± 10 bar | X                                 |                               | X                          |        | G4             | open circuit: M 4 required   |
| Cooling water pH value <sup>2)</sup> ≥ 7.5<br>(with anti-freeze) <sup>3)</sup> | t -30-+110 °C<br>p ± 10 bar           | X                                 |                               |                            | X      | G7             | Only Etabloc G 25-20   |
| Dam water <sup>1)</sup>  | t ± 60 °C <sup>5)</sup><br>p ± 10 bar |                                   | X                             | X                          |        | M4             |  |
| Heating water <sup>2)</sup>  | t ± 110 °C<br>p ± 10 bar              | X                                 |                               | X                          |        | G4             | If used as circulating pump to DIN 4752: p <sub>max</sub> ± 10 bar |
| Partly desalinated water <sup>1)</sup>   | t ± 120 °C<br>p ± 10 bar              | X                                 |                               |                            | X      | G7             | Only Etabloc G 25-20   |
| Pure water <sup>4)</sup>   | t ± 60 °C <sup>6)</sup><br>p ± 10 bar | X                                 |                               |                            | X      | G7             | Only Etabloc G 25-20   |
| Raw water <sup>1)</sup>  | t ± 60 °C <sup>5)</sup><br>p ± 10 bar | X                                 |                               | X                          |        | G4             |  |
| Slightly contaminated water <sup>1)</sup>                                      | t ± 60 °C <sup>5)</sup><br>p ± 10 bar | X                                 |                               | X                          |        | G4             |  |
| Swimming-pool water <sup>1)</sup><br>(fresh water)                             | t ± 60 °C<br>p ± 10 bar               | X                                 |                               | X                          |        | G4             | Also applies to requirements to DIN 19 643.                        |
| <b>Coolants, cooling brines</b>  |                                       |                                   |                               |                            |        |                |  |
| Cooling brine, inorganic,<br>pH value <sup>2)</sup> ≥ 7.5                      | t -30-+25 °C<br>p ± 10 bar            | X                                 |                               |                            | X      | G7             | Only Etabloc G 25-20   |
| Water with anti-freeze,<br>pH value <sup>2)</sup> ≥ 7.5 <sup>1)5)</sup>        | t -30-+110 °C<br>p ± 10 bar           | X                                 |                               |                            | X      | G7             | Only Etabloc G 25-20   |
| <b>Cleaning agents</b>   |                                       |                                   |                               |                            |        |                |  |
| Bottle rinsing lyes  |                                       | X                                 |                               |                            | X      | G7             | Only Etabloc G 25-20   |

- 1) General criteria for results of water analysis: pH value ≥ 7; chloride (Cl) content ≤ 250 mg/kg. Chlorine (Cl<sub>2</sub>) ≤ 0.6 mg/kg.
- 2) Treatment to VdTUV 1466; additional requirement: O<sub>2</sub> ≤ 0.02 mg/l
- 3) Antifreeze on ethylene glycol basis with inhibitors. Content: > 20 % to 50 % (e.g. Antifrogen N)
- 4) No ultra-pure water! Conductivity at 25 °C: ≤ 800 μS/cm.
- 5) Mechanical seal suitable for t ≤ 110 °C
- 6) Mechanical seal suitable for t ≤ 120 °C

**Example:**

 Given: pure water 15 °C; Q = 8 m<sup>3</sup>/h; H = 45 m

**Found:**

|  |                          |
|--|--------------------------|
|  | Etabloc G 25 - 20/302 G7 |
| Material resp. design variant (as per above table) | _____                    |
| Pump size (as per characteristic curve 2900 1/min) | _____                    |
| Reference code (as per above table)                | _____                    |



| Etabloc                           | Ⓜ     | kW   | 400 V<br>≈ A |
|-----------------------------------|-------|------|--------------|
| <b>≈ 2900 1/min</b> <sup>2)</sup> |       |      |              |
| 25-20/152                         | 90S   | 1,5  | 3,35         |
| 25-20/222                         | 90L   | 2,2  | 4,6          |
| 25-20/302                         | 100L  | 3,0  | 6,3          |
| 25-20/402                         | 112M  | 4,0  | 8,3          |
| 32-23/402 <sup>1)</sup>           | 112M  | 4,0  | 8,3          |
| 32-23/552 <sup>1)</sup>           | 112L  | 5,5  | 11,0         |
| 32-125.1/072                      | 80a   | 0,75 | 1,8          |
| 32-125.1/112                      | 80b   | 1,1  | 2,6          |
| 32-125.1/152                      | 90S   | 1,5  | 3,35         |
| 32-125.1/222                      | 90L   | 2,2  | 4,6          |
| 32-160.1/222                      | 90L   | 2,2  | 4,6          |
| 32-160.1/302                      | 100L  | 3,0  | 6,3          |
| 32-200.1/302                      | 100L  | 3,0  | 6,3          |
| 32-200.1/402                      | 112M  | 4,0  | 8,3          |
| 32-200.1/552                      | 132Sa | 5,5  | 11,0         |
| 32-250.1/752                      | 132S  | 7,5  | 14,6         |
| 32-250.1/1102                     | 160Ma | 11,0 | 20,7         |
| 32-125/112                        | 80b   | 1,1  | 2,6          |
| 32-125/152                        | 90S   | 1,5  | 3,35         |
| 32-125/222                        | 90L   | 2,2  | 4,6          |
| 32-125/302                        | 100L  | 3,0  | 6,3          |
| 32-160/302                        | 100L  | 3,0  | 6,3          |
| 32-160/402                        | 112M  | 4,0  | 8,3          |
| 32-200/552                        | 132Sa | 5,5  | 11,0         |
| 32-200/752                        | 132S  | 7,5  | 14,6         |
| 32-250/1102                       | 160Ma | 11,0 | 20,7         |
| 32-250/1502                       | 160M  | 15,0 | 28,0         |
| 40-125/152                        | 90S   | 1,5  | 3,35         |
| 40-125/222                        | 90L   | 2,2  | 4,6          |
| 40-125/302                        | 100L  | 3,0  | 6,3          |
| 40-125/402                        | 112M  | 4,0  | 8,3          |
| 40-160/402                        | 112M  | 4,0  | 8,3          |
| 40-160/552                        | 132Sa | 5,5  | 11,0         |
| 40-160/752                        | 132S  | 7,5  | 14,6         |
| 40-200/752                        | 132S  | 7,5  | 14,6         |
| 40-200/1102                       | 160Ma | 11,0 | 20,7         |
| 40-250/1102                       | 160Ma | 11,0 | 20,7         |
| 40-250/1502                       | 160M  | 15,0 | 28,0         |
| 40-250/1852                       | 160L  | 18,5 | 33,0         |
| 40-250/2202                       | 180M  | 22,0 | 40,0         |
| 50-125/302                        | 100L  | 3,0  | 6,3          |
| 50-125/402                        | 112M  | 4,0  | 8,3          |
| 50-125/552                        | 132Sa | 5,5  | 11,0         |
| 50-125/752                        | 132S  | 7,5  | 14,6         |
| 50-160/752                        | 132S  | 7,5  | 14,6         |
| 50-160/1102                       | 160Ma | 11,0 | 20,7         |
| 50-200/1502                       | 160M  | 15,0 | 28,0         |
| 50-200/1852                       | 160L  | 18,5 | 33,0         |
| 50-200/2202                       | 180M  | 22,0 | 40,0         |
| 50-250/1852                       | 160L  | 18,5 | 33,0         |
| 50-250/2202                       | 180M  | 22,0 | 40,0         |
| 50-250/3002                       | 200L  | 30,0 | 54,0         |
| 50-250/3702                       | 200L  | 37,0 | 65,0         |
| 65-125/402                        | 112M  | 4,0  | 8,3          |
| 65-125/552                        | 132Sa | 5,5  | 11,0         |
| 65-125/752                        | 132S  | 7,5  | 14,6         |
| 65-160/1102                       | 160Ma | 11,0 | 20,7         |
| 65-160/1502                       | 160M  | 15,0 | 28,0         |
| 65-200/1852                       | 160L  | 18,5 | 33,0         |
| 65-200/2202                       | 180M  | 22,0 | 40,0         |
| 65-200/3002                       | 200L  | 30,0 | 54,0         |
| 65-250/3002                       | 200L  | 30,0 | 54,0         |
| 65-250/3702                       | 200L  | 37,0 | 65,0         |
| 65-250/4502                       | 225M  | 45,0 | 78,0         |
| 80-160/1102                       | 160Ma | 11,0 | 20,7         |
| 80-160/1502                       | 160M  | 15,0 | 28,0         |
| 80-160/1852                       | 160L  | 18,5 | 33,0         |
| 80-160/2202                       | 180M  | 22,0 | 40,0         |
| 80-160/3002                       | 200L  | 30,0 | 54,0         |
| 80-200/3002                       | 200L  | 30,0 | 54,0         |
| 80-200/3702                       | 200L  | 37,0 | 65,0         |
| 80-200/4502                       | 225M  | 45,0 | 78,0         |
| 80-250/3002                       | 200L  | 30,0 | 54,0         |
| 80-250/3702                       | 200L  | 37,0 | 65,0         |
| 80-250/4502                       | 225M  | 45,0 | 78,0         |
| 100-160/3002                      | 200L  | 30,0 | 54,0         |
| 100-160/3702                      | 200L  | 37,0 | 65,0         |
| 100-200/3002                      | 200L  | 30,0 | 54,0         |
| 100-200/3702                      | 200L  | 37,0 | 65,0         |
| 100-200/4502                      | 225M  | 45,0 | 78,0         |

| Etabloc                           | Ⓜ     | kW   | 400 V<br>≈ A |
|-----------------------------------|-------|------|--------------|
| <b>≈ 1450 1/min</b> <sup>2)</sup> |       |      |              |
| 25-20/034                         | 71b   | 0,37 | 1,15         |
| 32-125.1/024                      | 71a   | 0,25 | 0,80         |
| 32-160.1/034                      | 71b   | 0,37 | 1,15         |
| 32-200.1/054                      | 80a   | 0,55 | 1,60         |
| 32-250.1/114                      | 90S   | 1,1  | 2,8          |
| 32-250.1/154                      | 90L   | 1,5  | 3,6          |
| 32-125/034                        | 71b   | 0,37 | 1,15         |
| 32-160/054                        | 80a   | 0,55 | 1,60         |
| 32-200/074                        | 80b   | 0,75 | 2,0          |
| 32-200/114                        | 90S   | 1,1  | 2,8          |
| 32-250/154                        | 90L   | 1,5  | 3,6          |
| 32-250/224                        | 100La | 2,2  | 5,1          |
| 40-125/024                        | 71a   | 0,25 | 0,80         |
| 40-125/034                        | 71b   | 0,37 | 1,15         |
| 40-125/054                        | 80a   | 0,55 | 1,6          |
| 40-160/054                        | 80a   | 0,55 | 1,6          |
| 40-160/074                        | 80b   | 0,75 | 2,0          |
| 40-200/114                        | 90S   | 1,1  | 2,8          |
| 40-200/154                        | 90L   | 1,5  | 3,6          |
| 40-250/224                        | 100La | 2,2  | 5,1          |
| 40-250/304                        | 100L  | 3,0  | 6,7          |
| 40-315/304                        | 100L  | 3,0  | 6,7          |
| 40-315/404                        | 112M  | 4,0  | 8,8          |
| 40-315/554                        | 132S  | 5,5  | 12,0         |
| 50-125/054                        | 80a   | 0,55 | 1,6          |
| 50-125/074                        | 80b   | 0,75 | 2,0          |
| 50-160/114                        | 90S   | 1,1  | 2,8          |
| 50-160/154                        | 90L   | 1,5  | 3,6          |
| 50-200/224                        | 100La | 2,2  | 5,1          |
| 50-200/304                        | 100L  | 3,0  | 6,7          |
| 50-250/304                        | 100L  | 3,0  | 6,7          |
| 50-250/404                        | 112M  | 4,0  | 8,8          |
| 50-315/404                        | 112M  | 4,0  | 8,8          |
| 50-315/554                        | 132S  | 5,5  | 11,5         |
| 50-315/754                        | 132M  | 7,5  | 16,0         |
| 65-125/074                        | 80b   | 0,75 | 2,0          |
| 65-125/114                        | 90S   | 1,1  | 2,8          |
| 65-160/114                        | 90S   | 1,1  | 2,8          |
| 65-160/154                        | 90L   | 1,5  | 3,6          |
| 65-160/224                        | 100La | 2,2  | 5,1          |
| 65-200/304                        | 100L  | 3,0  | 6,7          |
| 65-200/404                        | 112M  | 4,0  | 8,8          |
| 65-250/554                        | 132S  | 5,5  | 11,5         |
| 65-315/754                        | 132M  | 7,5  | 15,5         |
| 65-315/1104                       | 160M  | 11,0 | 21,5         |
| 80-160/154                        | 90L   | 1,5  | 3,6          |
| 80-160/224                        | 100La | 2,2  | 5,1          |
| 80-160/304                        | 100L  | 3,0  | 6,7          |
| 80-200/404                        | 112M  | 4,0  | 8,8          |
| 80-200/554                        | 132S  | 5,5  | 11,5         |
| 80-250/754                        | 132M  | 7,5  | 15,5         |
| 80-250/1104                       | 160M  | 11,0 | 21,5         |
| 80-315/1104                       | 160M  | 11,0 | 21,5         |
| 80-315/1504                       | 160L  | 15,0 | 28,5         |
| 80-315/1854                       | 180M  | 18,5 | 35,0         |
| 80-315/2204                       | 180L  | 22,0 | 42,0         |
| 80-400/3004                       | 200L  | 30,0 | 56,0         |
| 80-400/3704                       | 225S  | 37,0 | 67,0         |
| 100-160/304                       | 100L  | 3,0  | 6,7          |
| 100-160/404                       | 112M  | 4,0  | 8,8          |
| 100-200/554                       | 132S  | 5,5  | 11,5         |
| 100-200/754                       | 132M  | 7,5  | 15,5         |
| 100-250/1104                      | 160M  | 11,0 | 21,5         |
| 100-250/1504                      | 160L  | 15,0 | 28,5         |
| 100-315/1854                      | 180M  | 18,5 | 35,0         |
| 100-315/2204                      | 180L  | 22,0 | 42,0         |
| 100-315/3004                      | 200L  | 30,0 | 56,0         |
| 100-400/3004                      | 200L  | 30,0 | 56,0         |
| 100-400/3704                      | 225S  | 37,0 | 67,0         |
| 100-400/4504                      | 225M  | 45,0 | 81,0         |
| 125-200/754                       | 132M  | 7,5  | 15,5         |
| 125-200/1104                      | 160M  | 11,0 | 21,5         |
| 125-250/1504                      | 160L  | 15,0 | 28,5         |
| 125-250/1854                      | 180M  | 18,5 | 35,0         |
| 125-315/3004                      | 200L  | 30,0 | 56,0         |
| 125-315/3704                      | 225S  | 37,0 | 67,0         |
| 125-400/3004                      | 200L  | 30,0 | 56,0         |
| 125-400/3704                      | 225S  | 37,0 | 67,0         |
| 125-400/4504                      | 225M  | 45,0 | 81,0         |
| 150-200/1104                      | 160M  | 11,0 | 21,5         |

| Etabloc                           | Ⓜ    | kW   | 400 V<br>≈ A |
|-----------------------------------|------|------|--------------|
| <b>≈ 1450 1/min</b> <sup>2)</sup> |      |      |              |
| 150-250/1504                      | 160L | 15,0 | 28,5         |
| 150-250/1854                      | 180M | 18,5 | 35,0         |
| 150-250/2204                      | 180L | 22,0 | 42,0         |
| 150-250/3004                      | 200L | 30,0 | 56,0         |
| 150-315/3004                      | 200L | 30,0 | 56,0         |
| 150-315/3704                      | 225S | 37,0 | 67,0         |
| 150-315/4504                      | 225M | 45,0 | 81,0         |

| Etabloc N...ex                    | Ⓜ     | kW   | 400 V<br>≈ A |
|-----------------------------------|-------|------|--------------|
| <b>≈ 2900 1/min</b> <sup>2)</sup> |       |      |              |
| 32-125.1/072                      | 80a   | 0,75 | 1,76         |
| 32-125.1/132                      | 90S   | 1,3  | 2,75         |
| 32-125.1/182                      | 90L   | 1,85 | 3,85         |
| 32-160.1/252                      | 100L  | 2,5  | 5,2          |
| 32-160.1/332                      | 112M  | 3,3  | 6,9          |
| 32-200.1/462                      | 132Sa | 4,6  | 9,0          |
| 32-250.1/752                      | 160Ma | 7,5  | 13,2         |
| 32-125/132                        | 90S   | 1,3  | 2,75         |
| 32-125/182                        | 90L   | 1,85 | 3,85         |
| 32-125/252                        | 100L  | 2,5  | 5,2          |
| 32-160/332                        | 112M  | 3,3  | 6,9          |
| 32-200/462                        | 132S  | 4,6  | 9,0          |
| 32-200/752                        | 160Ma | 7,5  | 13,2         |
| 40-125/182                        | 90L   | 1,85 | 3,85         |
| 40-125/252                        | 100L  | 2,5  | 5,2          |
| 40-125/332                        | 112M  | 3,3  | 6,9          |
| 40-160/462                        | 132Sa | 4,6  | 9,0          |
| 40-160/752                        | 160Ma | 7,5  | 13,2         |
| 50-125/332                        | 112M  | 3,3  | 6,9          |
| 50-125/462                        | 132Sa | 4,6  | 9,0          |
| 50-160/752                        | 160Ma | 7,5  | 13,2         |
| 65-125/462                        | 132Sa | 4,6  | 9,0          |
| 65-125/752                        | 160Ma | 7,5  | 13,2         |
| <b>≈ 1450 1/min</b>               |       |      |              |
| 32-200.1/054                      | 80a   | 0,55 | 1,5          |
| 32-200.1/074                      | 80b   | 0,75 | 2,0          |
| 32-250.1/134                      | 90L   | 1,35 | 3,1          |
| 32-160/054                        | 80a   | 0,55 | 1,5          |
| 32-200/074                        | 80b   | 0,75 | 2,0          |
| 32-250/134                        | 90L   | 1,35 | 3,1          |
| 40-125/054                        | 80a   | 0,55 | 1,5          |
| 40-160/074                        | 80b   | 0,75 | 2,0          |
| 40-200/134                        | 90L   | 1,35 | 3,1          |
| 50-125/054                        | 80a   | 0,55 | 1,5          |
| 50-125/074                        | 80b   | 0,75 | 2,0          |
| 50-160/134                        | 90L   | 1,35 | 3,1          |
| 65-125/074                        | 80b   | 0,75 | 2,0          |
| 65-160/134                        | 90L   | 1,35 | 3,1          |

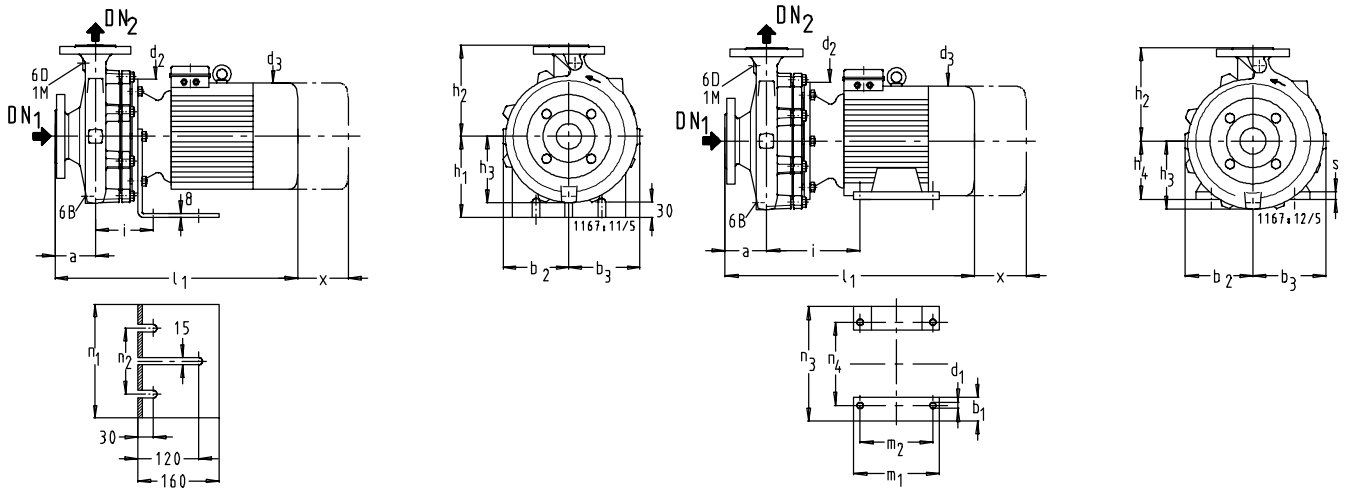
1) zweistufig/two stages/2 étages/a due stadi/tweetraps  
 2) The current values A given are guide values. For exact current values please refer to the motor nameplate.



**Etabloc G, M 25-20/... - 40-250/..., n ≈ 2900 1/min**

mit Stützfuß (bis Motorbaugröße 112 = 4 kW)  
 mit Motorfuß (ab Motorbaugröße 132 = 5,5 kW)  
 with support foot (up to motor size 112 = 4 kW)  
 with motor foot (motor size 132 = 5.5 kW and above)  
 avec béquille (jusqu'à taille de moteur 112 = 4 kW)

avec pied de moteur (à partir de la taille de moteur 132 = 5,5 kW)  
 con piede angolare (fino alla grandezza del motore 112 = 4 kW)  
 con piede di fusione (a partire della grandezza del motore 132 = 5,5 kW)  
 met motorvoet (tot motorgrootte 112 = 4 kW)  
 met motorvoet (vanaf motorgrootte 132 = 5,5 kW)



|     |  |           |
|-----|--|-----------|
| 1 M | Druckmeßgerät-Anschluß / Pressure gauge connection / Indicateur de pression / Manomètre / Manometro / Manometer  | Rc 3/8 1) |
| 6 B | Förderfähigkeit-Entleerung / Casing drain / Vidange du liquide pompé / Scarico del liquido convogliato / Vloeistof- aftap  | Rc 3/8 1) |
| 6 D | Förderfähigkeit-Auffüllen und Entlüften / Filling and venting of medium handled / Remplissage et purge d'air du liquide pompé / Riempimento del liquido convogliato spurgo dell'aria / Vloeistof vullen en ontluften | Rc 3/8 1) |

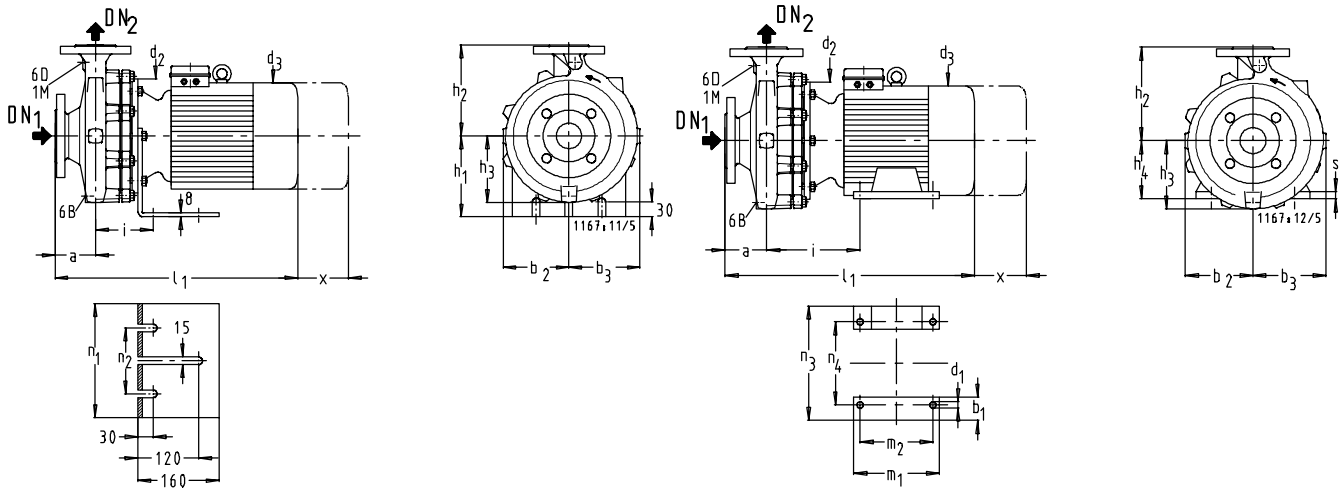
| Etabloc G, M                | DN1 <sup>2)</sup> | DN2 <sup>2)</sup> | a   | b1≈ | b2  | b3  | d1 | d2  | d3≈ | h1  | h2  | h3  | h4  | i   | l1≈ | m1≈ | m2  | n1  | n2  | n3≈ | n4  | s  | x   |
|-----------------------------|-------------------|-------------------|-----|-----|-----|-----|----|-----|-----|-----|-----|-----|-----|-----|-----|-----|-----|-----|-----|-----|-----|----|-----|
| 25-20/152                   | 40                | 25                | 90  |     | 140 | 140 |    | 215 | 178 | 150 | 175 | 140 |     | 105 | 436 |     |     | 214 | 130 |     |     |    | 145 |
| 25-20/222                   | 40                | 25                | 90  |     | 140 | 140 |    | 215 | 178 | 150 | 175 | 140 |     | 105 | 461 |     |     | 214 | 130 |     |     |    | 145 |
| 25-20/302                   | 40                | 25                | 90  |     | 140 | 140 |    | 215 | 198 | 150 | 175 | 140 |     | 105 | 486 |     |     | 214 | 130 |     |     |    | 145 |
| 25-20/402                   | 40                | 25                | 90  |     | 140 | 140 |    | 215 | 222 | 150 | 175 | 140 |     | 105 | 507 |     |     | 214 | 130 |     |     |    | 145 |
| 32-23/402 <sup>3)</sup>     | 40                | 32                | 122 |     | 125 | 135 |    | 215 | 222 | 150 | 175 | 130 |     | 80  | 497 |     |     | 214 | 130 |     |     |    |     |
| 32-23/552 <sup>3)</sup>     | 40                | 32                | 122 |     | 125 | 135 |    | 215 | 222 | 150 | 175 | 130 |     | 80  | 542 |     |     | 214 | 130 |     |     |    |     |
| 32-125.1/072                | 50                | 32                | 80  |     | 113 | 113 |    | 225 | 160 | 160 | 140 | 103 |     | 118 | 426 |     |     | 225 | 130 |     |     |    | 100 |
| 32-125.1/112                | 50                | 32                | 80  |     | 113 | 113 |    | 225 | 160 | 160 | 140 | 103 |     | 118 | 426 |     |     | 225 | 130 |     |     |    | 100 |
| 32-125.1/152.2              | 50                | 32                | 80  |     | 113 | 113 |    | 225 | 178 | 160 | 140 | 103 |     | 118 | 461 |     |     | 225 | 130 |     |     |    | 100 |
| 32-125.1/152.1              | 50                | 32                | 80  |     | 113 | 113 |    | 225 | 178 | 160 | 140 | 103 |     | 118 | 461 |     |     | 225 | 130 |     |     |    | 100 |
| 32-125.1/222                | 50                | 32                | 80  |     | 113 | 113 |    | 225 | 178 | 160 | 140 | 103 |     | 118 | 461 |     |     | 225 | 130 |     |     |    | 100 |
| 32-160.1/222.2              | 50                | 32                | 80  |     | 116 | 125 |    | 225 | 178 | 160 | 160 | 115 |     | 118 | 461 |     |     | 225 | 130 |     |     |    | 100 |
| 32-160.1/222.1              | 50                | 32                | 80  |     | 116 | 125 |    | 225 | 178 | 160 | 160 | 115 |     | 118 | 461 |     |     | 225 | 130 |     |     |    | 100 |
| 32-160.1/302                | 50                | 32                | 80  |     | 116 | 125 |    | 225 | 198 | 160 | 160 | 115 |     | 118 | 498 |     |     | 225 | 130 |     |     |    | 100 |
| 32-200.1/302                | 50                | 32                | 80  |     | 128 | 137 |    | 275 | 198 | 160 | 180 | 130 |     | 118 | 498 |     |     | 225 | 130 |     |     |    | 100 |
| 32-200.1/402.2              | 50                | 32                | 80  |     | 128 | 137 |    | 275 | 222 | 160 | 180 | 130 |     | 118 | 513 |     |     | 225 | 130 |     |     |    | 100 |
| 32-200.1/402.1              | 50                | 32                | 80  |     | 128 | 137 |    | 275 | 222 | 160 | 180 | 130 |     | 118 | 513 |     |     | 225 | 130 |     |     |    | 100 |
| 32-200.1/552                | 50                | 32                | 80  | 43  | 128 | 137 | 12 | 275 | 265 |     | 180 | 130 | 132 | 192 | 546 | 180 | 140 |     |     | 250 | 216 | 15 | 100 |
| 32-250.1/752 <sup>4)</sup>  | 50                | 32                | 100 | 43  | 164 | 171 | 12 | 320 | 265 |     | 225 | 162 | 132 | 198 | 566 | 180 | 140 |     |     | 250 | 216 | 15 | 100 |
| 32-250.1/1102 <sup>4)</sup> | 50                | 32                | 100 | 70  | 164 | 171 | 14 | 320 | 323 |     | 225 | 162 | 160 | 205 | 665 | 260 | 210 |     |     | 320 | 254 | 21 | 100 |
| 32-125/112                  | 50                | 32                | 80  |     | 113 | 113 |    | 225 | 160 | 160 | 140 | 103 |     | 118 | 426 |     |     | 225 | 130 |     |     |    | 100 |
| 32-125/152                  | 50                | 32                | 80  |     | 113 | 113 |    | 225 | 178 | 160 | 140 | 103 |     | 118 | 461 |     |     | 225 | 130 |     |     |    | 100 |
| 32-125/222                  | 50                | 32                | 80  |     | 113 | 113 |    | 225 | 178 | 160 | 140 | 103 |     | 118 | 461 |     |     | 225 | 130 |     |     |    | 100 |
| 32-125/302                  | 50                | 32                | 80  |     | 113 | 113 |    | 225 | 198 | 160 | 140 | 103 |     | 118 | 498 |     |     | 225 | 130 |     |     |    | 100 |
| 32-160/302.2                | 50                | 32                | 80  |     | 113 | 125 |    | 225 | 198 | 160 | 160 | 115 |     | 118 | 498 |     |     | 225 | 130 |     |     |    | 100 |
| 32-160/302.1                | 50                | 32                | 80  |     | 113 | 125 |    | 225 | 198 | 160 | 160 | 115 |     | 118 | 498 |     |     | 225 | 130 |     |     |    | 100 |
| 32-160/402                  | 50                | 32                | 80  |     | 113 | 125 |    | 225 | 222 | 160 | 160 | 115 |     | 118 | 523 |     |     | 225 | 130 |     |     |    | 100 |
| 32-200/552.2 <sup>4)</sup>  | 50                | 32                | 80  | 43  | 132 | 141 | 12 | 275 | 265 |     | 180 | 133 | 132 | 198 | 546 | 180 | 140 |     |     | 250 | 216 | 15 | 100 |
| 32-200/552.1 <sup>4)</sup>  | 50                | 32                | 80  | 43  | 132 | 141 | 12 | 275 | 265 |     | 180 | 133 | 132 | 198 | 546 | 180 | 140 |     |     | 250 | 216 | 15 | 100 |
| 32-200/752 <sup>4)</sup>    | 50                | 32                | 80  | 43  | 132 | 141 | 12 | 275 | 265 |     | 180 | 133 | 132 | 198 | 546 | 180 | 140 |     |     | 250 | 216 | 15 | 100 |
| 32-250/1102.2 <sup>4)</sup> | 50                | 32                | 100 | 70  | 170 | 176 | 14 | 320 | 323 |     | 225 | 168 | 160 | 205 | 665 | 260 | 210 |     |     | 320 | 254 | 21 | 100 |
| 32-250/1102.1 <sup>4)</sup> | 50                | 32                | 100 | 70  | 170 | 176 | 14 | 320 | 323 |     | 225 | 168 | 160 | 205 | 665 | 260 | 210 |     |     | 320 | 254 | 21 | 100 |
| 32-250/1502 <sup>4)</sup>   | 50                | 32                | 100 | 70  | 170 | 176 | 14 | 320 | 323 |     | 225 | 168 | 160 | 205 | 665 | 260 | 210 |     |     | 320 | 254 | 21 | 100 |
| 40-125/152                  | 65                | 40                | 80  |     | 113 | 113 |    | 225 | 178 | 160 | 140 | 103 |     | 118 | 461 |     |     | 225 | 130 |     |     |    | 100 |
| 40-125/222.2                | 65                | 40                | 80  |     | 113 | 113 |    | 225 | 178 | 160 | 140 | 103 |     | 118 | 461 |     |     | 225 | 130 |     |     |    | 100 |
| 40-125/222.1                | 65                | 40                | 80  |     | 113 | 113 |    | 225 | 178 | 160 | 140 | 103 |     | 118 | 461 |     |     | 225 | 130 |     |     |    | 100 |
| 40-125/302.2                | 65                | 40                | 80  |     | 113 | 113 |    | 225 | 198 | 160 | 140 | 103 |     | 118 | 498 |     |     | 225 | 130 |     |     |    | 100 |
| 40-125/302.1                | 65                | 40                | 80  |     | 113 | 113 |    | 225 | 198 | 160 | 140 | 103 |     | 118 | 498 |     |     | 225 | 130 |     |     |    | 100 |
| 40-125/402                  | 65                | 40                | 80  |     | 113 | 113 |    | 225 | 222 | 160 | 140 | 103 |     | 118 | 523 |     |     | 225 | 130 |     |     |    | 100 |
| 40-160/402                  | 65                | 40                | 80  |     | 115 | 131 |    | 225 | 222 | 160 | 160 | 118 |     | 118 | 523 |     |     | 225 | 130 |     |     |    | 100 |
| 40-160/552.2                | 65                | 40                | 80  | 43  | 115 | 131 | 12 | 225 | 265 |     | 160 | 118 | 132 | 198 | 546 | 180 | 140 |     |     | 250 | 216 | 15 | 100 |
| 40-160/552.1                | 65                | 40                | 80  | 43  | 115 | 131 | 12 | 225 | 265 |     | 160 | 118 | 132 | 198 | 546 | 180 | 140 |     |     | 250 | 216 | 15 | 100 |
| 40-160/752                  | 65                | 40                | 80  | 43  | 115 | 131 | 12 | 225 | 265 |     | 160 | 118 | 132 | 198 | 546 | 180 | 140 |     |     | 250 | 216 | 15 | 100 |
| 40-200/752 <sup>4)</sup>    | 65                | 40                | 100 | 43  | 140 | 152 | 12 | 275 | 265 |     | 180 | 140 | 132 | 198 | 566 | 180 | 140 |     |     | 250 | 216 | 15 | 100 |
| 40-200/1102                 | 65                | 40                | 100 | 70  | 140 | 152 | 14 | 275 | 323 |     | 180 | 140 | 160 | 205 | 665 | 260 | 210 |     |     | 320 | 254 | 21 | 100 |
| 40-250/1102 <sup>4)</sup>   | 65                | 40                | 100 | 70  | 165 | 178 | 14 | 320 | 323 |     | 225 | 168 | 160 | 205 | 665 | 260 | 210 |     |     | 320 | 254 | 21 | 100 |
| 40-250/1502.3 <sup>4)</sup> | 65                | 40                | 100 | 70  | 165 | 178 | 14 | 320 | 323 |     | 225 | 168 | 160 | 205 | 665 | 260 | 210 |     |     | 320 | 254 | 21 | 100 |
| 40-250/1502.2 <sup>4)</sup> | 65                | 40                | 100 | 70  | 165 | 178 | 14 | 320 | 323 |     | 225 | 168 | 160 | 205 | 665 | 260 | 210 |     |     | 320 | 254 | 21 | 100 |
| 40-250/1502.1 <sup>4)</sup> | 65                | 40                | 100 | 70  | 165 | 178 | 14 | 320 | 323 |     | 225 | 168 | 160 | 205 | 665 | 260 | 210 |     |     | 320 | 254 | 21 | 100 |
| 40-250/1852.2 <sup>4)</sup> | 65                | 40                | 100 | 70  | 165 | 178 | 14 | 320 | 323 |     | 225 | 168 | 160 | 205 | 808 | 304 | 254 |     |     | 320 | 254 | 21 | 100 |
| 40-250/1852.1 <sup>4)</sup> | 65                | 40                | 100 | 70  | 165 | 178 | 14 | 320 | 323 |     | 225 | 168 | 160 | 205 | 808 | 304 | 254 |     |     | 320 | 254 | 21 | 100 |
| 40-250/2202 <sup>4)</sup>   | 65                | 40                | 100 | 75  | 165 | 178 | 14 | 320 | 355 |     | 225 | 168 | 180 | 219 | 749 | 300 | 241 |     |     | 360 | 279 | 23 | 100 |

1) Rc = ISO 7/1    2) EN 1092-2/DN.../PN 16/21/B    3) zweistufig/two stages/2 étages/a due stadi/tweetraps    4)  $\Delta$  h<sub>3</sub> ≥ h<sub>4</sub>

**Etabloc G, M 50-125/... - 80-160/..., n ≈ 2900 1/min**

mit Stützfuß (bis Motorbaugröße 112 = 4 kW)  
 mit Motorfuß (ab Motorbaugröße 132 = 5,5 kW)  
 with support foot (up to motor size 112 = 4 kW)  
 with motor foot (motor size 132 = 5.5 kW and above)  
 avec béquille (jusqu'à taille de moteur 112 = 4 kW)

avec pied de moteur (à partir de la taille de moteur 132 = 5,5 kW)  
 con piede angolare (fino alla grandezza del motore 112 = 4 kW)  
 con piede di fusione (a partire della grandezza del motore 132 = 5,5 kW)  
 met voetsteen (tot motorgrootte 112 = 4 kW)  
 met motorvoet (vanaf motorgrootte 132 = 5,5 kW)



|     |   |                      |
|-----|---|----------------------|
| 1 M | Druckmeßgerät-Anschluß / Pressure gauge connection / Indicateur de pression / Manomètre / Manometro / Manometer   | Rc 3/8 <sup>1)</sup> |
| 6 B | Förderflüssigkeit-Entleerung / Casing drain / Vidange du liquide pompé / Scarico del liquido convogliato / Vloeistof- aftap   | Rc 3/8 <sup>1)</sup> |
| 6 D | Förderflüssigkeit-Auffüllen und Entlüften / Filling and venting of medium handled / Remplissage et purge d'air du liquide pompé / Riempimento del liquido convogliato spurgo dell'aria / Vloeistof vullen en ontluchten | Rc 3/8 <sup>1)</sup> |

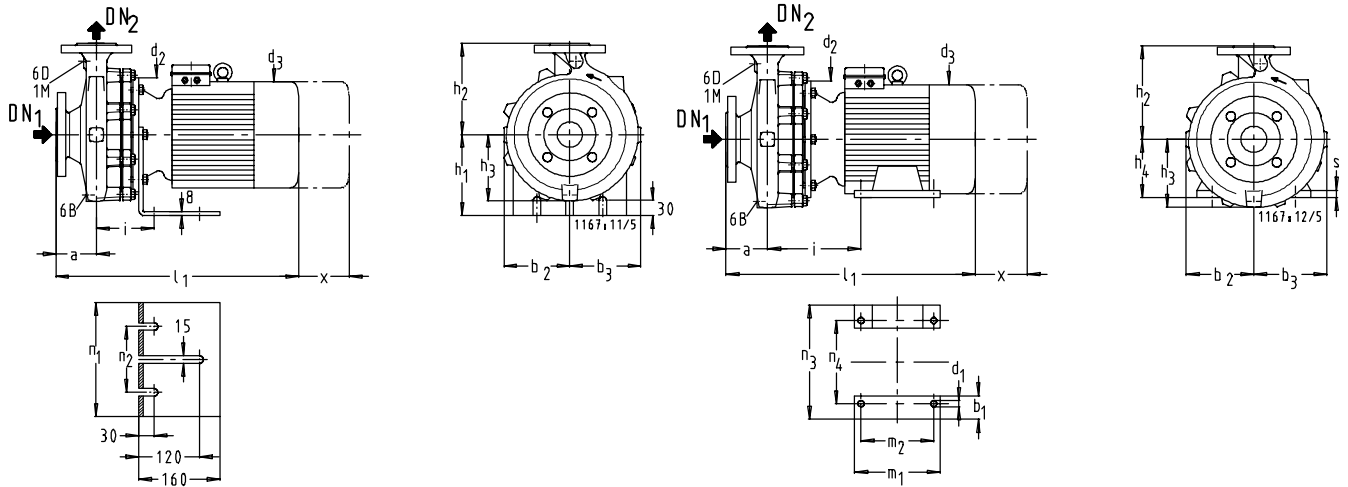
| Etabloc G, M                | DN <sub>1</sub> <sup>2)</sup> | DN <sub>2</sub> <sup>2)</sup> | a   | b <sub>1</sub> ≈ | b <sub>2</sub> | b <sub>3</sub> | d <sub>1</sub> | d <sub>2</sub> | d <sub>3</sub> ≈ | h <sub>1</sub> | h <sub>2</sub> | h <sub>3</sub> | h <sub>4</sub> | i   | l <sub>1</sub> ≈ | l <sub>2</sub> ≈ | m <sub>1</sub> ≈ | m <sub>2</sub> | n <sub>1</sub> | n <sub>2</sub> | n <sub>3</sub> ≈ | n <sub>4</sub> | s  | x   |
|-----------------------------|-------------------------------|-------------------------------|-----|------------------|----------------|----------------|----------------|----------------|------------------|----------------|----------------|----------------|----------------|-----|------------------|------------------|------------------|----------------|----------------|----------------|------------------|----------------|----|-----|
| 50-125/302                  | 65                            | 50                            | 100 |                  | 113            | 128            |                | 225            | 198              | 160            | 160            | 112            |                | 118 | 518              |                  |                  |                | 225            | 130            |                  |                |    | 100 |
| 50-125/402                  | 65                            | 50                            | 100 |                  | 113            | 128            |                | 225            | 222              | 160            | 160            | 112            |                | 118 | 543              |                  |                  |                | 225            | 130            |                  |                |    | 100 |
| 50-125/552.2                | 65                            | 50                            | 100 | 43               | 113            | 128            | 12             | 225            | 265              |                | 160            | 112            | 132            | 198 | 566              | 180              | 140              |                |                |                | 250              | 216            | 15 | 100 |
| 50-125/552.1                | 65                            | 50                            | 100 | 43               | 113            | 128            | 12             | 225            | 265              |                | 160            | 112            | 132            | 198 | 566              | 180              | 140              |                |                |                | 250              | 216            | 15 | 100 |
| 50-125/752                  | 65                            | 50                            | 100 | 43               | 113            | 128            | 12             | 225            | 265              |                | 160            | 112            | 132            | 198 | 566              | 180              | 140              |                |                |                | 250              | 216            | 15 | 100 |
| 50-160/752 <sup>3)</sup>    | 65                            | 50                            | 100 | 43               | 126            | 147            | 12             | 225            | 265              |                | 180            | 134            | 132            | 198 | 566              | 180              | 140              |                |                |                | 250              | 216            | 15 | 100 |
| 50-160/1102                 | 65                            | 50                            | 100 | 70               | 126            | 147            | 14             | 225            | 323              |                | 180            | 134            | 160            | 205 | 665              | 260              | 210              |                |                |                | 320              | 254            | 21 | 100 |
| 50-200/1502.2               | 65                            | 50                            | 100 | 70               | 145            | 165            | 14             | 275            | 323              |                | 200            | 152            | 160            | 205 | 665              | 260              | 210              |                |                |                | 320              | 254            | 21 | 100 |
| 50-200/1502.1               | 65                            | 50                            | 100 | 70               | 145            | 165            | 14             | 275            | 323              |                | 200            | 152            | 160            | 205 | 665              | 260              | 210              |                |                |                | 320              | 254            | 21 | 100 |
| 50-200/1852.2               | 65                            | 50                            | 100 | 70               | 145            | 165            | 14             | 275            | 323              |                | 200            | 152            | 160            | 205 | 809              | 304              | 254              |                |                |                | 320              | 254            | 21 | 100 |
| 50-200/1852.1               | 65                            | 50                            | 100 | 70               | 145            | 165            | 14             | 275            | 323              |                | 200            | 152            | 160            | 205 | 809              | 304              | 254              |                |                |                | 320              | 254            | 21 | 100 |
| 50-200/2202                 | 65                            | 50                            | 100 | 75               | 145            | 165            | 14             | 275            | 355              |                | 200            | 152            | 180            | 219 | 749              | 300              | 241              |                |                |                | 360              | 279            | 23 | 100 |
| 65-125/402                  | 80                            | 65                            | 100 |                  | 120            | 148            |                | 225            | 222              | 160            | 180            | 132            |                | 118 | 543              |                  |                  |                | 225            | 130            |                  |                |    | 100 |
| 65-125/552 <sup>3)</sup>    | 80                            | 65                            | 100 | 43               | 120            | 148            | 12             | 225            | 265              |                | 180            | 132            | 132            | 198 | 566              | 180              | 140              |                |                |                | 250              | 216            | 15 | 100 |
| 65-125/752 <sup>3)</sup>    | 80                            | 65                            | 100 | 43               | 120            | 148            | 12             | 225            | 265              |                | 180            | 132            | 132            | 198 | 566              | 180              | 140              |                |                |                | 250              | 216            | 15 | 100 |
| 65-160/1102.2               | 80                            | 65                            | 100 | 70               | 130            | 158            | 14             | 225            | 323              |                | 200            | 140            | 160            | 205 | 665              | 260              | 210              |                |                |                | 320              | 254            | 21 | 100 |
| 65-160/1102.1               | 80                            | 65                            | 100 | 70               | 130            | 158            | 14             | 225            | 323              |                | 200            | 140            | 160            | 205 | 665              | 260              | 210              |                |                |                | 320              | 254            | 21 | 100 |
| 65-160/1502                 | 80                            | 65                            | 100 | 70               | 130            | 158            | 14             | 225            | 323              |                | 200            | 140            | 160            | 205 | 665              | 260              | 210              |                |                |                | 320              | 254            | 21 | 100 |
| 65-200/1852 <sup>3)</sup>   | 80                            | 65                            | 100 | 70               | 154            | 177            | 14             | 275            | 323              |                | 225            | 161            | 160            | 205 | 809              | 304              | 254              |                |                |                | 320              | 254            | 21 | 140 |
| 65-200/2202                 | 80                            | 65                            | 100 | 75               | 154            | 177            | 14             | 275            | 355              |                | 225            | 161            | 180            | 219 | 749              | 300              | 241              |                |                |                | 360              | 279            | 23 | 140 |
| 80-160/1102 <sup>3)</sup>   | 100                           | 80                            | 125 | 70               | 153            | 192            | 14             | 225            | 323              |                | 225            | 168            | 160            | 205 | 690              | 260              | 210              |                |                |                | 320              | 254            | 21 | 140 |
| 80-160/1502 <sup>3)</sup>   | 100                           | 80                            | 125 | 70               | 153            | 192            | 14             | 225            | 323              |                | 225            | 168            | 160            | 205 | 690              | 260              | 210              |                |                |                | 320              | 254            | 21 | 140 |
| 80-160/1852.2 <sup>3)</sup> | 100                           | 80                            | 125 | 70               | 153            | 192            | 14             | 225            | 323              |                | 225            | 168            | 160            | 205 | 834              | 304              | 254              |                |                |                | 320              | 254            | 21 | 140 |
| 80-160/1852.1 <sup>3)</sup> | 100                           | 80                            | 125 | 70               | 153            | 192            | 14             | 225            | 323              |                | 225            | 168            | 160            | 205 | 834              | 304              | 254              |                |                |                | 320              | 254            | 21 | 140 |
| 80-160/2202                 | 100                           | 80                            | 125 | 75               | 153            | 192            | 14             | 225            | 355              |                | 225            | 168            | 180            | 219 | 774              | 300              | 241              |                |                |                | 360              | 279            | 23 | 140 |

1) Rc = ISO 7/1    2) DN = EN 1092-2/DN../PN 16/21/B    3)  $\triangle$  h<sub>3</sub> ≥ h<sub>4</sub>

**Etabloc G, M 25-20/... - 50-315/..., n ≈ 1450 1/min**

mit Stützfuß (bis Motorbaugröße 112 = 4 kW)  
 mit Motorfuß (ab Motorbaugröße 132 = 5,5 kW)  
 with support foot (up to motor size 112 = 4 kW)  
 with motor foot (motor size 132 = 5.5 kW and above)  
 avec béquille (jusqu'à taille de moteur 112 = 4 kW)

avec pied de moteur (à partir de la taille de moteur 132 = 5,5 kW)  
 con piede angolare (fino alla grandezza del motore 112 = 4 kW)  
 con piede di fusione (a partire della grandezza del motore 132 = 5,5 kW)  
 met voetsteun (tot motorgrootte 112 = 4 kW)  
 met motorvoet (vanaf motorgrootte 132 = 5,5 kW)



|     |  |                      |
|-----|--|----------------------|
| 1 M | Druckmeßgerät-Anschluß / Pressure gauge connection / Indicateur de pression / Manomètre / Manometro / Manometer  | Rc 3/8 <sup>1)</sup> |
| 6 B | Förderflüssigkeit-Entleerung / Casing drain / Vidange du liquide pompé / Scarico del liquido convogliato / Vloeistof- aftap  | Rc 3/8 <sup>1)</sup> |
| 6 D | Förderflüssigkeit-Auffüllen und Entlüften / Filling and venting of medium handled / Remplissage et purge d'air du liquide pompé / Riempimento del liquido convogliato spurgo dell'aria / Vloeistof vullen en ontluften | Rc 3/8 <sup>1)</sup> |

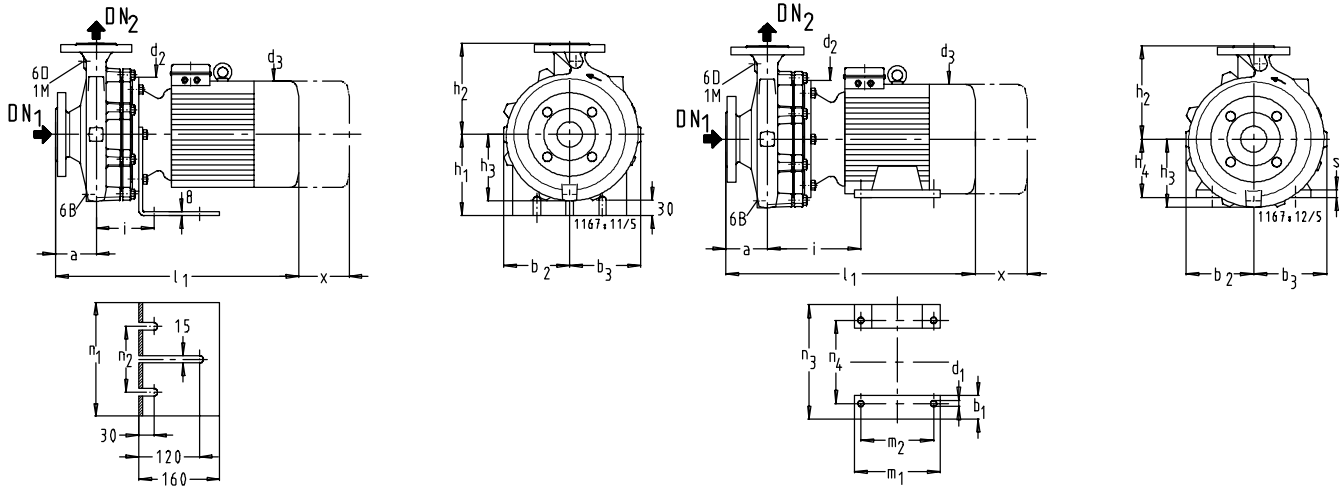
| Etabloc G, M                 | DN <sub>1</sub> <sup>2)</sup> | DN <sub>2</sub> <sup>2)</sup> | a   | b <sub>1</sub> ≈ | b <sub>2</sub> | b <sub>3</sub> | d <sub>1</sub> | d <sub>2</sub> | d <sub>3</sub> ≈ | h <sub>1</sub> | h <sub>2</sub> | h <sub>3</sub> | h <sub>4</sub> | i   | l <sub>1</sub> ≈ | m <sub>1</sub> ≈ | m <sub>2</sub> | n <sub>1</sub> | n <sub>2</sub> | n <sub>3</sub> ≈ | n <sub>4</sub> | s  | x   |
|------------------------------|-------------------------------|-------------------------------|-----|------------------|----------------|----------------|----------------|----------------|------------------|----------------|----------------|----------------|----------------|-----|------------------|------------------|----------------|----------------|----------------|------------------|----------------|----|-----|
| 25-20/034                    | 40                            | 25                            | 90  |                  | 140            | 140            |                | 215            | 138              | 150            | 175            | 140            |                | 105 | 465              |                  |                | 214            | 130            |                  |                |    | 145 |
| 32-125.1/024.1               | 50                            | 32                            | 80  |                  | 113            | 113            |                | 225            | 143              | 160            | 140            | 103            |                | 118 | 409              |                  |                | 225            | 130            |                  |                |    | 100 |
| 32-125.1/024.2               | 50                            | 32                            | 80  |                  | 113            | 113            |                | 225            | 143              | 160            | 140            | 103            |                | 118 | 409              |                  |                | 225            | 130            |                  |                |    | 100 |
| 32-160.1/034                 | 50                            | 32                            | 80  |                  | 116            | 125            |                | 225            | 143              | 160            | 160            | 115            |                | 118 | 409              |                  |                | 225            | 130            |                  |                |    | 100 |
| 32-200.1/054                 | 50                            | 32                            | 80  |                  | 128            | 137            |                | 275            | 160              | 160            | 180            | 130            |                | 118 | 426              |                  |                | 225            | 130            |                  |                |    | 100 |
| 32-250.1/114.2 <sup>3)</sup> | 50                            | 32                            | 100 |                  | 164            | 171            |                | 320            | 178              | 160            | 225            | 162            |                | 118 | 481              |                  |                | 225            | 130            |                  |                |    | 100 |
| 32-250.1/114.1 <sup>3)</sup> | 50                            | 32                            | 100 |                  | 164            | 171            |                | 320            | 178              | 160            | 225            | 162            |                | 118 | 481              |                  |                | 225            | 130            |                  |                |    | 100 |
| 32-250/154 <sup>3)</sup>     | 50                            | 32                            | 100 |                  | 164            | 171            |                | 320            | 178              | 160            | 225            | 162            |                | 118 | 481              |                  |                | 225            | 130            |                  |                |    | 100 |
| 32-125/034                   | 50                            | 32                            | 80  |                  | 113            | 113            |                | 225            | 143              | 160            | 140            | 103            |                | 118 | 409              |                  |                | 225            | 130            |                  |                |    | 100 |
| 32-160/054                   | 50                            | 32                            | 80  |                  | 113            | 125            |                | 225            | 160              | 160            | 160            | 115            |                | 118 | 426              |                  |                | 225            | 130            |                  |                |    | 100 |
| 32-200/074                   | 50                            | 32                            | 80  |                  | 132            | 141            |                | 275            | 160              | 160            | 180            | 133            |                | 118 | 426              |                  |                | 225            | 130            |                  |                |    | 100 |
| 32-200/114                   | 50                            | 32                            | 80  |                  | 132            | 141            |                | 275            | 178              | 160            | 180            | 133            |                | 118 | 461              |                  |                | 225            | 130            |                  |                |    | 100 |
| 32-250/154.2 <sup>3)</sup>   | 50                            | 32                            | 100 |                  | 170            | 176            |                | 320            | 178              | 160            | 225            | 168            |                | 118 | 481              |                  |                | 225            | 130            |                  |                |    | 100 |
| 32-250/154.1 <sup>3)</sup>   | 50                            | 32                            | 100 |                  | 170            | 176            |                | 320            | 178              | 160            | 225            | 168            |                | 118 | 481              |                  |                | 225            | 130            |                  |                |    | 100 |
| 32-250/224 <sup>3)</sup>     | 50                            | 32                            | 100 |                  | 170            | 176            |                | 320            | 198              | 160            | 225            | 168            |                | 118 | 518              |                  |                | 225            | 130            |                  |                |    | 100 |
| 40-125/024                   | 65                            | 40                            | 80  |                  | 113            | 113            |                | 225            | 143              | 160            | 140            | 103            |                | 118 | 409              |                  |                | 225            | 130            |                  |                |    | 100 |
| 40-125/034                   | 65                            | 40                            | 80  |                  | 113            | 113            |                | 225            | 143              | 160            | 140            | 103            |                | 118 | 409              |                  |                | 225            | 130            |                  |                |    | 100 |
| 40-125/054                   | 65                            | 40                            | 80  |                  | 113            | 113            |                | 225            | 160              | 160            | 140            | 103            |                | 118 | 426              |                  |                | 225            | 130            |                  |                |    | 100 |
| 40-160/054                   | 65                            | 40                            | 80  |                  | 115            | 131            |                | 225            | 160              | 160            | 160            | 118            |                | 118 | 426              |                  |                | 225            | 130            |                  |                |    | 100 |
| 40-160/074                   | 65                            | 40                            | 80  |                  | 115            | 131            |                | 225            | 160              | 160            | 160            | 118            |                | 118 | 426              |                  |                | 225            | 130            |                  |                |    | 100 |
| 40-200/114.2                 | 65                            | 40                            | 100 |                  | 140            | 152            |                | 275            | 178              | 160            | 180            | 140            |                | 118 | 481              |                  |                | 225            | 130            |                  |                |    | 100 |
| 40-200/114.1                 | 65                            | 40                            | 100 |                  | 140            | 152            |                | 275            | 178              | 160            | 180            | 140            |                | 118 | 481              |                  |                | 225            | 130            |                  |                |    | 100 |
| 40-200/154                   | 65                            | 40                            | 100 |                  | 140            | 152            |                | 275            | 178              | 160            | 180            | 140            |                | 118 | 481              |                  |                | 225            | 130            |                  |                |    | 100 |
| 40-250/224.2 <sup>3)</sup>   | 65                            | 40                            | 100 |                  | 165            | 178            |                | 320            | 198              | 160            | 225            | 168            |                | 118 | 518              |                  |                | 225            | 130            |                  |                |    | 100 |
| 40-250/224.1 <sup>3)</sup>   | 65                            | 40                            | 100 |                  | 165            | 178            |                | 320            | 198              | 160            | 225            | 168            |                | 118 | 518              |                  |                | 225            | 130            |                  |                |    | 100 |
| 40-250/304 <sup>3)</sup>     | 65                            | 40                            | 100 |                  | 165            | 178            |                | 320            | 198              | 160            | 225            | 168            |                | 118 | 518              |                  |                | 225            | 130            |                  |                |    | 100 |
| 40-315/304.2 <sup>3)</sup>   | 65                            | 40                            | 125 |                  | 194            | 203            |                | 400            | 198              | 180            | 250            | 196            |                | 144 | 575              |                  |                | 260            | 180            |                  |                |    | 100 |
| 40-315/304.1 <sup>3)</sup>   | 65                            | 40                            | 125 |                  | 194            | 203            |                | 400            | 198              | 180            | 250            | 196            |                | 144 | 575              |                  |                | 260            | 180            |                  |                |    | 100 |
| 40-315/404.2 <sup>3)</sup>   | 65                            | 40                            | 125 |                  | 194            | 203            |                | 400            | 222              | 180            | 250            | 196            |                | 144 | 578              |                  |                | 260            | 180            |                  |                |    | 100 |
| 40-315/404.1 <sup>3)</sup>   | 65                            | 40                            | 125 |                  | 194            | 203            |                | 400            | 222              | 180            | 250            | 196            |                | 144 | 578              |                  |                | 260            | 180            |                  |                |    | 100 |
| 40-315/554 <sup>3)</sup>     | 65                            | 40                            | 125 | 43               | 194            | 203            | 12             | 400            | 265              |                | 250            | 196            | 132            | 221 | 614              | 180              | 140            |                |                | 250              | 216            | 15 | 100 |
| 50-125/054                   | 65                            | 50                            | 100 |                  | 113            | 128            |                | 225            | 160              | 160            | 160            | 112            |                | 118 | 446              |                  |                | 225            | 130            |                  |                |    | 100 |
| 50-125/074                   | 65                            | 50                            | 100 |                  | 113            | 128            |                | 225            | 160              | 160            | 160            | 112            |                | 118 | 446              |                  |                | 225            | 130            |                  |                |    | 100 |
| 50-160/114                   | 65                            | 50                            | 100 |                  | 126            | 147            |                | 225            | 178              | 160            | 180            | 134            |                | 118 | 481              |                  |                | 225            | 130            |                  |                |    | 100 |
| 50-160/154                   | 65                            | 50                            | 100 |                  | 126            | 147            |                | 225            | 178              | 160            | 180            | 134            |                | 118 | 481              |                  |                | 225            | 130            |                  |                |    | 100 |
| 50-200/224.2                 | 65                            | 50                            | 100 |                  | 145            | 165            |                | 275            | 198              | 160            | 200            | 152            |                | 118 | 518              |                  |                | 225            | 130            |                  |                |    | 100 |
| 50-200/224.1                 | 65                            | 50                            | 100 |                  | 145            | 165            |                | 275            | 198              | 160            | 200            | 152            |                | 118 | 518              |                  |                | 225            | 130            |                  |                |    | 100 |
| 50-200/304                   | 65                            | 50                            | 100 |                  | 145            | 165            |                | 275            | 198              | 160            | 200            | 152            |                | 118 | 518              |                  |                | 225            | 130            |                  |                |    | 100 |
| 50-250/304 <sup>3)</sup>     | 65                            | 50                            | 100 |                  | 168            | 184            |                | 320            | 198              | 160            | 225            | 172            |                | 118 | 518              |                  |                | 225            | 130            |                  |                |    | 100 |
| 50-250/404 <sup>3)</sup>     | 65                            | 50                            | 100 |                  | 168            | 184            |                | 320            | 222              | 160            | 225            | 172            |                | 118 | 543              |                  |                | 225            | 130            |                  |                |    | 100 |
| 50-315/404 <sup>3)</sup>     | 65                            | 50                            | 125 |                  | 200            | 216            |                | 400            | 222              | 180            | 280            | 204            |                | 144 | 578              |                  |                | 260            | 180            |                  |                |    | 100 |
| 50-315/554.2 <sup>3)</sup>   | 65                            | 50                            | 125 | 43               | 200            | 216            | 12             | 400            | 265              |                | 280            | 204            | 132            | 221 | 614              | 180              | 140            |                |                | 250              | 216            | 15 | 100 |
| 50-315/554.1 <sup>3)</sup>   | 65                            | 50                            | 125 | 43               | 200            | 216            | 12             | 400            | 265              |                | 280            | 204            | 132            | 221 | 614              | 180              | 140            |                |                | 250              | 216            | 15 | 100 |
| 50-315/754 <sup>3)</sup>     | 65                            | 50                            | 125 | 43               | 200            | 216            | 12             | 400            | 265              |                | 280            | 204            | 132            | 221 | 652              | 218              | 178            |                |                | 250              | 216            | 15 | 100 |

1) Rc = ISO 7/1    2) DN = EN 1092-2/DN.../PN 16/21/B    3)  $\triangle$   $h_3 \geq h_1 / h_3 \geq h_4$

## Etabloc G, M 65-125/... - 150-250/..., n ≈ 1450 1/min

mit Stützfuß (bis Motorbaugröße 112 = 4 kW)  
 mit Motorfuß (ab Motorbaugröße 132 = 5,5 kW)  
 with support foot (up to motor size 112 = 4 kW)  
 with motor foot (motor size 132 = 5.5 kW and above)  
 avec béquille (jusqu'à taille de moteur 112 = 4 kW)  
 met motorvoet (vanaf motorgrootte 132 = 5,5 kW)

avec pied de moteur (à partir de la taille de moteur 132 = 5,5 kW)  
 con piede angolare (fino alla grandezza del motore 112 = 4 kW)  
 con piede di fusione (a partire della grandezza del motore 132 = 5,5 kW)  
 met voetsteun (tot motorgrootte 112 = 4 kW)  
 met motorvoet (vanaf motorgrootte 132 = 5,5 kW)



|     |  |                      |
|-----|--|----------------------|
| 1 M | Druckmeßgerät-Anschluß / Pressure gauge connection / Indicateur de pression / Manomètre / Manometro / Manometer  | Rc 3/8 <sup>1)</sup> |
| 6 B | Förderflüssigkeit-Entleerung / Casing drain / Vidange du liquide pompé / Scarico del liquido convogliato / Vloeistof- aftap  | Rc 3/8 <sup>1)</sup> |
| 6 D | Förderflüssigkeit-Auffüllen und Entlüften / Filling and venting of medium handled / Remplissage et purge d'air du liquide pompé / Riempimento del liquido convogliato spurgo dell'aria / Vloeistof vullen en ontluichten | Rc 3/8 <sup>1)</sup> |

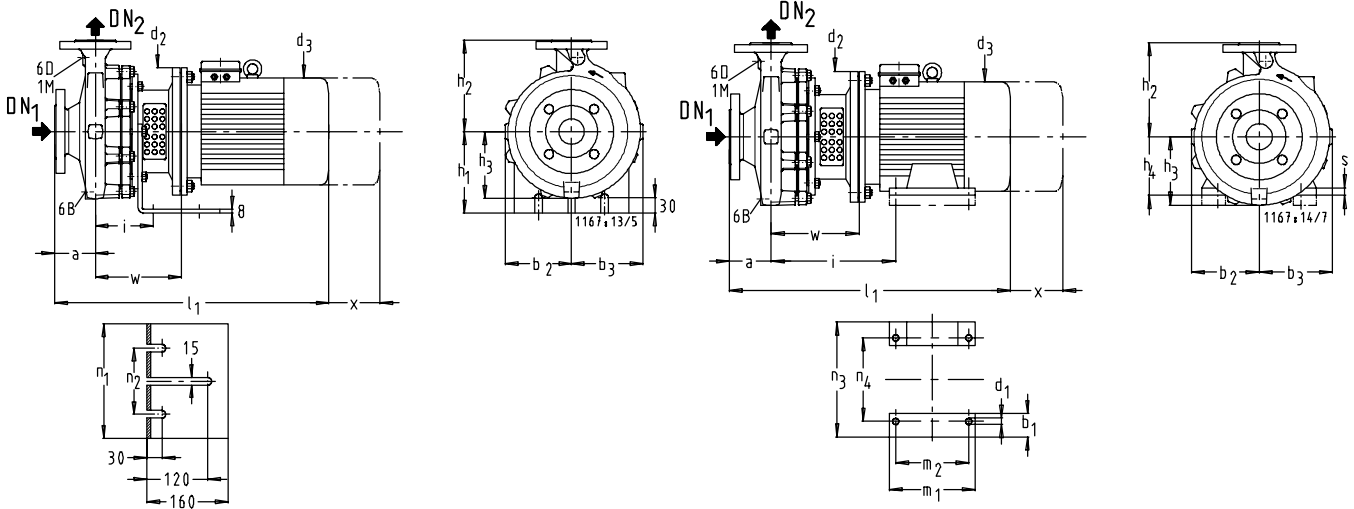
| Etabloc G, M                 | DN <sub>1</sub> <sup>2)</sup> | DN <sub>2</sub> <sup>2)</sup> | a   | b <sub>1</sub> ≈ | b <sub>2</sub> | b <sub>3</sub> | d <sub>1</sub> | d <sub>2</sub> | d <sub>3</sub> ≈ | h <sub>1</sub> | h <sub>2</sub> | h <sub>3</sub> | h <sub>4</sub> | i   | l <sub>1</sub> ≈ | m <sub>1</sub> ≈ | m <sub>2</sub> | n <sub>1</sub> | n <sub>2</sub> | n <sub>3</sub> ≈ | n <sub>4</sub> | s  | x   |
|------------------------------|-------------------------------|-------------------------------|-----|------------------|----------------|----------------|----------------|----------------|------------------|----------------|----------------|----------------|----------------|-----|------------------|------------------|----------------|----------------|----------------|------------------|----------------|----|-----|
| 65-125/074                   | 80                            | 65                            | 100 |                  | 120            | 148            |                | 225            | 160              | 160            | 180            | 132            |                | 118 | 446              |                  |                | 225            | 130            |                  |                |    | 100 |
| 65-125/114                   | 80                            | 65                            | 100 |                  | 120            | 148            |                | 225            | 178              | 160            | 180            | 132            |                | 118 | 481              |                  |                | 225            | 130            |                  |                |    | 100 |
| 65-160/114                   | 80                            | 65                            | 100 |                  | 130            | 158            |                | 225            | 178              | 160            | 200            | 140            |                | 118 | 481              |                  |                | 225            | 130            |                  |                |    | 100 |
| 65-160/154.2                 | 80                            | 65                            | 100 |                  | 130            | 158            |                | 225            | 178              | 160            | 200            | 140            |                | 118 | 481              |                  |                | 225            | 130            |                  |                |    | 100 |
| 65-160/154.1                 | 80                            | 65                            | 100 |                  | 130            | 158            |                | 225            | 178              | 160            | 200            | 140            |                | 118 | 481              |                  |                | 225            | 130            |                  |                |    | 100 |
| 65-160/224                   | 80                            | 65                            | 100 |                  | 130            | 158            |                | 225            | 198              | 160            | 200            | 140            |                | 118 | 518              |                  |                | 225            | 130            |                  |                |    | 100 |
| 65-200/304.2 <sup>3)</sup>   | 80                            | 65                            | 100 |                  | 154            | 177            |                | 275            | 198              | 160            | 225            | 161            |                | 118 | 518              |                  |                | 225            | 130            |                  |                |    | 140 |
| 65-200/304.1 <sup>3)</sup>   | 80                            | 65                            | 100 |                  | 154            | 177            |                | 275            | 198              | 160            | 225            | 161            |                | 118 | 518              |                  |                | 225            | 130            |                  |                |    | 140 |
| 65-200/404 <sup>3)</sup>     | 80                            | 65                            | 100 |                  | 154            | 177            |                | 275            | 222              | 160            | 225            | 161            |                | 118 | 543              |                  |                | 225            | 130            |                  |                |    | 140 |
| 65-250/554 <sup>3)</sup>     | 80                            | 65                            | 100 | 43               | 180            | 200            | 12             | 320            | 265              |                | 250            | 186            | 132            | 221 | 589              | 180              | 140            |                |                | 250              | 216            | 15 | 140 |
| 65-315/754.2 <sup>3)</sup>   | 80                            | 65                            | 125 | 43               | 208            | 229            | 12             | 400            | 265              |                | 280            | 214            | 132            | 221 | 652              | 218              | 178            |                |                | 250              | 216            | 15 | 140 |
| 65-315/754.1 <sup>3)</sup>   | 80                            | 65                            | 125 | 43               | 208            | 229            | 12             | 400            | 265              |                | 280            | 214            | 132            | 221 | 652              | 218              | 178            |                |                | 250              | 216            | 15 | 140 |
| 65-315/1104 <sup>3)</sup>    | 80                            | 65                            | 125 | 70               | 208            | 229            | 14             | 400            | 323              |                | 280            | 214            | 160            | 228 | 713              | 260              | 210            |                |                | 320              | 254            | 21 | 140 |
| 80-160/154 <sup>3)</sup>     | 100                           | 80                            | 125 |                  | 153            | 192            |                | 225            | 178              | 160            | 225            | 168            |                | 118 | 506              |                  |                | 225            | 130            |                  |                |    | 140 |
| 80-160/224.2 <sup>3)</sup>   | 100                           | 80                            | 125 |                  | 153            | 192            |                | 225            | 198              | 160            | 225            | 168            |                | 118 | 543              |                  |                | 225            | 130            |                  |                |    | 140 |
| 80-160/224.1 <sup>3)</sup>   | 100                           | 80                            | 125 |                  | 153            | 192            |                | 225            | 198              | 160            | 225            | 168            |                | 118 | 543              |                  |                | 225            | 130            |                  |                |    | 140 |
| 80-160/304 <sup>3)</sup>     | 100                           | 80                            | 125 |                  | 153            | 192            |                | 225            | 198              | 160            | 225            | 168            |                | 118 | 543              |                  |                | 225            | 130            |                  |                |    | 140 |
| 80-200/404.2                 | 100                           | 80                            | 125 |                  | 161            | 189            |                | 275            | 222              | 180            | 250            | 170            |                | 114 | 578              |                  |                | 260            | 180            |                  |                |    | 140 |
| 80-200/404.1                 | 100                           | 80                            | 125 |                  | 161            | 189            |                | 275            | 222              | 180            | 250            | 170            |                | 114 | 578              |                  |                | 260            | 180            |                  |                |    | 140 |
| 80-200/554 <sup>3)</sup>     | 100                           | 80                            | 125 | 43               | 161            | 189            | 12             | 275            | 265              |                | 250            | 170            | 132            | 221 | 614              | 180              | 140            |                |                | 250              | 216            | 15 | 140 |
| 80-250/754.2 <sup>3)</sup>   | 100                           | 80                            | 125 | 43               | 184            | 210            | 12             | 320            | 265              |                | 280            | 195            | 132            | 221 | 652              | 218              | 178            |                |                | 250              | 216            | 15 | 140 |
| 80-250/754.1 <sup>3)</sup>   | 100                           | 80                            | 125 | 43               | 184            | 210            | 12             | 320            | 265              |                | 280            | 195            | 132            | 221 | 652              | 218              | 178            |                |                | 250              | 216            | 15 | 140 |
| 80-250/1104 <sup>3)</sup>    | 100                           | 80                            | 125 | 70               | 184            | 210            | 14             | 320            | 323              |                | 280            | 195            | 160            | 228 | 713              | 260              | 210            |                |                | 320              | 254            | 21 | 140 |
| 80-315/1104 <sup>3)</sup>    | 100                           | 80                            | 125 | 70               | 220            | 244            | 14             | 400            | 323              |                | 315            | 228            | 160            | 228 | 713              | 260              | 210            |                |                | 320              | 254            | 21 | 140 |
| 80-315/1504.2 <sup>3)</sup>  | 100                           | 80                            | 125 | 70               | 220            | 244            | 14             | 400            | 323              |                | 315            | 228            | 160            | 228 | 757              | 304              | 254            |                |                | 320              | 254            | 21 | 140 |
| 80-315/1504.1 <sup>3)</sup>  | 100                           | 80                            | 125 | 70               | 220            | 244            | 14             | 400            | 323              |                | 315            | 228            | 160            | 228 | 757              | 304              | 254            |                |                | 320              | 254            | 21 | 140 |
| 80-315/1854 <sup>3)</sup>    | 100                           | 80                            | 125 | 80               | 220            | 244            | 14             | 400            | 360              |                | 315            | 228            | 180            | 242 | 781              | 300              | 241            |                |                | 360              | 279            | 23 | 140 |
| 80-315/2204 <sup>3)</sup>    | 100                           | 80                            | 125 | 80               | 220            | 244            | 14             | 400            | 360              |                | 315            | 228            | 180            | 242 | 819              | 340              | 279            |                |                | 360              | 279            | 23 | 140 |
| 100-160/304 <sup>3)</sup>    | 125                           | 100                           | 125 |                  | 178            | 225            |                | 225            | 198              | 180            | 280            | 196            |                | 144 | 575              |                  |                | 260            | 180            |                  |                |    | 140 |
| 100-160/404 <sup>3)</sup>    | 125                           | 100                           | 125 |                  | 178            | 225            |                | 225            | 222              | 180            | 280            | 196            |                | 144 | 578              |                  |                | 260            | 180            |                  |                |    | 140 |
| 100-200/554 <sup>3)</sup>    | 125                           | 100                           | 125 | 43               | 173            | 213            | 12             | 275            | 265              |                | 280            | 190            | 132            | 221 | 614              | 180              | 140            |                |                | 250              | 216            | 15 | 140 |
| 100-200/754 <sup>3)</sup>    | 125                           | 100                           | 125 | 43               | 173            | 213            | 12             | 275            | 265              |                | 280            | 190            | 132            | 221 | 652              | 218              | 178            |                |                | 250              | 216            | 15 | 140 |
| 100-250/1104.2 <sup>3)</sup> | 125                           | 100                           | 140 | 70               | 190            | 220            | 14             | 320            | 323              |                | 280            | 201            | 160            | 228 | 728              | 260              | 210            |                |                | 320              | 254            | 21 | 140 |
| 100-250/1104.1 <sup>3)</sup> | 125                           | 100                           | 140 | 70               | 190            | 220            | 14             | 320            | 323              |                | 280            | 201            | 160            | 228 | 728              | 260              | 210            |                |                | 320              | 254            | 21 | 140 |
| 100-250/1504 <sup>3)</sup>   | 125                           | 100                           | 140 | 70               | 190            | 220            | 14             | 320            | 323              |                | 280            | 201            | 160            | 228 | 772              | 304              | 254            |                |                | 320              | 254            | 21 | 140 |
| 100-315/1854.2 <sup>3)</sup> | 125                           | 100                           | 140 | 80               | 225            | 255            | 14             | 400            | 360              |                | 315            | 237            | 180            | 242 | 796              | 300              | 241            |                |                | 360              | 279            | 23 | 140 |
| 100-315/1854.1 <sup>3)</sup> | 125                           | 100                           | 140 | 80               | 225            | 255            | 14             | 400            | 360              |                | 315            | 237            | 180            | 242 | 796              | 300              | 241            |                |                | 360              | 279            | 23 | 140 |
| 100-315/2204 <sup>3)</sup>   | 125                           | 100                           | 140 | 80               | 225            | 255            | 14             | 400            | 360              |                | 315            | 237            | 180            | 242 | 834              | 340              | 279            |                |                | 360              | 279            | 23 | 140 |
| 125-200/754 <sup>3)</sup>    | 150                           | 125                           | 140 | 43               | 195            | 244            | 12             | 275            | 265              |                | 315            | 216            | 132            | 221 | 657              | 218              | 178            |                |                | 250              | 216            | 15 | 140 |
| 125-200/1104 <sup>3)</sup>   | 150                           | 125                           | 140 | 70               | 195            | 244            | 14             | 275            | 323              |                | 315            | 216            | 160            | 228 | 728              | 260              | 210            |                |                | 320              | 254            | 21 | 140 |
| 125-250/1504 <sup>3)</sup>   | 150                           | 125                           | 140 | 70               | 226            | 275            | 14             | 320            | 323              |                | 355            | 245            | 160            | 228 | 772              | 304              | 254            |                |                | 320              | 254            | 21 | 140 |
| 125-250/1854 <sup>3)</sup>   | 150                           | 125                           | 140 | 80               | 226            | 275            | 14             | 320            | 360              |                | 355            | 245            | 180            | 242 | 796              | 300              | 241            |                |                | 360              | 279            | 23 | 140 |
| 150-200/1104 <sup>3)</sup>   | 200                           | 150                           | 160 | 70               | 238            | 315            | 14             | 225            | 323              |                | 400            | 275            | 160            | 228 | 748              | 260              | 210            |                |                | 320              | 254            | 21 | 140 |
| 150-250/1504 <sup>3)</sup>   | 200                           | 150                           | 160 | 70               | 228            | 298            | 14             | 320            | 323              |                | 400            | 260            | 160            | 228 | 792              | 304              | 254            |                |                | 320              | 254            | 21 | 140 |
| 150-250/1854 <sup>3)</sup>   | 200                           | 150                           | 160 | 80               | 228            | 298            | 14             | 320            | 360              |                | 400            | 260            | 180            | 242 | 816              | 300              | 241            |                |                | 360              | 279            | 23 | 140 |
| 150-250/2204 <sup>3)</sup>   | 200                           | 150                           | 160 | 80               | 228            | 298            | 14             | 320            | 360              |                | 400            | 260            | 180            | 242 | 854              | 340              | 279            |                |                | 360              | 279            | 23 | 140 |

1) Rc = ISO 7/1      2) ≤ DN 150 = EN 1092-2/DN.../PN 16/21/B  
 DN 200 = EN 1092-2/DN 200/PN 10/21/B      3)  $\Delta$  h<sub>3</sub> ≥ h<sub>1</sub> / h<sub>3</sub> ≥ h<sub>4</sub>

### Etabloc GN, MN 32-125/... - 40-250/..., n ≈ 2900 1/min

mit Stützfuß (bis Motorbaugröße 112 = 4 kW)  
 mit Motorfuß (ab Motorbaugröße 132 = 5,5 kW)  
 with support foot (up to motor size 112 = 4 kW)  
 with motor foot (motor size 132 = 5.5 kW and above)  
 avec béquille (jusqu'à taille de moteur 112 = 4 kW)

avec pied de moteur (à partir de la taille de moteur 132 = 5,5 kW)  
 con piede angolare (fino alla grandezza del motore 112 = 4 kW)  
 con piede di fusione (a partire della grandezza del motore 132 = 5,5 kW)  
 met voetsteen (tot motorgrootte 112 = 4 kW)  
 met motorvoet (vanaf motorgrootte 132 = 5,5 kW)



|     |  |           |
|-----|--|-----------|
| 1 M | Druckmeßgerät-Anschluß / Pressure gauge connection / Indicateur de pression / Manomètre / Manometro / Manometer  | Rc 3/8 1) |
| 6 B | Förderflüssigkeit-Entleerung / Casing drain / Vidange du liquide pompé / Scarico del liquido convogliato / Vloeistof- aftap  | Rc 3/8 1) |
| 6 D | Förderflüssigkeit-Auffüllen und Entlüften / Filling and venting of medium handled / Remplissage et purge d'air du liquide pompé / Riempimento del liquido convogliato spurgo dell'aria / Vloeistof vullen en ontluften | Rc 3/8 1) |

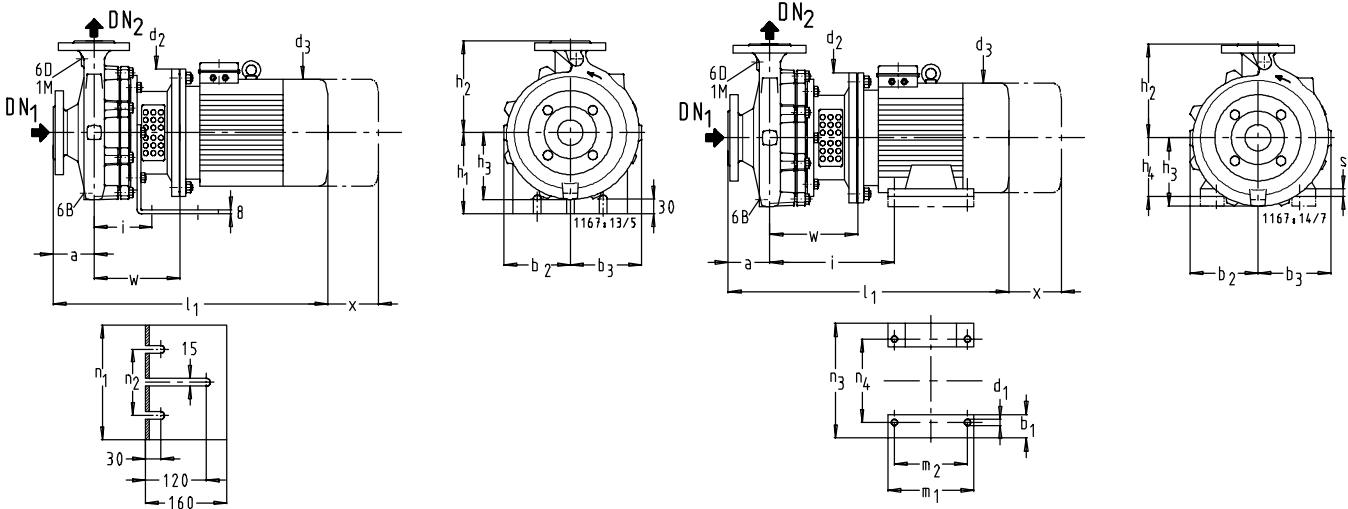
| Etabloc GN, MN     | DN <sub>1</sub> <sup>2)</sup> | DN <sub>2</sub> <sup>2)</sup> | a   | b <sub>1</sub> ≈ | b <sub>2</sub> | b <sub>3</sub> | d <sub>1</sub> | d <sub>2</sub> | d <sub>3</sub> ≈ | h <sub>1</sub> | h <sub>2</sub> | h <sub>3</sub> | h <sub>4</sub> | i   | l <sub>1</sub> ≈ | m <sub>1</sub> ≈ | m <sub>2</sub> | n <sub>1</sub> | n <sub>2</sub> | n <sub>3</sub> ≈ | n <sub>4</sub> | s  | w   | x   |
|--------------------|-------------------------------|-------------------------------|-----|------------------|----------------|----------------|----------------|----------------|------------------|----------------|----------------|----------------|----------------|-----|------------------|------------------|----------------|----------------|----------------|------------------|----------------|----|-----|-----|
| 32-125.1/072       | 50                            | 32                            | 80  |                  | 113            | 113            |                | 200            | 160              | 160            | 140            | 103            |                | 118 | 457              |                  |                | 225            | 130            |                  |                |    | 156 | 100 |
| 32-125.1/112       | 50                            | 32                            | 80  |                  | 113            | 113            |                | 200            | 160              | 160            | 140            | 103            |                | 118 | 491              |                  |                | 225            | 130            |                  |                |    | 156 | 100 |
| 32-125.1/152.2     | 50                            | 32                            | 80  |                  | 113            | 113            |                | 200            | 178              | 160            | 140            | 103            |                | 118 | 518              |                  |                | 225            | 130            |                  |                |    | 156 | 100 |
| 32-125.1/152.1     | 50                            | 32                            | 80  |                  | 113            | 113            |                | 200            | 178              | 160            | 140            | 103            |                | 118 | 518              |                  |                | 225            | 130            |                  |                |    | 156 | 100 |
| 32-125.1/222       | 50                            | 32                            | 80  |                  | 113            | 113            |                | 200            | 178              | 160            | 140            | 103            |                | 118 | 525              |                  |                | 225            | 130            |                  |                |    | 156 | 100 |
| 32-160.1/222.2     | 50                            | 32                            | 80  |                  | 116            | 125            |                | 200            | 178              | 160            | 160            | 115            |                | 118 | 525              |                  |                | 225            | 130            |                  |                |    | 156 | 100 |
| 32-160.1/222.1     | 50                            | 32                            | 80  |                  | 116            | 125            |                | 200            | 178              | 160            | 160            | 115            |                | 118 | 525              |                  |                | 225            | 130            |                  |                |    | 156 | 100 |
| 32-160.1/302       | 50                            | 32                            | 80  |                  | 116            | 125            |                | 250            | 198              | 160            | 160            | 115            |                | 118 | 563              |                  |                | 225            | 130            |                  |                |    | 170 | 100 |
| 32-200.1/302       | 50                            | 32                            | 80  |                  | 128            | 137            |                | 250            | 198              | 160            | 180            | 130            |                | 118 | 563              |                  |                | 225            | 130            |                  |                |    | 170 | 100 |
| 32-200.1/402.2     | 50                            | 32                            | 80  |                  | 128            | 137            |                | 250            | 222              | 160            | 180            | 130            |                | 118 | 584              |                  |                | 225            | 130            |                  |                |    | 170 | 100 |
| 32-200.1/402.1     | 50                            | 32                            | 80  |                  | 128            | 137            |                | 250            | 222              | 160            | 180            | 130            |                | 118 | 584              |                  |                | 225            | 130            |                  |                |    | 170 | 100 |
| 32-200.1/552 3)    | 50                            | 32                            | 80  | 43               | 128            | 137            | 12             | 300            | 265              |                | 180            | 130            | 132            | 282 | 672              | 220              | 140            |                |                | 270              | 216            | 15 | 193 | 100 |
| 32-250.1/752 3)4)  | 50                            | 32                            | 100 | 43               | 164            | 171            | 12             | 300            | 265              |                | 225            | 162            | 132            | 282 | 692              | 220              | 140            |                |                | 270              | 216            | 15 | 193 | 100 |
| 32-250.1/1102 3)4) | 50                            | 32                            | 100 | 70               | 164            | 171            | 14             | 350            | 323              |                | 225            | 162            | 160            | 334 | 872              | 300              | 210            |                |                | 320              | 254            | 21 | 226 | 100 |
| 32-125/112         | 50                            | 32                            | 80  |                  | 113            | 113            |                | 200            | 160              | 160            | 140            | 103            |                | 118 | 491              |                  |                | 225            | 130            |                  |                |    | 156 | 100 |
| 32-125/152         | 50                            | 32                            | 80  |                  | 113            | 113            |                | 200            | 178              | 160            | 140            | 103            |                | 118 | 518              |                  |                | 225            | 130            |                  |                |    | 156 | 100 |
| 32-125/222         | 50                            | 32                            | 80  |                  | 113            | 113            |                | 200            | 178              | 160            | 140            | 103            |                | 118 | 525              |                  |                | 225            | 130            |                  |                |    | 156 | 100 |
| 32-125/302         | 50                            | 32                            | 80  |                  | 113            | 113            |                | 250            | 198              | 160            | 140            | 103            |                | 118 | 563              |                  |                | 225            | 130            |                  |                |    | 170 | 100 |
| 32-160/302.2       | 50                            | 32                            | 80  |                  | 113            | 125            |                | 250            | 198              | 160            | 160            | 115            |                | 118 | 563              |                  |                | 225            | 130            |                  |                |    | 170 | 100 |
| 32-160/302.1       | 50                            | 32                            | 80  |                  | 113            | 125            |                | 250            | 198              | 160            | 160            | 115            |                | 118 | 563              |                  |                | 225            | 130            |                  |                |    | 170 | 100 |
| 32-160/402         | 50                            | 32                            | 80  |                  | 113            | 125            |                | 250            | 222              | 160            | 160            | 115            |                | 118 | 584              |                  |                | 225            | 130            |                  |                |    | 170 | 100 |
| 32-200/552.2 3)4)  | 50                            | 32                            | 80  | 43               | 132            | 141            | 12             | 300            | 265              |                | 180            | 133            | 132            | 282 | 672              | 220              | 140            |                |                | 270              | 216            | 15 | 193 | 100 |
| 32-200/552.1 3)4)  | 50                            | 32                            | 80  | 43               | 132            | 141            | 12             | 300            | 265              |                | 180            | 133            | 132            | 282 | 672              | 220              | 140            |                |                | 270              | 216            | 15 | 193 | 100 |
| 32-200/752 3)4)    | 50                            | 32                            | 80  | 43               | 132            | 141            | 12             | 300            | 265              |                | 180            | 133            | 132            | 282 | 672              | 220              | 140            |                |                | 270              | 216            | 15 | 193 | 100 |
| 32-250/1102.2 3)4) | 50                            | 32                            | 100 | 70               | 170            | 176            | 14             | 350            | 323              |                | 225            | 168            | 160            | 334 | 872              | 300              | 210            |                |                | 320              | 254            | 21 | 226 | 100 |
| 32-250/1102.1 3)4) | 50                            | 32                            | 100 | 70               | 170            | 176            | 14             | 350            | 323              |                | 225            | 168            | 160            | 334 | 872              | 300              | 210            |                |                | 320              | 254            | 21 | 226 | 100 |
| 32-250/1502 3)4)   | 50                            | 32                            | 100 | 70               | 170            | 176            | 14             | 350            | 323              |                | 225            | 168            | 160            | 334 | 872              | 300              | 210            |                |                | 320              | 254            | 21 | 226 | 100 |
| 40-125/152         | 65                            | 40                            | 80  |                  | 113            | 113            |                | 200            | 178              | 160            | 140            | 103            |                | 118 | 518              |                  |                | 225            | 130            |                  |                |    | 156 | 100 |
| 40-125/222.2       | 65                            | 40                            | 80  |                  | 113            | 113            |                | 200            | 178              | 160            | 140            | 103            |                | 118 | 525              |                  |                | 225            | 130            |                  |                |    | 156 | 100 |
| 40-125/222.1       | 65                            | 40                            | 80  |                  | 113            | 113            |                | 200            | 178              | 160            | 140            | 103            |                | 118 | 525              |                  |                | 225            | 130            |                  |                |    | 156 | 100 |
| 40-125/302.2       | 65                            | 40                            | 80  |                  | 113            | 113            |                | 250            | 198              | 160            | 140            | 103            |                | 118 | 563              |                  |                | 225            | 130            |                  |                |    | 170 | 100 |
| 40-125/302.1       | 65                            | 40                            | 80  |                  | 113            | 113            |                | 250            | 198              | 160            | 140            | 103            |                | 118 | 563              |                  |                | 225            | 130            |                  |                |    | 170 | 100 |
| 40-125/402         | 65                            | 40                            | 80  |                  | 113            | 113            |                | 250            | 222              | 160            | 140            | 103            |                | 118 | 584              |                  |                | 225            | 130            |                  |                |    | 170 | 100 |
| 40-160/402         | 65                            | 40                            | 80  |                  | 115            | 131            |                | 250            | 222              | 160            | 160            | 118            |                | 118 | 584              |                  |                | 225            | 130            |                  |                |    | 170 | 100 |
| 40-160/552.2 3)    | 65                            | 40                            | 80  | 43               | 115            | 131            | 12             | 300            | 265              |                | 160            | 118            | 132            | 282 | 672              | 220              | 140            |                |                | 270              | 216            | 15 | 193 | 100 |
| 40-160/552.1 3)    | 65                            | 40                            | 80  | 43               | 115            | 131            | 12             | 300            | 265              |                | 160            | 118            | 132            | 282 | 672              | 220              | 140            |                |                | 270              | 216            | 15 | 193 | 100 |
| 40-160/752 3)      | 65                            | 40                            | 80  | 43               | 115            | 131            | 12             | 300            | 265              |                | 160            | 118            | 132            | 282 | 672              | 220              | 140            |                |                | 270              | 216            | 15 | 193 | 100 |
| 40-200/752 3)4)    | 65                            | 40                            | 100 | 43               | 140            | 152            | 12             | 300            | 265              |                | 180            | 140            | 132            | 282 | 692              | 220              | 140            |                |                | 270              | 216            | 15 | 193 | 100 |
| 40-200/1102 3)     | 65                            | 40                            | 100 | 70               | 140            | 152            | 14             | 350            | 323              |                | 180            | 140            | 160            | 334 | 872              | 300              | 210            |                |                | 320              | 254            | 21 | 226 | 100 |
| 40-250/1102 3)4)   | 65                            | 40                            | 100 | 70               | 165            | 178            | 14             | 350            | 323              |                | 225            | 168            | 160            | 334 | 872              | 300              | 210            |                |                | 320              | 254            | 21 | 226 | 100 |
| 40-250/1502.3 3)4) | 65                            | 40                            | 100 | 70               | 165            | 178            | 14             | 350            | 323              |                | 225            | 168            | 160            | 334 | 872              | 300              | 210            |                |                | 320              | 254            | 21 | 226 | 100 |
| 40-250/1502.2 3)4) | 65                            | 40                            | 100 | 70               | 165            | 178            | 14             | 350            | 323              |                | 225            | 168            | 160            | 334 | 872              | 300              | 210            |                |                | 320              | 254            | 21 | 226 | 100 |
| 40-250/1502.1 3)4) | 65                            | 40                            | 100 | 70               | 165            | 178            | 14             | 350            | 323              |                | 225            | 168            | 160            | 334 | 872              | 300              | 210            |                |                | 320              | 254            | 21 | 226 | 100 |
| 40-250/1852.2 3)4) | 65                            | 40                            | 100 | 70               | 165            | 178            | 14             | 350            | 323              |                | 225            | 168            | 160            | 334 | 872              | 314              | 254            |                |                | 320              | 254            | 21 | 226 | 100 |
| 40-250/1852.1 3)4) | 65                            | 40                            | 100 | 70               | 165            | 178            | 14             | 350            | 323              |                | 225            | 168            | 160            | 334 | 872              | 314              | 254            |                |                | 320              | 254            | 21 | 226 | 100 |
| 40-250/2202        | 65                            | 40                            | 100 | 80               | 165            | 178            | 14             | 350            | 355              |                | 225            | 168            | 180            | 347 | 936              | 320              | 241            |                |                | 360              | 279            | 23 | 226 | 100 |

1) Rc = ISO 7/1    2) DN = EN 1092-2/DN.../PN 16/21/B    3) On these pump sizes, the motor feet have to be underpinned by 20 mm thick shims    4)  $h_3 \geq h_4$

**Etabloc GN, MN 50-125/... - 80-160/..., Etabloc GN, MN ... ex, n ≈ 2900 1/min**

mit Stützfuß (bis Motorbaugröße 112 = 4 kW, ex = 3,3 kW)  
 mit Motorfuß (ab Motorbaugröße 132 = 5,5 kW, ex = 4,6 kW)  
 with support foot (up to motor size 112 = 4 kW, ex = 3,3 kW)  
 with motor foot (motor size 132 = 5.5 kW, ex = 4.6 kW and above)  
 avec béquille (jusqu'à taille de moteur 112 = 4 kW, ex = 3,3 kW)  
 avec pied de moteur (à partir de la taille de moteur 132 = 5,5 kW, ex = 4,6 kW)

con piede angolare (fino alla grandezza del motore 112 = 4 kW, ex = 3,3 kW)  
 con piede di fusione (a partire della grandezza del motore 132 = 5,5 kW, ex = 4,6 kW)  
 met voetsteun (tot motorgrootte 112 = 4 kW, ex = 3,3 kW)  
 met motorvoet (vanaf motorgrootte 132 = 5,5 kW, ex = 4,6 kW)



|     |   |                      |
|-----|---|----------------------|
| 1 M | Druckmeßgerät-Anschluß / Pressure gauge connection / Indicateur de pression / Manomètre / Manometro / Manometer   | Rc 3/8 <sup>1)</sup> |
| 6 B | Förderflüssigkeit-Entleerung / Casing drain / Vidange du liquide pompé / Scarico del liquido convogliato / Vloeistof- aftap   | Rc 3/8 <sup>1)</sup> |
| 6 D | Förderflüssigkeit-Auffüllen und Entlüften / Filling and venting of medium handled / Remplissage et purge d'air du liquide pompé / Riempimento del liquido convogliato spurgo dell'aria / Vloeistof vullen en ontluchten | Rc 3/8 <sup>1)</sup> |

| Etabloc GN, MN                | DN <sub>1</sub> <sup>2)</sup> | DN <sub>2</sub> <sup>2)</sup> | a   | b <sub>1</sub> ≈ | b <sub>2</sub> | b <sub>3</sub> | d <sub>1</sub> | d <sub>2</sub> | d <sub>3</sub> ≈ | h <sub>1</sub> | h <sub>2</sub> | h <sub>3</sub> | h <sub>4</sub> | i   | l <sub>1</sub> ≈ | m <sub>1</sub> ≈ | m <sub>2</sub> | n <sub>1</sub> | n <sub>2</sub> | n <sub>3</sub> ≈ | n <sub>4</sub> | s  | w   | x   |
|-------------------------------|-------------------------------|-------------------------------|-----|------------------|----------------|----------------|----------------|----------------|------------------|----------------|----------------|----------------|----------------|-----|------------------|------------------|----------------|----------------|----------------|------------------|----------------|----|-----|-----|
| 50-125/302                    | 65                            | 50                            | 100 |                  | 113            | 128            |                | 250            | 198              | 160            | 160            | 112            |                | 118 | 583              |                  |                | 225            | 130            |                  |                |    | 170 | 100 |
| 50-125/402                    | 65                            | 50                            | 100 |                  | 113            | 128            |                | 250            | 222              | 160            | 160            | 112            |                | 118 | 604              |                  |                | 225            | 130            |                  |                |    | 170 | 100 |
| 50-125/552.2 <sup>3)</sup>    | 65                            | 50                            | 100 | 43               | 113            | 128            | 12             | 300            | 265              |                | 160            | 112            | 132            | 282 | 692              | 220              | 140            |                |                | 270              | 216            | 15 | 193 | 100 |
| 50-125/552.1 <sup>3)</sup>    | 65                            | 50                            | 100 | 43               | 113            | 128            | 12             | 300            | 265              |                | 160            | 112            | 132            | 282 | 692              | 220              | 140            |                |                | 270              | 216            | 15 | 193 | 100 |
| 50-125/752 <sup>3)</sup>      | 65                            | 50                            | 100 | 43               | 113            | 128            | 12             | 300            | 265              |                | 160            | 112            | 132            | 282 | 692              | 220              | 140            |                |                | 270              | 216            | 15 | 193 | 100 |
| 50-160/752 <sup>3)4)</sup>    | 65                            | 50                            | 100 | 43               | 126            | 147            | 12             | 300            | 265              |                | 180            | 134            | 132            | 282 | 692              | 220              | 140            |                |                | 270              | 216            | 15 | 193 | 100 |
| 50-160/1102 <sup>3)</sup>     | 65                            | 50                            | 100 | 70               | 126            | 147            | 14             | 350            | 323              |                | 180            | 134            | 160            | 334 | 872              | 300              | 210            |                |                | 320              | 254            | 21 | 226 | 100 |
| 50-200/1502.2 <sup>3)</sup>   | 65                            | 50                            | 100 | 70               | 145            | 165            | 14             | 350            | 323              |                | 200            | 152            | 160            | 334 | 872              | 300              | 210            |                |                | 320              | 254            | 21 | 226 | 100 |
| 50-200/1502.1 <sup>3)</sup>   | 65                            | 50                            | 100 | 70               | 145            | 165            | 14             | 350            | 323              |                | 200            | 152            | 160            | 334 | 872              | 300              | 210            |                |                | 320              | 254            | 21 | 226 | 100 |
| 50-200/1852.2 <sup>3)</sup>   | 65                            | 50                            | 100 | 70               | 145            | 165            | 14             | 350            | 323              |                | 200            | 152            | 160            | 334 | 872              | 314              | 254            |                |                | 320              | 254            | 21 | 226 | 100 |
| 50-200/1852.1 <sup>3)</sup>   | 65                            | 50                            | 100 | 70               | 145            | 165            | 14             | 350            | 323              |                | 200            | 152            | 160            | 334 | 872              | 314              | 254            |                |                | 320              | 254            | 21 | 226 | 100 |
| 50-200/2202                   | 65                            | 50                            | 100 | 80               | 145            | 165            | 14             | 350            | 355              |                | 200            | 152            | 180            | 347 | 936              | 320              | 241            |                |                | 360              | 279            | 23 | 226 | 100 |
| 50-250/1852 <sup>3)4)</sup>   | 65                            | 50                            | 100 | 70               | 168            | 184            | 14             | 350            | 323              |                | 225            | 172            | 160            | 334 | 872              | 314              | 254            |                |                | 320              | 254            | 21 | 226 | 100 |
| 50-250/2202                   | 65                            | 50                            | 100 | 80               | 168            | 184            | 14             | 350            | 355              |                | 225            | 172            | 180            | 347 | 936              | 320              | 241            |                |                | 360              | 279            | 23 | 226 | 100 |
| 65-125/402                    | 80                            | 65                            | 100 |                  | 120            | 148            |                | 250            | 222              | 160            | 180            | 132            |                | 118 | 604              |                  |                | 225            | 130            |                  |                |    | 170 | 100 |
| 65-125/552 <sup>3)4)9)</sup>  | 80                            | 65                            | 100 | 43               | 120            | 148            | 12             | 300            | 265              |                | 180            | 132            | 132            | 282 | 692              | 220              | 140            |                |                | 270              | 216            | 15 | 193 | 100 |
| 65-125/752 <sup>3)4)9)</sup>  | 80                            | 65                            | 100 | 43               | 120            | 148            | 12             | 300            | 265              |                | 180            | 132            | 132            | 282 | 692              | 220              | 140            |                |                | 270              | 216            | 15 | 193 | 100 |
| 65-160/1102.2 <sup>3)</sup>   | 80                            | 65                            | 100 | 70               | 130            | 158            | 14             | 350            | 323              |                | 200            | 140            | 160            | 334 | 872              | 300              | 210            |                |                | 320              | 254            | 21 | 226 | 100 |
| 65-160/1102.1 <sup>3)</sup>   | 80                            | 65                            | 100 | 70               | 130            | 158            | 14             | 350            | 323              |                | 200            | 140            | 160            | 334 | 872              | 300              | 210            |                |                | 320              | 254            | 21 | 226 | 100 |
| 65-160/1502 <sup>3)</sup>     | 80                            | 65                            | 100 | 70               | 130            | 158            | 14             | 350            | 323              |                | 200            | 140            | 160            | 334 | 872              | 300              | 210            |                |                | 320              | 254            | 21 | 226 | 100 |
| 65-200/1852 <sup>3)4)</sup>   | 80                            | 65                            | 100 | 70               | 154            | 177            | 14             | 350            | 323              |                | 225            | 161            | 160            | 334 | 872              | 314              | 254            |                |                | 320              | 254            | 21 | 226 | 140 |
| 65-200/2202                   | 80                            | 65                            | 100 | 80               | 154            | 177            | 14             | 350            | 355              |                | 225            | 161            | 180            | 347 | 936              | 320              | 241            |                |                | 360              | 279            | 23 | 226 | 140 |
| 80-160/1102 <sup>3)4)</sup>   | 100                           | 80                            | 125 | 70               | 153            | 192            | 14             | 350            | 323              |                | 225            | 168            | 160            | 334 | 897              | 300              | 210            |                |                | 320              | 254            | 21 | 226 | 140 |
| 80-160/1502 <sup>3)4)</sup>   | 100                           | 80                            | 125 | 70               | 153            | 192            | 14             | 350            | 323              |                | 225            | 168            | 160            | 334 | 897              | 300              | 210            |                |                | 320              | 254            | 21 | 226 | 140 |
| 80-160/1852.2 <sup>3)4)</sup> | 100                           | 80                            | 125 | 70               | 153            | 192            | 14             | 350            | 323              |                | 225            | 168            | 160            | 334 | 897              | 314              | 254            |                |                | 320              | 254            | 21 | 226 | 140 |
| 80-160/1852.1 <sup>3)4)</sup> | 100                           | 80                            | 125 | 70               | 153            | 192            | 14             | 350            | 323              |                | 225            | 168            | 160            | 334 | 897              | 314              | 254            |                |                | 320              | 254            | 21 | 226 | 140 |
| 80-160/2202                   | 100                           | 80                            | 125 | 80               | 153            | 192            | 14             | 350            | 355              |                | 225            | 168            | 180            | 347 | 961              | 320              | 241            |                |                | 360              | 279            | 23 | 226 | 140 |

| Etabloc GN, MN ... ex        | DN <sub>1</sub> <sup>2)</sup> | DN <sub>2</sub> <sup>2)</sup> | a   | b <sub>1</sub> ≈ | b <sub>2</sub> | b <sub>3</sub> | d <sub>1</sub> | d <sub>2</sub> | d <sub>3</sub> ≈ | h <sub>1</sub> | h <sub>2</sub> | h <sub>3</sub> | h <sub>4</sub> | i   | l <sub>1</sub> ≈ | m <sub>1</sub> ≈ | m <sub>2</sub> | n <sub>1</sub> | n <sub>2</sub> | n <sub>3</sub> ≈ | n <sub>4</sub> | s  | w   | x   |
|------------------------------|-------------------------------|-------------------------------|-----|------------------|----------------|----------------|----------------|----------------|------------------|----------------|----------------|----------------|----------------|-----|------------------|------------------|----------------|----------------|----------------|------------------|----------------|----|-----|-----|
| 32-125.1/072                 | 50                            | 32                            | 80  |                  | 113            | 113            |                | 200            | 160              | 160            | 140            | 103            |                | 118 | 463              |                  |                | 225            | 130            |                  |                |    | 156 | 100 |
| 32-125.1/132                 | 50                            | 32                            | 80  |                  | 113            | 113            |                | 200            | 176              | 160            | 140            | 103            |                | 118 | 472              |                  |                | 225            | 130            |                  |                |    | 156 | 100 |
| 32-125.1/182                 | 50                            | 32                            | 80  |                  | 113            | 113            |                | 200            | 176              | 160            | 140            | 103            |                | 118 | 497              |                  |                | 225            | 130            |                  |                |    | 156 | 100 |
| 32-160.1/252                 | 50                            | 32                            | 80  |                  | 116            | 125            |                | 250            | 198              | 160            | 160            | 115            |                | 118 | 555              |                  |                | 225            | 130            |                  |                |    | 170 | 100 |
| 32-160.1/332                 | 50                            | 32                            | 80  |                  | 116            | 125            |                | 250            | 222              | 160            | 160            | 115            |                | 118 | 569              |                  |                | 225            | 130            |                  |                |    | 170 | 100 |
| 32-200.1/462 <sup>3)</sup>   | 50                            | 32                            | 80  | 43               | 128            | 137            | 12             | 300            | 265              |                | 180            | 130            | 132            | 282 | 635              | 220              | 140            |                |                | 270              | 216            | 15 | 193 | 100 |
| 32-250.1/752 <sup>3)4)</sup> | 50                            | 32                            | 100 | 70               | 164            | 171            | 14             | 350            | 323              |                | 225            | 162            | 160            | 334 | 799              | 300              | 210            |                |                | 320              | 254            | 21 | 226 | 100 |
| 32-125/132                   | 50                            | 32                            | 80  |                  | 113            | 113            |                | 200            | 176              | 160            | 140            | 103            |                | 118 | 472              |                  |                | 225            | 130            |                  |                |    | 156 | 100 |
| 32-125/182                   | 50                            | 32                            | 80  |                  | 113            | 113            |                | 200            | 176              | 160            | 140            | 103            |                | 118 | 497              |                  |                | 225            | 130            |                  |                |    | 156 | 100 |
| 32-125/252                   | 50                            | 32                            | 80  |                  | 113            | 113            |                | 250            | 198              | 160            | 140            | 103            |                | 118 | 555              |                  |                | 225            | 130            |                  |                |    | 170 | 100 |
| 32-160/332                   | 50                            | 32                            | 80  |                  | 113            | 125            |                | 250            | 222              | 160            | 160            | 115            |                | 118 | 569              |                  |                | 225            | 130            |                  |                |    | 170 | 100 |
| 32-200/462 <sup>3)4)</sup>   | 50                            | 32                            | 80  | 43               | 132            | 141            | 12             | 300            | 265              |                | 180            | 133            | 132            | 282 | 635              | 220              | 140            |                |                | 270              | 216            | 15 | 193 | 100 |
| 32-200/752 <sup>3)</sup>     | 50                            | 32                            | 80  | 70               | 132            | 141            | 14             | 350            | 323              |                | 180            | 133            | 160            | 334 | 779              | 300              | 210            |                |                | 320              | 254            | 21 | 226 | 100 |
| 40-125/182                   | 65                            | 40                            | 80  |                  | 113            | 113            |                | 200            | 176              | 160            | 140            | 103            |                | 118 | 497              |                  |                | 225            | 130            |                  |                |    | 156 | 100 |
| 40-125/252                   | 65                            | 40                            | 80  |                  | 113            | 113            |                | 250            | 198              | 160            | 140            | 103            |                | 118 | 555              |                  |                | 225            | 130            |                  |                |    | 170 | 100 |
| 40-125/332                   | 65                            | 40                            | 80  |                  | 113            | 113            |                | 250            | 222              | 160            | 140            | 103            |                | 118 | 569              |                  |                | 225            | 130            |                  |                |    | 170 | 100 |
| 40-160/462 <sup>3)</sup>     | 65                            | 40                            | 80  | 43               | 115            | 131            | 12             | 300            | 265              |                | 160            | 118            | 132            | 282 | 635              | 220              | 140            |                |                | 270              | 216            | 15 | 193 | 100 |
| 40-160/752 <sup>3)</sup>     | 65                            | 40                            | 80  | 70               | 115            | 131            | 14             | 350            | 323              |                | 160            | 118            | 160            | 334 | 779              | 300              | 210            |                |                | 320              | 254            | 21 | 226 | 100 |
| 50-125/332                   | 65                            | 50                            | 100 |                  | 113            | 128            |                | 250            | 222              | 160            | 160            | 112            |                | 118 | 589              |                  |                | 225            | 130            |                  |                |    | 170 | 100 |
| 50-125/462 <sup>3)</sup>     | 65                            | 50                            | 100 | 43               | 113            | 128            | 12             | 300            | 265              |                | 160            | 112            | 132            | 282 | 655              | 220              | 140            |                |                | 270              | 216            | 15 | 193 | 100 |
| 50-160/752 <sup>3)</sup>     | 65                            | 50                            | 100 | 70               | 126            | 147            | 14             | 350            | 323              |                | 180            | 134            | 160            | 334 | 799              | 300              | 210            |                |                | 320              | 254            | 21 | 226 | 100 |
| 65-125/462 <sup>3)4)</sup>   | 80                            | 65                            | 100 | 43               | 120            | 148            | 12             | 300            | 265              |                | 180            | 132            | 132            | 282 | 655              | 220              | 140            |                |                | 270              | 216            | 15 | 193 | 100 |
| 65-125/752 <sup>3)</sup>     | 80                            | 65                            | 100 | 70               | 120            | 148            | 14             | 350            | 323              |                | 180            | 132            | 160            | 334 | 799              | 300              | 210            |                |                | 320              | 254            | 21 | 226 | 100 |

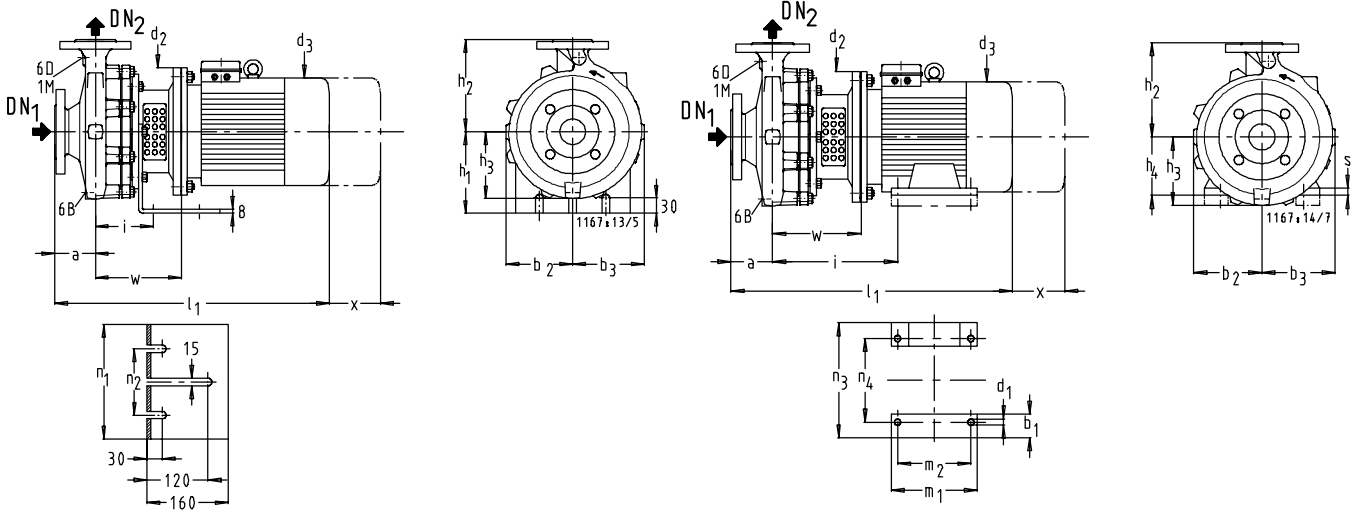
1) Rc = ISO 7/1    2) DN = EN 1092-2/DN.../PN 16/21/B    3) On these pump sizes, the motor feet have to be underpinned by 20 mm thick shims    4)  $h_3 \geq h_4$



**Etabloc GN, MN 32-125/... - 50-315/..., n ≈ 1450 1/min**

mit Stützfuß (bis Motorbaugröße 112 = 4 kW)  
 mit Motorfuß (ab Motorbaugröße 132 = 5,5 kW)  
 with support foot (up to motor size 112 = 4 kW)  
 with motor foot (motor size 132 = 5.5 kW and above)  
 avec béquille (jusqu'à taille de moteur 112 = 4 kW)

avec pied de moteur (à partir de la taille de moteur 132 = 5,5 kW)  
 con piede angolare (fino alla grandezza del motore 112 = 4 kW)  
 con piede di fusione (a partire della grandezza del motore 132 = 5,5 kW)  
 met voetsteen (tot motorgrootte 112 = 4 kW)  
 met motorvoet (vanaf motorgrootte 132 = 5,5 kW)



|     |   |                      |
|-----|---|----------------------|
| 1 M | Druckmeßgerät-Anschluß / Pressure gauge connection / Indicateur de pression / Manomètre / Manometro / Manometer   | Rc 3/8 <sup>1)</sup> |
| 6 B | Förderflüssigkeit-Entleerung / Casing drain / Vidange du liquide pompé / Scarico del liquido convogliato / Vloeistof- aftap   | Rc 3/8 <sup>1)</sup> |
| 6 D | Förderflüssigkeit-Auffüllen und Entlüften / Filling and venting of medium handled / Remplissage et purge d'air du liquide pompé / Riempimento del liquido convogliato spurgo dell'aria / Vloeistof vullen en ontluchten | Rc 3/8 <sup>1)</sup> |

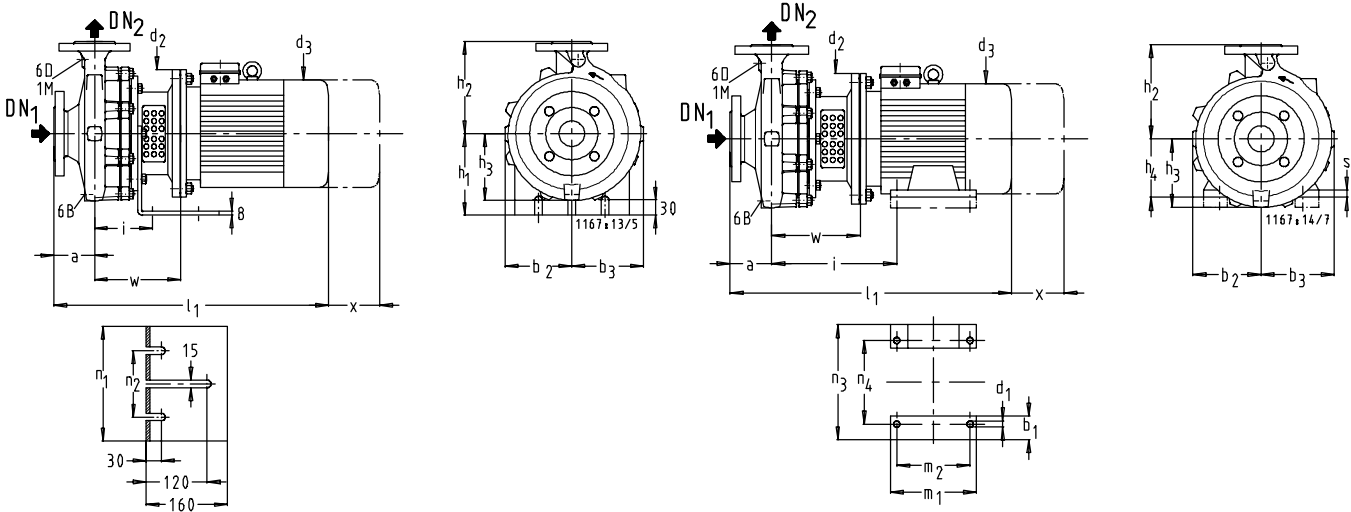
| Etabloc GN, MN               | DN <sub>1</sub> <sup>2)</sup> | DN <sub>2</sub> <sup>2)</sup> | a   | b <sub>1</sub> ≈ | b <sub>2</sub> | b <sub>3</sub> | d <sub>1</sub> | d <sub>2</sub> | d <sub>3</sub> ≈ | h <sub>1</sub> | h <sub>2</sub> | h <sub>3</sub> | h <sub>4</sub> | i   | l <sub>1</sub> ≈ | m <sub>1</sub> ≈ | m <sub>2</sub> | n <sub>1</sub> | n <sub>2</sub> | n <sub>3</sub> ≈ | n <sub>4</sub> | s  | w   | x   |
|------------------------------|-------------------------------|-------------------------------|-----|------------------|----------------|----------------|----------------|----------------|------------------|----------------|----------------|----------------|----------------|-----|------------------|------------------|----------------|----------------|----------------|------------------|----------------|----|-----|-----|
| 32-125.1/024.1               | 50                            | 32                            | 80  |                  | 113            | 113            |                | 160            | 143              | 160            | 140            | 103            |                | 118 | 437              |                  |                | 225            | 130            |                  |                |    | 136 | 100 |
| 32-125.1/024.2               | 50                            | 32                            | 80  |                  | 113            | 113            |                | 160            | 143              | 160            | 140            | 103            |                | 118 | 437              |                  |                | 225            | 130            |                  |                |    | 136 | 100 |
| 32-160.1/034                 | 50                            | 32                            | 80  |                  | 116            | 125            |                | 160            | 143              | 160            | 160            | 115            |                | 118 | 437              |                  |                | 225            | 130            |                  |                |    | 136 | 100 |
| 32-200.1/054                 | 50                            | 32                            | 80  |                  | 128            | 137            |                | 200            | 160              | 160            | 180            | 130            |                | 118 | 491              |                  |                | 225            | 130            |                  |                |    | 156 | 100 |
| 32-250.1/114.2 <sup>4)</sup> | 50                            | 32                            | 100 |                  | 164            | 171            |                | 200            | 178              | 160            | 225            | 162            |                | 118 | 538              |                  |                | 225            | 130            |                  |                |    | 156 | 100 |
| 32-250.1/114.1 <sup>4)</sup> | 50                            | 32                            | 100 |                  | 164            | 171            |                | 200            | 178              | 160            | 225            | 162            |                | 118 | 538              |                  |                | 225            | 130            |                  |                |    | 156 | 100 |
| 32-250.1/154 <sup>4)</sup>   | 50                            | 32                            | 100 |                  | 164            | 171            |                | 200            | 178              | 160            | 225            | 162            |                | 118 | 545              |                  |                | 225            | 130            |                  |                |    | 156 | 100 |
| 32-125/034                   | 50                            | 32                            | 80  |                  | 113            | 113            |                | 160            | 143              | 160            | 140            | 103            |                | 118 | 437              |                  |                | 225            | 130            |                  |                |    | 136 | 100 |
| 32-160/054                   | 50                            | 32                            | 80  |                  | 113            | 125            |                | 200            | 160              | 160            | 160            | 115            |                | 118 | 491              |                  |                | 225            | 130            |                  |                |    | 156 | 100 |
| 32-200/074                   | 50                            | 32                            | 80  |                  | 132            | 141            |                | 200            | 160              | 160            | 180            | 133            |                | 118 | 491              |                  |                | 225            | 130            |                  |                |    | 156 | 100 |
| 32-200/114                   | 50                            | 32                            | 80  |                  | 132            | 141            |                | 200            | 178              | 160            | 180            | 133            |                | 118 | 518              |                  |                | 225            | 130            |                  |                |    | 156 | 100 |
| 32-250/154.2 <sup>4)</sup>   | 50                            | 32                            | 100 |                  | 170            | 176            |                | 200            | 178              | 160            | 225            | 168            |                | 118 | 545              |                  |                | 225            | 130            |                  |                |    | 156 | 100 |
| 32-250/154.1 <sup>4)</sup>   | 50                            | 32                            | 100 |                  | 170            | 176            |                | 200            | 178              | 160            | 225            | 168            |                | 118 | 545              |                  |                | 225            | 130            |                  |                |    | 156 | 100 |
| 32-250/224 <sup>4)</sup>     | 50                            | 32                            | 100 |                  | 170            | 176            |                | 250            | 198              | 160            | 225            | 168            |                | 118 | 583              |                  |                | 225            | 130            |                  |                |    | 170 | 100 |
| 40-125/024                   | 65                            | 40                            | 80  |                  | 113            | 113            |                | 160            | 143              | 160            | 140            | 103            |                | 118 | 437              |                  |                | 225            | 130            |                  |                |    | 136 | 100 |
| 40-125/034                   | 65                            | 40                            | 80  |                  | 113            | 113            |                | 160            | 143              | 160            | 140            | 103            |                | 118 | 437              |                  |                | 225            | 130            |                  |                |    | 136 | 100 |
| 40-125/054                   | 65                            | 40                            | 80  |                  | 113            | 113            |                | 200            | 160              | 160            | 140            | 103            |                | 118 | 491              |                  |                | 225            | 130            |                  |                |    | 156 | 100 |
| 40-160/054                   | 65                            | 40                            | 80  |                  | 115            | 131            |                | 200            | 160              | 160            | 160            | 118            |                | 118 | 491              |                  |                | 225            | 130            |                  |                |    | 156 | 100 |
| 40-160/074                   | 65                            | 40                            | 80  |                  | 115            | 131            |                | 200            | 160              | 160            | 160            | 118            |                | 118 | 491              |                  |                | 225            | 130            |                  |                |    | 156 | 100 |
| 40-200/114.2                 | 65                            | 40                            | 100 |                  | 140            | 152            |                | 200            | 178              | 160            | 180            | 140            |                | 118 | 538              |                  |                | 225            | 130            |                  |                |    | 156 | 100 |
| 40-200/114.1                 | 65                            | 40                            | 100 |                  | 140            | 152            |                | 200            | 178              | 160            | 180            | 140            |                | 118 | 538              |                  |                | 225            | 130            |                  |                |    | 156 | 100 |
| 40-200/154                   | 65                            | 40                            | 100 |                  | 140            | 152            |                | 200            | 178              | 160            | 180            | 140            |                | 118 | 545              |                  |                | 225            | 130            |                  |                |    | 156 | 100 |
| 40-250/224.2 <sup>4)</sup>   | 65                            | 40                            | 100 |                  | 165            | 178            |                | 250            | 198              | 160            | 225            | 168            |                | 118 | 583              |                  |                | 225            | 130            |                  |                |    | 170 | 100 |
| 40-250/224.1 <sup>4)</sup>   | 65                            | 40                            | 100 |                  | 165            | 178            |                | 250            | 198              | 160            | 225            | 168            |                | 118 | 583              |                  |                | 225            | 130            |                  |                |    | 170 | 100 |
| 40-250/304 <sup>4)</sup>     | 65                            | 40                            | 100 |                  | 165            | 178            |                | 250            | 198              | 160            | 225            | 168            |                | 118 | 583              |                  |                | 225            | 130            |                  |                |    | 170 | 100 |
| 40-315/304.2 <sup>4)</sup>   | 65                            | 40                            | 125 |                  | 194            | 203            |                | 250            | 198              | 180            | 250            | 196            |                | 142 | 628              |                  |                | 260            | 180            |                  |                |    | 190 | 100 |
| 40-315/304.1 <sup>4)</sup>   | 65                            | 40                            | 125 |                  | 194            | 203            |                | 250            | 198              | 180            | 250            | 196            |                | 142 | 628              |                  |                | 260            | 180            |                  |                |    | 190 | 100 |
| 40-315/404.2 <sup>4)</sup>   | 65                            | 40                            | 125 |                  | 194            | 203            |                | 250            | 222              | 180            | 250            | 196            |                | 142 | 649              |                  |                | 260            | 180            |                  |                |    | 190 | 100 |
| 40-315/404.1 <sup>4)</sup>   | 65                            | 40                            | 125 |                  | 194            | 203            |                | 250            | 222              | 180            | 250            | 196            |                | 142 | 649              |                  |                | 260            | 180            |                  |                |    | 190 | 100 |
| 40-315/554 <sup>3)4)</sup>   | 65                            | 40                            | 125 | 43               | 194            | 203            | 12             | 300            | 265              | 250            | 250            | 196            | 132            | 302 | 737              | 220              | 140            | 260            | 180            | 270              | 216            | 15 | 213 | 100 |
| 50-125/054                   | 65                            | 50                            | 100 |                  | 113            | 128            |                | 200            | 160              | 160            | 160            | 112            |                | 118 | 511              |                  |                | 225            | 130            |                  |                |    | 156 | 100 |
| 50-125/074                   | 65                            | 50                            | 100 |                  | 113            | 128            |                | 200            | 160              | 160            | 160            | 112            |                | 118 | 511              |                  |                | 225            | 130            |                  |                |    | 156 | 100 |
| 50-160/114                   | 65                            | 50                            | 100 |                  | 126            | 147            |                | 200            | 178              | 160            | 180            | 134            |                | 118 | 538              |                  |                | 225            | 130            |                  |                |    | 156 | 100 |
| 50-160/154                   | 65                            | 50                            | 100 |                  | 126            | 147            |                | 200            | 178              | 160            | 180            | 134            |                | 118 | 545              |                  |                | 225            | 130            |                  |                |    | 156 | 100 |
| 50-200/224.2                 | 65                            | 50                            | 100 |                  | 145            | 165            |                | 250            | 198              | 160            | 200            | 152            |                | 118 | 583              |                  |                | 225            | 130            |                  |                |    | 170 | 100 |
| 50-200/224.1                 | 65                            | 50                            | 100 |                  | 145            | 165            |                | 250            | 198              | 160            | 200            | 152            |                | 118 | 583              |                  |                | 225            | 130            |                  |                |    | 170 | 100 |
| 50-200/304                   | 65                            | 50                            | 100 |                  | 145            | 165            |                | 250            | 198              | 160            | 200            | 152            |                | 118 | 583              |                  |                | 225            | 130            |                  |                |    | 170 | 100 |
| 50-250/304 <sup>4)</sup>     | 65                            | 50                            | 100 |                  | 168            | 184            |                | 250            | 198              | 160            | 225            | 172            |                | 118 | 583              |                  |                | 225            | 130            |                  |                |    | 170 | 100 |
| 50-250/404 <sup>4)</sup>     | 65                            | 50                            | 100 |                  | 168            | 184            |                | 250            | 222              | 160            | 225            | 172            |                | 118 | 604              |                  |                | 225            | 130            |                  |                |    | 170 | 100 |
| 50-315/404 <sup>4)</sup>     | 65                            | 50                            | 125 |                  | 200            | 216            |                | 250            | 222              | 180            | 280            | 204            |                | 142 | 649              |                  |                | 260            | 180            |                  |                |    | 190 | 100 |
| 50-315/554.2 <sup>3)4)</sup> | 65                            | 50                            | 125 | 43               | 200            | 216            | 12             | 300            | 265              | 280            | 204            | 204            | 132            | 302 | 737              | 220              | 140            | 260            | 180            | 270              | 216            | 15 | 213 | 100 |
| 50-315/554.1 <sup>3)4)</sup> | 65                            | 50                            | 125 | 43               | 200            | 216            | 12             | 300            | 265              | 280            | 204            | 204            | 132            | 302 | 737              | 220              | 140            | 260            | 180            | 270              | 216            | 15 | 213 | 100 |
| 50-315/754 <sup>3)4)</sup>   | 65                            | 50                            | 125 | 43               | 200            | 216            | 12             | 300            | 265              | 280            | 204            | 204            | 132            | 302 | 759              | 240              | 178            | 260            | 180            | 270              | 216            | 15 | 213 | 100 |

1) Rc = ISO 7/1      2) DN = EN 1092-2/DN../PN 16/21/B      3) On these pump sizes, the motor feet have to be underpinned by 20 mm thick shims      4)  $\Delta$   $h_3 \geq h_1 / h_3 \geq h_4$

## Etabloc GN, MN 65-125/... - 150-250/..., n ≈ 1450 1/min

mit Stützfuß (bis Motorbaugröße 112 = 4 kW)  
 mit Motorfuß (ab Motorbaugröße 132 = 5,5 kW)  
 with support foot (up to motor size 112 = 4 kW)  
 with motor foot (motor size 132 = 5.5 kW and above)  
 avec béquille (jusqu'à taille de moteur 112 = 4 kW)

avec pied de moteur (à partir de la taille de moteur 132 = 5,5 kW)  
 con piede angolare (fino alla grandezza del motore 112 = 4 kW)  
 con piede di fusione (a partire della grandezza del motore 132 = 5,5 kW)  
 met voetsteun (tot motorgrootte 112 = 4 kW)  
 met motorvoet (vanaf motorgrootte 132 = 5,5 kW)



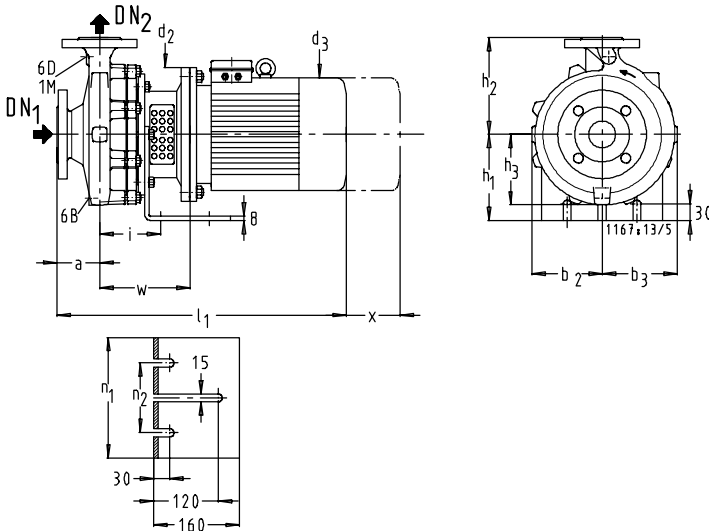
|     |   |  |
|-----|---|--|
| 1 M | Druckmeßgerät-Anschluß / Pressure gauge connection / Indicateur de pression / Manomètre / Manometro / Manometer   | Etabloc<br>65-125 - 80-315<br>Rc 3/8 <sup>1)</sup>   |
| 6 B | Förderflüssigkeit-Entleerung / Casing drain / Vidange du liquide pompé / Scarico del liquido convogliato / Vloeistof- aftap   | Etabloc<br>100-160 - 150-250<br>Rc 1/2 <sup>1)</sup> |
| 6 D | Förderflüssigkeit-Auffüllen und Entlüften / Filling and venting of medium handled / Remplissage et purge d'air du liquide pompé / Riempimento del liquido convogliato spurgo dell'aria / Vloeistof vullen en ontluchten |  |

| Etabloc GN, MN                 | DN <sub>1</sub> <sup>2)</sup> | DN <sub>2</sub> <sup>2)</sup> | a   | b <sub>1</sub> ≈ | b <sub>2</sub> | b <sub>3</sub> | d <sub>1</sub> | d <sub>2</sub> | d <sub>3</sub> ≈ | h <sub>1</sub> | h <sub>2</sub> | h <sub>3</sub> | h <sub>4</sub> | i   | l <sub>1</sub> ≈ | m <sub>1</sub> ≈ | m <sub>2</sub> | n <sub>1</sub> | n <sub>2</sub> | n <sub>3</sub> ≈ | n <sub>4</sub> | s  | w   | x   |
|--------------------------------|-------------------------------|-------------------------------|-----|------------------|----------------|----------------|----------------|----------------|------------------|----------------|----------------|----------------|----------------|-----|------------------|------------------|----------------|----------------|----------------|------------------|----------------|----|-----|-----|
| 65-125/074                     | 80                            | 65                            | 100 |                  | 120            | 148            |                | 200            | 160              | 160            | 180            | 132            |                | 118 | 511              |                  |                | 225            | 130            |                  |                |    | 156 | 100 |
| 65-125/114                     | 80                            | 65                            | 100 |                  | 120            | 148            |                | 200            | 178              | 160            | 180            | 132            |                | 118 | 538              |                  |                | 225            | 130            |                  |                |    | 156 | 100 |
| 65-160/114                     | 80                            | 65                            | 100 |                  | 130            | 158            |                | 200            | 178              | 160            | 200            | 140            |                | 118 | 538              |                  |                | 225            | 130            |                  |                |    | 156 | 100 |
| 65-160/154.2                   | 80                            | 65                            | 100 |                  | 130            | 158            |                | 200            | 178              | 160            | 200            | 140            |                | 118 | 545              |                  |                | 225            | 130            |                  |                |    | 156 | 100 |
| 65-160/154.1                   | 80                            | 65                            | 100 |                  | 130            | 158            |                | 200            | 178              | 160            | 200            | 140            |                | 118 | 545              |                  |                | 225            | 130            |                  |                |    | 156 | 100 |
| 65-160/224                     | 80                            | 65                            | 100 |                  | 130            | 158            |                | 250            | 198              | 160            | 200            | 140            |                | 118 | 583              |                  |                | 225            | 130            |                  |                |    | 170 | 100 |
| 65-200/304.2 <sup>4)</sup>     | 80                            | 65                            | 100 |                  | 154            | 177            |                | 250            | 198              | 160            | 225            | 161            |                | 118 | 583              |                  |                | 225            | 130            |                  |                |    | 170 | 140 |
| 65-200/304.1 <sup>4)</sup>     | 80                            | 65                            | 100 |                  | 154            | 177            |                | 250            | 198              | 160            | 225            | 161            |                | 118 | 583              |                  |                | 225            | 130            |                  |                |    | 170 | 140 |
| 65-200/404 <sup>4)</sup>       | 80                            | 65                            | 100 |                  | 154            | 177            |                | 250            | 222              | 160            | 225            | 161            |                | 118 | 604              |                  |                | 225            | 130            |                  |                |    | 170 | 140 |
| 65-250/554 <sup>3)4)</sup>     | 80                            | 65                            | 100 | 43               | 180            | 200            | 12             | 300            | 265              |                | 250            | 186            | 132            | 302 | 712              | 220              | 140            |                |                | 270              | 216            | 15 | 213 | 140 |
| 65-315/754.2 <sup>3)4)</sup>   | 80                            | 65                            | 125 | 43               | 208            | 229            | 12             | 300            | 265              |                | 280            | 214            | 132            | 302 | 759              | 240              | 178            |                |                | 270              | 216            | 15 | 213 | 140 |
| 65-315/754.1 <sup>3)4)</sup>   | 80                            | 65                            | 125 | 43               | 208            | 229            | 12             | 300            | 265              |                | 280            | 214            | 132            | 302 | 759              | 240              | 178            |                |                | 270              | 216            | 15 | 213 | 140 |
| 65-315/1104 <sup>3)4)</sup>    | 80                            | 65                            | 125 | 70               | 208            | 229            | 14             | 350            | 323              |                | 280            | 214            | 160            | 354 | 917              | 300              | 210            |                |                | 320              | 254            | 21 | 246 | 140 |
| 80-160/154 <sup>4)</sup>       | 100                           | 80                            | 125 |                  | 153            | 192            |                | 200            | 178              | 160            | 225            | 168            |                | 118 | 570              |                  |                | 225            | 130            |                  |                |    | 156 | 140 |
| 80-160/224.2 <sup>4)</sup>     | 100                           | 80                            | 125 |                  | 153            | 192            |                | 250            | 198              | 160            | 225            | 168            |                | 118 | 608              |                  |                | 225            | 130            |                  |                |    | 170 | 140 |
| 80-160/224.1 <sup>4)</sup>     | 100                           | 80                            | 125 |                  | 153            | 192            |                | 250            | 198              | 160            | 225            | 168            |                | 118 | 608              |                  |                | 225            | 130            |                  |                |    | 170 | 140 |
| 80-160/304 <sup>4)</sup>       | 100                           | 80                            | 125 |                  | 153            | 192            |                | 250            | 198              | 160            | 225            | 168            |                | 118 | 608              |                  |                | 225            | 130            |                  |                |    | 170 | 140 |
| 80-200/404.2                   | 100                           | 80                            | 125 |                  | 161            | 189            |                | 250            | 222              | 180            | 250            | 170            |                | 142 | 649              |                  |                | 260            | 180            |                  |                |    | 190 | 140 |
| 80-200/404.1                   | 100                           | 80                            | 125 |                  | 161            | 189            |                | 250            | 222              | 180            | 250            | 170            |                | 142 | 649              |                  |                | 260            | 180            |                  |                |    | 190 | 140 |
| 80-200/554 <sup>3)4)</sup>     | 100                           | 80                            | 125 | 43               | 161            | 189            | 12             | 300            | 265              |                | 250            | 170            | 132            | 302 | 737              | 220              | 140            |                |                | 270              | 216            | 15 | 213 | 140 |
| 80-250/754.2 <sup>3)4)</sup>   | 100                           | 80                            | 125 | 43               | 184            | 210            | 12             | 300            | 265              |                | 280            | 195            | 132            | 302 | 759              | 240              | 178            |                |                | 270              | 216            | 15 | 213 | 140 |
| 80-250/754.1 <sup>3)4)</sup>   | 100                           | 80                            | 125 | 43               | 184            | 210            | 12             | 300            | 265              |                | 280            | 195            | 132            | 302 | 759              | 240              | 178            |                |                | 270              | 216            | 15 | 213 | 140 |
| 80-250/1104 <sup>3)4)</sup>    | 100                           | 80                            | 125 | 70               | 184            | 210            | 14             | 350            | 323              |                | 280            | 195            | 160            | 354 | 917              | 300              | 210            |                |                | 320              | 254            | 21 | 246 | 140 |
| 80-315/1104 <sup>3)4)</sup>    | 100                           | 80                            | 125 | 70               | 220            | 244            | 14             | 350            | 323              |                | 315            | 228            | 160            | 354 | 917              | 300              | 210            |                |                | 320              | 254            | 21 | 246 | 140 |
| 80-315/1504.2 <sup>3)4)</sup>  | 100                           | 80                            | 125 | 70               | 220            | 244            | 14             | 350            | 323              |                | 315            | 228            | 160            | 354 | 917              | 314              | 254            |                |                | 320              | 254            | 21 | 246 | 140 |
| 80-315/1504.1 <sup>3)4)</sup>  | 100                           | 80                            | 125 | 70               | 220            | 244            | 14             | 350            | 323              |                | 315            | 228            | 160            | 354 | 917              | 314              | 254            |                |                | 320              | 254            | 21 | 246 | 140 |
| 80-315/1854 <sup>4)</sup>      | 100                           | 80                            | 125 | 80               | 220            | 244            | 14             | 350            | 355              |                | 315            | 228            | 180            | 367 | 981              | 320              | 241            |                |                | 360              | 279            | 23 | 246 | 140 |
| 80-315/2204 <sup>4)</sup>      | 100                           | 80                            | 125 | 80               | 220            | 244            | 14             | 350            | 355              |                | 315            | 228            | 180            | 367 | 981              | 358              | 279            |                |                | 360              | 279            | 23 | 246 | 140 |
| 100-160/304 <sup>4)</sup>      | 125                           | 100                           | 125 |                  | 178            | 225            |                | 250            | 198              | 180            | 280            | 196            |                | 142 | 628              |                  |                | 260            | 180            |                  |                |    | 190 | 140 |
| 100-160/404 <sup>4)</sup>      | 125                           | 100                           | 125 |                  | 178            | 225            |                | 250            | 222              | 180            | 280            | 196            |                | 142 | 649              |                  |                | 260            | 180            |                  |                |    | 190 | 140 |
| 100-200/554 <sup>3)4)</sup>    | 125                           | 100                           | 125 | 43               | 173            | 213            | 12             | 300            | 265              |                | 280            | 190            | 132            | 302 | 737              | 220              | 140            |                |                | 270              | 216            | 15 | 213 | 140 |
| 100-200/754 <sup>3)4)</sup>    | 125                           | 100                           | 125 | 43               | 173            | 213            | 12             | 300            | 265              |                | 280            | 190            | 132            | 302 | 759              | 240              | 178            |                |                | 270              | 216            | 15 | 213 | 140 |
| 100-250/1104.2 <sup>3)4)</sup> | 125                           | 100                           | 140 | 70               | 190            | 220            | 14             | 350            | 323              |                | 280            | 201            | 160            | 354 | 932              | 300              | 210            |                |                | 320              | 254            | 21 | 246 | 140 |
| 100-250/1104.1 <sup>3)4)</sup> | 125                           | 100                           | 140 | 70               | 190            | 220            | 14             | 350            | 323              |                | 280            | 201            | 160            | 354 | 932              | 300              | 210            |                |                | 320              | 254            | 21 | 246 | 140 |
| 100-250/1504 <sup>3)4)</sup>   | 125                           | 100                           | 140 | 70               | 190            | 220            | 14             | 350            | 323              |                | 280            | 201            | 160            | 354 | 932              | 314              | 254            |                |                | 320              | 254            | 21 | 246 | 140 |
| 100-315/1854.2 <sup>4)</sup>   | 125                           | 100                           | 140 | 80               | 225            | 255            | 14             | 350            | 355              |                | 315            | 237            | 180            | 367 | 996              | 320              | 241            |                |                | 360              | 279            | 23 | 246 | 140 |
| 100-315/1854.1 <sup>4)</sup>   | 125                           | 100                           | 140 | 80               | 225            | 255            | 14             | 350            | 355              |                | 315            | 237            | 180            | 367 | 996              | 320              | 241            |                |                | 360              | 279            | 23 | 246 | 140 |
| 100-315/2204 <sup>4)</sup>     | 125                           | 100                           | 140 | 80               | 225            | 255            | 14             | 350            | 355              |                | 315            | 237            | 180            | 367 | 996              | 358              | 279            |                |                | 360              | 279            | 23 | 246 | 140 |
| 125-200/754 <sup>3)4)</sup>    | 150                           | 125                           | 140 | 43               | 195            | 244            | 12             | 300            | 265              |                | 315            | 216            | 132            | 302 | 774              | 240              | 178            |                |                | 270              | 216            | 15 | 213 | 140 |
| 125-200/1104 <sup>3)4)</sup>   | 150                           | 125                           | 140 | 70               | 195            | 244            | 14             | 350            | 323              |                | 315            | 216            | 160            | 354 | 932              | 300              | 210            |                |                | 320              | 254            | 21 | 246 | 140 |
| 125-250/1504 <sup>3)4)</sup>   | 150                           | 125                           | 140 | 70               | 226            | 275            | 14             | 350            | 323              |                | 355            | 245            | 160            | 354 | 932              | 314              | 254            |                |                | 320              | 254            | 21 | 246 | 140 |
| 125-250/1854 <sup>4)</sup>     | 150                           | 125                           | 140 | 80               | 226            | 275            | 14             | 350            | 355              |                | 355            | 245            | 180            | 367 | 996              | 320              | 241            |                |                | 360              | 279            | 23 | 246 | 140 |
| 150-200/1104 <sup>3)4)</sup>   | 200                           | 150                           | 160 | 70               | 238            | 315            | 14             | 350            | 323              |                | 400            | 275            | 160            | 354 | 952              | 300              | 210            |                |                | 320              | 254            | 15 | 246 | 140 |
| 150-250/1504 <sup>3)4)</sup>   | 200                           | 150                           | 160 | 70               | 228            | 298            | 14             | 350            | 323              |                | 400            | 260            | 160            | 354 | 952              | 314              | 254            |                |                | 320              | 254            | 21 | 246 | 140 |
| 150-250/1854 <sup>4)</sup>     | 200                           | 150                           | 160 | 80               | 228            | 298            | 14             | 350            | 355              |                | 400            | 260            | 180            | 367 | 1016             | 320              | 241            |                |                | 360              | 279            | 23 | 246 | 140 |
| 150-250/2204 <sup>4)</sup>     | 200                           | 150                           | 160 | 80               | 228            | 298            | 14             | 350            | 355              |                | 400            | 260            | 180            | 367 | 1016             | 358              | 279            |                |                | 360              | 279            | 23 | 246 | 140 |

1) Rc = ISO 7/1    2) ≤ DN 150 = EN 1092-2/DN.../PN 16/21/B    3) On these pump sizes, the motor feet have to be underpinned by 20 mm thick shims    4)  $\Delta h_3 \geq h_1 / h_3 \geq h_4$

**Etabloc GN, MN 32-200.1 to 65-160 ... ex, n ≈ 1450 1/min**

mit Stützfuß (bis Motorbaugröße 112 = 1,35 kW)  
 with support foot (up to motor size 112 = 1.35 kW)  
 avec béquille (jusqu'à taille de moteur 112 = 1,35 kW)  
 con piede angolare (fino alla grandezza del motore 112 = 1,35 kW)  
 met voetsteun (tot motorgrootte 112 = 1,35 kW)



|     |   |                      |
|-----|---|----------------------|
| 1 M | Druckmeßgerät-Anschluß / Pressure gauge connection / Indicateur de pression / Manomètre / Manometro / Manometer   | Rc <sup>3/8</sup> 1) |
| 6 B | Förderflüssigkeit-Entleerung / Casing drain / Vidange du liquide pompé / Scarico del liquido convogliato / Vloeistof-aftap  | Rc <sup>3/8</sup> 1) |
| 6 D | Förderflüssigkeit-Auffüllen und Entlüften / Filling and venting of medium handled / Remplissage et purge d'air du liquide pompé / Riempimento del liquido convogliato spurgo dell'aria / Vloeistof vullen en ontluchten | Rc <sup>3/8</sup> 1) |

| Etabloc                    | DN <sub>1</sub> <sup>2)</sup> | DN <sub>2</sub> <sup>2)</sup> | a   | b <sub>2</sub> | b <sub>3</sub> | d <sub>2</sub> | d <sub>3</sub> = | h <sub>1</sub> | h <sub>2</sub> | h <sub>3</sub> | i   | l <sub>1</sub> = | n <sub>1</sub> | n <sub>2</sub> | w   | x   |
|----------------------------|-------------------------------|-------------------------------|-----|----------------|----------------|----------------|------------------|----------------|----------------|----------------|-----|------------------|----------------|----------------|-----|-----|
| GN, MN ...ex               |                               |                               |     |                |                |                |                  |                |                |                |     |                  |                |                |     |     |
| 32-200.1/054               | 50                            | 32                            | 80  | 128            | 137            | 200            | 160              | 160            | 180            | 130            | 118 | 463              | 225            | 130            | 156 | 100 |
| 32-200.1/074               | 50                            | 32                            | 80  | 128            | 137            | 200            | 160              | 160            | 180            | 130            | 118 | 463              | 225            | 130            | 156 | 100 |
| 32-250.1/134 <sup>3)</sup> | 50                            | 32                            | 100 | 164            | 171            | 200            | 176              | 160            | 225            | 162            | 118 | 517              | 225            | 130            | 156 | 100 |
| 32-160/054                 | 50                            | 32                            | 80  | 113            | 125            | 200            | 160              | 160            | 160            | 115            | 118 | 463              | 225            | 130            | 156 | 100 |
| 32-200/074                 | 50                            | 32                            | 80  | 132            | 141            | 200            | 160              | 160            | 180            | 133            | 118 | 463              | 225            | 130            | 156 | 100 |
| 32-250/134 <sup>3)</sup>   | 50                            | 32                            | 100 | 170            | 176            | 200            | 176              | 160            | 225            | 168            | 118 | 517              | 225            | 130            | 156 | 100 |
| 40-125/054                 | 65                            | 40                            | 80  | 113            | 113            | 200            | 160              | 160            | 140            | 103            | 118 | 463              | 225            | 130            | 156 | 100 |
| 40-160/074                 | 65                            | 40                            | 80  | 115            | 131            | 200            | 160              | 160            | 160            | 118            | 118 | 463              | 225            | 130            | 156 | 100 |
| 40-200/134                 | 65                            | 40                            | 100 | 140            | 152            | 200            | 176              | 160            | 180            | 140            | 118 | 517              | 225            | 130            | 156 | 100 |
| 50-125/054                 | 65                            | 50                            | 100 | 113            | 128            | 200            | 160              | 160            | 160            | 112            | 118 | 483              | 225            | 130            | 156 | 100 |
| 50-125/074                 | 65                            | 50                            | 100 | 113            | 128            | 200            | 160              | 160            | 160            | 112            | 118 | 483              | 225            | 130            | 156 | 100 |
| 50-160/134                 | 65                            | 50                            | 100 | 126            | 147            | 200            | 176              | 160            | 180            | 134            | 118 | 517              | 225            | 130            | 156 | 100 |
| 65-125/074                 | 80                            | 65                            | 100 | 120            | 148            | 200            | 160              | 160            | 180            | 132            | 118 | 483              | 225            | 130            | 156 | 100 |
| 65-160/134                 | 80                            | 65                            | 100 | 130            | 158            | 200            | 176              | 160            | 200            | 140            | 118 | 517              | 225            | 130            | 156 | 100 |

1) Rc = ISO 7/1

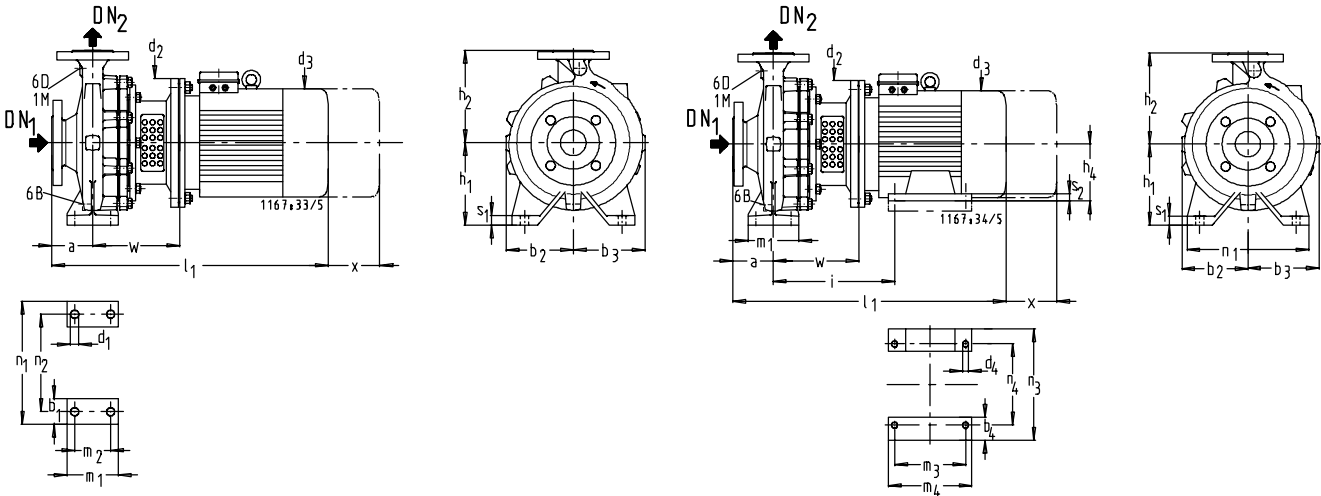
2) DN = EN1092-2/DN../PN16/21/B

 3) h<sub>3</sub> ≥ h<sub>1</sub>

### Etabloc BN, SN, CN, n ≈ 2900 1/min

ohne Motorfuß (bis Motorbaugröße 112 = 4 kW)  
 mit Motorfuß (ab Motorbaugröße 132 = 5,5 kW)  
 without motor foot (up to motor size 112 = 4 kW)  
 with motor foot (motor size 132 = 5.5 kW and above)  
 sans pied de moteur (jusqu'à taille de moteur 112 = 4 kW)

avec pied de moteur (à partir de la taille de moteur 132 = 5,5 kW)  
 senza piede di fusione (fino alla grandezza del motore 112 = 4 kW)  
 con piede di fusione (a partire della grandezza del motore 132 = 5,5 kW)  
 zonder motorvoet (tot motorgrootte 112 = 4 kW)  
 met motorvoet (vanaf motorgrootte 132 = 5,5 kW)



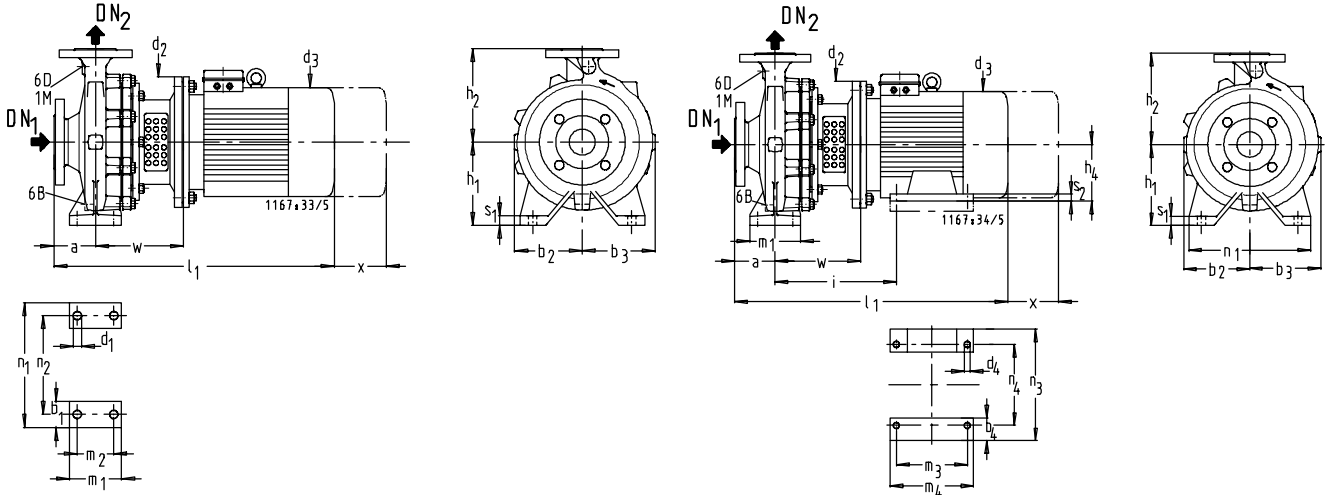
|     |   | Etabloc BN           | Etabloc SN, CN      |
|-----|---|----------------------|---------------------|
| 1 M | Druckmeßgerät-Anschluß / Pressure gauge connection / Indicateur de pression / Manomètre / Manometro / Manometer   | Rc 3/8 <sup>1)</sup> | G 3/8 <sup>2)</sup> |
| 6 B | Förderflüssigkeit-Entleerung / Casing drain / Vidange du liquide pompé / Scarico del liquido convogliato / Vloeistof- aftap   | Rc 3/8 <sup>1)</sup> | G 3/8 <sup>2)</sup> |
| 6 D | Förderflüssigkeit-Auffüllen und Entlüften / Filling and venting of medium handled / Remplissage et purge d'air du liquide pompé / Riempimento del liquido convogliato spurgo dell'aria / Vloeistof vullen en ontlichten | Rc 3/8 <sup>1)</sup> | G 3/8 <sup>2)</sup> |

| Etabloc BN,SN,CN              | DN <sub>1</sub> | DN <sub>2</sub> | a   | b <sub>1</sub> | b <sub>2</sub> | b <sub>3</sub> | b <sub>4</sub> ≈ | d <sub>1</sub> | d <sub>2</sub> | d <sub>3</sub> ≈ | d <sub>4</sub> | h <sub>1</sub> | h <sub>2</sub> | h <sub>4</sub> | i   | l <sub>1</sub> ≈ | m <sub>1</sub> | m <sub>2</sub> | m <sub>3</sub> | m <sub>4</sub> ≈ | n <sub>1</sub> | n <sub>2</sub> | n <sub>3</sub> ≈ | n <sub>4</sub> | s <sub>1</sub> | s <sub>2</sub> | w   | x   |
|-------------------------------|-----------------|-----------------|-----|----------------|----------------|----------------|------------------|----------------|----------------|------------------|----------------|----------------|----------------|----------------|-----|------------------|----------------|----------------|----------------|------------------|----------------|----------------|------------------|----------------|----------------|----------------|-----|-----|
| 32-125.1/072                  | 50              | 32              | 80  | 50             | 113            | 113            |                  | 14             | 200            | 160              | 112            | 140            |                |                |     | 457              | 100            | 70             |                |                  | 190            | 140            |                  |                | 15             |                | 156 | 100 |
| 32-125.1/112                  | 50              | 32              | 80  | 50             | 113            | 113            |                  | 14             | 200            | 160              | 112            | 140            |                |                |     | 491              | 100            | 70             |                |                  | 190            | 140            |                  |                | 15             |                | 156 | 100 |
| 32-125.1/152.2                | 50              | 32              | 80  | 50             | 113            | 113            |                  | 14             | 200            | 178              | 112            | 140            |                |                |     | 518              | 100            | 70             |                |                  | 190            | 140            |                  |                | 15             |                | 156 | 100 |
| 32-125.1/152.1                | 50              | 32              | 80  | 50             | 113            | 113            |                  | 14             | 200            | 178              | 112            | 140            |                |                |     | 518              | 100            | 70             |                |                  | 190            | 140            |                  |                | 15             |                | 156 | 100 |
| 32-125.1/222                  | 50              | 32              | 80  | 50             | 113            | 113            |                  | 14             | 200            | 178              | 112            | 140            |                |                |     | 525              | 100            | 70             |                |                  | 190            | 140            |                  |                | 15             |                | 156 | 100 |
| 32-160.1/222.2                | 50              | 32              | 80  | 50             | 116            | 125            |                  | 14             | 200            | 178              | 132            | 160            |                |                |     | 525              | 100            | 70             |                |                  | 240            | 190            |                  |                | 15             |                | 156 | 100 |
| 32-160.1/222.1                | 50              | 32              | 80  | 50             | 116            | 125            |                  | 14             | 200            | 178              | 132            | 160            |                |                |     | 525              | 100            | 70             |                |                  | 240            | 190            |                  |                | 15             |                | 156 | 100 |
| 32-160.1/302                  | 50              | 32              | 80  | 50             | 116            | 125            |                  | 14             | 250            | 198              | 132            | 160            |                |                |     | 563              | 100            | 70             |                |                  | 240            | 190            |                  |                | 15             |                | 170 | 100 |
| 32-200.1/302                  | 50              | 32              | 80  | 50             | 128            | 137            |                  | 14             | 250            | 198              | 160            | 180            |                |                |     | 563              | 100            | 70             |                |                  | 240            | 190            |                  |                | 18             |                | 170 | 100 |
| 32-200.1/402.2                | 50              | 32              | 80  | 50             | 128            | 137            |                  | 14             | 250            | 222              | 160            | 180            |                |                |     | 584              | 100            | 70             |                |                  | 240            | 190            |                  |                | 18             |                | 170 | 100 |
| 32-200.1/402.1                | 50              | 32              | 80  | 50             | 128            | 137            |                  | 14             | 250            | 222              | 160            | 180            |                |                |     | 584              | 100            | 70             |                |                  | 240            | 190            |                  |                | 18             |                | 170 | 100 |
| 32-200.1/552 <sup>3)4)</sup>  | 50              | 32              | 80  |                | 128            | 137            | 43               |                | 300            | 265              | 13             | 160            | 180            | 132            | 282 | 672              | 100            |                | 140            | 220              | 240            |                | 270              | 216            | 18             | 15             | 193 | 100 |
| 32-160/302.2                  | 50              | 32              | 80  | 50             | 113            | 125            |                  | 14             | 250            | 198              | 132            | 160            |                |                |     | 563              | 100            | 70             |                |                  | 240            | 190            |                  |                | 15             |                | 170 | 100 |
| 32-160/302.1                  | 50              | 32              | 80  | 50             | 113            | 125            |                  | 14             | 250            | 198              | 132            | 160            |                |                |     | 563              | 100            | 70             |                |                  | 240            | 190            |                  |                | 15             |                | 170 | 100 |
| 32-160/402                    | 50              | 32              | 80  | 50             | 113            | 125            |                  | 14             | 250            | 222              | 132            | 160            |                |                |     | 584              | 100            | 70             |                |                  | 240            | 190            |                  |                | 15             |                | 170 | 100 |
| 32-200/552.2 <sup>3)4)</sup>  | 50              | 32              | 80  |                | 132            | 141            | 43               |                | 300            | 265              | 13             | 160            | 180            | 132            | 282 | 672              | 100            |                | 140            | 220              | 240            |                | 270              | 216            | 18             | 15             | 193 | 100 |
| 32-200/552.1 <sup>3)4)</sup>  | 50              | 32              | 80  |                | 132            | 141            | 43               |                | 300            | 265              | 13             | 160            | 180            | 132            | 282 | 672              | 100            |                | 140            | 220              | 240            |                | 270              | 216            | 18             | 15             | 193 | 100 |
| 32-200/752 <sup>3)4)</sup>    | 50              | 32              | 80  |                | 132            | 141            | 43               |                | 300            | 265              | 13             | 160            | 180            | 132            | 282 | 672              | 100            |                | 140            | 220              | 240            |                | 270              | 216            | 18             | 15             | 193 | 100 |
| 32-250/1102.2 <sup>3)4)</sup> | 50              | 32              | 100 |                | 170            | 176            | 70               |                | 350            | 323              | 15             | 180            | 225            | 160            | 334 | 872              | 125            |                | 210            | 300              | 320            |                | 320              | 254            | 18             | 21             | 226 | 100 |
| 32-250/1102.1 <sup>3)4)</sup> | 50              | 32              | 100 |                | 170            | 176            | 70               |                | 350            | 323              | 15             | 180            | 225            | 160            | 334 | 872              | 125            |                | 210            | 300              | 320            |                | 320              | 254            | 18             | 21             | 226 | 100 |
| 32-250/1502 <sup>3)4)</sup>   | 50              | 32              | 100 |                | 170            | 176            | 70               |                | 350            | 323              | 15             | 180            | 225            | 160            | 334 | 872              | 125            |                | 210            | 300              | 320            |                | 320              | 254            | 18             | 21             | 226 | 100 |
| 40-160/402                    | 65              | 40              | 80  | 50             | 115            | 131            |                  | 14             | 250            | 222              | 132            | 160            |                |                |     | 584              | 100            | 70             |                |                  | 240            | 190            |                  |                | 15             |                | 170 | 100 |
| 40-160/552.2 <sup>3)</sup>    | 65              | 40              | 80  |                | 115            | 131            | 43               |                | 300            | 265              | 13             | 160            | 180            | 132            | 282 | 672              | 100            |                | 140            | 220              | 240            |                | 270              | 216            | 18             | 15             | 193 | 100 |
| 40-160/552.1 <sup>3)</sup>    | 65              | 40              | 80  |                | 115            | 131            | 43               |                | 300            | 265              | 13             | 160            | 180            | 132            | 282 | 672              | 100            |                | 140            | 220              | 240            |                | 270              | 216            | 18             | 15             | 193 | 100 |
| 40-160/752 <sup>3)</sup>      | 65              | 40              | 80  |                | 115            | 131            | 43               |                | 300            | 265              | 13             | 160            | 180            | 132            | 282 | 672              | 100            |                | 140            | 220              | 240            |                | 270              | 216            | 18             | 15             | 193 | 100 |
| 40-200/752 <sup>3)4)</sup>    | 65              | 40              | 100 |                | 140            | 153            | 43               |                | 300            | 265              | 13             | 160            | 180            | 132            | 282 | 692              | 100            |                | 140            | 220              | 265            |                | 270              | 216            | 18             | 15             | 193 | 100 |
| 40-200/1102 <sup>3)</sup>     | 65              | 40              | 100 |                | 140            | 153            | 43               |                | 350            | 323              | 15             | 160            | 180            | 160            | 334 | 872              | 100            |                | 210            | 300              | 265            |                | 320              | 254            | 18             | 21             | 226 | 100 |
| 40-250/1102 <sup>3)4)</sup>   | 65              | 40              | 100 |                | 165            | 178            | 70               |                | 350            | 323              | 15             | 180            | 225            | 160            | 334 | 872              | 125            |                | 210            | 300              | 320            |                | 320              | 254            | 18             | 21             | 226 | 100 |
| 40-250/1502.3 <sup>3)4)</sup> | 65              | 40              | 100 |                | 165            | 178            | 70               |                | 350            | 323              | 15             | 180            | 225            | 160            | 334 | 872              | 125            |                | 210            | 300              | 320            |                | 320              | 254            | 18             | 21             | 226 | 100 |
| 40-250/1502.2 <sup>3)4)</sup> | 65              | 40              | 100 |                | 165            | 178            | 70               |                | 350            | 323              | 15             | 180            | 225            | 160            | 334 | 872              | 125            |                | 210            | 300              | 320            |                | 320              | 254            | 18             | 21             | 226 | 100 |
| 40-250/1502.1 <sup>3)4)</sup> | 65              | 40              | 100 |                | 165            | 178            | 70               |                | 350            | 323              | 15             | 180            | 225            | 160            | 334 | 872              | 125            |                | 210            | 300              | 320            |                | 320              | 254            | 18             | 21             | 226 | 100 |
| 40-250/1852.2 <sup>3)4)</sup> | 65              | 40              | 100 |                | 165            | 178            | 70               |                | 350            | 323              | 15             | 180            | 225            | 160            | 334 | 872              | 125            |                | 254            | 314              | 320            |                | 320              | 254            | 18             | 21             | 226 | 100 |
| 40-250/1852.1 <sup>3)4)</sup> | 65              | 40              | 100 |                | 165            | 178            | 70               |                | 350            | 323              | 15             | 180            | 225            | 160            | 334 | 872              | 125            |                | 254            | 314              | 320            |                | 320              | 254            | 18             | 21             | 226 | 100 |
| 40-250/2202                   | 65              | 40              | 100 |                | 165            | 178            | 80               |                | 350            | 355              | 15             | 180            | 225            | 180            | 347 | 936              | 125            |                | 241            | 320              | 320            |                | 360              | 279            | 18             | 23             | 226 | 100 |
| 50-160/752 <sup>3)4)</sup>    | 65              | 50              | 100 |                | 126            | 147            | 43               |                | 300            | 265              | 13             | 160            | 180            | 132            | 282 | 692              | 100            |                | 140            | 220              | 265            |                | 270              | 216            | 18             | 15             | 193 | 100 |
| 50-160/1102 <sup>3)</sup>     | 65              | 50              | 100 |                | 126            | 147            | 43               |                | 350            | 323              | 15             | 160            | 180            | 160            | 334 | 872              | 100            |                | 210            | 300              | 265            |                | 320              | 254            | 18             | 21             | 226 | 100 |
| 50-200/1502.2 <sup>3)</sup>   | 65              | 50              | 100 |                | 145            | 165            | 70               |                | 350            | 323              | 15             | 160            | 200            | 160            | 334 | 872              | 100            |                | 210            | 300              | 265            |                | 320              | 254            | 18             | 21             | 226 | 100 |
| 50-200/1502.1 <sup>3)</sup>   | 65              | 50              | 100 |                | 145            | 165            | 70               |                | 350            | 323              | 15             | 160            | 200            | 160            | 334 | 872              | 100            |                | 210            | 300              | 265            |                | 320              | 254            | 18             | 21             | 226 | 100 |
| 50-200/1852.2 <sup>3)4)</sup> | 65              | 50              | 100 |                | 145            | 165            | 70               |                | 350            | 323              | 15             | 160            | 200            | 160            | 334 | 872              | 100            |                | 254            | 314              | 265            |                | 320              | 254            | 18             | 21             | 226 | 100 |
| 50-200/1852.1 <sup>3)</sup>   | 65              | 50              | 100 |                | 145            | 165            | 70               |                | 350            | 323              | 15             | 160            | 200            | 160            | 334 | 872              | 100            |                | 254            | 314              | 265            |                | 320              | 254            | 18             | 21             | 226 | 100 |
| 50-200/2202                   | 65              | 50              | 100 |                | 145            | 165            | 80               |                | 350            | 355              | 15             | 160            | 200            | 180            | 347 | 936              | 100            |                | 241            | 320              | 265            |                | 360              | 279            | 18             | 23             | 226 | 100 |
| 65-160/1102.2 <sup>3)</sup>   | 80              | 65              | 100 |                | 130            | 158            | 70               |                | 350            | 323              | 15             | 160            | 200            | 160            | 334 | 872              | 125            |                | 210            | 300              | 280            |                | 320              | 254            | 18             | 21             | 226 | 100 |
| 65-160/1102.1 <sup>3)</sup>   | 80              | 65              | 100 |                | 130            | 158            | 70               |                | 350            | 323              | 15             | 160            | 200            | 160            | 334 | 872              | 125            |                | 210            | 300              | 280            |                | 320              | 254            | 18             | 21             | 226 | 100 |
| 65-160/1502 <sup>3)</sup>     | 80              | 65              | 100 |                | 130            | 158            | 70               |                | 350            | 323              | 15             | 160            | 200            | 160            | 334 | 872              | 125            |                | 210            | 300              | 280            |                | 320              | 254            | 18             | 21             | 226 | 100 |
| 65-200/1852 <sup>3)4)</sup>   | 80              | 65              | 100 |                | 154            | 177            | 70               |                | 350            | 323              | 15             | 180            | 225            | 160            | 334 | 872              | 125            |                | 254            | 314              | 320            |                | 320              | 254            | 18             | 21             | 226 | 140 |
| 65-200/2202                   | 80              | 65              | 100 |                | 154            | 177            | 80               |                | 350            | 355              | 15             | 180            | 225            | 180            | 347 | 936              | 125            |                | 241            | 320              | 320            |                | 360              | 279            | 18             | 23             | 226 | 140 |
| 80-160/1102 <sup>3)4)</sup>   | 100             | 80              | 125 |                | 153            | 192            | 70               |                | 350            | 323              | 15             | 180            | 225            | 160            | 334 | 897              | 125            |                | 210            | 300              | 320            |                | 320              | 254            | 18             | 21             | 226 | 140 |
| 80-160/1502 <sup>3)4)</sup>   | 100             | 80              | 125 |                | 153            | 192            | 70               |                | 350            | 323              | 15             | 180            | 225            | 160            | 334 | 897              | 125            |                | 210            | 300              | 320            |                | 320              | 254            | 18             | 21             | 226 | 140 |
| 80-160/1852.2 <sup>3)4)</sup> | 100             | 80              | 125 |                | 153            | 192            | 70               |                | 350            | 323              | 15             | 180            | 225            | 160            | 334 | 897              | 125            |                | 254            | 314              | 320            |                | 320              | 254            | 18             | 21             | 226 | 140 |
| 80-160/1852.1 <sup>3)4)</sup> | 100             | 80              | 125 |                | 153            | 192            | 70               |                | 350            | 323              | 15             | 180            | 225            | 160            | 334 | 897              | 125            |                |                |                  |                |                |                  |                |                |                |     |     |

### Etabloc BN, SN, CN 32-125.1 bis 65-315, n ≈ 1450 1/min

ohne Motorfuß (bis Motorbaugröße 112 = 4 kW)  
 mit Motorfuß (ab Motorbaugröße 132 = 5,5 kW)  
 without motor foot (up to motor size 112 = 4 kW)  
 with motor foot (motor size 132 = 5.5 kW and above)  
 sans pied de moteur (jusqu'à taille de moteur 112 = 4 kW)

avec pied de moteur (à partir de la taille de moteur 132 = 5,5 kW)  
 senza piede di fusione (fino alla grandezza del motore 112 = 4 kW)  
 con piede di fusione (a partire della grandezza del motore 132 = 5,5 kW)  
 zonder motorvoet (tot motorgrootte 112 = 4 kW)  
 met motorvoet (vanaf motorgrootte 132 = 5,5 kW)



|     |  | Etabloc BN | Etabloc SN, CN |
|-----|--|------------|----------------|
| 1 M | Druckmeßgerät-Anschluß / Pressure gauge connection / Indicateur de pression / Manomètre / Manometro / Manometer  | Rc 3/8 1)  | G 3/8 2)       |
| 6 B | Förderflüssigkeit-Entleerung / Casing drain / Vidange du liquide pompé / Scarico del liquido convogliato / Vloeistof-aftrap  | Rc 3/8 1)  | G 3/8 2)       |
| 6 D | Förderflüssigkeit-Auffüllen und Entlüften / Filling and venting of medium handled / Remplissage et purge d'air du liquide pompé / Riempimento del liquido convogliato spurgo dell'aria / Vloeistof vullen en ontluichten | Rc 3/8 1)  | G 3/8 2)       |

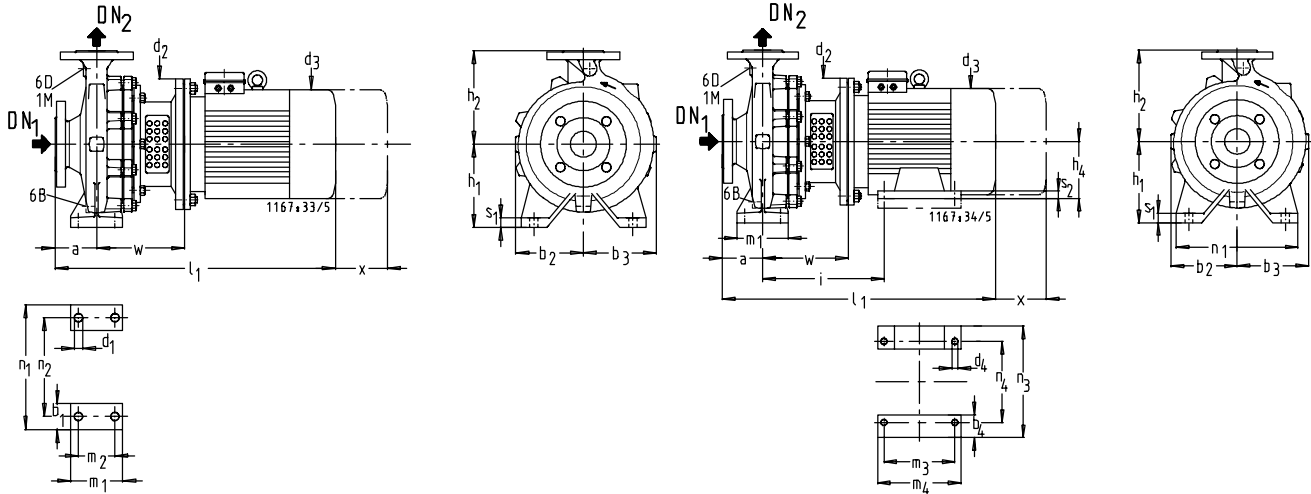
| Etabloc BN, SN, CN | DN1 | DN2 | a   | b1 | b2  | b3  | b4≈ | d1 | d2  | d3≈ | d4  | h1  | h2  | h4  | i   | l1≈ | m1  | m2 | m3  | m4≈ | n1  | n2  | n3≈ | n4  | s1 | s2 | w   | x   |
|--------------------|-----|-----|-----|----|-----|-----|-----|----|-----|-----|-----|-----|-----|-----|-----|-----|-----|----|-----|-----|-----|-----|-----|-----|----|----|-----|-----|
| 32-125.1/024.2     | 50  | 32  | 80  | 50 | 113 | 113 |     | 14 | 160 | 143 | 112 | 140 |     |     |     | 437 | 100 | 70 |     |     | 190 | 140 |     |     | 15 |    | 136 | 100 |
| 32-125.1/024.1     | 50  | 32  | 80  | 50 | 113 | 113 |     | 14 | 160 | 143 | 112 | 140 |     |     |     | 437 | 100 | 70 |     |     | 190 | 140 |     |     | 15 |    | 136 | 100 |
| 32-160.1/034       | 50  | 32  | 80  | 50 | 116 | 125 |     | 14 | 160 | 143 | 132 | 160 |     |     |     | 437 | 100 | 70 |     |     | 240 | 190 |     |     | 15 |    | 136 | 100 |
| 32-200.1/054       | 50  | 32  | 80  | 50 | 128 | 137 |     | 14 | 200 | 160 | 160 | 180 |     |     |     | 491 | 100 | 70 |     |     | 240 | 190 |     |     | 18 |    | 156 | 100 |
| 32-160/054         | 50  | 32  | 80  | 50 | 113 | 125 |     | 14 | 200 | 160 | 132 | 160 |     |     |     | 491 | 100 | 70 |     |     | 240 | 190 |     |     | 15 |    | 156 | 100 |
| 32-200/074         | 50  | 32  | 80  | 50 | 132 | 141 |     | 14 | 200 | 160 | 160 | 180 |     |     |     | 491 | 100 | 70 |     |     | 240 | 190 |     |     | 18 |    | 156 | 100 |
| 32-200/114         | 50  | 32  | 80  | 50 | 132 | 141 |     | 14 | 200 | 178 | 160 | 180 |     |     |     | 518 | 100 | 70 |     |     | 240 | 190 |     |     | 18 |    | 156 | 100 |
| 32-250/154.2       | 50  | 32  | 100 | 65 | 170 | 176 |     | 14 | 200 | 178 | 180 | 225 |     |     |     | 545 | 125 | 95 |     |     | 320 | 250 |     |     | 18 |    | 156 | 100 |
| 32-250/154.1       | 50  | 32  | 100 | 65 | 170 | 176 |     | 14 | 200 | 178 | 180 | 225 |     |     |     | 545 | 125 | 95 |     |     | 320 | 250 |     |     | 18 |    | 156 | 100 |
| 32-250/224         | 50  | 32  | 100 | 65 | 170 | 176 |     | 14 | 250 | 198 | 180 | 225 |     |     |     | 583 | 125 | 95 |     |     | 320 | 250 |     |     | 18 |    | 170 | 100 |
| 40-160/054         | 65  | 40  | 80  | 50 | 115 | 131 |     | 14 | 200 | 160 | 132 | 160 |     |     |     | 491 | 100 | 70 |     |     | 240 | 190 |     |     | 15 |    | 156 | 100 |
| 40-160/074         | 65  | 40  | 80  | 50 | 115 | 131 |     | 14 | 200 | 160 | 132 | 160 |     |     |     | 491 | 100 | 70 |     |     | 240 | 190 |     |     | 15 |    | 156 | 100 |
| 40-200/114.2       | 65  | 40  | 100 | 50 | 140 | 152 |     | 14 | 200 | 178 | 160 | 180 |     |     |     | 538 | 100 | 70 |     |     | 265 | 212 |     |     | 18 |    | 156 | 100 |
| 40-200/114.1       | 65  | 40  | 100 | 50 | 140 | 152 |     | 14 | 200 | 178 | 160 | 180 |     |     |     | 538 | 100 | 70 |     |     | 265 | 212 |     |     | 18 |    | 156 | 100 |
| 40-200/154         | 65  | 40  | 100 | 50 | 140 | 152 |     | 14 | 200 | 178 | 160 | 180 |     |     |     | 545 | 100 | 70 |     |     | 265 | 212 |     |     | 18 |    | 156 | 100 |
| 40-250/224.2       | 65  | 40  | 100 | 65 | 165 | 178 |     | 14 | 250 | 198 | 180 | 225 |     |     |     | 583 | 125 | 95 |     |     | 320 | 250 |     |     | 18 |    | 170 | 100 |
| 40-250/224.1       | 65  | 40  | 100 | 65 | 165 | 178 |     | 14 | 250 | 198 | 180 | 225 |     |     |     | 583 | 125 | 95 |     |     | 320 | 250 |     |     | 18 |    | 170 | 100 |
| 40-250/304         | 65  | 40  | 100 | 65 | 165 | 178 |     | 14 | 250 | 198 | 180 | 225 |     |     |     | 583 | 125 | 95 |     |     | 320 | 250 |     |     | 18 |    | 170 | 100 |
| 40-315/304.2       | 65  | 40  | 125 | 65 | 194 | 203 |     | 14 | 250 | 198 | 225 | 250 |     |     |     | 628 | 125 | 95 |     |     | 345 | 280 |     |     | 18 |    | 190 | 100 |
| 40-315/304.1       | 65  | 40  | 125 | 65 | 194 | 203 |     | 14 | 250 | 198 | 225 | 250 |     |     |     | 628 | 125 | 95 |     |     | 345 | 280 |     |     | 18 |    | 190 | 100 |
| 40-315/404.2       | 65  | 40  | 125 | 65 | 194 | 203 |     | 14 | 250 | 222 | 225 | 250 |     |     |     | 649 | 125 | 95 |     |     | 345 | 280 |     |     | 18 |    | 190 | 100 |
| 40-315/404.1       | 65  | 40  | 125 | 65 | 194 | 203 |     | 14 | 250 | 222 | 225 | 250 |     |     |     | 649 | 125 | 95 |     |     | 345 | 280 |     |     | 18 |    | 190 | 100 |
| 40-315/554 3)4)    | 65  | 40  | 125 |    | 194 | 203 | 43  |    | 300 | 265 | 13  | 225 | 250 | 132 | 302 | 737 | 125 | 95 | 140 | 220 | 345 |     | 270 | 216 | 18 | 15 | 213 | 100 |
| 50-160/114         | 65  | 50  | 100 | 50 | 126 | 147 |     | 14 | 200 | 178 | 160 | 180 |     |     |     | 538 | 100 | 70 |     |     | 265 | 212 |     |     | 18 |    | 156 | 100 |
| 50-160/154         | 65  | 50  | 100 | 50 | 126 | 147 |     | 14 | 200 | 178 | 160 | 180 |     |     |     | 545 | 100 | 70 |     |     | 265 | 212 |     |     | 18 |    | 156 | 100 |
| 50-200/224.2       | 65  | 50  | 100 | 50 | 145 | 165 |     | 14 | 250 | 198 | 160 | 200 |     |     |     | 583 | 100 | 70 |     |     | 265 | 212 |     |     | 18 |    | 170 | 100 |
| 50-200/224.1       | 65  | 50  | 100 | 50 | 145 | 165 |     | 14 | 250 | 198 | 160 | 200 |     |     |     | 583 | 100 | 70 |     |     | 265 | 212 |     |     | 18 |    | 170 | 100 |
| 50-200/304         | 65  | 50  | 100 | 50 | 145 | 165 |     | 14 | 250 | 198 | 160 | 200 |     |     |     | 583 | 100 | 70 |     |     | 265 | 212 |     |     | 18 |    | 170 | 100 |
| 50-250/304         | 65  | 50  | 100 | 65 | 168 | 184 |     | 14 | 250 | 198 | 180 | 225 |     |     |     | 583 | 125 | 95 |     |     | 320 | 250 |     |     | 18 |    | 170 | 100 |
| 50-250/404         | 65  | 50  | 100 | 65 | 168 | 184 |     | 14 | 250 | 222 | 180 | 225 |     |     |     | 604 | 125 | 95 |     |     | 320 | 250 |     |     | 18 |    | 170 | 100 |
| 50-315/404         | 65  | 50  | 125 | 65 | 200 | 216 |     | 14 | 250 | 222 | 225 | 280 |     |     |     | 649 | 125 | 95 |     |     | 345 | 280 |     |     | 18 |    | 190 | 100 |
| 50-315/554.2 3)4)  | 65  | 50  | 125 |    | 200 | 216 | 43  |    | 300 | 265 | 13  | 225 | 280 | 132 | 302 | 737 | 125 | 95 | 140 | 220 | 345 |     | 270 | 216 | 18 | 15 | 213 | 100 |
| 50-315/554.1 3)4)  | 65  | 50  | 125 |    | 200 | 216 | 43  |    | 300 | 265 | 13  | 225 | 280 | 132 | 302 | 737 | 125 | 95 | 140 | 220 | 345 |     | 270 | 216 | 18 | 15 | 213 | 100 |
| 50-315/754 3)4)    | 65  | 50  | 125 |    | 200 | 216 | 43  |    | 300 | 265 | 13  | 225 | 280 | 132 | 302 | 759 | 125 | 95 | 178 | 240 | 345 |     | 270 | 216 | 18 | 15 | 213 | 100 |
| 65-160/114         | 80  | 65  | 100 | 65 | 130 | 158 |     | 14 | 200 | 178 | 160 | 200 |     |     |     | 538 | 125 | 95 |     |     | 280 | 212 |     |     | 18 |    | 156 | 100 |
| 65-160/154.2       | 80  | 65  | 100 | 65 | 130 | 158 |     | 14 | 200 | 178 | 160 | 200 |     |     |     | 545 | 125 | 95 |     |     | 280 | 212 |     |     | 18 |    | 156 | 100 |
| 65-160/154.1       | 80  | 65  | 100 | 65 | 130 | 158 |     | 14 | 200 | 178 | 160 | 200 |     |     |     | 545 | 125 | 95 |     |     | 280 | 212 |     |     | 18 |    | 156 | 100 |
| 65-160/224         | 80  | 65  | 100 | 65 | 130 | 158 |     | 14 | 250 | 198 | 160 | 200 |     |     |     | 583 | 125 | 95 |     |     | 280 | 212 |     |     | 18 |    | 170 | 100 |
| 65-200/304.2       | 80  | 65  | 100 | 65 | 154 | 177 |     | 14 | 250 | 198 | 180 | 225 |     |     |     | 583 | 125 | 95 |     |     | 320 | 250 |     |     | 18 |    | 170 | 140 |
| 65-200/304.1       | 80  | 65  | 100 | 65 | 154 | 177 |     | 14 | 250 | 198 | 180 | 225 |     |     |     | 583 | 125 | 95 |     |     | 320 | 250 |     |     | 18 |    | 170 | 140 |
| 65-200/404         | 80  | 65  | 100 | 65 | 154 | 177 |     | 14 | 250 | 222 | 180 | 225 |     |     |     | 604 | 125 | 95 |     |     | 320 | 250 |     |     | 18 |    | 170 | 140 |
| 65-250/554 3)4)    | 80  | 65  | 100 |    | 180 | 200 | 43  |    | 300 | 265 | 13  | 200 | 250 | 132 | 302 | 712 | 160 |    | 140 | 220 | 360 |     | 270 | 216 | 20 | 15 | 213 | 140 |
| 65-315/754.2 3)4)  | 80  | 65  | 125 |    | 208 | 229 | 43  |    | 300 | 265 | 13  | 225 | 280 | 132 | 302 | 759 | 160 |    | 178 | 240 | 400 |     | 270 | 216 | 20 | 15 | 213 | 140 |
| 65-315/754.1 3)4)  | 80  | 65  | 125 |    | 208 | 229 | 43  |    | 300 | 265 | 13  | 225 | 280 | 132 | 302 | 759 | 160 |    | 178 | 240 | 400 |     | 270 | 216 | 20 | 15 | 213 | 140 |
| 65-315/1104 3)4)   | 80  | 65  | 125 |    | 208 | 229 | 70  |    | 350 | 323 | 15  | 225 | 280 | 160 | 354 | 917 | 160 |    | 210 | 300 | 400 |     | 320 | 254 | 20 | 21 | 246 | 140 |

1) Rc = ISO 7/1      2) G = ISO 228/1      3) On these pump sizes, the motor feet have to be underpinned by 20 mm thick shims      4)  $h_3 \geq h_1$

## Etabloc BN, SN, CN 80-160 bis 150-250, n ≈ 1450 1/min

ohne Motorfuß (bis Motorbaugröße 112 = 4 kW)  
 mit Motorfuß (ab Motorbaugröße 132 = 5,5 kW)  
 without motor foot (up to motor size 112 = 4 kW)  
 with motor foot (motor size 132 = 5.5 kW and above)  
 sans pied de moteur (jusqu'à taille de moteur 112 = 4 kW)

avec pied de moteur (à partir de la taille de moteur 132 = 5,5 kW)  
 senza piede di fusione (fino alla grandezza del motore 112 = 4 kW)  
 con piede di fusione (a partire della grandezza del motore 132 = 5,5 kW)  
 zonder motorvoet (tot motorgrootte 112 = 4 kW)  
 met motorvoet (vanaf motorgrootte 132 = 5,5 kW)



|     |  | Etabloc BN                | Etabloc SN, CN           | DN 80-150                           |  | DN 200   |  |
|-----|--|---------------------------|--------------------------|-------------------------------------|--|----------|--|
| 1 M | Druckmeßgerät-Anschluß / Pressure gauge connection / Indicateur de pression / Manomètre / Manometro / Manometer  | 80-160-80-315 Rc 3/8 1)   | 80-160-80-315 G 3/8 2)   | Etabloc BN ISO 7005-3/DN../PN10/21  |  |          |  |
| 6 B | Förderflüssigkeit-Entleerung / Casing drain / Vidange du liquide pompé / Scarico del liquido convogliato / Vloeistof- aftap  |                           |                          | Etabloc SN EN1092-2/DN../PN16/21/B  |  |          |  |
| 6 D | Förderflüssigkeit-Auffüllen und Entlüften / Filling and venting of medium handled / Remplissage et purge d'air du liquide pompé / Riempimento del liquido convogliato spurgo dell'aria / Vloeistof vullen en ontluften | 100-160-150-250 Rc 1/2 1) | 100-160-150-250 G 1/2 2) | Etabloc CN ISO 7005-1/DN../PN 16/21 |  | PN 10/21 |  |

| Etabloc BN,SN,CN    | DN <sub>1</sub> | DN <sub>2</sub> | a   | b <sub>1</sub> | b <sub>2</sub> | b <sub>3</sub> | b <sub>4</sub> ≈ | d <sub>1</sub> | d <sub>2</sub> | d <sub>3</sub> ≈ | d <sub>4</sub> | h <sub>1</sub> | h <sub>2</sub> | h <sub>4</sub> | i   | l <sub>1</sub> ≈ | m <sub>1</sub> | m <sub>2</sub> | m <sub>3</sub> | m <sub>4</sub> ≈ | n <sub>1</sub> | n <sub>2</sub> | n <sub>3</sub> ≈ | n <sub>4</sub> | S <sub>1</sub> | S <sub>2</sub> | w   | x   | mm |
|---------------------|-----------------|-----------------|-----|----------------|----------------|----------------|------------------|----------------|----------------|------------------|----------------|----------------|----------------|----------------|-----|------------------|----------------|----------------|----------------|------------------|----------------|----------------|------------------|----------------|----------------|----------------|-----|-----|----|
| 80-160/154          | 100             | 80              | 125 | 65             | 153            | 182            |                  | 14             | 200            | 178              |                | 180            | 225            |                |     | 570              | 125            | 95             |                |                  | 320            | 250            |                  |                | 18             |                | 156 | 140 |    |
| 80-160/224.2        | 100             | 80              | 125 | 65             | 153            | 192            |                  | 14             | 250            | 198              |                | 180            | 225            |                |     | 608              | 125            | 95             |                |                  | 320            | 250            |                  |                | 18             |                | 170 | 140 |    |
| 80-160/224.1        | 100             | 80              | 125 | 65             | 153            | 192            |                  | 14             | 250            | 198              |                | 180            | 225            |                |     | 608              | 125            | 95             |                |                  | 320            | 250            |                  |                | 18             |                | 170 | 140 |    |
| 80-160/304          | 100             | 80              | 125 | 65             | 153            | 192            |                  | 14             | 250            | 198              |                | 180            | 225            |                |     | 608              | 125            | 95             |                |                  | 320            | 250            |                  |                | 18             |                | 170 | 140 |    |
| 80-200/404.2        | 100             | 80              | 125 | 65             | 161            | 189            |                  | 14             | 250            | 222              |                | 180            | 250            |                |     | 649              | 125            | 95             |                |                  | 345            | 280            |                  |                | 18             |                | 190 | 140 |    |
| 80-200/404.1        | 100             | 80              | 125 | 65             | 161            | 189            |                  | 14             | 250            | 222              |                | 180            | 250            |                |     | 649              | 125            | 95             |                |                  | 345            | 280            |                  |                | 18             |                | 190 | 140 |    |
| 80-200/554 3)4)     | 100             | 80              | 125 |                | 161            | 189            | 43               |                | 300            | 265              | 13             | 180            | 250            | 132            | 302 | 737              | 125            |                | 140            | 220              | 345            |                | 270              | 216            | 18             | 15             | 213 | 140 |    |
| 80-250/754.2 3)4)   | 100             | 80              | 125 |                | 184            | 210            | 43               |                | 300            | 265              | 13             | 200            | 280            | 132            | 302 | 759              | 160            |                | 178            | 240              | 400            |                | 270              | 216            | 18             | 15             | 213 | 140 |    |
| 80-250/754.1 3)4)   | 100             | 80              | 125 |                | 184            | 210            | 43               |                | 300            | 265              | 13             | 200            | 280            | 132            | 302 | 759              | 160            |                | 178            | 240              | 400            |                | 270              | 216            | 18             | 15             | 213 | 140 |    |
| 80-250/1104 3)4)    | 100             | 80              | 125 |                | 184            | 210            | 70               |                | 350            | 323              | 15             | 200            | 280            | 160            | 354 | 917              | 160            |                | 210            | 300              | 400            |                | 320              | 254            | 18             | 21             | 246 | 140 |    |
| 80-315/1104 3)4)    | 100             | 80              | 125 |                | 220            | 244            | 70               |                | 350            | 323              | 15             | 250            | 315            | 160            | 354 | 917              | 160            |                | 210            | 300              | 400            |                | 320              | 254            | 20             | 21             | 246 | 140 |    |
| 80-315/1504.2 3)4)  | 100             | 80              | 125 |                | 220            | 244            | 70               |                | 350            | 323              | 15             | 250            | 315            | 160            | 354 | 917              | 160            |                | 254            | 314              | 400            |                | 320              | 254            | 20             | 21             | 246 | 140 |    |
| 80-315/1504.1 3)4)  | 100             | 80              | 125 |                | 220            | 244            | 70               |                | 350            | 323              | 15             | 250            | 315            | 160            | 354 | 917              | 160            |                | 254            | 314              | 400            |                | 320              | 254            | 20             | 21             | 246 | 140 |    |
| 80-315/1854 4)      | 100             | 80              | 125 |                | 220            | 244            | 80               |                | 350            | 355              | 15             | 250            | 315            | 180            | 367 | 981              | 160            |                | 241            | 320              | 400            |                | 360              | 279            | 20             | 23             | 246 | 140 |    |
| 80-315/2204 4)      | 100             | 80              | 125 |                | 220            | 244            | 80               |                | 350            | 355              | 15             | 250            | 315            | 180            | 367 | 981              | 160            |                | 279            | 358              | 400            |                | 360              | 279            | 20             | 23             | 246 | 140 |    |
| 100-160/304         | 125             | 100             | 125 | 80             | 178            | 225            |                  | 18             | 250            | 198              |                | 200            | 280            |                |     | 628              | 160            | 120            |                |                  | 360            | 280            |                  |                | 18             |                | 190 | 140 |    |
| 100-160/404         | 125             | 100             | 125 | 80             | 178            | 225            |                  | 18             | 250            | 222              |                | 200            | 280            |                |     | 649              | 160            | 120            |                |                  | 360            | 280            |                  |                | 18             |                | 190 | 140 |    |
| 100-200/554 3)4)    | 125             | 100             | 125 |                | 173            | 213            | 43               |                | 300            | 265              | 13             | 200            | 280            | 132            | 302 | 737              | 160            |                | 140            | 220              | 360            |                | 270              | 216            | 18             | 15             | 213 | 140 |    |
| 100-200/754 3)4)    | 125             | 100             | 125 |                | 173            | 213            | 43               |                | 300            | 265              | 13             | 200            | 280            | 132            | 302 | 759              | 160            |                | 178            | 240              | 360            |                | 270              | 216            | 18             | 15             | 213 | 140 |    |
| 100-250/1104.2 3)4) | 125             | 100             | 140 |                | 190            | 220            | 70               |                | 350            | 323              | 15             | 225            | 280            | 160            | 354 | 932              | 160            |                | 210            | 300              | 400            |                | 320              | 254            | 18             | 21             | 246 | 140 |    |
| 100-250/1104.1 3)4) | 125             | 100             | 140 |                | 190            | 220            | 70               |                | 350            | 323              | 15             | 225            | 280            | 160            | 354 | 932              | 160            |                | 210            | 300              | 400            |                | 320              | 254            | 18             | 21             | 246 | 140 |    |
| 100-250/1504 3)4)   | 125             | 100             | 140 |                | 190            | 220            | 70               |                | 350            | 323              | 15             | 225            | 280            | 160            | 354 | 932              | 160            |                | 254            | 314              | 400            |                | 320              | 254            | 18             | 21             | 246 | 140 |    |
| 100-315/1854.2 4)   | 125             | 100             | 140 |                | 225            | 255            | 80               |                | 350            | 355              | 15             | 250            | 315            | 180            | 367 | 996              | 160            |                | 241            | 320              | 400            |                | 360              | 279            | 18             | 23             | 246 | 140 |    |
| 100-315/1854.1 4)   | 125             | 100             | 140 |                | 225            | 255            | 80               |                | 350            | 355              | 15             | 250            | 315            | 180            | 367 | 996              | 160            |                | 241            | 320              | 400            |                | 360              | 279            | 18             | 23             | 246 | 140 |    |
| 100-315/2204 4)     | 125             | 100             | 140 |                | 225            | 255            | 80               |                | 350            | 355              | 15             | 250            | 315            | 180            | 367 | 996              | 160            |                | 279            | 358              | 400            |                | 360              | 279            | 18             | 23             | 246 | 140 |    |
| 125-200/754 3)4)    | 150             | 125             | 140 |                | 195            | 244            | 43               |                | 300            | 265              | 13             | 250            | 315            | 132            | 302 | 774              | 160            |                | 178            | 240              | 400            |                | 270              | 216            | 20             | 15             | 213 | 140 |    |
| 125-200/1104 3)4)   | 150             | 125             | 140 |                | 195            | 244            | 70               |                | 350            | 323              | 15             | 250            | 315            | 160            | 354 | 932              | 160            |                | 210            | 300              | 400            |                | 320              | 254            | 20             | 21             | 246 | 140 |    |
| 125-250/1504 3)4)   | 150             | 125             | 140 |                | 226            | 275            | 70               |                | 350            | 323              | 15             | 250            | 355            | 160            | 354 | 932              | 160            |                | 254            | 314              | 400            |                | 320              | 254            | 20             | 21             | 246 | 140 |    |
| 125-250/1854 4)     | 150             | 125             | 140 |                | 226            | 275            | 80               |                | 350            | 355              | 15             | 250            | 355            | 180            | 367 | 996              | 160            |                | 241            | 320              | 400            |                | 360              | 279            | 20             | 23             | 246 | 140 |    |
| 150-250/1504 3)4)   | 200             | 150             | 160 |                | 228            | 298            | 70               |                | 350            | 323              | 15             | 280            | 400            | 160            | 354 | 952              | 200            |                | 254            | 314              | 500            |                | 320              | 254            | 20             | 21             | 246 | 140 |    |
| 150-250/1854 4)     | 200             | 150             | 160 |                | 228            | 298            | 80               |                | 350            | 355              | 15             | 280            | 400            | 180            | 367 | 1016             | 200            |                | 241            | 320              | 500            |                | 360              | 279            | 20             | 23             | 246 | 140 |    |
| 150-250/2204 4)     | 200             | 150             | 160 |                | 228            | 298            | 80               |                | 350            | 355              | 15             | 280            | 400            | 180            | 367 | 1016             | 200            |                | 279            | 358              | 500            |                | 360              | 279            | 20             | 23             | 246 | 140 |    |

1) Rc = ISO 7/1

2) G = ISO 228/1

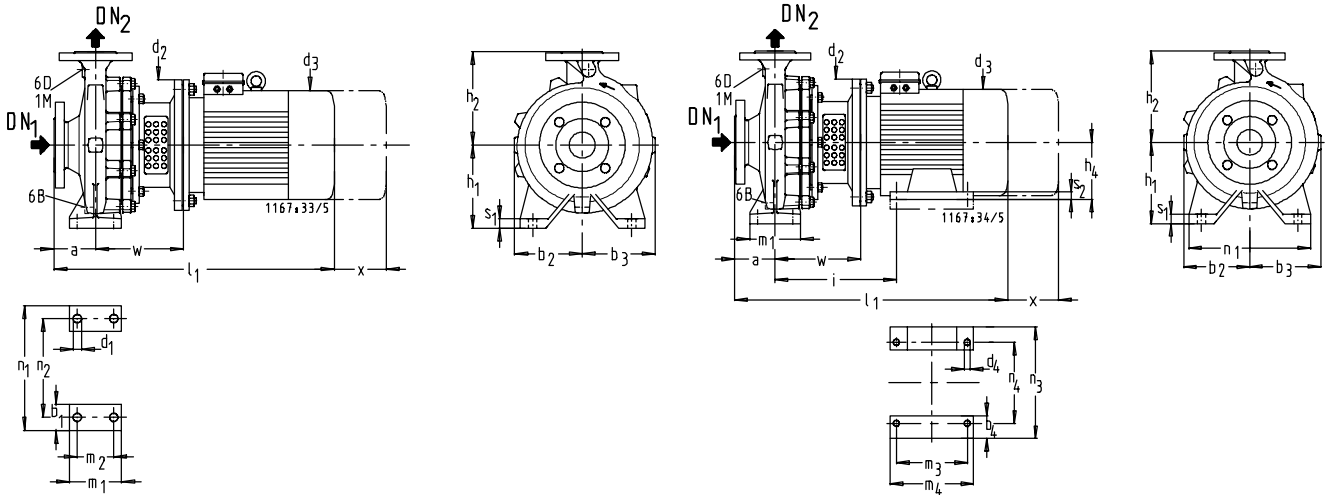
3) On these pump sizes, the motor feet have to be underpinned by 20 mm thick shims

 4)  $h_3 \geq h_1$

**Etabloc BN, SN, CN 32-125.1 bis 65-160 ... ex, n ≈ 2900/1450 1/min**

ohne Motorfuß (bis Motorbaugröße 112 = 3,3 kW)  
 mit Motorfuß (ab Motorbaugröße 132 = 4,6 kW)  
 without motor foot (up to motor size 112 = 3.3 kW)  
 with motor foot (motor size 132 = 4.6 kW and above)  
 sans pied de moteur (jusqu'à taille de moteur 112 = 3,3 kW)

avec pied de moteur (à partir de la taille de moteur 132 = 4,6 kW)  
 senza piede di fusione (fino alla grandezza del motore 112 = 3,3 kW)  
 con piede di fusione (a partire della grandezza del motore 132 = 4,6 kW)  
 zonder motorvoet (tot motorgrootte 112 = 3,3 kW)  
 met motorvoet (vanaf motorgrootte 132 = 4,6 kW)



|     |  | Etabloc BN           | Etabloc SN, CN      |
|-----|--|----------------------|---------------------|
| 1 M | Druckmeßgerät-Anschluß / Pressure gauge connection / Indicateur de pression / Manomètre / Manometro / Manometer  | Rc 3/8 <sup>1)</sup> | G 3/8 <sup>2)</sup> |
| 6 B | Förderflüssigkeit-Entleerung / Casing drain / Vidange du liquide pompé / Scarico del liquido convogliato / Vloeistof- aftap  | Rc 3/8 <sup>1)</sup> | G 3/8 <sup>2)</sup> |
| 6 D | Förderflüssigkeit-Auffüllen und Entlüften / Filling and venting of medium handled / Remplissage et purge d'air du liquide pompé / Riempiimento del liquido convogliato spurgo dell'aria / Vloeistof vullen en ontluchten | Rc 3/8 <sup>1)</sup> | G 3/8 <sup>2)</sup> |

|            |  | DN 32 - 80              |
|------------|--|-------------------------|
| Etabloc BN |  | ISO 7005-3/DN../PN10/21 |
| Etabloc SN |  | EN1092-2/DN../PN16/21/B |
| Etabloc CN |  | ISO 7005-1/DN../PN16/21 |

**n ≈ 2900 1/min**

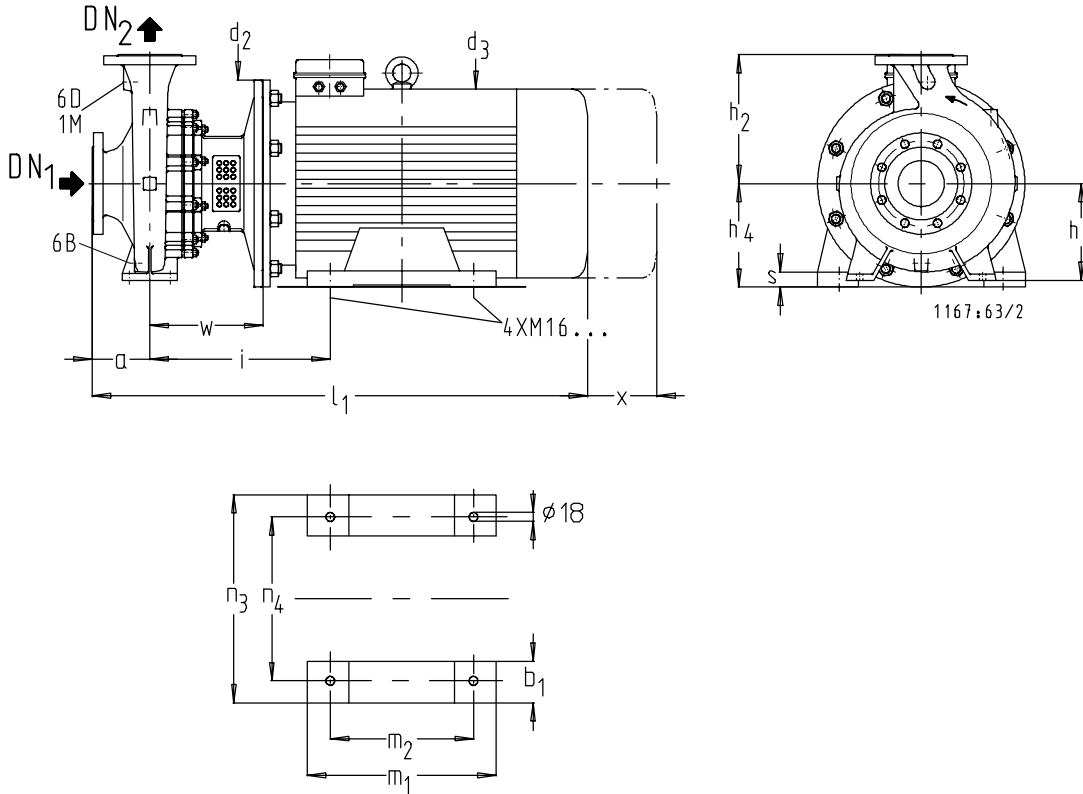
| Etabloc BN, SN, CN... ex | DN <sub>1</sub> | DN <sub>2</sub> | a   | b <sub>1</sub> | b <sub>2</sub> | b <sub>3</sub> | b <sub>4</sub> ≈ | d <sub>1</sub> | d <sub>2</sub> | d <sub>3</sub> ≈ | d <sub>4</sub> | h <sub>1</sub> | h <sub>2</sub> | h <sub>4</sub> | i   | l <sub>1</sub> ≈ | m <sub>1</sub> | m <sub>2</sub> | m <sub>3</sub> | m <sub>4</sub> ≈ | n <sub>1</sub> | n <sub>2</sub> | n <sub>3</sub> ≈ | n <sub>4</sub> | s <sub>1</sub> | s <sub>2</sub> | w   | x   |
|--------------------------|-----------------|-----------------|-----|----------------|----------------|----------------|------------------|----------------|----------------|------------------|----------------|----------------|----------------|----------------|-----|------------------|----------------|----------------|----------------|------------------|----------------|----------------|------------------|----------------|----------------|----------------|-----|-----|
| 32-125.1/072             | 50              | 32              | 80  | 50             | 113            | 113            |                  | 14             | 200            | 160              |                | 112            | 140            |                |     | 463              | 100            | 70             |                |                  | 190            | 140            |                  |                | 15             |                | 156 | 100 |
| 32-125.1/132             | 50              | 32              | 80  | 50             | 113            | 113            |                  | 14             | 200            | 176              |                | 112            | 140            |                |     | 472              | 100            | 70             |                |                  | 190            | 140            |                  |                | 15             |                | 156 | 100 |
| 32-125.1/182             | 50              | 32              | 80  | 50             | 113            | 113            |                  | 14             | 200            | 176              |                | 112            | 140            |                |     | 497              | 100            | 70             |                |                  | 190            | 140            |                  |                | 15             |                | 156 | 100 |
| 32-160.1/252             | 50              | 32              | 80  | 50             | 116            | 125            |                  | 14             | 250            | 198              |                | 132            | 160            |                |     | 555              | 100            | 70             |                |                  | 240            | 190            |                  |                | 15             |                | 170 | 100 |
| 32-160.1/332             | 50              | 32              | 80  | 50             | 116            | 125            |                  | 14             | 250            | 222              |                | 132            | 160            |                |     | 569              | 100            | 70             |                |                  | 240            | 190            |                  |                | 15             |                | 170 | 100 |
| 32-200.1/462             | 50              | 32              | 80  |                | 128            | 137            | 43               |                | 300            | 265              | 13             | 160            | 180            | 132            | 282 | 635              | 100            |                | 140            | 180              | 240            |                | 250              | 216            | 18             | 15             | 193 | 100 |
| 32-160/332               | 50              | 32              | 80  | 50             | 113            | 125            |                  | 14             | 250            | 222              |                | 132            | 160            |                |     | 569              | 100            | 70             |                |                  | 240            | 190            |                  |                | 15             |                | 170 | 100 |
| 32-200/462               | 50              | 32              | 80  |                | 132            | 141            | 43               |                | 300            | 265              | 13             | 160            | 180            | 132            | 282 | 635              | 100            |                | 140            | 180              | 240            |                | 250              | 216            | 18             | 15             | 193 | 100 |
| 32-200/752               | 50              | 32              | 80  |                | 132            | 141            | 70               |                | 350            | 323              | 15             | 160            | 180            | 160            | 334 | 779              | 100            |                | 210            | 260              | 240            |                | 320              | 254            | 18             | 21             | 226 | 100 |
| 40-160/462               | 65              | 40              | 80  |                | 115            | 131            | 43               |                | 300            | 265              | 13             | 132            | 160            | 132            | 282 | 635              | 100            |                | 140            | 180              | 240            |                | 250              | 216            | 15             | 15             | 193 | 100 |
| 40-160/752               | 65              | 40              | 80  |                | 115            | 131            | 70               |                | 350            | 323              | 15             | 132            | 160            | 160            | 334 | 779              | 100            |                | 210            | 260              | 240            |                | 320              | 254            | 15             | 21             | 226 | 100 |
| 50-160/752               | 65              | 50              | 100 |                | 125            | 147            | 70               |                | 350            | 323              | 15             | 160            | 180            | 160            | 334 | 799              | 100            |                | 210            | 260              | 265            |                | 320              | 254            | 18             | 21             | 226 | 100 |

**n ≈ 1450 1/min**

| Etabloc BN, SN, CN... ex | DN <sub>1</sub> | DN <sub>2</sub> | a   | b <sub>1</sub> | b <sub>2</sub> | b <sub>3</sub> | d <sub>1</sub> | d <sub>2</sub> | d <sub>3</sub> ≈ | h <sub>1</sub> | h <sub>2</sub> | l <sub>1</sub> ≈ | m <sub>1</sub> | m <sub>2</sub> | n <sub>1</sub> | n <sub>2</sub> | s <sub>1</sub> | w   | x   |
|--------------------------|-----------------|-----------------|-----|----------------|----------------|----------------|----------------|----------------|------------------|----------------|----------------|------------------|----------------|----------------|----------------|----------------|----------------|-----|-----|
| 32-200.1/054             | 50              | 32              | 80  | 50             | 128            | 137            | 14             | 200            | 160              | 160            | 180            | 463              | 100            | 70             | 240            | 190            | 18             | 156 | 100 |
| 32-200.1/074             | 50              | 32              | 80  | 50             | 128            | 137            | 14             | 200            | 160              | 160            | 180            | 463              | 100            | 70             | 240            | 190            | 18             | 156 | 100 |
| 32-160/054               | 50              | 32              | 80  | 50             | 113            | 125            | 14             | 200            | 160              | 132            | 160            | 463              | 100            | 70             | 240            | 190            | 15             | 156 | 100 |
| 32-200/074               | 50              | 32              | 80  | 50             | 132            | 141            | 14             | 200            | 160              | 160            | 180            | 463              | 100            | 70             | 240            | 190            | 18             | 156 | 100 |
| 32-250/134               | 50              | 32              | 100 | 65             | 170            | 176            | 14             | 200            | 176              | 180            | 225            | 517              | 125            | 95             | 320            | 250            | 18             | 156 | 100 |
| 40-160/074               | 65              | 40              | 80  | 50             | 115            | 131            | 14             | 200            | 160              | 132            | 160            | 463              | 100            | 70             | 240            | 190            | 15             | 156 | 100 |
| 40-200/134               | 65              | 40              | 100 | 50             | 140            | 152            | 14             | 200            | 176              | 160            | 180            | 517              | 100            | 70             | 265            | 212            | 18             | 156 | 100 |
| 50-160/134               | 65              | 50              | 100 | 50             | 126            | 147            | 14             | 200            | 176              | 160            | 180            | 517              | 100            | 70             | 265            | 212            | 18             | 156 | 100 |
| 65-160/134               | 80              | 65              | 100 | 65             | 130            | 158            | 14             | 200            | 176              | 160            | 200            | 517              | 125            | 95             | 280            | 212            | 18             | 156 | 100 |

1) Rc = ISO 7/1

2) G = ISO 228/1

**Etabloc GN, MN, SN, CN  $\geq 30$  kW,  $n \approx 2900$  1/min**


|     |   |                                |
|-----|---|--------------------------------|
| 1 M | Druckmeßgerät-Anschluß / Pressure gauge connection / Indicateur de pression / Manomètre / Manometro / Manometer   | Etabloc<br>50-250 - 80-250     |
| 6 B | Förderflüssigkeit-Entleerung / Casing drain / Vidange du liquide pompé / Scarico del liquido convogliato / Vloeistof- aftap   | Rc 3/8 1)                      |
| 6 D | Förderflüssigkeit-Auffüllen und Entlüften / Filling and venting of medium handled / Remplissage et purge d'air du liquide pompé / Riempimento del liquido convogliato spurgo dell'aria / Vloeistof vullen en ontlichten | 100-160 - 100-200<br>Rc 1/2 1) |

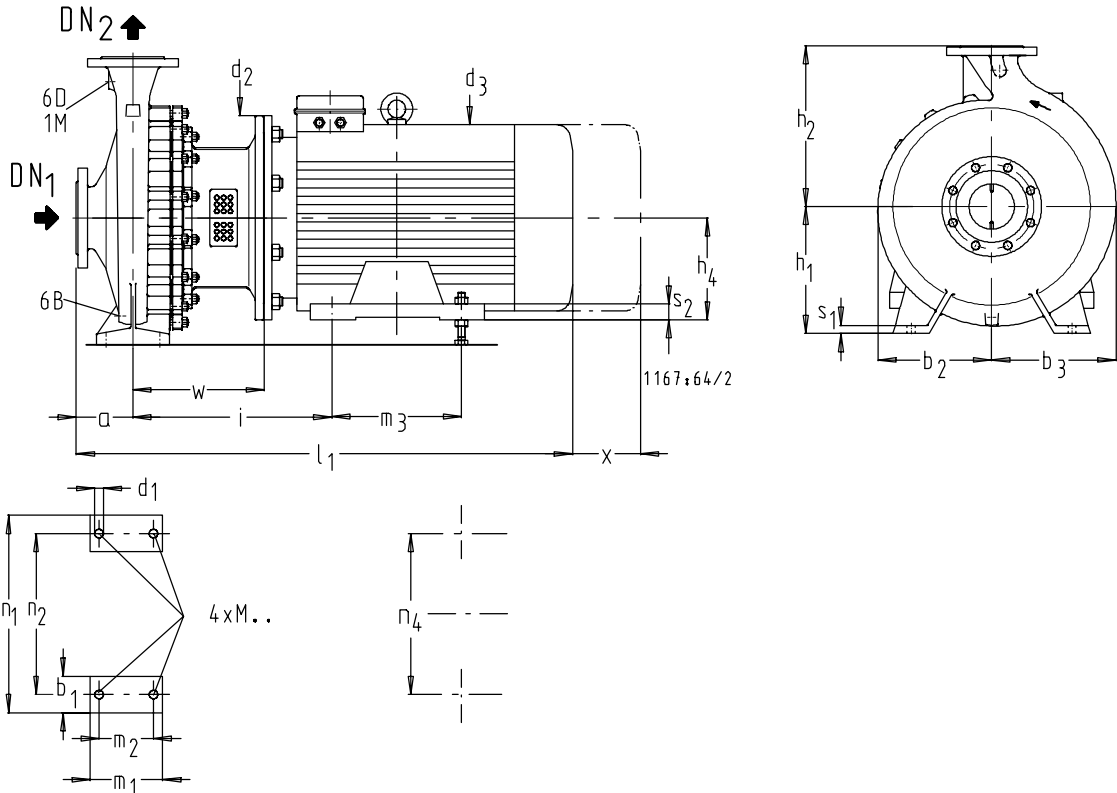
|         |                               |                               |     |                  |                |                  |                |                |                |     |                  |                  |                |                  |                | mm  |    |     |     |
|---------|-------------------------------|-------------------------------|-----|------------------|----------------|------------------|----------------|----------------|----------------|-----|------------------|------------------|----------------|------------------|----------------|-----|----|-----|-----|
| Etabloc | DN <sub>1</sub> <sup>2)</sup> | DN <sub>2</sub> <sup>2)</sup> | a   | b <sub>1</sub> ≈ | d <sub>2</sub> | d <sub>3</sub> ≈ | h <sub>1</sub> | h <sub>2</sub> | h <sub>4</sub> | i   | l <sub>1</sub> ≈ | m <sub>1</sub> ≈ | m <sub>2</sub> | n <sub>3</sub> ≈ | n <sub>4</sub> | s   | w  | x   |     |
| 50-250  | /3002                         | 65                            | 50  | 100              | 80             | 400              | 415            | 180            | 225            | 200 | 359              | 991              | 355            | 305              | 398            | 318 | 34 | 226 | 100 |
|         | /3702                         | 65                            | 50  | 100              | 80             | 400              | 415            | 180            | 225            | 200 | 359              | 991              | 355            | 305              | 398            | 318 | 34 | 226 | 100 |
| 65-200  | /3002                         | 80                            | 65  | 100              | 80             | 400              | 415            | 180            | 225            | 200 | 359              | 991              | 355            | 305              | 398            | 318 | 34 | 226 | 140 |
| 65-250  | /3002                         | 80                            | 65  | 100              | 80             | 400              | 415            | 200            | 250            | 200 | 379              | 1011             | 355            | 305              | 398            | 318 | 34 | 246 | 140 |
|         | /3702                         | 80                            | 65  | 100              | 80             | 400              | 415            | 200            | 250            | 200 | 379              | 1011             | 355            | 305              | 398            | 318 | 34 | 246 | 140 |
|         | /4502                         | 80                            | 65  | 100              | 80             | 450              | 470            | 200            | 250            | 225 | 419              | 1065             | 361            | 311              | 436            | 356 | 34 | 270 | 140 |
| 80-160  | /3002                         | 100                           | 80  | 125              | 80             | 400              | 415            | 180            | 225            | 200 | 359              | 1016             | 355            | 305              | 398            | 318 | 34 | 226 | 140 |
| 80-200  | /3002                         | 100                           | 80  | 125              | 80             | 400              | 415            | 180            | 250            | 200 | 379              | 1036             | 355            | 305              | 398            | 318 | 34 | 246 | 140 |
|         | /3702                         | 100                           | 80  | 125              | 80             | 400              | 415            | 180            | 250            | 200 | 379              | 1036             | 355            | 305              | 398            | 318 | 34 | 246 | 140 |
|         | /4502                         | 100                           | 80  | 125              | 80             | 450              | 470            | 180            | 250            | 225 | 419              | 1090             | 361            | 311              | 436            | 356 | 34 | 270 | 140 |
| 80-250  | /3002                         | 100                           | 80  | 125              | 80             | 400              | 415            | 200            | 280            | 200 | 379              | 1036             | 355            | 305              | 398            | 318 | 34 | 246 | 140 |
|         | /3702                         | 100                           | 80  | 125              | 80             | 400              | 415            | 200            | 280            | 200 | 379              | 1036             | 355            | 305              | 398            | 318 | 34 | 246 | 140 |
|         | /4502                         | 100                           | 80  | 125              | 80             | 450              | 470            | 200            | 280            | 225 | 419              | 1090             | 361            | 311              | 436            | 356 | 34 | 270 | 140 |
| 100-160 | /3002                         | 125                           | 100 | 125              | 80             | 400              | 415            | 200            | 280            | 200 | 379              | 1036             | 355            | 305              | 398            | 318 | 34 | 246 | 140 |
|         | /3702                         | 125                           | 100 | 125              | 80             | 400              | 415            | 200            | 280            | 200 | 379              | 1036             | 355            | 305              | 398            | 318 | 34 | 246 | 140 |
| 100-200 | /3002                         | 125                           | 100 | 125              | 80             | 400              | 415            | 200            | 280            | 200 | 379              | 1036             | 355            | 305              | 398            | 318 | 34 | 246 | 140 |
|         | /3702                         | 125                           | 100 | 125              | 80             | 400              | 415            | 200            | 280            | 200 | 379              | 1036             | 355            | 305              | 398            | 318 | 34 | 246 | 140 |
|         | /4502                         | 125                           | 100 | 125              | 80             | 450              | 470            | 200            | 280            | 225 | 419              | 1090             | 361            | 311              | 436            | 356 | 34 | 270 | 140 |

1) Rc = ISO 7/1

2)

|                |                         |
|----------------|-------------------------|
|                | DN 50-125               |
| Etabloc GN, MN | EN1092-2/DN../PN16/21/B |
| Etabloc SN     | EN1092-2/DN../PN16/21/B |
| Etabloc CN     | ISO 7005-1/DN../PN16/21 |



**Etabloc GN, MN, SN, CN ≥ 30 kW, n ~ 1450 1/min**


|     |  |   |
|-----|--|---|
| 1 M | Druckmeßgerät-Anschluß / Pressure gauge connection / Indicateur de pression / Manomètre / Manometro / Manometer  | Etabloc<br>80-400<br>Rc 3/8 <sup>1)</sup> |
| 6 B | Förderflüssigkeit-Entleerung / Casing drain / Vidange du liquide pompé / Scarico del liquido convogliato / Vloeistof- aftap  |   |
| 6 D | Förderflüssigkeit-Auffüllen und Entlüften / Filling and venting of medium handled / Remplissage et purge d'air du liquide pompé / Rimpimento del liquido convogliato spurgo dell'aria / Vloeistof vullen en ontluchten | 100-315 - 150-315<br>Rc 1/2 <sup>1)</sup> |

| Etabloc |       | DN <sub>1</sub> | DN <sub>2</sub> | a   | b <sub>1</sub> | b <sub>2</sub> | b <sub>3</sub> | d <sub>1</sub> | d <sub>2</sub> | d <sub>3</sub> | h <sub>1</sub> | h <sub>2</sub> | h <sub>4</sub> | i   | l <sub>1</sub> ≈ | m <sub>1</sub> | m <sub>2</sub> | m <sub>3</sub> | n <sub>1</sub> | n <sub>2</sub> | n <sub>4</sub> | s <sub>1</sub> | s <sub>2</sub> | w   | x   | M.. |
|---------|-------|-----------------|-----------------|-----|----------------|----------------|----------------|----------------|----------------|----------------|----------------|----------------|----------------|-----|------------------|----------------|----------------|----------------|----------------|----------------|----------------|----------------|----------------|-----|-----|-----|
| 80-400  | /3004 | 100             | 80              | 125 | 80             | 253            | 276            | 19             | 400            | 415            | 280            | 355            | 200            | 392 | 1049             | 160            | 120            | 305            | 435            | 355            | 318            | 20             | 34             | 259 | 140 | M16 |
|         | /3704 | 100             | 80              | 125 | 80             | 253            | 276            | 19             | 450            | 470            | 280            | 355            | 225            | 438 | 1109             | 160            | 120            | 311            | 435            | 355            | 358            | 20             | 34             | 289 | 140 |     |
| 100-315 | /3004 | 125             | 100             | 140 | 80             | 225            | 255            | 19             | 400            | 415            | 250            | 315            | 200            | 379 | 1051             | 160            | 120            | 305            | 400            | 315            | 318            | 18             | 34             | 246 | 140 |     |
| 100-400 | /3004 | 125             | 100             | 140 | 100            | 253            | 280            | 24             | 400            | 415            | 280            | 355            | 200            | 392 | 1064             | 200            | 150            | 305            | 500            | 400            | 318            | 20             | 34             | 259 | 140 | M20 |
|         | /3704 | 125             | 100             | 140 | 100            | 253            | 280            | 24             | 450            | 470            | 280            | 355            | 225            | 438 | 1124             | 200            | 150            | 311            | 500            | 400            | 356            | 20             | 34             | 289 | 140 |     |
|         | /4504 | 125             | 100             | 140 | 100            | 253            | 280            | 24             | 450            | 470            | 280            | 355            | 225            | 438 | 1124             | 200            | 150            | 311            | 500            | 400            | 356            | 20             | 34             | 289 | 140 |     |
| 125-315 | /3004 | 150             | 125             | 140 | 100            | 238            | 278            | 24             | 400            | 415            | 280            | 355            | 200            | 392 | 1064             | 200            | 150            | 305            | 500            | 400            | 318            | 20             | 34             | 259 | 140 | M20 |
|         | /3704 | 150             | 125             | 140 | 100            | 238            | 278            | 24             | 450            | 470            | 280            | 355            | 225            | 438 | 1124             | 200            | 150            | 311            | 500            | 400            | 356            | 20             | 34             | 289 | 140 |     |
| 125-400 | /3004 | 150             | 125             | 140 | 100            | 275            | 306            | 24             | 400            | 415            | 315            | 400            | 200            | 392 | 1064             | 200            | 150            | 305            | 500            | 400            | 318            | 20             | 34             | 259 | 140 | M20 |
|         | /3704 | 150             | 125             | 140 | 100            | 275            | 306            | 24             | 450            | 470            | 315            | 400            | 225            | 438 | 1124             | 200            | 150            | 311            | 500            | 400            | 356            | 20             | 34             | 289 | 140 |     |
|         | /4504 | 150             | 125             | 140 | 100            | 275            | 306            | 24             | 450            | 470            | 315            | 400            | 225            | 438 | 1124             | 200            | 150            | 311            | 500            | 400            | 356            | 20             | 34             | 289 | 140 |     |
| 150-250 | /3004 | 200             | 150             | 160 | 100            | 228            | 298            | 24             | 400            | 415            | 280            | 400            | 200            | 379 | 1071             | 200            | 150            | 305            | 500            | 400            | 318            | 20             | 34             | 246 | 140 |     |
| 150-315 | /3004 | 200             | 150             | 160 | 100            | 255            | 303            | 24             | 400            | 415            | 280            | 400            | 200            | 392 | 1084             | 200            | 150            | 305            | 550            | 450            | 318            | 20             | 34             | 259 | 140 | M20 |
|         | /3704 | 200             | 150             | 160 | 100            | 255            | 303            | 24             | 450            | 470            | 280            | 400            | 225            | 438 | 1144             | 200            | 150            | 311            | 550            | 450            | 356            | 20             | 34             | 289 | 140 |     |
|         | /4504 | 200             | 150             | 160 | 100            | 255            | 303            | 24             | 450            | 470            | 280            | 400            | 225            | 438 | 1144             | 200            | 150            | 311            | 550            | 450            | 356            | 20             | 34             | 289 | 140 |     |

1) Rc = ISO 7/1

2)

|                |                           |                          |
|----------------|---------------------------|--------------------------|
|                | DN 80, 100<br>DN 125, 150 | DN 200                   |
| Etabloc GN, MN | EN1092-2/DN../PN16/21/B   | EN1092-2/DN200/PN10/21/B |
| Etabloc SN     | EN1092-2/DN../PN16/21/B   | EN1092-2/DN200/PN16/21/B |
| Etabloc CN     | ISO7005-1/DN../PN16/21    | ISO7005-1/DN../PN10/21   |

**Spare Parts Stock  
Interchangeability of Etabloc and Etanorm Components and Interchangeability of Component Parts**

| Etabloc      | Shaft unit | Description   |     |                 |    |          |       |   |     |     |     |     |        |        |     |          |                 |                               |                                 |              |
|--------------|------------|---------------|-----|-----------------|----|----------|-------|---|-----|-----|-----|-----|--------|--------|-----|----------|-----------------|-------------------------------|---------------------------------|--------------|
|              |            | Volute casing |     | Discharge cover |    | Shaft 1) |       |   |     |     |     |     |        |        |     | Impeller | Mechanical seal | Casing wear ring suction-side | Casing wear ring discharge-side | Shaft sleeve |
|              |            | 102           | 163 | 71              | 80 | 90       | Ⓜ 210 |   | 132 | 160 | 180 | 200 | 2-pole | 4-pole | 230 | 433      | 502.1           | 502.2                         | 523                             |              |
| 25-20/...    | 25         | f             | f   |                 |    |          |       |   |     |     |     |     |        |        | f   | f        | x               | x                             | x                               |              |
| 32-23/...    | 25         | f             | x   |                 |    |          |       |   |     |     |     |     |        |        | f   | f        | x               | x                             | x                               |              |
| 32-125.1/... | 25         | f             | 1   | 1               | 2  | 3        | V     | V | V   | V   | V   |     |        | f      | 1   | 1        | x               | 1                             |                                 |              |
| 32-160.1/... | 25         | f             | 1   | 1               | V  | 3        | 4     | V | V   | V   | V   |     |        | 1      | 1   | 1        | 3               | 1                             |                                 |              |
| 32-200.1/... | 25         | f             | 2   | V               | 2  | V        | 4     | 5 | V   | V   | V   |     |        | 2      | 1   | 1        | 3               | 1                             |                                 |              |
| 32-250.1/... | 25         | f             | 3   | V               | V  | 3        | V     | 5 | 6   | V   | V   |     |        | 3      | 1   | 1        | 4               | 1                             |                                 |              |
| 32-125/...   | 25         | f             | 1   | 1               | 2  | 3        | 4     | V | V   | V   | V   |     |        | f      | 1   | 1        | x               | 1                             |                                 |              |
| 32-160/...   | 25         | f             | 1   | V               | 2  | V        | 4     | V | V   | V   | V   |     |        | 1      | 1   | 1        | 3               | 1                             |                                 |              |
| 32-200/...   | 25         | f             | 2   | V               | 2  | 3        | V     | 5 | 6   | V   | V   |     |        | 2      | 1   | 1        | 3               | 1                             |                                 |              |
| 32-250/...   | 25         | f             | 3   | V               | V  | 3        | 4     | V | 6   | V   | V   |     |        | 3      | 1   | 1        | 4               | 1                             |                                 |              |
| 40-125/...   | 25         | f             | 1   | 1               | 2  | 3        | 4     | V | V   | V   | V   |     |        | f      | 1   | 2        | x               | 1                             |                                 |              |
| 40-160/...   | 25         | f             | 1   | V               | 2  | V        | 4     | 5 | 6   | V   | V   |     |        | f      | 1   | 2        | 3               | 1                             |                                 |              |
| 40-200/...   | 25         | f             | 2   | V               | V  | 3        | V     | 5 | 6   | V   | V   |     |        | f      | 1   | f        | 3               | 1                             |                                 |              |
| 40-250/...   | 25         | f             | 3   | V               | V  | V        | 4     | V | 6   | 7   | V   |     |        | f      | 1   | 2        | 4               | 1                             |                                 |              |
| 40-315/...   | 35         | f             | f   | V               | V  | V        | 8     | 9 | V   | V   | V   | V   | V      | f      | 2   | 2        | 12              | 2                             |                                 |              |
| 50-125/...   | 25         | f             | 1   | V               | 2  | V        | 4     | 5 | V   | V   | V   |     |        | f      | 1   | 3        | 3               | 1                             |                                 |              |
| 50-160/...   | 25         | f             | 1   | V               | V  | 3        | V     | 5 | 6   | V   | V   |     |        | f      | 1   | 3        | 3               | 1                             |                                 |              |
| 50-200/...   | 25         | f             | 2   | V               | V  | V        | 4     | V | 6   | 7   | 12  |     |        | f      | 1   | 3        | 3               | 2                             |                                 |              |
| 50-250/...   | 25         | f             | 3   | V               | V  | V        | 4     | V | V   | V   | 12  |     |        | f      | 1   | 3        | 4               | 1                             |                                 |              |
| 50-315/...   | 35         | f             | 4   | V               | V  | V        | 8     | 9 | V   | V   |     | V   | V      | f      | 2   | 5        | 10              | 2                             |                                 |              |
| 65-125/...   | 25         | f             | 1   | V               | 2  | 3        | 4     | 5 | 6   | V   | V   |     |        | f      | 1   | 5        | 3               | 1                             |                                 |              |
| 65-160/...   | 25         | f             | 5   | V               | V  | 3        | 4     | V | 6   | V   | V   |     |        | f      | 1   | 5        | 9               | 1                             |                                 |              |
| 65-200/...   | 25         | f             | f   | V               | V  | V        | 4     | V | 6   | 7   | 12  |     |        | f      | 1   | 5        | 9               | 1                             |                                 |              |
| 65-250/...   | 35         | f             | f   | V               | V  | V        | V     | 9 | V   | V   | 13  | V   | 14     | f      | 2   | 9        | 12              | 2                             |                                 |              |
| 65-315/...   | 35         | f             | 4   | V               | V  | V        | V     | 9 | 10  | V   | V   | V   | V      | f      | 2   | 9        | 10              | 2                             |                                 |              |
| 80-160/...   | 25         | f             | 5   | V               | V  | V        | 4     | V | 6   | 7   | 12  |     |        | f      | 1   | 6        | 9               | 1                             |                                 |              |
| 80-200/...   | 35         | f             | 6   | V               | V  | V        | 8     | 9 | V   | V   | 13  | 15  | V      | f      | 2   | 6        | 10              | 2                             |                                 |              |
| 80-250/...   | 35         | f             | 7   | V               | V  | V        | V     | 9 | 10  | V   | 13  | 15  | V      | f      | 2   | 6        | 10              | 2                             |                                 |              |
| 80-315/...   | 35         | f             | 4   | V               | V  | V        | V     | V | 10  | 11  | 13  | V   | V      | f      | 2   | 6        | 10              | 2                             |                                 |              |
| 80-400/...   | 55         | f             | 10  |                 |    |          |       |   |     |     | 16  |     | 17     | f      | 3   | f        | f               | 3                             |                                 |              |
| 100-160/...  | 35         | f             | 6   | V               | V  | V        | 8     | V | V   | V   | 13  | V   | V      | f      | 2   | 7        | 10              | 2                             |                                 |              |
| 100-200/...  | 35         | f             | 6   | V               | V  | V        | V     | 9 | V   | V   | 13  | 15  | V      | f      | 2   | 7        | 10              | 2                             |                                 |              |
| 100-250/...  | 35         | f             | 7   | V               | V  | V        | V     | V | 10  | V   | V   | V   | V      | f      | 2   | 7        | 10              | 2                             |                                 |              |
| 100-315/...  | 35         | f             | 4   | V               | V  | V        | V     | V | V   | 11  | 13  | V   | V      | f      | 2   | 7        | 10              | 2                             |                                 |              |
| 100-400/...  | 55         | f             | 10  |                 |    |          |       |   |     |     | 16  |     | 17     | f      | 3   | 7        | 8               | 3                             |                                 |              |
| 125-200/...  | 35         | f             | 8   | V               | V  | V        | V     | 9 | 10  | V   | V   | V   | V      | f      | 2   | 8        | 11              | 2                             |                                 |              |
| 125-250/...  | 35         | f             | 9   | V               | V  | V        | V     | V | 10  | 11  | 13  | V   | V      | f      | 2   | 8        | 11              | 2                             |                                 |              |
| 125-315/...  | 55         | f             | 11  |                 |    |          |       |   |     |     | 16  |     | 17     | f      | 3   | 8        | 8               | 3                             |                                 |              |
| 125-400/...  | 55         | f             | 10  |                 |    |          |       |   |     |     | 16  |     | 17     | f      | 3   | 8        | 8               | 3                             |                                 |              |
| 150-200/...  | 35         | f             | 8   | V               | V  | V        | V     | V | 10  | V   | V   | V   | V      | f      | 2   | f        | 11              | 2                             |                                 |              |
| 150-250/...  | 35         | f             | 9   | V               | V  | V        | V     | V | 10  | 11  | 13  | V   | V      | f      | 2   | 14       | 13              | 2                             |                                 |              |
| 150-315/...  | 55         | f             | 11  |                 |    |          |       |   |     |     | 16  |     | 17     | f      | 3   | 14       | 8               | 3                             |                                 |              |

| Ⓜ   | Drive lantern 341 |            |    |
|-----|-------------------|------------|----|
|     | 25                | Shaft unit |    |
|     |                   | 35         | 55 |
| 71  | f                 | —          | —  |
| 80  | 1                 | —          | —  |
| 90  | 1                 | —          | —  |
| 100 | 2                 | 4          | —  |
| 112 | 2                 | 4          | —  |
| 132 | f                 | f          | —  |
| 160 | 3                 | 6          | —  |
| 180 | 3                 | 6          | —  |
| 200 | 7                 | 8          | 10 |
| 225 | —                 | 9          | 11 |

| Ⓜ   | Rating   |
|-----|--|
| 71  | .../024, .../034                                 |
| 80  | .../054, .../074, .../072, .../112               |
| 90  | .../114, .../154, .../152, .../222               |
| 100 | .../224, .../304, .../302                        |
| 112 | .../404, .../402                                 |
| 132 | .../554, .../754, .../552, .../752               |
| 160 | .../1104, .../1504, .../1102, .../1502, .../1852 |
| 180 | .../1854, .../2204, .../2202                     |
| 200 | .../3004, .../3704, .../3002, .../3702           |
| 225 | .../4504, .../4502                               |

1) Etabloc with standardized motor only

|   |                                  |
|---|----------------------------------|
| 1 | Same number means same component |
| 1 |                                  |
| Ⓜ | Components differ                |

|   |   |
|---|---|
| X | Component not fitted                        |
| V | This pump/motor combination is not possible |

|  |   |
|--|---|
|  | This pump/motor combination is not possible |
|  | Component interchangeable with Etanorm      |

**Recommended Spare Parts Stock for 2 Years' Continuous Operation to DIN 24 296**

| Part No. | Description   | Number of Pumps (incl. stand-by pumps) |   |   |   |         |         |             |
|----------|---|--|---|---|---|---------|---------|-------------|
|          |   | 2                                      | 3 | 4 | 5 | 6 and 7 | 8 and 9 | 10 and more |
|          |   | Quantity of spare parts                |   |   |   |         |         |             |
| 210      | Shaft <sup>1)</sup>                                   | 1                                      | 1 | 1 | 2 | 2       | 2       | 20 %        |
| 230      | Impeller (incl. casing wear ring 502.2) <sup>2)</sup> | 1                                      | 1 | 1 | 2 | 2       | 2       | 20 %        |
| 230.1/2  | Impeller <sup>3)</sup> (set)                          | 1                                      | 1 | 1 | 2 | 2       | 2       | 20 %        |
| 400.1/2  | Gaskets <sup>4)</sup> (set)                           | 4                                      | 6 | 8 | 8 | 9       | 12      | 150 %       |
| 412.3    | O-ring <sup>3)</sup>                                  | 2                                      | 3 | 4 | 4 | 4       | 5       | 10 %        |
| 433      | Mechanical seal                                       | 1                                      | 1 | 2 | 2 | 2       | 3       | 25 %        |
| 502.1    | Casing wear ring <sup>2)</sup>                        | 2                                      | 2 | 2 | 3 | 3       | 4       | 50 %        |
| 523      | Shaft sleeve  | 2                                      | 2 | 2 | 3 | 3       | 4       | 50 %        |

1) not applicable to Etabloc G, M

2) not applicable to Etabloc G 25-20/... and 32-23/...

3) only on Etabloc 32-23/...

4) not applicable to Etabloc 32-23/...

