



Helix V22

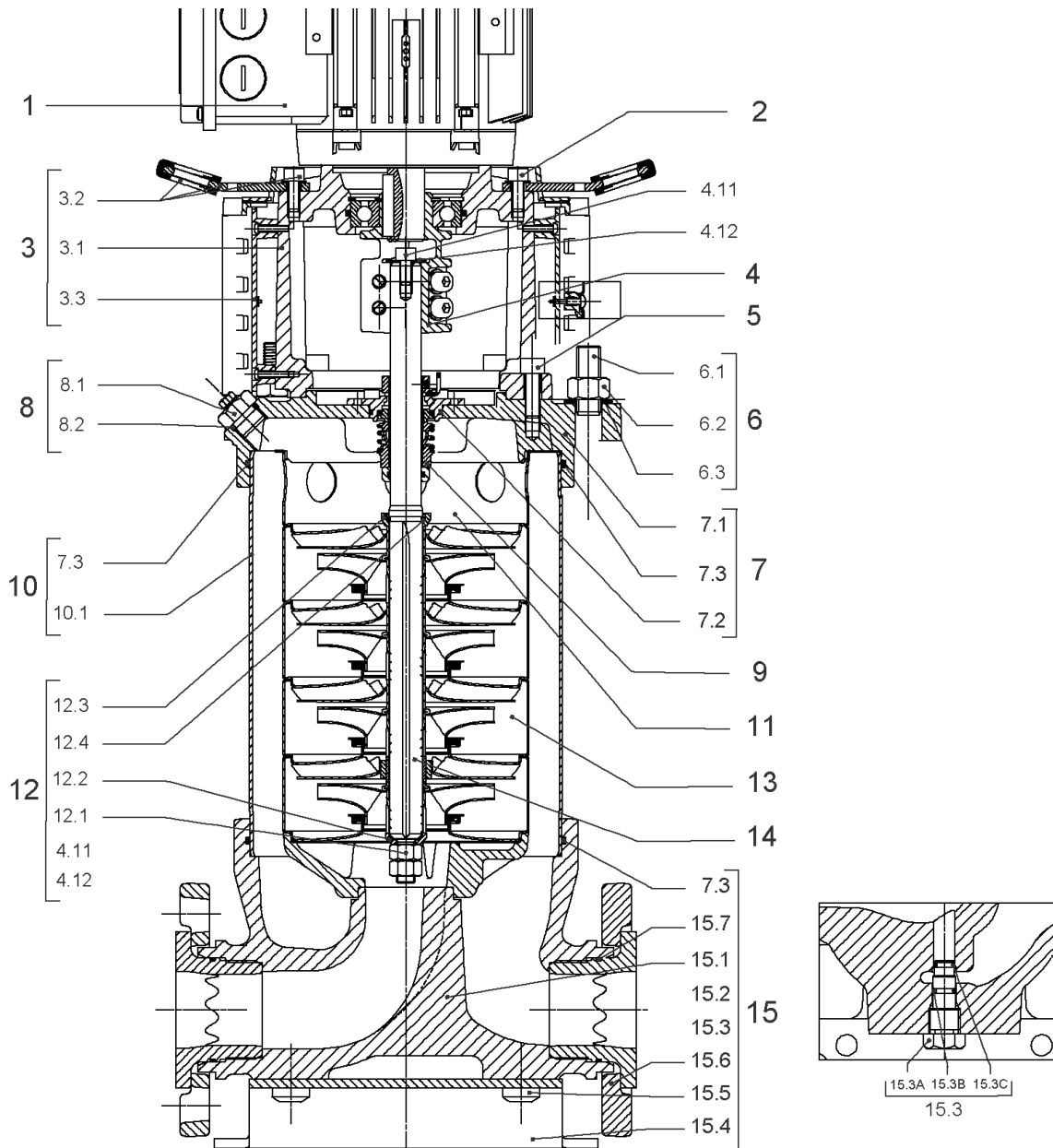
Article no.	Description
4198455	HELIX V2201-1/16/E/KS/400-50
4139774	HELIX V2201-2/16/V/KS/400-50
4123281	HELIX V2201-3/16/E/KS/400-50
4198456	HELIX V2202-1/16/E/KS/400-50
4139775	HELIX V2202-2/16/V/KS/400-50
4123282	HELIX V2202-3/16/E/K/400-50
4123299	HELIX V2202-3/16/E/KS/400-50
4183363	HELIX V2202-4/16/E/S/400-50
4198457	HELIX V2203-1/16/E/KS/400-50
4139776	HELIX V2203-2/16/V/KS/400-50
4123283	HELIX V2203-3/16/E/K/400-50
4123300	HELIX V2203-3/16/E/KS/400-50
4183364	HELIX V2203-4/16/E/S/400-50
4198458	HELIX V2204-1/16/E/KS/400-50
4139777	HELIX V2204-2/16/V/KS/400-50
4139778	HELIX V2204-2/25/V/KS/400-50
4123284	HELIX V2204-3/16/E/K/400-50
4123301	HELIX V2204-3/16/E/KS/400-50
4123285	HELIX V2204-3/25/E/KS/400-50
4183365	HELIX V2204-4/16/E/S/400-50
4198459	HELIX V2205-1/16/E/KS/400-50
4139779	HELIX V2205-2/16/V/KS/400-50
4139780	HELIX V2205-2/25/V/KS/400-50
4123286	HELIX V2205-3/16/E/K/400-50
4123302	HELIX V2205-3/16/E/KS/400-50
4123287	HELIX V2205-3/25/E/KS/400-50
4183366	HELIX V2205-4/16/E/S/400-50-FF240
4198460	HELIX V2206-1/16/E/KS/400-50
4139781	HELIX V2206-2/16/V/KS/400-50
4139782	HELIX V2206-2/25/V/KS/400-50
4123288	HELIX V2206-3/16/E/K/400-50
4123303	HELIX V2206-3/16/E/KS/400-50
4123289	HELIX V2206-3/25/E/KS/400-50
4183367	HELIX V2206-4/16/E/S/400-50-FF240

Helix V22

Article no.	Description
4198461	HELIX V2207-1/16/E/KS/400-50
4139783	HELIX V2207-2/16/V/KS/400-50
4139784	HELIX V2207-2/25/V/KS/400-50
4123290	HELIX V2207-3/16/E/K/400-50
4123304	HELIX V2207-3/16/E/KS/400-50
4123291	HELIX V2207-3/25/E/KS/400-50
4183368	HELIX V2207-4/16/E/S/400-50-FF240
4198462	HELIX V2208-1/16/E/KS/400-50
4198463	HELIX V2208-1/25/E/KS/400-50
4139785	HELIX V2208-2/16/V/KS/400-50
4139786	HELIX V2208-2/25/V/KS/400-50
4123292	HELIX V2208-3/16/E/K/400-50
4123305	HELIX V2208-3/16/E/KS/400-50
4123293	HELIX V2208-3/25/E/KS/400-50
4183369	HELIX V2208-4/16/E/S/400-50-FF240
4198464	HELIX V2209-1/25/E/KS/400-50
4139787	HELIX V2209-2/25/V/KS/400-50
4123294	HELIX V2209-3/25/E/KS/400-50
4198465	HELIX V2210-1/25/E/KS/400-50
4139788	HELIX V2210-2/25/V/KS/400-50
4123295	HELIX V2210-3/25/E/KS/400-50
4198466	HELIX V2211-1/25/E/KS/400-50
4139789	HELIX V2211-2/25/V/KS/400-50
4123296	HELIX V2211-3/25/E/KS/400-50
4198467	HELIX V2212-1/25/E/KS/400-50
4139790	HELIX V2212-2/25/V/KS/400-50
4123297	HELIX V2212-3/25/E/KS/400-50
4198468	HELIX V2213-1/25/E/KS/400-50
4139791	HELIX V2213-2/25/V/KS/400-50
4123298	HELIX V2213-3/25/E/KS/400-50
4165819	HELIX V2214-2/30/V/KS/400-50
4165782	HELIX V2214-3/30/E/KS/400-50
4165822	HELIX V2215-2/30/V/KS/400-50
4165785	HELIX V2215-3/30/E/KS/400-50

Helix V22

Article no.	Description
4165825	HELIX V2216-2/30/V/KS/400-50
4165788	HELIX V2216-3/30/E/KS/400-50

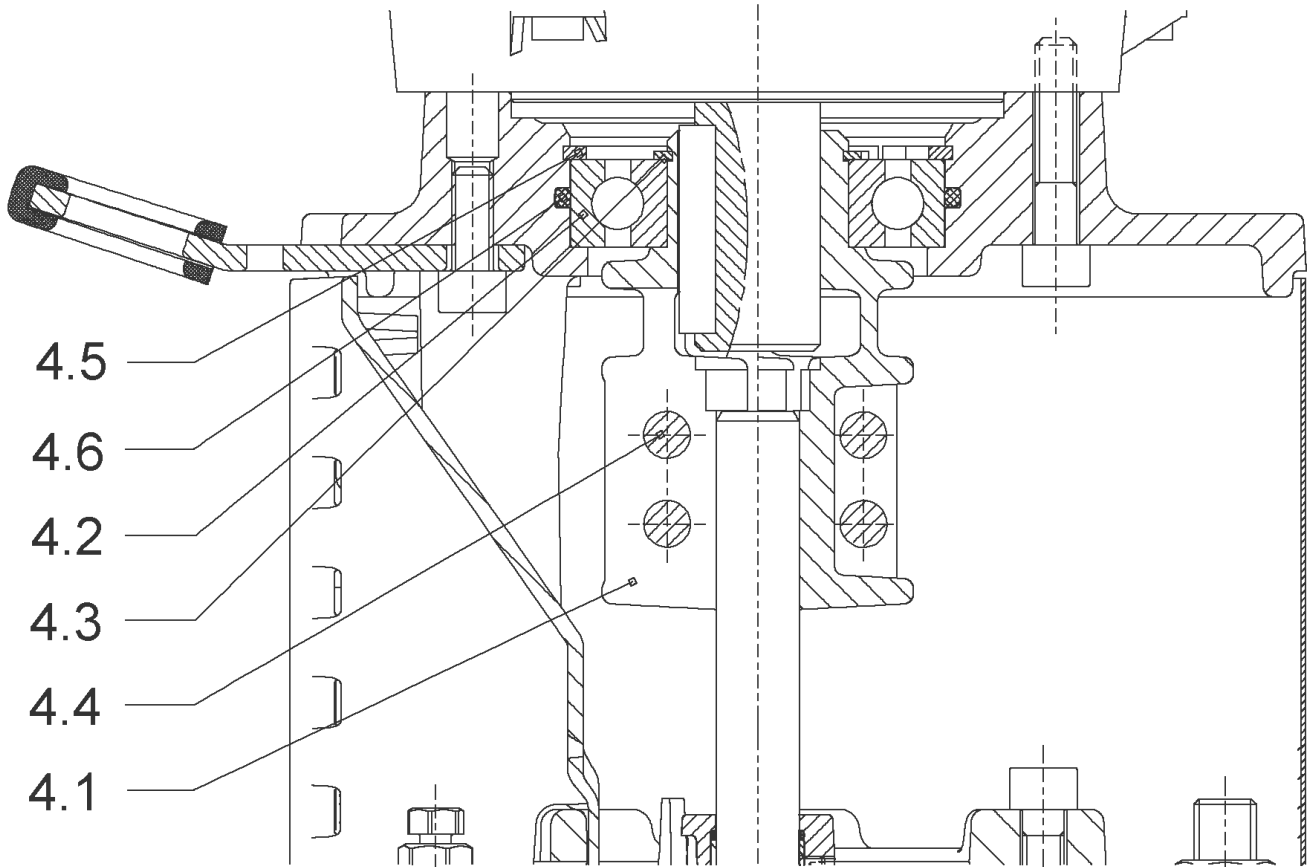


HELIX V2201-3/16/E/KS/400-50 (4123281)

Item	Article no.	Description	Quantity
1	4169942	MO.1,5/2 3~230/400(440)V 50(60)HZ IE3 VP	1
		SPARE PARTS MOTOR:ON REQUEST	1
2	4159707	SCREW M8X30 (4 PIECES)	1
3	4157718	LANTERN FT115 HELIX V22/V36 KIT	1
3.1		> LANTERN FT115 M+ GJL MACHINED+CATA	1
3.2	4179561	> EYELET CPL.FT HELIX(2 PIECES)	1
3.3	4143968	> COUPLING PROTECT HELIX FT KIT	1
4	4143963	COUPLING D.22XD.36 FT115 KIT	1
5	4094462	SCREWS M10 (4 PIECES)	1
6	4181156	STUD BOLT M16X233 KIT	1
6.1		> TIE BOLT M16-233x24x44-1.4057	1
6.2	4179562	> NUT M16 8.8 ISO4032 (4 PIECES)	1
6.3	4097852	> WASHER-CS-16.4-32-2.8-NFE25-511-A2	1
7	4179565	END SHIELD HELIX 8" EPDM KIT	1
7.1		> END SHIELD M+ GJL MACHINED+CATA	1
7.2	4179564	> O-RING D.42.52x2.62 EPDM VP.	1
7.3	4179571	> O-RING HOUSING PIPE HELIX22/36/52 VP.	1
8	4143765	FILING/PURGING PLUG 316L HELIX KIT	1
8.1		> FILLING/VENTING-PLUG-VMI8/10-316L	1
8.2	4032291	> O-RING 17x3 EPDM KTW/WRC	1
9	4143973	CARTRIDGE HELIX22-36-52 O/E KIT	1
10	4181154	HOUSING PIPE D.204X164 1.4307 KIT	1
7.3	4179571	> O-RING HOUSING PIPE HELIX22/36/52 VP.	1
10.1		> HOUSING-PIPE Ø204-M+2201/2202-304	1
11	4181155	CENTERING STAGE RETURN HELIX22 1.4307 VP	1
12	4143967	SHAFT EQUIPMENT HELIX V KIT	1
13		HYDRAULIC HELIX V 2201	1
14	4179579	SHAFTS D.22X304 1.4057 VP.	1
15	4181158	EQUIPED HOUSING HELIX 22 GJL KIT	1
7.3	4179571	> O-RING HOUSING PIPE HELIX22/36/52 VP.	1
15.1		> PUMP HOUSING SET with COATED PARTS-DN50	1
15.3	4143766	> DRAIN/PRIMING PLUG EPDM HELIX KIT	1
15.3A		>> PRIMING/DRAIN PLUG-304-VERSION 1	1
15.3B	4032293	>> O-RING-10x3-EPDM-KTW/WRC	1

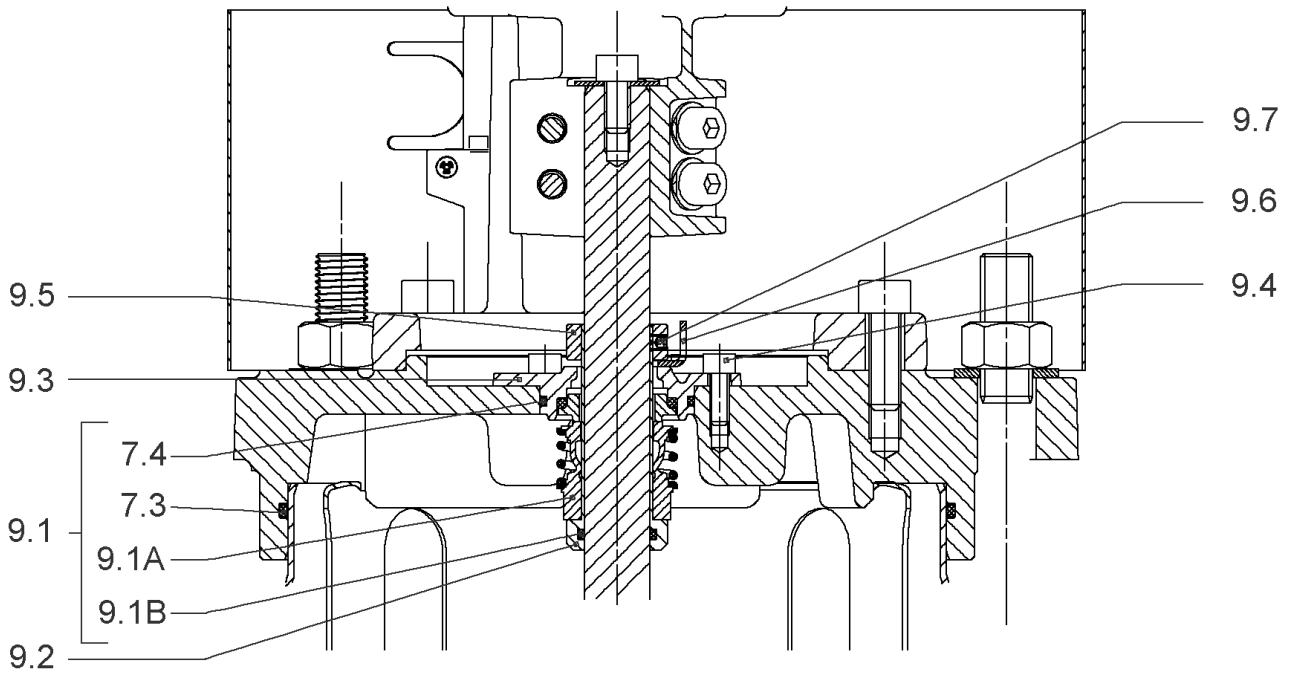
HELIX V2201-3/16/E/KS/400-50 (4123281)

Item	Article no.	Description	Quantity
15.3C	4233957	>> O-RING ID.9 EPDM VP.	1
15.4	4221729	> BASE M+ DN50/65/80 VP.	1
15.6		> FLANGE M+ DN50 CATA	1
15.7		> O-RING Ø63.17xØ2.62 EPDM	1
15.5		> SCREW TBHC M12x25 ISO7380 ZN	1



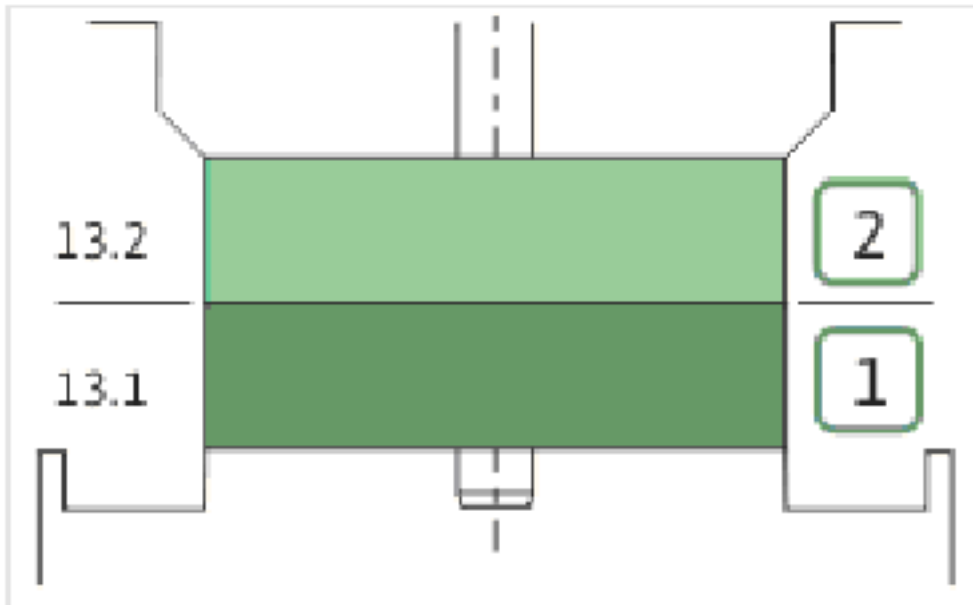
COUPLING D.22XD.36 FT115 KIT (4143963)

Item	Article no.	Description	Quantity
4.1		COUPLING-M+ Ø20XØ24-FT115-MACHINED	1
4.2	2131023	BALL BEARING 6207/ZZ-C3(HT)VP.	1
4.3	4234254	CIRCLIP-FOR-SHAFT-D35x1.5 VP.	1
4.4	4157726	SCREW KIT M8X30 (4 PIECES)	1
4.5	4234251	CIRCLIP-D72x2.5 VP.	1
4.6	4234246	O-RING 72X3 VP.	1



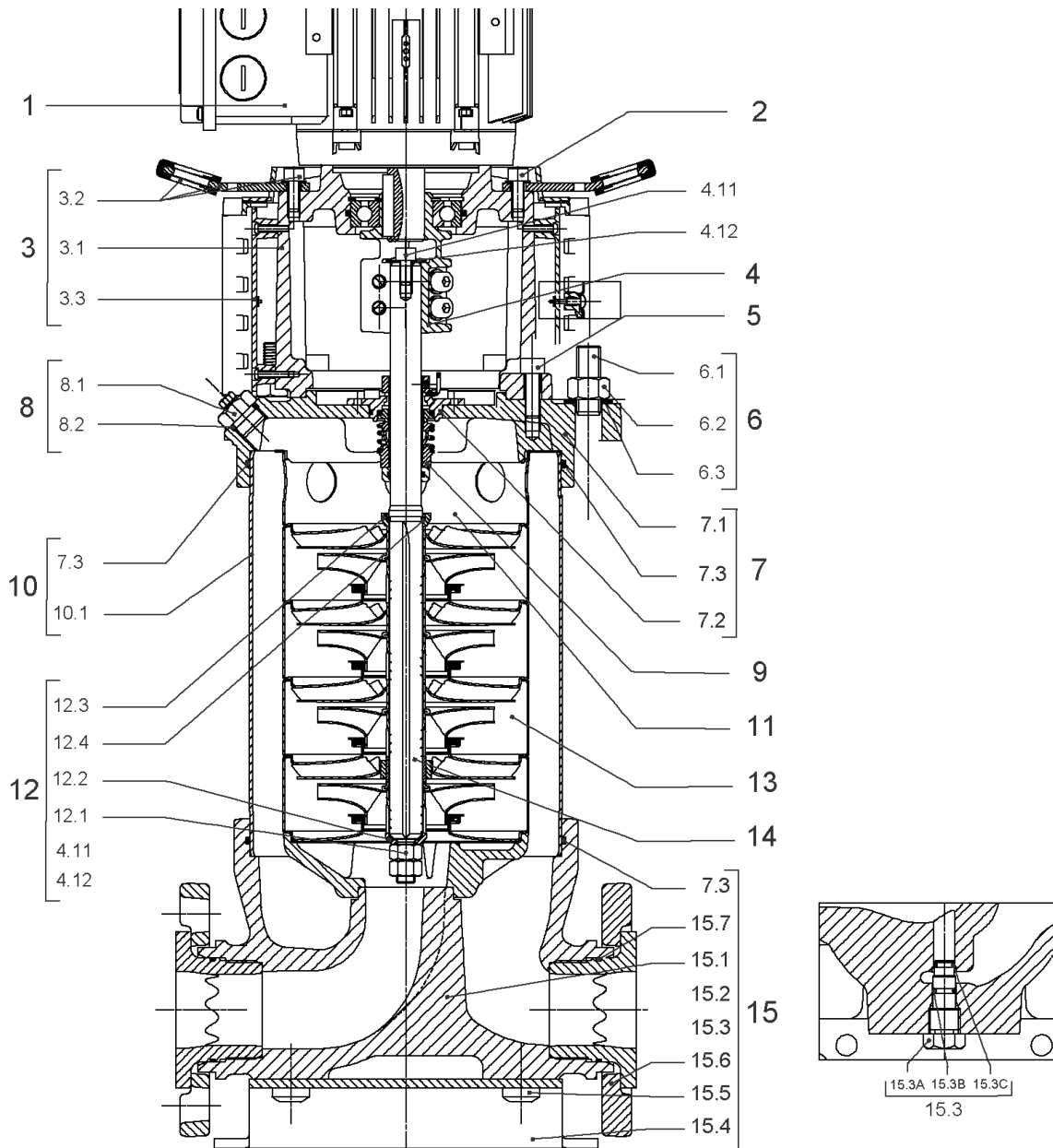
CARTRIDGE HELIX22-36-52 O/E KIT (4143973)

Item	Article no.	Description	Quantity
9.1	4143974	SEAL-KIT-HELIX22-36-52 O/E	1
7.3	4179571	> O-RING HOUSING PIPE HELIX22/36/52 VP.	1
7.4	4179572	> O-RING ID.42.52X2.62 EPDM VP.	1
9.1A	4179573	> M.SEAL.HELIX22-36-52 O/E VP.	1
9.1B	4179574	> O-RING ID.20x2.65 EPDM VP.	1
9.2	4179566	SHAFT SLEEVE D.20/20X60 1.4404 VP.	1
9.3	4179567	RING HOLDER Ø22 1.4301 VP.	1
9.4	4176520	SCREW CH M5x5 A4-70 (3PIECES)	1
9.5	4179568	DRIVE RING D.31/22.1x11 MACH.VP.	1
9.6	4179569	TOOL M.S.CART.HELIX 8" VP.	1
9.7	4179570	SCREW M6X16 ISO4762 8.8 GEOMET(4 PIECES)	1



HYDRAULIC HELIX V 2201

Item	Article no.	Description	Quantity
13.1	4157739	FIRST STAGE HELIX 22 1.4307 KIT	1
		> IMPELLER-H1-M+22-304	1
		> MACH.STG-CASING-WOGV-WNR-M+22-304	1
13.2	4157738	BEARING STAGE HELIX V2201 1.4307 KIT	1

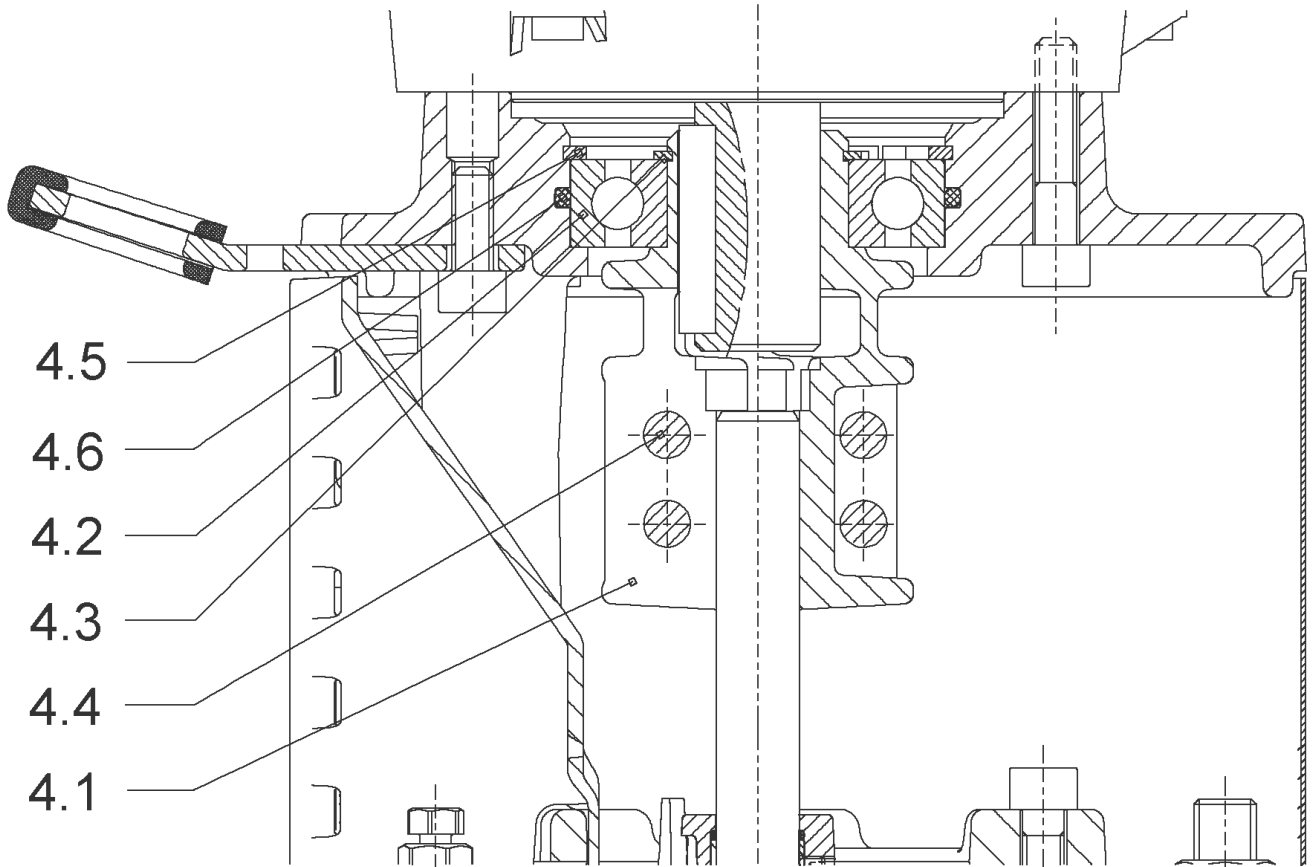


HELIX V2202-3/16/E/K/400-50 (4123282)

Item	Article no.	Description	Quantity
1	4169944	MOTOR 3/2/100 3~230/400V 50HZ IE3 VP.	1
		SPARE PARTS MOTOR:ON REQUEST	1
2	4159707	SCREW M8X30 (4 PIECES)	1
3	4157719	LANTERN HELIX 22/36 FT130 KIT	1
3.1		> LANTERN FT130 M+ GJL MACHINED+CATA	1
3.2	4179561	> EYELET CPL.FT HELIX(2 PIECES)	1
3.3	4143968	> COUPLING PROTECT HELIX FT KIT	1
4	4143964	COUPLING D.20XD.28 FT130 KIT	1
5	4094462	SCREWS M10 (4 PIECES)	1
6	4181156	STUD BOLT M16X233 KIT	1
6.1		> TIE BOLT M16-233x24x44-1.4057	1
6.2	4179562	> NUT M16 8.8 ISO4032 (4 PIECES)	1
6.3	4097852	> WASHER-CS-16.4-32-2.8-NFE25-511-A2	1
7	4179565	END SHIELD HELIX 8" EPDM KIT	1
7.1		> END SHIELD M+ GJL MACHINED+CATA	1
7.2	4179564	> O-RING D.42.52x2.62 EPDM VP.	1
7.3	4179571	> O-RING HOUSING PIPE HELIX22/36/52 VP.	1
8	4143765	FILING/PURGING PLUG 316L HELIX KIT	1
8.1		> FILLING/VENTING-PLUG-VMI8/10-316L	1
8.2	4032291	> O-RING 17x3 EPDM KTW/WRC	1
9	4143973	CARTRIDGE HELIX22-36-52 O/E KIT	1
10	4181154	HOUSING PIPE D.204X164 1.4307 KIT	1
7.3	4179571	> O-RING HOUSING PIPE HELIX22/36/52 VP.	1
10.1		> HOUSING-PIPE Ø204-M+2201/2202-304	1
11	4179143	CENTERING STAGE-RETURN HELIX22 1.4307 VP	1
12	4143967	SHAFT EQUIPMENT HELIX V KIT	1
13		HYDRAULIC HELIX V 2202	1
14	4179579	SHAFTS D.22X304 1.4057 VP.	1
15	4181158	EQUIPED HOUSING HELIX 22 GJL KIT	1
7.3	4179571	> O-RING HOUSING PIPE HELIX22/36/52 VP.	1
15.1		> PUMP HOUSING SET with COATED PARTS-DN50	1
15.3	4143766	> DRAIN/PRIMING PLUG EPDM HELIX KIT	1
15.3A		>> PRIMING/DRAIN PLUG-304-VERSION 1	1
15.3B	4032293	>> O-RING-10x3-EPDM-KTW/WRC	1

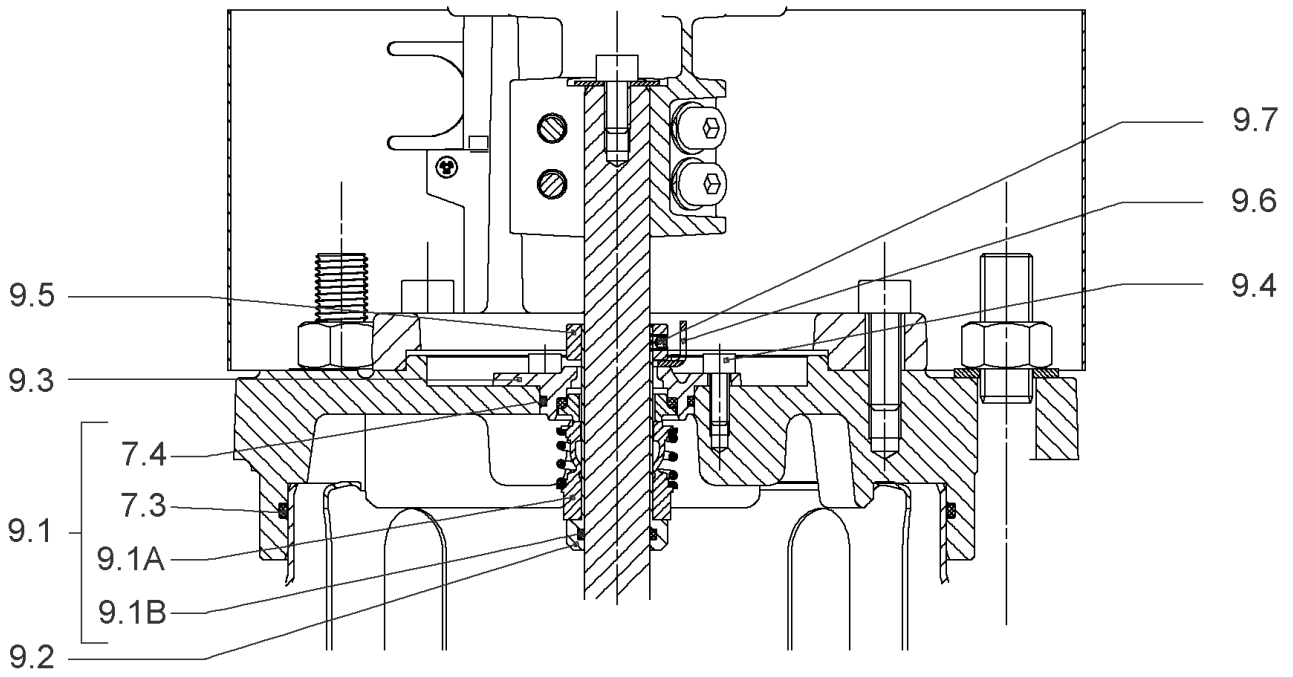
HELIX V2202-3/16/E/K/400-50 (4123282)

Item	Article no.	Description	Quantity
15.3C	4233957	>> O-RING ID.9 EPDM VP.	1
15.4	4221729	> BASE M+ DN50/65/80 VP.	1
15.6		> FLANGE M+ DN50 CATA	1
15.7		> O-RING Ø63.17xØ2.62 EPDM	1
15.5		> SCREW TBHC M12x25 ISO7380 ZN	1



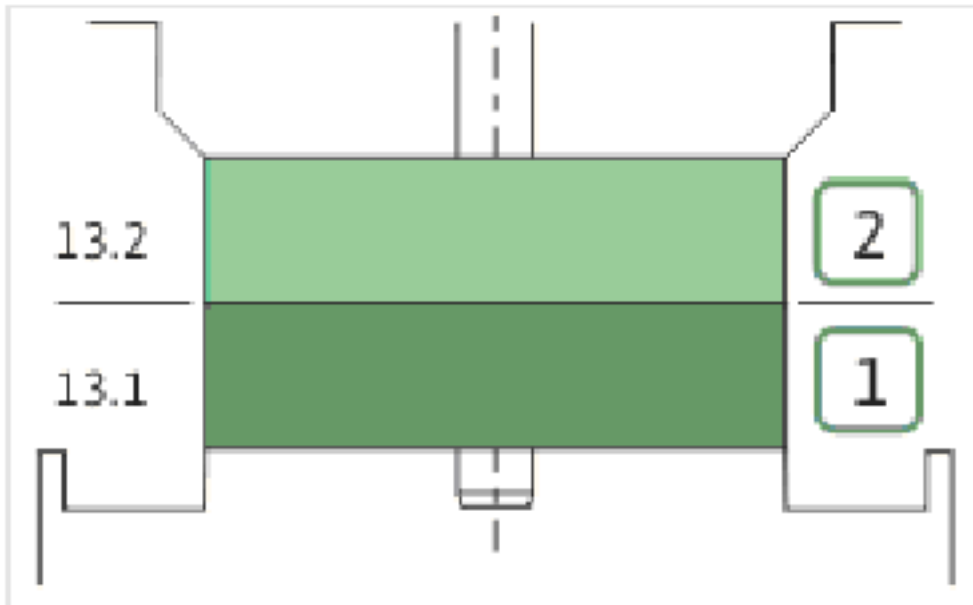
COUPLING D.20XD.28 FT130 KIT (4143964)

Item	Article no.	Description	Quantity
4.1		COUPLING M+ Ø20XØ28-FT130 MACHINED	1
4.2	2131022	BALL BEARING 6209/ZZ-C3(HT)VP.	1
4.3	4233930	CIRCLIP-FOR-BORES-D45x1,75 VP.	1
4.4	4157726	SCREW KIT M8X30 (4 PIECES)	1
4.5	4234252	CIRCLIPS 85X3 VP.	1
4.6	4234243	O-RING 85X3 VP.	1
		NOMEL CONTACT WASHER 8x16x1,4 STEEL ZC	1

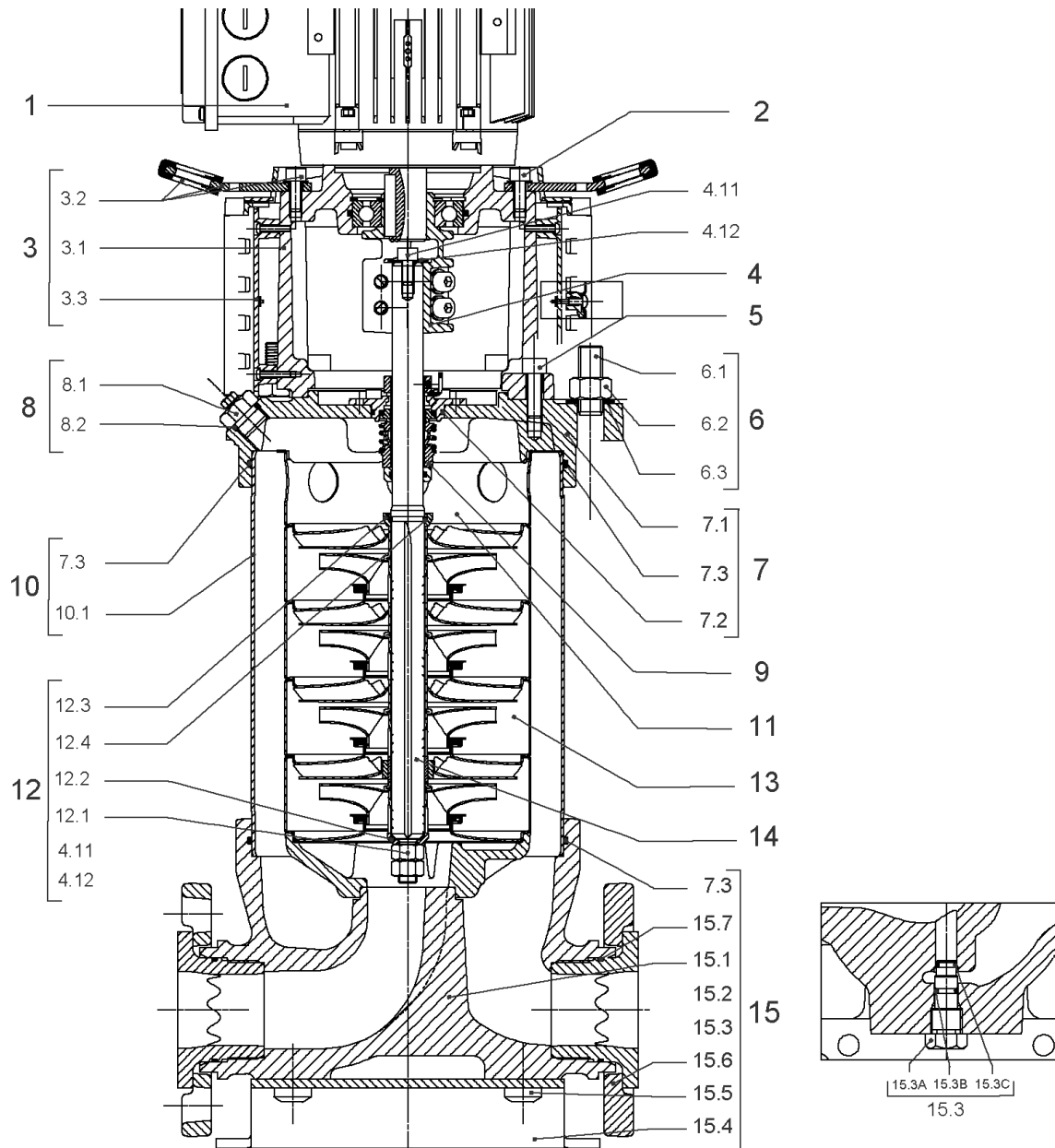


CARTRIDGE HELIX22-36-52 O/E KIT (4143973)

Item	Article no.	Description	Quantity
9.1	4143974	SEAL-KIT-HELIX22-36-52 O/E	1
7.3	4179571	> O-RING HOUSING PIPE HELIX22/36/52 VP.	1
7.4	4179572	> O-RING ID.42.52X2.62 EPDM VP.	1
9.1A	4179573	> M.SEAL.HELIX22-36-52 O/E VP.	1
9.1B	4179574	> O-RING ID.20x2.65 EPDM VP.	1
9.2	4179566	SHAFT SLEEVE D.20/20X60 1.4404 VP.	1
9.3	4179567	RING HOLDER Ø22 1.4301 VP.	1
9.4	4176520	SCREW CH M5x5 A4-70 (3PIECES)	1
9.5	4179568	DRIVE RING D.31/22.1x11 MACH.VP.	1
9.6	4179569	TOOL M.S.CART.HELIX 8" VP.	1
9.7	4179570	SCREW M6X16 ISO4762 8.8 GEOMET(4 PIECES)	1



Item	Article no.	Description	Quantity
13.1	4157739	FIRST STAGE HELIX 22 1.4307 KIT	1
		> IMPELLER-H1-M+22-304	1
		> MACH.STG-CASING-WOGV-WNR-M+22-304	1
13.2	4157740	BEARING STAGE HELIX 22 1.4307 KIT	1
		> IMPELLER-H2-M+22-304	1
		> MACH.BEARING-STG-CASING-WNR-M+22-304	1
		> SHAFT-SLEEVE-D26xD22x16-CW	1

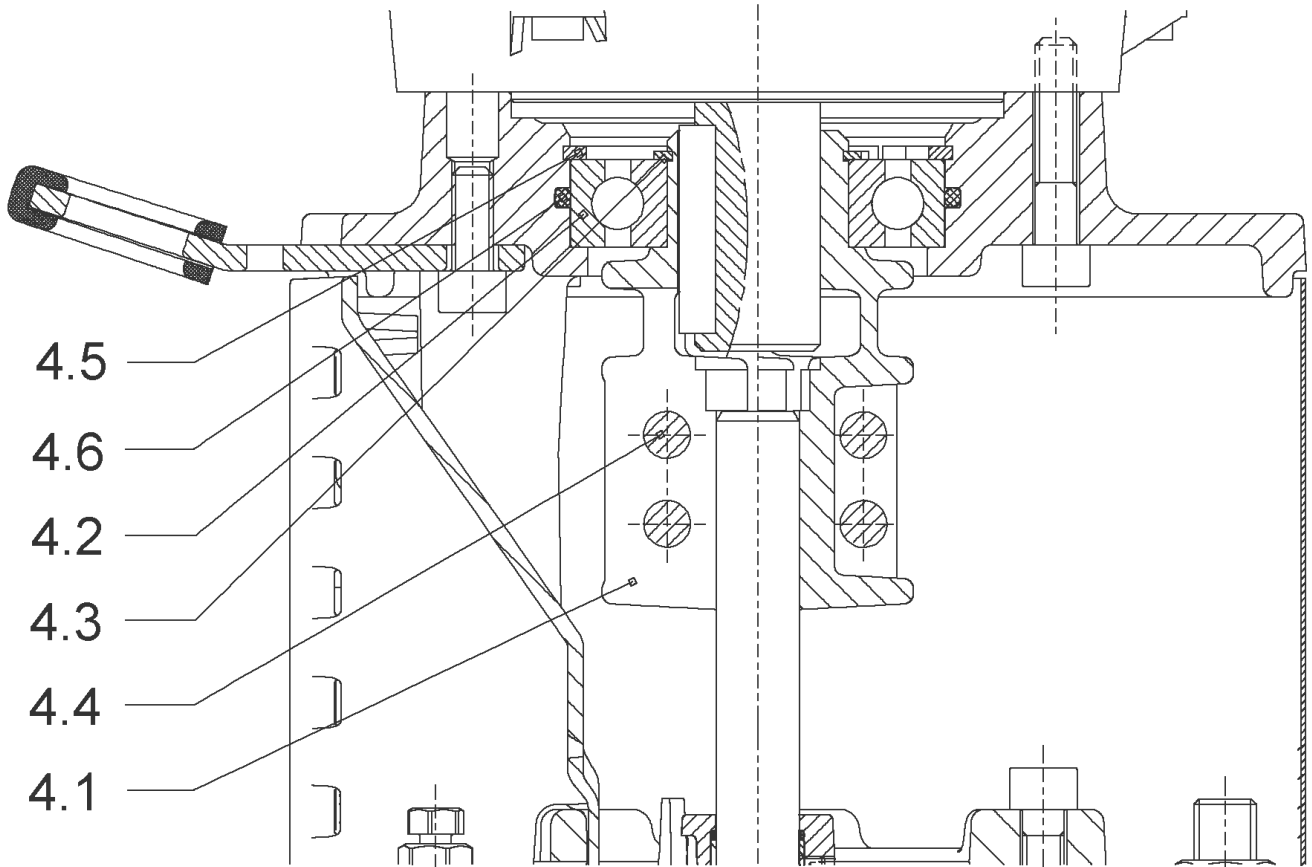


HELIX V2203-3/16/E/K/400-50 (4123283)

Item	Article no.	Description	Quantity
1	4169945	MO.4/2 3~230/400(460)V 50(60)HZ IE3 VP.	1
		SPARE PARTS MOTOR:ON REQUEST	1
2	4159707	SCREW M8X30 (4 PIECES)	1
3	4157719	LANTERN HELIX 22/36 FT130 KIT	1
3.1		> LANTERN FT130 M+ GJL MACHINED+CATA	1
3.2	4179561	> EYELET CPL.FT HELIX(2 PIECES)	1
3.3	4143968	> COUPLING PROTECT HELIX FT KIT	1
4	4143964	COUPLING D.20XD.28 FT130 KIT	1
5	4094462	SCREWS M10 (4 PIECES)	1
6	4181160	STUD BOLT M16X279 KIT	1
6.1		> TIE BOLT M16-279x24x44-1.4057	1
6.2	4179562	> NUT M16 8.8 ISO4032 (4 PIECES)	1
6.3	4097852	> WASHER-CS-16.4-32-2.8-NFE25-511-A2	1
7	4179565	END SHIELD HELIX 8" EPDM KIT	1
7.1		> END SHIELD M+ GJL MACHINED+CATA	1
7.2	4179564	> O-RING D.42.52x2.62 EPDM VP.	1
7.3	4179571	> O-RING HOUSING PIPE HELIX22/36/52 VP.	1
8	4143765	FILING/PURGING PLUG 316L HELIX KIT	1
8.1		> FILLING/VENTING-PLUG-VMI8/10-316L	1
8.2	4032291	> O-RING 17x3 EPDM KTW/WRC	1
9	4143973	CARTRIDGE HELIX22-36-52 O/E KIT	1
10	4181161	HOUSING PIPE D.204X214 1.4307 KIT	1
10.1		> HOUSING-PIPE Ø204-M+2203-304	1
7.3	4179571	> O-RING HOUSING PIPE HELIX22/36/52 VP.	1
11	4179143	CENTERING STAGE-RETURN HELIX22 1.4307 VP	1
12	4143967	SHAFT EQUIPMENT HELIX V KIT	1
13		HYDRAULIC HELIX V 2203	1
14	4181073	SHAFTS D.22X354 1.4057 VP.	1
15	4181158	EQUIPED HOUSING HELIX 22 GJL KIT	1
7.3	4179571	> O-RING HOUSING PIPE HELIX22/36/52 VP.	1
15.1		> PUMP HOUSING SET with COATED PARTS-DN50	1
15.3	4143766	> DRAIN/PRIMING PLUG EPDM HELIX KIT	1
15.3A		>> PRIMING/DRAIN PLUG-304-VERSION 1	1
15.3B	4032293	>> O-RING-10x3-EPDM-KTW/WRC	1

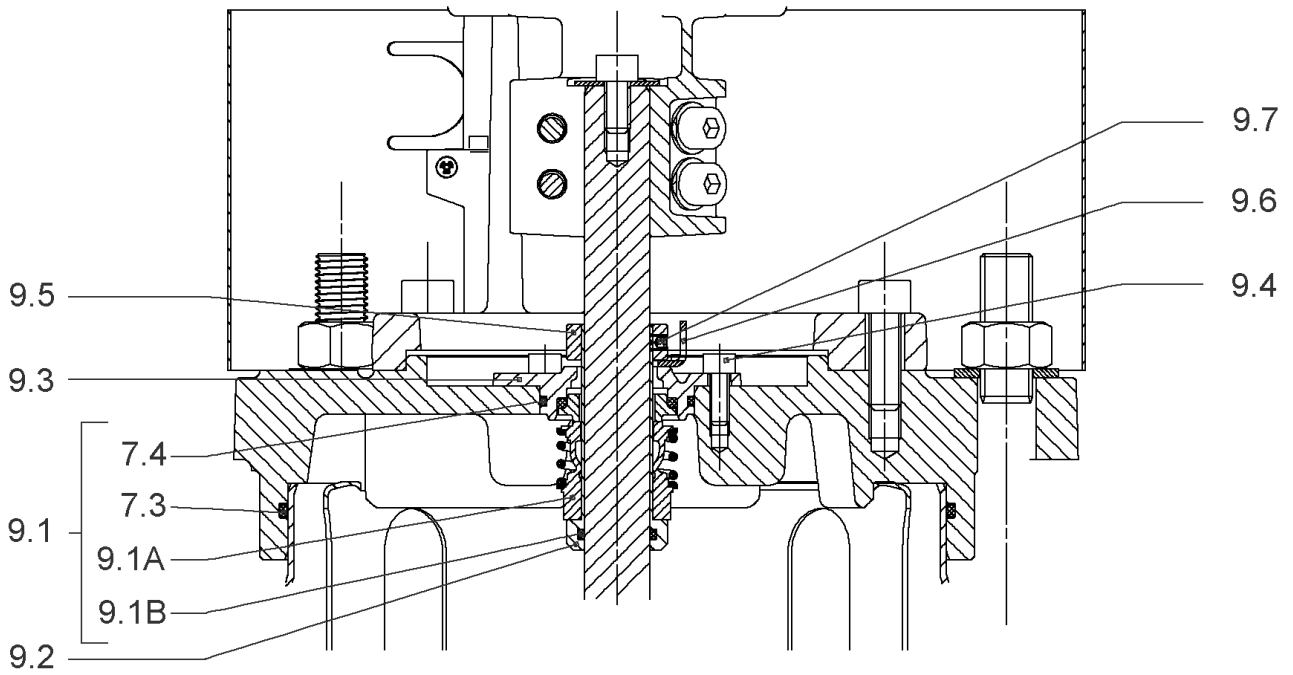
HELIX V2203-3/16/E/K/400-50 (4123283)

Item	Article no.	Description	Quantity
15.3C	4233957	>> O-RING ID.9 EPDM VP.	1
15.4	4221729	> BASE M+ DN50/65/80 VP.	1
15.6		> FLANGE M+ DN50 CATA	1
15.7		> O-RING Ø63.17xØ2.62 EPDM	1
15.5		> SCREW TBHC M12x25 ISO7380 ZN	1



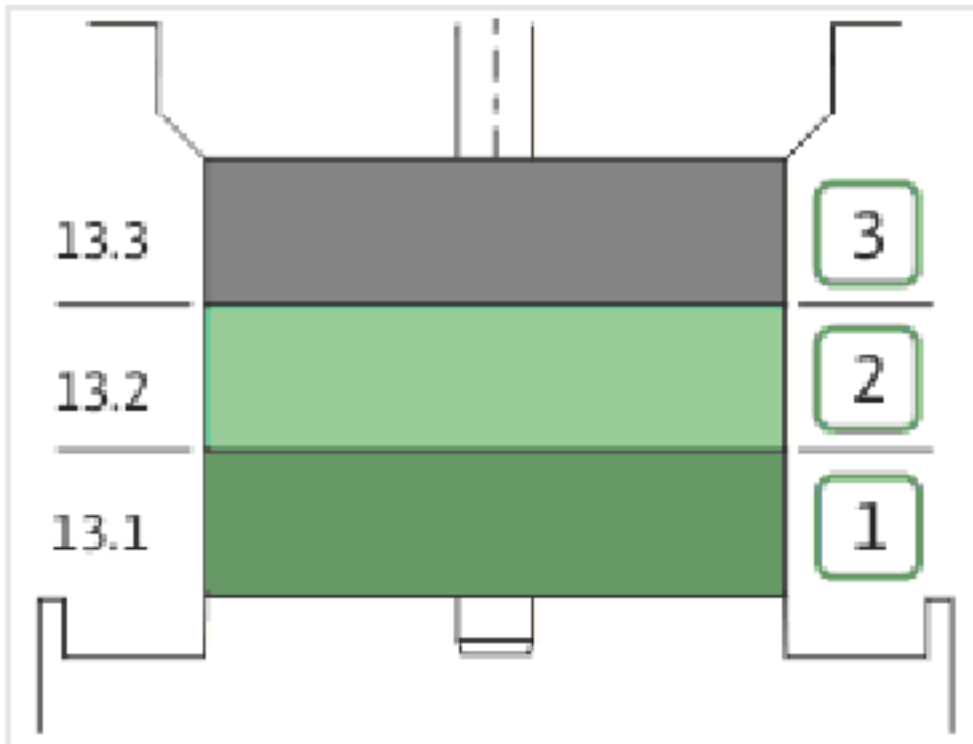
COUPLING D.20XD.28 FT130 KIT (4143964)

Item	Article no.	Description	Quantity
4.1		COUPLING M+ Ø20XØ28-FT130 MACHINED	1
4.2	2131022	BALL BEARING 6209/ZZ-C3(HT)VP.	1
4.3	4233930	CIRCLIP-FOR-BORES-D45x1,75 VP.	1
4.4	4157726	SCREW KIT M8X30 (4 PIECES)	1
4.5	4234252	CIRCLIPS 85X3 VP.	1
4.6	4234243	O-RING 85X3 VP.	1
		NOMEL CONTACT WASHER 8x16x1,4 STEEL ZC	1

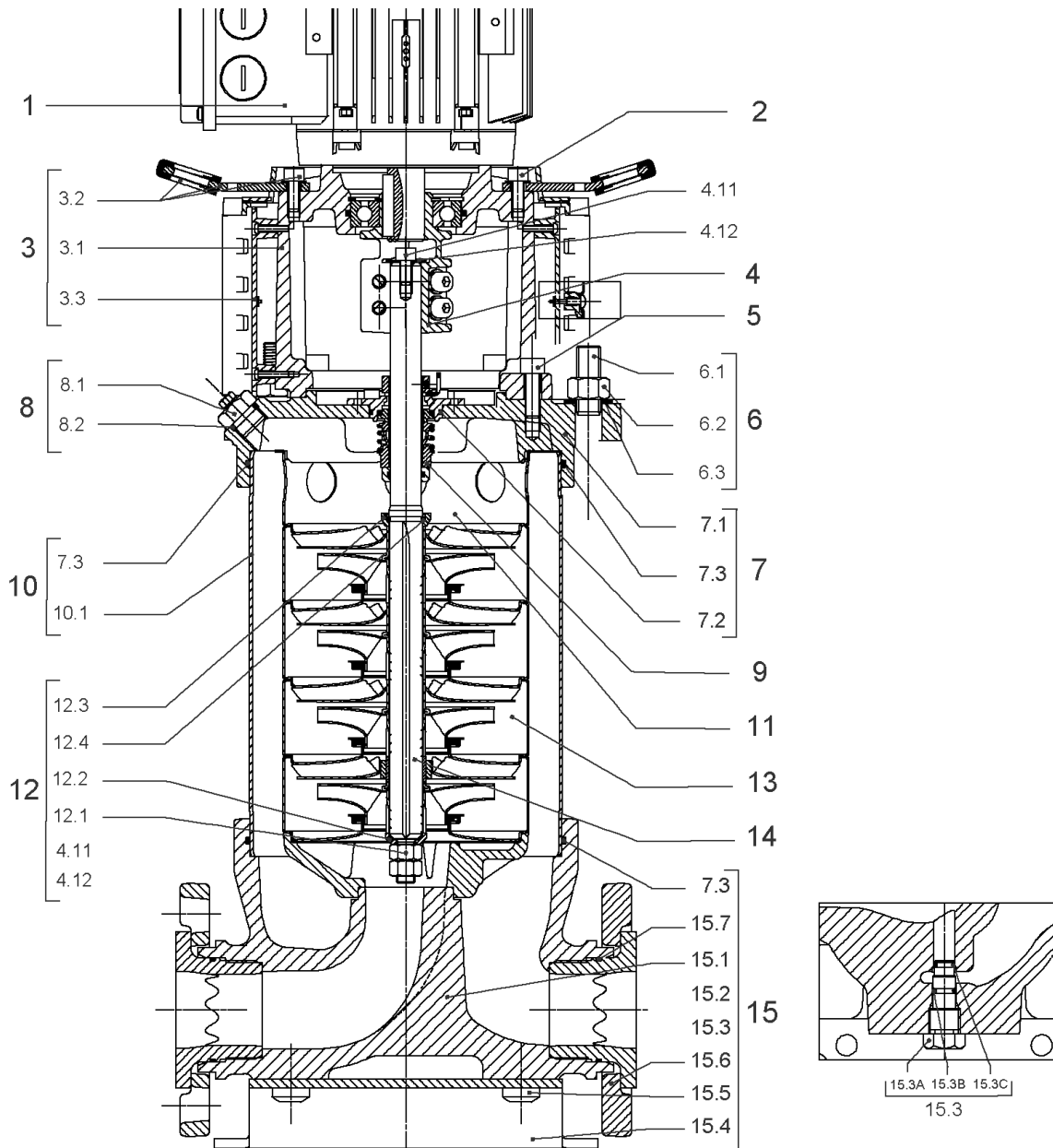


CARTRIDGE HELIX22-36-52 O/E KIT (4143973)

Item	Article no.	Description	Quantity
9.1	4143974	SEAL-KIT-HELIX22-36-52 O/E	1
7.3	4179571	> O-RING HOUSING PIPE HELIX22/36/52 VP.	1
7.4	4179572	> O-RING ID.42.52X2.62 EPDM VP.	1
9.1A	4179573	> M.SEAL.HELIX22-36-52 O/E VP.	1
9.1B	4179574	> O-RING ID.20x2.65 EPDM VP.	1
9.2	4179566	SHAFT SLEEVE D.20/20X60 1.4404 VP.	1
9.3	4179567	RING HOLDER Ø22 1.4301 VP.	1
9.4	4176520	SCREW CH M5x5 A4-70 (3PIECES)	1
9.5	4179568	DRIVE RING D.31/22.1x11 MACH.VP.	1
9.6	4179569	TOOL M.S.CART.HELIX 8" VP.	1
9.7	4179570	SCREW M6X16 ISO4762 8.8 GEOMET(4 PIECES)	1



Item	Article no.	Description	Quantity
13.1	4157739	FIRST STAGE HELIX 22 1.4307 KIT	1
		> IMPELLER-H1-M+22-304	1
		> MACH.STG-CASING-WOGV-WNR-M+22-304	1
13.2	4157740	BEARING STAGE HELIX 22 1.4307 KIT	1
		> IMPELLER-H2-M+22-304	1
		> MACH.BEARING-STG-CASING-WNR-M+22-304	1
		> SHAFT-SLEEVE-D26xD22x16-CW	1
13.3	4157743	INTERMEDIATE STAGE HELIX 22 KIT	1
		> MACH.STD-STG-CASING-WGV+NR-M+22-304	1
		> IMPELLER-H2-M+22-304	1

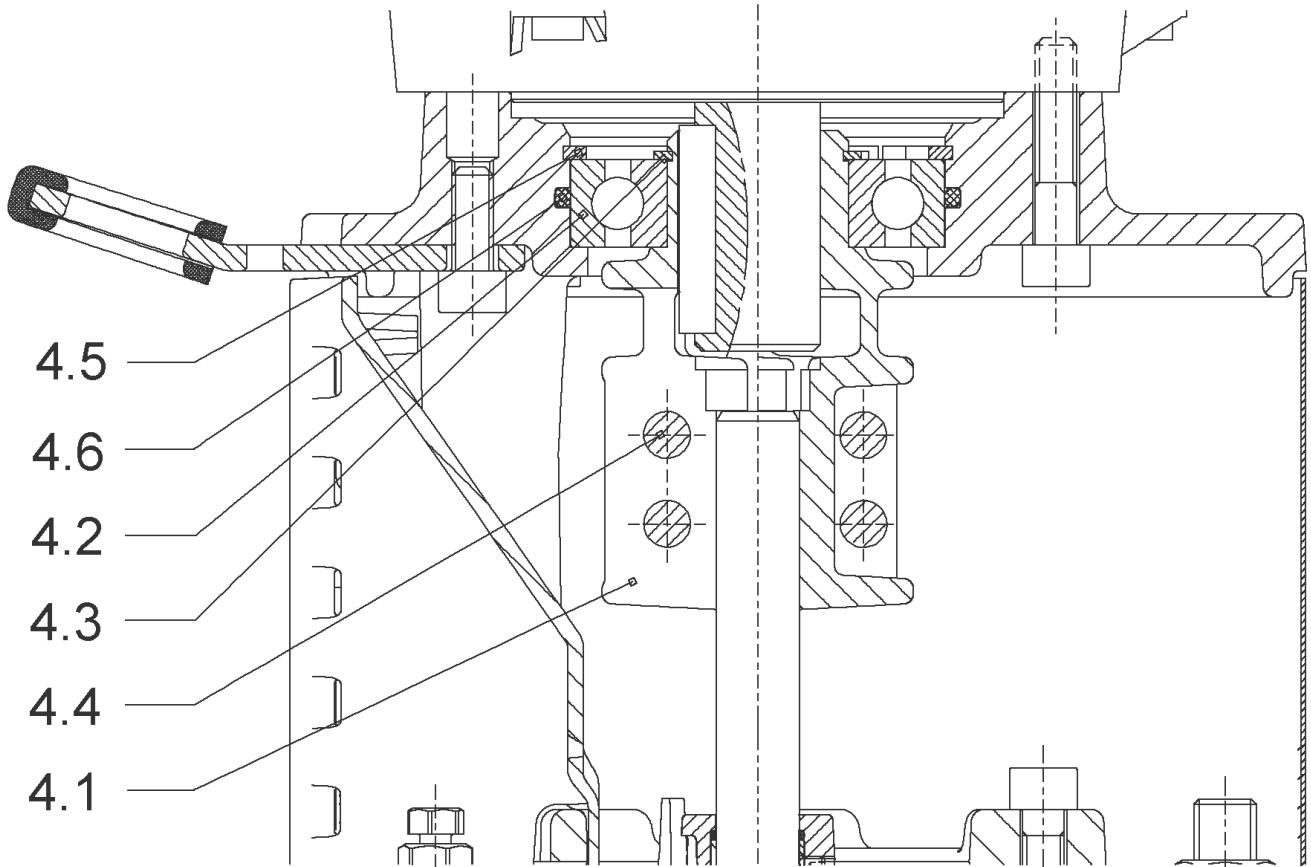


HELIX V2204-3/16/E/K/400-50 (4123284)

Item	Article no.	Description	Quantity
1	4169947	MO 5,5/2/112 3~400V50Hz 460V60Hz IE3 VP.	1
		SPARE PARTS MOTOR:ON REQUEST	1
2	4159707	SCREW M8X30 (4 PIECES)	1
3	4157719	LANTERN HELIX 22/36 FT130 KIT	1
3.1		> LANTERN FT130 M+ GJL MACHINED+CATA	1
3.2	4179561	> EYELET CPL.FT HELIX(2 PIECES)	1
3.3	4143968	> COUPLING PROTECT HELIX FT KIT	1
4	4143964	COUPLING D.20XD.28 FT130 KIT	1
5	4094462	SCREWS M10 (4 PIECES)	1
6	4181076	STUD BOLT M16X338 KIT	1
		> TIE BOLT M16-338x24x44-1.4057	1
	4179562	> NUT M16 8.8 ISO4032 (4 PIECES)	1
	4097852	> WASHER-CS-16.4-32-2.8-NFE25-511-A2	1
7	4179565	END SHIELD HELIX 8" EPDM KIT	1
7.1		> END SHIELD M+ GJL MACHINED+CATA	1
7.2	4179564	> O-RING D.42.52x2.62 EPDM VP.	1
7.3	4179571	> O-RING HOUSING PIPE HELIX22/36/52 VP.	1
8	4143765	FILING/PURGING PLUG 316L HELIX KIT	1
8.1		> FILLING/VENTING-PLUG-VMI8/10-316L	1
8.2	4032291	> O-RING 17x3 EPDM KTW/WRC	1
9	4143973	CARTRIDGE HELIX22-36-52 O/E KIT	1
10	4181077	HOUSING-PIPE D.204X264 1.4307 KIT	1
7.3	4179571	> O-RING HOUSING PIPE HELIX22/36/52 VP.	1
10.1		> HOUSING-PIPE Ø204-M+2204/3603-304	1
11	4179143	CENTERING STAGE-RETURN HELIX22 1.4307 VP	1
12	4143967	SHAFT EQUIPMENT HELIX V KIT	1
13		HYDRAULIC HELIX V 2204	1
14	2132516	SHAFT D.22X404 1.4301 VP.	1
15	4181158	EQUIPED HOUSING HELIX 22 GJL KIT	1
7.3	4179571	> O-RING HOUSING PIPE HELIX22/36/52 VP.	1
15.1		> PUMP HOUSING SET with COATED PARTS-DN50	1
15.3	4143766	> DRAIN/PRIMING PLUG EPDM HELIX KIT	1
15.3A		>> PRIMING/DRAIN PLUG-304-VERSION 1	1
15.3B	4032293	>> O-RING-10x3-EPDM-KTW/WRC	1

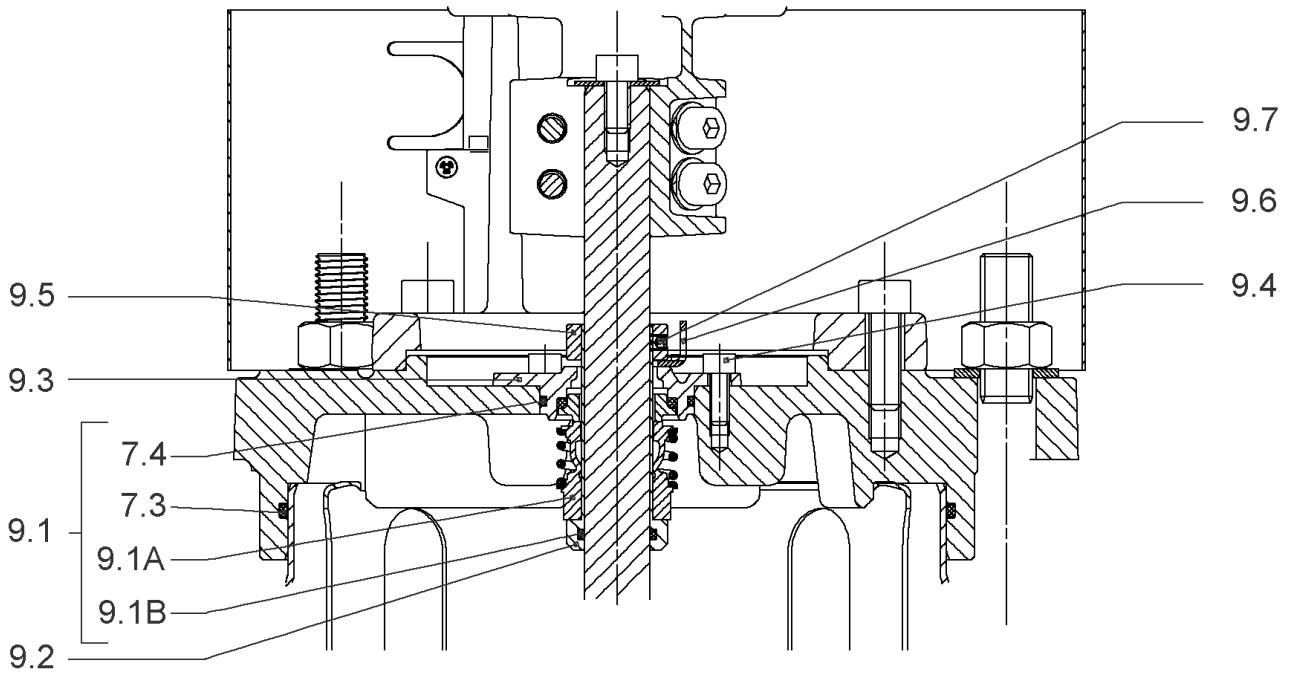
HELIX V2204-3/16/E/K/400-50 (4123284)

Item	Article no.	Description	Quantity
15.3C	4233957	>> O-RING ID.9 EPDM VP.	1
15.4	4221729	> BASE M+ DN50/65/80 VP.	1
15.6		> FLANGE M+ DN50 CATA	1
15.7		> O-RING Ø63.17xØ2.62 EPDM	1
15.5		> SCREW TBHC M12x25 ISO7380 ZN	1



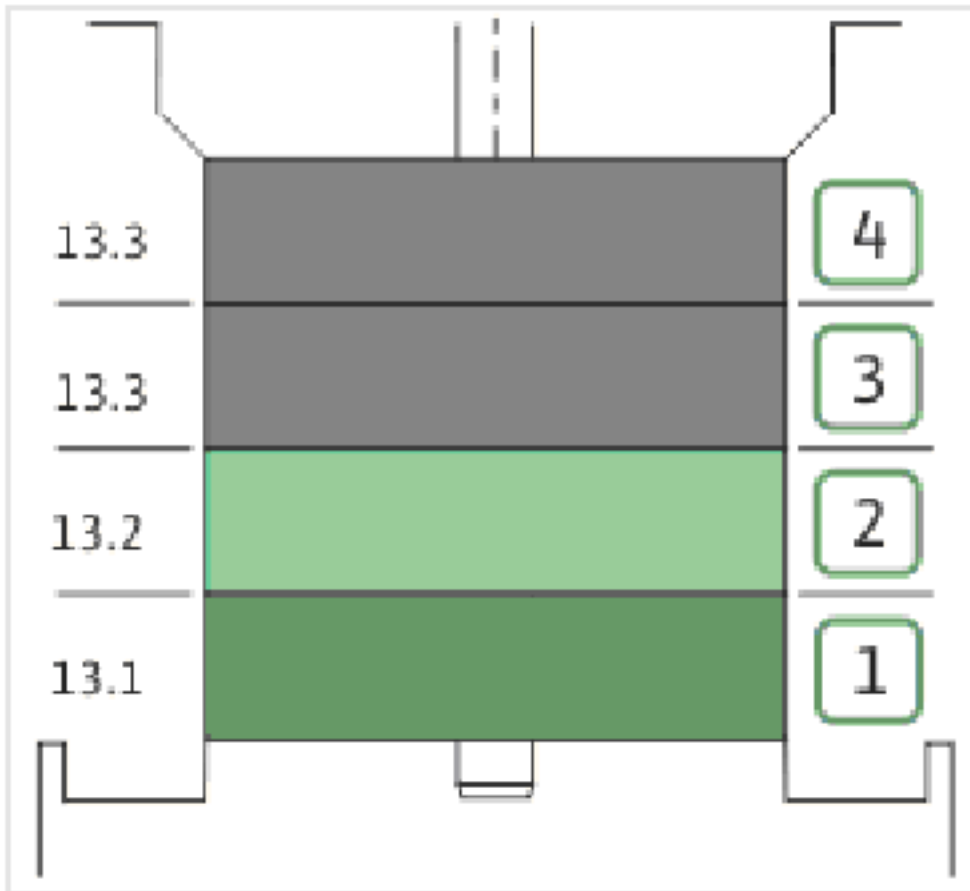
COUPLING D.20XD.28 FT130 KIT (4143964)

Item	Article no.	Description	Quantity
4.1		COUPLING M+ Ø20XØ28-FT130 MACHINED	1
4.2	2131022	BALL BEARING 6209/ZZ-C3(HT)VP.	1
4.3	4233930	CIRCLIP-FOR-BORES-D45x1,75 VP.	1
4.4	4157726	SCREW KIT M8X30 (4 PIECES)	1
4.5	4234252	CIRCLIPS 85X3 VP.	1
4.6	4234243	O-RING 85X3 VP.	1
		NOMEL CONTACT WASHER 8x16x1,4 STEEL ZC	1

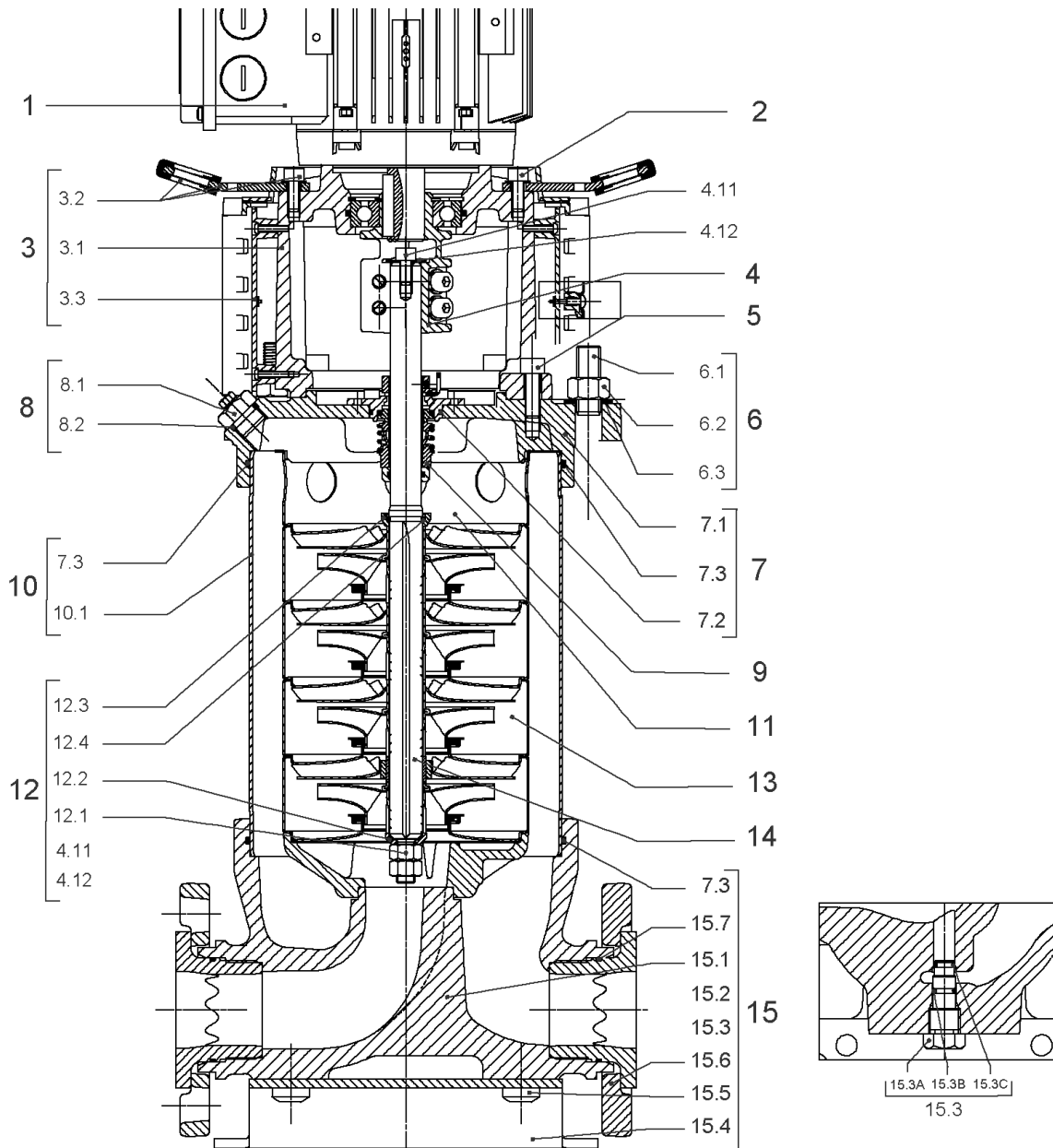


CARTRIDGE HELIX22-36-52 O/E KIT (4143973)

Item	Article no.	Description	Quantity
9.1	4143974	SEAL-KIT-HELIX22-36-52 O/E	1
7.3	4179571	> O-RING HOUSING PIPE HELIX22/36/52 VP.	1
7.4	4179572	> O-RING ID.42.52X2.62 EPDM VP.	1
9.1A	4179573	> M.SEAL.HELIX22-36-52 O/E VP.	1
9.1B	4179574	> O-RING ID.20x2.65 EPDM VP.	1
9.2	4179566	SHAFT SLEEVE D.20/20X60 1.4404 VP.	1
9.3	4179567	RING HOLDER Ø22 1.4301 VP.	1
9.4	4176520	SCREW CH M5x5 A4-70 (3PIECES)	1
9.5	4179568	DRIVE RING D.31/22.1x11 MACH.VP.	1
9.6	4179569	TOOL M.S.CART.HELIX 8" VP.	1
9.7	4179570	SCREW M6X16 ISO4762 8.8 GEOMET(4 PIECES)	1



Item	Article no.	Description	Quantity
13.1	4157739	FIRST STAGE HELIX 22 1.4307 KIT	1
		> IMPELLER-H1-M+22-304	1
		> MACH.STG-CASING-WOGV-WNR-M+22-304	1
13.2	4157740	BEARING STAGE HELIX 22 1.4307 KIT	1
		> IMPELLER-H2-M+22-304	1
		> MACH.BEARING-STG-CASING-WNR-M+22-304	1
		> SHAFT-SLEEVE-D26xD22x16-CW	1
13.3	4157743	INTERMEDIATE STAGE HELIX 22 KIT	1
		> MACH.STD-STG-CASING-WGV+NR-M+22-304	1
		> IMPELLER-H2-M+22-304	1

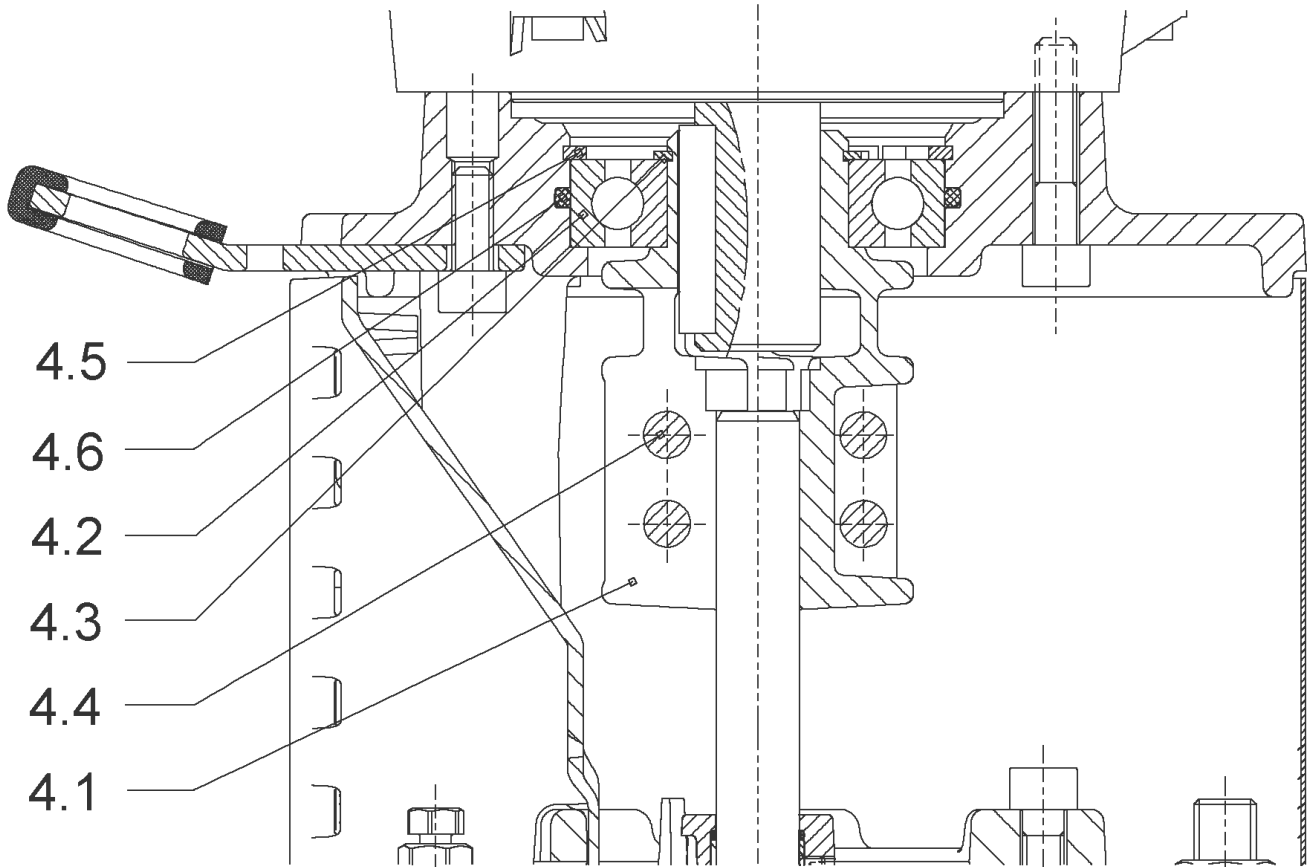


HELIX V2204-3/25/E/KS/400-50 (4123285)

Item	Article no.	Description	Quantity
1	4169947	MO 5,5/2/112 3~400V50Hz 460V60Hz IE3 VP.	1
		SPARE PARTS MOTOR:ON REQUEST	1
2	4159707	SCREW M8X30 (4 PIECES)	1
3	4157719	LANTERN HELIX 22/36 FT130 KIT	1
3.1		> LANTERN FT130 M+ GJL MACHINED+CATA	1
3.2	4179561	> EYELET CPL.FT HELIX(2 PIECES)	1
3.3	4143968	> COUPLING PROTECT HELIX FT KIT	1
4	4143964	COUPLING D.20XD.28 FT130 KIT	1
5	4094462	SCREWS M10 (4 PIECES)	1
6	4181076	STUD BOLT M16X338 KIT	1
		> TIE BOLT M16-338x24x44-1.4057	1
	4179562	> NUT M16 8.8 ISO4032 (4 PIECES)	1
	4097852	> WASHER-CS-16.4-32-2.8-NFE25-511-A2	1
7	4179565	END SHIELD HELIX 8" EPDM KIT	1
7.1		> END SHIELD M+ GJL MACHINED+CATA	1
7.2	4179564	> O-RING D.42.52x2.62 EPDM VP.	1
7.3	4179571	> O-RING HOUSING PIPE HELIX22/36/52 VP.	1
8	4143765	FILING/PURGING PLUG 316L HELIX KIT	1
8.1		> FILLING/VENTING-PLUG-VMI8/10-316L	1
8.2	4032291	> O-RING 17x3 EPDM KTW/WRC	1
9	4143975	CARTRIDGE HELIX22-36-52 F/E KIT	1
10	4181077	HOUSING-PIPE D.204X264 1.4307 KIT	1
7.3	4179571	> O-RING HOUSING PIPE HELIX22/36/52 VP.	1
10.1		> HOUSING-PIPE Ø204-M+2204/3603-304	1
11	4179143	CENTERING STAGE-RETURN HELIX22 1.4307 VP	1
12	4143967	SHAFT EQUIPMENT HELIX V KIT	1
13		HYDRAULIC HELIX V 2204	1
14	2132516	SHAFT D.22X404 1.4301 VP.	1
15	4181158	EQUIPED HOUSING HELIX 22 GJL KIT	1
7.3	4179571	> O-RING HOUSING PIPE HELIX22/36/52 VP.	1
15.1		> PUMP HOUSING SET with COATED PARTS-DN50	1
15.3	4143766	> DRAIN/PRIMING PLUG EPDM HELIX KIT	1
15.3A		>> PRIMING/DRAIN PLUG-304-VERSION 1	1
15.3B	4032293	>> O-RING-10x3-EPDM-KTW/WRC	1

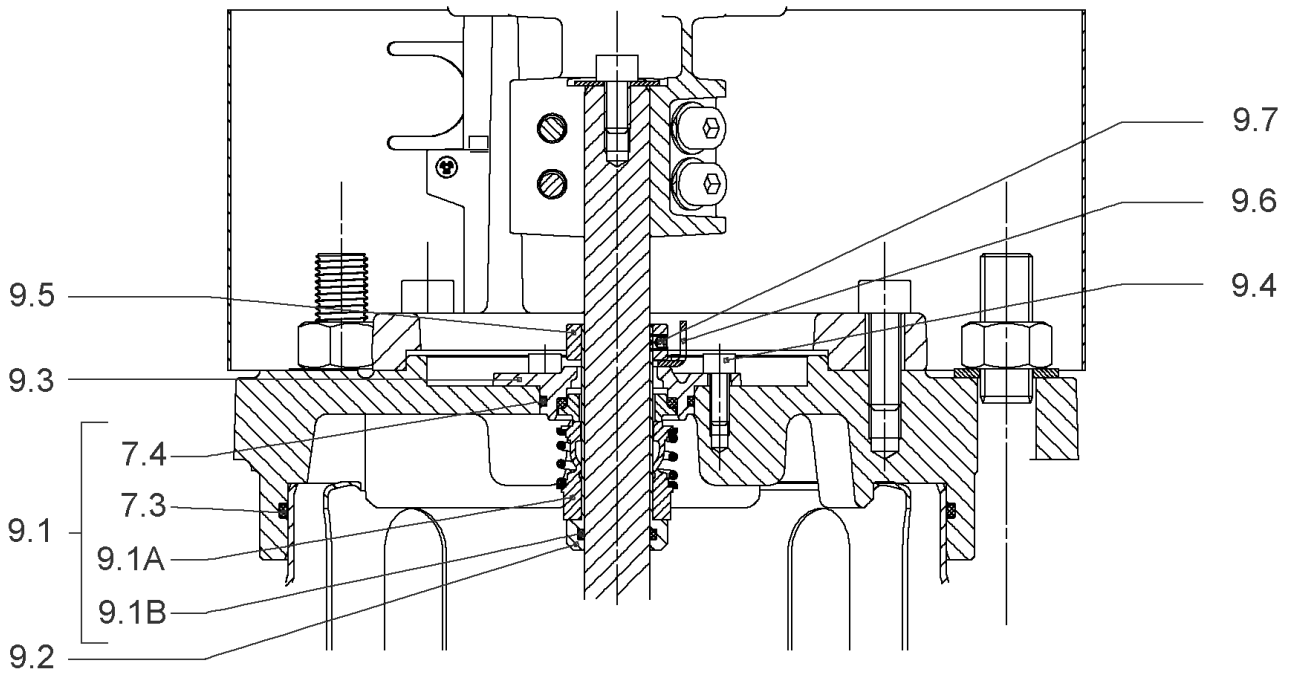
HELIX V2204-3/25/E/KS/400-50 (4123285)

Item	Article no.	Description	Quantity
15.3C	4233957	>> O-RING ID.9 EPDM VP.	1
15.4	4221729	> BASE M+ DN50/65/80 VP.	1
15.6		> FLANGE M+ DN50 CATA	1
15.7		> O-RING Ø63.17xØ2.62 EPDM	1
15.5		> SCREW TBHC M12x25 ISO7380 ZN	1



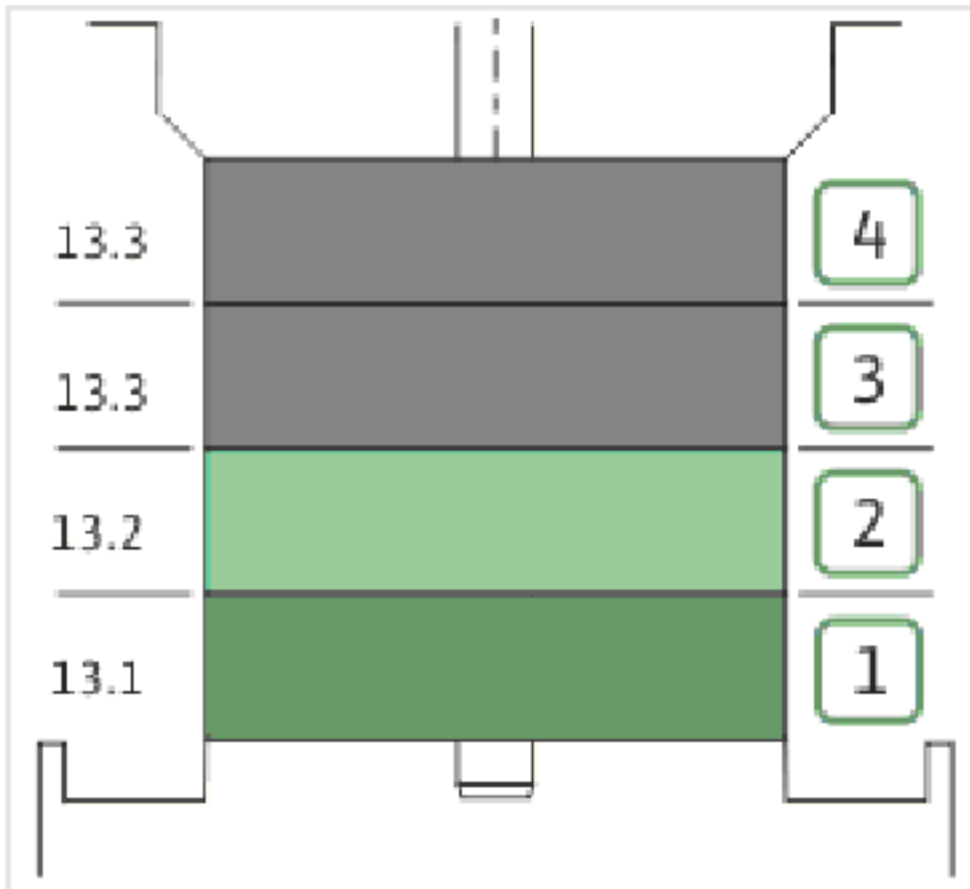
COUPLING D.20XD.28 FT130 KIT (4143964)

Item	Article no.	Description	Quantity
4.1		COUPLING M+ Ø20XØ28-FT130 MACHINED	1
4.2	2131022	BALL BEARING 6209/ZZ-C3(HT)VP.	1
4.3	4233930	CIRCLIP-FOR-BORES-D45x1,75 VP.	1
4.4	4157726	SCREW KIT M8X30 (4 PIECES)	1
4.5	4234252	CIRCLIPS 85X3 VP.	1
4.6	4234243	O-RING 85X3 VP.	1
		NOMEL CONTACT WASHER 8x16x1,4 STEEL ZC	1

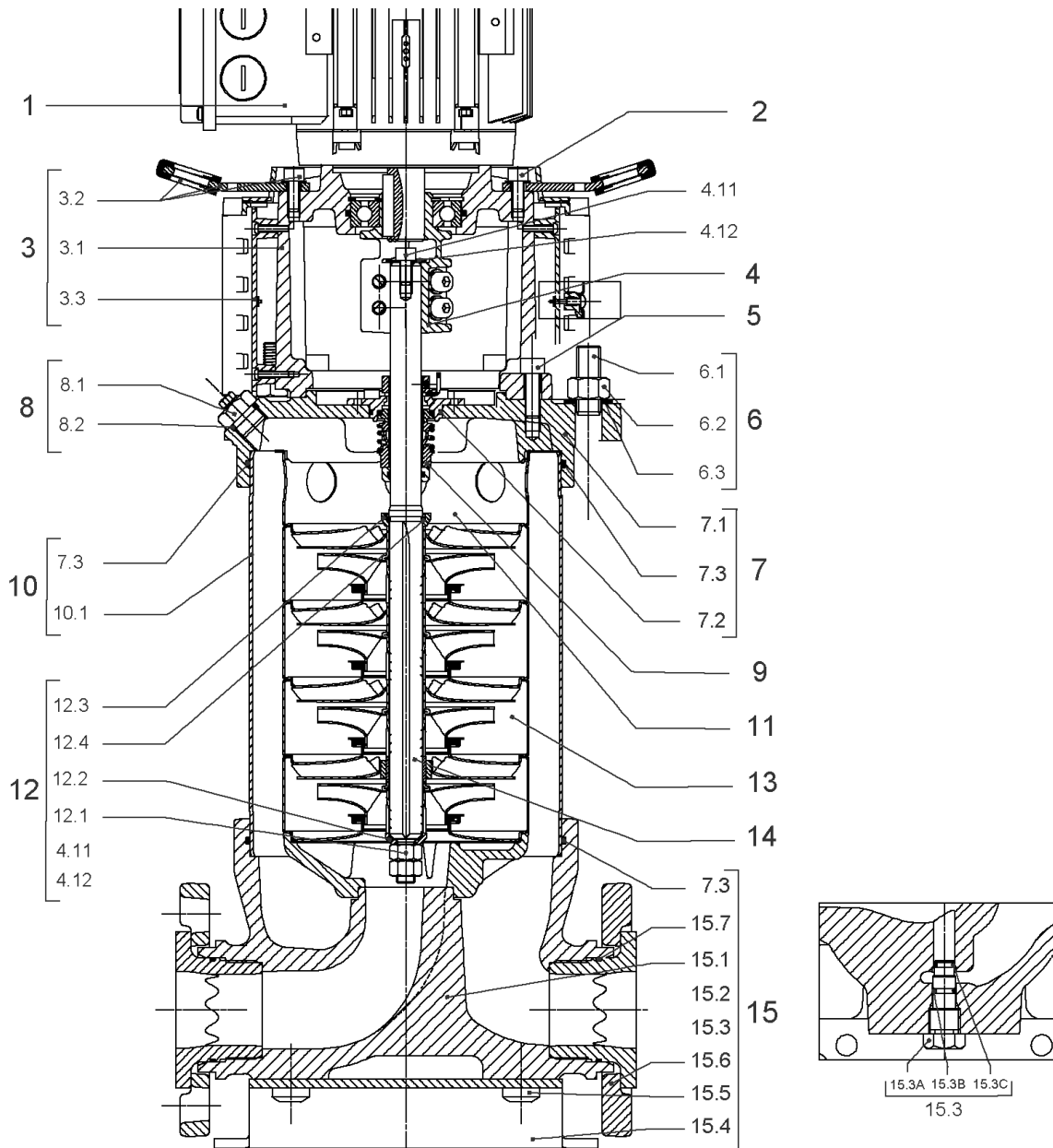


CARTRIDGE HELIX22-36-52 F/E KIT (4143975)

Item	Article no.	Description	Quantity
9.1	4143976	SEAL-KIT-HELIX22-36-52 F/E	1
7.3	4179571	> O-RING HOUSING PIPE HELIX22/36/52 VP.	1
7.4	4179572	> O-RING ID.42.52X2.62 EPDM VP.	1
9.1A	2127447	> M.SEAL.HELIX22-36-52 F/E VP.	1
9.1B	4179574	> O-RING ID.20x2.65 EPDM VP.	1
9.2	4179566	SHAFT SLEEVE D.20/20X60 1.4404 VP.	1
9.3	4179567	RING HOLDER Ø22 1.4301 VP.	1
9.4	4176520	SCREW CH M5x5 A4-70 (3PIECES)	1
9.5	4179568	DRIVE RING D.31/22.1x11 MACH.VP.	1
9.6	4179569	TOOL M.S.CART.HELIX 8" VP.	1
9.7	4179570	SCREW M6X16 ISO4762 8.8 GEOMET(4 PIECES)	1



Item	Article no.	Description	Quantity
13.1	4157739	FIRST STAGE HELIX 22 1.4307 KIT	1
		> IMPELLER-H1-M+22-304	1
		> MACH.STG-CASING-WOGV-WNR-M+22-304	1
13.2	4157740	BEARING STAGE HELIX 22 1.4307 KIT	1
		> IMPELLER-H2-M+22-304	1
		> MACH.BEARING-STG-CASING-WNR-M+22-304	1
		> SHAFT-SLEEVE-D26xD22x16-CW	1
13.3	4157743	INTERMEDIATE STAGE HELIX 22 KIT	1
		> MACH.STD-STG-CASING-WGV+NR-M+22-304	1
		> IMPELLER-H2-M+22-304	1

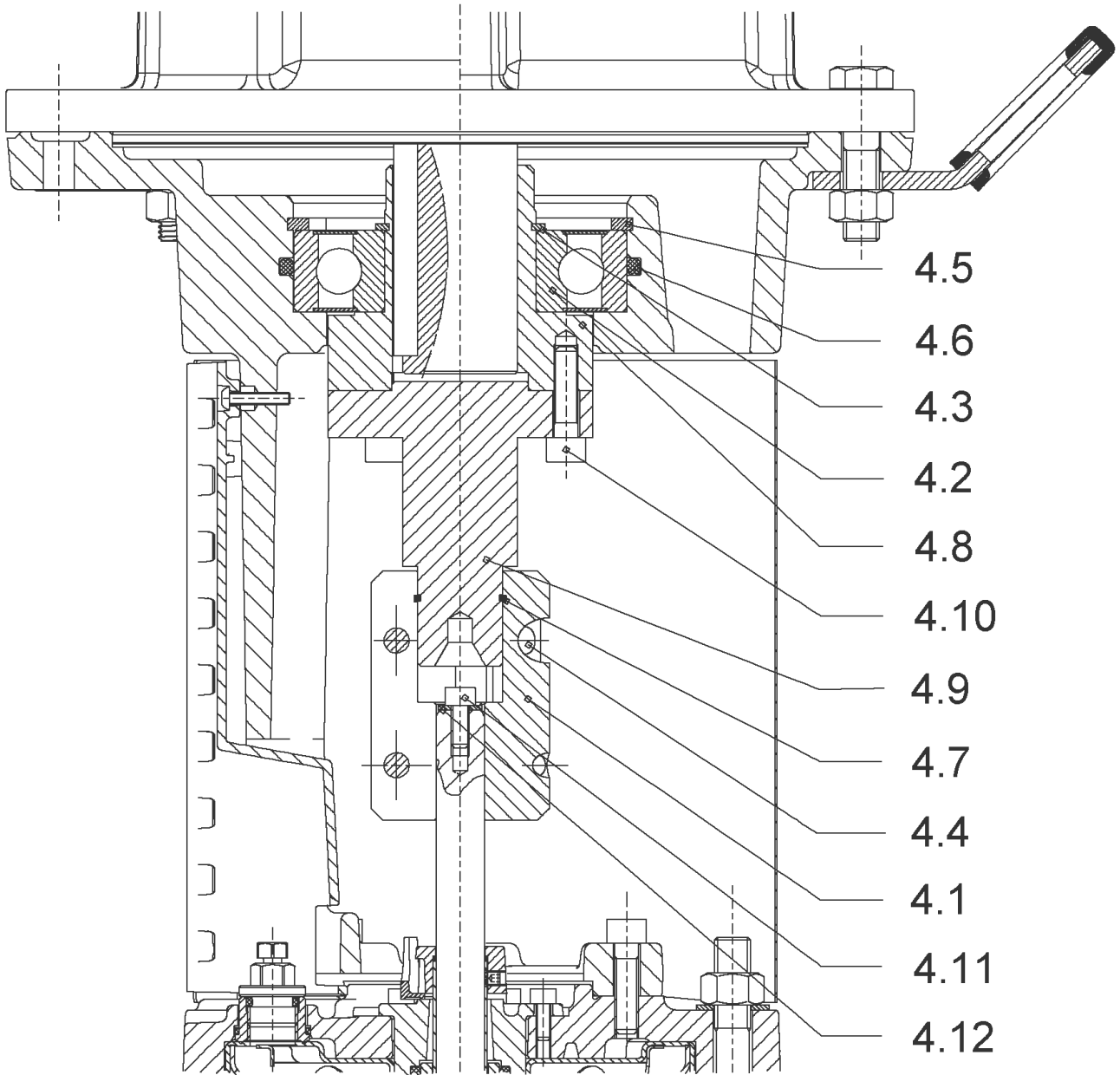


HELIX V2205-3/16/E/K/400-50 (4123286)

Item	Article no.	Description	Quantity
1	4195450	MOTOR 7,5/2/* 3~400V 50HZ IE3 VP.	1
		SPARE PARTS MOTOR:ON REQUEST	1
2	4174093	SCREW M12X50 (4 PIECES)	1
3	4161187	LANTERN FF265 HELIX 8" KIT	1
3.1		> LANTERN FF265 M+ GJL MACHINED+CATA	1
3.2	2127605	> EYELET CPL.FF265 HELIX(2 PIECES)	1
3.3	4143969	> COUPLING PROTECT HELIX FF KIT	1
4	4143965	COUPLING D.20XD.28 FF265 KIT	1
5	4157725	SCREW M10X40 (4 PIECES)	1
6	4181164	STUD BOLT M16X382 KIT	1
6.1		> TIE BOLT M16-382x24x44-1.4057	1
6.2	4179562	> NUT M16 8.8 ISO4032 (4 PIECES)	1
6.3	4097852	> WASHER-CS-16.4-32-2.8-NFE25-511-A2	1
7	4179565	END SHIELD HELIX 8" EPDM KIT	1
7.1		> END SHIELD M+ GJL MACHINED+CATA	1
7.2	4179564	> O-RING D.42.52x2.62 EPDM VP.	1
7.3	4179571	> O-RING HOUSING PIPE HELIX22/36/52 VP.	1
8	4143765	FILING/PURGING PLUG 316L HELIX KIT	1
8.1		> FILLING/VENTING-PLUG-VM18/10-316L	1
8.2	4032291	> O-RING 17x3 EPDM KTW/WRC	1
9	4143973	CARTRIDGE HELIX22-36-52 O/E KIT	1
10	4181165	HOUSING PIPE D.204X314 1.4301 KIT	1
7.3	4179571	> O-RING HOUSING PIPE HELIX22/36/52 VP.	1
10.1		> HOUSING-PIPE Ø204-M+2205-304	1
11	4179143	CENTERING STAGE-RETURN HELIX22 1.4307 VP	1
12	4143967	SHAFT EQUIPMENT HELIX V KIT	1
13		HYDRAULIC HELIX V 2205	1
14	2114267	SHAFT D.22X454 1.4057 VP.	1
15	4181158	EQUIPED HOUSING HELIX 22 GJL KIT	1
7.3	4179571	> O-RING HOUSING PIPE HELIX22/36/52 VP.	1
15.1		> PUMP HOUSING SET with COATED PARTS-DN50	1
15.3	4143766	> DRAIN/PRIMING PLUG EPDM HELIX KIT	1
15.3A		>> PRIMING/DRAIN PLUG-304-VERSION 1	1
15.3B	4032293	>> O-RING-10x3-EPDM-KTW/WRC	1

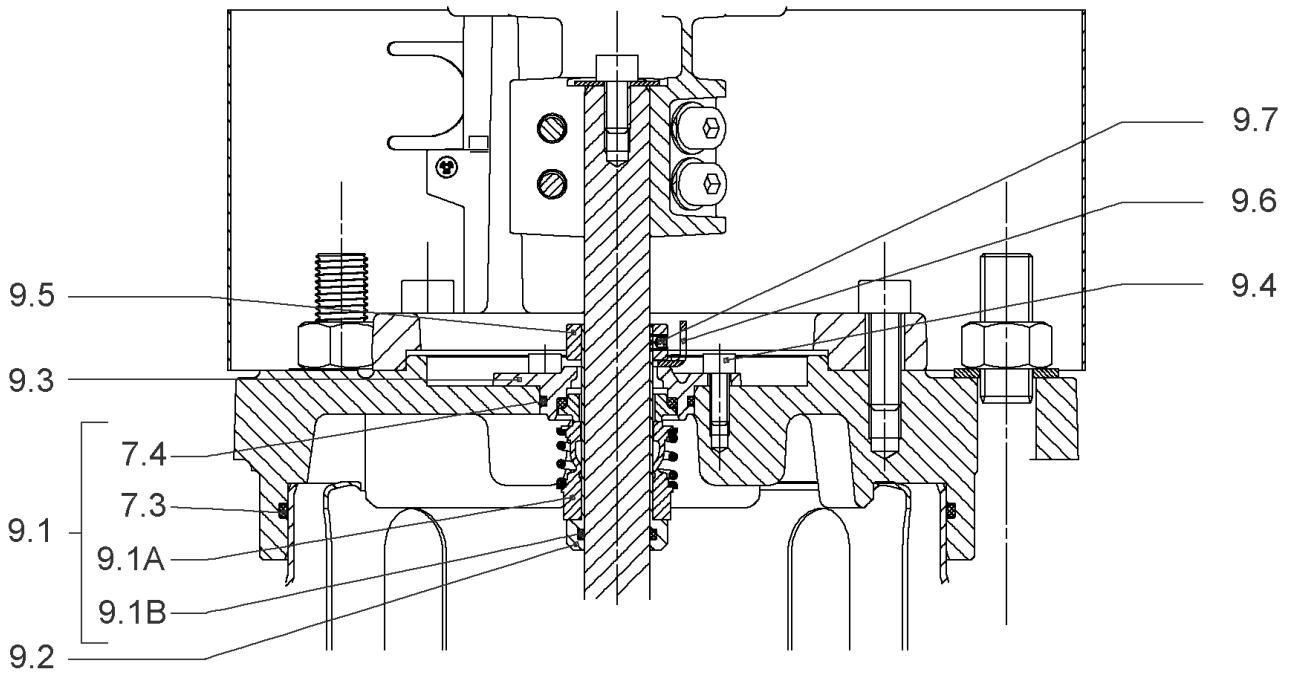
HELIX V2205-3/16/E/K/400-50 (4123286)

Item	Article no.	Description	Quantity
15.3C	4233957	>> O-RING ID.9 EPDM VP.	1
15.4	4221729	> BASE M+ DN50/65/80 VP.	1
15.6		> FLANGE M+ DN50 CATA	1
15.7		> O-RING Ø63.17xØ2.62 EPDM	1
15.5		> SCREW TBHC M12x25 ISO7380 ZN	1



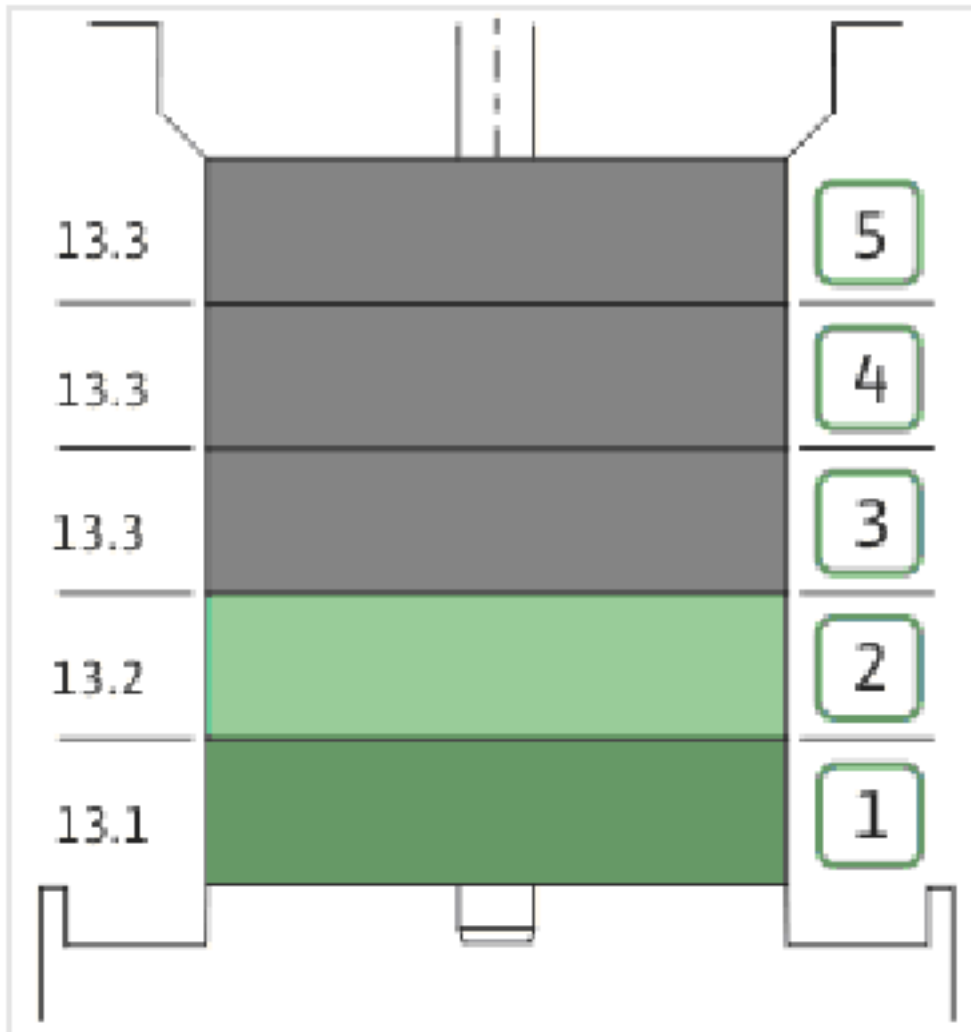
COUPLING D.20XD.28 FF265 KIT (4143965)

Item	Article no.	Description	Quantity
4.1	4179584	COUPLING 2 PARTS D.20XD.28XL83 VP.	1
4.2	2131017	BALL BEARING 6310/ZZ-C4(HT)VP.	1
4.3	4234253	CIRCLIP-FOR-SHAFT-D50x2 VP.	1
4.4	4159707	SCREW M8X30 (4 PIECES)	1
4.5	4234255	CIRCLIPS 110X4 VP.	1
4.6	4233944	O-RING ID.110 VP.	1
4.7	4179585	STOP-RUSH D26xD2 DIN7993 STEEL VP.	1
4.8	2131020	HUB D.38XD.50 VP.	1
4.9	2131021	SPACER D.28XD.45 VP.	1
4.10	4157726	SCREW KIT M8X30 (4 PIECES)	1
4.11	4233959	SCREW M8x16 VP.	1
4.12		SERRATED LOCK WASHER Ø8.2XØ25X35X2	1

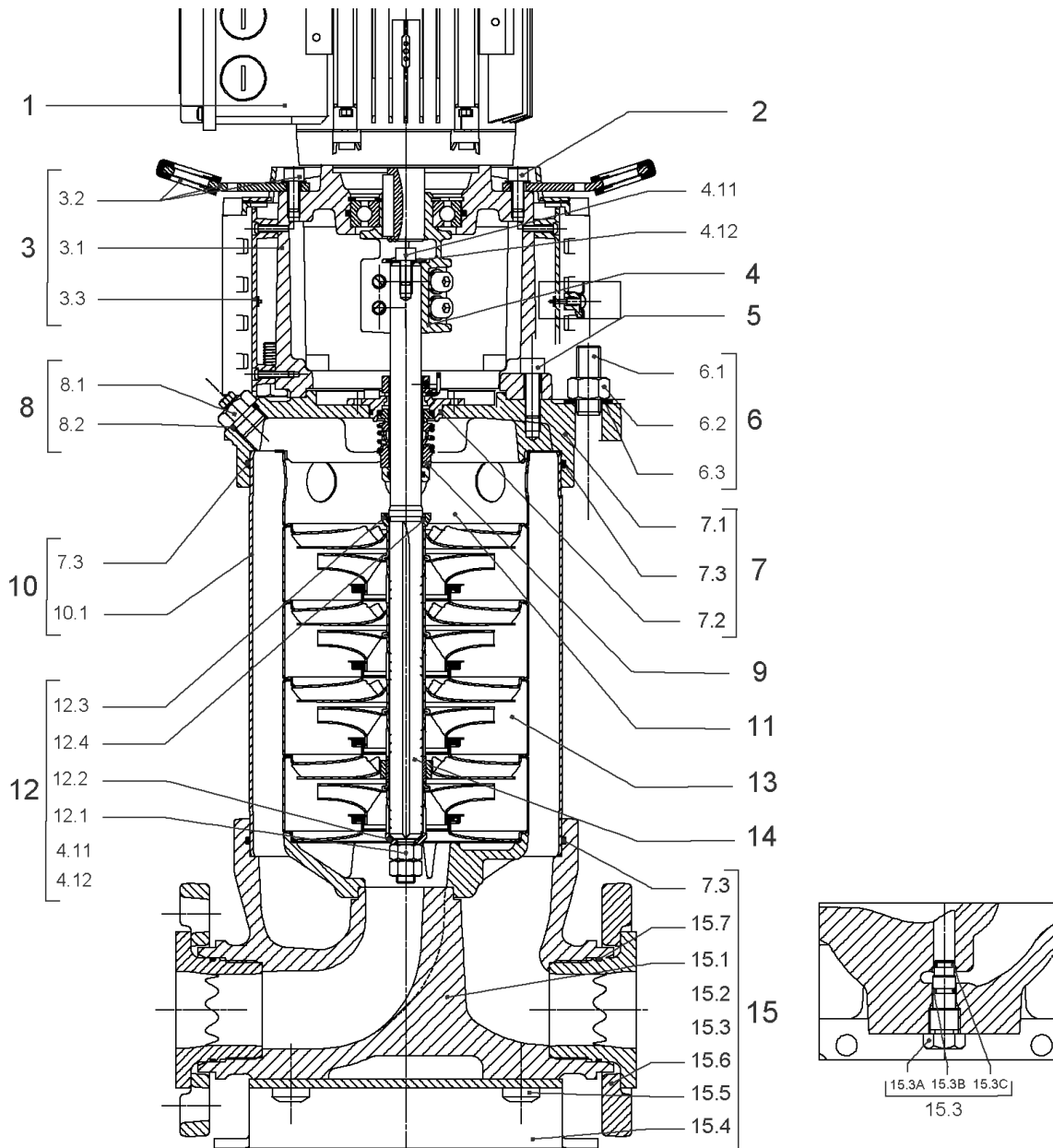


CARTRIDGE HELIX22-36-52 O/E KIT (4143973)

Item	Article no.	Description	Quantity
9.1	4143974	SEAL-KIT-HELIX22-36-52 O/E	1
7.3	4179571	> O-RING HOUSING PIPE HELIX22/36/52 VP.	1
7.4	4179572	> O-RING ID.42.52X2.62 EPDM VP.	1
9.1A	4179573	> M.SEAL.HELIX22-36-52 O/E VP.	1
9.1B	4179574	> O-RING ID.20x2.65 EPDM VP.	1
9.2	4179566	SHAFT SLEEVE D.20/20X60 1.4404 VP.	1
9.3	4179567	RING HOLDER Ø22 1.4301 VP.	1
9.4	4176520	SCREW CH M5x5 A4-70 (3PIECES)	1
9.5	4179568	DRIVE RING D.31/22.1x11 MACH.VP.	1
9.6	4179569	TOOL M.S.CART.HELIX 8" VP.	1
9.7	4179570	SCREW M6X16 ISO4762 8.8 GEOMET(4 PIECES)	1



Item	Article no.	Description	Quantity
13.1	4157739	FIRST STAGE HELIX 22 1.4307 KIT	1
		> IMPELLER-H1-M+22-304	1
		> MACH.STG-CASING-WOGV-WNR-M+22-304	1
13.2	4157740	BEARING STAGE HELIX 22 1.4307 KIT	1
		> IMPELLER-H2-M+22-304	1
		> MACH.BEARING-STG-CASING-WNR-M+22-304	1
		> SHAFT-SLEEVE-D26xD22x16-CW	1
13.3	4157743	INTERMEDIATE STAGE HELIX 22 KIT	1
		> MACH.STD-STG-CASING-WGV+NR-M+22-304	1
		> IMPELLER-H2-M+22-304	1

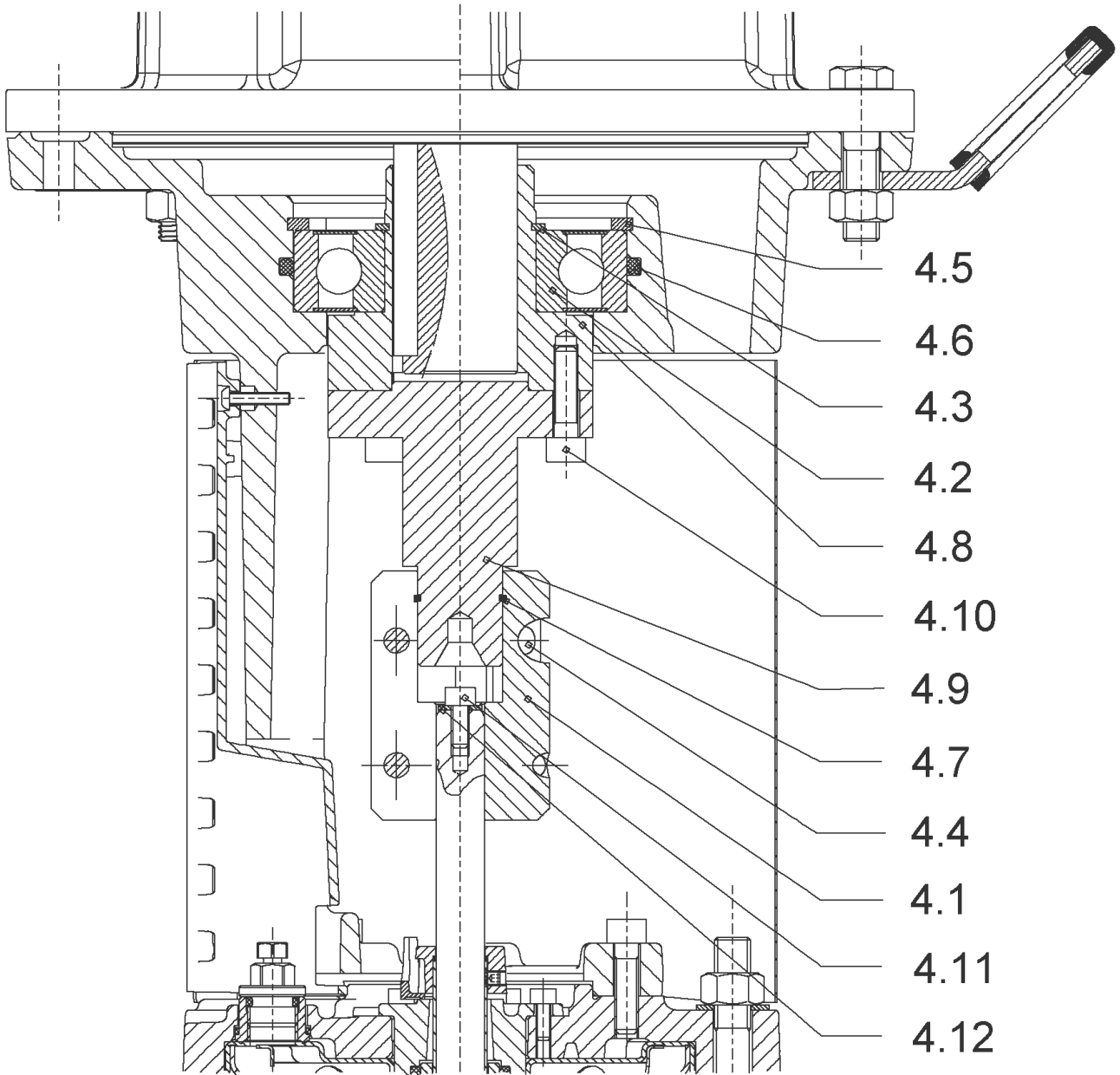


HELIX V2205-3/25/E/KS/400-50 (4123287)

Item	Article no.	Description	Quantity
1	4195450	MOTOR 7,5/2/* 3~400V 50HZ IE3 VP.	1
		SPARE PARTS MOTOR:ON REQUEST	1
2	4174093	SCREW M12X50 (4 PIECES)	1
3	4161187	LANTERN FF265 HELIX 8" KIT	1
3.1		> LANTERN FF265 M+ GJL MACHINED+CATA	1
3.2	2127605	> EYELET CPL.FF265 HELIX(2 PIECES)	1
3.3	4143969	> COUPLING PROTECT HELIX FF KIT	1
4	4143965	COUPLING D.20XD.28 FF265 KIT	1
5	4157725	SCREW M10X40 (4 PIECES)	1
6	4181164	STUD BOLT M16X382 KIT	1
6.1		> TIE BOLT M16-382x24x44-1.4057	1
6.2	4179562	> NUT M16 8.8 ISO4032 (4 PIECES)	1
6.3	4097852	> WASHER-CS-16.4-32-2.8-NFE25-511-A2	1
7	4179565	END SHIELD HELIX 8" EPDM KIT	1
7.1		> END SHIELD M+ GJL MACHINED+CATA	1
7.2	4179564	> O-RING D.42.52x2.62 EPDM VP.	1
7.3	4179571	> O-RING HOUSING PIPE HELIX22/36/52 VP.	1
8	4143765	FILING/PURGING PLUG 316L HELIX KIT	1
8.1		> FILLING/VENTING-PLUG-VMI8/10-316L	1
8.2	4032291	> O-RING 17x3 EPDM KTW/WRC	1
9	4143975	CARTRIDGE HELIX22-36-52 F/E KIT	1
10	4181165	HOUSING PIPE D.204X314 1.4301 KIT	1
7.3	4179571	> O-RING HOUSING PIPE HELIX22/36/52 VP.	1
10.1		> HOUSING-PIPE Ø204-M+2205-304	1
11	4179143	CENTERING STAGE-RETURN HELIX22 1.4307 VP	1
12	4143967	SHAFT EQUIPMENT HELIX V KIT	1
13		HYDRAULIC HELIX V 2205	1
14	2114267	SHAFT D.22X454 1.4057 VP.	1
15	4181158	EQUIPED HOUSING HELIX 22 GJL KIT	1
7.3	4179571	> O-RING HOUSING PIPE HELIX22/36/52 VP.	1
15.1		> PUMP HOUSING SET with COATED PARTS-DN50	1
15.3	4143766	> DRAIN/PRIMING PLUG EPDM HELIX KIT	1
15.3A		>> PRIMING/DRAIN PLUG-304-VERSION 1	1
15.3B	4032293	>> O-RING-10x3-EPDM-KTW/WRC	1

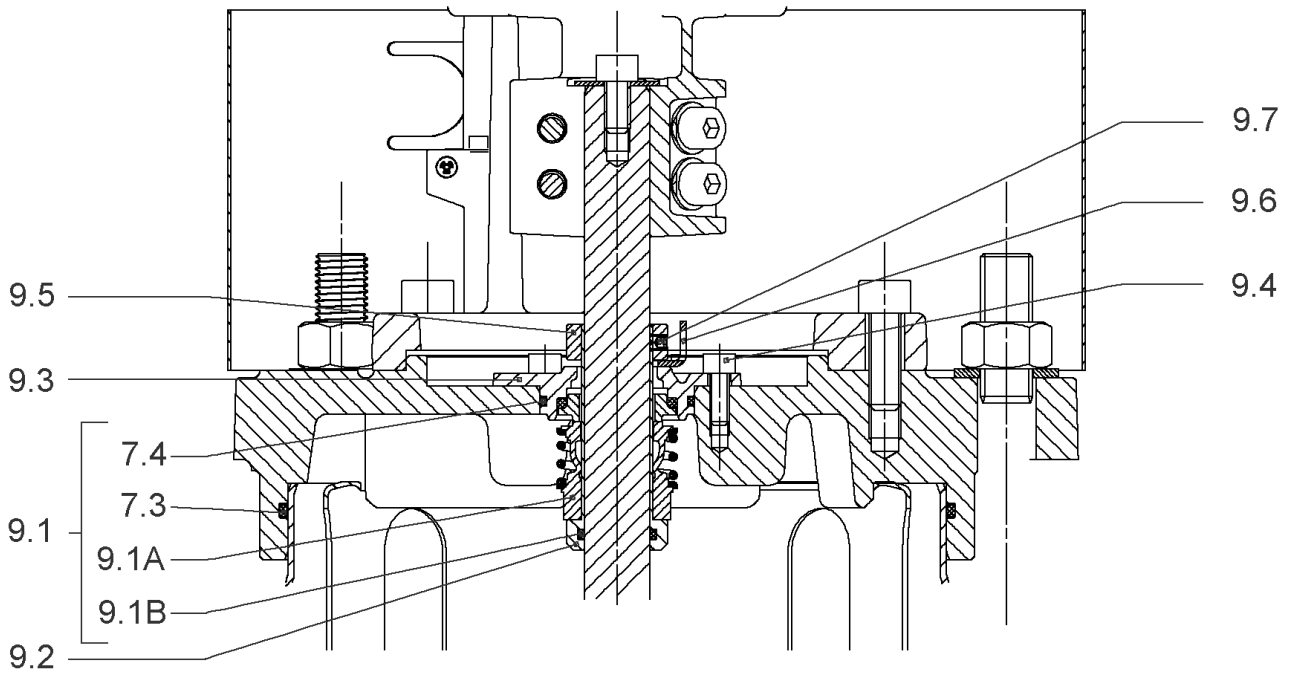
HELIX V2205-3/25/E/KS/400-50 (4123287)

Item	Article no.	Description	Quantity
15.3C	4233957	>> O-RING ID.9 EPDM VP.	1
15.4	4221729	> BASE M+ DN50/65/80 VP.	1
15.6		> FLANGE M+ DN50 CATA	1
15.7		> O-RING Ø63.17xØ2.62 EPDM	1
15.5		> SCREW TBHC M12x25 ISO7380 ZN	1



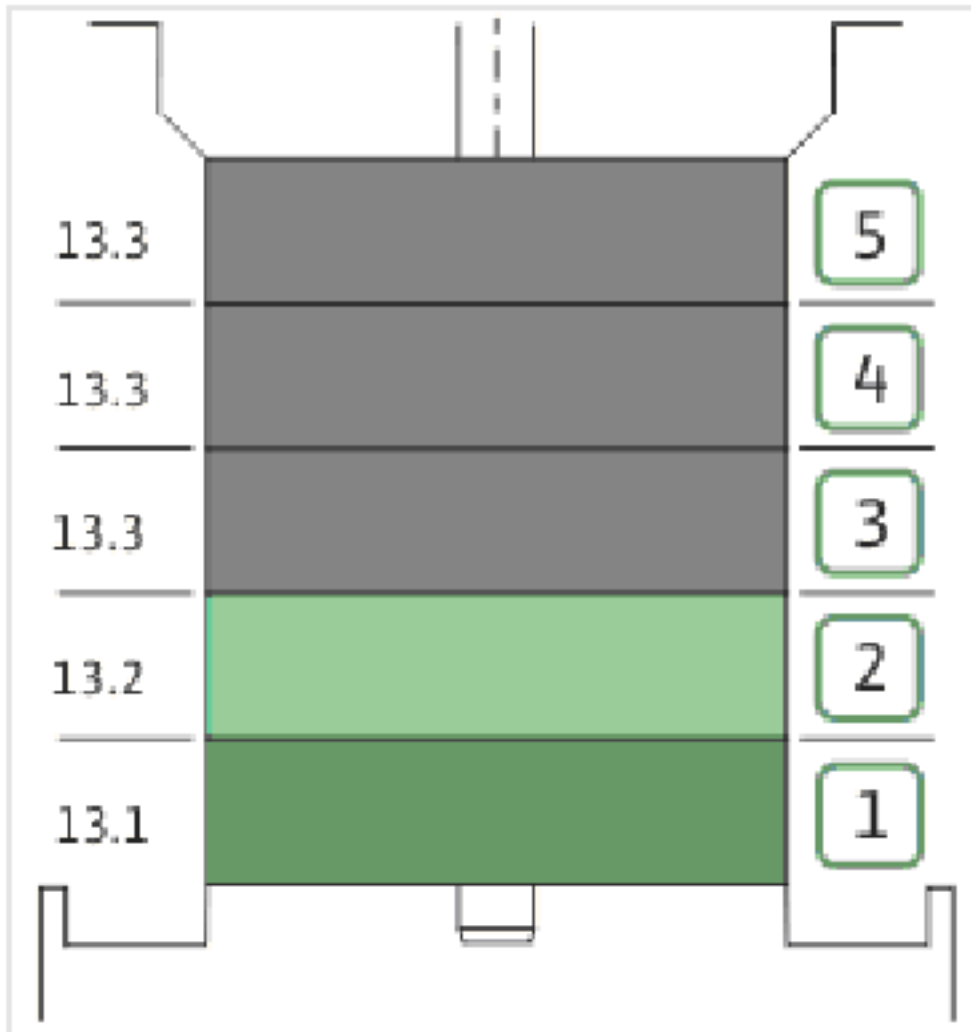
COUPLING D.20XD.28 FF265 KIT (4143965)

Item	Article no.	Description	Quantity
4.1	4179584	COUPLING 2 PARTS D.20XD.28XL83 VP.	1
4.2	2131017	BALL BEARING 6310/ZZ-C4(HT)VP.	1
4.3	4234253	CIRCLIP-FOR-SHAFT-D50x2 VP.	1
4.4	4159707	SCREW M8X30 (4 PIECES)	1
4.5	4234255	CIRCLIPS 110X4 VP.	1
4.6	4233944	O-RING ID.110 VP.	1
4.7	4179585	STOP-RUSH D26xD2 DIN7993 STEEL VP.	1
4.8	2131020	HUB D.38XD.50 VP.	1
4.9	2131021	SPACER D.28XD.45 VP.	1
4.10	4157726	SCREW KIT M8X30 (4 PIECES)	1
4.11	4233959	SCREW M8x16 VP.	1
4.12		SERRATED LOCK WASHER Ø8.2XØ25X35X2	1

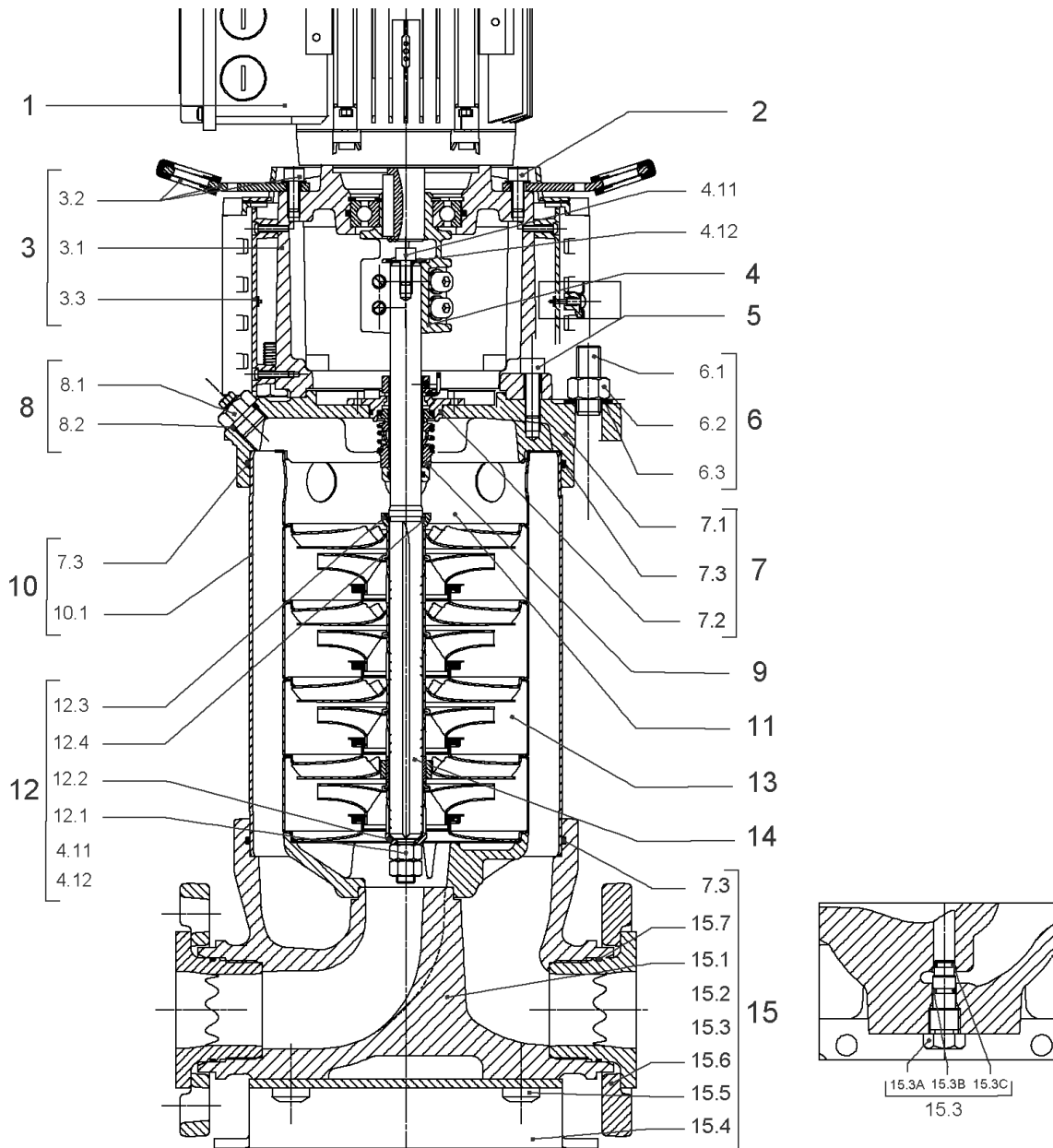


CARTRIDGE HELIX22-36-52 F/E KIT (4143975)

Item	Article no.	Description	Quantity
9.1	4143976	SEAL-KIT-HELIX22-36-52 F/E	1
7.3	4179571	> O-RING HOUSING PIPE HELIX22/36/52 VP.	1
7.4	4179572	> O-RING ID.42.52X2.62 EPDM VP.	1
9.1A	2127447	> M.SEAL.HELIX22-36-52 F/E VP.	1
9.1B	4179574	> O-RING ID.20x2.65 EPDM VP.	1
9.2	4179566	SHAFT SLEEVE D.20/20X60 1.4404 VP.	1
9.3	4179567	RING HOLDER Ø22 1.4301 VP.	1
9.4	4176520	SCREW CH M5x5 A4-70 (3PIECES)	1
9.5	4179568	DRIVE RING D.31/22.1x11 MACH.VP.	1
9.6	4179569	TOOL M.S.CART.HELIX 8" VP.	1
9.7	4179570	SCREW M6X16 ISO4762 8.8 GEOMET(4 PIECES)	1



Item	Article no.	Description	Quantity
13.1	4157739	FIRST STAGE HELIX 22 1.4307 KIT	1
		> IMPELLER-H1-M+22-304	1
		> MACH.STG-CASING-WOGV-WNR-M+22-304	1
13.2	4157740	BEARING STAGE HELIX 22 1.4307 KIT	1
		> IMPELLER-H2-M+22-304	1
		> MACH.BEARING-STG-CASING-WNR-M+22-304	1
		> SHAFT-SLEEVE-D26xD22x16-CW	1
13.3	4157743	INTERMEDIATE STAGE HELIX 22 KIT	1
		> MACH.STD-STG-CASING-WGV+NR-M+22-304	1
		> IMPELLER-H2-M+22-304	1

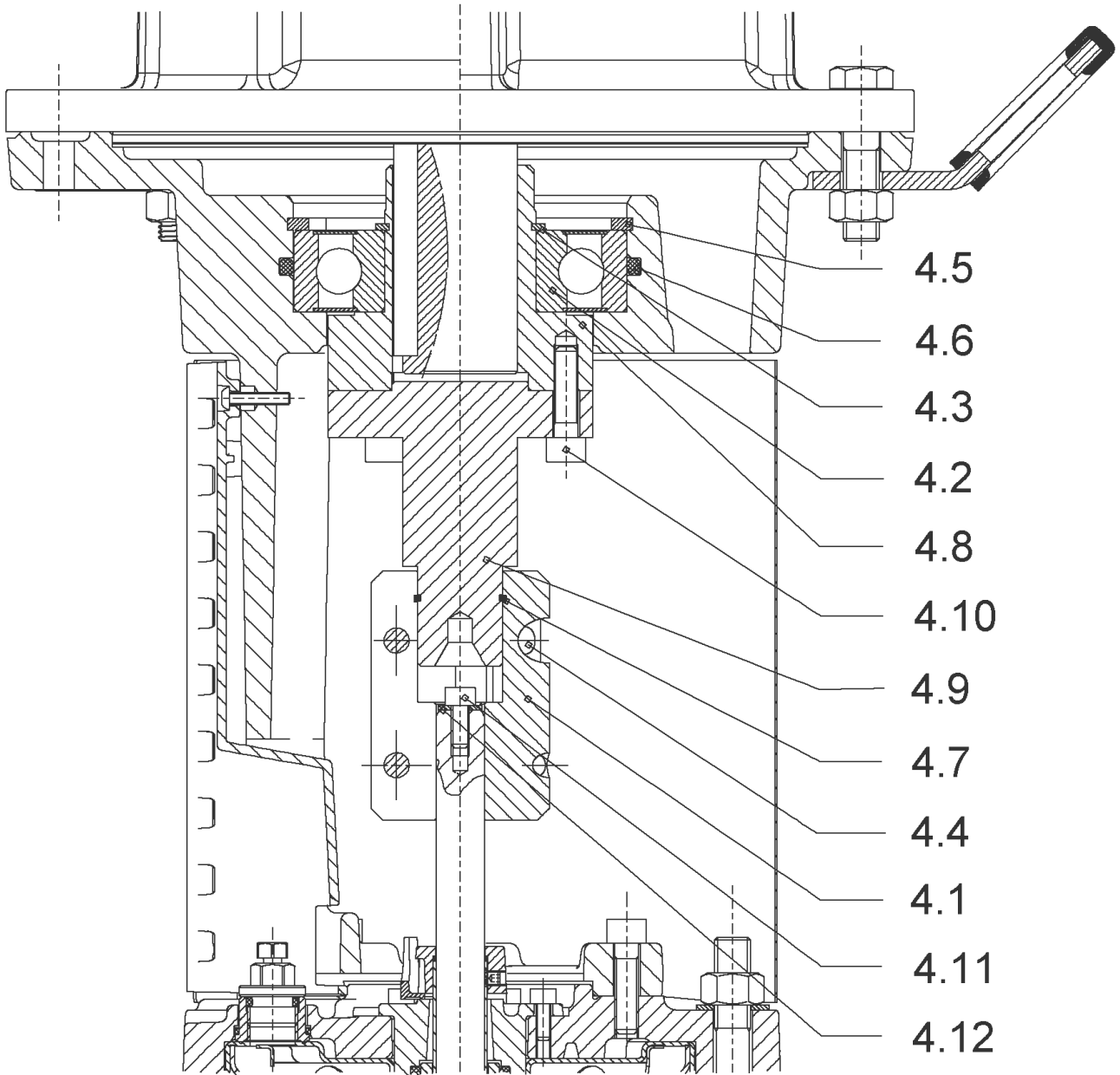


HELIX V2206-3/16/E/K/400-50 (4123288)

Item	Article no.	Description	Quantity
1	4195450	MOTOR 7,5/2/* 3~400V 50HZ IE3 VP.	1
		SPARE PARTS MOTOR:ON REQUEST	1
2	4174093	SCREW M12X50 (4 PIECES)	1
3	4161187	LANTERN FF265 HELIX 8" KIT	1
3.1		> LANTERN FF265 M+ GJL MACHINED+CATA	1
3.2	2127605	> EYELET CPL.FF265 HELIX(2 PIECES)	1
3.3	4143969	> COUPLING PROTECT HELIX FF KIT	1
4	4143965	COUPLING D.20XD.28 FF265 KIT	1
5	4157725	SCREW M10X40 (4 PIECES)	1
6	4181167	STUD BOLT M16X428 KIT	1
6.1		> TIE BOLT M16-428x24x44-1.4057	1
6.2	4179562	> NUT M16 8.8 ISO4032 (4 PIECES)	1
6.3	4097852	> WASHER-CS-16.4-32-2.8-NFE25-511-A2	1
7	4179565	END SHIELD HELIX 8" EPDM KIT	1
7.1		> END SHIELD M+ GJL MACHINED+CATA	1
7.2	4179564	> O-RING D.42.52x2.62 EPDM VP.	1
7.3	4179571	> O-RING HOUSING PIPE HELIX22/36/52 VP.	1
8	4143765	FILING/PURGING PLUG 316L HELIX KIT	1
8.1		> FILLING/VENTING-PLUG-VMI8/10-316L	1
8.2	4032291	> O-RING 17x3 EPDM KTW/WRC	1
9	4143973	CARTRIDGE HELIX22-36-52 O/E KIT	1
10	4181168	HOUSING PIPE D.204X364 1.4307 KIT	1
7.3	4179571	> O-RING HOUSING PIPE HELIX22/36/52 VP.	1
10.1		> HOUSING-PIPE Ø204-M+2206-304	1
11	4179143	CENTERING STAGE-RETURN HELIX22 1.4307 VP	1
12	4143967	SHAFT EQUIPMENT HELIX V KIT	1
13		HYDRAULIC HELIX V 2206	1
14	4179599	SHAFTS D.22X504 1.4057 VP.	1
15	4181158	EQUIPED HOUSING HELIX 22 GJL KIT	1
7.3	4179571	> O-RING HOUSING PIPE HELIX22/36/52 VP.	1
15.1		> PUMP HOUSING SET with COATED PARTS-DN50	1
15.3	4143766	> DRAIN/PRIMING PLUG EPDM HELIX KIT	1
15.3A		>> PRIMING/DRAIN PLUG-304-VERSION 1	1
15.3B	4032293	>> O-RING-10x3-EPDM-KTW/WRC	1

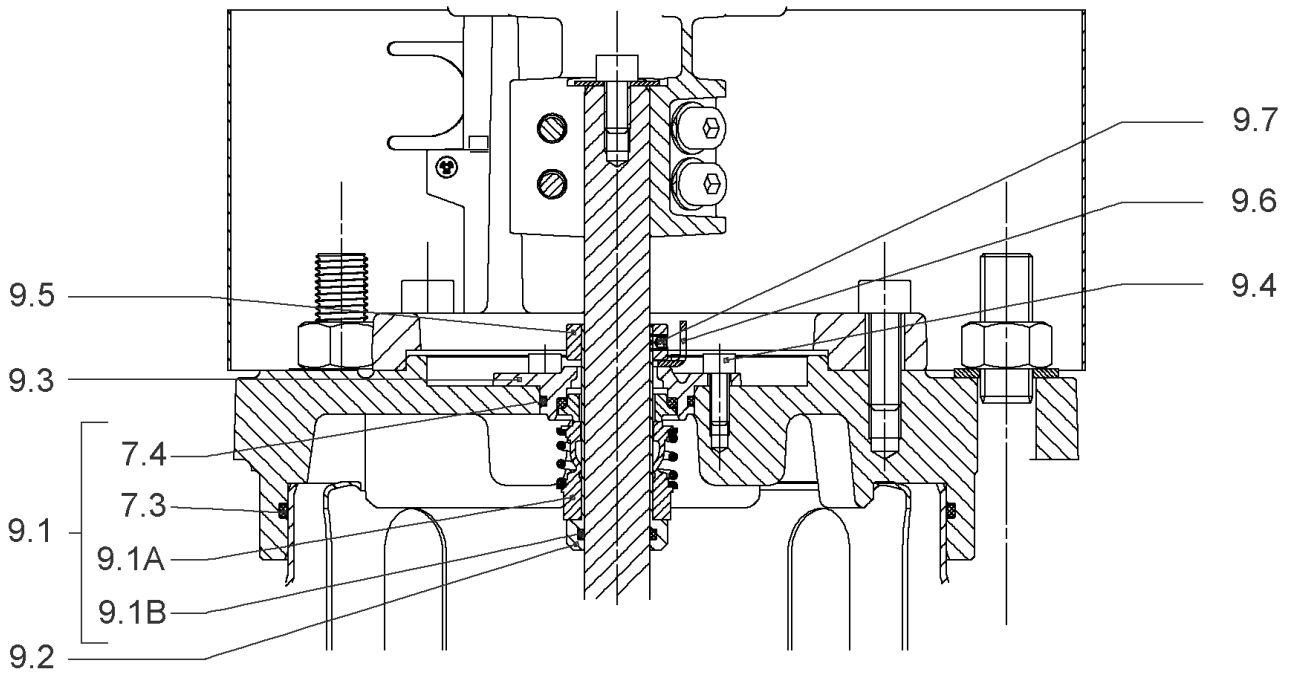
HELIX V2206-3/16/E/K/400-50 (4123288)

Item	Article no.	Description	Quantity
15.3C	4233957	>> O-RING ID.9 EPDM VP.	1
15.4	4221729	> BASE M+ DN50/65/80 VP.	1
15.6		> FLANGE M+ DN50 CATA	1
15.7		> O-RING Ø63.17xØ2.62 EPDM	1
15.5		> SCREW TBHC M12x25 ISO7380 ZN	1



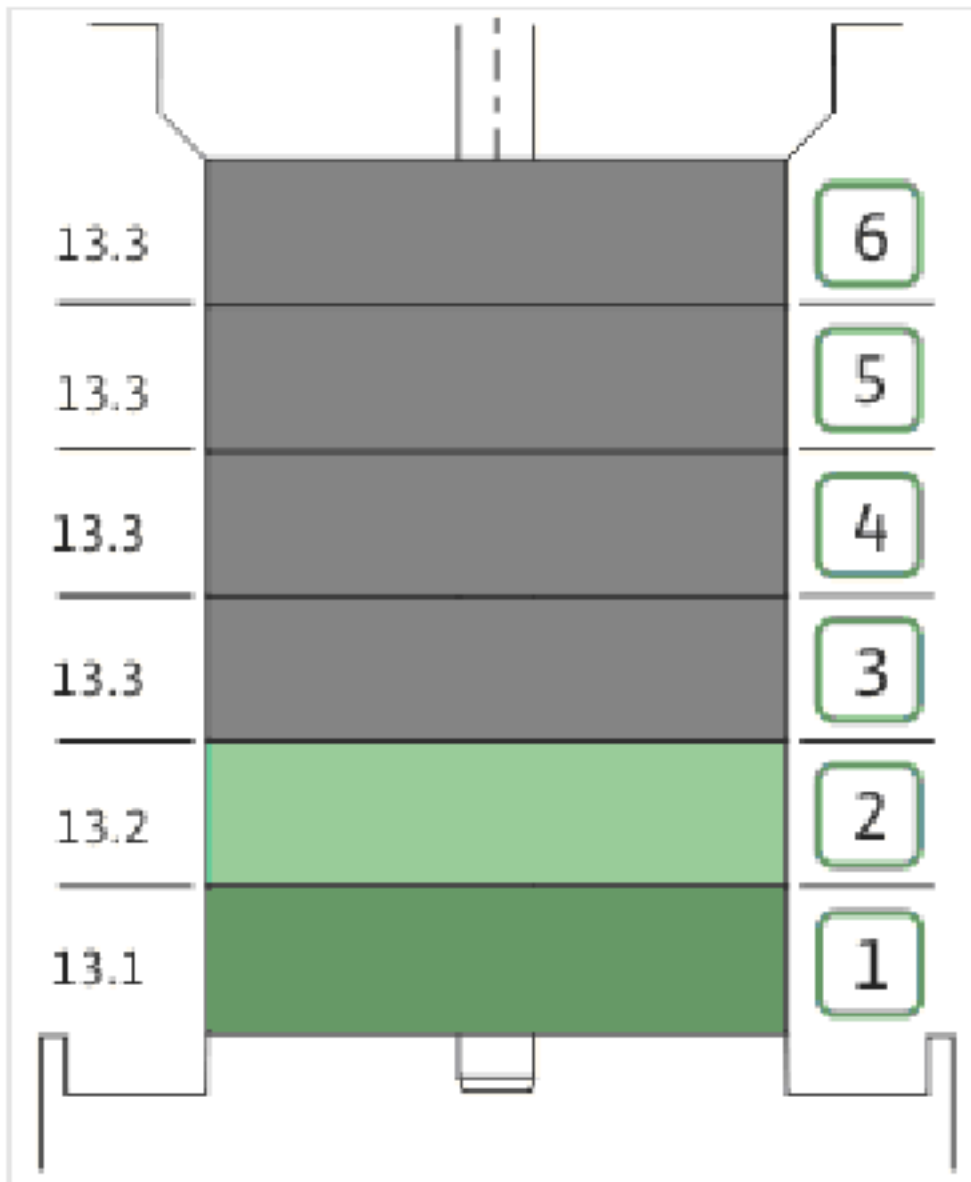
COUPLING D.20XD.28 FF265 KIT (4143965)

Item	Article no.	Description	Quantity
4.1	4179584	COUPLING 2 PARTS D.20XD.28XL83 VP.	1
4.2	2131017	BALL BEARING 6310/ZZ-C4(HT)VP.	1
4.3	4234253	CIRCLIP-FOR-SHAFT-D50x2 VP.	1
4.4	4159707	SCREW M8X30 (4 PIECES)	1
4.5	4234255	CIRCLIPS 110X4 VP.	1
4.6	4233944	O-RING ID.110 VP.	1
4.7	4179585	STOP-RUSH D26xD2 DIN7993 STEEL VP.	1
4.8	2131020	HUB D.38XD.50 VP.	1
4.9	2131021	SPACER D.28XD.45 VP.	1
4.10	4157726	SCREW KIT M8X30 (4 PIECES)	1
4.11	4233959	SCREW M8x16 VP.	1
4.12		SERRATED LOCK WASHER Ø8.2XØ25X35X2	1

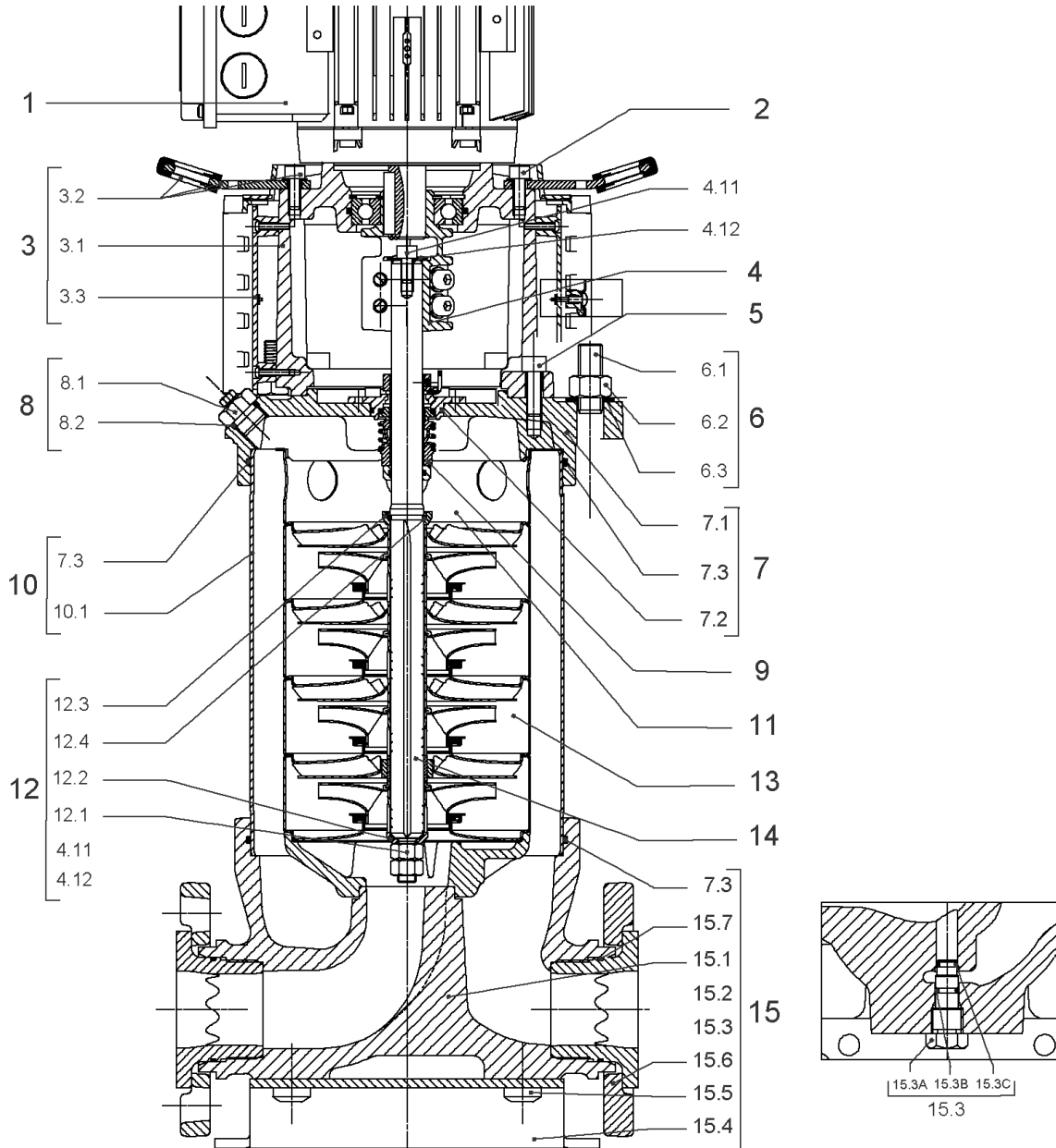


CARTRIDGE HELIX22-36-52 O/E KIT (4143973)

Item	Article no.	Description	Quantity
9.1	4143974	SEAL-KIT-HELIX22-36-52 O/E	1
7.3	4179571	> O-RING HOUSING PIPE HELIX22/36/52 VP.	1
7.4	4179572	> O-RING ID.42.52X2.62 EPDM VP.	1
9.1A	4179573	> M.SEAL.HELIX22-36-52 O/E VP.	1
9.1B	4179574	> O-RING ID.20x2.65 EPDM VP.	1
9.2	4179566	SHAFT SLEEVE D.20/20X60 1.4404 VP.	1
9.3	4179567	RING HOLDER Ø22 1.4301 VP.	1
9.4	4176520	SCREW CH M5x5 A4-70 (3PIECES)	1
9.5	4179568	DRIVE RING D.31/22.1x11 MACH.VP.	1
9.6	4179569	TOOL M.S.CART.HELIX 8" VP.	1
9.7	4179570	SCREW M6X16 ISO4762 8.8 GEOMET(4 PIECES)	1



Item	Article no.	Description	Quantity
13.1	4157739	FIRST STAGE HELIX 22 1.4307 KIT	1
		> IMPELLER-H1-M+22-304	1
		> MACH.STG-CASING-WOGV-WNR-M+22-304	1
13.2	4157740	BEARING STAGE HELIX 22 1.4307 KIT	1
		> IMPELLER-H2-M+22-304	1
		> MACH.BEARING-STG-CASING-WNR-M+22-304	1
		> SHAFT-SLEEVE-D26xD22x16-CW	1
13.3	4157743	INTERMEDIATE STAGE HELIX 22 KIT	1
		> MACH.STD-STG-CASING-WGV+NR-M+22-304	1
		> IMPELLER-H2-M+22-304	1

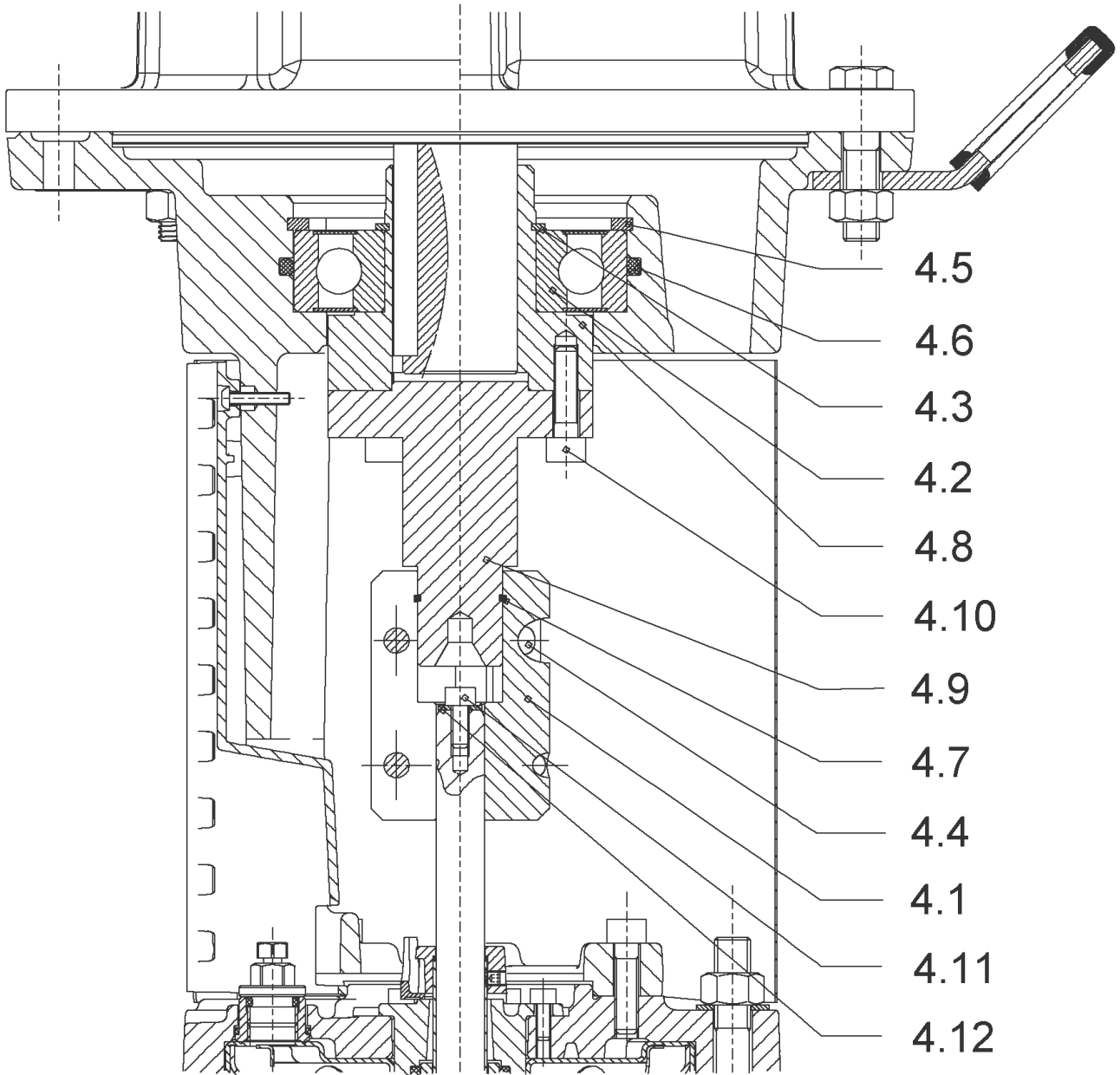


HELIX V2206-3/25/E/KS/400-50 (4123289)

Item	Article no.	Description	Quantity
1	4195450	MOTOR 7,5/2/* 3~400V 50HZ IE3 VP.	1
		SPARE PARTS MOTOR:ON REQUEST	1
2	4174093	SCREW M12X50 (4 PIECES)	1
3	4161187	LANTERN FF265 HELIX 8" KIT	1
3.1		> LANTERN FF265 M+ GJL MACHINED+CATA	1
3.2	2127605	> EYELET CPL.FF265 HELIX(2 PIECES)	1
3.3	4143969	> COUPLING PROTECT HELIX FF KIT	1
4	4143965	COUPLING D.20XD.28 FF265 KIT	1
5	4157725	SCREW M10X40 (4 PIECES)	1
6	4181167	STUD BOLT M16X428 KIT	1
6.1		> TIE BOLT M16-428x24x44-1.4057	1
6.2	4179562	> NUT M16 8.8 ISO4032 (4 PIECES)	1
6.3	4097852	> WASHER-CS-16.4-32-2.8-NFE25-511-A2	1
7	4179565	END SHIELD HELIX 8" EPDM KIT	1
7.1		> END SHIELD M+ GJL MACHINED+CATA	1
7.2	4179564	> O-RING D.42.52x2.62 EPDM VP.	1
7.3	4179571	> O-RING HOUSING PIPE HELIX22/36/52 VP.	1
8	4143765	FILING/PURGING PLUG 316L HELIX KIT	1
8.1		> FILLING/VENTING-PLUG-VMI8/10-316L	1
8.2	4032291	> O-RING 17x3 EPDM KTW/WRC	1
9	4143975	CARTRIDGE HELIX22-36-52 F/E KIT	1
10	4181168	HOUSING PIPE D.204X364 1.4307 KIT	1
7.3	4179571	> O-RING HOUSING PIPE HELIX22/36/52 VP.	1
10.1		> HOUSING-PIPE Ø204-M+2206-304	1
11	4179143	CENTERING STAGE-RETURN HELIX22 1.4307 VP	1
12	4143967	SHAFT EQUIPMENT HELIX V KIT	1
13		HYDRAULIC HELIX V 2206	1
14	4179599	SHAFTS D.22X504 1.4057 VP.	1
15	4181158	EQUIPED HOUSING HELIX 22 GJL KIT	1
7.3	4179571	> O-RING HOUSING PIPE HELIX22/36/52 VP.	1
15.1		> PUMP HOUSING SET with COATED PARTS-DN50	1
15.3	4143766	> DRAIN/PRIMING PLUG EPDM HELIX KIT	1
15.3A		>> PRIMING/DRAIN PLUG-304-VERSION 1	1
15.3B	4032293	>> O-RING-10x3-EPDM-KTW/WRC	1

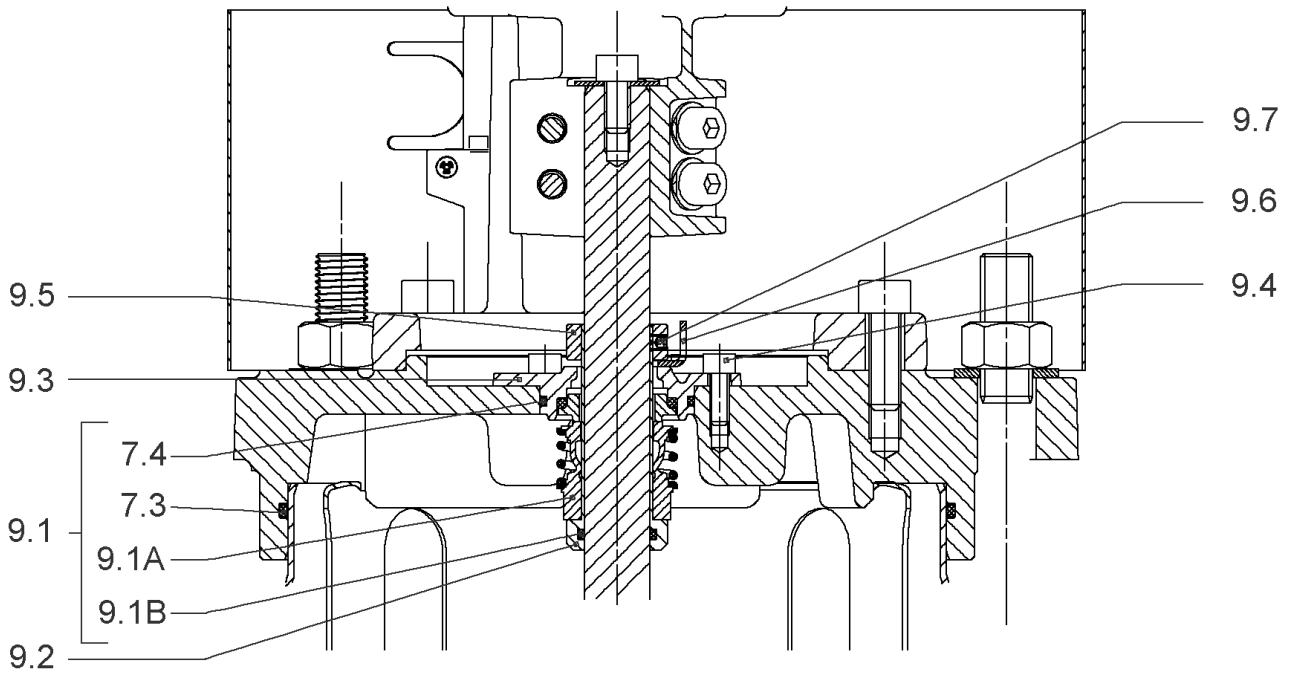
HELIX V2206-3/25/E/KS/400-50 (4123289)

Item	Article no.	Description	Quantity
15.3C	4233957	>> O-RING ID.9 EPDM VP.	1
15.4	4221729	> BASE M+ DN50/65/80 VP.	1
15.6		> FLANGE M+ DN50 CATA	1
15.7		> O-RING Ø63.17xØ2.62 EPDM	1
15.5		> SCREW TBHC M12x25 ISO7380 ZN	1



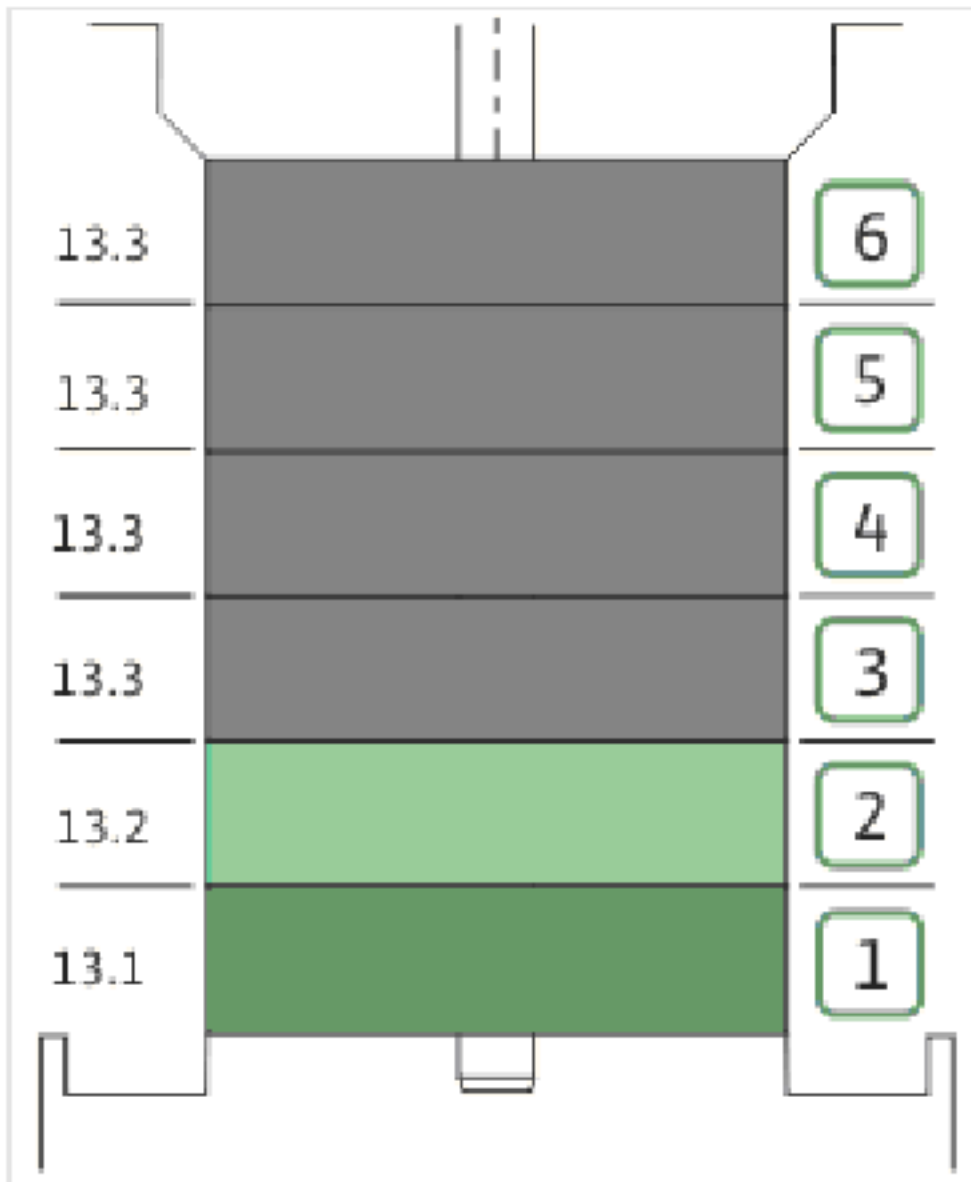
COUPLING D.20XD.28 FF265 KIT (4143965)

Item	Article no.	Description	Quantity
4.1	4179584	COUPLING 2 PARTS D.20XD.28XL83 VP.	1
4.2	2131017	BALL BEARING 6310/ZZ-C4(HT)VP.	1
4.3	4234253	CIRCLIP-FOR-SHAFT-D50x2 VP.	1
4.4	4159707	SCREW M8X30 (4 PIECES)	1
4.5	4234255	CIRCLIPS 110X4 VP.	1
4.6	4233944	O-RING ID.110 VP.	1
4.7	4179585	STOP-RUSH D26xD2 DIN7993 STEEL VP.	1
4.8	2131020	HUB D.38XD.50 VP.	1
4.9	2131021	SPACER D.28XD.45 VP.	1
4.10	4157726	SCREW KIT M8X30 (4 PIECES)	1
4.11	4233959	SCREW M8x16 VP.	1
4.12		SERRATED LOCK WASHER Ø8.2XØ25X35X2	1

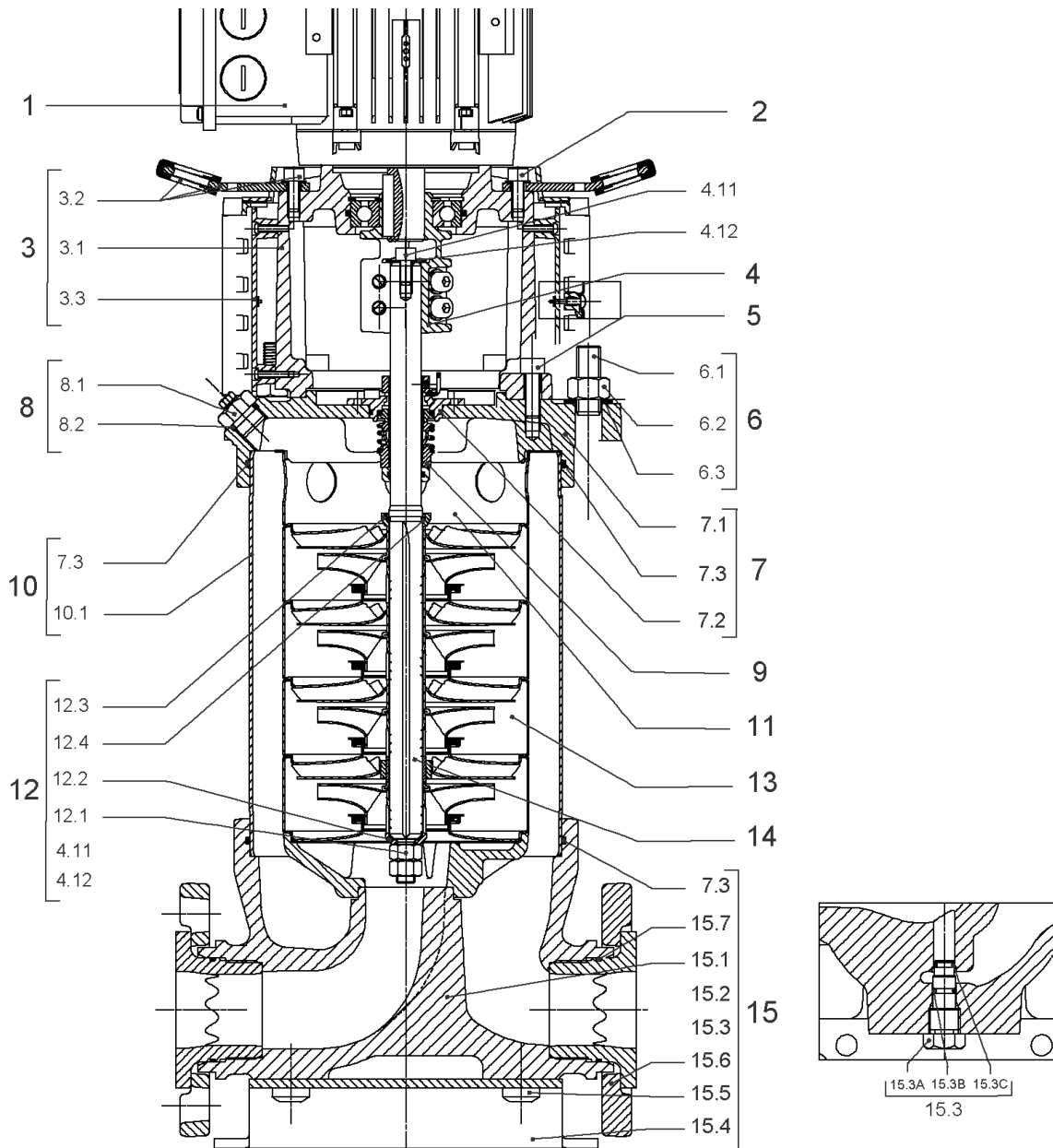


CARTRIDGE HELIX22-36-52 F/E KIT (4143975)

Item	Article no.	Description	Quantity
9.1	4143976	SEAL-KIT-HELIX22-36-52 F/E	1
7.3	4179571	> O-RING HOUSING PIPE HELIX22/36/52 VP.	1
7.4	4179572	> O-RING ID.42.52X2.62 EPDM VP.	1
9.1A	2127447	> M.SEAL.HELIX22-36-52 F/E VP.	1
9.1B	4179574	> O-RING ID.20x2.65 EPDM VP.	1
9.2	4179566	SHAFT SLEEVE D.20/20X60 1.4404 VP.	1
9.3	4179567	RING HOLDER Ø22 1.4301 VP.	1
9.4	4176520	SCREW CH M5x5 A4-70 (3PIECES)	1
9.5	4179568	DRIVE RING D.31/22.1x11 MACH.VP.	1
9.6	4179569	TOOL M.S.CART.HELIX 8" VP.	1
9.7	4179570	SCREW M6X16 ISO4762 8.8 GEOMET(4 PIECES)	1



Item	Article no.	Description	Quantity
13.1	4157739	FIRST STAGE HELIX 22 1.4307 KIT	1
		> IMPELLER-H1-M+22-304	1
		> MACH.STG-CASING-WOGV-WNR-M+22-304	1
13.2	4157740	BEARING STAGE HELIX 22 1.4307 KIT	1
		> IMPELLER-H2-M+22-304	1
		> MACH.BEARING-STG-CASING-WNR-M+22-304	1
		> SHAFT-SLEEVE-D26xD22x16-CW	1
13.3	4157743	INTERMEDIATE STAGE HELIX 22 KIT	1
		> MACH.STD-STG-CASING-WGV+NR-M+22-304	1
		> IMPELLER-H2-M+22-304	1

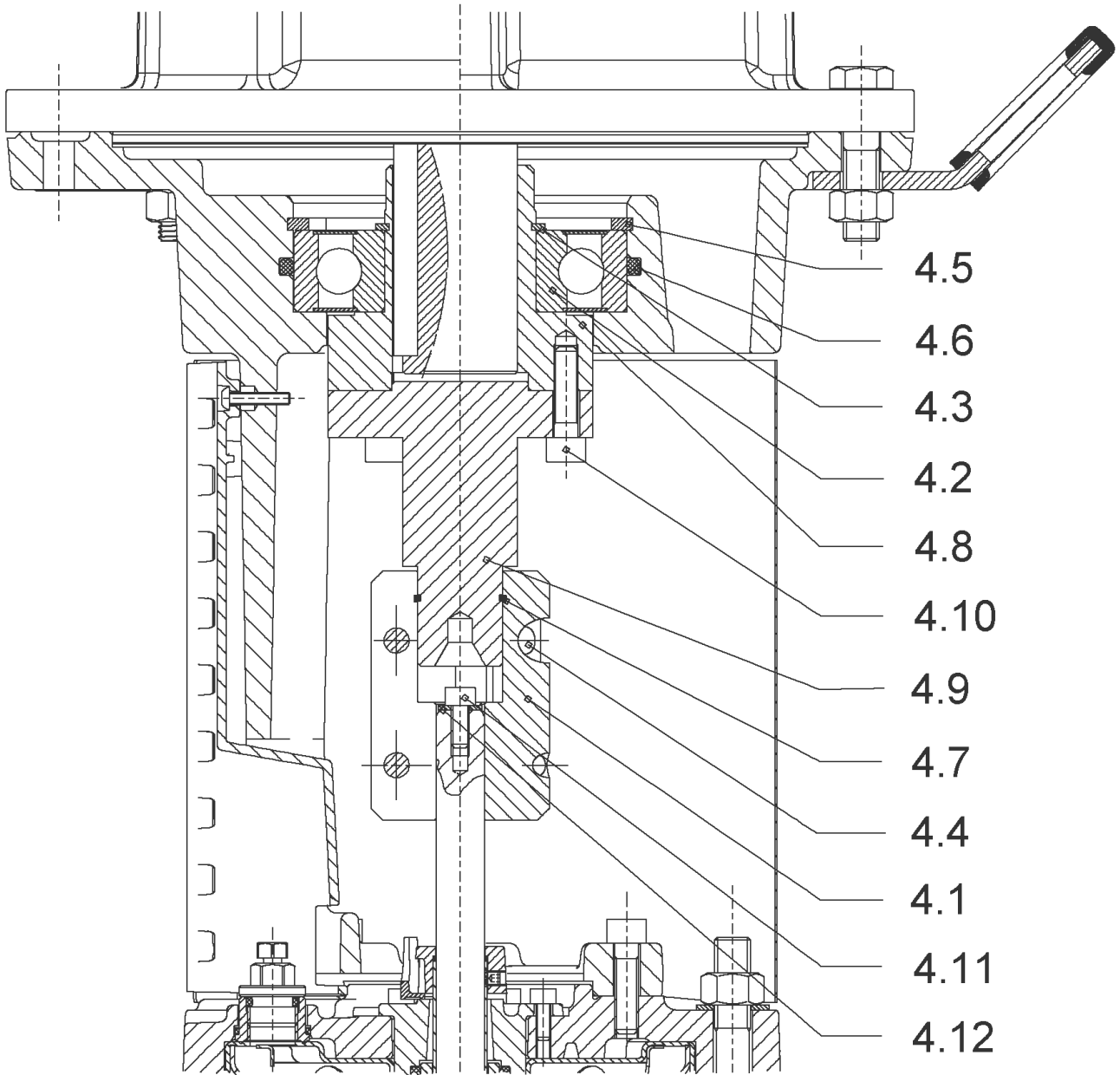


HELIX V2207-3/16/E/K/400-50 (4123290)

Item	Article no.	Description	Quantity
1	4195483	MOTOR 9/2/132 3~400V 50HZ IE3 VP.	1
		SPARE PARTS MOTOR:ON REQUEST	1
2	4174093	SCREW M12X50 (4 PIECES)	1
3	4161187	LANTERN FF265 HELIX 8" KIT	1
3.1		> LANTERN FF265 M+ GJL MACHINED+CATA	1
3.2	2127605	> EYELET CPL.FF265 HELIX(2 PIECES)	1
3.3	4143969	> COUPLING PROTECT HELIX FF KIT	1
4	4143965	COUPLING D.20XD.28 FF265 KIT	1
5	4157725	SCREW M10X40 (4 PIECES)	1
6	4181665	STUD BOLT M16X483 KIT	1
6.1		> TIE BOLT M16-483x24x44-1.4057	1
6.2	4179562	> NUT M16 8.8 ISO4032 (4 PIECES)	1
6.3	4097852	> WASHER-CS-16.4-32-2.8-NFE25-511-A2	1
7	4179565	END SHIELD HELIX 8" EPDM KIT	1
7.1		> END SHIELD M+ GJL MACHINED+CATA	1
7.2	4179564	> O-RING D.42.52x2.62 EPDM VP.	1
7.3	4179571	> O-RING HOUSING PIPE HELIX22/36/52 VP.	1
8	4143765	FILING/PURGING PLUG 316L HELIX KIT	1
8.1		> FILLING/VENTING-PLUG-VM18/10-316L	1
8.2	4032291	> O-RING 17x3 EPDM KTW/WRC	1
9	4143973	CARTRIDGE HELIX22-36-52 O/E KIT	1
10	4181666	HOUSING PIPE D.204X414 1.4307 KIT	1
7.3	4179571	> O-RING HOUSING PIPE HELIX22/36/52 VP.	1
10.1		> HOUSING-PIPE Ø204-M+2207-304	1
11	4179143	CENTERING STAGE-RETURN HELIX22 1.4307 VP	1
12	4143967	SHAFT EQUIPMENT HELIX V KIT	1
13		HYDRAULIC HELIX V 2207	1
14	4179578	SHAFT D.22X554 1.4057 VP.	1
15	4181158	EQUIPED HOUSING HELIX 22 GJL KIT	1
7.3	4179571	> O-RING HOUSING PIPE HELIX22/36/52 VP.	1
15.1		> PUMP HOUSING SET with COATED PARTS-DN50	1
15.3	4143766	> DRAIN/PRIMING PLUG EPDM HELIX KIT	1
15.3A		>> PRIMING/DRAIN PLUG-304-VERSION 1	1
15.3B	4032293	>> O-RING-10x3-EPDM-KTW/WRC	1

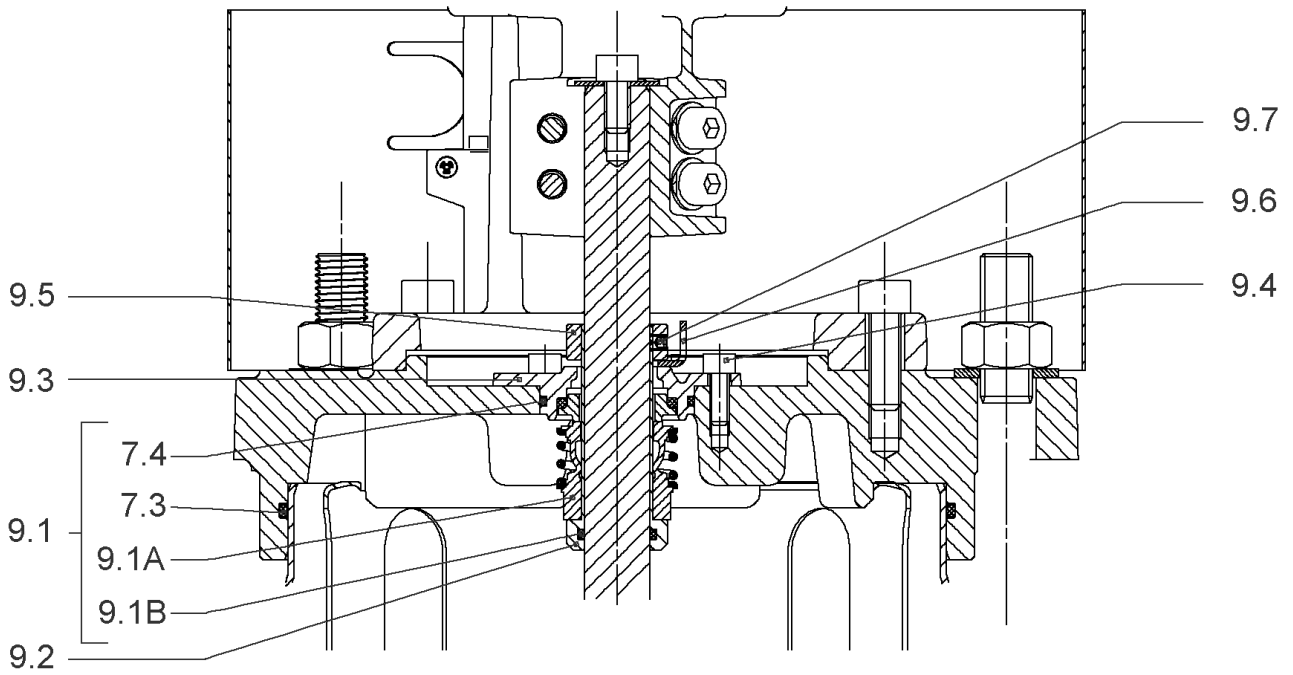
HELIX V2207-3/16/E/K/400-50 (4123290)

Item	Article no.	Description	Quantity
15.3C	4233957	>> O-RING ID.9 EPDM VP.	1
15.4	4221729	> BASE M+ DN50/65/80 VP.	1
15.6		> FLANGE M+ DN50 CATA	1
15.7		> O-RING Ø63.17xØ2.62 EPDM	1
15.5		> SCREW TBHC M12x25 ISO7380 ZN	1



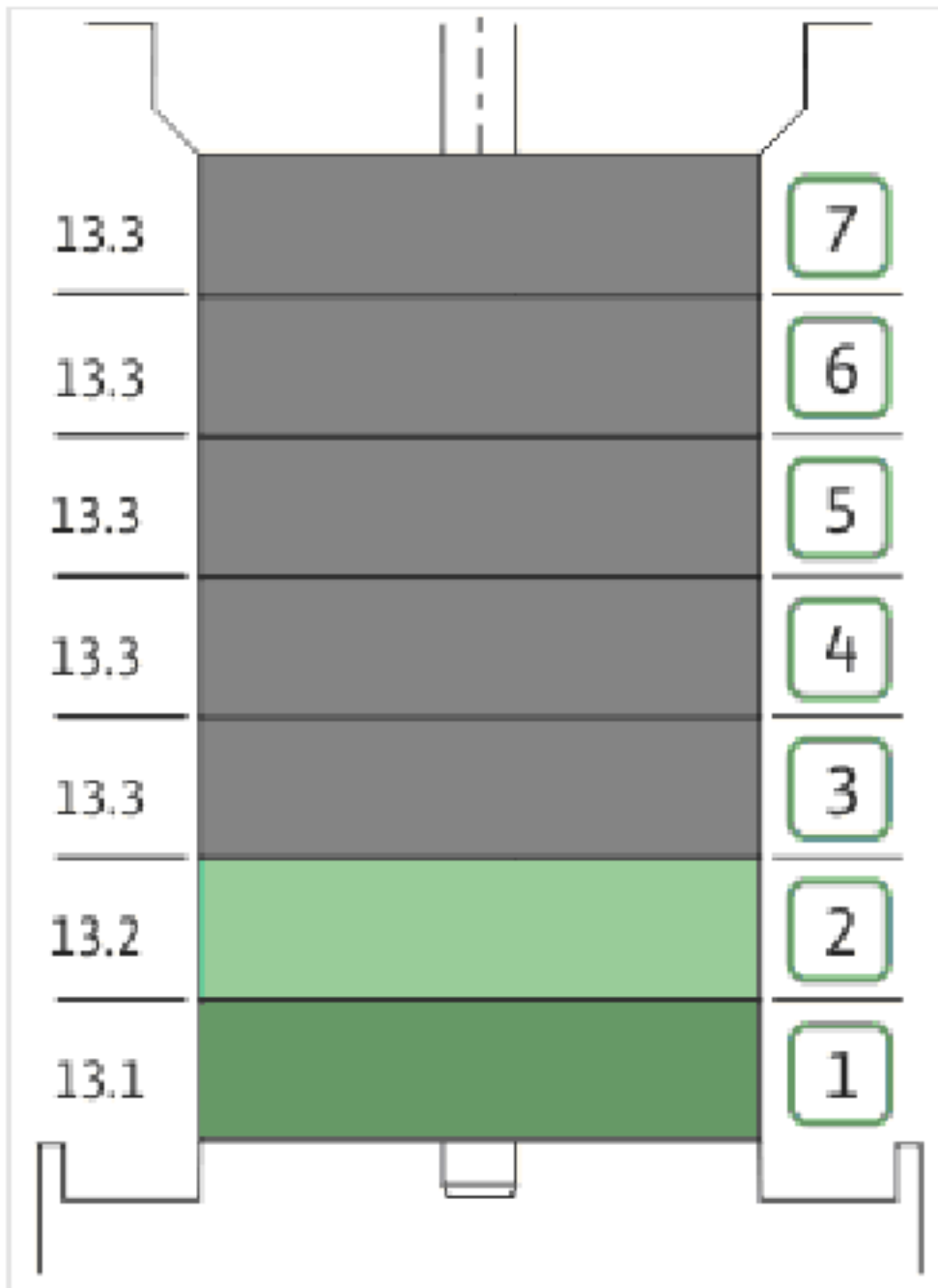
COUPLING D.20XD.28 FF265 KIT (4143965)

Item	Article no.	Description	Quantity
4.1	4179584	COUPLING 2 PARTS D.20XD.28XL83 VP.	1
4.2	2131017	BALL BEARING 6310/ZZ-C4(HT)VP.	1
4.3	4234253	CIRCLIP-FOR-SHAFT-D50x2 VP.	1
4.4	4159707	SCREW M8X30 (4 PIECES)	1
4.5	4234255	CIRCLIPS 110X4 VP.	1
4.6	4233944	O-RING ID.110 VP.	1
4.7	4179585	STOP-RUSH D26xD2 DIN7993 STEEL VP.	1
4.8	2131020	HUB D.38XD.50 VP.	1
4.9	2131021	SPACER D.28XD.45 VP.	1
4.10	4157726	SCREW KIT M8X30 (4 PIECES)	1
4.11	4233959	SCREW M8x16 VP.	1
4.12		SERRATED LOCK WASHER Ø8.2XØ25X35X2	1

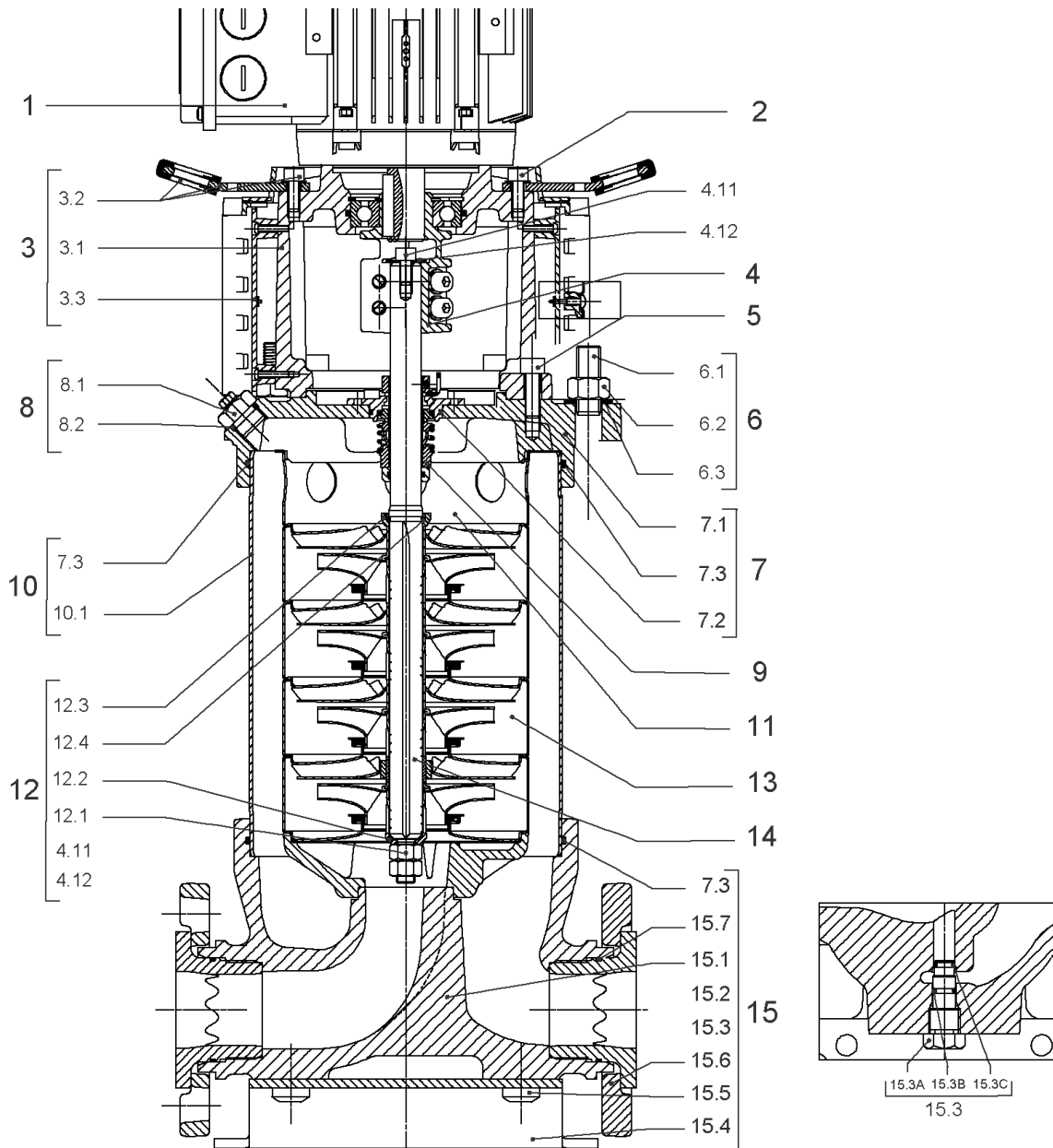


CARTRIDGE HELIX22-36-52 O/E KIT (4143973)

Item	Article no.	Description	Quantity
9.1	4143974	SEAL-KIT-HELIX22-36-52 O/E	1
7.3	4179571	> O-RING HOUSING PIPE HELIX22/36/52 VP.	1
7.4	4179572	> O-RING ID.42.52X2.62 EPDM VP.	1
9.1A	4179573	> M.SEAL.HELIX22-36-52 O/E VP.	1
9.1B	4179574	> O-RING ID.20x2.65 EPDM VP.	1
9.2	4179566	SHAFT SLEEVE D.20/20X60 1.4404 VP.	1
9.3	4179567	RING HOLDER Ø22 1.4301 VP.	1
9.4	4176520	SCREW CH M5x5 A4-70 (3PIECES)	1
9.5	4179568	DRIVE RING D.31/22.1x11 MACH.VP.	1
9.6	4179569	TOOL M.S.CART.HELIX 8" VP.	1
9.7	4179570	SCREW M6X16 ISO4762 8.8 GEOMET(4 PIECES)	1



Item	Article no.	Description	Quantity
13.1	4157739	FIRST STAGE HELIX 22 1.4307 KIT	1
		> IMPELLER-H1-M+22-304	1
		> MACH.STG-CASING-WOGV-WNR-M+22-304	1
13.2	4157740	BEARING STAGE HELIX 22 1.4307 KIT	1
		> IMPELLER-H2-M+22-304	1
		> MACH.BEARING-STG-CASING-WNR-M+22-304	1
		> SHAFT-SLEEVE-D26xD22x16-CW	1
13.3	4157743	INTERMEDIATE STAGE HELIX 22 KIT	1
		> MACH.STD-STG-CASING-WGV+NR-M+22-304	1
		> IMPELLER-H2-M+22-304	1

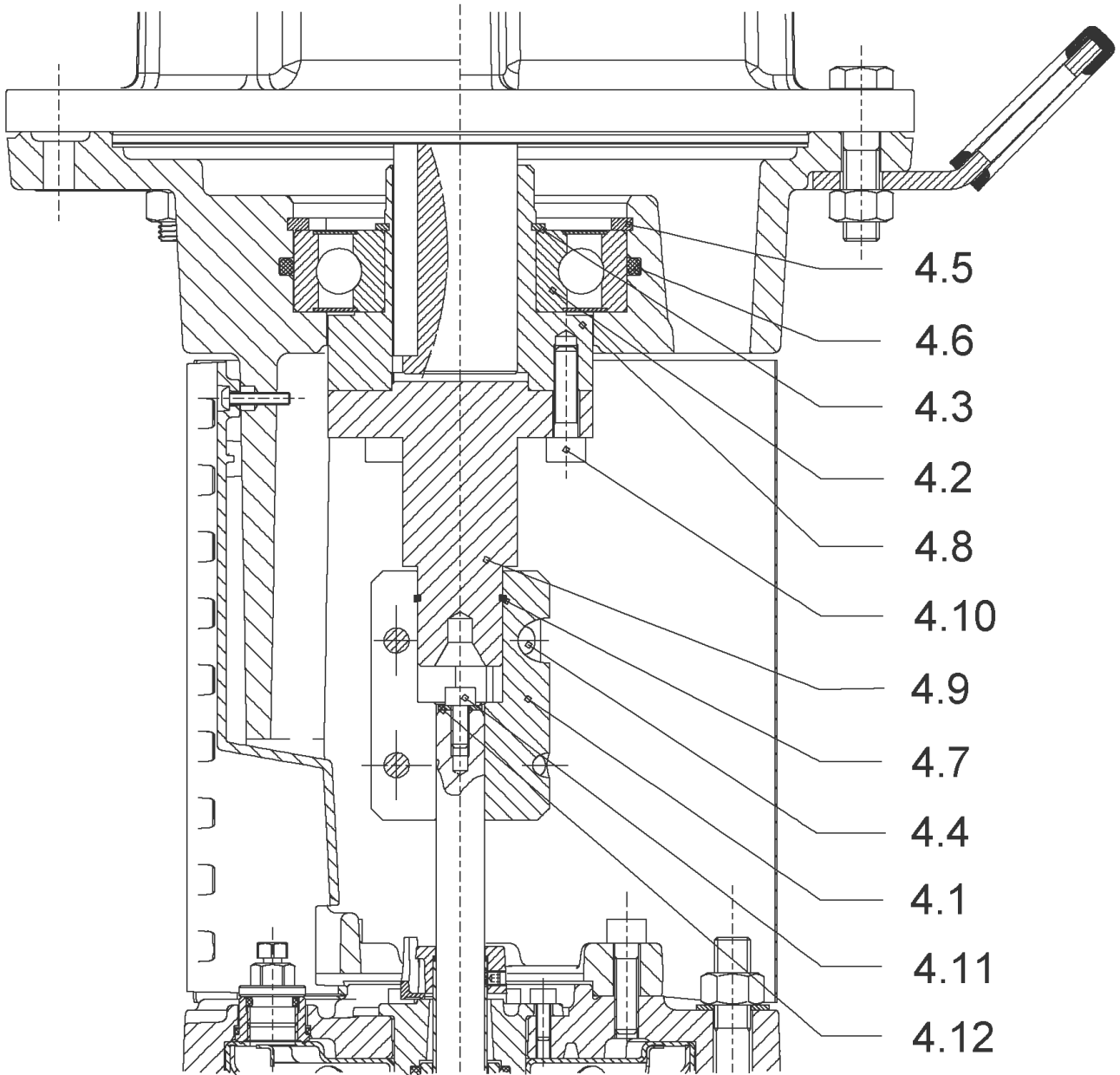


HELIX V2207-3/25/E/KS/400-50 (4123291)

Item	Article no.	Description	Quantity
1	4195483	MOTOR 9/2/132 3~400V 50HZ IE3 VP.	1
		SPARE PARTS MOTOR:ON REQUEST	1
2	4174093	SCREW M12X50 (4 PIECES)	1
3	4161187	LANTERN FF265 HELIX 8" KIT	1
3.1		> LANTERN FF265 M+ GJL MACHINED+CATA	1
3.2	2127605	> EYELET CPL.FF265 HELIX(2 PIECES)	1
3.3	4143969	> COUPLING PROTECT HELIX FF KIT	1
4	4143965	COUPLING D.20XD.28 FF265 KIT	1
5	4157725	SCREW M10X40 (4 PIECES)	1
6	4181665	STUD BOLT M16X483 KIT	1
6.1		> TIE BOLT M16-483x24x44-1.4057	1
6.2	4179562	> NUT M16 8.8 ISO4032 (4 PIECES)	1
6.3	4097852	> WASHER-CS-16.4-32-2.8-NFE25-511-A2	1
7	4179565	END SHIELD HELIX 8" EPDM KIT	1
7.1		> END SHIELD M+ GJL MACHINED+CATA	1
7.2	4179564	> O-RING D.42.52x2.62 EPDM VP.	1
7.3	4179571	> O-RING HOUSING PIPE HELIX22/36/52 VP.	1
8	4143765	FILING/PURGING PLUG 316L HELIX KIT	1
8.1		> FILLING/VENTING-PLUG-VMI8/10-316L	1
8.2	4032291	> O-RING 17x3 EPDM KTW/WRC	1
9	4143975	CARTRIDGE HELIX22-36-52 F/E KIT	1
10	4181666	HOUSING PIPE D.204X414 1.4307 KIT	1
7.3	4179571	> O-RING HOUSING PIPE HELIX22/36/52 VP.	1
10.1		> HOUSING-PIPE Ø204-M+2207-304	1
11	4179143	CENTERING STAGE-RETURN HELIX22 1.4307 VP	1
12	4143967	SHAFT EQUIPMENT HELIX V KIT	1
13		HYDRAULIC HELIX V 2207	1
14	4179578	SHAFT D.22X554 1.4057 VP.	1
15	4181158	EQUIPED HOUSING HELIX 22 GJL KIT	1
7.3	4179571	> O-RING HOUSING PIPE HELIX22/36/52 VP.	1
15.1		> PUMP HOUSING SET with COATED PARTS-DN50	1
15.3	4143766	> DRAIN/PRIMING PLUG EPDM HELIX KIT	1
15.3A		>> PRIMING/DRAIN PLUG-304-VERSION 1	1
15.3B	4032293	>> O-RING-10x3-EPDM-KTW/WRC	1

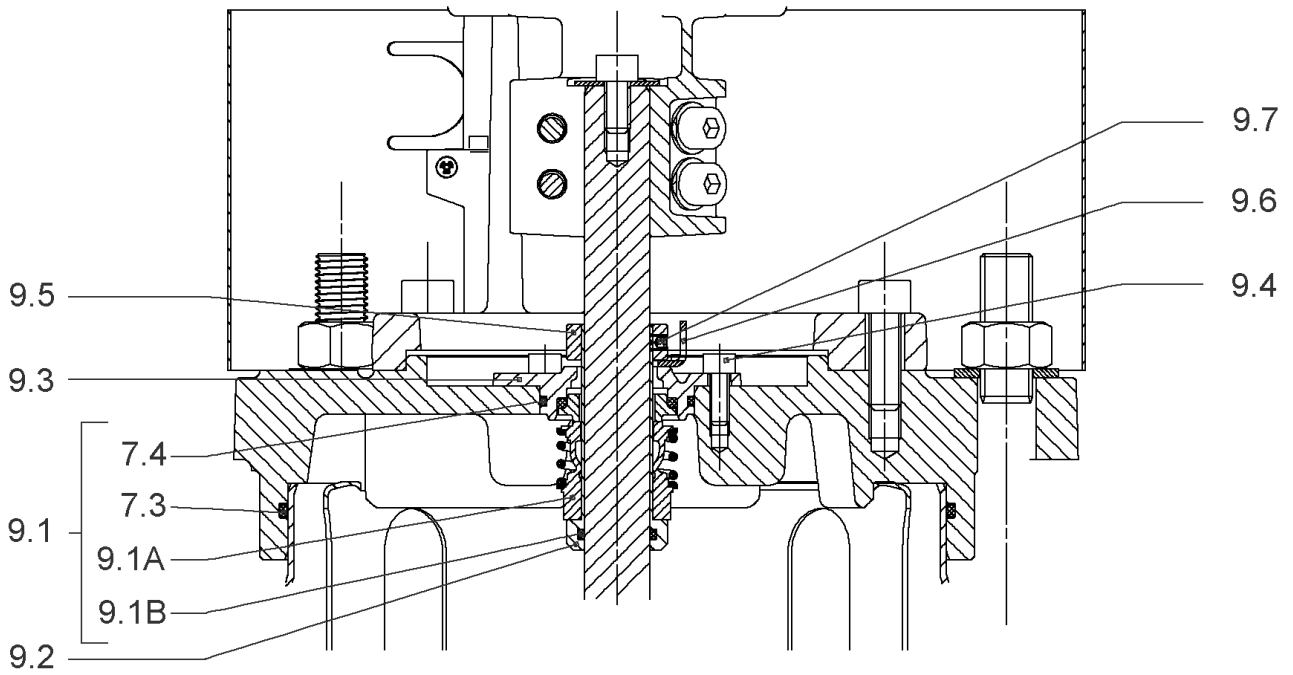
HELIX V2207-3/25/E/KS/400-50 (4123291)

Item	Article no.	Description	Quantity
15.3C	4233957	>> O-RING ID.9 EPDM VP.	1
15.4	4221729	> BASE M+ DN50/65/80 VP.	1
15.6		> FLANGE M+ DN50 CATA	1
15.7		> O-RING Ø63.17xØ2.62 EPDM	1
15.5		> SCREW TBHC M12x25 ISO7380 ZN	1



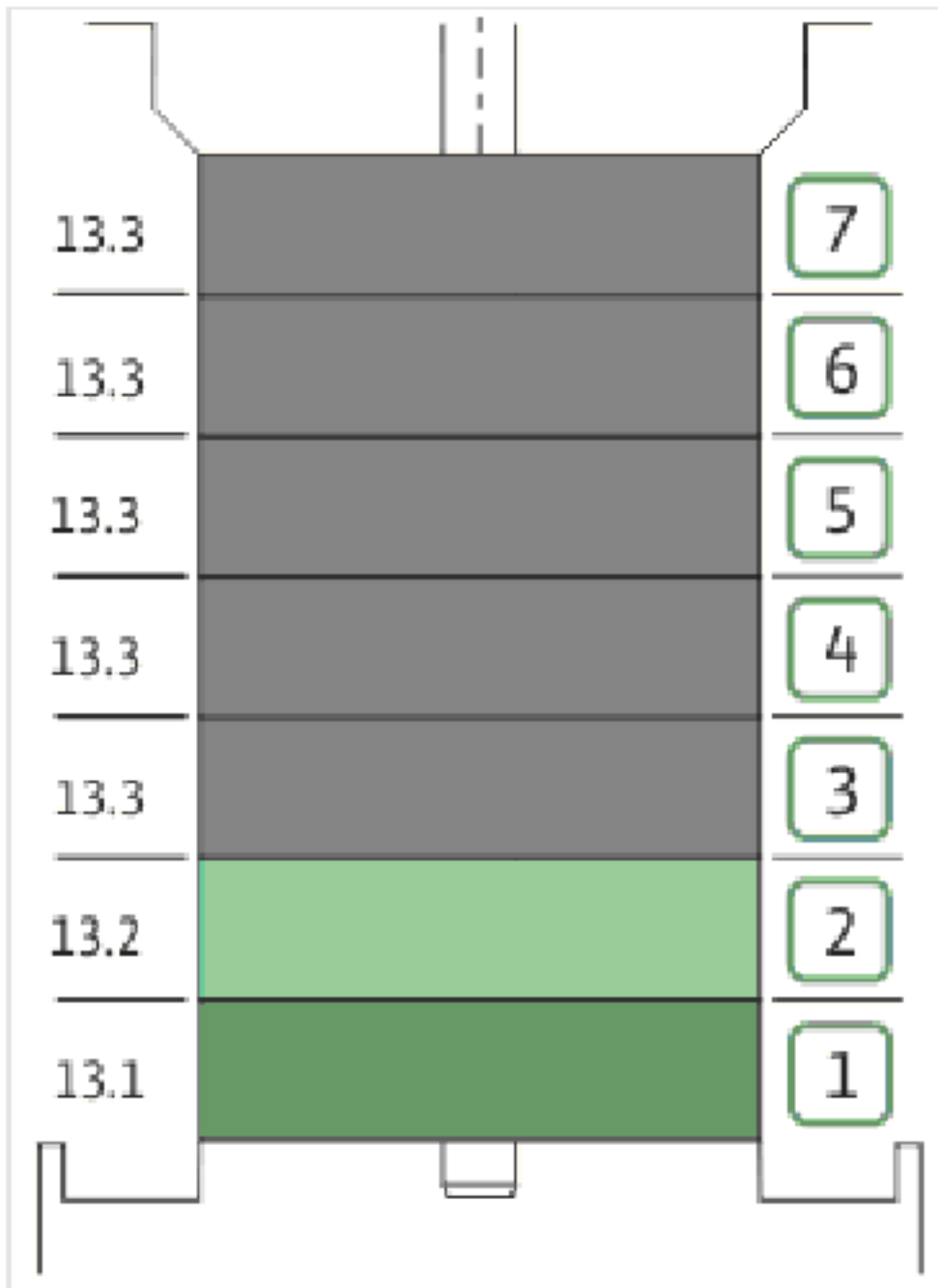
COUPLING D.20XD.28 FF265 KIT (4143965)

Item	Article no.	Description	Quantity
4.1	4179584	COUPLING 2 PARTS D.20XD.28XL83 VP.	1
4.2	2131017	BALL BEARING 6310/ZZ-C4(HT)VP.	1
4.3	4234253	CIRCLIP-FOR-SHAFT-D50x2 VP.	1
4.4	4159707	SCREW M8X30 (4 PIECES)	1
4.5	4234255	CIRCLIPS 110X4 VP.	1
4.6	4233944	O-RING ID.110 VP.	1
4.7	4179585	STOP-RUSH D26xD2 DIN7993 STEEL VP.	1
4.8	2131020	HUB D.38XD.50 VP.	1
4.9	2131021	SPACER D.28XD.45 VP.	1
4.10	4157726	SCREW KIT M8X30 (4 PIECES)	1
4.11	4233959	SCREW M8x16 VP.	1
4.12		SERRATED LOCK WASHER Ø8.2XØ25X35X2	1

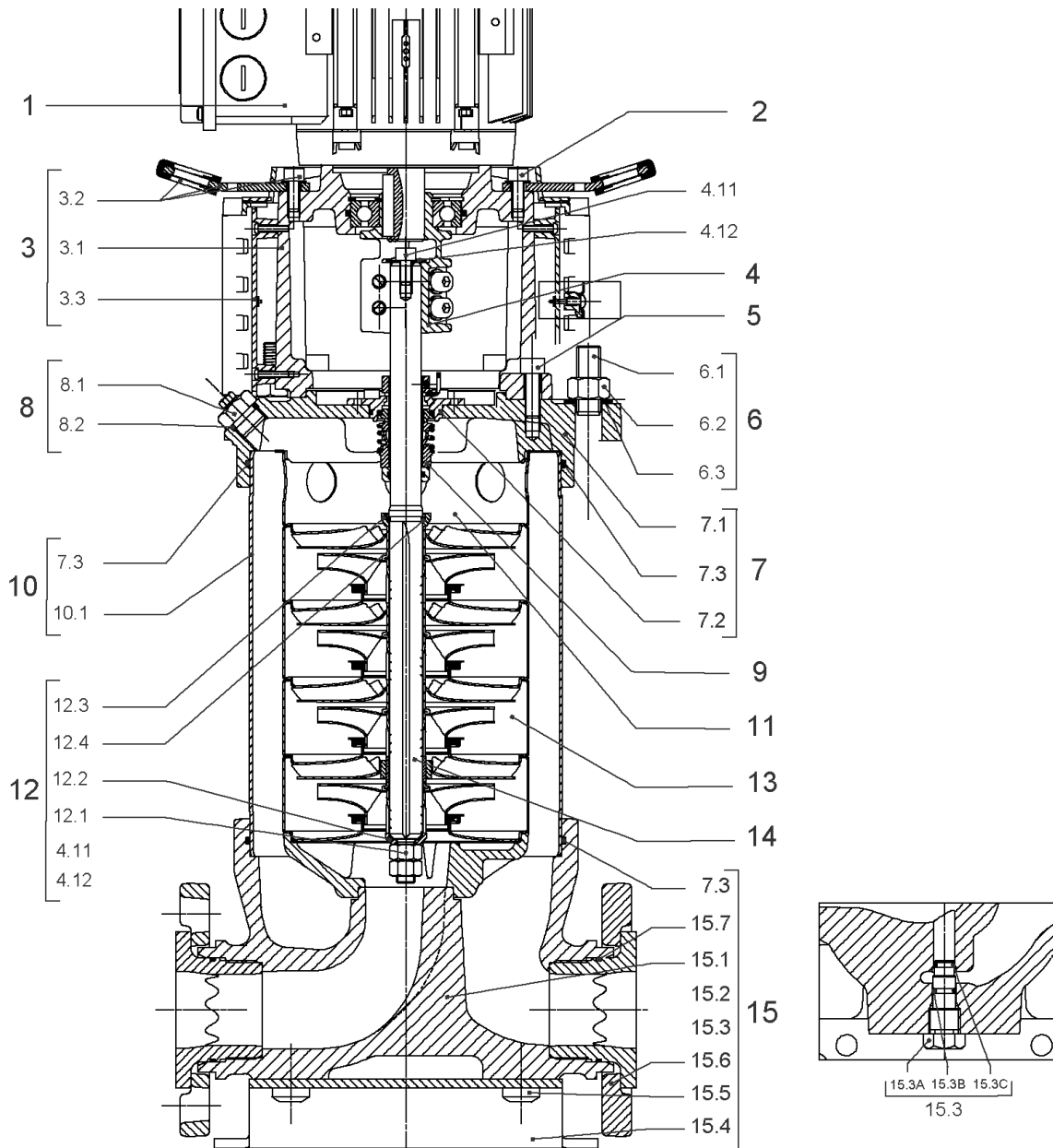


CARTRIDGE HELIX22-36-52 F/E KIT (4143975)

Item	Article no.	Description	Quantity
9.1	4143976	SEAL-KIT-HELIX22-36-52 F/E	1
7.3	4179571	> O-RING HOUSING PIPE HELIX22/36/52 VP.	1
7.4	4179572	> O-RING ID.42.52X2.62 EPDM VP.	1
9.1A	2127447	> M.SEAL.HELIX22-36-52 F/E VP.	1
9.1B	4179574	> O-RING ID.20x2.65 EPDM VP.	1
9.2	4179566	SHAFT SLEEVE D.20/20X60 1.4404 VP.	1
9.3	4179567	RING HOLDER Ø22 1.4301 VP.	1
9.4	4176520	SCREW CH M5x5 A4-70 (3PIECES)	1
9.5	4179568	DRIVE RING D.31/22.1x11 MACH.VP.	1
9.6	4179569	TOOL M.S.CART.HELIX 8" VP.	1
9.7	4179570	SCREW M6X16 ISO4762 8.8 GEOMET(4 PIECES)	1



Item	Article no.	Description	Quantity
13.1	4157739	FIRST STAGE HELIX 22 1.4307 KIT	1
		> IMPELLER-H1-M+22-304	1
		> MACH.STG-CASING-WOGV-WNR-M+22-304	1
13.2	4157740	BEARING STAGE HELIX 22 1.4307 KIT	1
		> IMPELLER-H2-M+22-304	1
		> MACH.BEARING-STG-CASING-WNR-M+22-304	1
		> SHAFT-SLEEVE-D26xD22x16-CW	1
13.3	4157743	INTERMEDIATE STAGE HELIX 22 KIT	1
		> MACH.STD-STG-CASING-WGV+NR-M+22-304	1
		> IMPELLER-H2-M+22-304	1

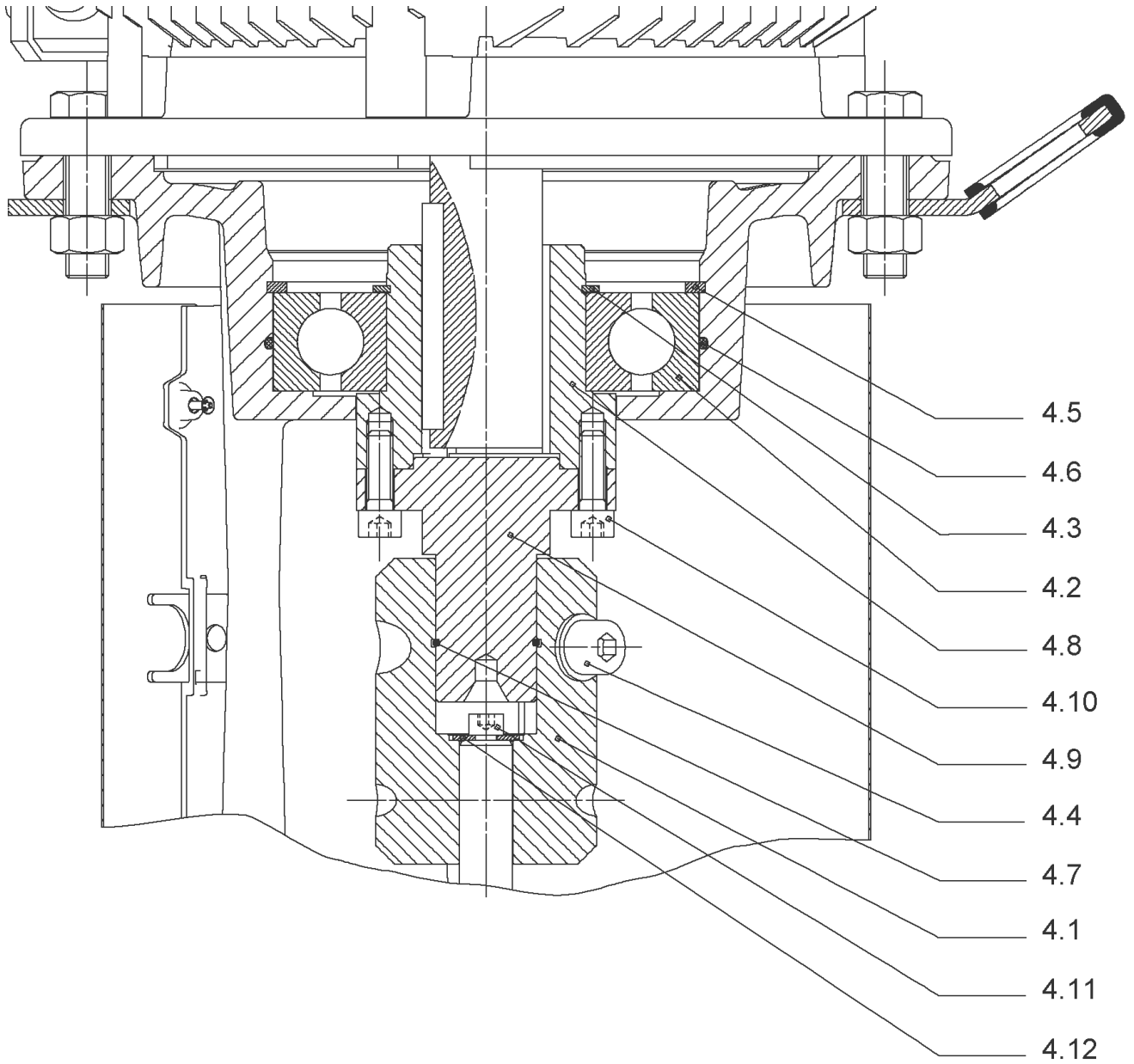


HELIX V2208-3/16/E/K/400-50 (4123292)

Item	Article no.	Description	Quantity
1	4199884	MOTOR 11/2/160 3~400V 50HZ VP.	1
		SPARE PARTS MOTOR:ON REQUEST	1
2	4179586	SCREW M16X60 (4 PIECES)	1
3	4157721	LANTERN HELIX 22/36 FF300 BB6312 KIT	1
3.1		> LANTERN FF300 M+ GJL MACHINED+CATA 6312	1
3.2	4179589	> EYELET CPL.FF300 HELIX(4 PIECES)	1
3.3	4143969	> COUPLING PROTECT HELIX FF KIT	1
4	4143966	COUPLING D.20XD.38 FF300 KIT	1
5	4157725	SCREW M10X40 (4 PIECES)	1
6	4181086	STUD BOLT M16X533 KIT	1
6.1		> TIE BOLT M16-533x24x44-1.4057	1
6.2	4179562	> NUT M16 8.8 ISO4032 (4 PIECES)	1
6.3	4097852	> WASHER-CS-16.4-32-2.8-NFE25-511-A2	1
7	4179565	END SHIELD HELIX 8" EPDM KIT	1
7.1		> END SHIELD M+ GJL MACHINED+CATA	1
7.2	4179564	> O-RING D.42.52x2.62 EPDM VP.	1
7.3	4179571	> O-RING HOUSING PIPE HELIX22/36/52 VP.	1
8	4143765	FILING/PURGING PLUG 316L HELIX KIT	1
8.1		> FILLING/VENTING-PLUG-VM18/10-316L	1
8.2	4032291	> O-RING 17x3 EPDM KTW/WRC	1
9	4143973	CARTRIDGE HELIX22-36-52 O/E KIT	1
10	4181087	HOUSING PIPE D.204x464,13 1.4307 KIT	1
7.3	4179571	> O-RING HOUSING PIPE HELIX22/36/52 VP.	1
10.1		> HOUSING-PIPE Ø204-M+2208/3606-304	1
11	4179143	CENTERING STAGE-RETURN HELIX22 1.4307 VP	1
12	4143967	SHAFT EQUIPMENT HELIX V KIT	1
13		HYDRAULIC HELIX V 2208	1
14	4180848	SHAFT D.22X604 1.4057 VP.	1
15	4181158	EQUIPED HOUSING HELIX 22 GJL KIT	1
7.3	4179571	> O-RING HOUSING PIPE HELIX22/36/52 VP.	1
15.1		> PUMP HOUSING SET with COATED PARTS-DN50	1
15.3	4143766	> DRAIN/PRIMING PLUG EPDM HELIX KIT	1
15.3A		>> PRIMING/DRAIN PLUG-304-VERSION 1	1
15.3B	4032293	>> O-RING-10x3-EPDM-KTW/WRC	1

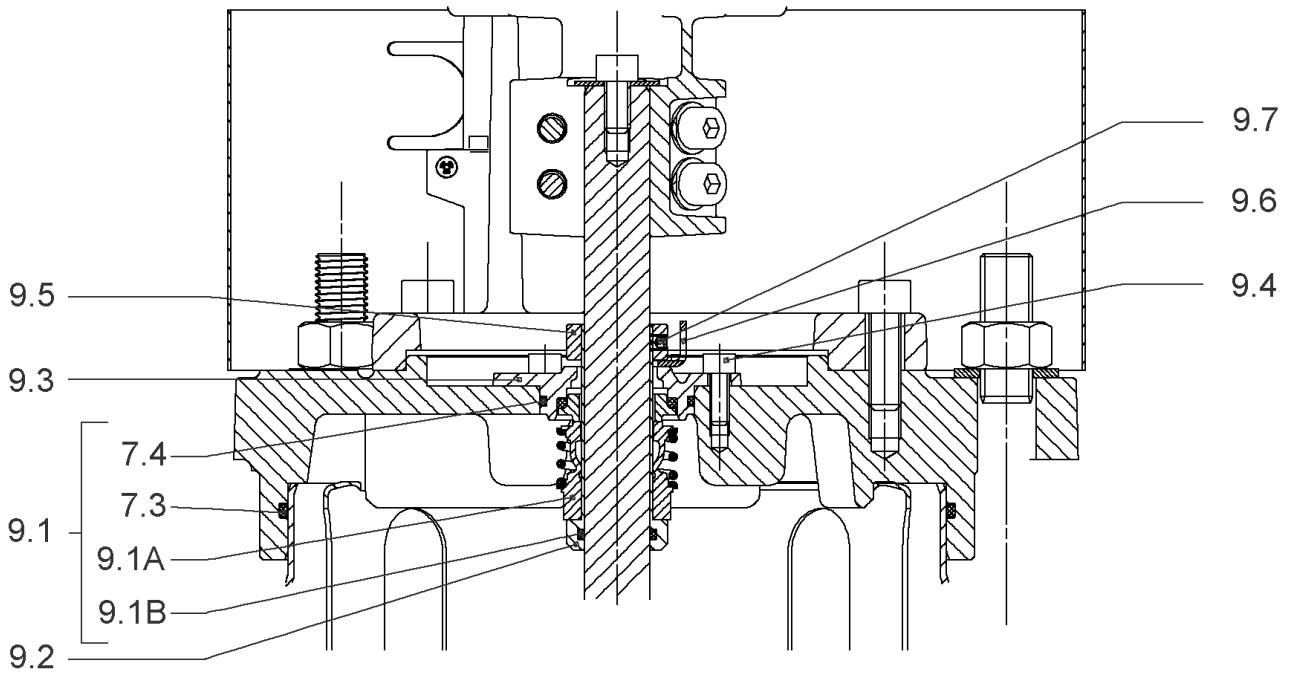
HELIX V2208-3/16/E/K/400-50 (4123292)

Item	Article no.	Description	Quantity
15.3C	4233957	>> O-RING ID.9 EPDM VP.	1
15.4	4221729	> BASE M+ DN50/65/80 VP.	1
15.6		> FLANGE M+ DN50 CATA	1
15.7		> O-RING Ø63.17xØ2.62 EPDM	1
15.5		> SCREW TBHC M12x25 ISO7380 ZN	1



COUPLING D.20XD.38 FF300 KIT (4143966)

Item	Article no.	Description	Quantity
4.1	4179590	COUPLING 2 PARTS D.20XD.38XL115 VP.	1
4.2	2123699	BALL BEARING 6312/2Z-C4 (HT) VP.	1
4.3	63428	CIRCLIP-FOR-SHAFT-D60x2	1
4.4	2130991	SCREW M12X30 ISO4762 8.8 ZN(4 PIECES)	1
4.5	4032277	CIRCLIP-HOLE-130x4	1
4.6	4006725	O-RING ID.132,94x3,53 NBR70SR	1
4.7	2130992	RETAINING RING D.35xD.2,5 DIN7993 VP.	1
4.8	4179591	HUB D.42xD.60 VP.	1
4.9	2130994	SPACER D.38XD.55 VP.	1
4.10	4094462	SCREWS M10 (4 PIECES)	1
4.11	4233959	SCREW M8x16 VP.	1
4.12		SERRATED LOCK WASHER Ø8.2XØ25X35X2	1

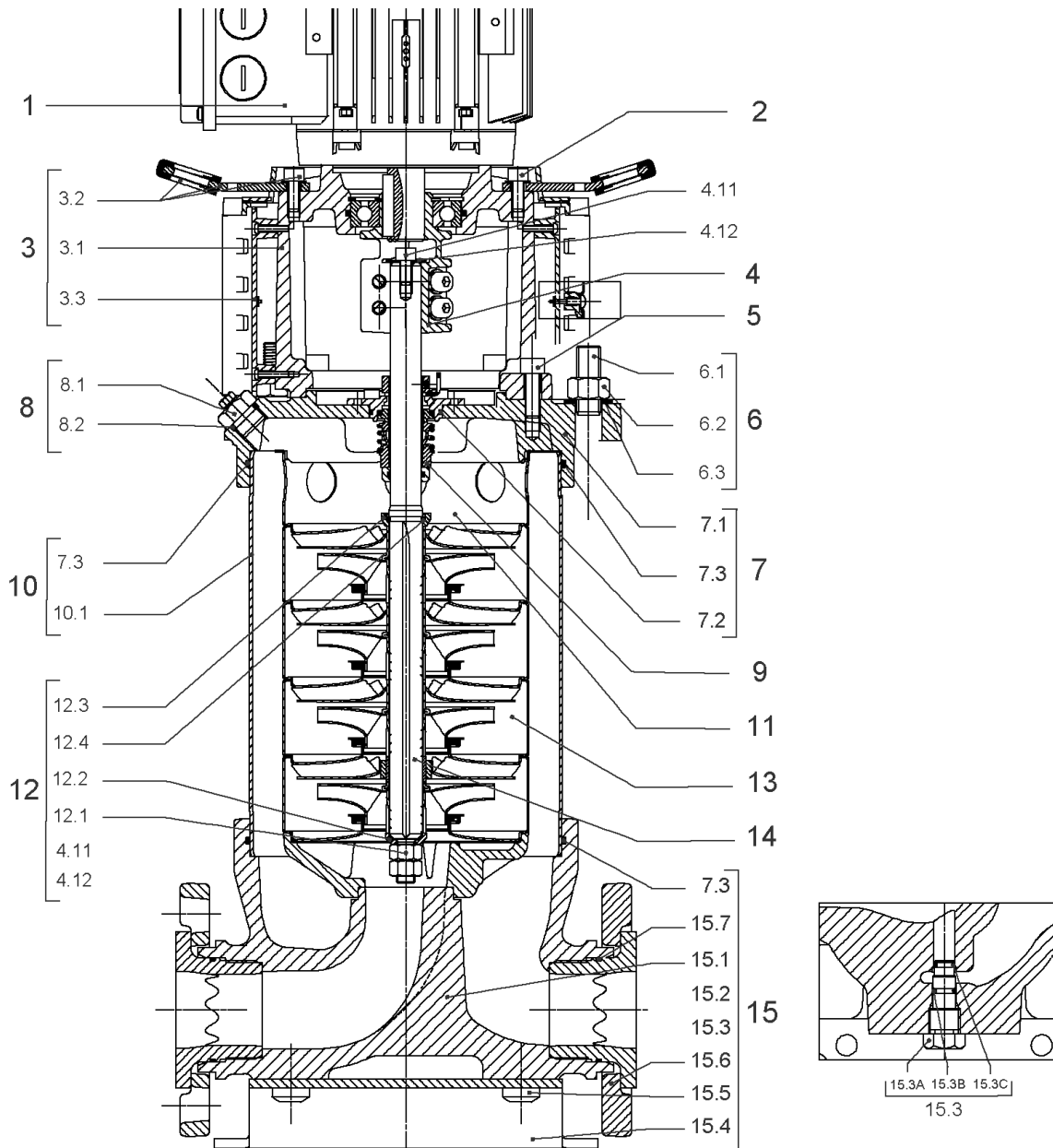


CARTRIDGE HELIX22-36-52 O/E KIT (4143973)

Item	Article no.	Description	Quantity
9.1	4143974	SEAL-KIT-HELIX22-36-52 O/E	1
7.3	4179571	> O-RING HOUSING PIPE HELIX22/36/52 VP.	1
7.4	4179572	> O-RING ID.42.52X2.62 EPDM VP.	1
9.1A	4179573	> M.SEAL.HELIX22-36-52 O/E VP.	1
9.1B	4179574	> O-RING ID.20x2.65 EPDM VP.	1
9.2	4179566	SHAFT SLEEVE D.20/20X60 1.4404 VP.	1
9.3	4179567	RING HOLDER Ø22 1.4301 VP.	1
9.4	4176520	SCREW CH M5x5 A4-70 (3PIECES)	1
9.5	4179568	DRIVE RING D.31/22.1x11 MACH.VP.	1
9.6	4179569	TOOL M.S.CART.HELIX 8" VP.	1
9.7	4179570	SCREW M6X16 ISO4762 8.8 GEOMET(4 PIECES)	1



Item	Article no.	Description	Quantity
13.1	4157739	FIRST STAGE HELIX 22 1.4307 KIT	1
		> IMPELLER-H1-M+22-304	1
		> MACH.STG-CASING-WOGV-WNR-M+22-304	1
13.2	4157740	BEARING STAGE HELIX 22 1.4307 KIT	1
		> IMPELLER-H2-M+22-304	1
		> MACH.BEARING-STG-CASING-WNR-M+22-304	1
		> SHAFT-SLEEVE-D26xD22x16-CW	1
13.3	4157743	INTERMEDIATE STAGE HELIX 22 KIT	1
		> MACH.STD-STG-CASING-WGV+NR-M+22-304	1
		> IMPELLER-H2-M+22-304	1

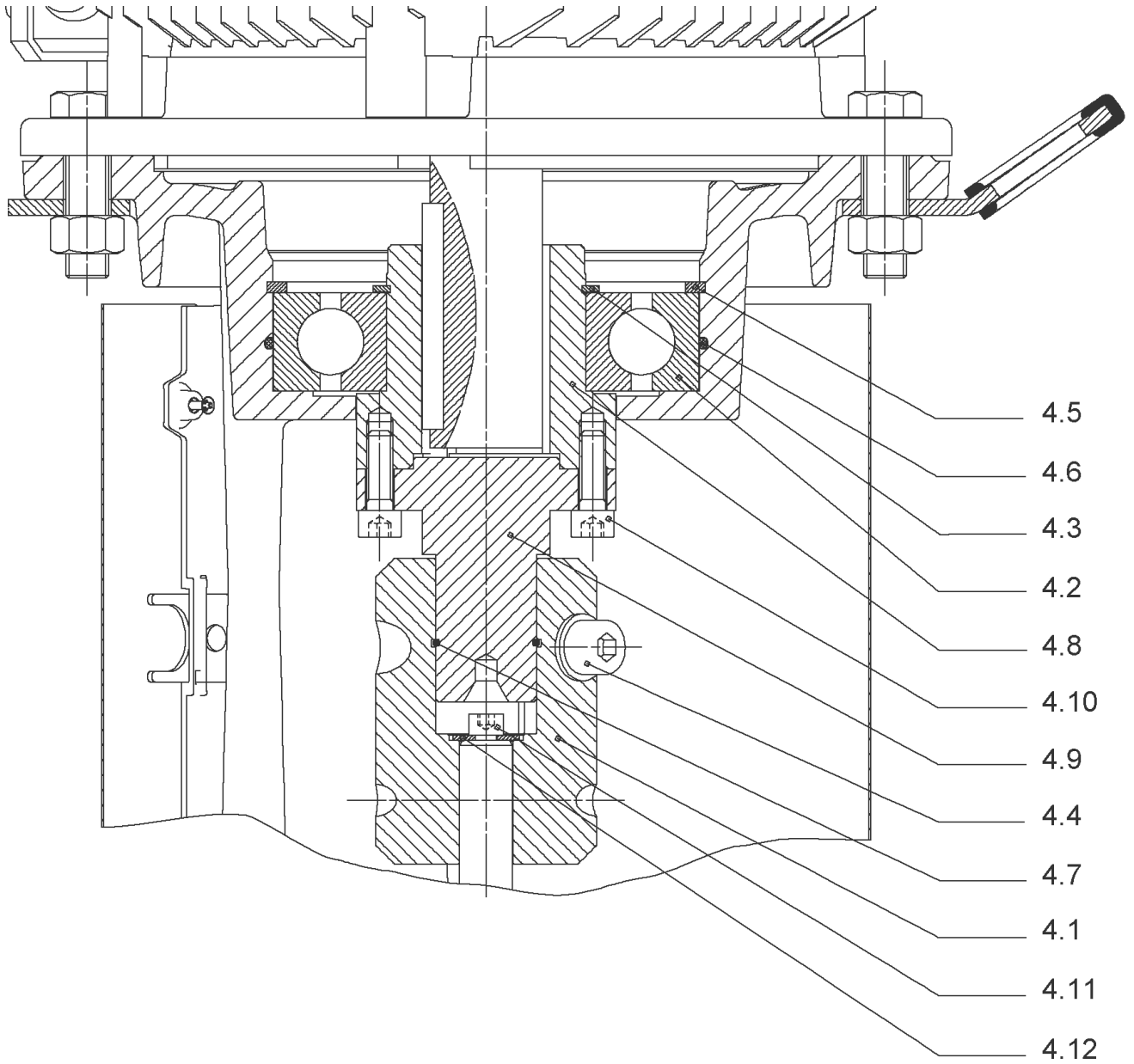


HELIX V2208-3/25/E/KS/400-50 (4123293)

Item	Article no.	Description	Quantity
1	4199884	MOTOR 11/2/160 3~400V 50HZ VP.	1
		SPARE PARTS MOTOR:ON REQUEST	1
2	4179586	SCREW M16X60 (4 PIECES)	1
3	4157721	LANTERN HELIX 22/36 FF300 BB6312 KIT	1
3.1		> LANTERN FF300 M+ GJL MACHINED+CATA 6312	1
3.2	4179589	> EYELET CPL.FF300 HELIX(4 PIECES)	1
3.3	4143969	> COUPLING PROTECT HELIX FF KIT	1
4	4143966	COUPLING D.20XD.38 FF300 KIT	1
5	4157725	SCREW M10X40 (4 PIECES)	1
6	4181086	STUD BOLT M16X533 KIT	1
6.1		> TIE BOLT M16-533x24x44-1.4057	1
6.2	4179562	> NUT M16 8.8 ISO4032 (4 PIECES)	1
6.3	4097852	> WASHER-CS-16.4-32-2.8-NFE25-511-A2	1
7	4179565	END SHIELD HELIX 8" EPDM KIT	1
7.1		> END SHIELD M+ GJL MACHINED+CATA	1
7.2	4179564	> O-RING D.42.52x2.62 EPDM VP.	1
7.3	4179571	> O-RING HOUSING PIPE HELIX22/36/52 VP.	1
8	4143765	FILING/PURGING PLUG 316L HELIX KIT	1
8.1		> FILLING/VENTING-PLUG-VMI8/10-316L	1
8.2	4032291	> O-RING 17x3 EPDM KTW/WRC	1
9	4143975	CARTRIDGE HELIX22-36-52 F/E KIT	1
10	4181087	HOUSING PIPE D.204x464,13 1.4307 KIT	1
7.3	4179571	> O-RING HOUSING PIPE HELIX22/36/52 VP.	1
10.1		> HOUSING-PIPE Ø204-M+2208/3606-304	1
11	4179143	CENTERING STAGE-RETURN HELIX22 1.4307 VP	1
12	4143967	SHAFT EQUIPMENT HELIX V KIT	1
13		HYDRAULIC HELIX V 2208	1
14	4180848	SHAFT D.22X604 1.4057 VP.	1
15	4181158	EQUIPED HOUSING HELIX 22 GJL KIT	1
7.3	4179571	> O-RING HOUSING PIPE HELIX22/36/52 VP.	1
15.1		> PUMP HOUSING SET with COATED PARTS-DN50	1
15.3	4143766	> DRAIN/PRIMING PLUG EPDM HELIX KIT	1
15.3A		>> PRIMING/DRAIN PLUG-304-VERSION 1	1
15.3B	4032293	>> O-RING-10x3-EPDM-KTW/WRC	1

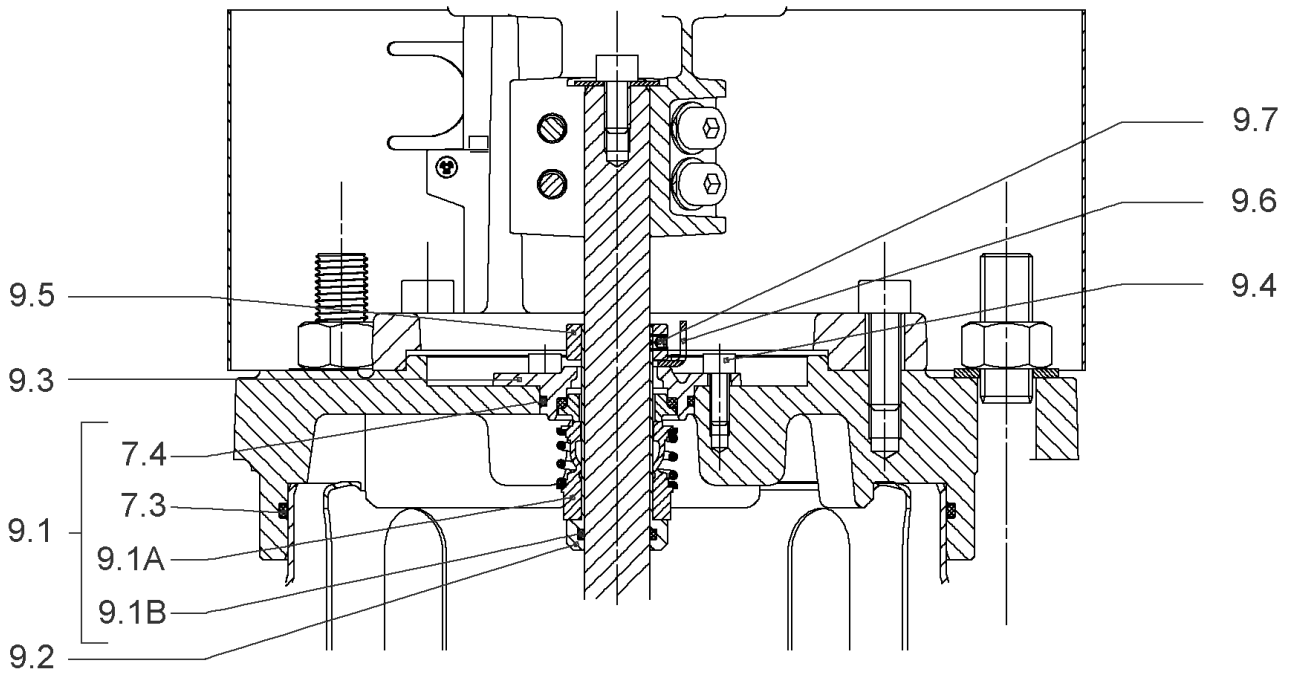
HELIX V2208-3/25/E/KS/400-50 (4123293)

Item	Article no.	Description	Quantity
15.3C	4233957	>> O-RING ID.9 EPDM VP.	1
15.4	4221729	> BASE M+ DN50/65/80 VP.	1
15.6		> FLANGE M+ DN50 CATA	1
15.7		> O-RING Ø63.17xØ2.62 EPDM	1
15.5		> SCREW TBHC M12x25 ISO7380 ZN	1



COUPLING D.20XD.38 FF300 KIT (4143966)

Item	Article no.	Description	Quantity
4.1	4179590	COUPLING 2 PARTS D.20XD.38XL115 VP.	1
4.2	2123699	BALL BEARING 6312/2Z-C4 (HT) VP.	1
4.3	63428	CIRCLIP-FOR-SHAFT-D60x2	1
4.4	2130991	SCREW M12X30 ISO4762 8.8 ZN(4 PIECES)	1
4.5	4032277	CIRCLIP-HOLE-130x4	1
4.6	4006725	O-RING ID.132,94x3,53 NBR70SR	1
4.7	2130992	RETAINING RING D.35xD.2,5 DIN7993 VP.	1
4.8	4179591	HUB D.42xD.60 VP.	1
4.9	2130994	SPACER D.38XD.55 VP.	1
4.10	4094462	SCREWS M10 (4 PIECES)	1
4.11	4233959	SCREW M8x16 VP.	1
4.12		SERRATED LOCK WASHER Ø8.2XØ25X35X2	1

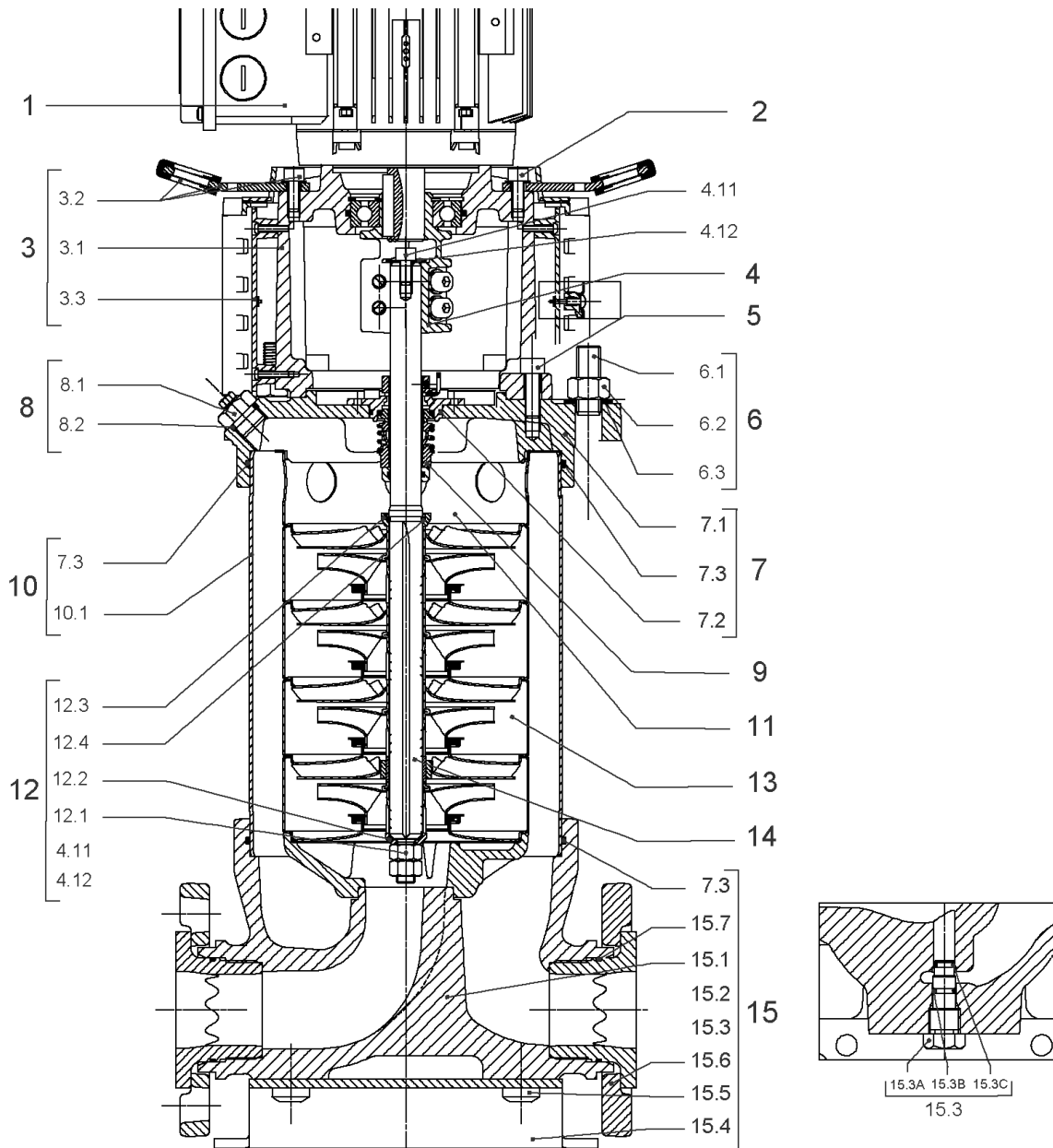


CARTRIDGE HELIX22-36-52 F/E KIT (4143975)

Item	Article no.	Description	Quantity
9.1	4143976	SEAL-KIT-HELIX22-36-52 F/E	1
7.3	4179571	> O-RING HOUSING PIPE HELIX22/36/52 VP.	1
7.4	4179572	> O-RING ID.42.52X2.62 EPDM VP.	1
9.1A	2127447	> M.SEAL.HELIX22-36-52 F/E VP.	1
9.1B	4179574	> O-RING ID.20x2.65 EPDM VP.	1
9.2	4179566	SHAFT SLEEVE D.20/20X60 1.4404 VP.	1
9.3	4179567	RING HOLDER Ø22 1.4301 VP.	1
9.4	4176520	SCREW CH M5x5 A4-70 (3PIECES)	1
9.5	4179568	DRIVE RING D.31/22.1x11 MACH.VP.	1
9.6	4179569	TOOL M.S.CART.HELIX 8" VP.	1
9.7	4179570	SCREW M6X16 ISO4762 8.8 GEOMET(4 PIECES)	1



Item	Article no.	Description	Quantity
13.1	4157739	FIRST STAGE HELIX 22 1.4307 KIT	1
		> IMPELLER-H1-M+22-304	1
		> MACH.STG-CASING-WOGV-WNR-M+22-304	1
13.2	4157740	BEARING STAGE HELIX 22 1.4307 KIT	1
		> IMPELLER-H2-M+22-304	1
		> MACH.BEARING-STG-CASING-WNR-M+22-304	1
		> SHAFT-SLEEVE-D26xD22x16-CW	1
13.3	4157743	INTERMEDIATE STAGE HELIX 22 KIT	1
		> MACH.STD-STG-CASING-WGV+NR-M+22-304	1
		> IMPELLER-H2-M+22-304	1

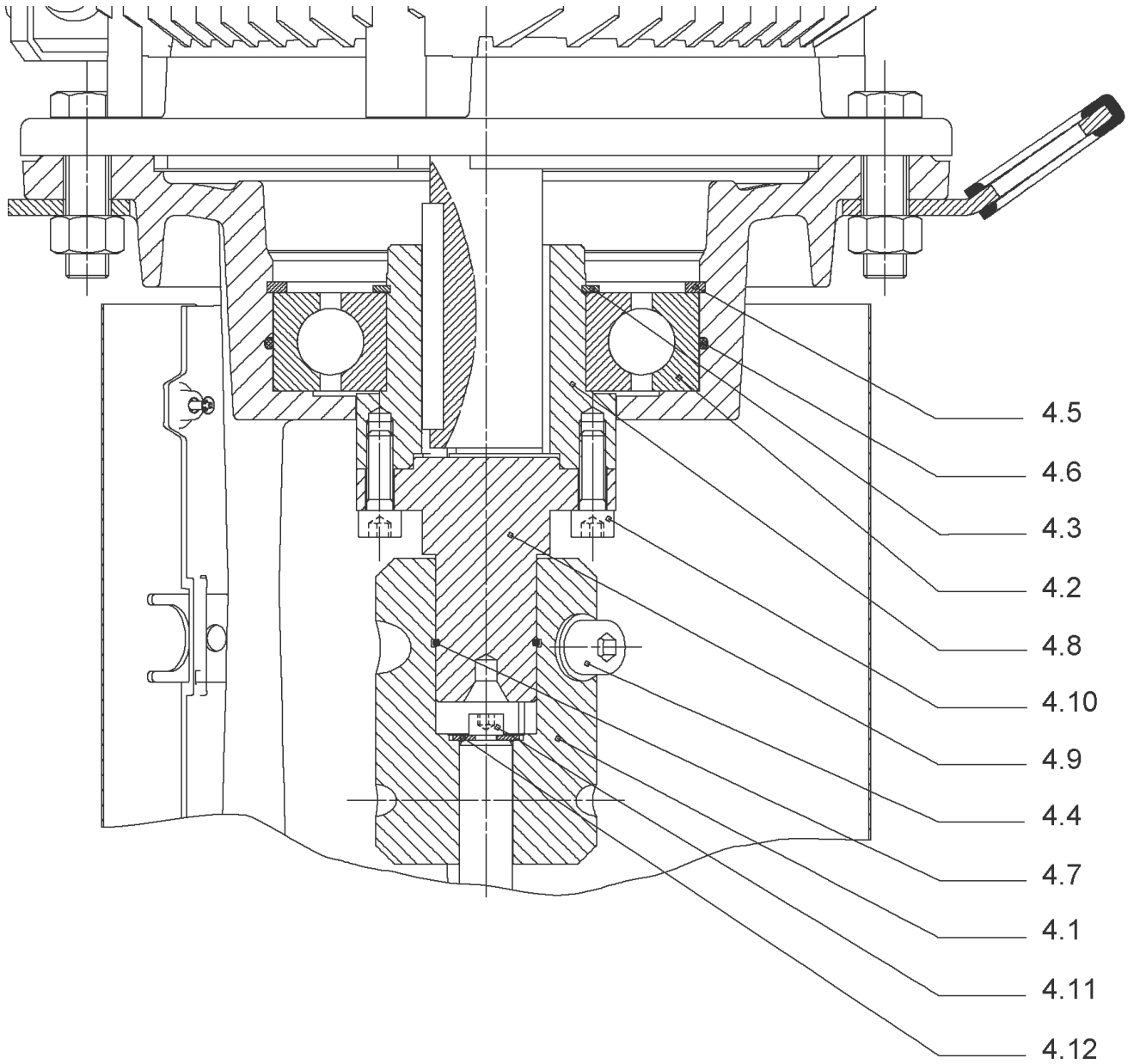


HELIX V2209-3/25/E/KS/400-50 (4123294)

Item	Article no.	Description	Quantity
1	4199884	MOTOR 11/2/160 3~400V 50HZ VP.	1
		SPARE PARTS MOTOR:ON REQUEST	1
2	4179586	SCREW M16X60 (4 PIECES)	1
3	4157721	LANTERN HELIX 22/36 FF300 BB6312 KIT	1
3.1		> LANTERN FF300 M+ GJL MACHINED+CATA 6312	1
3.2	4179589	> EYELET CPL.FF300 HELIX(4 PIECES)	1
3.3	4143969	> COUPLING PROTECT HELIX FF KIT	1
4	4143966	COUPLING D.20XD.38 FF300 KIT	1
5	4157725	SCREW M10X40 (4 PIECES)	1
6	4181669	STUD BOLT M16X578 KIT	1
6.1		> TIE BOLT M16-578x24x44-1.4057	1
6.2	4179562	> NUT M16 8.8 ISO4032 (4 PIECES)	1
6.3	4097852	> WASHER-CS-16.4-32-2.8-NFE25-511-A2	1
7	4179565	END SHIELD HELIX 8" EPDM KIT	1
7.1		> END SHIELD M+ GJL MACHINED+CATA	1
7.2	4179564	> O-RING D.42.52x2.62 EPDM VP.	1
7.3	4179571	> O-RING HOUSING PIPE HELIX22/36/52 VP.	1
8	4143765	FILING/PURGING PLUG 316L HELIX KIT	1
8.1		> FILLING/VENTING-PLUG-VMI8/10-316L	1
8.2	4032291	> O-RING 17x3 EPDM KTW/WRC	1
9	4143975	CARTRIDGE HELIX22-36-52 F/E KIT	1
10	4181670	HOUSING PIPE D.204X514 1.4301 KIT	1
7.3	4179571	> O-RING HOUSING PIPE HELIX22/36/52 VP.	1
10.1		> HOUSING-PIPE Ø204-M+2209-304	1
11	4179143	CENTERING STAGE-RETURN HELIX22 1.4307 VP	1
12	4143967	SHAFT EQUIPMENT HELIX V KIT	1
13		HYDRAULIC HELIX V 2209	1
14	4181672	SHAFTS D.22X654 1.4057 VP.	1
15	4181158	EQUIPED HOUSING HELIX 22 GJL KIT	1
7.3	4179571	> O-RING HOUSING PIPE HELIX22/36/52 VP.	1
15.1		> PUMP HOUSING SET with COATED PARTS-DN50	1
15.3	4143766	> DRAIN/PRIMING PLUG EPDM HELIX KIT	1
15.3A		>> PRIMING/DRAIN PLUG-304-VERSION 1	1
15.3B	4032293	>> O-RING-10x3-EPDM-KTW/WRC	1

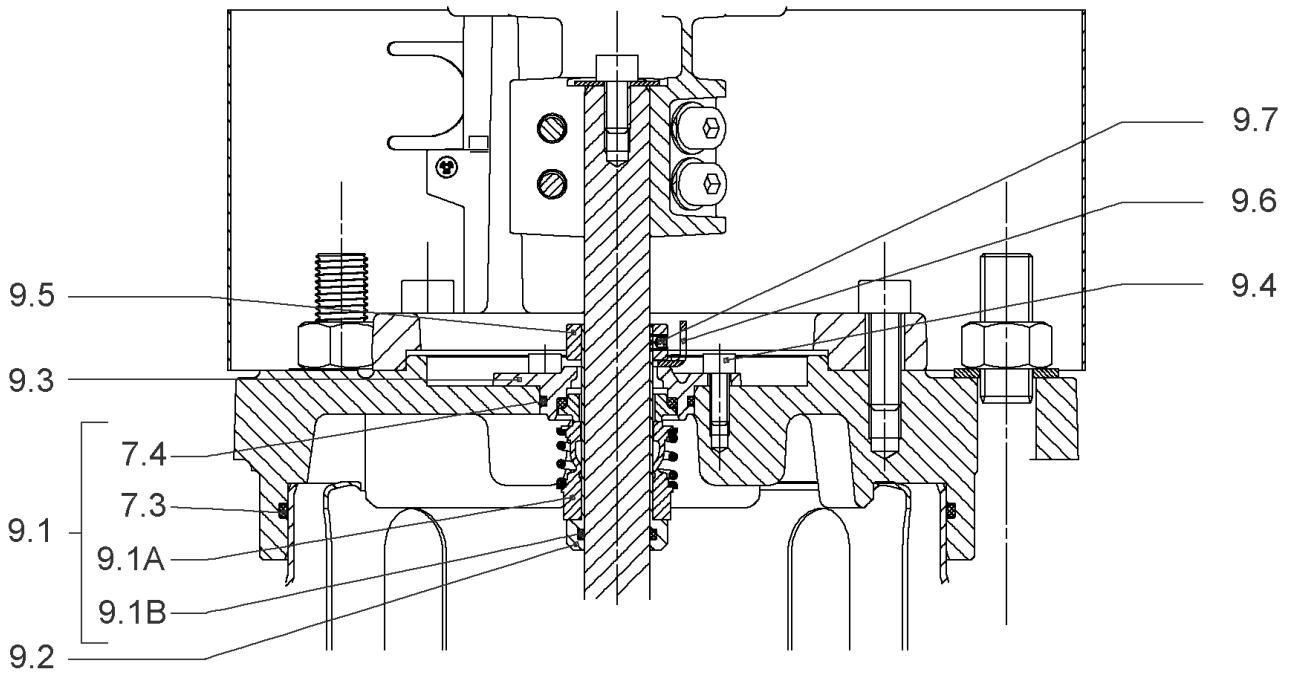
HELIX V2209-3/25/E/KS/400-50 (4123294)

Item	Article no.	Description	Quantity
15.3C	4233957	>> O-RING ID.9 EPDM VP.	1
15.4	4221729	> BASE M+ DN50/65/80 VP.	1
15.6		> FLANGE M+ DN50 CATA	1
15.7		> O-RING Ø63.17xØ2.62 EPDM	1
15.5		> SCREW TBHC M12x25 ISO7380 ZN	1



COUPLING D.20XD.38 FF300 KIT (4143966)

Item	Article no.	Description	Quantity
4.1	4179590	COUPLING 2 PARTS D.20XD.38XL115 VP.	1
4.2	2123699	BALL BEARING 6312/2Z-C4 (HT) VP.	1
4.3	63428	CIRCLIP-FOR-SHAFT-D60x2	1
4.4	2130991	SCREW M12X30 ISO4762 8.8 ZN(4 PIECES)	1
4.5	4032277	CIRCLIP-HOLE-130x4	1
4.6	4006725	O-RING ID.132,94x3,53 NBR70SR	1
4.7	2130992	RETAINING RING D.35xD.2,5 DIN7993 VP.	1
4.8	4179591	HUB D.42xD.60 VP.	1
4.9	2130994	SPACER D.38XD.55 VP.	1
4.10	4094462	SCREWS M10 (4 PIECES)	1
4.11	4233959	SCREW M8x16 VP.	1
4.12		SERRATED LOCK WASHER Ø8.2XØ25X35X2	1

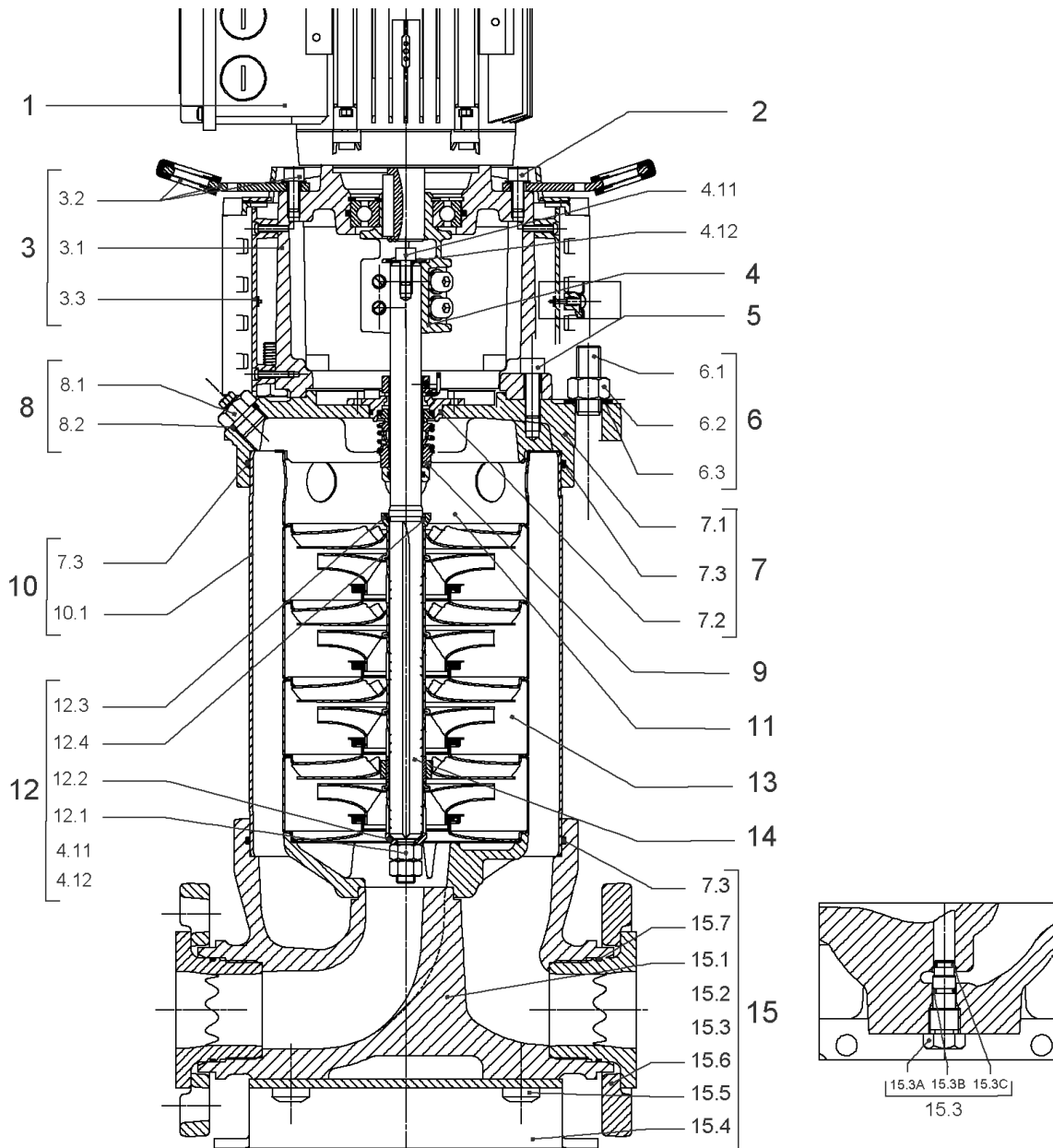


CARTRIDGE HELIX22-36-52 F/E KIT (4143975)

Item	Article no.	Description	Quantity
9.1	4143976	SEAL-KIT-HELIX22-36-52 F/E	1
7.3	4179571	> O-RING HOUSING PIPE HELIX22/36/52 VP.	1
7.4	4179572	> O-RING ID.42.52X2.62 EPDM VP.	1
9.1A	2127447	> M.SEAL.HELIX22-36-52 F/E VP.	1
9.1B	4179574	> O-RING ID.20x2.65 EPDM VP.	1
9.2	4179566	SHAFT SLEEVE D.20/20X60 1.4404 VP.	1
9.3	4179567	RING HOLDER Ø22 1.4301 VP.	1
9.4	4176520	SCREW CH M5x5 A4-70 (3PIECES)	1
9.5	4179568	DRIVE RING D.31/22.1x11 MACH.VP.	1
9.6	4179569	TOOL M.S.CART.HELIX 8" VP.	1
9.7	4179570	SCREW M6X16 ISO4762 8.8 GEOMET(4 PIECES)	1



Item	Article no.	Description	Quantity
13.1	4157739	FIRST STAGE HELIX 22 1.4307 KIT	1
		> IMPELLER-H1-M+22-304	1
		> MACH.STG-CASING-WOGV-WNR-M+22-304	1
13.2	4157740	BEARING STAGE HELIX 22 1.4307 KIT	1
		> IMPELLER-H2-M+22-304	1
		> MACH.BEARING-STG-CASING-WNR-M+22-304	1
		> SHAFT-SLEEVE-D26xD22x16-CW	1
13.3	4157743	INTERMEDIATE STAGE HELIX 22 KIT	1
		> MACH.STD-STG-CASING-WGV+NR-M+22-304	1
		> IMPELLER-H2-M+22-304	1

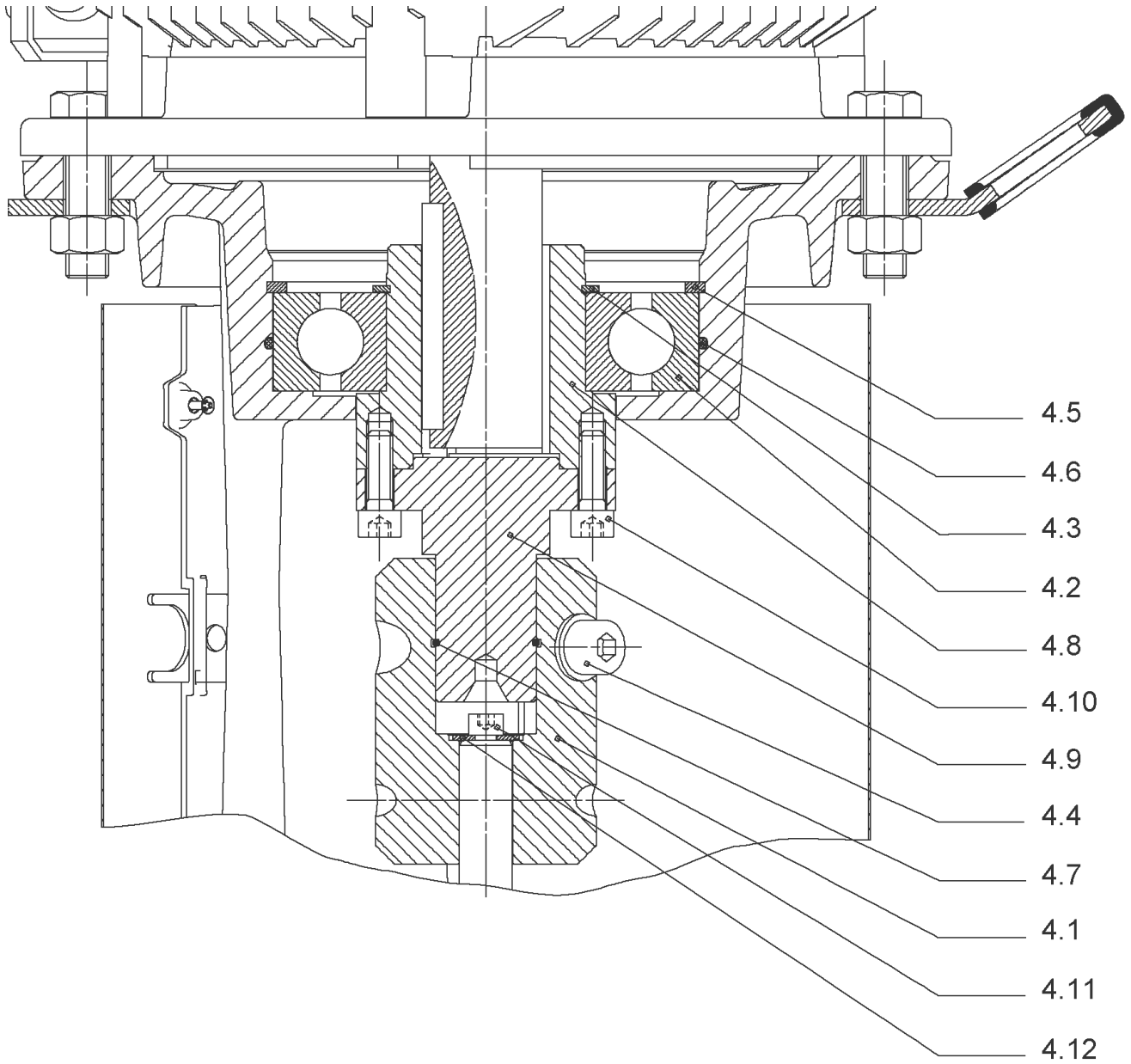


HELIX V2210-3/25/E/KS/400-50 (4123295)

Item	Article no.	Description	Quantity
1	4199884	MOTOR 11/2/160 3~400V 50HZ VP.	1
		SPARE PARTS MOTOR:ON REQUEST	1
2	4179586	SCREW M16X60 (4 PIECES)	1
3	4157721	LANTERN HELIX 22/36 FF300 BB6312 KIT	1
3.1		> LANTERN FF300 M+ GJL MACHINED+CATA 6312	1
3.2	4179589	> EYELET CPL.FF300 HELIX(4 PIECES)	1
3.3	4143969	> COUPLING PROTECT HELIX FF KIT	1
4	4143966	COUPLING D.20XD.38 FF300 KIT	1
5	4157725	SCREW M10X40 (4 PIECES)	1
6	4181673	STUD BOLT M16X633 KIT	1
6.1		> TIE BOLT M16-633x24x44-1.4057	1
6.2	4179562	> NUT M16 8.8 ISO4032 (4 PIECES)	1
6.3	4097852	> WASHER-CS-16.4-32-2.8-NFE25-511-A2	1
7	4179565	END SHIELD HELIX 8" EPDM KIT	1
7.1		> END SHIELD M+ GJL MACHINED+CATA	1
7.2	4179564	> O-RING D.42.52x2.62 EPDM VP.	1
7.3	4179571	> O-RING HOUSING PIPE HELIX22/36/52 VP.	1
8	4143765	FILING/PURGING PLUG 316L HELIX KIT	1
8.1		> FILLING/VENTING-PLUG-VM18/10-316L	1
8.2	4032291	> O-RING 17x3 EPDM KTW/WRC	1
9	4143975	CARTRIDGE HELIX22-36-52 F/E KIT	1
10	4181674	HOUSING PIPE D.204X564 1.4301 KIT	1
7.3	4179571	> O-RING HOUSING PIPE HELIX22/36/52 VP.	1
10.1		> HOUSING-PIPE Ø204-M+2210-304	1
11	4179143	CENTERING STAGE-RETURN HELIX22 1.4307 VP	1
12	4143967	SHAFT EQUIPMENT HELIX V KIT	1
13		HYDRAULIC HELIX V 2210	1
14	4179926	SHAFTS D.22X704 1.4057 VP.	1
15	4181158	EQUIPED HOUSING HELIX 22 GJL KIT	1
7.3	4179571	> O-RING HOUSING PIPE HELIX22/36/52 VP.	1
15.1		> PUMP HOUSING SET with COATED PARTS-DN50	1
15.3	4143766	> DRAIN/PRIMING PLUG EPDM HELIX KIT	1
15.3A		>> PRIMING/DRAIN PLUG-304-VERSION 1	1
15.3B	4032293	>> O-RING-10x3-EPDM-KTW/WRC	1

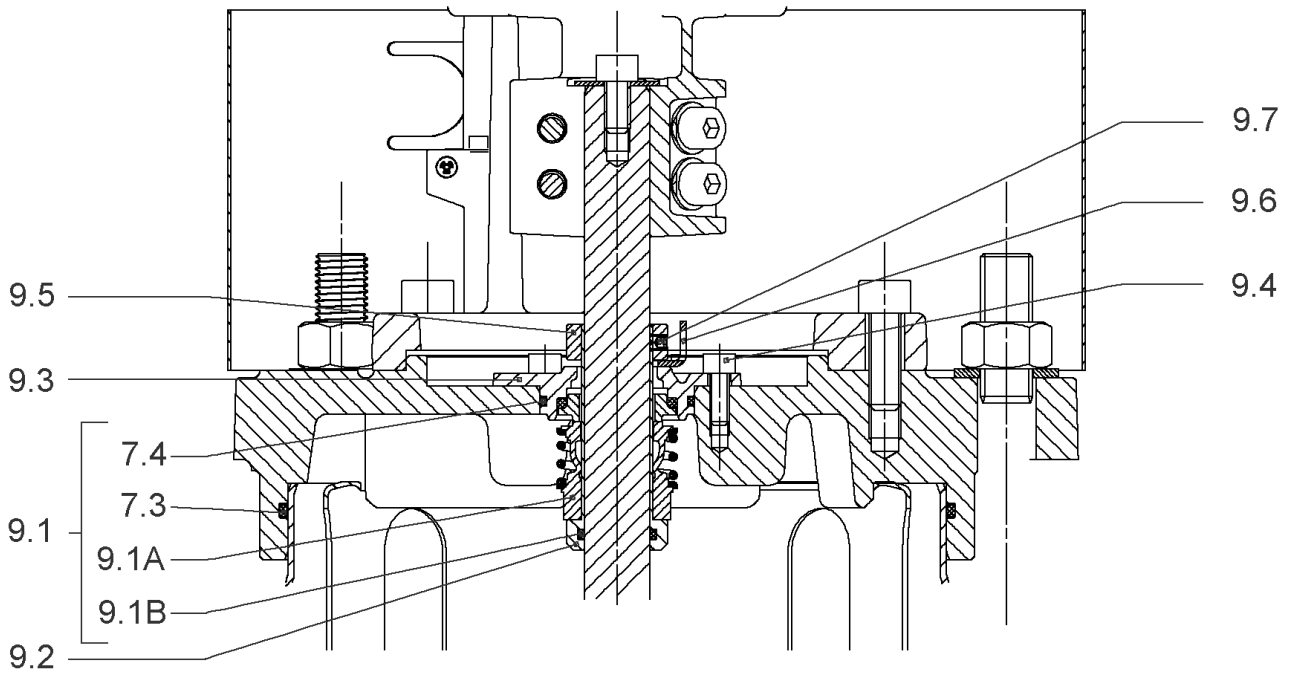
HELIX V2210-3/25/E/KS/400-50 (4123295)

Item	Article no.	Description	Quantity
15.3C	4233957	>> O-RING ID.9 EPDM VP.	1
15.4	4221729	> BASE M+ DN50/65/80 VP.	1
15.6		> FLANGE M+ DN50 CATA	1
15.7		> O-RING Ø63.17xØ2.62 EPDM	1
15.5		> SCREW TBHC M12x25 ISO7380 ZN	1



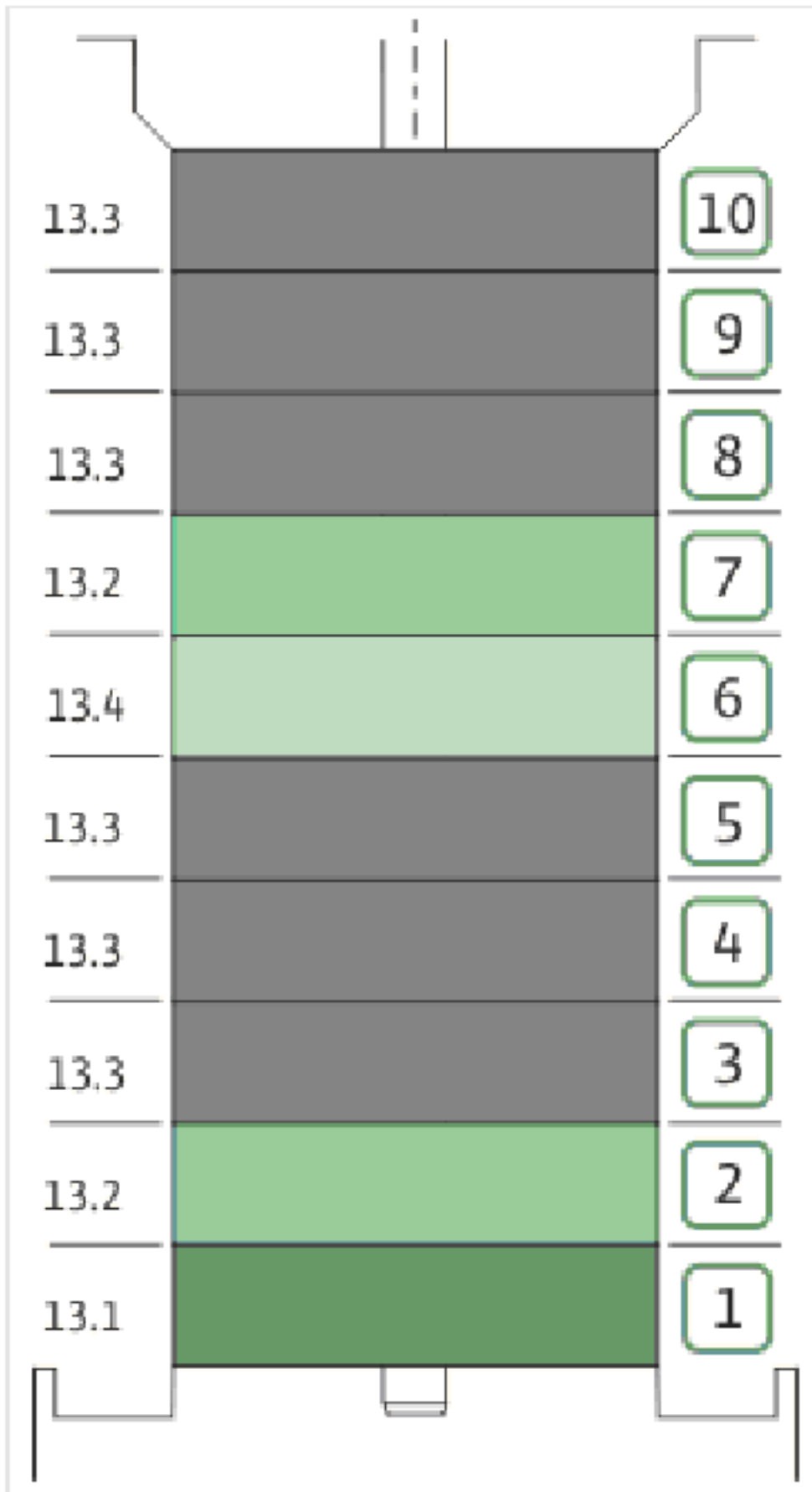
COUPLING D.20XD.38 FF300 KIT (4143966)

Item	Article no.	Description	Quantity
4.1	4179590	COUPLING 2 PARTS D.20XD.38XL115 VP.	1
4.2	2123699	BALL BEARING 6312/2Z-C4 (HT) VP.	1
4.3	63428	CIRCLIP-FOR-SHAFT-D60x2	1
4.4	2130991	SCREW M12X30 ISO4762 8.8 ZN(4 PIECES)	1
4.5	4032277	CIRCLIP-HOLE-130x4	1
4.6	4006725	O-RING ID.132,94x3,53 NBR70SR	1
4.7	2130992	RETAINING RING D.35xD.2,5 DIN7993 VP.	1
4.8	4179591	HUB D.42xD.60 VP.	1
4.9	2130994	SPACER D.38XD.55 VP.	1
4.10	4094462	SCREWS M10 (4 PIECES)	1
4.11	4233959	SCREW M8x16 VP.	1
4.12		SERRATED LOCK WASHER Ø8.2XØ25X35X2	1



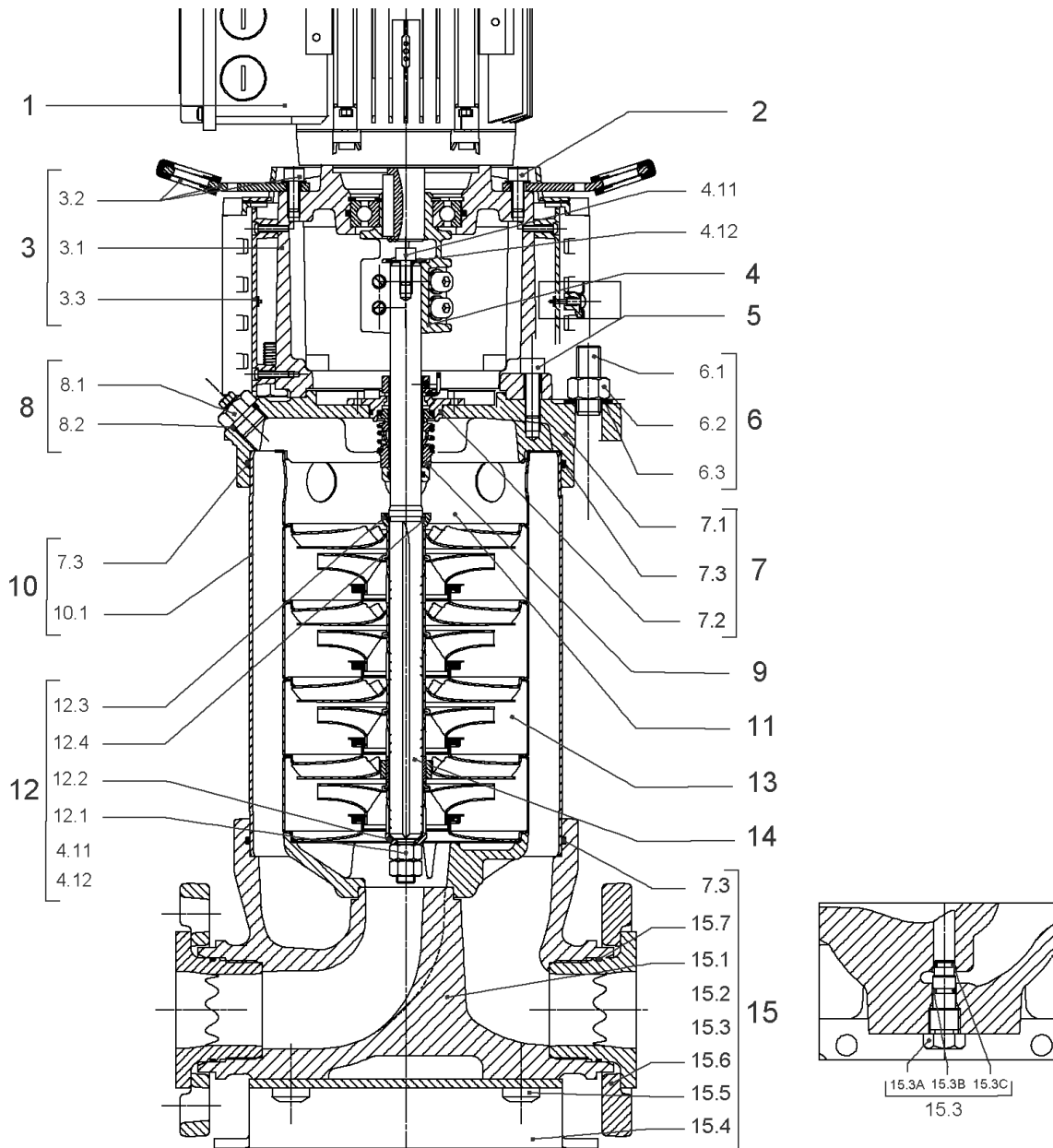
CARTRIDGE HELIX22-36-52 F/E KIT (4143975)

Item	Article no.	Description	Quantity
9.1	4143976	SEAL-KIT-HELIX22-36-52 F/E	1
7.3	4179571	> O-RING HOUSING PIPE HELIX22/36/52 VP.	1
7.4	4179572	> O-RING ID.42.52X2.62 EPDM VP.	1
9.1A	2127447	> M.SEAL.HELIX22-36-52 F/E VP.	1
9.1B	4179574	> O-RING ID.20x2.65 EPDM VP.	1
9.2	4179566	SHAFT SLEEVE D.20/20X60 1.4404 VP.	1
9.3	4179567	RING HOLDER Ø22 1.4301 VP.	1
9.4	4176520	SCREW CH M5x5 A4-70 (3PIECES)	1
9.5	4179568	DRIVE RING D.31/22.1x11 MACH.VP.	1
9.6	4179569	TOOL M.S.CART.HELIX 8" VP.	1
9.7	4179570	SCREW M6X16 ISO4762 8.8 GEOMET(4 PIECES)	1



HYDRAULIC HELIX V 2210

Item	Article no.	Description	Quantity
13.1	4157739	FIRST STAGE HELIX 22 1.4307 KIT	1
		> IMPELLER-H1-M+22-304	1
		> MACH.STG-CASING-WOGV-WNR-M+22-304	1
13.2	4157740	BEARING STAGE HELIX 22 1.4307 KIT	1
		> IMPELLER-H2-M+22-304	1
		> MACH.BEARING-STG-CASING-WNR-M+22-304	1
		> SHAFT-SLEEVE-D26xD22x16-CW	1
13.3	4157743	INTERMEDIATE STAGE HELIX 22 KIT	1
		> MACH.STD-STG-CASING-WGV+NR-M+22-304	1
		> IMPELLER-H2-M+22-304	1
13.4	4157767	INTERMEDIATE STAGE HELIX 22 1.4307 KIT	1
		> MACH.STD-STG-CASING-WGV+NR-M+22-304	1
		> IMPELLER-H1-M+22-304	1

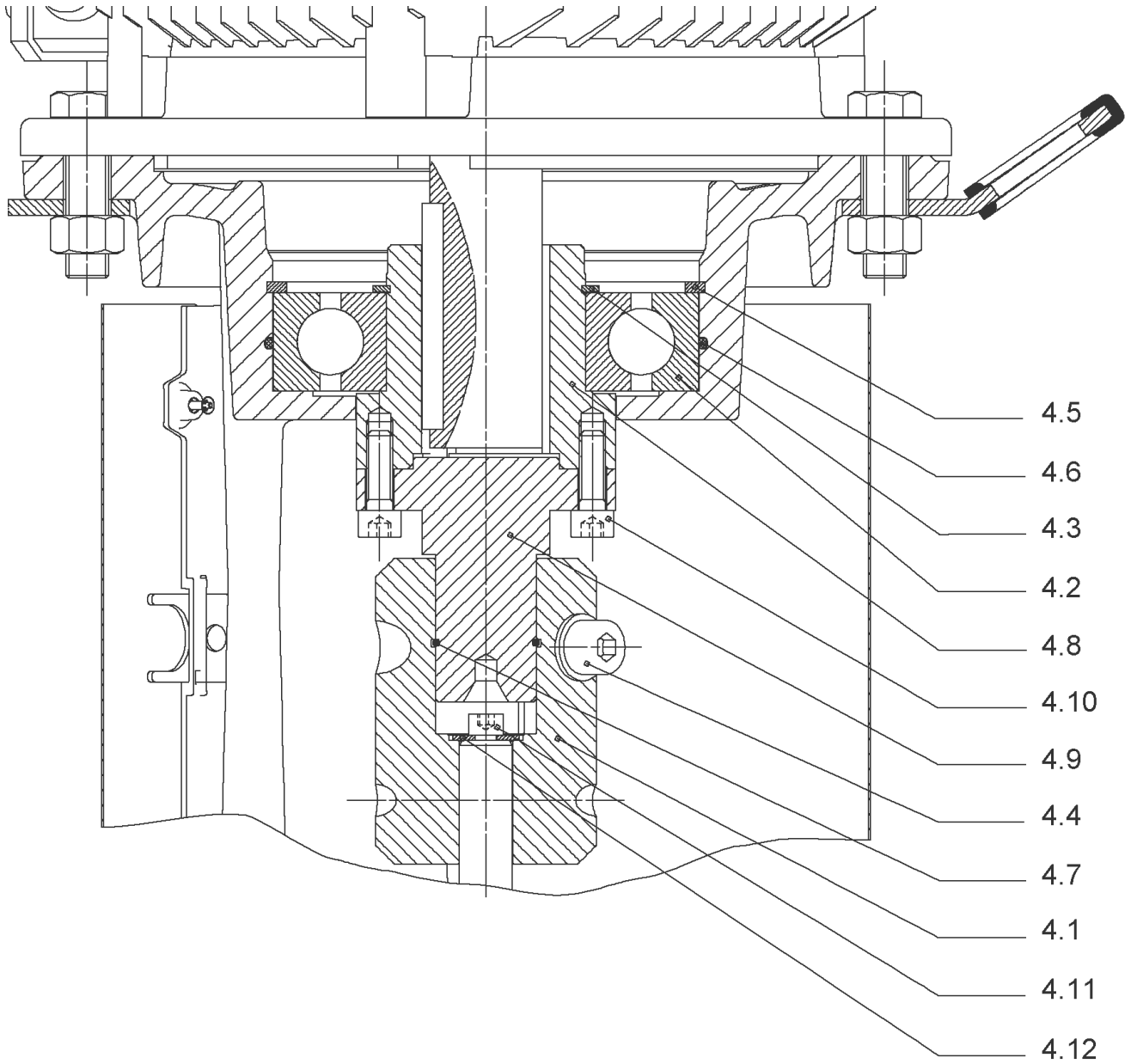


HELIX V2211-3/25/E/KS/400-50 (4123296)

Item	Article no.	Description	Quantity
1	4199884	MOTOR 11/2/160 3~400V 50HZ VP.	1
		SPARE PARTS MOTOR:ON REQUEST	1
2	4179586	SCREW M16X60 (4 PIECES)	1
3	4157721	LANTERN HELIX 22/36 FF300 BB6312 KIT	1
3.1		> LANTERN FF300 M+ GJL MACHINED+CATA 6312	1
3.2	4179589	> EYELET CPL.FF300 HELIX(4 PIECES)	1
3.3	4143969	> COUPLING PROTECT HELIX FF KIT	1
4	4143966	COUPLING D.20XD.38 FF300 KIT	1
5	4157725	SCREW M10X40 (4 PIECES)	1
6	4181676	STUD BOLT M16X678 KIT	1
6.1		> TIE BOLT M16-678x24x44-1.4057	1
6.2	4179562	> NUT M16 8.8 ISO4032 (4 PIECES)	1
6.3	4097852	> WASHER-CS-16.4-32-2.8-NFE25-511-A2	1
7	4179565	END SHIELD HELIX 8" EPDM KIT	1
7.1		> END SHIELD M+ GJL MACHINED+CATA	1
7.2	4179564	> O-RING D.42.52x2.62 EPDM VP.	1
7.3	4179571	> O-RING HOUSING PIPE HELIX22/36/52 VP.	1
8	4143765	FILING/PURGING PLUG 316L HELIX KIT	1
8.1		> FILLING/VENTING-PLUG-VM18/10-316L	1
8.2	4032291	> O-RING 17x3 EPDM KTW/WRC	1
9	4143975	CARTRIDGE HELIX22-36-52 F/E KIT	1
10	4181677	HOUSING PIPE D.204X614 1.4301 KIT	1
7.3	4179571	> O-RING HOUSING PIPE HELIX22/36/52 VP.	1
10.1		> HOUSING-PIPE Ø204-M+2211-304	1
11	4179143	CENTERING STAGE-RETURN HELIX22 1.4307 VP	1
12	4143967	SHAFT EQUIPMENT HELIX V KIT	1
13		HYDRAULIC HELIX V 2211	1
14	4181096	SHAFT D.22X754 1.4057 VP.	1
15	4181158	EQUIPED HOUSING HELIX 22 GJL KIT	1
7.3	4179571	> O-RING HOUSING PIPE HELIX22/36/52 VP.	1
15.1		> PUMP HOUSING SET with COATED PARTS-DN50	1
15.3	4143766	> DRAIN/PRIMING PLUG EPDM HELIX KIT	1
15.3A		>> PRIMING/DRAIN PLUG-304-VERSION 1	1
15.3B	4032293	>> O-RING-10x3-EPDM-KTW/WRC	1

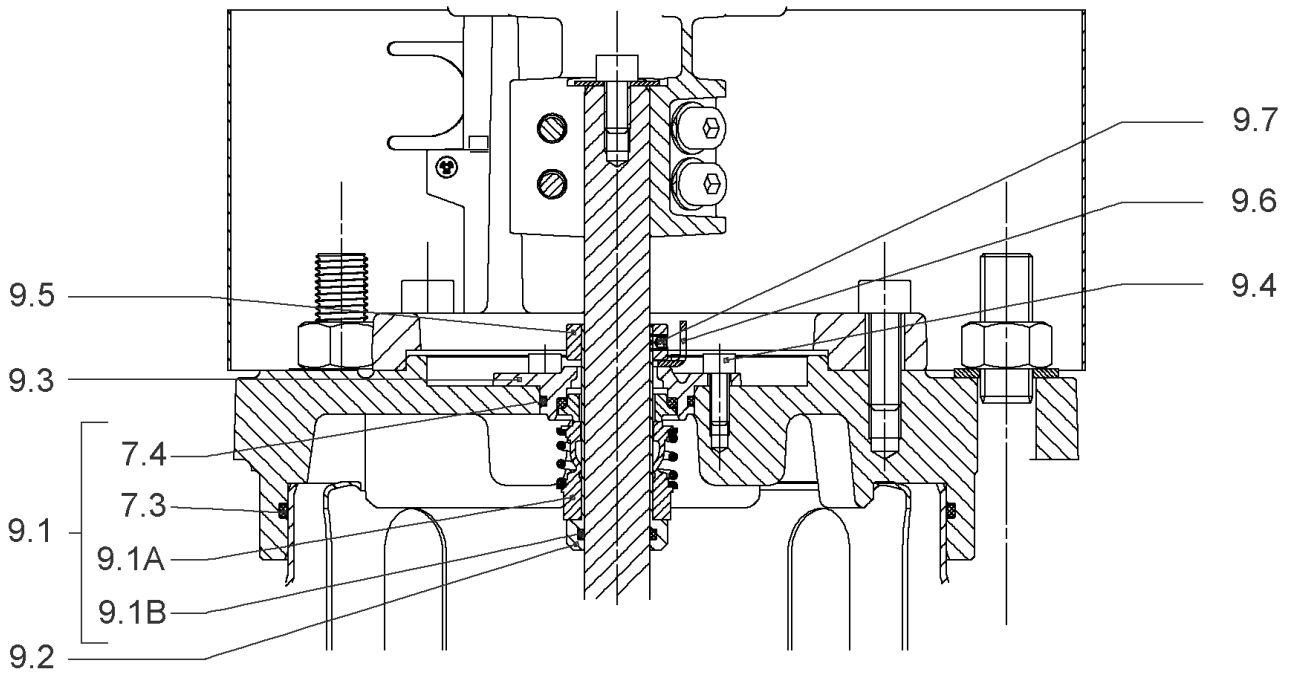
HELIX V2211-3/25/E/KS/400-50 (4123296)

Item	Article no.	Description	Quantity
15.3C	4233957	>> O-RING ID.9 EPDM VP.	1
15.4	4221729	> BASE M+ DN50/65/80 VP.	1
15.6		> FLANGE M+ DN50 CATA	1
15.7		> O-RING Ø63.17xØ2.62 EPDM	1
15.5		> SCREW TBHC M12x25 ISO7380 ZN	1



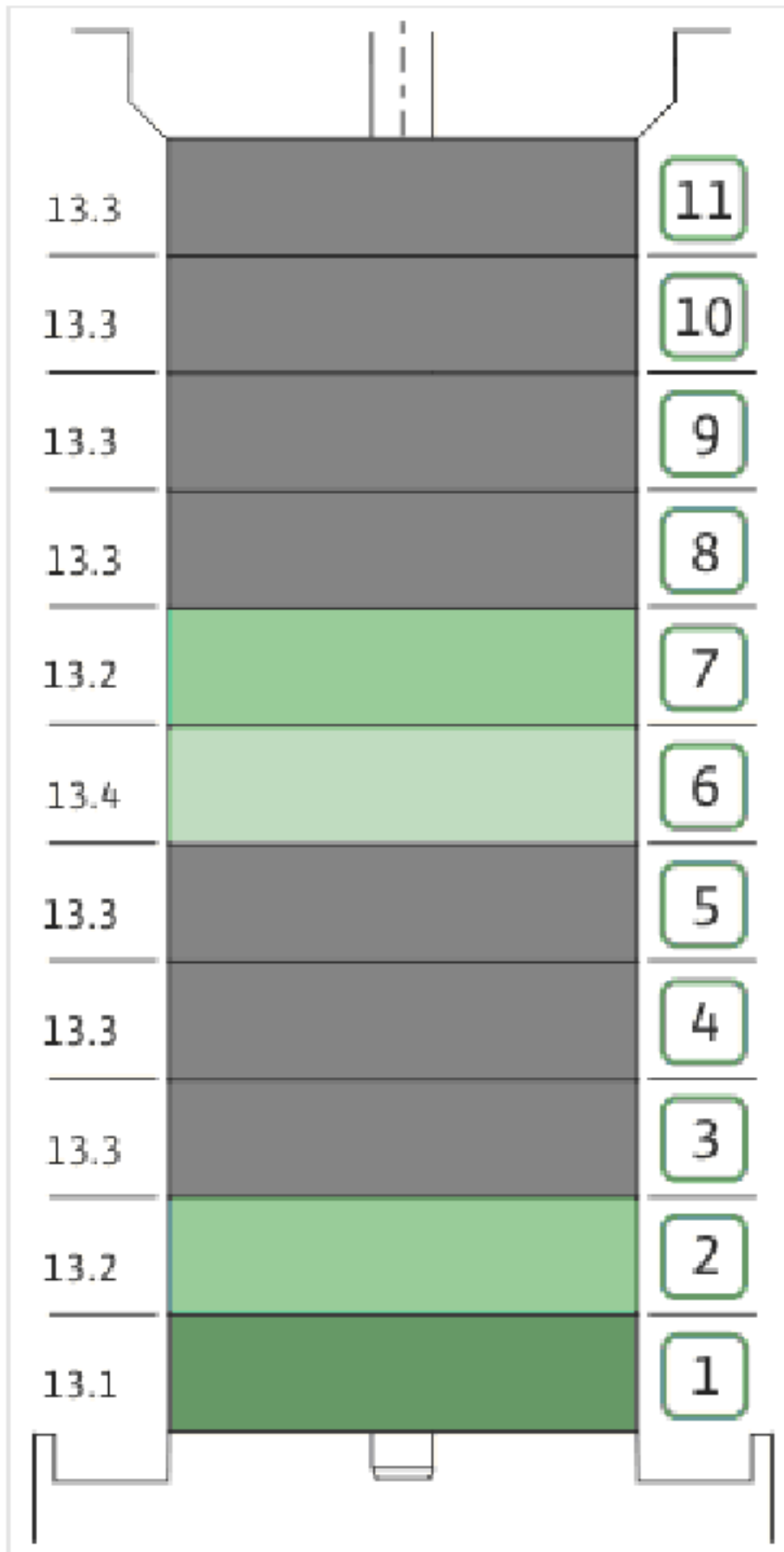
COUPLING D.20XD.38 FF300 KIT (4143966)

Item	Article no.	Description	Quantity
4.1	4179590	COUPLING 2 PARTS D.20XD.38XL115 VP.	1
4.2	2123699	BALL BEARING 6312/2Z-C4 (HT) VP.	1
4.3	63428	CIRCLIP-FOR-SHAFT-D60x2	1
4.4	2130991	SCREW M12X30 ISO4762 8.8 ZN(4 PIECES)	1
4.5	4032277	CIRCLIP-HOLE-130x4	1
4.6	4006725	O-RING ID.132,94x3,53 NBR70SR	1
4.7	2130992	RETAINING RING D.35xD.2,5 DIN7993 VP.	1
4.8	4179591	HUB D.42xD.60 VP.	1
4.9	2130994	SPACER D.38XD.55 VP.	1
4.10	4094462	SCREWS M10 (4 PIECES)	1
4.11	4233959	SCREW M8x16 VP.	1
4.12		SERRATED LOCK WASHER Ø8.2XØ25X35X2	1

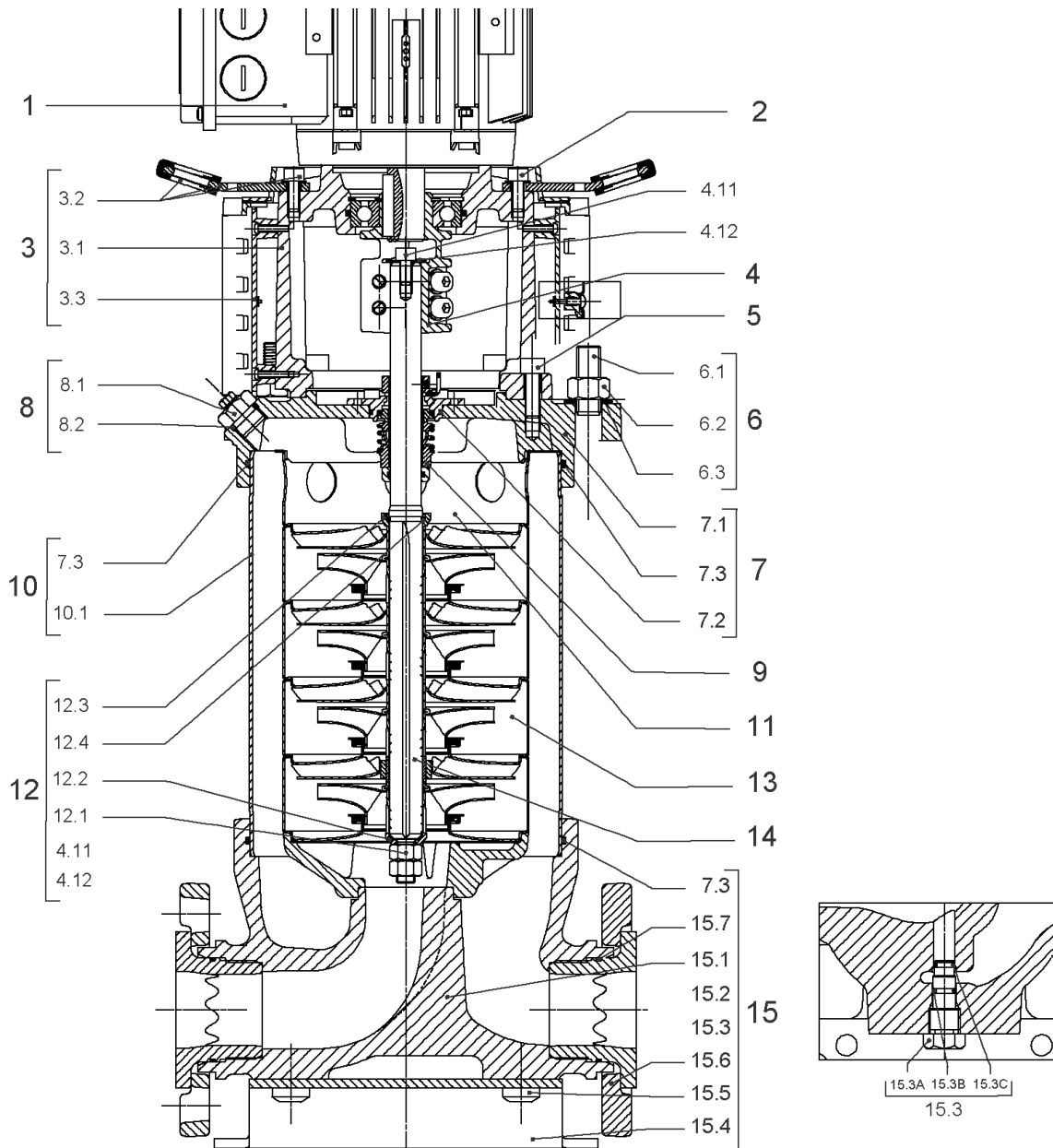


CARTRIDGE HELIX22-36-52 F/E KIT (4143975)

Item	Article no.	Description	Quantity
9.1	4143976	SEAL-KIT-HELIX22-36-52 F/E	1
7.3	4179571	> O-RING HOUSING PIPE HELIX22/36/52 VP.	1
7.4	4179572	> O-RING ID.42.52X2.62 EPDM VP.	1
9.1A	2127447	> M.SEAL.HELIX22-36-52 F/E VP.	1
9.1B	4179574	> O-RING ID.20x2.65 EPDM VP.	1
9.2	4179566	SHAFT SLEEVE D.20/20X60 1.4404 VP.	1
9.3	4179567	RING HOLDER Ø22 1.4301 VP.	1
9.4	4176520	SCREW CH M5x5 A4-70 (3PIECES)	1
9.5	4179568	DRIVE RING D.31/22.1x11 MACH.VP.	1
9.6	4179569	TOOL M.S.CART.HELIX 8" VP.	1
9.7	4179570	SCREW M6X16 ISO4762 8.8 GEOMET(4 PIECES)	1



Item	Article no.	Description	Quantity
13.1	4157739	FIRST STAGE HELIX 22 1.4307 KIT	1
		> IMPELLER-H1-M+22-304	1
		> MACH.STG-CASING-WOGV-WNR-M+22-304	1
13.2	4157740	BEARING STAGE HELIX 22 1.4307 KIT	1
		> IMPELLER-H2-M+22-304	1
		> MACH.BEARING-STG-CASING-WNR-M+22-304	1
		> SHAFT-SLEEVE-D26xD22x16-CW	1
13.3	4157743	INTERMEDIATE STAGE HELIX 22 KIT	1
		> MACH.STD-STG-CASING-WGV+NR-M+22-304	1
		> IMPELLER-H2-M+22-304	1
13.4	4157767	INTERMEDIATE STAGE HELIX 22 1.4307 KIT	1
		> MACH.STD-STG-CASING-WGV+NR-M+22-304	1
		> IMPELLER-H1-M+22-304	1

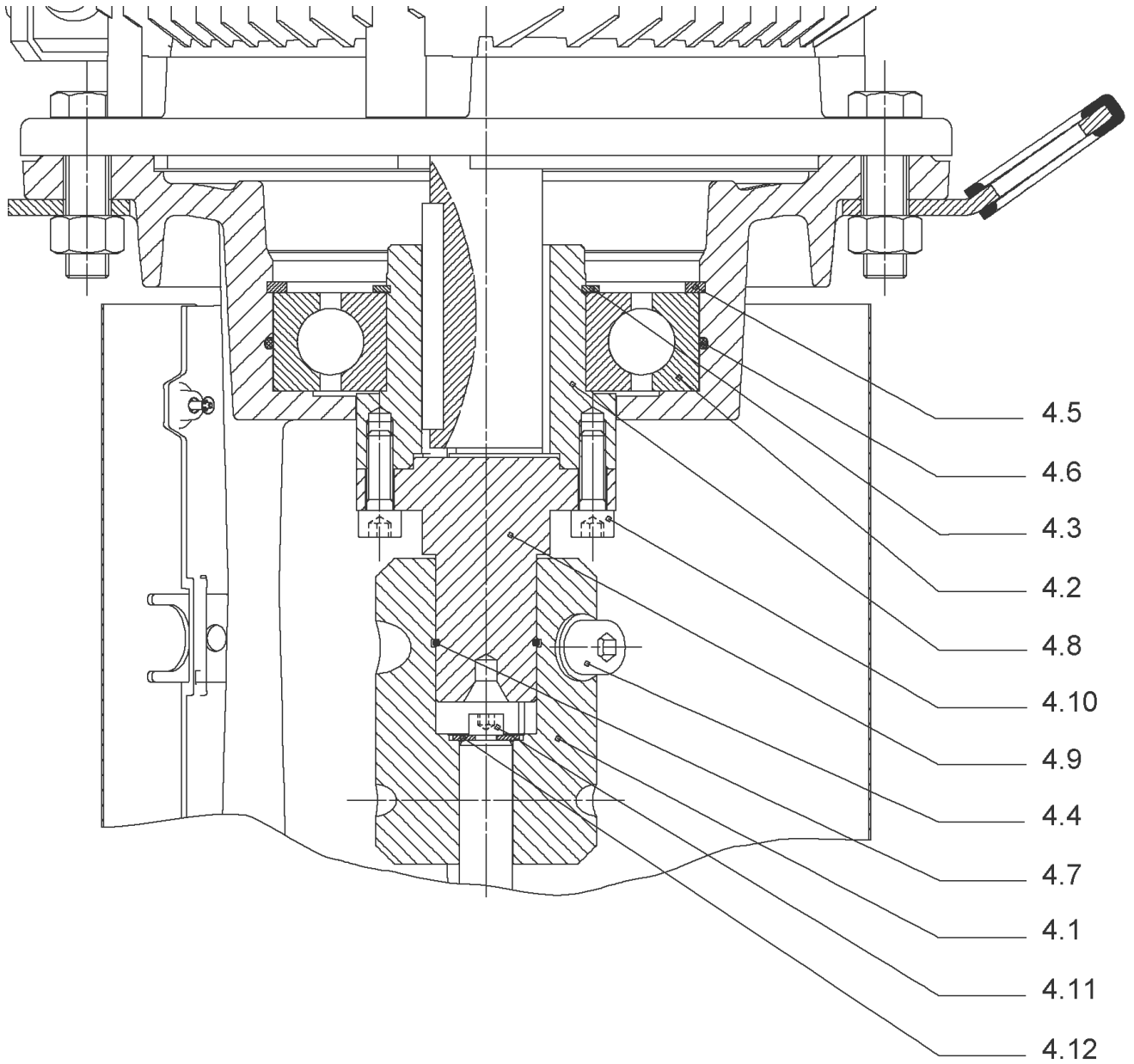


HELIX V2212-3/25/E/KS/400-50 (4123297)

Item	Article no.	Description	Quantity
1	4199884	MOTOR 11/2/160 3~400V 50HZ VP.	1
		SPARE PARTS MOTOR:ON REQUEST	1
2	4179586	SCREW M16X60 (4 PIECES)	1
3	4157721	LANTERN HELIX 22/36 FF300 BB6312 KIT	1
3.1		> LANTERN FF300 M+ GJL MACHINED+CATA 6312	1
3.2	4179589	> EYELET CPL.FF300 HELIX(4 PIECES)	1
3.3	4143969	> COUPLING PROTECT HELIX FF KIT	1
4	4143966	COUPLING D.20XD.38 FF300 KIT	1
5	4157725	SCREW M10X40 (4 PIECES)	1
6	4181098	STUD BOLT M16X733 KIT	1
6.1		> TIE BOLT M16-733x24x44-1.4057	1
6.2	4179562	> NUT M16 8.8 ISO4032 (4 PIECES)	1
6.3	4097852	> WASHER-CS-16.4-32-2.8-NFE25-511-A2	1
7	4179565	END SHIELD HELIX 8" EPDM KIT	1
7.1		> END SHIELD M+ GJL MACHINED+CATA	1
7.2	4179564	> O-RING D.42.52x2.62 EPDM VP.	1
7.3	4179571	> O-RING HOUSING PIPE HELIX22/36/52 VP.	1
8	4143765	FILING/PURGING PLUG 316L HELIX KIT	1
8.1		> FILLING/VENTING-PLUG-VMI8/10-316L	1
8.2	4032291	> O-RING 17x3 EPDM KTW/WRC	1
9	4143975	CARTRIDGE HELIX22-36-52 F/E KIT	1
10	4181099	HOUSING PIPE D.204X664 1.4301 KIT	1
7.3	4179571	> O-RING HOUSING PIPE HELIX22/36/52 VP.	1
10.1		> HOUSING-PIPE Ø204-M+2212/3609-304	1
11	4179143	CENTERING STAGE-RETURN HELIX22 1.4307 VP	1
12	4143967	SHAFT EQUIPMENT HELIX V KIT	1
13		HYDRAULIC HELIX V 2212	1
14	2127503	SHAFT D.22 X 804 HELIX 1.4057 VP.	1
15	4181158	EQUIPED HOUSING HELIX 22 GJL KIT	1
7.3	4179571	> O-RING HOUSING PIPE HELIX22/36/52 VP.	1
15.1		> PUMP HOUSING SET with COATED PARTS-DN50	1
15.3	4143766	> DRAIN/PRIMING PLUG EPDM HELIX KIT	1
15.3A		>> PRIMING/DRAIN PLUG-304-VERSION 1	1
15.3B	4032293	>> O-RING-10x3-EPDM-KTW/WRC	1

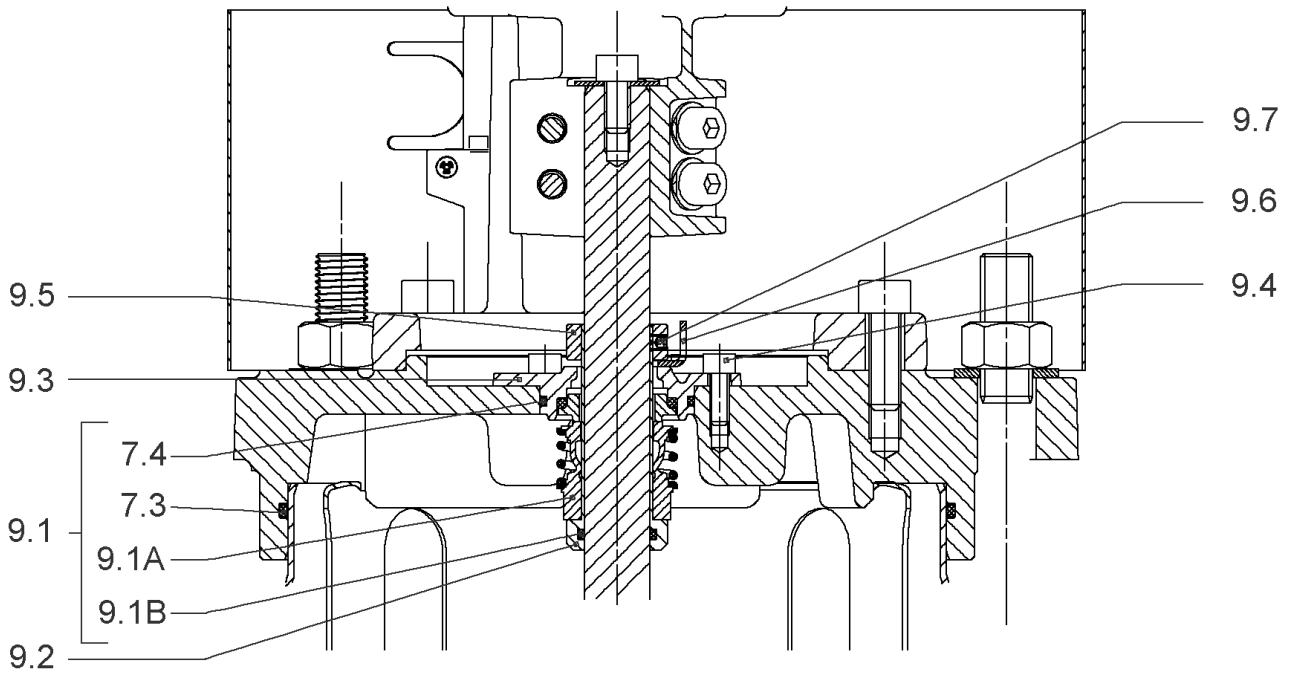
HELIX V2212-3/25/E/KS/400-50 (4123297)

Item	Article no.	Description	Quantity
15.3C	4233957	>> O-RING ID.9 EPDM VP.	1
15.4	4221729	> BASE M+ DN50/65/80 VP.	1
15.6		> FLANGE M+ DN50 CATA	1
15.7		> O-RING Ø63.17xØ2.62 EPDM	1
15.5		> SCREW TBHC M12x25 ISO7380 ZN	1



COUPLING D.20XD.38 FF300 KIT (4143966)

Item	Article no.	Description	Quantity
4.1	4179590	COUPLING 2 PARTS D.20XD.38XL115 VP.	1
4.2	2123699	BALL BEARING 6312/2Z-C4 (HT) VP.	1
4.3	63428	CIRCLIP-FOR-SHAFT-D60x2	1
4.4	2130991	SCREW M12X30 ISO4762 8.8 ZN(4 PIECES)	1
4.5	4032277	CIRCLIP-HOLE-130x4	1
4.6	4006725	O-RING ID.132,94x3,53 NBR70SR	1
4.7	2130992	RETAINING RING D.35xD.2,5 DIN7993 VP.	1
4.8	4179591	HUB D.42xD.60 VP.	1
4.9	2130994	SPACER D.38XD.55 VP.	1
4.10	4094462	SCREWS M10 (4 PIECES)	1
4.11	4233959	SCREW M8x16 VP.	1
4.12		SERRATED LOCK WASHER Ø8.2XØ25X35X2	1



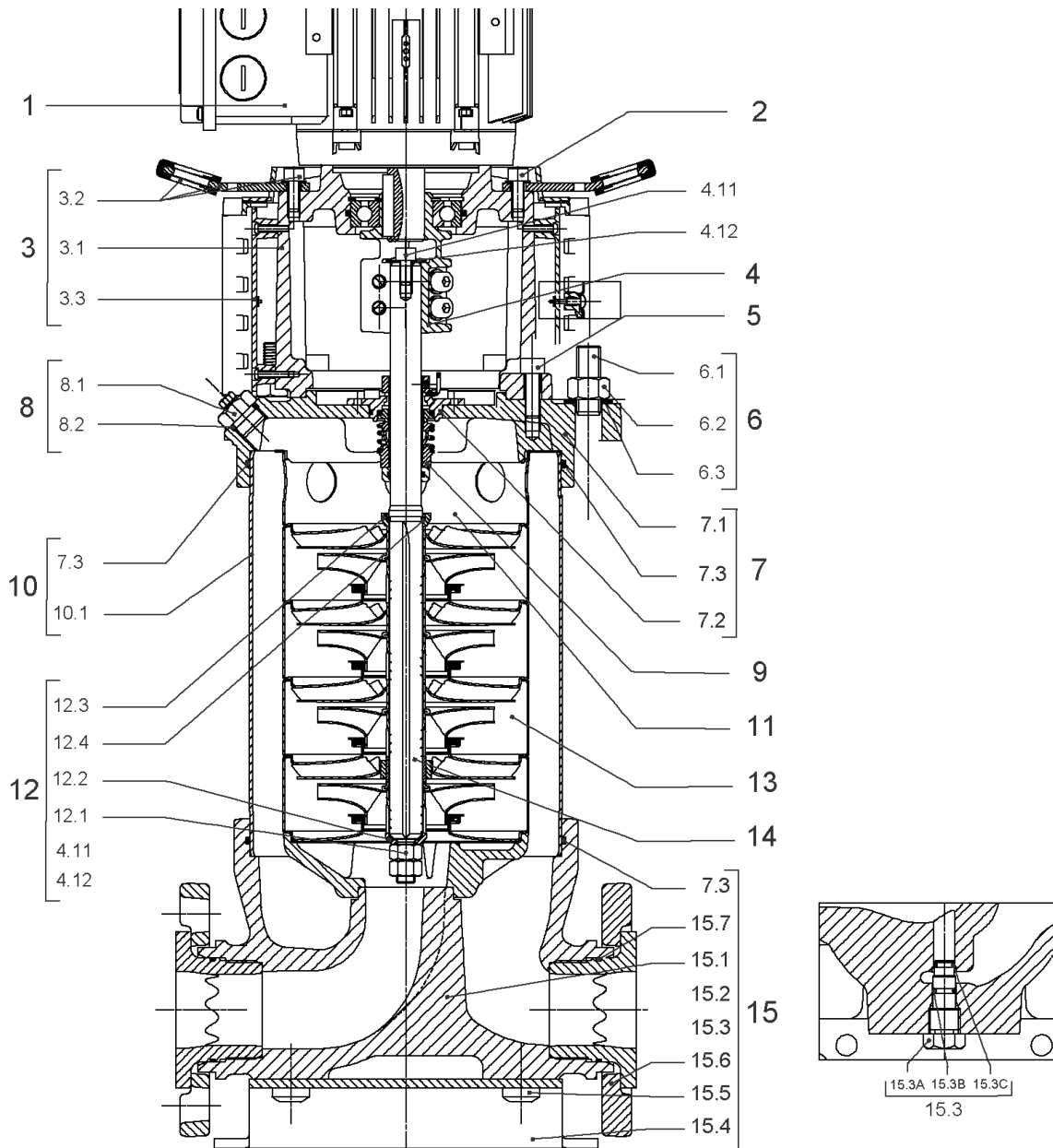
CARTRIDGE HELIX22-36-52 F/E KIT (4143975)

Item	Article no.	Description	Quantity
9.1	4143976	SEAL-KIT-HELIX22-36-52 F/E	1
7.3	4179571	> O-RING HOUSING PIPE HELIX22/36/52 VP.	1
7.4	4179572	> O-RING ID.42.52X2.62 EPDM VP.	1
9.1A	2127447	> M.SEAL.HELIX22-36-52 F/E VP.	1
9.1B	4179574	> O-RING ID.20x2.65 EPDM VP.	1
9.2	4179566	SHAFT SLEEVE D.20/20X60 1.4404 VP.	1
9.3	4179567	RING HOLDER Ø22 1.4301 VP.	1
9.4	4176520	SCREW CH M5x5 A4-70 (3PIECES)	1
9.5	4179568	DRIVE RING D.31/22.1x11 MACH.VP.	1
9.6	4179569	TOOL M.S.CART.HELIX 8" VP.	1
9.7	4179570	SCREW M6X16 ISO4762 8.8 GEOMET(4 PIECES)	1



HYDRAULIC HELIX V 2212

Item	Article no.	Description	Quantity
13.1	4157739	FIRST STAGE HELIX 22 1.4307 KIT	1
		> IMPELLER-H1-M+22-304	1
		> MACH.STG-CASING-WOGV-WNR-M+22-304	1
13.2	4157740	BEARING STAGE HELIX 22 1.4307 KIT	1
		> IMPELLER-H2-M+22-304	1
		> MACH.BEARING-STG-CASING-WNR-M+22-304	1
		> SHAFT-SLEEVE-D26xD22x16-CW	1
13.3	4157743	INTERMEDIATE STAGE HELIX 22 KIT	1
		> MACH.STD-STG-CASING-WGV+NR-M+22-304	1
		> IMPELLER-H2-M+22-304	1
13.4	4157767	INTERMEDIATE STAGE HELIX 22 1.4307 KIT	1
		> MACH.STD-STG-CASING-WGV+NR-M+22-304	1
		> IMPELLER-H1-M+22-304	1

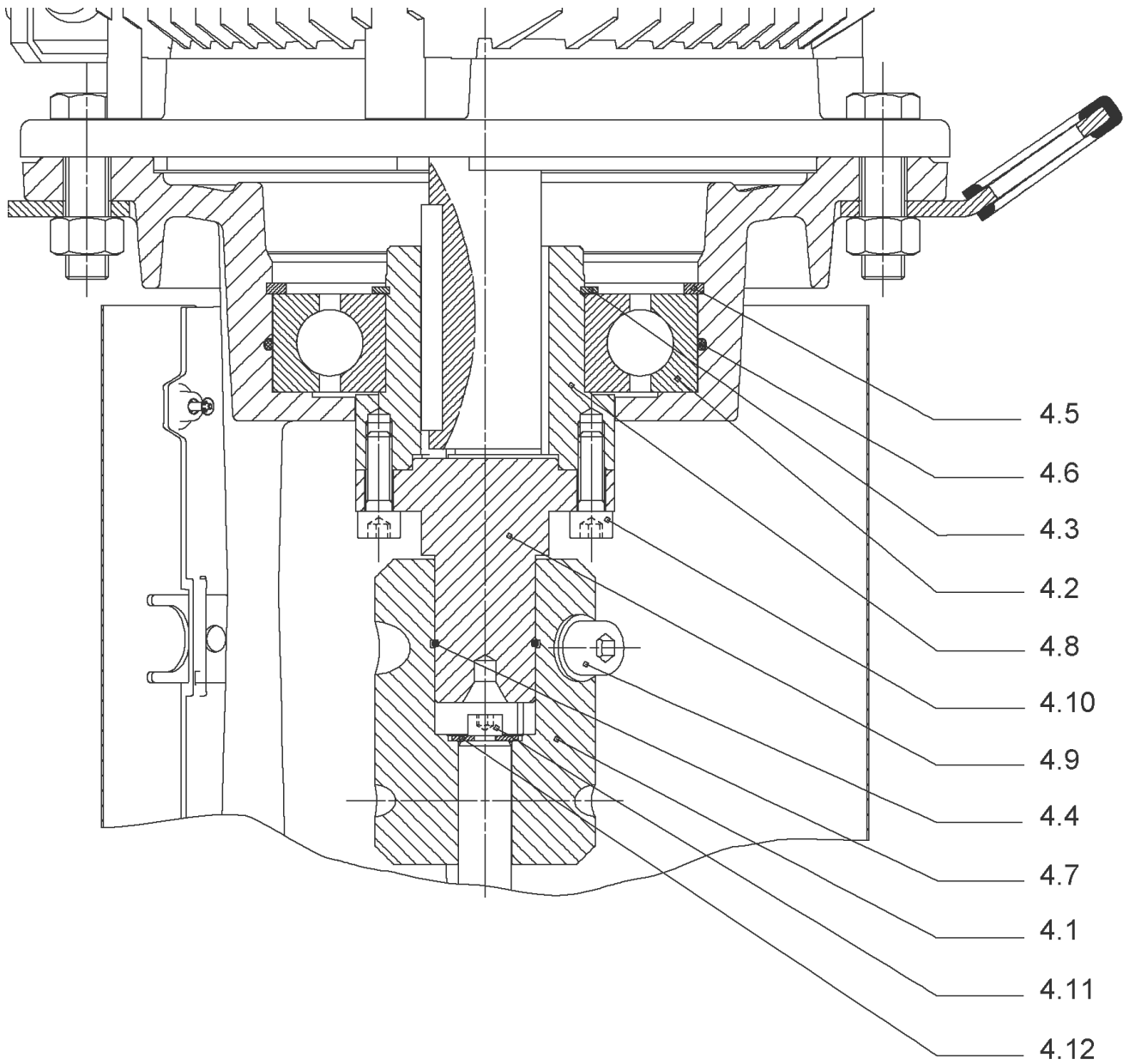


HELIX V2213-3/25/E/KS/400-50 (4123298)

Item	Article no.	Description	Quantity
1	4195488	MOTOR 18.5/2/160 3~400V 50HZ ARC VP.	1
		SPARE PARTS MOTOR:ON REQUEST	1
2	4179586	SCREW M16X60 (4 PIECES)	1
3	4157721	LANTERN HELIX 22/36 FF300 BB6312 KIT	1
3.1		> LANTERN FF300 M+ GJL MACHINED+CATA 6312	1
3.2	4179589	> EYELET CPL.FF300 HELIX(4 PIECES)	1
3.3	4143969	> COUPLING PROTECT HELIX FF KIT	1
4	4143966	COUPLING D.20XD.38 FF300 KIT	1
5	4157725	SCREW M10X40 (4 PIECES)	1
6	4181680	STUD BOLT M16X783 KIT	1
6.1		> TIE BOLT M16-783x24x44-1.4057	1
6.2	4179562	> NUT M16 8.8 ISO4032 (4 PIECES)	1
6.3	4097852	> WASHER-CS-16.4-32-2.8-NFE25-511-A2	1
7	4179565	END SHIELD HELIX 8" EPDM KIT	1
7.1		> END SHIELD M+ GJL MACHINED+CATA	1
7.2	4179564	> O-RING D.42.52x2.62 EPDM VP.	1
7.3	4179571	> O-RING HOUSING PIPE HELIX22/36/52 VP.	1
8	4143765	FILING/PURGING PLUG 316L HELIX KIT	1
8.1		> FILLING/VENTING-PLUG-VM18/10-316L	1
8.2	4032291	> O-RING 17x3 EPDM KTW/WRC	1
9	4143975	CARTRIDGE HELIX22-36-52 F/E KIT	1
10	4181681	HOUSING PIPE D.204X714 1.4301 KIT	1
7.3	4179571	> O-RING HOUSING PIPE HELIX22/36/52 VP.	1
10.1		> HOUSING-PIPE Ø204-M+2213-304	1
11	4179143	CENTERING STAGE-RETURN HELIX22 1.4307 VP	1
12	4143967	SHAFT EQUIPMENT HELIX V KIT	1
13		HYDRAULIC HELIX V 2213	1
14	4181683	SHAFTS D.22X854 1.4057 VP.	1
15	4181158	EQUIPED HOUSING HELIX 22 GJL KIT	1
7.3	4179571	> O-RING HOUSING PIPE HELIX22/36/52 VP.	1
15.1		> PUMP HOUSING SET with COATED PARTS-DN50	1
15.3	4143766	> DRAIN/PRIMING PLUG EPDM HELIX KIT	1
15.3A		>> PRIMING/DRAIN PLUG-304-VERSION 1	1
15.3B	4032293	>> O-RING-10x3-EPDM-KTW/WRC	1

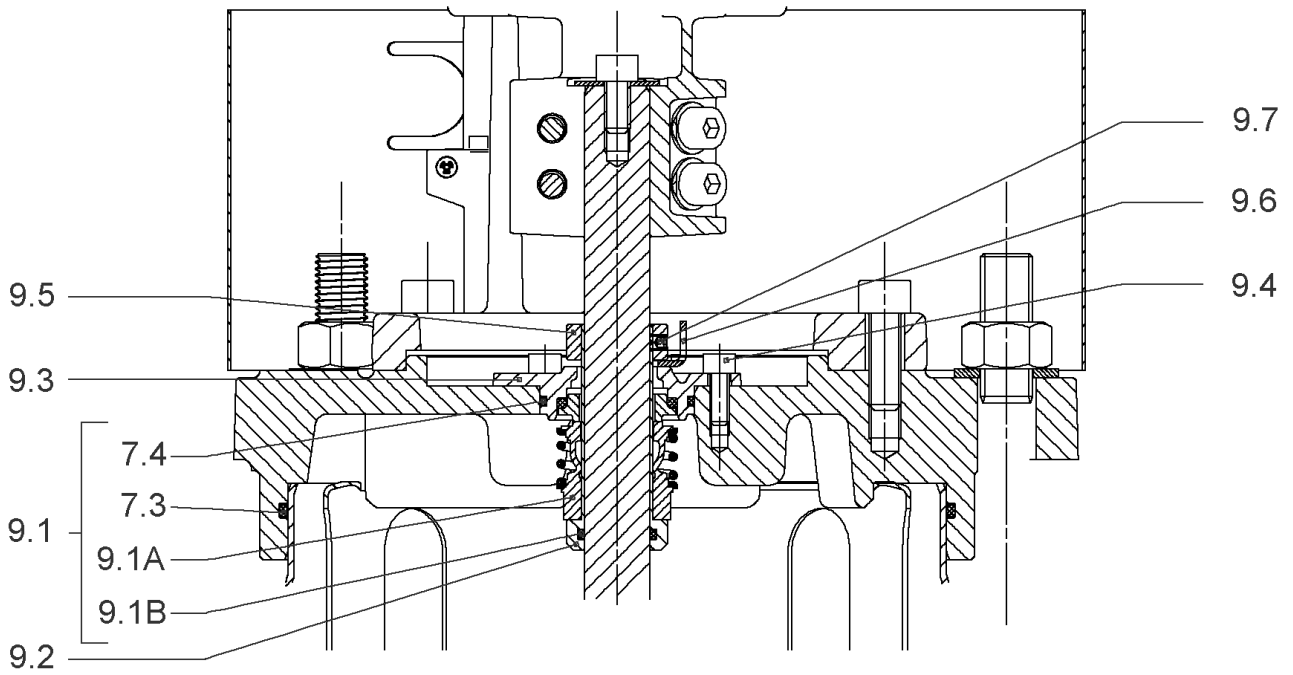
HELIX V2213-3/25/E/KS/400-50 (4123298)

Item	Article no.	Description	Quantity
15.3C	4233957	>> O-RING ID.9 EPDM VP.	1
15.4	4221729	> BASE M+ DN50/65/80 VP.	1
15.6		> FLANGE M+ DN50 CATA	1
15.7		> O-RING Ø63.17xØ2.62 EPDM	1
15.5		> SCREW TBHC M12x25 ISO7380 ZN	1



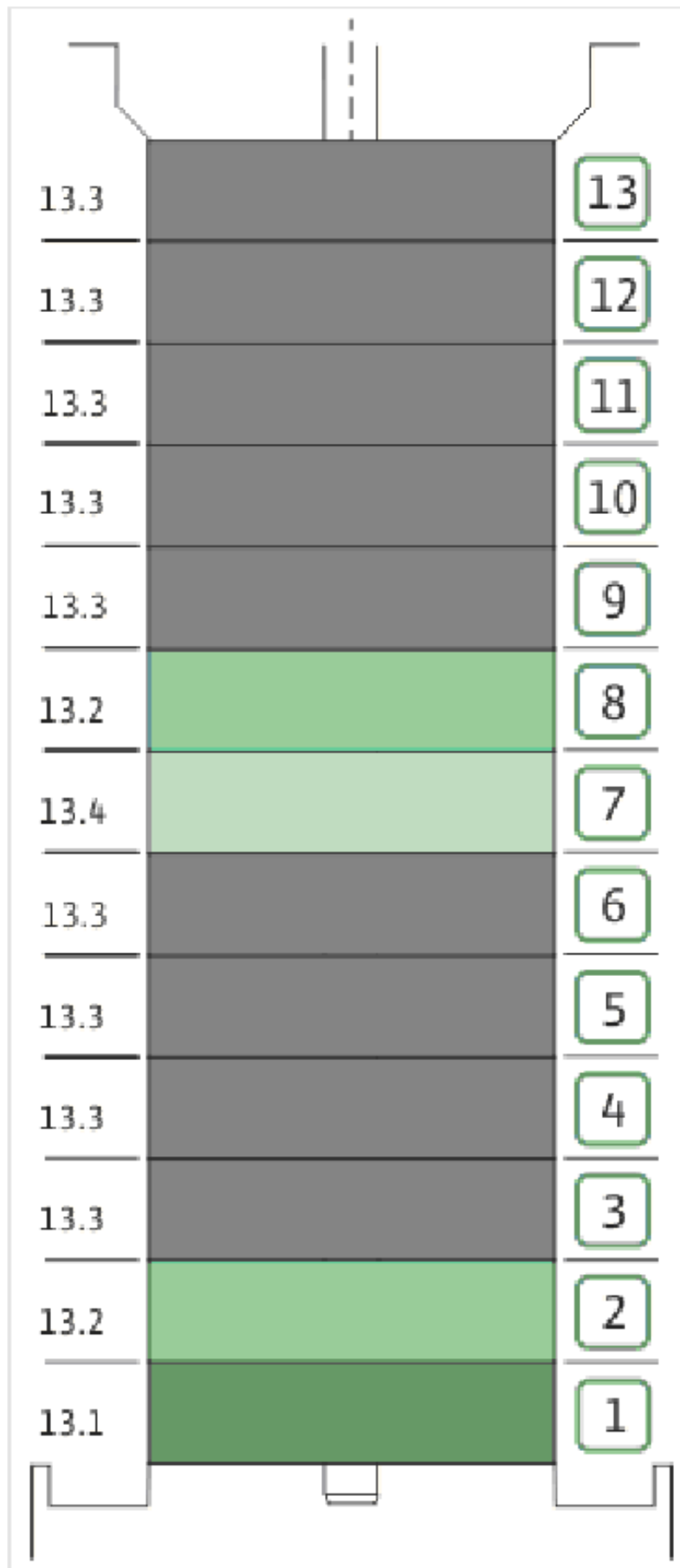
COUPLING D.20XD.38 FF300 KIT (4143966)

Item	Article no.	Description	Quantity
4.1	4179590	COUPLING 2 PARTS D.20XD.38XL115 VP.	1
4.2	2123699	BALL BEARING 6312/2Z-C4 (HT) VP.	1
4.3	63428	CIRCLIP-FOR-SHAFT-D60x2	1
4.4	2130991	SCREW M12X30 ISO4762 8.8 ZN(4 PIECES)	1
4.5	4032277	CIRCLIP-HOLE-130x4	1
4.6	4006725	O-RING ID.132,94x3,53 NBR70SR	1
4.7	2130992	RETAINING RING D.35xD.2,5 DIN7993 VP.	1
4.8	4179591	HUB D.42xD.60 VP.	1
4.9	2130994	SPACER D.38XD.55 VP.	1
4.10	4094462	SCREWS M10 (4 PIECES)	1
4.11	4233959	SCREW M8x16 VP.	1
4.12		SERRATED LOCK WASHER Ø8.2XØ25X35X2	1

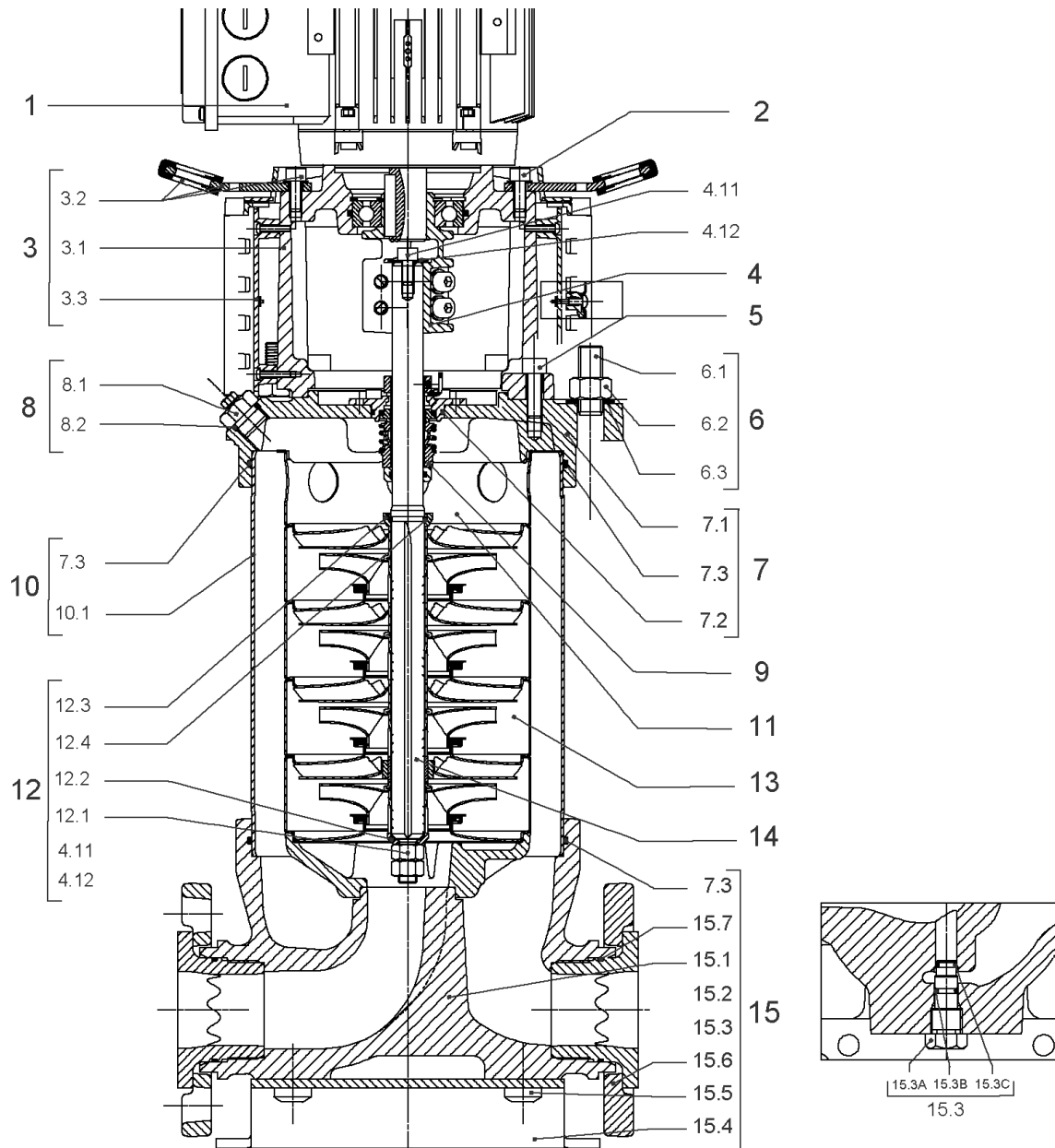


CARTRIDGE HELIX22-36-52 F/E KIT (4143975)

Item	Article no.	Description	Quantity
9.1	4143976	SEAL-KIT-HELIX22-36-52 F/E	1
7.3	4179571	> O-RING HOUSING PIPE HELIX22/36/52 VP.	1
7.4	4179572	> O-RING ID.42.52X2.62 EPDM VP.	1
9.1A	2127447	> M.SEAL.HELIX22-36-52 F/E VP.	1
9.1B	4179574	> O-RING ID.20x2.65 EPDM VP.	1
9.2	4179566	SHAFT SLEEVE D.20/20X60 1.4404 VP.	1
9.3	4179567	RING HOLDER Ø22 1.4301 VP.	1
9.4	4176520	SCREW CH M5x5 A4-70 (3PIECES)	1
9.5	4179568	DRIVE RING D.31/22.1x11 MACH.VP.	1
9.6	4179569	TOOL M.S.CART.HELIX 8" VP.	1
9.7	4179570	SCREW M6X16 ISO4762 8.8 GEOMET(4 PIECES)	1



Item	Article no.	Description	Quantity
13.1	4157739	FIRST STAGE HELIX 22 1.4307 KIT	1
		> IMPELLER-H1-M+22-304	1
		> MACH.STG-CASING-WOGV-WNR-M+22-304	1
13.2	4157740	BEARING STAGE HELIX 22 1.4307 KIT	1
		> IMPELLER-H2-M+22-304	1
		> MACH.BEARING-STG-CASING-WNR-M+22-304	1
		> SHAFT-SLEEVE-D26xD22x16-CW	1
13.3	4157743	INTERMEDIATE STAGE HELIX 22 KIT	1
		> MACH.STD-STG-CASING-WGV+NR-M+22-304	1
		> IMPELLER-H2-M+22-304	1
13.4	4157767	INTERMEDIATE STAGE HELIX 22 1.4307 KIT	1
		> MACH.STD-STG-CASING-WGV+NR-M+22-304	1
		> IMPELLER-H1-M+22-304	1

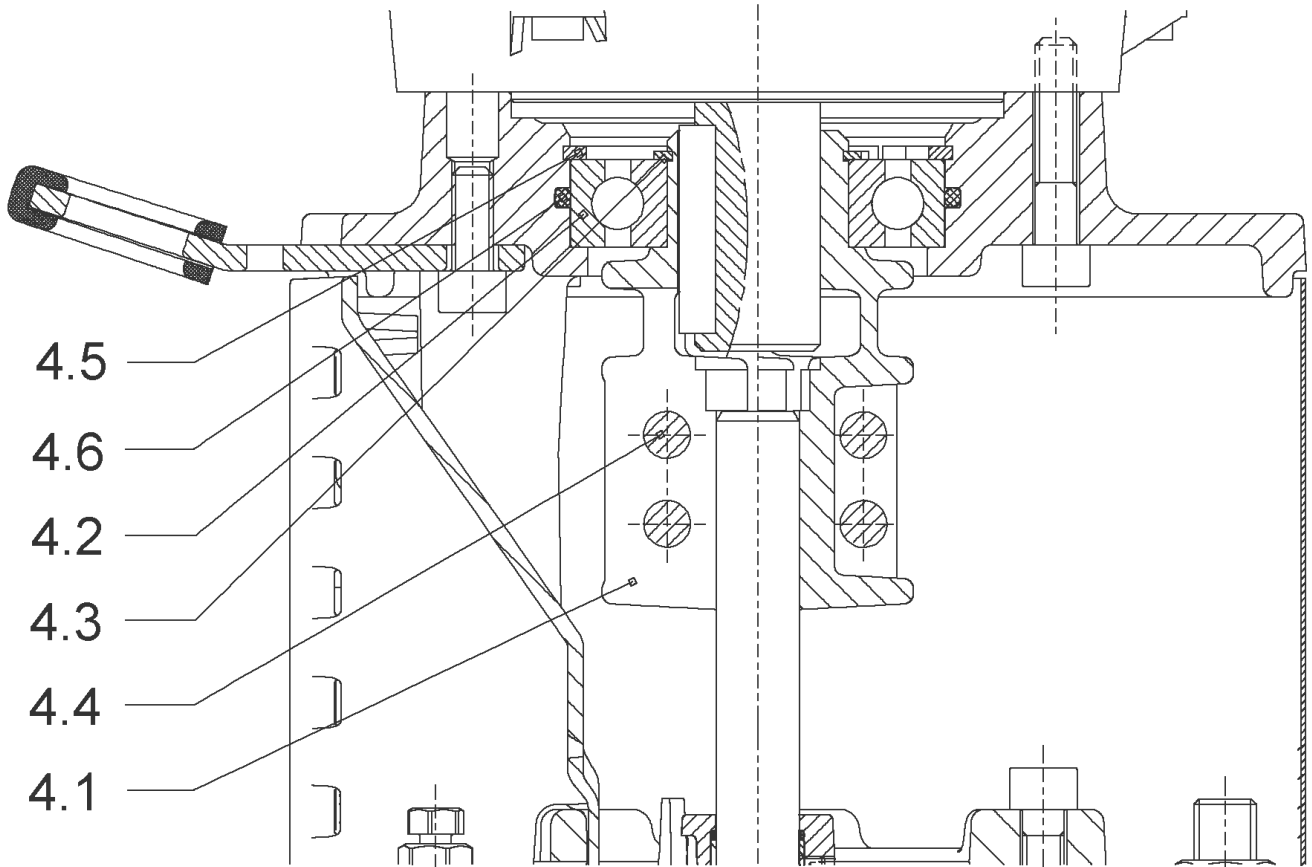


HELIX V2202-3/16/E/KS/400-50 (4123299)

Item	Article no.	Description	Quantity
1	4169944	MOTOR 3/2/100 3~230/400V 50HZ IE3 VP.	1
		SPARE PARTS MOTOR:ON REQUEST	1
2	4159707	SCREW M8X30 (4 PIECES)	1
3	4157719	LANTERN HELIX 22/36 FT130 KIT	1
3.1		> LANTERN FT130 M+ GJL MACHINED+CATA	1
3.2	4179561	> EYELET CPL.FT HELIX(2 PIECES)	1
3.3	4143968	> COUPLING PROTECT HELIX FT KIT	1
4	4143964	COUPLING D.20XD.28 FT130 KIT	1
5	4094462	SCREWS M10 (4 PIECES)	1
6	4181156	STUD BOLT M16X233 KIT	1
6.1		> TIE BOLT M16-233x24x44-1.4057	1
6.2	4179562	> NUT M16 8.8 ISO4032 (4 PIECES)	1
6.3	4097852	> WASHER-CS-16.4-32-2.8-NFE25-511-A2	1
7	4179565	END SHIELD HELIX 8" EPDM KIT	1
7.1		> END SHIELD M+ GJL MACHINED+CATA	1
7.2	4179564	> O-RING D.42.52x2.62 EPDM VP.	1
7.3	4179571	> O-RING HOUSING PIPE HELIX22/36/52 VP.	1
8	4143765	FILING/PURGING PLUG 316L HELIX KIT	1
8.1		> FILLING/VENTING-PLUG-VMI8/10-316L	1
8.2	4032291	> O-RING 17x3 EPDM KTW/WRC	1
9	4143973	CARTRIDGE HELIX22-36-52 O/E KIT	1
10	4181154	HOUSING PIPE D.204X164 1.4307 KIT	1
7.3	4179571	> O-RING HOUSING PIPE HELIX22/36/52 VP.	1
10.1		> HOUSING-PIPE Ø204-M+2201/2202-304	1
11	4179143	CENTERING STAGE-RETURN HELIX22 1.4307 VP	1
12	4143967	SHAFT EQUIPMENT HELIX V KIT	1
13		HYDRAULIC HELIX V 2202	1
14	4179579	SHAFTS D.22X304 1.4057 VP.	1
15	4181158	EQUIPED HOUSING HELIX 22 GJL KIT	1
7.3	4179571	> O-RING HOUSING PIPE HELIX22/36/52 VP.	1
15.1		> PUMP HOUSING SET with COATED PARTS-DN50	1
15.3	4143766	> DRAIN/PRIMING PLUG EPDM HELIX KIT	1
15.3A		>> PRIMING/DRAIN PLUG-304-VERSION 1	1
15.3B	4032293	>> O-RING-10x3-EPDM-KTW/WRC	1

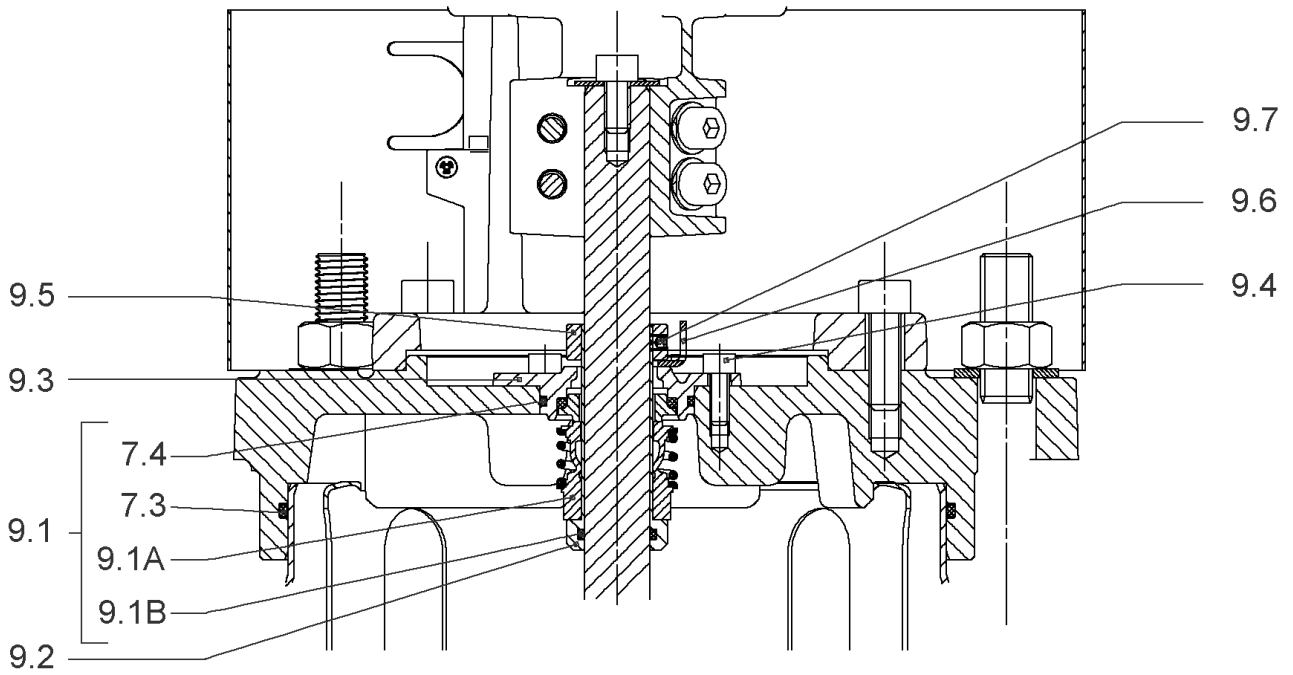
HELIX V2202-3/16/E/KS/400-50 (4123299)

Item	Article no.	Description	Quantity
15.3C	4233957	>> O-RING ID.9 EPDM VP.	1
15.4	4221729	> BASE M+ DN50/65/80 VP.	1
15.6		> FLANGE M+ DN50 CATA	1
15.7		> O-RING Ø63.17xØ2.62 EPDM	1
15.5		> SCREW TBHC M12x25 ISO7380 ZN	1



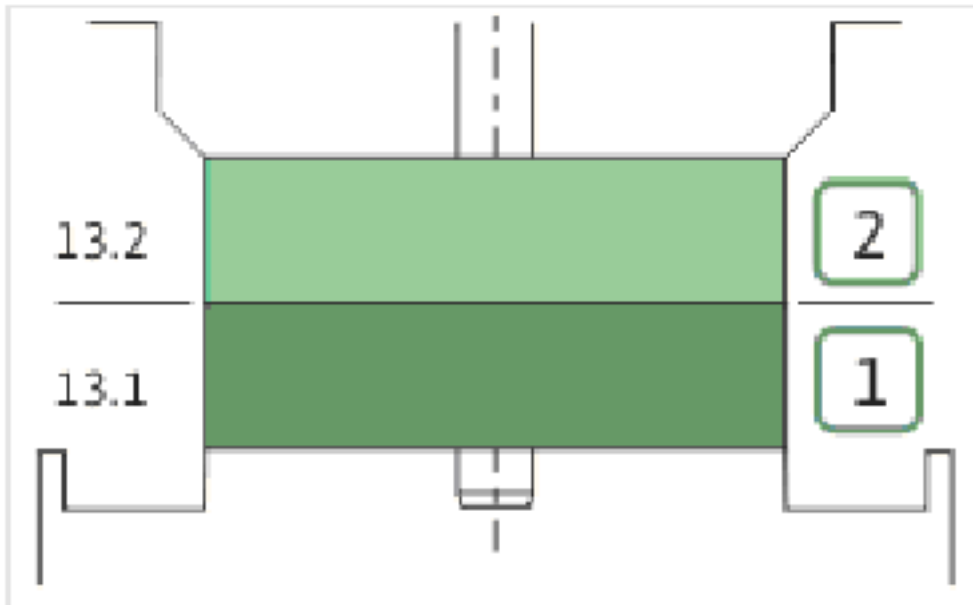
COUPLING D.20XD.28 FT130 KIT (4143964)

Item	Article no.	Description	Quantity
4.1		COUPLING M+ Ø20XØ28-FT130 MACHINED	1
4.2	2131022	BALL BEARING 6209/ZZ-C3(HT)VP.	1
4.3	4233930	CIRCLIP-FOR-BORES-D45x1,75 VP.	1
4.4	4157726	SCREW KIT M8X30 (4 PIECES)	1
4.5	4234252	CIRCLIPS 85X3 VP.	1
4.6	4234243	O-RING 85X3 VP.	1
		NOMEL CONTACT WASHER 8x16x1,4 STEEL ZC	1

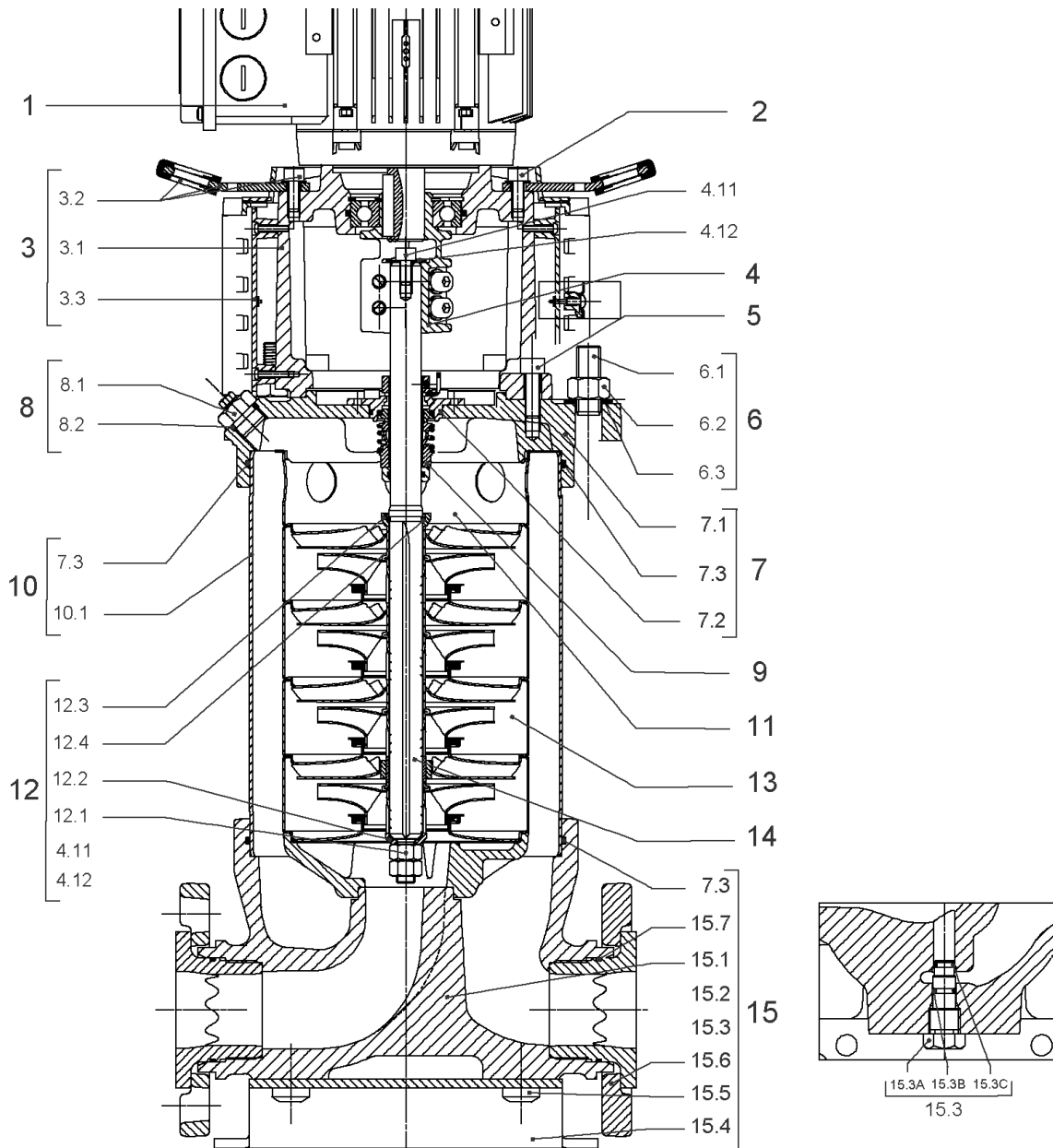


CARTRIDGE HELIX22-36-52 O/E KIT (4143973)

Item	Article no.	Description	Quantity
9.1	4143974	SEAL-KIT-HELIX22-36-52 O/E	1
7.3	4179571	> O-RING HOUSING PIPE HELIX22/36/52 VP.	1
7.4	4179572	> O-RING ID.42.52X2.62 EPDM VP.	1
9.1A	4179573	> M.SEAL.HELIX22-36-52 O/E VP.	1
9.1B	4179574	> O-RING ID.20x2.65 EPDM VP.	1
9.2	4179566	SHAFT SLEEVE D.20/20X60 1.4404 VP.	1
9.3	4179567	RING HOLDER Ø22 1.4301 VP.	1
9.4	4176520	SCREW CH M5x5 A4-70 (3PIECES)	1
9.5	4179568	DRIVE RING D.31/22.1x11 MACH.VP.	1
9.6	4179569	TOOL M.S.CART.HELIX 8" VP.	1
9.7	4179570	SCREW M6X16 ISO4762 8.8 GEOMET(4 PIECES)	1



Item	Article no.	Description	Quantity
13.1	4157739	FIRST STAGE HELIX 22 1.4307 KIT	1
		> IMPELLER-H1-M+22-304	1
		> MACH.STG-CASING-WOGV-WNR-M+22-304	1
13.2	4157740	BEARING STAGE HELIX 22 1.4307 KIT	1
		> IMPELLER-H2-M+22-304	1
		> MACH.BEARING-STG-CASING-WNR-M+22-304	1
		> SHAFT-SLEEVE-D26xD22x16-CW	1

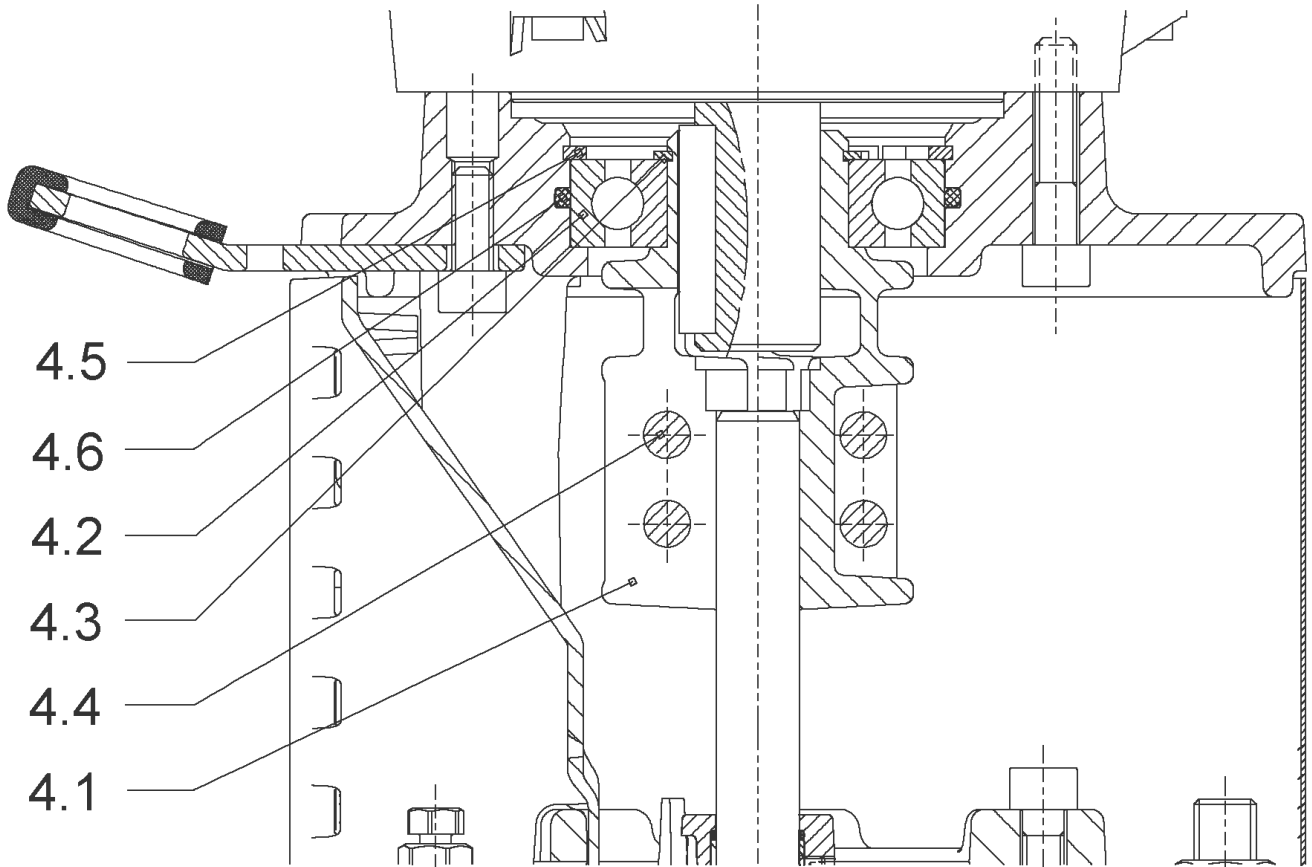


HELIX V2203-3/16/E/KS/400-50 (4123300)

Item	Article no.	Description	Quantity
1	4169945	MO.4/2 3~230/400(460)V 50(60)HZ IE3 VP.	1
		SPARE PARTS MOTOR:ON REQUEST	1
2	4159707	SCREW M8X30 (4 PIECES)	1
3	4157719	LANTERN HELIX 22/36 FT130 KIT	1
3.1		> LANTERN FT130 M+ GJL MACHINED+CATA	1
3.2	4179561	> EYELET CPL.FT HELIX(2 PIECES)	1
3.3	4143968	> COUPLING PROTECT HELIX FT KIT	1
4	4143964	COUPLING D.20XD.28 FT130 KIT	1
5	4094462	SCREWS M10 (4 PIECES)	1
6	4181160	STUD BOLT M16X279 KIT	1
6.1		> TIE BOLT M16-279x24x44-1.4057	1
6.2	4179562	> NUT M16 8.8 ISO4032 (4 PIECES)	1
6.3	4097852	> WASHER-CS-16.4-32-2.8-NFE25-511-A2	1
7	4179565	END SHIELD HELIX 8" EPDM KIT	1
7.1		> END SHIELD M+ GJL MACHINED+CATA	1
7.2	4179564	> O-RING D.42.52x2.62 EPDM VP.	1
7.3	4179571	> O-RING HOUSING PIPE HELIX22/36/52 VP.	1
8	4143765	FILING/PURGING PLUG 316L HELIX KIT	1
8.1		> FILLING/VENTING-PLUG-VMI8/10-316L	1
8.2	4032291	> O-RING 17x3 EPDM KTW/WRC	1
9	4143973	CARTRIDGE HELIX22-36-52 O/E KIT	1
10	4181161	HOUSING PIPE D.204X214 1.4307 KIT	1
10.1		> HOUSING-PIPE Ø204-M+2203-304	1
7.3	4179571	> O-RING HOUSING PIPE HELIX22/36/52 VP.	1
11	4179143	CENTERING STAGE-RETURN HELIX22 1.4307 VP	1
12	4143967	SHAFT EQUIPMENT HELIX V KIT	1
13		HYDRAULIC HELIX V 2203	1
14	4181073	SHAFTS D.22X354 1.4057 VP.	1
15	4181158	EQUIPED HOUSING HELIX 22 GJL KIT	1
7.3	4179571	> O-RING HOUSING PIPE HELIX22/36/52 VP.	1
15.1		> PUMP HOUSING SET with COATED PARTS-DN50	1
15.3	4143766	> DRAIN/PRIMING PLUG EPDM HELIX KIT	1
15.3A		>> PRIMING/DRAIN PLUG-304-VERSION 1	1
15.3B	4032293	>> O-RING-10x3-EPDM-KTW/WRC	1

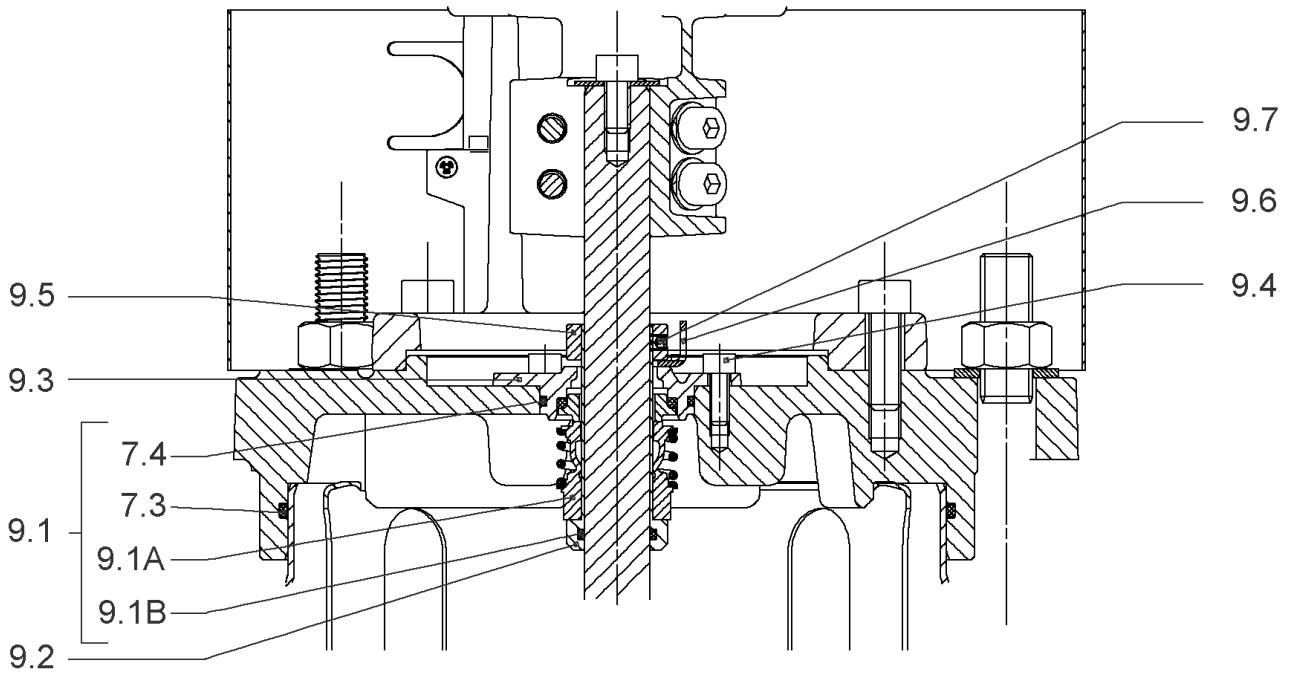
HELIX V2203-3/16/E/KS/400-50 (4123300)

Item	Article no.	Description	Quantity
15.3C	4233957	>> O-RING ID.9 EPDM VP.	1
15.4	4221729	> BASE M+ DN50/65/80 VP.	1
15.6		> FLANGE M+ DN50 CATA	1
15.7		> O-RING Ø63.17xØ2.62 EPDM	1
15.5		> SCREW TBHC M12x25 ISO7380 ZN	1



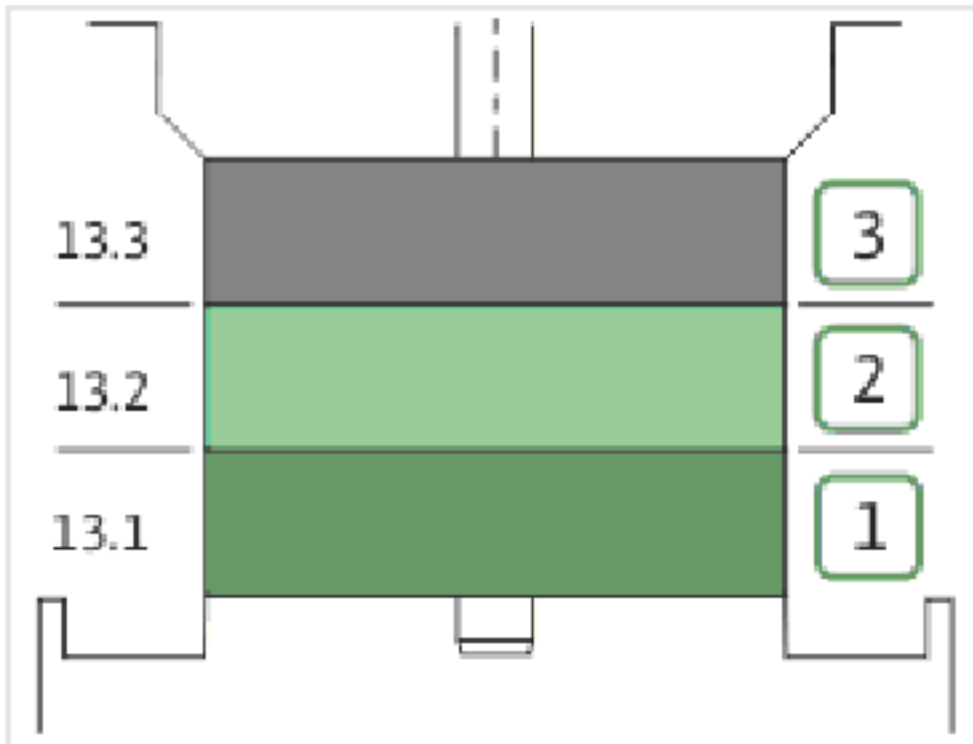
COUPLING D.20XD.28 FT130 KIT (4143964)

Item	Article no.	Description	Quantity
4.1		COUPLING M+ Ø20XØ28-FT130 MACHINED	1
4.2	2131022	BALL BEARING 6209/ZZ-C3(HT)VP.	1
4.3	4233930	CIRCLIP-FOR-BORES-D45x1,75 VP.	1
4.4	4157726	SCREW KIT M8X30 (4 PIECES)	1
4.5	4234252	CIRCLIPS 85X3 VP.	1
4.6	4234243	O-RING 85X3 VP.	1
		NOMEL CONTACT WASHER 8x16x1,4 STEEL ZC	1

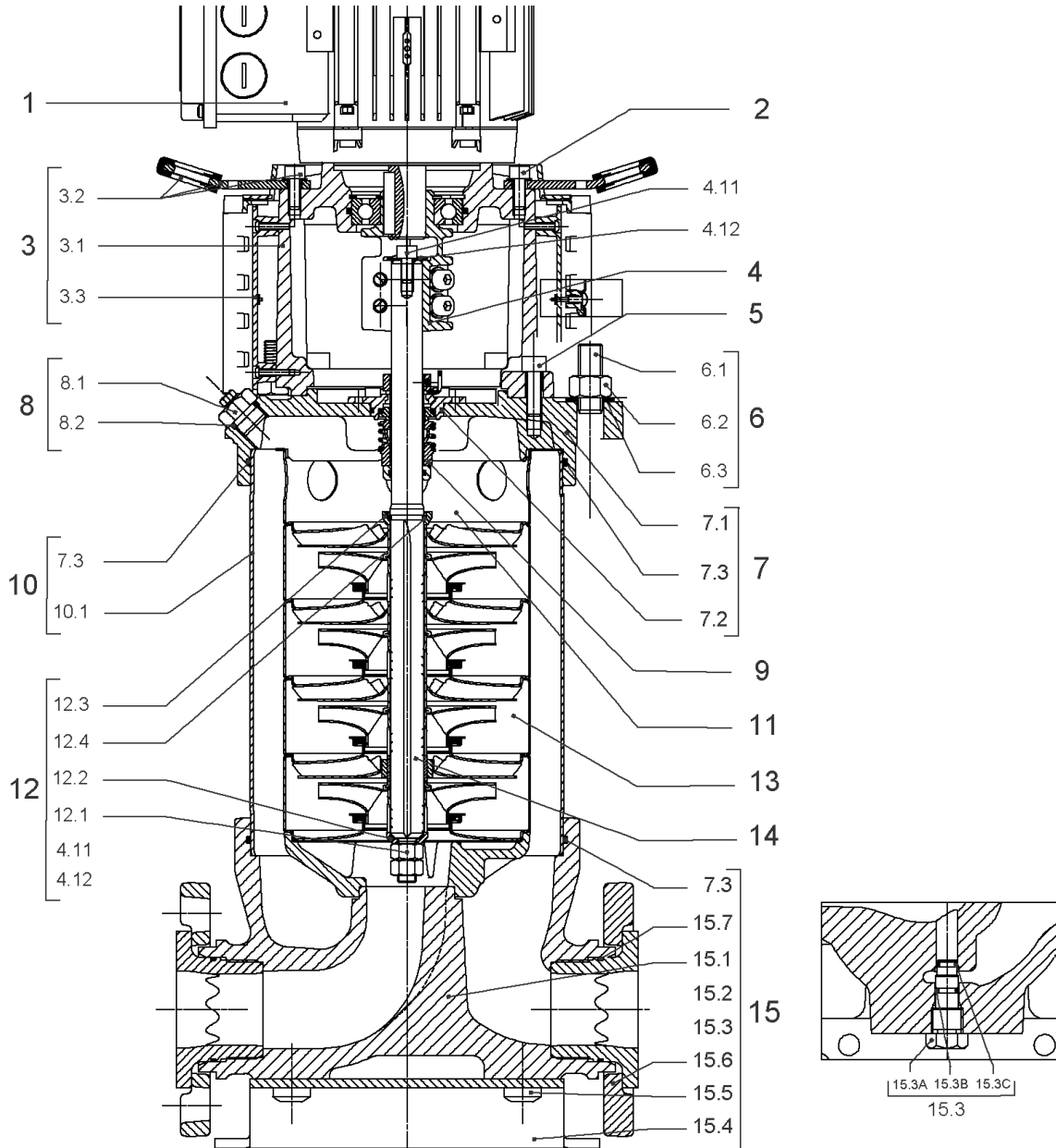


CARTRIDGE HELIX22-36-52 O/E KIT (4143973)

Item	Article no.	Description	Quantity
9.1	4143974	SEAL-KIT-HELIX22-36-52 O/E	1
7.3	4179571	> O-RING HOUSING PIPE HELIX22/36/52 VP.	1
7.4	4179572	> O-RING ID.42.52X2.62 EPDM VP.	1
9.1A	4179573	> M.SEAL.HELIX22-36-52 O/E VP.	1
9.1B	4179574	> O-RING ID.20x2.65 EPDM VP.	1
9.2	4179566	SHAFT SLEEVE D.20/20X60 1.4404 VP.	1
9.3	4179567	RING HOLDER Ø22 1.4301 VP.	1
9.4	4176520	SCREW CH M5x5 A4-70 (3PIECES)	1
9.5	4179568	DRIVE RING D.31/22.1x11 MACH.VP.	1
9.6	4179569	TOOL M.S.CART.HELIX 8" VP.	1
9.7	4179570	SCREW M6X16 ISO4762 8.8 GEOMET(4 PIECES)	1



Item	Article no.	Description	Quantity
13.1	4157739	FIRST STAGE HELIX 22 1.4307 KIT	1
		> IMPELLER-H1-M+22-304	1
		> MACH.STG-CASING-WOGV-WNR-M+22-304	1
13.2	4157740	BEARING STAGE HELIX 22 1.4307 KIT	1
		> IMPELLER-H2-M+22-304	1
		> MACH.BEARING-STG-CASING-WNR-M+22-304	1
		> SHAFT-SLEEVE-D26xD22x16-CW	1
13.3	4157743	INTERMEDIATE STAGE HELIX 22 KIT	1
		> MACH.STD-STG-CASING-WGV+NR-M+22-304	1
		> IMPELLER-H2-M+22-304	1

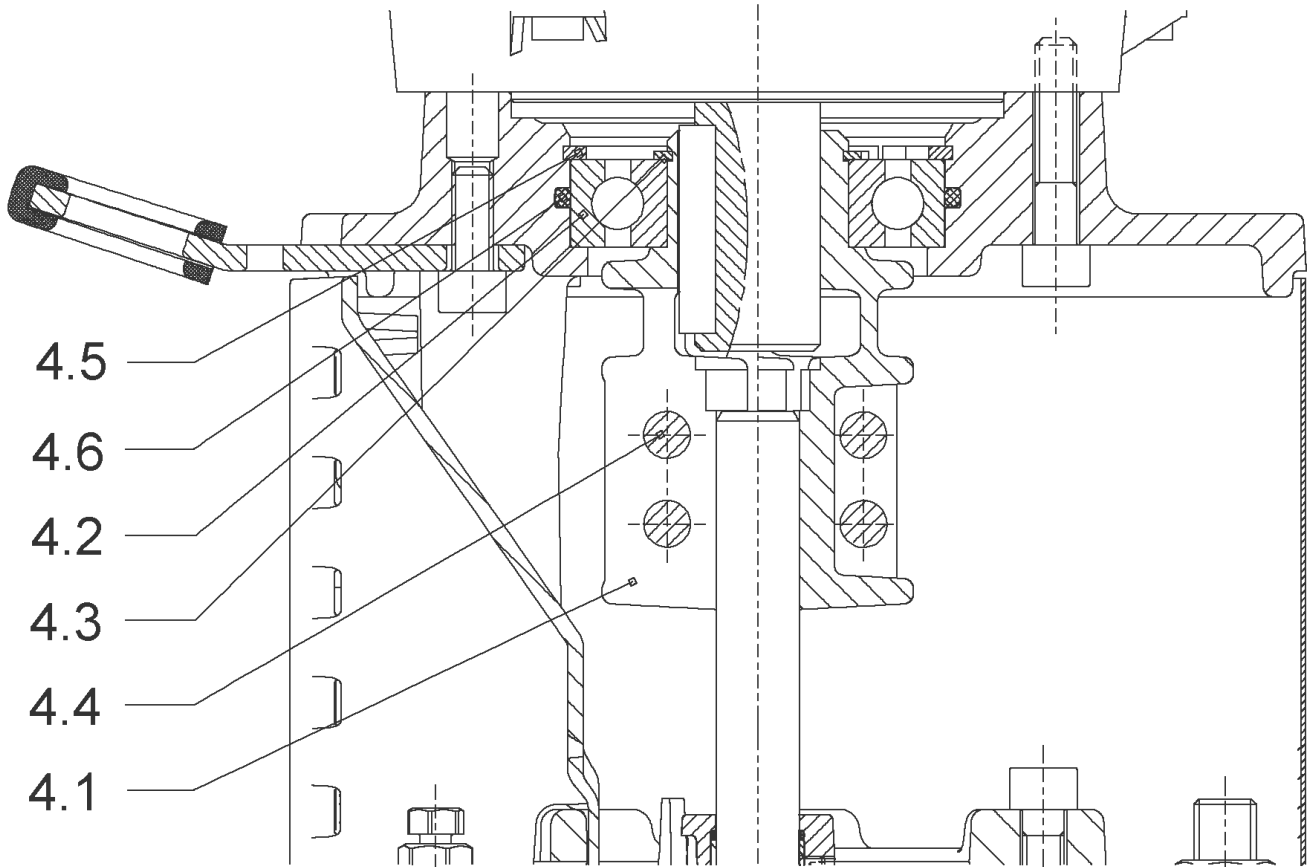


HELIX V2204-3/16/E/KS/400-50 (4123301)

Item	Article no.	Description	Quantity
1	4169947	MO 5,5/2/112 3~400V50Hz 460V60Hz IE3 VP.	1
		SPARE PARTS MOTOR:ON REQUEST	1
2	4159707	SCREW M8X30 (4 PIECES)	1
3	4157719	LANTERN HELIX 22/36 FT130 KIT	1
3.1		> LANTERN FT130 M+ GJL MACHINED+CATA	1
3.2	4179561	> EYELET CPL.FT HELIX(2 PIECES)	1
3.3	4143968	> COUPLING PROTECT HELIX FT KIT	1
4	4143964	COUPLING D.20XD.28 FT130 KIT	1
5	4094462	SCREWS M10 (4 PIECES)	1
6	4181076	STUD BOLT M16X338 KIT	1
		> TIE BOLT M16-338x24x44-1.4057	1
	4179562	> NUT M16 8.8 ISO4032 (4 PIECES)	1
	4097852	> WASHER-CS-16.4-32-2.8-NFE25-511-A2	1
7	4179565	END SHIELD HELIX 8" EPDM KIT	1
7.1		> END SHIELD M+ GJL MACHINED+CATA	1
7.2	4179564	> O-RING D.42.52x2.62 EPDM VP.	1
7.3	4179571	> O-RING HOUSING PIPE HELIX22/36/52 VP.	1
8	4143765	FILING/PURGING PLUG 316L HELIX KIT	1
8.1		> FILLING/VENTING-PLUG-VMI8/10-316L	1
8.2	4032291	> O-RING 17x3 EPDM KTW/WRC	1
9	4143973	CARTRIDGE HELIX22-36-52 O/E KIT	1
10	4181077	HOUSING-PIPE D.204X264 1.4307 KIT	1
7.3	4179571	> O-RING HOUSING PIPE HELIX22/36/52 VP.	1
10.1		> HOUSING-PIPE Ø204-M+2204/3603-304	1
11	4179143	CENTERING STAGE-RETURN HELIX22 1.4307 VP	1
12	4143967	SHAFT EQUIPMENT HELIX V KIT	1
13		HYDRAULIC HELIX V 2204	1
14	2132516	SHAFT D.22X404 1.4301 VP.	1
15	4181158	EQUIPED HOUSING HELIX 22 GJL KIT	1
7.3	4179571	> O-RING HOUSING PIPE HELIX22/36/52 VP.	1
15.1		> PUMP HOUSING SET with COATED PARTS-DN50	1
15.3	4143766	> DRAIN/PRIMING PLUG EPDM HELIX KIT	1
15.3A		>> PRIMING/DRAIN PLUG-304-VERSION 1	1
15.3B	4032293	>> O-RING-10x3-EPDM-KTW/WRC	1

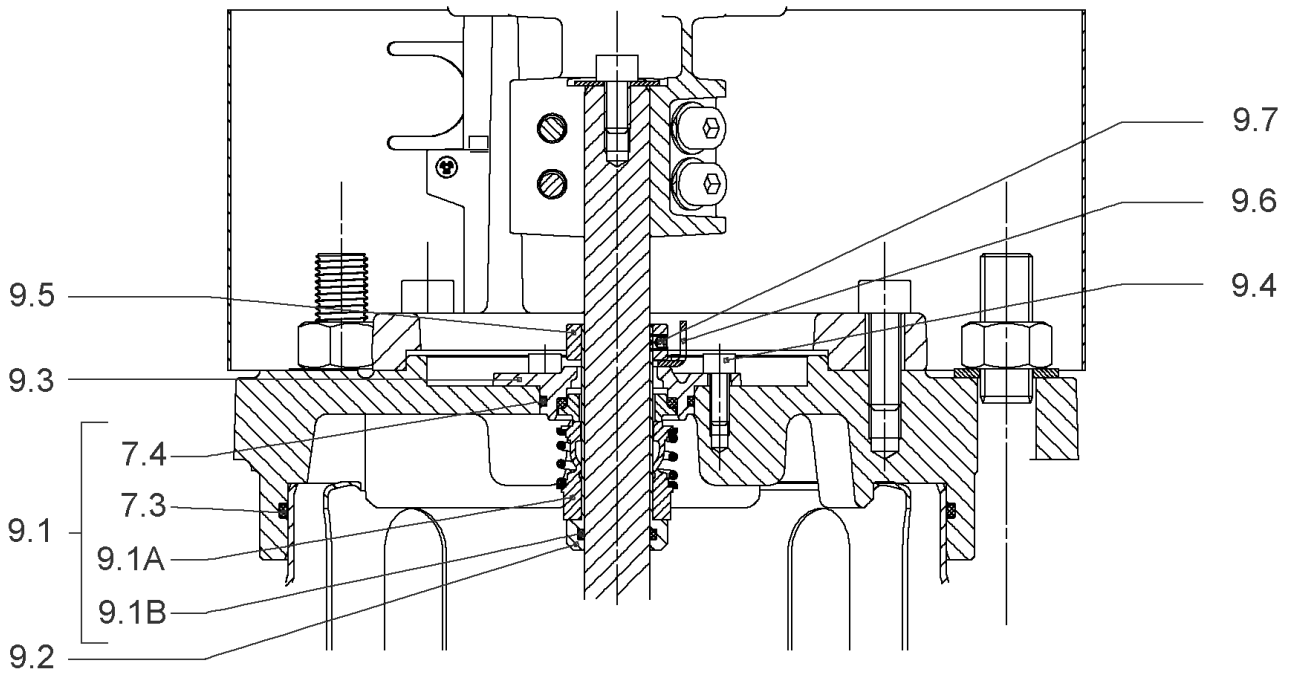
HELIX V2204-3/16/E/KS/400-50 (4123301)

Item	Article no.	Description	Quantity
15.3C	4233957	>> O-RING ID.9 EPDM VP.	1
15.4	4221729	> BASE M+ DN50/65/80 VP.	1
15.6		> FLANGE M+ DN50 CATA	1
15.7		> O-RING Ø63.17xØ2.62 EPDM	1
15.5		> SCREW TBHC M12x25 ISO7380 ZN	1



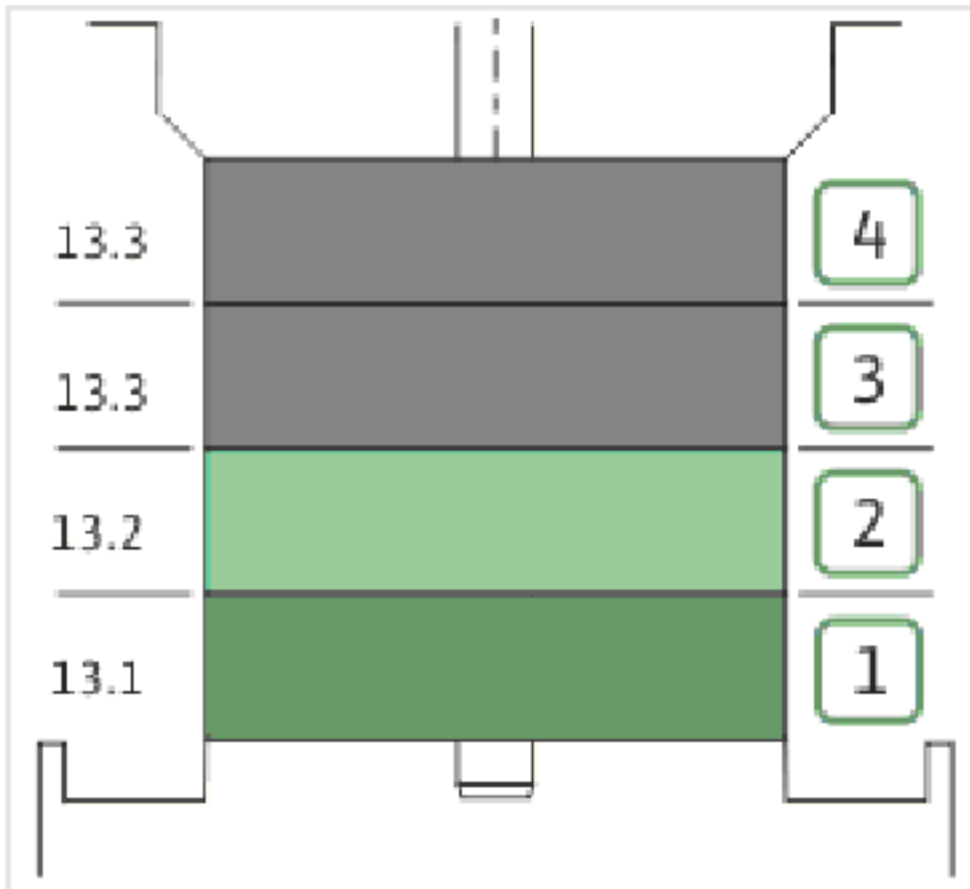
COUPLING D.20XD.28 FT130 KIT (4143964)

Item	Article no.	Description	Quantity
4.1		COUPLING M+ Ø20XØ28-FT130 MACHINED	1
4.2	2131022	BALL BEARING 6209/ZZ-C3(HT)VP.	1
4.3	4233930	CIRCLIP-FOR-BORES-D45x1,75 VP.	1
4.4	4157726	SCREW KIT M8X30 (4 PIECES)	1
4.5	4234252	CIRCLIPS 85X3 VP.	1
4.6	4234243	O-RING 85X3 VP.	1
		NOMEL CONTACT WASHER 8x16x1,4 STEEL ZC	1

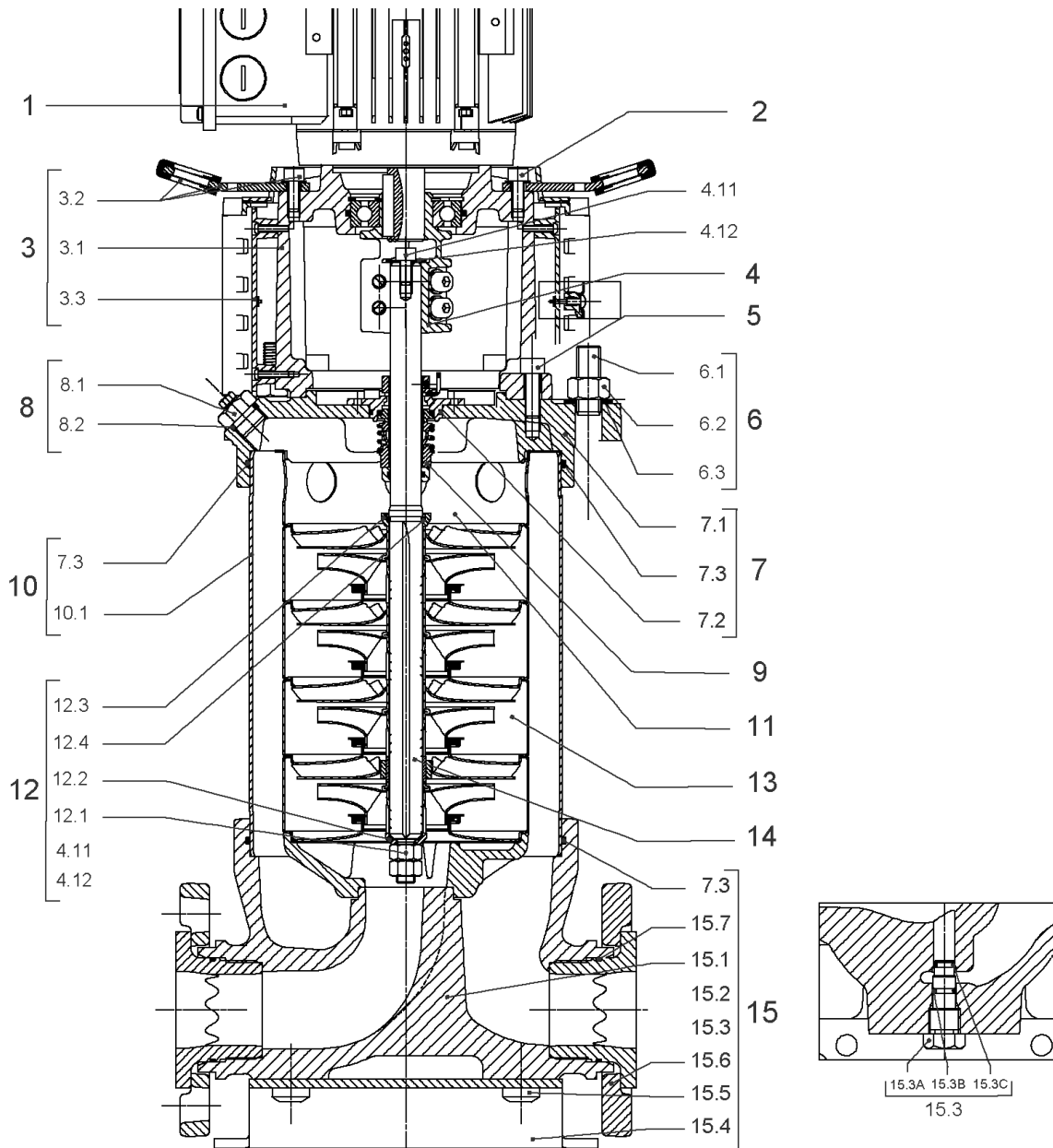


CARTRIDGE HELIX22-36-52 O/E KIT (4143973)

Item	Article no.	Description	Quantity
9.1	4143974	SEAL-KIT-HELIX22-36-52 O/E	1
7.3	4179571	> O-RING HOUSING PIPE HELIX22/36/52 VP.	1
7.4	4179572	> O-RING ID.42.52X2.62 EPDM VP.	1
9.1A	4179573	> M.SEAL.HELIX22-36-52 O/E VP.	1
9.1B	4179574	> O-RING ID.20x2.65 EPDM VP.	1
9.2	4179566	SHAFT SLEEVE D.20/20X60 1.4404 VP.	1
9.3	4179567	RING HOLDER Ø22 1.4301 VP.	1
9.4	4176520	SCREW CH M5x5 A4-70 (3PIECES)	1
9.5	4179568	DRIVE RING D.31/22.1x11 MACH.VP.	1
9.6	4179569	TOOL M.S.CART.HELIX 8" VP.	1
9.7	4179570	SCREW M6X16 ISO4762 8.8 GEOMET(4 PIECES)	1



Item	Article no.	Description	Quantity
13.1	4157739	FIRST STAGE HELIX 22 1.4307 KIT	1
		> IMPELLER-H1-M+22-304	1
		> MACH.STG-CASING-WOGV-WNR-M+22-304	1
13.2	4157740	BEARING STAGE HELIX 22 1.4307 KIT	1
		> IMPELLER-H2-M+22-304	1
		> MACH.BEARING-STG-CASING-WNR-M+22-304	1
		> SHAFT-SLEEVE-D26xD22x16-CW	1
13.3	4157743	INTERMEDIATE STAGE HELIX 22 KIT	1
		> MACH.STD-STG-CASING-WGV+NR-M+22-304	1
		> IMPELLER-H2-M+22-304	1

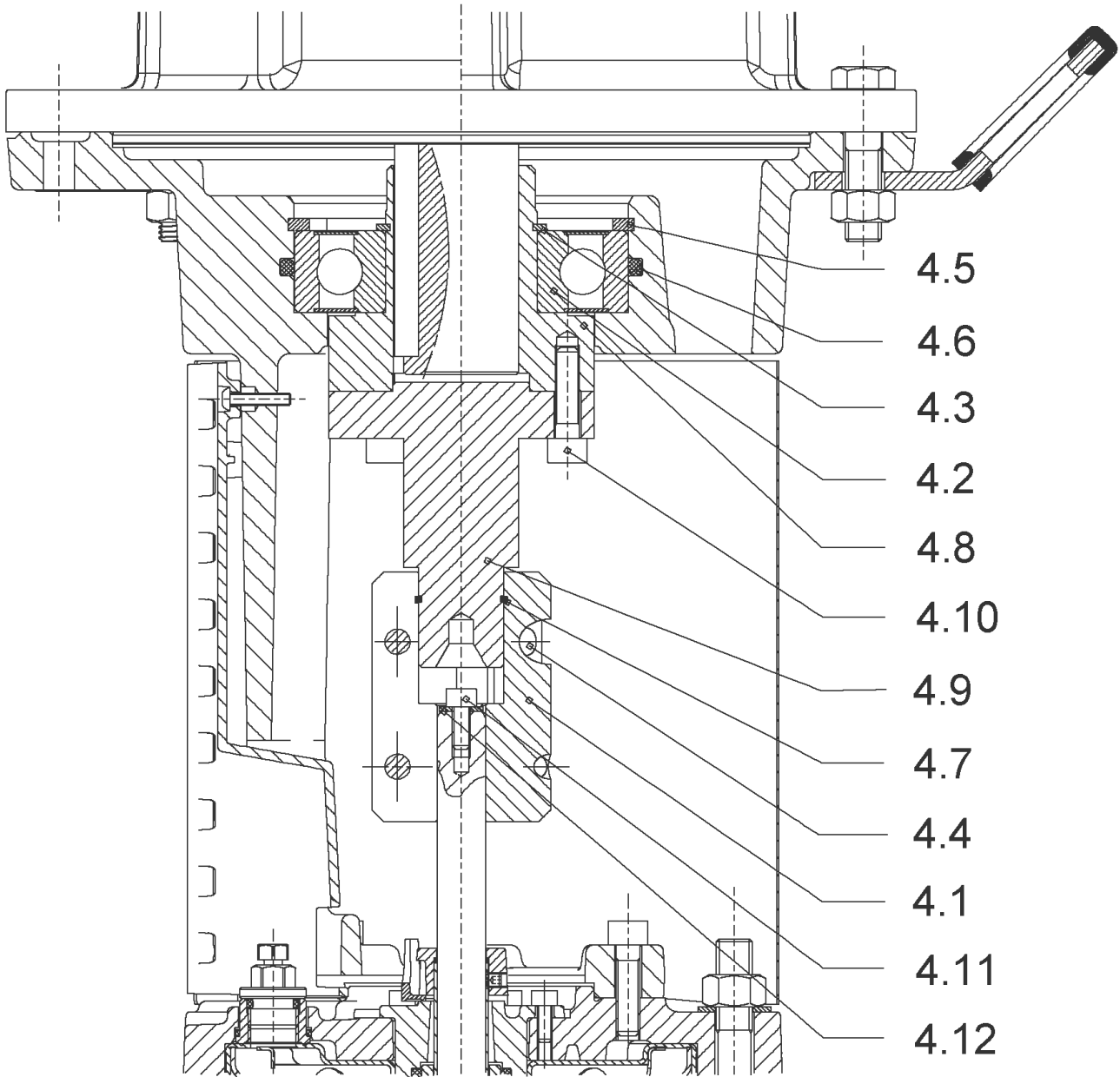


HELIX V2205-3/16/E/KS/400-50 (4123302)

Item	Article no.	Description	Quantity
1	4195450	MOTOR 7,5/2/* 3~400V 50HZ IE3 VP.	1
		SPARE PARTS MOTOR:ON REQUEST	1
2	4174093	SCREW M12X50 (4 PIECES)	1
3	4161187	LANTERN FF265 HELIX 8" KIT	1
3.1		> LANTERN FF265 M+ GJL MACHINED+CATA	1
3.2	2127605	> EYELET CPL.FF265 HELIX(2 PIECES)	1
3.3	4143969	> COUPLING PROTECT HELIX FF KIT	1
4	4143965	COUPLING D.20XD.28 FF265 KIT	1
5	4157725	SCREW M10X40 (4 PIECES)	1
6	4181164	STUD BOLT M16X382 KIT	1
6.1		> TIE BOLT M16-382x24x44-1.4057	1
6.2	4179562	> NUT M16 8.8 ISO4032 (4 PIECES)	1
6.3	4097852	> WASHER-CS-16.4-32-2.8-NFE25-511-A2	1
7	4179565	END SHIELD HELIX 8" EPDM KIT	1
7.1		> END SHIELD M+ GJL MACHINED+CATA	1
7.2	4179564	> O-RING D.42.52x2.62 EPDM VP.	1
7.3	4179571	> O-RING HOUSING PIPE HELIX22/36/52 VP.	1
8	4143765	FILING/PURGING PLUG 316L HELIX KIT	1
8.1		> FILLING/VENTING-PLUG-VMI8/10-316L	1
8.2	4032291	> O-RING 17x3 EPDM KTW/WRC	1
9	4143973	CARTRIDGE HELIX22-36-52 O/E KIT	1
10	4181165	HOUSING PIPE D.204X314 1.4301 KIT	1
7.3	4179571	> O-RING HOUSING PIPE HELIX22/36/52 VP.	1
10.1		> HOUSING-PIPE Ø204-M+2205-304	1
11	4179143	CENTERING STAGE-RETURN HELIX22 1.4307 VP	1
12	4143967	SHAFT EQUIPMENT HELIX V KIT	1
13		HYDRAULIC HELIX V 2205	1
14	2114267	SHAFT D.22X454 1.4057 VP.	1
15	4181158	EQUIPED HOUSING HELIX 22 GJL KIT	1
7.3	4179571	> O-RING HOUSING PIPE HELIX22/36/52 VP.	1
15.1		> PUMP HOUSING SET with COATED PARTS-DN50	1
15.3	4143766	> DRAIN/PRIMING PLUG EPDM HELIX KIT	1
15.3A		>> PRIMING/DRAIN PLUG-304-VERSION 1	1
15.3B	4032293	>> O-RING-10x3-EPDM-KTW/WRC	1

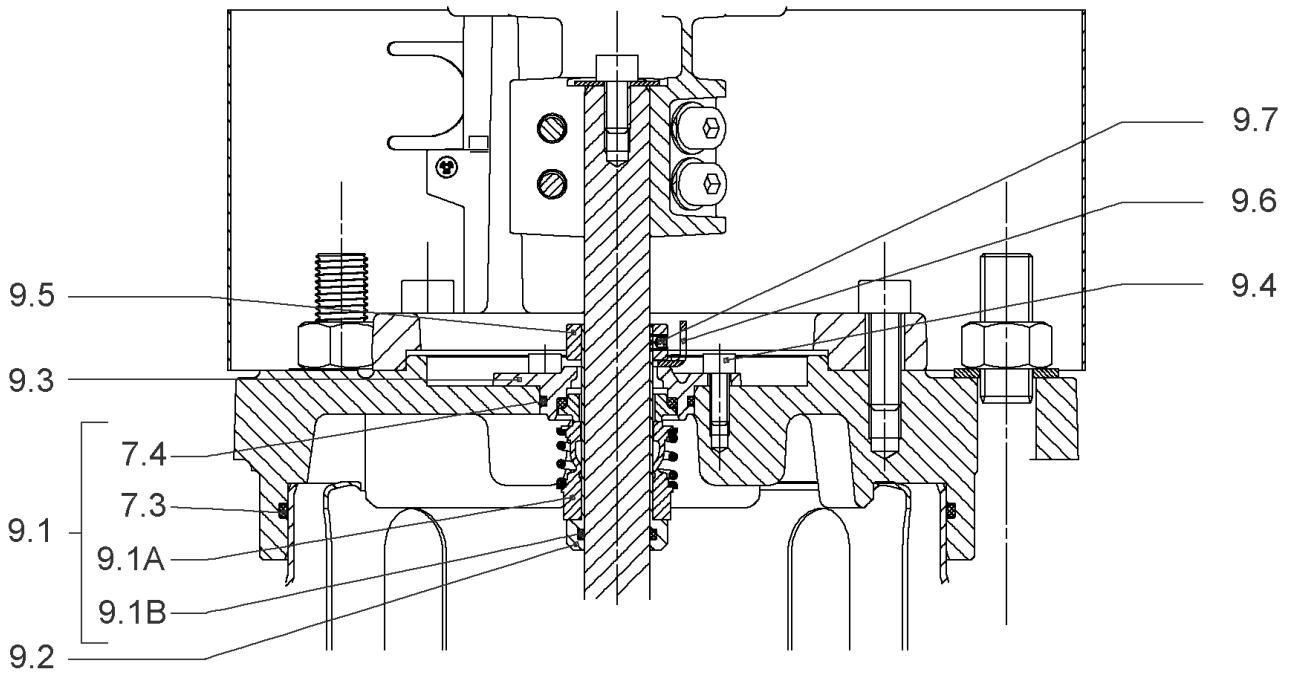
HELIX V2205-3/16/E/KS/400-50 (4123302)

Item	Article no.	Description	Quantity
15.3C	4233957	>> O-RING ID.9 EPDM VP.	1
15.4	4221729	> BASE M+ DN50/65/80 VP.	1
15.6		> FLANGE M+ DN50 CATA	1
15.7		> O-RING Ø63.17xØ2.62 EPDM	1
15.5		> SCREW TBHC M12x25 ISO7380 ZN	1



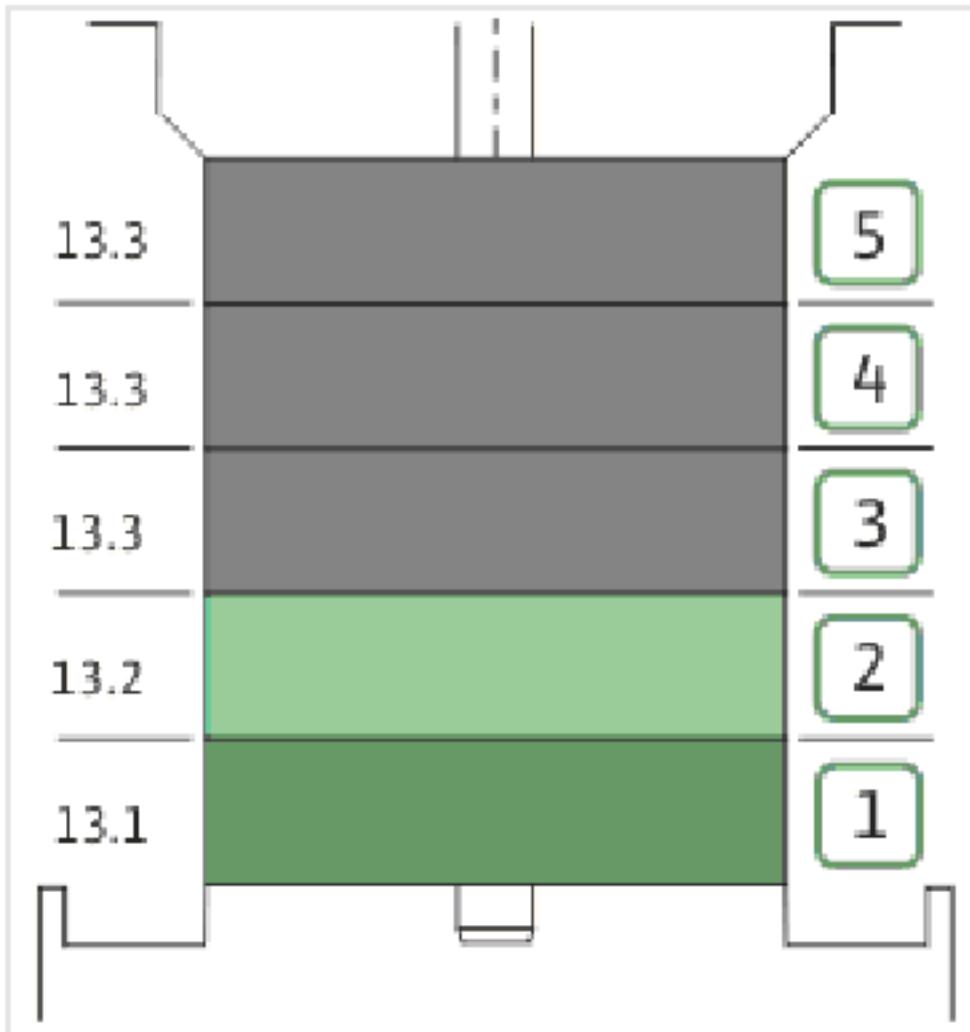
COUPLING D.20XD.28 FF265 KIT (4143965)

Item	Article no.	Description	Quantity
4.1	4179584	COUPLING 2 PARTS D.20XD.28XL83 VP.	1
4.2	2131017	BALL BEARING 6310/ZZ-C4(HT)VP.	1
4.3	4234253	CIRCLIP-FOR-SHAFT-D50x2 VP.	1
4.4	4159707	SCREW M8X30 (4 PIECES)	1
4.5	4234255	CIRCLIPS 110X4 VP.	1
4.6	4233944	O-RING ID.110 VP.	1
4.7	4179585	STOP-RUSH D26xD2 DIN7993 STEEL VP.	1
4.8	2131020	HUB D.38XD.50 VP.	1
4.9	2131021	SPACER D.28XD.45 VP.	1
4.10	4157726	SCREW KIT M8X30 (4 PIECES)	1
4.11	4233959	SCREW M8x16 VP.	1
4.12		SERRATED LOCK WASHER Ø8.2XØ25X35X2	1

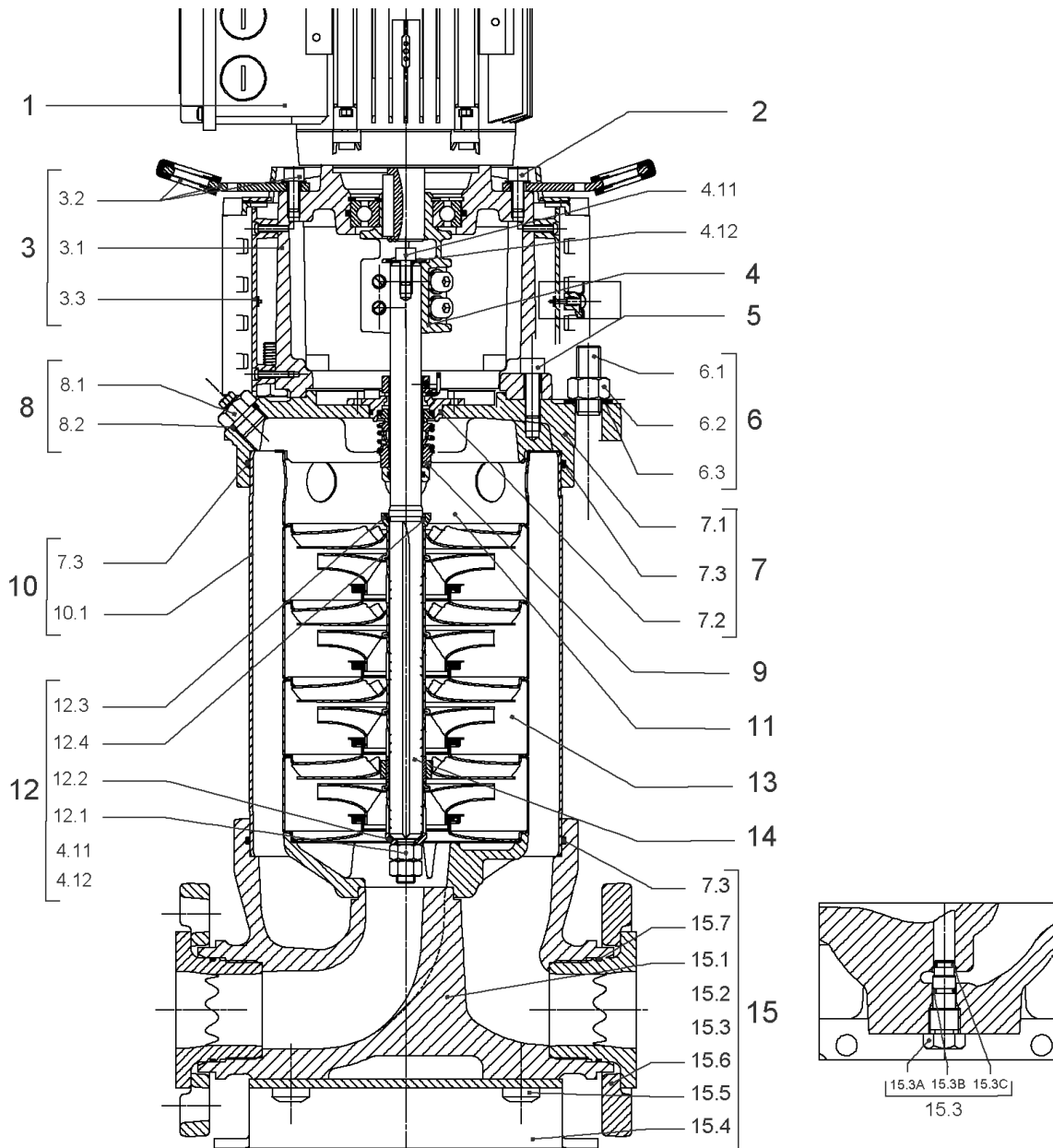


CARTRIDGE HELIX22-36-52 O/E KIT (4143973)

Item	Article no.	Description	Quantity
9.1	4143974	SEAL-KIT-HELIX22-36-52 O/E	1
7.3	4179571	> O-RING HOUSING PIPE HELIX22/36/52 VP.	1
7.4	4179572	> O-RING ID.42.52X2.62 EPDM VP.	1
9.1A	4179573	> M.SEAL.HELIX22-36-52 O/E VP.	1
9.1B	4179574	> O-RING ID.20x2.65 EPDM VP.	1
9.2	4179566	SHAFT SLEEVE D.20/20X60 1.4404 VP.	1
9.3	4179567	RING HOLDER Ø22 1.4301 VP.	1
9.4	4176520	SCREW CH M5x5 A4-70 (3PIECES)	1
9.5	4179568	DRIVE RING D.31/22.1x11 MACH.VP.	1
9.6	4179569	TOOL M.S.CART.HELIX 8" VP.	1
9.7	4179570	SCREW M6X16 ISO4762 8.8 GEOMET(4 PIECES)	1



Item	Article no.	Description	Quantity
13.1	4157739	FIRST STAGE HELIX 22 1.4307 KIT	1
		> IMPELLER-H1-M+22-304	1
		> MACH.STG-CASING-WOGV-WNR-M+22-304	1
13.2	4157740	BEARING STAGE HELIX 22 1.4307 KIT	1
		> IMPELLER-H2-M+22-304	1
		> MACH.BEARING-STG-CASING-WNR-M+22-304	1
		> SHAFT-SLEEVE-D26xD22x16-CW	1
13.3	4157743	INTERMEDIATE STAGE HELIX 22 KIT	1
		> MACH.STD-STG-CASING-WGV+NR-M+22-304	1
		> IMPELLER-H2-M+22-304	1

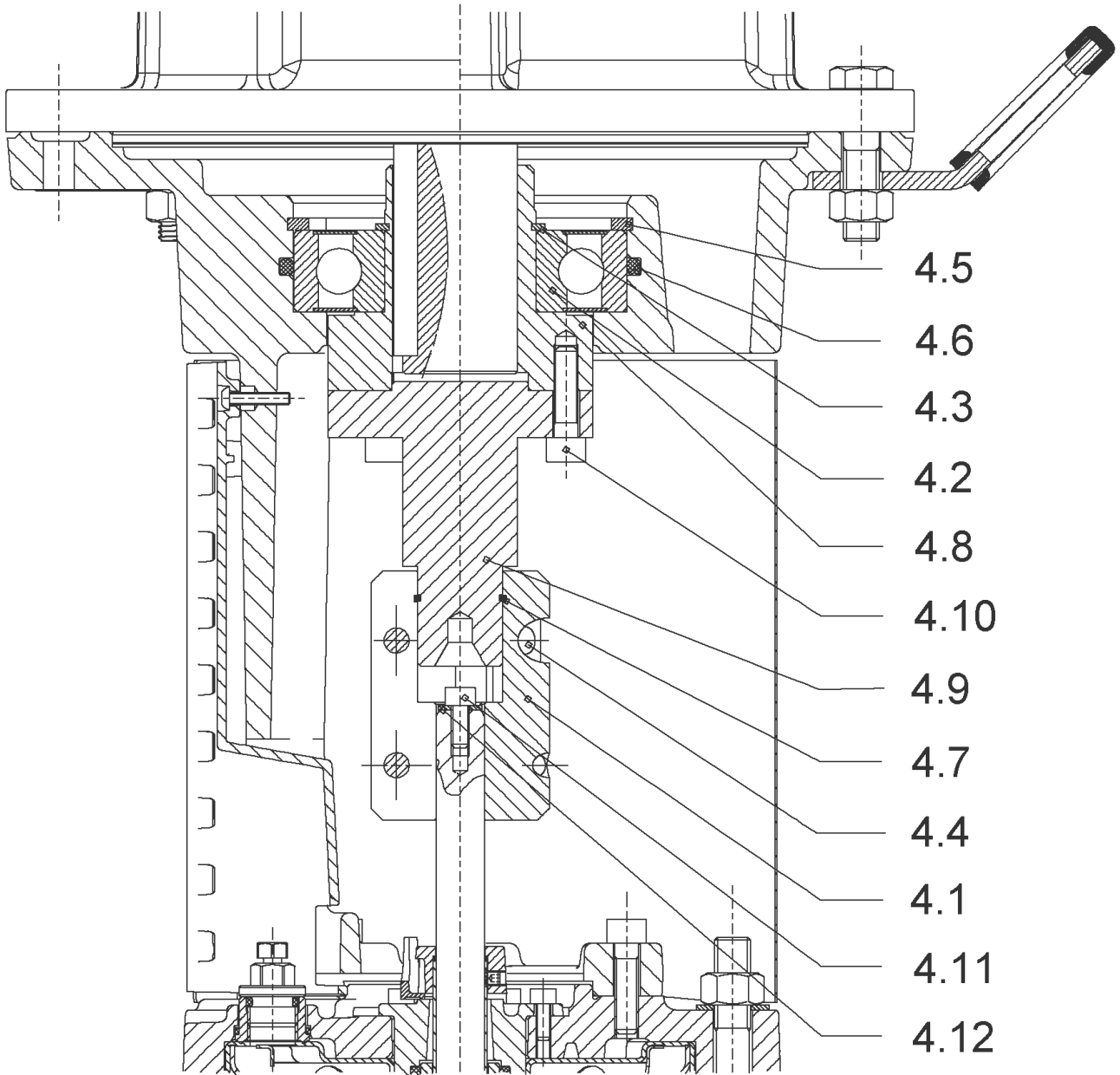


HELIX V2206-3/16/E/KS/400-50 (4123303)

Item	Article no.	Description	Quantity
1	4195450	MOTOR 7,5/2/* 3~400V 50HZ IE3 VP.	1
		SPARE PARTS MOTOR:ON REQUEST	1
2	4174093	SCREW M12X50 (4 PIECES)	1
3	4161187	LANTERN FF265 HELIX 8" KIT	1
3.1		> LANTERN FF265 M+ GJL MACHINED+CATA	1
3.2	2127605	> EYELET CPL.FF265 HELIX(2 PIECES)	1
3.3	4143969	> COUPLING PROTECT HELIX FF KIT	1
4	4143965	COUPLING D.20XD.28 FF265 KIT	1
5	4157725	SCREW M10X40 (4 PIECES)	1
6	4181167	STUD BOLT M16X428 KIT	1
6.1		> TIE BOLT M16-428x24x44-1.4057	1
6.2	4179562	> NUT M16 8.8 ISO4032 (4 PIECES)	1
6.3	4097852	> WASHER-CS-16.4-32-2.8-NFE25-511-A2	1
7	4179565	END SHIELD HELIX 8" EPDM KIT	1
7.1		> END SHIELD M+ GJL MACHINED+CATA	1
7.2	4179564	> O-RING D.42.52x2.62 EPDM VP.	1
7.3	4179571	> O-RING HOUSING PIPE HELIX22/36/52 VP.	1
8	4143765	FILING/PURGING PLUG 316L HELIX KIT	1
8.1		> FILLING/VENTING-PLUG-VM18/10-316L	1
8.2	4032291	> O-RING 17x3 EPDM KTW/WRC	1
9	4143973	CARTRIDGE HELIX22-36-52 O/E KIT	1
10	4181168	HOUSING PIPE D.204X364 1.4307 KIT	1
7.3	4179571	> O-RING HOUSING PIPE HELIX22/36/52 VP.	1
10.1		> HOUSING-PIPE Ø204-M+2206-304	1
11	4179143	CENTERING STAGE-RETURN HELIX22 1.4307 VP	1
12	4143967	SHAFT EQUIPMENT HELIX V KIT	1
13		HYDRAULIC HELIX V 2206	1
14	4179599	SHAFTS D.22X504 1.4057 VP.	1
15	4181158	EQUIPED HOUSING HELIX 22 GJL KIT	1
7.3	4179571	> O-RING HOUSING PIPE HELIX22/36/52 VP.	1
15.1		> PUMP HOUSING SET with COATED PARTS-DN50	1
15.3	4143766	> DRAIN/PRIMING PLUG EPDM HELIX KIT	1
15.3A		>> PRIMING/DRAIN PLUG-304-VERSION 1	1
15.3B	4032293	>> O-RING-10x3-EPDM-KTW/WRC	1

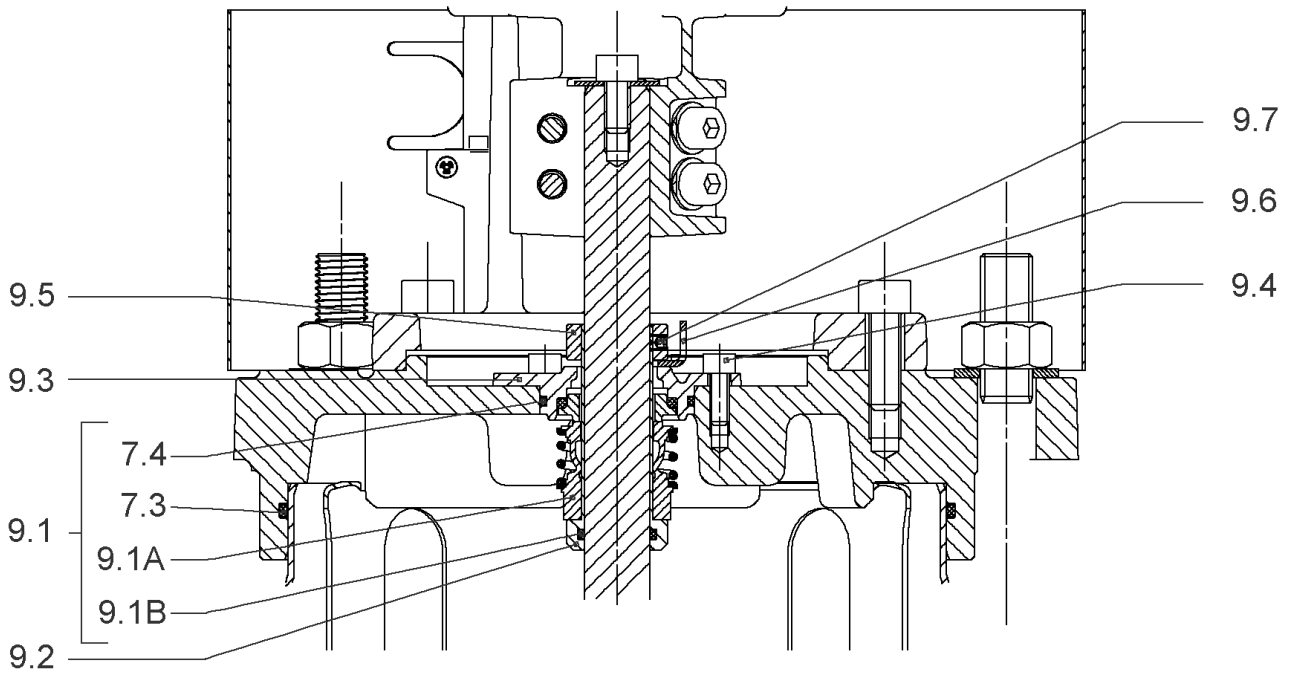
HELIX V2206-3/16/E/KS/400-50 (4123303)

Item	Article no.	Description	Quantity
15.3C	4233957	>> O-RING ID.9 EPDM VP.	1
15.4	4221729	> BASE M+ DN50/65/80 VP.	1
15.6		> FLANGE M+ DN50 CATA	1
15.7		> O-RING Ø63.17xØ2.62 EPDM	1
15.5		> SCREW TBHC M12x25 ISO7380 ZN	1



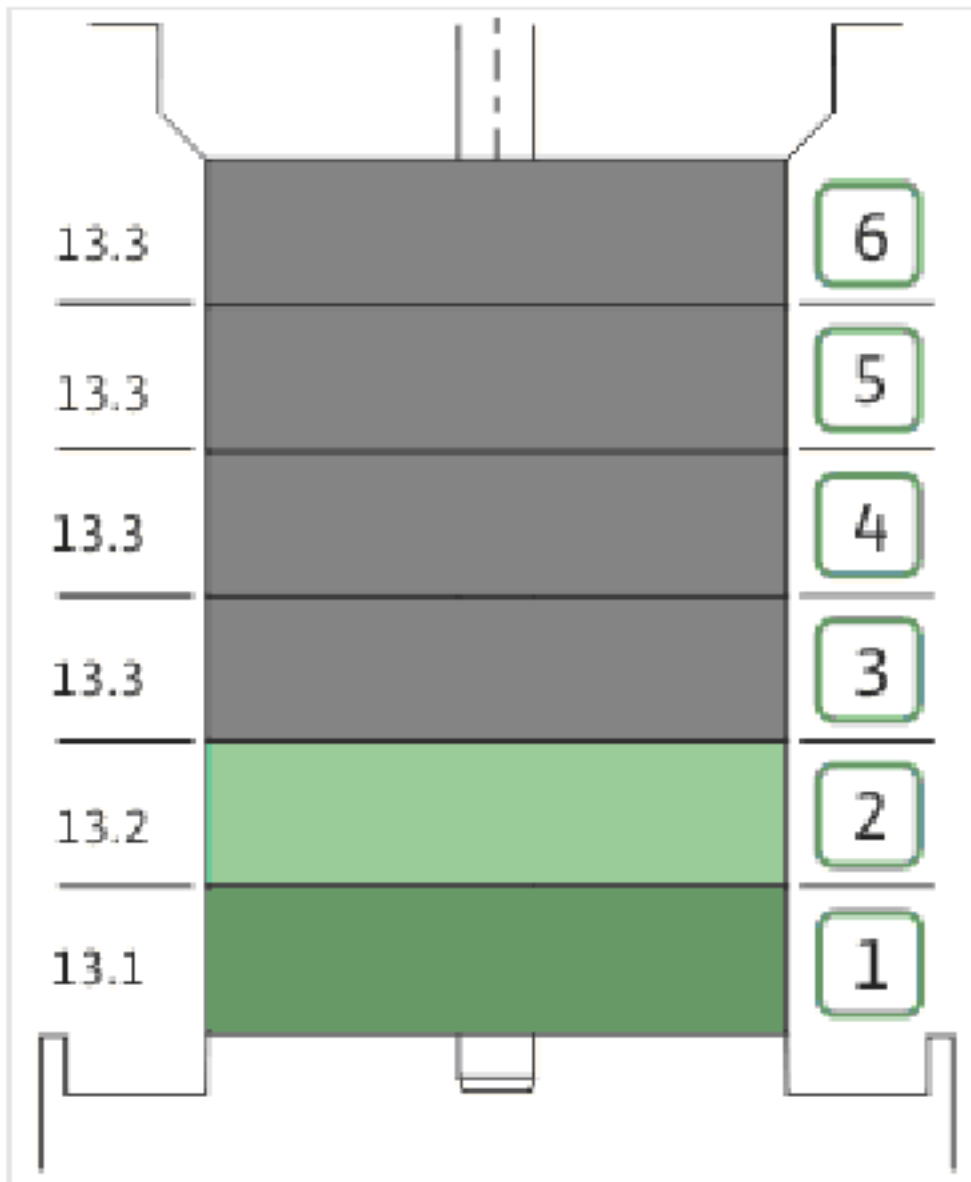
COUPLING D.20XD.28 FF265 KIT (4143965)

Item	Article no.	Description	Quantity
4.1	4179584	COUPLING 2 PARTS D.20XD.28XL83 VP.	1
4.2	2131017	BALL BEARING 6310/ZZ-C4(HT)VP.	1
4.3	4234253	CIRCLIP-FOR-SHAFT-D50x2 VP.	1
4.4	4159707	SCREW M8X30 (4 PIECES)	1
4.5	4234255	CIRCLIPS 110X4 VP.	1
4.6	4233944	O-RING ID.110 VP.	1
4.7	4179585	STOP-RUSH D26xD2 DIN7993 STEEL VP.	1
4.8	2131020	HUB D.38XD.50 VP.	1
4.9	2131021	SPACER D.28XD.45 VP.	1
4.10	4157726	SCREW KIT M8X30 (4 PIECES)	1
4.11	4233959	SCREW M8x16 VP.	1
4.12		SERRATED LOCK WASHER Ø8.2XØ25X35X2	1

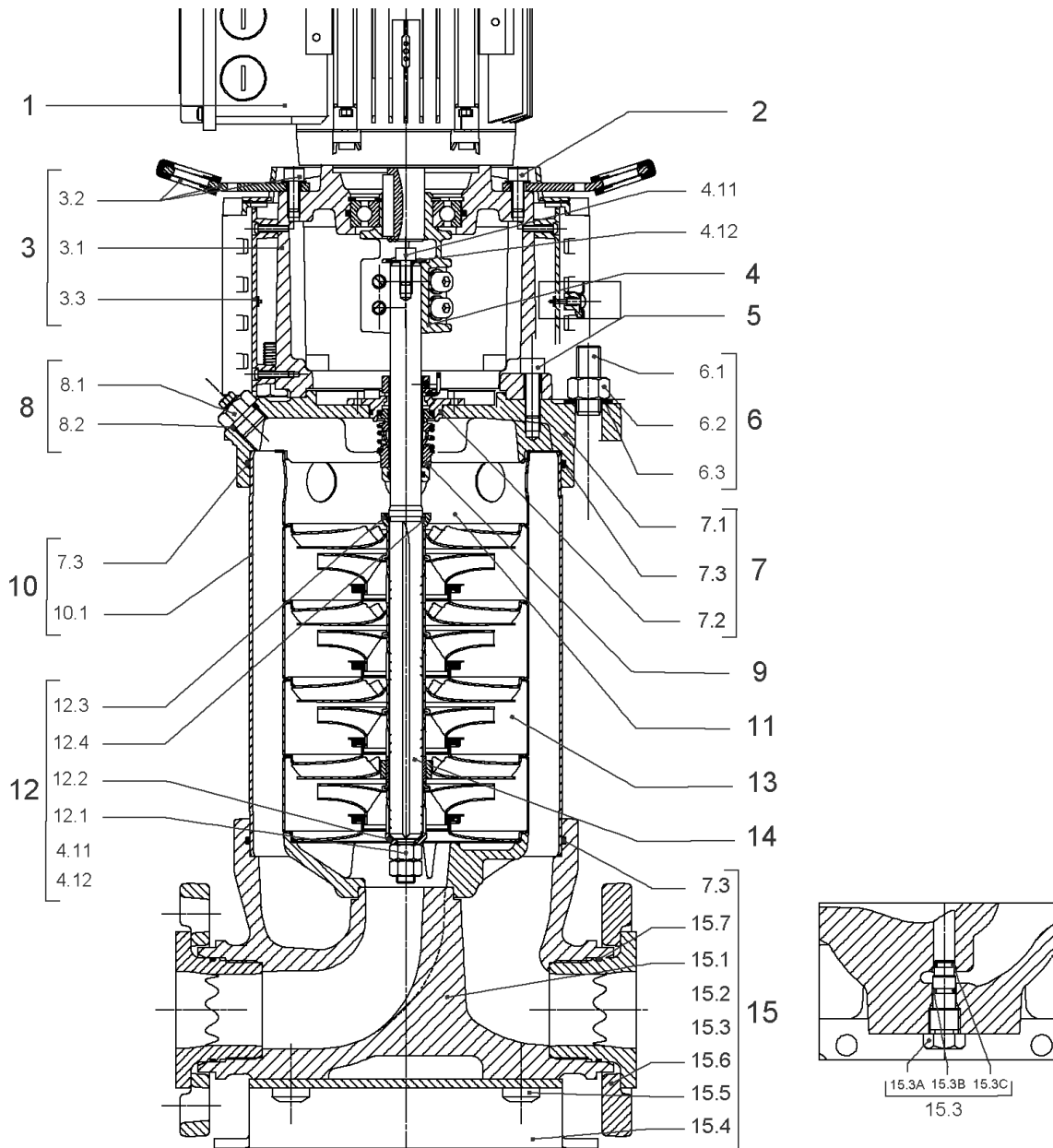


CARTRIDGE HELIX22-36-52 O/E KIT (4143973)

Item	Article no.	Description	Quantity
9.1	4143974	SEAL-KIT-HELIX22-36-52 O/E	1
7.3	4179571	> O-RING HOUSING PIPE HELIX22/36/52 VP.	1
7.4	4179572	> O-RING ID.42.52X2.62 EPDM VP.	1
9.1A	4179573	> M.SEAL.HELIX22-36-52 O/E VP.	1
9.1B	4179574	> O-RING ID.20x2.65 EPDM VP.	1
9.2	4179566	SHAFT SLEEVE D.20/20X60 1.4404 VP.	1
9.3	4179567	RING HOLDER Ø22 1.4301 VP.	1
9.4	4176520	SCREW CH M5x5 A4-70 (3PIECES)	1
9.5	4179568	DRIVE RING D.31/22.1x11 MACH.VP.	1
9.6	4179569	TOOL M.S.CART.HELIX 8" VP.	1
9.7	4179570	SCREW M6X16 ISO4762 8.8 GEOMET(4 PIECES)	1



Item	Article no.	Description	Quantity
13.1	4157739	FIRST STAGE HELIX 22 1.4307 KIT	1
		> IMPELLER-H1-M+22-304	1
		> MACH.STG-CASING-WOGV-WNR-M+22-304	1
13.2	4157740	BEARING STAGE HELIX 22 1.4307 KIT	1
		> IMPELLER-H2-M+22-304	1
		> MACH.BEARING-STG-CASING-WNR-M+22-304	1
		> SHAFT-SLEEVE-D26xD22x16-CW	1
13.3	4157743	INTERMEDIATE STAGE HELIX 22 KIT	1
		> MACH.STD-STG-CASING-WGV+NR-M+22-304	1
		> IMPELLER-H2-M+22-304	1

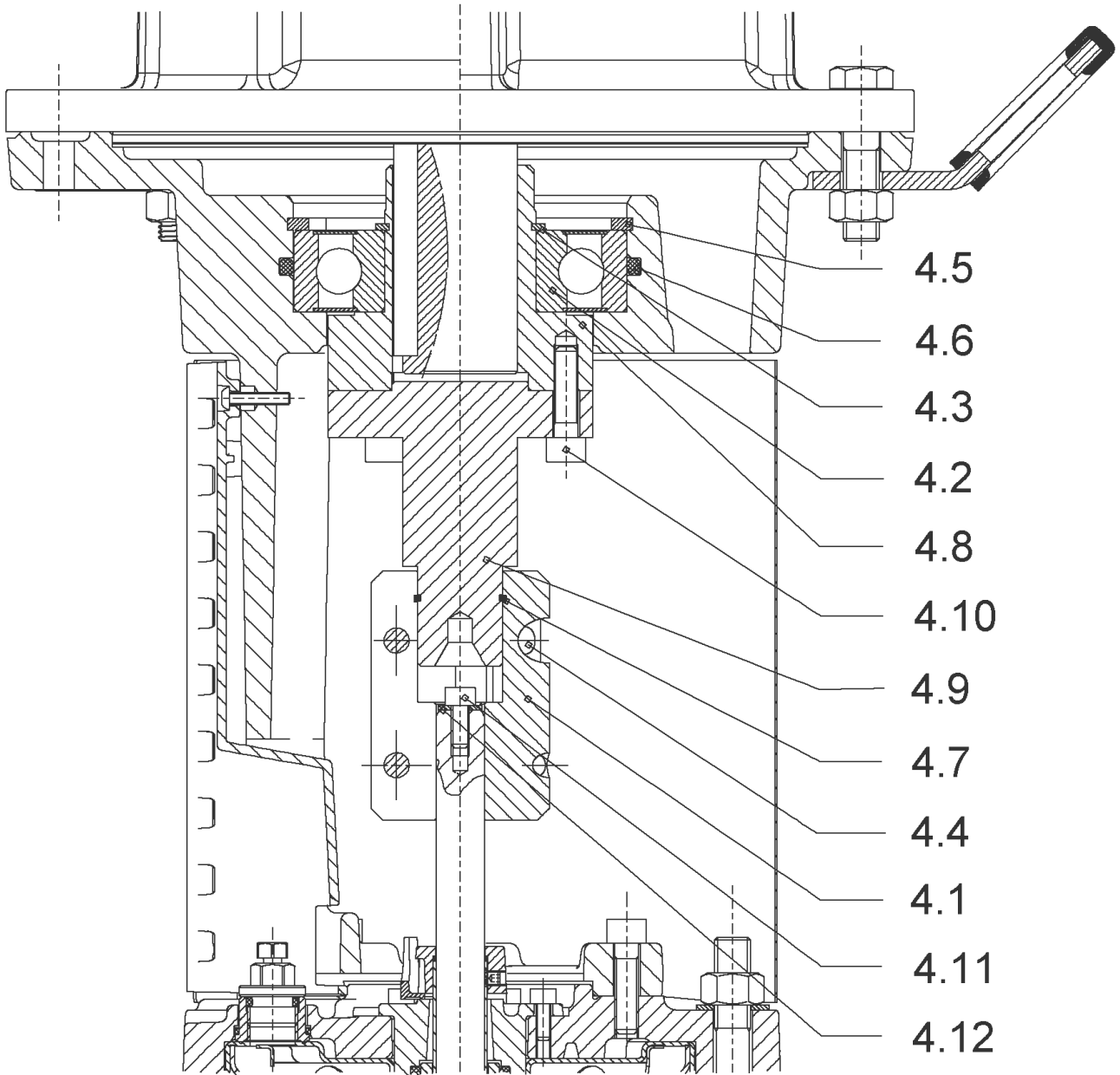


HELIX V2207-3/16/E/KS/400-50 (4123304)

Item	Article no.	Description	Quantity
1	4195483	MOTOR 9/2/132 3~400V 50HZ IE3 VP.	1
		SPARE PARTS MOTOR:ON REQUEST	1
2	4174093	SCREW M12X50 (4 PIECES)	1
3	4161187	LANTERN FF265 HELIX 8" KIT	1
3.1		> LANTERN FF265 M+ GJL MACHINED+CATA	1
3.2	2127605	> EYELET CPL.FF265 HELIX(2 PIECES)	1
3.3	4143969	> COUPLING PROTECT HELIX FF KIT	1
4	4143965	COUPLING D.20XD.28 FF265 KIT	1
5	4157725	SCREW M10X40 (4 PIECES)	1
6	4181665	STUD BOLT M16X483 KIT	1
6.1		> TIE BOLT M16-483x24x44-1.4057	1
6.2	4179562	> NUT M16 8.8 ISO4032 (4 PIECES)	1
6.3	4097852	> WASHER-CS-16.4-32-2.8-NFE25-511-A2	1
7	4179565	END SHIELD HELIX 8" EPDM KIT	1
7.1		> END SHIELD M+ GJL MACHINED+CATA	1
7.2	4179564	> O-RING D.42.52x2.62 EPDM VP.	1
7.3	4179571	> O-RING HOUSING PIPE HELIX22/36/52 VP.	1
8	4143765	FILING/PURGING PLUG 316L HELIX KIT	1
8.1		> FILLING/VENTING-PLUG-VM18/10-316L	1
8.2	4032291	> O-RING 17x3 EPDM KTW/WRC	1
9	4143973	CARTRIDGE HELIX22-36-52 O/E KIT	1
10	4181666	HOUSING PIPE D.204X414 1.4307 KIT	1
7.3	4179571	> O-RING HOUSING PIPE HELIX22/36/52 VP.	1
10.1		> HOUSING-PIPE Ø204-M+2207-304	1
11	4179143	CENTERING STAGE-RETURN HELIX22 1.4307 VP	1
12	4143967	SHAFT EQUIPMENT HELIX V KIT	1
13		HYDRAULIC HELIX V 2207	1
14	4179578	SHAFT D.22X554 1.4057 VP.	1
15	4181158	EQUIPED HOUSING HELIX 22 GJL KIT	1
7.3	4179571	> O-RING HOUSING PIPE HELIX22/36/52 VP.	1
15.1		> PUMP HOUSING SET with COATED PARTS-DN50	1
15.3	4143766	> DRAIN/PRIMING PLUG EPDM HELIX KIT	1
15.3A		>> PRIMING/DRAIN PLUG-304-VERSION 1	1
15.3B	4032293	>> O-RING-10x3-EPDM-KTW/WRC	1

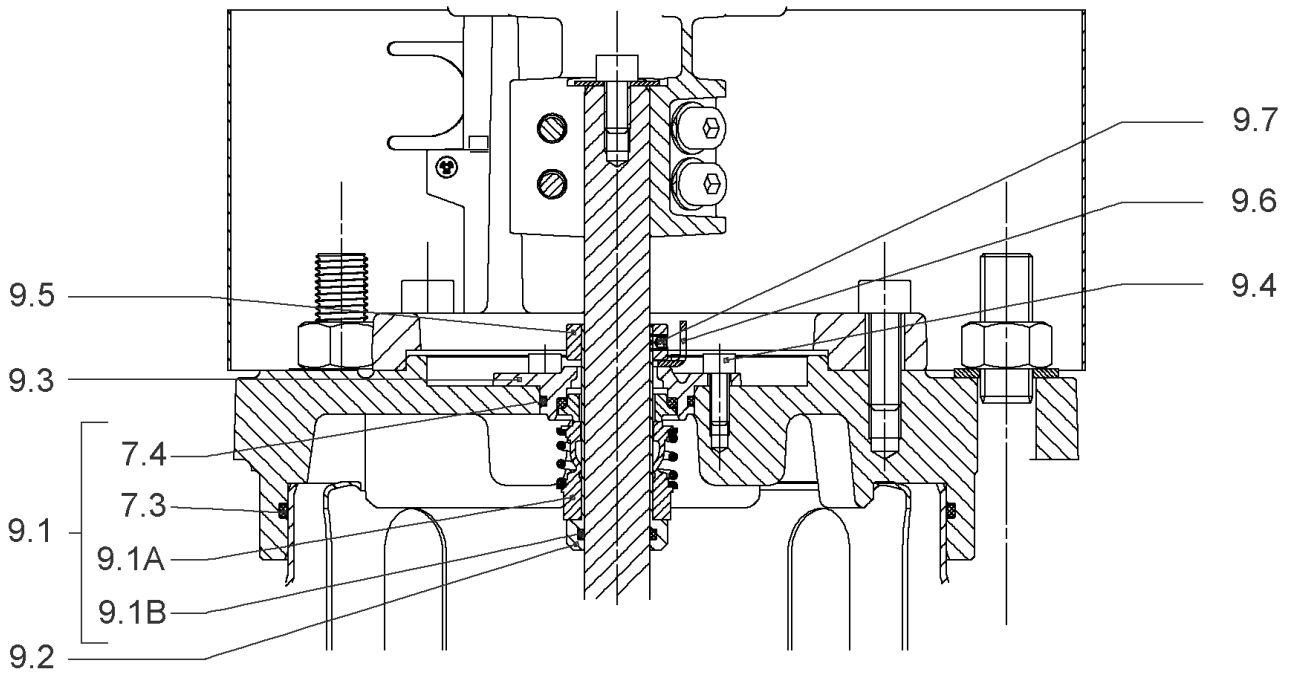
HELIX V2207-3/16/E/KS/400-50 (4123304)

Item	Article no.	Description	Quantity
15.3C	4233957	>> O-RING ID.9 EPDM VP.	1
15.4	4221729	> BASE M+ DN50/65/80 VP.	1
15.6		> FLANGE M+ DN50 CATA	1
15.7		> O-RING Ø63.17xØ2.62 EPDM	1
15.5		> SCREW TBHC M12x25 ISO7380 ZN	1



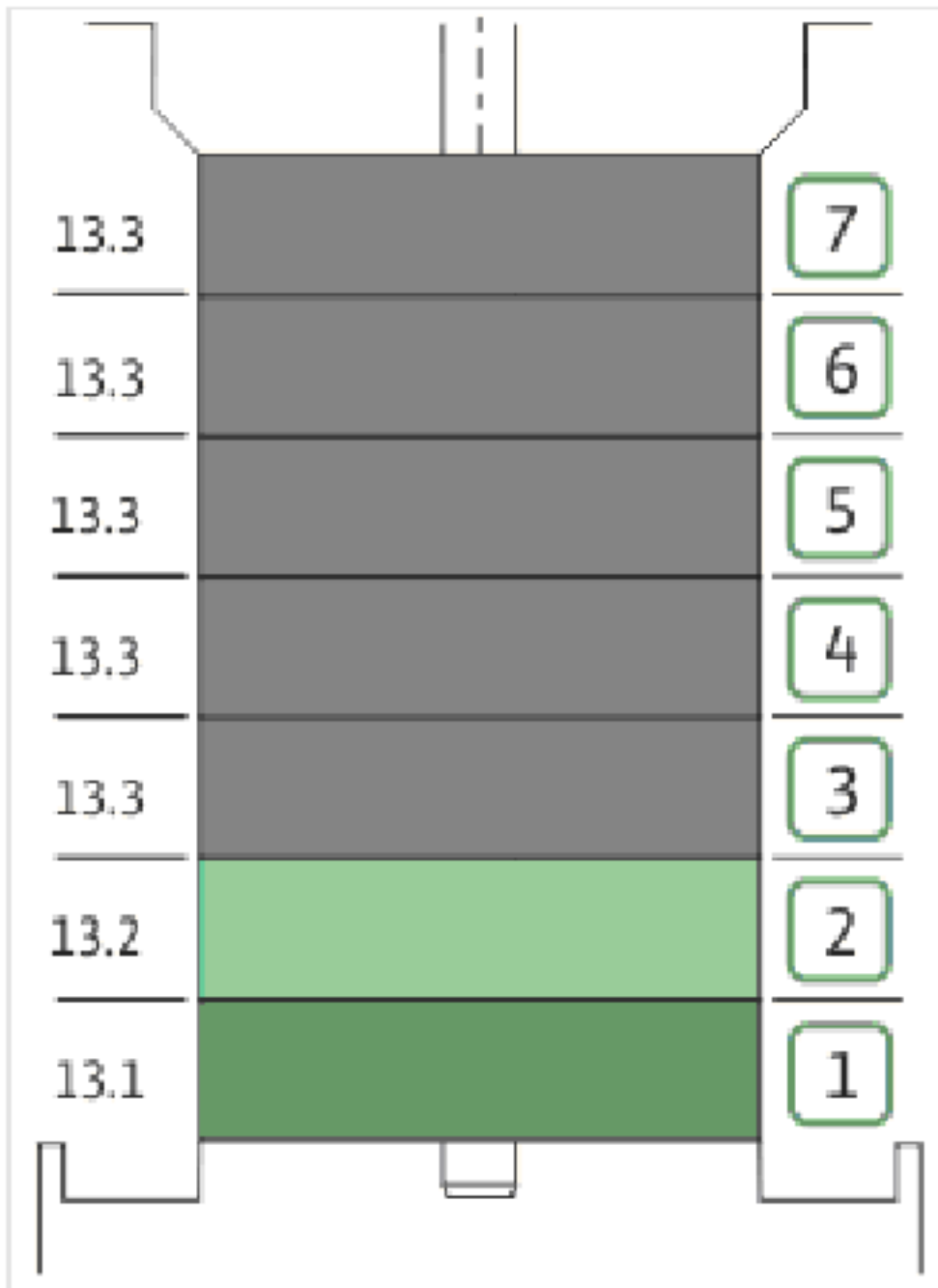
COUPLING D.20XD.28 FF265 KIT (4143965)

Item	Article no.	Description	Quantity
4.1	4179584	COUPLING 2 PARTS D.20XD.28XL83 VP.	1
4.2	2131017	BALL BEARING 6310/ZZ-C4(HT)VP.	1
4.3	4234253	CIRCLIP-FOR-SHAFT-D50x2 VP.	1
4.4	4159707	SCREW M8X30 (4 PIECES)	1
4.5	4234255	CIRCLIPS 110X4 VP.	1
4.6	4233944	O-RING ID.110 VP.	1
4.7	4179585	STOP-RUSH D26xD2 DIN7993 STEEL VP.	1
4.8	2131020	HUB D.38XD.50 VP.	1
4.9	2131021	SPACER D.28XD.45 VP.	1
4.10	4157726	SCREW KIT M8X30 (4 PIECES)	1
4.11	4233959	SCREW M8x16 VP.	1
4.12		SERRATED LOCK WASHER Ø8.2XØ25X35X2	1

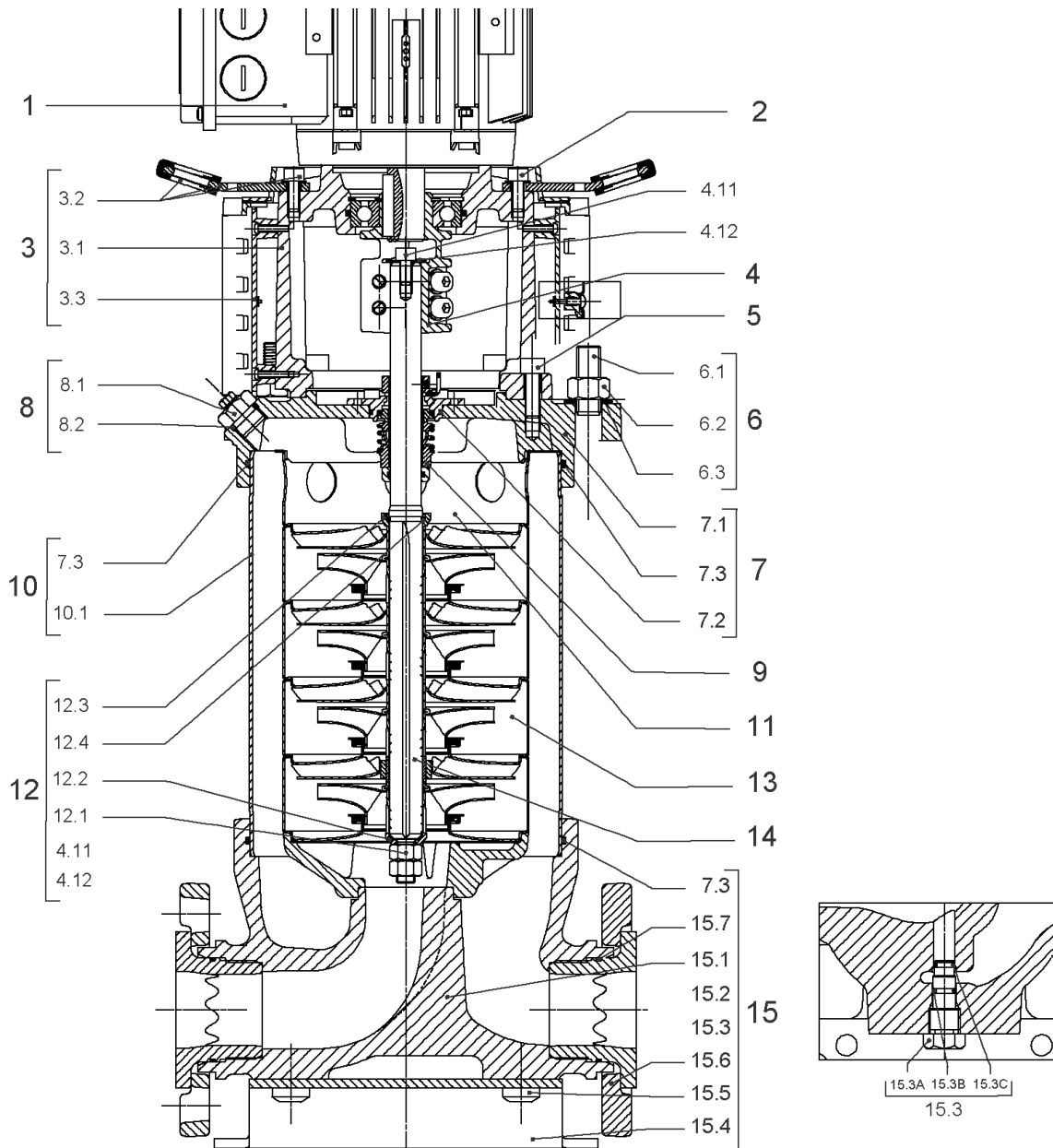


CARTRIDGE HELIX22-36-52 O/E KIT (4143973)

Item	Article no.	Description	Quantity
9.1	4143974	SEAL-KIT-HELIX22-36-52 O/E	1
7.3	4179571	> O-RING HOUSING PIPE HELIX22/36/52 VP.	1
7.4	4179572	> O-RING ID.42.52X2.62 EPDM VP.	1
9.1A	4179573	> M.SEAL.HELIX22-36-52 O/E VP.	1
9.1B	4179574	> O-RING ID.20x2.65 EPDM VP.	1
9.2	4179566	SHAFT SLEEVE D.20/20X60 1.4404 VP.	1
9.3	4179567	RING HOLDER Ø22 1.4301 VP.	1
9.4	4176520	SCREW CH M5x5 A4-70 (3PIECES)	1
9.5	4179568	DRIVE RING D.31/22.1x11 MACH.VP.	1
9.6	4179569	TOOL M.S.CART.HELIX 8" VP.	1
9.7	4179570	SCREW M6X16 ISO4762 8.8 GEOMET(4 PIECES)	1



Item	Article no.	Description	Quantity
13.1	4157739	FIRST STAGE HELIX 22 1.4307 KIT	1
		> IMPELLER-H1-M+22-304	1
		> MACH.STG-CASING-WOGV-WNR-M+22-304	1
13.2	4157740	BEARING STAGE HELIX 22 1.4307 KIT	1
		> IMPELLER-H2-M+22-304	1
		> MACH.BEARING-STG-CASING-WNR-M+22-304	1
		> SHAFT-SLEEVE-D26xD22x16-CW	1
13.3	4157743	INTERMEDIATE STAGE HELIX 22 KIT	1
		> MACH.STD-STG-CASING-WGV+NR-M+22-304	1
		> IMPELLER-H2-M+22-304	1



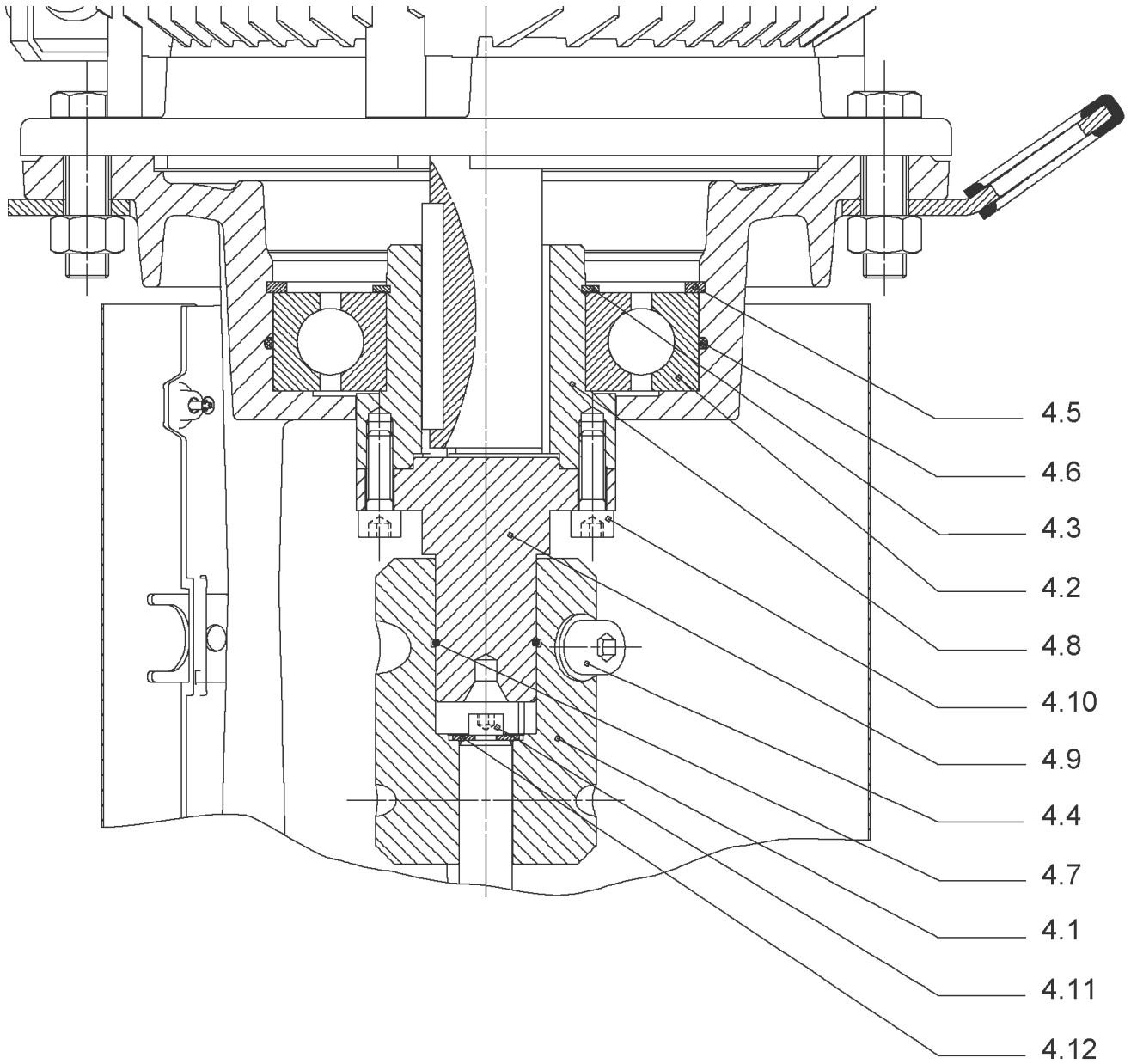
HELIX V2208-3/16/E/KS/400-50 (4123305)

Item	Article no.	Description	Quantity
1	4199884	MOTOR 11/2/160 3~400V 50HZ VP.	1
		SPARE PARTS MOTOR:ON REQUEST	1
2	4179586	SCREW M16X60 (4 PIECES)	1
3	4157721	LANTERN HELIX 22/36 FF300 BB6312 KIT	1
3.1		> LANTERN FF300 M+ GJL MACHINED+CATA 6312	1
3.2	4179589	> EYELET CPL.FF300 HELIX(4 PIECES)	1
3.3	4143969	> COUPLING PROTECT HELIX FF KIT	1
4	4143966	COUPLING D.20XD.38 FF300 KIT	1
5	4157725	SCREW M10X40 (4 PIECES)	1
6	4181086	STUD BOLT M16X533 KIT	1
6.1		> TIE BOLT M16-533x24x44-1.4057	1
6.2	4179562	> NUT M16 8.8 ISO4032 (4 PIECES)	1
6.3	4097852	> WASHER-CS-16.4-32-2.8-NFE25-511-A2	1
7	4179565	END SHIELD HELIX 8" EPDM KIT	1
7.1		> END SHIELD M+ GJL MACHINED+CATA	1
7.2	4179564	> O-RING D.42.52x2.62 EPDM VP.	1
7.3	4179571	> O-RING HOUSING PIPE HELIX22/36/52 VP.	1
8	4143765	FILING/PURGING PLUG 316L HELIX KIT	1
8.1		> FILLING/VENTING-PLUG-VM18/10-316L	1
8.2	4032291	> O-RING 17x3 EPDM KTW/WRC	1
9	4143973	CARTRIDGE HELIX22-36-52 O/E KIT	1
10	4181087	HOUSING PIPE D.204x464,13 1.4307 KIT	1
7.3	4179571	> O-RING HOUSING PIPE HELIX22/36/52 VP.	1
10.1		> HOUSING-PIPE Ø204-M+2208/3606-304	1
11	4179143	CENTERING STAGE-RETURN HELIX22 1.4307 VP	1
12	4143967	SHAFT EQUIPMENT HELIX V KIT	1
13		HYDRAULIC HELIX V 2208	1
14	4180848	SHAFT D.22X604 1.4057 VP.	1
15	4181158	EQUIPED HOUSING HELIX 22 GJL KIT	1
7.3	4179571	> O-RING HOUSING PIPE HELIX22/36/52 VP.	1
15.1		> PUMP HOUSING SET with COATED PARTS-DN50	1
15.3	4143766	> DRAIN/PRIMING PLUG EPDM HELIX KIT	1
15.3A		>> PRIMING/DRAIN PLUG-304-VERSION 1	1
15.3B	4032293	>> O-RING-10x3-EPDM-KTW/WRC	1

HELIX V2208-3/16/E/KS/400-50 (4123305)

Item	Article no.	Description	Quantity
15.3C	4233957	>> O-RING ID.9 EPDM VP.	1
15.4	4221729	> BASE M+ DN50/65/80 VP.	1
15.6		> FLANGE M+ DN50 CATA	1
15.7		> O-RING Ø63.17xØ2.62 EPDM	1
15.5		> SCREW TBHC M12x25 ISO7380 ZN	1

COUPLING D.20XD.38 FF300 KIT (4143966)



COUPLING D.20XD.38 FF300 KIT (4143966)

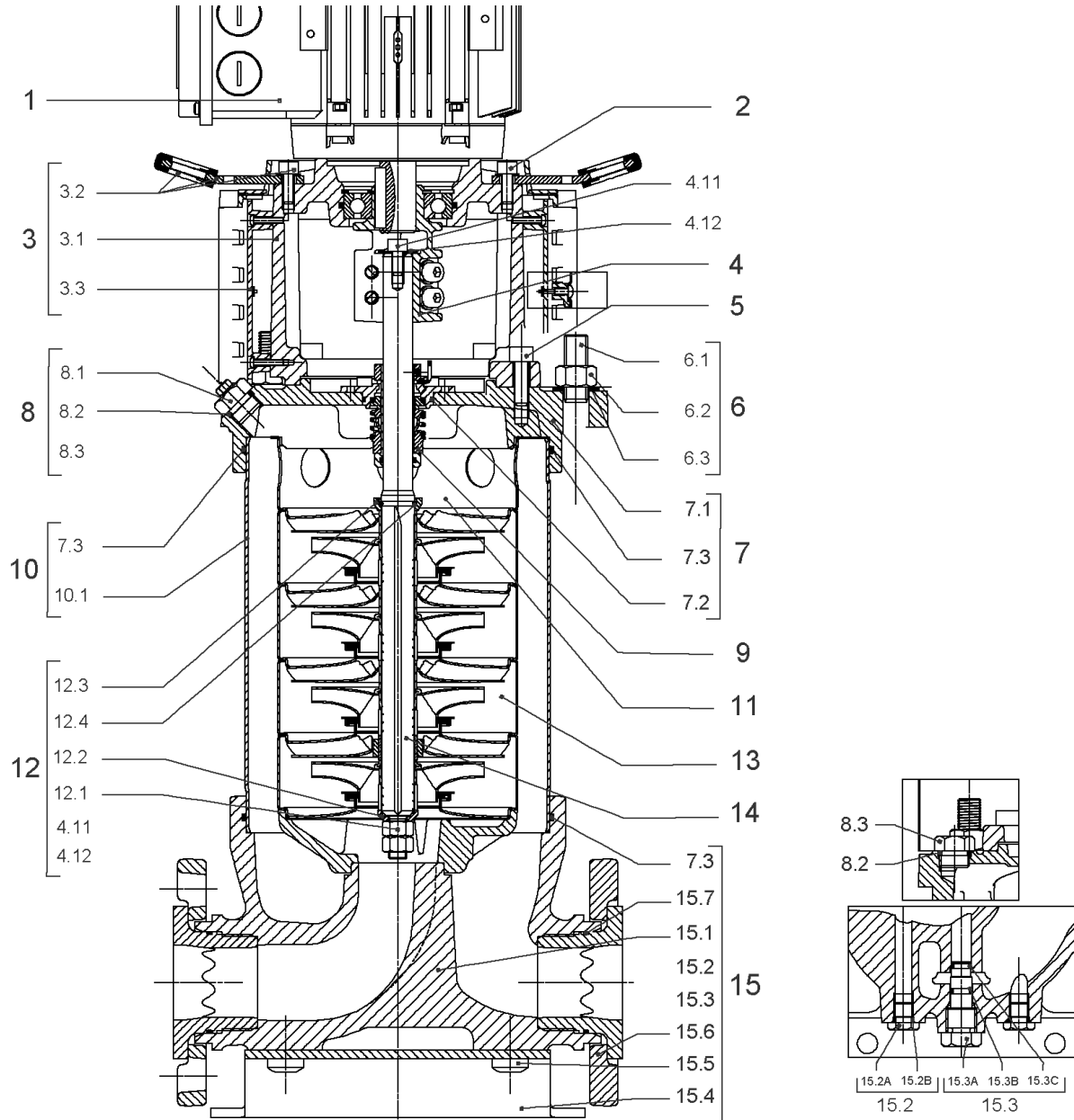
Item	Article no.	Description	Quantity
4.1	4179590	COUPLING 2 PARTS D.20XD.38XL115 VP.	1
4.2	2123699	BALL BEARING 6312/2Z-C4 (HT) VP.	1
4.3	63428	CIRCLIP-FOR-SHAFT-D60x2	1
4.4	2130991	SCREW M12X30 ISO4762 8.8 ZN(4 PIECES)	1
4.5	4032277	CIRCLIP-HOLE-130x4	1
4.6	4006725	O-RING ID.132,94x3,53 NBR70SR	1
4.7	2130992	RETAINING RING D.35xD.2,5 DIN7993 VP.	1
4.8	4179591	HUB D.42xD.60 VP.	1
4.9	2130994	SPACER D.38XD.55 VP.	1
4.10	4094462	SCREWS M10 (4 PIECES)	1
4.11	4233959	SCREW M8x16 VP.	1
4.12		SERRATED LOCK WASHER Ø8.2XØ25X35X2	1

CARTRIDGE HELIX22-36-52 O/E KIT (4143973)

Item	Article no.	Description	Quantity
9.1	4143974	SEAL-KIT-HELIX22-36-52 O/E	1
7.3	4179571	> O-RING HOUSING PIPE HELIX22/36/52 VP.	1
7.4	4179572	> O-RING ID.42.52X2.62 EPDM VP.	1
9.1A	4179573	> M.SEAL.HELIX22-36-52 O/E VP.	1
9.1B	4179574	> O-RING ID.20x2.65 EPDM VP.	1
9.2	4179566	SHAFT SLEEVE D.20/20X60 1.4404 VP.	1
9.3	4179567	RING HOLDER Ø22 1.4301 VP.	1
9.4	4176520	SCREW CH M5x5 A4-70 (3PIECES)	1
9.5	4179568	DRIVE RING D.31/22.1x11 MACH.VP.	1
9.6	4179569	TOOL M.S.CART.HELIX 8" VP.	1
9.7	4179570	SCREW M6X16 ISO4762 8.8 GEOMET(4 PIECES)	1



Item	Article no.	Description	Quantity
13.1	4157739	FIRST STAGE HELIX 22 1.4307 KIT	1
		> IMPELLER-H1-M+22-304	1
		> MACH.STG-CASING-WOGV-WNR-M+22-304	1
13.2	4157740	BEARING STAGE HELIX 22 1.4307 KIT	1
		> IMPELLER-H2-M+22-304	1
		> MACH.BEARING-STG-CASING-WNR-M+22-304	1
		> SHAFT-SLEEVE-D26xD22x16-CW	1
13.3	4157743	INTERMEDIATE STAGE HELIX 22 KIT	1
		> MACH.STD-STG-CASING-WGV+NR-M+22-304	1
		> IMPELLER-H2-M+22-304	1

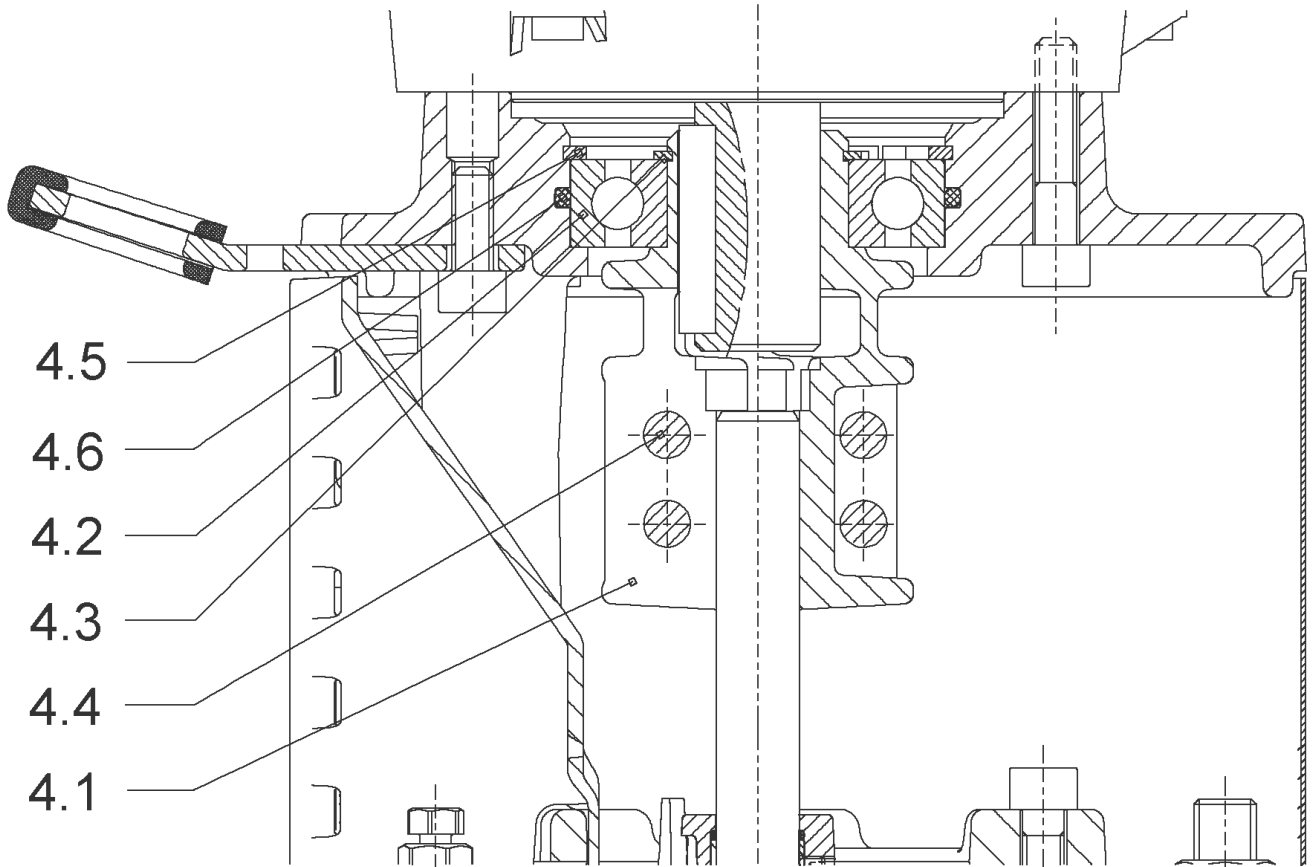


HELIX V2201-2/16/V/KS/400-50 (4139774)

Item	Article no.	Description	Quantity
1	4169942	MO.1,5/2 3~230/400(440)V 50(60)HZ IE3 VP	1
		SPARE PARTS MOTOR:ON REQUEST	1
2	4159707	SCREW M8X30 (4 PIECES)	1
3	4157718	LANTERN FT115 HELIX V22/V36 KIT	1
3.1		> LANTERN FT115 M+ GJL MACHINED+CATA	1
3.2	4179561	> EYELET CPL.FT HELIX(2 PIECES)	1
3.3	4143968	> COUPLING PROTECT HELIX FT KIT	1
4	4143963	COUPLING D.22XD.36 FT115 KIT	1
5	4094462	SCREWS M10 (4 PIECES)	1
6	4181156	STUD BOLT M16X233 KIT	1
6.1		> TIE BOLT M16-233x24x44-1.4057	1
6.2	4179562	> NUT M16 8.8 ISO4032 (4 PIECES)	1
6.3	4097852	> WASHER-CS-16.4-32-2.8-NFE25-511-A2	1
7	4179959	END SHIELD HELIX 8" FKM 1.4404 KIT	1
7.1		> END SHIELD HELIX 316L MACHINED	1
7.2	4179958	> O-RING-ID.42.52X2.62 VITON VP.	1
7.3	2107767	> O-RING ID.202,80x3,53 VITON VP.	1
8	4161256	FILING/PURGING PLUG FKM KIT	1
8.1		> FILLING/VENTING-PLUG-VMI8/10-316L	1
8.2		> FILLING AND VENTING PLUG M+8" 316L	1
8.3		> GASKET-17x3-VITON	1
9	4158204	CARTRIDGE HELIX22-36-52 O/V KIT	1
10	4181694	HOUSING PIPE D.204X164 1.4404 KIT	1
7.3	2107767	> O-RING ID.202,80x3,53 VITON VP.	1
10.1		> HOUSING-PIPE Ø204-M+2201/2202-316L	1
11	4181695	CENTERING STAGE RETURN HELIX22 1.4404 VP	1
12	4143967	SHAFT EQUIPMENT HELIX V KIT	1
13		HYDRAULIC HELIX V 2201	1
14	4180014	SHAFTS D.22X304 1.4404 VP.	1
15	4158198	EQUIPED HOUSING 1.4409 HELIX KIT	1
7.3	2107767	> O-RING ID.202,80x3,53 VITON VP.	1
15.1		> PUMP HOUSING M+ DN50 316L MACHINED	1
15.1		> GASKET HOLDER M+ DN50 316L MACHINED	1
15.1		> HYDRAULIC SUPPORT M+ DN50 316L MACHINED	1

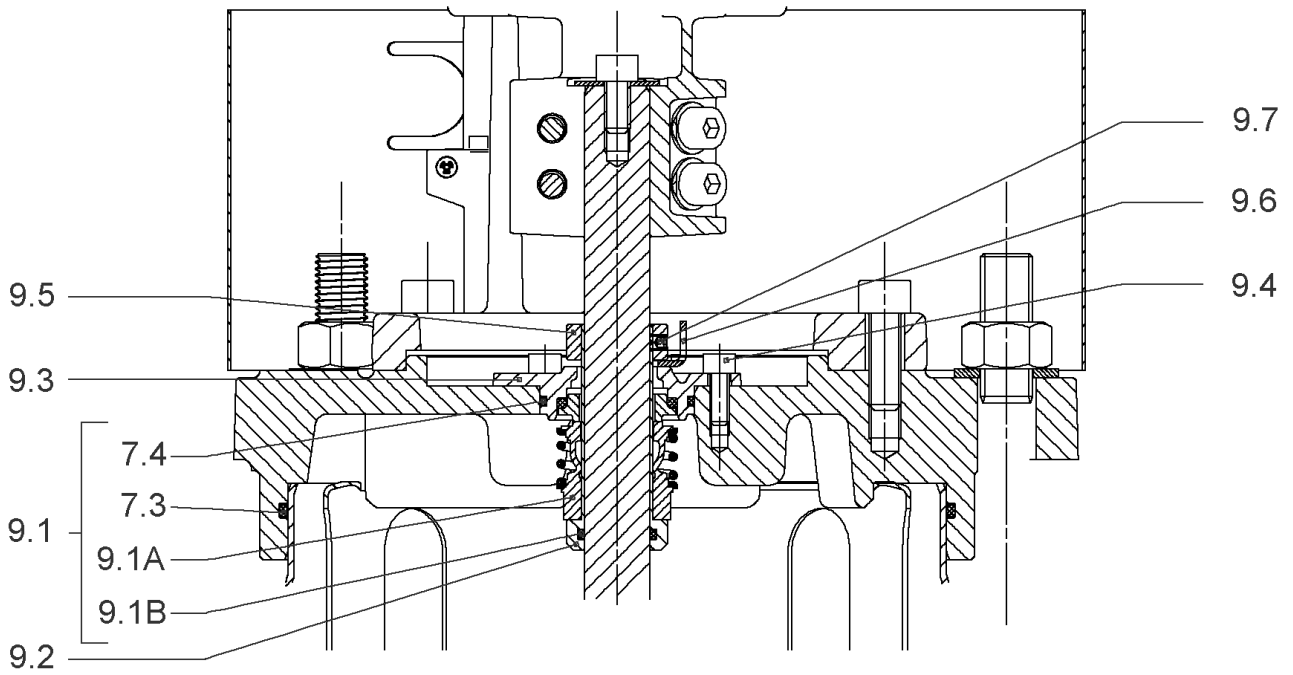
HELIX V2201-2/16/V/KS/400-50 (4139774)

Item	Article no.	Description	Quantity
15.2	4158195	> PLUG PRESSURE CONNECTION G1/4" 316L KIT	1
15.2A		>> PLUG PRESSURE CONNECTION - G1/4" - 316L	1
15.2B	2107769	>> O-RING ID.9,9x2,62 VITON VP.	1
15.3	4158196	> DRAIN/PRIMING PLUG VITON HELIX KIT	1
15.3A		>> DRAIN-AND-PRIMING-PLUG-VM18"-316L	1
15.3B	4032294	>> GASKET-10x3-VITON	1
15.3C	2107768	>> O-RING ID.8,9x2,7 VITON VP.	1
15.4	4143749	> BASE M+ DN50/65/80-304	1
15.6	4121480	> FLANGE M+ DN50 CATA	1
15.7		> O-RING Ø63.17xØ2.62 VITON	1
15.5		> SCREW TBHC M12x25 ISO7380 ZN	1



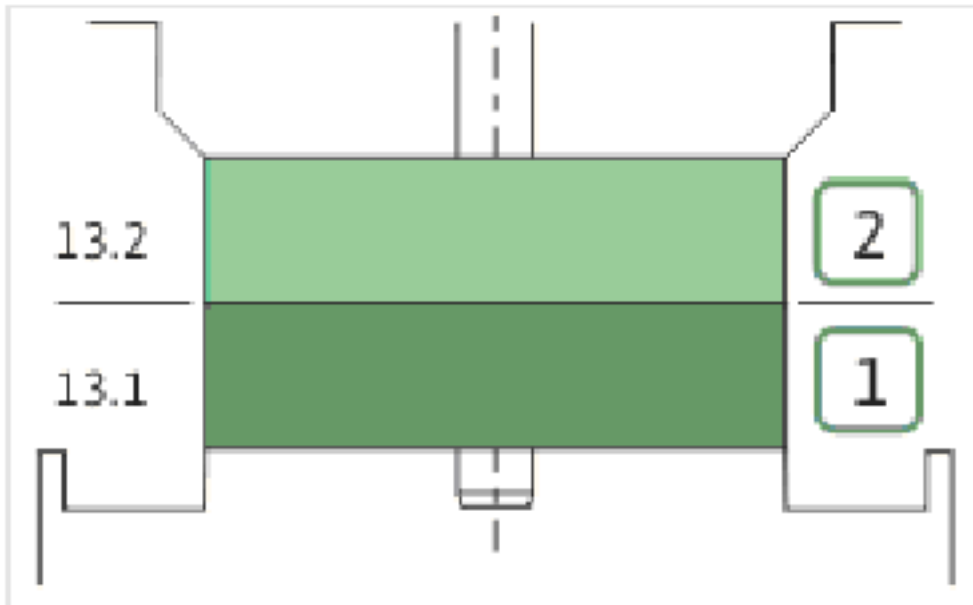
COUPLING D.22XD.36 FT115 KIT (4143963)

Item	Article no.	Description	Quantity
4.1		COUPLING-M+ Ø20XØ24-FT115-MACHINED	1
4.2	2131023	BALL BEARING 6207/ZZ-C3(HT)VP.	1
4.3	4234254	CIRCLIP-FOR-SHAFT-D35x1.5 VP.	1
4.4	4157726	SCREW KIT M8X30 (4 PIECES)	1
4.5	4234251	CIRCLIP-D72x2.5 VP.	1
4.6	4234246	O-RING 72X3 VP.	1

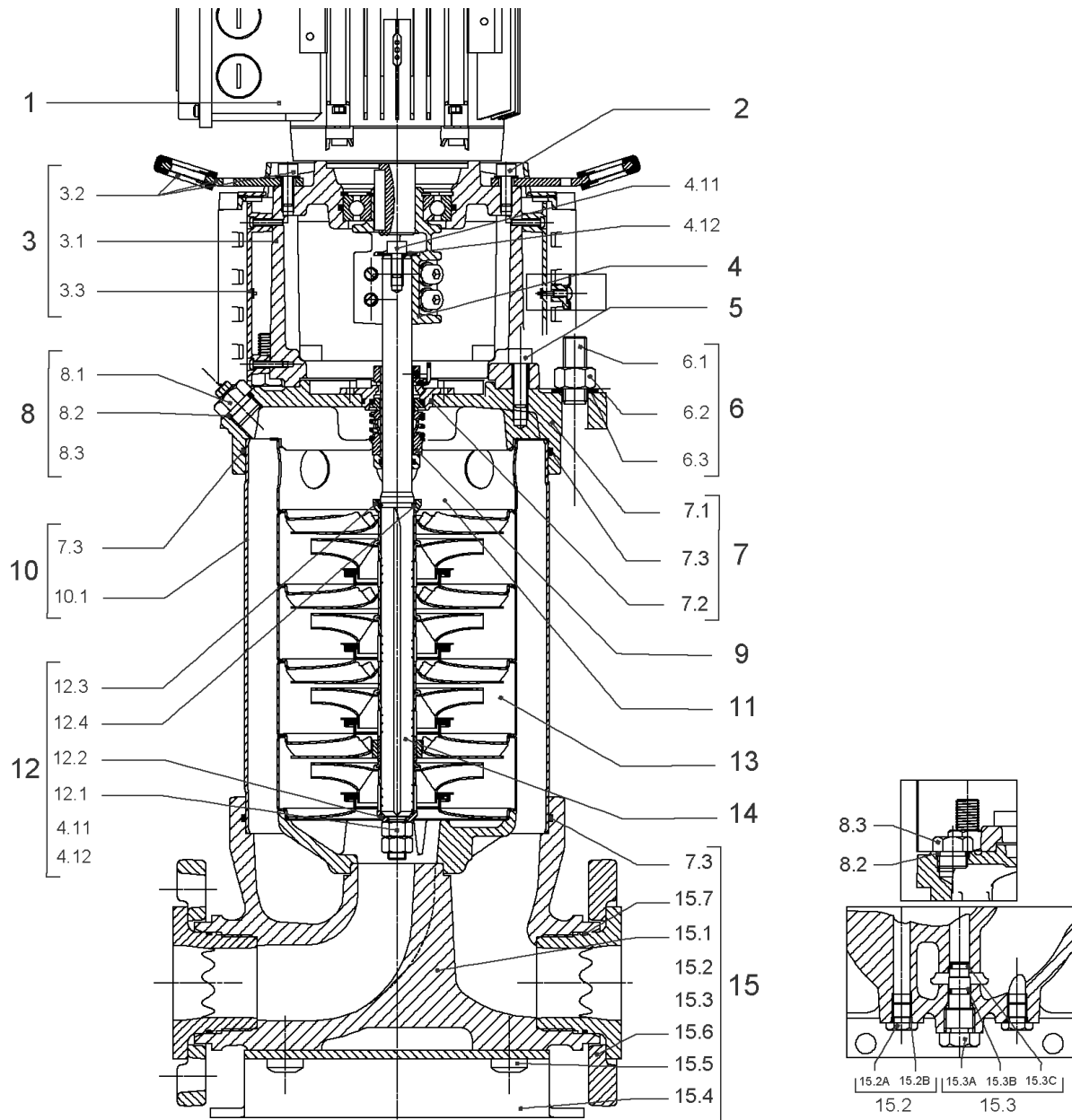


CARTRIDGE HELIX22-36-52 O/V KIT (4158204)

Item	Article no.	Description	Quantity
9.1	4158203	SEAL-KIT-HELIX22-36-52 O/V	1
7.3	2107767	> O-RING ID.202,80x3,53 VITON VP.	1
7.4	4179958	> O-RING-ID.42.52X2.62 VITON VP.	1
9.1A	2127454	> M.SEAL.HELIX22-36-52 O/V VP.	1
9.1B	4179960	> O-RING ID.20x2.65 FKM VP.	1
9.2	4179566	SHAFT SLEEVE D.20/20X60 1.4404 VP.	1
9.3	4179567	RING HOLDER Ø22 1.4301 VP.	1
9.4	4176520	SCREW CH M5x5 A4-70 (3PIECES)	1
9.5	4179568	DRIVE RING D.31/22.1x11 MACH.VP.	1
9.6	4179569	TOOL M.S.CART.HELIX 8" VP.	1
9.7	4179570	SCREW M6X16 ISO4762 8.8 GEOMET(4 PIECES)	1



Item	Article no.	Description	Quantity
13.1	4158210	FIRST STAGE HELIX 22 1.4404 KIT	1
		> IMPELLER-H1-M+22-316	1
		> MACH.STG-CASING-WOGV-WNR-M+22-316	1
13.2	4158209	BEARING STAGE HELIX V2201 1.4404 KIT	1
		> IMPELLER-HUB-H2-M+22/52-316	1
		> MACH.BEARING-STG-CASING-WNR-M+22-316	1
		> SHAFT-SLEEVE-D26xD22x16-CW	1

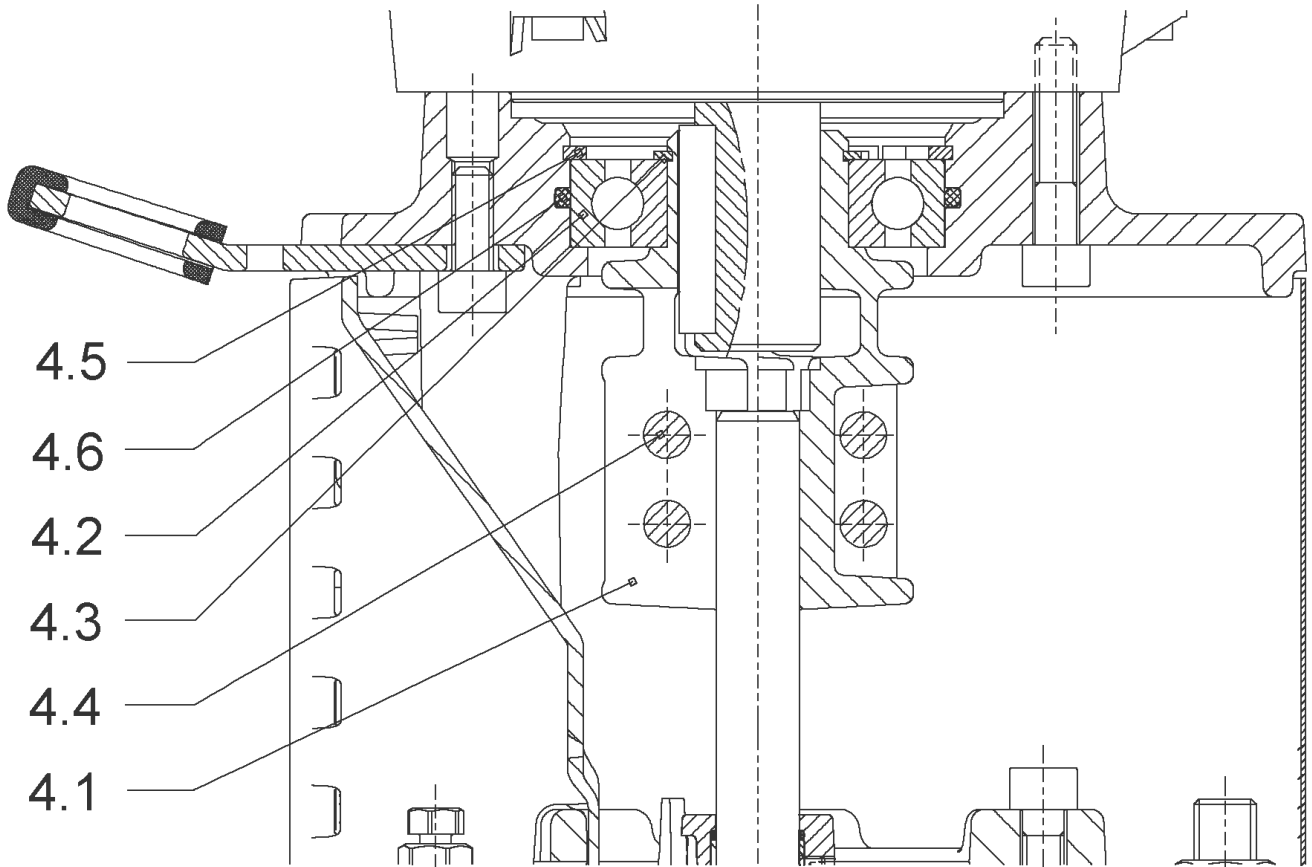


HELIX V2202-2/16/V/KS/400-50 (4139775)

Item	Article no.	Description	Quantity
1	4169944	MOTOR 3/2/100 3~230/400V 50HZ IE3 VP.	1
		SPARE PARTS MOTOR:ON REQUEST	1
2	4159707	SCREW M8X30 (4 PIECES)	1
3	4157719	LANTERN HELIX 22/36 FT130 KIT	1
3.1		> LANTERN FT130 M+ GJL MACHINED+CATA	1
3.2	4179561	> EYELET CPL.FT HELIX(2 PIECES)	1
3.3	4143968	> COUPLING PROTECT HELIX FT KIT	1
4	4143964	COUPLING D.20XD.28 FT130 KIT	1
5	4094462	SCREWS M10 (4 PIECES)	1
6	4181156	STUD BOLT M16X233 KIT	1
6.1		> TIE BOLT M16-233x24x44-1.4057	1
6.2	4179562	> NUT M16 8.8 ISO4032 (4 PIECES)	1
6.3	4097852	> WASHER-CS-16.4-32-2.8-NFE25-511-A2	1
7	4179959	END SHIELD HELIX 8" FKM 1.4404 KIT	1
7.1		> END SHIELD HELIX 316L MACHINED	1
7.2	4179958	> O-RING-ID.42.52X2.62 VITON VP.	1
7.3	2107767	> O-RING ID.202,80x3,53 VITON VP.	1
8	4161256	FILING/PURGING PLUG FKM KIT	1
8.1		> FILLING/VENTING-PLUG-VMI8/10-316L	1
8.2		> FILLING AND VENTING PLUG M+8" 316L	1
8.3		> GASKET-17x3-VITON	1
9	4158204	CARTRIDGE HELIX22-36-52 O/V KIT	1
10	4181694	HOUSING PIPE D.204X164 1.4404 KIT	1
7.3	2107767	> O-RING ID.202,80x3,53 VITON VP.	1
10.1		> HOUSING-PIPE Ø204-M+2201/2202-316L	1
11	4181697	CENTERING STAGE RETURN HELIX22 1.4404 VP	1
12	4143967	SHAFT EQUIPMENT HELIX V KIT	1
13		HYDRAULIC HELIX V 2202	1
14	4180014	SHAFTS D.22X304 1.4404 VP.	1
15	4158198	EQUIPED HOUSING 1.4409 HELIX KIT	1
7.3	2107767	> O-RING ID.202,80x3,53 VITON VP.	1
15.1		> PUMP HOUSING M+ DN50 316L MACHINED	1
15.1		> GASKET HOLDER M+ DN50 316L MACHINED	1
15.1		> HYDRAULIC SUPPORT M+ DN50 316L MACHINED	1

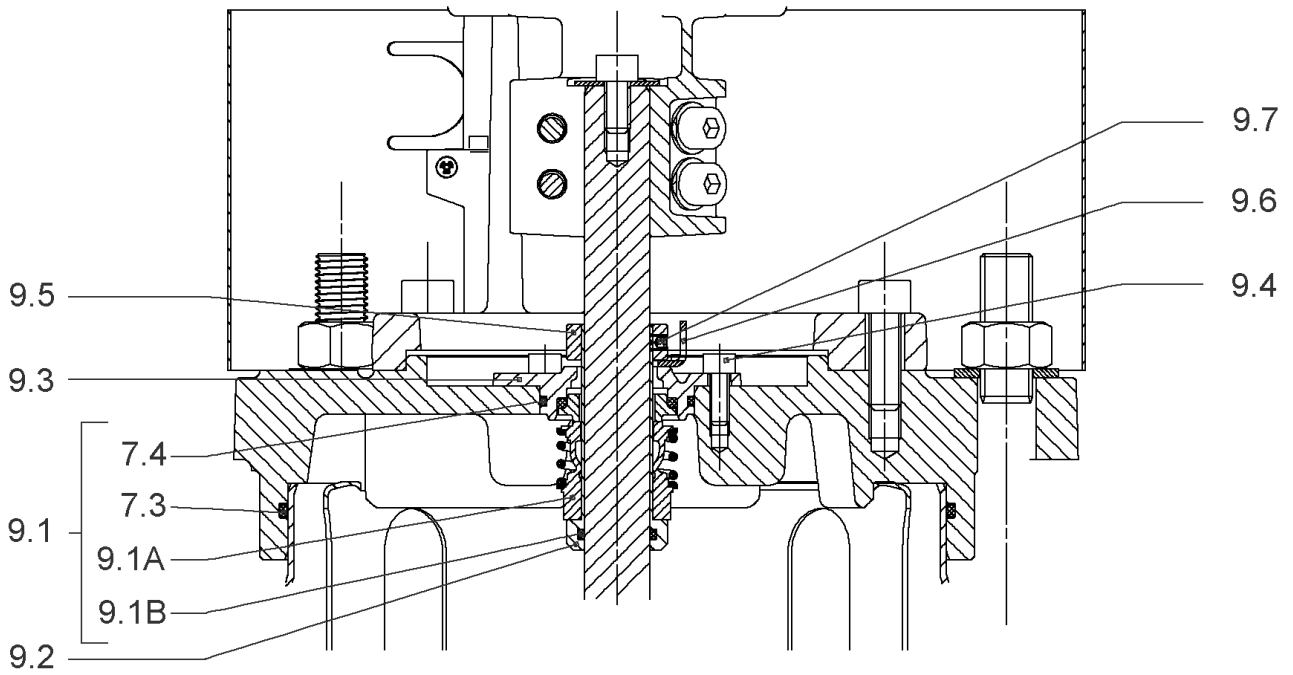
HELIX V2202-2/16/V/KS/400-50 (4139775)

Item	Article no.	Description	Quantity
15.2	4158195	> PLUG PRESSURE CONNECTION G1/4" 316L KIT	1
15.2A		>> PLUG PRESSURE CONNECTION - G1/4" - 316L	1
15.2B	2107769	>> O-RING ID.9,9x2,62 VITON VP.	1
15.3	4158196	> DRAIN/PRIMING PLUG VITON HELIX KIT	1
15.3A		>> DRAIN-AND-PRIMING-PLUG-VM18"-316L	1
15.3B	4032294	>> GASKET-10x3-VITON	1
15.3C	2107768	>> O-RING ID.8,9x2,7 VITON VP.	1
15.4	4143749	> BASE M+ DN50/65/80-304	1
15.6	4121480	> FLANGE M+ DN50 CATA	1
15.7		> O-RING Ø63.17xØ2.62 VITON	1
15.5		> SCREW TBHC M12x25 ISO7380 ZN	1



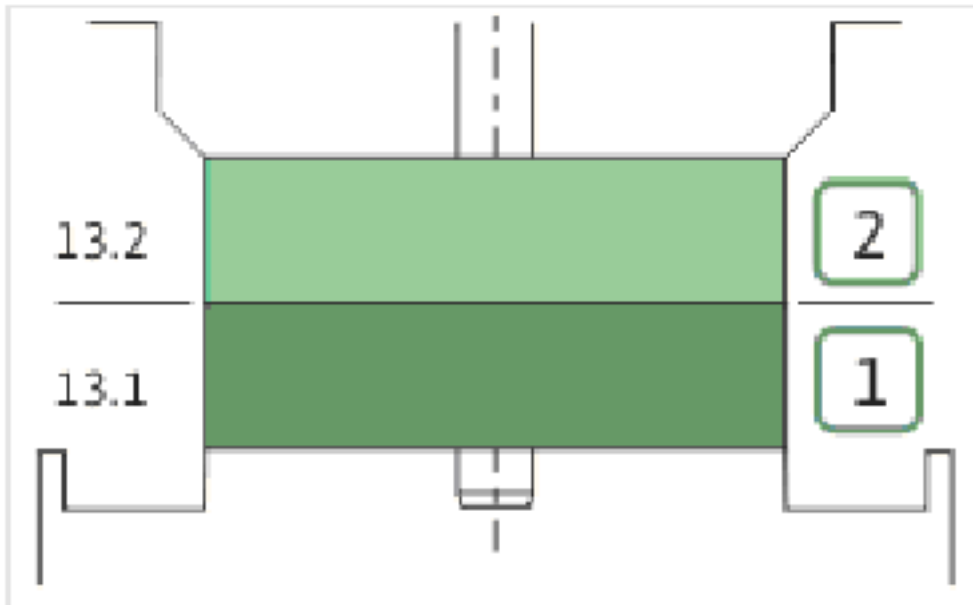
COUPLING D.20XD.28 FT130 KIT (4143964)

Item	Article no.	Description	Quantity
4.1		COUPLING M+ Ø20XØ28-FT130 MACHINED	1
4.2	2131022	BALL BEARING 6209/ZZ-C3(HT)VP.	1
4.3	4233930	CIRCLIP-FOR-BORES-D45x1,75 VP.	1
4.4	4157726	SCREW KIT M8X30 (4 PIECES)	1
4.5	4234252	CIRCLIPS 85X3 VP.	1
4.6	4234243	O-RING 85X3 VP.	1
		NOMEL CONTACT WASHER 8x16x1,4 STEEL ZC	1

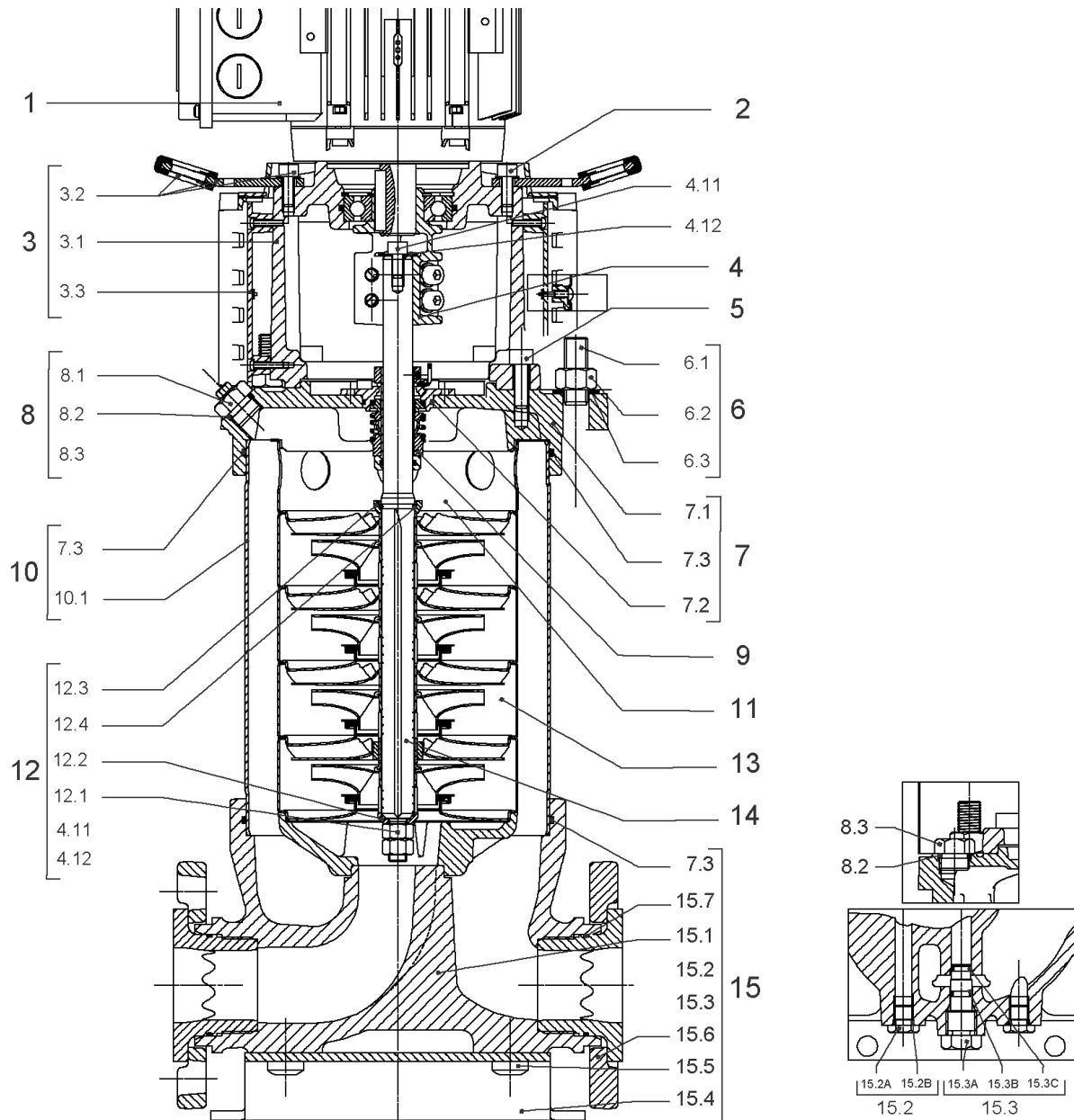


CARTRIDGE HELIX22-36-52 O/V KIT (4158204)

Item	Article no.	Description	Quantity
9.1	4158203	SEAL-KIT-HELIX22-36-52 O/V	1
7.3	2107767	> O-RING ID.202,80x3,53 VITON VP.	1
7.4	4179958	> O-RING-ID.42.52X2.62 VITON VP.	1
9.1A	2127454	> M.SEAL.HELIX22-36-52 O/V VP.	1
9.1B	4179960	> O-RING ID.20x2.65 FKM VP.	1
9.2	4179566	SHAFT SLEEVE D.20/20X60 1.4404 VP.	1
9.3	4179567	RING HOLDER Ø22 1.4301 VP.	1
9.4	4176520	SCREW CH M5x5 A4-70 (3PIECES)	1
9.5	4179568	DRIVE RING D.31/22.1x11 MACH.VP.	1
9.6	4179569	TOOL M.S.CART.HELIX 8" VP.	1
9.7	4179570	SCREW M6X16 ISO4762 8.8 GEOMET(4 PIECES)	1



Item	Article no.	Description	Quantity
13.1	4158210	FIRST STAGE HELIX 22 1.4404 KIT	1
		> IMPELLER-H1-M+22-316	1
		> MACH.STG-CASING-WOGV-WNR-M+22-316	1
13.2	4158211	BEARING STAGE HELIX 22 1.4404 KIT	1
		> IMPELLER-H2-M+22-316	1
		> MACH.BEARING-STG-CASING-WNR-M+22-316	1
		> SHAFT-SLEEVE-D26xD22x16-CW	1

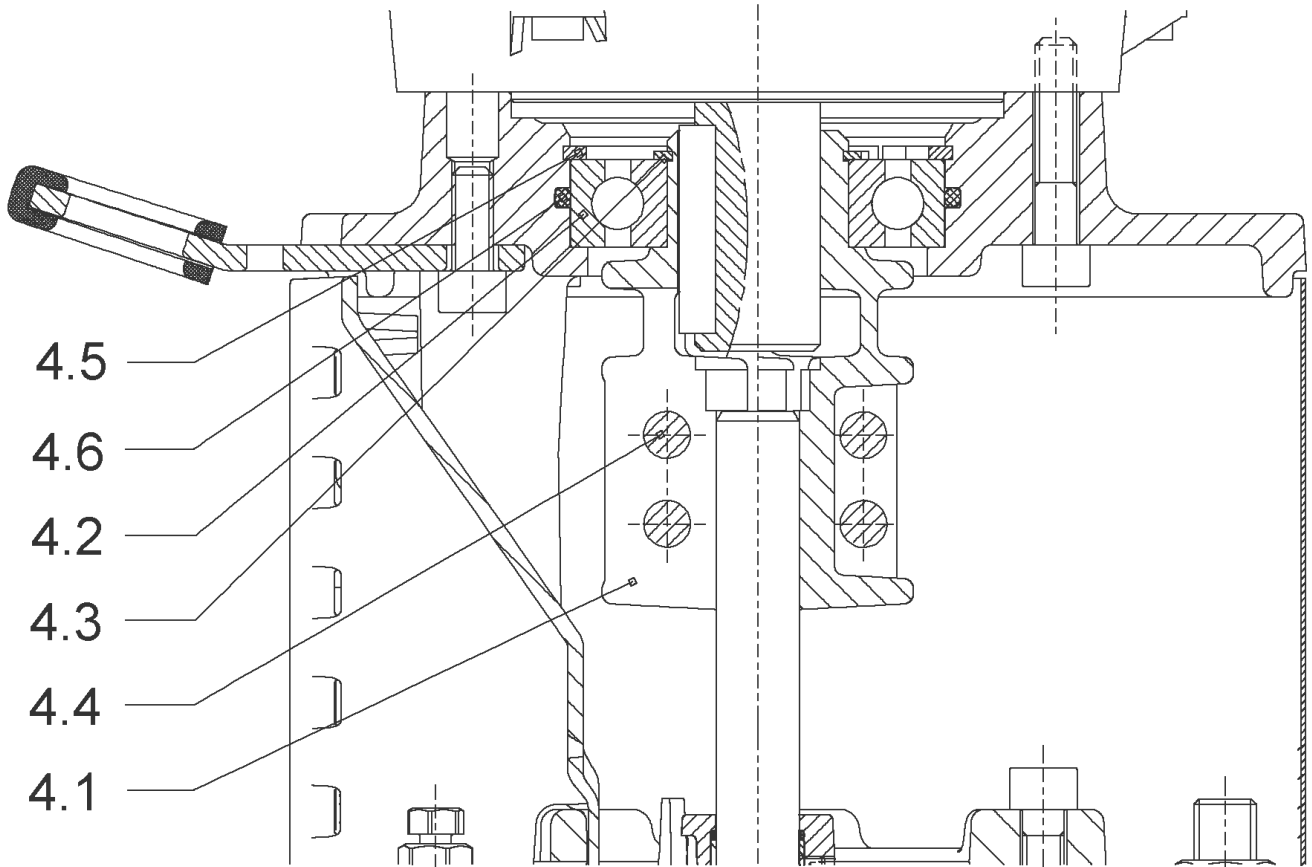


HELIX V2203-2/16/V/KS/400-50 (4139776)

Item	Article no.	Description	Quantity
1	4169945	MO.4/2 3~230/400(460)V 50(60)HZ IE3 VP.	1
		SPARE PARTS MOTOR:ON REQUEST	1
2	4159707	SCREW M8X30 (4 PIECES)	1
3	4157719	LANTERN HELIX 22/36 FT130 KIT	1
3.1		> LANTERN FT130 M+ GJL MACHINED+CATA	1
3.2	4179561	> EYELET CPL.FT HELIX(2 PIECES)	1
3.3	4143968	> COUPLING PROTECT HELIX FT KIT	1
4	4143964	COUPLING D.20XD.28 FT130 KIT	1
5	4094462	SCREWS M10 (4 PIECES)	1
6	4181160	STUD BOLT M16X279 KIT	1
6.1		> TIE BOLT M16-279x24x44-1.4057	1
6.2	4179562	> NUT M16 8.8 ISO4032 (4 PIECES)	1
6.3	4097852	> WASHER-CS-16.4-32-2.8-NFE25-511-A2	1
7	4179959	END SHIELD HELIX 8" FKM 1.4404 KIT	1
7.1		> END SHIELD HELIX 316L MACHINED	1
7.2	4179958	> O-RING-ID.42.52X2.62 VITON VP.	1
7.3	2107767	> O-RING ID.202,80x3,53 VITON VP.	1
8	4161256	FILING/PURGING PLUG FKM KIT	1
8.1		> FILLING/VENTING-PLUG-VMI8/10-316L	1
8.2		> FILLING AND VENTING PLUG M+8" 316L	1
8.3		> GASKET-17x3-VITON	1
9	4158204	CARTRIDGE HELIX22-36-52 O/V KIT	1
10	4181699	HOUSING PIPE D.204X214 1.4404 KIT	1
7.3	2107767	> O-RING ID.202,80x3,53 VITON VP.	1
10.1		> HOUSING-PIPE Ø204-M+2203-316L	1
11	4181697	CENTERING STAGE RETURN HELIX22 1.4404 VP	1
12	4143967	SHAFT EQUIPMENT HELIX V KIT	1
13		HYDRAULIC HELIX V 2203	1
14	4181117	SHAFT D.22X354 1.4404 VP.	1
15	4158198	EQUIPED HOUSING 1.4409 HELIX KIT	1
7.3	2107767	> O-RING ID.202,80x3,53 VITON VP.	1
15.1		> PUMP HOUSING M+ DN50 316L MACHINED	1
15.1		> GASKET HOLDER M+ DN50 316L MACHINED	1
15.1		> HYDRAULIC SUPPORT M+ DN50 316L MACHINED	1

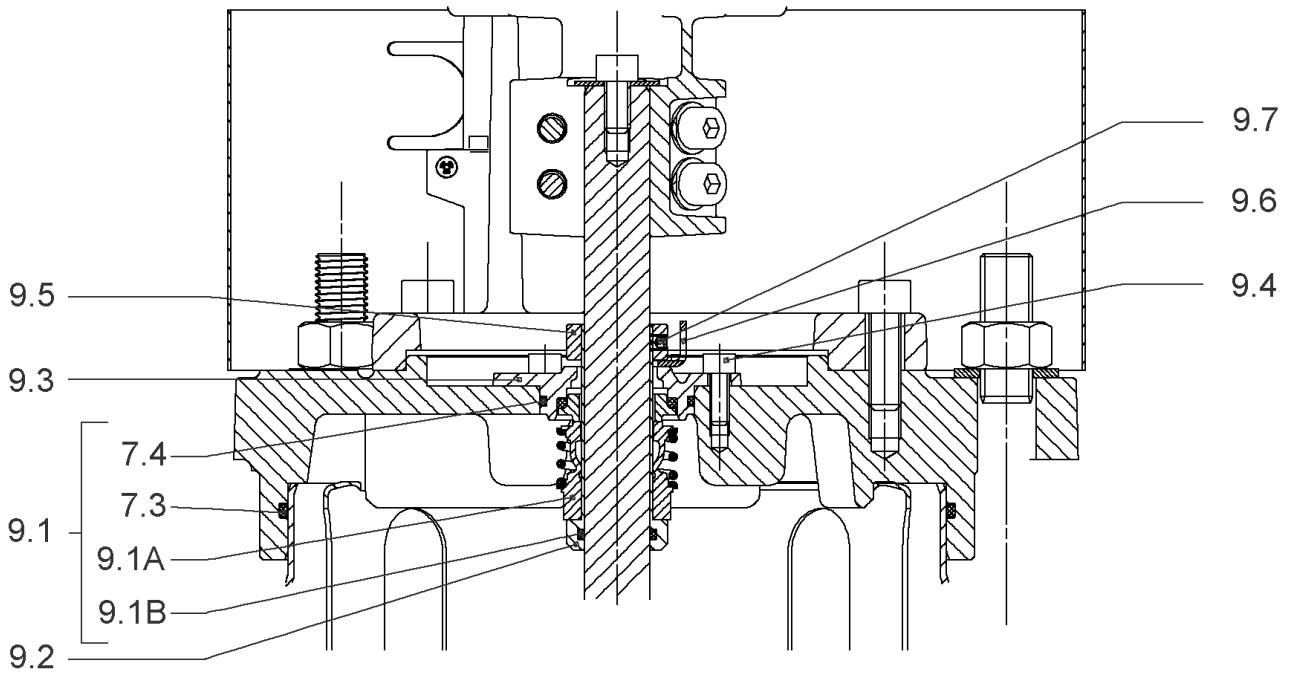
HELIX V2203-2/16/V/KS/400-50 (4139776)

Item	Article no.	Description	Quantity
15.2	4158195	> PLUG PRESSURE CONNECTION G1/4" 316L KIT	1
15.2A		>> PLUG PRESSURE CONNECTION - G1/4" - 316L	1
15.2B	2107769	>> O-RING ID.9,9x2,62 VITON VP.	1
15.3	4158196	> DRAIN/PRIMING PLUG VITON HELIX KIT	1
15.3A		>> DRAIN-AND-PRIMING-PLUG-VM18"-316L	1
15.3B	4032294	>> GASKET-10x3-VITON	1
15.3C	2107768	>> O-RING ID.8,9x2,7 VITON VP.	1
15.4	4143749	> BASE M+ DN50/65/80-304	1
15.6	4121480	> FLANGE M+ DN50 CATA	1
15.7		> O-RING Ø63.17xØ2.62 VITON	1
15.5		> SCREW TBHC M12x25 ISO7380 ZN	1



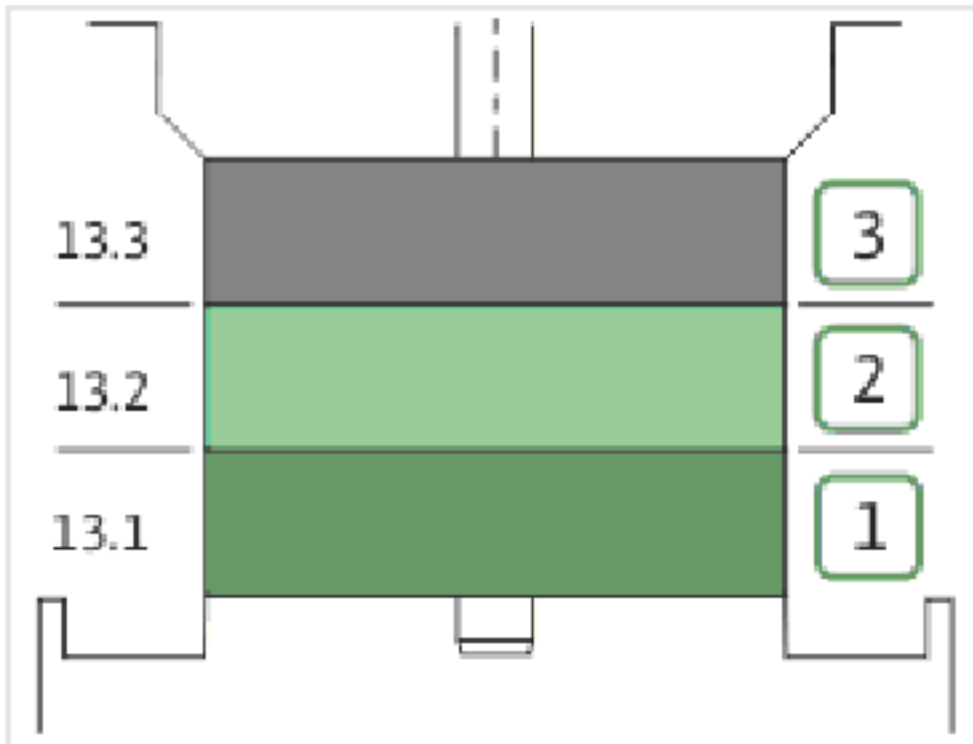
COUPLING D.20XD.28 FT130 KIT (4143964)

Item	Article no.	Description	Quantity
4.1		COUPLING M+ Ø20XØ28-FT130 MACHINED	1
4.2	2131022	BALL BEARING 6209/ZZ-C3(HT)VP.	1
4.3	4233930	CIRCLIP-FOR-BORES-D45x1,75 VP.	1
4.4	4157726	SCREW KIT M8X30 (4 PIECES)	1
4.5	4234252	CIRCLIPS 85X3 VP.	1
4.6	4234243	O-RING 85X3 VP.	1
		NOMEL CONTACT WASHER 8x16x1,4 STEEL ZC	1

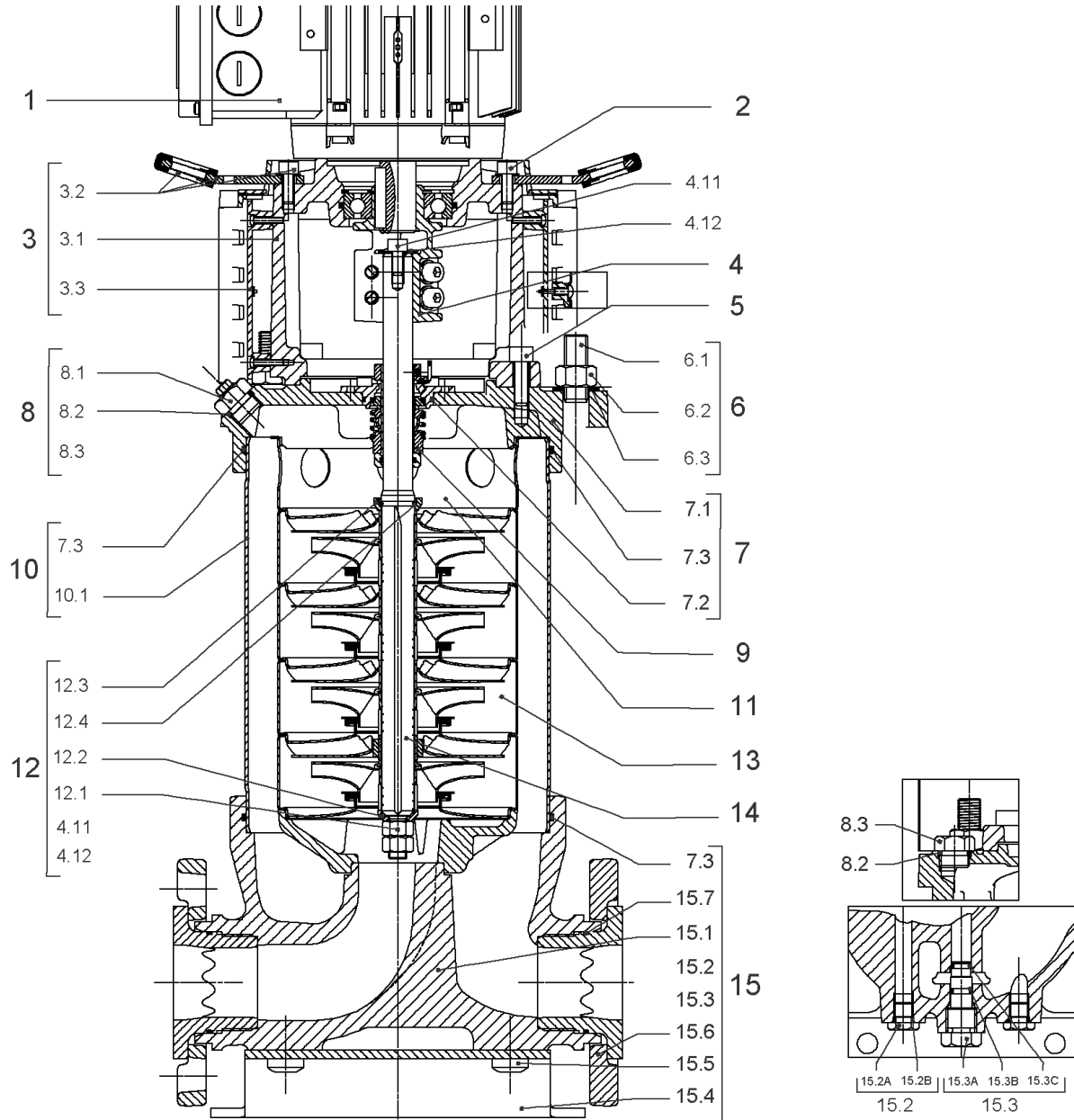


CARTRIDGE HELIX22-36-52 O/V KIT (4158204)

Item	Article no.	Description	Quantity
9.1	4158203	SEAL-KIT-HELIX22-36-52 O/V	1
7.3	2107767	> O-RING ID.202,80x3,53 VITON VP.	1
7.4	4179958	> O-RING-ID.42.52X2.62 VITON VP.	1
9.1A	2127454	> M.SEAL.HELIX22-36-52 O/V VP.	1
9.1B	4179960	> O-RING ID.20x2.65 FKM VP.	1
9.2	4179566	SHAFT SLEEVE D.20/20X60 1.4404 VP.	1
9.3	4179567	RING HOLDER Ø22 1.4301 VP.	1
9.4	4176520	SCREW CH M5x5 A4-70 (3PIECES)	1
9.5	4179568	DRIVE RING D.31/22.1x11 MACH.VP.	1
9.6	4179569	TOOL M.S.CART.HELIX 8" VP.	1
9.7	4179570	SCREW M6X16 ISO4762 8.8 GEOMET(4 PIECES)	1



Item	Article no.	Description	Quantity
13.1	4158210	FIRST STAGE HELIX 22 1.4404 KIT	1
		> IMPELLER-H1-M+22-316	1
		> MACH.STG-CASING-WOGV-WNR-M+22-316	1
13.2	4158211	BEARING STAGE HELIX 22 1.4404 KIT	1
		> IMPELLER-H2-M+22-316	1
		> MACH.BEARING-STG-CASING-WNR-M+22-316	1
		> SHAFT-SLEEVE-D26xD22x16-CW	1
13.3	4158212	INTERMEDIATE STAGE HELIX 22 316L KIT	1
		> MACH.STD-STG-CASING-WGV+NR-M+22-316	1
		> IMPELLER-H2-M+22-316	1

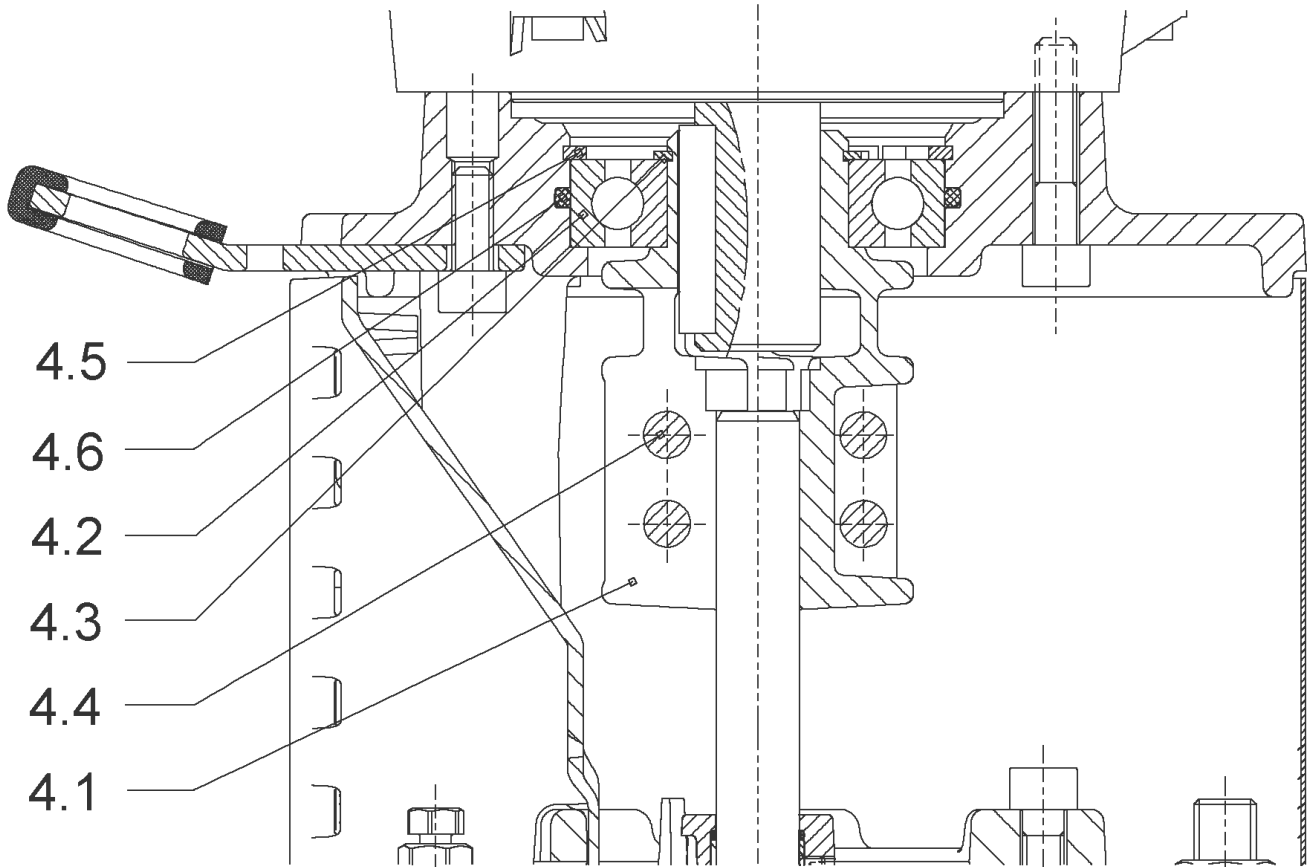


HELIX V2204-2/16/V/KS/400-50 (4139777)

Item	Article no.	Description	Quantity
1	4169947	MO 5,5/2/112 3~400V50Hz 460V60Hz IE3 VP.	1
		SPARE PARTS MOTOR:ON REQUEST	1
2	4159707	SCREW M8X30 (4 PIECES)	1
3	4157719	LANTERN HELIX 22/36 FT130 KIT	1
3.1		> LANTERN FT130 M+ GJL MACHINED+CATA	1
3.2	4179561	> EYELET CPL.FT HELIX(2 PIECES)	1
3.3	4143968	> COUPLING PROTECT HELIX FT KIT	1
4	4143964	COUPLING D.20XD.28 FT130 KIT	1
5	4094462	SCREWS M10 (4 PIECES)	1
6	4181076	STUD BOLT M16X338 KIT	1
		> TIE BOLT M16-338x24x44-1.4057	1
	4179562	> NUT M16 8.8 ISO4032 (4 PIECES)	1
	4097852	> WASHER-CS-16.4-32-2.8-NFE25-511-A2	1
7	4179959	END SHIELD HELIX 8" FKM 1.4404 KIT	1
7.1		> END SHIELD HELIX 316L MACHINED	1
7.2	4179958	> O-RING-ID.42.52X2.62 VITON VP.	1
7.3	2107767	> O-RING ID.202,80x3,53 VITON VP.	1
8	4161256	FILING/PURGING PLUG FKM KIT	1
8.1		> FILLING/VENTING-PLUG-VMI8/10-316L	1
8.2		> FILLING AND VENTING PLUG M+8" 316L	1
8.3		> GASKET-17x3-VITON	1
9	4158204	CARTRIDGE HELIX22-36-52 O/V KIT	1
10	4181120	HOUSING PIPE D.204X264 1.4404 KIT	1
7.3	2107767	> O-RING ID.202,80x3,53 VITON VP.	1
10.1		> HOUSING-PIPE Ø204-M+2204/3603-316L	1
11	4181697	CENTERING STAGE RETURN HELIX22 1.4404 VP	1
12	4143967	SHAFT EQUIPMENT HELIX V KIT	1
13		HYDRAULIC HELIX V 2204	1
14	4179966	SHAFTS D.22X404 1.4404 VP.	1
15	4158198	EQUIPED HOUSING 1.4409 HELIX KIT	1
7.3	2107767	> O-RING ID.202,80x3,53 VITON VP.	1
15.1		> PUMP HOUSING M+ DN50 316L MACHINED	1
15.1		> GASKET HOLDER M+ DN50 316L MACHINED	1
15.1		> HYDRAULIC SUPPORT M+ DN50 316L MACHINED	1

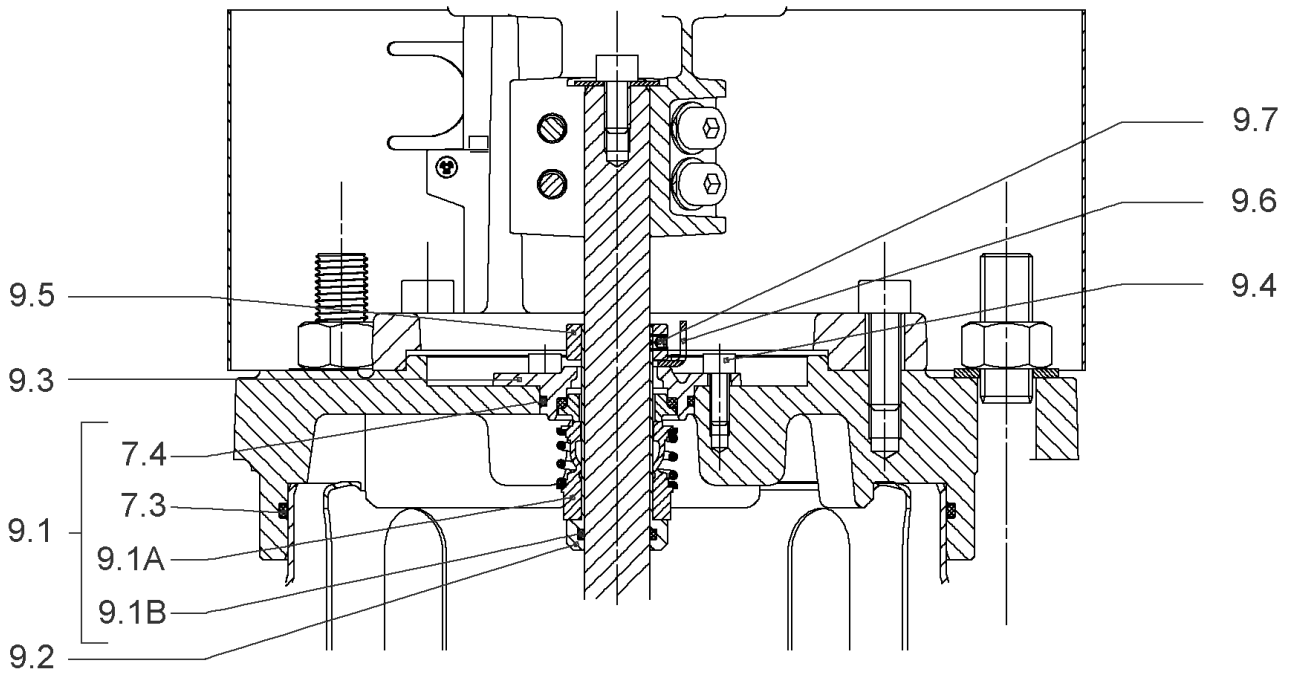
HELIX V2204-2/16/V/KS/400-50 (4139777)

Item	Article no.	Description	Quantity
15.2	4158195	> PLUG PRESSURE CONNECTION G1/4" 316L KIT	1
15.2A		>> PLUG PRESSURE CONNECTION - G1/4" - 316L	1
15.2B	2107769	>> O-RING ID.9,9x2,62 VITON VP.	1
15.3	4158196	> DRAIN/PRIMING PLUG VITON HELIX KIT	1
15.3A		>> DRAIN-AND-PRIMING-PLUG-VM18"-316L	1
15.3B	4032294	>> GASKET-10x3-VITON	1
15.3C	2107768	>> O-RING ID.8,9x2,7 VITON VP.	1
15.4	4143749	> BASE M+ DN50/65/80-304	1
15.6	4121480	> FLANGE M+ DN50 CATA	1
15.7		> O-RING Ø63.17xØ2.62 VITON	1
15.5		> SCREW TBHC M12x25 ISO7380 ZN	1



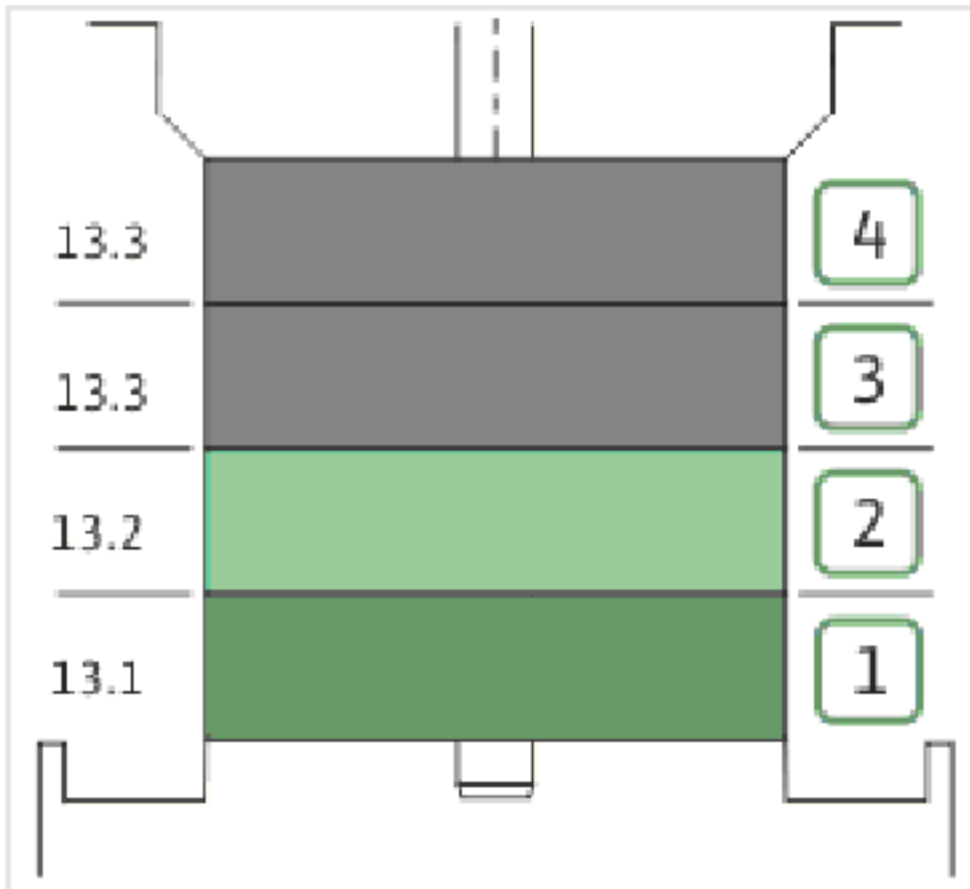
COUPLING D.20XD.28 FT130 KIT (4143964)

Item	Article no.	Description	Quantity
4.1		COUPLING M+ Ø20XØ28-FT130 MACHINED	1
4.2	2131022	BALL BEARING 6209/ZZ-C3(HT)VP.	1
4.3	4233930	CIRCLIP-FOR-BORES-D45x1,75 VP.	1
4.4	4157726	SCREW KIT M8X30 (4 PIECES)	1
4.5	4234252	CIRCLIPS 85X3 VP.	1
4.6	4234243	O-RING 85X3 VP.	1
		NOMEL CONTACT WASHER 8x16x1,4 STEEL ZC	1

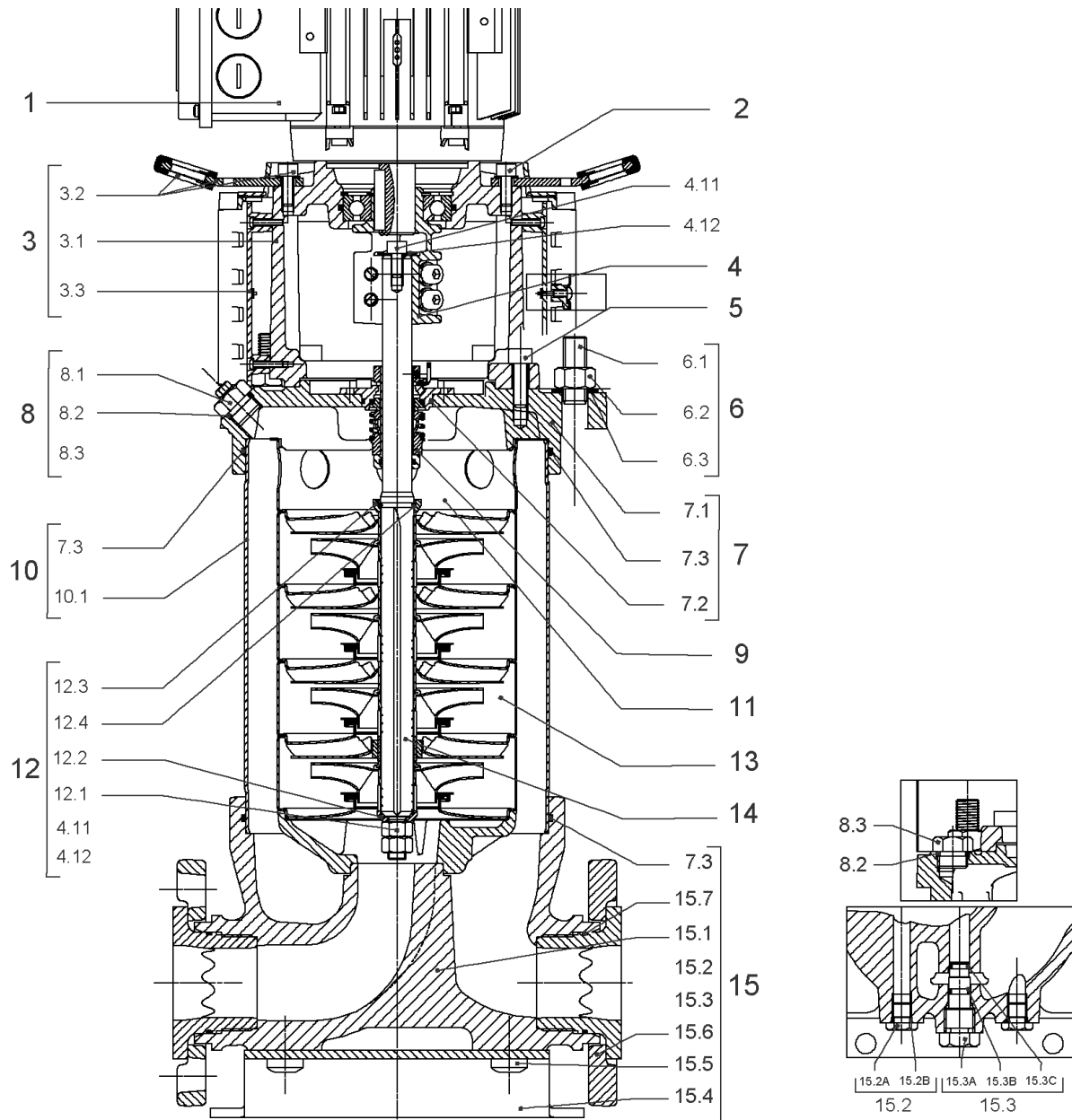


CARTRIDGE HELIX22-36-52 O/V KIT (4158204)

Item	Article no.	Description	Quantity
9.1	4158203	SEAL-KIT-HELIX22-36-52 O/V	1
7.3	2107767	> O-RING ID.202,80x3,53 VITON VP.	1
7.4	4179958	> O-RING-ID.42.52X2.62 VITON VP.	1
9.1A	2127454	> M.SEAL.HELIX22-36-52 O/V VP.	1
9.1B	4179960	> O-RING ID.20x2.65 FKM VP.	1
9.2	4179566	SHAFT SLEEVE D.20/20X60 1.4404 VP.	1
9.3	4179567	RING HOLDER Ø22 1.4301 VP.	1
9.4	4176520	SCREW CH M5x5 A4-70 (3PIECES)	1
9.5	4179568	DRIVE RING D.31/22.1x11 MACH.VP.	1
9.6	4179569	TOOL M.S.CART.HELIX 8" VP.	1
9.7	4179570	SCREW M6X16 ISO4762 8.8 GEOMET(4 PIECES)	1



Item	Article no.	Description	Quantity
13.1	4158210	FIRST STAGE HELIX 22 1.4404 KIT	1
		> IMPELLER-H1-M+22-316	1
		> MACH.STG-CASING-WOGV-WNR-M+22-316	1
13.2	4158211	BEARING STAGE HELIX 22 1.4404 KIT	1
		> IMPELLER-H2-M+22-316	1
		> MACH.BEARING-STG-CASING-WNR-M+22-316	1
		> SHAFT-SLEEVE-D26xD22x16-CW	1
13.3	4158212	INTERMEDIATE STAGE HELIX 22 316L KIT	1
		> MACH.STD-STG-CASING-WGV+NR-M+22-316	1
		> IMPELLER-H2-M+22-316	1

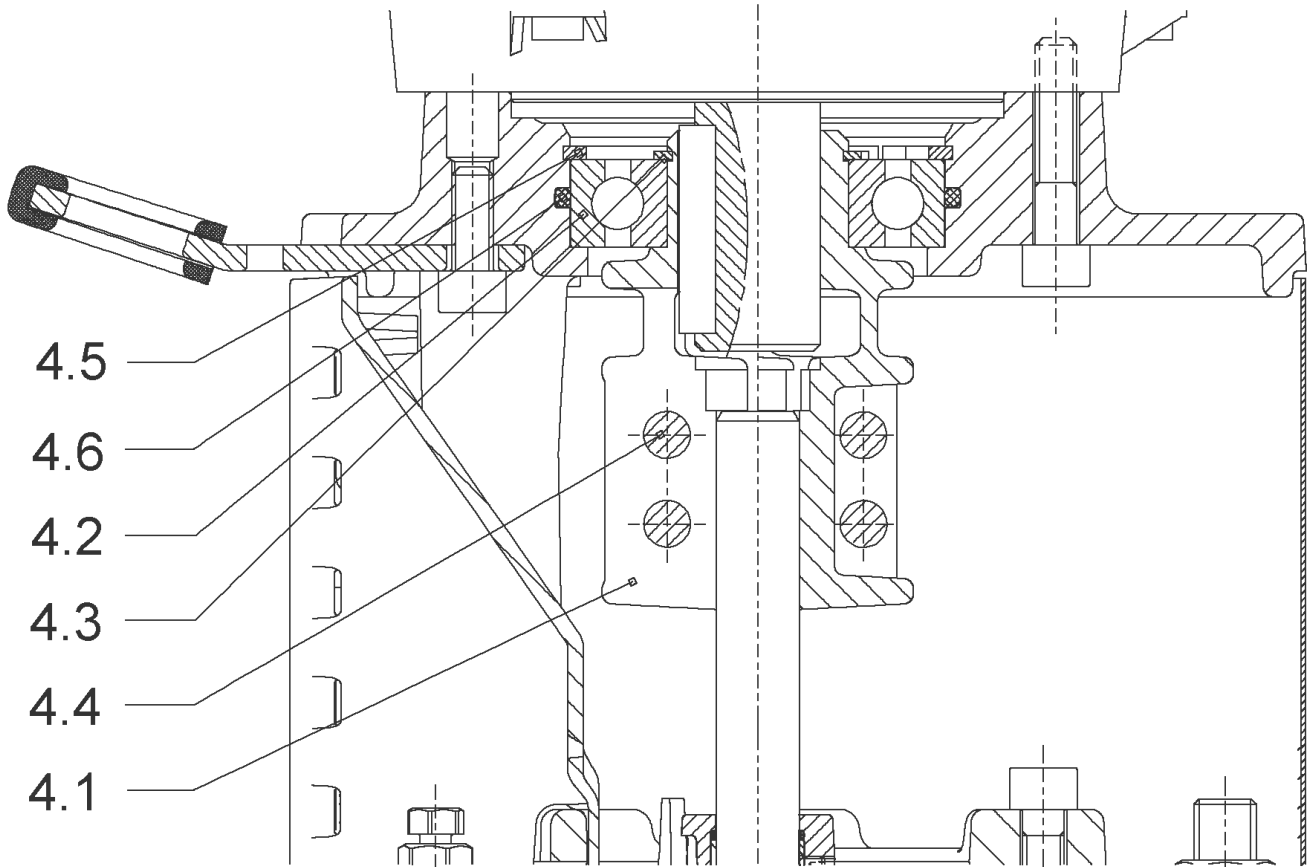


HELIX V2204-2/25/V/KS/400-50 (4139778)

Item	Article no.	Description	Quantity
1	4169947	MO 5,5/2/112 3~400V50Hz 460V60Hz IE3 VP.	1
		SPARE PARTS MOTOR:ON REQUEST	1
2	4159707	SCREW M8X30 (4 PIECES)	1
3	4157719	LANTERN HELIX 22/36 FT130 KIT	1
3.1		> LANTERN FT130 M+ GJL MACHINED+CATA	1
3.2	4179561	> EYELET CPL.FT HELIX(2 PIECES)	1
3.3	4143968	> COUPLING PROTECT HELIX FT KIT	1
4	4143964	COUPLING D.20XD.28 FT130 KIT	1
5	4094462	SCREWS M10 (4 PIECES)	1
6	4181076	STUD BOLT M16X338 KIT	1
		> TIE BOLT M16-338x24x44-1.4057	1
	4179562	> NUT M16 8.8 ISO4032 (4 PIECES)	1
	4097852	> WASHER-CS-16.4-32-2.8-NFE25-511-A2	1
7	4179959	END SHIELD HELIX 8" FKM 1.4404 KIT	1
7.1		> END SHIELD HELIX 316L MACHINED	1
7.2	4179958	> O-RING-ID.42.52X2.62 VITON VP.	1
7.3	2107767	> O-RING ID.202,80x3,53 VITON VP.	1
8	4161256	FILING/PURGING PLUG FKM KIT	1
8.1		> FILLING/VENTING-PLUG-VM18/10-316L	1
8.2		> FILLING AND VENTING PLUG M+8" 316L	1
8.3		> GASKET-17x3-VITON	1
9	4158206	CARTRIDGE HELIX22-36-52 F/V KIT	1
10	4181120	HOUSING PIPE D.204X264 1.4404 KIT	1
7.3	2107767	> O-RING ID.202,80x3,53 VITON VP.	1
10.1		> HOUSING-PIPE Ø204-M+2204/3603-316L	1
11	4181697	CENTERING STAGE RETURN HELIX22 1.4404 VP	1
12	4143967	SHAFT EQUIPMENT HELIX V KIT	1
13		HYDRAULIC HELIX V 2204	1
14	4179966	SHAFTS D.22X404 1.4404 VP.	1
15	4158198	EQUIPED HOUSING 1.4409 HELIX KIT	1
7.3	2107767	> O-RING ID.202,80x3,53 VITON VP.	1
15.1		> PUMP HOUSING M+ DN50 316L MACHINED	1
15.1		> GASKET HOLDER M+ DN50 316L MACHINED	1
15.1		> HYDRAULIC SUPPORT M+ DN50 316L MACHINED	1

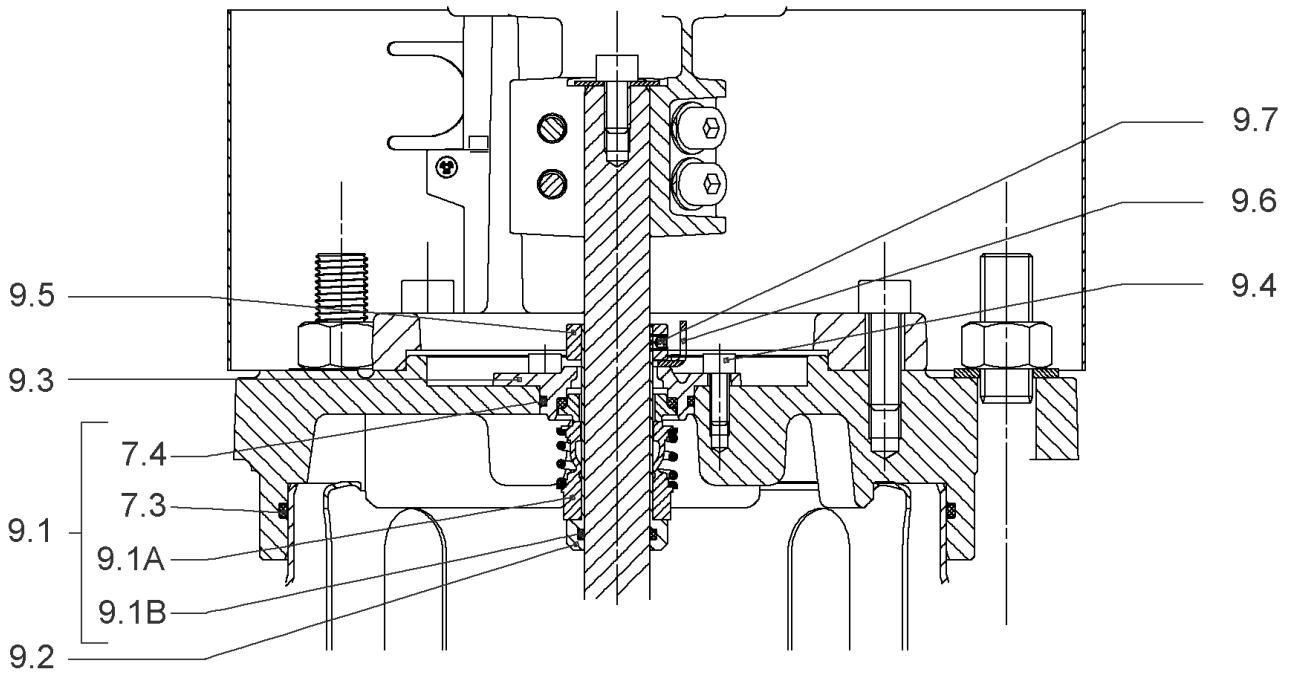
HELIX V2204-2/25/V/KS/400-50 (4139778)

Item	Article no.	Description	Quantity
15.2	4158195	> PLUG PRESSURE CONNECTION G1/4" 316L KIT	1
15.2A		>> PLUG PRESSURE CONNECTION - G1/4" - 316L	1
15.2B	2107769	>> O-RING ID.9,9x2,62 VITON VP.	1
15.3	4158196	> DRAIN/PRIMING PLUG VITON HELIX KIT	1
15.3A		>> DRAIN-AND-PRIMING-PLUG-VM18"-316L	1
15.3B	4032294	>> GASKET-10x3-VITON	1
15.3C	2107768	>> O-RING ID.8,9x2,7 VITON VP.	1
15.4	4143749	> BASE M+ DN50/65/80-304	1
15.6	4121480	> FLANGE M+ DN50 CATA	1
15.7		> O-RING Ø63.17xØ2.62 VITON	1
15.5		> SCREW TBHC M12x25 ISO7380 ZN	1



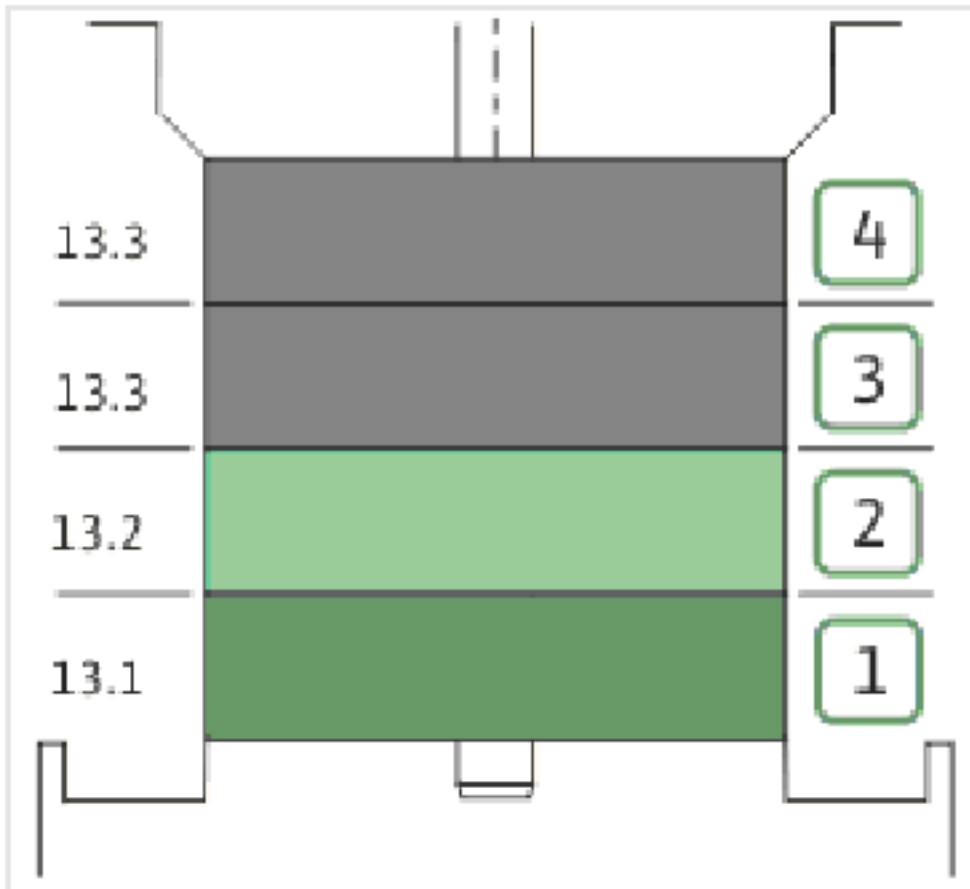
COUPLING D.20XD.28 FT130 KIT (4143964)

Item	Article no.	Description	Quantity
4.1		COUPLING M+ Ø20XØ28-FT130 MACHINED	1
4.2	2131022	BALL BEARING 6209/ZZ-C3(HT)VP.	1
4.3	4233930	CIRCLIP-FOR-BORES-D45x1,75 VP.	1
4.4	4157726	SCREW KIT M8X30 (4 PIECES)	1
4.5	4234252	CIRCLIPS 85X3 VP.	1
4.6	4234243	O-RING 85X3 VP.	1
		NOMEL CONTACT WASHER 8x16x1,4 STEEL ZC	1

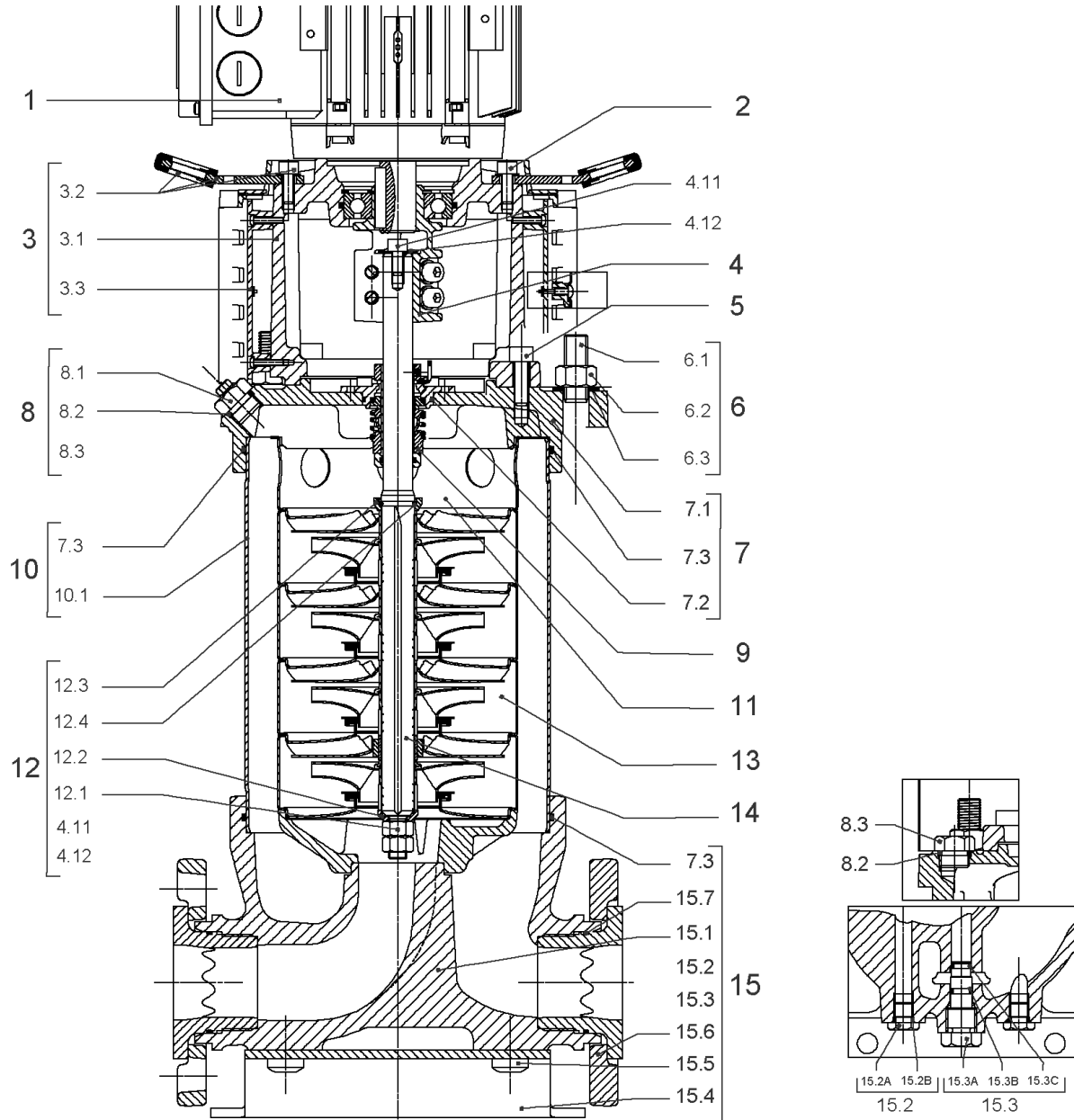


CARTRIDGE HELIX22-36-52 F/V KIT (4158206)

Item	Article no.	Description	Quantity
9.1	4158205	SEAL-KIT-HELIX22-36-52 F/V	1
7.3	2107767	> O-RING ID.202,80x3,53 VITON VP.	1
7.4	4179958	> O-RING-ID.42.52X2.62 VITON VP.	1
9.1A	4179982	> M.SEAL.HELIX22-36-52 F/V VP.	1
9.1B	4179960	> O-RING ID.20x2.65 FKM VP.	1
9.2	4179566	SHAFT SLEEVE D.20/20X60 1.4404 VP.	1
9.3	4179567	RING HOLDER Ø22 1.4301 VP.	1
9.4	4176520	SCREW CH M5x5 A4-70 (3PIECES)	1
9.5	4179568	DRIVE RING D.31/22.1x11 MACH.VP.	1
9.6	4179569	TOOL M.S.CART.HELIX 8" VP.	1
9.7	4179570	SCREW M6X16 ISO4762 8.8 GEOMET(4 PIECES)	1



Item	Article no.	Description	Quantity
13.1	4158210	FIRST STAGE HELIX 22 1.4404 KIT	1
		> IMPELLER-H1-M+22-316	1
		> MACH.STG-CASING-WOGV-WNR-M+22-316	1
13.2	4158211	BEARING STAGE HELIX 22 1.4404 KIT	1
		> IMPELLER-H2-M+22-316	1
		> MACH.BEARING-STG-CASING-WNR-M+22-316	1
		> SHAFT-SLEEVE-D26xD22x16-CW	1
13.3	4158212	INTERMEDIATE STAGE HELIX 22 316L KIT	1
		> MACH.STD-STG-CASING-WGV+NR-M+22-316	1
		> IMPELLER-H2-M+22-316	1

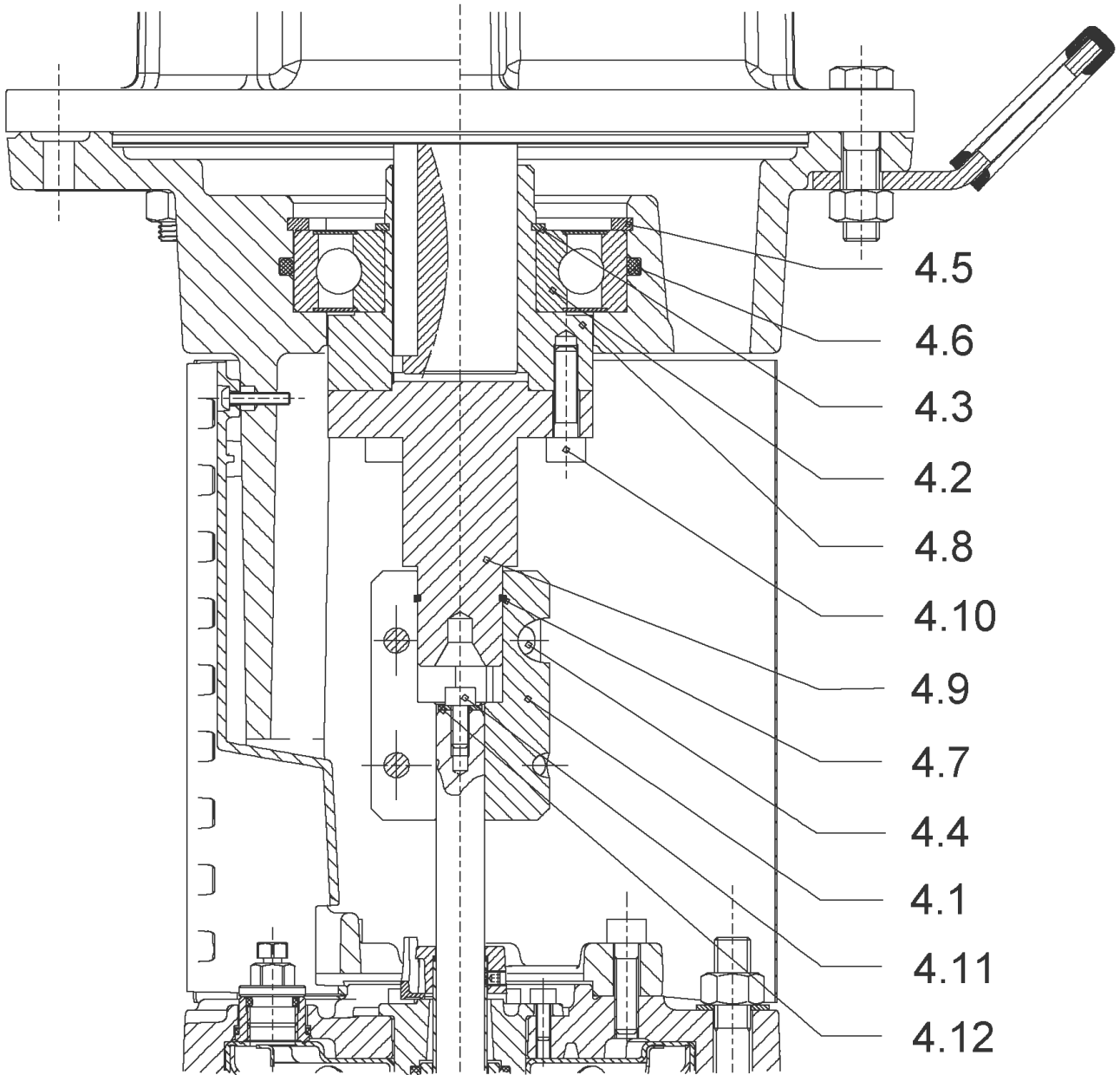


HELIX V2205-2/16/V/KS/400-50 (4139779)

Item	Article no.	Description	Quantity
1	4195450	MOTOR 7,5/2/* 3~400V 50HZ IE3 VP.	1
		SPARE PARTS MOTOR:ON REQUEST	1
2	4174093	SCREW M12X50 (4 PIECES)	1
3	4161187	LANTERN FF265 HELIX 8" KIT	1
3.1		> LANTERN FF265 M+ GJL MACHINED+CATA	1
3.2	2127605	> EYELET CPL.FF265 HELIX(2 PIECES)	1
3.3	4143969	> COUPLING PROTECT HELIX FF KIT	1
4	4143965	COUPLING D.20XD.28 FF265 KIT	1
5	4157725	SCREW M10X40 (4 PIECES)	1
6	4181164	STUD BOLT M16X382 KIT	1
6.1		> TIE BOLT M16-382x24x44-1.4057	1
6.2	4179562	> NUT M16 8.8 ISO4032 (4 PIECES)	1
6.3	4097852	> WASHER-CS-16.4-32-2.8-NFE25-511-A2	1
7	4179959	END SHIELD HELIX 8" FKM 1.4404 KIT	1
7.1		> END SHIELD HELIX 316L MACHINED	1
7.2	4179958	> O-RING-ID.42.52X2.62 VITON VP.	1
7.3	2107767	> O-RING ID.202,80x3,53 VITON VP.	1
8	4161256	FILING/PURGING PLUG FKM KIT	1
8.1		> FILLING/VENTING-PLUG-VM18/10-316L	1
8.2		> FILLING AND VENTING PLUG M+8" 316L	1
8.3		> GASKET-17x3-VITON	1
9	4158204	CARTRIDGE HELIX22-36-52 O/V KIT	1
10	4181702	HOUSING PIPE D.204X314 1.4404 KIT	1
7.3	2107767	> O-RING ID.202,80x3,53 VITON VP.	1
10.1		> HOUSING-PIPE Ø204-M+2205-316L	1
11	4181697	CENTERING STAGE RETURN HELIX22 1.4404 VP	1
12	4143967	SHAFT EQUIPMENT HELIX V KIT	1
13		HYDRAULIC HELIX V 2205	1
14	4181703	SHAFTS D.22X454 1.4404 VP.	1
15	4158198	EQUIPED HOUSING 1.4409 HELIX KIT	1
7.3	2107767	> O-RING ID.202,80x3,53 VITON VP.	1
15.1		> PUMP HOUSING M+ DN50 316L MACHINED	1
15.1		> GASKET HOLDER M+ DN50 316L MACHINED	1
15.1		> HYDRAULIC SUPPORT M+ DN50 316L MACHINED	1

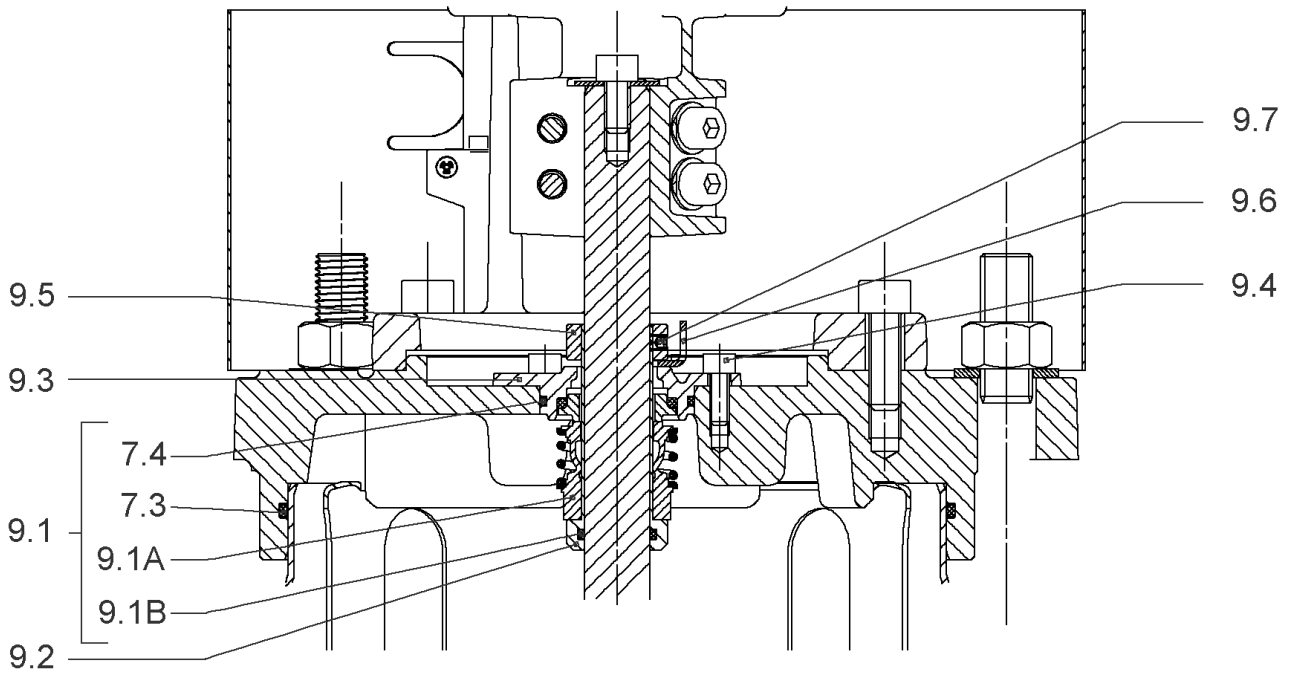
HELIX V2205-2/16/V/KS/400-50 (4139779)

Item	Article no.	Description	Quantity
15.2	4158195	> PLUG PRESSURE CONNECTION G1/4" 316L KIT	1
15.2A		>> PLUG PRESSURE CONNECTION - G1/4" - 316L	1
15.2B	2107769	>> O-RING ID.9,9x2,62 VITON VP.	1
15.3	4158196	> DRAIN/PRIMING PLUG VITON HELIX KIT	1
15.3A		>> DRAIN-AND-PRIMING-PLUG-VM18"-316L	1
15.3B	4032294	>> GASKET-10x3-VITON	1
15.3C	2107768	>> O-RING ID.8,9x2,7 VITON VP.	1
15.4	4143749	> BASE M+ DN50/65/80-304	1
15.6	4121480	> FLANGE M+ DN50 CATA	1
15.7		> O-RING Ø63.17xØ2.62 VITON	1
15.5		> SCREW TBHC M12x25 ISO7380 ZN	1



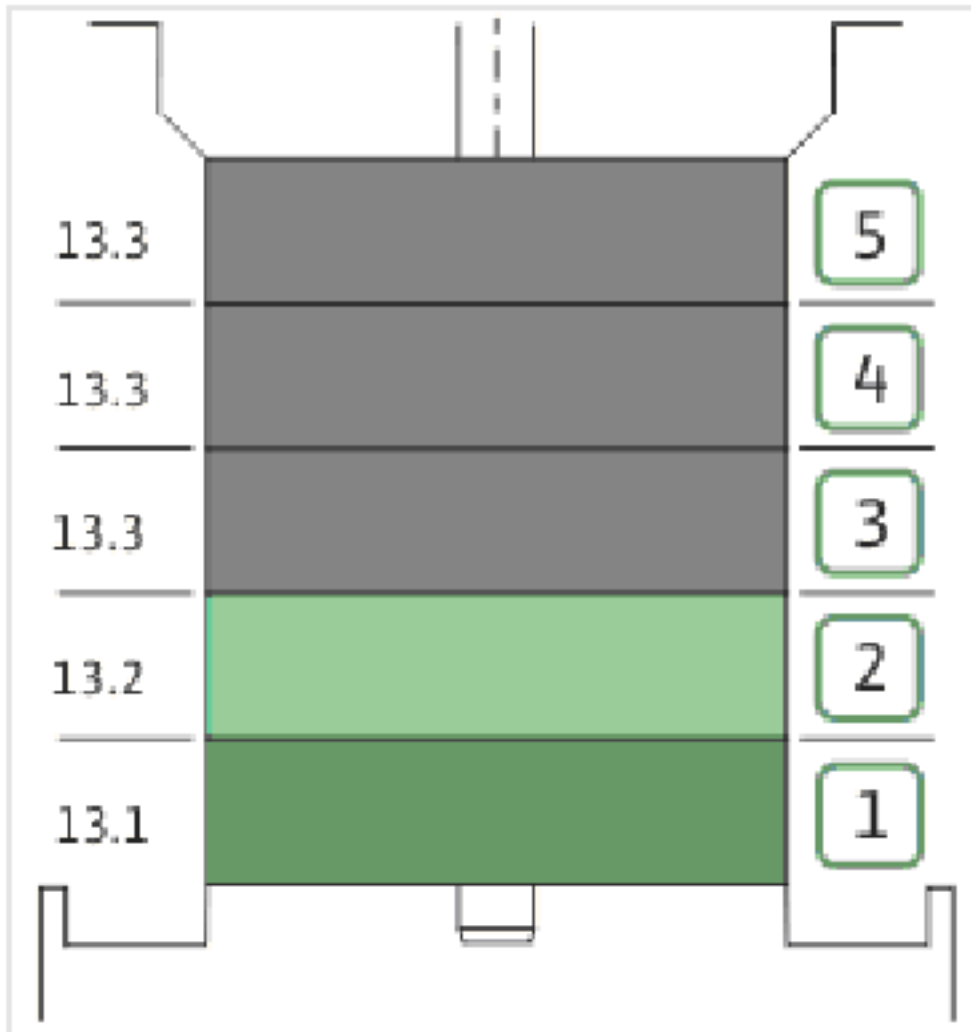
COUPLING D.20XD.28 FF265 KIT (4143965)

Item	Article no.	Description	Quantity
4.1	4179584	COUPLING 2 PARTS D.20XD.28XL83 VP.	1
4.2	2131017	BALL BEARING 6310/ZZ-C4(HT)VP.	1
4.3	4234253	CIRCLIP-FOR-SHAFT-D50x2 VP.	1
4.4	4159707	SCREW M8X30 (4 PIECES)	1
4.5	4234255	CIRCLIPS 110X4 VP.	1
4.6	4233944	O-RING ID.110 VP.	1
4.7	4179585	STOP-RUSH D26xD2 DIN7993 STEEL VP.	1
4.8	2131020	HUB D.38XD.50 VP.	1
4.9	2131021	SPACER D.28XD.45 VP.	1
4.10	4157726	SCREW KIT M8X30 (4 PIECES)	1
4.11	4233959	SCREW M8x16 VP.	1
4.12		SERRATED LOCK WASHER Ø8.2XØ25X35X2	1

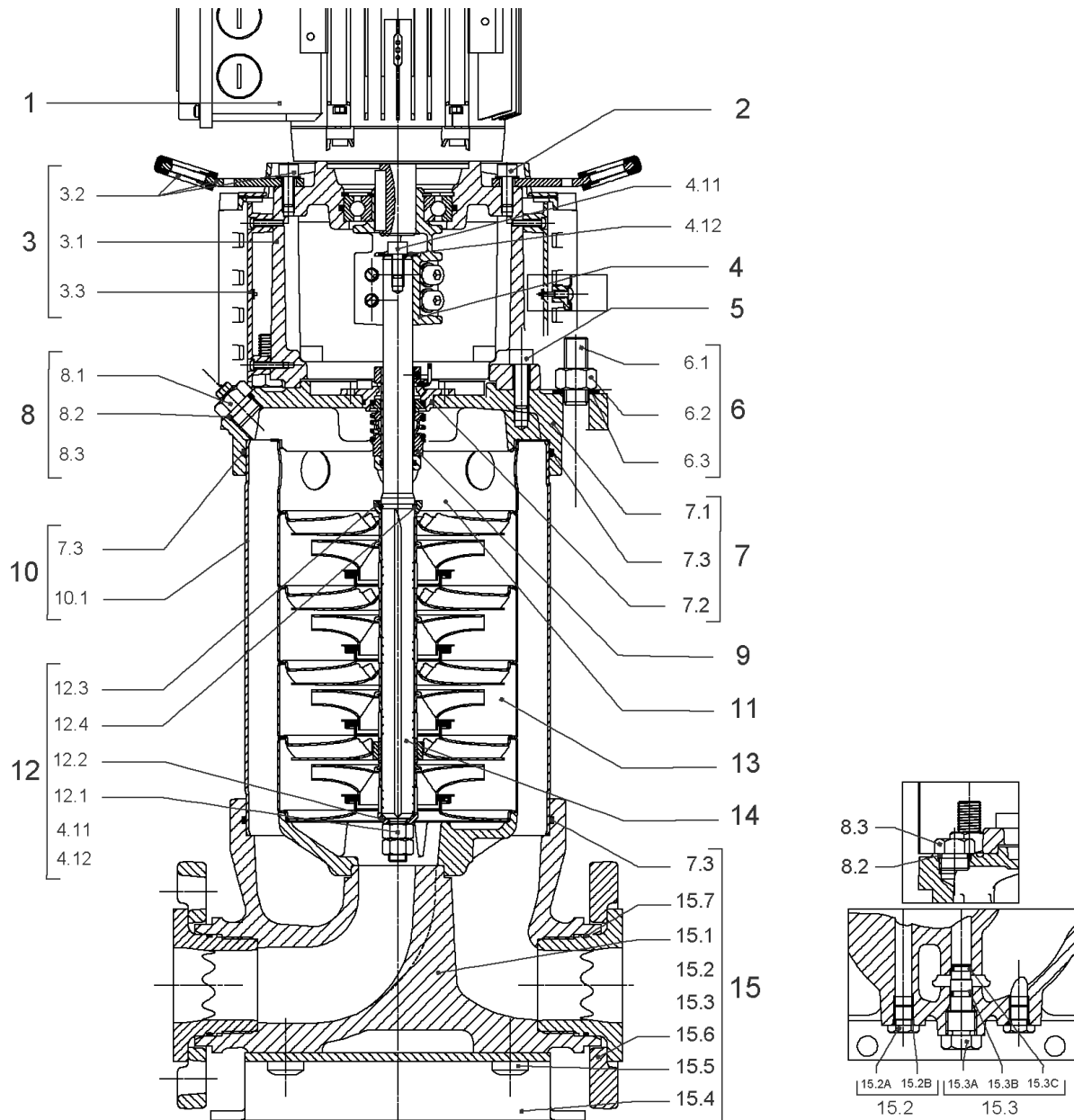


CARTRIDGE HELIX22-36-52 O/V KIT (4158204)

Item	Article no.	Description	Quantity
9.1	4158203	SEAL-KIT-HELIX22-36-52 O/V	1
7.3	2107767	> O-RING ID.202,80x3,53 VITON VP.	1
7.4	4179958	> O-RING-ID.42.52X2.62 VITON VP.	1
9.1A	2127454	> M.SEAL.HELIX22-36-52 O/V VP.	1
9.1B	4179960	> O-RING ID.20x2.65 FKM VP.	1
9.2	4179566	SHAFT SLEEVE D.20/20X60 1.4404 VP.	1
9.3	4179567	RING HOLDER Ø22 1.4301 VP.	1
9.4	4176520	SCREW CH M5x5 A4-70 (3PIECES)	1
9.5	4179568	DRIVE RING D.31/22.1x11 MACH.VP.	1
9.6	4179569	TOOL M.S.CART.HELIX 8" VP.	1
9.7	4179570	SCREW M6X16 ISO4762 8.8 GEOMET(4 PIECES)	1



Item	Article no.	Description	Quantity
13.1	4158210	FIRST STAGE HELIX 22 1.4404 KIT	1
		> IMPELLER-H1-M+22-316	1
		> MACH.STG-CASING-WOGV-WNR-M+22-316	1
13.2	4158211	BEARING STAGE HELIX 22 1.4404 KIT	1
		> IMPELLER-H2-M+22-316	1
		> MACH.BEARING-STG-CASING-WNR-M+22-316	1
		> SHAFT-SLEEVE-D26xD22x16-CW	1
13.3	4158212	INTERMEDIATE STAGE HELIX 22 316L KIT	1
		> MACH.STD-STG-CASING-WGV+NR-M+22-316	1
		> IMPELLER-H2-M+22-316	1

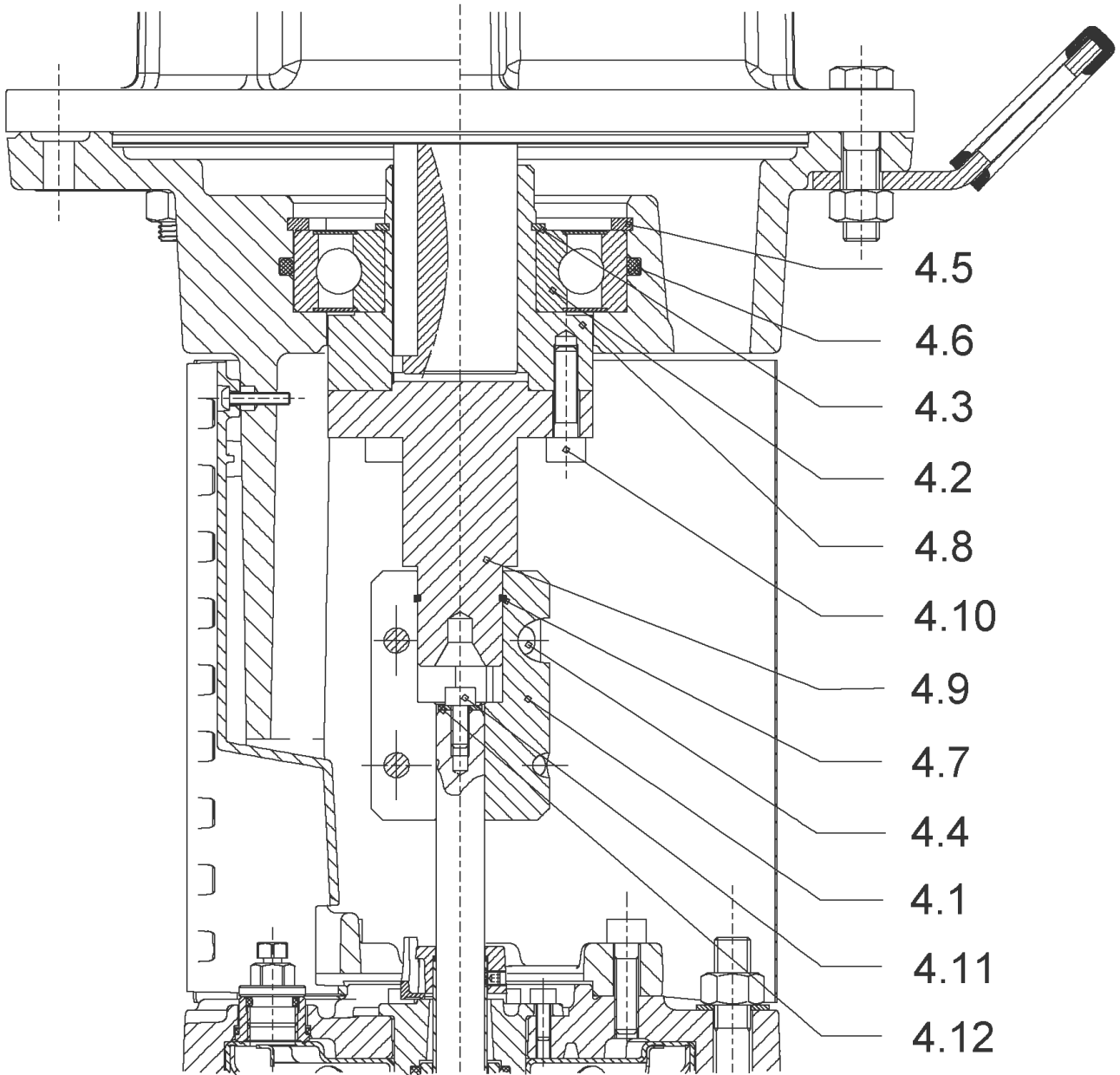


HELIX V2205-2/25/V/KS/400-50 (4139780)

Item	Article no.	Description	Quantity
1	4195450	MOTOR 7,5/2/* 3~400V 50HZ IE3 VP.	1
		SPARE PARTS MOTOR:ON REQUEST	1
2	4174093	SCREW M12X50 (4 PIECES)	1
3	4161187	LANTERN FF265 HELIX 8" KIT	1
3.1		> LANTERN FF265 M+ GJL MACHINED+CATA	1
3.2	2127605	> EYELET CPL.FF265 HELIX(2 PIECES)	1
3.3	4143969	> COUPLING PROTECT HELIX FF KIT	1
4	4143965	COUPLING D.20XD.28 FF265 KIT	1
5	4157725	SCREW M10X40 (4 PIECES)	1
6	4181164	STUD BOLT M16X382 KIT	1
6.1		> TIE BOLT M16-382x24x44-1.4057	1
6.2	4179562	> NUT M16 8.8 ISO4032 (4 PIECES)	1
6.3	4097852	> WASHER-CS-16.4-32-2.8-NFE25-511-A2	1
7	4179959	END SHIELD HELIX 8" FKM 1.4404 KIT	1
7.1		> END SHIELD HELIX 316L MACHINED	1
7.2	4179958	> O-RING-ID.42.52X2.62 VITON VP.	1
7.3	2107767	> O-RING ID.202,80x3,53 VITON VP.	1
8	4161256	FILING/PURGING PLUG FKM KIT	1
8.1		> FILLING/VENTING-PLUG-VM18/10-316L	1
8.2		> FILLING AND VENTING PLUG M+8" 316L	1
8.3		> GASKET-17x3-VITON	1
9	4158206	CARTRIDGE HELIX22-36-52 F/V KIT	1
10	4181702	HOUSING PIPE D.204X314 1.4404 KIT	1
7.3	2107767	> O-RING ID.202,80x3,53 VITON VP.	1
10.1		> HOUSING-PIPE Ø204-M+2205-316L	1
11	4181697	CENTERING STAGE RETURN HELIX22 1.4404 VP	1
12	4143967	SHAFT EQUIPMENT HELIX V KIT	1
13		HYDRAULIC HELIX V 2205	1
14	4181703	SHAFTS D.22X454 1.4404 VP.	1
15	4158198	EQUIPED HOUSING 1.4409 HELIX KIT	1
7.3	2107767	> O-RING ID.202,80x3,53 VITON VP.	1
15.1		> PUMP HOUSING M+ DN50 316L MACHINED	1
15.1		> GASKET HOLDER M+ DN50 316L MACHINED	1
15.1		> HYDRAULIC SUPPORT M+ DN50 316L MACHINED	1

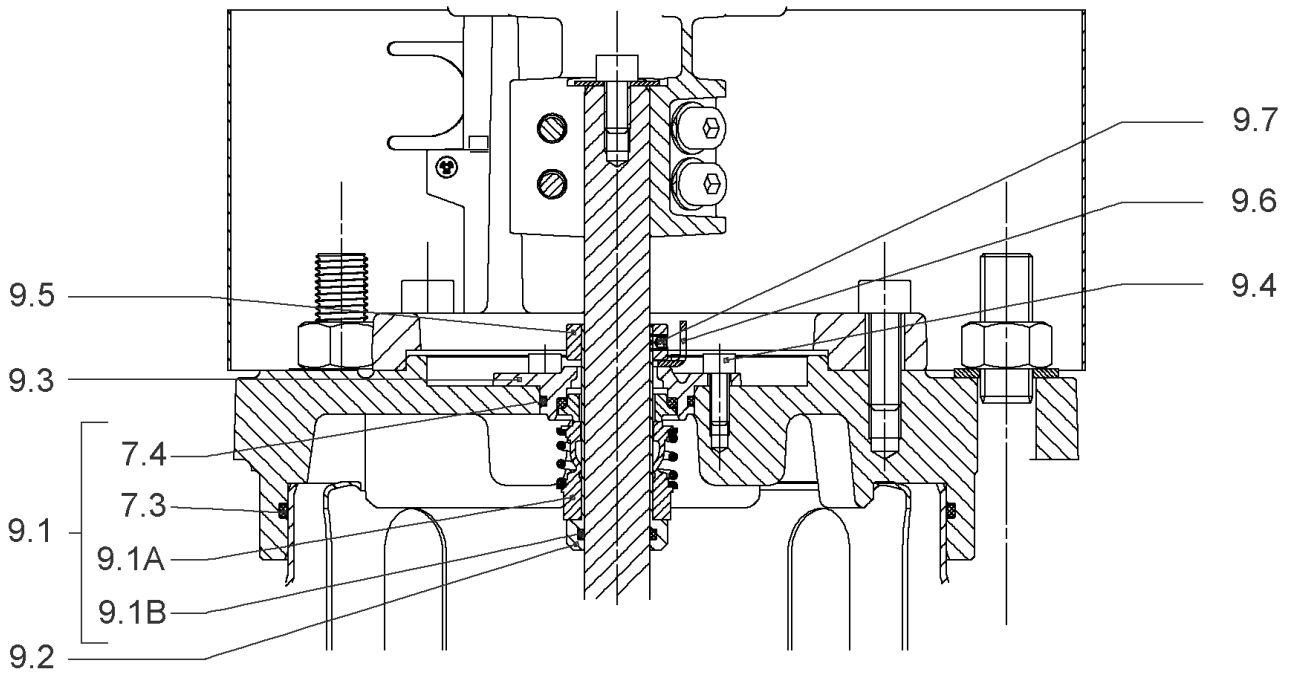
HELIX V2205-2/25/V/KS/400-50 (4139780)

Item	Article no.	Description	Quantity
15.2	4158195	> PLUG PRESSURE CONNECTION G1/4" 316L KIT	1
15.2A		>> PLUG PRESSURE CONNECTION - G1/4" - 316L	1
15.2B	2107769	>> O-RING ID.9,9x2,62 VITON VP.	1
15.3	4158196	> DRAIN/PRIMING PLUG VITON HELIX KIT	1
15.3A		>> DRAIN-AND-PRIMING-PLUG-VM18"-316L	1
15.3B	4032294	>> GASKET-10x3-VITON	1
15.3C	2107768	>> O-RING ID.8,9x2,7 VITON VP.	1
15.4	4143749	> BASE M+ DN50/65/80-304	1
15.6	4121480	> FLANGE M+ DN50 CATA	1
15.7		> O-RING Ø63.17xØ2.62 VITON	1
15.5		> SCREW TBHC M12x25 ISO7380 ZN	1



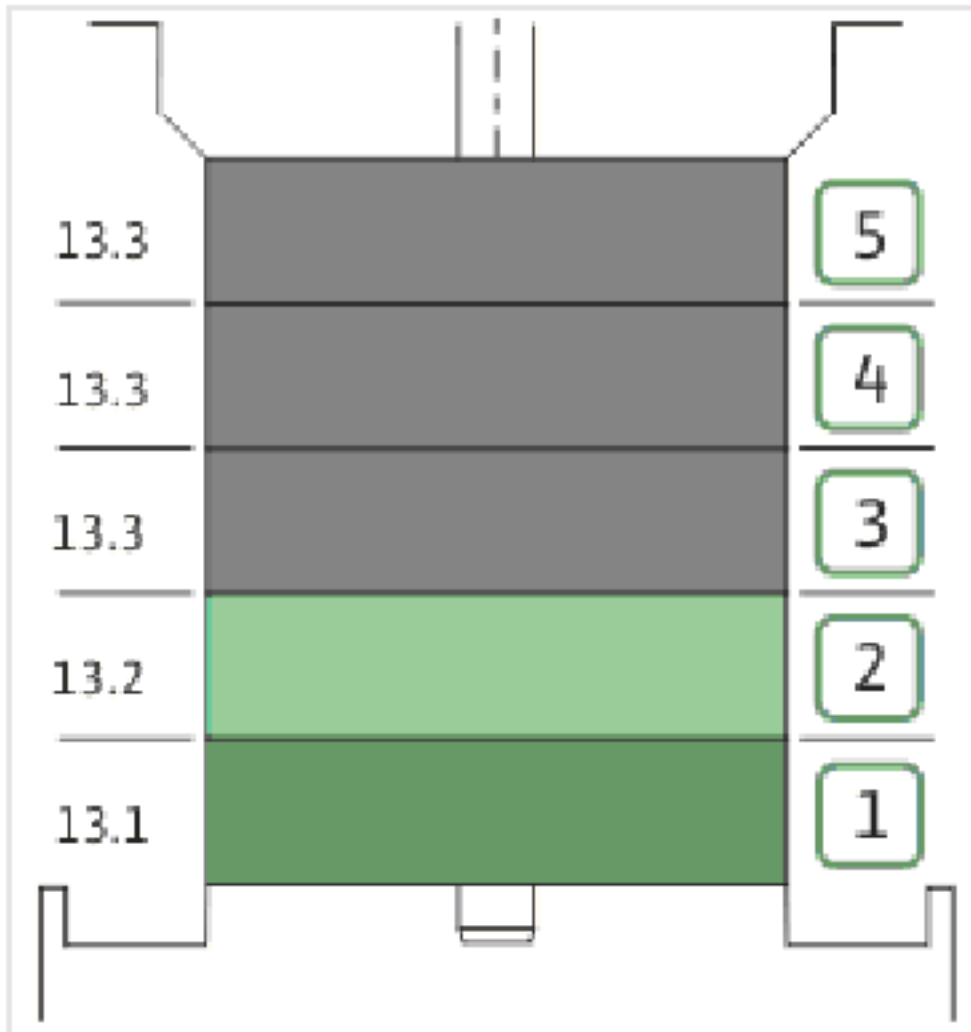
COUPLING D.20XD.28 FF265 KIT (4143965)

Item	Article no.	Description	Quantity
4.1	4179584	COUPLING 2 PARTS D.20XD.28XL83 VP.	1
4.2	2131017	BALL BEARING 6310/ZZ-C4(HT)VP.	1
4.3	4234253	CIRCLIP-FOR-SHAFT-D50x2 VP.	1
4.4	4159707	SCREW M8X30 (4 PIECES)	1
4.5	4234255	CIRCLIPS 110X4 VP.	1
4.6	4233944	O-RING ID.110 VP.	1
4.7	4179585	STOP-RUSH D26xD2 DIN7993 STEEL VP.	1
4.8	2131020	HUB D.38XD.50 VP.	1
4.9	2131021	SPACER D.28XD.45 VP.	1
4.10	4157726	SCREW KIT M8X30 (4 PIECES)	1
4.11	4233959	SCREW M8x16 VP.	1
4.12		SERRATED LOCK WASHER Ø8.2XØ25X35X2	1

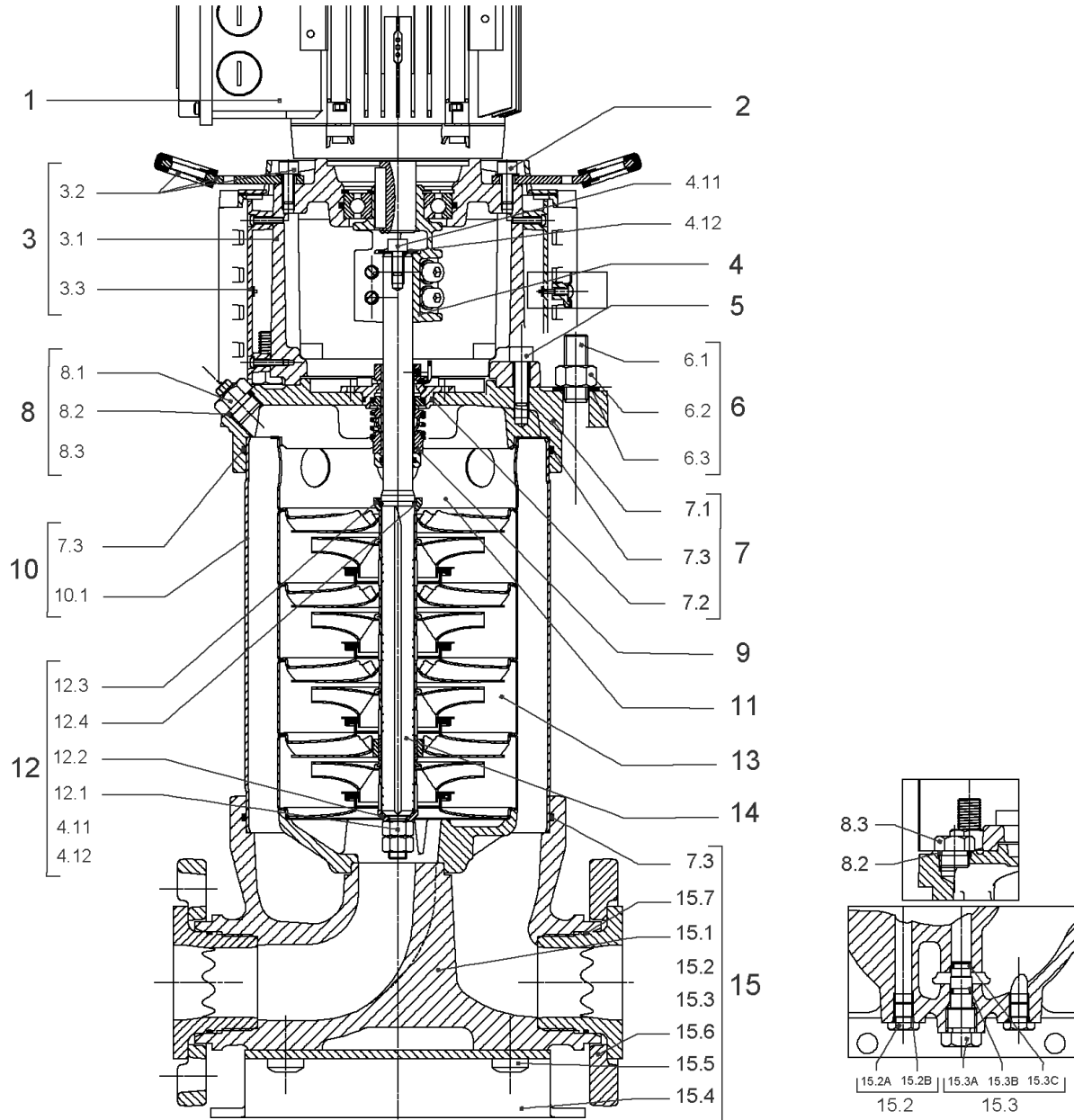


CARTRIDGE HELIX22-36-52 F/V KIT (4158206)

Item	Article no.	Description	Quantity
9.1	4158205	SEAL-KIT-HELIX22-36-52 F/V	1
7.3	2107767	> O-RING ID.202,80x3,53 VITON VP.	1
7.4	4179958	> O-RING-ID.42.52X2.62 VITON VP.	1
9.1A	4179982	> M.SEAL.HELIX22-36-52 F/V VP.	1
9.1B	4179960	> O-RING ID.20x2.65 FKM VP.	1
9.2	4179566	SHAFT SLEEVE D.20/20X60 1.4404 VP.	1
9.3	4179567	RING HOLDER Ø22 1.4301 VP.	1
9.4	4176520	SCREW CH M5x5 A4-70 (3PIECES)	1
9.5	4179568	DRIVE RING D.31/22.1x11 MACH.VP.	1
9.6	4179569	TOOL M.S.CART.HELIX 8" VP.	1
9.7	4179570	SCREW M6X16 ISO4762 8.8 GEOMET(4 PIECES)	1



Item	Article no.	Description	Quantity
13.1	4158210	FIRST STAGE HELIX 22 1.4404 KIT	1
		> IMPELLER-H1-M+22-316	1
		> MACH.STG-CASING-WOGV-WNR-M+22-316	1
13.2	4158211	BEARING STAGE HELIX 22 1.4404 KIT	1
		> IMPELLER-H2-M+22-316	1
		> MACH.BEARING-STG-CASING-WNR-M+22-316	1
		> SHAFT-SLEEVE-D26xD22x16-CW	1
13.3	4158212	INTERMEDIATE STAGE HELIX 22 316L KIT	1
		> MACH.STD-STG-CASING-WGV+NR-M+22-316	1
		> IMPELLER-H2-M+22-316	1

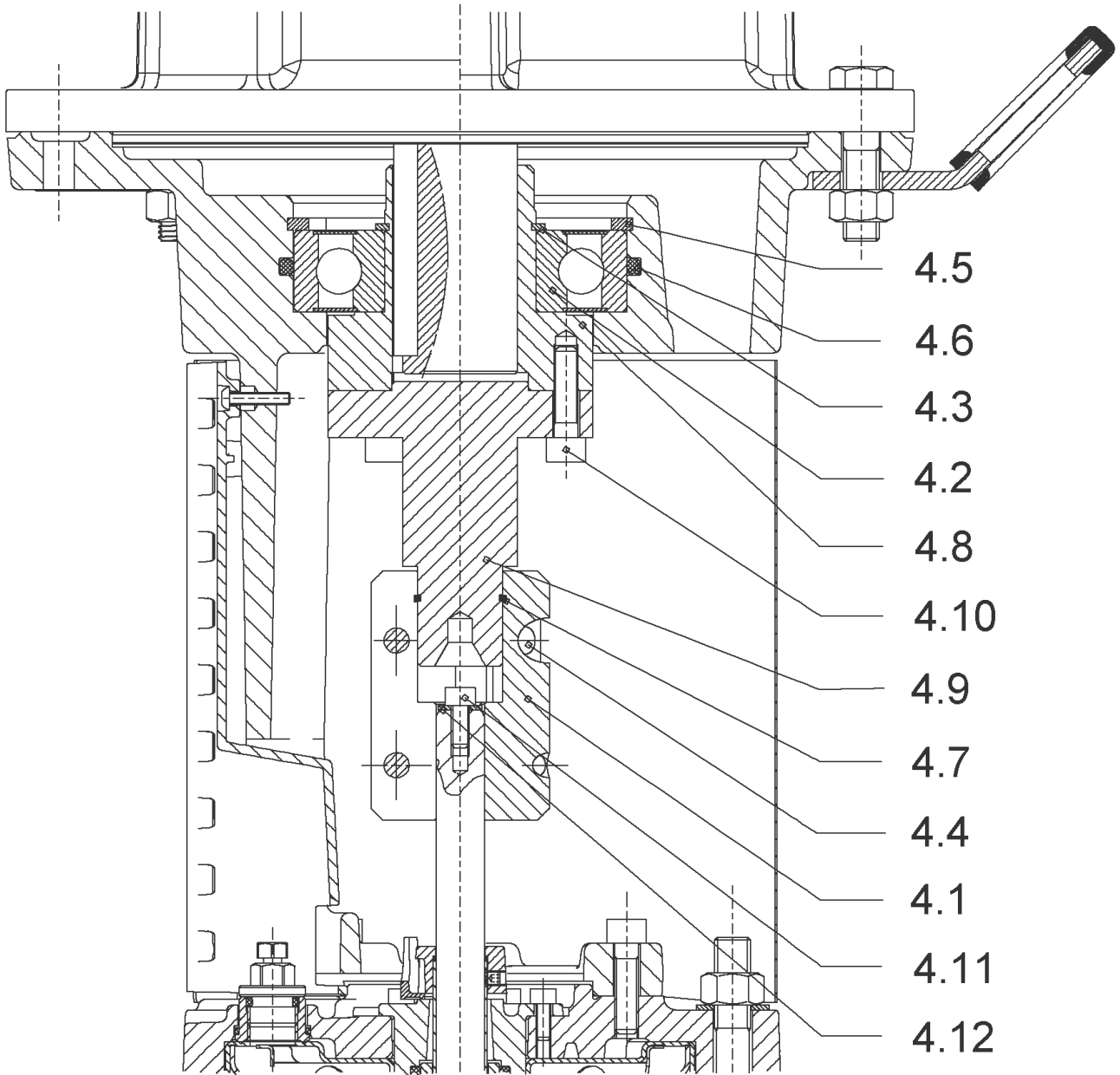


HELIX V2206-2/16/V/KS/400-50 (4139781)

Item	Article no.	Description	Quantity
1	4195450	MOTOR 7,5/2/* 3~400V 50HZ IE3 VP.	1
		SPARE PARTS MOTOR:ON REQUEST	1
2	4174093	SCREW M12X50 (4 PIECES)	1
3	4161187	LANTERN FF265 HELIX 8" KIT	1
3.1		> LANTERN FF265 M+ GJL MACHINED+CATA	1
3.2	2127605	> EYELET CPL.FF265 HELIX(2 PIECES)	1
3.3	4143969	> COUPLING PROTECT HELIX FF KIT	1
4	4143965	COUPLING D.20XD.28 FF265 KIT	1
5	4157725	SCREW M10X40 (4 PIECES)	1
6	4181167	STUD BOLT M16X428 KIT	1
6.1		> TIE BOLT M16-428x24x44-1.4057	1
6.2	4179562	> NUT M16 8.8 ISO4032 (4 PIECES)	1
6.3	4097852	> WASHER-CS-16.4-32-2.8-NFE25-511-A2	1
7	4179959	END SHIELD HELIX 8" FKM 1.4404 KIT	1
7.1		> END SHIELD HELIX 316L MACHINED	1
7.2	4179958	> O-RING-ID.42.52X2.62 VITON VP.	1
7.3	2107767	> O-RING ID.202,80x3,53 VITON VP.	1
8	4161256	FILING/PURGING PLUG FKM KIT	1
8.1		> FILLING/VENTING-PLUG-VM18/10-316L	1
8.2		> FILLING AND VENTING PLUG M+8" 316L	1
8.3		> GASKET-17x3-VITON	1
9	4158204	CARTRIDGE HELIX22-36-52 O/V KIT	1
10	4181704	HOUSING PIPE D.204X364 1.4404 KIT	1
7.3	2107767	> O-RING ID.202,80x3,53 VITON VP.	1
10.1		> HOUSING-PIPE Ø204-M+2206-316L	1
11	4181697	CENTERING STAGE RETURN HELIX22 1.4404 VP	1
12	4143967	SHAFT EQUIPMENT HELIX V KIT	1
13		HYDRAULIC HELIX V 2206	1
14	4179596	SHAFTS D.22X504 1.4404 VP.	1
15	4158198	EQUIPED HOUSING 1.4409 HELIX KIT	1
7.3	2107767	> O-RING ID.202,80x3,53 VITON VP.	1
15.1		> PUMP HOUSING M+ DN50 316L MACHINED	1
15.1		> GASKET HOLDER M+ DN50 316L MACHINED	1
15.1		> HYDRAULIC SUPPORT M+ DN50 316L MACHINED	1

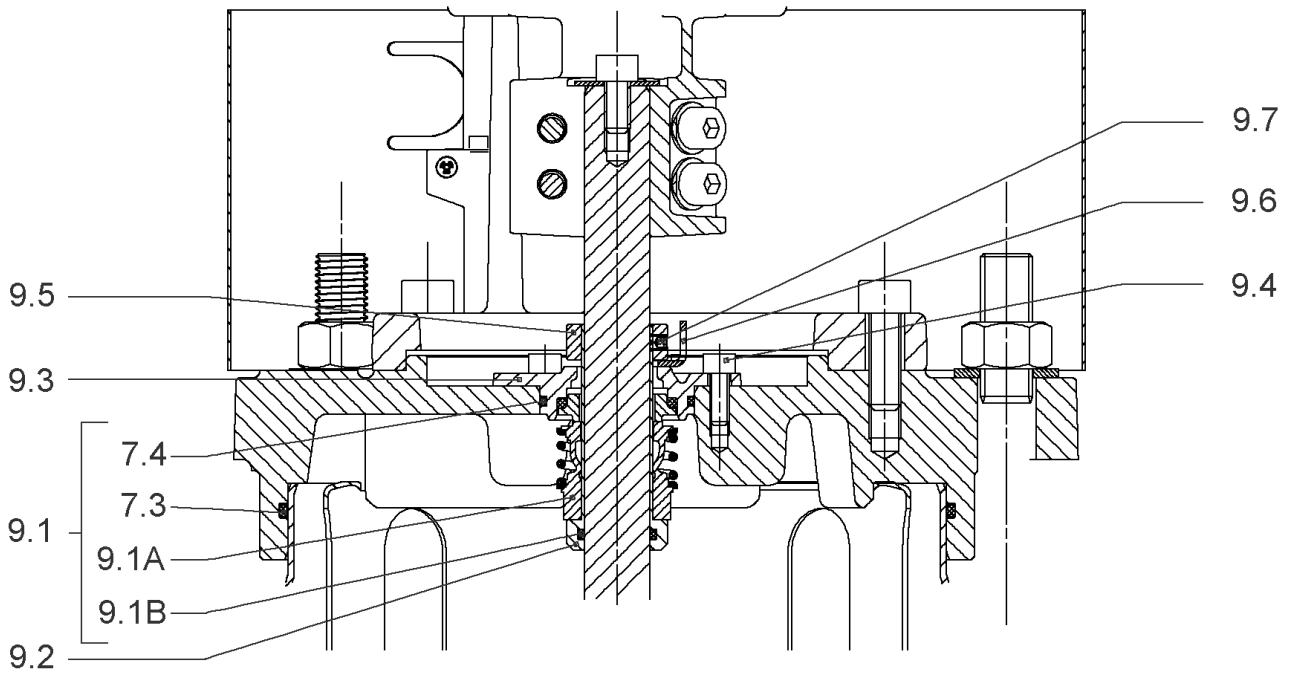
HELIX V2206-2/16/V/KS/400-50 (4139781)

Item	Article no.	Description	Quantity
15.2	4158195	> PLUG PRESSURE CONNECTION G1/4" 316L KIT	1
15.2A		>> PLUG PRESSURE CONNECTION - G1/4" - 316L	1
15.2B	2107769	>> O-RING ID.9,9x2,62 VITON VP.	1
15.3	4158196	> DRAIN/PRIMING PLUG VITON HELIX KIT	1
15.3A		>> DRAIN-AND-PRIMING-PLUG-VM18"-316L	1
15.3B	4032294	>> GASKET-10x3-VITON	1
15.3C	2107768	>> O-RING ID.8,9x2,7 VITON VP.	1
15.4	4143749	> BASE M+ DN50/65/80-304	1
15.6	4121480	> FLANGE M+ DN50 CATA	1
15.7		> O-RING Ø63.17xØ2.62 VITON	1
15.5		> SCREW TBHC M12x25 ISO7380 ZN	1



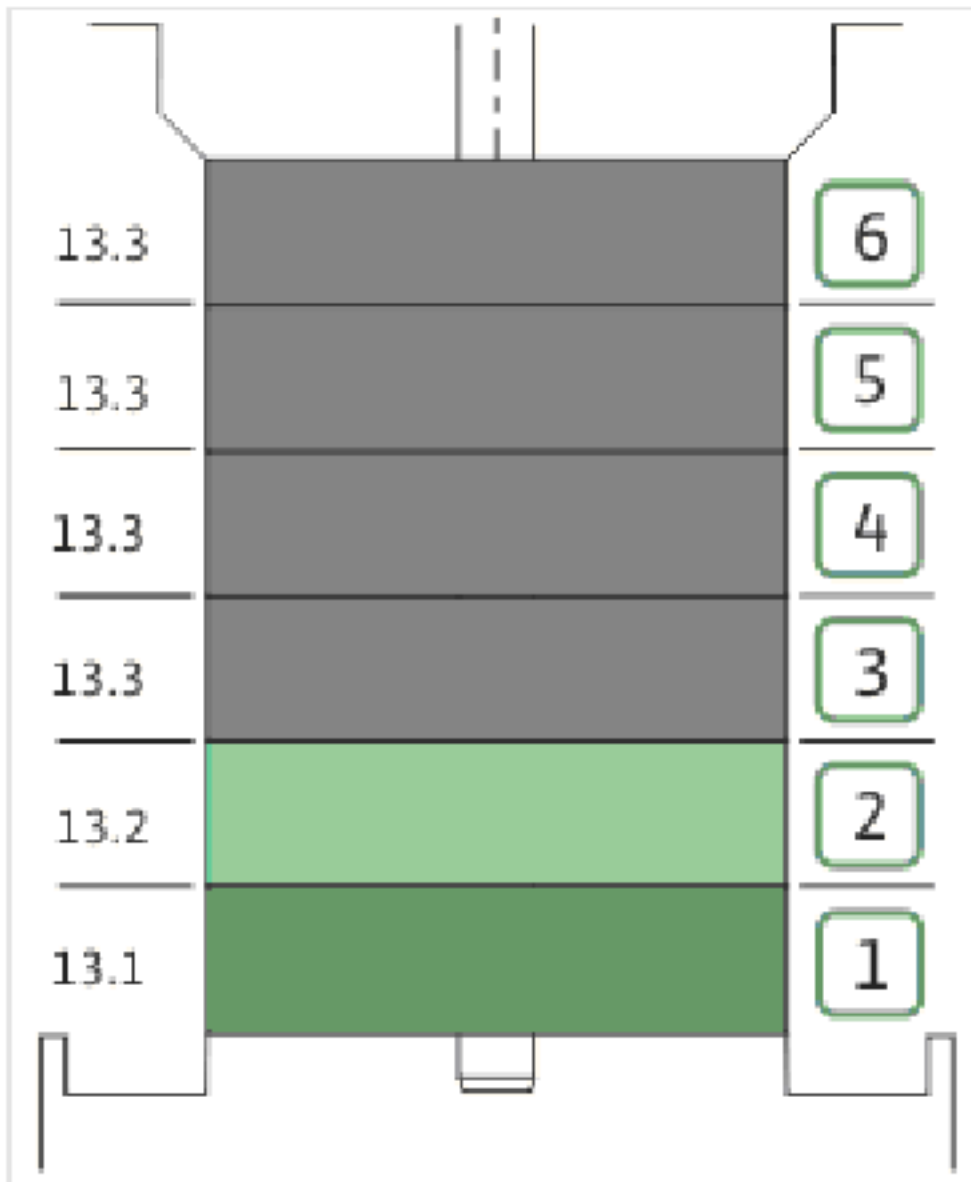
COUPLING D.20XD.28 FF265 KIT (4143965)

Item	Article no.	Description	Quantity
4.1	4179584	COUPLING 2 PARTS D.20XD.28XL83 VP.	1
4.2	2131017	BALL BEARING 6310/ZZ-C4(HT)VP.	1
4.3	4234253	CIRCLIP-FOR-SHAFT-D50x2 VP.	1
4.4	4159707	SCREW M8X30 (4 PIECES)	1
4.5	4234255	CIRCLIPS 110X4 VP.	1
4.6	4233944	O-RING ID.110 VP.	1
4.7	4179585	STOP-RUSH D26xD2 DIN7993 STEEL VP.	1
4.8	2131020	HUB D.38XD.50 VP.	1
4.9	2131021	SPACER D.28XD.45 VP.	1
4.10	4157726	SCREW KIT M8X30 (4 PIECES)	1
4.11	4233959	SCREW M8x16 VP.	1
4.12		SERRATED LOCK WASHER Ø8.2XØ25X35X2	1

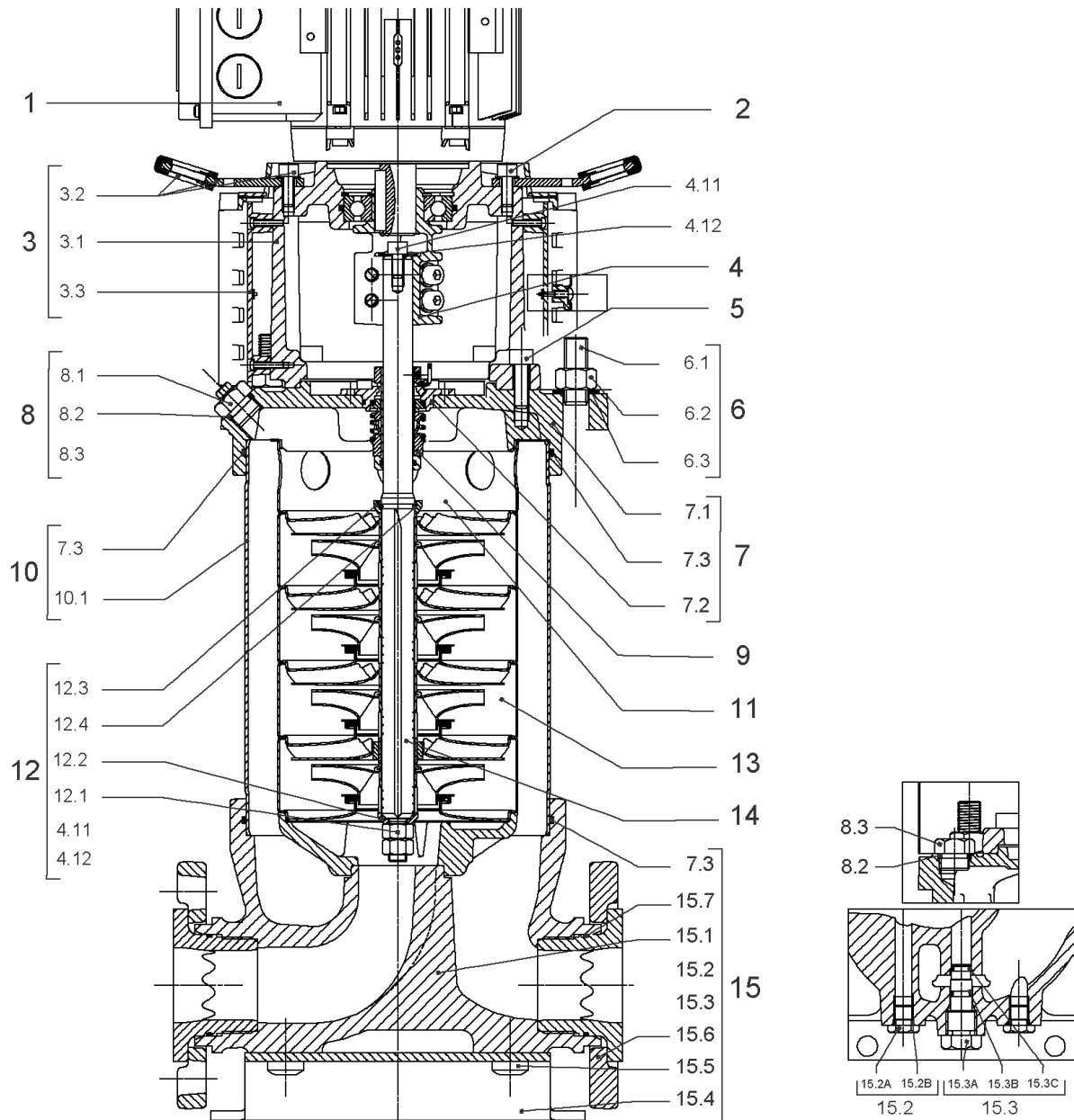


CARTRIDGE HELIX22-36-52 O/V KIT (4158204)

Item	Article no.	Description	Quantity
9.1	4158203	SEAL-KIT-HELIX22-36-52 O/V	1
7.3	2107767	> O-RING ID.202,80x3,53 VITON VP.	1
7.4	4179958	> O-RING-ID.42.52X2.62 VITON VP.	1
9.1A	2127454	> M.SEAL.HELIX22-36-52 O/V VP.	1
9.1B	4179960	> O-RING ID.20x2.65 FKM VP.	1
9.2	4179566	SHAFT SLEEVE D.20/20X60 1.4404 VP.	1
9.3	4179567	RING HOLDER Ø22 1.4301 VP.	1
9.4	4176520	SCREW CH M5x5 A4-70 (3PIECES)	1
9.5	4179568	DRIVE RING D.31/22.1x11 MACH.VP.	1
9.6	4179569	TOOL M.S.CART.HELIX 8" VP.	1
9.7	4179570	SCREW M6X16 ISO4762 8.8 GEOMET(4 PIECES)	1



Item	Article no.	Description	Quantity
13.1	4158210	FIRST STAGE HELIX 22 1.4404 KIT	1
		> IMPELLER-H1-M+22-316	1
		> MACH.STG-CASING-WOGV-WNR-M+22-316	1
13.2	4158211	BEARING STAGE HELIX 22 1.4404 KIT	1
		> IMPELLER-H2-M+22-316	1
		> MACH.BEARING-STG-CASING-WNR-M+22-316	1
		> SHAFT-SLEEVE-D26xD22x16-CW	1
13.3	4158212	INTERMEDIATE STAGE HELIX 22 316L KIT	1
		> MACH.STD-STG-CASING-WGV+NR-M+22-316	1
		> IMPELLER-H2-M+22-316	1

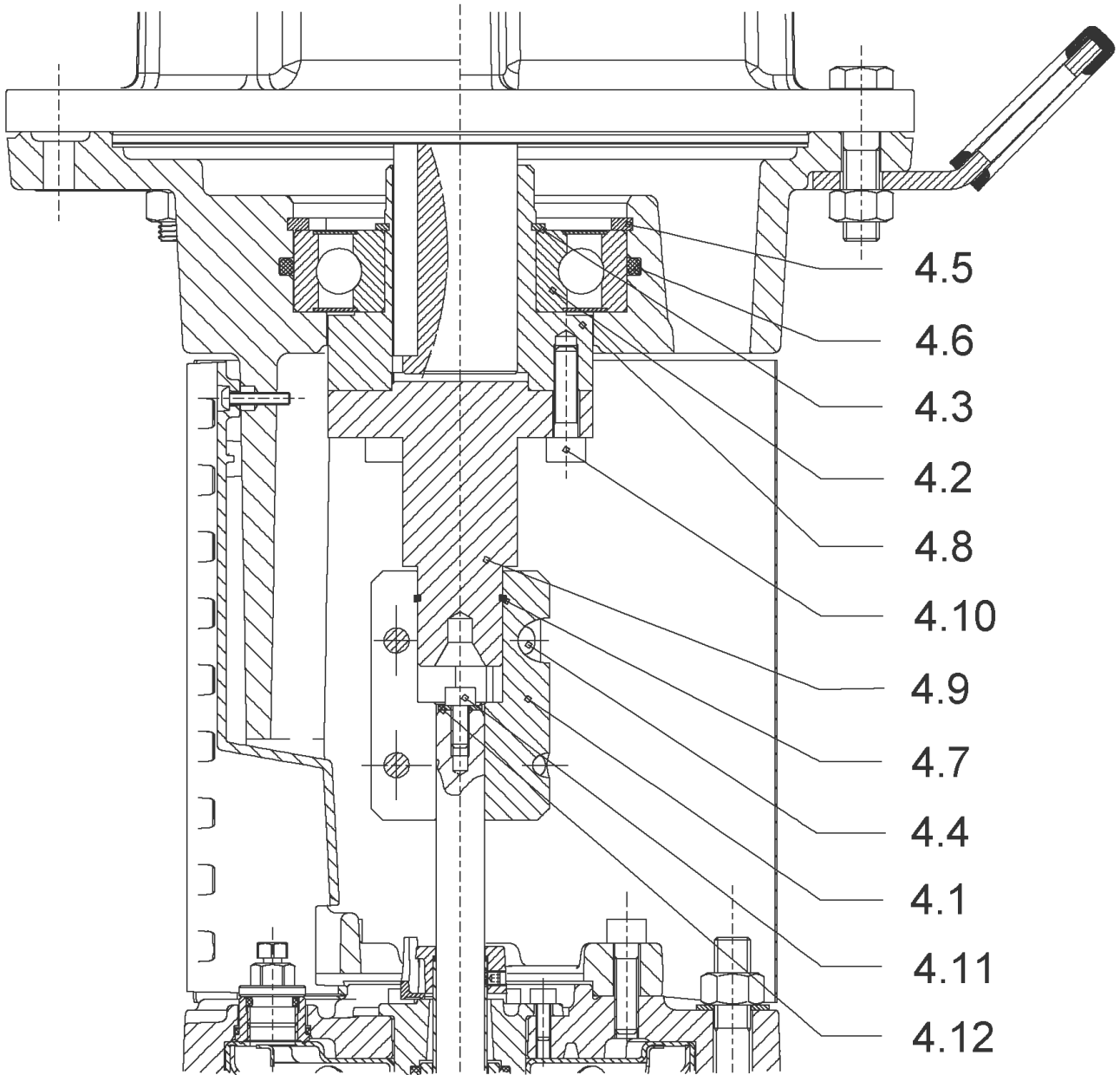


HELIX V2206-2/25/V/KS/400-50 (4139782)

Item	Article no.	Description	Quantity
1	4195450	MOTOR 7,5/2/* 3~400V 50HZ IE3 VP.	1
		SPARE PARTS MOTOR:ON REQUEST	1
2	4174093	SCREW M12X50 (4 PIECES)	1
3	4161187	LANTERN FF265 HELIX 8" KIT	1
3.1		> LANTERN FF265 M+ GJL MACHINED+CATA	1
3.2	2127605	> EYELET CPL.FF265 HELIX(2 PIECES)	1
3.3	4143969	> COUPLING PROTECT HELIX FF KIT	1
4	4143965	COUPLING D.20XD.28 FF265 KIT	1
5	4157725	SCREW M10X40 (4 PIECES)	1
6	4181167	STUD BOLT M16X428 KIT	1
6.1		> TIE BOLT M16-428x24x44-1.4057	1
6.2	4179562	> NUT M16 8.8 ISO4032 (4 PIECES)	1
6.3	4097852	> WASHER-CS-16.4-32-2.8-NFE25-511-A2	1
7	4179959	END SHIELD HELIX 8" FKM 1.4404 KIT	1
7.1		> END SHIELD HELIX 316L MACHINED	1
7.2	4179958	> O-RING-ID.42.52X2.62 VITON VP.	1
7.3	2107767	> O-RING ID.202,80x3,53 VITON VP.	1
8	4161256	FILING/PURGING PLUG FKM KIT	1
8.1		> FILLING/VENTING-PLUG-VM18/10-316L	1
8.2		> FILLING AND VENTING PLUG M+8" 316L	1
8.3		> GASKET-17x3-VITON	1
9	4158206	CARTRIDGE HELIX22-36-52 F/V KIT	1
10	4181704	HOUSING PIPE D.204X364 1.4404 KIT	1
7.3	2107767	> O-RING ID.202,80x3,53 VITON VP.	1
10.1		> HOUSING-PIPE Ø204-M+2206-316L	1
11	4181697	CENTERING STAGE RETURN HELIX22 1.4404 VP	1
12	4143967	SHAFT EQUIPMENT HELIX V KIT	1
13		HYDRAULIC HELIX V 2206	1
14	4179596	SHAFTS D.22X504 1.4404 VP.	1
15	4158198	EQUIPED HOUSING 1.4409 HELIX KIT	1
7.3	2107767	> O-RING ID.202,80x3,53 VITON VP.	1
15.1		> PUMP HOUSING M+ DN50 316L MACHINED	1
15.1		> GASKET HOLDER M+ DN50 316L MACHINED	1
15.1		> HYDRAULIC SUPPORT M+ DN50 316L MACHINED	1

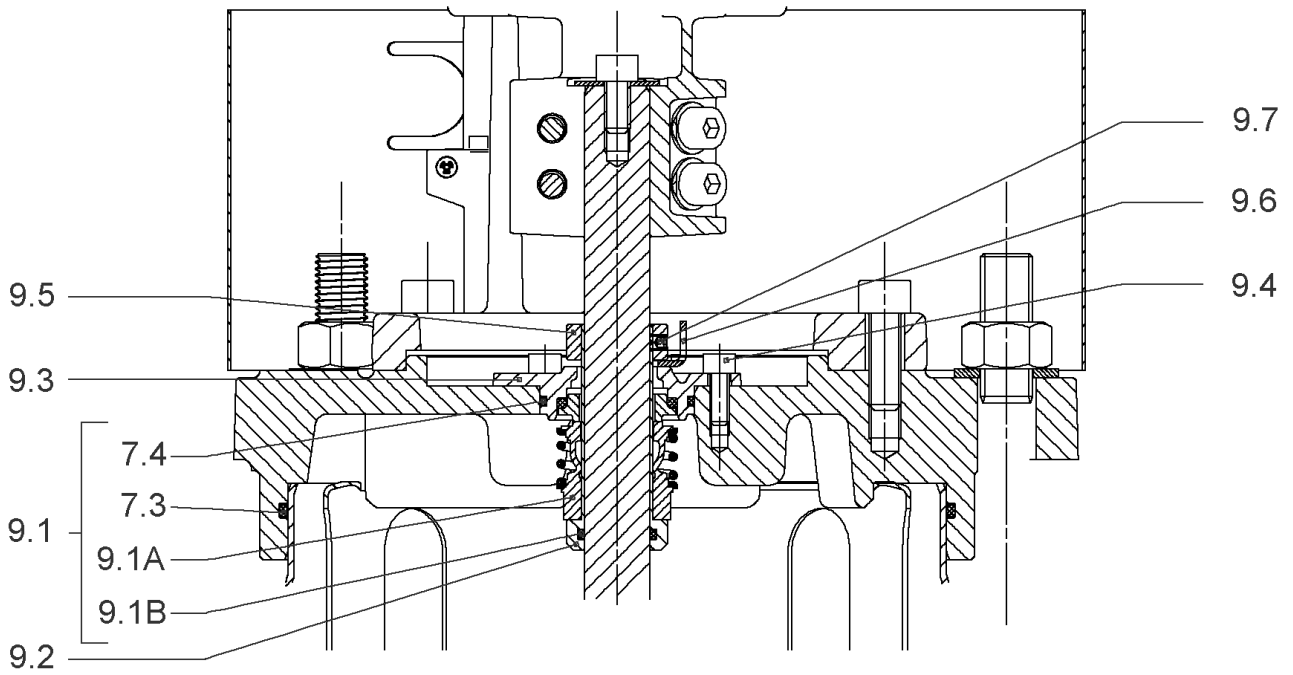
HELIX V2206-2/25/V/KS/400-50 (4139782)

Item	Article no.	Description	Quantity
15.2	4158195	> PLUG PRESSURE CONNECTION G1/4" 316L KIT	1
15.2A		>> PLUG PRESSURE CONNECTION - G1/4" - 316L	1
15.2B	2107769	>> O-RING ID.9,9x2,62 VITON VP.	1
15.3	4158196	> DRAIN/PRIMING PLUG VITON HELIX KIT	1
15.3A		>> DRAIN-AND-PRIMING-PLUG-VM18"-316L	1
15.3B	4032294	>> GASKET-10x3-VITON	1
15.3C	2107768	>> O-RING ID.8,9x2,7 VITON VP.	1
15.4	4143749	> BASE M+ DN50/65/80-304	1
15.6	4121480	> FLANGE M+ DN50 CATA	1
15.7		> O-RING Ø63.17xØ2.62 VITON	1
15.5		> SCREW TBHC M12x25 ISO7380 ZN	1



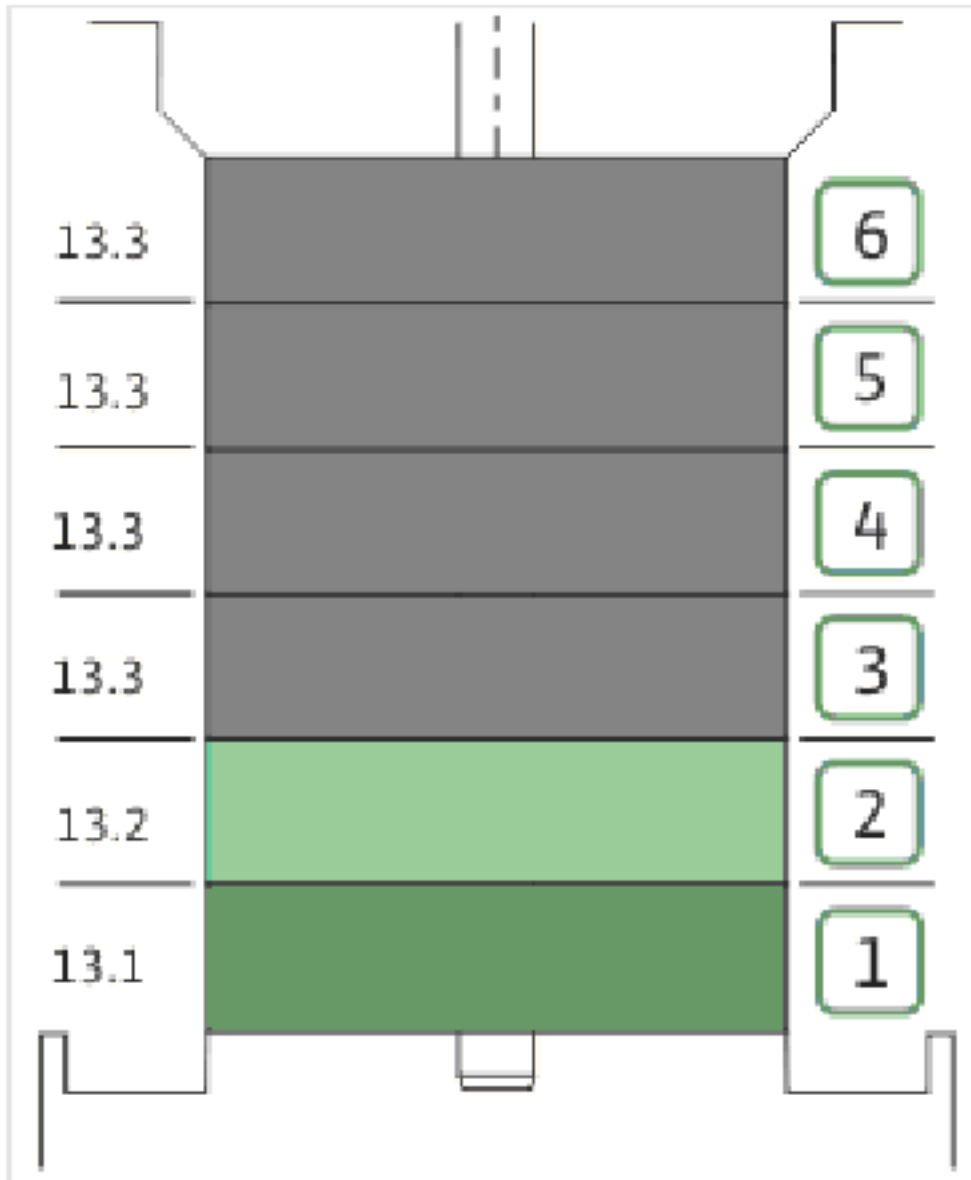
COUPLING D.20XD.28 FF265 KIT (4143965)

Item	Article no.	Description	Quantity
4.1	4179584	COUPLING 2 PARTS D.20XD.28XL83 VP.	1
4.2	2131017	BALL BEARING 6310/ZZ-C4(HT)VP.	1
4.3	4234253	CIRCLIP-FOR-SHAFT-D50x2 VP.	1
4.4	4159707	SCREW M8X30 (4 PIECES)	1
4.5	4234255	CIRCLIPS 110X4 VP.	1
4.6	4233944	O-RING ID.110 VP.	1
4.7	4179585	STOP-RUSH D26xD2 DIN7993 STEEL VP.	1
4.8	2131020	HUB D.38XD.50 VP.	1
4.9	2131021	SPACER D.28XD.45 VP.	1
4.10	4157726	SCREW KIT M8X30 (4 PIECES)	1
4.11	4233959	SCREW M8x16 VP.	1
4.12		SERRATED LOCK WASHER Ø8.2XØ25X35X2	1

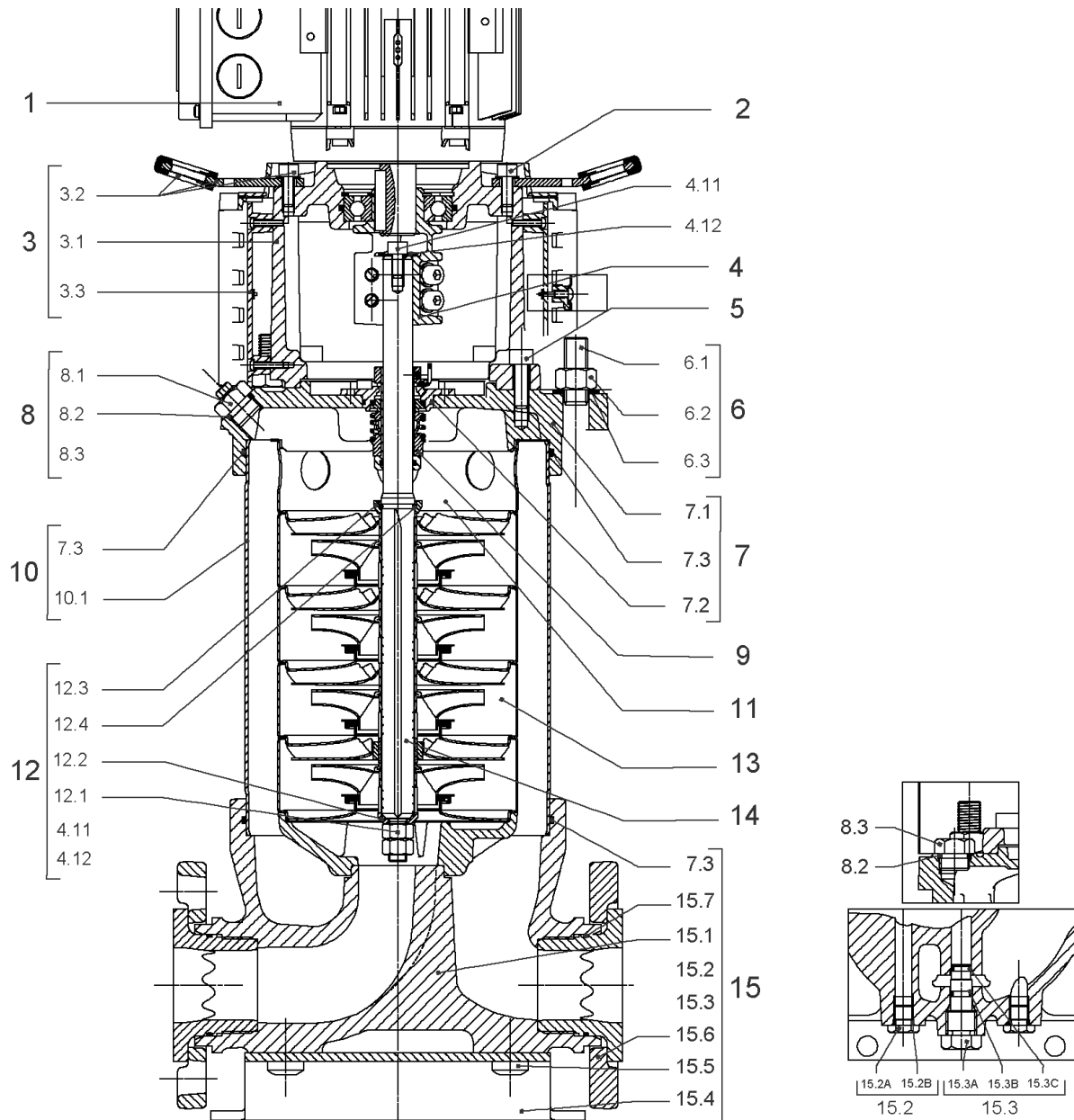


CARTRIDGE HELIX22-36-52 F/V KIT (4158206)

Item	Article no.	Description	Quantity
9.1	4158205	SEAL-KIT-HELIX22-36-52 F/V	1
7.3	2107767	> O-RING ID.202,80x3,53 VITON VP.	1
7.4	4179958	> O-RING-ID.42.52X2.62 VITON VP.	1
9.1A	4179982	> M.SEAL.HELIX22-36-52 F/V VP.	1
9.1B	4179960	> O-RING ID.20x2.65 FKM VP.	1
9.2	4179566	SHAFT SLEEVE D.20/20X60 1.4404 VP.	1
9.3	4179567	RING HOLDER Ø22 1.4301 VP.	1
9.4	4176520	SCREW CH M5x5 A4-70 (3PIECES)	1
9.5	4179568	DRIVE RING D.31/22.1x11 MACH.VP.	1
9.6	4179569	TOOL M.S.CART.HELIX 8" VP.	1
9.7	4179570	SCREW M6X16 ISO4762 8.8 GEOMET(4 PIECES)	1



Item	Article no.	Description	Quantity
13.1	4158210	FIRST STAGE HELIX 22 1.4404 KIT	1
		> IMPELLER-H1-M+22-316	1
		> MACH.STG-CASING-WOGV-WNR-M+22-316	1
13.2	4158211	BEARING STAGE HELIX 22 1.4404 KIT	1
		> IMPELLER-H2-M+22-316	1
		> MACH.BEARING-STG-CASING-WNR-M+22-316	1
		> SHAFT-SLEEVE-D26xD22x16-CW	1
13.3	4158212	INTERMEDIATE STAGE HELIX 22 316L KIT	1
		> MACH.STD-STG-CASING-WGV+NR-M+22-316	1
		> IMPELLER-H2-M+22-316	1

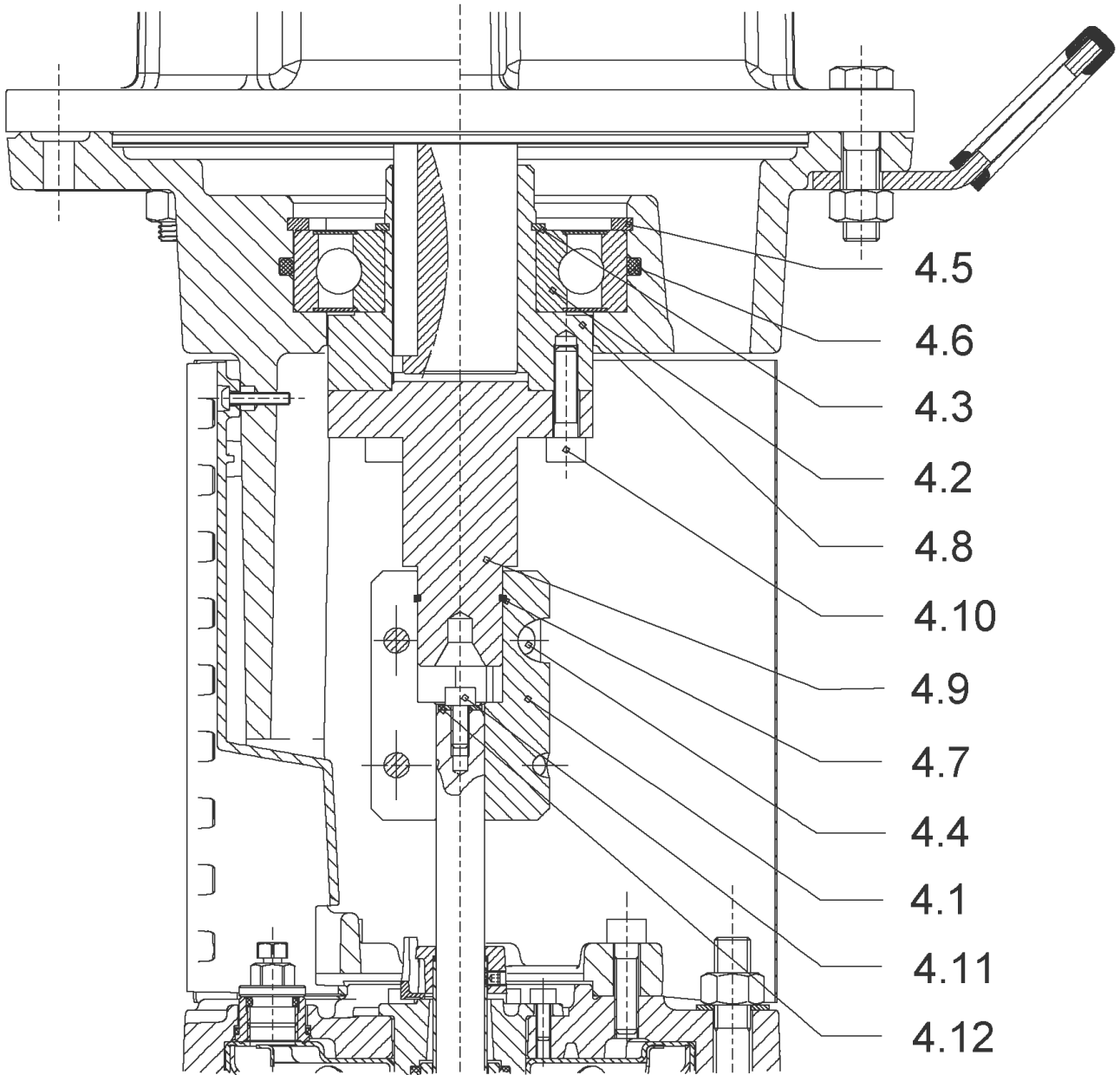


HELIX V2207-2/16/V/KS/400-50 (4139783)

Item	Article no.	Description	Quantity
1	4195483	MOTOR 9/2/132 3~400V 50HZ IE3 VP.	1
		SPARE PARTS MOTOR:ON REQUEST	1
2	4174093	SCREW M12X50 (4 PIECES)	1
3	4161187	LANTERN FF265 HELIX 8" KIT	1
3.1		> LANTERN FF265 M+ GJL MACHINED+CATA	1
3.2	2127605	> EYELET CPL.FF265 HELIX(2 PIECES)	1
3.3	4143969	> COUPLING PROTECT HELIX FF KIT	1
4	4143965	COUPLING D.20XD.28 FF265 KIT	1
5	4157725	SCREW M10X40 (4 PIECES)	1
6	4181665	STUD BOLT M16X483 KIT	1
6.1		> TIE BOLT M16-483x24x44-1.4057	1
6.2	4179562	> NUT M16 8.8 ISO4032 (4 PIECES)	1
6.3	4097852	> WASHER-CS-16.4-32-2.8-NFE25-511-A2	1
7	4179959	END SHIELD HELIX 8" FKM 1.4404 KIT	1
7.1		> END SHIELD HELIX 316L MACHINED	1
7.2	4179958	> O-RING-ID.42.52X2.62 VITON VP.	1
7.3	2107767	> O-RING ID.202,80x3,53 VITON VP.	1
8	4161256	FILING/PURGING PLUG FKM KIT	1
8.1		> FILLING/VENTING-PLUG-VM18/10-316L	1
8.2		> FILLING AND VENTING PLUG M+8" 316L	1
8.3		> GASKET-17x3-VITON	1
9	4158204	CARTRIDGE HELIX22-36-52 O/V KIT	1
10	4181706	HOUSING PIPE D.204X414 1.4404 KIT	1
7.3	2107767	> O-RING ID.202,80x3,53 VITON VP.	1
10.1		> HOUSING-PIPE Ø204-M+2207-316L	1
11	4181697	CENTERING STAGE RETURN HELIX22 1.4404 VP	1
12	4143967	SHAFT EQUIPMENT HELIX V KIT	1
13		HYDRAULIC HELIX V 2207	1
14	4181130	SHAFTS D.22X554 1.4462 VP.	1
15	4158198	EQUIPED HOUSING 1.4409 HELIX KIT	1
7.3	2107767	> O-RING ID.202,80x3,53 VITON VP.	1
15.1		> PUMP HOUSING M+ DN50 316L MACHINED	1
15.1		> GASKET HOLDER M+ DN50 316L MACHINED	1
15.1		> HYDRAULIC SUPPORT M+ DN50 316L MACHINED	1

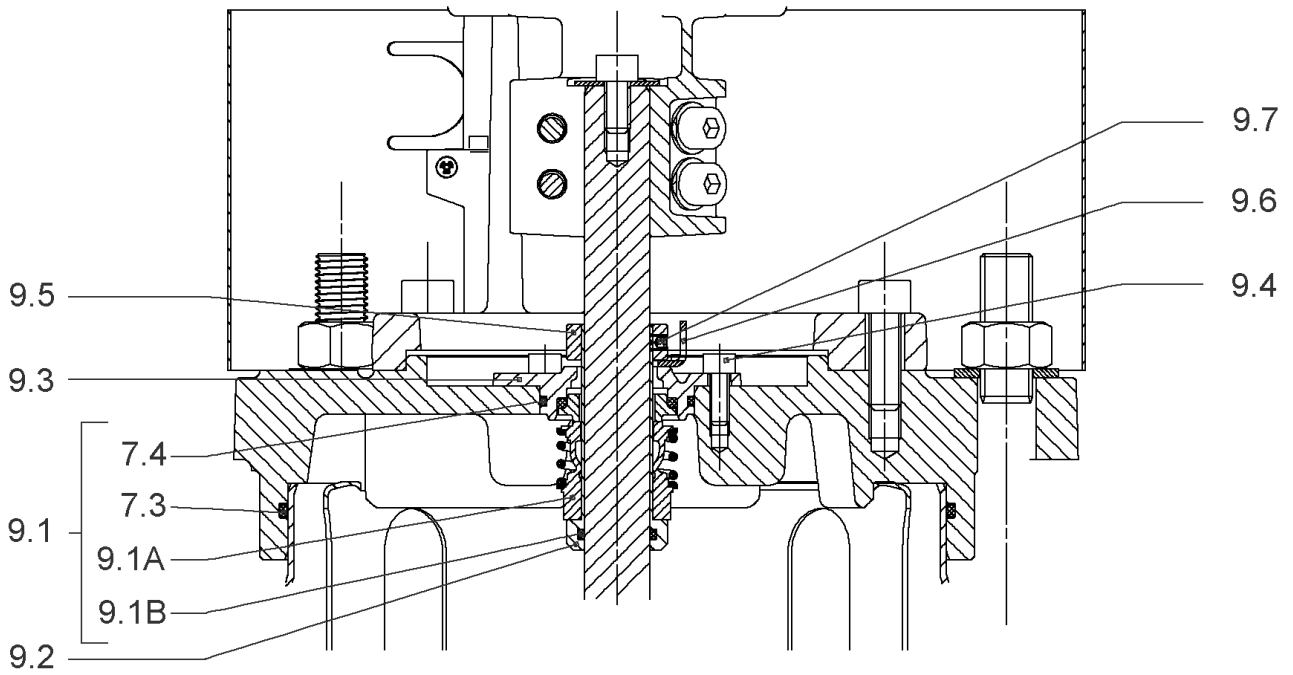
HELIX V2207-2/16/V/KS/400-50 (4139783)

Item	Article no.	Description	Quantity
15.2	4158195	> PLUG PRESSURE CONNECTION G1/4" 316L KIT	1
15.2A		>> PLUG PRESSURE CONNECTION - G1/4" - 316L	1
15.2B	2107769	>> O-RING ID.9,9x2,62 VITON VP.	1
15.3	4158196	> DRAIN/PRIMING PLUG VITON HELIX KIT	1
15.3A		>> DRAIN-AND-PRIMING-PLUG-VM18"-316L	1
15.3B	4032294	>> GASKET-10x3-VITON	1
15.3C	2107768	>> O-RING ID.8,9x2,7 VITON VP.	1
15.4	4143749	> BASE M+ DN50/65/80-304	1
15.6	4121480	> FLANGE M+ DN50 CATA	1
15.7		> O-RING Ø63.17xØ2.62 VITON	1
15.5		> SCREW TBHC M12x25 ISO7380 ZN	1



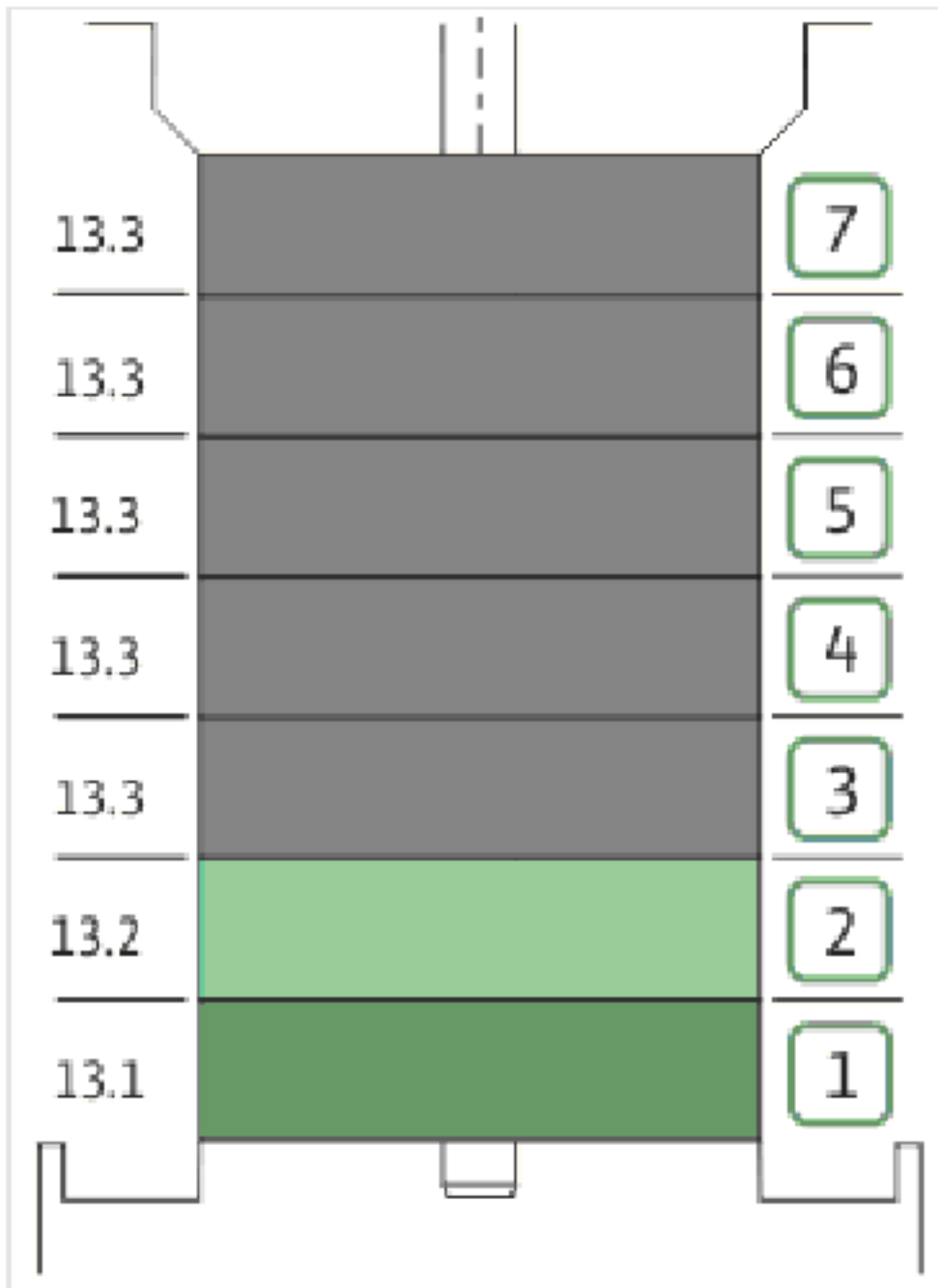
COUPLING D.20XD.28 FF265 KIT (4143965)

Item	Article no.	Description	Quantity
4.1	4179584	COUPLING 2 PARTS D.20XD.28XL83 VP.	1
4.2	2131017	BALL BEARING 6310/ZZ-C4(HT)VP.	1
4.3	4234253	CIRCLIP-FOR-SHAFT-D50x2 VP.	1
4.4	4159707	SCREW M8X30 (4 PIECES)	1
4.5	4234255	CIRCLIPS 110X4 VP.	1
4.6	4233944	O-RING ID.110 VP.	1
4.7	4179585	STOP-RUSH D26xD2 DIN7993 STEEL VP.	1
4.8	2131020	HUB D.38XD.50 VP.	1
4.9	2131021	SPACER D.28XD.45 VP.	1
4.10	4157726	SCREW KIT M8X30 (4 PIECES)	1
4.11	4233959	SCREW M8x16 VP.	1
4.12		SERRATED LOCK WASHER Ø8.2XØ25X35X2	1

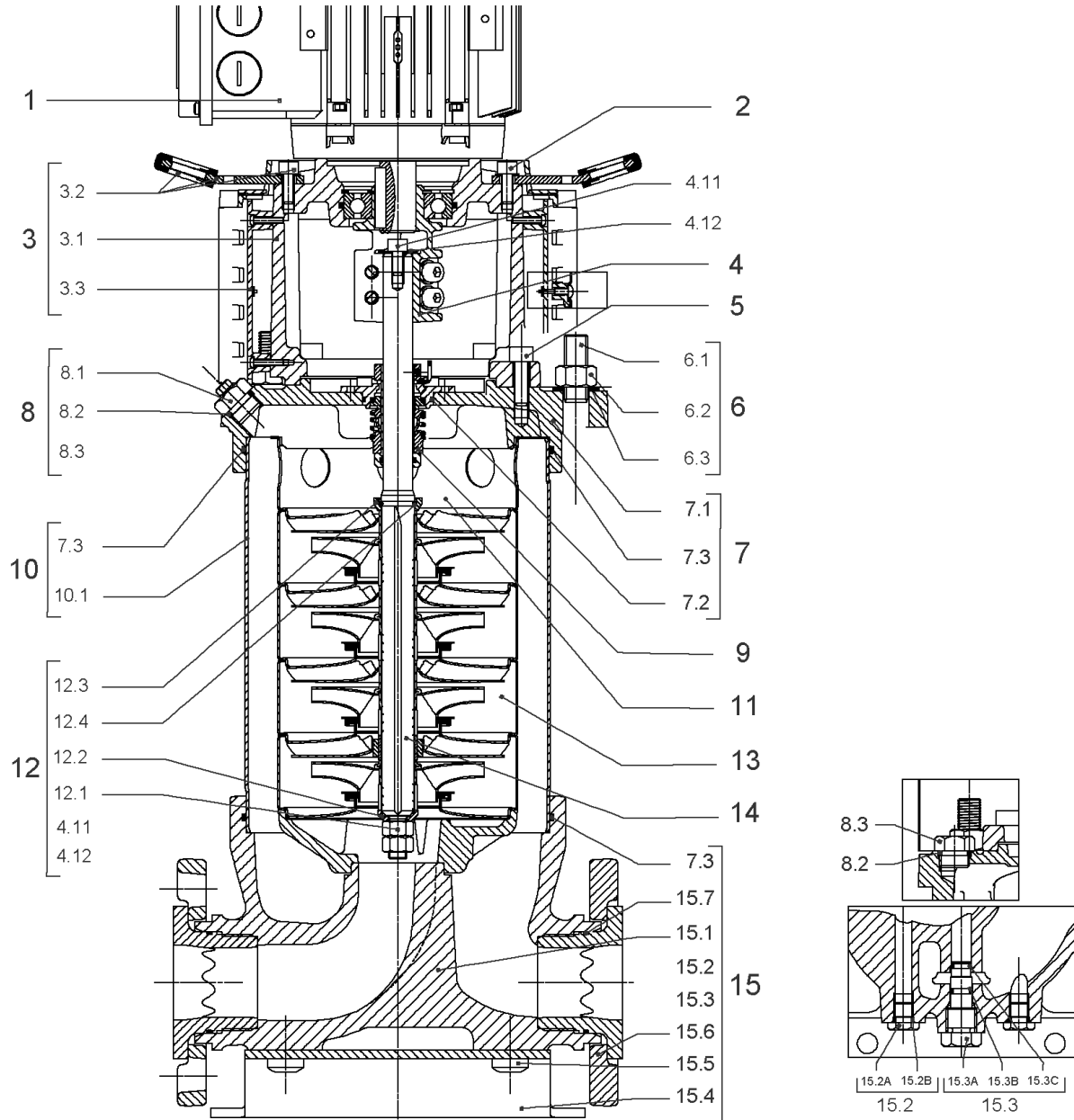


CARTRIDGE HELIX22-36-52 O/V KIT (4158204)

Item	Article no.	Description	Quantity
9.1	4158203	SEAL-KIT-HELIX22-36-52 O/V	1
7.3	2107767	> O-RING ID.202,80x3,53 VITON VP.	1
7.4	4179958	> O-RING-ID.42.52X2.62 VITON VP.	1
9.1A	2127454	> M.SEAL.HELIX22-36-52 O/V VP.	1
9.1B	4179960	> O-RING ID.20x2.65 FKM VP.	1
9.2	4179566	SHAFT SLEEVE D.20/20X60 1.4404 VP.	1
9.3	4179567	RING HOLDER Ø22 1.4301 VP.	1
9.4	4176520	SCREW CH M5x5 A4-70 (3PIECES)	1
9.5	4179568	DRIVE RING D.31/22.1x11 MACH.VP.	1
9.6	4179569	TOOL M.S.CART.HELIX 8" VP.	1
9.7	4179570	SCREW M6X16 ISO4762 8.8 GEOMET(4 PIECES)	1



Item	Article no.	Description	Quantity
13.1	4158210	FIRST STAGE HELIX 22 1.4404 KIT	1
		> IMPELLER-H1-M+22-316	1
		> MACH.STG-CASING-WOGV-WNR-M+22-316	1
13.2	4158211	BEARING STAGE HELIX 22 1.4404 KIT	1
		> IMPELLER-H2-M+22-316	1
		> MACH.BEARING-STG-CASING-WNR-M+22-316	1
		> SHAFT-SLEEVE-D26xD22x16-CW	1
13.3	4158212	INTERMEDIATE STAGE HELIX 22 316L KIT	1
		> MACH.STD-STG-CASING-WGV+NR-M+22-316	1
		> IMPELLER-H2-M+22-316	1

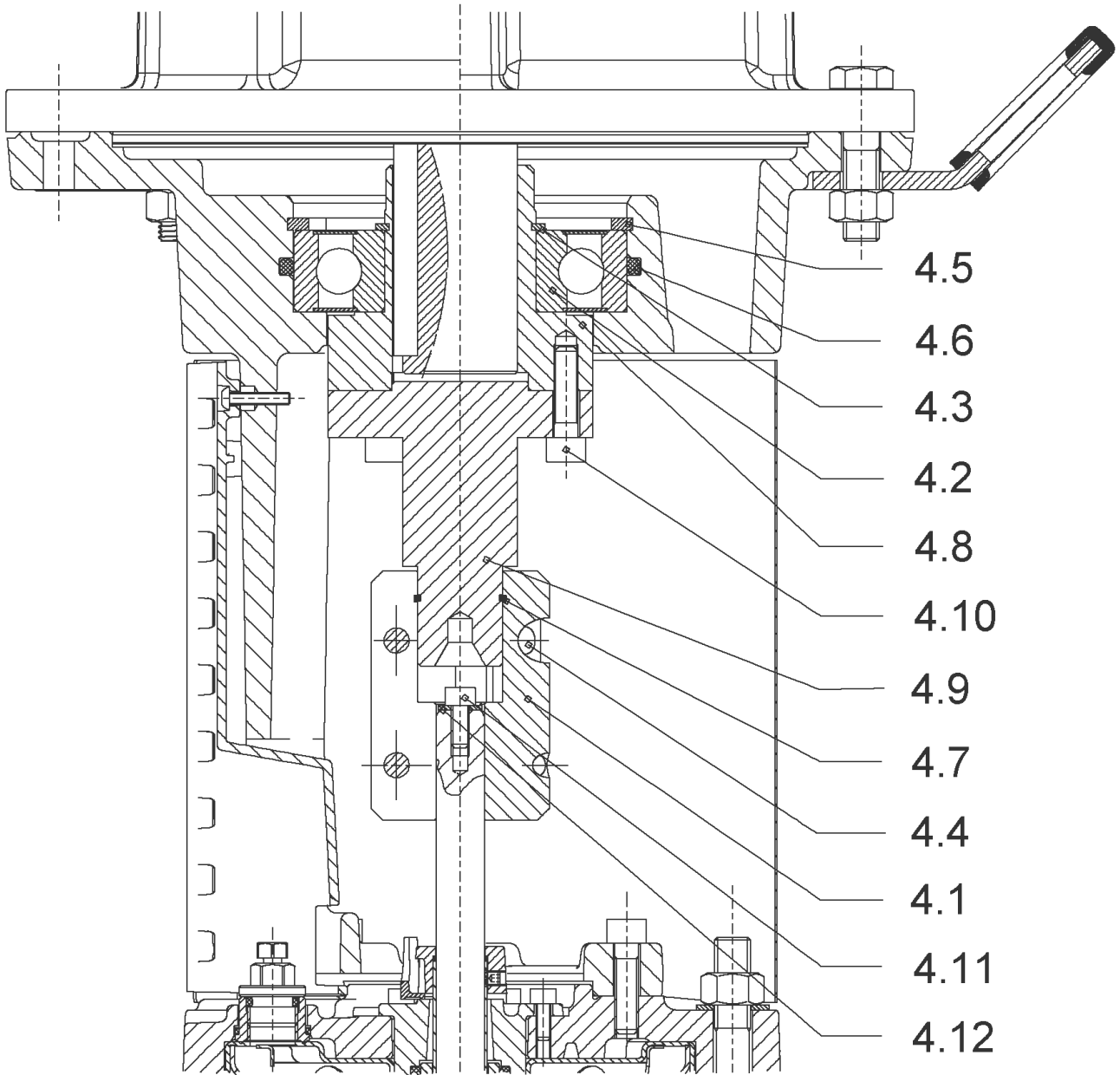


HELIX V2207-2/25/V/KS/400-50 (4139784)

Item	Article no.	Description	Quantity
1	4195483	MOTOR 9/2/132 3~400V 50HZ IE3 VP.	1
		SPARE PARTS MOTOR:ON REQUEST	1
2	4174093	SCREW M12X50 (4 PIECES)	1
3	4161187	LANTERN FF265 HELIX 8" KIT	1
3.1		> LANTERN FF265 M+ GJL MACHINED+CATA	1
3.2	2127605	> EYELET CPL.FF265 HELIX(2 PIECES)	1
3.3	4143969	> COUPLING PROTECT HELIX FF KIT	1
4	4143965	COUPLING D.20XD.28 FF265 KIT	1
5	4157725	SCREW M10X40 (4 PIECES)	1
6	4181665	STUD BOLT M16X483 KIT	1
6.1		> TIE BOLT M16-483x24x44-1.4057	1
6.2	4179562	> NUT M16 8.8 ISO4032 (4 PIECES)	1
6.3	4097852	> WASHER-CS-16.4-32-2.8-NFE25-511-A2	1
7	4179959	END SHIELD HELIX 8" FKM 1.4404 KIT	1
7.1		> END SHIELD HELIX 316L MACHINED	1
7.2	4179958	> O-RING-ID.42.52X2.62 VITON VP.	1
7.3	2107767	> O-RING ID.202,80x3,53 VITON VP.	1
8	4161256	FILING/PURGING PLUG FKM KIT	1
8.1		> FILLING/VENTING-PLUG-VM18/10-316L	1
8.2		> FILLING AND VENTING PLUG M+8" 316L	1
8.3		> GASKET-17x3-VITON	1
9	4158206	CARTRIDGE HELIX22-36-52 F/V KIT	1
10	4181706	HOUSING PIPE D.204X414 1.4404 KIT	1
7.3	2107767	> O-RING ID.202,80x3,53 VITON VP.	1
10.1		> HOUSING-PIPE Ø204-M+2207-316L	1
11	4181697	CENTERING STAGE RETURN HELIX22 1.4404 VP	1
12	4143967	SHAFT EQUIPMENT HELIX V KIT	1
13		HYDRAULIC HELIX V 2207	1
14	4181130	SHAFTS D.22X554 1.4462 VP.	1
15	4158198	EQUIPED HOUSING 1.4409 HELIX KIT	1
7.3	2107767	> O-RING ID.202,80x3,53 VITON VP.	1
15.1		> PUMP HOUSING M+ DN50 316L MACHINED	1
15.1		> GASKET HOLDER M+ DN50 316L MACHINED	1
15.1		> HYDRAULIC SUPPORT M+ DN50 316L MACHINED	1

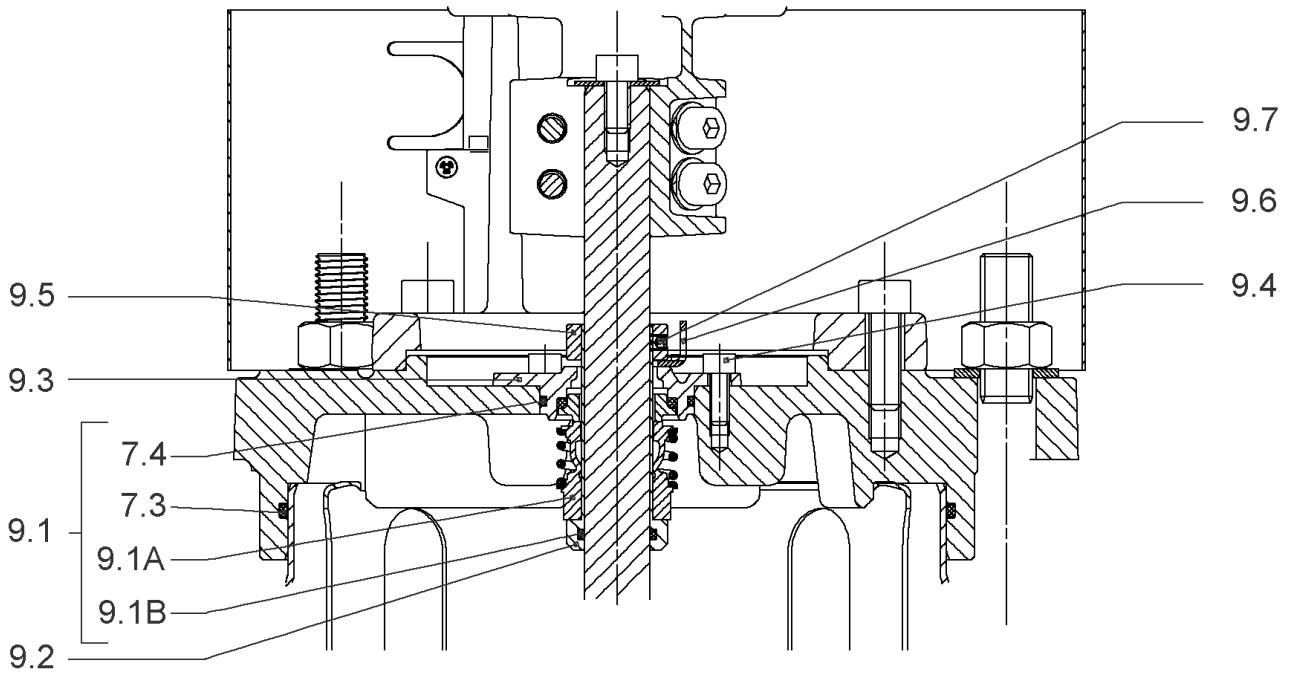
HELIX V2207-2/25/V/KS/400-50 (4139784)

Item	Article no.	Description	Quantity
15.2	4158195	> PLUG PRESSURE CONNECTION G1/4" 316L KIT	1
15.2A		>> PLUG PRESSURE CONNECTION - G1/4" - 316L	1
15.2B	2107769	>> O-RING ID.9,9x2,62 VITON VP.	1
15.3	4158196	> DRAIN/PRIMING PLUG VITON HELIX KIT	1
15.3A		>> DRAIN-AND-PRIMING-PLUG-VM18"-316L	1
15.3B	4032294	>> GASKET-10x3-VITON	1
15.3C	2107768	>> O-RING ID.8,9x2,7 VITON VP.	1
15.4	4143749	> BASE M+ DN50/65/80-304	1
15.6	4121480	> FLANGE M+ DN50 CATA	1
15.7		> O-RING Ø63.17xØ2.62 VITON	1
15.5		> SCREW TBHC M12x25 ISO7380 ZN	1



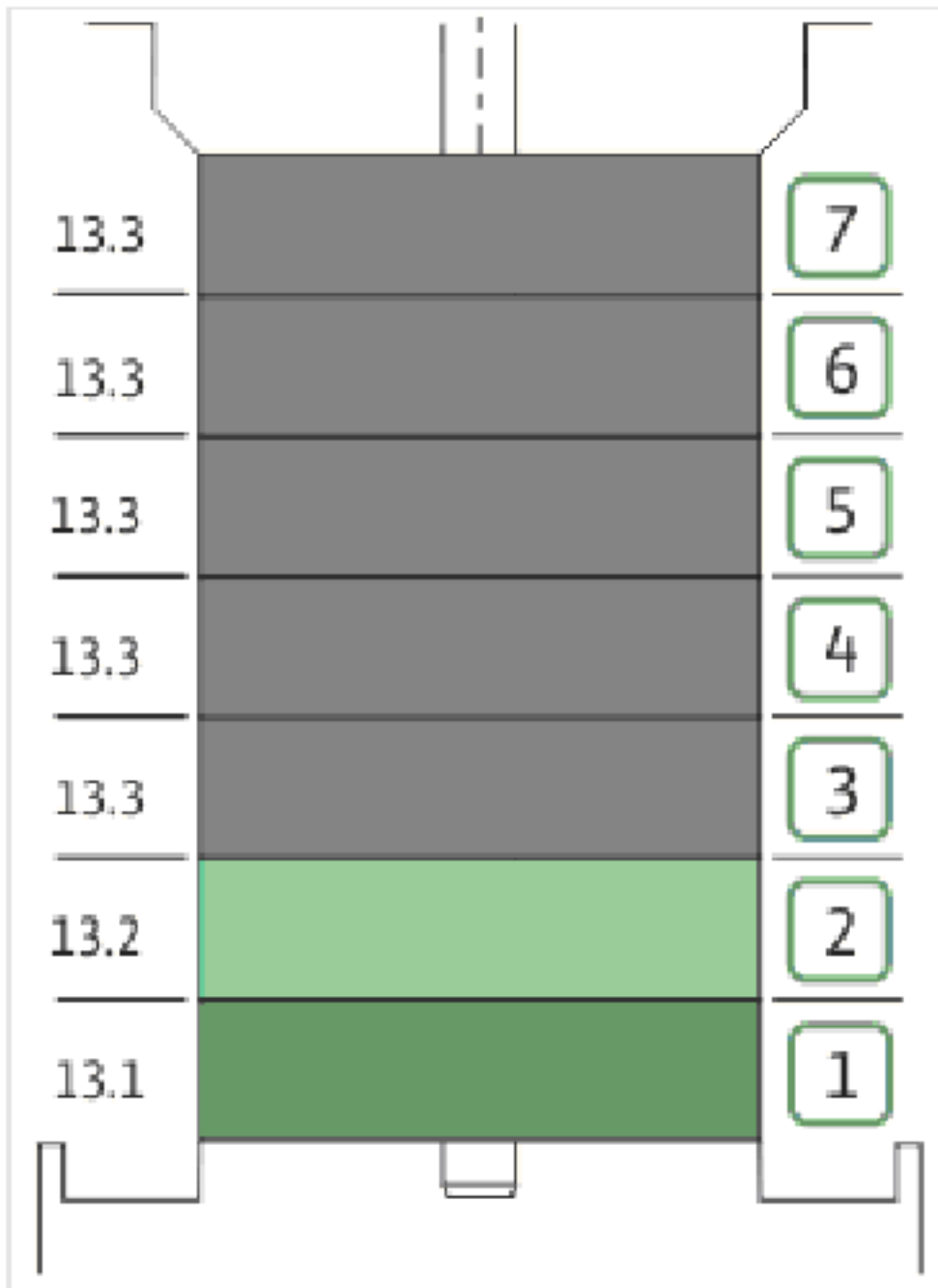
COUPLING D.20XD.28 FF265 KIT (4143965)

Item	Article no.	Description	Quantity
4.1	4179584	COUPLING 2 PARTS D.20XD.28XL83 VP.	1
4.2	2131017	BALL BEARING 6310/ZZ-C4(HT)VP.	1
4.3	4234253	CIRCLIP-FOR-SHAFT-D50x2 VP.	1
4.4	4159707	SCREW M8X30 (4 PIECES)	1
4.5	4234255	CIRCLIPS 110X4 VP.	1
4.6	4233944	O-RING ID.110 VP.	1
4.7	4179585	STOP-RUSH D26xD2 DIN7993 STEEL VP.	1
4.8	2131020	HUB D.38XD.50 VP.	1
4.9	2131021	SPACER D.28XD.45 VP.	1
4.10	4157726	SCREW KIT M8X30 (4 PIECES)	1
4.11	4233959	SCREW M8x16 VP.	1
4.12		SERRATED LOCK WASHER Ø8.2XØ25X35X2	1

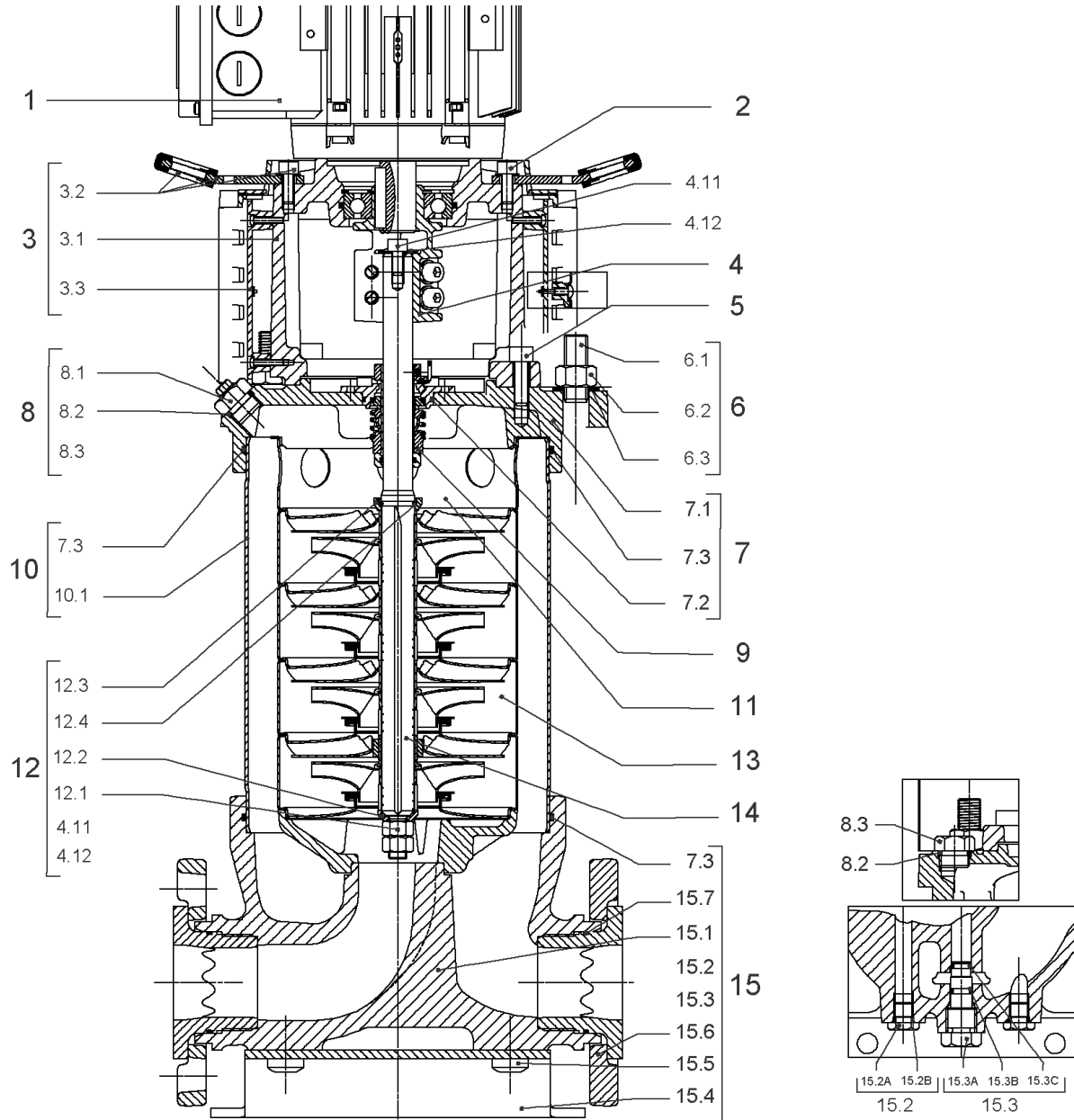


CARTRIDGE HELIX22-36-52 F/V KIT (4158206)

Item	Article no.	Description	Quantity
9.1	4158205	SEAL-KIT-HELIX22-36-52 F/V	1
7.3	2107767	> O-RING ID.202,80x3,53 VITON VP.	1
7.4	4179958	> O-RING-ID.42.52X2.62 VITON VP.	1
9.1A	4179982	> M.SEAL.HELIX22-36-52 F/V VP.	1
9.1B	4179960	> O-RING ID.20x2.65 FKM VP.	1
9.2	4179566	SHAFT SLEEVE D.20/20X60 1.4404 VP.	1
9.3	4179567	RING HOLDER Ø22 1.4301 VP.	1
9.4	4176520	SCREW CH M5x5 A4-70 (3PIECES)	1
9.5	4179568	DRIVE RING D.31/22.1x11 MACH.VP.	1
9.6	4179569	TOOL M.S.CART.HELIX 8" VP.	1
9.7	4179570	SCREW M6X16 ISO4762 8.8 GEOMET(4 PIECES)	1



Item	Article no.	Description	Quantity
13.1	4158210	FIRST STAGE HELIX 22 1.4404 KIT	1
		> IMPELLER-H1-M+22-316	1
		> MACH.STG-CASING-WOGV-WNR-M+22-316	1
13.2	4158211	BEARING STAGE HELIX 22 1.4404 KIT	1
		> IMPELLER-H2-M+22-316	1
		> MACH.BEARING-STG-CASING-WNR-M+22-316	1
		> SHAFT-SLEEVE-D26xD22x16-CW	1
13.3	4158212	INTERMEDIATE STAGE HELIX 22 316L KIT	1
		> MACH.STD-STG-CASING-WGV+NR-M+22-316	1
		> IMPELLER-H2-M+22-316	1

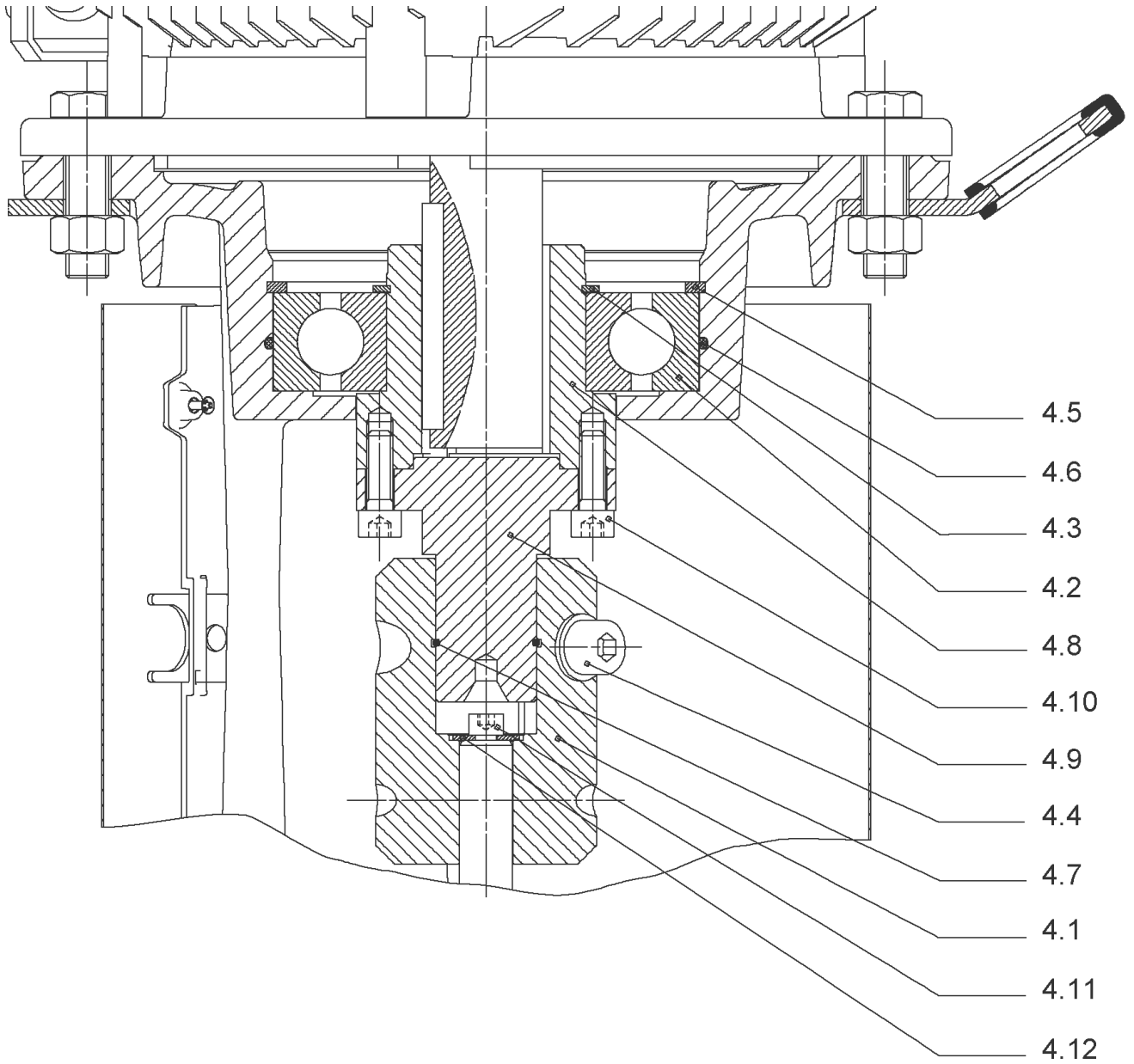


HELIX V2208-2/16/V/KS/400-50 (4139785)

Item	Article no.	Description	Quantity
1	4199884	MOTOR 11/2/160 3~400V 50HZ VP.	1
		SPARE PARTS MOTOR:ON REQUEST	1
2	4179586	SCREW M16X60 (4 PIECES)	1
3	4157721	LANTERN HELIX 22/36 FF300 BB6312 KIT	1
3.1		> LANTERN FF300 M+ GJL MACHINED+CATA 6312	1
3.2	4179589	> EYELET CPL.FF300 HELIX(4 PIECES)	1
3.3	4143969	> COUPLING PROTECT HELIX FF KIT	1
4	4143966	COUPLING D.20XD.38 FF300 KIT	1
5	4157725	SCREW M10X40 (4 PIECES)	1
6	4181086	STUD BOLT M16X533 KIT	1
6.1		> TIE BOLT M16-533x24x44-1.4057	1
6.2	4179562	> NUT M16 8.8 ISO4032 (4 PIECES)	1
6.3	4097852	> WASHER-CS-16.4-32-2.8-NFE25-511-A2	1
7	4179959	END SHIELD HELIX 8" FKM 1.4404 KIT	1
7.1		> END SHIELD HELIX 316L MACHINED	1
7.2	4179958	> O-RING-ID.42.52X2.62 VITON VP.	1
7.3	2107767	> O-RING ID.202,80x3,53 VITON VP.	1
8	4161256	FILING/PURGING PLUG FKM KIT	1
8.1		> FILLING/VENTING-PLUG-VMI8/10-316L	1
8.2		> FILLING AND VENTING PLUG M+8" 316L	1
8.3		> GASKET-17x3-VITON	1
9	4158204	CARTRIDGE HELIX22-36-52 O/V KIT	1
10	4181132	HOUSING PIPE D.204X464 1.4404 KIT	1
7.3	2107767	> O-RING ID.202,80x3,53 VITON VP.	1
10.1		> HOUSING-PIPE Ø204-M+2208/3606-316L	1
11	4181697	CENTERING STAGE RETURN HELIX22 1.4404 VP	1
12	4143967	SHAFT EQUIPMENT HELIX V KIT	1
13		HYDRAULIC HELIX V 2208	1
14	4179973	SHAFTS D.22X604 1.4462 VP.	1
15	4158198	EQUIPED HOUSING 1.4409 HELIX KIT	1
7.3	2107767	> O-RING ID.202,80x3,53 VITON VP.	1
15.1		> PUMP HOUSING M+ DN50 316L MACHINED	1
15.1		> GASKET HOLDER M+ DN50 316L MACHINED	1
15.1		> HYDRAULIC SUPPORT M+ DN50 316L MACHINED	1

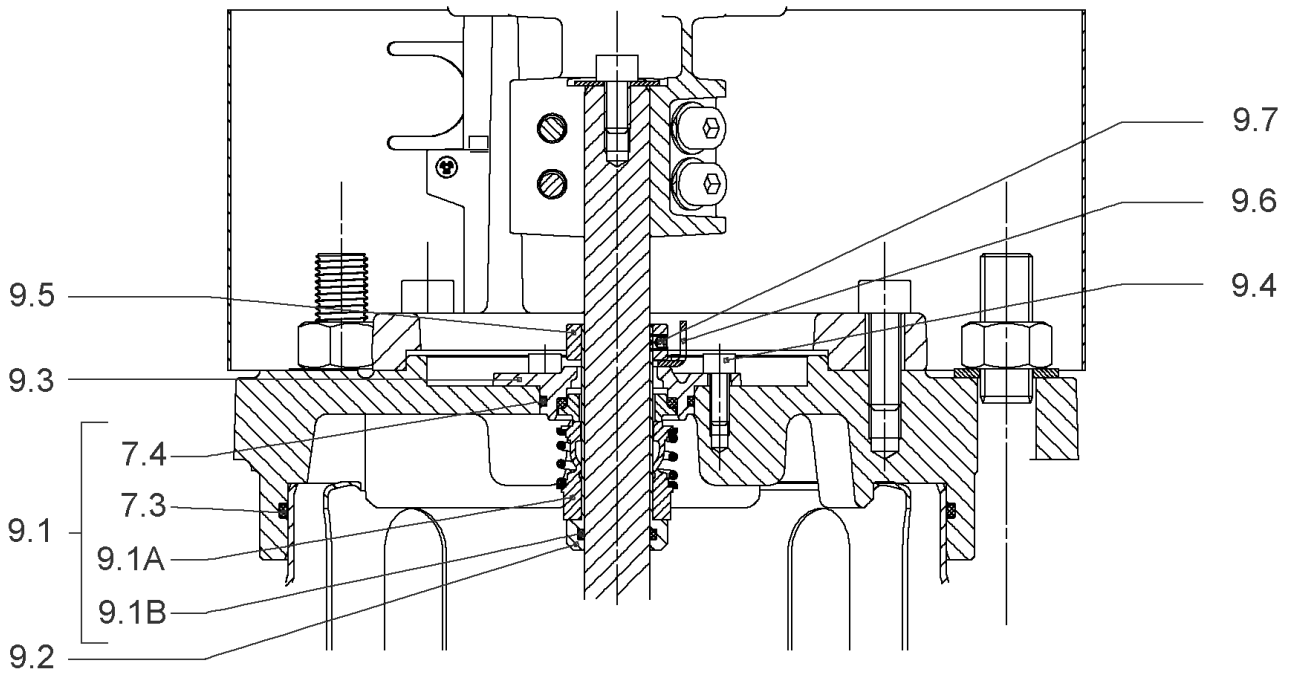
HELIX V2208-2/16/V/KS/400-50 (4139785)

Item	Article no.	Description	Quantity
15.2	4158195	> PLUG PRESSURE CONNECTION G1/4" 316L KIT	1
15.2A		>> PLUG PRESSURE CONNECTION - G1/4" - 316L	1
15.2B	2107769	>> O-RING ID.9,9x2,62 VITON VP.	1
15.3	4158196	> DRAIN/PRIMING PLUG VITON HELIX KIT	1
15.3A		>> DRAIN-AND-PRIMING-PLUG-VM18"-316L	1
15.3B	4032294	>> GASKET-10x3-VITON	1
15.3C	2107768	>> O-RING ID.8,9x2,7 VITON VP.	1
15.4	4143749	> BASE M+ DN50/65/80-304	1
15.6	4121480	> FLANGE M+ DN50 CATA	1
15.7		> O-RING Ø63.17xØ2.62 VITON	1
15.5		> SCREW TBHC M12x25 ISO7380 ZN	1



COUPLING D.20XD.38 FF300 KIT (4143966)

Item	Article no.	Description	Quantity
4.1	4179590	COUPLING 2 PARTS D.20XD.38XL115 VP.	1
4.2	2123699	BALL BEARING 6312/2Z-C4 (HT) VP.	1
4.3	63428	CIRCLIP-FOR-SHAFT-D60x2	1
4.4	2130991	SCREW M12X30 ISO4762 8.8 ZN(4 PIECES)	1
4.5	4032277	CIRCLIP-HOLE-130x4	1
4.6	4006725	O-RING ID.132,94x3,53 NBR70SR	1
4.7	2130992	RETAINING RING D.35xD.2,5 DIN7993 VP.	1
4.8	4179591	HUB D.42xD.60 VP.	1
4.9	2130994	SPACER D.38XD.55 VP.	1
4.10	4094462	SCREWS M10 (4 PIECES)	1
4.11	4233959	SCREW M8x16 VP.	1
4.12		SERRATED LOCK WASHER Ø8.2XØ25X35X2	1

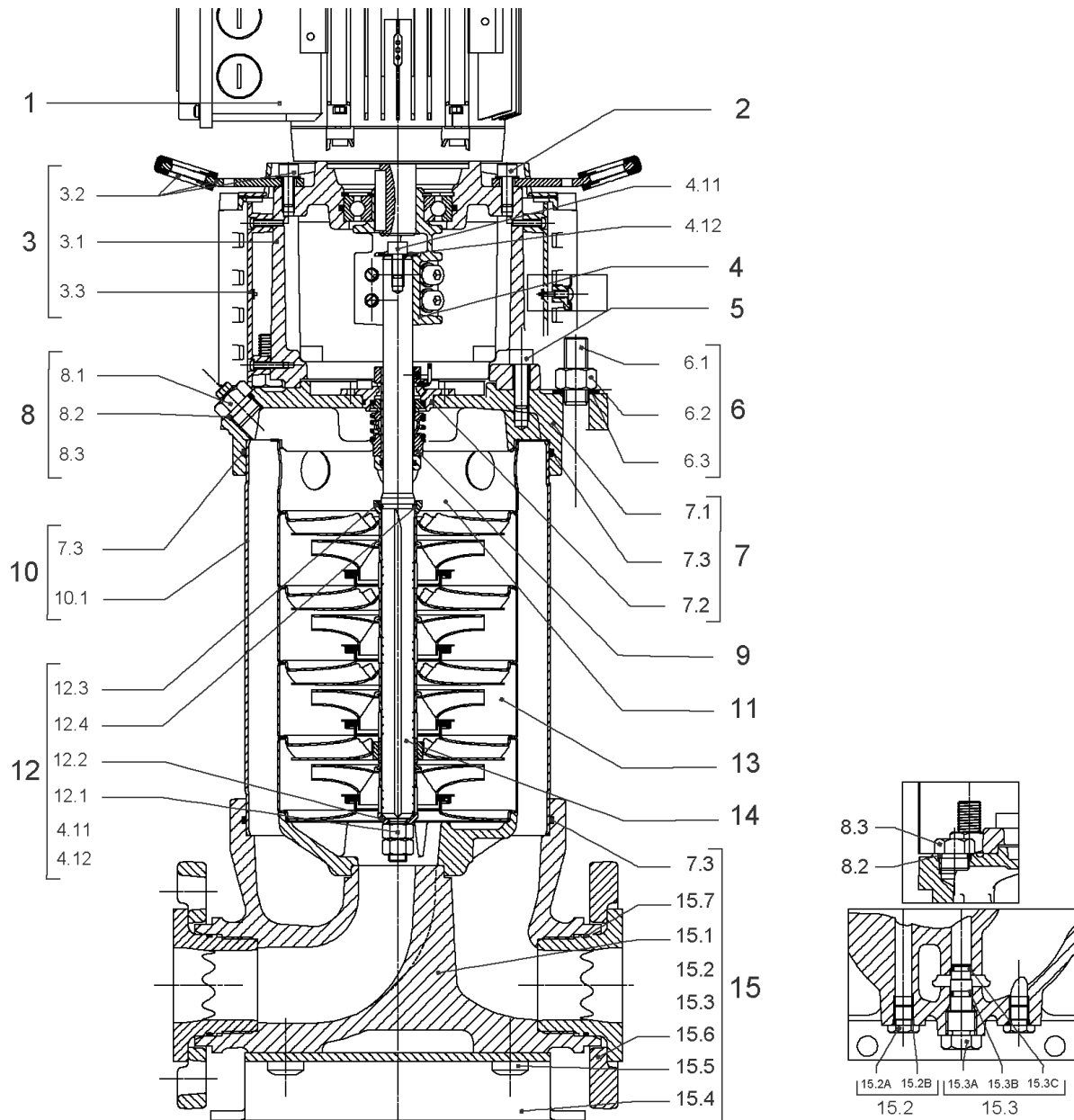


CARTRIDGE HELIX22-36-52 O/V KIT (4158204)

Item	Article no.	Description	Quantity
9.1	4158203	SEAL-KIT-HELIX22-36-52 O/V	1
7.3	2107767	> O-RING ID.202,80x3,53 VITON VP.	1
7.4	4179958	> O-RING-ID.42.52X2.62 VITON VP.	1
9.1A	2127454	> M.SEAL.HELIX22-36-52 O/V VP.	1
9.1B	4179960	> O-RING ID.20x2.65 FKM VP.	1
9.2	4179566	SHAFT SLEEVE D.20/20X60 1.4404 VP.	1
9.3	4179567	RING HOLDER Ø22 1.4301 VP.	1
9.4	4176520	SCREW CH M5x5 A4-70 (3PIECES)	1
9.5	4179568	DRIVE RING D.31/22.1x11 MACH.VP.	1
9.6	4179569	TOOL M.S.CART.HELIX 8" VP.	1
9.7	4179570	SCREW M6X16 ISO4762 8.8 GEOMET(4 PIECES)	1



Item	Article no.	Description	Quantity
13.1	4158210	FIRST STAGE HELIX 22 1.4404 KIT	1
		> IMPELLER-H1-M+22-316	1
		> MACH.STG-CASING-WOGV-WNR-M+22-316	1
13.2	4158211	BEARING STAGE HELIX 22 1.4404 KIT	1
		> IMPELLER-H2-M+22-316	1
		> MACH.BEARING-STG-CASING-WNR-M+22-316	1
		> SHAFT-SLEEVE-D26xD22x16-CW	1
13.3	4158212	INTERMEDIATE STAGE HELIX 22 316L KIT	1
		> MACH.STD-STG-CASING-WGV+NR-M+22-316	1
		> IMPELLER-H2-M+22-316	1

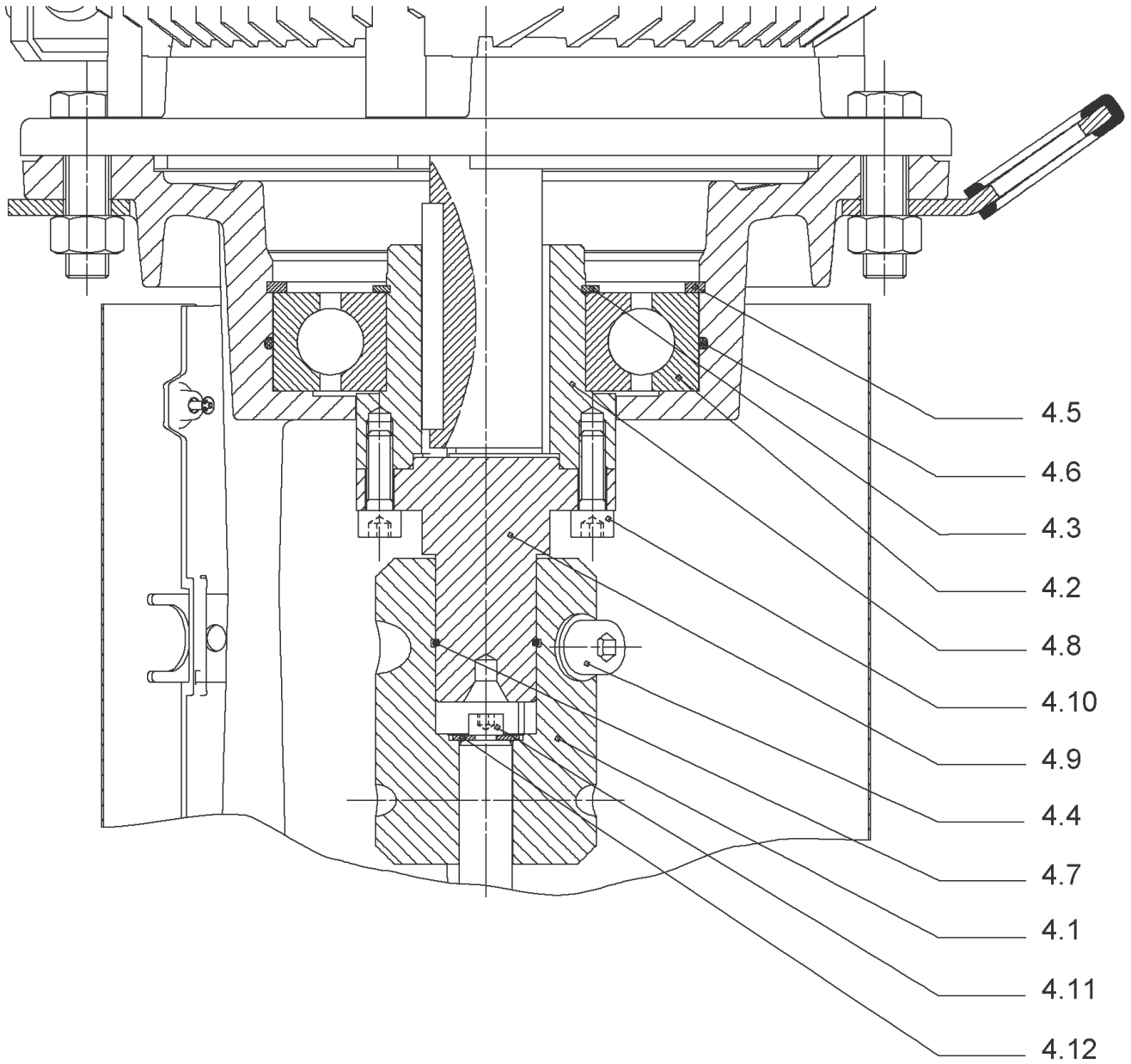


HELIX V2208-2/25/V/KS/400-50 (4139786)

Item	Article no.	Description	Quantity
1	4199884	MOTOR 11/2/160 3~400V 50HZ VP.	1
		SPARE PARTS MOTOR:ON REQUEST	1
2	4179586	SCREW M16X60 (4 PIECES)	1
3	4157721	LANTERN HELIX 22/36 FF300 BB6312 KIT	1
3.1		> LANTERN FF300 M+ GJL MACHINED+CATA 6312	1
3.2	4179589	> EYELET CPL.FF300 HELIX(4 PIECES)	1
3.3	4143969	> COUPLING PROTECT HELIX FF KIT	1
4	4143966	COUPLING D.20XD.38 FF300 KIT	1
5	4157725	SCREW M10X40 (4 PIECES)	1
6	4181086	STUD BOLT M16X533 KIT	1
6.1		> TIE BOLT M16-533x24x44-1.4057	1
6.2	4179562	> NUT M16 8.8 ISO4032 (4 PIECES)	1
6.3	4097852	> WASHER-CS-16.4-32-2.8-NFE25-511-A2	1
7	4179959	END SHIELD HELIX 8" FKM 1.4404 KIT	1
7.1		> END SHIELD HELIX 316L MACHINED	1
7.2	4179958	> O-RING-ID.42.52X2.62 VITON VP.	1
7.3	2107767	> O-RING ID.202,80x3,53 VITON VP.	1
8	4161256	FILING/PURGING PLUG FKM KIT	1
8.1		> FILLING/VENTING-PLUG-VM18/10-316L	1
8.2		> FILLING AND VENTING PLUG M+8" 316L	1
8.3		> GASKET-17x3-VITON	1
9	4158206	CARTRIDGE HELIX22-36-52 F/V KIT	1
10	4181132	HOUSING PIPE D.204X464 1.4404 KIT	1
7.3	2107767	> O-RING ID.202,80x3,53 VITON VP.	1
10.1		> HOUSING-PIPE Ø204-M+2208/3606-316L	1
11	4181697	CENTERING STAGE RETURN HELIX22 1.4404 VP	1
12	4143967	SHAFT EQUIPMENT HELIX V KIT	1
13		HYDRAULIC HELIX V 2208	1
14	4179973	SHAFTS D.22X604 1.4462 VP.	1
15	4158198	EQUIPED HOUSING 1.4409 HELIX KIT	1
7.3	2107767	> O-RING ID.202,80x3,53 VITON VP.	1
15.1		> PUMP HOUSING M+ DN50 316L MACHINED	1
15.1		> GASKET HOLDER M+ DN50 316L MACHINED	1
15.1		> HYDRAULIC SUPPORT M+ DN50 316L MACHINED	1

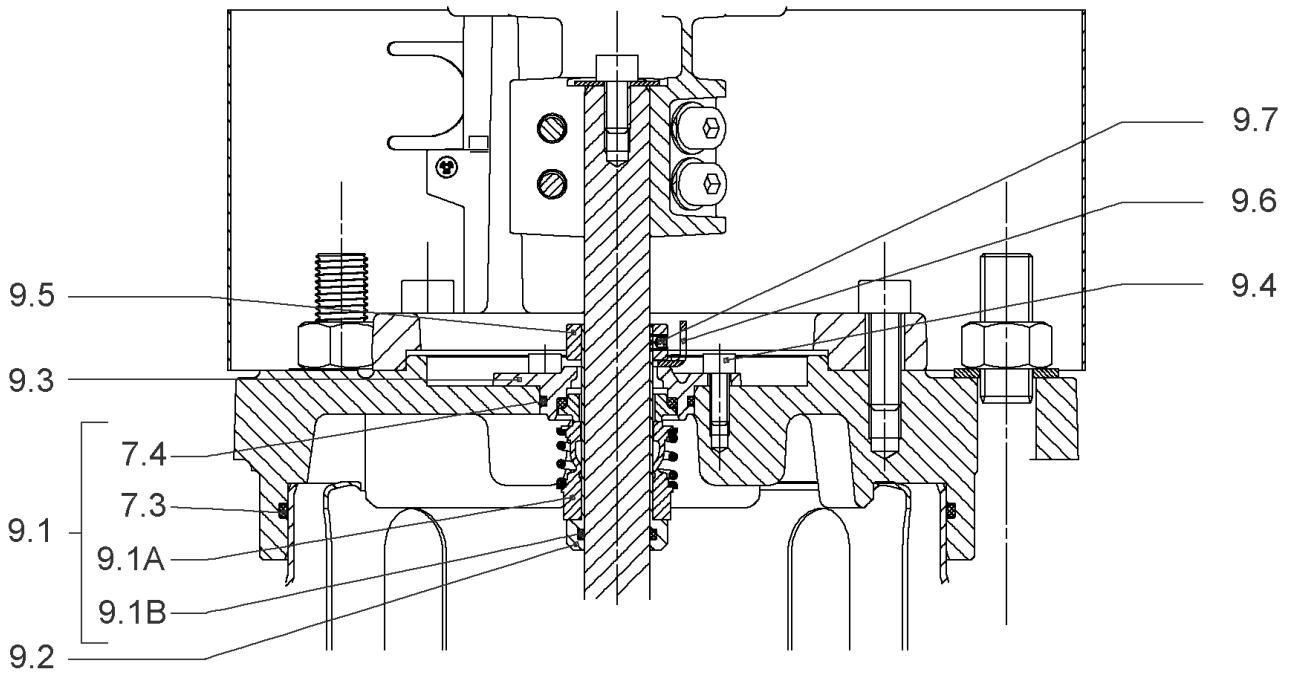
HELIX V2208-2/25/V/KS/400-50 (4139786)

Item	Article no.	Description	Quantity
15.2	4158195	> PLUG PRESSURE CONNECTION G1/4" 316L KIT	1
15.2A		>> PLUG PRESSURE CONNECTION - G1/4" - 316L	1
15.2B	2107769	>> O-RING ID.9,9x2,62 VITON VP.	1
15.3	4158196	> DRAIN/PRIMING PLUG VITON HELIX KIT	1
15.3A		>> DRAIN-AND-PRIMING-PLUG-VM18"-316L	1
15.3B	4032294	>> GASKET-10x3-VITON	1
15.3C	2107768	>> O-RING ID.8,9x2,7 VITON VP.	1
15.4	4143749	> BASE M+ DN50/65/80-304	1
15.6	4121480	> FLANGE M+ DN50 CATA	1
15.7		> O-RING Ø63.17xØ2.62 VITON	1
15.5		> SCREW TBHC M12x25 ISO7380 ZN	1



COUPLING D.20XD.38 FF300 KIT (4143966)

Item	Article no.	Description	Quantity
4.1	4179590	COUPLING 2 PARTS D.20XD.38XL115 VP.	1
4.2	2123699	BALL BEARING 6312/2Z-C4 (HT) VP.	1
4.3	63428	CIRCLIP-FOR-SHAFT-D60x2	1
4.4	2130991	SCREW M12X30 ISO4762 8.8 ZN(4 PIECES)	1
4.5	4032277	CIRCLIP-HOLE-130x4	1
4.6	4006725	O-RING ID.132,94x3,53 NBR70SR	1
4.7	2130992	RETAINING RING D.35xD.2,5 DIN7993 VP.	1
4.8	4179591	HUB D.42xD.60 VP.	1
4.9	2130994	SPACER D.38XD.55 VP.	1
4.10	4094462	SCREWS M10 (4 PIECES)	1
4.11	4233959	SCREW M8x16 VP.	1
4.12		SERRATED LOCK WASHER Ø8.2XØ25X35X2	1

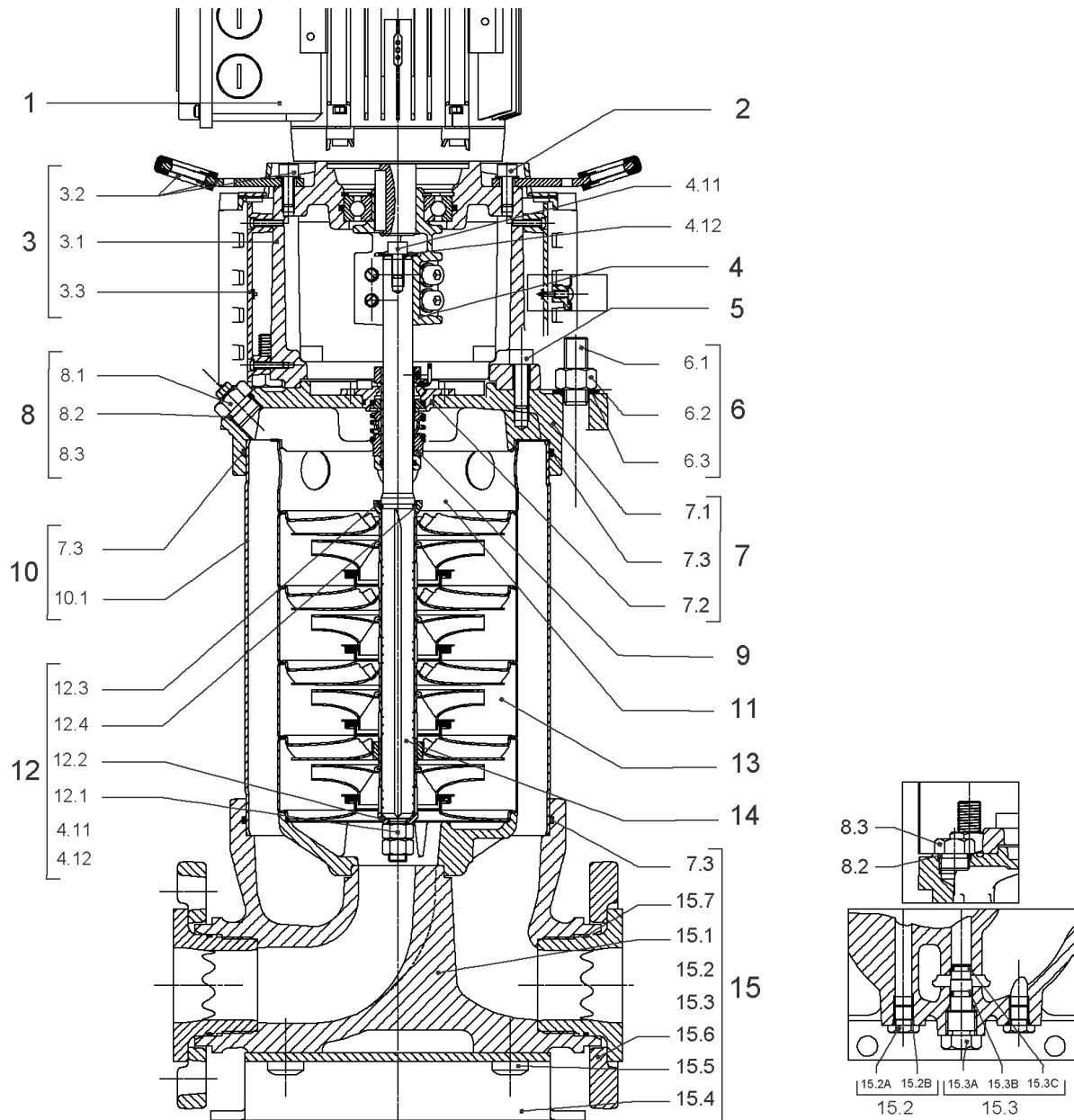


CARTRIDGE HELIX22-36-52 F/V KIT (4158206)

Item	Article no.	Description	Quantity
9.1	4158205	SEAL-KIT-HELIX22-36-52 F/V	1
7.3	2107767	> O-RING ID.202,80x3,53 VITON VP.	1
7.4	4179958	> O-RING-ID.42.52X2.62 VITON VP.	1
9.1A	4179982	> M.SEAL.HELIX22-36-52 F/V VP.	1
9.1B	4179960	> O-RING ID.20x2.65 FKM VP.	1
9.2	4179566	SHAFT SLEEVE D.20/20X60 1.4404 VP.	1
9.3	4179567	RING HOLDER Ø22 1.4301 VP.	1
9.4	4176520	SCREW CH M5x5 A4-70 (3PIECES)	1
9.5	4179568	DRIVE RING D.31/22.1x11 MACH.VP.	1
9.6	4179569	TOOL M.S.CART.HELIX 8" VP.	1
9.7	4179570	SCREW M6X16 ISO4762 8.8 GEOMET(4 PIECES)	1



Item	Article no.	Description	Quantity
13.1	4158210	FIRST STAGE HELIX 22 1.4404 KIT	1
		> IMPELLER-H1-M+22-316	1
		> MACH.STG-CASING-WOGV-WNR-M+22-316	1
13.2	4158211	BEARING STAGE HELIX 22 1.4404 KIT	1
		> IMPELLER-H2-M+22-316	1
		> MACH.BEARING-STG-CASING-WNR-M+22-316	1
		> SHAFT-SLEEVE-D26xD22x16-CW	1
13.3	4158212	INTERMEDIATE STAGE HELIX 22 316L KIT	1
		> MACH.STD-STG-CASING-WGV+NR-M+22-316	1
		> IMPELLER-H2-M+22-316	1

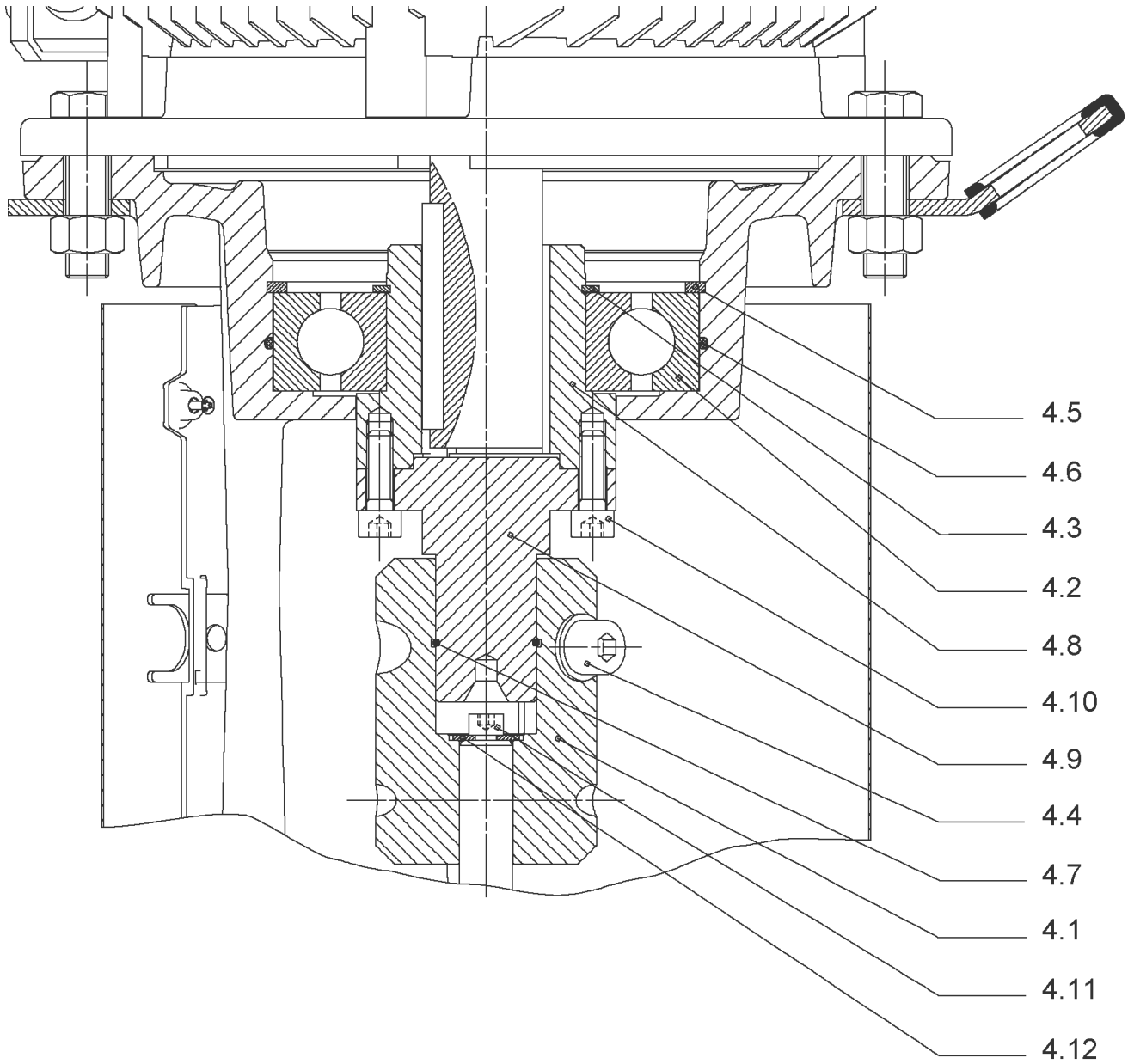


HELIX V2209-2/25/V/KS/400-50 (4139787)

Item	Article no.	Description	Quantity
1	4199884	MOTOR 11/2/160 3~400V 50HZ VP.	1
		SPARE PARTS MOTOR:ON REQUEST	1
2	4179586	SCREW M16X60 (4 PIECES)	1
3	4157721	LANTERN HELIX 22/36 FF300 BB6312 KIT	1
3.1		> LANTERN FF300 M+ GJL MACHINED+CATA 6312	1
3.2	4179589	> EYELET CPL.FF300 HELIX(4 PIECES)	1
3.3	4143969	> COUPLING PROTECT HELIX FF KIT	1
4	4143966	COUPLING D.20XD.38 FF300 KIT	1
5	4157725	SCREW M10X40 (4 PIECES)	1
6	4181669	STUD BOLT M16X578 KIT	1
6.1		> TIE BOLT M16-578x24x44-1.4057	1
6.2	4179562	> NUT M16 8.8 ISO4032 (4 PIECES)	1
6.3	4097852	> WASHER-CS-16.4-32-2.8-NFE25-511-A2	1
7	4179959	END SHIELD HELIX 8" FKM 1.4404 KIT	1
7.1		> END SHIELD HELIX 316L MACHINED	1
7.2	4179958	> O-RING-ID.42.52X2.62 VITON VP.	1
7.3	2107767	> O-RING ID.202,80x3,53 VITON VP.	1
8	4161256	FILING/PURGING PLUG FKM KIT	1
8.1		> FILLING/VENTING-PLUG-VMI8/10-316L	1
8.2		> FILLING AND VENTING PLUG M+8" 316L	1
8.3		> GASKET-17x3-VITON	1
9	4158206	CARTRIDGE HELIX22-36-52 F/V KIT	1
10	4181709	HOUSING PIPE D.204X514 1.4404 KIT	1
7.3	2107767	> O-RING ID.202,80x3,53 VITON VP.	1
10.1		> HOUSING-PIPE Ø204-M+2209-316L	1
11	4181697	CENTERING STAGE RETURN HELIX22 1.4404 VP	1
12	4143967	SHAFT EQUIPMENT HELIX V KIT	1
13		HYDRAULIC HELIX V 2209	1
14	4181711	SHAFTS D.22X654 1.4462 VP.	1
15	4158198	EQUIPED HOUSING 1.4409 HELIX KIT	1
7.3	2107767	> O-RING ID.202,80x3,53 VITON VP.	1
15.1		> PUMP HOUSING M+ DN50 316L MACHINED	1
15.1		> GASKET HOLDER M+ DN50 316L MACHINED	1
15.1		> HYDRAULIC SUPPORT M+ DN50 316L MACHINED	1

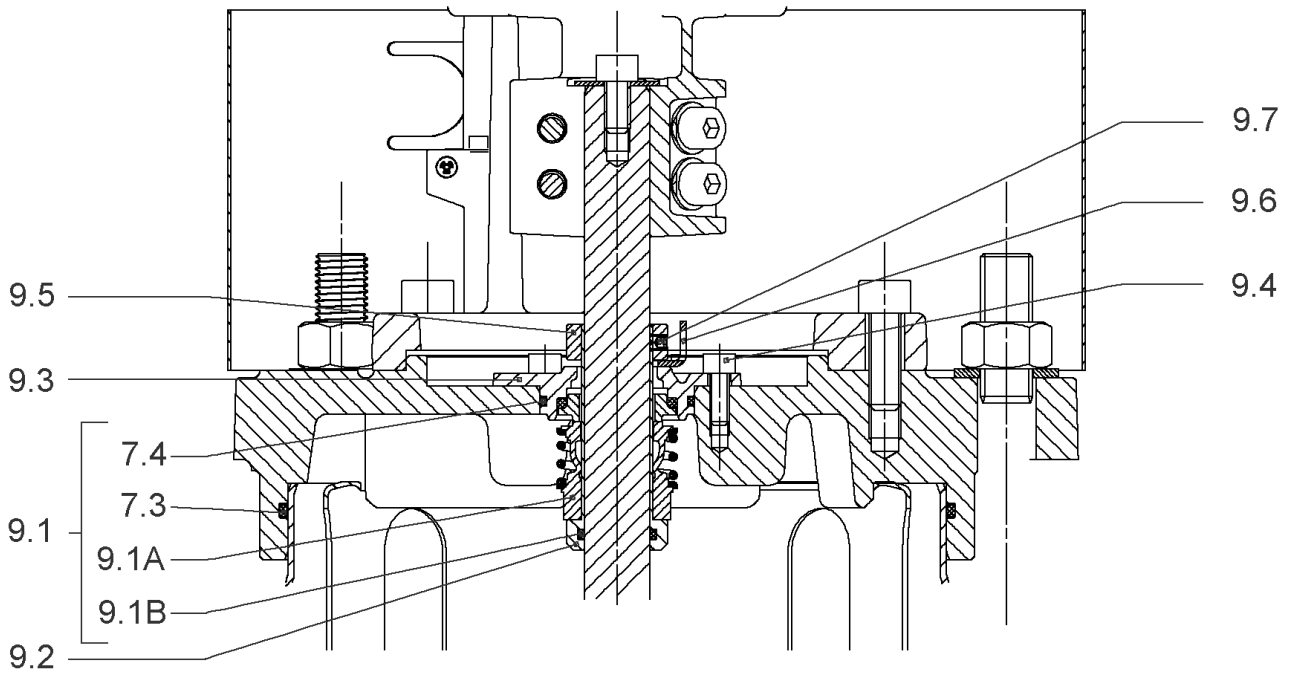
HELIX V2209-2/25/V/KS/400-50 (4139787)

Item	Article no.	Description	Quantity
15.2	4158195	> PLUG PRESSURE CONNECTION G1/4" 316L KIT	1
15.2A		>> PLUG PRESSURE CONNECTION - G1/4" - 316L	1
15.2B	2107769	>> O-RING ID.9,9x2,62 VITON VP.	1
15.3	4158196	> DRAIN/PRIMING PLUG VITON HELIX KIT	1
15.3A		>> DRAIN-AND-PRIMING-PLUG-VM18"-316L	1
15.3B	4032294	>> GASKET-10x3-VITON	1
15.3C	2107768	>> O-RING ID.8,9x2,7 VITON VP.	1
15.4	4143749	> BASE M+ DN50/65/80-304	1
15.6	4121480	> FLANGE M+ DN50 CATA	1
15.7		> O-RING Ø63.17xØ2.62 VITON	1
15.5		> SCREW TBHC M12x25 ISO7380 ZN	1



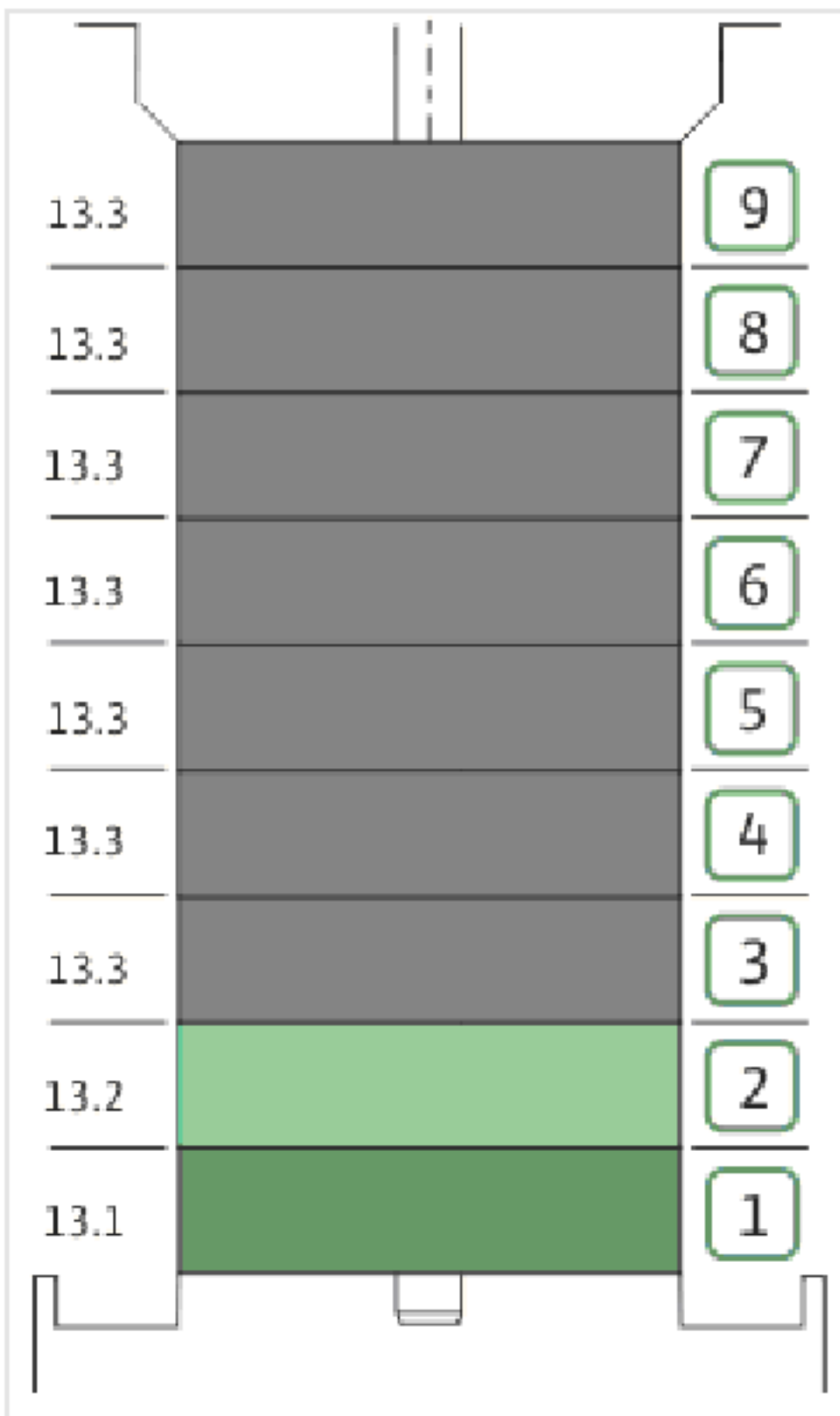
COUPLING D.20XD.38 FF300 KIT (4143966)

Item	Article no.	Description	Quantity
4.1	4179590	COUPLING 2 PARTS D.20XD.38XL115 VP.	1
4.2	2123699	BALL BEARING 6312/2Z-C4 (HT) VP.	1
4.3	63428	CIRCLIP-FOR-SHAFT-D60x2	1
4.4	2130991	SCREW M12X30 ISO4762 8.8 ZN(4 PIECES)	1
4.5	4032277	CIRCLIP-HOLE-130x4	1
4.6	4006725	O-RING ID.132,94x3,53 NBR70SR	1
4.7	2130992	RETAINING RING D.35xD.2,5 DIN7993 VP.	1
4.8	4179591	HUB D.42xD.60 VP.	1
4.9	2130994	SPACER D.38XD.55 VP.	1
4.10	4094462	SCREWS M10 (4 PIECES)	1
4.11	4233959	SCREW M8x16 VP.	1
4.12		SERRATED LOCK WASHER Ø8.2XØ25X35X2	1

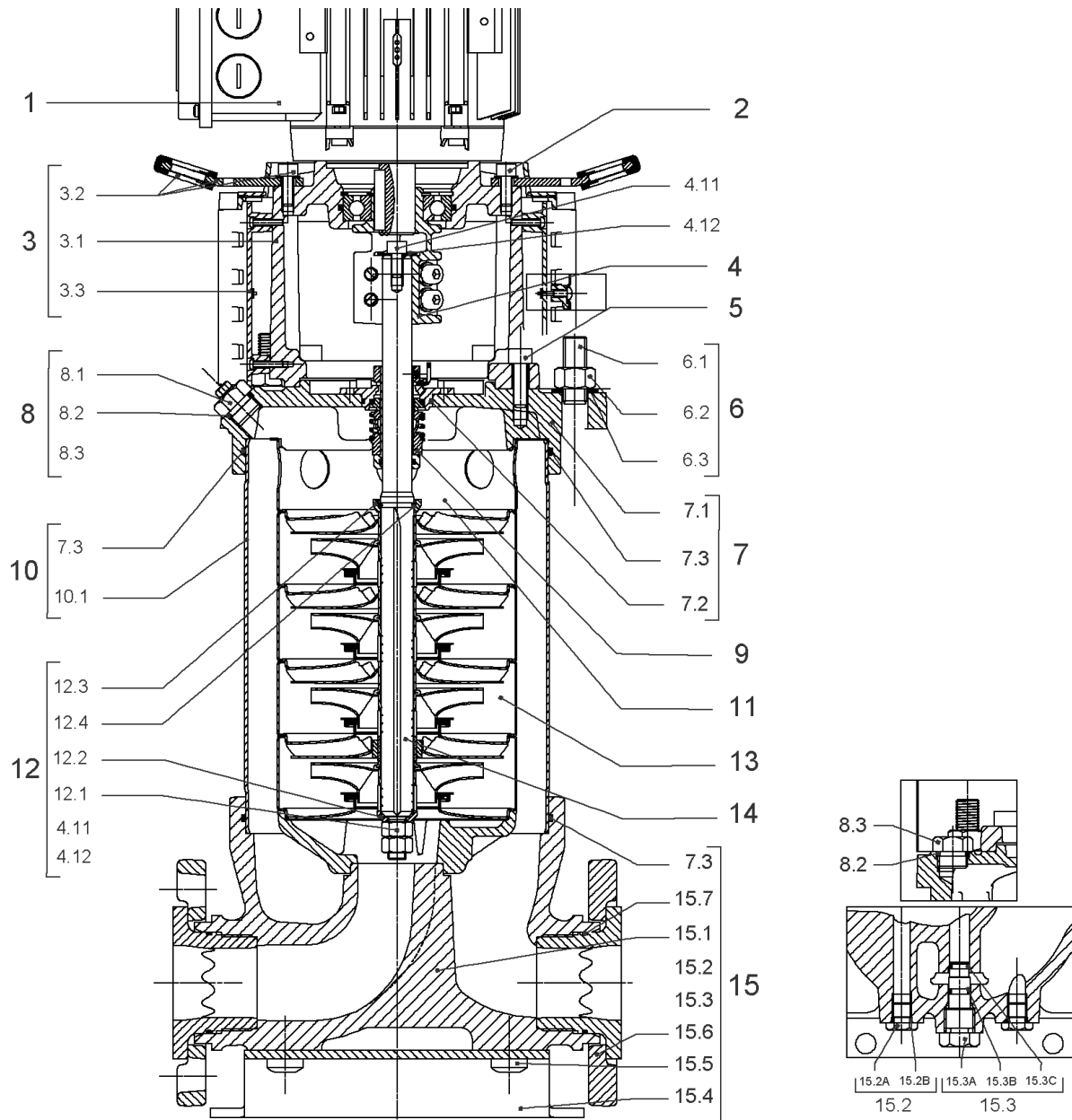


CARTRIDGE HELIX22-36-52 F/V KIT (4158206)

Item	Article no.	Description	Quantity
9.1	4158205	SEAL-KIT-HELIX22-36-52 F/V	1
7.3	2107767	> O-RING ID.202,80x3,53 VITON VP.	1
7.4	4179958	> O-RING-ID.42.52X2.62 VITON VP.	1
9.1A	4179982	> M.SEAL.HELIX22-36-52 F/V VP.	1
9.1B	4179960	> O-RING ID.20x2.65 FKM VP.	1
9.2	4179566	SHAFT SLEEVE D.20/20X60 1.4404 VP.	1
9.3	4179567	RING HOLDER Ø22 1.4301 VP.	1
9.4	4176520	SCREW CH M5x5 A4-70 (3PIECES)	1
9.5	4179568	DRIVE RING D.31/22.1x11 MACH.VP.	1
9.6	4179569	TOOL M.S.CART.HELIX 8" VP.	1
9.7	4179570	SCREW M6X16 ISO4762 8.8 GEOMET(4 PIECES)	1



Item	Article no.	Description	Quantity
13.1	4158210	FIRST STAGE HELIX 22 1.4404 KIT	1
		> IMPELLER-H1-M+22-316	1
		> MACH.STG-CASING-WOGV-WNR-M+22-316	1
13.2	4158211	BEARING STAGE HELIX 22 1.4404 KIT	1
		> IMPELLER-H2-M+22-316	1
		> MACH.BEARING-STG-CASING-WNR-M+22-316	1
		> SHAFT-SLEEVE-D26xD22x16-CW	1
13.3	4158212	INTERMEDIATE STAGE HELIX 22 316L KIT	1
		> MACH.STD-STG-CASING-WGV+NR-M+22-316	1
		> IMPELLER-H2-M+22-316	1

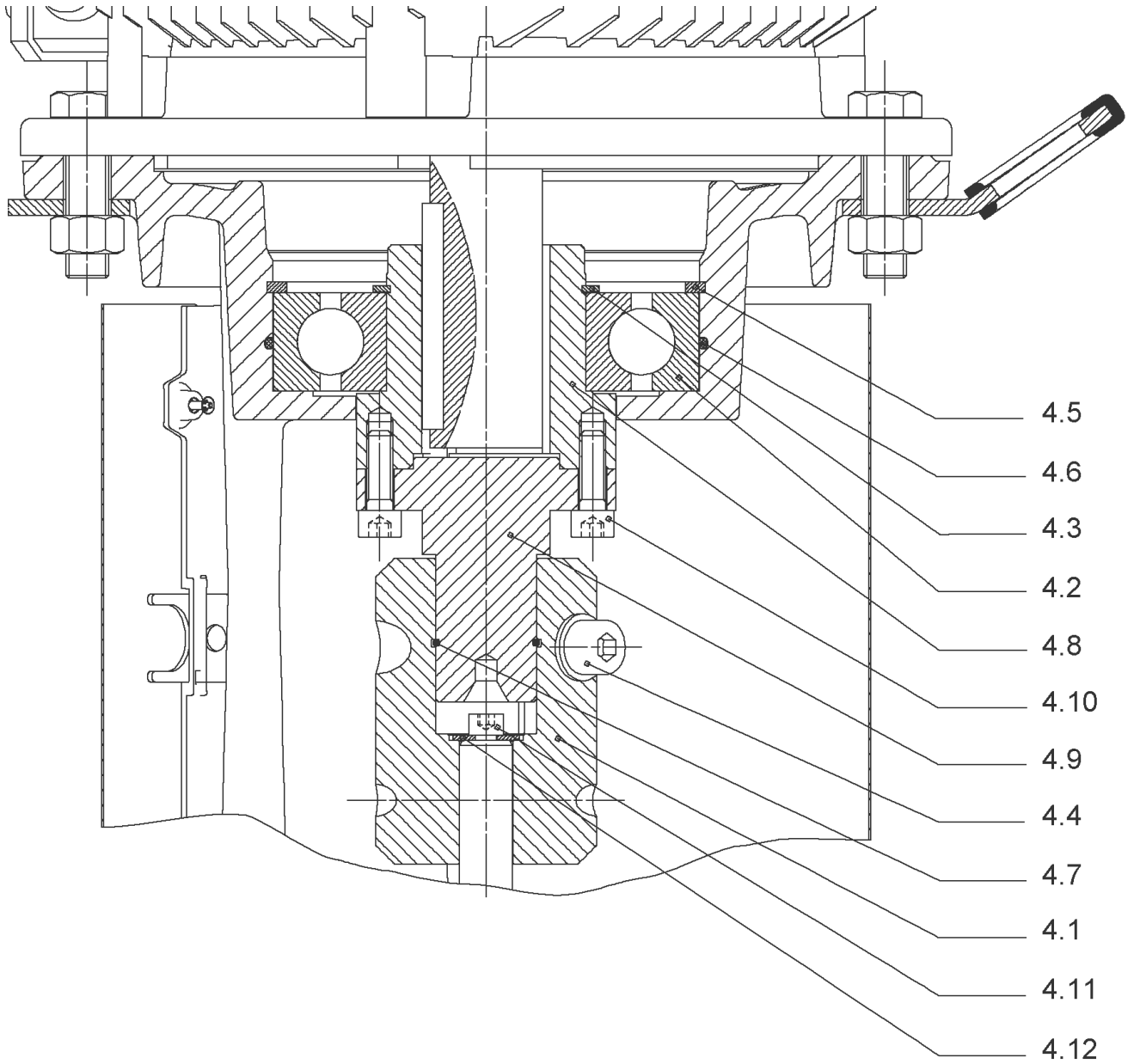


HELIX V2210-2/25/V/KS/400-50 (4139788)

Item	Article no.	Description	Quantity
1	4199884	MOTOR 11/2/160 3~400V 50HZ VP.	1
		SPARE PARTS MOTOR:ON REQUEST	1
2	4179586	SCREW M16X60 (4 PIECES)	1
3	4157721	LANTERN HELIX 22/36 FF300 BB6312 KIT	1
3.1		> LANTERN FF300 M+ GJL MACHINED+CATA 6312	1
3.2	4179589	> EYELET CPL.FF300 HELIX(4 PIECES)	1
3.3	4143969	> COUPLING PROTECT HELIX FF KIT	1
4	4143966	COUPLING D.20XD.38 FF300 KIT	1
5	4157725	SCREW M10X40 (4 PIECES)	1
6	4181673	STUD BOLT M16X633 KIT	1
6.1		> TIE BOLT M16-633x24x44-1.4057	1
6.2	4179562	> NUT M16 8.8 ISO4032 (4 PIECES)	1
6.3	4097852	> WASHER-CS-16.4-32-2.8-NFE25-511-A2	1
7	4179959	END SHIELD HELIX 8" FKM 1.4404 KIT	1
7.1		> END SHIELD HELIX 316L MACHINED	1
7.2	4179958	> O-RING-ID.42.52X2.62 VITON VP.	1
7.3	2107767	> O-RING ID.202,80x3,53 VITON VP.	1
8	4161256	FILING/PURGING PLUG FKM KIT	1
8.1		> FILLING/VENTING-PLUG-VM18/10-316L	1
8.2		> FILLING AND VENTING PLUG M+8" 316L	1
8.3		> GASKET-17x3-VITON	1
9	4158206	CARTRIDGE HELIX22-36-52 F/V KIT	1
10	4181712	HOUSING PIPE D.204X564 1.4404 KIT	1
7.3	2107767	> O-RING ID.202,80x3,53 VITON VP.	1
10.1		> HOUSING-PIPE Ø204-M+2210-316L	1
11	4181697	CENTERING STAGE RETURN HELIX22 1.4404 VP	1
12	4143967	SHAFT EQUIPMENT HELIX V KIT	1
13		HYDRAULIC HELIX V 2210	1
14	4179977	SHAFTS D.22X704 1.4462 VP.	1
15	4158198	EQUIPED HOUSING 1.4409 HELIX KIT	1
7.3	2107767	> O-RING ID.202,80x3,53 VITON VP.	1
15.1		> PUMP HOUSING M+ DN50 316L MACHINED	1
15.1		> GASKET HOLDER M+ DN50 316L MACHINED	1
15.1		> HYDRAULIC SUPPORT M+ DN50 316L MACHINED	1

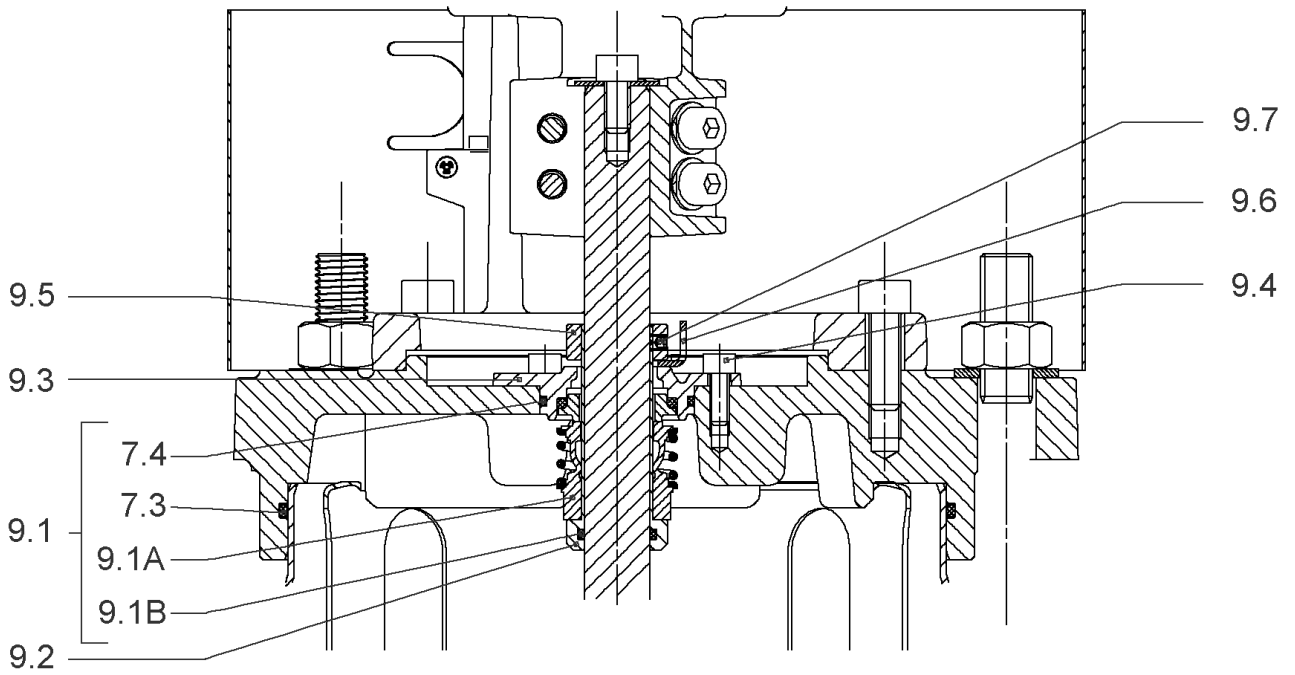
HELIX V2210-2/25/V/KS/400-50 (4139788)

Item	Article no.	Description	Quantity
15.2	4158195	> PLUG PRESSURE CONNECTION G1/4" 316L KIT	1
15.2A		>> PLUG PRESSURE CONNECTION - G1/4" - 316L	1
15.2B	2107769	>> O-RING ID.9,9x2,62 VITON VP.	1
15.3	4158196	> DRAIN/PRIMING PLUG VITON HELIX KIT	1
15.3A		>> DRAIN-AND-PRIMING-PLUG-VM18"-316L	1
15.3B	4032294	>> GASKET-10x3-VITON	1
15.3C	2107768	>> O-RING ID.8,9x2,7 VITON VP.	1
15.4	4143749	> BASE M+ DN50/65/80-304	1
15.6	4121480	> FLANGE M+ DN50 CATA	1
15.7		> O-RING Ø63.17xØ2.62 VITON	1
15.5		> SCREW TBHC M12x25 ISO7380 ZN	1



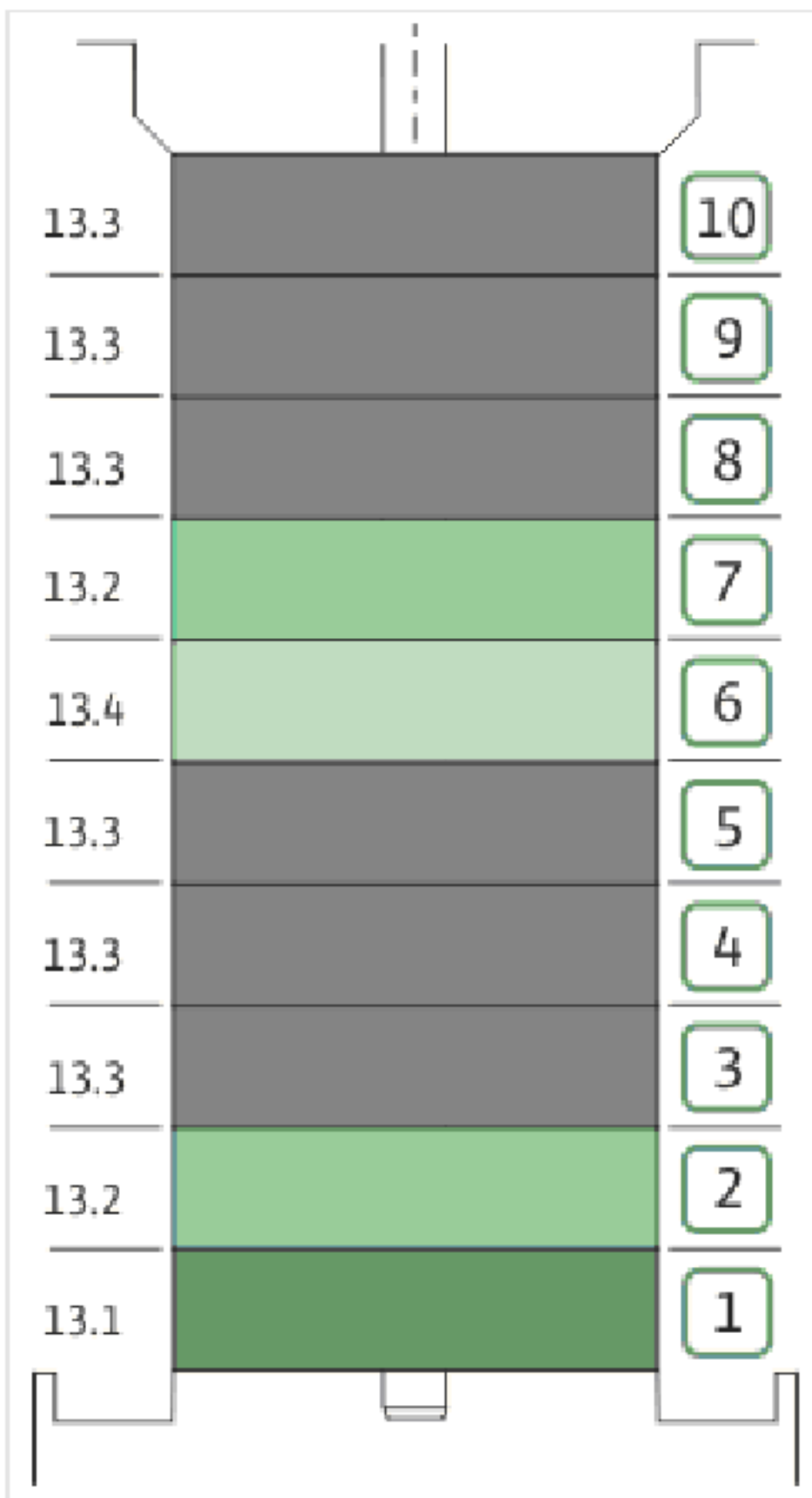
COUPLING D.20XD.38 FF300 KIT (4143966)

Item	Article no.	Description	Quantity
4.1	4179590	COUPLING 2 PARTS D.20XD.38XL115 VP.	1
4.2	2123699	BALL BEARING 6312/2Z-C4 (HT) VP.	1
4.3	63428	CIRCLIP-FOR-SHAFT-D60x2	1
4.4	2130991	SCREW M12X30 ISO4762 8.8 ZN(4 PIECES)	1
4.5	4032277	CIRCLIP-HOLE-130x4	1
4.6	4006725	O-RING ID.132,94x3,53 NBR70SR	1
4.7	2130992	RETAINING RING D.35xD.2,5 DIN7993 VP.	1
4.8	4179591	HUB D.42xD.60 VP.	1
4.9	2130994	SPACER D.38XD.55 VP.	1
4.10	4094462	SCREWS M10 (4 PIECES)	1
4.11	4233959	SCREW M8x16 VP.	1
4.12		SERRATED LOCK WASHER Ø8.2XØ25X35X2	1

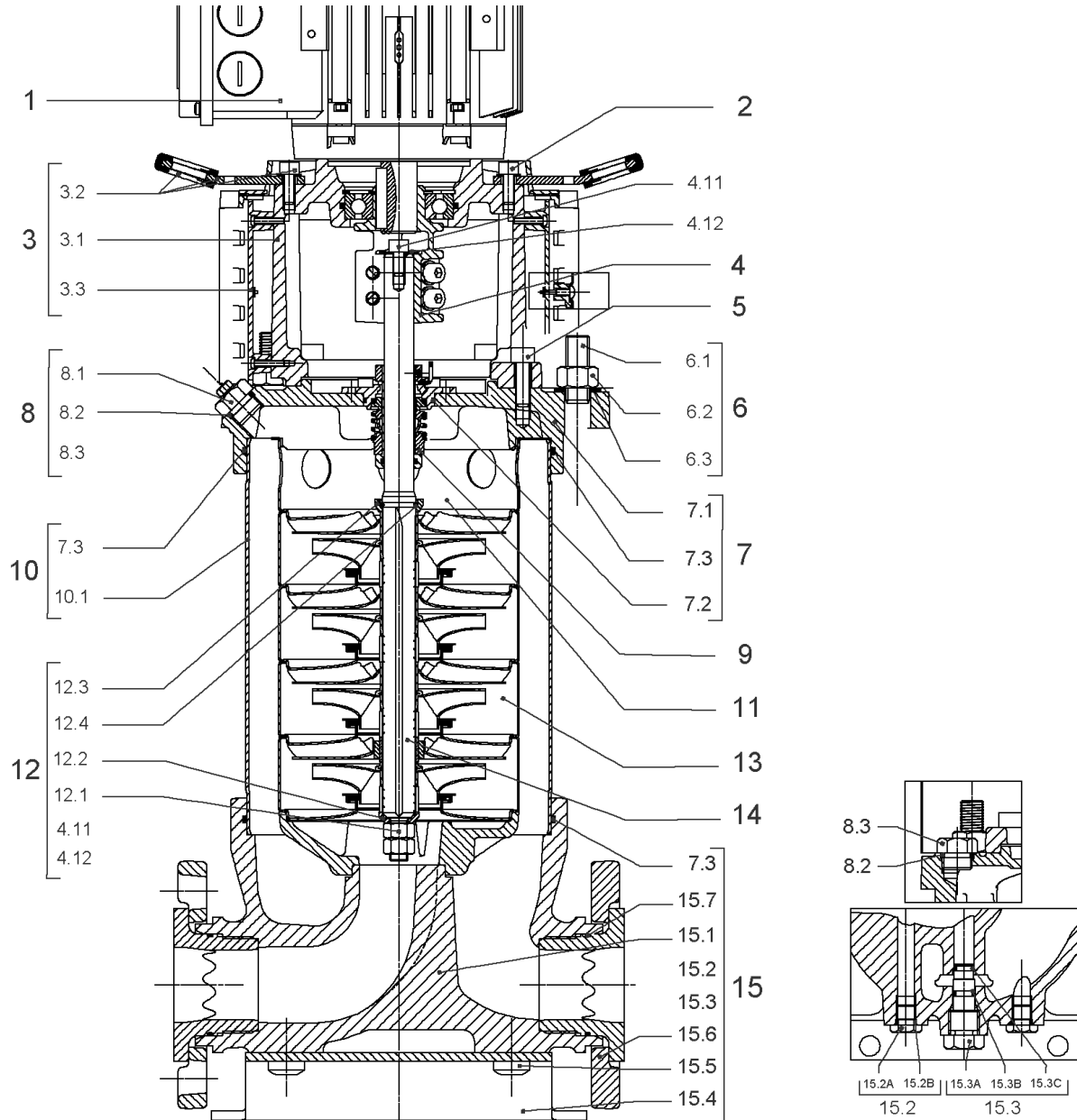


CARTRIDGE HELIX22-36-52 F/V KIT (4158206)

Item	Article no.	Description	Quantity
9.1	4158205	SEAL-KIT-HELIX22-36-52 F/V	1
7.3	2107767	> O-RING ID.202,80x3,53 VITON VP.	1
7.4	4179958	> O-RING-ID.42.52X2.62 VITON VP.	1
9.1A	4179982	> M.SEAL.HELIX22-36-52 F/V VP.	1
9.1B	4179960	> O-RING ID.20x2.65 FKM VP.	1
9.2	4179566	SHAFT SLEEVE D.20/20X60 1.4404 VP.	1
9.3	4179567	RING HOLDER Ø22 1.4301 VP.	1
9.4	4176520	SCREW CH M5x5 A4-70 (3PIECES)	1
9.5	4179568	DRIVE RING D.31/22.1x11 MACH.VP.	1
9.6	4179569	TOOL M.S.CART.HELIX 8" VP.	1
9.7	4179570	SCREW M6X16 ISO4762 8.8 GEOMET(4 PIECES)	1



Item	Article no.	Description	Quantity
13.1	4158210	FIRST STAGE HELIX 22 1.4404 KIT	1
		> IMPELLER-H1-M+22-316	1
		> MACH.STG-CASING-WOGV-WNR-M+22-316	1
13.2	4158211	BEARING STAGE HELIX 22 1.4404 KIT	1
		> IMPELLER-H2-M+22-316	1
		> MACH.BEARING-STG-CASING-WNR-M+22-316	1
		> SHAFT-SLEEVE-D26xD22x16-CW	1
13.3	4158212	INTERMEDIATE STAGE HELIX 22 316L KIT	1
		> MACH.STD-STG-CASING-WGV+NR-M+22-316	1
		> IMPELLER-H2-M+22-316	1
13.4	4158213	INTERMEDIATE STAGE HELIX 22 1.4404 KIT	1
		> MACH.STD-STG-CASING-WGV+NR-M+22-316	1
		> IMPELLER-H1-M+22-316	1



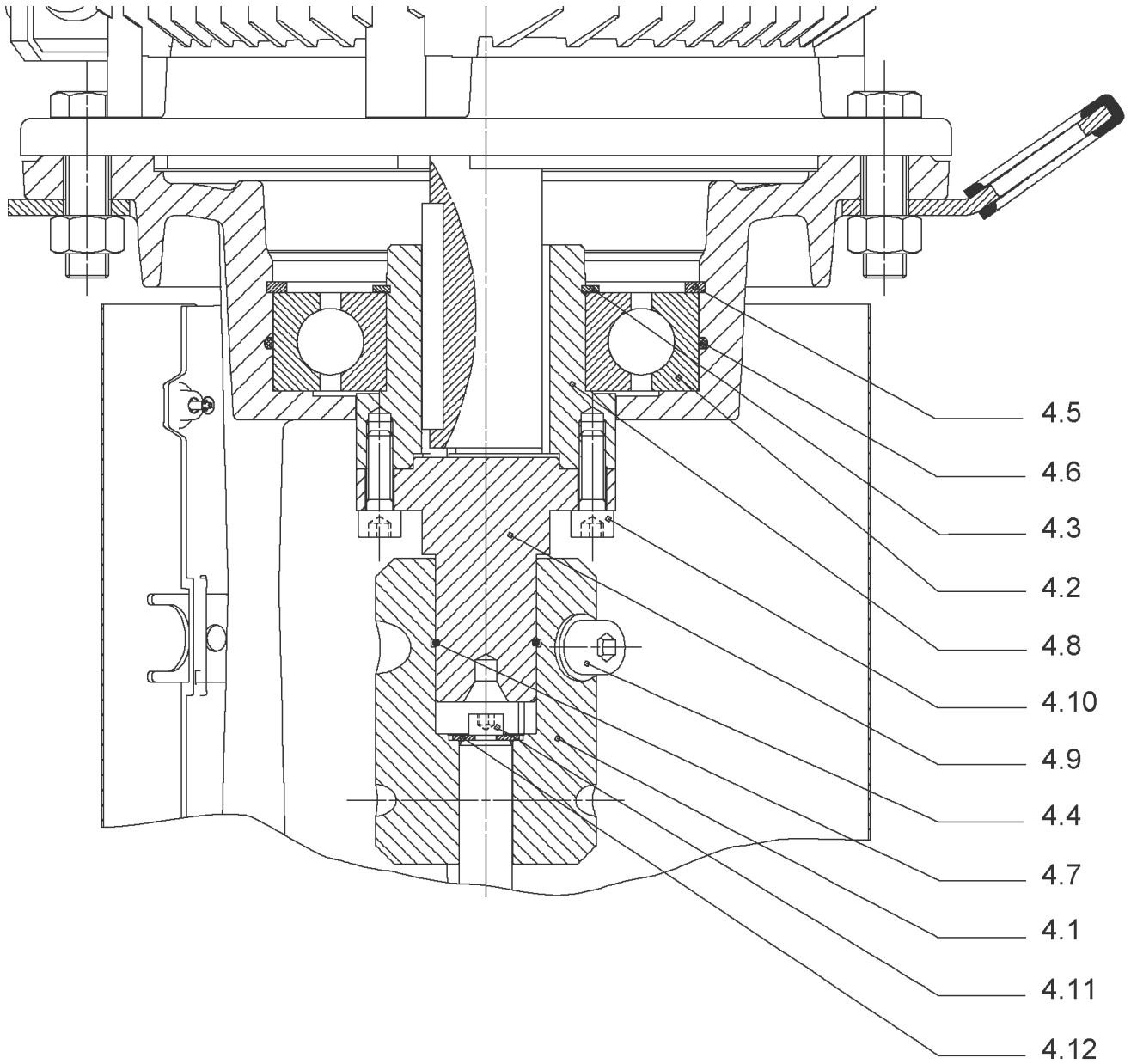
HELIX V2211-2/25/V/KS/400-50 (4139789)

Item	Article no.	Description	Quantity
1	4199884	MOTOR 11/2/160 3~400V 50HZ VP.	1
		SPARE PARTS MOTOR:ON REQUEST	1
2	4179586	SCREW M16X60 (4 PIECES)	1
3	4157721	LANTERN HELIX 22/36 FF300 BB6312 KIT	1
3.1		> LANTERN FF300 M+ GJL MACHINED+CATA 6312	1
3.2	4179589	> EYELET CPL.FF300 HELIX(4 PIECES)	1
3.3	4143969	> COUPLING PROTECT HELIX FF KIT	1
4	4143966	COUPLING D.20XD.38 FF300 KIT	1
5	4157725	SCREW M10X40 (4 PIECES)	1
6	4181676	STUD BOLT M16X678 KIT	1
6.1		> TIE BOLT M16-678x24x44-1.4057	1
6.2	4179562	> NUT M16 8.8 ISO4032 (4 PIECES)	1
6.3	4097852	> WASHER-CS-16.4-32-2.8-NFE25-511-A2	1
7	4179959	END SHIELD HELIX 8" FKM 1.4404 KIT	1
7.1		> END SHIELD HELIX 316L MACHINED	1
7.2	4179958	> O-RING-ID.42.52X2.62 VITON VP.	1
7.3	2107767	> O-RING ID.202,80x3,53 VITON VP.	1
8	4161256	FILING/PURGING PLUG FKM KIT	1
8.1		> FILLING/VENTING-PLUG-VM18/10-316L	1
8.2		> FILLING AND VENTING PLUG M+8" 316L	1
8.3		> GASKET-17x3-VITON	1
9	4158206	CARTRIDGE HELIX22-36-52 F/V KIT	1
10	4181714	HOUSING PIPE D.204X614 1.4404 KIT	1
7.3	2107767	> O-RING ID.202,80x3,53 VITON VP.	1
10.1		> HOUSING-PIPE Ø204-M+2211-316L	1
11	4181697	CENTERING STAGE RETURN HELIX22 1.4404 VP	1
12	4143967	SHAFT EQUIPMENT HELIX V KIT	1
13		HYDRAULIC HELIX V 2211	1
14	4181139	SHAFTS D.22X754 1.4462 VP.	1
15	4158198	EQUIPED HOUSING 1.4409 HELIX KIT	1
7.3	2107767	> O-RING ID.202,80x3,53 VITON VP.	1
15.1		> PUMP HOUSING M+ DN50 316L MACHINED	1
15.1		> GASKET HOLDER M+ DN50 316L MACHINED	1
15.1		> HYDRAULIC SUPPORT M+ DN50 316L MACHINED	1

HELIX V2211-2/25/V/KS/400-50 (4139789)

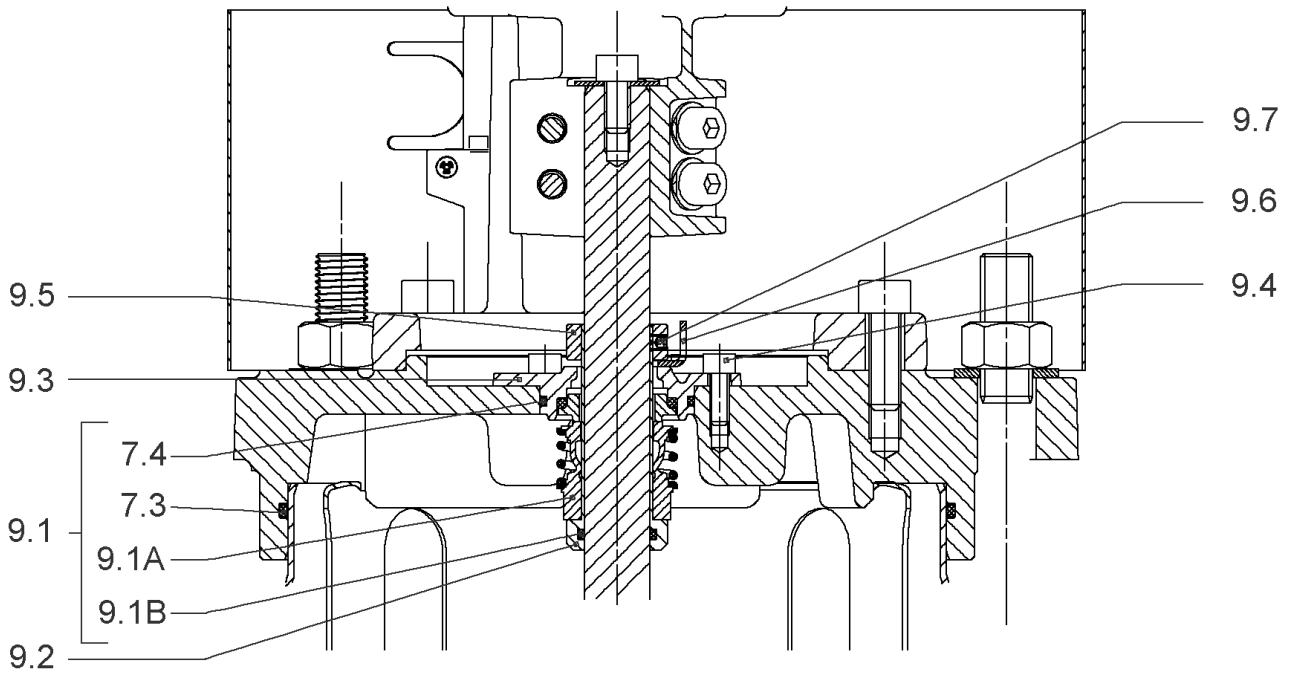
Item	Article no.	Description	Quantity
15.2	4158195	> PLUG PRESSURE CONNECTION G1/4" 316L KIT	1
15.2A		>> PLUG PRESSURE CONNECTION - G1/4" - 316L	1
15.2B	2107769	>> O-RING ID.9,9x2,62 VITON VP.	1
15.3	4158196	> DRAIN/PRIMING PLUG VITON HELIX KIT	1
15.3A		>> DRAIN-AND-PRIMING-PLUG-VM18"-316L	1
15.3B	4032294	>> GASKET-10x3-VITON	1
15.3C	2107768	>> O-RING ID.8,9x2,7 VITON VP.	1
15.4	4143749	> BASE M+ DN50/65/80-304	1
15.6	4121480	> FLANGE M+ DN50 CATA	1
15.7		> O-RING Ø63.17xØ2.62 VITON	1
15.5		> SCREW TBHC M12x25 ISO7380 ZN	1

COUPLING D.20XD.38 FF300 KIT (4143966)



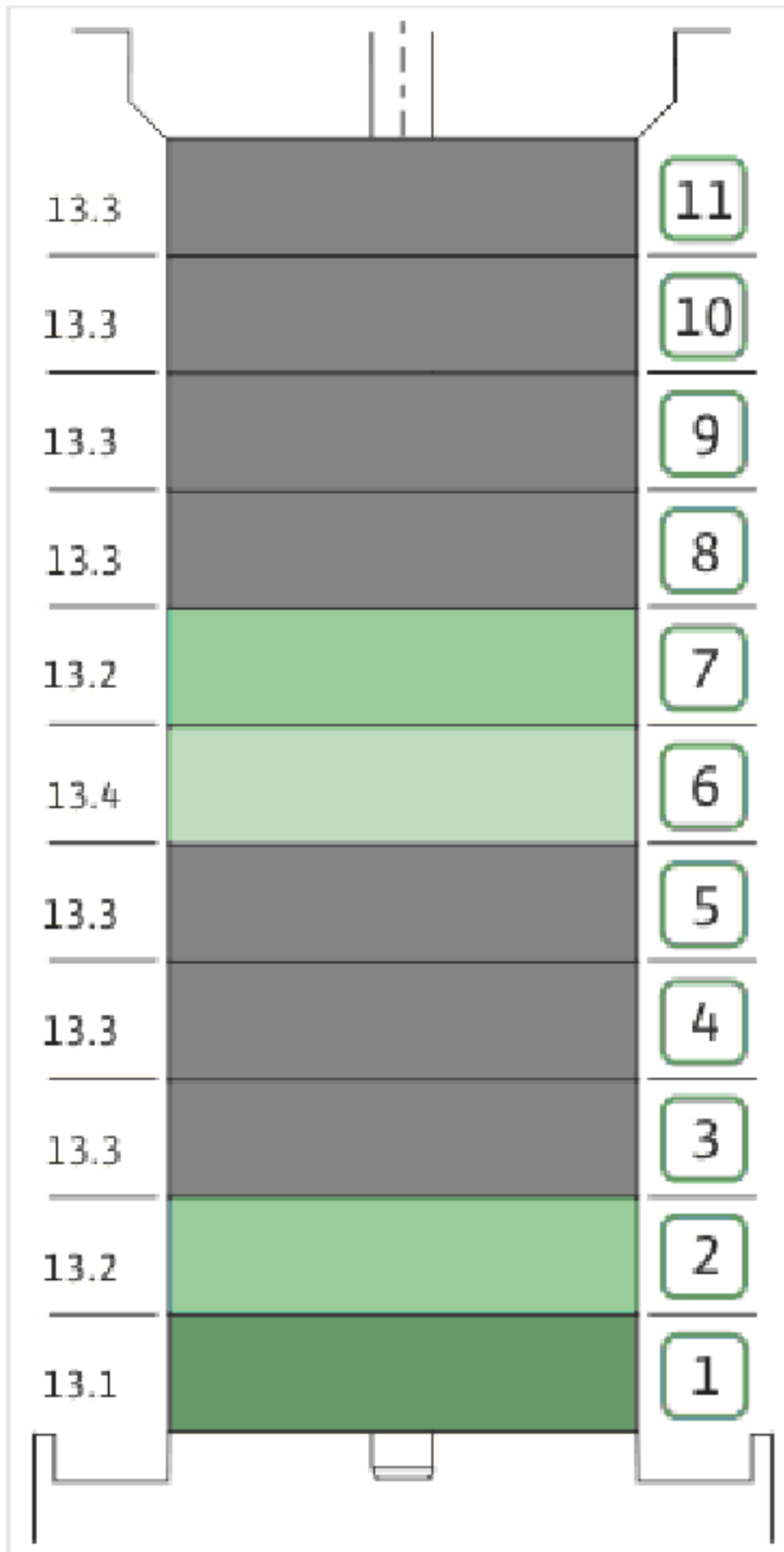
COUPLING D.20XD.38 FF300 KIT (4143966)

Item	Article no.	Description	Quantity
4.1	4179590	COUPLING 2 PARTS D.20XD.38XL115 VP.	1
4.2	2123699	BALL BEARING 6312/2Z-C4 (HT) VP.	1
4.3	63428	CIRCLIP-FOR-SHAFT-D60x2	1
4.4	2130991	SCREW M12X30 ISO4762 8.8 ZN(4 PIECES)	1
4.5	4032277	CIRCLIP-HOLE-130x4	1
4.6	4006725	O-RING ID.132,94x3,53 NBR70SR	1
4.7	2130992	RETAINING RING D.35xD.2,5 DIN7993 VP.	1
4.8	4179591	HUB D.42xD.60 VP.	1
4.9	2130994	SPACER D.38XD.55 VP.	1
4.10	4094462	SCREWS M10 (4 PIECES)	1
4.11	4233959	SCREW M8x16 VP.	1
4.12		SERRATED LOCK WASHER Ø8.2XØ25X35X2	1

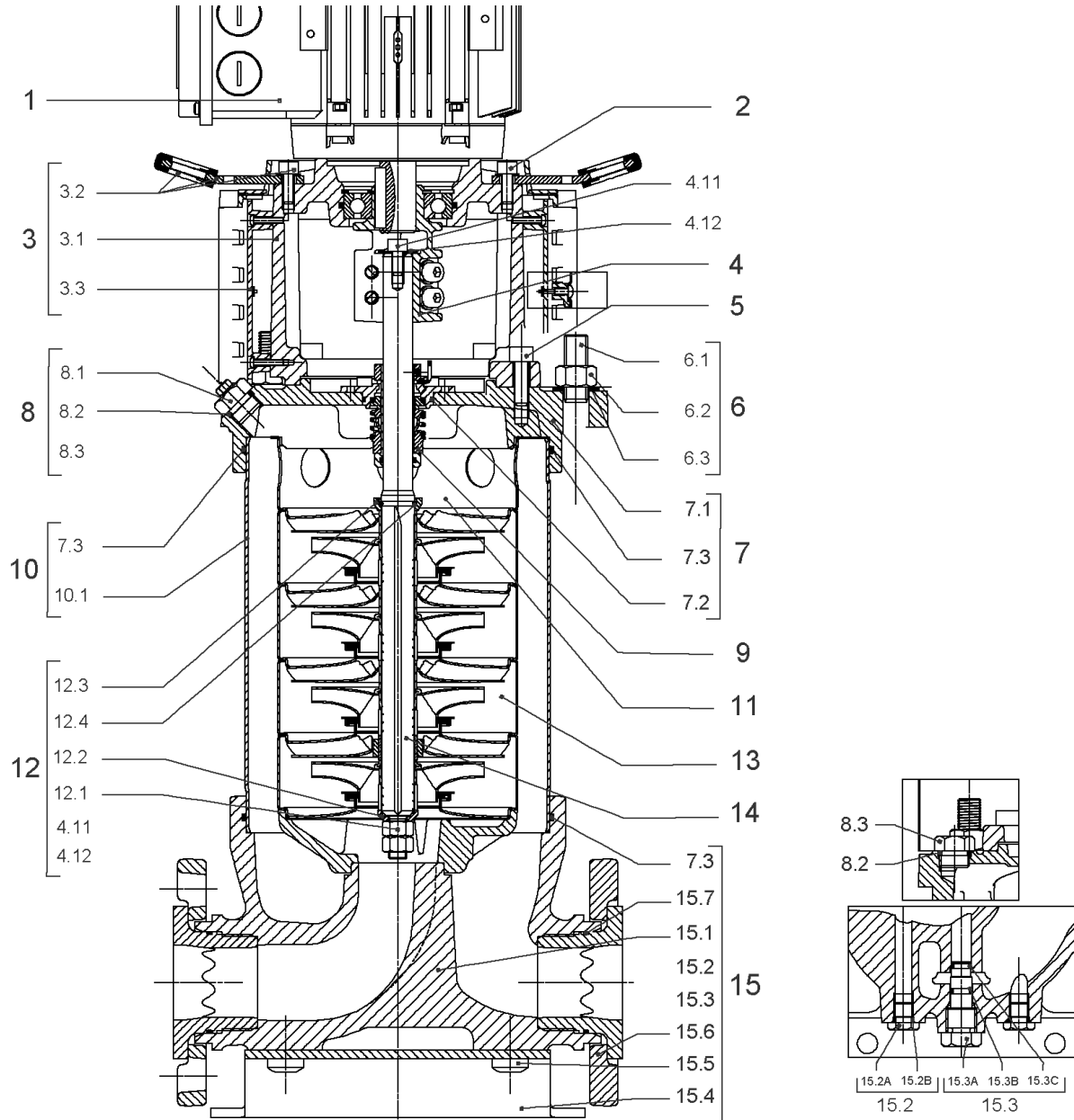


CARTRIDGE HELIX22-36-52 F/V KIT (4158206)

Item	Article no.	Description	Quantity
9.1	4158205	SEAL-KIT-HELIX22-36-52 F/V	1
7.3	2107767	> O-RING ID.202,80x3,53 VITON VP.	1
7.4	4179958	> O-RING-ID.42.52X2.62 VITON VP.	1
9.1A	4179982	> M.SEAL.HELIX22-36-52 F/V VP.	1
9.1B	4179960	> O-RING ID.20x2.65 FKM VP.	1
9.2	4179566	SHAFT SLEEVE D.20/20X60 1.4404 VP.	1
9.3	4179567	RING HOLDER Ø22 1.4301 VP.	1
9.4	4176520	SCREW CH M5x5 A4-70 (3PIECES)	1
9.5	4179568	DRIVE RING D.31/22.1x11 MACH.VP.	1
9.6	4179569	TOOL M.S.CART.HELIX 8" VP.	1
9.7	4179570	SCREW M6X16 ISO4762 8.8 GEOMET(4 PIECES)	1



Item	Article no.	Description	Quantity
13.1	4158210	FIRST STAGE HELIX 22 1.4404 KIT	1
		> IMPELLER-H1-M+22-316	1
		> MACH.STG-CASING-WOGV-WNR-M+22-316	1
13.2	4158211	BEARING STAGE HELIX 22 1.4404 KIT	1
		> IMPELLER-H2-M+22-316	1
		> MACH.BEARING-STG-CASING-WNR-M+22-316	1
		> SHAFT-SLEEVE-D26xD22x16-CW	1
13.3	4158212	INTERMEDIATE STAGE HELIX 22 316L KIT	1
		> MACH.STD-STG-CASING-WGV+NR-M+22-316	1
		> IMPELLER-H2-M+22-316	1
13.4	4158213	INTERMEDIATE STAGE HELIX 22 1.4404 KIT	1
		> MACH.STD-STG-CASING-WGV+NR-M+22-316	1
		> IMPELLER-H1-M+22-316	1

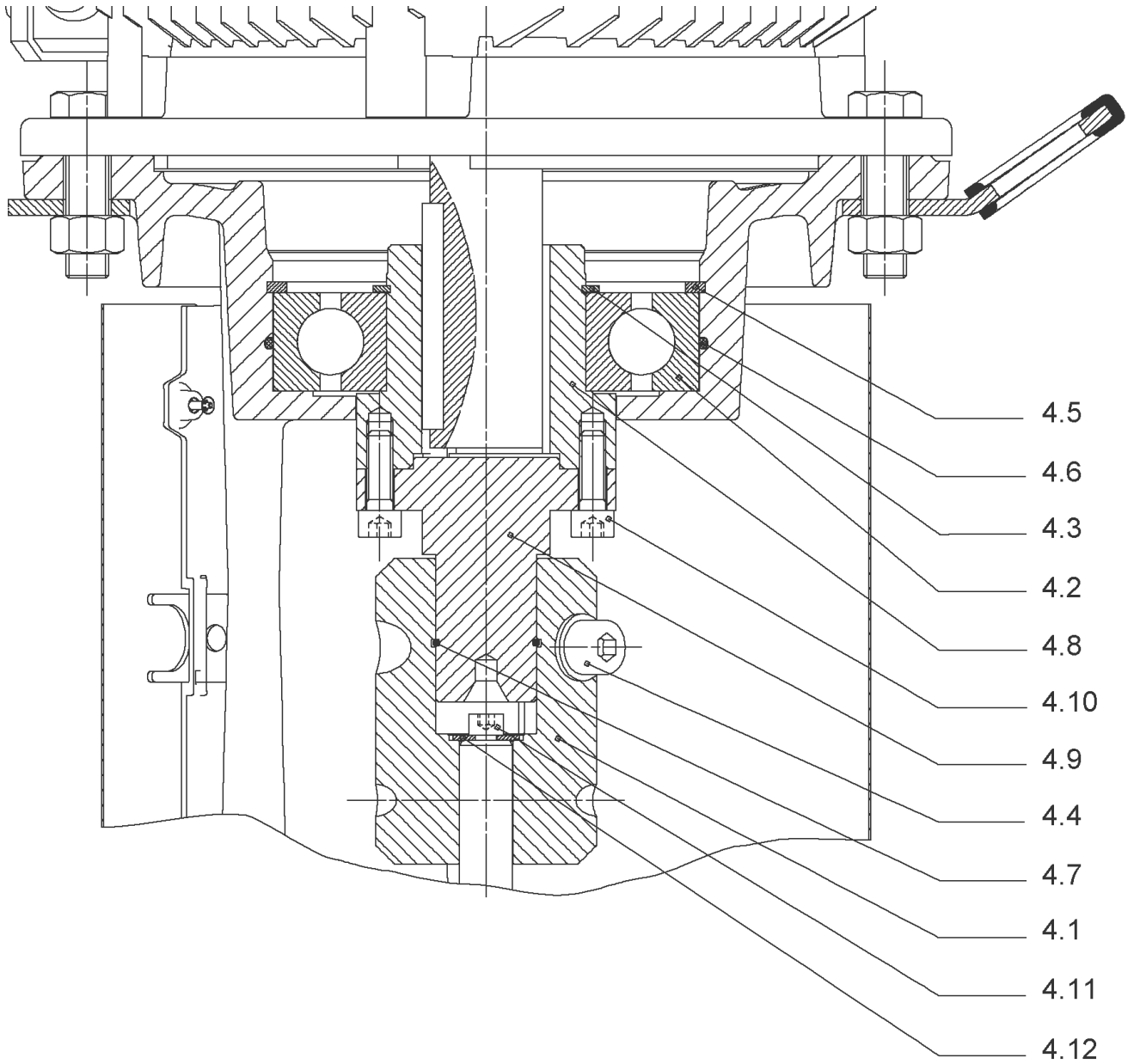


HELIX V2212-2/25/V/KS/400-50 (4139790)

Item	Article no.	Description	Quantity
1	4199884	MOTOR 11/2/160 3~400V 50HZ VP.	1
		SPARE PARTS MOTOR:ON REQUEST	1
2	4179586	SCREW M16X60 (4 PIECES)	1
3	4157721	LANTERN HELIX 22/36 FF300 BB6312 KIT	1
3.1		> LANTERN FF300 M+ GJL MACHINED+CATA 6312	1
3.2	4179589	> EYELET CPL.FF300 HELIX(4 PIECES)	1
3.3	4143969	> COUPLING PROTECT HELIX FF KIT	1
4	4143966	COUPLING D.20XD.38 FF300 KIT	1
5	4157725	SCREW M10X40 (4 PIECES)	1
6	4181098	STUD BOLT M16X733 KIT	1
6.1		> TIE BOLT M16-733x24x44-1.4057	1
6.2	4179562	> NUT M16 8.8 ISO4032 (4 PIECES)	1
6.3	4097852	> WASHER-CS-16.4-32-2.8-NFE25-511-A2	1
7	4179959	END SHIELD HELIX 8" FKM 1.4404 KIT	1
7.1		> END SHIELD HELIX 316L MACHINED	1
7.2	4179958	> O-RING-ID.42.52X2.62 VITON VP.	1
7.3	2107767	> O-RING ID.202,80x3,53 VITON VP.	1
8	4161256	FILING/PURGING PLUG FKM KIT	1
8.1		> FILLING/VENTING-PLUG-VM18/10-316L	1
8.2		> FILLING AND VENTING PLUG M+8" 316L	1
8.3		> GASKET-17x3-VITON	1
9	4158206	CARTRIDGE HELIX22-36-52 F/V KIT	1
10	4181143	HOUSING PIPE D.204X664 1.4404 KIT	1
7.3	2107767	> O-RING ID.202,80x3,53 VITON VP.	1
10.1		> HOUSING-PIPE Ø204-M+2212/3609-316L	1
11	4181697	CENTERING STAGE RETURN HELIX22 1.4404 VP	1
12	4143967	SHAFT EQUIPMENT HELIX V KIT	1
13		HYDRAULIC HELIX V 2212	1
14	4179981	SHAFTS D.22X804 1.4462 VP.	1
15	4158198	EQUIPED HOUSING 1.4409 HELIX KIT	1
7.3	2107767	> O-RING ID.202,80x3,53 VITON VP.	1
15.1		> PUMP HOUSING M+ DN50 316L MACHINED	1
15.1		> GASKET HOLDER M+ DN50 316L MACHINED	1
15.1		> HYDRAULIC SUPPORT M+ DN50 316L MACHINED	1

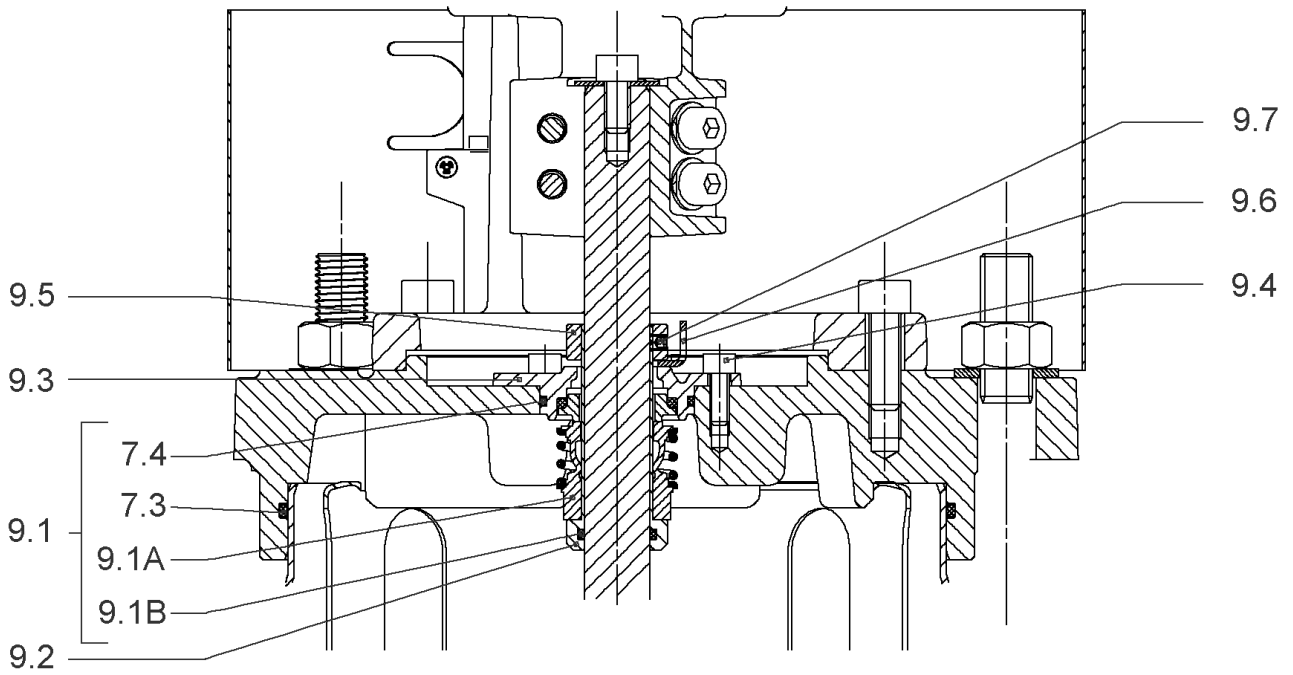
HELIX V2212-2/25/V/KS/400-50 (4139790)

Item	Article no.	Description	Quantity
15.2	4158195	> PLUG PRESSURE CONNECTION G1/4" 316L KIT	1
15.2A		>> PLUG PRESSURE CONNECTION - G1/4" - 316L	1
15.2B	2107769	>> O-RING ID.9,9x2,62 VITON VP.	1
15.3	4158196	> DRAIN/PRIMING PLUG VITON HELIX KIT	1
15.3A		>> DRAIN-AND-PRIMING-PLUG-VM18"-316L	1
15.3B	4032294	>> GASKET-10x3-VITON	1
15.3C	2107768	>> O-RING ID.8,9x2,7 VITON VP.	1
15.4	4143749	> BASE M+ DN50/65/80-304	1
15.6	4121480	> FLANGE M+ DN50 CATA	1
15.7		> O-RING Ø63.17xØ2.62 VITON	1
15.5		> SCREW TBHC M12x25 ISO7380 ZN	1



COUPLING D.20XD.38 FF300 KIT (4143966)

Item	Article no.	Description	Quantity
4.1	4179590	COUPLING 2 PARTS D.20XD.38XL115 VP.	1
4.2	2123699	BALL BEARING 6312/2Z-C4 (HT) VP.	1
4.3	63428	CIRCLIP-FOR-SHAFT-D60x2	1
4.4	2130991	SCREW M12X30 ISO4762 8.8 ZN(4 PIECES)	1
4.5	4032277	CIRCLIP-HOLE-130x4	1
4.6	4006725	O-RING ID.132,94x3,53 NBR70SR	1
4.7	2130992	RETAINING RING D.35xD.2,5 DIN7993 VP.	1
4.8	4179591	HUB D.42xD.60 VP.	1
4.9	2130994	SPACER D.38XD.55 VP.	1
4.10	4094462	SCREWS M10 (4 PIECES)	1
4.11	4233959	SCREW M8x16 VP.	1
4.12		SERRATED LOCK WASHER Ø8.2XØ25X35X2	1

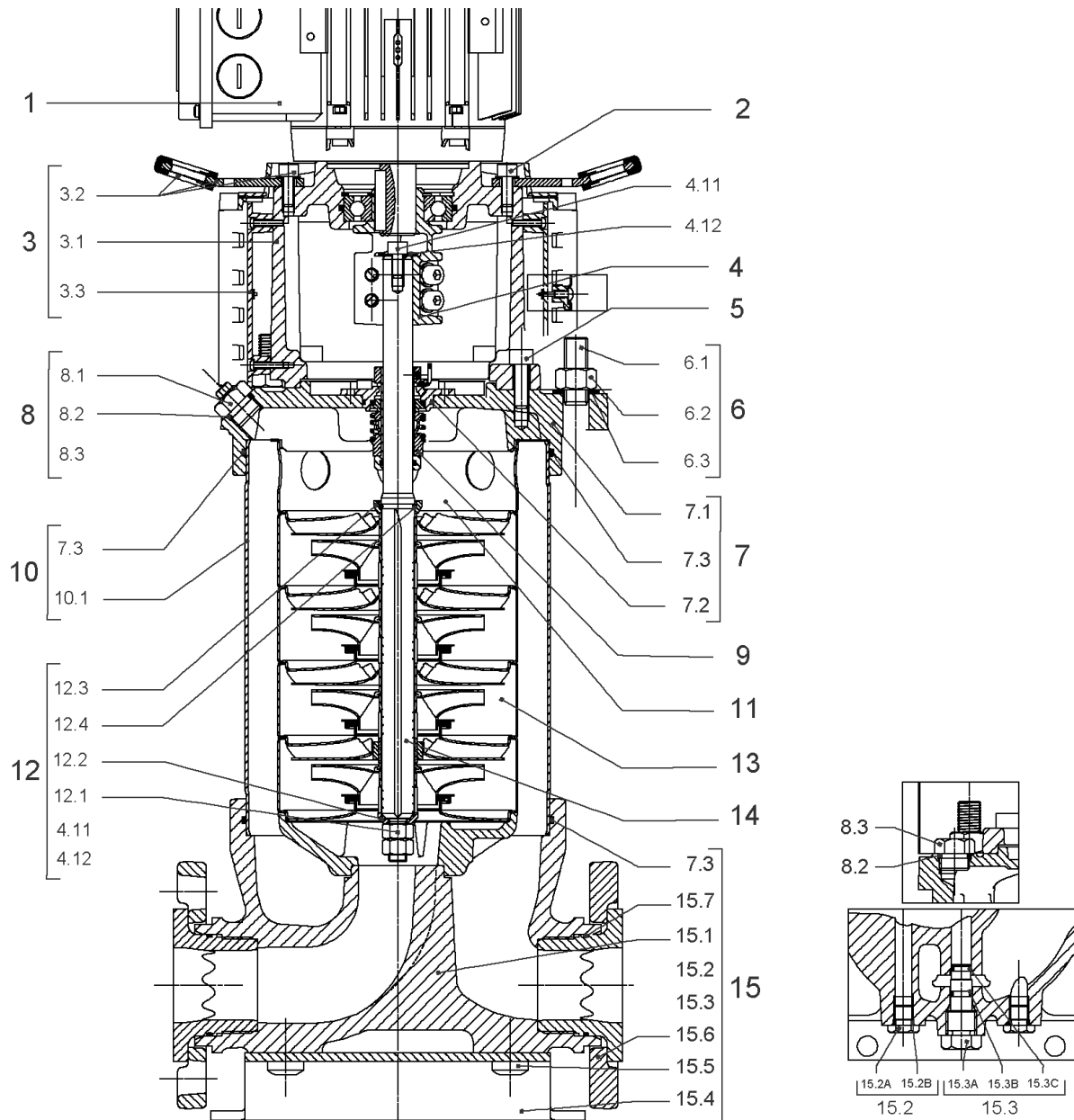


CARTRIDGE HELIX22-36-52 F/V KIT (4158206)

Item	Article no.	Description	Quantity
9.1	4158205	SEAL-KIT-HELIX22-36-52 F/V	1
7.3	2107767	> O-RING ID.202,80x3,53 VITON VP.	1
7.4	4179958	> O-RING-ID.42.52X2.62 VITON VP.	1
9.1A	4179982	> M.SEAL.HELIX22-36-52 F/V VP.	1
9.1B	4179960	> O-RING ID.20x2.65 FKM VP.	1
9.2	4179566	SHAFT SLEEVE D.20/20X60 1.4404 VP.	1
9.3	4179567	RING HOLDER Ø22 1.4301 VP.	1
9.4	4176520	SCREW CH M5x5 A4-70 (3PIECES)	1
9.5	4179568	DRIVE RING D.31/22.1x11 MACH.VP.	1
9.6	4179569	TOOL M.S.CART.HELIX 8" VP.	1
9.7	4179570	SCREW M6X16 ISO4762 8.8 GEOMET(4 PIECES)	1



Item	Article no.	Description	Quantity
13.1	4158210	FIRST STAGE HELIX 22 1.4404 KIT	1
		> IMPELLER-H1-M+22-316	1
		> MACH.STG-CASING-WOGV-WNR-M+22-316	1
13.2	4158211	BEARING STAGE HELIX 22 1.4404 KIT	1
		> IMPELLER-H2-M+22-316	1
		> MACH.BEARING-STG-CASING-WNR-M+22-316	1
		> SHAFT-SLEEVE-D26xD22x16-CW	1
13.3	4158212	INTERMEDIATE STAGE HELIX 22 316L KIT	1
		> MACH.STD-STG-CASING-WGV+NR-M+22-316	1
		> IMPELLER-H2-M+22-316	1
13.4	4158213	INTERMEDIATE STAGE HELIX 22 1.4404 KIT	1
		> MACH.STD-STG-CASING-WGV+NR-M+22-316	1
		> IMPELLER-H1-M+22-316	1

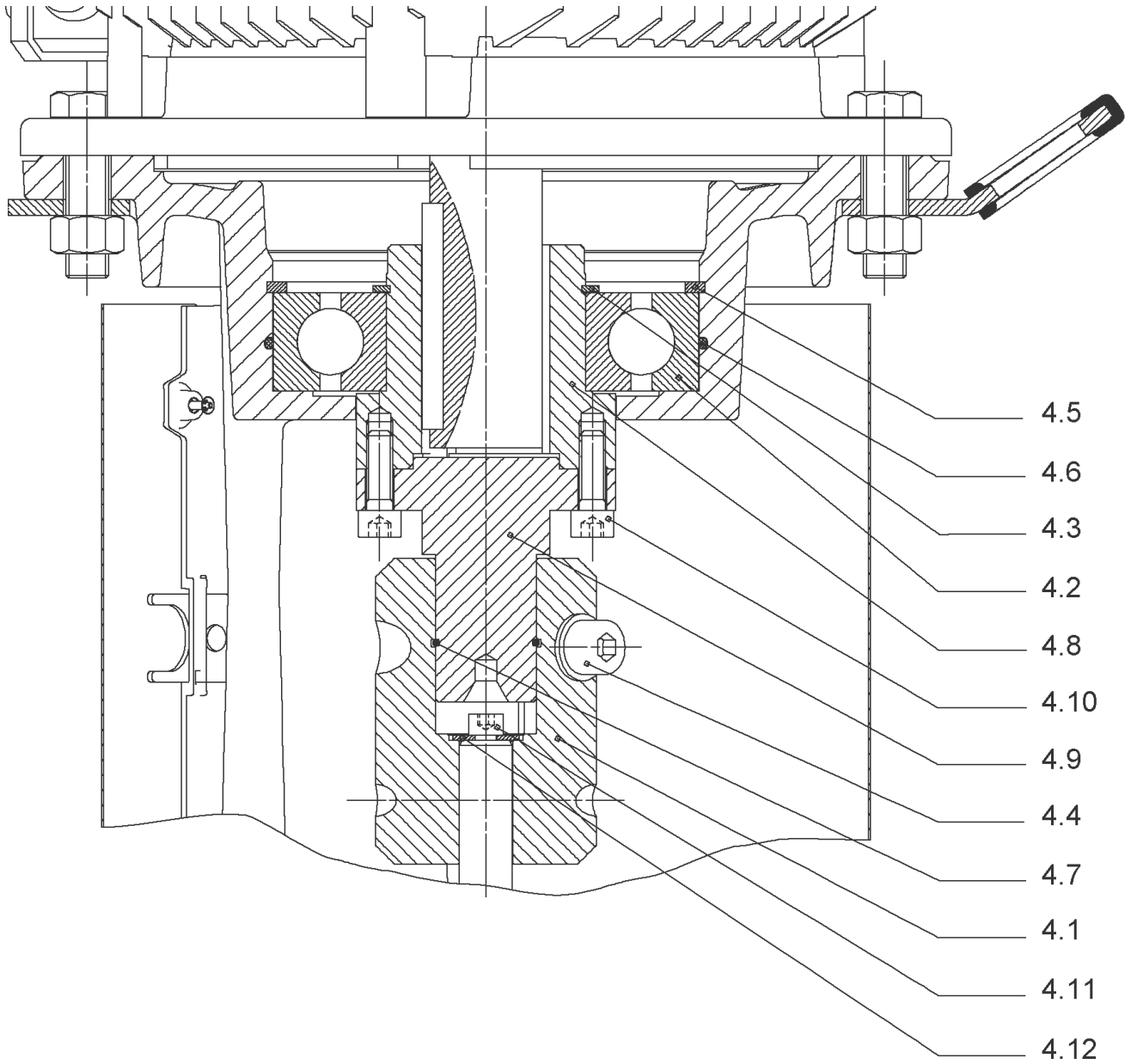


HELIX V2213-2/25/V/KS/400-50 (4139791)

Item	Article no.	Description	Quantity
1	4195488	MOTOR 18.5/2/160 3~400V 50HZ ARC VP.	1
		SPARE PARTS MOTOR:ON REQUEST	1
2	4179586	SCREW M16X60 (4 PIECES)	1
3	4157721	LANTERN HELIX 22/36 FF300 BB6312 KIT	1
3.1		> LANTERN FF300 M+ GJL MACHINED+CATA 6312	1
3.2	4179589	> EYELET CPL.FF300 HELIX(4 PIECES)	1
3.3	4143969	> COUPLING PROTECT HELIX FF KIT	1
4	4143966	COUPLING D.20XD.38 FF300 KIT	1
5	4157725	SCREW M10X40 (4 PIECES)	1
6	4181680	STUD BOLT M16X783 KIT	1
6.1		> TIE BOLT M16-783x24x44-1.4057	1
6.2	4179562	> NUT M16 8.8 ISO4032 (4 PIECES)	1
6.3	4097852	> WASHER-CS-16.4-32-2.8-NFE25-511-A2	1
7	4179959	END SHIELD HELIX 8" FKM 1.4404 KIT	1
7.1		> END SHIELD HELIX 316L MACHINED	1
7.2	4179958	> O-RING-ID.42.52X2.62 VITON VP.	1
7.3	2107767	> O-RING ID.202,80x3,53 VITON VP.	1
8	4161256	FILING/PURGING PLUG FKM KIT	1
8.1		> FILLING/VENTING-PLUG-VM18/10-316L	1
8.2		> FILLING AND VENTING PLUG M+8" 316L	1
8.3		> GASKET-17x3-VITON	1
9	4158206	CARTRIDGE HELIX22-36-52 F/V KIT	1
10	4181717	HOUSING PIPE D.204X714 1.4404 KIT	1
7.3	2107767	> O-RING ID.202,80x3,53 VITON VP.	1
10.1		> HOUSING-PIPE Ø204-M+2213-316L	1
11	4181697	CENTERING STAGE RETURN HELIX22 1.4404 VP	1
12	4143967	SHAFT EQUIPMENT HELIX V KIT	1
13		HYDRAULIC HELIX V 2213	1
14	2129989	SHAFT D.22 LG.854 1.4404 HELIX VP.	1
15	4158198	EQUIPED HOUSING 1.4409 HELIX KIT	1
7.3	2107767	> O-RING ID.202,80x3,53 VITON VP.	1
15.1		> PUMP HOUSING M+ DN50 316L MACHINED	1
15.1		> GASKET HOLDER M+ DN50 316L MACHINED	1
15.1		> HYDRAULIC SUPPORT M+ DN50 316L MACHINED	1

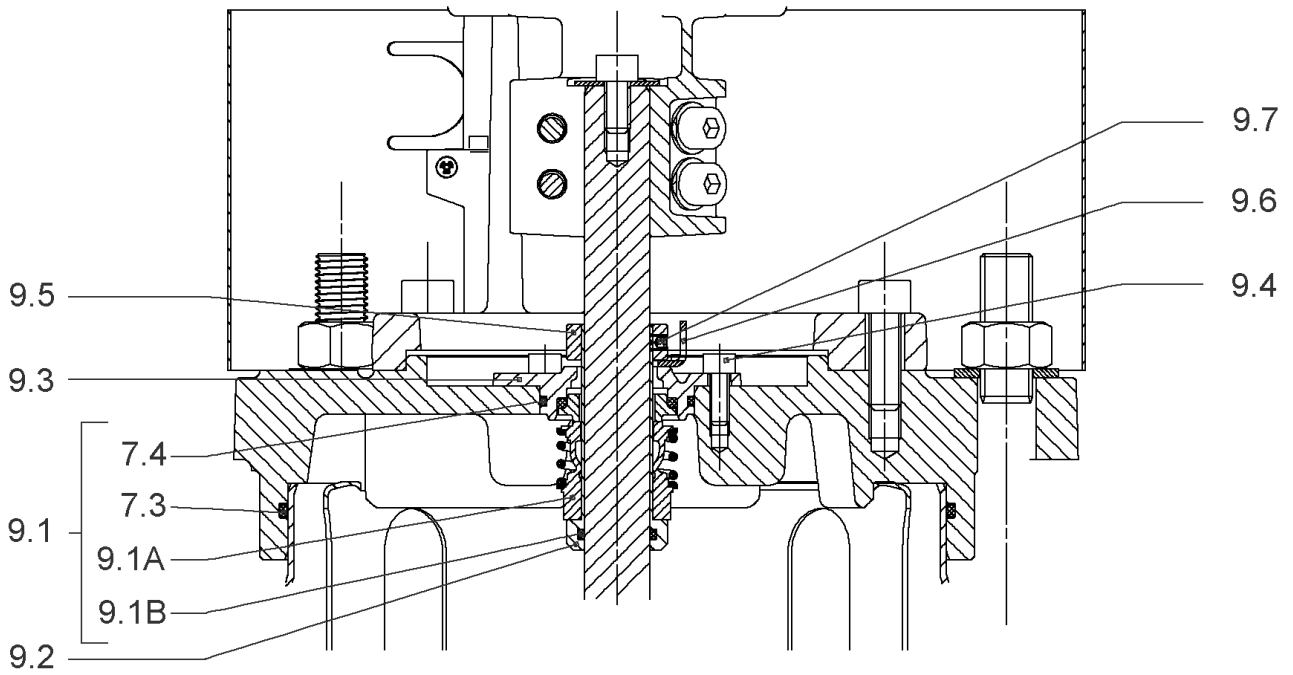
HELIX V2213-2/25/V/KS/400-50 (4139791)

Item	Article no.	Description	Quantity
15.2	4158195	> PLUG PRESSURE CONNECTION G1/4" 316L KIT	1
15.2A		>> PLUG PRESSURE CONNECTION - G1/4" - 316L	1
15.2B	2107769	>> O-RING ID.9,9x2,62 VITON VP.	1
15.3	4158196	> DRAIN/PRIMING PLUG VITON HELIX KIT	1
15.3A		>> DRAIN-AND-PRIMING-PLUG-VM18"-316L	1
15.3B	4032294	>> GASKET-10x3-VITON	1
15.3C	2107768	>> O-RING ID.8,9x2,7 VITON VP.	1
15.4	4143749	> BASE M+ DN50/65/80-304	1
15.6	4121480	> FLANGE M+ DN50 CATA	1
15.7		> O-RING Ø63.17xØ2.62 VITON	1
15.5		> SCREW TBHC M12x25 ISO7380 ZN	1



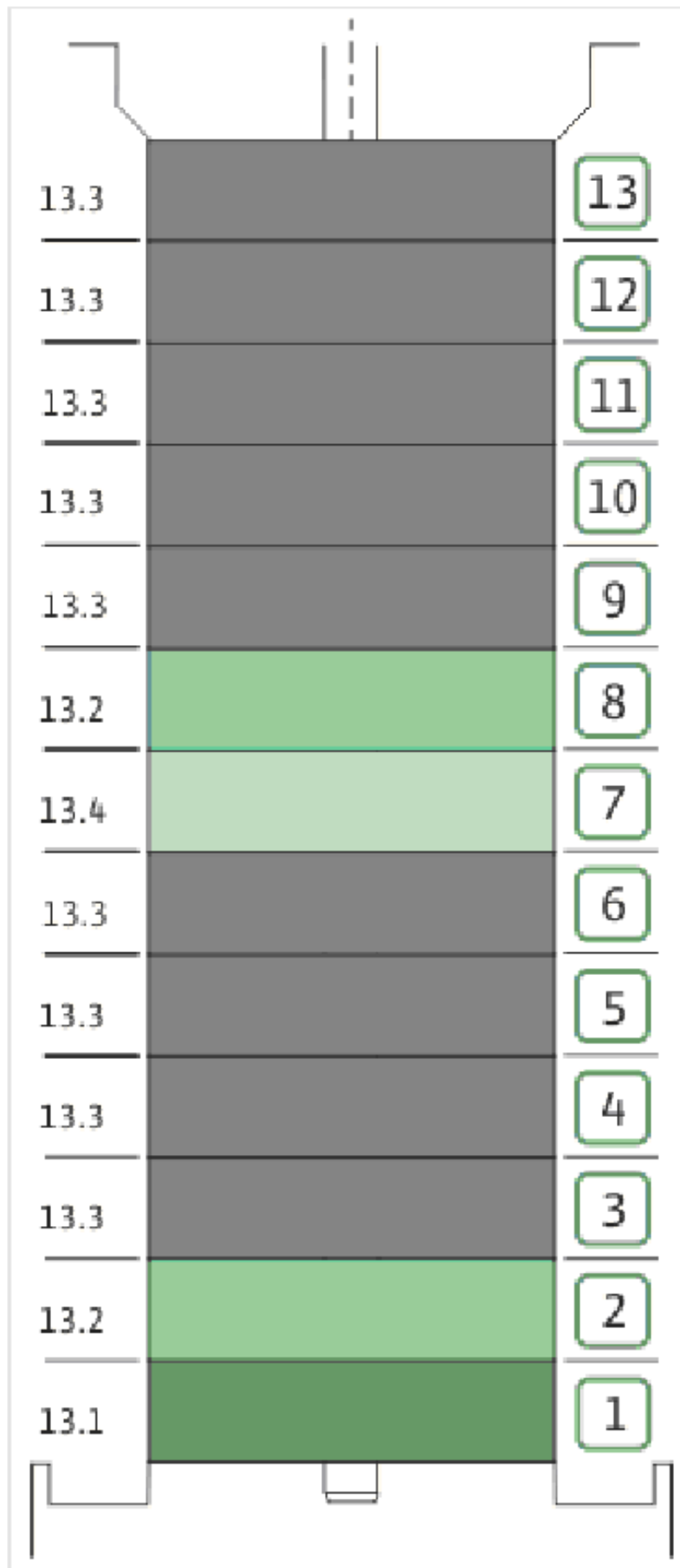
COUPLING D.20XD.38 FF300 KIT (4143966)

Item	Article no.	Description	Quantity
4.1	4179590	COUPLING 2 PARTS D.20XD.38XL115 VP.	1
4.2	2123699	BALL BEARING 6312/2Z-C4 (HT) VP.	1
4.3	63428	CIRCLIP-FOR-SHAFT-D60x2	1
4.4	2130991	SCREW M12X30 ISO4762 8.8 ZN(4 PIECES)	1
4.5	4032277	CIRCLIP-HOLE-130x4	1
4.6	4006725	O-RING ID.132,94x3,53 NBR70SR	1
4.7	2130992	RETAINING RING D.35xD.2,5 DIN7993 VP.	1
4.8	4179591	HUB D.42xD.60 VP.	1
4.9	2130994	SPACER D.38XD.55 VP.	1
4.10	4094462	SCREWS M10 (4 PIECES)	1
4.11	4233959	SCREW M8x16 VP.	1
4.12		SERRATED LOCK WASHER Ø8.2XØ25X35X2	1

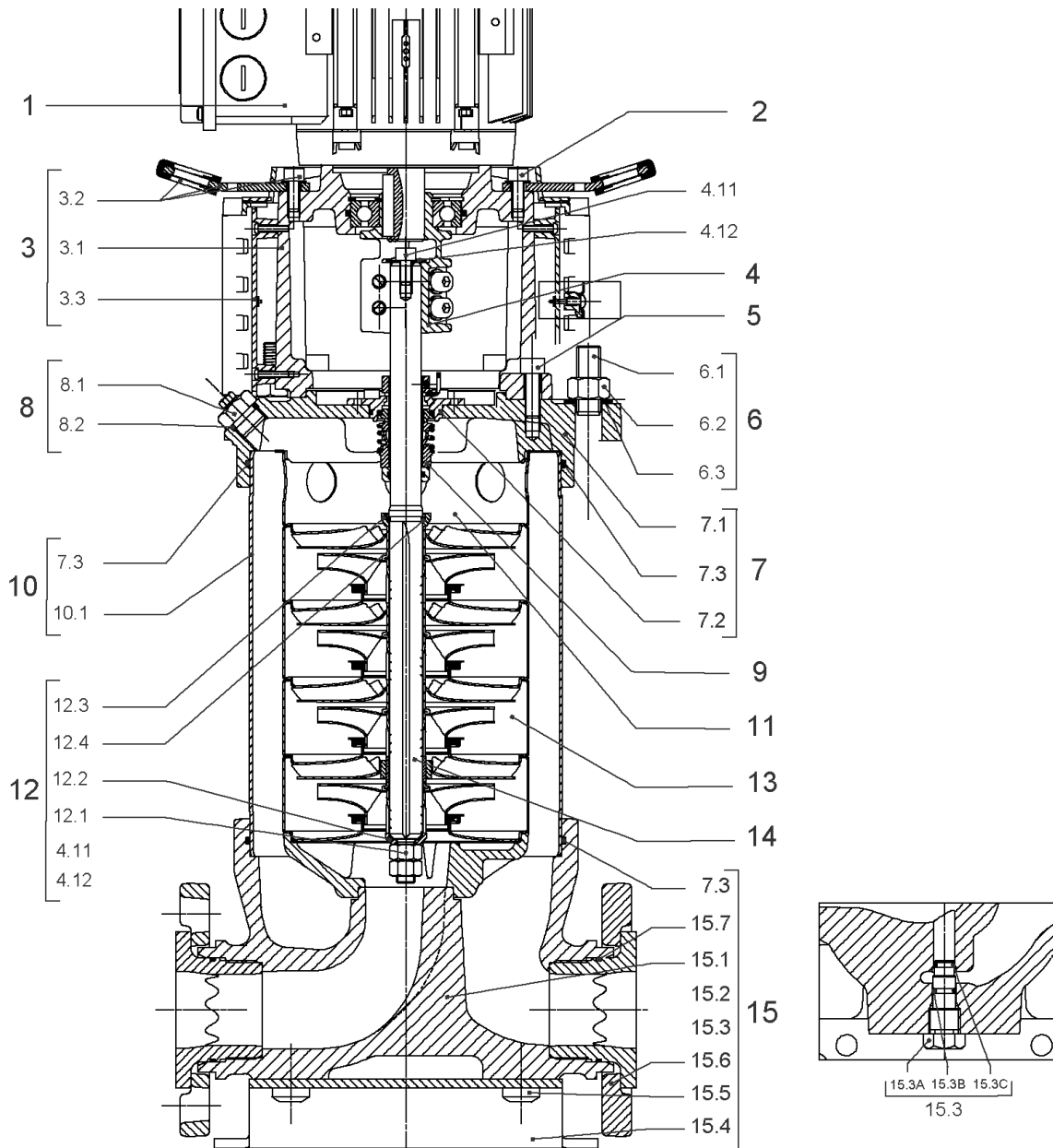


CARTRIDGE HELIX22-36-52 F/V KIT (4158206)

Item	Article no.	Description	Quantity
9.1	4158205	SEAL-KIT-HELIX22-36-52 F/V	1
7.3	2107767	> O-RING ID.202,80x3,53 VITON VP.	1
7.4	4179958	> O-RING-ID.42.52X2.62 VITON VP.	1
9.1A	4179982	> M.SEAL.HELIX22-36-52 F/V VP.	1
9.1B	4179960	> O-RING ID.20x2.65 FKM VP.	1
9.2	4179566	SHAFT SLEEVE D.20/20X60 1.4404 VP.	1
9.3	4179567	RING HOLDER Ø22 1.4301 VP.	1
9.4	4176520	SCREW CH M5x5 A4-70 (3PIECES)	1
9.5	4179568	DRIVE RING D.31/22.1x11 MACH.VP.	1
9.6	4179569	TOOL M.S.CART.HELIX 8" VP.	1
9.7	4179570	SCREW M6X16 ISO4762 8.8 GEOMET(4 PIECES)	1



Item	Article no.	Description	Quantity
13.1	4158210	FIRST STAGE HELIX 22 1.4404 KIT	1
		> IMPELLER-H1-M+22-316	1
		> MACH.STG-CASING-WOGV-WNR-M+22-316	1
13.2	4158211	BEARING STAGE HELIX 22 1.4404 KIT	1
		> IMPELLER-H2-M+22-316	1
		> MACH.BEARING-STG-CASING-WNR-M+22-316	1
		> SHAFT-SLEEVE-D26xD22x16-CW	1
13.3	4158212	INTERMEDIATE STAGE HELIX 22 316L KIT	1
		> MACH.STD-STG-CASING-WGV+NR-M+22-316	1
		> IMPELLER-H2-M+22-316	1
13.4	4158213	INTERMEDIATE STAGE HELIX 22 1.4404 KIT	1
		> MACH.STD-STG-CASING-WGV+NR-M+22-316	1
		> IMPELLER-H1-M+22-316	1

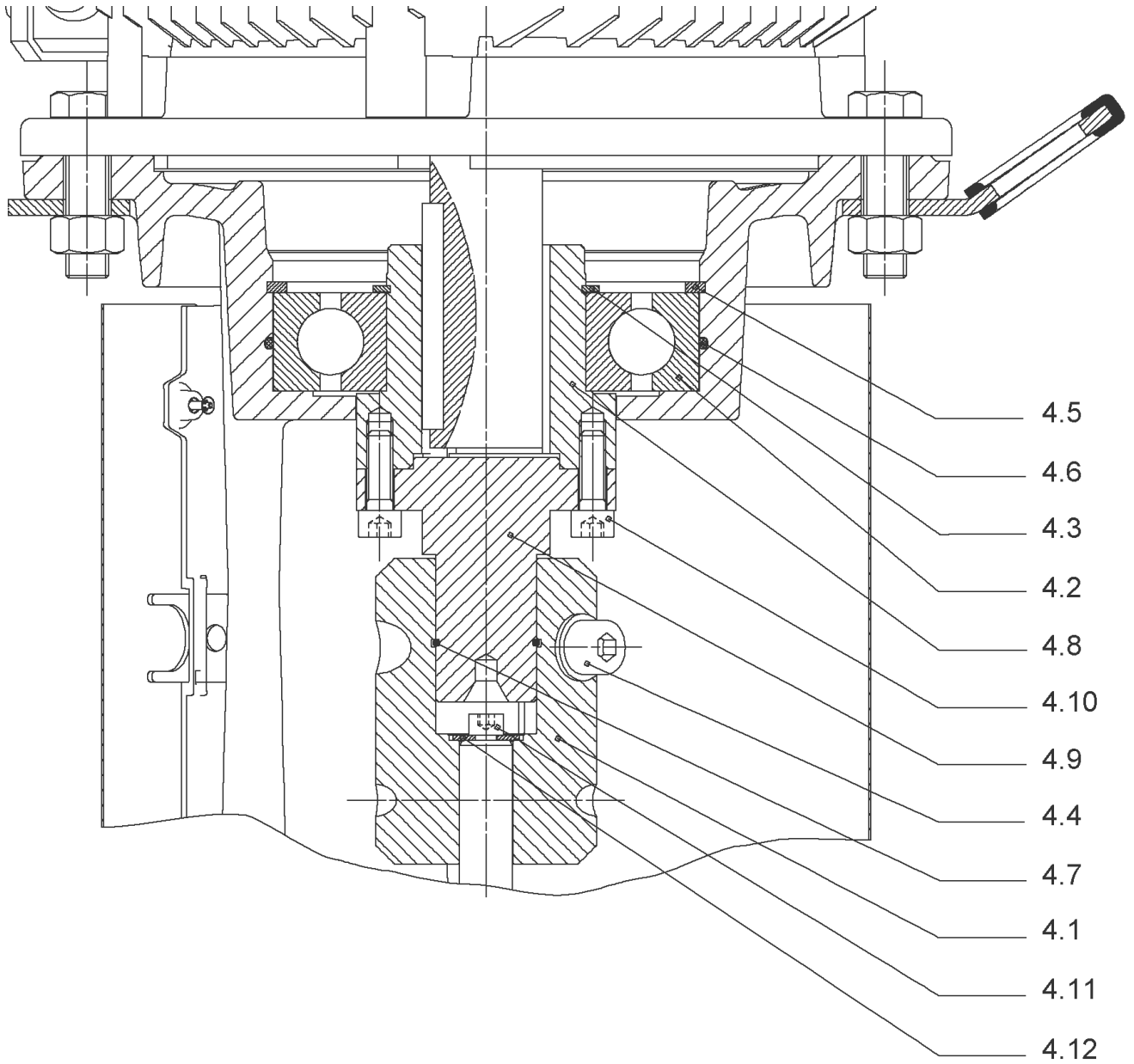


HELIX V2214-3/30/E/KS/400-50 (4165782)

Item	Article no.	Description	Quantity
1	4195488	MOTOR 18.5/2/160 3~400V 50HZ ARC VP.	1
		SPARE PARTS MOTOR:ON REQUEST	1
2	4179586	SCREW M16X60 (4 PIECES)	1
3	4157721	LANTERN HELIX 22/36 FF300 BB6312 KIT	1
3.1		> LANTERN FF300 M+ GJL MACHINED+CATA 6312	1
3.2	4179589	> EYELET CPL.FF300 HELIX(4 PIECES)	1
3.3	4143969	> COUPLING PROTECT HELIX FF KIT	1
4	4143966	COUPLING D.20XD.38 FF300 KIT	1
5	4157725	SCREW M10X40 (4 PIECES)	1
6	4181684	STUD BOLT M16X833KIT	1
6.1		> TIE BOLT M16-833x24x44-1.4057	1
6.2	4179562	> NUT M16 8.8 ISO4032 (4 PIECES)	1
6.3	4097852	> WASHER-CS-16.4-32-2.8-NFE25-511-A2	1
7	4179565	END SHIELD HELIX 8" EPDM KIT	1
7.1		> END SHIELD M+ GJL MACHINED+CATA	1
7.2	4179564	> O-RING D.42.52x2.62 EPDM VP.	1
7.3	4179571	> O-RING HOUSING PIPE HELIX22/36/52 VP.	1
8	4143765	FILING/PURGING PLUG 316L HELIX KIT	1
8.1		> FILLING/VENTING-PLUG-VMI8/10-316L	1
8.2	4032291	> O-RING 17x3 EPDM KTW/WRC	1
9	4180008	CARTRIDGE HELIX22-36-52 T/E KIT	1
10	4181685	HOUSING PIPE D.204X764 1.4301 KIT	1
7.3	4179571	> O-RING HOUSING PIPE HELIX22/36/52 VP.	1
10.1		> HOUSING-PIPE Ø204-M+2214-304	1
11	4179143	CENTERING STAGE-RETURN HELIX22 1.4307 VP	1
12	4143967	SHAFT EQUIPMENT HELIX V KIT	1
13		HYDRAULIC HELIX V 2214	1
14	4179932	SHAFTS D.22X904 1.4057 VP.	1
15	4181158	EQUIPED HOUSING HELIX 22 GJL KIT	1
7.3	4179571	> O-RING HOUSING PIPE HELIX22/36/52 VP.	1
15.1		> PUMP HOUSING SET with COATED PARTS-DN50	1
15.3	4143766	> DRAIN/PRIMING PLUG EPDM HELIX KIT	1
15.3A		>> PRIMING/DRAIN PLUG-304-VERSION 1	1
15.3B	4032293	>> O-RING-10x3-EPDM-KTW/WRC	1

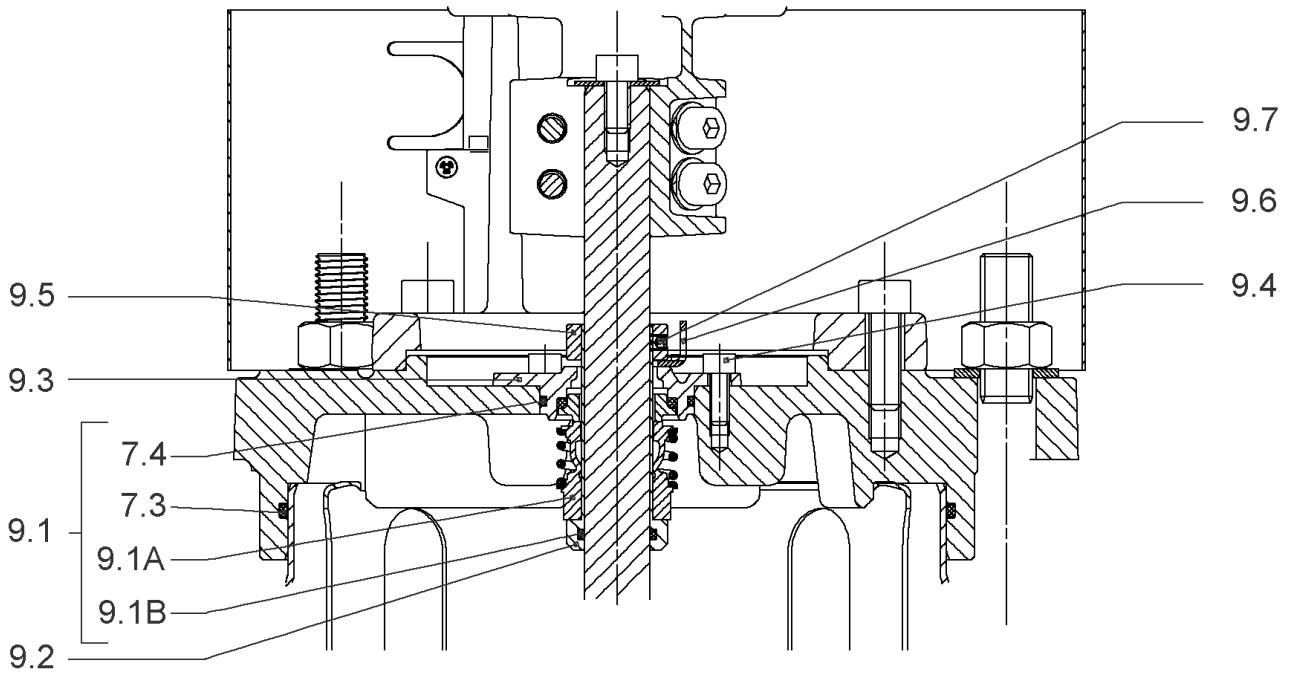
HELIX V2214-3/30/E/KS/400-50 (4165782)

Item	Article no.	Description	Quantity
15.3C	4233957	>> O-RING ID.9 EPDM VP.	1
15.4	4221729	> BASE M+ DN50/65/80 VP.	1
15.6		> FLANGE M+ DN50 CATA	1
15.7		> O-RING Ø63.17xØ2.62 EPDM	1
15.5		> SCREW TBHC M12x25 ISO7380 ZN	1



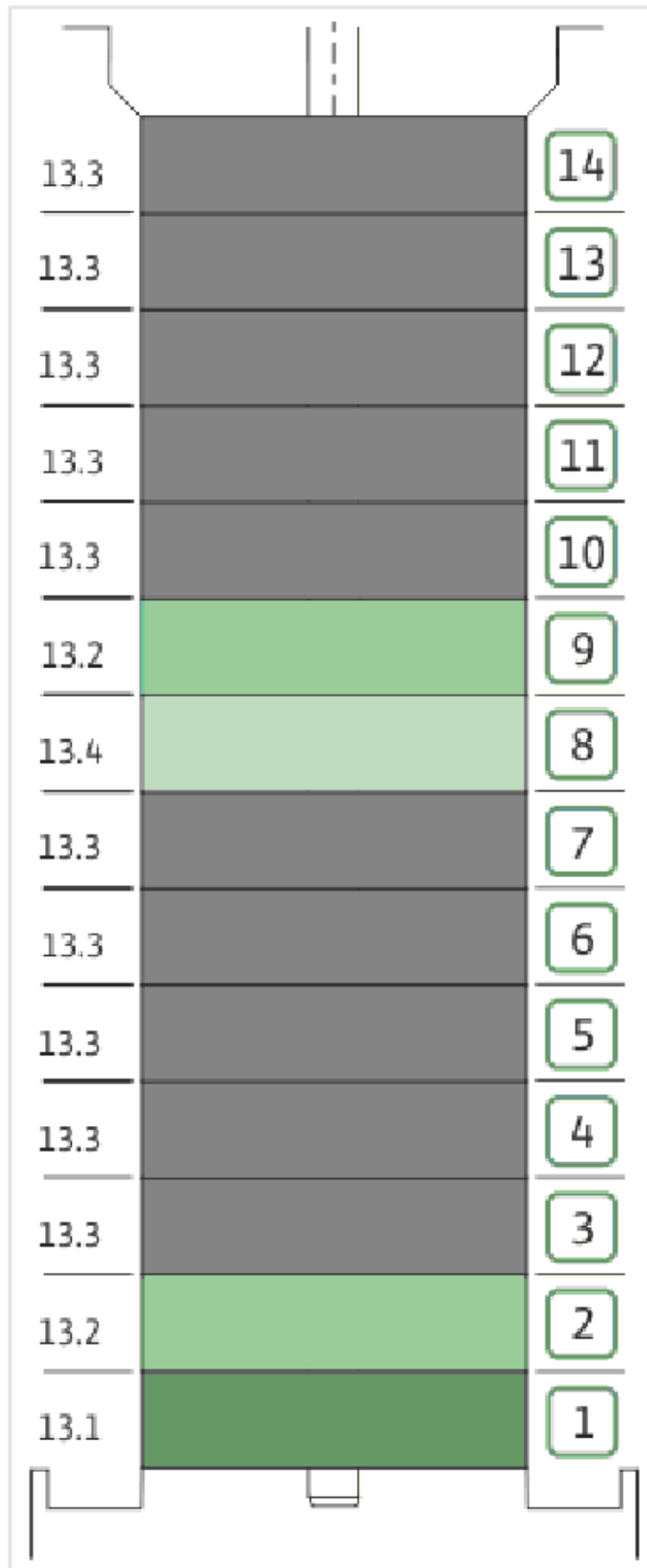
COUPLING D.20XD.38 FF300 KIT (4143966)

Item	Article no.	Description	Quantity
4.1	4179590	COUPLING 2 PARTS D.20XD.38XL115 VP.	1
4.2	2123699	BALL BEARING 6312/2Z-C4 (HT) VP.	1
4.3	63428	CIRCLIP-FOR-SHAFT-D60x2	1
4.4	2130991	SCREW M12X30 ISO4762 8.8 ZN(4 PIECES)	1
4.5	4032277	CIRCLIP-HOLE-130x4	1
4.6	4006725	O-RING ID.132,94x3,53 NBR70SR	1
4.7	2130992	RETAINING RING D.35xD.2,5 DIN7993 VP.	1
4.8	4179591	HUB D.42xD.60 VP.	1
4.9	2130994	SPACER D.38XD.55 VP.	1
4.10	4094462	SCREWS M10 (4 PIECES)	1
4.11	4233959	SCREW M8x16 VP.	1
4.12		SERRATED LOCK WASHER Ø8.2XØ25X35X2	1



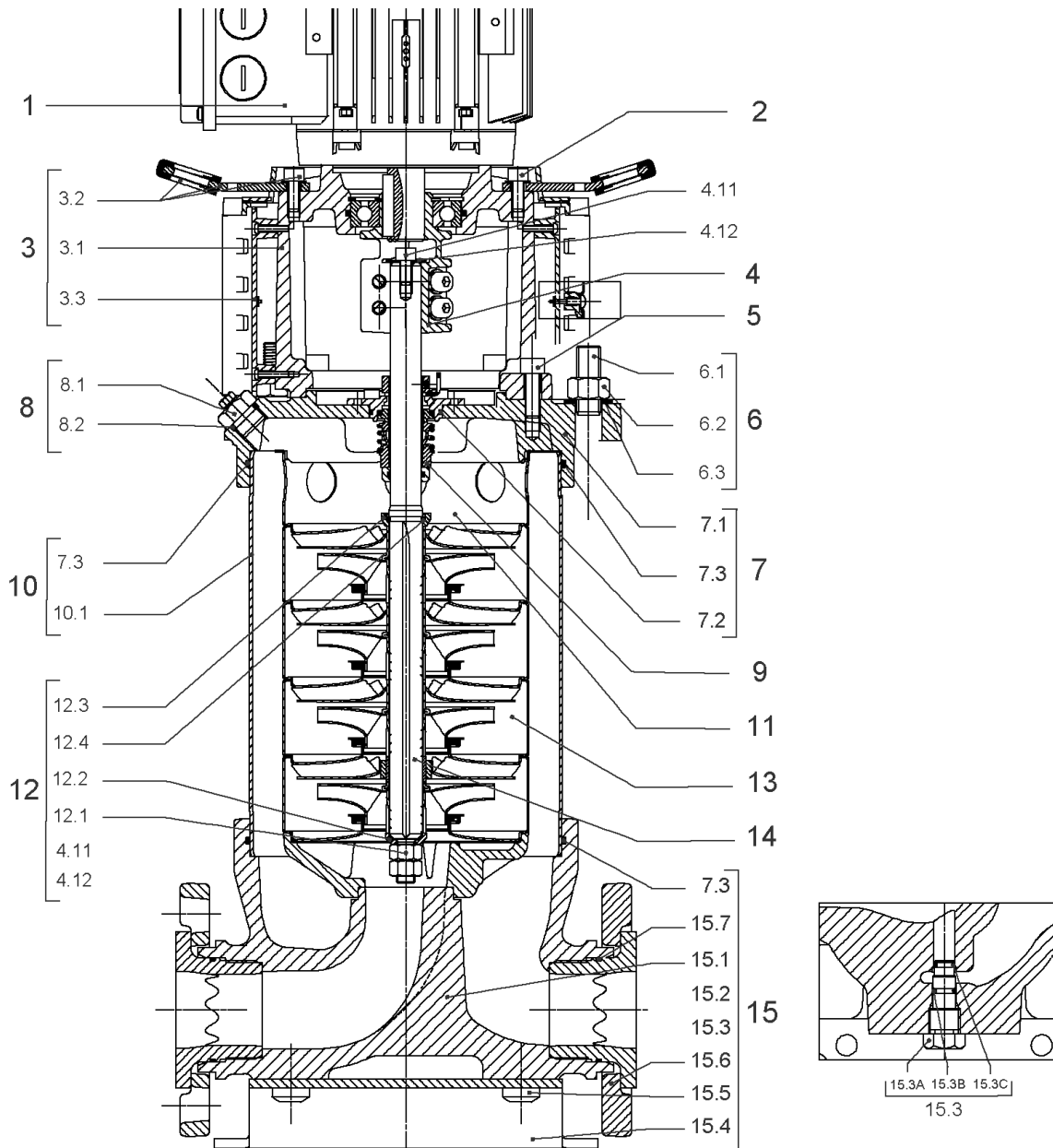
CARTRIDGE HELIX22-36-52 T/E KIT (4180008)

Item	Article no.	Description	Quantity
9.1	4180007	SEAL-KIT-HELIX22-36-52 T/E	1
7.3	4179571	> O-RING HOUSING PIPE HELIX22/36/52 VP.	1
7.4	4179572	> O-RING ID.42.52X2.62 EPDM VP.	1
9.1A	4180006	> M.SEAL.HELIX22-36-52 T/E VP.	1
9.1B	4179574	> O-RING ID.20x2.65 EPDM VP.	1
9.2	4180005	SHAFT SLEEVE D.22/20X71 1.4404 VP.	1
9.3	4180004	RING HOLDER 30B VP.	1
9.4	4176520	SCREW CH M5x5 A4-70 (3PIECES)	1
9.5	4179568	DRIVE RING D.31/22.1x11 MACH.VP.	1
9.6	4179569	TOOL M.S.CART.HELIX 8" VP.	1
9.7	4179570	SCREW M6X16 ISO4762 8.8 GEOMET(4 PIECES)	1



HYDRAULIC HELIX V 2214

Item	Article no.	Description	Quantity
13.1	4157739	FIRST STAGE HELIX 22 1.4307 KIT	1
		> IMPELLER-H1-M+22-304	1
		> MACH.STG-CASING-WOGV-WNR-M+22-304	1
13.2	4157740	BEARING STAGE HELIX 22 1.4307 KIT	1
		> IMPELLER-H2-M+22-304	1
		> MACH.BEARING-STG-CASING-WNR-M+22-304	1
		> SHAFT-SLEEVE-D26xD22x16-CW	1
13.3	4157743	INTERMEDIATE STAGE HELIX 22 KIT	1
		> MACH.STD-STG-CASING-WGV+NR-M+22-304	1
		> IMPELLER-H2-M+22-304	1
13.4	4157767	INTERMEDIATE STAGE HELIX 22 1.4307 KIT	1
		> MACH.STD-STG-CASING-WGV+NR-M+22-304	1
		> IMPELLER-H1-M+22-304	1

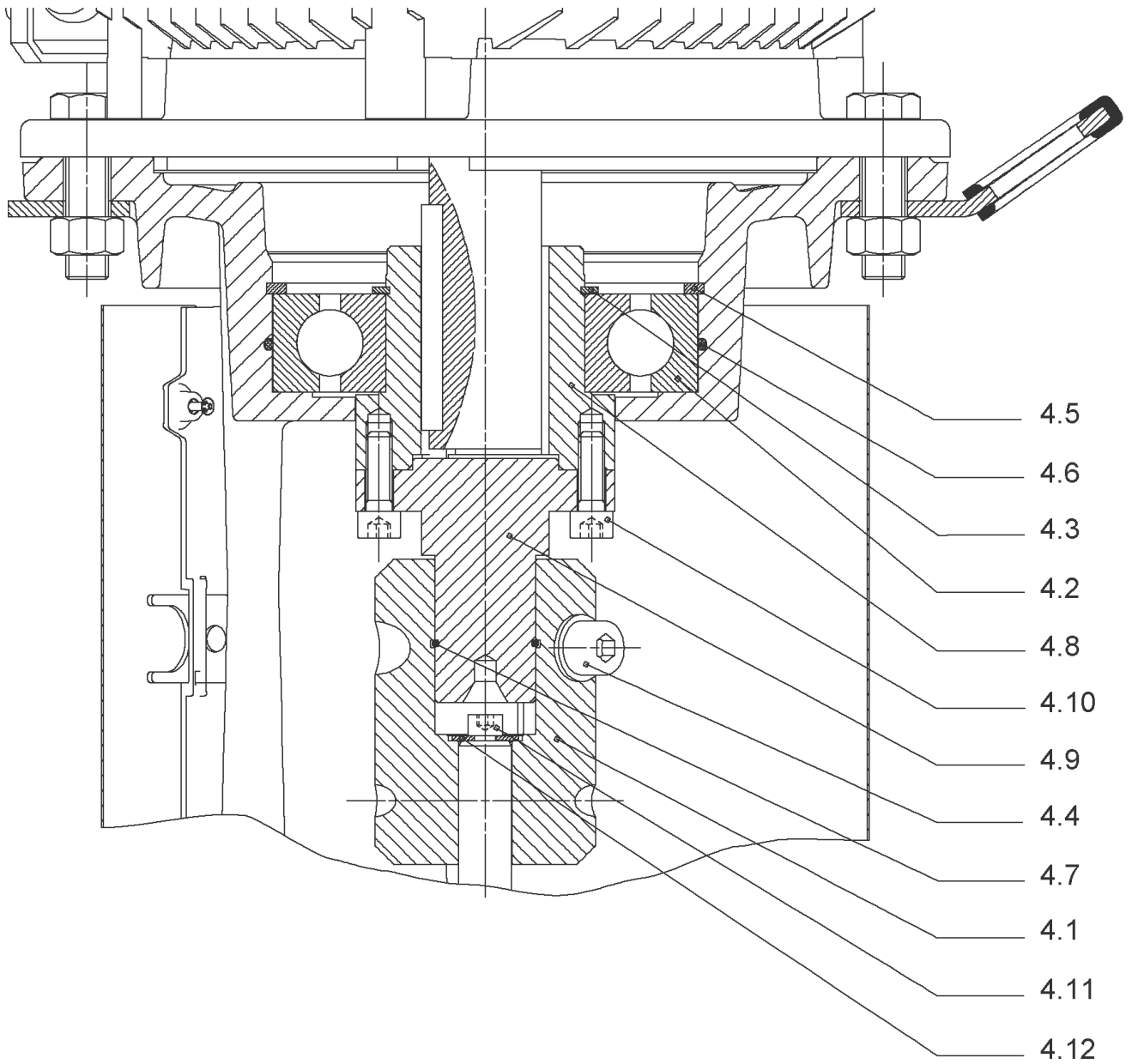


HELIX V2215-3/30/E/KS/400-50 (4165785)

Item	Article no.	Description	Quantity
1	4195488	MOTOR 18.5/2/160 3~400V 50HZ ARC VP.	1
		SPARE PARTS MOTOR:ON REQUEST	1
2	4179586	SCREW M16X60 (4 PIECES)	1
3	4157721	LANTERN HELIX 22/36 FF300 BB6312 KIT	1
3.1		> LANTERN FF300 M+ GJL MACHINED+CATA 6312	1
3.2	4179589	> EYELET CPL.FF300 HELIX(4 PIECES)	1
3.3	4143969	> COUPLING PROTECT HELIX FF KIT	1
4	4143966	COUPLING D.20XD.38 FF300 KIT	1
5	4157725	SCREW M10X40 (4 PIECES)	1
6	4181687	STUD BOLT M16X883 KIT	1
6.1		> TIE BOLT M16-883x24x44-1.4057	1
6.2	4179562	> NUT M16 8.8 ISO4032 (4 PIECES)	1
6.3	4097852	> WASHER-CS-16.4-32-2.8-NFE25-511-A2	1
7	4179565	END SHIELD HELIX 8" EPDM KIT	1
7.1		> END SHIELD M+ GJL MACHINED+CATA	1
7.2	4179564	> O-RING D.42.52x2.62 EPDM VP.	1
7.3	4179571	> O-RING HOUSING PIPE HELIX22/36/52 VP.	1
8	4143765	FILING/PURGING PLUG 316L HELIX KIT	1
8.1		> FILLING/VENTING-PLUG-VMI8/10-316L	1
8.2	4032291	> O-RING 17x3 EPDM KTW/WRC	1
9	4180008	CARTRIDGE HELIX22-36-52 T/E KIT	1
10	4181688	HOUSING PIPE D.204X814 1.4301 KIT	1
7.3	4179571	> O-RING HOUSING PIPE HELIX22/36/52 VP.	1
10.1		> HOUSING-PIPE Ø204-M+2215-304	1
11	4179143	CENTERING STAGE-RETURN HELIX22 1.4307 VP	1
12	4143967	SHAFT EQUIPMENT HELIX V KIT	1
13		HYDRAULIC HELIX V 2215	1
14	4181108	SHAFT D.22X954 1.4057 VP.	1
15	4181158	EQUIPED HOUSING HELIX 22 GJL KIT	1
7.3	4179571	> O-RING HOUSING PIPE HELIX22/36/52 VP.	1
15.1		> PUMP HOUSING SET with COATED PARTS-DN50	1
15.3	4143766	> DRAIN/PRIMING PLUG EPDM HELIX KIT	1
15.3A		>> PRIMING/DRAIN PLUG-304-VERSION 1	1
15.3B	4032293	>> O-RING-10x3-EPDM-KTW/WRC	1

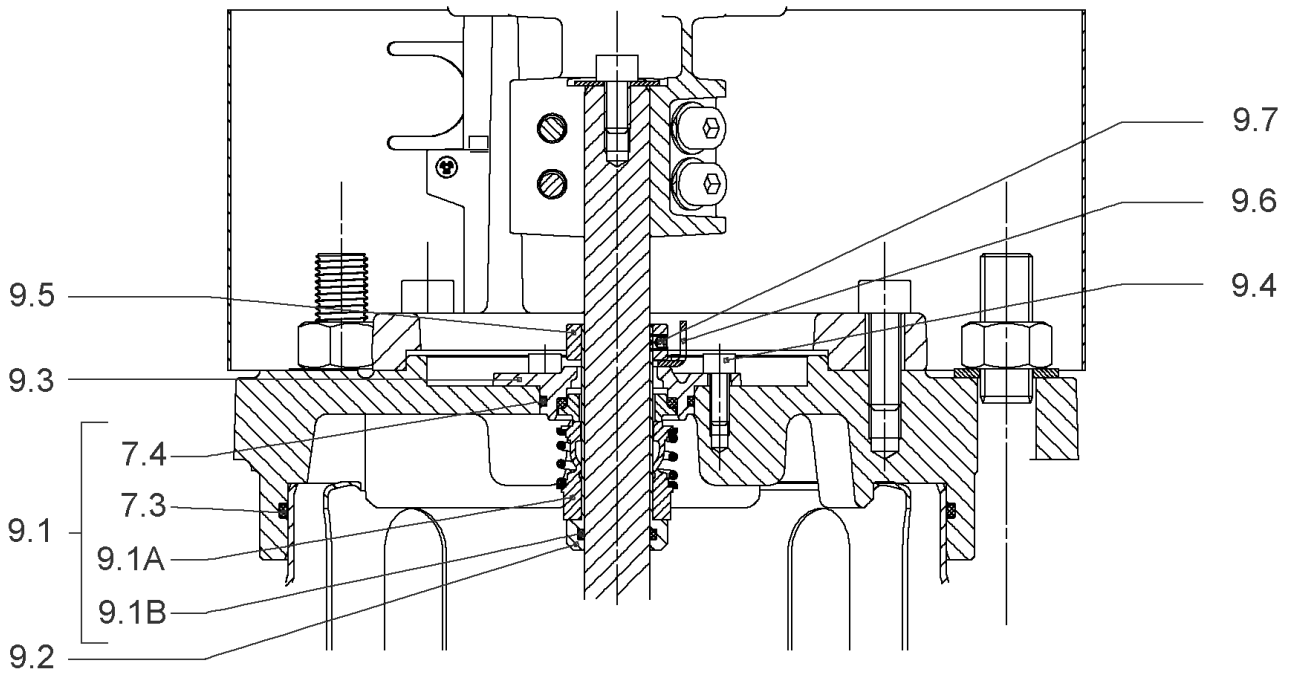
HELIX V2215-3/30/E/KS/400-50 (4165785)

Item	Article no.	Description	Quantity
15.3C	4233957	>> O-RING ID.9 EPDM VP.	1
15.4	4221729	> BASE M+ DN50/65/80 VP.	1
15.6		> FLANGE M+ DN50 CATA	1
15.7		> O-RING Ø63.17xØ2.62 EPDM	1
15.5		> SCREW TBHC M12x25 ISO7380 ZN	1



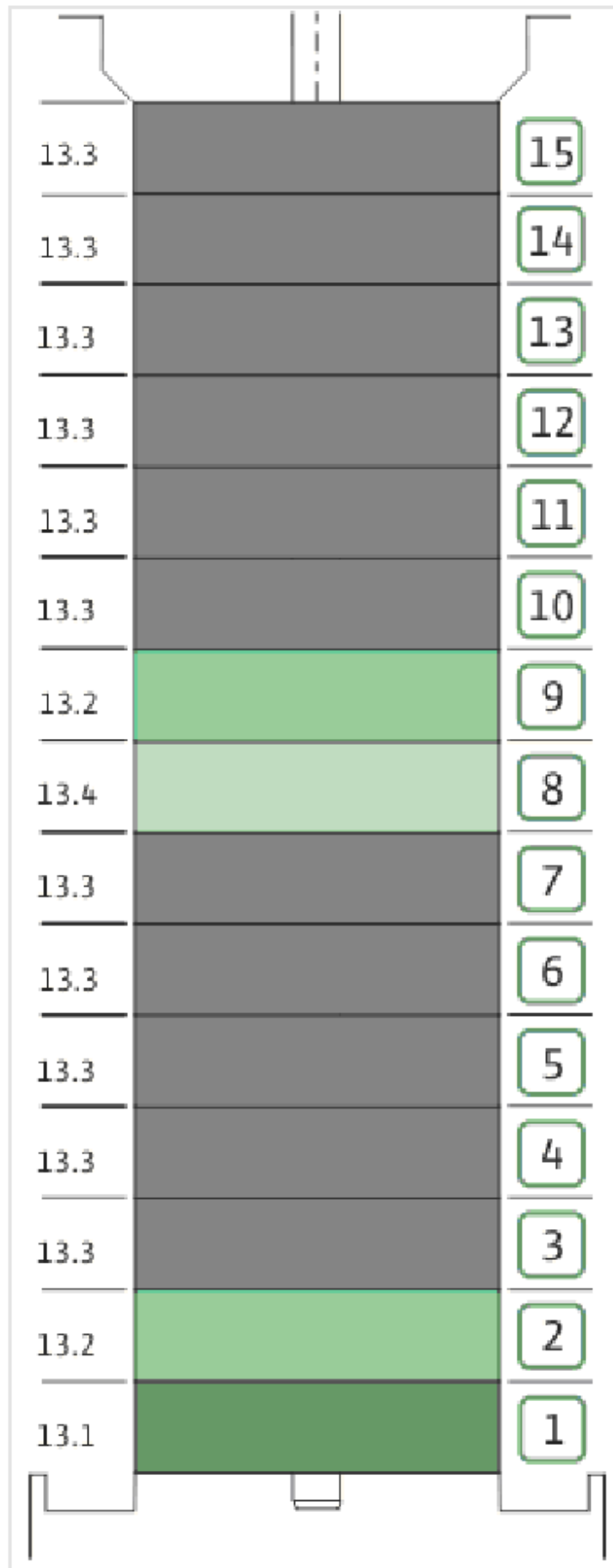
COUPLING D.20XD.38 FF300 KIT (4143966)

Item	Article no.	Description	Quantity
4.1	4179590	COUPLING 2 PARTS D.20XD.38XL115 VP.	1
4.2	2123699	BALL BEARING 6312/2Z-C4 (HT) VP.	1
4.3	63428	CIRCLIP-FOR-SHAFT-D60x2	1
4.4	2130991	SCREW M12X30 ISO4762 8.8 ZN(4 PIECES)	1
4.5	4032277	CIRCLIP-HOLE-130x4	1
4.6	4006725	O-RING ID.132,94x3,53 NBR70SR	1
4.7	2130992	RETAINING RING D.35xD.2,5 DIN7993 VP.	1
4.8	4179591	HUB D.42xD.60 VP.	1
4.9	2130994	SPACER D.38XD.55 VP.	1
4.10	4094462	SCREWS M10 (4 PIECES)	1
4.11	4233959	SCREW M8x16 VP.	1
4.12		SERRATED LOCK WASHER Ø8.2XØ25X35X2	1

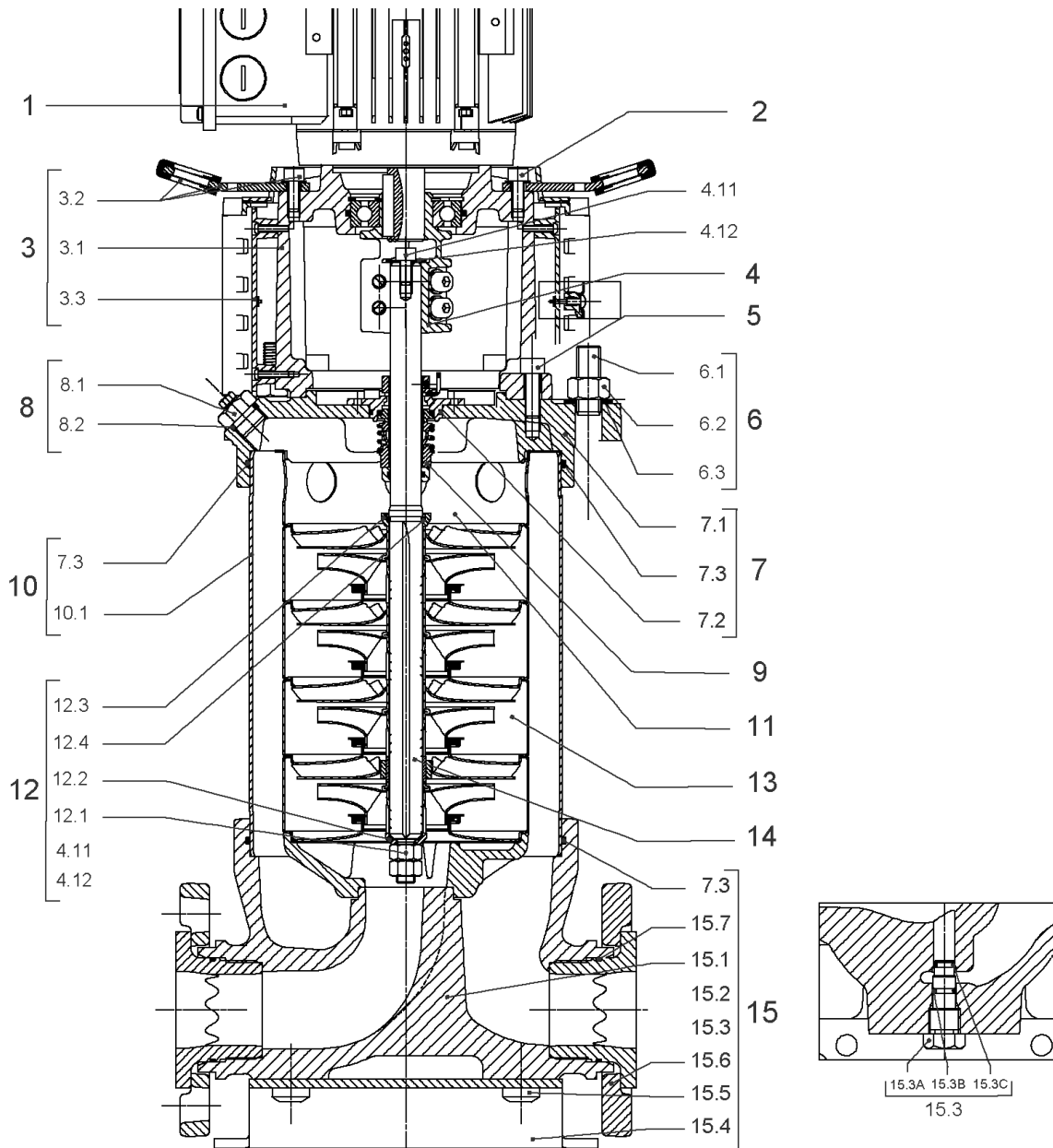


CARTRIDGE HELIX22-36-52 T/E KIT (4180008)

Item	Article no.	Description	Quantity
9.1	4180007	SEAL-KIT-HELIX22-36-52 T/E	1
7.3	4179571	> O-RING HOUSING PIPE HELIX22/36/52 VP.	1
7.4	4179572	> O-RING ID.42.52X2.62 EPDM VP.	1
9.1A	4180006	> M.SEAL.HELIX22-36-52 T/E VP.	1
9.1B	4179574	> O-RING ID.20x2.65 EPDM VP.	1
9.2	4180005	SHAFT SLEEVE D.22/20X71 1.4404 VP.	1
9.3	4180004	RING HOLDER 30B VP.	1
9.4	4176520	SCREW CH M5x5 A4-70 (3PIECES)	1
9.5	4179568	DRIVE RING D.31/22.1x11 MACH.VP.	1
9.6	4179569	TOOL M.S.CART.HELIX 8" VP.	1
9.7	4179570	SCREW M6X16 ISO4762 8.8 GEOMET(4 PIECES)	1



Item	Article no.	Description	Quantity
13.1	4157739	FIRST STAGE HELIX 22 1.4307 KIT	1
		> IMPELLER-H1-M+22-304	1
		> MACH.STG-CASING-WOGV-WNR-M+22-304	1
13.2	4157740	BEARING STAGE HELIX 22 1.4307 KIT	1
		> IMPELLER-H2-M+22-304	1
		> MACH.BEARING-STG-CASING-WNR-M+22-304	1
		> SHAFT-SLEEVE-D26xD22x16-CW	1
13.3	4157743	INTERMEDIATE STAGE HELIX 22 KIT	1
		> MACH.STD-STG-CASING-WGV+NR-M+22-304	1
		> IMPELLER-H2-M+22-304	1
13.4	4157767	INTERMEDIATE STAGE HELIX 22 1.4307 KIT	1
		> MACH.STD-STG-CASING-WGV+NR-M+22-304	1
		> IMPELLER-H1-M+22-304	1

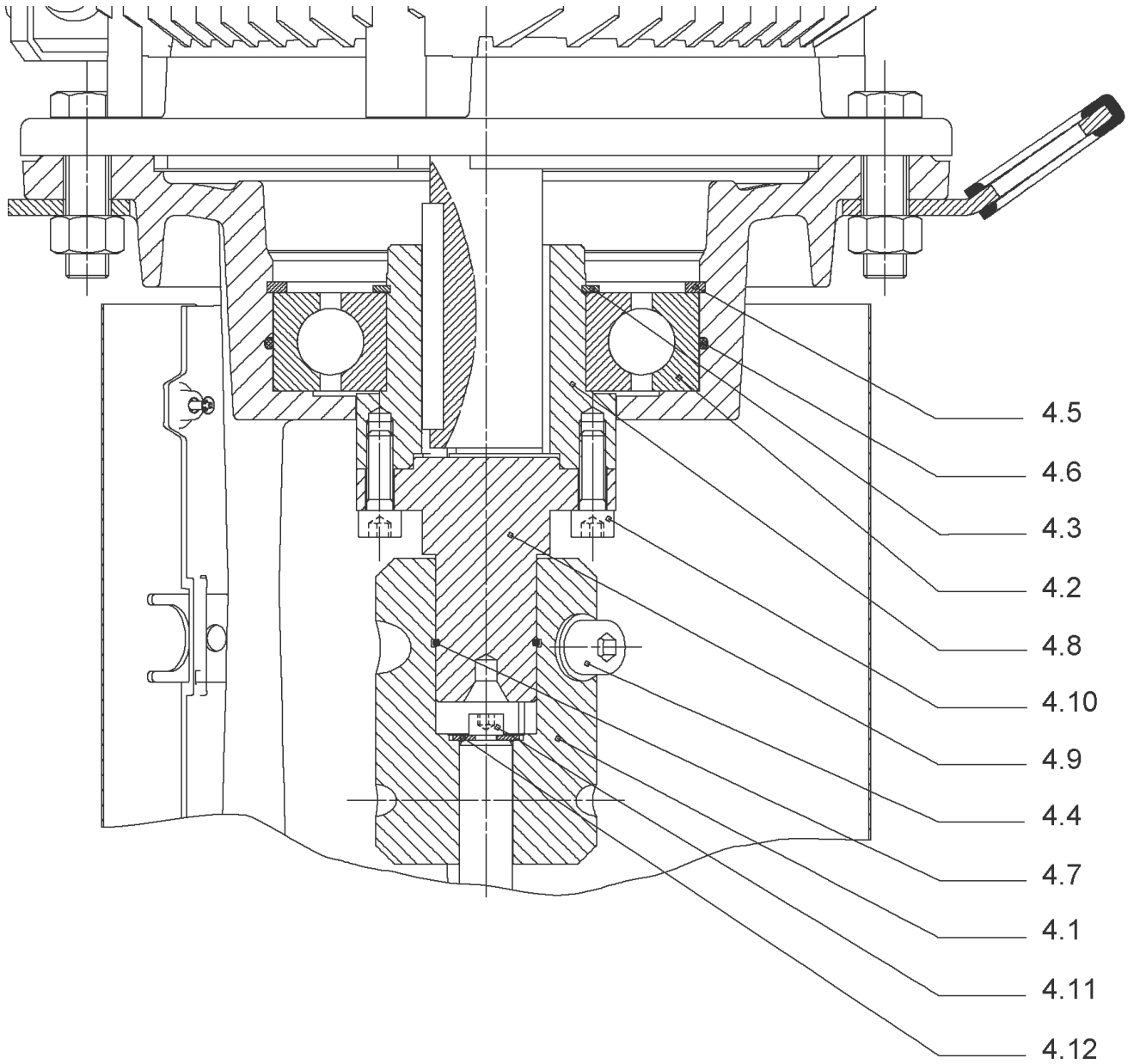


HELIX V2216-3/30/E/KS/400-50 (4165788)

Item	Article no.	Description	Quantity
1	4195489	MOTOR 22/2/160 3~400V 50HZ IE3 VP.	1
		SPARE PARTS MOTOR:ON REQUEST	1
2	4179586	SCREW M16X60 (4 PIECES)	1
3	4157721	LANTERN HELIX 22/36 FF300 BB6312 KIT	1
3.1		> LANTERN FF300 M+ GJL MACHINED+CATA 6312	1
3.2	4179589	> EYELET CPL.FF300 HELIX(4 PIECES)	1
3.3	4143969	> COUPLING PROTECT HELIX FF KIT	1
4	4143966	COUPLING D.20XD.38 FF300 KIT	1
5	4157725	SCREW M10X40 (4 PIECES)	1
6	4181691	STUD BOLT M16X933 KIT	1
		> TIE BOLT M16-933x24x44-1.4057	1
	4179562	> NUT M16 8.8 ISO4032 (4 PIECES)	1
	4097852	> WASHER-CS-16.4-32-2.8-NFE25-511-A2	1
7	4179565	END SHIELD HELIX 8" EPDM KIT	1
7.1		> END SHIELD M+ GJL MACHINED+CATA	1
7.2	4179564	> O-RING D.42.52x2.62 EPDM VP.	1
7.3	4179571	> O-RING HOUSING PIPE HELIX22/36/52 VP.	1
8	4143765	FILING/PURGING PLUG 316L HELIX KIT	1
8.1		> FILLING/VENTING-PLUG-VM18/10-316L	1
8.2	4032291	> O-RING 17x3 EPDM KTW/WRC	1
9	4180008	CARTRIDGE HELIX22-36-52 T/E KIT	1
10	4181692	HOUSING PIPE D.204X864 1.4301 KIT	1
7.3	4179571	> O-RING HOUSING PIPE HELIX22/36/52 VP.	1
10.1		> HOUSING-PIPE Ø204-M+2216-304	1
11	4179143	CENTERING STAGE-RETURN HELIX22 1.4307 VP	1
12	4143967	SHAFT EQUIPMENT HELIX V KIT	1
13		HYDRAULIC HELIX V 2216	1
14	4179947	SHAFTS D.22X1004 1.4057 VP.	1
15	4181158	EQUIPED HOUSING HELIX 22 GJL KIT	1
7.3	4179571	> O-RING HOUSING PIPE HELIX22/36/52 VP.	1
15.1		> PUMP HOUSING SET with COATED PARTS-DN50	1
15.3	4143766	> DRAIN/PRIMING PLUG EPDM HELIX KIT	1
15.3A		>> PRIMING/DRAIN PLUG-304-VERSION 1	1
15.3B	4032293	>> O-RING-10x3-EPDM-KTW/WRC	1

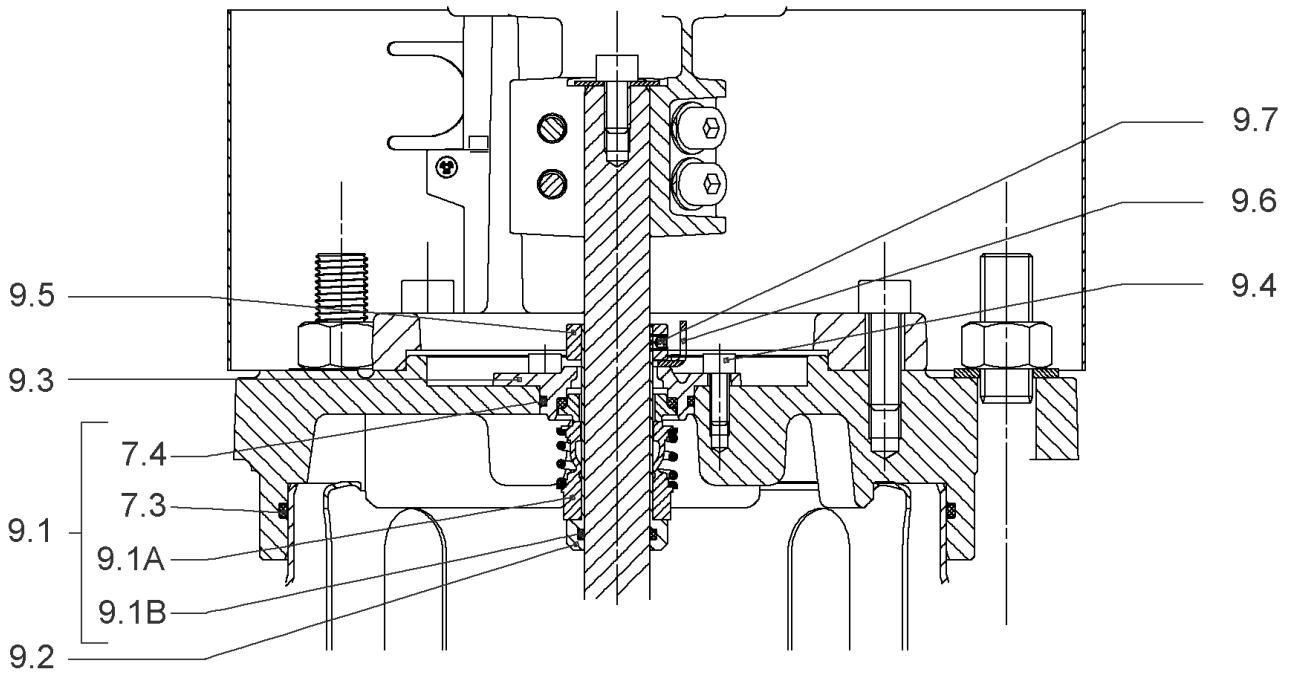
HELIX V2216-3/30/E/KS/400-50 (4165788)

Item	Article no.	Description	Quantity
15.3C	4233957	>> O-RING ID.9 EPDM VP.	1
15.4	4221729	> BASE M+ DN50/65/80 VP.	1
15.6		> FLANGE M+ DN50 CATA	1
15.7		> O-RING Ø63.17xØ2.62 EPDM	1
15.5		> SCREW TBHC M12x25 ISO7380 ZN	1



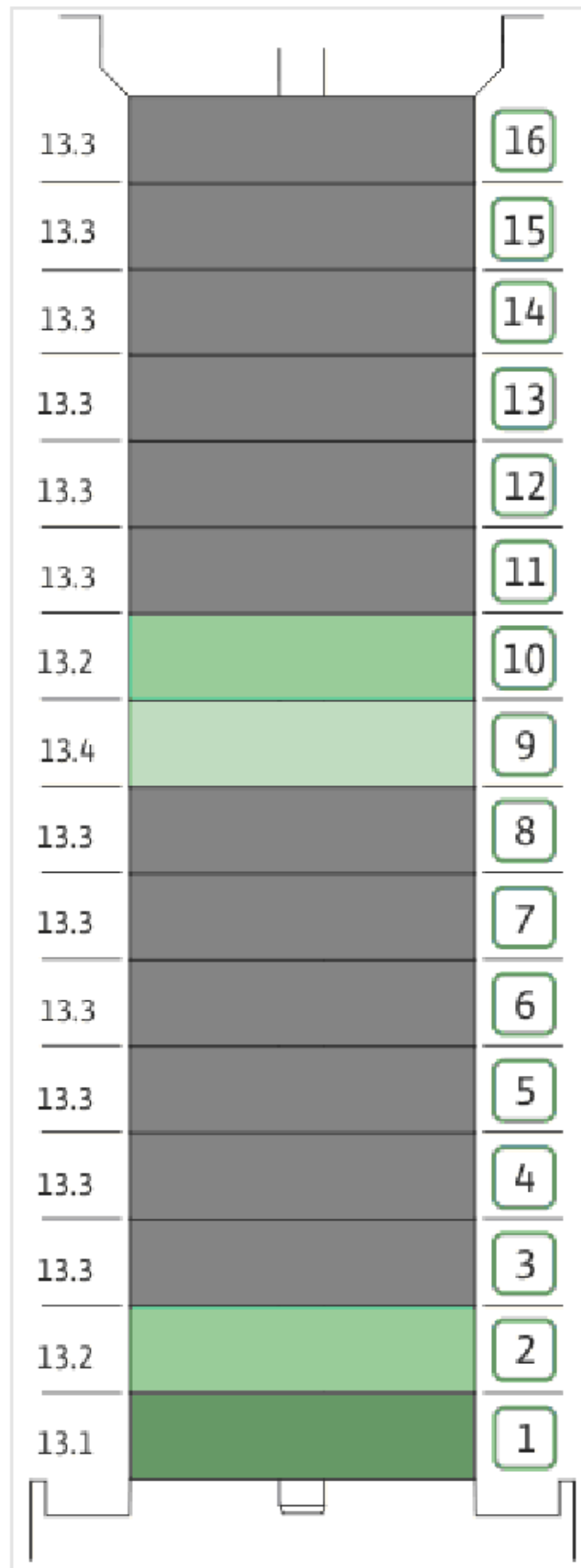
COUPLING D.20XD.38 FF300 KIT (4143966)

Item	Article no.	Description	Quantity
4.1	4179590	COUPLING 2 PARTS D.20XD.38XL115 VP.	1
4.2	2123699	BALL BEARING 6312/2Z-C4 (HT) VP.	1
4.3	63428	CIRCLIP-FOR-SHAFT-D60x2	1
4.4	2130991	SCREW M12X30 ISO4762 8.8 ZN(4 PIECES)	1
4.5	4032277	CIRCLIP-HOLE-130x4	1
4.6	4006725	O-RING ID.132,94x3,53 NBR70SR	1
4.7	2130992	RETAINING RING D.35xD.2,5 DIN7993 VP.	1
4.8	4179591	HUB D.42xD.60 VP.	1
4.9	2130994	SPACER D.38XD.55 VP.	1
4.10	4094462	SCREWS M10 (4 PIECES)	1
4.11	4233959	SCREW M8x16 VP.	1
4.12		SERRATED LOCK WASHER Ø8.2XØ25X35X2	1



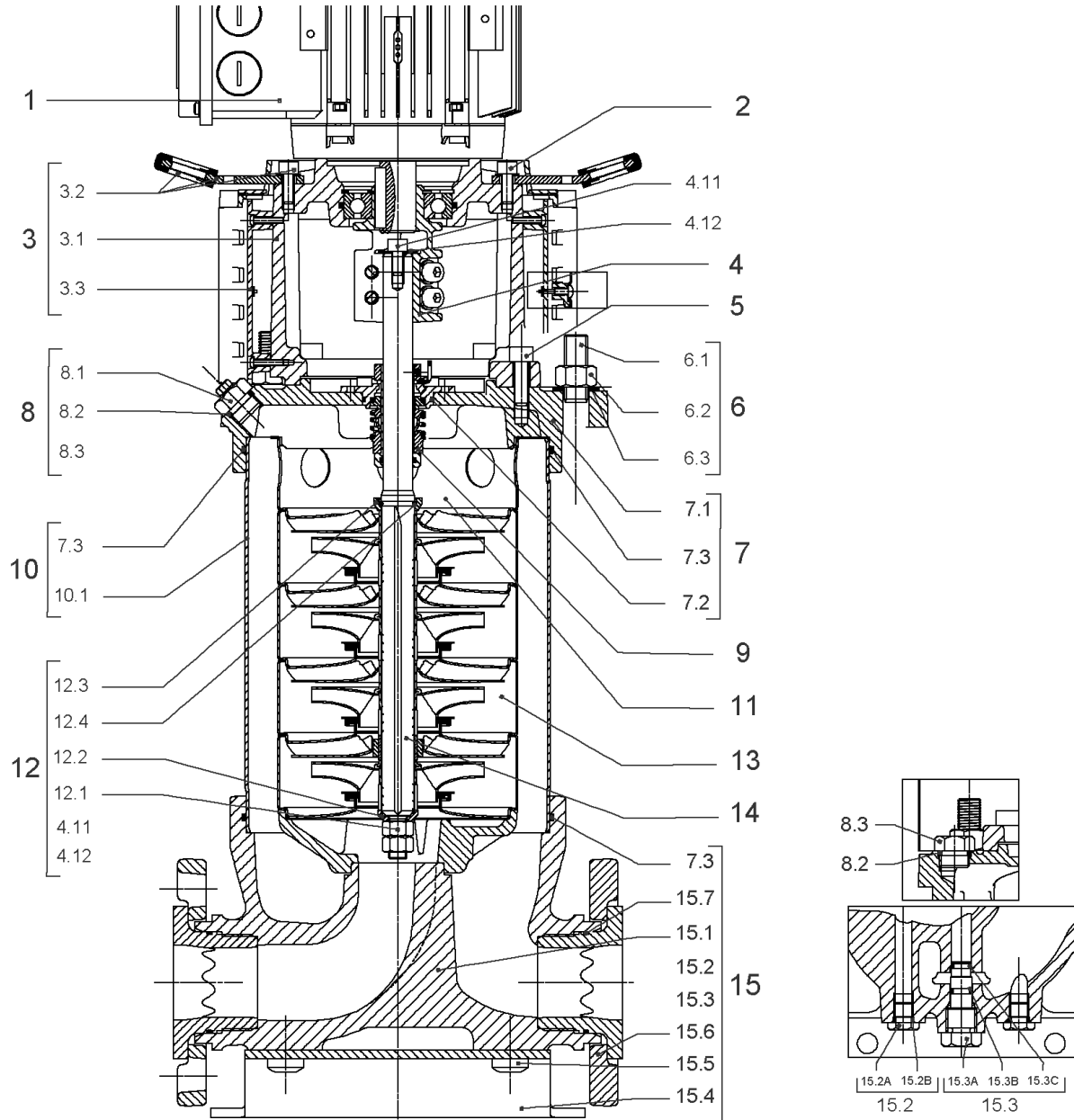
CARTRIDGE HELIX22-36-52 T/E KIT (4180008)

Item	Article no.	Description	Quantity
9.1	4180007	SEAL-KIT-HELIX22-36-52 T/E	1
7.3	4179571	> O-RING HOUSING PIPE HELIX22/36/52 VP.	1
7.4	4179572	> O-RING ID.42.52X2.62 EPDM VP.	1
9.1A	4180006	> M.SEAL.HELIX22-36-52 T/E VP.	1
9.1B	4179574	> O-RING ID.20x2.65 EPDM VP.	1
9.2	4180005	SHAFT SLEEVE D.22/20X71 1.4404 VP.	1
9.3	4180004	RING HOLDER 30B VP.	1
9.4	4176520	SCREW CH M5x5 A4-70 (3PIECES)	1
9.5	4179568	DRIVE RING D.31/22.1x11 MACH.VP.	1
9.6	4179569	TOOL M.S.CART.HELIX 8" VP.	1
9.7	4179570	SCREW M6X16 ISO4762 8.8 GEOMET(4 PIECES)	1



HYDRAULIC HELIX V 2216

Item	Article no.	Description	Quantity
13.1	4157739	FIRST STAGE HELIX 22 1.4307 KIT	1
		> IMPELLER-H1-M+22-304	1
		> MACH.STG-CASING-WOGV-WNR-M+22-304	1
13.2	4157740	BEARING STAGE HELIX 22 1.4307 KIT	1
		> IMPELLER-H2-M+22-304	1
		> MACH.BEARING-STG-CASING-WNR-M+22-304	1
		> SHAFT-SLEEVE-D26xD22x16-CW	1
13.3	4157743	INTERMEDIATE STAGE HELIX 22 KIT	1
		> MACH.STD-STG-CASING-WGV+NR-M+22-304	1
		> IMPELLER-H2-M+22-304	1
13.4	4157767	INTERMEDIATE STAGE HELIX 22 1.4307 KIT	1
		> MACH.STD-STG-CASING-WGV+NR-M+22-304	1
		> IMPELLER-H1-M+22-304	1



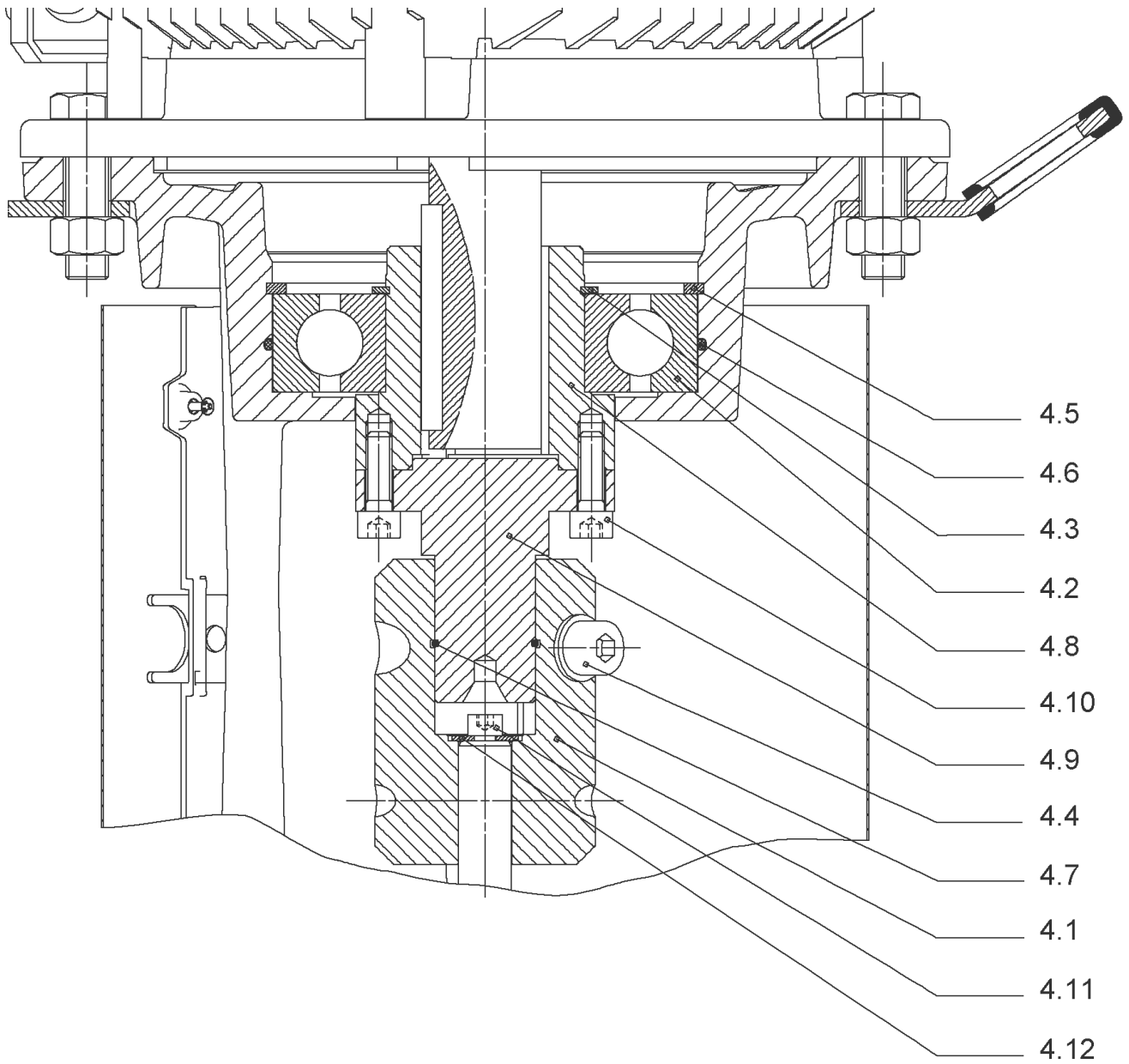
HELIX V2214-2/30/V/KS/400-50 (4165819)

Item	Article no.	Description	Quantity
1	4195488	MOTOR 18.5/2/160 3~400V 50HZ ARC VP.	1
		SPARE PARTS MOTOR:ON REQUEST	1
2	4179586	SCREW M16X60 (4 PIECES)	1
3	4157721	LANTERN HELIX 22/36 FF300 BB6312 KIT	1
3.1		> LANTERN FF300 M+ GJL MACHINED+CATA 6312	1
3.2	4179589	> EYELET CPL.FF300 HELIX(4 PIECES)	1
3.3	4143969	> COUPLING PROTECT HELIX FF KIT	1
4	4143966	COUPLING D.20XD.38 FF300 KIT	1
5	4157725	SCREW M10X40 (4 PIECES)	1
6	4181684	STUD BOLT M16X833KIT	1
6.1		> TIE BOLT M16-833x24x44-1.4057	1
6.2	4179562	> NUT M16 8.8 ISO4032 (4 PIECES)	1
6.3	4097852	> WASHER-CS-16.4-32-2.8-NFE25-511-A2	1
7	4179959	END SHIELD HELIX 8" FKM 1.4404 KIT	1
7.1		> END SHIELD HELIX 316L MACHINED	1
7.2	4179958	> O-RING-ID.42.52X2.62 VITON VP.	1
7.3	2107767	> O-RING ID.202,80x3,53 VITON VP.	1
8	4161256	FILING/PURGING PLUG FKM KIT	1
8.1		> FILLING/VENTING-PLUG-VM18/10-316L	1
8.2		> FILLING AND VENTING PLUG M+8" 316L	1
8.3		> GASKET-17x3-VITON	1
9	4179997	CARTRIDGE HELIX22-36-52 T/V KIT	1
10	4181719	HOUSING PIPE D.204X764 1.4404 KIT	1
7.3	2107767	> O-RING ID.202,80x3,53 VITON VP.	1
10.1		> HOUSING-PIPE Ø204-M+2214-316L	1
11	4181697	CENTERING STAGE RETURN HELIX22 1.4404 VP	1
12	4143967	SHAFT EQUIPMENT HELIX V KIT	1
13		HYDRAULIC HELIX V 2214	1
14	4179986	SHAFTS D.22X904 1.4462 VP.	1
15	4158198	EQUIPED HOUSING 1.4409 HELIX KIT	1
7.3	2107767	> O-RING ID.202,80x3,53 VITON VP.	1
15.1		> PUMP HOUSING M+ DN50 316L MACHINED	1
15.1		> GASKET HOLDER M+ DN50 316L MACHINED	1
15.1		> HYDRAULIC SUPPORT M+ DN50 316L MACHINED	1

HELIX V2214-2/30/V/KS/400-50 (4165819)

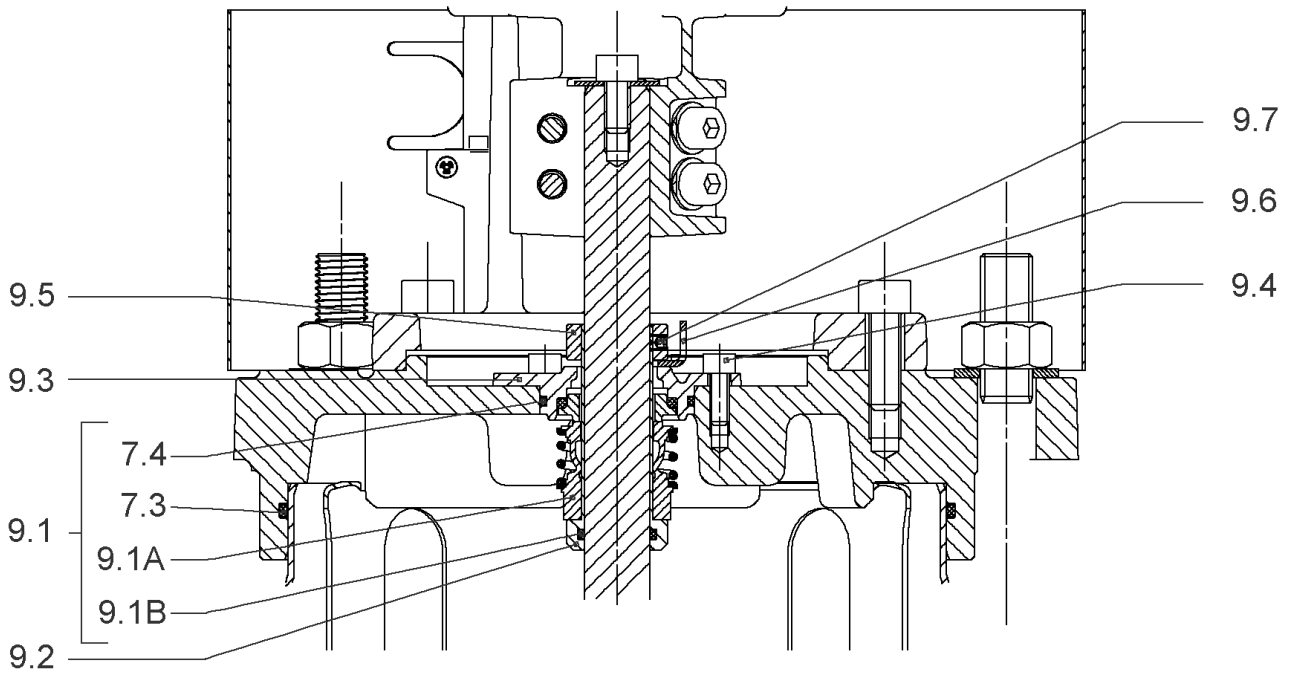
Item	Article no.	Description	Quantity
15.2	4158195	> PLUG PRESSURE CONNECTION G1/4" 316L KIT	1
15.2A		>> PLUG PRESSURE CONNECTION - G1/4" - 316L	1
15.2B	2107769	>> O-RING ID.9,9x2,62 VITON VP.	1
15.3	4158196	> DRAIN/PRIMING PLUG VITON HELIX KIT	1
15.3A		>> DRAIN-AND-PRIMING-PLUG-VM18"-316L	1
15.3B	4032294	>> GASKET-10x3-VITON	1
15.3C	2107768	>> O-RING ID.8,9x2,7 VITON VP.	1
15.4	4143749	> BASE M+ DN50/65/80-304	1
15.6	4121480	> FLANGE M+ DN50 CATA	1
15.7		> O-RING Ø63.17xØ2.62 VITON	1
15.5		> SCREW TBHC M12x25 ISO7380 ZN	1

COUPLING D.20XD.38 FF300 KIT (4143966)



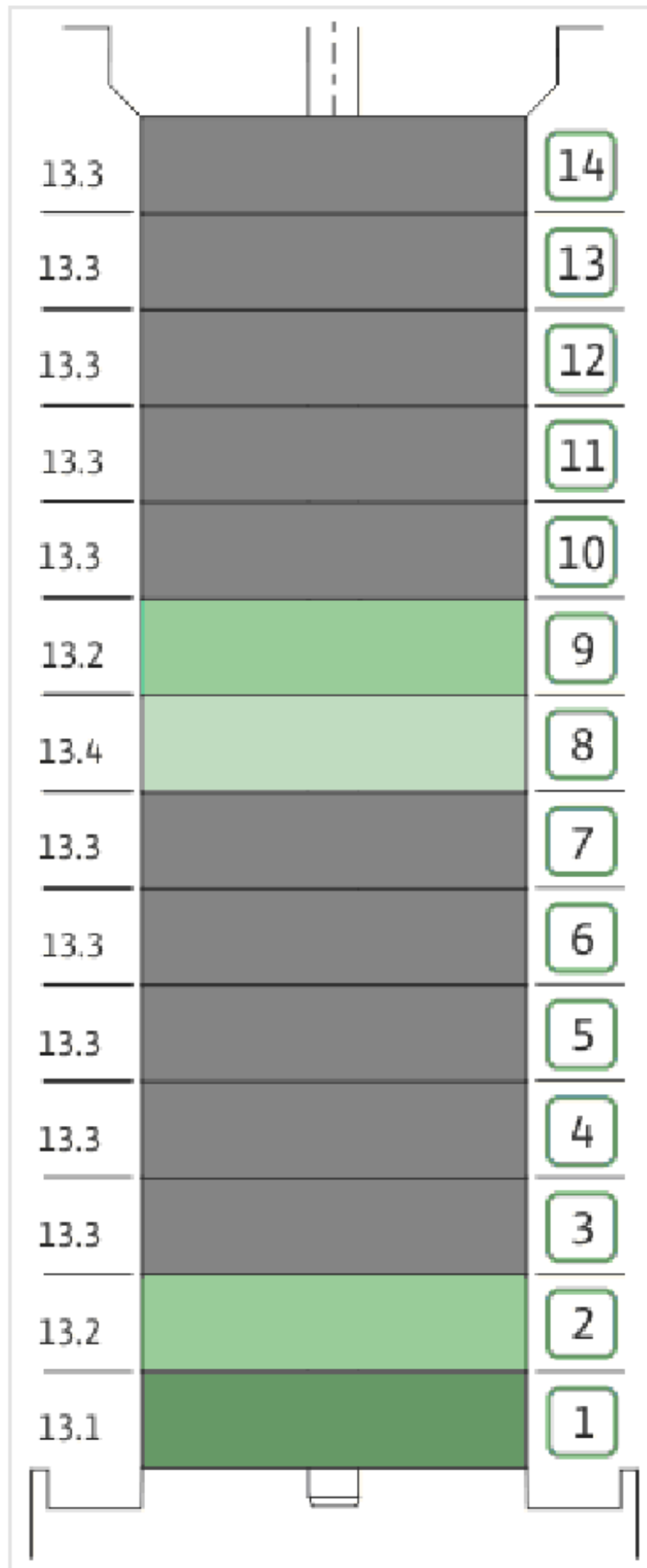
COUPLING D.20XD.38 FF300 KIT (4143966)

Item	Article no.	Description	Quantity
4.1	4179590	COUPLING 2 PARTS D.20XD.38XL115 VP.	1
4.2	2123699	BALL BEARING 6312/2Z-C4 (HT) VP.	1
4.3	63428	CIRCLIP-FOR-SHAFT-D60x2	1
4.4	2130991	SCREW M12X30 ISO4762 8.8 ZN(4 PIECES)	1
4.5	4032277	CIRCLIP-HOLE-130x4	1
4.6	4006725	O-RING ID.132,94x3,53 NBR70SR	1
4.7	2130992	RETAINING RING D.35xD.2,5 DIN7993 VP.	1
4.8	4179591	HUB D.42xD.60 VP.	1
4.9	2130994	SPACER D.38XD.55 VP.	1
4.10	4094462	SCREWS M10 (4 PIECES)	1
4.11	4233959	SCREW M8x16 VP.	1
4.12		SERRATED LOCK WASHER Ø8.2XØ25X35X2	1

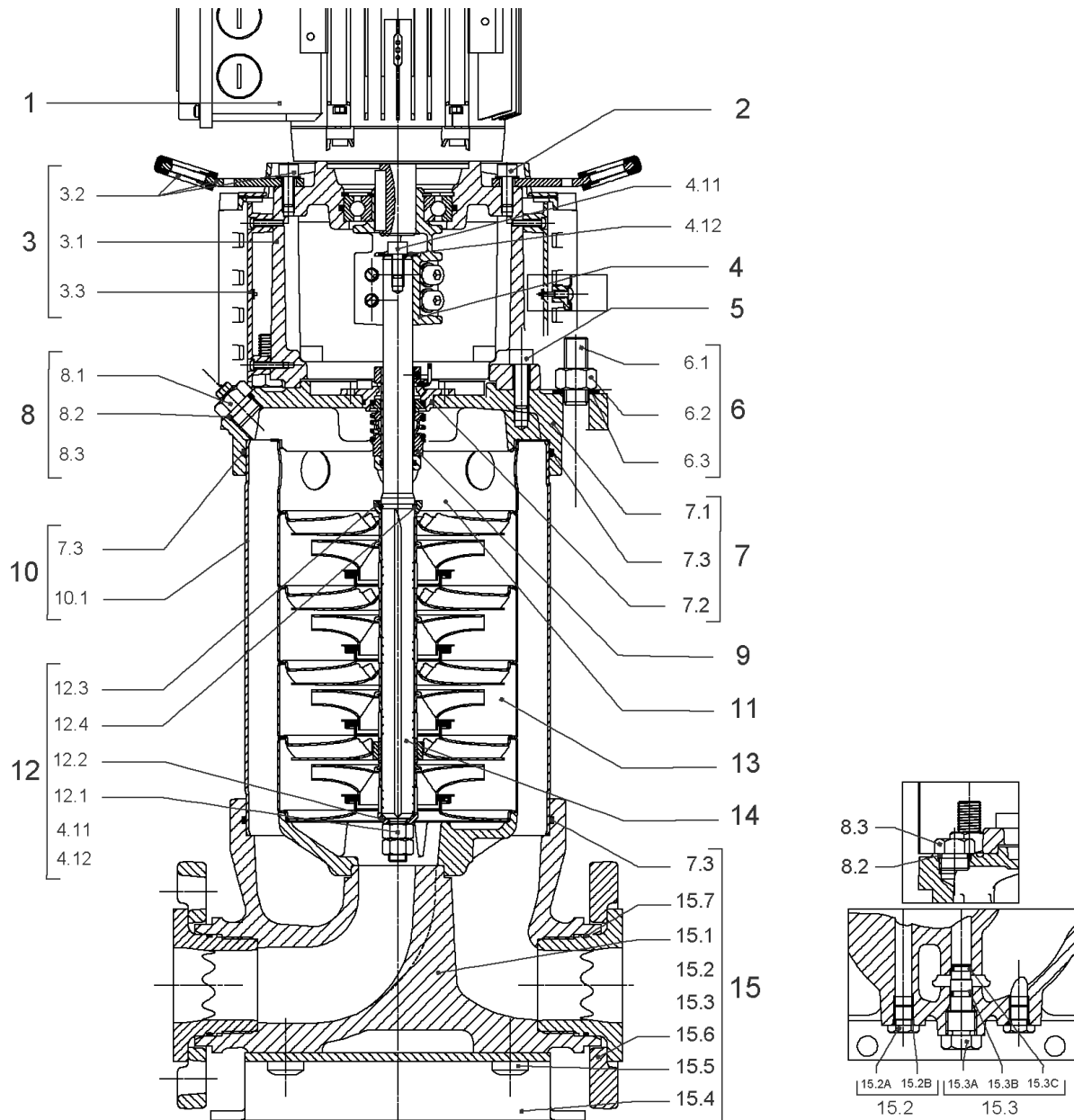


CARTRIDGE HELIX22-36-52 T/V KIT (4179997)

Item	Article no.	Description	Quantity
9.1	4179996	SEAL-KIT-HELIX22-36-52 T/V	1
7.3	2107767	> O-RING ID.202,80x3,53 VITON VP.	1
7.4	4179958	> O-RING-ID.42.52X2.62 VITON VP.	1
9.1A	4179995	> M.SEAL.HELIX22-36-52 T/V VP.	1
9.1B	4179960	> O-RING ID.20x2.65 FKM VP.	1
9.2	4180005	SHAFT SLEEVE D.22/20X71 1.4404 VP.	1
9.3	4180004	RING HOLDER 30B VP.	1
9.4	4176520	SCREW CH M5x5 A4-70 (3PIECES)	1
9.5	4179568	DRIVE RING D.31/22.1x11 MACH.VP.	1
9.6	4179569	TOOL M.S.CART.HELIX 8" VP.	1
9.7	4179570	SCREW M6X16 ISO4762 8.8 GEOMET(4 PIECES)	1



Item	Article no.	Description	Quantity
13.1	4158210	FIRST STAGE HELIX 22 1.4404 KIT	1
		> IMPELLER-H1-M+22-316	1
		> MACH.STG-CASING-WOGV-WNR-M+22-316	1
13.2	4158211	BEARING STAGE HELIX 22 1.4404 KIT	1
		> IMPELLER-H2-M+22-316	1
		> MACH.BEARING-STG-CASING-WNR-M+22-316	1
		> SHAFT-SLEEVE-D26xD22x16-CW	1
13.3	4158212	INTERMEDIATE STAGE HELIX 22 316L KIT	1
		> MACH.STD-STG-CASING-WGV+NR-M+22-316	1
		> IMPELLER-H2-M+22-316	1
13.4	4158213	INTERMEDIATE STAGE HELIX 22 1.4404 KIT	1
		> MACH.STD-STG-CASING-WGV+NR-M+22-316	1
		> IMPELLER-H1-M+22-316	1



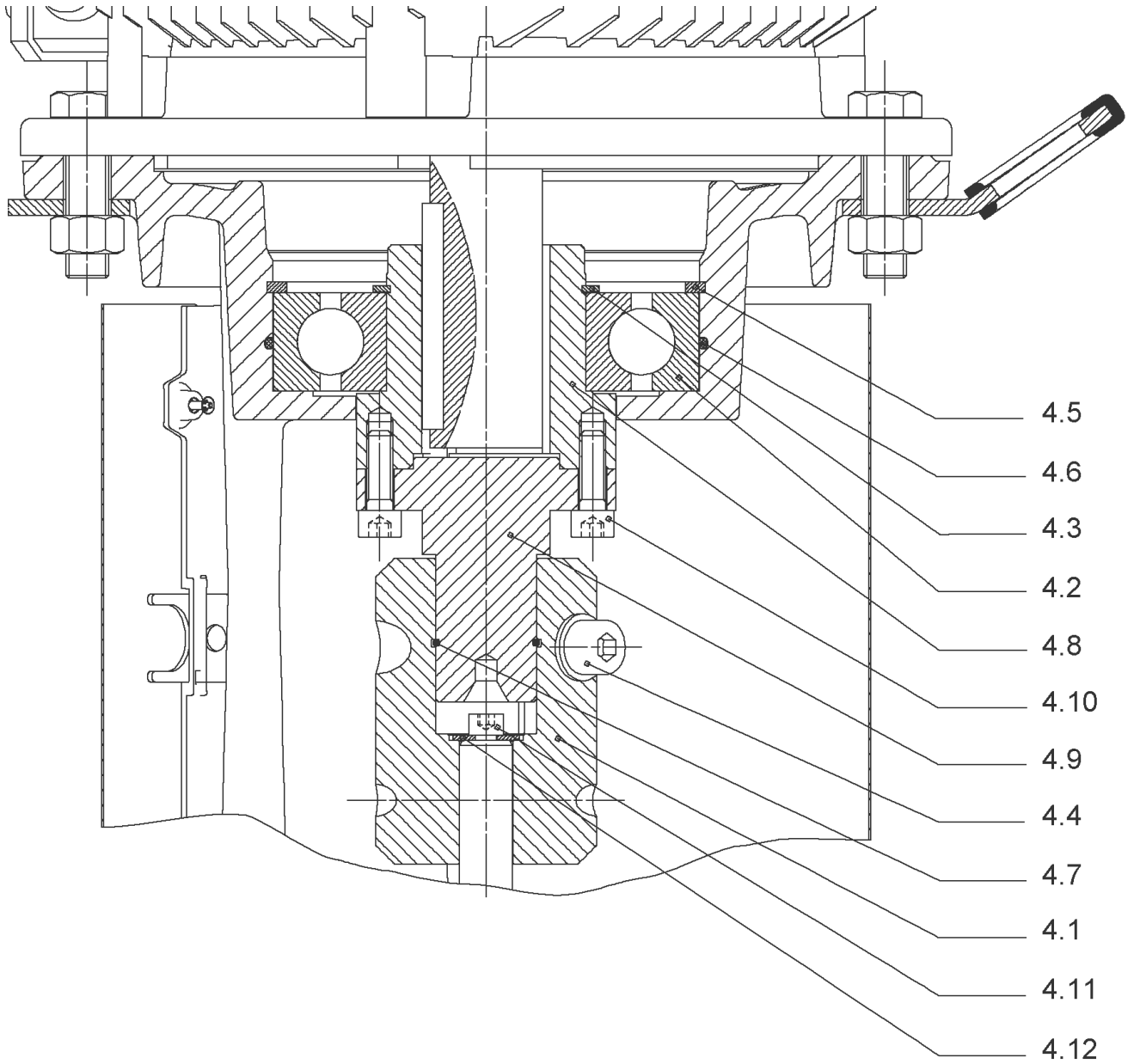
HELIX V2215-2/30/V/KS/400-50 (4165822)

Item	Article no.	Description	Quantity
1	4195488	MOTOR 18.5/2/160 3~400V 50HZ ARC VP.	1
		SPARE PARTS MOTOR:ON REQUEST	1
2	4179586	SCREW M16X60 (4 PIECES)	1
3	4157721	LANTERN HELIX 22/36 FF300 BB6312 KIT	1
3.1		> LANTERN FF300 M+ GJL MACHINED+CATA 6312	1
3.2	4179589	> EYELET CPL.FF300 HELIX(4 PIECES)	1
3.3	4143969	> COUPLING PROTECT HELIX FF KIT	1
4	4143966	COUPLING D.20XD.38 FF300 KIT	1
5	4157725	SCREW M10X40 (4 PIECES)	1
6	4181687	STUD BOLT M16X883 KIT	1
6.1		> TIE BOLT M16-883x24x44-1.4057	1
6.2	4179562	> NUT M16 8.8 ISO4032 (4 PIECES)	1
6.3	4097852	> WASHER-CS-16.4-32-2.8-NFE25-511-A2	1
7	4179959	END SHIELD HELIX 8" FKM 1.4404 KIT	1
7.1		> END SHIELD HELIX 316L MACHINED	1
7.2	4179958	> O-RING-ID.42.52X2.62 VITON VP.	1
7.3	2107767	> O-RING ID.202,80x3,53 VITON VP.	1
8	4161256	FILING/PURGING PLUG FKM KIT	1
8.1		> FILLING/VENTING-PLUG-VM18/10-316L	1
8.2		> FILLING AND VENTING PLUG M+8" 316L	1
8.3		> GASKET-17x3-VITON	1
9	4179997	CARTRIDGE HELIX22-36-52 T/V KIT	1
10	4181721	HOUSING PIPE D.204X814 1.4404 KIT	1
7.3		> O-RING ID.202.80x3.53 VITON 75SH.	1
10.1		> HOUSING-PIPE Ø204-M+2215-316L	1
11	4181697	CENTERING STAGE RETURN HELIX22 1.4404 VP	1
12	4143967	SHAFT EQUIPMENT HELIX V KIT	1
13		HYDRAULIC HELIX V 2215	1
14	4181152	SHAFTS D.22X954 1.4462 VP.	1
15	4158198	EQUIPED HOUSING 1.4409 HELIX KIT	1
7.3	2107767	> O-RING ID.202,80x3,53 VITON VP.	1
15.1		> PUMP HOUSING M+ DN50 316L MACHINED	1
15.1		> GASKET HOLDER M+ DN50 316L MACHINED	1
15.1		> HYDRAULIC SUPPORT M+ DN50 316L MACHINED	1

HELIX V2215-2/30/V/KS/400-50 (4165822)

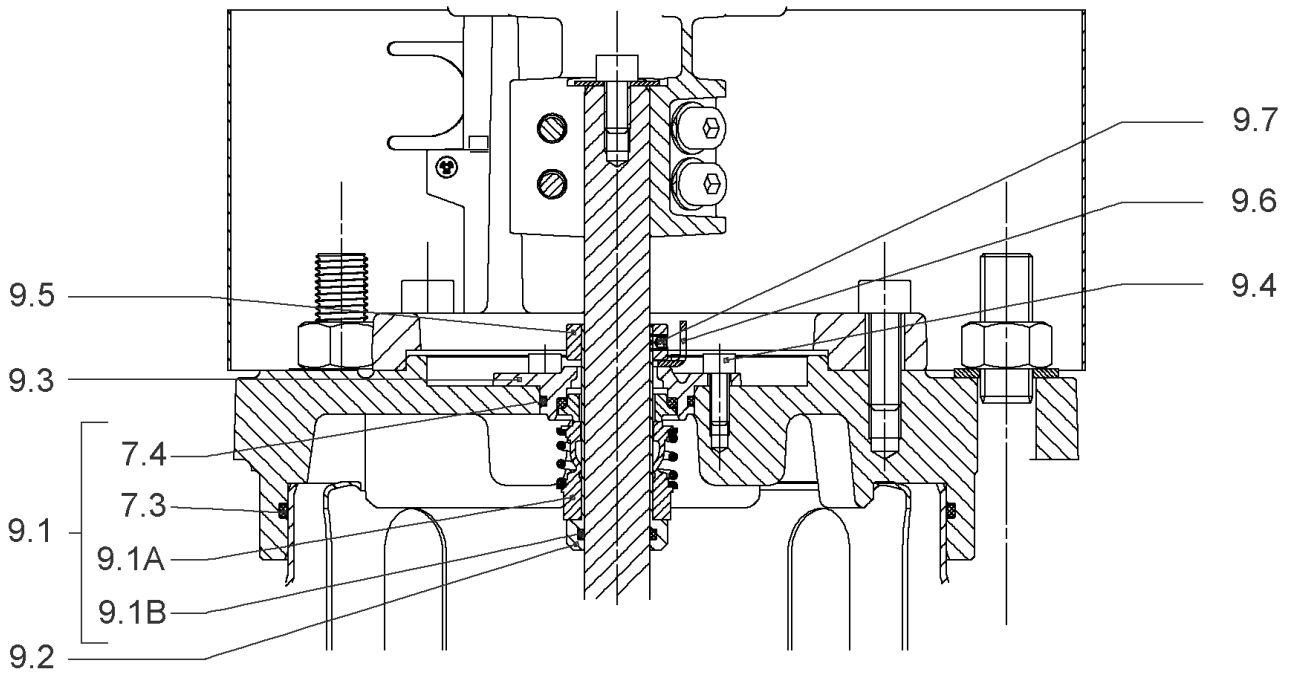
Item	Article no.	Description	Quantity
15.2	4158195	> PLUG PRESSURE CONNECTION G1/4" 316L KIT	1
15.2A		>> PLUG PRESSURE CONNECTION - G1/4" - 316L	1
15.2B	2107769	>> O-RING ID.9,9x2,62 VITON VP.	1
15.3	4158196	> DRAIN/PRIMING PLUG VITON HELIX KIT	1
15.3A		>> DRAIN-AND-PRIMING-PLUG-VM18"-316L	1
15.3B	4032294	>> GASKET-10x3-VITON	1
15.3C	2107768	>> O-RING ID.8,9x2,7 VITON VP.	1
15.4	4143749	> BASE M+ DN50/65/80-304	1
15.6	4121480	> FLANGE M+ DN50 CATA	1
15.7		> O-RING Ø63.17xØ2.62 VITON	1
15.5		> SCREW TBHC M12x25 ISO7380 ZN	1

COUPLING D.20XD.38 FF300 KIT (4143966)



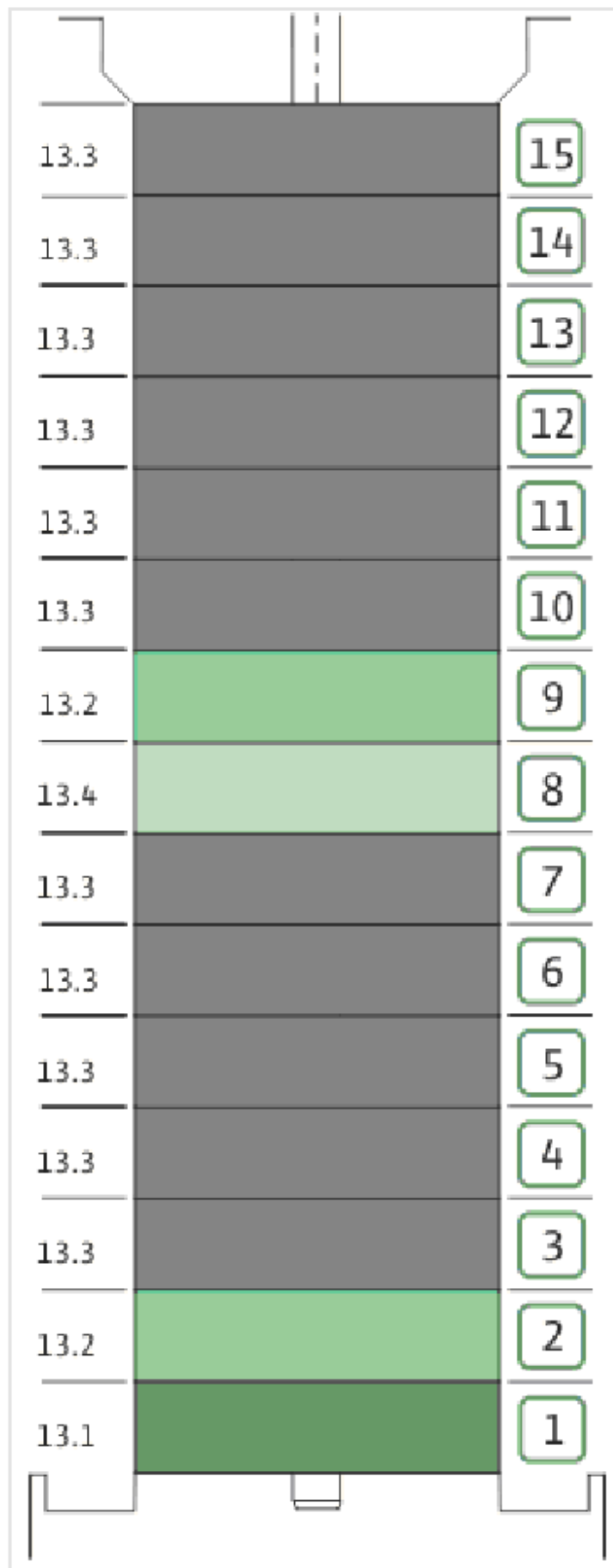
COUPLING D.20XD.38 FF300 KIT (4143966)

Item	Article no.	Description	Quantity
4.1	4179590	COUPLING 2 PARTS D.20XD.38XL115 VP.	1
4.2	2123699	BALL BEARING 6312/2Z-C4 (HT) VP.	1
4.3	63428	CIRCLIP-FOR-SHAFT-D60x2	1
4.4	2130991	SCREW M12X30 ISO4762 8.8 ZN(4 PIECES)	1
4.5	4032277	CIRCLIP-HOLE-130x4	1
4.6	4006725	O-RING ID.132,94x3,53 NBR70SR	1
4.7	2130992	RETAINING RING D.35xD.2,5 DIN7993 VP.	1
4.8	4179591	HUB D.42xD.60 VP.	1
4.9	2130994	SPACER D.38XD.55 VP.	1
4.10	4094462	SCREWS M10 (4 PIECES)	1
4.11	4233959	SCREW M8x16 VP.	1
4.12		SERRATED LOCK WASHER Ø8.2XØ25X35X2	1

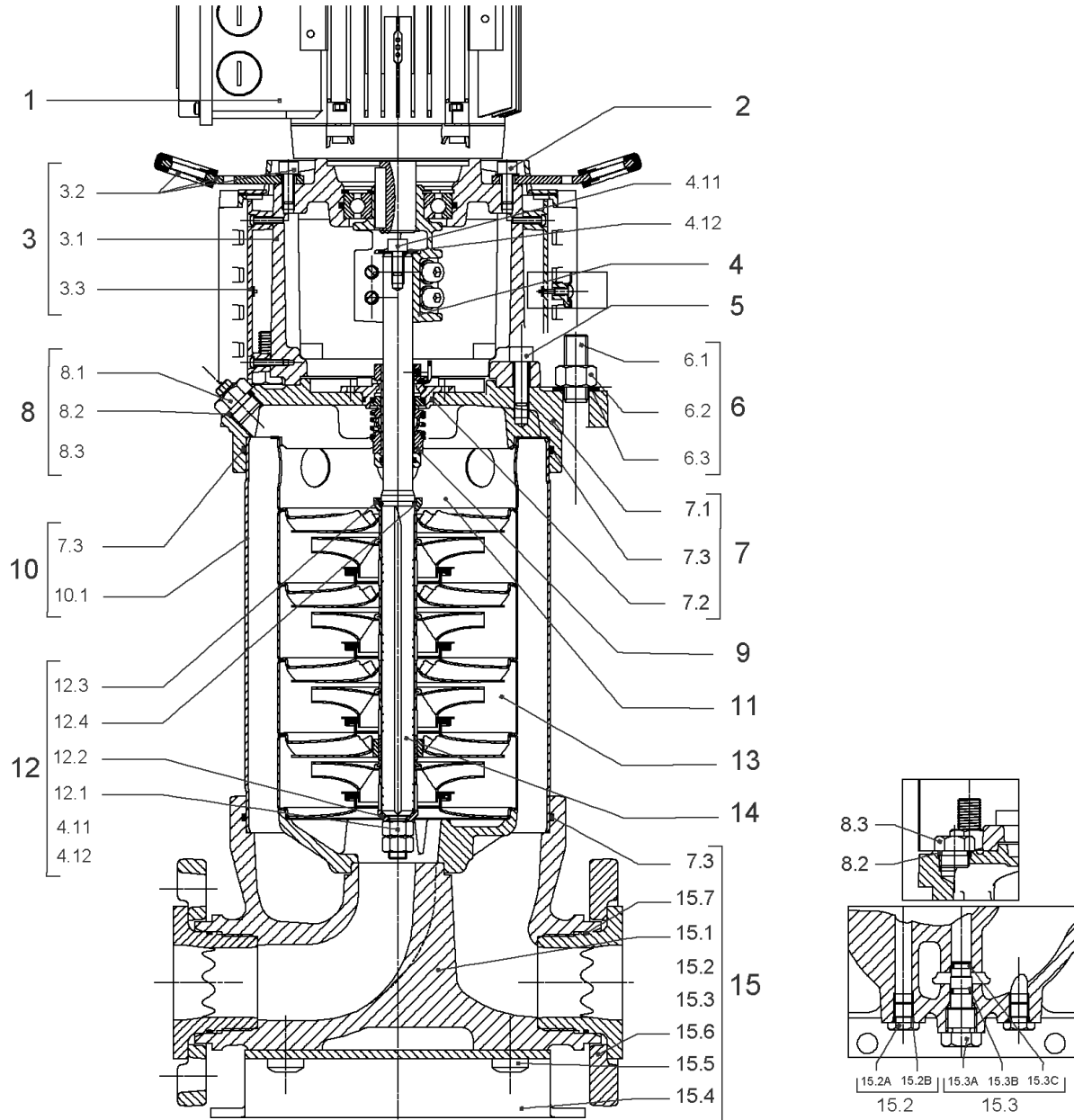


CARTRIDGE HELIX22-36-52 T/V KIT (4179997)

Item	Article no.	Description	Quantity
9.1	4179996	SEAL-KIT-HELIX22-36-52 T/V	1
7.3	2107767	> O-RING ID.202,80x3,53 VITON VP.	1
7.4	4179958	> O-RING-ID.42.52X2.62 VITON VP.	1
9.1A	4179995	> M.SEAL.HELIX22-36-52 T/V VP.	1
9.1B	4179960	> O-RING ID.20x2.65 FKM VP.	1
9.2	4180005	SHAFT SLEEVE D.22/20X71 1.4404 VP.	1
9.3	4180004	RING HOLDER 30B VP.	1
9.4	4176520	SCREW CH M5x5 A4-70 (3PIECES)	1
9.5	4179568	DRIVE RING D.31/22.1x11 MACH.VP.	1
9.6	4179569	TOOL M.S.CART.HELIX 8" VP.	1
9.7	4179570	SCREW M6X16 ISO4762 8.8 GEOMET(4 PIECES)	1



Item	Article no.	Description	Quantity
13.1	4158210	FIRST STAGE HELIX 22 1.4404 KIT	1
		> IMPELLER-H1-M+22-316	1
		> MACH.STG-CASING-WOGV-WNR-M+22-316	1
13.2	4158211	BEARING STAGE HELIX 22 1.4404 KIT	1
		> IMPELLER-H2-M+22-316	1
		> MACH.BEARING-STG-CASING-WNR-M+22-316	1
		> SHAFT-SLEEVE-D26xD22x16-CW	1
13.3	4158212	INTERMEDIATE STAGE HELIX 22 316L KIT	1
		> MACH.STD-STG-CASING-WGV+NR-M+22-316	1
		> IMPELLER-H2-M+22-316	1
13.4	4158213	INTERMEDIATE STAGE HELIX 22 1.4404 KIT	1
		> MACH.STD-STG-CASING-WGV+NR-M+22-316	1
		> IMPELLER-H1-M+22-316	1

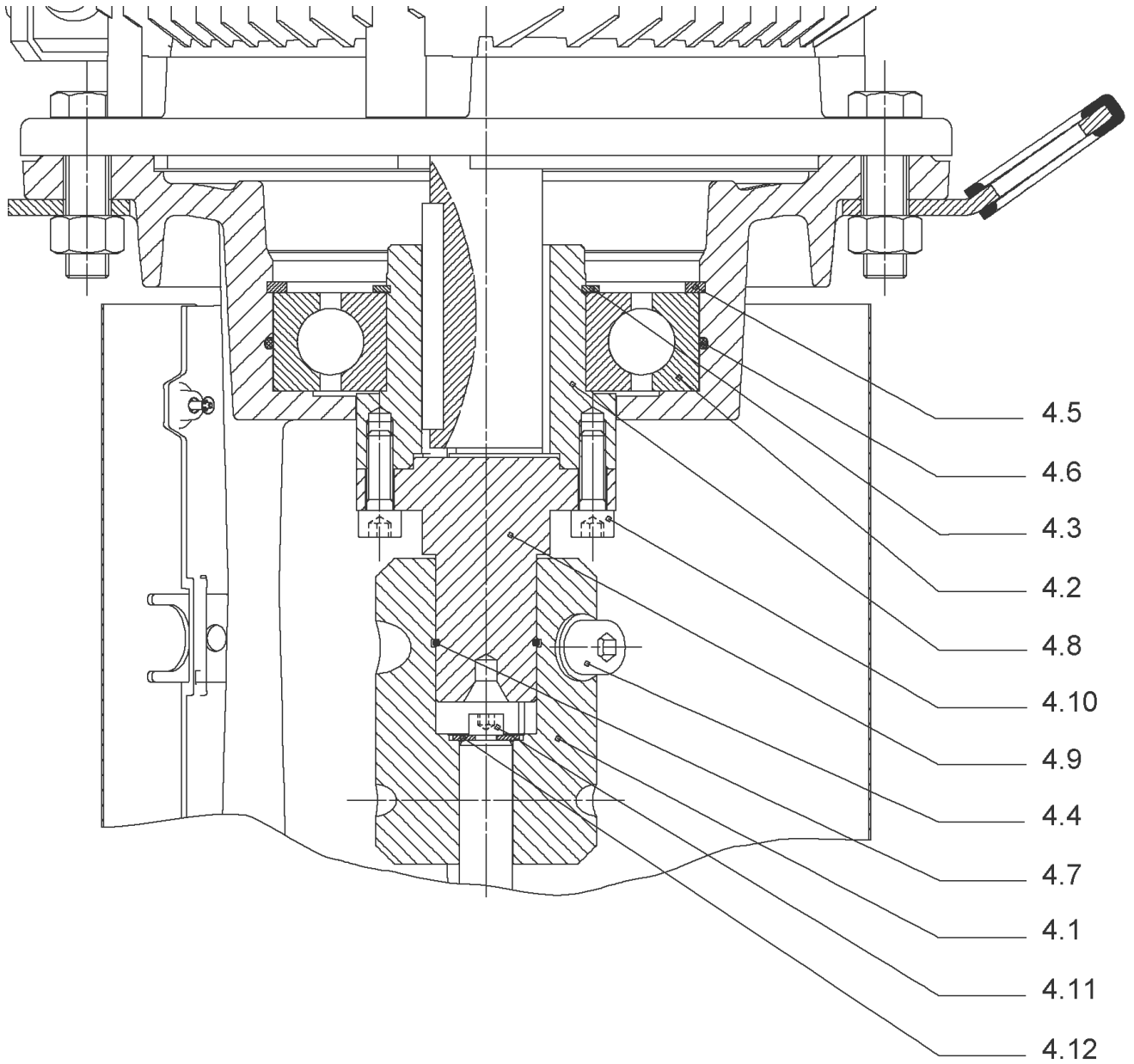


HELIX V2216-2/30/V/KS/400-50 (4165825)

Item	Article no.	Description	Quantity
1	4195489	MOTOR 22/2/160 3~400V 50HZ IE3 VP.	1
		SPARE PARTS MOTOR:ON REQUEST	1
2	4179586	SCREW M16X60 (4 PIECES)	1
3	4157721	LANTERN HELIX 22/36 FF300 BB6312 KIT	1
3.1		> LANTERN FF300 M+ GJL MACHINED+CATA 6312	1
3.2	4179589	> EYELET CPL.FF300 HELIX(4 PIECES)	1
3.3	4143969	> COUPLING PROTECT HELIX FF KIT	1
4	4143966	COUPLING D.20XD.38 FF300 KIT	1
5	4157725	SCREW M10X40 (4 PIECES)	1
6	4181691	STUD BOLT M16X933 KIT	1
		> TIE BOLT M16-933x24x44-1.4057	1
	4179562	> NUT M16 8.8 ISO4032 (4 PIECES)	1
	4097852	> WASHER-CS-16.4-32-2.8-NFE25-511-A2	1
7	4179959	END SHIELD HELIX 8" FKM 1.4404 KIT	1
7.1		> END SHIELD HELIX 316L MACHINED	1
7.2	4179958	> O-RING-ID.42.52X2.62 VITON VP.	1
7.3	2107767	> O-RING ID.202,80x3,53 VITON VP.	1
8	4161256	FILING/PURGING PLUG FKM KIT	1
8.1		> FILLING/VENTING-PLUG-VM18/10-316L	1
8.2		> FILLING AND VENTING PLUG M+8" 316L	1
8.3		> GASKET-17x3-VITON	1
9	4179997	CARTRIDGE HELIX22-36-52 T/V KIT	1
10	4181723	HOUSING PIPE D.204X864 1.4404 KIT	1
7.3	2107767	> O-RING ID.202,80x3,53 VITON VP.	1
10.1		> HOUSING-PIPE Ø204-M+2216-316L	1
11	4181697	CENTERING STAGE RETURN HELIX22 1.4404 VP	1
12	4143967	SHAFT EQUIPMENT HELIX V KIT	1
13		HYDRAULIC HELIX V 2216	1
14	4179990	SHAFT D.22X1004 1.4462 VP.	1
15	4158198	EQUIPED HOUSING 1.4409 HELIX KIT	1
7.3	2107767	> O-RING ID.202,80x3,53 VITON VP.	1
15.1		> PUMP HOUSING M+ DN50 316L MACHINED	1
15.1		> GASKET HOLDER M+ DN50 316L MACHINED	1
15.1		> HYDRAULIC SUPPORT M+ DN50 316L MACHINED	1

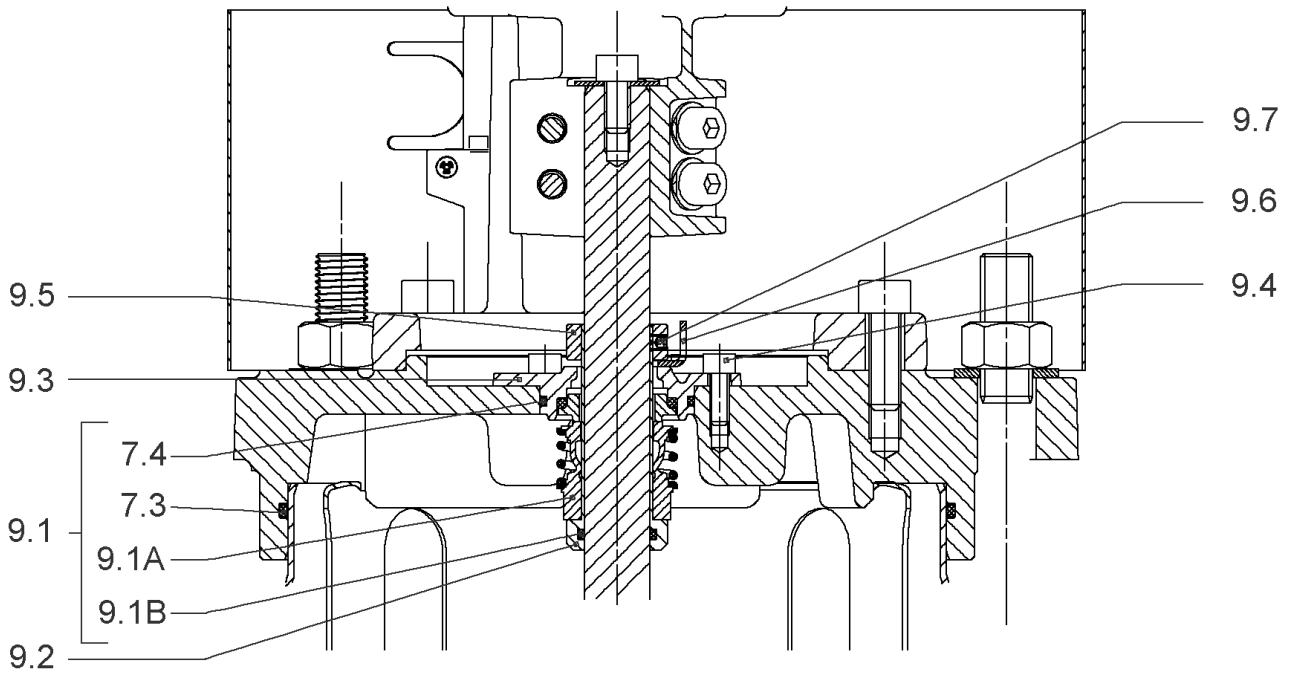
HELIX V2216-2/30/V/KS/400-50 (4165825)

Item	Article no.	Description	Quantity
15.2	4158195	> PLUG PRESSURE CONNECTION G1/4" 316L KIT	1
15.2A		>> PLUG PRESSURE CONNECTION - G1/4" - 316L	1
15.2B	2107769	>> O-RING ID.9,9x2,62 VITON VP.	1
15.3	4158196	> DRAIN/PRIMING PLUG VITON HELIX KIT	1
15.3A		>> DRAIN-AND-PRIMING-PLUG-VM18"-316L	1
15.3B	4032294	>> GASKET-10x3-VITON	1
15.3C	2107768	>> O-RING ID.8,9x2,7 VITON VP.	1
15.4	4143749	> BASE M+ DN50/65/80-304	1
15.6	4121480	> FLANGE M+ DN50 CATA	1
15.7		> O-RING Ø63.17xØ2.62 VITON	1
15.5		> SCREW TBHC M12x25 ISO7380 ZN	1



COUPLING D.20XD.38 FF300 KIT (4143966)

Item	Article no.	Description	Quantity
4.1	4179590	COUPLING 2 PARTS D.20XD.38XL115 VP.	1
4.2	2123699	BALL BEARING 6312/2Z-C4 (HT) VP.	1
4.3	63428	CIRCLIP-FOR-SHAFT-D60x2	1
4.4	2130991	SCREW M12X30 ISO4762 8.8 ZN(4 PIECES)	1
4.5	4032277	CIRCLIP-HOLE-130x4	1
4.6	4006725	O-RING ID.132,94x3,53 NBR70SR	1
4.7	2130992	RETAINING RING D.35xD.2,5 DIN7993 VP.	1
4.8	4179591	HUB D.42xD.60 VP.	1
4.9	2130994	SPACER D.38XD.55 VP.	1
4.10	4094462	SCREWS M10 (4 PIECES)	1
4.11	4233959	SCREW M8x16 VP.	1
4.12		SERRATED LOCK WASHER Ø8.2XØ25X35X2	1



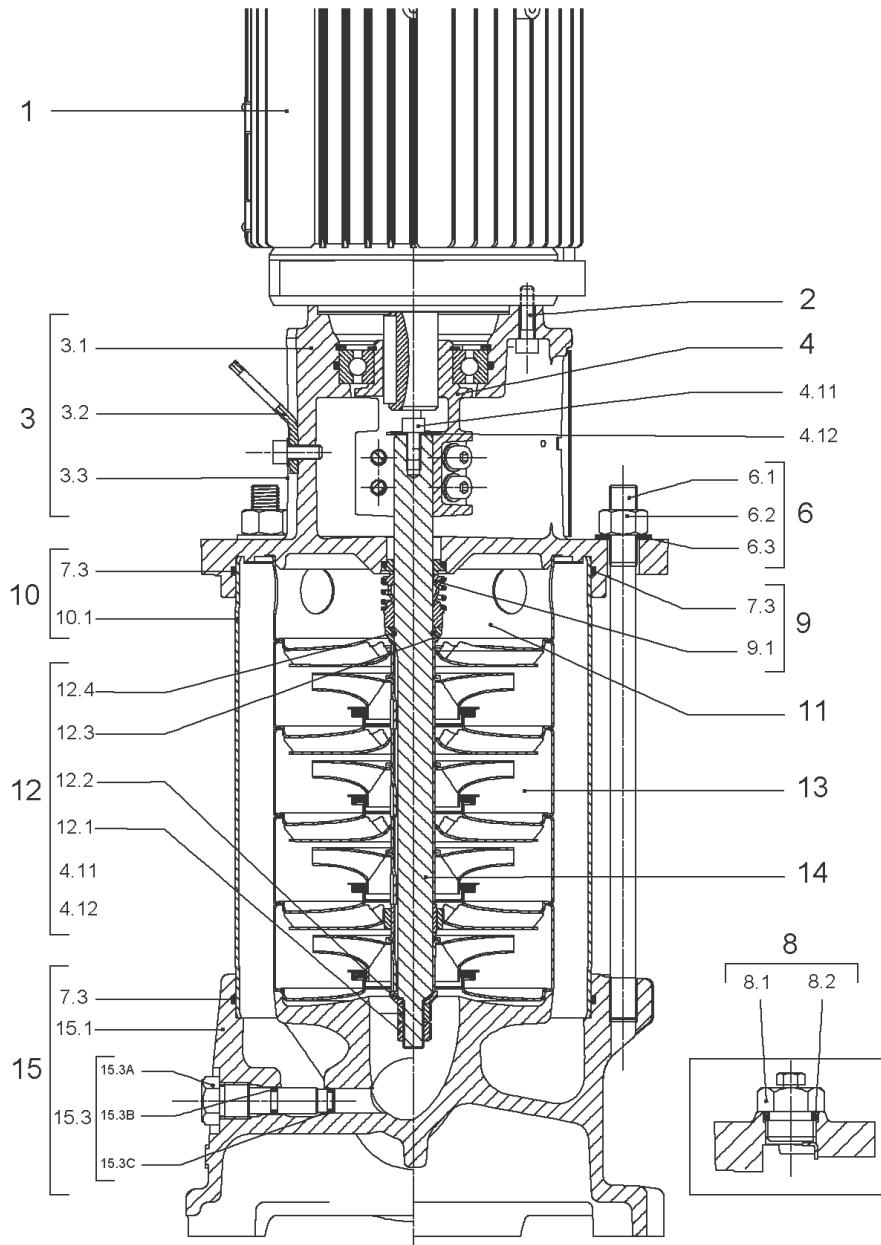
CARTRIDGE HELIX22-36-52 T/V KIT (4179997)

Item	Article no.	Description	Quantity
9.1	4179996	SEAL-KIT-HELIX22-36-52 T/V	1
7.3	2107767	> O-RING ID.202,80x3,53 VITON VP.	1
7.4	4179958	> O-RING-ID.42.52X2.62 VITON VP.	1
9.1A	4179995	> M.SEAL.HELIX22-36-52 T/V VP.	1
9.1B	4179960	> O-RING ID.20x2.65 FKM VP.	1
9.2	4180005	SHAFT SLEEVE D.22/20X71 1.4404 VP.	1
9.3	4180004	RING HOLDER 30B VP.	1
9.4	4176520	SCREW CH M5x5 A4-70 (3PIECES)	1
9.5	4179568	DRIVE RING D.31/22.1x11 MACH.VP.	1
9.6	4179569	TOOL M.S.CART.HELIX 8" VP.	1
9.7	4179570	SCREW M6X16 ISO4762 8.8 GEOMET(4 PIECES)	1



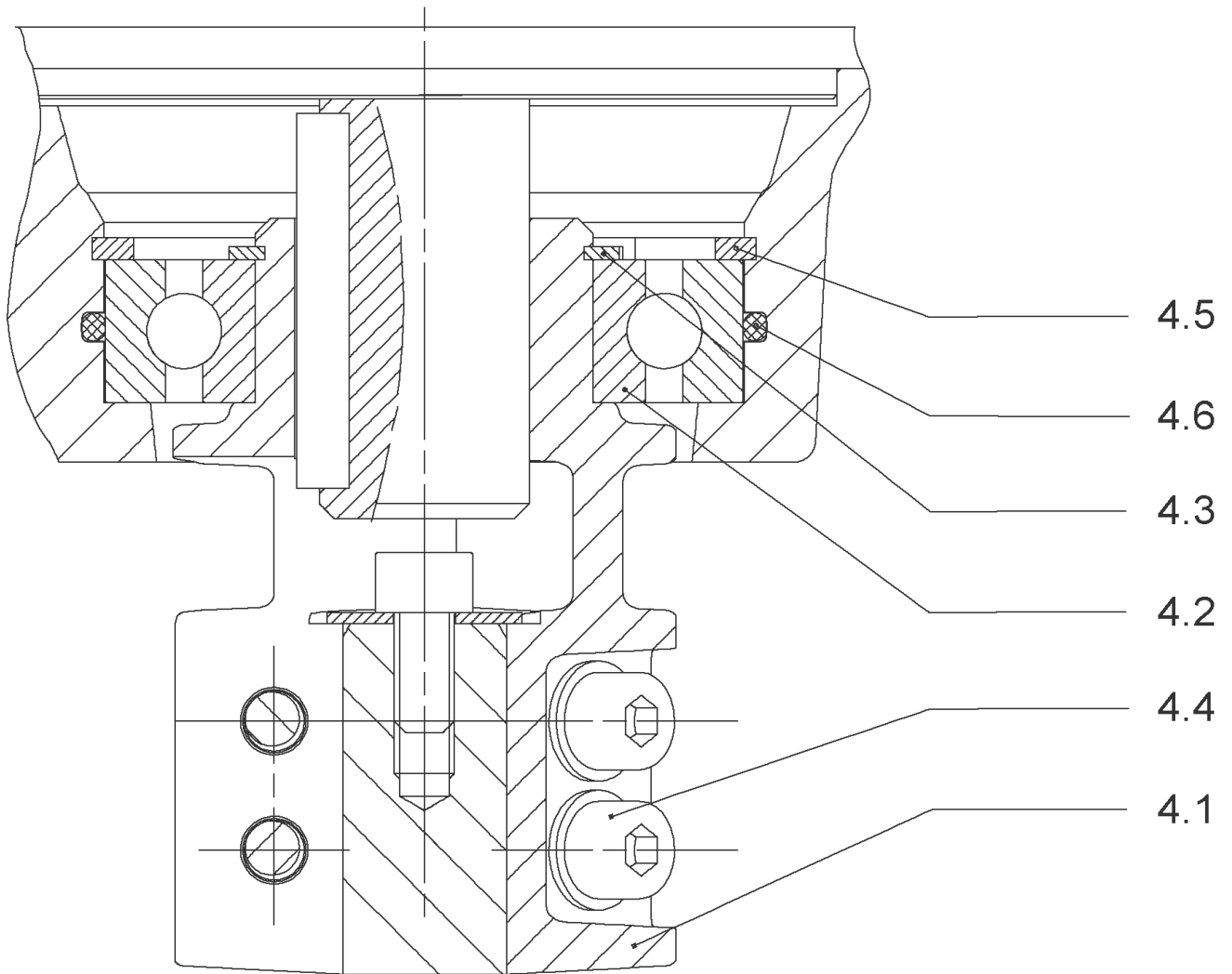
HYDRAULIC HELIX V 2216

Article no.	Description	Quantity
4158210	FIRST STAGE HELIX 22 1.4404 KIT	1
	> IMPELLER-H1-M+22-316	1
	> MACH.STG-CASING-WOGV-WNR-M+22-316	1
4158211	BEARING STAGE HELIX 22 1.4404 KIT	1
	> IMPELLER-H2-M+22-316	1
	> MACH.BEARING-STG-CASING-WNR-M+22-316	1
	> SHAFT-SLEEVE-D26xD22x16-CW	1
4158212	INTERMEDIATE STAGE HELIX 22 316L KIT	1
	> MACH.STD-STG-CASING-WGV+NR-M+22-316	1
	> IMPELLER-H2-M+22-316	1
4158213	INTERMEDIATE STAGE HELIX 22 1.4404 KIT	1
	> MACH.STD-STG-CASING-WGV+NR-M+22-316	1
	> IMPELLER-H1-M+22-316	1



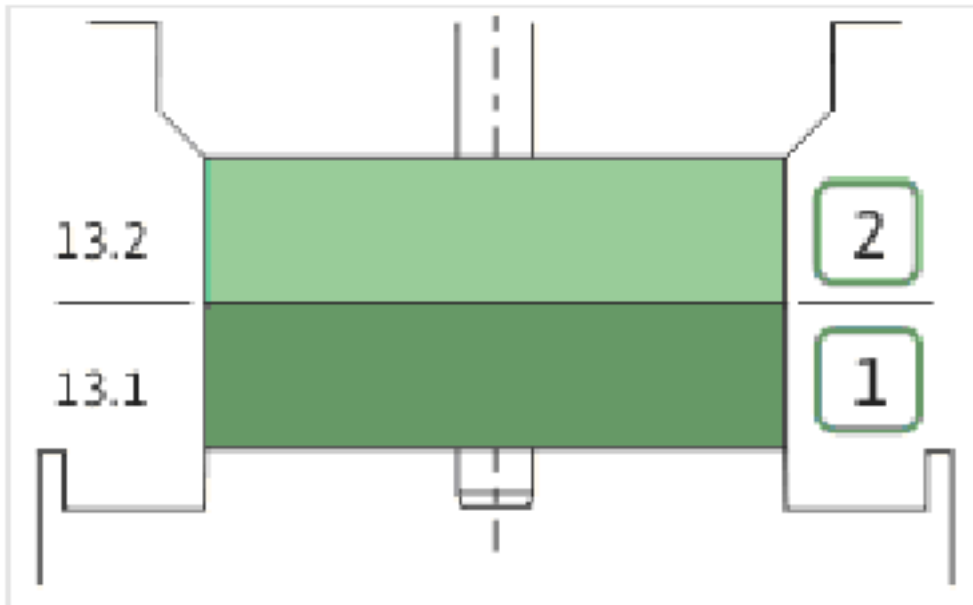
HELIX V2202-4/16/E/S/400-50 (4183363)

Item	Article no.	Description	Quantity
1	4169944	MOTOR 3/2/100 3~230/400V 50HZ IE3 VP.	1
		SPARE PARTS MOTOR:ON REQUEST	1
2	4159707	SCREW M8X30 (4 PIECES)	1
3	4186356	LANTERN HELIX OPTI 8" FT130 KIT	1
3.1		> M+8_LANTERN_ONE-PIECE_FT130_CATA_DWA	1
3.2	4184852	> EYELET CPL.FT HELIX (2 PIECES)	1
3.3	4184853	> COUPLING PROTECTOR FT HELIX 8" KIT	1
4	4184854	COUPLING D.22XD.28 FT130 HELIX KIT	1
6	4179563	STUD BOLT M16X198 KIT	1
6.1		> TIE BOLT M16-198x24x44-1.4057	1
6.2	4179562	> NUT M16 8.8 ISO4032 (4 PIECES)	1
6.3	4097852	> WASHER-CS-16.4-32-2.8-NFE25-511-A2	1
8	4186377	FILING/PURGING PLUG 304 HELIX KIT	1
8.1		> FILLING/VENTING-PLUG-MVI8/10"-304	1
8.2	4032291	> O-RING 17x3 EPDM KTW/WRC	1
9	4192148	SEAL-KIT-HELIX22-36-52 FIRST O/E	1
7.3	4179571	> O-RING HOUSING PIPE HELIX22/36/52 VP.	1
9.1	4179573	> M.SEAL.HELIX22-36-52 O/E VP.	1
10	4181154	HOUSING PIPE D.204X164 1.4307 KIT	1
7.3	4179571	> O-RING HOUSING PIPE HELIX22/36/52 VP.	1
10.1		> HOUSING-PIPE Ø204-M+2201/2202-304	1
11	4179143	CENTERING STAGE-RETURN HELIX22 1.4307 VP	1
12	4184856	SHAFT EQUIPMENT HELIX 22 FIRST KIT	1
13		HYDRAULIC HELIX V 2202	1
14	4184857	SHAFT D.22X251 1.4057 VP.	1
15	4186357	EQUIPED HOUSING HELIX OPTI DN50 GJL KIT	1
15.1		> PUMP CASING MONO.GJL M+8" DN50 DWA	1
15.3	4106048	> DRAIN/PRIMING PLUG EPDM HELIX FIRST KIT	1
15.3A		>> DRAIN AND PRIMING PLUG-VMI10"-304	1
15.3B	4032293	>> O-RING-10x3-EPDM-KTW/WRC	1
15.3C	4233957	>> O-RING ID.9 EPDM VP.	1
7.3	4179571	> O-RING HOUSING PIPE HELIX22/36/52 VP.	1

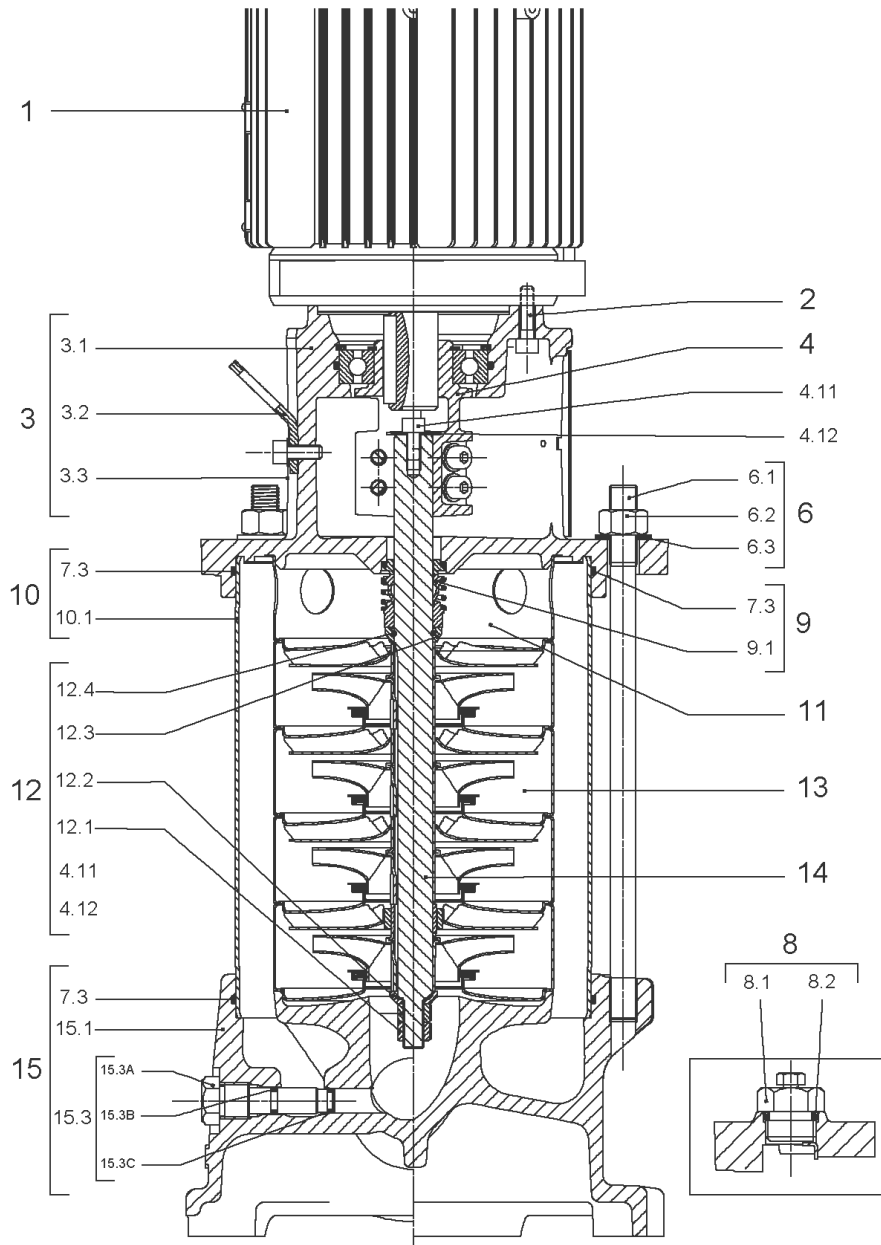


COUPLING D.22XD.28 FT130 HELIX KIT (4184854)

Item	Article no.	Description	Quantity
4.1		COUPLING-VMI-Ø22xØ28-FT130-MACHINED	1
4.2	2131022	BALL BEARING 6209/ZZ-C3(HT)VP.	1
4.3	4233930	CIRCLIP-FOR-BORES-D45x1,75 VP.	1
4.4	4157726	SCREW KIT M8X30 (4 PIECES)	1
4.5	4234252	CIRCLIPS 85X3 VP.	1
4.6	4234243	O-RING 85X3 VP.	1
		NOMEL CONTACT WASHER 8x16x1,4 STEEL ZC	1

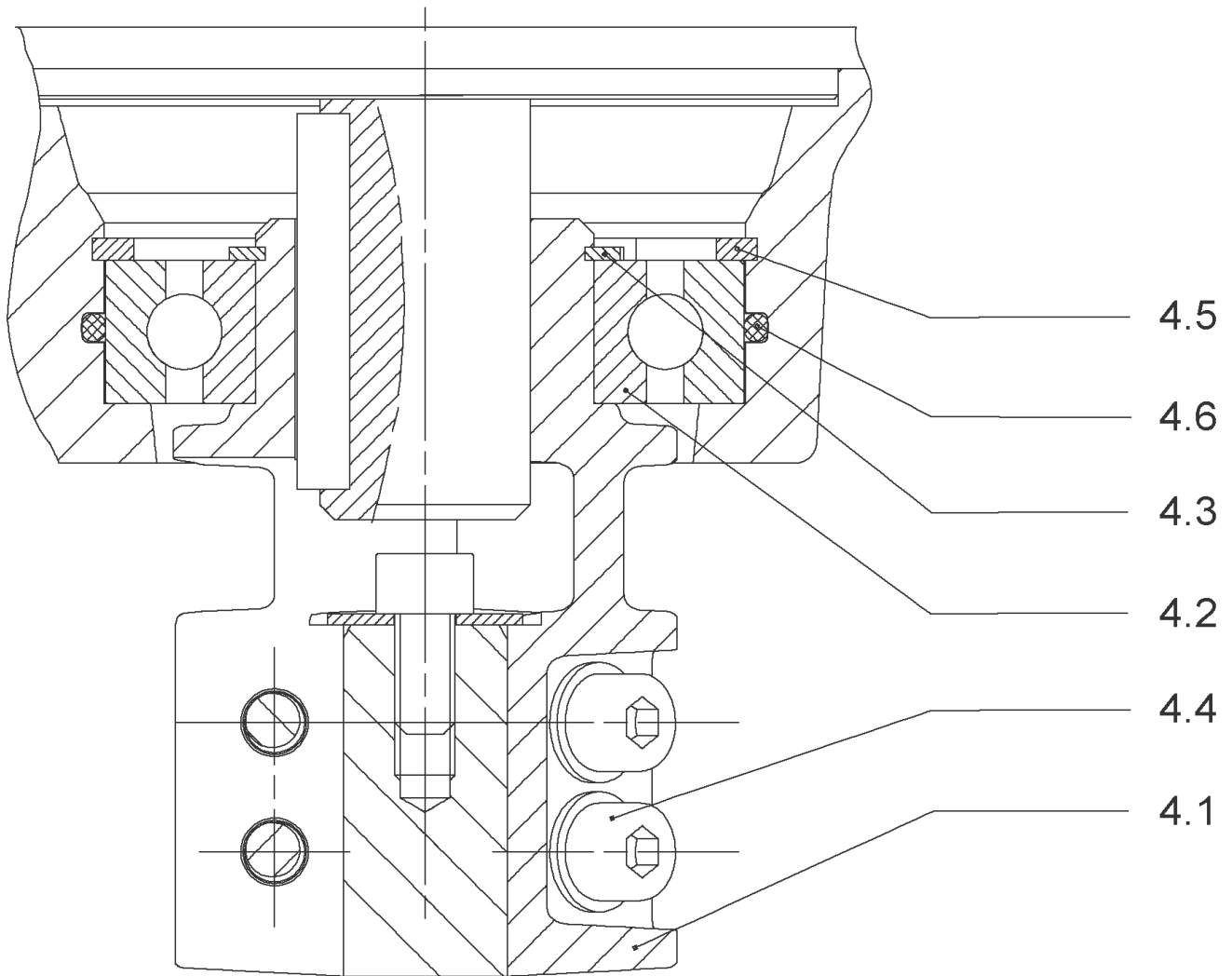


Item	Article no.	Description	Quantity
13.1	4157739	FIRST STAGE HELIX 22 1.4307 KIT	1
		> IMPELLER-H1-M+22-304	1
		> MACH.STG-CASING-WOGV-WNR-M+22-304	1
13.2	4157740	BEARING STAGE HELIX 22 1.4307 KIT	1
		> IMPELLER-H2-M+22-304	1
		> MACH.BEARING-STG-CASING-WNR-M+22-304	1
		> SHAFT-SLEEVE-D26xD22x16-CW	1



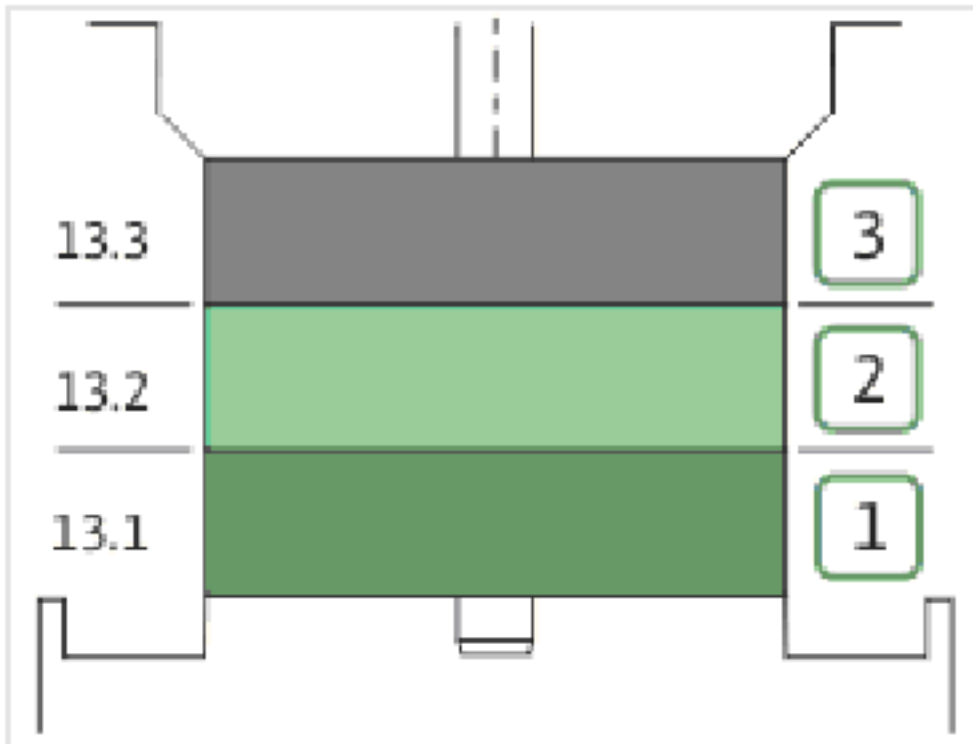
HELIX V2203-4/16/E/S/400-50 (4183364)

Item	Article no.	Description	Quantity
1	4169945	MO.4/2 3~230/400(460)V 50(60)HZ IE3 VP.	1
		SPARE PARTS MOTOR:ON REQUEST	1
2	4159707	SCREW M8X30 (4 PIECES)	1
3	4186356	LANTERN HELIX OPTI 8" FT130 KIT	1
3.1		> M+8_LANTERN_ONE-PIECE_FT130_CATA_DWA	1
3.2	4184852	> EYELET CPL.FT HELIX (2 PIECES)	1
3.3	4184853	> COUPLING PROTECTOR FT HELIX 8" KIT	1
4	4184854	COUPLING D.22XD.28 FT130 HELIX KIT	1
6	4186342	STUD BOLT M16X253 KIT	1
6.1		> TIE BOLT M16-253x24x44-1.4057	1
6.2	4179562	> NUT M16 8.8 ISO4032 (4 PIECES)	1
6.3	4097852	> WASHER-CS-16.4-32-2.8-NFE25-511-A2	1
8	4186377	FILING/PURGING PLUG 304 HELIX KIT	1
8.1		> FILLING/VENTING-PLUG-MVI8/10"-304	1
8.2	4032291	> O-RING 17x3 EPDM KTW/WRC	1
9	4192148	SEAL-KIT-HELIX22-36-52 FIRST O/E	1
7.3	4179571	> O-RING HOUSING PIPE HELIX22/36/52 VP.	1
9.1	4179573	> M.SEAL.HELIX22-36-52 O/E VP.	1
10	4181161	HOUSING PIPE D.204X214 1.4307 KIT	1
10.1		> HOUSING-PIPE Ø204-M+2203-304	1
7.3	4179571	> O-RING HOUSING PIPE HELIX22/36/52 VP.	1
11	4179143	CENTERING STAGE-RETURN HELIX22 1.4307 VP	1
12	4184856	SHAFT EQUIPMENT HELIX 22 FIRST KIT	1
13		HYDRAULIC HELIX V 2203	1
14	4186343	SHAFT D.22X301 1.4057 VP.	1
15	4186357	EQUIPED HOUSING HELIX OPTI DN50 GJL KIT	1
15.1		> PUMP CASING MONO.GJL M+8" DN50 DWA	1
15.3	4106048	> DRAIN/PRIMING PLUG EPDM HELIX FIRST KIT	1
15.3A		>> DRAIN AND PRIMING PLUG-VMI10"-304	1
15.3B	4032293	>> O-RING-10x3-EPDM-KTW/WRC	1
15.3C	4233957	>> O-RING ID.9 EPDM VP.	1
7.3	4179571	> O-RING HOUSING PIPE HELIX22/36/52 VP.	1

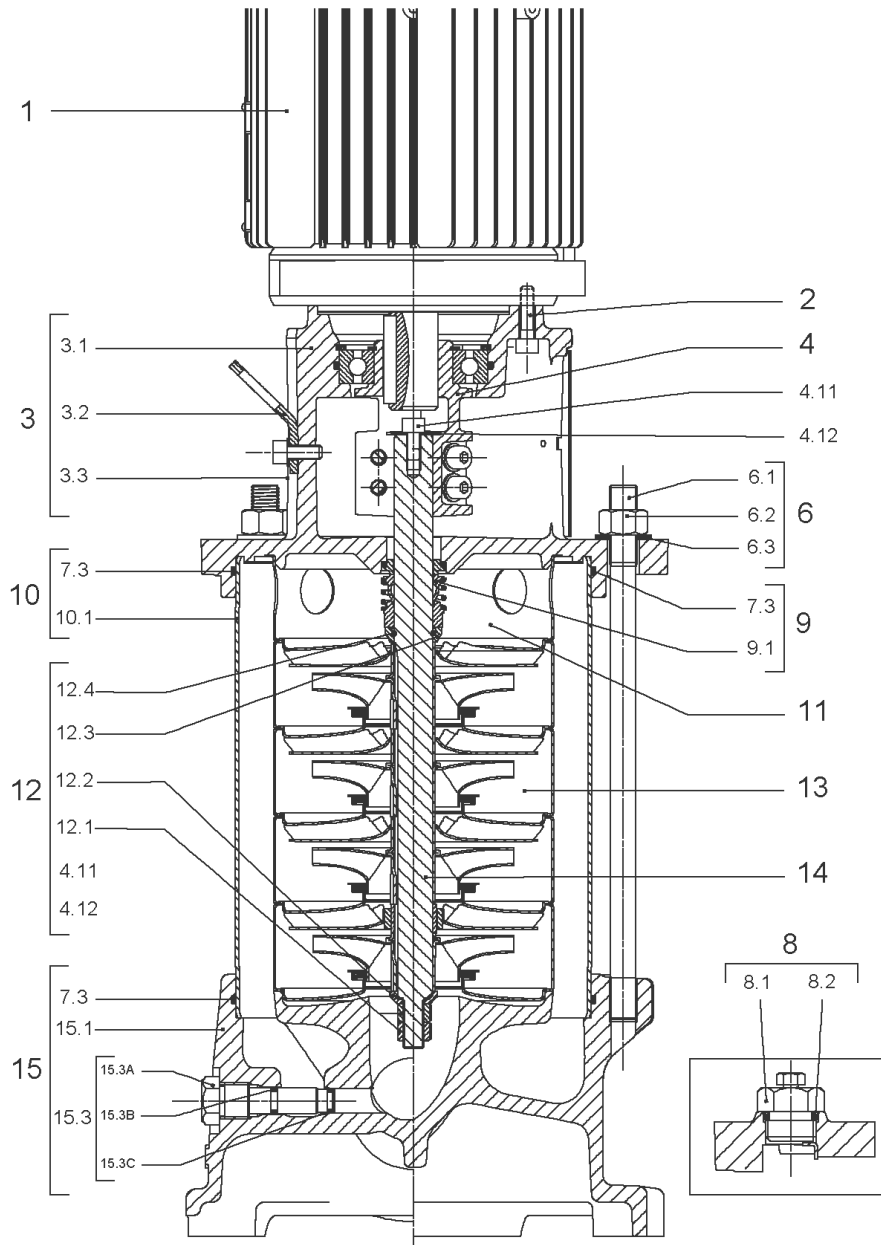


COUPLING D.22XD.28 FT130 HELIX KIT (4184854)

Item	Article no.	Description	Quantity
4.1		COUPLING-VMI-Ø22xØ28-FT130-MACHINED	1
4.2	2131022	BALL BEARING 6209/ZZ-C3(HT)VP.	1
4.3	4233930	CIRCLIP-FOR-BORES-D45x1,75 VP.	1
4.4	4157726	SCREW KIT M8X30 (4 PIECES)	1
4.5	4234252	CIRCLIPS 85X3 VP.	1
4.6	4234243	O-RING 85X3 VP.	1
		NOMEL CONTACT WASHER 8x16x1,4 STEEL ZC	1

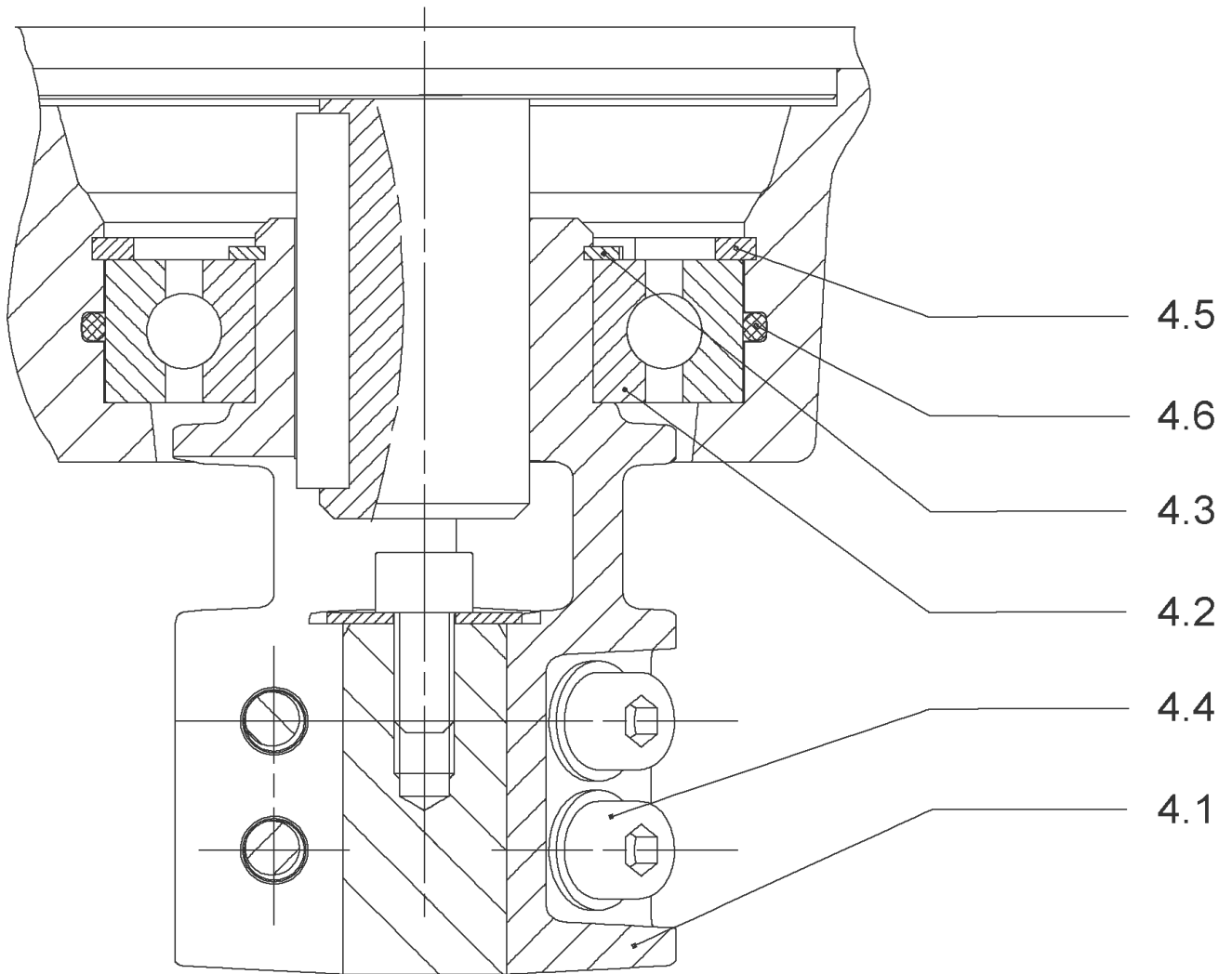


Item	Article no.	Description	Quantity
13.1	4157739	FIRST STAGE HELIX 22 1.4307 KIT	1
		> IMPELLER-H1-M+22-304	1
		> MACH.STG-CASING-WOGV-WNR-M+22-304	1
13.2	4157740	BEARING STAGE HELIX 22 1.4307 KIT	1
		> IMPELLER-H2-M+22-304	1
		> MACH.BEARING-STG-CASING-WNR-M+22-304	1
		> SHAFT-SLEEVE-D26xD22x16-CW	1
13.3	4157743	INTERMEDIATE STAGE HELIX 22 KIT	1
		> MACH.STD-STG-CASING-WGV+NR-M+22-304	1
		> IMPELLER-H2-M+22-304	1



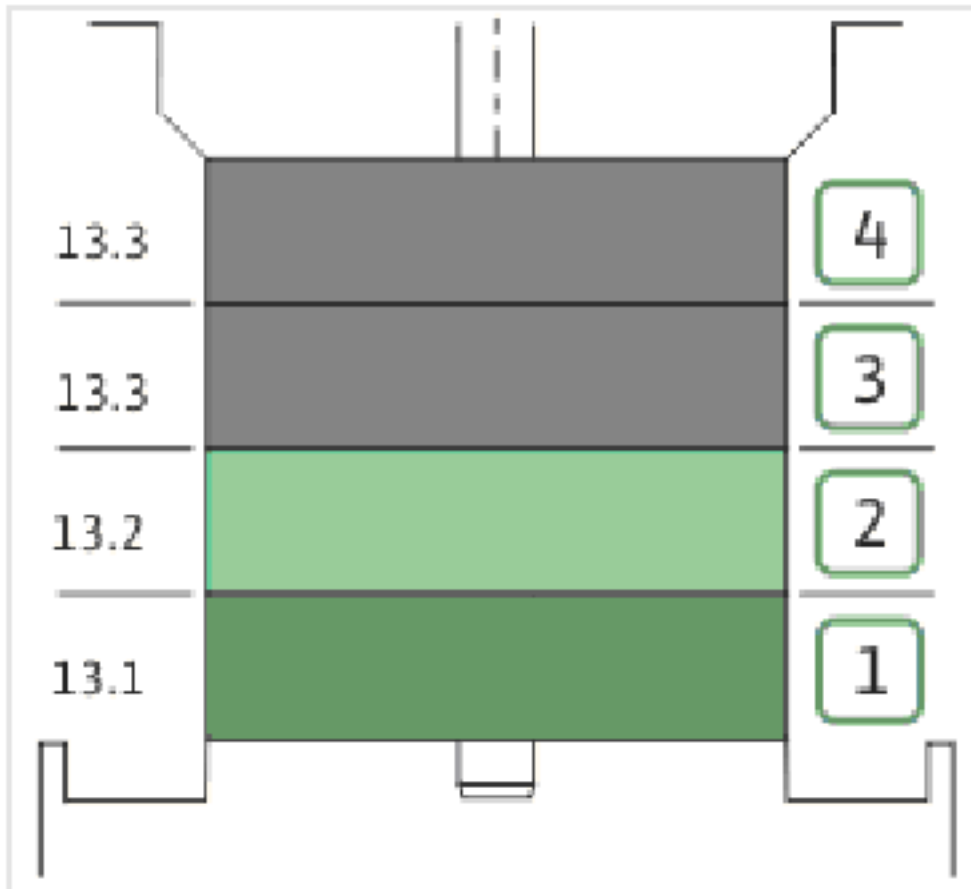
HELIX V2204-4/16/E/S/400-50 (4183365)

Item	Article no.	Description	Quantity
1	4169947	MO 5,5/2/112 3~400V50Hz 460V60Hz IE3 VP.	1
		SPARE PARTS MOTOR:ON REQUEST	1
2	4159707	SCREW M8X30 (4 PIECES)	1
3	4186356	LANTERN HELIX OPTI 8" FT130 KIT	1
3.1		> M+8_LANTERN_ONE-PIECE_FT130_CATA_DWA	1
3.2	4184852	> EYELET CPL.FT HELIX (2 PIECES)	1
3.3	4184853	> COUPLING PROTECTOR FT HELIX 8" KIT	1
4	4184854	COUPLING D.22XD.28 FT130 HELIX KIT	1
6	4179581	STUD BOLT M16X305.5 KIT	1
6.1		> TIE BOLT M16-305.5x24x44-1.4057	1
6.2	4179562	> NUT M16 8.8 ISO4032 (4 PIECES)	1
6.3	4097852	> WASHER-CS-16.4-32-2.8-NFE25-511-A2	1
8	4186377	FILING/PURGING PLUG 304 HELIX KIT	1
8.1		> FILLING/VENTING-PLUG-MVI8/10"-304	1
8.2	4032291	> O-RING 17x3 EPDM KTW/WRC	1
9	4192148	SEAL-KIT-HELIX22-36-52 FIRST O/E	1
7.3	4179571	> O-RING HOUSING PIPE HELIX22/36/52 VP.	1
9.1	4179573	> M.SEAL.HELIX22-36-52 O/E VP.	1
10	4181077	HOUSING-PIPE D.204X264 1.4307 KIT	1
7.3	4179571	> O-RING HOUSING PIPE HELIX22/36/52 VP.	1
10.1		> HOUSING-PIPE Ø204-M+2204/3603-304	1
11	4179143	CENTERING STAGE-RETURN HELIX22 1.4307 VP	1
12	4184856	SHAFT EQUIPMENT HELIX 22 FIRST KIT	1
13		HYDRAULIC HELIX V 2204	1
14	4186344	SHAFT D.22X351 1.4057 VP.	1
15	4186357	EQUIPED HOUSING HELIX OPTI DN50 GJL KIT	1
15.1		> PUMP CASING MONO.GJL M+8" DN50 DWA	1
15.3	4106048	> DRAIN/PRIMING PLUG EPDM HELIX FIRST KIT	1
15.3A		>> DRAIN AND PRIMING PLUG-VMI10"-304	1
15.3B	4032293	>> O-RING-10x3-EPDM-KTW/WRC	1
15.3C	4233957	>> O-RING ID.9 EPDM VP.	1
7.3	4179571	> O-RING HOUSING PIPE HELIX22/36/52 VP.	1

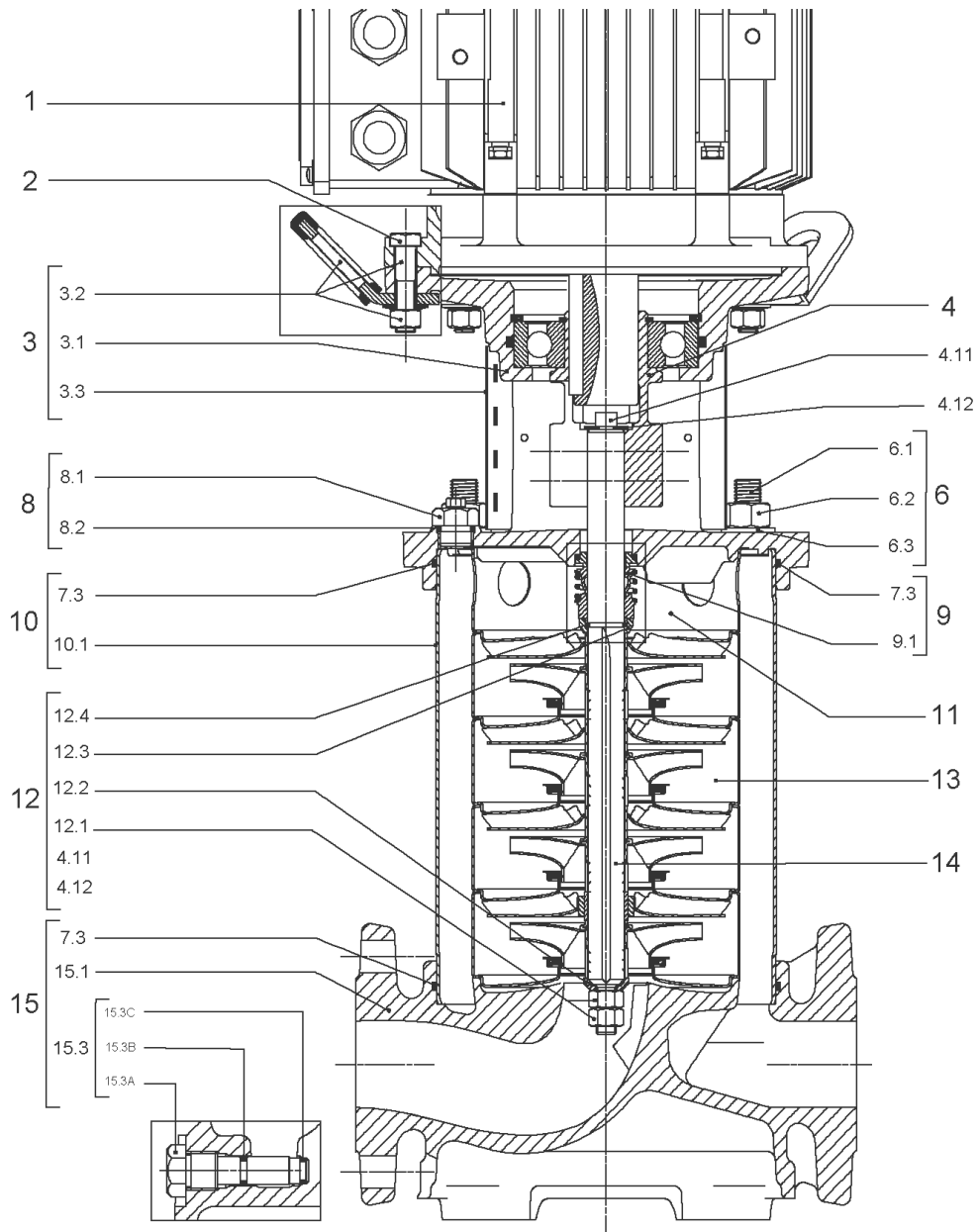


COUPLING D.22XD.28 FT130 HELIX KIT (4184854)

Item	Article no.	Description	Quantity
4.1		COUPLING-VMI-Ø22xØ28-FT130-MACHINED	1
4.2	2131022	BALL BEARING 6209/ZZ-C3(HT)VP.	1
4.3	4233930	CIRCLIP-FOR-BORES-D45x1,75 VP.	1
4.4	4157726	SCREW KIT M8X30 (4 PIECES)	1
4.5	4234252	CIRCLIPS 85X3 VP.	1
4.6	4234243	O-RING 85X3 VP.	1
		NOMEL CONTACT WASHER 8x16x1,4 STEEL ZC	1

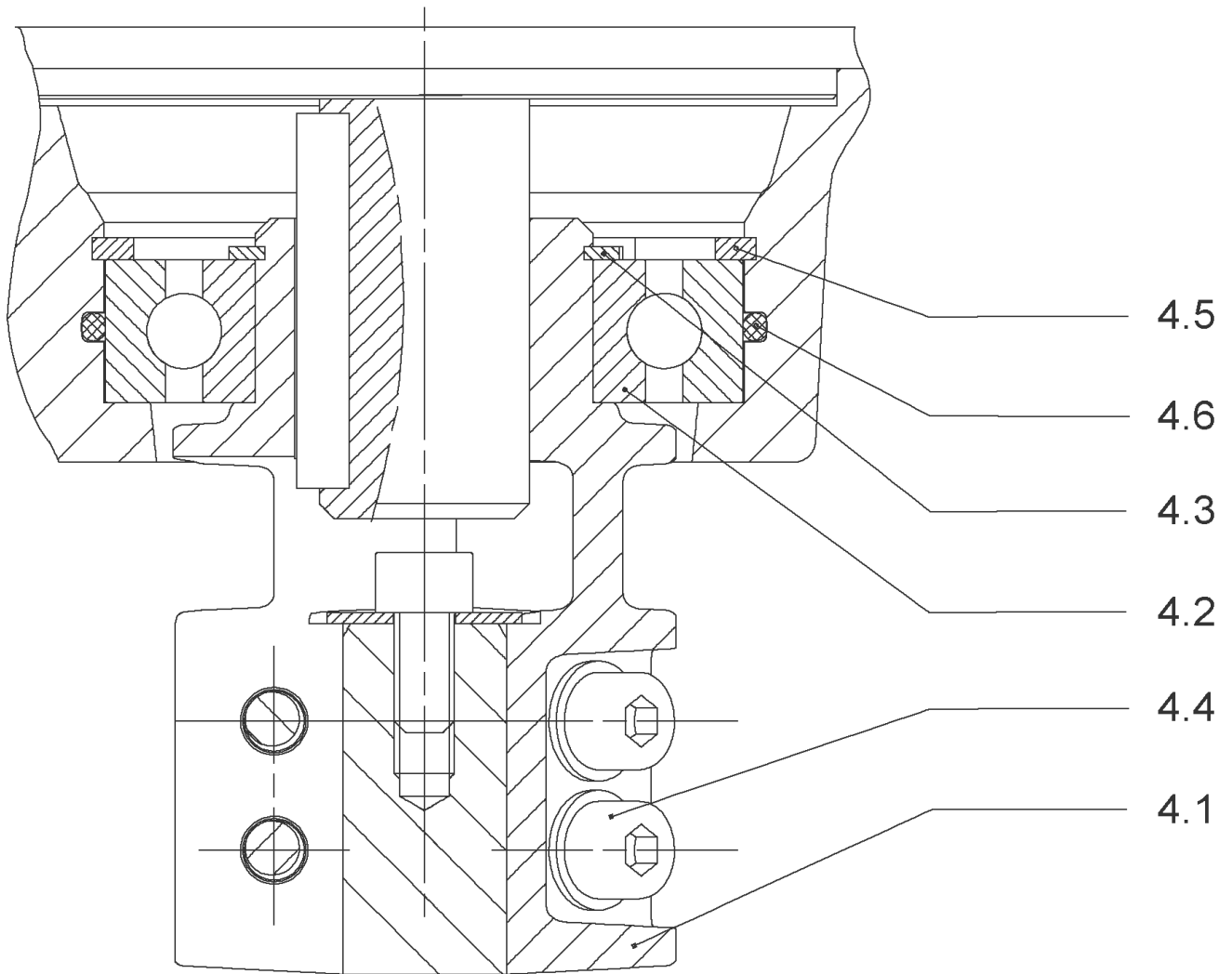


Item	Article no.	Description	Quantity
13.1	4157739	FIRST STAGE HELIX 22 1.4307 KIT	1
		> IMPELLER-H1-M+22-304	1
		> MACH.STG-CASING-WOGV-WNR-M+22-304	1
13.2	4157740	BEARING STAGE HELIX 22 1.4307 KIT	1
		> IMPELLER-H2-M+22-304	1
		> MACH.BEARING-STG-CASING-WNR-M+22-304	1
		> SHAFT-SLEEVE-D26xD22x16-CW	1
13.3	4157743	INTERMEDIATE STAGE HELIX 22 KIT	1
		> MACH.STD-STG-CASING-WGV+NR-M+22-304	1
		> IMPELLER-H2-M+22-304	1



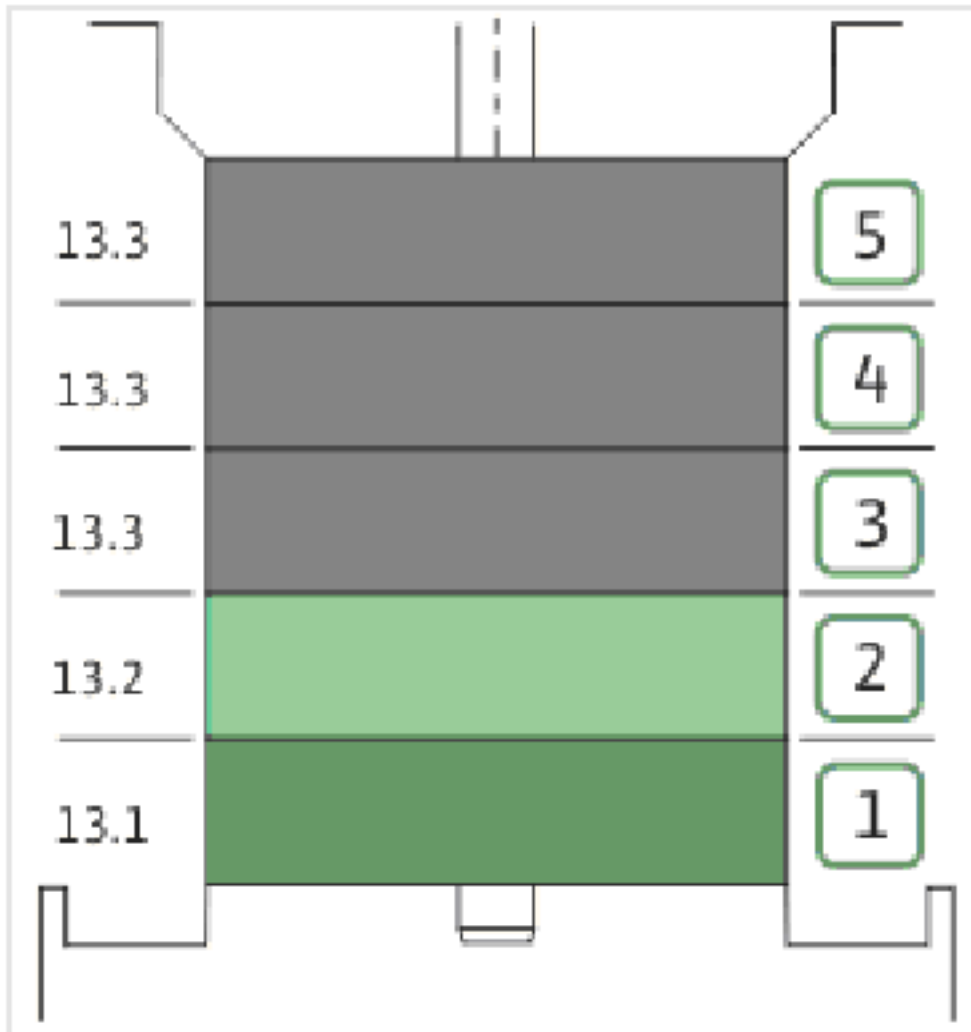
HELIX V2205-4/16/E/S/400-50-FF240 (4183366)

Item	Article no.	Description	Quantity
1	4195512	MOTOR 7,5/2/112 3~400V 50HZ IE3 VP.	1
		SPARE PARTS MOTOR:ON REQUEST	1
2	4174093	SCREW M12X50 (4 PIECES)	1
3	4186358	LANTERN HELIX OPTI 8" FF240 KIT	1
3.1		> M+8_LANTERN_ONE-PIECE_FF240_CATA_DWA	1
3.2	4186346	> EYELET CPL.FF240 HELIX (4 PIECES)	1
3.3	4184853	> COUPLING PROTECTOR FT HELIX 8" KIT	1
4	4186347	COUPLING D.22XD.38 FF240T130 HELIX KIT	1
6	4186348	STUD BOLT M16X353 KIT	1
6.1		> TIE BOLT M16-353x24x44-1.4057	1
6.2	4179562	> NUT M16 8.8 ISO4032 (4 PIECES)	1
6.3	4097852	> WASHER-CS-16.4-32-2.8-NFE25-511-A2	1
8	4186377	FILING/PURGING PLUG 304 HELIX KIT	1
8.1		> FILLING/VENTING-PLUG-MVI8/10"-304	1
8.2	4032291	> O-RING 17x3 EPDM KTW/WRC	1
9	4192148	SEAL-KIT-HELIX22-36-52 FIRST O/E	1
7.3	4179571	> O-RING HOUSING PIPE HELIX22/36/52 VP.	1
9.1	4179573	> M.SEAL.HELIX22-36-52 O/E VP.	1
10	4181165	HOUSING PIPE D.204X314 1.4301 KIT	1
7.3	4179571	> O-RING HOUSING PIPE HELIX22/36/52 VP.	1
10.1		> HOUSING-PIPE Ø204-M+2205-304	1
11	4179143	CENTERING STAGE-RETURN HELIX22 1.4307 VP	1
12	4184856	SHAFT EQUIPMENT HELIX 22 FIRST KIT	1
13		HYDRAULIC HELIX V 2205	1
14	4186349	SHAFT D.22X401 1.4057 VP.	1
15	4186357	EQUIPED HOUSING HELIX OPTI DN50 GJL KIT	1
15.1		> PUMP CASING MONO.GJL M+8" DN50 DWA	1
15.3	4106048	> DRAIN/PRIMING PLUG EPDM HELIX FIRST KIT	1
15.3A		>> DRAIN AND PRIMING PLUG-VMI10"-304	1
15.3B	4032293	>> O-RING-10x3-EPDM-KTW/WRC	1
15.3C	4233957	>> O-RING ID.9 EPDM VP.	1
7.3	4179571	> O-RING HOUSING PIPE HELIX22/36/52 VP.	1

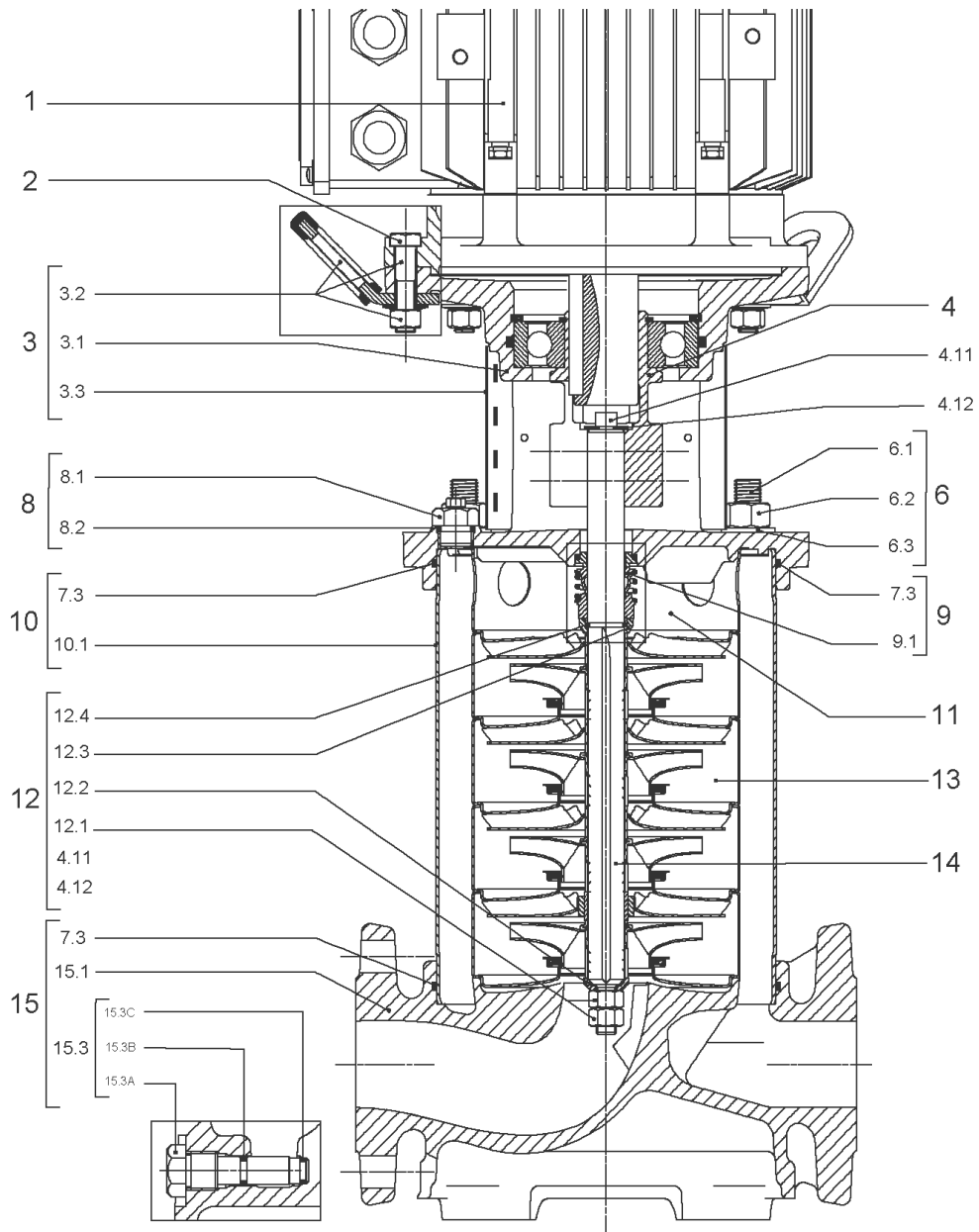


COUPLING D.22XD.38 FF240T130 HELIX KIT (4186347)

Item	Article no.	Description	Quantity
4.1		COUPLING-VMI-D22xD38-FF265-MACHINED	1
4.2	2131017	BALL BEARING 6310/ZZ-C4(HT)VP.	1
4.3	4234253	CIRCLIP-FOR-SHAFT-D50x2 VP.	1
4.4	4157726	SCREW KIT M8X30 (4 PIECES)	1
4.5	4234255	CIRCLIPS 110X4 VP.	1
4.6	4233944	O-RING ID.110 VP.	1
		NOMEL CONTACT WASHER 8x16x1,4 STEEL ZC	1

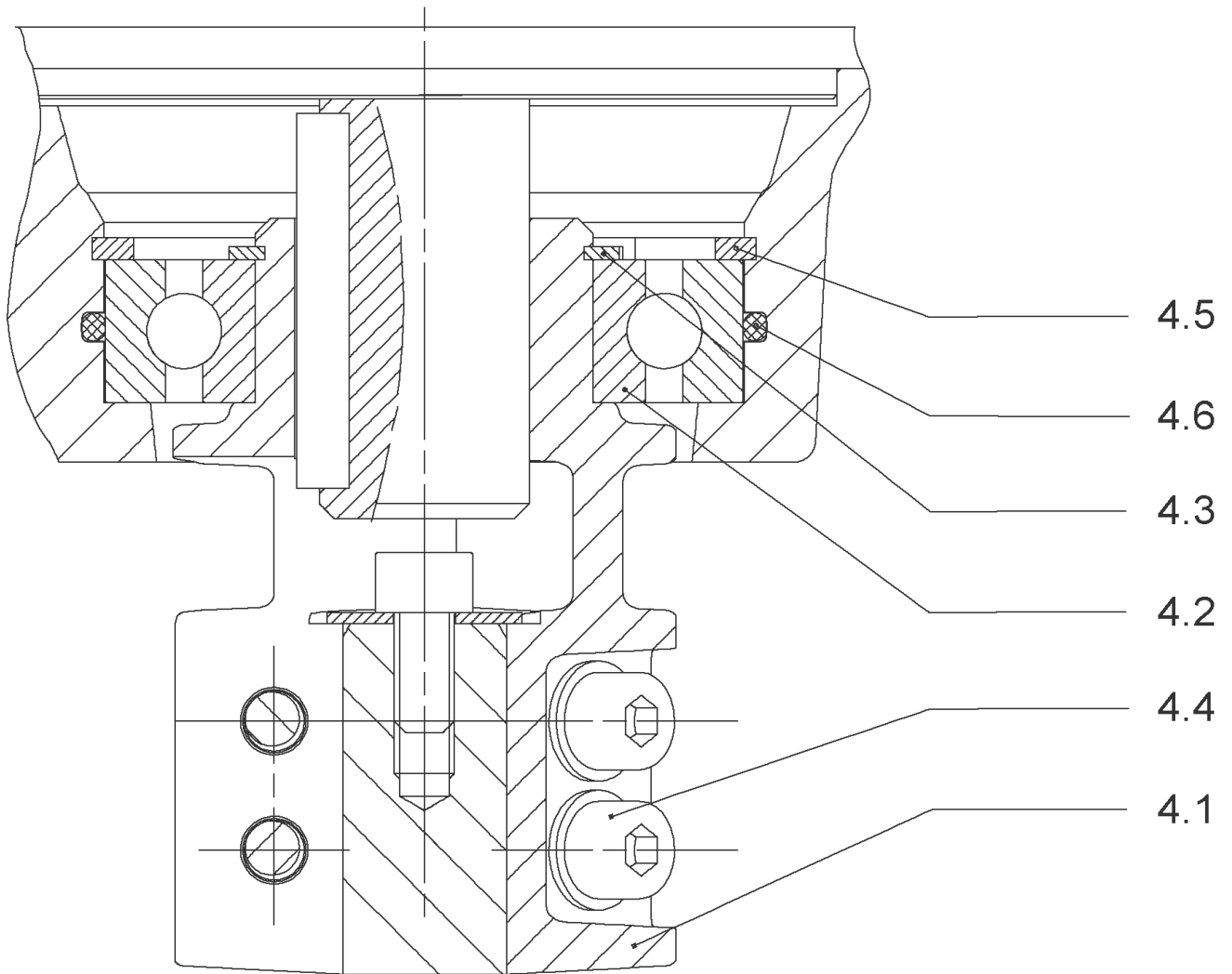


Item	Article no.	Description	Quantity
13.1	4157739	FIRST STAGE HELIX 22 1.4307 KIT	1
		> IMPELLER-H1-M+22-304	1
		> MACH.STG-CASING-WOGV-WNR-M+22-304	1
13.2	4157740	BEARING STAGE HELIX 22 1.4307 KIT	1
		> IMPELLER-H2-M+22-304	1
		> MACH.BEARING-STG-CASING-WNR-M+22-304	1
		> SHAFT-SLEEVE-D26xD22x16-CW	1
13.3	4157743	INTERMEDIATE STAGE HELIX 22 KIT	1
		> MACH.STD-STG-CASING-WGV+NR-M+22-304	1
		> IMPELLER-H2-M+22-304	1



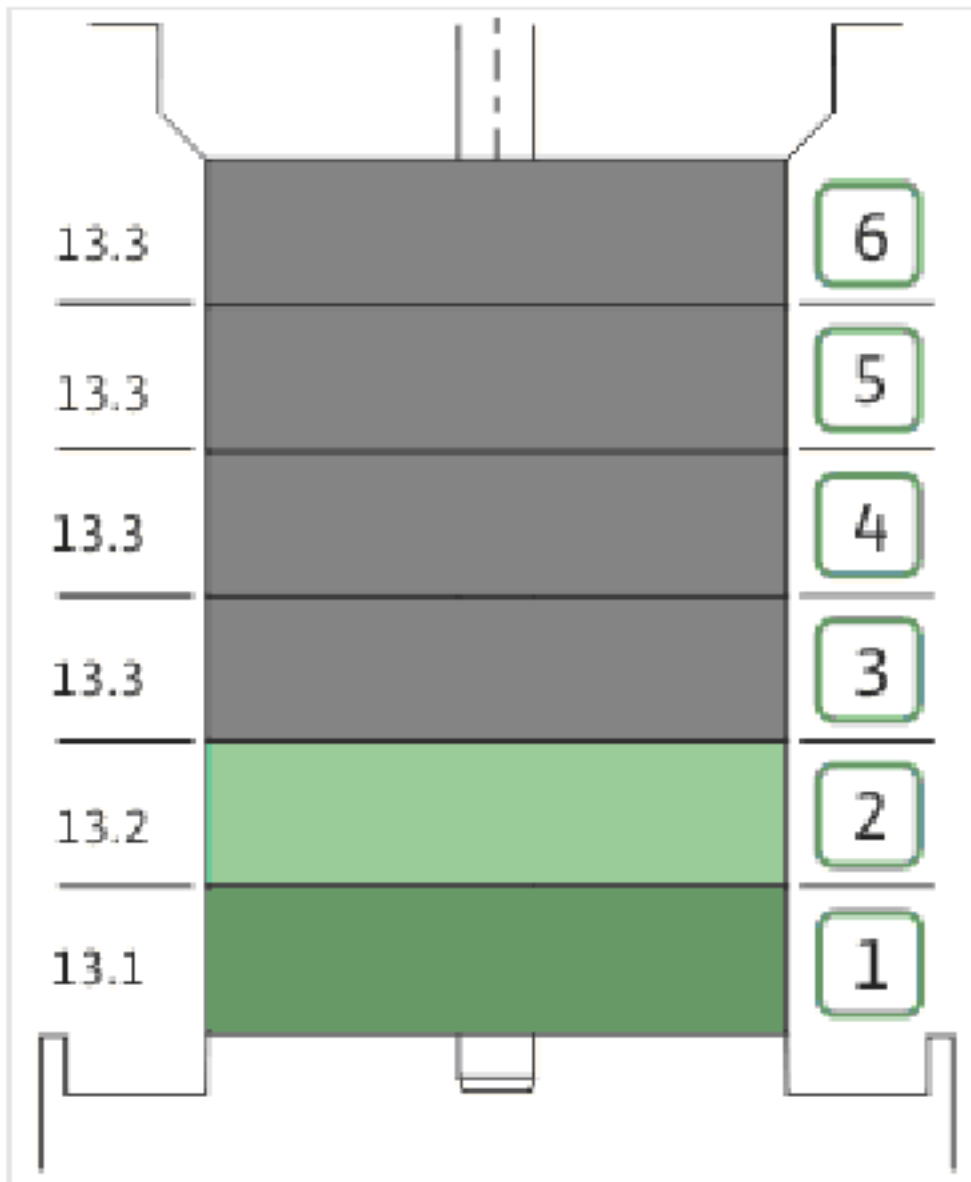
HELIX V2206-4/16/E/S/400-50-FF240 (4183367)

Item	Article no.	Description	Quantity
1	4195512	MOTOR 7,5/2/112 3~400V 50HZ IE3 VP.	1
		SPARE PARTS MOTOR:ON REQUEST	1
2	4174093	SCREW M12X50 (4 PIECES)	1
3	4186358	LANTERN HELIX OPTI 8" FF240 KIT	1
3.1		> M+8_LANTERN_ONE-PIECE_FF240_CATA_DWA	1
3.2	4186346	> EYELET CPL.FF240 HELIX (4 PIECES)	1
3.3	4184853	> COUPLING PROTECTOR FT HELIX 8" KIT	1
4	4186347	COUPLING D.22XD.38 FF240T130 HELIX KIT	1
6	4179592	STUD BOLT M16X405 KIT	1
6.1		> TIE BOLT M16-405x24x44-1.4057	1
6.2	4179562	> NUT M16 8.8 ISO4032 (4 PIECES)	1
6.3	4097852	> WASHER-CS-16.4-32-2.8-NFE25-511-A2	1
8	4186377	FILING/PURGING PLUG 304 HELIX KIT	1
8.1		> FILLING/VENTING-PLUG-MVI8/10"-304	1
8.2	4032291	> O-RING 17x3 EPDM KTW/WRC	1
9	4192148	SEAL-KIT-HELIX22-36-52 FIRST O/E	1
7.3	4179571	> O-RING HOUSING PIPE HELIX22/36/52 VP.	1
9.1	4179573	> M.SEAL.HELIX22-36-52 O/E VP.	1
10	4181168	HOUSING PIPE D.204X364 1.4307 KIT	1
7.3	4179571	> O-RING HOUSING PIPE HELIX22/36/52 VP.	1
10.1		> HOUSING-PIPE Ø204-M+2206-304	1
11	4179143	CENTERING STAGE-RETURN HELIX22 1.4307 VP	1
12	4184856	SHAFT EQUIPMENT HELIX 22 FIRST KIT	1
13		HYDRAULIC HELIX V 2206	1
14	4186350	SHAFT D.22X451 1.4057 VP.	1
15	4186357	EQUIPED HOUSING HELIX OPTI DN50 GJL KIT	1
15.1		> PUMP CASING MONO.GJL M+8" DN50 DWA	1
15.3	4106048	> DRAIN/PRIMING PLUG EPDM HELIX FIRST KIT	1
15.3A		>> DRAIN AND PRIMING PLUG-VMI10"-304	1
15.3B	4032293	>> O-RING-10x3-EPDM-KTW/WRC	1
15.3C	4233957	>> O-RING ID.9 EPDM VP.	1
7.3	4179571	> O-RING HOUSING PIPE HELIX22/36/52 VP.	1

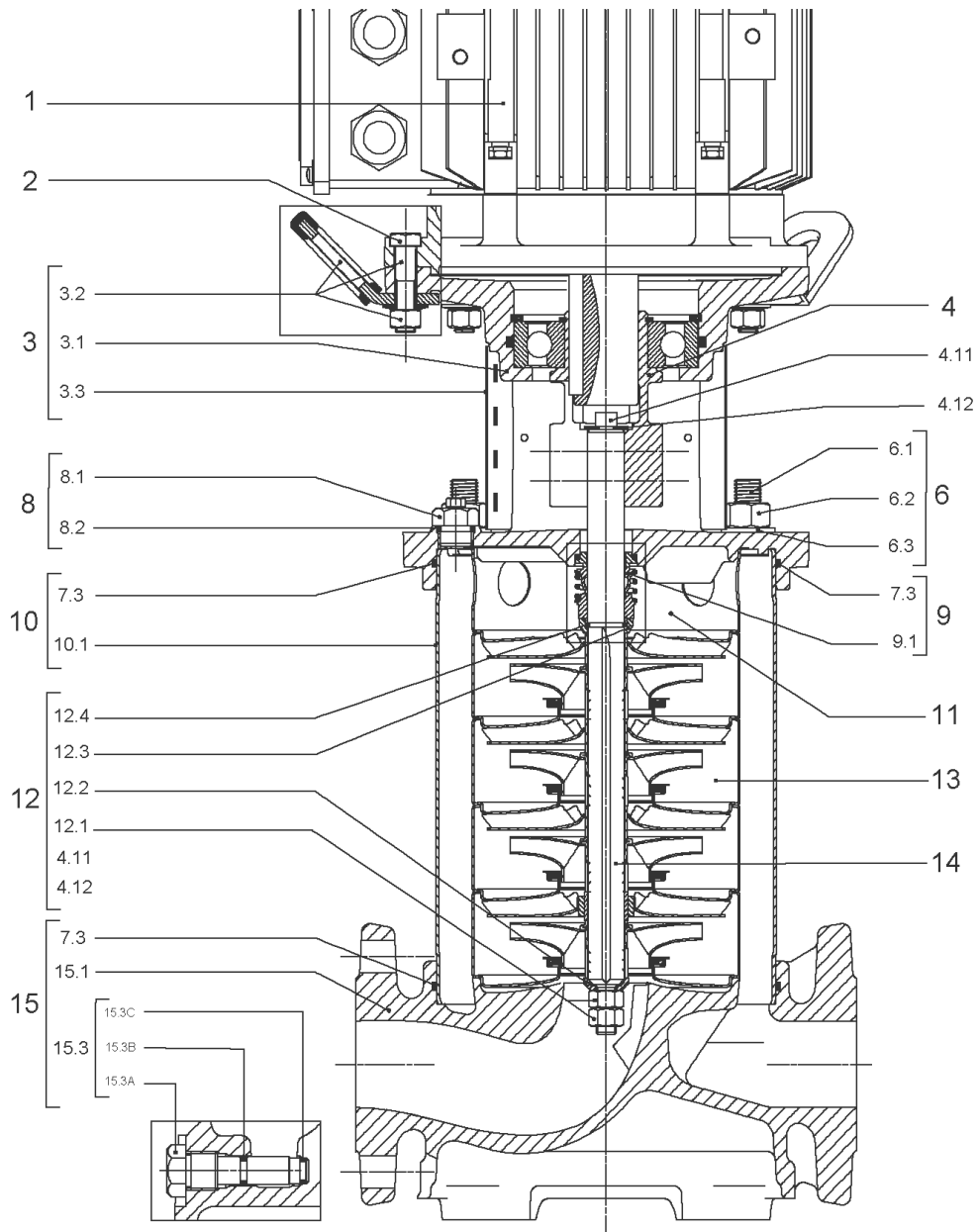


COUPLING D.22XD.38 FF240T130 HELIX KIT (4186347)

Item	Article no.	Description	Quantity
4.1		COUPLING-VMI-D22xD38-FF265-MACHINED	1
4.2	2131017	BALL BEARING 6310/ZZ-C4(HT)VP.	1
4.3	4234253	CIRCLIP-FOR-SHAFT-D50x2 VP.	1
4.4	4157726	SCREW KIT M8X30 (4 PIECES)	1
4.5	4234255	CIRCLIPS 110X4 VP.	1
4.6	4233944	O-RING ID.110 VP.	1
		NOMEL CONTACT WASHER 8x16x1,4 STEEL ZC	1

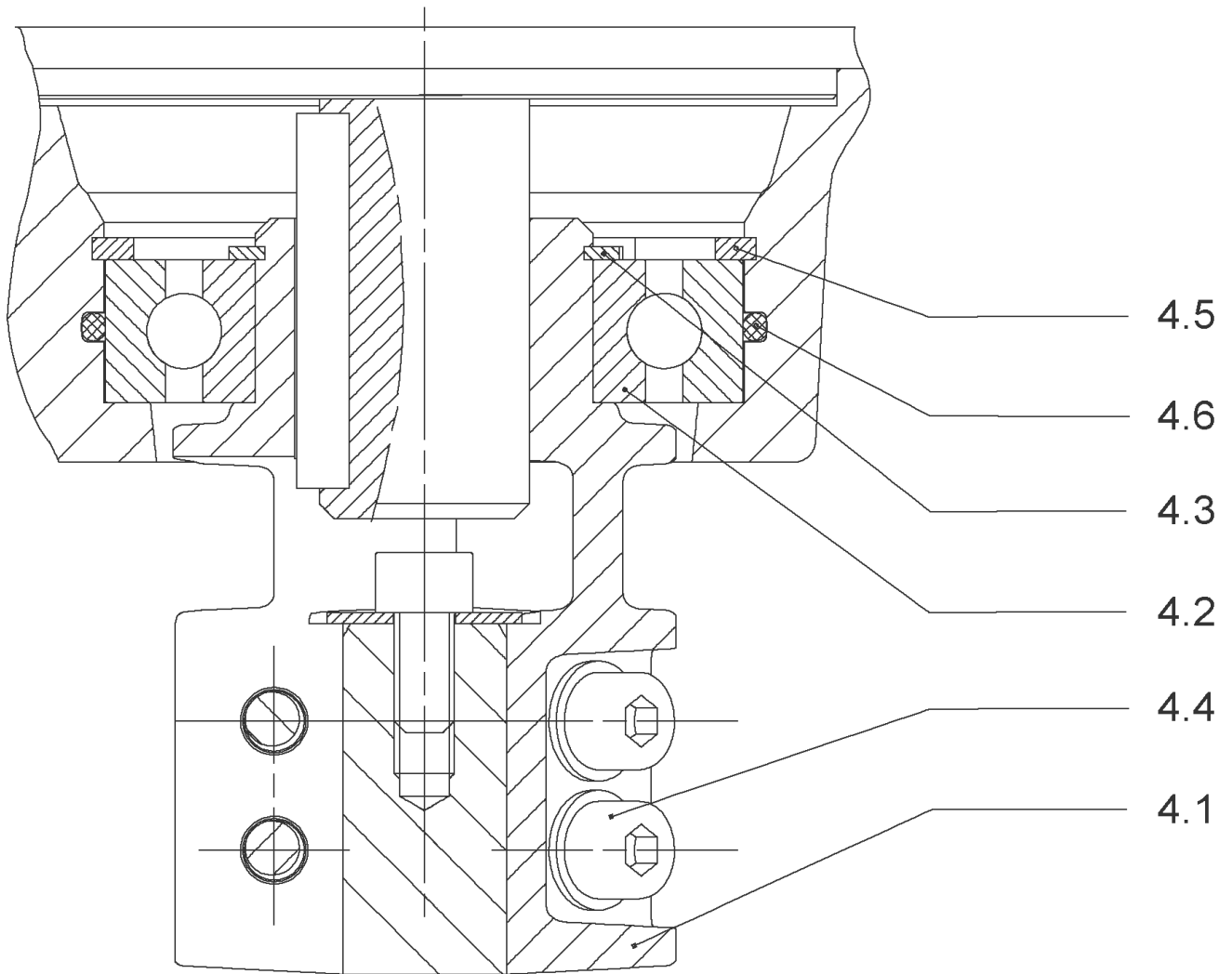


Item	Article no.	Description	Quantity
13.1	4157739	FIRST STAGE HELIX 22 1.4307 KIT	1
		> IMPELLER-H1-M+22-304	1
		> MACH.STG-CASING-WOGV-WNR-M+22-304	1
13.2	4157740	BEARING STAGE HELIX 22 1.4307 KIT	1
		> IMPELLER-H2-M+22-304	1
		> MACH.BEARING-STG-CASING-WNR-M+22-304	1
		> SHAFT-SLEEVE-D26xD22x16-CW	1
13.3	4157743	INTERMEDIATE STAGE HELIX 22 KIT	1
		> MACH.STD-STG-CASING-WGV+NR-M+22-304	1
		> IMPELLER-H2-M+22-304	1



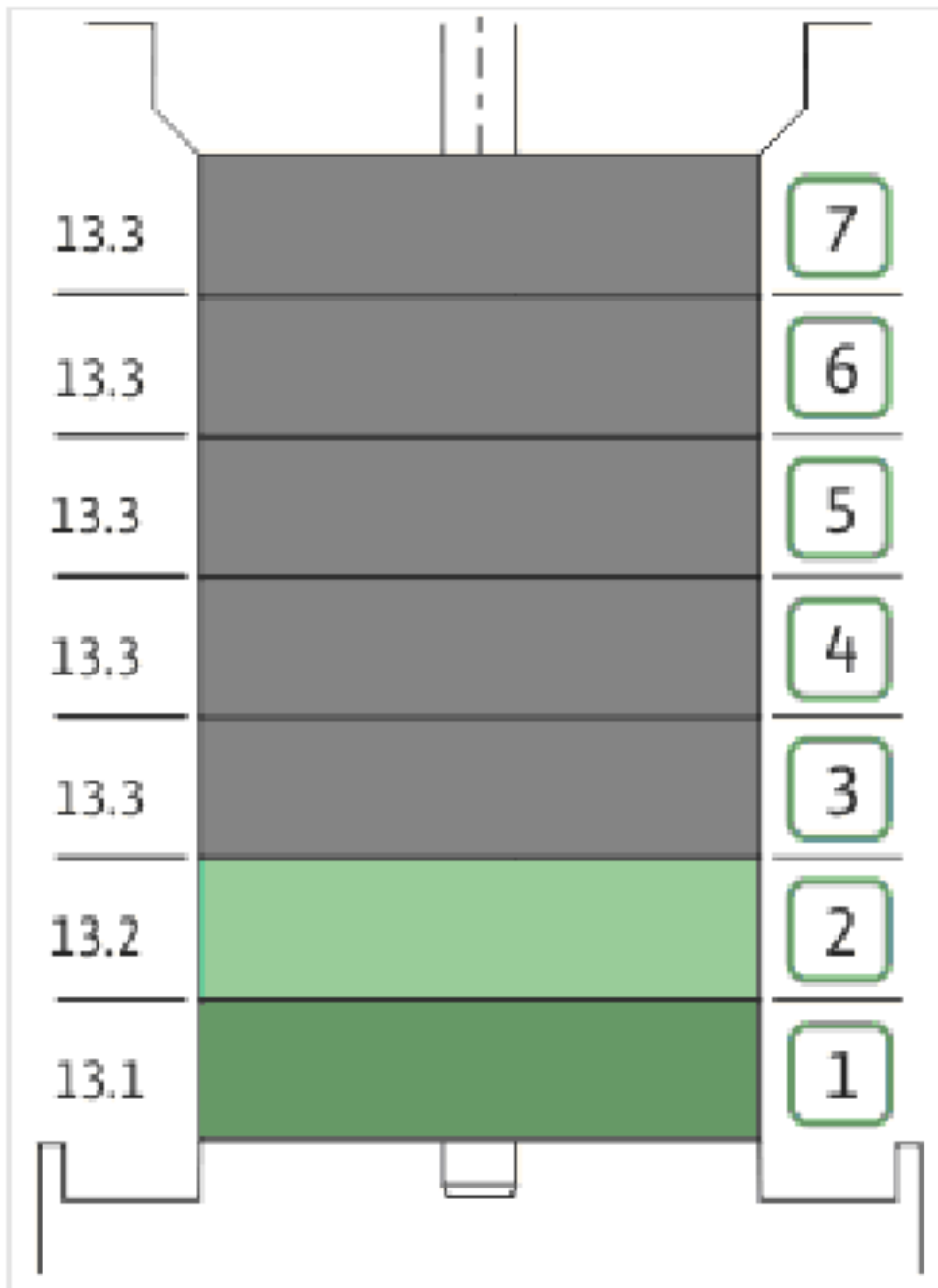
HELIX V2207-4/16/E/S/400-50-FF240 (4183368)

Item	Article no.	Description	Quantity
1	4195482	MOTOR 9/2/132 3~400V 50HZ IE3 VP.	1
		SPARE PARTS MOTOR:ON REQUEST	1
2	4174093	SCREW M12X50 (4 PIECES)	1
3	4186358	LANTERN HELIX OPTI 8" FF240 KIT	1
3.1		> M+8_LANTERN_ONE-PIECE_FF240_CATA_DWA	1
3.2	4186346	> EYELET CPL.FF240 HELIX (4 PIECES)	1
3.3	4184853	> COUPLING PROTECTOR FT HELIX 8" KIT	1
4	4186347	COUPLING D.22XD.38 FF240T130 HELIX KIT	1
6	4186355	STUD BOLT M16X453 KIT	1
6.1		> TIE BOLT M16-453x24x44-1.4057	1
6.2	4179562	> NUT M16 8.8 ISO4032 (4 PIECES)	1
6.3	4097852	> WASHER-CS-16.4-32-2.8-NFE25-511-A2	1
8	4186377	FILING/PURGING PLUG 304 HELIX KIT	1
8.1		> FILLING/VENTING-PLUG-MVI8/10"-304	1
8.2	4032291	> O-RING 17x3 EPDM KTW/WRC	1
9	4192148	SEAL-KIT-HELIX22-36-52 FIRST O/E	1
7.3	4179571	> O-RING HOUSING PIPE HELIX22/36/52 VP.	1
9.1	4179573	> M.SEAL.HELIX22-36-52 O/E VP.	1
10	4181666	HOUSING PIPE D.204X414 1.4307 KIT	1
7.3	4179571	> O-RING HOUSING PIPE HELIX22/36/52 VP.	1
10.1		> HOUSING-PIPE Ø204-M+2207-304	1
11	4179143	CENTERING STAGE-RETURN HELIX22 1.4307 VP	1
12	4184856	SHAFT EQUIPMENT HELIX 22 FIRST KIT	1
13		HYDRAULIC HELIX V 2207	1
14	4186351	SHAFT D.22X501 1.4057 VP.	1
15	4186357	EQUIPED HOUSING HELIX OPTI DN50 GJL KIT	1
15.1		> PUMP CASING MONO.GJL M+8" DN50 DWA	1
15.3	4106048	> DRAIN/PRIMING PLUG EPDM HELIX FIRST KIT	1
15.3A		>> DRAIN AND PRIMING PLUG-VMI10"-304	1
15.3B	4032293	>> O-RING-10x3-EPDM-KTW/WRC	1
15.3C	4233957	>> O-RING ID.9 EPDM VP.	1
7.3	4179571	> O-RING HOUSING PIPE HELIX22/36/52 VP.	1

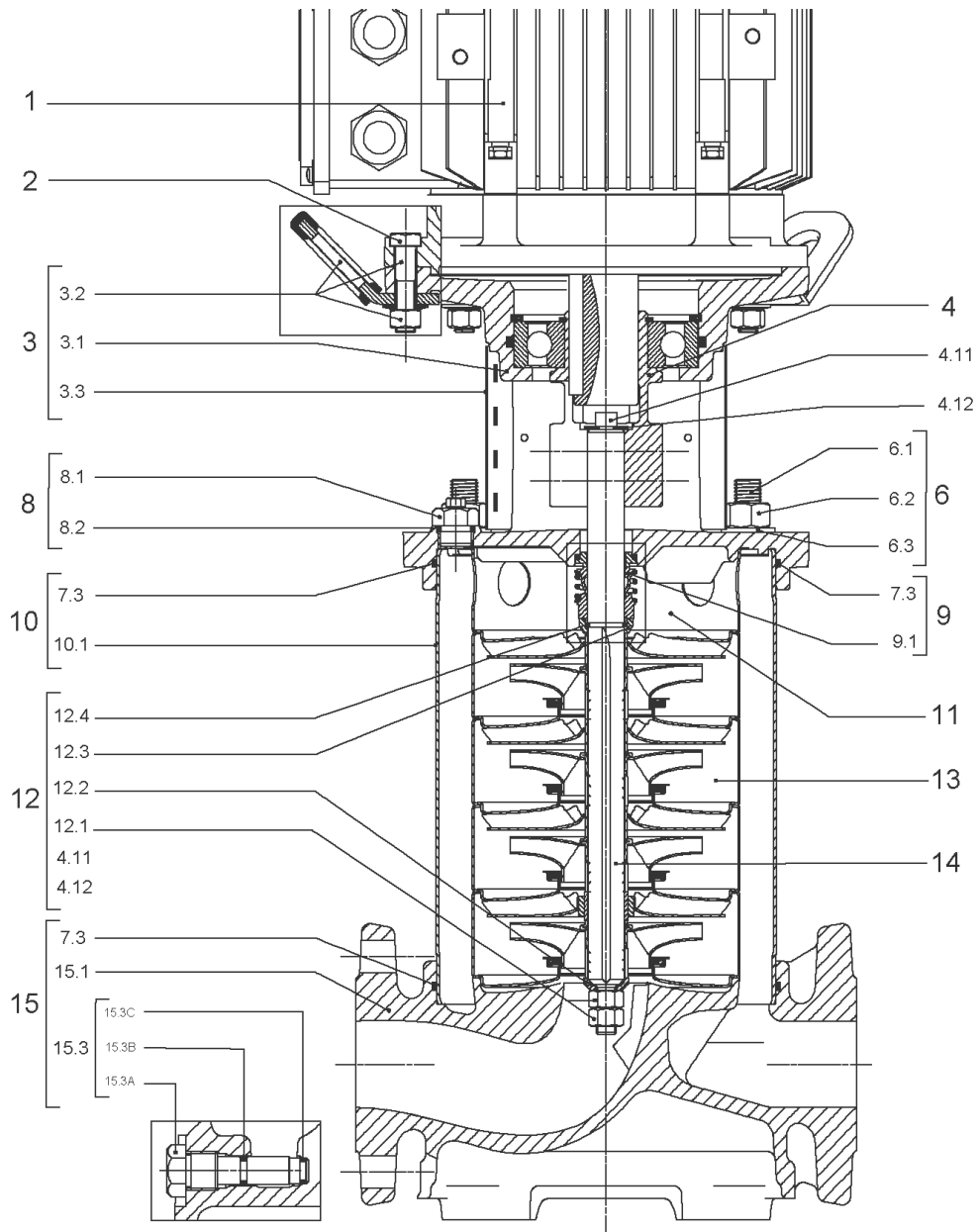


COUPLING D.22XD.38 FF240T130 HELIX KIT (4186347)

Item	Article no.	Description	Quantity
4.1		COUPLING-VMI-D22xD38-FF265-MACHINED	1
4.2	2131017	BALL BEARING 6310/ZZ-C4(HT)VP.	1
4.3	4234253	CIRCLIP-FOR-SHAFT-D50x2 VP.	1
4.4	4157726	SCREW KIT M8X30 (4 PIECES)	1
4.5	4234255	CIRCLIPS 110X4 VP.	1
4.6	4233944	O-RING ID.110 VP.	1
		NOMEL CONTACT WASHER 8x16x1,4 STEEL ZC	1

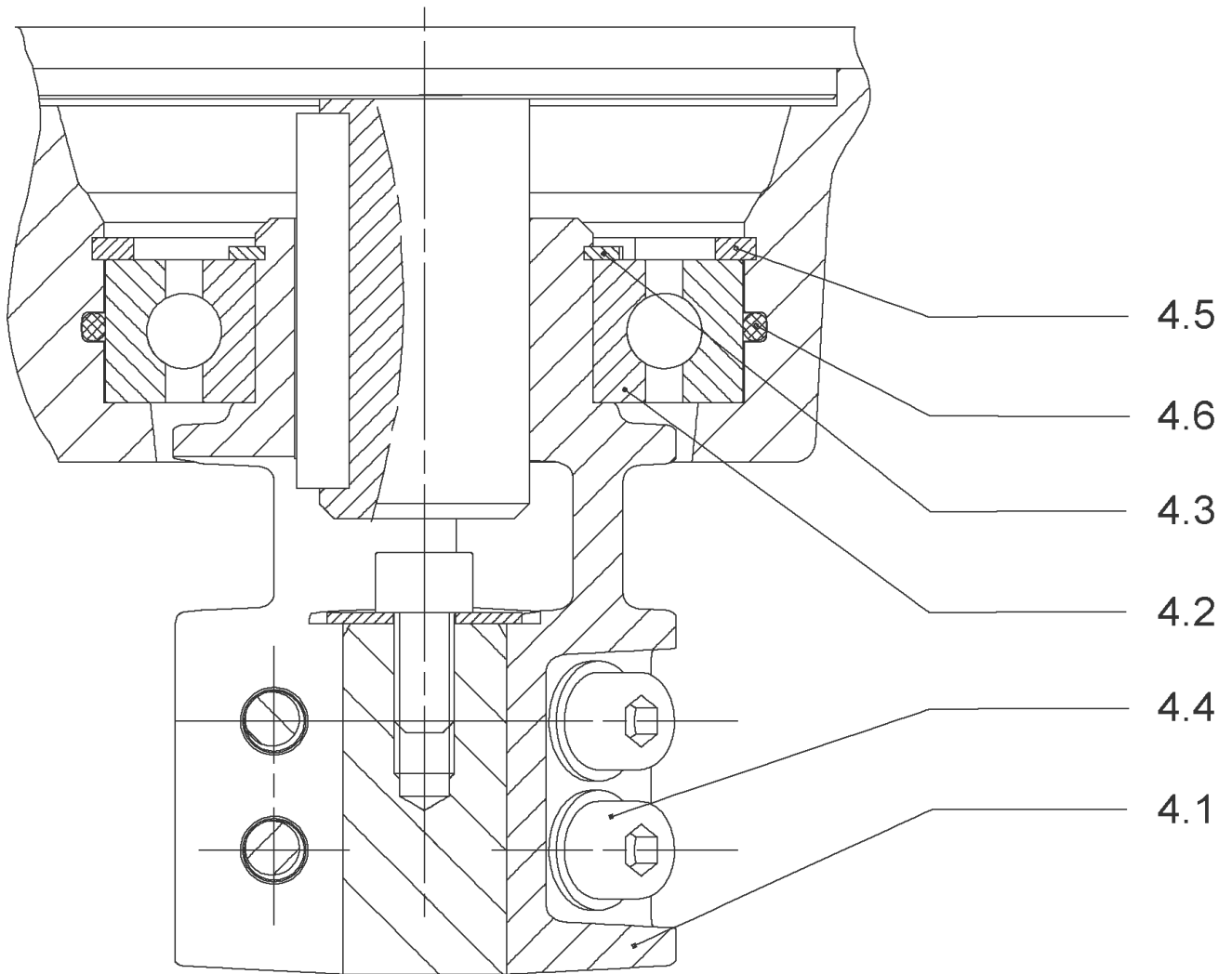


Item	Article no.	Description	Quantity
13.1	4157739	FIRST STAGE HELIX 22 1.4307 KIT	1
		> IMPELLER-H1-M+22-304	1
		> MACH.STG-CASING-WOGV-WNR-M+22-304	1
13.2	4157740	BEARING STAGE HELIX 22 1.4307 KIT	1
		> IMPELLER-H2-M+22-304	1
		> MACH.BEARING-STG-CASING-WNR-M+22-304	1
		> SHAFT-SLEEVE-D26xD22x16-CW	1
13.3	4157743	INTERMEDIATE STAGE HELIX 22 KIT	1
		> MACH.STD-STG-CASING-WGV+NR-M+22-304	1
		> IMPELLER-H2-M+22-304	1



HELIX V2208-4/16/E/S/400-50-FF240 (4183369)

Item	Article no.	Description	Quantity
1	4195485	MOTOR 11/2/132 3~400V 50HZ IE3 VP.	1
		SPARE PARTS MOTOR:ON REQUEST	1
2	4174093	SCREW M12X50 (4 PIECES)	1
3	4186358	LANTERN HELIX OPTI 8" FF240 KIT	1
3.1		> M+8_LANTERN_ONE-PIECE_FF240_CATA_DWA	1
3.2	4186346	> EYELET CPL.FF240 HELIX (4 PIECES)	1
3.3	4184853	> COUPLING PROTECTOR FT HELIX 8" KIT	1
4	4186347	COUPLING D.22XD.38 FF240T130 HELIX KIT	1
6	4179919	STUD BOLT M16X500 KIT	1
6.1		> TIE BOLT M16-500x24x44-1.4057	1
6.2	4179562	> NUT M16 8.8 ISO4032 (4 PIECES)	1
6.3	4097852	> WASHER-CS-16.4-32-2.8-NFE25-511-A2	1
8	4186377	FILING/PURGING PLUG 304 HELIX KIT	1
8.1		> FILLING/VENTING-PLUG-MVI8/10"-304	1
8.2	4032291	> O-RING 17x3 EPDM KTW/WRC	1
9	4192148	SEAL-KIT-HELIX22-36-52 FIRST O/E	1
7.3	4179571	> O-RING HOUSING PIPE HELIX22/36/52 VP.	1
9.1	4179573	> M.SEAL.HELIX22-36-52 O/E VP.	1
10	4181087	HOUSING PIPE D.204x464,13 1.4307 KIT	1
7.3	4179571	> O-RING HOUSING PIPE HELIX22/36/52 VP.	1
10.1		> HOUSING-PIPE Ø204-M+2208/3606-304	1
11	4179143	CENTERING STAGE-RETURN HELIX22 1.4307 VP	1
12	4184856	SHAFT EQUIPMENT HELIX 22 FIRST KIT	1
13		HYDRAULIC HELIX V 2208	1
14	4186352	SHAFT D.22X551 1.4057 VP.	1
15	4186357	EQUIPED HOUSING HELIX OPTI DN50 GJL KIT	1
15.1		> PUMP CASING MONO.GJL M+8" DN50 DWA	1
15.3	4106048	> DRAIN/PRIMING PLUG EPDM HELIX FIRST KIT	1
15.3A		>> DRAIN AND PRIMING PLUG-VMI10"-304	1
15.3B	4032293	>> O-RING-10x3-EPDM-KTW/WRC	1
15.3C	4233957	>> O-RING ID.9 EPDM VP.	1
7.3	4179571	> O-RING HOUSING PIPE HELIX22/36/52 VP.	1

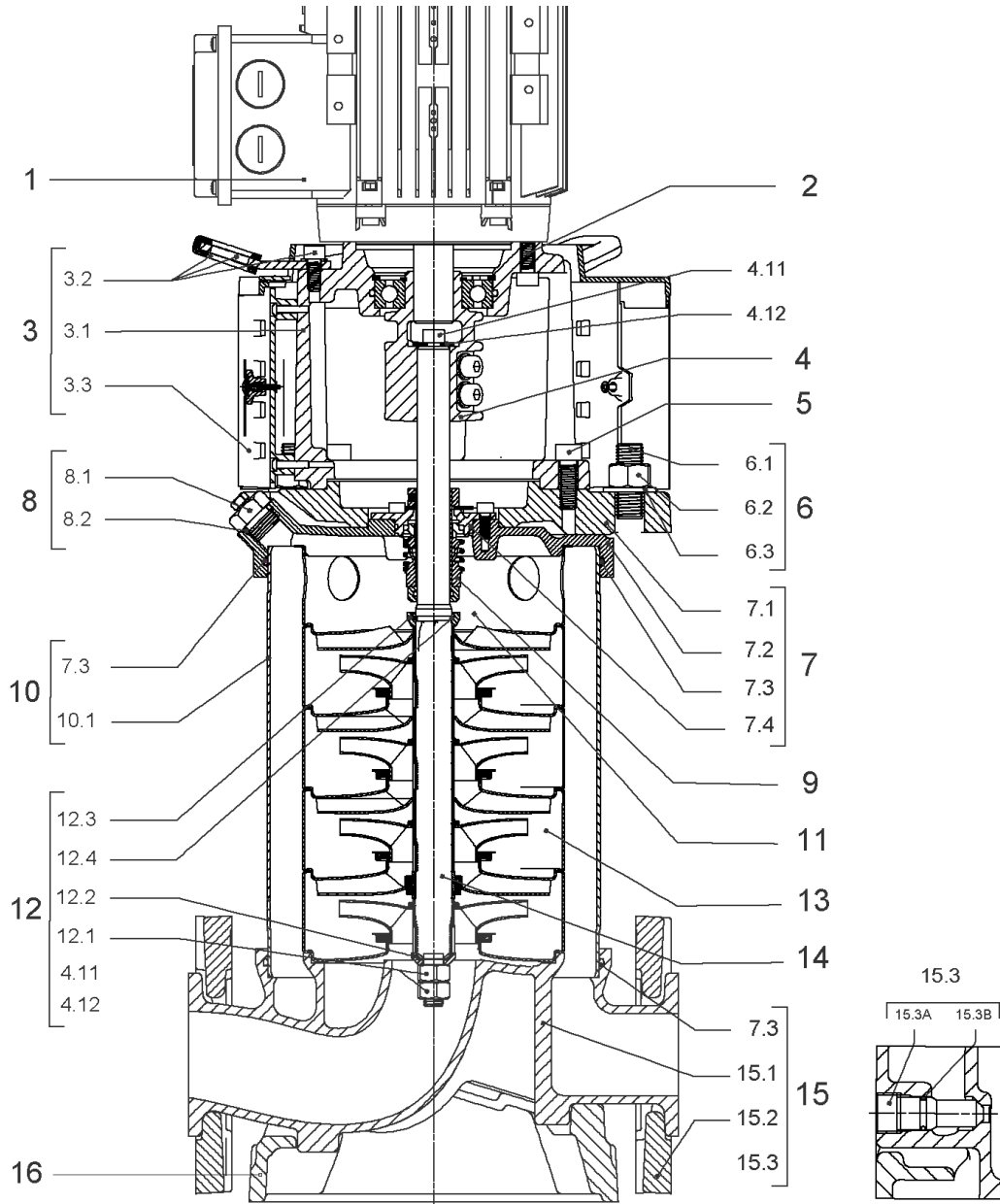


COUPLING D.22XD.38 FF240T130 HELIX KIT (4186347)

Item	Article no.	Description	Quantity
4.1		COUPLING-VMI-D22xD38-FF265-MACHINED	1
4.2	2131017	BALL BEARING 6310/ZZ-C4(HT)VP.	1
4.3	4234253	CIRCLIP-FOR-SHAFT-D50x2 VP.	1
4.4	4157726	SCREW KIT M8X30 (4 PIECES)	1
4.5	4234255	CIRCLIPS 110X4 VP.	1
4.6	4233944	O-RING ID.110 VP.	1
		NOMEL CONTACT WASHER 8x16x1,4 STEEL ZC	1



Item	Article no.	Description	Quantity
13.1	4157739	FIRST STAGE HELIX 22 1.4307 KIT	1
		> IMPELLER-H1-M+22-304	1
		> MACH.STG-CASING-WOGV-WNR-M+22-304	1
13.2	4157740	BEARING STAGE HELIX 22 1.4307 KIT	1
		> IMPELLER-H2-M+22-304	1
		> MACH.BEARING-STG-CASING-WNR-M+22-304	1
		> SHAFT-SLEEVE-D26xD22x16-CW	1
13.3	4157743	INTERMEDIATE STAGE HELIX 22 KIT	1
		> MACH.STD-STG-CASING-WGV+NR-M+22-304	1
		> IMPELLER-H2-M+22-304	1

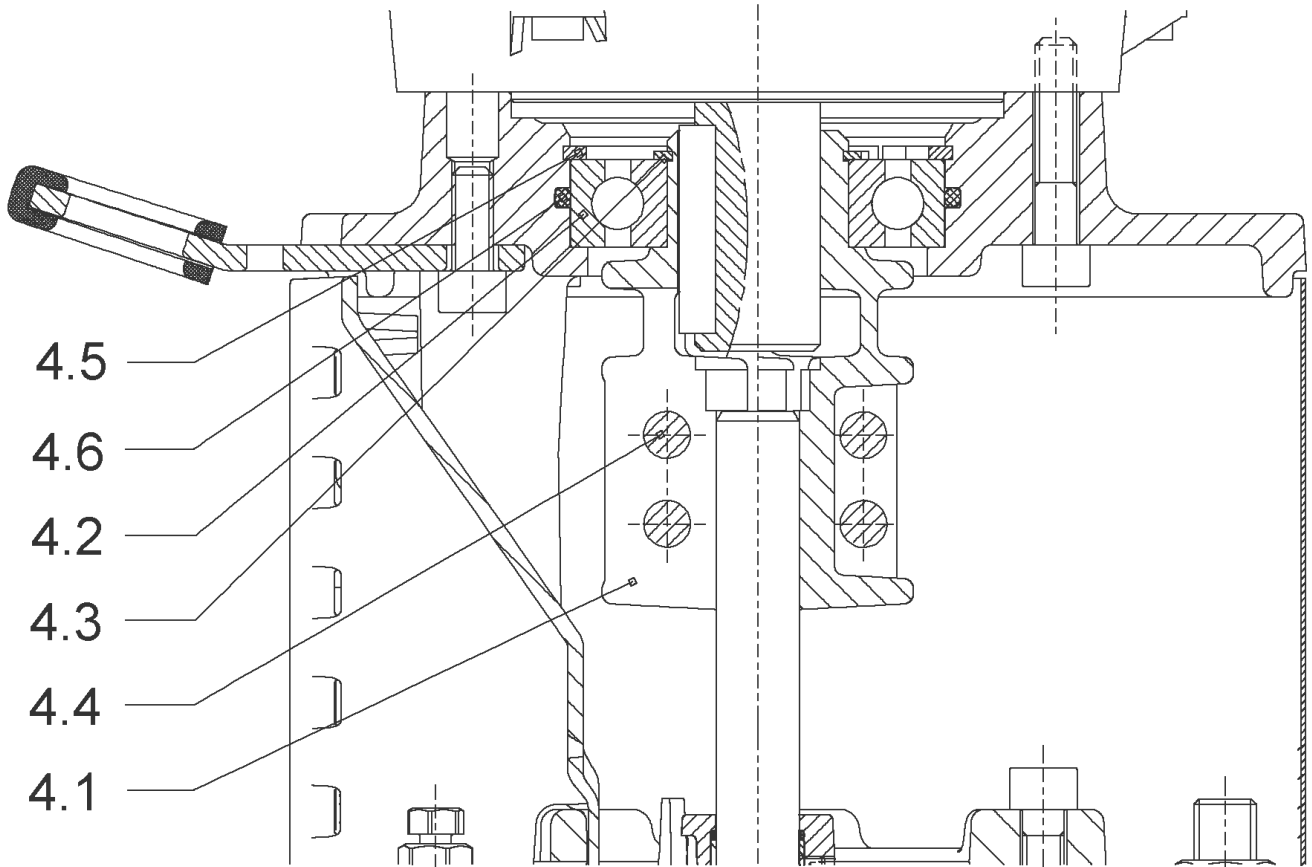


HELIX V2201-1/16/E/KS/400-50 (4198455)

Item	Article no.	Description	Quantity
1	4169942	MO.1,5/2 3~230/400(440)V 50(60)HZ IE3 VP	1
		SPARE PARTS MOTOR:ON REQUEST	1
2	4159707	SCREW M8X30 (4 PIECES)	1
3	4157718	LANTERN FT115 HELIX V22/V36 KIT	1
3.1		> LANTERN FT1115 M+ GJL MACHINED+CATA	1
3.2	4179561	> EYELET CPL.FT HELIX(2 PIECES)	1
3.3	4143968	> COUPLING PROTECT HELIX FT KIT	1
4	4143963	COUPLING D.22XD.36 FT115 KIT	1
5	4094462	SCREWS M10 (4 PIECES)	1
6	4186348	STUD BOLT M16X353 KIT	1
6.1		> TIE BOLT M16-353x24x44-1.4057	1
6.2	4179562	> NUT M16 8.8 ISO4032 (4 PIECES)	1
6.3	4097852	> WASHER-CS-16.4-32-2.8-NFE25-511-A2	1
7	4217176	END SHIELD HELIX OPTI 8" EPDM KIT	1
7.1		> upper flange machined + cataphoresis	1
7.2	4217174	> STATIONARY RING HOLDER 8" HELIX OPTI VP.	1
7.3	4179571	> O-RING HOUSING PIPE HELIX22/36/52 VP.	1
7.4	4179572	> O-RING ID.42.52X2.62 EPDM VP.	1
8	4186377	FILING/PURGING PLUG 304 HELIX KIT	1
8.1		> FILLING/VENTING-PLUG-MVI8/10"-304	1
8.2	4032291	> O-RING 17x3 EPDM KTW/WRC	1
9	4143973	CARTRIDGE HELIX22-36-52 O/E KIT	1
10	4181154	HOUSING PIPE D.204X164 1.4307 KIT	1
7.3	4179571	> O-RING HOUSING PIPE HELIX22/36/52 VP.	1
10.1		> HOUSING-PIPE Ø204-M+2201/2202-304	1
11	4181155	CENTERING STAGE RETURN HELIX22 1.4307 VP	1
12	4143967	SHAFT EQUIPMENT HELIX V KIT	1
13		HYDRAULIC HELIX V 2201	1
14	4179579	SHAFTS D.22X304 1.4057 VP.	1
15	4217852	EQUIPED HOUSING DN50 HELIX OPTI 8" KIT	1
15.1		> pump casing machined DN50	1
15.2	4217178	> HALF FLANGE DN50 HELIX OPTI 8" VP.	1
15.3	4217850	> DRAIN/PRIMING PLUG HELIX OPTI 8" KIT	1
7.3	4179571	> O-RING HOUSING PIPE HELIX22/36/52 VP.	1

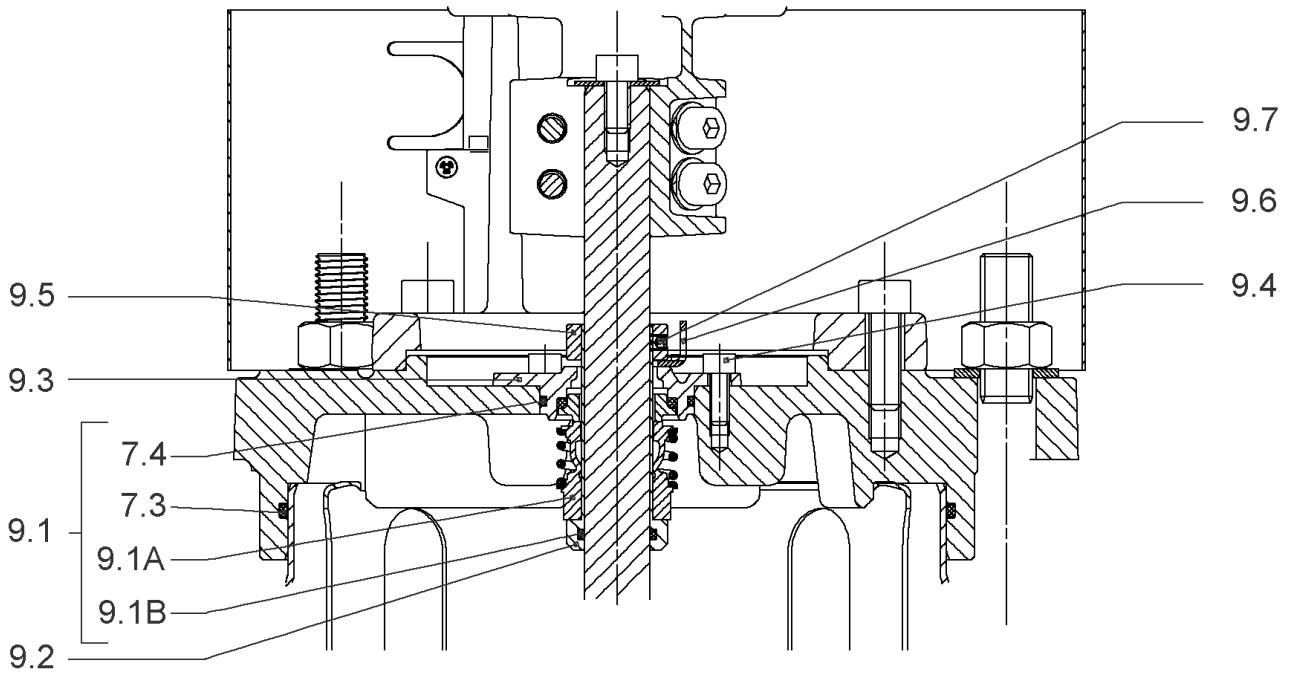
HELIX V2201-1/16/E/KS/400-50 (4198455)

Item	Article no.	Description	Quantity
16	4217854	BASEPLATE DN50 HELIX OPTI 8" VP.	1



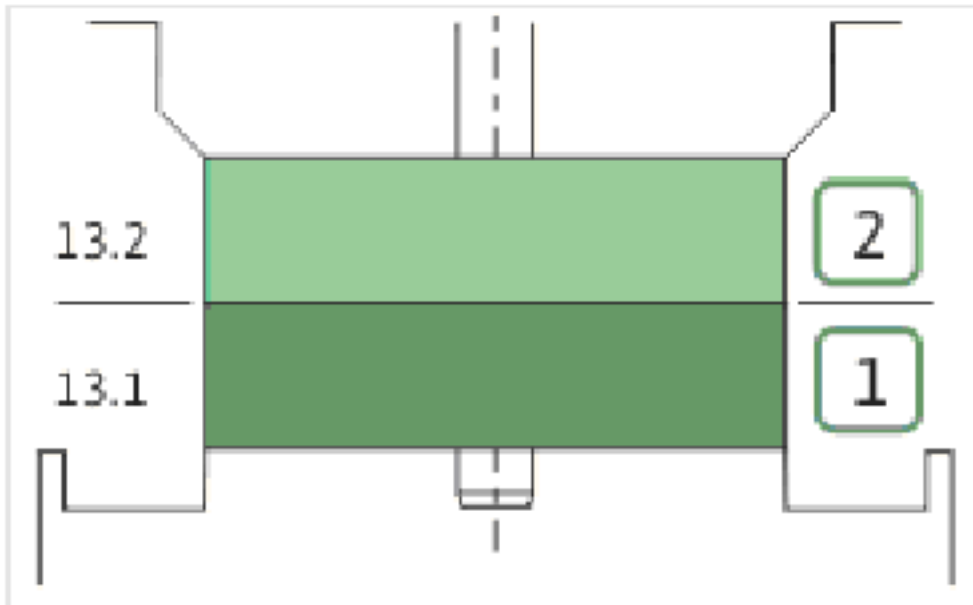
COUPLING D.22XD.36 FT115 KIT (4143963)

Item	Article no.	Description	Quantity
4.1		COUPLING-M+ Ø20XØ24-FT115-MACHINED	1
4.2	2131023	BALL BEARING 6207/ZZ-C3(HT)VP.	1
4.3	4234254	CIRCLIP-FOR-SHAFT-D35x1.5 VP.	1
4.4	4157726	SCREW KIT M8X30 (4 PIECES)	1
4.5	4234251	CIRCLIP-D72x2.5 VP.	1
4.6	4234246	O-RING 72X3 VP.	1



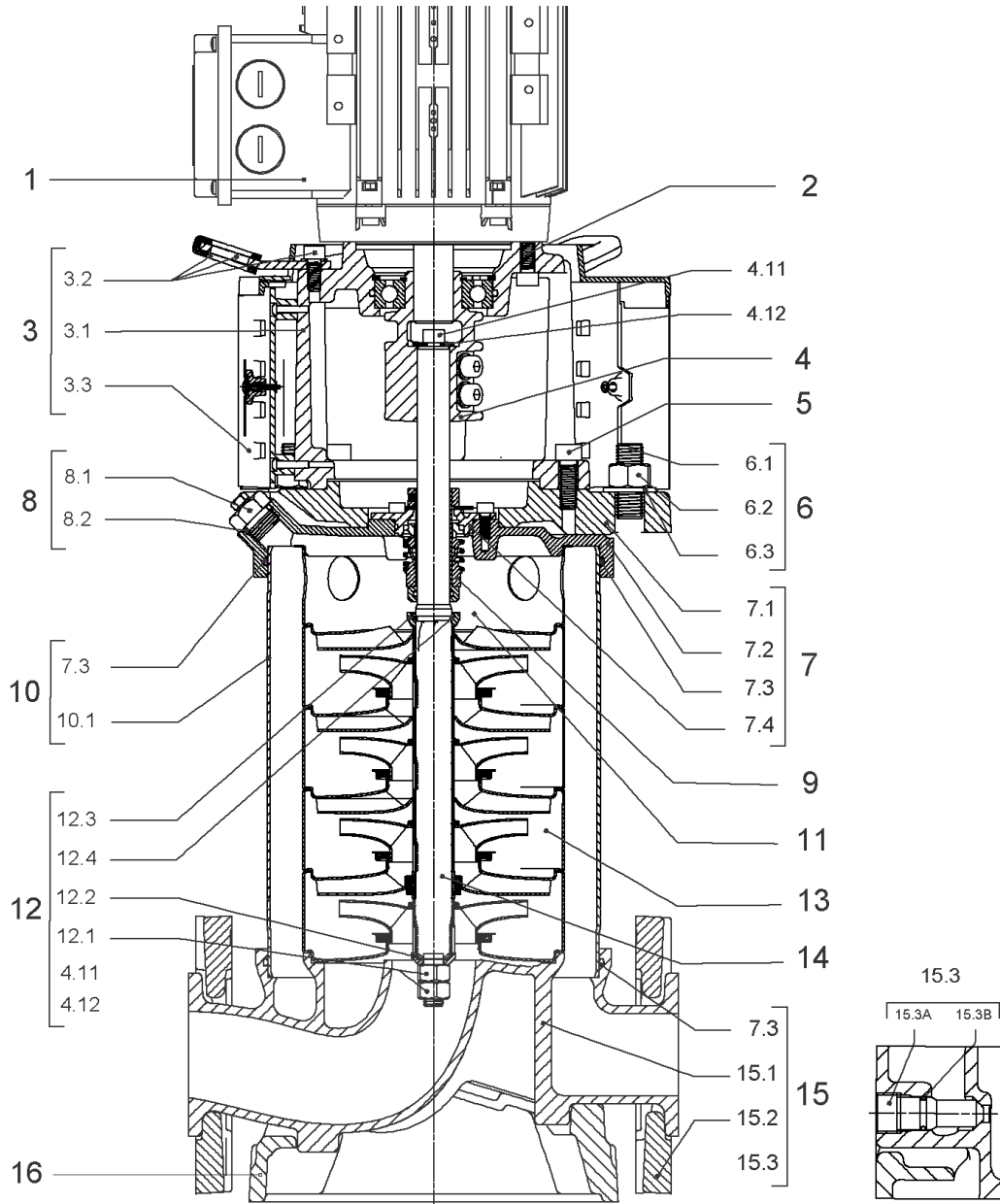
CARTRIDGE HELIX22-36-52 O/E KIT (4143973)

Item	Article no.	Description	Quantity
9.1	4143974	SEAL-KIT-HELIX22-36-52 O/E	1
7.3	4179571	> O-RING HOUSING PIPE HELIX22/36/52 VP.	1
7.4	4179572	> O-RING ID.42.52X2.62 EPDM VP.	1
9.1A	4179573	> M.SEAL.HELIX22-36-52 O/E VP.	1
9.1B	4179574	> O-RING ID.20x2.65 EPDM VP.	1
9.2	4179566	SHAFT SLEEVE D.20/20X60 1.4404 VP.	1
9.3	4179567	RING HOLDER Ø22 1.4301 VP.	1
9.4	4176520	SCREW CH M5x5 A4-70 (3PIECES)	1
9.5	4179568	DRIVE RING D.31/22.1x11 MACH.VP.	1
9.6	4179569	TOOL M.S.CART.HELIX 8" VP.	1
9.7	4179570	SCREW M6X16 ISO4762 8.8 GEOMET(4 PIECES)	1



HYDRAULIC HELIX V 2201

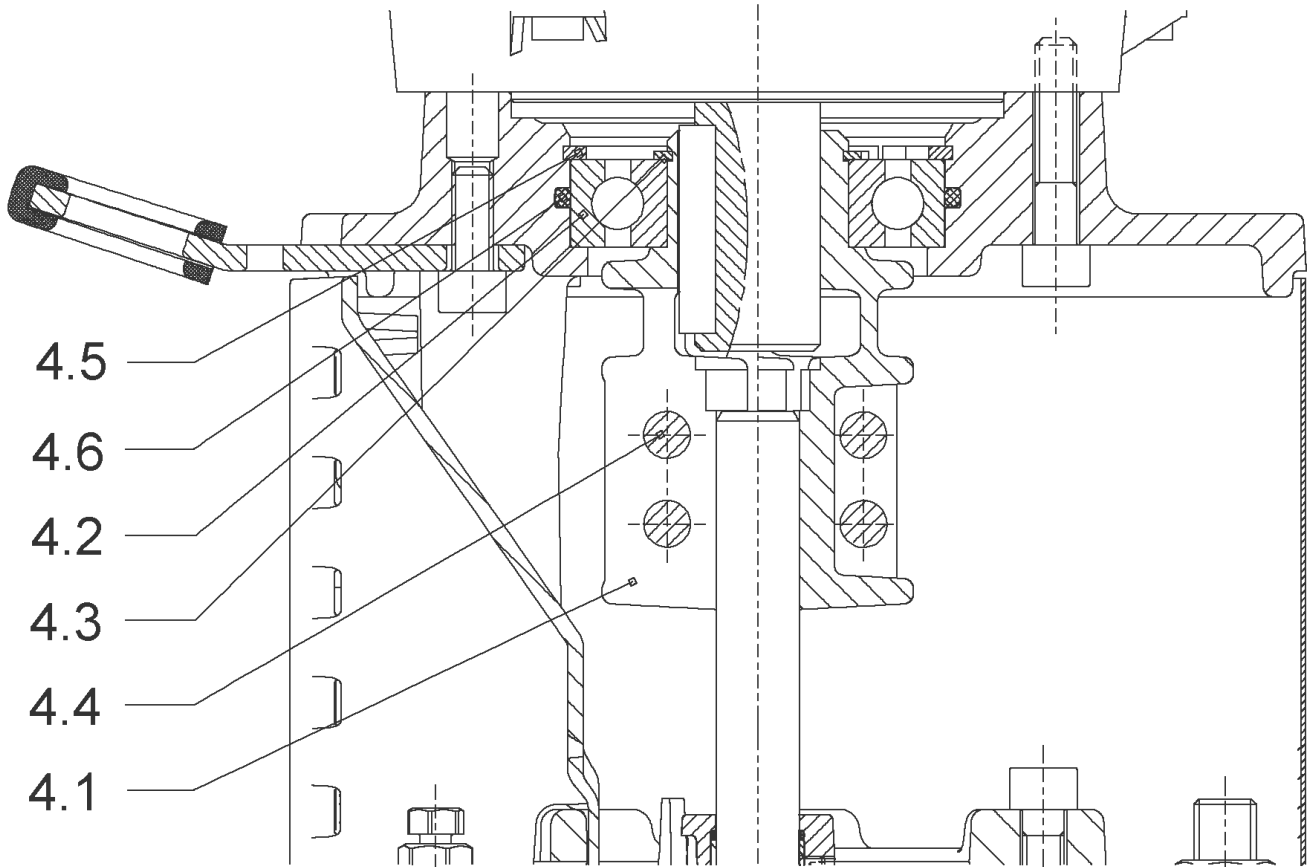
Item	Article no.	Description	Quantity
13.1	4157739	FIRST STAGE HELIX 22 1.4307 KIT	1
		> IMPELLER-H1-M+22-304	1
		> MACH.STG-CASING-WOGV-WNR-M+22-304	1
13.2	4157738	BEARING STAGE HELIX V2201 1.4307 KIT	1



HELIX V2202-1/16/E/KS/400-50 (4198456)

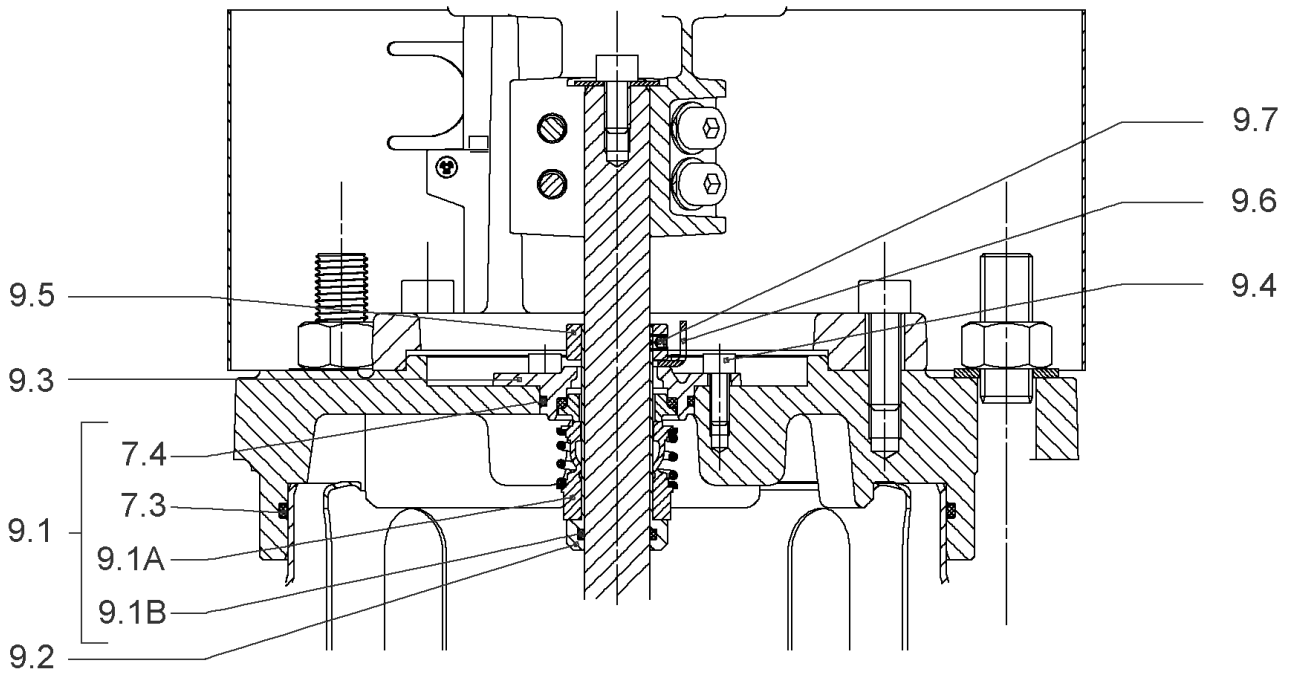
Item	Article no.	Description	Quantity
1	4169944	MOTOR 3/2/100 3~230/400V 50HZ IE3 VP.	1
		SPARE PARTS MOTOR:ON REQUEST	1
2	4159707	SCREW M8X30 (4 PIECES)	1
3	4157719	LANTERN HELIX 22/36 FT130 KIT	1
3.1		> LANTERN FT130 M+ GJL MACHINED+CATA	1
3.2	4179561	> EYELET CPL.FT HELIX(2 PIECES)	1
3.3	4143968	> COUPLING PROTECT HELIX FT KIT	1
4	4143964	COUPLING D.20XD.28 FT130 KIT	1
5	4094462	SCREWS M10 (4 PIECES)	1
6	4186348	STUD BOLT M16X353 KIT	1
6.1		> TIE BOLT M16-353x24x44-1.4057	1
6.2	4179562	> NUT M16 8.8 ISO4032 (4 PIECES)	1
6.3	4097852	> WASHER-CS-16.4-32-2.8-NFE25-511-A2	1
7	4217176	END SHIELD HELIX OPTI 8" EPDM KIT	1
7.1		> upper flange machined + cataphoresis	1
7.2	4217174	> STATIONARY RING HOLDER 8" HELIX OPTI VP.	1
7.3	4179571	> O-RING HOUSING PIPE HELIX22/36/52 VP.	1
7.4	4179572	> O-RING ID.42.52X2.62 EPDM VP.	1
8	4186377	FILING/PURGING PLUG 304 HELIX KIT	1
8.1		> FILLING/VENTING-PLUG-MVI8/10"-304	1
8.2	4032291	> O-RING 17x3 EPDM KTW/WRC	1
9	4143973	CARTRIDGE HELIX22-36-52 O/E KIT	1
10	4181154	HOUSING PIPE D.204X164 1.4307 KIT	1
7.3	4179571	> O-RING HOUSING PIPE HELIX22/36/52 VP.	1
10.1		> HOUSING-PIPE Ø204-M+2201/2202-304	1
11	4179143	CENTERING STAGE-RETURN HELIX22 1.4307 VP	1
12	4143967	SHAFT EQUIPMENT HELIX V KIT	1
13		HYDRAULIC HELIX V 2202	1
14	4179579	SHAFTS D.22X304 1.4057 VP.	1
15	4217852	EQUIPED HOUSING DN50 HELIX OPTI 8" KIT	1
15.1		> pump casing machined DN50	1
15.2	4217178	> HALF FLANGE DN50 HELIX OPTI 8" VP.	1
15.3	4217850	> DRAIN/PRIMING PLUG HELIX OPTI 8" KIT	1
7.3	4179571	> O-RING HOUSING PIPE HELIX22/36/52 VP.	1

Item	Article no.	Description	Quantity
16	4217854	BASEPLATE DN50 HELIX OPTI 8" VP.	1



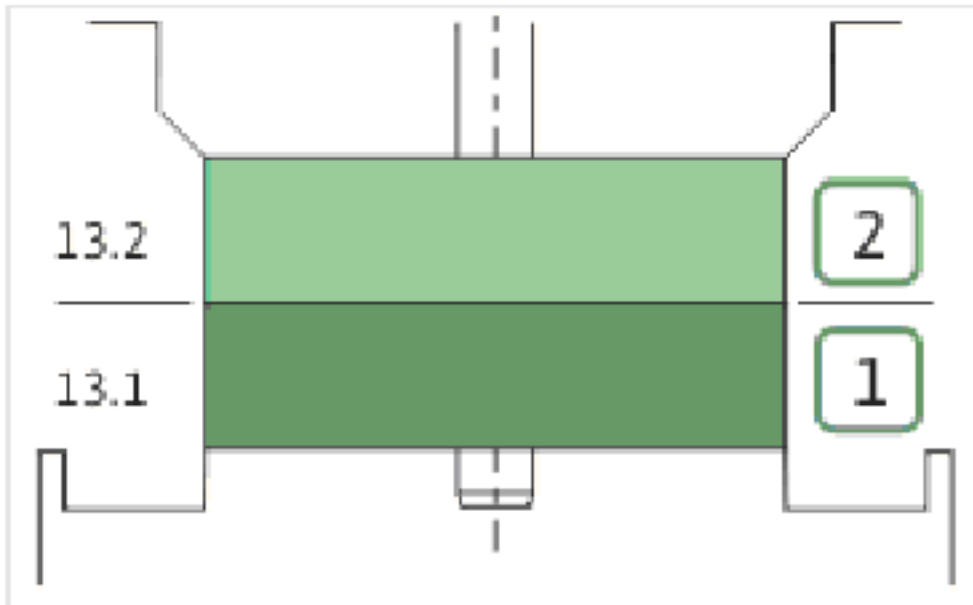
COUPLING D.20XD.28 FT130 KIT (4143964)

Item	Article no.	Description	Quantity
4.1		COUPLING M+ Ø20XØ28-FT130 MACHINED	1
4.2	2131022	BALL BEARING 6209/ZZ-C3(HT)VP.	1
4.3	4233930	CIRCLIP-FOR-BORES-D45x1,75 VP.	1
4.4	4157726	SCREW KIT M8X30 (4 PIECES)	1
4.5	4234252	CIRCLIPS 85X3 VP.	1
4.6	4234243	O-RING 85X3 VP.	1
		NOMEL CONTACT WASHER 8x16x1,4 STEEL ZC	1

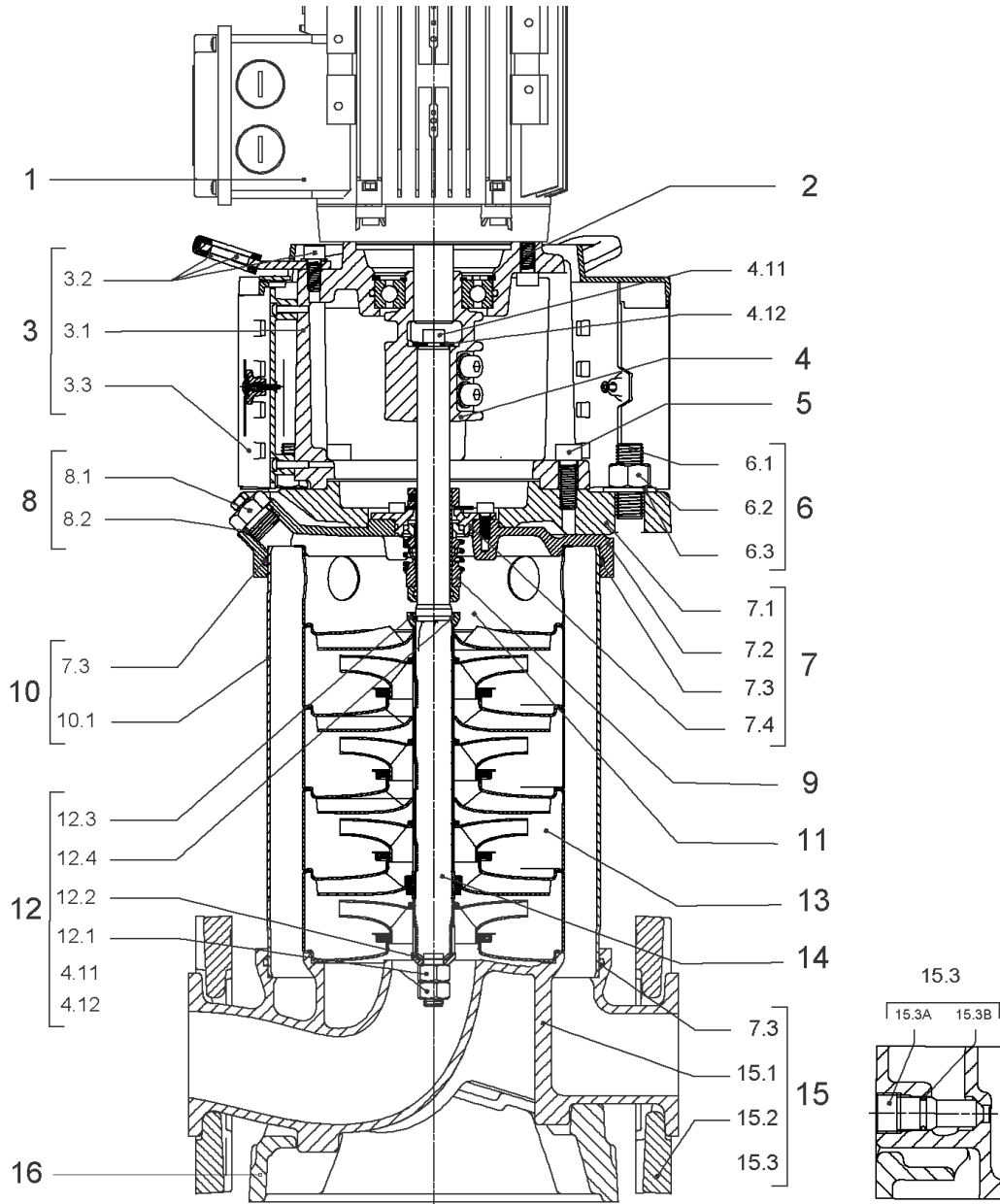


CARTRIDGE HELIX22-36-52 O/E KIT (4143973)

Item	Article no.	Description	Quantity
9.1	4143974	SEAL-KIT-HELIX22-36-52 O/E	1
7.3	4179571	> O-RING HOUSING PIPE HELIX22/36/52 VP.	1
7.4	4179572	> O-RING ID.42.52X2.62 EPDM VP.	1
9.1A	4179573	> M.SEAL.HELIX22-36-52 O/E VP.	1
9.1B	4179574	> O-RING ID.20x2.65 EPDM VP.	1
9.2	4179566	SHAFT SLEEVE D.20/20X60 1.4404 VP.	1
9.3	4179567	RING HOLDER Ø22 1.4301 VP.	1
9.4	4176520	SCREW CH M5x5 A4-70 (3PIECES)	1
9.5	4179568	DRIVE RING D.31/22.1x11 MACH.VP.	1
9.6	4179569	TOOL M.S.CART.HELIX 8" VP.	1
9.7	4179570	SCREW M6X16 ISO4762 8.8 GEOMET(4 PIECES)	1



Item	Article no.	Description	Quantity
13.1	4157739	FIRST STAGE HELIX 22 1.4307 KIT	1
		> IMPELLER-H1-M+22-304	1
		> MACH.STG-CASING-WOGV-WNR-M+22-304	1
13.2	4157740	BEARING STAGE HELIX 22 1.4307 KIT	1
		> IMPELLER-H2-M+22-304	1
		> MACH.BEARING-STG-CASING-WNR-M+22-304	1
		> SHAFT-SLEEVE-D26xD22x16-CW	1

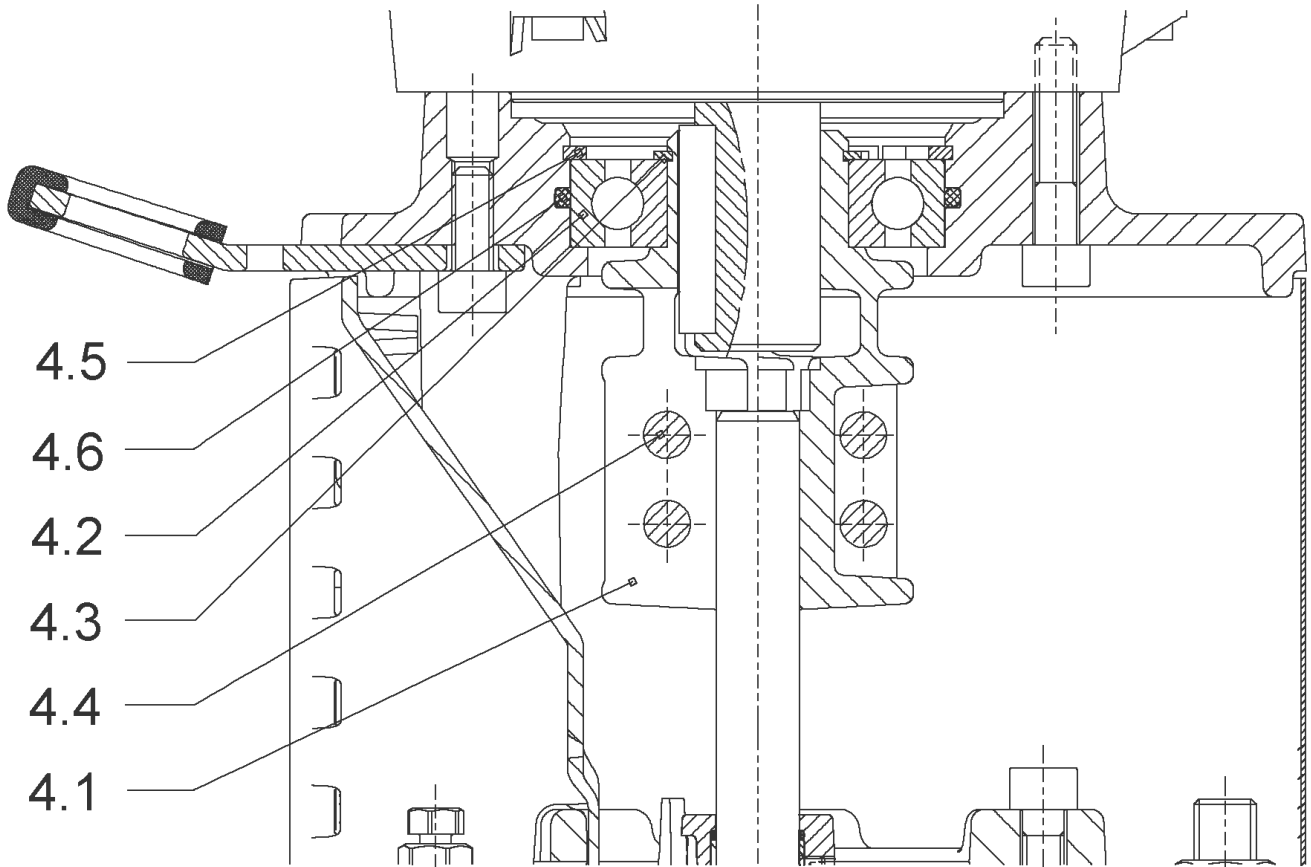


HELIX V2203-1/16/E/KS/400-50 (4198457)

Item	Article no.	Description	Quantity
1	4169945	MO.4/2 3~230/400(460)V 50(60)HZ IE3 VP.	1
		SPARE PARTS MOTOR:ON REQUEST	1
2	4159707	SCREW M8X30 (4 PIECES)	1
3	4157719	LANTERN HELIX 22/36 FT130 KIT	1
3.1		> LANTERN FT130 M+ GJL MACHINED+CATA	1
3.2	4179561	> EYELET CPL.FT HELIX(2 PIECES)	1
3.3	4143968	> COUPLING PROTECT HELIX FT KIT	1
4	4143964	COUPLING D.20XD.28 FT130 KIT	1
5	4094462	SCREWS M10 (4 PIECES)	1
6	4179592	STUD BOLT M16X405 KIT	1
6.1		> TIE BOLT M16-405x24x44-1.4057	1
6.2	4179562	> NUT M16 8.8 ISO4032 (4 PIECES)	1
6.3	4097852	> WASHER-CS-16.4-32-2.8-NFE25-511-A2	1
7	4217176	END SHIELD HELIX OPTI 8" EPDM KIT	1
7.1		> upper flange machined + cataphoresis	1
7.2	4217174	> STATIONARY RING HOLDER 8" HELIX OPTI VP.	1
7.3	4179571	> O-RING HOUSING PIPE HELIX22/36/52 VP.	1
7.4	4179572	> O-RING ID.42.52X2.62 EPDM VP.	1
8	4186377	FILING/PURGING PLUG 304 HELIX KIT	1
8.1		> FILLING/VENTING-PLUG-MVI8/10"-304	1
8.2	4032291	> O-RING 17x3 EPDM KTW/WRC	1
9	4143973	CARTRIDGE HELIX22-36-52 O/E KIT	1
10	4181161	HOUSING PIPE D.204X214 1.4307 KIT	1
10.1		> HOUSING-PIPE Ø204-M+2203-304	1
7.3	4179571	> O-RING HOUSING PIPE HELIX22/36/52 VP.	1
11	4179143	CENTERING STAGE-RETURN HELIX22 1.4307 VP	1
12	4143967	SHAFT EQUIPMENT HELIX V KIT	1
13		HYDRAULIC HELIX V 2203	1
14	4181073	SHAFTS D.22X354 1.4057 VP.	1
15	4217852	EQUIPED HOUSING DN50 HELIX OPTI 8" KIT	1
15.1		> pump casing machined DN50	1
15.2	4217178	> HALF FLANGE DN50 HELIX OPTI 8" VP.	1
15.3	4217850	> DRAIN/PRIMING PLUG HELIX OPTI 8" KIT	1
7.3	4179571	> O-RING HOUSING PIPE HELIX22/36/52 VP.	1

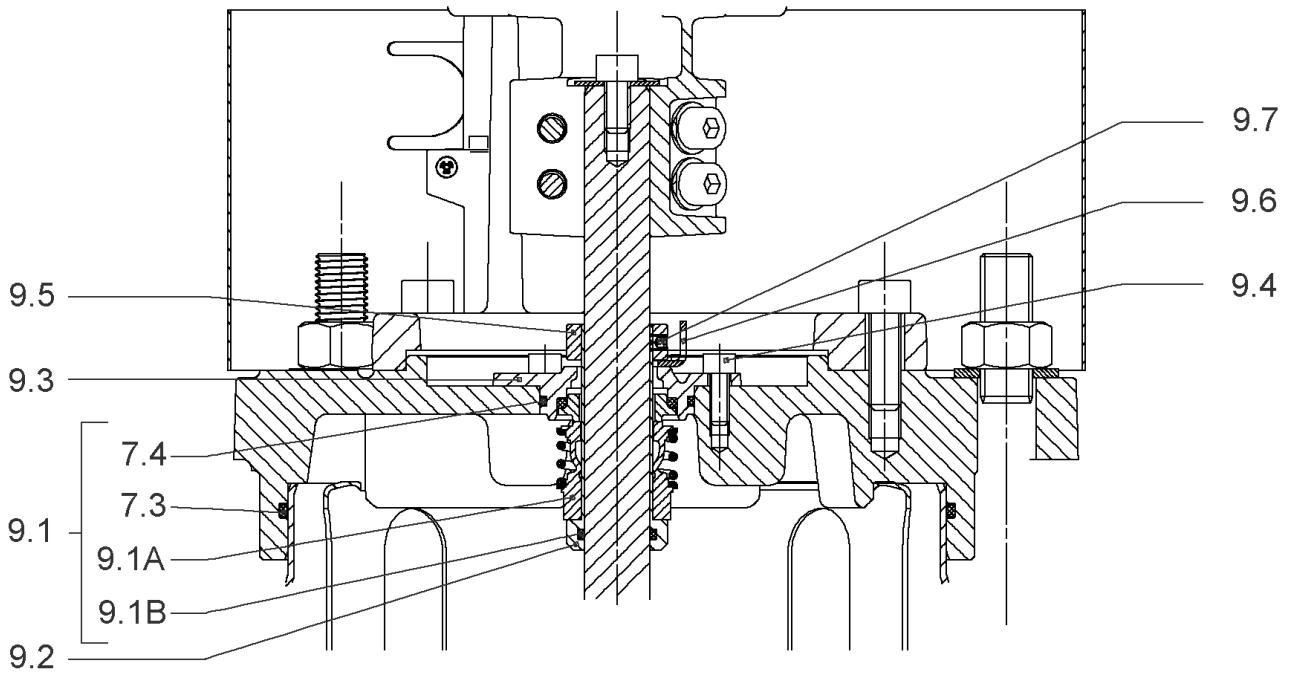
HELIX V2203-1/16/E/KS/400-50 (4198457)

Item	Article no.	Description	Quantity
16	4217854	BASEPLATE DN50 HELIX OPTI 8" VP.	1



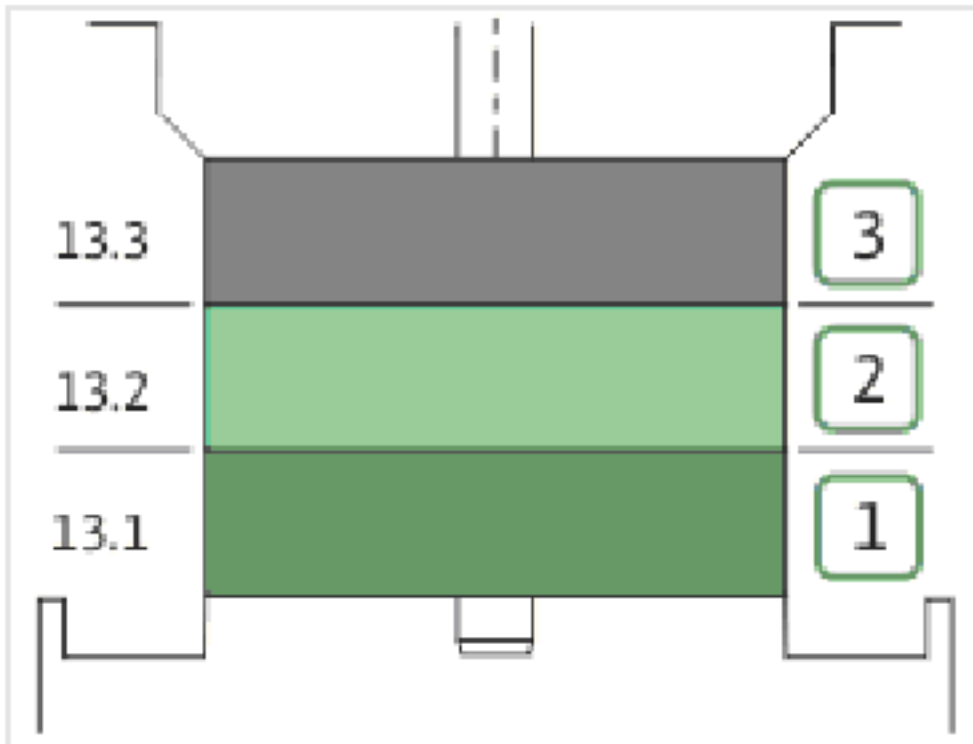
COUPLING D.20XD.28 FT130 KIT (4143964)

Item	Article no.	Description	Quantity
4.1		COUPLING M+ Ø20XØ28-FT130 MACHINED	1
4.2	2131022	BALL BEARING 6209/ZZ-C3(HT)VP.	1
4.3	4233930	CIRCLIP-FOR-BORES-D45x1,75 VP.	1
4.4	4157726	SCREW KIT M8X30 (4 PIECES)	1
4.5	4234252	CIRCLIPS 85X3 VP.	1
4.6	4234243	O-RING 85X3 VP.	1
		NOMEL CONTACT WASHER 8x16x1,4 STEEL ZC	1

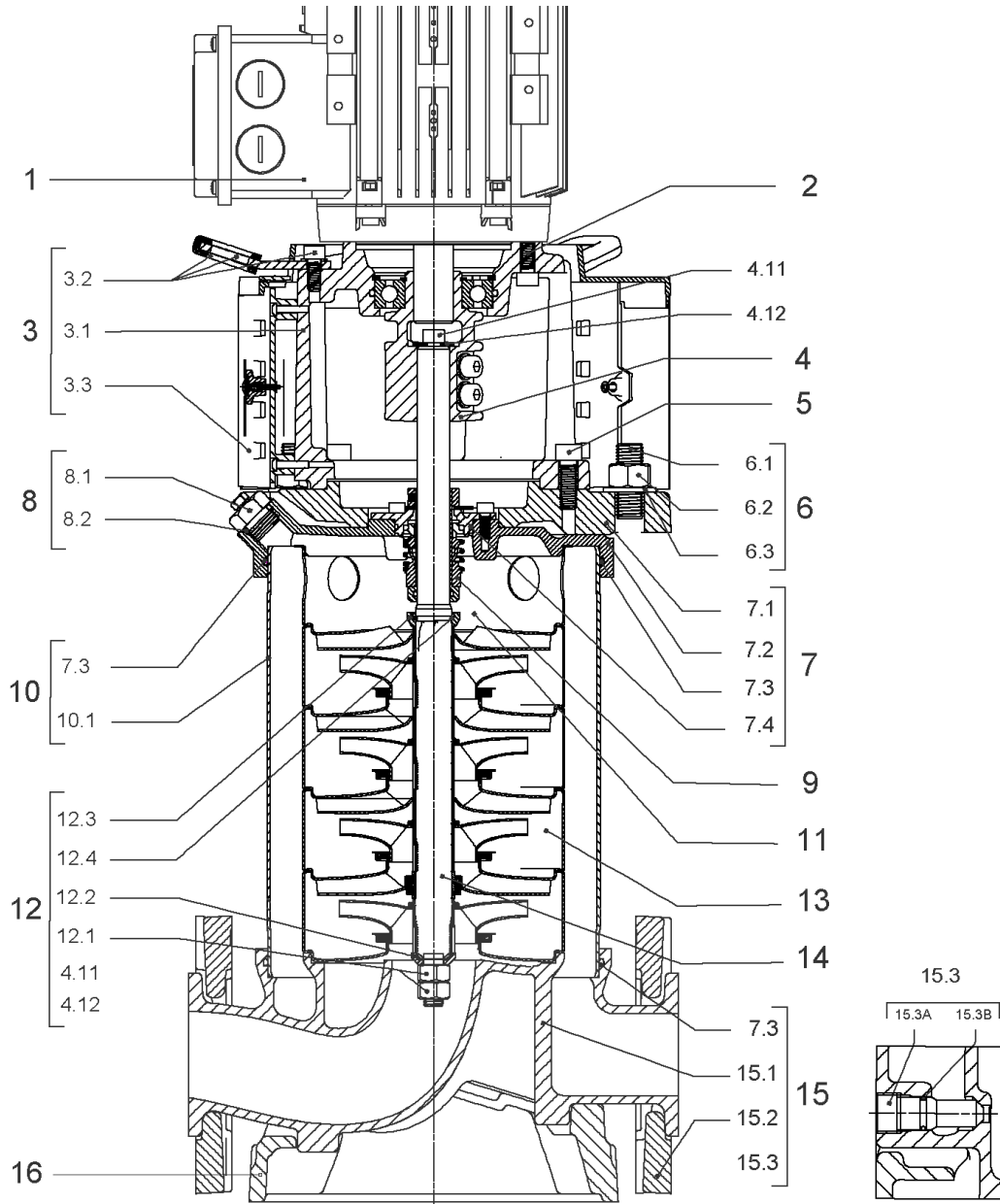


CARTRIDGE HELIX22-36-52 O/E KIT (4143973)

Item	Article no.	Description	Quantity
9.1	4143974	SEAL-KIT-HELIX22-36-52 O/E	1
7.3	4179571	> O-RING HOUSING PIPE HELIX22/36/52 VP.	1
7.4	4179572	> O-RING ID.42.52X2.62 EPDM VP.	1
9.1A	4179573	> M.SEAL.HELIX22-36-52 O/E VP.	1
9.1B	4179574	> O-RING ID.20x2.65 EPDM VP.	1
9.2	4179566	SHAFT SLEEVE D.20/20X60 1.4404 VP.	1
9.3	4179567	RING HOLDER Ø22 1.4301 VP.	1
9.4	4176520	SCREW CH M5x5 A4-70 (3PIECES)	1
9.5	4179568	DRIVE RING D.31/22.1x11 MACH.VP.	1
9.6	4179569	TOOL M.S.CART.HELIX 8" VP.	1
9.7	4179570	SCREW M6X16 ISO4762 8.8 GEOMET(4 PIECES)	1



Item	Article no.	Description	Quantity
13.1	4157739	FIRST STAGE HELIX 22 1.4307 KIT	1
		> IMPELLER-H1-M+22-304	1
		> MACH.STG-CASING-WOGV-WNR-M+22-304	1
13.2	4157740	BEARING STAGE HELIX 22 1.4307 KIT	1
		> IMPELLER-H2-M+22-304	1
		> MACH.BEARING-STG-CASING-WNR-M+22-304	1
		> SHAFT-SLEEVE-D26xD22x16-CW	1
13.3	4157743	INTERMEDIATE STAGE HELIX 22 KIT	1
		> MACH.STD-STG-CASING-WGV+NR-M+22-304	1
		> IMPELLER-H2-M+22-304	1

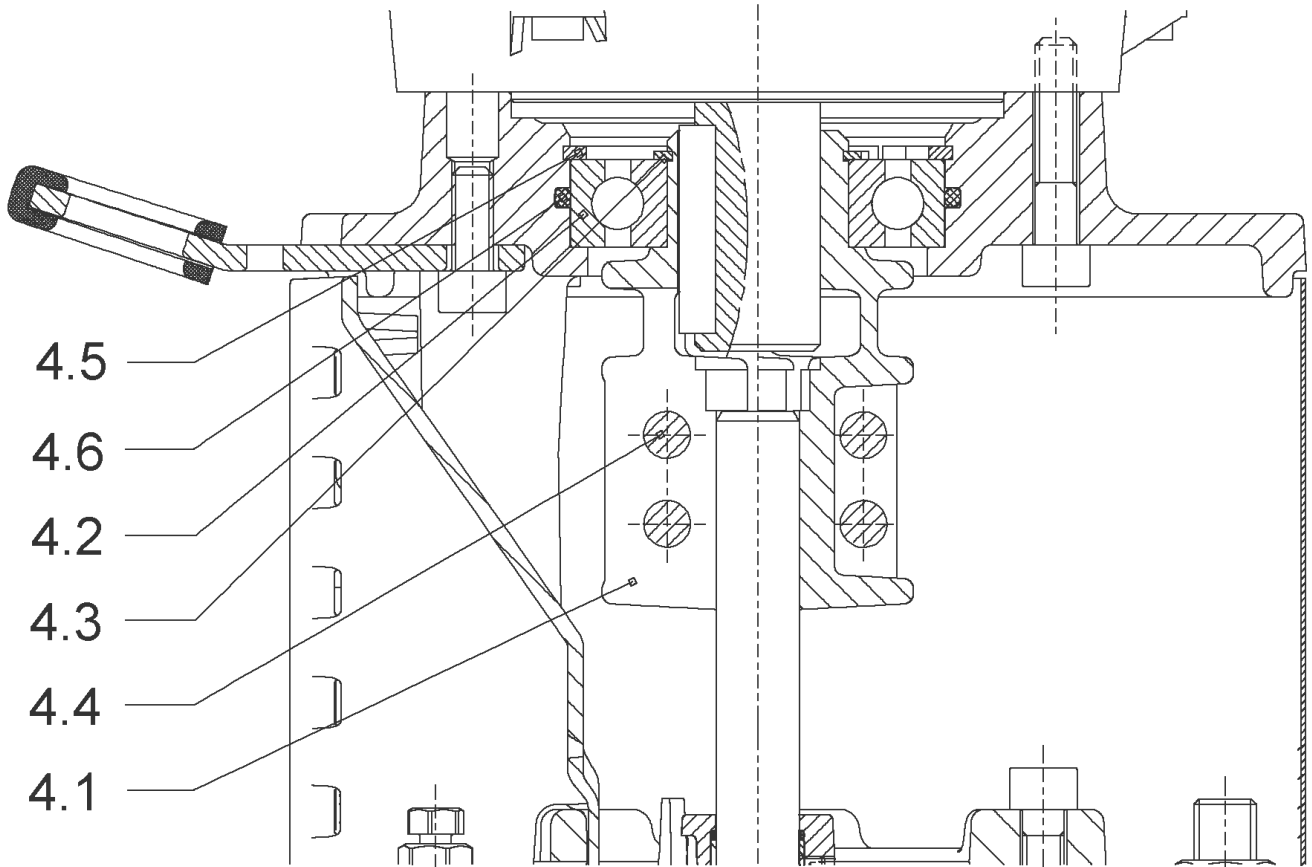


HELIX V2204-1/16/E/KS/400-50 (4198458)

Item	Article no.	Description	Quantity
1	4169947	MO 5,5/2/112 3~400V50Hz 460V60Hz IE3 VP.	1
		SPARE PARTS MOTOR:ON REQUEST	1
2	4159707	SCREW M8X30 (4 PIECES)	1
3	4157719	LANTERN HELIX 22/36 FT130 KIT	1
3.1		> LANTERN FT130 M+ GJL MACHINED+CATA	1
3.2	4179561	> EYELET CPL.FT HELIX(2 PIECES)	1
3.3	4143968	> COUPLING PROTECT HELIX FT KIT	1
4	4143964	COUPLING D.20XD.28 FT130 KIT	1
5	4094462	SCREWS M10 (4 PIECES)	1
6	4186355	STUD BOLT M16X453 KIT	1
6.1		> TIE BOLT M16-453x24x44-1.4057	1
6.2	4179562	> NUT M16 8.8 ISO4032 (4 PIECES)	1
6.3	4097852	> WASHER-CS-16.4-32-2.8-NFE25-511-A2	1
7	4217176	END SHIELD HELIX OPTI 8" EPDM KIT	1
7.1		> upper flange machined + cataphoresis	1
7.2	4217174	> STATIONARY RING HOLDER 8" HELIX OPTI VP.	1
7.3	4179571	> O-RING HOUSING PIPE HELIX22/36/52 VP.	1
7.4	4179572	> O-RING ID.42.52X2.62 EPDM VP.	1
8	4186377	FILING/PURGING PLUG 304 HELIX KIT	1
8.1		> FILLING/VENTING-PLUG-MVI8/10"-304	1
8.2	4032291	> O-RING 17x3 EPDM KTW/WRC	1
9	4143973	CARTRIDGE HELIX22-36-52 O/E KIT	1
10	4181077	HOUSING-PIPE D.204X264 1.4307 KIT	1
7.3	4179571	> O-RING HOUSING PIPE HELIX22/36/52 VP.	1
10.1		> HOUSING-PIPE Ø204-M+2204/3603-304	1
11	4179143	CENTERING STAGE-RETURN HELIX22 1.4307 VP	1
12	4143967	SHAFT EQUIPMENT HELIX V KIT	1
13		HYDRAULIC HELIX V 2204	1
14	2132516	SHAFT D.22X404 1.4301 VP.	1
15	4217852	EQUIPED HOUSING DN50 HELIX OPTI 8" KIT	1
15.1		> pump casing machined DN50	1
15.2	4217178	> HALF FLANGE DN50 HELIX OPTI 8" VP.	1
15.3	4217850	> DRAIN/PRIMING PLUG HELIX OPTI 8" KIT	1
7.3	4179571	> O-RING HOUSING PIPE HELIX22/36/52 VP.	1

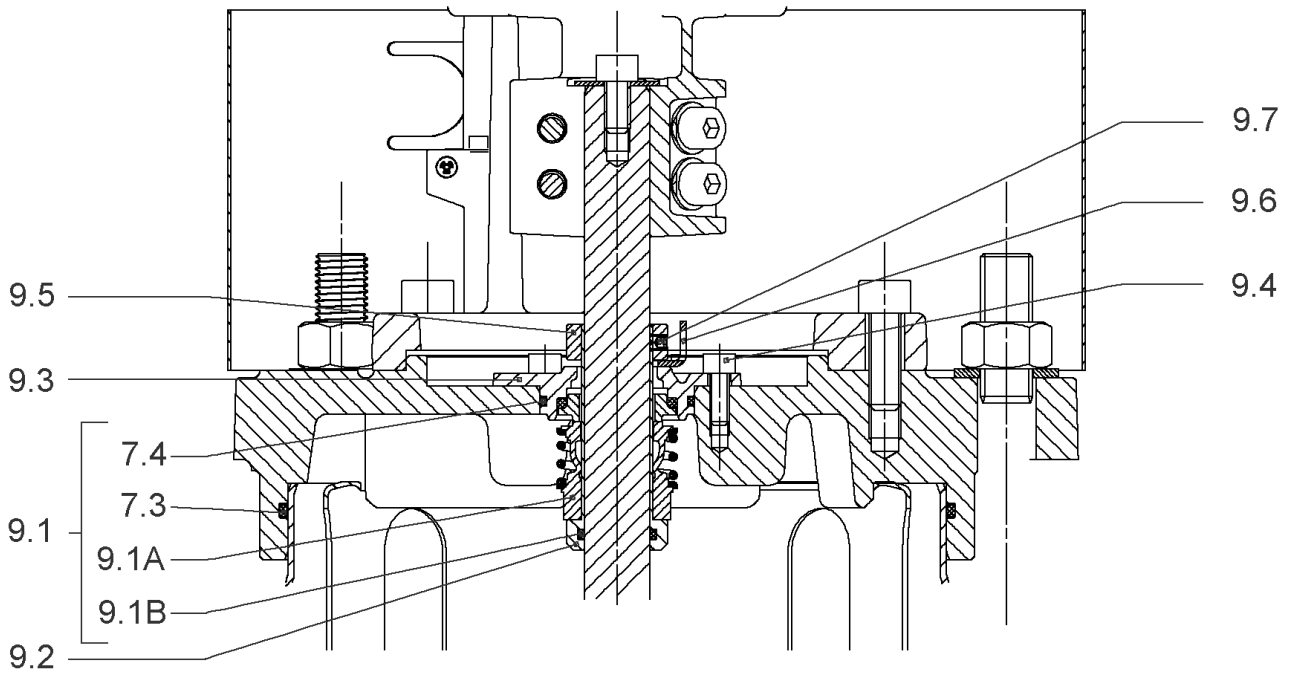
HELIX V2204-1/16/E/KS/400-50 (4198458)

Item	Article no.	Description	Quantity
16	4217854	BASEPLATE DN50 HELIX OPTI 8" VP.	1



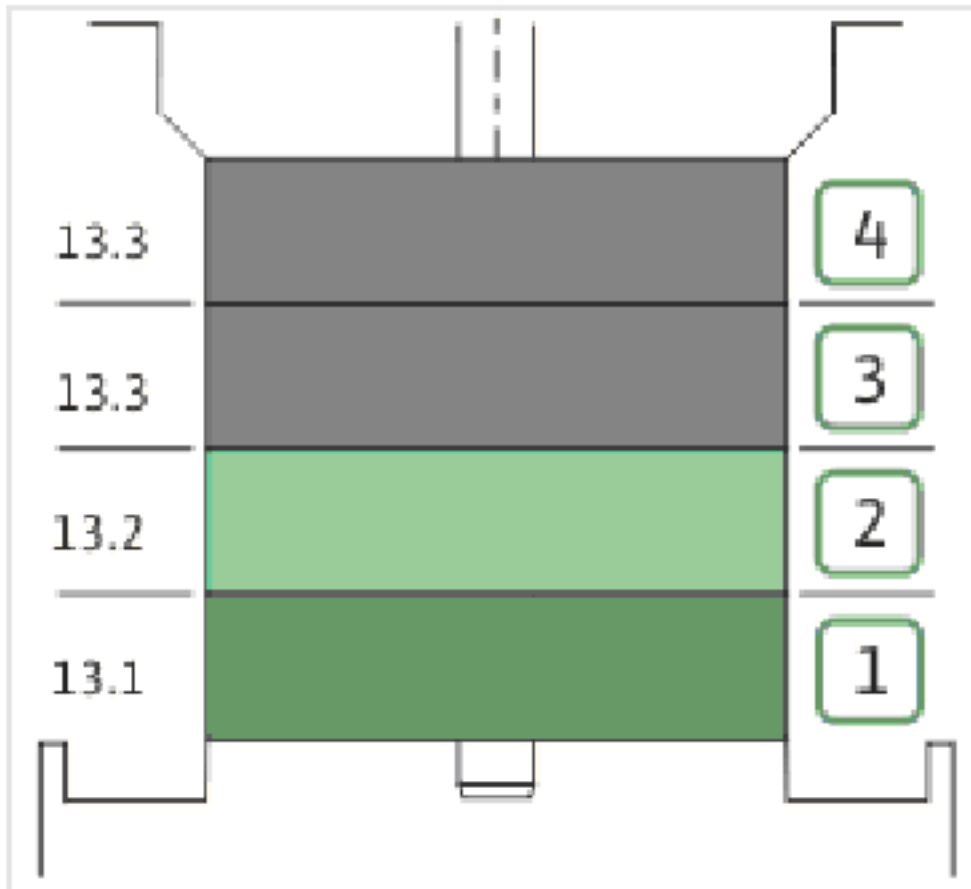
COUPLING D.20XD.28 FT130 KIT (4143964)

Item	Article no.	Description	Quantity
4.1		COUPLING M+ Ø20XØ28-FT130 MACHINED	1
4.2	2131022	BALL BEARING 6209/ZZ-C3(HT)VP.	1
4.3	4233930	CIRCLIP-FOR-BORES-D45x1,75 VP.	1
4.4	4157726	SCREW KIT M8X30 (4 PIECES)	1
4.5	4234252	CIRCLIPS 85X3 VP.	1
4.6	4234243	O-RING 85X3 VP.	1
		NOMEL CONTACT WASHER 8x16x1,4 STEEL ZC	1

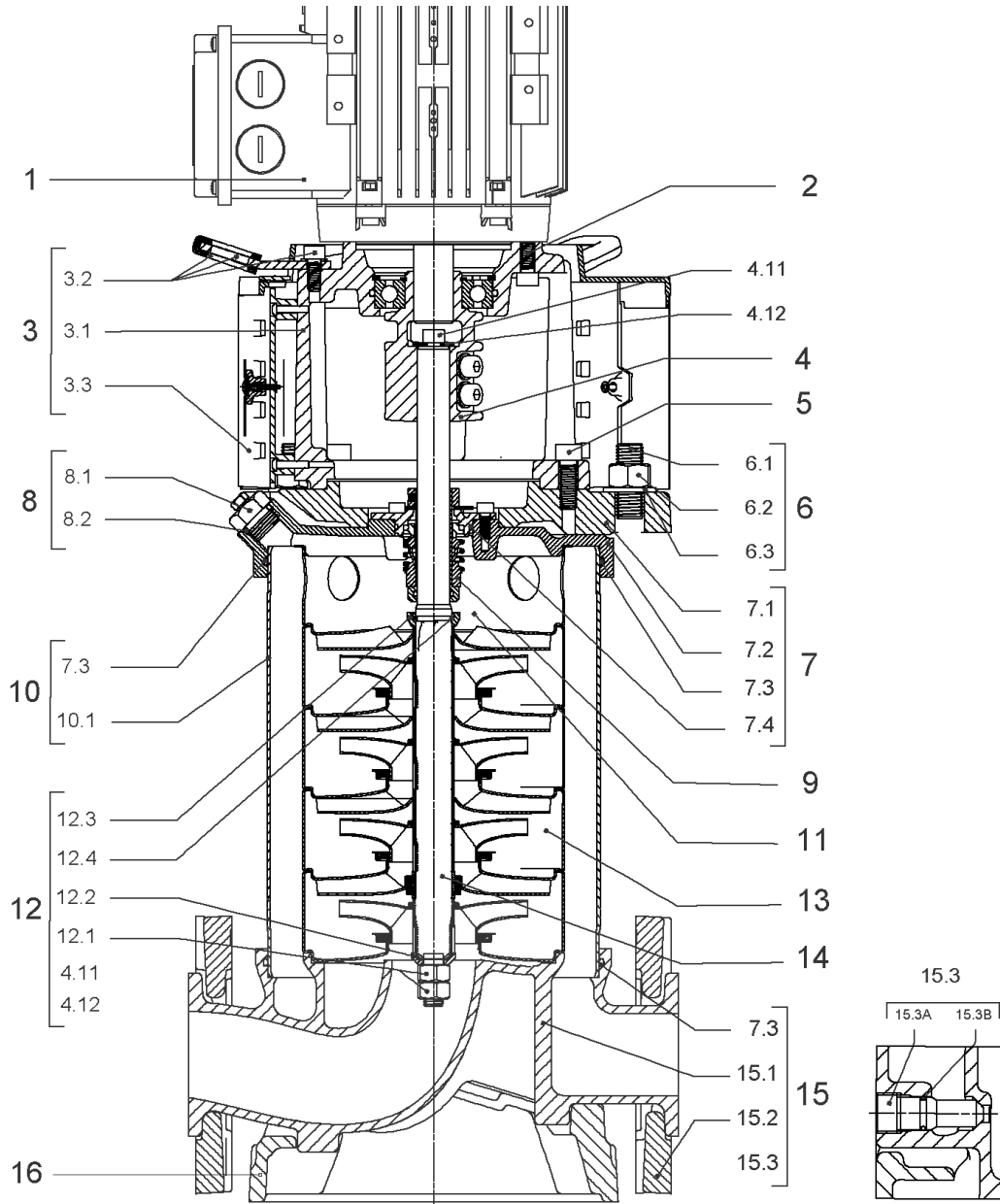


CARTRIDGE HELIX22-36-52 O/E KIT (4143973)

Item	Article no.	Description	Quantity
9.1	4143974	SEAL-KIT-HELIX22-36-52 O/E	1
7.3	4179571	> O-RING HOUSING PIPE HELIX22/36/52 VP.	1
7.4	4179572	> O-RING ID.42.52X2.62 EPDM VP.	1
9.1A	4179573	> M.SEAL.HELIX22-36-52 O/E VP.	1
9.1B	4179574	> O-RING ID.20x2.65 EPDM VP.	1
9.2	4179566	SHAFT SLEEVE D.20/20X60 1.4404 VP.	1
9.3	4179567	RING HOLDER Ø22 1.4301 VP.	1
9.4	4176520	SCREW CH M5x5 A4-70 (3PIECES)	1
9.5	4179568	DRIVE RING D.31/22.1x11 MACH.VP.	1
9.6	4179569	TOOL M.S.CART.HELIX 8" VP.	1
9.7	4179570	SCREW M6X16 ISO4762 8.8 GEOMET(4 PIECES)	1



Item	Article no.	Description	Quantity
13.1	4157739	FIRST STAGE HELIX 22 1.4307 KIT	1
		> IMPELLER-H1-M+22-304	1
		> MACH.STG-CASING-WOGV-WNR-M+22-304	1
13.2	4157740	BEARING STAGE HELIX 22 1.4307 KIT	1
		> IMPELLER-H2-M+22-304	1
		> MACH.BEARING-STG-CASING-WNR-M+22-304	1
		> SHAFT-SLEEVE-D26xD22x16-CW	1
13.3	4157743	INTERMEDIATE STAGE HELIX 22 KIT	1
		> MACH.STD-STG-CASING-WGV+NR-M+22-304	1
		> IMPELLER-H2-M+22-304	1

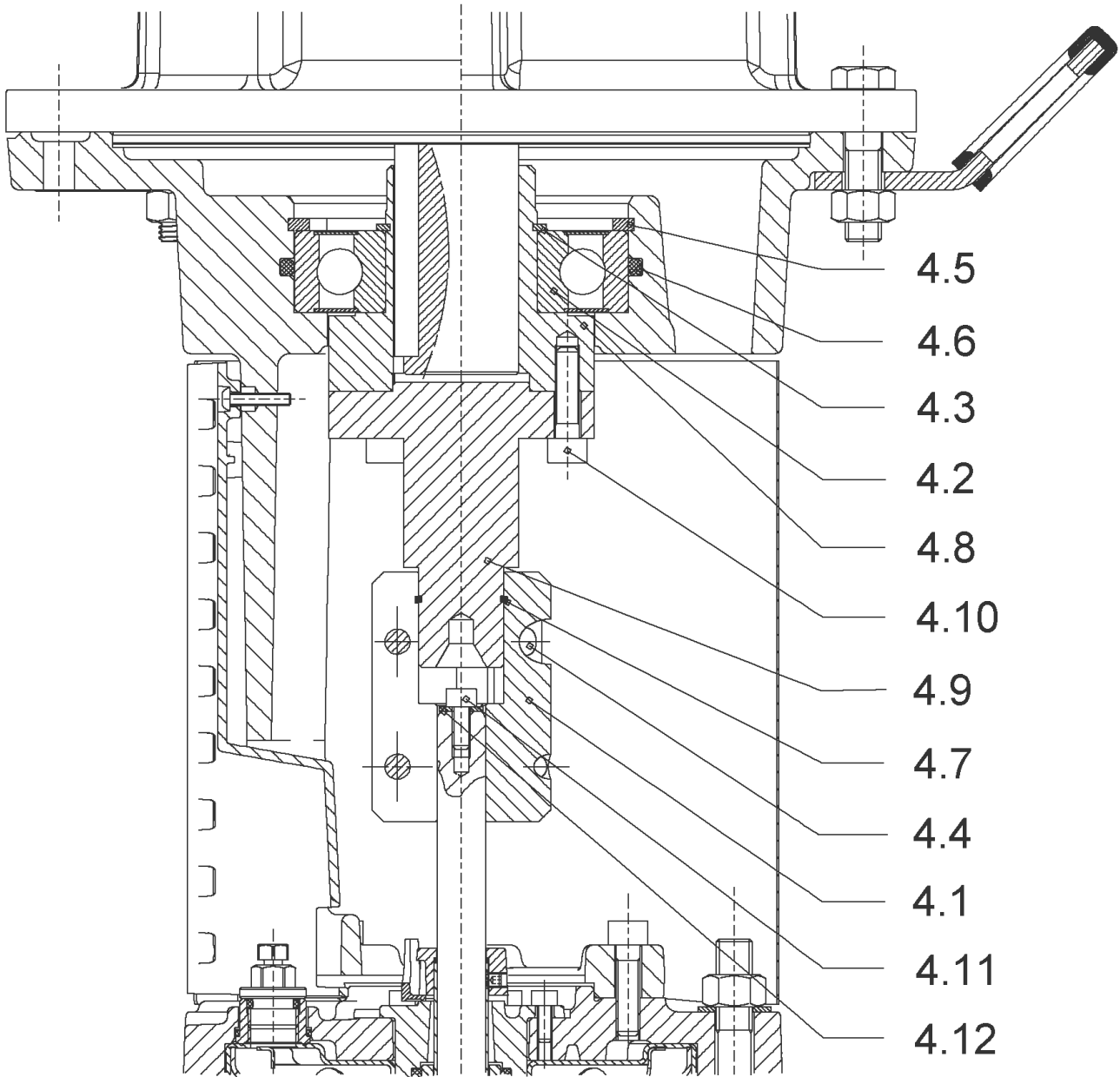


HELIX V2205-1/16/E/KS/400-50 (4198459)

Item	Article no.	Description	Quantity
1	4195450	MOTOR 7,5/2/* 3~400V 50HZ IE3 VP.	1
		SPARE PARTS MOTOR:ON REQUEST	1
2	4159704	SCREW KIT M12X50 (4 PIECES)	1
3	4161187	LANTERN FF265 HELIX 8" KIT	1
3.1		> LANTERN FF265 M+ GJL MACHINED+CATA	1
3.2	2127605	> EYELET CPL.FF265 HELIX(2 PIECES)	1
3.3	4143969	> COUPLING PROTECT HELIX FF KIT	1
4	4143965	COUPLING D.20XD.28 FF265 KIT	1
5	4157725	SCREW M10X40 (4 PIECES)	1
6	4179919	STUD BOLT M16X500 KIT	1
6.1		> TIE BOLT M16-500x24x44-1.4057	1
6.2	4179562	> NUT M16 8.8 ISO4032 (4 PIECES)	1
6.3	4097852	> WASHER-CS-16.4-32-2.8-NFE25-511-A2	1
7	4217176	END SHIELD HELIX OPTI 8" EPDM KIT	1
7.1		> upper flange machined + cataphoresis	1
7.2	4217174	> STATIONARY RING HOLDER 8" HELIX OPTI VP.	1
7.3	4179571	> O-RING HOUSING PIPE HELIX22/36/52 VP.	1
7.4	4179572	> O-RING ID.42.52X2.62 EPDM VP.	1
8	4186377	FILING/PURGING PLUG 304 HELIX KIT	1
8.1		> FILLING/VENTING-PLUG-MVI8/10"-304	1
8.2	4032291	> O-RING 17x3 EPDM KTW/WRC	1
9	4143973	CARTRIDGE HELIX22-36-52 O/E KIT	1
10	4181165	HOUSING PIPE D.204X314 1.4301 KIT	1
7.3	4179571	> O-RING HOUSING PIPE HELIX22/36/52 VP.	1
10.1		> HOUSING-PIPE Ø204-M+2205-304	1
11	4179143	CENTERING STAGE-RETURN HELIX22 1.4307 VP	1
12	4143967	SHAFT EQUIPMENT HELIX V KIT	1
13		HYDRAULIC HELIX V 2205	1
14	2114267	SHAFT D.22X454 1.4057 VP.	1
15	4217852	EQUIPED HOUSING DN50 HELIX OPTI 8" KIT	1
15.1		> pump casing machined DN50	1
15.2	4217178	> HALF FLANGE DN50 HELIX OPTI 8" VP.	1
15.3	4217850	> DRAIN/PRIMING PLUG HELIX OPTI 8" KIT	1
7.3	4179571	> O-RING HOUSING PIPE HELIX22/36/52 VP.	1

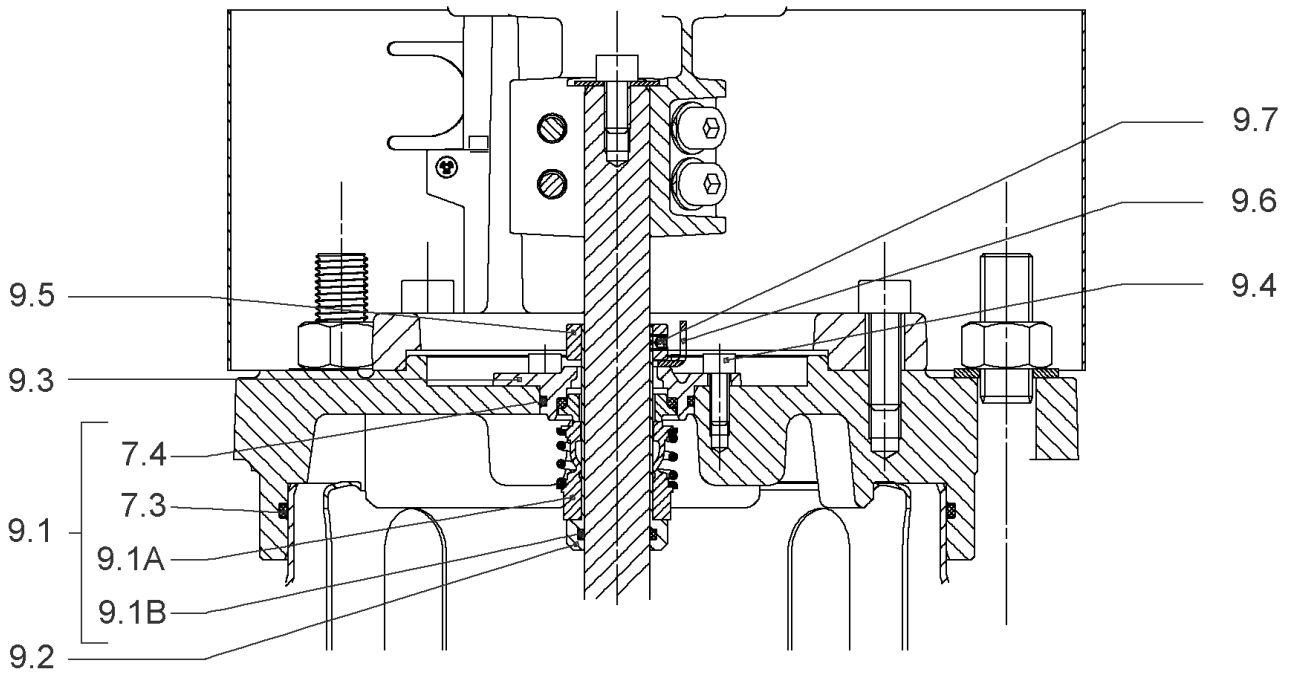
HELIX V2205-1/16/E/KS/400-50 (4198459)

Item	Article no.	Description	Quantity
16	4217854	BASEPLATE DN50 HELIX OPTI 8" VP.	1



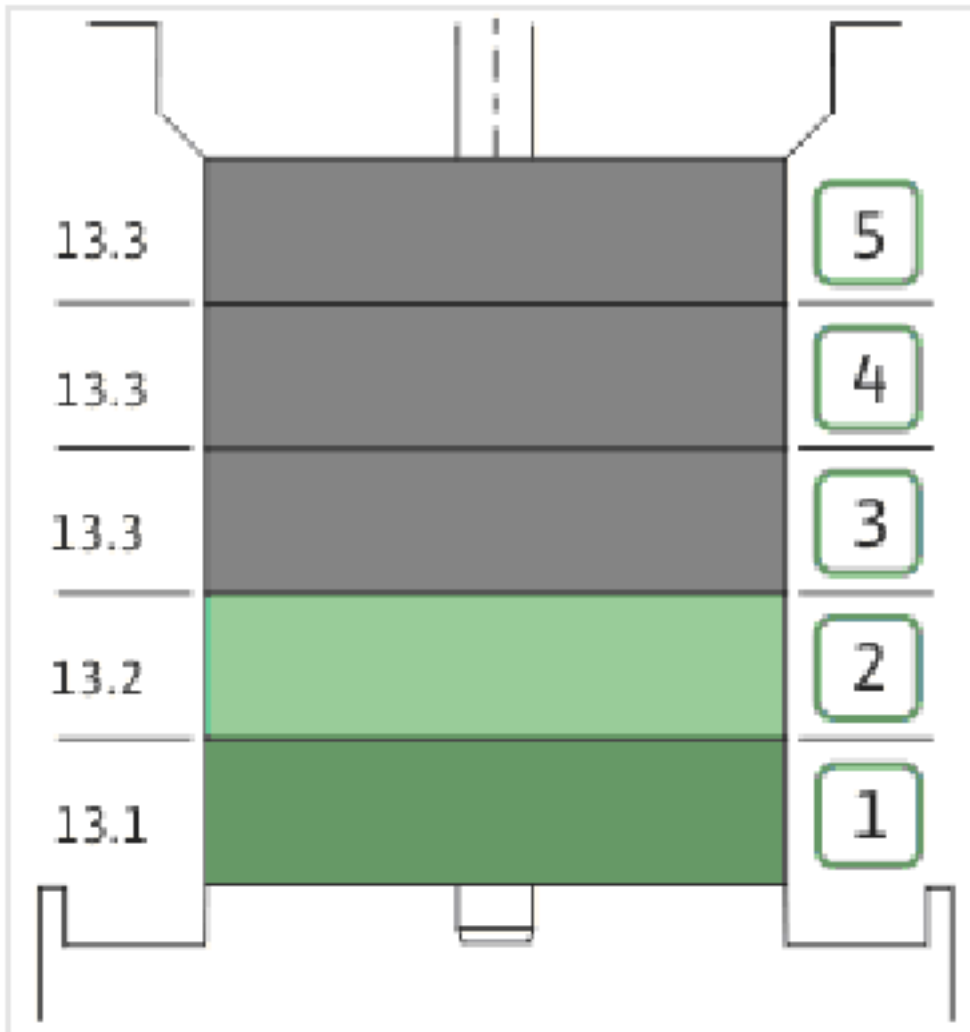
COUPLING D.20XD.28 FF265 KIT (4143965)

Item	Article no.	Description	Quantity
4.1	4179584	COUPLING 2 PARTS D.20XD.28XL83 VP.	1
4.2	2131017	BALL BEARING 6310/ZZ-C4(HT)VP.	1
4.3	4234253	CIRCLIP-FOR-SHAFT-D50x2 VP.	1
4.4	4159707	SCREW M8X30 (4 PIECES)	1
4.5	4234255	CIRCLIPS 110X4 VP.	1
4.6	4233944	O-RING ID.110 VP.	1
4.7	4179585	STOP-RUSH D26xD2 DIN7993 STEEL VP.	1
4.8	2131020	HUB D.38XD.50 VP.	1
4.9	2131021	SPACER D.28XD.45 VP.	1
4.10	4157726	SCREW KIT M8X30 (4 PIECES)	1
4.11	4233959	SCREW M8x16 VP.	1
4.12		SERRATED LOCK WASHER Ø8.2XØ25X35X2	1

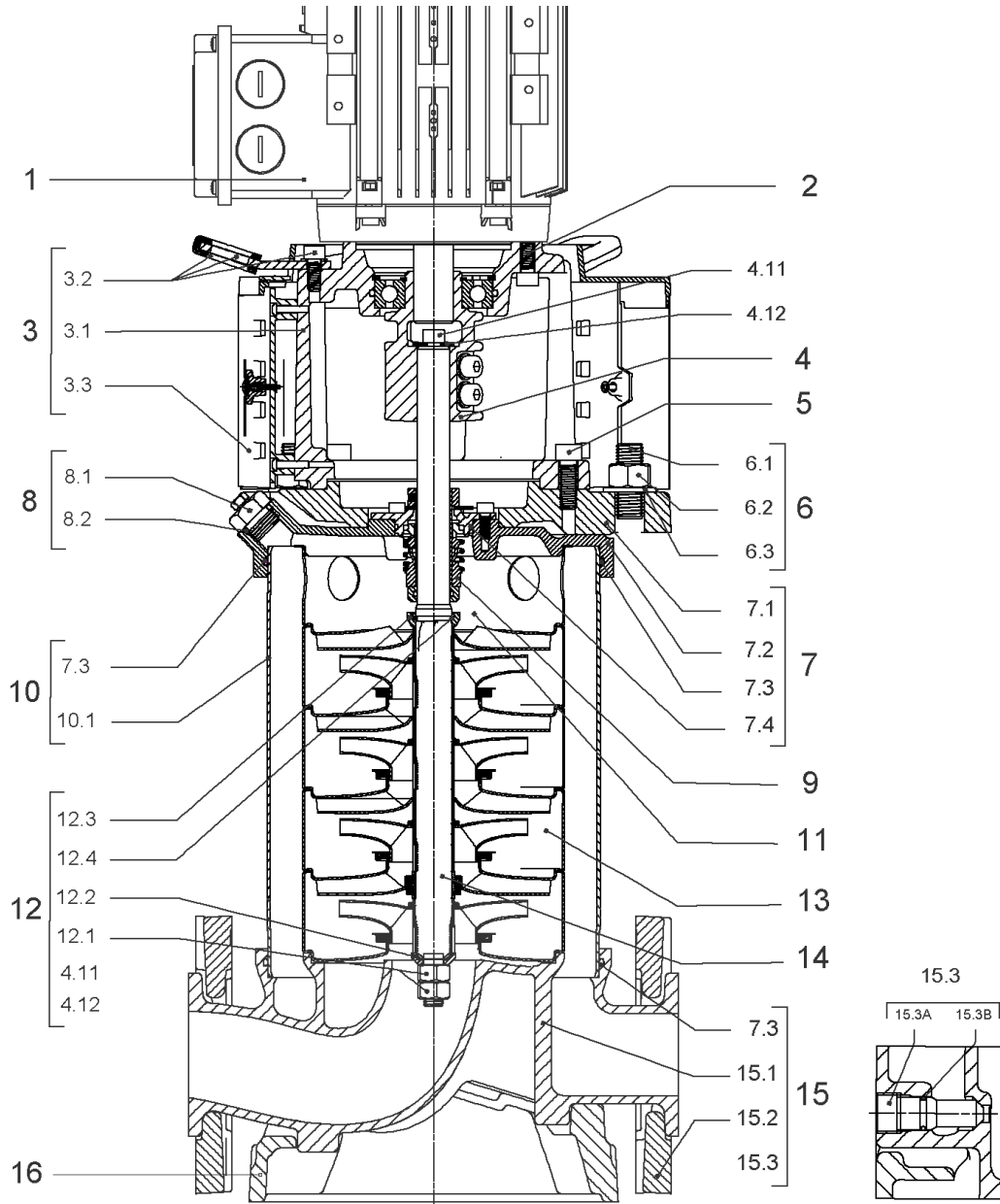


CARTRIDGE HELIX22-36-52 O/E KIT (4143973)

Item	Article no.	Description	Quantity
9.1	4143974	SEAL-KIT-HELIX22-36-52 O/E	1
7.3	4179571	> O-RING HOUSING PIPE HELIX22/36/52 VP.	1
7.4	4179572	> O-RING ID.42.52X2.62 EPDM VP.	1
9.1A	4179573	> M.SEAL.HELIX22-36-52 O/E VP.	1
9.1B	4179574	> O-RING ID.20x2.65 EPDM VP.	1
9.2	4179566	SHAFT SLEEVE D.20/20X60 1.4404 VP.	1
9.3	4179567	RING HOLDER Ø22 1.4301 VP.	1
9.4	4176520	SCREW CH M5x5 A4-70 (3PIECES)	1
9.5	4179568	DRIVE RING D.31/22.1x11 MACH.VP.	1
9.6	4179569	TOOL M.S.CART.HELIX 8" VP.	1
9.7	4179570	SCREW M6X16 ISO4762 8.8 GEOMET(4 PIECES)	1



Item	Article no.	Description	Quantity
13.1	4157739	FIRST STAGE HELIX 22 1.4307 KIT	1
		> IMPELLER-H1-M+22-304	1
		> MACH.STG-CASING-WOGV-WNR-M+22-304	1
13.2	4157740	BEARING STAGE HELIX 22 1.4307 KIT	1
		> IMPELLER-H2-M+22-304	1
		> MACH.BEARING-STG-CASING-WNR-M+22-304	1
		> SHAFT-SLEEVE-D26xD22x16-CW	1
13.3	4157743	INTERMEDIATE STAGE HELIX 22 KIT	1
		> MACH.STD-STG-CASING-WGV+NR-M+22-304	1
		> IMPELLER-H2-M+22-304	1

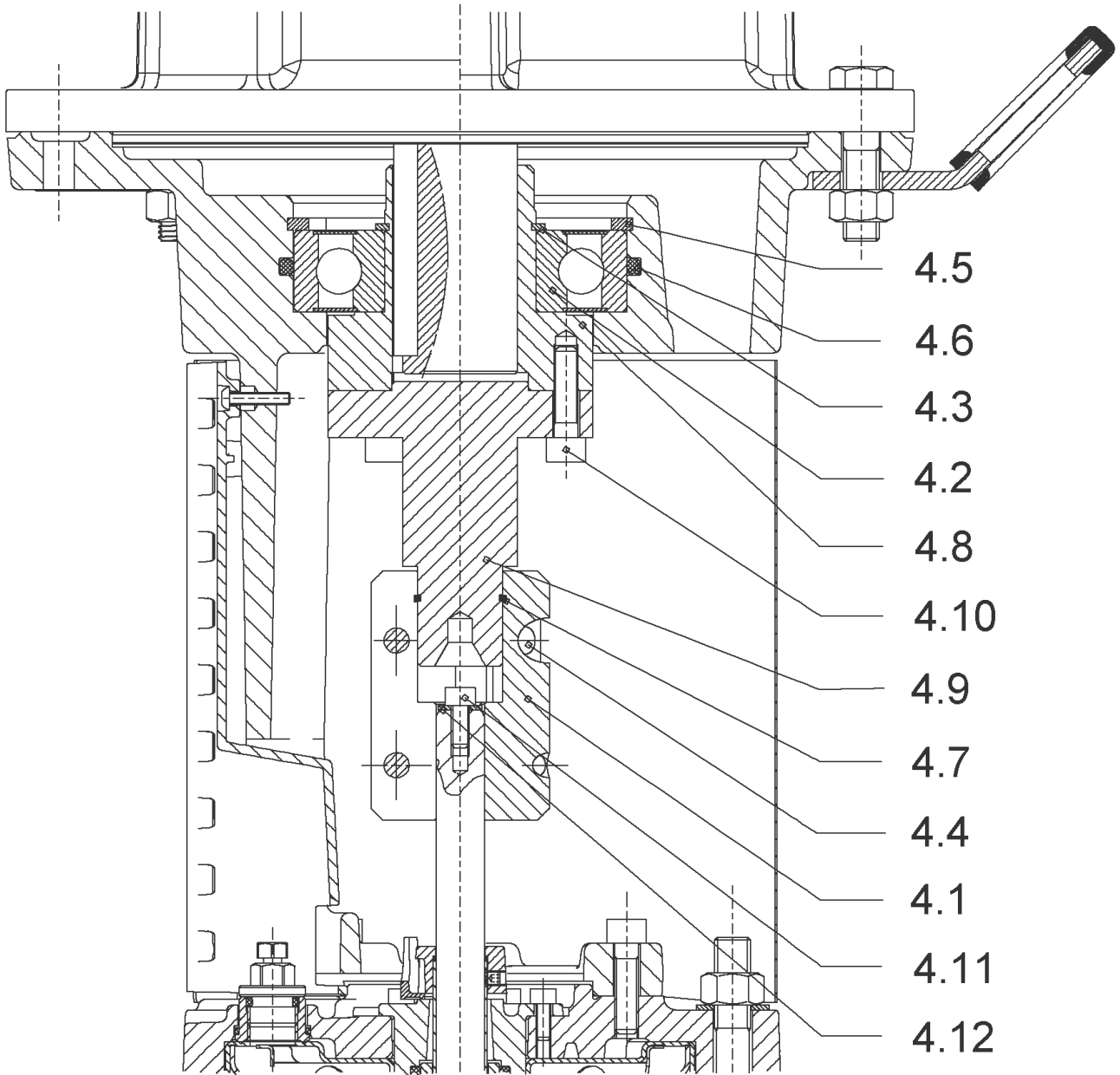


HELIX V2206-1/16/E/KS/400-50 (4198460)

Item	Article no.	Description	Quantity
1	4195450	MOTOR 7,5/2/* 3~400V 50HZ IE3 VP.	1
		SPARE PARTS MOTOR:ON REQUEST	1
2	4159704	SCREW KIT M12X50 (4 PIECES)	1
3	4161187	LANTERN FF265 HELIX 8" KIT	1
3.1		> LANTERN FF265 M+ GJL MACHINED+CATA	1
3.2	2127605	> EYELET CPL.FF265 HELIX(2 PIECES)	1
3.3	4143969	> COUPLING PROTECT HELIX FF KIT	1
4	4143965	COUPLING D.20XD.28 FF265 KIT	1
5	4157725	SCREW M10X40 (4 PIECES)	1
6	4217857	STUD BOLT HELIX M16X551 KIT	1
6.1		> TIE BOLT M16-551x24x44-1.4057	1
6.2	4179562	> NUT M16 8.8 ISO4032 (4 PIECES)	1
6.3	4097852	> WASHER-CS-16.4-32-2.8-NFE25-511-A2	1
7	4217176	END SHIELD HELIX OPTI 8" EPDM KIT	1
7.1		> upper flange machined + cataphoresis	1
7.2	4217174	> STATIONARY RING HOLDER 8" HELIX OPTI VP.	1
7.3	4179571	> O-RING HOUSING PIPE HELIX22/36/52 VP.	1
7.4	4179572	> O-RING ID.42.52X2.62 EPDM VP.	1
8	4186377	FILING/PURGING PLUG 304 HELIX KIT	1
8.1		> FILLING/VENTING-PLUG-MVI8/10"-304	1
8.2	4032291	> O-RING 17x3 EPDM KTW/WRC	1
9	4143973	CARTRIDGE HELIX22-36-52 O/E KIT	1
10	4181168	HOUSING PIPE D.204X364 1.4307 KIT	1
7.3	4179571	> O-RING HOUSING PIPE HELIX22/36/52 VP.	1
10.1		> HOUSING-PIPE Ø204-M+2206-304	1
11	4179143	CENTERING STAGE-RETURN HELIX22 1.4307 VP	1
12	4143967	SHAFT EQUIPMENT HELIX V KIT	1
13		HYDRAULIC HELIX V 2206	1
14	4179599	SHAFTS D.22X504 1.4057 VP.	1
15	4217852	EQUIPED HOUSING DN50 HELIX OPTI 8" KIT	1
15.1		> pump casing machined DN50	1
15.2	4217178	> HALF FLANGE DN50 HELIX OPTI 8" VP.	1
15.3	4217850	> DRAIN/PRIMING PLUG HELIX OPTI 8" KIT	1
7.3	4179571	> O-RING HOUSING PIPE HELIX22/36/52 VP.	1

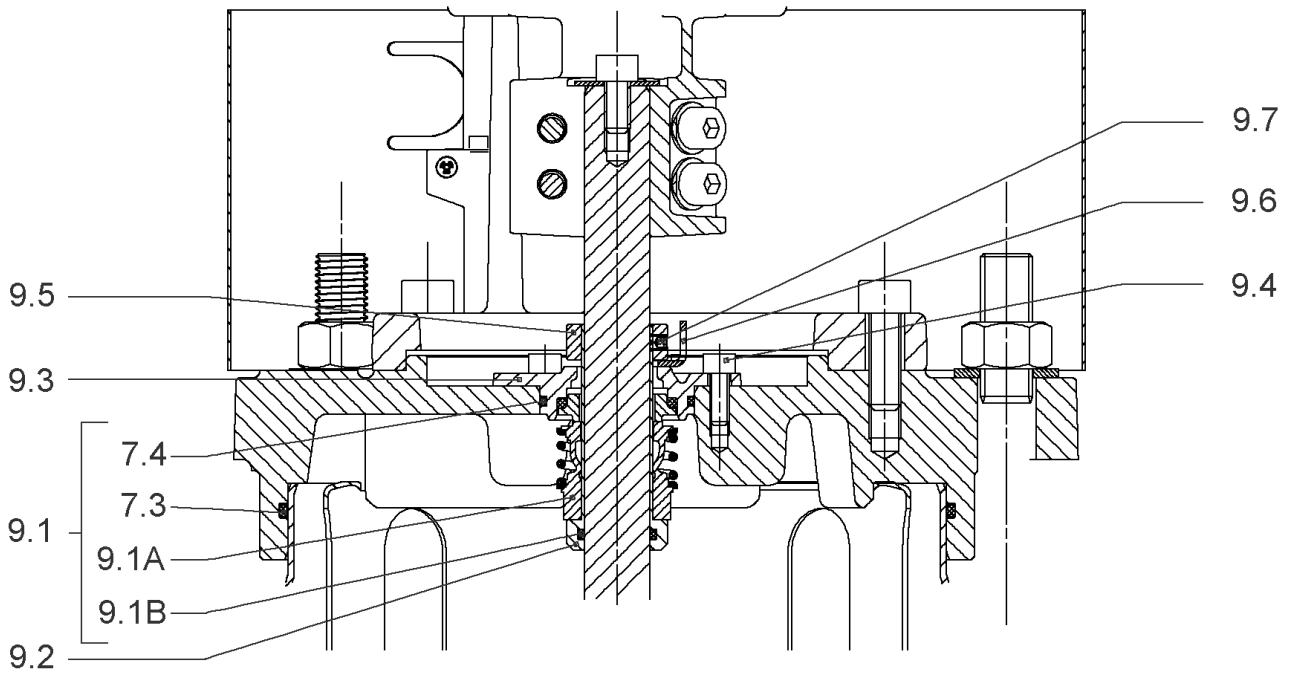
HELIX V2206-1/16/E/KS/400-50 (4198460)

Item	Article no.	Description	Quantity
16	4217854	BASEPLATE DN50 HELIX OPTI 8" VP.	1



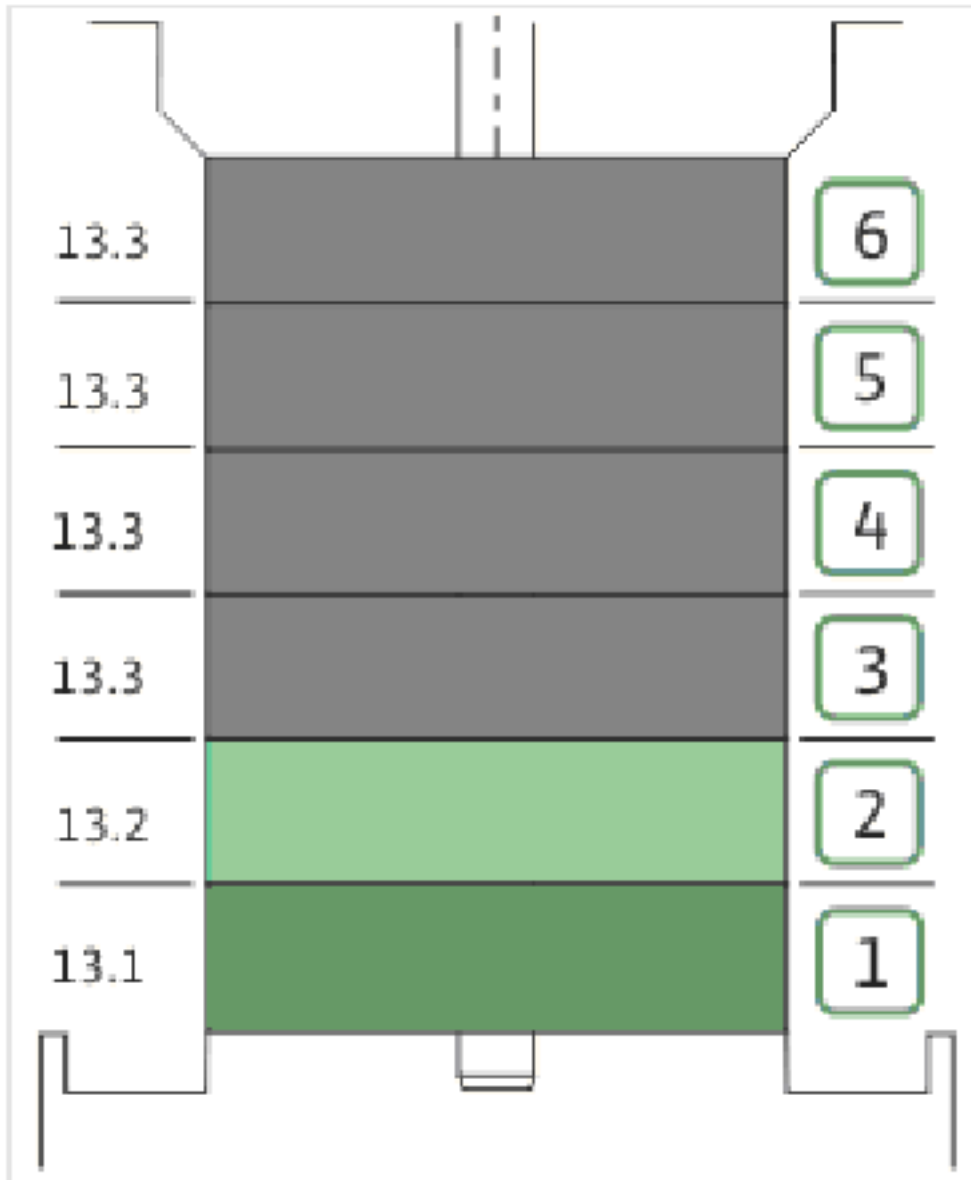
COUPLING D.20XD.28 FF265 KIT (4143965)

Item	Article no.	Description	Quantity
4.1	4179584	COUPLING 2 PARTS D.20XD.28XL83 VP.	1
4.2	2131017	BALL BEARING 6310/ZZ-C4(HT)VP.	1
4.3	4234253	CIRCLIP-FOR-SHAFT-D50x2 VP.	1
4.4	4159707	SCREW M8X30 (4 PIECES)	1
4.5	4234255	CIRCLIPS 110X4 VP.	1
4.6	4233944	O-RING ID.110 VP.	1
4.7	4179585	STOP-RUSH D26xD2 DIN7993 STEEL VP.	1
4.8	2131020	HUB D.38XD.50 VP.	1
4.9	2131021	SPACER D.28XD.45 VP.	1
4.10	4157726	SCREW KIT M8X30 (4 PIECES)	1
4.11	4233959	SCREW M8x16 VP.	1
4.12		SERRATED LOCK WASHER Ø8.2XØ25X35X2	1

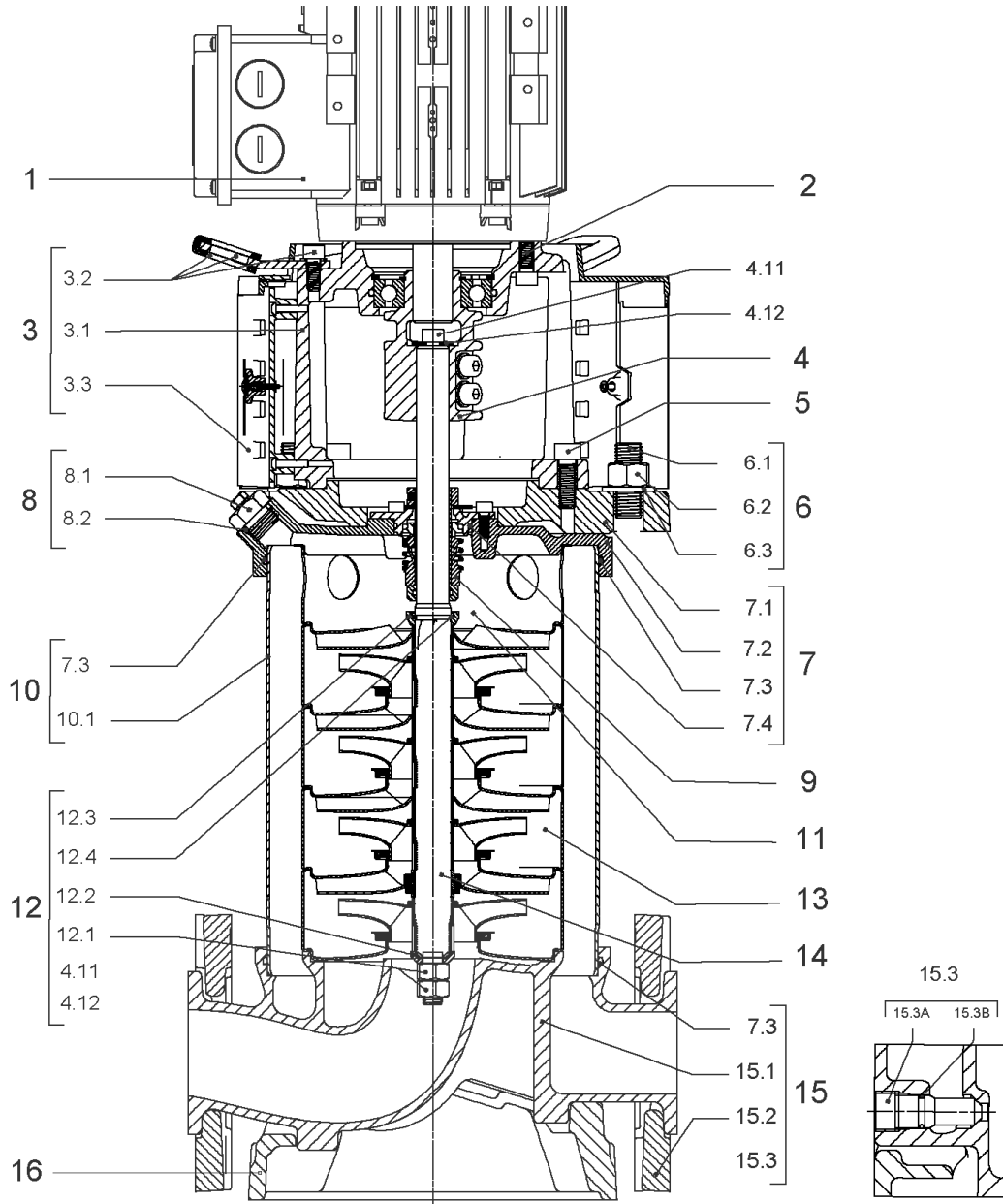


CARTRIDGE HELIX22-36-52 O/E KIT (4143973)

Item	Article no.	Description	Quantity
9.1	4143974	SEAL-KIT-HELIX22-36-52 O/E	1
7.3	4179571	> O-RING HOUSING PIPE HELIX22/36/52 VP.	1
7.4	4179572	> O-RING ID.42.52X2.62 EPDM VP.	1
9.1A	4179573	> M.SEAL.HELIX22-36-52 O/E VP.	1
9.1B	4179574	> O-RING ID.20x2.65 EPDM VP.	1
9.2	4179566	SHAFT SLEEVE D.20/20X60 1.4404 VP.	1
9.3	4179567	RING HOLDER Ø22 1.4301 VP.	1
9.4	4176520	SCREW CH M5x5 A4-70 (3PIECES)	1
9.5	4179568	DRIVE RING D.31/22.1x11 MACH.VP.	1
9.6	4179569	TOOL M.S.CART.HELIX 8" VP.	1
9.7	4179570	SCREW M6X16 ISO4762 8.8 GEOMET(4 PIECES)	1



Item	Article no.	Description	Quantity
13.1	4157739	FIRST STAGE HELIX 22 1.4307 KIT	1
		> IMPELLER-H1-M+22-304	1
		> MACH.STG-CASING-WOGV-WNR-M+22-304	1
13.2	4157740	BEARING STAGE HELIX 22 1.4307 KIT	1
		> IMPELLER-H2-M+22-304	1
		> MACH.BEARING-STG-CASING-WNR-M+22-304	1
		> SHAFT-SLEEVE-D26xD22x16-CW	1
13.3	4157743	INTERMEDIATE STAGE HELIX 22 KIT	1
		> MACH.STD-STG-CASING-WGV+NR-M+22-304	1
		> IMPELLER-H2-M+22-304	1

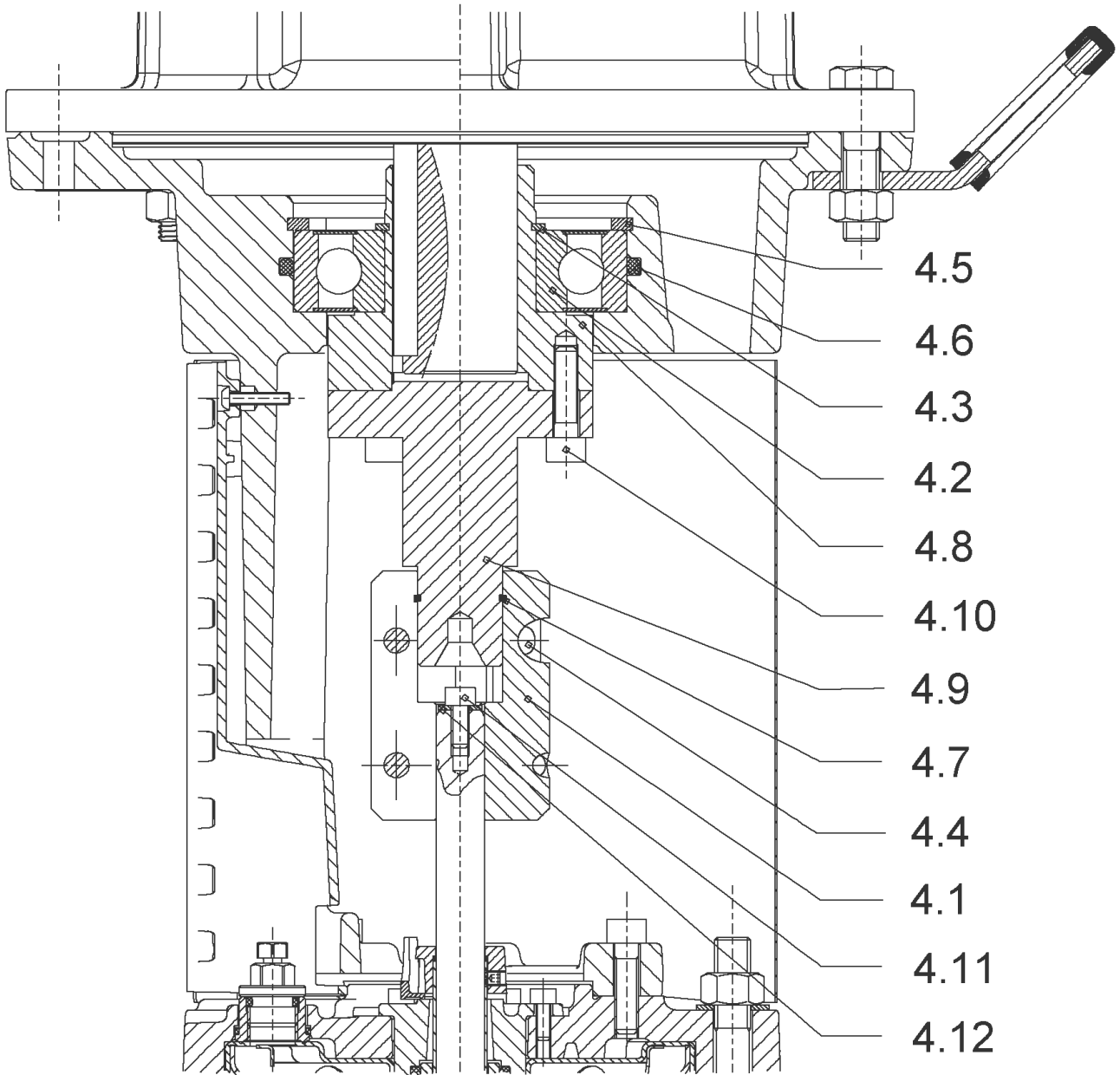


HELIX V2207-1/16/E/KS/400-50 (4198461)

Item	Article no.	Description	Quantity
1	4195483	MOTOR 9/2/132 3~400V 50HZ IE3 VP.	1
		SPARE PARTS MOTOR:ON REQUEST	1
2	4159704	SCREW KIT M12X50 (4 PIECES)	1
3	4161187	LANTERN FF265 HELIX 8" KIT	1
3.1		> LANTERN FF265 M+ GJL MACHINED+CATA	1
3.2	2127605	> EYELET CPL.FF265 HELIX(2 PIECES)	1
3.3	4143969	> COUPLING PROTECT HELIX FF KIT	1
4	4143965	COUPLING D.20XD.28 FF265 KIT	1
5	4157725	SCREW M10X40 (4 PIECES)	1
6	4179923	STUD BOLT M16X600 KIT	1
6.1		> TIE BOLT M16-600x24x44-1.4057	1
6.2	4179562	> NUT M16 8.8 ISO4032 (4 PIECES)	1
6.3	4097852	> WASHER-CS-16.4-32-2.8-NFE25-511-A2	1
7	4217176	END SHIELD HELIX OPTI 8" EPDM KIT	1
7.1		> upper flange machined + cataphoresis	1
7.2	4217174	> STATIONARY RING HOLDER 8" HELIX OPTI VP.	1
7.3	4179571	> O-RING HOUSING PIPE HELIX22/36/52 VP.	1
7.4	4179572	> O-RING ID.42.52X2.62 EPDM VP.	1
8	4186377	FILING/PURGING PLUG 304 HELIX KIT	1
8.1		> FILLING/VENTING-PLUG-MVI8/10"-304	1
8.2	4032291	> O-RING 17x3 EPDM KTW/WRC	1
9	4143973	CARTRIDGE HELIX22-36-52 O/E KIT	1
10	4181666	HOUSING PIPE D.204X414 1.4307 KIT	1
7.3	4179571	> O-RING HOUSING PIPE HELIX22/36/52 VP.	1
10.1		> HOUSING-PIPE Ø204-M+2207-304	1
11	4179143	CENTERING STAGE-RETURN HELIX22 1.4307 VP	1
12	4143967	SHAFT EQUIPMENT HELIX V KIT	1
13		HYDRAULIC HELIX V 2207	1
14	4179578	SHAFT D.22X554 1.4057 VP.	1
15	4217852	EQUIPED HOUSING DN50 HELIX OPTI 8" KIT	1
15.1		> pump casing machined DN50	1
15.2	4217178	> HALF FLANGE DN50 HELIX OPTI 8" VP.	1
15.3	4217850	> DRAIN/PRIMING PLUG HELIX OPTI 8" KIT	1
7.3	4179571	> O-RING HOUSING PIPE HELIX22/36/52 VP.	1

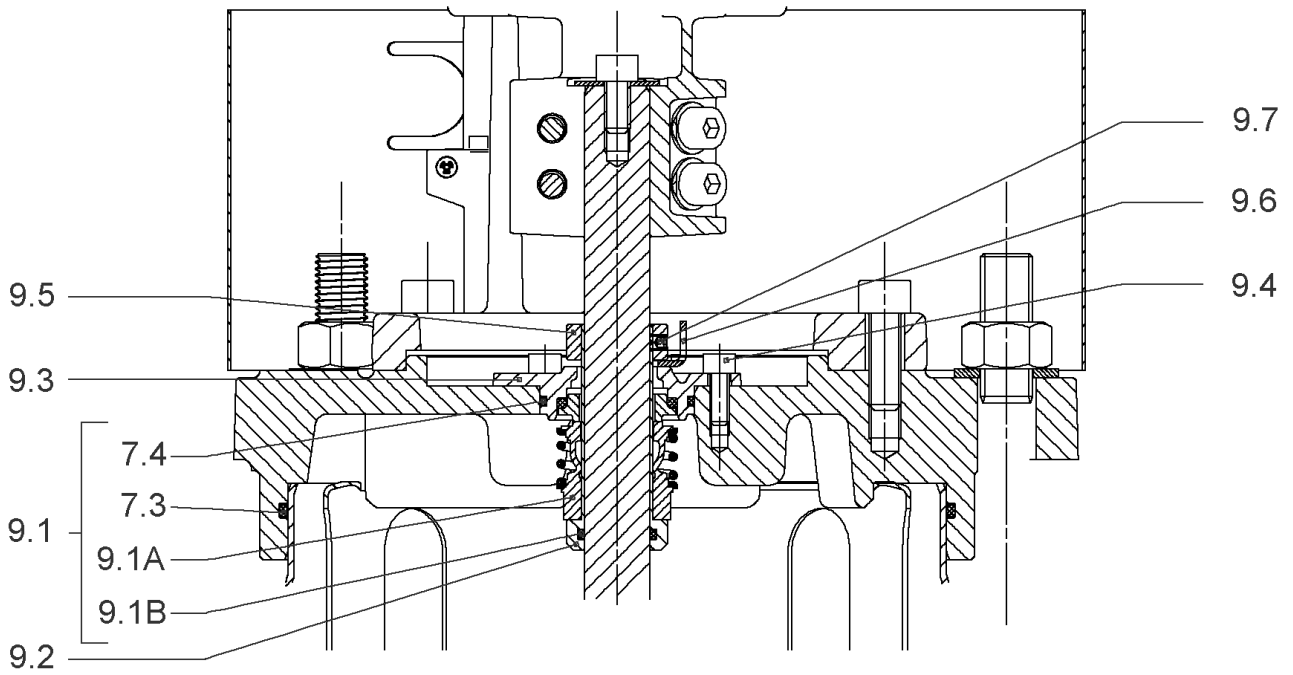
HELIX V2207-1/16/E/KS/400-50 (4198461)

Item	Article no.	Description	Quantity
16	4217854	BASEPLATE DN50 HELIX OPTI 8" VP.	1



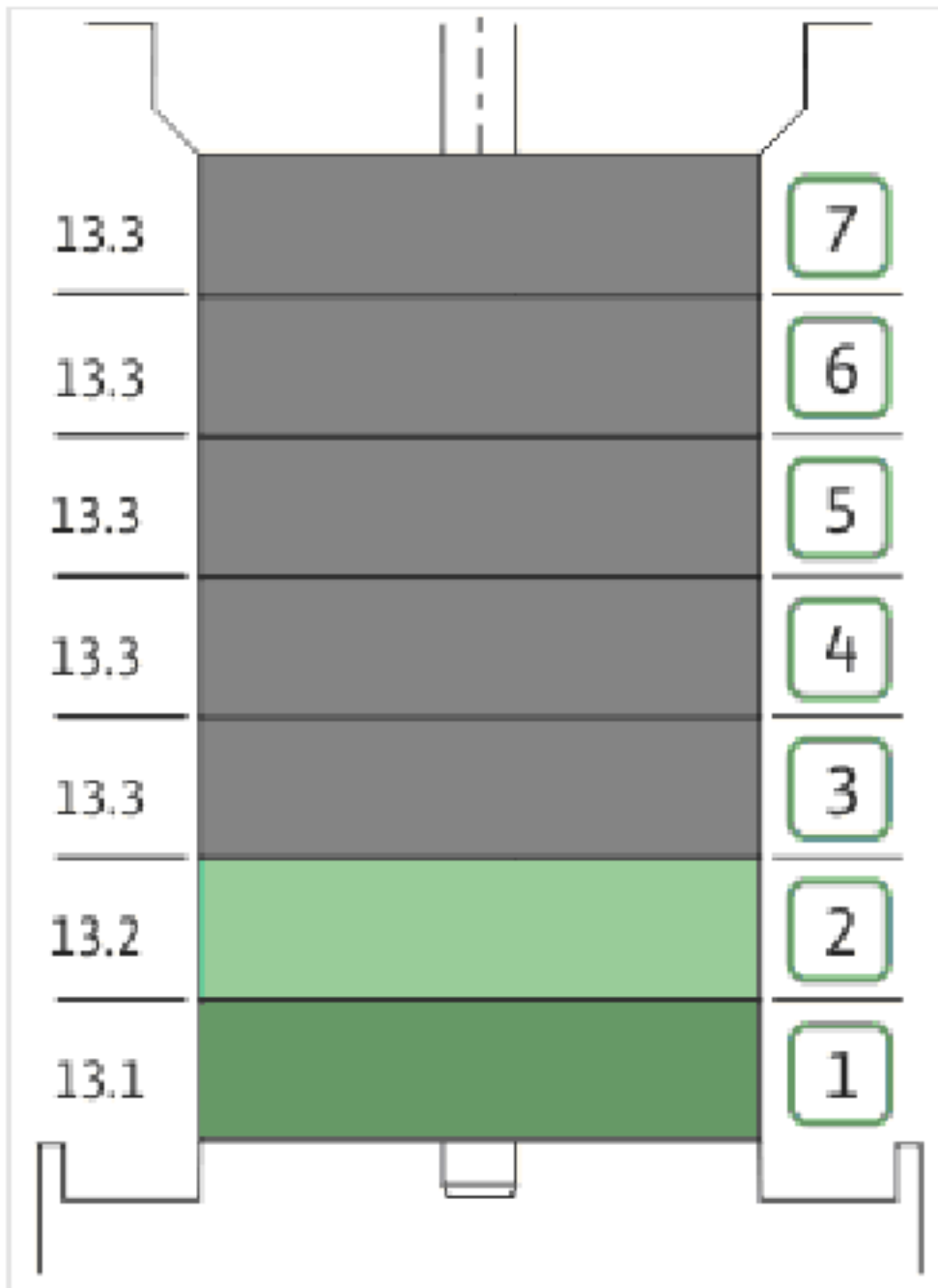
COUPLING D.20XD.28 FF265 KIT (4143965)

Item	Article no.	Description	Quantity
4.1	4179584	COUPLING 2 PARTS D.20XD.28XL83 VP.	1
4.2	2131017	BALL BEARING 6310/ZZ-C4(HT)VP.	1
4.3	4234253	CIRCLIP-FOR-SHAFT-D50x2 VP.	1
4.4	4159707	SCREW M8X30 (4 PIECES)	1
4.5	4234255	CIRCLIPS 110X4 VP.	1
4.6	4233944	O-RING ID.110 VP.	1
4.7	4179585	STOP-RUSH D26xD2 DIN7993 STEEL VP.	1
4.8	2131020	HUB D.38XD.50 VP.	1
4.9	2131021	SPACER D.28XD.45 VP.	1
4.10	4157726	SCREW KIT M8X30 (4 PIECES)	1
4.11	4233959	SCREW M8x16 VP.	1
4.12		SERRATED LOCK WASHER Ø8.2XØ25X35X2	1

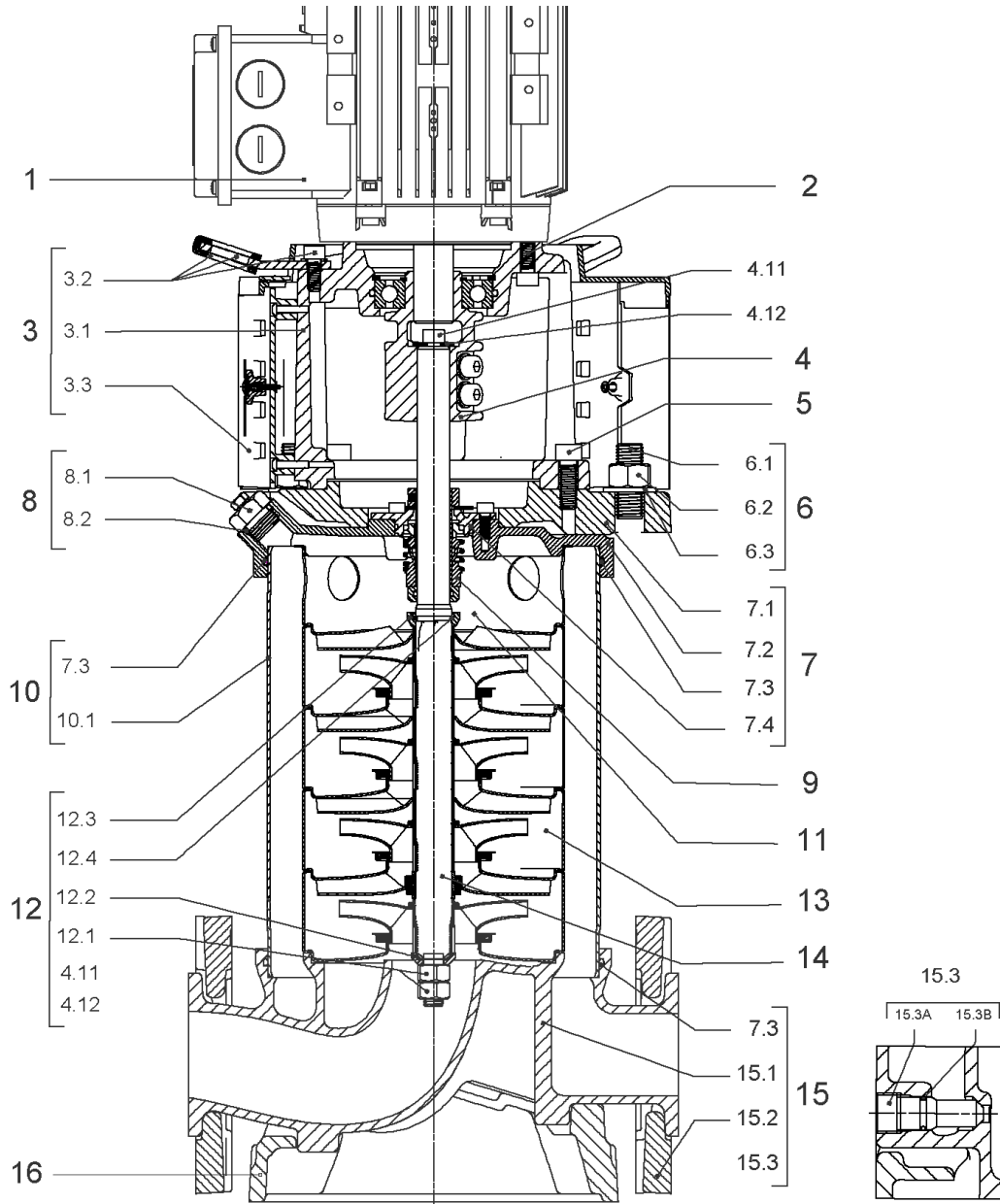


CARTRIDGE HELIX22-36-52 O/E KIT (4143973)

Item	Article no.	Description	Quantity
9.1	4143974	SEAL-KIT-HELIX22-36-52 O/E	1
7.3	4179571	> O-RING HOUSING PIPE HELIX22/36/52 VP.	1
7.4	4179572	> O-RING ID.42.52X2.62 EPDM VP.	1
9.1A	4179573	> M.SEAL.HELIX22-36-52 O/E VP.	1
9.1B	4179574	> O-RING ID.20x2.65 EPDM VP.	1
9.2	4179566	SHAFT SLEEVE D.20/20X60 1.4404 VP.	1
9.3	4179567	RING HOLDER Ø22 1.4301 VP.	1
9.4	4176520	SCREW CH M5x5 A4-70 (3PIECES)	1
9.5	4179568	DRIVE RING D.31/22.1x11 MACH.VP.	1
9.6	4179569	TOOL M.S.CART.HELIX 8" VP.	1
9.7	4179570	SCREW M6X16 ISO4762 8.8 GEOMET(4 PIECES)	1



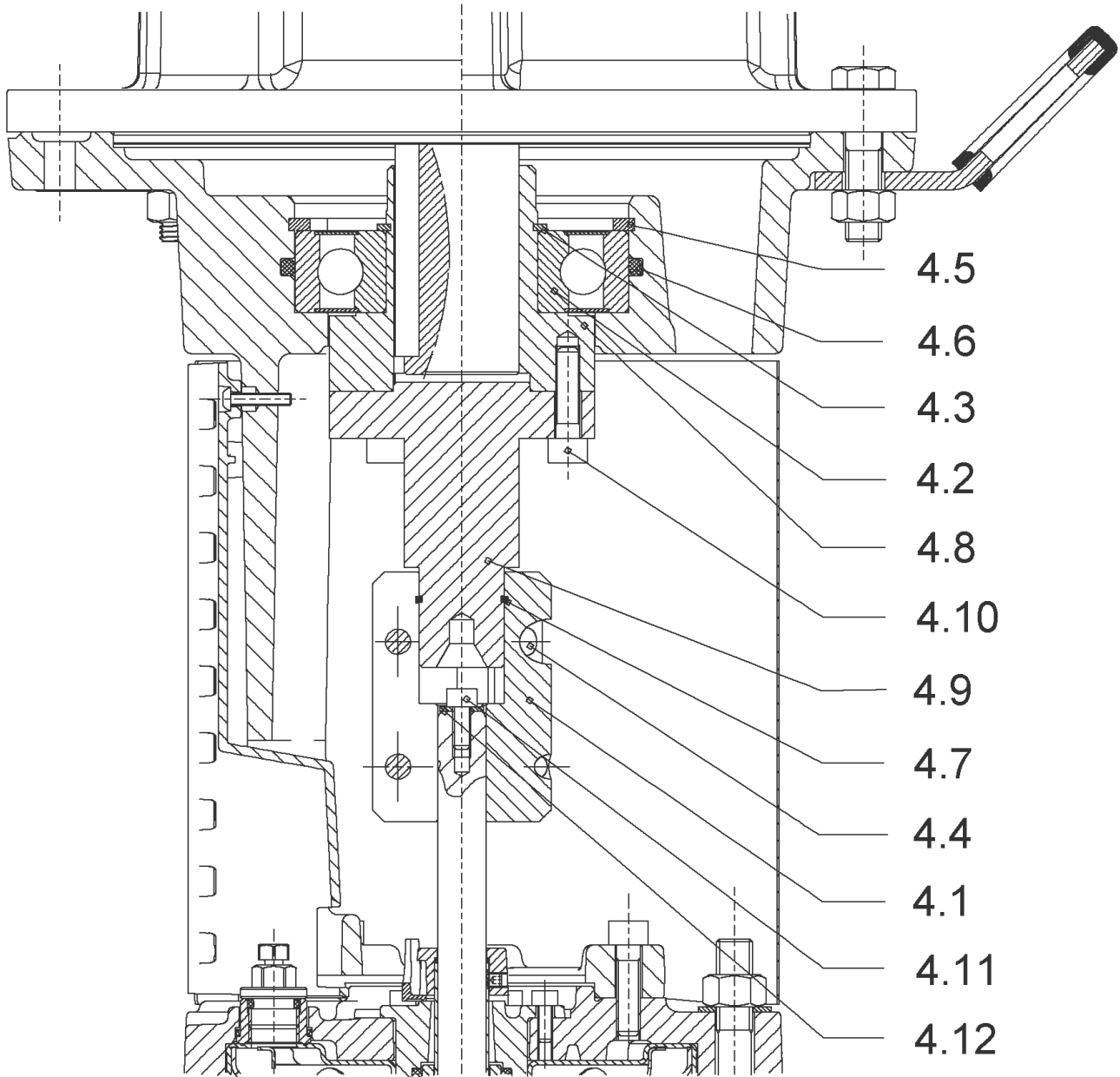
Item	Article no.	Description	Quantity
13.1	4157739	FIRST STAGE HELIX 22 1.4307 KIT	1
		> IMPELLER-H1-M+22-304	1
		> MACH.STG-CASING-WOGV-WNR-M+22-304	1
13.2	4157740	BEARING STAGE HELIX 22 1.4307 KIT	1
		> IMPELLER-H2-M+22-304	1
		> MACH.BEARING-STG-CASING-WNR-M+22-304	1
		> SHAFT-SLEEVE-D26xD22x16-CW	1
13.3	4157743	INTERMEDIATE STAGE HELIX 22 KIT	1
		> MACH.STD-STG-CASING-WGV+NR-M+22-304	1
		> IMPELLER-H2-M+22-304	1



HELIX V2208-1/16/E/KS/400-50 (4198462)

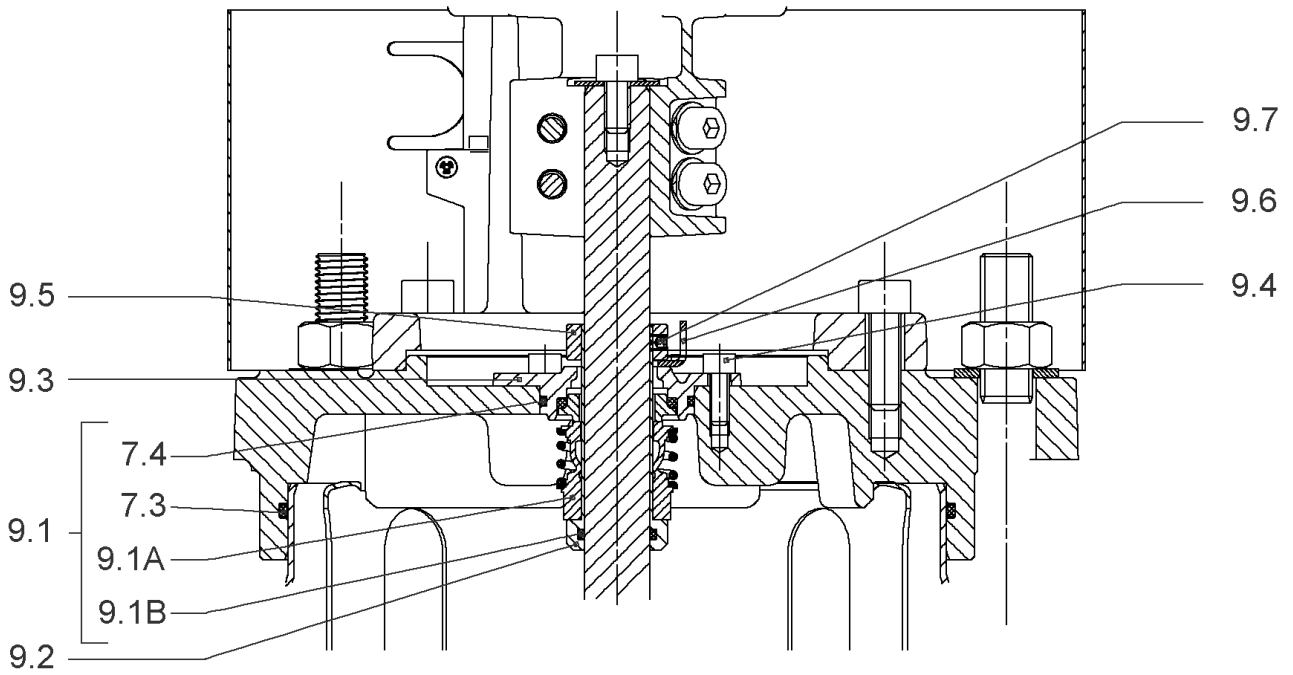
Item	Article no.	Description	Quantity
1	4195486	MO. 11/2/132 3~400V50HZ 460V60HZ IE3 VP.	1
		SPARE PARTS MOTOR:ON REQUEST	1
2	4179586	SCREW M16X60 (4 PIECES)	1
3	4161187	LANTERN FF265 HELIX 8" KIT	1
3.1		> LANTERN FF265 M+ GJL MACHINED+CATA	1
3.2	2127605	> EYELET CPL.FF265 HELIX(2 PIECES)	1
3.3	4143969	> COUPLING PROTECT HELIX FF KIT	1
4	4143965	COUPLING D.20XD.28 FF265 KIT	1
5	4157725	SCREW M10X40 (4 PIECES)	1
6	4217859	STUD BOLT M16X646 KIT	1
6.1		> TIE BOLT M16-646x24x44-1.4057	1
6.2	4179562	> NUT M16 8.8 ISO4032 (4 PIECES)	1
6.3	4097852	> WASHER-CS-16.4-32-2.8-NFE25-511-A2	1
7	4217176	END SHIELD HELIX OPTI 8" EPDM KIT	1
7.1		> upper flange machined + cataphoresis	1
7.2	4217174	> STATIONARY RING HOLDER 8" HELIX OPTI VP.	1
7.3	4179571	> O-RING HOUSING PIPE HELIX22/36/52 VP.	1
7.4	4179572	> O-RING ID.42.52X2.62 EPDM VP.	1
8	4186377	FILING/PURGING PLUG 304 HELIX KIT	1
8.1		> FILLING/VENTING-PLUG-MVI8/10"-304	1
8.2	4032291	> O-RING 17x3 EPDM KTW/WRC	1
9	4143973	CARTRIDGE HELIX22-36-52 O/E KIT	1
10	4181087	HOUSING PIPE D.204x464,13 1.4307 KIT	1
7.3	4179571	> O-RING HOUSING PIPE HELIX22/36/52 VP.	1
10.1		> HOUSING-PIPE Ø204-M+2208/3606-304	1
11	4179143	CENTERING STAGE-RETURN HELIX22 1.4307 VP	1
12	4143967	SHAFT EQUIPMENT HELIX V KIT	1
13		HYDRAULIC HELIX V 2208	1
14	4180848	SHAFT D.22X604 1.4057 VP.	1
15	4217852	EQUIPED HOUSING DN50 HELIX OPTI 8" KIT	1
15.1		> pump casing machined DN50	1
15.2	4217178	> HALF FLANGE DN50 HELIX OPTI 8" VP.	1
15.3	4217850	> DRAIN/PRIMING PLUG HELIX OPTI 8" KIT	1
7.3	4179571	> O-RING HOUSING PIPE HELIX22/36/52 VP.	1

Item	Article no.	Description	Quantity
16	4217854	BASEPLATE DN50 HELIX OPTI 8" VP.	1



COUPLING D.20XD.28 FF265 KIT (4143965)

Item	Article no.	Description	Quantity
4.1	4179584	COUPLING 2 PARTS D.20XD.28XL83 VP.	1
4.2	2131017	BALL BEARING 6310/ZZ-C4(HT)VP.	1
4.3	4234253	CIRCLIP-FOR-SHAFT-D50x2 VP.	1
4.4	4159707	SCREW M8X30 (4 PIECES)	1
4.5	4234255	CIRCLIPS 110X4 VP.	1
4.6	4233944	O-RING ID.110 VP.	1
4.7	4179585	STOP-RUSH D26xD2 DIN7993 STEEL VP.	1
4.8	2131020	HUB D.38XD.50 VP.	1
4.9	2131021	SPACER D.28XD.45 VP.	1
4.10	4157726	SCREW KIT M8X30 (4 PIECES)	1
4.11	4233959	SCREW M8x16 VP.	1
4.12		SERRATED LOCK WASHER Ø8.2XØ25X35X2	1

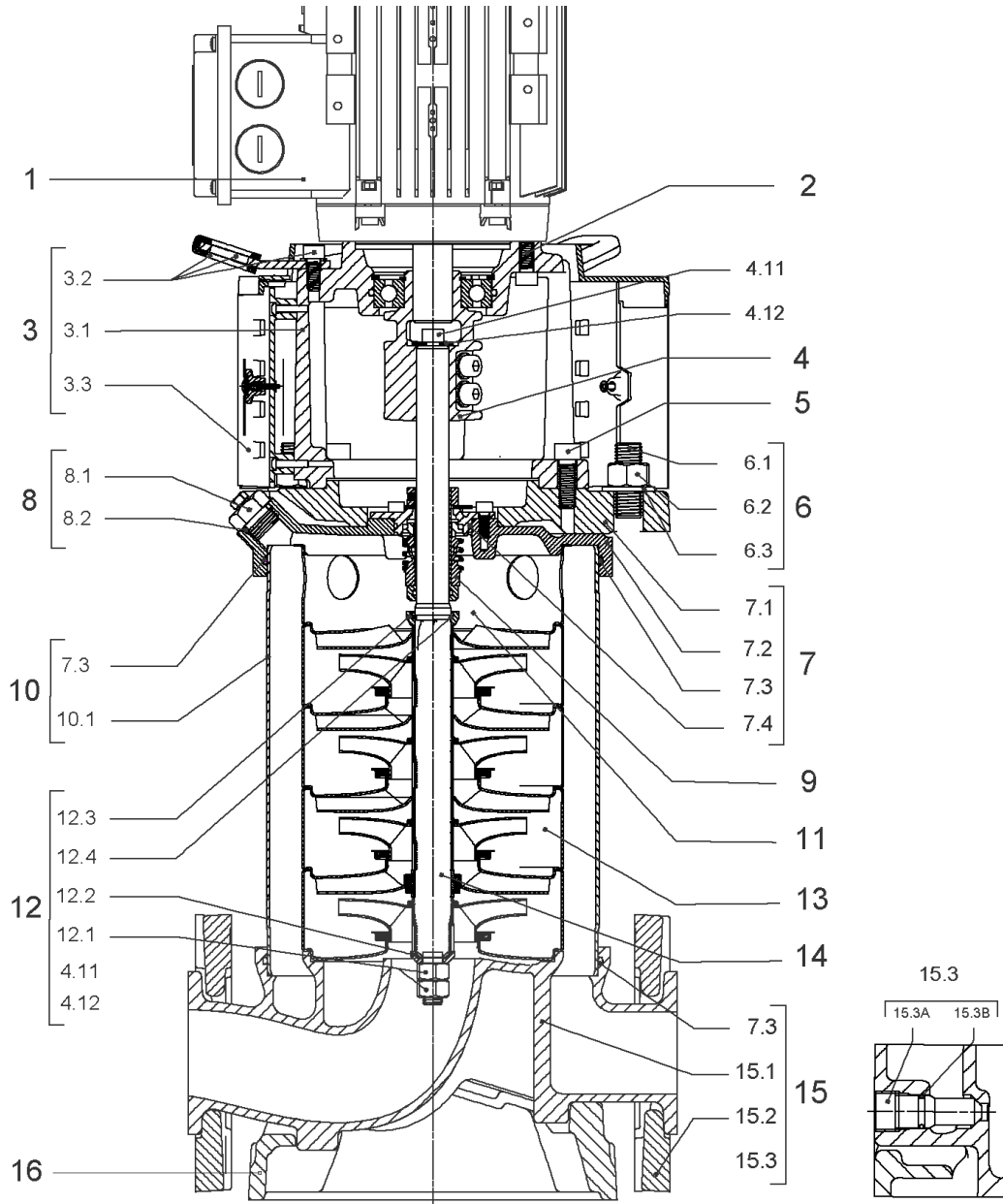


CARTRIDGE HELIX22-36-52 O/E KIT (4143973)

Item	Article no.	Description	Quantity
9.1	4143974	SEAL-KIT-HELIX22-36-52 O/E	1
7.3	4179571	> O-RING HOUSING PIPE HELIX22/36/52 VP.	1
7.4	4179572	> O-RING ID.42.52X2.62 EPDM VP.	1
9.1A	4179573	> M.SEAL.HELIX22-36-52 O/E VP.	1
9.1B	4179574	> O-RING ID.20x2.65 EPDM VP.	1
9.2	4179566	SHAFT SLEEVE D.20/20X60 1.4404 VP.	1
9.3	4179567	RING HOLDER Ø22 1.4301 VP.	1
9.4	4176520	SCREW CH M5x5 A4-70 (3PIECES)	1
9.5	4179568	DRIVE RING D.31/22.1x11 MACH.VP.	1
9.6	4179569	TOOL M.S.CART.HELIX 8" VP.	1
9.7	4179570	SCREW M6X16 ISO4762 8.8 GEOMET(4 PIECES)	1



Item	Article no.	Description	Quantity
13.1	4157739	FIRST STAGE HELIX 22 1.4307 KIT	1
		> IMPELLER-H1-M+22-304	1
		> MACH.STG-CASING-WOGV-WNR-M+22-304	1
13.2	4157740	BEARING STAGE HELIX 22 1.4307 KIT	1
		> IMPELLER-H2-M+22-304	1
		> MACH.BEARING-STG-CASING-WNR-M+22-304	1
		> SHAFT-SLEEVE-D26xD22x16-CW	1
13.3	4157743	INTERMEDIATE STAGE HELIX 22 KIT	1
		> MACH.STD-STG-CASING-WGV+NR-M+22-304	1
		> IMPELLER-H2-M+22-304	1

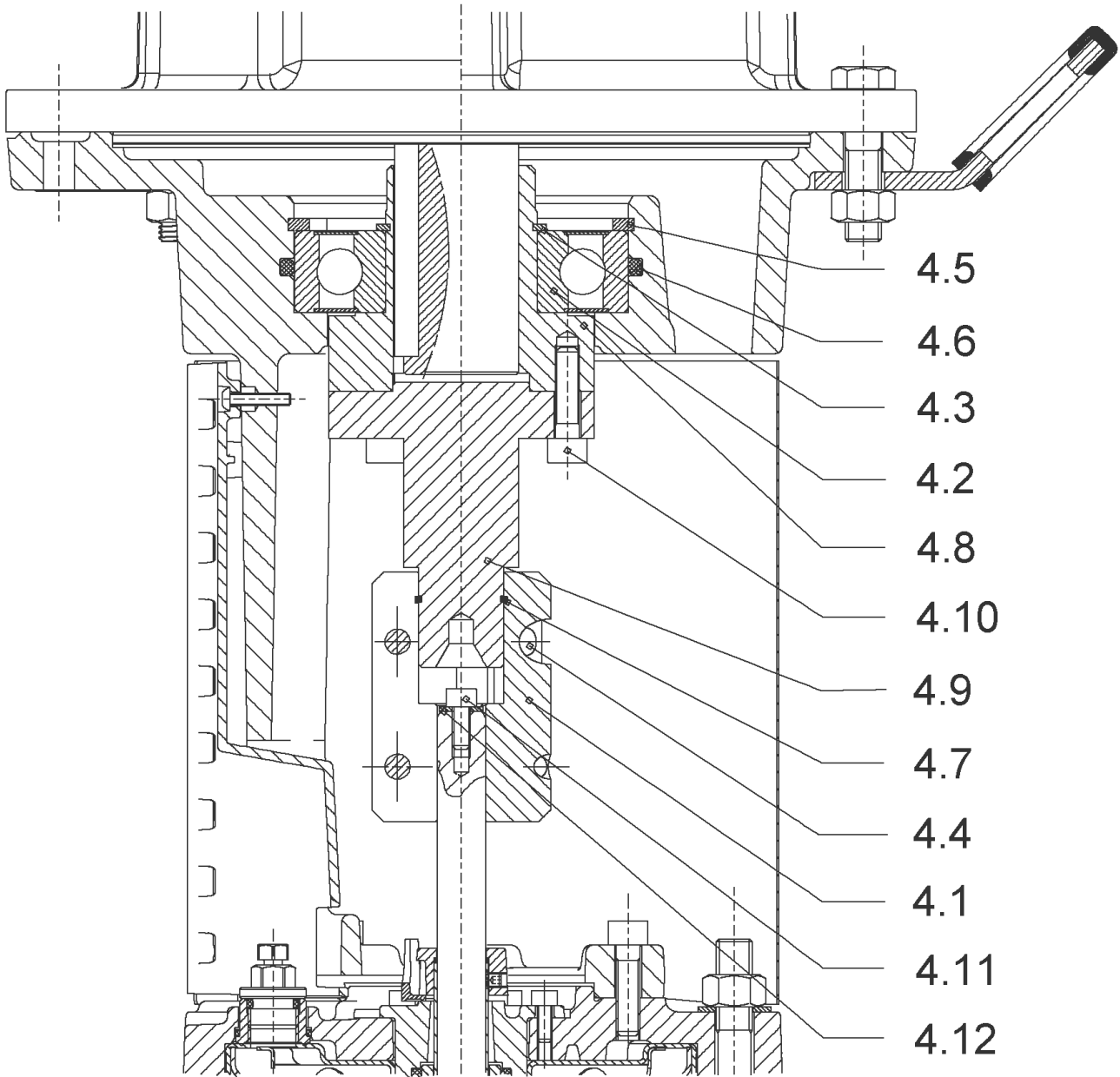


HELIX V2208-1/25/E/KS/400-50 (4198463)

Item	Article no.	Description	Quantity
1	4195486	MO. 11/2/132 3~400V50HZ 460V60HZ IE3 VP.	1
		SPARE PARTS MOTOR:ON REQUEST	1
2	4143762	SCREW KIT M12X50 (4 PIECES)	1
		> SCREW M12X50 ISO4014 6.8 ZN	4
		> NUT-H-M12-STEEL-ZN-ISO4032-cl8	4
3	4161187	LANTERN FF265 HELIX 8" KIT	1
3.1		> LANTERN FF265 M+ GJL MACHINED+CATA	1
3.2	2127605	> EYELET CPL.FF265 HELIX(2 PIECES)	1
3.3	4143969	> COUPLING PROTECT HELIX FF KIT	1
4	4143965	COUPLING D.20XD.28 FF265 KIT	1
5	4157725	SCREW M10X40 (4 PIECES)	1
6	4217859	STUD BOLT M16X646 KIT	1
6.1		> TIE BOLT M16-646x24x44-1.4057	1
6.2	4179562	> NUT M16 8.8 ISO4032 (4 PIECES)	1
6.3	4097852	> WASHER-CS-16.4-32-2.8-NFE25-511-A2	1
7	4217176	END SHIELD HELIX OPTI 8" EPDM KIT	1
7.1		> upper flange machined + cataphoresis	1
7.2	4217174	> STATIONARY RING HOLDER 8" HELIX OPTI VP.	1
7.3	4179571	> O-RING HOUSING PIPE HELIX22/36/52 VP.	1
7.4	4179572	> O-RING ID.42.52X2.62 EPDM VP.	1
8	4186377	FILING/PURGING PLUG 304 HELIX KIT	1
8.1		> FILLING/VENTING-PLUG-MVI8/10"-304	1
8.2	4032291	> O-RING 17x3 EPDM KTW/WRC	1
9	4143975	CARTRIDGE HELIX22-36-52 F/E KIT	1
10	4181087	HOUSING PIPE D.204x464,13 1.4307 KIT	1
7.3	4179571	> O-RING HOUSING PIPE HELIX22/36/52 VP.	1
10.1		> HOUSING-PIPE Ø204-M+2208/3606-304	1
11	4179143	CENTERING STAGE-RETURN HELIX22 1.4307 VP	1
12	4143967	SHAFT EQUIPMENT HELIX V KIT	1
13		HYDRAULIC HELIX V 2208	1
14	4180848	SHAFT D.22X604 1.4057 VP.	1
15	4217852	EQUIPED HOUSING DN50 HELIX OPTI 8" KIT	1
15.1		> pump casing machined DN50	1
15.2	4217178	> HALF FLANGE DN50 HELIX OPTI 8" VP.	1

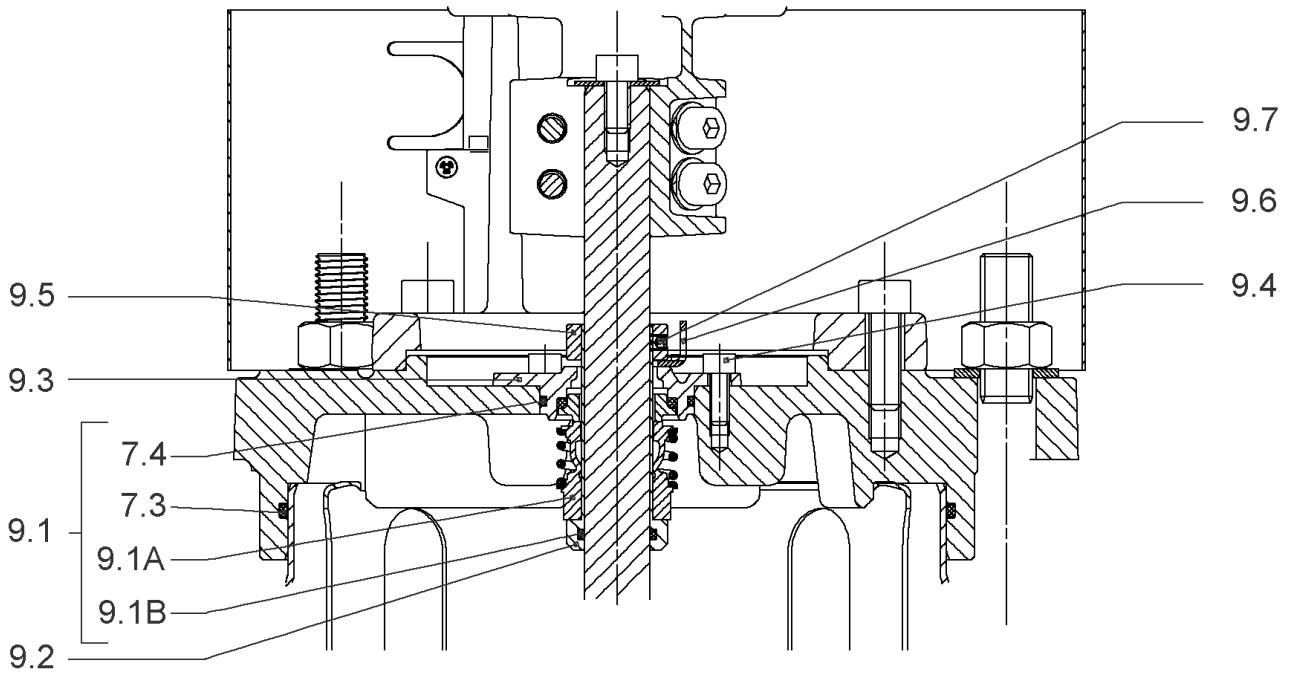
HELIX V2208-1/25/E/KS/400-50 (4198463)

Item	Article no.	Description	Quantity
15.3	4217850	> DRAIN/PRIMING PLUG HELIX OPTI 8" KIT	1
7.3	4179571	> O-RING HOUSING PIPE HELIX22/36/52 VP.	1
16	4217854	BASEPLATE DN50 HELIX OPTI 8" VP.	1



COUPLING D.20XD.28 FF265 KIT (4143965)

Item	Article no.	Description	Quantity
4.1	4179584	COUPLING 2 PARTS D.20XD.28XL83 VP.	1
4.2	2131017	BALL BEARING 6310/ZZ-C4(HT)VP.	1
4.3	4234253	CIRCLIP-FOR-SHAFT-D50x2 VP.	1
4.4	4159707	SCREW M8X30 (4 PIECES)	1
4.5	4234255	CIRCLIPS 110X4 VP.	1
4.6	4233944	O-RING ID.110 VP.	1
4.7	4179585	STOP-RUSH D26xD2 DIN7993 STEEL VP.	1
4.8	2131020	HUB D.38XD.50 VP.	1
4.9	2131021	SPACER D.28XD.45 VP.	1
4.10	4157726	SCREW KIT M8X30 (4 PIECES)	1
4.11	4233959	SCREW M8x16 VP.	1
4.12		SERRATED LOCK WASHER Ø8.2XØ25X35X2	1

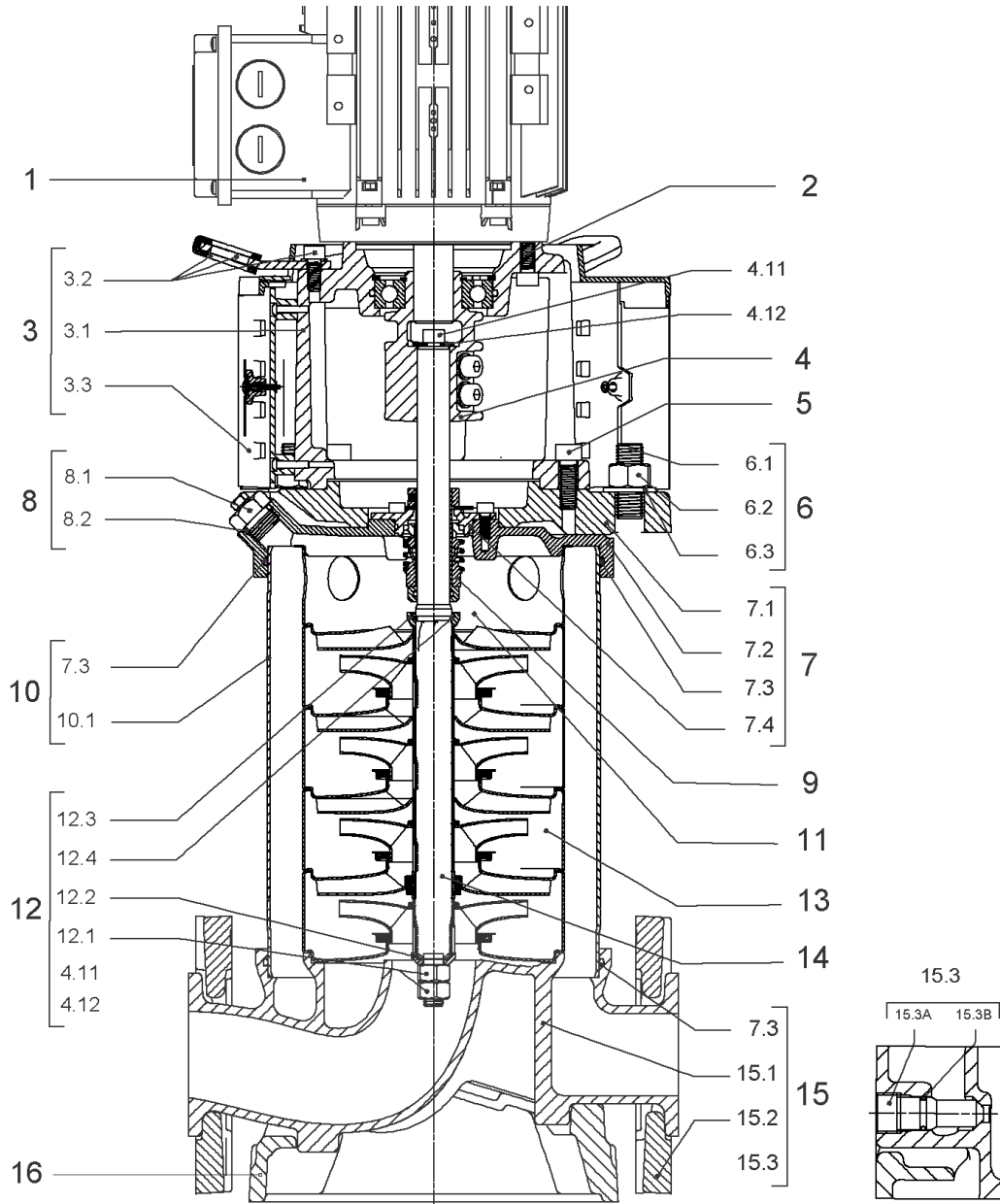


CARTRIDGE HELIX22-36-52 F/E KIT (4143975)

Item	Article no.	Description	Quantity
9.1	4143976	SEAL-KIT-HELIX22-36-52 F/E	1
7.3	4179571	> O-RING HOUSING PIPE HELIX22/36/52 VP.	1
7.4	4179572	> O-RING ID.42.52X2.62 EPDM VP.	1
9.1A	2127447	> M.SEAL.HELIX22-36-52 F/E VP.	1
9.1B	4179574	> O-RING ID.20x2.65 EPDM VP.	1
9.2	4179566	SHAFT SLEEVE D.20/20X60 1.4404 VP.	1
9.3	4179567	RING HOLDER Ø22 1.4301 VP.	1
9.4	4176520	SCREW CH M5x5 A4-70 (3PIECES)	1
9.5	4179568	DRIVE RING D.31/22.1x11 MACH.VP.	1
9.6	4179569	TOOL M.S.CART.HELIX 8" VP.	1
9.7	4179570	SCREW M6X16 ISO4762 8.8 GEOMET(4 PIECES)	1



Item	Article no.	Description	Quantity
13.1	4157739	FIRST STAGE HELIX 22 1.4307 KIT	1
		> IMPELLER-H1-M+22-304	1
		> MACH.STG-CASING-WOGV-WNR-M+22-304	1
13.2	4157740	BEARING STAGE HELIX 22 1.4307 KIT	1
		> IMPELLER-H2-M+22-304	1
		> MACH.BEARING-STG-CASING-WNR-M+22-304	1
		> SHAFT-SLEEVE-D26xD22x16-CW	1
13.3	4157743	INTERMEDIATE STAGE HELIX 22 KIT	1
		> MACH.STD-STG-CASING-WGV+NR-M+22-304	1
		> IMPELLER-H2-M+22-304	1

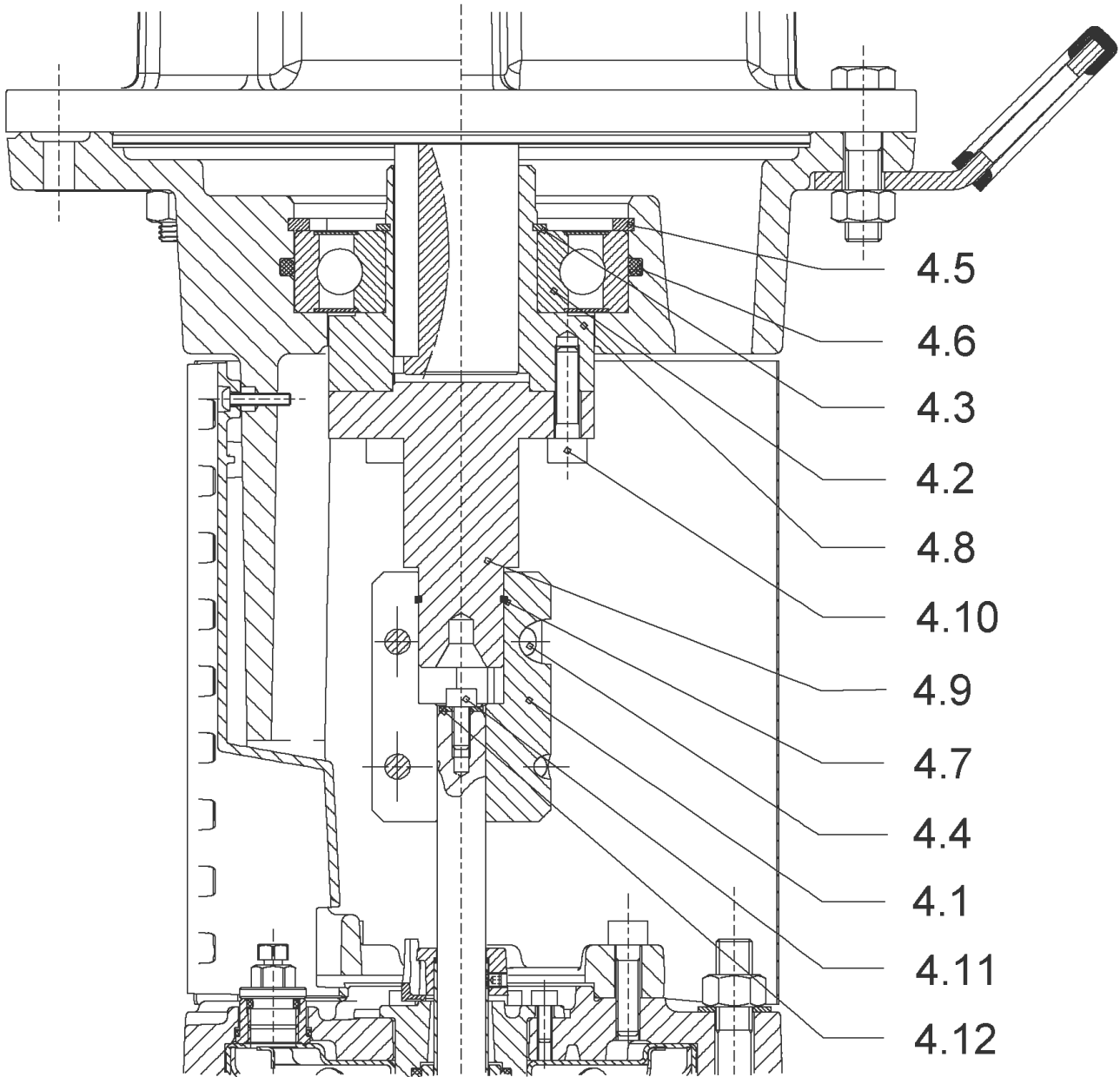


HELIX V2209-1/25/E/KS/400-50 (4198464)

Item	Article no.	Description	Quantity
1	4195486	MO. 11/2/132 3~400V50HZ 460V60HZ IE3 VP.	1
		SPARE PARTS MOTOR:ON REQUEST	1
2	4143762	SCREW KIT M12X50 (4 PIECES)	1
		> SCREW M12X50 ISO4014 6.8 ZN	4
		> NUT-H-M12-STEEL-ZN-ISO4032-cl8	4
3	4161187	LANTERN FF265 HELIX 8" KIT	1
3.1		> LANTERN FF265 M+ GJL MACHINED+CATA	1
3.2	2127605	> EYELET CPL.FF265 HELIX(2 PIECES)	1
3.3	4143969	> COUPLING PROTECT HELIX FF KIT	1
4	4143965	COUPLING D.20XD.28 FF265 KIT	1
5	4157725	SCREW M10X40 (4 PIECES)	1
6	4179929	STUD BOLT M16X704 KIT	1
6.1		> TIE BOLT M16-704x24x44-1.4057	1
6.2	4179562	> NUT M16 8.8 ISO4032 (4 PIECES)	1
6.3	4097852	> WASHER-CS-16.4-32-2.8-NFE25-511-A2	1
7	4217176	END SHIELD HELIX OPTI 8" EPDM KIT	1
7.1		> upper flange machined + cataphoresis	1
7.2	4217174	> STATIONARY RING HOLDER 8" HELIX OPTI VP.	1
7.3	4179571	> O-RING HOUSING PIPE HELIX22/36/52 VP.	1
7.4	4179572	> O-RING ID.42.52X2.62 EPDM VP.	1
8	4186377	FILING/PURGING PLUG 304 HELIX KIT	1
8.1		> FILLING/VENTING-PLUG-MVI8/10"-304	1
8.2	4032291	> O-RING 17x3 EPDM KTW/WRC	1
9	4143975	CARTRIDGE HELIX22-36-52 F/E KIT	1
10	4181670	HOUSING PIPE D.204X514 1.4301 KIT	1
7.3	4179571	> O-RING HOUSING PIPE HELIX22/36/52 VP.	1
10.1		> HOUSING-PIPE Ø204-M+2209-304	1
11	4179143	CENTERING STAGE-RETURN HELIX22 1.4307 VP	1
12	4143967	SHAFT EQUIPMENT HELIX V KIT	1
13		HYDRAULIC HELIX V 2209	1
14	4181672	SHAFTS D.22X654 1.4057 VP.	1
15	4217852	EQUIPED HOUSING DN50 HELIX OPTI 8" KIT	1
15.1		> pump casing machined DN50	1
15.2	4217178	> HALF FLANGE DN50 HELIX OPTI 8" VP.	1

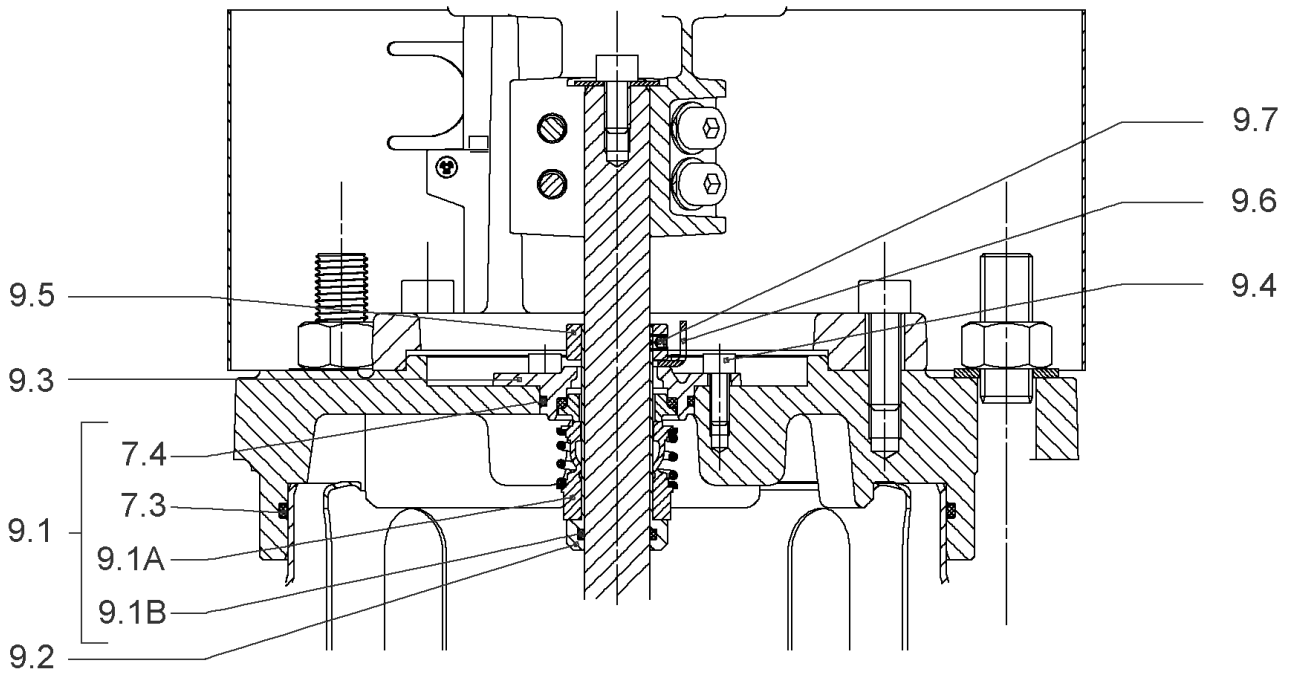
HELIX V2209-1/25/E/KS/400-50 (4198464)

Item	Article no.	Description	Quantity
15.3	4217850	> DRAIN/PRIMING PLUG HELIX OPTI 8" KIT	1
7.3	4179571	> O-RING HOUSING PIPE HELIX22/36/52 VP.	1
16	4217854	BASEPLATE DN50 HELIX OPTI 8" VP.	1



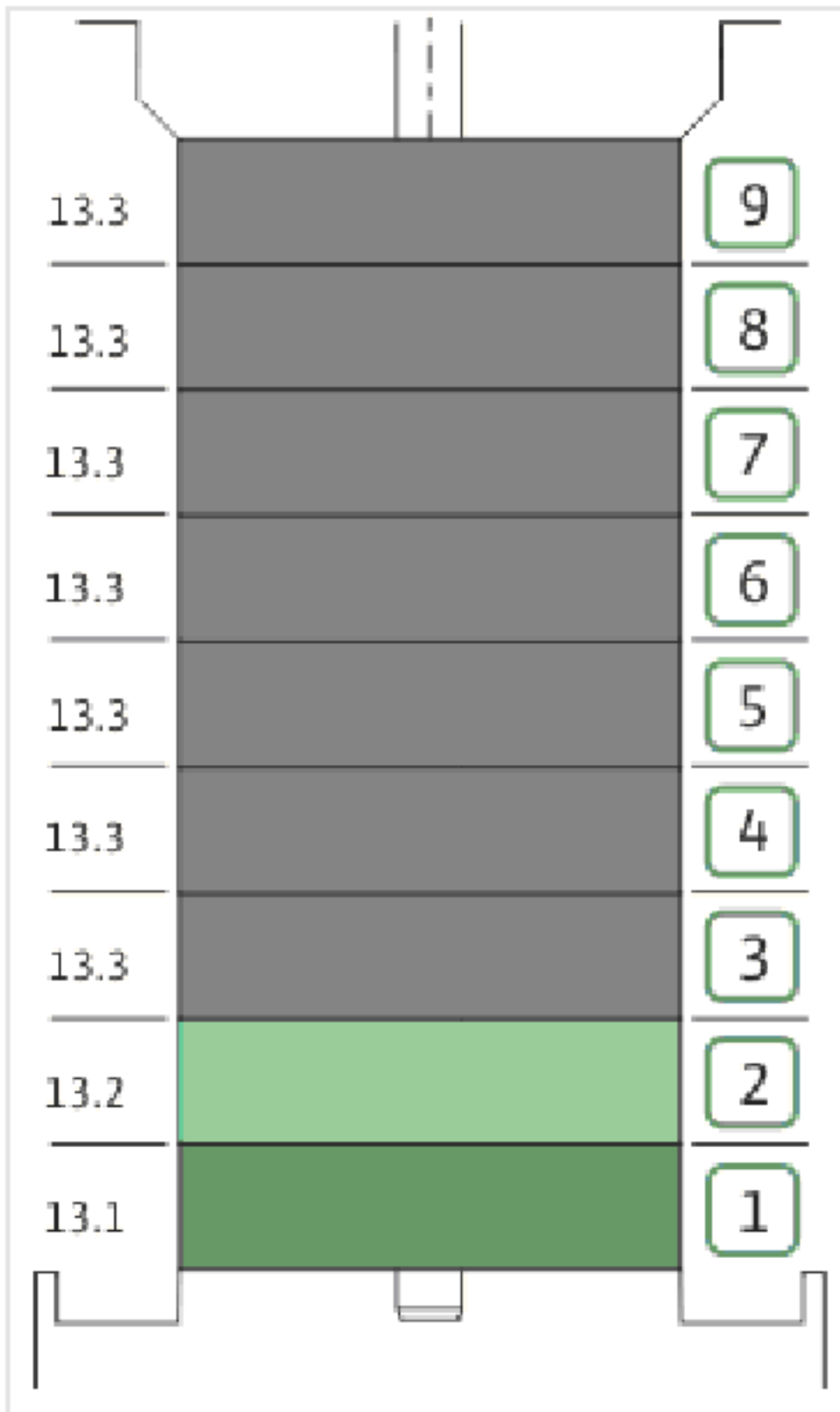
COUPLING D.20XD.28 FF265 KIT (4143965)

Item	Article no.	Description	Quantity
4.1	4179584	COUPLING 2 PARTS D.20XD.28XL83 VP.	1
4.2	2131017	BALL BEARING 6310/ZZ-C4(HT)VP.	1
4.3	4234253	CIRCLIP-FOR-SHAFT-D50x2 VP.	1
4.4	4159707	SCREW M8X30 (4 PIECES)	1
4.5	4234255	CIRCLIPS 110X4 VP.	1
4.6	4233944	O-RING ID.110 VP.	1
4.7	4179585	STOP-RUSH D26xD2 DIN7993 STEEL VP.	1
4.8	2131020	HUB D.38XD.50 VP.	1
4.9	2131021	SPACER D.28XD.45 VP.	1
4.10	4157726	SCREW KIT M8X30 (4 PIECES)	1
4.11	4233959	SCREW M8x16 VP.	1
4.12		SERRATED LOCK WASHER Ø8.2XØ25X35X2	1

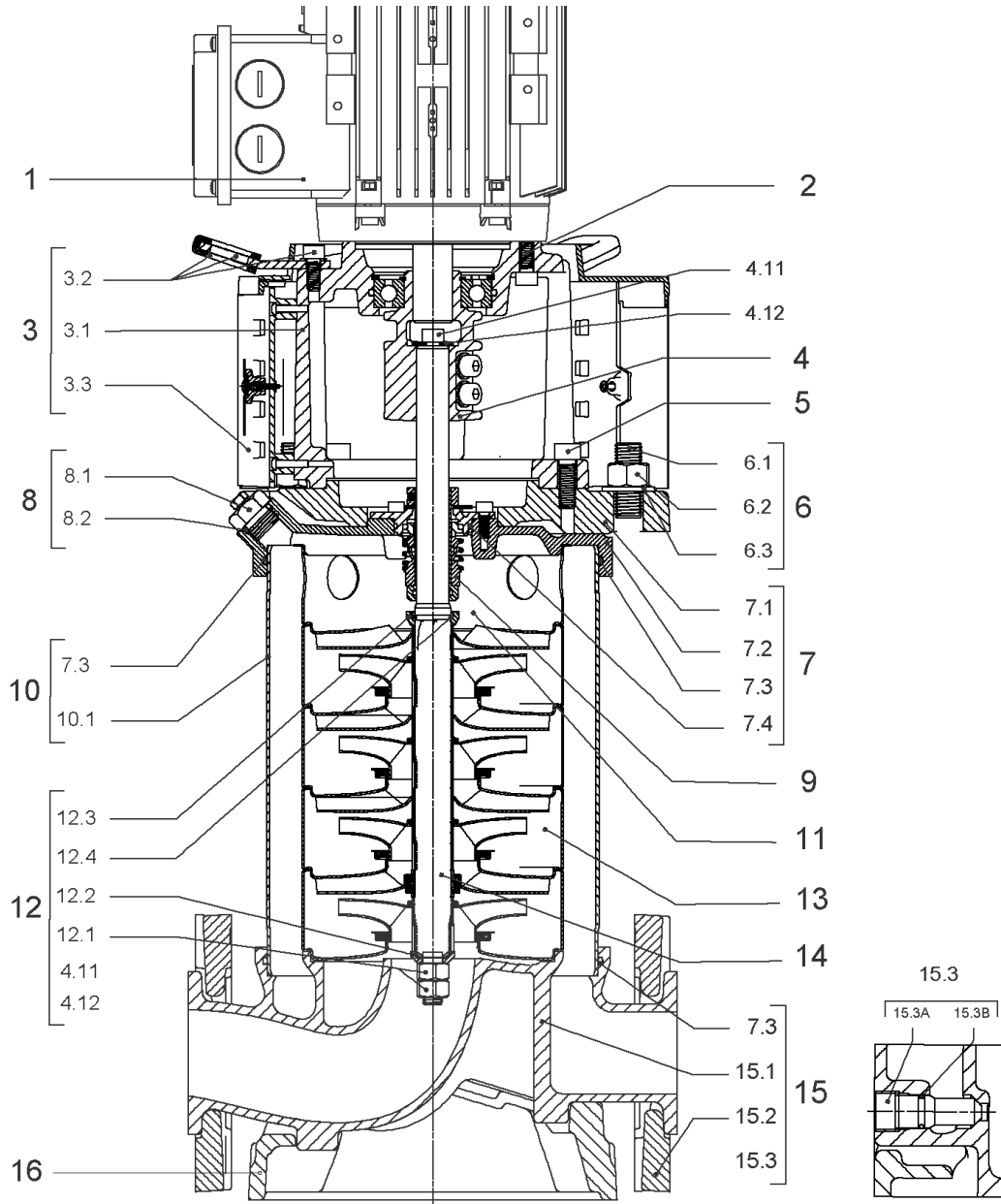


CARTRIDGE HELIX22-36-52 F/E KIT (4143975)

Item	Article no.	Description	Quantity
9.1	4143976	SEAL-KIT-HELIX22-36-52 F/E	1
7.3	4179571	> O-RING HOUSING PIPE HELIX22/36/52 VP.	1
7.4	4179572	> O-RING ID.42.52X2.62 EPDM VP.	1
9.1A	2127447	> M.SEAL.HELIX22-36-52 F/E VP.	1
9.1B	4179574	> O-RING ID.20x2.65 EPDM VP.	1
9.2	4179566	SHAFT SLEEVE D.20/20X60 1.4404 VP.	1
9.3	4179567	RING HOLDER Ø22 1.4301 VP.	1
9.4	4176520	SCREW CH M5x5 A4-70 (3PIECES)	1
9.5	4179568	DRIVE RING D.31/22.1x11 MACH.VP.	1
9.6	4179569	TOOL M.S.CART.HELIX 8" VP.	1
9.7	4179570	SCREW M6X16 ISO4762 8.8 GEOMET(4 PIECES)	1



Item	Article no.	Description	Quantity
13.1	4157739	FIRST STAGE HELIX 22 1.4307 KIT	1
		> IMPELLER-H1-M+22-304	1
		> MACH.STG-CASING-WOGV-WNR-M+22-304	1
13.2	4157740	BEARING STAGE HELIX 22 1.4307 KIT	1
		> IMPELLER-H2-M+22-304	1
		> MACH.BEARING-STG-CASING-WNR-M+22-304	1
		> SHAFT-SLEEVE-D26xD22x16-CW	1
13.3	4157743	INTERMEDIATE STAGE HELIX 22 KIT	1
		> MACH.STD-STG-CASING-WGV+NR-M+22-304	1
		> IMPELLER-H2-M+22-304	1

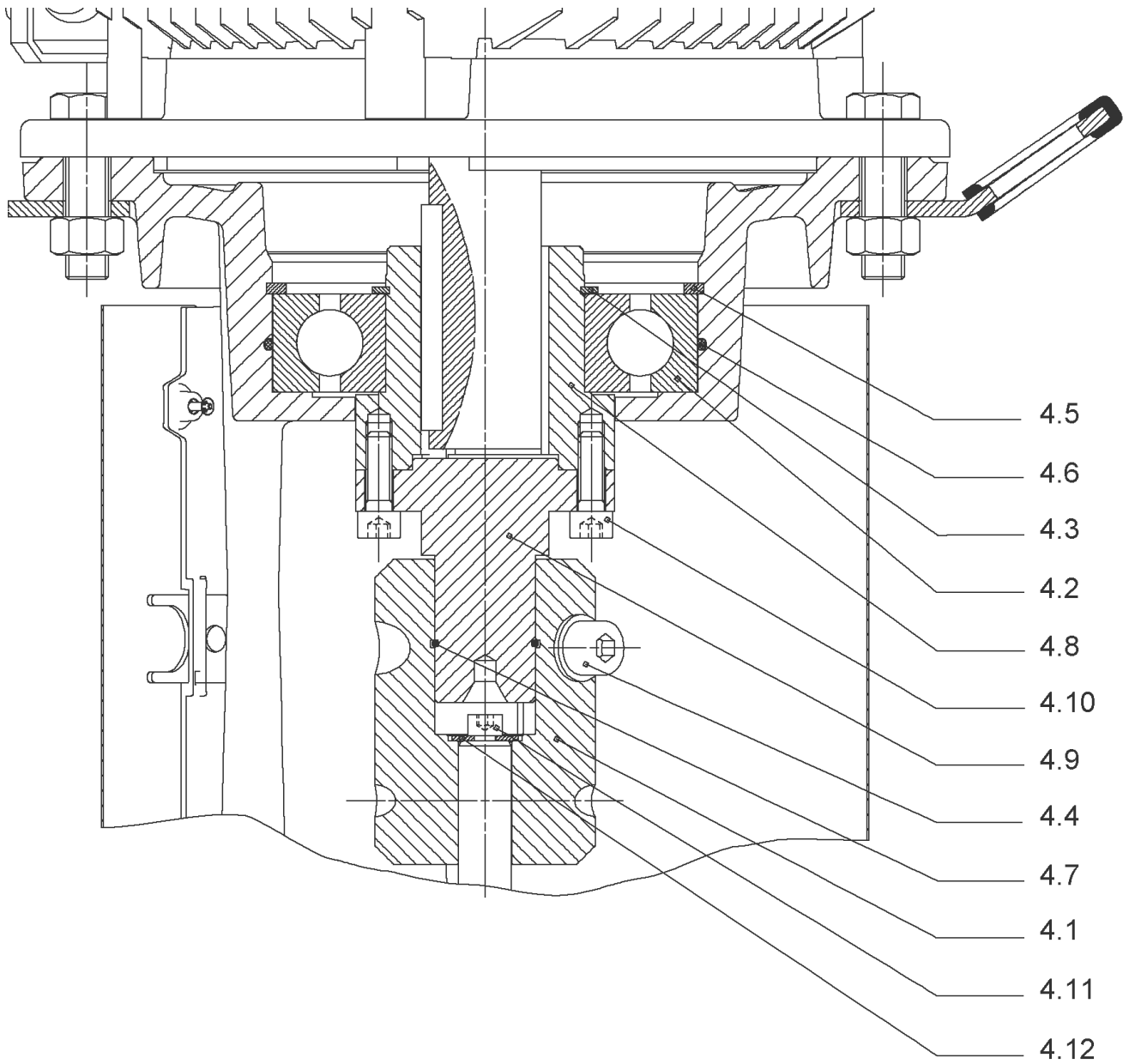


HELIX V2210-1/25/E/KS/400-50 (4198465)

Item	Article no.	Description	Quantity
1	4195487	MOTOR 15/2/160 3~400V 50HZ VP.	1
		SPARE PARTS MOTOR:ON REQUEST	1
2	4179586	SCREW M16X60 (4 PIECES)	1
3	4157721	LANTERN HELIX 22/36 FF300 BB6312 KIT	1
3.1		> LANTERN FF300 M+ GJL MACHINED+CATA 6312	1
3.2	4179589	> EYELET CPL.FF300 HELIX(4 PIECES)	1
3.3	4143969	> COUPLING PROTECT HELIX FF KIT	1
4	4143966	COUPLING D.20XD.38 FF300 KIT	1
5	4157725	SCREW M10X40 (4 PIECES)	1
6	4217866	STUD BOLT M16X755 KIT	1
6.1		> TIE BOLT M16-755x24x44-1.4057	1
6.2	4179562	> NUT M16 8.8 ISO4032 (4 PIECES)	1
6.3	4097852	> WASHER-CS-16.4-32-2.8-NFE25-511-A2	1
7	4217176	END SHIELD HELIX OPTI 8" EPDM KIT	1
7.1		> upper flange machined + cataphoresis	1
7.2	4217174	> STATIONARY RING HOLDER 8" HELIX OPTI VP.	1
7.3	4179571	> O-RING HOUSING PIPE HELIX22/36/52 VP.	1
7.4	4179572	> O-RING ID.42.52X2.62 EPDM VP.	1
8	4186377	FILING/PURGING PLUG 304 HELIX KIT	1
8.1		> FILLING/VENTING-PLUG-MVI8/10"-304	1
8.2	4032291	> O-RING 17x3 EPDM KTW/WRC	1
9	4143975	CARTRIDGE HELIX22-36-52 F/E KIT	1
10	4181674	HOUSING PIPE D.204X564 1.4301 KIT	1
7.3	4179571	> O-RING HOUSING PIPE HELIX22/36/52 VP.	1
10.1		> HOUSING-PIPE Ø204-M+2210-304	1
11	4179143	CENTERING STAGE-RETURN HELIX22 1.4307 VP	1
12	4143967	SHAFT EQUIPMENT HELIX V KIT	1
13		HYDRAULIC HELIX V 2210	1
14	4179926	SHAFTS D.22X704 1.4057 VP.	1
15	4217852	EQUIPED HOUSING DN50 HELIX OPTI 8" KIT	1
15.1		> pump casing machined DN50	1
15.2	4217178	> HALF FLANGE DN50 HELIX OPTI 8" VP.	1
15.3	4217850	> DRAIN/PRIMING PLUG HELIX OPTI 8" KIT	1
7.3	4179571	> O-RING HOUSING PIPE HELIX22/36/52 VP.	1

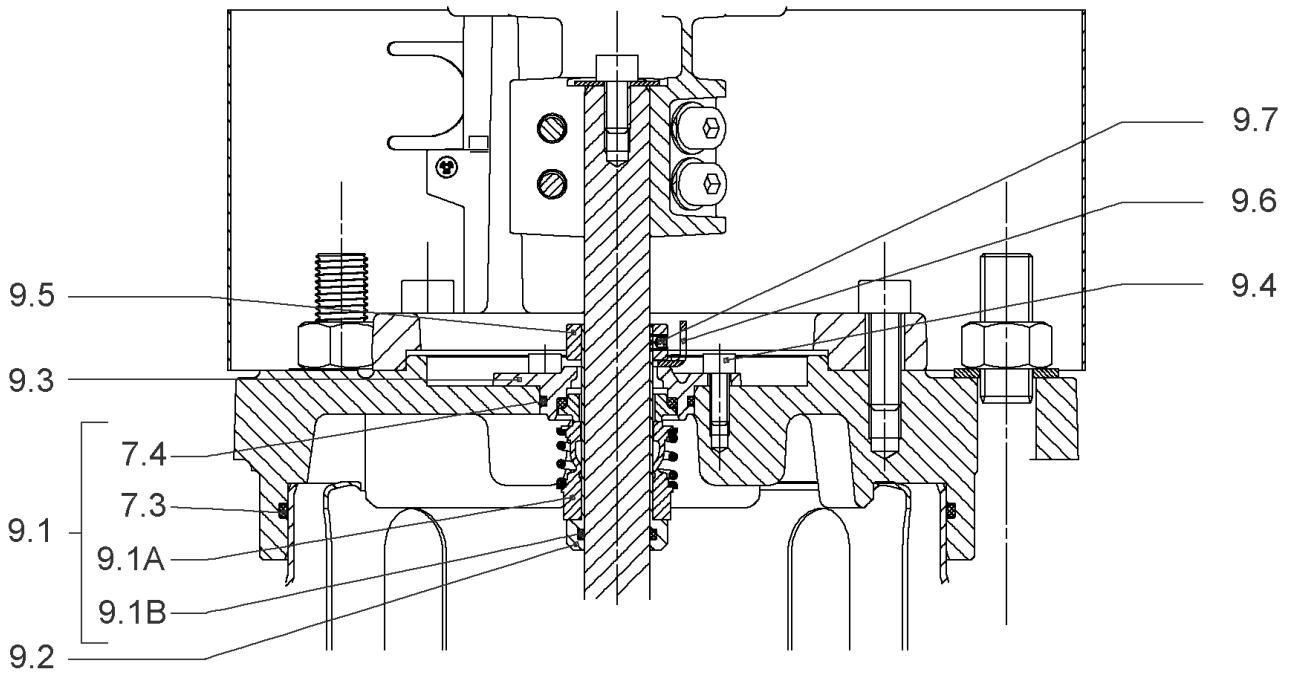
HELIX V2210-1/25/E/KS/400-50 (4198465)

Item	Article no.	Description	Quantity
16	4217854	BASEPLATE DN50 HELIX OPTI 8" VP.	1



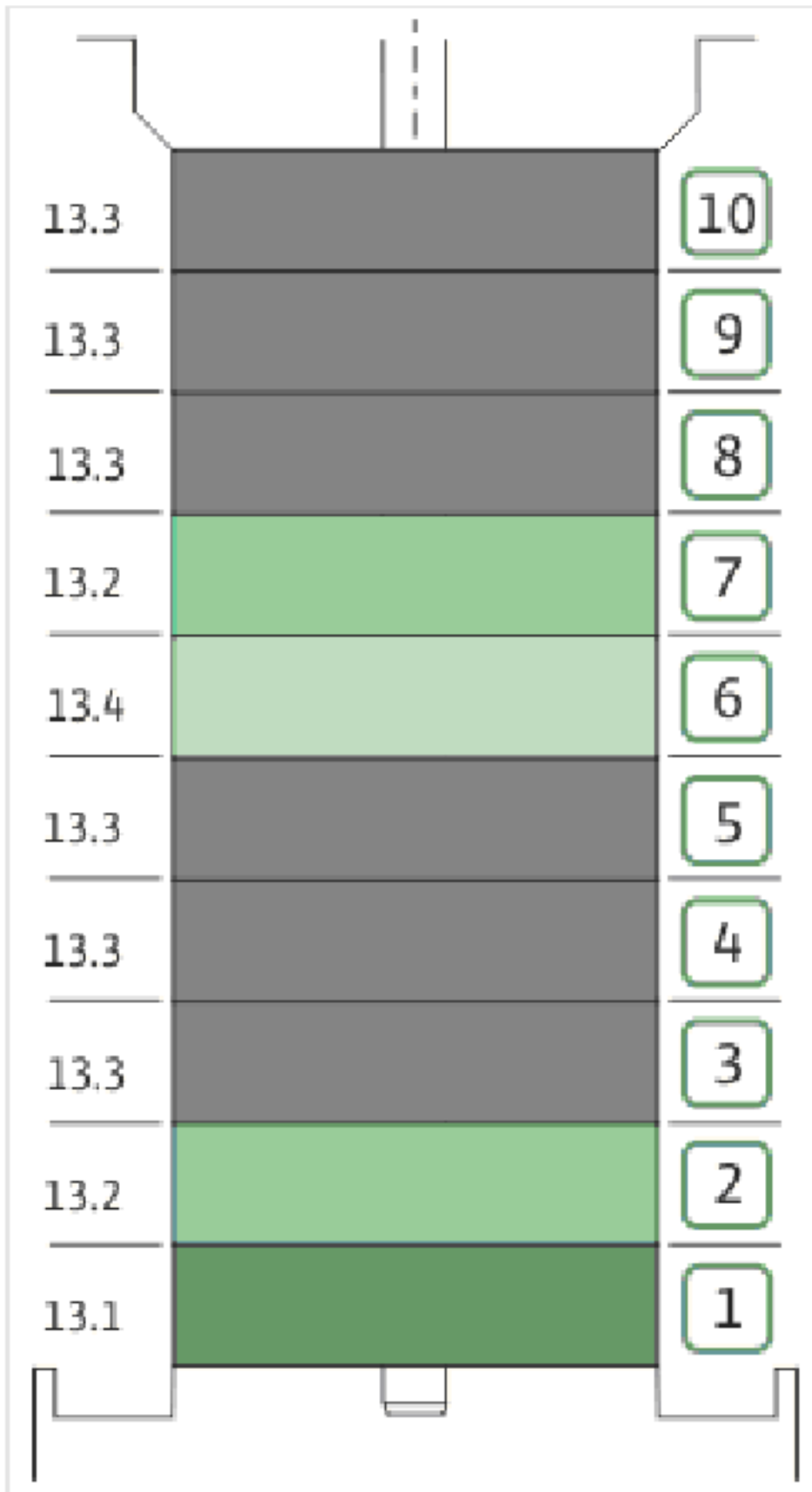
COUPLING D.20XD.38 FF300 KIT (4143966)

Item	Article no.	Description	Quantity
4.1	4179590	COUPLING 2 PARTS D.20XD.38XL115 VP.	1
4.2	2123699	BALL BEARING 6312/2Z-C4 (HT) VP.	1
4.3	63428	CIRCLIP-FOR-SHAFT-D60x2	1
4.4	2130991	SCREW M12X30 ISO4762 8.8 ZN(4 PIECES)	1
4.5	4032277	CIRCLIP-HOLE-130x4	1
4.6	4006725	O-RING ID.132,94x3,53 NBR70SR	1
4.7	2130992	RETAINING RING D.35xD.2,5 DIN7993 VP.	1
4.8	4179591	HUB D.42xD.60 VP.	1
4.9	2130994	SPACER D.38XD.55 VP.	1
4.10	4094462	SCREWS M10 (4 PIECES)	1
4.11	4233959	SCREW M8x16 VP.	1
4.12		SERRATED LOCK WASHER Ø8.2XØ25X35X2	1



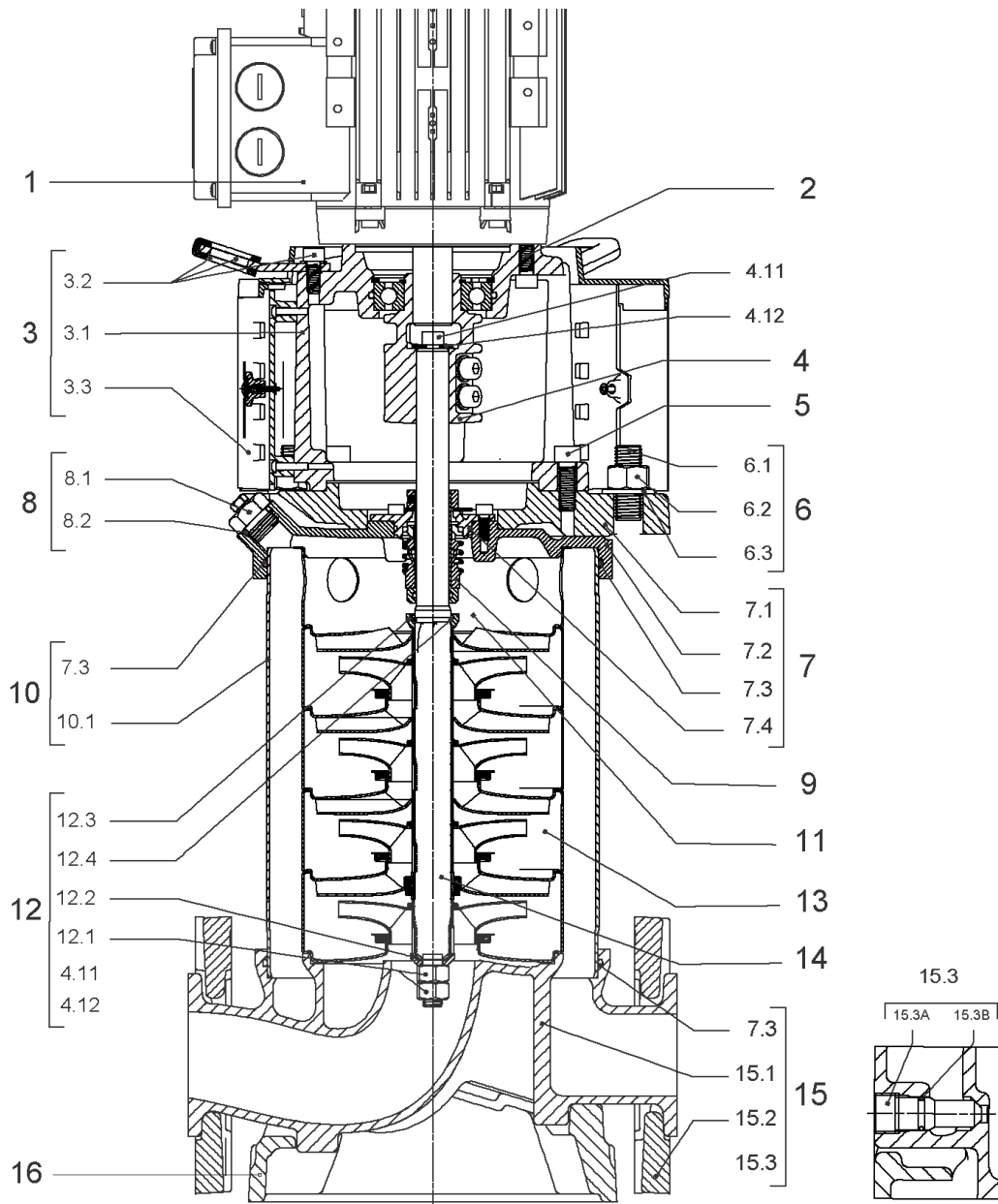
CARTRIDGE HELIX22-36-52 F/E KIT (4143975)

Item	Article no.	Description	Quantity
9.1	4143976	SEAL-KIT-HELIX22-36-52 F/E	1
7.3	4179571	> O-RING HOUSING PIPE HELIX22/36/52 VP.	1
7.4	4179572	> O-RING ID.42.52X2.62 EPDM VP.	1
9.1A	2127447	> M.SEAL.HELIX22-36-52 F/E VP.	1
9.1B	4179574	> O-RING ID.20x2.65 EPDM VP.	1
9.2	4179566	SHAFT SLEEVE D.20/20X60 1.4404 VP.	1
9.3	4179567	RING HOLDER Ø22 1.4301 VP.	1
9.4	4176520	SCREW CH M5x5 A4-70 (3PIECES)	1
9.5	4179568	DRIVE RING D.31/22.1x11 MACH.VP.	1
9.6	4179569	TOOL M.S.CART.HELIX 8" VP.	1
9.7	4179570	SCREW M6X16 ISO4762 8.8 GEOMET(4 PIECES)	1



HYDRAULIC HELIX V 2210

Item	Article no.	Description	Quantity
13.1	4157739	FIRST STAGE HELIX 22 1.4307 KIT	1
		> IMPELLER-H1-M+22-304	1
		> MACH.STG-CASING-WOGV-WNR-M+22-304	1
13.2	4157740	BEARING STAGE HELIX 22 1.4307 KIT	1
		> IMPELLER-H2-M+22-304	1
		> MACH.BEARING-STG-CASING-WNR-M+22-304	1
		> SHAFT-SLEEVE-D26xD22x16-CW	1
13.3	4157743	INTERMEDIATE STAGE HELIX 22 KIT	1
		> MACH.STD-STG-CASING-WGV+NR-M+22-304	1
		> IMPELLER-H2-M+22-304	1
13.4	4157767	INTERMEDIATE STAGE HELIX 22 1.4307 KIT	1
		> MACH.STD-STG-CASING-WGV+NR-M+22-304	1
		> IMPELLER-H1-M+22-304	1



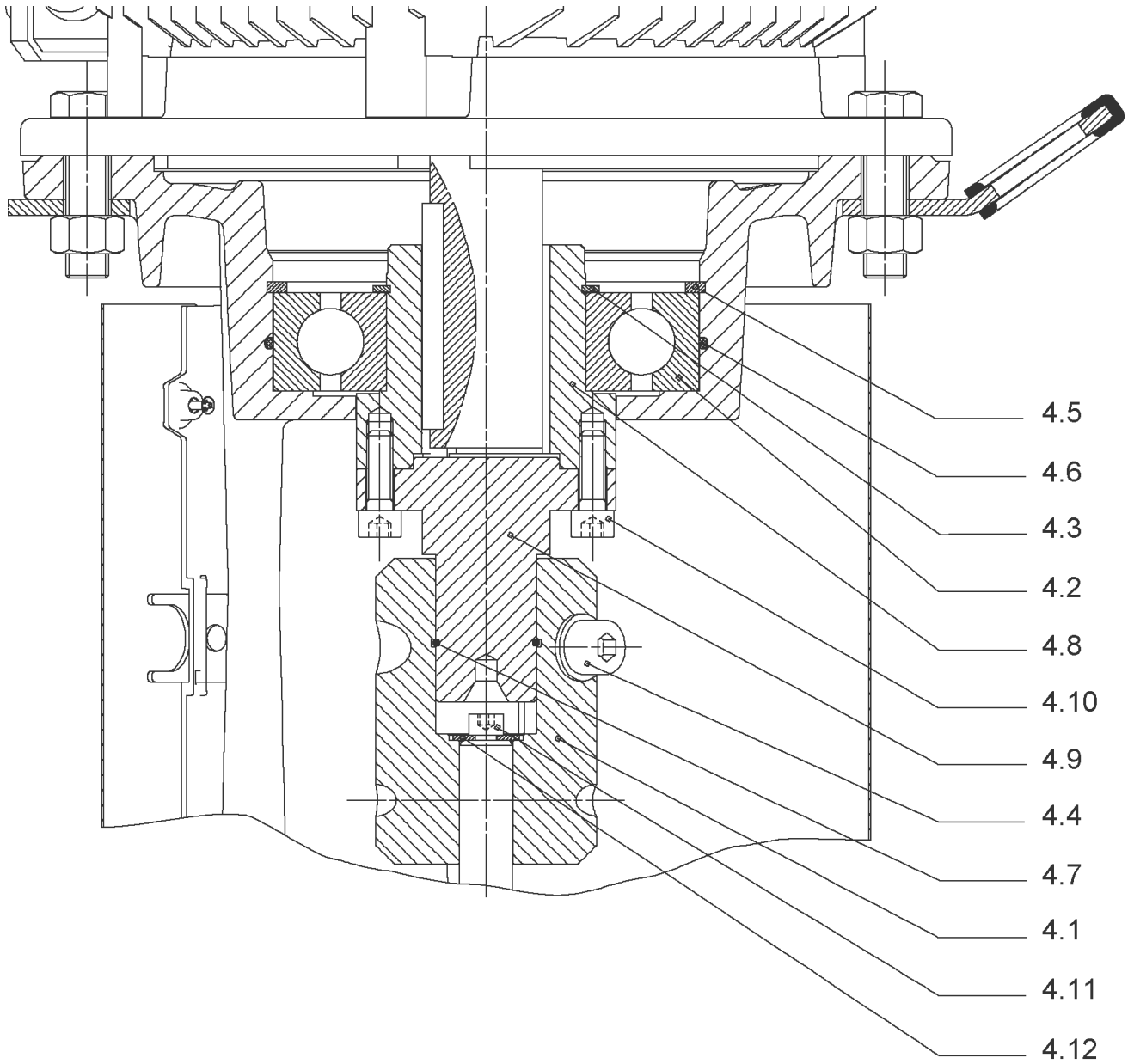
HELIX V2211-1/25/E/KS/400-50 (4198466)

Item	Article no.	Description	Quantity
1	4195487	MOTOR 15/2/160 3~400V 50HZ VP.	1
		SPARE PARTS MOTOR:ON REQUEST	1
2	4179586	SCREW M16X60 (4 PIECES)	1
3	4157721	LANTERN HELIX 22/36 FF300 BB6312 KIT	1
3.1		> LANTERN FF300 M+ GJL MACHINED+CATA 6312	1
3.2	4179589	> EYELET CPL.FF300 HELIX(4 PIECES)	1
3.3	4143969	> COUPLING PROTECT HELIX FF KIT	1
4	4143966	COUPLING D.20XD.38 FF300 KIT	1
5	4157725	SCREW M10X40 (4 PIECES)	1
6	4179940	STUD BOLT M16X796 KIT	1
6.1		> TIE BOLT M16-796x24x44-1.4057	1
6.2	4179562	> NUT M16 8.8 ISO4032 (4 PIECES)	1
6.3	4097852	> WASHER-CS-16.4-32-2.8-NFE25-511-A2	1
7	4217176	END SHIELD HELIX OPTI 8" EPDM KIT	1
7.1		> upper flange machined + cataphoresis	1
7.2	4217174	> STATIONARY RING HOLDER 8" HELIX OPTI VP.	1
7.3	4179571	> O-RING HOUSING PIPE HELIX22/36/52 VP.	1
7.4	4179572	> O-RING ID.42.52X2.62 EPDM VP.	1
8	4186377	FILING/PURGING PLUG 304 HELIX KIT	1
8.1		> FILLING/VENTING-PLUG-MVI8/10"-304	1
8.2	4032291	> O-RING 17x3 EPDM KTW/WRC	1
9	4143975	CARTRIDGE HELIX22-36-52 F/E KIT	1
10	4181677	HOUSING PIPE D.204X614 1.4301 KIT	1
7.3	4179571	> O-RING HOUSING PIPE HELIX22/36/52 VP.	1
10.1		> HOUSING-PIPE Ø204-M+2211-304	1
11	4179143	CENTERING STAGE-RETURN HELIX22 1.4307 VP	1
12	4143967	SHAFT EQUIPMENT HELIX V KIT	1
13		HYDRAULIC HELIX V 2211	1
14	4181096	SHAFT D.22X754 1.4057 VP.	1
15	4217852	EQUIPED HOUSING DN50 HELIX OPTI 8" KIT	1
15.1		> pump casing machined DN50	1
15.2	4217178	> HALF FLANGE DN50 HELIX OPTI 8" VP.	1
15.3	4217850	> DRAIN/PRIMING PLUG HELIX OPTI 8" KIT	1
7.3	4179571	> O-RING HOUSING PIPE HELIX22/36/52 VP.	1

HELIX V2211-1/25/E/KS/400-50 (4198466)

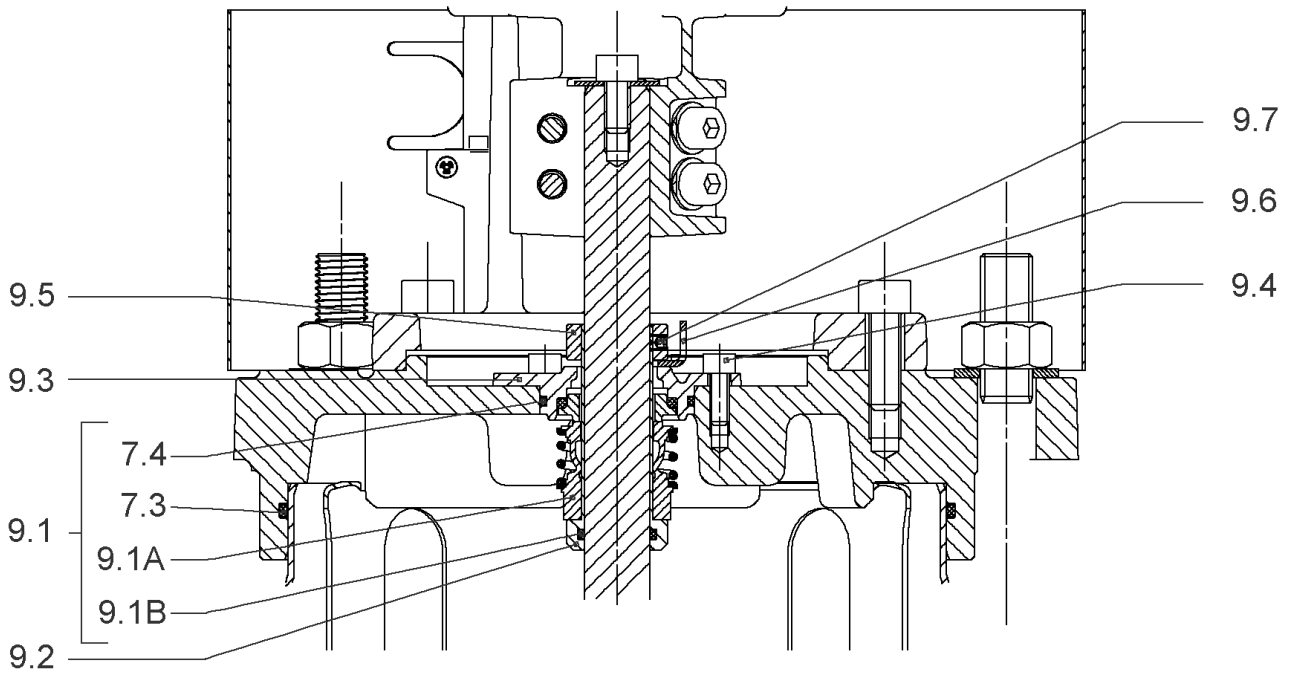
Item	Article no.	Description	Quantity
16	4217854	BASEPLATE DN50 HELIX OPTI 8" VP.	1

COUPLING D.20XD.38 FF300 KIT (4143966)



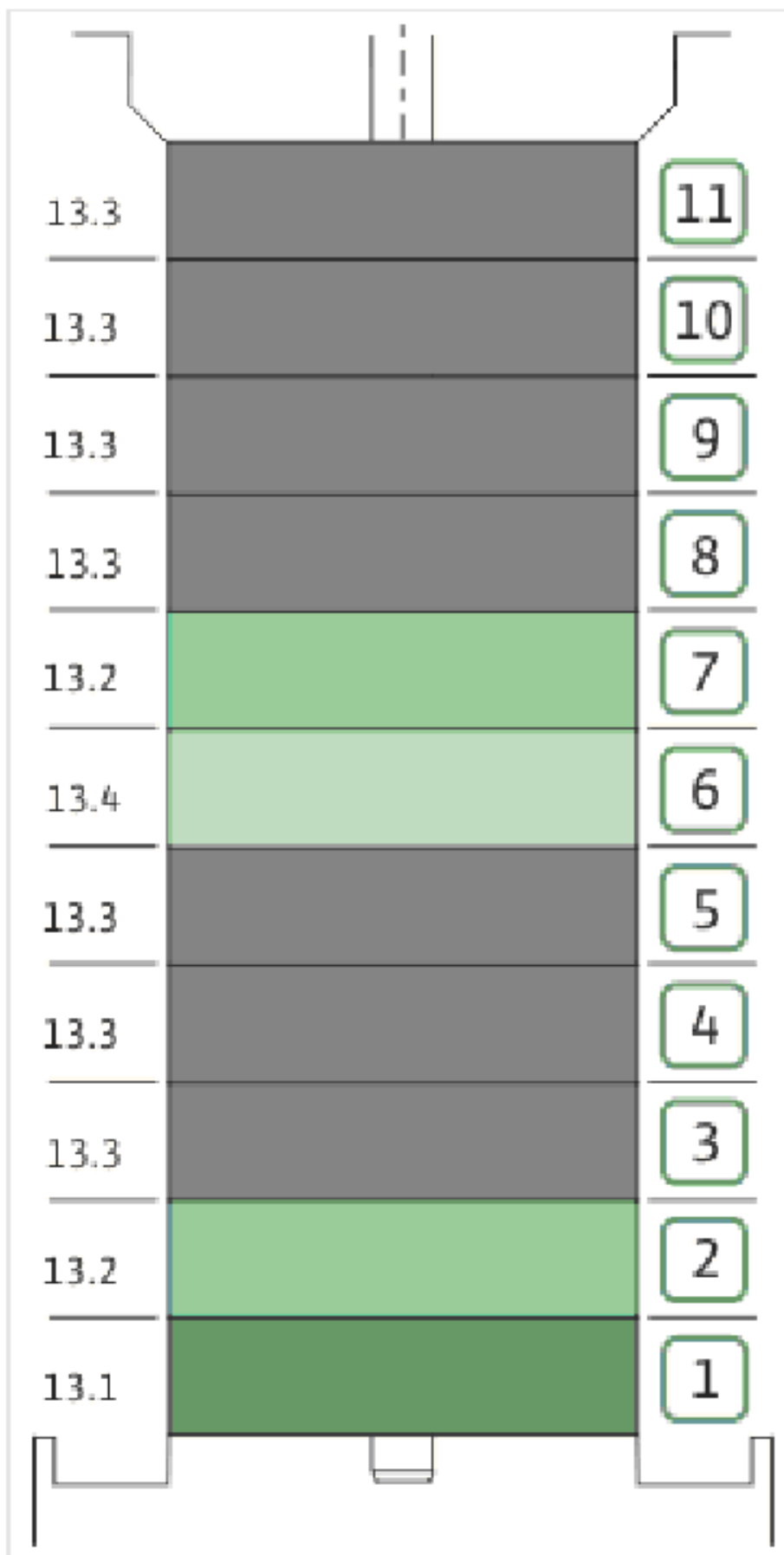
COUPLING D.20XD.38 FF300 KIT (4143966)

Item	Article no.	Description	Quantity
4.1	4179590	COUPLING 2 PARTS D.20XD.38XL115 VP.	1
4.2	2123699	BALL BEARING 6312/2Z-C4 (HT) VP.	1
4.3	63428	CIRCLIP-FOR-SHAFT-D60x2	1
4.4	2130991	SCREW M12X30 ISO4762 8.8 ZN(4 PIECES)	1
4.5	4032277	CIRCLIP-HOLE-130x4	1
4.6	4006725	O-RING ID.132,94x3,53 NBR70SR	1
4.7	2130992	RETAINING RING D.35xD.2,5 DIN7993 VP.	1
4.8	4179591	HUB D.42xD.60 VP.	1
4.9	2130994	SPACER D.38XD.55 VP.	1
4.10	4094462	SCREWS M10 (4 PIECES)	1
4.11	4233959	SCREW M8x16 VP.	1
4.12		SERRATED LOCK WASHER Ø8.2XØ25X35X2	1

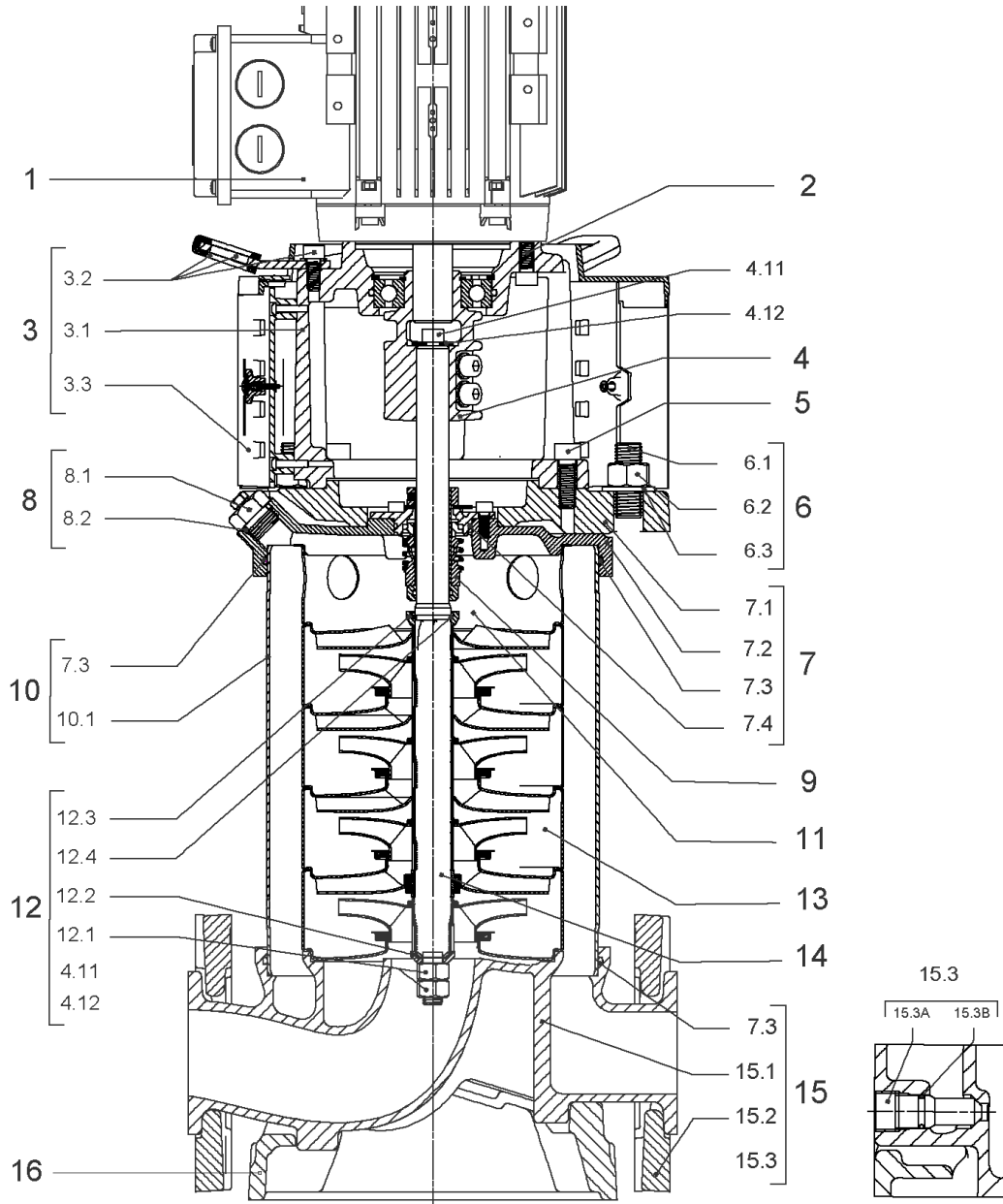


CARTRIDGE HELIX22-36-52 F/E KIT (4143975)

Item	Article no.	Description	Quantity
9.1	4143976	SEAL-KIT-HELIX22-36-52 F/E	1
7.3	4179571	> O-RING HOUSING PIPE HELIX22/36/52 VP.	1
7.4	4179572	> O-RING ID.42.52X2.62 EPDM VP.	1
9.1A	2127447	> M.SEAL.HELIX22-36-52 F/E VP.	1
9.1B	4179574	> O-RING ID.20x2.65 EPDM VP.	1
9.2	4179566	SHAFT SLEEVE D.20/20X60 1.4404 VP.	1
9.3	4179567	RING HOLDER Ø22 1.4301 VP.	1
9.4	4176520	SCREW CH M5x5 A4-70 (3PIECES)	1
9.5	4179568	DRIVE RING D.31/22.1x11 MACH.VP.	1
9.6	4179569	TOOL M.S.CART.HELIX 8" VP.	1
9.7	4179570	SCREW M6X16 ISO4762 8.8 GEOMET(4 PIECES)	1



Item	Article no.	Description	Quantity
13.1	4157739	FIRST STAGE HELIX 22 1.4307 KIT	1
		> IMPELLER-H1-M+22-304	1
		> MACH.STG-CASING-WOGV-WNR-M+22-304	1
13.2	4157740	BEARING STAGE HELIX 22 1.4307 KIT	1
		> IMPELLER-H2-M+22-304	1
		> MACH.BEARING-STG-CASING-WNR-M+22-304	1
		> SHAFT-SLEEVE-D26xD22x16-CW	1
13.3	4157743	INTERMEDIATE STAGE HELIX 22 KIT	1
		> MACH.STD-STG-CASING-WGV+NR-M+22-304	1
		> IMPELLER-H2-M+22-304	1
13.4	4157767	INTERMEDIATE STAGE HELIX 22 1.4307 KIT	1
		> MACH.STD-STG-CASING-WGV+NR-M+22-304	1
		> IMPELLER-H1-M+22-304	1

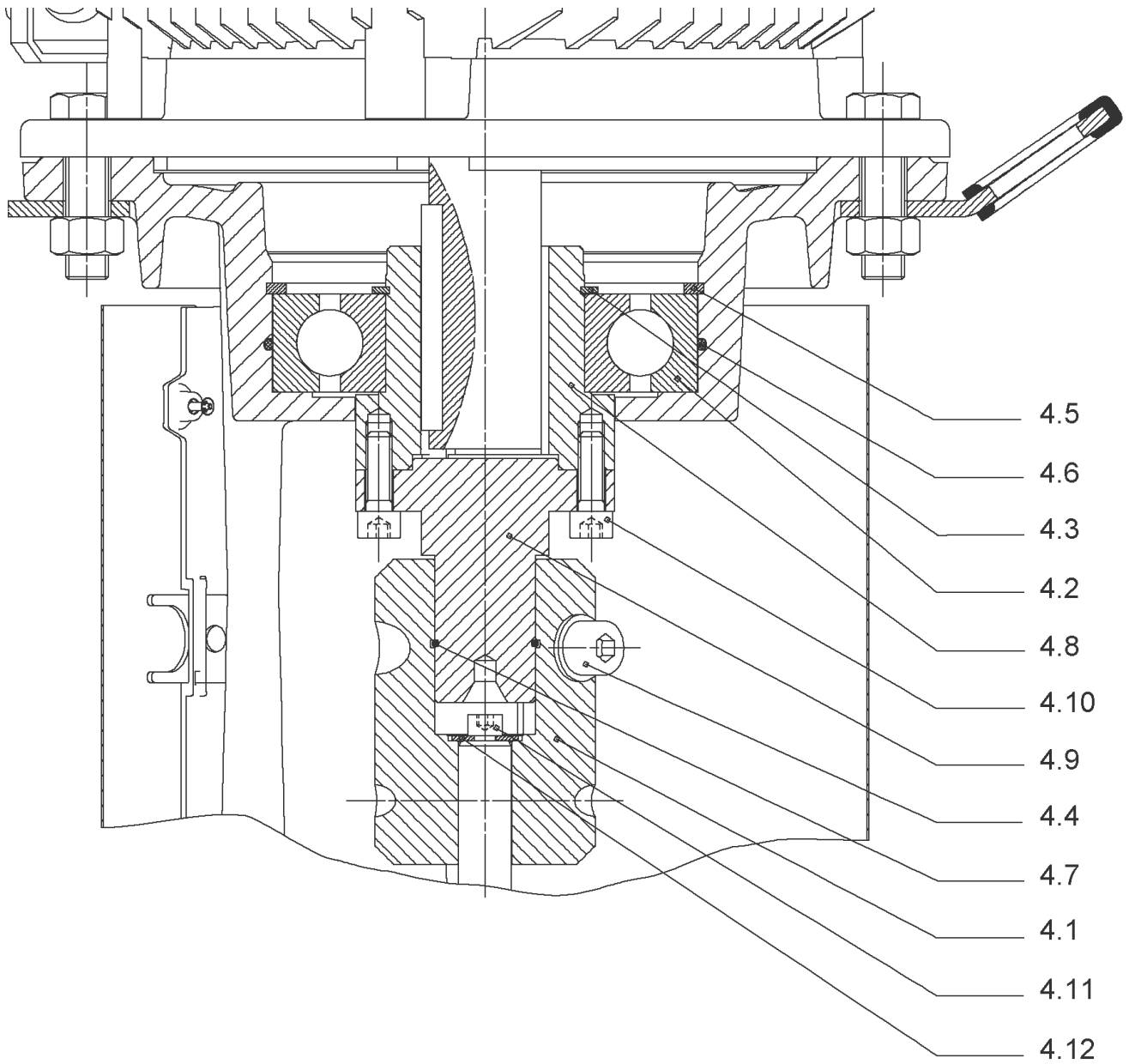


HELIX V2212-1/25/E/KS/400-50 (4198467)

Item	Article no.	Description	Quantity
1	4195487	MOTOR 15/2/160 3~400V 50HZ VP.	1
		SPARE PARTS MOTOR:ON REQUEST	1
2	4179586	SCREW M16X60 (4 PIECES)	1
3	4157721	LANTERN HELIX 22/36 FF300 BB6312 KIT	1
3.1		> LANTERN FF300 M+ GJL MACHINED+CATA 6312	1
3.2	4179589	> EYELET CPL.FF300 HELIX(4 PIECES)	1
3.3	4143969	> COUPLING PROTECT HELIX FF KIT	1
4	4143966	COUPLING D.20XD.38 FF300 KIT	1
5	4157725	SCREW M10X40 (4 PIECES)	1
6	4217868	STUD BOLT M16X850 KIT	1
6.1		> TIE BOLT M16-850x24x44-1.4057	1
6.2	4179562	> NUT M16 8.8 ISO4032 (4 PIECES)	1
6.3	4097852	> WASHER-CS-16.4-32-2.8-NFE25-511-A2	1
7	4217176	END SHIELD HELIX OPTI 8" EPDM KIT	1
7.1		> upper flange machined + cataphoresis	1
7.2	4217174	> STATIONARY RING HOLDER 8" HELIX OPTI VP.	1
7.3	4179571	> O-RING HOUSING PIPE HELIX22/36/52 VP.	1
7.4	4179572	> O-RING ID.42.52X2.62 EPDM VP.	1
8	4186377	FILING/PURGING PLUG 304 HELIX KIT	1
8.1		> FILLING/VENTING-PLUG-MVI8/10"-304	1
8.2	4032291	> O-RING 17x3 EPDM KTW/WRC	1
9	4143975	CARTRIDGE HELIX22-36-52 F/E KIT	1
10	4181099	HOUSING PIPE D.204X664 1.4301 KIT	1
7.3	4179571	> O-RING HOUSING PIPE HELIX22/36/52 VP.	1
10.1		> HOUSING-PIPE Ø204-M+2212/3609-304	1
11	4179143	CENTERING STAGE-RETURN HELIX22 1.4307 VP	1
12	4143967	SHAFT EQUIPMENT HELIX V KIT	1
13		HYDRAULIC HELIX V 2212	1
14	2127503	SHAFT D.22 X 804 HELIX 1.4057 VP.	1
15	4217852	EQUIPED HOUSING DN50 HELIX OPTI 8" KIT	1
15.1		> pump casing machined DN50	1
15.2	4217178	> HALF FLANGE DN50 HELIX OPTI 8" VP.	1
15.3	4217850	> DRAIN/PRIMING PLUG HELIX OPTI 8" KIT	1
7.3	4179571	> O-RING HOUSING PIPE HELIX22/36/52 VP.	1

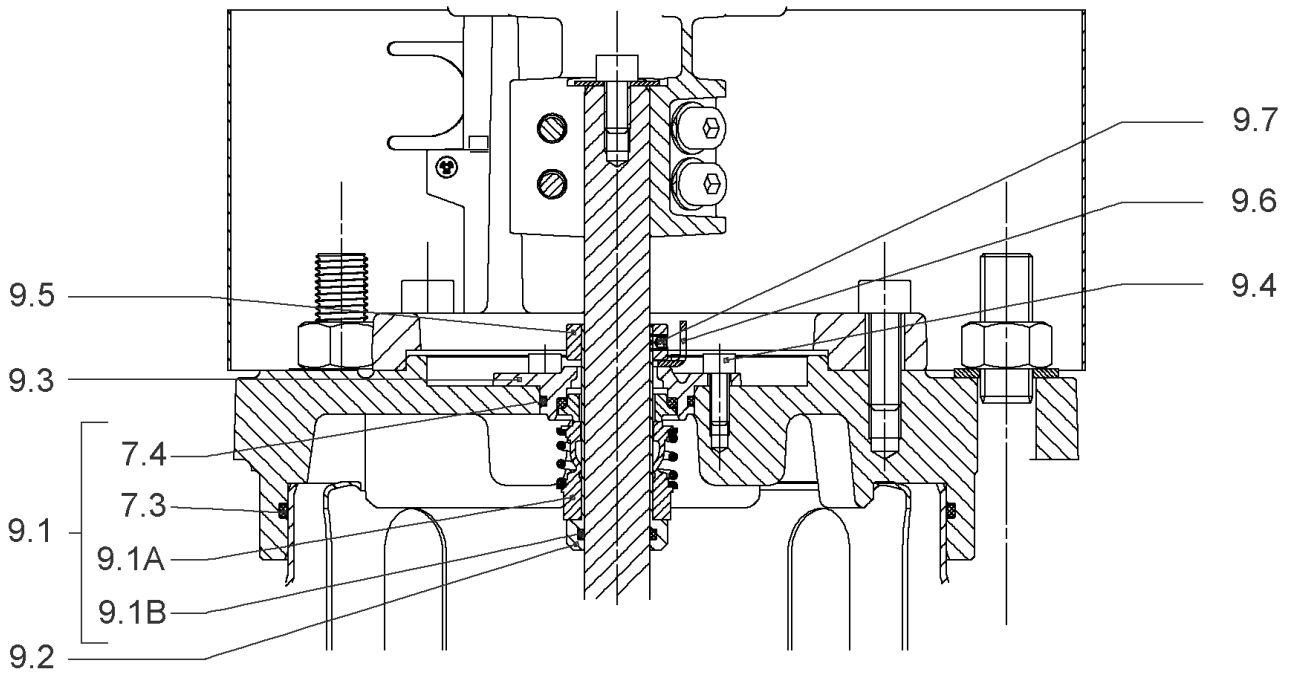
HELIX V2212-1/25/E/KS/400-50 (4198467)

Item	Article no.	Description	Quantity
16	4217854	BASEPLATE DN50 HELIX OPTI 8" VP.	1



COUPLING D.20XD.38 FF300 KIT (4143966)

Item	Article no.	Description	Quantity
4.1	4179590	COUPLING 2 PARTS D.20XD.38XL115 VP.	1
4.2	2123699	BALL BEARING 6312/2Z-C4 (HT) VP.	1
4.3	63428	CIRCLIP-FOR-SHAFT-D60x2	1
4.4	2130991	SCREW M12X30 ISO4762 8.8 ZN(4 PIECES)	1
4.5	4032277	CIRCLIP-HOLE-130x4	1
4.6	4006725	O-RING ID.132,94x3,53 NBR70SR	1
4.7	2130992	RETAINING RING D.35xD.2,5 DIN7993 VP.	1
4.8	4179591	HUB D.42xD.60 VP.	1
4.9	2130994	SPACER D.38XD.55 VP.	1
4.10	4094462	SCREWS M10 (4 PIECES)	1
4.11	4233959	SCREW M8x16 VP.	1
4.12		SERRATED LOCK WASHER Ø8.2XØ25X35X2	1

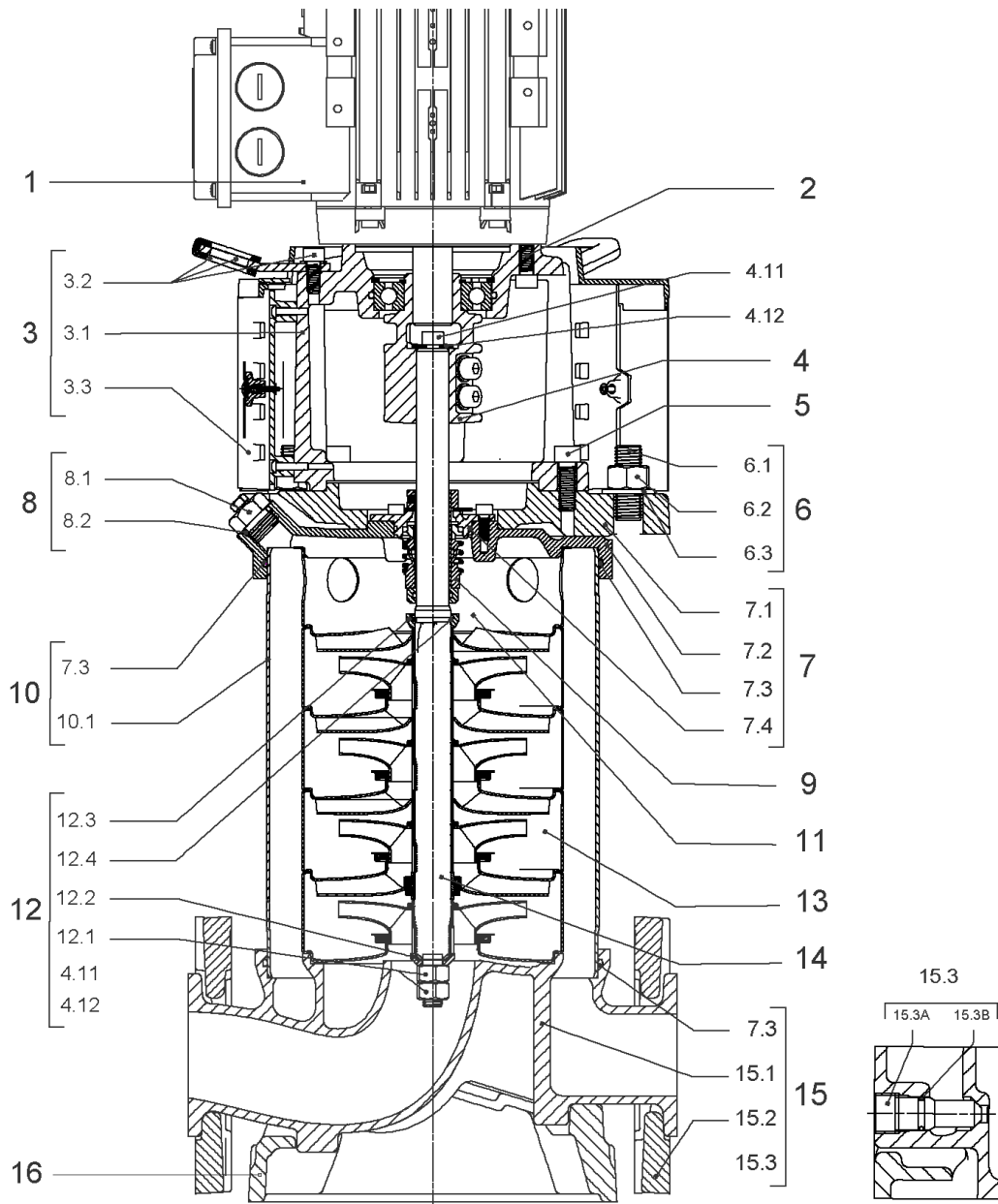


CARTRIDGE HELIX22-36-52 F/E KIT (4143975)

Item	Article no.	Description	Quantity
9.1	4143976	SEAL-KIT-HELIX22-36-52 F/E	1
7.3	4179571	> O-RING HOUSING PIPE HELIX22/36/52 VP.	1
7.4	4179572	> O-RING ID.42.52X2.62 EPDM VP.	1
9.1A	2127447	> M.SEAL.HELIX22-36-52 F/E VP.	1
9.1B	4179574	> O-RING ID.20x2.65 EPDM VP.	1
9.2	4179566	SHAFT SLEEVE D.20/20X60 1.4404 VP.	1
9.3	4179567	RING HOLDER Ø22 1.4301 VP.	1
9.4	4176520	SCREW CH M5x5 A4-70 (3PIECES)	1
9.5	4179568	DRIVE RING D.31/22.1x11 MACH.VP.	1
9.6	4179569	TOOL M.S.CART.HELIX 8" VP.	1
9.7	4179570	SCREW M6X16 ISO4762 8.8 GEOMET(4 PIECES)	1



Item	Article no.	Description	Quantity
13.1	4157739	FIRST STAGE HELIX 22 1.4307 KIT	1
		> IMPELLER-H1-M+22-304	1
		> MACH.STG-CASING-WOGV-WNR-M+22-304	1
13.2	4157740	BEARING STAGE HELIX 22 1.4307 KIT	1
		> IMPELLER-H2-M+22-304	1
		> MACH.BEARING-STG-CASING-WNR-M+22-304	1
		> SHAFT-SLEEVE-D26xD22x16-CW	1
13.3	4157743	INTERMEDIATE STAGE HELIX 22 KIT	1
		> MACH.STD-STG-CASING-WGV+NR-M+22-304	1
		> IMPELLER-H2-M+22-304	1
13.4	4157767	INTERMEDIATE STAGE HELIX 22 1.4307 KIT	1
		> MACH.STD-STG-CASING-WGV+NR-M+22-304	1
		> IMPELLER-H1-M+22-304	1

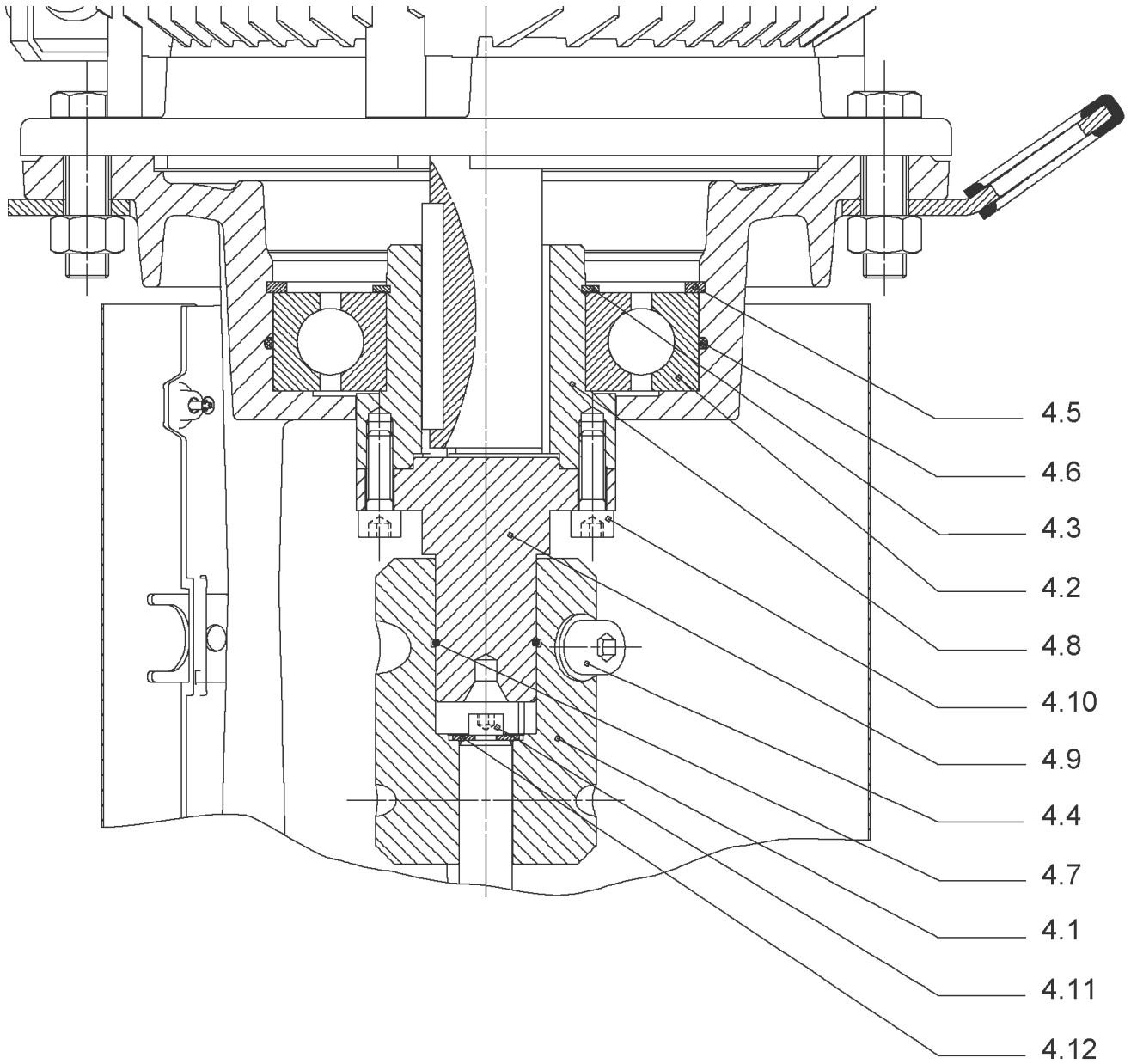


HELIX V2213-1/25/E/KS/400-50 (4198468)

Item	Article no.	Description	Quantity
1	4195488	MOTOR 18.5/2/160 3~400V 50HZ ARC VP.	1
		SPARE PARTS MOTOR:ON REQUEST	1
2	4179586	SCREW M16X60 (4 PIECES)	1
3	4157721	LANTERN HELIX 22/36 FF300 BB6312 KIT	1
3.1		> LANTERN FF300 M+ GJL MACHINED+CATA 6312	1
3.2	4179589	> EYELET CPL.FF300 HELIX(4 PIECES)	1
3.3	4143969	> COUPLING PROTECT HELIX FF KIT	1
4	4143966	COUPLING D.20XD.38 FF300 KIT	1
5	4157725	SCREW M10X40 (4 PIECES)	1
6	4179944	STUD BOLT M16X900 KIT	1
6.1		> TIE BOLT M16-900x24x44-1.4057	1
6.2	4179562	> NUT M16 8.8 ISO4032 (4 PIECES)	1
6.3	4097852	> WASHER-CS-16.4-32-2.8-NFE25-511-A2	1
7	4217176	END SHIELD HELIX OPTI 8" EPDM KIT	1
7.1		> upper flange machined + cataphoresis	1
7.2	4217174	> STATIONARY RING HOLDER 8" HELIX OPTI VP.	1
7.3	4179571	> O-RING HOUSING PIPE HELIX22/36/52 VP.	1
7.4	4179572	> O-RING ID.42.52X2.62 EPDM VP.	1
8	4186377	FILING/PURGING PLUG 304 HELIX KIT	1
8.1		> FILLING/VENTING-PLUG-MVI8/10"-304	1
8.2	4032291	> O-RING 17x3 EPDM KTW/WRC	1
9	4143975	CARTRIDGE HELIX22-36-52 F/E KIT	1
10	4181681	HOUSING PIPE D.204X714 1.4301 KIT	1
7.3	4179571	> O-RING HOUSING PIPE HELIX22/36/52 VP.	1
10.1		> HOUSING-PIPE Ø204-M+2213-304	1
11	4179143	CENTERING STAGE-RETURN HELIX22 1.4307 VP	1
12	4143967	SHAFT EQUIPMENT HELIX V KIT	1
13		HYDRAULIC HELIX V 2213	1
14	4181683	SHAFTS D.22X854 1.4057 VP.	1
15	4217852	EQUIPED HOUSING DN50 HELIX OPTI 8" KIT	1
15.1		> pump casing machined DN50	1
15.2	4217178	> HALF FLANGE DN50 HELIX OPTI 8" VP.	1
15.3	4217850	> DRAIN/PRIMING PLUG HELIX OPTI 8" KIT	1
7.3	4179571	> O-RING HOUSING PIPE HELIX22/36/52 VP.	1

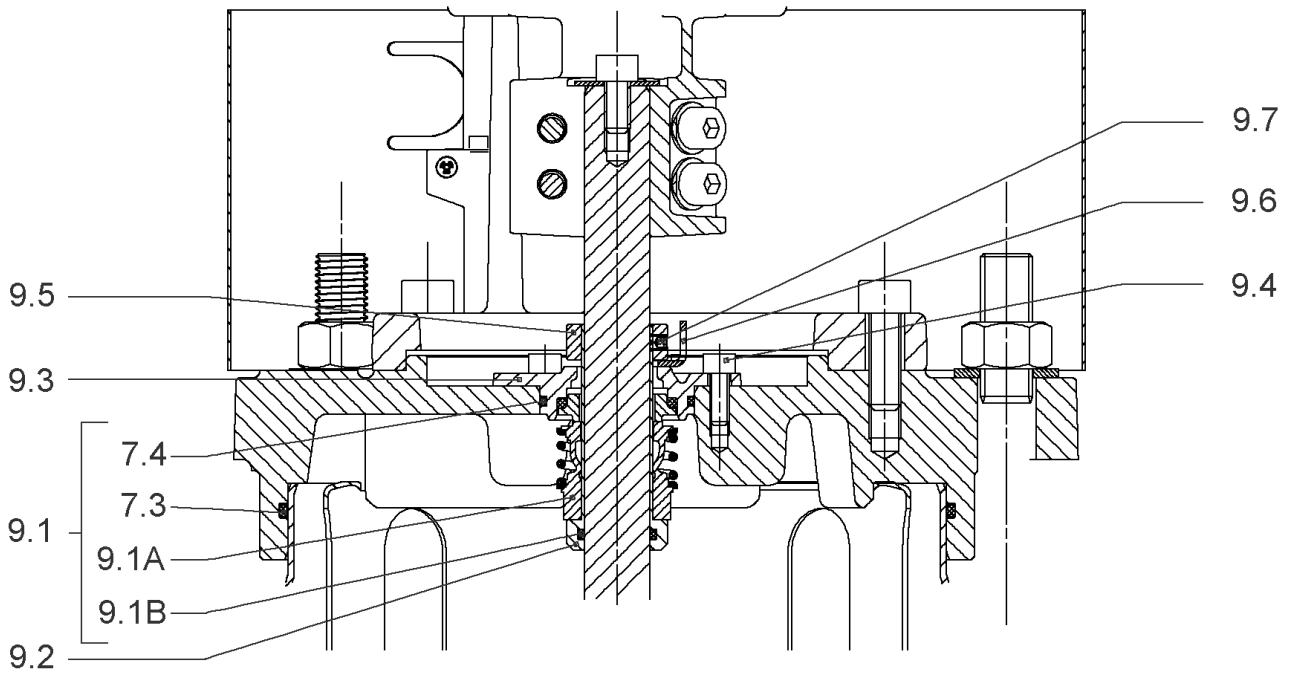
HELIX V2213-1/25/E/KS/400-50 (4198468)

Item	Article no.	Description	Quantity
16	4217854	BASEPLATE DN50 HELIX OPTI 8" VP.	1



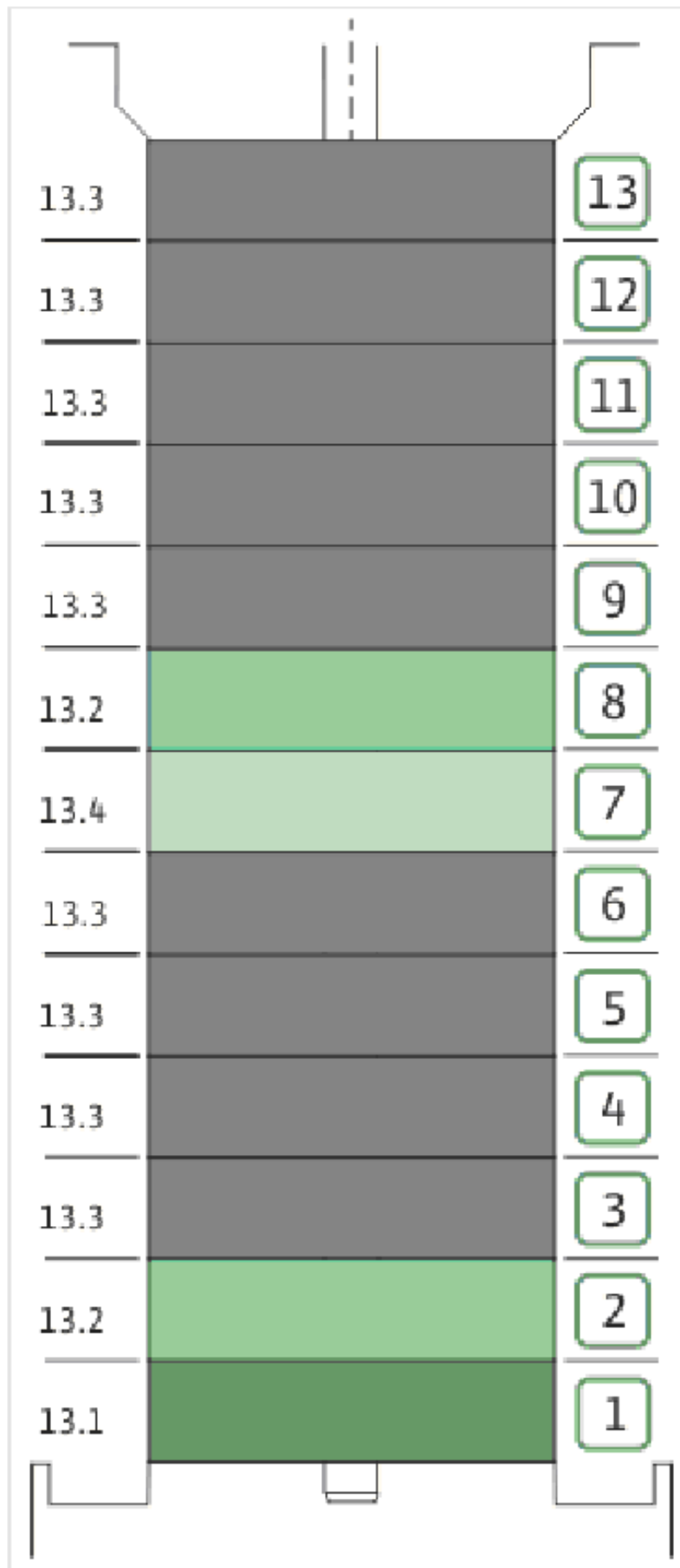
COUPLING D.20XD.38 FF300 KIT (4143966)

Item	Article no.	Description	Quantity
4.1	4179590	COUPLING 2 PARTS D.20XD.38XL115 VP.	1
4.2	2123699	BALL BEARING 6312/2Z-C4 (HT) VP.	1
4.3	63428	CIRCLIP-FOR-SHAFT-D60x2	1
4.4	2130991	SCREW M12X30 ISO4762 8.8 ZN(4 PIECES)	1
4.5	4032277	CIRCLIP-HOLE-130x4	1
4.6	4006725	O-RING ID.132,94x3,53 NBR70SR	1
4.7	2130992	RETAINING RING D.35xD.2,5 DIN7993 VP.	1
4.8	4179591	HUB D.42xD.60 VP.	1
4.9	2130994	SPACER D.38XD.55 VP.	1
4.10	4094462	SCREWS M10 (4 PIECES)	1
4.11	4233959	SCREW M8x16 VP.	1
4.12		SERRATED LOCK WASHER Ø8.2XØ25X35X2	1



CARTRIDGE HELIX22-36-52 F/E KIT (4143975)

Item	Article no.	Description	Quantity
9.1	4143976	SEAL-KIT-HELIX22-36-52 F/E	1
7.3	4179571	> O-RING HOUSING PIPE HELIX22/36/52 VP.	1
7.4	4179572	> O-RING ID.42.52X2.62 EPDM VP.	1
9.1A	2127447	> M.SEAL.HELIX22-36-52 F/E VP.	1
9.1B	4179574	> O-RING ID.20x2.65 EPDM VP.	1
9.2	4179566	SHAFT SLEEVE D.20/20X60 1.4404 VP.	1
9.3	4179567	RING HOLDER Ø22 1.4301 VP.	1
9.4	4176520	SCREW CH M5x5 A4-70 (3PIECES)	1
9.5	4179568	DRIVE RING D.31/22.1x11 MACH.VP.	1
9.6	4179569	TOOL M.S.CART.HELIX 8" VP.	1
9.7	4179570	SCREW M6X16 ISO4762 8.8 GEOMET(4 PIECES)	1



Item	Article no.	Description	Quantity
13.1	4157739	FIRST STAGE HELIX 22 1.4307 KIT	1
		> IMPELLER-H1-M+22-304	1
		> MACH.STG-CASING-WOGV-WNR-M+22-304	1
13.2	4157740	BEARING STAGE HELIX 22 1.4307 KIT	1
		> IMPELLER-H2-M+22-304	1
		> MACH.BEARING-STG-CASING-WNR-M+22-304	1
		> SHAFT-SLEEVE-D26xD22x16-CW	1
13.3	4157743	INTERMEDIATE STAGE HELIX 22 KIT	1
		> MACH.STD-STG-CASING-WGV+NR-M+22-304	1
		> IMPELLER-H2-M+22-304	1
13.4	4157767	INTERMEDIATE STAGE HELIX 22 1.4307 KIT	1
		> MACH.STD-STG-CASING-WGV+NR-M+22-304	1
		> IMPELLER-H1-M+22-304	1