

# JUNG PUMPEN MULTISTREAM SEWAGE PUMPS



- Adjustable single-channel impeller
- Connection alternatively PN6 or PN10
- Safe to run dry
- Controllable oil chamber
- Plug-type cable connection (MultiStream 10...-100...)
- SiC mechanical seal independent of sense of rotation
- Moisture-sealed cable inlet
- Installed motor protection

## APPLICATION

„The centrifugal sumersible sewage pumps MultiStream are suitable for handling effluent or sewage in municipal and industrial pumping stations as well as in surface water drainage applications. The smaller typs are also used very successfully as portable units to deal with emergency situations.

- The sewage pumps are suitable für handling sewage water.
- In hazardous locations explosion-proof sewage pumps Ex have to be used.

The adjustable axial gap of the Multi-Stream-pump makes it possible to re-optimize the efficiency in case of abrasion by adjusting only one single screw. This can be done very cost-effective when the maintenance is carried out and the pump keeps its optimum performance on a long-term basis.

MultiStream-pumps are recommended for:

- effluent which contains fibrous matter
- effluent which contains solids
- mixed water
- raw effluent
- raw sludge
- rainwater

## MECHANICAL DATA

Pump	Vertical single-stage	Dry run protection	Yes
Bearing	Ball bearings, grease-packed	Impeller	Channel impeller, grey cast iron
Seal towards the motor section	Duplex shaft seal, from 55/: mechanical seal		from 55/2... spheroidal graphite iron
Oil chamber	Yes	Motor housing	Grey cast iron
Seal towards the medium section	SiC mechanical seal	Pump housing	Grey cast iron
		Submersible	Yes

# JUNG PUMPEN MULTISTREAM

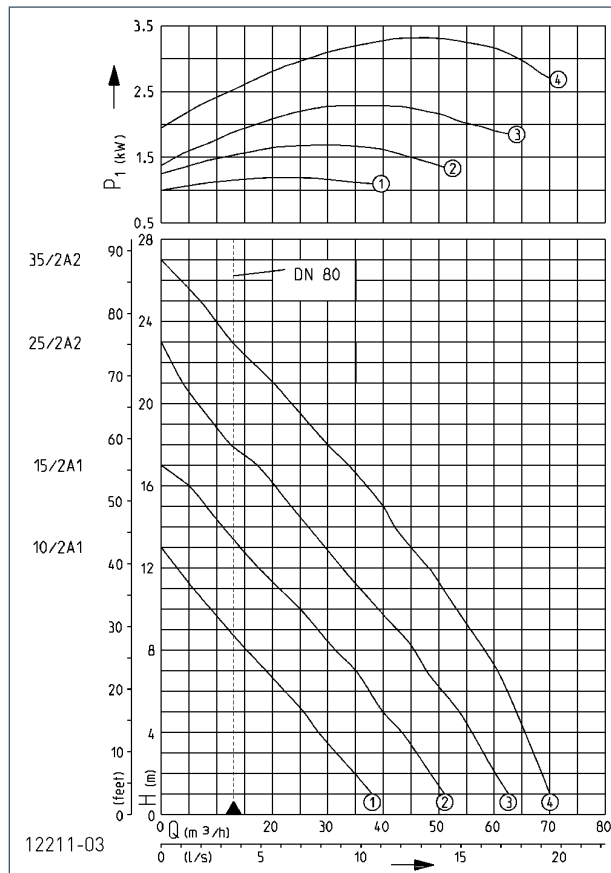
## SEWAGE PUMPS

### ELECTRICAL DATA

Power line	10m H07RN-F	Type of enclosure	IP 68
------------	-------------	-------------------	-------

# JUNG PUMPEN MULTISTREAM SEWAGE PUMPS

## PERFORMANCE



Type	Single unit		Duplex unit	
	Art.-Nr.	Type	Art.-Nr.	Type
10/2 A1	JP09615	AD 25	JP00310	BD 25
15/2 A1	JP09616	AD 25	JP00310	BD 25
25/2 A2	JP09617	AD 46	JP14353	BD 46
35/2 A2	JP09651	AD 610	JP14354	BD 610
10/2 A1, Ex	JP09628	AD 25 Ex	JP09683	BD 25 Ex
15/2 A1, Ex	JP09629	AD 25 Ex	JP09683	BD 25 Ex
25/2 A2, Ex	JP09630	AD 46 Ex	JP14355	BD 46 Ex
35/2 A2, Ex	JP09653	AD 610 Ex	JP14356	BD 610 Ex

Type	Delivery head H [m]	1	2	3	4	5	6	7	8	9	10	12	14	16	18	20	22	24
10/2 A1	Flow rate Q [m³/h]	38	35	32	29	26	22	19	15	12	9							
15/2 A1		50	48	46	43	40	37	35	32	28	25	18	11	5				
25/2 A2		62	60	58	56	54	51	48	46	42	39	33	27	20	13	7		
35/2 A2		70	69	67	66	64	63	61	58	56	53	48	43	37	30	24	16	10

We reserve the right to change specifications without notice. Pump performance is subject to ISO 9906 tolerances

The minimum flow rate in the pressure pipe of  $v = 0,7$  m/s is marked in the Q-H-diagram (operative limit).

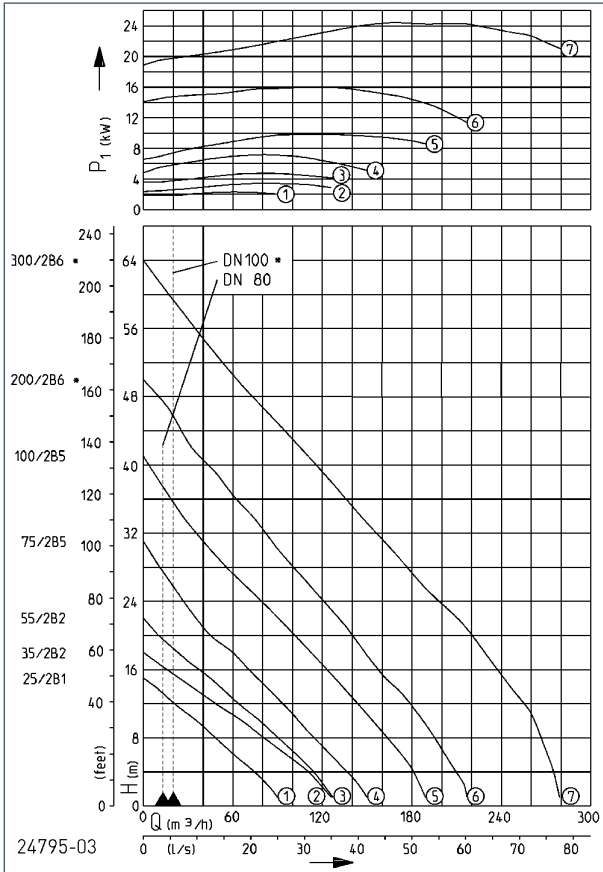
## MULTISTREAM DN 65, N = 2900 MIN-1

Type	Voltage	Motor rating		Current	Wires	Fuse	S3	Free pas- sage	Discharge branch	Weight
		P1	P2							
10/2 A1	3/PE~230/400 V	1.3 kW	1.1 kW	4.6 A/2.7 A	6G1,5	10 A	60 %	40 mm	DN 65	41 kg
15/2 A1	3/PE~230/400 V	1.8 kW	1.5 kW	5.7 A/3.3 A	6G1,5	10 A	50 %	40 mm	DN 65	42 kg
25/2 A2	3/PE~230/400 V	2.6 kW	2.1 kW	7.6 A/4.4 A	6G1,5	10 A	40 %	40 mm	DN 65	48 kg
35/2 A2	3/PE~230/400 V	3.7 kW	3.04 kW	11.5 A/6.6 A	6G1,5	10 A	40 %	40 mm	DN 65	52 kg

# JUNG PUMPEN MULTISTREAM

## SEWAGE PUMPS

### PERFORMANCE



		Single unit		Duplex unit	
Type	Art.-Nr.	Type	Art.-Nr.	Type	Art.-Nr.
25/2 B1	<b>JP09618</b>	AD 46	<b>JP14353</b>	BD 46	<b>JP45739</b>
35/2 B2	<b>JP09652</b>	AD 610	<b>JP14354</b>	BD 610	<b>JP45741</b>
55/2 B2	<b>JP09663</b>	AS 46	<b>JP14406</b>	BS 46	<b>JP14411</b>
75/2 B5	<b>JP00485</b>	AS 610	<b>JP14407</b>	BS 610	<b>JP14412</b>
100/2 B5	<b>JP09740</b>	AS 1016	<b>JP14408</b>	BS 1016	<b>JP14413</b>
200/2 B6	<b>JP00492</b>	AS 1624	<b>JP14409</b>	BS 1624	<b>JP14414</b>
300/2 B6	<b>JP00471</b>	AS 2440	<b>JP14410</b>	BS 2440	<b>JP14415</b>
25/2 B1, Ex	<b>JP09631</b>	AD 46 Ex	<b>JP14355</b>	BD 46 Ex	<b>JP14360</b>
35/2 B2, Ex	<b>JP09654</b>	AD 610 Ex	<b>JP14356</b>	BD 610 Ex	<b>JP14361</b>
55/2 B2, Ex	<b>JP09664</b>	AS 46	<b>JP14406</b>	BS 46	<b>JP14411</b>
75/2 B5, Ex	<b>JP09665</b>	AS 610	<b>JP14407</b>	BS 610	<b>JP14412</b>
100/2 B5, Ex	<b>JP09741</b>	AS 1016	<b>JP14408</b>	BS 1016	<b>JP14413</b>
200/2 B6, Ex	<b>JP00472</b>	AS 1624	<b>JP14409</b>	BS 1624	<b>JP14414</b>
300/2 B6, Ex	<b>JP00473</b>	AS 2440	<b>JP14410</b>	BS 2440	<b>JP14415</b>

Type	Delivery head H [m]	1	3	6	9	12	15	18	21	24	27	30	33	36	40	43	46	50	53	56	60	
25/2 B1	Flow rate Q [m³/h]	91	80	62	43	21																
35/2 B2		126	117	97	73	49	23															
55/2 B2		127	118	103	85	65	44	24	6													
75/2 B5		150	142	126	110	93	77	59	42	27	15											
100/2 B5		190	184	173	159	144	129	113	97	78	63	46	32	18								
200/2 B6		217	215	204	191	177	162	149	136	120	104	91	77	62	43	28	19					
300/2 B6		280	277	270	263	254	242	229	216	199	183	167	152	136	113	100	84	63	49	34	17	

We reserve the right to change specifications without notice. Pump performance is subject to ISO 9906 tolerances

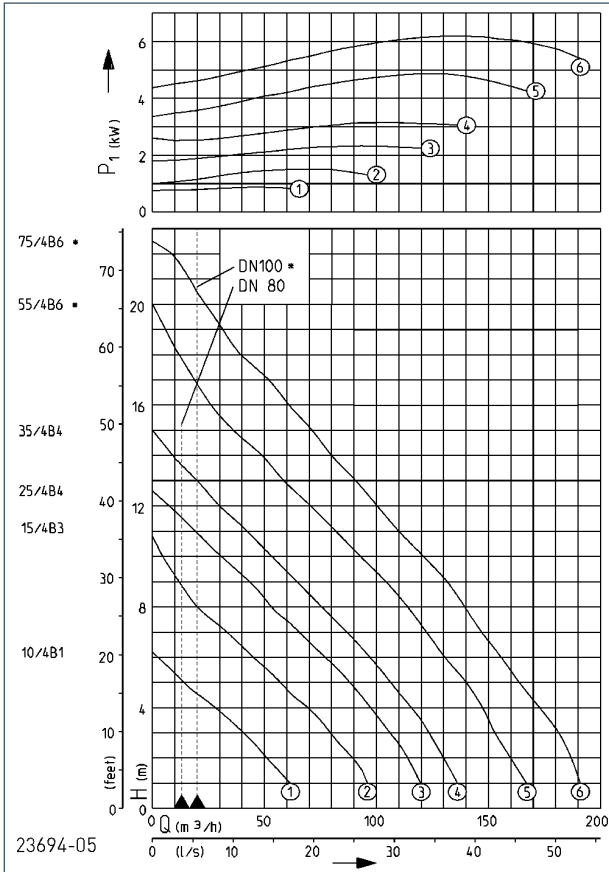
The minimum flow rate in the pressure pipe of  $v = 0,7 \text{ m/s}$  is marked in the Q-H-diagram (operative limit).

### MULTISTREAM DN 80 / 100, N = 2900 MIN-1

Type	Voltage	Motor rating		Current	Wires	Fuse	S3	Free pas- sage	Discharge branch	Weight
		P1	P2							
25/2 B1	3/PE~230/400 V	2.6 kW	2.1 kW	7.6 A/4.4 A	6G1,5	10 A	40 %	70 mm	DN 80	45 kg
35/2 B2	3/PE~230/400 V	3.7 kW	3.04 kW	11.5 A/6.6 A	6G1,5	10 A	40 %	70 mm	DN 80	55 kg
55/2 B2	3/PE~400/690 V	5.2 kW	4.45 kW	8.7 A/5 A	10G2,5	16 A	40 %	70 mm	DN 80	88 kg
75/2 B5	3/PE~400/690 V	7.7 kW	6.6 kW	13.2 A/7.7 A	10G2,5	20 A	30 %	70 mm	DN 80	98 kg
100/2 B5	3/PE~400/690 V	10.5 kW	9.2 kW	17.6 A/10.2 A	10G2,5	25 A	30 %	70 mm	DN 80	121 kg
200/2 B6	3/PE~400/690 V	17.3 kW	15.4 kW	28.8 A/16.7 A	10G2,5	35 A	45 %	70 mm	DN 100	212 kg
300/2 B6	3/PE~400/690 V	27 kW	24.45 kW	43 A/24.7 A	7G6+3x1	50 A	35 %	70 mm	DN 100	257 kg

# JUNG PUMPEN MULTISTREAM SEWAGE PUMPS

## PERFORMANCE



		Single unit		Duplex unit	
Type	Art.-Nr.	Type	Art.-Nr.	Type	Art.-Nr.
10/4 B1	JP09620	AD 25	JP00310	BD 25	JP45737
15/4 B3	JP09622	AD 25	JP00310	BD 25	JP45737
25/4 B4	JP09623	AD 46	JP14353	BD 46	JP45739
35/4 B4	JP09647	AD 610	JP14354	BD 610	JP45741
55/4 B6	JP00486	AS 610	JP14407	BS 610	JP14412
75/4 B6	JP00489	AS 610	JP14407	BS 610	JP14412
10/4 B1, Ex	JP09633	AD 25 Ex	JP09683	BD 25 Ex	JP09681
15/4 B3, Ex	JP09635	AD 25 Ex	JP09683	BD 25 Ex	JP09681
25/4 B4, Ex	JP09636	AD 46 Ex	JP14355	BD 46 Ex	JP14360
35/4 B4, Ex	JP09649	AD 610 Ex	JP14356	BD 610 Ex	JP14361
55/4 B6, Ex	JP09666	AS 610	JP14407	BS 610	JP14412
75/4 B6, Ex	JP09667	AS 610	JP14407	BS 610	JP14412

Type	Delivery head H [m]	1	2	3	4	5	6	7	8	9	10	11	12	14	15	16	17	18	20
10/4 B1	Flow rate Q [m³/h]	60	51	40	28	14	3												
15/4 B3		98	89	79	69	57	45	33	20	12	5								
25/4 B4		120	114	106	97	87	77	65	53	43	31	19							
35/4 B4		132	125	119	112	104	95	85	74	64	53	43	30	10					
55/4 B6		167	160	154	147	140	132	123	114	104	93	82	72	49	39	28	19	12	
75/4 B6		191	188	181	173	163	157	149	141	131	122	113	104	82	73	62	52	41	24

We reserve the right to change specifications without notice. Pump performance is subject to ISO 9906 tolerances

The minimum flow rate in the pressure pipe of  $v = 0,7$  m/s is marked in the Q-H-diagram (operative limit).

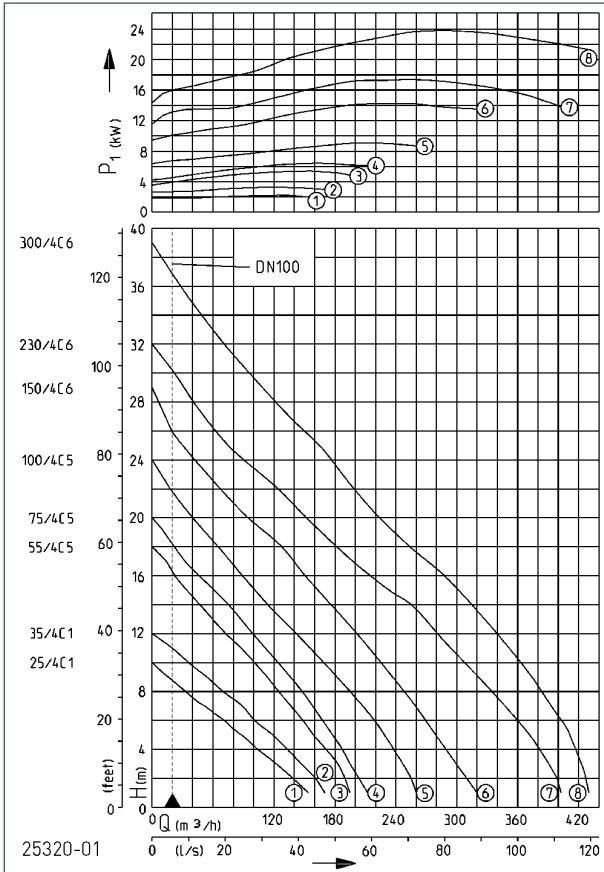
## MULTISTREAM DN 80 / 100, N = 1450 MIN-1

Type	Voltage	Motor rating		Current	Wires	Fuse	S3	Free pas- sage	Discharge branch	Weight
		P1	P2							
10/4 B1	3/PE~230/400 V	0.95 kW	0.73 kW	4.2 A/2.4 A	6G1,5	10 A	50 %	70 mm	DN 80	45 kg
15/4 B3	3/PE~230/400 V	1.8 kW	1.4 kW	5.9 A/3.4 A	6G1,5	10 A	40 %	70 mm	DN 80	50 kg
25/4 B4	3/PE~230/400 V	2.7 kW	2.04 kW	7.9 A/4.6 A	6G1,5	10 A	25 %	70 mm	DN 80	59 kg
35/4 B4	3/PE~230/400 V	3.5 kW	2.65 kW	12 A/6.9 A	6G1,5	10 A	25 %	70 mm	DN 80	62 kg
55/4 B6	3/PE~400/690 V	5.8 kW	4.65 kW	10.2 A/5.9 A	10G2,5	16 A	20 %	70 mm	DN 100	111 kg
75/4 B6	3/PE~400/690 V	7.2 kW	5.9 kW	12.8 A/7.4 A	10G2,5	20 A	25 %	70 mm	DN 100	116 kg

# JUNG PUMPEN MULTISTREAM

## SEWAGE PUMPS

### PERFORMANCE



Type	Art.-Nr.	Single unit		Duplex unit	
Type	Art.-Nr.	Type	Art.-Nr.	Type	Art.-Nr.
25/4 C1	JP09624	AD 46	JP14353	BD 46	JP45739
35/4 C1	JP09648	AD 610	JP14354	BD 610	JP45741
55/4 C5	JP09901	AS 610	JP14407	BS 610	JP14412
75/4 C5	JP09904	AS 610	JP14407	BS 610	JP14412
100/4 C5	JP09275	AS 1016	JP14408	BS 1016	JP14413
150/4 C6	JP09882	AS 1624	JP14409	BS 1624	JP14414
230/4 C6	JP09885	AS 1624	JP14409	BS 1624	JP14414
300/4 C6	JP09888	AS 2440	JP14410	BS 2440	JP14415
25/4 C1, Ex	JP09637	AD 46 Ex	JP14355	BD 46 Ex	JP14360
35/4 C1, Ex	JP09650	AD 610 Ex	JP14356	BD 610 Ex	JP14361
55/4 C5, Ex	JP09902	AS 610	JP14407	BS 610	JP14412
75/4 C5, Ex	JP09905	AS 610	JP14407	BS 610	JP14412
100/4 C5, Ex	JP09276	AS 1016	JP14408	BS 1016	JP14413
150/4 C6, Ex	JP09883	AS 1624	JP14409	BS 1624	JP14414
230/4 C6, Ex	JP09886	AS 1624	JP14409	BS 1624	JP14414
300/4 C6, Ex	JP09889	AS 2440	JP14410	BS 2440	JP14415

Type	Delivery head H [m]	1	3	5	7	9	12	14	16	18	20	23	24	26	27	28	29	30	31	34	37	38	
25/4 C1	Flow rate Q [m³/h]	154	122	87	51	16																	
35/4 C1		170	146	119	89	54																	
55/4 C5		198	181	160	136	112	74	45	22														
75/4 C5		212	195	179	160	138	99	74	46	22													
100/4 C5		260	247	228	207	182	142	114	89	65	40	9											
150/4 C6		320	302	280	260	236	202	177	152	126	96	54	43	20	14	8							
230/4 C6		405	390	372	344	320	283	255	218	182	155	110	91	62	51	40	32	22	8				
300/4 C6		430	421	411	393	374	341	315	289	254	225	188	176	151	135	117	107	95	83	47	19	10	

We reserve the right to change specifications without notice. Pump performance is subject to ISO 9906 tolerances

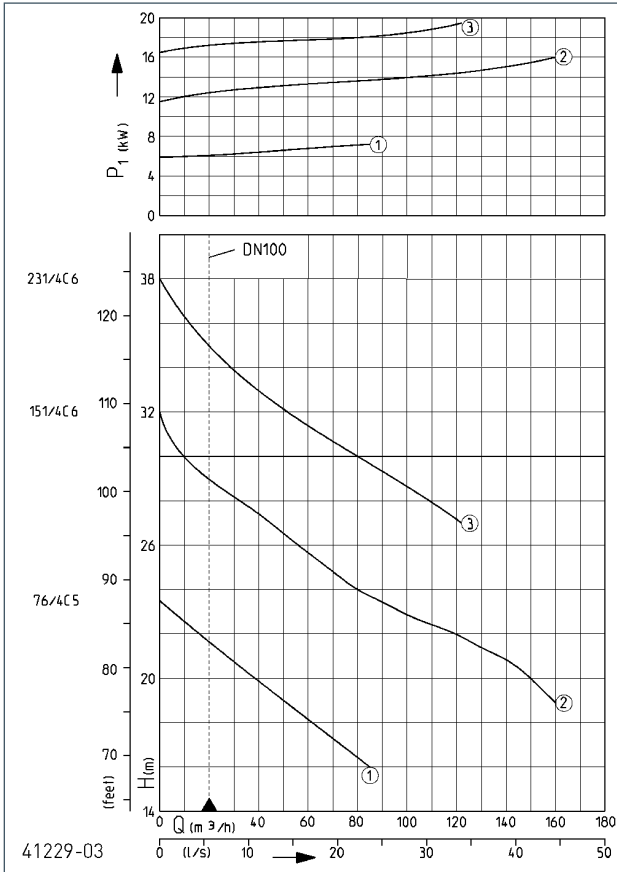
The minimum flow rate in the pressure pipe of  $v = 0,7$  m/s is marked in the Q-H-diagram (operative limit).

### MULTISTREAM DN 100, N = 1450 MIN-1

Type	Voltage	Motor rating		Current	Wires	Fuse	S3	Free pas- sage	Discharge branch	Weight
		P1	P2							
25/4 C1	3/PE~230/400 V	2.4 kW	1.9 kW	7.3 A/4.2 A	6G1,5	10 A	30 %	100 mm	DN 100	63 kg
35/4 C1	3/PE~230/400 V	3.5 kW	2.65 kW	12 A/6.9 A	6G1,5	10 A	25 %	100 mm	DN 100	67 kg
55/4 C5	3/PE~400/690 V	5.8 kW	4.65 kW	10.2 A/5.9 A	10G2,5	16 A	20 %	100 mm	DN 100	119 kg
75/4 C5	3/PE~400/690 V	7.2 kW	5.9 kW	12.8 A/7.4 A	10G2,5	20 A	25 %	100 mm	DN 100	124 kg
100/4 C5	3/PE~400/690 V	9.5 kW	7.94 kW	17.2 A/10 A	10G2,5	25 A	25 %	100 mm	DN 100	138 kg
150/4 C6	3/PE~400/690 V	15 kW	13.2 kW	26.7 A/15.5 A	10G2,5	35 A	40 %	100 mm	DN 100	247 kg
230/4 C6	3/PE~400/690 V	19.3 kW	17 kW	34.1 A/19.8 A	10G2,5	35 A	35 %	100 mm	DN 100	275 kg
300/4 C6	3/PE~400/690 V	25.5 kW	22.65 kW	45.5 A/26.4 A	7G6+3x1	50 A	25 %	100 mm	DN 100	296 kg

# JUNG PUMPEN MULTISTREAM SEWAGE PUMPS

## PERFORMANCE



Type	Art.-Nr.	Single unit		Duplex unit	
		Type	Art.-Nr.	Type	Art.-Nr.
76/4 C5	JP09398	AS 610	JP14407	BS 610	JP14412
151/4 C6	JP09400	AS 1624	JP14409	BS 1624	JP14414
231/4 C6	JP09402	AS 1624	JP14409	BS 1624	JP14414
76/4 C5, Ex	JP09399	AS 610	JP14407	BS 610	JP14412
151/4 C6, Ex	JP09401	AS 1624	JP14409	BS 1624	JP14414
231/4 C6, Ex	JP09403	AS 1624	JP14409	BS 1624	JP14414

Type	Delivery head H [m]	16	18	20	23	24	26	27	28	29	30	31	34
76/4 C5	Flow rate Q [m³/h]	85	62	38	9								
151/4 C6				103	101	81	54	44	35	23	10		
231/4 C6								125	111	94	80	68	31

We reserve the right to change specifications without notice. Pump performance is subject to ISO 9906 tolerances

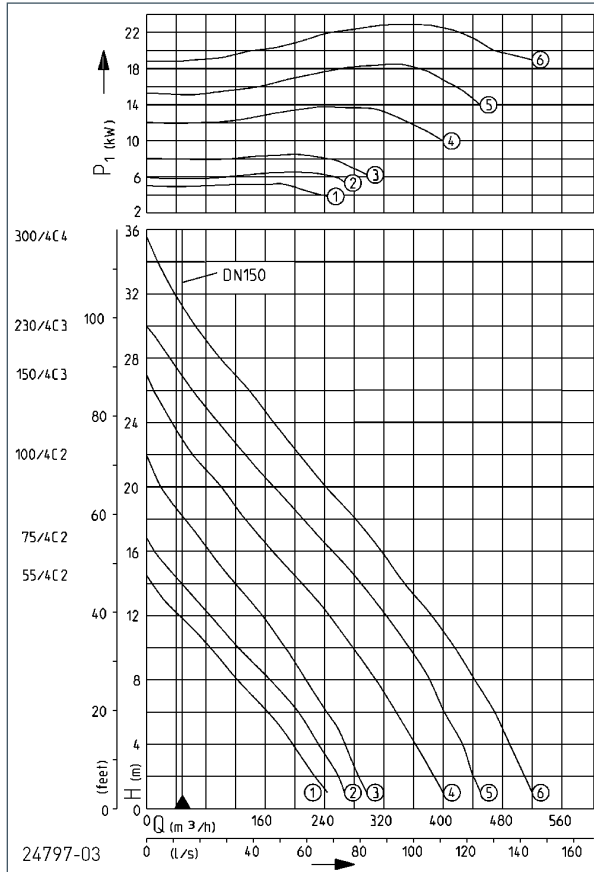
The minimum flow rate in the pressure pipe of  $v = 0,7$  m/s is marked in the Q-H-diagram (operative limit).

## MULTISTREAM DN 100 N = 1450 MIN-1

Type	Voltage	Motor rating		Current	Wires	Fuse	S3	Free pas- sage	Discharge branch	Weight
		P1	P2							
76/4 C5	3/PE-400/690 V	8.25 kW	6.7 kW	14.2 A/8.2 A	10G2,5	20 A	15 %	100 mm	DN 100	123 kg
151/4 C6	3/PE-400/690 V	17.5 kW	15.3 kW	30.6 A/17.7 A	10G2,5	35 A	25 %	100 mm	DN 100	247 kg
231/4 C6	3/PE-400/690 V	22 kW	19.1 kW	37.9 A/22 A	10G2,5	35 A	25 %	100 mm	DN 100	276 kg

# JUNG PUMPEN MULTISTREAM SEWAGE PUMPS

## PERFORMANCE



Type	Art.-Nr.	Single unit Type	Art.-Nr.	Duplex unit Type	Art.-Nr.
55/4 C2	JP00487	AS 610	JP14407	BS 610	JP14412
75/4 C2	JP00490	AS 610	JP14407	BS 610	JP14412
100/4 C2	JP09678	AS 1016	JP14408	BS 1016	JP14413
150/4 C3	JP00491	AS 1624	JP14409	BS 1624	JP14414
230/4 C3	JP00883	AS 1624	JP14409	BS 1624	JP14414
300/4 C4	JP00493	AS 2440	JP14410	BS 2440	JP14415
55/4 C2, Ex	JP09668	AS 610	JP14407	BS 610	JP14412
75/4 C2, Ex	JP09669	AS 610	JP14407	BS 610	JP14412
100/4 C2, Ex	JP09679	AS 1016	JP14408	BS 1016	JP14413
150/4 C3, Ex	JP00474	AS 1624	JP14409	BS 1624	JP14414
230/4 C3, Ex	JP00884	AS 1624	JP14409	BS 1624	JP14414
300/4 C4, Ex	JP00475	AS 2440	JP14410	BS 2440	JP14415

Type	Delivery head H [m]	1	3	5	7	9	11	13	15	17	19	20	21	24	25	27	29	30	31	33	34	
55/4 C2	Flow rate Q [m³/h]	245	214	184	144	105	62	22														
75/4 C2		270	245	216	185	146	105	64	26													
100/4 C2		300	278	258	229	202	167	130	96	65	33	18										
150/4 C3		400	373	349	325	295	263	227	192	150	116	100	81	34	21							
230/4 C3		455	434	415	394	369	338	308	272	231	191	172	153	98	80	45	17					
300/4 C4		520	500	478	455	426	399	364	334	298	263	242	223	172	157	118	83	66	51	26	15	

We reserve the right to change specifications without notice. Pump performance is subject to ISO 9906 tolerances

The minimum flow rate in the pressure pipe of  $v = 0,7 \text{ m/s}$  is marked in the Q-H-diagram (operative limit).

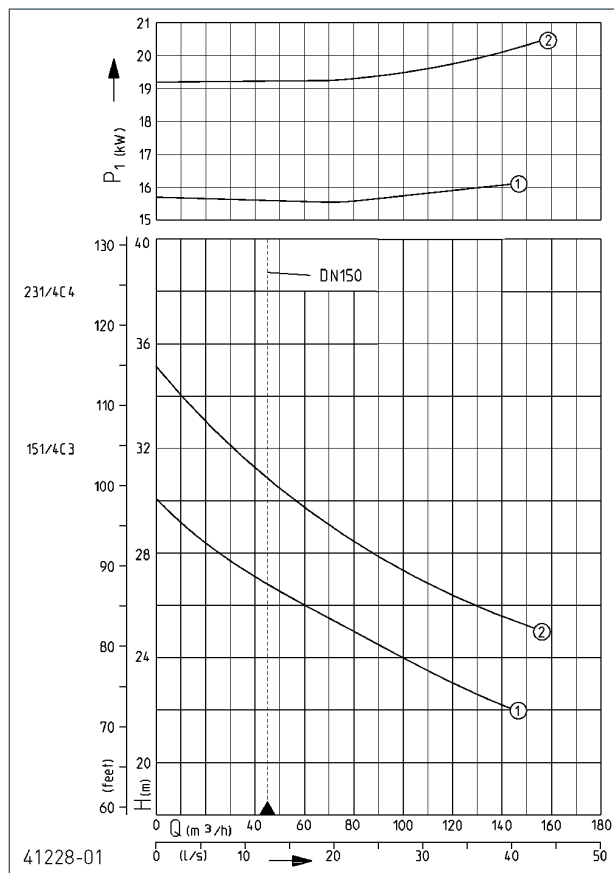
## MULTISTREAM DN 150, N = 1450 MIN-1

Type	Voltage	Motor rating		Current	Wires	Fuse	S3	Free pas- sage	Discharge branch	Weight
		P1	P2							
55/4 C2	3/PE~400/690 V	5.8 kW	4.65 kW	10.2 A/5.9 A	10G2,5	16 A	20 %	100 mm	DN 150	125 kg
75/4 C2	3/PE~400/690 V	7.2 kW	5.9 kW	12.8 A/7.4 A	10G2,5	20 A	25 %	100 mm	DN 150	131 kg
100/4 C2	3/PE~400/690 V	9.5 kW	7.94 kW	17.2 A/10 A	10G2,5	25 A	25 %	100 mm	DN 150	149 kg
150/4 C3	3/PE~400/690 V	15 kW	13.2 kW	26.7 A/15.5 A	10G2,5	35 A	40 %	100 mm	DN 150	268 kg
230/4 C3	3/PE~400/690 V	19.3 kW	17 kW	34.1 A/19.8 A	10G2,5	35 A	35 %	100 mm	DN 150	288 kg
300/4 C4	3/PE~400/690 V	25.5 kW	22.65 kW	45.5 A/26.4 A	7G6+3x1	50 A	25 %	100 mm	DN 150	308 kg



# JUNG PUMPEN MULTISTREAM SEWAGE PUMPS

## PERFORMANCE



Type	Art.-Nr.	Single unit		Duplex unit	
		Type	Art.-Nr.	Type	Art.-Nr.
151/4 C3	<b>JP09445</b>	AS 1624	<b>JP14409</b>	BS 1624	<b>JP14414</b>
231/4 C4	<b>JP09447</b>	AS 1624	<b>JP14409</b>	BS 1624	<b>JP14414</b>
151/4 C3, Ex	<b>JP09446</b>	AS 1624	<b>JP14409</b>	BS 1624	<b>JP14414</b>
231/4 C4, Ex	<b>JP09448</b>	AS 1624	<b>JP14409</b>	BS 1624	<b>JP14414</b>

Type	Delivery head H [m]	23	24	26	27	28	29	30	31	34	37	38
151/4 C3	Flow rate Q [m³/h]	119	98	61	44	28	15					
231/4 C4				136	113	92	75	59	43	7	0	0

We reserve the right to change specifications without notice. Pump performance is subject to ISO 9906 tolerances

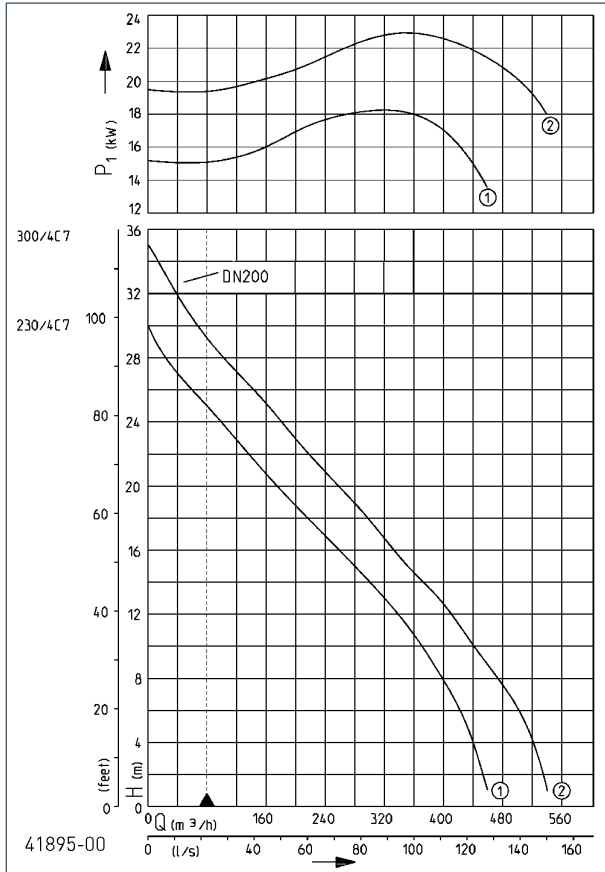
The minimum flow rate in the pressure pipe of  $v = 0,7$  m/s is marked in the Q-H-diagram (operative limit).

## MULTISTREAM DN 150, N = 1450 MIN-1

Type	Voltage	Motor rating		Current	Wires	Fuse	S3	Free pas- sage	Discharge branch	Weight
		P1	P2							
151/4 C3	3/PE-400/690 V	17.5 kW	15.3 kW	30.6 A/17.7 A	10G2,5	35 A	25 %	100 mm	DN 150	269 kg
231/4 C4	3/PE-400/690 V	22 kW	19.1 kW	37.9 A/22 A	10G2,5	35 A	25 %	100 mm	DN 150	290 kg

# JUNG PUMPEN MULTISTREAM SEWAGE PUMPS

## PERFORMANCE



Type	Art.-Nr.	Single unit		Duplex unit	
Type	Art.-Nr.	Type	Art.-Nr.	Type	Art.-Nr.
230/4 C7	JP09392	AS 1624	JP14409	BS 1624	JP14414
300/4 C7	JP09394	AS 2440	JP14410	BS 2440	JP14415
230/4 C7, Ex	JP09393	AS 1624	JP14409	BS 1624	JP14414
300/4 C7, Ex	JP09395	AS 2440	JP14410	BS 2440	JP14415

Type	Delivery head H [m]	1	3	5	7	9	11	13	15	17	19	20	21	24	25	27	29	30	31	33	34	
230/4 C7	Flow rate Q [m³/h]	460	443	429	409	387	358	322	282	240	196	177	158	97	78	42	11					
300/4 C7		540	524	509	483	453	427	396	355	318	280	258	238	180	165	126	87	71	54	26	15	

We reserve the right to change specifications without notice. Pump performance is subject to ISO 9906 tolerances

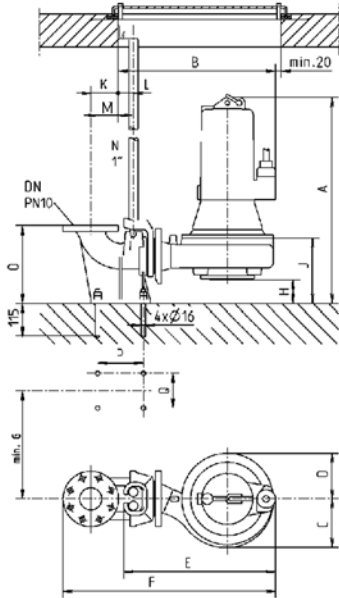
The minimum flow rate in the pressure pipe of  $v = 0,7$  m/s is marked in the Q-H-diagram (operative limit).

### MULTISTREAM DN 200, N = 1450 MIN-1

Type	Voltage	Motor rating		Current	Wires	Fuse	S3	Free pas- sage	Discharge branch	Weight
		P1	P2							
230/4 C7	3/PE~400/690 V	19.3 kW	17 kW	34.1 A/19.8 A	10G2,5	35 A	35 %	100 mm	DN 200	295 kg
300/4 C7	3/PE~400/690 V	25.5 kW	22.65 kW	45.5 A/26.4 A	7G6+3x1	50 A	25 %	100 mm	DN 200	315 kg

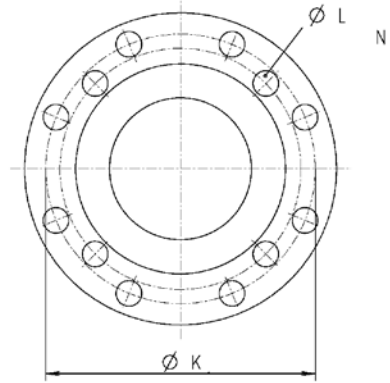
# JUNG PUMPEN MULTISTREAM SEWAGE PUMPS

## Dimensions guide rail system



22574-06

## Discharge outlet



29044

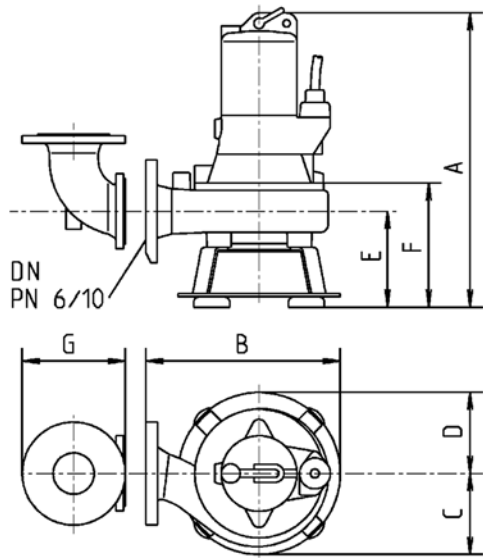
# JUNG PUMPEN MULTISTREAM

## SEWAGE PUMPS

	GR	DN	A	B	C	D	E	F	G	H	J	K	L	M	N	O	P	Q
10/2 A1	65	80	510	460	110	105	435	660	390	108	213	100	55	74	1"	280	165	125
15/2 A1	65	80	510	460	110	105	435	660	390	108	213	100	55	74	1"	280	165	125
25/2 A2	65	80	510	480	130	125	455	680	390	108	220	100	55	74	1"	280	165	125
35/2 A2	65	80	545	480	130	125	455	680	390	108	220	100	55	74	1"	280	165	125
25/2 B1	80	80	520	475	130	110	455	675	390	95	225	100	55	74	1"	280	165	125
35/2 B2	80	80	555	495	145	125	475	695	390	92	225	100	55	74	1"	280	165	125
55/2 B2	80	80	680	525	145	125	510	725	390	92	225	100	55	74	1"	280	165	125
75/2 B5	80	80	685	565	180	165	550	765	390	85	235	100	55	74	1"	280	165	125
100/2 B5	80	80	745	565	180	165	550	765	390	85	235	100	55	74	1"	280	165	125
200/2 B6	101	100	910	680	235	190	660	900	480	155	315	110	55	82	1"	345	175	385
300/2 B6	101	100	1000	680	235	190	660	900	480	155	315	110	55	82	1"	345	175	385
10/4 B1	80	80	520	475	130	110	455	675	390	95	225	100	55	74	1"	280	165	125
15/4 B3	80	80	520	490	145	125	470	690	390	95	225	100	55	74	1"	280	165	125
25/4 B4	80	80	520	570	190	160	545	770	390	85	225	100	55	74	1"	280	165	125
35/4 B4	80	80	555	570	190	160	545	770	390	85	225	100	55	74	1"	280	165	125
55/4 B6	101	100	765	670	235	190	650	890	480	155	315	110	55	82	1"	345	175	385
75/4 B6	101	100	765	670	235	190	650	890	480	155	315	110	55	82	1"	345	175	385
25/4 C1	100	100	565	570	185	160	550	790	390	95	270	110	55	82	1"	310	175	150
35/4 C1	100	100	600	570	185	160	550	790	390	95	270	110	55	82	1"	310	175	150
55/4 C5	101	100	765	645	230	180	625	865	480	125	315	110	55	82	1"	345	175	385
75/4 C5	101	100	765	645	230	180	625	865	480	15	315	110	55	82	1"	345	175	385
100/4 C5	101	100	825	645	230	180	625	865	480	125	315	110	55	82	1"	345	175	385
150/4 C6	101	100	910	755	290	250	735	975	580	105	315	110	55	82	1"	345	175	385
230/4 C6	101	100	1000	755	290	250	735	975	580	105	315	110	55	82	1"	345	175	385
300/4 C6	101	100	1000	755	290	250	735	975	580	105	315	110	55	82	1"	345	175	385
76/4 C5	101	100	765	645	230	180	625	865	480	125	315	110	55	82	1"	345	175	385
151/4 C6	101	100	910	755	290	250	735	975	580	105	315	110	55	82	1"	345	175	385
231/4 C6	101	100	1000	755	290	250	735	975	580	105	315	110	55	82	1"	345	175	385
55/4 C2	151S	150	790	770	260	200	740	1055	480	150	340	145	80	122	1.5"	435	260	385
75/4 C2	151S	150	790	770	260	200	740	1055	480	150	340	145	80	122	1.5"	435	260	385
100/4 C2	151S	150	850	770	260	200	740	1055	480	150	340	145	80	122	1.5"	435	260	385
150/4 C3	151	150	935	885	325	260	855	1175	630	130	340	145	80	122	1.5"	435	260	385
230/4 C3	151	150	1025	885	325	260	855	1175	630	130	340	145	80	122	1.5"	435	260	385
300/4 C4	151	150	1025	885	325	260	855	1175	630	130	340	145	80	122	1.5"	435	260	385
151/4 C3	151	150	935	885	325	260	855	1175	630	130	340	145	80	122	1.5"	435	260	385
231/4 C4	151	150	1025	885	325	260	855	1175	630	130	340	145	80	122	1.5"	435	260	385
230/4 C7	200S	200	1070	935	325	260	905	1305	630	175	385	200	80	193	1.5"	535	350	400
300/4 C7	200S	200	1070	935	325	260	905	1305	630	175	385	200	80	193	1.5"	535	350	400

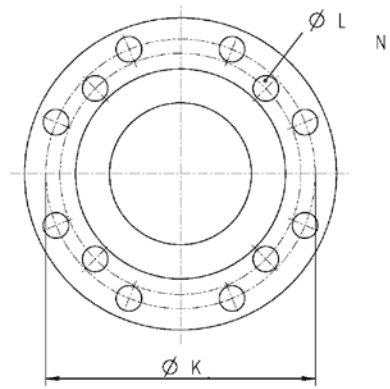
# JUNG PUMPEN MULTISTREAM SEWAGE PUMPS

## Dimensions pump base



22575-05

## Discharge outlet



29044

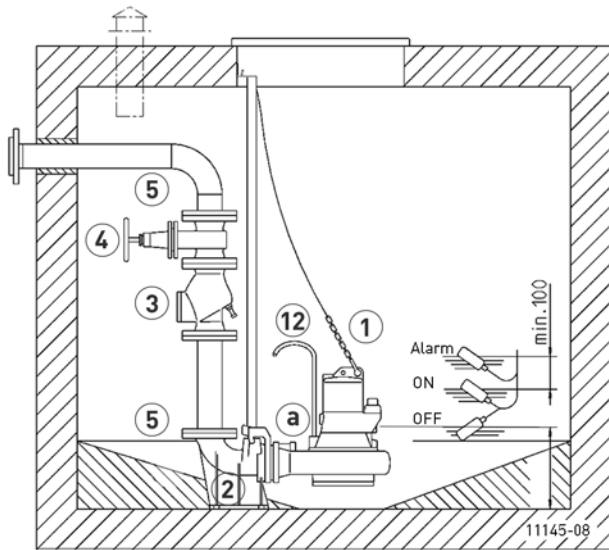
# JUNG PUMPEN MULTISTREAM

## SEWAGE PUMPS

	DN	A	B	C	D	E	F	G	K	L	N
10/2 A1	65	475	325	110	105	135	175	175	130/145	14/18	4
15/2 A1	65	475	325	110	105	135	175	175	130/145	14/18	4
25/2 A2	65	475	345	135	135	135	185	175	130/145	14/18	4
35/2 A2	65	510	345	135	135	135	185	175	130/145	14/18	4
25/2 B1	80	530	340	135	135	185	240	200	150/160	18	4
35/2 B2	80	570	380	145	135	185	240	200	150/160	18	4/8
55/2 B2	80	700	395	145	135	185	240	200	150/160	18	4/8
75/2 B5	80	725	460	195	195	215	280	200	150/160	18	4/8
100/2 B5	80	785	460	195	195	215	280	200	150/160	18	4/8
200/2 B6	100	885	535	235	195	210	290	230	170/180	18	4/8
300/2 B6	100	975	535	235	195	210	290	230	170/180	18	4/8
10/4 B1	80	530	340	135	135	185	240	200	150/160	18	4/8
15/4 B3	80	535	380	160	160	185	240	200	150/160	18	4/8
25/4 B4	80	535	440	190	160	185	240	200	150/160	18	4/8
35/4 B4	80	570	440	190	160	185	240	200	150/160	18	4/8
55/4 B6	100	740	520	235	195	210	290	230	170/180	18	4/8
75/4 B6	100	740	520	235	195	210	290	230	170/180	18	4/8
25/4 C1	100	600	450	195	195	235	305	230	170/180	18	4/8
35/4 C1	100	635	450	195	195	235	305	230	170/180	18	4/8
55/4 C5	100	775	480	230	195	240	320	230	170/180	18	4/8
75/4 C5	100	775	480	230	195	240	320	230	170/180	18	4/8
100/4 C5	100	835	480	230	195	240	320	230	170/180	18	4/8
150/4 C6	100	925	610	290	250	250	330	230	170/180	18	4/8
230/4 C6	100	1015	610	290	250	250	330	230	170/180	18	4/8
300/4 C6	100	1015	610	290	250	250	330	230	170/180	18	4/8
76/4 C5	100	775	480	230	195	240	320	230	170/180	18	4/8
151/4 C6	100	925	610	290	250	250	330	230	170/180	18	4/8
231/4 C6	100	1015	610	290	250	250	330	230	170/180	18	4/8
55/4 C2	150	770	580	260	215	240	320	320	225/240	18/22	8
75/4 C2	150	770	580	260	215	240	320	320	225/240	18/22	8
100/4 C2	150	830	580	260	215	240	320	320	225/240	18/22	8
150/4 C3	150	925	695	325	260	250	330	320	225/240	18/22	8
230/4 C3	150	1015	695	325	260	250	330	320	225/240	18/22	8
300/4 C4	150	1015	695	325	260	250	330	320	225/240	18/22	8
151/4 C3	150	925	695	325	260	250	330	320	225/240	18/22	8
231/4 C4	150	1015	695	325	260	250	330	320	225/240	18/22	8
230/4 C7	200	1015	725	325	260	250	330	0	295	22	8
300/4 C7	200	1015	725	325	260	250	330	0	295	22	8

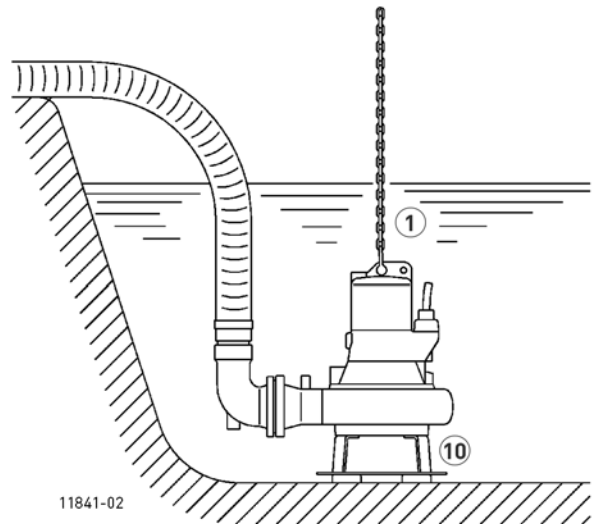
# JUNG PUMPEN MULTISTREAM SEWAGE PUMPS

Example of installation guide rail system





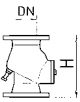
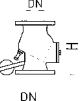
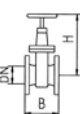
Types of operation: Up to 40°C medium temperature  
Motor submerged: continuous operation S1

Example of installation pump base



Motor not submerged intermittent operation S3  
(e.g. 20% = 2 min operation and 8 min pause)

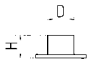
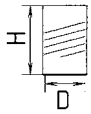

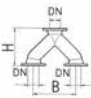
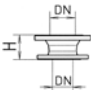
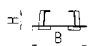
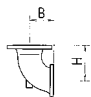

## MECHANICAL ACCESSORIES

			Art.-Nr.
	<b>1 Chain</b>	certified, 2.5 m, 160 kg, 5 rings (EN 818 mod.) certified, 5.0 m, 160 kg, 8 rings (EN 818 mod.) certified, 7.5 m, 160 kg, 11 rings (EN 818 mod.) certified, 5.0 m, 320 kg, 8 rings (EN 818 mod.) certified, 7.5 m, 320 kg, 11 rings (EN 818 mod.) Shackle, certified, 500 kg, stainless steel Pump hanging (08 Ex - 100...)	<b>JP45901</b> <b>JP45902</b> <b>JP47365</b> <b>JP45903</b> <b>JP47366</b> <b>JP45904</b> <b>JP45925</b>
	<b>2 Guide rail system</b>	GR 65                      DN 80, 170x226x280 (AxBxH) GR 80                      DN 80, 170x229x280 (AxBxH) GR 100                     DN 100, 200x254x310 (AxBxH) GR 101                    DN 100, 235x254x345 (AxBxH) GR 151                    DN 150, 260x332x435 (AxBxH) GR 151S                  DN 150, 260x332x435 (AxBxH) GR 200S                  DN 200, 305x410x535 (AxBxH)	<b>JP00494</b> <b>JP00495</b> <b>JP00496</b> <b>JP21037</b> <b>JP00693</b> <b>JP09731</b> <b>JP42275</b>
	<b>3 Swing-type check valve</b>	R 80 EN 12050-4            DN 80, PN 4, flange PN 10, DIN 3202, 260 (H) R 80 G EN 12050-4        DN 80, PN 4, flange PN 10, DIN 3202, with counter weight, 260 (H) R 101 EN 12050-4         DN 100, PN 4, flange PN 10, DIN 3202, 300 (H) R 100 G EN 12050-4      DN 100, PN 4, flange PN 10, DIN 3202, with counter weight, 300(H) R 150 G EN 12050-4      DN 150, PN 10, flange PN 10, DIN 3202, with counter weight, 400 (H)	<b>JP00706</b> <b>JP00707</b> <b>JP00325</b> <b>JP00324</b> <b>JP00345</b>
	<b>Ball-type check valve</b>	K 80 EN 12050-4            DN 80, PN 4, flange PN 10, DIN 3202, 260 (H)	<b>JP44781</b>
	<b>4 Sluice valve</b>	DN 80, PN 10, EN 1171        315x180 (HxB) DN 100, PN 10, EN 1171      345x190 (HxB) DN 150, PN 10, EN 1171      430x210 (HxB)	<b>JP00639</b> <b>JP00329</b> <b>JP00328</b>


# JUNG PUMPEN MULTISTREAM

## SEWAGE PUMPS

### MECHANICAL ACCESSORIES

			Art.-Nr.
	<b>5 Flanged spigot for plastic pipe</b>		
	F-KS, DN 80 PN 10	75x90 (HxD)	<b>JP00686</b>
	F-KS, DN 80 PN 10	85x110 (HxD)	<b>JP00687</b>
	F-KS, DN 100 PN 10	153x110 (HxD)	<b>JP08673</b>
	<b>Spigot flange for steel pipe</b>		
DN 80, PN 10, F-piece	75x90 (HxD)	<b>JP00686</b>	
DN 80/100, PN 10, F-piece	76x114 (HxD)	<b>JP09821</b>	
DN 100, PN 10, F-piece	100x114 (HxD)	<b>JP00688</b>	
	<b>6 Elastic connection</b>		
	for plastic pipe DN 100, PN 4	200x110 (HxD)	<b>JP44778</b>
	for steel pipe DN 100, PN 4	200x114 (HxD)	<b>JP44774</b>
	für Kunststoffrohr DN 150	350x160 (HxD)	<b>JP44779</b>
		DN 80	200x90 (HxD)
	<b>7 Hose band clamp</b>		
		3" (DN 80)	<b>JP44766</b>
		4" (DN 100)	<b>JP44767</b>
	<b>8 Flanged Y-pipe</b>		
	DN 80/100/80	355x390(HxB), PN 10	<b>JP00448</b>
	DN 100/100/100	355x390(HxB), PN 10	<b>JP00458</b>
	DN 100/150/100	355x390(HxB), PN 10	<b>JP00449</b>
	DN 80/100/80	355x480(HxB), PN 10	<b>JP00202</b>
	DN 100/100/100, PN 10	355x480(HxB), PN 10	<b>JP00203</b>
	DN 100/150/100	355x480(HxB), PN 10	<b>JP00204</b>
DN 150/150/150	355x480(HxB), PN 10	<b>JP00521</b>	
	<b>9 Reducing adapter</b>		
		DN 80/100 to PN 10, (similar FFR-piece), H=100	<b>JP00498</b>
		DN 100/150 to PN 10, (similar FFR-piece), H=200	<b>JP00510</b>
	<b>10 Pump base</b>		
	A 170, for A1	76x245 (HxB)	<b>JP00681</b>
	A 220, for A2, AW1, AW2	90x295 (HxB)	<b>JP00682</b>
	B 170, for B1	115x280 (HxB)	<b>JP00683</b>
	B 220, for B2,B3,B4,BW1	115x315 (HxB)	<b>JP00684</b>
	C 275, for B5,B6,C1,C5,BW2,CW3	145x385 (HxB)	<b>JP00685</b>
	C 325, for C2,CW2	145x565 (HxB)	<b>JP00701</b>
	C 410, for C3,C4,C6,C7	145x650 (HxB)	<b>JP00702</b>
	<b>11 Flanged connection</b>		
	A 80 (similar Q-piece 90°), DN 80 PN10/DN 65 PN6	130x75 (HxB)	<b>JP00577</b>
	B 80 (similar Q-piece 90°), DN 80 PN10/PN6	150x100 (HxB)	<b>JP00578</b>
	C 100 (similar Q-piece 90°), DN 100 PN10/PN6	175x120 (HxB)	<b>JP00579</b>
	C 150(similar Q-piece 90°), DN 150 PN10/PN6	250x175 (HxB)	<b>JP00591</b>
	<b>13 Flushing tube</b>		
	Typ I	10/... - 45/...	<b>JP28221</b>
	Typ II	55/... - 100/...	<b>JP28222</b>
	Typ III	150/... - 300/...	<b>JP28223</b>

### ELECTRICAL ACCESSORIES

			Art.-Nr.
	<b>a Seal leak detector</b>	DKG	<b>JP44900</b>
		DKG Ex for explosion-proof pumps	<b>JP00249</b>