

PolyPump Ltd

Providing your pumping solutions

sales@polypump.co.uk
01296 488 294

ELECTRIC SUBMERSIBLE SEWAGE PUMPS



caprari

pumping power

**NEW
GENERATION**

THE PUMP THAT NEVER STOPS



caprari



THE SAME PUMP FOR ALL APPLICATIONS

IDEAL FOR

WASTEWATER TRANSPORT

WASTEWATER TREATMENT

INDUSTRY

STORMWATER

THE NEW GENERATION OF PUMPS IN THE WORLD OF WASTEWATER

The wide range of the K+ series is designed **to pump wastewater** containing gases and solids

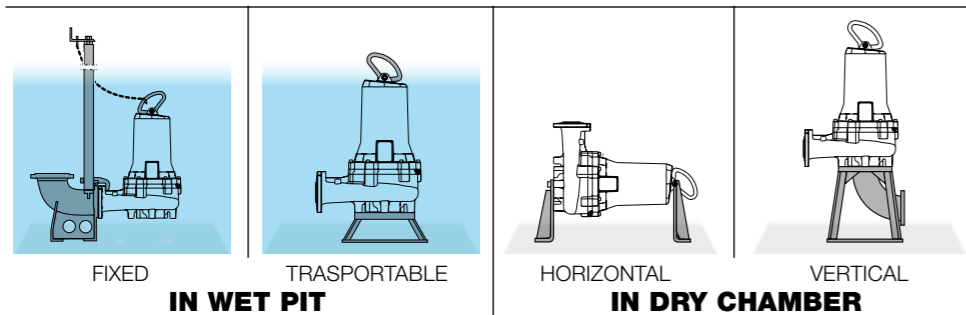
The excellent performance of the hydraulic profiles ensures **maximum efficiency**

The special compact size of the pump ensure **total reliability** and **ease of installation**



DN40 → DN350

INSTALLATIONS



TECHNICAL FEATURES

Flow rate up to 710 l/s	Head up to 67 m	Power up to 180 kW
----------------------------	--------------------	-----------------------

WHY CHOOSE K+ ENERGY?

Electrical efficiency, hydraulic performance and Caprari international patents for **the best wastewater pump in the world**



IE3 ELECTRICAL EFFICIENCY CLASS

K+ Energy pumps are designed to ensure high efficiency and reduced energy costs

Exclusive



ANTI-CLOGGING SYSTEM

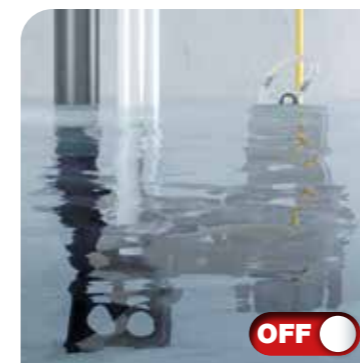
1. Operation with large solid handling: **the widest free passages** in the market
2. **Protection of the mechanical seal:** fibrous cutting system at the back of the impeller area
3. **Impeller cleaning** and axial thrust compensation for **bearing protection:** blades on the hub disc
4. **Anti-sedimentation system for solids** in suction area: blades on impeller bottom part

International Patent

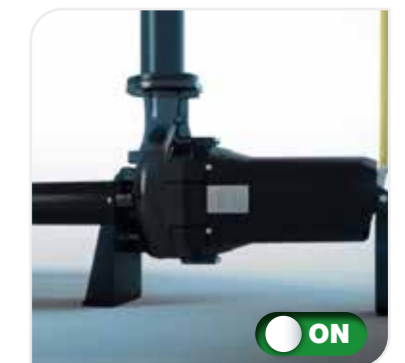
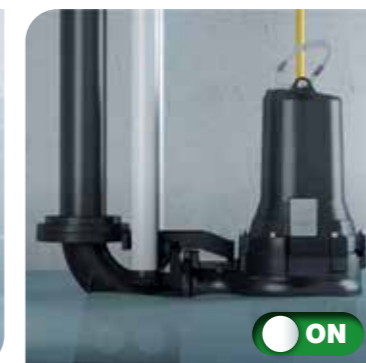


OIL COOLING SYSTEM

1. **APPLICATION VERSATILITY**
 - **Only one pump model** for submersible and dry chamber applications
 - **S1 function** even with motor exposed to air: this allows to lower the fluid level in the chamber
2. **SIMPLE OPERATION**
 - The DRYWET system is activated by simply adding **commercial-type oil**
 - **It needs no topping up** as the system is isolated from the rest of the pump
3. **EFFICIENCY**
 - **Minimum power absorption** without sacrificing performance
 - Cooling oil is in direct contact with rotor and stator: **improved heat dissipation**

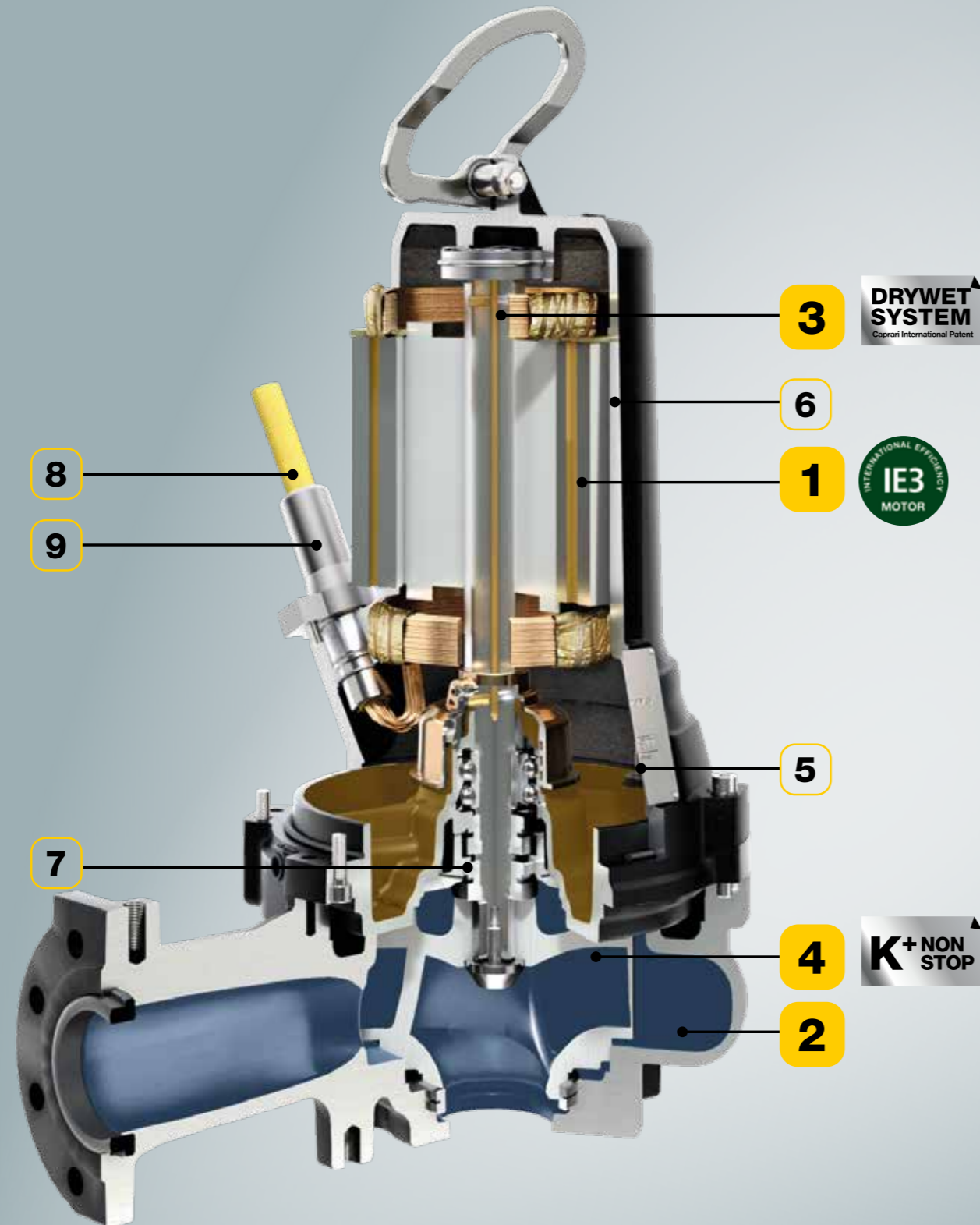


IN WET PIT



IN DRY CHAMBER

THE BEST PUMP IN THE WORLD OF WASTEWATER



1 IE3 ELECTRICAL EFFICIENCY CLASS

- High motor efficiency
- Reduced energy costs

2 HIGH-EFFICIENCY HYDRAULICS

- **Painted surfaces:** hydraulic profile optimization with high-level finish

3 OIL COOLING SYSTEM

- Standard on all models
- S1 operation in dry chamber

International Patent

4 ANTI-CLOGGING SYSTEM

- The widest free passages in the market
- Maximum operational safety

Exclusive

5 CONDUCTIVITY PROBE IN OIL CHAMBER

- Standard on all models even for ATEX version
- **Motor protection:** the alarm signal is sent to the panel in case of failure of the first mechanical seal

International Patent

6 H CLASS ELECTRICAL INSULATION

- The best resistance to thermal changes (up to 180 °C)
- Longer service life of the motor

7 DOUBLE MECHANICAL SEAL

- Double protection of the electric motor
- Commercial type seals: easy to find
- Ease of access: it is not necessary to remove the motor to replace the seals

8 NSSHOU-J DOUBLE SHEATH CABLE

- The best resistance to liquids containing chemicals and oils
- The best mechanical and thermal resistance

Exclusive

9 EASY MAINTENANCE PLUG

- Easy to disconnect and lower maintenance time: the electric cable can be unplugged from the pump



pumping power



VISIT
www.caprari.com

Leaflets and brochures can be consulted at any time and from any device



REGISTER
on our business pump selector

Thanks to iPump, the best solution for your needs just a click away



DOWNLOAD
iPump mobile

All catalogues available on smartphones and tablets even after downloading in offline mode



SUBSCRIBE
to our newsletter from the site

To be updated on the latest news and events

CONNECT



FOLLOW US



WRITE TO US

info@caprari.it

