

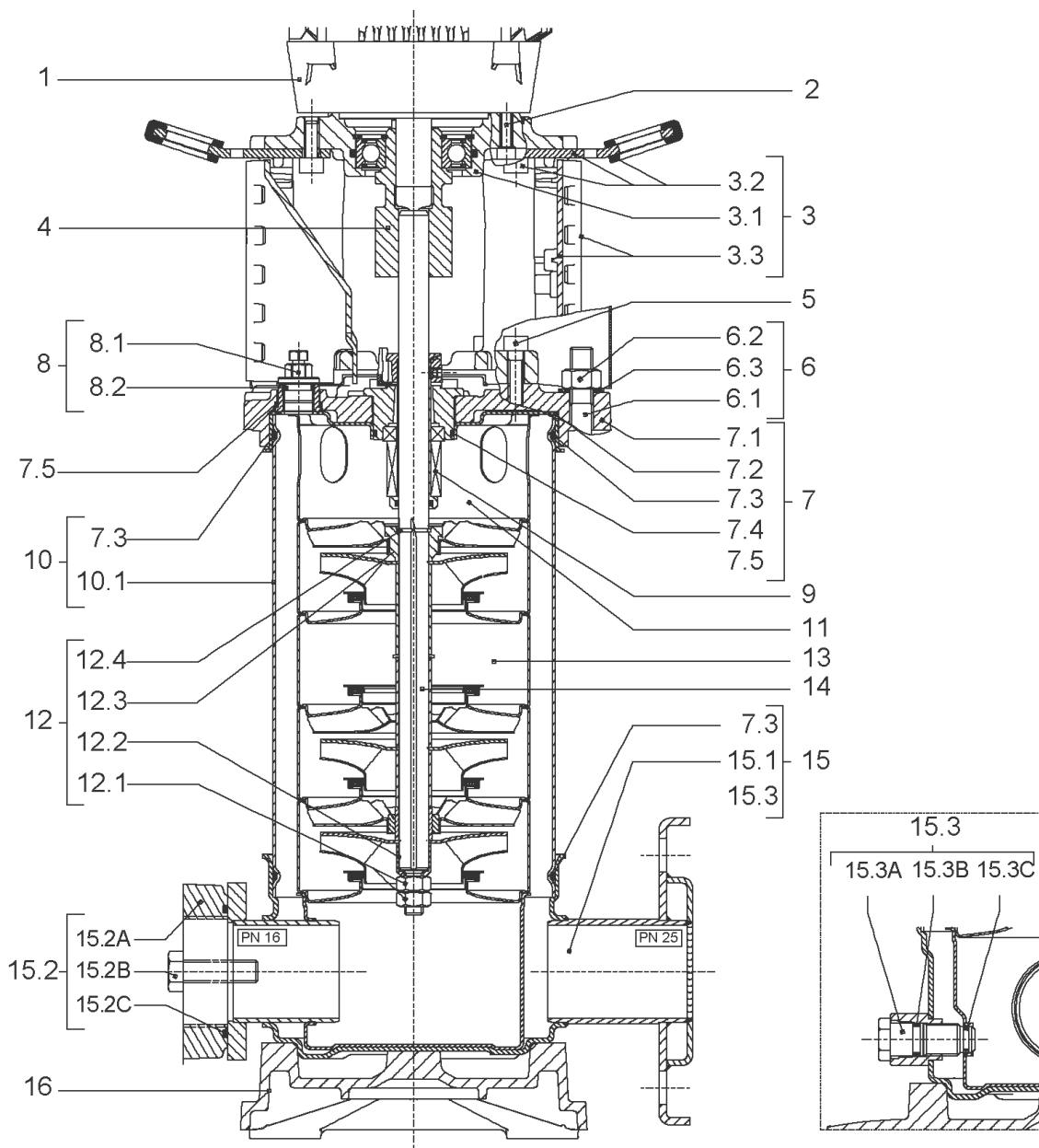


Helix V16

Article no.	Description
4141144	HELIX V1601-1/16/E/KS/400-50
4150660	HELIX V1601-2/25/V/KS/400-50
4162637	HELIX V1602-1/16/E/400-50
4141145	HELIX V1602-1/16/E/KS/400-50
4190730	HELIX V1602-1/16/E/S/400-50
4201313	HELIX V1602-1/16/E/S/400-50
4192464	HELIX V1602-1/16/E/S/460-60
4150661	HELIX V1602-2/25/V/KS/400-50
4162638	HELIX V1603-1/16/E/400-50
4141146	HELIX V1603-1/16/E/KS/400-50
4201316	HELIX V1603-1/16/E/S/400-50
4190731	HELIX V1603-1/16/E/S/400-50
4192465	HELIX V1603-1/16/E/S/460-60
4150662	HELIX V1603-2/25/V/KS/400-50
4162639	HELIX V1604-1/16/E/400-50
4141147	HELIX V1604-1/16/E/KS/400-50
4201321	HELIX V1604-1/16/E/S/400-50
4190732	HELIX V1604-1/16/E/S/400-50
4192466	HELIX V1604-1/16/E/S/460-60
4150663	HELIX V1604-2/25/V/KS/400-50
4162640	HELIX V1605-1/16/E/400-50
4141148	HELIX V1605-1/16/E/KS/400-50
4192467	HELIX V1605-1/16/E/KS/460-60
4201325	HELIX V1605-1/16/E/S/400-50
4190733	HELIX V1605-1/16/E/S/400-50
4141149	HELIX V1605-1/25/E/KS/400-50
4150664	HELIX V1605-2/25/V/KS/400-50
4162641	HELIX V1606-1/16/E/400-50
4141150	HELIX V1606-1/16/E/KS/400-50
4192468	HELIX V1606-1/16/E/KS/460-60
4201328	HELIX V1606-1/16/E/S/400-50
4190734	HELIX V1606-1/16/E/S/400-50
4141151	HELIX V1606-1/25/E/KS/400-50
4150665	HELIX V1606-2/25/V/KS/400-50

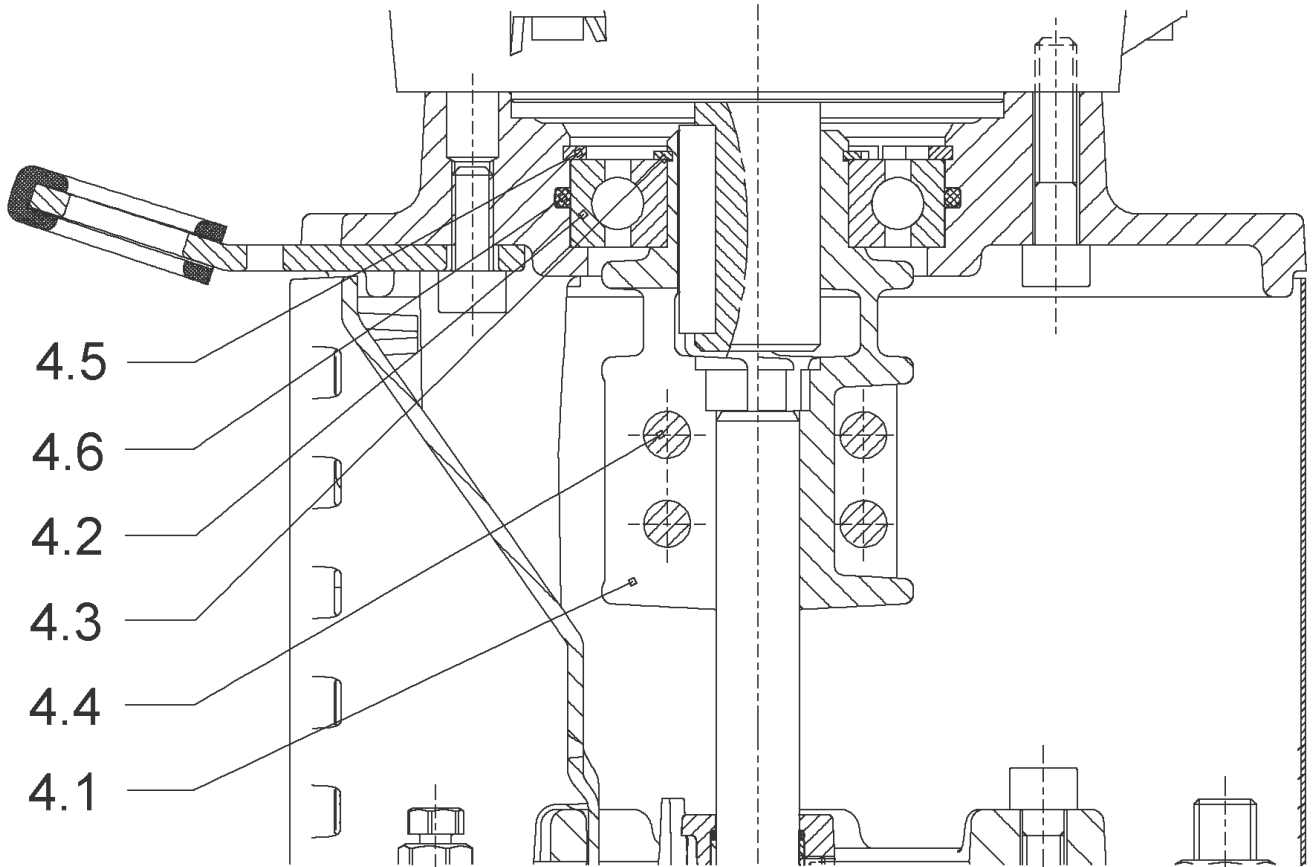
Helix V16

Article no.	Description
4162642	HELIX V1607-1/16/E/400-50
4141152	HELIX V1607-1/16/E/KS/400-50
4190735	HELIX V1607-1/16/E/S/400-50
4201331	HELIX V1607-1/16/E/S/400-50
4141153	HELIX V1607-1/25/E/KS/400-50
4150666	HELIX V1607-2/25/V/KS/400-50
4162643	HELIX V1608-1/16/E/400-50
4141154	HELIX V1608-1/16/E/KS/400-50
4201334	HELIX V1608-1/16/E/S/400-50
4190736	HELIX V1608-1/16/E/S/400-50
4141155	HELIX V1608-1/25/E/KS/400-50
4150667	HELIX V1608-2/25/V/KS/400-50
4141156	HELIX V1609-1/16/E/K/400-50
4141176	HELIX V1609-1/16/E/KS/400-50
4141157	HELIX V1609-1/25/E/KS/400-50
4150668	HELIX V1609-2/25/V/KS/400-50
4141158	HELIX V1610-1/16/E/K/400-50
4141177	HELIX V1610-1/16/E/KS/400-50
4141159	HELIX V1610-1/25/E/KS/400-50
4150669	HELIX V1610-2/25/V/KS/400-50
4141160	HELIX V1611-1/16/E/K/400-50
4141178	HELIX V1611-1/16/E/KS/400-50
4141161	HELIX V1611-1/25/E/KS/400-50
4150670	HELIX V1611-2/25/V/KS/400-50
4141162	HELIX V1612-1/25/E/KS/400-50
4150671	HELIX V1612-2/25/V/KS/400-50
4141163	HELIX V1613-1/25/E/KS/400-50
4150672	HELIX V1613-2/25/V/KS/400-50
4141166	HELIX V1616-1/25/E/KS/400-50
4150673	HELIX V1616-2/25/V/KS/400-50
4175113	HELIX V1616-3/30/E/KS/400-50
4175114	HELIX V1618-3/30/E/KS/400-50
4175112	HELIX V1621-3/30/E/KS/400-50



HELIX V1601-1/16/E/KS/400-50 (4141144)

Item	Article no.	Description	Quantity
1	4169940	MOTOR 0,75/2/80 3~230/400V 50HZ IE3 VP.	1
		SPARE PARTS MOTOR:ON REQUEST	1
2	4159702	SCREW M6X30 (4 PIECES)	1
3	4172788	LANTERN FT100 HELIX KIT	1
4	4159708	COUPLING D.16XD.19 FT100 HELIX KIT	1
5	4159707	SCREW M8X30 (4 PIECES)	1
6	2018368	STUD BOLT M12X289 KIT	1
6.1		> TIE BOLT M12-289x18x30-1.4057	1
6.2	2094647	> NUT M12 M12 ISO4032 VP.	1
6.3	2123557	> WASHER CS-12.4-24-1.6-NFE25 (4 PIECES)	1
7	4159685	END SHIELD HELIX EPDM KIT	1
7.1		> END SHIELD M+6" GJL250 MACHINING+CATA	1
7.2	2127607	> STATIONARY RING HOLDER 6" HELIX 1.4301 V	1
7.3	4176513	> O-RING FOR PUMP JACKET VP.	1
7.4	2127603	> O-RING ID.37,6x2,4 EPDM VP.	1
7.5	2127602	> O-RING ID.21,35x2 EPDM VP.	1
8	4159686	FILING/PURGING PLUG HELIX EPDM KIT	1
9	4159696	CARTRIDGE HELIX6-10-16 O/E KIT	1
10	2127574	HOUSING PIPE D.152x160 1.4301 KIT	1
7.3	4176513	> O-RING FOR PUMP JACKET VP.	1
10.1		> HOUSING-PIPE Ø152-M+1601/02-304	1
11	2127587	CENTERING STAGE HELIX16 1.4301 VP.	1
12	4159687	SHAFT EQUIPMENT HELIX V1601 KIT	1
12.1		> NUT-H-M10-A4.70	1
12.3		> STOP COLLAR OF IMPELLER first stage	1
12.4		> STOP-RUSH-1/2-D16xd2-M+316	1
12.2		> SERRATED LOCK WASHER M+16M3-316L	1
13		HYDRAULIC HELIX V 1601 1.4307	1
14	2127563	SHAFT D.16X280 1.4301 VP.	1
15	4217899	PUMP HOUSING HELIX DN50 PN16 1.4301 KIT	1
16	2127601	BASEPLATE HELIX V16 VP.	1



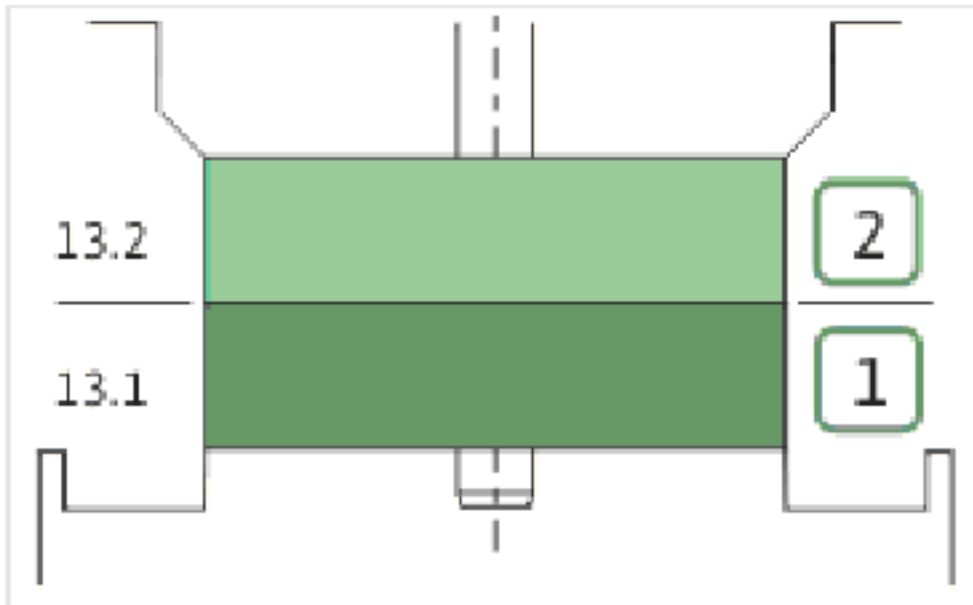
COUPLING D.16XD.19 FT100 HELIX KIT (4159708)

Item	Article no.	Description	Quantity
4.1		COUPLING M+ Ø16XØ19 FT100 MACHINED	1
4.2	2130977	BALL BEARING 6206/ZZ-C3(HT)VP.	1
4.3	4234249	CIRCLIP-FOR-SHAFT-D30x1.5 VP.	1
4.4	4212716	SCREW M6X20 KIT (4PIECES)	1
4.5	4234250	CIRCLIP-D62x2 VP.	1
4.6	4234245	O-RING 63X3 VP.	1
		CONTACT-WASHER-6ETR-6,1x12,2x1,8-STEEL	1



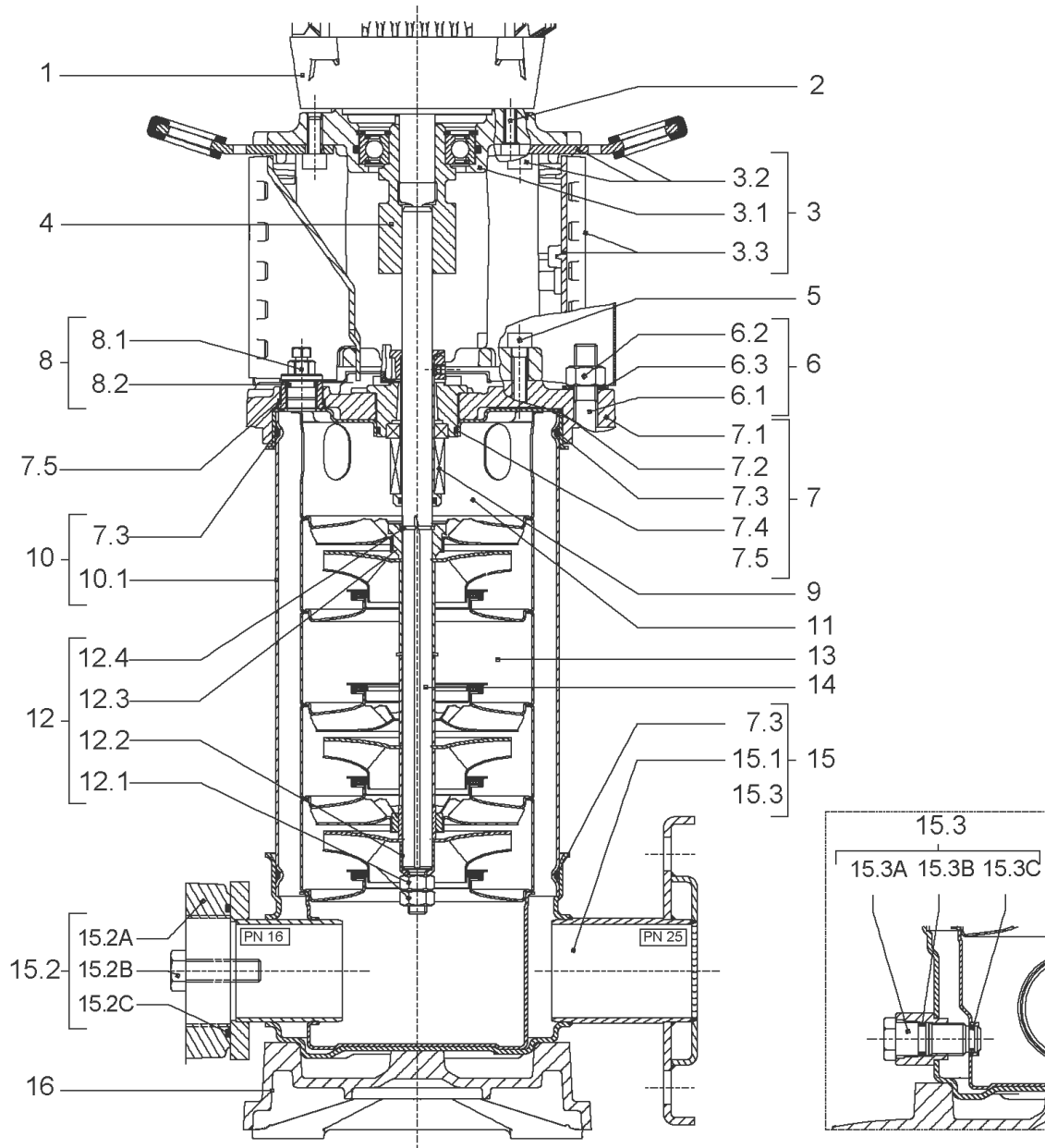
CARTRIDGE HELIX6-10-16 O/E KIT (4159696)

Item	Article no.	Description	Quantity
9.1	4159697	SEAL-KIT-HELIX6-10-16 O/E	1
7.3	4176513	> O-RING FOR PUMP JACKET VP.	1
7.4	2127603	> O-RING ID.37,6x2,4 EPDM VP.	1
9.1A	2130966	> MECH.SEAL HELIX2-4-6-10-16 O/E VP.	1
9.1B	2130967	> O-RING D.16X2,5 EPDM VP.	1
9.1C	4176519	> O-RING Ø16xØ1.25 VP.	1
9.2	2130961	SHAFT SLEEVE D.18/16X72,2 1.4404 VP.	1
9.3	2130962	RING HOLDER D.18 G606/G6 1.4301 VP.	1
9.4	4176520	SCREW CH M5x5 A4-70 (3PIECES)	1
9.5	2130963	DRIVE RING D.29/18x12,4 MACH.VP.	1
9.6	2130964	TOOL M.S.CART.HELIX VP.	1
9.7	2130965	SCREW CHC M5X12 ISO4762 A2.70(4 PIECES)	1



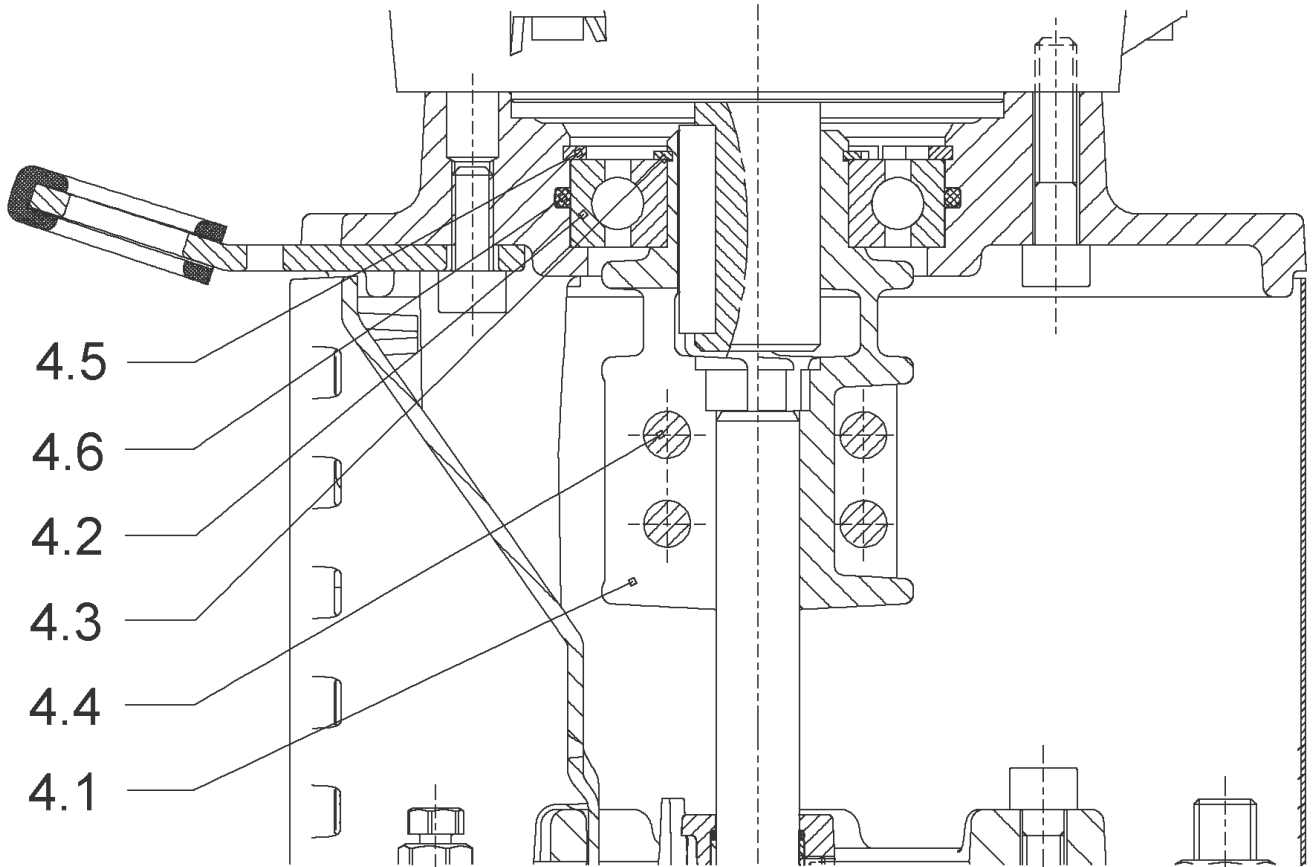
HYDRAULIC HELIX V 1601 1.4307

Item	Article no.	Description	Quantity
13.1	4159720	STAGE HELIX 16 1.4301 KIT	1
		> MACH.STG-CASING-WOGV-WNR-M+16-304	1
		> IMPELLER-M+16-304	1
13.2	4159713	STAGE-BEARING HELIX 16 1.4301 KIT	1
		> MACH.BEARING-STG-CASING-WNR-M+16-304	1
		> SHAFT-SLEEVE-D16xD20x18-CW	1
		> STOP COLLAR OF IMPELLER first stage	1



HELIX V1602-1/16/E/KS/400-50 (4141145)

Item	Article no.	Description	Quantity
1	4169942	MO.1,5/2 3~230/400(440)V 50(60)HZ IE3 VP	1
		SPARE PARTS MOTOR:ON REQUEST	1
2	4159703	SCREW M8X40 (4 PIECES)	1
3	4159690	LANTERN FT115 HELIX KIT	1
3.1		> LANTERN FT115 M+6" GJL MACHINING+CATA	1
3.2	2127604	> EYELET CPL.FT HELIX(2 PIECES)	1
3.3	4159692	> COUPLING PROTECTOR FT HELIX KIT	1
4	4159709	COUPLING D.16xD.24 FT115 HELIX KIT	1
5	4159707	SCREW M8X30 (4 PIECES)	1
6	2018368	STUD BOLT M12X289 KIT	1
6.1		> TIE BOLT M12-289x18x30-1.4057	1
6.2	2094647	> NUT M12 M12 ISO4032 VP.	1
6.3	2123557	> WASHER CS-12.4-24-1.6-NFE25 (4 PIECES)	1
7	4159685	END SHIELD HELIX EPDM KIT	1
7.1		> END SHIELD M+6" GJL250 MACHINING+CATA	1
7.2	2127607	> STATIONARY RING HOLDER 6" HELIX 1.4301 V	1
7.3	4176513	> O-RING FOR PUMP JACKET VP.	1
7.4	2127603	> O-RING ID.37,6x2,4 EPDM VP.	1
7.5	2127602	> O-RING ID.21,35x2 EPDM VP.	1
8	4159686	FILING/PURGING PLUG HELIX EPDM KIT	1
9	4159696	CARTRIDGE HELIX6-10-16 O/E KIT	1
10	2127574	HOUSING PIPE D.152x160 1.4301 KIT	1
7.3	4176513	> O-RING FOR PUMP JACKET VP.	1
10.1		> HOUSING-PIPE Ø152-M+1601/02-304	1
11	2127588	CENTERING STAGE-RETURN HELIX16 1.4301 VP	1
12	4209328	SHAFT EQUIPMENT HELIX V16 BI BLOC KIT	1
13		HYDRAULIC HELIX V 1602 1.4307	1
14	2127563	SHAFT D.16X280 1.4301 VP.	1
15	4217899	PUMP HOUSING HELIX DN50 PN16 1.4301 KIT	1
16	2127601	BASEPLATE HELIX V16 VP.	1



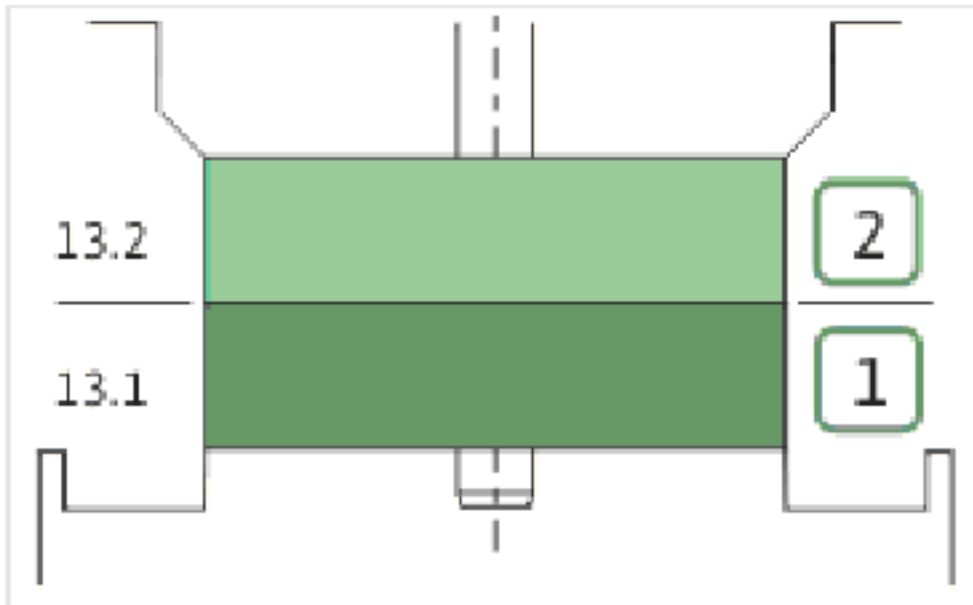
COUPLING D.16xD.24 FT115 HELIX KIT (4159709)

Item	Article no.	Description	Quantity
4.1		COUPLING M+ Ø16XØ24 FT115 MACHINED	1
4.2	2131023	BALL BEARING 6207/ZZ-C3(HT)VP.	1
4.3	4234254	CIRCLIP-FOR-SHAFT-D35x1.5 VP.	1
4.4	4157726	SCREW KIT M8X30 (4 PIECES)	1
4.5	4234251	CIRCLIP-D72x2.5 VP.	1
4.6	4234246	O-RING 72X3 VP.	1
		NOMEL CONTACT WASHER 8x16x1,4 STEEL ZC	1



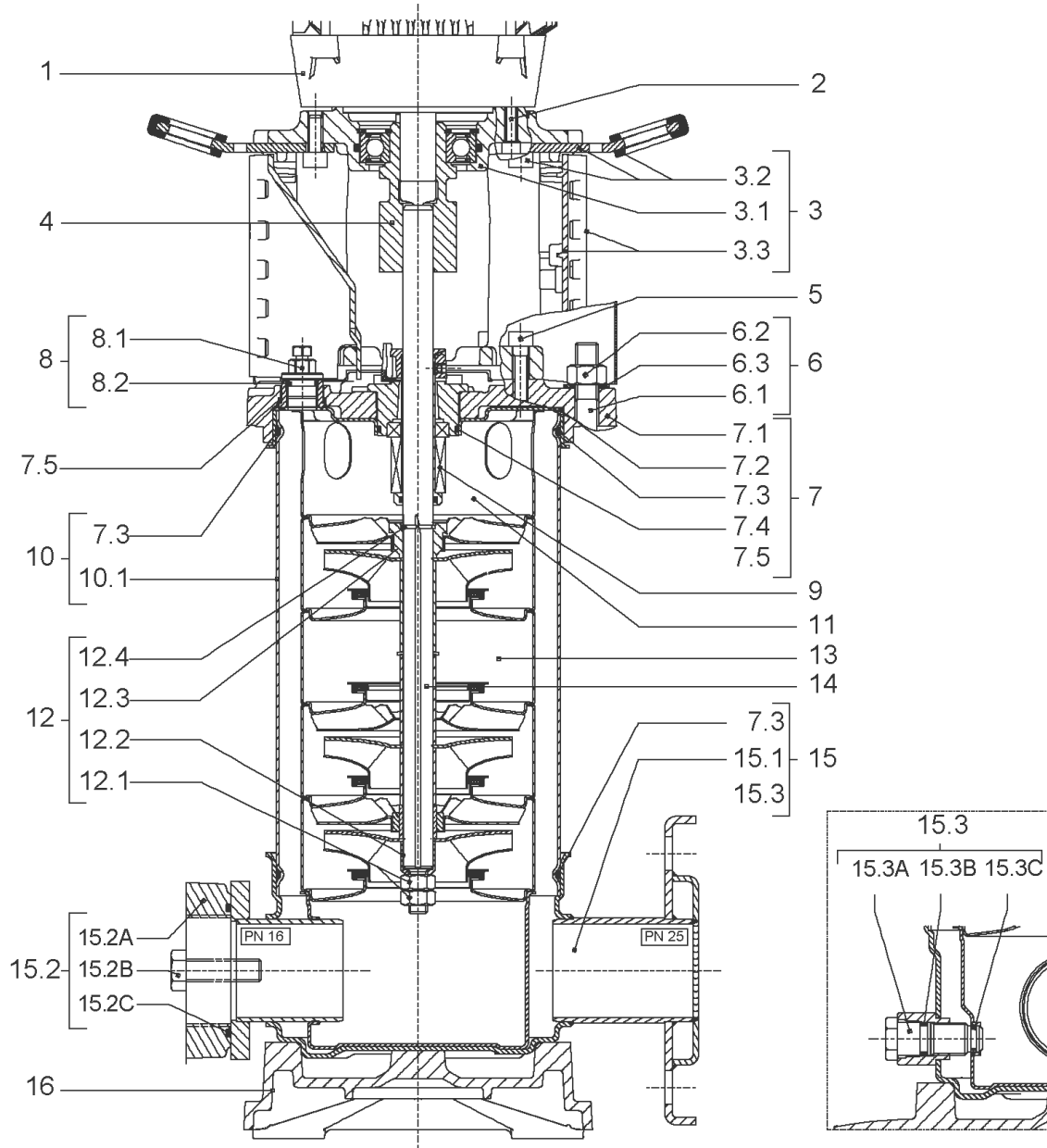
CARTRIDGE HELIX6-10-16 O/E KIT (4159696)

Item	Article no.	Description	Quantity
9.1	4159697	SEAL-KIT-HELIX6-10-16 O/E	1
7.3	4176513	> O-RING FOR PUMP JACKET VP.	1
7.4	2127603	> O-RING ID.37,6x2,4 EPDM VP.	1
9.1A	2130966	> MECH.SEAL HELIX2-4-6-10-16 O/E VP.	1
9.1B	2130967	> O-RING D.16X2,5 EPDM VP.	1
9.1C	4176519	> O-RING Ø16xØ1.25 VP.	1
9.2	2130961	SHAFT SLEEVE D.18/16X72,2 1.4404 VP.	1
9.3	2130962	RING HOLDER D.18 G606/G6 1.4301 VP.	1
9.4	4176520	SCREW CH M5x5 A4-70 (3PIECES)	1
9.5	2130963	DRIVE RING D.29/18x12,4 MACH.VP.	1
9.6	2130964	TOOL M.S.CART.HELIX VP.	1
9.7	2130965	SCREW CHC M5X12 ISO4762 A2.70(4 PIECES)	1



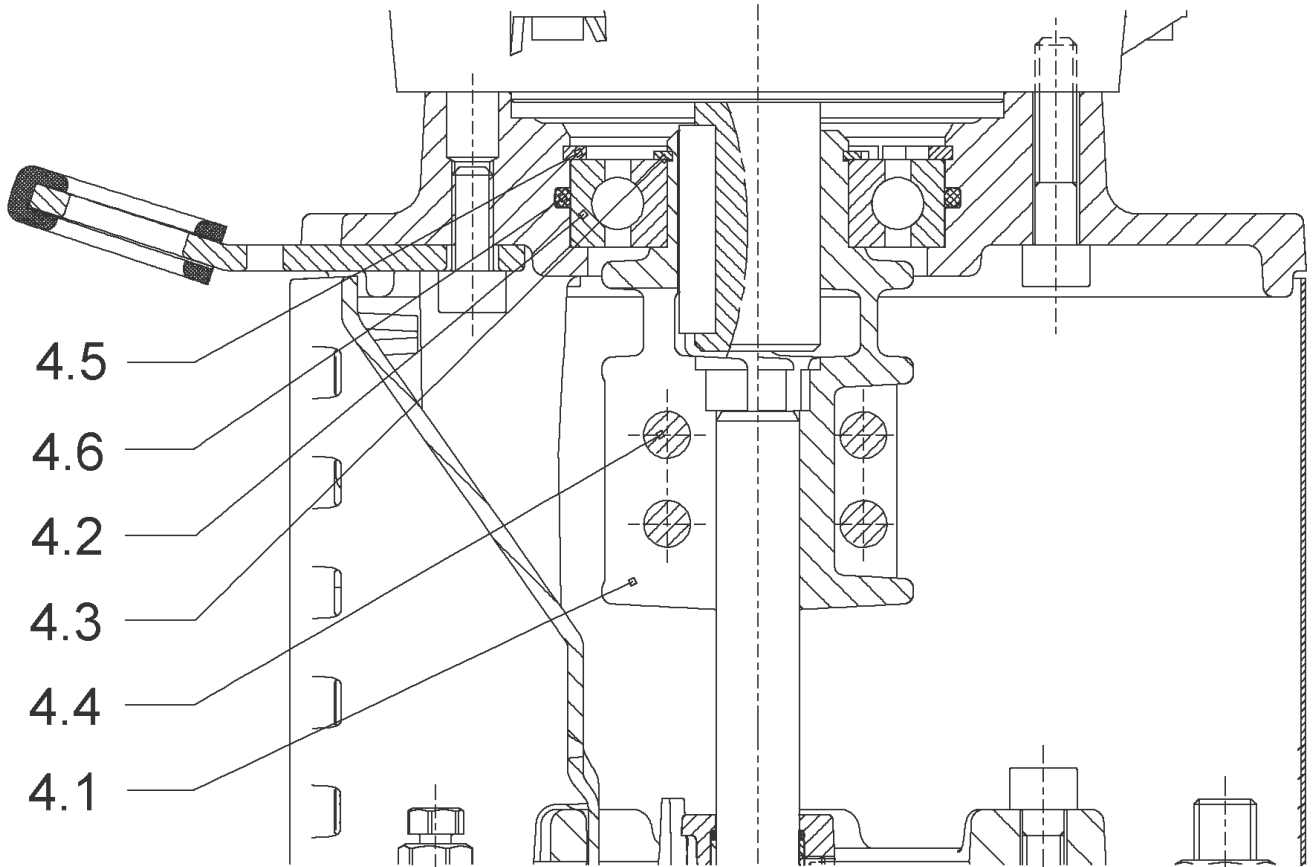
HYDRAULIC HELIX V 1602 1.4307

Item	Article no.	Description	Quantity
13.1	4159720	STAGE HELIX 16 1.4301 KIT	1
		> MACH.STG-CASING-WOGV-WNR-M+16-304	1
		> IMPELLER-M+16-304	1
13.2	4159714	STAGE BEARING HELIX 16 1.4301 KIT	1
		> MACH.BEARING-STG-CASING-WNR-M+16-304	1
		> SHAFT-SLEEVE-D16xD20x18-CW	1
		> IMPELLER-M+16-304	1
		> SLEEVE-SPACER-Ø19,35x30,665-304	1



HELIX V1603-1/16/E/KS/400-50 (4141146)

Item	Article no.	Description	Quantity
1	4169943	MOTOR 2,2/2/90 3~230/400V 50HZ IE3 VP.	1
		SPARE PARTS MOTOR:ON REQUEST	1
2	4159703	SCREW M8X40 (4 PIECES)	1
3	4159690	LANTERN FT115 HELIX KIT	1
3.1		> LANTERN FT115 M+6" GJL MACHINING+CATA	1
3.2	2127604	> EYELET CPL.FT HELIX(2 PIECES)	1
3.3	4159692	> COUPLING PROTECTOR FT HELIX KIT	1
4	4159709	COUPLING D.16xD.24 FT115 HELIX KIT	1
5	4159707	SCREW M8X30 (4 PIECES)	1
6	2127553	STUD BOLT M12X341 KIT	1
6.1		> TIE BOLT M12-341x18x30-1.4057	1
6.2	2094647	> NUT M12 M12 ISO4032 VP.	1
6.3	2123557	> WASHER CS-12.4-24-1.6-NFE25 (4 PIECES)	1
7	4159685	END SHIELD HELIX EPDM KIT	1
7.1		> END SHIELD M+6" GJL250 MACHINING+CATA	1
7.2	2127607	> STATIONARY RING HOLDER 6" HELIX 1.4301 V	1
7.3	4176513	> O-RING FOR PUMP JACKET VP.	1
7.4	2127603	> O-RING ID.37,6x2,4 EPDM VP.	1
7.5	2127602	> O-RING ID.21,35x2 EPDM VP.	1
8	4159686	FILING/PURGING PLUG HELIX EPDM KIT	1
9	4159696	CARTRIDGE HELIX6-10-16 O/E KIT	1
10	2127575	HOUSING PIPE D.152x210 1.4301 KIT	1
7.3	4176513	> O-RING FOR PUMP JACKET VP.	1
10.1		> HOUSING-PIPE Ø152-M+1004/1603-304	1
11	2127588	CENTERING STAGE-RETURN HELIX16 1.4301 VP	1
12	4209328	SHAFT EQUIPMENT HELIX V16 BI BLOC KIT	1
13		HYDRAULIC HELIX V 1603 1.4307	1
14	2127564	SHAFT D.16X330 1.4301 VP.	1
15	4217899	PUMP HOUSING HELIX DN50 PN16 1.4301 KIT	1
16	2127601	BASEPLATE HELIX V16 VP.	1



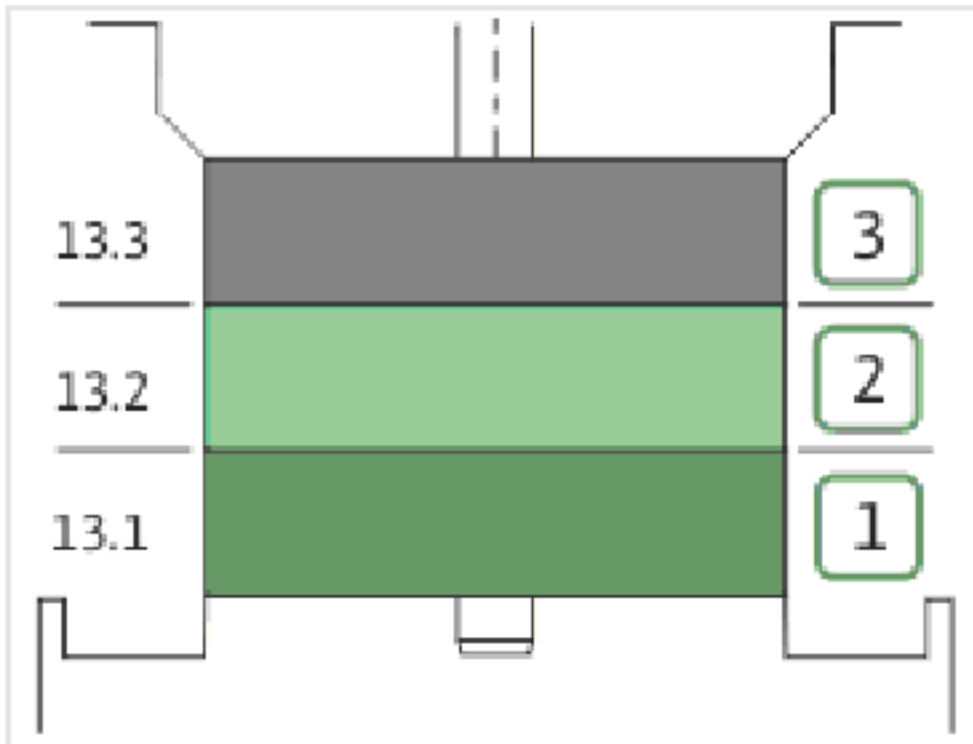
COUPLING D.16xD.24 FT115 HELIX KIT (4159709)

Item	Article no.	Description	Quantity
4.1		COUPLING M+ Ø16XØ24 FT115 MACHINED	1
4.2	2131023	BALL BEARING 6207/ZZ-C3(HT)VP.	1
4.3	4234254	CIRCLIP-FOR-SHAFT-D35x1.5 VP.	1
4.4	4157726	SCREW KIT M8X30 (4 PIECES)	1
4.5	4234251	CIRCLIP-D72x2.5 VP.	1
4.6	4234246	O-RING 72X3 VP.	1
		NOMEL CONTACT WASHER 8x16x1,4 STEEL ZC	1



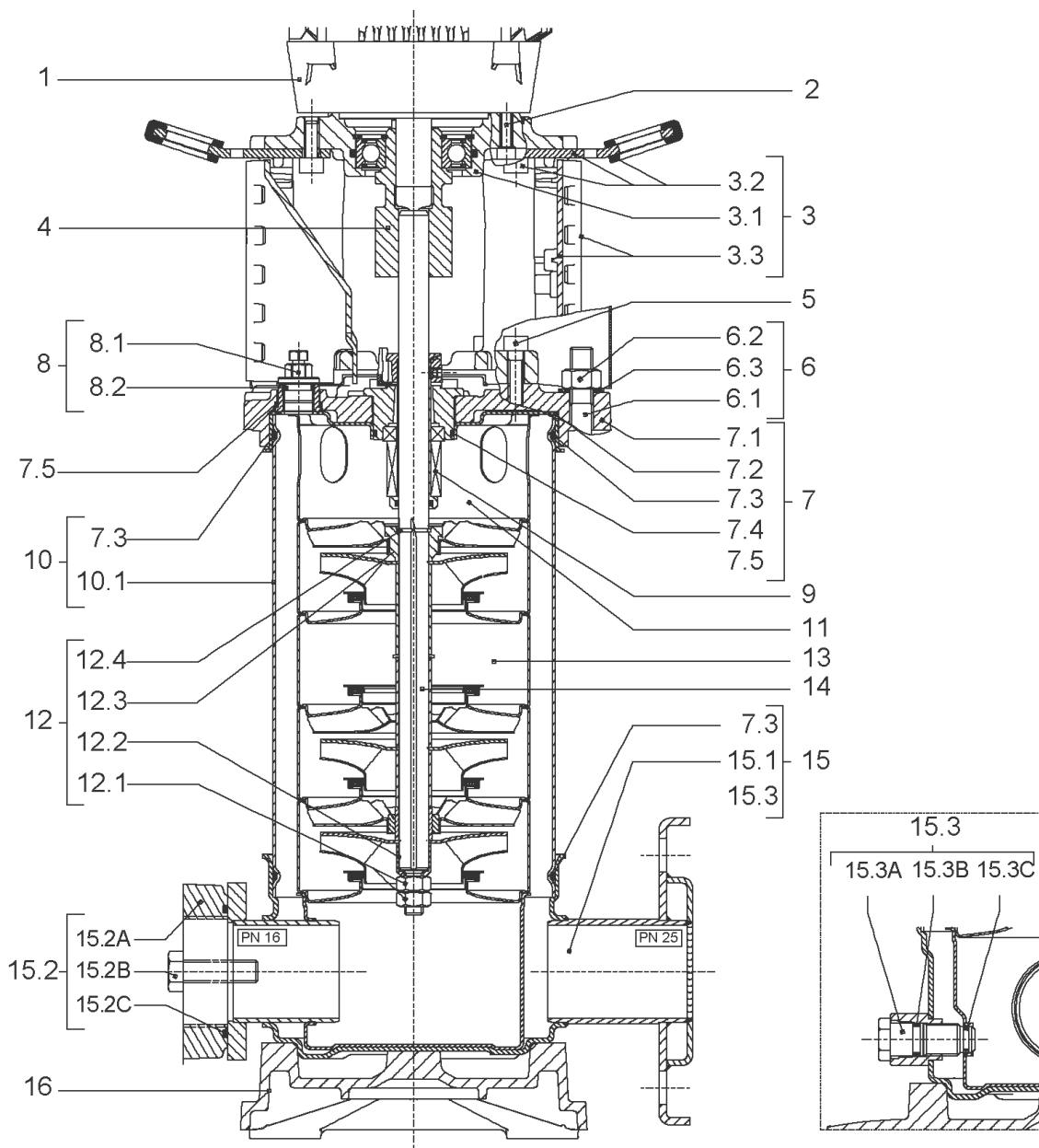
CARTRIDGE HELIX6-10-16 O/E KIT (4159696)

Item	Article no.	Description	Quantity
9.1	4159697	SEAL-KIT-HELIX6-10-16 O/E	1
7.3	4176513	> O-RING FOR PUMP JACKET VP.	1
7.4	2127603	> O-RING ID.37,6x2,4 EPDM VP.	1
9.1A	2130966	> MECH.SEAL HELIX2-4-6-10-16 O/E VP.	1
9.1B	2130967	> O-RING D.16X2,5 EPDM VP.	1
9.1C	4176519	> O-RING Ø16xØ1.25 VP.	1
9.2	2130961	SHAFT SLEEVE D.18/16X72,2 1.4404 VP.	1
9.3	2130962	RING HOLDER D.18 G606/G6 1.4301 VP.	1
9.4	4176520	SCREW CH M5x5 A4-70 (3PIECES)	1
9.5	2130963	DRIVE RING D.29/18x12,4 MACH.VP.	1
9.6	2130964	TOOL M.S.CART.HELIX VP.	1
9.7	2130965	SCREW CHC M5X12 ISO4762 A2.70(4 PIECES)	1



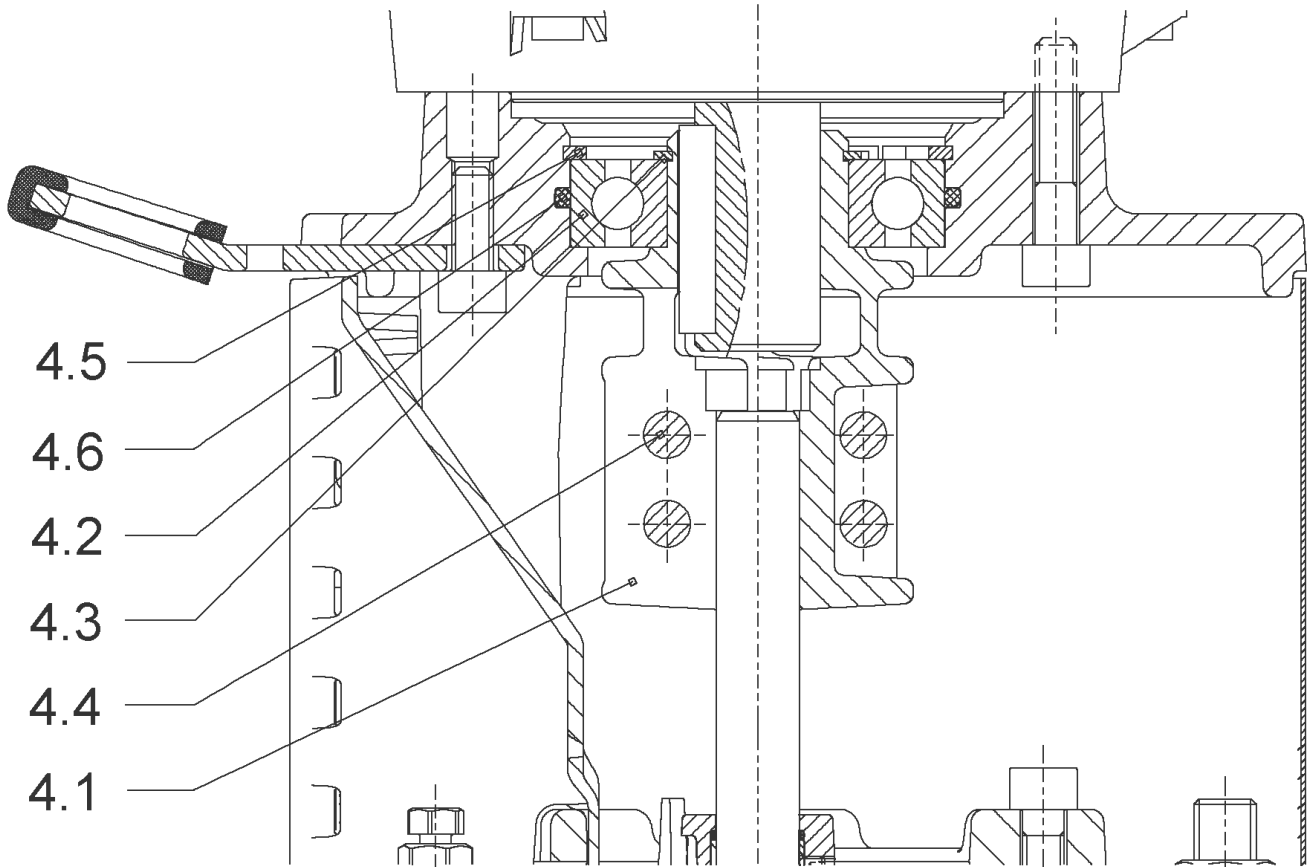
HYDRAULIC HELIX V 1603 1.4307

Item	Article no.	Description	Quantity
13.1	4159720	STAGE HELIX 16 1.4301 KIT	1
		> MACH.STG-CASING-WOGV-WNR-M+16-304	1
		> IMPELLER-M+16-304	1
13.2	4159714	STAGE BEARING HELIX 16 1.4301 KIT	1
		> MACH.BEARING-STG-CASING-WNR-M+16-304	1
		> SHAFT-SLEEVE-D16xD20x18-CW	1
		> IMPELLER-M+16-304	1
		> SLEEVE-SPACER-Ø19,35x30,665-304	1
13.3	4159715	INTERMEDIATE STAGE HELIX 16 1.4301 KIT	1
		> CORPS-ETG-STD-ACR-AJR-USIN.M+16-304	1
		> IMPELLER-M+16-304	1
		> SPACER Ø16X19.4-L48.6-304	1



HELIX V1604-1/16/E/KS/400-50 (4141147)

Item	Article no.	Description	Quantity
1	4169944	MOTOR 3/2/100 3~230/400V 50HZ IE3 VP.	1
		SPARE PARTS MOTOR:ON REQUEST	1
2	4206025	SCREW M8X45 (4 PIECES)	1
3	4171326	LANTERN FT130 HELIX KIT	1
4	4159710	COUPLING D.16XD.28 FT130 HELIX KIT	1
5	4159707	SCREW M8X30 (4 PIECES)	1
6	2018365	STUD BOLT M12X392 KIT	1
6.1		> TIE BOLT M12-392x18x30-1.4057	1
6.2	2094647	> NUT M12 M12 ISO4032 VP.	1
6.3	2123557	> WASHER CS-12.4-24-1.6-NFE25 (4 PIECES)	1
7	4159685	END SHIELD HELIX EPDM KIT	1
7.1		> END SHIELD M+6" GJL250 MACHINING+CATA	1
7.2	2127607	> STATIONARY RING HOLDER 6" HELIX 1.4301 V	1
7.3	4176513	> O-RING FOR PUMP JACKET VP.	1
7.4	2127603	> O-RING ID.37,6x2,4 EPDM VP.	1
7.5	2127602	> O-RING ID.21,35x2 EPDM VP.	1
8	4159686	FILING/PURGING PLUG HELIX EPDM KIT	1
9	4159696	CARTRIDGE HELIX6-10-16 O/E KIT	1
10	2127576	HOUSING PIPE D.152x260 1.4301 KIT	1
7.3	4176513	> O-RING FOR PUMP JACKET VP.	1
10.1		> HOUSING-PIPE Ø152-M+1604-304	1
11	2127588	CENTERING STAGE-RETURN HELIX16 1.4301 VP	1
12	4209328	SHAFT EQUIPMENT HELIX V16 BI BLOC KIT	1
13		HYDRAULIC HELIX V 1604 1.4307	1
14	2127565	SHAFT D.16X380 1.4301 VP.	1
15	4217899	PUMP HOUSING HELIX DN50 PN16 1.4301 KIT	1
16	2127601	BASEPLATE HELIX V16 VP.	1



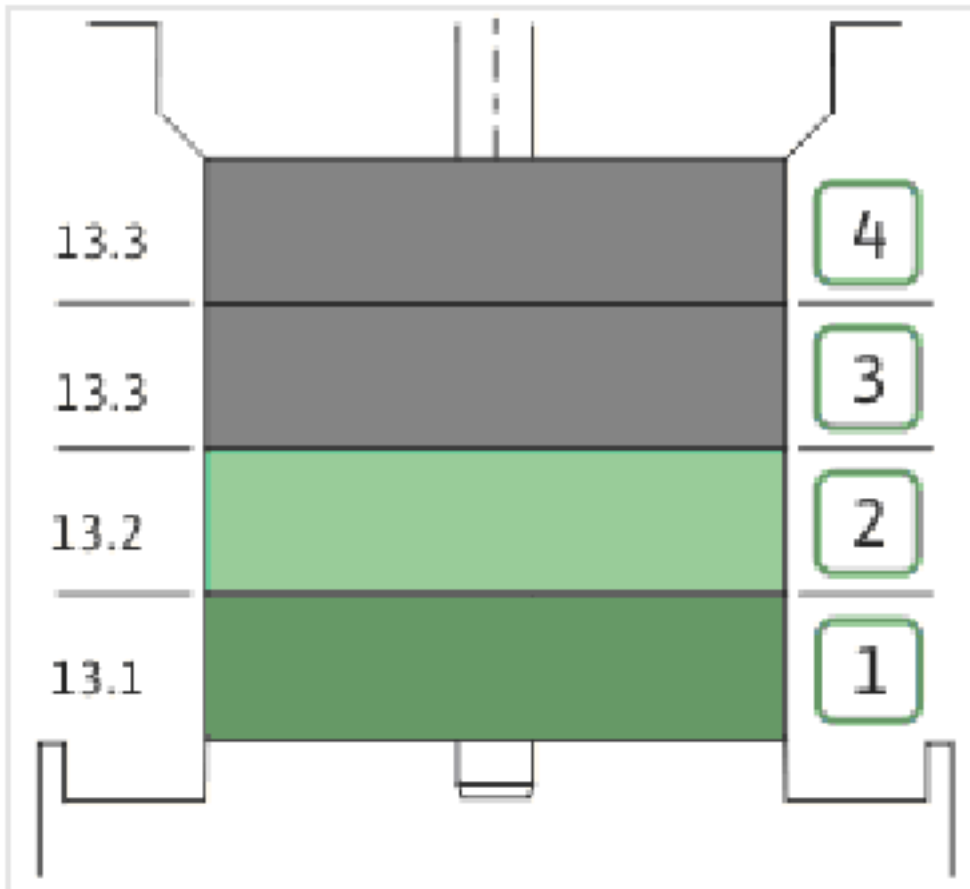
COUPLING D.16XD.28 FT130 HELIX KIT (4159710)

Item	Article no.	Description	Quantity
4.1		COUPLING M+ Ø16XØ28 FT130 MACHINED	1
4.2	2131022	BALL BEARING 6209/ZZ-C3(HT)VP.	1
4.3	4233930	CIRCLIP-FOR-BORES-D45x1,75 VP.	1
4.4	4157726	SCREW KIT M8X30 (4 PIECES)	1
4.5	4234252	CIRCLIPS 85X3 VP.	1
4.6	4234243	O-RING 85X3 VP.	1
		NOMEL CONTACT WASHER 8x16x1,4 STEEL ZC	1



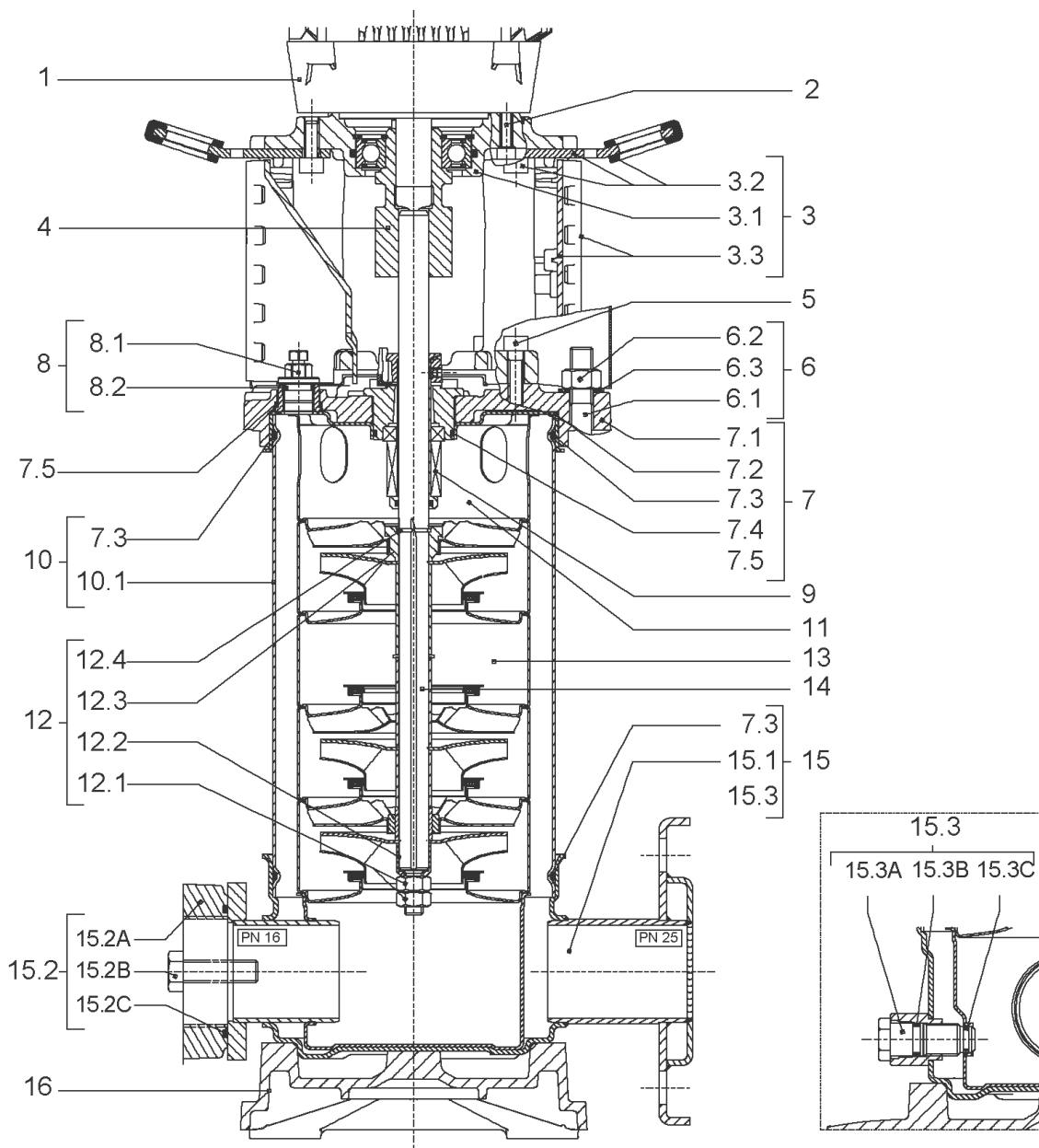
CARTRIDGE HELIX6-10-16 O/E KIT (4159696)

Item	Article no.	Description	Quantity
9.1	4159697	SEAL-KIT-HELIX6-10-16 O/E	1
7.3	4176513	> O-RING FOR PUMP JACKET VP.	1
7.4	2127603	> O-RING ID.37,6x2,4 EPDM VP.	1
9.1A	2130966	> MECH.SEAL HELIX2-4-6-10-16 O/E VP.	1
9.1B	2130967	> O-RING D.16X2,5 EPDM VP.	1
9.1C	4176519	> O-RING Ø16xØ1.25 VP.	1
9.2	2130961	SHAFT SLEEVE D.18/16X72,2 1.4404 VP.	1
9.3	2130962	RING HOLDER D.18 G606/G6 1.4301 VP.	1
9.4	4176520	SCREW CH M5x5 A4-70 (3PIECES)	1
9.5	2130963	DRIVE RING D.29/18x12,4 MACH.VP.	1
9.6	2130964	TOOL M.S.CART.HELIX VP.	1
9.7	2130965	SCREW CHC M5X12 ISO4762 A2.70(4 PIECES)	1



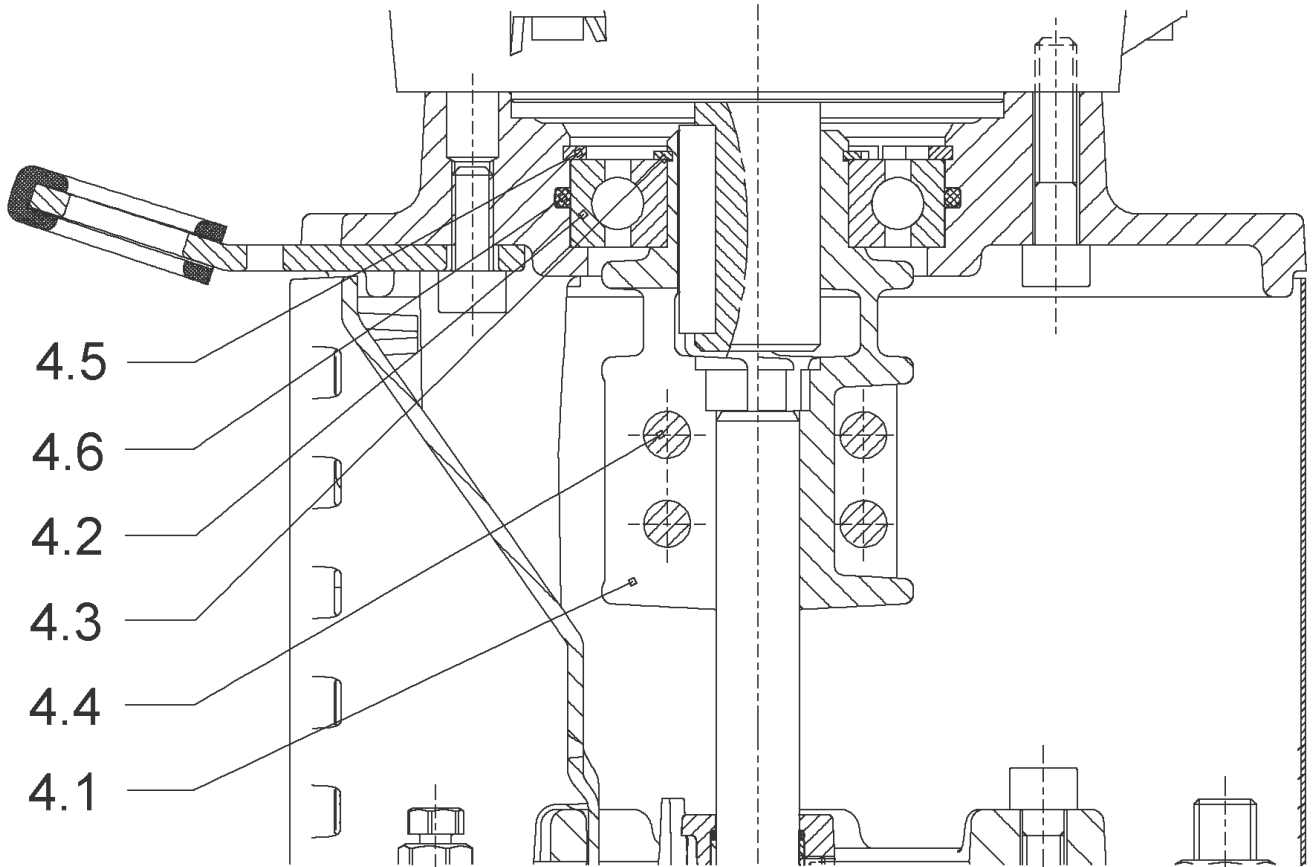
HYDRAULIC HELIX V 1604 1.4307

Item	Article no.	Description	Quantity
13.1	4159720	STAGE HELIX 16 1.4301 KIT	1
		> MACH.STG-CASING-WOGV-WNR-M+16-304	1
		> IMPELLER-M+16-304	1
13.2	4159714	STAGE BEARING HELIX 16 1.4301 KIT	1
		> MACH.BEARING-STG-CASING-WNR-M+16-304	1
		> SHAFT-SLEEVE-D16xD20x18-CW	1
		> IMPELLER-M+16-304	1
		> SLEEVE-SPACER-Ø19,35x30,665-304	1
13.3	4159715	INTERMEDIATE STAGE HELIX 16 1.4301 KIT	1
		> CORPS-ETG-STD-ACR-AJR-USIN.M+16-304	1
		> IMPELLER-M+16-304	1
		> SPACER Ø16X19.4-L48.6-304	1



HELIX V1605-1/16/E/KS/400-50 (4141148)

Item	Article no.	Description	Quantity
1	4169945	MO.4/2 3~230/400(460)V 50(60)HZ IE3 VP.	1
		SPARE PARTS MOTOR:ON REQUEST	1
2	4206025	SCREW M8X45 (4 PIECES)	1
3	4171326	LANTERN FT130 HELIX KIT	1
4	4159710	COUPLING D.16XD.28 FT130 HELIX KIT	1
5	4159707	SCREW M8X30 (4 PIECES)	1
6	2127554	STUD BOLT M12X437 KIT	1
6.1		> TIE BOLT M12-437x18x30-1.4057	1
6.2	2094647	> NUT M12 M12 ISO4032 VP.	1
6.3	2123557	> WASHER CS-12.4-24-1.6-NFE25 (4 PIECES)	1
7	4159685	END SHIELD HELIX EPDM KIT	1
7.1		> END SHIELD M+6" GJL250 MACHINING+CATA	1
7.2	2127607	> STATIONARY RING HOLDER 6" HELIX 1.4301 V	1
7.3	4176513	> O-RING FOR PUMP JACKET VP.	1
7.4	2127603	> O-RING ID.37,6x2,4 EPDM VP.	1
7.5	2127602	> O-RING ID.21,35x2 EPDM VP.	1
8	4159686	FILING/PURGING PLUG HELIX EPDM KIT	1
9	4159696	CARTRIDGE HELIX6-10-16 O/E KIT	1
10	2127577	HOUSING PIPE D.152x310 1.4301 KIT	1
7.3	4176513	> O-RING FOR PUMP JACKET VP.	1
10.1		> HOUSING-PIPE Ø152-M+1605-304	1
11	2127588	CENTERING STAGE-RETURN HELIX16 1.4301 VP	1
12	4209328	SHAFT EQUIPMENT HELIX V16 BI BLOC KIT	1
13		HYDRAULIC HELIX V 1605 1.4307	1
14	2127566	SHAFT D.16X430 1.4301 VP.	1
15	4217899	PUMP HOUSING HELIX DN50 PN16 1.4301 KIT	1
16	2127601	BASEPLATE HELIX V16 VP.	1



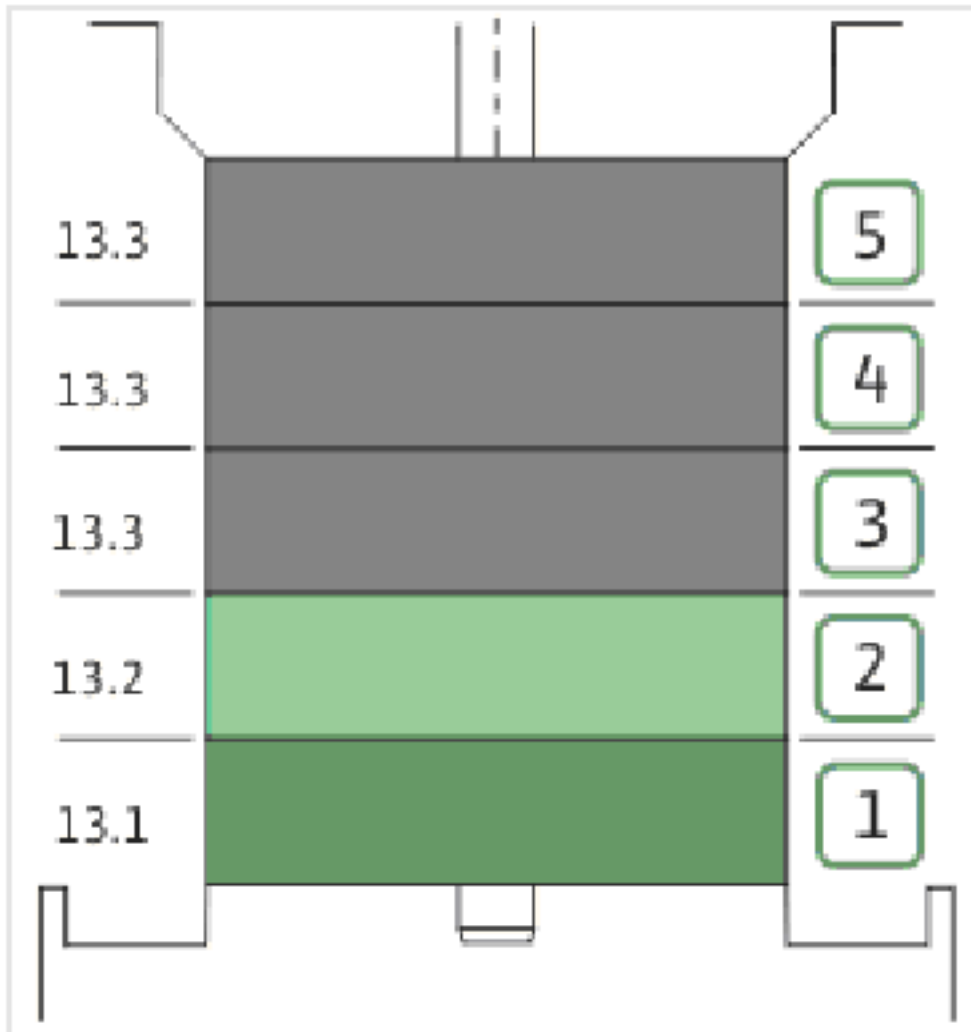
COUPLING D.16XD.28 FT130 HELIX KIT (4159710)

Item	Article no.	Description	Quantity
4.1		COUPLING M+ Ø16XØ28 FT130 MACHINED	1
4.2	2131022	BALL BEARING 6209/ZZ-C3(HT)VP.	1
4.3	4233930	CIRCLIP-FOR-BORES-D45x1,75 VP.	1
4.4	4157726	SCREW KIT M8X30 (4 PIECES)	1
4.5	4234252	CIRCLIPS 85X3 VP.	1
4.6	4234243	O-RING 85X3 VP.	1
		NOMEL CONTACT WASHER 8x16x1,4 STEEL ZC	1



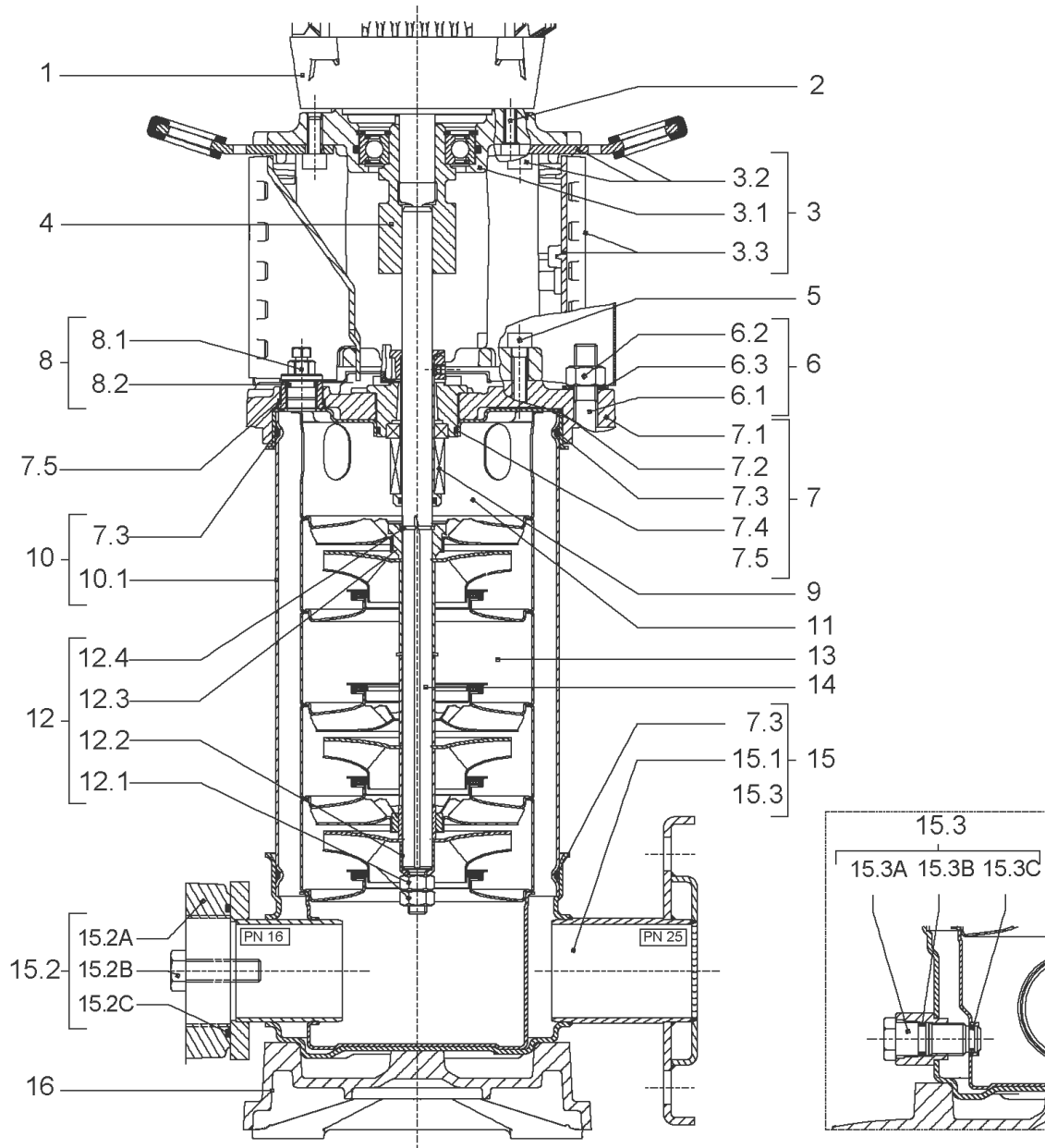
CARTRIDGE HELIX6-10-16 O/E KIT (4159696)

Item	Article no.	Description	Quantity
9.1	4159697	SEAL-KIT-HELIX6-10-16 O/E	1
7.3	4176513	> O-RING FOR PUMP JACKET VP.	1
7.4	2127603	> O-RING ID.37,6x2,4 EPDM VP.	1
9.1A	2130966	> MECH.SEAL HELIX2-4-6-10-16 O/E VP.	1
9.1B	2130967	> O-RING D.16X2,5 EPDM VP.	1
9.1C	4176519	> O-RING Ø16xØ1.25 VP.	1
9.2	2130961	SHAFT SLEEVE D.18/16X72,2 1.4404 VP.	1
9.3	2130962	RING HOLDER D.18 G606/G6 1.4301 VP.	1
9.4	4176520	SCREW CH M5x5 A4-70 (3PIECES)	1
9.5	2130963	DRIVE RING D.29/18x12,4 MACH.VP.	1
9.6	2130964	TOOL M.S.CART.HELIX VP.	1
9.7	2130965	SCREW CHC M5X12 ISO4762 A2.70(4 PIECES)	1



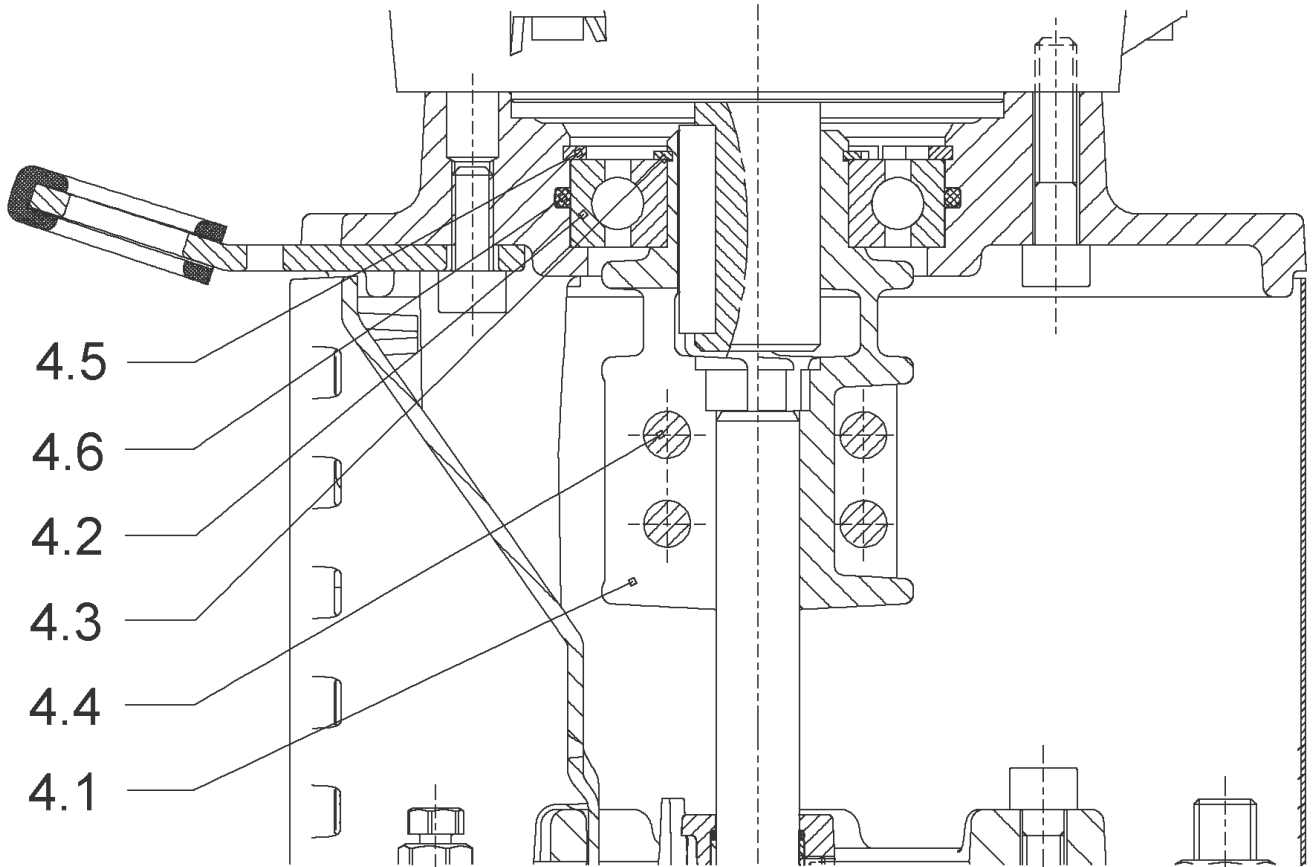
HYDRAULIC HELIX V 1605 1.4307

Item	Article no.	Description	Quantity
13.1	4159720	STAGE HELIX 16 1.4301 KIT	1
		> MACH.STG-CASING-WOGV-WNR-M+16-304	1
		> IMPELLER-M+16-304	1
13.2	4159714	STAGE BEARING HELIX 16 1.4301 KIT	1
		> MACH.BEARING-STG-CASING-WNR-M+16-304	1
		> SHAFT-SLEEVE-D16xD20x18-CW	1
		> IMPELLER-M+16-304	1
		> SLEEVE-SPACER-Ø19,35x30,665-304	1
13.3	4159715	INTERMEDIATE STAGE HELIX 16 1.4301 KIT	1
		> CORPS-ETG-STD-ACR-AJR-USIN.M+16-304	1
		> IMPELLER-M+16-304	1
		> SPACER Ø16X19.4-L48.6-304	1



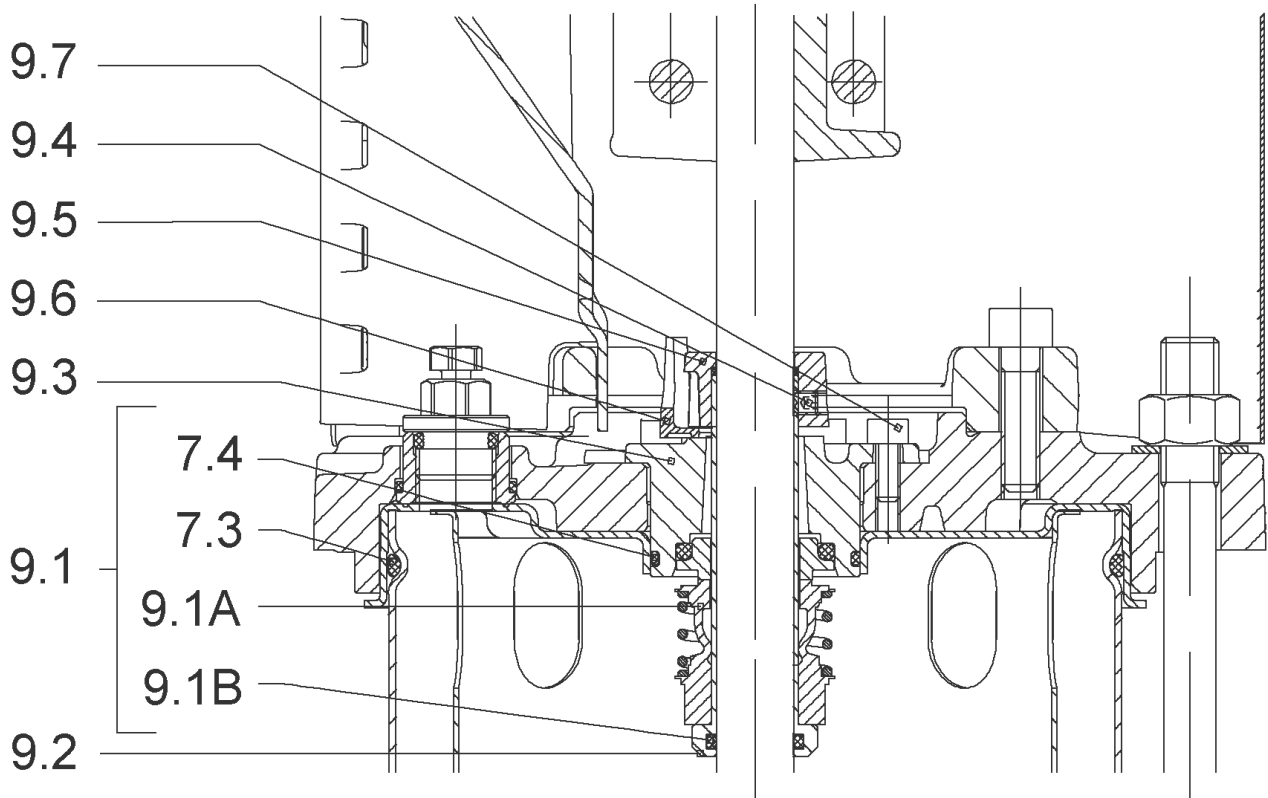
HELIX V1605-1/25/E/KS/400-50 (4141149)

Item	Article no.	Description	Quantity
1	4169945	MO.4/2 3~230/400(460)V 50(60)HZ IE3 VP.	1
		SPARE PARTS MOTOR:ON REQUEST	1
2	4206025	SCREW M8X45 (4 PIECES)	1
3	4171326	LANTERN FT130 HELIX KIT	1
4	4159710	COUPLING D.16XD.28 FT130 HELIX KIT	1
5	4159707	SCREW M8X30 (4 PIECES)	1
6	2127554	STUD BOLT M12X437 KIT	1
6.1		> TIE BOLT M12-437x18x30-1.4057	1
6.2	2094647	> NUT M12 M12 ISO4032 VP.	1
6.3	2123557	> WASHER CS-12.4-24-1.6-NFE25 (4 PIECES)	1
7	4159685	END SHIELD HELIX EPDM KIT	1
7.1		> END SHIELD M+6" GJL250 MACHINING+CATA	1
7.2	2127607	> STATIONARY RING HOLDER 6" HELIX 1.4301 V	1
7.3	4176513	> O-RING FOR PUMP JACKET VP.	1
7.4	2127603	> O-RING ID.37,6x2,4 EPDM VP.	1
7.5	2127602	> O-RING ID.21,35x2 EPDM VP.	1
8	4159686	FILING/PURGING PLUG HELIX EPDM KIT	1
9	4159698	CARTRIDGE HELIX6-10-16 F/E KIT	1
10	2127577	HOUSING PIPE D.152x310 1.4301 KIT	1
7.3	4176513	> O-RING FOR PUMP JACKET VP.	1
10.1		> HOUSING-PIPE Ø152-M+1605-304	1
11	2127588	CENTERING STAGE-RETURN HELIX16 1.4301 VP	1
12	4209328	SHAFT EQUIPMENT HELIX V16 BI BLOC KIT	1
13		HYDRAULIC HELIX V 1605 1.4307	1
14	2127566	SHAFT D.16X430 1.4301 VP.	1
15	4159683	PUMP HOUSING HELIX DN50 PN25 1.4301 KIT	1
7.3	4176513	> O-RING FOR PUMP JACKET VP.	1
15.1		> CASING-MVI-PN25-DN50-16M3-316L	1
15.2	4124503	> FLAT GASKET 61x107x2_DN50_PN25_FIBER	1
15.3	4159684	> PRIMING/DRAIN PLUG HELIX16 EPDM KIT	1
16	2127601	BASEPLATE HELIX V16 VP.	1



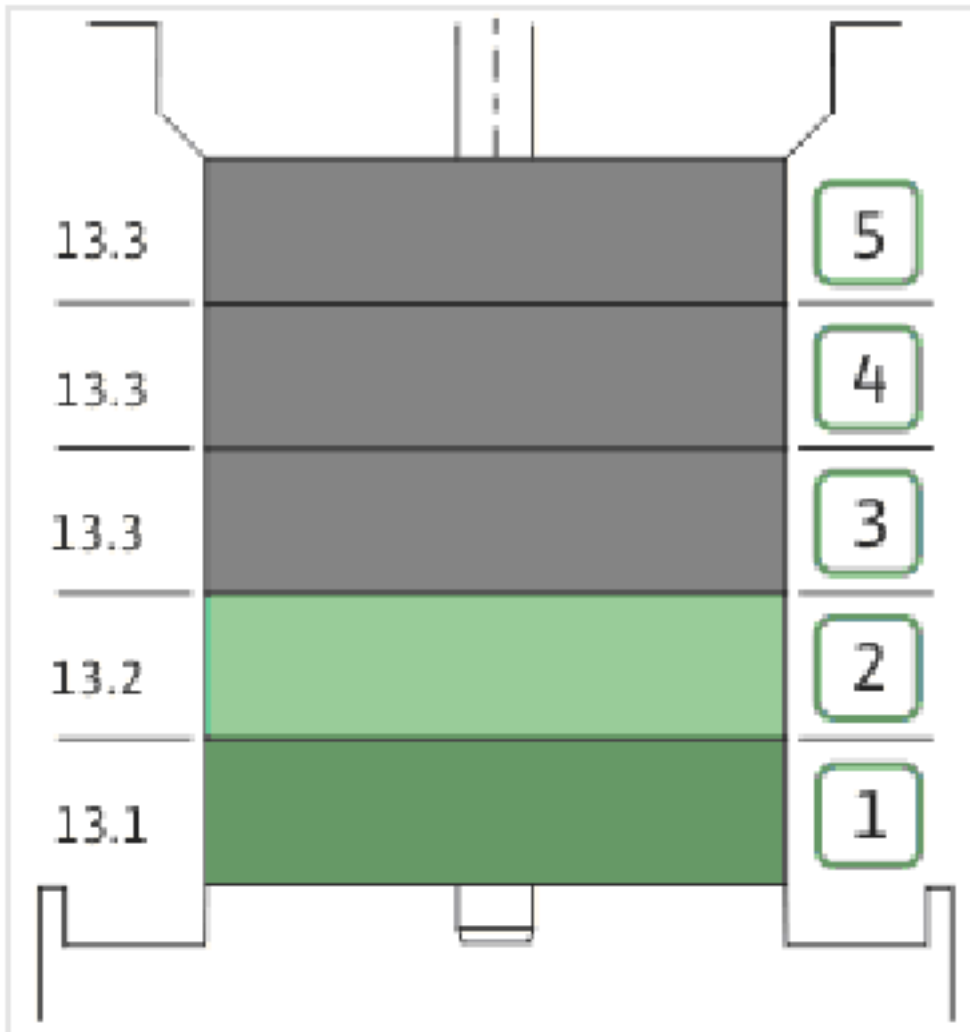
COUPLING D.16XD.28 FT130 HELIX KIT (4159710)

Item	Article no.	Description	Quantity
4.1		COUPLING M+ Ø16XØ28 FT130 MACHINED	1
4.2	2131022	BALL BEARING 6209/ZZ-C3(HT)VP.	1
4.3	4233930	CIRCLIP-FOR-BORES-D45x1,75 VP.	1
4.4	4157726	SCREW KIT M8X30 (4 PIECES)	1
4.5	4234252	CIRCLIPS 85X3 VP.	1
4.6	4234243	O-RING 85X3 VP.	1
		NOMEL CONTACT WASHER 8x16x1,4 STEEL ZC	1



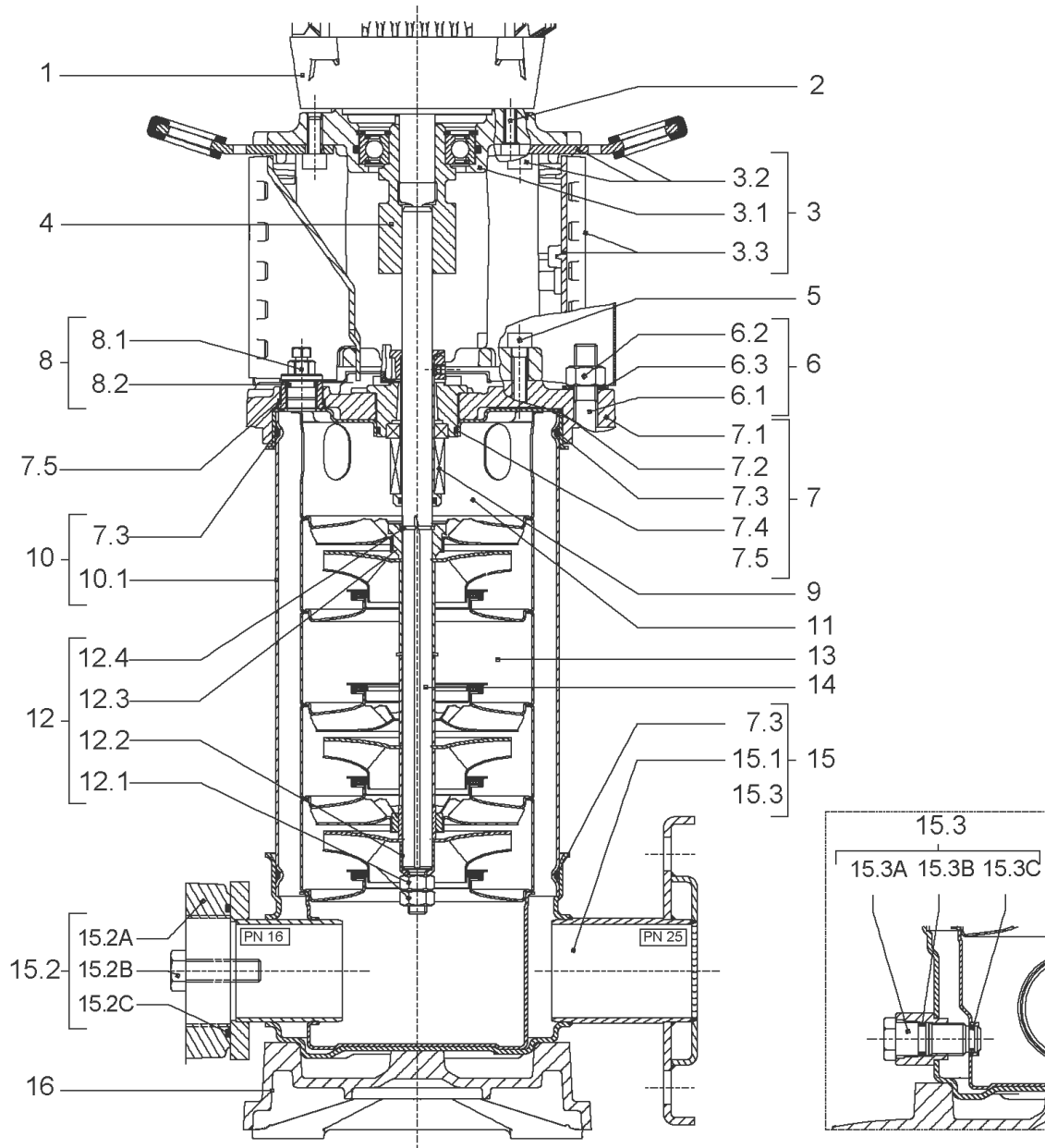
CARTRIDGE HELIX6-10-16 F/E KIT (4159698)

Item	Article no.	Description	Quantity
9.1	4159699	SEAL-KIT-HELIX6-10-16 F/E	1
7.3	4176513	> O-RING FOR PUMP JACKET VP.	1
7.4	2127603	> O-RING ID.37,6x2,4 EPDM VP.	1
9.1A	4176521	> MECH.SEAL HELIX2-4-6-10-16 F/E VP.	1
9.1B	2130967	> O-RING D.16X2,5 EPDM VP.	1
9.2	2130961	SHAFT SLEEVE D.18/16X72,2 1.4404 VP.	1
9.3	2130962	RING HOLDER D.18 G606/G6 1.4301 VP.	1
9.4	4068120	SCREW CH M5x5 A4-70	1
9.5	2130963	DRIVE RING D.29/18x12,4 MACH.VP.	1
9.6	2130964	TOOL M.S.CART.HELIX VP.	1
9.7	2130965	SCREW CHC M5X12 ISO4762 A2.70(4 PIECES)	1



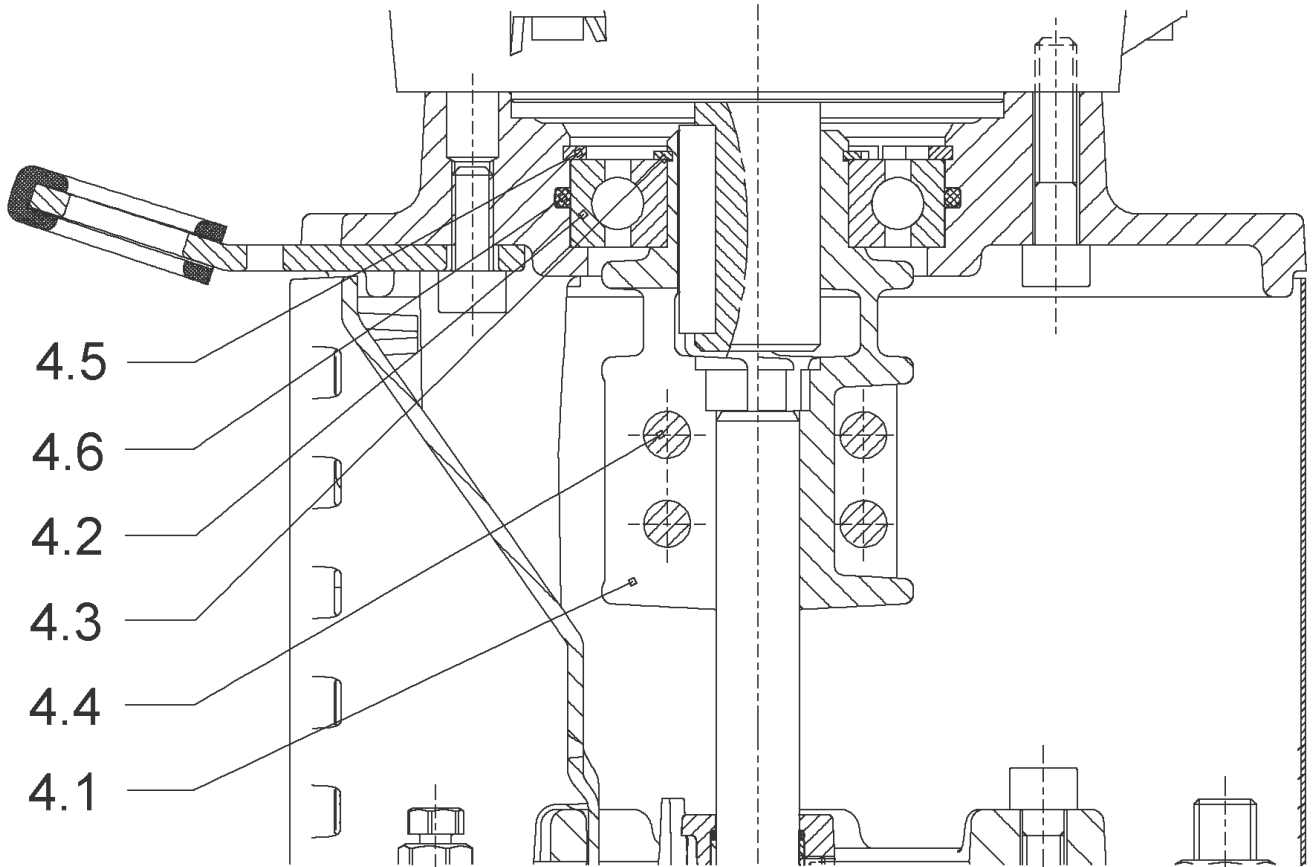
HYDRAULIC HELIX V 1605 1.4307

Item	Article no.	Description	Quantity
13.1	4159720	STAGE HELIX 16 1.4301 KIT	1
		> MACH.STG-CASING-WOGV-WNR-M+16-304	1
		> IMPELLER-M+16-304	1
13.2	4159714	STAGE BEARING HELIX 16 1.4301 KIT	1
		> MACH.BEARING-STG-CASING-WNR-M+16-304	1
		> SHAFT-SLEEVE-D16xD20x18-CW	1
		> IMPELLER-M+16-304	1
		> SLEEVE-SPACER-Ø19,35x30,665-304	1
13.3	4159715	INTERMEDIATE STAGE HELIX 16 1.4301 KIT	1
		> CORPS-ETG-STD-ACR-AJR-USIN.M+16-304	1
		> IMPELLER-M+16-304	1
		> SPACER Ø16X19.4-L48.6-304	1



HELIX V1606-1/16/E/KS/400-50 (4141150)

Item	Article no.	Description	Quantity
1	4169945	MO.4/2 3~230/400(460)V 50(60)HZ IE3 VP.	1
		SPARE PARTS MOTOR:ON REQUEST	1
2	4206025	SCREW M8X45 (4 PIECES)	1
3	4171326	LANTERN FT130 HELIX KIT	1
4	4159710	COUPLING D.16XD.28 FT130 HELIX KIT	1
5	4159707	SCREW M8X30 (4 PIECES)	1
6	2127555	STUD BOLT M12X485 KIT	1
6.1		> TIE BOLT M12-485x18x30-1.4057	1
6.2	2094647	> NUT M12 M12 ISO4032 VP.	1
6.3	2123557	> WASHER CS-12.4-24-1.6-NFE25 (4 PIECES)	1
7	4159685	END SHIELD HELIX EPDM KIT	1
7.1		> END SHIELD M+6" GJL250 MACHINING+CATA	1
7.2	2127607	> STATIONARY RING HOLDER 6" HELIX 1.4301 V	1
7.3	4176513	> O-RING FOR PUMP JACKET VP.	1
7.4	2127603	> O-RING ID.37,6x2,4 EPDM VP.	1
7.5	2127602	> O-RING ID.21,35x2 EPDM VP.	1
8	4159686	FILING/PURGING PLUG HELIX EPDM KIT	1
9	4159696	CARTRIDGE HELIX6-10-16 O/E KIT	1
10	2127578	HOUSING PIPE D.152x360 1.4307 KIT	1
7.3	4176513	> O-RING FOR PUMP JACKET VP.	1
10.1		> HOUSING-PIPE Ø152-M+1008/1606-304	1
11	2127588	CENTERING STAGE-RETURN HELIX16 1.4301 VP	1
12	4209328	SHAFT EQUIPMENT HELIX V16 BI BLOC KIT	1
13		HYDRAULIC HELIX V 1606 1.4307	1
14	2127397	SHAFT D.16X480 1.4301 VP.	1
15	4217899	PUMP HOUSING HELIX DN50 PN16 1.4301 KIT	1
16	2127601	BASEPLATE HELIX V16 VP.	1



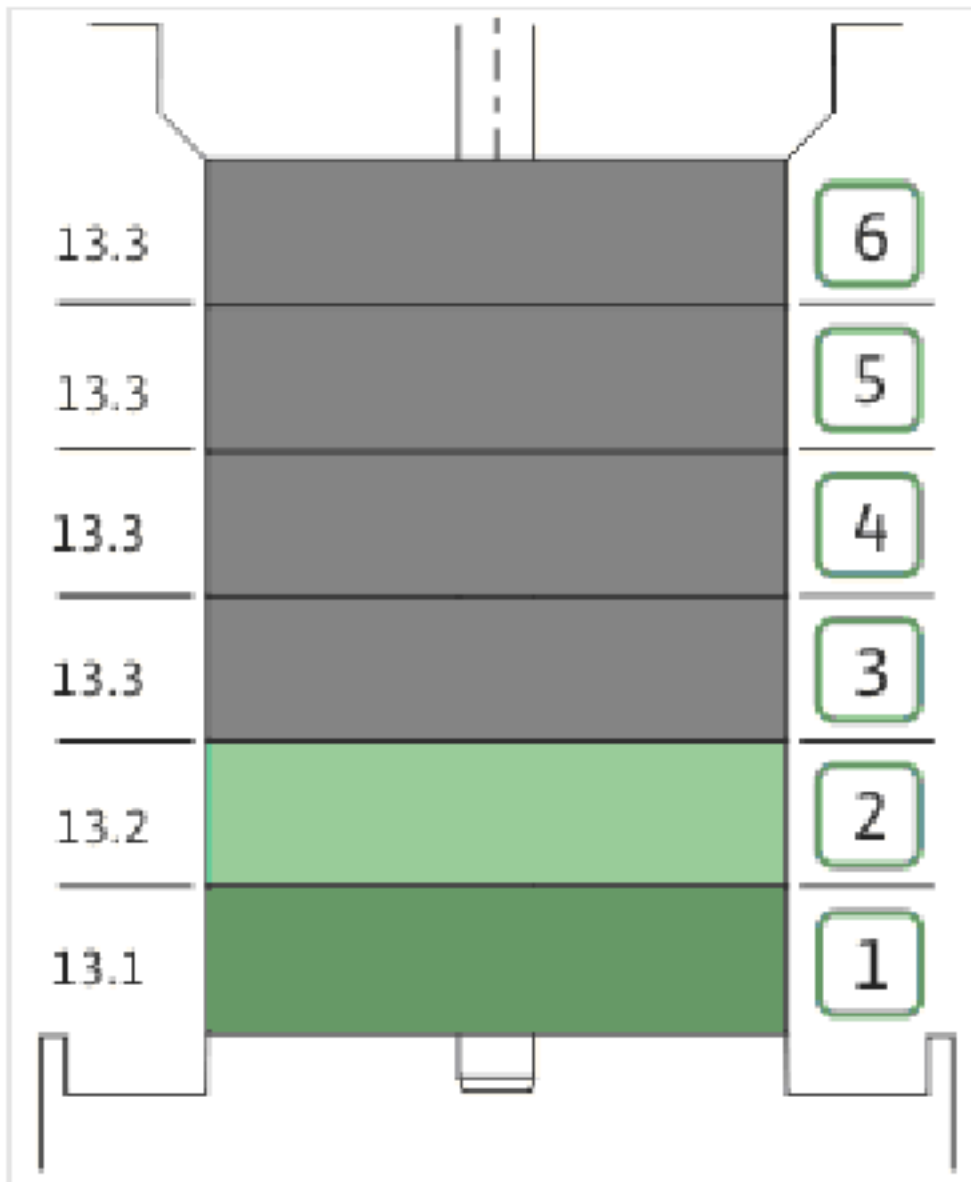
COUPLING D.16XD.28 FT130 HELIX KIT (4159710)

Item	Article no.	Description	Quantity
4.1		COUPLING M+ Ø16XØ28 FT130 MACHINED	1
4.2	2131022	BALL BEARING 6209/ZZ-C3(HT)VP.	1
4.3	4233930	CIRCLIP-FOR-BORES-D45x1,75 VP.	1
4.4	4157726	SCREW KIT M8X30 (4 PIECES)	1
4.5	4234252	CIRCLIPS 85X3 VP.	1
4.6	4234243	O-RING 85X3 VP.	1
		NOMEL CONTACT WASHER 8x16x1,4 STEEL ZC	1



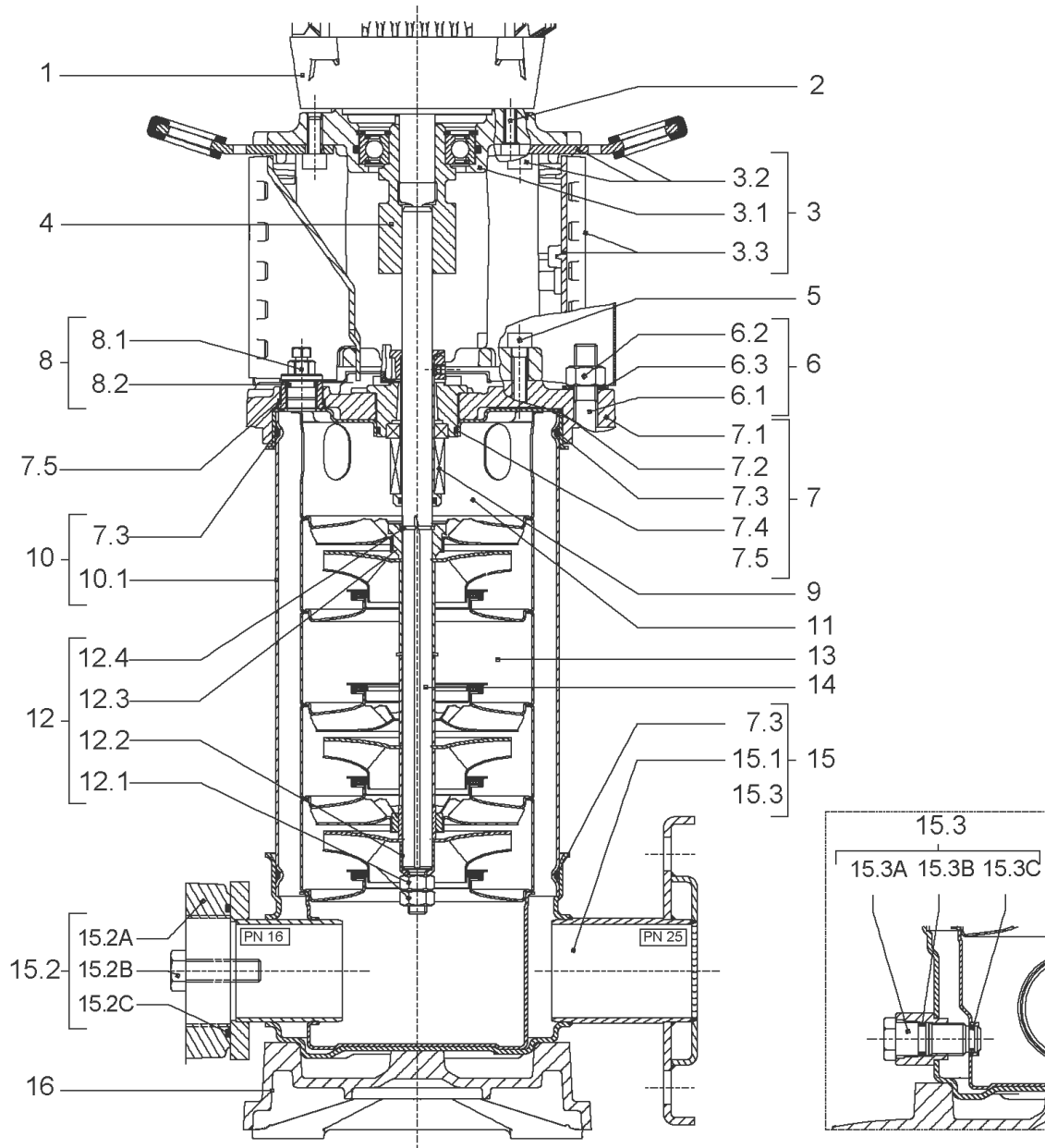
CARTRIDGE HELIX6-10-16 O/E KIT (4159696)

Item	Article no.	Description	Quantity
9.1	4159697	SEAL-KIT-HELIX6-10-16 O/E	1
7.3	4176513	> O-RING FOR PUMP JACKET VP.	1
7.4	2127603	> O-RING ID.37,6x2,4 EPDM VP.	1
9.1A	2130966	> MECH.SEAL HELIX2-4-6-10-16 O/E VP.	1
9.1B	2130967	> O-RING D.16X2,5 EPDM VP.	1
9.1C	4176519	> O-RING Ø16xØ1.25 VP.	1
9.2	2130961	SHAFT SLEEVE D.18/16X72,2 1.4404 VP.	1
9.3	2130962	RING HOLDER D.18 G606/G6 1.4301 VP.	1
9.4	4176520	SCREW CH M5x5 A4-70 (3PIECES)	1
9.5	2130963	DRIVE RING D.29/18x12,4 MACH.VP.	1
9.6	2130964	TOOL M.S.CART.HELIX VP.	1
9.7	2130965	SCREW CHC M5X12 ISO4762 A2.70(4 PIECES)	1



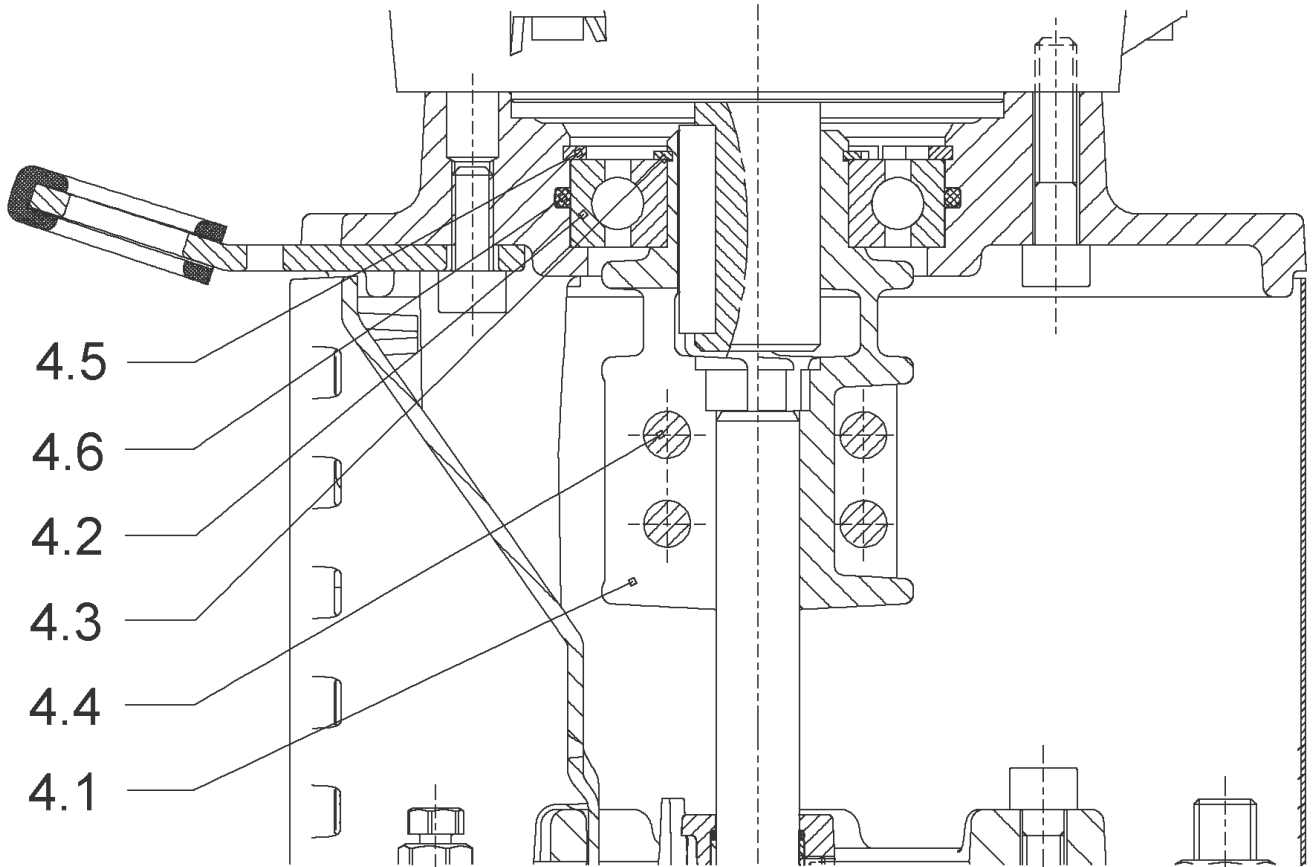
HYDRAULIC HELIX V 1606 1.4307

Item	Article no.	Description	Quantity
13.1	4159720	STAGE HELIX 16 1.4301 KIT	1
		> MACH.STG-CASING-WOGV-WNR-M+16-304	1
		> IMPELLER-M+16-304	1
13.2	4159714	STAGE BEARING HELIX 16 1.4301 KIT	1
		> MACH.BEARING-STG-CASING-WNR-M+16-304	1
		> SHAFT-SLEEVE-D16xD20x18-CW	1
		> IMPELLER-M+16-304	1
		> SLEEVE-SPACER-Ø19,35x30,665-304	1
13.3	4159715	INTERMEDIATE STAGE HELIX 16 1.4301 KIT	1
		> CORPS-ETG-STD-ACR-AJR-USIN.M+16-304	1
		> IMPELLER-M+16-304	1
		> SPACER Ø16X19.4-L48.6-304	1



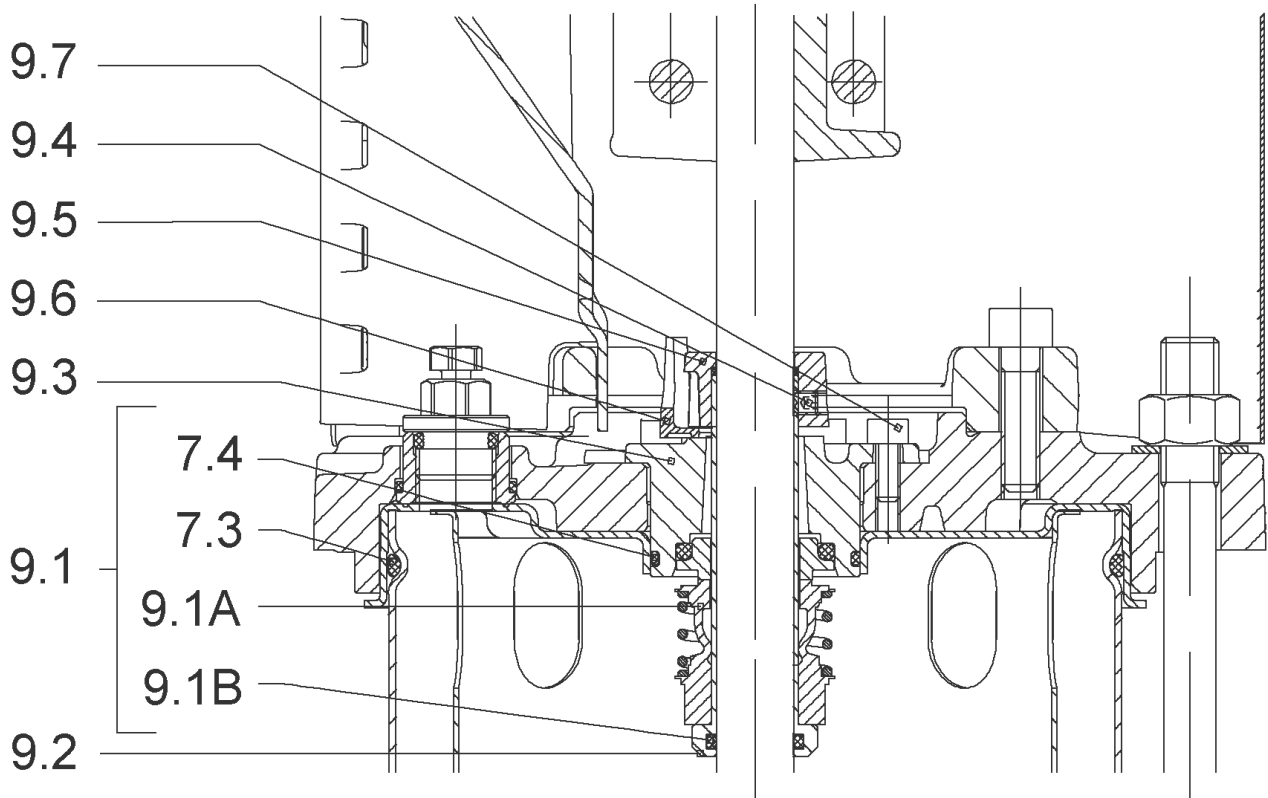
HELIX V1606-1/25/E/KS/400-50 (4141151)

Item	Article no.	Description	Quantity
1	4169945	MO.4/2 3~230/400(460)V 50(60)HZ IE3 VP.	1
		SPARE PARTS MOTOR:ON REQUEST	1
2	4206025	SCREW M8X45 (4 PIECES)	1
3	4171326	LANTERN FT130 HELIX KIT	1
4	4159710	COUPLING D.16XD.28 FT130 HELIX KIT	1
5	4159707	SCREW M8X30 (4 PIECES)	1
6	2127555	STUD BOLT M12X485 KIT	1
6.1		> TIE BOLT M12-485x18x30-1.4057	1
6.2	2094647	> NUT M12 M12 ISO4032 VP.	1
6.3	2123557	> WASHER CS-12.4-24-1.6-NFE25 (4 PIECES)	1
7	4159685	END SHIELD HELIX EPDM KIT	1
7.1		> END SHIELD M+6" GJL250 MACHINING+CATA	1
7.2	2127607	> STATIONARY RING HOLDER 6" HELIX 1.4301 V	1
7.3	4176513	> O-RING FOR PUMP JACKET VP.	1
7.4	2127603	> O-RING ID.37,6x2,4 EPDM VP.	1
7.5	2127602	> O-RING ID.21,35x2 EPDM VP.	1
8	4159686	FILING/PURGING PLUG HELIX EPDM KIT	1
9	4159698	CARTRIDGE HELIX6-10-16 F/E KIT	1
10	2127578	HOUSING PIPE D.152x360 1.4307 KIT	1
7.3	4176513	> O-RING FOR PUMP JACKET VP.	1
10.1		> HOUSING-PIPE Ø152-M+1008/1606-304	1
11	2127588	CENTERING STAGE-RETURN HELIX16 1.4301 VP	1
12	4209328	SHAFT EQUIPMENT HELIX V16 BI BLOC KIT	1
13		HYDRAULIC HELIX V 1606 1.4307	1
14	2127397	SHAFT D.16X480 1.4301 VP.	1
15	4159683	PUMP HOUSING HELIX DN50 PN25 1.4301 KIT	1
7.3	4176513	> O-RING FOR PUMP JACKET VP.	1
15.1		> CASING-MVI-PN25-DN50-16M3-316L	1
15.2	4124503	> FLAT GASKET 61x107x2_DN50_PN25_FIBER	1
15.3	4159684	> PRIMING/DRAIN PLUG HELIX16 EPDM KIT	1
16	2127601	BASEPLATE HELIX V16 VP.	1



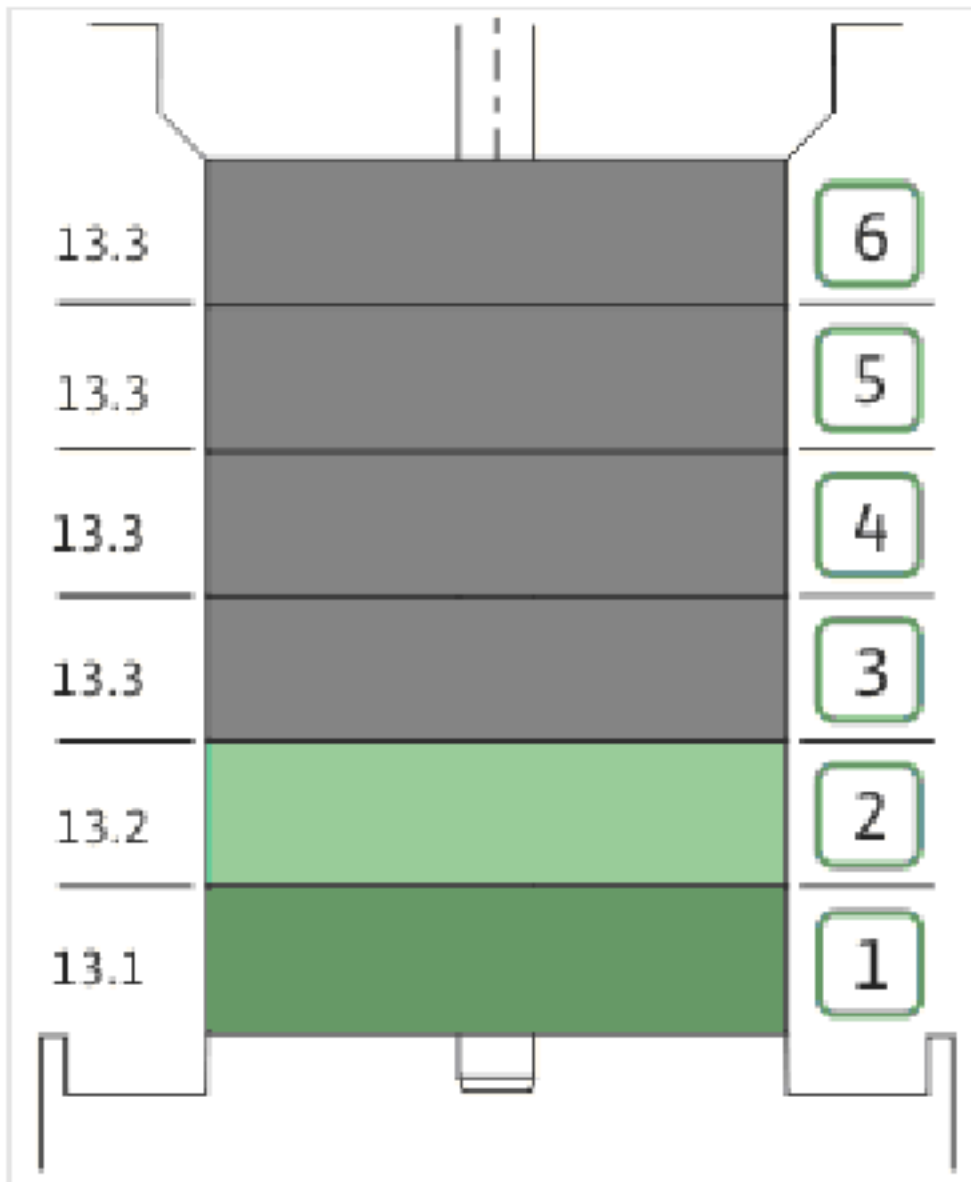
COUPLING D.16XD.28 FT130 HELIX KIT (4159710)

Item	Article no.	Description	Quantity
4.1		COUPLING M+ Ø16XØ28 FT130 MACHINED	1
4.2	2131022	BALL BEARING 6209/ZZ-C3(HT)VP.	1
4.3	4233930	CIRCLIP-FOR-BORES-D45x1,75 VP.	1
4.4	4157726	SCREW KIT M8X30 (4 PIECES)	1
4.5	4234252	CIRCLIPS 85X3 VP.	1
4.6	4234243	O-RING 85X3 VP.	1
		NOMEL CONTACT WASHER 8x16x1,4 STEEL ZC	1



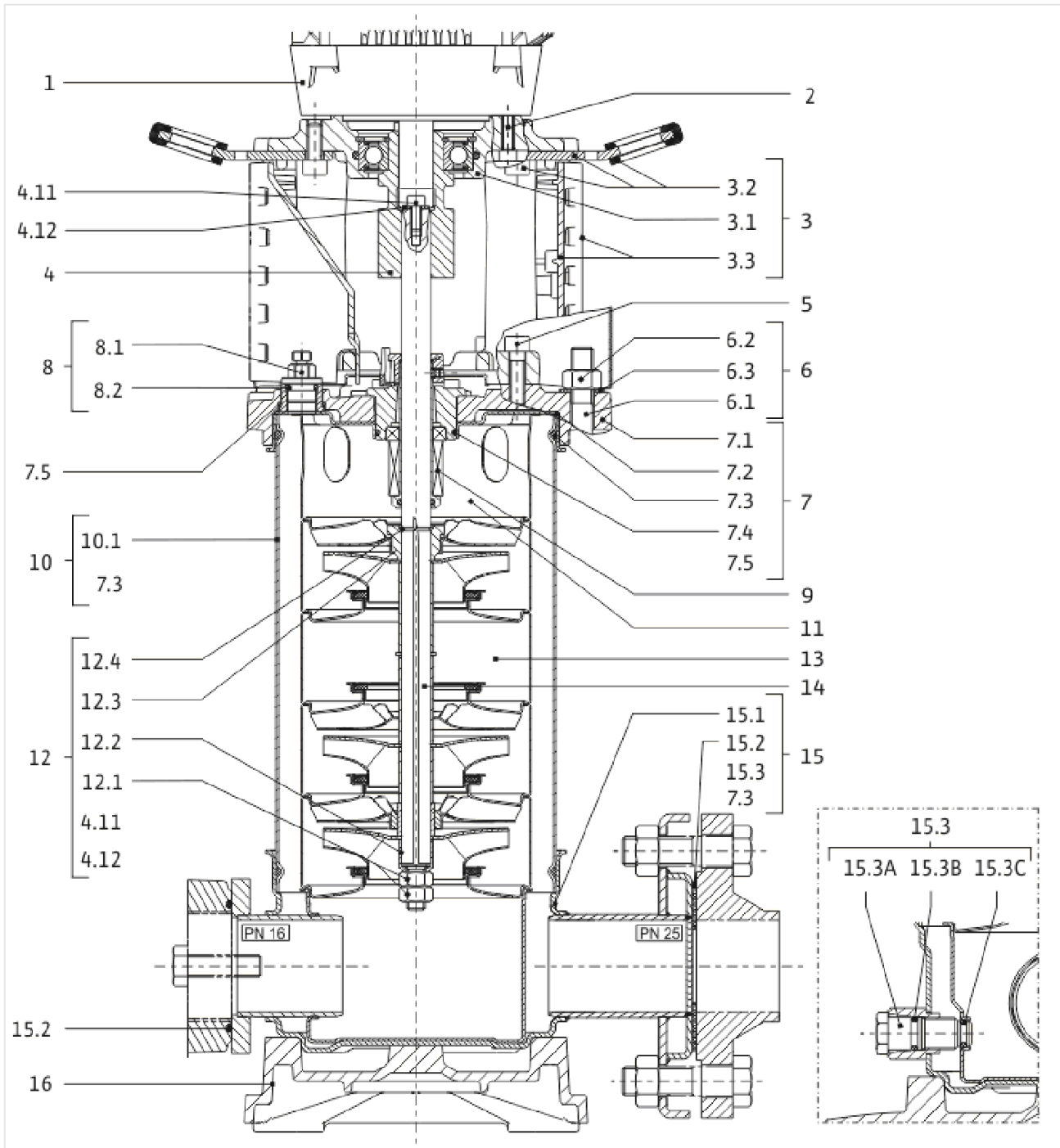
CARTRIDGE HELIX6-10-16 F/E KIT (4159698)

Item	Article no.	Description	Quantity
9.1	4159699	SEAL-KIT-HELIX6-10-16 F/E	1
7.3	4176513	> O-RING FOR PUMP JACKET VP.	1
7.4	2127603	> O-RING ID.37,6x2,4 EPDM VP.	1
9.1A	4176521	> MECH.SEAL HELIX2-4-6-10-16 F/E VP.	1
9.1B	2130967	> O-RING D.16X2,5 EPDM VP.	1
9.2	2130961	SHAFT SLEEVE D.18/16X72,2 1.4404 VP.	1
9.3	2130962	RING HOLDER D.18 G606/G6 1.4301 VP.	1
9.4	4068120	SCREW CH M5x5 A4-70	1
9.5	2130963	DRIVE RING D.29/18x12,4 MACH.VP.	1
9.6	2130964	TOOL M.S.CART.HELIX VP.	1
9.7	2130965	SCREW CHC M5X12 ISO4762 A2.70(4 PIECES)	1



HYDRAULIC HELIX V 1606 1.4307

Item	Article no.	Description	Quantity
13.1	4159720	STAGE HELIX 16 1.4301 KIT	1
		> MACH.STG-CASING-WOGV-WNR-M+16-304	1
		> IMPELLER-M+16-304	1
13.2	4159714	STAGE BEARING HELIX 16 1.4301 KIT	1
		> MACH.BEARING-STG-CASING-WNR-M+16-304	1
		> SHAFT-SLEEVE-D16xD20x18-CW	1
		> IMPELLER-M+16-304	1
		> SLEEVE-SPACER-Ø19,35x30,665-304	1
13.3	4159715	INTERMEDIATE STAGE HELIX 16 1.4301 KIT	1
		> CORPS-ETG-STD-ACR-AJR-USIN.M+16-304	1
		> IMPELLER-M+16-304	1
		> SPACER Ø16X19.4-L48.6-304	1



HELIX V1607-1/16/E/KS/400-50 (4141152)

Item	Article no.	Description	Quantity
1	4169947	MO 5,5/2/112 3~400V50Hz 460V60Hz IE3 VP.	1
		SPARE PARTS MOTOR:ON REQUEST	1
2	4206025	SCREW M8X45 (4 PIECES)	1
3	4171326	LANTERN FT130 HELIX KIT	1
3.1		> LANTERN FT130 M+6" GJL MACHINING+CATA	1
3.2	2127604	> EYELET CPL.FT HELIX(2 PIECES)	1
3.3	4159692	> COUPLING PROTECTOR FT HELIX KIT	1
4	4159710	COUPLING D.16XD.28 FT130 HELIX KIT	1
5	4159707	SCREW M8X30 (4 PIECES)	1
6	2127556	STUD BOLT M12X542 KIT	1
7	4159685	END SHIELD HELIX EPDM KIT	1
7.1		> END SHIELD M+6" GJL250 MACHINING+CATA	1
7.2	2127607	> STATIONARY RING HOLDER 6" HELIX 1.4301 V	1
7.3	4176513	> O-RING FOR PUMP JACKET VP.	1
7.4	2127603	> O-RING ID.37,6x2,4 EPDM VP.	1
7.5	2127602	> O-RING ID.21,35x2 EPDM VP.	1
8	4159686	FILING/PURGING PLUG HELIX EPDM KIT	1
9	4159696	CARTRIDGE HELIX6-10-16 O/E KIT	1
10	2127579	HOUSING PIPE D.152x410 1.4301 KIT	1
7.3	4176513	> O-RING FOR PUMP JACKET VP.	1
10.1		> HOUSING-PIPE Ø152-M+1607-304	1
11	2127588	CENTERING STAGE-RETURN HELIX16 1.4301 VP	1
12	4159688	SHAFT EQUIPMENT HELIX V16 BI BLOC KIT	1
4.11	4102901	> SCREW CHC-M6X14-8.8-ISO4762-GEOMET500A	1
4.12	2130995	> SERRATED LOCK WASHER D.6,2XD.14,5X28 VP.	1
12.1		> NUT-H-M10-A4.70	1
12.2		> SERRATED LOCK WASHER M+16M3-316L	1
12.3		> STOP COLLAR OF IMPELLER L18,8-Ø16-316L	1
12.4		> STOP-RUSH-1/2-D16xd2-M+316	1
13		HYDRAULIC HELIX V 1.4301	1
Note: TO / BIS / JUSQU'A .13W05			
13		HYDRAULIC HELIX V 1607 1.4307	1
Note: FROM / AB / À PARTIR DE.13W06			
14	2127567	SHAFT D.16X530 1.4301 VP.	1

HELIX V1607-1/16/E/KS/400-50 (4141152)

Item	Article no.	Description	Quantity
15	4217899	PUMP HOUSING HELIX DN50 PN16 1.4301 KIT	1
7.3	4176513	> O-RING FOR PUMP JACKET VP.	1
15.1		> BLASTING PPE HOUSING V-PN16-DN50-304	1
15.2	4217895	> COUNTER FLANGE-G2"-PN16-GJL KIT	1
15.3	4171321	> PRIMING/DRAIN PLUG EPDM HELIX KIT	1
16	2127601	BASEPLATE HELIX V16 VP.	1



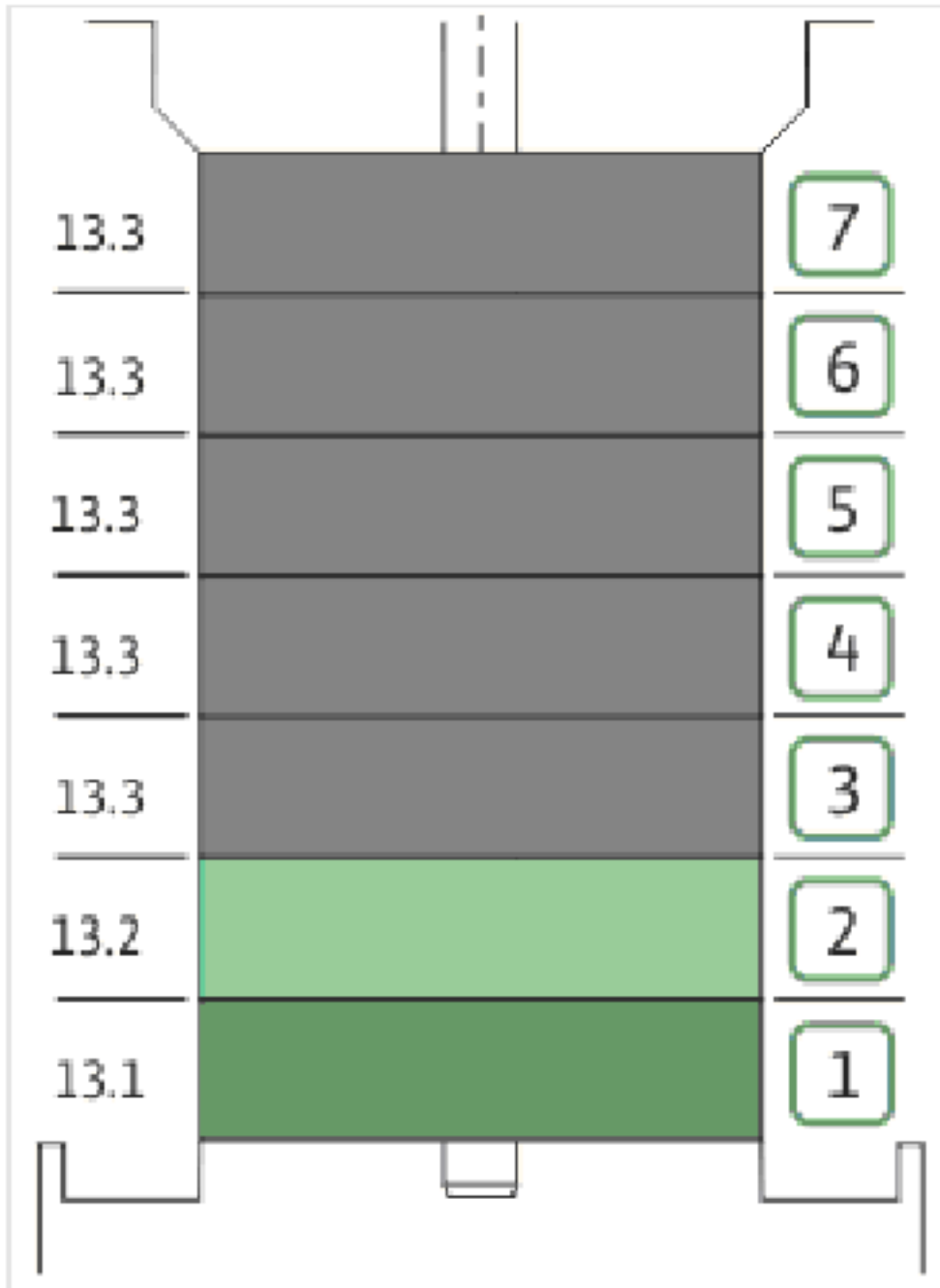
COUPLING D.16XD.28 FT130 HELIX KIT (4159710)

Item	Article no.	Description	Quantity
4.1		COUPLING M+ Ø16XØ28 FT130 MACHINED	1
4.2	2131022	BALL BEARING 6209/ZZ-C3(HT)VP.	1
4.3	4233930	CIRCLIP-FOR-BORES-D45x1,75 VP.	1
4.4	4157726	SCREW KIT M8X30 (4 PIECES)	1
4.5	4234252	CIRCLIPS 85X3 VP.	1
4.6	4234243	O-RING 85X3 VP.	1
		NOMEL CONTACT WASHER 8x16x1,4 STEEL ZC	1



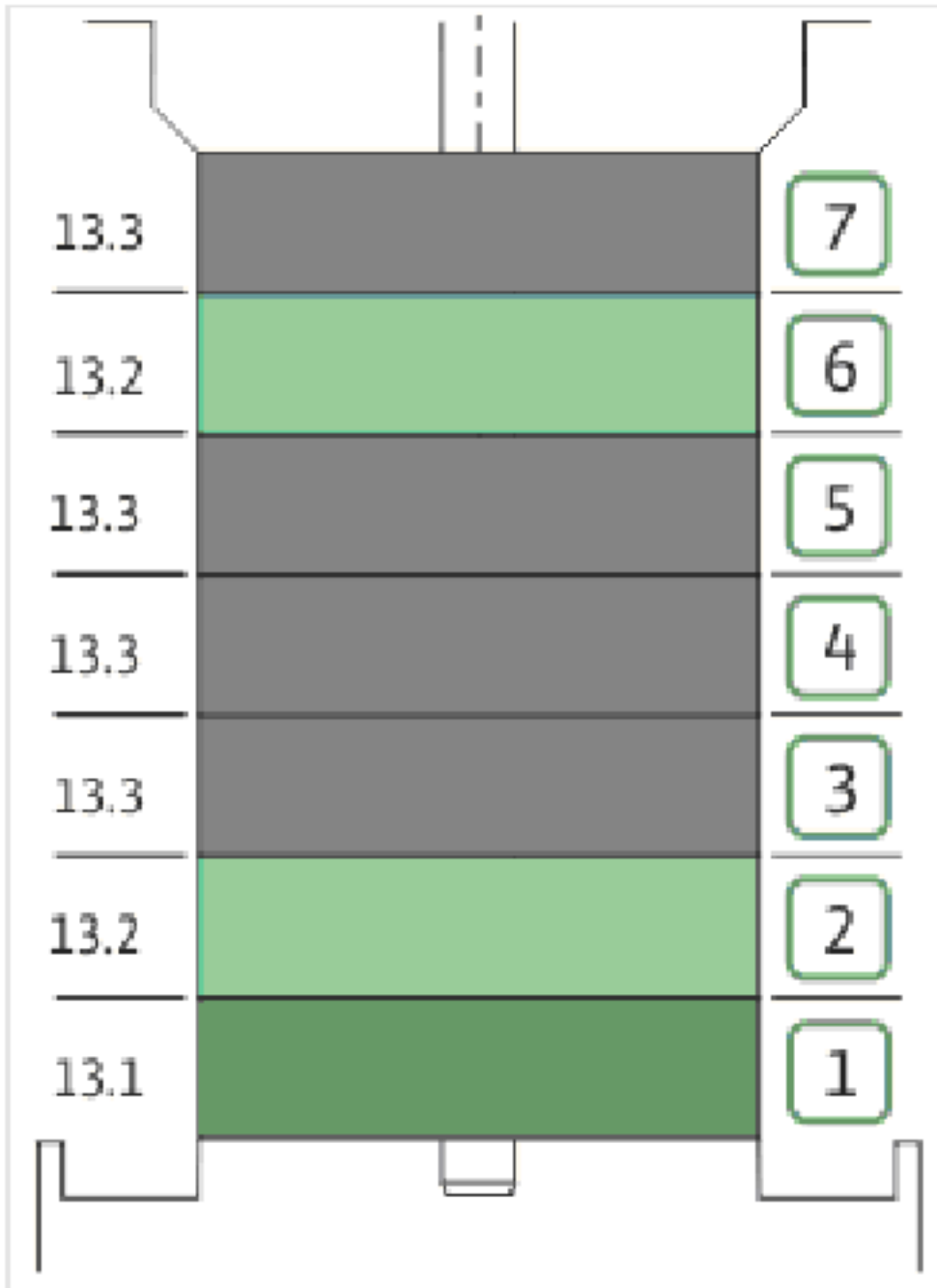
CARTRIDGE HELIX6-10-16 O/E KIT (4159696)

Item	Article no.	Description	Quantity
9.1	4159697	SEAL-KIT-HELIX6-10-16 O/E	1
7.3	4176513	> O-RING FOR PUMP JACKET VP.	1
7.4	2127603	> O-RING ID.37,6x2,4 EPDM VP.	1
9.1A	2130966	> MECH.SEAL HELIX2-4-6-10-16 O/E VP.	1
9.1B	2130967	> O-RING D.16X2,5 EPDM VP.	1
9.1C	4176519	> O-RING Ø16xØ1.25 VP.	1
9.2	2130961	SHAFT SLEEVE D.18/16X72,2 1.4404 VP.	1
9.3	2130962	RING HOLDER D.18 G606/G6 1.4301 VP.	1
9.4	4176520	SCREW CH M5x5 A4-70 (3PIECES)	1
9.5	2130963	DRIVE RING D.29/18x12,4 MACH.VP.	1
9.6	2130964	TOOL M.S.CART.HELIX VP.	1
9.7	2130965	SCREW CHC M5X12 ISO4762 A2.70(4 PIECES)	1



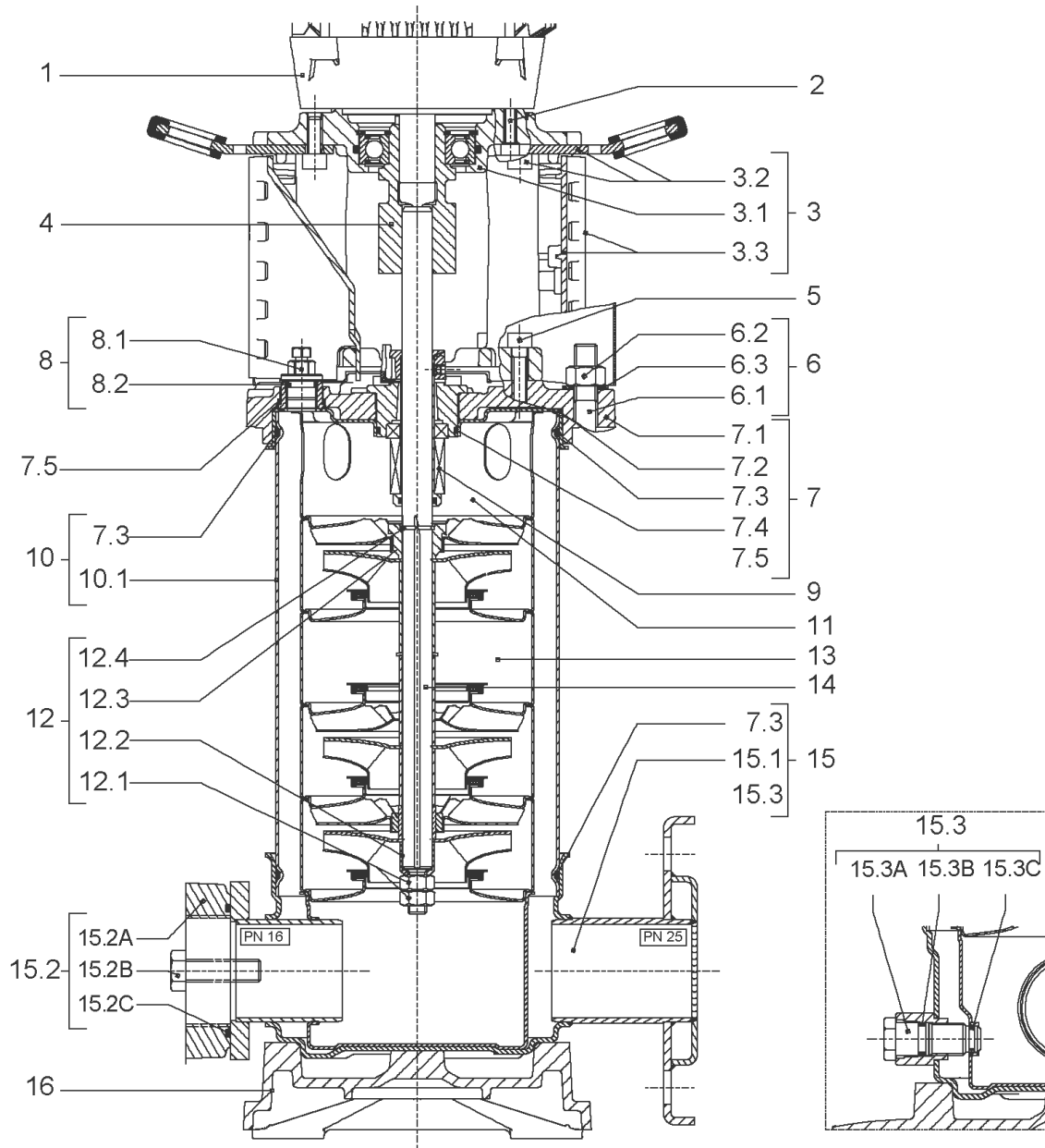
HYDRAULIC HELIX V 1.4301

Item	Article no.	Description	Quantity
13.1	4159720	STAGE HELIX 16 1.4301 KIT	1
		> MACH.STG-CASING-WOGV-WNR-M+16-304	1
		> IMPELLER-M+16-304	1
13.2	4159714	STAGE BEARING HELIX 16 1.4301 KIT	1
		> MACH.BEARING-STG-CASING-WNR-M+16-304	1
		> IMPELLER-M+16-304	1
		> SLEEVE-SPACER-Ø19,35x30,665-304	1
		> SHAFT-SLEEVE-D16xD20x18-CW	1
13.3	4159715	INTERMEDIATE STAGE HELIX 16 1.4301 KIT	1
		> CORPS-ETG-STD-ACR-AJR-USIN.M+16-304	1
		> IMPELLER-M+16-304	1
		> SPACER Ø16X19.4-L48.6-304	1



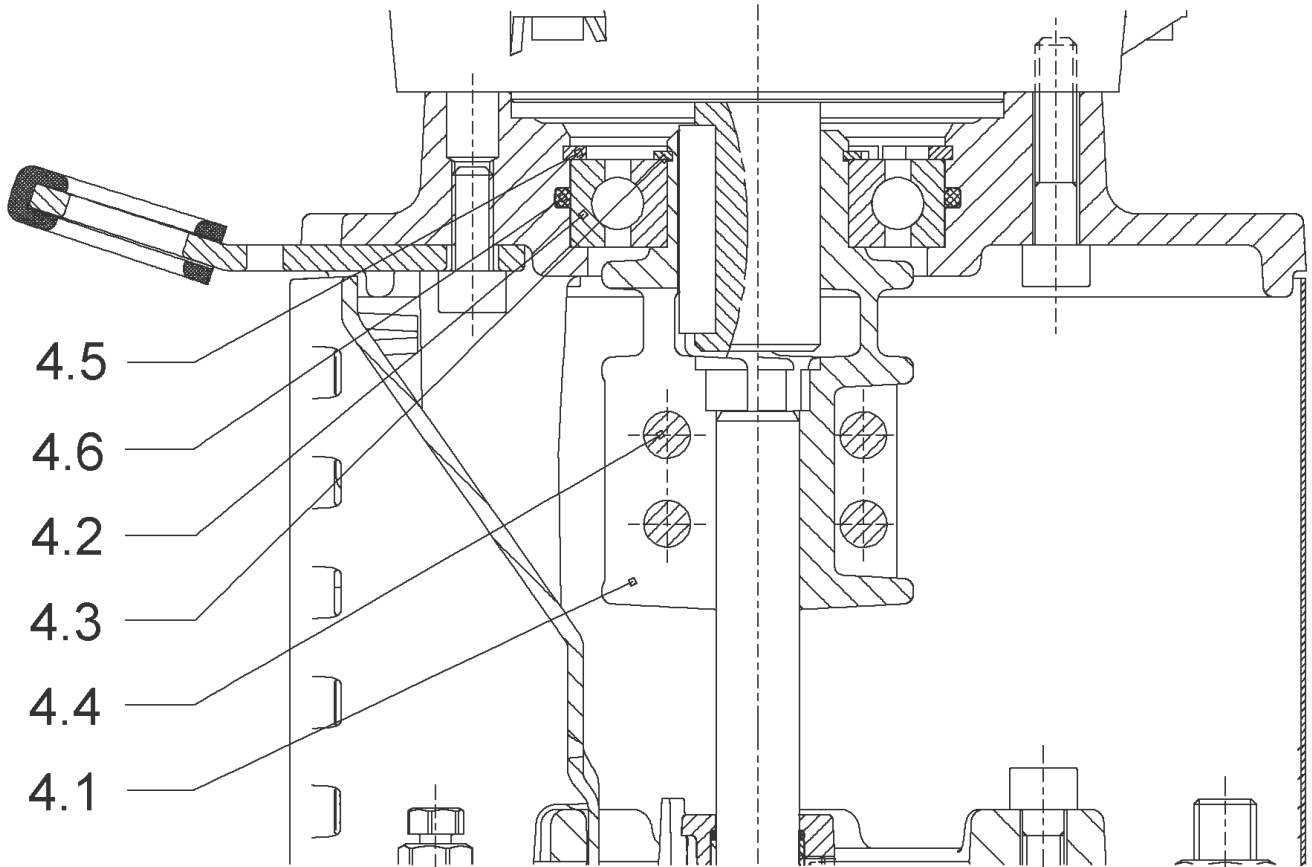
HYDRAULIC HELIX V 1607 1.4307

Item	Article no.	Description	Quantity
13.1	4159720	STAGE HELIX 16 1.4301 KIT	1
		> MACH.STG-CASING-WOGV-WNR-M+16-304	1
		> IMPELLER-M+16-304	1
13.2	4159714	STAGE BEARING HELIX 16 1.4301 KIT	1
		> MACH.BEARING-STG-CASING-WNR-M+16-304	1
		> IMPELLER-M+16-304	1
		> SLEEVE-SPACER-Ø19,35x30,665-304	1
		> SHAFT-SLEEVE-D16xD20x18-CW	1
13.3	4159715	INTERMEDIATE STAGE HELIX 16 1.4301 KIT	1
		> CORPS-ETG-STD-ACR-AJR-USIN.M+16-304	1
		> IMPELLER-M+16-304	1
		> SPACER Ø16X19.4-L48.6-304	1



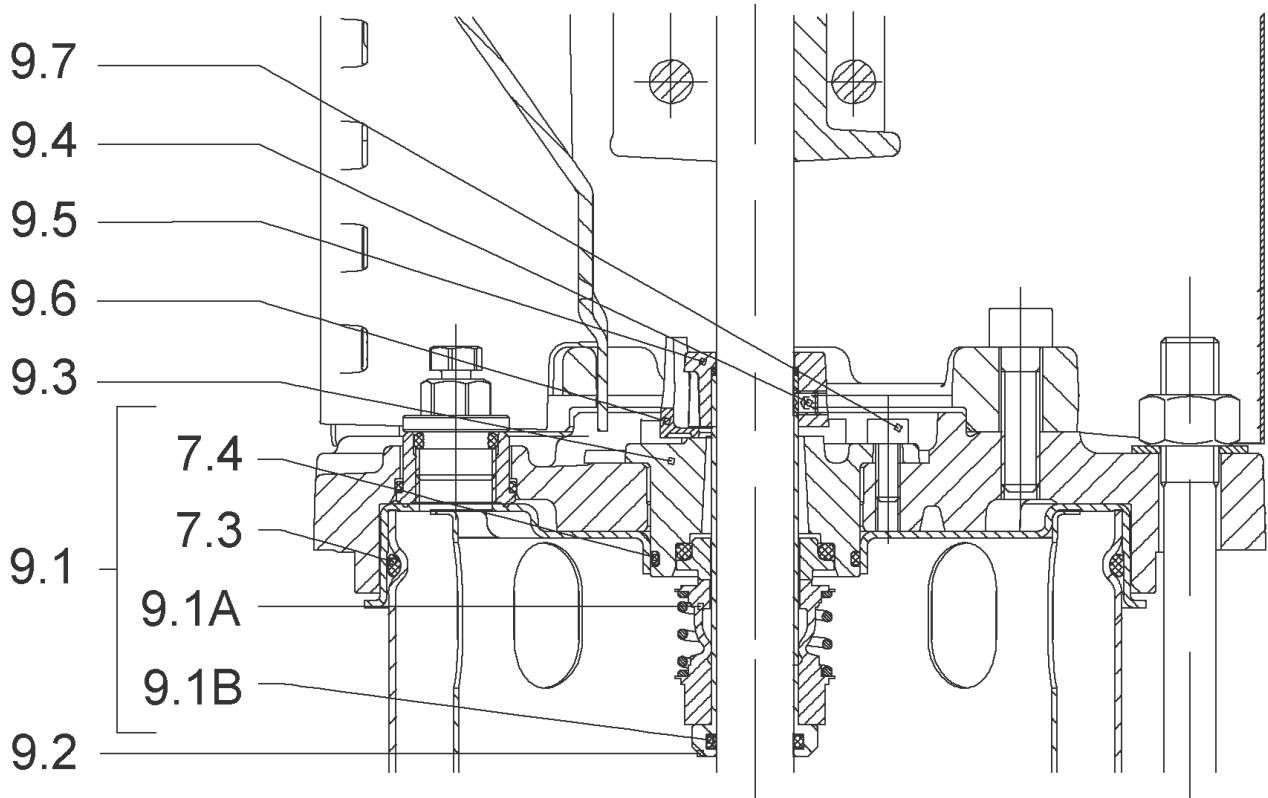
HELIX V1607-1/25/E/KS/400-50 (4141153)

Item	Article no.	Description	Quantity
1	4169947	MO 5,5/2/112 3~400V50Hz 460V60Hz IE3 VP.	1
		SPARE PARTS MOTOR:ON REQUEST	1
2	4206025	SCREW M8X45 (4 PIECES)	1
3	4171326	LANTERN FT130 HELIX KIT	1
4	4159710	COUPLING D.16XD.28 FT130 HELIX KIT	1
5	4159707	SCREW M8X30 (4 PIECES)	1
6	2127556	STUD BOLT M12X542 KIT	1
6.1		> TIE BOLT M12-542x18x30-1.4057	1
6.2	2094647	> NUT M12 M12 ISO4032 VP.	1
6.3	2123557	> WASHER CS-12.4-24-1.6-NFE25 (4 PIECES)	1
7	4159685	END SHIELD HELIX EPDM KIT	1
7.1		> END SHIELD M+6" GJL250 MACHINING+CATA	1
7.2	2127607	> STATIONARY RING HOLDER 6" HELIX 1.4301 V	1
7.3	4176513	> O-RING FOR PUMP JACKET VP.	1
7.4	2127603	> O-RING ID.37,6x2,4 EPDM VP.	1
7.5	2127602	> O-RING ID.21,35x2 EPDM VP.	1
8	4159686	FILING/PURGING PLUG HELIX EPDM KIT	1
9	4159698	CARTRIDGE HELIX6-10-16 F/E KIT	1
10	2127579	HOUSING PIPE D.152x410 1.4301 KIT	1
7.3	4176513	> O-RING FOR PUMP JACKET VP.	1
10.1		> HOUSING-PIPE Ø152-M+1607-304	1
11	2127588	CENTERING STAGE-RETURN HELIX16 1.4301 VP	1
12	4209328	SHAFT EQUIPMENT HELIX V16 BI BLOC KIT	1
13		HYDRAULIC HELIX V 1.4301	1
Note: TO / BIS / JUSQU'A .13W05			
13		HYDRAULIC HELIX V 1607 1.4307	1
Note: FROM / AB / À PARTIR DE.13W06			
14	2127567	SHAFT D.16X530 1.4301 VP.	1
15	4159683	PUMP HOUSING HELIX DN50 PN25 1.4301 KIT	1
7.3	4176513	> O-RING FOR PUMP JACKET VP.	1
15.1		> CASING-MVI-PN25-DN50-16M3-316L	1
15.2	4124503	> FLAT GASKET 61x107x2_DN50_PN25_FIBER	1
15.3	4159684	> PRIMING/DRAIN PLUG HELIX16 EPDM KIT	1
16	2127601	BASEPLATE HELIX V16 VP.	1



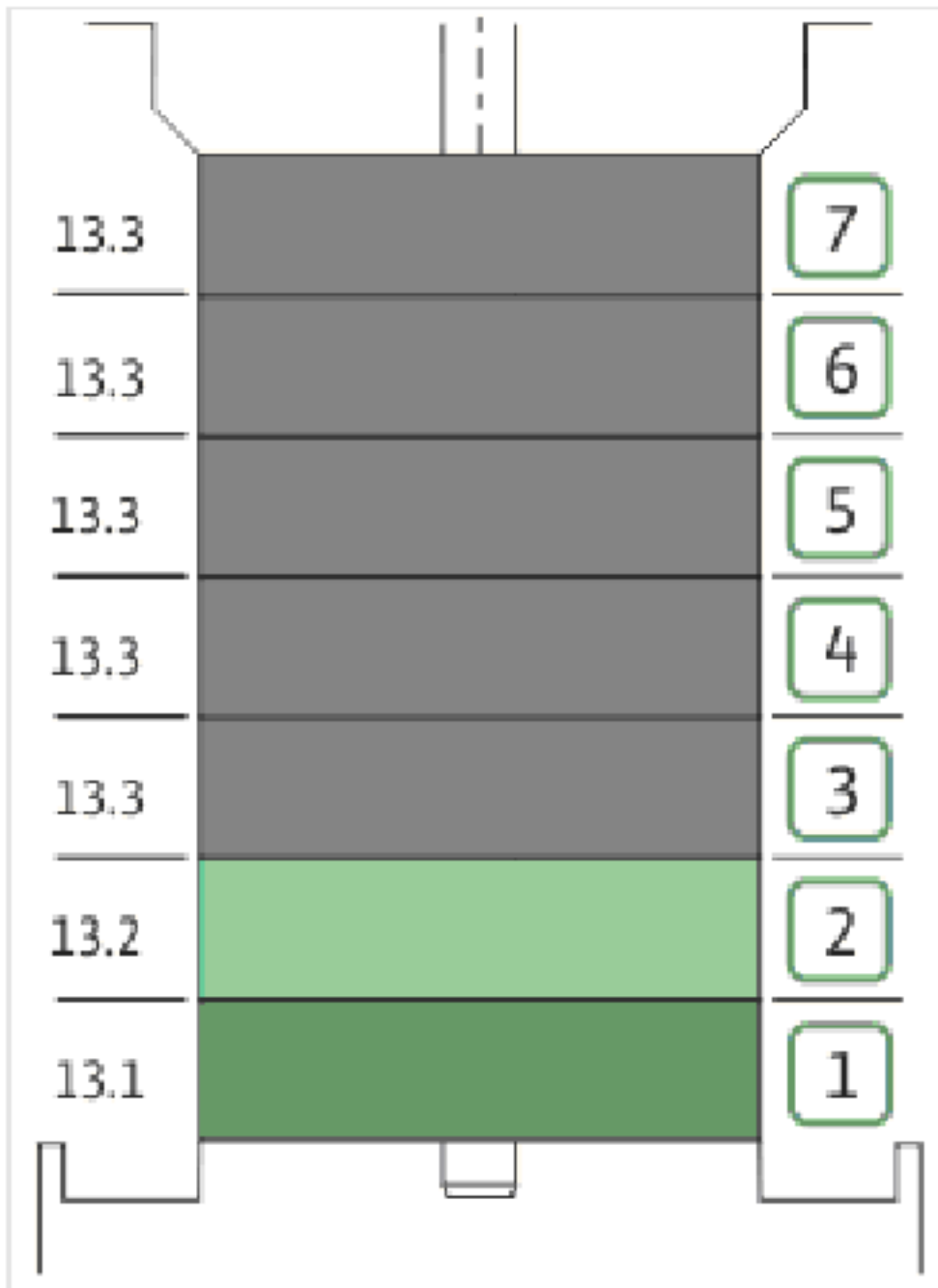
COUPLING D.16XD.28 FT130 HELIX KIT (4159710)

Item	Article no.	Description	Quantity
4.1		COUPLING M+ Ø16XØ28 FT130 MACHINED	1
4.2	2131022	BALL BEARING 6209/ZZ-C3(HT)VP.	1
4.3	4233930	CIRCLIP-FOR-BORES-D45x1,75 VP.	1
4.4	4157726	SCREW KIT M8X30 (4 PIECES)	1
4.5	4234252	CIRCLIPS 85X3 VP.	1
4.6	4234243	O-RING 85X3 VP.	1
		NOMEL CONTACT WASHER 8x16x1,4 STEEL ZC	1



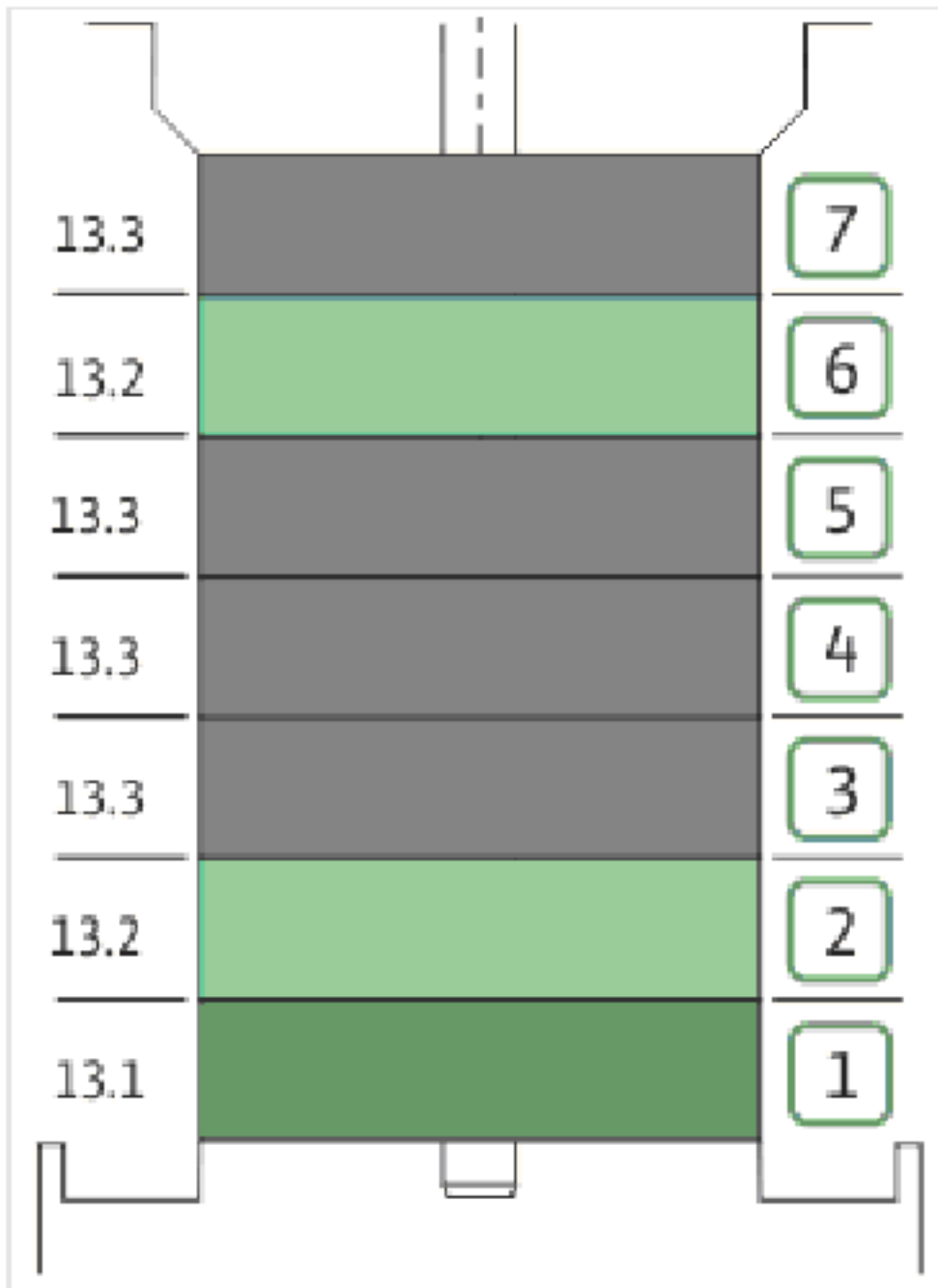
CARTRIDGE HELIX6-10-16 F/E KIT (4159698)

Item	Article no.	Description	Quantity
9.1	4159699	SEAL-KIT-HELIX6-10-16 F/E	1
7.3	4176513	> O-RING FOR PUMP JACKET VP.	1
7.4	2127603	> O-RING ID.37,6x2,4 EPDM VP.	1
9.1A	4176521	> MECH.SEAL HELIX2-4-6-10-16 F/E VP.	1
9.1B	2130967	> O-RING D.16X2,5 EPDM VP.	1
9.2	2130961	SHAFT SLEEVE D.18/16X72,2 1.4404 VP.	1
9.3	2130962	RING HOLDER D.18 G606/G6 1.4301 VP.	1
9.4	4068120	SCREW CH M5x5 A4-70	1
9.5	2130963	DRIVE RING D.29/18x12,4 MACH.VP.	1
9.6	2130964	TOOL M.S.CART.HELIX VP.	1
9.7	2130965	SCREW CHC M5X12 ISO4762 A2.70(4 PIECES)	1



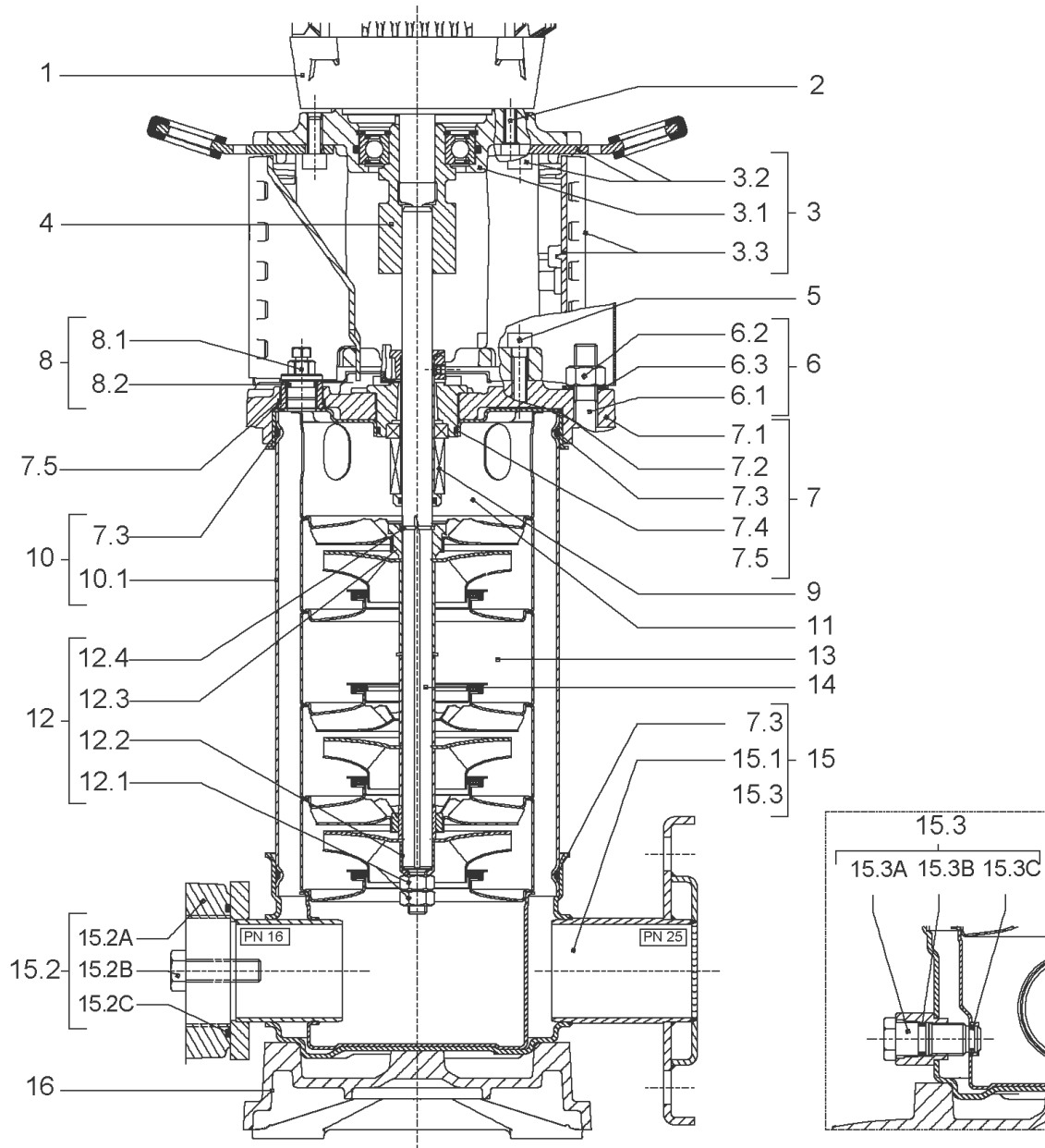
HYDRAULIC HELIX V 1.4301

Item	Article no.	Description	Quantity
13.1	4159720	STAGE HELIX 16 1.4301 KIT	1
		> MACH.STG-CASING-WOGV-WNR-M+16-304	1
		> IMPELLER-M+16-304	1
13.2	4159714	STAGE BEARING HELIX 16 1.4301 KIT	1
		> MACH.BEARING-STG-CASING-WNR-M+16-304	1
		> SHAFT-SLEEVE-D16xD20x18-CW	1
		> IMPELLER-M+16-304	1
		> SLEEVE-SPACER-Ø19,35x30,665-304	1
13.3	4159715	INTERMEDIATE STAGE HELIX 16 1.4301 KIT	1
		> CORPS-ETG-STD-ACR-AJR-USIN.M+16-304	1
		> IMPELLER-M+16-304	1
		> SPACER Ø16X19.4-L48.6-304	1



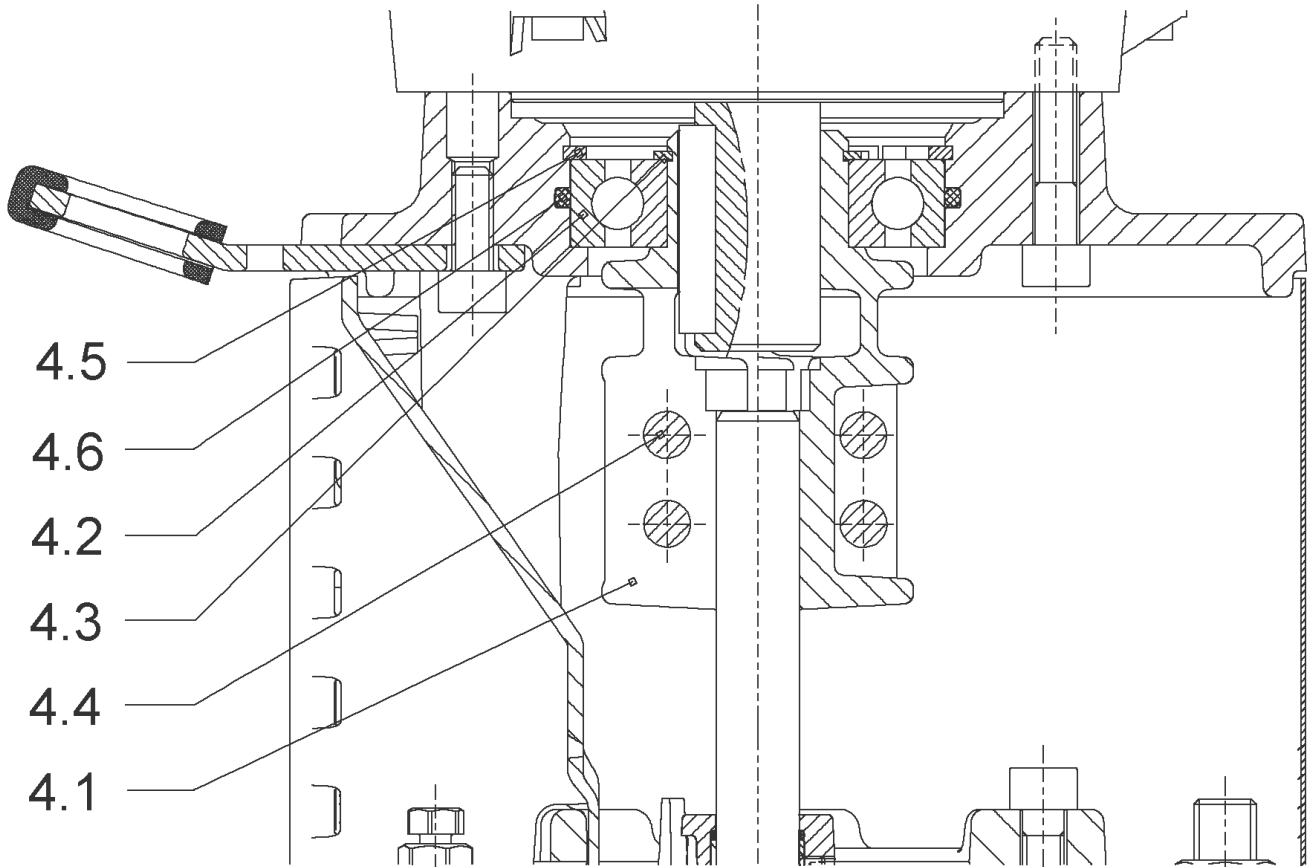
HYDRAULIC HELIX V 1607 1.4307

Item	Article no.	Description	Quantity
13.1	4159720	STAGE HELIX 16 1.4301 KIT	1
		> MACH.STG-CASING-WOGV-WNR-M+16-304	1
		> IMPELLER-M+16-304	1
13.2	4159714	STAGE BEARING HELIX 16 1.4301 KIT	1
		> MACH.BEARING-STG-CASING-WNR-M+16-304	1
		> SHAFT-SLEEVE-D16xD20x18-CW	1
		> IMPELLER-M+16-304	1
		> SLEEVE-SPACER-Ø19,35x30,665-304	1
13.3	4159715	INTERMEDIATE STAGE HELIX 16 1.4301 KIT	1
		> CORPS-ETG-STD-ACR-AJR-USIN.M+16-304	1
		> IMPELLER-M+16-304	1
		> SPACER Ø16X19.4-L48.6-304	1



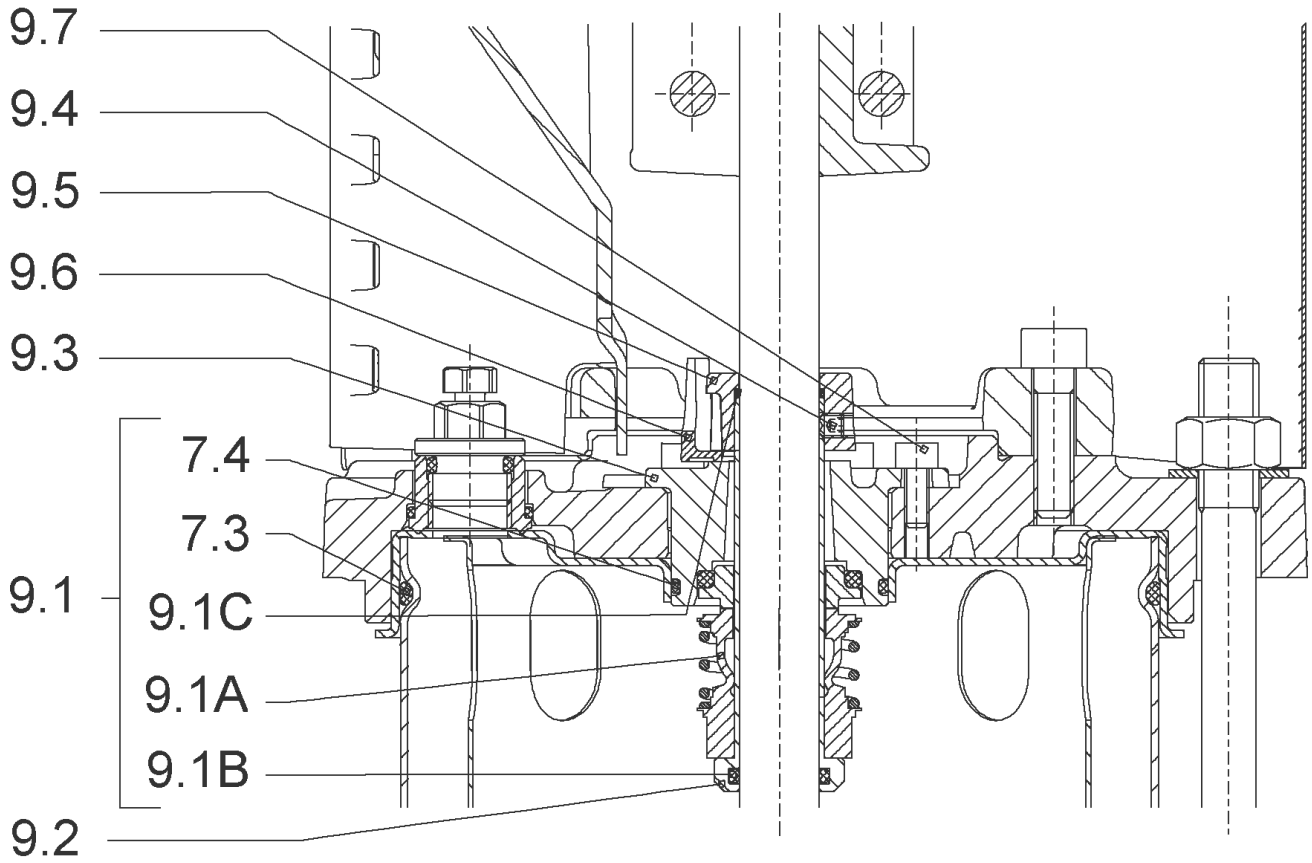
HELIX V1608-1/16/E/KS/400-50 (4141154)

Item	Article no.	Description	Quantity
1	4169947	MO 5,5/2/112 3~400V50Hz 460V60Hz IE3 VP.	1
		SPARE PARTS MOTOR:ON REQUEST	1
2	4206025	SCREW M8X45 (4 PIECES)	1
3	4171326	LANTERN FT130 HELIX KIT	1
4	4159710	COUPLING D.16XD.28 FT130 HELIX KIT	1
5	4159707	SCREW M8X30 (4 PIECES)	1
6	2127557	STUD BOLT M12X587 KIT	1
6.1		> TIE BOLT M12-587x18x30-1.4057	1
6.2	2094647	> NUT M12 M12 ISO4032 VP.	1
6.3	2123557	> WASHER CS-12.4-24-1.6-NFE25 (4 PIECES)	1
7	4159685	END SHIELD HELIX EPDM KIT	1
7.1		> END SHIELD M+6" GJL250 MACHINING+CATA	1
7.2	2127607	> STATIONARY RING HOLDER 6" HELIX 1.4301 V	1
7.3	4176513	> O-RING FOR PUMP JACKET VP.	1
7.4	2127603	> O-RING ID.37,6x2,4 EPDM VP.	1
7.5	2127602	> O-RING ID.21,35x2 EPDM VP.	1
8	4159686	FILING/PURGING PLUG HELIX EPDM KIT	1
9	4159696	CARTRIDGE HELIX6-10-16 O/E KIT	1
10	2127580	HOUSING PIPE D.152x460 1.4301 KIT	1
7.3	4176513	> O-RING FOR PUMP JACKET VP.	1
10.1		> HOUSING-PIPE Ø152-M+1608-304	1
11	2127588	CENTERING STAGE-RETURN HELIX16 1.4301 VP	1
12	4209328	SHAFT EQUIPMENT HELIX V16 BI BLOC KIT	1
13		HYDRAULIC HELIX V 1608 1.4307	1
14	2127568	SHAFT D.16X580 1.4301 VP.	1
15	4217899	PUMP HOUSING HELIX DN50 PN16 1.4301 KIT	1
16	2127601	BASEPLATE HELIX V16 VP.	1



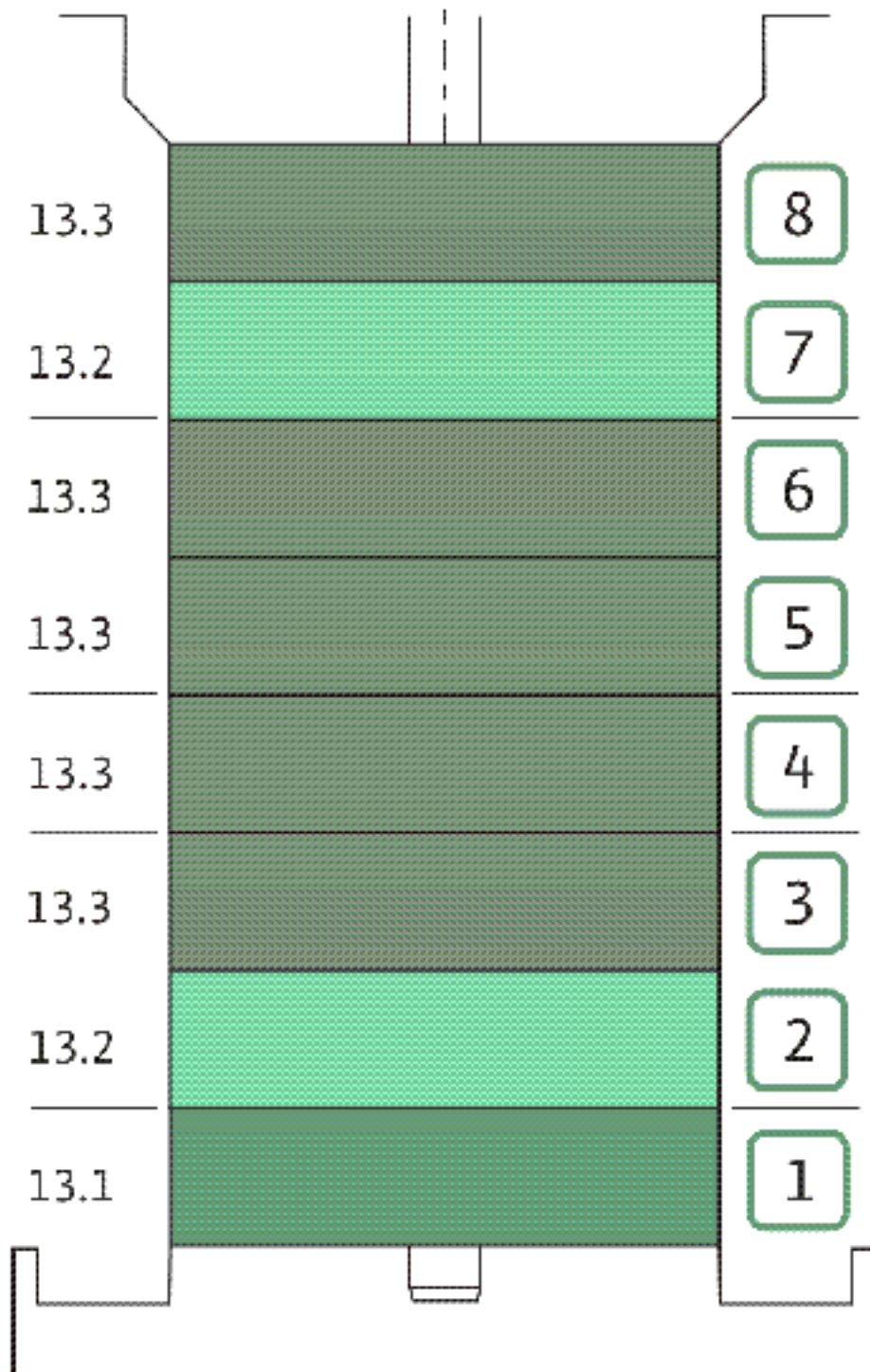
COUPLING D.16XD.28 FT130 HELIX KIT (4159710)

Item	Article no.	Description	Quantity
4.1		COUPLING M+ Ø16XØ28 FT130 MACHINED	1
4.2	2131022	BALL BEARING 6209/ZZ-C3(HT)VP.	1
4.3	4233930	CIRCLIP-FOR-BORES-D45x1,75 VP.	1
4.4	4157726	SCREW KIT M8X30 (4 PIECES)	1
4.5	4234252	CIRCLIPS 85X3 VP.	1
4.6	4234243	O-RING 85X3 VP.	1
		NOMEL CONTACT WASHER 8x16x1,4 STEEL ZC	1



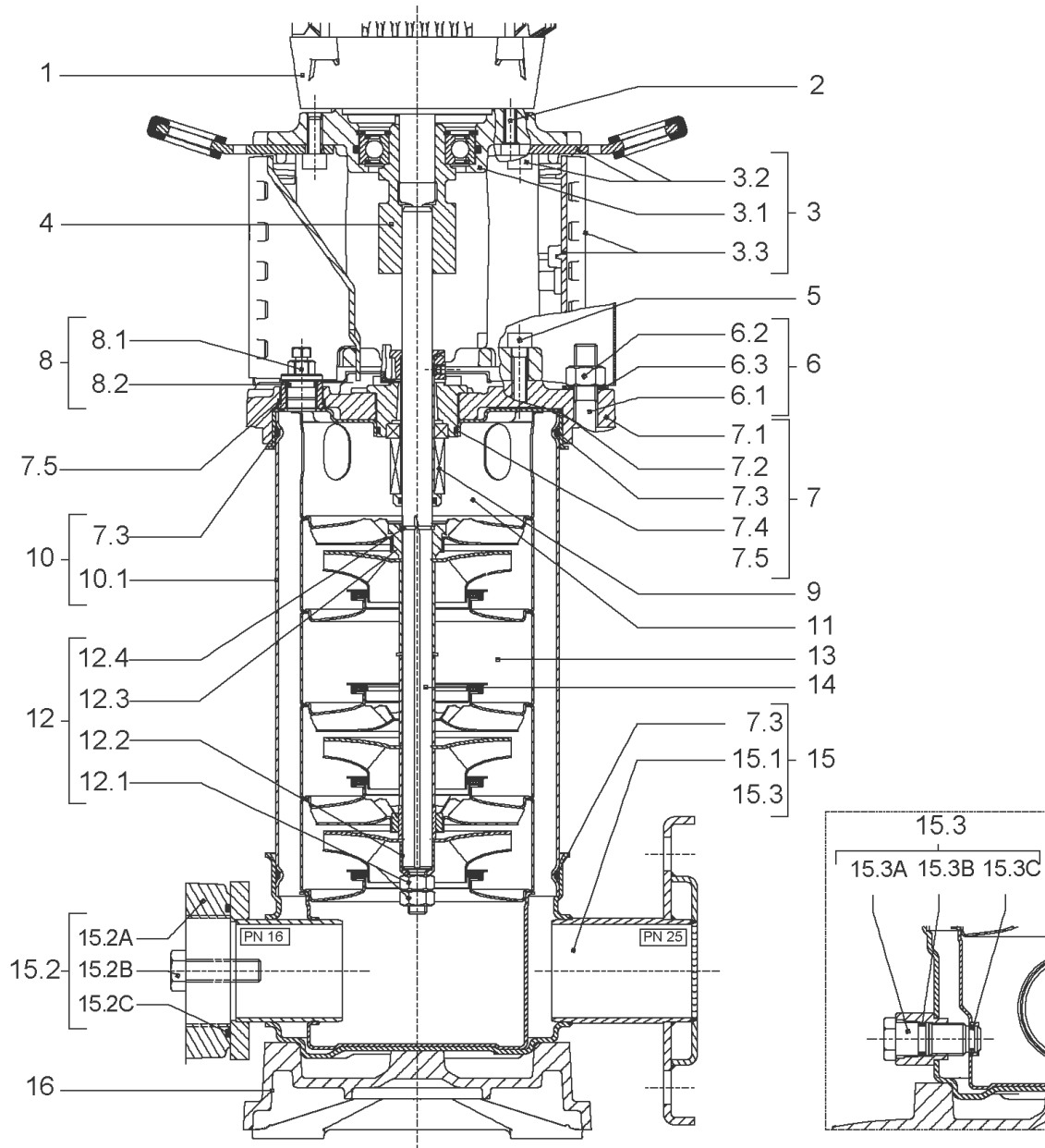
CARTRIDGE HELIX6-10-16 O/E KIT (4159696)

Item	Article no.	Description	Quantity
9.1	4159697	SEAL-KIT-HELIX6-10-16 O/E	1
7.3	4176513	> O-RING FOR PUMP JACKET VP.	1
7.4	2127603	> O-RING ID.37,6x2,4 EPDM VP.	1
9.1A	2130966	> MECH.SEAL HELIX2-4-6-10-16 O/E VP.	1
9.1B	2130967	> O-RING D.16X2,5 EPDM VP.	1
9.1C	4176519	> O-RING Ø16xØ1.25 VP.	1
9.2	2130961	SHAFT SLEEVE D.18/16X72,2 1.4404 VP.	1
9.3	2130962	RING HOLDER D.18 G606/G6 1.4301 VP.	1
9.4	4176520	SCREW CH M5x5 A4-70 (3PIECES)	1
9.5	2130963	DRIVE RING D.29/18x12,4 MACH.VP.	1
9.6	2130964	TOOL M.S.CART.HELIX VP.	1
9.7	2130965	SCREW CHC M5X12 ISO4762 A2.70(4 PIECES)	1



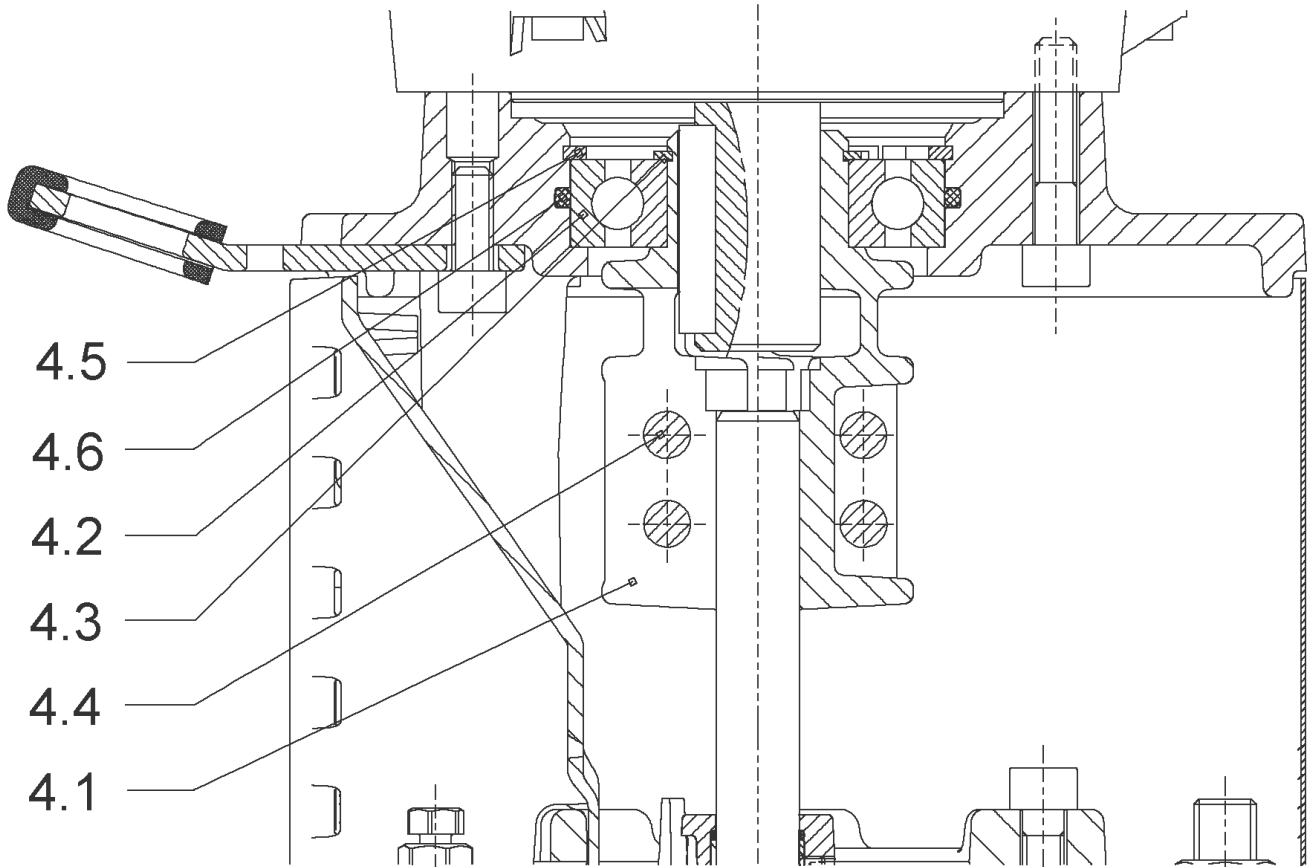
HYDRAULIC HELIX V 1608 1.4307

Item	Article no.	Description	Quantity
13.1	4159720	STAGE HELIX 16 1.4301 KIT	1
		> MACH.STG-CASING-WOGV-WNR-M+16-304	1
		> IMPELLER-M+16-304	1
13.2	4159714	STAGE BEARING HELIX 16 1.4301 KIT	1
		> MACH.BEARING-STG-CASING-WNR-M+16-304	1
		> SHAFT-SLEEVE-D16xD20x18-CW	1
		> IMPELLER-M+16-304	1
		> SLEEVE-SPACER-Ø19,35x30,665-304	1
13.3	4159715	INTERMEDIATE STAGE HELIX 16 1.4301 KIT	1
		> CORPS-ETG-STD-ACR-AJR-USIN.M+16-304	1
		> IMPELLER-M+16-304	1
		> SPACER Ø16X19.4-L48.6-304	1



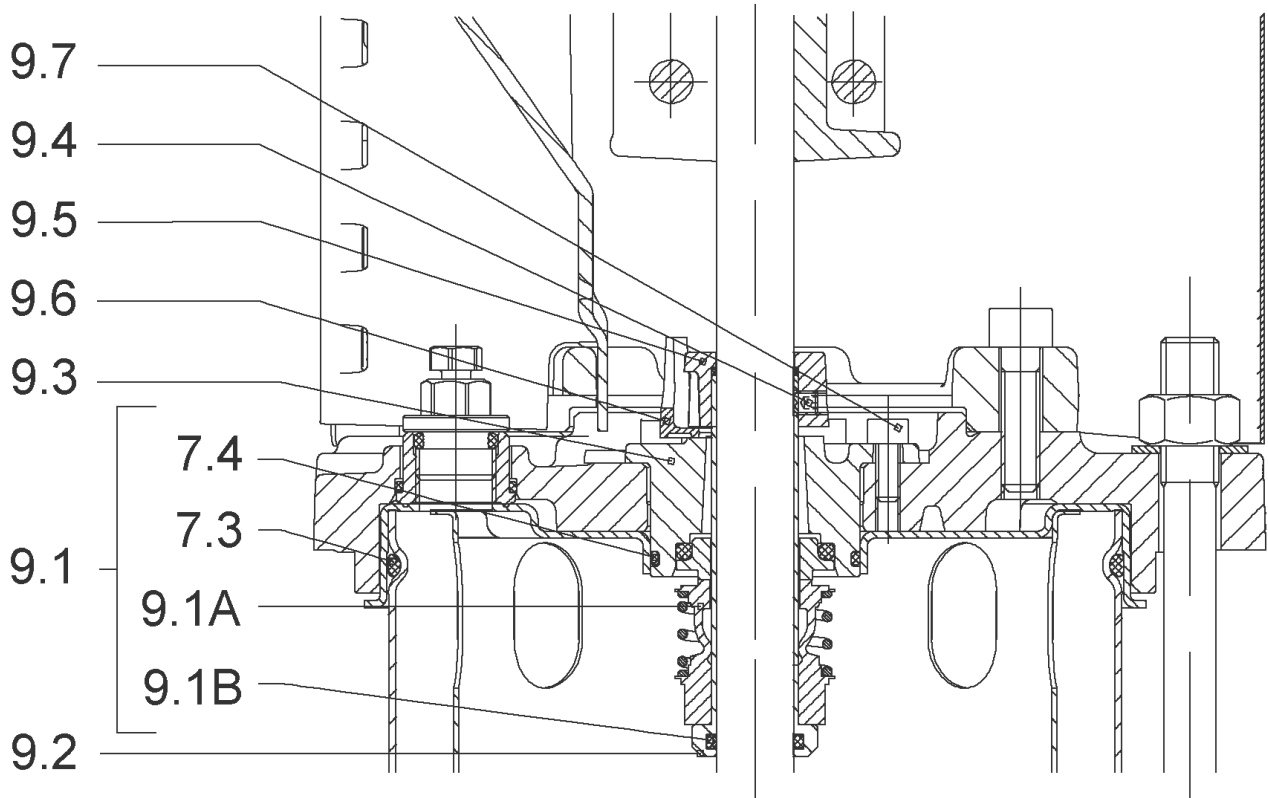
HELIX V1608-1/25/E/KS/400-50 (4141155)

Item	Article no.	Description	Quantity
1	4169947	MO 5,5/2/112 3~400V50Hz 460V60Hz IE3 VP.	1
		SPARE PARTS MOTOR:ON REQUEST	1
2	4206025	SCREW M8X45 (4 PIECES)	1
3	4171326	LANTERN FT130 HELIX KIT	1
4	4159710	COUPLING D.16XD.28 FT130 HELIX KIT	1
5	4159707	SCREW M8X30 (4 PIECES)	1
6	2127557	STUD BOLT M12X587 KIT	1
6.1		> TIE BOLT M12-587x18x30-1.4057	1
6.2	2094647	> NUT M12 M12 ISO4032 VP.	1
6.3	2123557	> WASHER CS-12.4-24-1.6-NFE25 (4 PIECES)	1
7	4159685	END SHIELD HELIX EPDM KIT	1
7.1		> END SHIELD M+6" GJL250 MACHINING+CATA	1
7.2	2127607	> STATIONARY RING HOLDER 6" HELIX 1.4301 V	1
7.3	4176513	> O-RING FOR PUMP JACKET VP.	1
7.4	2127603	> O-RING ID.37,6x2,4 EPDM VP.	1
7.5	2127602	> O-RING ID.21,35x2 EPDM VP.	1
8	4159686	FILING/PURGING PLUG HELIX EPDM KIT	1
9	4159698	CARTRIDGE HELIX6-10-16 F/E KIT	1
10	2127580	HOUSING PIPE D.152x460 1.4301 KIT	1
7.3	4176513	> O-RING FOR PUMP JACKET VP.	1
10.1		> HOUSING-PIPE Ø152-M+1608-304	1
11	2127588	CENTERING STAGE-RETURN HELIX16 1.4301 VP	1
12	4209328	SHAFT EQUIPMENT HELIX V16 BI BLOC KIT	1
13		HYDRAULIC HELIX V 1608 1.4307	1
14	2127568	SHAFT D.16X580 1.4301 VP.	1
15	4159683	PUMP HOUSING HELIX DN50 PN25 1.4301 KIT	1
7.3	4176513	> O-RING FOR PUMP JACKET VP.	1
15.1		> CASING-MVI-PN25-DN50-16M3-316L	1
15.2	4124503	> FLAT GASKET 61x107x2_DN50_PN25_FIBER	1
15.3	4159684	> PRIMING/DRAIN PLUG HELIX16 EPDM KIT	1
16	2127601	BASEPLATE HELIX V16 VP.	1



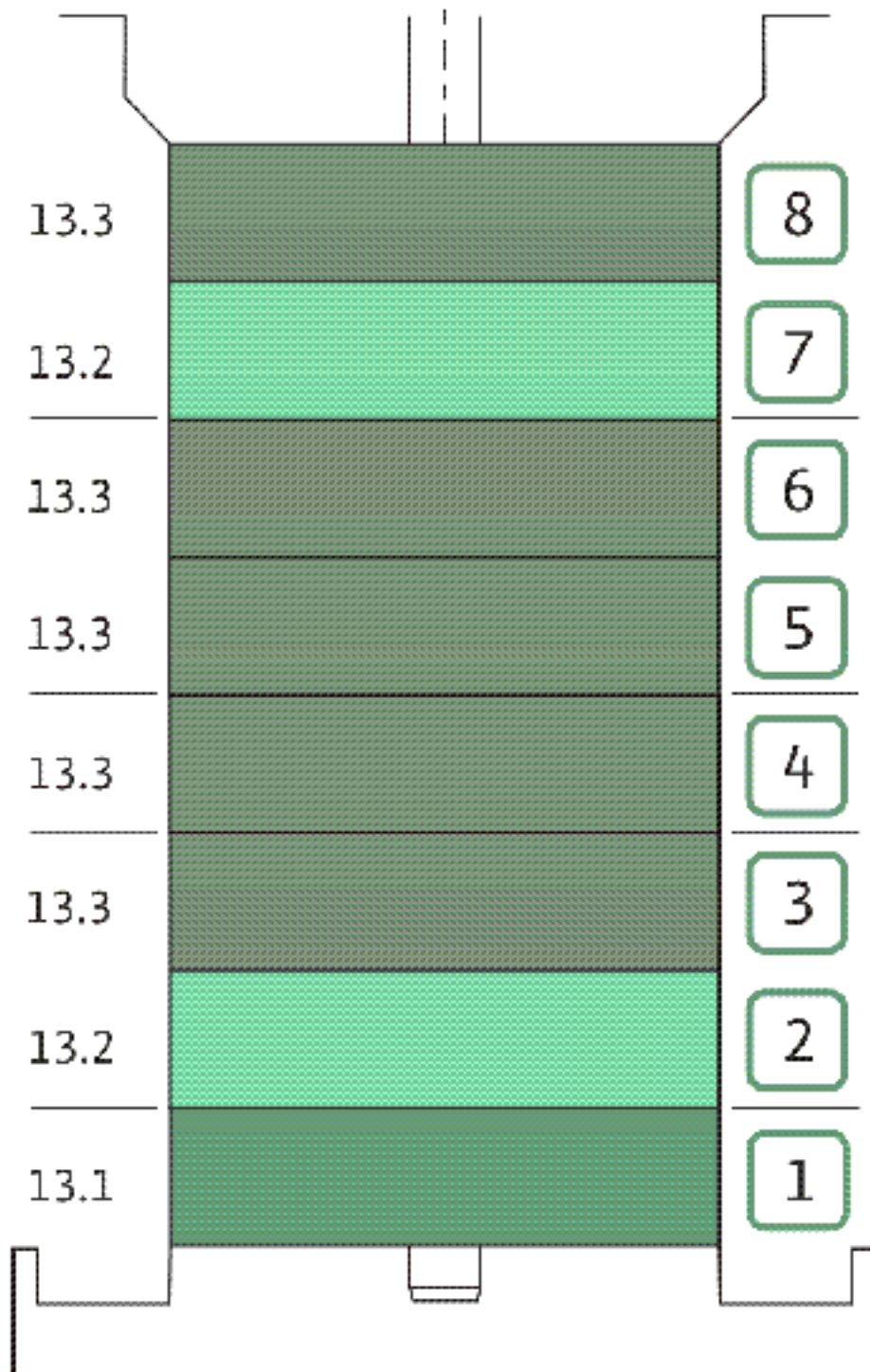
COUPLING D.16XD.28 FT130 HELIX KIT (4159710)

Item	Article no.	Description	Quantity
4.1		COUPLING M+ Ø16XØ28 FT130 MACHINED	1
4.2	2131022	BALL BEARING 6209/ZZ-C3(HT)VP.	1
4.3	4233930	CIRCLIP-FOR-BORES-D45x1,75 VP.	1
4.4	4157726	SCREW KIT M8X30 (4 PIECES)	1
4.5	4234252	CIRCLIPS 85X3 VP.	1
4.6	4234243	O-RING 85X3 VP.	1
		NOMEL CONTACT WASHER 8x16x1,4 STEEL ZC	1



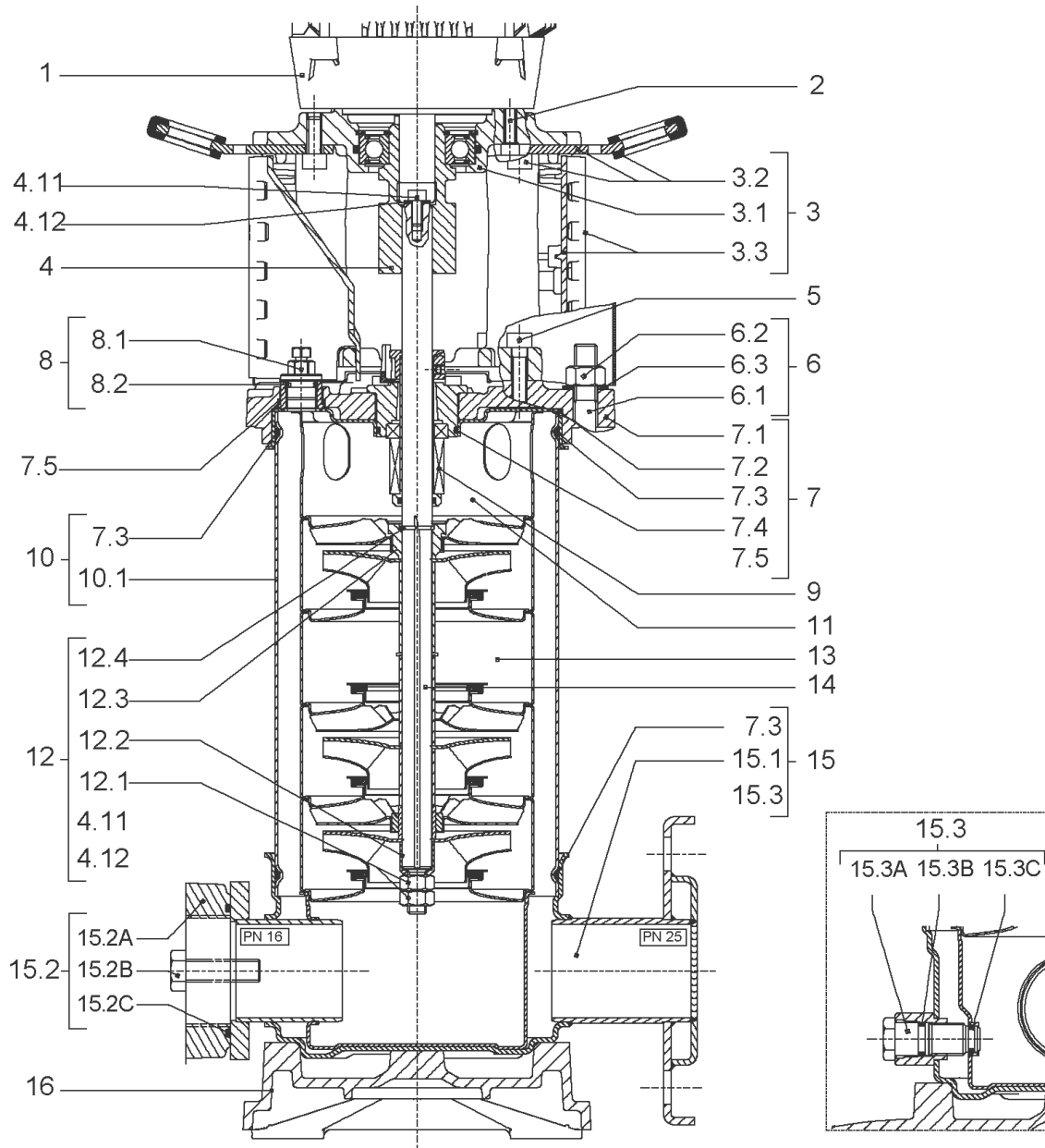
CARTRIDGE HELIX6-10-16 F/E KIT (4159698)

Item	Article no.	Description	Quantity
9.1	4159699	SEAL-KIT-HELIX6-10-16 F/E	1
7.3	4176513	> O-RING FOR PUMP JACKET VP.	1
7.4	2127603	> O-RING ID.37,6x2,4 EPDM VP.	1
9.1A	4176521	> MECH.SEAL HELIX2-4-6-10-16 F/E VP.	1
9.1B	2130967	> O-RING D.16X2,5 EPDM VP.	1
9.2	2130961	SHAFT SLEEVE D.18/16X72,2 1.4404 VP.	1
9.3	2130962	RING HOLDER D.18 G606/G6 1.4301 VP.	1
9.4	4068120	SCREW CH M5x5 A4-70	1
9.5	2130963	DRIVE RING D.29/18x12,4 MACH.VP.	1
9.6	2130964	TOOL M.S.CART.HELIX VP.	1
9.7	2130965	SCREW CHC M5X12 ISO4762 A2.70(4 PIECES)	1



HYDRAULIC HELIX V 1608 1.4307

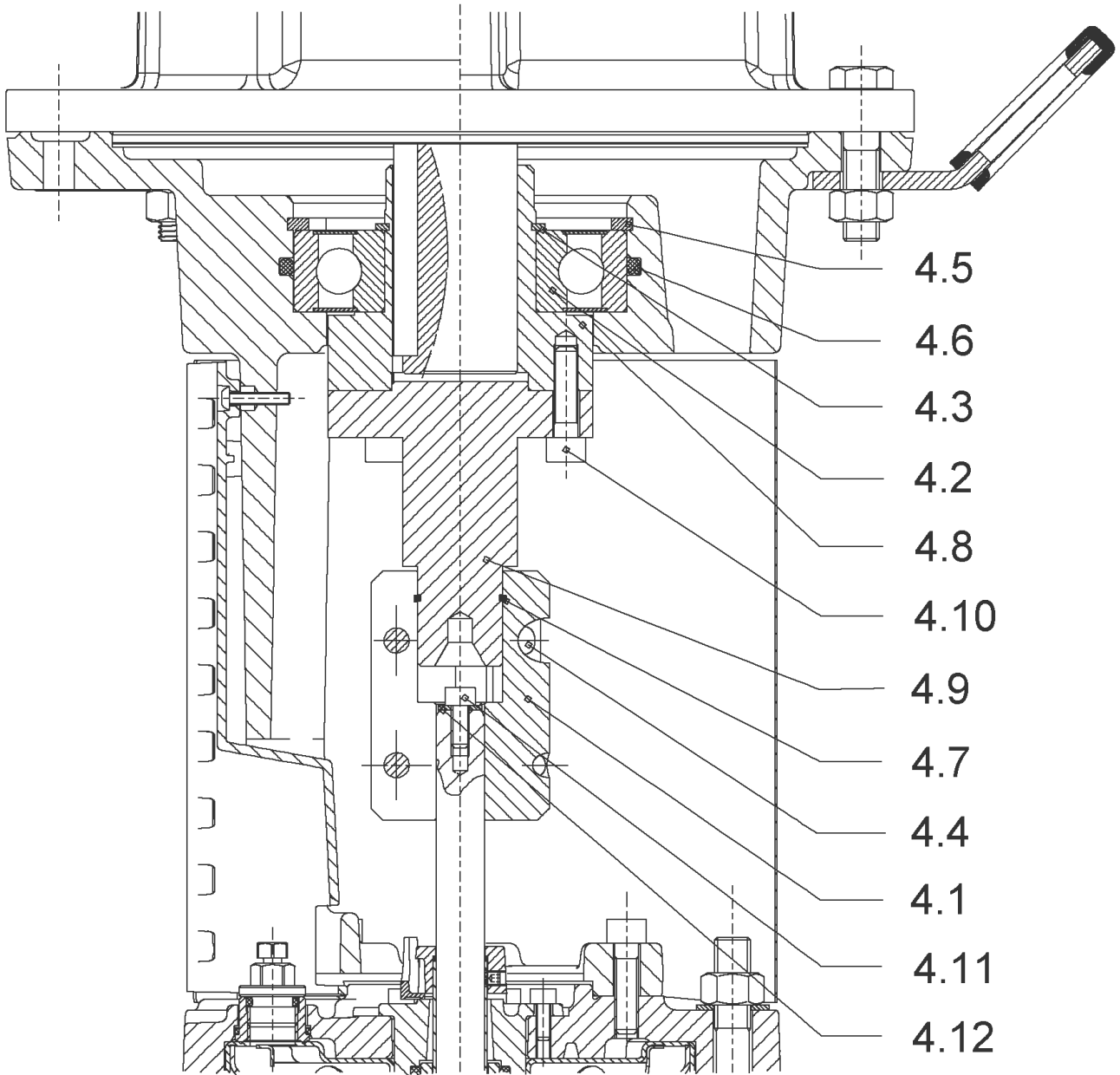
Item	Article no.	Description	Quantity
13.1	4159720	STAGE HELIX 16 1.4301 KIT	1
		> MACH.STG-CASING-WOGV-WNR-M+16-304	1
		> IMPELLER-M+16-304	1
13.2	4159714	STAGE BEARING HELIX 16 1.4301 KIT	1
		> MACH.BEARING-STG-CASING-WNR-M+16-304	1
		> SHAFT-SLEEVE-D16xD20x18-CW	1
		> IMPELLER-M+16-304	1
		> SLEEVE-SPACER-Ø19,35x30,665-304	1
13.3	4159715	INTERMEDIATE STAGE HELIX 16 1.4301 KIT	1
		> CORPS-ETG-STD-ACR-AJR-USIN.M+16-304	1
		> IMPELLER-M+16-304	1
		> SPACER Ø16X19.4-L48.6-304	1



HELIX V1609-1/16/E/K/400-50 (4141156)

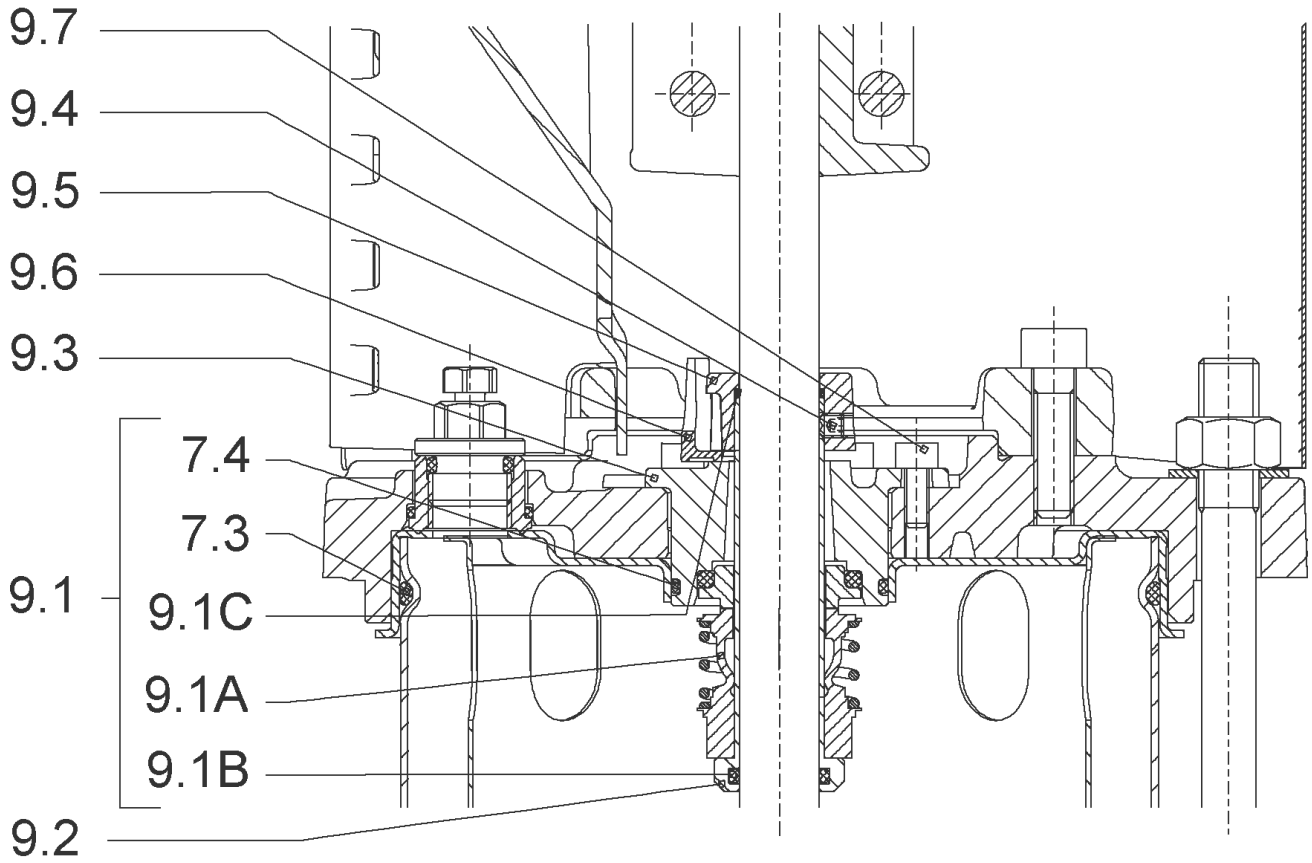
Item	Article no.	Description	Quantity
1	4195450	MOTOR 7,5/2/* 3~400V 50HZ IE3 VP.	1
		SPARE PARTS MOTOR:ON REQUEST	1
2	4174093	SCREW M12X50 (4 PIECES)	1
3	4159693	LANTERN FF265 HELIX KIT	1
3.1		> LANTERN FF265 M+6" GJL MACHINING+CATA	1
3.2	2127605	> EYELET CPL.FF265 HELIX(2 PIECES)	1
3.3	4159695	> COUPLING PROTECTOR FF HELIX KIT	1
4	4159711	COUPLING D.16XD.38 FF265 HELIX KIT	1
5	4159707	SCREW M8X30 (4 PIECES)	1
6	4177842	STUD BOLT M12X638KIT	1
7	4159685	END SHIELD HELIX EPDM KIT	1
7.1		> END SHIELD M+6" GJL250 MACHINING+CATA	1
7.2	2127607	> STATIONARY RING HOLDER 6" HELIX 1.4301 V	1
7.3	4176513	> O-RING FOR PUMP JACKET VP.	1
7.4	2127603	> O-RING ID.37,6x2,4 EPDM VP.	1
7.5	2127602	> O-RING ID.21,35x2 EPDM VP.	1
8	4159686	FILING/PURGING PLUG HELIX EPDM KIT	1
9	4159696	CARTRIDGE HELIX6-10-16 O/E KIT	1
10	4177843	HOUSING PIPES D.152X510 1.4307 KIT	1
11	2127588	CENTERING STAGE-RETURN HELIX16 1.4301 VP	1
12	4159688	SHAFT EQUIPMENT HELIX V16 BI BLOC KIT	1
4.11	4102901	> SCREW CHC-M6X14-8.8-ISO4762-GEOMET500A	1
4.12	2130995	> SERRATED LOCK WASHER D.6,2XD.14,5X28 VP.	1
12.1		> NUT-H-M10-A4.70	1
12.4		> STOP-RUSH-1/2-D16xd2-M+316	1
12.3		> STOP COLLAR OF IMPELLER L18,8-Ø16-316L	1
12.2		> SERRATED LOCK WASHER M+16M3-316L	1
13		HYDRAULIC HELIX V 1609 1.4307	1
14	4177844	SHAFT D.16X630 1.4301 VP.	1
15	4217899	PUMP HOUSING HELIX DN50 PN16 1.4301 KIT	1
16	2127601	BASEPLATE HELIX V16 VP.	1

COUPLING D.16XD.38 FF265 HELIX KIT (4159711)



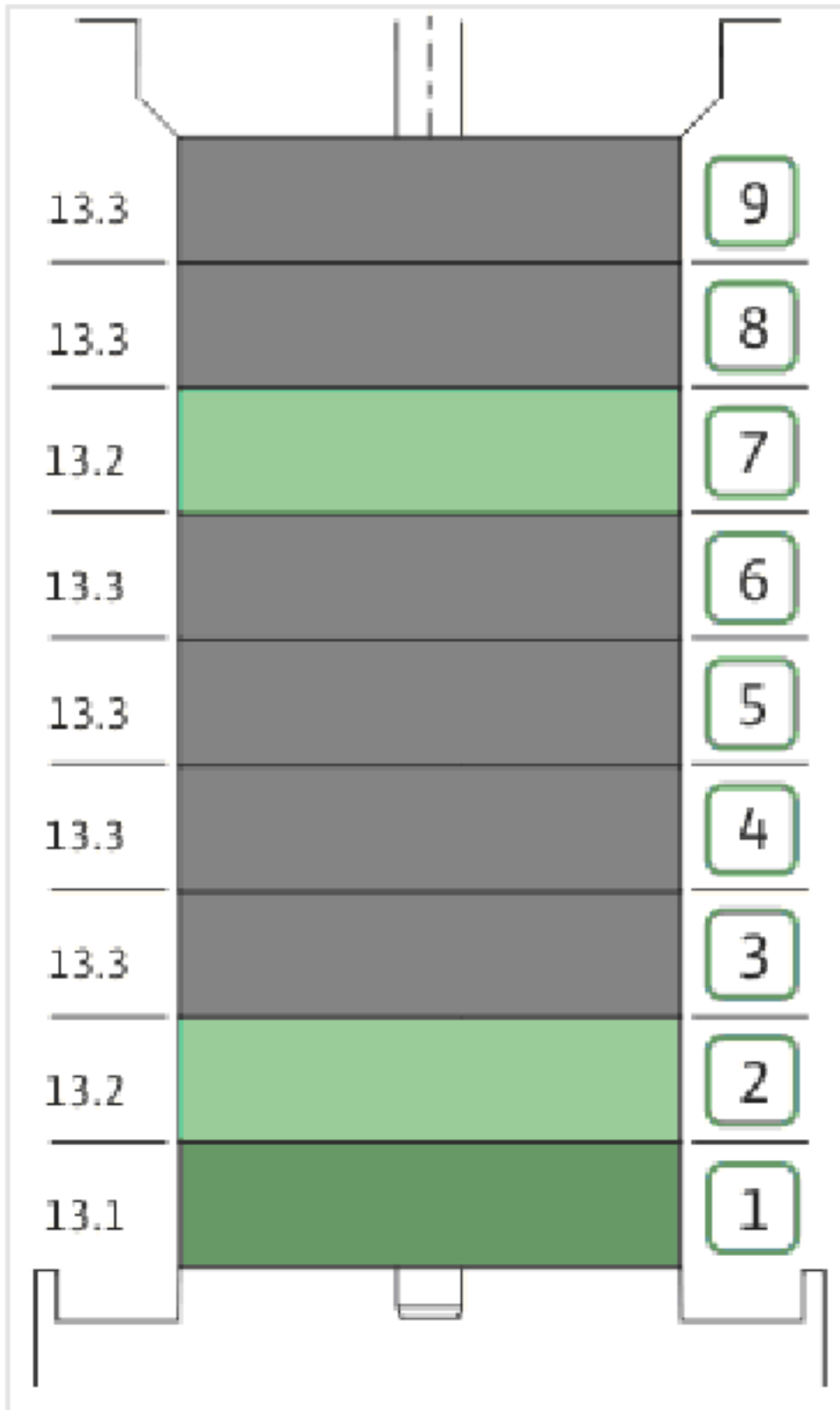
COUPLING D.16XD.38 FF265 HELIX KIT (4159711)

Item	Article no.	Description	Quantity
4.1	2131018	COUPLING 2 PARTS D.16XD.28XL.82,4 VP.	1
4.2	2131017	BALL BEARING 6310/ZZ-C4(HT)VP.	1
4.3	4234253	CIRCLIP-FOR-SHAFT-D50x2 VP.	1
4.4	4157726	SCREW KIT M8X30 (4 PIECES)	1
4.5	4234255	CIRCLIPS 110X4 VP.	1
4.6	4233944	O-RING ID.110 VP.	1
4.7	2131019	RETAINING RING D.26xD.2 DIN7993 VP.	1
4.8	2131020	HUB D.38XD.50 VP.	1
4.9	2131021	SPACER D.28XD.45 VP.	1
4.10	4157726	SCREW KIT M8X30 (4 PIECES)	1
4.11	4102901	SCREW CHC-M6X14-8.8-ISO4762-GEOMET500A	1
4.12	2130995	SERRATED LOCK WASHER D.6,2XD.14,5X28 VP.	1
		NOMEL CONTACT WASHER 8x16x1,4 STEEL ZC	1



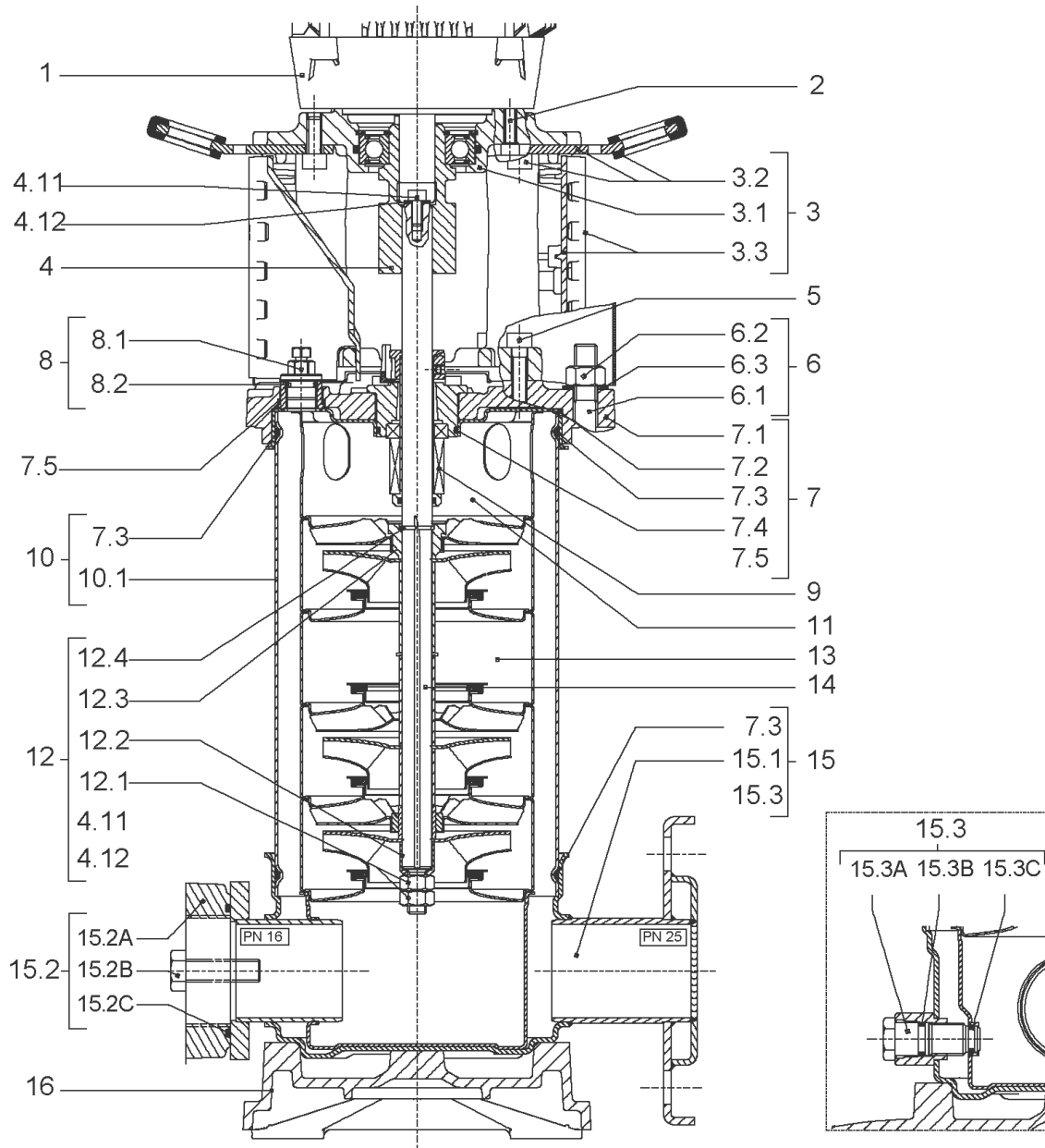
CARTRIDGE HELIX6-10-16 O/E KIT (4159696)

Item	Article no.	Description	Quantity
9.1	4159697	SEAL-KIT-HELIX6-10-16 O/E	1
7.3	4176513	> O-RING FOR PUMP JACKET VP.	1
7.4	2127603	> O-RING ID.37,6x2,4 EPDM VP.	1
9.1A	2130966	> MECH.SEAL HELIX2-4-6-10-16 O/E VP.	1
9.1B	2130967	> O-RING D.16X2,5 EPDM VP.	1
9.1C	4176519	> O-RING Ø16xØ1.25 VP.	1
9.2	2130961	SHAFT SLEEVE D.18/16X72,2 1.4404 VP.	1
9.3	2130962	RING HOLDER D.18 G606/G6 1.4301 VP.	1
9.4	4176520	SCREW CH M5x5 A4-70 (3PIECES)	1
9.5	2130963	DRIVE RING D.29/18x12,4 MACH.VP.	1
9.6	2130964	TOOL M.S.CART.HELIX VP.	1
9.7	2130965	SCREW CHC M5X12 ISO4762 A2.70(4 PIECES)	1



HYDRAULIC HELIX V 1609 1.4307

Item	Article no.	Description	Quantity
13.1	4159720	STAGE HELIX 16 1.4301 KIT	1
		> MACH.STG-CASING-WOGV-WNR-M+16-304	1
		> IMPELLER-M+16-304	1
13.2	4159714	STAGE BEARING HELIX 16 1.4301 KIT	1
		> MACH.BEARING-STG-CASING-WNR-M+16-304	1
		> SHAFT-SLEEVE-D16xD20x18-CW	1
		> IMPELLER-M+16-304	1
		> SLEEVE-SPACER-Ø19,35x30,665-304	1
13.3	4159715	INTERMEDIATE STAGE HELIX 16 1.4301 KIT	1
		> CORPS-ETG-STD-ACR-AJR-USIN.M+16-304	1
		> IMPELLER-M+16-304	1
		> SPACER Ø16X19.4-L48.6-304	1



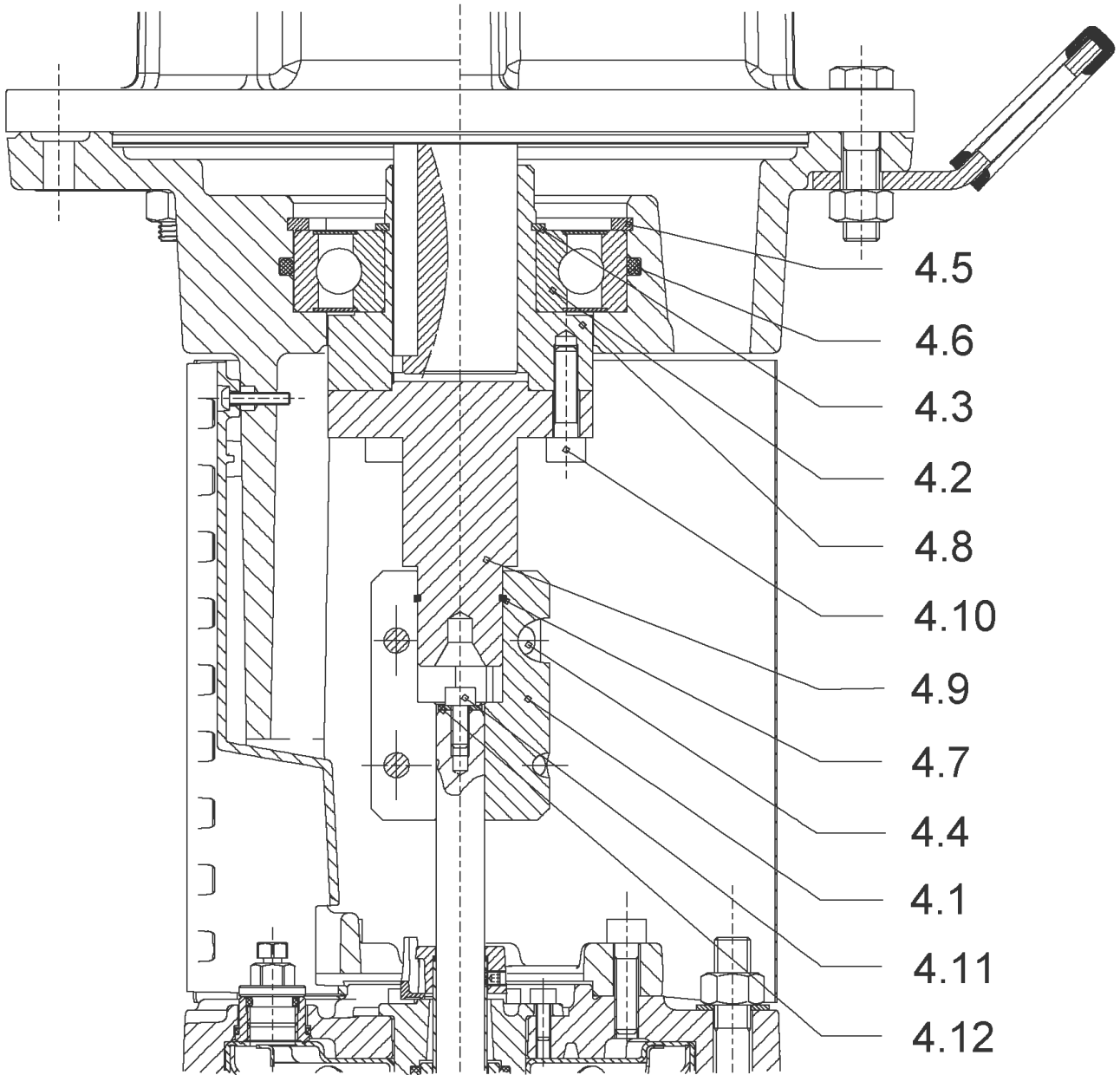
HELIX V1609-1/25/E/KS/400-50 (4141157)

Item	Article no.	Description	Quantity
1	4195450	MOTOR 7,5/2/* 3~400V 50HZ IE3 VP.	1
		SPARE PARTS MOTOR:ON REQUEST	1
2	4174093	SCREW M12X50 (4 PIECES)	1
3	4159693	LANTERN FF265 HELIX KIT	1
3.1		> LANTERN FF265 M+6" GJL MACHINING+CATA	1
3.2	2127605	> EYELET CPL.FF265 HELIX(2 PIECES)	1
3.3	4159695	> COUPLING PROTECTOR FF HELIX KIT	1
4	4159711	COUPLING D.16XD.38 FF265 HELIX KIT	1
5	4159707	SCREW M8X30 (4 PIECES)	1
6	4177842	STUD BOLT M12X638KIT	1
7	4159685	END SHIELD HELIX EPDM KIT	1
7.1		> END SHIELD M+6" GJL250 MACHINING+CATA	1
7.2	2127607	> STATIONARY RING HOLDER 6" HELIX 1.4301 V	1
7.3	4176513	> O-RING FOR PUMP JACKET VP.	1
7.4	2127603	> O-RING ID.37,6x2,4 EPDM VP.	1
7.5	2127602	> O-RING ID.21,35x2 EPDM VP.	1
8	4159686	FILING/PURGING PLUG HELIX EPDM KIT	1
9	4159698	CARTRIDGE HELIX6-10-16 F/E KIT	1
10	4177843	HOUSING PIPES D.152X510 1.4307 KIT	1
11	2127588	CENTERING STAGE-RETURN HELIX16 1.4301 VP	1
12	4159688	SHAFT EQUIPMENT HELIX V16 BI BLOC KIT	1
4.11	4102901	> SCREW CHC-M6X14-8.8-ISO4762-GEOMET500A	1
4.12	2130995	> SERRATED LOCK WASHER D.6,2XD.14,5X28 VP.	1
12.1		> NUT-H-M10-A4.70	1
12.4		> STOP-RUSH-1/2-D16xd2-M+316	1
12.3		> STOP COLLAR OF IMPELLER L18,8-Ø16-316L	1
12.2		> SERRATED LOCK WASHER M+16M3-316L	1
13		HYDRAULIC HELIX V 1609 1.4307	1
14	4177844	SHAFT D.16X630 1.4301 VP.	1
15	4159683	PUMP HOUSING HELIX DN50 PN25 1.4301 KIT	1
7.3	4176513	> O-RING FOR PUMP JACKET VP.	1
15.1		> CASING-MVI-PN25-DN50-16M3-316L	1
15.2	4124503	> FLAT GASKET 61x107x2_DN50_PN25_FIBER	1
15.3	4159684	> PRIMING/DRAIN PLUG HELIX16 EPDM KIT	1

HELIX V1609-1/25/E/KS/400-50 (4141157)

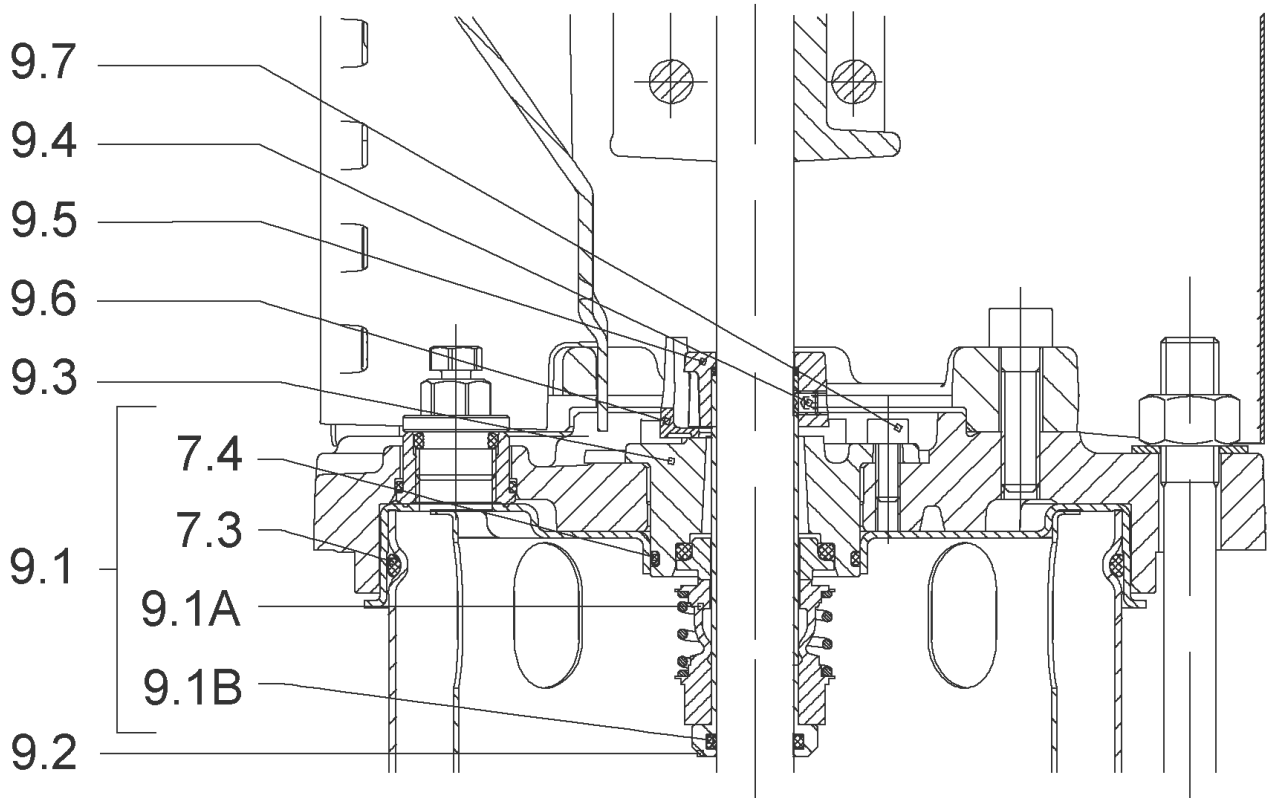
Item	Article no.	Description	Quantity
16	2127601	BASEPLATE HELIX V16 VP.	1

COUPLING D.16XD.38 FF265 HELIX KIT (4159711)



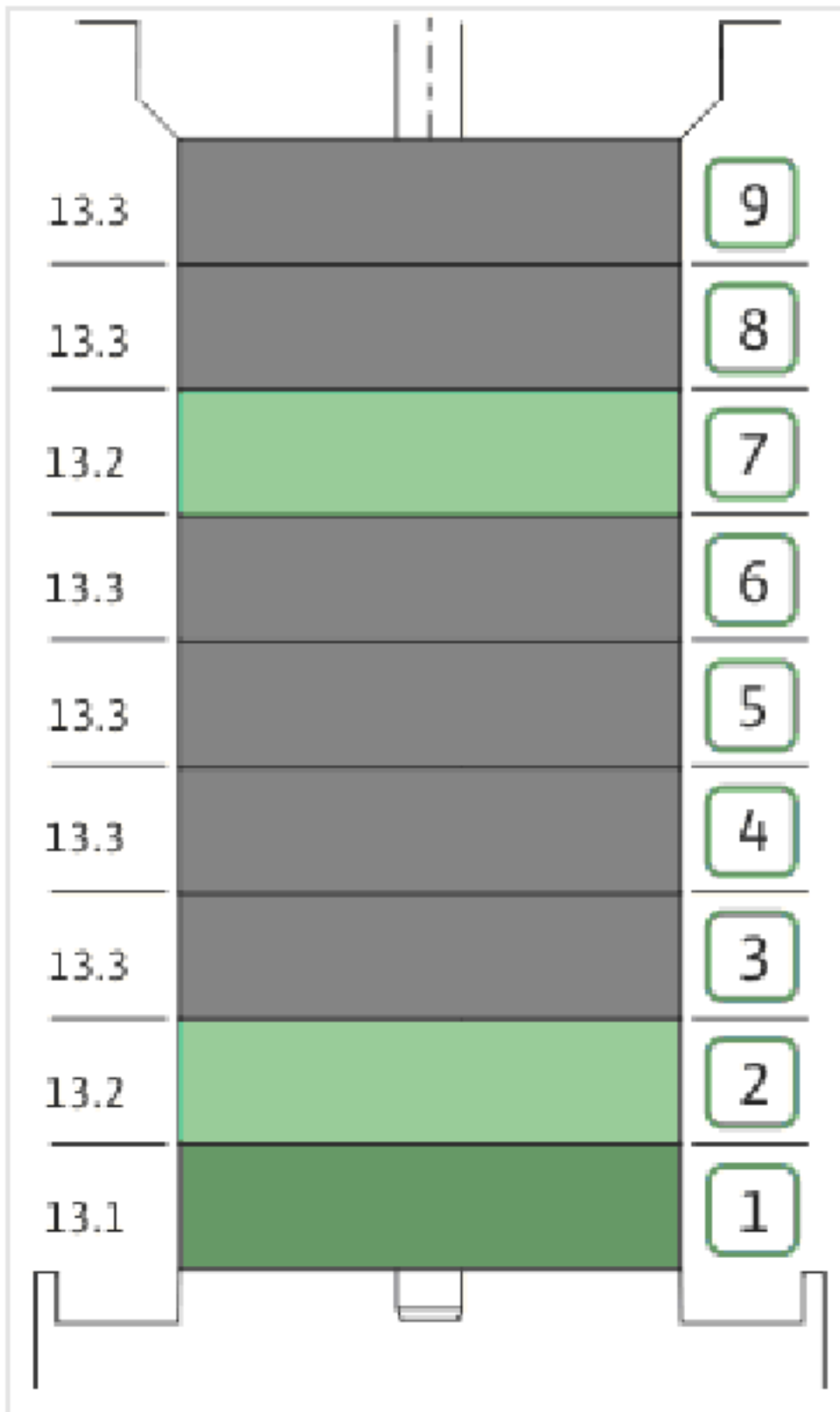
COUPLING D.16XD.38 FF265 HELIX KIT (4159711)

Item	Article no.	Description	Quantity
4.1	2131018	COUPLING 2 PARTS D.16XD.28XL.82,4 VP.	1
4.2	2131017	BALL BEARING 6310/ZZ-C4(HT)VP.	1
4.3	4234253	CIRCLIP-FOR-SHAFT-D50x2 VP.	1
4.4	4157726	SCREW KIT M8X30 (4 PIECES)	1
4.5	4234255	CIRCLIPS 110X4 VP.	1
4.6	4233944	O-RING ID.110 VP.	1
4.7	2131019	RETAINING RING D.26xD.2 DIN7993 VP.	1
4.8	2131020	HUB D.38XD.50 VP.	1
4.9	2131021	SPACER D.28XD.45 VP.	1
4.10	4157726	SCREW KIT M8X30 (4 PIECES)	1
4.11	4102901	SCREW CHC-M6X14-8.8-ISO4762-GEOMET500A	1
4.12	2130995	SERRATED LOCK WASHER D.6,2XD.14,5X28 VP.	1
		NOMEL CONTACT WASHER 8x16x1,4 STEEL ZC	1



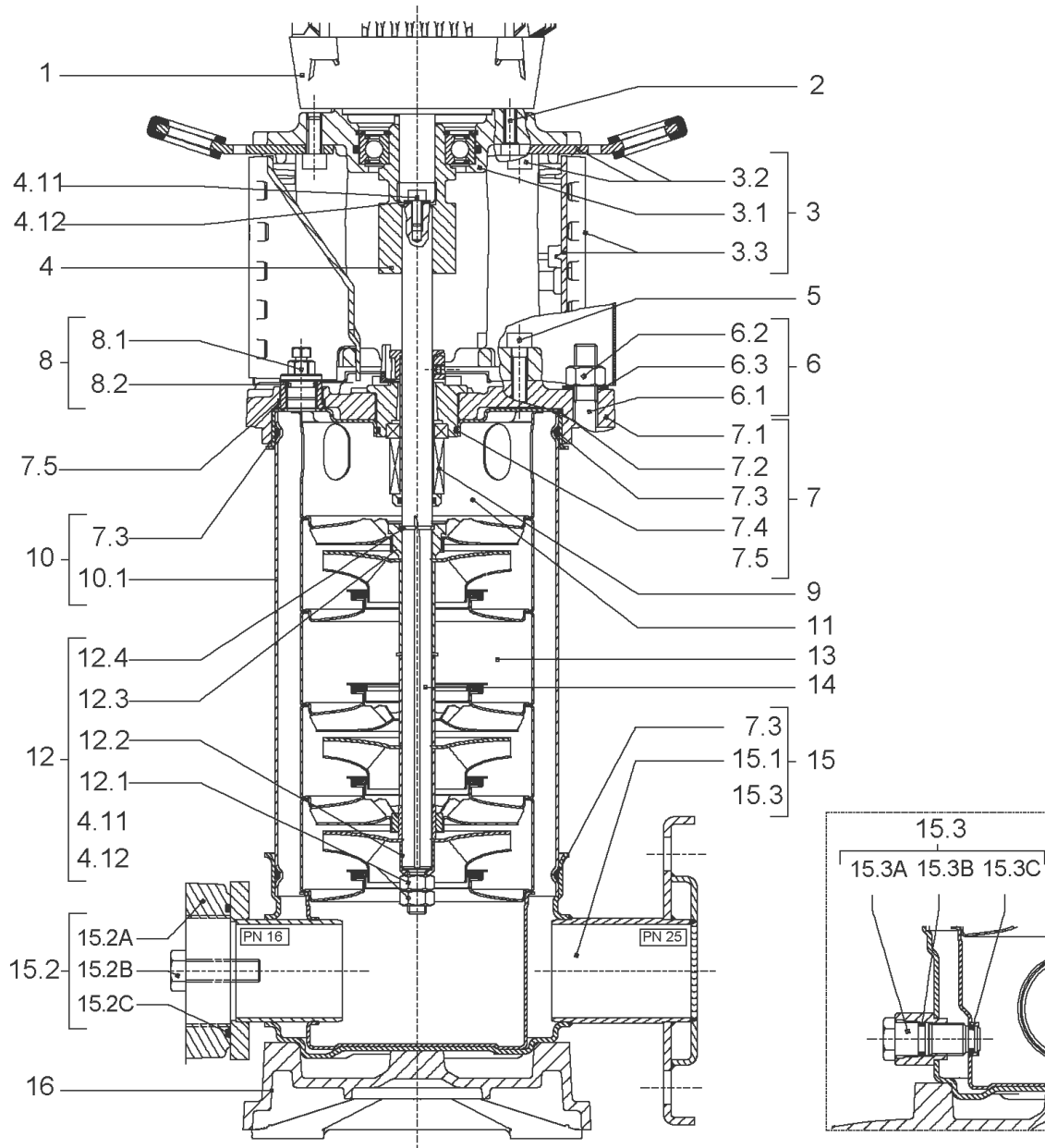
CARTRIDGE HELIX6-10-16 F/E KIT (4159698)

Item	Article no.	Description	Quantity
9.1	4159699	SEAL-KIT-HELIX6-10-16 F/E	1
7.3	4176513	> O-RING FOR PUMP JACKET VP.	1
7.4	2127603	> O-RING ID.37,6x2,4 EPDM VP.	1
9.1A	4176521	> MECH.SEAL HELIX2-4-6-10-16 F/E VP.	1
9.1B	2130967	> O-RING D.16X2,5 EPDM VP.	1
9.2	2130961	SHAFT SLEEVE D.18/16X72,2 1.4404 VP.	1
9.3	2130962	RING HOLDER D.18 G606/G6 1.4301 VP.	1
9.4	4068120	SCREW CH M5x5 A4-70	1
9.5	2130963	DRIVE RING D.29/18x12,4 MACH.VP.	1
9.6	2130964	TOOL M.S.CART.HELIX VP.	1
9.7	2130965	SCREW CHC M5X12 ISO4762 A2.70(4 PIECES)	1



HYDRAULIC HELIX V 1609 1.4307

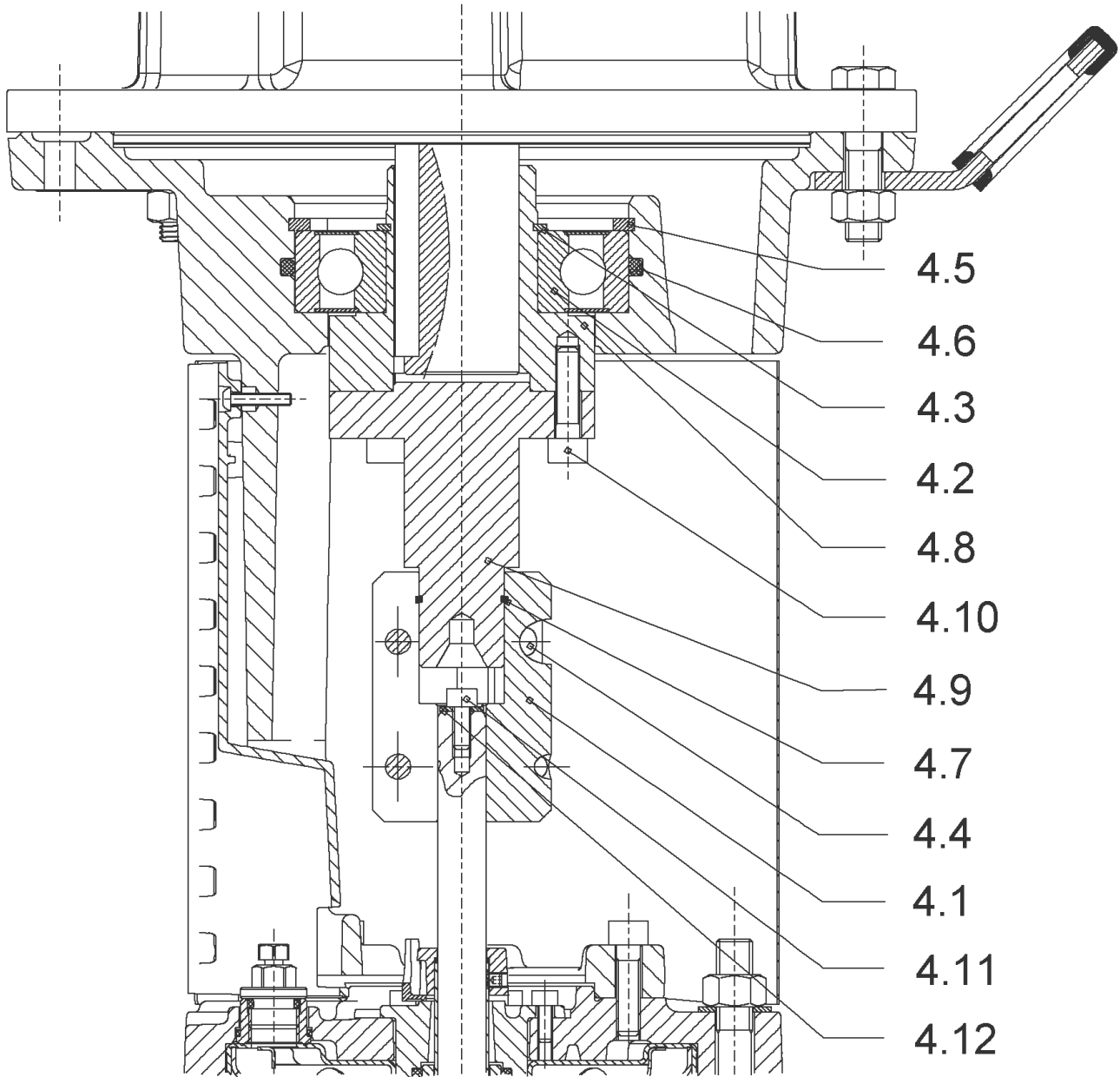
Item	Article no.	Description	Quantity
13.1	4159720	STAGE HELIX 16 1.4301 KIT	1
		> MACH.STG-CASING-WOGV-WNR-M+16-304	1
		> IMPELLER-M+16-304	1
13.2	4159714	STAGE BEARING HELIX 16 1.4301 KIT	1
		> MACH.BEARING-STG-CASING-WNR-M+16-304	1
		> SHAFT-SLEEVE-D16xD20x18-CW	1
		> IMPELLER-M+16-304	1
		> SLEEVE-SPACER-Ø19,35x30,665-304	1
13.3	4159715	INTERMEDIATE STAGE HELIX 16 1.4301 KIT	1
		> CORPS-ETG-STD-ACR-AJR-USIN.M+16-304	1
		> IMPELLER-M+16-304	1
		> SPACER Ø16X19.4-L48.6-304	1



HELIX V1610-1/16/E/K/400-50 (4141158)

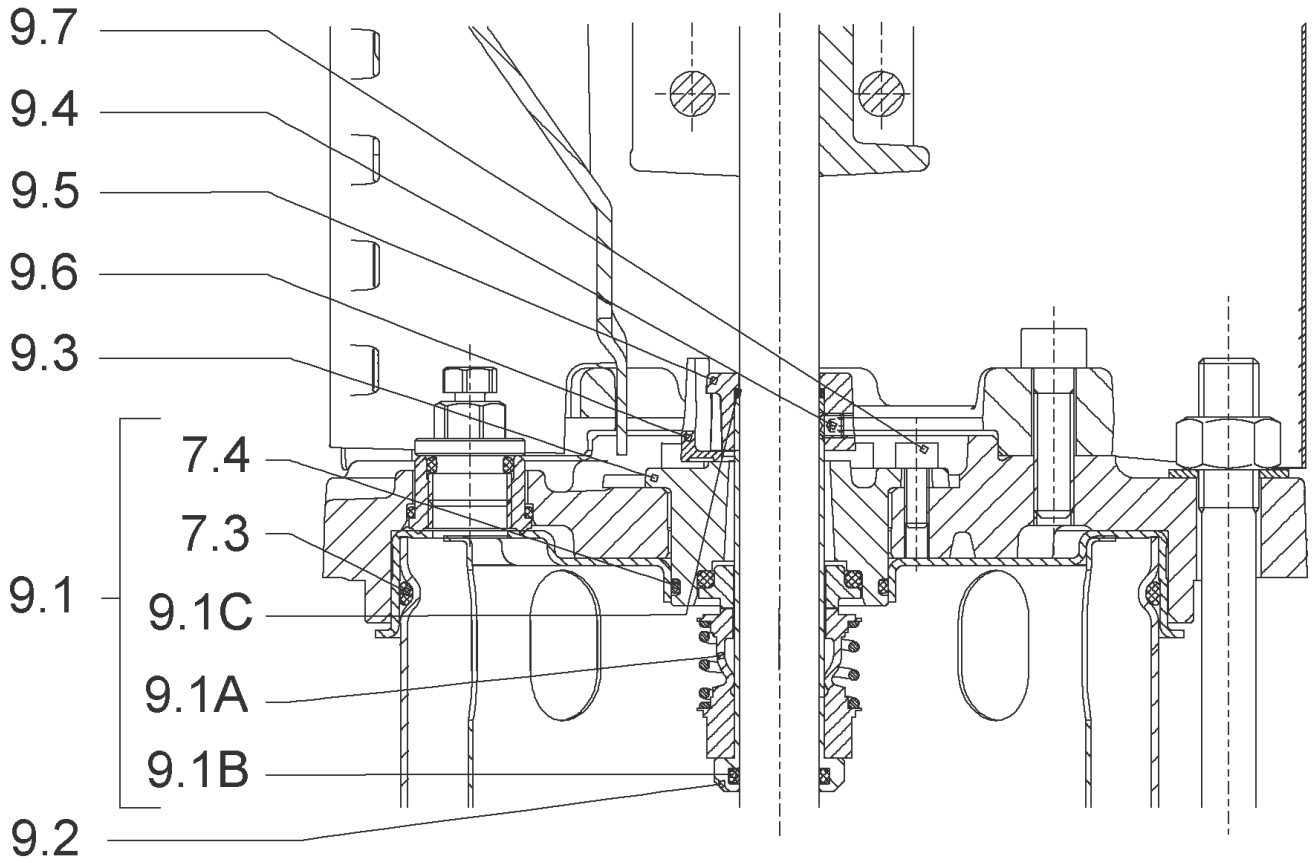
Item	Article no.	Description	Quantity
1	4195450	MOTOR 7,5/2/* 3~400V 50HZ IE3 VP.	1
		SPARE PARTS MOTOR:ON REQUEST	1
2	4174093	SCREW M12X50 (4 PIECES)	1
3	4159693	LANTERN FF265 HELIX KIT	1
3.1		> LANTERN FF265 M+6" GJL MACHINING+CATA	1
3.2	2127605	> EYELET CPL.FF265 HELIX(2 PIECES)	1
3.3	4159695	> COUPLING PROTECTOR FF HELIX KIT	1
4	4159711	COUPLING D.16XD.38 FF265 HELIX KIT	1
5	4159707	SCREW M8X30 (4 PIECES)	1
6	4177852	STUD BOLT M12X788KIT	1
7	4159685	END SHIELD HELIX EPDM KIT	1
7.1		> END SHIELD M+6" GJL250 MACHINING+CATA	1
7.2	2127607	> STATIONARY RING HOLDER 6" HELIX 1.4301 V	1
7.3	4176513	> O-RING FOR PUMP JACKET VP.	1
7.4	2127603	> O-RING ID.37,6x2,4 EPDM VP.	1
7.5	2127602	> O-RING ID.21,35x2 EPDM VP.	1
8	4159686	FILING/PURGING PLUG HELIX EPDM KIT	1
9	4159696	CARTRIDGE HELIX6-10-16 O/E KIT	1
10	4177853	HOUSING PIPES D.152X660 1.4307 KIT	1
11	2127588	CENTERING STAGE-RETURN HELIX16 1.4301 VP	1
12	4159688	SHAFT EQUIPMENT HELIX V16 BI BLOC KIT	1
4.11	4102901	> SCREW CHC-M6X14-8.8-ISO4762-GEOMET500A	1
4.12	2130995	> SERRATED LOCK WASHER D.6,2XD.14,5X28 VP.	1
12.1		> NUT-H-M10-A4.70	1
12.4		> STOP-RUSH-1/2-D16xd2-M+316	1
12.3		> STOP COLLAR OF IMPELLER L18,8-Ø16-316L	1
12.2		> SERRATED LOCK WASHER M+16M3-316L	1
13		HYDRAULIC HELIX V 1610 1.4307	1
14	4177854	SHAFT D.16 X780 1.4301 VP.	1
15	4217899	PUMP HOUSING HELIX DN50 PN16 1.4301 KIT	1
16	2127601	BASEPLATE HELIX V16 VP.	1

COUPLING D.16XD.38 FF265 HELIX KIT (4159711)



COUPLING D.16XD.38 FF265 HELIX KIT (4159711)

Item	Article no.	Description	Quantity
4.1	2131018	COUPLING 2 PARTS D.16XD.28XL.82,4 VP.	1
4.2	2131017	BALL BEARING 6310/ZZ-C4(HT)VP.	1
4.3	4234253	CIRCLIP-FOR-SHAFT-D50x2 VP.	1
4.4	4157726	SCREW KIT M8X30 (4 PIECES)	1
4.5	4234255	CIRCLIPS 110X4 VP.	1
4.6	4233944	O-RING ID.110 VP.	1
4.7	2131019	RETAINING RING D.26xD.2 DIN7993 VP.	1
4.8	2131020	HUB D.38XD.50 VP.	1
4.9	2131021	SPACER D.28XD.45 VP.	1
4.10	4157726	SCREW KIT M8X30 (4 PIECES)	1
4.11	4102901	SCREW CHC-M6X14-8.8-ISO4762-GEOMET500A	1
4.12	2130995	SERRATED LOCK WASHER D.6,2XD.14,5X28 VP.	1
		NOMEL CONTACT WASHER 8x16x1,4 STEEL ZC	1



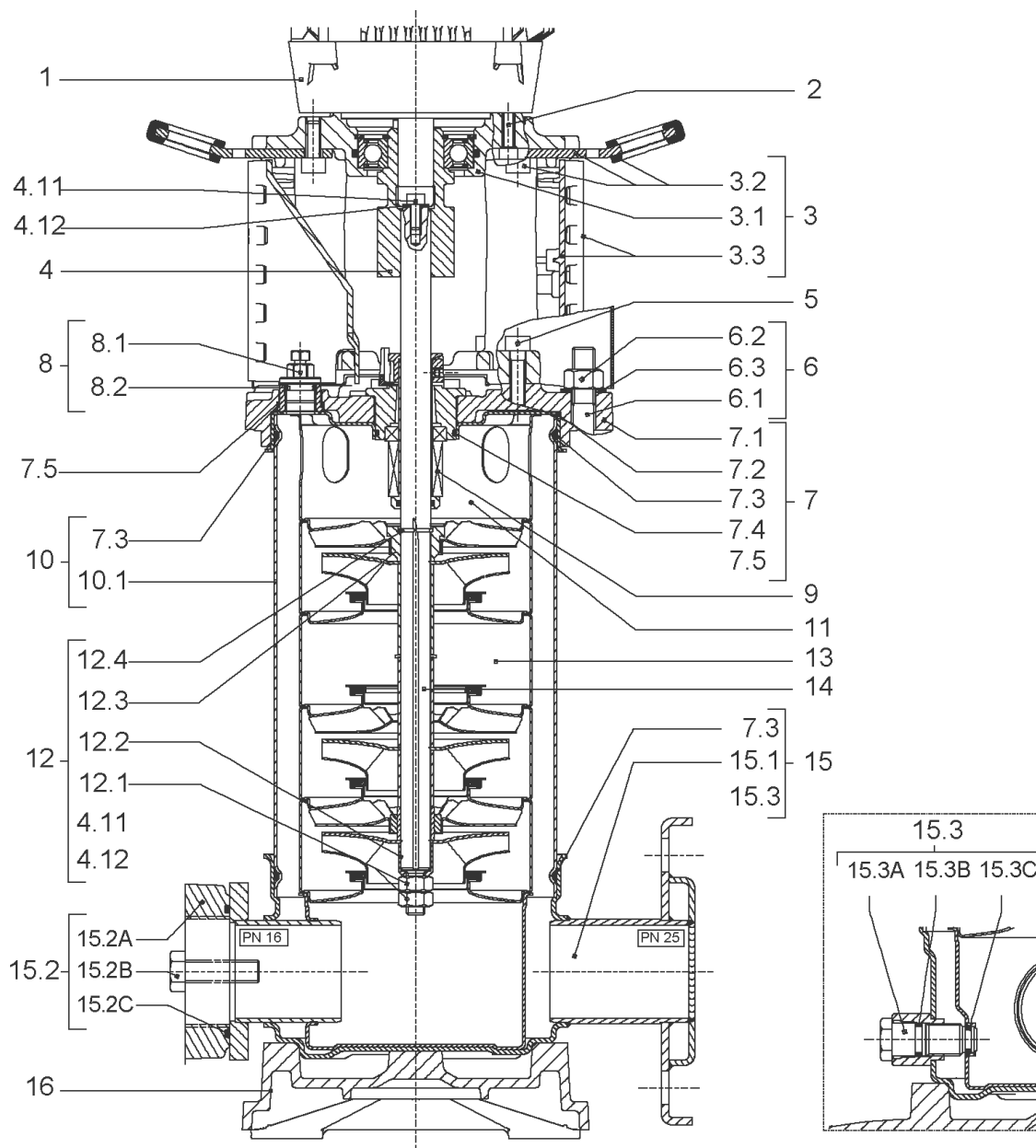
CARTRIDGE HELIX6-10-16 O/E KIT (4159696)

Item	Article no.	Description	Quantity
9.1	4159697	SEAL-KIT-HELIX6-10-16 O/E	1
7.3	4176513	> O-RING FOR PUMP JACKET VP.	1
7.4	2127603	> O-RING ID.37,6x2,4 EPDM VP.	1
9.1A	2130966	> MECH.SEAL HELIX2-4-6-10-16 O/E VP.	1
9.1B	2130967	> O-RING D.16X2,5 EPDM VP.	1
9.1C	4176519	> O-RING Ø16xØ1.25 VP.	1
9.2	2130961	SHAFT SLEEVE D.18/16X72,2 1.4404 VP.	1
9.3	2130962	RING HOLDER D.18 G606/G6 1.4301 VP.	1
9.4	4176520	SCREW CH M5x5 A4-70 (3PIECES)	1
9.5	2130963	DRIVE RING D.29/18x12,4 MACH.VP.	1
9.6	2130964	TOOL M.S.CART.HELIX VP.	1
9.7	2130965	SCREW CHC M5X12 ISO4762 A2.70(4 PIECES)	1



HYDRAULIC HELIX V 1610 1.4307

Item	Article no.	Description	Quantity
13.1	4159720	STAGE HELIX 16 1.4301 KIT	1
		> MACH.STG-CASING-WOGV-WNR-M+16-304	1
		> IMPELLER-M+16-304	1
13.2	4159714	STAGE BEARING HELIX 16 1.4301 KIT	1
		> MACH.BEARING-STG-CASING-WNR-M+16-304	1
		> SHAFT-SLEEVE-D16xD20x18-CW	1
		> IMPELLER-M+16-304	1
		> SLEEVE-SPACER-Ø19,35x30,665-304	1
13.3	4159715	INTERMEDIATE STAGE HELIX 16 1.4301 KIT	1
		> CORPS-ETG-STD-ACR-AJR-USIN.M+16-304	1
		> IMPELLER-M+16-304	1
		> SPACER Ø16X19.4-L48.6-304	1
13.4	4159719	EMPTY STAGE-BEARING HELIX 16 1.4301 KIT	1
		> MACH.BEARING-STG-CASING-WNR-M+16-304	1
		> SHAFT-SLEEVE-D16xD20x18-CW	1
		> FLAT WASHER-D16.1XD22X1.5-316L	1
		> SLEEVE-SPACER-Ø19,35x30,665-304	1
13.5	4159717	EMPTY STAGE HELIX16 1.4301 KIT	1
		> MACH.STG-CASING-WOGV-WNR-M+16-304	1
		> FLAT WASHER-D16.1XD22X1.5-316L	1
		> SPACER Ø16X19.4-L48.6-304	1
13.6	4159718	STAGE HELIX 16 1.4301 KIT	1
		> MACH.STG-CASING-WOGV-WNR-M+16-304	1
		> IMPELLER-M+16-304	1
		> SPACER Ø16X19.4-L48.6-304	1



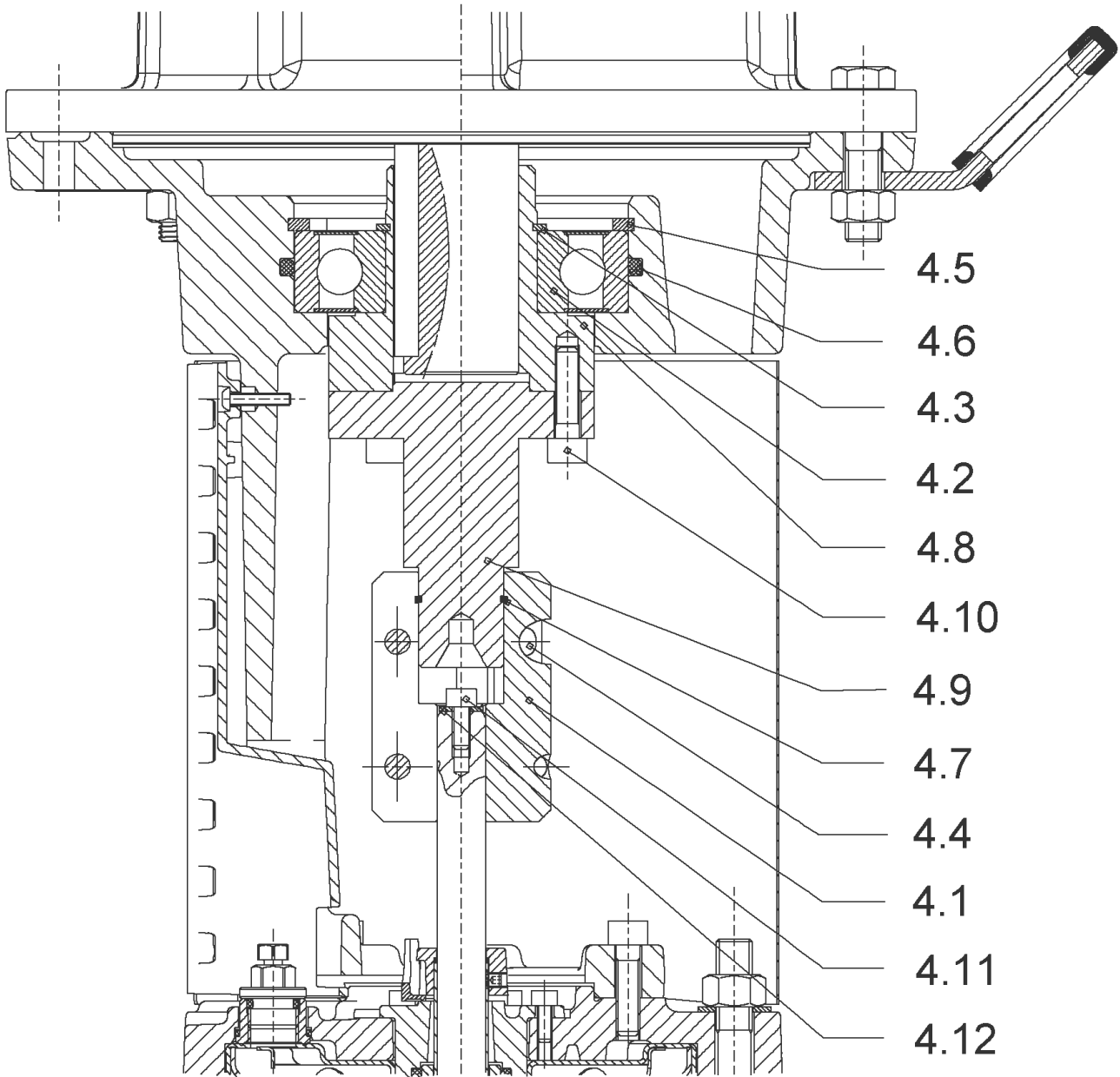
HELIX V1610-1/25/E/KS/400-50 (4141159)

Item	Article no.	Description	Quantity
1	4195450	MOTOR 7,5/2/* 3~400V 50HZ IE3 VP.	1
		SPARE PARTS MOTOR:ON REQUEST	1
2	4174093	SCREW M12X50 (4 PIECES)	1
3	4159693	LANTERN FF265 HELIX KIT	1
3.1		> LANTERN FF265 M+6" GJL MACHINING+CATA	1
3.2	2127605	> EYELET CPL.FF265 HELIX(2 PIECES)	1
3.3	4159695	> COUPLING PROTECTOR FF HELIX KIT	1
4	4159711	COUPLING D.16XD.38 FF265 HELIX KIT	1
5	4159707	SCREW M8X30 (4 PIECES)	1
6	4177852	STUD BOLT M12X788KIT	1
7	4159685	END SHIELD HELIX EPDM KIT	1
7.1		> END SHIELD M+6" GJL250 MACHINING+CATA	1
7.2	2127607	> STATIONARY RING HOLDER 6" HELIX 1.4301 V	1
7.3	4176513	> O-RING FOR PUMP JACKET VP.	1
7.4	2127603	> O-RING ID.37,6x2,4 EPDM VP.	1
7.5	2127602	> O-RING ID.21,35x2 EPDM VP.	1
8	4159686	FILING/PURGING PLUG HELIX EPDM KIT	1
9	4159698	CARTRIDGE HELIX6-10-16 F/E KIT	1
10	4177853	HOUSING PIPES D.152X660 1.4307 KIT	1
11	2127588	CENTERING STAGE-RETURN HELIX16 1.4301 VP	1
12	4159688	SHAFT EQUIPMENT HELIX V16 BI BLOC KIT	1
4.11	4102901	> SCREW CHC-M6X14-8.8-ISO4762-GEOMET500A	1
4.12	2130995	> SERRATED LOCK WASHER D.6,2XD.14,5X28 VP.	1
12.1		> NUT-H-M10-A4.70	1
12.4		> STOP-RUSH-1/2-D16xd2-M+316	1
12.3		> STOP COLLAR OF IMPELLER L18,8-Ø16-316L	1
12.2		> SERRATED LOCK WASHER M+16M3-316L	1
13		HYDRAULIC HELIX V 1610 1.4307	1
14	4177854	SHAFT D.16 X780 1.4301 VP.	1
15	4159683	PUMP HOUSING HELIX DN50 PN25 1.4301 KIT	1
7.3	4176513	> O-RING FOR PUMP JACKET VP.	1
15.1		> CASING-MVI-PN25-DN50-16M3-316L	1
15.2	4124503	> FLAT GASKET 61x107x2_DN50_PN25_FIBER	1
15.3	4159684	> PRIMING/DRAIN PLUG HELIX16 EPDM KIT	1

HELIX V1610-1/25/E/KS/400-50 (4141159)

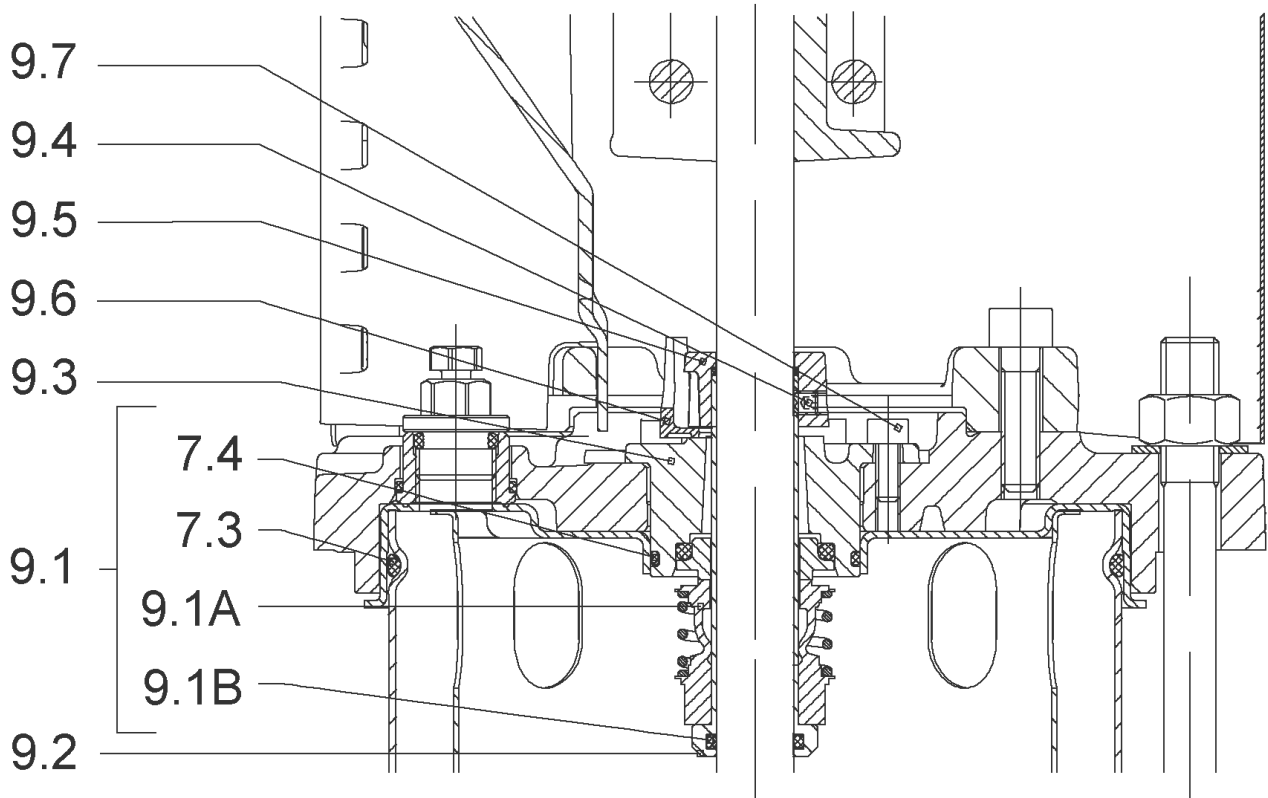
Item	Article no.	Description	Quantity
16	2127601	BASEPLATE HELIX V16 VP.	1

COUPLING D.16XD.38 FF265 HELIX KIT (4159711)



COUPLING D.16XD.38 FF265 HELIX KIT (4159711)

Item	Article no.	Description	Quantity
4.1	2131018	COUPLING 2 PARTS D.16XD.28XL.82,4 VP.	1
4.2	2131017	BALL BEARING 6310/ZZ-C4(HT)VP.	1
4.3	4234253	CIRCLIP-FOR-SHAFT-D50x2 VP.	1
4.4	4157726	SCREW KIT M8X30 (4 PIECES)	1
4.5	4234255	CIRCLIPS 110X4 VP.	1
4.6	4233944	O-RING ID.110 VP.	1
4.7	2131019	RETAINING RING D.26xD.2 DIN7993 VP.	1
4.8	2131020	HUB D.38XD.50 VP.	1
4.9	2131021	SPACER D.28XD.45 VP.	1
4.10	4157726	SCREW KIT M8X30 (4 PIECES)	1
4.11	4102901	SCREW CHC-M6X14-8.8-ISO4762-GEOMET500A	1
4.12	2130995	SERRATED LOCK WASHER D.6,2XD.14,5X28 VP.	1
		NOMEL CONTACT WASHER 8x16x1,4 STEEL ZC	1



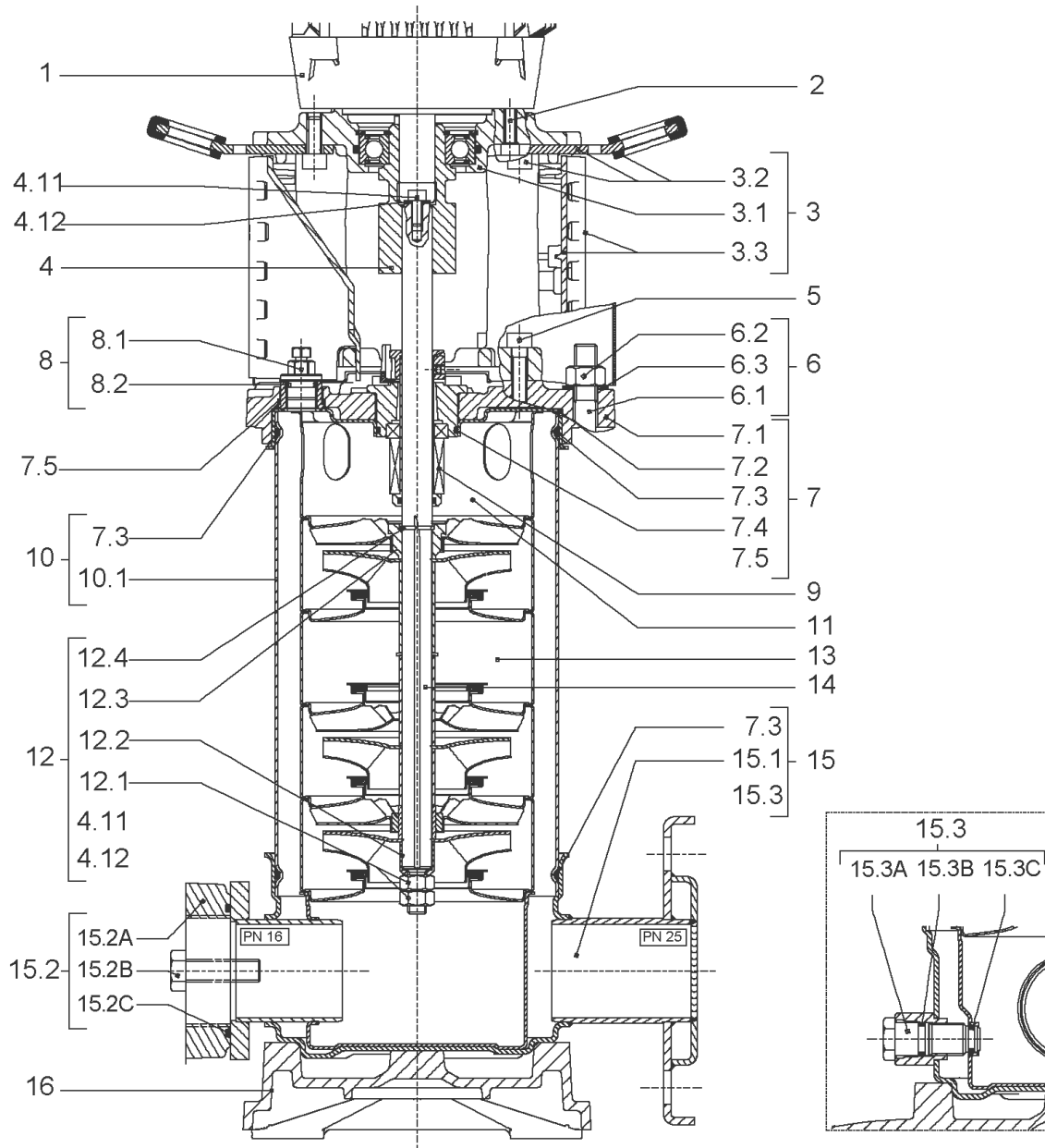
CARTRIDGE HELIX6-10-16 F/E KIT (4159698)

Item	Article no.	Description	Quantity
9.1	4159699	SEAL-KIT-HELIX6-10-16 F/E	1
7.3	4176513	> O-RING FOR PUMP JACKET VP.	1
7.4	2127603	> O-RING ID.37,6x2,4 EPDM VP.	1
9.1A	4176521	> MECH.SEAL HELIX2-4-6-10-16 F/E VP.	1
9.1B	2130967	> O-RING D.16X2,5 EPDM VP.	1
9.2	2130961	SHAFT SLEEVE D.18/16X72,2 1.4404 VP.	1
9.3	2130962	RING HOLDER D.18 G606/G6 1.4301 VP.	1
9.4	4068120	SCREW CH M5x5 A4-70	1
9.5	2130963	DRIVE RING D.29/18x12,4 MACH.VP.	1
9.6	2130964	TOOL M.S.CART.HELIX VP.	1
9.7	2130965	SCREW CHC M5X12 ISO4762 A2.70(4 PIECES)	1



HYDRAULIC HELIX V 1610 1.4307

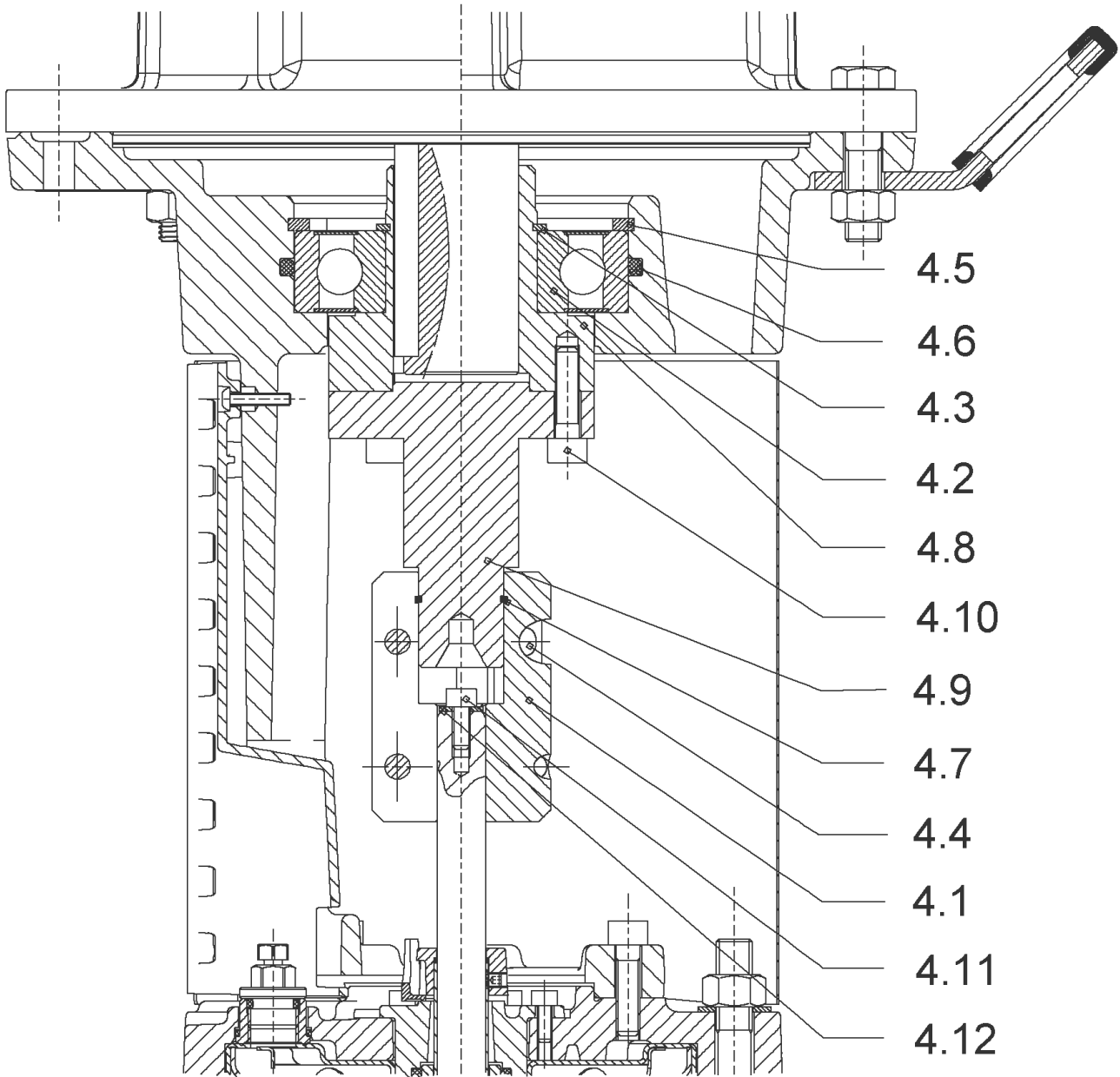
Item	Article no.	Description	Quantity
13.1	4159720	STAGE HELIX 16 1.4301 KIT	1
		> MACH.STG-CASING-WOGV-WNR-M+16-304	1
		> IMPELLER-M+16-304	1
13.2	4159714	STAGE BEARING HELIX 16 1.4301 KIT	1
		> MACH.BEARING-STG-CASING-WNR-M+16-304	1
		> SHAFT-SLEEVE-D16xD20x18-CW	1
		> IMPELLER-M+16-304	1
		> SLEEVE-SPACER-Ø19,35x30,665-304	1
13.3	4159715	INTERMEDIATE STAGE HELIX 16 1.4301 KIT	1
		> CORPS-ETG-STD-ACR-AJR-USIN.M+16-304	1
		> IMPELLER-M+16-304	1
		> SPACER Ø16X19.4-L48.6-304	1
13.4	4159719	EMPTY STAGE-BEARING HELIX 16 1.4301 KIT	1
		> MACH.BEARING-STG-CASING-WNR-M+16-304	1
		> SHAFT-SLEEVE-D16xD20x18-CW	1
		> FLAT WASHER-D16.1XD22X1.5-316L	1
		> SLEEVE-SPACER-Ø19,35x30,665-304	1
13.5	4159717	EMPTY STAGE HELIX16 1.4301 KIT	1
		> MACH.STG-CASING-WOGV-WNR-M+16-304	1
		> FLAT WASHER-D16.1XD22X1.5-316L	1
		> SPACER Ø16X19.4-L48.6-304	1
13.6	4159718	STAGE HELIX 16 1.4301 KIT	1
		> MACH.STG-CASING-WOGV-WNR-M+16-304	1
		> IMPELLER-M+16-304	1
		> SPACER Ø16X19.4-L48.6-304	1



HELIX V1611-1/16/E/K/400-50 (4141160)

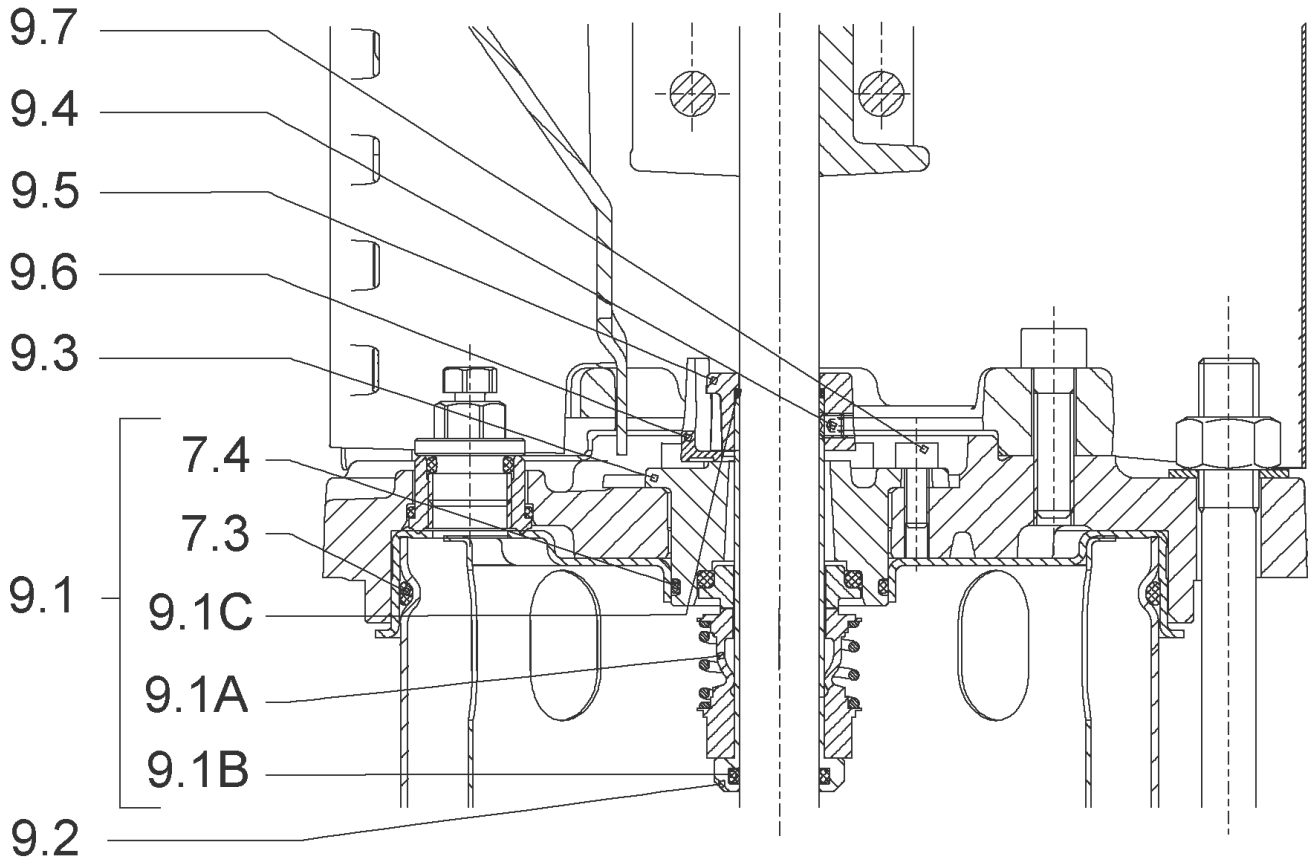
Item	Article no.	Description	Quantity
1	4195450	MOTOR 7,5/2/* 3~400V 50HZ IE3 VP.	1
		SPARE PARTS MOTOR:ON REQUEST	1
2	4174093	SCREW M12X50 (4 PIECES)	1
3	4159693	LANTERN FF265 HELIX KIT	1
3.1		> LANTERN FF265 M+6" GJL MACHINING+CATA	1
3.2	2127605	> EYELET CPL.FF265 HELIX(2 PIECES)	1
3.3	4159695	> COUPLING PROTECTOR FF HELIX KIT	1
4	4159711	COUPLING D.16XD.38 FF265 HELIX KIT	1
5	4159707	SCREW M8X30 (4 PIECES)	1
6	4177852	STUD BOLT M12X788KIT	1
7	4159685	END SHIELD HELIX EPDM KIT	1
7.1		> END SHIELD M+6" GJL250 MACHINING+CATA	1
7.2	2127607	> STATIONARY RING HOLDER 6" HELIX 1.4301 V	1
7.3	4176513	> O-RING FOR PUMP JACKET VP.	1
7.4	2127603	> O-RING ID.37,6x2,4 EPDM VP.	1
7.5	2127602	> O-RING ID.21,35x2 EPDM VP.	1
8	4159686	FILING/PURGING PLUG HELIX EPDM KIT	1
9	4159696	CARTRIDGE HELIX6-10-16 O/E KIT	1
10	4177853	HOUSING PIPES D.152X660 1.4307 KIT	1
11	2127588	CENTERING STAGE-RETURN HELIX16 1.4301 VP	1
12	4159688	SHAFT EQUIPMENT HELIX V16 BI BLOC KIT	1
4.11	4102901	> SCREW CHC-M6X14-8.8-ISO4762-GEOMET500A	1
4.12	2130995	> SERRATED LOCK WASHER D.6,2XD.14,5X28 VP.	1
12.1		> NUT-H-M10-A4.70	1
12.4		> STOP-RUSH-1/2-D16xd2-M+316	1
12.3		> STOP COLLAR OF IMPELLER L18,8-Ø16-316L	1
12.2		> SERRATED LOCK WASHER M+16M3-316L	1
13		HYDRAULIC HELIX V 1611 1.4307	1
14	4177854	SHAFT D.16 X780 1.4301 VP.	1
15	4217899	PUMP HOUSING HELIX DN50 PN16 1.4301 KIT	1
16	2127601	BASEPLATE HELIX V16 VP.	1

COUPLING D.16XD.38 FF265 HELIX KIT (4159711)



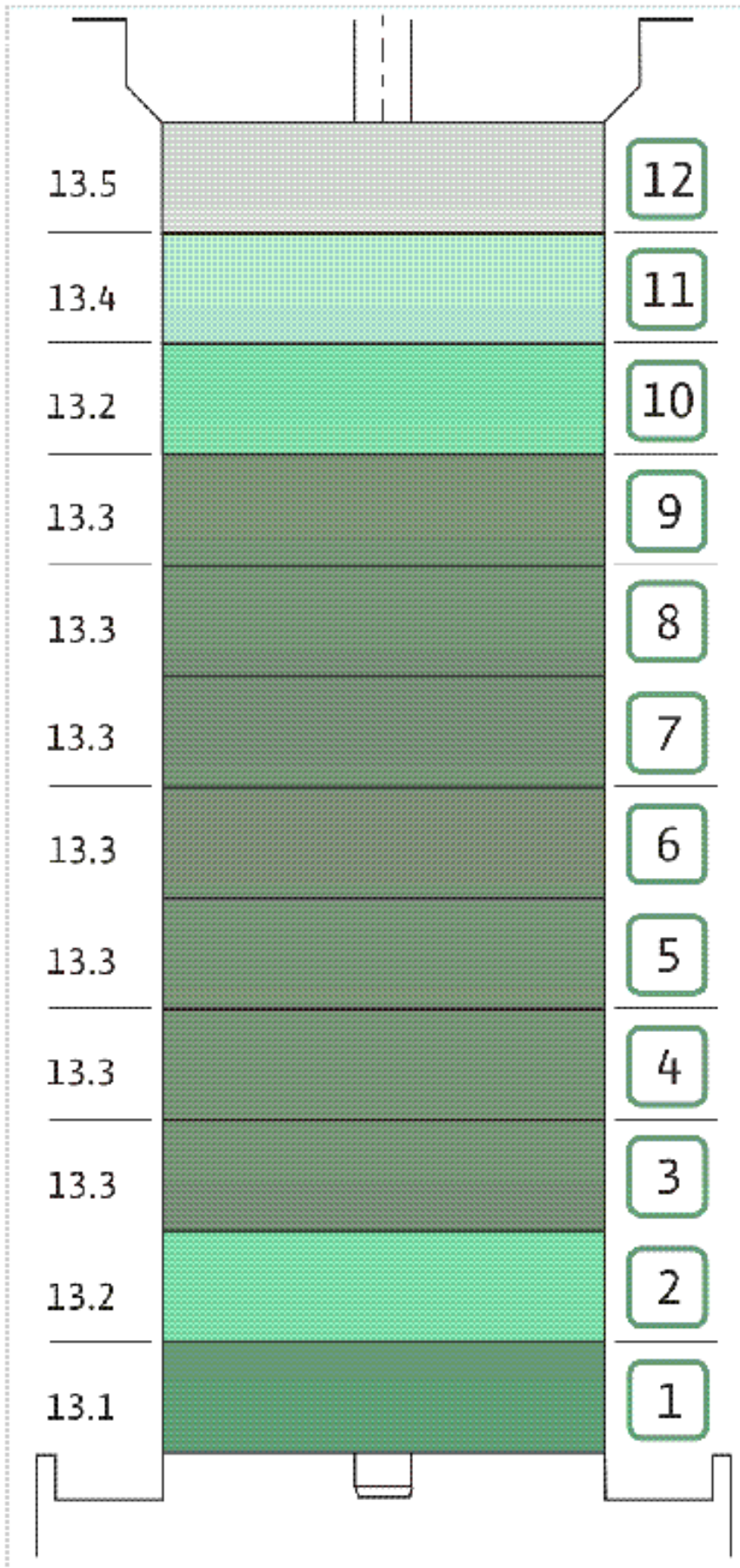
COUPLING D.16XD.38 FF265 HELIX KIT (4159711)

Item	Article no.	Description	Quantity
4.1	2131018	COUPLING 2 PARTS D.16XD.28XL.82,4 VP.	1
4.2	2131017	BALL BEARING 6310/ZZ-C4(HT)VP.	1
4.3	4234253	CIRCLIP-FOR-SHAFT-D50x2 VP.	1
4.4	4157726	SCREW KIT M8X30 (4 PIECES)	1
4.5	4234255	CIRCLIPS 110X4 VP.	1
4.6	4233944	O-RING ID.110 VP.	1
4.7	2131019	RETAINING RING D.26xD.2 DIN7993 VP.	1
4.8	2131020	HUB D.38XD.50 VP.	1
4.9	2131021	SPACER D.28XD.45 VP.	1
4.10	4157726	SCREW KIT M8X30 (4 PIECES)	1
4.11	4102901	SCREW CHC-M6X14-8.8-ISO4762-GEOMET500A	1
4.12	2130995	SERRATED LOCK WASHER D.6,2XD.14,5X28 VP.	1
		NOMEL CONTACT WASHER 8x16x1,4 STEEL ZC	1



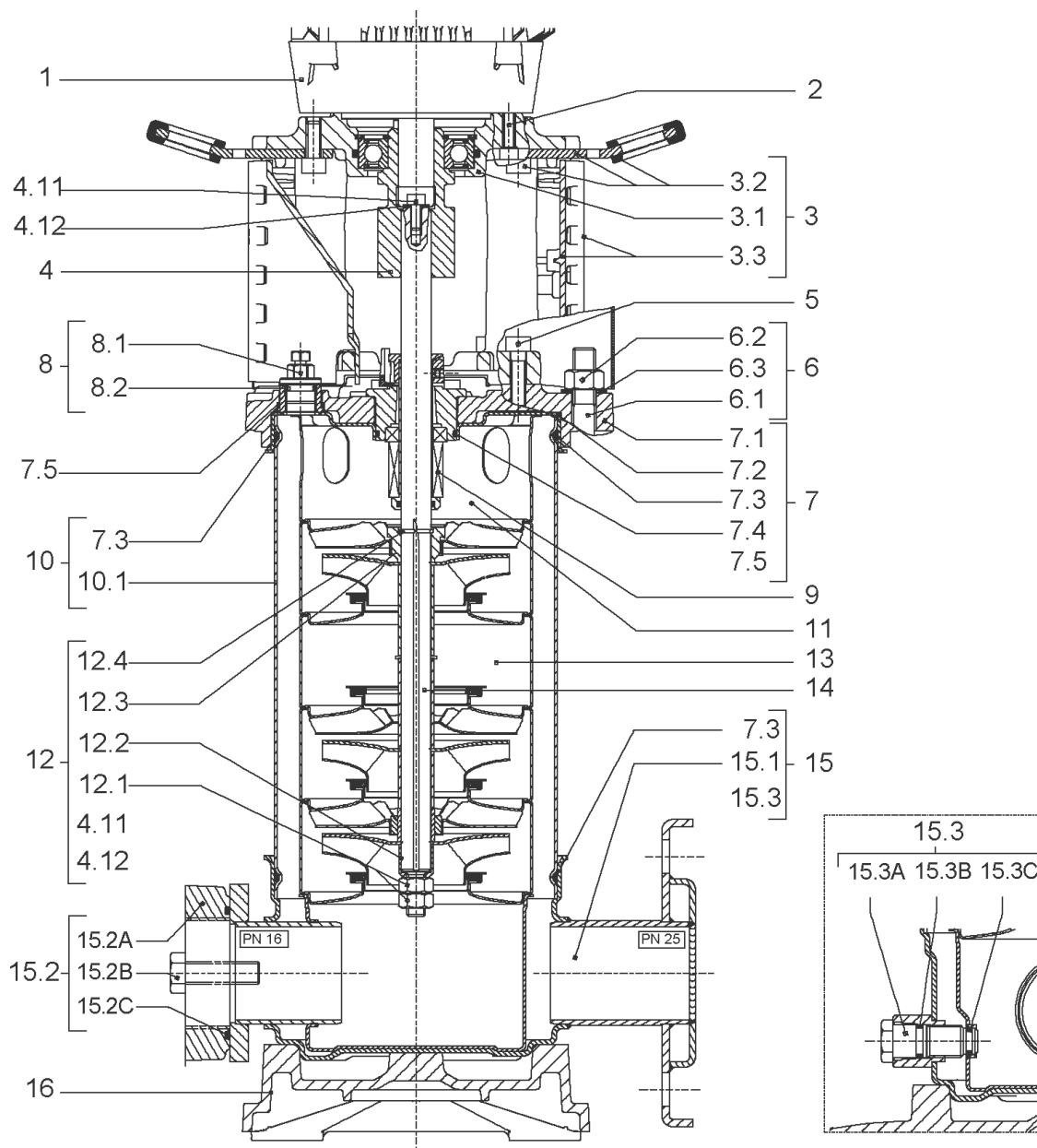
CARTRIDGE HELIX6-10-16 O/E KIT (4159696)

Item	Article no.	Description	Quantity
9.1	4159697	SEAL-KIT-HELIX6-10-16 O/E	1
7.3	4176513	> O-RING FOR PUMP JACKET VP.	1
7.4	2127603	> O-RING ID.37,6x2,4 EPDM VP.	1
9.1A	2130966	> MECH.SEAL HELIX2-4-6-10-16 O/E VP.	1
9.1B	2130967	> O-RING D.16X2,5 EPDM VP.	1
9.1C	4176519	> O-RING Ø16xØ1.25 VP.	1
9.2	2130961	SHAFT SLEEVE D.18/16X72,2 1.4404 VP.	1
9.3	2130962	RING HOLDER D.18 G606/G6 1.4301 VP.	1
9.4	4176520	SCREW CH M5x5 A4-70 (3PIECES)	1
9.5	2130963	DRIVE RING D.29/18x12,4 MACH.VP.	1
9.6	2130964	TOOL M.S.CART.HELIX VP.	1
9.7	2130965	SCREW CHC M5X12 ISO4762 A2.70(4 PIECES)	1



HYDRAULIC HELIX V 1611 1.4307

Item	Article no.	Description	Quantity
13.1	4159720	STAGE HELIX 16 1.4301 KIT	1
		> MACH.STG-CASING-WOGV-WNR-M+16-304	1
		> IMPELLER-M+16-304	1
13.2	4159714	STAGE BEARING HELIX 16 1.4301 KIT	1
		> MACH.BEARING-STG-CASING-WNR-M+16-304	1
		> SHAFT-SLEEVE-D16xD20x18-CW	1
		> IMPELLER-M+16-304	1
		> SLEEVE-SPACER-Ø19,35x30,665-304	1
13.3	4159715	INTERMEDIATE STAGE HELIX 16 1.4301 KIT	1
		> CORPS-ETG-STD-ACR-AJR-USIN.M+16-304	1
		> IMPELLER-M+16-304	1
		> SPACER Ø16X19.4-L48.6-304	1
13.4	4159716	EMPTY STAGE-GUIDE VANE HELIX161.4301 KIT	1
		> CORPS-ETG-STD-ACR-AJR-USIN.M+16-304	1
		> FLAT WASHER-D16.1XD22X1.5-316L	1
		> SPACER Ø16X19.4-L48.6-304	1
13.5	4159718	STAGE HELIX 16 1.4301 KIT	1
		> MACH.STG-CASING-WOGV-WNR-M+16-304	1
		> IMPELLER-M+16-304	1
		> SPACER Ø16X19.4-L48.6-304	1



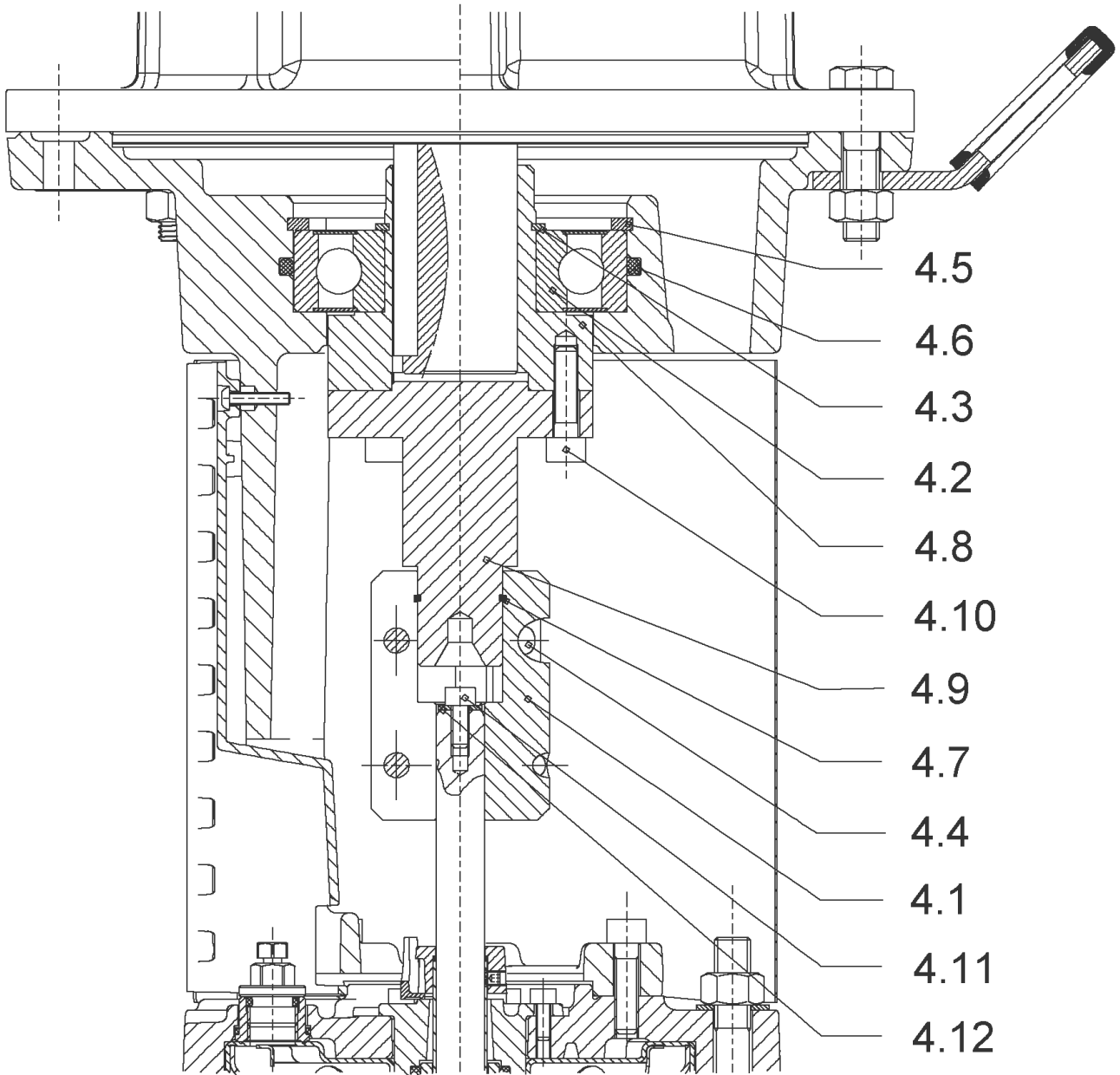
HELIX V1611-1/25/E/KS/400-50 (4141161)

Item	Article no.	Description	Quantity
1	4195450	MOTOR 7,5/2/* 3~400V 50HZ IE3 VP.	1
		SPARE PARTS MOTOR:ON REQUEST	1
2	4174093	SCREW M12X50 (4 PIECES)	1
3	4159693	LANTERN FF265 HELIX KIT	1
3.1		> LANTERN FF265 M+6" GJL MACHINING+CATA	1
3.2	2127605	> EYELET CPL.FF265 HELIX(2 PIECES)	1
3.3	4159695	> COUPLING PROTECTOR FF HELIX KIT	1
4	4159711	COUPLING D.16XD.38 FF265 HELIX KIT	1
5	4159707	SCREW M8X30 (4 PIECES)	1
6	4177852	STUD BOLT M12X788KIT	1
7	4159685	END SHIELD HELIX EPDM KIT	1
7.1		> END SHIELD M+6" GJL250 MACHINING+CATA	1
7.2	2127607	> STATIONARY RING HOLDER 6" HELIX 1.4301 V	1
7.3	4176513	> O-RING FOR PUMP JACKET VP.	1
7.4	2127603	> O-RING ID.37,6x2,4 EPDM VP.	1
7.5	2127602	> O-RING ID.21,35x2 EPDM VP.	1
8	4159686	FILING/PURGING PLUG HELIX EPDM KIT	1
9	4159698	CARTRIDGE HELIX6-10-16 F/E KIT	1
10	4177853	HOUSING PIPES D.152X660 1.4307 KIT	1
11	2127588	CENTERING STAGE-RETURN HELIX16 1.4301 VP	1
12	4159688	SHAFT EQUIPMENT HELIX V16 BI BLOC KIT	1
4.11	4102901	> SCREW CHC-M6X14-8.8-ISO4762-GEOMET500A	1
4.12	2130995	> SERRATED LOCK WASHER D.6,2XD.14,5X28 VP.	1
12.1		> NUT-H-M10-A4.70	1
12.4		> STOP-RUSH-1/2-D16xd2-M+316	1
12.3		> STOP COLLAR OF IMPELLER L18,8-Ø16-316L	1
12.2		> SERRATED LOCK WASHER M+16M3-316L	1
13		HYDRAULIC HELIX V 1611 1.4307	1
14	4177854	SHAFT D.16 X780 1.4301 VP.	1
15	4159683	PUMP HOUSING HELIX DN50 PN25 1.4301 KIT	1
7.3	4176513	> O-RING FOR PUMP JACKET VP.	1
15.1		> CASING-MVI-PN25-DN50-16M3-316L	1
15.2	4124503	> FLAT GASKET 61x107x2_DN50_PN25_FIBER	1
15.3	4159684	> PRIMING/DRAIN PLUG HELIX16 EPDM KIT	1

HELIX V1611-1/25/E/KS/400-50 (4141161)

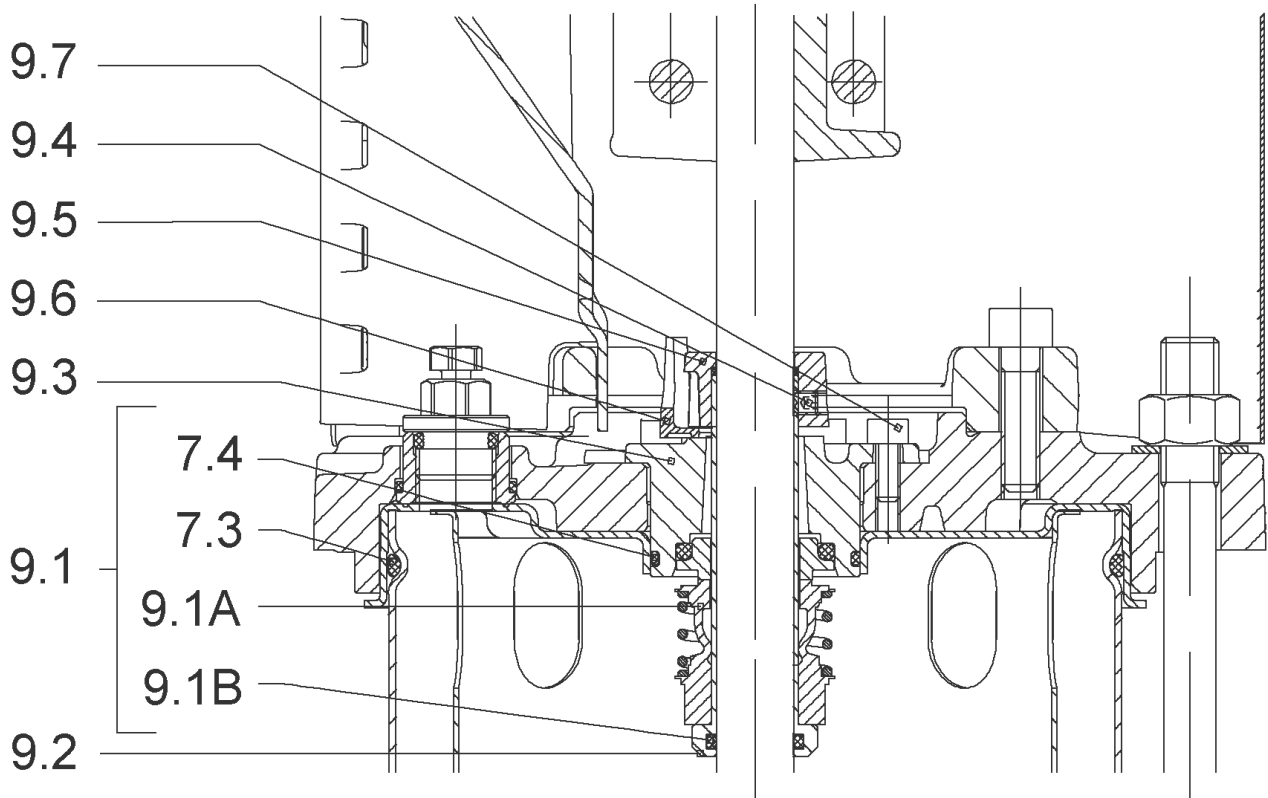
Item	Article no.	Description	Quantity
16	2127601	BASEPLATE HELIX V16 VP.	1

COUPLING D.16XD.38 FF265 HELIX KIT (4159711)



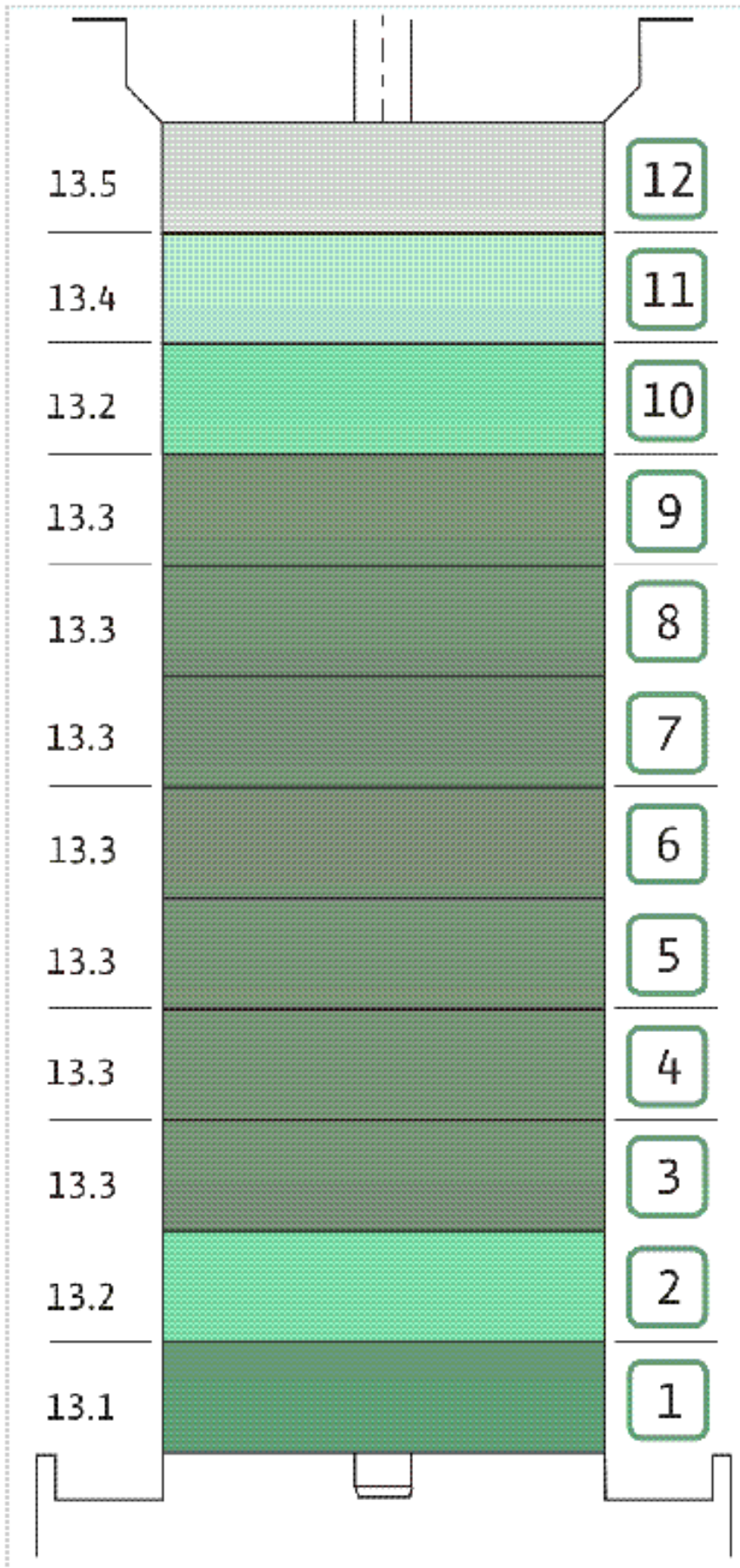
COUPLING D.16XD.38 FF265 HELIX KIT (4159711)

Item	Article no.	Description	Quantity
4.1	2131018	COUPLING 2 PARTS D.16XD.28XL.82,4 VP.	1
4.2	2131017	BALL BEARING 6310/ZZ-C4(HT)VP.	1
4.3	4234253	CIRCLIP-FOR-SHAFT-D50x2 VP.	1
4.4	4157726	SCREW KIT M8X30 (4 PIECES)	1
4.5	4234255	CIRCLIPS 110X4 VP.	1
4.6	4233944	O-RING ID.110 VP.	1
4.7	2131019	RETAINING RING D.26xD.2 DIN7993 VP.	1
4.8	2131020	HUB D.38XD.50 VP.	1
4.9	2131021	SPACER D.28XD.45 VP.	1
4.10	4157726	SCREW KIT M8X30 (4 PIECES)	1
4.11	4102901	SCREW CHC-M6X14-8.8-ISO4762-GEOMET500A	1
4.12	2130995	SERRATED LOCK WASHER D.6,2XD.14,5X28 VP.	1
		NOMEL CONTACT WASHER 8x16x1,4 STEEL ZC	1



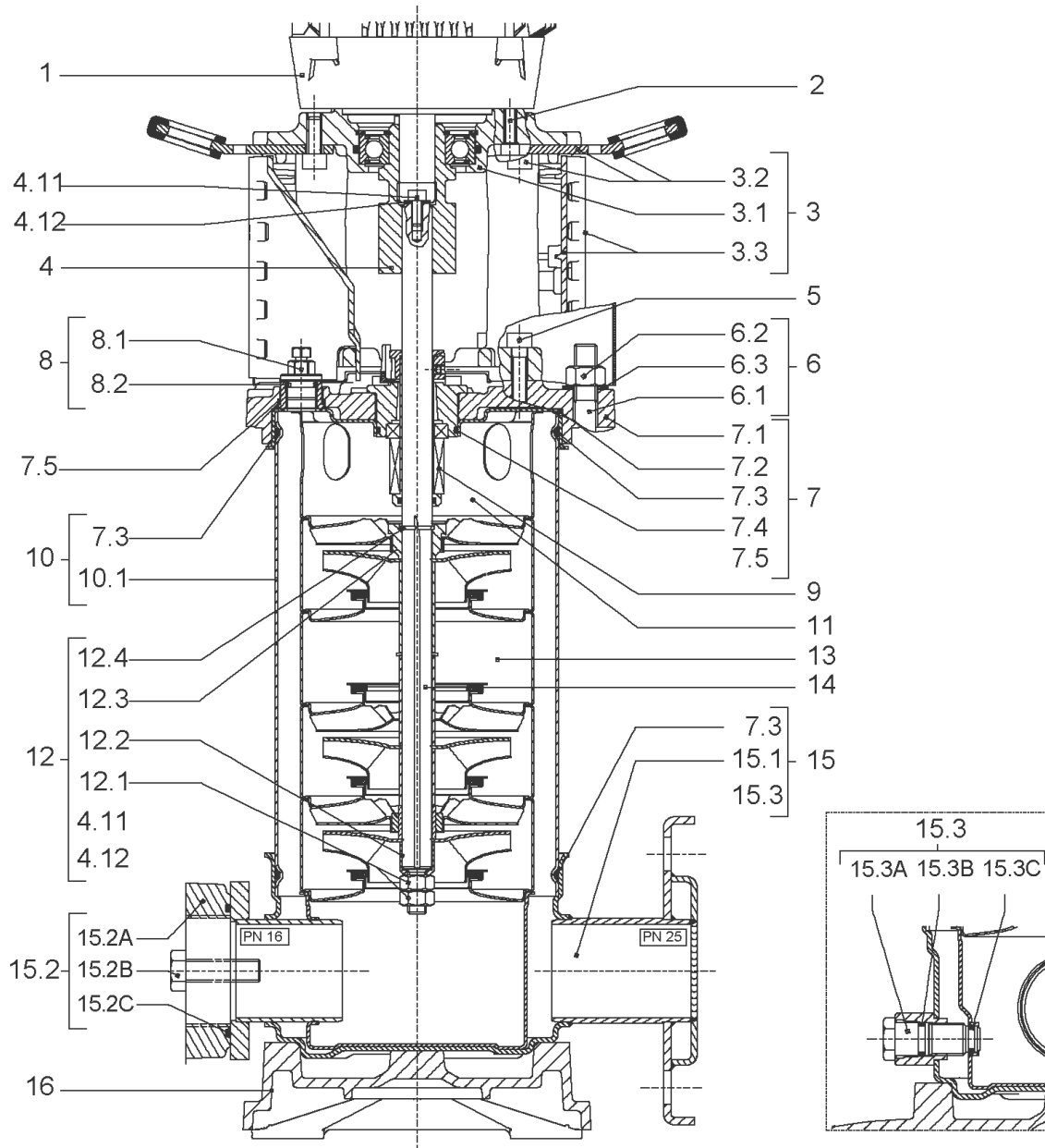
CARTRIDGE HELIX6-10-16 F/E KIT (4159698)

Item	Article no.	Description	Quantity
9.1	4159699	SEAL-KIT-HELIX6-10-16 F/E	1
7.3	4176513	> O-RING FOR PUMP JACKET VP.	1
7.4	2127603	> O-RING ID.37,6x2,4 EPDM VP.	1
9.1A	4176521	> MECH.SEAL HELIX2-4-6-10-16 F/E VP.	1
9.1B	2130967	> O-RING D.16X2,5 EPDM VP.	1
9.2	2130961	SHAFT SLEEVE D.18/16X72,2 1.4404 VP.	1
9.3	2130962	RING HOLDER D.18 G606/G6 1.4301 VP.	1
9.4	4068120	SCREW CH M5x5 A4-70	1
9.5	2130963	DRIVE RING D.29/18x12,4 MACH.VP.	1
9.6	2130964	TOOL M.S.CART.HELIX VP.	1
9.7	2130965	SCREW CHC M5X12 ISO4762 A2.70(4 PIECES)	1



HYDRAULIC HELIX V 1611 1.4307

Item	Article no.	Description	Quantity
13.1	4159720	STAGE HELIX 16 1.4301 KIT	1
		> MACH.STG-CASING-WOGV-WNR-M+16-304	1
		> IMPELLER-M+16-304	1
13.2	4159714	STAGE BEARING HELIX 16 1.4301 KIT	1
		> MACH.BEARING-STG-CASING-WNR-M+16-304	1
		> SHAFT-SLEEVE-D16xD20x18-CW	1
		> IMPELLER-M+16-304	1
		> SLEEVE-SPACER-Ø19,35x30,665-304	1
13.3	4159715	INTERMEDIATE STAGE HELIX 16 1.4301 KIT	1
		> CORPS-ETG-STD-ACR-AJR-USIN.M+16-304	1
		> IMPELLER-M+16-304	1
		> SPACER Ø16X19.4-L48.6-304	1
13.4	4159716	EMPTY STAGE-GUIDE VANE HELIX161.4301 KIT	1
		> CORPS-ETG-STD-ACR-AJR-USIN.M+16-304	1
		> FLAT WASHER-D16.1XD22X1.5-316L	1
		> SPACER Ø16X19.4-L48.6-304	1
13.5	4159718	STAGE HELIX 16 1.4301 KIT	1
		> MACH.STG-CASING-WOGV-WNR-M+16-304	1
		> IMPELLER-M+16-304	1
		> SPACER Ø16X19.4-L48.6-304	1



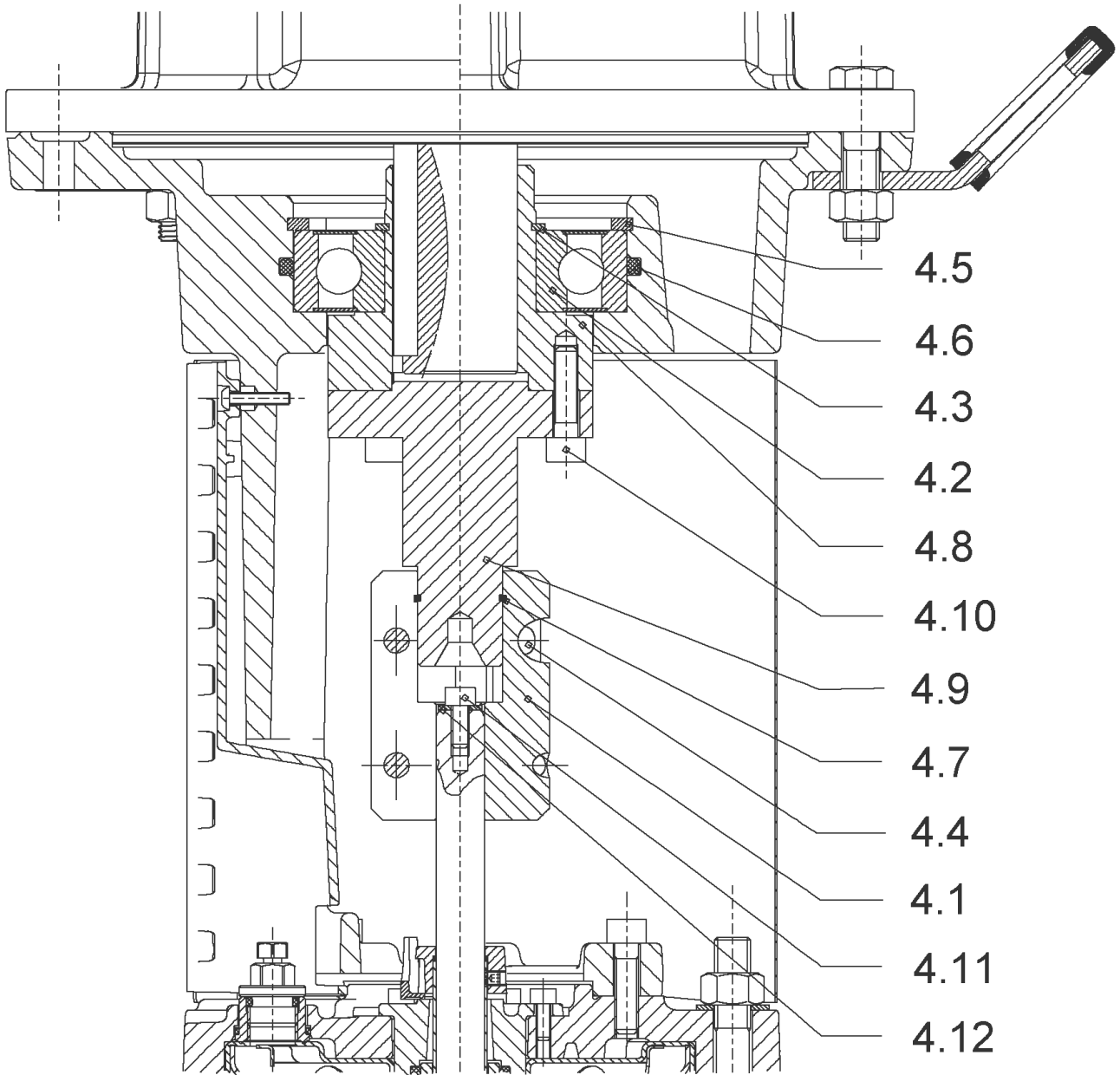
HELIX V1612-1/25/E/KS/400-50 (4141162)

Item	Article no.	Description	Quantity
1	4195483	MOTOR 9/2/132 3~400V 50HZ IE3 VP.	1
		SPARE PARTS MOTOR:ON REQUEST	1
2	4174093	SCREW M12X50 (4 PIECES)	1
3	4159693	LANTERN FF265 HELIX KIT	1
3.1		> LANTERN FF265 M+6" GJL MACHINING+CATA	1
3.2	2127605	> EYELET CPL.FF265 HELIX(2 PIECES)	1
3.3	4159695	> COUPLING PROTECTOR FF HELIX KIT	1
4	4159711	COUPLING D.16XD.38 FF265 HELIX KIT	1
5	4159707	SCREW M8X30 (4 PIECES)	1
6	4177852	STUD BOLT M12X788KIT	1
7	4159685	END SHIELD HELIX EPDM KIT	1
7.1		> END SHIELD M+6" GJL250 MACHINING+CATA	1
7.2	2127607	> STATIONARY RING HOLDER 6" HELIX 1.4301 V	1
7.3	4176513	> O-RING FOR PUMP JACKET VP.	1
7.4	2127603	> O-RING ID.37,6x2,4 EPDM VP.	1
7.5	2127602	> O-RING ID.21,35x2 EPDM VP.	1
8	4159686	FILING/PURGING PLUG HELIX EPDM KIT	1
9	4159698	CARTRIDGE HELIX6-10-16 F/E KIT	1
10	4177853	HOUSING PIPES D.152X660 1.4307 KIT	1
11	2127588	CENTERING STAGE-RETURN HELIX16 1.4301 VP	1
12	4159688	SHAFT EQUIPMENT HELIX V16 BI BLOC KIT	1
4.11	4102901	> SCREW CHC-M6X14-8.8-ISO4762-GEOMET500A	1
4.12	2130995	> SERRATED LOCK WASHER D.6,2XD.14,5X28 VP.	1
12.1		> NUT-H-M10-A4.70	1
12.4		> STOP-RUSH-1/2-D16xd2-M+316	1
12.3		> STOP COLLAR OF IMPELLER L18,8-Ø16-316L	1
12.2		> SERRATED LOCK WASHER M+16M3-316L	1
13		HYDRAULIC HELIX V 1612 1.4307	1
14	4177854	SHAFT D.16 X780 1.4301 VP.	1
15	4159683	PUMP HOUSING HELIX DN50 PN25 1.4301 KIT	1
7.3	4176513	> O-RING FOR PUMP JACKET VP.	1
15.1		> CASING-MVI-PN25-DN50-16M3-316L	1
15.2	4124503	> FLAT GASKET 61x107x2_DN50_PN25_FIBER	1
15.3	4159684	> PRIMING/DRAIN PLUG HELIX16 EPDM KIT	1

HELIX V1612-1/25/E/KS/400-50 (4141162)

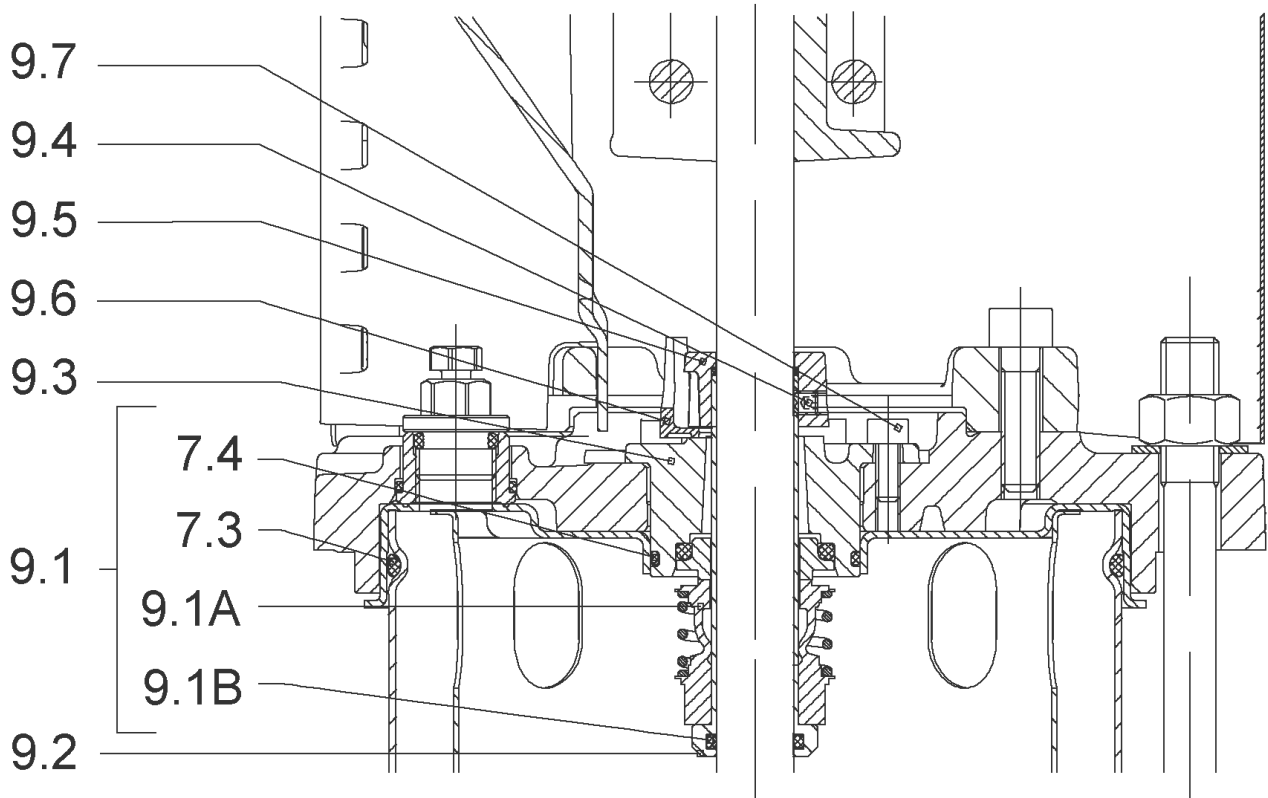
Item	Article no.	Description	Quantity
16	2127601	BASEPLATE HELIX V16 VP.	1

COUPLING D.16XD.38 FF265 HELIX KIT (4159711)



COUPLING D.16XD.38 FF265 HELIX KIT (4159711)

Item	Article no.	Description	Quantity
4.1	2131018	COUPLING 2 PARTS D.16XD.28XL.82,4 VP.	1
4.2	2131017	BALL BEARING 6310/ZZ-C4(HT)VP.	1
4.3	4234253	CIRCLIP-FOR-SHAFT-D50x2 VP.	1
4.4	4157726	SCREW KIT M8X30 (4 PIECES)	1
4.5	4234255	CIRCLIPS 110X4 VP.	1
4.6	4233944	O-RING ID.110 VP.	1
4.7	2131019	RETAINING RING D.26xD.2 DIN7993 VP.	1
4.8	2131020	HUB D.38XD.50 VP.	1
4.9	2131021	SPACER D.28XD.45 VP.	1
4.10	4157726	SCREW KIT M8X30 (4 PIECES)	1
4.11	4102901	SCREW CHC-M6X14-8.8-ISO4762-GEOMET500A	1
4.12	2130995	SERRATED LOCK WASHER D.6,2XD.14,5X28 VP.	1
		NOMEL CONTACT WASHER 8x16x1,4 STEEL ZC	1



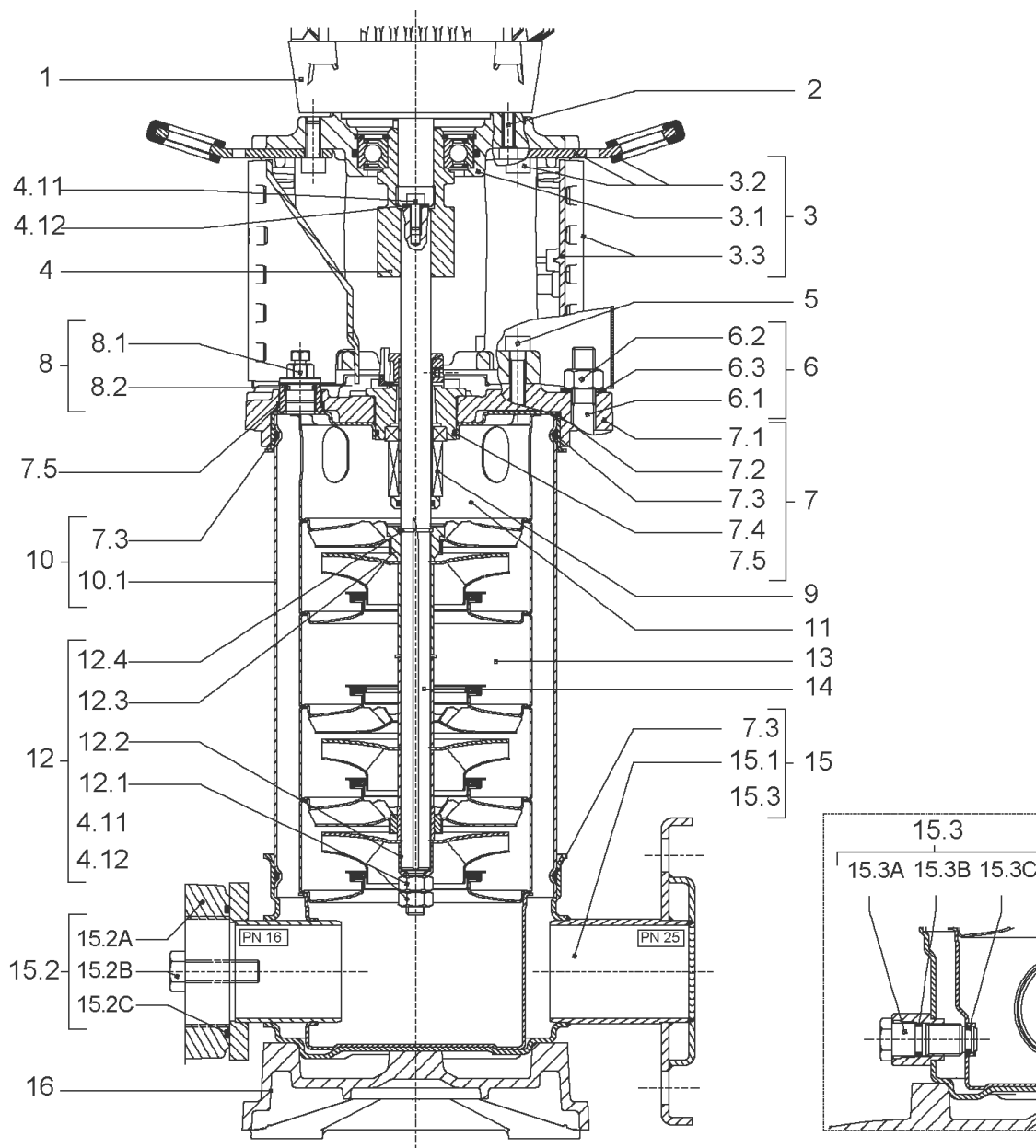
CARTRIDGE HELIX6-10-16 F/E KIT (4159698)

Item	Article no.	Description	Quantity
9.1	4159699	SEAL-KIT-HELIX6-10-16 F/E	1
7.3	4176513	> O-RING FOR PUMP JACKET VP.	1
7.4	2127603	> O-RING ID.37,6x2,4 EPDM VP.	1
9.1A	4176521	> MECH.SEAL HELIX2-4-6-10-16 F/E VP.	1
9.1B	2130967	> O-RING D.16X2,5 EPDM VP.	1
9.2	2130961	SHAFT SLEEVE D.18/16X72,2 1.4404 VP.	1
9.3	2130962	RING HOLDER D.18 G606/G6 1.4301 VP.	1
9.4	4068120	SCREW CH M5x5 A4-70	1
9.5	2130963	DRIVE RING D.29/18x12,4 MACH.VP.	1
9.6	2130964	TOOL M.S.CART.HELIX VP.	1
9.7	2130965	SCREW CHC M5X12 ISO4762 A2.70(4 PIECES)	1



HYDRAULIC HELIX V 1612 1.4307

Item	Article no.	Description	Quantity
13.1	4159720	STAGE HELIX 16 1.4301 KIT	1
		> MACH.STG-CASING-WOGV-WNR-M+16-304	1
		> IMPELLER-M+16-304	1
13.2	4159714	STAGE BEARING HELIX 16 1.4301 KIT	1
		> MACH.BEARING-STG-CASING-WNR-M+16-304	1
		> SHAFT-SLEEVE-D16xD20x18-CW	1
		> IMPELLER-M+16-304	1
		> SLEEVE-SPACER-Ø19,35x30,665-304	1
13.3	4159715	INTERMEDIATE STAGE HELIX 16 1.4301 KIT	1
		> CORPS-ETG-STD-ACR-AJR-USIN.M+16-304	1
		> IMPELLER-M+16-304	1
		> SPACER Ø16X19.4-L48.6-304	1



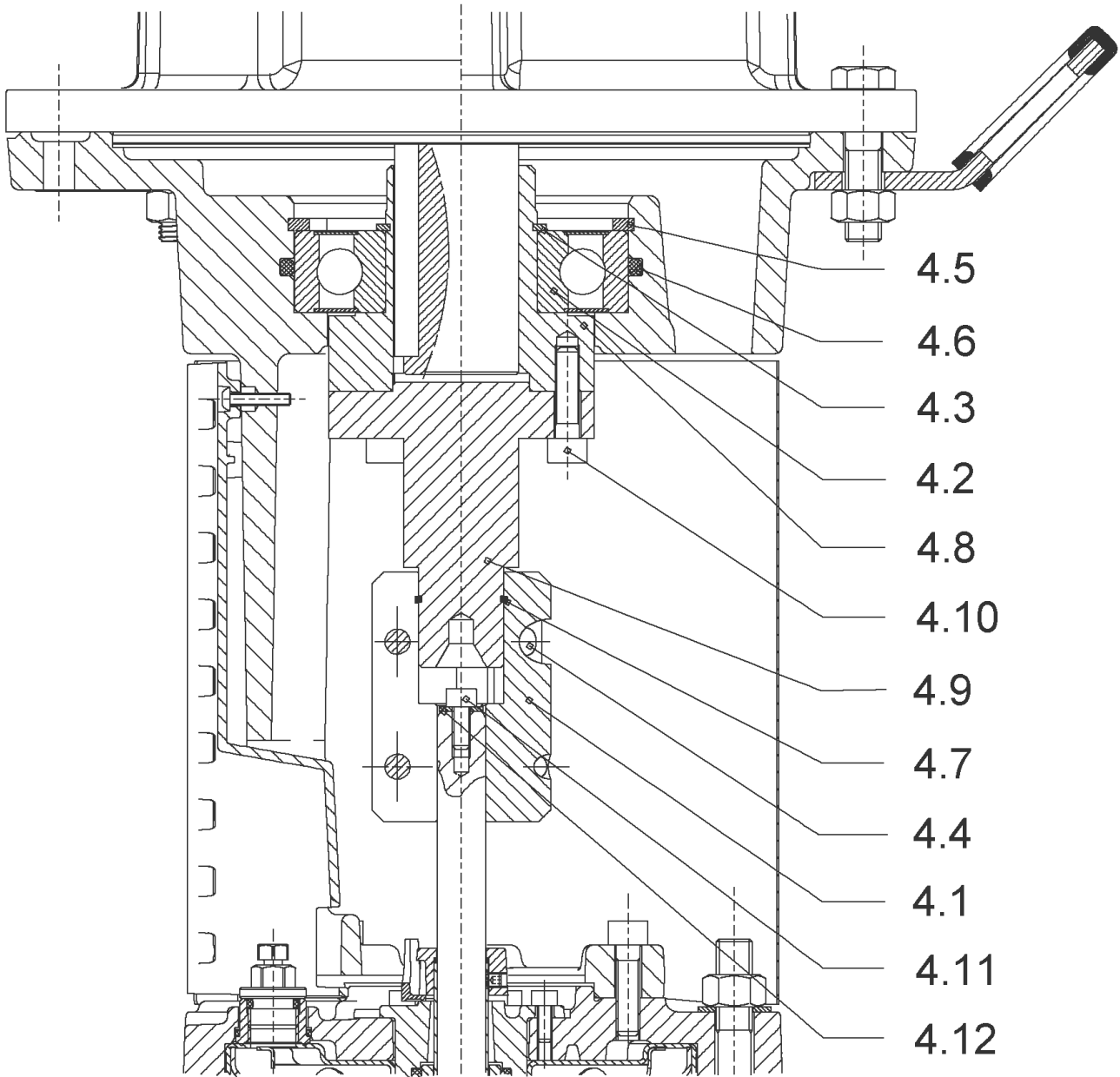
HELIX V1613-1/25/E/KS/400-50 (4141163)

Item	Article no.	Description	Quantity
1	4195483	MOTOR 9/2/132 3~400V 50HZ IE3 VP.	1
		SPARE PARTS MOTOR:ON REQUEST	1
2	4174093	SCREW M12X50 (4 PIECES)	1
3	4159693	LANTERN FF265 HELIX KIT	1
3.1		> LANTERN FF265 M+6" GJL MACHINING+CATA	1
3.2	2127605	> EYELET CPL.FF265 HELIX(2 PIECES)	1
3.3	4159695	> COUPLING PROTECTOR FF HELIX KIT	1
4	4159711	COUPLING D.16XD.38 FF265 HELIX KIT	1
5	4159707	SCREW M8X30 (4 PIECES)	1
6	4177863	STUD BOLT M12X938 KIT	1
7	4159685	END SHIELD HELIX EPDM KIT	1
7.1		> END SHIELD M+6" GJL250 MACHINING+CATA	1
7.2	2127607	> STATIONARY RING HOLDER 6" HELIX 1.4301 V	1
7.3	4176513	> O-RING FOR PUMP JACKET VP.	1
7.4	2127603	> O-RING ID.37,6x2,4 EPDM VP.	1
7.5	2127602	> O-RING ID.21,35x2 EPDM VP.	1
8	4159686	FILING/PURGING PLUG HELIX EPDM KIT	1
9	4159698	CARTRIDGE HELIX6-10-16 F/E KIT	1
10	2127583	HOUSING PIPE D.152x810 1.4301 KIT	1
7.3	4176513	> O-RING FOR PUMP JACKET VP.	1
10.1		> HOUSING-PIPE Ø152-M+1020/1613-304	1
11	2127588	CENTERING STAGE-RETURN HELIX16 1.4301 VP	1
12	4159688	SHAFT EQUIPMENT HELIX V16 BI BLOC KIT	1
4.11	4102901	> SCREW CHC-M6X14-8.8-ISO4762-GEOMET500A	1
4.12	2130995	> SERRATED LOCK WASHER D.6,2XD.14,5X28 VP.	1
12.1		> NUT-H-M10-A4.70	1
12.4		> STOP-RUSH-1/2-D16xd2-M+316	1
12.3		> STOP COLLAR OF IMPELLER L18,8-Ø16-316L	1
12.2		> SERRATED LOCK WASHER M+16M3-316L	1
13		SPARE PARTS HYDRAULICS HELIX V 1.4307	1
Note: TO / BIS / JUSQU'A .13W05			
13		HYDRAULIC HELIX V 1613 1.4307	1
Note: FROM / AB / À PARTIR DE.13W06			
14	2127571	SHAFT D.16X930 1.4301 VP.	1

HELIX V1613-1/25/E/KS/400-50 (4141163)

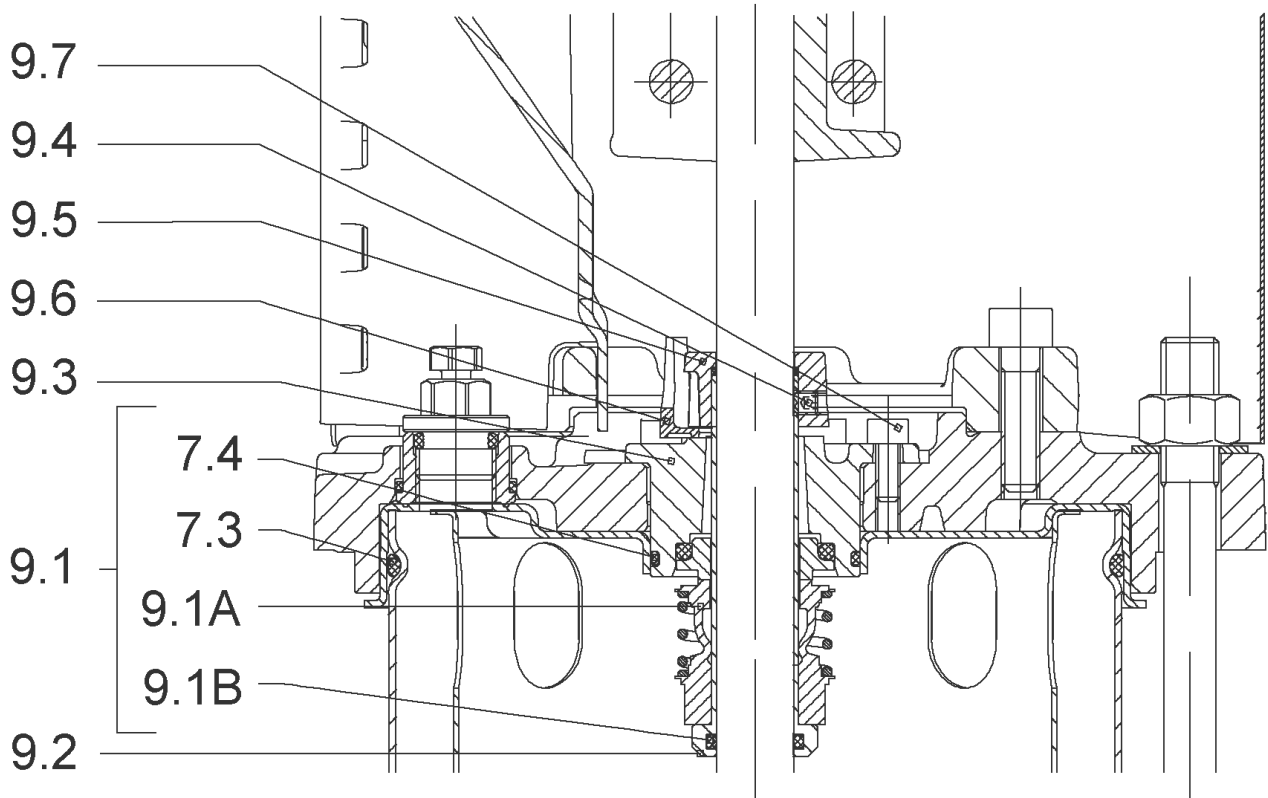
Item	Article no.	Description	Quantity
15	4159683	PUMP HOUSING HELIX DN50 PN25 1.4301 KIT	1
7.3	4176513	> O-RING FOR PUMP JACKET VP.	1
15.1		> CASING-MVI-PN25-DN50-16M3-316L	1
15.2	4124503	> FLAT GASKET 61x107x2_DN50_PN25_FIBER	1
15.3	4159684	> PRIMING/DRAIN PLUG HELIX16 EPDM KIT	1
16	2127601	BASEPLATE HELIX V16 VP.	1

COUPLING D.16XD.38 FF265 HELIX KIT (4159711)



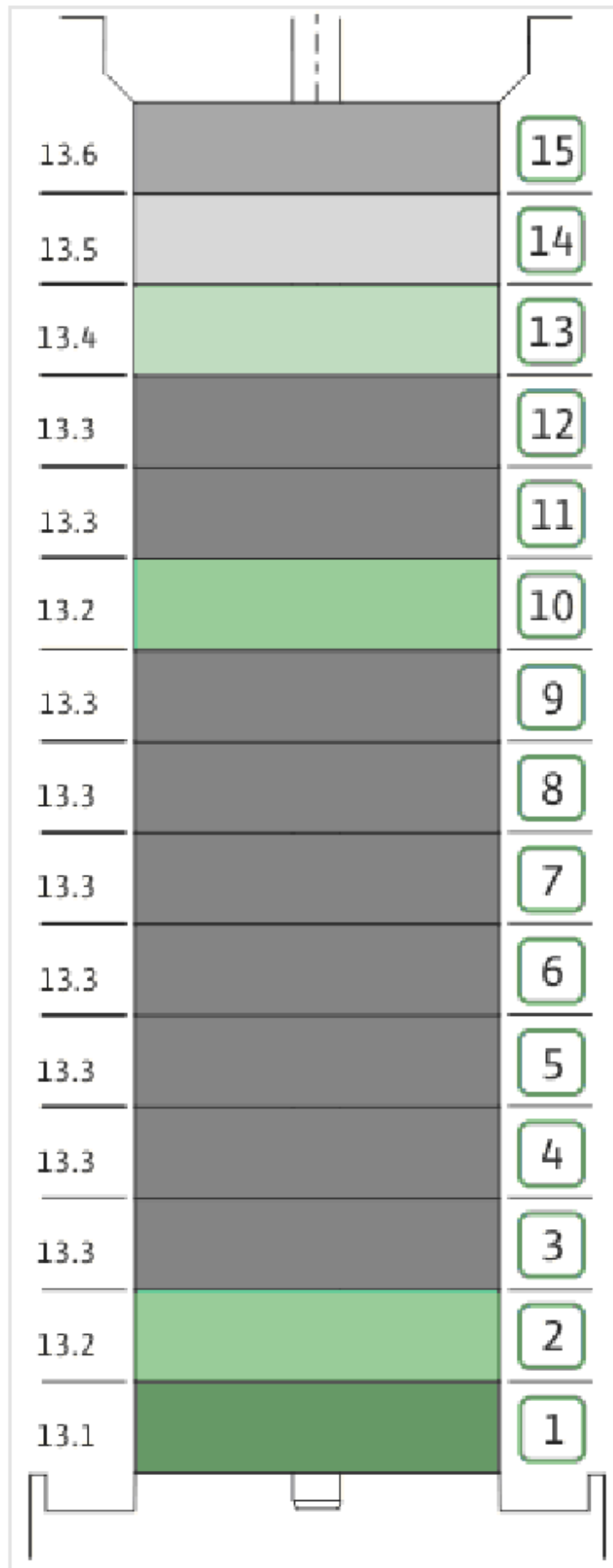
COUPLING D.16XD.38 FF265 HELIX KIT (4159711)

Item	Article no.	Description	Quantity
4.1	2131018	COUPLING 2 PARTS D.16XD.28XL.82,4 VP.	1
4.2	2131017	BALL BEARING 6310/ZZ-C4(HT)VP.	1
4.3	4234253	CIRCLIP-FOR-SHAFT-D50x2 VP.	1
4.4	4157726	SCREW KIT M8X30 (4 PIECES)	1
4.5	4234255	CIRCLIPS 110X4 VP.	1
4.6	4233944	O-RING ID.110 VP.	1
4.7	2131019	RETAINING RING D.26xD.2 DIN7993 VP.	1
4.8	2131020	HUB D.38XD.50 VP.	1
4.9	2131021	SPACER D.28XD.45 VP.	1
4.10	4157726	SCREW KIT M8X30 (4 PIECES)	1
4.11	4102901	SCREW CHC-M6X14-8.8-ISO4762-GEOMET500A	1
4.12	2130995	SERRATED LOCK WASHER D.6,2XD.14,5X28 VP.	1
		NOMEL CONTACT WASHER 8x16x1,4 STEEL ZC	1



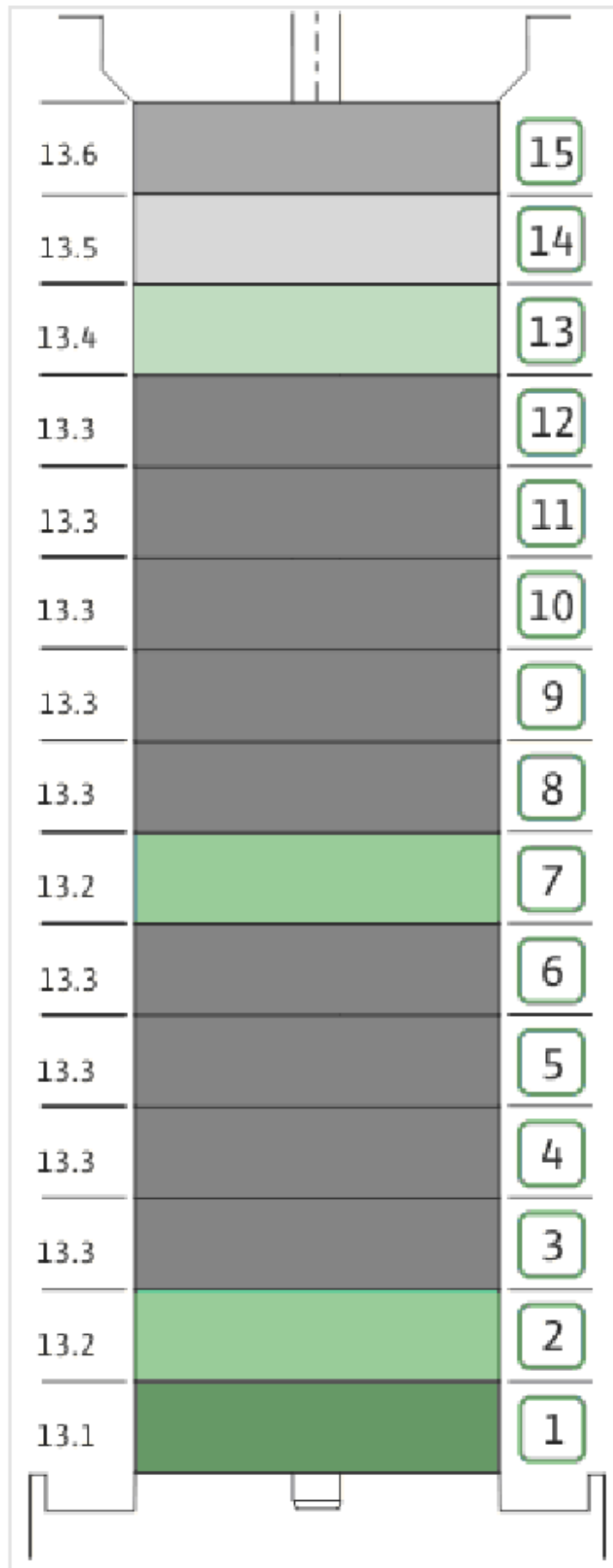
CARTRIDGE HELIX6-10-16 F/E KIT (4159698)

Item	Article no.	Description	Quantity
9.1	4159699	SEAL-KIT-HELIX6-10-16 F/E	1
7.3	4176513	> O-RING FOR PUMP JACKET VP.	1
7.4	2127603	> O-RING ID.37,6x2,4 EPDM VP.	1
9.1A	4176521	> MECH.SEAL HELIX2-4-6-10-16 F/E VP.	1
9.1B	2130967	> O-RING D.16X2,5 EPDM VP.	1
9.2	2130961	SHAFT SLEEVE D.18/16X72,2 1.4404 VP.	1
9.3	2130962	RING HOLDER D.18 G606/G6 1.4301 VP.	1
9.4	4068120	SCREW CH M5x5 A4-70	1
9.5	2130963	DRIVE RING D.29/18x12,4 MACH.VP.	1
9.6	2130964	TOOL M.S.CART.HELIX VP.	1
9.7	2130965	SCREW CHC M5X12 ISO4762 A2.70(4 PIECES)	1



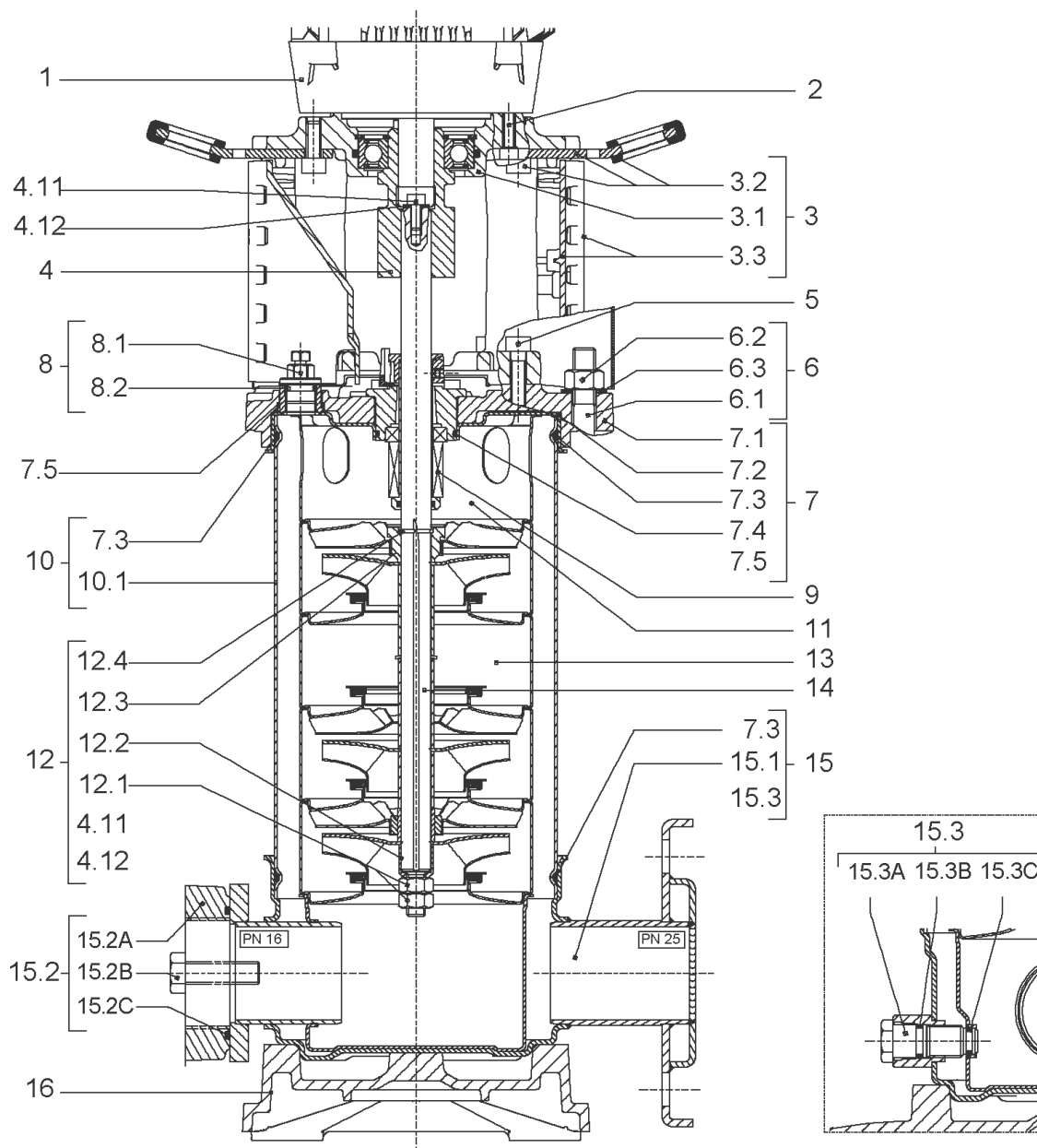
SPARE PARTS HYDRAULICS HELIX V 1.4307

Item	Article no.	Description	Quantity
13.1	4159720	STAGE HELIX 16 1.4301 KIT	1
		> MACH.STG-CASING-WOGV-WNR-M+16-304	1
		> IMPELLER-M+16-304	1
13.2	4159714	STAGE BEARING HELIX 16 1.4301 KIT	1
		> MACH.BEARING-STG-CASING-WNR-M+16-304	1
		> SHAFT-SLEEVE-D16xD20x18-CW	1
		> IMPELLER-M+16-304	1
		> SLEEVE-SPACER-Ø19,35x30,665-304	1
13.3	4159715	INTERMEDIATE STAGE HELIX 16 1.4301 KIT	1
		> CORPS-ETG-STD-ACR-AJR-USIN.M+16-304	1
		> IMPELLER-M+16-304	1
		> SPACER Ø16X19.4-L48.6-304	1
13.4	4159716	EMPTY STAGE-GUIDE VANE HELIX161.4301 KIT	1
		> CORPS-ETG-STD-ACR-AJR-USIN.M+16-304	1
		> FLAT WASHER-D16.1XD22X1.5-316L	1
		> SPACER Ø16X19.4-L48.6-304	1
13.5	4159717	EMPTY STAGE HELIX16 1.4301 KIT	1
		> MACH.STG-CASING-WOGV-WNR-M+16-304	1
		> FLAT WASHER-D16.1XD22X1.5-316L	1
		> SPACER Ø16X19.4-L48.6-304	1
13.6	4159718	STAGE HELIX 16 1.4301 KIT	1
		> MACH.STG-CASING-WOGV-WNR-M+16-304	1
		> IMPELLER-M+16-304	1
		> SPACER Ø16X19.4-L48.6-304	1



HYDRAULIC HELIX V 1613 1.4307

Item	Article no.	Description	Quantity
13.1	4159720	STAGE HELIX 16 1.4301 KIT	1
		> MACH.STG-CASING-WOGV-WNR-M+16-304	1
		> IMPELLER-M+16-304	1
13.2	4159714	STAGE BEARING HELIX 16 1.4301 KIT	1
		> MACH.BEARING-STG-CASING-WNR-M+16-304	1
		> SHAFT-SLEEVE-D16xD20x18-CW	1
		> IMPELLER-M+16-304	1
		> SLEEVE-SPACER-Ø19,35x30,665-304	1
13.3	4159715	INTERMEDIATE STAGE HELIX 16 1.4301 KIT	1
		> CORPS-ETG-STD-ACR-AJR-USIN.M+16-304	1
		> IMPELLER-M+16-304	1
		> SPACER Ø16X19.4-L48.6-304	1
13.4	4159719	EMPTY STAGE-BEARING HELIX 16 1.4301 KIT	1
		> MACH.BEARING-STG-CASING-WNR-M+16-304	1
		> SHAFT-SLEEVE-D16xD20x18-CW	1
		> FLAT WASHER-D16.1XD22X1.5-316L	1
		> SLEEVE-SPACER-Ø19,35x30,665-304	1
13.5	4159717	EMPTY STAGE HELIX16 1.4301 KIT	1
		> MACH.STG-CASING-WOGV-WNR-M+16-304	1
		> FLAT WASHER-D16.1XD22X1.5-316L	1
		> SPACER Ø16X19.4-L48.6-304	1
13.6	4159718	STAGE HELIX 16 1.4301 KIT	1
		> MACH.STG-CASING-WOGV-WNR-M+16-304	1
		> IMPELLER-M+16-304	1
		> SPACER Ø16X19.4-L48.6-304	1



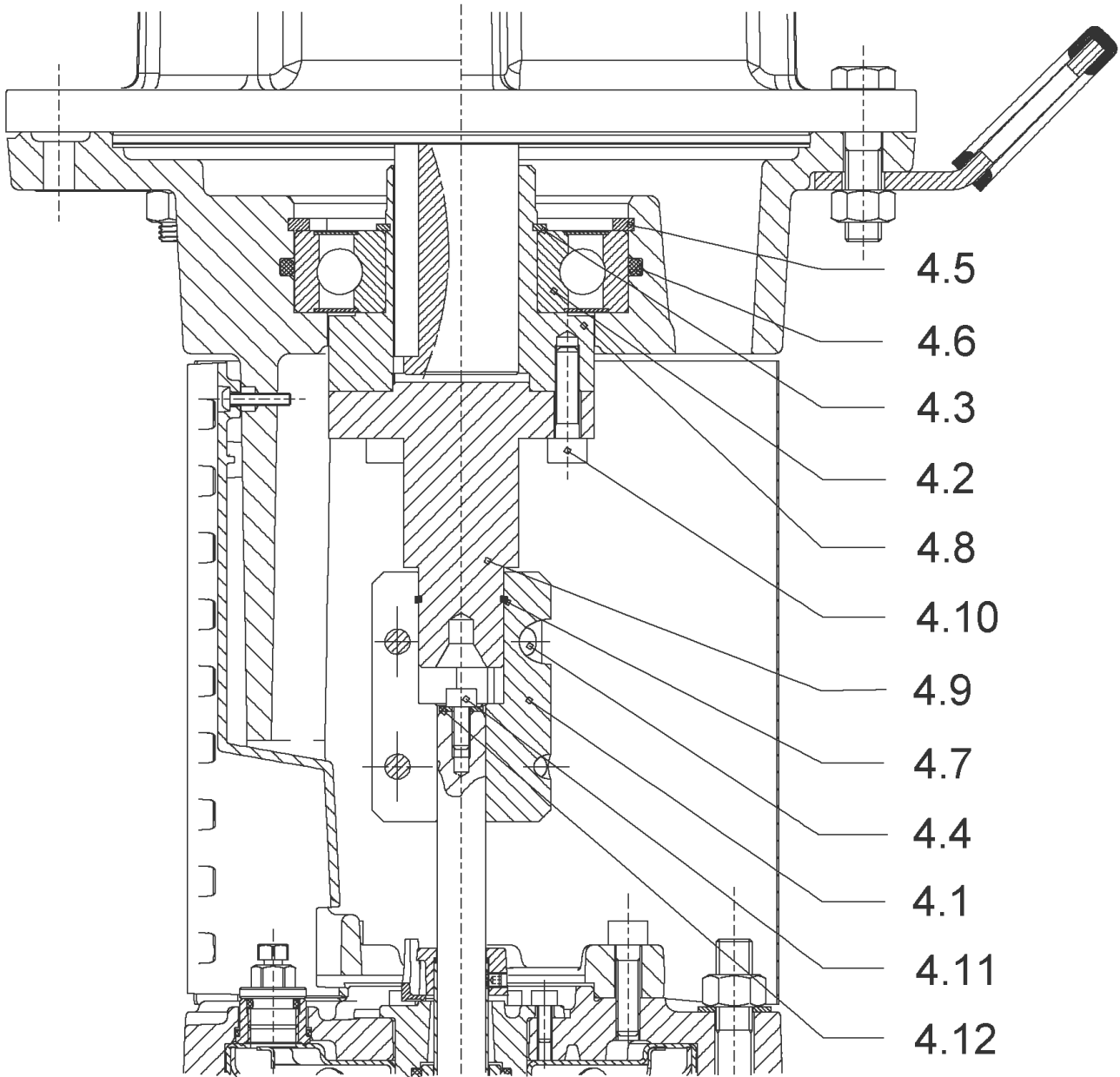
HELIX V1616-1/25/E/KS/400-50 (4141166)

Item	Article no.	Description	Quantity
1	4199884	MOTOR 11/2/160 3~400V 50HZ VP.	1
Note: TO / BIS / JUSQU'A 15W02			
1	4195486	MO. 11/2/132 3~400V50HZ 460V60HZ IE3 VP.	1
Note: FROM / AB / À PARTIR DE 15W03			
		SPARE PARTS MOTOR:ON REQUEST	1
2	4179586	SCREW M16X60 (4 PIECES)	1
Note: TO / BIS / JUSQU'A 15W02			
2	4174093	SCREW M12X50 (4 PIECES)	1
Note: FROM / AB / À PARTIR DE 15W03			
3	4159694	LANTERN FF300 HELIX KIT	1
Note: TO / BIS / JUSQU'A 15W02			
3.1		> LANTERN FF300 M+6" GJL MACH.+CATA 6312	1
3.2	4179589	> EYELET CPL.FF300 HELIX(4 PIECES)	1
3.3	4159695	> COUPLING PROTECTOR FF HELIX KIT	1
3	4159693	LANTERN FF265 HELIX KIT	1
Note: FROM / AB / À PARTIR DE 15W03			
3.1		> LANTERN FF265 M+6" GJL MACHINING+CATA	1
3.2	2127605	> EYELET CPL.FF265 HELIX(2 PIECES)	1
3.3	4159695	> COUPLING PROTECTOR FF HELIX KIT	1
4	4159712	COUPLING D.16XD.38 FF300 HELIX KIT	1
Note: TO / BIS / JUSQU'A 15W02			
4	4159711	COUPLING D.16XD.38 FF265 HELIX KIT	1
Note: FROM / AB / À PARTIR DE 15W03			
5	4159707	SCREW M8X30 (4 PIECES)	1
6	4177880	STUD BOLT M12X1088 KIT	1
7	4159685	END SHIELD HELIX EPDM KIT	1
7.1		> END SHIELD M+6" GJL250 MACHINING+CATA	1
7.2	2127607	> STATIONARY RING HOLDER 6" HELIX 1.4301 V	1
7.3	4176513	> O-RING FOR PUMP JACKET VP.	1
7.4	2127603	> O-RING ID.37,6x2,4 EPDM VP.	1
7.5	2127602	> O-RING ID.21,35x2 EPDM VP.	1
8	4159686	FILING/PURGING PLUG HELIX EPDM KIT	1
9	4159698	CARTRIDGE HELIX6-10-16 F/E KIT	1
10	4177874	HOUSING PIPE D.152x960 1.4307 KIT	1

HELIX V1616-1/25/E/KS/400-50 (4141166)

Item	Article no.	Description	Quantity
11	2127588	CENTERING STAGE-RETURN HELIX16 1.4301 VP	1
12	4159688	SHAFT EQUIPMENT HELIX V16 BI BLOC KIT	1
4.11	4102901	> SCREW CHC-M6X14-8.8-ISO4762-GEOMET500A	1
4.12	2130995	> SERRATED LOCK WASHER D.6,2XD.14,5X28 VP.	1
12.1		> NUT-H-M10-A4.70	1
12.4		> STOP-RUSH-1/2-D16xd2-M+316	1
12.3		> STOP COLLAR OF IMPELLER L18,8-Ø16-316L	1
12.2		> SERRATED LOCK WASHER M+16M3-316L	1
13		HYDRAULIC HELIX V 1616 1.4307	1
14	4177883	SHAFT D.16X1080 1.4301 VP.	1
15	4159683	PUMP HOUSING HELIX DN50 PN25 1.4301 KIT	1
7.3	4176513	> O-RING FOR PUMP JACKET VP.	1
15.1		> CASING-MVI-PN25-DN50-16M3-316L	1
15.2	4124503	> FLAT GASKET 61x107x2_DN50_PN25_FIBER	1
15.3	4159684	> PRIMING/DRAIN PLUG HELIX16 EPDM KIT	1
16	2127601	BASEPLATE HELIX V16 VP.	1

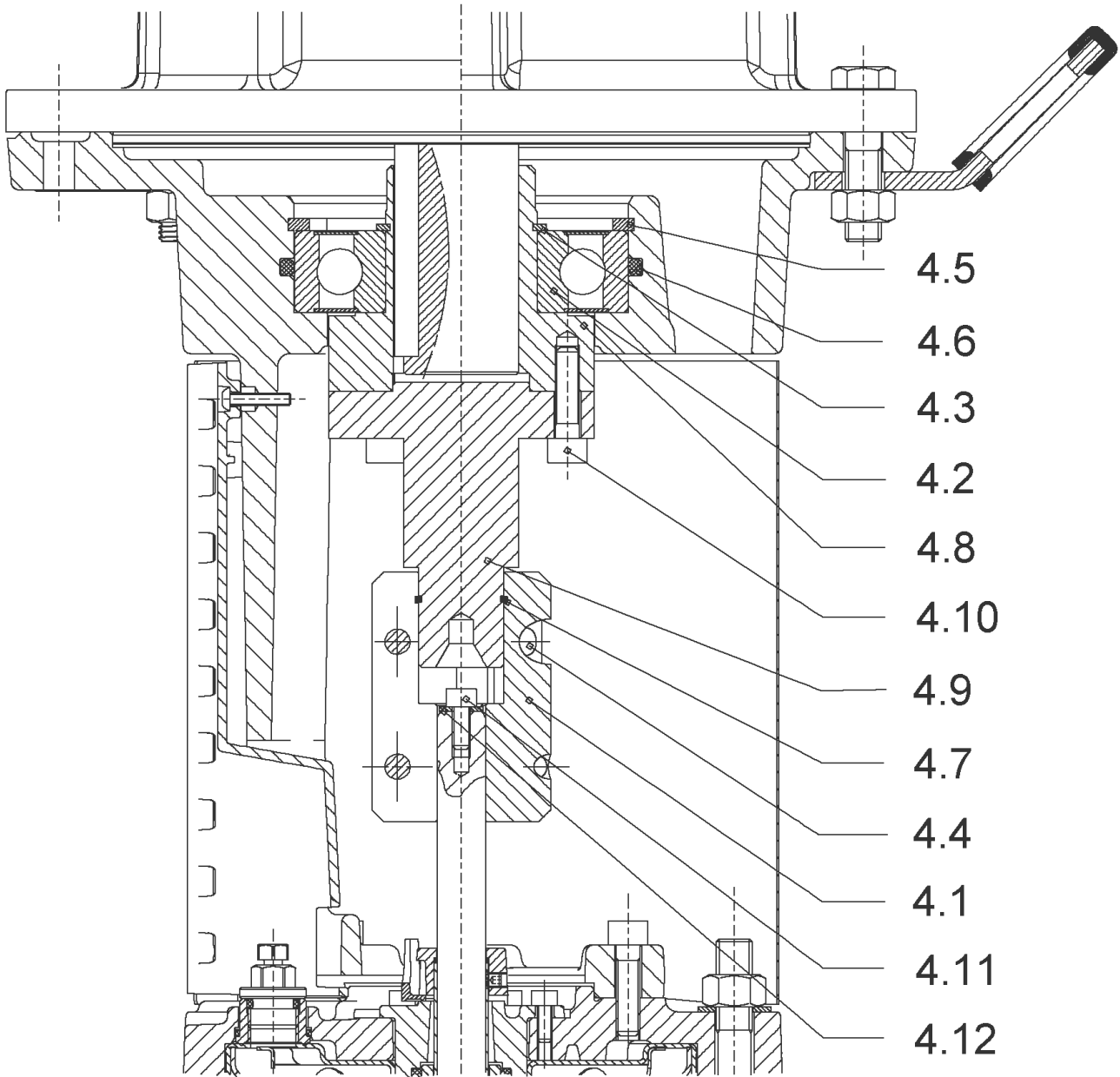
COUPLING D.16XD.38 FF300 HELIX KIT (4159712)



COUPLING D.16XD.38 FF300 HELIX KIT (4159712)

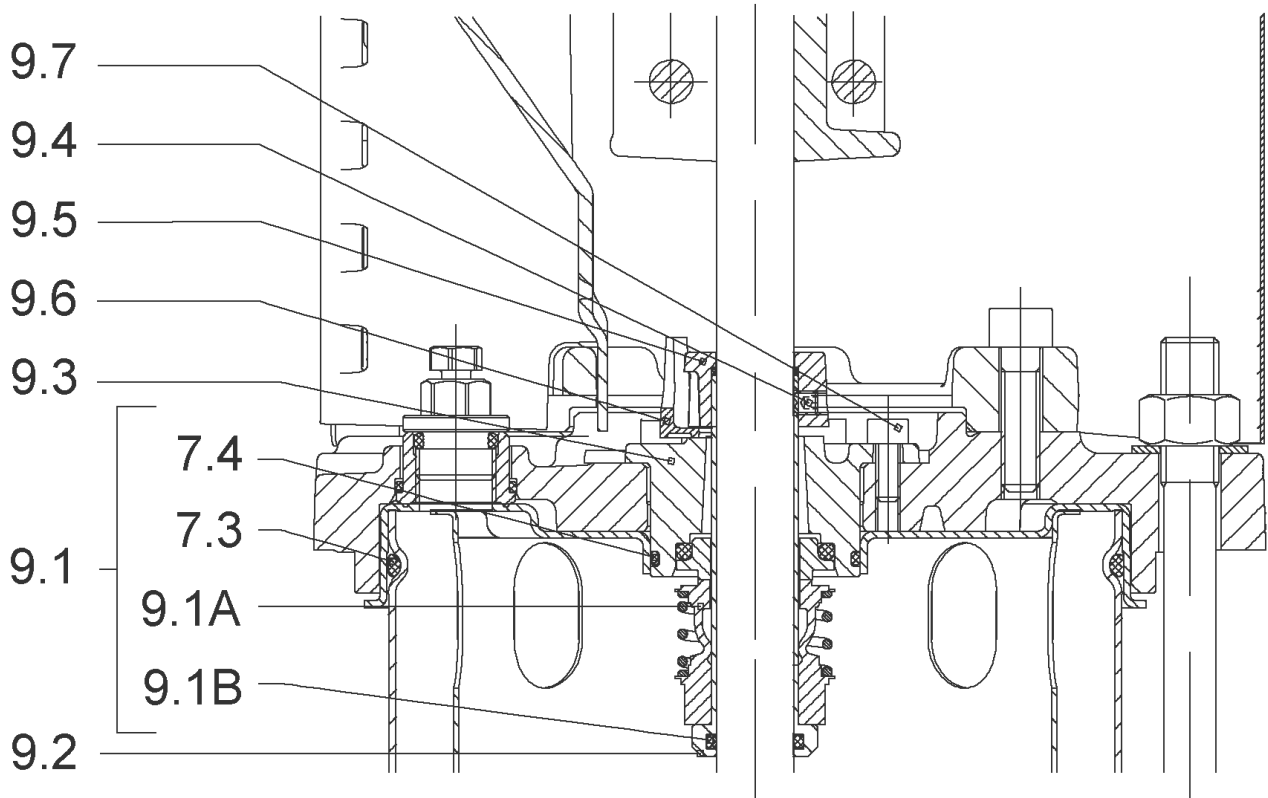
Item	Article no.	Description	Quantity
4.1	2130990	COUPLING 2 PARTS D.16XD.38XL.115 VP.	1
4.2	2123699	BALL BEARING 6312/2Z-C4 (HT) VP.	1
4.3	63428	CIRCLIP-FOR-SHAFT-D60x2	1
4.4	2130991	SCREW M12X30 ISO4762 8.8 ZN(4 PIECES)	1
4.5	4032277	CIRCLIP-HOLE-130x4	1
4.6	4006725	O-RING ID.132,94x3,53 NBR70SR	1
4.7	2130992	RETAINING RING D.35xD.2,5 DIN7993 VP.	1
4.8	2130993	HUB D.42xD.60 JL250 VP.	1
4.9	2130994	SPACER D.38XD.55 VP.	1
4.10	4094462	SCREWS M10 (4 PIECES)	1
4.11	4102901	SCREW CHC-M6X14-8.8-ISO4762-GEOMET500A	1
4.12	2130995	SERRATED LOCK WASHER D.6,2XD.14,5X28 VP.	1

COUPLING D.16XD.38 FF265 HELIX KIT (4159711)



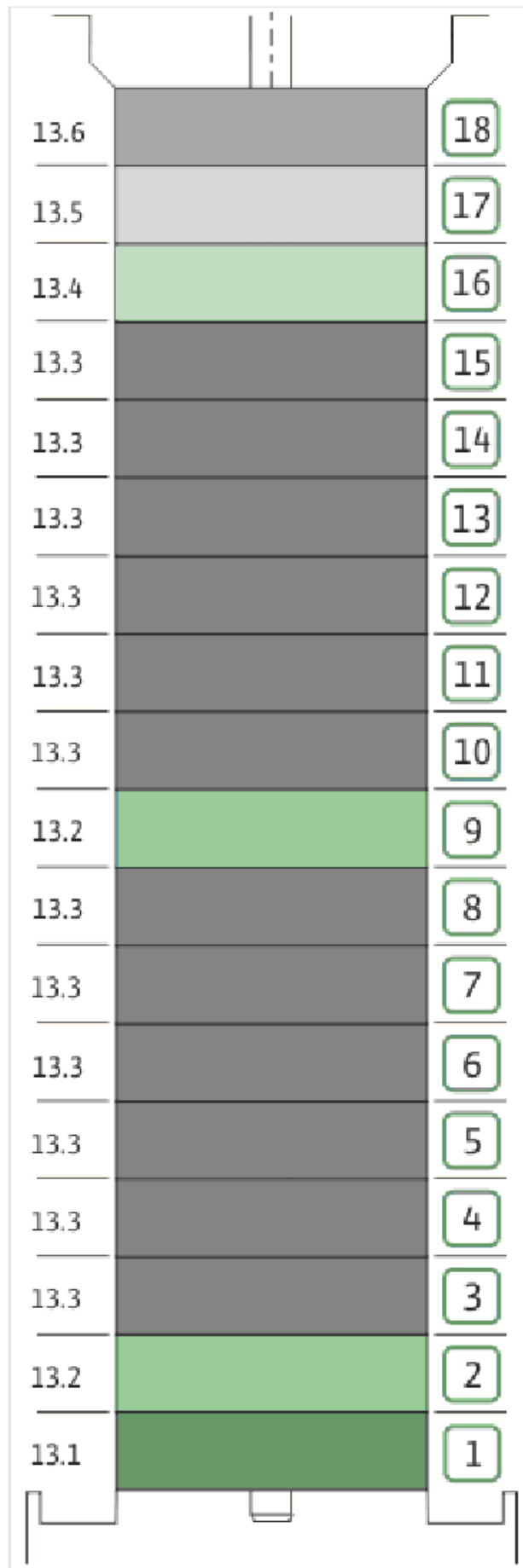
COUPLING D.16XD.38 FF265 HELIX KIT (4159711)

Item	Article no.	Description	Quantity
4.1	2131018	COUPLING 2 PARTS D.16XD.28XL.82,4 VP.	1
4.2	2131017	BALL BEARING 6310/ZZ-C4(HT)VP.	1
4.3	4234253	CIRCLIP-FOR-SHAFT-D50x2 VP.	1
4.4	4157726	SCREW KIT M8X30 (4 PIECES)	1
4.5	4234255	CIRCLIPS 110X4 VP.	1
4.6	4233944	O-RING ID.110 VP.	1
4.7	2131019	RETAINING RING D.26xD.2 DIN7993 VP.	1
4.8	2131020	HUB D.38XD.50 VP.	1
4.9	2131021	SPACER D.28XD.45 VP.	1
4.10	4157726	SCREW KIT M8X30 (4 PIECES)	1
4.11	4102901	SCREW CHC-M6X14-8.8-ISO4762-GEOMET500A	1
4.12	2130995	SERRATED LOCK WASHER D.6,2XD.14,5X28 VP.	1
		NOMEL CONTACT WASHER 8x16x1,4 STEEL ZC	1



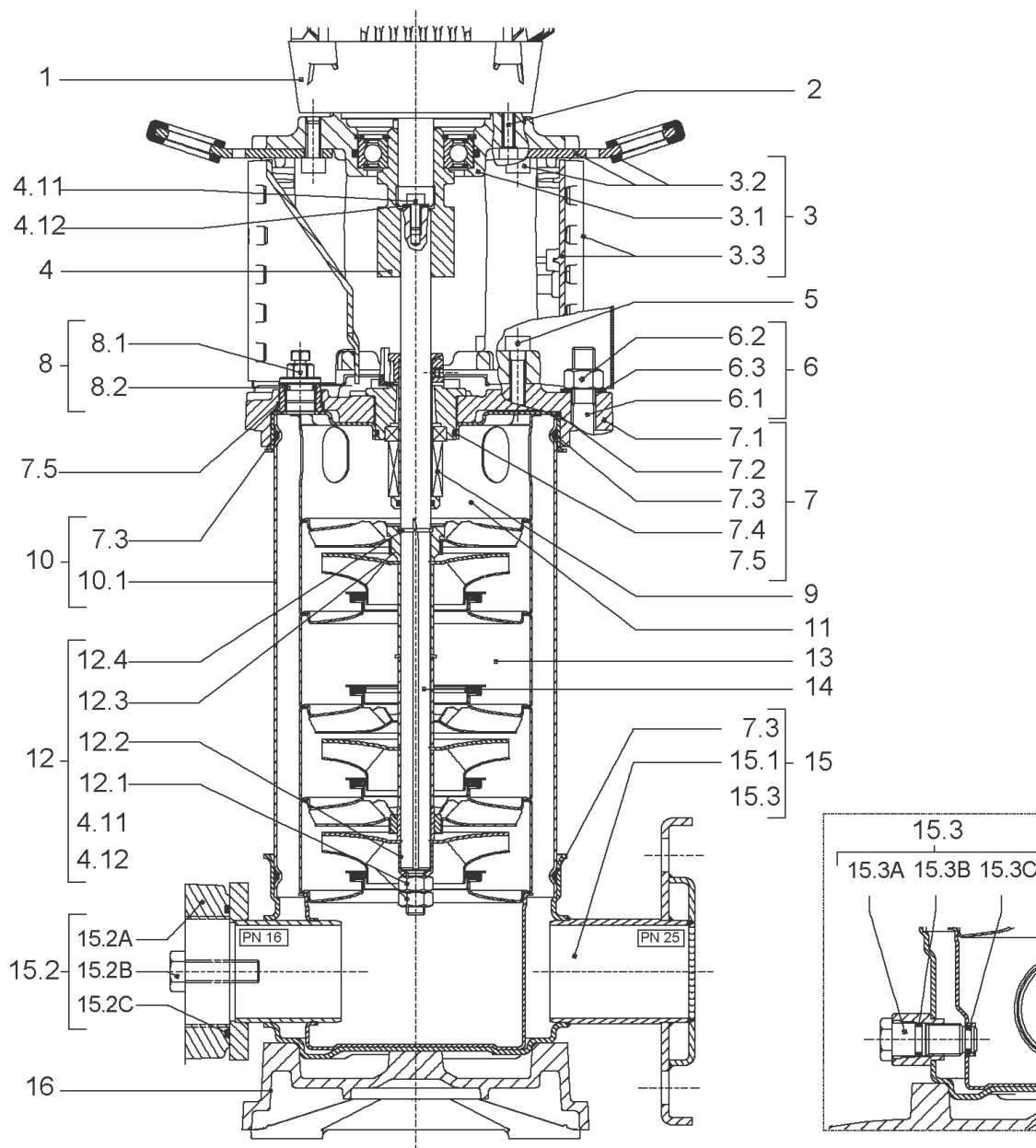
CARTRIDGE HELIX6-10-16 F/E KIT (4159698)

Item	Article no.	Description	Quantity
9.1	4159699	SEAL-KIT-HELIX6-10-16 F/E	1
7.3	4176513	> O-RING FOR PUMP JACKET VP.	1
7.4	2127603	> O-RING ID.37,6x2,4 EPDM VP.	1
9.1A	4176521	> MECH.SEAL HELIX2-4-6-10-16 F/E VP.	1
9.1B	2130967	> O-RING D.16X2,5 EPDM VP.	1
9.2	2130961	SHAFT SLEEVE D.18/16X72,2 1.4404 VP.	1
9.3	2130962	RING HOLDER D.18 G606/G6 1.4301 VP.	1
9.4	4068120	SCREW CH M5x5 A4-70	1
9.5	2130963	DRIVE RING D.29/18x12,4 MACH.VP.	1
9.6	2130964	TOOL M.S.CART.HELIX VP.	1
9.7	2130965	SCREW CHC M5X12 ISO4762 A2.70(4 PIECES)	1



HYDRAULIC HELIX V 1616 1.4307

Item	Article no.	Description	Quantity
13.1	4159720	STAGE HELIX 16 1.4301 KIT	1
		> MACH.STG-CASING-WOGV-WNR-M+16-304	1
		> IMPELLER-M+16-304	1
13.2	4159714	STAGE BEARING HELIX 16 1.4301 KIT	1
		> MACH.BEARING-STG-CASING-WNR-M+16-304	1
		> SHAFT-SLEEVE-D16xD20x18-CW	1
		> IMPELLER-M+16-304	1
		> SLEEVE-SPACER-Ø19,35x30,665-304	1
13.3	4159715	INTERMEDIATE STAGE HELIX 16 1.4301 KIT	1
		> CORPS-ETG-STD-ACR-AJR-USIN.M+16-304	1
		> IMPELLER-M+16-304	1
		> SPACER Ø16X19.4-L48.6-304	1
13.4	4159719	EMPTY STAGE-BEARING HELIX 16 1.4301 KIT	1
		> MACH.BEARING-STG-CASING-WNR-M+16-304	1
		> SHAFT-SLEEVE-D16xD20x18-CW	1
		> FLAT WASHER-D16.1XD22X1.5-316L	1
		> SLEEVE-SPACER-Ø19,35x30,665-304	1
13.5	4159717	EMPTY STAGE HELIX16 1.4301 KIT	1
		> MACH.STG-CASING-WOGV-WNR-M+16-304	1
		> FLAT WASHER-D16.1XD22X1.5-316L	1
		> SPACER Ø16X19.4-L48.6-304	1
13.6	4159718	STAGE HELIX 16 1.4301 KIT	1
		> MACH.STG-CASING-WOGV-WNR-M+16-304	1
		> IMPELLER-M+16-304	1
		> SPACER Ø16X19.4-L48.6-304	1



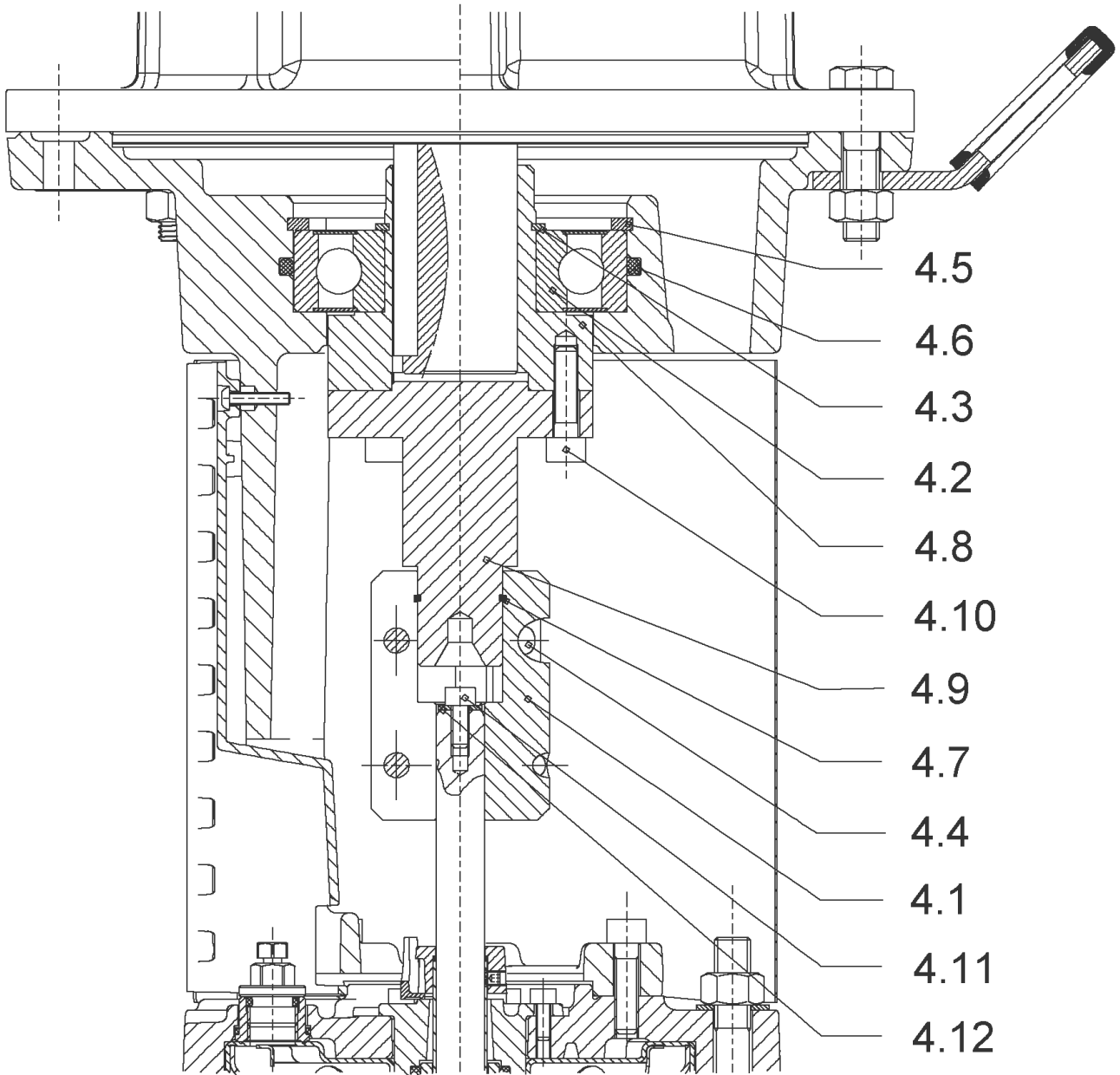
HELIX V1609-1/16/E/KS/400-50 (4141176)

Item	Article no.	Description	Quantity
1	4195450	MOTOR 7,5/2/* 3~400V 50HZ IE3 VP.	1
		SPARE PARTS MOTOR:ON REQUEST	1
2	4174093	SCREW M12X50 (4 PIECES)	1
3	4159693	LANTERN FF265 HELIX KIT	1
3.1		> LANTERN FF265 M+6" GJL MACHINING+CATA	1
3.2	2127605	> EYELET CPL.FF265 HELIX(2 PIECES)	1
3.3	4159695	> COUPLING PROTECTOR FF HELIX KIT	1
4	4159711	COUPLING D.16XD.38 FF265 HELIX KIT	1
5	4159707	SCREW M8X30 (4 PIECES)	1
6	4177842	STUD BOLT M12X638KIT	1
6.1		> TIE BOLT M12-638x18x30-1.4057	1
6.2	2094647	> NUT M12 M12 ISO4032 VP.	1
6.3	2123557	> WASHER CS-12.4-24-1.6-NFE25 (4 PIECES)	1
7	4159685	END SHIELD HELIX EPDM KIT	1
7.1		> END SHIELD M+6" GJL250 MACHINING+CATA	1
7.2	2127607	> STATIONARY RING HOLDER 6" HELIX 1.4301 V	1
7.3	4176513	> O-RING FOR PUMP JACKET VP.	1
7.4	2127603	> O-RING ID.37,6x2,4 EPDM VP.	1
7.5	2127602	> O-RING ID.21,35x2 EPDM VP.	1
8	4159686	FILING/PURGING PLUG HELIX EPDM KIT	1
9	4159696	CARTRIDGE HELIX6-10-16 O/E KIT	1
10	4177843	HOUSING PIPES D.152X510 1.4307 KIT	1
7.3	4176513	> O-RING FOR PUMP JACKET VP.	1
10.1		> HOUSING-PIPE Ø152-M+1012/1609-304	1
11	2127588	CENTERING STAGE-RETURN HELIX16 1.4301 VP	1
12	4159688	SHAFT EQUIPMENT HELIX V16 BI BLOC KIT	1
4.11	4102901	> SCREW CHC-M6X14-8.8-ISO4762-GEOMET500A	1
4.12	2130995	> SERRATED LOCK WASHER D.6,2XD.14,5X28 VP.	1
12.1		> NUT-H-M10-A4.70	1
12.2		> SERRATED LOCK WASHER M+16M3-316L	1
12.3		> STOP COLLAR OF IMPELLER L18,8-Ø16-316L	1
12.4		> STOP-RUSH-1/2-D16xd2-M+316	1
13		HYDRAULIC HELIX V 1609 1.4307	1
14	4177844	SHAFT D.16X630 1.4301 VP.	1

HELIX V1609-1/16/E/KS/400-50 (4141176)

Item	Article no.	Description	Quantity
15	4217899	PUMP HOUSING HELIX DN50 PN16 1.4301 KIT	1
7.3	4176513	> O-RING FOR PUMP JACKET VP.	1
15.1		> BLASTING PPE HOUSING V-PN16-DN50-304	1
15.2	4217895	> COUNTER FLANGE-G2"-PN16-GJL KIT	1
15.3	4171321	> PRIMING/DRAIN PLUG EPDM HELIX KIT	1
16	2127601	BASEPLATE HELIX V16 VP.	1

COUPLING D.16XD.38 FF265 HELIX KIT (4159711)



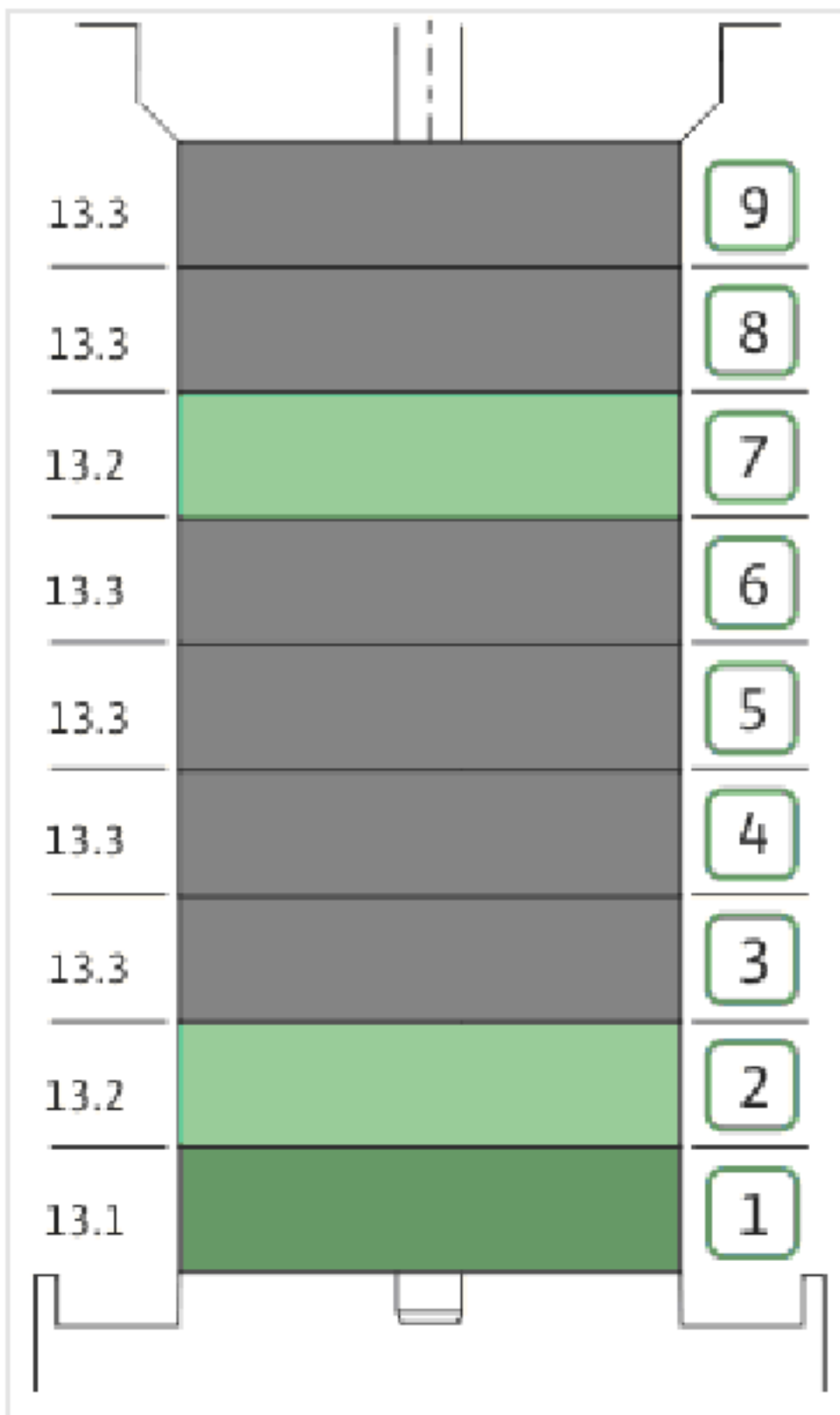
COUPLING D.16XD.38 FF265 HELIX KIT (4159711)

Item	Article no.	Description	Quantity
4.1	2131018	COUPLING 2 PARTS D.16XD.28XL.82,4 VP.	1
4.2	2131017	BALL BEARING 6310/ZZ-C4(HT)VP.	1
4.3	4234253	CIRCLIP-FOR-SHAFT-D50x2 VP.	1
4.4	4157726	SCREW KIT M8X30 (4 PIECES)	1
4.5	4234255	CIRCLIPS 110X4 VP.	1
4.6	4233944	O-RING ID.110 VP.	1
4.7	2131019	RETAINING RING D.26xD.2 DIN7993 VP.	1
4.10	4157726	SCREW KIT M8X30 (4 PIECES)	1
4.11	4102901	SCREW CHC-M6X14-8.8-ISO4762-GEOMET500A	1
4.12	2130995	SERRATED LOCK WASHER D.6,2XD.14,5X28 VP.	1
		NOMEL CONTACT WASHER 8x16x1,4 STEEL ZC	1
4.8	2131020	HUB D.38XD.50 VP.	1
4.9	2131021	SPACER D.28XD.45 VP.	1



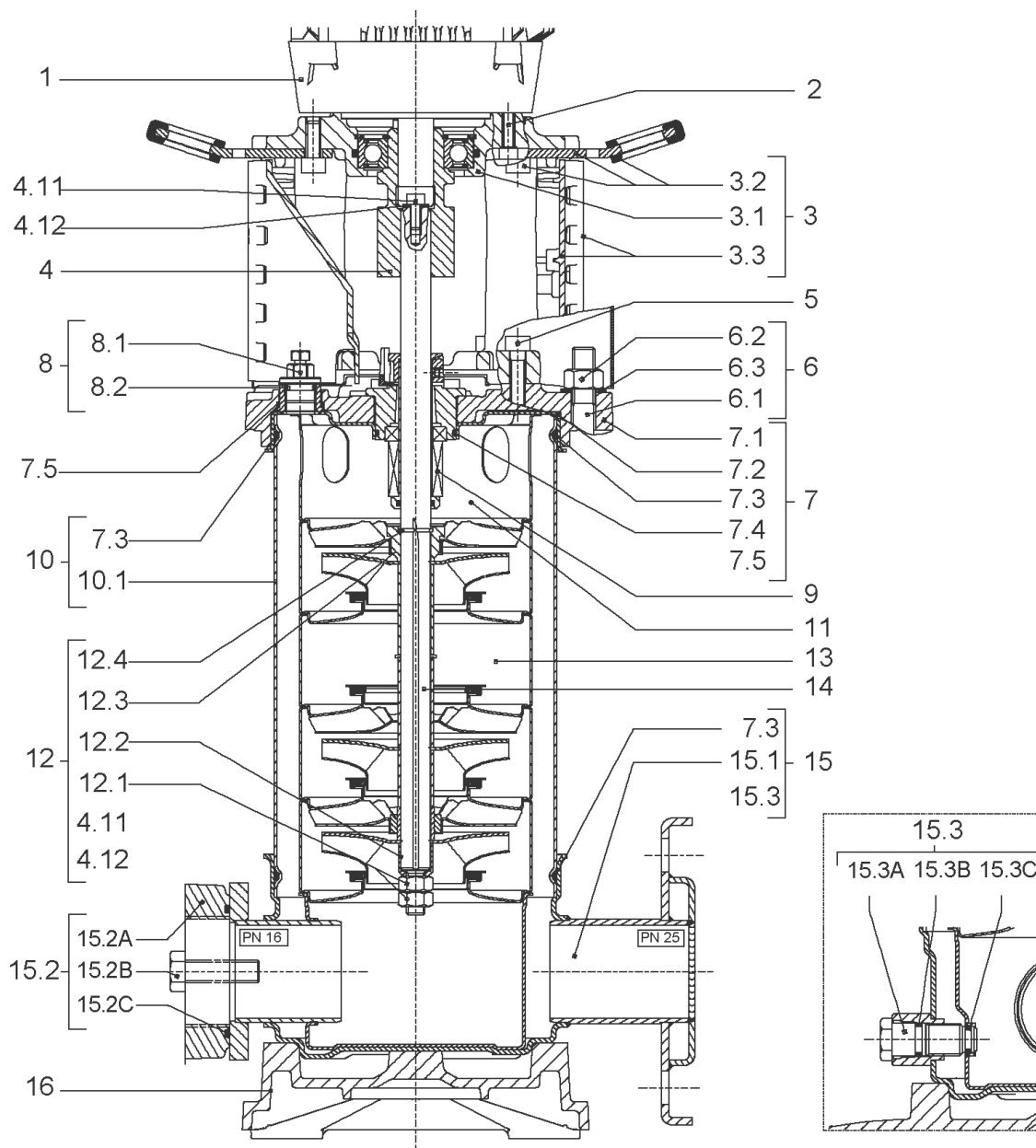
CARTRIDGE HELIX6-10-16 O/E KIT (4159696)

Item	Article no.	Description	Quantity
9.1	4159697	SEAL-KIT-HELIX6-10-16 O/E	1
7.3	4176513	> O-RING FOR PUMP JACKET VP.	1
7.4	2127603	> O-RING ID.37,6x2,4 EPDM VP.	1
9.1A	2130966	> MECH.SEAL HELIX2-4-6-10-16 O/E VP.	1
9.1B	2130967	> O-RING D.16X2,5 EPDM VP.	1
9.1C	4176519	> O-RING Ø16xØ1.25 VP.	1
9.2	2130961	SHAFT SLEEVE D.18/16X72,2 1.4404 VP.	1
9.3	2130962	RING HOLDER D.18 G606/G6 1.4301 VP.	1
9.4	4176520	SCREW CH M5x5 A4-70 (3PIECES)	1
9.5	2130963	DRIVE RING D.29/18x12,4 MACH.VP.	1
9.6	2130964	TOOL M.S.CART.HELIX VP.	1
9.7	2130965	SCREW CHC M5X12 ISO4762 A2.70(4 PIECES)	1



HYDRAULIC HELIX V 1609 1.4307

Item	Article no.	Description	Quantity
13.1	4159720	STAGE HELIX 16 1.4301 KIT	1
		> MACH.STG-CASING-WOGV-WNR-M+16-304	1
		> IMPELLER-M+16-304	1
13.2	4159714	STAGE BEARING HELIX 16 1.4301 KIT	1
		> MACH.BEARING-STG-CASING-WNR-M+16-304	1
		> IMPELLER-M+16-304	1
		> SLEEVE-SPACER-Ø19,35x30,665-304	1
		> SHAFT-SLEEVE-D16xD20x18-CW	1
13.3	4159715	INTERMEDIATE STAGE HELIX 16 1.4301 KIT	1
		> CORPS-ETG-STD-ACR-AJR-USIN.M+16-304	1
		> IMPELLER-M+16-304	1
		> SPACER Ø16X19.4-L48.6-304	1



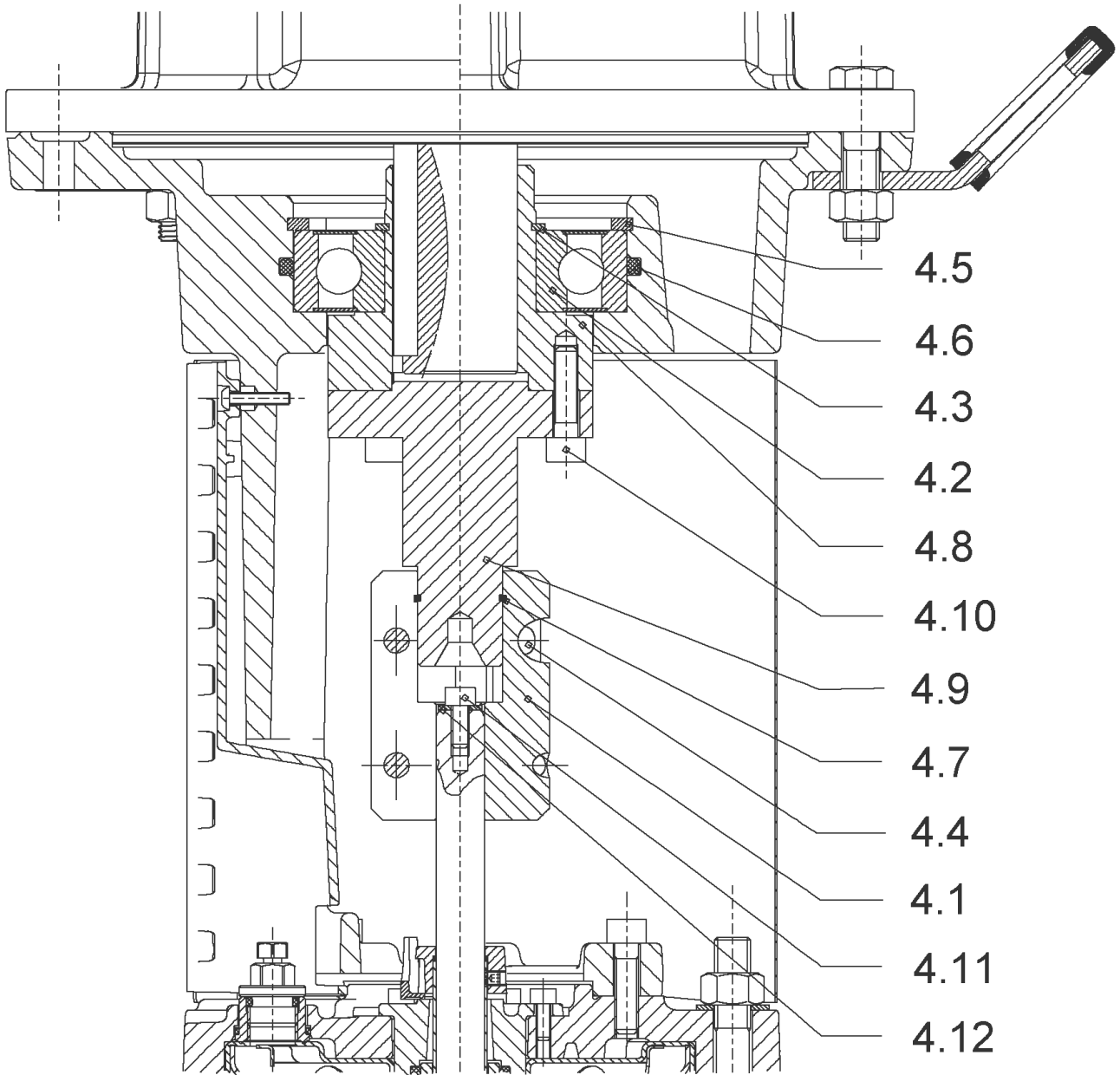
HELIX V1610-1/16/E/KS/400-50 (4141177)

Item	Article no.	Description	Quantity
1	4195450	MOTOR 7,5/2/* 3~400V 50HZ IE3 VP.	1
		SPARE PARTS MOTOR:ON REQUEST	1
2	4174093	SCREW M12X50 (4 PIECES)	1
3	4159693	LANTERN FF265 HELIX KIT	1
3.1		> LANTERN FF265 M+6" GJL MACHINING+CATA	1
3.2	2127605	> EYELET CPL.FF265 HELIX(2 PIECES)	1
3.3	4159695	> COUPLING PROTECTOR FF HELIX KIT	1
4	4159711	COUPLING D.16XD.38 FF265 HELIX KIT	1
5	4159707	SCREW M8X30 (4 PIECES)	1
6	4177852	STUD BOLT M12X788KIT	1
6.1		> TIE BOLT M12-788x18x30-1.4057	1
6.2	2094647	> NUT M12 M12 ISO4032 VP.	1
6.3	2123557	> WASHER CS-12.4-24-1.6-NFE25 (4 PIECES)	1
7	4159685	END SHIELD HELIX EPDM KIT	1
7.1		> END SHIELD M+6" GJL250 MACHINING+CATA	1
7.2	2127607	> STATIONARY RING HOLDER 6" HELIX 1.4301 V	1
7.3	4176513	> O-RING FOR PUMP JACKET VP.	1
7.4	2127603	> O-RING ID.37,6x2,4 EPDM VP.	1
7.5	2127602	> O-RING ID.21,35x2 EPDM VP.	1
8	4159686	FILING/PURGING PLUG HELIX EPDM KIT	1
9	4159696	CARTRIDGE HELIX6-10-16 O/E KIT	1
10	4177853	HOUSING PIPES D.152X660 1.4307 KIT	1
7.3	4176513	> O-RING FOR PUMP JACKET VP.	1
10.1		> HOUSING-PIPE Ø152-M+1016/1610-304	1
11	2127588	CENTERING STAGE-RETURN HELIX16 1.4301 VP	1
12	4159688	SHAFT EQUIPMENT HELIX V16 BI BLOC KIT	1
4.11	4102901	> SCREW CHC-M6X14-8.8-ISO4762-GEOMET500A	1
4.12	2130995	> SERRATED LOCK WASHER D.6,2XD.14,5X28 VP.	1
12.1		> NUT-H-M10-A4.70	1
12.2		> SERRATED LOCK WASHER M+16M3-316L	1
12.3		> STOP COLLAR OF IMPELLER L18,8-Ø16-316L	1
12.4		> STOP-RUSH-1/2-D16xd2-M+316	1
13		HYDRAULIC HELIX V 1610 1.4307	1
14	4177854	SHAFT D.16 X780 1.4301 VP.	1

HELIX V1610-1/16/E/KS/400-50 (4141177)

Item	Article no.	Description	Quantity
15	4217899	PUMP HOUSING HELIX DN50 PN16 1.4301 KIT	1
7.3	4176513	> O-RING FOR PUMP JACKET VP.	1
15.1		> BLASTING PPE HOUSING V-PN16-DN50-304	1
15.2	4217895	> COUNTER FLANGE-G2"-PN16-GJL KIT	1
15.3	4171321	> PRIMING/DRAIN PLUG EPDM HELIX KIT	1
16	2127601	BASEPLATE HELIX V16 VP.	1

COUPLING D.16XD.38 FF265 HELIX KIT (4159711)



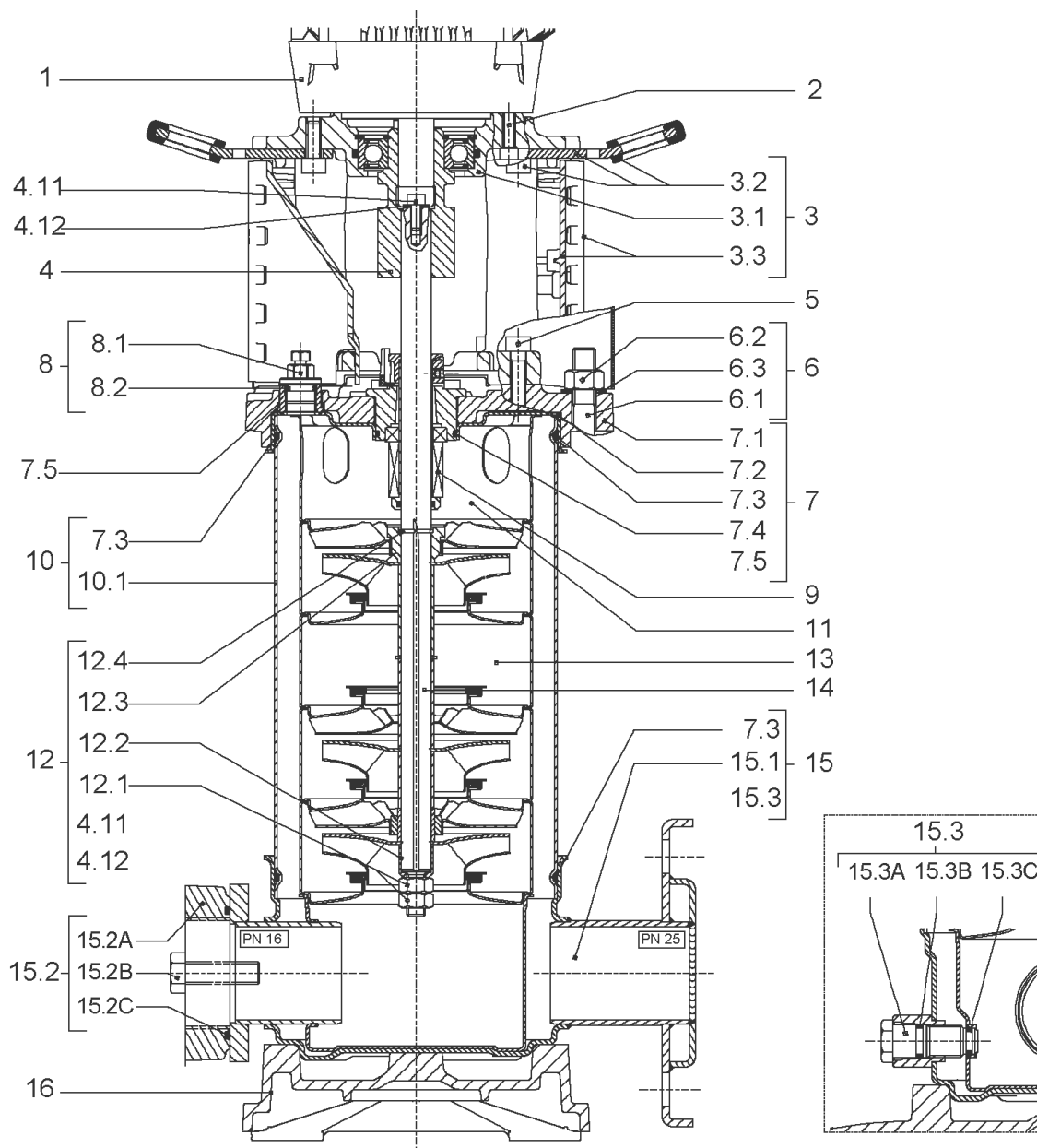
COUPLING D.16XD.38 FF265 HELIX KIT (4159711)

Item	Article no.	Description	Quantity
4.1	2131018	COUPLING 2 PARTS D.16XD.28XL.82,4 VP.	1
4.2	2131017	BALL BEARING 6310/ZZ-C4(HT)VP.	1
4.3	4234253	CIRCLIP-FOR-SHAFT-D50x2 VP.	1
4.4	4157726	SCREW KIT M8X30 (4 PIECES)	1
4.5	4234255	CIRCLIPS 110X4 VP.	1
4.6	4233944	O-RING ID.110 VP.	1
4.7	2131019	RETAINING RING D.26xD.2 DIN7993 VP.	1
4.10	4157726	SCREW KIT M8X30 (4 PIECES)	1
4.11	4102901	SCREW CHC-M6X14-8.8-ISO4762-GEOMET500A	1
4.12	2130995	SERRATED LOCK WASHER D.6,2XD.14,5X28 VP.	1
		NOMEL CONTACT WASHER 8x16x1,4 STEEL ZC	1
4.8	2131020	HUB D.38XD.50 VP.	1
4.9	2131021	SPACER D.28XD.45 VP.	1



CARTRIDGE HELIX6-10-16 O/E KIT (4159696)

Item	Article no.	Description	Quantity
9.1	4159697	SEAL-KIT-HELIX6-10-16 O/E	1
7.3	4176513	> O-RING FOR PUMP JACKET VP.	1
7.4	2127603	> O-RING ID.37,6x2,4 EPDM VP.	1
9.1A	2130966	> MECH.SEAL HELIX2-4-6-10-16 O/E VP.	1
9.1B	2130967	> O-RING D.16X2,5 EPDM VP.	1
9.1C	4176519	> O-RING Ø16xØ1.25 VP.	1
9.2	2130961	SHAFT SLEEVE D.18/16X72,2 1.4404 VP.	1
9.3	2130962	RING HOLDER D.18 G606/G6 1.4301 VP.	1
9.4	4176520	SCREW CH M5x5 A4-70 (3PIECES)	1
9.5	2130963	DRIVE RING D.29/18x12,4 MACH.VP.	1
9.6	2130964	TOOL M.S.CART.HELIX VP.	1
9.7	2130965	SCREW CHC M5X12 ISO4762 A2.70(4 PIECES)	1



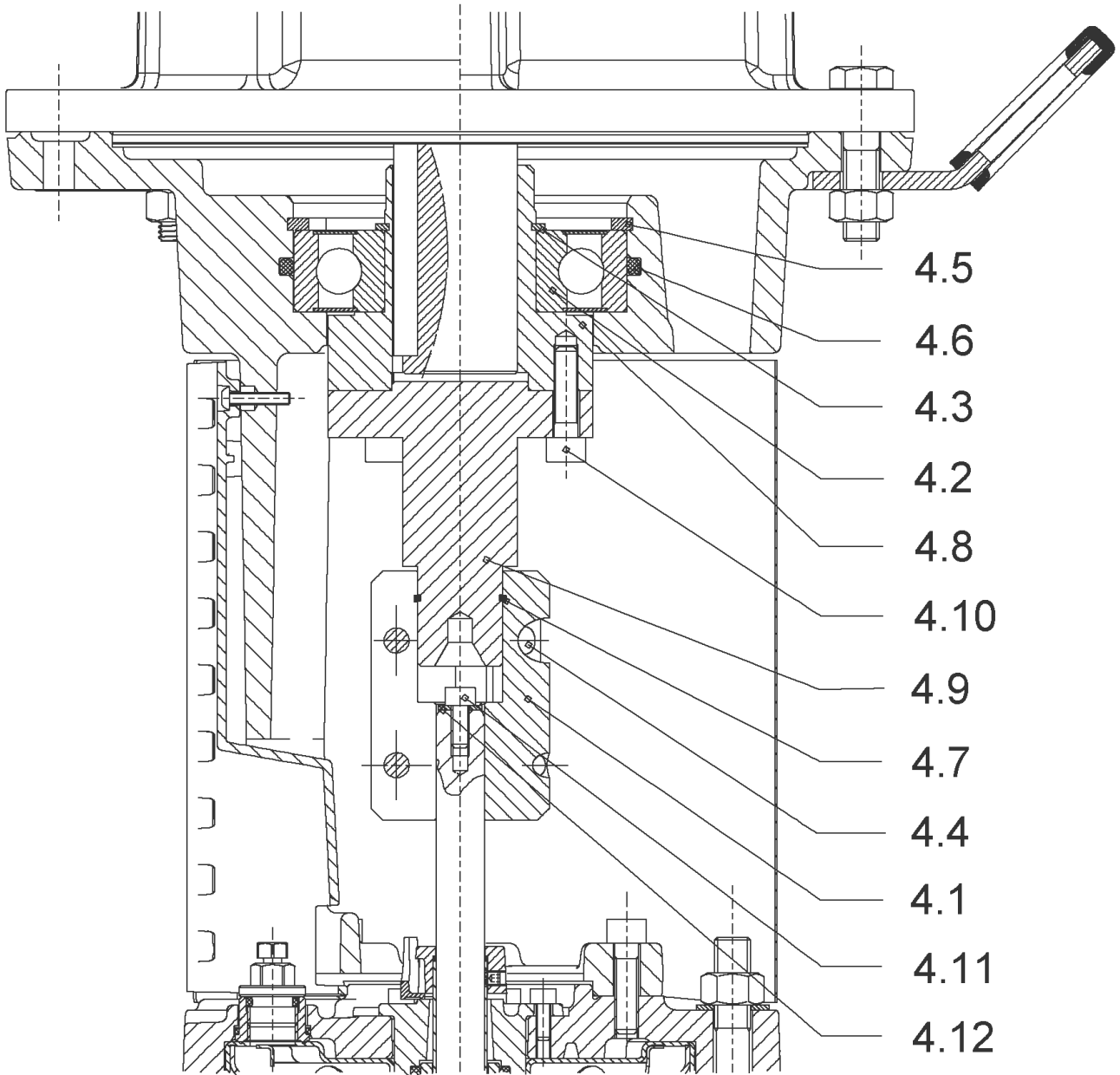
HELIX V1611-1/16/E/KS/400-50 (4141178)

Item	Article no.	Description	Quantity
1	4195450	MOTOR 7,5/2/* 3~400V 50HZ IE3 VP.	1
		SPARE PARTS MOTOR:ON REQUEST	1
2	4174093	SCREW M12X50 (4 PIECES)	1
3	4159693	LANTERN FF265 HELIX KIT	1
3.1		> LANTERN FF265 M+6" GJL MACHINING+CATA	1
3.2	2127605	> EYELET CPL.FF265 HELIX(2 PIECES)	1
3.3	4159695	> COUPLING PROTECTOR FF HELIX KIT	1
4	4159711	COUPLING D.16XD.38 FF265 HELIX KIT	1
5	4159707	SCREW M8X30 (4 PIECES)	1
6	4177852	STUD BOLT M12X788KIT	1
6.1		> TIE BOLT M12-788x18x30-1.4057	1
6.2	2094647	> NUT M12 M12 ISO4032 VP.	1
6.3	2123557	> WASHER CS-12.4-24-1.6-NFE25 (4 PIECES)	1
7	4159685	END SHIELD HELIX EPDM KIT	1
7.1		> END SHIELD M+6" GJL250 MACHINING+CATA	1
7.2	2127607	> STATIONARY RING HOLDER 6" HELIX 1.4301 V	1
7.3	4176513	> O-RING FOR PUMP JACKET VP.	1
7.4	2127603	> O-RING ID.37,6x2,4 EPDM VP.	1
7.5	2127602	> O-RING ID.21,35x2 EPDM VP.	1
8	4159686	FILING/PURGING PLUG HELIX EPDM KIT	1
9	4159696	CARTRIDGE HELIX6-10-16 O/E KIT	1
10	4177853	HOUSING PIPES D.152X660 1.4307 KIT	1
7.3	4176513	> O-RING FOR PUMP JACKET VP.	1
10.1		> HOUSING-PIPE Ø152-M+1016/1610-304	1
11	2127588	CENTERING STAGE-RETURN HELIX16 1.4301 VP	1
12	4159688	SHAFT EQUIPMENT HELIX V16 BI BLOC KIT	1
4.11	4102901	> SCREW CHC-M6X14-8.8-ISO4762-GEOMET500A	1
4.12	2130995	> SERRATED LOCK WASHER D.6,2XD.14,5X28 VP.	1
12.1		> NUT-H-M10-A4.70	1
12.2		> SERRATED LOCK WASHER M+16M3-316L	1
12.3		> STOP COLLAR OF IMPELLER L18,8-Ø16-316L	1
12.4		> STOP-RUSH-1/2-D16xd2-M+316	1
13		HYDRAULIC HELIX V 1611 1.4307	1
14	4177854	SHAFT D.16 X780 1.4301 VP.	1

HELIX V1611-1/16/E/KS/400-50 (4141178)

Item	Article no.	Description	Quantity
15	4217899	PUMP HOUSING HELIX DN50 PN16 1.4301 KIT	1
7.3	4176513	> O-RING FOR PUMP JACKET VP.	1
15.1		> BLASTING PPE HOUSING V-PN16-DN50-304	1
15.2	4217895	> COUNTER FLANGE-G2"-PN16-GJL KIT	1
15.3	4171321	> PRIMING/DRAIN PLUG EPDM HELIX KIT	1
16	2127601	BASEPLATE HELIX V16 VP.	1

COUPLING D.16XD.38 FF265 HELIX KIT (4159711)



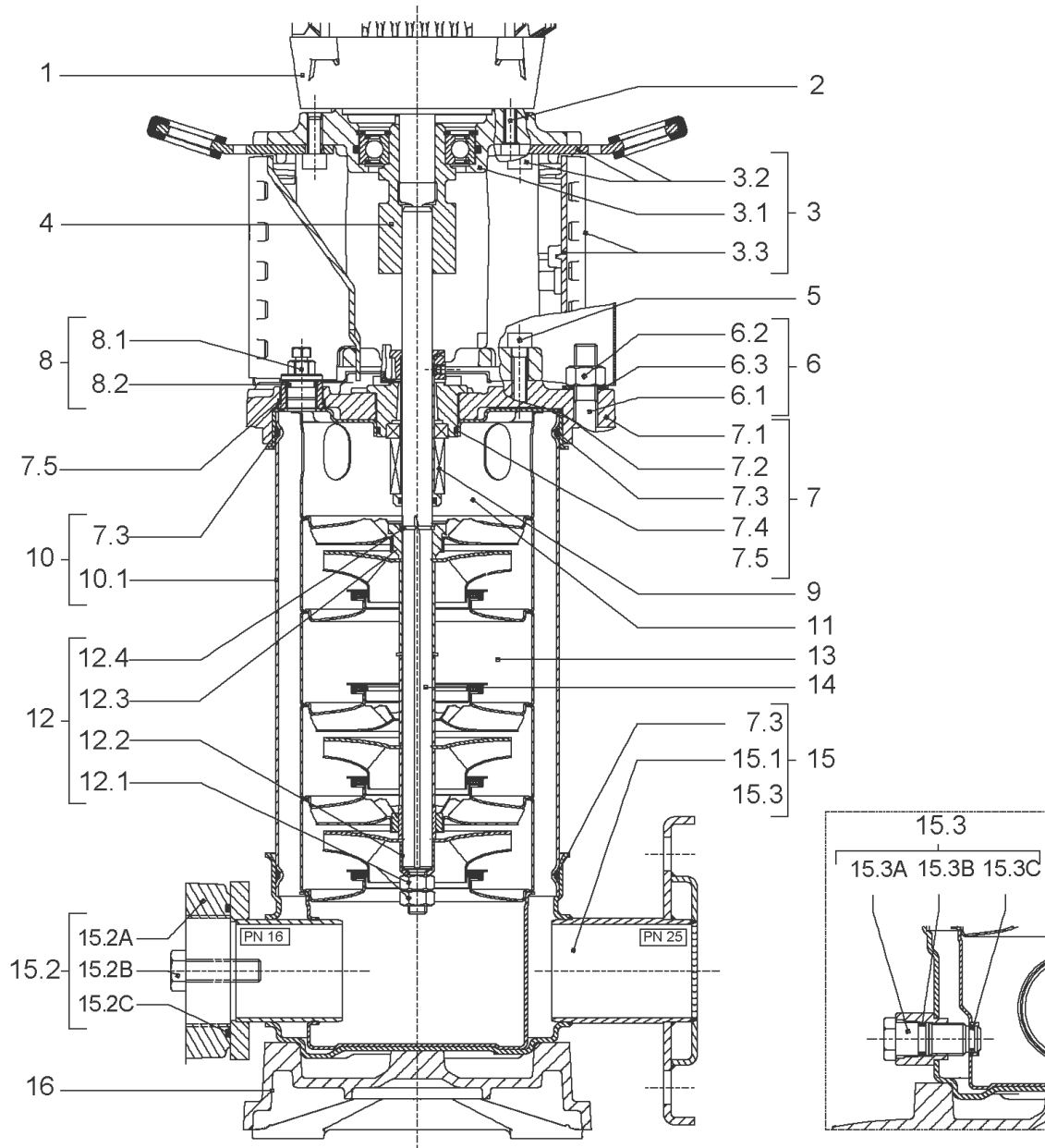
COUPLING D.16XD.38 FF265 HELIX KIT (4159711)

Item	Article no.	Description	Quantity
4.1	2131018	COUPLING 2 PARTS D.16XD.28XL.82,4 VP.	1
4.2	2131017	BALL BEARING 6310/ZZ-C4(HT)VP.	1
4.3	4234253	CIRCLIP-FOR-SHAFT-D50x2 VP.	1
4.4	4157726	SCREW KIT M8X30 (4 PIECES)	1
4.5	4234255	CIRCLIPS 110X4 VP.	1
4.6	4233944	O-RING ID.110 VP.	1
4.7	2131019	RETAINING RING D.26xD.2 DIN7993 VP.	1
4.10	4157726	SCREW KIT M8X30 (4 PIECES)	1
4.11	4102901	SCREW CHC-M6X14-8.8-ISO4762-GEOMET500A	1
4.12	2130995	SERRATED LOCK WASHER D.6,2XD.14,5X28 VP.	1
		NOMEL CONTACT WASHER 8x16x1,4 STEEL ZC	1
4.8	2131020	HUB D.38XD.50 VP.	1
4.9	2131021	SPACER D.28XD.45 VP.	1



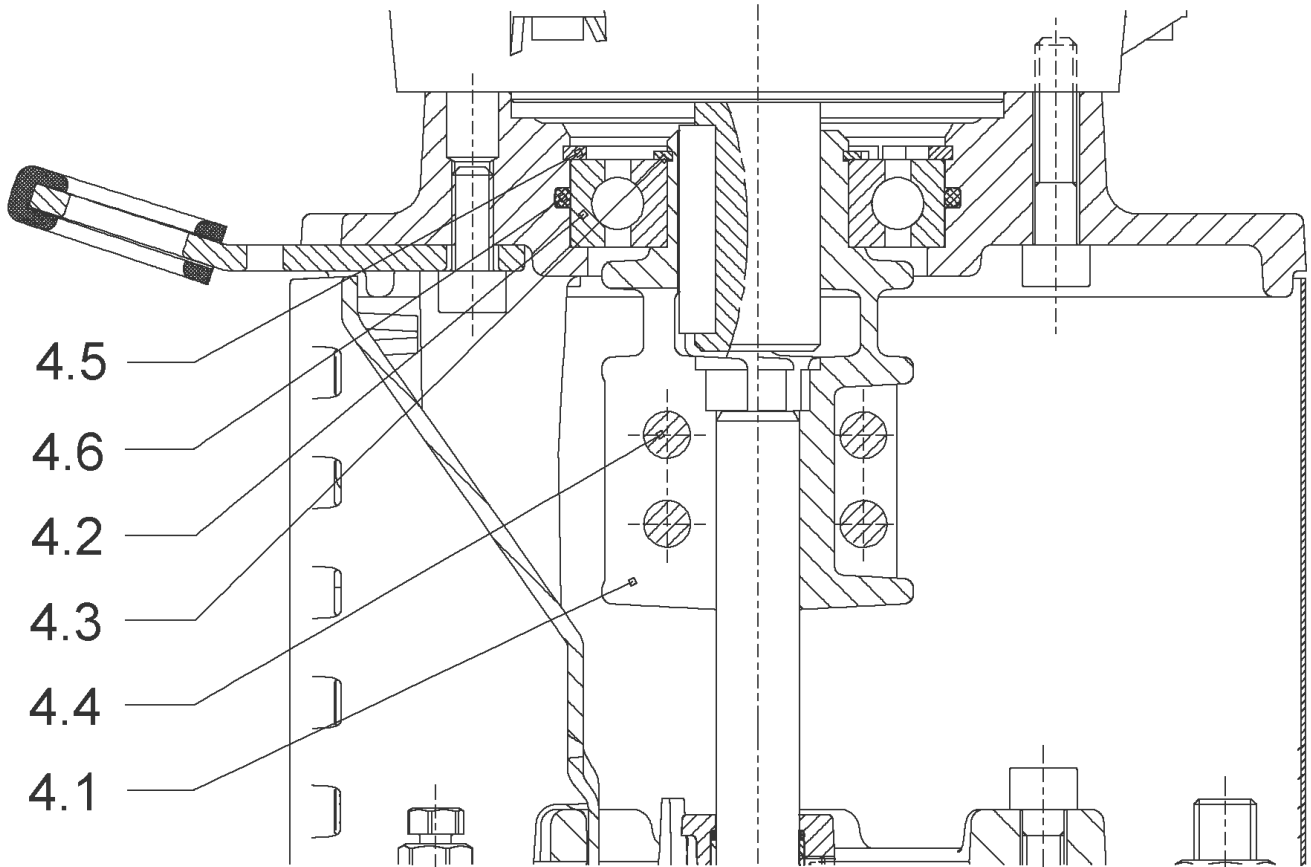
CARTRIDGE HELIX6-10-16 O/E KIT (4159696)

Item	Article no.	Description	Quantity
9.1	4159697	SEAL-KIT-HELIX6-10-16 O/E	1
7.3	4176513	> O-RING FOR PUMP JACKET VP.	1
7.4	2127603	> O-RING ID.37,6x2,4 EPDM VP.	1
9.1A	2130966	> MECH.SEAL HELIX2-4-6-10-16 O/E VP.	1
9.1B	2130967	> O-RING D.16X2,5 EPDM VP.	1
9.1C	4176519	> O-RING Ø16xØ1.25 VP.	1
9.2	2130961	SHAFT SLEEVE D.18/16X72,2 1.4404 VP.	1
9.3	2130962	RING HOLDER D.18 G606/G6 1.4301 VP.	1
9.4	4176520	SCREW CH M5x5 A4-70 (3PIECES)	1
9.5	2130963	DRIVE RING D.29/18x12,4 MACH.VP.	1
9.6	2130964	TOOL M.S.CART.HELIX VP.	1
9.7	2130965	SCREW CHC M5X12 ISO4762 A2.70(4 PIECES)	1



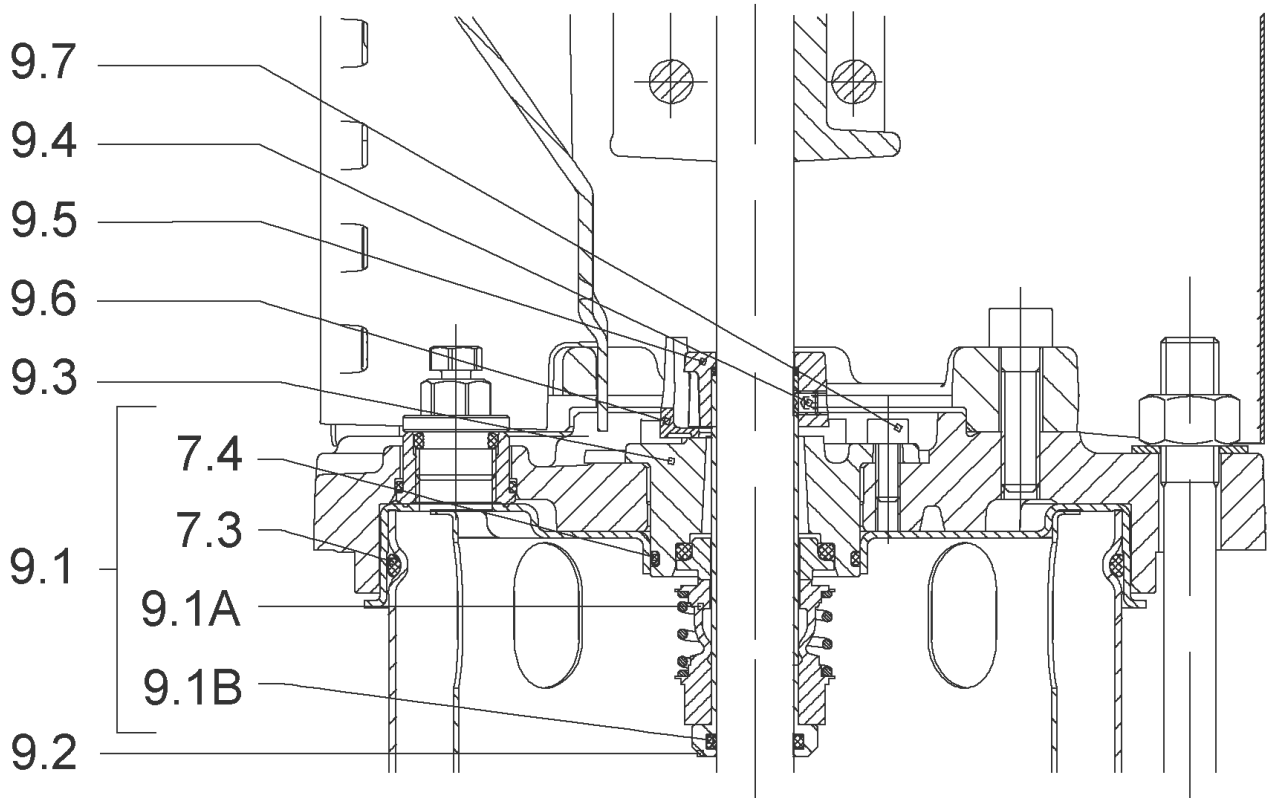
HELIX V1601-2/25/V/KS/400-50 (4150660)

Item	Article no.	Description	Quantity
1	4169940	MOTOR 0,75/2/80 3~230/400V 50HZ IE3 VP.	1
		SPARE PARTS MOTOR:ON REQUEST	1
2	4159702	SCREW M6X30 (4 PIECES)	1
3	4172788	LANTERN FT100 HELIX KIT	1
4	4159708	COUPLING D.16XD.19 FT100 HELIX KIT	1
5	4159707	SCREW M8X30 (4 PIECES)	1
6	2018368	STUD BOLT M12X289 KIT	1
6.1		> TIE BOLT M12-289x18x30-1.4057	1
6.2	2094647	> NUT M12 M12 ISO4032 VP.	1
6.3	2123557	> WASHER CS-12.4-24-1.6-NFE25 (4 PIECES)	1
7	4159783	END SHIELD HELIX FKM 1.4404 KIT	1
7.1		> END SHIELD M+6" GJL250 MACHINING+CATA	1
7.2	2131056	> STATIONARY RING HOLDER 6" HELIX 1.4404 V	1
7.3	4234237	> O-RING 139X3 VITON VP.	1
7.4	2131026	> O-RING ID.37,6X2,4 FKM VP.	1
7.5	2131057	> O-RING ID.21,35X2 FKM VP.	1
8	4159784	FILING/PURGING PLUG HELIX FKM KIT	1
9	4159700	CARTRIDGE HELIX6-10-16 F/V KIT	1
10	2131042	HOUSING PIPE D.152X160 1.4404 KIT	1
7.3	4234237	> O-RING 139X3 VITON VP.	1
10.1		> HOUSING-PIPE Ø152-M+1601/02-316L-PASS.	1
11	2131054	CENTERING STAGE HELIX16 1.4404 VP.	1
12	4159687	SHAFT EQUIPMENT HELIX V1601 KIT	1
12.1		> NUT-H-M10-A4.70	1
12.3		> STOP COLLAR OF IMPELLER first stage	1
12.4		> STOP-RUSH-1/2-D16xd2-M+316	1
12.2		> SERRATED LOCK WASHER M+16M3-316L	1
13		SPARE PARTS HYDRAULICS HELIX V 1.4404	1
14	2131031	SHAFT D.16X280 1.4404 VP.	1
15	4159782	PUMP HOUSING HELIX DN50 PN25 1.4409 KIT	1
7.3	4177887	> O-RING ID.145,65X3,53 VITON VP.	1
15.1		> BLASTING PPE HOUSING V-PN25-DN50-316L	1
15.3	4159781	> PRIMING/DRAIN PLUG HELIX 16 FKM KIT	1
16	2127601	BASEPLATE HELIX V16 VP.	1



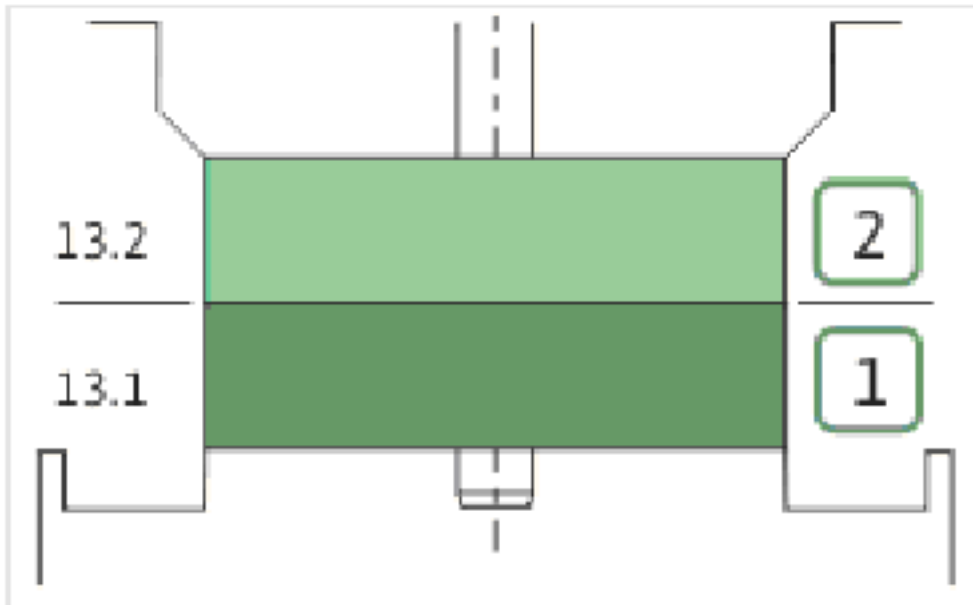
COUPLING D.16XD.19 FT100 HELIX KIT (4159708)

Item	Article no.	Description	Quantity
4.1		COUPLING M+ Ø16XØ19 FT100 MACHINED	1
4.2	2130977	BALL BEARING 6206/ZZ-C3(HT)VP.	1
4.3	4234249	CIRCLIP-FOR-SHAFT-D30x1.5 VP.	1
4.4	4212716	SCREW M6X20 KIT (4PIECES)	1
4.5	4234250	CIRCLIP-D62x2 VP.	1
4.6	4234245	O-RING 63X3 VP.	1
		CONTACT-WASHER-6ETR-6,1x12,2x1,8-STEEL	1



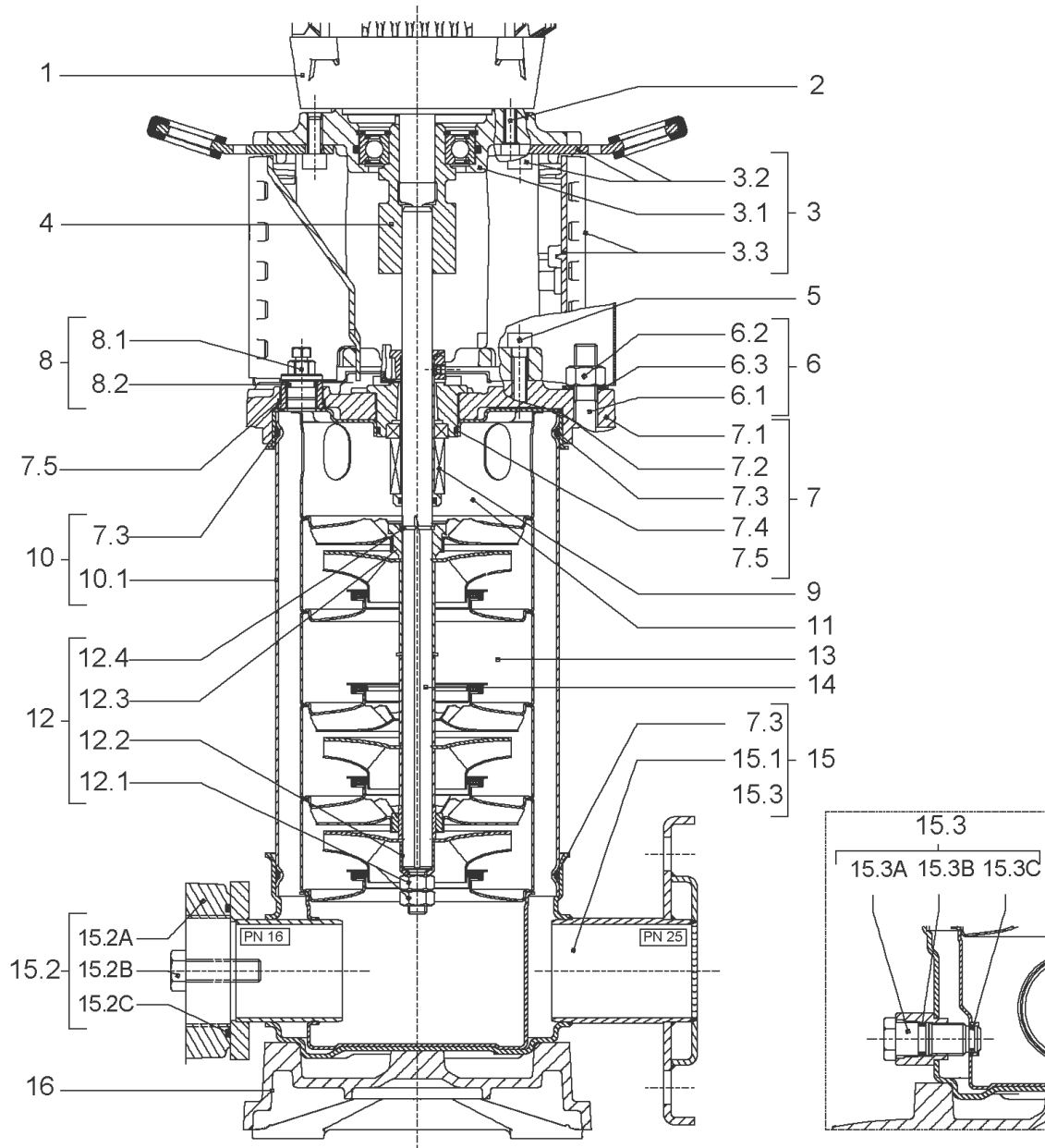
CARTRIDGE HELIX6-10-16 F/V KIT (4159700)

Item	Article no.	Description	Quantity
9.1	4159701	SEAL-KIT-HELIX6-10-16 F/V	1
7.3	4234237	> O-RING 139X3 VITON VP.	1
7.4	2131026	> O-RING ID.37,6X2,4 FKM VP.	1
9.1A	2131025	> MECH.SEAL HELIX2-4-6-10-16 F/V VP.	1
9.1B	2131027	> O-RING D.16XD.2,5 FKM VP.	1
9.2	2130961	SHAFT SLEEVE D.18/16X72,2 1.4404 VP.	1
9.3	2131024	RING HOLDER D.18 G606/G6 1.4404 VP.	1
9.4	4068120	SCREW CH M5x5 A4-70	1
9.5	2130963	DRIVE RING D.29/18x12,4 MACH.VP.	1
9.6	2130964	TOOL M.S.CART.HELIX VP.	1
9.7	2130965	SCREW CHC M5X12 ISO4762 A2.70(4 PIECES)	1



SPARE PARTS HYDRAULICS HELIX V 1.4404

Item	Article no.	Description	Quantity
13.1	4159786	STAGE HELIX16 1.4404 KIT	1
		> MACH.STG-CASING-WOGV-WNR-M+16-316	1
		> IMPELLER-H1-M+16-316	1
13.2	4159785	STAGE-BEARING HELIX16 1.4404 KIT	1
		> MACH.STG-CASING-WOGV-WNR-M+16-316	1
		> IMPELLER-H1-M+16-316	1

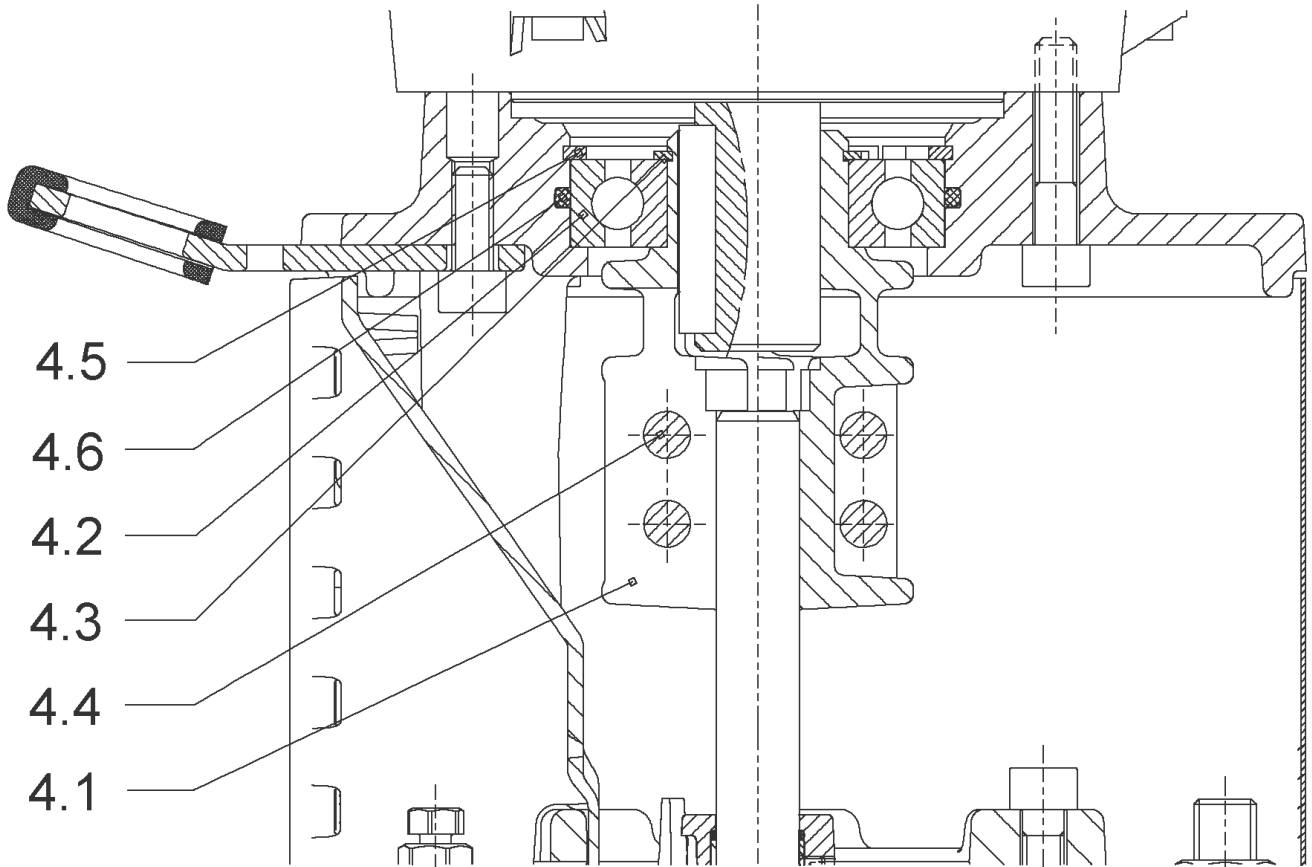


HELIX V1602-2/25/V/KS/400-50 (4150661)

Item	Article no.	Description	Quantity
1	4169942	MO.1,5/2 3~230/400(440)V 50(60)HZ IE3 VP	1
		SPARE PARTS MOTOR:ON REQUEST	1
2	4159703	SCREW M8X40 (4 PIECES)	1
3	4159690	LANTERN FT115 HELIX KIT	1
3.1		> LANTERN FT115 M+6" GJL MACHINING+CATA	1
3.2	2127604	> EYELET CPL.FT HELIX(2 PIECES)	1
3.3	4159692	> COUPLING PROTECTOR FT HELIX KIT	1
4	4159709	COUPLING D.16xD.24 FT115 HELIX KIT	1
5	4159707	SCREW M8X30 (4 PIECES)	1
6	2018368	STUD BOLT M12X289 KIT	1
6.1		> TIE BOLT M12-289x18x30-1.4057	1
6.2	2094647	> NUT M12 M12 ISO4032 VP.	1
6.3	2123557	> WASHER CS-12.4-24-1.6-NFE25 (4 PIECES)	1
7	4159783	END SHIELD HELIX FKM 1.4404 KIT	1
7.1		> END SHIELD M+6" GJL250 MACHINING+CATA	1
7.2	2131056	> STATIONARY RING HOLDER 6" HELIX 1.4404 V	1
7.3	4234237	> O-RING 139X3 VITON VP.	1
7.4	2131026	> O-RING ID.37,6X2,4 FKM VP.	1
7.5	2131057	> O-RING ID.21,35X2 FKM VP.	1
8	4159784	FILING/PURGING PLUG HELIX FKM KIT	1
9	4159700	CARTRIDGE HELIX6-10-16 F/V KIT	1
10	2131042	HOUSING PIPE D.152X160 1.4404 KIT	1
7.3	4234237	> O-RING 139X3 VITON VP.	1
10.1		> HOUSING-PIPE Ø152-M+1601/02-316L-PASS.	1
11	2131055	CENTERING STAGE-RETURN HELIX16 1.4404 VP	1
12	4159688	SHAFT EQUIPMENT HELIX V16 BI BLOC KIT	1
4.11	4102901	> SCREW CHC-M6X14-8.8-ISO4762-GEOMET500A	1
4.12	2130995	> SERRATED LOCK WASHER D.6,2XD.14,5X28 VP.	1
12.1		> NUT-H-M10-A4.70	1
12.4		> STOP-RUSH-1/2-D16xd2-M+316	1
12.3		> STOP COLLAR OF IMPELLER L18,8-Ø16-316L	1
12.2		> SERRATED LOCK WASHER M+16M3-316L	1
13		SPARE PARTS HYDRAULICS HELIX V 1.4404	1
14	2131031	SHAFT D.16X280 1.4404 VP.	1

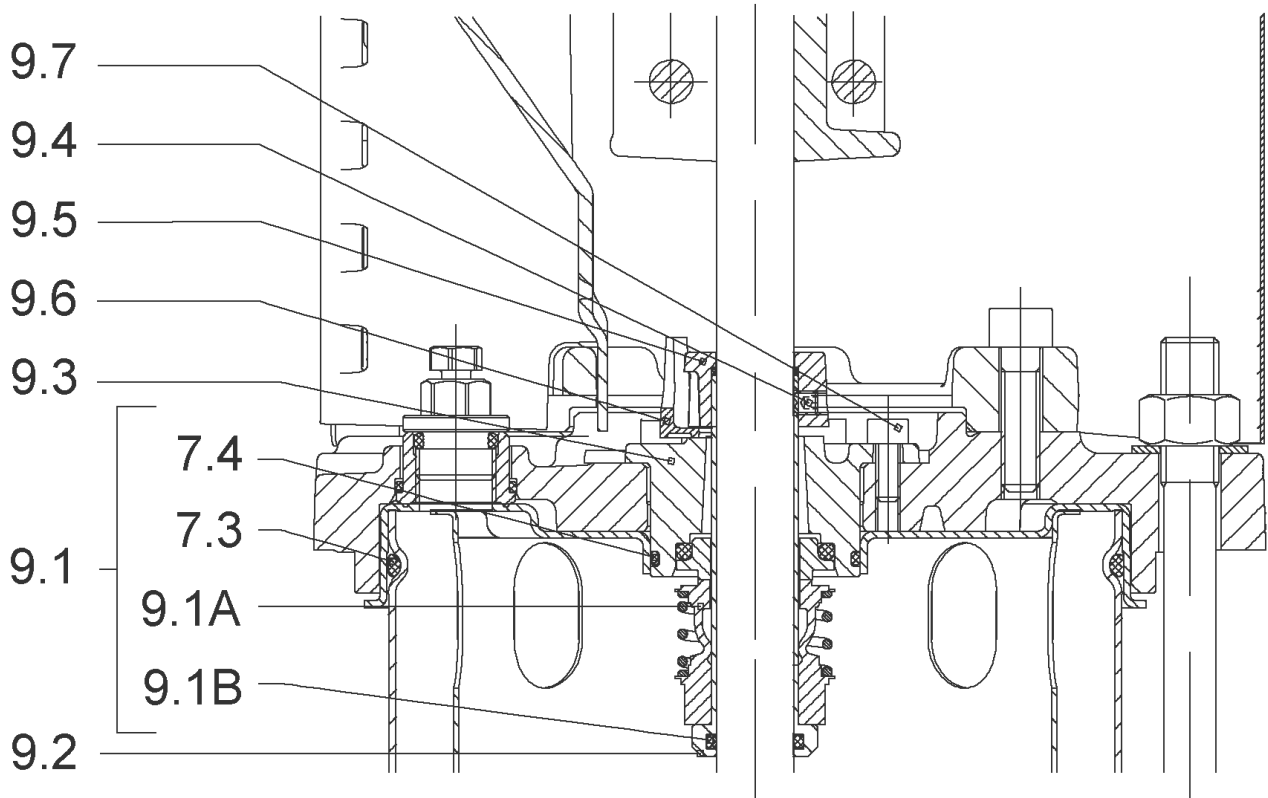
HELIX V1602-2/25/V/KS/400-50 (4150661)

Item	Article no.	Description	Quantity
15	4159782	PUMP HOUSING HELIX DN50 PN25 1.4409 KIT	1
7.3	4177887	> O-RING ID.145,65X3,53 VITON VP.	1
15.1		> BLASTING PPE HOUSING V-PN25-DN50-316L	1
15.3	4159781	> PRIMING/DRAIN PLUG HELIX 16 FKM KIT	1
16	2127601	BASEPLATE HELIX V16 VP.	1



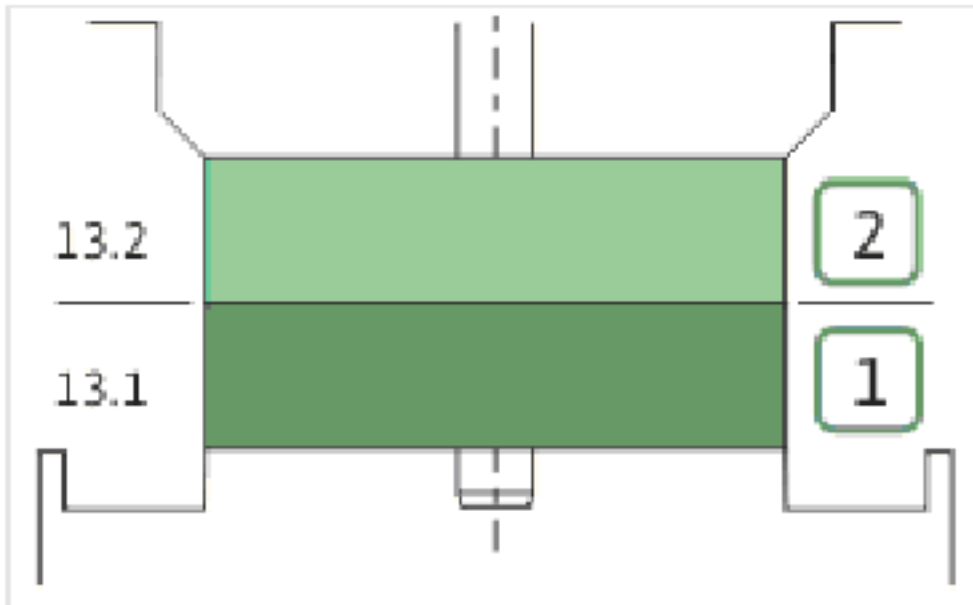
COUPLING D.16xD.24 FT115 HELIX KIT (4159709)

Item	Article no.	Description	Quantity
4.1		COUPLING M+ Ø16XØ24 FT115 MACHINED	1
4.2	2131023	BALL BEARING 6207/ZZ-C3(HT)VP.	1
4.3	4234254	CIRCLIP-FOR-SHAFT-D35x1.5 VP.	1
4.4	4157726	SCREW KIT M8X30 (4 PIECES)	1
4.5	4234251	CIRCLIP-D72x2.5 VP.	1
4.6	4234246	O-RING 72X3 VP.	1
		NOMEL CONTACT WASHER 8x16x1,4 STEEL ZC	1



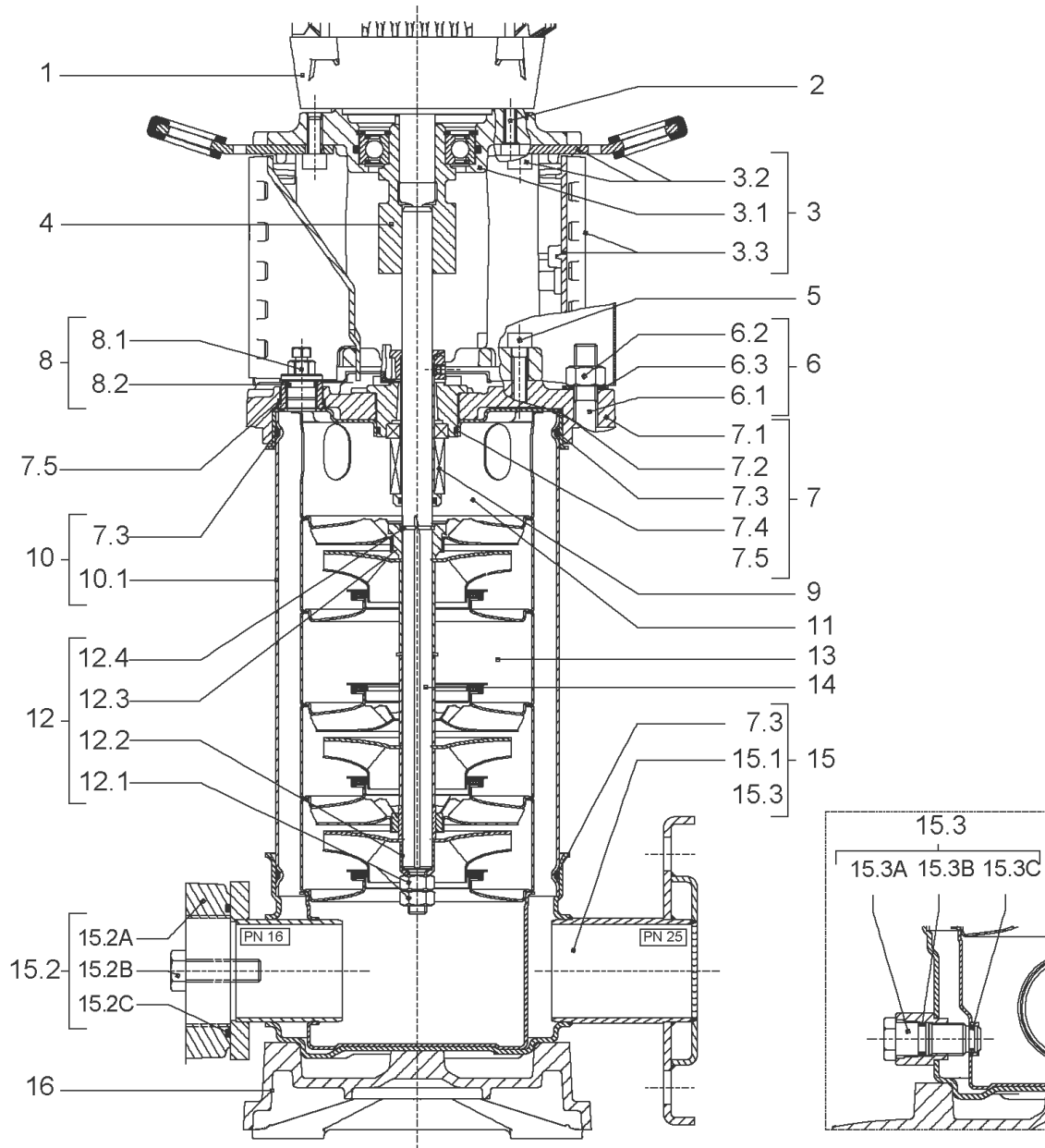
CARTRIDGE HELIX6-10-16 F/V KIT (4159700)

Item	Article no.	Description	Quantity
9.1	4159701	SEAL-KIT-HELIX6-10-16 F/V	1
7.3	4234237	> O-RING 139X3 VITON VP.	1
7.4	2131026	> O-RING ID.37,6X2,4 FKM VP.	1
9.1A	2131025	> MECH.SEAL HELIX2-4-6-10-16 F/V VP.	1
9.1B	2131027	> O-RING D.16XD.2,5 FKM VP.	1
9.2	2130961	SHAFT SLEEVE D.18/16X72,2 1.4404 VP.	1
9.3	2131024	RING HOLDER D.18 G606/G6 1.4404 VP.	1
9.4	4068120	SCREW CH M5x5 A4-70	1
9.5	2130963	DRIVE RING D.29/18x12,4 MACH.VP.	1
9.6	2130964	TOOL M.S.CART.HELIX VP.	1
9.7	2130965	SCREW CHC M5X12 ISO4762 A2.70(4 PIECES)	1



SPARE PARTS HYDRAULICS HELIX V 1.4404

Item	Article no.	Description	Quantity
13.1	4159786	STAGE HELIX16 1.4404 KIT	1
		> MACH.STG-CASING-WOGV-WNR-M+16-316	1
		> IMPELLER-H1-M+16-316	1
13.2	4159787	STAGE-BEARING HELIX16 1.4404 KIT	1
		> MACH.BEARING-STG-CASING-WNR-M+16-316	1
		> IMPELLER-H1-M+16-316	1
		> SLEEVE-SPACER-Ø19,35x30,665-316	1
		> SHAFT-SLEEVE-D16xD20x18-CW	1

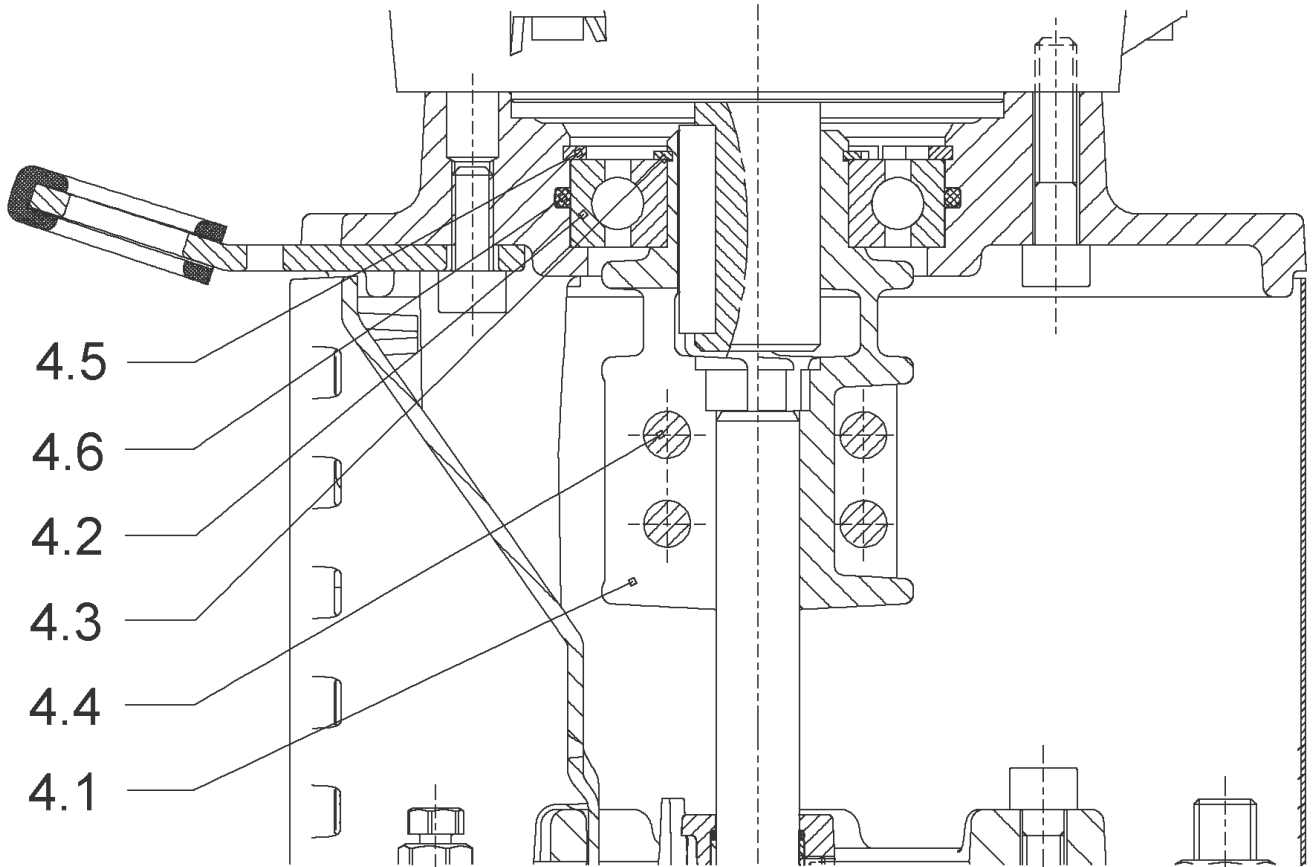


HELIX V1603-2/25/V/KS/400-50 (4150662)

Item	Article no.	Description	Quantity
1	4169943	MOTOR 2,2/2/90 3~230/400V 50HZ IE3 VP.	1
		SPARE PARTS MOTOR:ON REQUEST	1
2	4159703	SCREW M8X40 (4 PIECES)	1
3	4159690	LANTERN FT115 HELIX KIT	1
3.1		> LANTERN FT115 M+6" GJL MACHINING+CATA	1
3.2	2127604	> EYELET CPL.FT HELIX(2 PIECES)	1
3.3	4159692	> COUPLING PROTECTOR FT HELIX KIT	1
4	4159709	COUPLING D.16xD.24 FT115 HELIX KIT	1
5	4159707	SCREW M8X30 (4 PIECES)	1
6	2127553	STUD BOLT M12X341 KIT	1
6.1		> TIE BOLT M12-341x18x30-1.4057	1
6.2	2094647	> NUT M12 M12 ISO4032 VP.	1
6.3	2123557	> WASHER CS-12.4-24-1.6-NFE25 (4 PIECES)	1
7	4159783	END SHIELD HELIX FKM 1.4404 KIT	1
7.1		> END SHIELD M+6" GJL250 MACHINING+CATA	1
7.2	2131056	> STATIONARY RING HOLDER 6" HELIX 1.4404 V	1
7.3	4234237	> O-RING 139X3 VITON VP.	1
7.4	2131026	> O-RING ID.37,6X2,4 FKM VP.	1
7.5	2131057	> O-RING ID.21,35X2 FKM VP.	1
8	4159784	FILING/PURGING PLUG HELIX FKM KIT	1
9	4159700	CARTRIDGE HELIX6-10-16 F/V KIT	1
10	2131043	HOUSING PIPE D.152x210 1.4404 KIT	1
7.3	4234237	> O-RING 139X3 VITON VP.	1
10.1		> HOUSING-PIPE Ø152-M+1004/1603-316L-PASS.	1
11	2131055	CENTERING STAGE-RETURN HELIX16 1.4404 VP	1
12	4159688	SHAFT EQUIPMENT HELIX V16 BI BLOC KIT	1
4.11	4102901	> SCREW CHC-M6X14-8.8-ISO4762-GEOMET500A	1
4.12	2130995	> SERRATED LOCK WASHER D.6,2XD.14,5X28 VP.	1
12.1		> NUT-H-M10-A4.70	1
12.4		> STOP-RUSH-1/2-D16xd2-M+316	1
12.3		> STOP COLLAR OF IMPELLER L18,8-Ø16-316L	1
12.2		> SERRATED LOCK WASHER M+16M3-316L	1
13		SPARE PARTS HYDRAULICS HELIX V 1.4404	1
14	2131032	SHAFT D.16X330 1.4404 VP.	1

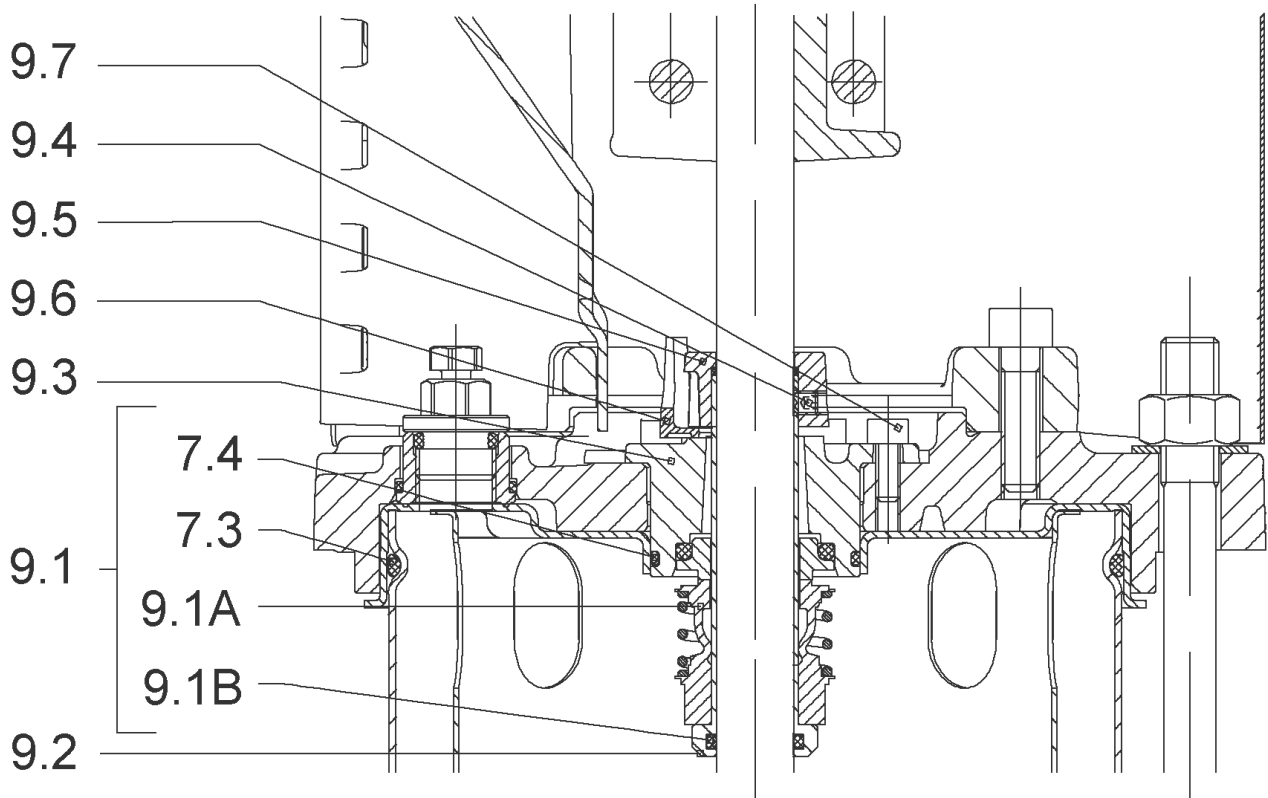
HELIX V1603-2/25/V/KS/400-50 (4150662)

Item	Article no.	Description	Quantity
15	4159782	PUMP HOUSING HELIX DN50 PN25 1.4409 KIT	1
7.3	4177887	> O-RING ID.145,65X3,53 VITON VP.	1
15.1		> BLASTING PPE HOUSING V-PN25-DN50-316L	1
15.3	4159781	> PRIMING/DRAIN PLUG HELIX 16 FKM KIT	1
16	2127601	BASEPLATE HELIX V16 VP.	1



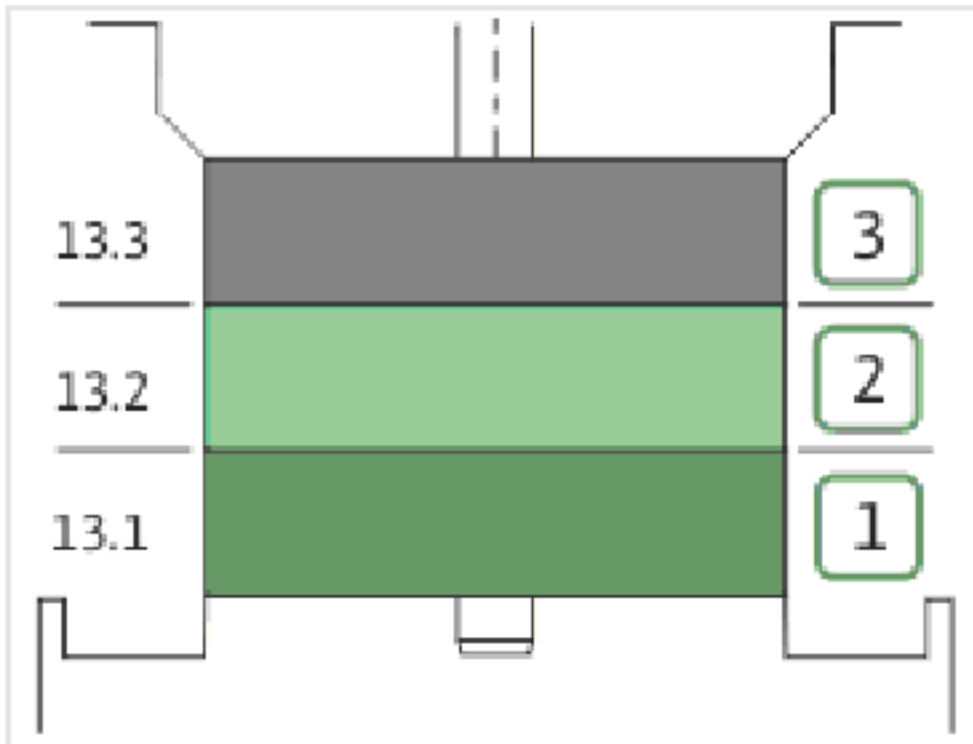
COUPLING D.16xD.24 FT115 HELIX KIT (4159709)

Item	Article no.	Description	Quantity
4.1		COUPLING M+ Ø16XØ24 FT115 MACHINED	1
4.2	2131023	BALL BEARING 6207/ZZ-C3(HT)VP.	1
4.3	4234254	CIRCLIP-FOR-SHAFT-D35x1.5 VP.	1
4.4	4157726	SCREW KIT M8X30 (4 PIECES)	1
4.5	4234251	CIRCLIP-D72x2.5 VP.	1
4.6	4234246	O-RING 72X3 VP.	1
		NOMEL CONTACT WASHER 8x16x1,4 STEEL ZC	1



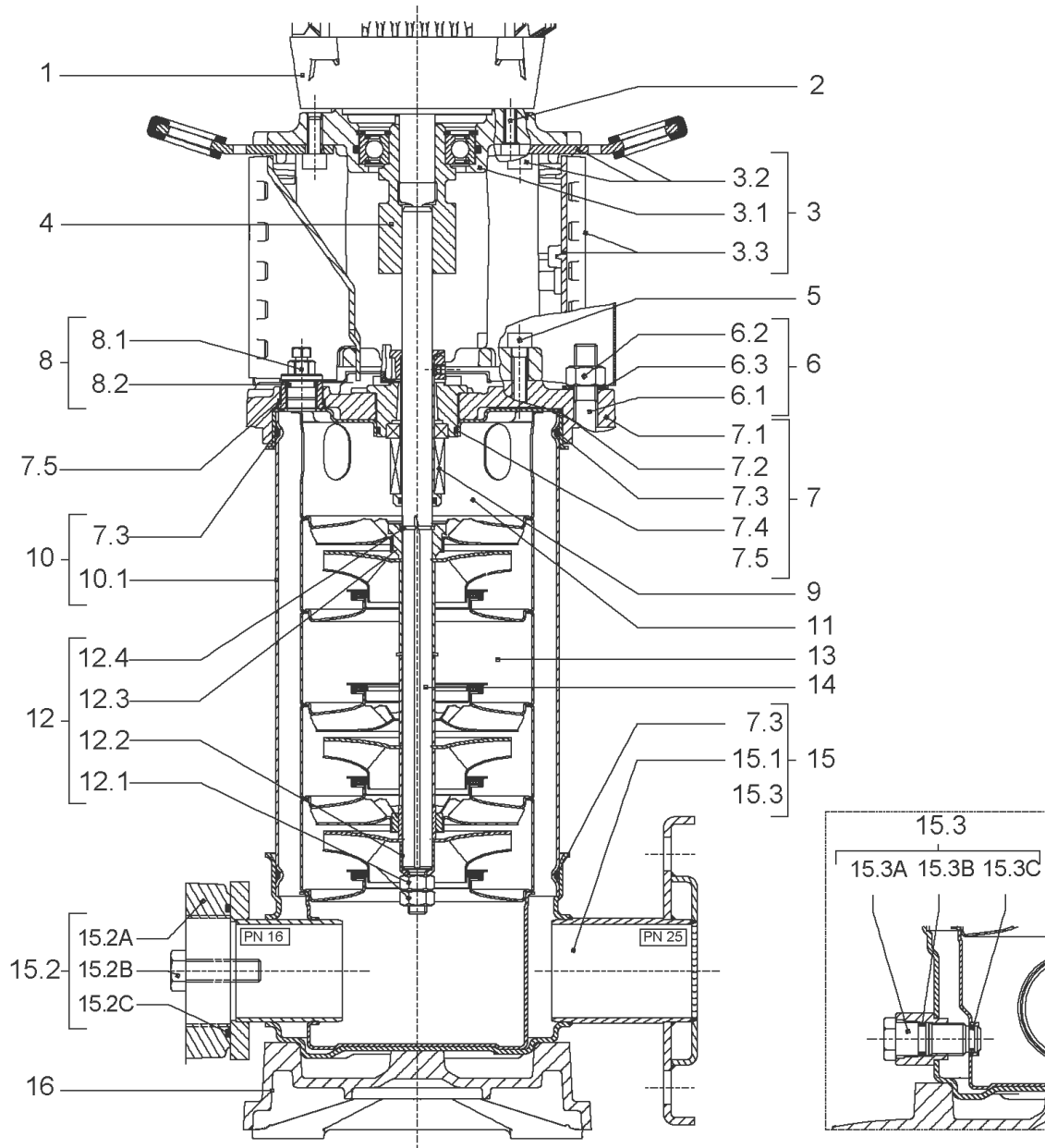
CARTRIDGE HELIX6-10-16 F/V KIT (4159700)

Item	Article no.	Description	Quantity
9.1	4159701	SEAL-KIT-HELIX6-10-16 F/V	1
7.3	4234237	> O-RING 139X3 VITON VP.	1
7.4	2131026	> O-RING ID.37,6X2,4 FKM VP.	1
9.1A	2131025	> MECH.SEAL HELIX2-4-6-10-16 F/V VP.	1
9.1B	2131027	> O-RING D.16XD.2,5 FKM VP.	1
9.2	2130961	SHAFT SLEEVE D.18/16X72,2 1.4404 VP.	1
9.3	2131024	RING HOLDER D.18 G606/G6 1.4404 VP.	1
9.4	4068120	SCREW CH M5x5 A4-70	1
9.5	2130963	DRIVE RING D.29/18x12,4 MACH.VP.	1
9.6	2130964	TOOL M.S.CART.HELIX VP.	1
9.7	2130965	SCREW CHC M5X12 ISO4762 A2.70(4 PIECES)	1



SPARE PARTS HYDRAULICS HELIX V 1.4404

Item	Article no.	Description	Quantity
13.1	4159786	STAGE HELIX16 1.4404 KIT	1
		> MACH.STG-CASING-WOGV-WNR-M+16-316	1
		> IMPELLER-H1-M+16-316	1
13.2	4159787	STAGE-BEARING HELIX16 1.4404 KIT	1
		> MACH.BEARING-STG-CASING-WNR-M+16-316	1
		> IMPELLER-H1-M+16-316	1
		> SLEEVE-SPACER-Ø19,35x30,665-316	1
		> SHAFT-SLEEVE-D16xD20x18-CW	1
13.3	4159788	INTERMEDIATE STAGE HELIX16 1.4404 KIT	1
		> MACH.STD-STG-CASING-WGV+NR-M+16-316	1
		> IMPELLER-H1-M+16-316	1
		> SPACER Ø16X19.4-L48.6-316	1

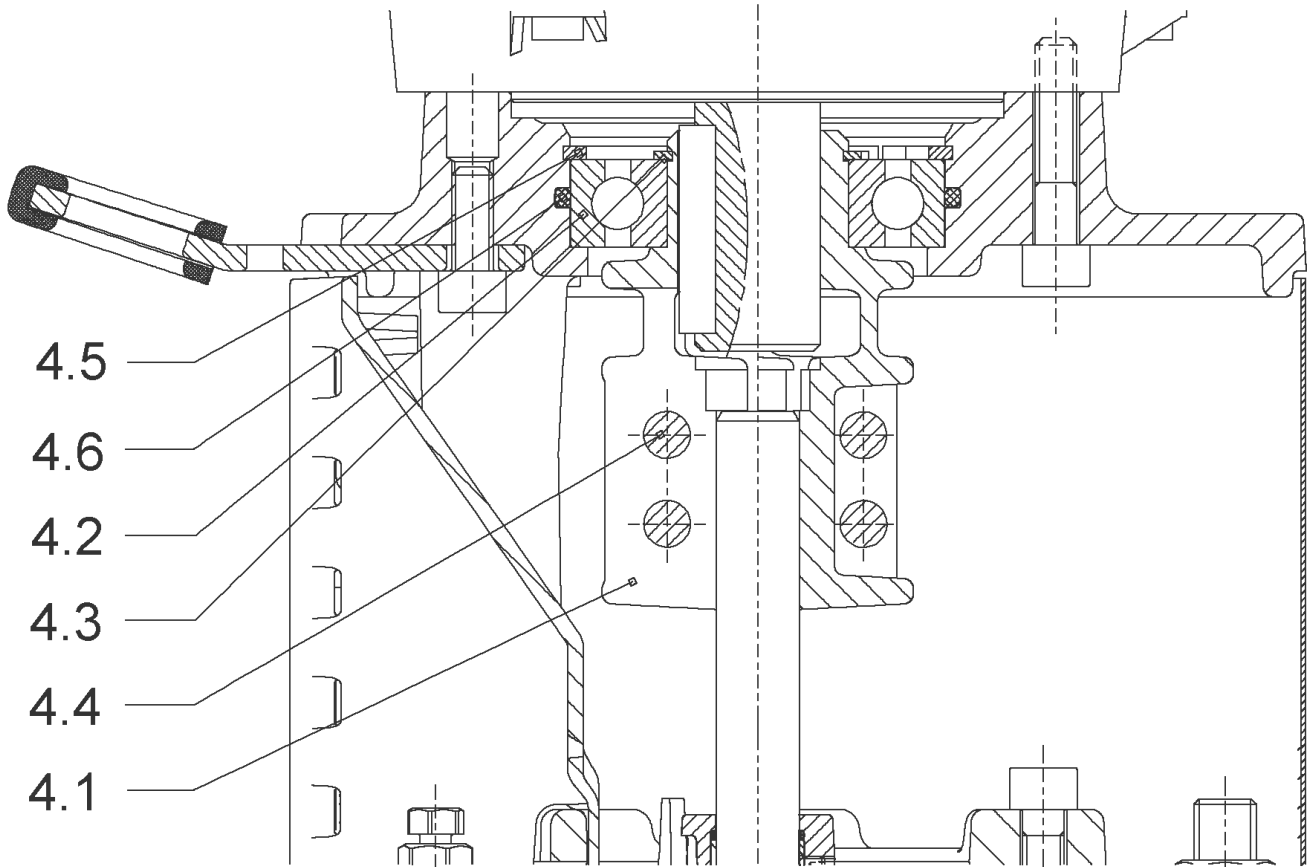


HELIX V1604-2/25/V/KS/400-50 (4150663)

Item	Article no.	Description	Quantity
1	4169944	MOTOR 3/2/100 3~230/400V 50HZ IE3 VP.	1
		SPARE PARTS MOTOR:ON REQUEST	1
2	4206025	SCREW M8X45 (4 PIECES)	1
3	4171326	LANTERN FT130 HELIX KIT	1
4	4159710	COUPLING D.16XD.28 FT130 HELIX KIT	1
5	4159707	SCREW M8X30 (4 PIECES)	1
6	2018365	STUD BOLT M12X392 KIT	1
6.1		> TIE BOLT M12-392x18x30-1.4057	1
6.2	2094647	> NUT M12 M12 ISO4032 VP.	1
6.3	2123557	> WASHER CS-12.4-24-1.6-NFE25 (4 PIECES)	1
7	4159783	END SHIELD HELIX FKM 1.4404 KIT	1
7.1		> END SHIELD M+6" GJL250 MACHINING+CATA	1
7.2	2131056	> STATIONARY RING HOLDER 6" HELIX 1.4404 V	1
7.3	4234237	> O-RING 139X3 VITON VP.	1
7.4	2131026	> O-RING ID.37,6X2,4 FKM VP.	1
7.5	2131057	> O-RING ID.21,35X2 FKM VP.	1
8	4159784	FILING/PURGING PLUG HELIX FKM KIT	1
9	4159700	CARTRIDGE HELIX6-10-16 F/V KIT	1
10	2131044	HOUSING PIPE D.152x260 1.4404 KIT	1
7.3	4234237	> O-RING 139X3 VITON VP.	1
10.1		> HOUSING-PIPE Ø152-M+1604-316L-PASS.	1
11	2131055	CENTERING STAGE-RETURN HELIX16 1.4404 VP	1
12	4159688	SHAFT EQUIPMENT HELIX V16 BI BLOC KIT	1
4.11	4102901	> SCREW CHC-M6X14-8.8-ISO4762-GEOMET500A	1
4.12	2130995	> SERRATED LOCK WASHER D.6,2XD.14,5X28 VP.	1
12.1		> NUT-H-M10-A4.70	1
12.4		> STOP-RUSH-1/2-D16xd2-M+316	1
12.3		> STOP COLLAR OF IMPELLER L18,8-Ø16-316L	1
12.2		> SERRATED LOCK WASHER M+16M3-316L	1
13		SPARE PARTS HYDRAULICS HELIX V 1.4404	1
14	2131033	SHAFT D.16X380 1.4404 VP.	1
15	4159782	PUMP HOUSING HELIX DN50 PN25 1.4409 KIT	1
7.3	4177887	> O-RING ID.145,65X3,53 VITON VP.	1
15.1		> BLASTING PPE HOUSING V-PN25-DN50-316L	1

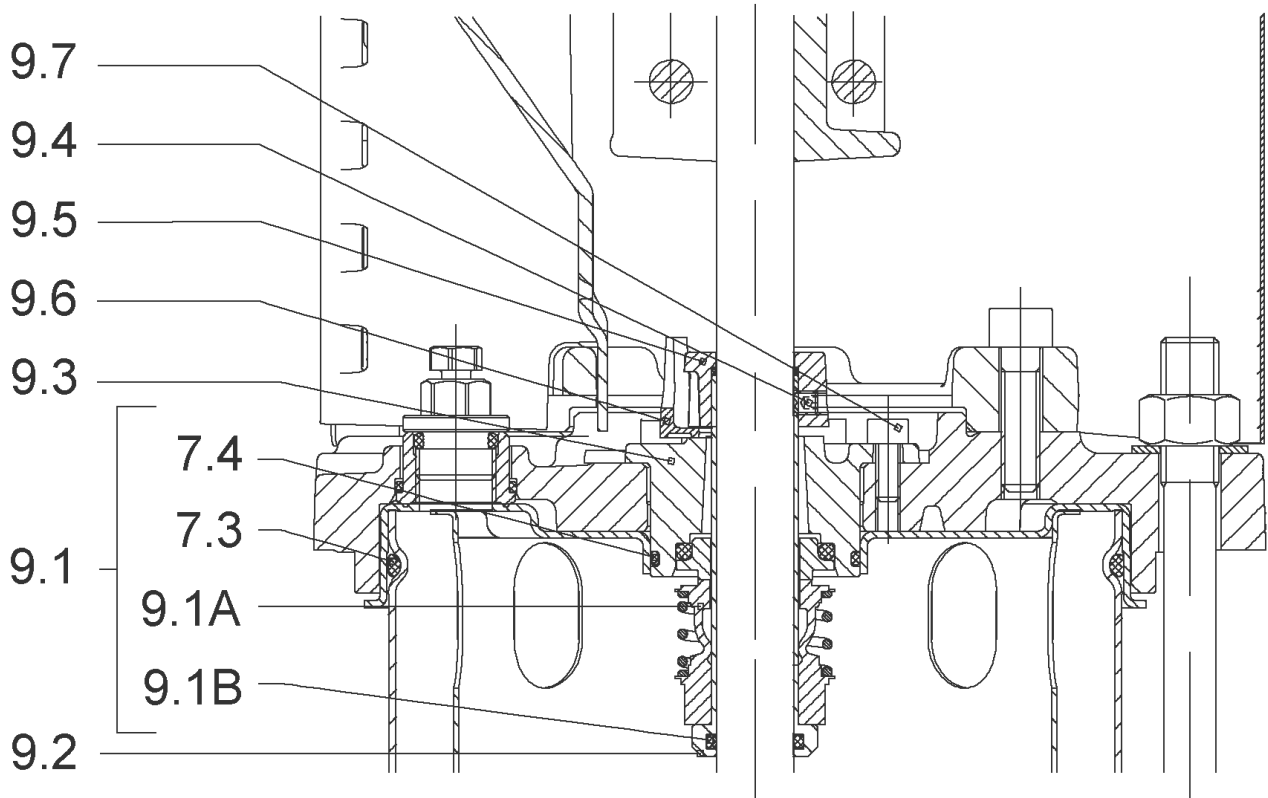
HELIX V1604-2/25/V/KS/400-50 (4150663)

Item	Article no.	Description	Quantity
15.3	4159781	> PRIMING/DRAIN PLUG HELIX 16 FKM KIT	1
16	2127601	BASEPLATE HELIX V16 VP.	1



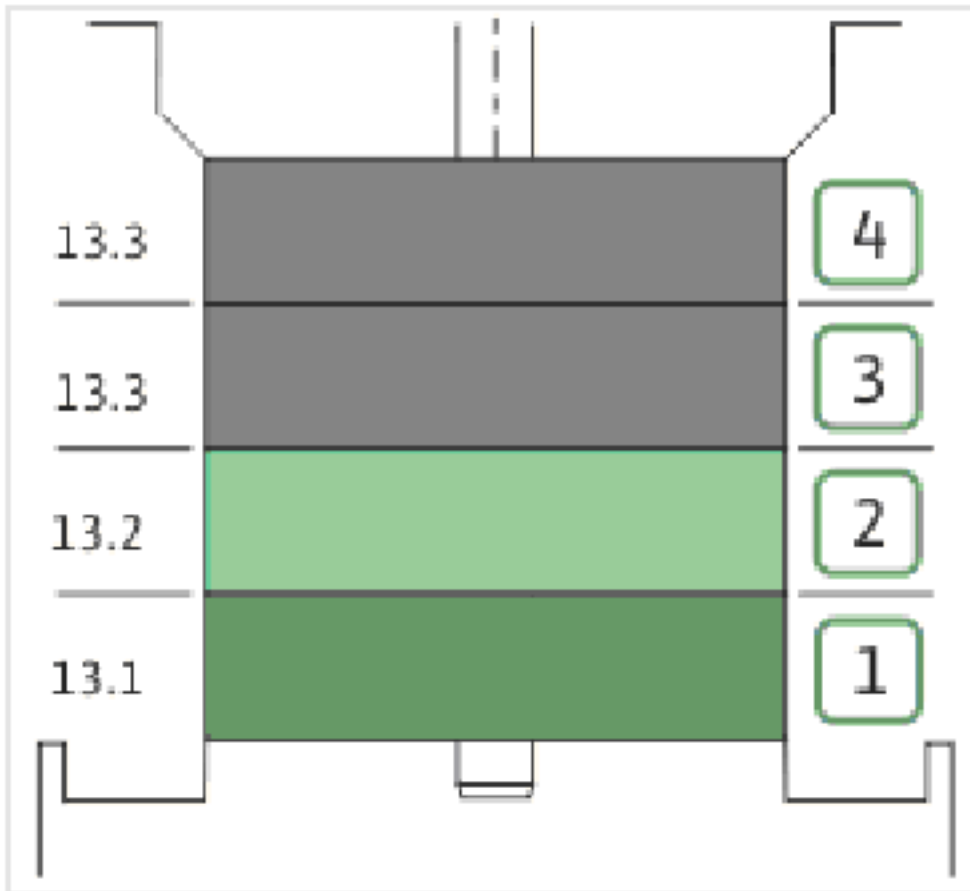
COUPLING D.16XD.28 FT130 HELIX KIT (4159710)

Item	Article no.	Description	Quantity
4.1		COUPLING M+ Ø16XØ28 FT130 MACHINED	1
4.2	2131022	BALL BEARING 6209/ZZ-C3(HT)VP.	1
4.3	4233930	CIRCLIP-FOR-BORES-D45x1,75 VP.	1
4.4	4157726	SCREW KIT M8X30 (4 PIECES)	1
4.5	4234252	CIRCLIPS 85X3 VP.	1
4.6	4234243	O-RING 85X3 VP.	1
		NOMEL CONTACT WASHER 8x16x1,4 STEEL ZC	1



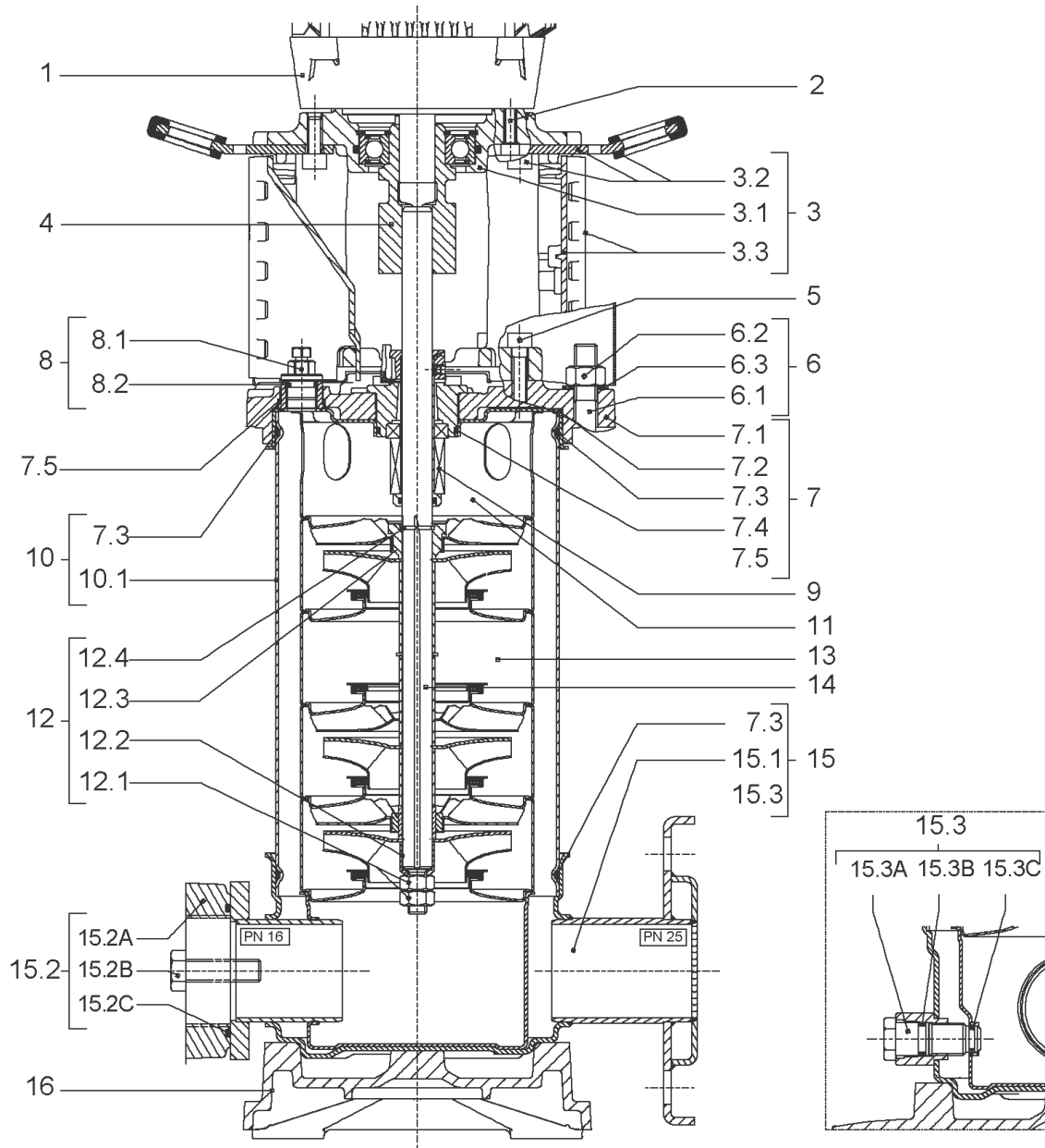
CARTRIDGE HELIX6-10-16 F/V KIT (4159700)

Item	Article no.	Description	Quantity
9.1	4159701	SEAL-KIT-HELIX6-10-16 F/V	1
7.3	4234237	> O-RING 139X3 VITON VP.	1
7.4	2131026	> O-RING ID.37,6X2,4 FKM VP.	1
9.1A	2131025	> MECH.SEAL HELIX2-4-6-10-16 F/V VP.	1
9.1B	2131027	> O-RING D.16XD.2,5 FKM VP.	1
9.2	2130961	SHAFT SLEEVE D.18/16X72,2 1.4404 VP.	1
9.3	2131024	RING HOLDER D.18 G606/G6 1.4404 VP.	1
9.4	4068120	SCREW CH M5x5 A4-70	1
9.5	2130963	DRIVE RING D.29/18x12,4 MACH.VP.	1
9.6	2130964	TOOL M.S.CART.HELIX VP.	1
9.7	2130965	SCREW CHC M5X12 ISO4762 A2.70(4 PIECES)	1



SPARE PARTS HYDRAULICS HELIX V 1.4404

Item	Article no.	Description	Quantity
13.1	4159786	STAGE HELIX16 1.4404 KIT	1
		> MACH.STG-CASING-WOGV-WNR-M+16-316	1
		> IMPELLER-H1-M+16-316	1
13.2	4159787	STAGE-BEARING HELIX16 1.4404 KIT	1
		> MACH.BEARING-STG-CASING-WNR-M+16-316	1
		> IMPELLER-H1-M+16-316	1
		> SLEEVE-SPACER-Ø19,35x30,665-316	1
		> SHAFT-SLEEVE-D16xD20x18-CW	1
13.3	4159788	INTERMEDIATE STAGE HELIX16 1.4404 KIT	1
		> MACH.STD-STG-CASING-WGV+NR-M+16-316	1
		> IMPELLER-H1-M+16-316	1
		> SPACER Ø16X19.4-L48.6-316	1

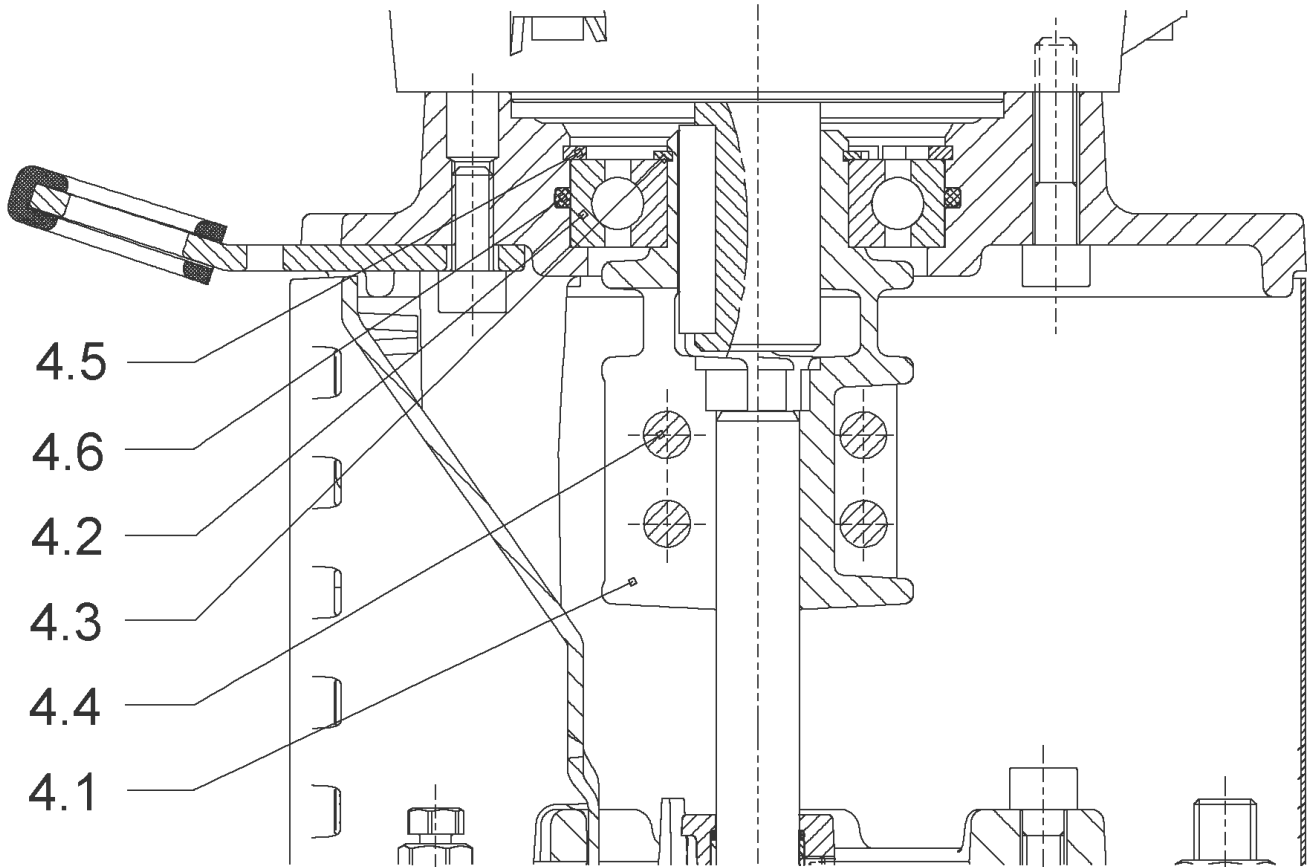


HELIX V1605-2/25/V/KS/400-50 (4150664)

Item	Article no.	Description	Quantity
1	4169945	MO.4/2 3~230/400(460)V 50(60)HZ IE3 VP.	1
		SPARE PARTS MOTOR:ON REQUEST	1
2	4206025	SCREW M8X45 (4 PIECES)	1
3	4171326	LANTERN FT130 HELIX KIT	1
4	4159710	COUPLING D.16XD.28 FT130 HELIX KIT	1
5	4159707	SCREW M8X30 (4 PIECES)	1
6	2127554	STUD BOLT M12X437 KIT	1
6.1		> TIE BOLT M12-437x18x30-1.4057	1
6.2	2094647	> NUT M12 M12 ISO4032 VP.	1
6.3	2123557	> WASHER CS-12.4-24-1.6-NFE25 (4 PIECES)	1
7	4159783	END SHIELD HELIX FKM 1.4404 KIT	1
7.1		> END SHIELD M+6" GJL250 MACHINING+CATA	1
7.2	2131056	> STATIONARY RING HOLDER 6" HELIX 1.4404 V	1
7.3	4234237	> O-RING 139X3 VITON VP.	1
7.4	2131026	> O-RING ID.37,6X2,4 FKM VP.	1
7.5	2131057	> O-RING ID.21,35X2 FKM VP.	1
8	4159784	FILING/PURGING PLUG HELIX FKM KIT	1
9	4159700	CARTRIDGE HELIX6-10-16 F/V KIT	1
10	2131045	HOUSING PIPE D.152x310 1.4404 KIT	1
7.3	4234237	> O-RING 139X3 VITON VP.	1
10.1		> HOUSING-PIPE Ø152-M+1605-316L-PASS.	1
11	2131055	CENTERING STAGE-RETURN HELIX16 1.4404 VP	1
12	4159688	SHAFT EQUIPMENT HELIX V16 BI BLOC KIT	1
4.11	4102901	> SCREW CHC-M6X14-8.8-ISO4762-GEOMET500A	1
4.12	2130995	> SERRATED LOCK WASHER D.6,2XD.14,5X28 VP.	1
12.1		> NUT-H-M10-A4.70	1
12.4		> STOP-RUSH-1/2-D16xd2-M+316	1
12.3		> STOP COLLAR OF IMPELLER L18,8-Ø16-316L	1
12.2		> SERRATED LOCK WASHER M+16M3-316L	1
13		SPARE PARTS HYDRAULICS HELIX V 1.4404	1
14	2131034	SHAFT D.16X430 1.4404 VP.	1
15	4159782	PUMP HOUSING HELIX DN50 PN25 1.4409 KIT	1
7.3	4177887	> O-RING ID.145,65X3,53 VITON VP.	1
15.1		> BLASTING PPE HOUSING V-PN25-DN50-316L	1

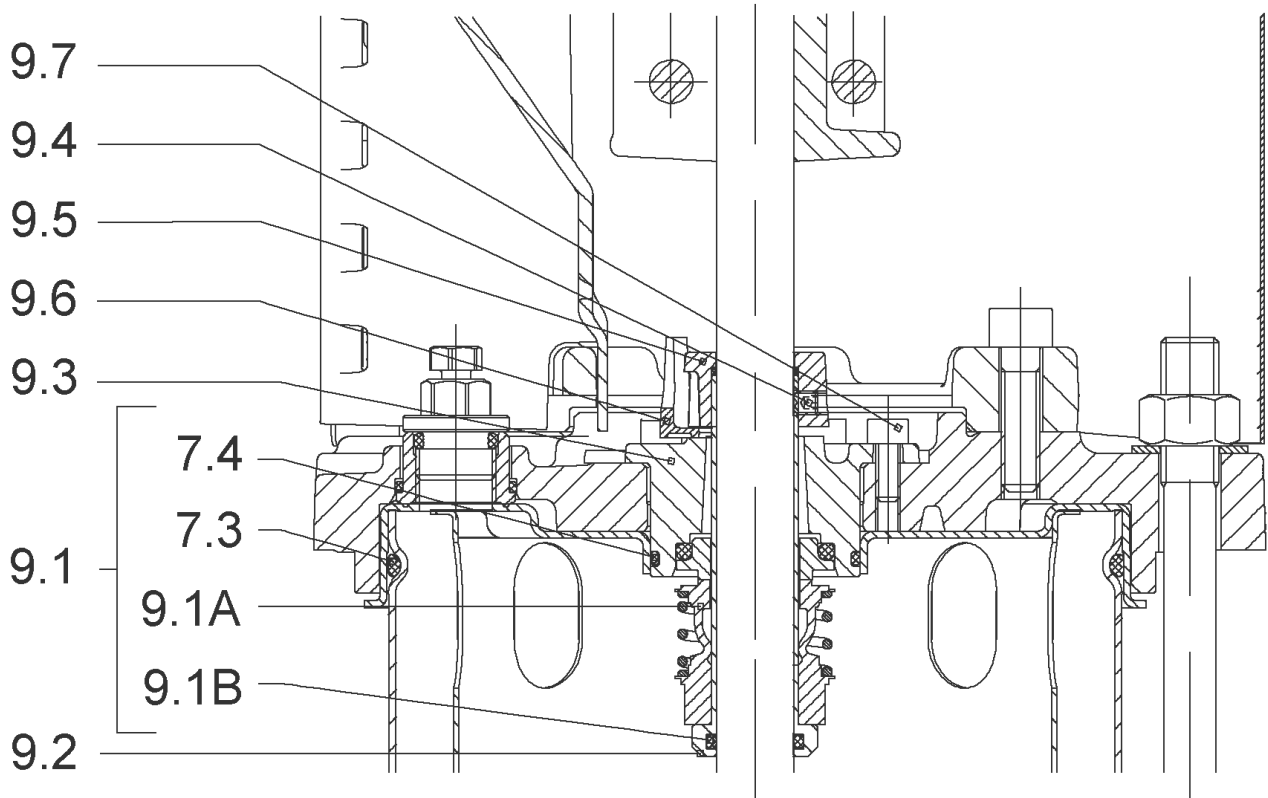
HELIX V1605-2/25/V/KS/400-50 (4150664)

Item	Article no.	Description	Quantity
15.3	4159781	> PRIMING/DRAIN PLUG HELIX 16 FKM KIT	1
16	2127601	BASEPLATE HELIX V16 VP.	1



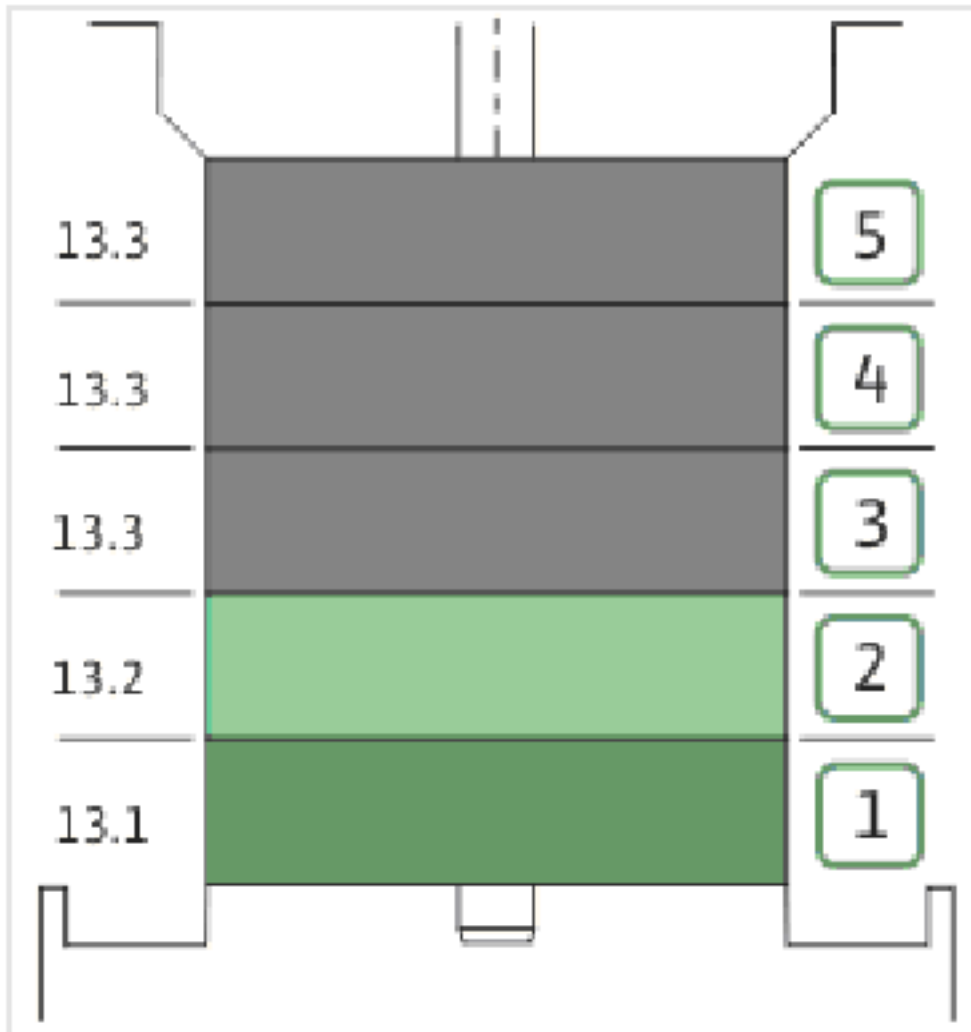
COUPLING D.16XD.28 FT130 HELIX KIT (4159710)

Item	Article no.	Description	Quantity
4.1		COUPLING M+ Ø16XØ28 FT130 MACHINED	1
4.2	2131022	BALL BEARING 6209/ZZ-C3(HT)VP.	1
4.3	4233930	CIRCLIP-FOR-BORES-D45x1,75 VP.	1
4.4	4157726	SCREW KIT M8X30 (4 PIECES)	1
4.5	4234252	CIRCLIPS 85X3 VP.	1
4.6	4234243	O-RING 85X3 VP.	1
		NOMEL CONTACT WASHER 8x16x1,4 STEEL ZC	1



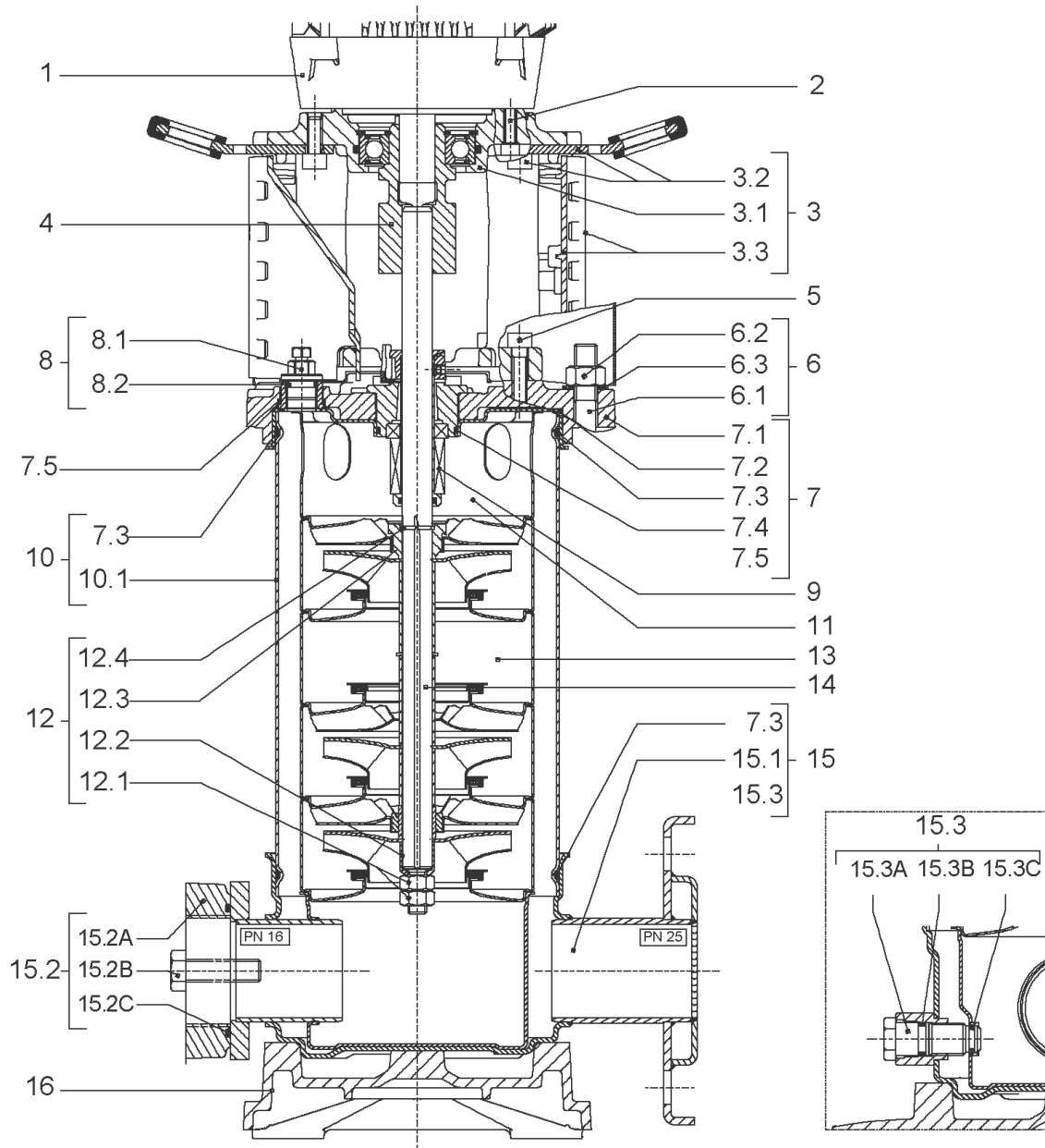
CARTRIDGE HELIX6-10-16 F/V KIT (4159700)

Item	Article no.	Description	Quantity
9.1	4159701	SEAL-KIT-HELIX6-10-16 F/V	1
7.3	4234237	> O-RING 139X3 VITON VP.	1
7.4	2131026	> O-RING ID.37,6X2,4 FKM VP.	1
9.1A	2131025	> MECH.SEAL HELIX2-4-6-10-16 F/V VP.	1
9.1B	2131027	> O-RING D.16XD.2,5 FKM VP.	1
9.2	2130961	SHAFT SLEEVE D.18/16X72,2 1.4404 VP.	1
9.3	2131024	RING HOLDER D.18 G606/G6 1.4404 VP.	1
9.4	4068120	SCREW CH M5x5 A4-70	1
9.5	2130963	DRIVE RING D.29/18x12,4 MACH.VP.	1
9.6	2130964	TOOL M.S.CART.HELIX VP.	1
9.7	2130965	SCREW CHC M5X12 ISO4762 A2.70(4 PIECES)	1



SPARE PARTS HYDRAULICS HELIX V 1.4404

Item	Article no.	Description	Quantity
13.1	4159786	STAGE HELIX16 1.4404 KIT	1
		> MACH.STG-CASING-WOGV-WNR-M+16-316	1
		> IMPELLER-H1-M+16-316	1
13.2	4159787	STAGE-BEARING HELIX16 1.4404 KIT	1
		> MACH.BEARING-STG-CASING-WNR-M+16-316	1
		> IMPELLER-H1-M+16-316	1
		> SLEEVE-SPACER-Ø19,35x30,665-316	1
		> SHAFT-SLEEVE-D16xD20x18-CW	1
13.3	4159788	INTERMEDIATE STAGE HELIX16 1.4404 KIT	1
		> MACH.STD-STG-CASING-WGV+NR-M+16-316	1
		> IMPELLER-H1-M+16-316	1
		> SPACER Ø16X19.4-L48.6-316	1

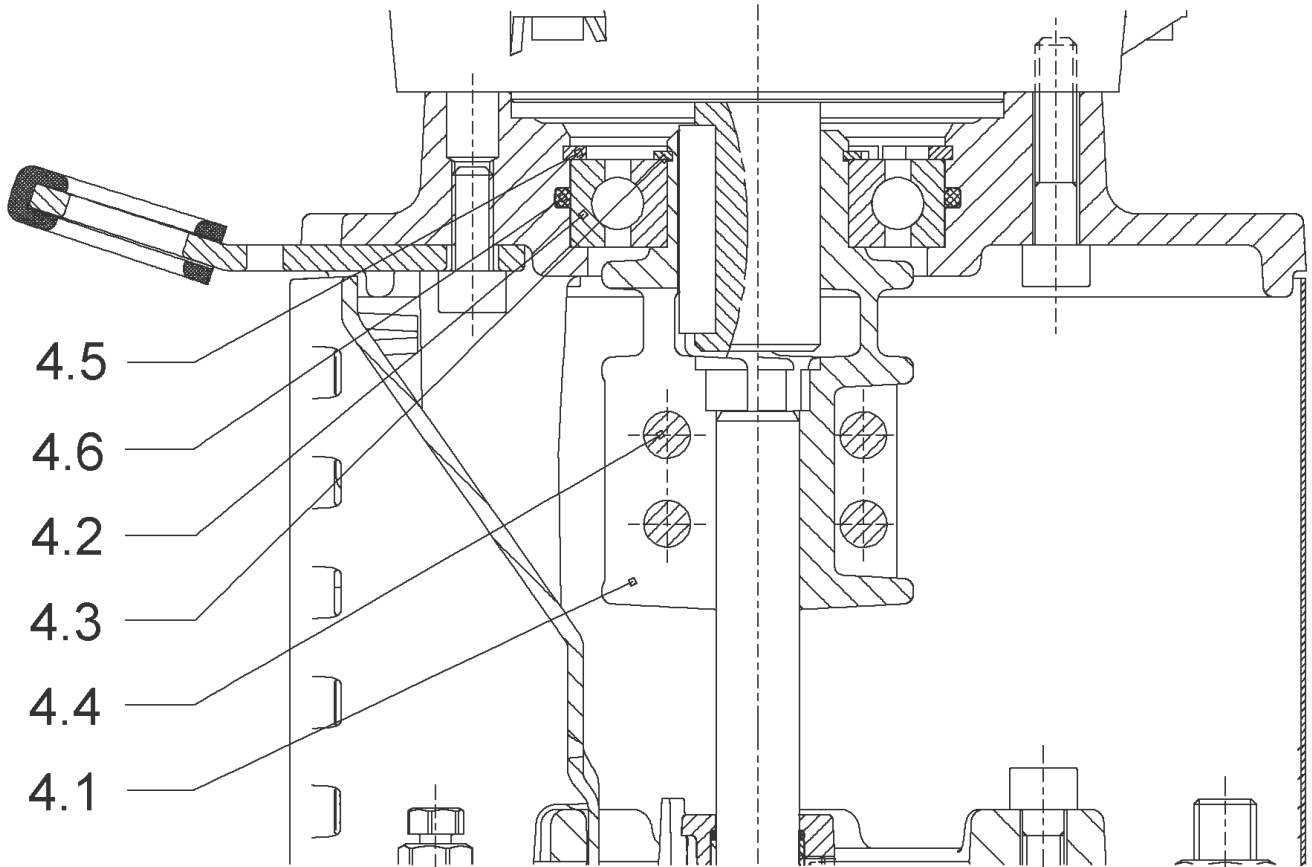


HELIX V1606-2/25/V/KS/400-50 (4150665)

Item	Article no.	Description	Quantity
1	4169945	MO.4/2 3~230/400(460)V 50(60)HZ IE3 VP.	1
		SPARE PARTS MOTOR:ON REQUEST	1
2	4206025	SCREW M8X45 (4 PIECES)	1
3	4171326	LANTERN FT130 HELIX KIT	1
4	4159710	COUPLING D.16XD.28 FT130 HELIX KIT	1
5	4159707	SCREW M8X30 (4 PIECES)	1
6	2127555	STUD BOLT M12X485 KIT	1
6.1		> TIE BOLT M12-485x18x30-1.4057	1
6.2	2094647	> NUT M12 M12 ISO4032 VP.	1
6.3	2123557	> WASHER CS-12.4-24-1.6-NFE25 (4 PIECES)	1
7	4159783	END SHIELD HELIX FKM 1.4404 KIT	1
7.1		> END SHIELD M+6" GJL250 MACHINING+CATA	1
7.2	2131056	> STATIONARY RING HOLDER 6" HELIX 1.4404 V	1
7.3	4234237	> O-RING 139X3 VITON VP.	1
7.4	2131026	> O-RING ID.37,6X2,4 FKM VP.	1
7.5	2131057	> O-RING ID.21,35X2 FKM VP.	1
8	4159784	FILING/PURGING PLUG HELIX FKM KIT	1
9	4159700	CARTRIDGE HELIX6-10-16 F/V KIT	1
10	2131046	HOUSING PIPE D.152x360 1.4404 KIT	1
7.3	4234237	> O-RING 139X3 VITON VP.	1
10.1		> HOUSING-PIPE Ø152-M+1008/1606-316L-PASS.	1
11	2131055	CENTERING STAGE-RETURN HELIX16 1.4404 VP	1
12	4159688	SHAFT EQUIPMENT HELIX V16 BI BLOC KIT	1
4.11	4102901	> SCREW CHC-M6X14-8.8-ISO4762-GEOMET500A	1
4.12	2130995	> SERRATED LOCK WASHER D.6,2XD.14,5X28 VP.	1
12.1		> NUT-H-M10-A4.70	1
12.4		> STOP-RUSH-1/2-D16xd2-M+316	1
12.3		> STOP COLLAR OF IMPELLER L18,8-Ø16-316L	1
12.2		> SERRATED LOCK WASHER M+16M3-316L	1
13		SPARE PARTS HYDRAULICS HELIX V 1.4404	1
14	2131035	SHAFT D.16X480 1.4404 VP.	1
15	4159782	PUMP HOUSING HELIX DN50 PN25 1.4409 KIT	1
7.3	4177887	> O-RING ID.145,65X3,53 VITON VP.	1
15.1		> BLASTING PPE HOUSING V-PN25-DN50-316L	1

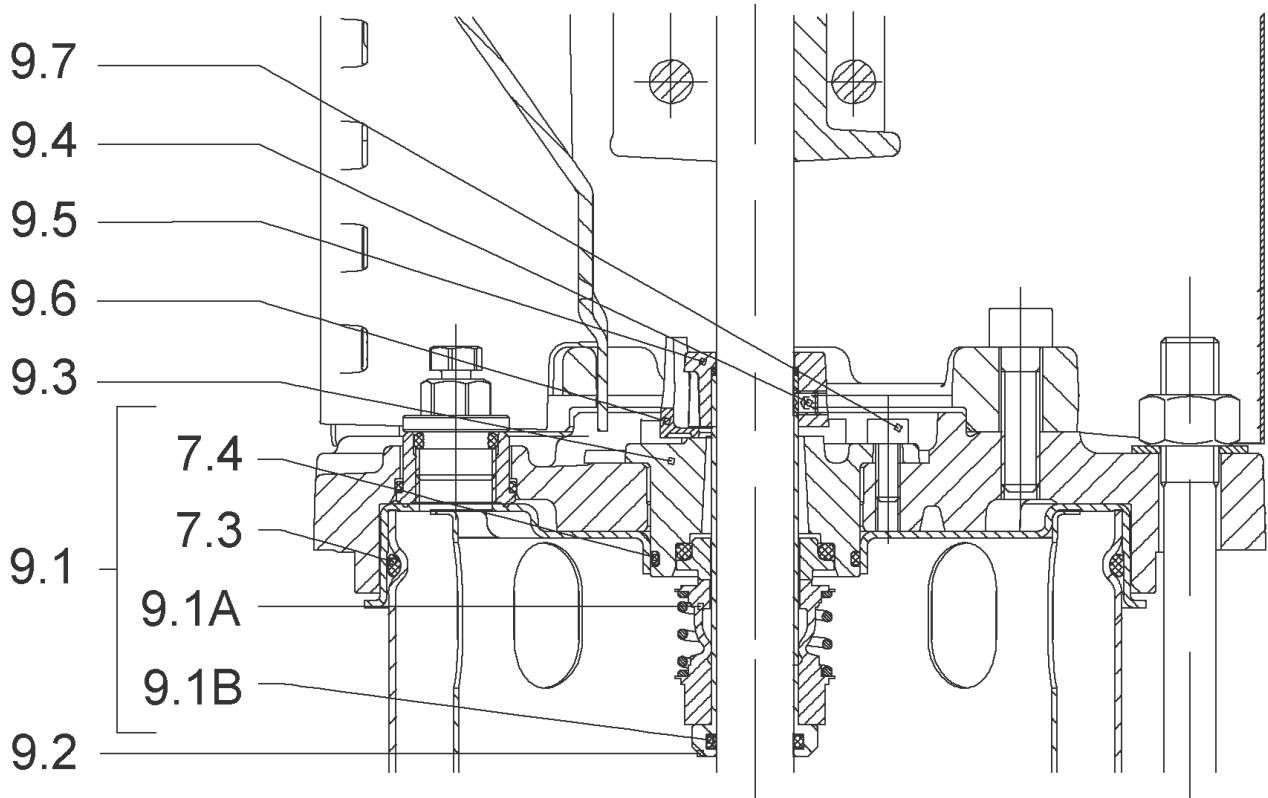
HELIX V1606-2/25/V/KS/400-50 (4150665)

Item	Article no.	Description	Quantity
15.3	4159781	> PRIMING/DRAIN PLUG HELIX 16 FKM KIT	1
16	2127601	BASEPLATE HELIX V16 VP.	1



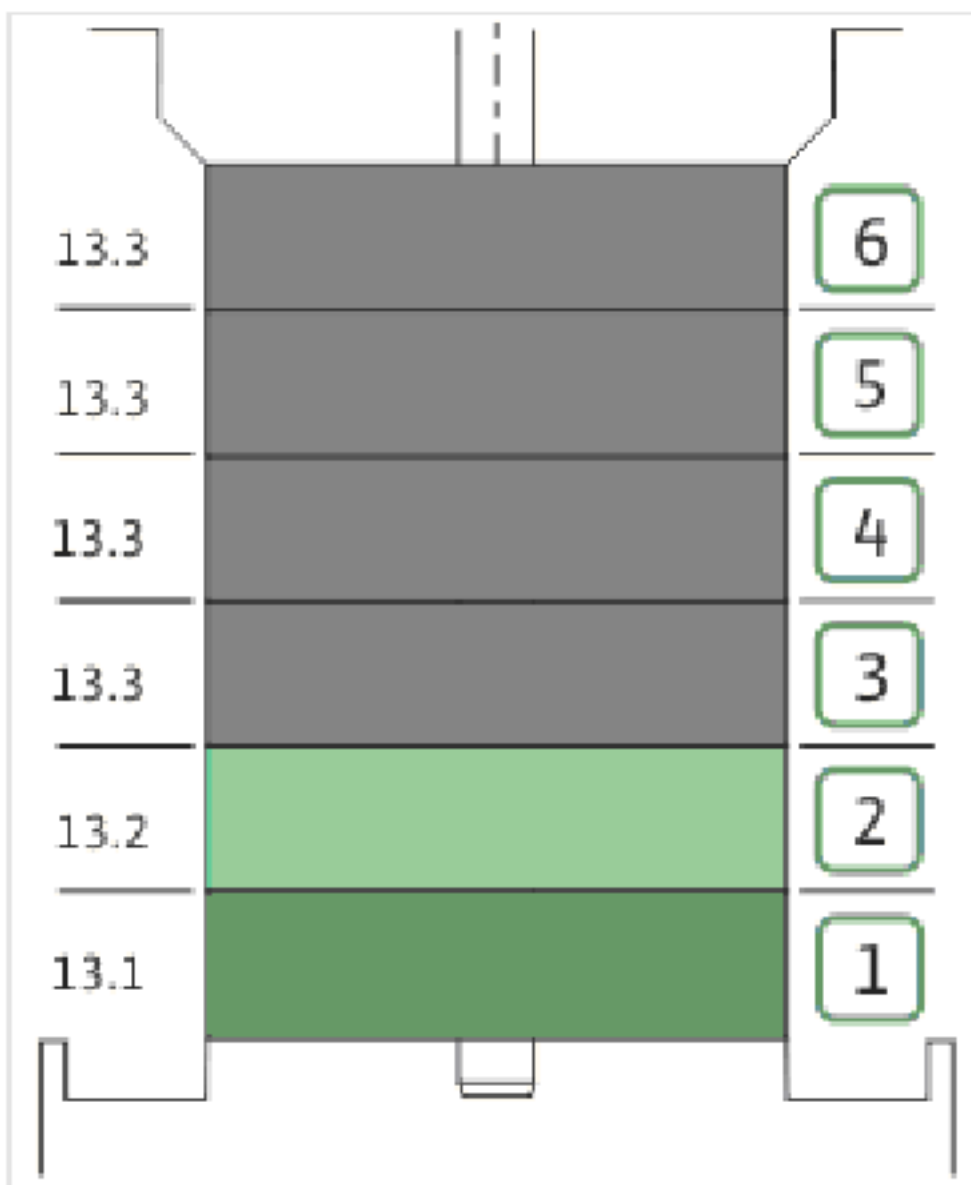
COUPLING D.16XD.28 FT130 HELIX KIT (4159710)

Item	Article no.	Description	Quantity
4.1		COUPLING M+ Ø16XØ28 FT130 MACHINED	1
4.2	2131022	BALL BEARING 6209/ZZ-C3(HT)VP.	1
4.3	4233930	CIRCLIP-FOR-BORES-D45x1,75 VP.	1
4.4	4157726	SCREW KIT M8X30 (4 PIECES)	1
4.5	4234252	CIRCLIPS 85X3 VP.	1
4.6	4234243	O-RING 85X3 VP.	1
		NOMEL CONTACT WASHER 8x16x1,4 STEEL ZC	1



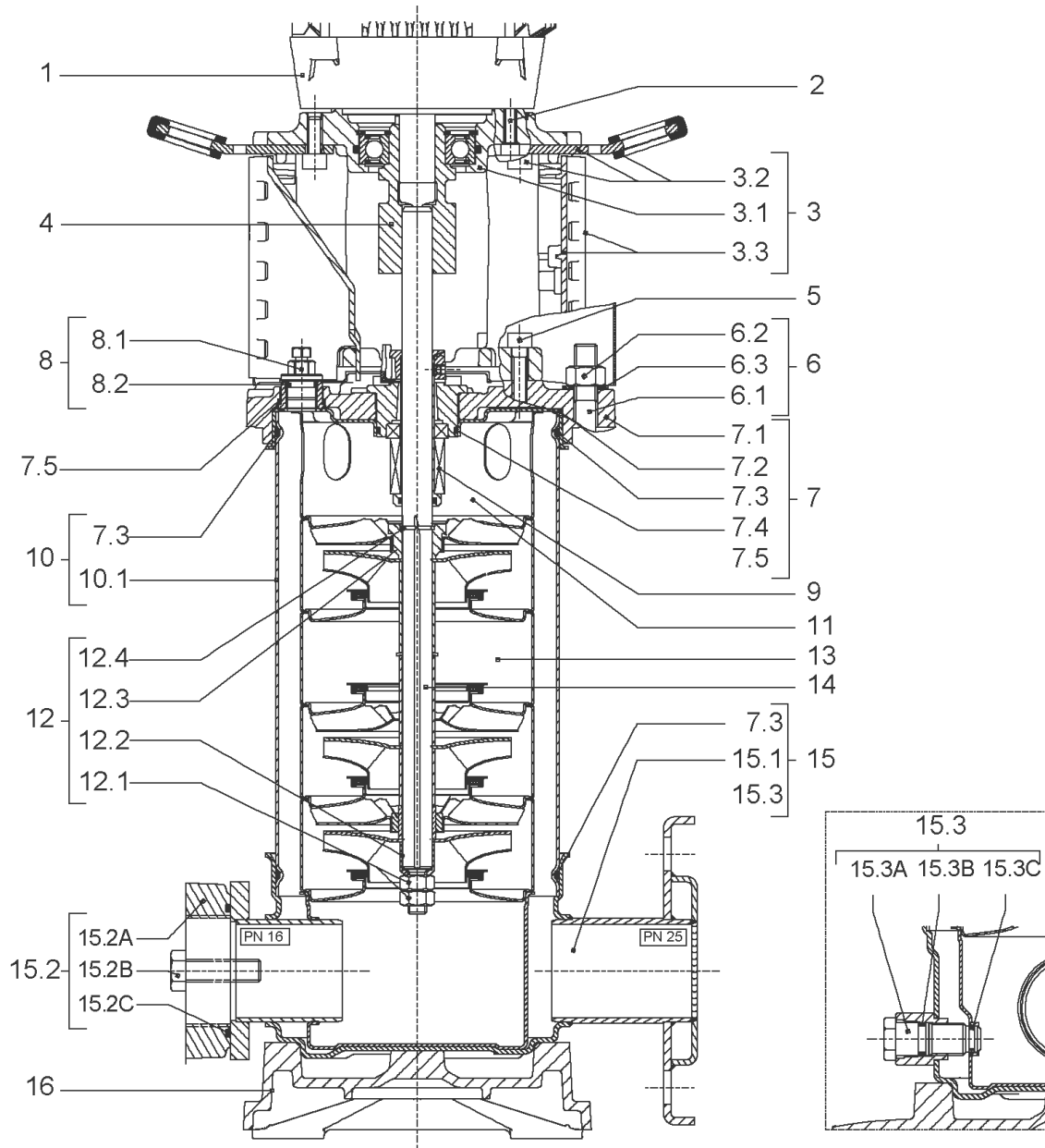
CARTRIDGE HELIX6-10-16 F/V KIT (4159700)

Item	Article no.	Description	Quantity
9.1	4159701	SEAL-KIT-HELIX6-10-16 F/V	1
7.3	4234237	> O-RING 139X3 VITON VP.	1
7.4	2131026	> O-RING ID.37,6X2,4 FKM VP.	1
9.1A	2131025	> MECH.SEAL HELIX2-4-6-10-16 F/V VP.	1
9.1B	2131027	> O-RING D.16XD.2,5 FKM VP.	1
9.2	2130961	SHAFT SLEEVE D.18/16X72,2 1.4404 VP.	1
9.3	2131024	RING HOLDER D.18 G606/G6 1.4404 VP.	1
9.4	4068120	SCREW CH M5x5 A4-70	1
9.5	2130963	DRIVE RING D.29/18x12,4 MACH.VP.	1
9.6	2130964	TOOL M.S.CART.HELIX VP.	1
9.7	2130965	SCREW CHC M5X12 ISO4762 A2.70(4 PIECES)	1



SPARE PARTS HYDRAULICS HELIX V 1.4404

Item	Article no.	Description	Quantity
13.1	4159786	STAGE HELIX16 1.4404 KIT	1
		> MACH.STG-CASING-WOGV-WNR-M+16-316	1
		> IMPELLER-H1-M+16-316	1
13.2	4159787	STAGE-BEARING HELIX16 1.4404 KIT	1
		> MACH.BEARING-STG-CASING-WNR-M+16-316	1
		> IMPELLER-H1-M+16-316	1
		> SLEEVE-SPACER-Ø19,35x30,665-316	1
		> SHAFT-SLEEVE-D16xD20x18-CW	1
13.3	4159788	INTERMEDIATE STAGE HELIX16 1.4404 KIT	1
		> MACH.STD-STG-CASING-WGV+NR-M+16-316	1
		> IMPELLER-H1-M+16-316	1
		> SPACER Ø16X19.4-L48.6-316	1

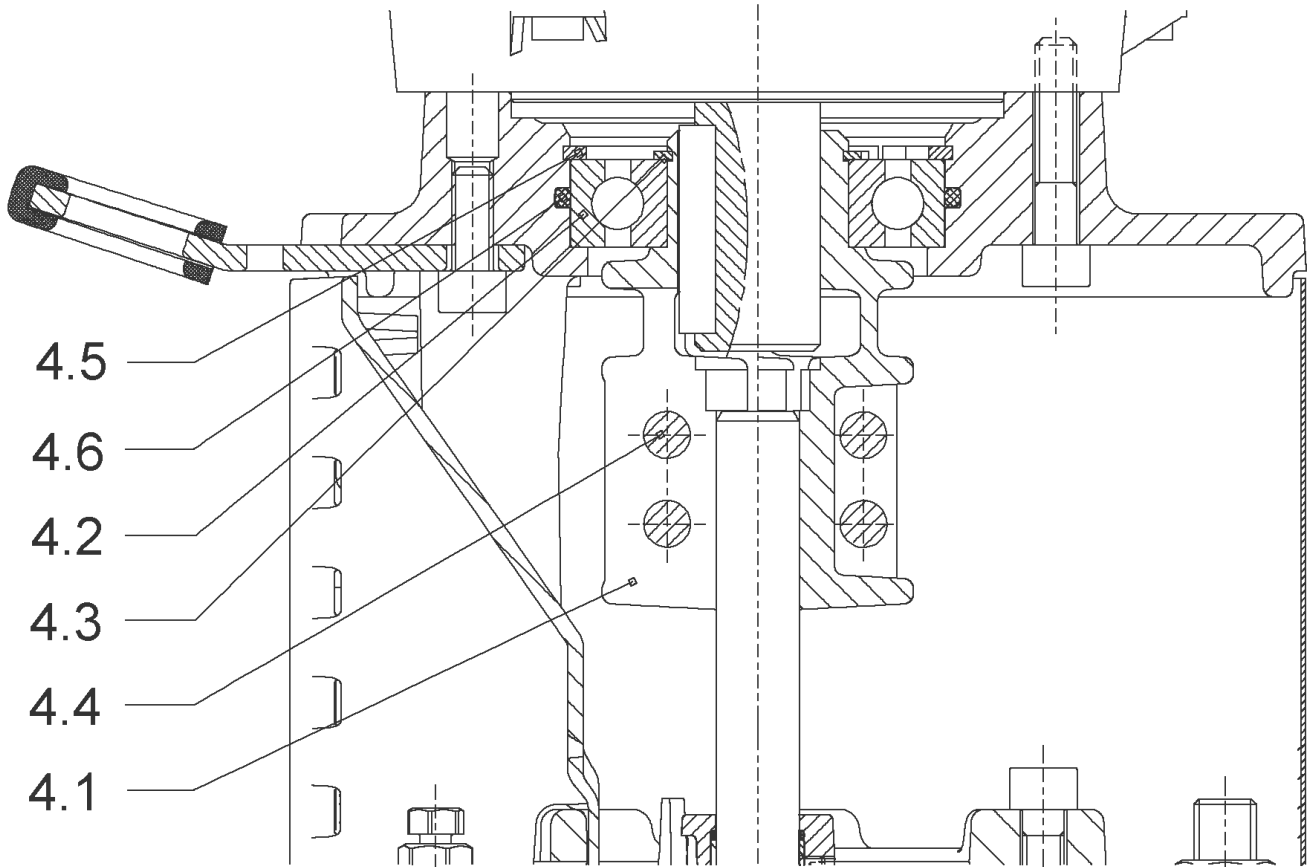


HELIX V1607-2/25/V/KS/400-50 (4150666)

Item	Article no.	Description	Quantity
1	4169947	MO 5,5/2/112 3~400V50Hz 460V60Hz IE3 VP.	1
		SPARE PARTS MOTOR:ON REQUEST	1
2	4206025	SCREW M8X45 (4 PIECES)	1
3	4171326	LANTERN FT130 HELIX KIT	1
4	4159710	COUPLING D.16XD.28 FT130 HELIX KIT	1
5	4159707	SCREW M8X30 (4 PIECES)	1
6	2127556	STUD BOLT M12X542 KIT	1
6.1		> TIE BOLT M12-542x18x30-1.4057	1
6.2	2094647	> NUT M12 M12 ISO4032 VP.	1
6.3	2123557	> WASHER CS-12.4-24-1.6-NFE25 (4 PIECES)	1
7	4159783	END SHIELD HELIX FKM 1.4404 KIT	1
7.1		> END SHIELD M+6" GJL250 MACHINING+CATA	1
7.2	2131056	> STATIONARY RING HOLDER 6" HELIX 1.4404 V	1
7.3	4234237	> O-RING 139X3 VITON VP.	1
7.4	2131026	> O-RING ID.37,6X2,4 FKM VP.	1
7.5	2131057	> O-RING ID.21,35X2 FKM VP.	1
8	4159784	FILING/PURGING PLUG HELIX FKM KIT	1
9	4159700	CARTRIDGE HELIX6-10-16 F/V KIT	1
10	2131047	HOUSING PIPE D.152x410 1.4404 KIT	1
7.3	4234237	> O-RING 139X3 VITON VP.	1
10.1		> HOUSING-PIPE Ø152-M+1607-316L-PASS.	1
11	2131055	CENTERING STAGE-RETURN HELIX16 1.4404 VP	1
12	4159688	SHAFT EQUIPMENT HELIX V16 BI BLOC KIT	1
4.11	4102901	> SCREW CHC-M6X14-8.8-ISO4762-GEOMET500A	1
4.12	2130995	> SERRATED LOCK WASHER D.6,2XD.14,5X28 VP.	1
12.1		> NUT-H-M10-A4.70	1
12.4		> STOP-RUSH-1/2-D16xd2-M+316	1
12.3		> STOP COLLAR OF IMPELLER L18,8-Ø16-316L	1
12.2		> SERRATED LOCK WASHER M+16M3-316L	1
13		SPARE PARTS HYDRAULICS HELIX V 1.4404	1
Note: TO / BIS / JUSQU'A .13W05			
13		SPARE PARTS HYDRAULICS HELIX V 1.4404	1
Note: FROM / AB / À PARTIR DE.13W06			
14	2131036	SHAFT D.16X530 1.4404 VP.	1

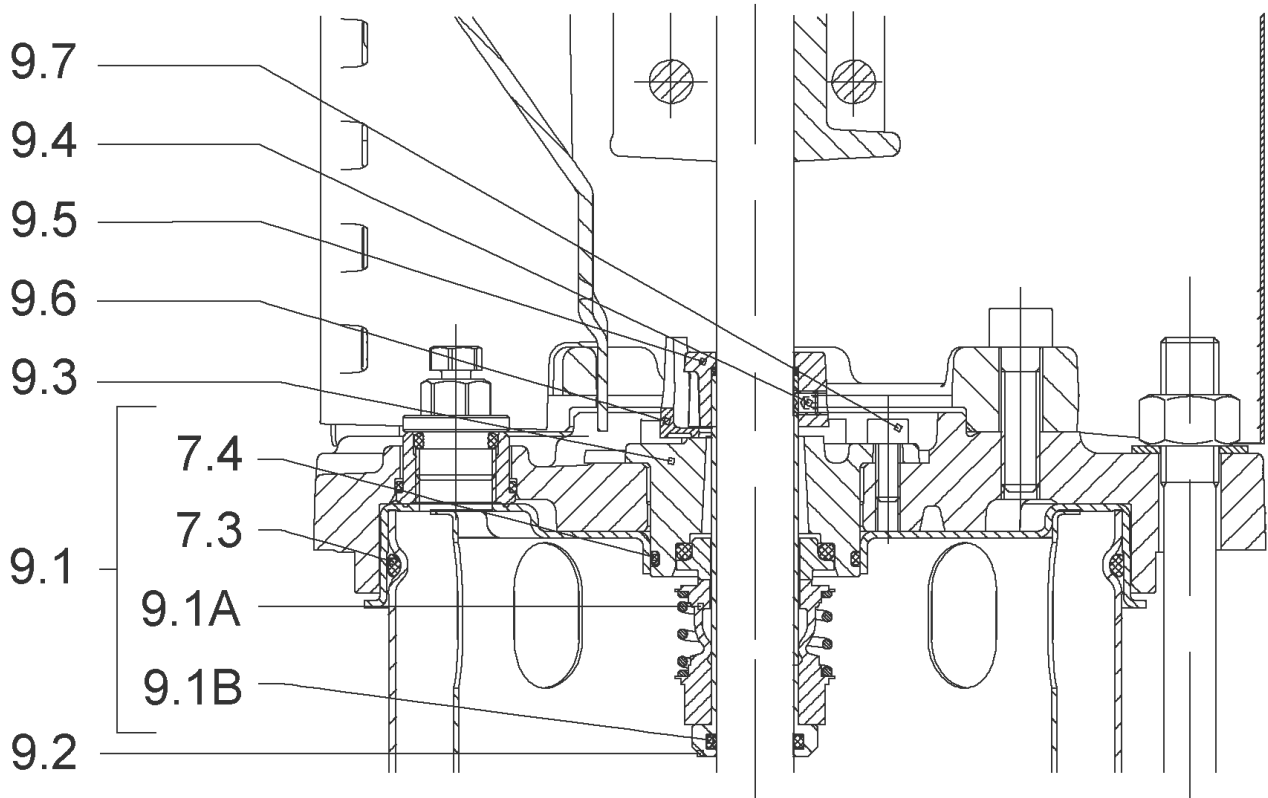
HELIX V1607-2/25/V/KS/400-50 (4150666)

Item	Article no.	Description	Quantity
15	4159782	PUMP HOUSING HELIX DN50 PN25 1.4409 KIT	1
7.3	4177887	> O-RING ID.145,65X3,53 VITON VP.	1
15.1		> BLASTING PPE HOUSING V-PN25-DN50-316L	1
15.3	4159781	> PRIMING/DRAIN PLUG HELIX 16 FKM KIT	1
16	2127601	BASEPLATE HELIX V16 VP.	1



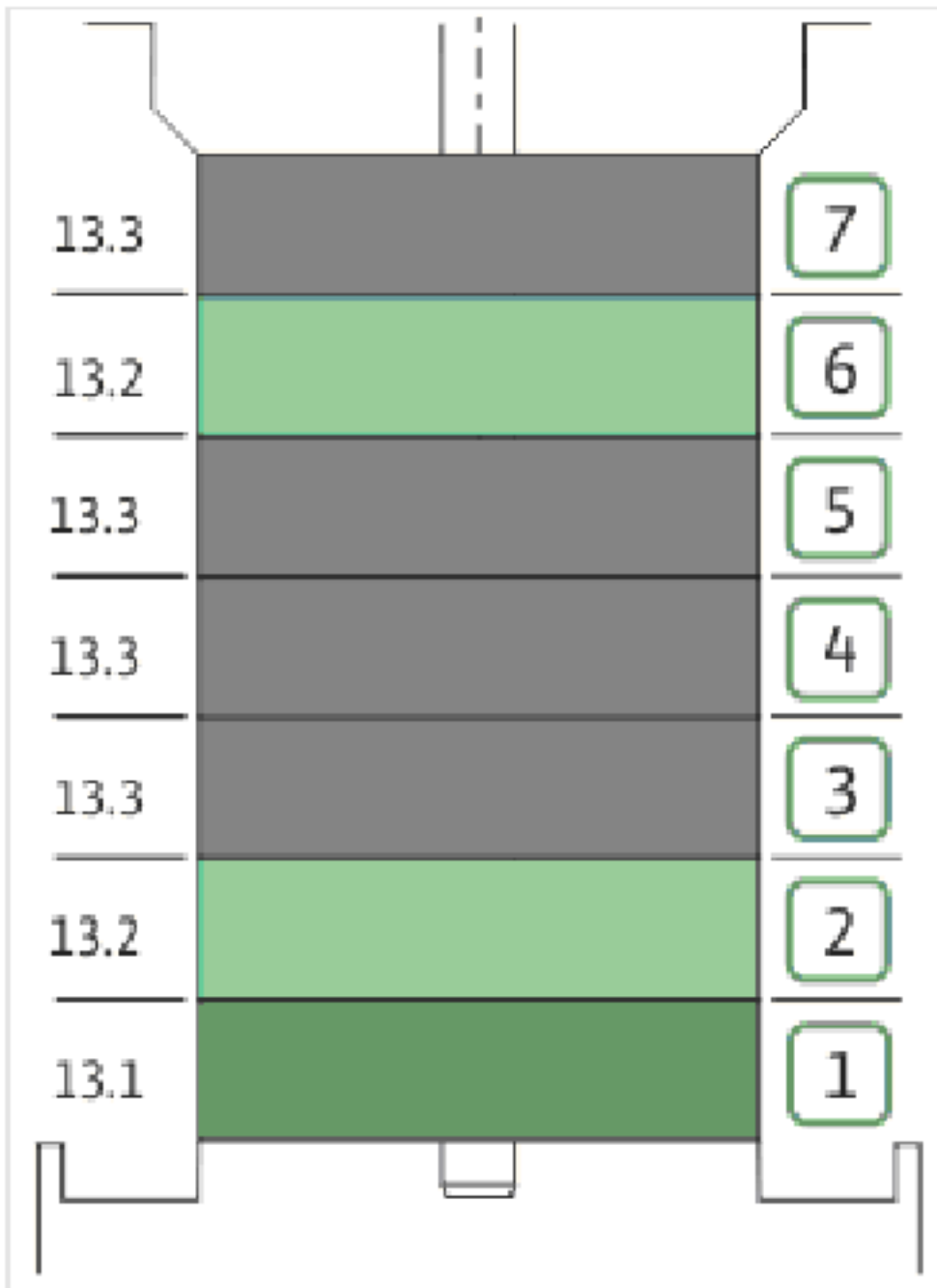
COUPLING D.16XD.28 FT130 HELIX KIT (4159710)

Item	Article no.	Description	Quantity
4.1		COUPLING M+ Ø16XØ28 FT130 MACHINED	1
4.2	2131022	BALL BEARING 6209/ZZ-C3(HT)VP.	1
4.3	4233930	CIRCLIP-FOR-BORES-D45x1,75 VP.	1
4.4	4157726	SCREW KIT M8X30 (4 PIECES)	1
4.5	4234252	CIRCLIPS 85X3 VP.	1
4.6	4234243	O-RING 85X3 VP.	1
		NOMEL CONTACT WASHER 8x16x1,4 STEEL ZC	1



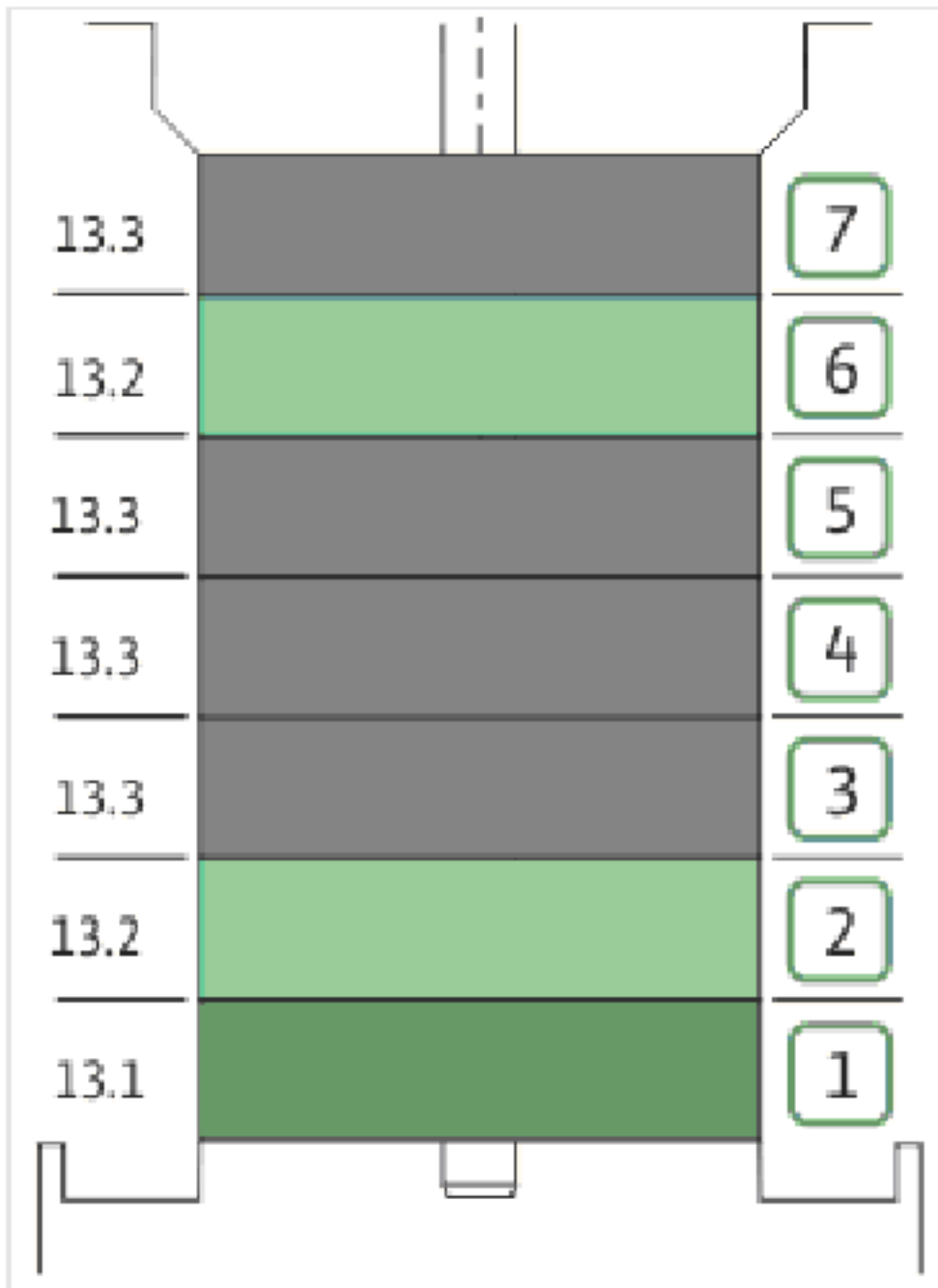
CARTRIDGE HELIX6-10-16 F/V KIT (4159700)

Item	Article no.	Description	Quantity
9.1	4159701	SEAL-KIT-HELIX6-10-16 F/V	1
7.3	4234237	> O-RING 139X3 VITON VP.	1
7.4	2131026	> O-RING ID.37,6X2,4 FKM VP.	1
9.1A	2131025	> MECH.SEAL HELIX2-4-6-10-16 F/V VP.	1
9.1B	2131027	> O-RING D.16XD.2,5 FKM VP.	1
9.2	2130961	SHAFT SLEEVE D.18/16X72,2 1.4404 VP.	1
9.3	2131024	RING HOLDER D.18 G606/G6 1.4404 VP.	1
9.4	4068120	SCREW CH M5x5 A4-70	1
9.5	2130963	DRIVE RING D.29/18x12,4 MACH.VP.	1
9.6	2130964	TOOL M.S.CART.HELIX VP.	1
9.7	2130965	SCREW CHC M5X12 ISO4762 A2.70(4 PIECES)	1



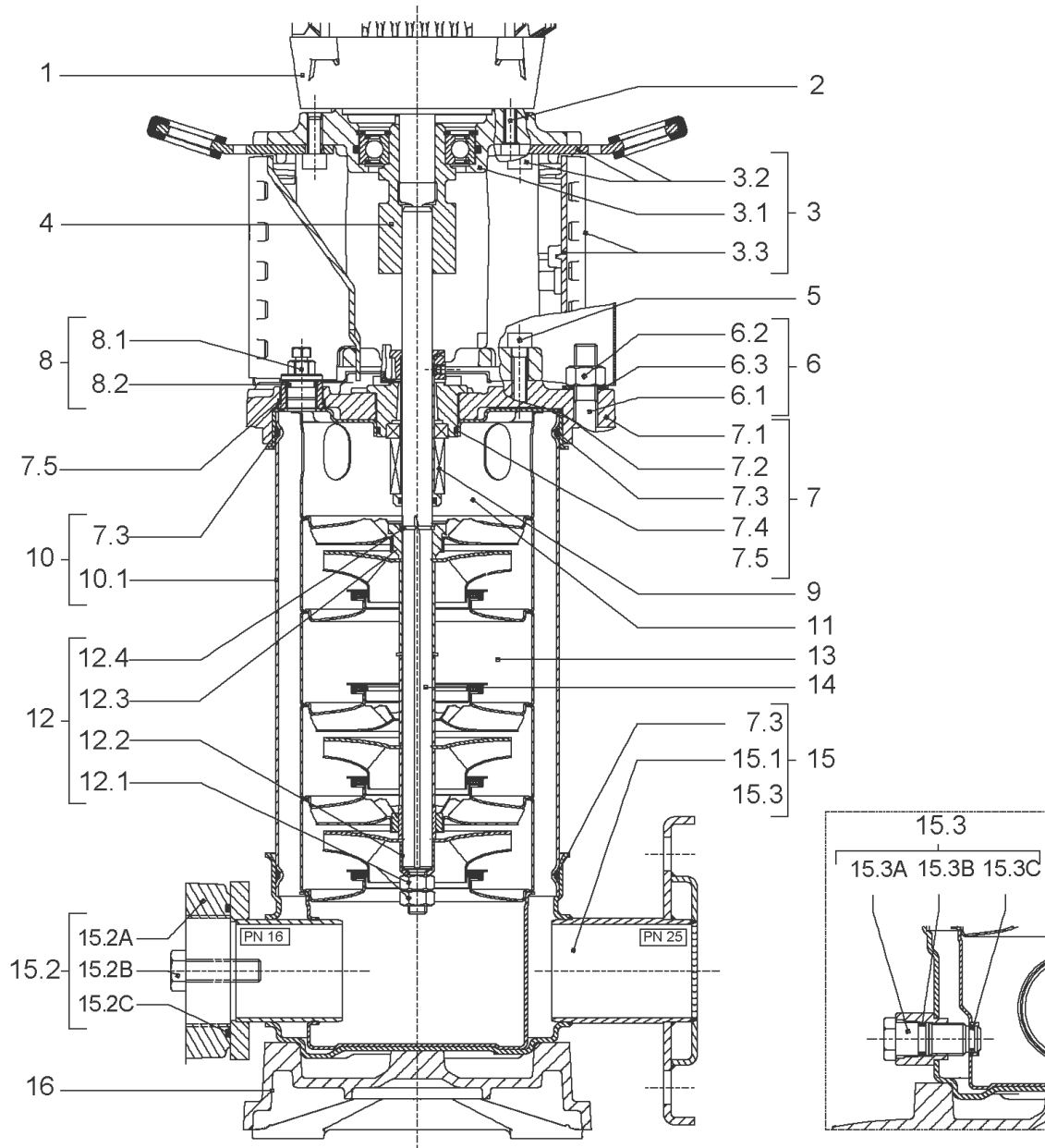
SPARE PARTS HYDRAULICS HELIX V 1.4404

Item	Article no.	Description	Quantity
13.1	4159786	STAGE HELIX16 1.4404 KIT	1
		> MACH.STG-CASING-WOGV-WNR-M+16-316	1
		> IMPELLER-H1-M+16-316	1
13.2	4159787	STAGE-BEARING HELIX16 1.4404 KIT	1
		> MACH.BEARING-STG-CASING-WNR-M+16-316	1
		> IMPELLER-H1-M+16-316	1
		> SLEEVE-SPACER-Ø19,35x30,665-316	1
		> SHAFT-SLEEVE-D16xD20x18-CW	1
13.3	4159788	INTERMEDIATE STAGE HELIX16 1.4404 KIT	1
		> MACH.STD-STG-CASING-WGV+NR-M+16-316	1
		> IMPELLER-H1-M+16-316	1
		> SPACER Ø16X19.4-L48.6-316	1



SPARE PARTS HYDRAULICS HELIX V 1.4404

Item	Article no.	Description	Quantity
13.1	4159786	STAGE HELIX16 1.4404 KIT	1
		> MACH.STG-CASING-WOGV-WNR-M+16-316	1
		> IMPELLER-H1-M+16-316	1
13.2	4159787	STAGE-BEARING HELIX16 1.4404 KIT	1
		> MACH.BEARING-STG-CASING-WNR-M+16-316	1
		> IMPELLER-H1-M+16-316	1
		> SLEEVE-SPACER-Ø19,35x30,665-316	1
		> SHAFT-SLEEVE-D16xD20x18-CW	1
13.3	4159788	INTERMEDIATE STAGE HELIX16 1.4404 KIT	1
		> MACH.STD-STG-CASING-WGV+NR-M+16-316	1
		> IMPELLER-H1-M+16-316	1
		> SPACER Ø16X19.4-L48.6-316	1

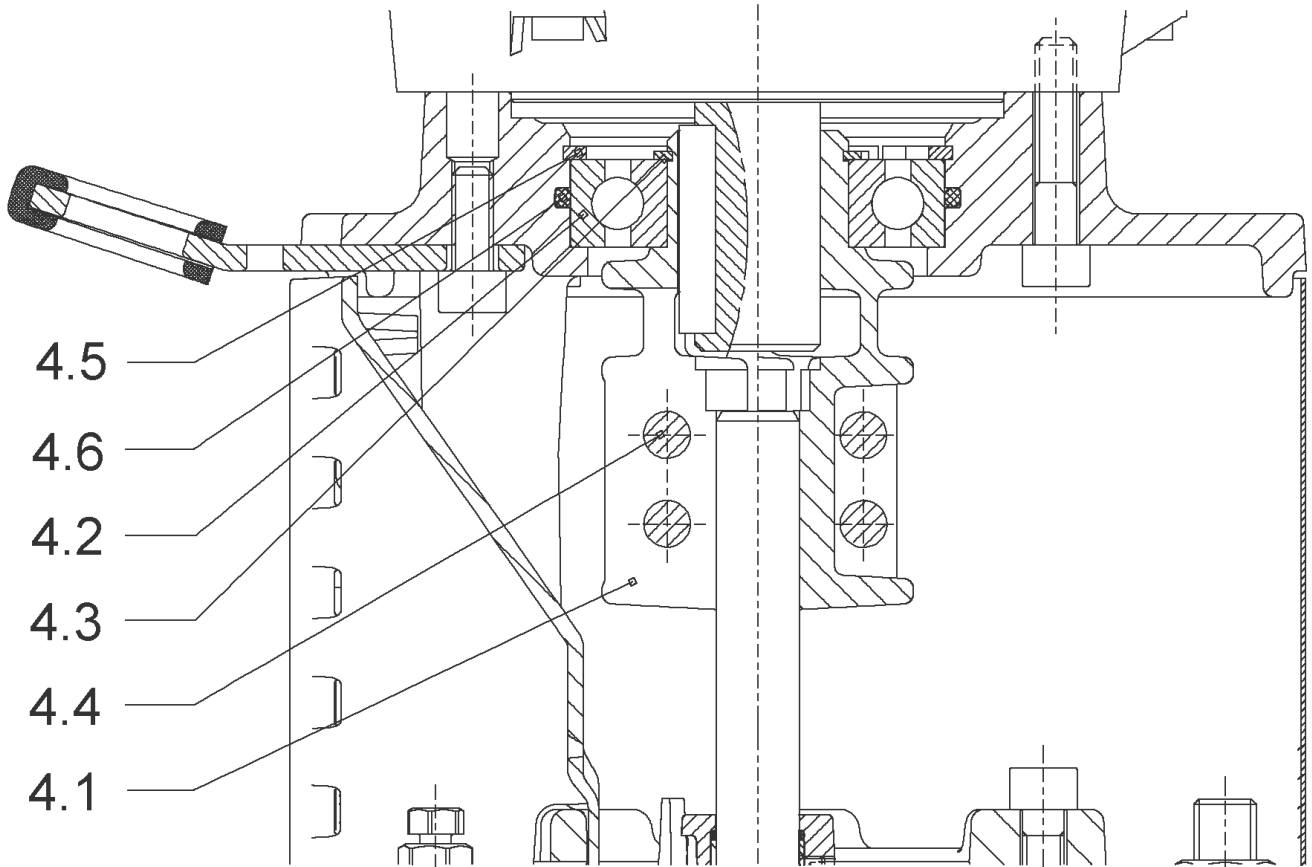


HELIX V1608-2/25/V/KS/400-50 (4150667)

Item	Article no.	Description	Quantity
1	4169947	MO 5,5/2/112 3~400V50Hz 460V60Hz IE3 VP.	1
		SPARE PARTS MOTOR:ON REQUEST	1
2	4206025	SCREW M8X45 (4 PIECES)	1
3	4171326	LANTERN FT130 HELIX KIT	1
4	4159710	COUPLING D.16XD.28 FT130 HELIX KIT	1
5	4159707	SCREW M8X30 (4 PIECES)	1
6	2127557	STUD BOLT M12X587 KIT	1
6.1		> TIE BOLT M12-587x18x30-1.4057	1
6.2	2094647	> NUT M12 M12 ISO4032 VP.	1
6.3	2123557	> WASHER CS-12.4-24-1.6-NFE25 (4 PIECES)	1
7	4159783	END SHIELD HELIX FKM 1.4404 KIT	1
7.1		> END SHIELD M+6" GJL250 MACHINING+CATA	1
7.2	2131056	> STATIONARY RING HOLDER 6" HELIX 1.4404 V	1
7.3	4234237	> O-RING 139X3 VITON VP.	1
7.4	2131026	> O-RING ID.37,6X2,4 FKM VP.	1
7.5	2131057	> O-RING ID.21,35X2 FKM VP.	1
8	4159784	FILING/PURGING PLUG HELIX FKM KIT	1
9	4159700	CARTRIDGE HELIX6-10-16 F/V KIT	1
10	2131048	HOUSING PIPE D.152x460 1.4404 KIT	1
7.3	4234237	> O-RING 139X3 VITON VP.	1
10.1		> HOUSING-PIPE Ø152-M+1608-316L-PASS.	1
11	2131055	CENTERING STAGE-RETURN HELIX16 1.4404 VP	1
12	4159688	SHAFT EQUIPMENT HELIX V16 BI BLOC KIT	1
4.11	4102901	> SCREW CHC-M6X14-8.8-ISO4762-GEOMET500A	1
4.12	2130995	> SERRATED LOCK WASHER D.6,2XD.14,5X28 VP.	1
12.1		> NUT-H-M10-A4.70	1
12.4		> STOP-RUSH-1/2-D16xd2-M+316	1
12.3		> STOP COLLAR OF IMPELLER L18,8-Ø16-316L	1
12.2		> SERRATED LOCK WASHER M+16M3-316L	1
13		SPARE PARTS HYDRAULICS HELIX V 1.4404	1
14	2131037	SHAFT D.16X580 1.4404 VP.	1
15	4159782	PUMP HOUSING HELIX DN50 PN25 1.4409 KIT	1
7.3	4177887	> O-RING ID.145,65X3,53 VITON VP.	1
15.1		> BLASTING PPE HOUSING V-PN25-DN50-316L	1

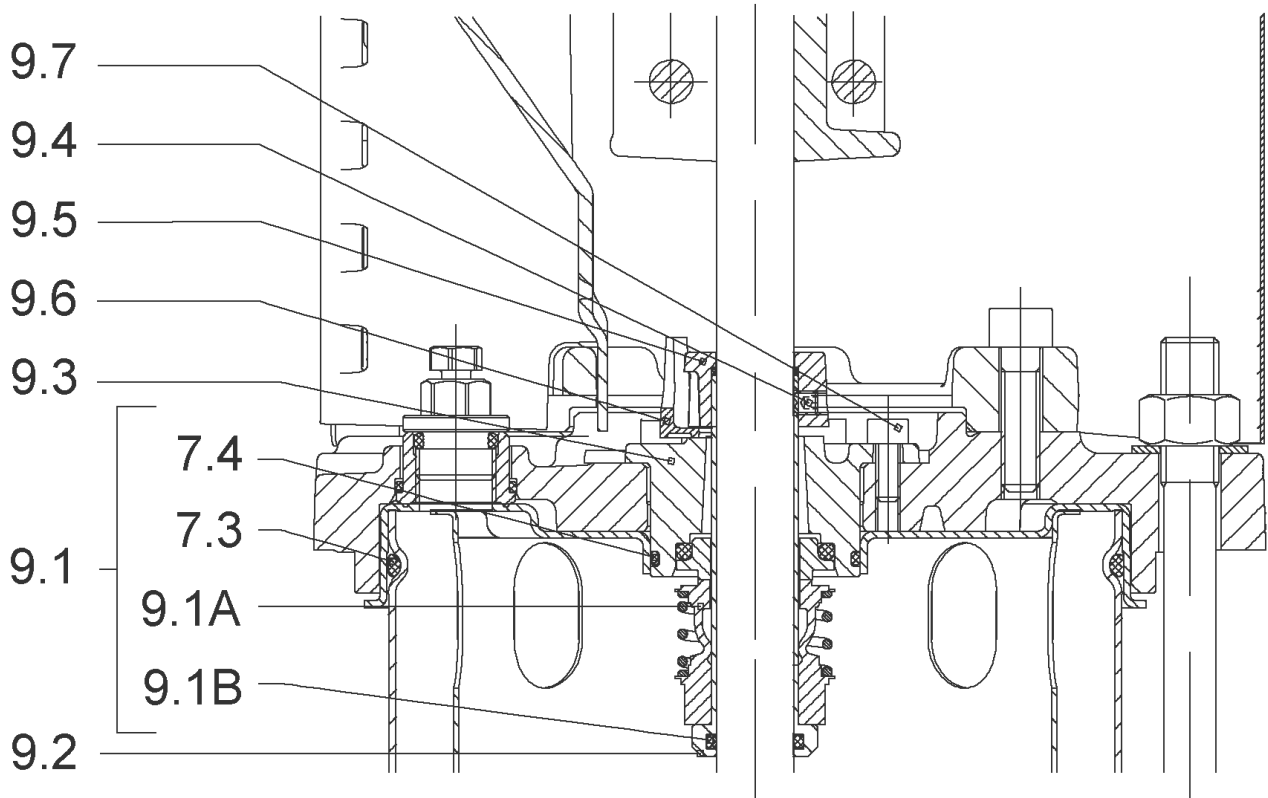
HELIX V1608-2/25/V/KS/400-50 (4150667)

Item	Article no.	Description	Quantity
15.3	4159781	> PRIMING/DRAIN PLUG HELIX 16 FKM KIT	1
16	2127601	BASEPLATE HELIX V16 VP.	1



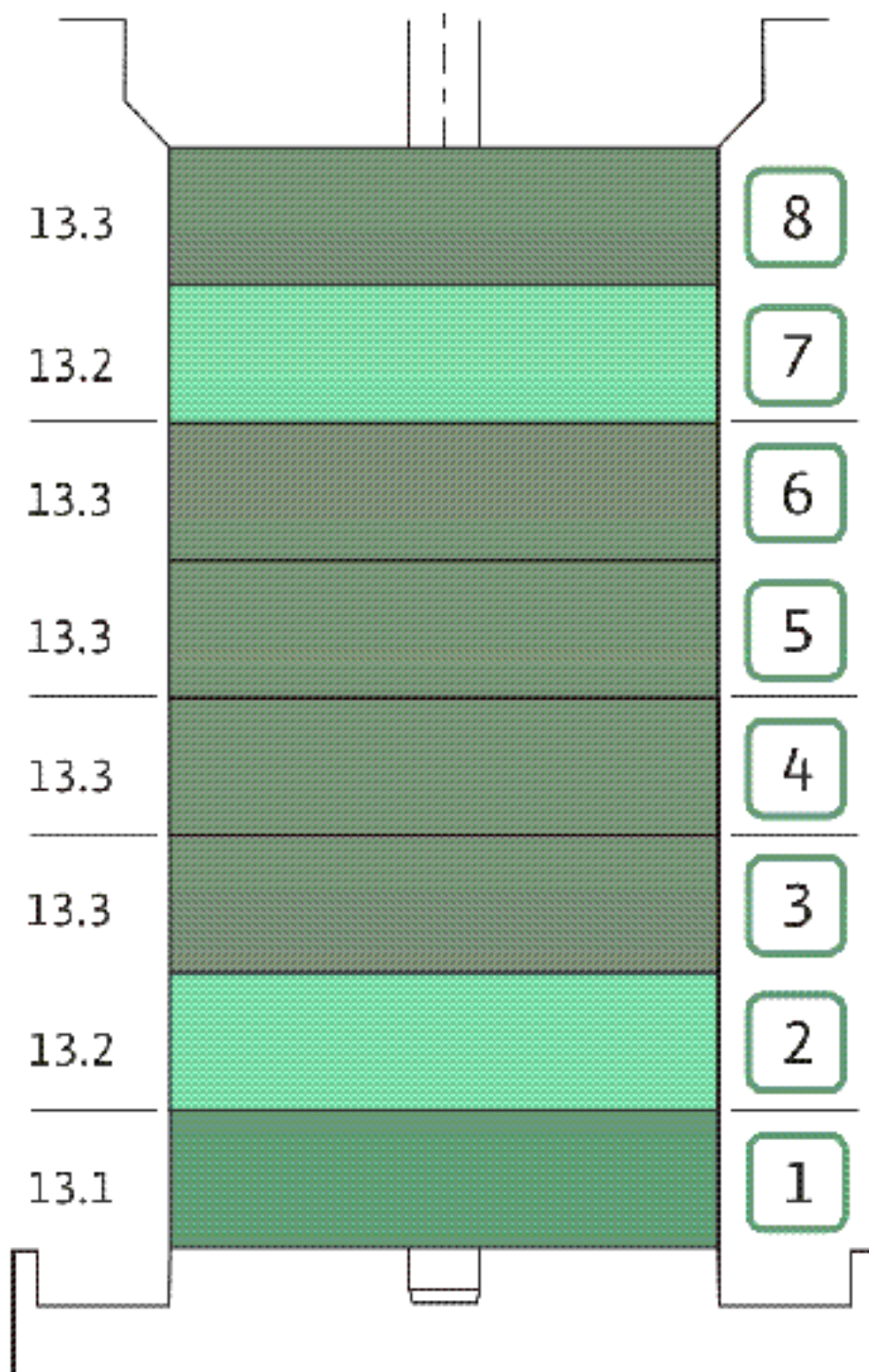
COUPLING D.16XD.28 FT130 HELIX KIT (4159710)

Item	Article no.	Description	Quantity
4.1		COUPLING M+ Ø16XØ28 FT130 MACHINED	1
4.2	2131022	BALL BEARING 6209/ZZ-C3(HT)VP.	1
4.3	4233930	CIRCLIP-FOR-BORES-D45x1,75 VP.	1
4.4	4157726	SCREW KIT M8X30 (4 PIECES)	1
4.5	4234252	CIRCLIPS 85X3 VP.	1
4.6	4234243	O-RING 85X3 VP.	1
		NOMEL CONTACT WASHER 8x16x1,4 STEEL ZC	1



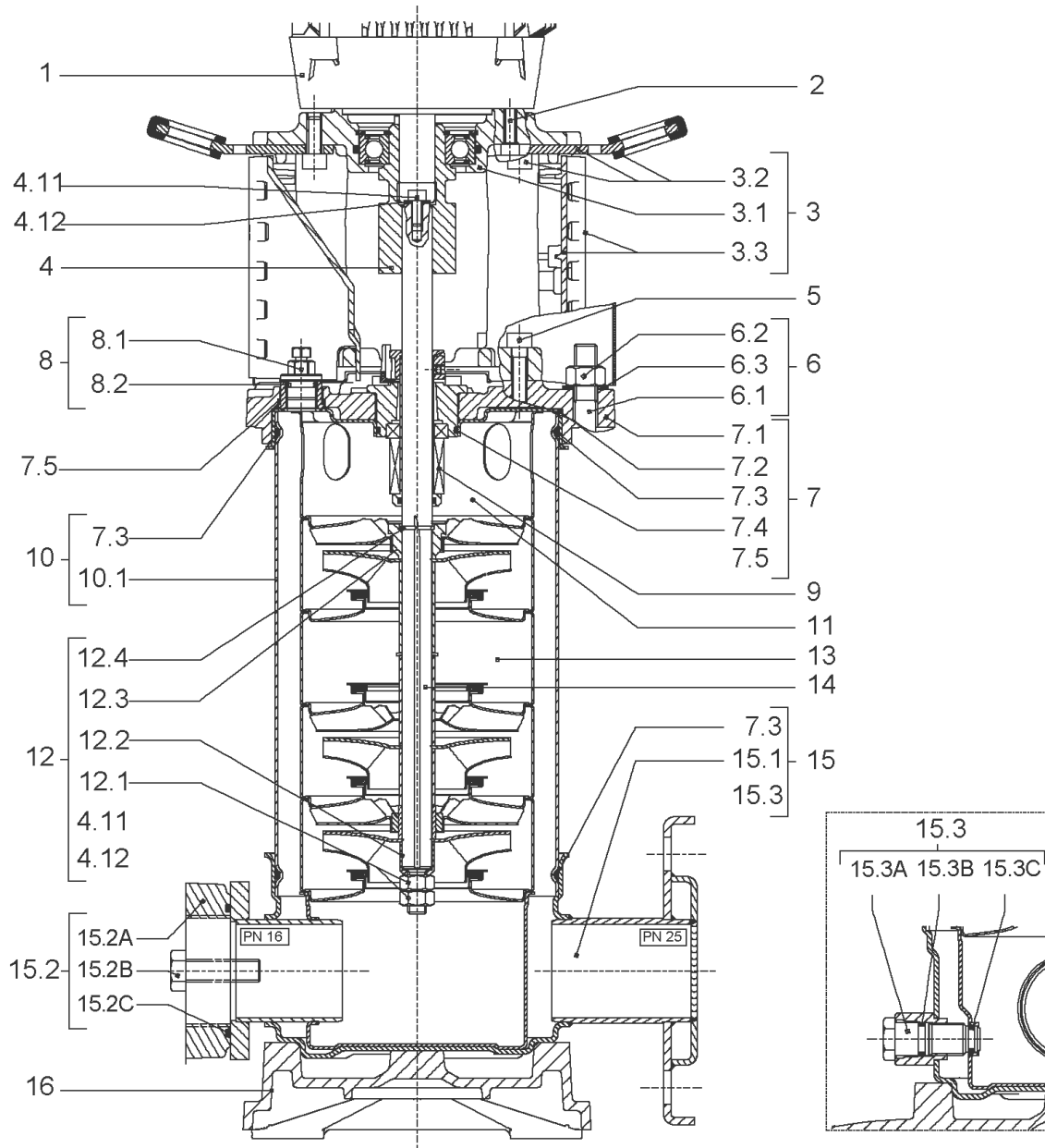
CARTRIDGE HELIX6-10-16 F/V KIT (4159700)

Item	Article no.	Description	Quantity
9.1	4159701	SEAL-KIT-HELIX6-10-16 F/V	1
7.3	4234237	> O-RING 139X3 VITON VP.	1
7.4	2131026	> O-RING ID.37,6X2,4 FKM VP.	1
9.1A	2131025	> MECH.SEAL HELIX2-4-6-10-16 F/V VP.	1
9.1B	2131027	> O-RING D.16XD.2,5 FKM VP.	1
9.2	2130961	SHAFT SLEEVE D.18/16X72,2 1.4404 VP.	1
9.3	2131024	RING HOLDER D.18 G606/G6 1.4404 VP.	1
9.4	4068120	SCREW CH M5x5 A4-70	1
9.5	2130963	DRIVE RING D.29/18x12,4 MACH.VP.	1
9.6	2130964	TOOL M.S.CART.HELIX VP.	1
9.7	2130965	SCREW CHC M5X12 ISO4762 A2.70(4 PIECES)	1



SPARE PARTS HYDRAULICS HELIX V 1.4404

Item	Article no.	Description	Quantity
13.1	4159786	STAGE HELIX16 1.4404 KIT	1
		> MACH.STG-CASING-WOGV-WNR-M+16-316	1
		> IMPELLER-H1-M+16-316	1
13.2	4159787	STAGE-BEARING HELIX16 1.4404 KIT	1
		> MACH.BEARING-STG-CASING-WNR-M+16-316	1
		> IMPELLER-H1-M+16-316	1
		> SLEEVE-SPACER-Ø19,35x30,665-316	1
		> SHAFT-SLEEVE-D16xD20x18-CW	1
13.3	4159788	INTERMEDIATE STAGE HELIX16 1.4404 KIT	1
		> MACH.STD-STG-CASING-WGV+NR-M+16-316	1
		> IMPELLER-H1-M+16-316	1
		> SPACER Ø16X19.4-L48.6-316	1



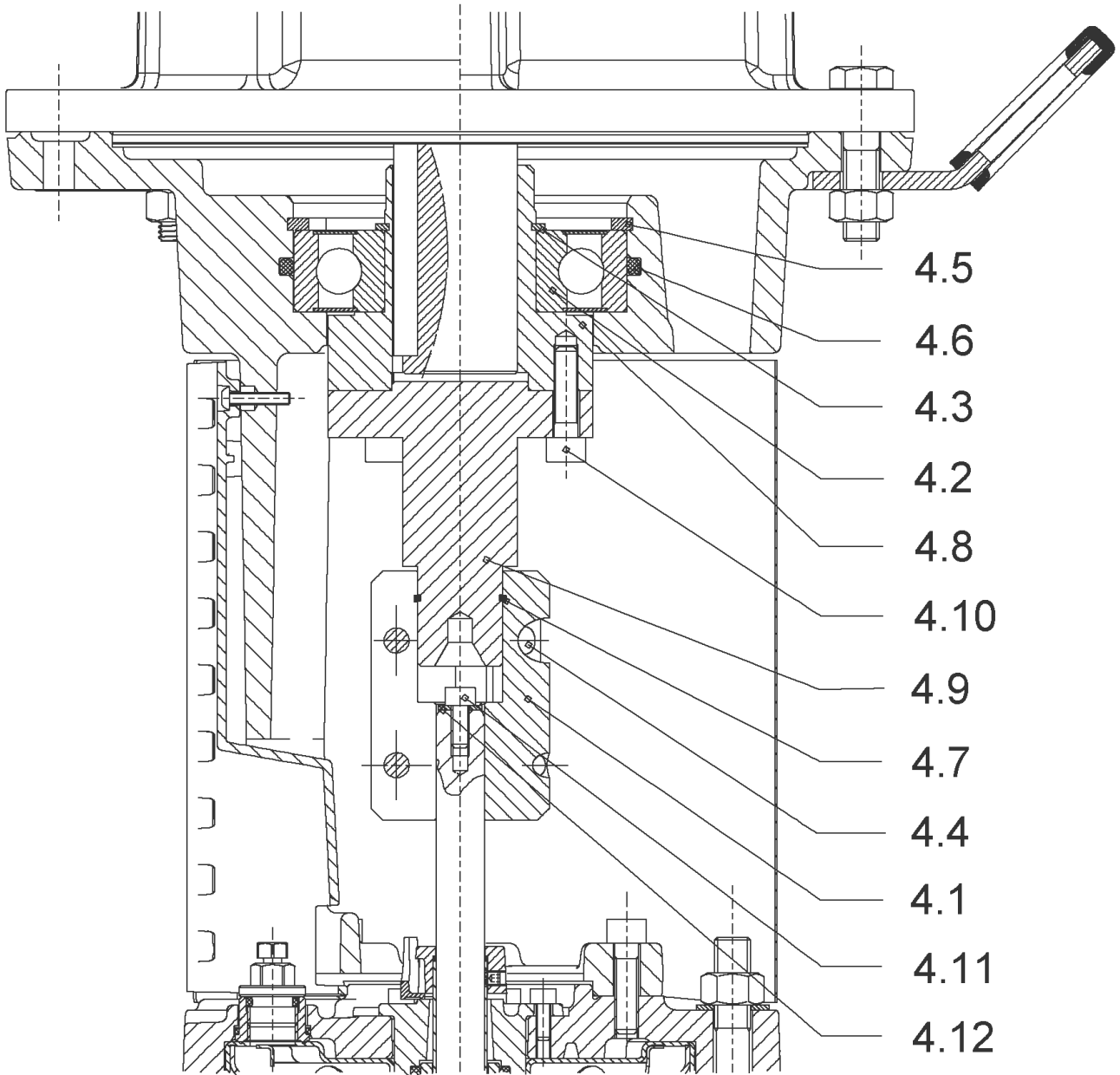
HELIX V1609-2/25/V/KS/400-50 (4150668)

Item	Article no.	Description	Quantity
1	4195450	MOTOR 7,5/2/* 3~400V 50HZ IE3 VP.	1
		SPARE PARTS MOTOR:ON REQUEST	1
2	4174093	SCREW M12X50 (4 PIECES)	1
3	4159693	LANTERN FF265 HELIX KIT	1
3.1		> LANTERN FF265 M+6" GJL MACHINING+CATA	1
3.2	2127605	> EYELET CPL.FF265 HELIX(2 PIECES)	1
3.3	4159695	> COUPLING PROTECTOR FF HELIX KIT	1
4	4159711	COUPLING D.16XD.38 FF265 HELIX KIT	1
5	4159707	SCREW M8X30 (4 PIECES)	1
6	4177842	STUD BOLT M12X638KIT	1
7	4159783	END SHIELD HELIX FKM 1.4404 KIT	1
7.1		> END SHIELD M+6" GJL250 MACHINING+CATA	1
7.2	2131056	> STATIONARY RING HOLDER 6" HELIX 1.4404 V	1
7.3	4234237	> O-RING 139X3 VITON VP.	1
7.4	2131026	> O-RING ID.37,6X2,4 FKM VP.	1
7.5	2131057	> O-RING ID.21,35X2 FKM VP.	1
8	4159784	FILING/PURGING PLUG HELIX FKM KIT	1
9	4159700	CARTRIDGE HELIX6-10-16 F/V KIT	1
10	2131049	HOUSING PIPE D.152x510 1.4404 KIT	1
7.3	4234237	> O-RING 139X3 VITON VP.	1
10.1		> HOUSING-PIPE Ø152-M+1012/1609-316L-PASS.	1
11	2131055	CENTERING STAGE-RETURN HELIX16 1.4404 VP	1
12	4159688	SHAFT EQUIPMENT HELIX V16 BI BLOC KIT	1
4.11	4102901	> SCREW CHC-M6X14-8.8-ISO4762-GEOMET500A	1
4.12	2130995	> SERRATED LOCK WASHER D.6,2XD.14,5X28 VP.	1
12.1		> NUT-H-M10-A4.70	1
12.4		> STOP-RUSH-1/2-D16xd2-M+316	1
12.3		> STOP COLLAR OF IMPELLER L18,8-Ø16-316L	1
12.2		> SERRATED LOCK WASHER M+16M3-316L	1
13		SPARE PARTS HYDRAULICS HELIX V 1.4404	1
14	2131038	SHAFT D.16X630 1.4404 VP.	1
15	4159782	PUMP HOUSING HELIX DN50 PN25 1.4409 KIT	1
7.3	4177887	> O-RING ID.145,65X3,53 VITON VP.	1
15.1		> BLASTING PPE HOUSING V-PN25-DN50-316L	1

HELIX V1609-2/25/V/KS/400-50 (4150668)

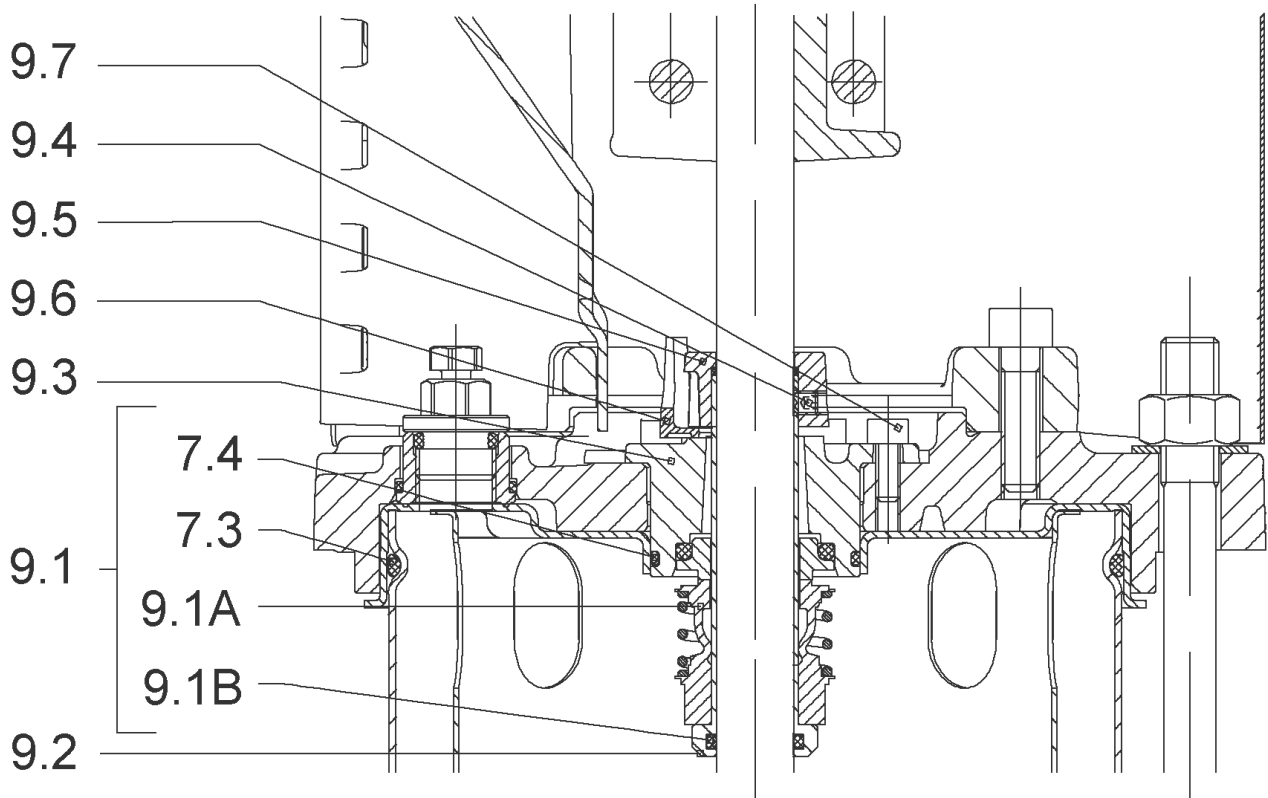
Item	Article no.	Description	Quantity
15.3	4159781	> PRIMING/DRAIN PLUG HELIX 16 FKM KIT	1
16	2127601	BASEPLATE HELIX V16 VP.	1

COUPLING D.16XD.38 FF265 HELIX KIT (4159711)



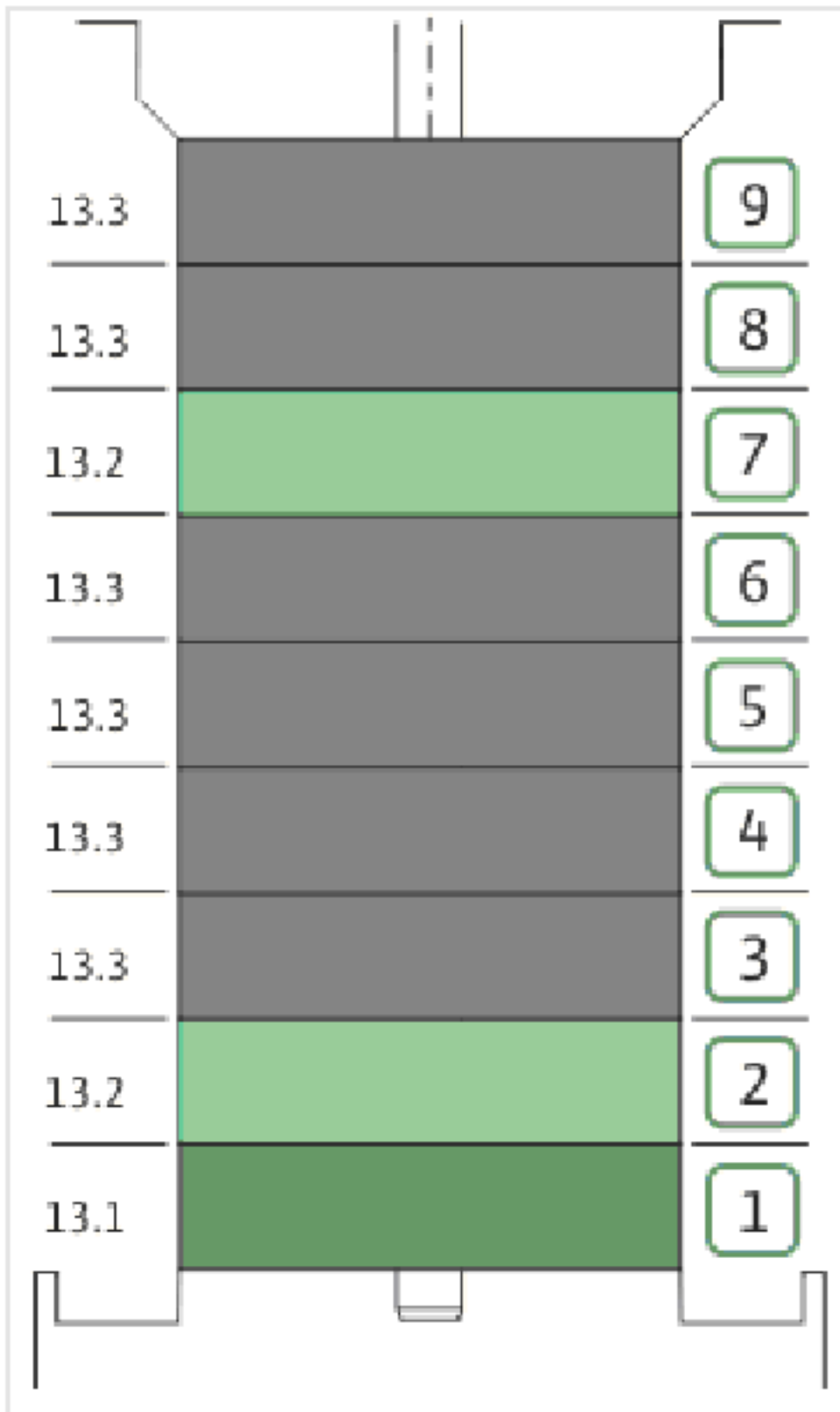
COUPLING D.16XD.38 FF265 HELIX KIT (4159711)

Item	Article no.	Description	Quantity
4.1	2131018	COUPLING 2 PARTS D.16XD.28XL.82,4 VP.	1
4.2	2131017	BALL BEARING 6310/ZZ-C4(HT)VP.	1
4.3	4234253	CIRCLIP-FOR-SHAFT-D50x2 VP.	1
4.4	4157726	SCREW KIT M8X30 (4 PIECES)	1
4.5	4234255	CIRCLIPS 110X4 VP.	1
4.6	4233944	O-RING ID.110 VP.	1
4.7	2131019	RETAINING RING D.26xD.2 DIN7993 VP.	1
4.8	2131020	HUB D.38XD.50 VP.	1
4.9	2131021	SPACER D.28XD.45 VP.	1
4.10	4157726	SCREW KIT M8X30 (4 PIECES)	1
4.11	4102901	SCREW CHC-M6X14-8.8-ISO4762-GEOMET500A	1
4.12	2130995	SERRATED LOCK WASHER D.6,2XD.14,5X28 VP.	1
		NOMEL CONTACT WASHER 8x16x1,4 STEEL ZC	1



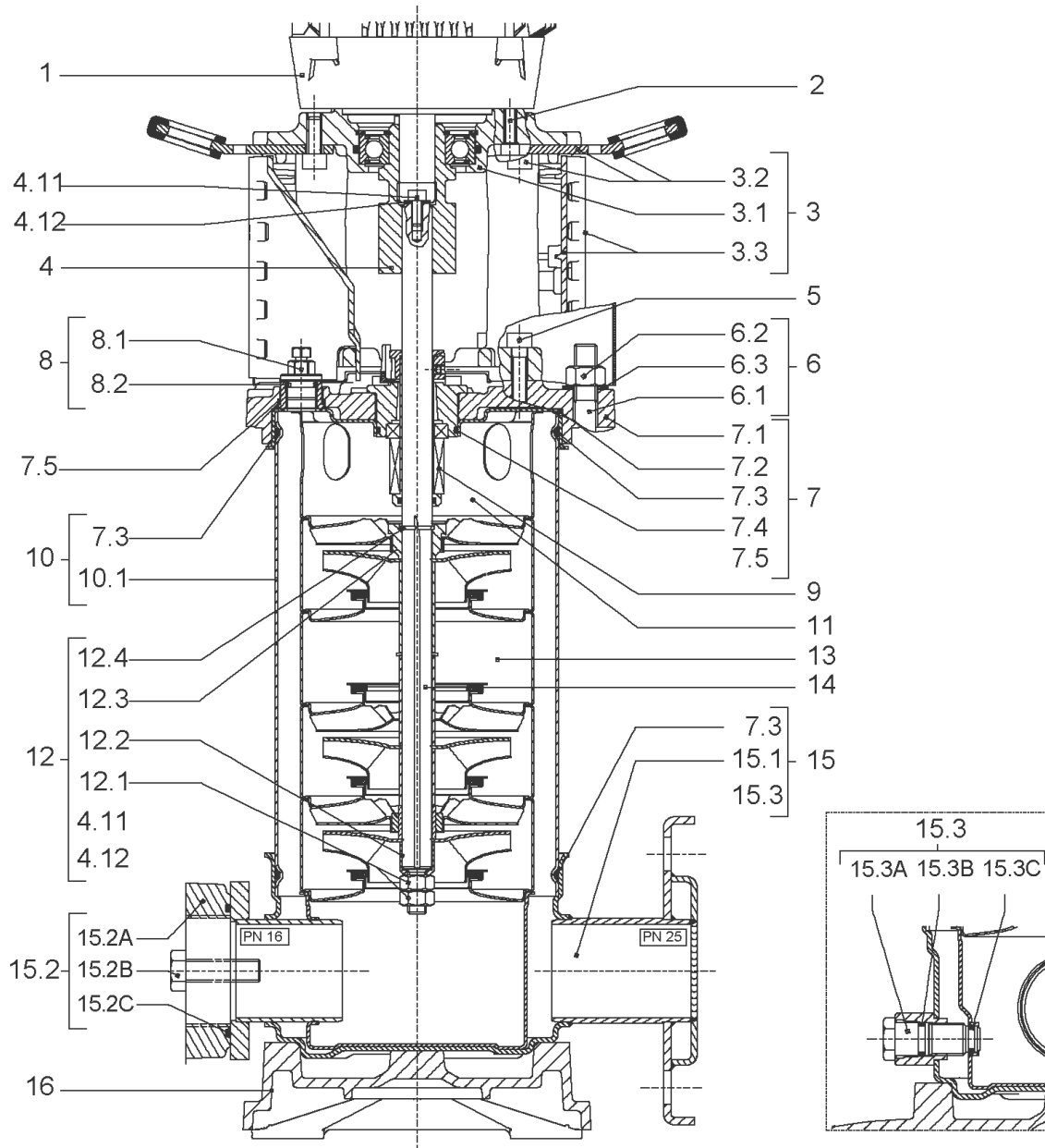
CARTRIDGE HELIX6-10-16 F/V KIT (4159700)

Item	Article no.	Description	Quantity
9.1	4159701	SEAL-KIT-HELIX6-10-16 F/V	1
7.3	4234237	> O-RING 139X3 VITON VP.	1
7.4	2131026	> O-RING ID.37,6X2,4 FKM VP.	1
9.1A	2131025	> MECH.SEAL HELIX2-4-6-10-16 F/V VP.	1
9.1B	2131027	> O-RING D.16XD.2,5 FKM VP.	1
9.2	2130961	SHAFT SLEEVE D.18/16X72,2 1.4404 VP.	1
9.3	2131024	RING HOLDER D.18 G606/G6 1.4404 VP.	1
9.4	4068120	SCREW CH M5x5 A4-70	1
9.5	2130963	DRIVE RING D.29/18x12,4 MACH.VP.	1
9.6	2130964	TOOL M.S.CART.HELIX VP.	1
9.7	2130965	SCREW CHC M5X12 ISO4762 A2.70(4 PIECES)	1



SPARE PARTS HYDRAULICS HELIX V 1.4404

Item	Article no.	Description	Quantity
13.1	4159786	STAGE HELIX16 1.4404 KIT	1
		> MACH.STG-CASING-WOGV-WNR-M+16-316	1
		> IMPELLER-H1-M+16-316	1
13.2	4159787	STAGE-BEARING HELIX16 1.4404 KIT	1
		> MACH.BEARING-STG-CASING-WNR-M+16-316	1
		> IMPELLER-H1-M+16-316	1
		> SLEEVE-SPACER-Ø19,35x30,665-316	1
		> SHAFT-SLEEVE-D16xD20x18-CW	1
13.3	4159788	INTERMEDIATE STAGE HELIX16 1.4404 KIT	1
		> MACH.STD-STG-CASING-WGV+NR-M+16-316	1
		> IMPELLER-H1-M+16-316	1
		> SPACER Ø16X19.4-L48.6-316	1



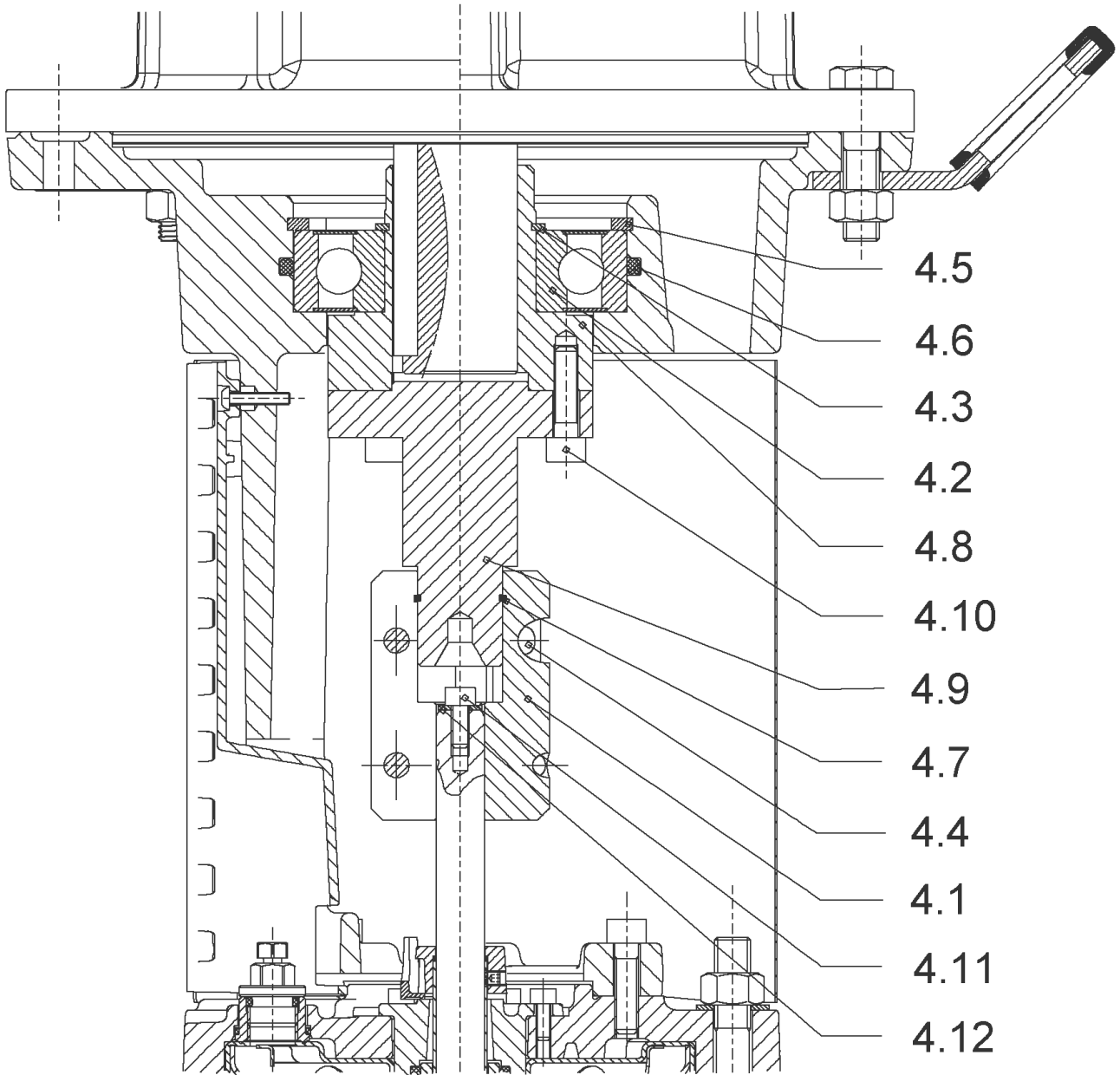
HELIX V1610-2/25/V/KS/400-50 (4150669)

Item	Article no.	Description	Quantity
1	4195450	MOTOR 7,5/2/* 3~400V 50HZ IE3 VP.	1
		SPARE PARTS MOTOR:ON REQUEST	1
2	4174093	SCREW M12X50 (4 PIECES)	1
3	4159693	LANTERN FF265 HELIX KIT	1
3.1		> LANTERN FF265 M+6" GJL MACHINING+CATA	1
3.2	2127605	> EYELET CPL.FF265 HELIX(2 PIECES)	1
3.3	4159695	> COUPLING PROTECTOR FF HELIX KIT	1
4	4159711	COUPLING D.16XD.38 FF265 HELIX KIT	1
5	4159707	SCREW M8X30 (4 PIECES)	1
6	4177852	STUD BOLT M12X788KIT	1
7	4159783	END SHIELD HELIX FKM 1.4404 KIT	1
7.1		> END SHIELD M+6" GJL250 MACHINING+CATA	1
7.2	2131056	> STATIONARY RING HOLDER 6" HELIX 1.4404 V	1
7.3	4234237	> O-RING 139X3 VITON VP.	1
7.4	2131026	> O-RING ID.37,6X2,4 FKM VP.	1
7.5	2131057	> O-RING ID.21,35X2 FKM VP.	1
8	4159784	FILING/PURGING PLUG HELIX FKM KIT	1
9	4159700	CARTRIDGE HELIX6-10-16 F/V KIT	1
10	2131050	HOUSING PIPE D.152x660 1.4404 KIT	1
7.3	4234237	> O-RING 139X3 VITON VP.	1
10.1		> HOUSING-PIPE Ø152-M+1016/1610-316L-PASS.	1
11	2131055	CENTERING STAGE-RETURN HELIX16 1.4404 VP	1
12	4159688	SHAFT EQUIPMENT HELIX V16 BI BLOC KIT	1
4.11	4102901	> SCREW CHC-M6X14-8.8-ISO4762-GEOMET500A	1
4.12	2130995	> SERRATED LOCK WASHER D.6,2XD.14,5X28 VP.	1
12.1		> NUT-H-M10-A4.70	1
12.4		> STOP-RUSH-1/2-D16xd2-M+316	1
12.3		> STOP COLLAR OF IMPELLER L18,8-Ø16-316L	1
12.2		> SERRATED LOCK WASHER M+16M3-316L	1
13		SPARE PARTS HYDRAULICS HELIX V 1.4404	1
14	2131039	SHAFT D.16X780 1.4462 VP.	1
15	4159782	PUMP HOUSING HELIX DN50 PN25 1.4409 KIT	1
7.3	4177887	> O-RING ID.145,65X3,53 VITON VP.	1
15.1		> BLASTING PPE HOUSING V-PN25-DN50-316L	1

HELIX V1610-2/25/V/KS/400-50 (4150669)

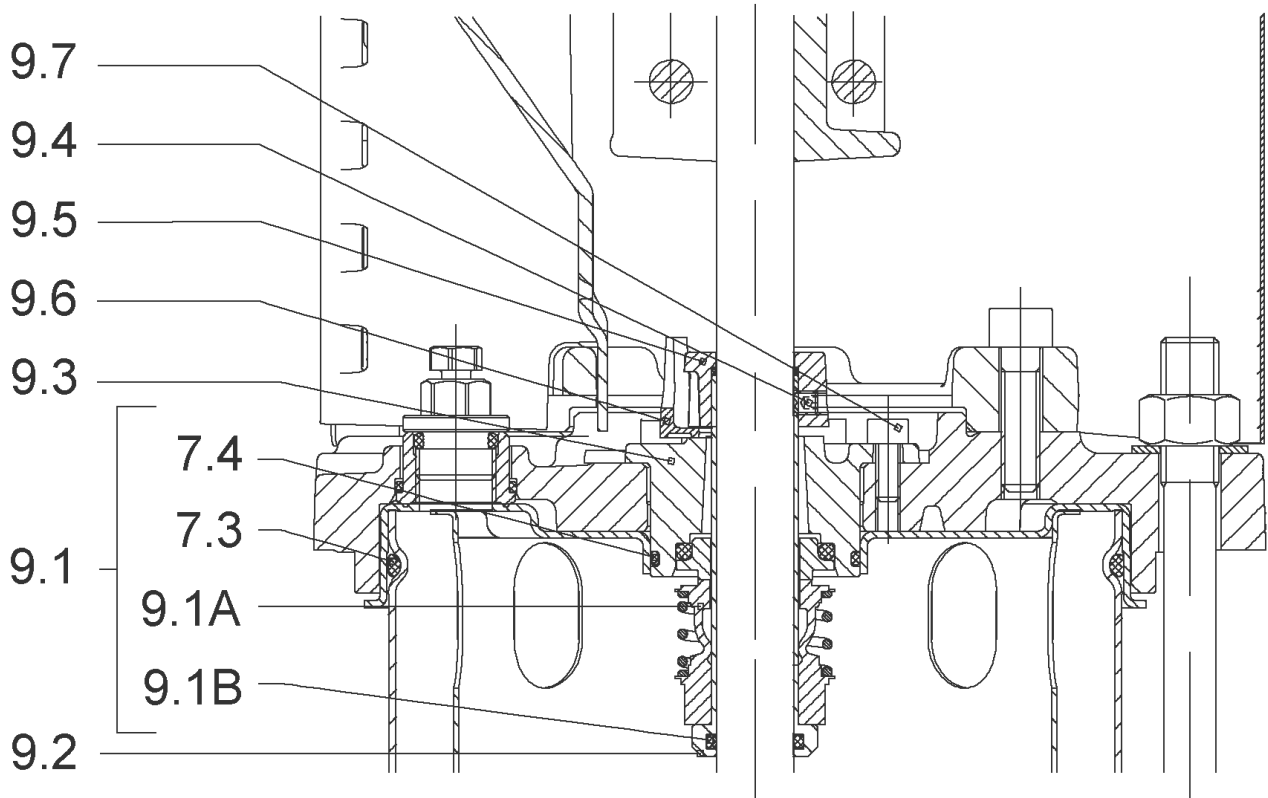
Item	Article no.	Description	Quantity
15.3	4159781	> PRIMING/DRAIN PLUG HELIX 16 FKM KIT	1
16	2127601	BASEPLATE HELIX V16 VP.	1

COUPLING D.16XD.38 FF265 HELIX KIT (4159711)



COUPLING D.16XD.38 FF265 HELIX KIT (4159711)

Item	Article no.	Description	Quantity
4.1	2131018	COUPLING 2 PARTS D.16XD.28XL.82,4 VP.	1
4.2	2131017	BALL BEARING 6310/ZZ-C4(HT)VP.	1
4.3	4234253	CIRCLIP-FOR-SHAFT-D50x2 VP.	1
4.4	4157726	SCREW KIT M8X30 (4 PIECES)	1
4.5	4234255	CIRCLIPS 110X4 VP.	1
4.6	4233944	O-RING ID.110 VP.	1
4.7	2131019	RETAINING RING D.26xD.2 DIN7993 VP.	1
4.8	2131020	HUB D.38XD.50 VP.	1
4.9	2131021	SPACER D.28XD.45 VP.	1
4.10	4157726	SCREW KIT M8X30 (4 PIECES)	1
4.11	4102901	SCREW CHC-M6X14-8.8-ISO4762-GEOMET500A	1
4.12	2130995	SERRATED LOCK WASHER D.6,2XD.14,5X28 VP.	1
		NOMEL CONTACT WASHER 8x16x1,4 STEEL ZC	1



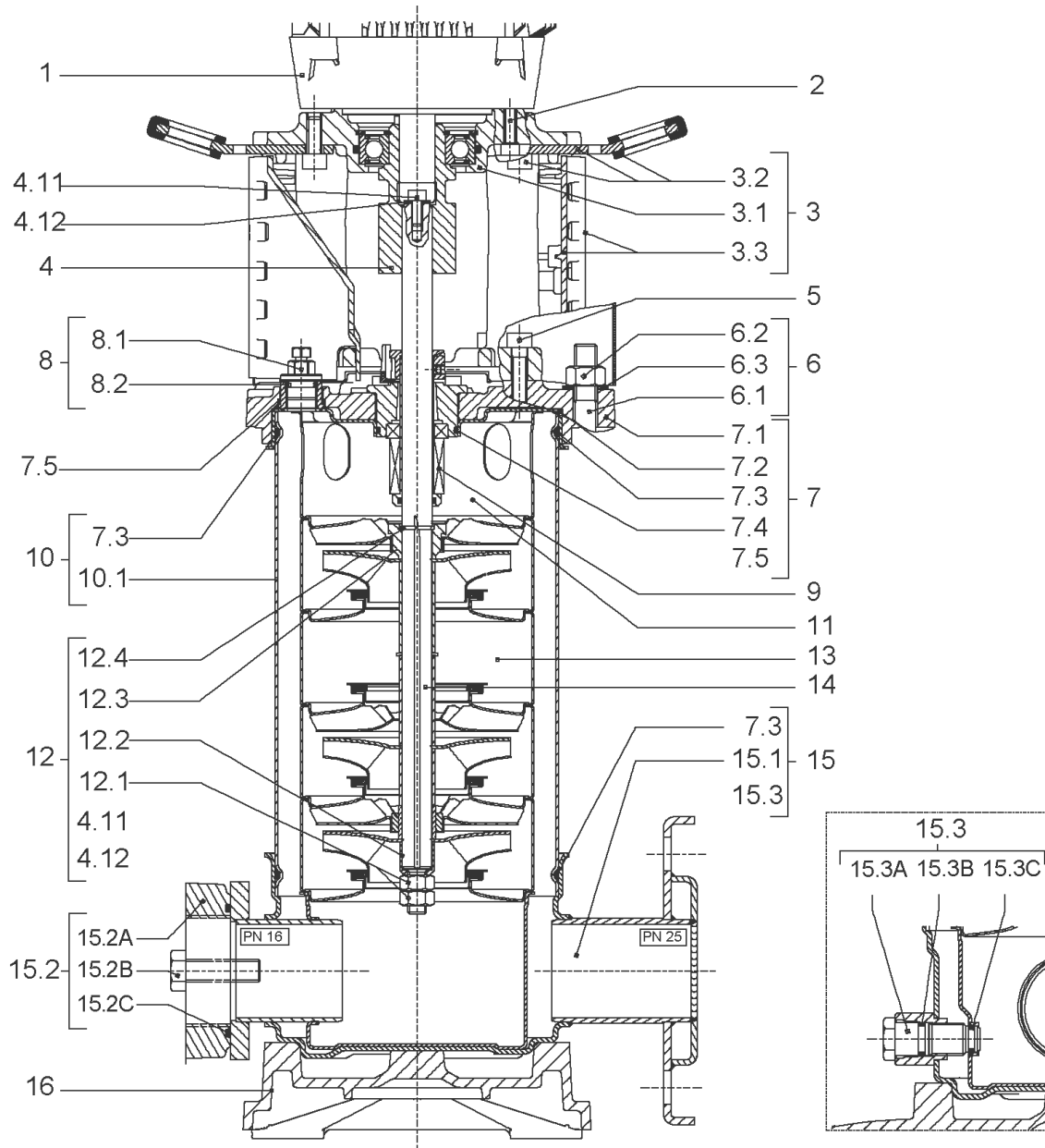
CARTRIDGE HELIX6-10-16 F/V KIT (4159700)

Item	Article no.	Description	Quantity
9.1	4159701	SEAL-KIT-HELIX6-10-16 F/V	1
7.3	4234237	> O-RING 139X3 VITON VP.	1
7.4	2131026	> O-RING ID.37,6X2,4 FKM VP.	1
9.1A	2131025	> MECH.SEAL HELIX2-4-6-10-16 F/V VP.	1
9.1B	2131027	> O-RING D.16XD.2,5 FKM VP.	1
9.2	2130961	SHAFT SLEEVE D.18/16X72,2 1.4404 VP.	1
9.3	2131024	RING HOLDER D.18 G606/G6 1.4404 VP.	1
9.4	4068120	SCREW CH M5x5 A4-70	1
9.5	2130963	DRIVE RING D.29/18x12,4 MACH.VP.	1
9.6	2130964	TOOL M.S.CART.HELIX VP.	1
9.7	2130965	SCREW CHC M5X12 ISO4762 A2.70(4 PIECES)	1



SPARE PARTS HYDRAULICS HELIX V 1.4404

Item	Article no.	Description	Quantity
13.1	4159786	STAGE HELIX16 1.4404 KIT	1
		> MACH.STG-CASING-WOGV-WNR-M+16-316	1
		> IMPELLER-H1-M+16-316	1
13.2	4159787	STAGE-BEARING HELIX16 1.4404 KIT	1
		> MACH.BEARING-STG-CASING-WNR-M+16-316	1
		> IMPELLER-H1-M+16-316	1
		> SLEEVE-SPACER-Ø19,35x30,665-316	1
		> SHAFT-SLEEVE-D16xD20x18-CW	1
13.3	4159788	INTERMEDIATE STAGE HELIX16 1.4404 KIT	1
		> MACH.STD-STG-CASING-WGV+NR-M+16-316	1
		> IMPELLER-H1-M+16-316	1
		> SPACER Ø16X19.4-L48.6-316	1
13.4	4159792	EMPTY STAGE-BEARING HELIX16 1.4404 KIT	1
		> MACH.BEARING-STG-CASING-WNR-M+16-316	1
		> FLAT WASHER-D16.1XD22X1.5-316L	1
		> SLEEVE-SPACER-Ø19,35x30,665-316	1
		> SHAFT-SLEEVE-D16xD20x18-CW	1
13.5	4159790	EMPTY STAGE HELIX16 1.4404 KIT	1
		> MACH.STG-CASING-WOGV-WNR-M+16-316	1
		> FLAT WASHER-D16.1XD22X1.5-316L	1
		> SPACER Ø16X19.4-L48.6-316	1
13.6	4159791	STAGE HELIX16 1.4404 KIT	1
		> MACH.STG-CASING-WOGV-WNR-M+16-316	1
		> IMPELLER-H1-M+16-316	1
		> SPACER Ø16X19.4-L48.6-316	1



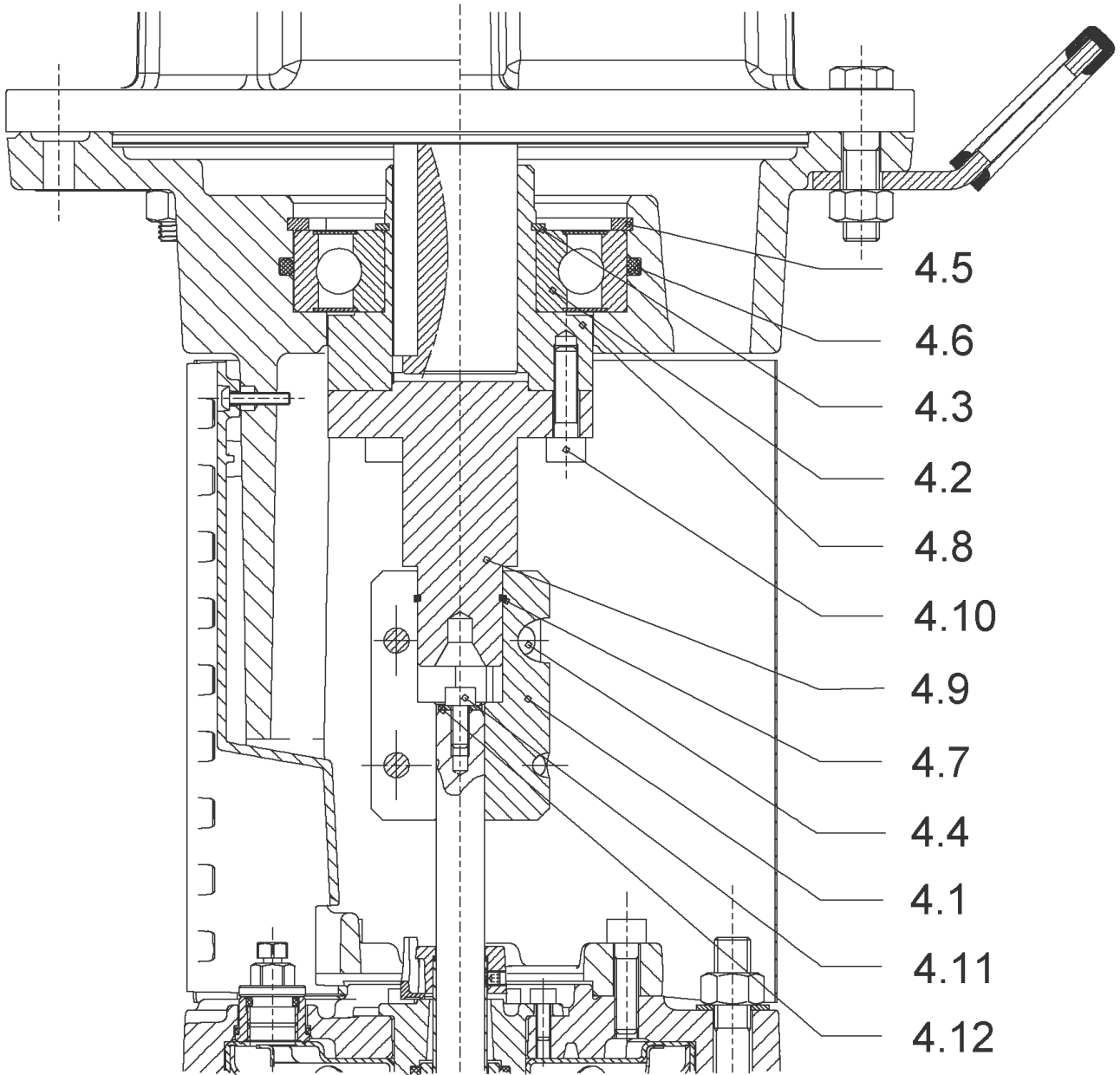
HELIX V1611-2/25/V/KS/400-50 (4150670)

Item	Article no.	Description	Quantity
1	4195450	MOTOR 7,5/2/* 3~400V 50HZ IE3 VP.	1
		SPARE PARTS MOTOR:ON REQUEST	1
2	4174093	SCREW M12X50 (4 PIECES)	1
3	4159693	LANTERN FF265 HELIX KIT	1
3.1		> LANTERN FF265 M+6" GJL MACHINING+CATA	1
3.2	2127605	> EYELET CPL.FF265 HELIX(2 PIECES)	1
3.3	4159695	> COUPLING PROTECTOR FF HELIX KIT	1
4	4159711	COUPLING D.16XD.38 FF265 HELIX KIT	1
5	4159707	SCREW M8X30 (4 PIECES)	1
6	4177852	STUD BOLT M12X788KIT	1
7	4159783	END SHIELD HELIX FKM 1.4404 KIT	1
7.1		> END SHIELD M+6" GJL250 MACHINING+CATA	1
7.2	2131056	> STATIONARY RING HOLDER 6" HELIX 1.4404 V	1
7.3	4234237	> O-RING 139X3 VITON VP.	1
7.4	2131026	> O-RING ID.37,6X2,4 FKM VP.	1
7.5	2131057	> O-RING ID.21,35X2 FKM VP.	1
8	4159784	FILING/PURGING PLUG HELIX FKM KIT	1
9	4159700	CARTRIDGE HELIX6-10-16 F/V KIT	1
10	2131050	HOUSING PIPE D.152x660 1.4404 KIT	1
7.3	4234237	> O-RING 139X3 VITON VP.	1
10.1		> HOUSING-PIPE Ø152-M+1016/1610-316L-PASS.	1
11	2131055	CENTERING STAGE-RETURN HELIX16 1.4404 VP	1
12	4159688	SHAFT EQUIPMENT HELIX V16 BI BLOC KIT	1
4.11	4102901	> SCREW CHC-M6X14-8.8-ISO4762-GEOMET500A	1
4.12	2130995	> SERRATED LOCK WASHER D.6,2XD.14,5X28 VP.	1
12.1		> NUT-H-M10-A4.70	1
12.4		> STOP-RUSH-1/2-D16xd2-M+316	1
12.3		> STOP COLLAR OF IMPELLER L18,8-Ø16-316L	1
12.2		> SERRATED LOCK WASHER M+16M3-316L	1
13		SPARE PARTS HYDRAULICS HELIX V 1.4404	1
14	2131039	SHAFT D.16X780 1.4462 VP.	1
15	4159782	PUMP HOUSING HELIX DN50 PN25 1.4409 KIT	1
7.3	4177887	> O-RING ID.145,65X3,53 VITON VP.	1
15.1		> BLASTING PPE HOUSING V-PN25-DN50-316L	1

HELIX V1611-2/25/V/KS/400-50 (4150670)

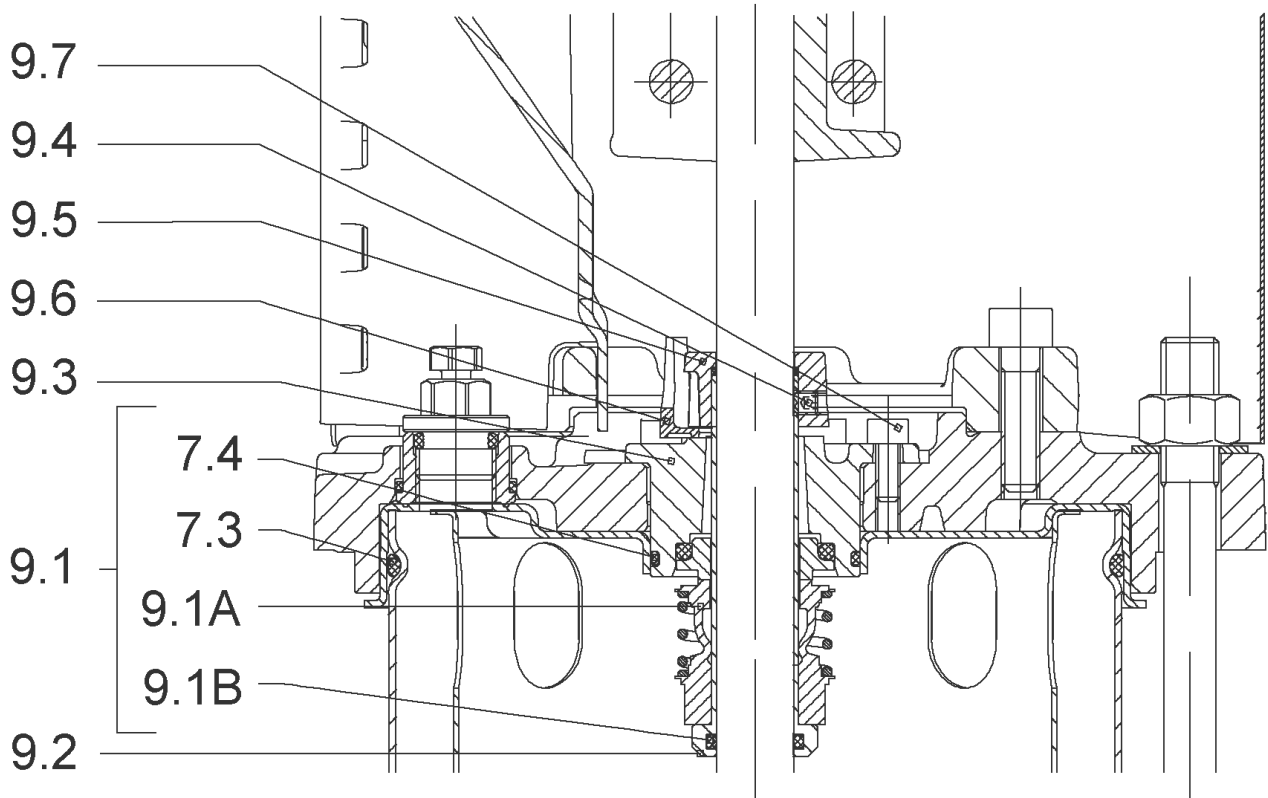
Item	Article no.	Description	Quantity
15.3	4159781	> PRIMING/DRAIN PLUG HELIX 16 FKM KIT	1
16	2127601	BASEPLATE HELIX V16 VP.	1

COUPLING D.16XD.38 FF265 HELIX KIT (4159711)



COUPLING D.16XD.38 FF265 HELIX KIT (4159711)

Item	Article no.	Description	Quantity
4.1	2131018	COUPLING 2 PARTS D.16XD.28XL.82,4 VP.	1
4.2	2131017	BALL BEARING 6310/ZZ-C4(HT)VP.	1
4.3	4234253	CIRCLIP-FOR-SHAFT-D50x2 VP.	1
4.4	4157726	SCREW KIT M8X30 (4 PIECES)	1
4.5	4234255	CIRCLIPS 110X4 VP.	1
4.6	4233944	O-RING ID.110 VP.	1
4.7	2131019	RETAINING RING D.26xD.2 DIN7993 VP.	1
4.8	2131020	HUB D.38XD.50 VP.	1
4.9	2131021	SPACER D.28XD.45 VP.	1
4.10	4157726	SCREW KIT M8X30 (4 PIECES)	1
4.11	4102901	SCREW CHC-M6X14-8.8-ISO4762-GEOMET500A	1
4.12	2130995	SERRATED LOCK WASHER D.6,2XD.14,5X28 VP.	1
		NOMEL CONTACT WASHER 8x16x1,4 STEEL ZC	1



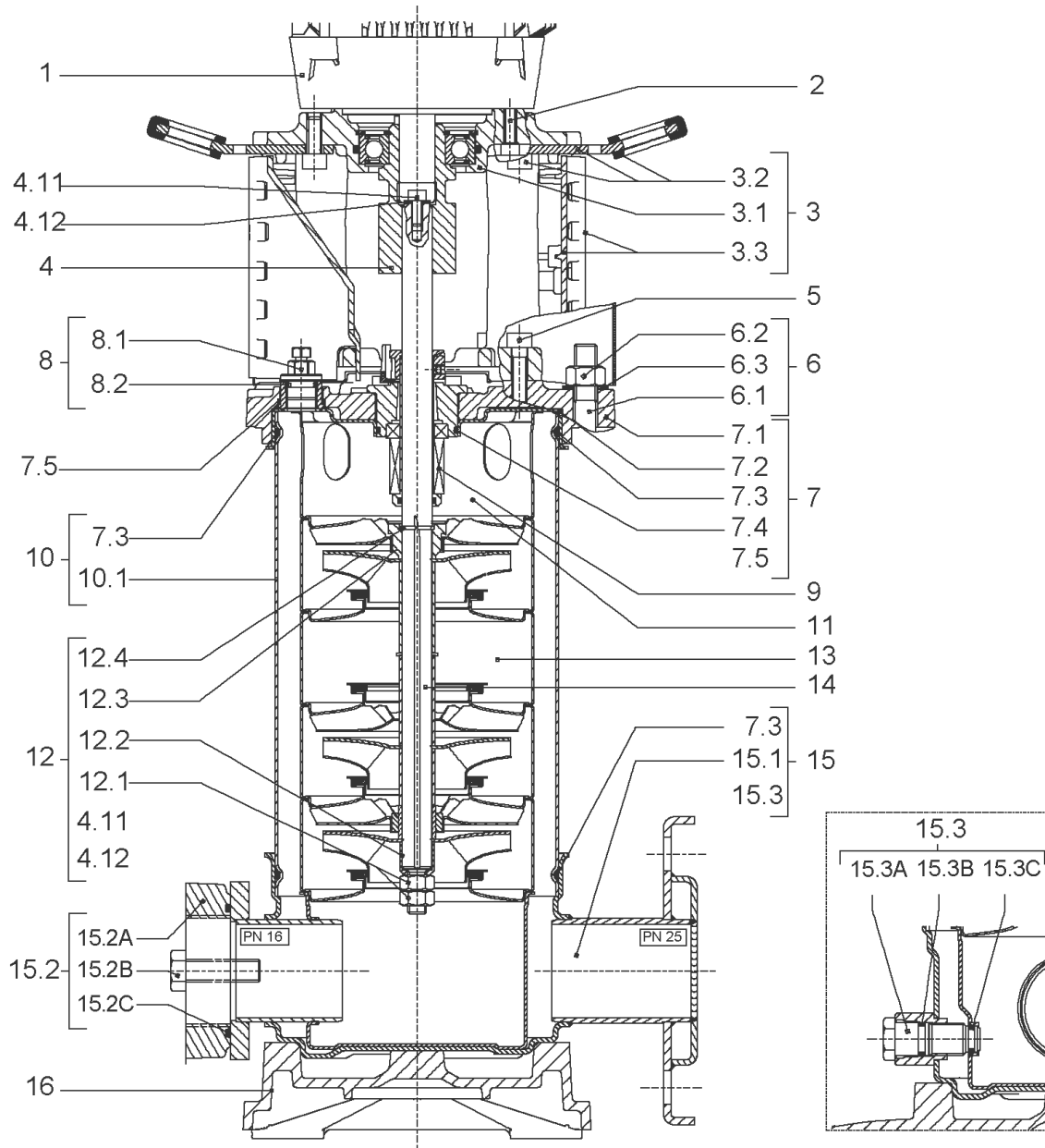
CARTRIDGE HELIX6-10-16 F/V KIT (4159700)

Item	Article no.	Description	Quantity
9.1	4159701	SEAL-KIT-HELIX6-10-16 F/V	1
7.3	4234237	> O-RING 139X3 VITON VP.	1
7.4	2131026	> O-RING ID.37,6X2,4 FKM VP.	1
9.1A	2131025	> MECH.SEAL HELIX2-4-6-10-16 F/V VP.	1
9.1B	2131027	> O-RING D.16XD.2,5 FKM VP.	1
9.2	2130961	SHAFT SLEEVE D.18/16X72,2 1.4404 VP.	1
9.3	2131024	RING HOLDER D.18 G606/G6 1.4404 VP.	1
9.4	4068120	SCREW CH M5x5 A4-70	1
9.5	2130963	DRIVE RING D.29/18x12,4 MACH.VP.	1
9.6	2130964	TOOL M.S.CART.HELIX VP.	1
9.7	2130965	SCREW CHC M5X12 ISO4762 A2.70(4 PIECES)	1



SPARE PARTS HYDRAULICS HELIX V 1.4404

Item	Article no.	Description	Quantity
13.1	4159786	STAGE HELIX16 1.4404 KIT	1
		> MACH.STG-CASING-WOGV-WNR-M+16-316	1
		> IMPELLER-H1-M+16-316	1
13.2	4159787	STAGE-BEARING HELIX16 1.4404 KIT	1
		> MACH.BEARING-STG-CASING-WNR-M+16-316	1
		> IMPELLER-H1-M+16-316	1
		> SLEEVE-SPACER-Ø19,35x30,665-316	1
		> SHAFT-SLEEVE-D16xD20x18-CW	1
13.3	4159788	INTERMEDIATE STAGE HELIX16 1.4404 KIT	1
		> MACH.STD-STG-CASING-WGV+NR-M+16-316	1
		> IMPELLER-H1-M+16-316	1
		> SPACER Ø16X19.4-L48.6-316	1
13.4	4159789	EMPTY STAGE-GUIDE VANE HELIX16 1.4404KIT	1
		> MACH.STD-STG-CASING-WGV+NR-M+16-316	1
		> FLAT WASHER-D16.1XD22X1.5-316L	1
		> SPACER Ø16X19.4-L48.6-316	1
13.5	4159791	STAGE HELIX16 1.4404 KIT	1
		> MACH.STG-CASING-WOGV-WNR-M+16-316	1
		> IMPELLER-H1-M+16-316	1
		> SPACER Ø16X19.4-L48.6-316	1



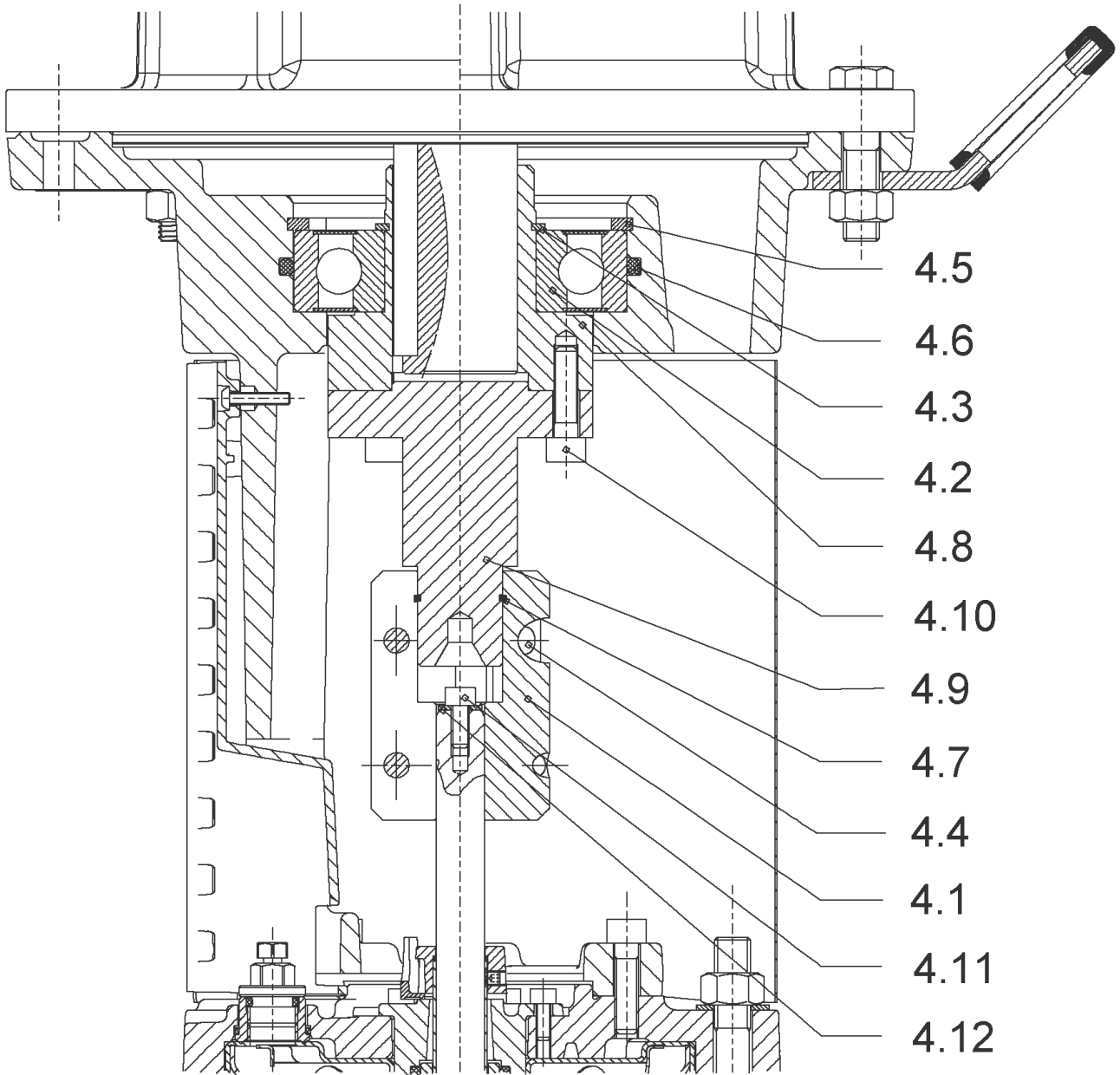
HELIX V1612-2/25/V/KS/400-50 (4150671)

Item	Article no.	Description	Quantity
1	4195483	MOTOR 9/2/132 3~400V 50HZ IE3 VP.	1
		SPARE PARTS MOTOR:ON REQUEST	1
2	4174093	SCREW M12X50 (4 PIECES)	1
3	4159693	LANTERN FF265 HELIX KIT	1
3.1		> LANTERN FF265 M+6" GJL MACHINING+CATA	1
3.2	2127605	> EYELET CPL.FF265 HELIX(2 PIECES)	1
3.3	4159695	> COUPLING PROTECTOR FF HELIX KIT	1
4	4159711	COUPLING D.16XD.38 FF265 HELIX KIT	1
5	4159707	SCREW M8X30 (4 PIECES)	1
6	4177852	STUD BOLT M12X788KIT	1
7	4159783	END SHIELD HELIX FKM 1.4404 KIT	1
7.1		> END SHIELD M+6" GJL250 MACHINING+CATA	1
7.2	2131056	> STATIONARY RING HOLDER 6" HELIX 1.4404 V	1
7.3	4234237	> O-RING 139X3 VITON VP.	1
7.4	2131026	> O-RING ID.37,6X2,4 FKM VP.	1
7.5	2131057	> O-RING ID.21,35X2 FKM VP.	1
8	4159784	FILING/PURGING PLUG HELIX FKM KIT	1
9	4159700	CARTRIDGE HELIX6-10-16 F/V KIT	1
10	2131050	HOUSING PIPE D.152x660 1.4404 KIT	1
7.3	4234237	> O-RING 139X3 VITON VP.	1
10.1		> HOUSING-PIPE Ø152-M+1016/1610-316L-PASS.	1
11	2131055	CENTERING STAGE-RETURN HELIX16 1.4404 VP	1
12	4159688	SHAFT EQUIPMENT HELIX V16 BI BLOC KIT	1
4.11	4102901	> SCREW CHC-M6X14-8.8-ISO4762-GEOMET500A	1
4.12	2130995	> SERRATED LOCK WASHER D.6,2XD.14,5X28 VP.	1
12.1		> NUT-H-M10-A4.70	1
12.4		> STOP-RUSH-1/2-D16xd2-M+316	1
12.3		> STOP COLLAR OF IMPELLER L18,8-Ø16-316L	1
12.2		> SERRATED LOCK WASHER M+16M3-316L	1
13		SPARE PARTS HYDRAULICS HELIX V 1.4404	1
14	2131039	SHAFT D.16X780 1.4462 VP.	1
15	4159782	PUMP HOUSING HELIX DN50 PN25 1.4409 KIT	1
7.3	4177887	> O-RING ID.145,65X3,53 VITON VP.	1
15.1		> BLASTING PPE HOUSING V-PN25-DN50-316L	1

HELIX V1612-2/25/V/KS/400-50 (4150671)

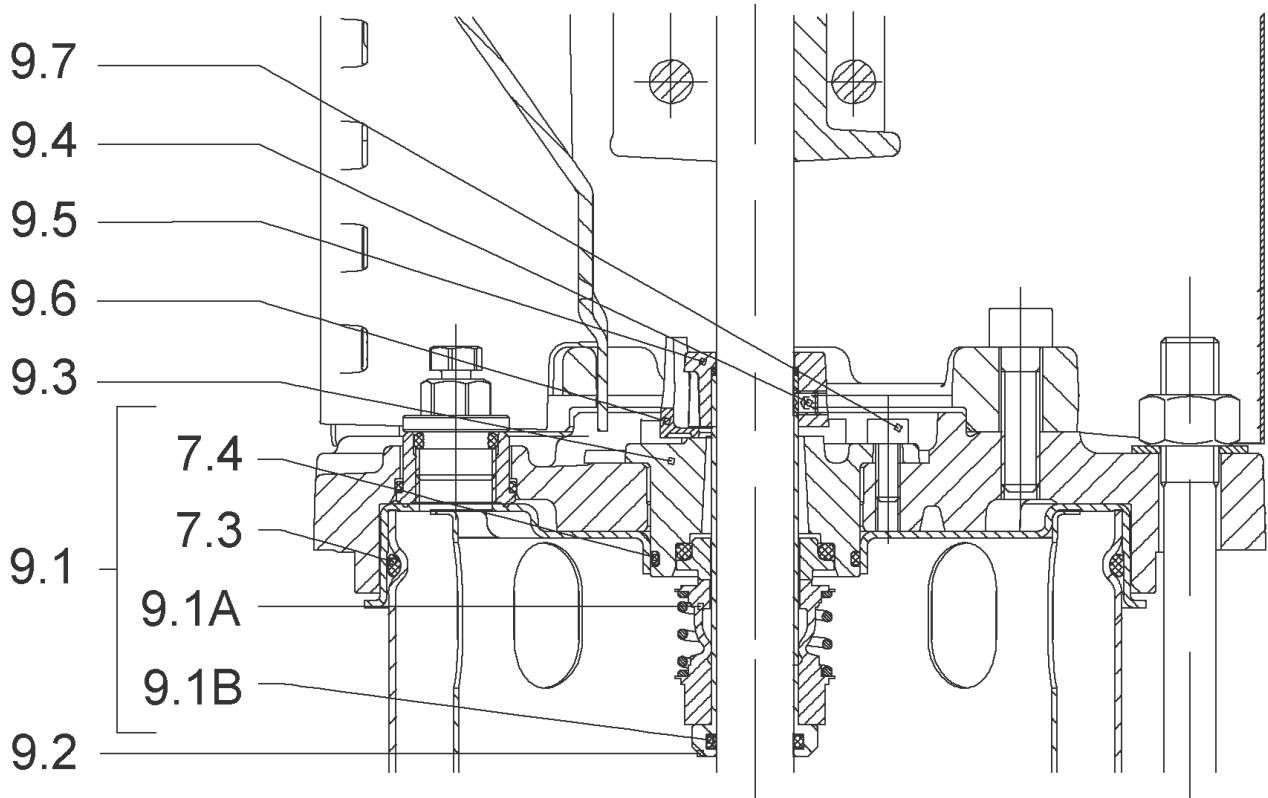
Item	Article no.	Description	Quantity
15.3	4159781	> PRIMING/DRAIN PLUG HELIX 16 FKM KIT	1
16	2127601	BASEPLATE HELIX V16 VP.	1

COUPLING D.16XD.38 FF265 HELIX KIT (4159711)



COUPLING D.16XD.38 FF265 HELIX KIT (4159711)

Item	Article no.	Description	Quantity
4.1	2131018	COUPLING 2 PARTS D.16XD.28XL.82,4 VP.	1
4.2	2131017	BALL BEARING 6310/ZZ-C4(HT)VP.	1
4.3	4234253	CIRCLIP-FOR-SHAFT-D50x2 VP.	1
4.4	4157726	SCREW KIT M8X30 (4 PIECES)	1
4.5	4234255	CIRCLIPS 110X4 VP.	1
4.6	4233944	O-RING ID.110 VP.	1
4.7	2131019	RETAINING RING D.26xD.2 DIN7993 VP.	1
4.8	2131020	HUB D.38XD.50 VP.	1
4.9	2131021	SPACER D.28XD.45 VP.	1
4.10	4157726	SCREW KIT M8X30 (4 PIECES)	1
4.11	4102901	SCREW CHC-M6X14-8.8-ISO4762-GEOMET500A	1
4.12	2130995	SERRATED LOCK WASHER D.6,2XD.14,5X28 VP.	1
		NOMEL CONTACT WASHER 8x16x1,4 STEEL ZC	1



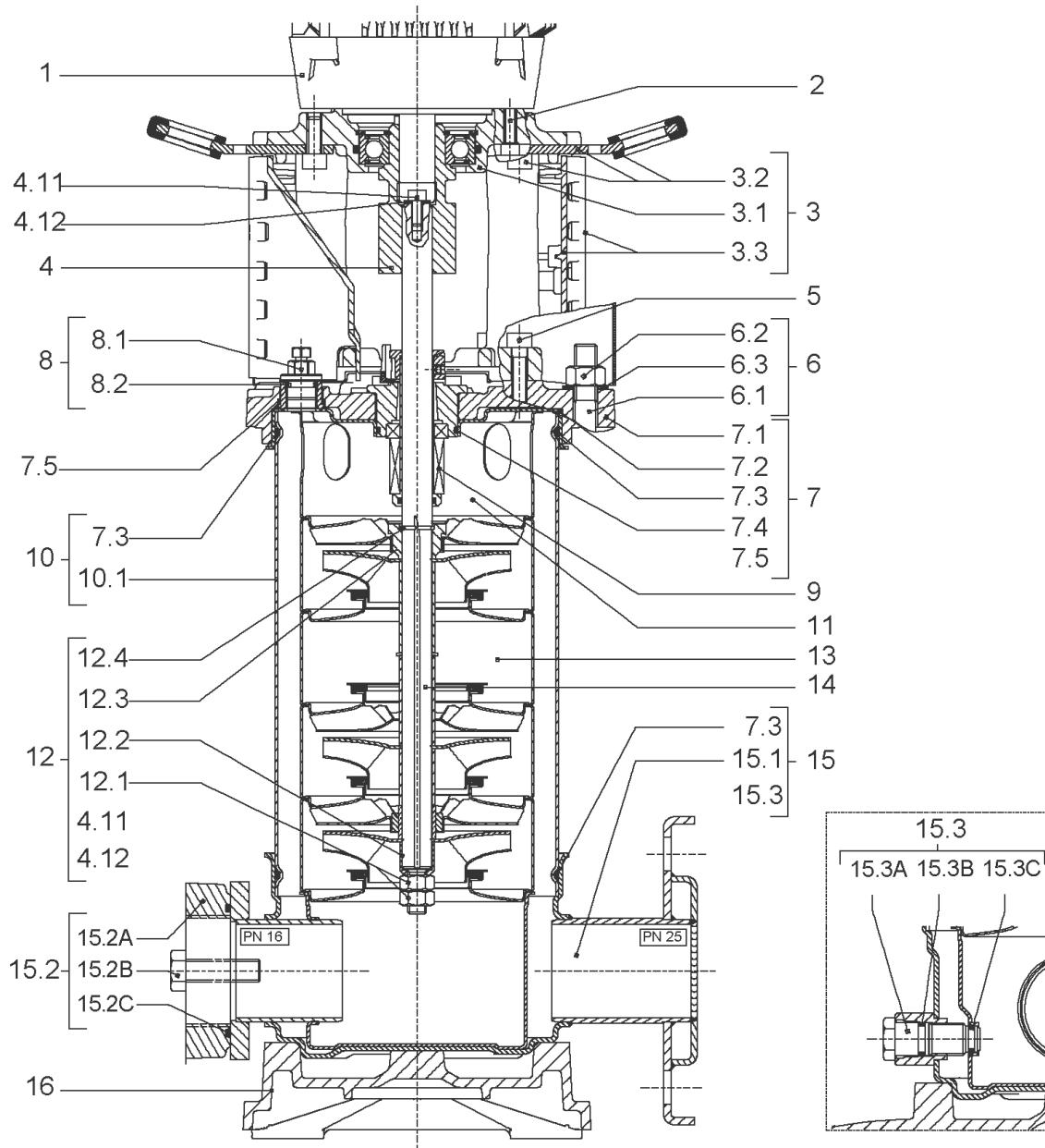
CARTRIDGE HELIX6-10-16 F/V KIT (4159700)

Item	Article no.	Description	Quantity
9.1	4159701	SEAL-KIT-HELIX6-10-16 F/V	1
7.3	4234237	> O-RING 139X3 VITON VP.	1
7.4	2131026	> O-RING ID.37,6X2,4 FKM VP.	1
9.1A	2131025	> MECH.SEAL HELIX2-4-6-10-16 F/V VP.	1
9.1B	2131027	> O-RING D.16XD.2,5 FKM VP.	1
9.2	2130961	SHAFT SLEEVE D.18/16X72,2 1.4404 VP.	1
9.3	2131024	RING HOLDER D.18 G606/G6 1.4404 VP.	1
9.4	4068120	SCREW CH M5x5 A4-70	1
9.5	2130963	DRIVE RING D.29/18x12,4 MACH.VP.	1
9.6	2130964	TOOL M.S.CART.HELIX VP.	1
9.7	2130965	SCREW CHC M5X12 ISO4762 A2.70(4 PIECES)	1



SPARE PARTS HYDRAULICS HELIX V 1.4404

Item	Article no.	Description	Quantity
13.1	4159786	STAGE HELIX16 1.4404 KIT	1
		> MACH.STG-CASING-WOGV-WNR-M+16-316	1
		> IMPELLER-H1-M+16-316	1
13.2	4159787	STAGE-BEARING HELIX16 1.4404 KIT	1
		> MACH.BEARING-STG-CASING-WNR-M+16-316	1
		> IMPELLER-H1-M+16-316	1
		> SLEEVE-SPACER-Ø19,35x30,665-316	1
		> SHAFT-SLEEVE-D16xD20x18-CW	1
13.3	4159788	INTERMEDIATE STAGE HELIX16 1.4404 KIT	1
		> MACH.STD-STG-CASING-WGV+NR-M+16-316	1
		> IMPELLER-H1-M+16-316	1
		> SPACER Ø16X19.4-L48.6-316	1



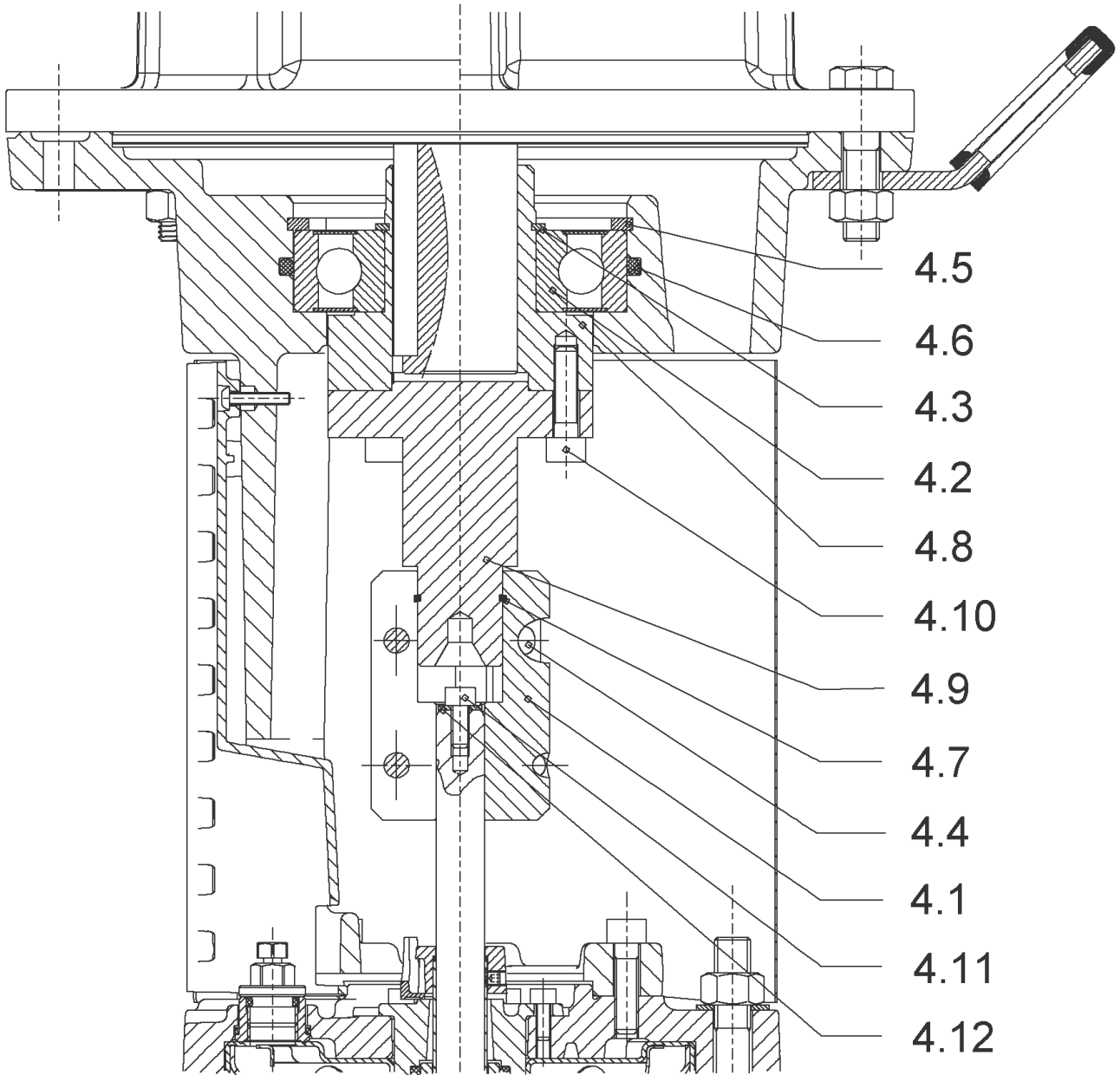
HELIX V1613-2/25/V/KS/400-50 (4150672)

Item	Article no.	Description	Quantity
1	4195483	MOTOR 9/2/132 3~400V 50HZ IE3 VP.	1
		SPARE PARTS MOTOR:ON REQUEST	1
2	4174093	SCREW M12X50 (4 PIECES)	1
3	4159693	LANTERN FF265 HELIX KIT	1
3.1		> LANTERN FF265 M+6" GJL MACHINING+CATA	1
3.2	2127605	> EYELET CPL.FF265 HELIX(2 PIECES)	1
3.3	4159695	> COUPLING PROTECTOR FF HELIX KIT	1
4	4159711	COUPLING D.16XD.38 FF265 HELIX KIT	1
5	4159707	SCREW M8X30 (4 PIECES)	1
6	4177863	STUD BOLT M12X938 KIT	1
7	4159783	END SHIELD HELIX FKM 1.4404 KIT	1
7.1		> END SHIELD M+6" GJL250 MACHINING+CATA	1
7.2	2131056	> STATIONARY RING HOLDER 6" HELIX 1.4404 V	1
7.3	4234237	> O-RING 139X3 VITON VP.	1
7.4	2131026	> O-RING ID.37,6X2,4 FKM VP.	1
7.5	2131057	> O-RING ID.21,35X2 FKM VP.	1
8	4159784	FILING/PURGING PLUG HELIX FKM KIT	1
9	4159700	CARTRIDGE HELIX6-10-16 F/V KIT	1
10	2131051	HOUSING PIPE D.152x810 1.4404 KIT	1
7.3	4234237	> O-RING 139X3 VITON VP.	1
10.1		> HOUSING-PIPE Ø152-M+1020/1613-316L-PASS.	1
11	2131055	CENTERING STAGE-RETURN HELIX16 1.4404 VP	1
12	4159688	SHAFT EQUIPMENT HELIX V16 BI BLOC KIT	1
4.11	4102901	> SCREW CHC-M6X14-8.8-ISO4762-GEOMET500A	1
4.12	2130995	> SERRATED LOCK WASHER D.6,2XD.14,5X28 VP.	1
12.1		> NUT-H-M10-A4.70	1
12.4		> STOP-RUSH-1/2-D16xd2-M+316	1
12.3		> STOP COLLAR OF IMPELLER L18,8-Ø16-316L	1
12.2		> SERRATED LOCK WASHER M+16M3-316L	1
13		SPARE PARTS HYDRAULICS HELIX V 1.4404	1
Note: TO / BIS / JUSQU'A .13W05			
13		SPARE PARTS HYDRAULICS HELIX V 1.4404	1
Note: FROM / AB / À PARTIR DE.13W06			
14	2131040	SHAFT D.16X930 1.4404 VP.	1

HELIX V1613-2/25/V/KS/400-50 (4150672)

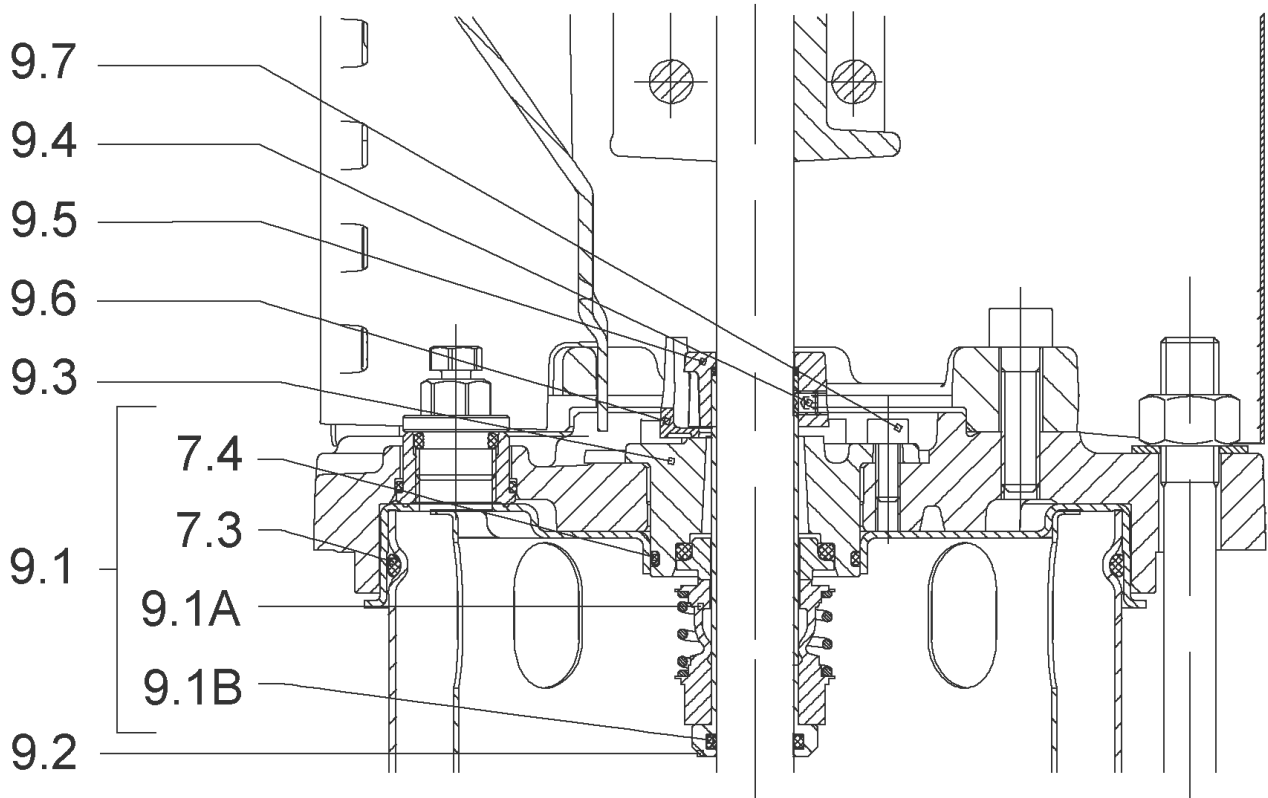
Item	Article no.	Description	Quantity
15	4159782	PUMP HOUSING HELIX DN50 PN25 1.4409 KIT	1
7.3	4177887	> O-RING ID.145,65X3,53 VITON VP.	1
15.1		> BLASTING PPE HOUSING V-PN25-DN50-316L	1
15.3	4159781	> PRIMING/DRAIN PLUG HELIX 16 FKM KIT	1
16	2127601	BASEPLATE HELIX V16 VP.	1

COUPLING D.16XD.38 FF265 HELIX KIT (4159711)



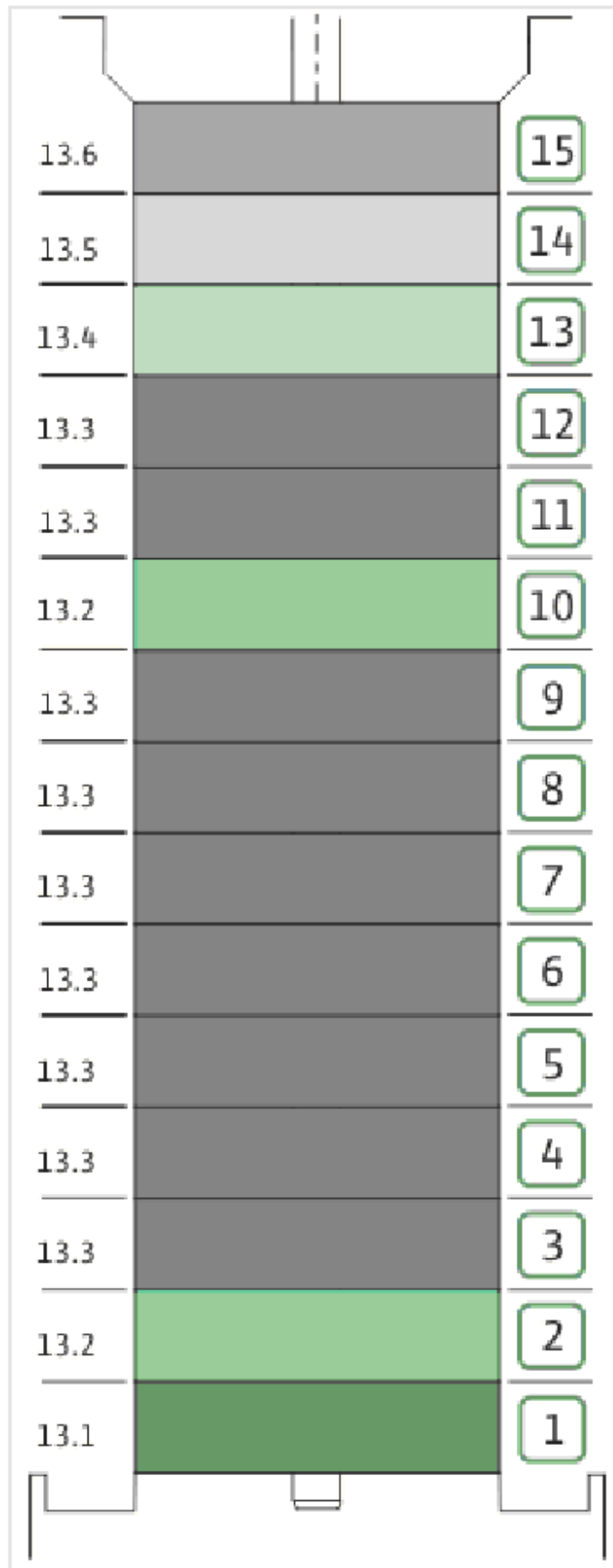
COUPLING D.16XD.38 FF265 HELIX KIT (4159711)

Item	Article no.	Description	Quantity
4.1	2131018	COUPLING 2 PARTS D.16XD.28XL.82,4 VP.	1
4.2	2131017	BALL BEARING 6310/ZZ-C4(HT)VP.	1
4.3	4234253	CIRCLIP-FOR-SHAFT-D50x2 VP.	1
4.4	4157726	SCREW KIT M8X30 (4 PIECES)	1
4.5	4234255	CIRCLIPS 110X4 VP.	1
4.6	4233944	O-RING ID.110 VP.	1
4.7	2131019	RETAINING RING D.26xD.2 DIN7993 VP.	1
4.8	2131020	HUB D.38XD.50 VP.	1
4.9	2131021	SPACER D.28XD.45 VP.	1
4.10	4157726	SCREW KIT M8X30 (4 PIECES)	1
4.11	4102901	SCREW CHC-M6X14-8.8-ISO4762-GEOMET500A	1
4.12	2130995	SERRATED LOCK WASHER D.6,2XD.14,5X28 VP.	1
		NOMEL CONTACT WASHER 8x16x1,4 STEEL ZC	1



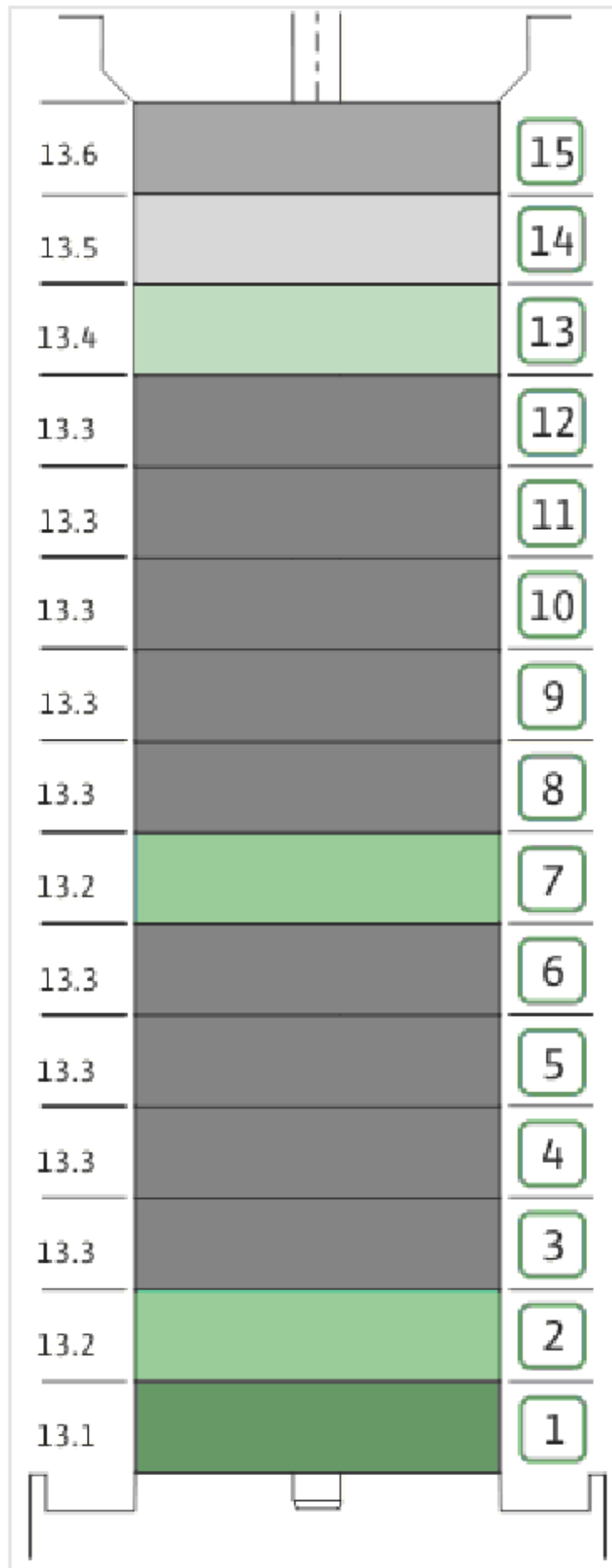
CARTRIDGE HELIX6-10-16 F/V KIT (4159700)

Item	Article no.	Description	Quantity
9.1	4159701	SEAL-KIT-HELIX6-10-16 F/V	1
7.3	4234237	> O-RING 139X3 VITON VP.	1
7.4	2131026	> O-RING ID.37,6X2,4 FKM VP.	1
9.1A	2131025	> MECH.SEAL HELIX2-4-6-10-16 F/V VP.	1
9.1B	2131027	> O-RING D.16XD.2,5 FKM VP.	1
9.2	2130961	SHAFT SLEEVE D.18/16X72,2 1.4404 VP.	1
9.3	2131024	RING HOLDER D.18 G606/G6 1.4404 VP.	1
9.4	4068120	SCREW CH M5x5 A4-70	1
9.5	2130963	DRIVE RING D.29/18x12,4 MACH.VP.	1
9.6	2130964	TOOL M.S.CART.HELIX VP.	1
9.7	2130965	SCREW CHC M5X12 ISO4762 A2.70(4 PIECES)	1



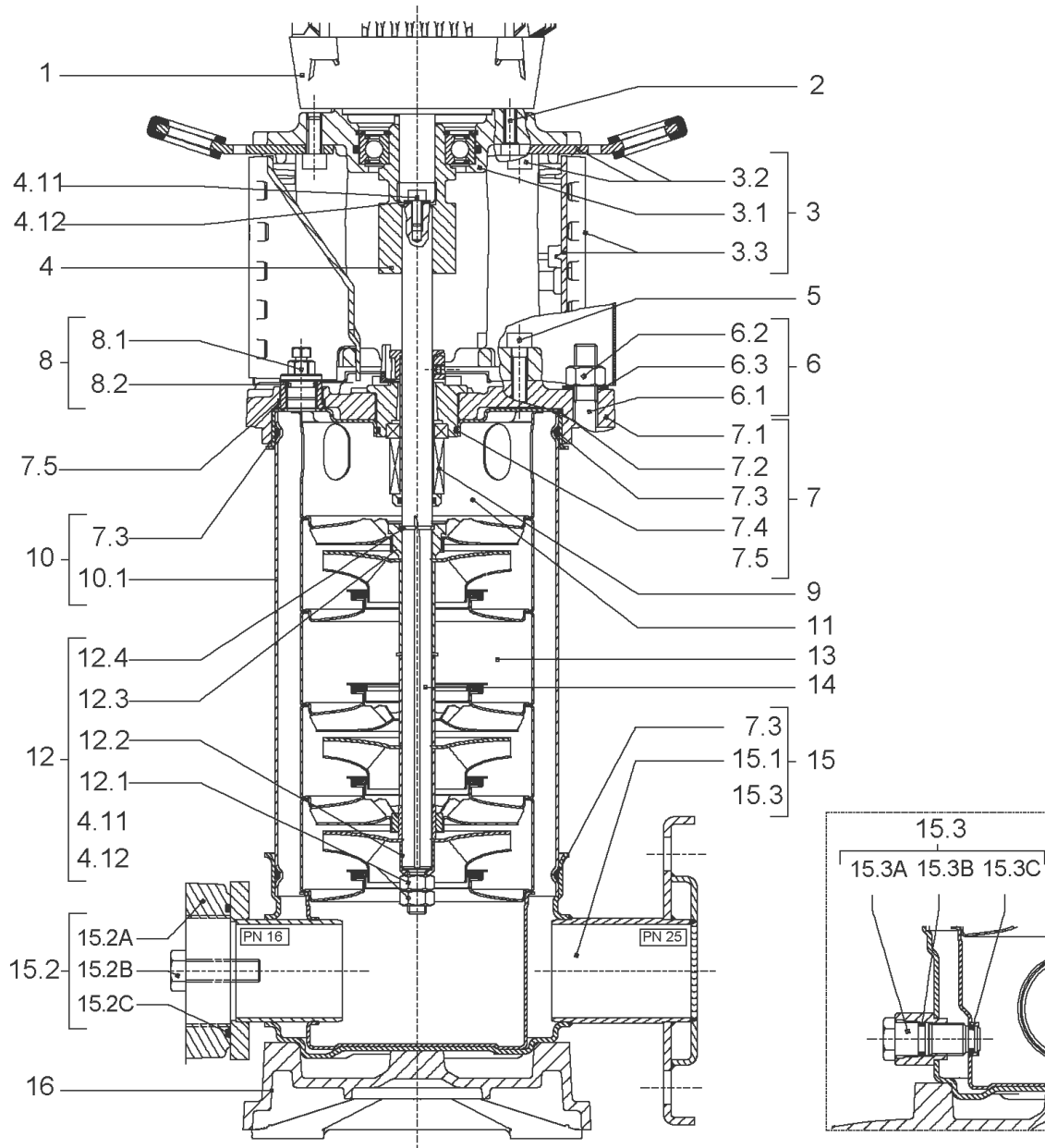
SPARE PARTS HYDRAULICS HELIX V 1.4404

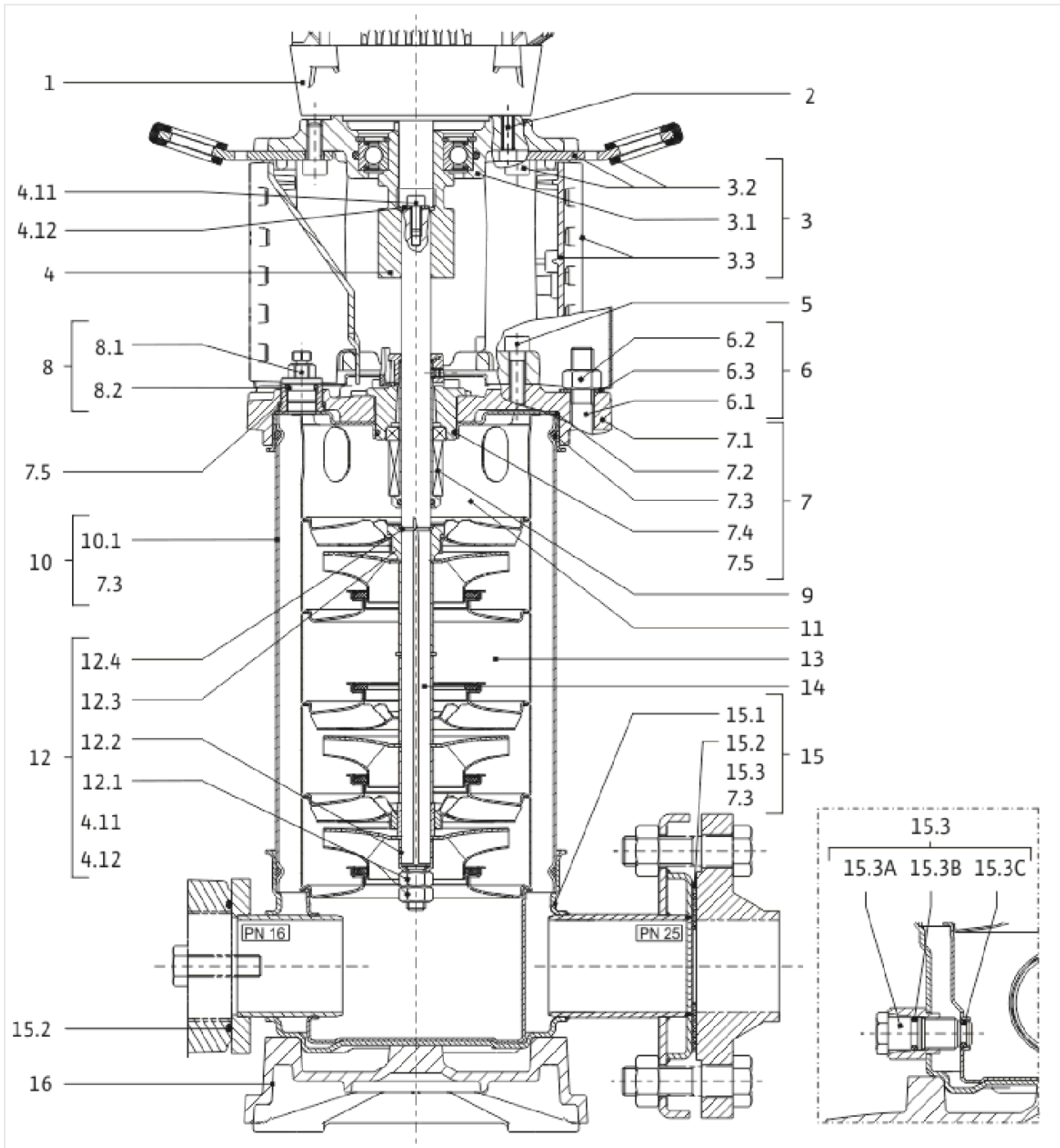
Item	Article no.	Description	Quantity
13.1	4159786	STAGE HELIX16 1.4404 KIT	1
		> MACH.STG-CASING-WOGV-WNR-M+16-316	1
		> IMPELLER-H1-M+16-316	1
13.2	4159787	STAGE-BEARING HELIX16 1.4404 KIT	1
		> MACH.BEARING-STG-CASING-WNR-M+16-316	1
		> IMPELLER-H1-M+16-316	1
		> SLEEVE-SPACER-Ø19,35x30,665-316	1
		> SHAFT-SLEEVE-D16xD20x18-CW	1
13.3	4159788	INTERMEDIATE STAGE HELIX16 1.4404 KIT	1
		> MACH.STD-STG-CASING-WGV+NR-M+16-316	1
		> IMPELLER-H1-M+16-316	1
		> SPACER Ø16X19.4-L48.6-316	1
13.4	4159789	EMPTY STAGE-GUIDE VANE HELIX16 1.4404KIT	1
		> MACH.STD-STG-CASING-WGV+NR-M+16-316	1
		> FLAT WASHER-D16.1XD22X1.5-316L	1
		> SPACER Ø16X19.4-L48.6-316	1
13.5	4159790	EMPTY STAGE HELIX16 1.4404 KIT	1
		> MACH.STG-CASING-WOGV-WNR-M+16-316	1
		> FLAT WASHER-D16.1XD22X1.5-316L	1
		> SPACER Ø16X19.4-L48.6-316	1
13.6	4159791	STAGE HELIX16 1.4404 KIT	1
		> MACH.STG-CASING-WOGV-WNR-M+16-316	1
		> IMPELLER-H1-M+16-316	1
		> SPACER Ø16X19.4-L48.6-316	1



SPARE PARTS HYDRAULICS HELIX V 1.4404

Item	Article no.	Description	Quantity
13.1	4159786	STAGE HELIX16 1.4404 KIT	1
		> MACH.STG-CASING-WOGV-WNR-M+16-316	1
		> IMPELLER-H1-M+16-316	1
13.2	4159787	STAGE-BEARING HELIX16 1.4404 KIT	1
		> MACH.BEARING-STG-CASING-WNR-M+16-316	1
		> IMPELLER-H1-M+16-316	1
		> SLEEVE-SPACER-Ø19,35x30,665-316	1
		> SHAFT-SLEEVE-D16xD20x18-CW	1
13.3	4159788	INTERMEDIATE STAGE HELIX16 1.4404 KIT	1
		> MACH.STD-STG-CASING-WGV+NR-M+16-316	1
		> IMPELLER-H1-M+16-316	1
		> SPACER Ø16X19.4-L48.6-316	1
13.4	4159792	EMPTY STAGE-BEARING HELIX16 1.4404 KIT	1
		> MACH.BEARING-STG-CASING-WNR-M+16-316	1
		> FLAT WASHER-D16.1XD22X1.5-316L	1
		> SLEEVE-SPACER-Ø19,35x30,665-316	1
		> SHAFT-SLEEVE-D16xD20x18-CW	1
13.5	4159790	EMPTY STAGE HELIX16 1.4404 KIT	1
		> MACH.STG-CASING-WOGV-WNR-M+16-316	1
		> FLAT WASHER-D16.1XD22X1.5-316L	1
		> SPACER Ø16X19.4-L48.6-316	1
13.6	4159791	STAGE HELIX16 1.4404 KIT	1
		> MACH.STG-CASING-WOGV-WNR-M+16-316	1
		> IMPELLER-H1-M+16-316	1
		> SPACER Ø16X19.4-L48.6-316	1





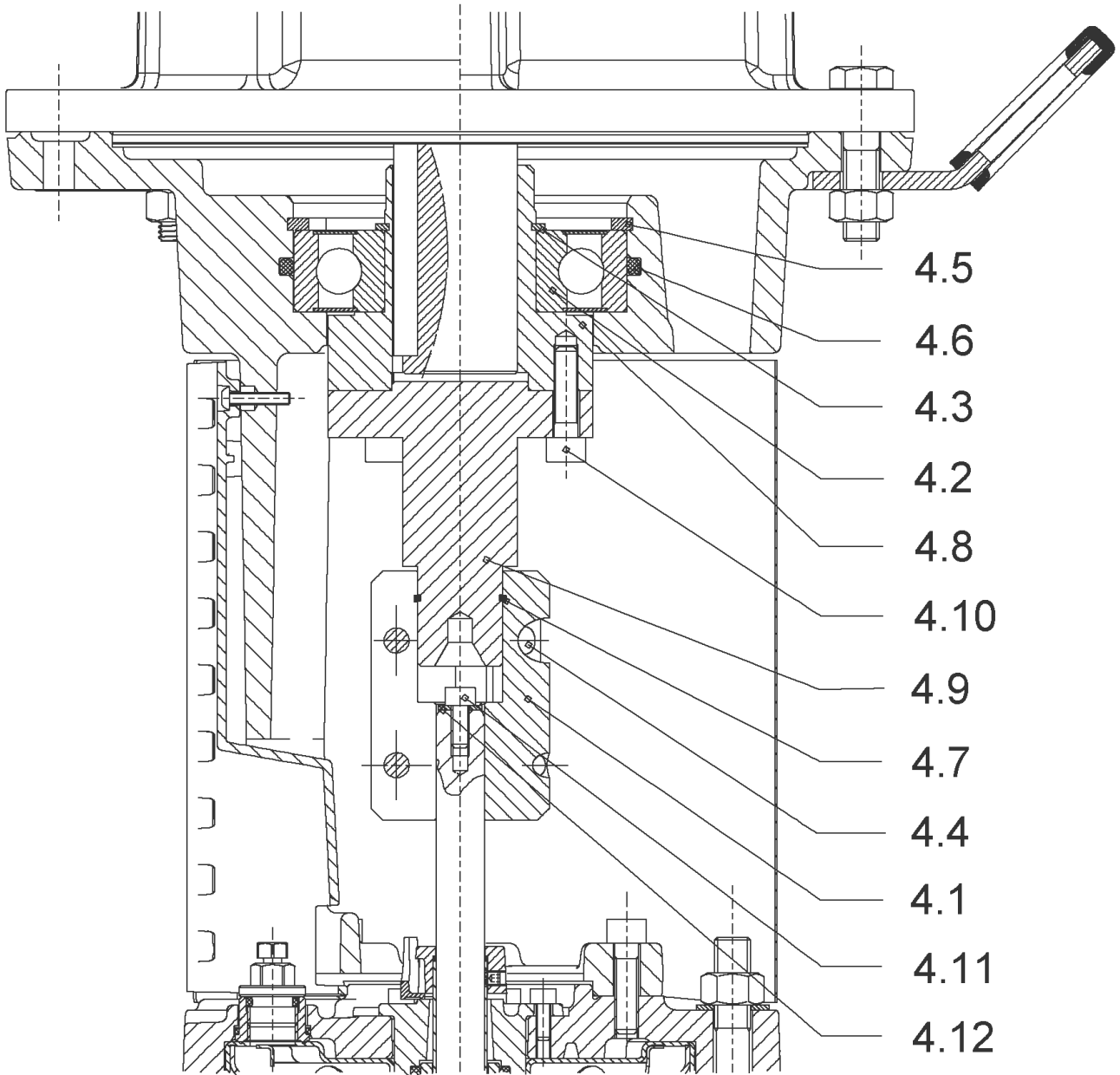
HELIX V1616-2/25/V/KS/400-50 (4150673)

Item	Article no.	Description	Quantity
1	4199884	MOTOR 11/2/160 3~400V 50HZ VP.	1
		SPARE PARTS MOTOR:ON REQUEST	1
2	4174093	SCREW M12X50 (4 PIECES)	1
3	4159694	LANTERN FF300 HELIX KIT	1
3.1		> LANTERN FF300 M+6" GJL MACH.+CATA 6312	1
3.2	4179589	> EYELET CPL.FF300 HELIX(4 PIECES)	1
3.3	4159695	> COUPLING PROTECTOR FF HELIX KIT	1
4	4159712	COUPLING D.16XD.38 FF300 HELIX KIT	1
5	4159707	SCREW M8X30 (4 PIECES)	1
6	4177880	STUD BOLT M12X1088 KIT	1
7	4159783	END SHIELD HELIX FKM 1.4404 KIT	1
7.1		> END SHIELD M+6" GJL250 MACHINING+CATA	1
7.2	2131056	> STATIONARY RING HOLDER 6" HELIX 1.4404 V	1
7.3	4234237	> O-RING 139X3 VITON VP.	1
7.4	2131026	> O-RING ID.37,6X2,4 FKM VP.	1
7.5	2131057	> O-RING ID.21,35X2 FKM VP.	1
8	4159784	FILING/PURGING PLUG HELIX FKM KIT	1
9	4159700	CARTRIDGE HELIX6-10-16 F/V KIT	1
10	2131052	HOUSING PIPE D.152x960 1.4404 KIT	1
7.3	4234237	> O-RING 139X3 VITON VP.	1
10.1		> HOUSING-PIPE Ø152-M+1024/1616-316L-PASS.	1
11	2131055	CENTERING STAGE-RETURN HELIX16 1.4404 VP	1
12	4159688	SHAFT EQUIPMENT HELIX V16 BI BLOC KIT	1
4.11	4102901	> SCREW CHC-M6X14-8.8-ISO4762-GEOMET500A	1
4.12	2130995	> SERRATED LOCK WASHER D.6,2XD.14,5X28 VP.	1
12.1		> NUT-H-M10-A4.70	1
12.4		> STOP-RUSH-1/2-D16xd2-M+316	1
12.3		> STOP COLLAR OF IMPELLER L18,8-Ø16-316L	1
12.2		> SERRATED LOCK WASHER M+16M3-316L	1
13		SPARE PARTS HYDRAULICS HELIX V 1.4404	1
14	4177958	SHAFT D.16X1080 1.4404 VP.	1
15	4159782	PUMP HOUSING HELIX DN50 PN25 1.4409 KIT	1
7.3	4177887	> O-RING ID.145,65X3,53 VITON VP.	1
15.1		> BLASTING PPE HOUSING V-PN25-DN50-316L	1

HELIX V1616-2/25/V/KS/400-50 (4150673)

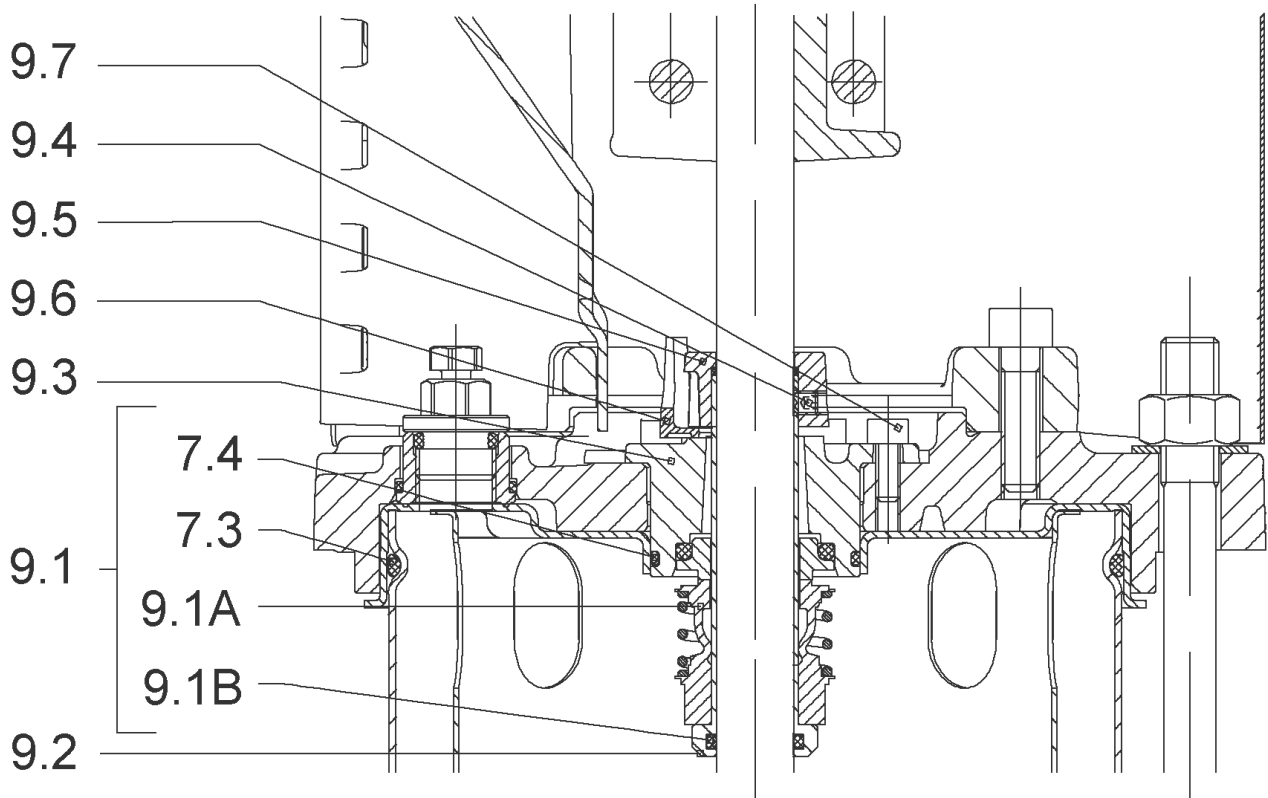
Item	Article no.	Description	Quantity
15.3	4159781	> PRIMING/DRAIN PLUG HELIX 16 FKM KIT	1
16	2127601	BASEPLATE HELIX V16 VP.	1

COUPLING D.16XD.38 FF300 HELIX KIT (4159712)



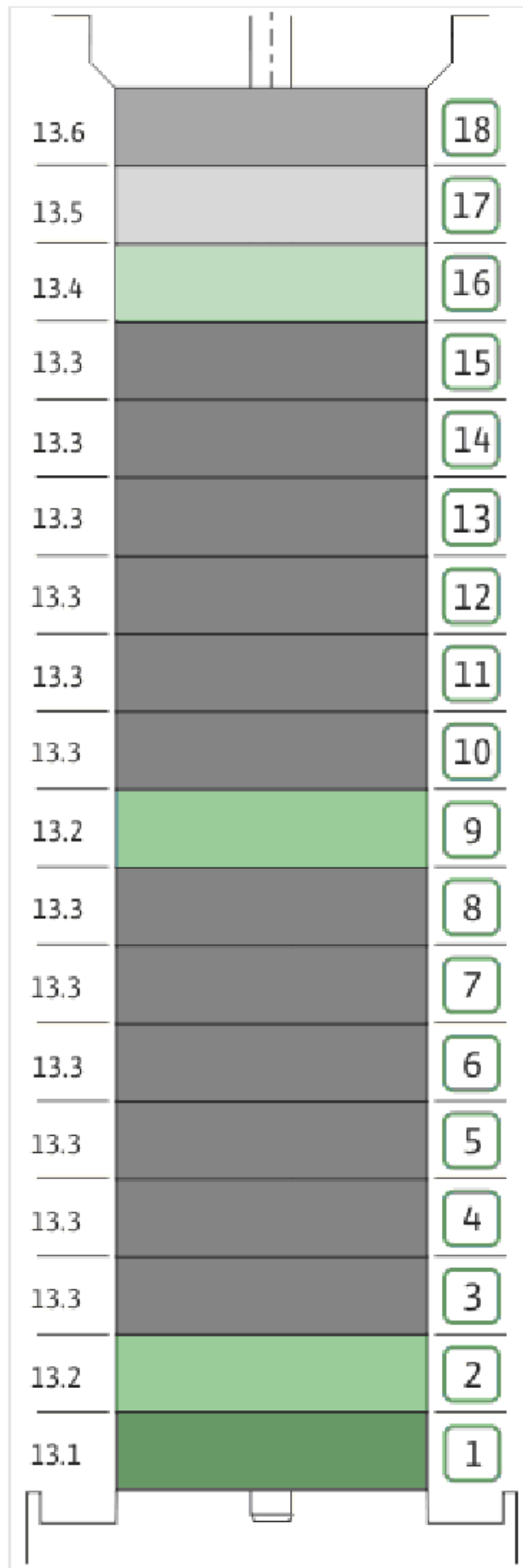
COUPLING D.16XD.38 FF300 HELIX KIT (4159712)

Item	Article no.	Description	Quantity
4.1	2130990	COUPLING 2 PARTS D.16XD.38XL.115 VP.	1
4.2	2123699	BALL BEARING 6312/2Z-C4 (HT) VP.	1
4.3	63428	CIRCLIP-FOR-SHAFT-D60x2	1
4.4	2130991	SCREW M12X30 ISO4762 8.8 ZN(4 PIECES)	1
4.5	4032277	CIRCLIP-HOLE-130x4	1
4.6	4006725	O-RING ID.132,94x3,53 NBR70SR	1
4.7	2130992	RETAINING RING D.35xD.2,5 DIN7993 VP.	1
4.8	2130993	HUB D.42xD.60 JL250 VP.	1
4.9	2130994	SPACER D.38XD.55 VP.	1
4.10	4094462	SCREWS M10 (4 PIECES)	1
4.11	4102901	SCREW CHC-M6X14-8.8-ISO4762-GEOMET500A	1
4.12	2130995	SERRATED LOCK WASHER D.6,2XD.14,5X28 VP.	1



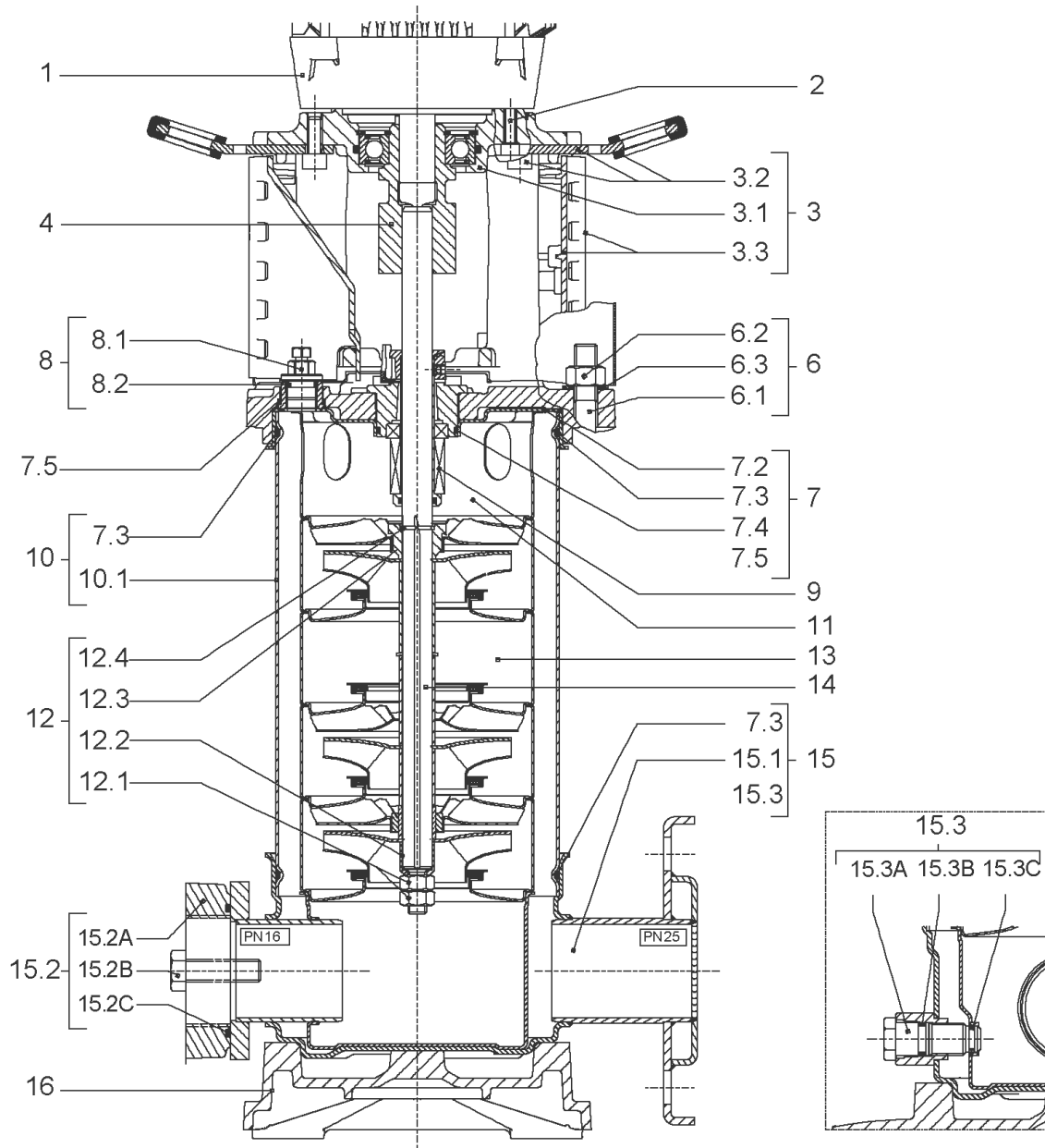
CARTRIDGE HELIX6-10-16 F/V KIT (4159700)

Item	Article no.	Description	Quantity
9.1	4159701	SEAL-KIT-HELIX6-10-16 F/V	1
7.3	4234237	> O-RING 139X3 VITON VP.	1
7.4	2131026	> O-RING ID.37,6X2,4 FKM VP.	1
9.1A	2131025	> MECH.SEAL HELIX2-4-6-10-16 F/V VP.	1
9.1B	2131027	> O-RING D.16XD.2,5 FKM VP.	1
9.2	2130961	SHAFT SLEEVE D.18/16X72,2 1.4404 VP.	1
9.3	2131024	RING HOLDER D.18 G606/G6 1.4404 VP.	1
9.4	4068120	SCREW CH M5x5 A4-70	1
9.5	2130963	DRIVE RING D.29/18x12,4 MACH.VP.	1
9.6	2130964	TOOL M.S.CART.HELIX VP.	1
9.7	2130965	SCREW CHC M5X12 ISO4762 A2.70(4 PIECES)	1



SPARE PARTS HYDRAULICS HELIX V 1.4404

Item	Article no.	Description	Quantity
13.1	4159786	STAGE HELIX16 1.4404 KIT	1
		> MACH.STG-CASING-WOGV-WNR-M+16-316	1
		> IMPELLER-H1-M+16-316	1
13.2	4159787	STAGE-BEARING HELIX16 1.4404 KIT	1
		> MACH.BEARING-STG-CASING-WNR-M+16-316	1
		> IMPELLER-H1-M+16-316	1
		> SLEEVE-SPACER-Ø19,35x30,665-316	1
		> SHAFT-SLEEVE-D16xD20x18-CW	1
13.3	4159788	INTERMEDIATE STAGE HELIX16 1.4404 KIT	1
		> MACH.STD-STG-CASING-WGV+NR-M+16-316	1
		> IMPELLER-H1-M+16-316	1
		> SPACER Ø16X19.4-L48.6-316	1
13.4	4159792	EMPTY STAGE-BEARING HELIX16 1.4404 KIT	1
		> MACH.BEARING-STG-CASING-WNR-M+16-316	1
		> FLAT WASHER-D16.1XD22X1.5-316L	1
		> SLEEVE-SPACER-Ø19,35x30,665-316	1
		> SHAFT-SLEEVE-D16xD20x18-CW	1
13.5	4159790	EMPTY STAGE HELIX16 1.4404 KIT	1
		> MACH.STG-CASING-WOGV-WNR-M+16-316	1
		> FLAT WASHER-D16.1XD22X1.5-316L	1
		> SPACER Ø16X19.4-L48.6-316	1
13.6	4159791	STAGE HELIX16 1.4404 KIT	1
		> MACH.STG-CASING-WOGV-WNR-M+16-316	1
		> IMPELLER-H1-M+16-316	1
		> SPACER Ø16X19.4-L48.6-316	1

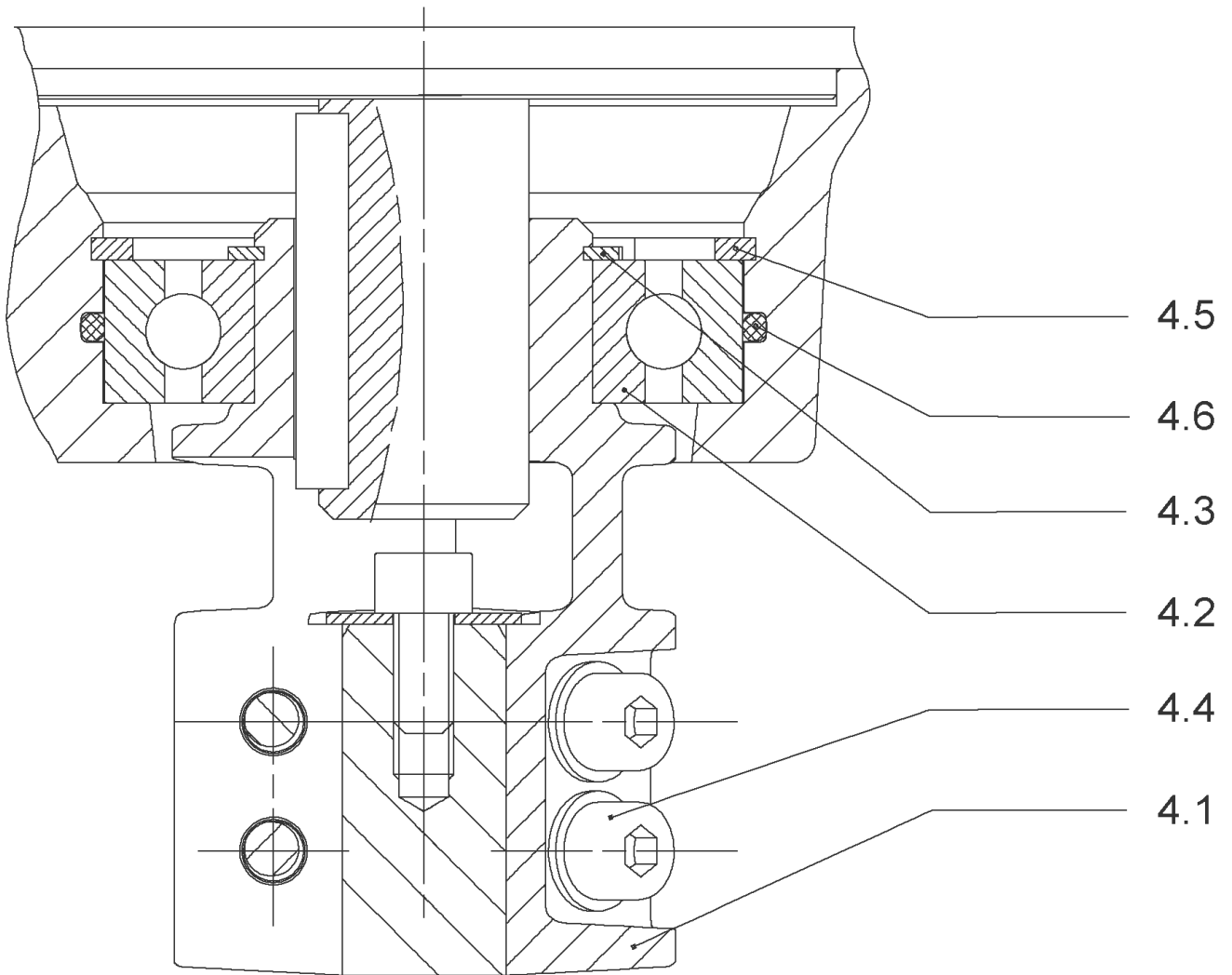


HELIX V1602-1/16/E/400-50 (4162637)

Item	Article no.	Description	Quantity
1	4169942	MO.1,5/2 3~230/400(440)V 50(60)HZ IE3 VP	1
		SPARE PARTS MOTOR:ON REQUEST	1
2	4159703	SCREW M8X40 (4 PIECES)	1
3	4172795	LANTERNE FT115 HELIX KIT	1
3.1		> M+5_6_LANTERN_ONE-PIECE_FT115_CATA	1
3.2	2127604	> EYELET CPL.FT HELIX(2 PIECES)	1
3.3	4159692	> COUPLING PROTECTOR FT HELIX KIT	1
4	4159709	COUPLING D.16xD.24 FT115 HELIX KIT	1
6	2018368	STUD BOLT M12X289 KIT	1
6.1		> TIE BOLT M12-289x18x30-1.4057	1
6.2	2094647	> NUT M12 M12 ISO4032 VP.	1
6.3	2123557	> WASHER CS-12.4-24-1.6-NFE25 (4 PIECES)	1
7	4210143	STATIONARY RING HOLDER HELIX 6" EPDM	1
7.2	2127607	> STATIONARY RING HOLDER 6" HELIX 1.4301 V	1
7.3	4176513	> O-RING FOR PUMP JACKET VP.	1
7.4	2127603	> O-RING ID.37,6x2,4 EPDM VP.	1
7.5	2127602	> O-RING ID.21,35x2 EPDM VP.	1
8	4159686	FILING/PURGING PLUG HELIX EPDM KIT	1
9	4171327	SEAL-KIT-HELIX6-10-16 O/E KIT	1
10	2127574	HOUSING PIPE D.152x160 1.4301 KIT	1
7.3	4176513	> O-RING FOR PUMP JACKET VP.	1
10.1		> HOUSING-PIPE Ø152-M+1601/02-304	1
11	2127588	CENTERING STAGE-RETURN HELIX16 1.4301 VP	1
12	4209329	SHAFT EQUIPMENT HELIX V16 KIT	1
12.1		> NUT-H-M10-A4.70	1
12.2		> SERRATED LOCK WASHER M+16M3-316L	1
12.3		> IMPELLER STOP RING L35,9-304	1
12.4		> STOP-RUSH-1/2-D16xd2-M+316	1
13		HYDRAULIC HELIX V 1602 1.4307	1
14	2127563	SHAFT D.16X280 1.4301 VP.	1
15	4217899	PUMP HOUSING HELIX DN50 PN16 1.4301 KIT	1
7.3	4176513	> O-RING FOR PUMP JACKET VP.	1
15.1		> BLASTING PPE HOUSING V-PN16-DN50-304	1
15.2	4217895	> COUNTER FLANGE-G2"-PN16-GJL KIT	1

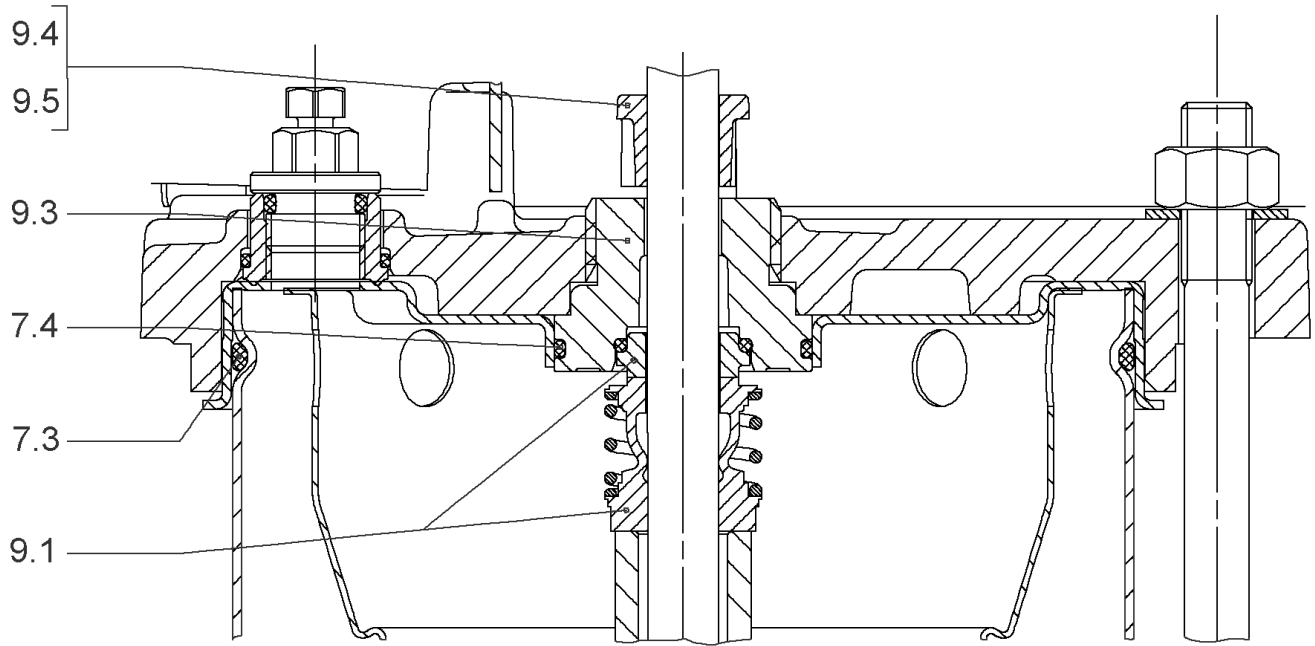
HELIX V1602-1/16/E/400-50 (4162637)

Item	Article no.	Description	Quantity
15.3	4171321	> PRIMING/DRAIN PLUG EPDM HELIX KIT	1
16	2127601	BASEPLATE HELIX V16 VP.	1



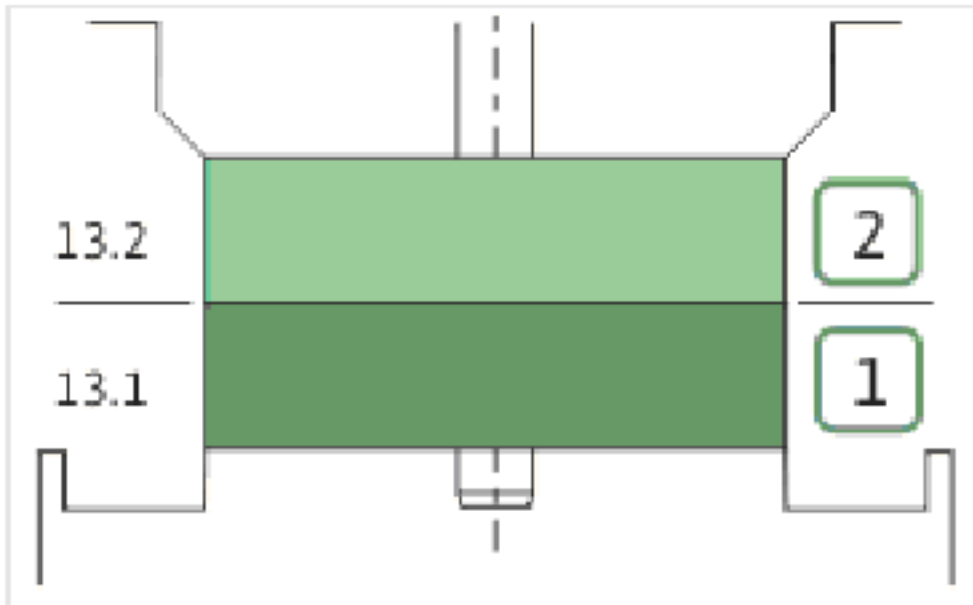
COUPLING D.16xD.24 FT115 HELIX KIT (4159709)

Item	Article no.	Description	Quantity
4.1		COUPLING M+ Ø16XØ24 FT115 MACHINED	1
4.2	2131023	BALL BEARING 6207/ZZ-C3(HT)VP.	1
4.3	4234254	CIRCLIP-FOR-SHAFT-D35x1.5 VP.	1
4.4	4157726	SCREW KIT M8X30 (4 PIECES)	1
4.5	4234251	CIRCLIP-D72x2.5 VP.	1
4.6	4234246	O-RING 72X3 VP.	1
		NOMEL CONTACT WASHER 8x16x1,4 STEEL ZC	1



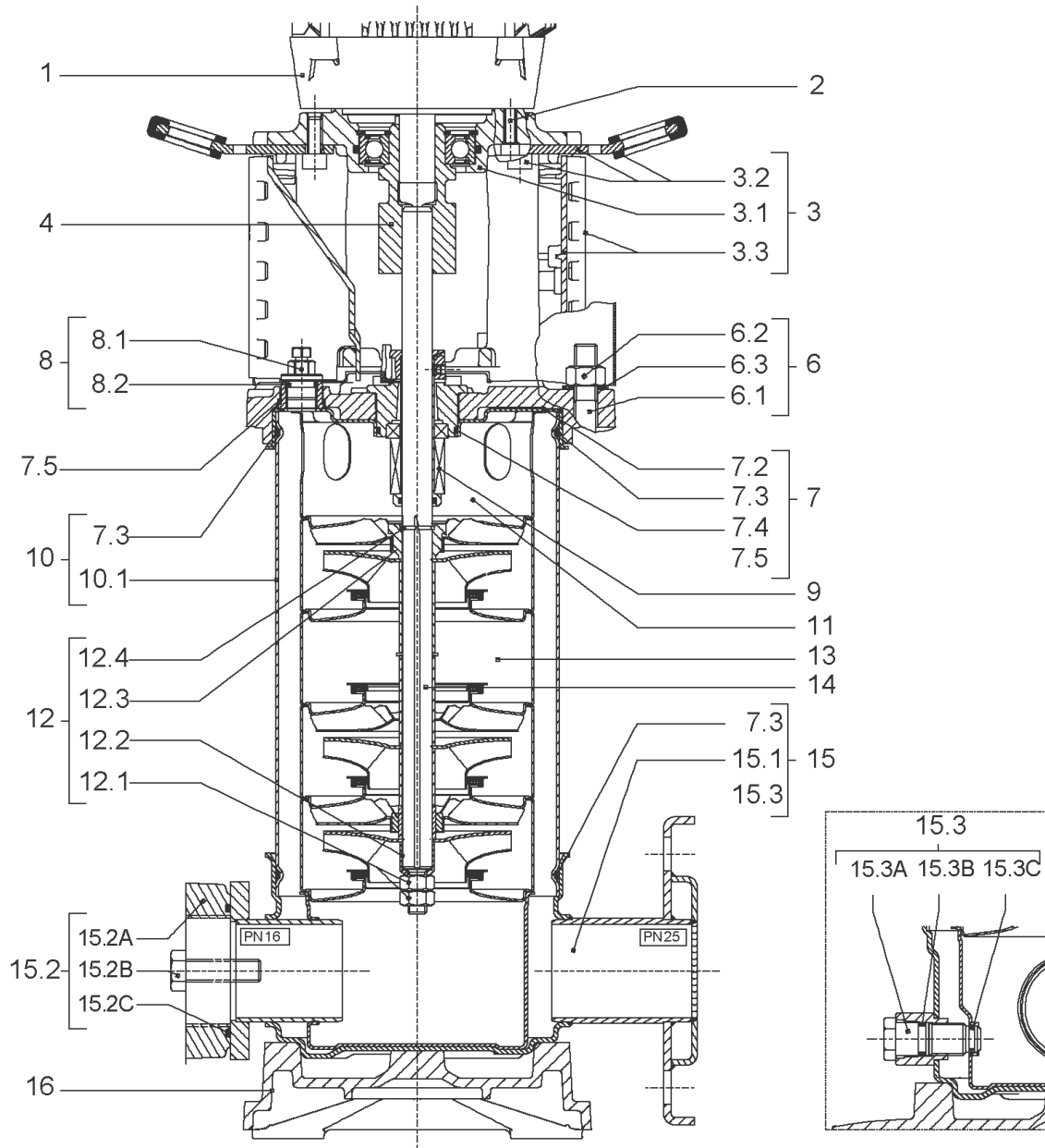
SEAL-KIT-HELIX6-10-16 O/E KIT (4171327)

Item	Article no.	Description	Quantity
7.3	4176513	O-RING FOR PUMP JACKET VP.	1
7.4	2127603	O-RING ID.37,6x2,4 EPDM VP.	1
9.1	4177801	MECH.SEAL HELIX6-10-16 O/E VP.	1
9.3	4177798	MACHINED RING HOLDER M+6" Ø16 304 VP.	1
9.5	4177799	MACHINED DRIVE RING Ø16 VP.	1
9.4	4176520	SCREW CH M5x5 A4-70 (3PIECES)	1



HYDRAULIC HELIX V 1602 1.4307

Item	Article no.	Description	Quantity
13.1	4159720	STAGE HELIX 16 1.4301 KIT	1
		> MACH.STG-CASING-WOGV-WNR-M+16-304	1
		> IMPELLER-M+16-304	1
13.2	4159714	STAGE BEARING HELIX 16 1.4301 KIT	1
		> MACH.BEARING-STG-CASING-WNR-M+16-304	1
		> IMPELLER-M+16-304	1
		> SLEEVE-SPACER-Ø19,35x30,665-304	1
		> SHAFT-SLEEVE-D16xD20x18-CW	1



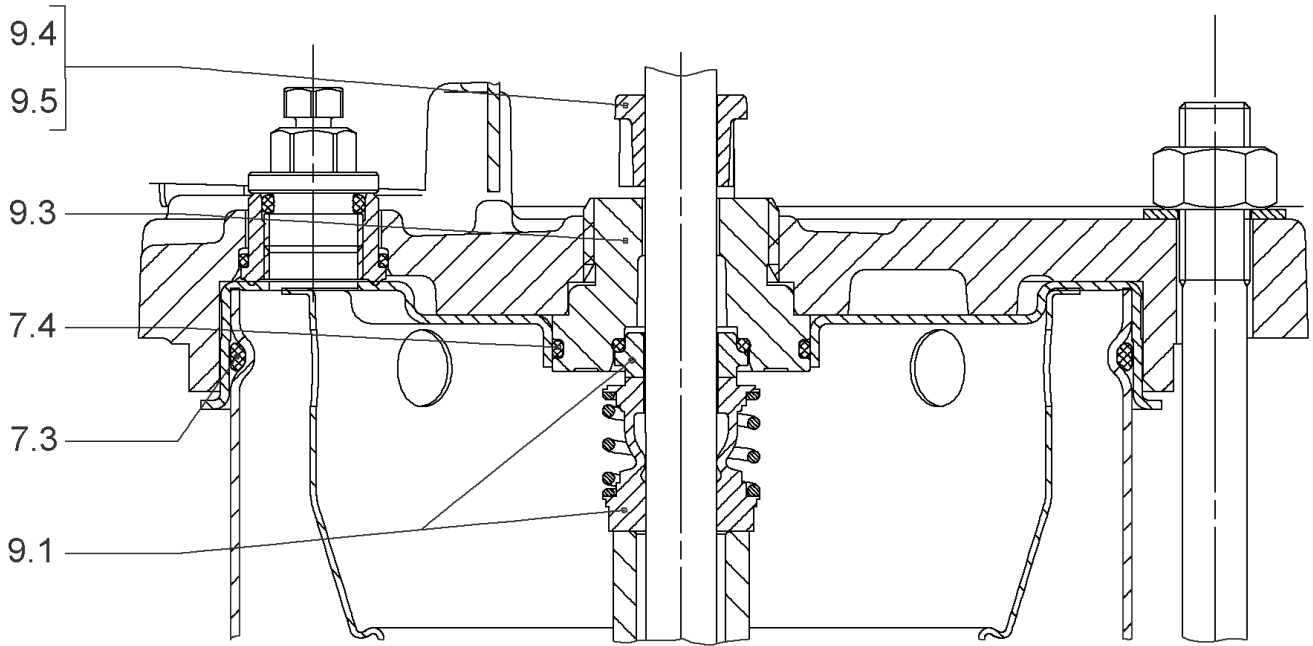
HELIX V1603-1/16/E/400-50 (4162638)

Item	Article no.	Description	Quantity
1	4169943	MOTOR 2,2/2/90 3~230/400V 50HZ IE3 VP.	1
		SPARE PARTS MOTOR:ON REQUEST	1
2	4159703	SCREW M8X40 (4 PIECES)	1
3	4172795	LANTERNE FT115 HELIX KIT	1
3.1		> M+5_6_LANTERN_ONE-PIECE_FT115_CATA	1
3.2	2127604	> EYELET CPL.FT HELIX(2 PIECES)	1
3.3	4159692	> COUPLING PROTECTOR FT HELIX KIT	1
4	4159709	COUPLING D.16xD.24 FT115 HELIX KIT	1
6	2127553	STUD BOLT M12X341 KIT	1
7	4210143	STATIONARY RING HOLDER HELIX 6" EPDM	1
7.2	2127607	> STATIONARY RING HOLDER 6" HELIX 1.4301 V	1
7.3	4176513	> O-RING FOR PUMP JACKET VP.	1
7.4	2127603	> O-RING ID.37,6x2,4 EPDM VP.	1
7.5	2127602	> O-RING ID.21,35x2 EPDM VP.	1
8	4159686	FILING/PURGING PLUG HELIX EPDM KIT	1
9	4171327	SEAL-KIT-HELIX6-10-16 O/E KIT	1
10	2127575	HOUSING PIPE D.152x210 1.4301 KIT	1
11	2127588	CENTERING STAGE-RETURN HELIX16 1.4301 VP	1
12	4209329	SHAFT EQUIPMENT HELIX V16 KIT	1
12.1		> NUT-H-M10-A4.70	1
12.2		> SERRATED LOCK WASHER M+16M3-316L	1
12.3		> IMPELLER STOP RING L35,9-304	1
12.4		> STOP-RUSH-1/2-D16xd2-M+316	1
13		HYDRAULIC HELIX V 1603 1.4307	1
14	2127564	SHAFT D.16X330 1.4301 VP.	1
15	4217899	PUMP HOUSING HELIX DN50 PN16 1.4301 KIT	1
7.3	4176513	> O-RING FOR PUMP JACKET VP.	1
15.1		> BLASTING PPE HOUSING V-PN16-DN50-304	1
15.2	4217895	> COUNTER FLANGE-G2"-PN16-GJL KIT	1
15.3	4171321	> PRIMING/DRAIN PLUG EPDM HELIX KIT	1
16	2127601	BASEPLATE HELIX V16 VP.	1



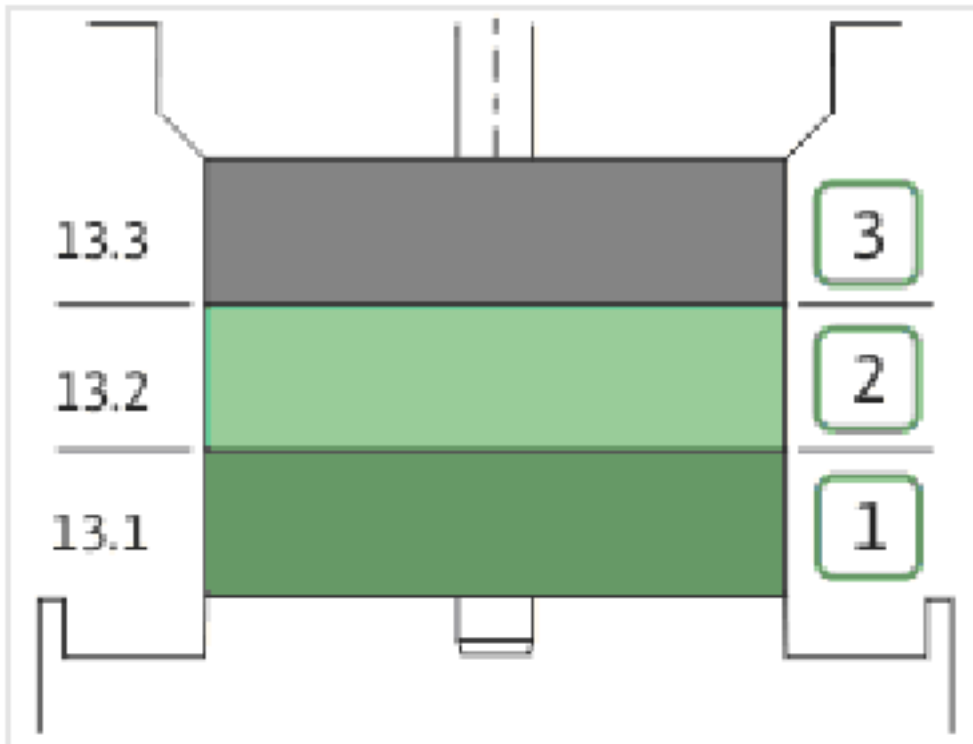
COUPLING D.16xD.24 FT115 HELIX KIT (4159709)

Item	Article no.	Description	Quantity
4.1		COUPLING M+ Ø16XØ24 FT115 MACHINED	1
4.2	2131023	BALL BEARING 6207/ZZ-C3(HT)VP.	1
4.3	4234254	CIRCLIP-FOR-SHAFT-D35x1.5 VP.	1
4.4	4157726	SCREW KIT M8X30 (4 PIECES)	1
4.5	4234251	CIRCLIP-D72x2.5 VP.	1
4.6	4234246	O-RING 72X3 VP.	1
		NOMEL CONTACT WASHER 8x16x1,4 STEEL ZC	1



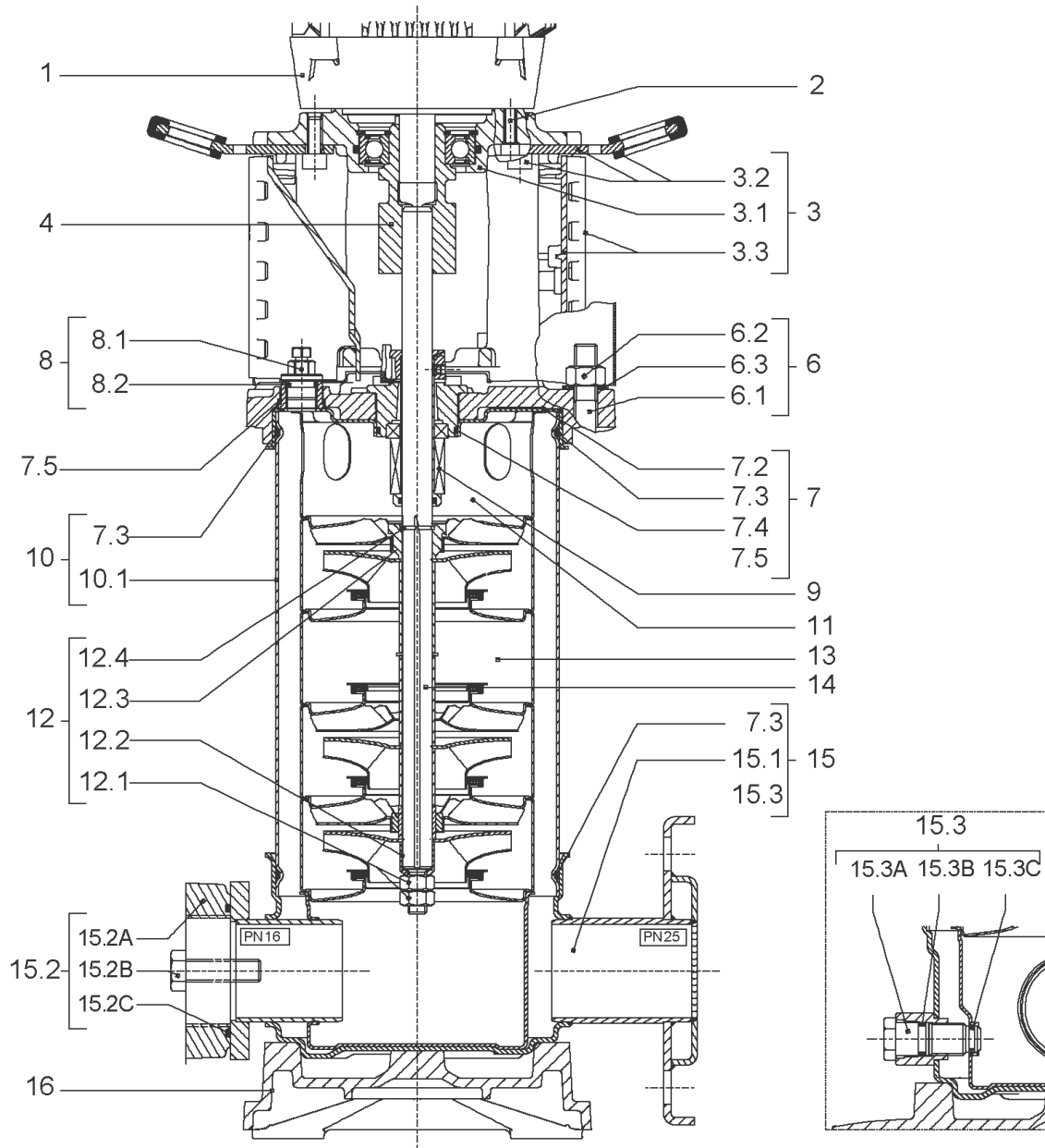
SEAL-KIT-HELIX6-10-16 O/E KIT (4171327)

Item	Article no.	Description	Quantity
7.3	4176513	O-RING FOR PUMP JACKET VP.	1
7.4	2127603	O-RING ID.37,6x2,4 EPDM VP.	1
9.1	4177801	MECH.SEAL HELIX6-10-16 O/E VP.	1
9.3	4177798	MACHINED RING HOLDER M+6" Ø16 304 VP.	1
9.5	4177799	MACHINED DRIVE RING Ø16 VP.	1
9.4	4176520	SCREW CH M5x5 A4-70 (3PIECES)	1



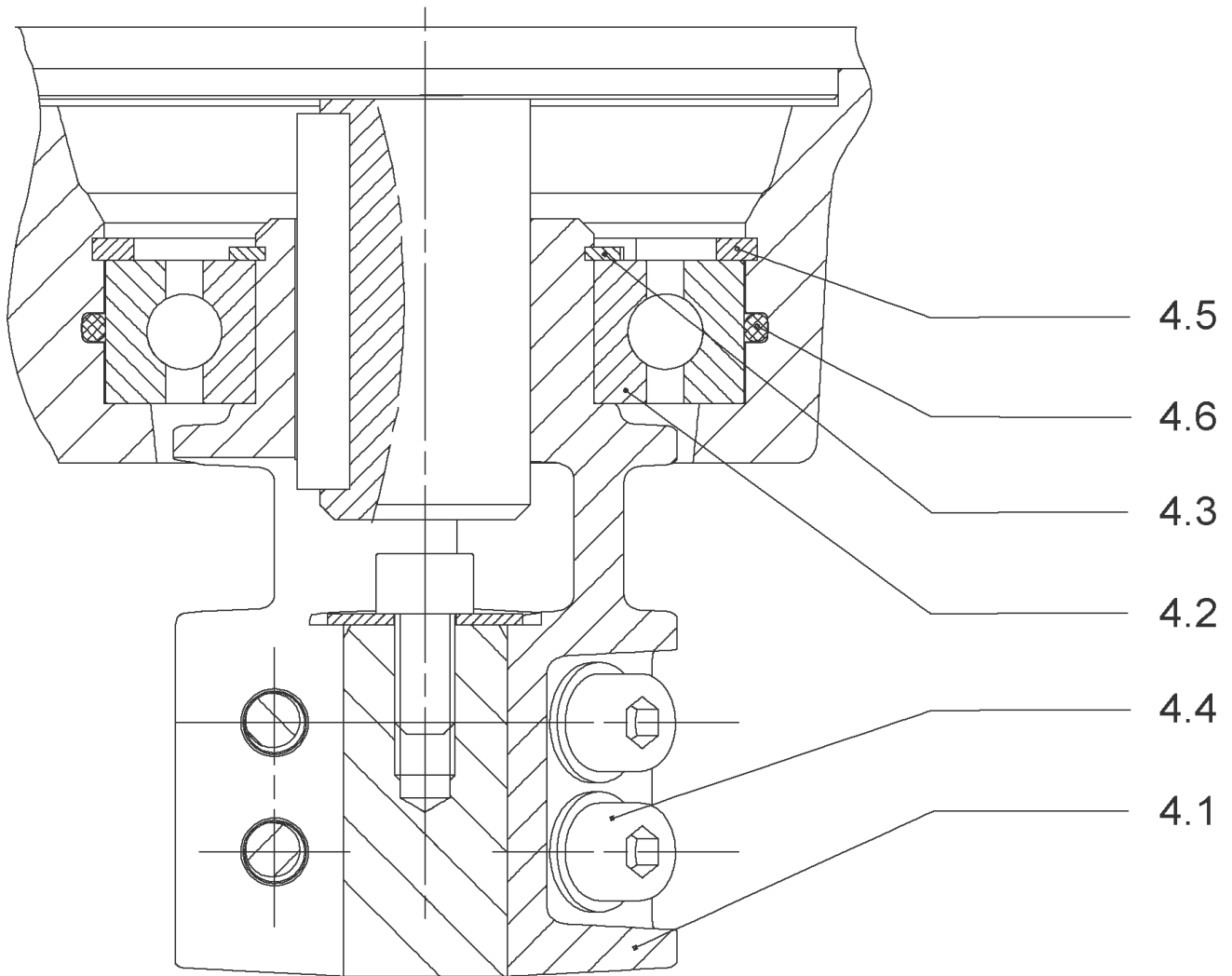
HYDRAULIC HELIX V 1603 1.4307

Item	Article no.	Description	Quantity
13.1	4159720	STAGE HELIX 16 1.4301 KIT	1
		> MACH.STG-CASING-WOGV-WNR-M+16-304	1
		> IMPELLER-M+16-304	1
13.2	4159714	STAGE BEARING HELIX 16 1.4301 KIT	1
		> MACH.BEARING-STG-CASING-WNR-M+16-304	1
		> IMPELLER-M+16-304	1
		> SLEEVE-SPACER-Ø19,35x30,665-304	1
		> SHAFT-SLEEVE-D16xD20x18-CW	1
13.3	4159715	INTERMEDIATE STAGE HELIX 16 1.4301 KIT	1
		> CORPS-ETG-STD-ACR-AJR-USIN.M+16-304	1
		> IMPELLER-M+16-304	1
		> SPACER Ø16X19.4-L48.6-304	1



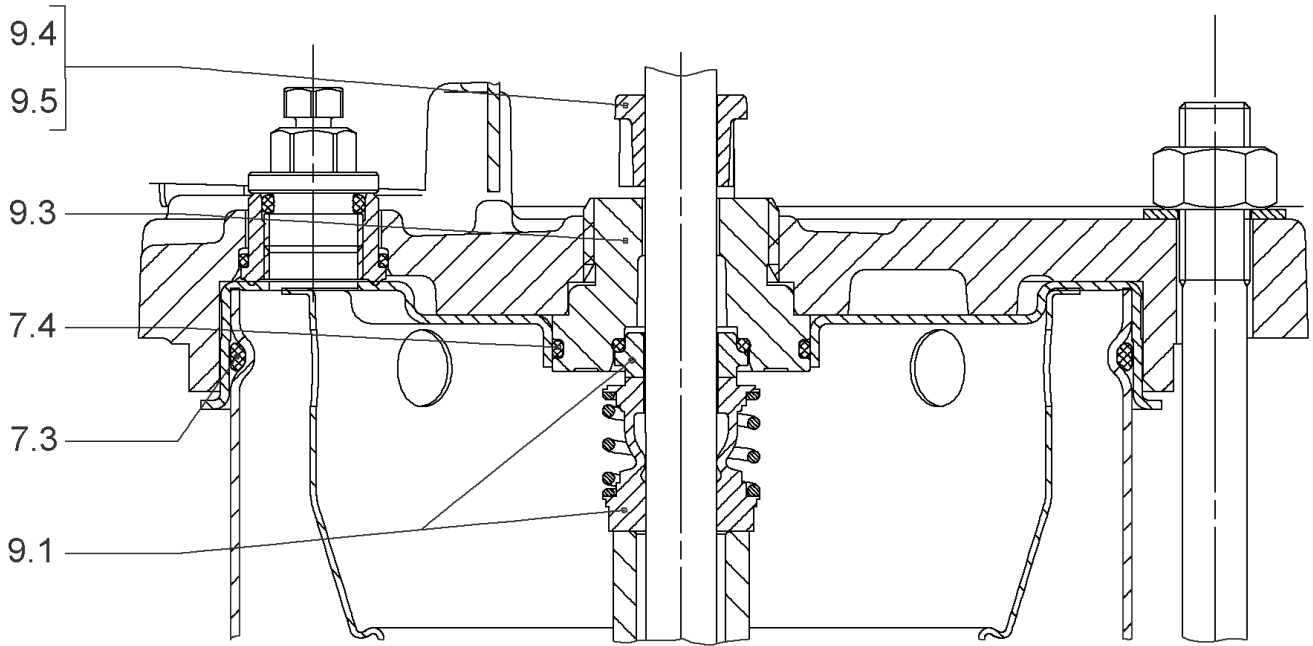
HELIX V1604-1/16/E/400-50 (4162639)

Item	Article no.	Description	Quantity
1	4169944	MOTOR 3/2/100 3~230/400V 50HZ IE3 VP.	1
		SPARE PARTS MOTOR:ON REQUEST	1
2	4206025	SCREW M8X45 (4 PIECES)	1
3	4172789	LANTERN FT130 HELIX V10 KIT	1
3.1		> M+5_6_LANTERN_ONE-PIECE_FT130_CATA	1
3.2	2127604	> EYELET CPL.FT HELIX(2 PIECES)	1
3.3	4159692	> COUPLING PROTECTOR FT HELIX KIT	1
4	4159710	COUPLING D.16XD.28 FT130 HELIX KIT	1
6	2018365	STUD BOLT M12X392 KIT	1
7	4210143	STATIONARY RING HOLDER HELIX 6" EPDM	1
7.2	2127607	> STATIONARY RING HOLDER 6" HELIX 1.4301 V	1
7.3	4176513	> O-RING FOR PUMP JACKET VP.	1
7.4	2127603	> O-RING ID.37,6x2,4 EPDM VP.	1
7.5	2127602	> O-RING ID.21,35x2 EPDM VP.	1
8	4159686	FILING/PURGING PLUG HELIX EPDM KIT	1
9	4171327	SEAL-KIT-HELIX6-10-16 O/E KIT	1
10	2127576	HOUSING PIPE D.152x260 1.4301 KIT	1
11	2127588	CENTERING STAGE-RETURN HELIX16 1.4301 VP	1
12	4209329	SHAFT EQUIPMENT HELIX V16 KIT	1
12.1		> NUT-H-M10-A4.70	1
12.2		> SERRATED LOCK WASHER M+16M3-316L	1
12.3		> IMPELLER STOP RING L35,9-304	1
12.4		> STOP-RUSH-1/2-D16xd2-M+316	1
13		HYDRAULIC HELIX V 1604 1.4307	1
14	2127565	SHAFT D.16X380 1.4301 VP.	1
15	4217899	PUMP HOUSING HELIX DN50 PN16 1.4301 KIT	1
7.3	4176513	> O-RING FOR PUMP JACKET VP.	1
15.1		> BLASTING PPE HOUSING V-PN16-DN50-304	1
15.2	4217895	> COUNTER FLANGE-G2"-PN16-GJL KIT	1
15.3	4171321	> PRIMING/DRAIN PLUG EPDM HELIX KIT	1
16	2127601	BASEPLATE HELIX V16 VP.	1



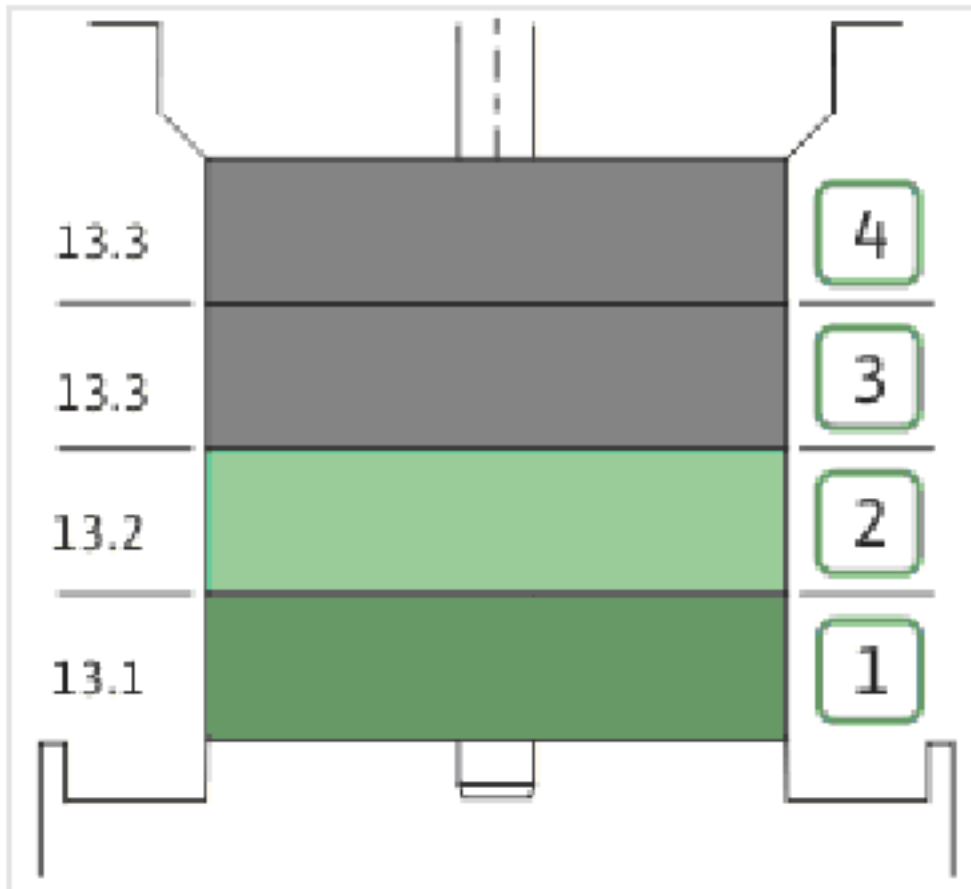
COUPLING D.16XD.28 FT130 HELIX KIT (4159710)

Item	Article no.	Description	Quantity
4.1		COUPLING M+ Ø16XØ28 FT130 MACHINED	1
4.2	2131022	BALL BEARING 6209/ZZ-C3(HT)VP.	1
4.3	4233930	CIRCLIP-FOR-BORES-D45x1,75 VP.	1
4.4	4157726	SCREW KIT M8X30 (4 PIECES)	1
4.5	4234252	CIRCLIPS 85X3 VP.	1
4.6	4234243	O-RING 85X3 VP.	1
		NOMEL CONTACT WASHER 8x16x1,4 STEEL ZC	1



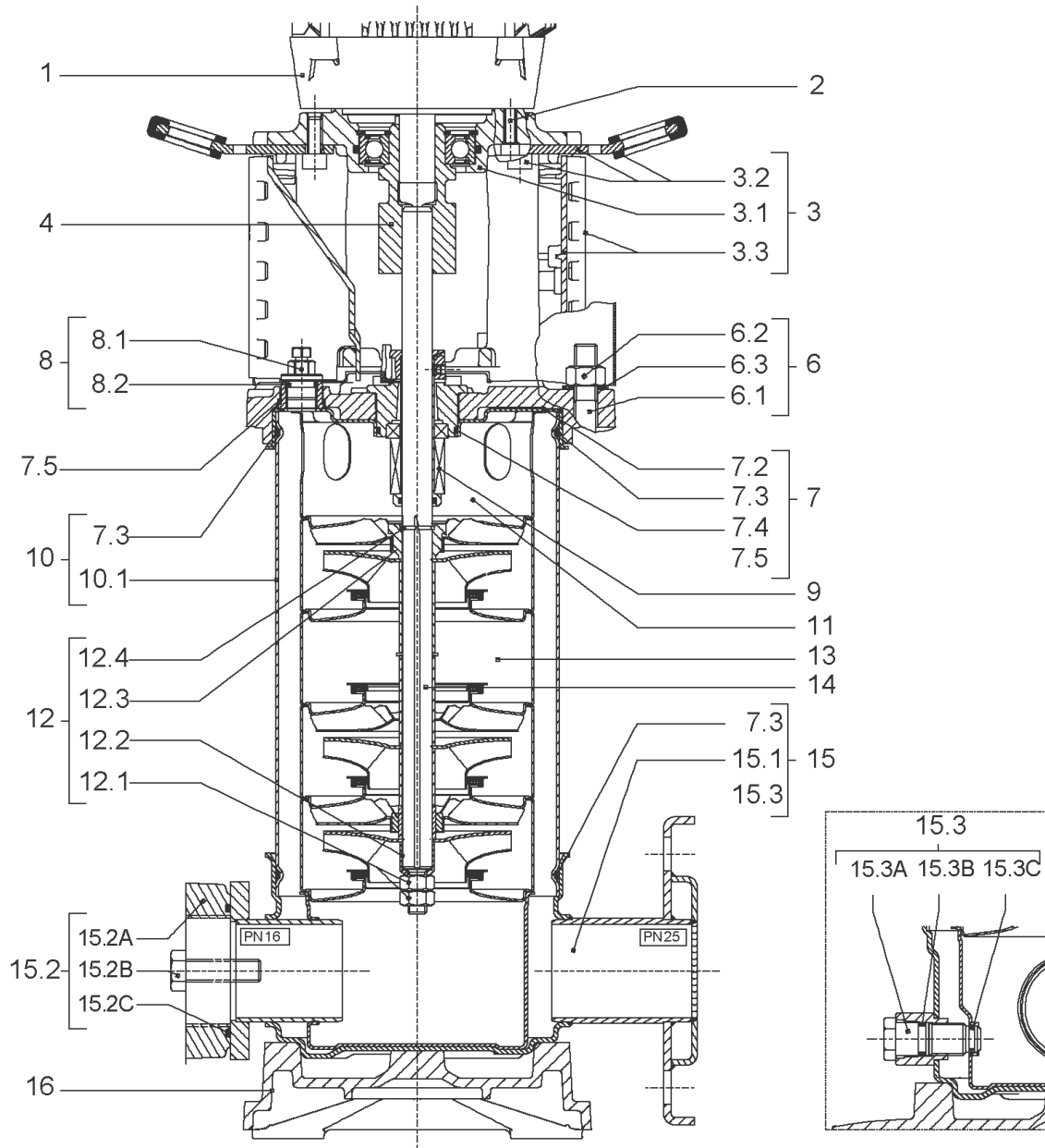
SEAL-KIT-HELIX6-10-16 O/E KIT (4171327)

Item	Article no.	Description	Quantity
7.3	4176513	O-RING FOR PUMP JACKET VP.	1
7.4	2127603	O-RING ID.37,6x2,4 EPDM VP.	1
9.1	4177801	MECH.SEAL HELIX6-10-16 O/E VP.	1
9.3	4177798	MACHINED RING HOLDER M+6" Ø16 304 VP.	1
9.5	4177799	MACHINED DRIVE RING Ø16 VP.	1
9.4	4176520	SCREW CH M5x5 A4-70 (3PIECES)	1



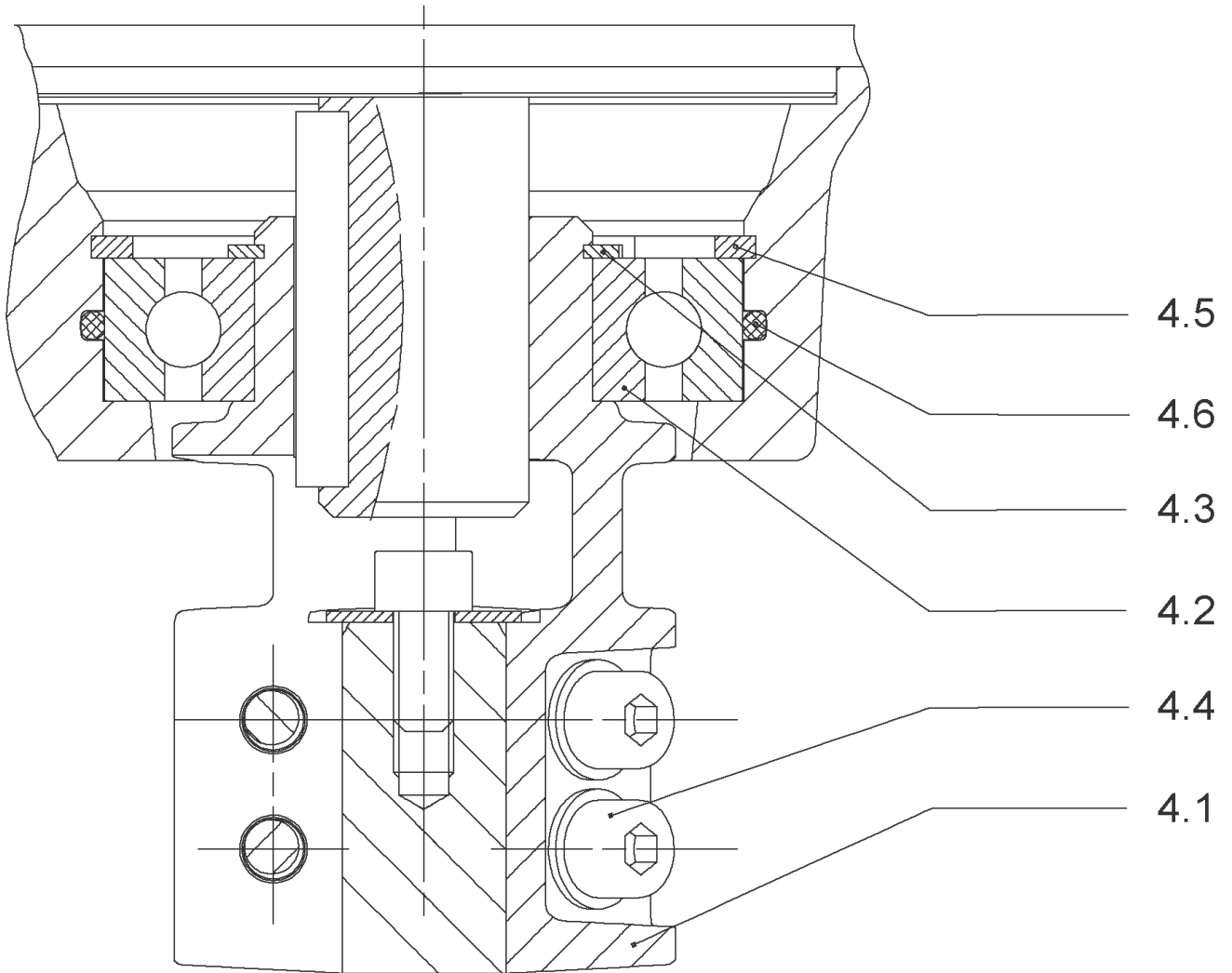
HYDRAULIC HELIX V 1604 1.4307

Item	Article no.	Description	Quantity
13.1	4159720	STAGE HELIX 16 1.4301 KIT	1
		> MACH.STG-CASING-WOGV-WNR-M+16-304	1
		> IMPELLER-M+16-304	1
13.2	4159714	STAGE BEARING HELIX 16 1.4301 KIT	1
		> MACH.BEARING-STG-CASING-WNR-M+16-304	1
		> IMPELLER-M+16-304	1
		> SLEEVE-SPACER-Ø19,35x30,665-304	1
		> SHAFT-SLEEVE-D16xD20x18-CW	1
13.3	4159715	INTERMEDIATE STAGE HELIX 16 1.4301 KIT	1
		> CORPS-ETG-STD-ACR-AJR-USIN.M+16-304	1
		> IMPELLER-M+16-304	1
		> SPACER Ø16X19.4-L48.6-304	1



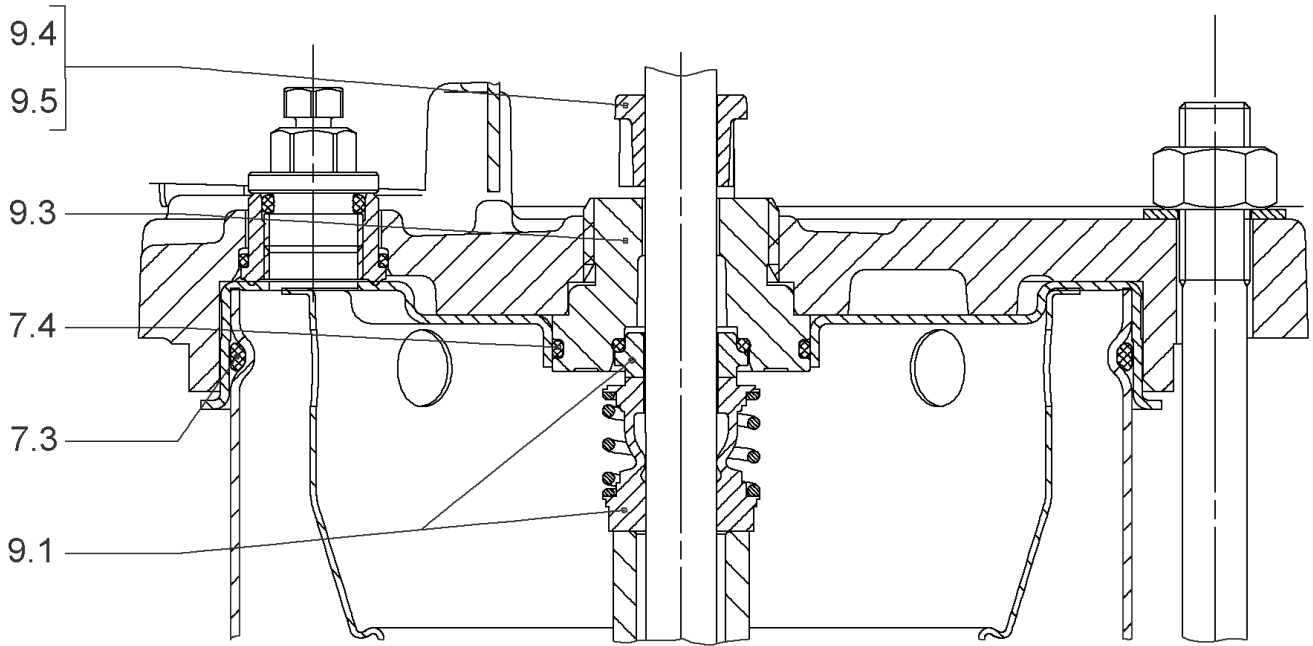
HELIX V1605-1/16/E/400-50 (4162640)

Item	Article no.	Description	Quantity
1	4169945	MO.4/2 3~230/400(460)V 50(60)HZ IE3 VP.	1
		SPARE PARTS MOTOR:ON REQUEST	1
2	4206025	SCREW M8X45 (4 PIECES)	1
3	4172789	LANTERN FT130 HELIX V10 KIT	1
3.1		> M+5_6_LANTERN_ONE-PIECE_FT130_CATA	1
3.2	2127604	> EYELET CPL.FT HELIX(2 PIECES)	1
3.3	4159692	> COUPLING PROTECTOR FT HELIX KIT	1
4	4159710	COUPLING D.16XD.28 FT130 HELIX KIT	1
6	2127554	STUD BOLT M12X437 KIT	1
7	4210143	STATIONARY RING HOLDER HELIX 6" EPDM	1
7.2	2127607	> STATIONARY RING HOLDER 6" HELIX 1.4301 V	1
7.3	4176513	> O-RING FOR PUMP JACKET VP.	1
7.4	2127603	> O-RING ID.37,6x2,4 EPDM VP.	1
7.5	2127602	> O-RING ID.21,35x2 EPDM VP.	1
8	4159686	FILING/PURGING PLUG HELIX EPDM KIT	1
9	4171327	SEAL-KIT-HELIX6-10-16 O/E KIT	1
10	2127577	HOUSING PIPE D.152x310 1.4301 KIT	1
11	2127588	CENTERING STAGE-RETURN HELIX16 1.4301 VP	1
12	4209329	SHAFT EQUIPMENT HELIX V16 KIT	1
12.1		> NUT-H-M10-A4.70	1
12.2		> SERRATED LOCK WASHER M+16M3-316L	1
12.3		> IMPELLER STOP RING L35,9-304	1
12.4		> STOP-RUSH-1/2-D16xd2-M+316	1
13		HYDRAULIC HELIX V 1605 1.4307	1
14	2127566	SHAFT D.16X430 1.4301 VP.	1
15	4217899	PUMP HOUSING HELIX DN50 PN16 1.4301 KIT	1
7.3	4176513	> O-RING FOR PUMP JACKET VP.	1
15.1		> BLASTING PPE HOUSING V-PN16-DN50-304	1
15.2	4217895	> COUNTER FLANGE-G2"-PN16-GJL KIT	1
15.3	4171321	> PRIMING/DRAIN PLUG EPDM HELIX KIT	1
16	2127601	BASEPLATE HELIX V16 VP.	1



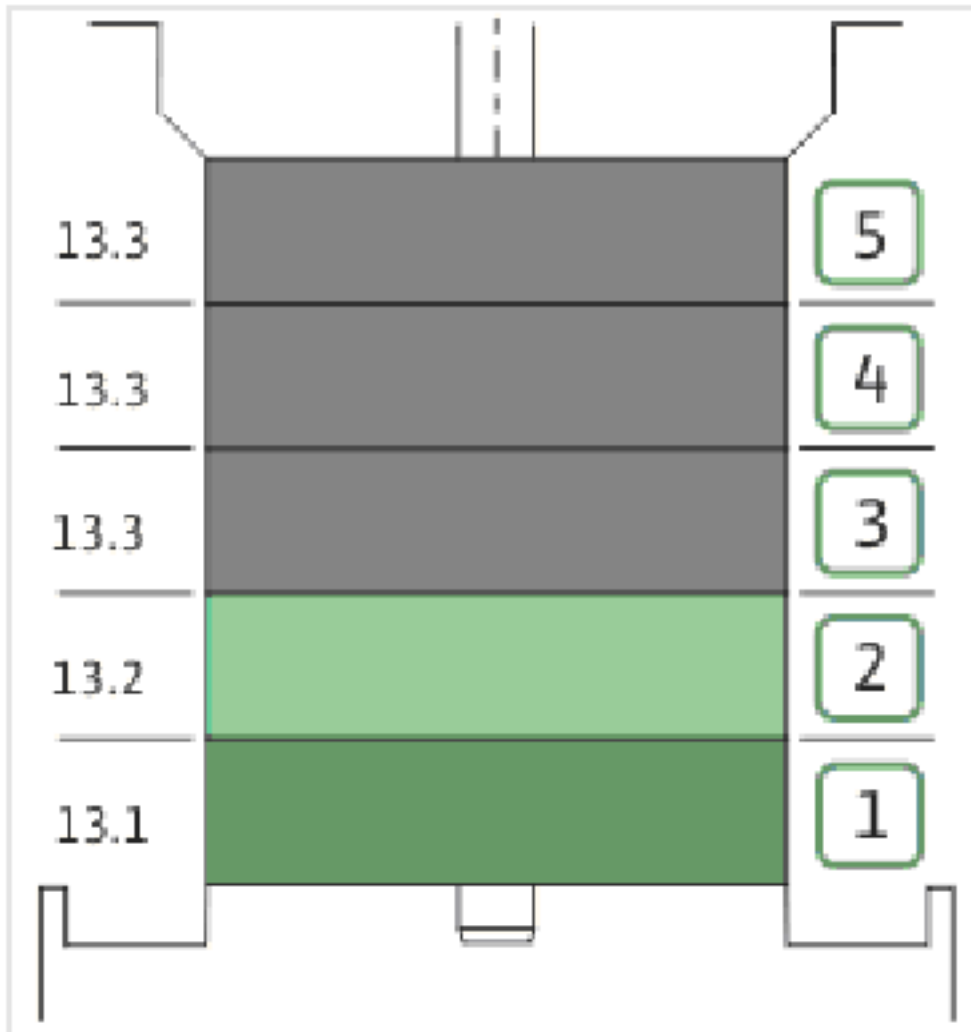
COUPLING D.16XD.28 FT130 HELIX KIT (4159710)

Item	Article no.	Description	Quantity
4.1		COUPLING M+ Ø16XØ28 FT130 MACHINED	1
4.2	2131022	BALL BEARING 6209/ZZ-C3(HT)VP.	1
4.3	4233930	CIRCLIP-FOR-BORES-D45x1,75 VP.	1
4.4	4157726	SCREW KIT M8X30 (4 PIECES)	1
4.5	4234252	CIRCLIPS 85X3 VP.	1
4.6	4234243	O-RING 85X3 VP.	1
		NOMEL CONTACT WASHER 8x16x1,4 STEEL ZC	1



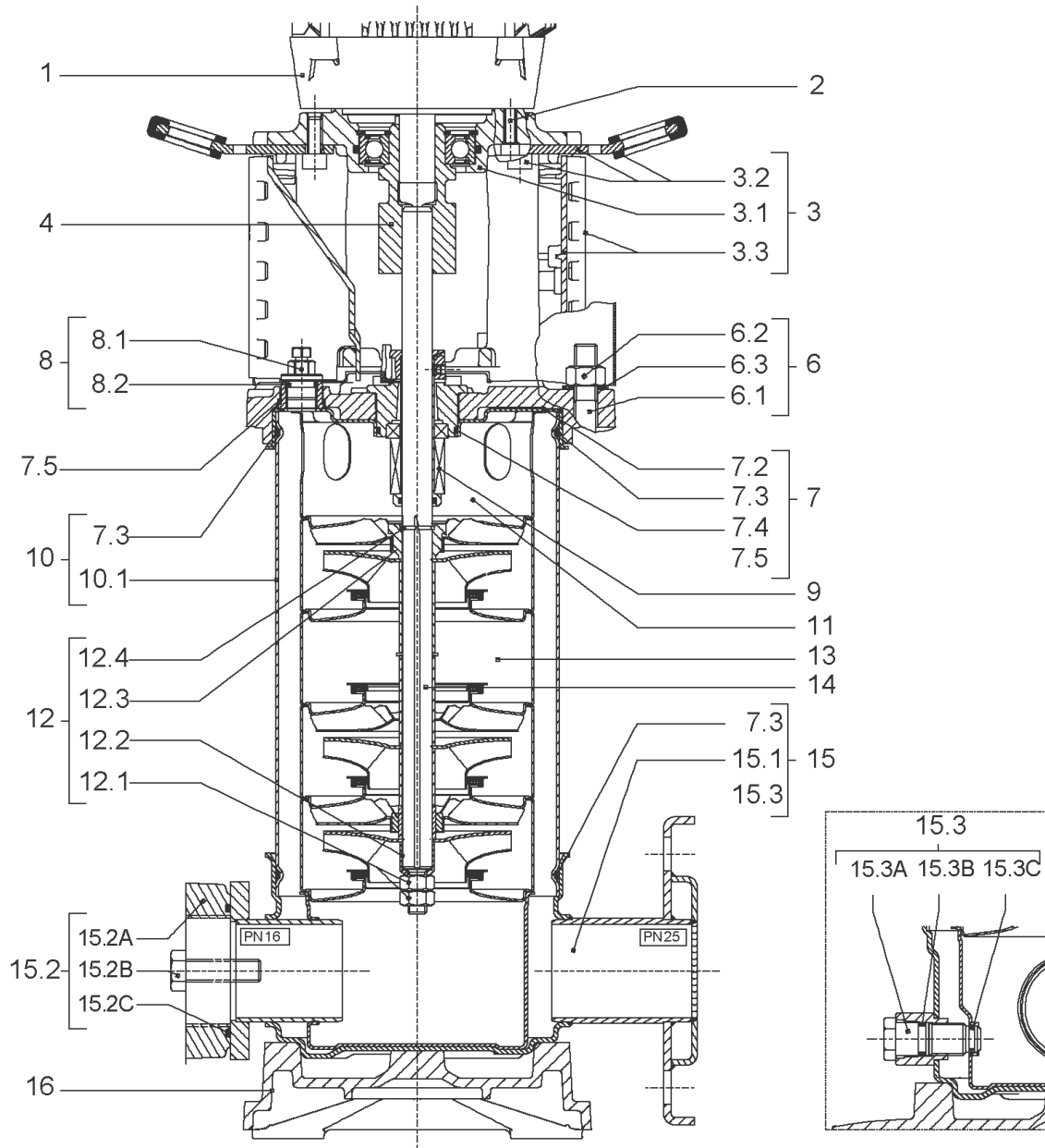
SEAL-KIT-HELIX6-10-16 O/E KIT (4171327)

Item	Article no.	Description	Quantity
7.3	4176513	O-RING FOR PUMP JACKET VP.	1
7.4	2127603	O-RING ID.37,6x2,4 EPDM VP.	1
9.1	4177801	MECH.SEAL HELIX6-10-16 O/E VP.	1
9.3	4177798	MACHINED RING HOLDER M+6" Ø16 304 VP.	1
9.5	4177799	MACHINED DRIVE RING Ø16 VP.	1
9.4	4176520	SCREW CH M5x5 A4-70 (3PIECES)	1



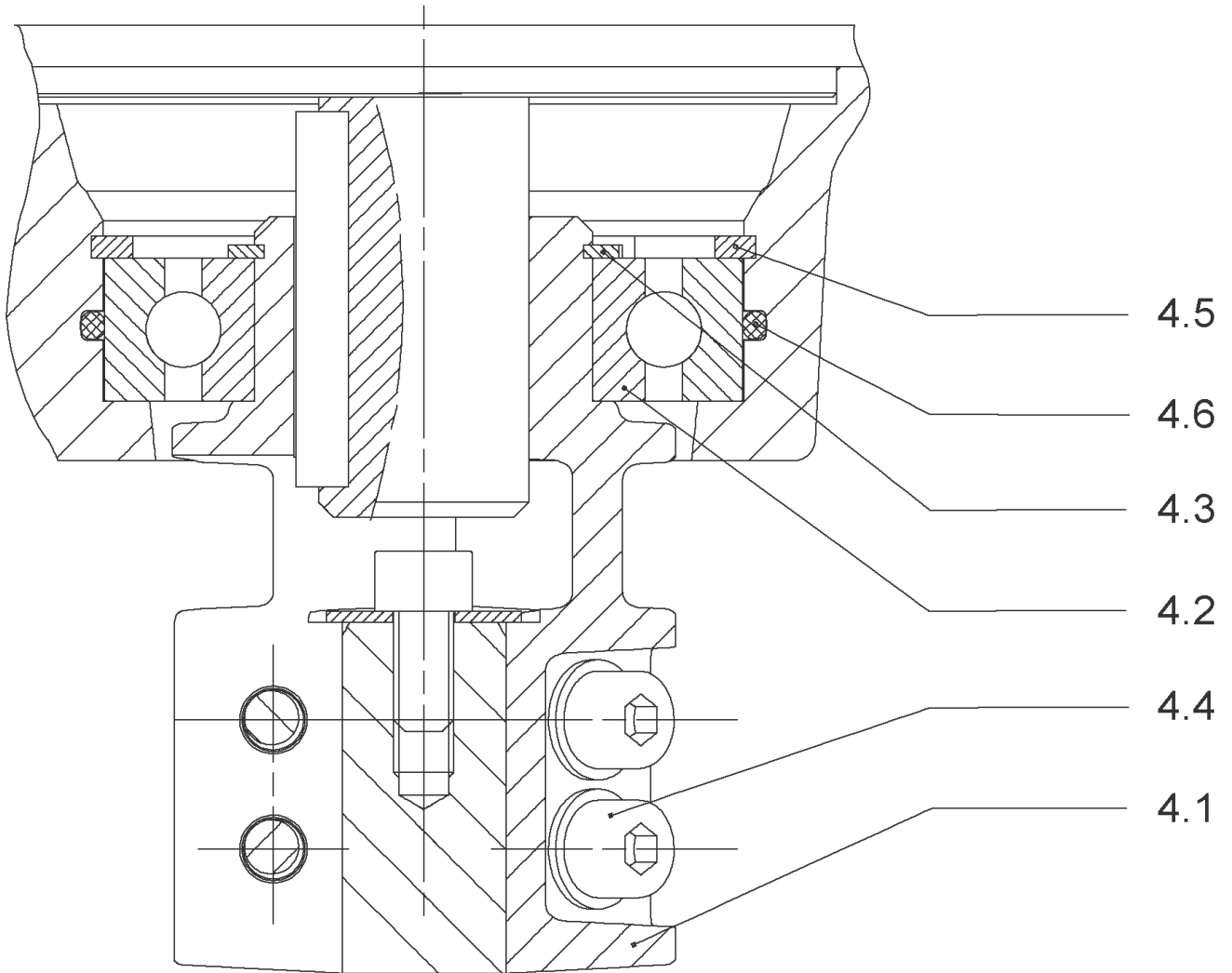
HYDRAULIC HELIX V 1605 1.4307

Item	Article no.	Description	Quantity
13.1	4159720	STAGE HELIX 16 1.4301 KIT	1
		> MACH.STG-CASING-WOGV-WNR-M+16-304	1
		> IMPELLER-M+16-304	1
13.2	4159714	STAGE BEARING HELIX 16 1.4301 KIT	1
		> MACH.BEARING-STG-CASING-WNR-M+16-304	1
		> IMPELLER-M+16-304	1
		> SLEEVE-SPACER-Ø19,35x30,665-304	1
		> SHAFT-SLEEVE-D16xD20x18-CW	1
13.3	4159715	INTERMEDIATE STAGE HELIX 16 1.4301 KIT	1
		> CORPS-ETG-STD-ACR-AJR-USIN.M+16-304	1
		> IMPELLER-M+16-304	1
		> SPACER Ø16X19.4-L48.6-304	1



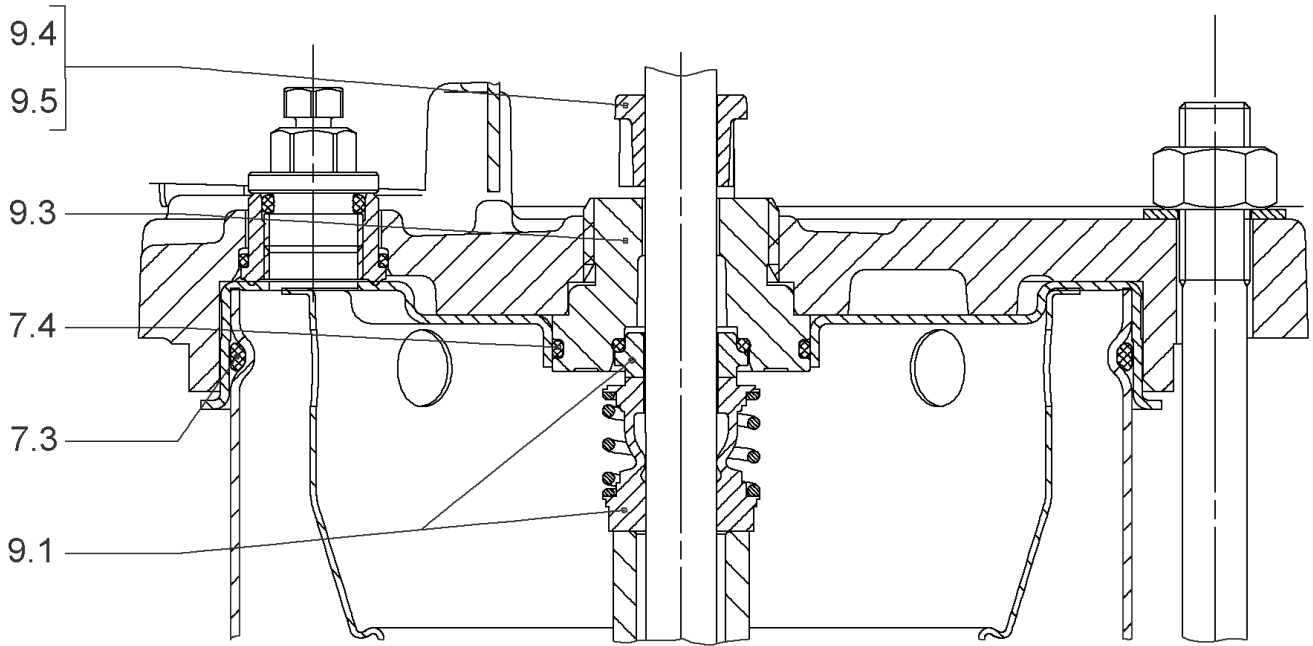
HELIX V1606-1/16/E/400-50 (4162641)

Item	Article no.	Description	Quantity
1	4169945	MO.4/2 3~230/400(460)V 50(60)HZ IE3 VP.	1
		SPARE PARTS MOTOR:ON REQUEST	1
2	4206025	SCREW M8X45 (4 PIECES)	1
3	4172789	LANTERN FT130 HELIX V10 KIT	1
3.1		> M+5_6_LANTERN_ONE-PIECE_FT130_CATA	1
3.2	2127604	> EYELET CPL.FT HELIX(2 PIECES)	1
3.3	4159692	> COUPLING PROTECTOR FT HELIX KIT	1
4	4159710	COUPLING D.16XD.28 FT130 HELIX KIT	1
6	2127555	STUD BOLT M12X485 KIT	1
7	4210143	STATIONARY RING HOLDER HELIX 6" EPDM	1
7.2	2127607	> STATIONARY RING HOLDER 6" HELIX 1.4301 V	1
7.3	4176513	> O-RING FOR PUMP JACKET VP.	1
7.4	2127603	> O-RING ID.37,6x2,4 EPDM VP.	1
7.5	2127602	> O-RING ID.21,35x2 EPDM VP.	1
8	4159686	FILING/PURGING PLUG HELIX EPDM KIT	1
9	4171327	SEAL-KIT-HELIX6-10-16 O/E KIT	1
10	2127578	HOUSING PIPE D.152x360 1.4307 KIT	1
7.3	4176513	> O-RING FOR PUMP JACKET VP.	1
10.1		> HOUSING-PIPE Ø152-M+1008/1606-304	1
11	2127588	CENTERING STAGE-RETURN HELIX16 1.4301 VP	1
12	4209329	SHAFT EQUIPMENT HELIX V16 KIT	1
12.1		> NUT-H-M10-A4.70	1
12.2		> SERRATED LOCK WASHER M+16M3-316L	1
12.3		> IMPELLER STOP RING L35,9-304	1
12.4		> STOP-RUSH-1/2-D16xd2-M+316	1
13		HYDRAULIC HELIX V 1606 1.4307	1
14	2127397	SHAFT D.16X480 1.4301 VP.	1
15	4217899	PUMP HOUSING HELIX DN50 PN16 1.4301 KIT	1
7.3	4176513	> O-RING FOR PUMP JACKET VP.	1
15.1		> BLASTING PPE HOUSING V-PN16-DN50-304	1
15.2	4217895	> COUNTER FLANGE-G2"-PN16-GJL KIT	1
15.3	4171321	> PRIMING/DRAIN PLUG EPDM HELIX KIT	1
16	2127601	BASEPLATE HELIX V16 VP.	1



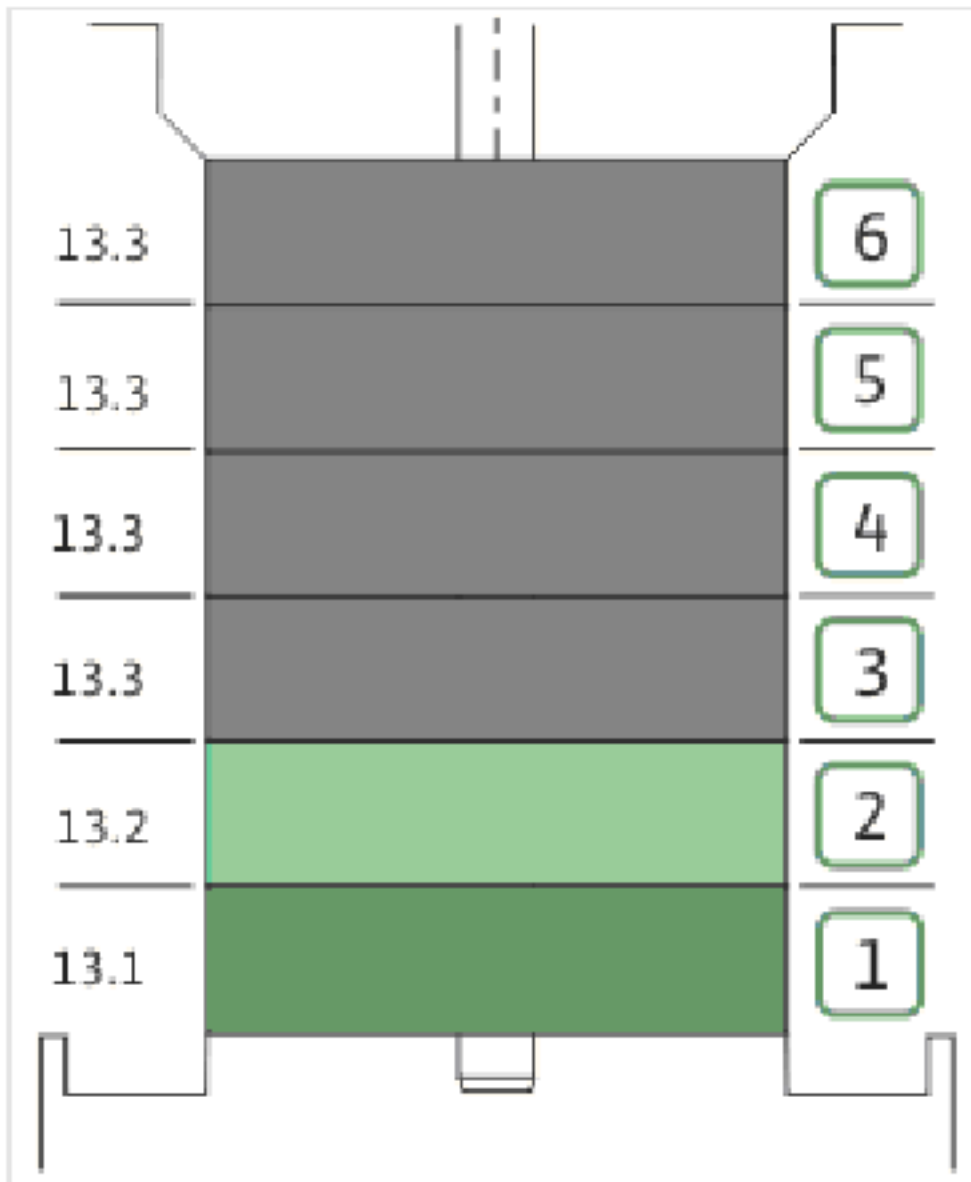
COUPLING D.16XD.28 FT130 HELIX KIT (4159710)

Item	Article no.	Description	Quantity
4.1		COUPLING M+ Ø16XØ28 FT130 MACHINED	1
4.2	2131022	BALL BEARING 6209/ZZ-C3(HT)VP.	1
4.3	4233930	CIRCLIP-FOR-BORES-D45x1,75 VP.	1
4.4	4157726	SCREW KIT M8X30 (4 PIECES)	1
4.5	4234252	CIRCLIPS 85X3 VP.	1
4.6	4234243	O-RING 85X3 VP.	1
		NOMEL CONTACT WASHER 8x16x1,4 STEEL ZC	1



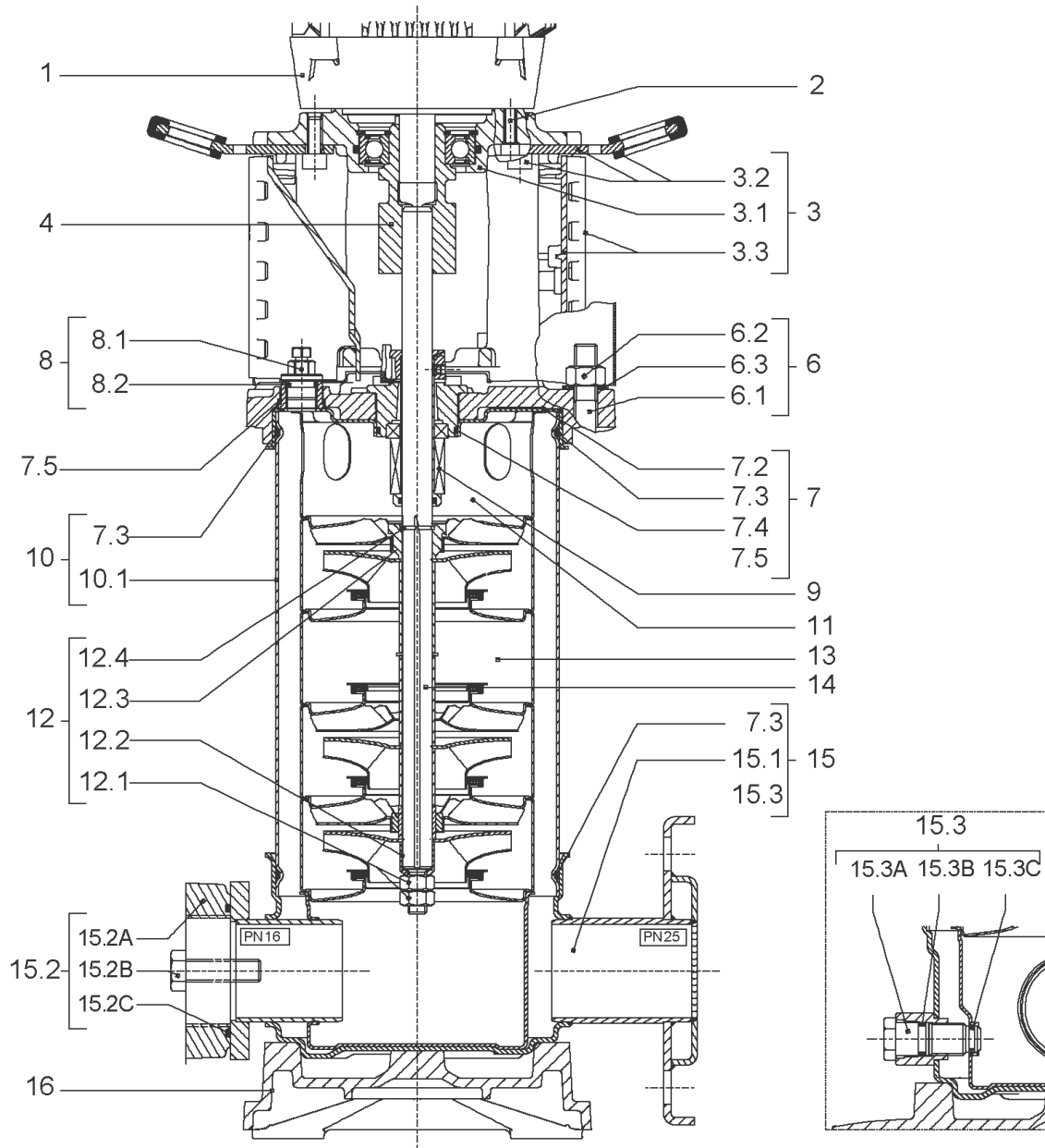
SEAL-KIT-HELIX6-10-16 O/E KIT (4171327)

Item	Article no.	Description	Quantity
7.3	4176513	O-RING FOR PUMP JACKET VP.	1
7.4	2127603	O-RING ID.37,6x2,4 EPDM VP.	1
9.1	4177801	MECH.SEAL HELIX6-10-16 O/E VP.	1
9.3	4177798	MACHINED RING HOLDER M+6" Ø16 304 VP.	1
9.5	4177799	MACHINED DRIVE RING Ø16 VP.	1
9.4	4176520	SCREW CH M5x5 A4-70 (3PIECES)	1



HYDRAULIC HELIX V 1606 1.4307

Item	Article no.	Description	Quantity
13.1	4159720	STAGE HELIX 16 1.4301 KIT	1
		> MACH.STG-CASING-WOGV-WNR-M+16-304	1
		> IMPELLER-M+16-304	1
13.2	4159714	STAGE BEARING HELIX 16 1.4301 KIT	1
		> MACH.BEARING-STG-CASING-WNR-M+16-304	1
		> IMPELLER-M+16-304	1
		> SLEEVE-SPACER-Ø19,35x30,665-304	1
		> SHAFT-SLEEVE-D16xD20x18-CW	1
13.3	4159715	INTERMEDIATE STAGE HELIX 16 1.4301 KIT	1
		> CORPS-ETG-STD-ACR-AJR-USIN.M+16-304	1
		> IMPELLER-M+16-304	1
		> SPACER Ø16X19.4-L48.6-304	1



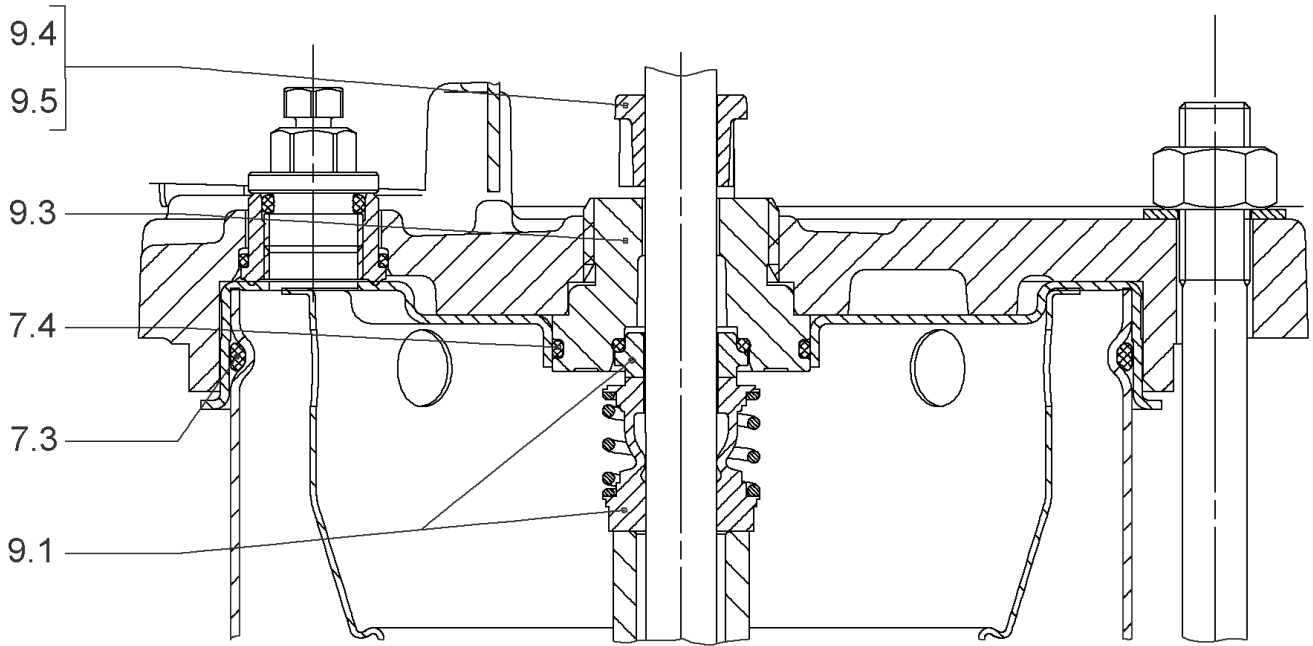
HELIX V1607-1/16/E/400-50 (4162642)

Item	Article no.	Description	Quantity
1	4169947	MO 5,5/2/112 3~400V50Hz 460V60Hz IE3 VP.	1
		SPARE PARTS MOTOR:ON REQUEST	1
2	4206025	SCREW M8X45 (4 PIECES)	1
3	4172789	LANTERN FT130 HELIX V10 KIT	1
3.1		> M+5_6_LANTERN_ONE-PIECE_FT130_CATA	1
3.2	2127604	> EYELET CPL.FT HELIX(2 PIECES)	1
3.3	4159692	> COUPLING PROTECTOR FT HELIX KIT	1
4	4159710	COUPLING D.16XD.28 FT130 HELIX KIT	1
6	2127556	STUD BOLT M12X542 KIT	1
7	4210143	STATIONARY RING HOLDER HELIX 6" EPDM	1
7.2	2127607	> STATIONARY RING HOLDER 6" HELIX 1.4301 V	1
7.3	4176513	> O-RING FOR PUMP JACKET VP.	1
7.4	2127603	> O-RING ID.37,6x2,4 EPDM VP.	1
7.5	2127602	> O-RING ID.21,35x2 EPDM VP.	1
8	4159686	FILING/PURGING PLUG HELIX EPDM KIT	1
9	4171327	SEAL-KIT-HELIX6-10-16 O/E KIT	1
10	2127579	HOUSING PIPE D.152x410 1.4301 KIT	1
7.3	4176513	> O-RING FOR PUMP JACKET VP.	1
10.1		> HOUSING-PIPE Ø152-M+1607-304	1
11	2127588	CENTERING STAGE-RETURN HELIX16 1.4301 VP	1
12	4209329	SHAFT EQUIPMENT HELIX V16 KIT	1
12.1		> NUT-H-M10-A4.70	1
12.2		> SERRATED LOCK WASHER M+16M3-316L	1
12.3		> IMPELLER STOP RING L35,9-304	1
12.4		> STOP-RUSH-1/2-D16xd2-M+316	1
13		HYDRAULIC HELIX V 1607 1.4307	1
14	2127567	SHAFT D.16X530 1.4301 VP.	1
15	4217899	PUMP HOUSING HELIX DN50 PN16 1.4301 KIT	1
7.3	4176513	> O-RING FOR PUMP JACKET VP.	1
15.1		> BLASTING PPE HOUSING V-PN16-DN50-304	1
15.2	4217895	> COUNTER FLANGE-G2"-PN16-GJL KIT	1
15.3	4171321	> PRIMING/DRAIN PLUG EPDM HELIX KIT	1
16	2127601	BASEPLATE HELIX V16 VP.	1



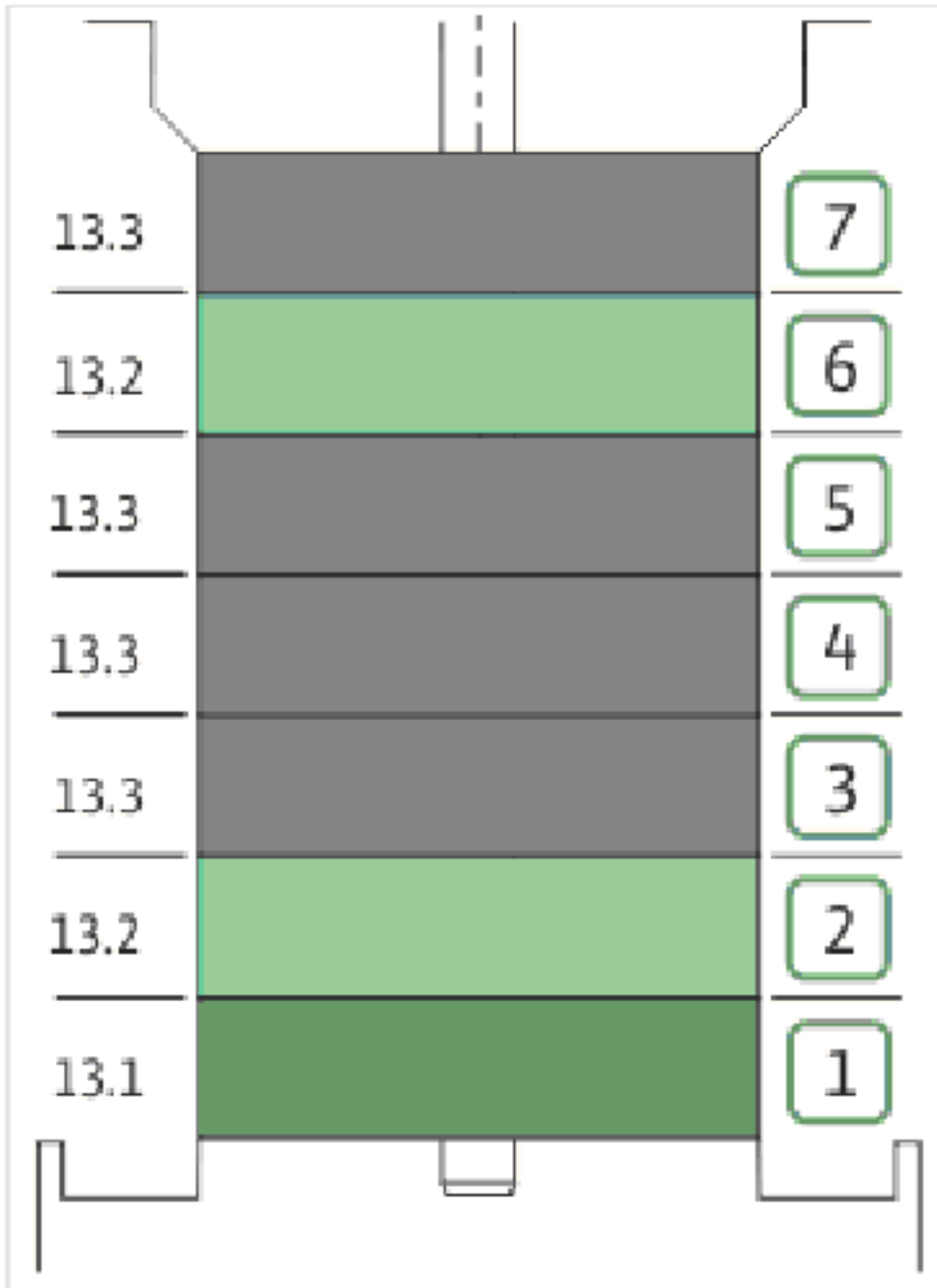
COUPLING D.16XD.28 FT130 HELIX KIT (4159710)

Item	Article no.	Description	Quantity
4.1		COUPLING M+ Ø16XØ28 FT130 MACHINED	1
4.2	2131022	BALL BEARING 6209/ZZ-C3(HT)VP.	1
4.3	4233930	CIRCLIP-FOR-BORES-D45x1,75 VP.	1
4.4	4157726	SCREW KIT M8X30 (4 PIECES)	1
4.5	4234252	CIRCLIPS 85X3 VP.	1
4.6	4234243	O-RING 85X3 VP.	1
		NOMEL CONTACT WASHER 8x16x1,4 STEEL ZC	1



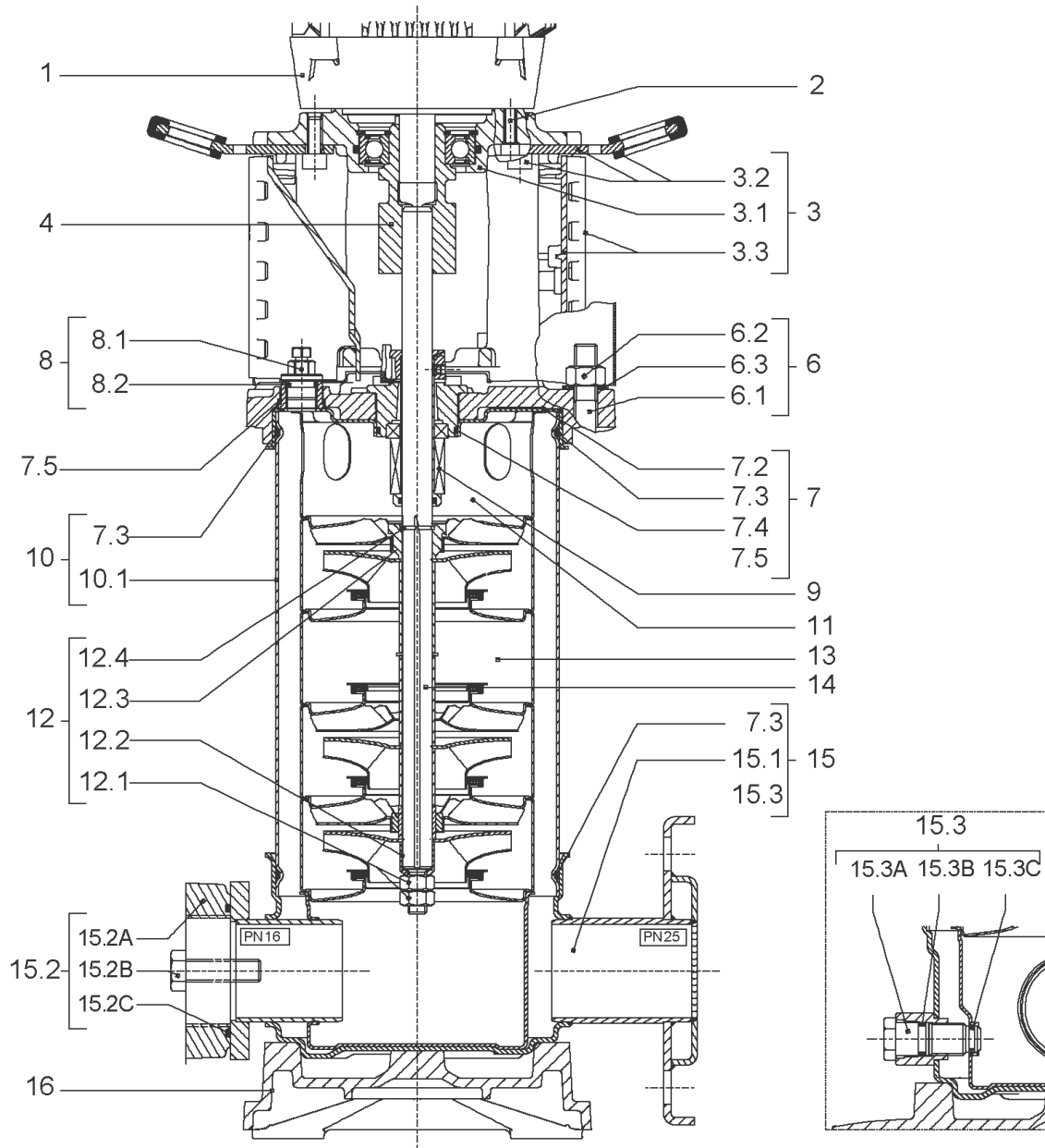
SEAL-KIT-HELIX6-10-16 O/E KIT (4171327)

Item	Article no.	Description	Quantity
7.3	4176513	O-RING FOR PUMP JACKET VP.	1
7.4	2127603	O-RING ID.37,6x2,4 EPDM VP.	1
9.1	4177801	MECH.SEAL HELIX6-10-16 O/E VP.	1
9.3	4177798	MACHINED RING HOLDER M+6" Ø16 304 VP.	1
9.5	4177799	MACHINED DRIVE RING Ø16 VP.	1
9.4	4176520	SCREW CH M5x5 A4-70 (3PIECES)	1



HYDRAULIC HELIX V 1607 1.4307

Item	Article no.	Description	Quantity
13.1	4159720	STAGE HELIX 16 1.4301 KIT	1
		> MACH.STG-CASING-WOGV-WNR-M+16-304	1
		> IMPELLER-M+16-304	1
13.2	4159714	STAGE BEARING HELIX 16 1.4301 KIT	1
		> MACH.BEARING-STG-CASING-WNR-M+16-304	1
		> IMPELLER-M+16-304	1
		> SLEEVE-SPACER-Ø19,35x30,665-304	1
		> SHAFT-SLEEVE-D16xD20x18-CW	1
13.3	4159715	INTERMEDIATE STAGE HELIX 16 1.4301 KIT	1
		> CORPS-ETG-STD-ACR-AJR-USIN.M+16-304	1
		> IMPELLER-M+16-304	1
		> SPACER Ø16X19.4-L48.6-304	1



HELIX V1608-1/16/E/400-50 (4162643)

Item	Article no.	Description	Quantity
1	4169947	MO 5,5/2/112 3~400V50Hz 460V60Hz IE3 VP.	1
		SPARE PARTS MOTOR:ON REQUEST	1
2	4206025	SCREW M8X45 (4 PIECES)	1
3	4172789	LANTERN FT130 HELIX V10 KIT	1
3.1		> M+5_6_LANTERN_ONE-PIECE_FT130_CATA	1
3.2	2127604	> EYELET CPL.FT HELIX(2 PIECES)	1
3.3	4159692	> COUPLING PROTECTOR FT HELIX KIT	1
4	4159710	COUPLING D.16XD.28 FT130 HELIX KIT	1
6	2127557	STUD BOLT M12X587 KIT	1
6.1		> TIE BOLT M12-587x18x30-1.4057	1
6.2	2094647	> NUT M12 M12 ISO4032 VP.	1
6.3	2123557	> WASHER CS-12.4-24-1.6-NFE25 (4 PIECES)	1
7	4210143	STATIONARY RING HOLDER HELIX 6" EPDM	1
7.2	2127607	> STATIONARY RING HOLDER 6" HELIX 1.4301 V	1
7.3	4176513	> O-RING FOR PUMP JACKET VP.	1
7.4	2127603	> O-RING ID.37,6x2,4 EPDM VP.	1
7.5	2127602	> O-RING ID.21,35x2 EPDM VP.	1
8	4159686	FILING/PURGING PLUG HELIX EPDM KIT	1
9	4171327	SEAL-KIT-HELIX6-10-16 O/E KIT	1
10	2127580	HOUSING PIPE D.152x460 1.4301 KIT	1
7.3	4176513	> O-RING FOR PUMP JACKET VP.	1
10.1		> HOUSING-PIPE Ø152-M+1608-304	1
11	2127588	CENTERING STAGE-RETURN HELIX16 1.4301 VP	1
12	4209329	SHAFT EQUIPMENT HELIX V16 KIT	1
12.1		> NUT-H-M10-A4.70	1
12.2		> SERRATED LOCK WASHER M+16M3-316L	1
12.3		> IMPELLER STOP RING L35,9-304	1
12.4		> STOP-RUSH-1/2-D16xd2-M+316	1
13		HYDRAULIC HELIX V 1608 1.4307	1
14	2127568	SHAFT D.16X580 1.4301 VP.	1
15	4217899	PUMP HOUSING HELIX DN50 PN16 1.4301 KIT	1
7.3	4176513	> O-RING FOR PUMP JACKET VP.	1
15.1		> BLASTING PPE HOUSING V-PN16-DN50-304	1
15.2	4217895	> COUNTER FLANGE-G2"-PN16-GJL KIT	1

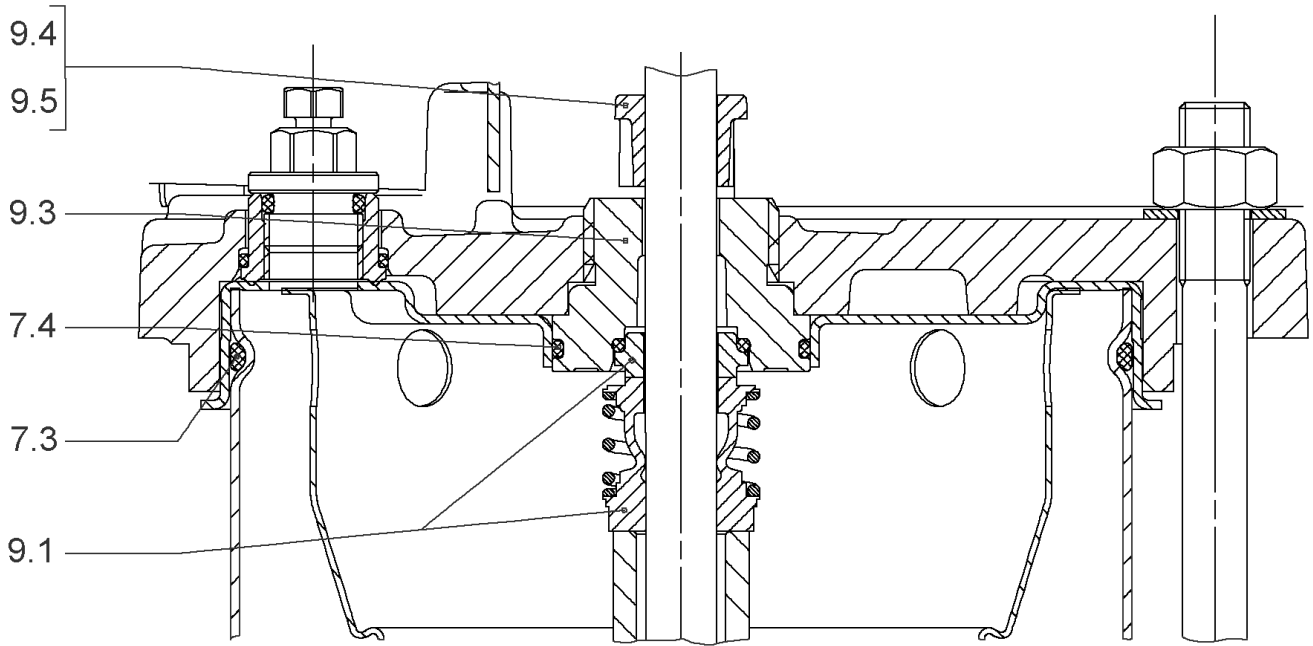
HELIX V1608-1/16/E/400-50 (4162643)

Item	Article no.	Description	Quantity
15.3	4171321	> PRIMING/DRAIN PLUG EPDM HELIX KIT	1
16	2127601	BASEPLATE HELIX V16 VP.	1



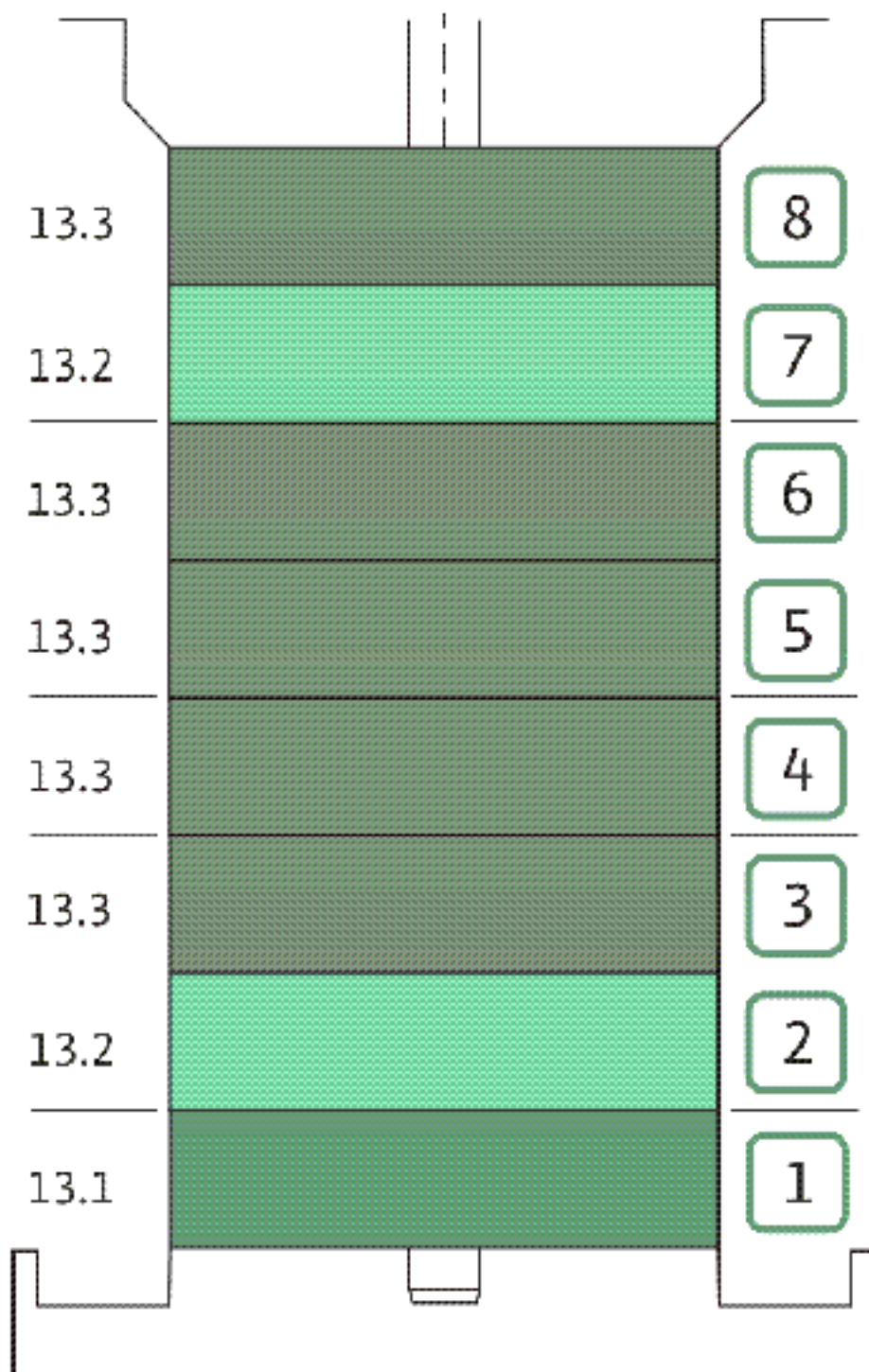
COUPLING D.16XD.28 FT130 HELIX KIT (4159710)

Item	Article no.	Description	Quantity
4.1		COUPLING M+ Ø16XØ28 FT130 MACHINED	1
4.2	2131022	BALL BEARING 6209/ZZ-C3(HT)VP.	1
4.3	4233930	CIRCLIP-FOR-BORES-D45x1,75 VP.	1
4.4	4157726	SCREW KIT M8X30 (4 PIECES)	1
4.5	4234252	CIRCLIPS 85X3 VP.	1
4.6	4234243	O-RING 85X3 VP.	1
		NOMEL CONTACT WASHER 8x16x1,4 STEEL ZC	1



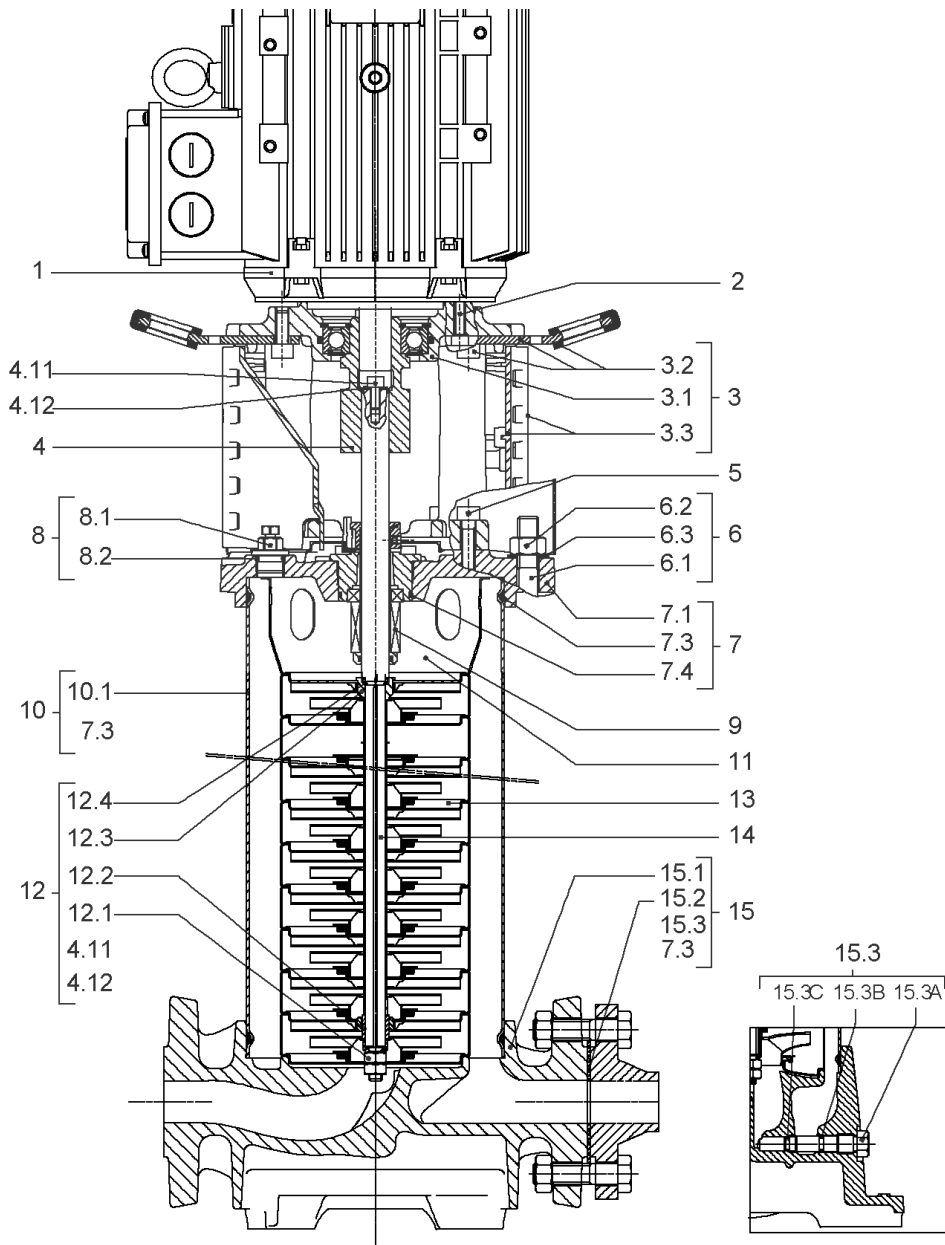
SEAL-KIT-HELIX6-10-16 O/E KIT (4171327)

Item	Article no.	Description	Quantity
7.3	4176513	O-RING FOR PUMP JACKET VP.	1
7.4	2127603	O-RING ID.37,6x2,4 EPDM VP.	1
9.1	4177801	MECH.SEAL HELIX6-10-16 O/E VP.	1
9.3	4177798	MACHINED RING HOLDER M+6" Ø16 304 VP.	1
9.5	4177799	MACHINED DRIVE RING Ø16 VP.	1
9.4	4176520	SCREW CH M5x5 A4-70 (3PIECES)	1



HYDRAULIC HELIX V 1608 1.4307

Item	Article no.	Description	Quantity
13.1	4159720	STAGE HELIX 16 1.4301 KIT	1
		> MACH.STG-CASING-WOGV-WNR-M+16-304	1
		> IMPELLER-M+16-304	1
13.2	4159714	STAGE BEARING HELIX 16 1.4301 KIT	1
		> MACH.BEARING-STG-CASING-WNR-M+16-304	1
		> IMPELLER-M+16-304	1
		> SLEEVE-SPACER-Ø19,35x30,665-304	1
		> SHAFT-SLEEVE-D16xD20x18-CW	1
13.3	4159715	INTERMEDIATE STAGE HELIX 16 1.4301 KIT	1
		> CORPS-ETG-STD-ACR-AJR-USIN.M+16-304	1
		> IMPELLER-M+16-304	1
		> SPACER Ø16X19.4-L48.6-304	1



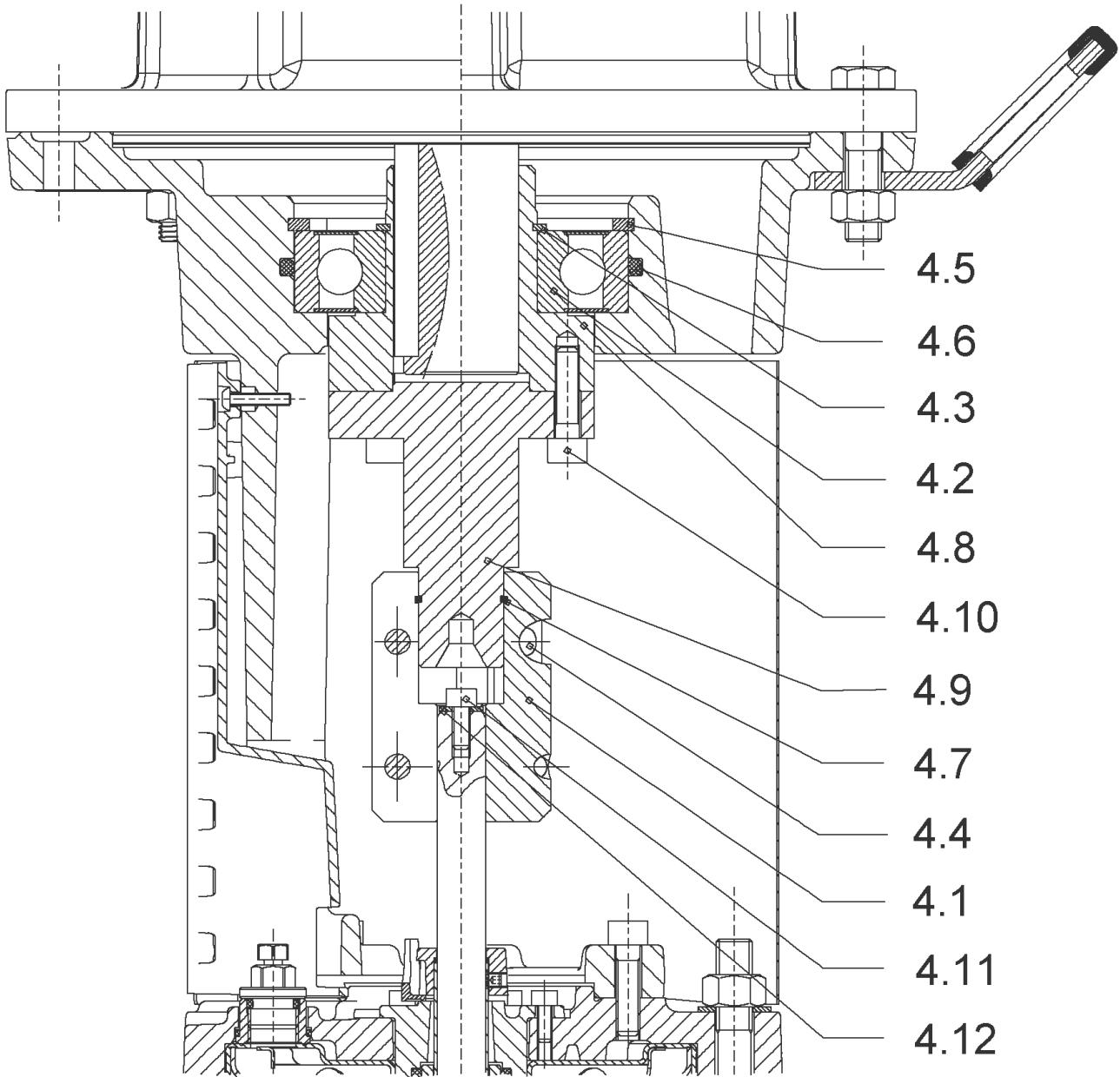
HELIX V1621-3/30/E/KS/400-50 (4175112)

Item	Article no.	Description	Quantity
1	4195487	MOTOR 15/2/160 3~400V 50HZ VP.	1
		SPARE PARTS MOTOR:ON REQUEST	1
2	4179586	SCREW M16X60 (4 PIECES)	1
3	4186390	LANTERN FF300 HELIX KIT	1
3.1		> LANTERN FF300 M+6" JL MACH.+CATA	1
3.2	4179589	> EYELET CPL.FF300 HELIX(4 PIECES)	1
3.3	4159695	> COUPLING PROTECTOR FF HELIX KIT	1
4	4159712	COUPLING D.16XD.38 FF300 HELIX KIT	1
5	4159707	SCREW M8X30 (4 PIECES)	1
6	4177985	STUD BOLT M12X1163 KIT	1
6.1		> TIE BOLT M12-1163x18x30-1.4057	1
6.2	2094647	> NUT M12 M12 ISO4032 VP.	1
6.3	2123557	> WASHER CS-12.4-24-1.6-NFE25 (4 PIECES)	1
7	4209645	END SHIELD PN30 HELIX EPDM KIT	1
7.1		> END SHIELD M+6" FF300 REINFORCED+CATA	1
7.3	4176513	> O-RING FOR PUMP JACKET VP.	1
7.4	2127603	> O-RING ID.37,6x2,4 EPDM VP.	1
8	4159686	FILING/PURGING PLUG HELIX EPDM KIT	1
9	4177872	MECH.SEAL+CART. HELIX6-10-16 T/E KIT	1
10	2127585	HOUSING PIPE D.152x1110 1.4301 KIT	1
7.3	4176513	> O-RING FOR PUMP JACKET VP.	1
10.1		> HOUSING-PIPE Ø152-M+1619-304	1
11	2127588	CENTERING STAGE-RETURN HELIX16 1.4301 VP	1
12	4159688	SHAFT EQUIPMENT HELIX V16 BI BLOC KIT	1
4.11	4102901	> SCREW CHC-M6X14-8.8-ISO4762-GEOMET500A	1
4.12	2130995	> SERRATED LOCK WASHER D.6,2XD.14,5X28 VP.	1
12.1		> NUT-H-M10-A4.70	1
12.2		> SERRATED LOCK WASHER M+16M3-316L	1
12.3		> STOP COLLAR OF IMPELLER L18,8-Ø16-316L	1
12.4		> STOP-RUSH-1/2-D16xd2-M+316	1
13		HYDRAULIC HELIX V 1621 1.4307	1
14	2127573	SHAFT D.16X1230 1.4462 VP.	1
15	4209634	PUMP HOUSING HELIX FIRST V16 PN30 KIT	1
15.1		> MACH+CATA PUMP CASING M+6" DN50 PN25 GJL	1

HELIX V1621-3/30/E/KS/400-50 (4175112)

Item	Article no.	Description	Quantity
15.2	4124503	> FLAT GASKET 61x107x2_DN50_PN25_FIBER	1
15.3	4177877	> PRIMING/DRAIN PLUG HELIX PN30 KIT	1
15.3A		>> PRIMING/DRAIN PLUG M+6" 304	1
15.3B	4233957	>> O-RING ID.9 EPDM VP.	1
15.3C		>> O-RING Ø8xØ2 EPDM KTW/WRC	1
7.3	4176513	> O-RING FOR PUMP JACKET VP.	1

COUPLING D.16XD.38 FF300 HELIX KIT (4159712)



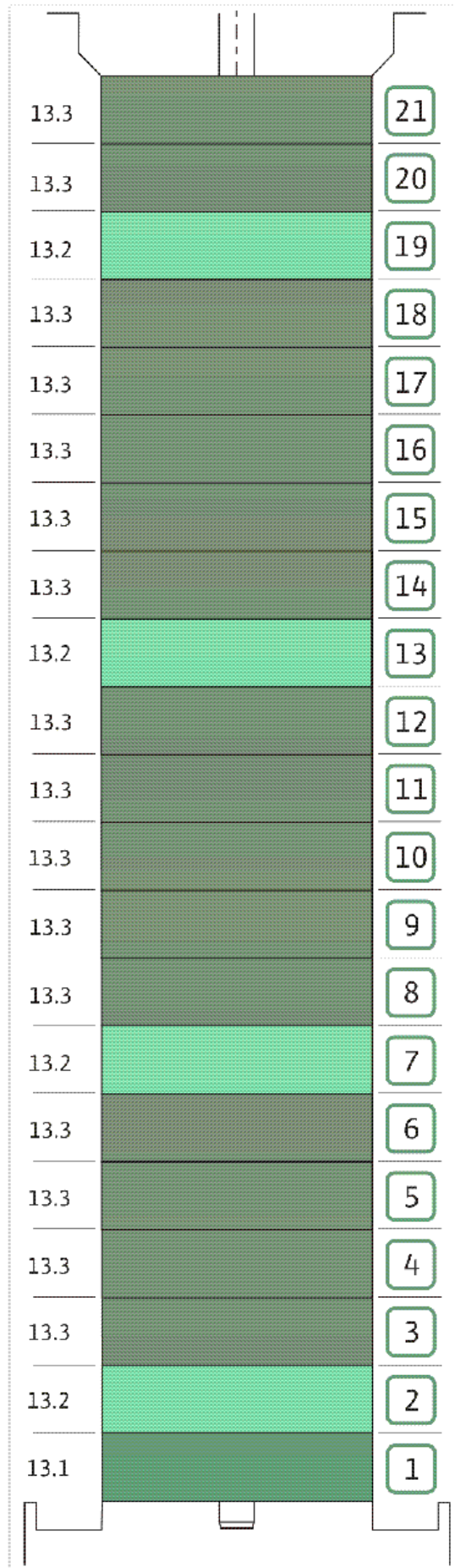
COUPLING D.16XD.38 FF300 HELIX KIT (4159712)

Item	Article no.	Description	Quantity
4.1	2130990	COUPLING 2 PARTS D.16XD.38XL.115 VP.	1
4.2	2123699	BALL BEARING 6312/2Z-C4 (HT) VP.	1
4.3	63428	CIRCLIP-FOR-SHAFT-D60x2	1
4.4	2130991	SCREW M12X30 ISO4762 8.8 ZN(4 PIECES)	1
4.5	4032277	CIRCLIP-HOLE-130x4	1
4.6	4006725	O-RING ID.132,94x3,53 NBR70SR	1
4.7	2130992	RETAINING RING D.35xD.2,5 DIN7993 VP.	1
4.8	2130993	HUB D.42xD.60 JL250 VP.	1
4.9	2130994	SPACER D.38XD.55 VP.	1
4.10	4094462	SCREWS M10 (4 PIECES)	1
4.11	4102901	SCREW CHC-M6X14-8.8-ISO4762-GEOMET500A	1
4.12	2130995	SERRATED LOCK WASHER D.6,2XD.14,5X28 VP.	1



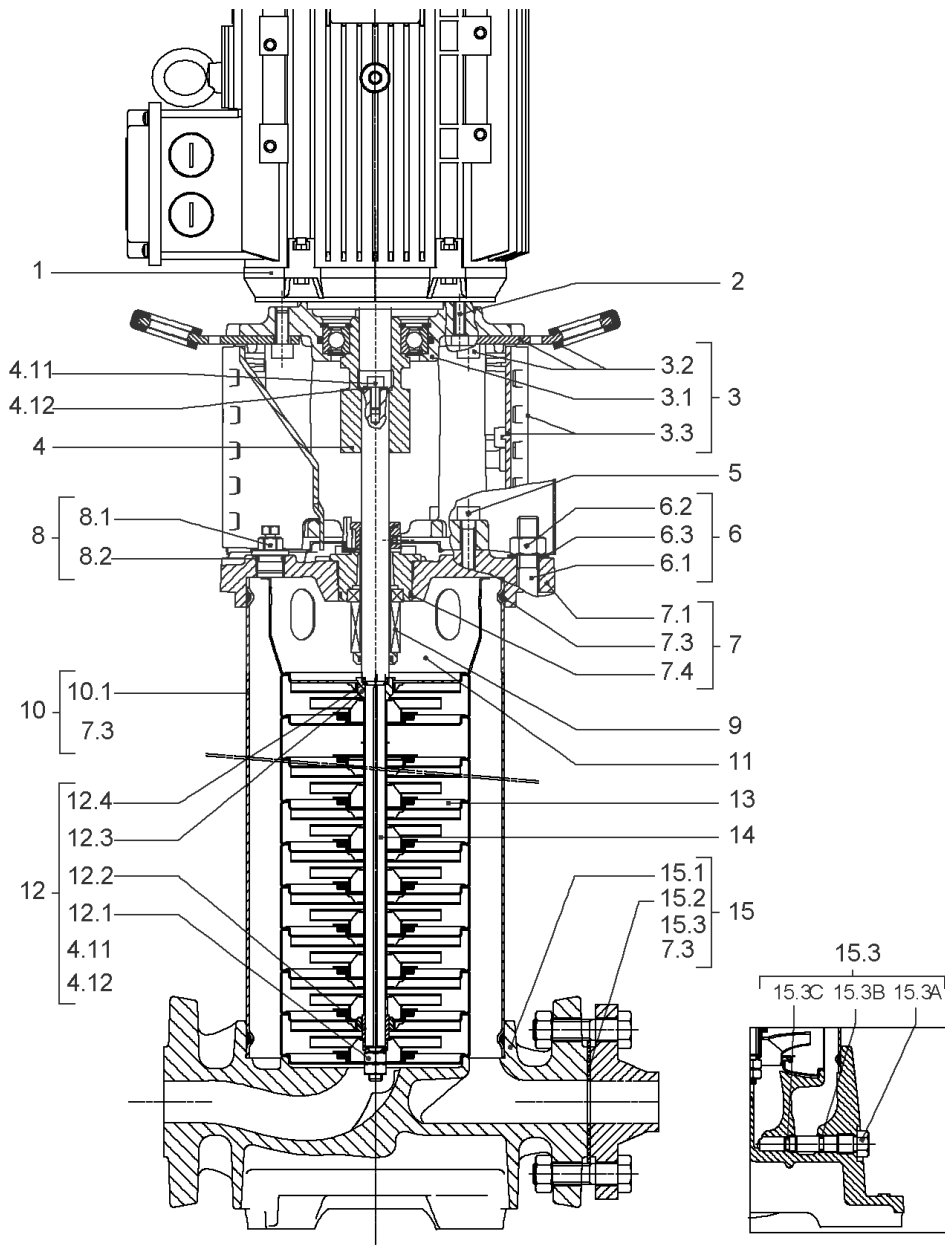
MECH.SEAL+CART. HELIX6-10-16 T/E KIT (4177872)

Item	Article no.	Description	Quantity
9.1	4177871	SEAL-KIT-HELIX6-10-16 T/E	1
7.3	4176513	> O-RING FOR PUMP JACKET VP.	1
7.4	2127603	> O-RING ID.37,6x2,4 EPDM VP.	1
9.1A	4177870	> MECH.SEAL HELIX2-4-6-10-16 T/E VP.	1
9.1B	2130967	> O-RING D.16X2,5 EPDM VP.	1
9.1C	4176519	> O-RING Ø16xØ1.25 VP.	1
9.2	4177869	SHAFT SLEEVE Ø16XØ18/22-G9-PN30 VP.	1
9.3	4177868	RING-HOLDER MS G9 316 VP.	1
9.4	4176520	SCREW CH M5x5 A4-70 (3PIECES)	1
9.5	2130963	DRIVE RING D.29/18x12,4 MACH.VP.	1
9.6	2130964	TOOL M.S.CART.HELIX VP.	1
9.7	2130965	SCREW CHC M5X12 ISO4762 A2.70(4 PIECES)	1



HYDRAULIC HELIX V 1621 1.4307

Item	Article no.	Description	Quantity
13.1	4159720	STAGE HELIX 16 1.4301 KIT	1
		> MACH.STG-CASING-WOGV-WNR-M+16-304	1
		> IMPELLER-M+16-304	1
13.2	4159714	STAGE BEARING HELIX 16 1.4301 KIT	1
		> MACH.BEARING-STG-CASING-WNR-M+16-304	1
		> IMPELLER-M+16-304	1
		> SLEEVE-SPACER-Ø19,35x30,665-304	1
		> SHAFT-SLEEVE-D16xD20x18-CW	1
13.3	4159715	INTERMEDIATE STAGE HELIX 16 1.4301 KIT	1
		> CORPS-ETG-STD-ACR-AJR-USIN.M+16-304	1
		> IMPELLER-M+16-304	1
		> SPACER Ø16X19.4-L48.6-304	1



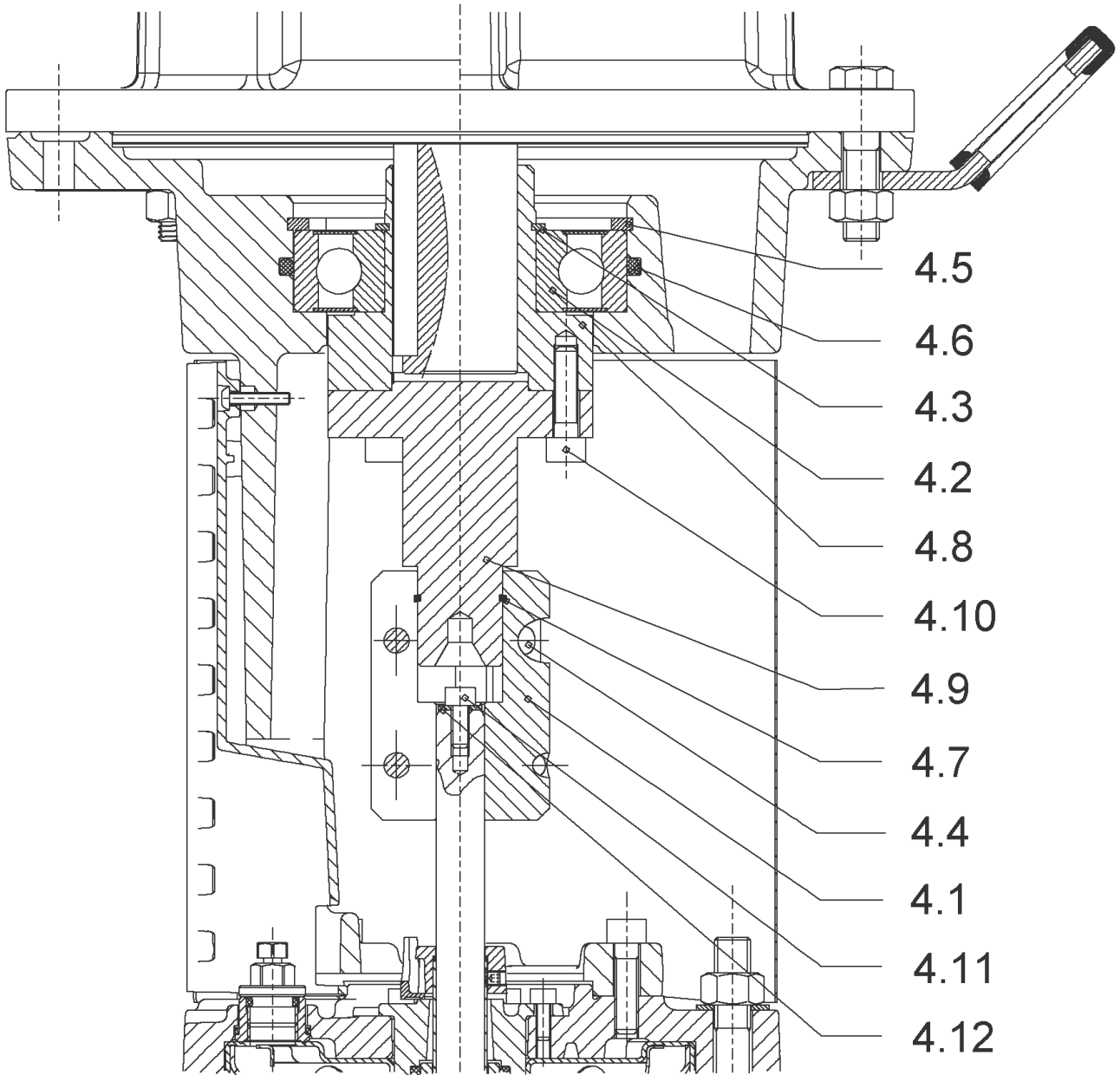
HELIX V1616-3/30/E/KS/400-50 (4175113)

Item	Article no.	Description	Quantity
1	4195486	MO. 11/2/132 3~400V50HZ 460V60HZ IE3 VP.	1
		SPARE PARTS MOTOR:ON REQUEST	1
2	4174093	SCREW M12X50 (4 PIECES)	1
3	4159693	LANTERN FF265 HELIX KIT	1
3.1		> LANTERN FF265 M+6" GJL MACHINING+CATA	1
3.2	2127605	> EYELET CPL.FF265 HELIX(2 PIECES)	1
3.3	4159695	> COUPLING PROTECTOR FF HELIX KIT	1
4	4159711	COUPLING D.16XD.38 FF265 HELIX KIT	1
5	4159707	SCREW M8X30 (4 PIECES)	1
6	4177881	STUD BOLT M12X990 KIT	1
6.1		> TIE BOLT M12-990x18x30-1.4057	1
6.2	2094647	> NUT M12 M12 ISO4032 VP.	1
6.3	2123557	> WASHER CS-12.4-24-1.6-NFE25 (4 PIECES)	1
7	4177867	END SHIELD PN30 HELIX EPDM KIT	1
7.1		> END SHIELD M+ JL VERSION 1 MACHINED+CATA	1
7.3	4176513	> O-RING FOR PUMP JACKET VP.	1
7.4	2127603	> O-RING ID.37,6x2,4 EPDM VP.	1
8	4159686	FILING/PURGING PLUG HELIX EPDM KIT	1
9	4177872	MECH.SEAL+CART. HELIX6-10-16 T/E KIT	1
10	4177874	HOUSING PIPE D.152x960 1.4307 KIT	1
7.3	4176513	> O-RING FOR PUMP JACKET VP.	1
10.1		> HOUSING-PIPE Ø152-M+1024/1616-304	1
11	2127588	CENTERING STAGE-RETURN HELIX16 1.4301 VP	1
12	4159688	SHAFT EQUIPMENT HELIX V16 BI BLOC KIT	1
4.11	4102901	> SCREW CHC-M6X14-8.8-ISO4762-GEOMET500A	1
4.12	2130995	> SERRATED LOCK WASHER D.6,2XD.14,5X28 VP.	1
12.1		> NUT-H-M10-A4.70	1
12.2		> SERRATED LOCK WASHER M+16M3-316L	1
12.3		> STOP COLLAR OF IMPELLER L18,8-Ø16-316L	1
12.4		> STOP-RUSH-1/2-D16xd2-M+316	1
13		HYDRAULIC HELIX V 1616 1.4307	1
14	4177883	SHAFT D.16X1080 1.4301 VP.	1
15	4209634	PUMP HOUSING HELIX FIRST V16 PN30 KIT	1
15.1		> MACH+CATA PUMP CASING M+6" DN50 PN25 GJL	1

HELIX V1616-3/30/E/KS/400-50 (4175113)

Item	Article no.	Description	Quantity
15.2	4124503	> FLAT GASKET 61x107x2_DN50_PN25_FIBER	1
15.3	4177877	> PRIMING/DRAIN PLUG HELIX PN30 KIT	1
15.3A		>> PRIMING/DRAIN PLUG M+6" 304	1
15.3B	4233957	>> O-RING ID.9 EPDM VP.	1
15.3C		>> O-RING Ø8xØ2 EPDM KTW/WRC	1
7.3	4176513	> O-RING FOR PUMP JACKET VP.	1

COUPLING D.16XD.38 FF265 HELIX KIT (4159711)



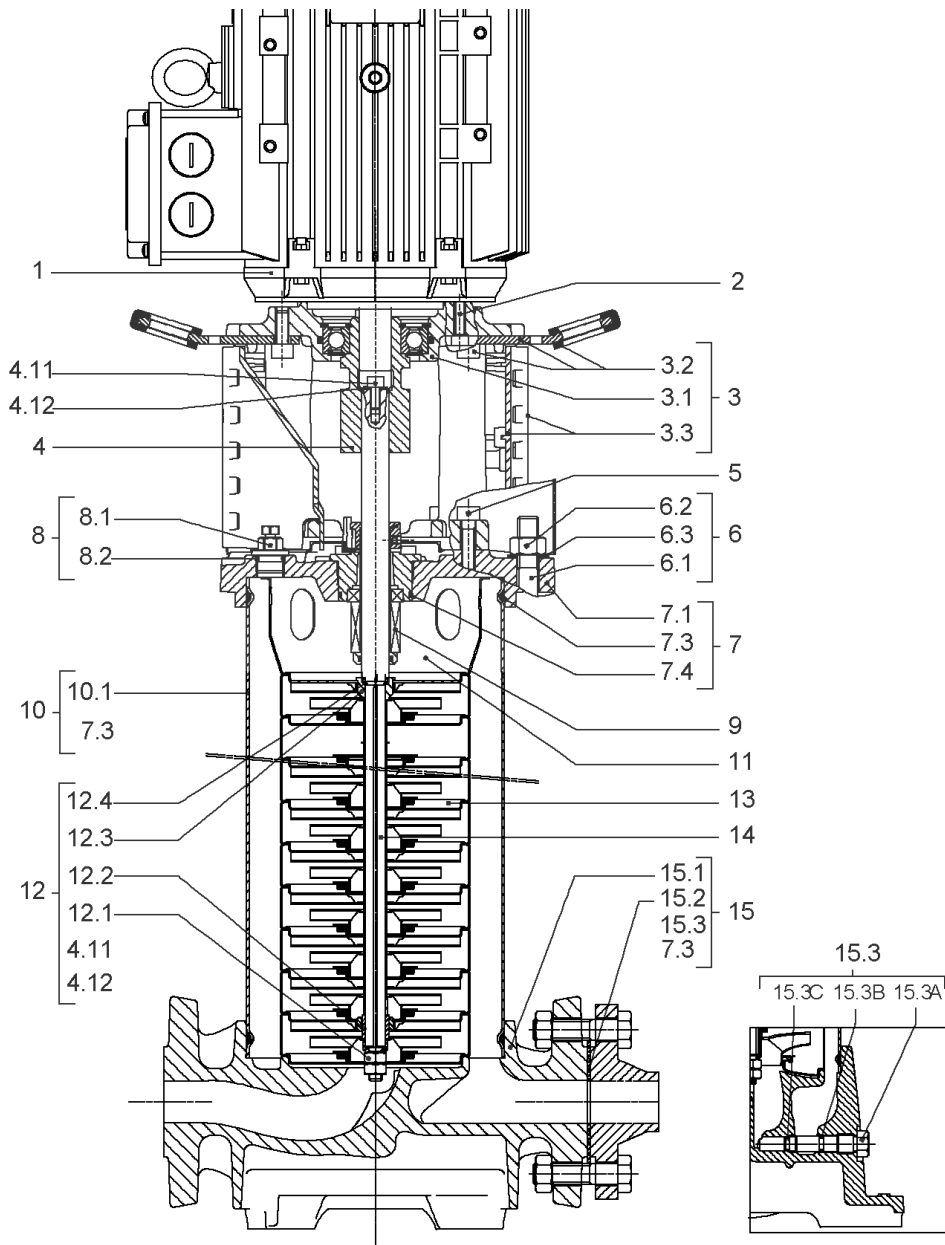
COUPLING D.16XD.38 FF265 HELIX KIT (4159711)

Item	Article no.	Description	Quantity
4.1	2131018	COUPLING 2 PARTS D.16XD.28XL.82,4 VP.	1
4.2	2131017	BALL BEARING 6310/ZZ-C4(HT)VP.	1
4.3	4234253	CIRCLIP-FOR-SHAFT-D50x2 VP.	1
4.4	4157726	SCREW KIT M8X30 (4 PIECES)	1
4.5	4234255	CIRCLIPS 110X4 VP.	1
4.6	4233944	O-RING ID.110 VP.	1
4.7	2131019	RETAINING RING D.26xD.2 DIN7993 VP.	1
4.10	4157726	SCREW KIT M8X30 (4 PIECES)	1
4.11	4102901	SCREW CHC-M6X14-8.8-ISO4762-GEOMET500A	1
4.12	2130995	SERRATED LOCK WASHER D.6,2XD.14,5X28 VP.	1
		NOMEL CONTACT WASHER 8x16x1,4 STEEL ZC	1
4.8	2131020	HUB D.38XD.50 VP.	1
4.9	2131021	SPACER D.28XD.45 VP.	1



MECH.SEAL+CART. HELIX6-10-16 T/E KIT (4177872)

Item	Article no.	Description	Quantity
9.1	4177871	SEAL-KIT-HELIX6-10-16 T/E	1
7.3	4176513	> O-RING FOR PUMP JACKET VP.	1
7.4	2127603	> O-RING ID.37,6x2,4 EPDM VP.	1
9.1A	4177870	> MECH.SEAL HELIX2-4-6-10-16 T/E VP.	1
9.1B	2130967	> O-RING D.16X2,5 EPDM VP.	1
9.1C	4176519	> O-RING Ø16xØ1.25 VP.	1
9.2	4177869	SHAFT SLEEVE Ø16XØ18/22-G9-PN30 VP.	1
9.3	4177868	RING-HOLDER MS G9 316 VP.	1
9.4	4176520	SCREW CH M5x5 A4-70 (3PIECES)	1
9.5	2130963	DRIVE RING D.29/18x12,4 MACH.VP.	1
9.6	2130964	TOOL M.S.CART.HELIX VP.	1
9.7	2130965	SCREW CHC M5X12 ISO4762 A2.70(4 PIECES)	1



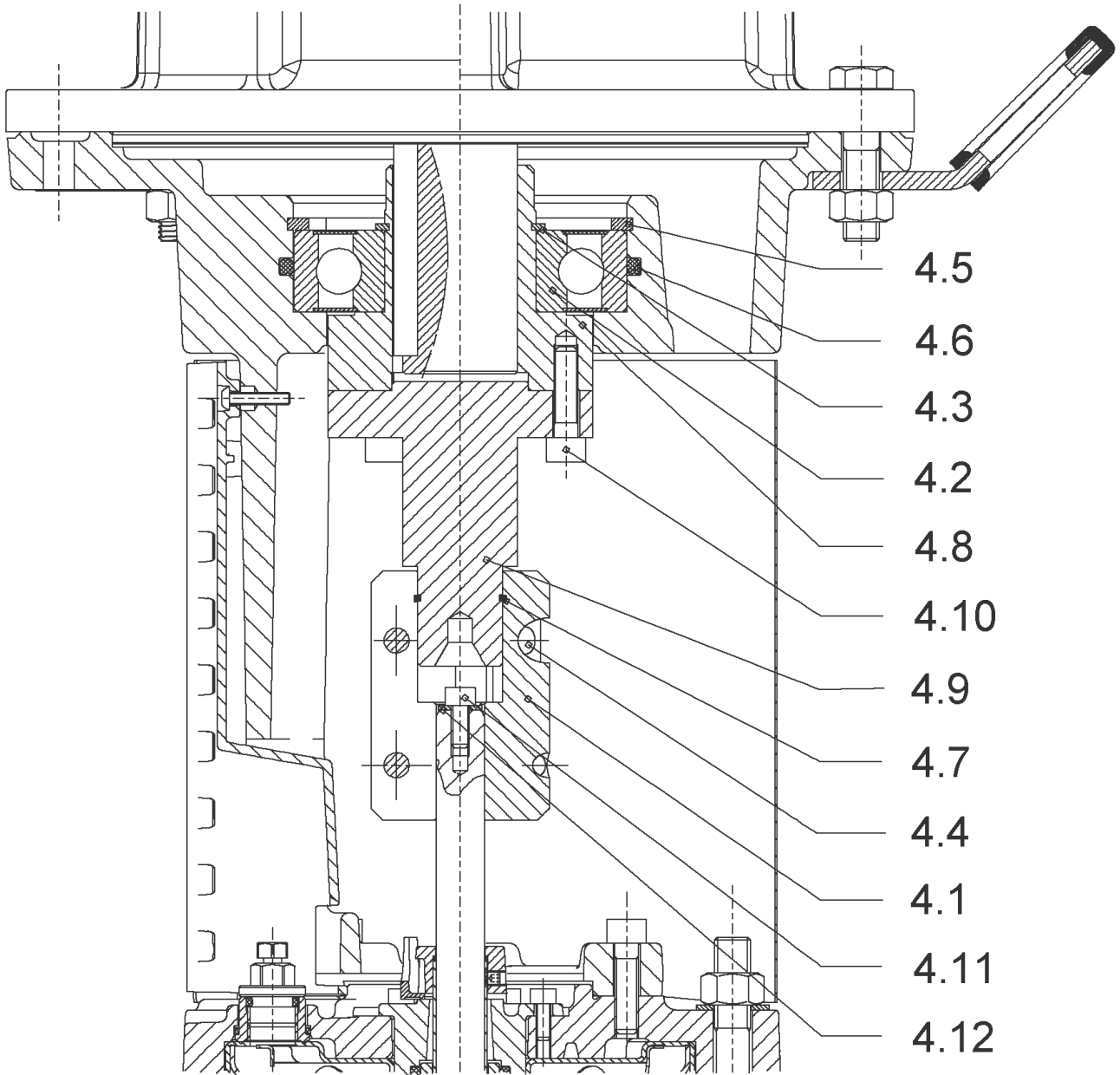
HELIX V1618-3/30/E/KS/400-50 (4175114)

Item	Article no.	Description	Quantity
1	4195487	MOTOR 15/2/160 3~400V 50HZ VP.	1
		SPARE PARTS MOTOR:ON REQUEST	1
2	4179586	SCREW M16X60 (4 PIECES)	1
3	4159694	LANTERN FF300 HELIX KIT	1
4	4159712	COUPLING D.16XD.38 FF300 HELIX KIT	1
5	4159707	SCREW M8X30 (4 PIECES)	1
6	4177881	STUD BOLT M12X990 KIT	1
6.1		> TIE BOLT M12-990x18x30-1.4057	1
6.2	2094647	> NUT M12 M12 ISO4032 VP.	1
6.3	2123557	> WASHER CS-12.4-24-1.6-NFE25 (4 PIECES)	1
7	4177867	END SHIELD PN30 HELIX EPDM KIT	1
7.1		> END SHIELD M+ JL VERSION 1 MACHINED+CATA	1
7.3	4176513	> O-RING FOR PUMP JACKET VP.	1
7.4	2127603	> O-RING ID.37,6x2,4 EPDM VP.	1
8	4159686	FILING/PURGING PLUG HELIX EPDM KIT	1
9	4177872	MECH.SEAL+CART. HELIX6-10-16 T/E KIT	1
10	4177874	HOUSING PIPE D.152x960 1.4307 KIT	1
7.3	4176513	> O-RING FOR PUMP JACKET VP.	1
10.1		> HOUSING-PIPE Ø152-M+1024/1616-304	1
11	2127588	CENTERING STAGE-RETURN HELIX16 1.4301 VP	1
12	4159688	SHAFT EQUIPMENT HELIX V16 BI BLOC KIT	1
4.11	4102901	> SCREW CHC-M6X14-8.8-ISO4762-GEOMET500A	1
4.12	2130995	> SERRATED LOCK WASHER D.6,2XD.14,5X28 VP.	1
12.1		> NUT-H-M10-A4.70	1
12.2		> SERRATED LOCK WASHER M+16M3-316L	1
12.3		> STOP COLLAR OF IMPELLER L18,8-Ø16-316L	1
12.4		> STOP-RUSH-1/2-D16xd2-M+316	1
13		HYDRAULIC HELIX V 1618 1.4307	1
14	4177883	SHAFT D.16X1080 1.4301 VP.	1
15	4209634	PUMP HOUSING HELIX FIRST V16 PN30 KIT	1
15.1		> MACH+CATA PUMP CASING M+6" DN50 PN25 GJL	1
15.2	4124503	> FLAT GASKET 61x107x2_DN50_PN25_FIBER	1
15.3	4177877	> PRIMING/DRAIN PLUG HELIX PN30 KIT	1
15.3A		>> PRIMING/DRAIN PLUG M+6" 304	1

HELIX V1618-3/30/E/KS/400-50 (4175114)

Item	Article no.	Description	Quantity
15.3B	4233957	>> O-RING ID.9 EPDM VP.	1
15.3C		>> O-RING Ø8xØ2 EPDM KTW/WRC	1
7.3	4176513	> O-RING FOR PUMP JACKET VP.	1

COUPLING D.16XD.38 FF300 HELIX KIT (4159712)



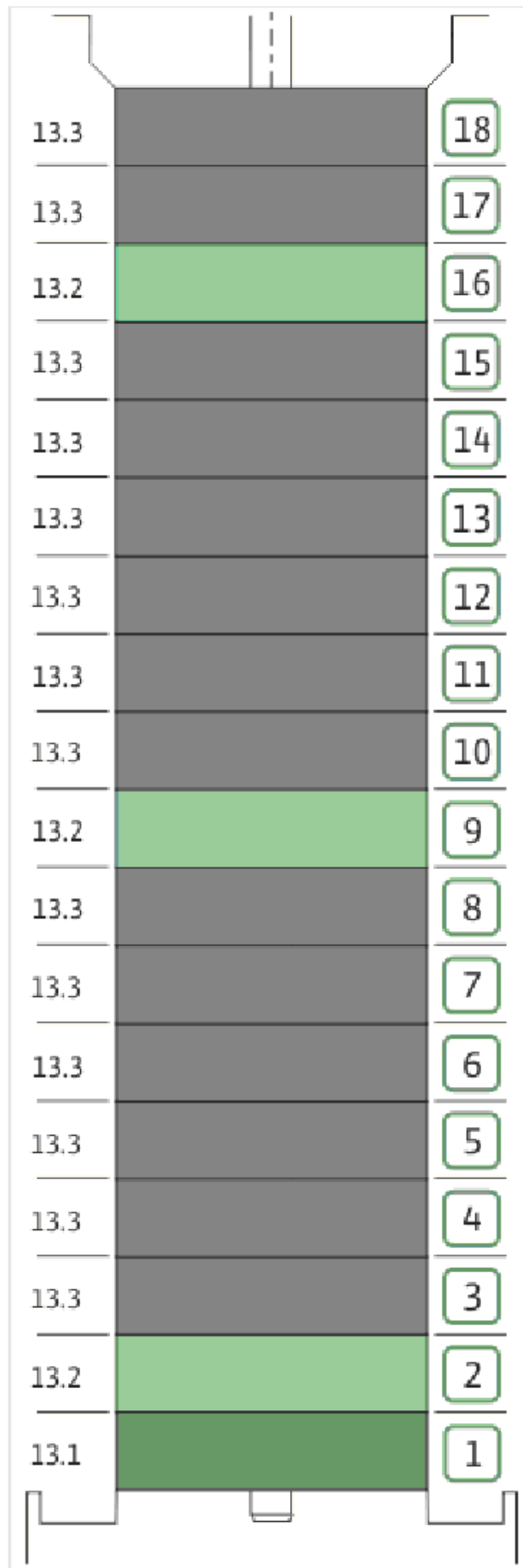
COUPLING D.16XD.38 FF300 HELIX KIT (4159712)

Item	Article no.	Description	Quantity
4.1	2130990	COUPLING 2 PARTS D.16XD.38XL.115 VP.	1
4.2	2123699	BALL BEARING 6312/2Z-C4 (HT) VP.	1
4.3	63428	CIRCLIP-FOR-SHAFT-D60x2	1
4.4	2130991	SCREW M12X30 ISO4762 8.8 ZN(4 PIECES)	1
4.5	4032277	CIRCLIP-HOLE-130x4	1
4.6	4006725	O-RING ID.132,94x3,53 NBR70SR	1
4.7	2130992	RETAINING RING D.35xD.2,5 DIN7993 VP.	1
4.8	2130993	HUB D.42xD.60 JL250 VP.	1
4.9	2130994	SPACER D.38XD.55 VP.	1
4.10	4094462	SCREWS M10 (4 PIECES)	1
4.11	4102901	SCREW CHC-M6X14-8.8-ISO4762-GEOMET500A	1
4.12	2130995	SERRATED LOCK WASHER D.6,2XD.14,5X28 VP.	1



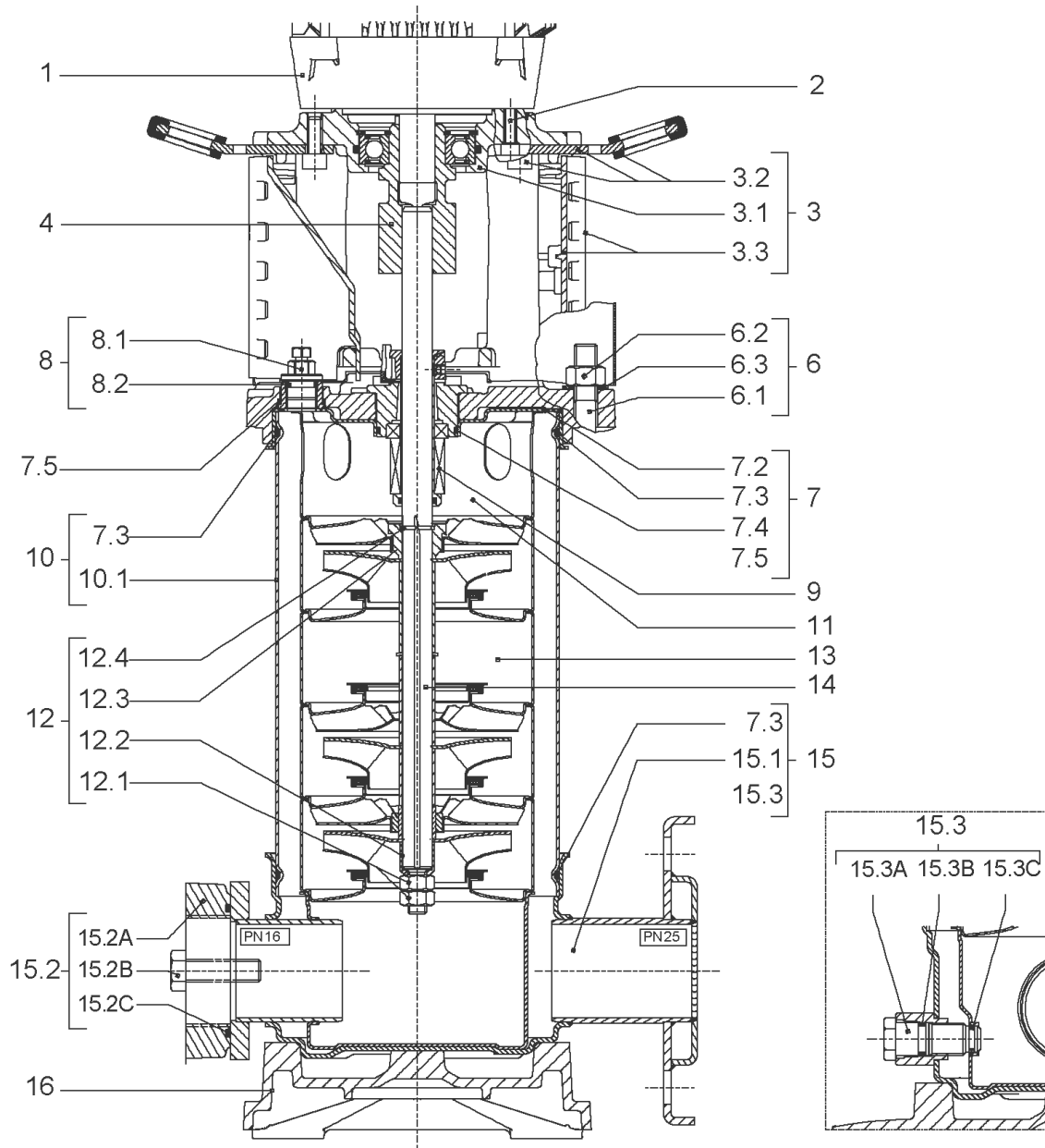
MECH.SEAL+CART. HELIX6-10-16 T/E KIT (4177872)

Item	Article no.	Description	Quantity
9.1	4177871	SEAL-KIT-HELIX6-10-16 T/E	1
7.3	4176513	> O-RING FOR PUMP JACKET VP.	1
7.4	2127603	> O-RING ID.37,6x2,4 EPDM VP.	1
9.1A	4177870	> MECH.SEAL HELIX2-4-6-10-16 T/E VP.	1
9.1B	2130967	> O-RING D.16X2,5 EPDM VP.	1
9.1C	4176519	> O-RING Ø16xØ1.25 VP.	1
9.2	4177869	SHAFT SLEEVE Ø16XØ18/22-G9-PN30 VP.	1
9.3	4177868	RING-HOLDER MS G9 316 VP.	1
9.4	4176520	SCREW CH M5x5 A4-70 (3PIECES)	1
9.5	2130963	DRIVE RING D.29/18x12,4 MACH.VP.	1
9.6	2130964	TOOL M.S.CART.HELIX VP.	1
9.7	2130965	SCREW CHC M5X12 ISO4762 A2.70(4 PIECES)	1



HYDRAULIC HELIX V 1618 1.4307

Item	Article no.	Description	Quantity
13.1	4159720	STAGE HELIX 16 1.4301 KIT	1
		> MACH.STG-CASING-WOGV-WNR-M+16-304	1
		> IMPELLER-M+16-304	1
13.2	4159714	STAGE BEARING HELIX 16 1.4301 KIT	1
		> MACH.BEARING-STG-CASING-WNR-M+16-304	1
		> IMPELLER-M+16-304	1
		> SLEEVE-SPACER-Ø19,35x30,665-304	1
		> SHAFT-SLEEVE-D16xD20x18-CW	1
13.3	4159715	INTERMEDIATE STAGE HELIX 16 1.4301 KIT	1
		> CORPS-ETG-STD-ACR-AJR-USIN.M+16-304	1
		> IMPELLER-M+16-304	1
		> SPACER Ø16X19.4-L48.6-304	1



HELIX V1602-1/16/E/S/400-50 (4190730)

Item	Article no.	Description	Quantity
1	4169942	MO.1,5/2 3~230/400(440)V 50(60)HZ IE3 VP	1
		SPARE PARTS MOTOR:ON REQUEST	1
2	4159703	SCREW M8X40 (4 PIECES)	1
3	4172795	LANTERNE FT115 HELIX KIT	1
3.1		> M+5_6_LANTERN_ONE-PIECE_FT115_CATA	1
3.2	2127604	> EYELET CPL.FT HELIX(2 PIECES)	1
3.3	4159692	> COUPLING PROTECTOR FT HELIX KIT	1
4	4159709	COUPLING D.16xD.24 FT115 HELIX KIT	1
6	2018368	STUD BOLT M12X289 KIT	1
6.1		> TIE BOLT M12-289x18x30-1.4057	1
6.2	2094647	> NUT M12 M12 ISO4032 VP.	1
6.3	2123557	> WASHER CS-12.4-24-1.6-NFE25 (4 PIECES)	1
7	4210143	STATIONARY RING HOLDER HELIX 6" EPDM	1
7.2	2127607	> STATIONARY RING HOLDER 6" HELIX 1.4301 V	1
7.3	4176513	> O-RING FOR PUMP JACKET VP.	1
7.4	2127603	> O-RING ID.37,6x2,4 EPDM VP.	1
7.5	2127602	> O-RING ID.21,35x2 EPDM VP.	1
8	4159686	FILING/PURGING PLUG HELIX EPDM KIT	1
9	4171327	SEAL-KIT-HELIX6-10-16 O/E KIT	1
10	2127574	HOUSING PIPE D.152x160 1.4301 KIT	1
7.3	4176513	> O-RING FOR PUMP JACKET VP.	1
10.1		> HOUSING-PIPE Ø152-M+1601/02-304	1
11	2127588	CENTERING STAGE-RETURN HELIX16 1.4301 VP	1
12	4209329	SHAFT EQUIPMENT HELIX V16 KIT	1
12.1		> NUT-H-M10-A4.70	1
12.2		> SERRATED LOCK WASHER M+16M3-316L	1
12.3		> IMPELLER STOP RING L35,9-304	1
12.4		> STOP-RUSH-1/2-D16xd2-M+316	1
13		HYDRAULIC HELIX V 1602 1.4307	1
14	2127563	SHAFT D.16X280 1.4301 VP.	1
15	4217899	PUMP HOUSING HELIX DN50 PN16 1.4301 KIT	1
7.3	4176513	> O-RING FOR PUMP JACKET VP.	1
15.1		> BLASTING PPE HOUSING V-PN16-DN50-304	1
15.2	4217895	> COUNTER FLANGE-G2"-PN16-GJL KIT	1

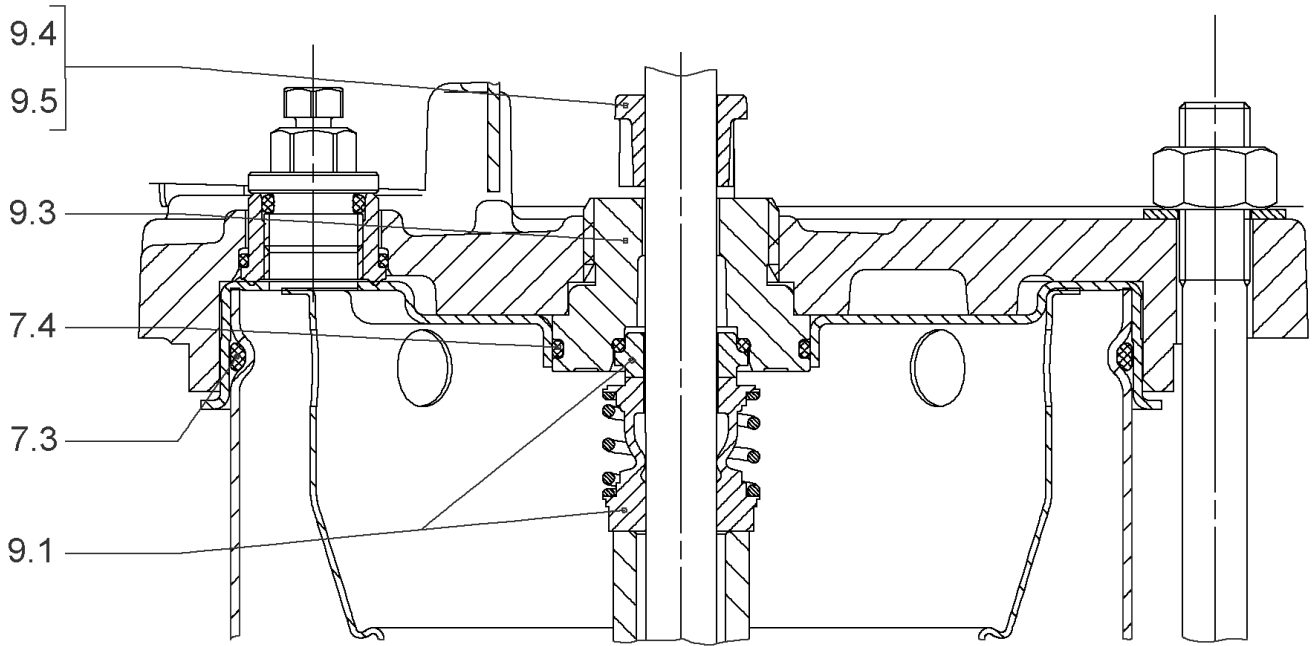
HELIX V1602-1/16/E/S/400-50 (4190730)

Item	Article no.	Description	Quantity
15.3	4171321	> PRIMING/DRAIN PLUG EPDM HELIX KIT	1
16	2127601	BASEPLATE HELIX V16 VP.	1



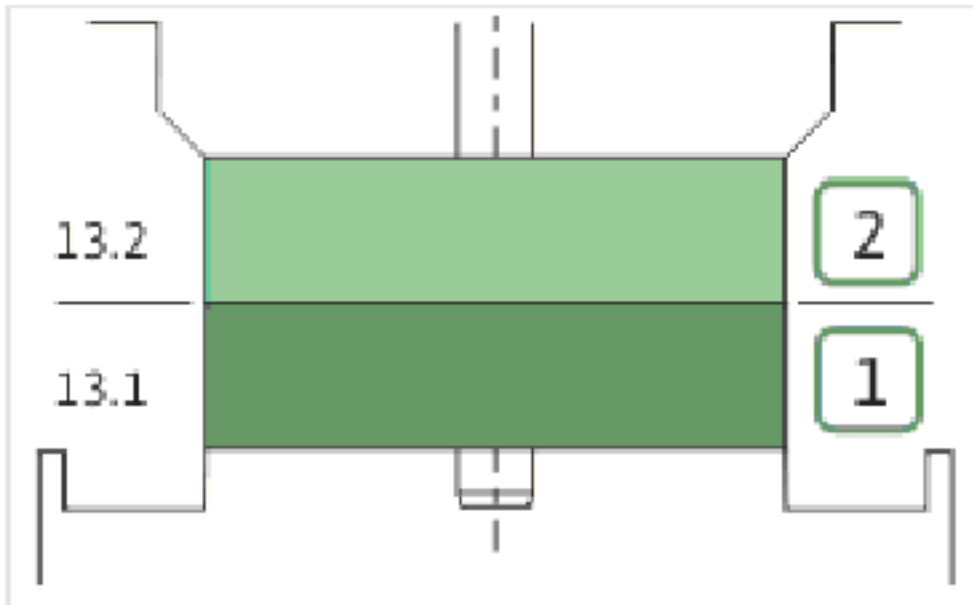
COUPLING D.16xD.24 FT115 HELIX KIT (4159709)

Item	Article no.	Description	Quantity
4.1		COUPLING M+ Ø16XØ24 FT115 MACHINED	1
4.2	2131023	BALL BEARING 6207/ZZ-C3(HT)VP.	1
4.3	4234254	CIRCLIP-FOR-SHAFT-D35x1.5 VP.	1
4.4	4157726	SCREW KIT M8X30 (4 PIECES)	1
4.5	4234251	CIRCLIP-D72x2.5 VP.	1
4.6	4234246	O-RING 72X3 VP.	1
		NOMEL CONTACT WASHER 8x16x1,4 STEEL ZC	1



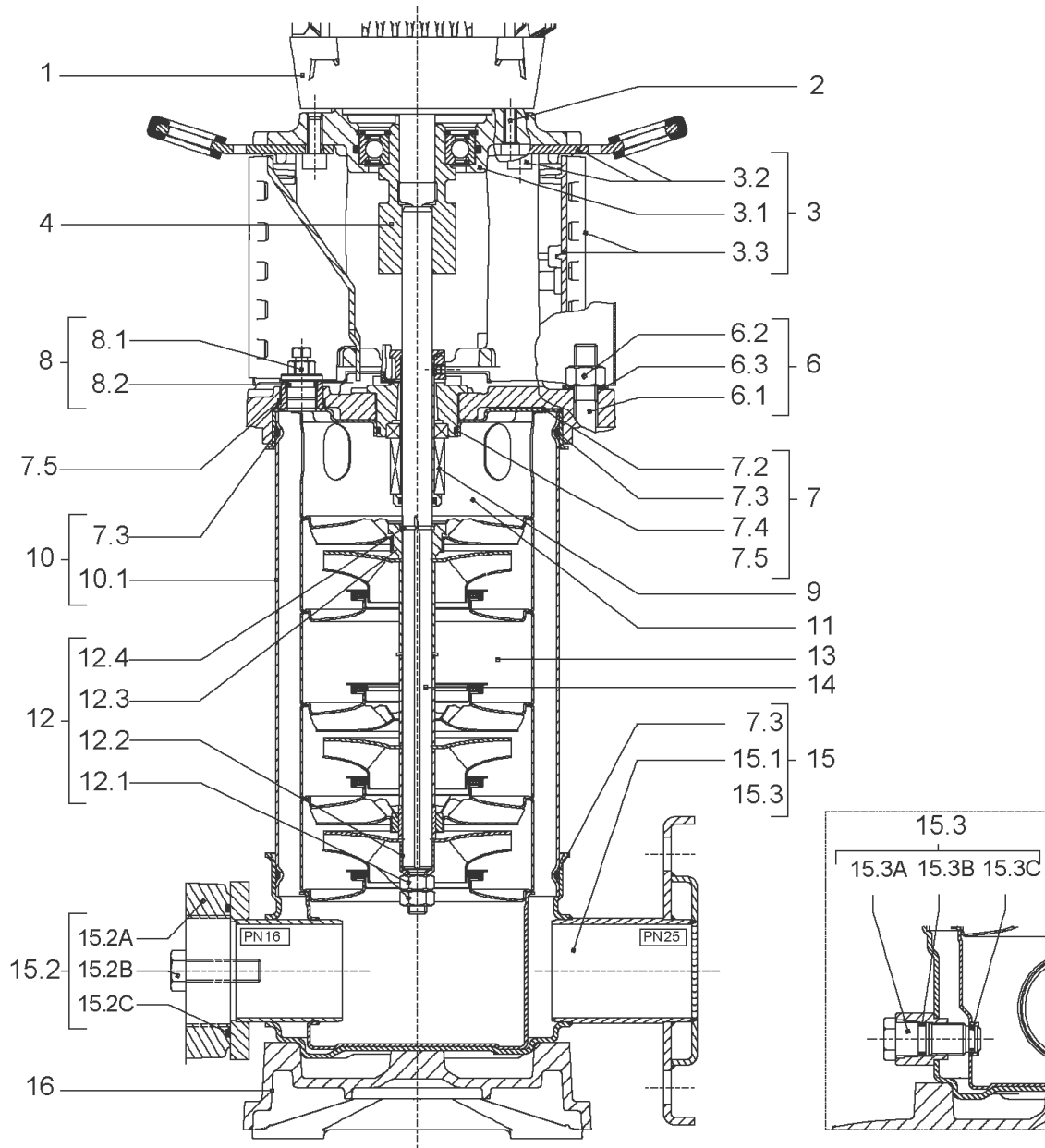
SEAL-KIT-HELIX6-10-16 O/E KIT (4171327)

Item	Article no.	Description	Quantity
7.3	4176513	O-RING FOR PUMP JACKET VP.	1
7.4	2127603	O-RING ID.37,6x2,4 EPDM VP.	1
9.1	4177801	MECH.SEAL HELIX6-10-16 O/E VP.	1
9.3	4177798	MACHINED RING HOLDER M+6" Ø16 304 VP.	1
9.5	4177799	MACHINED DRIVE RING Ø16 VP.	1
9.4	4176520	SCREW CH M5x5 A4-70 (3PIECES)	1



HYDRAULIC HELIX V 1602 1.4307

Item	Article no.	Description	Quantity
13.1	4159720	STAGE HELIX 16 1.4301 KIT	1
		> MACH.STG-CASING-WOGV-WNR-M+16-304	1
		> IMPELLER-M+16-304	1
13.2	4159714	STAGE BEARING HELIX 16 1.4301 KIT	1
		> MACH.BEARING-STG-CASING-WNR-M+16-304	1
		> IMPELLER-M+16-304	1
		> SLEEVE-SPACER-Ø19,35x30,665-304	1
		> SHAFT-SLEEVE-D16xD20x18-CW	1



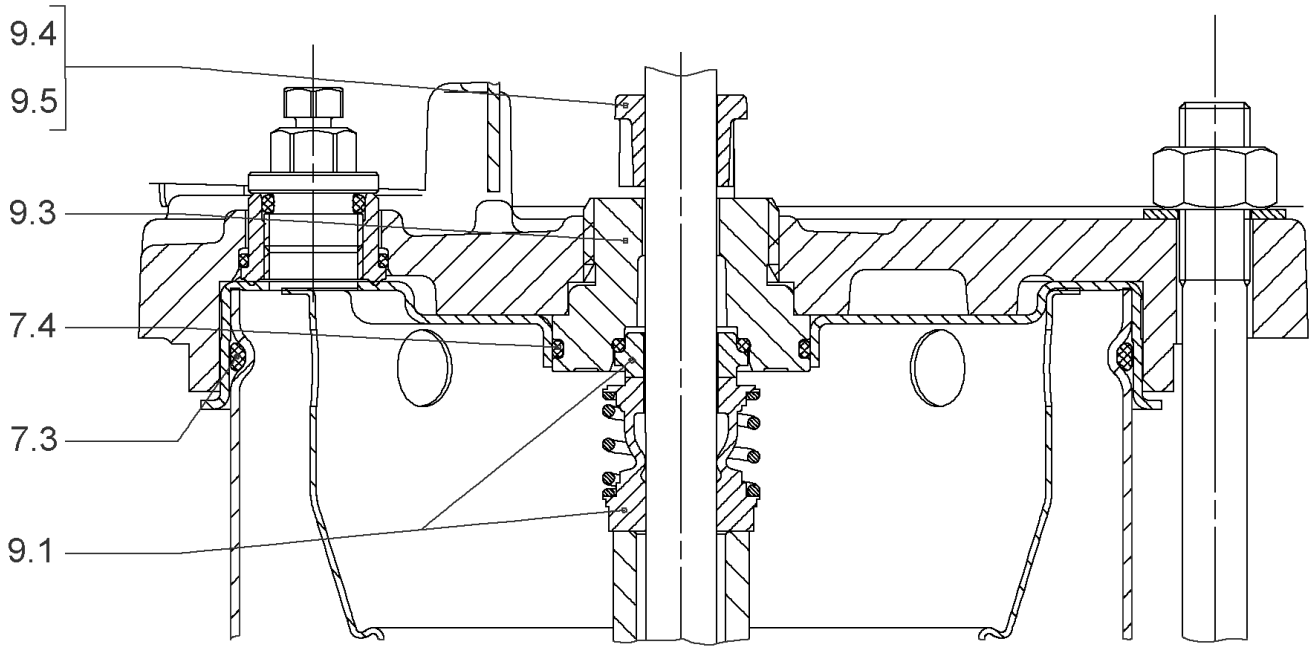
HELIX V1603-1/16/E/S/400-50 (4190731)

Item	Article no.	Description	Quantity
1	4169943	MOTOR 2,2/2/90 3~230/400V 50HZ IE3 VP.	1
		SPARE PARTS MOTOR:ON REQUEST	1
2	4159703	SCREW M8X40 (4 PIECES)	1
3	4172795	LANTERNE FT115 HELIX KIT	1
3.1		> M+5_6_LANTERN_ONE-PIECE_FT115_CATA	1
3.2	2127604	> EYELET CPL.FT HELIX(2 PIECES)	1
3.3	4159692	> COUPLING PROTECTOR FT HELIX KIT	1
4	4159709	COUPLING D.16xD.24 FT115 HELIX KIT	1
6	2127553	STUD BOLT M12X341 KIT	1
7	4210143	STATIONARY RING HOLDER HELIX 6" EPDM	1
7.2	2127607	> STATIONARY RING HOLDER 6" HELIX 1.4301 V	1
7.3	4176513	> O-RING FOR PUMP JACKET VP.	1
7.4	2127603	> O-RING ID.37,6x2,4 EPDM VP.	1
7.5	2127602	> O-RING ID.21,35x2 EPDM VP.	1
8	4159686	FILING/PURGING PLUG HELIX EPDM KIT	1
9	4171327	SEAL-KIT-HELIX6-10-16 O/E KIT	1
10	2127575	HOUSING PIPE D.152x210 1.4301 KIT	1
11	2127588	CENTERING STAGE-RETURN HELIX16 1.4301 VP	1
12	4209329	SHAFT EQUIPMENT HELIX V16 KIT	1
12.1		> NUT-H-M10-A4.70	1
12.2		> SERRATED LOCK WASHER M+16M3-316L	1
12.3		> IMPELLER STOP RING L35,9-304	1
12.4		> STOP-RUSH-1/2-D16xd2-M+316	1
13		HYDRAULIC HELIX V 1603 1.4307	1
14	2127564	SHAFT D.16X330 1.4301 VP.	1
15	4217899	PUMP HOUSING HELIX DN50 PN16 1.4301 KIT	1
7.3	4176513	> O-RING FOR PUMP JACKET VP.	1
15.1		> BLASTING PPE HOUSING V-PN16-DN50-304	1
15.2	4217895	> COUNTER FLANGE-G2"-PN16-GJL KIT	1
15.3	4171321	> PRIMING/DRAIN PLUG EPDM HELIX KIT	1
16	2127601	BASEPLATE HELIX V16 VP.	1



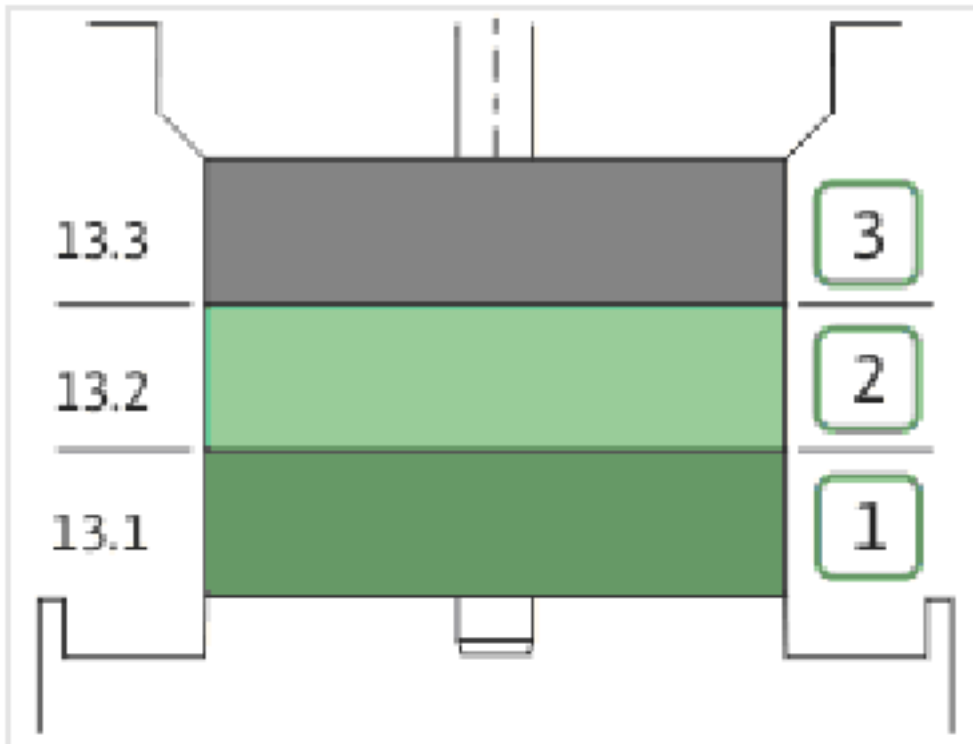
COUPLING D.16xD.24 FT115 HELIX KIT (4159709)

Item	Article no.	Description	Quantity
4.1		COUPLING M+ Ø16XØ24 FT115 MACHINED	1
4.2	2131023	BALL BEARING 6207/ZZ-C3(HT)VP.	1
4.3	4234254	CIRCLIP-FOR-SHAFT-D35x1.5 VP.	1
4.4	4157726	SCREW KIT M8X30 (4 PIECES)	1
4.5	4234251	CIRCLIP-D72x2.5 VP.	1
4.6	4234246	O-RING 72X3 VP.	1
		NOMEL CONTACT WASHER 8x16x1,4 STEEL ZC	1



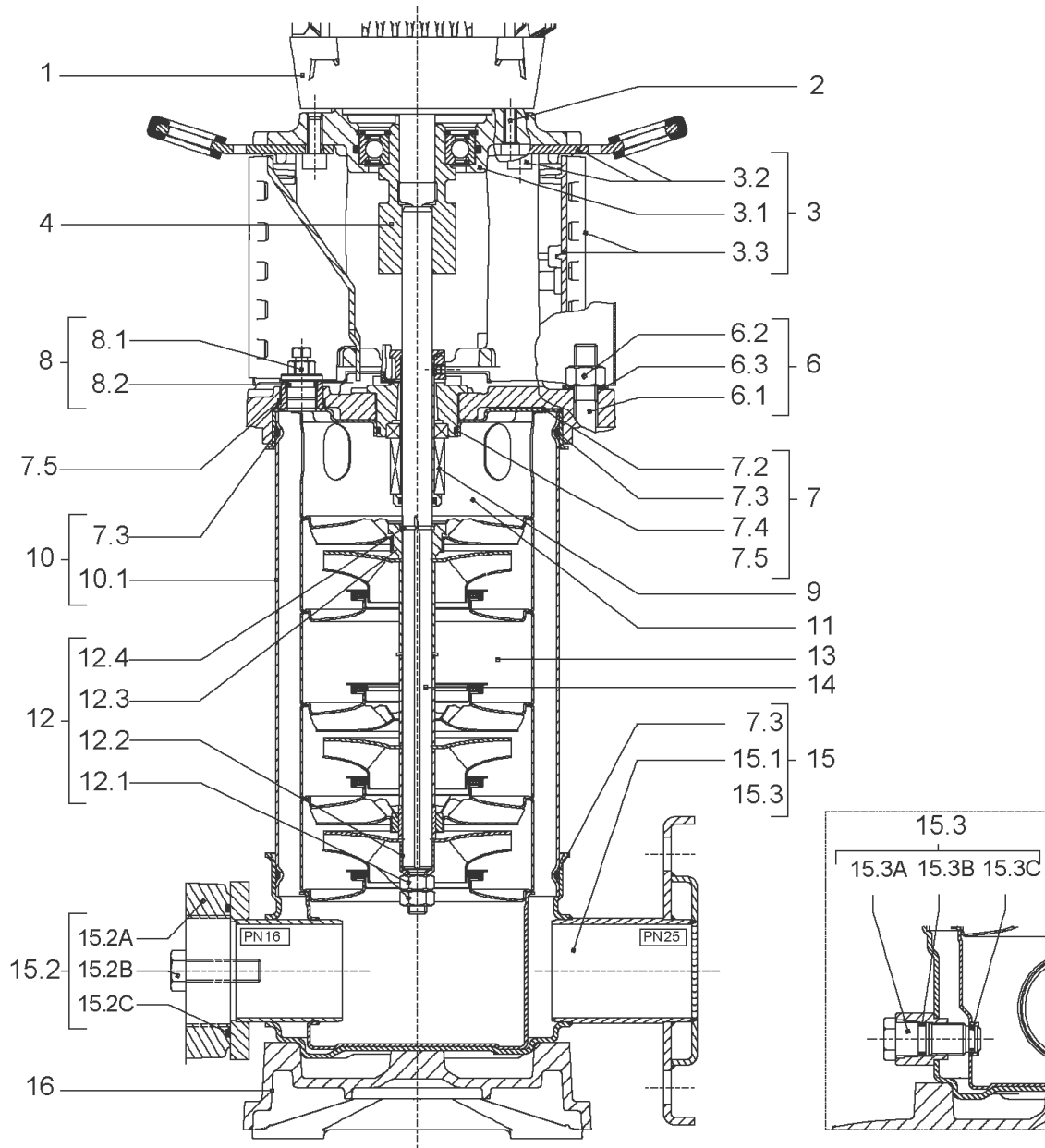
SEAL-KIT-HELIX6-10-16 O/E KIT (4171327)

Item	Article no.	Description	Quantity
7.3	4176513	O-RING FOR PUMP JACKET VP.	1
7.4	2127603	O-RING ID.37,6x2,4 EPDM VP.	1
9.1	4177801	MECH.SEAL HELIX6-10-16 O/E VP.	1
9.3	4177798	MACHINED RING HOLDER M+6" Ø16 304 VP.	1
9.5	4177799	MACHINED DRIVE RING Ø16 VP.	1
9.4	4176520	SCREW CH M5x5 A4-70 (3PIECES)	1



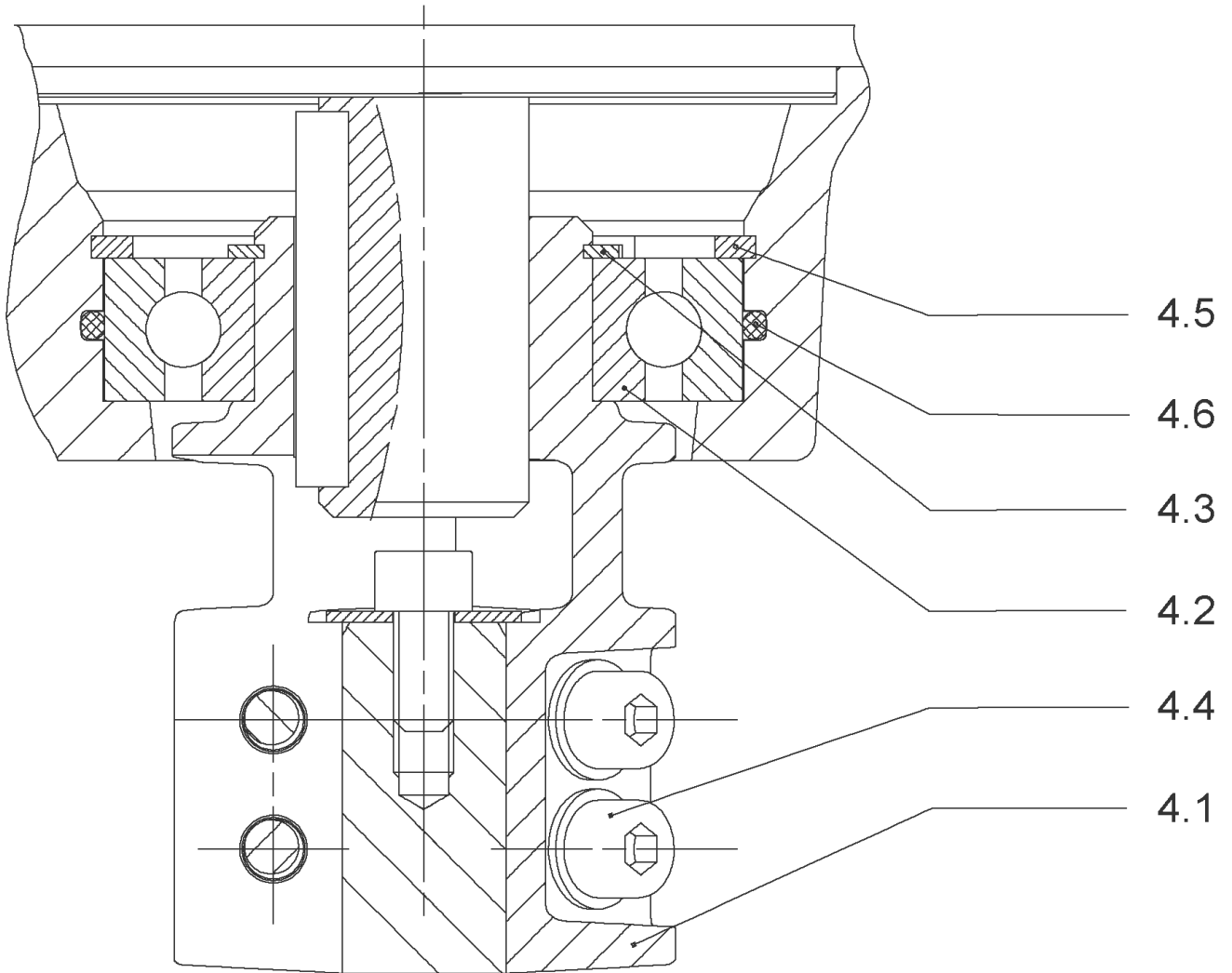
HYDRAULIC HELIX V 1603 1.4307

Item	Article no.	Description	Quantity
13.1	4159720	STAGE HELIX 16 1.4301 KIT	1
		> MACH.STG-CASING-WOGV-WNR-M+16-304	1
		> IMPELLER-M+16-304	1
13.2	4159714	STAGE BEARING HELIX 16 1.4301 KIT	1
		> MACH.BEARING-STG-CASING-WNR-M+16-304	1
		> IMPELLER-M+16-304	1
		> SLEEVE-SPACER-Ø19,35x30,665-304	1
		> SHAFT-SLEEVE-D16xD20x18-CW	1
13.3	4159715	INTERMEDIATE STAGE HELIX 16 1.4301 KIT	1
		> CORPS-ETG-STD-ACR-AJR-USIN.M+16-304	1
		> IMPELLER-M+16-304	1
		> SPACER Ø16X19.4-L48.6-304	1



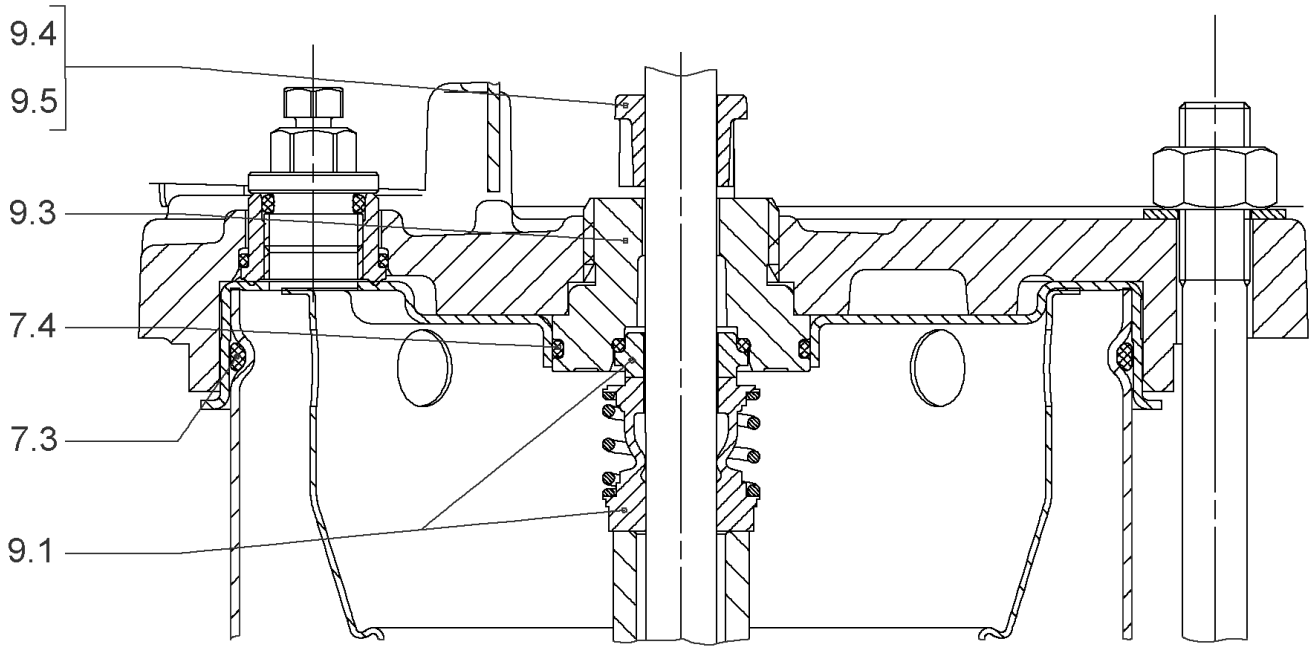
HELIX V1604-1/16/E/S/400-50 (4190732)

Item	Article no.	Description	Quantity
1	4169944	MOTOR 3/2/100 3~230/400V 50HZ IE3 VP.	1
		SPARE PARTS MOTOR:ON REQUEST	1
2	4206025	SCREW M8X45 (4 PIECES)	1
3	4172789	LANTERN FT130 HELIX V10 KIT	1
3.1		> M+5_6_LANTERN_ONE-PIECE_FT130_CATA	1
3.2	2127604	> EYELET CPL.FT HELIX(2 PIECES)	1
3.3	4159692	> COUPLING PROTECTOR FT HELIX KIT	1
4	4159710	COUPLING D.16XD.28 FT130 HELIX KIT	1
6	2018365	STUD BOLT M12X392 KIT	1
7	4210143	STATIONARY RING HOLDER HELIX 6" EPDM	1
7.2	2127607	> STATIONARY RING HOLDER 6" HELIX 1.4301 V	1
7.3	4176513	> O-RING FOR PUMP JACKET VP.	1
7.4	2127603	> O-RING ID.37,6x2,4 EPDM VP.	1
7.5	2127602	> O-RING ID.21,35x2 EPDM VP.	1
8	4159686	FILING/PURGING PLUG HELIX EPDM KIT	1
9	4171327	SEAL-KIT-HELIX6-10-16 O/E KIT	1
10	2127576	HOUSING PIPE D.152x260 1.4301 KIT	1
11	2127588	CENTERING STAGE-RETURN HELIX16 1.4301 VP	1
12	4209329	SHAFT EQUIPMENT HELIX V16 KIT	1
12.1		> NUT-H-M10-A4.70	1
12.2		> SERRATED LOCK WASHER M+16M3-316L	1
12.3		> IMPELLER STOP RING L35,9-304	1
12.4		> STOP-RUSH-1/2-D16xd2-M+316	1
13		HYDRAULIC HELIX V 1604 1.4307	1
14	2127565	SHAFT D.16X380 1.4301 VP.	1
15	4217899	PUMP HOUSING HELIX DN50 PN16 1.4301 KIT	1
7.3	4176513	> O-RING FOR PUMP JACKET VP.	1
15.1		> BLASTING PPE HOUSING V-PN16-DN50-304	1
15.2	4217895	> COUNTER FLANGE-G2"-PN16-GJL KIT	1
15.3	4171321	> PRIMING/DRAIN PLUG EPDM HELIX KIT	1
16	2127601	BASEPLATE HELIX V16 VP.	1



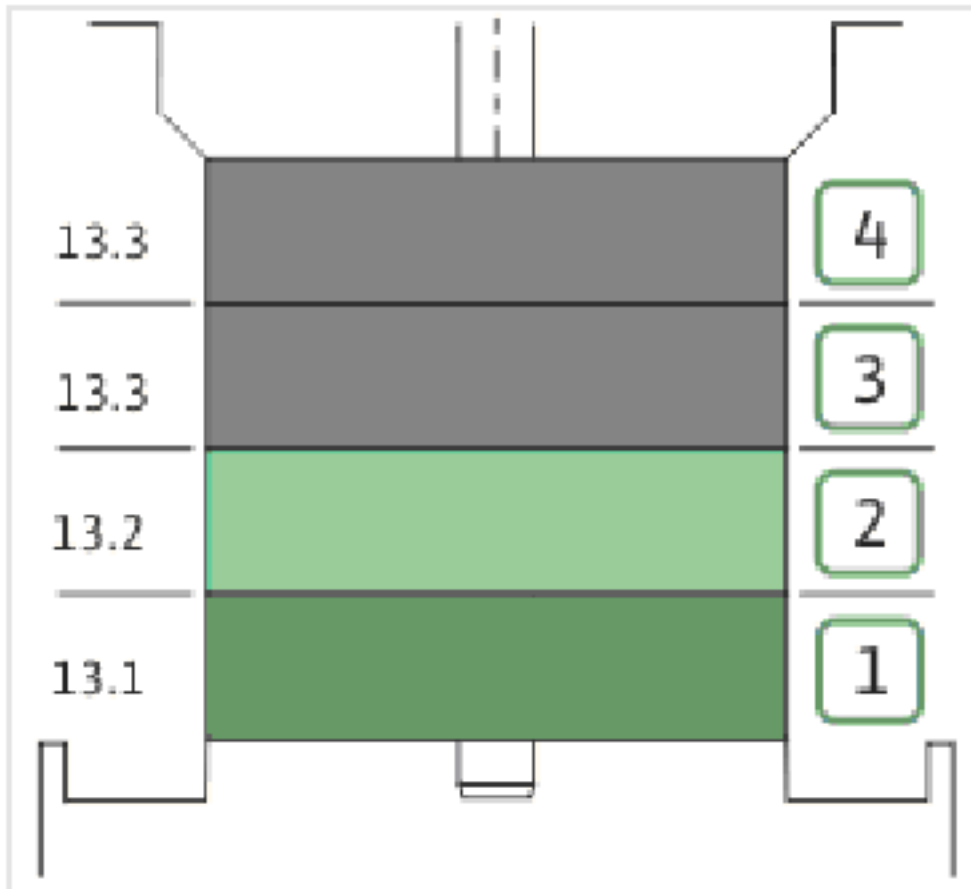
COUPLING D.16XD.28 FT130 HELIX KIT (4159710)

Item	Article no.	Description	Quantity
4.1		COUPLING M+ Ø16XØ28 FT130 MACHINED	1
4.2	2131022	BALL BEARING 6209/ZZ-C3(HT)VP.	1
4.3	4233930	CIRCLIP-FOR-BORES-D45x1,75 VP.	1
4.4	4157726	SCREW KIT M8X30 (4 PIECES)	1
4.5	4234252	CIRCLIPS 85X3 VP.	1
4.6	4234243	O-RING 85X3 VP.	1
		NOMEL CONTACT WASHER 8x16x1,4 STEEL ZC	1



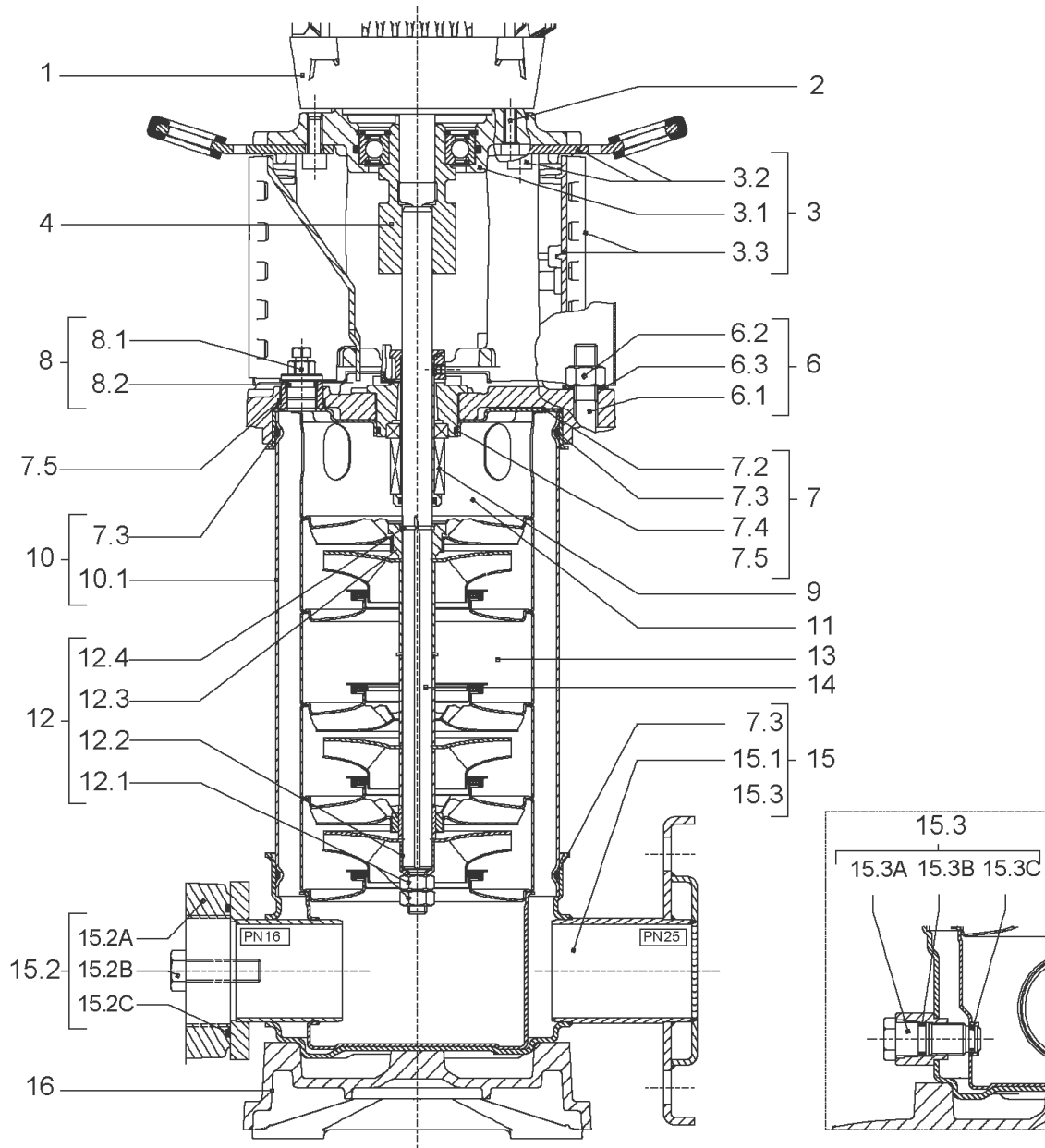
SEAL-KIT-HELIX6-10-16 O/E KIT (4171327)

Item	Article no.	Description	Quantity
7.3	4176513	O-RING FOR PUMP JACKET VP.	1
7.4	2127603	O-RING ID.37,6x2,4 EPDM VP.	1
9.1	4177801	MECH.SEAL HELIX6-10-16 O/E VP.	1
9.3	4177798	MACHINED RING HOLDER M+6" Ø16 304 VP.	1
9.5	4177799	MACHINED DRIVE RING Ø16 VP.	1
9.4	4176520	SCREW CH M5x5 A4-70 (3PIECES)	1



HYDRAULIC HELIX V 1604 1.4307

Item	Article no.	Description	Quantity
13.1	4159720	STAGE HELIX 16 1.4301 KIT	1
		> MACH.STG-CASING-WOGV-WNR-M+16-304	1
		> IMPELLER-M+16-304	1
13.2	4159714	STAGE BEARING HELIX 16 1.4301 KIT	1
		> MACH.BEARING-STG-CASING-WNR-M+16-304	1
		> IMPELLER-M+16-304	1
		> SLEEVE-SPACER-Ø19,35x30,665-304	1
		> SHAFT-SLEEVE-D16xD20x18-CW	1
13.3	4159715	INTERMEDIATE STAGE HELIX 16 1.4301 KIT	1
		> CORPS-ETG-STD-ACR-AJR-USIN.M+16-304	1
		> IMPELLER-M+16-304	1
		> SPACER Ø16X19.4-L48.6-304	1



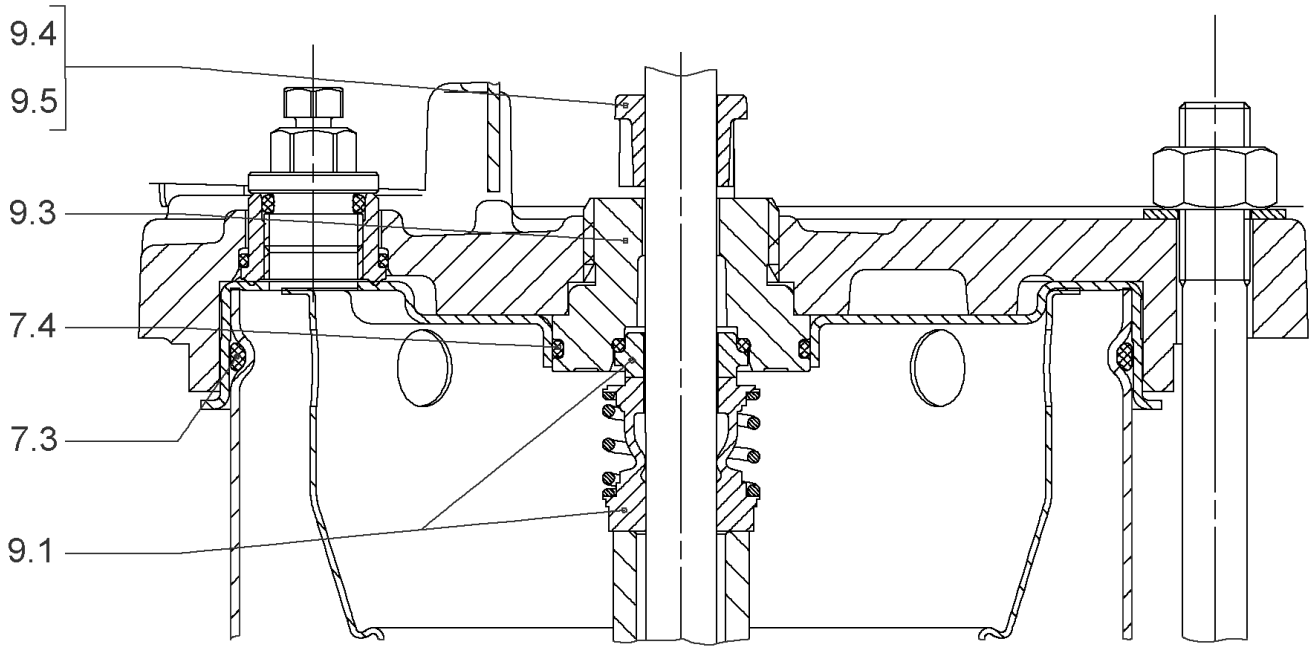
HELIX V1605-1/16/E/S/400-50 (4190733)

Item	Article no.	Description	Quantity
1	4169945	MO.4/2 3~230/400(460)V 50(60)HZ IE3 VP.	1
		SPARE PARTS MOTOR:ON REQUEST	1
2	4206025	SCREW M8X45 (4 PIECES)	1
3	4172789	LANTERN FT130 HELIX V10 KIT	1
3.1		> M+5_6_LANTERN_ONE-PIECE_FT130_CATA	1
3.2	2127604	> EYELET CPL.FT HELIX(2 PIECES)	1
3.3	4159692	> COUPLING PROTECTOR FT HELIX KIT	1
4	4159710	COUPLING D.16XD.28 FT130 HELIX KIT	1
6	2127554	STUD BOLT M12X437 KIT	1
7	4210143	STATIONARY RING HOLDER HELIX 6" EPDM	1
7.2	2127607	> STATIONARY RING HOLDER 6" HELIX 1.4301 V	1
7.3	4176513	> O-RING FOR PUMP JACKET VP.	1
7.4	2127603	> O-RING ID.37,6x2,4 EPDM VP.	1
7.5	2127602	> O-RING ID.21,35x2 EPDM VP.	1
8	4159686	FILING/PURGING PLUG HELIX EPDM KIT	1
9	4171327	SEAL-KIT-HELIX6-10-16 O/E KIT	1
10	2127577	HOUSING PIPE D.152x310 1.4301 KIT	1
11	2127588	CENTERING STAGE-RETURN HELIX16 1.4301 VP	1
12	4209329	SHAFT EQUIPMENT HELIX V16 KIT	1
12.1		> NUT-H-M10-A4.70	1
12.2		> SERRATED LOCK WASHER M+16M3-316L	1
12.3		> IMPELLER STOP RING L35,9-304	1
12.4		> STOP-RUSH-1/2-D16xd2-M+316	1
13		HYDRAULIC HELIX V 1605 1.4307	1
14	2127566	SHAFT D.16X430 1.4301 VP.	1
15	4217899	PUMP HOUSING HELIX DN50 PN16 1.4301 KIT	1
7.3	4176513	> O-RING FOR PUMP JACKET VP.	1
15.1		> BLASTING PPE HOUSING V-PN16-DN50-304	1
15.2	4217895	> COUNTER FLANGE-G2"-PN16-GJL KIT	1
15.3	4171321	> PRIMING/DRAIN PLUG EPDM HELIX KIT	1
16	2127601	BASEPLATE HELIX V16 VP.	1



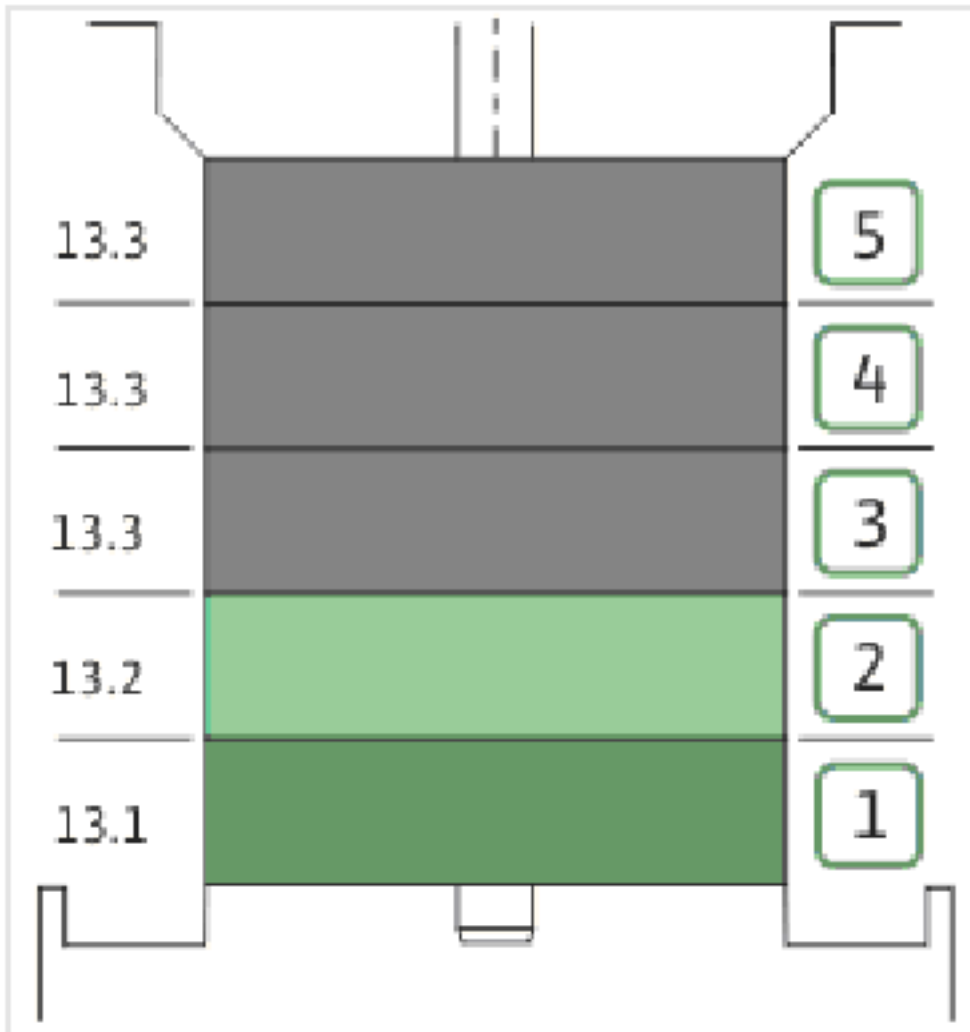
COUPLING D.16XD.28 FT130 HELIX KIT (4159710)

Item	Article no.	Description	Quantity
4.1		COUPLING M+ Ø16XØ28 FT130 MACHINED	1
4.2	2131022	BALL BEARING 6209/ZZ-C3(HT)VP.	1
4.3	4233930	CIRCLIP-FOR-BORES-D45x1,75 VP.	1
4.4	4157726	SCREW KIT M8X30 (4 PIECES)	1
4.5	4234252	CIRCLIPS 85X3 VP.	1
4.6	4234243	O-RING 85X3 VP.	1
		NOMEL CONTACT WASHER 8x16x1,4 STEEL ZC	1



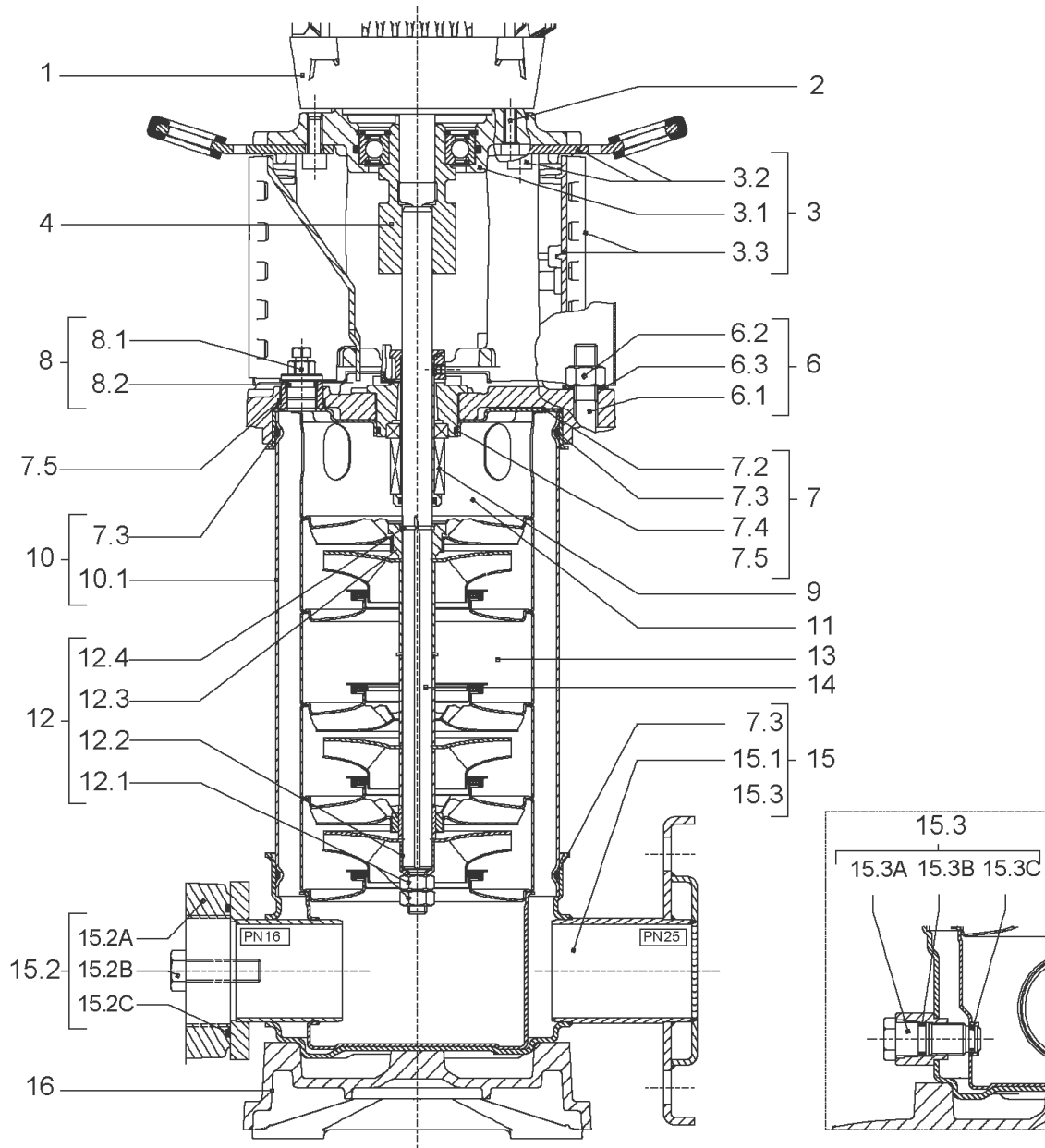
SEAL-KIT-HELIX6-10-16 O/E KIT (4171327)

Item	Article no.	Description	Quantity
7.3	4176513	O-RING FOR PUMP JACKET VP.	1
7.4	2127603	O-RING ID.37,6x2,4 EPDM VP.	1
9.1	4177801	MECH.SEAL HELIX6-10-16 O/E VP.	1
9.3	4177798	MACHINED RING HOLDER M+6" Ø16 304 VP.	1
9.5	4177799	MACHINED DRIVE RING Ø16 VP.	1
9.4	4176520	SCREW CH M5x5 A4-70 (3PIECES)	1



HYDRAULIC HELIX V 1605 1.4307

Item	Article no.	Description	Quantity
13.1	4159720	STAGE HELIX 16 1.4301 KIT	1
		> MACH.STG-CASING-WOGV-WNR-M+16-304	1
		> IMPELLER-M+16-304	1
13.2	4159714	STAGE BEARING HELIX 16 1.4301 KIT	1
		> MACH.BEARING-STG-CASING-WNR-M+16-304	1
		> IMPELLER-M+16-304	1
		> SLEEVE-SPACER-Ø19,35x30,665-304	1
		> SHAFT-SLEEVE-D16xD20x18-CW	1
13.3	4159715	INTERMEDIATE STAGE HELIX 16 1.4301 KIT	1
		> CORPS-ETG-STD-ACR-AJR-USIN.M+16-304	1
		> IMPELLER-M+16-304	1
		> SPACER Ø16X19.4-L48.6-304	1



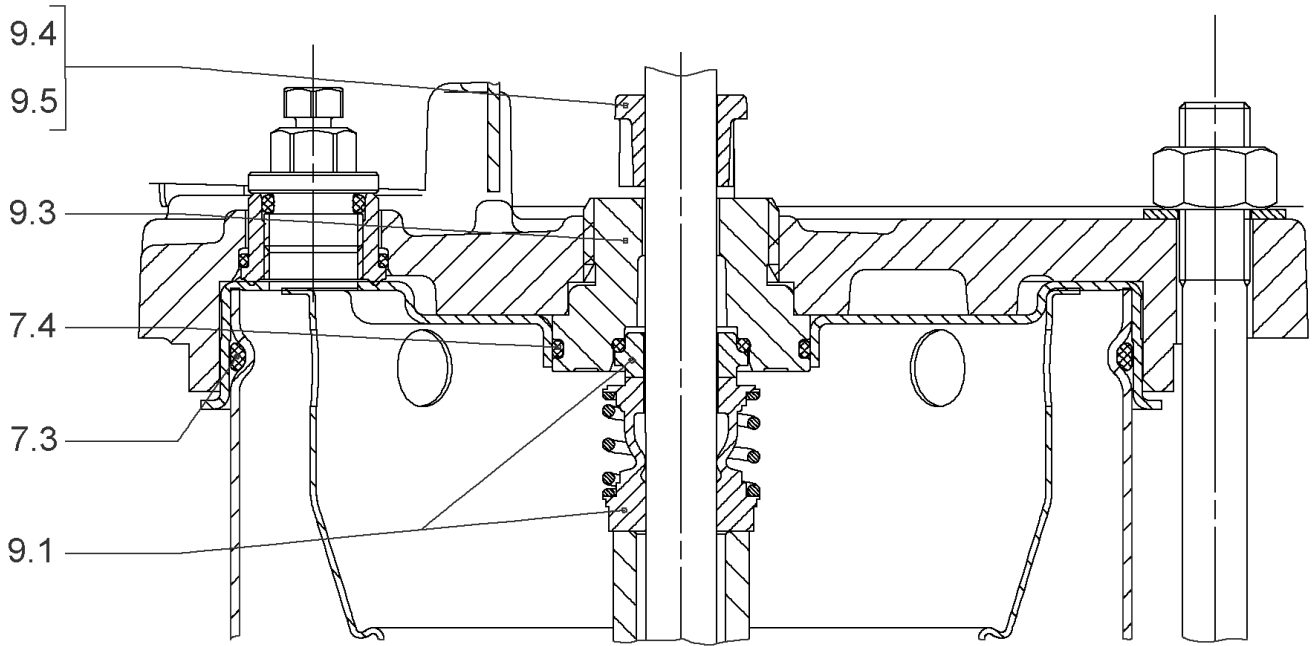
HELIX V1606-1/16/E/S/400-50 (4190734)

Item	Article no.	Description	Quantity
1	4169945	MO.4/2 3~230/400(460)V 50(60)HZ IE3 VP.	1
		SPARE PARTS MOTOR:ON REQUEST	1
2	4206025	SCREW M8X45 (4 PIECES)	1
3	4172789	LANTERN FT130 HELIX V10 KIT	1
3.1		> M+5_6_LANTERN_ONE-PIECE_FT130_CATA	1
3.2	2127604	> EYELET CPL.FT HELIX(2 PIECES)	1
3.3	4159692	> COUPLING PROTECTOR FT HELIX KIT	1
4	4159710	COUPLING D.16XD.28 FT130 HELIX KIT	1
6	2127555	STUD BOLT M12X485 KIT	1
7	4210143	STATIONARY RING HOLDER HELIX 6" EPDM	1
7.2	2127607	> STATIONARY RING HOLDER 6" HELIX 1.4301 V	1
7.3	4176513	> O-RING FOR PUMP JACKET VP.	1
7.4	2127603	> O-RING ID.37,6x2,4 EPDM VP.	1
7.5	2127602	> O-RING ID.21,35x2 EPDM VP.	1
8	4159686	FILING/PURGING PLUG HELIX EPDM KIT	1
9	4171327	SEAL-KIT-HELIX6-10-16 O/E KIT	1
10	2127578	HOUSING PIPE D.152x360 1.4307 KIT	1
7.3	4176513	> O-RING FOR PUMP JACKET VP.	1
10.1		> HOUSING-PIPE Ø152-M+1008/1606-304	1
11	2127588	CENTERING STAGE-RETURN HELIX16 1.4301 VP	1
12	4209329	SHAFT EQUIPMENT HELIX V16 KIT	1
12.1		> NUT-H-M10-A4.70	1
12.2		> SERRATED LOCK WASHER M+16M3-316L	1
12.3		> IMPELLER STOP RING L35,9-304	1
12.4		> STOP-RUSH-1/2-D16xd2-M+316	1
13		HYDRAULIC HELIX V 1606 1.4307	1
14	2127397	SHAFT D.16X480 1.4301 VP.	1
15	4217899	PUMP HOUSING HELIX DN50 PN16 1.4301 KIT	1
7.3	4176513	> O-RING FOR PUMP JACKET VP.	1
15.1		> BLASTING PPE HOUSING V-PN16-DN50-304	1
15.2	4217895	> COUNTER FLANGE-G2"-PN16-GJL KIT	1
15.3	4171321	> PRIMING/DRAIN PLUG EPDM HELIX KIT	1
16	2127601	BASEPLATE HELIX V16 VP.	1



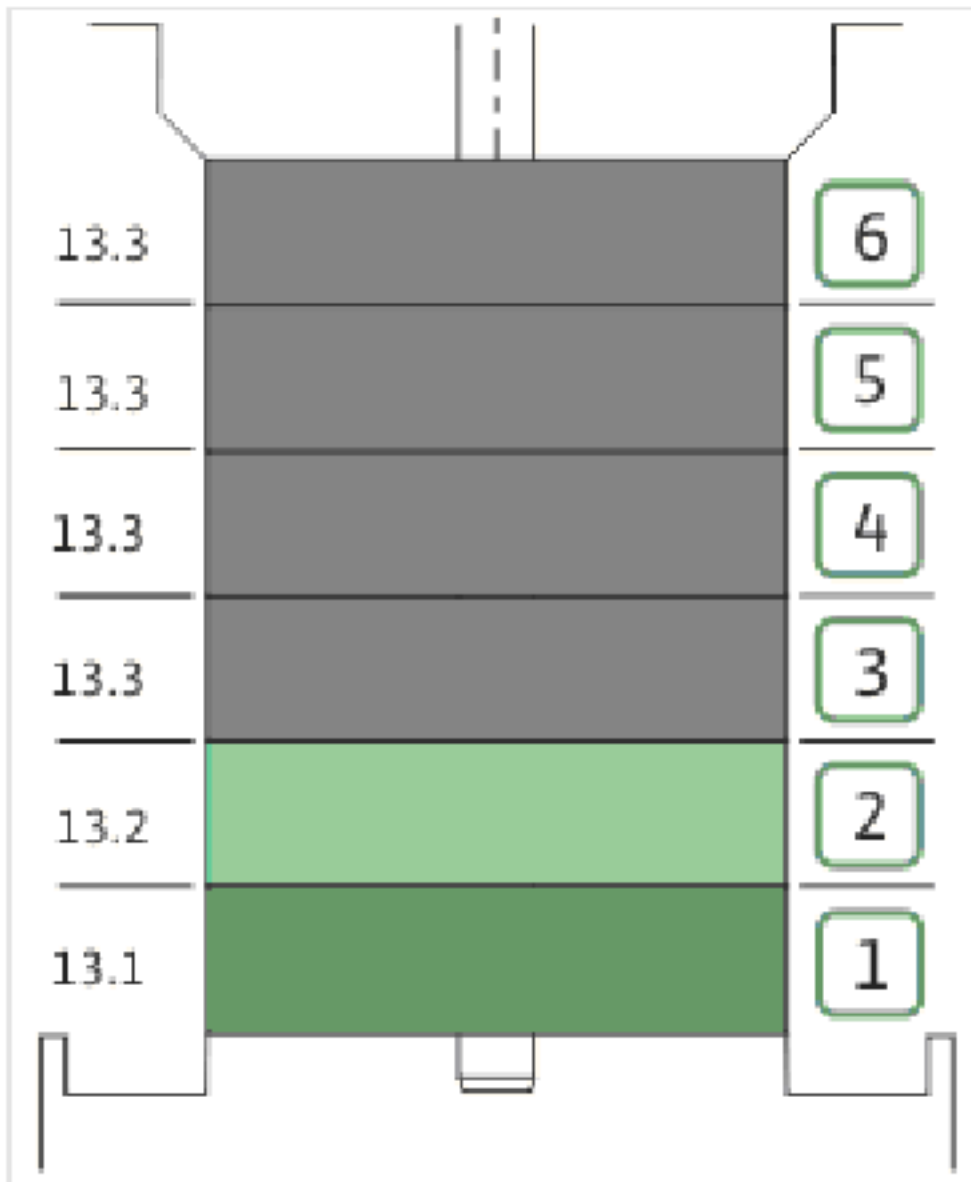
COUPLING D.16XD.28 FT130 HELIX KIT (4159710)

Item	Article no.	Description	Quantity
4.1		COUPLING M+ Ø16XØ28 FT130 MACHINED	1
4.2	2131022	BALL BEARING 6209/ZZ-C3(HT)VP.	1
4.3	4233930	CIRCLIP-FOR-BORES-D45x1,75 VP.	1
4.4	4157726	SCREW KIT M8X30 (4 PIECES)	1
4.5	4234252	CIRCLIPS 85X3 VP.	1
4.6	4234243	O-RING 85X3 VP.	1
		NOMEL CONTACT WASHER 8x16x1,4 STEEL ZC	1



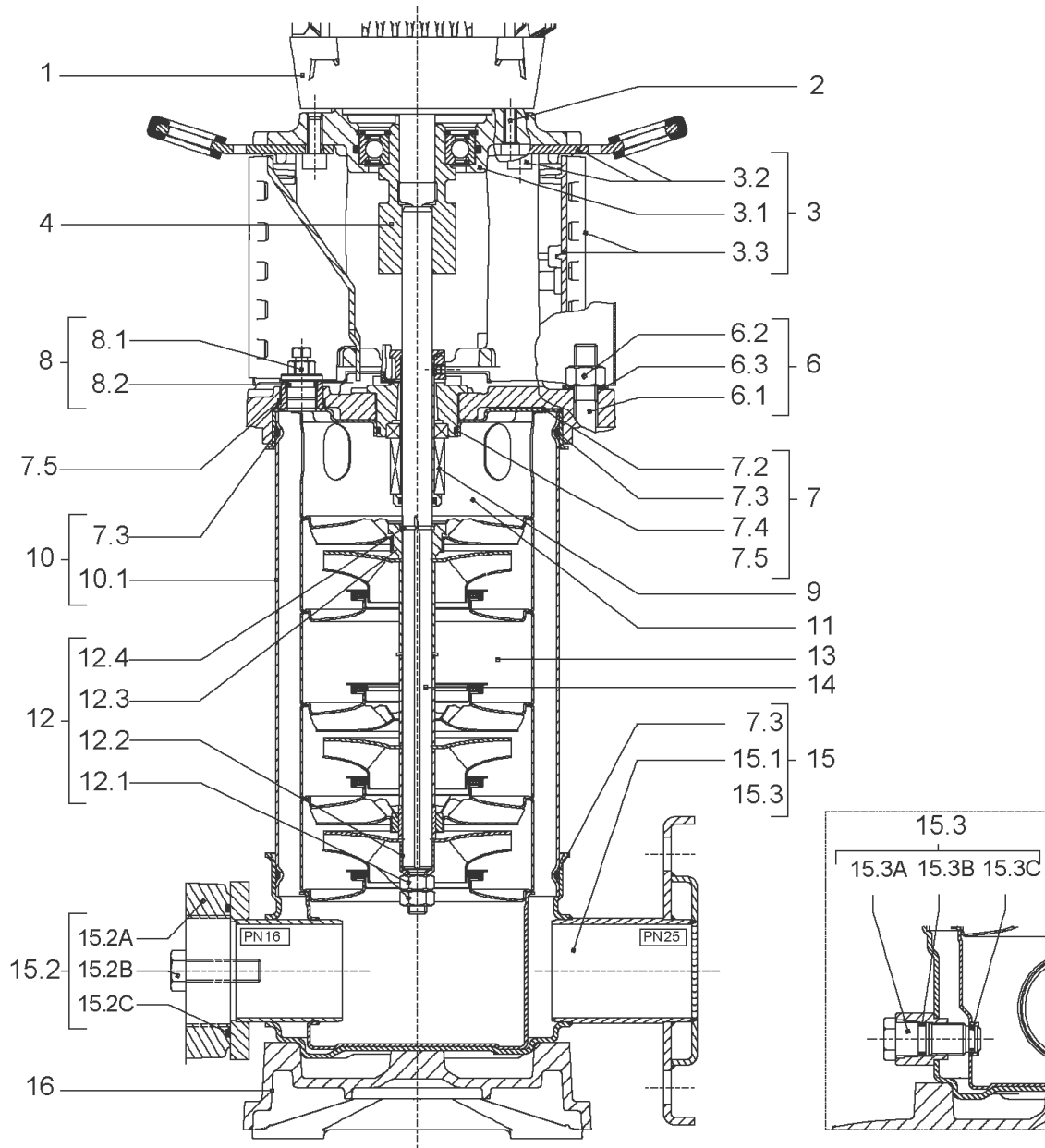
SEAL-KIT-HELIX6-10-16 O/E KIT (4171327)

Item	Article no.	Description	Quantity
7.3	4176513	O-RING FOR PUMP JACKET VP.	1
7.4	2127603	O-RING ID.37,6x2,4 EPDM VP.	1
9.1	4177801	MECH.SEAL HELIX6-10-16 O/E VP.	1
9.3	4177798	MACHINED RING HOLDER M+6" Ø16 304 VP.	1
9.5	4177799	MACHINED DRIVE RING Ø16 VP.	1
9.4	4176520	SCREW CH M5x5 A4-70 (3PIECES)	1



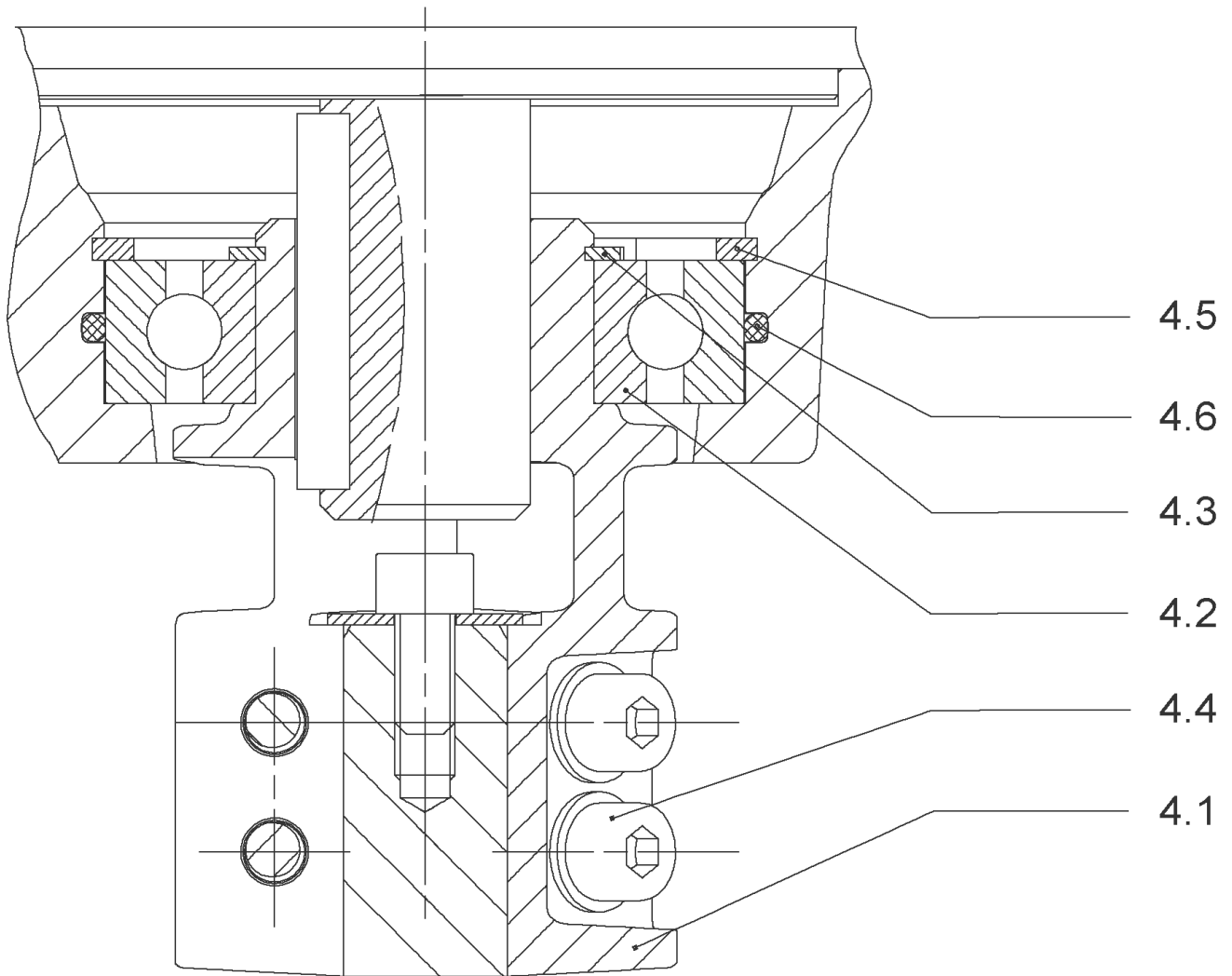
HYDRAULIC HELIX V 1606 1.4307

Item	Article no.	Description	Quantity
13.1	4159720	STAGE HELIX 16 1.4301 KIT	1
		> MACH.STG-CASING-WOGV-WNR-M+16-304	1
		> IMPELLER-M+16-304	1
13.2	4159714	STAGE BEARING HELIX 16 1.4301 KIT	1
		> MACH.BEARING-STG-CASING-WNR-M+16-304	1
		> IMPELLER-M+16-304	1
		> SLEEVE-SPACER-Ø19,35x30,665-304	1
		> SHAFT-SLEEVE-D16xD20x18-CW	1
13.3	4159715	INTERMEDIATE STAGE HELIX 16 1.4301 KIT	1
		> CORPS-ETG-STD-ACR-AJR-USIN.M+16-304	1
		> IMPELLER-M+16-304	1
		> SPACER Ø16X19.4-L48.6-304	1



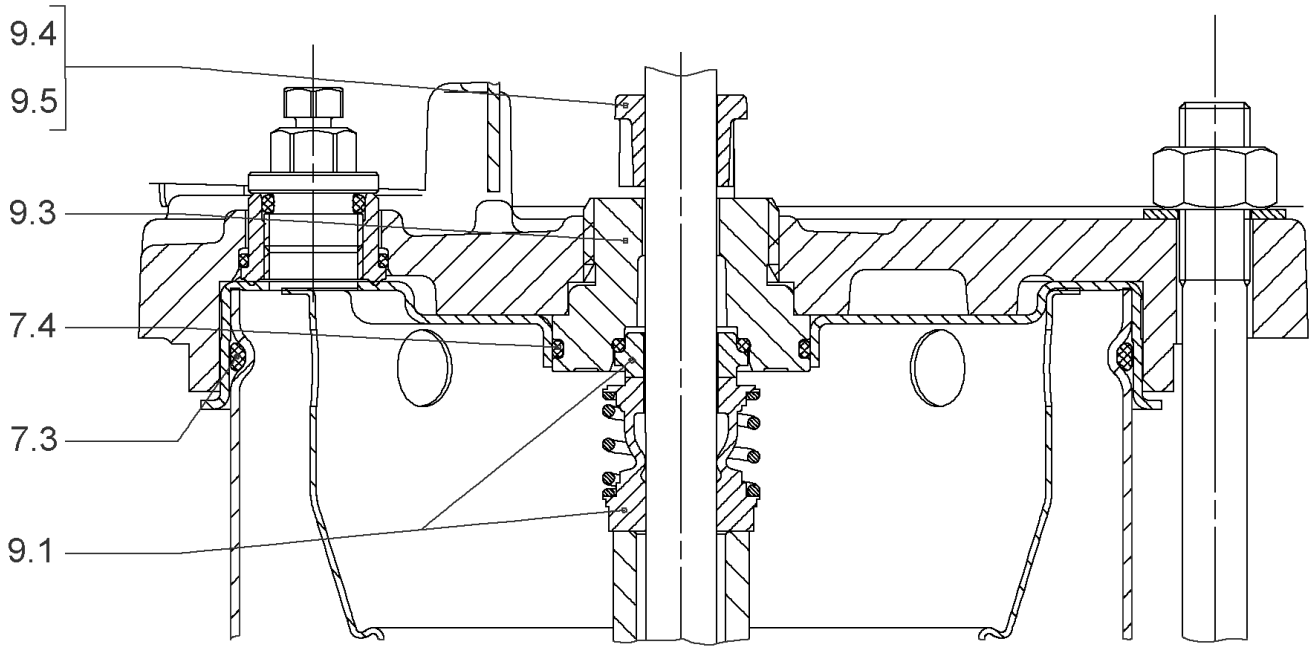
HELIX V1607-1/16/E/S/400-50 (4190735)

Item	Article no.	Description	Quantity
1	4169947	MO 5,5/2/112 3~400V50Hz 460V60Hz IE3 VP.	1
		SPARE PARTS MOTOR:ON REQUEST	1
2	4206025	SCREW M8X45 (4 PIECES)	1
3	4172789	LANTERN FT130 HELIX V10 KIT	1
3.1		> M+5_6_LANTERN_ONE-PIECE_FT130_CATA	1
3.2	2127604	> EYELET CPL.FT HELIX(2 PIECES)	1
3.3	4159692	> COUPLING PROTECTOR FT HELIX KIT	1
4	4159710	COUPLING D.16XD.28 FT130 HELIX KIT	1
6	2127556	STUD BOLT M12X542 KIT	1
7	4210143	STATIONARY RING HOLDER HELIX 6" EPDM	1
7.2	2127607	> STATIONARY RING HOLDER 6" HELIX 1.4301 V	1
7.3	4176513	> O-RING FOR PUMP JACKET VP.	1
7.4	2127603	> O-RING ID.37,6x2,4 EPDM VP.	1
7.5	2127602	> O-RING ID.21,35x2 EPDM VP.	1
8	4159686	FILING/PURGING PLUG HELIX EPDM KIT	1
9	4171327	SEAL-KIT-HELIX6-10-16 O/E KIT	1
10	2127579	HOUSING PIPE D.152x410 1.4301 KIT	1
7.3	4176513	> O-RING FOR PUMP JACKET VP.	1
10.1		> HOUSING-PIPE Ø152-M+1607-304	1
11	2127588	CENTERING STAGE-RETURN HELIX16 1.4301 VP	1
12	4209329	SHAFT EQUIPMENT HELIX V16 KIT	1
12.1		> NUT-H-M10-A4.70	1
12.2		> SERRATED LOCK WASHER M+16M3-316L	1
12.3		> IMPELLER STOP RING L35,9-304	1
12.4		> STOP-RUSH-1/2-D16xd2-M+316	1
13		HYDRAULIC HELIX V 1607 1.4307	1
14	2127567	SHAFT D.16X530 1.4301 VP.	1
15	4217899	PUMP HOUSING HELIX DN50 PN16 1.4301 KIT	1
7.3	4176513	> O-RING FOR PUMP JACKET VP.	1
15.1		> BLASTING PPE HOUSING V-PN16-DN50-304	1
15.2	4217895	> COUNTER FLANGE-G2"-PN16-GJL KIT	1
15.3	4171321	> PRIMING/DRAIN PLUG EPDM HELIX KIT	1
16	2127601	BASEPLATE HELIX V16 VP.	1



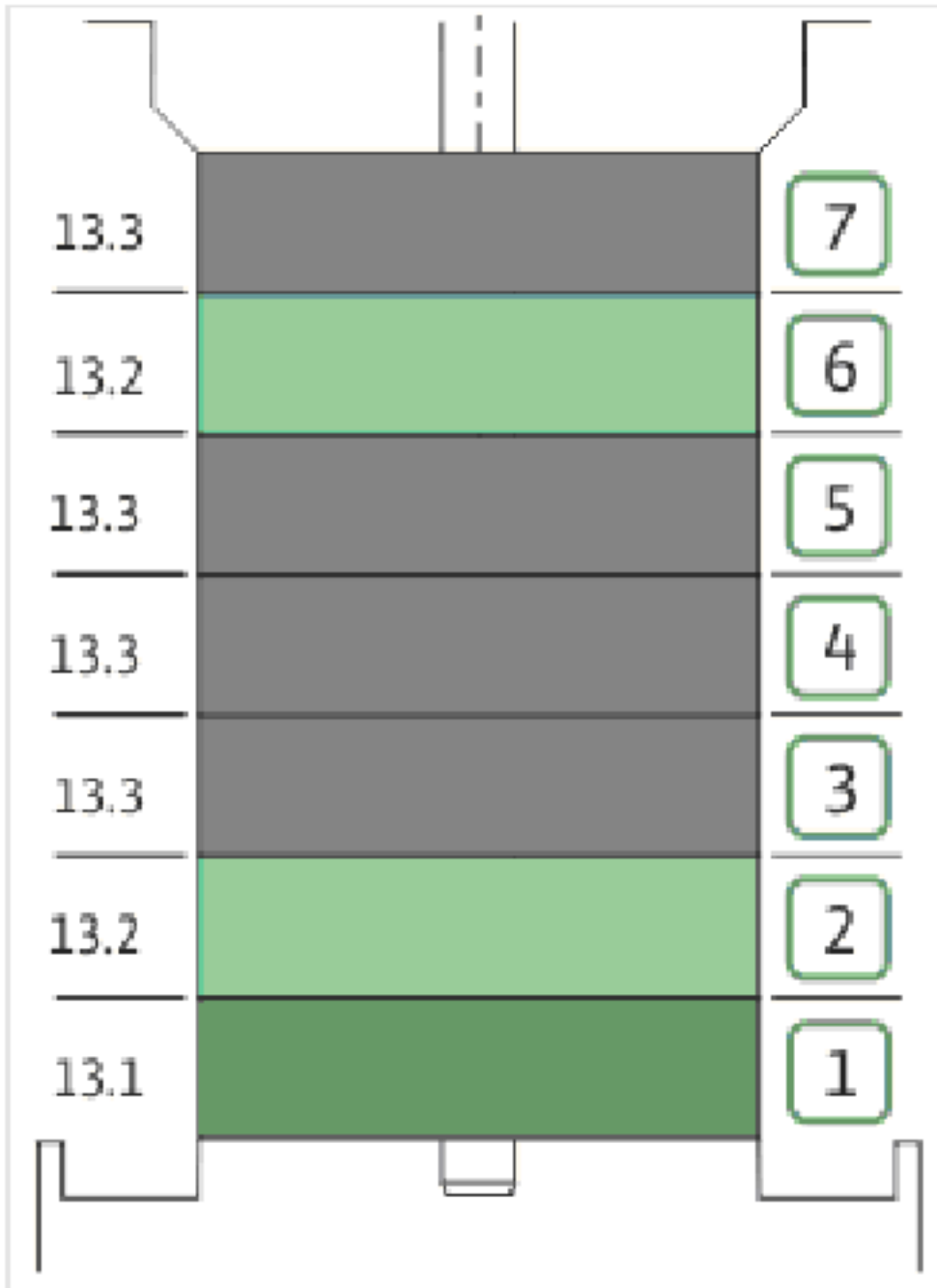
COUPLING D.16XD.28 FT130 HELIX KIT (4159710)

Item	Article no.	Description	Quantity
4.1		COUPLING M+ Ø16XØ28 FT130 MACHINED	1
4.2	2131022	BALL BEARING 6209/ZZ-C3(HT)VP.	1
4.3	4233930	CIRCLIP-FOR-BORES-D45x1,75 VP.	1
4.4	4157726	SCREW KIT M8X30 (4 PIECES)	1
4.5	4234252	CIRCLIPS 85X3 VP.	1
4.6	4234243	O-RING 85X3 VP.	1
		NOMEL CONTACT WASHER 8x16x1,4 STEEL ZC	1



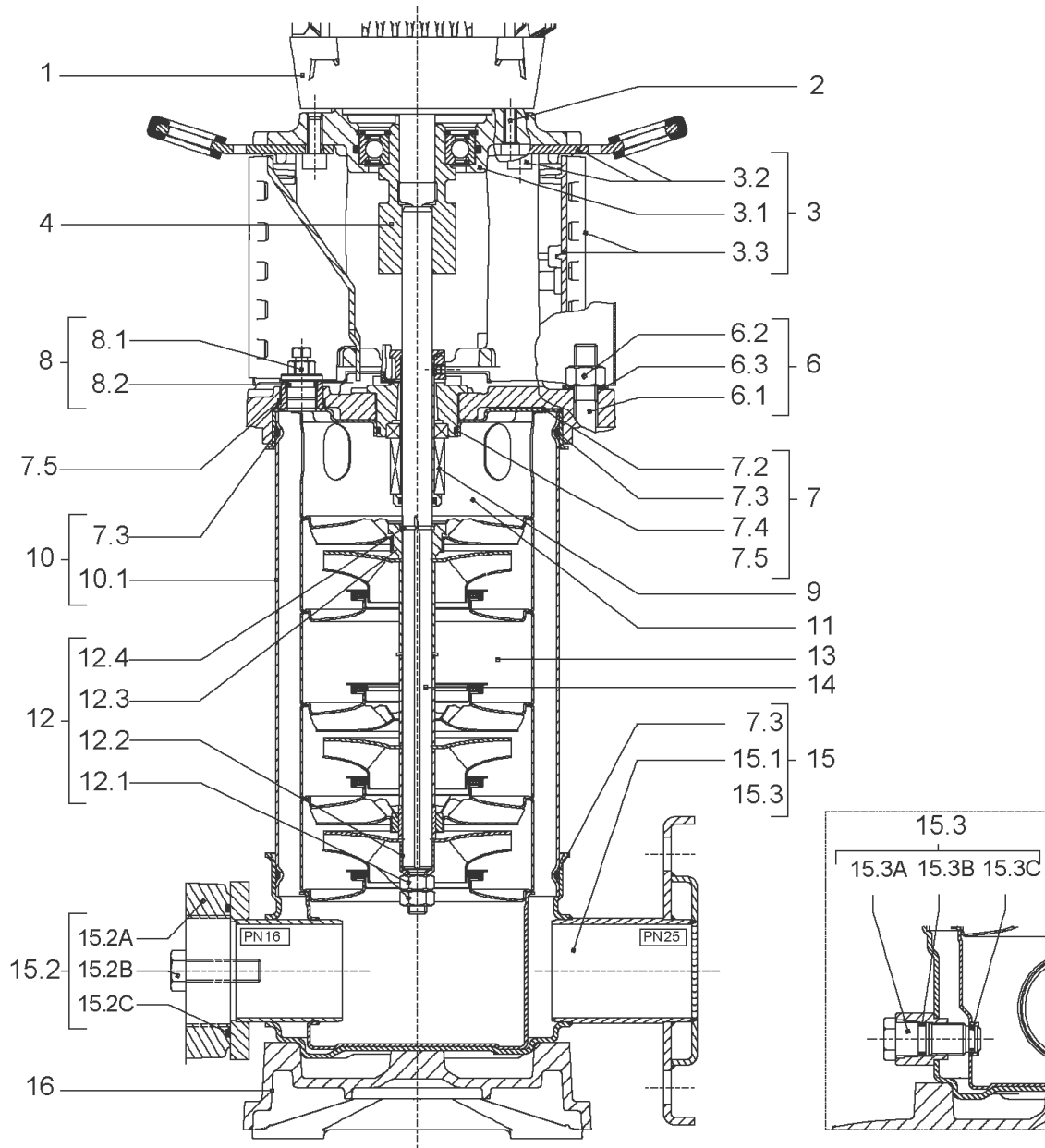
SEAL-KIT-HELIX6-10-16 O/E KIT (4171327)

Item	Article no.	Description	Quantity
7.3	4176513	O-RING FOR PUMP JACKET VP.	1
7.4	2127603	O-RING ID.37,6x2,4 EPDM VP.	1
9.1	4177801	MECH.SEAL HELIX6-10-16 O/E VP.	1
9.3	4177798	MACHINED RING HOLDER M+6" Ø16 304 VP.	1
9.5	4177799	MACHINED DRIVE RING Ø16 VP.	1
9.4	4176520	SCREW CH M5x5 A4-70 (3PIECES)	1



HYDRAULIC HELIX V 1607 1.4307

Item	Article no.	Description	Quantity
13.1	4159720	STAGE HELIX 16 1.4301 KIT	1
		> MACH.STG-CASING-WOGV-WNR-M+16-304	1
		> IMPELLER-M+16-304	1
13.2	4159714	STAGE BEARING HELIX 16 1.4301 KIT	1
		> MACH.BEARING-STG-CASING-WNR-M+16-304	1
		> IMPELLER-M+16-304	1
		> SLEEVE-SPACER-Ø19,35x30,665-304	1
		> SHAFT-SLEEVE-D16xD20x18-CW	1
13.3	4159715	INTERMEDIATE STAGE HELIX 16 1.4301 KIT	1
		> CORPS-ETG-STD-ACR-AJR-USIN.M+16-304	1
		> IMPELLER-M+16-304	1
		> SPACER Ø16X19.4-L48.6-304	1

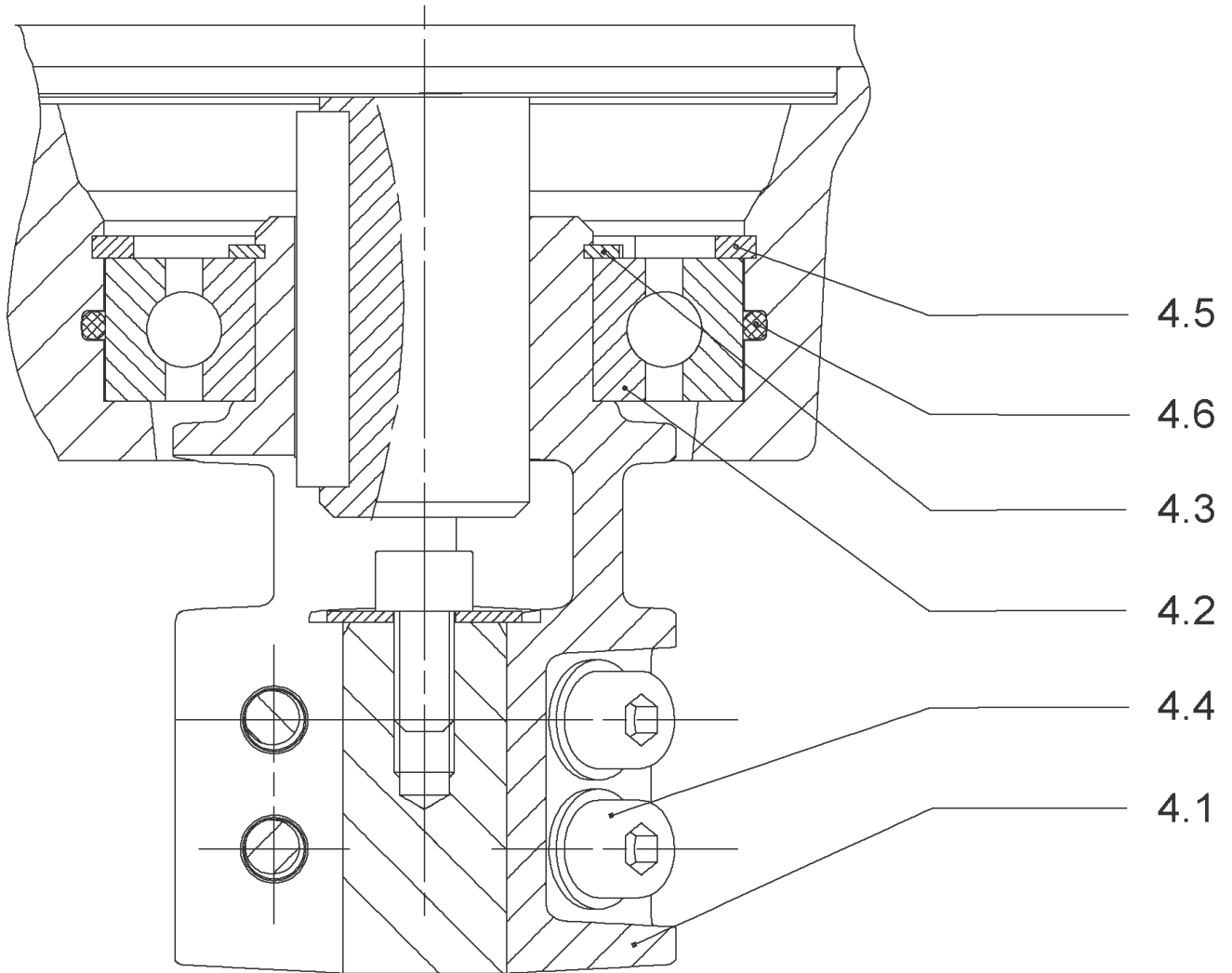


HELIX V1608-1/16/E/S/400-50 (4190736)

Item	Article no.	Description	Quantity
1	4169947	MO 5,5/2/112 3~400V50Hz 460V60Hz IE3 VP.	1
		SPARE PARTS MOTOR:ON REQUEST	1
2	4206025	SCREW M8X45 (4 PIECES)	1
3	4172789	LANTERN FT130 HELIX V10 KIT	1
3.1		> M+5_6_LANTERN_ONE-PIECE_FT130_CATA	1
3.2	2127604	> EYELET CPL.FT HELIX(2 PIECES)	1
3.3	4159692	> COUPLING PROTECTOR FT HELIX KIT	1
4	4159710	COUPLING D.16XD.28 FT130 HELIX KIT	1
6	2127557	STUD BOLT M12X587 KIT	1
6.1		> TIE BOLT M12-587x18x30-1.4057	1
6.2	2094647	> NUT M12 M12 ISO4032 VP.	1
6.3	2123557	> WASHER CS-12.4-24-1.6-NFE25 (4 PIECES)	1
7	4210143	STATIONARY RING HOLDER HELIX 6" EPDM	1
7.2	2127607	> STATIONARY RING HOLDER 6" HELIX 1.4301 V	1
7.3	4176513	> O-RING FOR PUMP JACKET VP.	1
7.4	2127603	> O-RING ID.37,6x2,4 EPDM VP.	1
7.5	2127602	> O-RING ID.21,35x2 EPDM VP.	1
8	4159686	FILING/PURGING PLUG HELIX EPDM KIT	1
9	4171327	SEAL-KIT-HELIX6-10-16 O/E KIT	1
10	2127580	HOUSING PIPE D.152x460 1.4301 KIT	1
7.3	4176513	> O-RING FOR PUMP JACKET VP.	1
10.1		> HOUSING-PIPE Ø152-M+1608-304	1
11	2127588	CENTERING STAGE-RETURN HELIX16 1.4301 VP	1
12	4209329	SHAFT EQUIPMENT HELIX V16 KIT	1
12.1		> NUT-H-M10-A4.70	1
12.2		> SERRATED LOCK WASHER M+16M3-316L	1
12.3		> IMPELLER STOP RING L35,9-304	1
12.4		> STOP-RUSH-1/2-D16xd2-M+316	1
13		HYDRAULIC HELIX V 1608 1.4307	1
14	2127568	SHAFT D.16X580 1.4301 VP.	1
15	4217899	PUMP HOUSING HELIX DN50 PN16 1.4301 KIT	1
7.3	4176513	> O-RING FOR PUMP JACKET VP.	1
15.1		> BLASTING PPE HOUSING V-PN16-DN50-304	1
15.2	4217895	> COUNTER FLANGE-G2"-PN16-GJL KIT	1

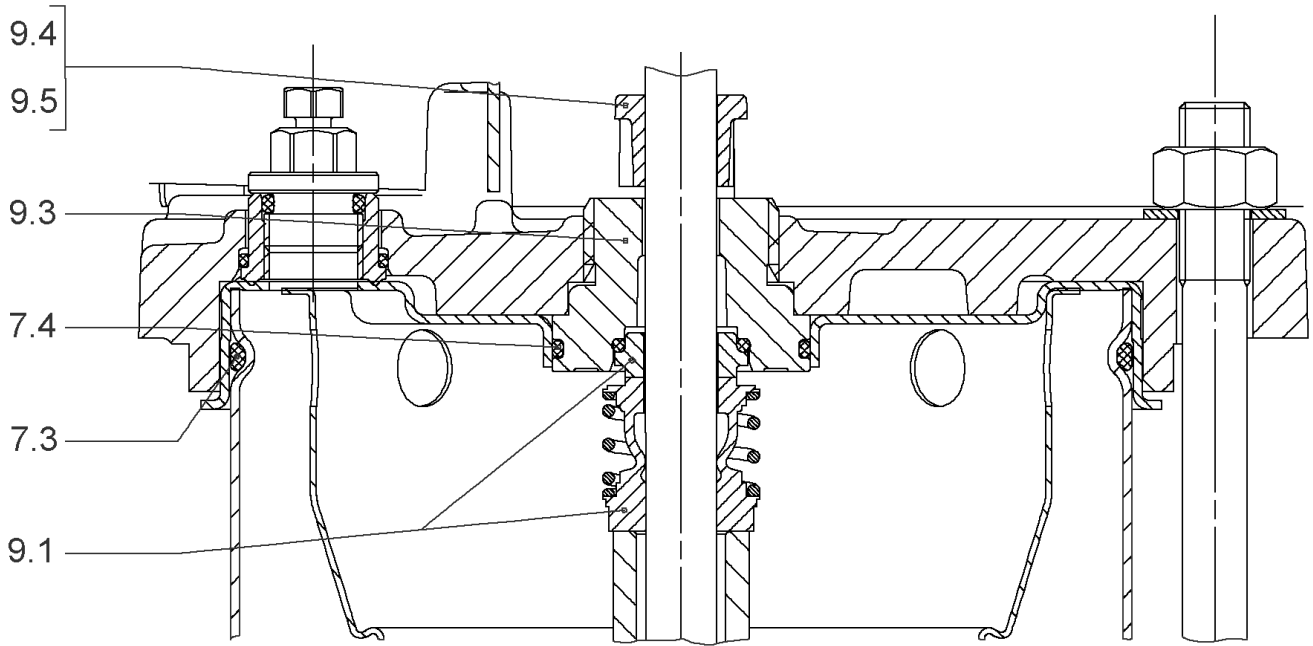
HELIX V1608-1/16/E/S/400-50 (4190736)

Item	Article no.	Description	Quantity
15.3	4171321	> PRIMING/DRAIN PLUG EPDM HELIX KIT	1
16	2127601	BASEPLATE HELIX V16 VP.	1



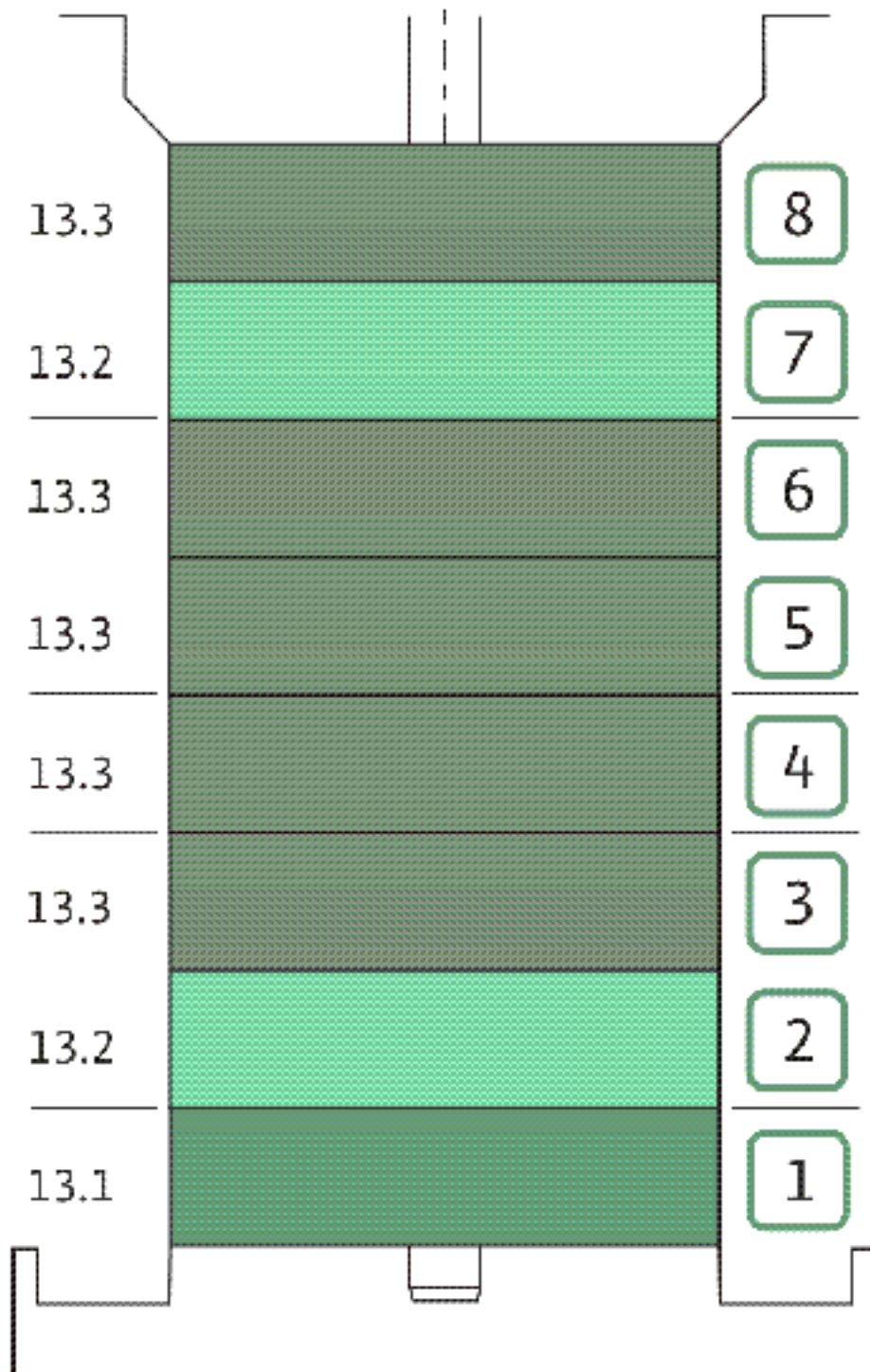
COUPLING D.16XD.28 FT130 HELIX KIT (4159710)

Item	Article no.	Description	Quantity
4.1		COUPLING M+ Ø16XØ28 FT130 MACHINED	1
4.2	2131022	BALL BEARING 6209/ZZ-C3(HT)VP.	1
4.3	4233930	CIRCLIP-FOR-BORES-D45x1,75 VP.	1
4.4	4157726	SCREW KIT M8X30 (4 PIECES)	1
4.5	4234252	CIRCLIPS 85X3 VP.	1
4.6	4234243	O-RING 85X3 VP.	1
		NOMEL CONTACT WASHER 8x16x1,4 STEEL ZC	1



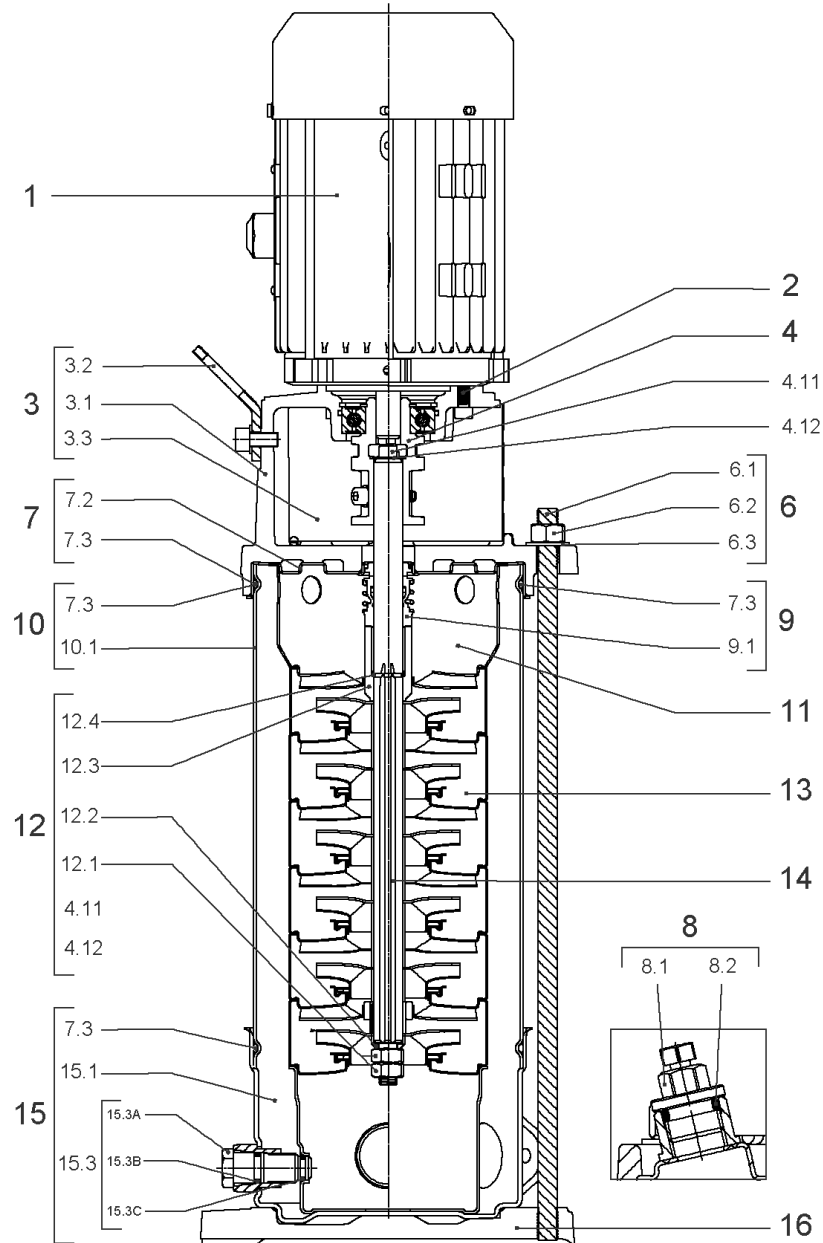
SEAL-KIT-HELIX6-10-16 O/E KIT (4171327)

Item	Article no.	Description	Quantity
7.3	4176513	O-RING FOR PUMP JACKET VP.	1
7.4	2127603	O-RING ID.37,6x2,4 EPDM VP.	1
9.1	4177801	MECH.SEAL HELIX6-10-16 O/E VP.	1
9.3	4177798	MACHINED RING HOLDER M+6" Ø16 304 VP.	1
9.5	4177799	MACHINED DRIVE RING Ø16 VP.	1
9.4	4176520	SCREW CH M5x5 A4-70 (3PIECES)	1



HYDRAULIC HELIX V 1608 1.4307

Item	Article no.	Description	Quantity
13.1	4159720	STAGE HELIX 16 1.4301 KIT	1
		> MACH.STG-CASING-WOGV-WNR-M+16-304	1
		> IMPELLER-M+16-304	1
13.2	4159714	STAGE BEARING HELIX 16 1.4301 KIT	1
		> MACH.BEARING-STG-CASING-WNR-M+16-304	1
		> IMPELLER-M+16-304	1
		> SLEEVE-SPACER-Ø19,35x30,665-304	1
		> SHAFT-SLEEVE-D16xD20x18-CW	1
13.3	4159715	INTERMEDIATE STAGE HELIX 16 1.4301 KIT	1
		> CORPS-ETG-STD-ACR-AJR-USIN.M+16-304	1
		> IMPELLER-M+16-304	1
		> SPACER Ø16X19.4-L48.6-304	1

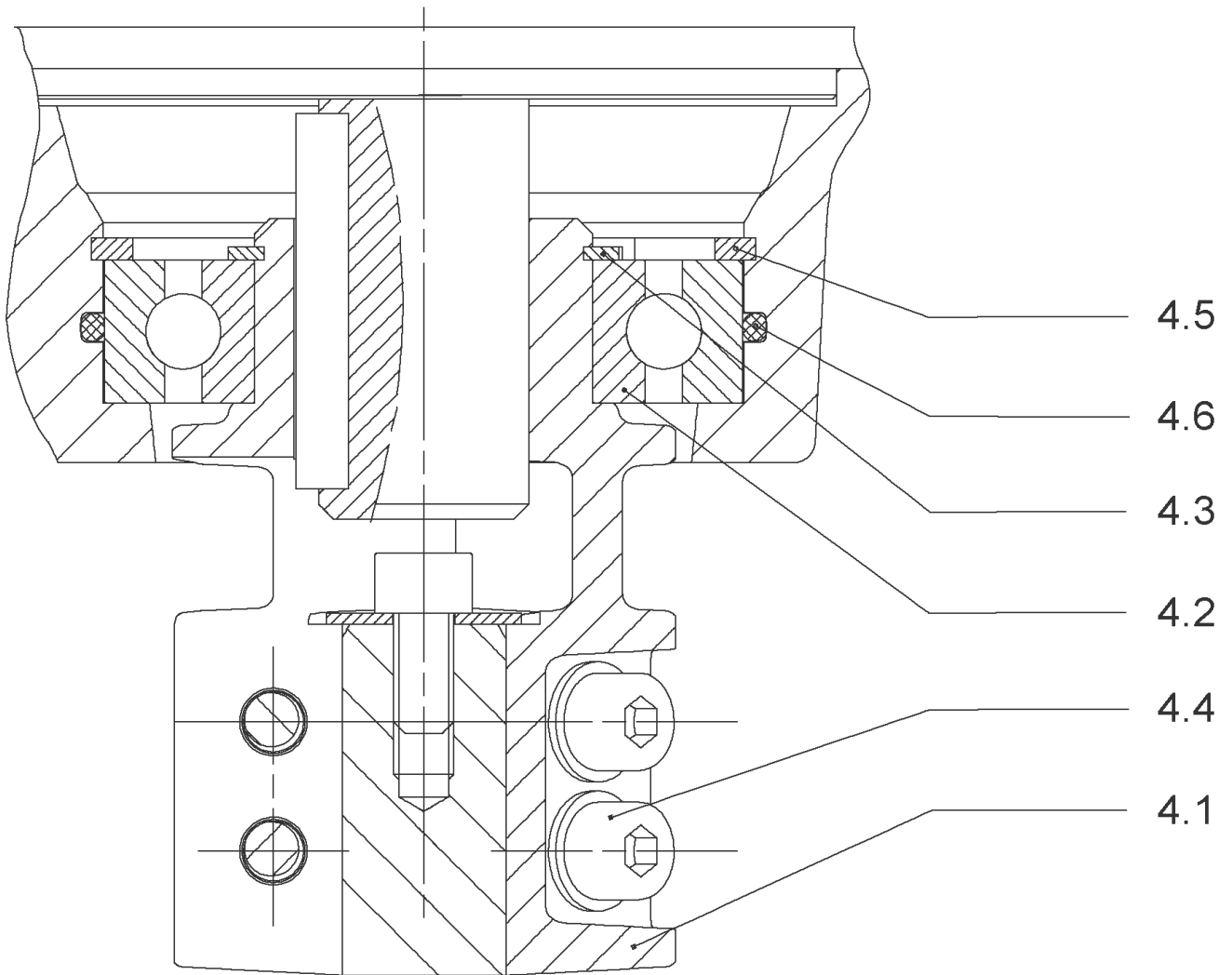


HELIX V1602-1/16/E/S/400-50 (4201313)

Item	Article no.	Description	Quantity
1	4169942	MO.1,5/2 3~230/400(440)V 50(60)HZ IE3 VP	1
		SPARE PARTS MOTOR:ON REQUEST	1
2	4159707	SCREW M8X30 (4 PIECES)	1
3	4213784	LANTERN FT115 HELIX KIT	1
3.1		> LANT-MOT-VMI-ReDTC6"-FT115-MACHINED+CATA	1
3.2	4184852	> EYELET CPL.FT HELIX (2 PIECES)	1
3.3	4213782	> COUPLING PROTECTOR FT115/130 HELIX KIT	1
4	4159709	COUPLING D.16xD.24 FT115 HELIX KIT	1
6	2018368	STUD BOLT M12X289 KIT	1
6.1		> TIE BOLT M12-289x18x30-1.4057	1
6.2	2094647	> NUT M12 M12 ISO4032 VP.	1
6.3	2123557	> WASHER CS-12.4-24-1.6-NFE25 (4 PIECES)	1
7	4214481	STATIONARY RING HOLDER HELIX D27 ReDTC	1
7.2	4214479	> STATIONARY RING HOLDER HELIX D27 VP.	1
7.3	4176513	> O-RING FOR PUMP JACKET VP.	1
8	4212724	FILING/PURGING PLUG HELIX ReDTC KIT	1
8.1		> FILLING PLUG MVI6"-304	1
8.2	4177800	> O-RING EPDM PLUG HELIX VP.	1
9	4214483	MECH.SEAL HELIX6-10-16 O/E ReDTC KIT	1
9.1	4177801	> MECH.SEAL HELIX6-10-16 O/E VP.	1
7.3	4176513	> O-RING FOR PUMP JACKET VP.	1
10	2127574	HOUSING PIPE D.152x160 1.4301 KIT	1
7.3	4176513	> O-RING FOR PUMP JACKET VP.	1
10.1		> HOUSING-PIPE Ø152-M+1601/02-304	1
11	2127588	CENTERING STAGE-RETURN HELIX16 1.4301 VP	1
12	4214520	SHAFT EQUIPMENT HELIX V16 ReDTC KIT	1
12.1		> NUT-H-M10-A4.70	1
12.2		> SERRATED LOCK WASHER M+16M3-316L	1
12.3		> 1/2-SNAP-RING-16M3-316L	1
12.4		> STOP-RUSH-1/2-D16xd2-M+316	1
4.11		> SCREW CHC-M6X14-8.8-ISO4762-GEOMET500A	1
4.12		> WASHER D.24 L6U ZINK	1
13		HYDRAULIC HELIX V 1602 1.4307	1
14	4214522	SHAFT D.16X228 HELIX 1.4057 VP.	1

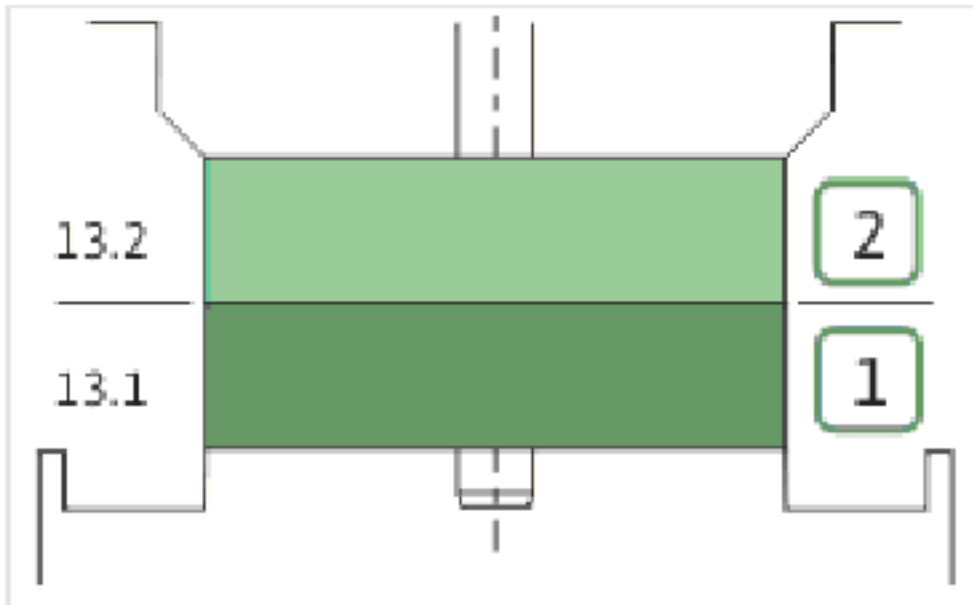
HELIX V1602-1/16/E/S/400-50 (4201313)

Item	Article no.	Description	Quantity
15	4217899	PUMP HOUSING HELIX DN50 PN16 1.4301 KIT	1
7.3	4176513	> O-RING FOR PUMP JACKET VP.	1
15.1		> BLASTING PPE HOUSING V-PN16-DN50-304	1
15.2	4217895	> COUNTER FLANGE-G2"-PN16-GJL KIT	1
15.3	4171321	> PRIMING/DRAIN PLUG EPDM HELIX KIT	1
16	2127601	BASEPLATE HELIX V16 VP.	1



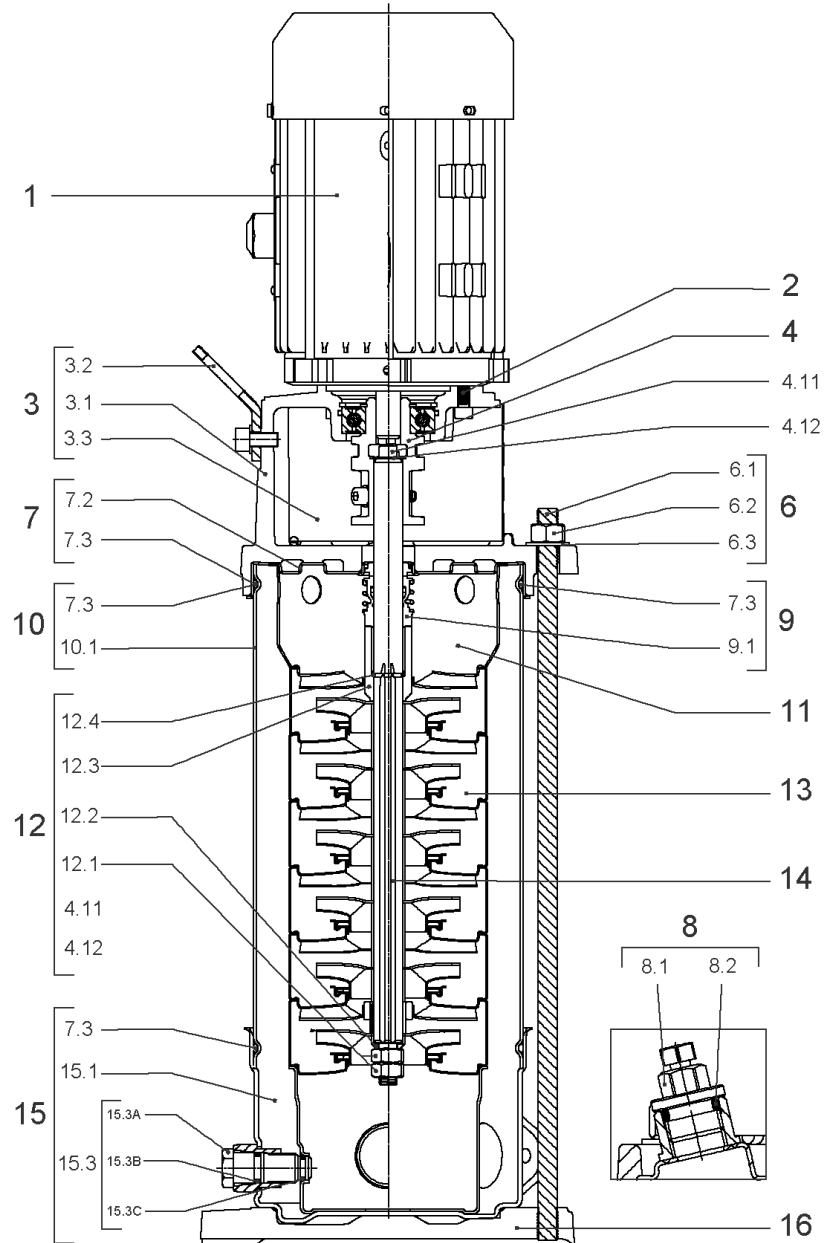
COUPLING D.16xD.24 FT115 HELIX KIT (4159709)

Item	Article no.	Description	Quantity
4.1		COUPLING M+ Ø16XØ24 FT115 MACHINED	1
4.2	2131023	BALL BEARING 6207/ZZ-C3(HT)VP.	1
4.3	4234254	CIRCLIP-FOR-SHAFT-D35x1.5 VP.	1
4.4	4157726	SCREW KIT M8X30 (4 PIECES)	1
4.5	4234251	CIRCLIP-D72x2.5 VP.	1
4.6	4234246	O-RING 72X3 VP.	1
		NOMEL CONTACT WASHER 8x16x1,4 STEEL ZC	1



HYDRAULIC HELIX V 1602 1.4307

Item	Article no.	Description	Quantity
13.1	4159720	STAGE HELIX 16 1.4301 KIT	1
		> MACH.STG-CASING-WOGV-WNR-M+16-304	1
		> IMPELLER-M+16-304	1
13.2	4159714	STAGE BEARING HELIX 16 1.4301 KIT	1
		> MACH.BEARING-STG-CASING-WNR-M+16-304	1
		> IMPELLER-M+16-304	1
		> SLEEVE-SPACER-Ø19,35x30,665-304	1
		> SHAFT-SLEEVE-D16xD20x18-CW	1

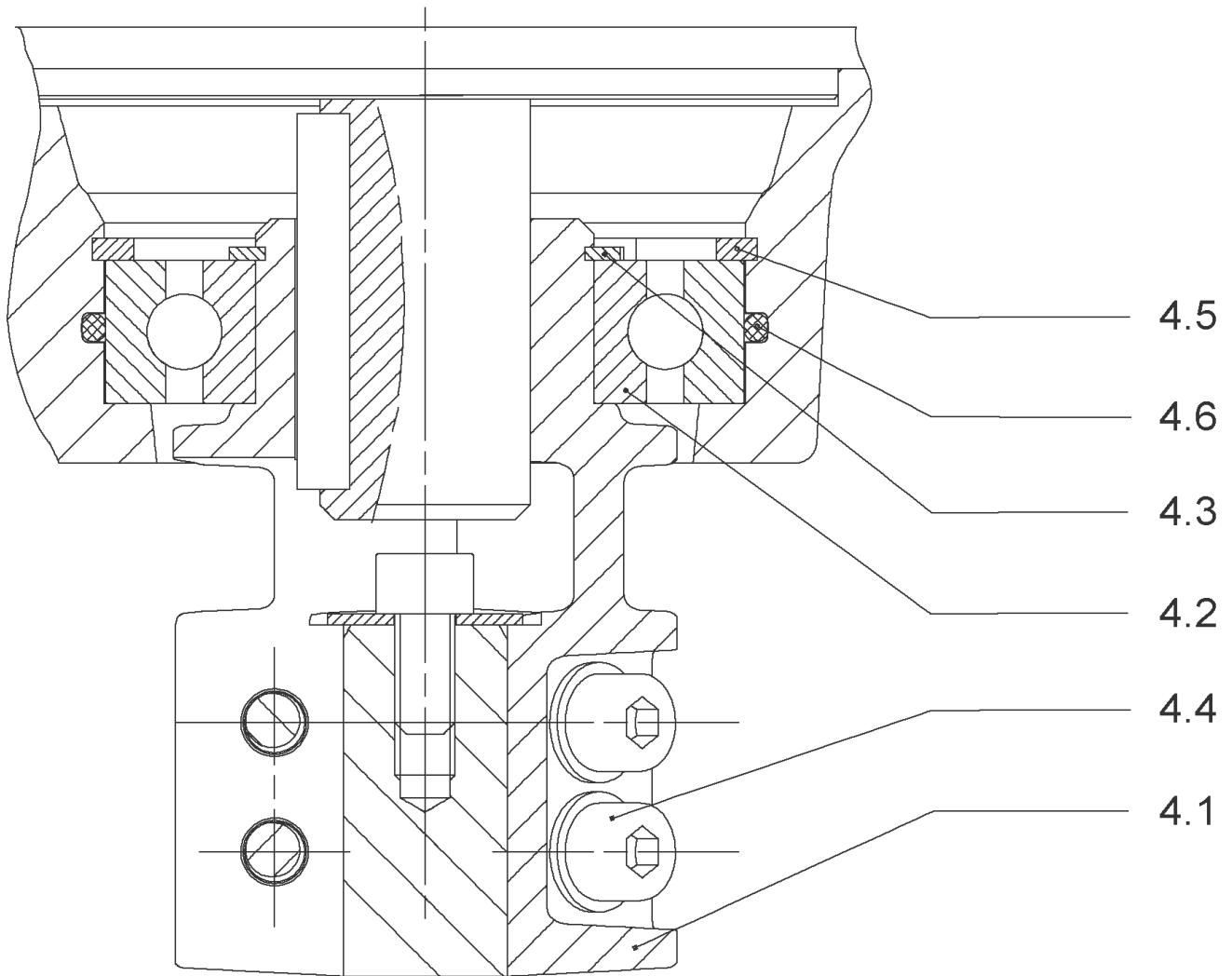


HELIX V1603-1/16/E/S/400-50 (4201316)

Item	Article no.	Description	Quantity
1	4169943	MOTOR 2,2/2/90 3~230/400V 50HZ IE3 VP.	1
		SPARE PARTS MOTOR:ON REQUEST	1
2	4159707	SCREW M8X30 (4 PIECES)	1
3	4213784	LANTERN FT115 HELIX KIT	1
3.1		> LANT-MOT-VMI-ReDTC6"-FT115-MACHINED+CATA	1
3.2	4184852	> EYELET CPL.FT HELIX (2 PIECES)	1
3.3	4213782	> COUPLING PROTECTOR FT115/130 HELIX KIT	1
4	4159709	COUPLING D.16xD.24 FT115 HELIX KIT	1
6	2127553	STUD BOLT M12X341 KIT	1
7	4214481	STATIONARY RING HOLDER HELIX D27 ReDTC	1
7.2	4214479	> STATIONARY RING HOLDER HELIX D27 VP.	1
7.3	4176513	> O-RING FOR PUMP JACKET VP.	1
8	4212724	FILING/PURGING PLUG HELIX ReDTC KIT	1
8.1		> FILLING PLUG MVI6"-304	1
8.2	4177800	> O-RING EPDM PLUG HELIX VP.	1
9	4214483	MECH.SEAL HELIX6-10-16 O/E ReDTC KIT	1
9.1	4177801	> MECH.SEAL HELIX6-10-16 O/E VP.	1
7.3	4176513	> O-RING FOR PUMP JACKET VP.	1
10	2127575	HOUSING PIPE D.152x210 1.4301 KIT	1
11	2127588	CENTERING STAGE-RETURN HELIX16 1.4301 VP	1
12	4214520	SHAFT EQUIPMENT HELIX V16 ReDTC KIT	1
12.1		> NUT-H-M10-A4.70	1
12.2		> SERRATED LOCK WASHER M+16M3-316L	1
12.3		> 1/2-SNAP-RING-16M3-316L	1
12.4		> STOP-RUSH-1/2-D16xd2-M+316	1
4.11		> SCREW CHC-M6X14-8.8-ISO4762-GEOMET500A	1
4.12		> WASHER D.24 L6U ZINK	1
13		HYDRAULIC HELIX V 1603 1.4307	1
14	4214495	SHAFT D.16X278 HELIX 1.4057 VP.	1
15	4217899	PUMP HOUSING HELIX DN50 PN16 1.4301 KIT	1
7.3	4176513	> O-RING FOR PUMP JACKET VP.	1
15.1		> BLASTING PPE HOUSING V-PN16-DN50-304	1
15.2	4217895	> COUNTER FLANGE-G2"-PN16-GJL KIT	1
15.3	4171321	> PRIMING/DRAIN PLUG EPDM HELIX KIT	1

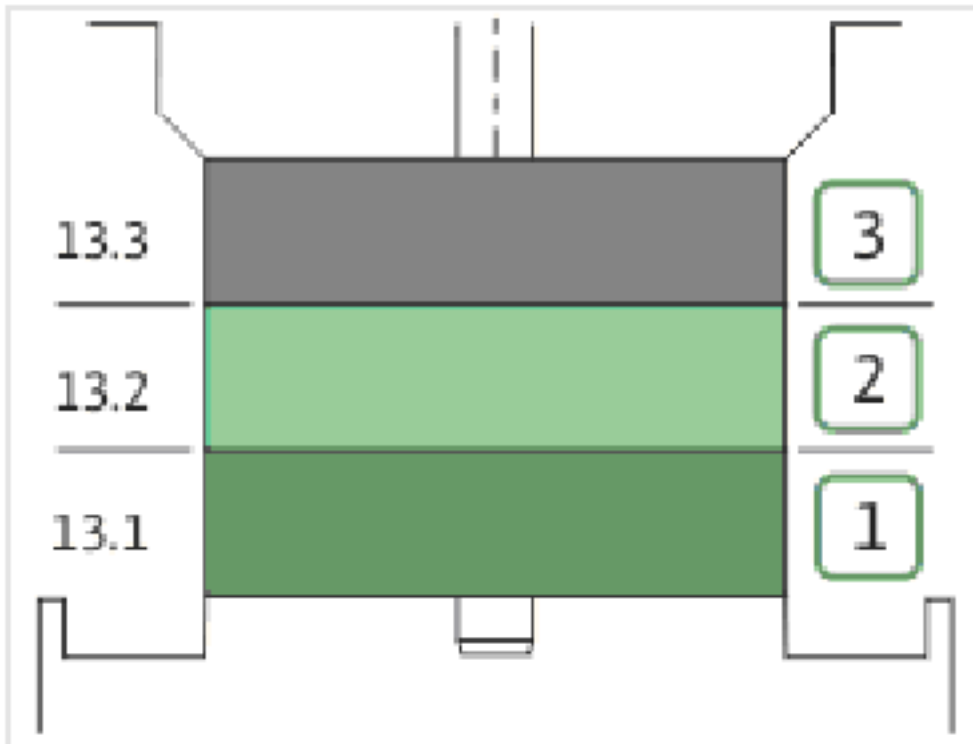
HELIX V1603-1/16/E/S/400-50 (4201316)

Item	Article no.	Description	Quantity
16	2127601	BASEPLATE HELIX V16 VP.	1



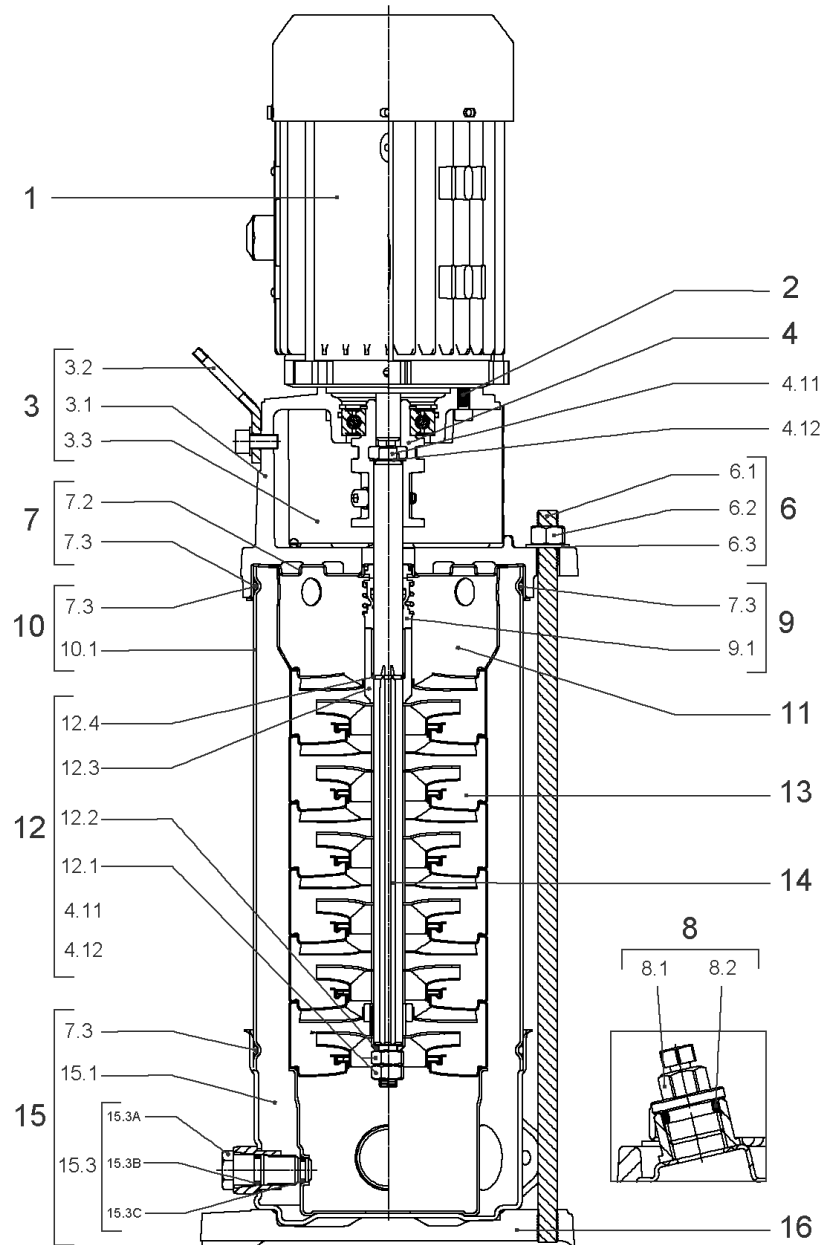
COUPLING D.16xD.24 FT115 HELIX KIT (4159709)

Item	Article no.	Description	Quantity
4.1		COUPLING M+ Ø16XØ24 FT115 MACHINED	1
4.2	2131023	BALL BEARING 6207/ZZ-C3(HT)VP.	1
4.3	4234254	CIRCLIP-FOR-SHAFT-D35x1.5 VP.	1
4.4	4157726	SCREW KIT M8X30 (4 PIECES)	1
4.5	4234251	CIRCLIP-D72x2.5 VP.	1
4.6	4234246	O-RING 72X3 VP.	1
		NOMEL CONTACT WASHER 8x16x1,4 STEEL ZC	1



HYDRAULIC HELIX V 1603 1.4307

Item	Article no.	Description	Quantity
13.1	4159720	STAGE HELIX 16 1.4301 KIT	1
		> MACH.STG-CASING-WOGV-WNR-M+16-304	1
		> IMPELLER-M+16-304	1
13.2	4159714	STAGE BEARING HELIX 16 1.4301 KIT	1
		> MACH.BEARING-STG-CASING-WNR-M+16-304	1
		> IMPELLER-M+16-304	1
		> SLEEVE-SPACER-Ø19,35x30,665-304	1
		> SHAFT-SLEEVE-D16xD20x18-CW	1
13.3	4159715	INTERMEDIATE STAGE HELIX 16 1.4301 KIT	1
		> CORPS-ETG-STD-ACR-AJR-USIN.M+16-304	1
		> IMPELLER-M+16-304	1
		> SPACER Ø16X19.4-L48.6-304	1



HELIX V1604-1/16/E/S/400-50 (4201321)

Item	Article no.	Description	Quantity
1	4169944	MOTOR 3/2/100 3~230/400V 50HZ IE3 VP.	1
		SPARE PARTS MOTOR:ON REQUEST	1
2	4159707	SCREW M8X30 (4 PIECES)	1
3	4214473	LANTERN FT130 HELIX KIT	1
3.1		> LANT-MOT-VMI-ReDTC6"-FT130-MACHINED+CATA	1
3.2	4184852	> EYELET CPL.FT HELIX (2 PIECES)	1
3.3	4213782	> COUPLING PROTECTOR FT115/130 HELIX KIT	1
4	4159710	COUPLING D.16XD.28 FT130 HELIX KIT	1
6	2018365	STUD BOLT M12X392 KIT	1
7	4214481	STATIONARY RING HOLDER HELIX D27 ReDTC	1
7.2	4214479	> STATIONARY RING HOLDER HELIX D27 VP.	1
7.3	4176513	> O-RING FOR PUMP JACKET VP.	1
8	4212724	FILING/PURGING PLUG HELIX ReDTC KIT	1
8.1		> FILLING PLUG MVI6"-304	1
8.2	4177800	> O-RING EPDM PLUG HELIX VP.	1
9	4214483	MECH.SEAL HELIX6-10-16 O/E ReDTC KIT	1
9.1	4177801	> MECH.SEAL HELIX6-10-16 O/E VP.	1
7.3	4176513	> O-RING FOR PUMP JACKET VP.	1
10	2127576	HOUSING PIPE D.152x260 1.4301 KIT	1
11	2127588	CENTERING STAGE-RETURN HELIX16 1.4301 VP	1
12	4214520	SHAFT EQUIPMENT HELIX V16 ReDTC KIT	1
12.1		> NUT-H-M10-A4.70	1
12.2		> SERRATED LOCK WASHER M+16M3-316L	1
12.3		> 1/2-SNAP-RING-16M3-316L	1
12.4		> STOP-RUSH-1/2-D16xd2-M+316	1
4.11		> SCREW CHC-M6X14-8.8-ISO4762-GEOMET500A	1
4.12		> WASHER D.24 L6U ZINK	1
13		HYDRAULIC HELIX V 1604 1.4307	1
14	4214524	SHAFT D.16X328 HELIX 1.4057 VP.	1
15	4217899	PUMP HOUSING HELIX DN50 PN16 1.4301 KIT	1
7.3	4176513	> O-RING FOR PUMP JACKET VP.	1
15.1		> BLASTING PPE HOUSING V-PN16-DN50-304	1
15.2	4217895	> COUNTER FLANGE-G2"-PN16-GJL KIT	1
15.3	4171321	> PRIMING/DRAIN PLUG EPDM HELIX KIT	1

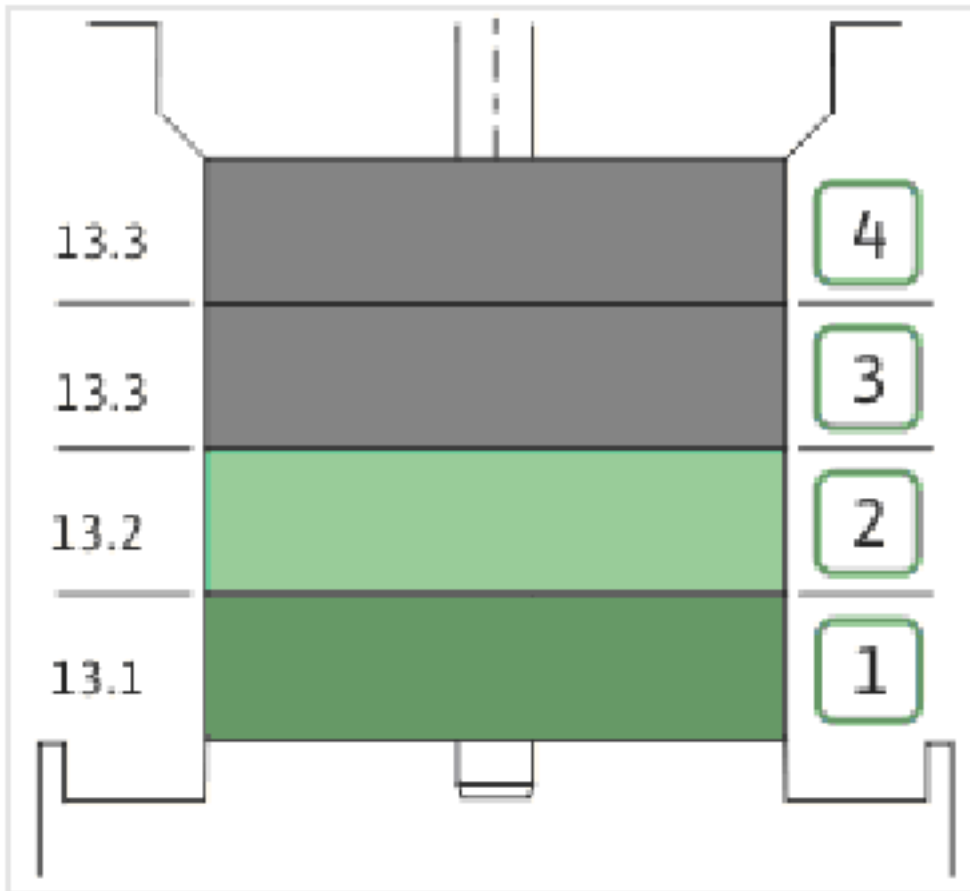
HELIX V1604-1/16/E/S/400-50 (4201321)

Item	Article no.	Description	Quantity
16	2127601	BASEPLATE HELIX V16 VP.	1



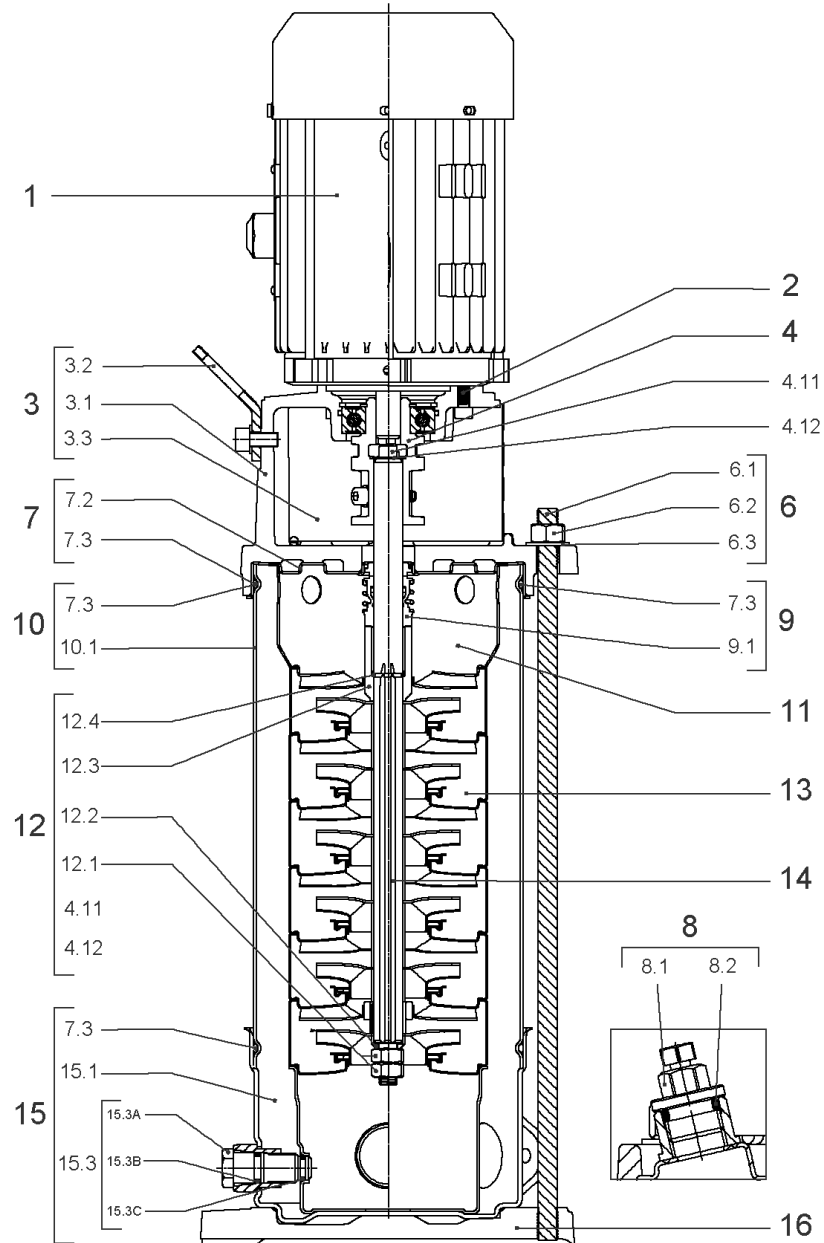
COUPLING D.16XD.28 FT130 HELIX KIT (4159710)

Item	Article no.	Description	Quantity
4.1		COUPLING M+ Ø16XØ28 FT130 MACHINED	1
4.2	2131022	BALL BEARING 6209/ZZ-C3(HT)VP.	1
4.3	4233930	CIRCLIP-FOR-BORES-D45x1,75 VP.	1
4.4	4157726	SCREW KIT M8X30 (4 PIECES)	1
4.5	4234252	CIRCLIPS 85X3 VP.	1
4.6	4234243	O-RING 85X3 VP.	1
		NOMEL CONTACT WASHER 8x16x1,4 STEEL ZC	1



HYDRAULIC HELIX V 1604 1.4307

Item	Article no.	Description	Quantity
13.1	4159720	STAGE HELIX 16 1.4301 KIT	1
		> MACH.STG-CASING-WOGV-WNR-M+16-304	1
		> IMPELLER-M+16-304	1
13.2	4159714	STAGE BEARING HELIX 16 1.4301 KIT	1
		> MACH.BEARING-STG-CASING-WNR-M+16-304	1
		> IMPELLER-M+16-304	1
		> SLEEVE-SPACER-Ø19,35x30,665-304	1
		> SHAFT-SLEEVE-D16xD20x18-CW	1
13.3	4159715	INTERMEDIATE STAGE HELIX 16 1.4301 KIT	1
		> CORPS-ETG-STD-ACR-AJR-USIN.M+16-304	1
		> IMPELLER-M+16-304	1
		> SPACER Ø16X19.4-L48.6-304	1



HELIX V1605-1/16/E/S/400-50 (4201325)

Item	Article no.	Description	Quantity
1	4169945	MO.4/2 3~230/400(460)V 50(60)HZ IE3 VP.	1
		SPARE PARTS MOTOR:ON REQUEST	1
2	4159707	SCREW M8X30 (4 PIECES)	1
3	4214473	LANTERN FT130 HELIX KIT	1
3.1		> LANT-MOT-VMI-ReDTC6"-FT130-MACHINED+CATA	1
3.2	4184852	> EYELET CPL.FT HELIX (2 PIECES)	1
3.3	4213782	> COUPLING PROTECTOR FT115/130 HELIX KIT	1
4	4159710	COUPLING D.16XD.28 FT130 HELIX KIT	1
6	2127554	STUD BOLT M12X437 KIT	1
7	4214481	STATIONARY RING HOLDER HELIX D27 ReDTC	1
7.2	4214479	> STATIONARY RING HOLDER HELIX D27 VP.	1
7.3	4176513	> O-RING FOR PUMP JACKET VP.	1
8	4212724	FILING/PURGING PLUG HELIX ReDTC KIT	1
8.1		> FILLING PLUG MVI6"-304	1
8.2	4177800	> O-RING EPDM PLUG HELIX VP.	1
9	4214483	MECH.SEAL HELIX6-10-16 O/E ReDTC KIT	1
9.1	4177801	> MECH.SEAL HELIX6-10-16 O/E VP.	1
7.3	4176513	> O-RING FOR PUMP JACKET VP.	1
10	2127577	HOUSING PIPE D.152x310 1.4301 KIT	1
11	2127588	CENTERING STAGE-RETURN HELIX16 1.4301 VP	1
12	4214520	SHAFT EQUIPMENT HELIX V16 ReDTC KIT	1
12.1		> NUT-H-M10-A4.70	1
12.2		> SERRATED LOCK WASHER M+16M3-316L	1
12.3		> 1/2-SNAP-RING-16M3-316L	1
12.4		> STOP-RUSH-1/2-D16xd2-M+316	1
4.11		> SCREW CHC-M6X14-8.8-ISO4762-GEOMET500A	1
4.12		> WASHER D.24 L6U ZINK	1
13		HYDRAULIC HELIX V 1605 1.4307	1
14	4214526	SHAFT D.16X378 HELIX 1.4057 VP.	1
15	4217899	PUMP HOUSING HELIX DN50 PN16 1.4301 KIT	1
7.3	4176513	> O-RING FOR PUMP JACKET VP.	1
15.1		> BLASTING PPE HOUSING V-PN16-DN50-304	1
15.2	4217895	> COUNTER FLANGE-G2"-PN16-GJL KIT	1
15.3	4171321	> PRIMING/DRAIN PLUG EPDM HELIX KIT	1

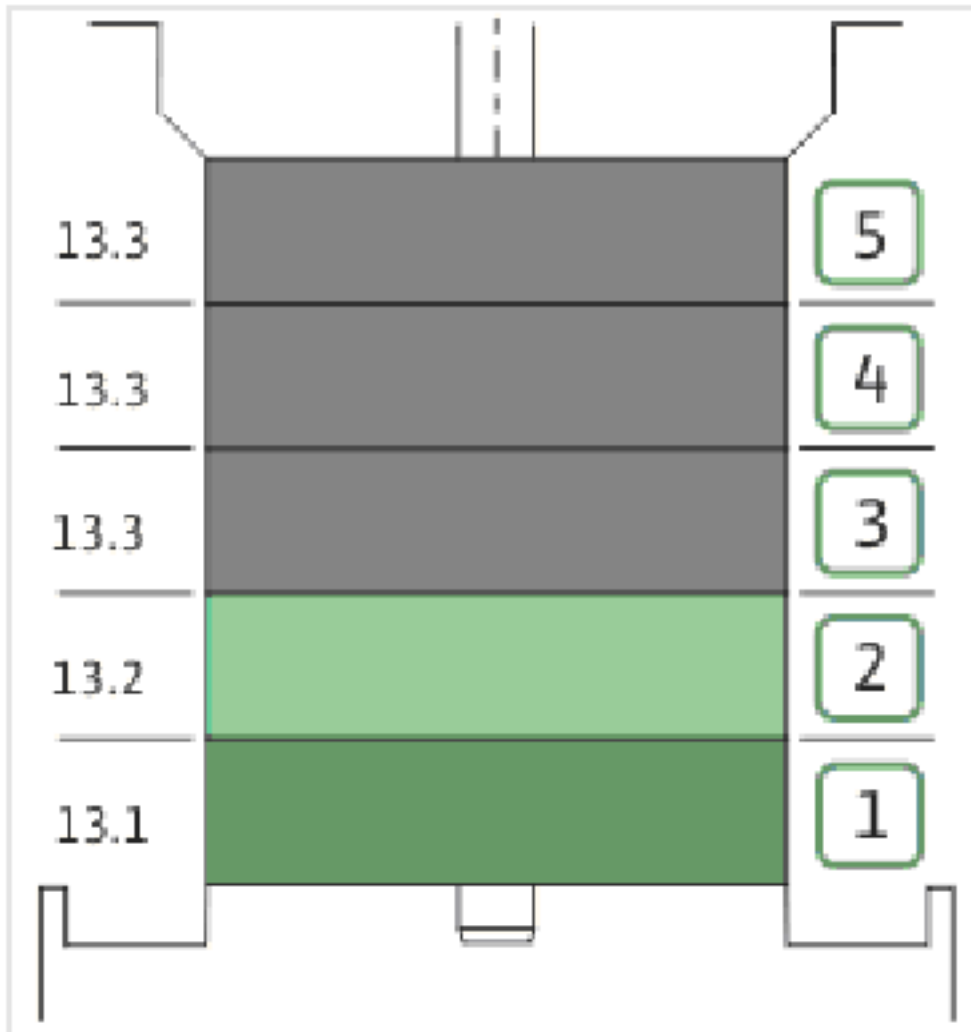
HELIX V1605-1/16/E/S/400-50 (4201325)

Item	Article no.	Description	Quantity
16	2127601	BASEPLATE HELIX V16 VP.	1



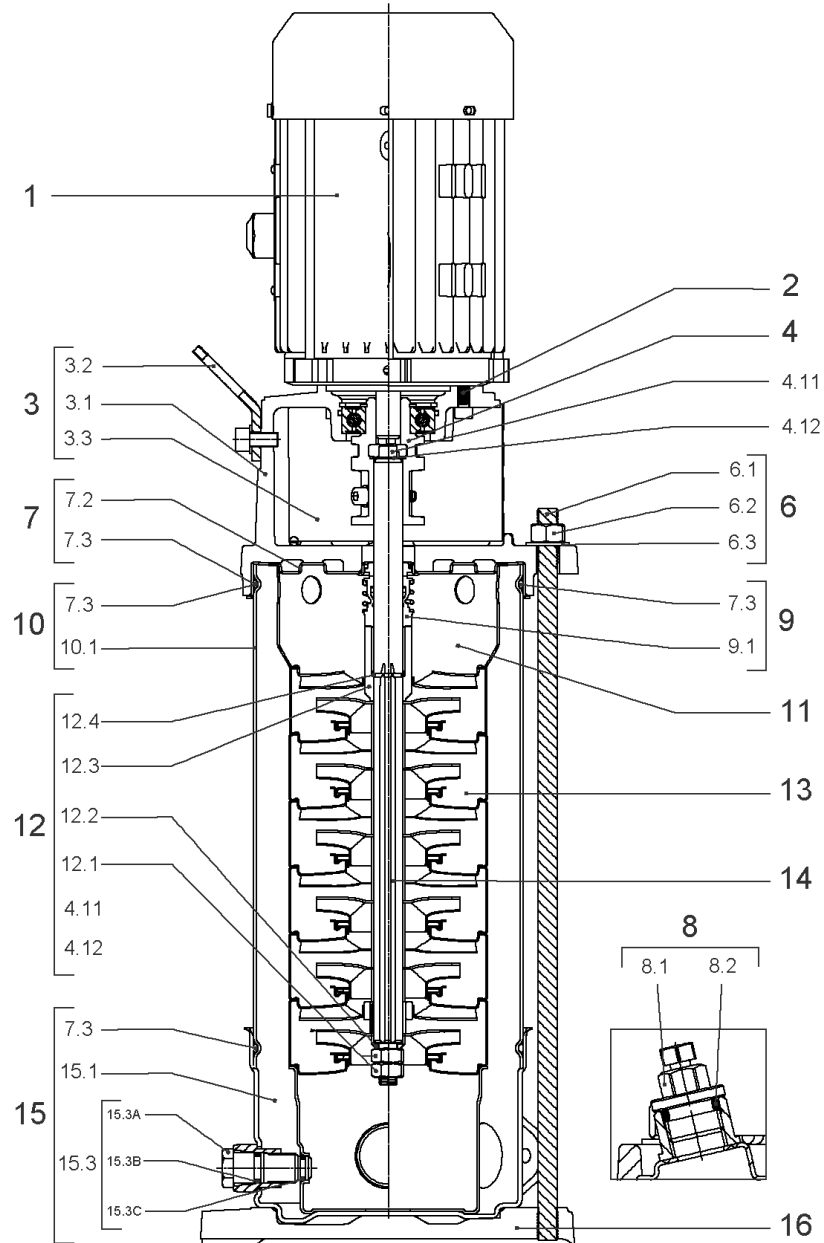
COUPLING D.16XD.28 FT130 HELIX KIT (4159710)

Item	Article no.	Description	Quantity
4.1		COUPLING M+ Ø16XØ28 FT130 MACHINED	1
4.2	2131022	BALL BEARING 6209/ZZ-C3(HT)VP.	1
4.3	4233930	CIRCLIP-FOR-BORES-D45x1,75 VP.	1
4.4	4157726	SCREW KIT M8X30 (4 PIECES)	1
4.5	4234252	CIRCLIPS 85X3 VP.	1
4.6	4234243	O-RING 85X3 VP.	1
		NOMEL CONTACT WASHER 8x16x1,4 STEEL ZC	1



HYDRAULIC HELIX V 1605 1.4307

Item	Article no.	Description	Quantity
13.1	4159720	STAGE HELIX 16 1.4301 KIT	1
		> MACH.STG-CASING-WOGV-WNR-M+16-304	1
		> IMPELLER-M+16-304	1
13.2	4159714	STAGE BEARING HELIX 16 1.4301 KIT	1
		> MACH.BEARING-STG-CASING-WNR-M+16-304	1
		> IMPELLER-M+16-304	1
		> SLEEVE-SPACER-Ø19,35x30,665-304	1
		> SHAFT-SLEEVE-D16xD20x18-CW	1
13.3	4159715	INTERMEDIATE STAGE HELIX 16 1.4301 KIT	1
		> CORPS-ETG-STD-ACR-AJR-USIN.M+16-304	1
		> IMPELLER-M+16-304	1
		> SPACER Ø16X19.4-L48.6-304	1



HELIX V1606-1/16/E/S/400-50 (4201328)

Item	Article no.	Description	Quantity
1	4169945	MO.4/2 3~230/400(460)V 50(60)HZ IE3 VP.	1
		SPARE PARTS MOTOR:ON REQUEST	1
2	4159707	SCREW M8X30 (4 PIECES)	1
3	4214473	LANTERN FT130 HELIX KIT	1
3.1		> LANT-MOT-VMI-ReDTC6"-FT130-MACHINED+CATA	1
3.2	4184852	> EYELET CPL.FT HELIX (2 PIECES)	1
3.3	4213782	> COUPLING PROTECTOR FT115/130 HELIX KIT	1
4	4159710	COUPLING D.16XD.28 FT130 HELIX KIT	1
6	2127555	STUD BOLT M12X485 KIT	1
7	4214481	STATIONARY RING HOLDER HELIX D27 ReDTC	1
7.2	4214479	> STATIONARY RING HOLDER HELIX D27 VP.	1
7.3	4176513	> O-RING FOR PUMP JACKET VP.	1
8	4212724	FILING/PURGING PLUG HELIX ReDTC KIT	1
8.1		> FILLING PLUG MVI6"-304	1
8.2	4177800	> O-RING EPDM PLUG HELIX VP.	1
9	4214483	MECH.SEAL HELIX6-10-16 O/E ReDTC KIT	1
9.1	4177801	> MECH.SEAL HELIX6-10-16 O/E VP.	1
7.3	4176513	> O-RING FOR PUMP JACKET VP.	1
10	2127578	HOUSING PIPE D.152x360 1.4307 KIT	1
7.3	4176513	> O-RING FOR PUMP JACKET VP.	1
10.1		> HOUSING-PIPE Ø152-M+1008/1606-304	1
11	2127588	CENTERING STAGE-RETURN HELIX16 1.4301 VP	1
12	4214520	SHAFT EQUIPMENT HELIX V16 ReDTC KIT	1
12.1		> NUT-H-M10-A4.70	1
12.2		> SERRATED LOCK WASHER M+16M3-316L	1
12.3		> 1/2-SNAP-RING-16M3-316L	1
12.4		> STOP-RUSH-1/2-D16xd2-M+316	1
4.11		> SCREW CHC-M6X14-8.8-ISO4762-GEOMET500A	1
4.12		> WASHER D.24 L6U ZINK	1
13		HYDRAULIC HELIX V 1606 1.4307	1
14	4214504	SHAFT D.16X428 HELIX 1.4057 VP.	1
15	4217899	PUMP HOUSING HELIX DN50 PN16 1.4301 KIT	1
7.3	4176513	> O-RING FOR PUMP JACKET VP.	1
15.1		> BLASTING PPE HOUSING V-PN16-DN50-304	1

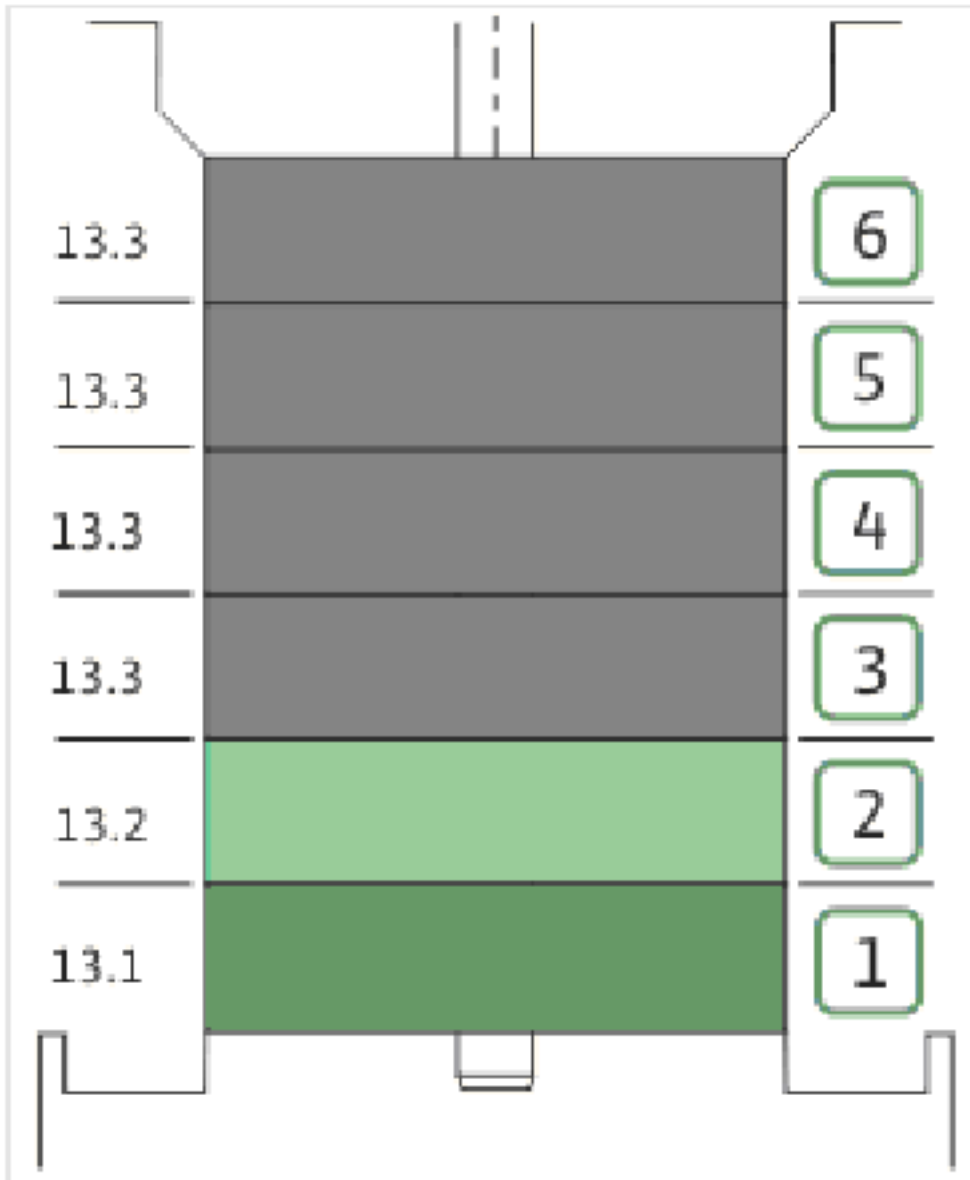
HELIX V1606-1/16/E/S/400-50 (4201328)

Item	Article no.	Description	Quantity
15.2	4217895	> COUNTER FLANGE-G2"-PN16-GJL KIT	1
15.3	4171321	> PRIMING/DRAIN PLUG EPDM HELIX KIT	1
16	2127601	BASEPLATE HELIX V16 VP.	1



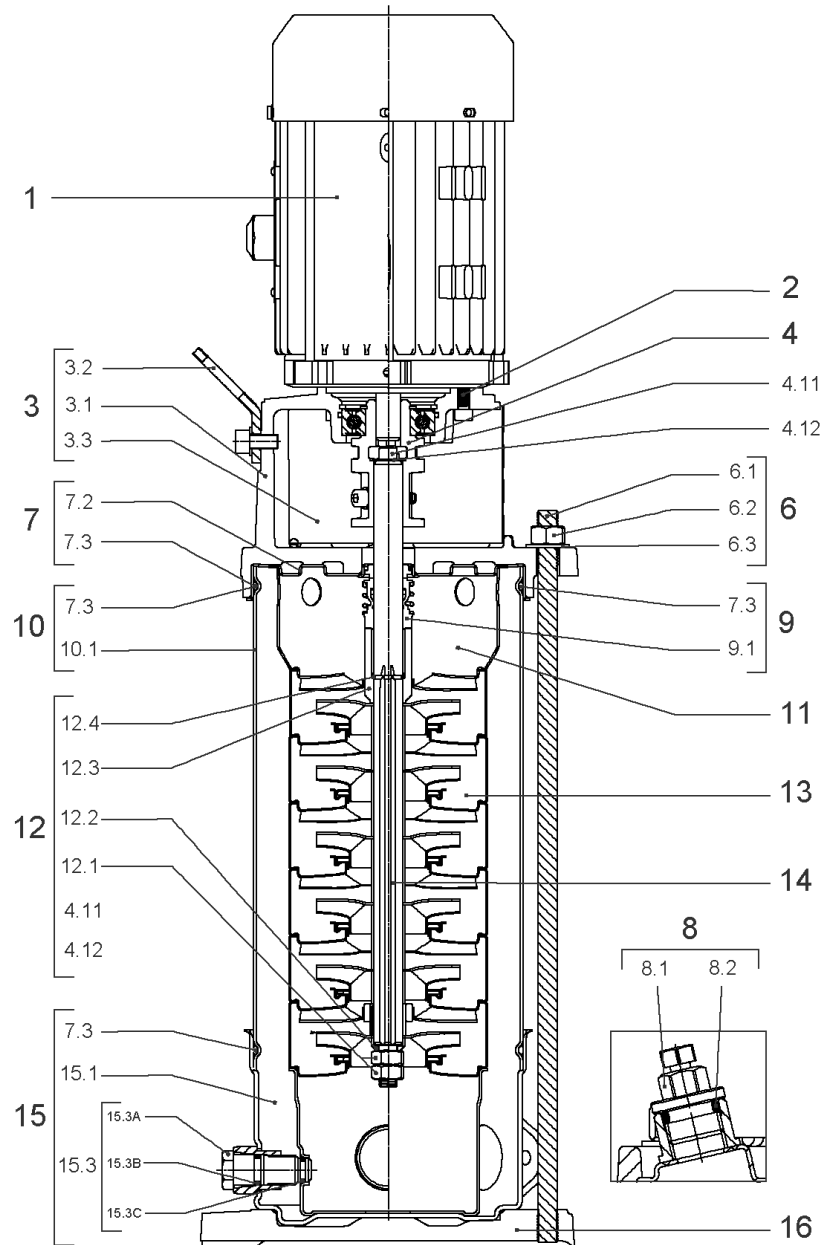
COUPLING D.16XD.28 FT130 HELIX KIT (4159710)

Item	Article no.	Description	Quantity
4.1		COUPLING M+ Ø16XØ28 FT130 MACHINED	1
4.2	2131022	BALL BEARING 6209/ZZ-C3(HT)VP.	1
4.3	4233930	CIRCLIP-FOR-BORES-D45x1,75 VP.	1
4.4	4157726	SCREW KIT M8X30 (4 PIECES)	1
4.5	4234252	CIRCLIPS 85X3 VP.	1
4.6	4234243	O-RING 85X3 VP.	1
		NOMEL CONTACT WASHER 8x16x1,4 STEEL ZC	1



HYDRAULIC HELIX V 1606 1.4307

Item	Article no.	Description	Quantity
13.1	4159720	STAGE HELIX 16 1.4301 KIT	1
		> MACH.STG-CASING-WOGV-WNR-M+16-304	1
		> IMPELLER-M+16-304	1
13.2	4159714	STAGE BEARING HELIX 16 1.4301 KIT	1
		> MACH.BEARING-STG-CASING-WNR-M+16-304	1
		> IMPELLER-M+16-304	1
		> SLEEVE-SPACER-Ø19,35x30,665-304	1
		> SHAFT-SLEEVE-D16xD20x18-CW	1
13.3	4159715	INTERMEDIATE STAGE HELIX 16 1.4301 KIT	1
		> CORPS-ETG-STD-ACR-AJR-USIN.M+16-304	1
		> IMPELLER-M+16-304	1
		> SPACER Ø16X19.4-L48.6-304	1



HELIX V1607-1/16/E/S/400-50 (4201331)

Item	Article no.	Description	Quantity
1	4169947	MO 5,5/2/112 3~400V50Hz 460V60Hz IE3 VP.	1
		SPARE PARTS MOTOR:ON REQUEST	1
2	4159707	SCREW M8X30 (4 PIECES)	1
3	4214473	LANTERN FT130 HELIX KIT	1
3.1		> LANT-MOT-VMI-ReDTC6"-FT130-MACHINED+CATA	1
3.2	4184852	> EYELET CPL.FT HELIX (2 PIECES)	1
3.3	4213782	> COUPLING PROTECTOR FT115/130 HELIX KIT	1
4	4159710	COUPLING D.16XD.28 FT130 HELIX KIT	1
6	2127556	STUD BOLT M12X542 KIT	1
7	4214481	STATIONARY RING HOLDER HELIX D27 ReDTC	1
7.2	4214479	> STATIONARY RING HOLDER HELIX D27 VP.	1
7.3	4176513	> O-RING FOR PUMP JACKET VP.	1
8	4212724	FILING/PURGING PLUG HELIX ReDTC KIT	1
8.1		> FILLING PLUG MVI6"-304	1
8.2	4177800	> O-RING EPDM PLUG HELIX VP.	1
9	4214483	MECH.SEAL HELIX6-10-16 O/E ReDTC KIT	1
9.1	4177801	> MECH.SEAL HELIX6-10-16 O/E VP.	1
7.3	4176513	> O-RING FOR PUMP JACKET VP.	1
10	2127579	HOUSING PIPE D.152x410 1.4301 KIT	1
7.3	4176513	> O-RING FOR PUMP JACKET VP.	1
10.1		> HOUSING-PIPE Ø152-M+1607-304	1
11	2127588	CENTERING STAGE-RETURN HELIX16 1.4301 VP	1
12	4214520	SHAFT EQUIPMENT HELIX V16 ReDTC KIT	1
12.1		> NUT-H-M10-A4.70	1
12.2		> SERRATED LOCK WASHER M+16M3-316L	1
12.3		> 1/2-SNAP-RING-16M3-316L	1
12.4		> STOP-RUSH-1/2-D16xd2-M+316	1
4.11		> SCREW CHC-M6X14-8.8-ISO4762-GEOMET500A	1
4.12		> WASHER D.24 L6U ZINK	1
13		HYDRAULIC HELIX V 1607 1.4307	1
14	4214528	SHAFT D.16X478 HELIX 1.4057 VP.	1
15	4217899	PUMP HOUSING HELIX DN50 PN16 1.4301 KIT	1
7.3	4176513	> O-RING FOR PUMP JACKET VP.	1
15.1		> BLASTING PPE HOUSING V-PN16-DN50-304	1

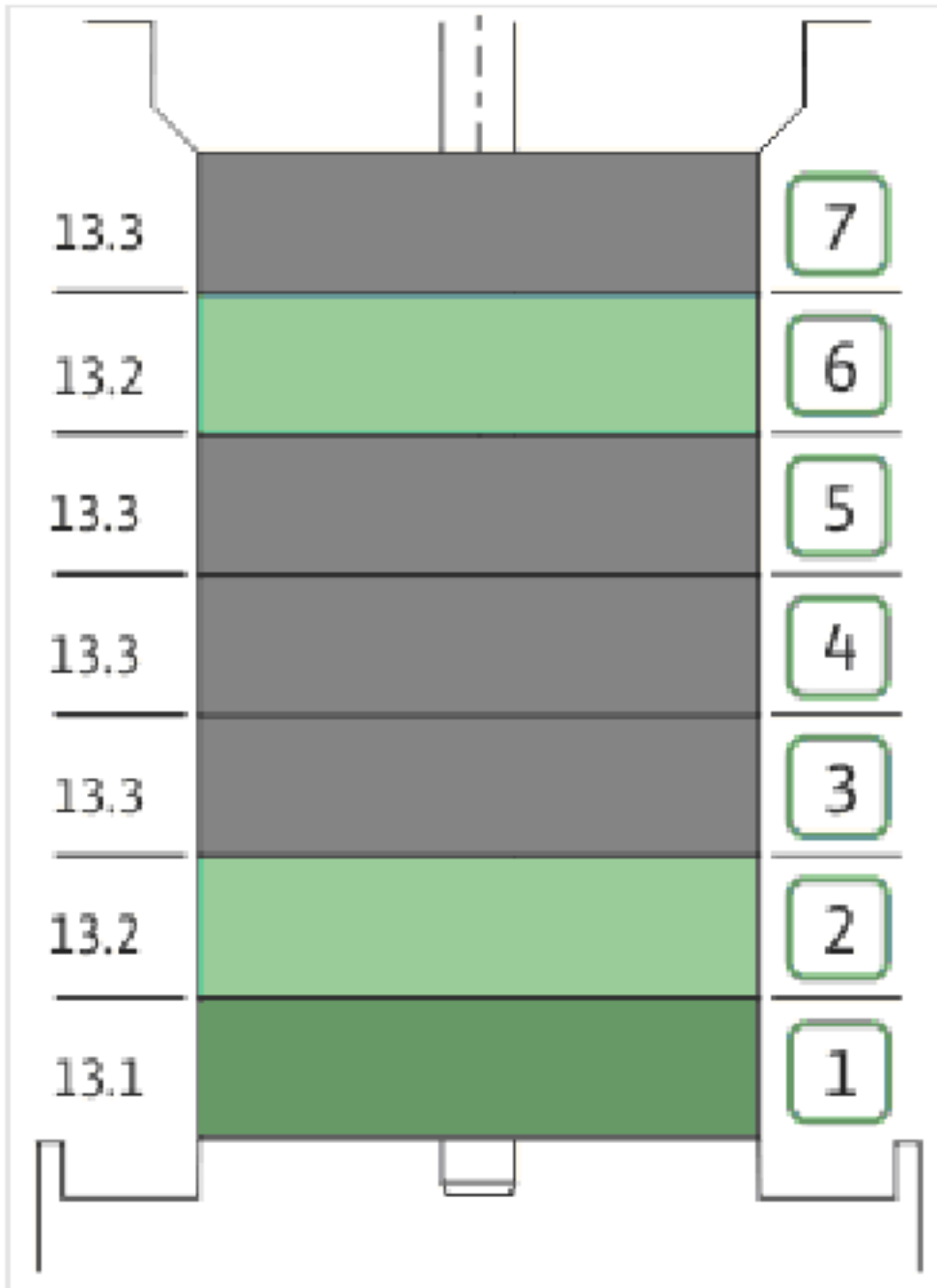
HELIX V1607-1/16/E/S/400-50 (4201331)

Item	Article no.	Description	Quantity
15.2	4217895	> COUNTER FLANGE-G2"-PN16-GJL KIT	1
15.3	4171321	> PRIMING/DRAIN PLUG EPDM HELIX KIT	1
16	2127601	BASEPLATE HELIX V16 VP.	1



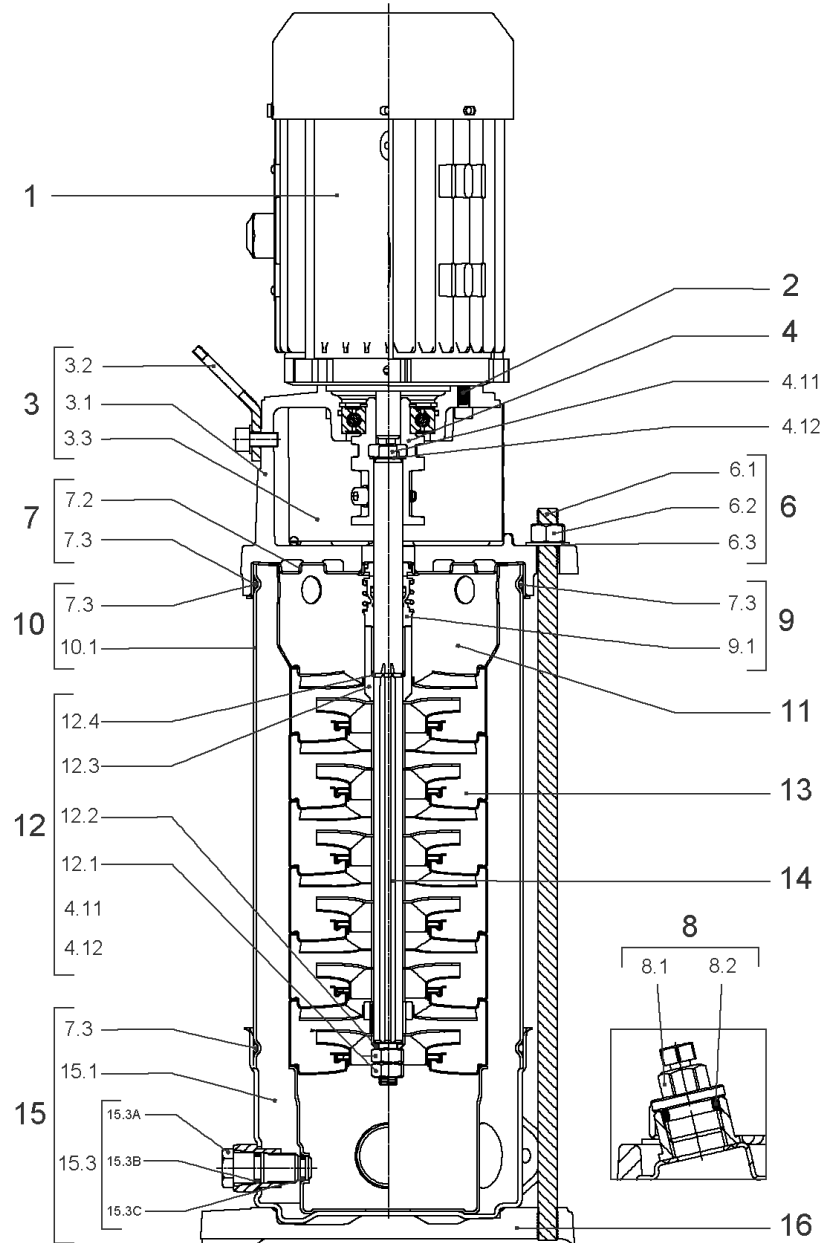
COUPLING D.16XD.28 FT130 HELIX KIT (4159710)

Item	Article no.	Description	Quantity
4.1		COUPLING M+ Ø16XØ28 FT130 MACHINED	1
4.2	2131022	BALL BEARING 6209/ZZ-C3(HT)VP.	1
4.3	4233930	CIRCLIP-FOR-BORES-D45x1,75 VP.	1
4.4	4157726	SCREW KIT M8X30 (4 PIECES)	1
4.5	4234252	CIRCLIPS 85X3 VP.	1
4.6	4234243	O-RING 85X3 VP.	1
		NOMEL CONTACT WASHER 8x16x1,4 STEEL ZC	1



HYDRAULIC HELIX V 1607 1.4307

Item	Article no.	Description	Quantity
13.1	4159720	STAGE HELIX 16 1.4301 KIT	1
		> MACH.STG-CASING-WOGV-WNR-M+16-304	1
		> IMPELLER-M+16-304	1
13.2	4159714	STAGE BEARING HELIX 16 1.4301 KIT	1
		> MACH.BEARING-STG-CASING-WNR-M+16-304	1
		> IMPELLER-M+16-304	1
		> SLEEVE-SPACER-Ø19,35x30,665-304	1
		> SHAFT-SLEEVE-D16xD20x18-CW	1
13.3	4159715	INTERMEDIATE STAGE HELIX 16 1.4301 KIT	1
		> CORPS-ETG-STD-ACR-AJR-USIN.M+16-304	1
		> IMPELLER-M+16-304	1
		> SPACER Ø16X19.4-L48.6-304	1



HELIX V1608-1/16/E/S/400-50 (4201334)

Item	Article no.	Description	Quantity
1	4169947	MO 5,5/2/112 3~400V50Hz 460V60Hz IE3 VP.	1
		SPARE PARTS MOTOR:ON REQUEST	1
2	4159707	SCREW M8X30 (4 PIECES)	1
3	4214473	LANTERN FT130 HELIX KIT	1
3.1		> LANT-MOT-VMI-ReDTC6"-FT130-MACHINED+CATA	1
3.2	4184852	> EYELET CPL.FT HELIX (2 PIECES)	1
3.3	4213782	> COUPLING PROTECTOR FT115/130 HELIX KIT	1
4	4159710	COUPLING D.16XD.28 FT130 HELIX KIT	1
6	2127557	STUD BOLT M12X587 KIT	1
6.1		> TIE BOLT M12-587x18x30-1.4057	1
6.2	2094647	> NUT M12 M12 ISO4032 VP.	1
6.3	2123557	> WASHER CS-12.4-24-1.6-NFE25 (4 PIECES)	1
7	4214481	STATIONARY RING HOLDER HELIX D27 ReDTC	1
7.2	4214479	> STATIONARY RING HOLDER HELIX D27 VP.	1
7.3	4176513	> O-RING FOR PUMP JACKET VP.	1
8	4212724	FILING/PURGING PLUG HELIX ReDTC KIT	1
8.1		> FILLING PLUG MVI6"-304	1
8.2	4177800	> O-RING EPDM PLUG HELIX VP.	1
9	4214483	MECH.SEAL HELIX6-10-16 O/E ReDTC KIT	1
9.1	4177801	> MECH.SEAL HELIX6-10-16 O/E VP.	1
7.3	4176513	> O-RING FOR PUMP JACKET VP.	1
10	2127580	HOUSING PIPE D.152x460 1.4301 KIT	1
7.3	4176513	> O-RING FOR PUMP JACKET VP.	1
10.1		> HOUSING-PIPE Ø152-M+1608-304	1
11	2127588	CENTERING STAGE-RETURN HELIX16 1.4301 VP	1
12	4214520	SHAFT EQUIPMENT HELIX V16 ReDTC KIT	1
12.1		> NUT-H-M10-A4.70	1
12.2		> SERRATED LOCK WASHER M+16M3-316L	1
12.3		> 1/2-SNAP-RING-16M3-316L	1
12.4		> STOP-RUSH-1/2-D16xd2-M+316	1
4.11		> SCREW CHC-M6X14-8.8-ISO4762-GEOMET500A	1
4.12		> WASHER D.24 L6U ZINK	1
13		HYDRAULIC HELIX V 1608 1.4307	1
14	4214530	SHAFT D.16X528 HELIX 1.4057 VP.	1

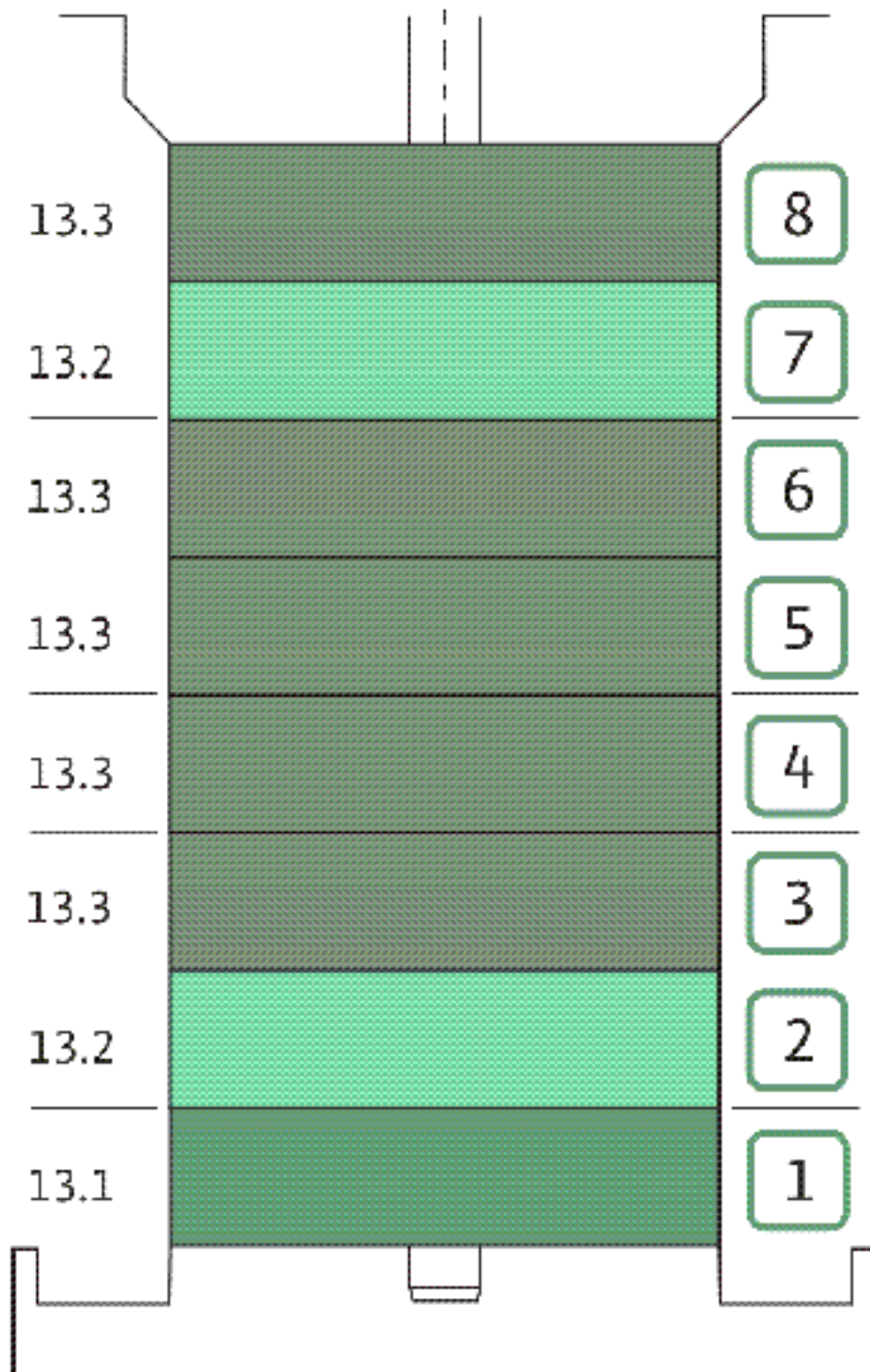
HELIX V1608-1/16/E/S/400-50 (4201334)

Item	Article no.	Description	Quantity
15	4217899	PUMP HOUSING HELIX DN50 PN16 1.4301 KIT	1
7.3	4176513	> O-RING FOR PUMP JACKET VP.	1
15.1		> BLASTING PPE HOUSING V-PN16-DN50-304	1
15.2	4217895	> COUNTER FLANGE-G2"-PN16-GJL KIT	1
15.3	4171321	> PRIMING/DRAIN PLUG EPDM HELIX KIT	1
16	2127601	BASEPLATE HELIX V16 VP.	1



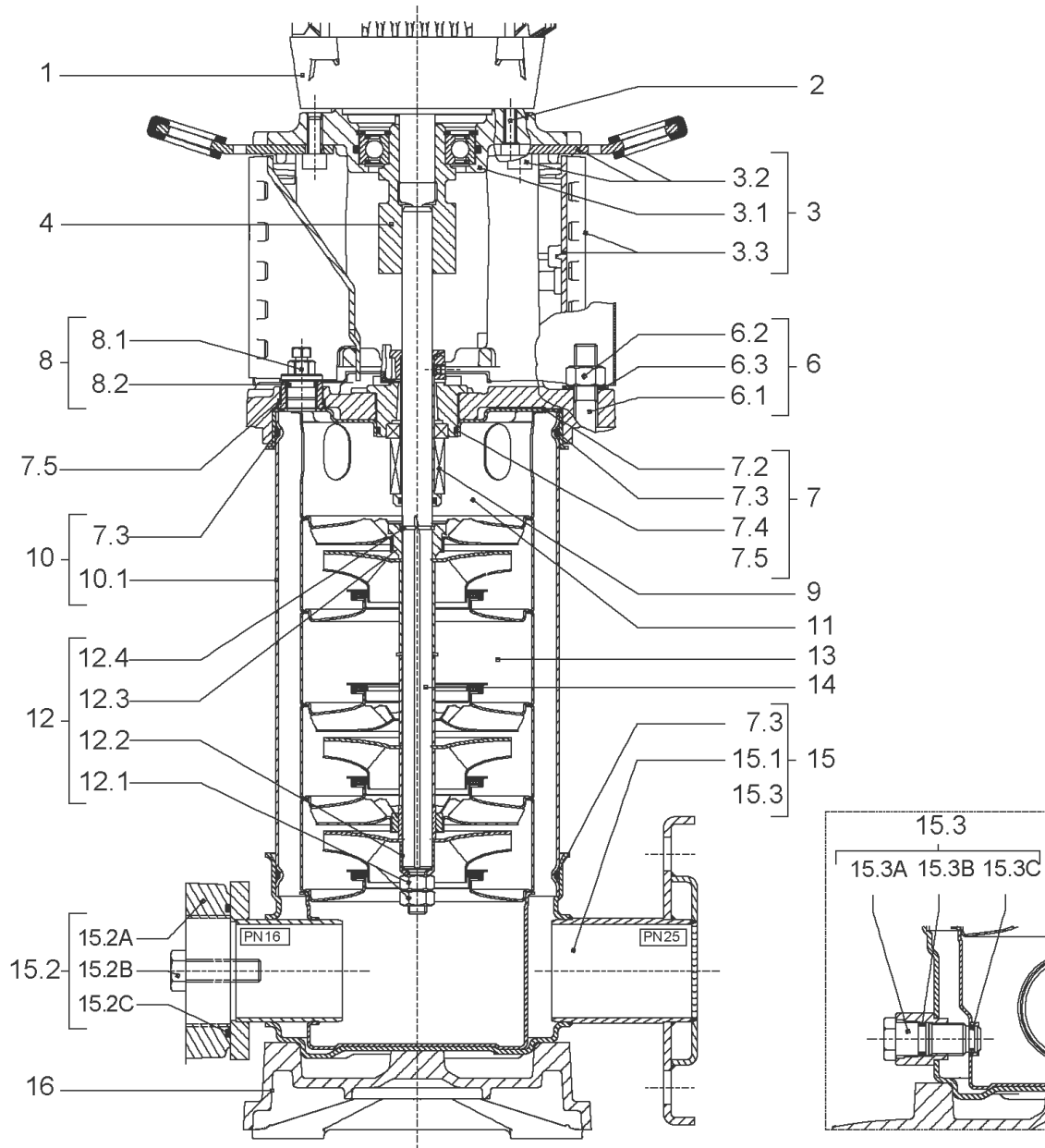
COUPLING D.16XD.28 FT130 HELIX KIT (4159710)

Item	Article no.	Description	Quantity
4.1		COUPLING M+ Ø16XØ28 FT130 MACHINED	1
4.2	2131022	BALL BEARING 6209/ZZ-C3(HT)VP.	1
4.3	4233930	CIRCLIP-FOR-BORES-D45x1,75 VP.	1
4.4	4157726	SCREW KIT M8X30 (4 PIECES)	1
4.5	4234252	CIRCLIPS 85X3 VP.	1
4.6	4234243	O-RING 85X3 VP.	1
		NOMEL CONTACT WASHER 8x16x1,4 STEEL ZC	1



HYDRAULIC HELIX V 1608 1.4307

Item	Article no.	Description	Quantity
13.1	4159720	STAGE HELIX 16 1.4301 KIT	1
		> MACH.STG-CASING-WOGV-WNR-M+16-304	1
		> IMPELLER-M+16-304	1
13.2	4159714	STAGE BEARING HELIX 16 1.4301 KIT	1
		> MACH.BEARING-STG-CASING-WNR-M+16-304	1
		> IMPELLER-M+16-304	1
		> SLEEVE-SPACER-Ø19,35x30,665-304	1
		> SHAFT-SLEEVE-D16xD20x18-CW	1
13.3	4159715	INTERMEDIATE STAGE HELIX 16 1.4301 KIT	1
		> CORPS-ETG-STD-ACR-AJR-USIN.M+16-304	1
		> IMPELLER-M+16-304	1
		> SPACER Ø16X19.4-L48.6-304	1

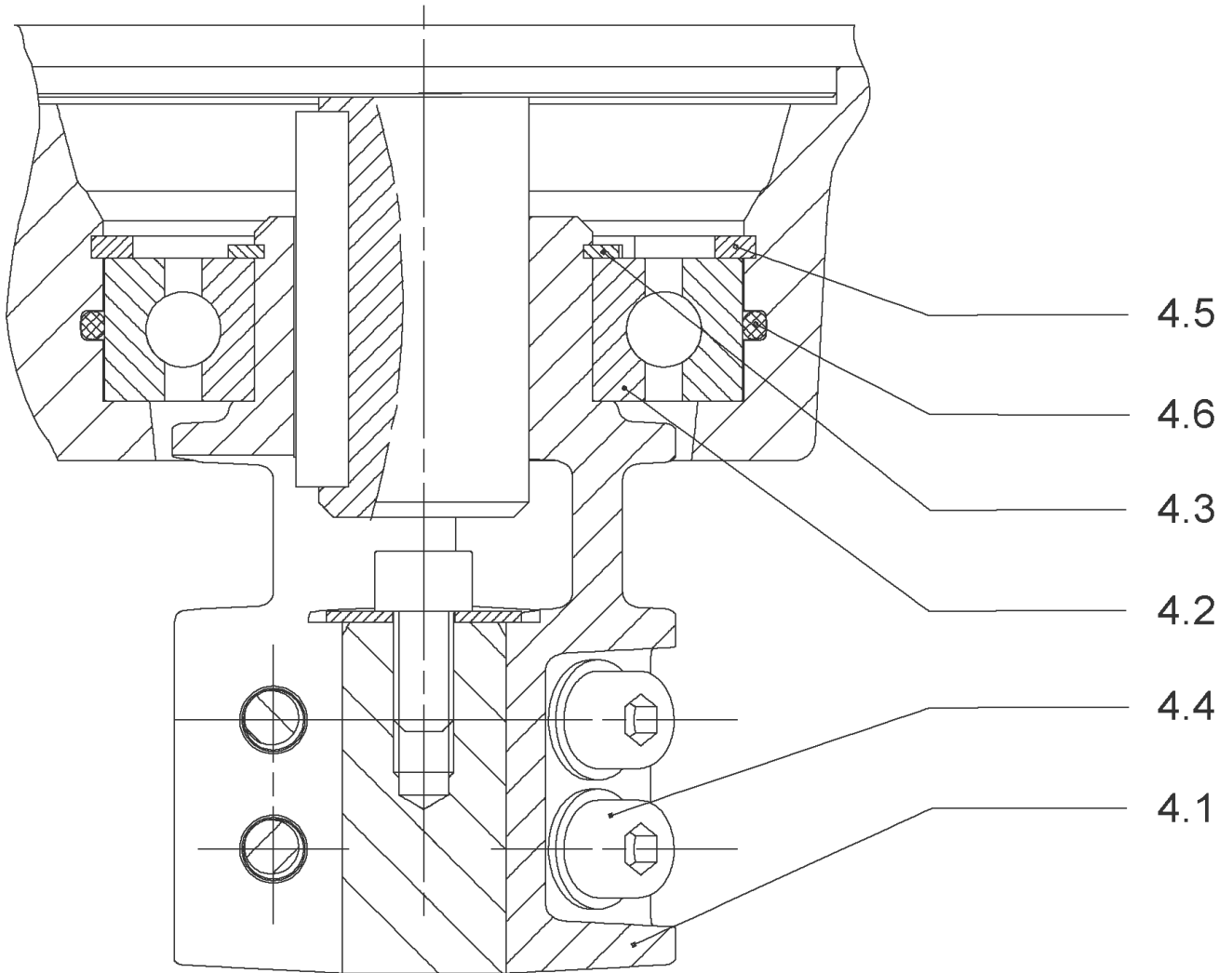


HELIX V1602-1/16/E/S/460-60 (4192464)

Item	Article no.	Description	Quantity
1	4169944	MOTOR 3/2/100 3~230/400V 50HZ IE3 VP.	1
		SPARE PARTS MOTOR:ON REQUEST	1
2	4206025	SCREW M8X45 (4 PIECES)	1
3	4172789	LANTERN FT130 HELIX V10 KIT	1
3.1		> M+5_6_LANTERN_ONE-PIECE_FT130_CATA	1
3.2	2127604	> EYELET CPL.FT HELIX(2 PIECES)	1
3.3	4159692	> COUPLING PROTECTOR FT HELIX KIT	1
4	4159710	COUPLING D.16XD.28 FT130 HELIX KIT	1
6	2018368	STUD BOLT M12X289 KIT	1
6.1		> TIE BOLT M12-289x18x30-1.4057	1
6.2	2094647	> NUT M12 M12 ISO4032 VP.	1
6.3	2123557	> WASHER CS-12.4-24-1.6-NFE25 (4 PIECES)	1
7	4210143	STATIONARY RING HOLDER HELIX 6" EPDM	1
7.2	2127607	> STATIONARY RING HOLDER 6" HELIX 1.4301 V	1
7.3	4176513	> O-RING FOR PUMP JACKET VP.	1
7.4	2127603	> O-RING ID.37,6x2,4 EPDM VP.	1
7.5	2127602	> O-RING ID.21,35x2 EPDM VP.	1
8	4159686	FILING/PURGING PLUG HELIX EPDM KIT	1
9	4171327	SEAL-KIT-HELIX6-10-16 O/E KIT	1
10	2127574	HOUSING PIPE D.152x160 1.4301 KIT	1
7.3	4176513	> O-RING FOR PUMP JACKET VP.	1
10.1		> HOUSING-PIPE Ø152-M+1601/02-304	1
11	2127588	CENTERING STAGE-RETURN HELIX16 1.4301 VP	1
12	4209329	SHAFT EQUIPMENT HELIX V16 KIT	1
12.1		> NUT-H-M10-A4.70	1
12.2		> SERRATED LOCK WASHER M+16M3-316L	1
12.3		> IMPELLER STOP RING L35,9-304	1
12.4		> STOP-RUSH-1/2-D16xd2-M+316	1
13		HYDRAULIC HELIX V 1602 1.4307	1
14	2127563	SHAFT D.16X280 1.4301 VP.	1
15	4217899	PUMP HOUSING HELIX DN50 PN16 1.4301 KIT	1
7.3	4176513	> O-RING FOR PUMP JACKET VP.	1
15.1		> BLASTING PPE HOUSING V-PN16-DN50-304	1
15.2	4217895	> COUNTER FLANGE-G2"-PN16-GJL KIT	1

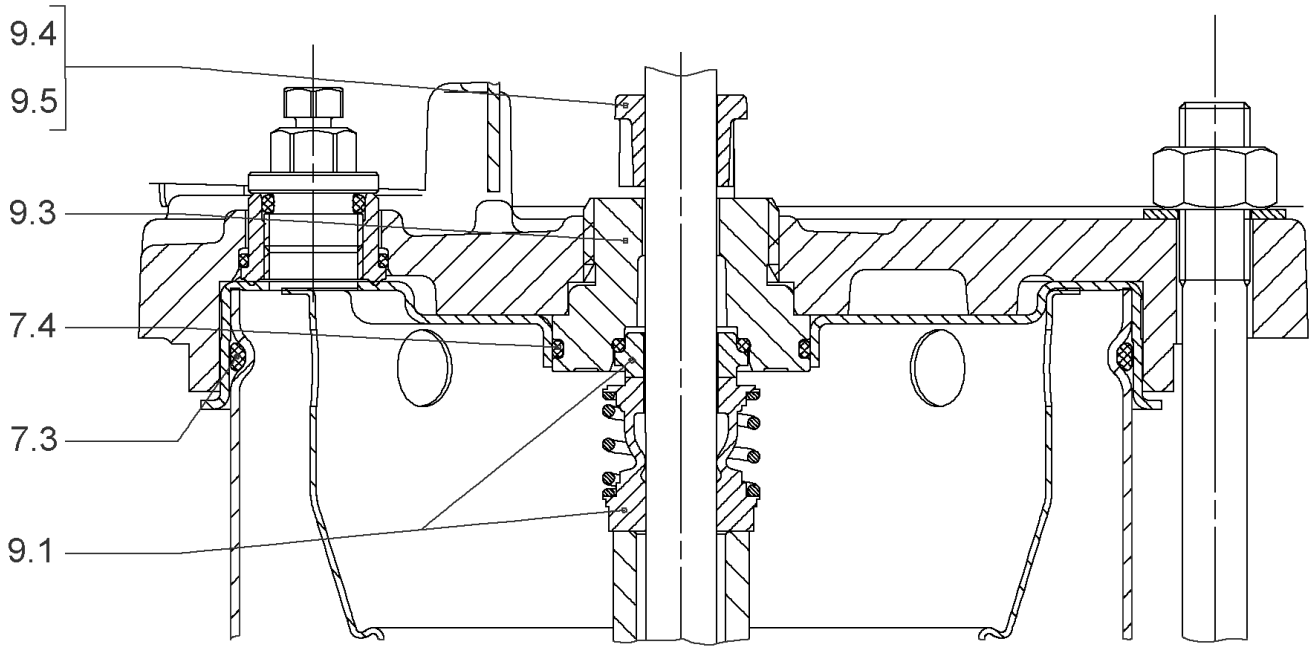
HELIX V1602-1/16/E/S/460-60 (4192464)

Item	Article no.	Description	Quantity
15.3	4171321	> PRIMING/DRAIN PLUG EPDM HELIX KIT	1
16	2127601	BASEPLATE HELIX V16 VP.	1



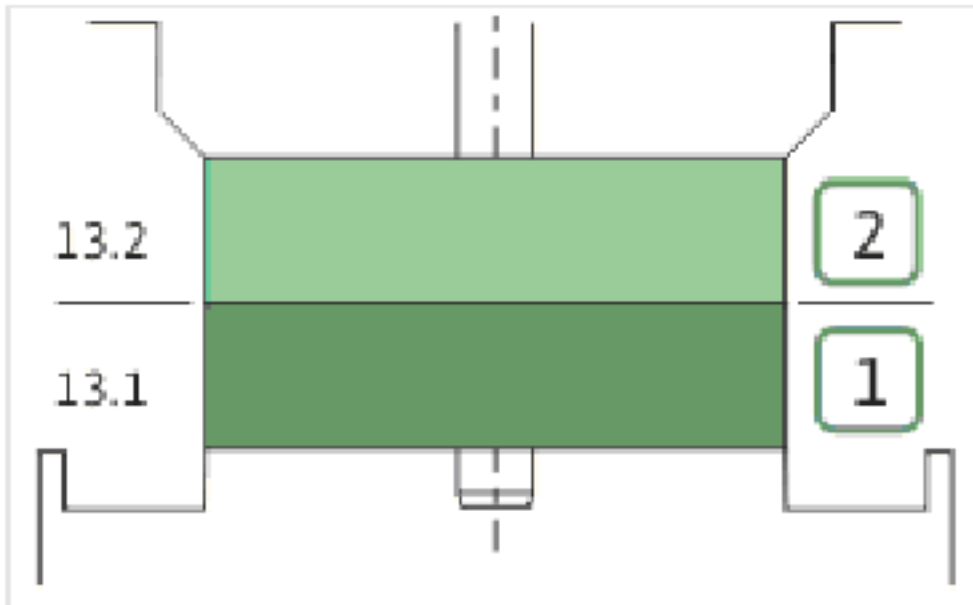
COUPLING D.16XD.28 FT130 HELIX KIT (4159710)

Item	Article no.	Description	Quantity
4.1		COUPLING M+ Ø16XØ28 FT130 MACHINED	1
4.2	2131022	BALL BEARING 6209/ZZ-C3(HT)VP.	1
4.3	4233930	CIRCLIP-FOR-BORES-D45x1,75 VP.	1
4.4	4157726	SCREW KIT M8X30 (4 PIECES)	1
4.5	4234252	CIRCLIPS 85X3 VP.	1
4.6	4234243	O-RING 85X3 VP.	1
		NOMEL CONTACT WASHER 8x16x1,4 STEEL ZC	1



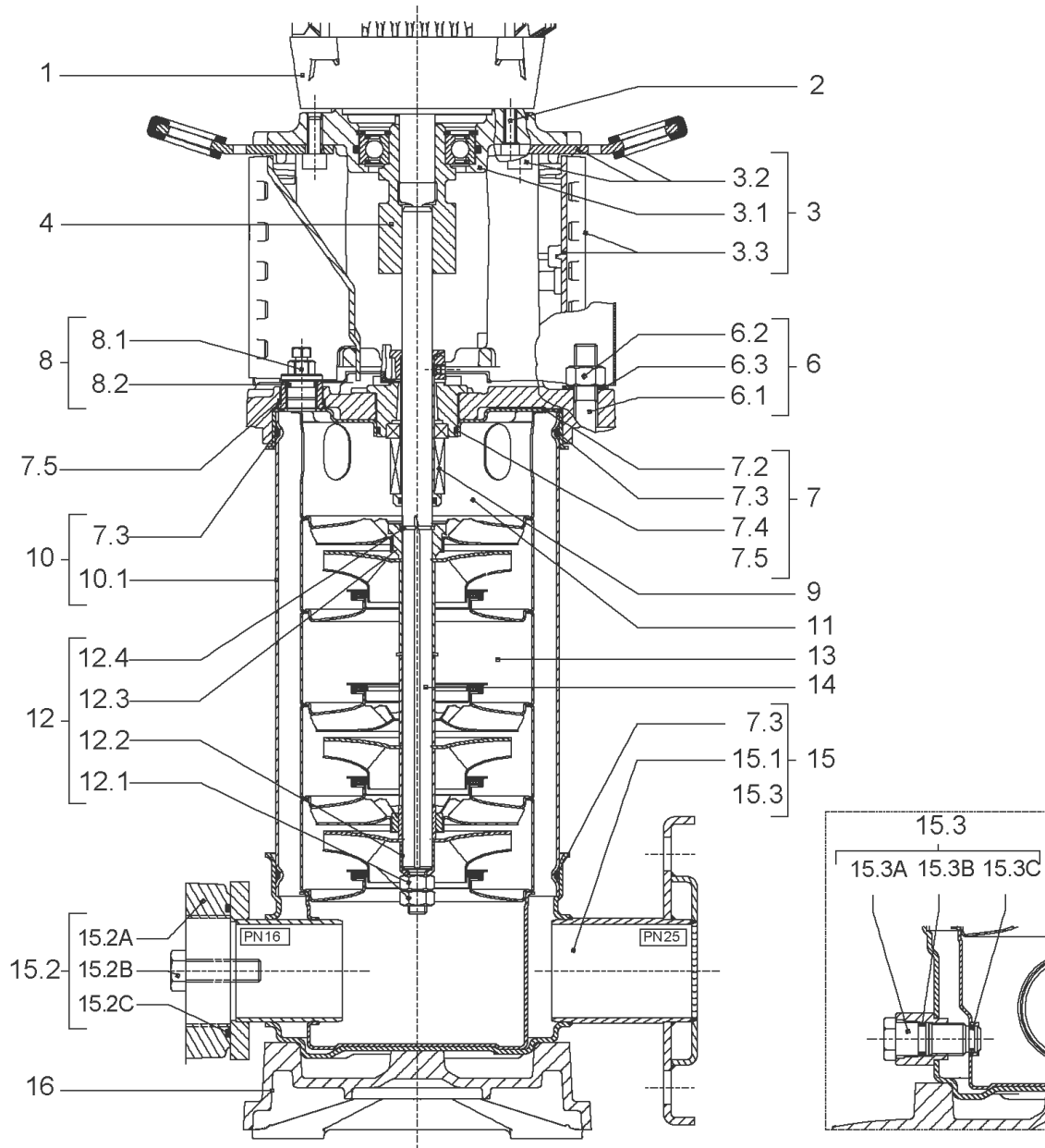
SEAL-KIT-HELIX6-10-16 O/E KIT (4171327)

Item	Article no.	Description	Quantity
7.3	4176513	O-RING FOR PUMP JACKET VP.	1
7.4	2127603	O-RING ID.37,6x2,4 EPDM VP.	1
9.1	4177801	MECH.SEAL HELIX6-10-16 O/E VP.	1
9.3	4177798	MACHINED RING HOLDER M+6" Ø16 304 VP.	1
9.5	4177799	MACHINED DRIVE RING Ø16 VP.	1
9.4	4176520	SCREW CH M5x5 A4-70 (3PIECES)	1



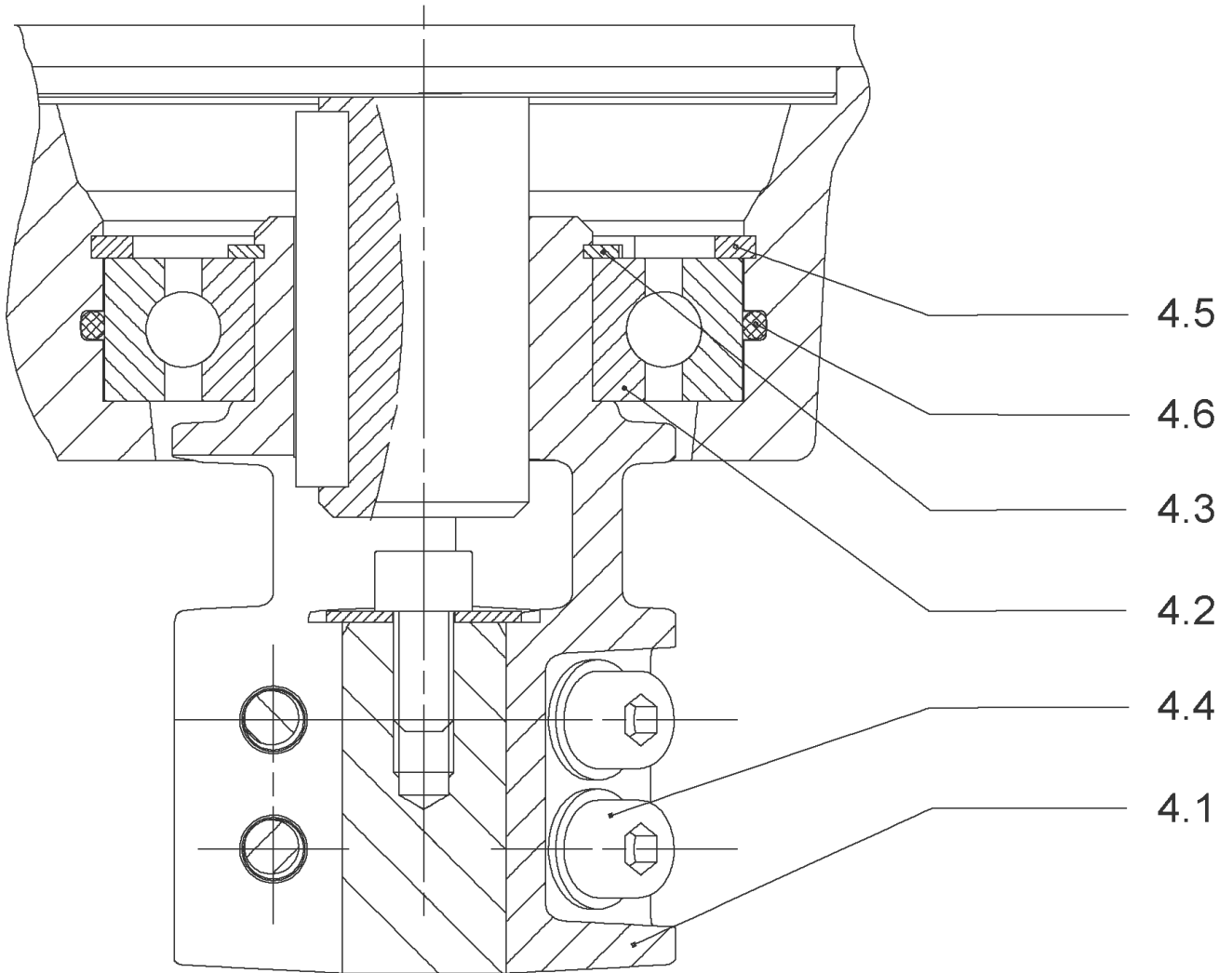
HYDRAULIC HELIX V 1602 1.4307

Item	Article no.	Description	Quantity
13.1	4159720	STAGE HELIX 16 1.4301 KIT	1
		> MACH.STG-CASING-WOGV-WNR-M+16-304	1
		> IMPELLER-M+16-304	1
13.2	4159714	STAGE BEARING HELIX 16 1.4301 KIT	1
		> MACH.BEARING-STG-CASING-WNR-M+16-304	1
		> IMPELLER-M+16-304	1
		> SLEEVE-SPACER-Ø19,35x30,665-304	1
		> SHAFT-SLEEVE-D16xD20x18-CW	1



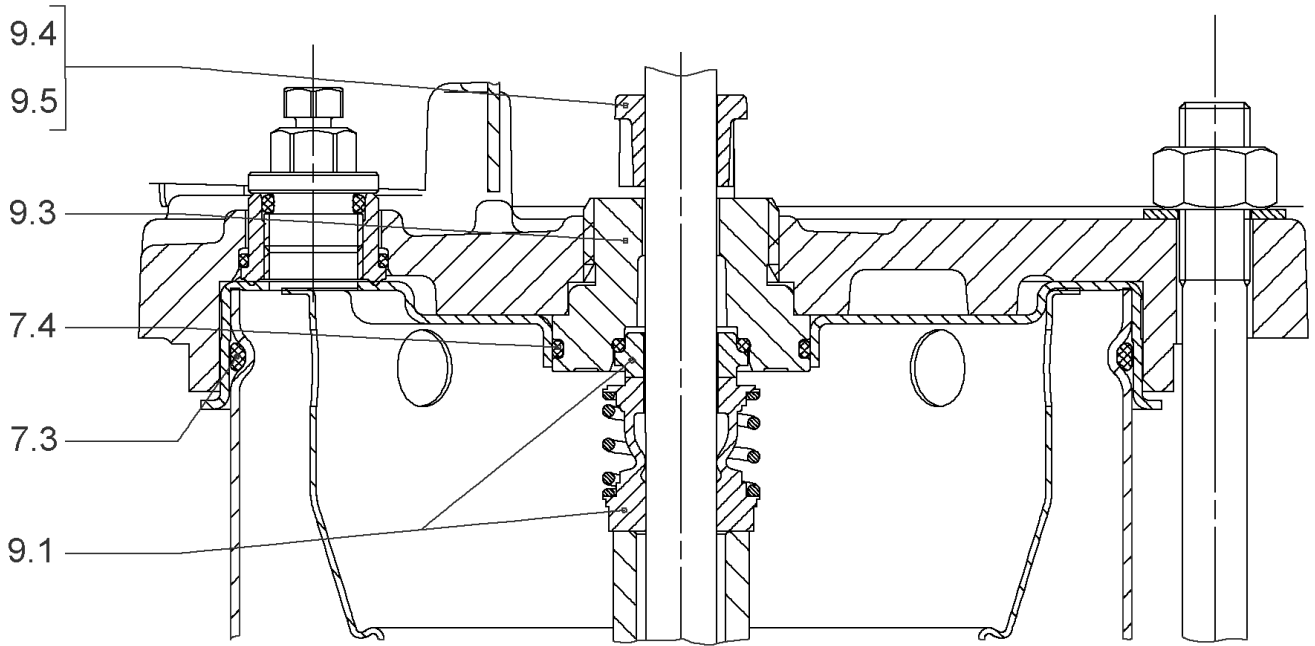
HELIX V1603-1/16/E/S/460-60 (4192465)

Item	Article no.	Description	Quantity
1	4169945	MO.4/2 3~230/400(460)V 50(60)HZ IE3 VP.	1
		SPARE PARTS MOTOR:ON REQUEST	1
2	4206025	SCREW M8X45 (4 PIECES)	1
3	4172789	LANTERN FT130 HELIX V10 KIT	1
3.1		> M+5_6_LANTERN_ONE-PIECE_FT130_CATA	1
3.2	2127604	> EYELET CPL.FT HELIX(2 PIECES)	1
3.3	4159692	> COUPLING PROTECTOR FT HELIX KIT	1
4	4159710	COUPLING D.16XD.28 FT130 HELIX KIT	1
6	2127553	STUD BOLT M12X341 KIT	1
7	4210143	STATIONARY RING HOLDER HELIX 6" EPDM	1
7.2	2127607	> STATIONARY RING HOLDER 6" HELIX 1.4301 V	1
7.3	4176513	> O-RING FOR PUMP JACKET VP.	1
7.4	2127603	> O-RING ID.37,6x2,4 EPDM VP.	1
7.5	2127602	> O-RING ID.21,35x2 EPDM VP.	1
8	4159686	FILING/PURGING PLUG HELIX EPDM KIT	1
9	4171327	SEAL-KIT-HELIX6-10-16 O/E KIT	1
10	2127575	HOUSING PIPE D.152x210 1.4301 KIT	1
11	2127588	CENTERING STAGE-RETURN HELIX16 1.4301 VP	1
12	4209329	SHAFT EQUIPMENT HELIX V16 KIT	1
12.1		> NUT-H-M10-A4.70	1
12.2		> SERRATED LOCK WASHER M+16M3-316L	1
12.3		> IMPELLER STOP RING L35,9-304	1
12.4		> STOP-RUSH-1/2-D16xd2-M+316	1
13		HYDRAULIC HELIX V 1603 1.4307	1
14	2127564	SHAFT D.16X330 1.4301 VP.	1
15	4217899	PUMP HOUSING HELIX DN50 PN16 1.4301 KIT	1
7.3	4176513	> O-RING FOR PUMP JACKET VP.	1
15.1		> BLASTING PPE HOUSING V-PN16-DN50-304	1
15.2	4217895	> COUNTER FLANGE-G2"-PN16-GJL KIT	1
15.3	4171321	> PRIMING/DRAIN PLUG EPDM HELIX KIT	1
16	2127601	BASEPLATE HELIX V16 VP.	1



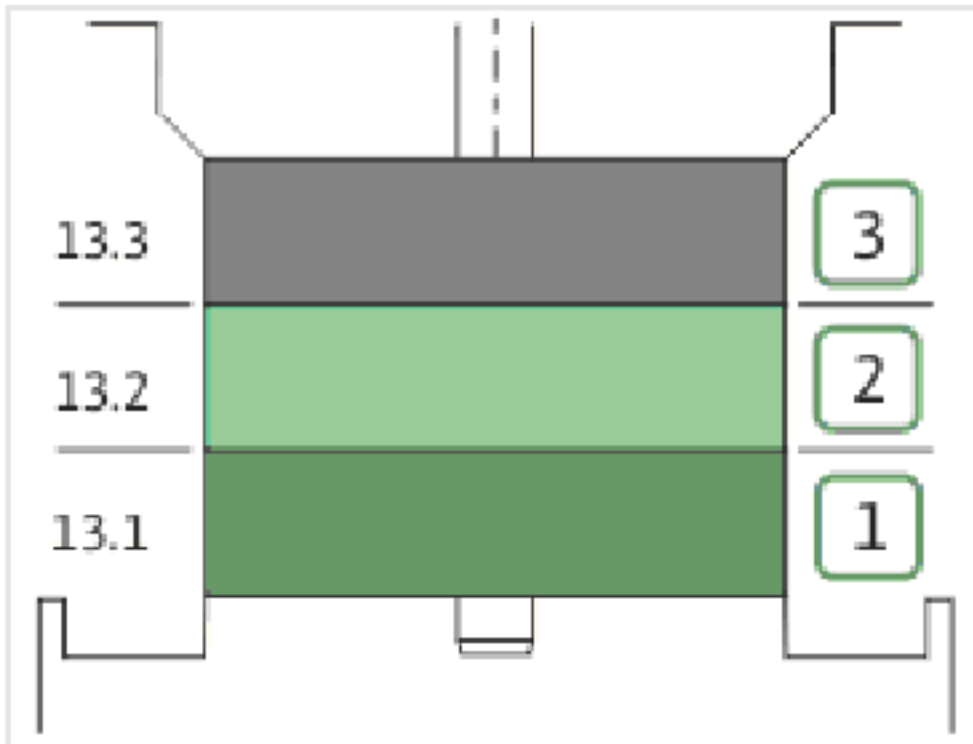
COUPLING D.16XD.28 FT130 HELIX KIT (4159710)

Item	Article no.	Description	Quantity
4.1		COUPLING M+ Ø16XØ28 FT130 MACHINED	1
4.2	2131022	BALL BEARING 6209/ZZ-C3(HT)VP.	1
4.3	4233930	CIRCLIP-FOR-BORES-D45x1,75 VP.	1
4.4	4157726	SCREW KIT M8X30 (4 PIECES)	1
4.5	4234252	CIRCLIPS 85X3 VP.	1
4.6	4234243	O-RING 85X3 VP.	1
		NOMEL CONTACT WASHER 8x16x1,4 STEEL ZC	1



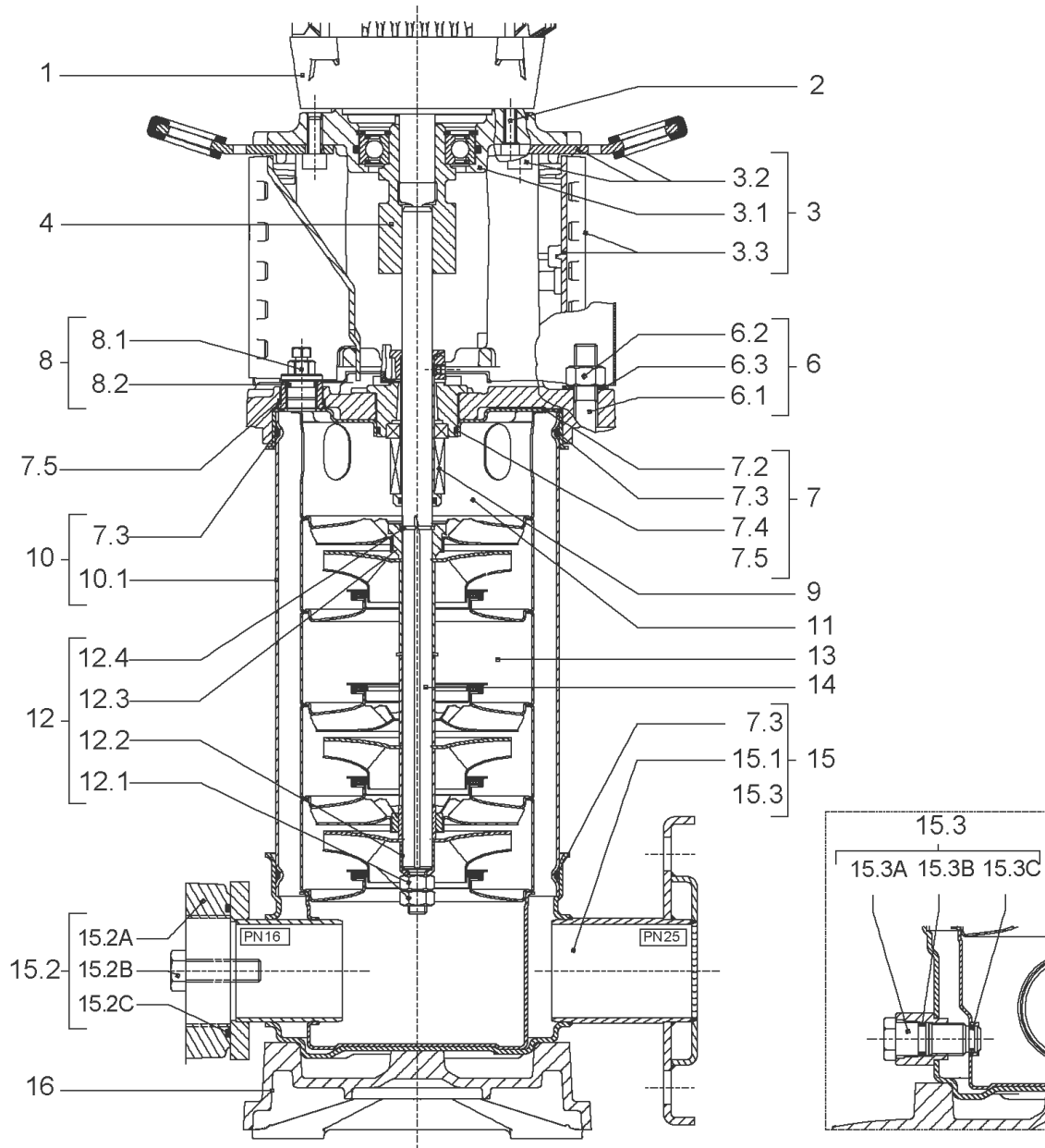
SEAL-KIT-HELIX6-10-16 O/E KIT (4171327)

Item	Article no.	Description	Quantity
7.3	4176513	O-RING FOR PUMP JACKET VP.	1
7.4	2127603	O-RING ID.37,6x2,4 EPDM VP.	1
9.1	4177801	MECH.SEAL HELIX6-10-16 O/E VP.	1
9.3	4177798	MACHINED RING HOLDER M+6" Ø16 304 VP.	1
9.5	4177799	MACHINED DRIVE RING Ø16 VP.	1
9.4	4176520	SCREW CH M5x5 A4-70 (3PIECES)	1



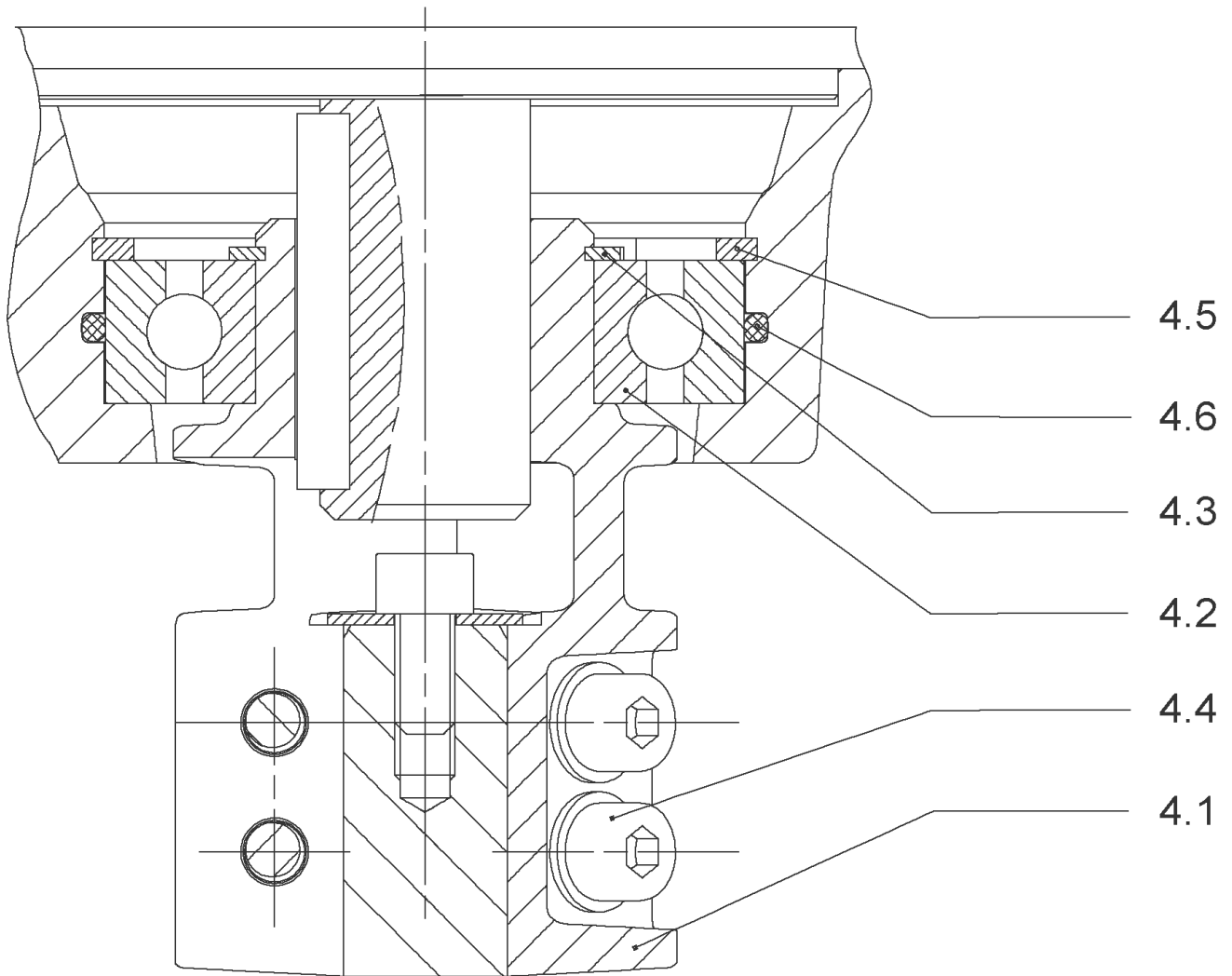
HYDRAULIC HELIX V 1603 1.4307

Item	Article no.	Description	Quantity
13.1	4159720	STAGE HELIX 16 1.4301 KIT	1
		> MACH.STG-CASING-WOGV-WNR-M+16-304	1
		> IMPELLER-M+16-304	1
13.2	4159714	STAGE BEARING HELIX 16 1.4301 KIT	1
		> MACH.BEARING-STG-CASING-WNR-M+16-304	1
		> IMPELLER-M+16-304	1
		> SLEEVE-SPACER-Ø19,35x30,665-304	1
		> SHAFT-SLEEVE-D16xD20x18-CW	1
13.3	4159715	INTERMEDIATE STAGE HELIX 16 1.4301 KIT	1
		> CORPS-ETG-STD-ACR-AJR-USIN.M+16-304	1
		> IMPELLER-M+16-304	1
		> SPACER Ø16X19.4-L48.6-304	1



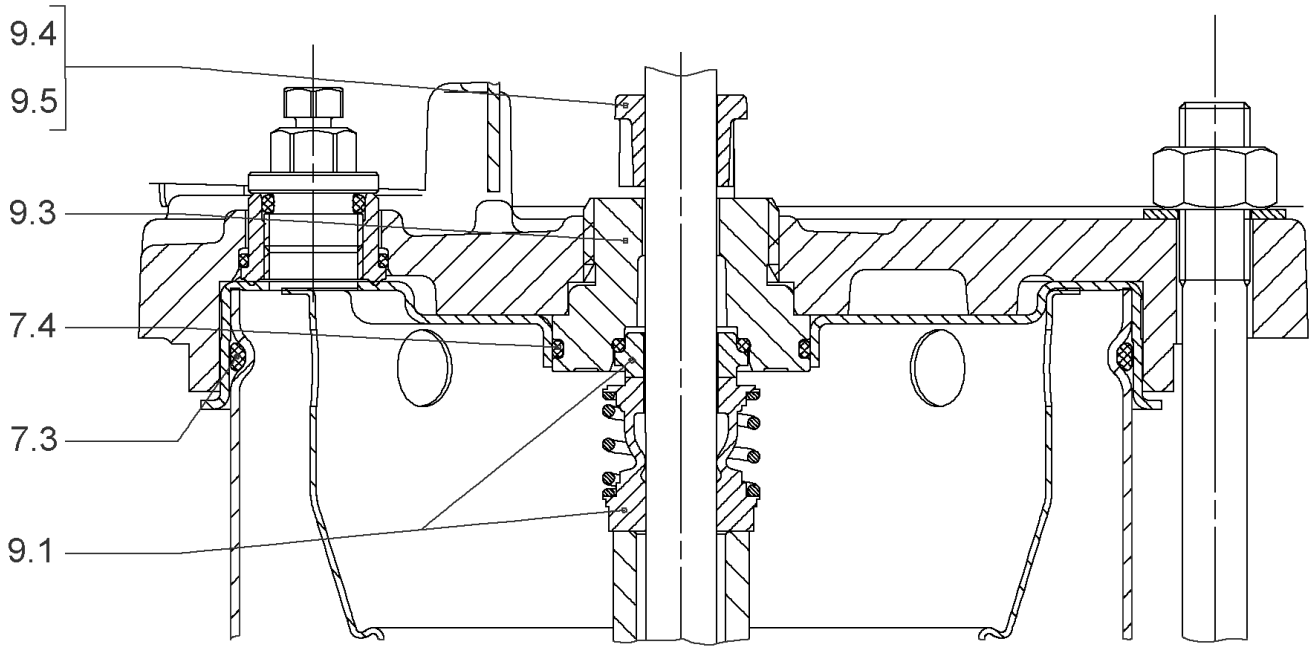
HELIX V1604-1/16/E/S/460-60 (4192466)

Item	Article no.	Description	Quantity
1	4169947	MO 5,5/2/112 3~400V50Hz 460V60Hz IE3 VP.	1
		SPARE PARTS MOTOR:ON REQUEST	1
2	4206025	SCREW M8X45 (4 PIECES)	1
3	4172789	LANTERN FT130 HELIX V10 KIT	1
3.1		> M+5_6_LANTERN_ONE-PIECE_FT130_CATA	1
3.2	2127604	> EYELET CPL.FT HELIX(2 PIECES)	1
3.3	4159692	> COUPLING PROTECTOR FT HELIX KIT	1
4	4159710	COUPLING D.16XD.28 FT130 HELIX KIT	1
6	2018365	STUD BOLT M12X392 KIT	1
7	4210143	STATIONARY RING HOLDER HELIX 6" EPDM	1
7.2	2127607	> STATIONARY RING HOLDER 6" HELIX 1.4301 V	1
7.3	4176513	> O-RING FOR PUMP JACKET VP.	1
7.4	2127603	> O-RING ID.37,6x2,4 EPDM VP.	1
7.5	2127602	> O-RING ID.21,35x2 EPDM VP.	1
8	4159686	FILING/PURGING PLUG HELIX EPDM KIT	1
9	4171327	SEAL-KIT-HELIX6-10-16 O/E KIT	1
10	2127576	HOUSING PIPE D.152x260 1.4301 KIT	1
11	2127588	CENTERING STAGE-RETURN HELIX16 1.4301 VP	1
12	4209329	SHAFT EQUIPMENT HELIX V16 KIT	1
12.1		> NUT-H-M10-A4.70	1
12.2		> SERRATED LOCK WASHER M+16M3-316L	1
12.3		> IMPELLER STOP RING L35,9-304	1
12.4		> STOP-RUSH-1/2-D16xd2-M+316	1
13		HYDRAULIC HELIX V 1604 1.4307	1
14	2127565	SHAFT D.16X380 1.4301 VP.	1
15	4217899	PUMP HOUSING HELIX DN50 PN16 1.4301 KIT	1
7.3	4176513	> O-RING FOR PUMP JACKET VP.	1
15.1		> BLASTING PPE HOUSING V-PN16-DN50-304	1
15.2	4217895	> COUNTER FLANGE-G2"-PN16-GJL KIT	1
15.3	4171321	> PRIMING/DRAIN PLUG EPDM HELIX KIT	1
16	2127601	BASEPLATE HELIX V16 VP.	1



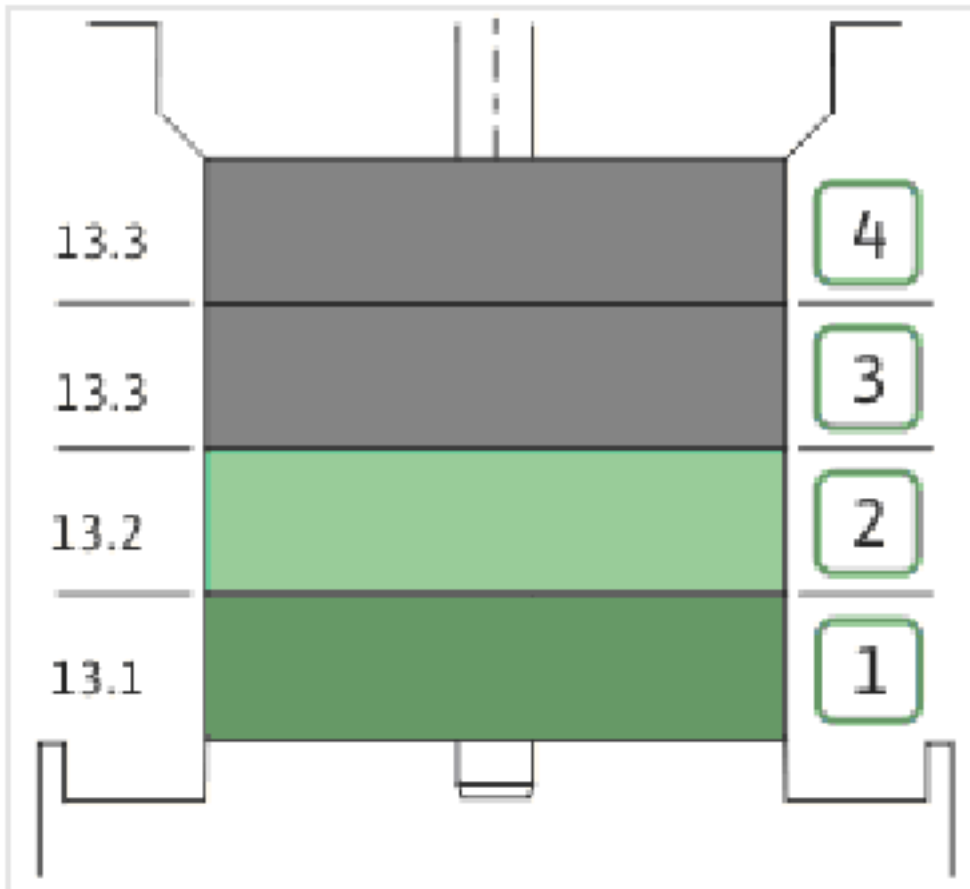
COUPLING D.16XD.28 FT130 HELIX KIT (4159710)

Item	Article no.	Description	Quantity
4.1		COUPLING M+ Ø16XØ28 FT130 MACHINED	1
4.2	2131022	BALL BEARING 6209/ZZ-C3(HT)VP.	1
4.3	4233930	CIRCLIP-FOR-BORES-D45x1,75 VP.	1
4.4	4157726	SCREW KIT M8X30 (4 PIECES)	1
4.5	4234252	CIRCLIPS 85X3 VP.	1
4.6	4234243	O-RING 85X3 VP.	1
		NOMEL CONTACT WASHER 8x16x1,4 STEEL ZC	1



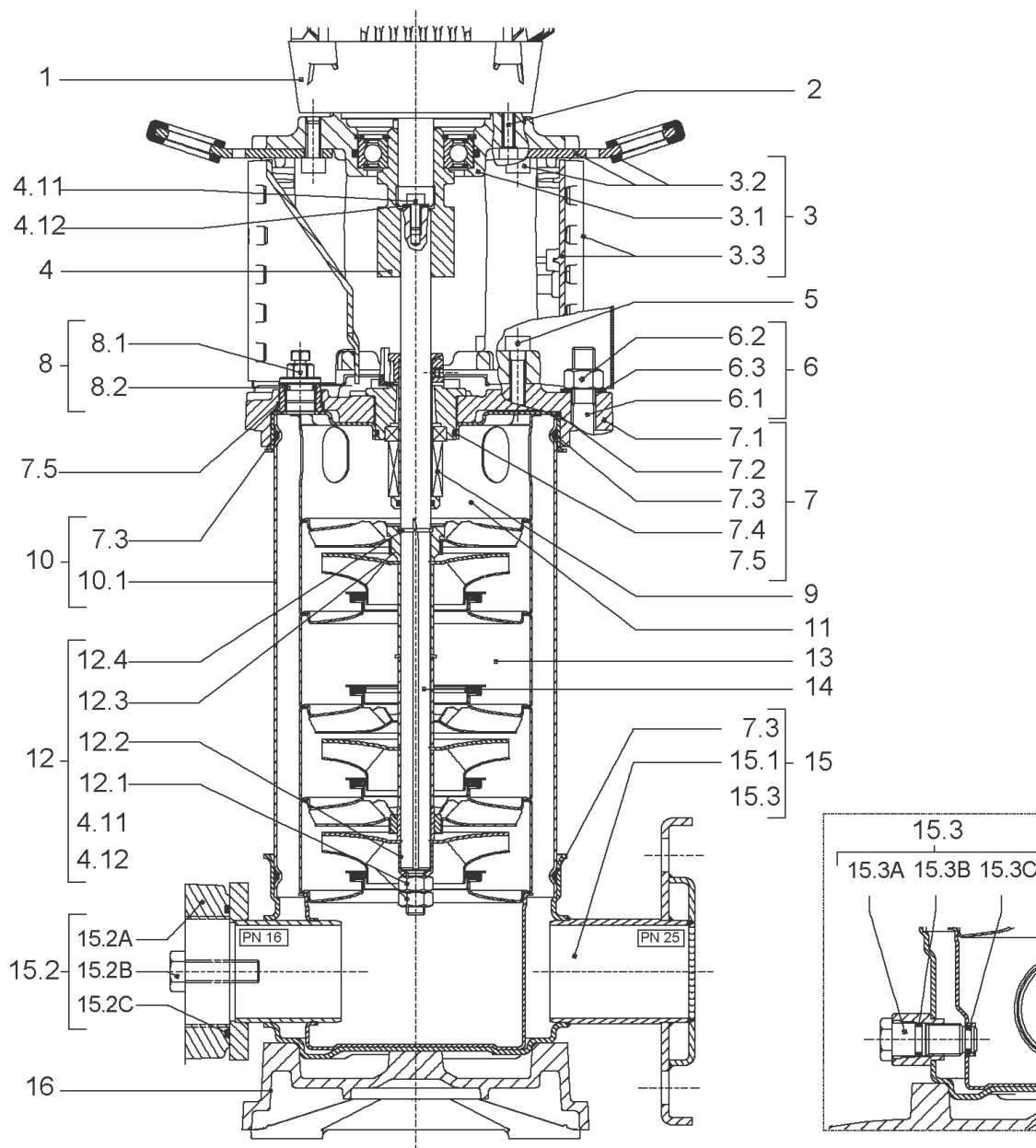
SEAL-KIT-HELIX6-10-16 O/E KIT (4171327)

Item	Article no.	Description	Quantity
7.3	4176513	O-RING FOR PUMP JACKET VP.	1
7.4	2127603	O-RING ID.37,6x2,4 EPDM VP.	1
9.1	4177801	MECH.SEAL HELIX6-10-16 O/E VP.	1
9.3	4177798	MACHINED RING HOLDER M+6" Ø16 304 VP.	1
9.5	4177799	MACHINED DRIVE RING Ø16 VP.	1
9.4	4176520	SCREW CH M5x5 A4-70 (3PIECES)	1



HYDRAULIC HELIX V 1604 1.4307

Item	Article no.	Description	Quantity
13.1	4159720	STAGE HELIX 16 1.4301 KIT	1
		> MACH.STG-CASING-WOGV-WNR-M+16-304	1
		> IMPELLER-M+16-304	1
13.2	4159714	STAGE BEARING HELIX 16 1.4301 KIT	1
		> MACH.BEARING-STG-CASING-WNR-M+16-304	1
		> IMPELLER-M+16-304	1
		> SLEEVE-SPACER-Ø19,35x30,665-304	1
		> SHAFT-SLEEVE-D16xD20x18-CW	1
13.3	4159715	INTERMEDIATE STAGE HELIX 16 1.4301 KIT	1
		> CORPS-ETG-STD-ACR-AJR-USIN.M+16-304	1
		> IMPELLER-M+16-304	1
		> SPACER Ø16X19.4-L48.6-304	1



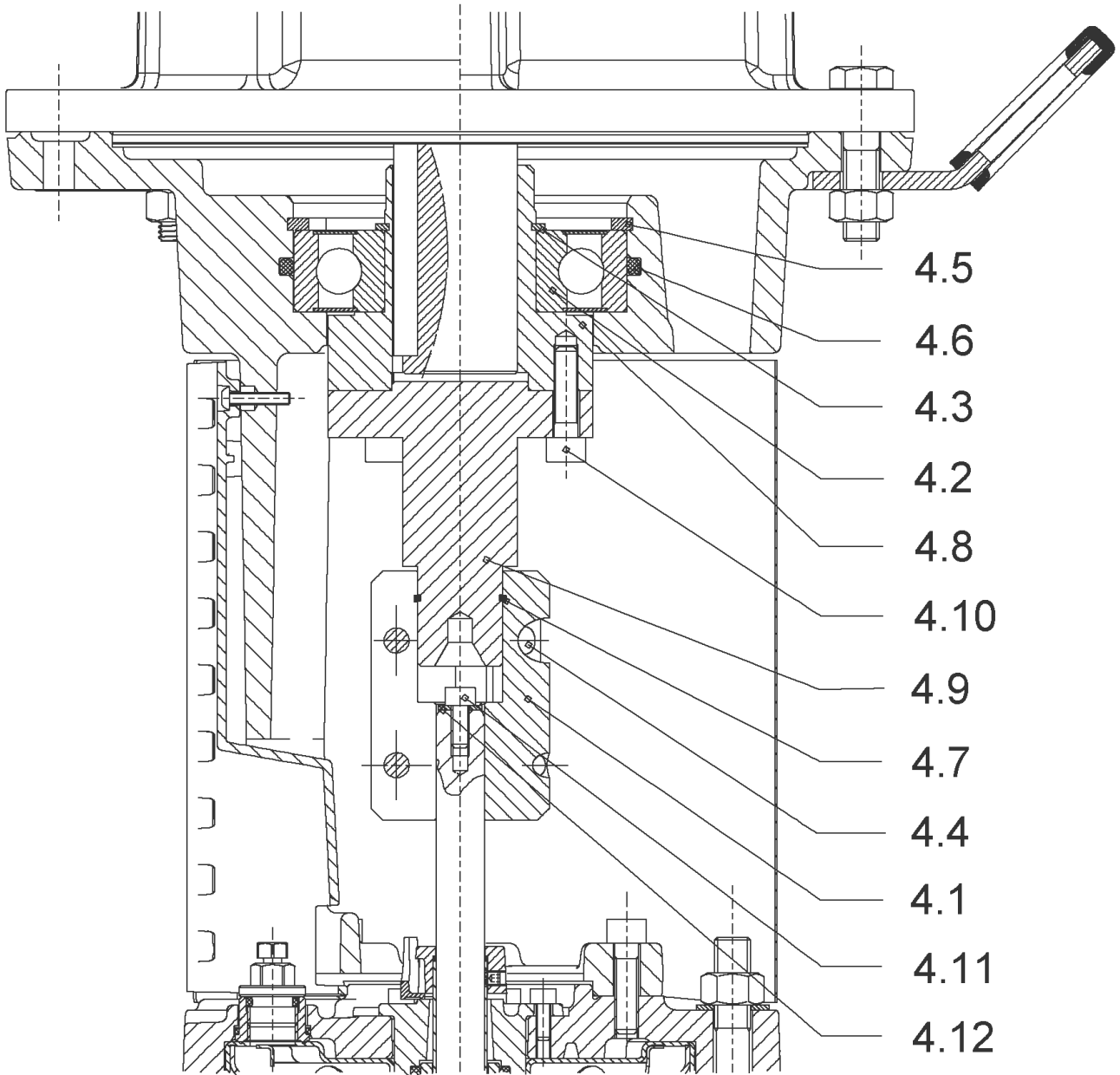
HELIX V1605-1/16/E/KS/460-60 (4192467)

Item	Article no.	Description	Quantity
1	4169950	MOTOR 7,5/2/112 3~400V 50HZ IE2 VP.	1
		SPARE PARTS MOTOR:ON REQUEST	1
2	4174093	SCREW M12X50 (4 PIECES)	1
3	4159693	LANTERN FF265 HELIX KIT	1
3.1		> LANTERN FF265 M+6" GJL MACHINING+CATA	1
3.2	2127605	> EYELET CPL.FF265 HELIX(2 PIECES)	1
3.3	4159695	> COUPLING PROTECTOR FF HELIX KIT	1
4	4159711	COUPLING D.16XD.38 FF265 HELIX KIT	1
5	4159707	SCREW M8X30 (4 PIECES)	1
6	2127554	STUD BOLT M12X437 KIT	1
7	4159685	END SHIELD HELIX EPDM KIT	1
7.1		> END SHIELD M+6" GJL250 MACHINING+CATA	1
7.2	2127607	> STATIONARY RING HOLDER 6" HELIX 1.4301 V	1
7.3	4176513	> O-RING FOR PUMP JACKET VP.	1
7.4	2127603	> O-RING ID.37,6x2,4 EPDM VP.	1
7.5	2127602	> O-RING ID.21,35x2 EPDM VP.	1
8	4159686	FILING/PURGING PLUG HELIX EPDM KIT	1
9	4159696	CARTRIDGE HELIX6-10-16 O/E KIT	1
10	2127577	HOUSING PIPE D.152x310 1.4301 KIT	1
11	2127588	CENTERING STAGE-RETURN HELIX16 1.4301 VP	1
12	4159688	SHAFT EQUIPMENT HELIX V16 BI BLOC KIT	1
4.11	4102901	> SCREW CHC-M6X14-8.8-ISO4762-GEOMET500A	1
4.12	2130995	> SERRATED LOCK WASHER D.6,2XD.14,5X28 VP.	1
12.1		> NUT-H-M10-A4.70	1
12.2		> SERRATED LOCK WASHER M+16M3-316L	1
12.3		> STOP COLLAR OF IMPELLER L18,8-Ø16-316L	1
12.4		> STOP-RUSH-1/2-D16xd2-M+316	1
13		HYDRAULIC HELIX V 1605 1.4307	1
14	2127566	SHAFT D.16X430 1.4301 VP.	1
15	4217899	PUMP HOUSING HELIX DN50 PN16 1.4301 KIT	1
7.3	4176513	> O-RING FOR PUMP JACKET VP.	1
15.1		> BLASTING PPE HOUSING V-PN16-DN50-304	1
15.2	4217895	> COUNTER FLANGE-G2"-PN16-GJL KIT	1
15.3	4171321	> PRIMING/DRAIN PLUG EPDM HELIX KIT	1

HELIX V1605-1/16/E/KS/460-60 (4192467)

Item	Article no.	Description	Quantity
16	2127601	BASEPLATE HELIX V16 VP.	1

COUPLING D.16XD.38 FF265 HELIX KIT (4159711)



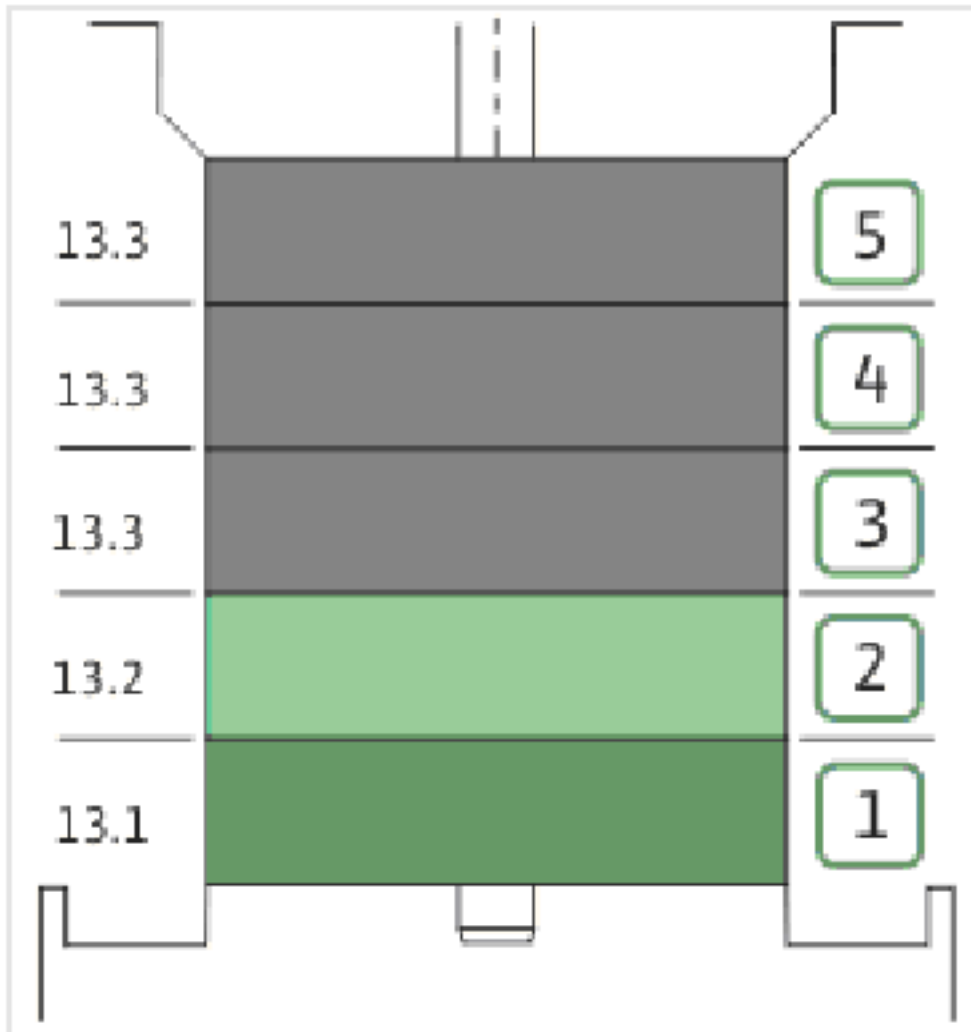
COUPLING D.16XD.38 FF265 HELIX KIT (4159711)

Item	Article no.	Description	Quantity
4.1	2131018	COUPLING 2 PARTS D.16XD.28XL.82,4 VP.	1
4.2	2131017	BALL BEARING 6310/ZZ-C4(HT)VP.	1
4.3	4234253	CIRCLIP-FOR-SHAFT-D50x2 VP.	1
4.4	4157726	SCREW KIT M8X30 (4 PIECES)	1
4.5	4234255	CIRCLIPS 110X4 VP.	1
4.6	4233944	O-RING ID.110 VP.	1
4.7	2131019	RETAINING RING D.26xD.2 DIN7993 VP.	1
4.10	4157726	SCREW KIT M8X30 (4 PIECES)	1
4.11	4102901	SCREW CHC-M6X14-8.8-ISO4762-GEOMET500A	1
4.12	2130995	SERRATED LOCK WASHER D.6,2XD.14,5X28 VP.	1
		NOMEL CONTACT WASHER 8x16x1,4 STEEL ZC	1
4.8	2131020	HUB D.38XD.50 VP.	1
4.9	2131021	SPACER D.28XD.45 VP.	1



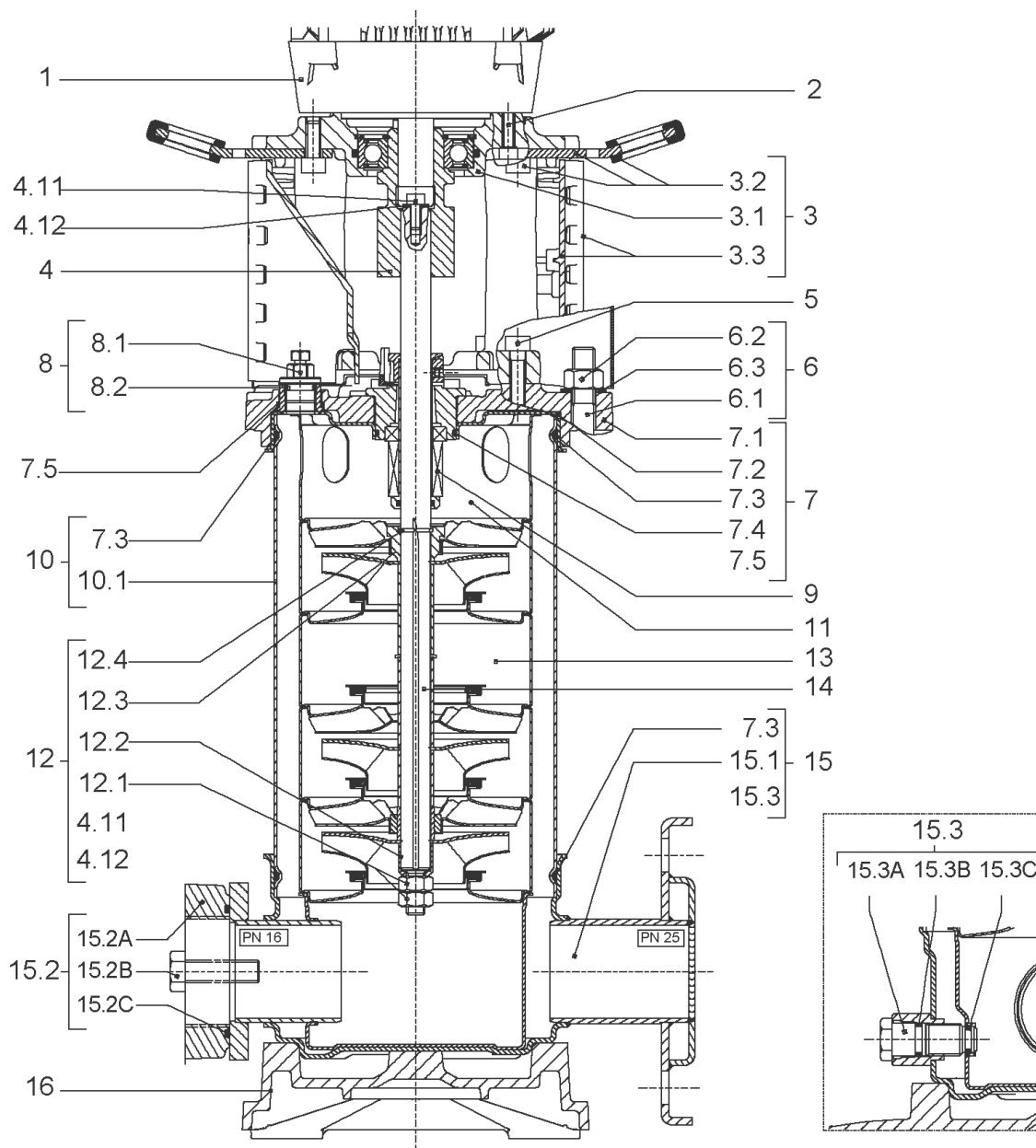
CARTRIDGE HELIX6-10-16 O/E KIT (4159696)

Item	Article no.	Description	Quantity
9.1	4159697	SEAL-KIT-HELIX6-10-16 O/E	1
7.3	4176513	> O-RING FOR PUMP JACKET VP.	1
7.4	2127603	> O-RING ID.37,6x2,4 EPDM VP.	1
9.1A	2130966	> MECH.SEAL HELIX2-4-6-10-16 O/E VP.	1
9.1B	2130967	> O-RING D.16X2,5 EPDM VP.	1
9.1C	4176519	> O-RING Ø16xØ1.25 VP.	1
9.2	2130961	SHAFT SLEEVE D.18/16X72,2 1.4404 VP.	1
9.3	2130962	RING HOLDER D.18 G606/G6 1.4301 VP.	1
9.4	4176520	SCREW CH M5x5 A4-70 (3PIECES)	1
9.5	2130963	DRIVE RING D.29/18x12,4 MACH.VP.	1
9.6	2130964	TOOL M.S.CART.HELIX VP.	1
9.7	2130965	SCREW CHC M5X12 ISO4762 A2.70(4 PIECES)	1



HYDRAULIC HELIX V 1605 1.4307

Item	Article no.	Description	Quantity
13.1	4159720	STAGE HELIX 16 1.4301 KIT	1
		> MACH.STG-CASING-WOGV-WNR-M+16-304	1
		> IMPELLER-M+16-304	1
13.2	4159714	STAGE BEARING HELIX 16 1.4301 KIT	1
		> MACH.BEARING-STG-CASING-WNR-M+16-304	1
		> IMPELLER-M+16-304	1
		> SLEEVE-SPACER-Ø19,35x30,665-304	1
		> SHAFT-SLEEVE-D16xD20x18-CW	1
13.3	4159715	INTERMEDIATE STAGE HELIX 16 1.4301 KIT	1
		> CORPS-ETG-STD-ACR-AJR-USIN.M+16-304	1
		> IMPELLER-M+16-304	1
		> SPACER Ø16X19.4-L48.6-304	1



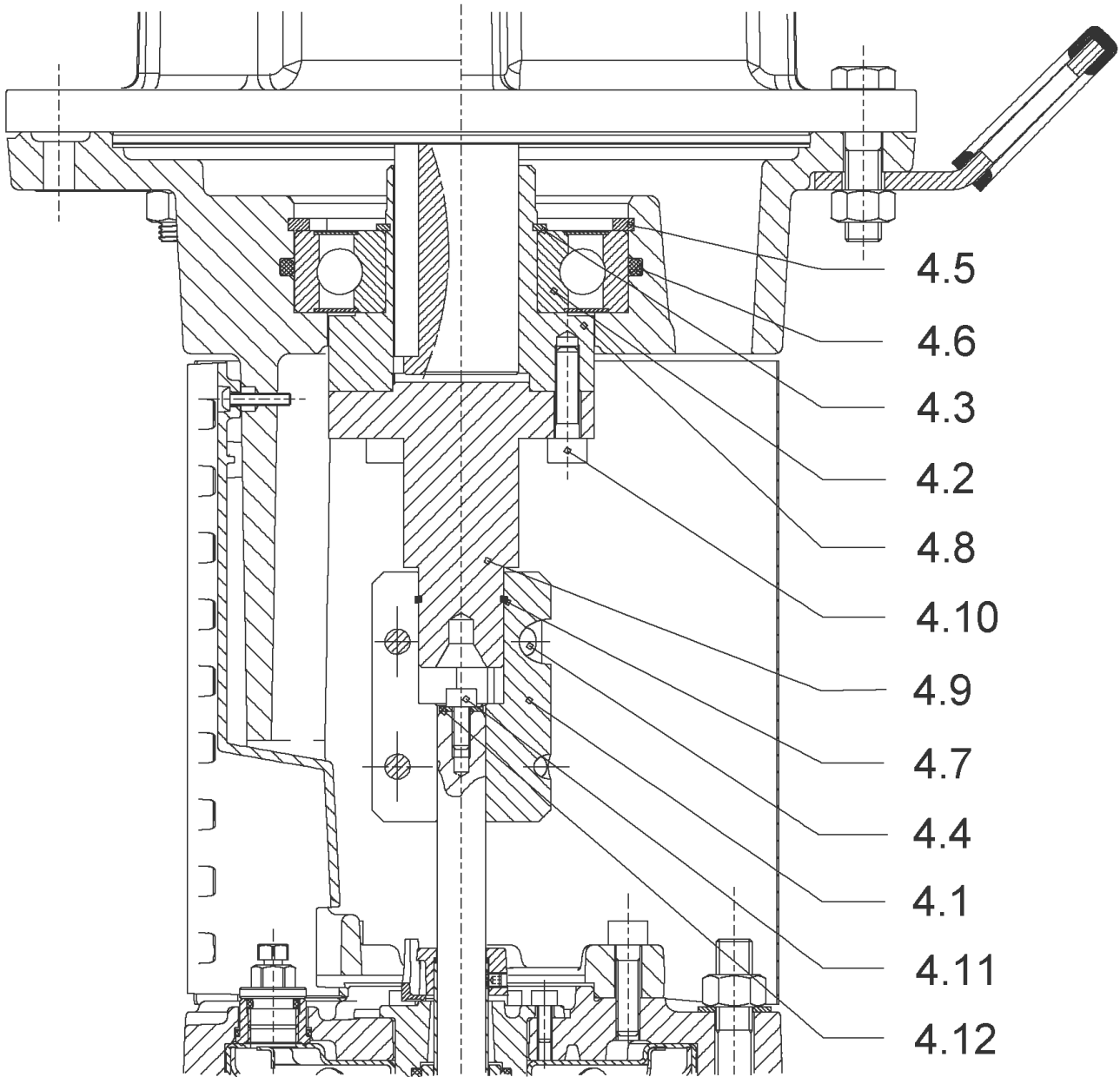
HELIX V1606-1/16/E/KS/460-60 (4192468)

Item	Article no.	Description	Quantity
1	4169950	MOTOR 7,5/2/112 3~400V 50HZ IE2 VP.	1
		SPARE PARTS MOTOR:ON REQUEST	1
2	4174093	SCREW M12X50 (4 PIECES)	1
3	4159693	LANTERN FF265 HELIX KIT	1
3.1		> LANTERN FF265 M+6" GJL MACHINING+CATA	1
3.2	2127605	> EYELET CPL.FF265 HELIX(2 PIECES)	1
3.3	4159695	> COUPLING PROTECTOR FF HELIX KIT	1
4	4159711	COUPLING D.16XD.38 FF265 HELIX KIT	1
5	4159707	SCREW M8X30 (4 PIECES)	1
6	2127555	STUD BOLT M12X485 KIT	1
7	4159685	END SHIELD HELIX EPDM KIT	1
7.1		> END SHIELD M+6" GJL250 MACHINING+CATA	1
7.2	2127607	> STATIONARY RING HOLDER 6" HELIX 1.4301 V	1
7.3	4176513	> O-RING FOR PUMP JACKET VP.	1
7.4	2127603	> O-RING ID.37,6x2,4 EPDM VP.	1
7.5	2127602	> O-RING ID.21,35x2 EPDM VP.	1
8	4159686	FILING/PURGING PLUG HELIX EPDM KIT	1
9	4159696	CARTRIDGE HELIX6-10-16 O/E KIT	1
10	2127578	HOUSING PIPE D.152x360 1.4307 KIT	1
7.3	4176513	> O-RING FOR PUMP JACKET VP.	1
10.1		> HOUSING-PIPE Ø152-M+1008/1606-304	1
11	2127588	CENTERING STAGE-RETURN HELIX16 1.4301 VP	1
12	4159688	SHAFT EQUIPMENT HELIX V16 BI BLOC KIT	1
4.11	4102901	> SCREW CHC-M6X14-8.8-ISO4762-GEOMET500A	1
4.12	2130995	> SERRATED LOCK WASHER D.6,2XD.14,5X28 VP.	1
12.1		> NUT-H-M10-A4.70	1
12.2		> SERRATED LOCK WASHER M+16M3-316L	1
12.3		> STOP COLLAR OF IMPELLER L18,8-Ø16-316L	1
12.4		> STOP-RUSH-1/2-D16xd2-M+316	1
13		HYDRAULIC HELIX V 1606 1.4307	1
14	2127397	SHAFT D.16X480 1.4301 VP.	1
15	4217899	PUMP HOUSING HELIX DN50 PN16 1.4301 KIT	1
7.3	4176513	> O-RING FOR PUMP JACKET VP.	1
15.1		> BLASTING PPE HOUSING V-PN16-DN50-304	1

HELIX V1606-1/16/E/KS/460-60 (4192468)

Item	Article no.	Description	Quantity
15.2	4217895	> COUNTER FLANGE-G2"-PN16-GJL KIT	1
15.3	4171321	> PRIMING/DRAIN PLUG EPDM HELIX KIT	1
16	2127601	BASEPLATE HELIX V16 VP.	1

COUPLING D.16XD.38 FF265 HELIX KIT (4159711)



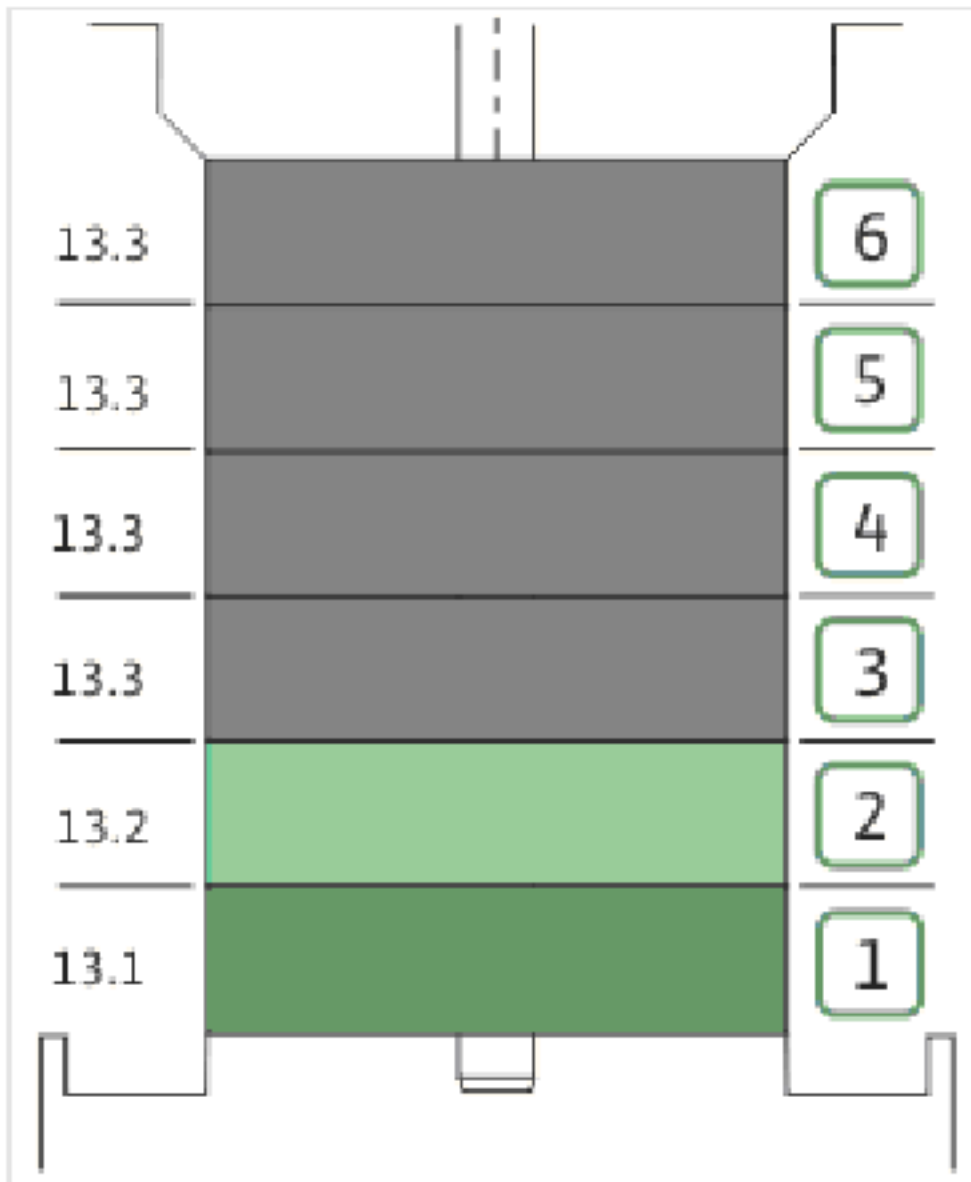
COUPLING D.16XD.38 FF265 HELIX KIT (4159711)

Item	Article no.	Description	Quantity
4.1	2131018	COUPLING 2 PARTS D.16XD.28XL.82,4 VP.	1
4.2	2131017	BALL BEARING 6310/ZZ-C4(HT)VP.	1
4.3	4234253	CIRCLIP-FOR-SHAFT-D50x2 VP.	1
4.4	4157726	SCREW KIT M8X30 (4 PIECES)	1
4.5	4234255	CIRCLIPS 110X4 VP.	1
4.6	4233944	O-RING ID.110 VP.	1
4.7	2131019	RETAINING RING D.26xD.2 DIN7993 VP.	1
4.10	4157726	SCREW KIT M8X30 (4 PIECES)	1
4.11	4102901	SCREW CHC-M6X14-8.8-ISO4762-GEOMET500A	1
4.12	2130995	SERRATED LOCK WASHER D.6,2XD.14,5X28 VP.	1
		NOMEL CONTACT WASHER 8x16x1,4 STEEL ZC	1
4.8	2131020	HUB D.38XD.50 VP.	1
4.9	2131021	SPACER D.28XD.45 VP.	1



CARTRIDGE HELIX6-10-16 O/E KIT (4159696)

Item	Article no.	Description	Quantity
9.1	4159697	SEAL-KIT-HELIX6-10-16 O/E	1
7.3	4176513	> O-RING FOR PUMP JACKET VP.	1
7.4	2127603	> O-RING ID.37,6x2,4 EPDM VP.	1
9.1A	2130966	> MECH.SEAL HELIX2-4-6-10-16 O/E VP.	1
9.1B	2130967	> O-RING D.16X2,5 EPDM VP.	1
9.1C	4176519	> O-RING Ø16xØ1.25 VP.	1
9.2	2130961	SHAFT SLEEVE D.18/16X72,2 1.4404 VP.	1
9.3	2130962	RING HOLDER D.18 G606/G6 1.4301 VP.	1
9.4	4176520	SCREW CH M5x5 A4-70 (3PIECES)	1
9.5	2130963	DRIVE RING D.29/18x12,4 MACH.VP.	1
9.6	2130964	TOOL M.S.CART.HELIX VP.	1
9.7	2130965	SCREW CHC M5X12 ISO4762 A2.70(4 PIECES)	1



HYDRAULIC HELIX V 1606 1.4307

Item	Article no.	Description	Quantity
13.1	4159720	STAGE HELIX 16 1.4301 KIT	1
		> MACH.STG-CASING-WOGV-WNR-M+16-304	1
		> IMPELLER-M+16-304	1
13.2	4159714	STAGE BEARING HELIX 16 1.4301 KIT	1
		> MACH.BEARING-STG-CASING-WNR-M+16-304	1
		> IMPELLER-M+16-304	1
		> SLEEVE-SPACER-Ø19,35x30,665-304	1
		> SHAFT-SLEEVE-D16xD20x18-CW	1
13.3	4159715	INTERMEDIATE STAGE HELIX 16 1.4301 KIT	1
		> CORPS-ETG-STD-ACR-AJR-USIN.M+16-304	1
		> IMPELLER-M+16-304	1
		> SPACER Ø16X19.4-L48.6-304	1