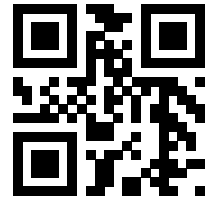


Parts List

90011301_1.0



Compit 901

Table of Contents

1 Introduction.....	2
1.1 The data plate.....	2
2 H-installation with cast iron interior.....	3
2.1 Exploded views.....	3
2.2 List of parts.....	4
3 H-installation with PPA interior.....	6
3.1 Exploded views.....	6
3.2 List of parts.....	7
4 P-installation.....	9
4.1 Exploded views.....	9
4.2 List of parts.....	10

1 Introduction

Purpose of this manual

The purpose of this manual is to provide necessary information on spare parts and accessories order.

Disclaimer

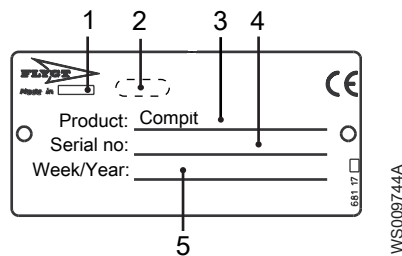
Always use genuine Flygt parts. The use of other spare parts or accessories can invalidate any claims for warranty or compensation. Xylem does not take any responsibility for damages that are caused by the use of non-original parts. For more information, contact your local sales and service representative.

Data for ordering spare parts

The following information is needed for spare part orders:

- Part number
- Quantity of bulk material, see * in tables

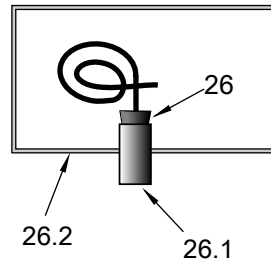
1.1 The data plate



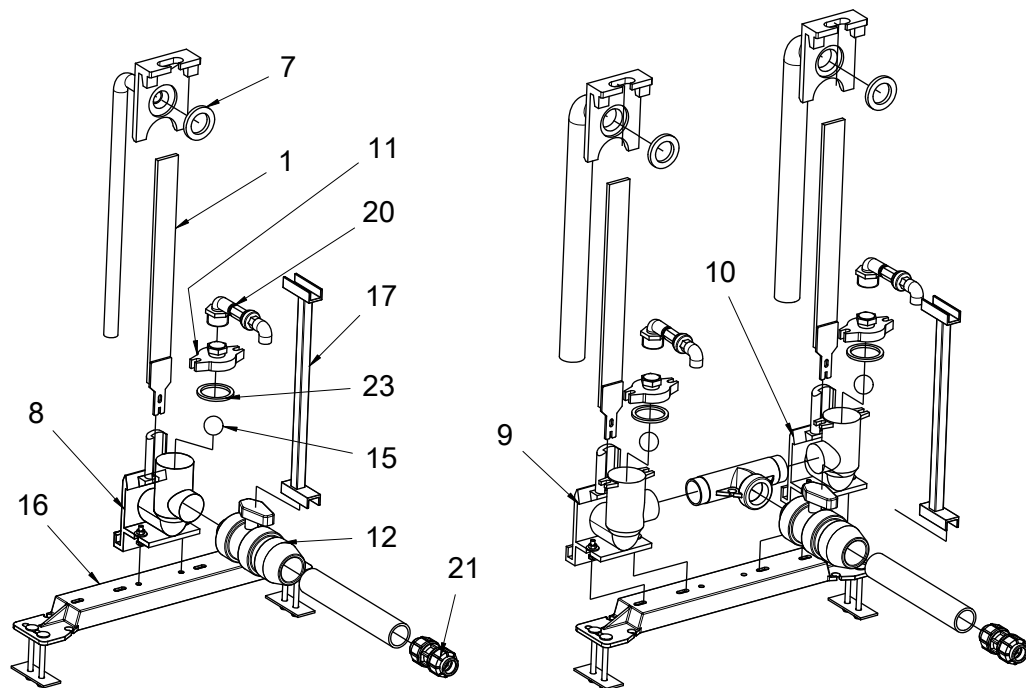
1. Country of origin
2. Manufacturer
3. Size
4. Consecutive number
5. Production week and year

2 H-installation with cast iron interior

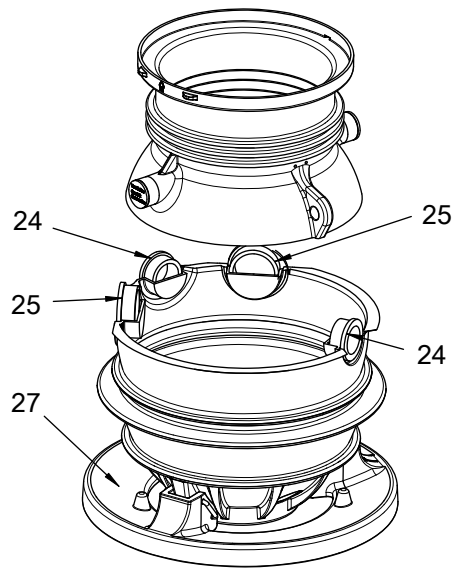
2.1 Exploded views



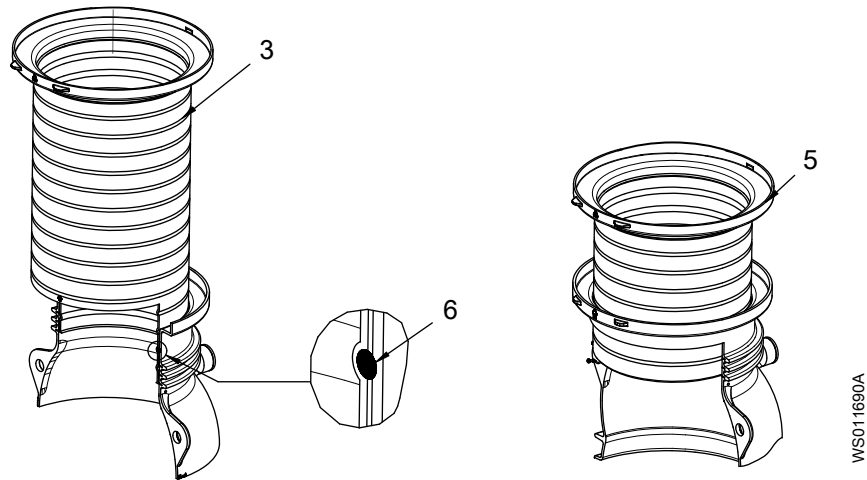
WS011965A



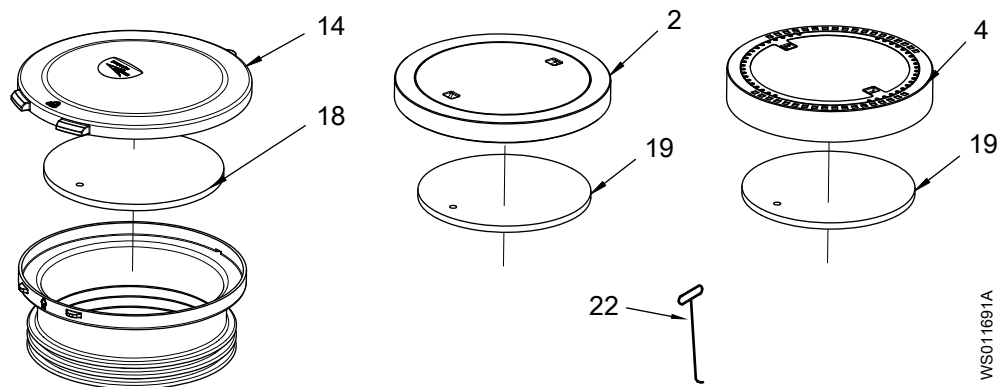
Inlets and foot unit



Extensions



Covers



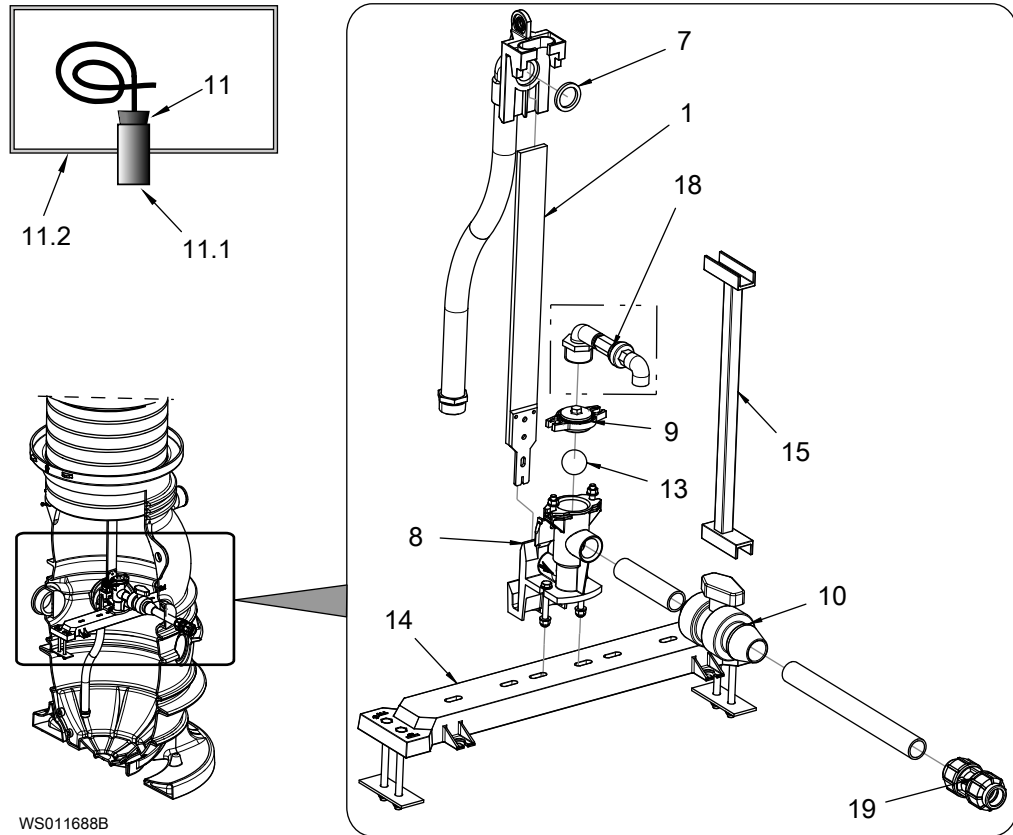
2.2 List of parts

Item	Denomination	Part No.	Qty.
1	Elastic guiding	82 92 58	1
2	Access cover	Class A 82 92 53	1

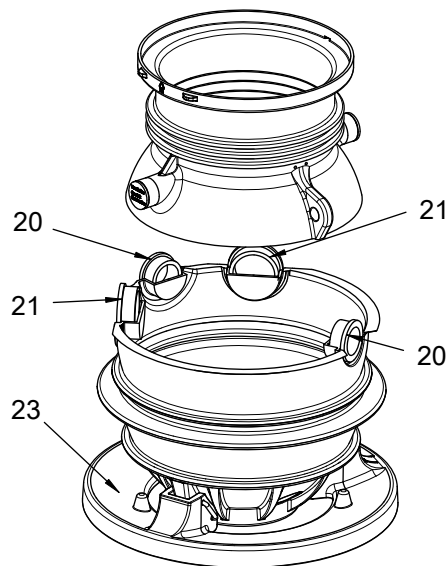
Item	Denomination		Part No.	Qty.
3	Extension unit	Length: 1400 mm (55.1 in) The O-ring is included.	82 94 96	1
4	Access cover	Class B	82 92 54	1
5	Extension unit	Length: 750 mm (29.5 in) The O-ring is included.	82 94 95	1
6	O-ring	For extension unit	82 92 56	1
7	Seal	For discharge connection unit	82 92 57	1
8	Discharge connection with check valve	One pump	82 92 62	1
9	Discharge connection with check valve	Two pumps Left	82 92 64	1
10	Discharge connection with check valve	Two pumps Right	82 92 63	1
11	Cover with plug	For discharge connection with check valve	82 92 59	1
12	Compression fitting with ball valve	For polyethylene pipes	84 67 93	1
14	Access cover	Polyethylene (PE) plastic	82 95 35	1
15	Ball	Used in discharge connections: <ul style="list-style-type: none"> • 82 92 62 • 82 92 63 • 82 92 64 	84 93 05	1
16	Beam	For discharge connection	82 92 70	1
17	Valve key	Length: 535 mm (21.1 in)	85 00 58	1
		Length: 1235 mm (48.6 in)	85 00 38	1
		Length: 1735 mm (68.3 in)	85 00 39	1
18	Insulation	Station	654 09 07	1
19	Insulation	Extension	654 09 08	1
20	Vacuum valve		82 92 60	1
21	Pipe coupling	63x50 mm (2.48x1.97 in) For polyethylene pipes	84 67 86	1
22	Access cover tool	For Class A and Class B covers	85 00 71	1
23	Seal for cover with plug	Use with 82 92 59	85 02 02	1
24	Seal for inlet pipe	Pipe outer diameter: 110 mm (4.3 in)	85 08 62	1
25	Seal for inlet pipe	Pipe outer diameter: 160 mm (6.3 in)	85 08 63	1
26	Seal sleeve for cable in DN100 pipe		83 00 63	1
26.1	Pipe for cable	DN100	–	–
26.2	Start and control panel		–	–
27	Foot unit		85 08 32	1

3 H-installation with PPA interior

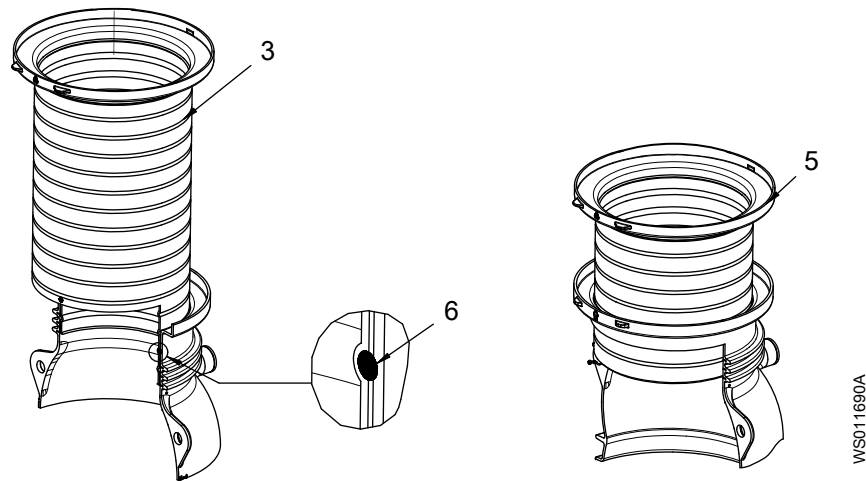
3.1 Exploded views



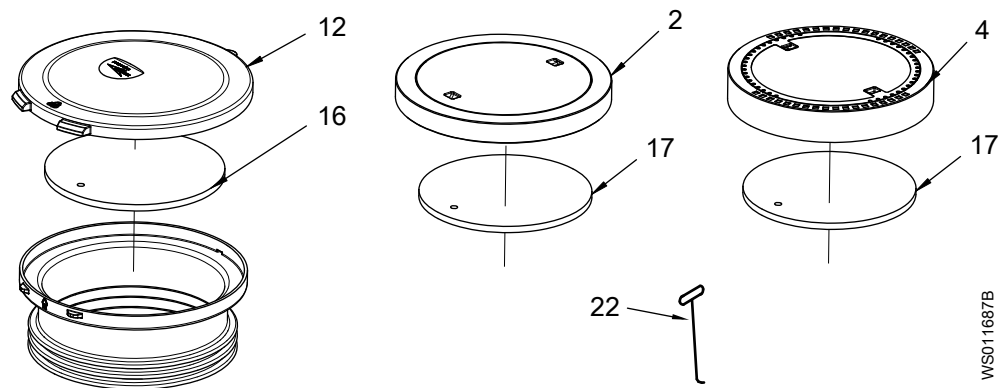
Inlets and foot unit



Extensions



Covers



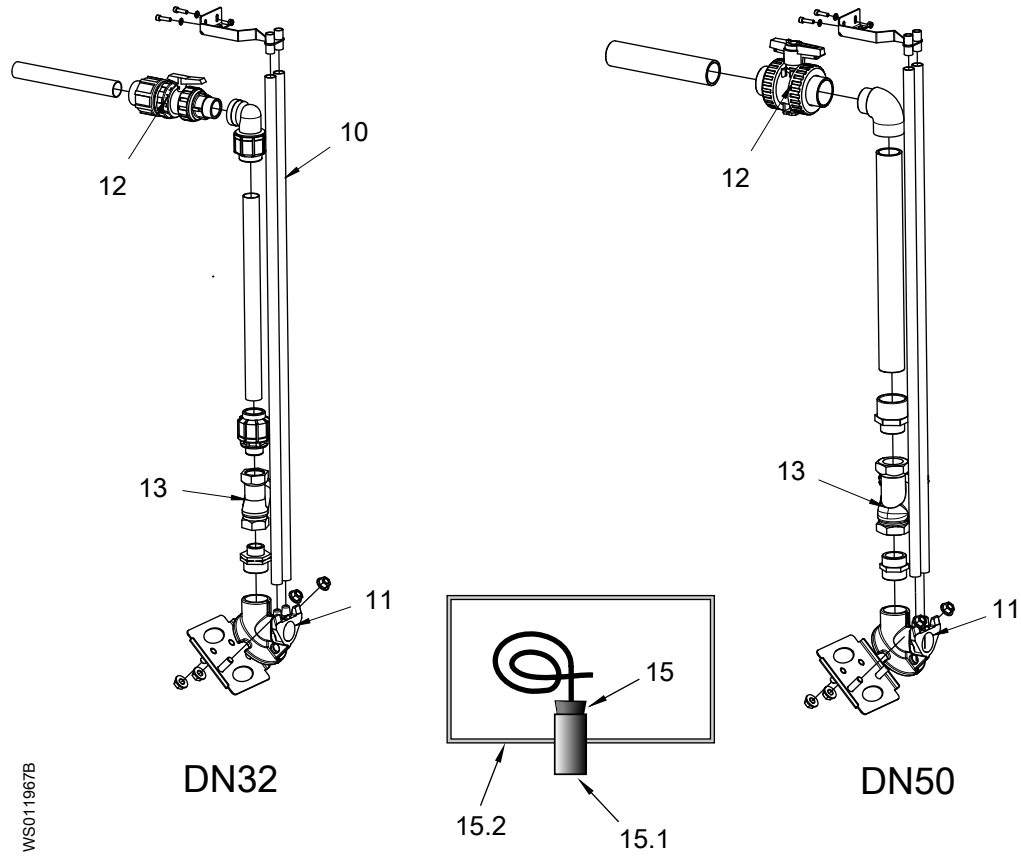
3.2 List of parts

Item	Denomination		Part No.	Qty.
1	Elastic guiding		82 92 75	1
2	Access cover	Class A	82 92 53	1
3	Extension unit	Length: 1400 mm (55.1 in) The O-ring is included.	82 94 96	1
4	Access cover	Class B	82 92 54	1
5	Extension unit	Length: 750 mm (29.5 in) The O-ring is included.	82 94 95	1
6	O-ring	For extension unit	82 92 56	1
7	Seal	For discharge connection unit	85 00 68	1
8	Discharge connection with check valve		85 00 62	1
9	Cover with plug	For discharge connection with check valve	85 00 66	1
10	Compression fitting with ball valve for PE pipes	For polyethylene pipes	84 67 92	1
11	Seal sleeve for cable in DN100 pipe		83 00 63	1
11.1	Pipe for cable	DN100	–	–
11.2	Start and control panel		–	–
12	Access cover	Polyethylene (PE) plastic	82 95 35	1

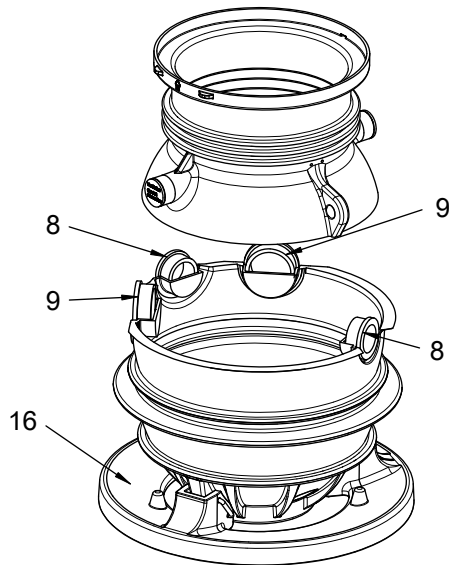
Item	Denomination		Part No.	Qty.
13	Ball	Used in discharge connection: • 85 00 62	85 00 63	1
14	Beam	For discharge connection	85 00 67	1
15	Valve key	Length = 535 mm (21.1 in)	85 00 58	1
		Length = 1235 mm (48.6 in)	85 00 38	1
		Length = 1735 mm (68.3 in)	85 00 39	1
16	Insulation	Station	654 09 07	1
17	Insulation	Extension	654 09 08	1
18	Vacuum valve		82 92 65	1
19	Pipe coupling	50x40 mm (1.97x1.57 in) For polyethylene pipes	84 67 84	1
20	Seal for inlet pipe	Pipe outer diameter: 110 mm (4.3 in)	85 08 62	1
21	Seal for inlet pipe	Pipe outer diameter: 160 mm (6.3 in)	85 08 63	1
22	Access cover tool	For Class A and Class B covers	85 00 71	1
23	Foot unit		85 08 32	1

4 P-installation

4.1 Exploded views

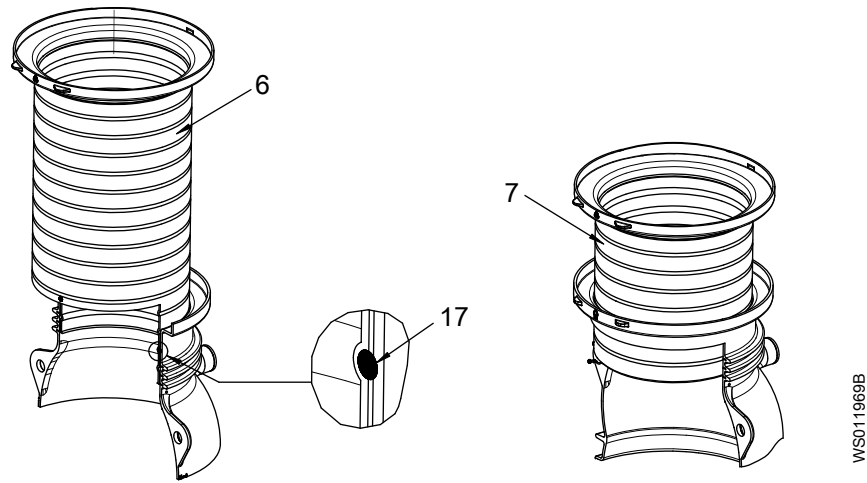


Inlets and foot unit

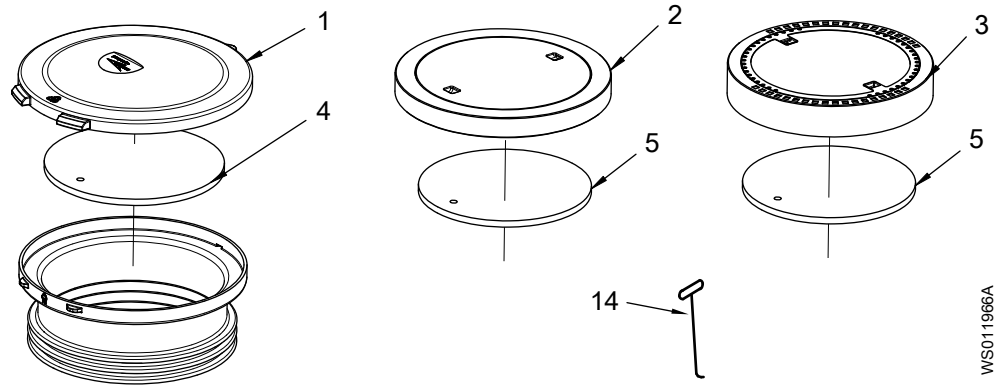


WS011968A

Extensions



Covers



4.2 List of parts

Item	Denomination		Part No.	Qty.
1	Access cover	Polyethylene (PE) plastic	82 95 35	1
2	Access cover	Class B	82 92 54	1
3	Access cover	Class A	82 92 53	1
4	Insulation	Station	654 09 07	1
5	Insulation	Extension	654 09 08	1
6	Extension unit	Length: 1400 mm (55.1 in) The O-ring is included.	82 94 96	1
7	Extension unit	Length: 750 mm (29.5 in) The O-ring is included.	82 94 95	1
8	Seal for inlet pipe	Pipe outer diameter: 110 mm (4.3 in)	85 08 62	1
9	Seal for inlet pipe	Pipe outer diameter: 160 mm (6.3 in)	85 08 63	1
10	Guide pipe	See standard sheet for variants	84 37 78	2
11	Discharge connection	DN32	619 95 02	1
		DN50	619 95 00	
12	Ball valve	DN32	84 67 92	1
		DN50	85 09 27	

Item	Denomination		Part No.	Qty.
13	Check valve	DN32	83 20 36	1
		DN50	83 20 38	
14	Access cover tool	For Class A and Class B covers	85 00 71	1
15	Seal sleeve for cable in DN100 pipe		83 00 63	1
15.1	Pipe for cable	DN100	-	-
15.2	Start and control panel		-	-
16	Foot unit		85 08 32	1
17	O-ring	For extension unit	82 92 56	1

Xylem |'zīləm|

- 1) The tissue in plants that brings water upward from the roots;
- 2) a leading global water technology company.

We're a global team unified in a common purpose: creating advanced technology solutions to the world's water challenges. Developing new technologies that will improve the way water is used, conserved, and re-used in the future is central to our work. Our products and services move, treat, analyze, monitor and return water to the environment, in public utility, industrial, residential and commercial building services settings. Xylem also provides a leading portfolio of smart metering, network technologies and advanced analytics solutions for water, electric and gas utilities. In more than 150 countries, we have strong, long-standing relationships with customers who know us for our powerful combination of leading product brands and applications expertise with a strong focus on developing comprehensive, sustainable solutions.

For more information on how Xylem can help you, go to www.xylem.com



Xylem Water Solutions Global
Services AB
361 80 Emmaboda
Sweden
Tel: +46-471-24 70 00
Fax: +46-471-24 74 01
<http://tpi.xylem.com>
[www.xylemwatersolutions.com/
contacts/](http://www.xylemwatersolutions.com/contacts/)

Visit our Web site for the latest version of this document and more information

The original instruction is in English. All non-English instructions are translations of the original instruction.

© 2019 Xylem Inc