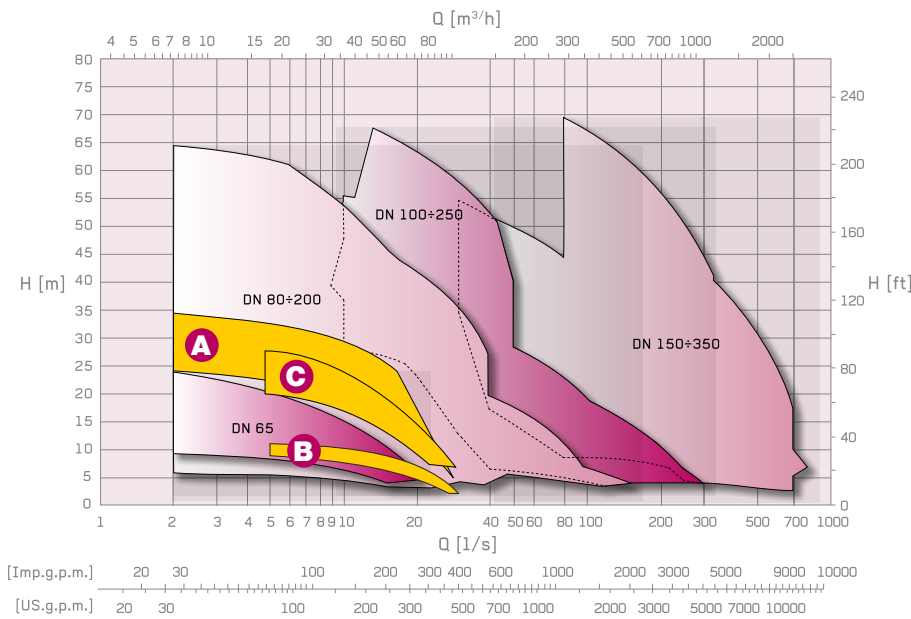




3 NEW MODELS

Electric submersible sewage pumps

PolyPump Ltd
 Providing your pumping solutions
 sales@polypump.co.uk
 01296 488 294



Curves match the most requested duty points

Higher efficiency

Available both in standard and explosion-proof execution

A KCW080H

Q-H (b.e.p.)	17l/s @ 20m
Poles	2
Frequency	50 Hz
P ₂ max	9 Kw
ATEX version	Yes

orders from

June 2022

B KCM080F

Q-H (b.e.p.)	19l/s @ 7,5m
Poles	4
Frequency	50-60 Hz
P ₂ max	2,1 kW
ATEX version	Yes

orders from

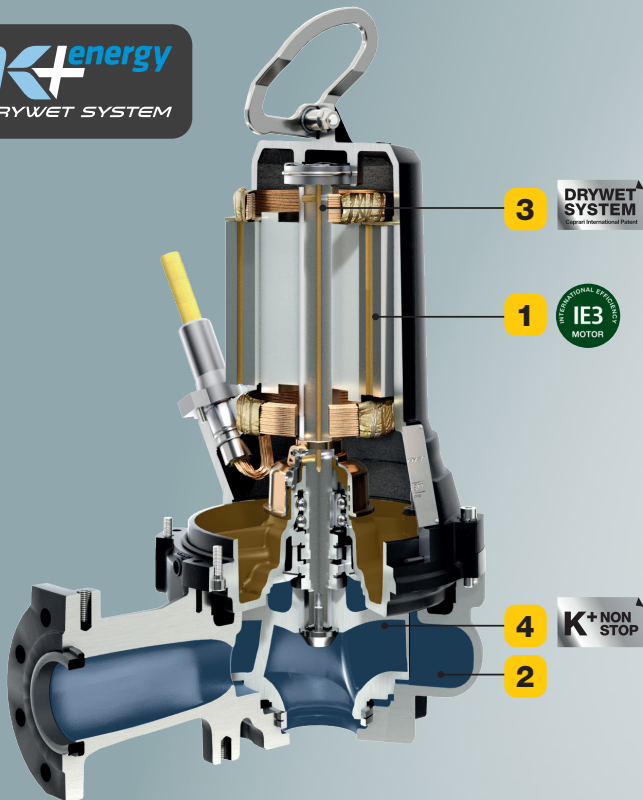
October 2022

C KCM065H

Q-H (b.e.p.)	17,5l/s @ 17m
Poles	2
Frequency	50 Hz
P ₂ max	4,8 kW
ATEX version	Yes

orders from

October 2022



WHY CHOOSE K+ ENERGY

1 IE3 ELECTRICAL EFFICIENCY CLASS

- High motor efficiency
- Reduced energy costs

2 HIGH-EFFICIENCY HYDRAULICS

- **Painted surfaces:** hydraulic profile optimization with high-level finish

International Patent

3 OIL COOLING SYSTEM

- Standard on all models
- S1 operation in dry chamber

Exclusive

4 ANTI-CLOGGING SYSTEM

- The widest free passages in the market
- Maximum operational safety

Discover all the news on the dedicated website www.kenergy.caprari.com

caprari

For information

Caprari S.p.A. | Via Emilia Ovest 900 | 41123 Modena
 Tel. +39 059 897611 | Fax +39 059 897897 | info@caprari.it
www.caprari.com

You can also follow us on

