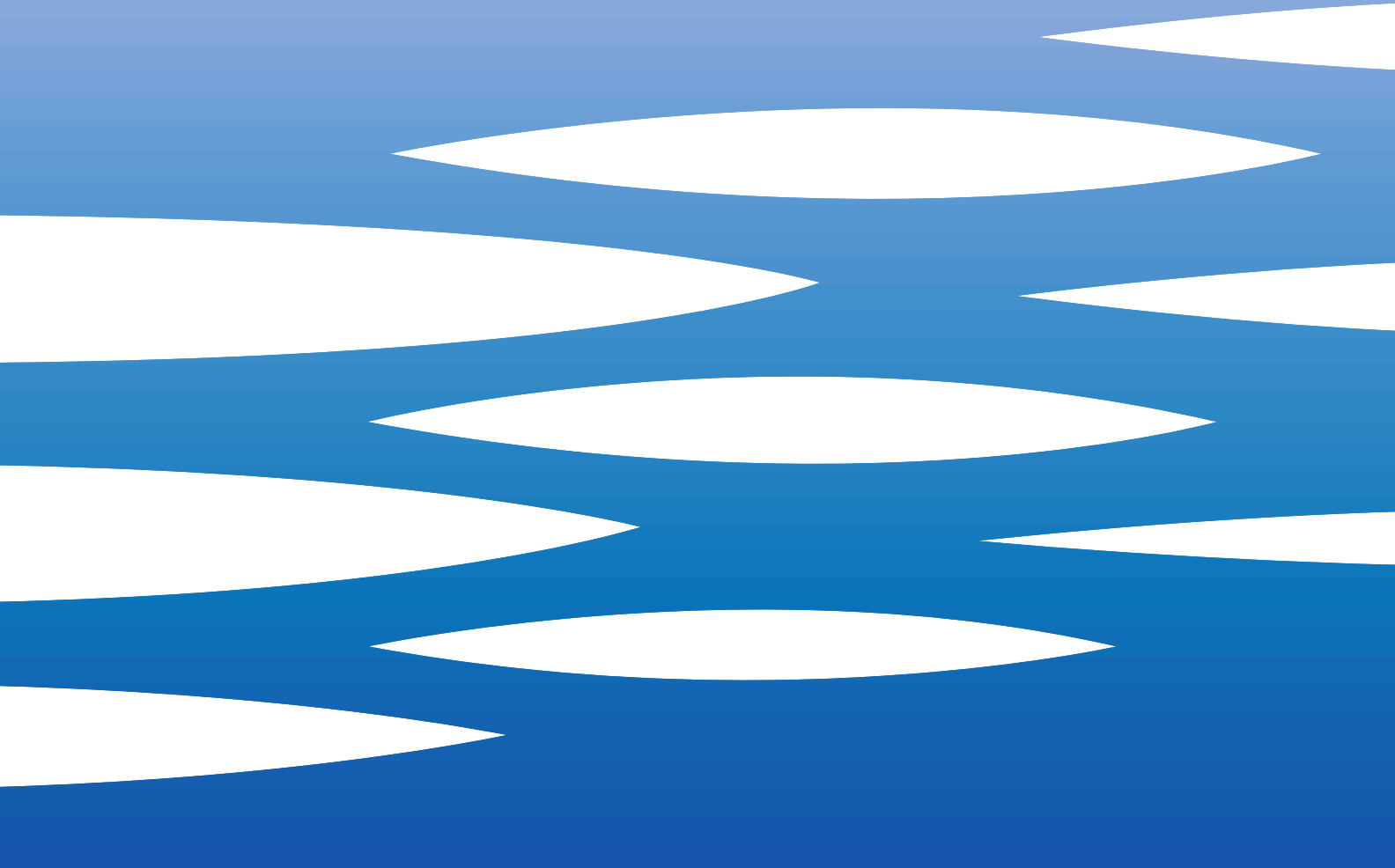


EBARA



	Page
- SPECIFICATIONS	200
- DIMENSIONS AND WEIGHT	400
SANIRELEV 11 SR 10T	400
SANIRELEV 11 SR PT	400
SANIRELEV 22 SR 20 PT	401

SPECIFICATION

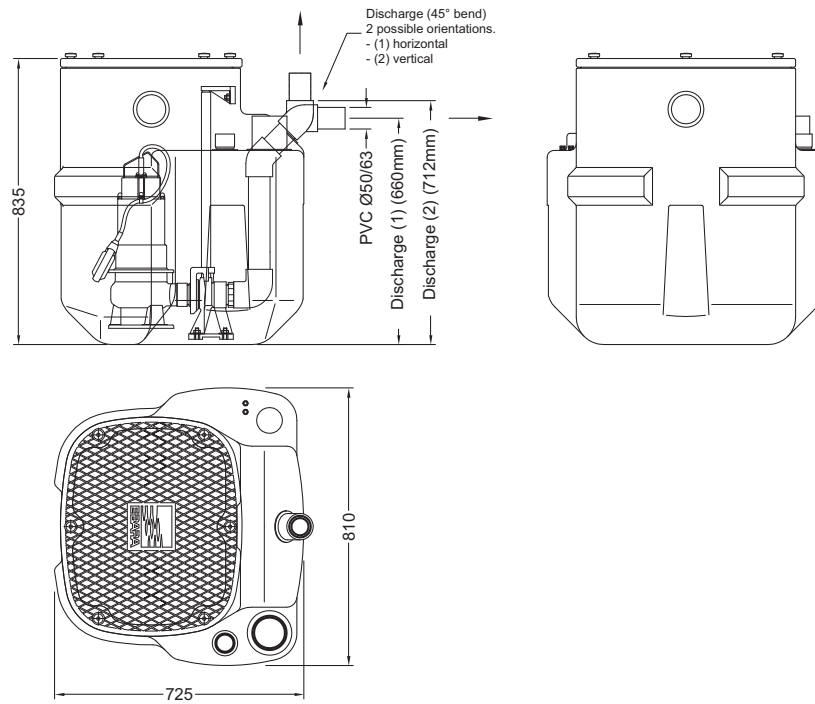
50/60Hz

Rev. A

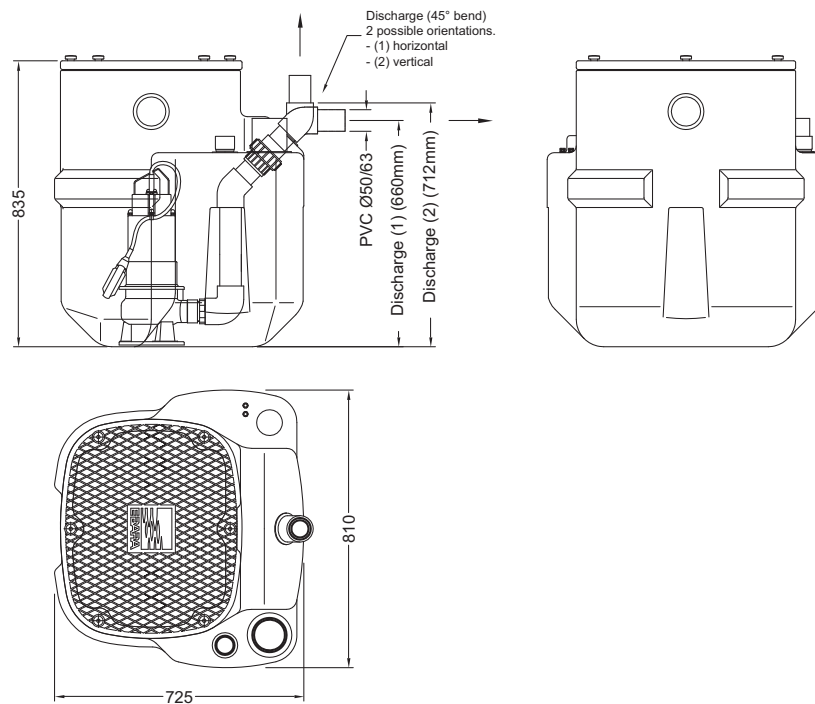
MODEL		SANIRELEV 11 SR 10T	SANIRELEV 11 SR 10 PT	SANIRELEV 22 SR 20 PT
Liquid Handled	Type of liquid	Water for domestic use		
	Max temperature [°C]	40		
	Max solids size [mm]	50 spherical		
Tank capacity [l]		360		540
Pipe Connection	Inlet	DN 100		
	Outlet	DN 50/63		
Material	Casing	Polyethylene		
Kit included		2" discharge pipe	n.1 foot coupling and lowering device and 2" discharge pipe	n.2 foot coupling and lowering device and 2" discharge pipe
Optional	Pump Type	DW – DW VOX *		
	Kit	n.1 ball check valve - n.1 on-off valve - n.2 fittings		
Number of pumps that can be installed		1		2

* For Technical Data and Performance Curve of DW – DW VOX see the pumps Data Book.

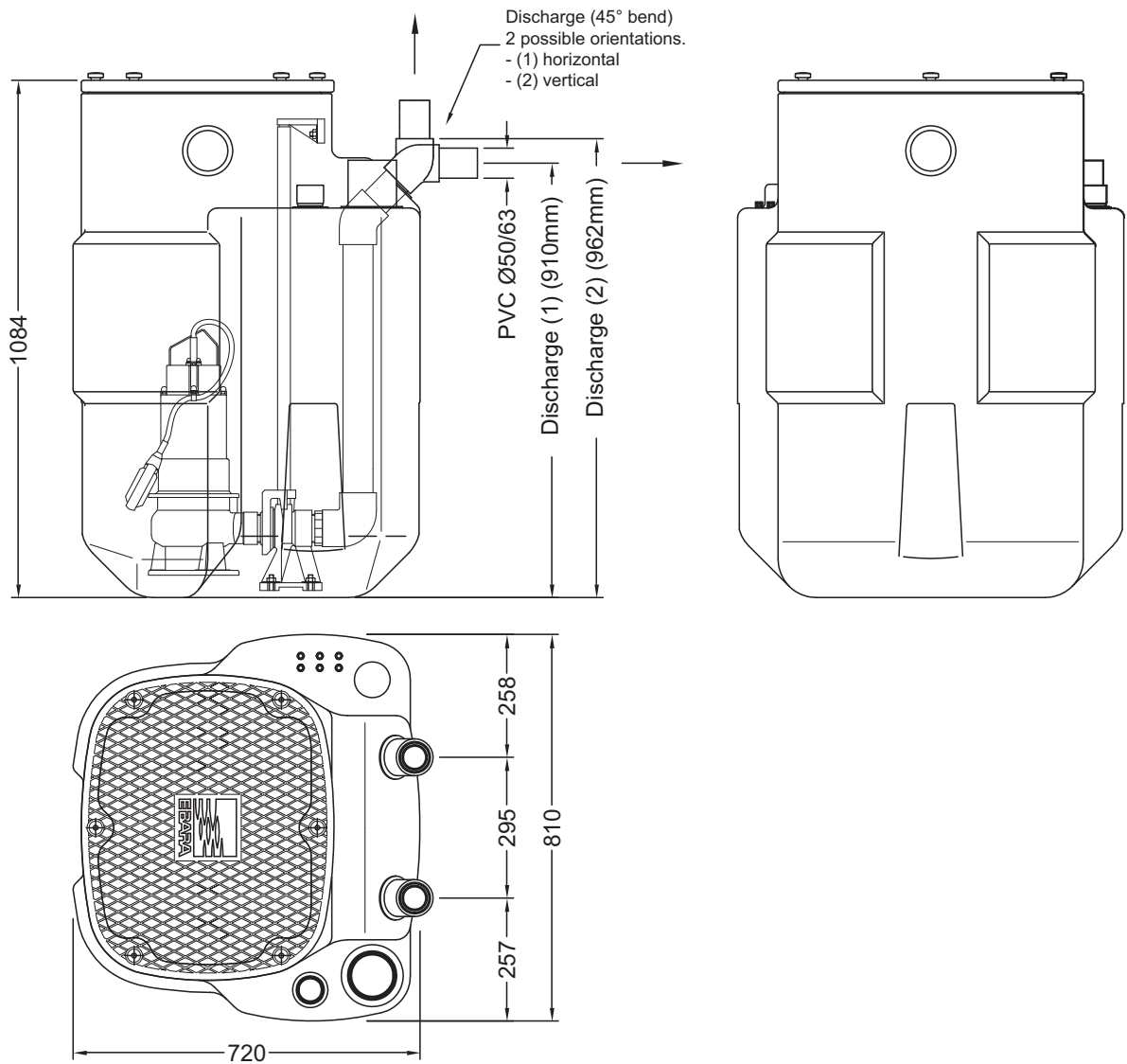
SANIRELEV 11 SR 10 T



SANIRELEV 11 SR 10 PT



SANIRELEV 22



Type	Weight without pump [kgf]
SANIRELEV 11 SR 10 T	30
SANIRELEV 11 SR 10 PT	30
SANIRELEV 22 SR 20 PT	44