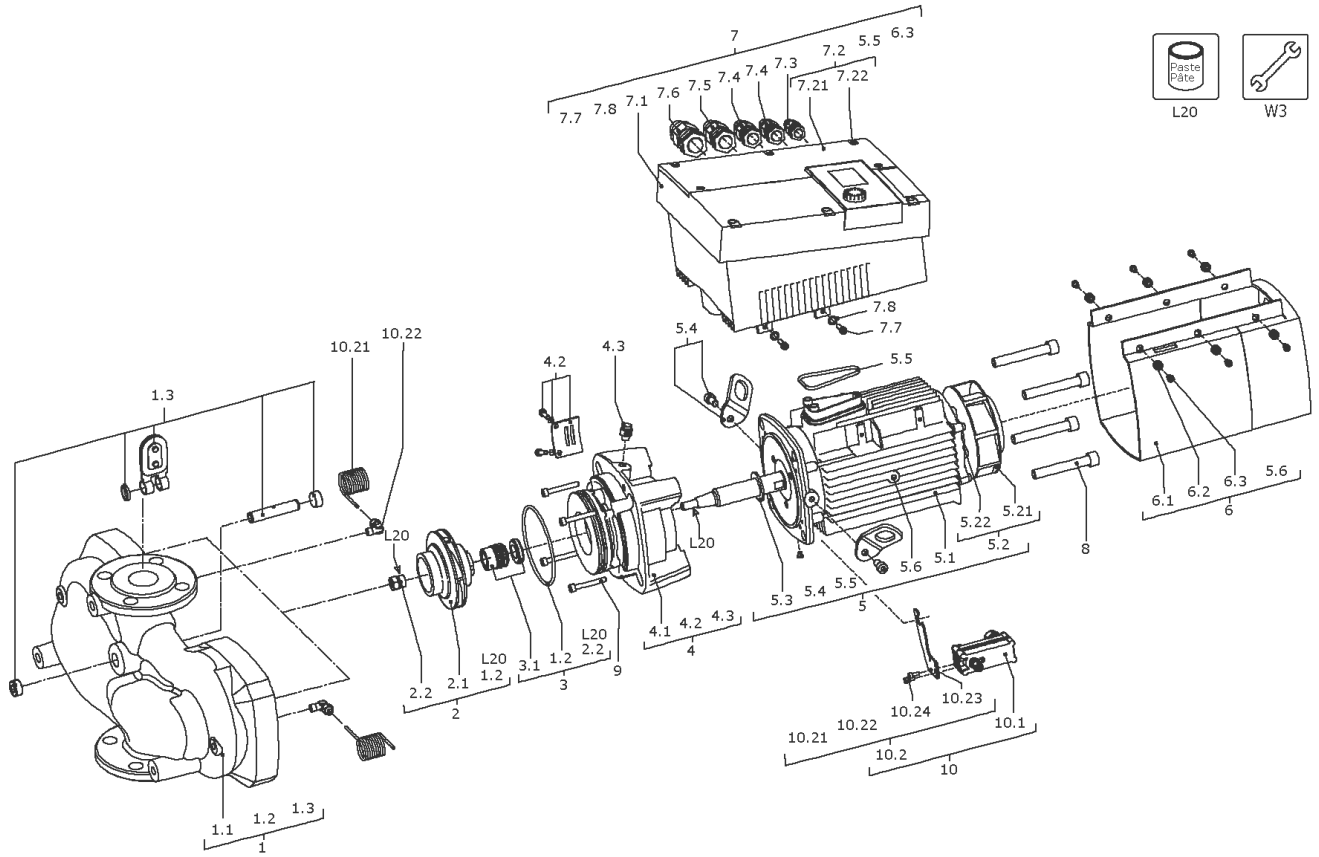




Stratos GIGA D

Article no.	Description
2170233	Stratos GIGA-D 50/1-38/2,8
2170289	Stratos GIGA-D 50/1-38/2,8-R1
2170232	Stratos GIGA-D 50/1-44/3,2
2170288	Stratos GIGA-D 50/1-44/3,2-R1
2170231	Stratos GIGA-D 50/1-50/4,2
2170287	Stratos GIGA-D 50/1-50/4,2-R1
2170238	Stratos GIGA-D 65/1-21/2,3
2170294	Stratos GIGA-D 65/1-21/2,3-R1
2170237	Stratos GIGA-D 65/1-27/3,0
2170293	Stratos GIGA-D 65/1-27/3,0-R1
2170243	Stratos GIGA-D 80/1-16/2,3
2170299	Stratos GIGA-D 80/1-16/2,3-R1
2170242	Stratos GIGA-D 80/1-21/3,5
2170298	Stratos GIGA-D 80/1-21/3,5-R1
2170245	Stratos GIGA-D 80/1-32/4,1
2170301	Stratos GIGA-D 80/1-32/4,1-R1
2170244	Stratos GIGA-D 80/1-37/5,3
2170300	Stratos GIGA-D 80/1-37/5,3-R1

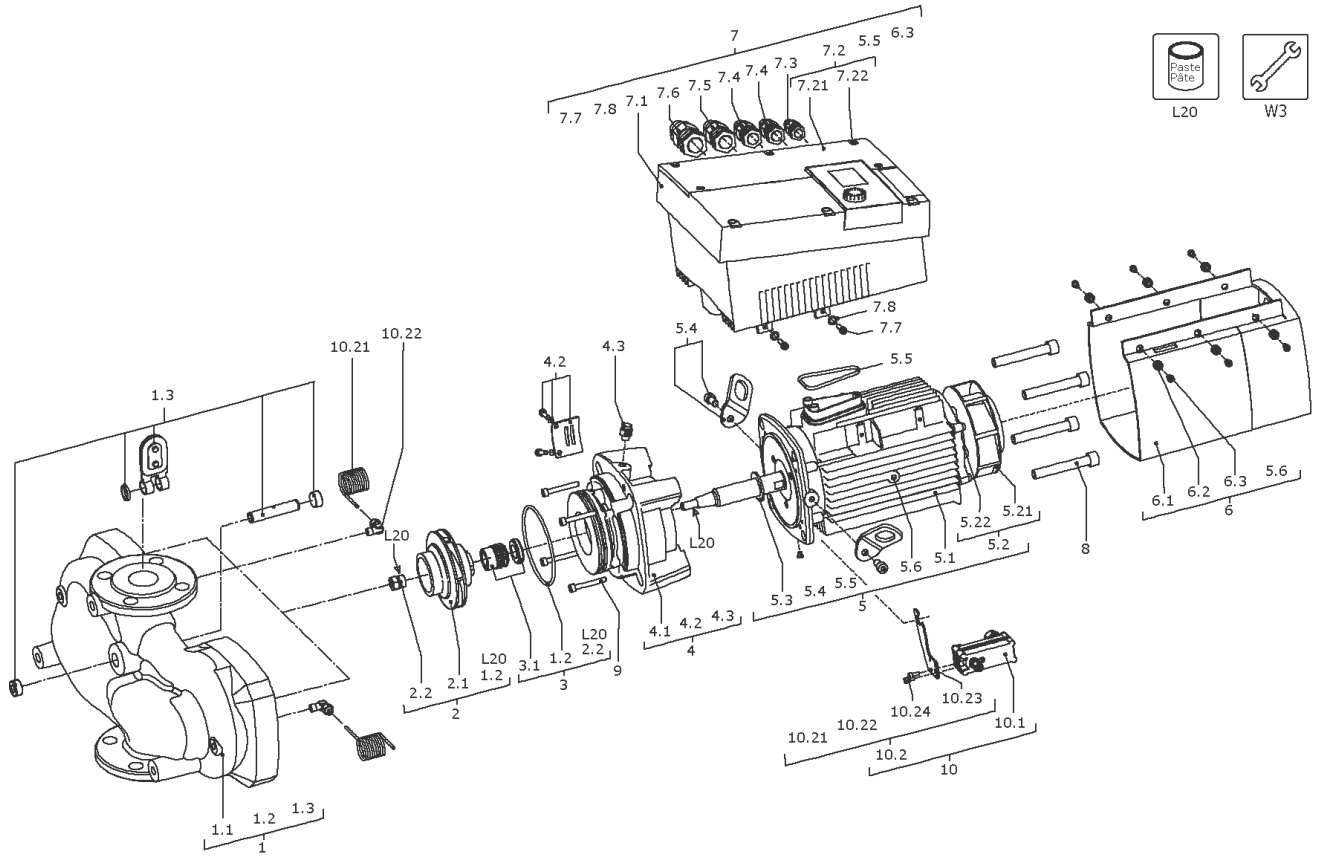


Stratos GIGA-D 65/1-27/3,0 (2170237)

Item	Article no.	Description	Quantity
1	2178961	Pump housing D65/90/P165x113 16 KIT	1
1.1		> Pump housing D65/90/P165x113 16 WILO	1
1.2	2122290	> O-RING 104,37x3,53 ISO3601B EPDM VP.	1
1.3	2192726	> Flap DN65 VP.	1
2	2125218	IMPELLER D.64/95/18x14 PPS KIT	1
1.2	2122290	> O-RING 104,37x3,53 ISO3601B EPDM VP.	1
2.1		> IMPELLER D.64/95/18 PPS Fin	1
2.2	2125289	> NUT M10/M16x1 1.4122 VP.	1
L20	2158414	> Weicon Anti-Seize 5g VP.	1
3	2125211	MECH.SEAL MG12/24 AQ1EGG GIGA KIT	1
1.2	2122290	> O-RING 104,37x3,53 ISO3601B EPDM VP.	1
1.2	2158263	> O-Ring ID.126,59x3,53 EPDM VP.	1
1.2	2140435	> O-Ring 151,99x3,53 7EP1197 VP.	1
2.2	2125289	> NUT M10/M16x1 1.4122 VP.	1
3.1	2127431	> MECHANICAL SEAL MG12/24-G60 AQ1EGG VP.	1
L20	2158414	> Weicon Anti-Seize 5g VP.	1
4	2170853	Lantern Stratos GIGA-I/D 65/1-27/3,0 KIT	1
4.1		> LANTERN D.112/140x103 FF165 KTL	1
4.2	2125290	> PROTECTING SHEET/FIXING R53x52x38 KIT	1
4.3	2027201	> BLOWGUN R1/8" VP.	1
5	2170797	MOTOR STRATOS GIGA-I/D 65/1-27/3,0 KIT	1
5.1		> MOTOR 2 FS80S 3,3/4600 Giga	1
5.2	2125301	> FAN WHEEL FS80 KIT	1
5.21		>> FAN FS80	1
5.22	2125302	>> CORRUGATED SLEEVE RING BN15-514 VP.	1
Note: bis/to/á 31.12.2017			
5.3	2125303	> THROWER D.44/23x3 VP.	1
5.4	2125299	> EYELET/SCREW Stratos GIGA(2 PIECES)	1
5.5	2147361	> O-Ring ID.56X4,0 EPDM 70SR. VP.	1
5.6	2125298	> SPACER M8 Stratos GIGA (3 PIECES)	1
6	2125210	FAN HOOD FS80 KIT	1
5.6	2125298	> SPACER M8 Stratos GIGA (3 PIECES)	1
6.1		> FAN HOUSING FS80 RAL9006 HED	1
6.2	2125291	> DAMPING (6 PIECES)	1

Stratos GIGA-D 65/1-27/3,0 (2170237)

Item	Article no.	Description	Quantity
6.3	2125304	> SCREW AP40X14/9 (6 PIECES)	1
7	2188061	Module Stratos GIGA-I/D 65/1-27/3,0 KIT	1
5.5	2147361	> O-Ring ID.56X4,0 EPDM 70SR. VP.	1
6.3	2125304	> SCREW AP40X14/9 (6 PIECES)	1
7.1		> Module Stratos GIGA-I/D 65/1-27/3,0	1
7.2	2125226	> MODULE COVER FS80/90 KIT	1
7.21		>> MODULE COVER FS80/90 RAL9006+DT.	1
7.22	2125295	>> SCREW Z40X16/8 WN5411 EJOT PT (6 PIECES)	1
7.3	2120047	> CABLE CONNECTION M12x1,5/5 cpl.TL5 VP.	1
7.4	2120048	> CABLE CONNECTION M16x1,5/5 cpl.TL5 VP.	1
7.5	2120049	> CABLE CONNECTION M20x1,5/6 cpl.TL5 VP.	1
7.6	2120050	> CABLE CONNECTION M25x1,5/8 cpl.TL5 VP.	1
7.7	2125297	> SCREW M5X12 DIN912 8.8 ZN (4 PIECES)	1
7.8	2057978	> RONDELLE A5,3 DIN6797 FST ZN (4 PIECES)	1
8	2125223	SCREW M12X80 ISO4762 8.8 (4 PIECES)	1
9	2125225	SCREW M6X50 ISO4762 8.8 (4 PIECES)	1
10	2178962	DPS40-13(0-10V) KIT	1
10.1	2106117	> DIFFERENT.PRESSURE SENSOR 40 LGX.KIT	1
		>> DPS40 spiral TZ.3mm Volt 2G	1
	2164077	>> Cable DPS 3x0,34x650 LG.bared 2G VP.	1
Note: from/ab/de 01.10.2013			
10.2	2188063	> Connection B DPS GIGA D Spiral M12 KIT	1
10.21		>> CAPILLARY COIL 1000	2
10.22		>> Fixation ring pipe union R1/8" 90GD.Ni	1
10.23		>> Handle B DDG Stratos GIGA	1
10.24		>> Screw M4x10 EE DIN7500 ZN	2
	2168862	>> Nut/Ferrule M6 D.3MM MS Ni (2 Pieces)	1
	2168860	>> Nut/Ferrule M8 D.5MM MS Ni (2 Pieces)	1
L20	2158414	Weicon Anti-Seize 5g VP.	1
W3	2125294	ASSEMBLY AID Stratos GIGA KIT	1
		> ASSEMBLY BOLT M12/D.13x91	2
		> Screw M10X25 ISO4017 8.8 ZN	2
	2175640	Module connecting cable 850mm VP.	1

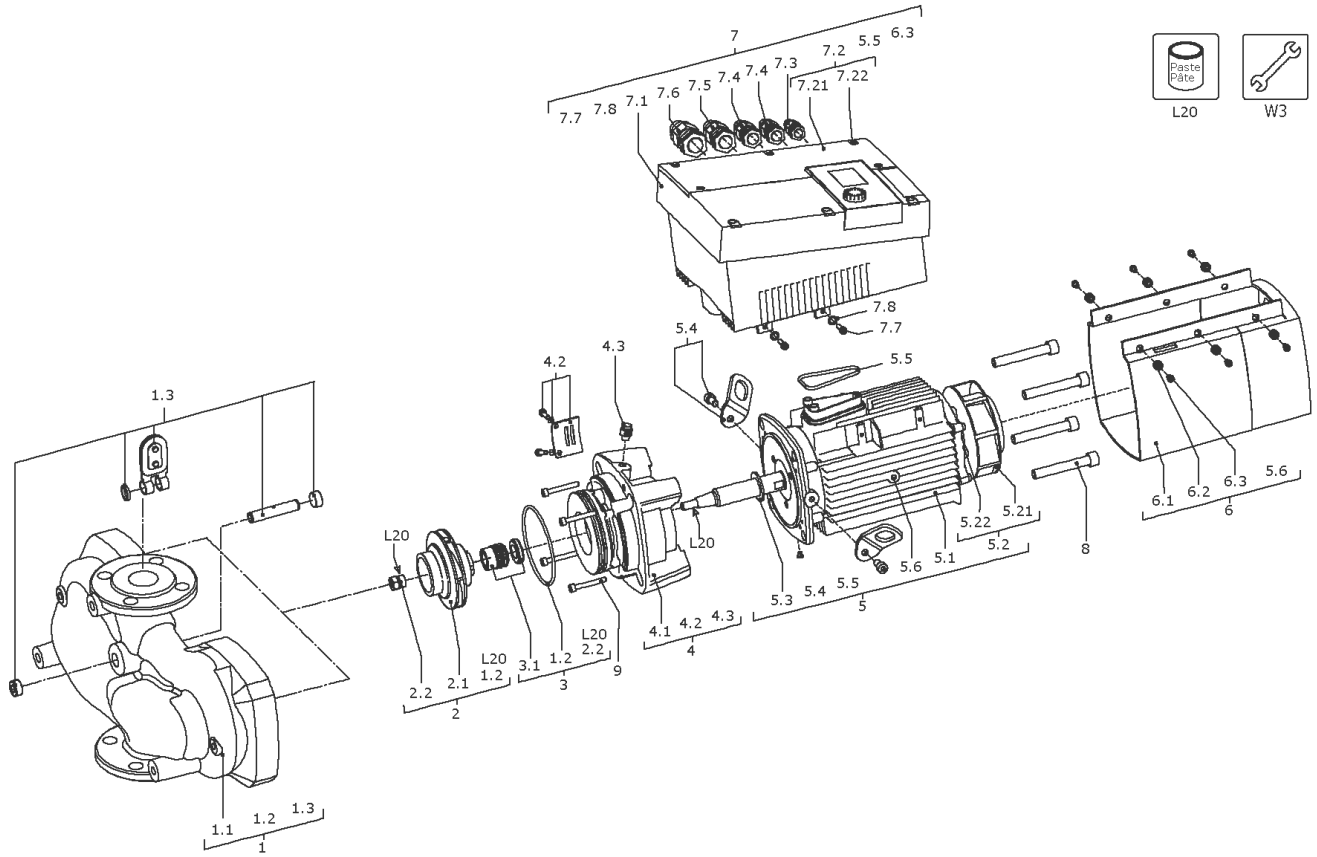


Stratos GIGA-D 65/1-21/2,3 (2170238)

Item	Article no.	Description	Quantity
1	2178961	Pump housing D65/90/P165x113 16 KIT	1
1.1		> Pump housing D65/90/P165x113 16 WILO	1
1.2	2122290	> O-RING 104,37x3,53 ISO3601B EPDM VP.	1
1.3	2192726	> Flap DN65 VP.	1
2	2125218	IMPELLER D.64/95/18x14 PPS KIT	1
1.2	2122290	> O-RING 104,37x3,53 ISO3601B EPDM VP.	1
2.1		> IMPELLER D.64/95/18 PPS Fin	1
2.2	2125289	> NUT M10/M16x1 1.4122 VP.	1
L20	2158414	> Weicon Anti-Seize 5g VP.	1
3	2125211	MECH.SEAL MG12/24 AQ1EGG GIGA KIT	1
1.2	2122290	> O-RING 104,37x3,53 ISO3601B EPDM VP.	1
1.2	2158263	> O-Ring ID.126,59x3,53 EPDM VP.	1
1.2	2140435	> O-Ring 151,99x3,53 7EP1197 VP.	1
2.2	2125289	> NUT M10/M16x1 1.4122 VP.	1
3.1	2127431	> MECHANICAL SEAL MG12/24-G60 AQ1EGG VP.	1
L20	2158414	> Weicon Anti-Seize 5g VP.	1
4	2170854	Lantern Stratos GIGA-I/D 65/1-21/2,3 KIT	1
4.1		> LANTERN D.112/140x103 FF165 KTL	1
4.2	2125290	> PROTECTING SHEET/FIXING R53x52x38 KIT	1
4.3	2027201	> BLOWGUN R1/8" VP.	1
5	2170798	MOTOR STRATOS GIGA-I/D 65/1-21/2,3 KIT	1
5.1		> MOTOR 2 FS80S 3,3/4600 Giga	1
5.2	2125301	> FAN WHEEL FS80 KIT	1
5.21		>> FAN FS80	1
5.22	2125302	>> CORRUGATED SLEEVE RING BN15-514 VP.	1
Note: bis/to/á 31.12.2017			
5.3	2125303	> THROWER D.44/23x3 VP.	1
5.4	2125299	> EYELET/SCREW Stratos GIGA(2 PIECES)	1
5.5	2147361	> O-Ring ID.56X4,0 EPDM 70SR. VP.	1
5.6	2125298	> SPACER M8 Stratos GIGA (3 PIECES)	1
6	2125210	FAN HOOD FS80 KIT	1
5.6	2125298	> SPACER M8 Stratos GIGA (3 PIECES)	1
6.1		> FAN HOUSING FS80 RAL9006 HED	1
6.2	2125291	> DAMPING (6 PIECES)	1

Stratos GIGA-D 65/1-21/2,3 (2170238)

Item	Article no.	Description	Quantity
6.3	2125304	> SCREW AP40X14/9 (6 PIECES)	1
7	2188062	Module Stratos GIGA-I/D 65/1-21/2,3 KIT	1
5.5	2147361	> O-Ring ID.56X4,0 EPDM 70SR. VP.	1
6.3	2125304	> SCREW AP40X14/9 (6 PIECES)	1
7.1		> Module Stratos GIGA-I/D 65/1-21/2,3	1
7.2	2125226	> MODULE COVER FS80/90 KIT	1
7.21		>> MODULE COVER FS80/90 RAL9006+DT.	1
7.22	2125295	>> SCREW Z40X16/8 WN5411 EJOT PT (6 PIECES)	1
7.3	2120047	> CABLE CONNECTION M12x1,5/5 cpl.TL5 VP.	1
7.4	2120048	> CABLE CONNECTION M16x1,5/5 cpl.TL5 VP.	1
7.5	2120049	> CABLE CONNECTION M20x1,5/6 cpl.TL5 VP.	1
7.6	2120050	> CABLE CONNECTION M25x1,5/8 cpl.TL5 VP.	1
7.7	2125297	> SCREW M5X12 DIN912 8.8 ZN (4 PIECES)	1
7.8	2057978	> RONDELLE A5,3 DIN6797 FST ZN (4 PIECES)	1
8	2125223	SCREW M12X80 ISO4762 8.8 (4 PIECES)	1
9	2125225	SCREW M6X50 ISO4762 8.8 (4 PIECES)	1
10	2178962	DPS40-13(0-10V) KIT	1
10.1	2106117	> DIFFERENT.PRESSURE SENSOR 40 LGX.KIT	1
		>> DPS40 spiral TZ.3mm Volt 2G	1
	2164077	>> Cable DPS 3x0,34x650 LG.bared 2G VP.	1
Note: from/ab/de 01.10.2013			
10.2	2188063	> Connection B DPS GIGA D Spiral M12 KIT	1
10.21		>> CAPILLARY COIL 1000	2
10.22		>> Fixation ring pipe union R1/8" 90GD.Ni	1
10.23		>> Handle B DDG Stratos GIGA	1
10.24		>> Screw M4x10 EE DIN7500 ZN	2
	2168862	>> Nut/Ferrule M6 D.3MM MS Ni (2 Pieces)	1
	2168860	>> Nut/Ferrule M8 D.5MM MS Ni (2 Pieces)	1
L20	2158414	Weicon Anti-Seize 5g VP.	1
W3	2125294	ASSEMBLY AID Stratos GIGA KIT	1
		> ASSEMBLY BOLT M12/D.13x91	2
		> Screw M10X25 ISO4017 8.8 ZN	2
	2175640	Module connecting cable 850mm VP.	1

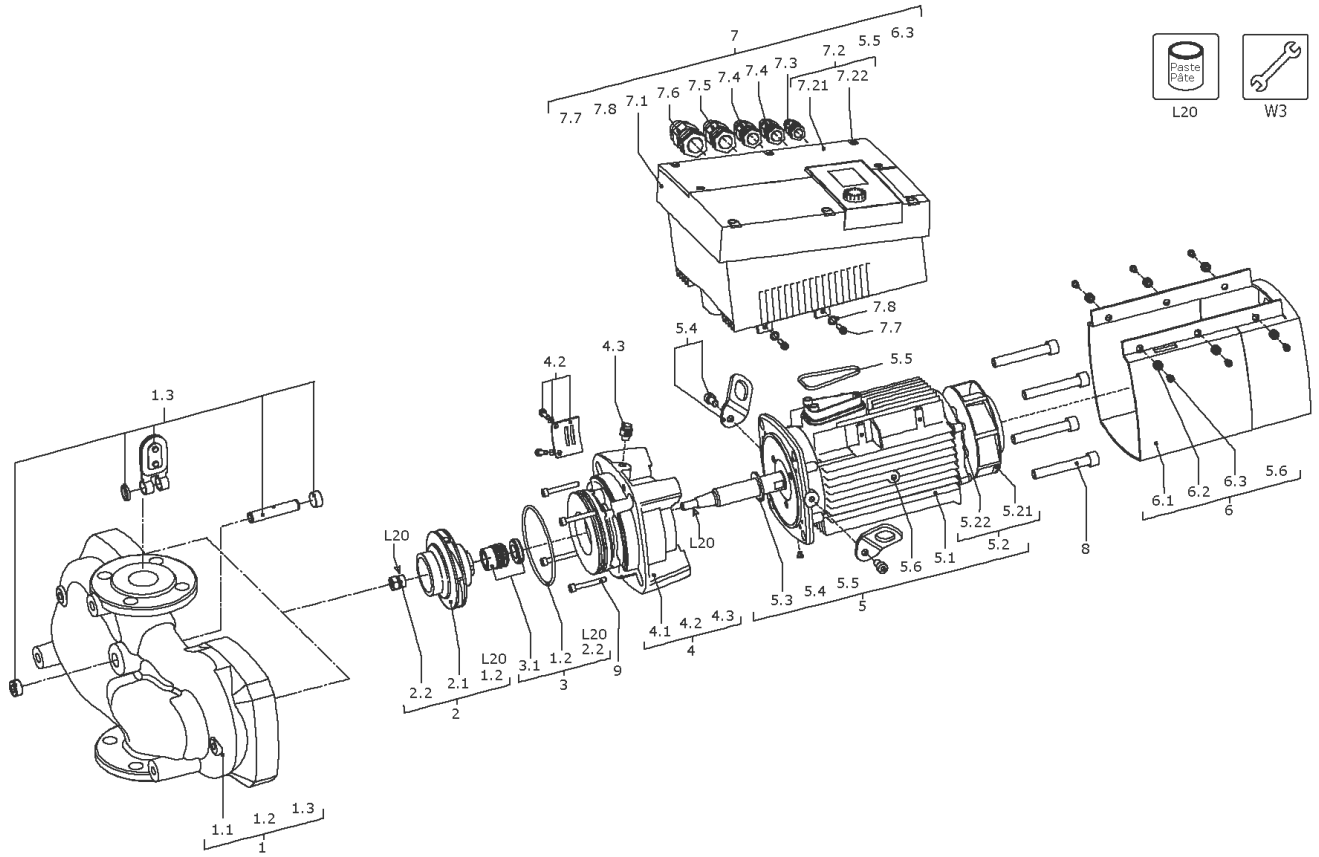


Stratos GIGA-D 65/1-27/3,0-R1 (2170293)

Item	Article no.	Description	Quantity
1	2178961	Pump housing D65/90/P165x113 16 KIT	1
1.1		> Pump housing D65/90/P165x113 16 WILO	1
1.2	2122290	> O-RING 104,37x3,53 ISO3601B EPDM VP.	1
1.3	2192726	> Flap DN65 VP.	1
2	2125218	IMPELLER D.64/95/18x14 PPS KIT	1
1.2	2122290	> O-RING 104,37x3,53 ISO3601B EPDM VP.	1
2.1		> IMPELLER D.64/95/18 PPS Fin	1
2.2	2125289	> NUT M10/M16x1 1.4122 VP.	1
L20	2158414	> Weicon Anti-Seize 5g VP.	1
3	2125211	MECH.SEAL MG12/24 AQ1EGG GIGA KIT	1
1.2	2122290	> O-RING 104,37x3,53 ISO3601B EPDM VP.	1
1.2	2158263	> O-Ring ID.126,59x3,53 EPDM VP.	1
1.2	2140435	> O-Ring 151,99x3,53 7EP1197 VP.	1
2.2	2125289	> NUT M10/M16x1 1.4122 VP.	1
3.1	2127431	> MECHANICAL SEAL MG12/24-G60 AQ1EGG VP.	1
L20	2158414	> Weicon Anti-Seize 5g VP.	1
4	2170853	Lantern Stratos GIGA-I/D 65/1-27/3,0 KIT	1
4.1		> LANTERN D.112/140x103 FF165 KTL	1
4.2	2125290	> PROTECTING SHEET/FIXING R53x52x38 KIT	1
4.3	2027201	> BLOWGUN R1/8" VP.	1
5	2170797	MOTOR STRATOS GIGA-I/D 65/1-27/3,0 KIT	1
5.1		> MOTOR 2 FS80S 3,3/4600 Giga	1
5.2	2125301	> FAN WHEEL FS80 KIT	1
5.21		>> FAN FS80	1
5.22	2125302	>> CORRUGATED SLEEVE RING BN15-514 VP.	1
Note: bis/to/á 31.12.2017			
5.3	2125303	> THROWER D.44/23x3 VP.	1
5.4	2125299	> EYELET/SCREW Stratos GIGA(2 PIECES)	1
5.5	2147361	> O-Ring ID.56X4,0 EPDM 70SR. VP.	1
5.6	2125298	> SPACER M8 Stratos GIGA (3 PIECES)	1
6	2125210	FAN HOOD FS80 KIT	1
5.6	2125298	> SPACER M8 Stratos GIGA (3 PIECES)	1
6.1		> FAN HOUSING FS80 RAL9006 HED	1
6.2	2125291	> DAMPING (6 PIECES)	1

Stratos GIGA-D 65/1-27/3,0-R1 (2170293)

Item	Article no.	Description	Quantity
6.3	2125304	> SCREW AP40X14/9 (6 PIECES)	1
7	2188061	Module Stratos GIGA-I/D 65/1-27/3,0 KIT	1
5.5	2147361	> O-Ring ID.56X4,0 EPDM 70SR. VP.	1
6.3	2125304	> SCREW AP40X14/9 (6 PIECES)	1
7.1		> Module Stratos GIGA-I/D 65/1-27/3,0	1
7.2	2125226	> MODULE COVER FS80/90 KIT	1
7.21		>> MODULE COVER FS80/90 RAL9006+DT.	1
7.22	2125295	>> SCREW Z40X16/8 WN5411 EJOT PT (6 PIECES)	1
7.3	2120047	> CABLE CONNECTION M12x1,5/5 cpl.TL5 VP.	1
7.4	2120048	> CABLE CONNECTION M16x1,5/5 cpl.TL5 VP.	1
7.5	2120049	> CABLE CONNECTION M20x1,5/6 cpl.TL5 VP.	1
7.6	2120050	> CABLE CONNECTION M25x1,5/8 cpl.TL5 VP.	1
7.7	2125297	> SCREW M5X12 DIN912 8.8 ZN (4 PIECES)	1
7.8	2057978	> RONDELLE A5,3 DIN6797 FST ZN (4 PIECES)	1
8	2125223	SCREW M12X80 ISO4762 8.8 (4 PIECES)	1
9	2125225	SCREW M6X50 ISO4762 8.8 (4 PIECES)	1
L20	2158414	Weicon Anti-Seize 5g VP.	1
W3	2125294	ASSEMBLY AID Stratos GIGA KIT	1
		> ASSEMBLY BOLT M12/D.13x91	2
		> Screw M10X25 ISO4017 8.8 ZN	2
	2175640	Module connecting cable 850mm VP.	1

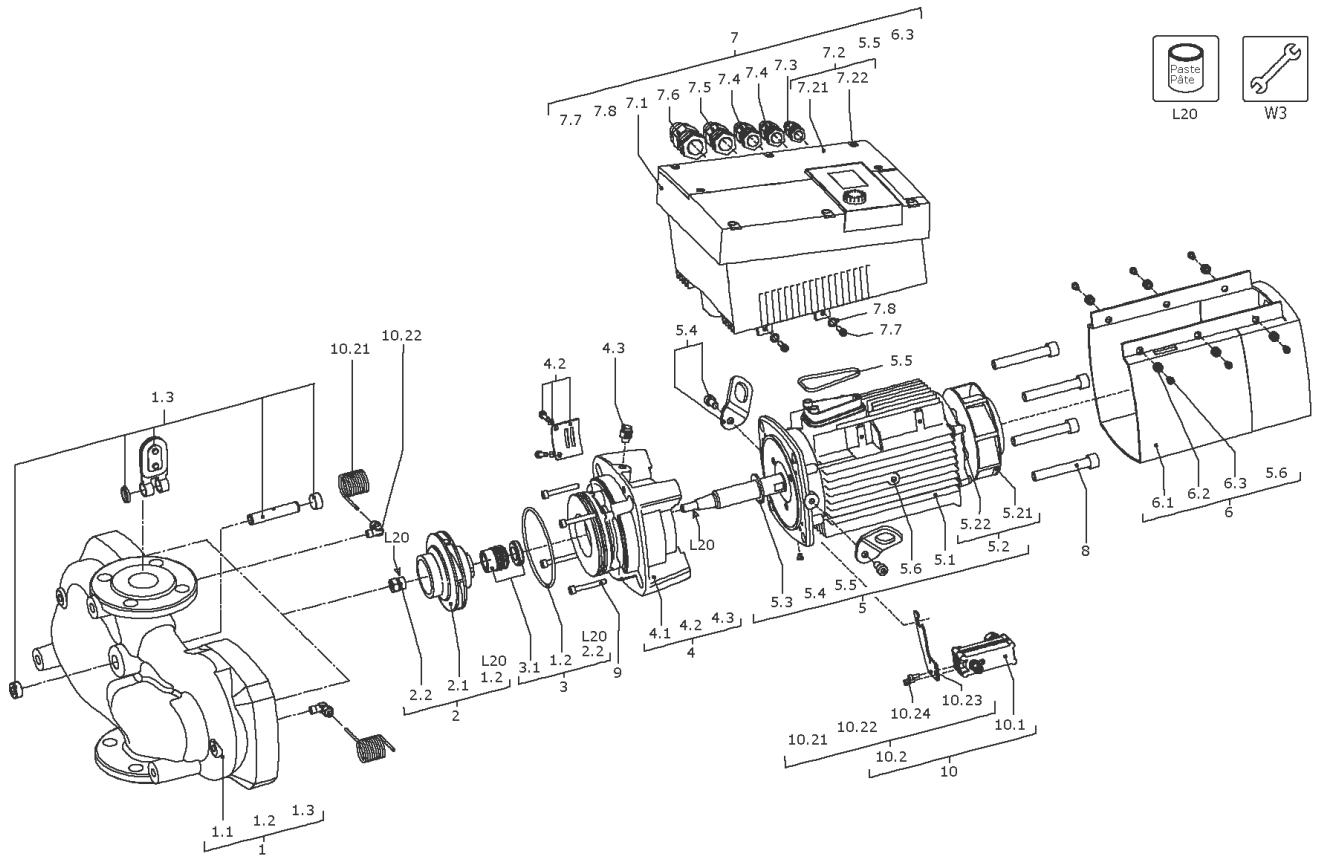


Stratos GIGA-D 65/1-21/2,3-R1 (2170294)

Item	Article no.	Description	Quantity
1	2178961	Pump housing D65/90/P165x113 16 KIT	1
1.1		> Pump housing D65/90/P165x113 16 WILO	1
1.2	2122290	> O-RING 104,37x3,53 ISO3601B EPDM VP.	1
1.3	2192726	> Flap DN65 VP.	1
2	2125218	IMPELLER D.64/95/18x14 PPS KIT	1
1.2	2122290	> O-RING 104,37x3,53 ISO3601B EPDM VP.	1
2.1		> IMPELLER D.64/95/18 PPS Fin	1
2.2	2125289	> NUT M10/M16x1 1.4122 VP.	1
L20	2158414	> Weicon Anti-Seize 5g VP.	1
3	2125211	MECH.SEAL MG12/24 AQ1EGG GIGA KIT	1
1.2	2122290	> O-RING 104,37x3,53 ISO3601B EPDM VP.	1
1.2	2158263	> O-Ring ID.126,59x3,53 EPDM VP.	1
1.2	2140435	> O-Ring 151,99x3,53 7EP1197 VP.	1
2.2	2125289	> NUT M10/M16x1 1.4122 VP.	1
3.1	2127431	> MECHANICAL SEAL MG12/24-G60 AQ1EGG VP.	1
L20	2158414	> Weicon Anti-Seize 5g VP.	1
4	2170854	Lantern Stratos GIGA-I/D 65/1-21/2,3 KIT	1
4.1		> LANTERN D.112/140x103 FF165 KTL	1
4.2	2125290	> PROTECTING SHEET/FIXING R53x52x38 KIT	1
4.3	2027201	> BLOWGUN R1/8" VP.	1
5	2170798	MOTOR STRATOS GIGA-I/D 65/1-21/2,3 KIT	1
5.1		> MOTOR 2 FS80S 3,3/4600 Giga	1
5.2	2125301	> FAN WHEEL FS80 KIT	1
5.21		>> FAN FS80	1
5.22	2125302	>> CORRUGATED SLEEVE RING BN15-514 VP.	1
Note: bis/to/á 31.12.2017			
5.3	2125303	> THROWER D.44/23x3 VP.	1
5.4	2125299	> EYELET/SCREW Stratos GIGA(2 PIECES)	1
5.5	2147361	> O-Ring ID.56X4,0 EPDM 70SR. VP.	1
5.6	2125298	> SPACER M8 Stratos GIGA (3 PIECES)	1
6	2125210	FAN HOOD FS80 KIT	1
5.6	2125298	> SPACER M8 Stratos GIGA (3 PIECES)	1
6.1		> FAN HOUSING FS80 RAL9006 HED	1
6.2	2125291	> DAMPING (6 PIECES)	1

Stratos GIGA-D 65/1-21/2,3-R1 (2170294)

Item	Article no.	Description	Quantity
6.3	2125304	> SCREW AP40X14/9 (6 PIECES)	1
7	2188062	Module Stratos GIGA-I/D 65/1-21/2,3 KIT	1
5.5	2147361	> O-Ring ID.56X4,0 EPDM 70SR. VP.	1
6.3	2125304	> SCREW AP40X14/9 (6 PIECES)	1
7.1		> Module Stratos GIGA-I/D 65/1-21/2,3	1
7.2	2125226	> MODULE COVER FS80/90 KIT	1
7.21		>> MODULE COVER FS80/90 RAL9006+DT.	1
7.22	2125295	>> SCREW Z40X16/8 WN5411 EJOT PT (6 PIECES)	1
7.3	2120047	> CABLE CONNECTION M12x1,5/5 cpl.TL5 VP.	1
7.4	2120048	> CABLE CONNECTION M16x1,5/5 cpl.TL5 VP.	1
7.5	2120049	> CABLE CONNECTION M20x1,5/6 cpl.TL5 VP.	1
7.6	2120050	> CABLE CONNECTION M25x1,5/8 cpl.TL5 VP.	1
7.7	2125297	> SCREW M5X12 DIN912 8.8 ZN (4 PIECES)	1
7.8	2057978	> RONDELLE A5,3 DIN6797 FST ZN (4 PIECES)	1
8	2125223	SCREW M12X80 ISO4762 8.8 (4 PIECES)	1
9	2125225	SCREW M6X50 ISO4762 8.8 (4 PIECES)	1
L20	2158414	Weicon Anti-Seize 5g VP.	1
W3	2125294	ASSEMBLY AID Stratos GIGA KIT	1
		> ASSEMBLY BOLT M12/D.13x91	2
		> Screw M10X25 ISO4017 8.8 ZN	2
	2175640	Module connecting cable 850mm VP.	1

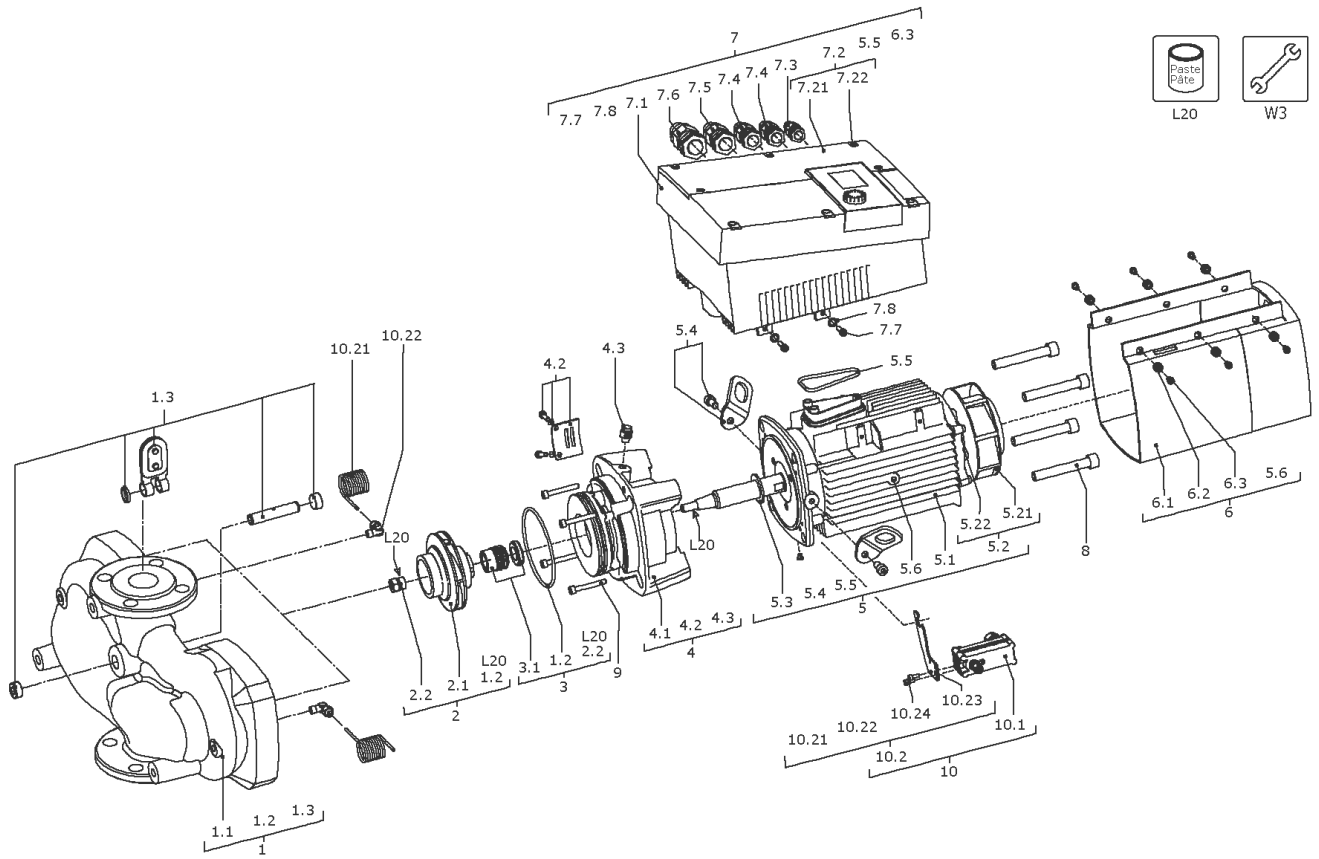


Stratos GIGA-D 50/1-50/4,2 (2170231)

Item	Article no.	Description	Quantity
1	2191142	Pump housing D50/105/P165x100 16 KIT	1
1.1		> Pump housing D50/105/P165x100 16 WILO	1
1.2	2122290	> O-RING 104,37x3,53 ISO3601B EPDM VP.	1
1.3	2192728	> Flap DN50 VP.	1
2	2125215	IMPELLER D.57/108/18x10,3 PPS KIT	1
1.2	2122290	> O-RING 104,37x3,53 ISO3601B EPDM VP.	1
2.1		> IMPELLER D.57/108/18 Fin	1
2.2	2125289	> NUT M10/M16x1 1.4122 VP.	1
L20	2158414	> Weicon Anti-Seize 5g VP.	1
3	2125211	MECH.SEAL MG12/24 AQ1EGG GIGA KIT	1
1.2	2122290	> O-RING 104,37x3,53 ISO3601B EPDM VP.	1
1.2	2158263	> O-Ring ID.126,59x3,53 EPDM VP.	1
1.2	2140435	> O-Ring 151,99x3,53 7EP1197 VP.	1
2.2	2125289	> NUT M10/M16x1 1.4122 VP.	1
3.1	2127431	> MECHANICAL SEAL MG12/24-G60 AQ1EGG VP.	1
L20	2158414	> Weicon Anti-Seize 5g VP.	1
4	2170847	Lantern Stratos GIGA-I/D 50/1-50/4,2 KIT	1
4.1		> LANTERN D.112/140x109 FF165 KTL	1
4.2	2125290	> PROTECTING SHEET/FIXING R53x52x38 KIT	1
4.3	2027201	> BLOWGUN R1/8" VP.	1
5	2170791	Motor Stratos GIGA-I/D 50/1-50/4,2 KIT	1
5.1		> MOTOR 2 FS80L 4,5/4600 Giga	1
5.2	2125301	> FAN WHEEL FS80 KIT	1
5.21		>> FAN FS80	1
5.22	2125302	>> CORRUGATED SLEEVE RING BN15-514 VP.	1
Note: bis/to/á 31.12.2017			
5.3	2125303	> THROWER D.44/23x3 VP.	1
5.4	2125299	> EYELET/SCREW Stratos GIGA(2 PIECES)	1
5.5	2147361	> O-Ring ID.56X4,0 EPDM 70SR. VP.	1
5.6	2125298	> SPACER M8 Stratos GIGA (3 PIECES)	1
6	2125210	FAN HOOD FS80 KIT	1
5.6	2125298	> SPACER M8 Stratos GIGA (3 PIECES)	1
6.1		> FAN HOUSING FS80 RAL9006 HED	1
6.2	2125291	> DAMPING (6 PIECES)	1

Stratos GIGA-D 50/1-50/4,2 (2170231)

Item	Article no.	Description	Quantity
6.3	2125304	> SCREW AP40X14/9 (6 PIECES)	1
7	2191134	Module Stratos GIGA-I/D 50/1-50/4,2 KIT	1
5.5	2147361	> O-Ring ID.56X4,0 EPDM 70SR. VP.	1
6.3	2125304	> SCREW AP40X14/9 (6 PIECES)	1
7.1		> Module Stratos GIGA-I/D 50/1-50/4,2	1
7.2	2125226	> MODULE COVER FS80/90 KIT	1
7.21		>> MODULE COVER FS80/90 RAL9006+DT.	1
7.22	2125295	>> SCREW Z40X16/8 WN5411 EJOT PT (6 PIECES)	1
7.3	2120047	> CABLE CONNECTION M12x1,5/5 cpl.TL5 VP.	1
7.4	2120048	> CABLE CONNECTION M16x1,5/5 cpl.TL5 VP.	1
7.5	2120049	> CABLE CONNECTION M20x1,5/6 cpl.TL5 VP.	1
7.6	2120050	> CABLE CONNECTION M25x1,5/8 cpl.TL5 VP.	1
7.7	2125297	> SCREW M5X12 DIN912 8.8 ZN (4 PIECES)	1
7.8	2057978	> RONDELLE A5,3 DIN6797 FST ZN (4 PIECES)	1
8	2125221	SCREW M12x100 ISO4762 8.8 (4 PIECES)	1
9	2125224	SCREW M6X60 ISO4762 8.8 (4 PIECES)	1
10	2191056	DPS60-8(0-10V) KIT	1
10.1	2116737	> DIFFERENTIAL PRESSURE SENSOR 60 LGX.KIT	1
		>> DPS60 spiral TZ.3mm Volt 2G	1
	2164077	>> Cable DPS 3x0,34x650 LG.bared 2G VP.	1
Note: from/ab/de 01.10.2013			
10.2	2188063	> Connection B DPS GIGA D Spiral M12 KIT	1
10.21		>> CAPILLARY COIL 1000	2
10.22		>> Fixation ring pipe union R1/8" 90GD.Ni	1
10.23		>> Handle B DDG Stratos GIGA	1
10.24		>> Screw M4x10 EE DIN7500 ZN	2
	2168862	>> Nut/Ferrule M6 D.3MM MS Ni (2 Pieces)	1
	2168860	>> Nut/Ferrule M8 D.5MM MS Ni (2 Pieces)	1
L20	2158414	Weicon Anti-Seize 5g VP.	1
W3	2125294	ASSEMBLY AID Stratos GIGA KIT	1
		> ASSEMBLY BOLT M12/D.13x91	2
		> Screw M10X25 ISO4017 8.8 ZN	2
	2175640	Module connecting cable 850mm VP.	1

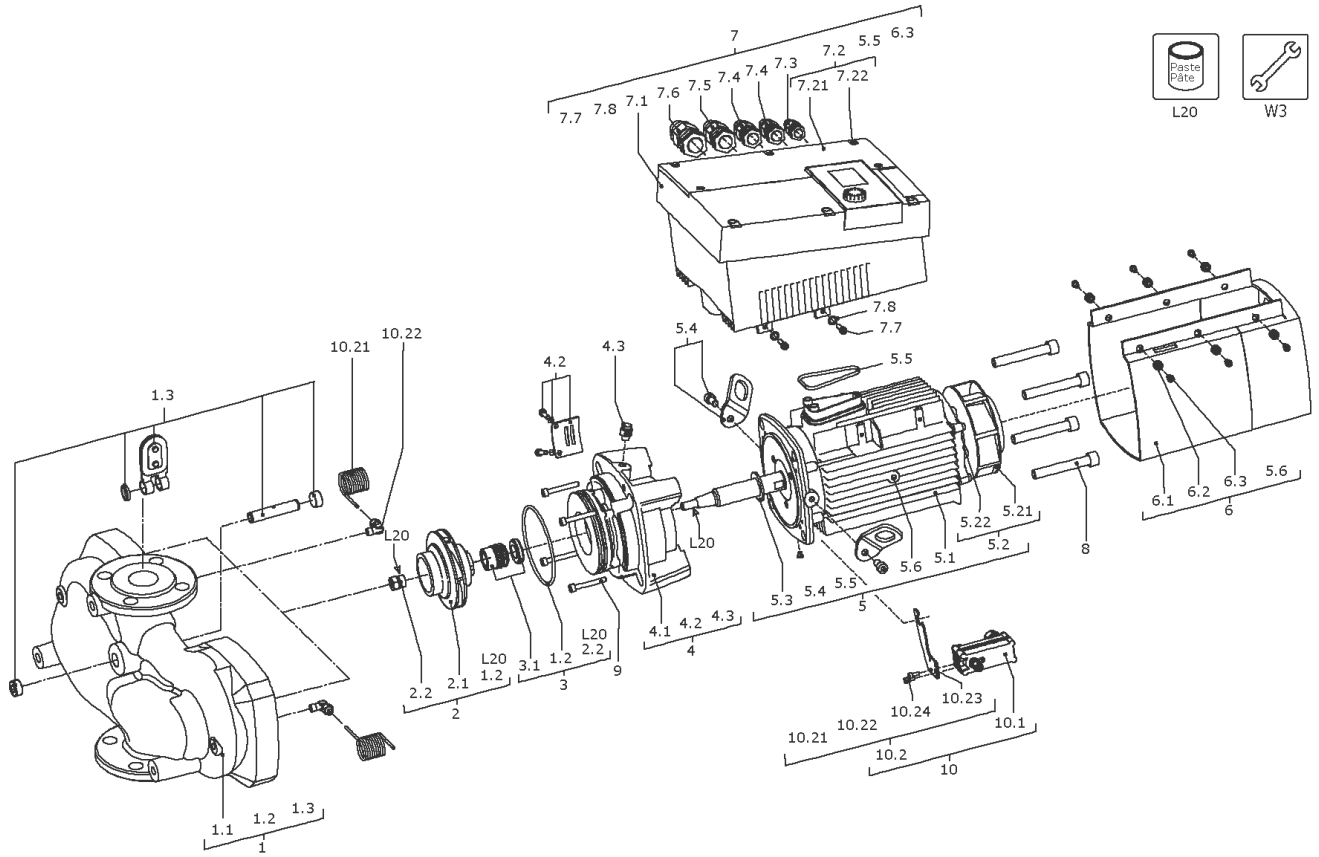


Stratos GIGA-D 50/1-44/3,2 (2170232)

Item	Article no.	Description	Quantity
1	2191142	Pump housing D50/105/P165x100 16 KIT	1
1.1		> Pump housing D50/105/P165x100 16 WILO	1
1.2	2122290	> O-RING 104,37x3,53 ISO3601B EPDM VP.	1
1.3	2192728	> Flap DN50 VP.	1
2	2125216	IMPELLER D.57/101,9/18x10,5 PPS KIT	1
1.2	2122290	> O-RING 104,37x3,53 ISO3601B EPDM VP.	1
2.1		> IMPELLER D.57/101,9/18 Fin	1
2.2	2125289	> NUT M10/M16x1 1.4122 VP.	1
L20	2158414	> Weicon Anti-Seize 5g VP.	1
3	2125211	MECH.SEAL MG12/24 AQ1EGG GIGA KIT	1
1.2	2122290	> O-RING 104,37x3,53 ISO3601B EPDM VP.	1
1.2	2158263	> O-Ring ID.126,59x3,53 EPDM VP.	1
1.2	2140435	> O-Ring 151,99x3,53 7EP1197 VP.	1
2.2	2125289	> NUT M10/M16x1 1.4122 VP.	1
3.1	2127431	> MECHANICAL SEAL MG12/24-G60 AQ1EGG VP.	1
L20	2158414	> Weicon Anti-Seize 5g VP.	1
4	2170848	Lantern Stratos GIGA-I/D 50/1-44/3,2 KIT	1
4.1		> LANTERN D.112/140x109 FF165 KTL	1
4.2	2125290	> PROTECTING SHEET/FIXING R53x52x38 KIT	1
4.3	2027201	> BLOWGUN R1/8" VP.	1
5	2170792	Motor Stratos GIGA-I/D 50/1-44/3,2 KIT	1
5.1		> MOTOR 2 FS80L 4,5/4600 Giga	1
5.2	2125301	> FAN WHEEL FS80 KIT	1
5.21		>> FAN FS80	1
5.22	2125302	>> CORRUGATED SLEEVE RING BN15-514 VP.	1
Note: bis/to/á 31.12.2017			
5.3	2125303	> THROWER D.44/23x3 VP.	1
5.4	2125299	> EYELET/SCREW Stratos GIGA(2 PIECES)	1
5.5	2147361	> O-Ring ID.56X4,0 EPDM 70SR. VP.	1
5.6	2125298	> SPACER M8 Stratos GIGA (3 PIECES)	1
6	2125210	FAN HOOD FS80 KIT	1
5.6	2125298	> SPACER M8 Stratos GIGA (3 PIECES)	1
6.1		> FAN HOUSING FS80 RAL9006 HED	1
6.2	2125291	> DAMPING (6 PIECES)	1

Stratos GIGA-D 50/1-44/3,2 (2170232)

Item	Article no.	Description	Quantity
6.3	2125304	> SCREW AP40X14/9 (6 PIECES)	1
7	2191133	Module Stratos GIGA-I/D 50/1-44/3,2 KIT	1
5.5	2147361	> O-Ring ID.56X4,0 EPDM 70SR. VP.	1
6.3	2125304	> SCREW AP40X14/9 (6 PIECES)	1
7.1		> Module Stratos GIGA-I/D 50/1-44/3,2	1
7.2	2125226	> MODULE COVER FS80/90 KIT	1
7.21		>> MODULE COVER FS80/90 RAL9006+DT.	1
7.22	2125295	>> SCREW Z40X16/8 WN5411 EJOT PT (6 PIECES)	1
7.3	2120047	> CABLE CONNECTION M12x1,5/5 cpl.TL5 VP.	1
7.4	2120048	> CABLE CONNECTION M16x1,5/5 cpl.TL5 VP.	1
7.5	2120049	> CABLE CONNECTION M20x1,5/6 cpl.TL5 VP.	1
7.6	2120050	> CABLE CONNECTION M25x1,5/8 cpl.TL5 VP.	1
7.7	2125297	> SCREW M5X12 DIN912 8.8 ZN (4 PIECES)	1
7.8	2057978	> RONDELLE A5,3 DIN6797 FST ZN (4 PIECES)	1
8	2125221	SCREW M12x100 ISO4762 8.8 (4 PIECES)	1
9	2125224	SCREW M6X60 ISO4762 8.8 (4 PIECES)	1
10	2191056	DPS60-8(0-10V) KIT	1
10.1	2116737	> DIFFERENTIAL PRESSURE SENSOR 60 LGX.KIT	1
		>> DPS60 spiral TZ.3mm Volt 2G	1
	2164077	>> Cable DPS 3x0,34x650 LG.bared 2G VP.	1
Note: from/ab/de 01.10.2013			
10.2	2188063	> Connection B DPS GIGA D Spiral M12 KIT	1
10.21		>> CAPILLARY COIL 1000	2
10.22		>> Fixation ring pipe union R1/8" 90GD.Ni	1
10.23		>> Handle B DDG Stratos GIGA	1
10.24		>> Screw M4x10 EE DIN7500 ZN	2
	2168862	>> Nut/Ferrule M6 D.3MM MS Ni (2 Pieces)	1
	2168860	>> Nut/Ferrule M8 D.5MM MS Ni (2 Pieces)	1
L20	2158414	Weicon Anti-Seize 5g VP.	1
W3	2125294	ASSEMBLY AID Stratos GIGA KIT	1
		> ASSEMBLY BOLT M12/D.13x91	2
		> Screw M10X25 ISO4017 8.8 ZN	2
	2175640	Module connecting cable 850mm VP.	1

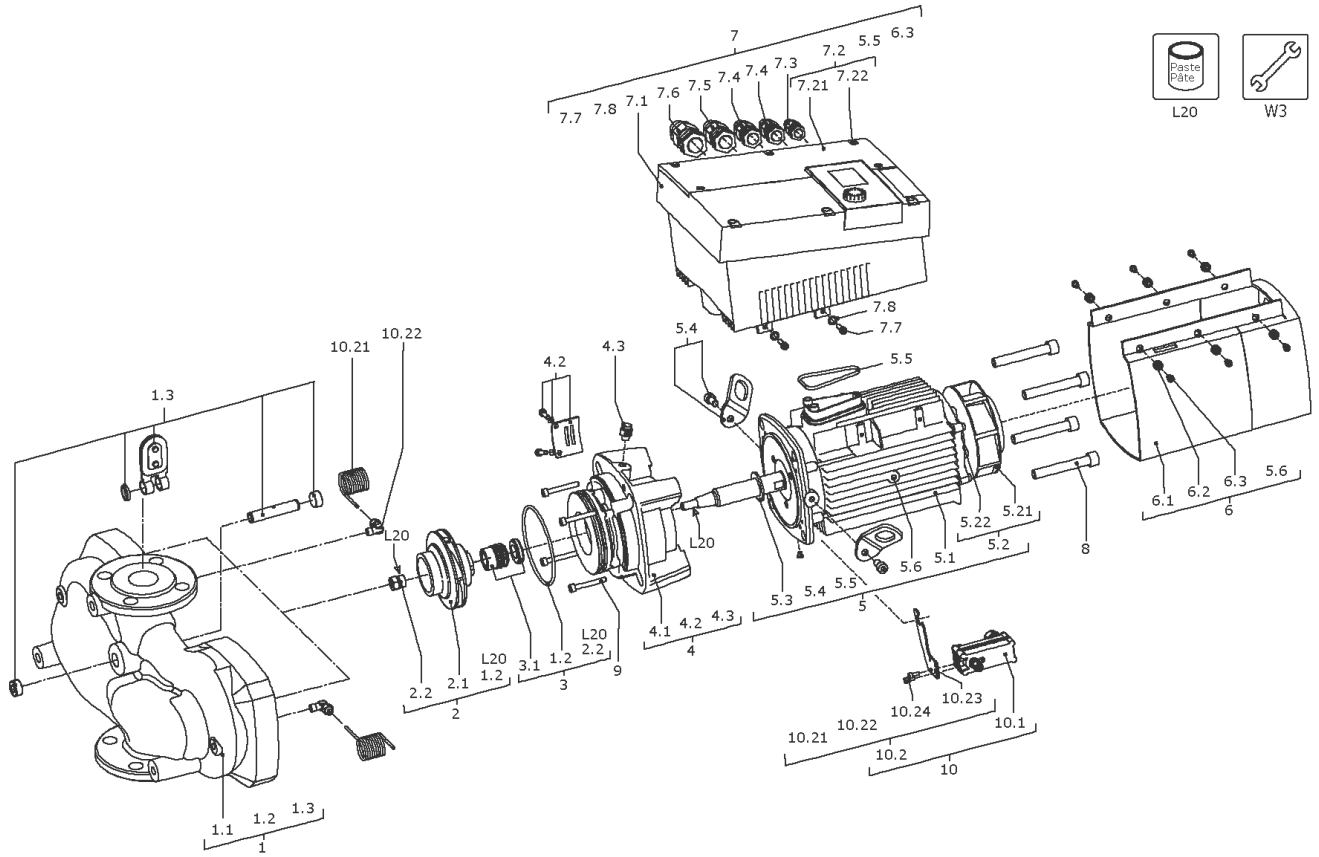


Stratos GIGA-D 50/1-38/2,8 (2170233)

Item	Article no.	Description	Quantity
1	2191142	Pump housing D50/105/P165x100 16 KIT	1
1.1		> Pump housing D50/105/P165x100 16 WILO	1
1.2	2122290	> O-RING 104,37x3,53 ISO3601B EPDM VP.	1
1.3	2192728	> Flap DN50 VP.	1
2	2125216	IMPELLER D.57/101,9/18x10,5 PPS KIT	1
1.2	2122290	> O-RING 104,37x3,53 ISO3601B EPDM VP.	1
2.1		> IMPELLER D.57/101,9/18 Fin	1
2.2	2125289	> NUT M10/M16x1 1.4122 VP.	1
L20	2158414	> Weicon Anti-Seize 5g VP.	1
3	2125211	MECH.SEAL MG12/24 AQ1EGG GIGA KIT	1
1.2	2122290	> O-RING 104,37x3,53 ISO3601B EPDM VP.	1
1.2	2158263	> O-Ring ID.126,59x3,53 EPDM VP.	1
1.2	2140435	> O-Ring 151,99x3,53 7EP1197 VP.	1
2.2	2125289	> NUT M10/M16x1 1.4122 VP.	1
3.1	2127431	> MECHANICAL SEAL MG12/24-G60 AQ1EGG VP.	1
L20	2158414	> Weicon Anti-Seize 5g VP.	1
4	2170849	Lantern Stratos GIGA-I/D 50/1-38/2,8 KIT	1
4.1		> LANTERN D.112/140x109 FF165 KTL	1
4.2	2125290	> PROTECTING SHEET/FIXING R53x52x38 KIT	1
4.3	2027201	> BLOWGUN R1/8" VP.	1
5	2170793	Motor Stratos GIGA-I/D 50/1-38/2,8 KIT	1
5.1		> MOTOR 2 FS80S 3,3/4600 Giga	1
5.2	2125301	> FAN WHEEL FS80 KIT	1
5.21		>> FAN FS80	1
5.22	2125302	>> CORRUGATED SLEEVE RING BN15-514 VP.	1
Note: bis/to/á 31.12.2017			
5.3	2125303	> THROWER D.44/23x3 VP.	1
5.4	2125299	> EYELET/SCREW Stratos GIGA(2 PIECES)	1
5.5	2147361	> O-Ring ID.56X4,0 EPDM 70SR. VP.	1
5.6	2125298	> SPACER M8 Stratos GIGA (3 PIECES)	1
6	2125210	FAN HOOD FS80 KIT	1
5.6	2125298	> SPACER M8 Stratos GIGA (3 PIECES)	1
6.1		> FAN HOUSING FS80 RAL9006 HED	1
6.2	2125291	> DAMPING (6 PIECES)	1

Stratos GIGA-D 50/1-38/2,8 (2170233)

Item	Article no.	Description	Quantity
6.3	2125304	> SCREW AP40X14/9 (6 PIECES)	1
7	2191132	Module Stratos GIGA-I/D 50/1-38/2,8 KIT	1
5.5	2147361	> O-Ring ID.56X4,0 EPDM 70SR. VP.	1
6.3	2125304	> SCREW AP40X14/9 (6 PIECES)	1
7.1		> Module Stratos GIGA-I/D 50/1-38/2,8	1
7.2	2125226	> MODULE COVER FS80/90 KIT	1
7.21		>> MODULE COVER FS80/90 RAL9006+DT.	1
7.22	2125295	>> SCREW Z40X16/8 WN5411 EJOT PT (6 PIECES)	1
7.3	2120047	> CABLE CONNECTION M12x1,5/5 cpl.TL5 VP.	1
7.4	2120048	> CABLE CONNECTION M16x1,5/5 cpl.TL5 VP.	1
7.5	2120049	> CABLE CONNECTION M20x1,5/6 cpl.TL5 VP.	1
7.6	2120050	> CABLE CONNECTION M25x1,5/8 cpl.TL5 VP.	1
7.7	2125297	> SCREW M5X12 DIN912 8.8 ZN (4 PIECES)	1
7.8	2057978	> RONDELLE A5,3 DIN6797 FST ZN (4 PIECES)	1
8	2125221	SCREW M12x100 ISO4762 8.8 (4 PIECES)	1
9	2125224	SCREW M6X60 ISO4762 8.8 (4 PIECES)	1
10	2178962	DPS40-13(0-10V) KIT	1
10.1	2106117	> DIFFERENT.PRESSURE SENSOR 40 LGX.KIT	1
		>> DPS40 spiral TZ.3mm Volt 2G	1
	2164077	>> Cable DPS 3x0,34x650 LG.bared 2G VP.	1
Note: from/ab/de 01.10.2013			
10.2	2188063	> Connection B DPS GIGA D Spiral M12 KIT	1
10.21		>> CAPILLARY COIL 1000	2
10.22		>> Fixation ring pipe union R1/8" 90GD.Ni	1
10.23		>> Handle B DDG Stratos GIGA	1
10.24		>> Screw M4x10 EE DIN7500 ZN	2
	2168862	>> Nut/Ferrule M6 D.3MM MS Ni (2 Pieces)	1
	2168860	>> Nut/Ferrule M8 D.5MM MS Ni (2 Pieces)	1
L20	2158414	Weicon Anti-Seize 5g VP.	1
W3	2125294	ASSEMBLY AID Stratos GIGA KIT	1
		> ASSEMBLY BOLT M12/D.13x91	2
		> Screw M10X25 ISO4017 8.8 ZN	2
	2175640	Module connecting cable 850mm VP.	1

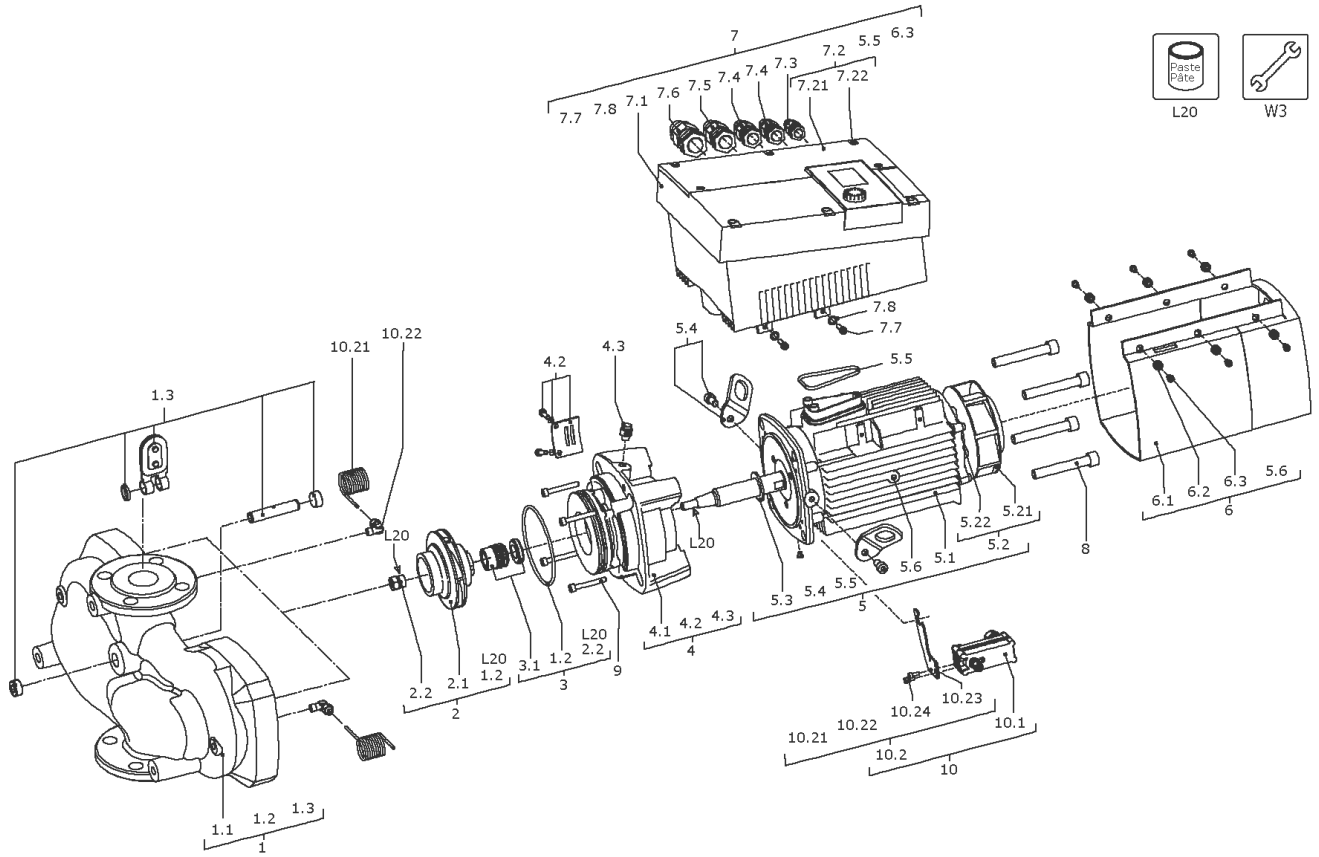


Stratos GIGA-D 80/1-21/3,5 (2170242)

Item	Article no.	Description	Quantity
1	2191143	Pump housing D80/120/P165x123 16 KIT	1
1.1		> Pump housing D50/105/P165x100 16 WILO	1
1.2	2158263	> O-Ring ID.126,59x3,53 EPDM VP.	1
1.3	2192729	> Flap DN80 VP.	1
2	2147398	Impeller D.82/124,3/6,9°/18 PPS KIT	1
1.2	2158263	> O-Ring ID.126,59x3,53 EPDM VP.	1
2.1		> Impeller D.82/124,3/6,9°/18 OL.PPS Fin	1
2.2	2125289	> NUT M10/M16x1 1.4122 VP.	1
L20	2158414	> Weicon Anti-Seize 5g VP.	1
3	2125211	MECH.SEAL MG12/24 AQ1EGG GIGA KIT	1
1.2	2122290	> O-RING 104,37x3,53 ISO3601B EPDM VP.	1
1.2	2158263	> O-Ring ID.126,59x3,53 EPDM VP.	1
1.2	2140435	> O-Ring 151,99x3,53 7EP1197 VP.	1
2.2	2125289	> NUT M10/M16x1 1.4122 VP.	1
3.1	2127431	> MECHANICAL SEAL MG12/24-G60 AQ1EGG VP.	1
L20	2158414	> Weicon Anti-Seize 5g VP.	1
4	2170858	Lantern Stratos GIGA-I/D 80/1-21/3,5 KIT	1
4.1		> LANTERN D.143/146x102 FF165 GG KTL	1
4.2	2147405	> Protecting sheet/Fixing R74/72x27 KIT	1
4.3	2027201	> BLOWGUN R1/8" VP.	1
5	2170802	Motor STRATOS GIGA-I/D 80/1-21/3,5 KIT	1
5.1		> MOTOR 2 FS80L 3,2/3000 Giga	1
5.2	2125301	> FAN WHEEL FS80 KIT	1
5.21		>> FAN FS80	1
5.22	2125302	>> CORRUGATED SLEEVE RING BN15-514 VP.	1
Note: bis/to/á 31.12.2017			
5.3	2125303	> THROWER D.44/23x3 VP.	1
5.4	2125299	> EYELET/SCREW Stratos GIGA(2 PIECES)	1
5.5	2147361	> O-Ring ID.56X4,0 EPDM 70SR. VP.	1
5.6	2125298	> SPACER M8 Stratos GIGA (3 PIECES)	1
6	2125210	FAN HOOD FS80 KIT	1
5.6	2125298	> SPACER M8 Stratos GIGA (3 PIECES)	1
6.1		> FAN HOUSING FS80 RAL9006 HED	1
6.2	2125291	> DAMPING (6 PIECES)	1

Stratos GIGA-D 80/1-21/3,5 (2170242)

Item	Article no.	Description	Quantity
6.3	2125304	> SCREW AP40X14/9 (6 PIECES)	1
7	2191136	Module STRATOS GIGA-I/D 80/1-21/3,5 KIT	1
5.5	2147361	> O-Ring ID.56X4,0 EPDM 70SR. VP.	1
6.3	2125304	> SCREW AP40X14/9 (6 PIECES)	1
7.1		> Module STRATOS GIGA-I/D 80/1-21/3,5	1
7.2	2125226	> MODULE COVER FS80/90 KIT	1
7.21		>> MODULE COVER FS80/90 RAL9006+DT.	1
7.22	2125295	>> SCREW Z40X16/8 WN5411 EJOT PT (6 PIECES)	1
7.3	2120047	> CABLE CONNECTION M12x1,5/5 cpl.TL5 VP.	1
7.4	2120048	> CABLE CONNECTION M16x1,5/5 cpl.TL5 VP.	1
7.5	2120049	> CABLE CONNECTION M20x1,5/6 cpl.TL5 VP.	1
7.6	2120050	> CABLE CONNECTION M25x1,5/8 cpl.TL5 VP.	1
7.7	2125297	> SCREW M5X12 DIN912 8.8 ZN (4 PIECES)	1
7.8	2057978	> RONDELLE A5,3 DIN6797 FST ZN (4 PIECES)	1
8	2125223	SCREW M12X80 ISO4762 8.8 (4 PIECES)	1
9	2148013	Screw M6X40 ISO4762 8.8(4 Pieces)	1
10	2178962	DPS40-13(0-10V) KIT	1
10.1	2106117	> DIFFERENT.PRESSURE SENSOR 40 LGX.KIT	1
		>> DPS40 spiral TZ.3mm Volt 2G	1
	2164077	>> Cable DPS 3x0,34x650 LG.bared 2G VP.	1
Note: from/ab/de 01.10.2013			
10.2	2188063	> Connection B DPS GIGA D Spiral M12 KIT	1
10.21		>> CAPILLARY COIL 1000	2
10.22		>> Fixation ring pipe union R1/8" 90GD.Ni	1
10.23		>> Handle B DDG Stratos GIGA	1
10.24		>> Screw M4x10 EE DIN7500 ZN	2
	2168862	>> Nut/Ferrule M6 D.3MM MS Ni (2 Pieces)	1
	2168860	>> Nut/Ferrule M8 D.5MM MS Ni (2 Pieces)	1
L20	2158414	Weicon Anti-Seize 5g VP.	1
W3	2125294	ASSEMBLY AID Stratos GIGA KIT	1
		> ASSEMBLY BOLT M12/D.13x91	2
		> Screw M10X25 ISO4017 8.8 ZN	2
	2175636	Module connecting cable 1800mm VP.	1

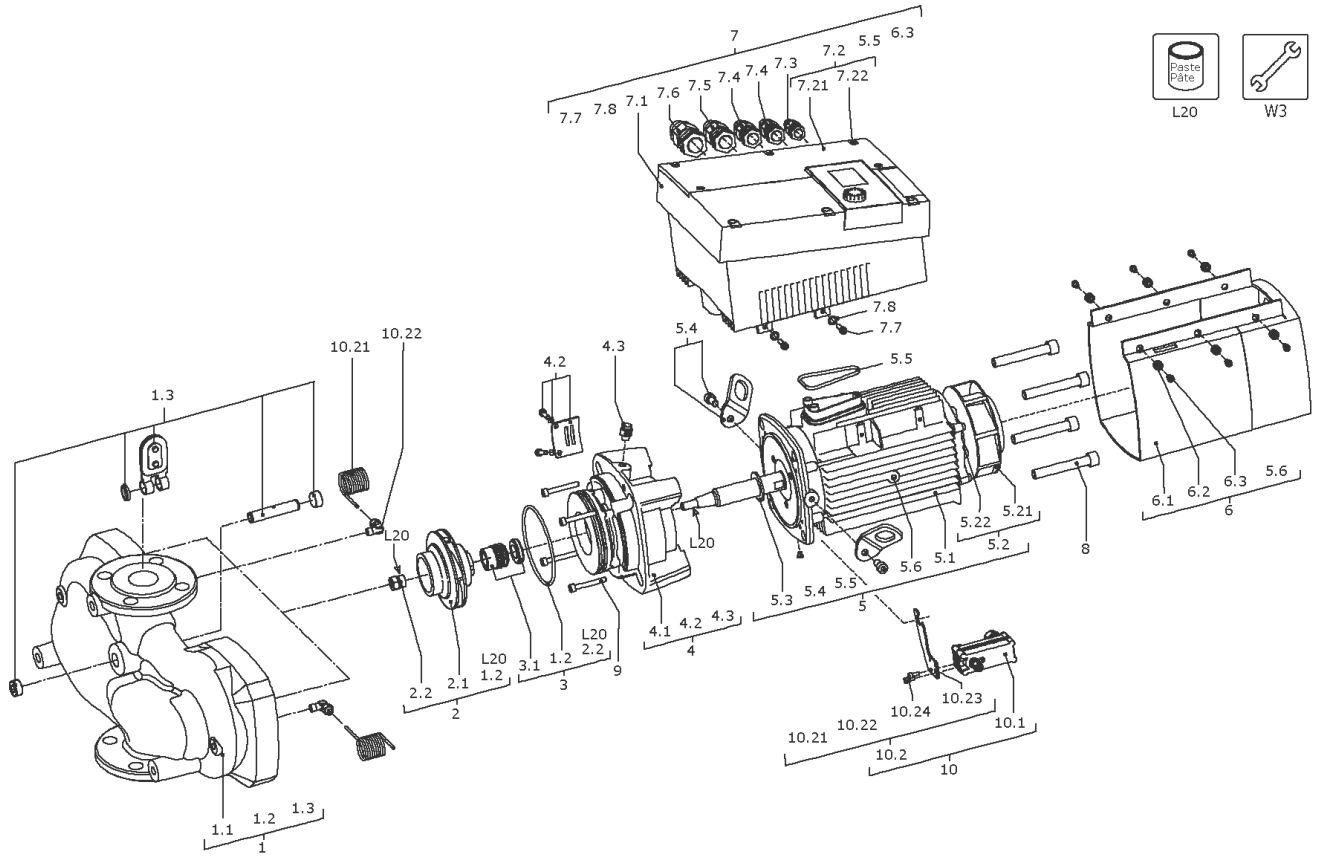


Stratos GIGA-D 80/1-16/2,3 (2170243)

Item	Article no.	Description	Quantity
1	2191143	Pump housing D80/120/P165x123 16 KIT	1
1.1		> Pump housing D50/105/P165x100 16 WILO	1
1.2	2158263	> O-Ring ID.126,59x3,53 EPDM VP.	1
1.3	2192729	> Flap DN80 VP.	1
2	2147399	Impeller D.82/115/6,9°/18 PPS KIT	1
1.2	2158263	> O-Ring ID.126,59x3,53 EPDM VP.	1
2.1		> Impeller D.82/115/6,9°/18 OL.PPS Fin	1
2.2	2125289	> NUT M10/M16x1 1.4122 VP.	1
L20	2158414	> Weicon Anti-Seize 5g VP.	1
3	2125211	MECH.SEAL MG12/24 AQ1EGG GIGA KIT	1
1.2	2122290	> O-RING 104,37x3,53 ISO3601B EPDM VP.	1
1.2	2158263	> O-Ring ID.126,59x3,53 EPDM VP.	1
1.2	2140435	> O-Ring 151,99x3,53 7EP1197 VP.	1
2.2	2125289	> NUT M10/M16x1 1.4122 VP.	1
3.1	2127431	> MECHANICAL SEAL MG12/24-G60 AQ1EGG VP.	1
L20	2158414	> Weicon Anti-Seize 5g VP.	1
4	2170859	Lantern Stratos GIGA-I/D 80/1-16/2,3 KIT	1
4.1		> LANTERN D.143/146x102 FF165 GG KTL	1
4.2	2147405	> Protecting sheet/Fixing R74/72x27 KIT	1
4.3	2027201	> BLOWGUN R1/8" VP.	1
5	2170803	Motor STRATOS GIGA-I/D 80/1-16/2,3 KIT	1
5.1		> MOTOR 2 FS80L 3,2/3000 Giga	1
5.2	2125301	> FAN WHEEL FS80 KIT	1
5.21		>> FAN FS80	1
5.22	2125302	>> CORRUGATED SLEEVE RING BN15-514 VP.	1
Note: bis/to/á 31.12.2017			
5.3	2125303	> THROWER D.44/23x3 VP.	1
5.4	2125299	> EYELET/SCREW Stratos GIGA(2 PIECES)	1
5.5	2147361	> O-Ring ID.56X4,0 EPDM 70SR. VP.	1
5.6	2125298	> SPACER M8 Stratos GIGA (3 PIECES)	1
6	2125210	FAN HOOD FS80 KIT	1
5.6	2125298	> SPACER M8 Stratos GIGA (3 PIECES)	1
6.1		> FAN HOUSING FS80 RAL9006 HED	1
6.2	2125291	> DAMPING (6 PIECES)	1

Stratos GIGA-D 80/1-16/2,3 (2170243)

Item	Article no.	Description	Quantity
6.3	2125304	> SCREW AP40X14/9 (6 PIECES)	1
7	2191135	Module STRATOS GIGA-I/D 80/1-16/2,3 KIT	1
5.5	2147361	> O-Ring ID.56X4,0 EPDM 70SR. VP.	1
6.3	2125304	> SCREW AP40X14/9 (6 PIECES)	1
7.1		> Module STRATOS GIGA-I/D 80/1-16/2,3	1
7.2	2125226	> MODULE COVER FS80/90 KIT	1
7.21		>> MODULE COVER FS80/90 RAL9006+DT.	1
7.22	2125295	>> SCREW Z40X16/8 WN5411 EJOT PT (6 PIECES)	1
7.3	2120047	> CABLE CONNECTION M12x1,5/5 cpl.TL5 VP.	1
7.4	2120048	> CABLE CONNECTION M16x1,5/5 cpl.TL5 VP.	1
7.5	2120049	> CABLE CONNECTION M20x1,5/6 cpl.TL5 VP.	1
7.6	2120050	> CABLE CONNECTION M25x1,5/8 cpl.TL5 VP.	1
7.7	2125297	> SCREW M5X12 DIN912 8.8 ZN (4 PIECES)	1
7.8	2057978	> RONDELLE A5,3 DIN6797 FST ZN (4 PIECES)	1
8	2125223	SCREW M12X80 ISO4762 8.8 (4 PIECES)	1
9	2148013	Screw M6X40 ISO4762 8.8(4 Pieces)	1
10	2191057	DPS20-14(0-10V)KIT	1
10.1	2116736	> DIFFERENTIAL PRESSURE SENSOR 20 LGX.KIT	1
		>> DPS20 spiral TZ.3mm Volt 2G	1
	2164077	>> Cable DPS 3x0,34x650 LG.bared 2G VP.	1
Note: from/ab/de 01.10.2013			
10.2	2188063	> Connection B DPS GIGA D Spiral M12 KIT	1
10.21		>> CAPILLARY COIL 1000	2
10.22		>> Fixation ring pipe union R1/8" 90GD.Ni	1
10.23		>> Handle B DDG Stratos GIGA	1
10.24		>> Screw M4x10 EE DIN7500 ZN	2
	2168862	>> Nut/Ferrule M6 D.3MM MS Ni (2 Pieces)	1
	2168860	>> Nut/Ferrule M8 D.5MM MS Ni (2 Pieces)	1
L20	2158414	Weicon Anti-Seize 5g VP.	1
W3	2125294	ASSEMBLY AID Stratos GIGA KIT	1
		> ASSEMBLY BOLT M12/D.13x91	2
		> Screw M10X25 ISO4017 8.8 ZN	2
	2175636	Module connecting cable 1800mm VP.	1

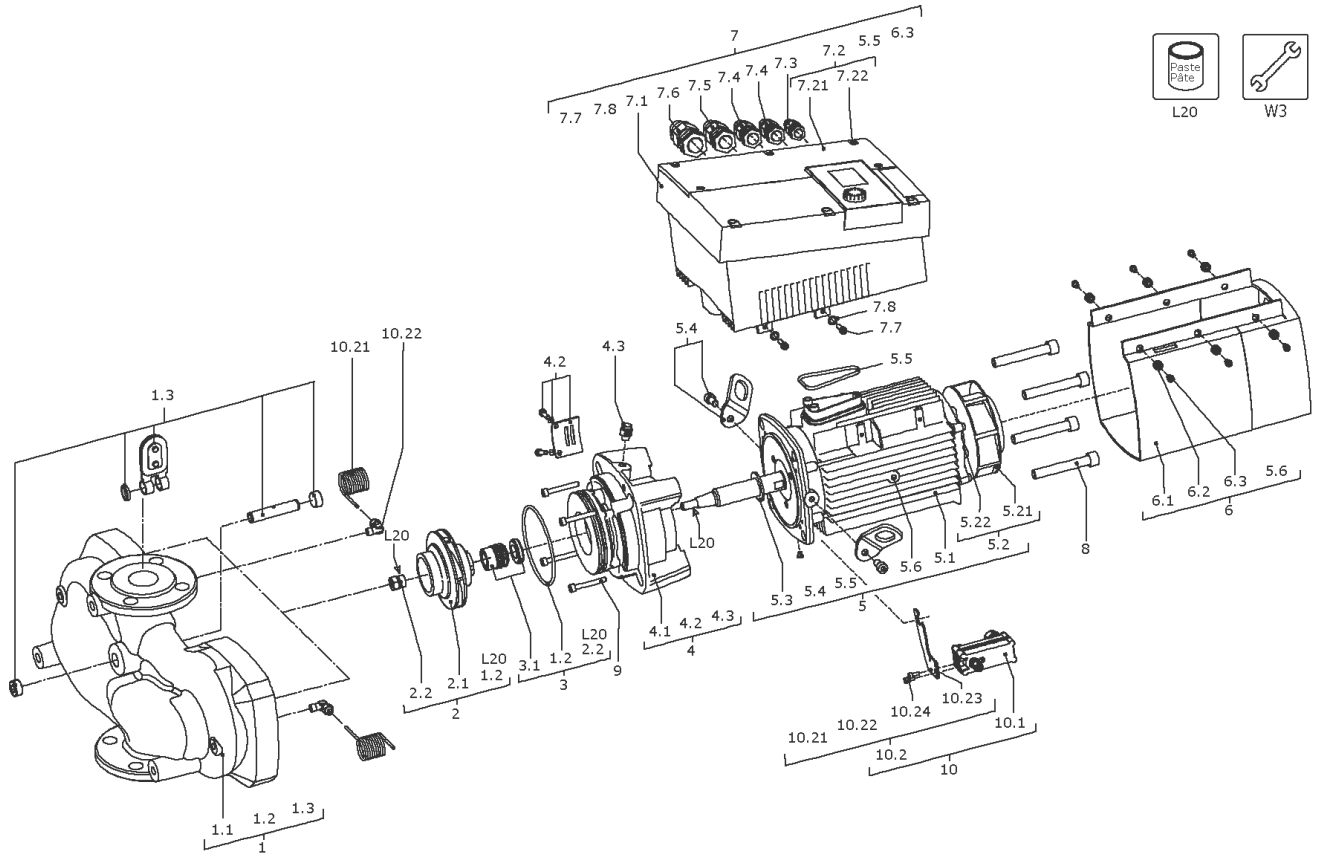


Stratos GIGA-D 80/1-37/5,3 (2170244)

Item	Article no.	Description	Quantity
1	2191144	Pump housing D80/120/P215X117 16 KIT	1
1.1		> Pump housing D80/120/P215X117 16 WILO	1
1.2	2158263	> O-Ring ID.126,59x3,53 EPDM VP.	1
2	2147400	Impeller D.77/127/18 PPS KIT	1
1.2	2158263	> O-Ring ID.126,59x3,53 EPDM VP.	1
2.1		> Impeller D.77/127/18 OL.PPS Fin	1
2.2	2125289	> NUT M10/M16x1 1.4122 VP.	1
L20	2158414	> Weicon Anti-Seize 5g VP.	1
3	2125211	MECH.SEAL MG12/24 AQ1EGG GIGA KIT	1
1.2	2122290	> O-RING 104,37x3,53 ISO3601B EPDM VP.	1
1.2	2158263	> O-Ring ID.126,59x3,53 EPDM VP.	1
1.2	2140435	> O-Ring 151,99x3,53 7EP1197 VP.	1
2.2	2125289	> NUT M10/M16x1 1.4122 VP.	1
3.1	2127431	> MECHANICAL SEAL MG12/24-G60 AQ1EGG VP.	1
L20	2158414	> Weicon Anti-Seize 5g VP.	1
4	2170860	Lantern Stratos GIGA-I/D 80/1-37/5,3 KIT	1
4.1		> LANTERN D.136/180x95 P215 FF165 KTL	1
4.2	2147405	> Protecting sheet/Fixing R74/72x27 KIT	1
4.3	2027201	> BLOWGUN R1/8" VP.	1
5	2170804	Motor Stratos GIGA-I/D 80/1-37/5,3 KIT	1
5.1		> MOTOR 2 FS90L 5,5/2900 Giga	1
5.2	2125228	> Fan wheel FS90 KIT	1
5.21		>> FAN FS90	1
5.22	2125302	>> CORRUGATED SLEEVE RING BN15-514 VP.	1
Note: bis/to/á 30.04.2017			
5.3	2125303	> THROWER D.44/23x3 VP.	1
5.4	2125299	> EYELET/SCREW Stratos GIGA(2 PIECES)	1
5.5	2147361	> O-Ring ID.56X4,0 EPDM 70SR. VP.	1
5.6	2125298	> SPACER M8 Stratos GIGA (3 PIECES)	1
6	2147407	Fan hood FS90 long KIT	1
5.6	2125298	> SPACER M8 Stratos GIGA (3 PIECES)	1
6.1		> Fan hood FS90 long HED 9006	1
6.2	2125291	> DAMPING (6 PIECES)	1
6.3	2125304	> SCREW AP40X14/9 (6 PIECES)	1

Stratos GIGA-D 80/1-37/5,3 (2170244)

Item	Article no.	Description	Quantity
7	2191138	Module Stratos GIGA-I/D 80/1-37/5,3 KIT	1
5.5	2147361	> O-Ring ID.56X4,0 EPDM 70SR. VP.	1
6.3	2125304	> SCREW AP40X14/9 (6 PIECES)	1
7.1		> Module Stratos GIGA-I/D 80/1-37/5,3	1
7.2	2148010	> Module cover FS90/100 KIT	1
7.21		>> MODULE COVER FS90/100 Ral9006+DT.	1
7.22	2125295	>> SCREW Z40X16/8 WN5411 EJOT PT (6 PIECES)	1
7.3	2120047	> CABLE CONNECTION M12x1,5/5 cpl.TL5 VP.	1
7.4	2120048	> CABLE CONNECTION M16x1,5/5 cpl.TL5 VP.	1
7.5	2120049	> CABLE CONNECTION M20x1,5/6 cpl.TL5 VP.	1
7.6	2120050	> CABLE CONNECTION M25x1,5/8 cpl.TL5 VP.	1
7.7	2125297	> SCREW M5X12 DIN912 8.8 ZN (4 PIECES)	1
7.8	2057978	> RONDELLE A5,3 DIN6797 FST ZN (4 PIECES)	1
8	2094435	SCREW M12X30 ISO4762 8.8 (4 PIECES)	1
9	2094435	SCREW M12X30 ISO4762 8.8 (4 PIECES)	1
10	2178962	DPS40-13(0-10V) KIT	1
10.1	2106117	> DIFFERENT.PRESSURE SENSOR 40 LGX.KIT	1
		>> DPS40 spiral TZ.3mm Volt 2G	1
	2164077	>> Cable DPS 3x0,34x650 LG.bared 2G VP.	1
Note: from/ab/de 01.10.2013			
10.2	2188063	> Connection B DPS GIGA D Spiral M12 KIT	1
10.21		>> CAPILLARY COIL 1000	2
10.22		>> Fixation ring pipe union R1/8" 90GD.Ni	1
10.23		>> Handle B DDG Stratos GIGA	1
10.24		>> Screw M4x10 EE DIN7500 ZN	2
	2168862	>> Nut/Ferrule M6 D.3MM MS Ni (2 Pieces)	1
	2168860	>> Nut/Ferrule M8 D.5MM MS Ni (2 Pieces)	1
L20	2158414	Weicon Anti-Seize 5g VP.	1
W3	2125294	ASSEMBLY AID Stratos GIGA KIT	1
		> ASSEMBLY BOLT M12/D.13x91	2
		> Screw M10X25 ISO4017 8.8 ZN	2
	2175636	Module connecting cable 1800mm VP.	1

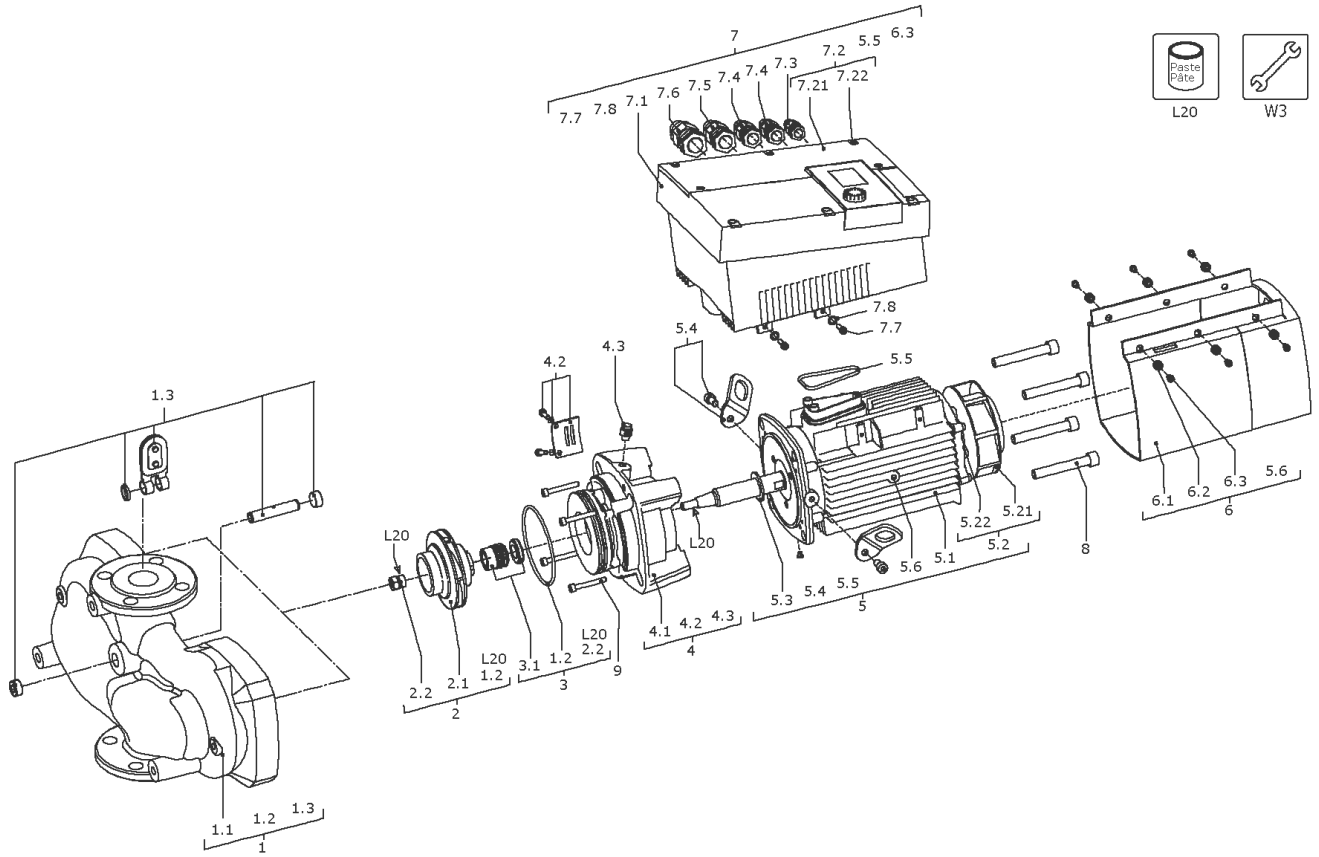


Stratos GIGA-D 80/1-32/4,1 (2170245)

Item	Article no.	Description	Quantity
1	2191144	Pump housing D80/120/P215X117 16 KIT	1
1.1		> Pump housing D80/120/P215X117 16 WILO	1
1.2	2158263	> O-Ring ID.126,59x3,53 EPDM VP.	1
2	2147401	Impeller D.77/119/18 PPS KIT	1
1.2	2158263	> O-Ring ID.126,59x3,53 EPDM VP.	1
2.1		> Impeller D.77/119/18 OL.PPS Fin	1
2.2	2125289	> NUT M10/M16x1 1.4122 VP.	1
L20	2158414	> Weicon Anti-Seize 5g VP.	1
3	2125211	MECH.SEAL MG12/24 AQ1EGG GIGA KIT	1
1.2	2122290	> O-RING 104,37x3,53 ISO3601B EPDM VP.	1
1.2	2158263	> O-Ring ID.126,59x3,53 EPDM VP.	1
1.2	2140435	> O-Ring 151,99x3,53 7EP1197 VP.	1
2.2	2125289	> NUT M10/M16x1 1.4122 VP.	1
3.1	2127431	> MECHANICAL SEAL MG12/24-G60 AQ1EGG VP.	1
L20	2158414	> Weicon Anti-Seize 5g VP.	1
4	2170861	Lantern Stratos GIGA-I/D 80/1-32/4,1 KIT	1
4.1		> LANTERN D.136/180x95 P215 FF165 KTL	1
4.2	2147405	> Protecting sheet/Fixing R74/72x27 KIT	1
4.3	2027201	> BLOWGUN R1/8" VP.	1
5	2170805	Motor Stratos GIGA-I/D 80/1-32/4,1 KIT	1
5.1		> MOTOR 2 FS90L 5,5/2900 Giga	1
5.2	2125228	> Fan wheel FS90 KIT	1
5.21		>> FAN FS90	1
5.22	2125302	>> CORRUGATED SLEEVE RING BN15-514 VP.	1
Note: bis/to/á 30.04.2017			
5.3	2125303	> THROWER D.44/23x3 VP.	1
5.4	2125299	> EYELET/SCREW Stratos GIGA(2 PIECES)	1
5.5	2147361	> O-Ring ID.56X4,0 EPDM 70SR. VP.	1
5.6	2125298	> SPACER M8 Stratos GIGA (3 PIECES)	1
6	2147407	Fan hood FS90 long KIT	1
5.6	2125298	> SPACER M8 Stratos GIGA (3 PIECES)	1
6.1		> Fan hood FS90 long HED 9006	1
6.2	2125291	> DAMPING (6 PIECES)	1
6.3	2125304	> SCREW AP40X14/9 (6 PIECES)	1

Stratos GIGA-D 80/1-32/4,1 (2170245)

Item	Article no.	Description	Quantity
7	2191137	Module Stratos GIGA-I/D 80/1-32/4,1 KIT	1
5.5	2147361	> O-Ring ID.56X4,0 EPDM 70SR. VP.	1
6.3	2125304	> SCREW AP40X14/9 (6 PIECES)	1
7.1		> Module Stratos GIGA-I/D 80/1-32/4,1	1
7.2	2148010	> Module cover FS90/100 KIT	1
7.21		>> MODULE COVER FS90/100 Ral9006+DT.	1
7.22	2125295	>> SCREW Z40X16/8 WN5411 EJOT PT (6 PIECES)	1
7.3	2120047	> CABLE CONNECTION M12x1,5/5 cpl.TL5 VP.	1
7.4	2120048	> CABLE CONNECTION M16x1,5/5 cpl.TL5 VP.	1
7.5	2120049	> CABLE CONNECTION M20x1,5/6 cpl.TL5 VP.	1
7.6	2120050	> CABLE CONNECTION M25x1,5/8 cpl.TL5 VP.	1
7.7	2125297	> SCREW M5X12 DIN912 8.8 ZN (4 PIECES)	1
7.8	2057978	> RONDELLE A5,3 DIN6797 FST ZN (4 PIECES)	1
8	2094435	SCREW M12X30 ISO4762 8.8 (4 PIECES)	1
9	2094435	SCREW M12X30 ISO4762 8.8 (4 PIECES)	1
10	2178962	DPS40-13(0-10V) KIT	1
10.1	2106117	> DIFFERENT.PRESSURE SENSOR 40 LGX.KIT	1
		>> DPS40 spiral TZ.3mm Volt 2G	1
	2164077	>> Cable DPS 3x0,34x650 LG.bared 2G VP.	1
Note: from/ab/de 01.10.2013			
10.2	2188063	> Connection B DPS GIGA D Spiral M12 KIT	1
10.21		>> CAPILLARY COIL 1000	2
10.22		>> Fixation ring pipe union R1/8" 90GD.Ni	1
10.23		>> Handle B DDG Stratos GIGA	1
10.24		>> Screw M4x10 EE DIN7500 ZN	2
	2168862	>> Nut/Ferrule M6 D.3MM MS Ni (2 Pieces)	1
	2168860	>> Nut/Ferrule M8 D.5MM MS Ni (2 Pieces)	1
L20	2158414	Weicon Anti-Seize 5g VP.	1
W3	2125294	ASSEMBLY AID Stratos GIGA KIT	1
		> ASSEMBLY BOLT M12/D.13x91	2
		> Screw M10X25 ISO4017 8.8 ZN	2
	2175636	Module connecting cable 1800mm VP.	1

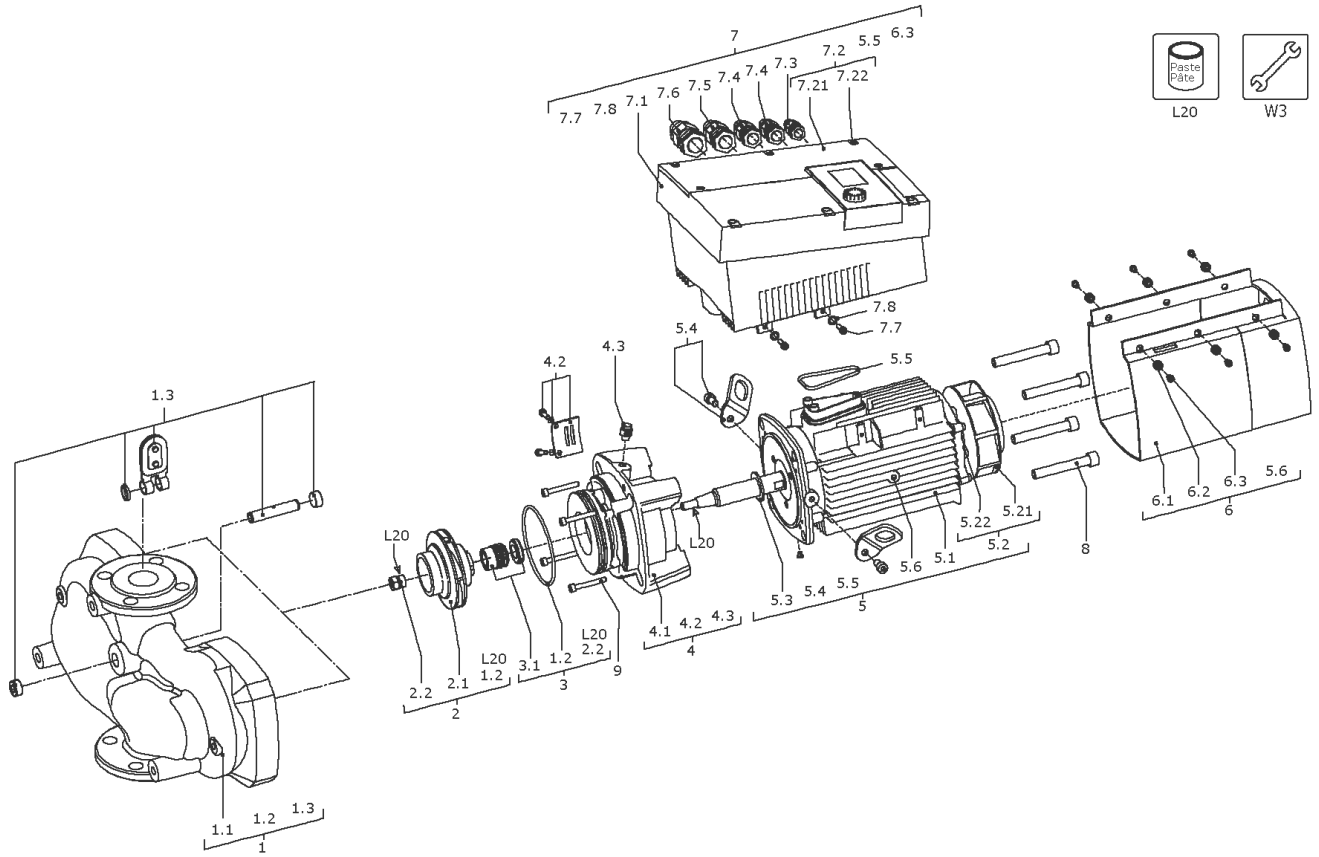


Stratos GIGA-D 50/1-50/4,2-R1 (2170287)

Item	Article no.	Description	Quantity
1	2191142	Pump housing D50/105/P165x100 16 KIT	1
1.1		> Pump housing D50/105/P165x100 16 WILO	1
1.2	2122290	> O-RING 104,37x3,53 ISO3601B EPDM VP.	1
1.3	2192728	> Flap DN50 VP.	1
2	2125215	IMPELLER D.57/108/18x10,3 PPS KIT	1
1.2	2122290	> O-RING 104,37x3,53 ISO3601B EPDM VP.	1
2.1		> IMPELLER D.57/108/18 Fin	1
2.2	2125289	> NUT M10/M16x1 1.4122 VP.	1
L20	2158414	> Weicon Anti-Seize 5g VP.	1
3	2125211	MECH.SEAL MG12/24 AQ1EGG GIGA KIT	1
1.2	2122290	> O-RING 104,37x3,53 ISO3601B EPDM VP.	1
1.2	2158263	> O-Ring ID.126,59x3,53 EPDM VP.	1
1.2	2140435	> O-Ring 151,99x3,53 7EP1197 VP.	1
2.2	2125289	> NUT M10/M16x1 1.4122 VP.	1
3.1	2127431	> MECHANICAL SEAL MG12/24-G60 AQ1EGG VP.	1
L20	2158414	> Weicon Anti-Seize 5g VP.	1
4	2170847	Lantern Stratos GIGA-I/D 50/1-50/4,2 KIT	1
4.1		> LANTERN D.112/140x109 FF165 KTL	1
4.2	2125290	> PROTECTING SHEET/FIXING R53x52x38 KIT	1
4.3	2027201	> BLOWGUN R1/8" VP.	1
5	2170791	Motor Stratos GIGA-I/D 50/1-50/4,2 KIT	1
5.1		> MOTOR 2 FS80L 4,5/4600 Giga	1
5.2	2125301	> FAN WHEEL FS80 KIT	1
5.21		>> FAN FS80	1
5.22	2125302	>> CORRUGATED SLEEVE RING BN15-514 VP.	1
Note: bis/to/á 31.12.2017			
5.3	2125303	> THROWER D.44/23x3 VP.	1
5.4	2125299	> EYELET/SCREW Stratos GIGA(2 PIECES)	1
5.5	2147361	> O-Ring ID.56X4,0 EPDM 70SR. VP.	1
5.6	2125298	> SPACER M8 Stratos GIGA (3 PIECES)	1
6	2125210	FAN HOOD FS80 KIT	1
5.6	2125298	> SPACER M8 Stratos GIGA (3 PIECES)	1
6.1		> FAN HOUSING FS80 RAL9006 HED	1
6.2	2125291	> DAMPING (6 PIECES)	1

Stratos GIGA-D 50/1-50/4,2-R1 (2170287)

Item	Article no.	Description	Quantity
6.3	2125304	> SCREW AP40X14/9 (6 PIECES)	1
7	2191134	Module Stratos GIGA-I/D 50/1-50/4,2 KIT	1
5.5	2147361	> O-Ring ID.56X4,0 EPDM 70SR. VP.	1
6.3	2125304	> SCREW AP40X14/9 (6 PIECES)	1
7.1		> Module Stratos GIGA-I/D 50/1-50/4,2	1
7.2	2125226	> MODULE COVER FS80/90 KIT	1
7.21		>> MODULE COVER FS80/90 RAL9006+DT.	1
7.22	2125295	>> SCREW Z40X16/8 WN5411 EJOT PT (6 PIECES)	1
7.3	2120047	> CABLE CONNECTION M12x1,5/5 cpl.TL5 VP.	1
7.4	2120048	> CABLE CONNECTION M16x1,5/5 cpl.TL5 VP.	1
7.5	2120049	> CABLE CONNECTION M20x1,5/6 cpl.TL5 VP.	1
7.6	2120050	> CABLE CONNECTION M25x1,5/8 cpl.TL5 VP.	1
7.7	2125297	> SCREW M5X12 DIN912 8.8 ZN (4 PIECES)	1
7.8	2057978	> RONDELLE A5,3 DIN6797 FST ZN (4 PIECES)	1
8	2125221	SCREW M12x100 ISO4762 8.8 (4 PIECES)	1
9	2125224	SCREW M6X60 ISO4762 8.8 (4 PIECES)	1
L20	2158414	Weicon Anti-Seize 5g VP.	1
W3	2125294	ASSEMBLY AID Stratos GIGA KIT	1
		> ASSEMBLY BOLT M12/D.13x91	2
		> Screw M10X25 ISO4017 8.8 ZN	2
	2175640	Module connecting cable 850mm VP.	1

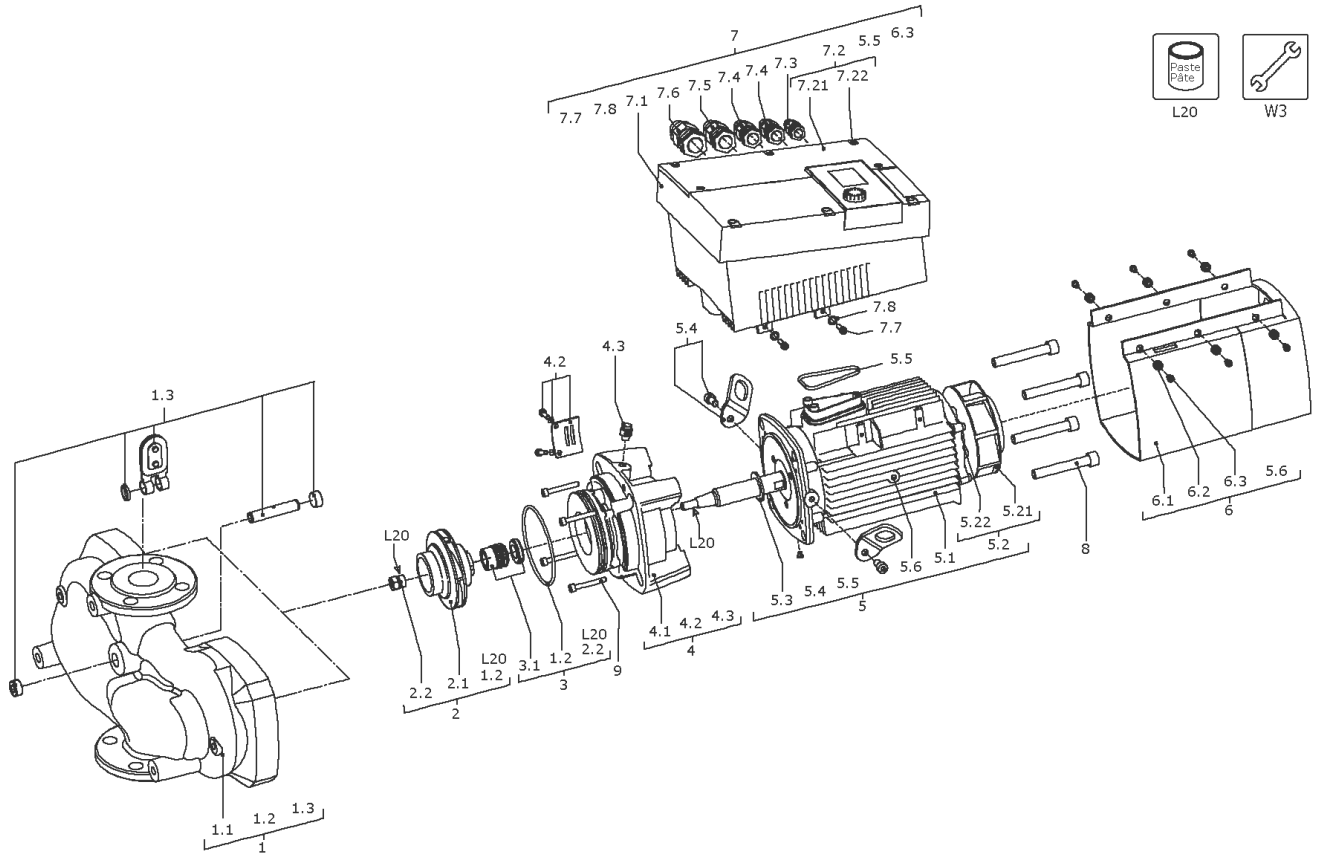


Stratos GIGA-D 50/1-44/3,2-R1 (2170288)

Item	Article no.	Description	Quantity
1	2191142	Pump housing D50/105/P165x100 16 KIT	1
1.1		> Pump housing D50/105/P165x100 16 WILO	1
1.2	2122290	> O-RING 104,37x3,53 ISO3601B EPDM VP.	1
1.3	2192728	> Flap DN50 VP.	1
2	2125216	IMPELLER D.57/101,9/18x10,5 PPS KIT	1
1.2	2122290	> O-RING 104,37x3,53 ISO3601B EPDM VP.	1
2.1		> IMPELLER D.57/101,9/18 Fin	1
2.2	2125289	> NUT M10/M16x1 1.4122 VP.	1
L20	2158414	> Weicon Anti-Seize 5g VP.	1
3	2125211	MECH.SEAL MG12/24 AQ1EGG GIGA KIT	1
1.2	2122290	> O-RING 104,37x3,53 ISO3601B EPDM VP.	1
1.2	2158263	> O-Ring ID.126,59x3,53 EPDM VP.	1
1.2	2140435	> O-Ring 151,99x3,53 7EP1197 VP.	1
2.2	2125289	> NUT M10/M16x1 1.4122 VP.	1
3.1	2127431	> MECHANICAL SEAL MG12/24-G60 AQ1EGG VP.	1
L20	2158414	> Weicon Anti-Seize 5g VP.	1
4	2170848	Lantern Stratos GIGA-I/D 50/1-44/3,2 KIT	1
4.1		> LANTERN D.112/140x109 FF165 KTL	1
4.2	2125290	> PROTECTING SHEET/FIXING R53x52x38 KIT	1
4.3	2027201	> BLOWGUN R1/8" VP.	1
5	2170792	Motor Stratos GIGA-I/D 50/1-44/3,2 KIT	1
5.1		> MOTOR 2 FS80L 4,5/4600 Giga	1
5.2	2125301	> FAN WHEEL FS80 KIT	1
5.21		>> FAN FS80	1
5.22	2125302	>> CORRUGATED SLEEVE RING BN15-514 VP.	1
Note: bis/to/á 31.12.2017			
5.3	2125303	> THROWER D.44/23x3 VP.	1
5.4	2125299	> EYELET/SCREW Stratos GIGA(2 PIECES)	1
5.5	2147361	> O-Ring ID.56X4,0 EPDM 70SR. VP.	1
5.6	2125298	> SPACER M8 Stratos GIGA (3 PIECES)	1
6	2125210	FAN HOOD FS80 KIT	1
5.6	2125298	> SPACER M8 Stratos GIGA (3 PIECES)	1
6.1		> FAN HOUSING FS80 RAL9006 HED	1
6.2	2125291	> DAMPING (6 PIECES)	1

Stratos GIGA-D 50/1-44/3,2-R1 (2170288)

Item	Article no.	Description	Quantity
6.3	2125304	> SCREW AP40X14/9 (6 PIECES)	1
7	2191133	Module Stratos GIGA-I/D 50/1-44/3,2 KIT	1
5.5	2147361	> O-Ring ID.56X4,0 EPDM 70SR. VP.	1
6.3	2125304	> SCREW AP40X14/9 (6 PIECES)	1
7.1		> Module Stratos GIGA-I/D 50/1-44/3,2	1
7.2	2125226	> MODULE COVER FS80/90 KIT	1
7.21		>> MODULE COVER FS80/90 RAL9006+DT.	1
7.22	2125295	>> SCREW Z40X16/8 WN5411 EJOT PT (6 PIECES)	1
7.3	2120047	> CABLE CONNECTION M12x1,5/5 cpl.TL5 VP.	1
7.4	2120048	> CABLE CONNECTION M16x1,5/5 cpl.TL5 VP.	1
7.5	2120049	> CABLE CONNECTION M20x1,5/6 cpl.TL5 VP.	1
7.6	2120050	> CABLE CONNECTION M25x1,5/8 cpl.TL5 VP.	1
7.7	2125297	> SCREW M5X12 DIN912 8.8 ZN (4 PIECES)	1
7.8	2057978	> RONDELLE A5,3 DIN6797 FST ZN (4 PIECES)	1
8	2125221	SCREW M12x100 ISO4762 8.8 (4 PIECES)	1
9	2125224	SCREW M6X60 ISO4762 8.8 (4 PIECES)	1
L20	2158414	Weicon Anti-Seize 5g VP.	1
W3	2125294	ASSEMBLY AID Stratos GIGA KIT	1
		> ASSEMBLY BOLT M12/D.13x91	2
		> Screw M10X25 ISO4017 8.8 ZN	2
	2175640	Module connecting cable 850mm VP.	1

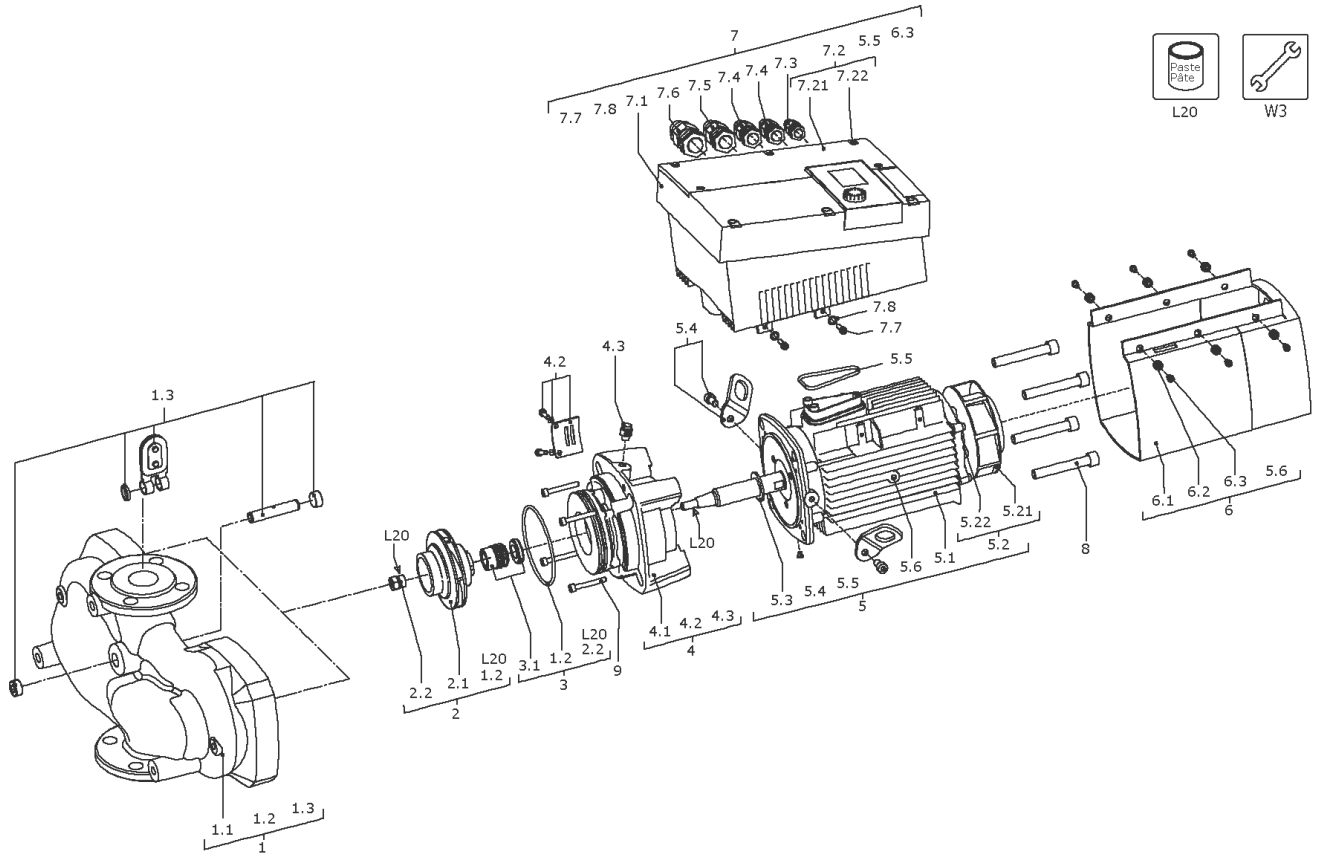


Stratos GIGA-D 50/1-38/2,8-R1 (2170289)

Item	Article no.	Description	Quantity
1	2191142	Pump housing D50/105/P165x100 16 KIT	1
1.1		> Pump housing D50/105/P165x100 16 WILO	1
1.2	2122290	> O-RING 104,37x3,53 ISO3601B EPDM VP.	1
1.3	2192728	> Flap DN50 VP.	1
2	2125216	IMPELLER D.57/101,9/18x10,5 PPS KIT	1
1.2	2122290	> O-RING 104,37x3,53 ISO3601B EPDM VP.	1
2.1		> IMPELLER D.57/101,9/18 Fin	1
2.2	2125289	> NUT M10/M16x1 1.4122 VP.	1
L20	2158414	> Weicon Anti-Seize 5g VP.	1
3	2125211	MECH.SEAL MG12/24 AQ1EGG GIGA KIT	1
1.2	2122290	> O-RING 104,37x3,53 ISO3601B EPDM VP.	1
1.2	2158263	> O-Ring ID.126,59x3,53 EPDM VP.	1
1.2	2140435	> O-Ring 151,99x3,53 7EP1197 VP.	1
2.2	2125289	> NUT M10/M16x1 1.4122 VP.	1
3.1	2127431	> MECHANICAL SEAL MG12/24-G60 AQ1EGG VP.	1
L20	2158414	> Weicon Anti-Seize 5g VP.	1
4	2170849	Lantern Stratos GIGA-I/D 50/1-38/2,8 KIT	1
4.1		> LANTERN D.112/140x109 FF165 KTL	1
4.2	2125290	> PROTECTING SHEET/FIXING R53x52x38 KIT	1
4.3	2027201	> BLOWGUN R1/8" VP.	1
5	2170793	Motor Stratos GIGA-I/D 50/1-38/2,8 KIT	1
5.1		> MOTOR 2 FS80S 3,3/4600 Giga	1
5.2	2125301	> FAN WHEEL FS80 KIT	1
5.21		>> FAN FS80	1
5.22	2125302	>> CORRUGATED SLEEVE RING BN15-514 VP.	1
Note: bis/to/á 31.12.2017			
5.3	2125303	> THROWER D.44/23x3 VP.	1
5.4	2125299	> EYELET/SCREW Stratos GIGA(2 PIECES)	1
5.5	2147361	> O-Ring ID.56X4,0 EPDM 70SR. VP.	1
5.6	2125298	> SPACER M8 Stratos GIGA (3 PIECES)	1
6	2125210	FAN HOOD FS80 KIT	1
5.6	2125298	> SPACER M8 Stratos GIGA (3 PIECES)	1
6.1		> FAN HOUSING FS80 RAL9006 HED	1
6.2	2125291	> DAMPING (6 PIECES)	1

Stratos GIGA-D 50/1-38/2,8-R1 (2170289)

Item	Article no.	Description	Quantity
6.3	2125304	> SCREW AP40X14/9 (6 PIECES)	1
7	2191132	Module Stratos GIGA-I/D 50/1-38/2,8 KIT	1
5.5	2147361	> O-Ring ID.56X4,0 EPDM 70SR. VP.	1
6.3	2125304	> SCREW AP40X14/9 (6 PIECES)	1
7.1		> Module Stratos GIGA-I/D 50/1-38/2,8	1
7.2	2125226	> MODULE COVER FS80/90 KIT	1
7.21		>> MODULE COVER FS80/90 RAL9006+DT.	1
7.22	2125295	>> SCREW Z40X16/8 WN5411 EJOT PT (6 PIECES)	1
7.3	2120047	> CABLE CONNECTION M12x1,5/5 cpl.TL5 VP.	1
7.4	2120048	> CABLE CONNECTION M16x1,5/5 cpl.TL5 VP.	1
7.5	2120049	> CABLE CONNECTION M20x1,5/6 cpl.TL5 VP.	1
7.6	2120050	> CABLE CONNECTION M25x1,5/8 cpl.TL5 VP.	1
7.7	2125297	> SCREW M5X12 DIN912 8.8 ZN (4 PIECES)	1
7.8	2057978	> RONDELLE A5,3 DIN6797 FST ZN (4 PIECES)	1
8	2125221	SCREW M12x100 ISO4762 8.8 (4 PIECES)	1
9	2125224	SCREW M6X60 ISO4762 8.8 (4 PIECES)	1
L20	2158414	Weicon Anti-Seize 5g VP.	1
W3	2125294	ASSEMBLY AID Stratos GIGA KIT	1
		> ASSEMBLY BOLT M12/D.13x91	2
		> Screw M10X25 ISO4017 8.8 ZN	2
	2175640	Module connecting cable 850mm VP.	1

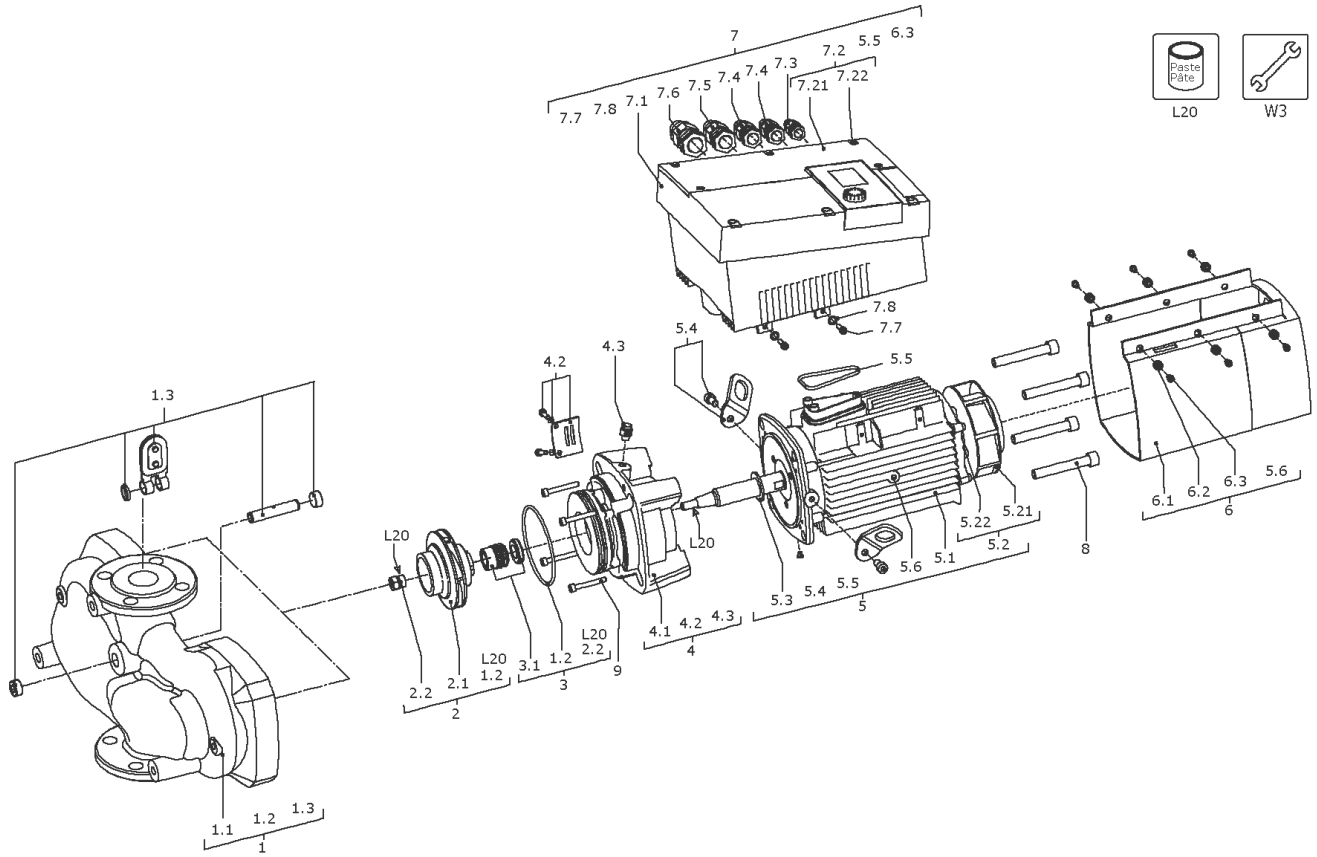


Stratos GIGA-D 80/1-21/3,5-R1 (2170298)

Item	Article no.	Description	Quantity
1	2191143	Pump housing D80/120/P165x123 16 KIT	1
1.1		> Pump housing D50/105/P165x100 16 WILO	1
1.2	2158263	> O-Ring ID.126,59x3,53 EPDM VP.	1
1.3	2192729	> Flap DN80 VP.	1
2	2147398	Impeller D.82/124,3/6,9°/18 PPS KIT	1
1.2	2158263	> O-Ring ID.126,59x3,53 EPDM VP.	1
2.1		> Impeller D.82/124,3/6,9°/18 OL.PPS Fin	1
2.2	2125289	> NUT M10/M16x1 1.4122 VP.	1
L20	2158414	> Weicon Anti-Seize 5g VP.	1
3	2125211	MECH.SEAL MG12/24 AQ1EGG GIGA KIT	1
1.2	2122290	> O-RING 104,37x3,53 ISO3601B EPDM VP.	1
1.2	2158263	> O-Ring ID.126,59x3,53 EPDM VP.	1
1.2	2140435	> O-Ring 151,99x3,53 7EP1197 VP.	1
2.2	2125289	> NUT M10/M16x1 1.4122 VP.	1
3.1	2127431	> MECHANICAL SEAL MG12/24-G60 AQ1EGG VP.	1
L20	2158414	> Weicon Anti-Seize 5g VP.	1
4	2170858	Lantern Stratos GIGA-I/D 80/1-21/3,5 KIT	1
4.1		> LANTERN D.143/146x102 FF165 GG KTL	1
4.2	2147405	> Protecting sheet/Fixing R74/72x27 KIT	1
4.3	2027201	> BLOWGUN R1/8" VP.	1
5	2170802	Motor STRATOS GIGA-I/D 80/1-21/3,5 KIT	1
5.1		> MOTOR 2 FS80L 3,2/3000 Giga	1
5.2	2125301	> FAN WHEEL FS80 KIT	1
5.21		>> FAN FS80	1
5.22	2125302	>> CORRUGATED SLEEVE RING BN15-514 VP.	1
Note: bis/to/á 31.12.2017			
5.3	2125303	> THROWER D.44/23x3 VP.	1
5.4	2125299	> EYELET/SCREW Stratos GIGA(2 PIECES)	1
5.5	2147361	> O-Ring ID.56X4,0 EPDM 70SR. VP.	1
5.6	2125298	> SPACER M8 Stratos GIGA (3 PIECES)	1
6	2125210	FAN HOOD FS80 KIT	1
5.6	2125298	> SPACER M8 Stratos GIGA (3 PIECES)	1
6.1		> FAN HOUSING FS80 RAL9006 HED	1
6.2	2125291	> DAMPING (6 PIECES)	1

Stratos GIGA-D 80/1-21/3,5-R1 (2170298)

Item	Article no.	Description	Quantity
6.3	2125304	> SCREW AP40X14/9 (6 PIECES)	1
7	2191136	Module STRATOS GIGA-I/D 80/1-21/3,5 KIT	1
5.5	2147361	> O-Ring ID.56X4,0 EPDM 70SR. VP.	1
6.3	2125304	> SCREW AP40X14/9 (6 PIECES)	1
7.1		> Module STRATOS GIGA-I/D 80/1-21/3,5	1
7.2	2125226	> MODULE COVER FS80/90 KIT	1
7.21		>> MODULE COVER FS80/90 RAL9006+DT.	1
7.22	2125295	>> SCREW Z40X16/8 WN5411 EJOT PT (6 PIECES)	1
7.3	2120047	> CABLE CONNECTION M12x1,5/5 cpl.TL5 VP.	1
7.4	2120048	> CABLE CONNECTION M16x1,5/5 cpl.TL5 VP.	1
7.5	2120049	> CABLE CONNECTION M20x1,5/6 cpl.TL5 VP.	1
7.6	2120050	> CABLE CONNECTION M25x1,5/8 cpl.TL5 VP.	1
7.7	2125297	> SCREW M5X12 DIN912 8.8 ZN (4 PIECES)	1
7.8	2057978	> RONDELLE A5,3 DIN6797 FST ZN (4 PIECES)	1
8	2125223	SCREW M12X80 ISO4762 8.8 (4 PIECES)	1
9	2148013	Screw M6X40 ISO4762 8.8(4 Pieces)	1
L20	2158414	Weicon Anti-Seize 5g VP.	1
W3	2125294	ASSEMBLY AID Stratos GIGA KIT	1
		> ASSEMBLY BOLT M12/D.13x91	2
		> Screw M10X25 ISO4017 8.8 ZN	2
	2175636	Module connecting cable 1800mm VP.	1

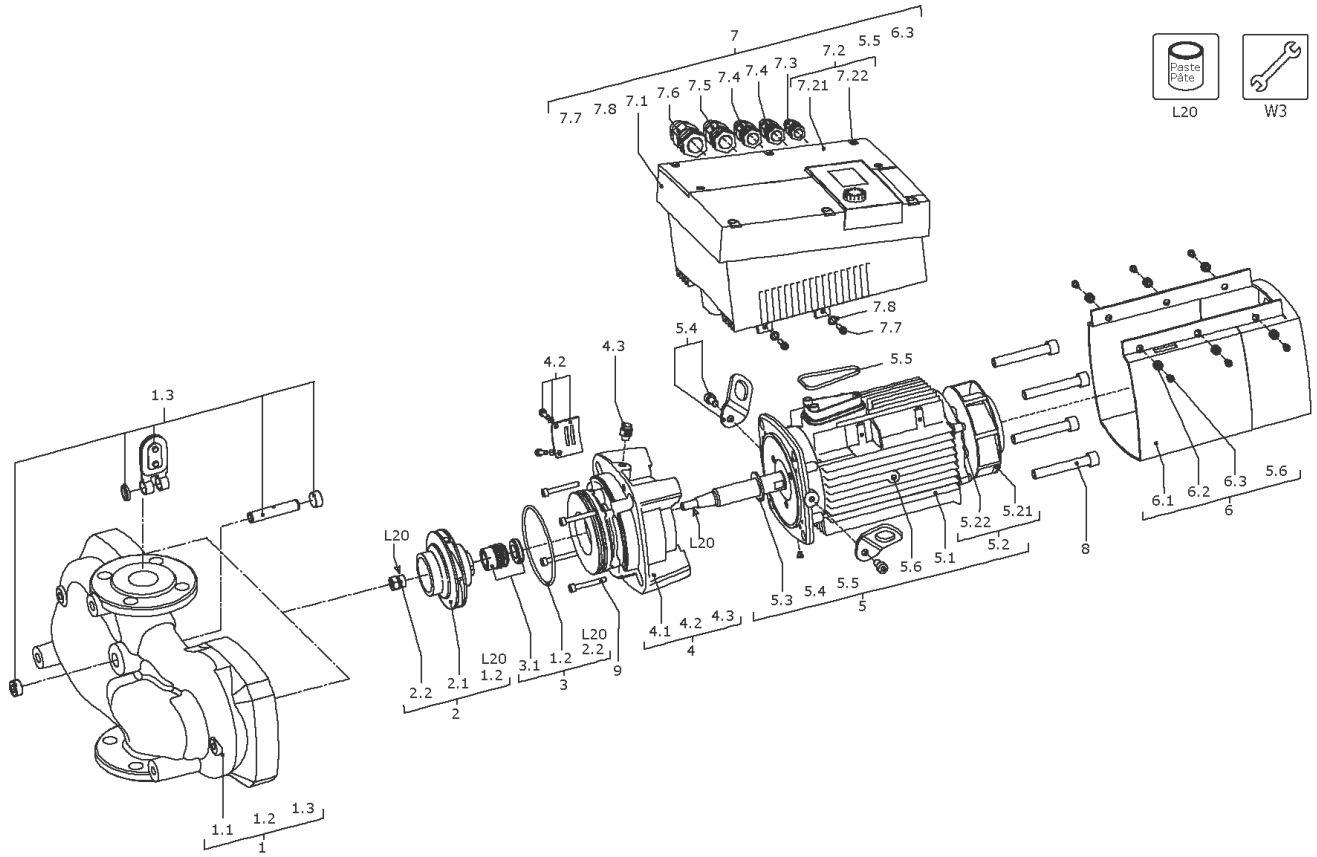


Stratos GIGA-D 80/1-16/2,3-R1 (2170299)

Item	Article no.	Description	Quantity
1	2191143	Pump housing D80/120/P165x123 16 KIT	1
1.1		> Pump housing D50/105/P165x100 16 WILO	1
1.2	2158263	> O-Ring ID.126,59x3,53 EPDM VP.	1
1.3	2192729	> Flap DN80 VP.	1
2	2147399	Impeller D.82/115/6,9°/18 PPS KIT	1
1.2	2158263	> O-Ring ID.126,59x3,53 EPDM VP.	1
2.1		> Impeller D.82/115/6,9°/18 OL.PPS Fin	1
2.2	2125289	> NUT M10/M16x1 1.4122 VP.	1
L20	2158414	> Weicon Anti-Seize 5g VP.	1
3	2125211	MECH.SEAL MG12/24 AQ1EGG GIGA KIT	1
1.2	2122290	> O-RING 104,37x3,53 ISO3601B EPDM VP.	1
1.2	2158263	> O-Ring ID.126,59x3,53 EPDM VP.	1
1.2	2140435	> O-Ring 151,99x3,53 7EP1197 VP.	1
2.2	2125289	> NUT M10/M16x1 1.4122 VP.	1
3.1	2127431	> MECHANICAL SEAL MG12/24-G60 AQ1EGG VP.	1
L20	2158414	> Weicon Anti-Seize 5g VP.	1
4	2170859	Lantern Stratos GIGA-I/D 80/1-16/2,3 KIT	1
4.1		> LANTERN D.143/146x102 FF165 GG KTL	1
4.2	2147405	> Protecting sheet/Fixing R74/72x27 KIT	1
4.3	2027201	> BLOWGUN R1/8" VP.	1
5	2170803	Motor STRATOS GIGA-I/D 80/1-16/2,3 KIT	1
5.1		> MOTOR 2 FS80L 3,2/3000 Giga	1
5.2	2125301	> FAN WHEEL FS80 KIT	1
5.21		>> FAN FS80	1
5.22	2125302	>> CORRUGATED SLEEVE RING BN15-514 VP.	1
Note: bis/to/á 31.12.2017			
5.3	2125303	> THROWER D.44/23x3 VP.	1
5.4	2125299	> EYELET/SCREW Stratos GIGA(2 PIECES)	1
5.5	2147361	> O-Ring ID.56X4,0 EPDM 70SR. VP.	1
5.6	2125298	> SPACER M8 Stratos GIGA (3 PIECES)	1
6	2125210	FAN HOOD FS80 KIT	1
5.6	2125298	> SPACER M8 Stratos GIGA (3 PIECES)	1
6.1		> FAN HOUSING FS80 RAL9006 HED	1
6.2	2125291	> DAMPING (6 PIECES)	1

Stratos GIGA-D 80/1-16/2,3-R1 (2170299)

Item	Article no.	Description	Quantity
6.3	2125304	> SCREW AP40X14/9 (6 PIECES)	1
7	2191135	Module STRATOS GIGA-I/D 80/1-16/2,3 KIT	1
5.5	2147361	> O-Ring ID.56X4,0 EPDM 70SR. VP.	1
6.3	2125304	> SCREW AP40X14/9 (6 PIECES)	1
7.1		> Module STRATOS GIGA-I/D 80/1-16/2,3	1
7.2	2125226	> MODULE COVER FS80/90 KIT	1
7.21		>> MODULE COVER FS80/90 RAL9006+DT.	1
7.22	2125295	>> SCREW Z40X16/8 WN5411 EJOT PT (6 PIECES)	1
7.3	2120047	> CABLE CONNECTION M12x1,5/5 cpl.TL5 VP.	1
7.4	2120048	> CABLE CONNECTION M16x1,5/5 cpl.TL5 VP.	1
7.5	2120049	> CABLE CONNECTION M20x1,5/6 cpl.TL5 VP.	1
7.6	2120050	> CABLE CONNECTION M25x1,5/8 cpl.TL5 VP.	1
7.7	2125297	> SCREW M5X12 DIN912 8.8 ZN (4 PIECES)	1
7.8	2057978	> RONDELLE A5,3 DIN6797 FST ZN (4 PIECES)	1
8	2125223	SCREW M12X80 ISO4762 8.8 (4 PIECES)	1
9	2148013	Screw M6X40 ISO4762 8.8(4 Pieces)	1
L20	2158414	Weicon Anti-Seize 5g VP.	1
W3	2125294	ASSEMBLY AID Stratos GIGA KIT	1
		> ASSEMBLY BOLT M12/D.13x91	2
		> Screw M10X25 ISO4017 8.8 ZN	2
	2175636	Module connecting cable 1800mm VP.	1

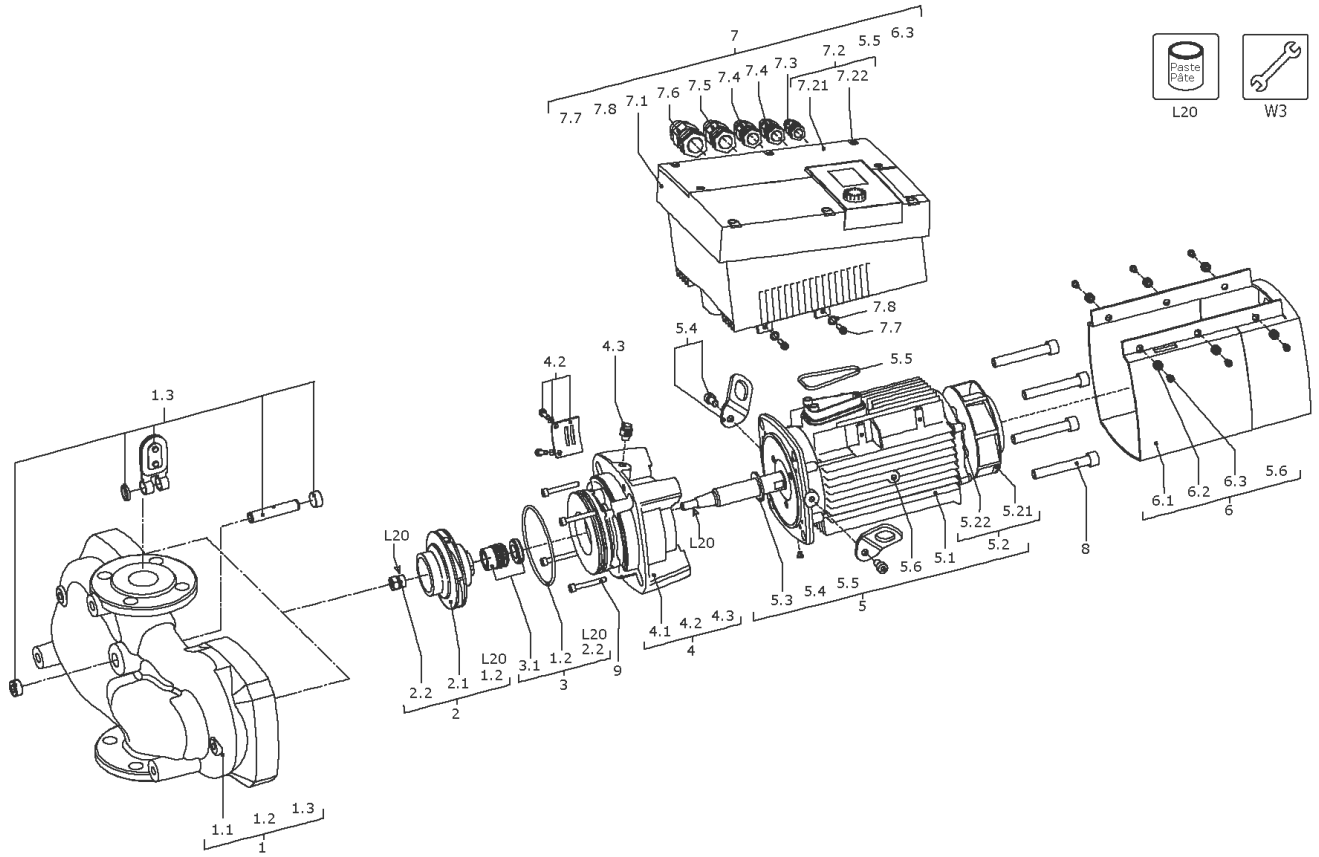


Stratos GIGA-D 80/1-37/5,3-R1 (2170300)

Item	Article no.	Description	Quantity
1	2191144	Pump housing D80/120/P215X117 16 KIT	1
1.1		> Pump housing D80/120/P215X117 16 WILO	1
1.2	2158263	> O-Ring ID.126,59x3,53 EPDM VP.	1
2	2147400	Impeller D.77/127/18 PPS KIT	1
1.2	2158263	> O-Ring ID.126,59x3,53 EPDM VP.	1
2.1		> Impeller D.77/127/18 OL.PPS Fin	1
2.2	2125289	> NUT M10/M16x1 1.4122 VP.	1
L20	2158414	> Weicon Anti-Seize 5g VP.	1
3	2125211	MECH.SEAL MG12/24 AQ1EGG GIGA KIT	1
1.2	2122290	> O-RING 104,37x3,53 ISO3601B EPDM VP.	1
1.2	2158263	> O-Ring ID.126,59x3,53 EPDM VP.	1
1.2	2140435	> O-Ring 151,99x3,53 7EP1197 VP.	1
2.2	2125289	> NUT M10/M16x1 1.4122 VP.	1
3.1	2127431	> MECHANICAL SEAL MG12/24-G60 AQ1EGG VP.	1
L20	2158414	> Weicon Anti-Seize 5g VP.	1
4	2170860	Lantern Stratos GIGA-I/D 80/1-37/5,3 KIT	1
4.1		> LANTERN D.136/180x95 P215 FF165 KTL	1
4.2	2147405	> Protecting sheet/Fixing R74/72x27 KIT	1
4.3	2027201	> BLOWGUN R1/8" VP.	1
5	2170804	Motor Stratos GIGA-I/D 80/1-37/5,3 KIT	1
5.1		> MOTOR 2 FS90L 5,5/2900 Giga	1
5.2	2125228	> Fan wheel FS90 KIT	1
5.21		>> FAN FS90	1
5.22	2125302	>> CORRUGATED SLEEVE RING BN15-514 VP.	1
Note: bis/to/á 30.04.2017			
5.3	2125303	> THROWER D.44/23x3 VP.	1
5.4	2125299	> EYELET/SCREW Stratos GIGA(2 PIECES)	1
5.5	2147361	> O-Ring ID.56X4,0 EPDM 70SR. VP.	1
5.6	2125298	> SPACER M8 Stratos GIGA (3 PIECES)	1
6	2147407	Fan hood FS90 long KIT	1
5.6	2125298	> SPACER M8 Stratos GIGA (3 PIECES)	1
6.1		> Fan hood FS90 long HED 9006	1
6.2	2125291	> DAMPING (6 PIECES)	1
6.3	2125304	> SCREW AP40X14/9 (6 PIECES)	1

Stratos GIGA-D 80/1-37/5,3-R1 (2170300)

Item	Article no.	Description	Quantity
7	2191138	Module Stratos GIGA-I/D 80/1-37/5,3 KIT	1
5.5	2147361	> O-Ring ID.56X4,0 EPDM 70SR. VP.	1
6.3	2125304	> SCREW AP40X14/9 (6 PIECES)	1
7.1		> Module Stratos GIGA-I/D 80/1-37/5,3	1
7.2	2148010	> Module cover FS90/100 KIT	1
7.21		>> MODULE COVER FS90/100 Ral9006+DT.	1
7.22	2125295	>> SCREW Z40X16/8 WN5411 EJOT PT (6 PIECES)	1
7.3	2120047	> CABLE CONNECTION M12x1,5/5 cpl.TL5 VP.	1
7.4	2120048	> CABLE CONNECTION M16x1,5/5 cpl.TL5 VP.	1
7.5	2120049	> CABLE CONNECTION M20x1,5/6 cpl.TL5 VP.	1
7.6	2120050	> CABLE CONNECTION M25x1,5/8 cpl.TL5 VP.	1
7.7	2125297	> SCREW M5X12 DIN912 8.8 ZN (4 PIECES)	1
7.8	2057978	> RONDELLE A5,3 DIN6797 FST ZN (4 PIECES)	1
8	2094435	SCREW M12X30 ISO4762 8.8 (4 PIECES)	1
9	2094435	SCREW M12X30 ISO4762 8.8 (4 PIECES)	1
L20	2158414	Weicon Anti-Seize 5g VP.	1
W3	2125294	ASSEMBLY AID Stratos GIGA KIT	1
		> ASSEMBLY BOLT M12/D.13x91	2
		> Screw M10X25 ISO4017 8.8 ZN	2
	2175636	Module connecting cable 1800mm VP.	1



Stratos GIGA-D 80/1-32/4,1-R1 (2170301)

Item	Article no.	Description	Quantity
1	2191144	Pump housing D80/120/P215X117 16 KIT	1
1.1		> Pump housing D80/120/P215X117 16 WILO	1
1.2	2158263	> O-Ring ID.126,59x3,53 EPDM VP.	1
2	2147401	Impeller D.77/119/18 PPS KIT	1
1.2	2158263	> O-Ring ID.126,59x3,53 EPDM VP.	1
2.1		> Impeller D.77/119/18 OL.PPS Fin	1
2.2	2125289	> NUT M10/M16x1 1.4122 VP.	1
L20	2158414	> Weicon Anti-Seize 5g VP.	1
3	2125211	MECH.SEAL MG12/24 AQ1EGG GIGA KIT	1
1.2	2122290	> O-RING 104,37x3,53 ISO3601B EPDM VP.	1
1.2	2158263	> O-Ring ID.126,59x3,53 EPDM VP.	1
1.2	2140435	> O-Ring 151,99x3,53 7EP1197 VP.	1
2.2	2125289	> NUT M10/M16x1 1.4122 VP.	1
3.1	2127431	> MECHANICAL SEAL MG12/24-G60 AQ1EGG VP.	1
L20	2158414	> Weicon Anti-Seize 5g VP.	1
4	2170861	Lantern Stratos GIGA-I/D 80/1-32/4,1 KIT	1
4.1		> LANTERN D.136/180x95 P215 FF165 KTL	1
4.2	2147405	> Protecting sheet/Fixing R74/72x27 KIT	1
4.3	2027201	> BLOWGUN R1/8" VP.	1
5	2170805	Motor Stratos GIGA-I/D 80/1-32/4,1 KIT	1
5.1		> MOTOR 2 FS90L 5,5/2900 Giga	1
5.2	2125228	> Fan wheel FS90 KIT	1
5.21		>> FAN FS90	1
5.22	2125302	>> CORRUGATED SLEEVE RING BN15-514 VP.	1
Note: bis/to/á 30.04.2017			
5.3	2125303	> THROWER D.44/23x3 VP.	1
5.4	2125299	> EYELET/SCREW Stratos GIGA(2 PIECES)	1
5.5	2147361	> O-Ring ID.56X4,0 EPDM 70SR. VP.	1
5.6	2125298	> SPACER M8 Stratos GIGA (3 PIECES)	1
6	2147407	Fan hood FS90 long KIT	1
5.6	2125298	> SPACER M8 Stratos GIGA (3 PIECES)	1
6.1		> Fan hood FS90 long HED 9006	1
6.2	2125291	> DAMPING (6 PIECES)	1
6.3	2125304	> SCREW AP40X14/9 (6 PIECES)	1

Stratos GIGA-D 80/1-32/4,1-R1 (2170301)

Item	Article no.	Description	Quantity
7	2191137	Module Stratos GIGA-I/D 80/1-32/4,1 KIT	1
5.5	2147361	> O-Ring ID.56X4,0 EPDM 70SR. VP.	1
6.3	2125304	> SCREW AP40X14/9 (6 PIECES)	1
7.1		> Module Stratos GIGA-I/D 80/1-32/4,1	1
7.2	2148010	> Module cover FS90/100 KIT	1
7.21		>> MODULE COVER FS90/100 Ral9006+DT.	1
7.22	2125295	>> SCREW Z40X16/8 WN5411 EJOT PT (6 PIECES)	1
7.3	2120047	> CABLE CONNECTION M12x1,5/5 cpl.TL5 VP.	1
7.4	2120048	> CABLE CONNECTION M16x1,5/5 cpl.TL5 VP.	1
7.5	2120049	> CABLE CONNECTION M20x1,5/6 cpl.TL5 VP.	1
7.6	2120050	> CABLE CONNECTION M25x1,5/8 cpl.TL5 VP.	1
7.7	2125297	> SCREW M5X12 DIN912 8.8 ZN (4 PIECES)	1
7.8	2057978	> RONDELLE A5,3 DIN6797 FST ZN (4 PIECES)	1
8	2094435	SCREW M12X30 ISO4762 8.8 (4 PIECES)	1
9	2094435	SCREW M12X30 ISO4762 8.8 (4 PIECES)	1
L20	2158414	Weicon Anti-Seize 5g VP.	1
W3	2125294	ASSEMBLY AID Stratos GIGA KIT	1
		> ASSEMBLY BOLT M12/D.13x91	2
		> Screw M10X25 ISO4017 8.8 ZN	2
	2175636	Module connecting cable 1800mm VP.	1