

# VACUBOX

DRENA-LINE LIFTING STATION



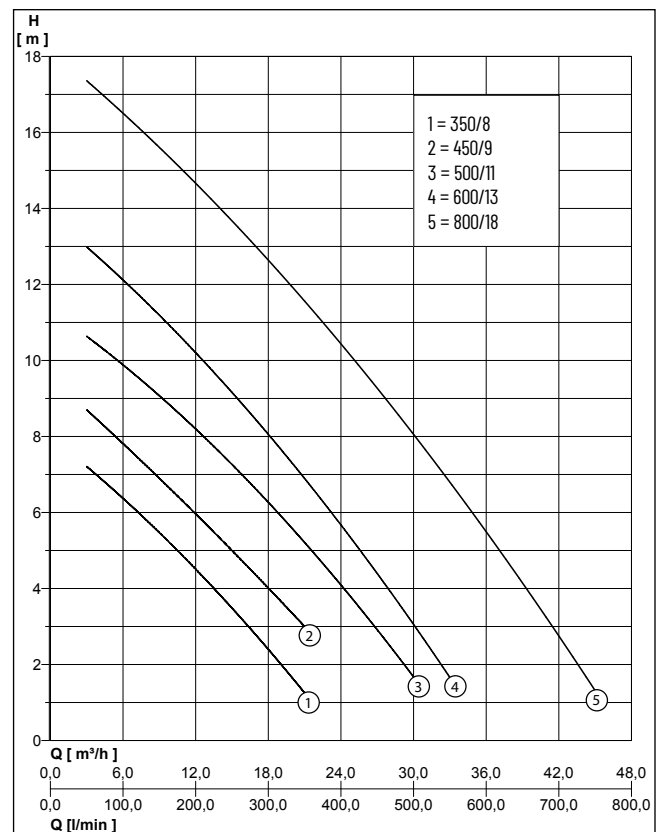
- 240l water-tight tank
- Variable installation depth
- Floor drain with odour trap
- Installation above floor and under floor
- Compact dimensions
- Wide range
- Sturdy and resistant

## DESCRIPTION

VACUBOX 200 is for bigger domestic wastewater volume and larger storage capacity. Without requiring a great deal of construction work, it disposes of domestic wastewater from laundries, storage or cellar areas.

VACUBOX 200 can be installed as a single as well as a duplex system. The required components for the installation of the pumps are part of the scope of supply. The duplex system provides bigger security in the disposal of wastewater. In normal operation the two pumps operate alternately or at the same time to cope with peak load. The pump to be placed can be selected according to the amount of wastewater, the type of dirty water and the pumping power required. By adjusting the plastic cover frame, the sump cover can be adapted easily and variably to the floor and tile conditions. The unit is compliant with EN 12050 standard.

## PERFORMANCE



Type	Delivery head H [m]	3	4	5	6	7	8	9	10	11	12	14	16
PRIOX 50-350/8 EN M/T	Flow rate Q [m³/h]	16.5	13.5	10.5	7.1	3.7							
PRIOX 50-450/9 EN M		21.0	18.0	16.0	12.0	9.0							
PRIOX 50-500/11 EN M/T		26.8	24.3	21.5	18.8	15.8	12.5	9.0	5.5				
PRIOX 50-600/13 EN T		30.0	28.0	25.5	23.2	20.5	18.2	15.1	12.5	9.7	6.3		
PRIOX 50-800/18 EN T			39.0	36.9	34.8	31.0	30.0	27.5	25.0	22.8	19.9	14.0	7.8

# VACUBOX

## DRENA-LINE - LIFTING STATION

### MECHANICAL DATA

Free passage	50 mm	Mechanical seal	Graphite. Lubricated in oil chamber
Bearing	Self-lubricating ball bearings.	Contourface	Ceramic. Lubricated in oil chamber
Oil chamber	Yes	Type of liquid	waste water with suspended solids of maximum size 50 mm.
Shaft	Stainless steel X 12 CrNiS 1809 (AISI 416)	Temperature of the liquid max.	40 °C
Impeller	Stainless steel X5CrNi18-10 (AISI 304)		
Pump housing	Stainless steel X5 CrNi 1810 (AISI 304)		

### ELECTRICAL DATA

Power line	10m H07RN-F	Insulation class	F
Type of enclosure	IP 68	Rotation speed	2850 rpm

### VACUBOX

Type	Code No.	Weight
VACUBOX 200-50 ABOVE FLOOR	<b>JP48190</b>	29 kg
VACUBOX 200-50 UNDERFLOOR	<b>JP48191</b>	37 kg

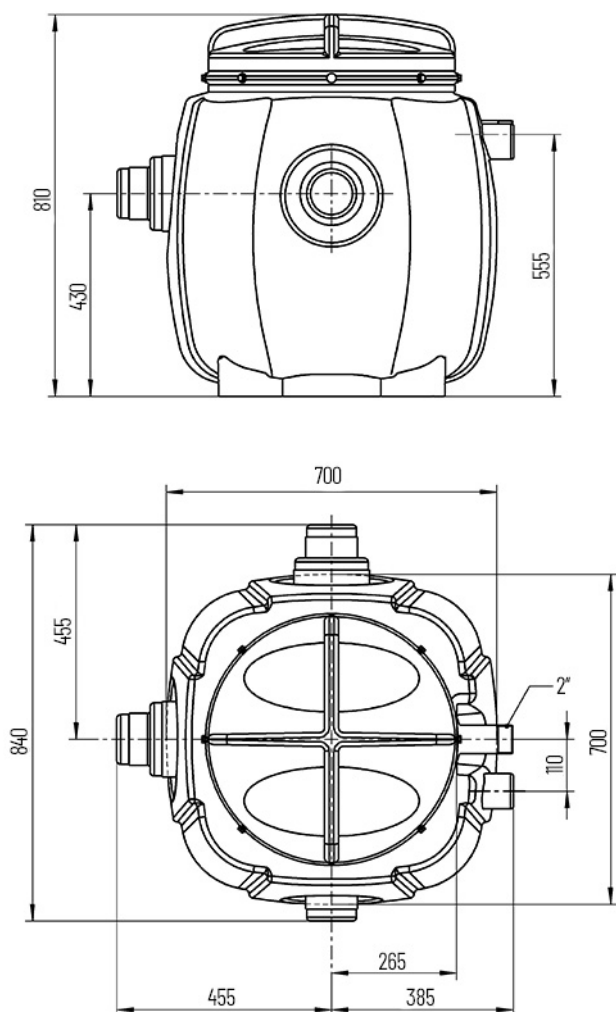
### PRIOX

Type	Code No.	Voltage	Motor rating		Current
			P1	P2	
PRIOX 50-350/8 EN M	<b>N2110210</b>	1/N/PE~230 V	0.98 kW	0.65 kW	3.8 A
PRIOX 50-350/8 EN M AUT	<b>N2110200</b>	1/N/PE~230 V	0.98 kW	0.65 kW	3.8 A
PRIOX 50-350/8 EN T	<b>N2110220</b>	3/N/PE~400 V	0.98 kW	0.65 kW	1.7 A
PRIOX 50-450/9 EN M	<b>N2110290</b>	1/N/PE~230 V	1.10 kW	0.80 kW	5.0 A
PRIOX 50-450/9 EN M AUT	<b>N2110280</b>	1/N/PE~230 V	1.10 kW	0.80 kW	5.0 A
PRIOX 50-500/11 EN M	<b>N2110240</b>	1/N/PE~230 V	1.55 kW	1.00 kW	7.0 A
PRIOX 50-500/11 EN M AUT	<b>N2110230</b>	1/N/PE~230 V	1.55 kW	1.00 kW	7.0 A
PRIOX 50-500/11 EN T	<b>N2110250</b>	3/N/PE~400 V	1.40 kW	1.00 kW	2.4 A
PRIOX 50-600/13 EN T	<b>N2110260</b>	3/N/PE~400 V	1.80 kW	1.20 kW	3.1 A
PRIOX 50-800/18 EN T	<b>N2110270</b>	3/N/PE~400 V	3.00 kW	2.40 kW	5.5 A

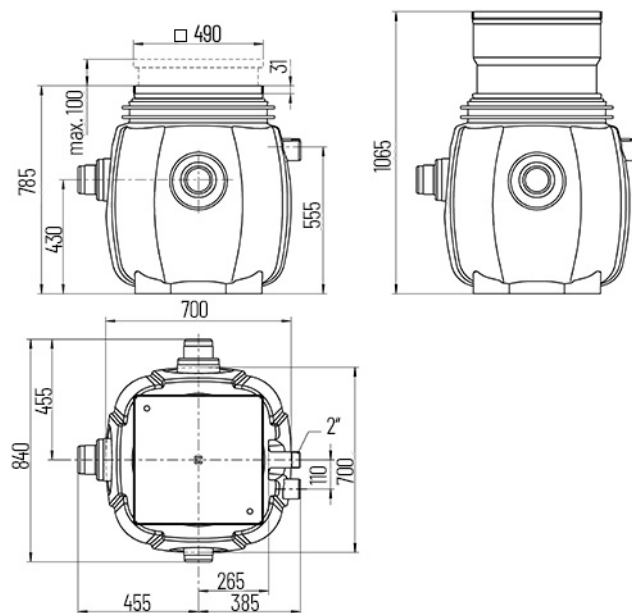
# VACUBOX

DRENA-LINE - LIFTING STATION

## DIMENSIONS (ABOVE FLOOR VERSION)



## DIMENSIONS (UNDERFLOOR VERSION)



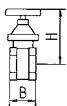

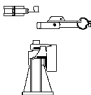

## DIMENSIONS [mm]

Type	H	L	W
VACUBOX 200-50 ABOVE FLOOR	820	840	840
VACUBOX 200-50 UNDERFLOOR	795	840	840

# VACUBOX

## DRENA-LINE - LIFTING STATION

### MECHANICAL ACCESSORIES

			Code No.
	① <b>Stop-valve</b>	2" (DN 50), PN 16	JP44787
	② <b>Special ventilation</b>	special filter with housing, not for hot water	JP27484
	③ <b>Guide rail system</b>	GR50 for Vacubox 200	JP48280
	④ <b>Ground water seal</b>	Ø500 for Baufix 200-50 / Vacubox 200	JP48215
	⑤ <b>Sump extension</b>	165-265 mm for Baufix 200-50 / Vacubox 200	JP48282

### ELECTRICAL ACCESSORIES

			Code No.
	<b>a</b>	<b>Level control for single units</b>	
		Subm. switch pack A250	ZA012450
		Subm. switch pack AF250 for grease-containing wastewater	ZA012460
		Easycontroller D10-110 PrioX 50-350/8 EN T, PrioX 50-500/11 EN T	UZ014080
		Easycontroller D10-150 PrioX 50-600/13 EN T	UZ014090
		Easycontroller D10-220 PrioX 50-800/18 EN T	UZ014100
		Easycontroller M10-240 PrioX 50...EN M	UZ014110-1
	<b>b</b>	<b>Level control for duplex units</b>	
		Submersible switch pack B250 for Hebefix 200-50 / Baufix 200-50 / Vacubox 200	JP48229
		Submersible switch pack BF250 for grease-containing wastewater	JP48299
		Easycontroller D20-110 PrioX 50-350/8 EN T, 50-500/11 EN T	UZ014150
		Easycontroller D20-150 PrioX 50-600/13 EN T	UZ014140
		Easycontroller D20-220 PrioX 50-800/18 EN T	UZ014130
		Easycontroller D20-240 VB PrioX 50... EN M	UZ014120-1