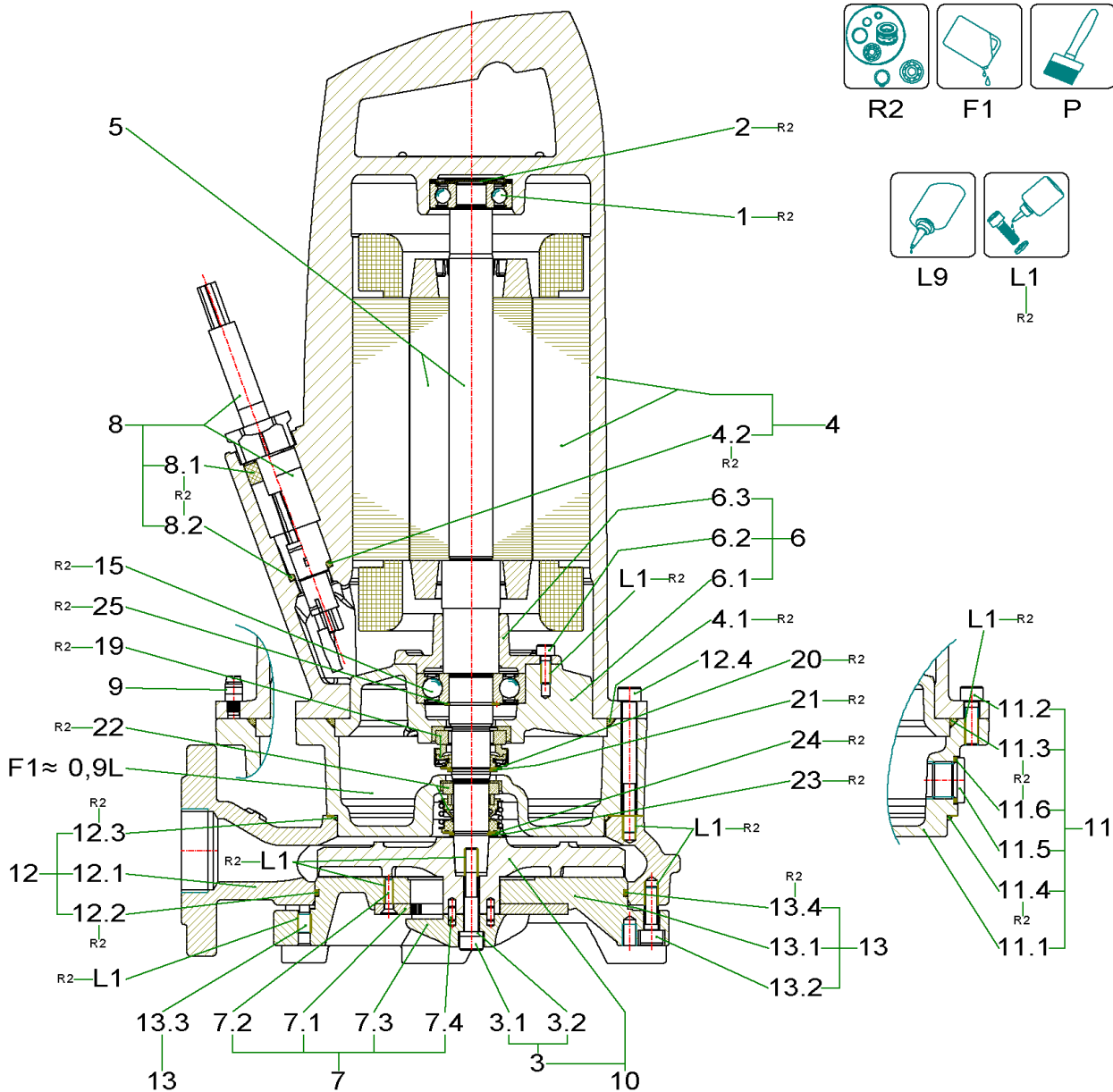




Rexa CUT

Article no.	Description
6075981	Rexa CUT GE03.20/P-T15-2-540X
6080435	Rexa CUT GE03.20/P-T15-2-540X 20m
6079714	Rexa CUT GE03.25/P-T25-2-540X 20m
6079713	Rexa CUT GE03.34/P-T39-2-540X 20m
6081534	Rexa CUT GI03.26/S-M15-2-523/P
6080727	Rexa CUT GI03.26/S-T15-2-540 20m
6081535	Rexa CUT GI03.29/S-M15-2-523/P
6075983	Rexa CUT GI03.29/S-T15-2-540
6082813	Rexa CUT GI03.30/S-M15-2-623
6082815	Rexa CUT GI03.30/S-T15-2-623
6082811	Rexa CUT GI03.30/S-T15-2-646
6081536	Rexa CUT GI03.31/S-M15-2-523/P
6080482	Rexa CUT GI03.31/S-M15-2-523/P
6080483	Rexa CUT GI03.31/S-T15-2-540
6082814	Rexa CUT GI03.32/S-M15-2-623
6082817	Rexa CUT GI03.32/S-T15-2-623
6082812	Rexa CUT GI03.32/S-T15-2-646
6080484	Rexa CUT GI03.38/S-M15-2-523/P
6081530	Rexa CUT GI03.38/S-M15-2-523/P
6080485	Rexa CUT GI03.38/S-T15-2-540
6080486	Rexa CUT GI03.41/S-T25-2-540
6082758	Rexa CUT GI03.43/S-M22-2-623
6082816	Rexa CUT GI03.43/S-T25-2-623
6082810	Rexa CUT GI03.43/S-T25-2-646



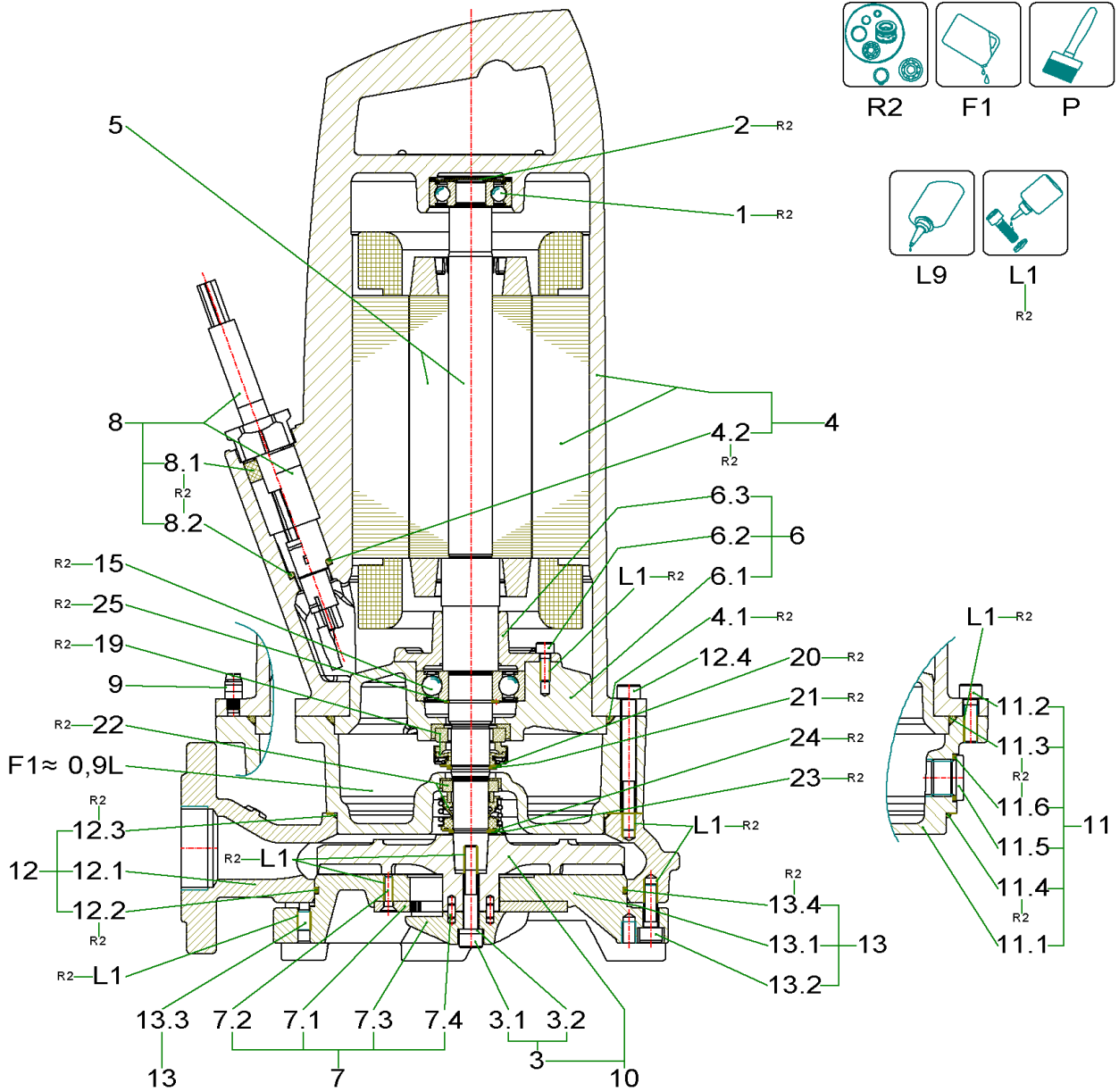
Rexa CUT GE03.20/P-T15-2-540X (6075981)

Item	Article no.	Description	Quantity
R2	6070674	Rep.Kit 2 RexaCut/P	1
P	6049684	colour 2K-paint IV80 RAL9011 250ml KIT	1
F1	6025460	medical white oil 1L KIT	1
F1	6025461	medical white oil 5L KIT	1
L1	6080531	Loctite 243 5g flask VP:	1
L9	6080535	Loctite 5203 300ml VP.	1

1		Rep.Kit 2 P13.1	1
2		wave spring ring D.40 YSSB-0158	1
3	6070675	impeller fixation 8x50 A4 KIT	1
3.1		> screw M8x50 ISO4762 A4-70	1
3.2		> WASHER A8,4 DIN125 1.4401	1
4	6070461	stator-unit P13.-2/8 3~ KIT	1
4.1		o-ring ID.150,0x4,0 NBR70	1
4.2		o-ring ID.18,0x3,5 NBR70	1
5	6067579	rotor S/P13.1-8/EAD1X2-T VP.	1
6	6067403	bearing housing P13.1 6050238 GG KIT	1
6.1		> bearing housing B 6050238 GG	1
6.2		> screw M6x16 ISO4762 A4	3
6.3		> bearing cover D.62,2g6 6050240 GG	1
7	6041781	cutting unit KIT	1
7.1		> cutter plate 54.17118/1 1.4034	1
7.2		> screw M5*20 DIN7991 A2-70	3
7.3		> mixer head 54.13712/1 Abrasit	1
7.4		> cylindrical pin 4m6x10 DIN7 A4	2
8	6066645	cable trumpet 30T P13 10MH07 7G1,5 KIT	1
8.1		seal ring D.29,5/17x16,5 54.17777 NBR VP	1
8.2		o-ring ID.18,0x3,5 NBR70	1
9	6067407	Barlian bow terminal M5 A2	1
10	6079169	impeller Rexa Cut GE03.1x GG KIT SVA	1
10		> impeller-W D.140 6050900 GG	1
3	6070675	> impeller fixation 8x50 A4 KIT	1
3.1		>> screw M8x50 ISO4762 A4-70	1
3.2		>> WASHER A8,4 DIN125 1.4401	1

Rexa CUT GE03.20/P-T15-2-540X (6075981)

Item	Article no.	Description	Quantity
11	6067637	sealing casing P/S13.1 D.152 GG XA SET	1
11.1		> sealing casing D.152g6 6050244 GG	1
11.2	6076892	> screw M8x25 DIN912 A4 (10pc)	1
Note: P13.			
11.2		> screw M8x16 ISO4762 A2-70	6
Note: S13.			
11.3		> o-ring ID.150,0x4,0 HNBR70 green	1
11.4		> o-ring ID.150,0x3,0 HNBR70 green	1
11.5	6067638	> screw plug G1/2 DIN908 A4 (3pcs)	1
11.6	6048832	> joint ring A21/26x1,5 DIN7603 PA(10pc)	1
12	6070686	pump housing Cut GE03.2x GG KIT	1
12.1		> pump housing Q32 6050896 GG finished	1
12.2		> O-ring ID.160,0x3,0 NBR70	1
12.3		> o-ring ID.150,0x3,0 NBR70	1
12.4		> screw M8x75 DIN912 A4-70	3
13	6070680	suction port GE03.2x GG KIT	1
13.1		> suction port D.170 60580901 GG fertig	1
13.2		> screw M8x25 ISO4762 A2-70	3
13.3		> threaded pin M8x16 DIN915 A4	3
13.4		> O-ring ID.160,0x3,0 NBR70	1
15		SRDG BALL BEARING 6305 ZZ	1
19		MECHANICAL SEAL BT-AR/22 BXPFF	1
20		pressure ring D.34/22,5x1 6050343 A4	1
21		CIRCLIPS 22x1,2 DIN471 1.4122	1
22		mechanical shaft seal MG1/20-G60 QPFGG	1
23		circlips 20x1,2 DIN471 1.4116	1
24		pressure ring D.32/20,5x1 6050343 A4	1
25		circlips 25x1,2 DIN471 FSt	1



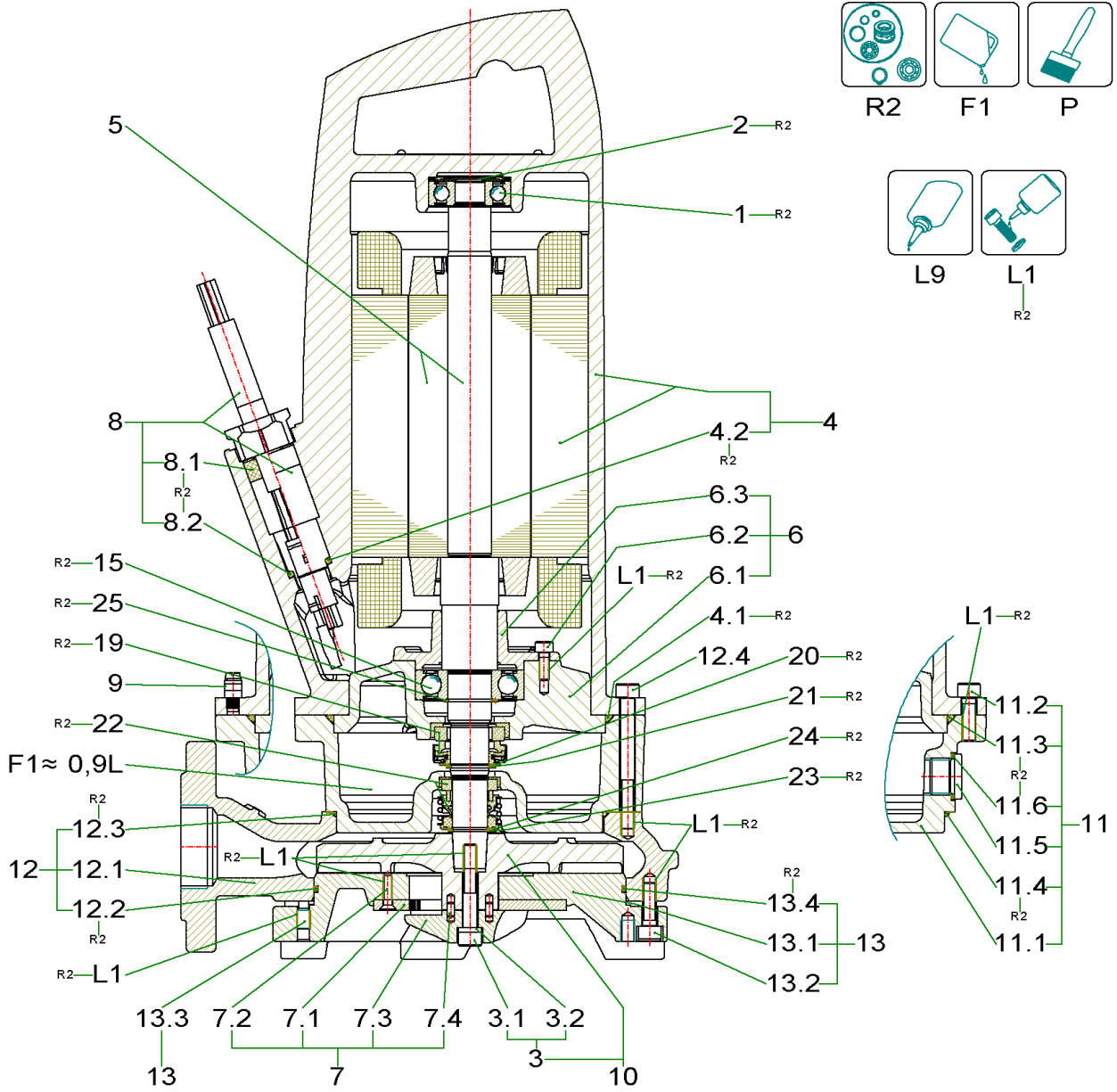
Rexa CUT GE03.20/P-T15-2-540X 20m (6080435)

Item	Article no.	Description	Quantity
R2	6070674	Rep.Kit 2 RexaCut/P	1
P	6049684	colour 2K-paint IV80 RAL9011 250ml KIT	1
F1	6025460	medical white oil 1L KIT	1
F1	6025461	medical white oil 5L KIT	1
L1	6080531	Loctite 243 5g flask VP:	1
L9	6080535	Loctite 5203 300ml VP.	1

1		Rep.Kit 2 P13.1	1
2		wave spring ring D.40 YSSB-0158	1
3	6070675	impeller fixation 8x50 A4 KIT	1
3.1		> screw M8x50 ISO4762 A4-70	1
3.2		> WASHER A8,4 DIN125 1.4401	1
4	6070461	stator-unit P13.-2/8 3~ KIT	1
4.1		o-ring ID.150,0x4,0 NBR70	1
4.2		o-ring ID.18,0x3,5 NBR70	1
5	6067579	rotor S/P13.1-8/EAD1X2-T VP.	1
6	6067403	bearing housing P13.1 6050238 GG KIT	1
6.1		> bearing housing B 6050238 GG	1
6.2		> screw M6x16 ISO4762 A4	3
6.3		> bearing cover D.62,2g6 6050240 GG	1
7	6041781	cutting unit KIT	1
7.1		> cutter plate 54.17118/1 1.4034	1
7.2		> screw M5*20 DIN7991 A2-70	3
7.3		> mixer head 54.13712/1 Abrasit	1
7.4		> cylindrical pin 4m6x10 DIN7 A4	2
8	6066648	REXA PRO cable trumpet 30T P13 20MH07	1
8.1		seal ring D.29,5/17x16,5 54.17777 NBR VP	1
8.2		o-ring ID.18,0x3,5 NBR70	1
9	6067407	Barlian bow terminal M5 A2	1
10	6079169	impeller Rexa Cut GE03.1x GG KIT SVA	1
10		> impeller-W D.140 6050900 GG	1
3	6070675	> impeller fixation 8x50 A4 KIT	1
3.1		>> screw M8x50 ISO4762 A4-70	1
3.2		>> WASHER A8,4 DIN125 1.4401	1

Rexa CUT GE03.20/P-T15-2-540X 20m (6080435)

Item	Article no.	Description	Quantity
11	6067637	sealing casing P/S13.1 D.152 GG XA SET	1
11.1		> sealing casing D.152g6 6050244 GG	1
11.2	6076892	> screw M8x25 DIN912 A4 (10pc)	1
Note: P13.			
11.2		> screw M8x16 ISO4762 A2-70	6
Note: S13.			
11.3		> o-ring ID.150,0x4,0 HNBR70 green	1
11.4		> o-ring ID.150,0x3,0 HNBR70 green	1
11.5	6067638	> screw plug G1/2 DIN908 A4 (3pcs)	1
11.6	6048832	> joint ring A21/26x1,5 DIN7603 PA(10pc)	1
12	6070686	pump housing Cut GE03.2x GG KIT	1
12.1		> pump housing Q32 6050896 GG finished	1
12.2		> O-ring ID.160,0x3,0 NBR70	1
12.3		> o-ring ID.150,0x3,0 NBR70	1
12.4		> screw M8x75 DIN912 A4-70	3
13	6070680	suction port GE03.2x GG KIT	1
13.1		> suction port D.170 60580901 GG fertig	1
13.2		> screw M8x25 ISO4762 A2-70	3
13.3		> threaded pin M8x16 DIN915 A4	3
13.4		> O-ring ID.160,0x3,0 NBR70	1
15		SRDG BALL BEARING 6305 ZZ	1
19		MECHANICAL SEAL BT-AR/22 BXPFF	1
20		pressure ring D.34/22,5x1 6050343 A4	1
21		CIRCLIPS 22x1,2 DIN471 1.4122	1
22		mechanical shaft seal MG1/20-G60 QPQG	1
23		circlips 20x1,2 DIN471 1.4116	1
24		pressure ring D.32/20,5x1 6050343 A4	1
25		circlips 25x1,2 DIN471 FSt	1



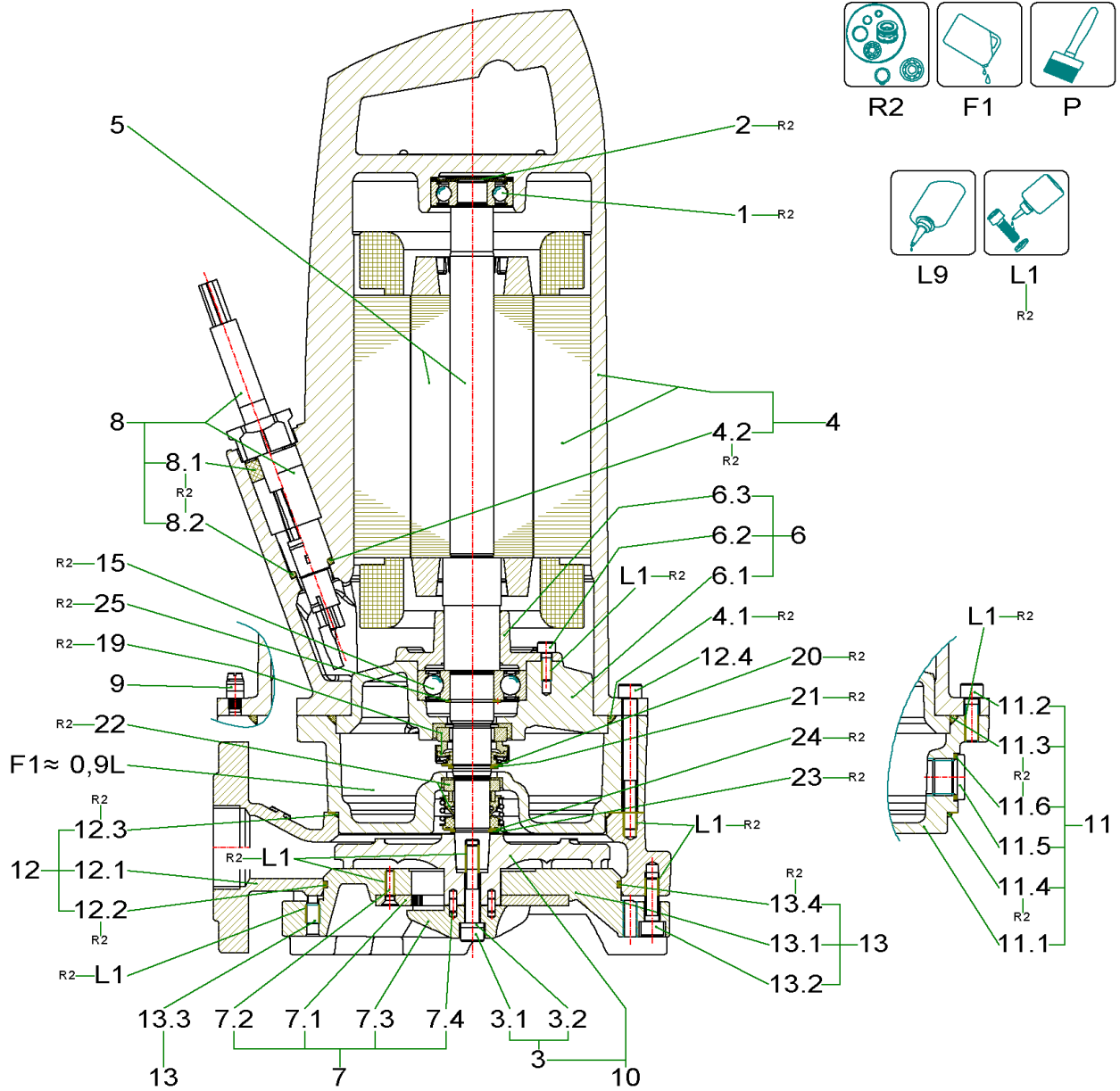
Rexa CUT GE03.25/P-T25-2-540X 20m (6079714)

Item	Article no.	Description	Quantity
R2	6070674	Rep.Kit 2 RexaCut/P	1
P	6049684	colour 2K-paint IV80 RAL9011 250ml KIT	1
F1	6025460	medical white oil 1L KIT	1
F1	6025461	medical white oil 5L KIT	1
L1	6080531	Loctite 243 5g flask VP:	1
L9	6080535	Loctite 5203 300ml VP.	1

1		grooved ball bearing 6303 ZZ	1
2		wave spring ring D.40 YSSB-0158	1
3	6070675	impeller fixation 8x50 A4 KIT	1
3.1		> screw M8x50 ISO4762 A4-70	1
3.2		> WASHER A8,4 DIN125 1.4401	1
4	6070465	stator-unit P13.-2/10 3~ KIT	1
4.1		o-ring ID.150,0x4,0 NBR70	1
4.2		o-ring ID.18,0x3,5 NBR70	1
5	6067577	rotor S/P13.1-10/EAD1X2-T VP.	1
6	6067403	bearing housing P13.1 6050238 GG KIT	1
6.1		> bearing housing B 6050238 GG	1
6.2		> screw M6x16 ISO4762 A4	3
6.3		> bearing cover D.62,2g6 6050240 GG	1
7	6041781	cutting unit KIT	1
7.1		> cutter plate 54.17118/1 1.4034	1
7.2		> screw M5*20 DIN7991 A2-70	3
7.3		> mixer head 54.13712/1 Abrasit	1
7.4		> cylindrical pin 4m6x10 DIN7 A4	2
8	6066648	REXA PRO cable trumpet 30T P13 20MH07	1
8.1		seal ring D.29,5/17x16,5 54.17777 NBR VP	1
8.2		o-ring ID.18,0x3,5 NBR70	1
9	6067407	Barlian bow terminal M5 A2	1
10	6070989	impeller Rexa Cut GE03.2x GG KIT SVA	1
10		> impeller-W D.157 6050900 GG fertig	1
3	6070675	> impeller fixation 8x50 A4 KIT	1
3.1		>> screw M8x50 ISO4762 A4-70	1
3.2		>> WASHER A8,4 DIN125 1.4401	1

Rexa CUT GE03.25/P-T25-2-540X 20m (6079714)

Item	Article no.	Description	Quantity
11	6067637	sealing casing P/S13.1 D.152 GG XA SET	1
11.1		> sealing casing D.152g6 6050244 GG	1
11.2	6076892	> screw M8x25 DIN912 A4 (10pc)	1
Note: P13.			
11.2		> screw M8x16 ISO4762 A2-70	6
Note: S13.			
11.3		> o-ring ID.150,0x4,0 HNBR70 green	1
11.4		> o-ring ID.150,0x3,0 HNBR70 green	1
11.5	6067638	> screw plug G1/2 DIN908 A4 (3pcs)	1
11.6	6048832	> joint ring A21/26x1,5 DIN7603 PA(10pc)	1
12	6070686	pump housing Cut GE03.2x GG KIT	1
12.1		> pump housing Q32 6050896 GG finished	1
12.2		> O-ring ID.160,0x3,0 NBR70	1
12.3		> o-ring ID.150,0x3,0 NBR70	1
12.4		> screw M8x75 DIN912 A4-70	3
13	6070680	suction port GE03.2x GG KIT	1
13.1		> suction port D.170 60580901 GG fertig	1
13.2		> screw M8x25 ISO4762 A2-70	3
13.3		> threaded pin M8x16 DIN915 A4	3
13.4		> O-ring ID.160,0x3,0 NBR70	1
15		SRDG BALL BEARING 6305 ZZ	1
19		MECHANICAL SEAL BT-AR/22 BXPFF	1
20		pressure ring D.34/22,5x1 6050343 A4	1
21		CIRCLIPS 22x1,2 DIN471 1.4122	1
22		mechanical shaft seal MG1/20-G60 QPFGG	1
23		circlips 20x1,2 DIN471 1.4116	1
24		pressure ring D.32/20,5x1 6050343 A4	1
25		circlips 25x1,2 DIN471 FSt	1



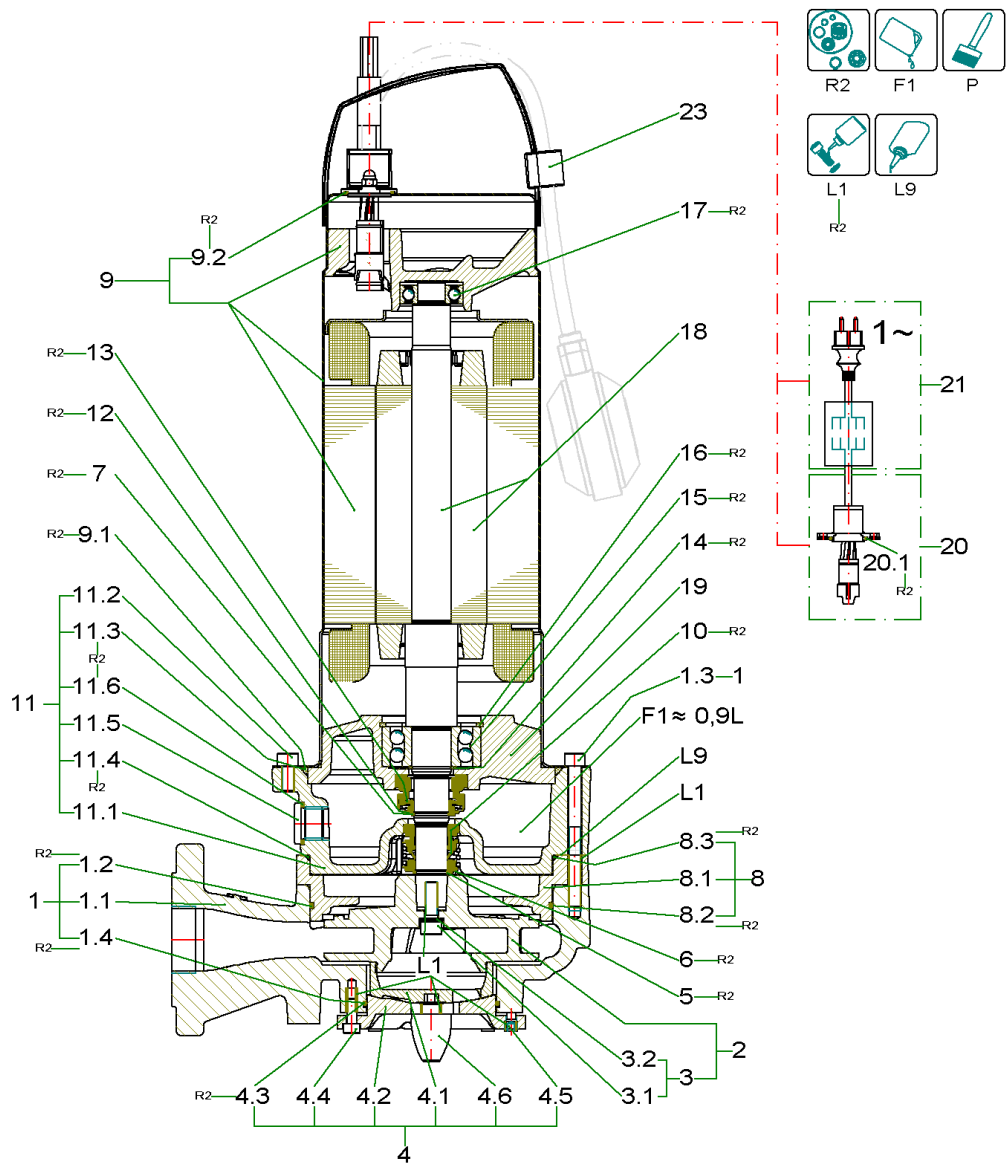
Rexa CUT GE03.34/P-T39-2-540X 20m (6079713)

Item	Article no.	Description	Quantity
R2	6070674	Rep.Kit 2 RexaCut/P	1
P	6049684	colour 2K-paint IV80 RAL9011 250ml KIT	1
F1	6025460	medical white oil 1L KIT	1
F1	6025461	medical white oil 5L KIT	1
L1	6080531	Loctite 243 5g flask VP:	1
L9	6080535	Loctite 5203 300ml VP.	1

1		Rep.Kit 2 P13.1	1
1		grooved ball bearing 6303 ZZ	1
2		wave spring ring D.40 YSSB-0158	1
3	6070675	impeller fixation 8x50 A4 KIT	1
3.1		> screw M8x50 ISO4762 A4-70	1
3.2		> WASHER A8,4 DIN125 1.4401	1
4	6070466	stator-unit P13.-2/15 3~ KIT	1
4.1		o-ring ID.150,0x4,0 NBR70	1
4.2		o-ring ID.18,0x3,5 NBR70	1
5	6067578	rotor P13.1-15/EAD1X2-T VP.	1
6	6067403	bearing housing P13.1 6050238 GG KIT	1
6.1		> bearing housing B 6050238 GG	1
6.2		> screw M6x16 ISO4762 A4	3
6.3		> bearing cover D.62,2g6 6050240 GG	1
7	6041781	cutting unit KIT	1
7.1		> cutter plate 54.17118/1 1.4034	1
7.2		> screw M5*20 DIN7991 A2-70	3
7.3		> mixer head 54.13712/1 Abrasit	1
7.4		> cylindrical pin 4m6x10 DIN7 A4	2
8	6066648	REXA PRO cable trumpet 30T P13 20MH07	1
8.1		seal ring D.29,5/17x16,5 54.17777 NBR VP	1
8.2		o-ring ID.18,0x3,5 NBR70	1
9	6067407	Barlian bow terminal M5 A2	1
10	6070990	impeller Rexa Cut GE03.3x GG KIT SVA	1
10		> impeller-W D.175 6050899 GG fertig	1
3	6070675	> impeller fixation 8x50 A4 KIT	1
3.1		>> screw M8x50 ISO4762 A4-70	1

Rexa CUT GE03.34/P-T39-2-540X 20m (6079713)

Item	Article no.	Description	Quantity
3.2		>> WASHER A8,4 DIN125 1.4401	1
11	6067637	sealing casing P/S13.1 D.152 GG XA SET	1
11.1		> sealing casing D.152g6 6050244 GG	1
11.2	6076892	> screw M8x25 DIN912 A4 (10pc)	1
Note: P13.			
11.2		> screw M8x16 ISO4762 A2-70	6
Note: S13.			
11.3		> o-ring ID.150,0x4,0 HNBR70 green	1
11.4		> o-ring ID.150,0x3,0 HNBR70 green	1
11.5	6067638	> screw plug G1/2 DIN908 A4 (3pcs)	1
11.6	6048832	> joint ring A21/26x1,5 DIN7603 PA(10pc)	1
12	6070679	pump housing Cut GE03.3x GG KIT	1
12.1		> pump housing Q32 6050895 GG finished	1
12.2		> o-ring ID.168,0x3,0 NBR70	1
12.3		> o-ring ID.150,0x3,0 NBR70	1
12.4		> screw M8x75 DIN912 A4-70	3
13	6070099	suction port GE03.3x GG KIT	1
13.1		> suction port D.178 60580901 GG fertig	1
13.2		> screw M8x25 ISO4762 A2-70	3
13.3		> threaded pin M8x16 DIN915 A4	3
13.4		> o-ring ID.168,0x3,0 NBR70	1
15		SRDG BALL BEARING 6305 ZZ	1
19		MECHANICAL SEAL BT-AR/22 BXPFF	1
20		pressure ring D.34/22,5x1 6050343 A4	1
21		CIRCLIPS 22x1,2 DIN471 1.4122	1
22		mechanical shaft seal MG1/20-G60 QPFGG	1
23		circlips 20x1,2 DIN471 1.4116	1
24		pressure ring D.32/20,5x1 6050343 A4	1
25		circlips 25x1,2 DIN471 FSt	1



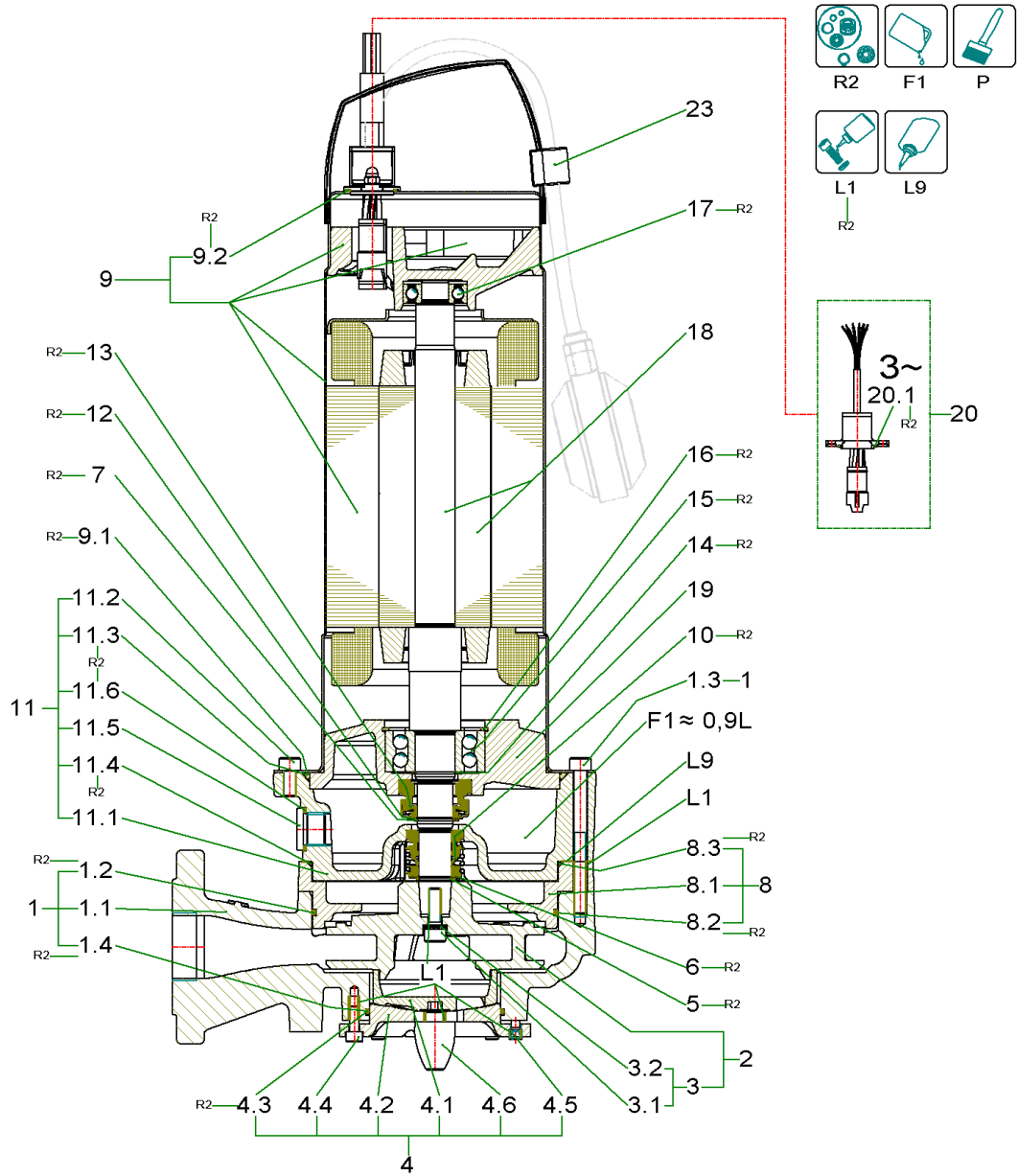
Rexa CUT GI03.26/S-M15-2-523/P (6081534)

Item	Article no.	Description	Quantity
R2	6070670	Rep.Kit 2 RexaCut/S	1
P	6049684	colour 2K-paint IV80 RAL9011 250ml KIT	1
F1	6025460	medical white oil 1L KIT	1
F1	6025461	medical white oil 5L KIT	1
L1	6080531	Loctite 243 5g flask VP:	1
L9	6080535	Loctite 5203 300ml VP.	1

1	6070672	pump housing Cut GI03.2x/3x GG KIT	1
1.1		> pump housing Q32 6050894 GG fertig	1
1.2		> O-RING ID.82x2,5 NBR70	1
1.3		> screw M8x85 DIN912 A4-70	3
1.4		> O-RING ID.144,5x3 NBR70	1
2	6070991	impeller Rexa Cut GI03.26 GG KIT SVA	1
2		> impeller-F D.135 6050897 GG fertig	1
3	6067965	> impeller fixation 8x25 Geomet KIT	1
3.1		>> screw M8x25 DIN912 10.9 Geomet	1
3.2		>> screw locking Nord-Lock 13,5/8,7 A4	1
1.4		>> o-ring ID.150,0x3,0 NBR70	1
4	6070671	macerator RexaCut GI KIT	1
4.1		> Cutter rotating R151 finish1.4528	1
4.2		> CUTTER PLATE R151 FINISHED 1.4528	1
4.3		> O-RING ID.82x2,5 NBR70	1
4.4		> screw M6x16 ISO4762 A4	4
4.5		> Stud bolt M8x12 DIN915 A4	4
4.6		> SUCTION PIECE D.25X36-M12X1,25LH V4A	1
5		circlips 20x1,2 DIN471 1.4116	1
6		pressure ring D.32/20,5x1 6050343 A4	1
7		CIRCLIPS 22x1,2 DIN471 1.4122	1
8	6070673	latern RexaCut KIT	1
8.1		> latern D.153/153 6050958 GG finished	1
8.2		> O-RING ID.144,5x3 NBR70	1
8.3		> o-ring ID.150,0x3,0 NBR70	1
9	6081672	stator-unit S13.1-2/8 1~ (w/o c.) KIT	1
9.1		o-ring ID.150,0x4,0 NBR70	1

Rexa CUT GI03.26/S-M15-2-523/P (6081534)

Item	Article no.	Description	Quantity
9.2		O-RING ID.25X2,2N DIN3771 NBR70	1
10		mechanical shaft seal MG1/20-G60 QPQG	1
11	6067637	sealing casing P/S13.1 D.152 GG XA SET	1
11.1		> sealing casing D.152g6 6050244 GG	1
11.2	6076892	> screw M8x25 DIN912 A4 (10pc)	1
Note: P13.			
11.2		> screw M8x16 ISO4762 A2-70	6
Note: S13.			
11.3		> o-ring ID.150,0x4,0 HNBR70 green	1
11.4		> o-ring ID.150,0x3,0 HNBR70 green	1
11.5	6067638	> screw plug G1/2 DIN908 A4 (3pcs)	1
11.6	6048832	> joint ring A21/26x1,5 DIN7603 PA(10pc)	1
11.5	6067638	screw plug G1/2 DIN908 A4 (3pcs)	1
11.6	6048832	joint ring A21/26x1,5 DIN7603 PA(10pc)	1
12		pressure ring D.34/22,5x1 6050343 A4	1
13		MECHANICAL SEAL BT-AR/22 BXPPF	1
14		circlips 25x1,2 DIN471 FSt	1
15		ball bearing 3305	1
16		CIRCLIP 62X2 DIN472 FST	1
17		Rep.Kit 2 P13.1	1
18	6067580	rotor S/P13.1-8/EAD0X2-M VP.	1
19		on request	1
20	6066609	cable 10m H07 4G1 1,1-1,5kW	1
20.1	6067644	O-Ring ID.25X2,2N DIN3771 NBR70 (3pcs)	1
21	6081666	terminal-Box CD35+70MF + cable-kit	1
23	6067643	cable clip PP-GF30 black VP.	1



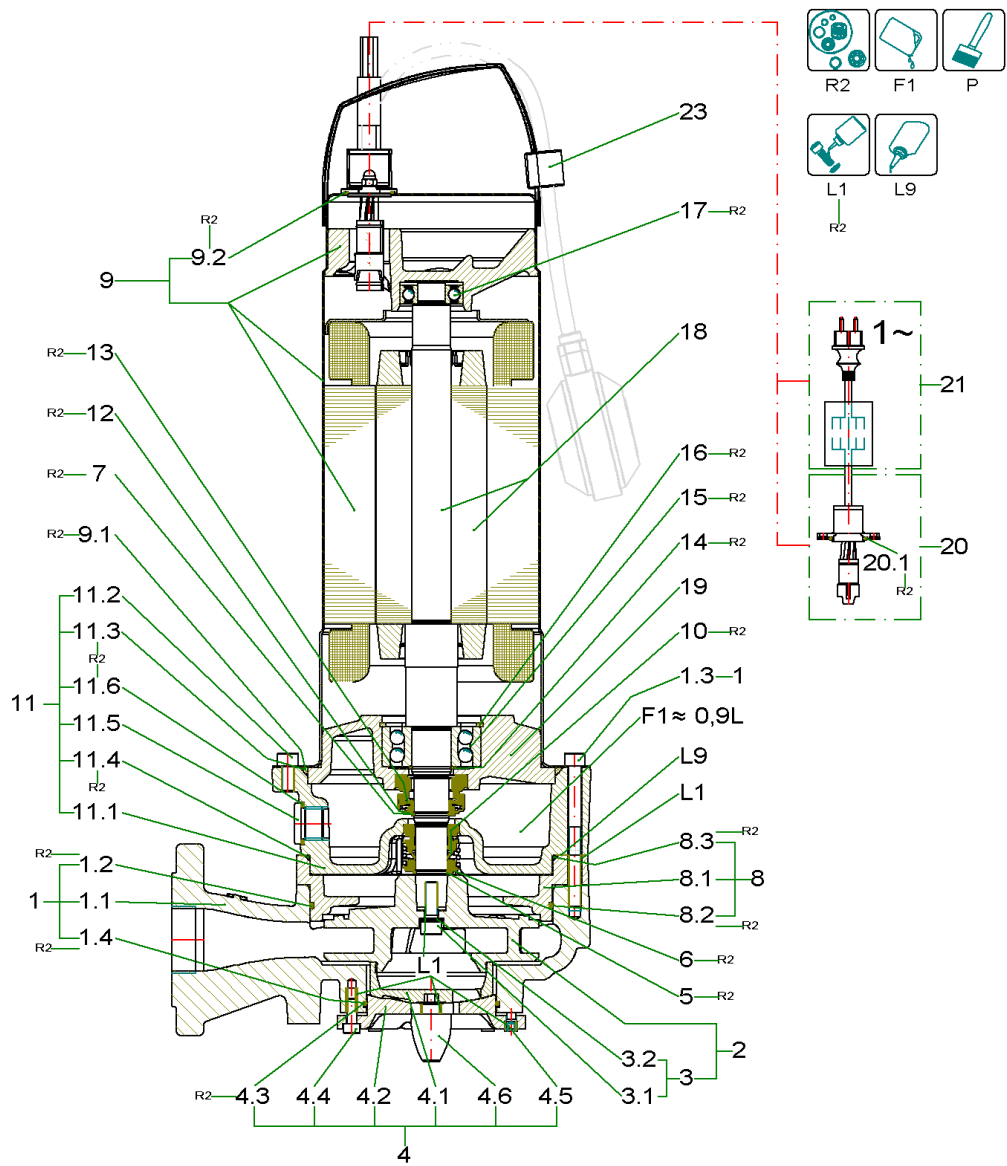
Rexa CUT GI03.26/S-T15-2-540 20m (6080727)

Item	Article no.	Description	Quantity
R2	6070670	Rep.Kit 2 RexaCut/S	1
P	6049684	colour 2K-paint IV80 RAL9011 250ml KIT	1
F1	6025460	medical white oil 1L KIT	1
F1	6025461	medical white oil 5L KIT	1
L1	6080531	Loctite 243 5g flask VP:	1
L9	6080535	Loctite 5203 300ml VP.	1

1	6070672	pump housing Cut GI03.2x/3x GG KIT	1
1.1		> pump housing Q32 6050894 GG fertig	1
1.2		> O-RING ID.82x2,5 NBR70	1
1.3		> screw M8x85 DIN912 A4-70	3
1.4		> O-RING ID.144,5x3 NBR70	1
2	6070991	impeller Rexa Cut GI03.26 GG KIT SVA	1
2		> impeller-F D.135 6050897 GG fertig	1
3	6067965	> impeller fixation 8x25 Geomet KIT	1
3.1		>> screw M8x25 DIN912 10.9 Geomet	1
3.2		>> screw locking Nord-Lock 13,5/8,7 A4	1
1.4		>> o-ring ID.150,0x3,0 NBR70	1
4	6070671	macerator RexaCut GI KIT	1
4.1		> Cutter rotating R151 finish1.4528	1
4.2		> CUTTER PLATE R151 FINISHED 1.4528	1
4.3		> O-RING ID.82x2,5 NBR70	1
4.4		> screw M6x16 ISO4762 A4	4
4.5		> Stud bolt M8x12 DIN915 A4	4
4.6		> SUCTION PIECE D.25X36-M12X1,25LH V4A	1
5		circlips 20x1,2 DIN471 1.4116	1
6		pressure ring D.32/20,5x1 6050343 A4	1
7		CIRCLIPS 22x1,2 DIN471 1.4122	1
8	6070673	latern RexaCut KIT	1
8.1		> latern D.153/153 6050958 GG finished	1
8.2		> O-RING ID.144,5x3 NBR70	1
8.3		> o-ring ID.150,0x3,0 NBR70	1
9	6070454	stator-unit S13.1-2/8 3~ KIT	1
9.1		o-ring ID.150,0x4,0 NBR70	1

Rexa CUT GI03.26/S-T15-2-540 20m (6080727)

Item	Article no.	Description	Quantity
9.2		O-RING ID.25X2,2N DIN3771 NBR70	1
10		mechanical shaft seal MG1/20-G60 QPQGG	1
11	6067637	sealing casing P/S13.1 D.152 GG XA SET	1
11.1		> sealing casing D.152g6 6050244 GG	1
11.2	6076892	> screw M8x25 DIN912 A4 (10pc)	1
Note: P13.			
11.2		> screw M8x16 ISO4762 A2-70	6
Note: S13.			
11.3		> o-ring ID.150,0x4,0 HNBR70 green	1
11.4		> o-ring ID.150,0x3,0 HNBR70 green	1
11.5	6067638	> screw plug G1/2 DIN908 A4 (3pcs)	1
11.6	6048832	> joint ring A21/26x1,5 DIN7603 PA(10pc)	1
11.5	6067638	screw plug G1/2 DIN908 A4 (3pcs)	1
11.6	6048832	joint ring A21/26x1,5 DIN7603 PA(10pc)	1
12		pressure ring D.34/22,5x1 6050343 A4	1
13		MECHANICAL SEAL BT-AR/22 BXPPF	1
14		circlips 25x1,2 DIN471 FSt	1
15		ball bearing 3305	1
16		CIRCLIP 62X2 DIN472 FST	1
17		Rep.Kit 2 P13.1	1
18	6067579	rotor S/P13.1-8/EAD1X2-T VP.	1
19		on request	1
20	6066618	cable 20m H07 6G1 1,1-5,0kW VP.	1
20.1	6067644	O-Ring ID.25X2,2N DIN3771 NBR70 (3pcs)	1
23	6067643	cable clip PP-GF30 black VP.	1



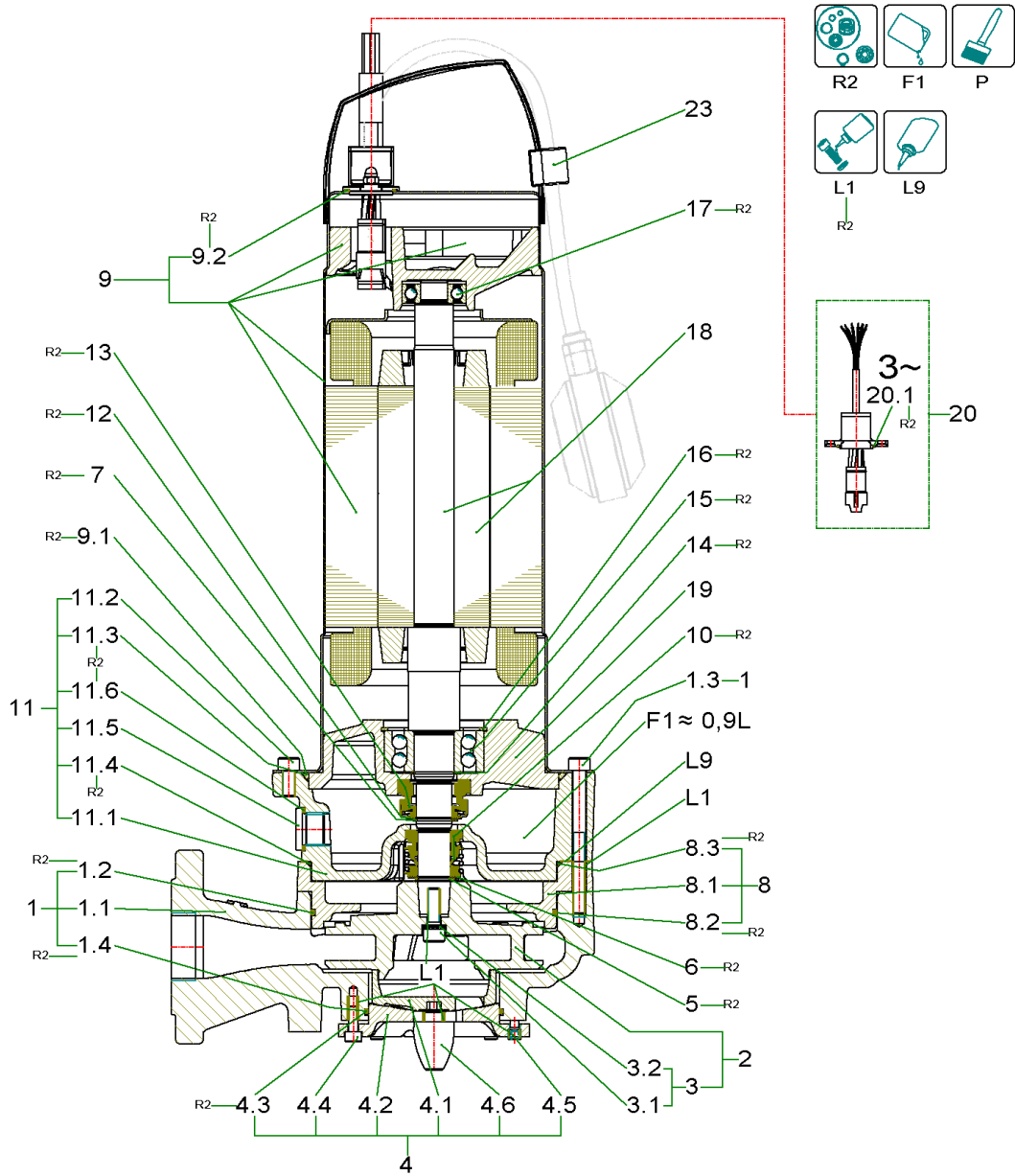
Rexa CUT GI03.29/S-M15-2-523/P (6081535)

Item	Article no.	Description	Quantity
R2	6070670	Rep.Kit 2 RexaCut/S	1
P	6049684	colour 2K-paint IV80 RAL9011 250ml KIT	1
F1	6025460	medical white oil 1L KIT	1
F1	6025461	medical white oil 5L KIT	1
L1	6080531	Loctite 243 5g flask VP:	1
L9	6080535	Loctite 5203 300ml VP.	1

1	6070672	pump housing Cut GI03.2x/3x GG KIT	1
1.1		> pump housing Q32 6050894 GG fertig	1
1.2		> O-RING ID.82x2,5 NBR70	1
1.3		> screw M8x85 DIN912 A4-70	3
1.4		> O-RING ID.144,5x3 NBR70	1
2	6078173	impeller Rexa Cut GI03.29 GG KIT SVA	1
2		> impeller-F D.145 6052230 GG fertig	1
3	6067645	> impeller fixation 8x25 Geomet KIT	1
3.1		>> screw M8x25 DIN912 10.9 Geomet	1
3.2		>> screw locking Nord-Lock 13,5/8,7 A4	1
4	6070671	macerator RexaCut GI KIT	1
4.1		> Cutter rotating R151 finish1.4528	1
4.2		> CUTTER PLATE R151 FINISHED 1.4528	1
4.3		> O-RING ID.82x2,5 NBR70	1
4.4		> screw M6x16 ISO4762 A4	4
4.5		> Stud bolt M8x12 DIN915 A4	4
4.6		> SUCTION PIECE D.25X36-M12X1,25LH V4A	1
5		circlips 20x1,2 DIN471 1.4116	1
6		pressure ring D.32/20,5x1 6050343 A4	1
7		CIRCLIPS 22x1,2 DIN471 1.4122	1
8	6070673	latern RexaCut KIT	1
8.1		> latern D.153/153 6050958 GG finished	1
8.2		> O-RING ID.144,5x3 NBR70	1
8.3		> o-ring ID.150,0x3,0 NBR70	1
9	6081672	stator-unit S13.1-2/8 1~ (w/o c.) KIT	1
9.1		o-ring ID.150,0x4,0 NBR70	1
9.2		O-RING ID.25X2,2N DIN3771 NBR70	1

Rexa CUT GI03.29/S-M15-2-523/P (6081535)

Item	Article no.	Description	Quantity
10		mechanical shaft seal MG1/20-G60 QQPGG	1
11	6067637	sealing casing P/S13.1 D.152 GG XA SET	1
11.1		> sealing casing D.152g6 6050244 GG	1
11.2	6076892	> screw M8x25 DIN912 A4 (10pc)	1
Note: P13.			
11.2		> screw M8x16 ISO4762 A2-70	6
Note: S13.			
11.3		> o-ring ID.150,0x4,0 HNBR70 green	1
11.4		> o-ring ID.150,0x3,0 HNBR70 green	1
11.5	6067638	> screw plug G1/2 DIN908 A4 (3pcs)	1
11.6	6048832	> joint ring A21/26x1,5 DIN7603 PA(10pc)	1
11.5	6067638	screw plug G1/2 DIN908 A4 (3pcs)	1
11.6	6048832	joint ring A21/26x1,5 DIN7603 PA(10pc)	1
12		pressure ring D.34/22,5x1 6050343 A4	1
13		MECHANICAL SEAL BT-AR/22 BXPFF	1
14		circlips 25x1,2 DIN471 FSt	1
15		ball bearing 3305	1
16		CIRCLIP 62X2 DIN472 FST	1
17		Rep.Kit 2 P13.1	1
18	6067580	rotor S/P13.1-8/EAD0X2-M VP.	1
19		on request	1
20	6066609	cable 10m H07 4G1 1,1-1,5kW	1
20.1	6067644	O-Ring ID.25X2,2N DIN3771 NBR70 (3pcs)	1
21	6081666	terminal-Box CD35+70MF + cable-kit	1
23	6067643	cable clip PP-GF30 black VP.	1



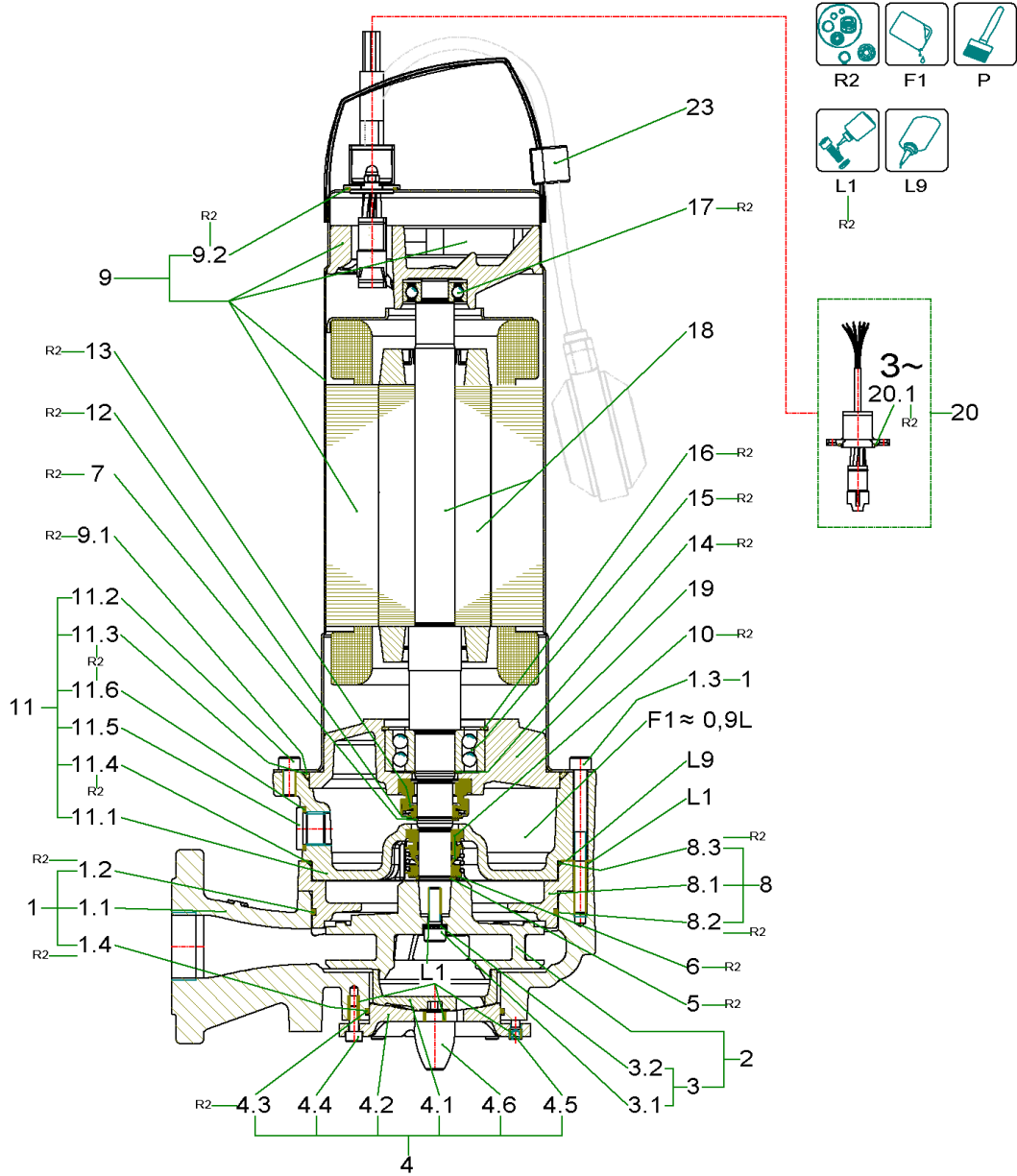
Rexa CUT GI03.29/S-T15-2-540 (6075983)

Item	Article no.	Description	Quantity
R2	6070670	Rep.Kit 2 RexaCut/S	1
P	6049684	colour 2K-paint IV80 RAL9011 250ml KIT	1
F1	6025460	medical white oil 1L KIT	1
F1	6025461	medical white oil 5L KIT	1
L1	6080531	Loctite 243 5g flask VP:	1
L9	6080535	Loctite 5203 300ml VP.	1

1	6070672	pump housing Cut GI03.2x/3x GG KIT	1
1.1		> pump housing Q32 6050894 GG fertig	1
1.2		> O-RING ID.82x2,5 NBR70	1
1.3		> screw M8x85 DIN912 A4-70	3
1.4		> O-RING ID.144,5x3 NBR70	1
2	6078173	impeller Rexa Cut GI03.29 GG KIT SVA	1
2		> impeller-F D.145 6052230 GG fertig	1
3	6067645	> impeller fixation 8x25 Geomet KIT	1
3.1		>> screw M8x25 DIN912 10.9 Geomet	1
3.2		>> screw locking Nord-Lock 13,5/8,7 A4	1
4	6070671	macerator RexaCut GI KIT	1
4.1		> Cutter rotating R151 finish1.4528	1
4.2		> CUTTER PLATE R151 FINISHED 1.4528	1
4.3		> O-RING ID.82x2,5 NBR70	1
4.4		> screw M6x16 ISO4762 A4	4
4.5		> Stud bolt M8x12 DIN915 A4	4
4.6		> SUCTION PIECE D.25X36-M12X1,25LH V4A	1
5		circlips 20x1,2 DIN471 1.4116	1
6		pressure ring D.32/20,5x1 6050343 A4	1
7		CIRCLIPS 22x1,2 DIN471 1.4122	1
8	6070673	latern RexaCut KIT	1
8.1		> latern D.153/153 6050958 GG finished	1
8.2		> O-RING ID.144,5x3 NBR70	1
8.3		> o-ring ID.150,0x3,0 NBR70	1
9	6070454	stator-unit S13.1-2/8 3~ KIT	1
9.1		o-ring ID.150,0x4,0 NBR70	1
9.2		O-RING ID.25X2,2N DIN3771 NBR70	1

Rexa CUT GI03.29/S-T15-2-540 (6075983)

Item	Article no.	Description	Quantity
10		mechanical shaft seal MG1/20-G60 QQPGG	1
11	6067637	sealing casing P/S13.1 D.152 GG XA SET	1
11.1		> sealing casing D.152g6 6050244 GG	1
11.2	6076892	> screw M8x25 DIN912 A4 (10pc)	1
Note: P13.			
11.2		> screw M8x16 ISO4762 A2-70	6
Note: S13.			
11.3		> o-ring ID.150,0x4,0 HNBR70 green	1
11.4		> o-ring ID.150,0x3,0 HNBR70 green	1
11.5	6067638	> screw plug G1/2 DIN908 A4 (3pcs)	1
11.6	6048832	> joint ring A21/26x1,5 DIN7603 PA(10pc)	1
11.5	6067638	screw plug G1/2 DIN908 A4 (3pcs)	1
11.6	6048832	joint ring A21/26x1,5 DIN7603 PA(10pc)	1
12		pressure ring D.34/22,5x1 6050343 A4	1
13		MECHANICAL SEAL BT-AR/22 BXPFF	1
14		circlips 25x1,2 DIN471 FSt	1
15		ball bearing 3305	1
16		CIRCLIP 62X2 DIN472 FST	1
17		Rep.Kit 2 P13.1	1
18	6067579	rotor S/P13.1-8/EAD1X2-T VP.	1
19		on request	1
20	6066617	cable 10m H07 6G1 VP.	1
20.1	6067644	O-Ring ID.25X2,2N DIN3771 NBR70 (3pcs)	1
23	6067643	cable clip PP-GF30 black VP.	1



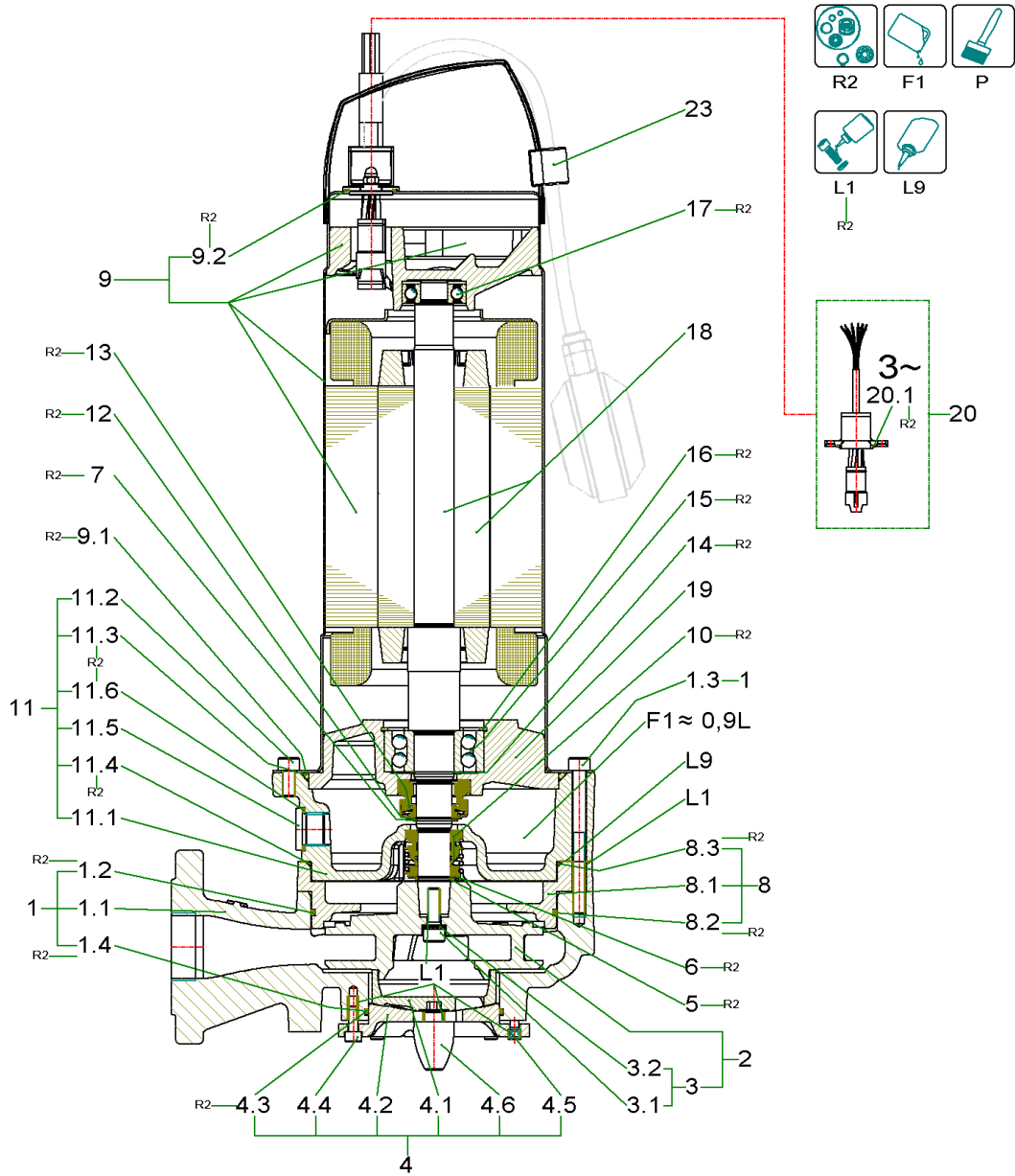
Rexa CUT GI03.30/S-M15-2-623 (6082813)

Item	Article no.	Description	Quantity
R2	6070670	Rep.Kit 2 RexaCut/S	1
P	6049684	colour 2K-paint IV80 RAL9011 250ml KIT	1
F1	6025460	medical white oil 1L KIT	1
F1	6025461	medical white oil 5L KIT	1
L1	6080531	Loctite 243 5g flask VP:	1
L9	6080535	Loctite 5203 300ml VP.	1

1	6070672	pump housing Cut GI03.2x/3x GG KIT	1
1.1		> pump housing Q32 6050894 GG fertig	1
1.2		> O-RING ID.82x2,5 NBR70	1
1.3		> screw M8x85 DIN912 A4-70	3
1.4		> O-RING ID.144,5x3 NBR70	1
2	6083160	impeller Rexa Cut GI03.30 GG SET SVA	1
4	6070671	macerator RexaCut GI KIT	1
4.1		> Cutter rotating R151 finish1.4528	1
4.2		> CUTTER PLATE R151 FINISHED 1.4528	1
4.3		> O-RING ID.82x2,5 NBR70	1
4.4		> screw M6x16 ISO4762 A4	4
4.5		> Stud bolt M8x12 DIN915 A4	4
4.6		> SUCTION PIECE D.25X36-M12X1,25LH V4A	1
5		circlips 20x1,2 DIN471 1.4116	1
6		pressure ring D.32/20,5x1 6050343 A4	1
7		CIRCLIPS 22x1,2 DIN471 1.4122	1
8	6070673	latern RexaCut KIT	1
8.1		> latern D.153/153 6050958 GG finished	1
8.2		> O-RING ID.144,5x3 NBR70	1
8.3		> o-ring ID.150,0x3,0 NBR70	1
9	6083305	stator-unit S13.1-2/8 1~ 60Hz KIT	1
9.1		o-ring ID.150,0x4,0 NBR70	1
9.2		O-RING ID.25X2,2N DIN3771 NBR70	1
10		mechanical shaft seal MG1/20-G60 QPPGG	1
11	6067637	sealing casing P/S13.1 D.152 GG XA SET	1
11.1		> sealing casing D.152g6 6050244 GG	1
11.2	6076892	> screw M8x25 DIN912 A4 (10pc)	1

Rexa CUT GI03.30/S-M15-2-623 (6082813)

Item	Article no.	Description	Quantity
Note: P13.			
11.2		> screw M8x16 ISO4762 A2-70	6
Note: S13.			
11.3		> o-ring ID.150,0x4,0 HNBR70 green	1
11.4		> o-ring ID.150,0x3,0 HNBR70 green	1
11.5	6067638	> screw plug G1/2 DIN908 A4 (3pcs)	1
11.6	6048832	> joint ring A21/26x1,5 DIN7603 PA(10pc)	1
11.5	6067638	screw plug G1/2 DIN908 A4 (3pcs)	1
11.6	6048832	joint ring A21/26x1,5 DIN7603 PA(10pc)	1
12		pressure ring D.34/22,5x1 6050343 A4	1
13		MECHANICAL SEAL BT-AR/22 BXPFF	1
14		circlips 25x1,2 DIN471 FSt	1
15		ball bearing 3305	1
16		CIRCLIP 62X2 DIN472 FST	1
17		Rep.Kit 2 P13.1	1
18	6067580	rotor S/P13.1-8/EAD0X2-M VP.	1
19		on request	1
20	6083297	cable 10m SJOOW 4AWG16 VP.	1
20.1	6067644	O-Ring ID.25X2,2N DIN3771 NBR70 (3pcs)	1
23	6067643	cable clip PP-GF30 black VP.	1



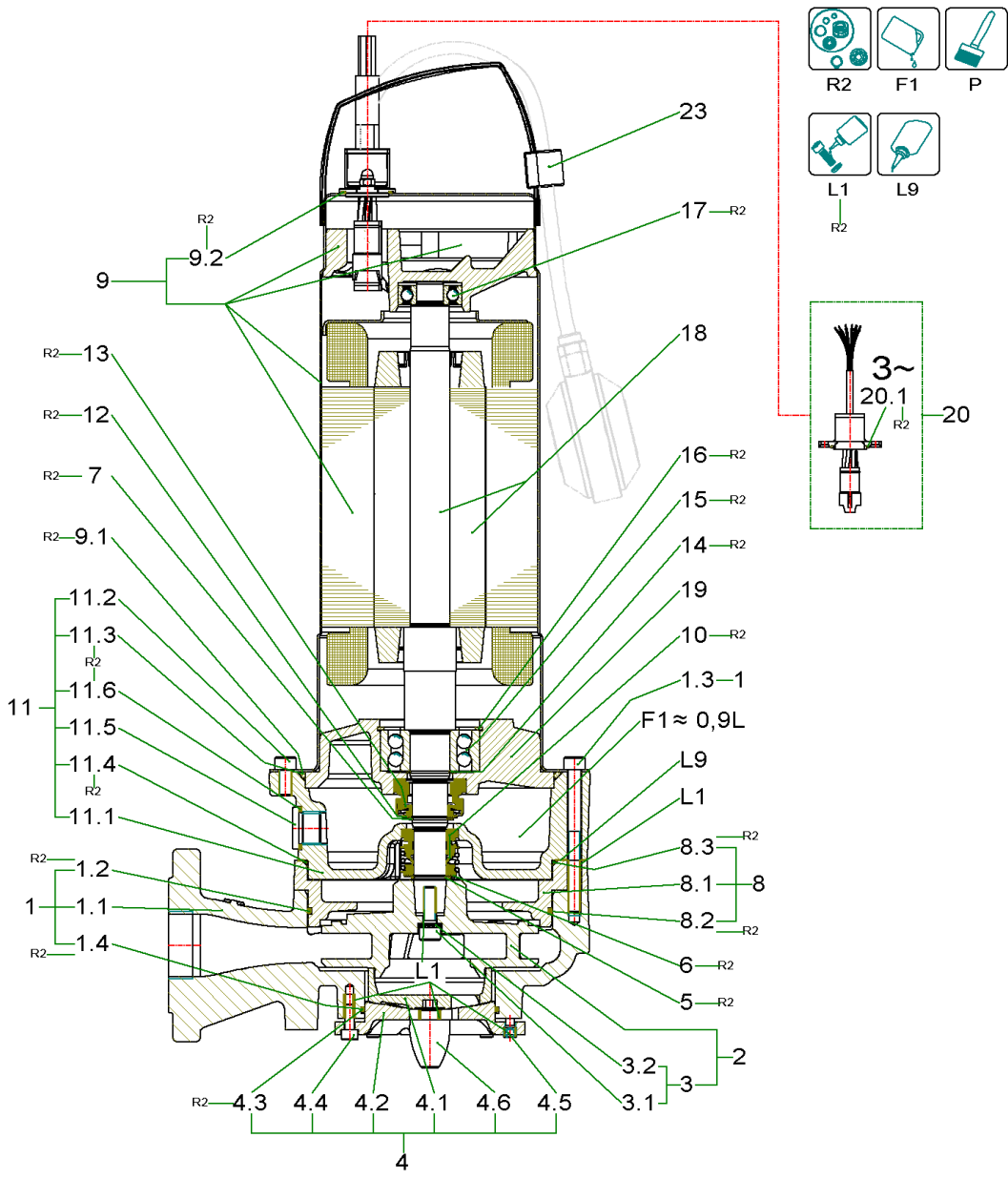
Rexa CUT GI03.30/S-T15-2-623 (6082815)

Item	Article no.	Description	Quantity
R2	6070670	Rep.Kit 2 RexaCut/S	1
P	6049684	colour 2K-paint IV80 RAL9011 250ml KIT	1
F1	6025460	medical white oil 1L KIT	1
F1	6025461	medical white oil 5L KIT	1
L1	6080531	Loctite 243 5g flask VP:	1
L9	6080535	Loctite 5203 300ml VP.	1

1	6070672	pump housing Cut GI03.2x/3x GG KIT	1
1.1		> pump housing Q32 6050894 GG fertig	1
1.2		> O-RING ID.82x2,5 NBR70	1
1.3		> screw M8x85 DIN912 A4-70	3
1.4		> O-RING ID.144,5x3 NBR70	1
2	6083160	impeller Rexa Cut GI03.30 GG SET SVA	1
4	6070671	macerator RexaCut GI KIT	1
4.1		> Cutter rotating R151 finish1.4528	1
4.2		> CUTTER PLATE R151 FINISHED 1.4528	1
4.3		> O-RING ID.82x2,5 NBR70	1
4.4		> screw M6x16 ISO4762 A4	4
4.5		> Stud bolt M8x12 DIN915 A4	4
4.6		> SUCTION PIECE D.25X36-M12X1,25LH V4A	1
5		circlips 20x1,2 DIN471 1.4116	1
6		pressure ring D.32/20,5x1 6050343 A4	1
7		CIRCLIPS 22x1,2 DIN471 1.4122	1
8	6070673	latern RexaCut KIT	1
8.1		> latern D.153/153 6050958 GG finished	1
8.2		> O-RING ID.144,5x3 NBR70	1
8.3		> o-ring ID.150,0x3,0 NBR70	1
9	6083304	stator-unit S13.1-2/8 3~ 60Hz KIT	1
9.1		o-ring ID.150,0x4,0 NBR70	1
9.2		O-RING ID.25X2,2N DIN3771 NBR70	1
10		mechanical shaft seal MG1/20-G60 QPPGG	1
11	6067637	sealing casing P/S13.1 D.152 GG XA SET	1
11.1		> sealing casing D.152g6 6050244 GG	1
11.2	6076892	> screw M8x25 DIN912 A4 (10pc)	1

Rexa CUT GI03.30/S-T15-2-623 (6082815)

Item	Article no.	Description	Quantity
Note: P13.			
11.2		> screw M8x16 ISO4762 A2-70	6
Note: S13.			
11.3		> o-ring ID.150,0x4,0 HNBR70 green	1
11.4		> o-ring ID.150,0x3,0 HNBR70 green	1
11.5	6067638	> screw plug G1/2 DIN908 A4 (3pcs)	1
11.6	6048832	> joint ring A21/26x1,5 DIN7603 PA(10pc)	1
11.5	6067638	screw plug G1/2 DIN908 A4 (3pcs)	1
11.6	6048832	joint ring A21/26x1,5 DIN7603 PA(10pc)	1
12		pressure ring D.34/22,5x1 6050343 A4	1
13		MECHANICAL SEAL BT-AR/22 BXPFF	1
14		circlips 25x1,2 DIN471 FSt	1
15		ball bearing 3305	1
16		CIRCLIP 62X2 DIN472 FST	1
17		Rep.Kit 2 P13.1	1
18	6067579	rotor S/P13.1-8/EAD1X2-T VP.	1
19		on request	1
20	6083298	cable 10m SOOW 6AWG16 VP.	1
20.1	6067644	O-Ring ID.25X2,2N DIN3771 NBR70 (3pcs)	1
23	6067643	cable clip PP-GF30 black VP.	1



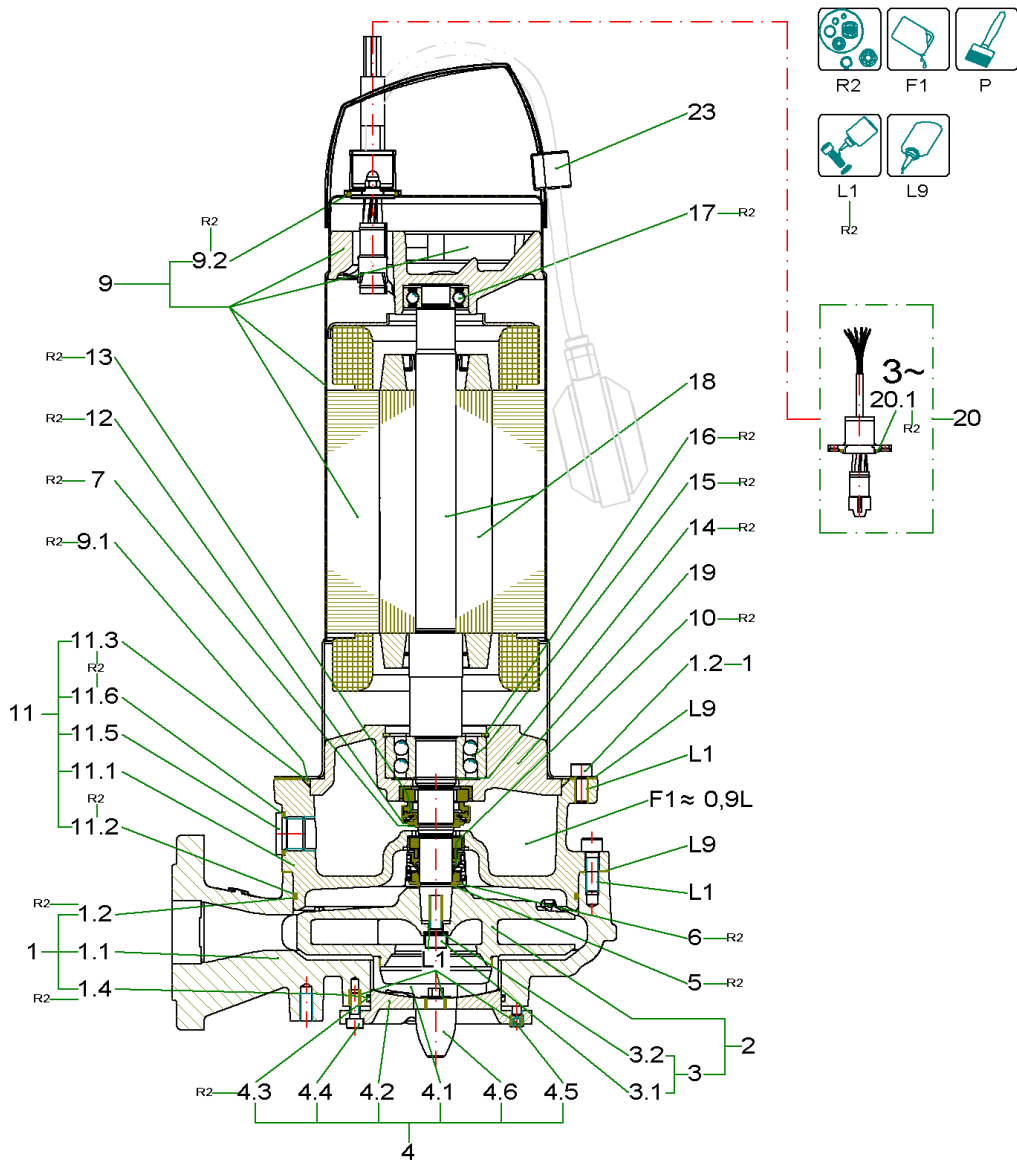
Rexa CUT GI03.30/S-T15-2-646 (6082811)

Item	Article no.	Description	Quantity
R2	6070670	Rep.Kit 2 RexaCut/S	1
P	6049684	colour 2K-paint IV80 RAL9011 250ml KIT	1
F1	6025460	medical white oil 1L KIT	1
F1	6025461	medical white oil 5L KIT	1
L1	6080531	Loctite 243 5g flask VP:	1
L9	6080535	Loctite 5203 300ml VP.	1

1	6070672	pump housing Cut GI03.2x/3x GG KIT	1
1.1		> pump housing Q32 6050894 GG fertig	1
1.2		> O-RING ID.82x2,5 NBR70	1
1.3		> screw M8x85 DIN912 A4-70	3
1.4		> O-RING ID.144,5x3 NBR70	1
2	6083160	impeller Rexa Cut GI03.30 GG SET SVA	1
4	6070671	macerator RexaCut GI KIT	1
4.1		> Cutter rotating R151 finish1.4528	1
4.2		> CUTTER PLATE R151 FINISHED 1.4528	1
4.3		> O-RING ID.82x2,5 NBR70	1
4.4		> screw M6x16 ISO4762 A4	4
4.5		> Stud bolt M8x12 DIN915 A4	4
4.6		> SUCTION PIECE D.25X36-M12X1,25LH V4A	1
5		circlips 20x1,2 DIN471 1.4116	1
6		pressure ring D.32/20,5x1 6050343 A4	1
7		CIRCLIPS 22x1,2 DIN471 1.4122	1
8	6070673	latern RexaCut KIT	1
8.1		> latern D.153/153 6050958 GG finished	1
8.2		> O-RING ID.144,5x3 NBR70	1
8.3		> o-ring ID.150,0x3,0 NBR70	1
9	6070454	stator-unit S13.1-2/8 3~ KIT	1
9.1		o-ring ID.150,0x4,0 NBR70	1
9.2		O-RING ID.25X2,2N DIN3771 NBR70	1
10		mechanical shaft seal MG1/20-G60 QPPGG	1
11	6067637	sealing casing P/S13.1 D.152 GG XA SET	1
11.1		> sealing casing D.152g6 6050244 GG	1
11.2	6076892	> screw M8x25 DIN912 A4 (10pc)	1

Rexa CUT GI03.30/S-T15-2-646 (6082811)

Item	Article no.	Description	Quantity
Note: P13.			
11.2		> screw M8x16 ISO4762 A2-70	6
Note: S13.			
11.3		> o-ring ID.150,0x4,0 HNBR70 green	1
11.4		> o-ring ID.150,0x3,0 HNBR70 green	1
11.5	6067638	> screw plug G1/2 DIN908 A4 (3pcs)	1
11.6	6048832	> joint ring A21/26x1,5 DIN7603 PA(10pc)	1
11.5	6067638	screw plug G1/2 DIN908 A4 (3pcs)	1
11.6	6048832	joint ring A21/26x1,5 DIN7603 PA(10pc)	1
12		pressure ring D.34/22,5x1 6050343 A4	1
13		MECHANICAL SEAL BT-AR/22 BXPFF	1
14		circlips 25x1,2 DIN471 FSt	1
15		ball bearing 3305	1
16		CIRCLIP 62X2 DIN472 FST	1
17		Rep.Kit 2 P13.1	1
18	6067579	rotor S/P13.1-8/EAD1X2-T VP.	1
19		on request	1
20	6083298	cable 10m SOOW 6AWG16 VP.	1
20.1	6067644	O-Ring ID.25X2,2N DIN3771 NBR70 (3pcs)	1
23	6067643	cable clip PP-GF30 black VP.	1



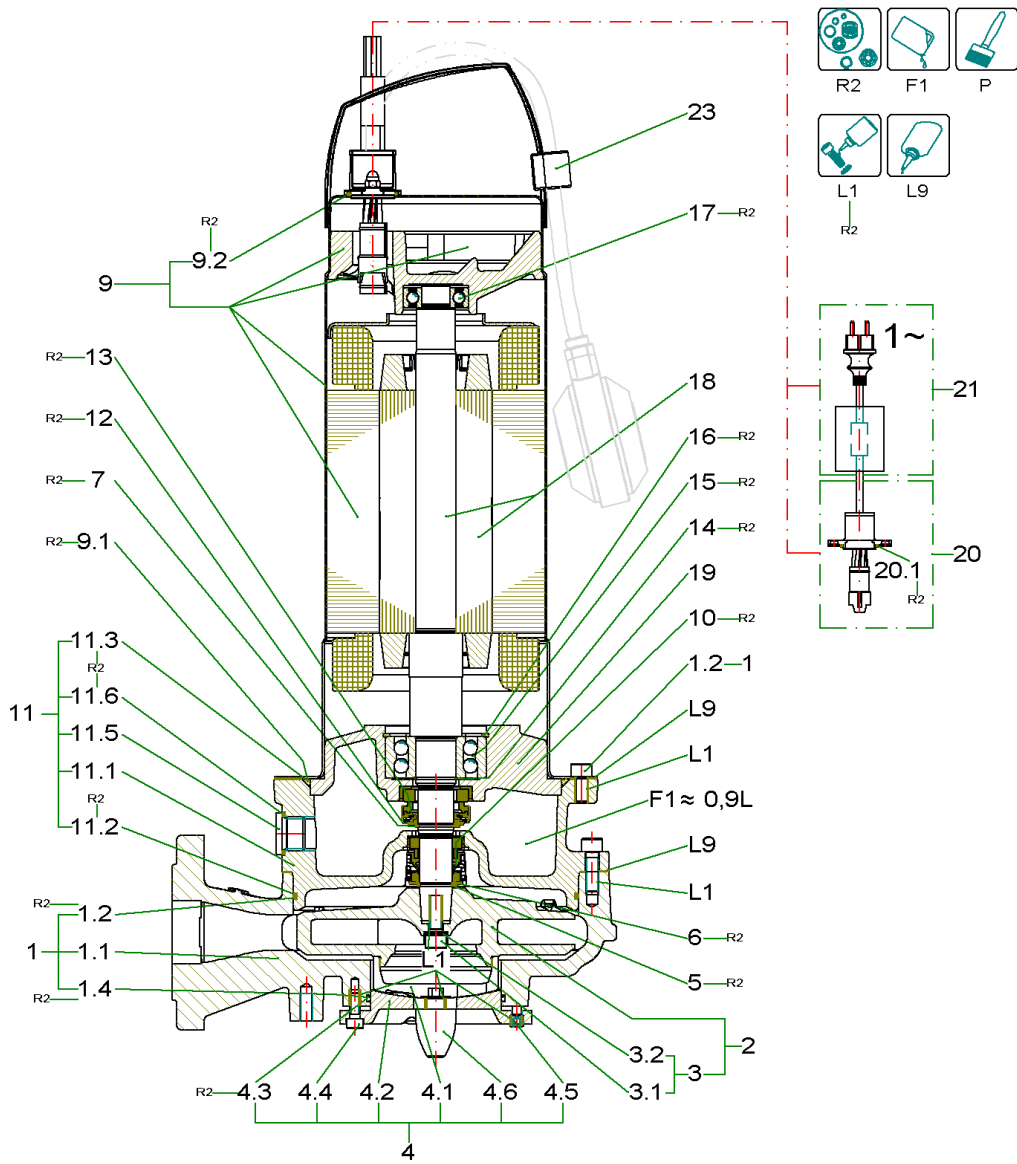
Rexa CUT GI03.31/S-T15-2-540 (6080483)

Item	Article no.	Description	Quantity
R2	6070670	Rep.Kit 2 RexaCut/S	1
P	6049684	colour 2K-paint IV80 RAL9011 250ml KIT	1
F1	6025460	medical white oil 1L KIT	1
F1	6025461	medical white oil 5L KIT	1
L1	6080531	Loctite 243 5g flask VP:	1
L9	6080535	Loctite 5203 300ml VP.	1

1	6081231	pump housing Cut GI03.3x/4x GG SET	1
		> pump housing Q32 6052558 GG finished	1
		> O-RING ID.82x2,5 NBR70	1
		> o-ring ID.168,0x3,0 NBR70	1
2	6081464	impeller Rexa Cut GI03.31 GG KIT SVA	1
2		> impeller-E D.149 6052559 GG	1
3		> impeller fixation 8x25 Geomet KIT	1
3.1		>> screw M8x25 DIN912 10.9 Geomet	1
3.2		>> screw locking Nord-Lock 13,5/8,7 A4	1
4	6070671	macerator RexaCut GI KIT	1
4.1		> Cutter rotating R151 finish1.4528	1
4.2		> CUTTER PLATE R151 FINISHED 1.4528	1
4.3		> O-RING ID.82x2,5 NBR70	1
4.4		> screw M6x16 ISO4762 A4	4
4.5		> Stud bolt M8x12 DIN915 A4	4
4.6		> SUCTION PIECE D.25X36-M12X1,25LH V4A	1
5		circlips 20x1,2 DIN471 1.4116	1
6		pressure ring D.32/20,5x1 6050343 A4	1
7		CIRCLIPS 22x1,2 DIN471 1.4122	1
9	6070454	stator-unit S13.1-2/8 3~ KIT	1
9.1		o-ring ID.150,0x4,0 NBR70	1
9.2		O-RING ID.25X2,2N DIN3771 NBR70	1
10		mechanical shaft seal MG1/20-G60 QQPGG	1
11	6081222	sealing casing S13.1 D.175 GG XE SET	1
11.1		> sealing casing D.175g6 6052560 GG	1
11.2		> screw M8x16 ISO4762 A2-70	6
11.3		> o-ring ID.150,0x4,0 NBR70	1

Rexa CUT GI03.31/S-T15-2-540 (6080483)

Item	Article no.	Description	Quantity
11.4		> o-ring ID.168,0x3,0 NBR70	1
11.5	6067638	> screw plug G1/2 DIN908 A4 (3pcs)	1
11.6	6048832	> joint ring A21/26x1,5 DIN7603 PA(10pc)	1
11.5	6067638	screw plug G1/2 DIN908 A4 (3pcs)	1
11.6	6048832	joint ring A21/26x1,5 DIN7603 PA(10pc)	1
12		pressure ring D.34/22,5x1 6050343 A4	1
13		MECHANICAL SEAL BT-AR/22 BXPFF	1
14		circlips 25x1,2 DIN471 FSt	1
15		ball bearing 3305	1
16		CIRCLIP 62X2 DIN472 FST	1
17		Rep.Kit 2 P13.1	1
18	6067579	rotor S/P13.1-8/EAD1X2-T VP.	1
19		on request	1
20	6066617	cable 10m H07 6G1 VP.	1
20.1	6067644	O-Ring ID.25X2,2N DIN3771 NBR70 (3pcs)	1
23	6067643	cable clip PP-GF30 black VP.	1



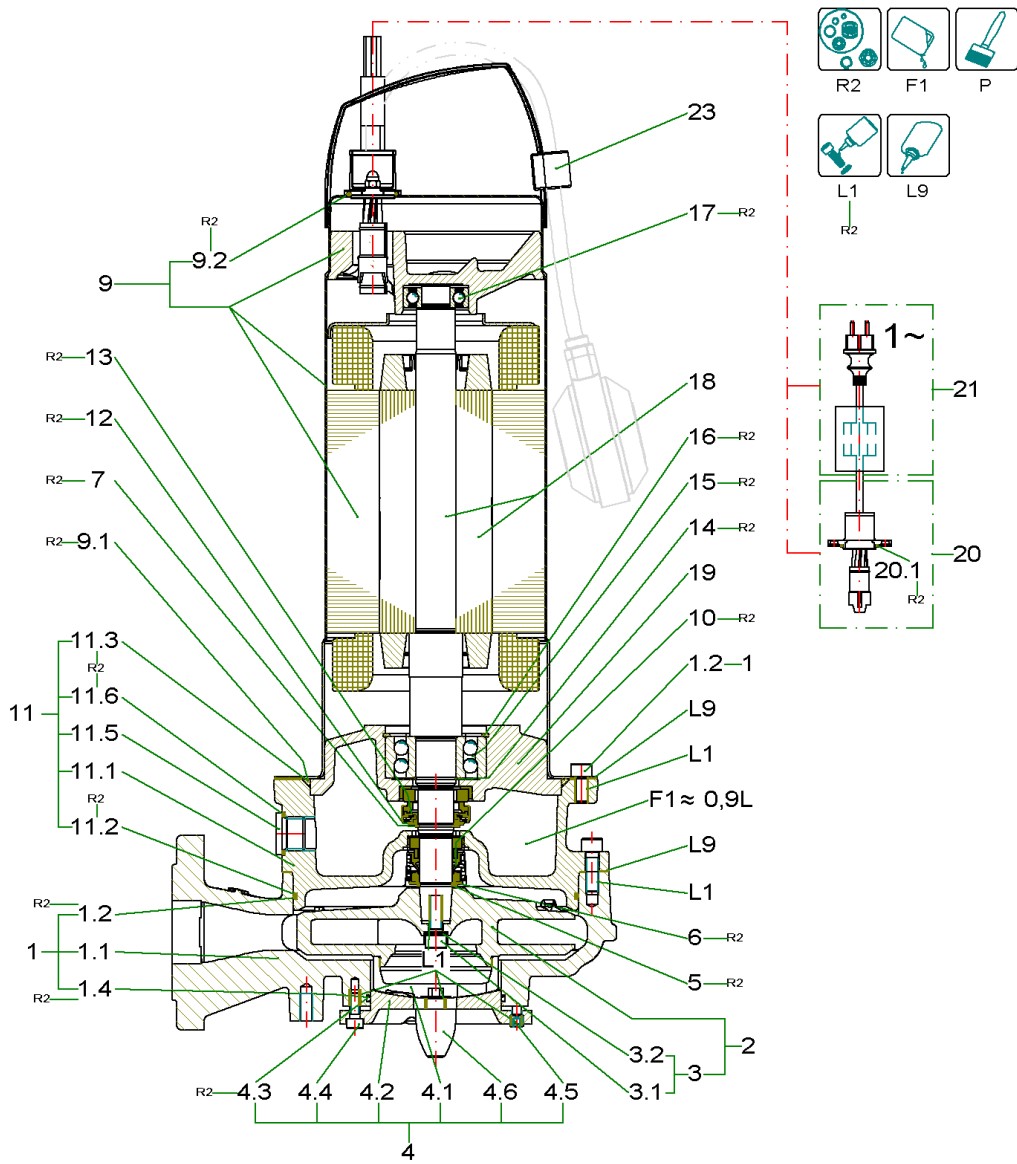
Rexa CUT GI03.31/S-M15-2-523/P (6080482)

Item	Article no.	Description	Quantity
R2	6070670	Rep.Kit 2 RexaCut/S	1
P	6049684	colour 2K-paint IV80 RAL9011 250ml KIT	1
F1	6025460	medical white oil 1L KIT	1
F1	6025461	medical white oil 5L KIT	1
L1	6080531	Loctite 243 5g flask VP:	1
L9	6080535	Loctite 5203 300ml VP.	1

1	6081231	pump housing Cut GI03.3x/4x GG SET	1
		> pump housing Q32 6052558 GG finished	1
		> O-RING ID.82x2,5 NBR70	1
		> o-ring ID.168,0x3,0 NBR70	1
2	6081464	impeller Rexa Cut GI03.31 GG KIT SVA	1
2		> impeller-E D.149 6052559 GG	1
3		> impeller fixation 8x25 Geomet KIT	1
3.1		>> screw M8x25 DIN912 10.9 Geomet	1
3.2		>> screw locking Nord-Lock 13,5/8,7 A4	1
4	6070671	macerator RexaCut GI KIT	1
4.1		> Cutter rotating R151 finish1.4528	1
4.2		> CUTTER PLATE R151 FINISHED 1.4528	1
4.3		> O-RING ID.82x2,5 NBR70	1
4.4		> screw M6x16 ISO4762 A4	4
4.5		> Stud bolt M8x12 DIN915 A4	4
4.6		> SUCTION PIECE D.25X36-M12X1,25LH V4A	1
5		circlips 20x1,2 DIN471 1.4116	1
6		pressure ring D.32/20,5x1 6050343 A4	1
7		CIRCLIPS 22x1,2 DIN471 1.4122	1
9	6070456	stator-unit S13.1-2/8 1~ KIT	1
9.1		o-ring ID.150,0x4,0 NBR70	1
9.2		O-RING ID.25X2,2N DIN3771 NBR70	1
10		mechanical shaft seal MG1/20-G60 QQPGG	1
11	6081222	sealing casing S13.1 D.175 GG XE SET	1
11.1		> sealing casing D.175g6 6052560 GG	1
11.2		> screw M8x16 ISO4762 A2-70	6
11.3		> o-ring ID.150,0x4,0 NBR70	1

Rexa CUT GI03.31/S-M15-2-523/P (6080482)

Item	Article no.	Description	Quantity
11.4		> o-ring ID.168,0x3,0 NBR70	1
11.5	6067638	> screw plug G1/2 DIN908 A4 (3pcs)	1
11.6	6048832	> joint ring A21/26x1,5 DIN7603 PA(10pc)	1
11.5	6067638	screw plug G1/2 DIN908 A4 (3pcs)	1
11.6	6048832	joint ring A21/26x1,5 DIN7603 PA(10pc)	1
12		pressure ring D.34/22,5x1 6050343 A4	1
13		MECHANICAL SEAL BT-AR/22 BXPFF	1
14		circlips 25x1,2 DIN471 FSt	1
15		ball bearing 3305	1
16		CIRCLIP 62X2 DIN472 FST	1
17		grooved ball bearing 6203 ZZ	1
18	6067580	rotor S/P13.1-8/EAD0X2-M VP.	1
19		on request	1
20	6066609	cable 10m H07 4G1 1,1-1,5kW	1
20.1	6067644	O-Ring ID.25X2,2N DIN3771 NBR70 (3pcs)	1
21	6074561	terminal-Box CD70-70MF + Kabel-Set VP.	1
23	6067643	cable clip PP-GF30 black VP.	1



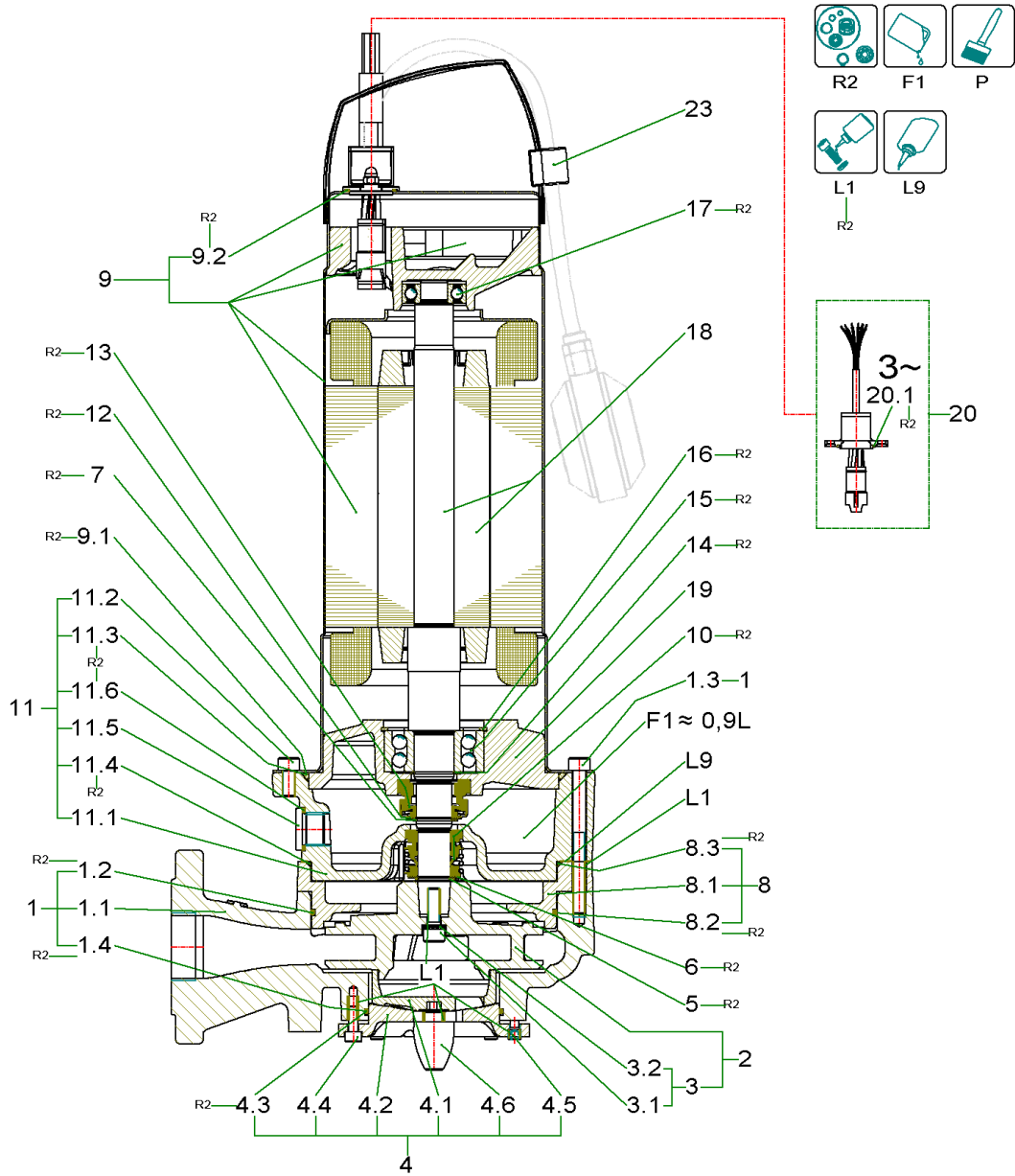
Rexa CUT GI03.31/S-M15-2-523/P (6081536)

Item	Article no.	Description	Quantity
R2	6070670	Rep.Kit 2 RexaCut/S	1
P	6049684	colour 2K-paint IV80 RAL9011 250ml KIT	1
F1	6025460	medical white oil 1L KIT	1
F1	6025461	medical white oil 5L KIT	1
L1	6080531	Loctite 243 5g flask VP:	1
L9	6080535	Loctite 5203 300ml VP.	1

1	6081231	pump housing Cut GI03.3x/4x GG SET	1
		> pump housing Q32 6052558 GG finished	1
		> O-RING ID.82x2,5 NBR70	1
		> o-ring ID.168,0x3,0 NBR70	1
2	6081464	impeller Rexa Cut GI03.31 GG KIT SVA	1
2		> impeller-E D.149 6052559 GG	1
3		> impeller fixation 8x25 Geomet KIT	1
3.1		>> screw M8x25 DIN912 10.9 Geomet	1
3.2		>> screw locking Nord-Lock 13,5/8,7 A4	1
4	6070671	macerator RexaCut GI KIT	1
4.1		> Cutter rotating R151 finish1.4528	1
4.2		> CUTTER PLATE R151 FINISHED 1.4528	1
4.3		> O-RING ID.82x2,5 NBR70	1
4.4		> screw M6x16 ISO4762 A4	4
4.5		> Stud bolt M8x12 DIN915 A4	4
4.6		> SUCTION PIECE D.25X36-M12X1,25LH V4A	1
5		circlips 20x1,2 DIN471 1.4116	1
6		pressure ring D.32/20,5x1 6050343 A4	1
7		CIRCLIPS 22x1,2 DIN471 1.4122	1
9	6081672	stator-unit S13.1-2/8 1~ (w/o c.) KIT	1
9.1		o-ring ID.150,0x4,0 NBR70	1
9.2		O-RING ID.25X2,2N DIN3771 NBR70	1
10		mechanical shaft seal MG1/20-G60 QPPGG	1
11	6081222	sealing casing S13.1 D.175 GG XE SET	1
11.1		> sealing casing D.175g6 6052560 GG	1
11.2		> screw M8x16 ISO4762 A2-70	6
11.3		> o-ring ID.150,0x4,0 NBR70	1

Rexa CUT GI03.31/S-M15-2-523/P (6081536)

Item	Article no.	Description	Quantity
11.4		> o-ring ID.168,0x3,0 NBR70	1
11.5	6067638	> screw plug G1/2 DIN908 A4 (3pcs)	1
11.6	6048832	> joint ring A21/26x1,5 DIN7603 PA(10pc)	1
11.5	6067638	screw plug G1/2 DIN908 A4 (3pcs)	1
11.6	6048832	joint ring A21/26x1,5 DIN7603 PA(10pc)	1
12		pressure ring D.34/22,5x1 6050343 A4	1
13		MECHANICAL SEAL BT-AR/22 BXPFF	1
14		circlips 25x1,2 DIN471 FSt	1
15		ball bearing 3305	1
16		CIRCLIP 62X2 DIN472 FST	1
17		Rep.Kit 2 P13.1	1
18	6067580	rotor S/P13.1-8/EAD0X2-M VP.	1
19		on request	1
20	6066609	cable 10m H07 4G1 1,1-1,5kW	1
20.1	6067644	O-Ring ID.25X2,2N DIN3771 NBR70 (3pcs)	1
21	6081666	terminal-Box CD35+70MF + cable-kit	1
23	6067643	cable clip PP-GF30 black VP.	1



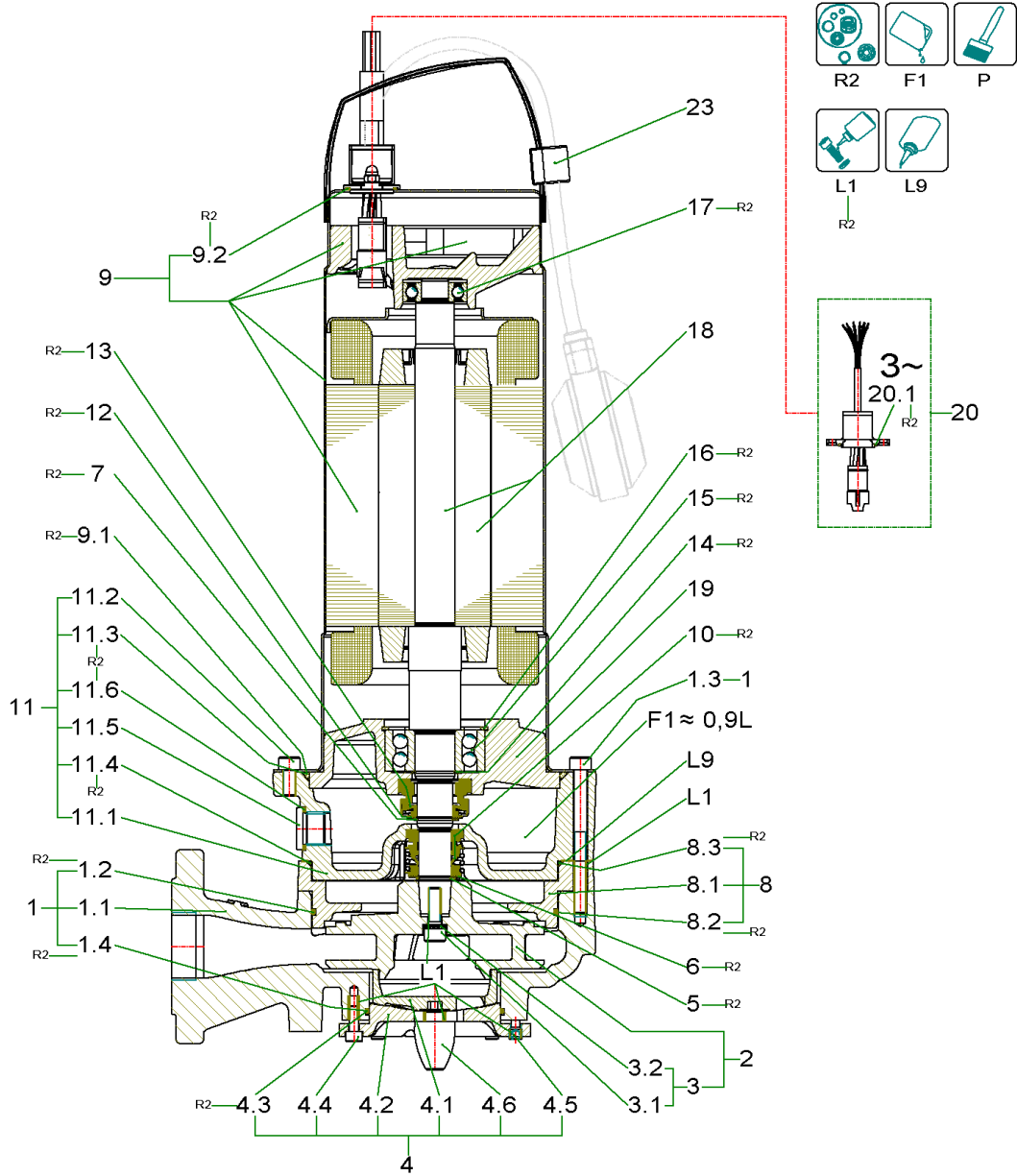
Rexa CUT GI03.32/S-M15-2-623 (6082814)

Item	Article no.	Description	Quantity
R2	6070670	Rep.Kit 2 RexaCut/S	1
P	6049684	colour 2K-paint IV80 RAL9011 250ml KIT	1
F1	6025460	medical white oil 1L KIT	1
F1	6025461	medical white oil 5L KIT	1
L1	6080531	Loctite 243 5g flask VP:	1
L9	6080535	Loctite 5203 300ml VP.	1

1	6070672	pump housing Cut GI03.2x/3x GG KIT	1
1.1		> pump housing Q32 6050894 GG fertig	1
1.2		> O-RING ID.82x2,5 NBR70	1
1.3		> screw M8x85 DIN912 A4-70	3
1.4		> O-RING ID.144,5x3 NBR70	1
2	6083159	impeller Rexa Cut GI03.32 GG KIT SVA	1
4	6070671	macerator RexaCut GI KIT	1
4.1		> Cutter rotating R151 finish1.4528	1
4.2		> CUTTER PLATE R151 FINISHED 1.4528	1
4.3		> O-RING ID.82x2,5 NBR70	1
4.4		> screw M6x16 ISO4762 A4	4
4.5		> Stud bolt M8x12 DIN915 A4	4
4.6		> SUCTION PIECE D.25X36-M12X1,25LH V4A	1
5		circlips 20x1,2 DIN471 1.4116	1
6		pressure ring D.32/20,5x1 6050343 A4	1
7		CIRCLIPS 22x1,2 DIN471 1.4122	1
8	6070673	latern RexaCut KIT	1
8.1		> latern D.153/153 6050958 GG finished	1
8.2		> O-RING ID.144,5x3 NBR70	1
8.3		> o-ring ID.150,0x3,0 NBR70	1
9	6083305	stator-unit S13.1-2/8 1~ 60Hz KIT	1
9.1		o-ring ID.150,0x4,0 NBR70	1
9.2		O-RING ID.25X2,2N DIN3771 NBR70	1
10		mechanical shaft seal MG1/20-G60 QPPGG	1
11	6067637	sealing casing P/S13.1 D.152 GG XA SET	1
11.1		> sealing casing D.152g6 6050244 GG	1
11.2	6076892	> screw M8x25 DIN912 A4 (10pc)	1

Rexa CUT GI03.32/S-M15-2-623 (6082814)

Item	Article no.	Description	Quantity
Note: P13.			
11.2		> screw M8x16 ISO4762 A2-70	6
Note: S13.			
11.3		> o-ring ID.150,0x4,0 HNBR70 green	1
11.4		> o-ring ID.150,0x3,0 HNBR70 green	1
11.5	6067638	> screw plug G1/2 DIN908 A4 (3pcs)	1
11.6	6048832	> joint ring A21/26x1,5 DIN7603 PA(10pc)	1
11.5	6067638	screw plug G1/2 DIN908 A4 (3pcs)	1
11.6	6048832	joint ring A21/26x1,5 DIN7603 PA(10pc)	1
12		pressure ring D.34/22,5x1 6050343 A4	1
13		MECHANICAL SEAL BT-AR/22 BXPFF	1
14		circlips 25x1,2 DIN471 FSt	1
15		ball bearing 3305	1
16		CIRCLIP 62X2 DIN472 FST	1
17		Rep.Kit 2 P13.1	1
18	6067580	rotor S/P13.1-8/EAD0X2-M VP.	1
19		on request	1
20	6083297	cable 10m SJOOW 4AWG16 VP.	1
20.1	6067644	O-Ring ID.25X2,2N DIN3771 NBR70 (3pcs)	1
23	6067643	cable clip PP-GF30 black VP.	1



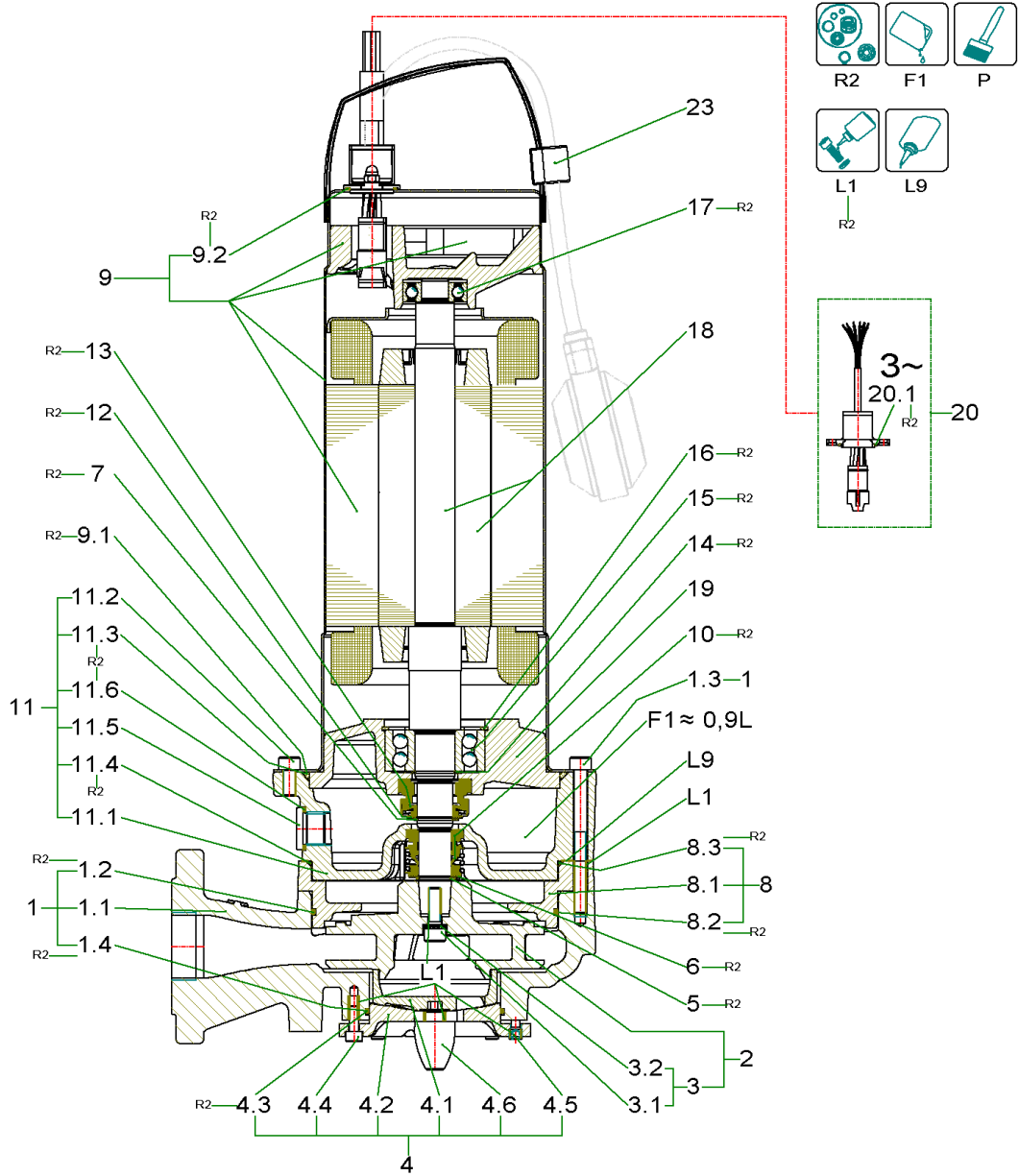
Rexa CUT GI03.32/S-T15-2-623 (6082817)

Item	Article no.	Description	Quantity
R2	6070670	Rep.Kit 2 RexaCut/S	1
P	6049684	colour 2K-paint IV80 RAL9011 250ml KIT	1
F1	6025460	medical white oil 1L KIT	1
F1	6025461	medical white oil 5L KIT	1
L1	6080531	Loctite 243 5g flask VP:	1
L9	6080535	Loctite 5203 300ml VP.	1

1	6070672	pump housing Cut GI03.2x/3x GG KIT	1
1.1		> pump housing Q32 6050894 GG fertig	1
1.2		> O-RING ID.82x2,5 NBR70	1
1.3		> screw M8x85 DIN912 A4-70	3
1.4		> O-RING ID.144,5x3 NBR70	1
2	6083159	impeller Rexa Cut GI03.32 GG KIT SVA	1
4	6070671	macerator RexaCut GI KIT	1
4.1		> Cutter rotating R151 finish1.4528	1
4.2		> CUTTER PLATE R151 FINISHED 1.4528	1
4.3		> O-RING ID.82x2,5 NBR70	1
4.4		> screw M6x16 ISO4762 A4	4
4.5		> Stud bolt M8x12 DIN915 A4	4
4.6		> SUCTION PIECE D.25X36-M12X1,25LH V4A	1
5		circlips 20x1,2 DIN471 1.4116	1
6		pressure ring D.32/20,5x1 6050343 A4	1
7		CIRCLIPS 22x1,2 DIN471 1.4122	1
8	6070673	latern RexaCut KIT	1
8.1		> latern D.153/153 6050958 GG finished	1
8.2		> O-RING ID.144,5x3 NBR70	1
8.3		> o-ring ID.150,0x3,0 NBR70	1
9	6083304	stator-unit S13.1-2/8 3~ 60Hz KIT	1
9.1		o-ring ID.150,0x4,0 NBR70	1
9.2		O-RING ID.25X2,2N DIN3771 NBR70	1
10		mechanical shaft seal MG1/20-G60 QPPGG	1
11	6067637	sealing casing P/S13.1 D.152 GG XA SET	1
11.1		> sealing casing D.152g6 6050244 GG	1
11.2	6076892	> screw M8x25 DIN912 A4 (10pc)	1

Rexa CUT GI03.32/S-T15-2-623 (6082817)

Item	Article no.	Description	Quantity
Note: P13.			
11.2		> screw M8x16 ISO4762 A2-70	6
Note: S13.			
11.3		> o-ring ID.150,0x4,0 HNBR70 green	1
11.4		> o-ring ID.150,0x3,0 HNBR70 green	1
11.5	6067638	> screw plug G1/2 DIN908 A4 (3pcs)	1
11.6	6048832	> joint ring A21/26x1,5 DIN7603 PA(10pc)	1
11.5	6067638	screw plug G1/2 DIN908 A4 (3pcs)	1
11.6	6048832	joint ring A21/26x1,5 DIN7603 PA(10pc)	1
12		pressure ring D.34/22,5x1 6050343 A4	1
13		MECHANICAL SEAL BT-AR/22 BXPFF	1
14		circlips 25x1,2 DIN471 FSt	1
15		ball bearing 3305	1
16		CIRCLIP 62X2 DIN472 FST	1
17		Rep.Kit 2 P13.1	1
18	6067579	rotor S/P13.1-8/EAD1X2-T VP.	1
19		on request	1
20	6083298	cable 10m SOOW 6AWG16 VP.	1
20.1	6067644	O-Ring ID.25X2,2N DIN3771 NBR70 (3pcs)	1
23	6067643	cable clip PP-GF30 black VP.	1



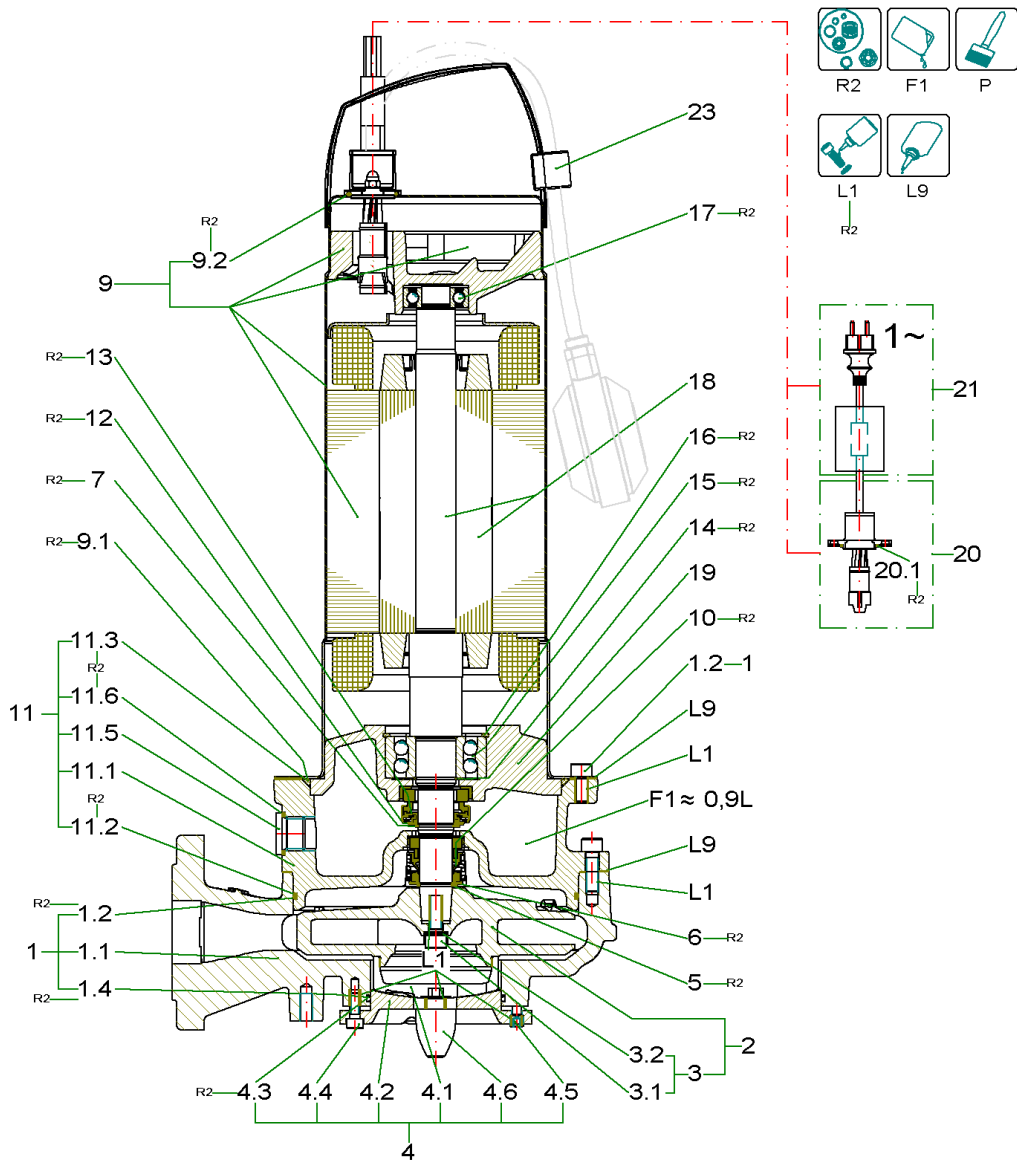
Rexa CUT GI03.32/S-T15-2-646 (6082812)

Item	Article no.	Description	Quantity
R2	6070670	Rep.Kit 2 RexaCut/S	1
P	6049684	colour 2K-paint IV80 RAL9011 250ml KIT	1
F1	6025460	medical white oil 1L KIT	1
F1	6025461	medical white oil 5L KIT	1
L1	6080531	Loctite 243 5g flask VP:	1
L9	6080535	Loctite 5203 300ml VP.	1

1	6070672	pump housing Cut GI03.2x/3x GG KIT	1
1.1		> pump housing Q32 6050894 GG fertig	1
1.2		> O-RING ID.82x2,5 NBR70	1
1.3		> screw M8x85 DIN912 A4-70	3
1.4		> O-RING ID.144,5x3 NBR70	1
2	6083159	impeller Rexa Cut GI03.32 GG KIT SVA	1
4	6070671	macerator RexaCut GI KIT	1
4.1		> Cutter rotating R151 finish1.4528	1
4.2		> CUTTER PLATE R151 FINISHED 1.4528	1
4.3		> O-RING ID.82x2,5 NBR70	1
4.4		> screw M6x16 ISO4762 A4	4
4.5		> Stud bolt M8x12 DIN915 A4	4
4.6		> SUCTION PIECE D.25X36-M12X1,25LH V4A	1
5		circlips 20x1,2 DIN471 1.4116	1
6		pressure ring D.32/20,5x1 6050343 A4	1
7		CIRCLIPS 22x1,2 DIN471 1.4122	1
8	6070673	latern RexaCut KIT	1
8.1		> latern D.153/153 6050958 GG finished	1
8.2		> O-RING ID.144,5x3 NBR70	1
8.3		> o-ring ID.150,0x3,0 NBR70	1
9	6070454	stator-unit S13.1-2/8 3~ KIT	1
9.1		o-ring ID.150,0x4,0 NBR70	1
9.2		O-RING ID.25X2,2N DIN3771 NBR70	1
10		mechanical shaft seal MG1/20-G60 QPPGG	1
11	6067637	sealing casing P/S13.1 D.152 GG XA SET	1
11.1		> sealing casing D.152g6 6050244 GG	1
11.2	6076892	> screw M8x25 DIN912 A4 (10pc)	1

Rexa CUT GI03.32/S-T15-2-646 (6082812)

Item	Article no.	Description	Quantity
Note: P13.			
11.2		> screw M8x16 ISO4762 A2-70	6
Note: S13.			
11.3		> o-ring ID.150,0x4,0 HNBR70 green	1
11.4		> o-ring ID.150,0x3,0 HNBR70 green	1
11.5	6067638	> screw plug G1/2 DIN908 A4 (3pcs)	1
11.6	6048832	> joint ring A21/26x1,5 DIN7603 PA(10pc)	1
11.5	6067638	screw plug G1/2 DIN908 A4 (3pcs)	1
11.6	6048832	joint ring A21/26x1,5 DIN7603 PA(10pc)	1
12		pressure ring D.34/22,5x1 6050343 A4	1
13		MECHANICAL SEAL BT-AR/22 BXPFF	1
14		circlips 25x1,2 DIN471 FSt	1
15		ball bearing 3305	1
16		CIRCLIP 62X2 DIN472 FST	1
17		Rep.Kit 2 P13.1	1
18	6067579	rotor S/P13.1-8/EAD1X2-T VP.	1
19		on request	1
20	6083298	cable 10m SOOW 6AWG16 VP.	1
20.1	6067644	O-Ring ID.25X2,2N DIN3771 NBR70 (3pcs)	1
23	6067643	cable clip PP-GF30 black VP.	1



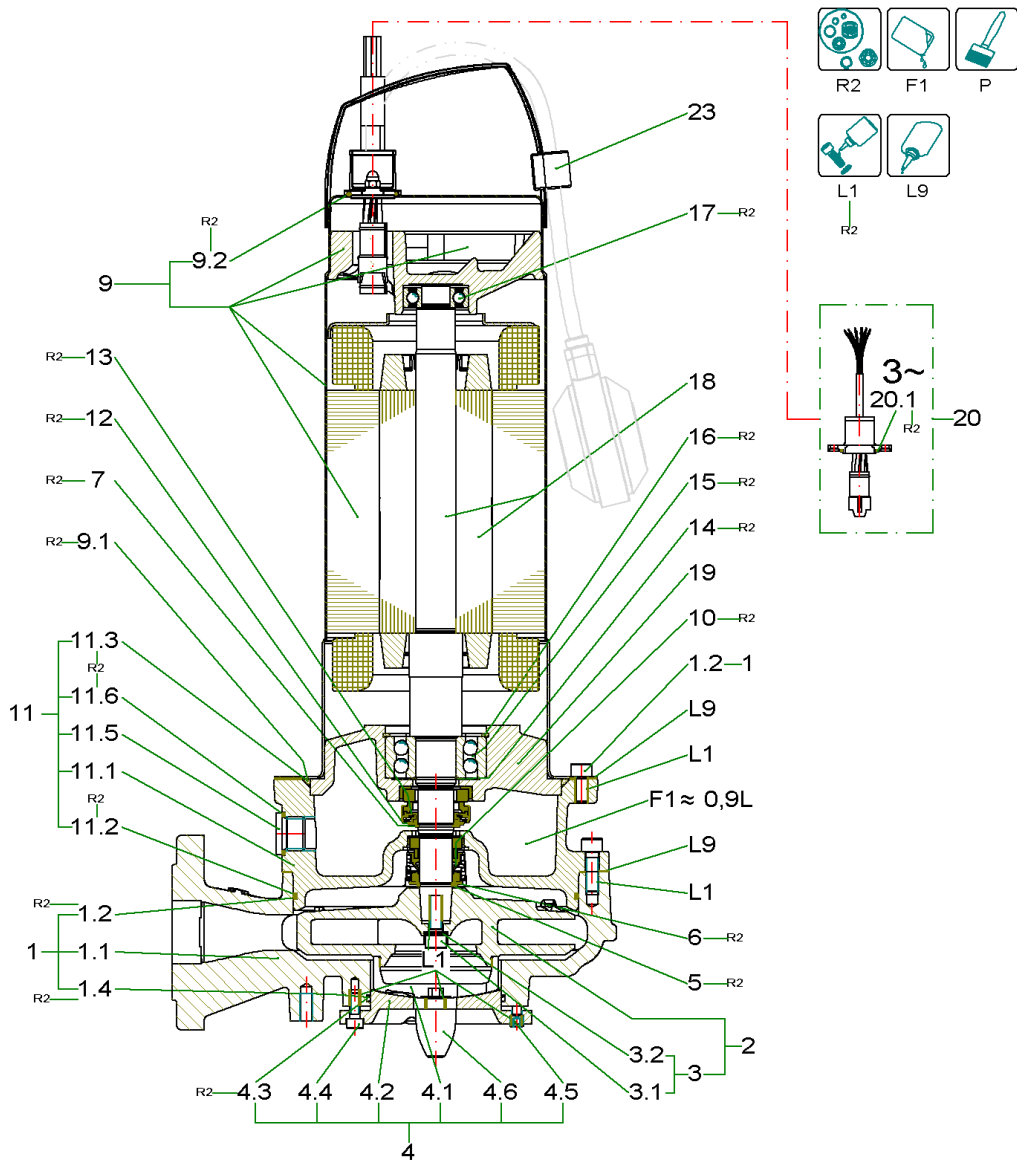
Rexa CUT GI03.38/S-M15-2-523/P (6080484)

Item	Article no.	Description	Quantity
R2	6070670	Rep.Kit 2 RexaCut/S	1
P	6049684	colour 2K-paint IV80 RAL9011 250ml KIT	1
F1	6025460	medical white oil 1L KIT	1
F1	6025461	medical white oil 5L KIT	1
L1	6080531	Loctite 243 5g flask VP:	1
L9	6080535	Loctite 5203 300ml VP.	1

1	6081231	pump housing Cut GI03.3x/4x GG SET	1
		> pump housing Q32 6052558 GG finished	1
		> O-RING ID.82x2,5 NBR70	1
		> o-ring ID.168,0x3,0 NBR70	1
2	6081465	impeller Rexa Cut GI03.38 GG KIT SVA	1
2		> impeller-E D.168 6052559 GG	1
3	6067645	> impeller fixation 8x25 Geomet KIT	1
3.1		>> screw M8x25 DIN912 10.9 Geomet	1
3.2		>> screw locking Nord-Lock 13,5/8,7 A4	1
4	6070671	macerator RexaCut GI KIT	1
4.1		> Cutter rotating R151 finish1.4528	1
4.2		> CUTTER PLATE R151 FINISHED 1.4528	1
4.3		> O-RING ID.82x2,5 NBR70	1
4.4		> screw M6x16 ISO4762 A4	4
4.5		> Stud bolt M8x12 DIN915 A4	4
4.6		> SUCTION PIECE D.25X36-M12X1,25LH V4A	1
5		circlips 20x1,2 DIN471 1.4116	1
6		pressure ring D.32/20,5x1 6050343 A4	1
7		CIRCLIPS 22x1,2 DIN471 1.4122	1
9	6070456	stator-unit S13.1-2/8 1~ KIT	1
9.1		o-ring ID.150,0x4,0 NBR70	1
9.2		O-RING ID.25X2,2N DIN3771 NBR70	1
10		mechanical shaft seal MG1/20-G60 QQPGG	1
11	6081222	sealing casing S13.1 D.175 GG XE SET	1
11.1		> sealing casing D.175g6 6052560 GG	1
11.2		> screw M8x16 ISO4762 A2-70	6
11.3		> o-ring ID.150,0x4,0 NBR70	1

Rexa CUT GI03.38/S-M15-2-523/P (6080484)

Item	Article no.	Description	Quantity
11.4		> o-ring ID.168,0x3,0 NBR70	1
11.5	6067638	> screw plug G1/2 DIN908 A4 (3pcs)	1
11.6	6048832	> joint ring A21/26x1,5 DIN7603 PA(10pc)	1
11.5	6067638	screw plug G1/2 DIN908 A4 (3pcs)	1
11.6	6048832	joint ring A21/26x1,5 DIN7603 PA(10pc)	1
12		pressure ring D.34/22,5x1 6050343 A4	1
13		MECHANICAL SEAL BT-AR/22 BXPFF	1
14		circlips 25x1,2 DIN471 FSt	1
15		ball bearing 3305	1
16		CIRCLIP 62X2 DIN472 FST	1
17		grooved ball bearing 6203 ZZ	1
18	6067580	rotor S/P13.1-8/EAD0X2-M VP.	1
19		on request	1
20	6066609	cable 10m H07 4G1 1,1-1,5kW	1
20.1	6067644	O-Ring ID.25X2,2N DIN3771 NBR70 (3pcs)	1
21	6074561	terminal-Box CD70-70MF + Kabel-Set VP.	1
23	6067643	cable clip PP-GF30 black VP.	1



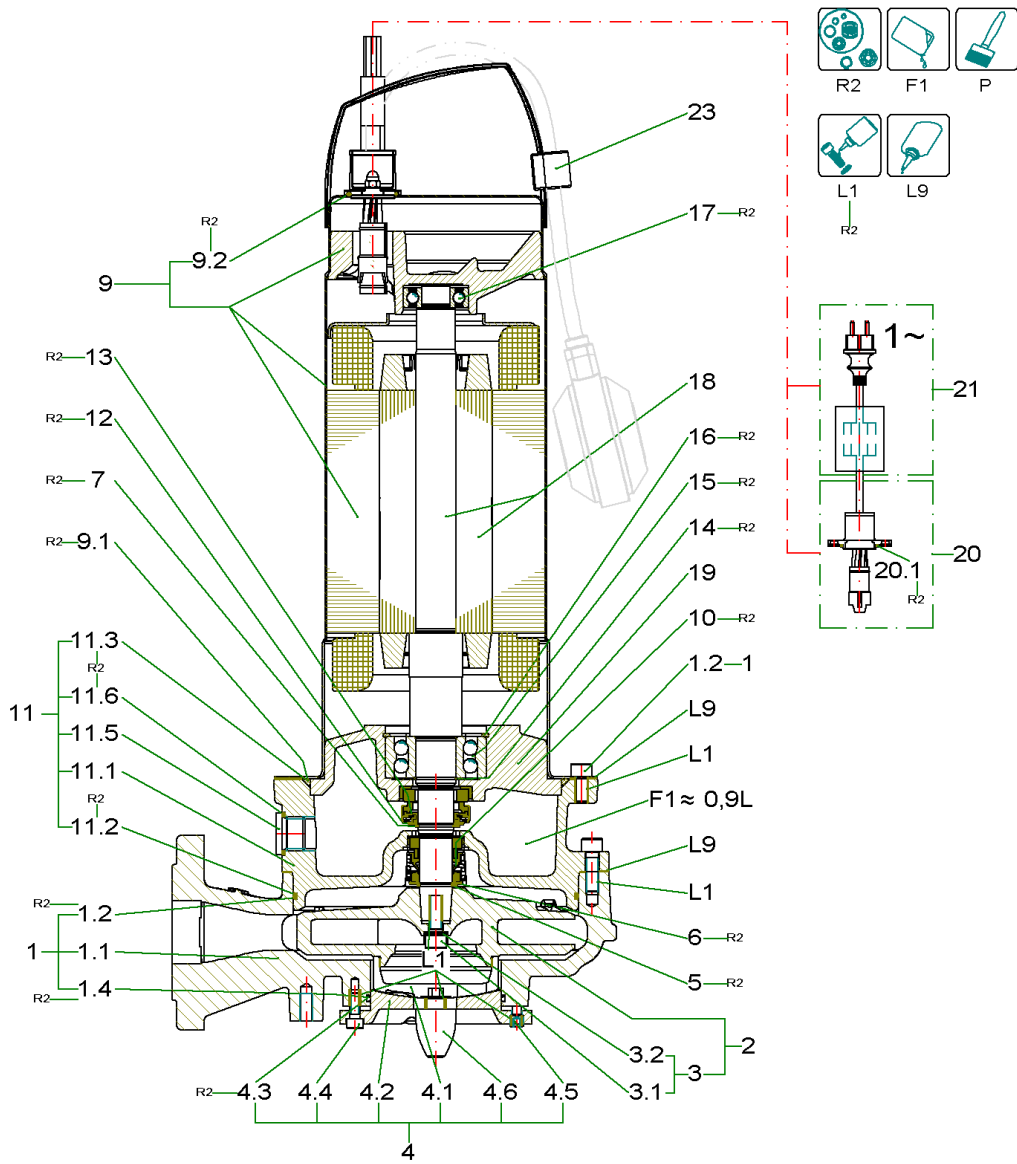
Rexa CUT GI03.38/S-T15-2-540 (6080485)

Item	Article no.	Description	Quantity
R2	6070670	Rep.Kit 2 RexaCut/S	1
P	6049684	colour 2K-paint IV80 RAL9011 250ml KIT	1
F1	6025460	medical white oil 1L KIT	1
F1	6025461	medical white oil 5L KIT	1
L1	6080531	Loctite 243 5g flask VP:	1
L9	6080535	Loctite 5203 300ml VP.	1

1	6081231	pump housing Cut GI03.3x/4x GG SET	1
		> pump housing Q32 6052558 GG finished	1
		> O-RING ID.82x2,5 NBR70	1
		> o-ring ID.168,0x3,0 NBR70	1
2	6081465	impeller Rexa Cut GI03.38 GG KIT SVA	1
2		> impeller-E D.168 6052559 GG	1
3	6067645	> impeller fixation 8x25 Geomet KIT	1
3.1		>> screw M8x25 DIN912 10.9 Geomet	1
3.2		>> screw locking Nord-Lock 13,5/8,7 A4	1
4	6070671	macerator RexaCut GI KIT	1
4.1		> Cutter rotating R151 finish1.4528	1
4.2		> CUTTER PLATE R151 FINISHED 1.4528	1
4.3		> O-RING ID.82x2,5 NBR70	1
4.4		> screw M6x16 ISO4762 A4	4
4.5		> Stud bolt M8x12 DIN915 A4	4
4.6		> SUCTION PIECE D.25X36-M12X1,25LH V4A	1
5		circlips 20x1,2 DIN471 1.4116	1
6		pressure ring D.32/20,5x1 6050343 A4	1
7		CIRCLIPS 22x1,2 DIN471 1.4122	1
9	6070454	stator-unit S13.1-2/8 3~ KIT	1
9.1		o-ring ID.150,0x4,0 NBR70	1
9.2		O-RING ID.25X2,2N DIN3771 NBR70	1
10		mechanical shaft seal MG1/20-G60 QPPGG	1
11	6081222	sealing casing S13.1 D.175 GG XE SET	1
11.1		> sealing casing D.175g6 6052560 GG	1
11.2		> screw M8x16 ISO4762 A2-70	6
11.3		> o-ring ID.150,0x4,0 NBR70	1

Rexa CUT GI03.38/S-T15-2-540 (6080485)

Item	Article no.	Description	Quantity
11.4		> o-ring ID.168,0x3,0 NBR70	1
11.5	6067638	> screw plug G1/2 DIN908 A4 (3pcs)	1
11.6	6048832	> joint ring A21/26x1,5 DIN7603 PA(10pc)	1
11.5	6067638	screw plug G1/2 DIN908 A4 (3pcs)	1
11.6	6048832	joint ring A21/26x1,5 DIN7603 PA(10pc)	1
12		pressure ring D.34/22,5x1 6050343 A4	1
13		MECHANICAL SEAL BT-AR/22 BXPFF	1
14		circlips 25x1,2 DIN471 FSt	1
15		ball bearing 3305	1
16		CIRCLIP 62X2 DIN472 FST	1
17		Rep.Kit 2 P13.1	1
18	6067579	rotor S/P13.1-8/EAD1X2-T VP.	1
19		on request	1
20	6066617	cable 10m H07 6G1 VP.	1
20.1	6067644	O-Ring ID.25X2,2N DIN3771 NBR70 (3pcs)	1
23	6067643	cable clip PP-GF30 black VP.	1



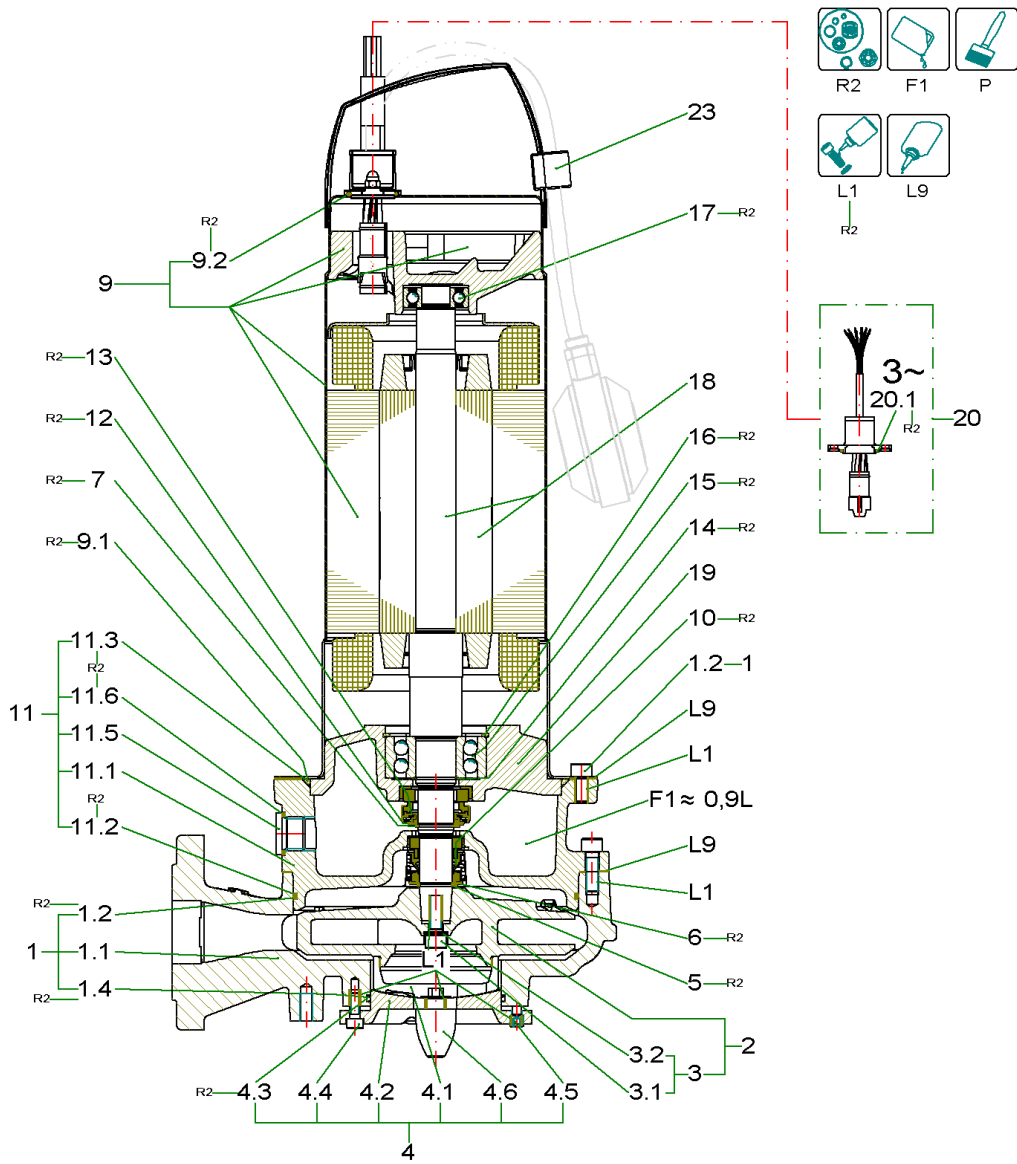
Rexa CUT GI03.38/S-M15-2-523/P (6081530)

Item	Article no.	Description	Quantity
R2	6070670	Rep.Kit 2 RexaCut/S	1
P	6049684	colour 2K-paint IV80 RAL9011 250ml KIT	1
F1	6025460	medical white oil 1L KIT	1
F1	6025461	medical white oil 5L KIT	1
L1	6080531	Loctite 243 5g flask VP:	1
L9	6080535	Loctite 5203 300ml VP.	1

1	6081231	pump housing Cut GI03.3x/4x GG SET	1
		> pump housing Q32 6052558 GG finished	1
		> O-RING ID.82x2,5 NBR70	1
		> o-ring ID.168,0x3,0 NBR70	1
2	6081465	impeller Rexa Cut GI03.38 GG KIT SVA	1
2		> impeller-E D.168 6052559 GG	1
3	6067645	> impeller fixation 8x25 Geomet KIT	1
3.1		>> screw M8x25 DIN912 10.9 Geomet	1
3.2		>> screw locking Nord-Lock 13,5/8,7 A4	1
4	6070671	macerator RexaCut GI KIT	1
4.1		> Cutter rotating R151 finish1.4528	1
4.2		> CUTTER PLATE R151 FINISHED 1.4528	1
4.3		> O-RING ID.82x2,5 NBR70	1
4.4		> screw M6x16 ISO4762 A4	4
4.5		> Stud bolt M8x12 DIN915 A4	4
4.6		> SUCTION PIECE D.25X36-M12X1,25LH V4A	1
5		circlips 20x1,2 DIN471 1.4116	1
6		pressure ring D.32/20,5x1 6050343 A4	1
7		CIRCLIPS 22x1,2 DIN471 1.4122	1
9	6081672	stator-unit S13.1-2/8 1~ (w/o c.) KIT	1
9.1		o-ring ID.150,0x4,0 NBR70	1
9.2		O-RING ID.25X2,2N DIN3771 NBR70	1
10		mechanical shaft seal MG1/20-G60 QPPGG	1
11	6081222	sealing casing S13.1 D.175 GG XE SET	1
11.1		> sealing casing D.175g6 6052560 GG	1
11.2		> screw M8x16 ISO4762 A2-70	6
11.3		> o-ring ID.150,0x4,0 NBR70	1

Rexa CUT GI03.38/S-M15-2-523/P (6081530)

Item	Article no.	Description	Quantity
11.4		> o-ring ID.168,0x3,0 NBR70	1
11.5	6067638	> screw plug G1/2 DIN908 A4 (3pcs)	1
11.6	6048832	> joint ring A21/26x1,5 DIN7603 PA(10pc)	1
11.5	6067638	screw plug G1/2 DIN908 A4 (3pcs)	1
11.6	6048832	joint ring A21/26x1,5 DIN7603 PA(10pc)	1
12		pressure ring D.34/22,5x1 6050343 A4	1
13		MECHANICAL SEAL BT-AR/22 BXPFF	1
14		circlips 25x1,2 DIN471 FSt	1
15		ball bearing 3305	1
16		CIRCLIP 62X2 DIN472 FST	1
17		Rep.Kit 2 P13.1	1
18	6067580	rotor S/P13.1-8/EAD0X2-M VP.	1
19		on request	1
20	6066609	cable 10m H07 4G1 1,1-1,5kW	1
20.1	6067644	O-Ring ID.25X2,2N DIN3771 NBR70 (3pcs)	1
21	6081666	terminal-Box CD35+70MF + cable-kit	1
23	6067643	cable clip PP-GF30 black VP.	1



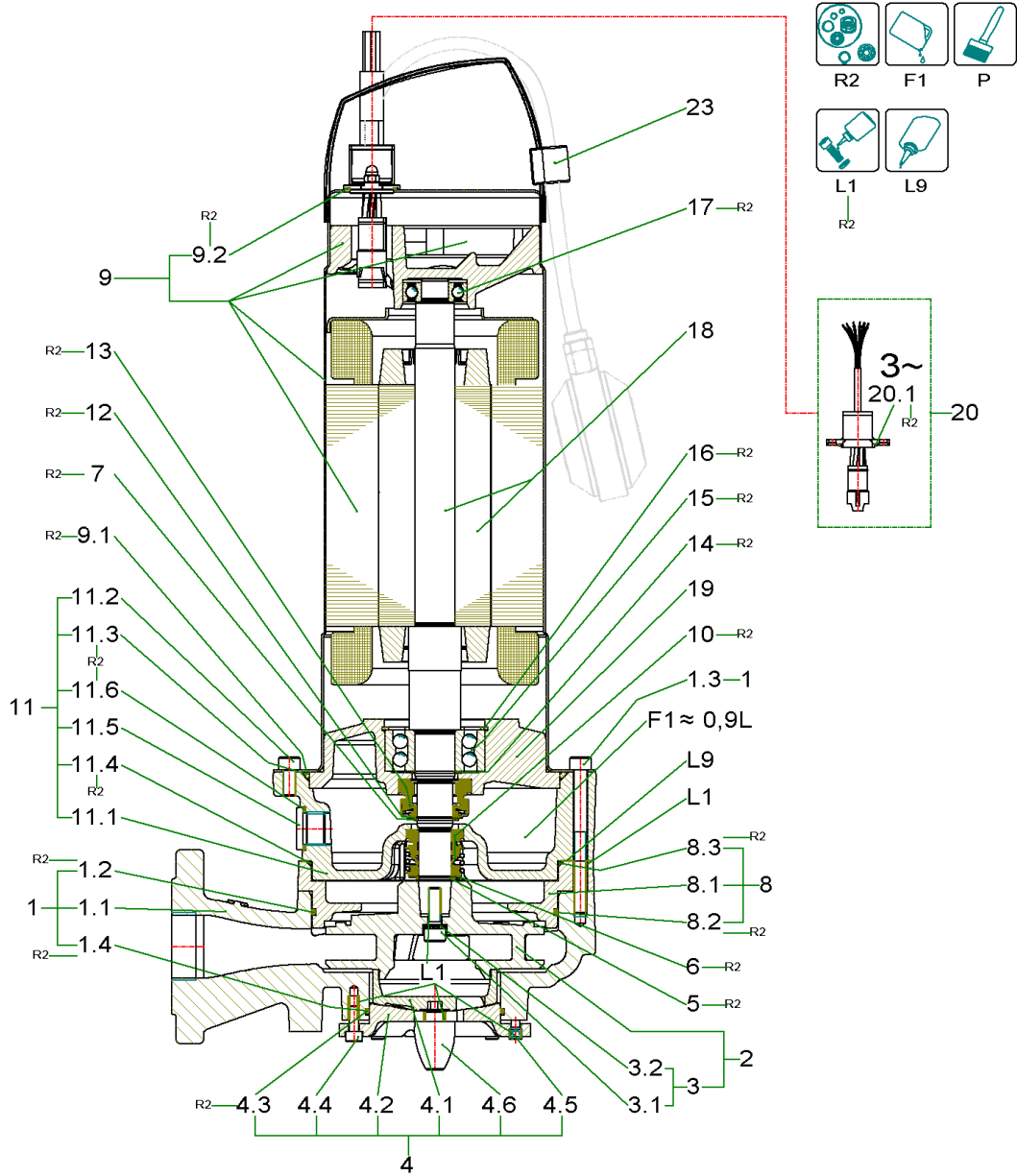
Rexa CUT GI03.41/S-T25-2-540 (6080486)

Item	Article no.	Description	Quantity
R2	6070670	Rep.Kit 2 RexaCut/S	1
P	6049684	colour 2K-paint IV80 RAL9011 250ml KIT	1
F1	6025460	medical white oil 1L KIT	1
F1	6025461	medical white oil 5L KIT	1
L1	6080531	Loctite 243 5g flask VP:	1
L9	6080535	Loctite 5203 300ml VP.	1

1	6081231	pump housing Cut GI03.3x/4x GG SET	1
		> pump housing Q32 6052558 GG finished	1
		> O-RING ID.82x2,5 NBR70	1
		> o-ring ID.168,0x3,0 NBR70	1
2	6081466	impeller Rexa Cut GI03.41 GG KIT SVA	1
2		> impeller-E D.170 6052559 GG	1
3.1		>> screw M8x25 DIN912 10.9 Geomet	1
3.2		>> screw locking Nord-Lock 13,5/8,7 A4	1
4	6070671	macerator RexaCut GI KIT	1
4.1		> Cutter rotating R151 finish1.4528	1
4.2		> CUTTER PLATE R151 FINISHED 1.4528	1
4.3		> O-RING ID.82x2,5 NBR70	1
4.4		> screw M6x16 ISO4762 A4	4
4.5		> Stud bolt M8x12 DIN915 A4	4
4.6		> SUCTION PIECE D.25X36-M12X1,25LH V4A	1
5		circlips 20x1,2 DIN471 1.4116	1
6		pressure ring D.32/20,5x1 6050343 A4	1
7		CIRCLIPS 22x1,2 DIN471 1.4122	1
9	6070453	stator-unit S13.1-2/10 3~ KIT	1
9.1		o-ring ID.150,0x4,0 NBR70	1
9.2		O-RING ID.25X2,2N DIN3771 NBR70	1
10		mechanical shaft seal MG1/20-G60 QQPGG	1
11	6081222	sealing casing S13.1 D.175 GG XE SET	1
11.1		> sealing casing D.175g6 6052560 GG	1
11.2		> screw M8x16 ISO4762 A2-70	6
11.3		> o-ring ID.150,0x4,0 NBR70	1
11.4		> o-ring ID.168,0x3,0 NBR70	1

Rexa CUT GI03.41/S-T25-2-540 (6080486)

Item	Article no.	Description	Quantity
11.5	6067638	> screw plug G1/2 DIN908 A4 (3pcs)	1
11.6	6048832	> joint ring A21/26x1,5 DIN7603 PA(10pc)	1
11.5	6067638	screw plug G1/2 DIN908 A4 (3pcs)	1
11.6	6048832	joint ring A21/26x1,5 DIN7603 PA(10pc)	1
12		pressure ring D.34/22,5x1 6050343 A4	1
13		MECHANICAL SEAL BT-AR/22 BXPFF	1
14		circlips 25x1,2 DIN471 FSt	1
15		ball bearing 3305	1
16		CIRCLIP 62X2 DIN472 FST	1
17		Rep.Kit 2 P13.1	1
18	6067577	rotor S/P13.1-10/EAD1X2-T VP.	1
19		on request	1
20	6066617	cable 10m H07 6G1 VP.	1
20.1	6067644	O-Ring ID.25X2,2N DIN3771 NBR70 (3pcs)	1
23	6067643	cable clip PP-GF30 black VP.	1



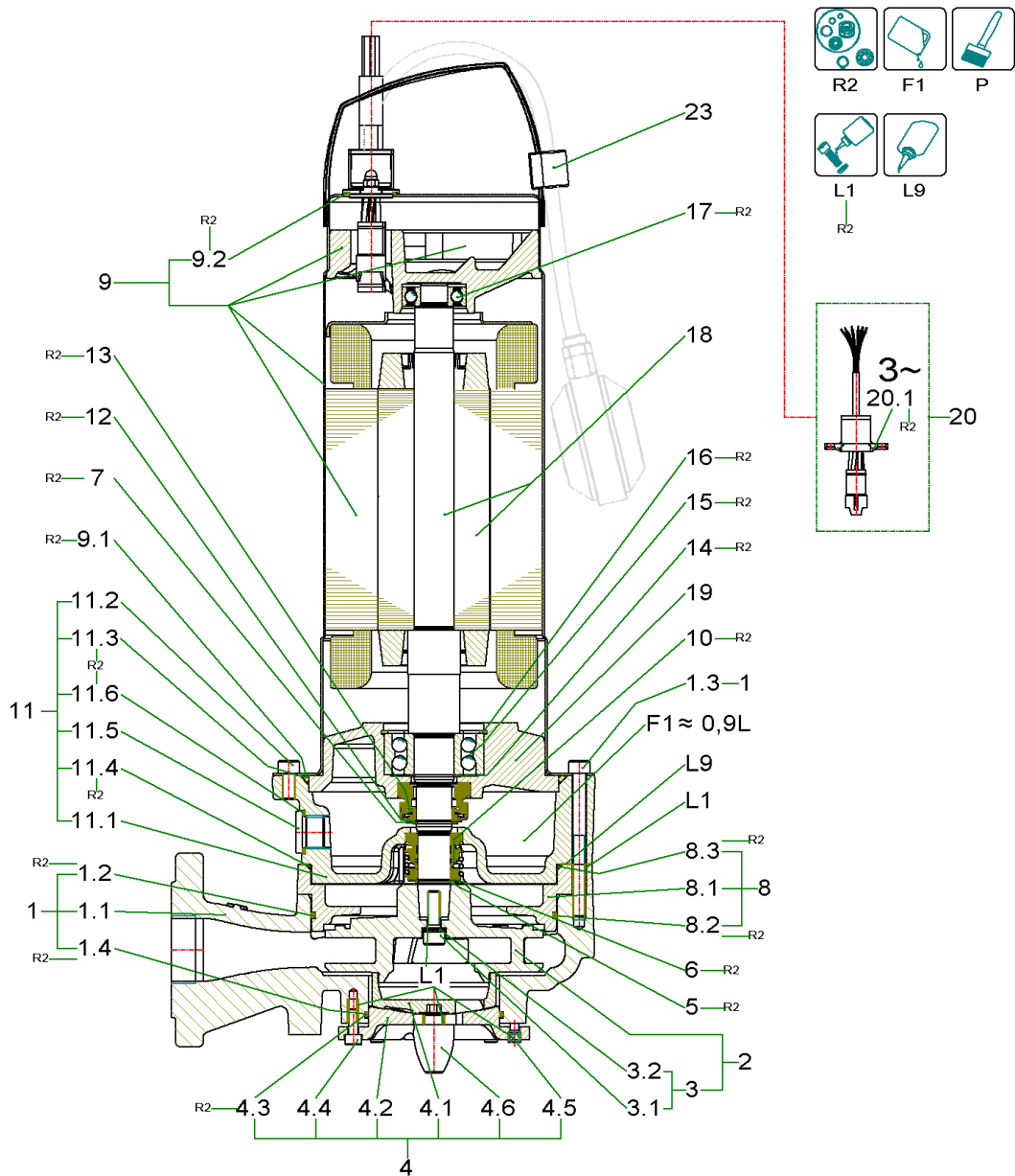
Rexa CUT GI03.43/S-T25-2-623 (6082816)

Item	Article no.	Description	Quantity
R2	6070670	Rep.Kit 2 RexaCut/S	1
P	6049684	colour 2K-paint IV80 RAL9011 250ml KIT	1
F1	6025460	medical white oil 1L KIT	1
F1	6025461	medical white oil 5L KIT	1
L1	6080531	Loctite 243 5g flask VP:	1
L9	6080535	Loctite 5203 300ml VP.	1

1	6070672	pump housing Cut GI03.2x/3x GG KIT	1
1.1		> pump housing Q32 6050894 GG fertig	1
1.2		> O-RING ID.82x2,5 NBR70	1
1.3		> screw M8x85 DIN912 A4-70	3
1.4		> O-RING ID.144,5x3 NBR70	1
2	6083158	impeller Rexa Cut GI03.43 GG KIT SVA	1
4	6070671	macerator RexaCut GI KIT	1
4.1		> Cutter rotating R151 finish1.4528	1
4.2		> CUTTER PLATE R151 FINISHED 1.4528	1
4.3		> O-RING ID.82x2,5 NBR70	1
4.4		> screw M6x16 ISO4762 A4	4
4.5		> Stud bolt M8x12 DIN915 A4	4
4.6		> SUCTION PIECE D.25X36-M12X1,25LH V4A	1
5		circlips 20x1,2 DIN471 1.4116	1
6		pressure ring D.32/20,5x1 6050343 A4	1
7		CIRCLIPS 22x1,2 DIN471 1.4122	1
8	6070673	latern RexaCut KIT	1
8.1		> latern D.153/153 6050958 GG finished	1
8.2		> O-RING ID.144,5x3 NBR70	1
8.3		> o-ring ID.150,0x3,0 NBR70	1
9	6083308	stator-unit S13.1-2/10 1~ 60Hz KIT	1
9.1		o-ring ID.150,0x4,0 NBR70	1
9.2		O-RING ID.25X2,2N DIN3771 NBR70	1
10		mechanical shaft seal MG1/20-G60 QPPGG	1
11	6067637	sealing casing P/S13.1 D.152 GG XA SET	1
11.1		> sealing casing D.152g6 6050244 GG	1
11.2	6076892	> screw M8x25 DIN912 A4 (10pc)	1

Rexa CUT GI03.43/S-T25-2-623 (6082816)

Item	Article no.	Description	Quantity
Note: P13.			
11.2		> screw M8x16 ISO4762 A2-70	6
Note: S13.			
11.3		> o-ring ID.150,0x4,0 HNBR70 green	1
11.4		> o-ring ID.150,0x3,0 HNBR70 green	1
11.5	6067638	> screw plug G1/2 DIN908 A4 (3pcs)	1
11.6	6048832	> joint ring A21/26x1,5 DIN7603 PA(10pc)	1
11.5	6067638	screw plug G1/2 DIN908 A4 (3pcs)	1
11.6	6048832	joint ring A21/26x1,5 DIN7603 PA(10pc)	1
12		pressure ring D.34/22,5x1 6050343 A4	1
13		MECHANICAL SEAL BT-AR/22 BXPFF	1
14		circlips 25x1,2 DIN471 FSt	1
15		ball bearing 3305	1
16		CIRCLIP 62X2 DIN472 FST	1
17		Rep.Kit 2 P13.1	1
18	6067577	rotor S/P13.1-10/EAD1X2-T VP.	1
19		on request	1
20	6083298	cable 10m SOOW 6AWG16 VP.	1
20.1	6067644	O-Ring ID.25X2,2N DIN3771 NBR70 (3pcs)	1
23	6067643	cable clip PP-GF30 black VP.	1



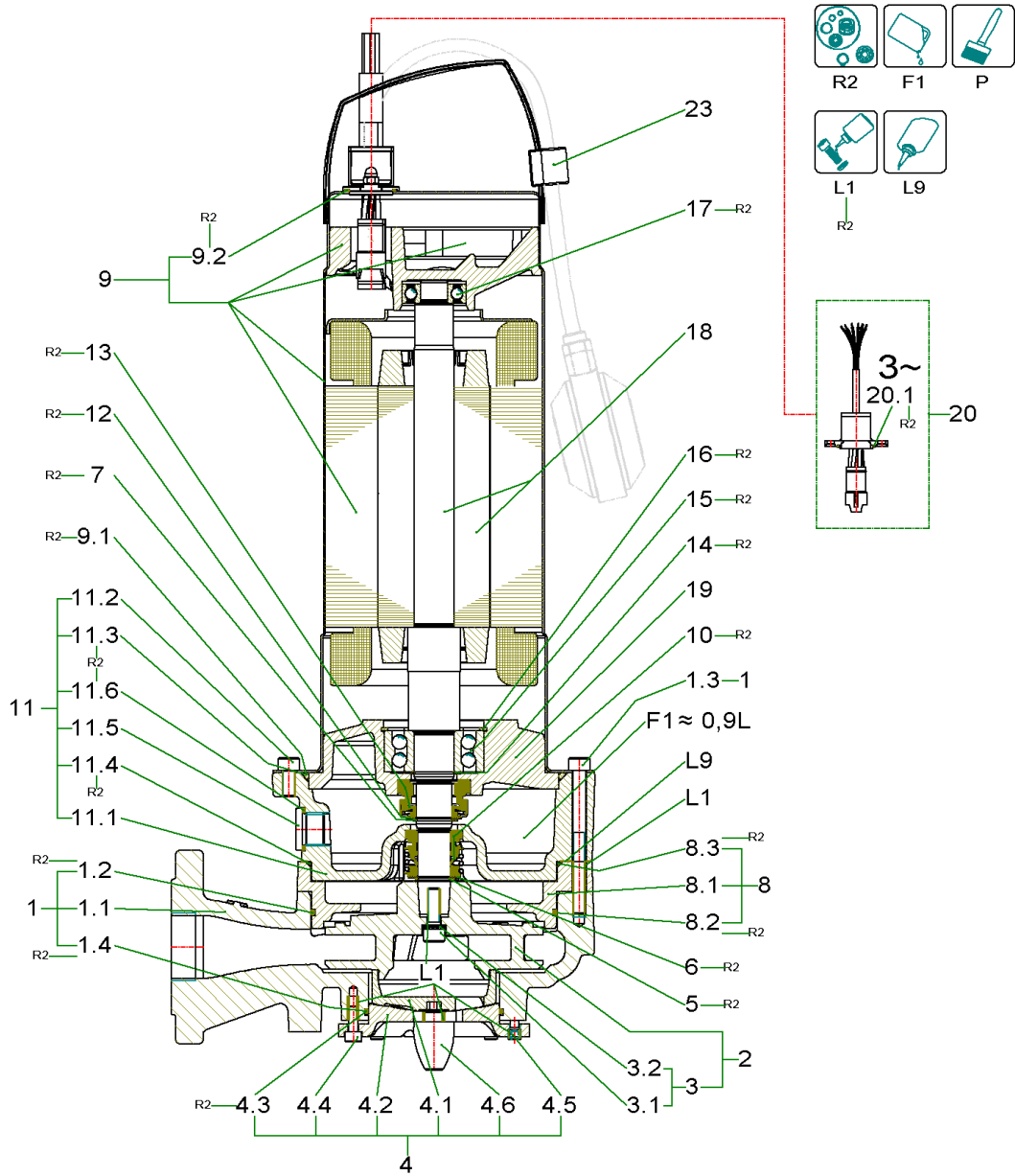
Rexa CUT GI03.43/S-T25-2-646 (6082810)

Item	Article no.	Description	Quantity
R2	6070670	Rep.Kit 2 RexaCut/S	1
P	6049684	colour 2K-paint IV80 RAL9011 250ml KIT	1
F1	6025460	medical white oil 1L KIT	1
F1	6025461	medical white oil 5L KIT	1
L1	6080531	Loctite 243 5g flask VP:	1
L9	6080535	Loctite 5203 300ml VP.	1

1	6070672	pump housing Cut GI03.2x/3x GG KIT	1
1.1		> pump housing Q32 6050894 GG fertig	1
1.2		> O-RING ID.82x2,5 NBR70	1
1.3		> screw M8x85 DIN912 A4-70	3
1.4		> O-RING ID.144,5x3 NBR70	1
2	6083158	impeller Rexa Cut GI03.43 GG KIT SVA	1
4	6070671	macerator RexaCut GI KIT	1
4.1		> Cutter rotating R151 finish1.4528	1
4.2		> CUTTER PLATE R151 FINISHED 1.4528	1
4.3		> O-RING ID.82x2,5 NBR70	1
4.4		> screw M6x16 ISO4762 A4	4
4.5		> Stud bolt M8x12 DIN915 A4	4
4.6		> SUCTION PIECE D.25X36-M12X1,25LH V4A	1
5		circlips 20x1,2 DIN471 1.4116	1
6		pressure ring D.32/20,5x1 6050343 A4	1
7		CIRCLIPS 22x1,2 DIN471 1.4122	1
8	6070673	latern RexaCut KIT	1
8.1		> latern D.153/153 6050958 GG finished	1
8.2		> O-RING ID.144,5x3 NBR70	1
8.3		> o-ring ID.150,0x3,0 NBR70	1
9	6083307	stator-unit S13.1-2/10 3~ 60Hz KIT	1
9.1		o-ring ID.150,0x4,0 NBR70	1
9.2		O-RING ID.25X2,2N DIN3771 NBR70	1
10		mechanical shaft seal MG1/20-G60 QPPGG	1
11	6067637	sealing casing P/S13.1 D.152 GG XA SET	1
11.1		> sealing casing D.152g6 6050244 GG	1
11.2	6076892	> screw M8x25 DIN912 A4 (10pc)	1

Rexa CUT GI03.43/S-T25-2-646 (6082810)

Item	Article no.	Description	Quantity
Note: P13.			
11.2		> screw M8x16 ISO4762 A2-70	6
Note: S13.			
11.3		> o-ring ID.150,0x4,0 HNBR70 green	1
11.4		> o-ring ID.150,0x3,0 HNBR70 green	1
11.5	6067638	> screw plug G1/2 DIN908 A4 (3pcs)	1
11.6	6048832	> joint ring A21/26x1,5 DIN7603 PA(10pc)	1
11.5	6067638	screw plug G1/2 DIN908 A4 (3pcs)	1
11.6	6048832	joint ring A21/26x1,5 DIN7603 PA(10pc)	1
12		pressure ring D.34/22,5x1 6050343 A4	1
13		MECHANICAL SEAL BT-AR/22 BXPFF	1
14		circlips 25x1,2 DIN471 FSt	1
15		ball bearing 3305	1
16		CIRCLIP 62X2 DIN472 FST	1
17		Rep.Kit 2 P13.1	1
18	6067577	rotor S/P13.1-10/EAD1X2-T VP.	1
19		on request	1
20	6083298	cable 10m SOOW 6AWG16 VP.	1
20.1	6067644	O-Ring ID.25X2,2N DIN3771 NBR70 (3pcs)	1
23	6067643	cable clip PP-GF30 black VP.	1



Rexa CUT GI03.43/S-M22-2-623 (6082758)

Item	Article no.	Description	Quantity
R2	6070670	Rep.Kit 2 RexaCut/S	1
P	6049684	colour 2K-paint IV80 RAL9011 250ml KIT	1
F1	6025460	medical white oil 1L KIT	1
F1	6025461	medical white oil 5L KIT	1
L1	6080531	Loctite 243 5g flask VP:	1
L9	6080535	Loctite 5203 300ml VP.	1

1	6070672	pump housing Cut GI03.2x/3x GG KIT	1
1.1		> pump housing Q32 6050894 GG fertig	1
1.2		> O-RING ID.82x2,5 NBR70	1
1.3		> screw M8x85 DIN912 A4-70	3
1.4		> O-RING ID.144,5x3 NBR70	1
2	6083158	impeller Rexa Cut GI03.43 GG KIT SVA	1
4	6070671	macerator RexaCut GI KIT	1
4.1		> Cutter rotating R151 finish1.4528	1
4.2		> CUTTER PLATE R151 FINISHED 1.4528	1
4.3		> O-RING ID.82x2,5 NBR70	1
4.4		> screw M6x16 ISO4762 A4	4
4.5		> Stud bolt M8x12 DIN915 A4	4
4.6		> SUCTION PIECE D.25X36-M12X1,25LH V4A	1
5		circlips 20x1,2 DIN471 1.4116	1
6		pressure ring D.32/20,5x1 6050343 A4	1
7		CIRCLIPS 22x1,2 DIN471 1.4122	1
8	6070673	latern RexaCut KIT	1
8.1		> latern D.153/153 6050958 GG finished	1
8.2		> O-RING ID.144,5x3 NBR70	1
8.3		> o-ring ID.150,0x3,0 NBR70	1
9	6083607	stator-unit S13.1-2/11 1~ 60Hz KIT	1
9.1		o-ring ID.150,0x4,0 NBR70	1
9.2		O-RING ID.25X2,2N DIN3771 NBR70	1
10		mechanical shaft seal MG1/20-G60 QPPGG	1
11	6067637	sealing casing P/S13.1 D.152 GG XA SET	1
11.1		> sealing casing D.152g6 6050244 GG	1
11.2	6076892	> screw M8x25 DIN912 A4 (10pc)	1

Rexa CUT GI03.43/S-M22-2-623 (6082758)

Item	Article no.	Description	Quantity
Note: P13.			
11.2		> screw M8x16 ISO4762 A2-70	6
Note: S13.			
11.3		> o-ring ID.150,0x4,0 HNBR70 green	1
11.4		> o-ring ID.150,0x3,0 HNBR70 green	1
11.5	6067638	> screw plug G1/2 DIN908 A4 (3pcs)	1
11.6	6048832	> joint ring A21/26x1,5 DIN7603 PA(10pc)	1
11.5	6067638	screw plug G1/2 DIN908 A4 (3pcs)	1
11.6	6048832	joint ring A21/26x1,5 DIN7603 PA(10pc)	1
12		pressure ring D.34/22,5x1 6050343 A4	1
13		MECHANICAL SEAL BT-AR/22 BXPFF	1
14		circlips 25x1,2 DIN471 FSt	1
15		ball bearing 3305	1
16		CIRCLIP 62X2 DIN472 FST	1
17		Rep.Kit 2 P13.1	1
18	6077473	rotor P13.1-11/EAD3X2-T VP.	1
19		on request	1
20	6083297	cable 10m SJOOW 4AWG16 VP.	1
20.1	6067644	O-Ring ID.25X2,2N DIN3771 NBR70 (3pcs)	1
23	6067643	cable clip PP-GF30 black VP.	1