

Series description: Wilo-Drain TS 40-65

Wilo-Drain TS 40



Wilo-Drain TS 50-65



Similar to figure

Design

Submersible drainage pump

Type key

Example:

**TS
50**

**H
111**

**11
A**

Wilo-Drain TS 50 H 111/11-A

Submersible pump for wastewater
 Connection: 50 (= Rp 2); 65 (= Rp 2 1/2)

Impeller shape: H = half-open impeller
 Nominal diameter of the impeller in mm

Power P₂ in kW (=value/10 = 1.1 kW)

Version:

A = with float switch and connection cable with shockproof plug (1~230 V/50 Hz) or CEE plug (3~400 V/50 Hz)
 CEE = without float switch with CEE plug
 without = without float switch with bare cable end

Example:

**TS
40
10
A**

Wilo-Drain TS 40/10-A

Submersible pump for wastewater

Connection: 40 (Rp 1 1/2)

Max. delivery head in m

Version:

A = with float switch and connection cable with shockproof plug (1~230 V/50 Hz) or CEE plug (3~400 V/50 Hz)
 without = without float switch with bare cable end

Application

Pumping of

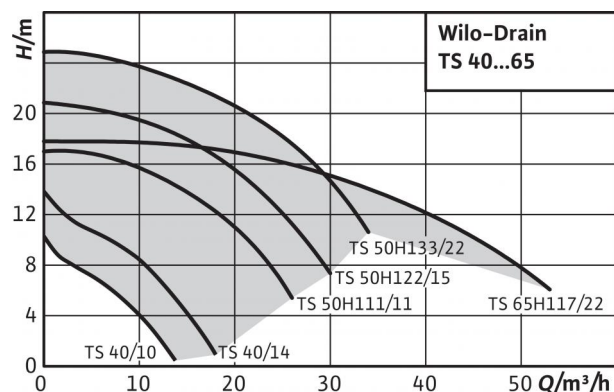
- Pre-cleaned sewage without faeces and long-fibre components
- Wastewater

Special features/product advantages

- Low weight
- Wide performance range
- Oil barrier chamber
- Attached float switch and plug (A-model) enable easy operation

Technical data

- Mains connection: 1~230 V, 50 Hz or 3~400 V, 50 Hz
- Protection class: IP 68
- Max. immersion depth: 7 m
- Fluid temperature: 3 - 35 °C
- Cable length: 10 m
- Free ball passage: 10 mm
- Pressure port: TS 40 = Rp 1 1/2, TS 50 = Rp 2, TS 65 = Rp 2 1/2



Equipment/function

- Ready-to-plug for 1~230 V and A and CEE model
- Thermal motor monitoring
- Explosion protection (TS 50/3~ and TS 65)
- Connection cable detachable
- Integrated non-return valve (TS 40)
- Hose connection (TS 40)

Description/design

Submersible wastewater pump as submersible monobloc unit for stationary and portable wet well installation.

Hydraulics

The output on the pressure side is configured as a vertical threaded connection Rp 1 1/2 (TS 40), Rp 2 (TS 50) or Rp 2 1/2 (TS 65). Semi-open channel impellers with free ball passage of 10 mm are used as the impeller.

Motor

Dry motors as single-phase or three-phase AC motors with thermal motor monitoring. On models TS 40 and TS 50 (1~ only) this monitoring is built-in and self-switching. The waste heat is given off directly to the surrounding fluid via the housing components. As a result, these units must always be immersed for permanent or intermittent operation.

A sealing chamber protects the motor from fluid ingress. The filling fluid used is potentially biodegradable and environmentally safe.

The cable is detachable, oil-resistant and has bare cable ends. The cable lengths are available in length increments of 10 m. The A model is equipped with a float switch and a shock-proof plug (1~230 V/50 Hz) or a CEE plug (3~400 V/50 Hz). The CEE model does not have a float switch and is equipped with a CEE plug.

Sealing

Sealing on the fluid side is done using a bidirectional mechanical seal. On the TS 40, sealing on the motor side is likewise done using a bidirectional mechanical seal. On the TS 50 and TS 65, sealing on the motor side is with a rotary shaft seal.

Materials

TS 40:

- Pump housing PP-GF30
- Impeller PP-GF30
- Shaft 1.4404
- Sealing on motor side: mechanical seal SiC/SiC
- Sealing on pump side: mechanical seal SiC/SiC
- Static seal: NBR
- Motor housing 1.4301

Series description: Wilo-Drain TS 40-65

Materials

TS 50, 65:

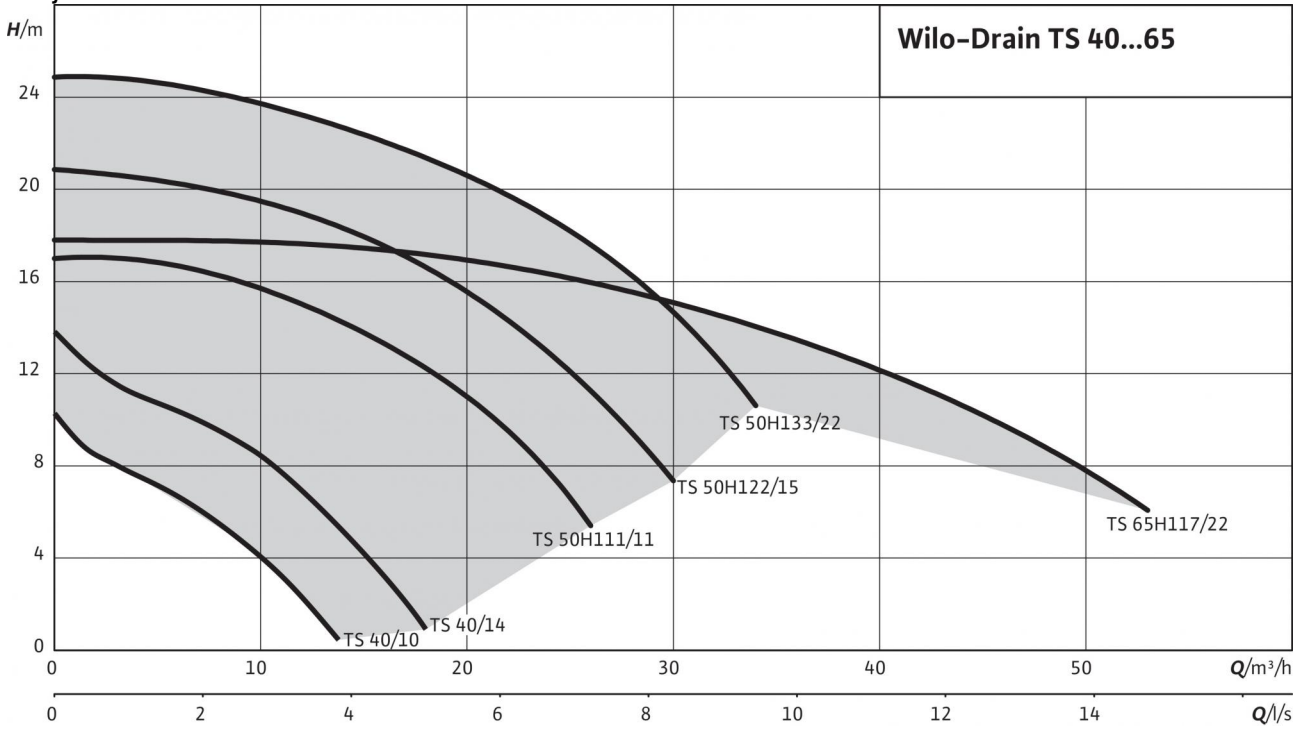
- Pump housing: PUR
- Impeller: PP-GF30
- Shaft: 1.4404
- Sealing on motor side: NBR rotary shaft seal
- Sealing on pump side: mechanical seal SiC/SiC
- Static seal: NBR
- Motor housing 1.4301

Scope of delivery

- Pump ready for connection with 10 m connection cable and bare cable end
- "A" model equipped with float switch and shock-proof plug (1~230 V/50 Hz) or CEE plug (3~400 V/50 Hz)
- "CEE" version equipped with CEE plug
- Hose connection (TS 40 only)
- Installation and operating instructions

Duty chart: Wilo-Drain TS 40-65

Duty chart



Equipment/function: Wilo-Drain TS 40-65

Design

Submersible	•
Non-self-priming	•
Open single-channel impeller	-
Vortex impeller	-
Open multi-channel impeller	•
Turbulator	-
Sealing chamber	•
Sealing by mechanical seal on motor side	-
Sealing by rotary shaft seal on motor side	•
Sealing by mechanical seal on fluid side	•
Seal for rotary shaft seal on fluid side	-
AC motor	-
Three-phase motor	•
Direct activation	•
Star-delta activation	-
FC operation	-
dry motor	•
Motor with oil cooling	-
Sheath current cooling	-

Application

Wet well installation, stationary	•
Wet well installation, portable	•
Dry well installation, portable	-
Dry well installation, stationary	-

Equipment/function

Explosion protection	•
Hose connection	-
Float switch	Version A
Non-return valve	-
Capacitor box for 1~230 V	-
Connection cable detachable	•
Ready-to-plug	Version A

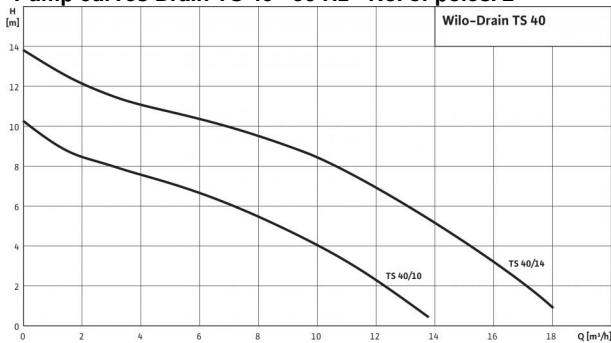
• = available or approved, - = not available or not approved

Product list: Wilo-Drain TS 40-65

Pump type	Mains connection	Float switch	Max. volume flow Q_{max}	Max. delivery head H_{max}	Optimum volume flow Q_{opt}	Optimal delivery head H_{opt}	Length of connecting cable	Mains plug	Explosion protection	Art no.
TS 40/10	1~230 V, 50 Hz	No float switch	14 m ³ /h	10 m	-	-	10 m	Shock-proof	-	2063928
TS 40/10	3~400 V, 50 Hz	No float switch	14 m ³ /h	10 m	-	-	10 m	-	-	2063927
TS 40/10-A	1~230 V, 50 Hz	With float switch	14 m ³ /h	10 m	-	-	10 m	Shock-proof	-	2063926
TS 40/14	1~230 V, 50 Hz	No float switch	18 m ³ /h	14 m	-	-	10 m	Shock-proof	-	2063931
TS 40/14	3~400 V, 50 Hz	No float switch	18 m ³ /h	14 m	-	-	10 m	-	-	2063930
TS 40/14-A	1~230 V, 50 Hz	With float switch	18 m ³ /h	14 m	-	-	10 m	Shock-proof	-	2063929
TS 50 H 111/11	1~230 V, 50 Hz	No float switch	26 m ³ /h	17 m	16 m ³ /h	13 m	10 m	Shock-proof	-	4025037
TS 50 H 111/11	3~400 V, 50 Hz	No float switch	26 m ³ /h	17 m	16 m ³ /h	13 m	10 m	-	ATEX	4025036
TS 50 H 111/11 CEE	3~400 V, 50 Hz	No float switch	26 m ³ /h	17 m	16 m ³ /h	13 m	10 m	CEE M 16 WDU	ATEX	6042447
TS 50 H 111/11-A	1~230 V, 50 Hz	With float switch	26 m ³ /h	17 m	16 m ³ /h	13 m	10 m	Shock-proof	-	4029477
TS 50 H 111/11-A	3~400 V, 50 Hz	With float switch	26 m ³ /h	17 m	16 m ³ /h	13 m	10 m	CEE M 16 WDSHA	-	4029553
TS 50 H 122/15	3~400 V, 50 Hz	No float switch	29 m ³ /h	21 m	18 m ³ /h	17 m	10 m	-	ATEX	4025039
TS 50 H 122/15 CEE	3~400 V, 50 Hz	No float switch	29 m ³ /h	21 m	18 m ³ /h	17 m	10 m	CEE M 16 WDU	ATEX	6042449
TS 50 H 122/15-A	3~400 V, 50 Hz	With float switch	29 m ³ /h	21 m	18 m ³ /h	17 m	10 m	CEE M 16 WDSHA	-	6042448
TS 50 H 133/22	3~400 V, 50 Hz	No float switch	35 m ³ /h	25 m	22 m ³ /h	20 m	10 m	-	ATEX	4025042
TS 50 H 133/22 CEE	3~400 V, 50 Hz	No float switch	35 m ³ /h	25 m	22 m ³ /h	20 m	10 m	CEE M 16 WDU	ATEX	6042450
TS 50 H 133/22-A	3~400 V, 50 Hz	With float switch	35 m ³ /h	25 m	22 m ³ /h	20 m	10 m	CEE M 16 WDSHA	-	6042451
TS 65 H 117/22	3~400 V, 50 Hz	No float switch	53 m ³ /h	17 m	32 m ³ /h	15 m	10 m	-	ATEX	4025059
TS 65 H 117/22 CEE	3~400 V, 50 Hz	No float switch	53 m ³ /h	17 m	32 m ³ /h	15 m	10 m	CEE M 16 WDU	ATEX	6042452
TS 65 H 117/22-A	3~400 V, 50 Hz	With float switch	53 m ³ /h	17 m	32 m ³ /h	15 m	10 m	CEE M 16 WDSHA	-	6042453

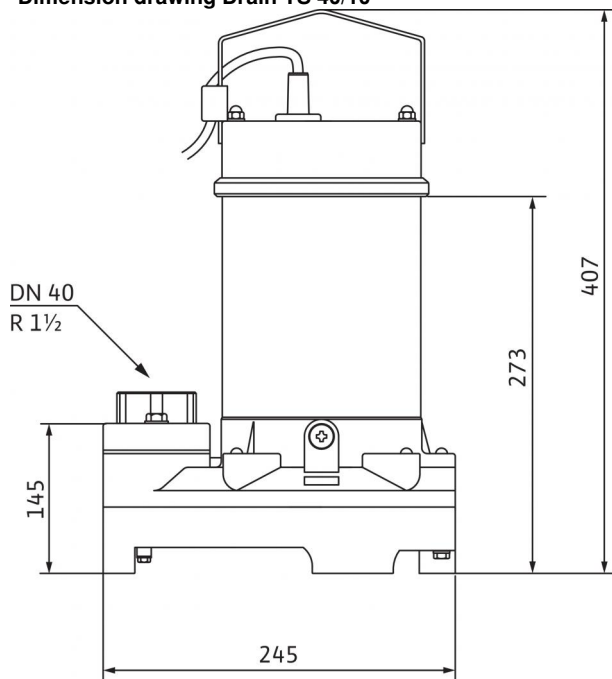
Data sheet: Drain TS 40/10 (1~230 V)

Pump curves Drain TS 40 - 50 Hz - No. of poles: 2



Pump curves in accordance with ISO 9906, Appendix A.

Dimension drawing Drain TS 40/10



Unit

Max. delivery head H_{max}	10 m
Max. volume flow Q_{max}	14 m ³ /h
Pressure connection	Rp 1½
Maximum operating pressure p_{max}	2 bar
Free ball passage	10 mm
Operating mode (immersed)	S1, S3-25%
Operating mode (non-immersed)	-
Max. immersion depth	5 m
Protection class	IP 68
Fluid temperature T	+3 ... +35 °C
Weight approx. m	14 kg

Motor data

Mains connection	1~230 V, 50 Hz
Rated current I_N	2.2 A
Rated power P_2	0.4 kW
Power consumption P_1	0.48 kW
Activation type	Direct
Rated speed n	2,900 rpm
No. of poles	2
Insulation class	B
Max. switching frequency	50 1/h

Cable

Length of connecting cable	10 m
Cable type	H07RN-F
Cable cross-section	3G1 mm ²
Type of connecting cable	Plug, detachable
Mains plug	Shock-proof

Equipment/function

Float switch	-
Motor protection	WSK
Explosion protection	-

Materials

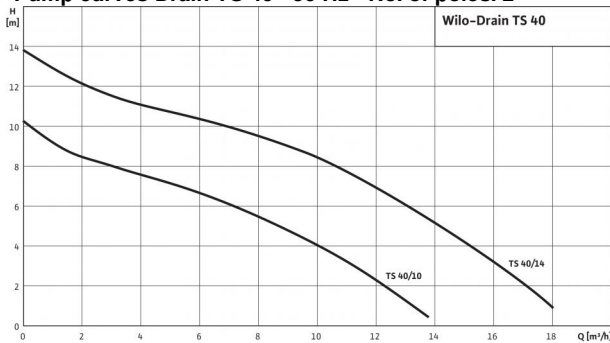
Static seal	NBR
Impeller	PP-GF30
Sealing on motor side	SiC/SiC
Mechanical seal	SiC/SiC
Motor housing	1.4301
Pump housing	PP-GF30

Information for order placements

Make	Wilo
Art no.	2063928
EAN number	4016322859871
Price group	PG7

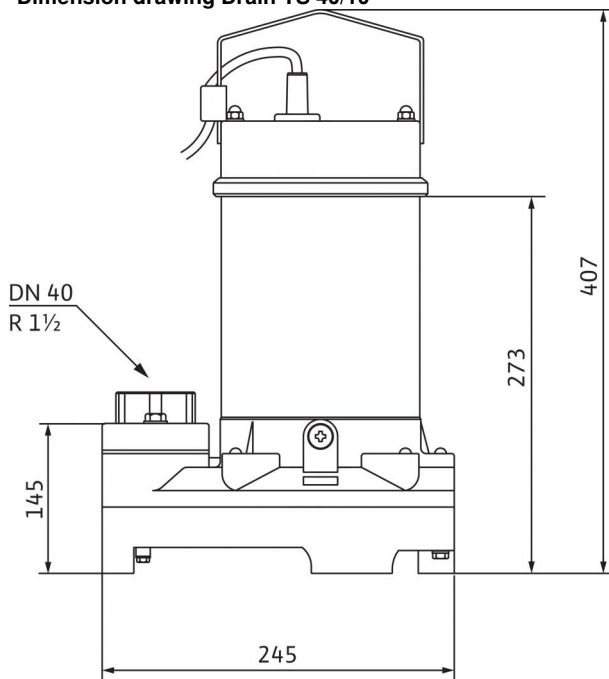
Data sheet: Drain TS 40/10 (3~400 V)

Pump curves Drain TS 40 - 50 Hz - No. of poles: 2



Pump curves in accordance with ISO 9906, Appendix A.

Dimension drawing Drain TS 40/10



Unit

Max. delivery head H_{max}	10 m
Max. volume flow Q_{max}	14 m³/h
Pressure connection	Rp 1½
Maximum operating pressure p_{max}	2 bar
Free ball passage	10 mm
Operating mode (immersed)	S1, S3-25%
Operating mode (non-immersed)	-
Max. immersion depth	5 m
Protection class	IP 68
Fluid temperature T	+3 ... +35 °C
Weight approx. m	14 kg

Motor data

Mains connection	3~400 V, 50 Hz
Rated current I_N	1.1 A
Rated power P_2	0.4 kW
Power consumption P_1	0.55 kW
Activation type	Direct
Rated speed n	2,900 rpm
No. of poles	2
Insulation class	B
Max. switching frequency	50 1/h

Cable

Length of connecting cable	10 m
Cable type	H07RN-F
Cable cross-section	4G1 mm²
Type of connecting cable	Plug, detachable
Mains plug	-

Equipment/function

Float switch	-
Motor protection	WSK
Explosion protection	-

Materials

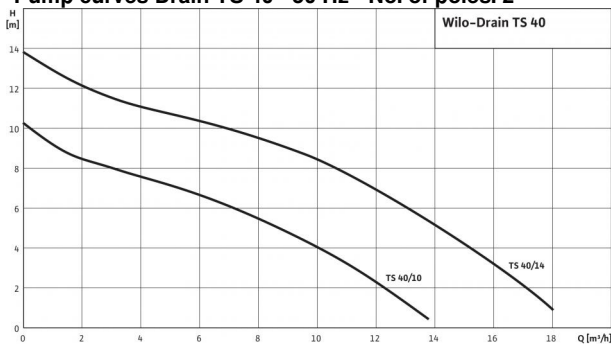
Static seal	NBR
Impeller	PP-GF30
Sealing on motor side	SiC/SiC
Mechanical seal	SiC/SiC
Motor housing	1.4301
Pump housing	PP-GF30

Information for order placements

Make	Wilo
Art no.	2063927
EAN number	4016322859864
Price group	PG7

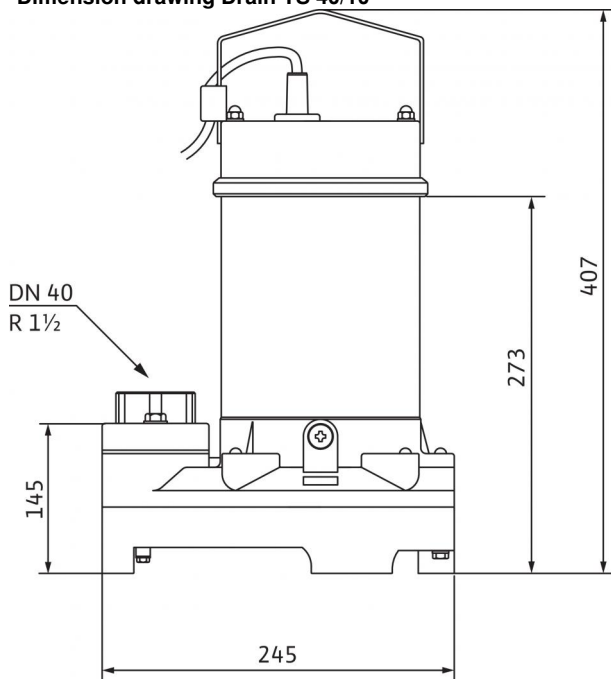
Data sheet: Drain TS 40/10-A (1~230 V)

Pump curves Drain TS 40 - 50 Hz - No. of poles: 2



Pump curves in accordance with ISO 9906, Appendix A.

Dimension drawing Drain TS 40/10



Unit

Max. delivery head H_{max}	10 m
Max. volume flow Q_{max}	14 m³/h
Pressure connection	Rp 1½
Maximum operating pressure p_{max}	2 bar
Free ball passage	10 mm
Operating mode (immersed)	S1, S3-25%
Operating mode (non-immersed)	-
Max. immersion depth	5 m
Protection class	IP 68
Fluid temperature T	+3 ... +35 °C
Weight approx. m	14.2 kg

Motor data

Mains connection	1~230 V, 50 Hz
Rated current I_N	2.2 A
Rated power P_2	0.4 kW
Power consumption P_1	0.48 kW
Activation type	Direct
Rated speed n	2,900 rpm
No. of poles	2
Insulation class	B
Max. switching frequency	50 1/h

Cable

Length of connecting cable	10 m
Cable type	H07RN-F
Cable cross-section	3G1 mm²
Type of connecting cable	Plug, detachable
Mains plug	Shock-proof

Equipment/function

Float switch	•
Motor protection	WSK
Explosion protection	-

Materials

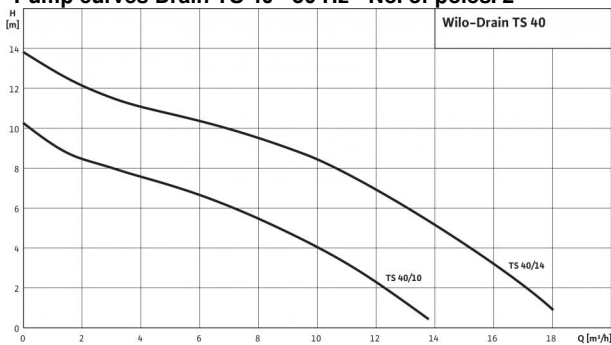
Static seal	NBR
Impeller	PP-GF30
Sealing on motor side	SiC/SiC
Mechanical seal	SiC/SiC
Motor housing	1.4301
Pump housing	PP-GF30

Information for order placements

Make	Wilo
Art no.	2063926
EAN number	4016322859857
Price group	PG7

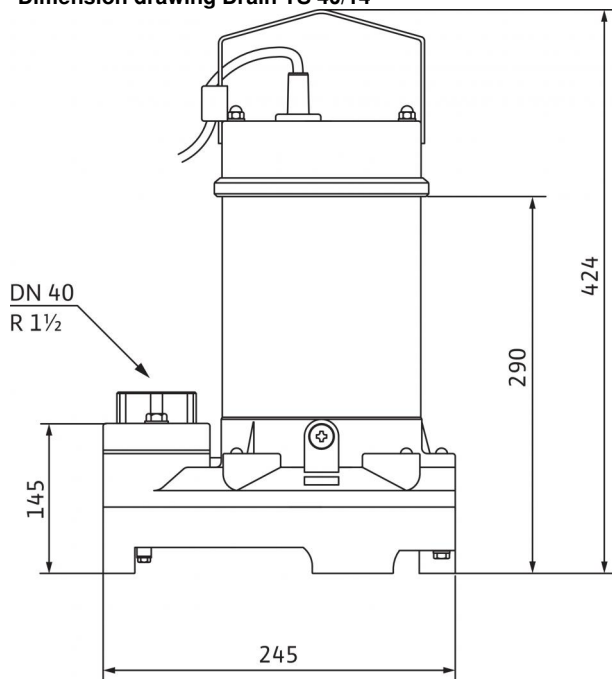
Data sheet: Drain TS 40/14 (1~230 V)

Pump curves Drain TS 40 - 50 Hz - No. of poles: 2



Pump curves in accordance with ISO 9906, Appendix A.

Dimension drawing Drain TS 40/14



Unit

Max. delivery head H_{max}	14 m
Max. volume flow Q_{max}	18 m³/h
Pressure connection	Rp 1½
Maximum operating pressure p_{max}	2 bar
Free ball passage	10 mm
Operating mode (immersed)	S1, S3-25%
Operating mode (non-immersed)	-
Max. immersion depth	5 m
Protection class	IP 68
Fluid temperature T	+3 ... +35 °C
Weight approx. m	16 kg

Motor data

Mains connection	1~230 V, 50 Hz
Rated current I_N	4.4 A
Rated power P_2	0.75 kW
Power consumption P_1	1 kW
Activation type	Direct
Rated speed n	2,900 rpm
No. of poles	2
Insulation class	B
Max. switching frequency	50 1/h

Cable

Length of connecting cable	10 m
Cable type	H07RN-F
Cable cross-section	3G1 mm²
Type of connecting cable	Plug, detachable
Mains plug	Shock-proof

Equipment/function

Float switch	-
Motor protection	WSK
Explosion protection	-

Materials

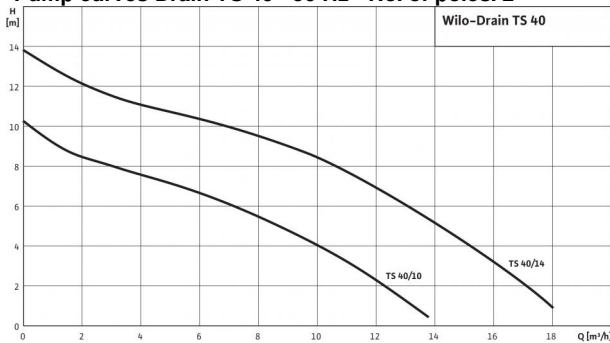
Static seal	NBR
Impeller	PP-GF30
Sealing on motor side	SiC/SiC
Mechanical seal	SiC/SiC
Motor housing	1.4301
Pump housing	PP-GF30

Information for order placements

Make	Wilo
Art no.	2063931
EAN number	4016322859901
Price group	PG7

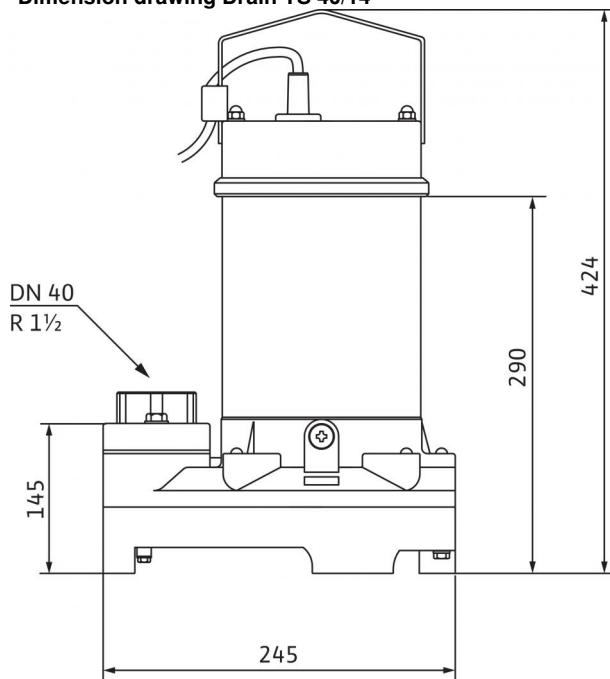
Data sheet: Drain TS 40/14 (3~400 V)

Pump curves Drain TS 40 - 50 Hz - No. of poles: 2



Pump curves in accordance with ISO 9906, Appendix A.

Dimension drawing Drain TS 40/14



Unit

Max. delivery head H_{max}	14 m
Max. volume flow Q_{max}	18 m ³ /h
Pressure connection	Rp 1½
Maximum operating pressure p_{max}	2 bar
Free ball passage	10 mm
Operating mode (immersed)	S1, S3-25%
Operating mode (non-immersed)	-
Max. immersion depth	5 m
Protection class	IP 68
Fluid temperature T	+3 ... +35 °C
Weight approx. m	16 kg

Motor data

Mains connection	3~400 V, 50 Hz
Rated current I_N	2 A
Rated power P_2	0.75 kW
Power consumption P_1	0.92 kW
Activation type	Direct
Rated speed n	2,900 rpm
No. of poles	2
Insulation class	B
Max. switching frequency	50 1/h

Cable

Length of connecting cable	10 m
Cable type	H07RN-F
Cable cross-section	4G1 mm ²
Type of connecting cable	Plug, detachable
Mains plug	-

Equipment/function

Float switch	-
Motor protection	WSK
Explosion protection	-

Materials

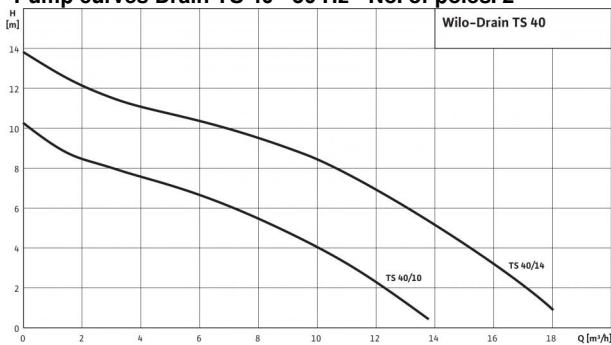
Static seal	NBR
Impeller	PP-GF30
Sealing on motor side	SiC/SiC
Mechanical seal	SiC/SiC
Motor housing	1.4301
Pump housing	PP-GF30

Information for order placements

Make	Wilo
Art no.	2063930
EAN number	4016322859895
Price group	PG7

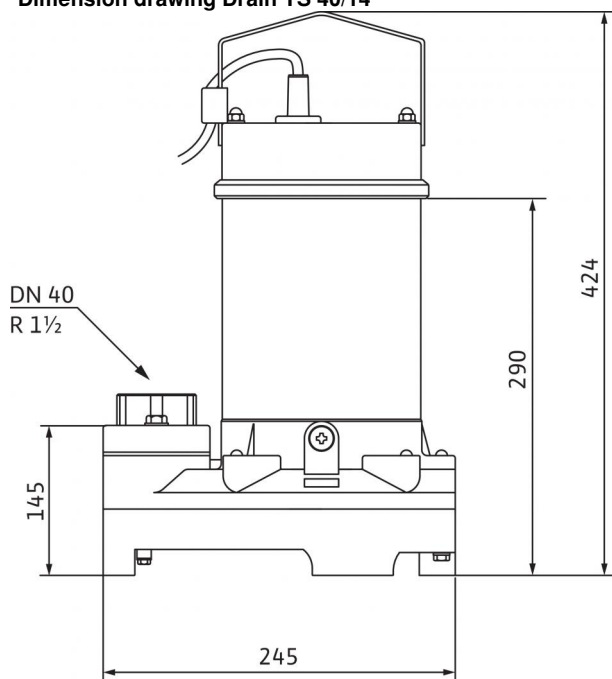
Data sheet: Drain TS 40/14-A (1~230 V)

Pump curves Drain TS 40 - 50 Hz - No. of poles: 2



Pump curves in accordance with ISO 9906, Appendix A.

Dimension drawing Drain TS 40/14



Unit

Max. delivery head H_{max}	14 m
Max. volume flow Q_{max}	18 m³/h
Pressure connection	Rp 1½
Maximum operating pressure p_{max}	2 bar
Free ball passage	10 mm
Operating mode (immersed)	S1, S3-25%
Operating mode (non-immersed)	-
Max. immersion depth	5 m
Protection class	IP 68
Fluid temperature T	+3 ... +35 °C
Weight approx. m	16.2 kg

Motor data

Mains connection	1~230 V, 50 Hz
Rated current I_N	4.4 A
Rated power P_2	0.75 kW
Power consumption P_1	1 kW
Activation type	Direct
Rated speed n	2,900 rpm
No. of poles	2
Insulation class	B
Max. switching frequency	50 1/h

Cable

Length of connecting cable	10 m
Cable type	H07RN-F
Cable cross-section	3G1 mm²
Type of connecting cable	Plug, detachable
Mains plug	Shock-proof

Equipment/function

Float switch	•
Motor protection	WSK
Explosion protection	-

Materials

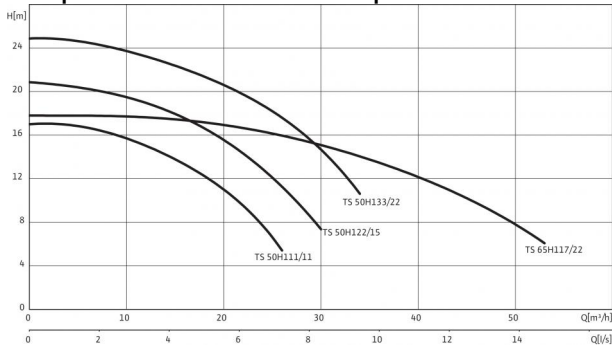
Static seal	NBR
Impeller	PP-GF30
Sealing on motor side	SiC/SiC
Mechanical seal	SiC/SiC
Motor housing	1.4301
Pump housing	PP-GF30

Information for order placements

Make	Wilo
Art no.	2063929
EAN number	4016322859888
Price group	PG7

Data sheet: Drain TS 50 H 111/11 (1~230 V)

Pump curves 50 Hz - 50 Hz - No. of poles: 2



Pump curves in accordance with ISO 9906, Appendix A

Unit	
Max. delivery head H_{max}	17 m
Max. volume flow Q_{max}	26 m³/h
Optimal delivery head H_{opt}	13 m
Optimum volume flow Q_{opt}	16 m³/h
Pressure connection	Rp 2
Maximum operating pressure p_{max}	1.9 bar
Free ball passage	10 mm
Operating mode (immersed)	S1
Operating mode (non-immersed)	S2-8 min
Max. immersion depth	7 m
Protection class	IP 68
Fluid temperature T	+3 ... +35 °C
Weight approx. m	21 kg

Motor data	
Mains connection	1~230 V, 50 Hz
Rated current I_N	7.7 A
Rated power P_2	1.1 kW
Power consumption P_1	1.5 kW
Activation type	Direct
Rated speed n	2,900 rpm
No. of poles	2
Insulation class	F
Max. switching frequency	50 1/h

Cable	
Length of connecting cable	10 m
Cable type	H07RN-F
Cable cross-section	4G1 mm²
Type of connecting cable	Plug, detachable
Mains plug	Shock-proof

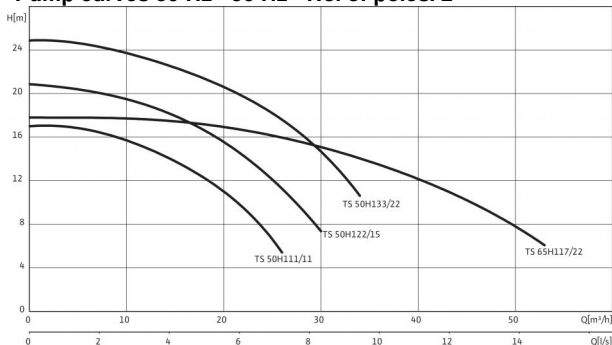
Equipment/function	
Float switch	-
Motor protection	WSK
Explosion protection	-

Materials	
Static seal	NBR
Impeller	PP-GF30
Sealing on motor side	NBR
Mechanical seal	SIC/SIC
Motor housing	1.4301
Pump housing	PUR

Information for order placements	
Make	Wilo
Art no.	4025037
EAN number	4016322318149
Price group	PG7

Data sheet: Drain TS 50 H 111/11 (3~400 V)

Pump curves 50 Hz - 50 Hz - No. of poles: 2



Pump curves in accordance with ISO 9906, Appendix A

Unit	
Max. delivery head H_{max}	17 m
Max. volume flow Q_{max}	26 m³/h
Optimal delivery head H_{opt}	13 m
Optimum volume flow Q_{opt}	16 m³/h
Pressure connection	Rp 2
Maximum operating pressure p_{max}	1.9 bar
Free ball passage	10 mm
Operating mode (immersed)	S1
Operating mode (non-immersed)	S2-8 min
Max. immersion depth	7 m
Protection class	IP 68
Fluid temperature T	+3 ... +35 °C
Weight approx. m	21 kg

Motor data	
Mains connection	3~400 V, 50 Hz
Rated current I_N	3.2 A
Rated power P_2	1.1 kW
Power consumption P_1	1.5 kW
Activation type	Direct
Rated speed n	2,900 rpm
No. of poles	2
Insulation class	F
Max. switching frequency	50 1/h

Cable	
Length of connecting cable	10 m
Cable type	H07RN-F
Cable cross-section	6G1 mm²
Type of connecting cable	Plug, detachable
Mains plug	-

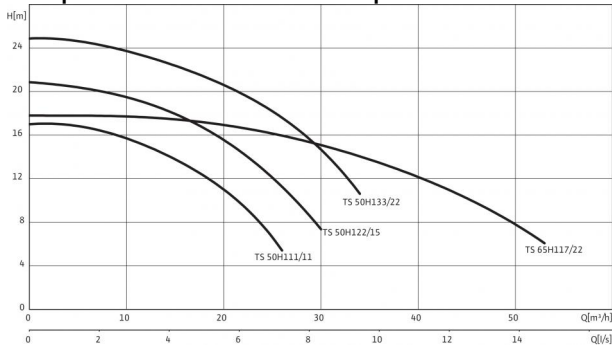
Equipment/function	
Float switch	-
Motor protection	WSK
Explosion protection	ATEX

Materials	
Static seal	NBR
Impeller	PP-GF30
Sealing on motor side	NBR
Mechanical seal	SIC/SIC
Motor housing	1.4301
Pump housing	PUR

Information for order placements	
Make	Wilo
Art no.	4025036
EAN number	4016322318132
Price group	PG7

Data sheet: Drain TS 50 H 111/11 CEE (3~400 V)

Pump curves 50 Hz - 50 Hz - No. of poles: 2



Pump curves in accordance with ISO 9906, Appendix A

Unit	
Max. delivery head H_{max}	17 m
Max. volume flow Q_{max}	26 m³/h
Optimal delivery head H_{opt}	13 m
Optimum volume flow Q_{opt}	16 m³/h
Pressure connection	Rp 2
Maximum operating pressure p_{max}	1.9 bar
Free ball passage	10 mm
Operating mode (immersed)	S1
Operating mode (non-immersed)	S2-8 min
Max. immersion depth	7 m
Protection class	IP 68
Fluid temperature T	+3 ... +35 °C
Weight approx. m	21 kg

Motor data	
Mains connection	3~400 V, 50 Hz
Rated current I_N	3.2 A
Rated power P_2	1.1 kW
Power consumption P_1	1.5 kW
Activation type	Direct
Rated speed n	2,900 rpm
No. of poles	2
Insulation class	F
Max. switching frequency	50 1/h

Cable	
Length of connecting cable	10 m
Cable type	H07RN-F
Cable cross-section	6G1 mm²
Type of connecting cable	Plug, detachable
Mains plug	CEE M 16 WDU

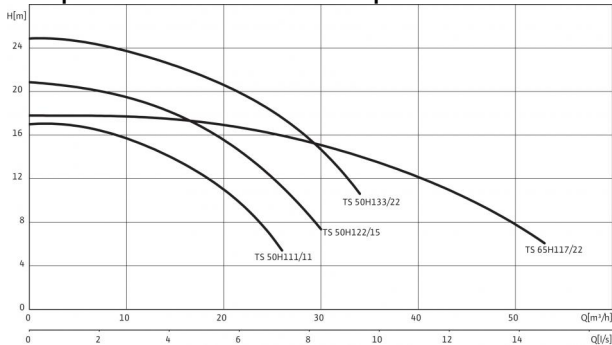
Equipment/function	
Float switch	-
Motor protection	WSK
Explosion protection	ATEX

Materials	
Static seal	NBR
Impeller	PP-GF30
Sealing on motor side	NBR
Mechanical seal	SIC/SIC
Motor housing	1.4301
Pump housing	PUR

Information for order placements	
Make	Wilo
Art no.	6042447
EAN number	4044966439869
Price group	PG7

Data sheet: Drain TS 50 H 111/11-A (1~230 V)

Pump curves 50 Hz - 50 Hz - No. of poles: 2



Pump curves in accordance with ISO 9906, Appendix A

Unit	
Max. delivery head H_{max}	17 m
Max. volume flow Q_{max}	26 m³/h
Optimal delivery head H_{opt}	13 m
Optimum volume flow Q_{opt}	16 m³/h
Pressure connection	Rp 2
Maximum operating pressure p_{max}	1.9 bar
Free ball passage	10 mm
Operating mode (immersed)	S1
Operating mode (non-immersed)	S2-8 min
Max. immersion depth	7 m
Protection class	IP 68
Fluid temperature T	+3 ... +35 °C
Weight approx. m	21 kg

Motor data	
Mains connection	1~230 V, 50 Hz
Rated current I_N	7.7 A
Rated power P_2	1.1 kW
Power consumption P_1	1.5 kW
Activation type	Direct
Rated speed n	2,900 rpm
No. of poles	2
Insulation class	F
Max. switching frequency	50 1/h

Cable	
Length of connecting cable	10 m
Cable type	H07RN-F
Cable cross-section	4G1 mm²
Type of connecting cable	Plug, detachable
Mains plug	Shock-proof

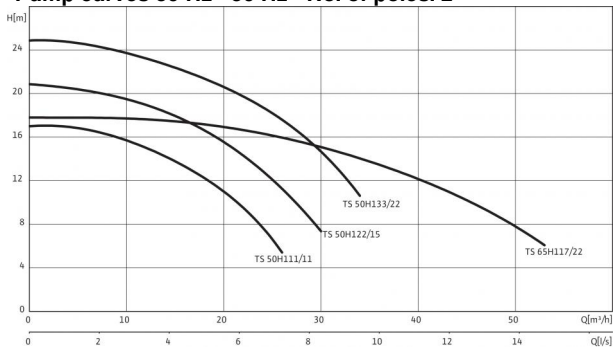
Equipment/function	
Float switch	•
Motor protection	WSK
Explosion protection	-

Materials	
Static seal	NBR
Impeller	PP-GF30
Sealing on motor side	NBR
Mechanical seal	SIC/SIC
Motor housing	1.4301
Pump housing	PUR

Information for order placements	
Make	Wilo
Art no.	4029477
EAN number	4016322531135
Price group	PG7

Data sheet: Drain TS 50 H 111/11-A (3~400 V)

Pump curves 50 Hz - 50 Hz - No. of poles: 2



Pump curves in accordance with ISO 9906, Appendix A

Unit	
Max. delivery head H_{max}	17 m
Max. volume flow Q_{max}	26 m³/h
Optimal delivery head H_{opt}	13 m
Optimum volume flow Q_{opt}	16 m³/h
Pressure connection	Rp 2
Maximum operating pressure p_{max}	1.9 bar
Free ball passage	10 mm
Operating mode (immersed)	S1
Operating mode (non-immersed)	S2-8 min
Max. immersion depth	7 m
Protection class	IP 68
Fluid temperature T	+3 ... +35 °C
Weight approx. m	21 kg

Motor data	
Mains connection	3~400 V, 50 Hz
Rated current I_N	3.2 A
Rated power P_2	1.1 kW
Power consumption P_1	1.5 kW
Activation type	Direct
Rated speed n	2,900 rpm
No. of poles	2
Insulation class	F
Max. switching frequency	50 1/h

Cable	
Length of connecting cable	10 m
Cable type	H07RN-F
Cable cross-section	6G1 mm²
Type of connecting cable	Plug, detachable
Mains plug	CEE M 16 WDSHA

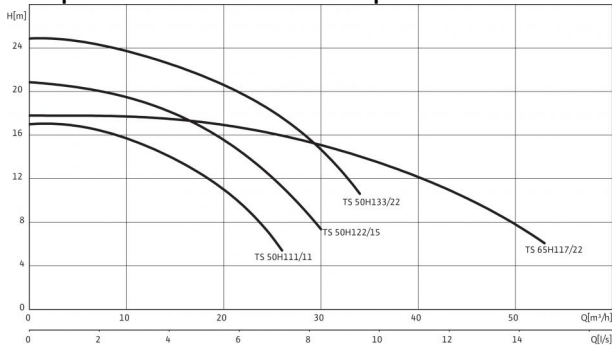
Equipment/function	
Float switch	•
Motor protection	WSK
Explosion protection	-

Materials	
Static seal	NBR
Impeller	PP-GF30
Sealing on motor side	NBR
Mechanical seal	SIC/SIC
Motor housing	1.4301
Pump housing	PUR

Information for order placements	
Make	Wilo
Art no.	4029553
EAN number	4016322531227
Price group	PG7

Data sheet: Drain TS 50 H 122/15 (3~400 V)

Pump curves 50 Hz - 50 Hz - No. of poles: 2



Pump curves in accordance with ISO 9906, Appendix A

Unit

Max. delivery head H_{max}	21 m
Max. volume flow Q_{max}	29 m ³ /h
Optimal delivery head H_{opt}	17 m
Optimum volume flow Q_{opt}	18 m ³ /h
Pressure connection	Rp 2
Maximum operating pressure p_{max}	2.3 bar
Free ball passage	10 mm
Operating mode (immersed)	S1
Operating mode (non-immersed)	S2-8 min
Max. immersion depth	7 m
Protection class	IP 68
Fluid temperature T	+3 ... +35 °C
Weight approx. m	22 kg

Motor data

Mains connection	3~400 V, 50 Hz
Rated current I_N	3.6 A
Rated power P_2	1.5 kW
Power consumption P_1	2.1 kW
Activation type	Direct
Rated speed n	2,900 rpm
No. of poles	2
Insulation class	F
Max. switching frequency	50 1/h

Cable

Length of connecting cable	10 m
Cable type	H07RN-F
Cable cross-section	6G1 mm ²
Type of connecting cable	Plug, detachable
Mains plug	-

Equipment/function

Float switch	-
Motor protection	WSK
Explosion protection	ATEX

Materials

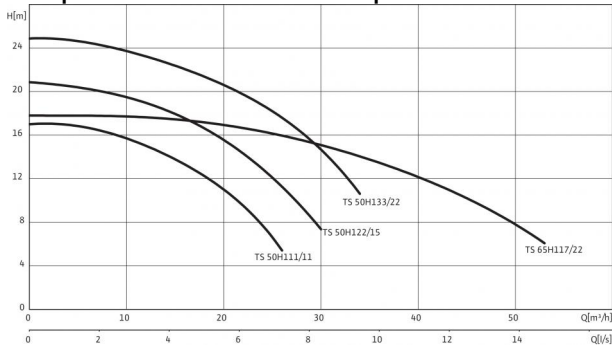
Static seal	NBR
Impeller	PP-GF30
Sealing on motor side	NBR
Mechanical seal	SIC/SIC
Motor housing	1.4301
Pump housing	PUR

Information for order placements

Make	Wilo
Art no.	4025039
EAN number	4016322318156
Price group	PG7

Data sheet: Drain TS 50 H 122/15 CEE (3~400 V)

Pump curves 50 Hz - 50 Hz - No. of poles: 2



Pump curves in accordance with ISO 9906, Appendix A

Unit

Max. delivery head H_{max}	21 m
Max. volume flow Q_{max}	29 m ³ /h
Optimal delivery head H_{opt}	17 m
Optimum volume flow Q_{opt}	18 m ³ /h
Pressure connection	Rp 2
Maximum operating pressure p_{max}	2.3 bar
Free ball passage	10 mm
Operating mode (immersed)	S1
Operating mode (non-immersed)	S2-8 min
Max. immersion depth	7 m
Protection class	IP 68
Fluid temperature T	+3 ... +35 °C
Weight approx. m	22 kg

Motor data

Mains connection	3~400 V, 50 Hz
Rated current I_N	3.6 A
Rated power P_2	1.5 kW
Power consumption P_1	2.1 kW
Activation type	Direct
Rated speed n	2,900 rpm
No. of poles	2
Insulation class	F
Max. switching frequency	50 1/h

Cable

Length of connecting cable	10 m
Cable type	H07RN-F
Cable cross-section	6G1 mm ²
Type of connecting cable	Plug, detachable
Mains plug	CEE M 16 WDU

Equipment/function

Float switch	-
Motor protection	WSK
Explosion protection	ATEX

Materials

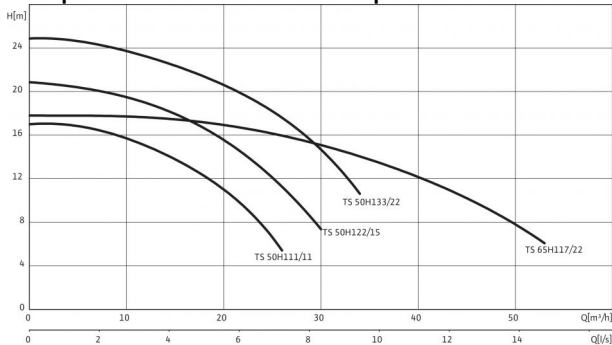
Static seal	NBR
Impeller	PP-GF30
Sealing on motor side	NBR
Mechanical seal	SIC/SIC
Motor housing	1.4301
Pump housing	PUR

Information for order placements

Make	Wilo
Art no.	6042449
EAN number	4044966439883
Price group	PG7

Data sheet: Drain TS 50 H 122/15-A (3~400 V)

Pump curves 50 Hz - 50 Hz - No. of poles: 2



Pump curves in accordance with ISO 9906, Appendix A

Unit	
Max. delivery head H_{max}	21 m
Max. volume flow Q_{max}	29 m³/h
Optimal delivery head H_{opt}	17 m
Optimum volume flow Q_{opt}	18 m³/h
Pressure connection	Rp 2
Maximum operating pressure p_{max}	2.3 bar
Free ball passage	10 mm
Operating mode (immersed)	S1
Operating mode (non-immersed)	S2-8 min
Max. immersion depth	7 m
Protection class	IP 68
Fluid temperature T	+3 ... +35 °C
Weight approx. m	22 kg

Motor data	
Mains connection	3~400 V, 50 Hz
Rated current I_N	3.6 A
Rated power P_2	1.5 kW
Power consumption P_1	2.1 kW
Activation type	Direct
Rated speed n	2,900 rpm
No. of poles	2
Insulation class	F
Max. switching frequency	50 1/h

Cable	
Length of connecting cable	10 m
Cable type	H07RN-F
Cable cross-section	6G1 mm²
Type of connecting cable	Plug, detachable
Mains plug	CEE M 16 WDSHA

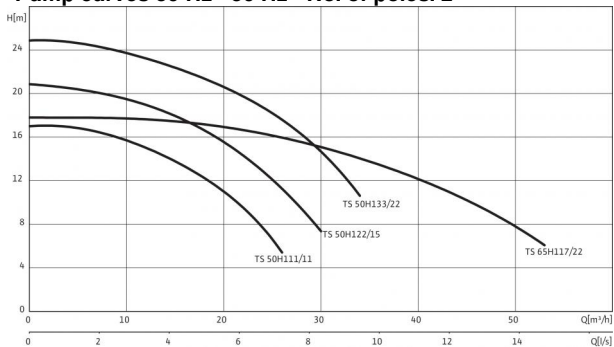
Equipment/function	
Float switch	•
Motor protection	WSK
Explosion protection	-

Materials	
Static seal	NBR
Impeller	PP-GF30
Sealing on motor side	NBR
Mechanical seal	SIC/SIC
Motor housing	1.4301
Pump housing	PUR

Information for order placements	
Make	Wilo
Art no.	6042448
EAN number	4044966439876
Price group	PG7

Data sheet: Drain TS 50 H 133/22 (3~400 V)

Pump curves 50 Hz - 50 Hz - No. of poles: 2



Pump curves in accordance with ISO 9906, Appendix A

Unit

Max. delivery head H_{max}	25 m
Max. volume flow Q_{max}	35 m³/h
Optimal delivery head H_{opt}	20 m
Optimum volume flow Q_{opt}	22 m³/h
Pressure connection	Rp 2
Maximum operating pressure p_{max}	2.8 bar
Free ball passage	10 mm
Operating mode (immersed)	S1
Operating mode (non-immersed)	S2-8 min
Max. immersion depth	7 m
Protection class	IP 68
Fluid temperature T	+3 ... +35 °C
Weight approx. m	23 kg

Motor data

Mains connection	3~400 V, 50 Hz
Rated current I_N	5.1 A
Rated power P_2	2.2 kW
Power consumption P_1	2.9 kW
Activation type	Direct
Rated speed n	2,900 rpm
No. of poles	2
Insulation class	F
Max. switching frequency	50 1/h

Cable

Length of connecting cable	10 m
Cable type	H07RN-F
Cable cross-section	6G1 mm²
Type of connecting cable	Plug, detachable
Mains plug	-

Equipment/function

Float switch	-
Motor protection	WSK
Explosion protection	ATEX

Materials

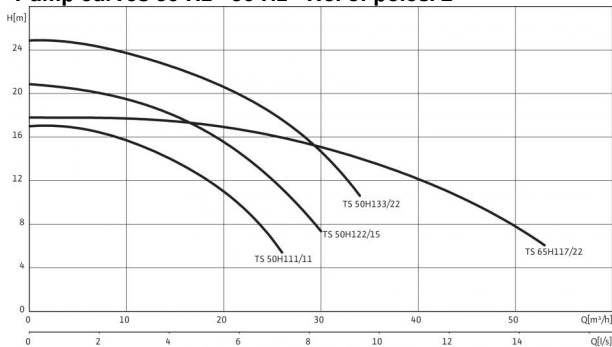
Static seal	NBR
Impeller	PP-GF30
Sealing on motor side	NBR
Mechanical seal	SIC/SIC
Motor housing	1.4301
Pump housing	PUR

Information for order placements

Make	Wilo
Art no.	4025042
EAN number	4016322318163
Price group	PG7

Data sheet: Drain TS 50 H 133/22 CEE (3~400 V)

Pump curves 50 Hz - 50 Hz - No. of poles: 2



Pump curves in accordance with ISO 9906, Appendix A

Unit

Max. delivery head H_{max}	25 m
Max. volume flow Q_{max}	35 m³/h
Optimal delivery head H_{opt}	20 m
Optimum volume flow Q_{opt}	22 m³/h
Pressure connection	Rp 2
Maximum operating pressure p_{max}	2.8 bar
Free ball passage	10 mm
Operating mode (immersed)	S1
Operating mode (non-immersed)	S2-8 min
Max. immersion depth	7 m
Protection class	IP 68
Fluid temperature T	+3 ... +35 °C
Weight approx. m	23 kg

Motor data

Mains connection	3~400 V, 50 Hz
Rated current I_N	5.1 A
Rated power P_2	2.2 kW
Power consumption P_1	2.9 kW
Activation type	Direct
Rated speed n	2,900 rpm
No. of poles	2
Insulation class	F
Max. switching frequency	50 1/h

Cable

Length of connecting cable	10 m
Cable type	H07RN-F
Cable cross-section	6G1 mm²
Type of connecting cable	Plug, detachable
Mains plug	CEE M 16 WDU

Equipment/function

Float switch	-
Motor protection	WSK
Explosion protection	ATEX

Materials

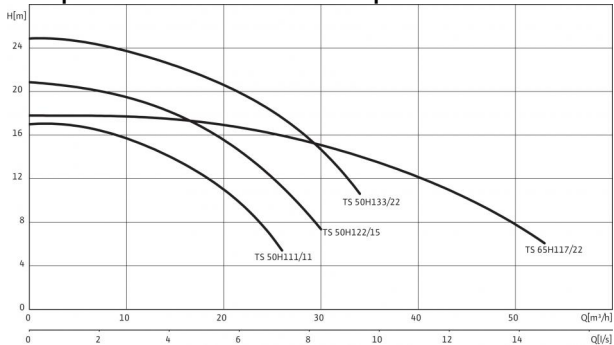
Static seal	NBR
Impeller	PP-GF30
Sealing on motor side	NBR
Mechanical seal	SIC/SIC
Motor housing	1.4301
Pump housing	PUR

Information for order placements

Make	Wilo
Art no.	6042450
EAN number	4044966439890
Price group	PG7

Data sheet: Drain TS 50 H 133/22-A (3~400 V)

Pump curves 50 Hz - 50 Hz - No. of poles: 2



Pump curves in accordance with ISO 9906, Appendix A

Unit

Max. delivery head H_{max}	25 m
Max. volume flow Q_{max}	35 m³/h
Optimal delivery head H_{opt}	20 m
Optimum volume flow Q_{opt}	22 m³/h
Pressure connection	Rp 2
Maximum operating pressure p_{max}	2.8 bar
Free ball passage	10 mm
Operating mode (immersed)	S1
Operating mode (non-immersed)	S2-8 min
Max. immersion depth	7 m
Protection class	IP 68
Fluid temperature T	+3 ... +35 °C
Weight approx. m	23 kg

Motor data

Mains connection	3~400 V, 50 Hz
Rated current I_N	5.1 A
Rated power P_2	2.2 kW
Power consumption P_1	2.9 kW
Activation type	Direct
Rated speed n	2,900 rpm
No. of poles	2
Insulation class	F
Max. switching frequency	50 1/h

Cable

Length of connecting cable	10 m
Cable type	H07RN-F
Cable cross-section	6G1 mm²
Type of connecting cable	Plug, detachable
Mains plug	CEE M 16 WDSHA

Equipment/function

Float switch	•
Motor protection	WSK
Explosion protection	-

Materials

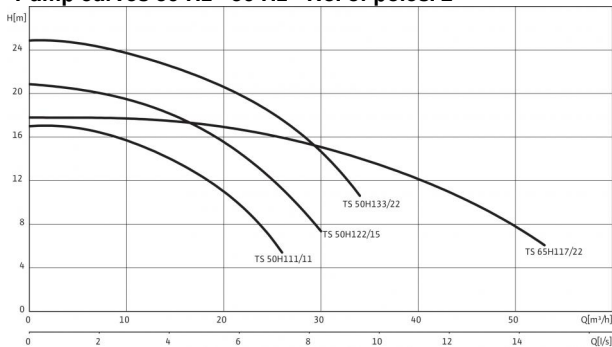
Static seal	NBR
Impeller	PP-GF30
Sealing on motor side	NBR
Mechanical seal	SIC/SIC
Motor housing	1.4301
Pump housing	PUR

Information for order placements

Make	Wilo
Art no.	6042451
EAN number	4044966439906
Price group	PG7

Data sheet: Drain TS 65 H 117/22 (3~400 V)

Pump curves 50 Hz - 50 Hz - No. of poles: 2



Pump curves in accordance with ISO 9906, Appendix A

Unit	
Max. delivery head H_{max}	17 m
Max. volume flow Q_{max}	53 m ³ /h
Optimal delivery head H_{opt}	15 m
Optimum volume flow Q_{opt}	32 m ³ /h
Pressure connection	Rp 2½
Maximum operating pressure p_{max}	1.9 bar
Free ball passage	10 mm
Operating mode (immersed)	S1
Operating mode (non-immersed)	S2-8 min
Max. immersion depth	7 m
Protection class	IP 68
Fluid temperature T	+3 ... +35 °C
Weight approx. m	24 kg

Motor data	
Mains connection	3~400 V, 50 Hz
Rated current I_N	5.1 A
Rated power P_2	2.2 kW
Power consumption P_1	2.9 kW
Activation type	Direct
Rated speed n	2,900 rpm
No. of poles	2
Insulation class	F
Max. switching frequency	50 1/h

Cable	
Length of connecting cable	10 m
Cable type	H07RN-F
Cable cross-section	6G1 mm ²
Type of connecting cable	Plug, detachable
Mains plug	-

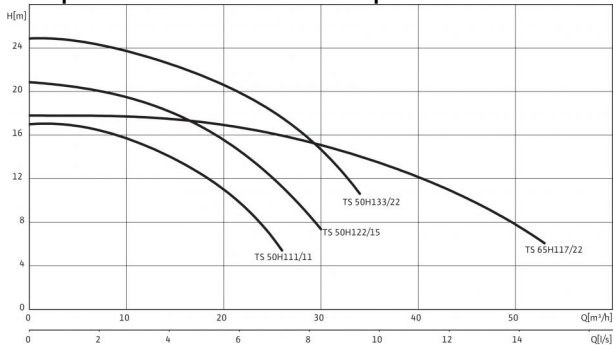
Equipment/function	
Float switch	-
Motor protection	WSK
Explosion protection	ATEX

Materials	
Static seal	NBR
Impeller	PP-GF30
Sealing on motor side	NBR
Mechanical seal	SIC/SIC
Motor housing	1.4301
Pump housing	PUR

Information for order placements	
Make	Wilo
Art no.	4025059
EAN number	4016322318170
Price group	PG7

Data sheet: Drain TS 65 H 117/22 CEE (3~400 V)

Pump curves 50 Hz - 50 Hz - No. of poles: 2



Pump curves in accordance with ISO 9906, Appendix A

Unit

Max. delivery head H_{max}	17 m
Max. volume flow Q_{max}	53 m ³ /h
Optimal delivery head H_{opt}	15 m
Optimum volume flow Q_{opt}	32 m ³ /h
Pressure connection	Rp 2½
Maximum operating pressure p_{max}	1.9 bar
Free ball passage	10 mm
Operating mode (immersed)	S1
Operating mode (non-immersed)	S2-8 min
Max. immersion depth	7 m
Protection class	IP 68
Fluid temperature T	+3 ... +35 °C
Weight approx. m	24 kg

Motor data

Mains connection	3~400 V, 50 Hz
Rated current I_N	5.1 A
Rated power P_2	2.2 kW
Power consumption P_1	2.9 kW
Activation type	Direct
Rated speed n	2,900 rpm
No. of poles	2
Insulation class	F
Max. switching frequency	50 1/h

Cable

Length of connecting cable	10 m
Cable type	H07RN-F
Cable cross-section	6G1 mm ²
Type of connecting cable	Plug, detachable
Mains plug	CEE M 16 WDU

Equipment/function

Float switch	-
Motor protection	WSK
Explosion protection	ATEX

Materials

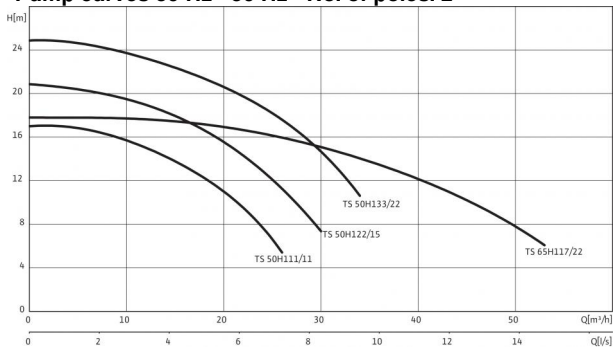
Static seal	NBR
Impeller	PP-GF30
Sealing on motor side	NBR
Mechanical seal	SIC/SIC
Motor housing	1.4301
Pump housing	PUR

Information for order placements

Make	Wilo
Art no.	6042452
EAN number	4044966439913
Price group	PG7

Data sheet: Drain TS 65 H 117/22-A (3~400 V)

Pump curves 50 Hz - 50 Hz - No. of poles: 2



Pump curves in accordance with ISO 9906, Appendix A

Unit

Max. delivery head H_{max}	17 m
Max. volume flow Q_{max}	53 m ³ /h
Optimal delivery head H_{opt}	15 m
Optimum volume flow Q_{opt}	32 m ³ /h
Pressure connection	Rp 2½
Maximum operating pressure p_{max}	1.9 bar
Free ball passage	10 mm
Operating mode (immersed)	S1
Operating mode (non-immersed)	S2-8 min
Max. immersion depth	7 m
Protection class	IP 68
Fluid temperature T	+3 ... +35 °C
Weight approx. m	24 kg

Motor data

Mains connection	3~400 V, 50 Hz
Rated current I_N	5.1 A
Rated power P_2	2.2 kW
Power consumption P_1	2.9 kW
Activation type	Direct
Rated speed n	2,900 rpm
No. of poles	2
Insulation class	F
Max. switching frequency	50 1/h

Cable

Length of connecting cable	10 m
Cable type	H07RN-F
Cable cross-section	6G1 mm ²
Type of connecting cable	Plug, detachable
Mains plug	CEE M 16 WDSHA

Equipment/function

Float switch	•
Motor protection	WSK
Explosion protection	-

Materials

Static seal	NBR
Impeller	PP-GF30
Sealing on motor side	NBR
Mechanical seal	SIC/SIC
Motor housing	1.4301
Pump housing	PUR

Information for order placements

Make	Wilo
Art no.	6042453
EAN number	4044966439920
Price group	PG7