

**Submersible drainage pump with cooling jacket for drainage water containing solids**  
**Free passage 20 und 30 mm.**

**CR360 - 372V**

**Application**

Pump for conveying soiled water, also containing coarse solids and fibre content up to 20 or 30 mm diameter. Compact, lightweight and robust stainless steel design, ideal for drainage water disposal in the home or as a portable emergency pump for example in case of flooding. A cooling jacket with discharge connector at the top ensures sufficient motor cooling even at low water level (sip operation).

**DIN EN 12050-2:** Design tested and monitored.

**Installation:** Stationary or mobile. Version with float switch for use as automatic water level controlled drainage pump.

**Pumped medium:** Clear- or drainage water containing solids up to 20 or 30 mm particle size. Max. temperature of pumped medium: 35°C, for brief periods up to 60°C.

**Operating mode:** Intermittent operation.

**Design**

Submersible pump, consisting of:

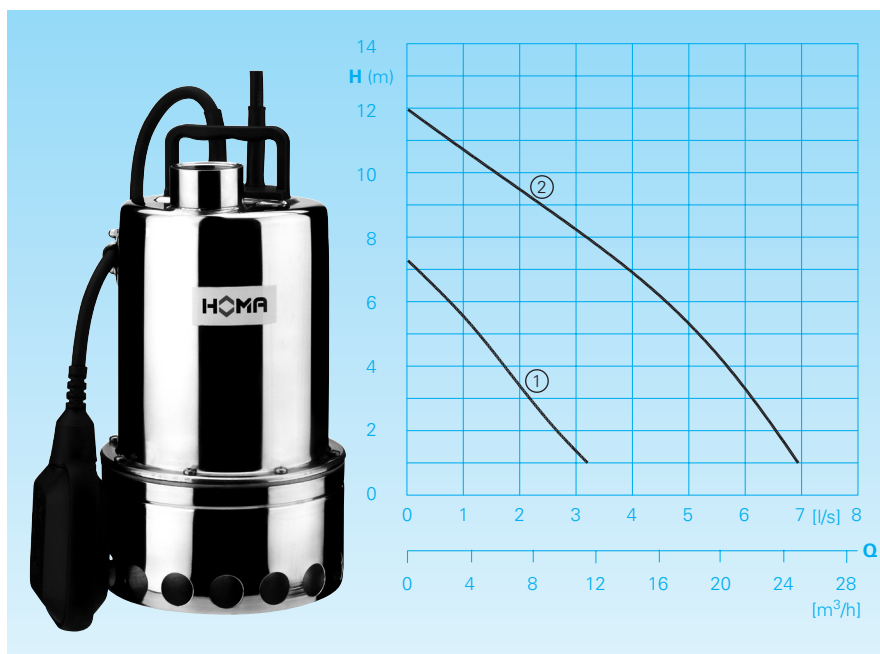
**Pump:** Single-stage stainless steel centrifugal pump with cooling jacket and vertical discharge.

**Impeller:** Vortex impeller, free passage 20 or 30 mm.

**Motor:** Single-phase electric motor. Thermal sensor for temperature monitoring in the winding. Insulation class F. Protection rating IP 68. Stainless steel motor shaft, pre-lubricated bearings.

**Shaft seal:** Combination of mechanical and lip seal.

**Conveying capacities**



**Technical data**

Curve No.	Pump type	Motor input P <sub>1</sub> (kW)	Motor input P <sub>2</sub> (kW)	Voltage 50 Hz (V)	Nominal current (A)	Free passage (mm)	Discharge	Weight (kg)
①	CR360 V W(A)	0,63	0,45	230/1Ph	2,9	20	G1 1/4	6,9
②	CR372 V W(A)	2,2	1,10	230/1Ph	9,5	30	G2	20,0

**Rotational speed:** 2900 rpm

**Model A:** with automatic float switch HOMA-Nivomatik

**Materials**

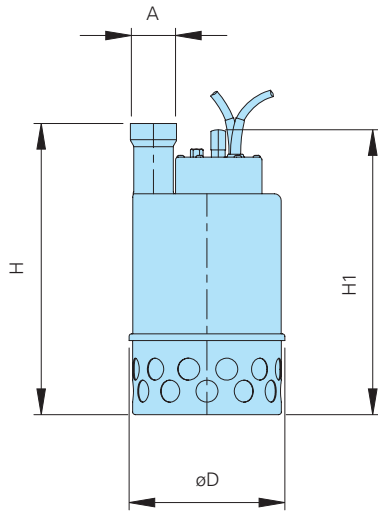
Motor housing, motor shaft, pump housing, screws, suction sieve, impeller	Stainless steel 1.4301
Mechanical seal	Carbon graphite Chrome steel
Elastomers	NBR

**Scope of supply**

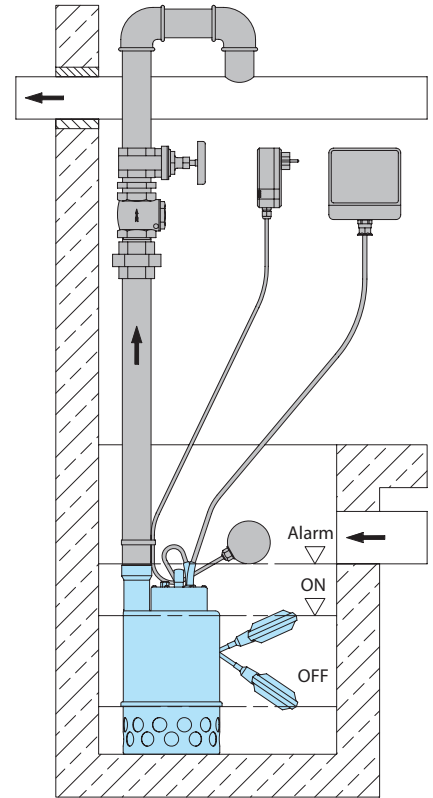
Pump with discharge, 10 m of connecting cable and plug. CR 372: additionally with switchgear, motor protection, ON-OFF-switch and mains plug.

**Model A:** With automatic float switch HOMA-Nivomatik.

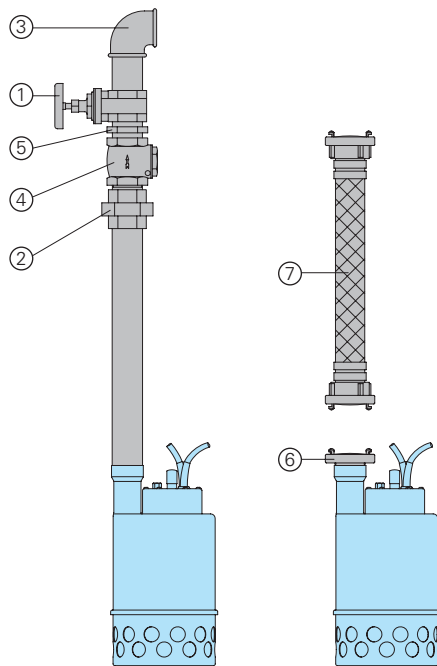
**Dimensions and installation example** (all dimensions in mm)



Pump type	A	H	H1	øD
CR360 V	G1 1/4	265	285	154
CR372 V	G2	397	389	212



**Accessories**



Description	Size	Part no.
① Shut-off gate valve Brass	BSP 1 1/4" F	2216012
	BSP 1 1/2" F	2216015
	BSP 2" F	2216020
② Transition screw connection, galvanized	BSP 1 1/4" M/F	2114304
	BSP 1 1/2" M/F	2114305
	BSP 2" M/F	2114311

Description	Size	Part no.
③ Connection bend 90°, galvanized	BSP 1 1/4" F	2113604
	BSP 1 1/4" F/M	2111405
	BSP 1 1/2" F	2113605
	BSP 2" F	2113606
T-piece for merging the pressure pipe in double pump stations, galvanized	BSP 1 1/4" F	2114301
	BSP 1 1/2" F	2114302
④ Non-return valve, brass	BSP 1 1/4" F	2211213
	BSP 1 1/2" F	2211313
	BSP 2" F	2211413
⑤ Double nipple, galvanized	BSP 1 1/4" M	2009011
⑥ STORZ-fixed coupling	C-G 1 1/4" F	2010001
	C-G 1 1/2" M	2010003
	C-G 2" M	2010203
STA- threaded hose fitting, brass	BSP 1 1/4"	2001413
	BSP 1 1/2"	2001513
⑦ PVC-hose, per m	1 1/4" Ø 30 mm	2621200
	1 1/2" Ø 38 mm	2621500
	Plastic spiral hose, per m	1 1/4" Ø 32 mm
STORZ-hose- coupling	1 1/2" Ø 38 mm	2632042
	C-52 mm	2013003
Synthetic-pressure- hose, with rubber lining, complete with C-couplings	10 m long	2611310
	15 m long	2611315
	20 m long	2611320
	30 m long	2611330
Hose clamp	1 1/4"	2303252
	1 1/2"	2304854
	2"	2306009

Description	Size	Part no.
HOMA-Nivomatik float switch level control conversion unit - for 230 V/ 1 Ph	AZW 10/5	5 m of cable 1435055
	AZW 10/10	10 m of cable 1435105
○ Fault-current breaker 2-pin, Fi 16/0.03 A		1561160
○ Mains-dependent alarm control unit AL3 with connector for 9 V rechargeable battery (see below) for operation independent of mains power supply, with built-in signal transmitter, float switch and 10 m of cable. Main phase connection 230V/1Ph		1586141
9 V rechargeable battery for mains-independent alarm		1952215
○ For pump controllers and switchgears for mobile and stationary applications, measuring systems and monitoring devices	see HOMA accessories	



We reserve the right to alter our specifications without notice!