

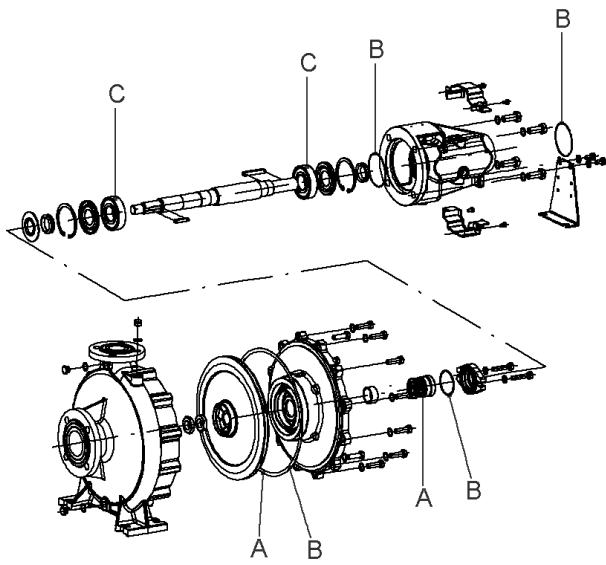


Article no.	Description
4221762	SiFire EN spare parts



SiFire EN spare parts (4221762)

Description	Quantity
WNF-S pump	1
MVIL pump	1
Electric motor FELM IE3	1
Diesel motor	1
Control panel	1
Coupling bush	1
Others components	1



Pumpe Pump Pompe	Gleitringdichtung Set Mechanical seal Kit Kit étanchéité A	Dichtung Set Gasket Kit Kit joints B	Kugellager Set Ball bearing Kit Kit roulements C
WNF-S 32/200	1	9	17
WNF-S 32/250	2	10	17
WNF-S 40/200	1	9	17
WNF-S 40/250	2	10	17
WNF-S 50/160	3	11	17
WNF-S 50/200	1	9	17
WNF-S 50/250	2	10	17
WNF-S 65/200	1	9	17
WNF-S 65/200N	1	9	17
WNF-S 65/250	4	12	18
WNF-S 65/315	5	13	19
WNF-S 80/200	6	14	18
WNF-S 80/250	7	15	18
WNF-S 80/315	5	13	19
WNF-S 100/200	6	14	18
WNF-S 100/250	7	15	18
WNF-S 100/315	5	13	19
WNF-S 125/250	7	15	19
WNF-S 125/315	8	16	20
WNF-S 150/315	8	16	20

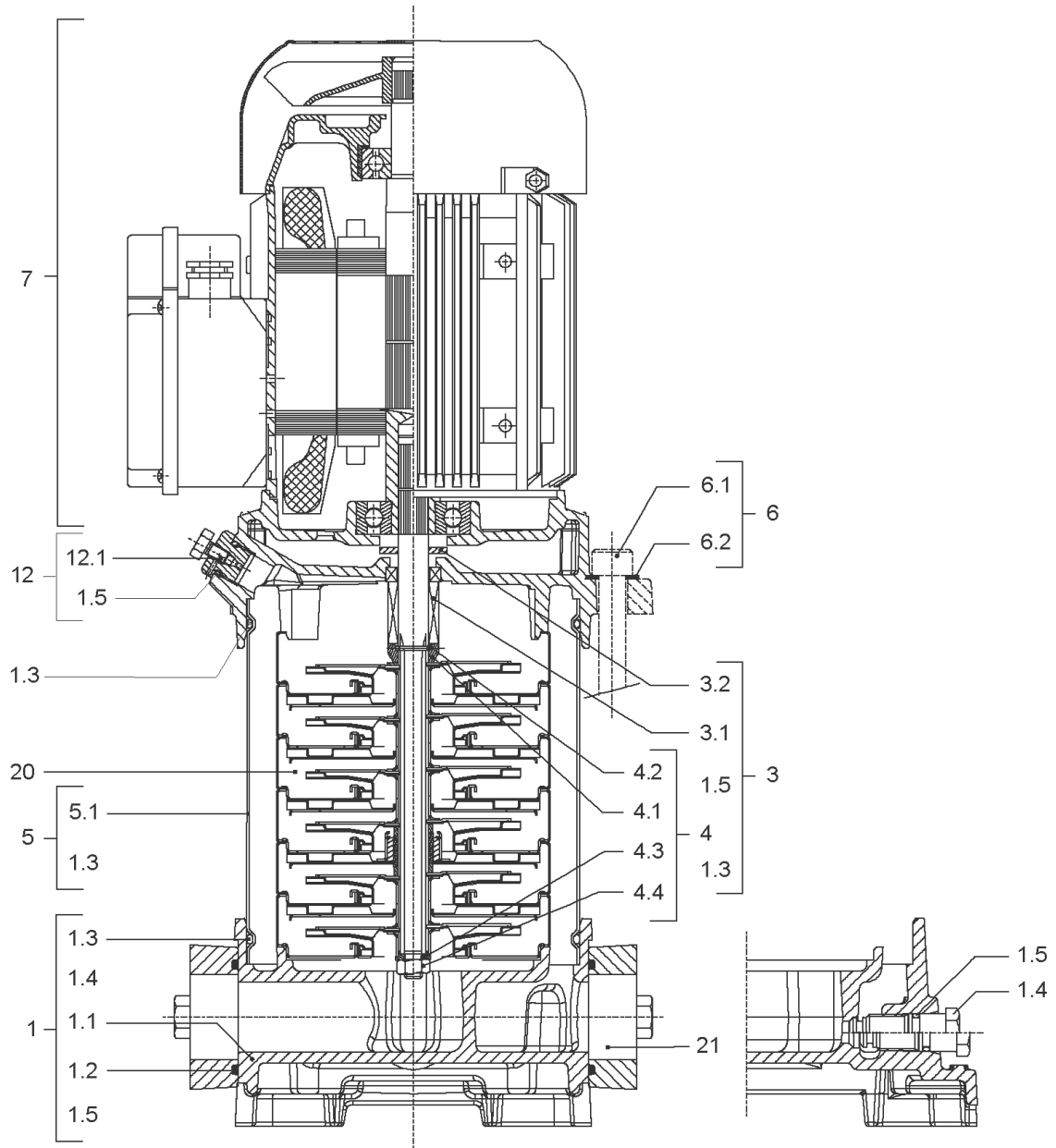
WNF-S pump

Item	Article no.	Description	Quantity
1	4221739	MECH.SEAL (W/S)NF-S 32-40-50-65/200 KIT	1
2	4221740	MECH.SEAL (W/S)NF-S 32-40-50/250 KIT	1
3	4221741	MECH.SEAL (W/S)NF-S 50/160 KIT	1
4	4221742	MECH.SEAL (W/S)NF-S 65/250 KIT	1
5	4221743	MECH.SEAL (W/S)NF-S 65-80-100/315 KIT	1
6	4221744	MECH.SEAL (W/S)NF-S 80-100/200 KIT	1
7	4221745	MECH.SEAL (W/S)NF-S 80-100-125/250 KIT	1
8	4221746	MECH.SEAL (W/S)NF-S 125-150/315 KIT	1
9	4221747	Gasket (W/S)NF-S 32-40-50-65/200 KIT	1
10	4221748	Gasket (W/S)NF-S 32-40-50/250 KIT	1
11	4221749	Gasket (W/S)NF-S 50/160 KIT	1
12	4221750	Gasket (W/S)NF-S 65/250 KIT	1
13	4221751	Gasket (W/S)NF-S 65-80-100/315 KIT	1
14	4221752	Gasket (W/S)NF-S 80-100/200 KIT	1
15	4221753	Gasket (W/S)NF-S 80-100-125/250 KIT	1
16	4221754	Gasket (W/S)NF-S 125-150/315 KIT	1
17	4221755	Bearing (W/S)NF-S 6306 KIT	1
18	4221756	Bearing (W/S)NF-S 6308 KIT	1
19	4221757	Bearing (W/S)NF-S 3308 KIT	1
20	4221758	Bearing (W/S)NF-S 3311 KIT	1
		Other article on request	1



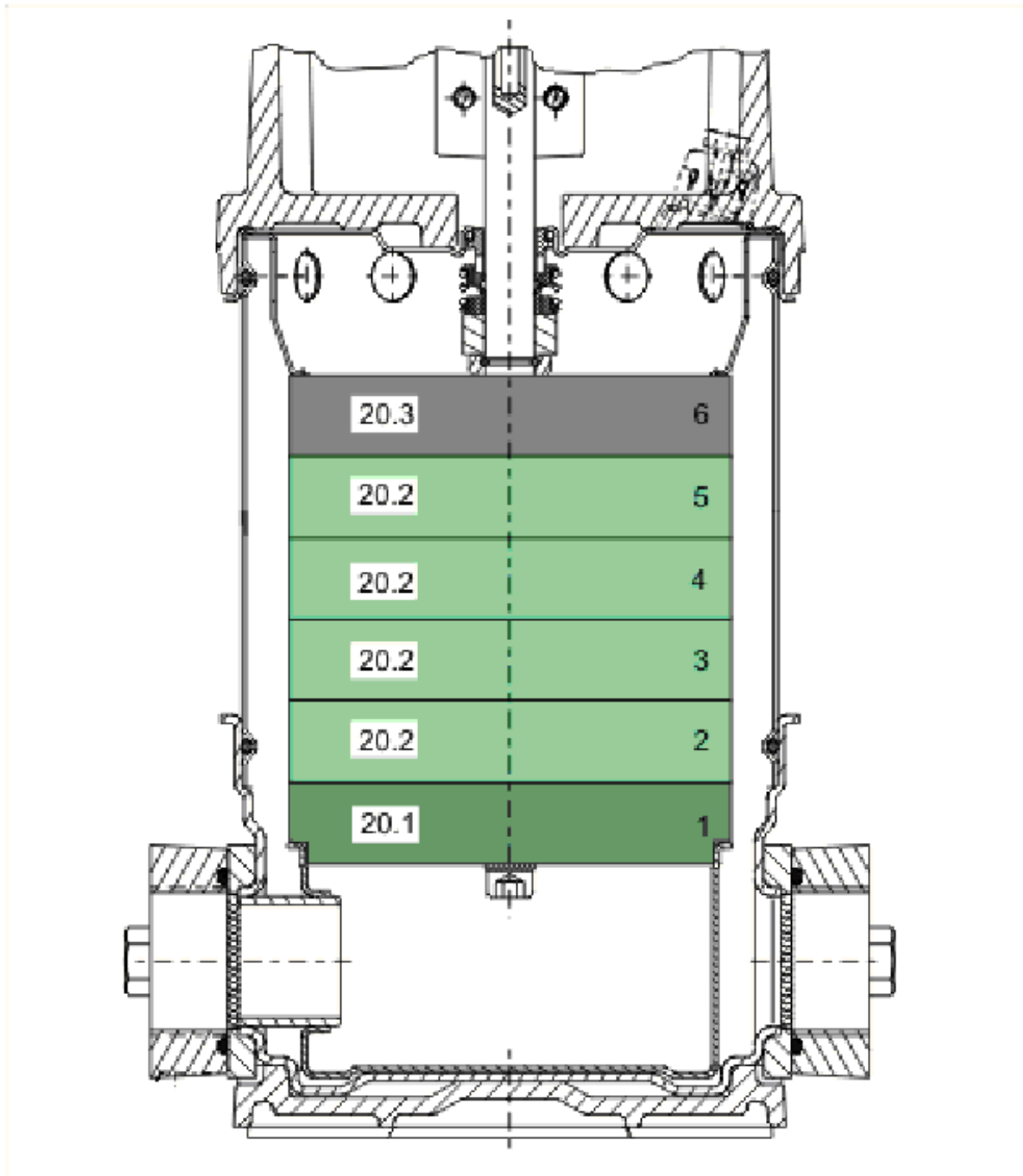
MVIL pump

Article no.	Description	Quantity
4183317	MVIL106-16/E/3-400-50-2/RAL3000/EP	1
	MVIL107N-16/E/3-400-50-2/RAL3000/EC	1
4211136	MVIL107-16/E/3-400-50-2/RAL3000/EP/IE3	1
	MVIL110N-16/E/3-400-50-2/RAL3000/EC	1
4211137	MVIL110-16/E/3-400-50-2/RAL3000/EP/IE3	1
	MVIL112N-16/E/3-400-50-2/RAL3000/EC	1
4211138	MVIL112-16/E/3-400-50-2/RAL3000/EP/IE3	1



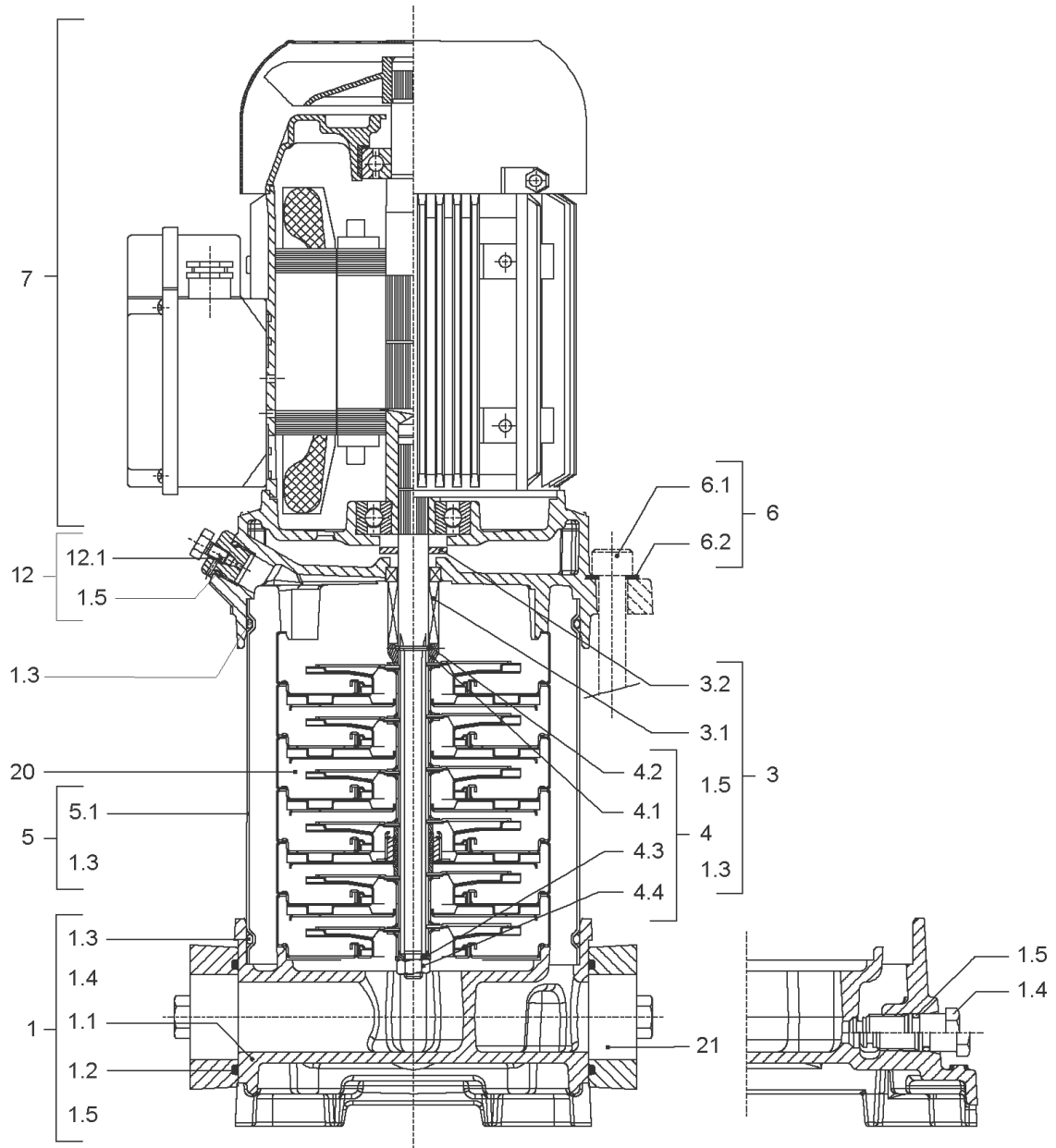
MVIL106-16/E/3-400-50-2/RAL3000/EP (4183317)

Item	Article no.	Description	Quantity
1	4131599	PUMP HOUSING D32 KIT	1
3	4118673	SEAL-KIT-MVIL-16b	1
5	2018376	HOUSING PIPE D.152X143 1.4301 KIT	1
6	4131608	STUD BOLT M12X150 KIT	1
7	4221716	MOTOR 0,55KW 3~ RAL3000 VP.	1
12	4221720	FILING/PURGING PLUG KIT	1
12.1		> FILLING PLUG MVI6"-304	1
1.5	4177800	> O-RING EPDM PLUG HELIX VP.	1
20		SPARE PARTS HYDRAULICS MVIL	1
21	4221719	COUNTER FLANGE 1" KIT	1



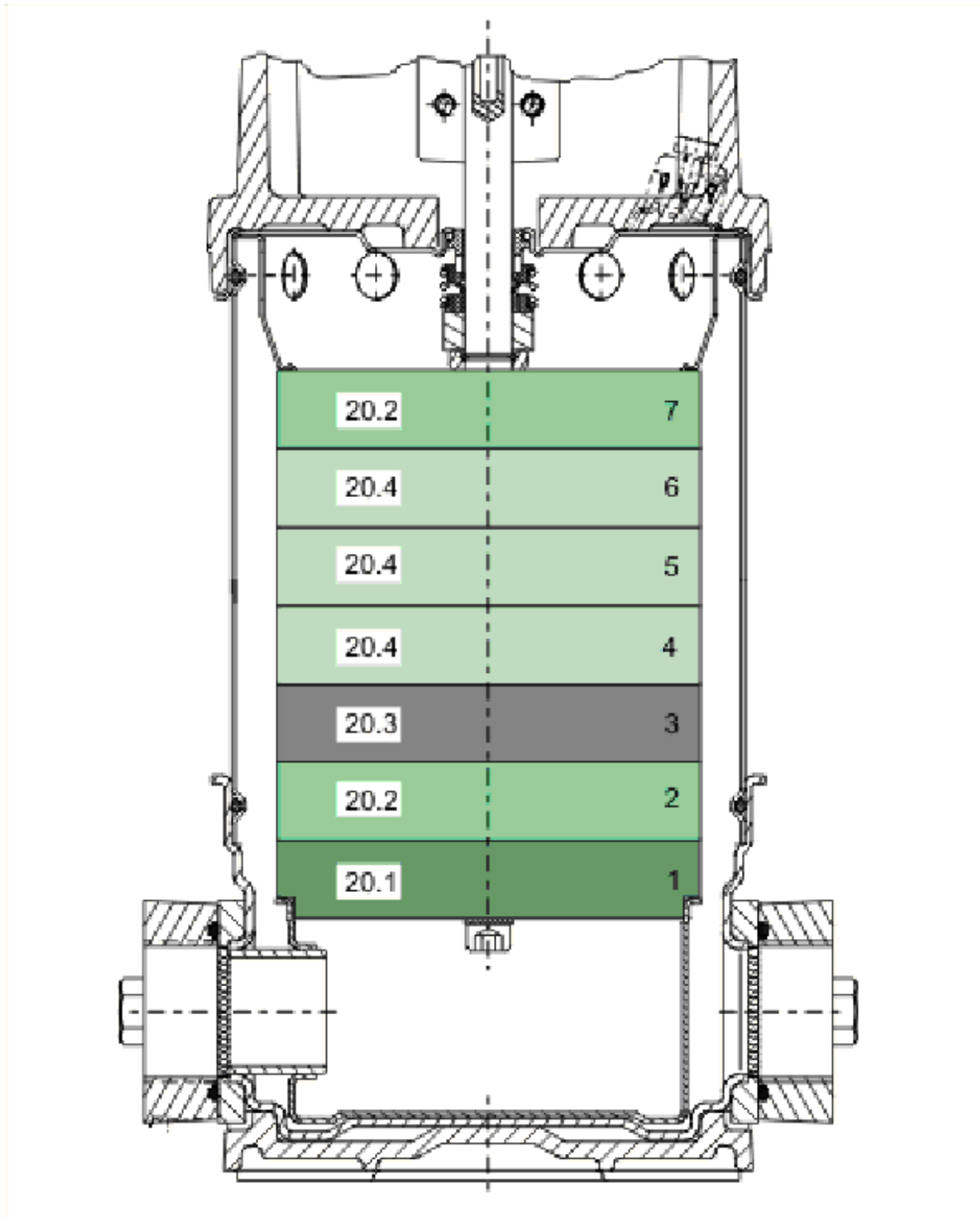
SPARE PARTS HYDRAULICS MVIL

Item	Article no.	Description	Quantity
20.1	4082961	KIT-STAGE-MVI100 304	1
20.2	4082959	KIT-STAGE-MVI100 304	1
20.3	4082962	KIT-STAGE-MVI100 304	1



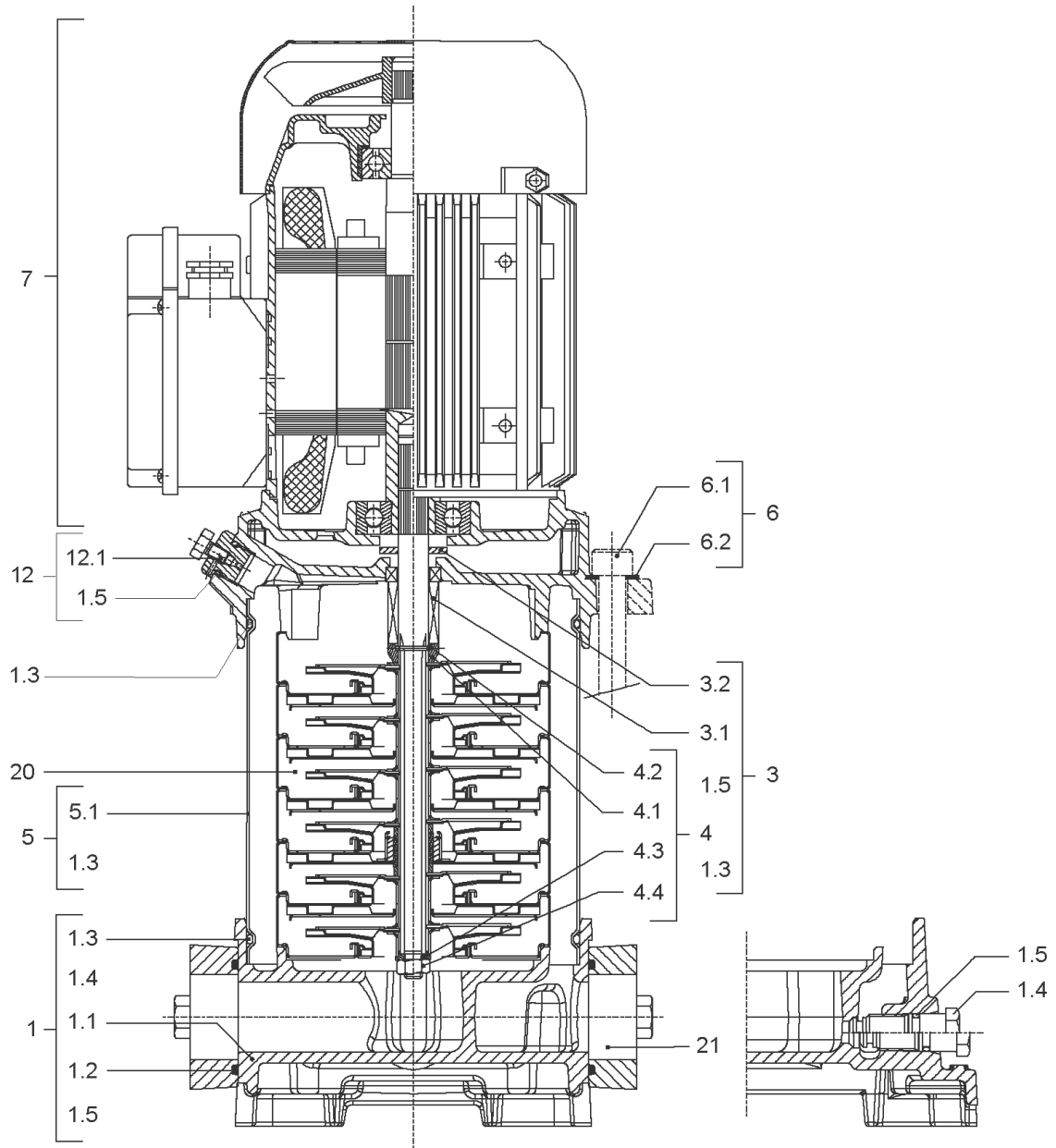
MVIL107N-16/E/3-400-50-2/RAL3000/EC

Item	Article no.	Description	Quantity
1	4131599	PUMP HOUSING D32 KIT	1
3	4118673	SEAL-KIT-MVIL-16b	1
5	2090312	HOUSING PIPE D.152X163 1.4301 KIT	1
6	4131609	STUD BOLT M12X170 KIT	1
7	4221717	MOTOR 0,75KW 3~ IE3 RAL3000 VP.	1
12	4221720	FILING/PURGING PLUG KIT	1
12.1		> FILLING PLUG MVI6"-304	1
1.5	4177800	> O-RING EPDM PLUG HELIX VP.	1
20		SPARE PARTS HYDRAULICS MVIL	1
21	4221719	COUNTER FLANGE 1" KIT	1



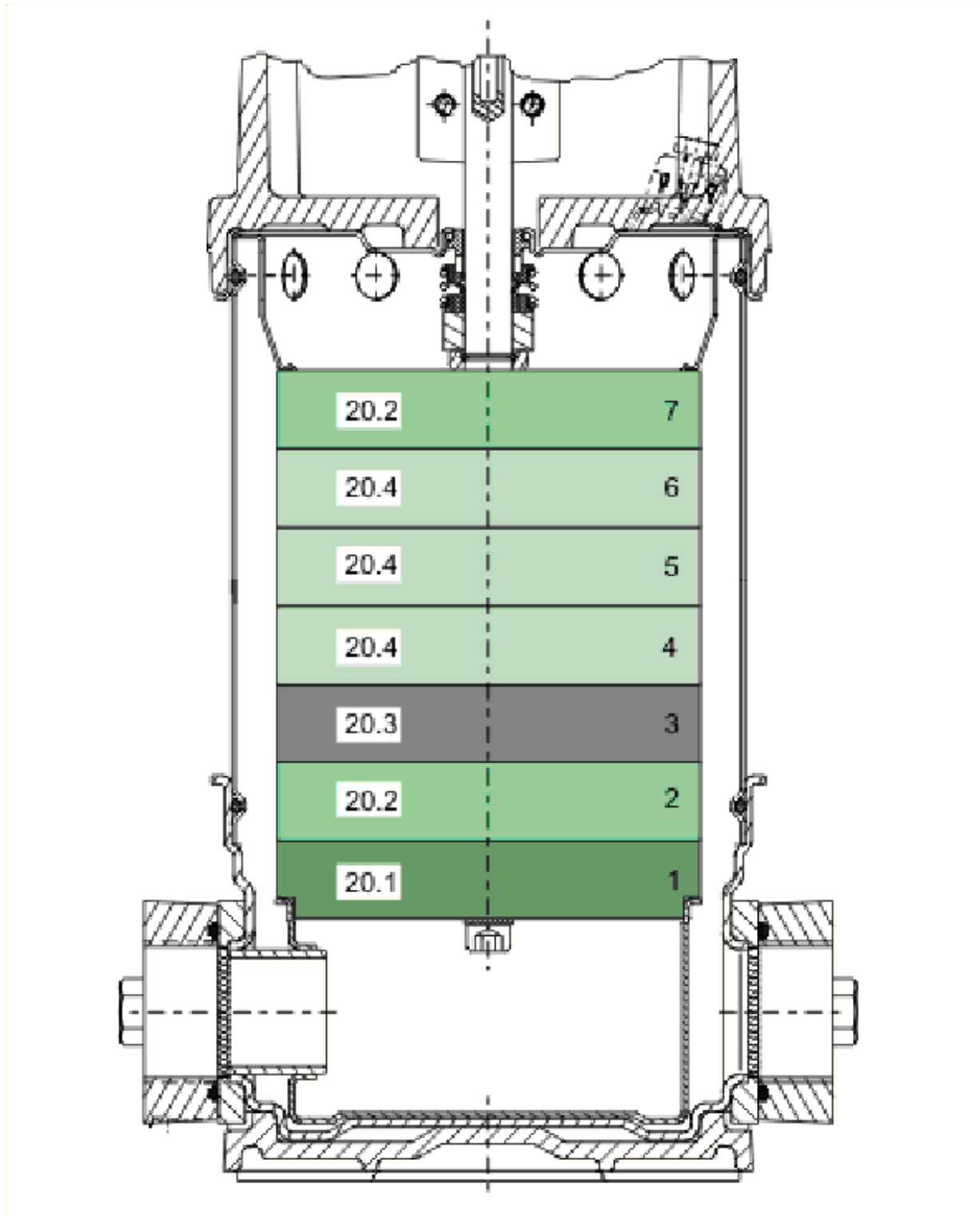
SPARE PARTS HYDRAULICS MVIL

Item	Article no.	Description	Quantity
20.1	4221721	KIT-1st STAGE-MVIL107 304	1
		> IMPELLER-VMI-TYPE1-STD-316L	1
		> STAGE CASING-WO RC-MVI1-304	1
		> SPACER-STD-L9 6-1M3-316L	1
		> ADJUSTMENT SPACER SHAFT LENGTH 4	1
20.2	4082962	KIT-STAGE-MVI100 304	1
20.3	4082960	BEARING-STAGE-KIT-MVI100 304	1
20.4	4082959	KIT-STAGE-MVI100 304	1



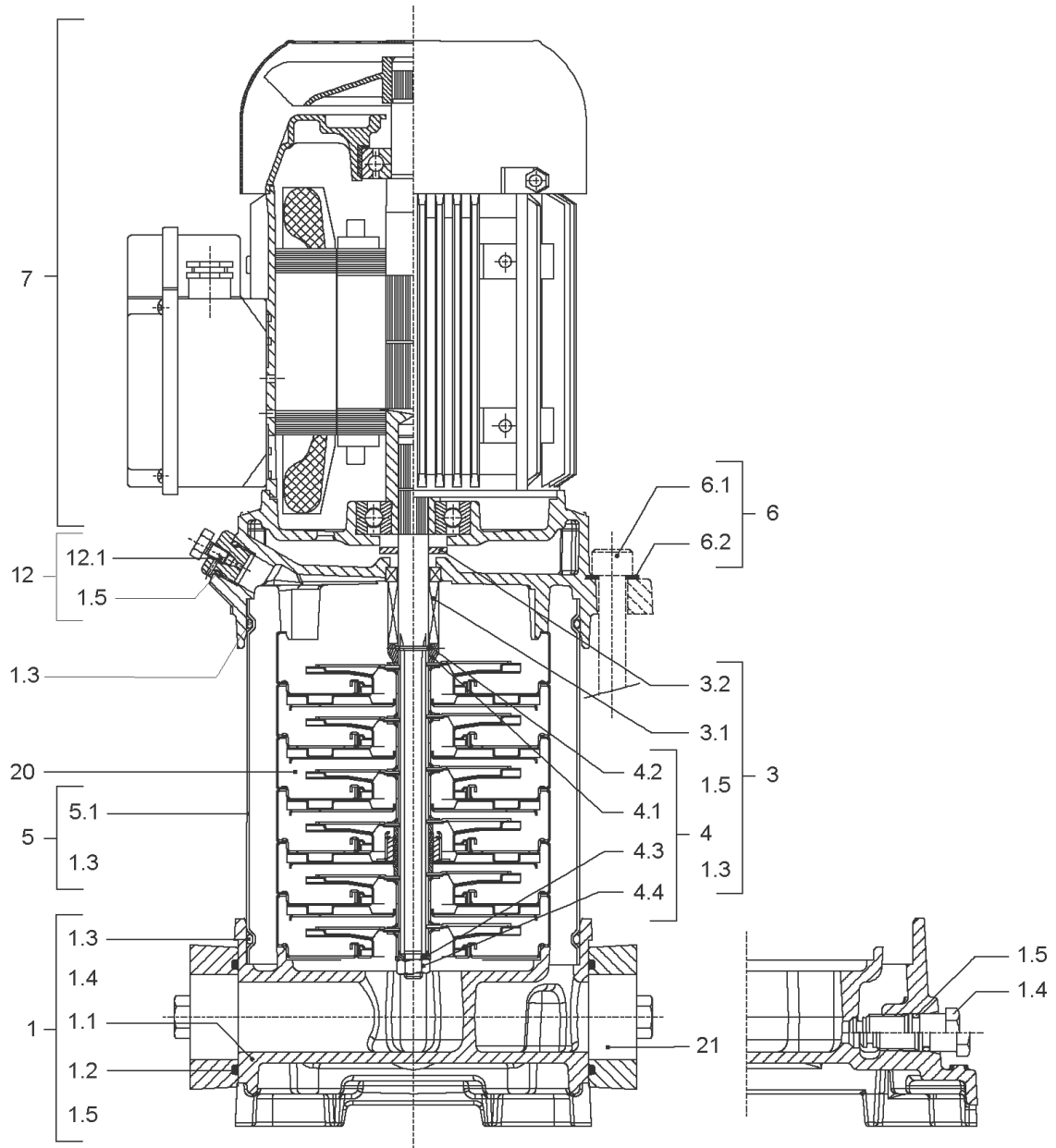
MVIL107-16/E/3-400-50-2/RAL3000/EP/IE3 (4211136)

Item	Article no.	Description	Quantity
1	4131599	PUMP HOUSING D32 KIT	1
3	4118673	SEAL-KIT-MVIL-16b	1
5	2090312	HOUSING PIPE D.152X163 1.4301 KIT	1
6	4131609	STUD BOLT M12X170 KIT	1
7	4221717	MOTOR 0,75KW 3~ IE3 RAL3000 VP.	1
12	4221720	FILING/PURGING PLUG KIT	1
12.1		> FILLING PLUG MVI6"-304	1
1.5	4177800	> O-RING EPDM PLUG HELIX VP.	1
20		SPARE PARTS HYDRAULICS MVIL	1
21	4221719	COUNTER FLANGE 1" KIT	1



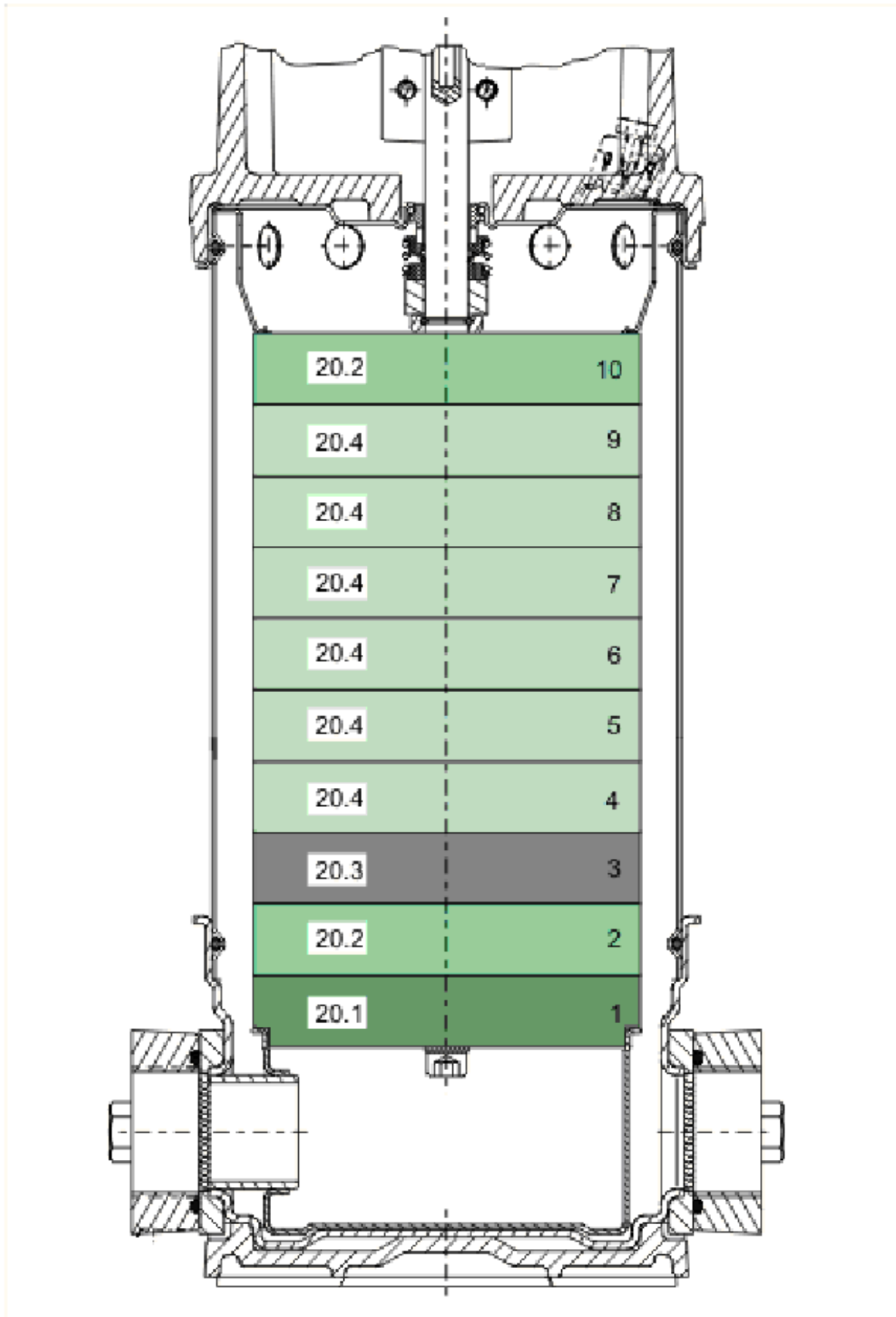
SPARE PARTS HYDRAULICS MVIL

Item	Article no.	Description	Quantity
20.1	4221721	KIT-1st STAGE-MVIL107 304	1
		> IMPELLER-VMI-TYPE1-STD-316L	1
		> STAGE CASING-WO RC-MVI1-304	1
		> SPACER-STD-L9 6-1M3-316L	1
		> ADJUSTMENT SPACER SHAFT LENGTH 4	1
20.2	4082962	KIT-STAGE-MVI100 304	1
20.3	4082960	BEARING-STAGE-KIT-MVI100 304	1
20.4	4082959	KIT-STAGE-MVI100 304	1



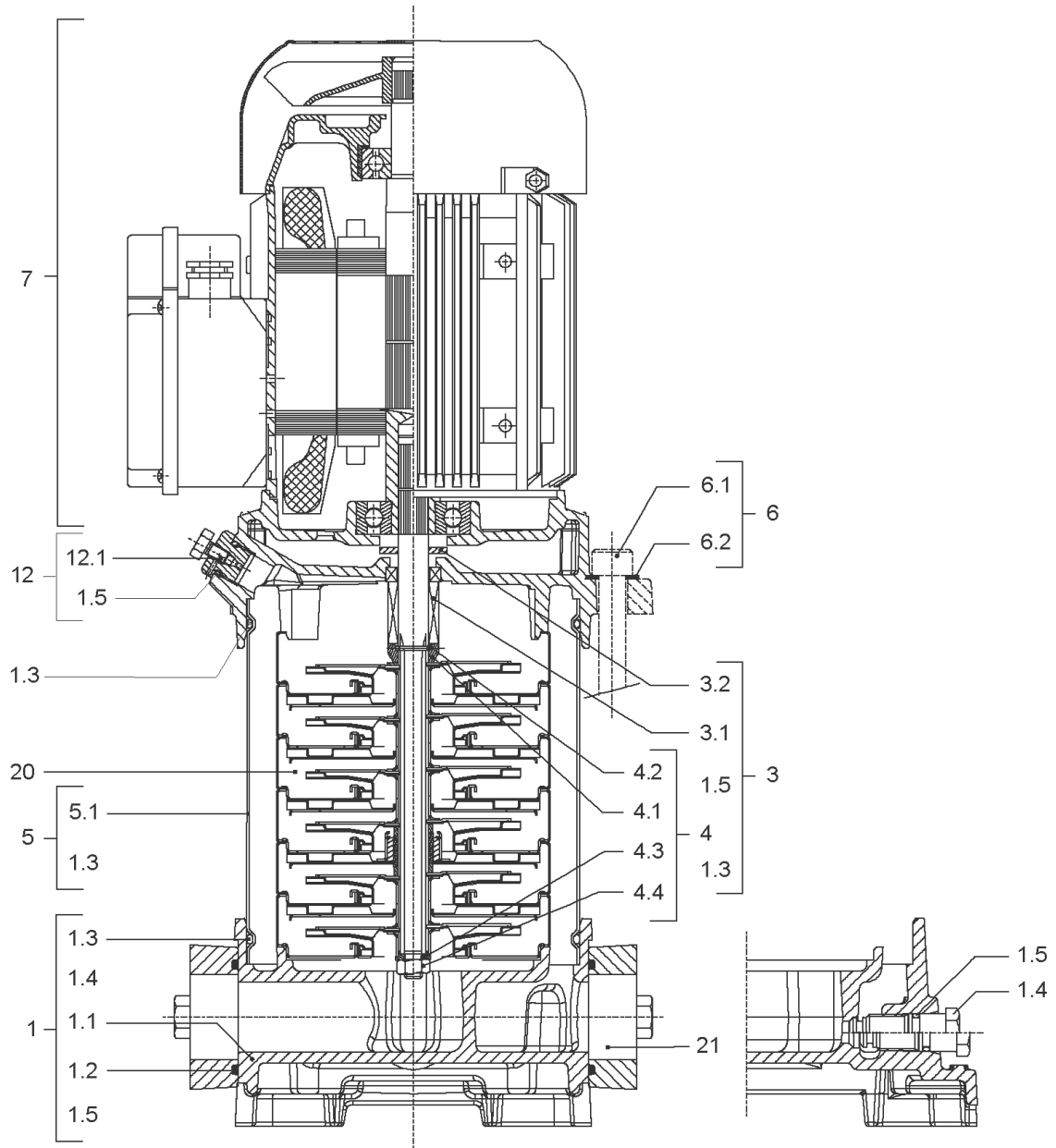
MVIL110N-16/E/3-400-50-2/RAL3000/EC

Item	Article no.	Description	Quantity
1	4131599	PUMP HOUSING D32 KIT	1
3	4118673	SEAL-KIT-MVIL-16b	1
5	2090314	HOUSING PIPE D.152X223 1.4301 KIT	1
6	4131613	STUD BOLT M12X230 KIT	1
7	4221724	MOTOR 1,1KW 3~ IE3 RAL3000 VP.	1
12	4221720	FILING/PURGING PLUG KIT	1
12.1		> FILLING PLUG MVI6"-304	1
1.5	4177800	> O-RING EPDM PLUG HELIX VP.	1
20		SPARE PARTS HYDRAULICS MVIL	1
21	4221719	COUNTER FLANGE 1" KIT	1



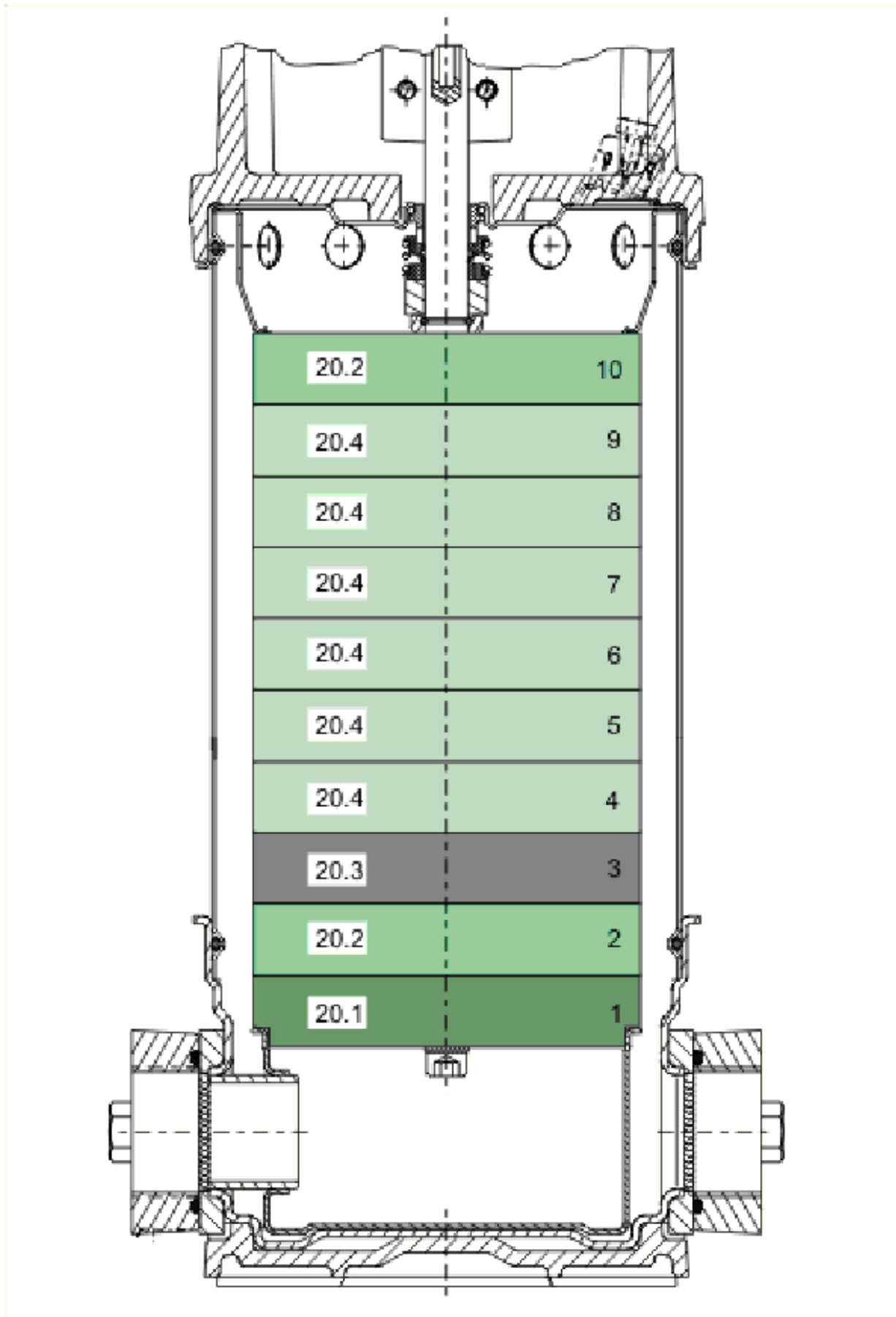
SPARE PARTS HYDRAULICS MVIL

Item	Article no.	Description	Quantity
20.1	4082961	KIT-STAGE-MVI100 304	1
20.2	4082962	KIT-STAGE-MVI100 304	1
20.3	4082960	BEARING-STAGE-KIT-MVI100 304	1
20.4	4082959	KIT-STAGE-MVI100 304	1



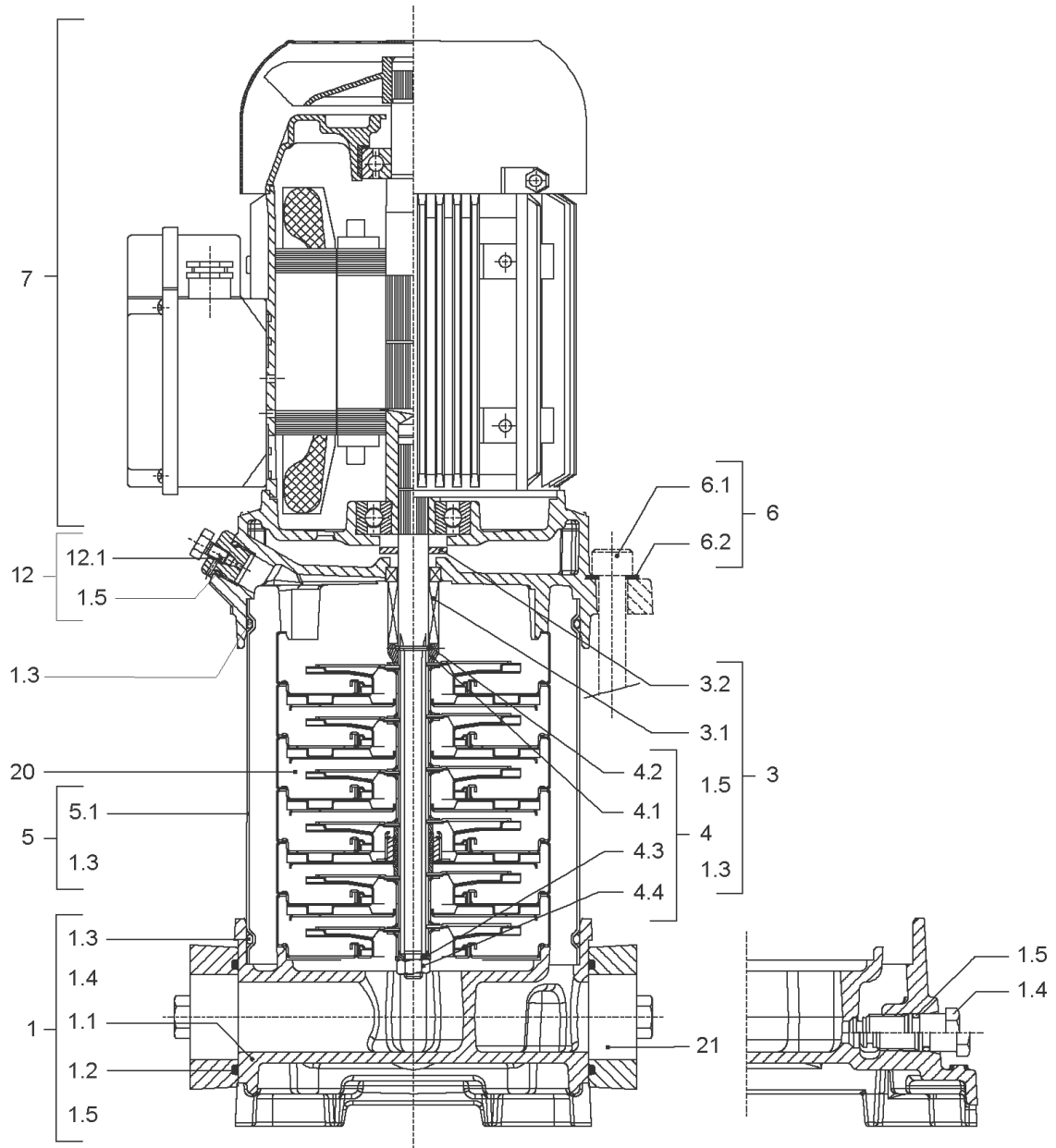
MVIL110-16/E/3-400-50-2/RAL3000/EP/IE3 (4211137)

Item	Article no.	Description	Quantity
1	4131599	PUMP HOUSING D32 KIT	1
3	4118673	SEAL-KIT-MVIL-16b	1
5	2090314	HOUSING PIPE D.152X223 1.4301 KIT	1
6	4131613	STUD BOLT M12X230 KIT	1
7	4221724	MOTOR 1,1KW 3~ IE3 RAL3000 VP.	1
12	4221720	FILING/PURGING PLUG KIT	1
12.1		> FILLING PLUG MVI6"-304	1
1.5	4177800	> O-RING EPDM PLUG HELIX VP.	1
20		SPARE PARTS HYDRAULICS MVIL	1
21	4221719	COUNTER FLANGE 1" KIT	1



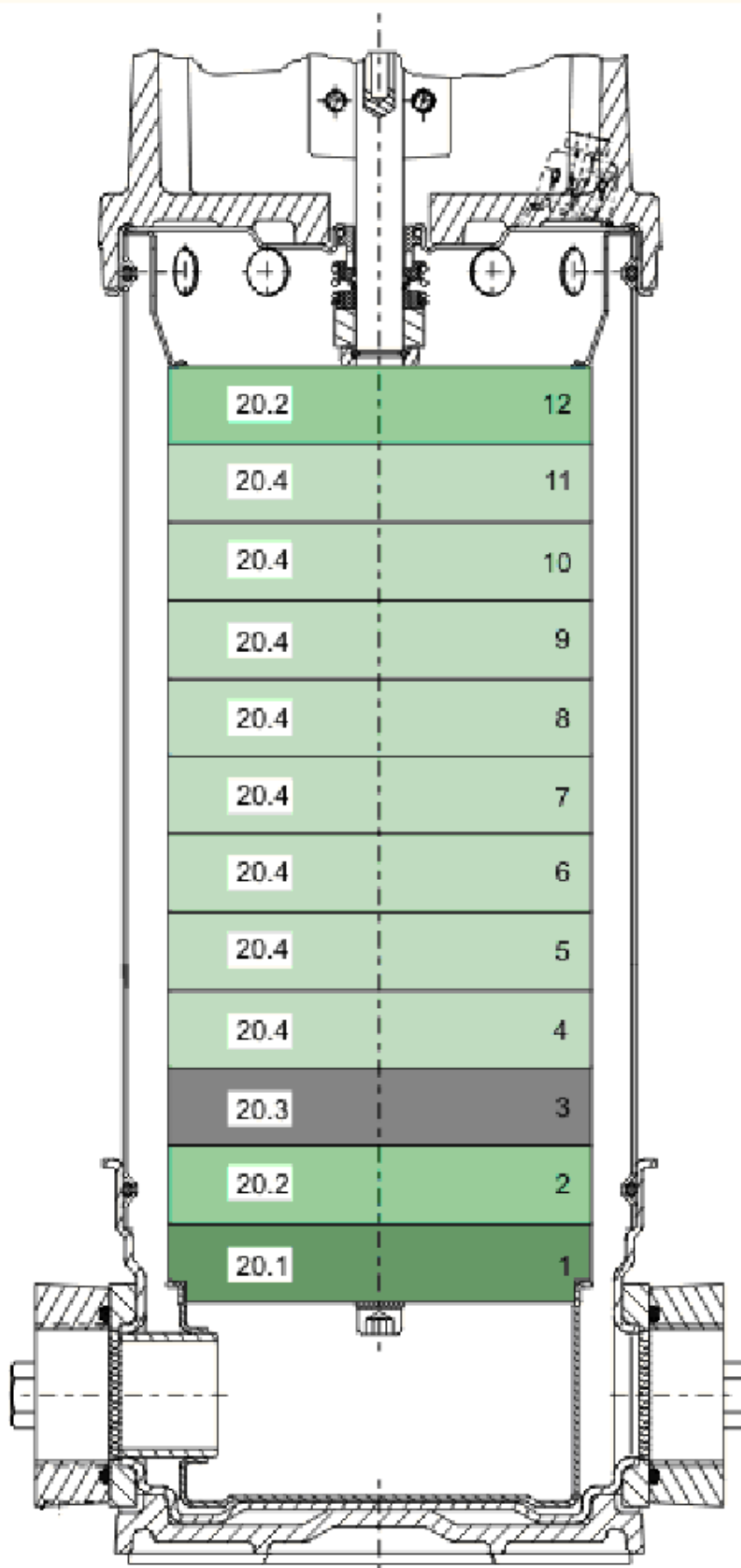
SPARE PARTS HYDRAULICS MVIL

Item	Article no.	Description	Quantity
20.1	4082961	KIT-STAGE-MVI100 304	1
20.2	4082962	KIT-STAGE-MVI100 304	1
20.3	4082960	BEARING-STAGE-KIT-MVI100 304	1
20.4	4082959	KIT-STAGE-MVI100 304	1



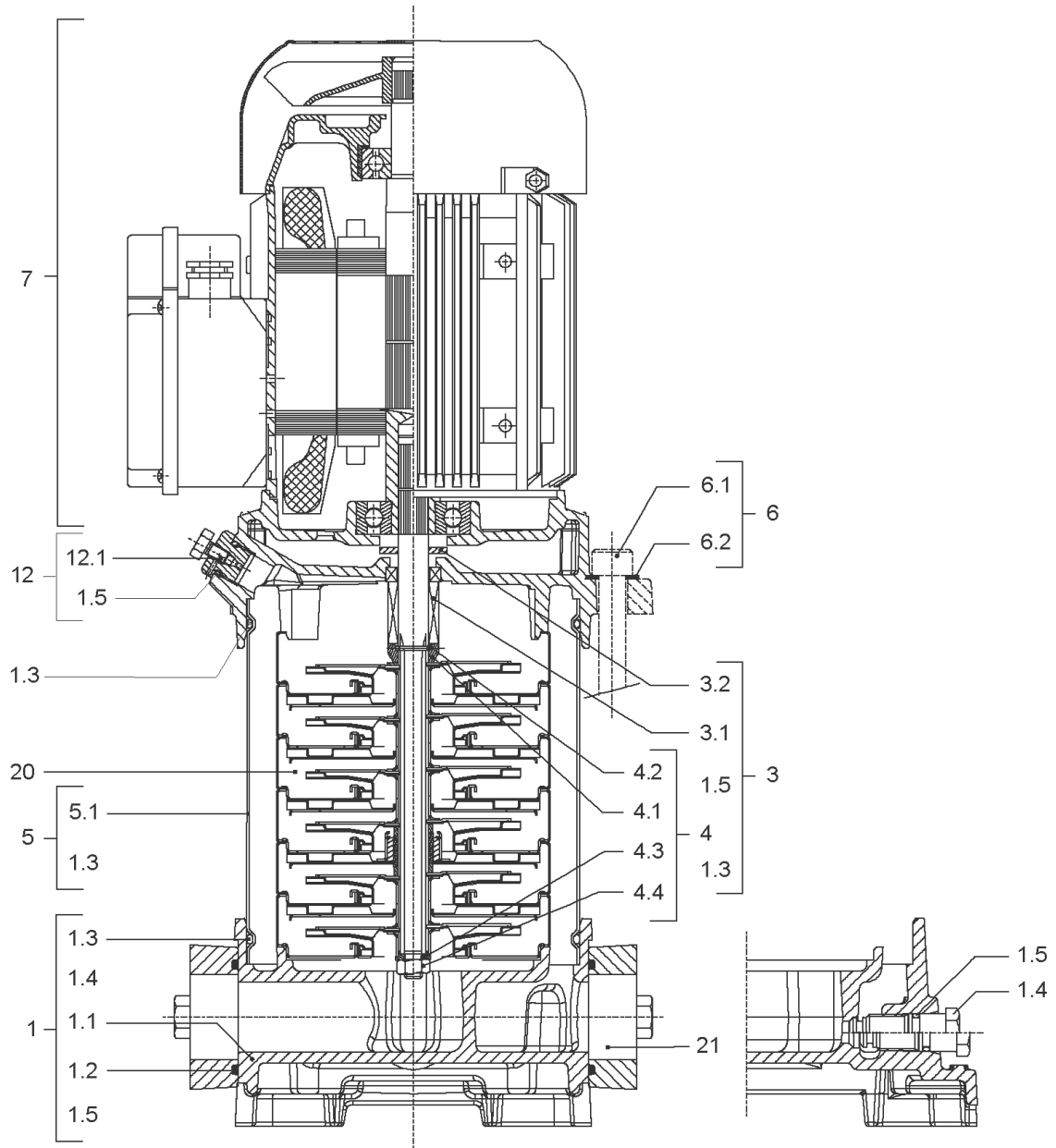
MVIL112N-16/E/3-400-50-2/RAL3000/EC

Item	Article no.	Description	Quantity
1	4131599	PUMP HOUSING D32 KIT	1
3	4118673	SEAL-KIT-MVIL-16b	1
5	2018380	HOUSING PIPE D.152X263 1.4301 KIT	1
6	4131614	STUD BOLT M12X270 KIT	1
7	4221728	MOTOR 1,1KW 3~ IE3 RAL3000 VP.	1
12	4221720	FILING/PURGING PLUG KIT	1
12.1		> FILLING PLUG MVI6"-304	1
1.5	4177800	> O-RING EPDM PLUG HELIX VP.	1
20		SPARE PARTS HYDRAULICS MVIL	1
21	4221719	COUNTER FLANGE 1" KIT	1



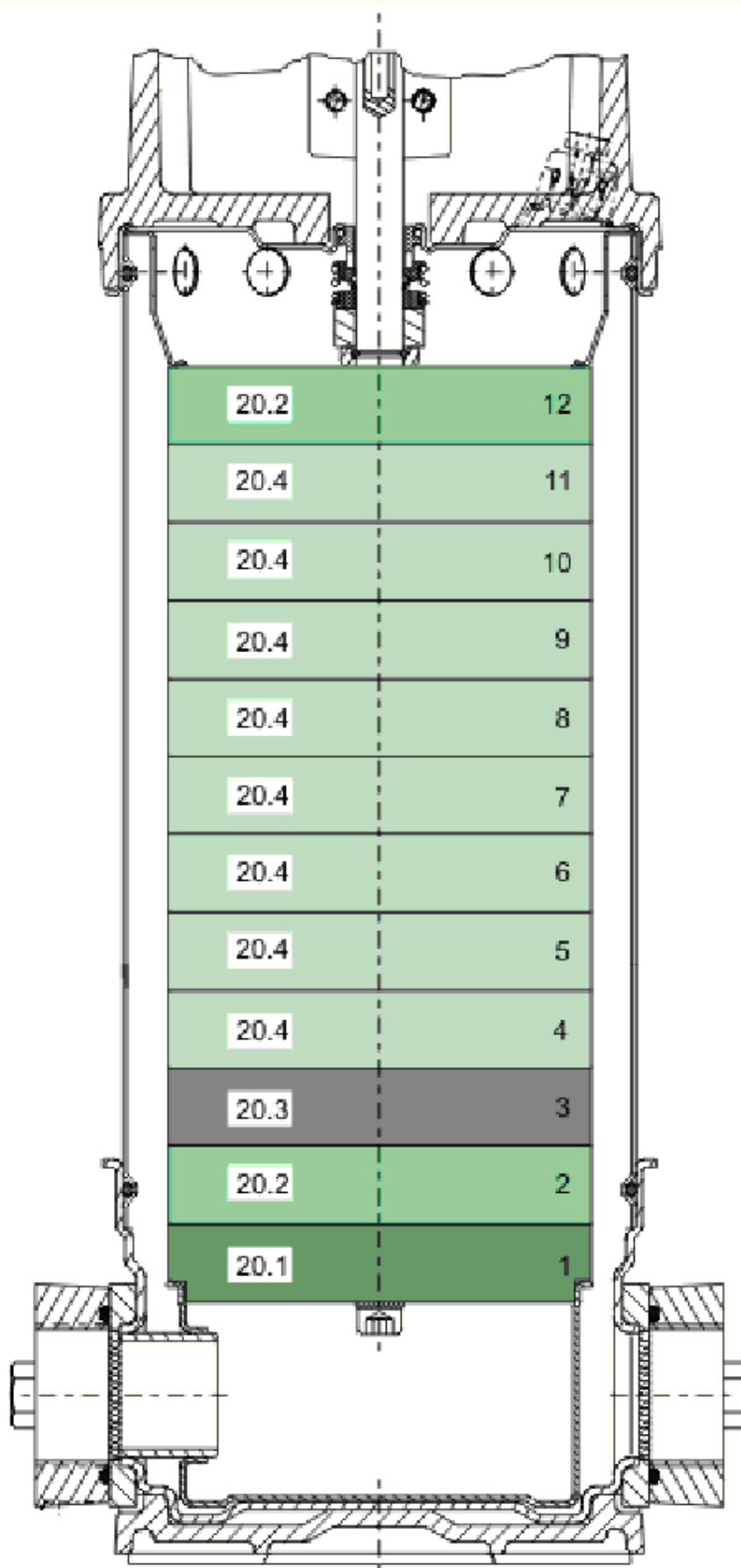
SPARE PARTS HYDRAULICS MVIL

Item	Article no.	Description	Quantity
20.1	4082961	KIT-STAGE-MVI100 304	1
20.2	4082962	KIT-STAGE-MVI100 304	1
20.3	4082960	BEARING-STAGE-KIT-MVI100 304	1
20.4	4082959	KIT-STAGE-MVI100 304	1



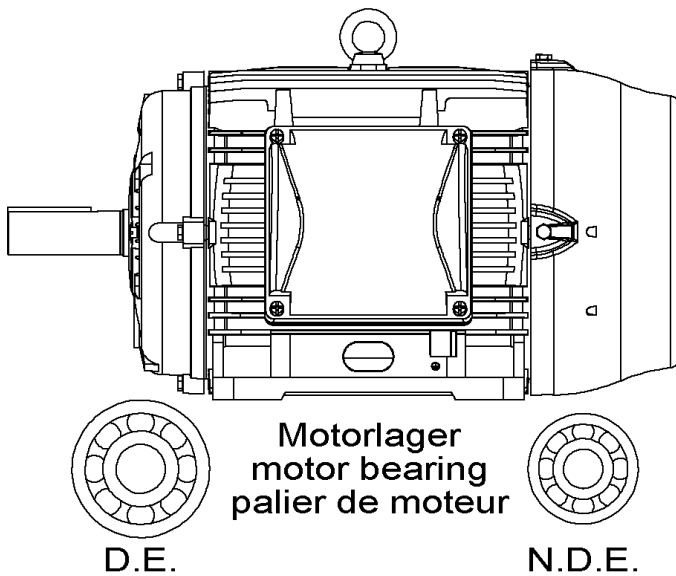
MVIL112-16/E/3-400-50-2/RAL3000/EP/IE3 (4211138)

Item	Article no.	Description	Quantity
1	4131599	PUMP HOUSING D32 KIT	1
3	4118673	SEAL-KIT-MVIL-16b	1
5	2018380	HOUSING PIPE D.152X263 1.4301 KIT	1
6	4131614	STUD BOLT M12X270 KIT	1
7	4221728	MOTOR 1,1KW 3~ IE3 RAL3000 VP.	1
12	4221720	FILING/PURGING PLUG KIT	1
12.1		> FILLING PLUG MVI6"-304	1
1.5	4177800	> O-RING EPDM PLUG HELIX VP.	1
20		SPARE PARTS HYDRAULICS MVIL	1
21	4221719	COUNTER FLANGE 1" KIT	1



SPARE PARTS HYDRAULICS MVIL

Item	Article no.	Description	Quantity
20.1	4082961	KIT-STAGE-MVI100 304	1
20.2	4082962	KIT-STAGE-MVI100 304	1
20.3	4082960	BEARING-STAGE-KIT-MVI100 304	1
20.4	4082959	KIT-STAGE-MVI100 304	1



Baugröße B3 Frame B3 Carcasse B3	Leistung power puissance 50Hz	Standardausführung standard design exécution standard	
		D.E.	N.D.E.
FA 3112	4,0 kW	1	1
FA3132S	5,5 kW	2	2
FA3132S	7,5 kW	3	3
F3160M	11,0 kW	4	5
F3160M	15,0 kW	6	6
F3160L	18,5 kW	6	6
F3180M	22,0 kW	7	7
F3200L	30,0 kW	8	8
F3200L	37,0 kW	8	8
F3225M	45,0 kW	9	9
F3250M	55,0 kW	10	10
F3280S	75,0 kW	10	10
F3280M	90,0 kW	10	10
F3315S	110,0 kW	11	11
F3315M	132,0 kW	11	11
F3315L	160,0 kW	11	11
F3315LX	200,0 kW	11	11
F3355M	250,0 kW	11	11

Electric motor FELM IE3

Item	Article no.	Description	Quantity
1	2046960	BALL BEARING 6204/2RS-C3 (HT) VP.	1
2	2046946	ball bearing 6205/2RS-C3 (HT) VP.	1
3	2046966	BALL BEARING 6206/2RS-C3 (HT) VP.	1
4	2098231	BALL BEARING 6308/2RS-C3 (HT) VP.	1
5	121084293	BALL BEARING 6208/2Z-C3 (HT) VP.	1
6	121084396	BALL BEARING 6309/2Z-C3 (HT) VP.	1
7	121083792	BALL BEARING 6311/2Z-C3 (HT) VP.	1
8	121083895	BALL BEARING 6312/2Z-C3 (HT) VP.	1
9	2054164	BALL BEARING 6313/2Z-C3 (HT) VP.	1
10	2150796	Ball bearing 6314 C3 VP.	1
11	2138957	BALL BEARING 6317 C3 VP.	1
		For safety reasons, in case of	1
		problem on another component,	1
		please change the complete motor	1



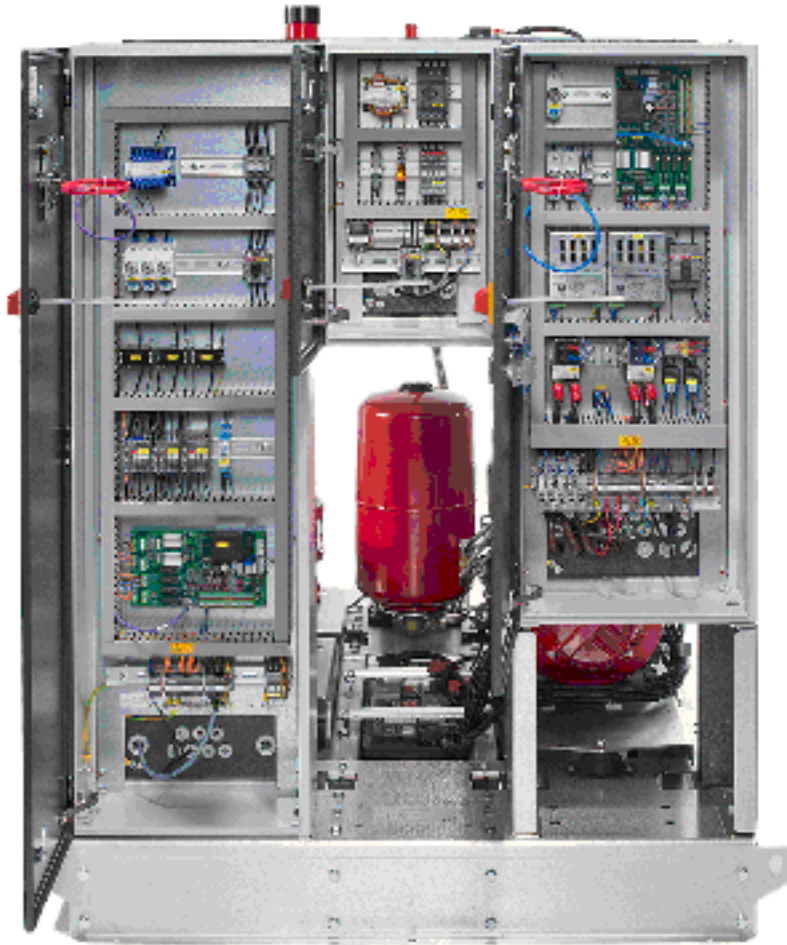
Diesel motor

Description	Quantity
Spareparts Kit for diesel motor	1



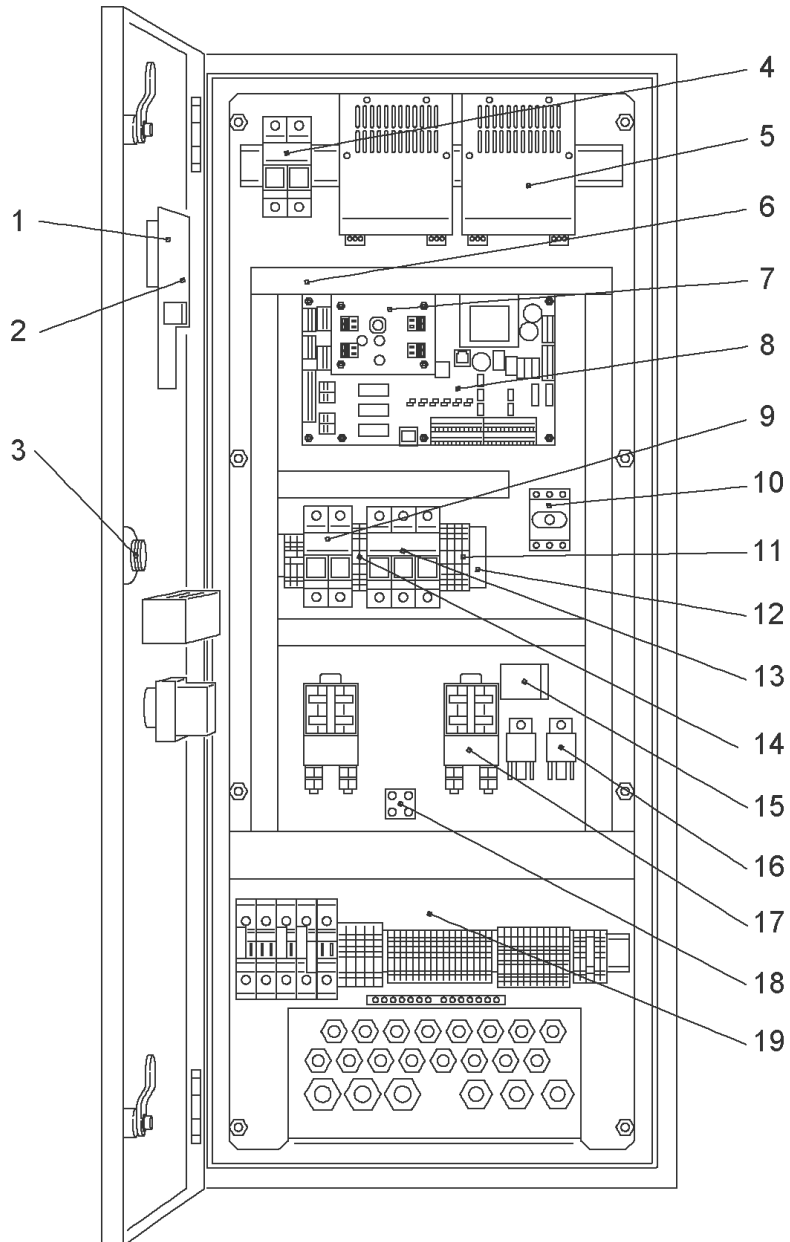
Spareparts Kit for diesel motor

Article no.	Description	Quantity
4177492	Spareparts for Diesel engine 4,2kW	1
4177493	Spareparts for Diesel engine 6,9kW	1
4177494	Spareparts for Diesel engine 10,5/12,8kW	1
4177495	Spareparts for Diesel engine 17,7kW	1
4177496	Spareparts for Diesel engine 26,5kW	1
4177497	Spareparts for Diesel engine 47,7kW	1
4177498	Spareparts for Diesel engine 66kW	1
4177499	Spareparts for Diesel engine 100kW	1
4177500	Spareparts for Diesel engine 109/145kW	1
4177501	Spareparts for Diesel engine 197/246kW	1



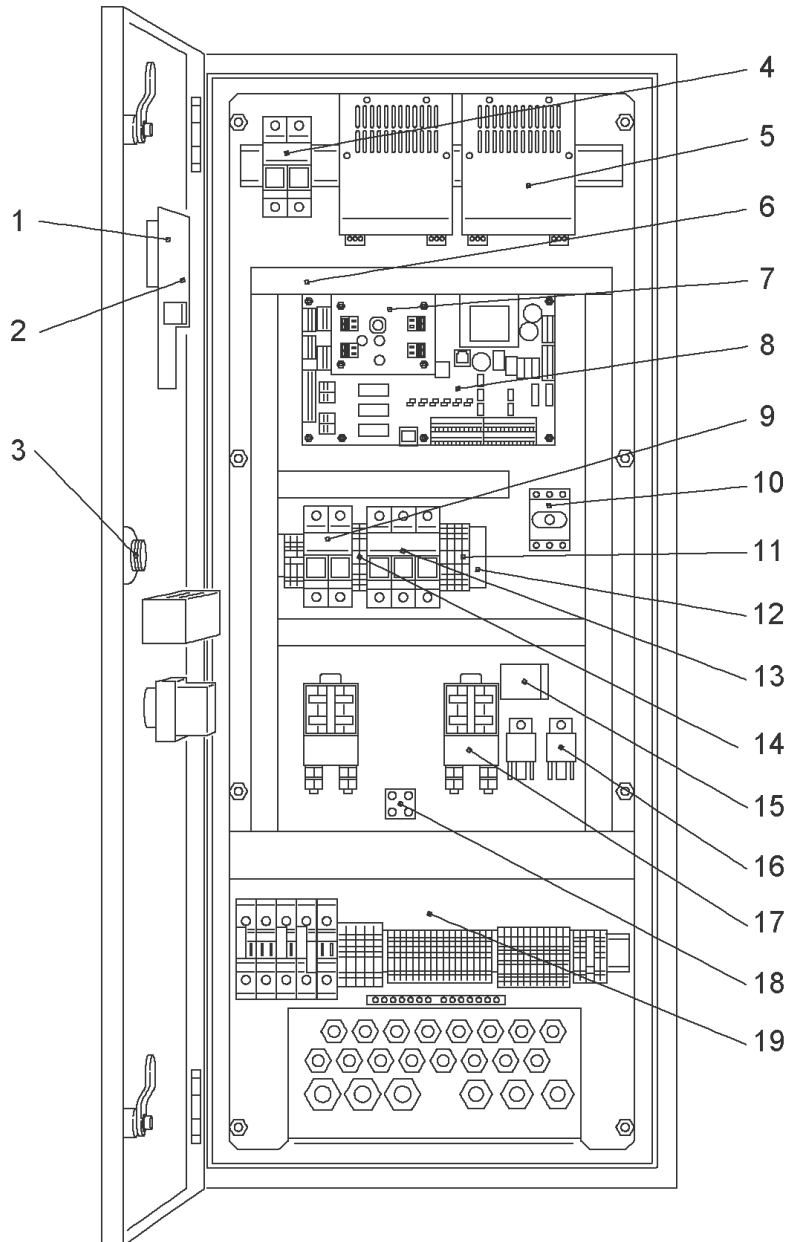
Control panel

Description	Quantity
Diesel pump control panel	1
Electric pump control panel	1
Jockey pump control panel	1



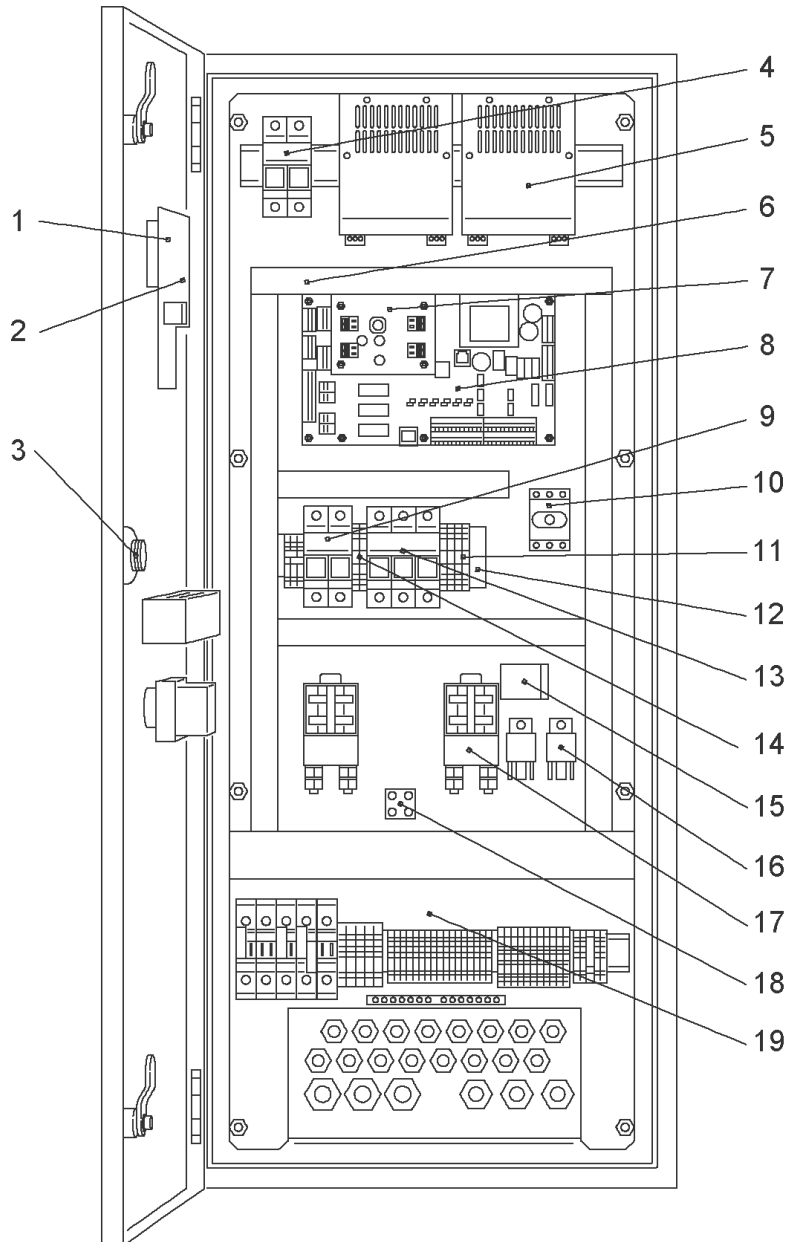
Diesel pump control panel

Description	Quantity
1691106_CTRL-SC-1x4,25-47,7KW-ND4-D	1
1691107_CTRL-SC-1x66-145KW-ND4-D	1
1691108_CTRL-SC-1x197-246KW-ND4-D	1



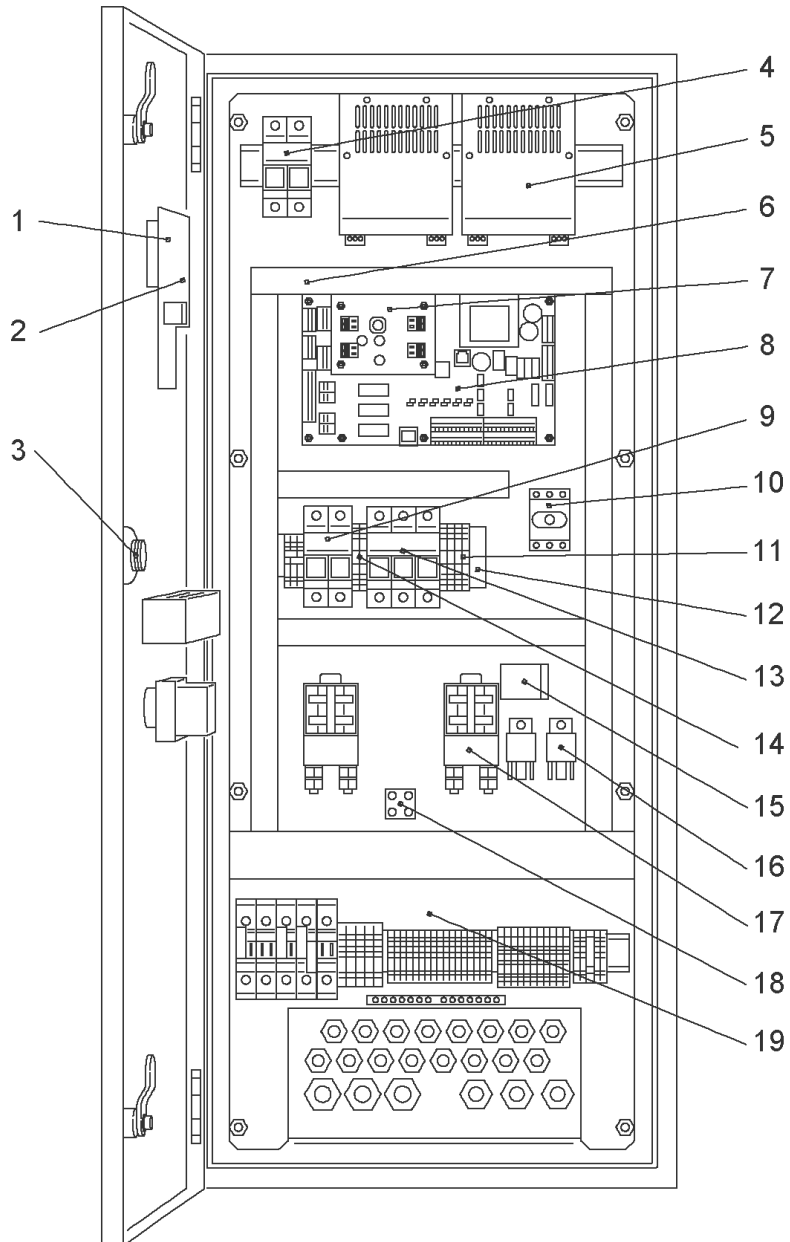
1691106_CTRL-SC-1x4,25-47,7KW-ND4-D

Item	Article no.	Description	Quantity
1	2132514	Display card SiFire/SC-L VP.	1
2	4220487	Assembly HMI SC Fire ED VP.	1
3	4222965	Handle GR X SEZ ""OT"" VP.	1
4	4222960	Fuse CIL.10X38mm 6A AM VP.	1
5	4215141	Battery charger-CBS031-12V/220V VP.	1
6	4222949	Resistor 1W 5.6 KOhm VP.	1
7	4220639	PCB signal converter SC FIRE VP.	1
8	4220638	Assembly CPU SC Fire D Modbus VP.	1
9	4222961	Fuse CIL.10X38mm 8A AM VP.	1
9	4222913	Fuse 10X38mm 25A AM VP.	1
10	4222882	Tripolar switch 25A VP.	1
11	4222957	Fuse CIL.5X20mm 2A VP.	1
11	4222950	Fuse holder 5X20 - 4mmq VP.	1
12	4222894	Relay CR-P 12Vdc 1c/o (ABB) VP.	1
13	4222962	Fuse CIL.10X38mm 10A AM VP.	1
13	4222963	Fuse CIL.10X38mm 12A AM VP.	1
14	4222958	Fuse CIL.5X20mm 4A VP.	1
14	4222950	Fuse holder 5X20 - 4mmq VP.	1
15	4222904	Power relay 12V 30A VP.	1
16	4222951	Relay 12V DC 70A VP.	1
17	4222907	DC Relay TL20-1 12V 100A VP.	1
18	4222906	Bridge rectifier 50A VP.	1
19	4222905	Filter EMC SiFire diesel 230V-12A VP.	1

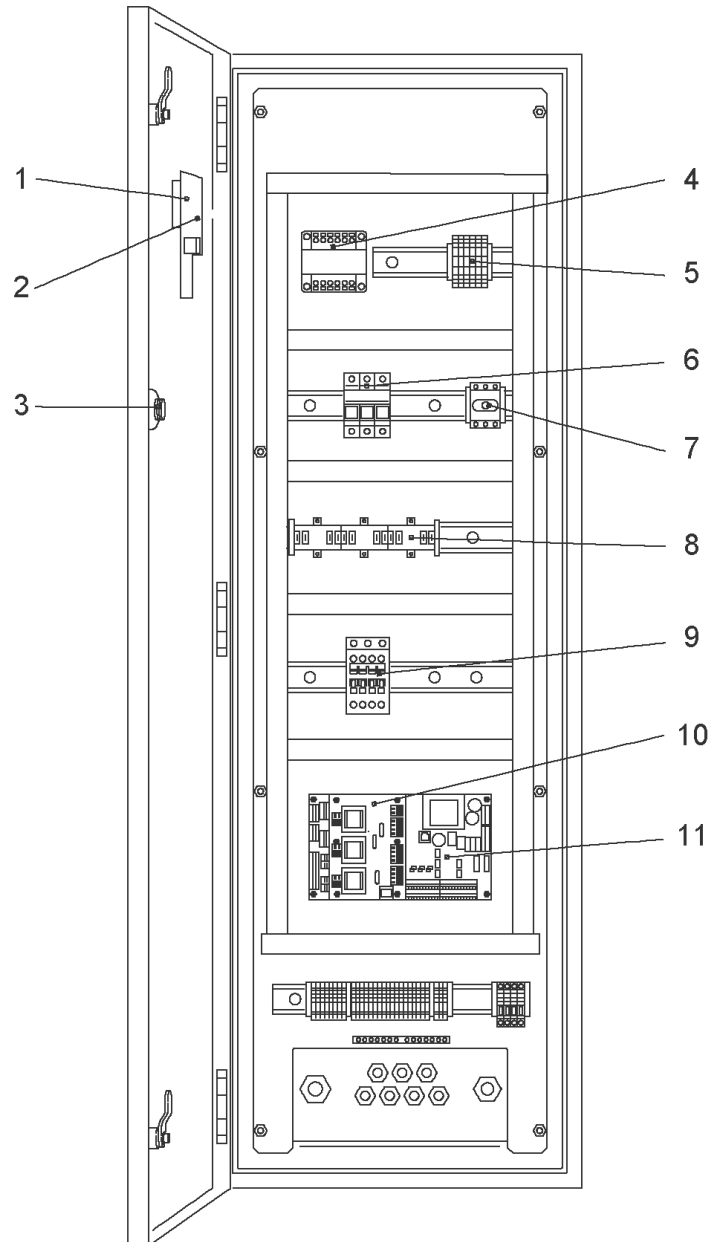


1691107_CTRL-SC-1x66-145KW-ND4-D

Item	Article no.	Description	Quantity
1	2132514	Display card SiFire/SC-L VP.	1
2	4220487	Assembly HMI SC Fire ED VP.	1
3	4222965	Handle GR X SEZ ""OT"" VP.	1
4	4222960	Fuse CIL.10X38mm 6A AM VP.	1
5	4222917	Battery charger CBS061-6A 12V/220V VP.	1
6	4222949	Resistor 1W 5.6 KOhm VP.	1
7	4220639	PCB signal converter SC FIRE VP.	1
8	4220638	Assembly CPU SC Fire D Modbus VP.	1
9	4222961	Fuse CIL.10X38mm 8A AM VP.	1
9	4222913	Fuse 10X38mm 25A AM VP.	1
10	4222882	Tripolar switch 25A VP.	1
11	4222957	Fuse CIL.5X20mm 2A VP.	1
11	4222950	Fuse holder 5X20 - 4mmq VP.	1
12	4222894	Relay CR-P 12Vdc 1c/o (ABB) VP.	1
13	4222962	Fuse CIL.10X38mm 10A AM VP.	1
13	4222963	Fuse CIL.10X38mm 12A AM VP.	1
14	4222958	Fuse CIL.5X20mm 4A VP.	1
14	4222950	Fuse holder 5X20 - 4mmq VP.	1
15	4222904	Power relay 12V 30A VP.	1
16	4222951	Relay 12V DC 70A VP.	1
17	4222955	Power relay 12V-150A VP.	1
18	4222906	Bridge rectifier 50A VP.	1
19	4222905	Filter EMC SiFire diesel 230V-12A VP.	1

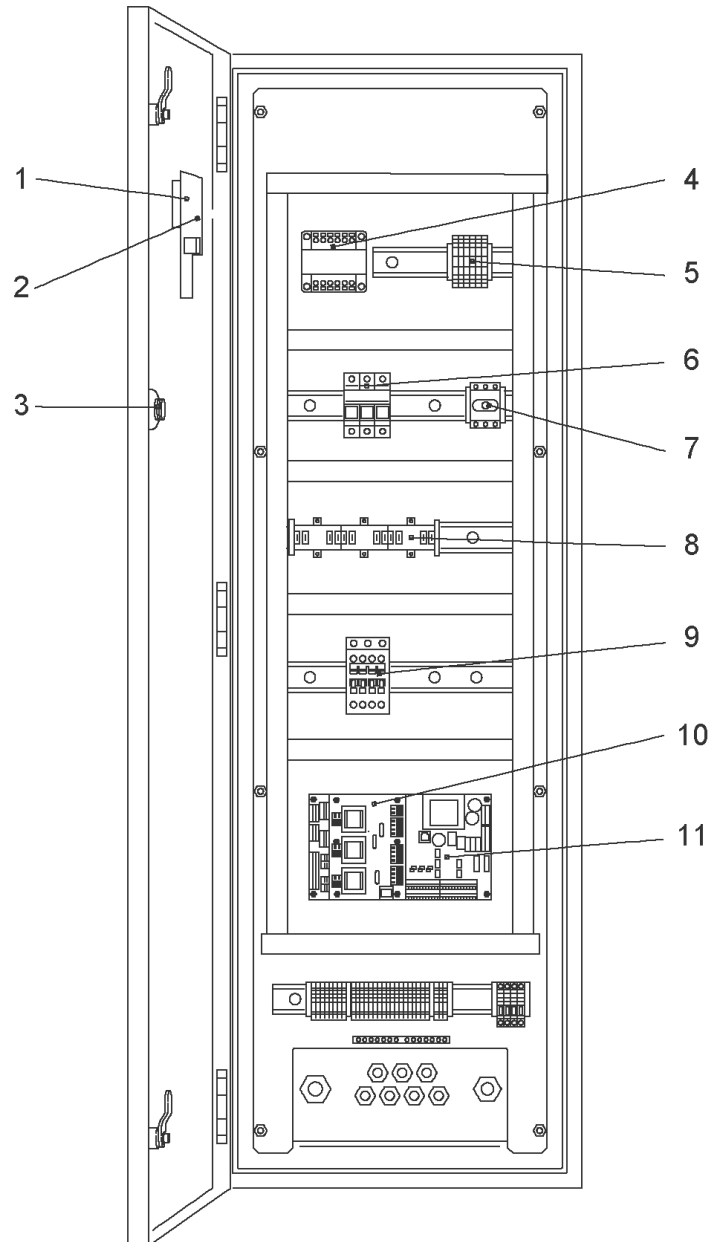


Item	Article no.	Description	Quantity
1	2132514	Display card SiFire/SC-L VP.	1
2	4220487	Assembly HMI SC Fire ED VP.	1
3	4222965	Handle GR X SEZ ""OT"" VP.	1
4	4222960	Fuse CIL.10X38mm 6A AM VP.	1
5	4222918	Battery charger CBS061-6A 24V/220V VP.	1
6	4222949	Resistor 1W 5.6 KOhm VP.	1
7	4220639	PCB signal converter SC FIRE VP.	1
8	4220638	Assembly CPU SC Fire D Modbus VP.	1
9	4222961	Fuse CIL.10X38mm 8A AM VP.	1
9	4222913	Fuse 10X38mm 25A AM VP.	1
10	4222882	Tripolar switch 25A VP.	1
11	4222957	Fuse CIL.5X20mm 2A VP.	1
11	4222950	Fuse holder 5X20 - 4mmq VP.	1
12	4222956	Printed circuit board 24V VP.	1
13	4222962	Fuse CIL.10X38mm 10A AM VP.	1
13	4222963	Fuse CIL.10X38mm 12A AM VP.	1
14	4222958	Fuse CIL.5X20mm 4A VP.	1
14	4222950	Fuse holder 5X20 - 4mmq VP.	1
15	4222953	Power relay for C.S.24V DC 1NO VP.	1
16	4222952	Relay 24V DC 50A VP.	1
17	4222954	Power relay 24V-150A VP.	1
18	4222906	Bridge rectifier 50A VP.	1
19	4222905	Filter EMC SiFire diesel 230V-12A VP.	1

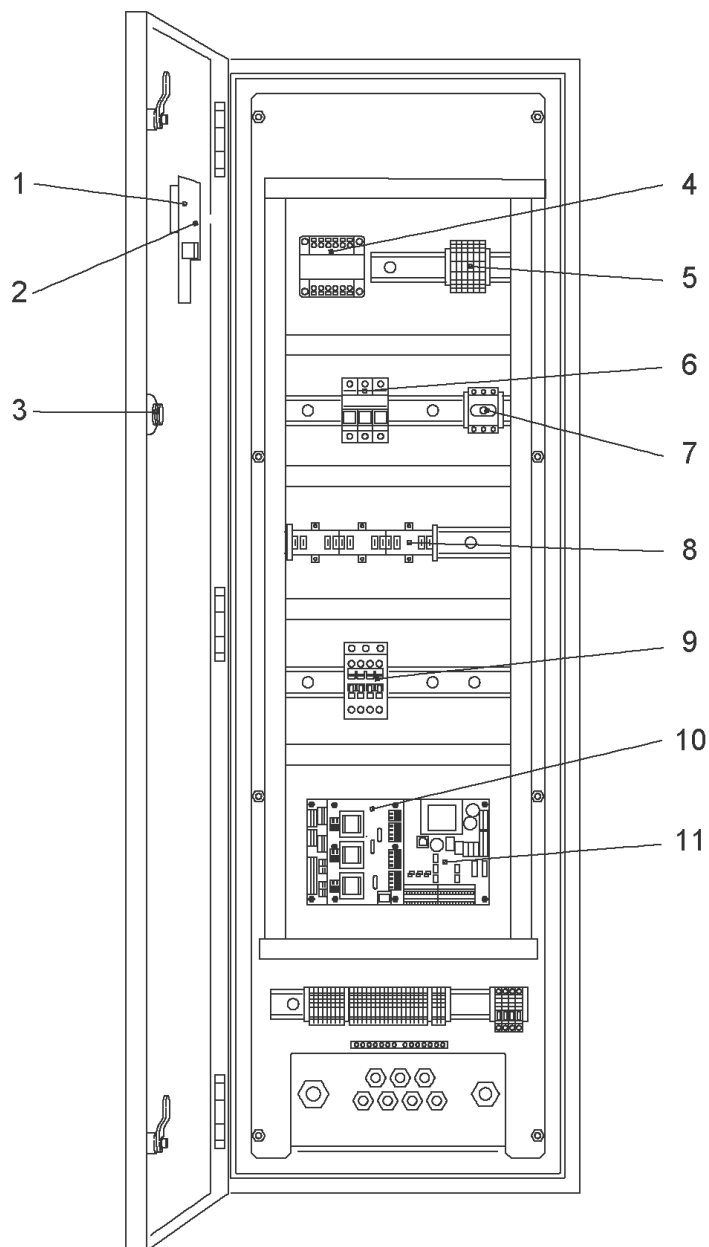


Electric pump control panel

Description	Quantity
1691100_CTRL-SC-1x8.0A-T4-DOL-E-4KW	1
1691099_CTRL-SC-1x10,6A-T4-DOL-E-5.5KW	1
1691098_CTRL-SC-1x14,1A-T4-DOL-E-7.5KW	1
1691097_CTRL-SC-1x20,4A-T4-DOL-E-11KW	1
1691096_CTRL-SC-1x27,6A-T4-DOL-E-15KW	1
1691095_CTRL-SC-1x33,7A-T4-DOL-E-18.5K	1
1691094_CTRL-SC-1x39,1A-T4-DOL-E-22KW	1
1691089_CTRL-SC-1x53,6A-T4-SD-E-30KW	1
1691090_CTRL-SC-1x65,8A-T4-SD-E-37KW	1
1691086_CTRL-SC-1x78A-T4-SD-E-45KW	1
1691091_CTRL-SC-1x95,0A-T4-SD-E-55KW	1
1691092_CTRL-SC-1x129A-T4-SD-BM-E-75KW	1
1691076_CTRL-SC-1x154A-T4-SD-BM-E-90KW	1
1691093_CTRL-SC-1x188A-T4-SD-BM-E-110K	1
1691088_CTRL-SC-1x240A-T4-SD-BM-E-132K	1
1691087_CTRL-SC-1x269A-T4-SD-BM-E-160K	1
1691114_CTRL-SC-1x332A-T4-SD-BM-E-200K	1
1691115_CTRL-SC-1x430A-T4-SD-BM-E-250K	1

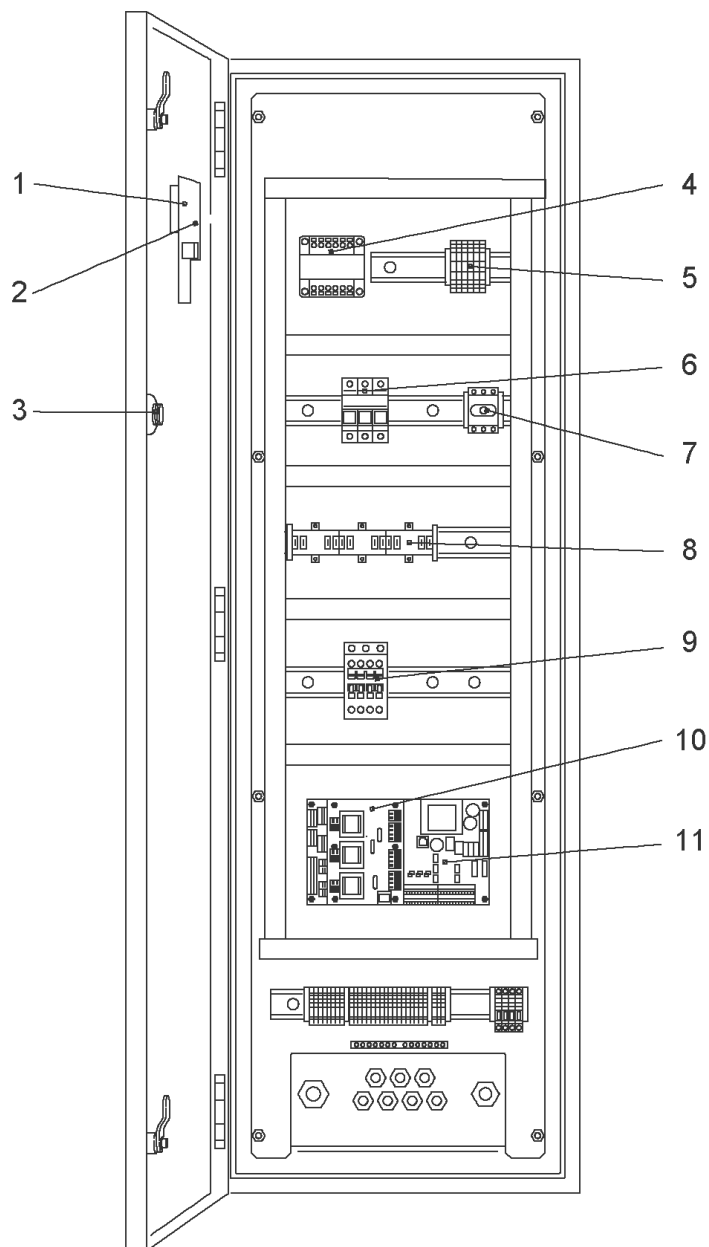


Item	Article no.	Description	Quantity
1	2132514	Display card SiFire/SC-L VP.	1
2	4220487	Assembly HMI SC Fire ED VP.	1
3	4222965	Handle GR X SEZ ""OT"" VP.	1
4	4222890	Transformer 50VA SEC.24-230V VP.	1
5	4222916	Fuse 10X38mm 2A AM VP.	1
6	4222911	Fuse 10X38mm 16A AM VP.	1
7	4222882	Tripolar switch 25A VP.	1
8	4222926	Current transformer TAM1D 50A/5A VP.	1
9	4222934	Contacteur 230 c.a. 12A 1NO aux VP.	1
10	4220488	Measuring board SC Fire U+I VP.	1
11	4220640	Assembly CPU SC Fire E Modbus Bacnet VP.	1



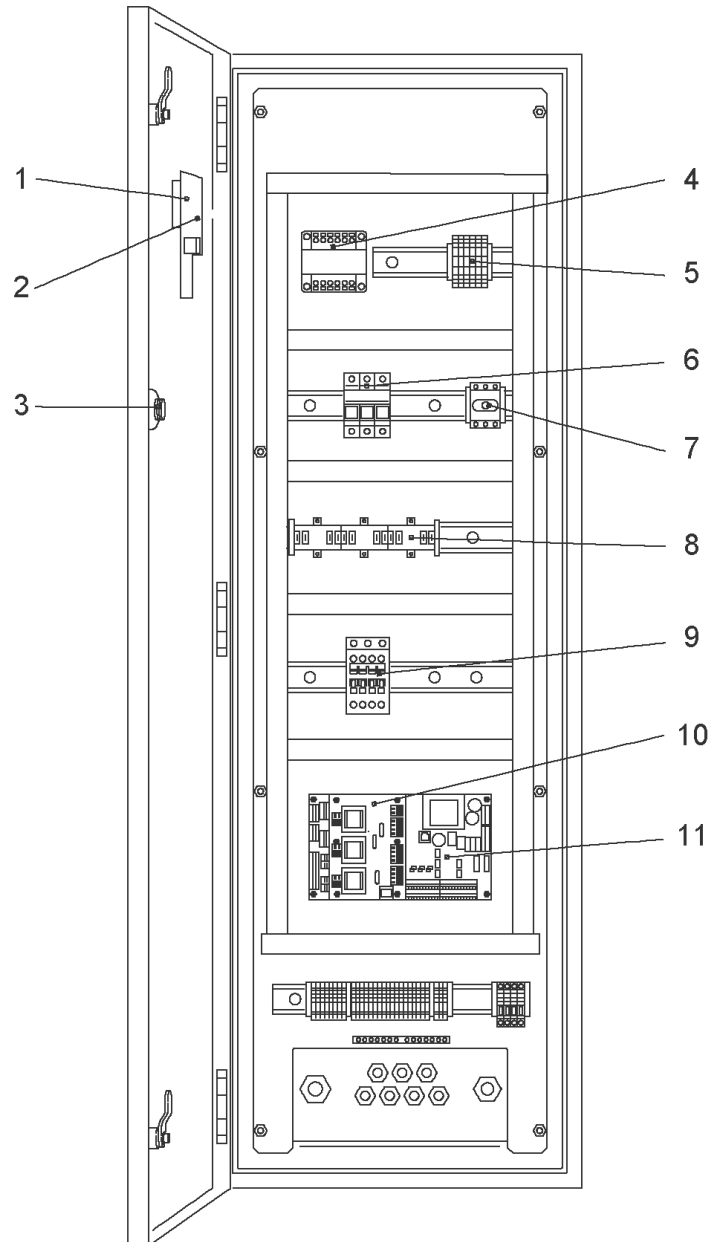
1691099_CTRL-SC-1x10,6A-T4-DOL-E-5.5KW

Item	Article no.	Description	Quantity
1	2132514	Display card SiFire/SC-L VP.	1
2	4220487	Assembly HMI SC Fire ED VP.	1
3	4222965	Handle GR X SEZ ""OT"" VP.	1
4	4222890	Transformer 50VA SEC.24-230V VP.	1
5	4222916	Fuse 10X38mm 2A AM VP.	1
6	4222911	Fuse 10X38mm 16A AM VP.	1
7	4222882	Tripolar switch 25A VP.	1
8	4222926	Current transformer TAM1D 50A/5A VP.	1
9	4222935	Contacteur 230 c.a. 16A 1NO aux VP.	1
10	4220488	Measuring board SC Fire U+I VP.	1
11	4220640	Assembly CPU SC Fire E Modbus Bacnet VP.	1



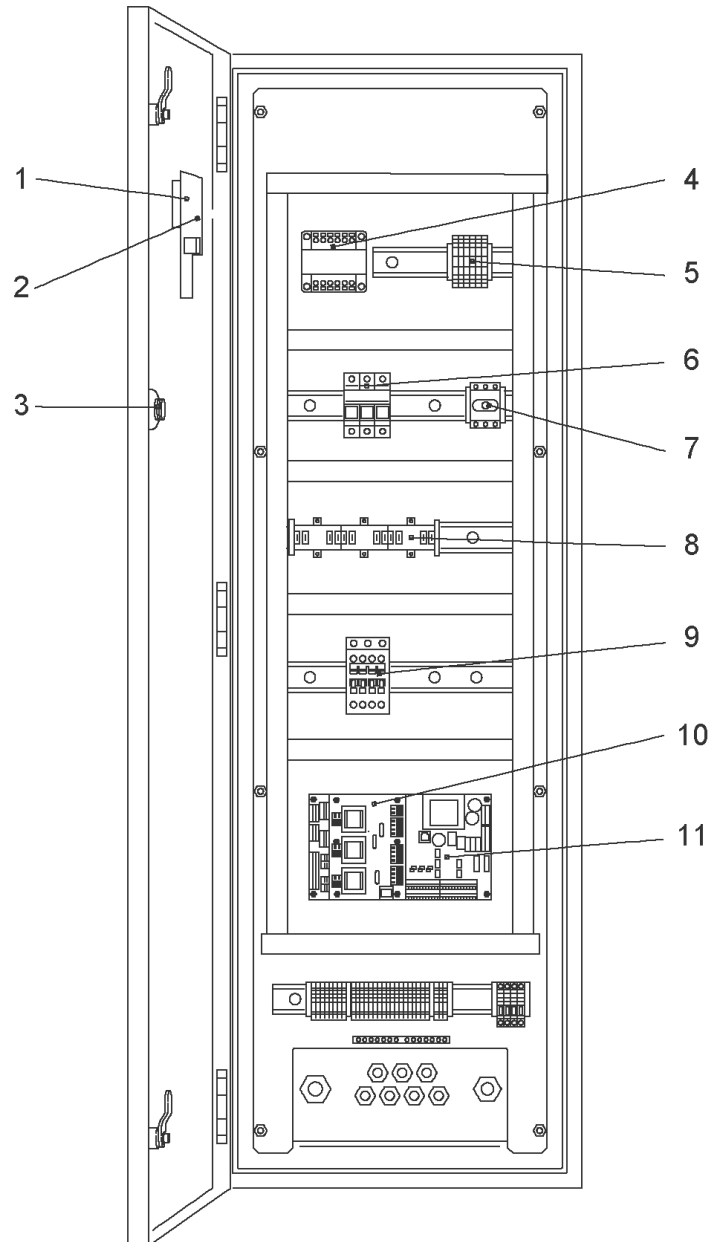
1691098_CTRL-SC-1x14,1A-T4-DOL-E-7.5KW

Item	Article no.	Description	Quantity
1	2132514	Display card SiFire/SC-L VP.	1
2	4220487	Assembly HMI SC Fire ED VP.	1
3	4222965	Handle GR X SEZ ""OT"" VP.	1
4	4222890	Transformer 50VA SEC.24-230V VP.	1
5	4222916	Fuse 10X38mm 2A AM VP.	1
6	4222912	Fuse 10X38mm 20A AM VP.	1
7	4222883	Tripolar switch 40A VP.	1
8	4222926	Current transformer TAM1D 50A/5A VP.	1
9	4222935	Contacteur 230 c.a. 16A 1NO aux VP.	1
10	4220488	Measuring board SC Fire U+I VP.	1
11	4220640	Assembly CPU SC Fire E Modbus Bacnet VP.	1

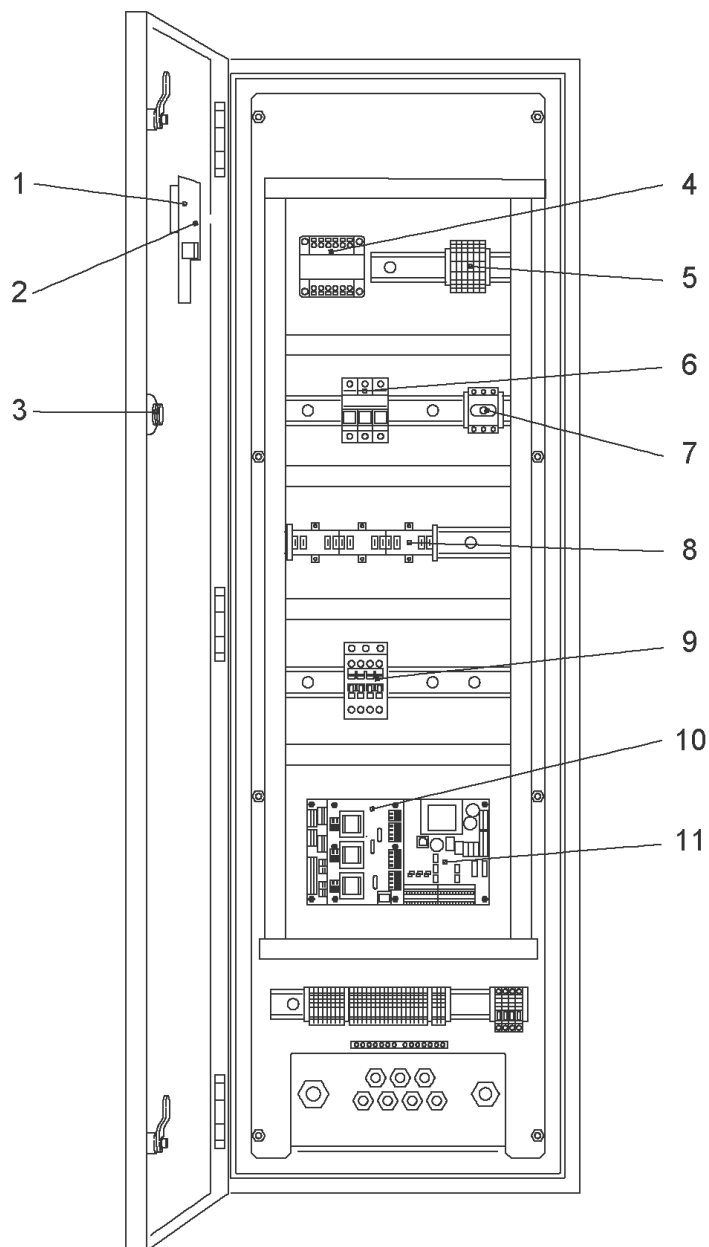


1691097_CTRL-SC-1x20,4A-T4-DOL-E-11KW

Item	Article no.	Description	Quantity
1	2132514	Display card SiFire/SC-L VP.	1
2	4220487	Assembly HMI SC Fire ED VP.	1
3	4222965	Handle GR X SEZ ""OT"" VP.	1
4	4222890	Transformer 50VA SEC.24-230V VP.	1
5	4222916	Fuse 10X38mm 2A AM VP.	1
6	4222914	Fuse 14X51mm 32A AM VP.	1
7	4222964	Tripolar switch 63A VP.	1
8	4222926	Current transformer TAM1D 50A/5A VP.	1
9	4222936	Contacteur 230 c.a. 30A VP.	1
10	4220488	Measuring board SC Fire U+I VP.	1
11	4220640	Assembly CPU SC Fire E Modbus Bacnet VP.	1

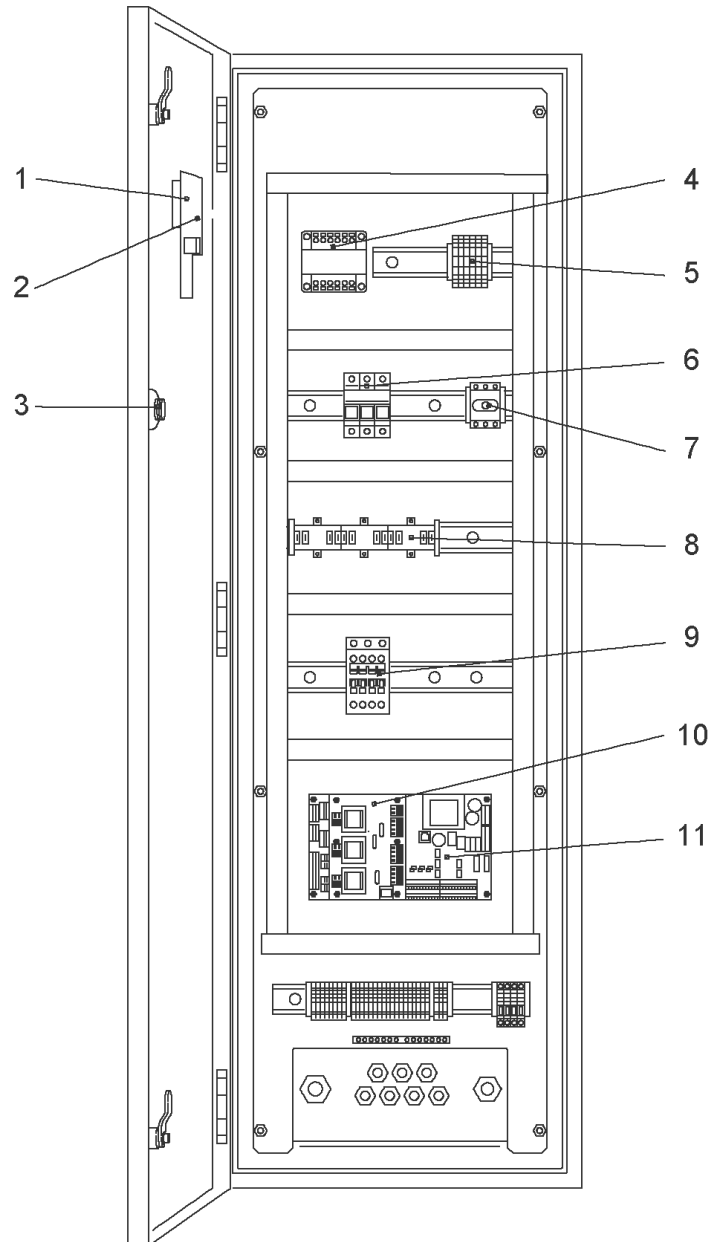


Item	Article no.	Description	Quantity
1	2132514	Display card SiFire/SC-L VP.	1
2	4220487	Assembly HMI SC Fire ED VP.	1
3	4222965	Handle GR X SEZ ""OT"" VP.	1
4	4222890	Transformer 50VA SEC.24-230V VP.	1
5	4222916	Fuse 10X38mm 2A AM VP.	1
6	4222915	Fuse 14X51mm 40A AM VP.	1
7	4222964	Tripolar switch 63A VP.	1
8	4222926	Current transformer TAM1D 50A/5A VP.	1
9	4222937	Contacteur 230 c.a. 38A VP.	1
10	4220488	Measuring board SC Fire U+I VP.	1
11	4220640	Assembly CPU SC Fire E Modbus Bacnet VP.	1



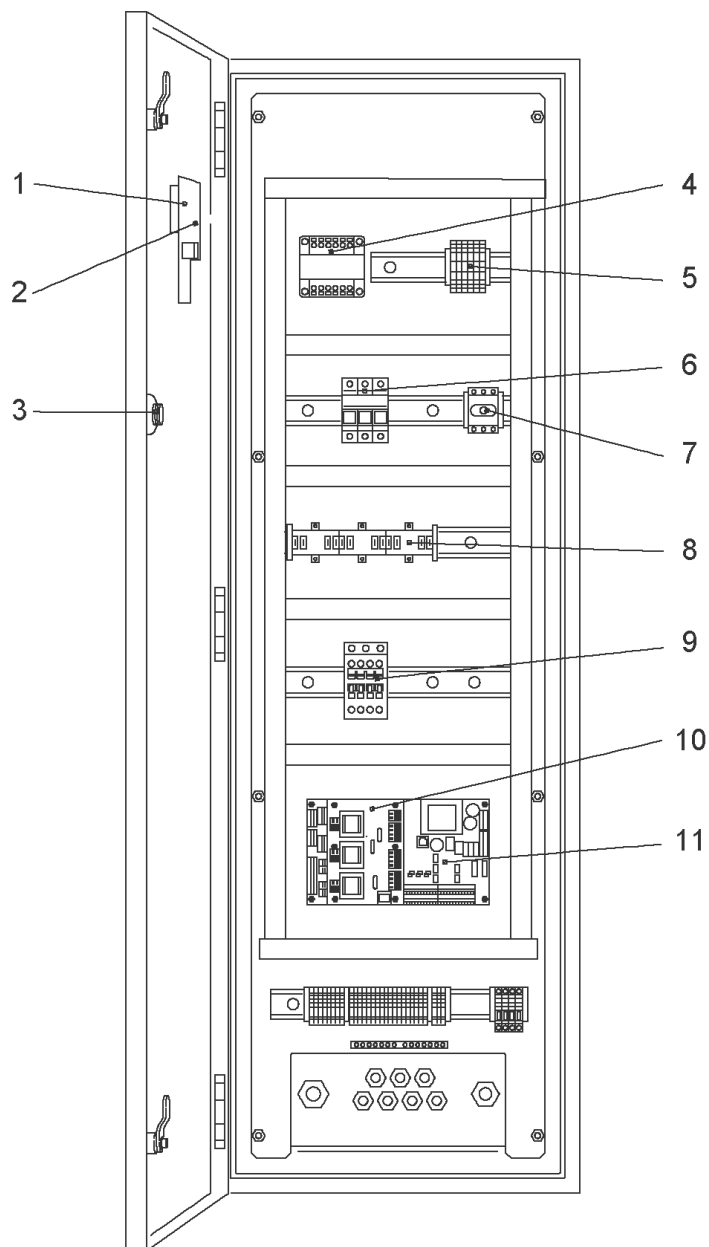
1691095_CTRL-SC-1x33,7A-T4-DOL-E-18.5K

Item	Article no.	Description	Quantity
1	2132514	Display card SiFire/SC-L VP.	1
2	4220487	Assembly HMI SC Fire ED VP.	1
3	4222965	Handle GR X SEZ ""OT"" VP.	1
4	4222891	Transformer 160VA SEC.24-230V VP.	1
5	4222916	Fuse 10X38mm 2A AM VP.	1
6	4222898	Fuse 14X51mm 50A AM VP.	1
7	4222964	Tripolar switch 63A VP.	1
8	4222926	Current transformer TAM1D 50A/5A VP.	1
9	4222938	Contacteur ""AF"" 230Vc.a. 3P 40A VP.	1
10	4220488	Measuring board SC Fire U+I VP.	1
11	4220640	Assembly CPU SC Fire E Modbus Bacnet VP.	1



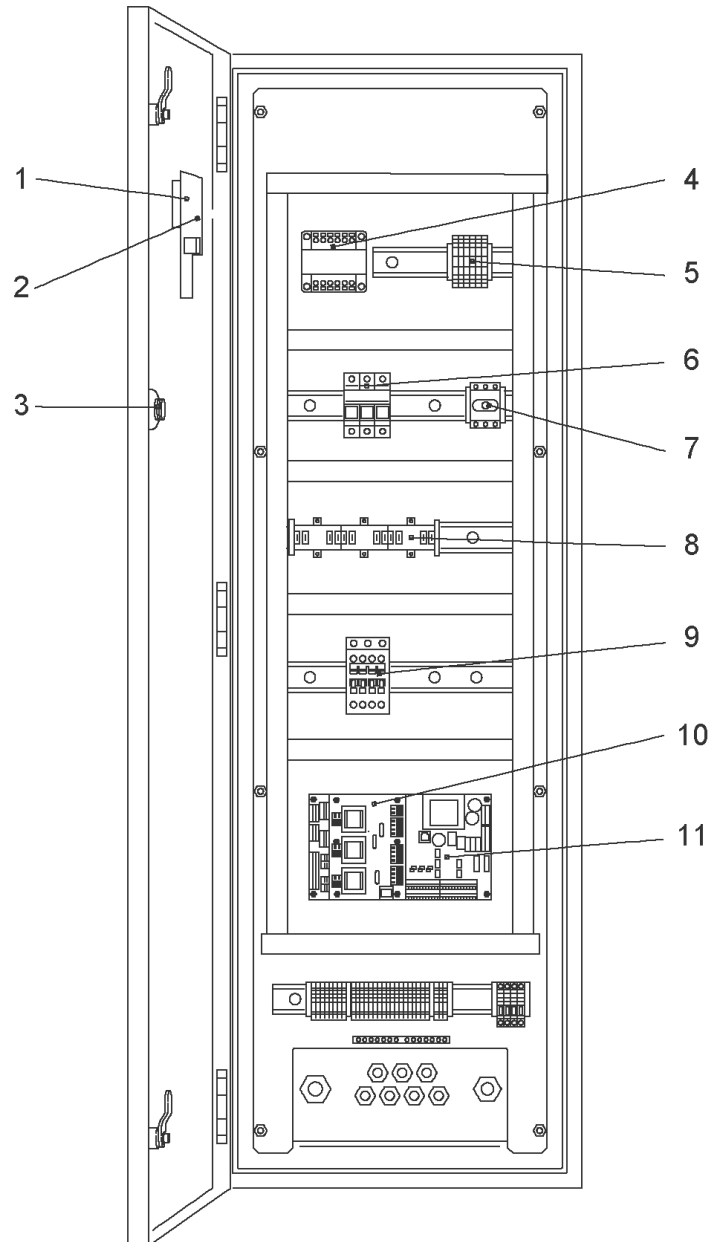
1691094_CTRL-SC-1x39,1A-T4-DOL-E-22KW

Item	Article no.	Description	Quantity
1	2132514	Display card SiFire/SC-L VP.	1
2	4220487	Assembly HMI SC Fire ED VP.	1
3	4222965	Handle GR X SEZ ""OT"" VP.	1
4	4222891	Transformer 160VA SEC.24-230V VP.	1
5	4222916	Fuse 10X38mm 2A AM VP.	1
6	4222899	Fuse 22X58mm 63A AM VP.	1
7	4222884	Tripolar switch 80A VP.	1
8	4222926	Current transformer TAM1D 50A/5A VP.	1
9	4222939	Contacteur ""AF"" 230Vc.a. 3P 50A VP.	1
10	4220488	Measuring board SC Fire U+I VP.	1
11	4220640	Assembly CPU SC Fire E Modbus Bacnet VP.	1



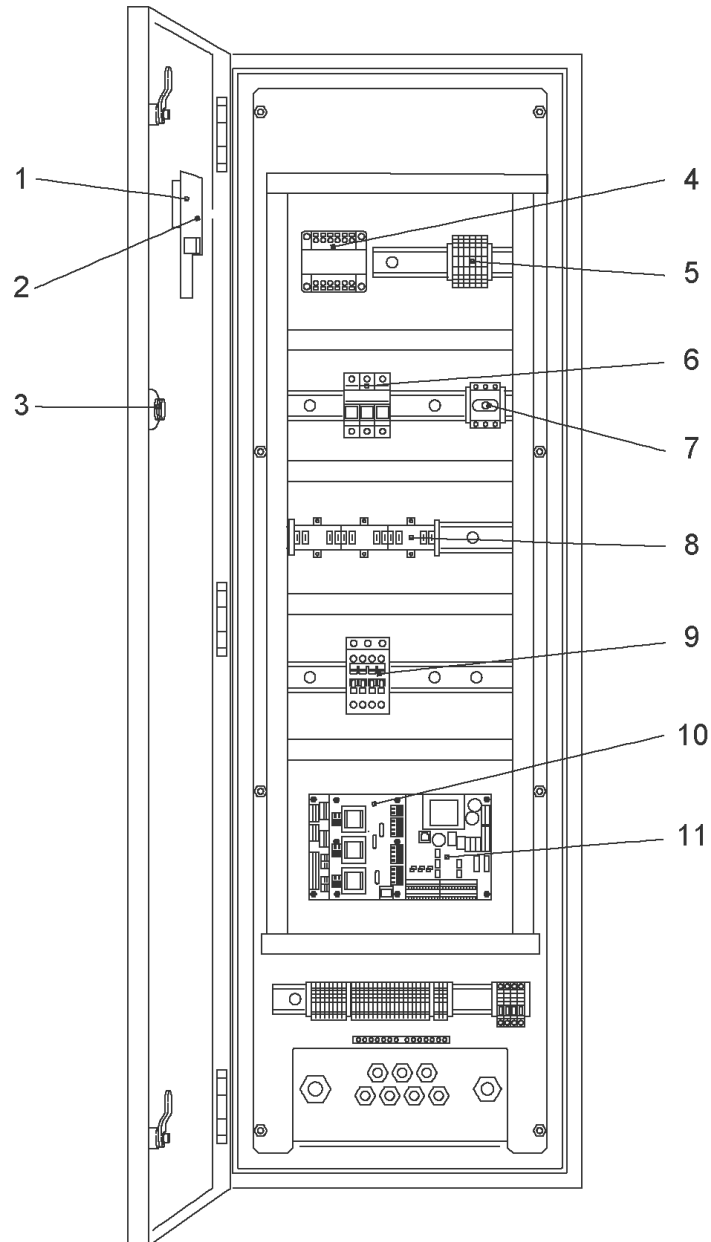
1691089_CTRL-SC-1x53,6A-T4-SD-E-30KW

Item	Article no.	Description	Quantity
1	2132514	Display card SiFire/SC-L VP.	1
2	4220487	Assembly HMI SC Fire ED VP.	1
3	4222965	Handle GR X SEZ ""OT"" VP.	1
4	4222891	Transformer 160VA SEC.24-230V VP.	1
5	4222916	Fuse 10X38mm 2A AM VP.	1
6	4222901	NH-Fuse insert 80A AM GR.00 VP.	1
7	4222885	Tripolar switch 125A VP.	1
8	4222908	Current transformer TAM1D 100A/5A VP.	1
9	4222939	Contactoer ""AF"" 230Vc.a. 3P 50A VP.	1
9	4222936	Contactoer 230 c.a. 30A VP.	1
10	4220488	Measuring board SC Fire U+I VP.	1
11	4220640	Assembly CPU SC Fire E Modbus Bacnet VP.	1



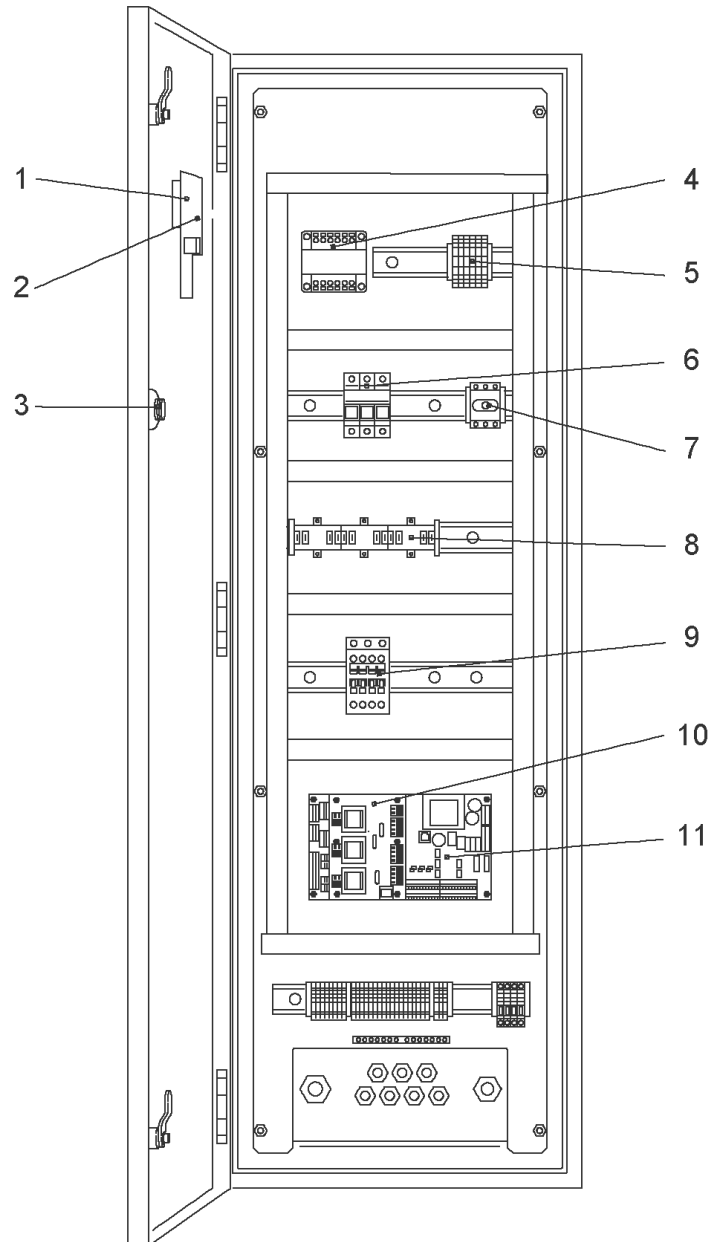
1691090_CTRL-SC-1x65,8A-T4-SD-E-37KW

Item	Article no.	Description	Quantity
1	2132514	Display card SiFire/SC-L VP.	1
2	4220487	Assembly HMI SC Fire ED VP.	1
3	4222965	Handle GR X SEZ ""OT"" VP.	1
4	4222891	Transformer 160VA SEC.24-230V VP.	1
5	4222916	Fuse 10X38mm 2A AM VP.	1
6	4222902	NH-Fuse insert 100A AM GR.00 VP.	1
7	4222885	Tripolar switch 125A VP.	1
8	4222908	Current transformer TAM1D 100A/5A VP.	1
9	4222940	Contactoer ""AF"" 230Vc.a. 3P 65A VP.	1
9	4222937	Contactoer 230 c.a. 38A VP.	1
10	4220488	Measuring board SC Fire U+I VP.	1
11	4220640	Assembly CPU SC Fire E Modbus Bacnet VP.	1



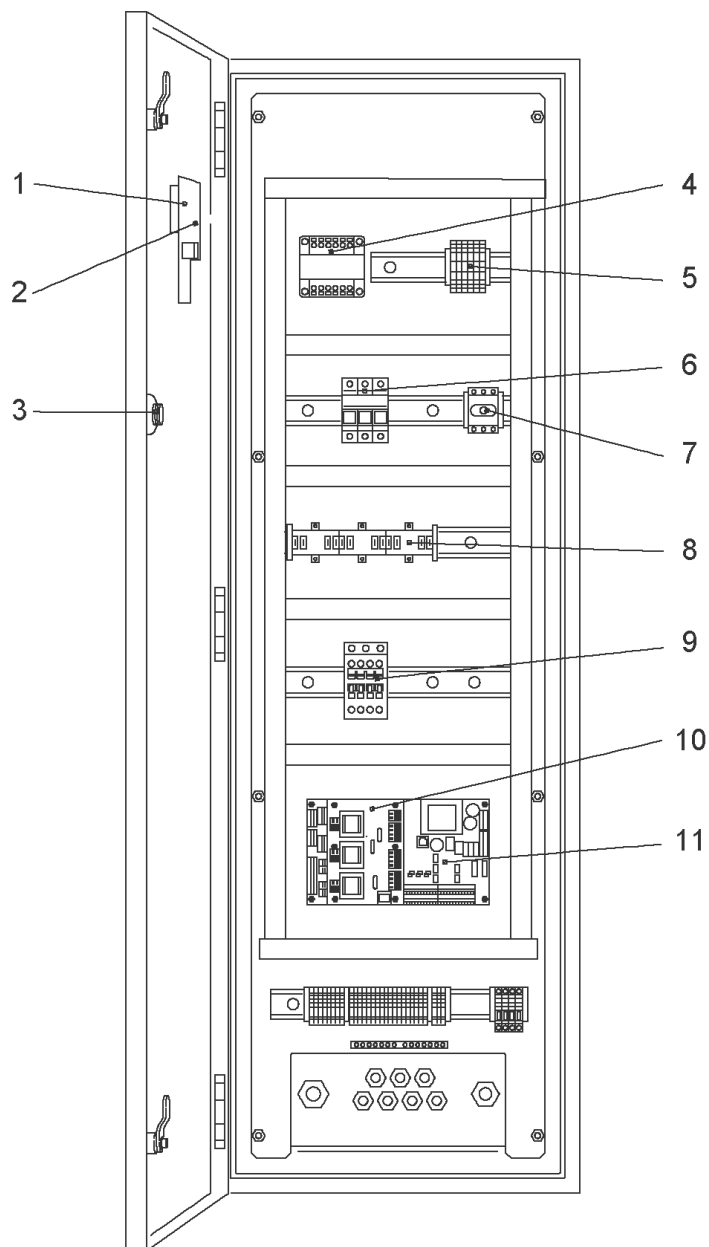
1691086_CTRL-SC-1x78A-T4-SD-E-45KW

Item	Article no.	Description	Quantity
1	2132514	Display card SiFire/SC-L VP.	1
2	4220487	Assembly HMI SC Fire ED VP.	1
3	4222943	Handle x160-250 G/R VP.	1
4	4222891	Transformer 160VA SEC.24-230V VP.	1
5	4222916	Fuse 10X38mm 2A AM VP.	1
6	4222900	NH-Fuse insert 125A AM GR.00 VP.	1
7	4222944	Tripolar swich OT 160A-E3 VP.	1
8	4222908	Current transformer TAM1D 100A/5A VP.	1
9	4222941	Contactator ""AF"" 230Vc.a. 3P 80A VP.	1
9	4222938	Contactator ""AF"" 230Vc.a. 3P 40A VP.	1
10	4220488	Measuring board SC Fire U+I VP.	1
11	4220640	Assembly CPU SC Fire E Modbus Bacnet VP.	1

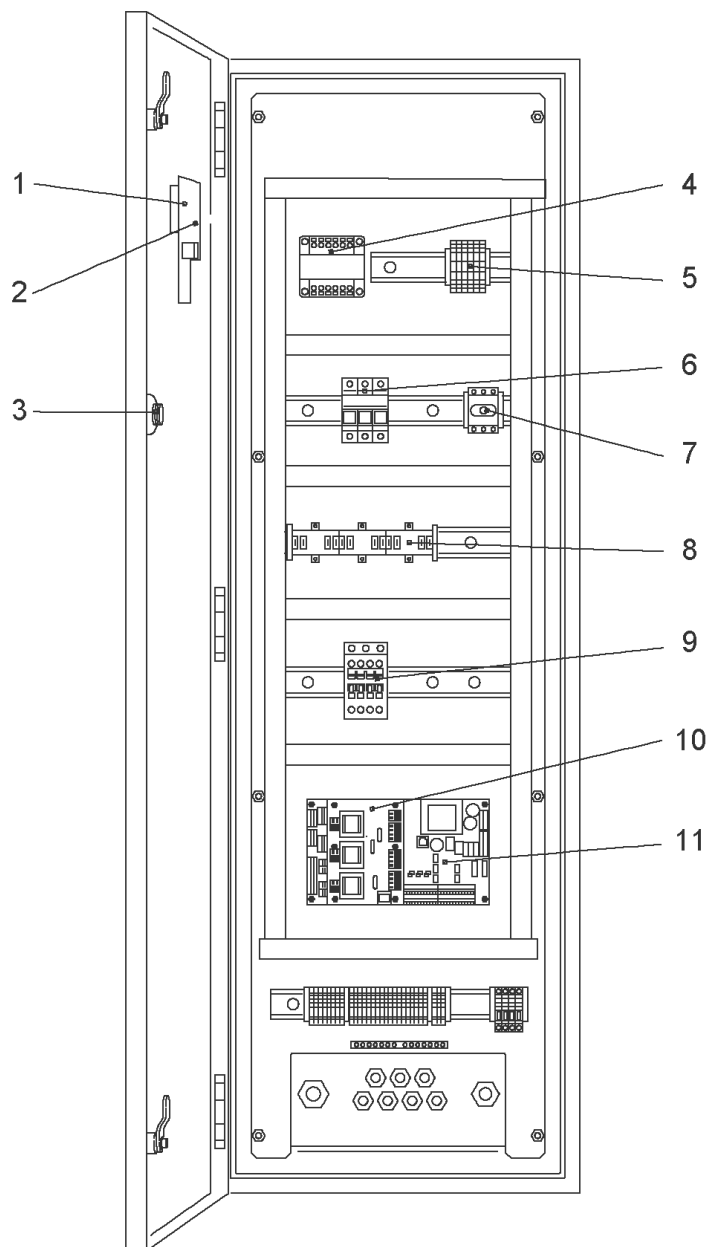


1691091_CTRL-SC-1x95,0A-T4-SD-E-55KW

Item	Article no.	Description	Quantity
1	2132514	Display card SiFire/SC-L VP.	1
2	4220487	Assembly HMI SC Fire ED VP.	1
3	4222943	Handle x160-250 G/R VP.	1
4	4222891	Transformer 160VA SEC.24-230V VP.	1
5	4222916	Fuse 10X38mm 2A AM VP.	1
6	4222900	NH-Fuse insert 125A AM GR.00 VP.	1
7	4222944	Tripolar swich OT 160A-E3 VP.	1
8	4222909	Current transformer TAM1D 150A/5A VP.	1
9	4222938	Contactator ""AF"" 230Vc.a. 3P 40A VP.	1
9	4222941	Contactator ""AF"" 230Vc.a. 3P 80A VP.	1
10	4220488	Measuring board SC Fire U+I VP.	1
11	4220640	Assembly CPU SC Fire E Modbus Bacnet VP.	1

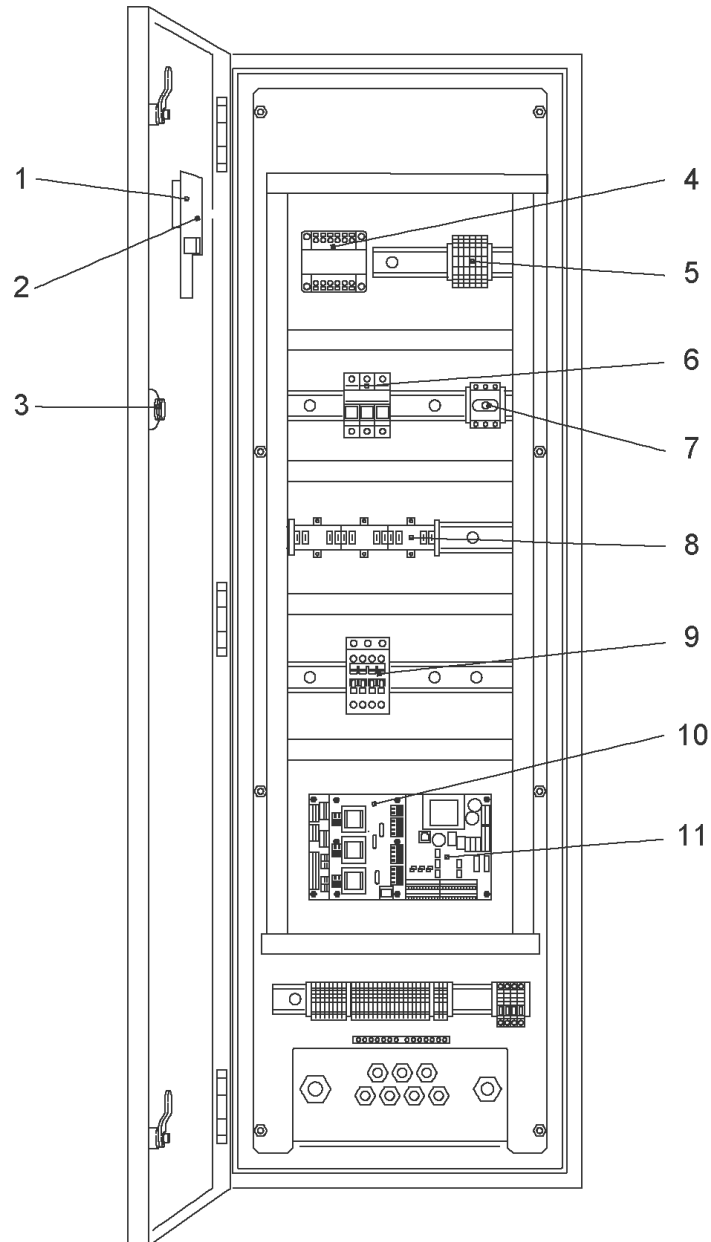


Item	Article no.	Description	Quantity
1	2132514	Display card SiFire/SC-L VP.	1
2	4220487	Assembly HMI SC Fire ED VP.	1
3	4222943	Handle x160-250 G/R VP.	1
4	4222892	Transformer 300VA SEC.24-230V VP.	1
5	4222916	Fuse 10X38mm 2A AM VP.	1
6	4222919	Fuse type NH1 160A AM VP.	1
7	4222945	Tripolar swich OT 250A-E30 VP.	1
8	4222910	Current transformer TAM1D 200A/5A VP.	1
9	4222929	Contactactor AF 230Vc.a.3P 116A NA-NC VP.	1
9	4222941	Contactactor ""AF"" 230Vc.a. 3P 80A VP.	1
10	4220488	Measuring board SC Fire U+I VP.	1
11	4220640	Assembly CPU SC Fire E Modbus Bacnet VP.	1

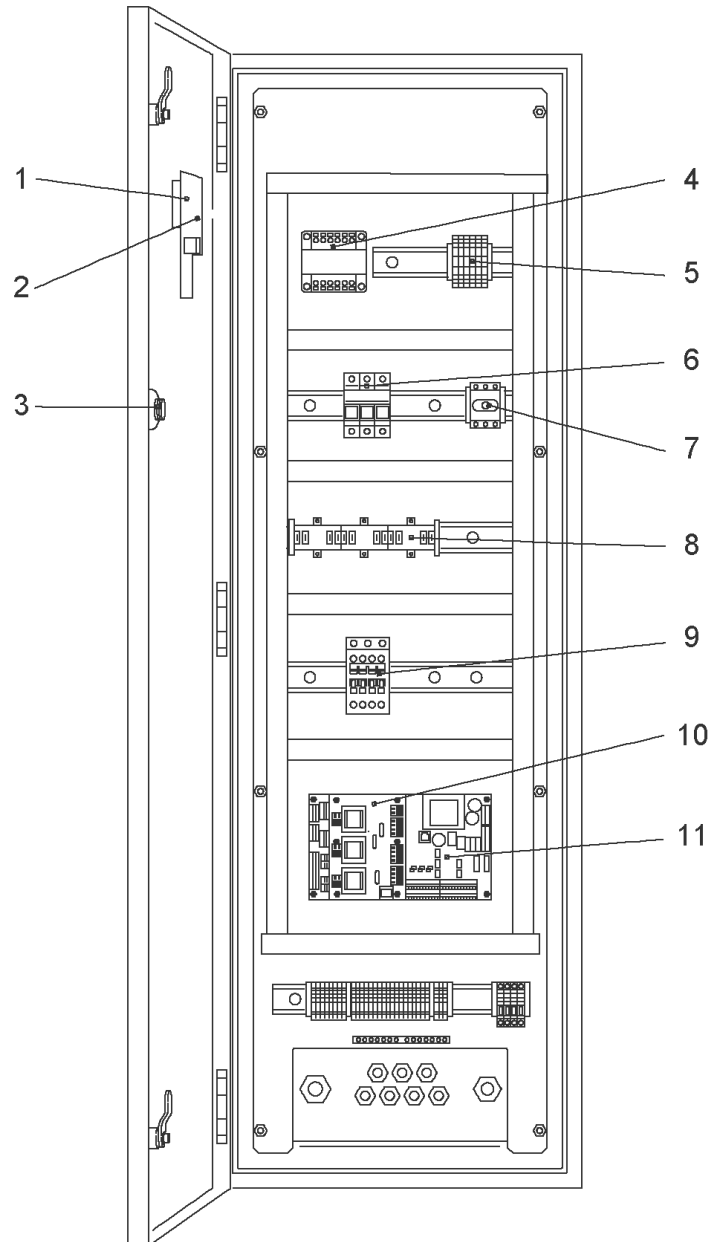


1691076_CTRL-SC-1x154A-T4-SD-BM-E-90KW

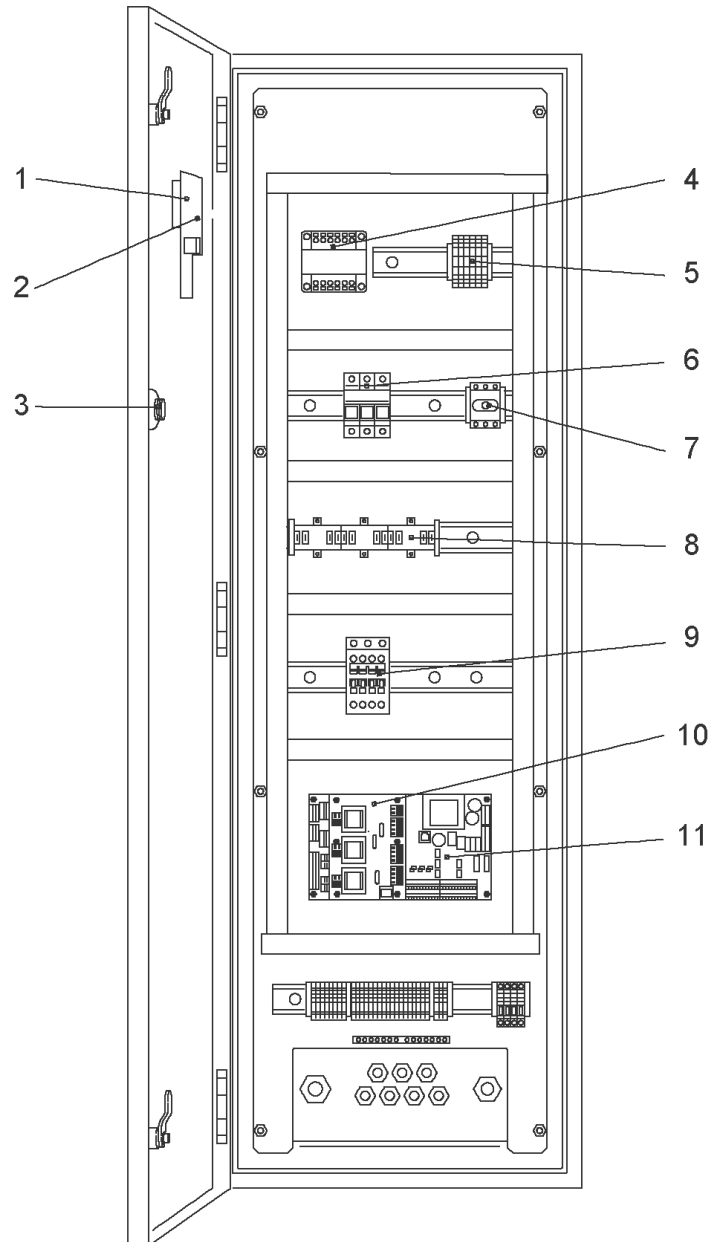
Item	Article no.	Description	Quantity
1	2132514	Display card SiFire/SC-L VP.	1
2	4220487	Assembly HMI SC Fire ED VP.	1
3	4222943	Handle x160-250 G/R VP.	1
4	4222892	Transformer 300VA SEC.24-230V VP.	1
5	4222916	Fuse 10X38mm 2A AM VP.	1
6	4222920	Fuse type NH1 200A AM VP.	1
7	4222945	Tripolar swich OT 250A-E30 VP.	1
8	4222910	Current transformer TAM1D 200A/5A VP.	1
9	4222929	Contactactor AF 230Vc.a.3P 116A NA-NC VP.	1
9	4222941	Contactactor ""AF"" 230Vc.a. 3P 80A VP.	1
10	4220488	Measuring board SC Fire U+I VP.	1
11	4220640	Assembly CPU SC Fire E Modbus Bacnet VP.	1



Item	Article no.	Description	Quantity
1	2132514	Display card SiFire/SC-L VP.	1
2	4220487	Assembly HMI SC Fire ED VP.	1
3	4222942	Handle x315-800 G/R VP.	1
4	4222892	Transformer 300VA SEC.24-230V VP.	1
5	4222916	Fuse 10X38mm 2A AM VP.	1
6	4222921	Fuse type NH2 250A AM VP.	1
7	4222946	Tripolar swich OT 400A-E30 VP.	1
8	4222925	Current transformer TAM1D 250A/5A VP.	1
9	4222931	Contactactor AF 230Vc.a.3P 190A NA-NC VP.	1
9	4222930	Contactactor AF 230Vc.a.3P 145A NA-NC VP.	1
10	4220488	Measuring board SC Fire U+I VP.	1
11	4220640	Assembly CPU SC Fire E Modbus Bacnet VP.	1

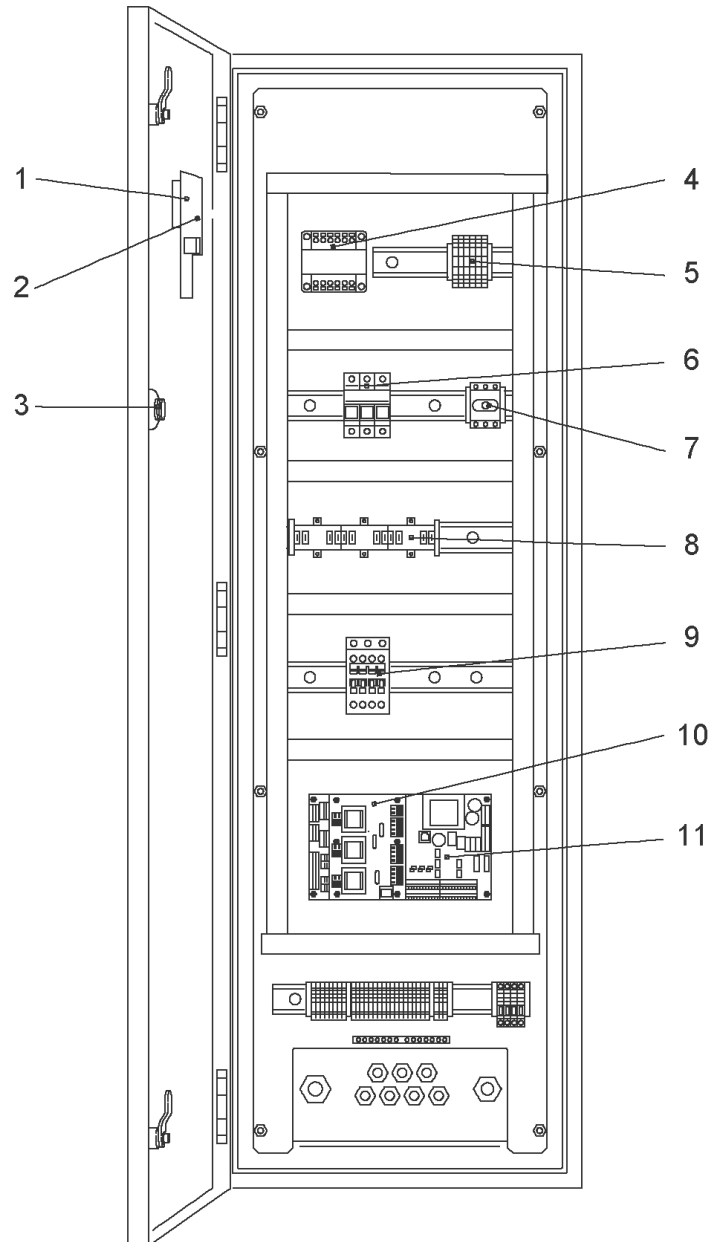


Item	Article no.	Description	Quantity
1	2132514	Display card SiFire/SC-L VP.	1
2	4220487	Assembly HMI SC Fire ED VP.	1
3	4222942	Handle x315-800 G/R VP.	1
4	4222892	Transformer 300VA SEC.24-230V VP.	1
5	4222916	Fuse 10X38mm 2A AM VP.	1
6	4222922	Fuse type NH2 315A AM VP.	1
7	4222946	Tripolar swich OT 400A-E30 VP.	1
8	4222927	Current transformer TAM3D 500A/5A VP.	1
9	4222932	Contactactor AF 230Vc.a.3P 260A NA-NC VP.	1
9	4222931	Contactactor AF 230Vc.a.3P 190A NA-NC VP.	1
10	4220488	Measuring board SC Fire U+I VP.	1
11	4220640	Assembly CPU SC Fire E Modbus Bacnet VP.	1

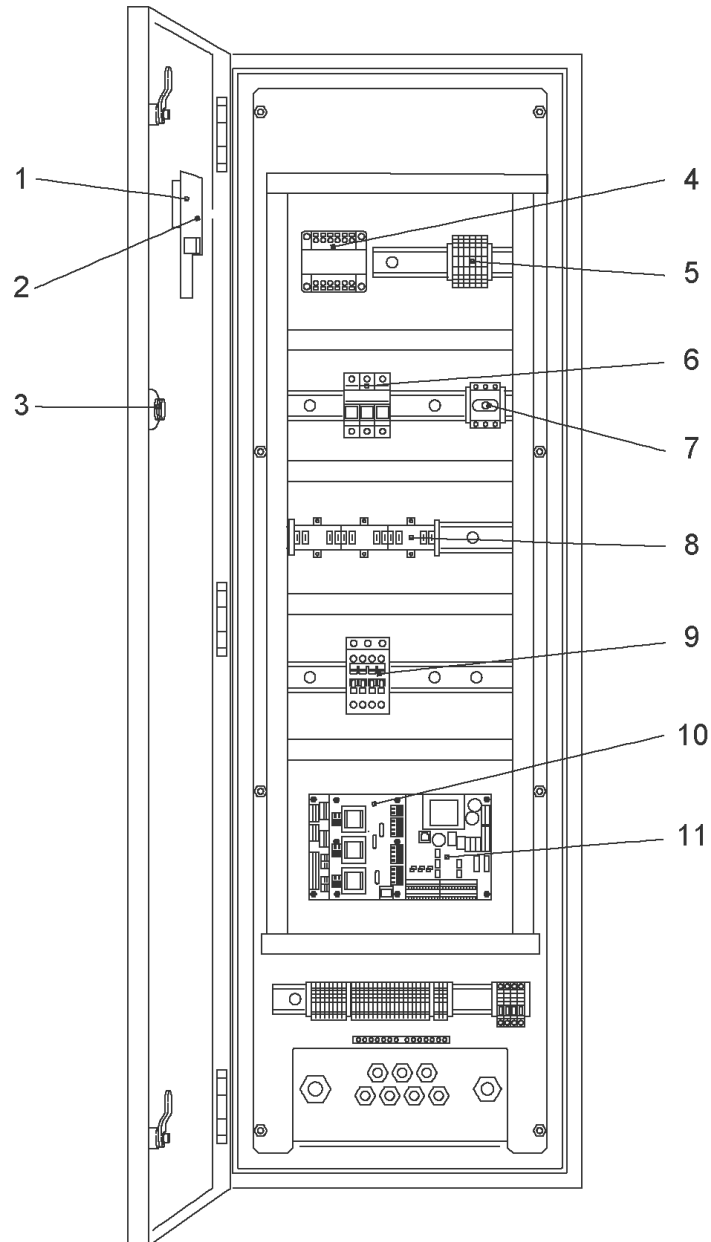


1691087_CTRL-SC-1x269A-T4-SD-BM-E-160K

Item	Article no.	Description	Quantity
1	2132514	Display card SiFire/SC-L VP.	1
2	4220487	Assembly HMI SC Fire ED VP.	1
3	4222942	Handle x315-800 G/R VP.	1
4	4222892	Transformer 300VA SEC.24-230V VP.	1
5	4222916	Fuse 10X38mm 2A AM VP.	1
6	4222922	Fuse type NH2 315A AM VP.	1
7	4222946	Tripolar swich OT 400A-E30 VP.	1
8	4222927	Current transformer TAM3D 500A/5A VP.	1
9	4222932	Contactactor AF 230Vc.a.3P 260A NA-NC VP.	1
9	4222931	Contactactor AF 230Vc.a.3P 190A NA-NC VP.	1
10	4220488	Measuring board SC Fire U+I VP.	1
11	4220640	Assembly CPU SC Fire E Modbus Bacnet VP.	1

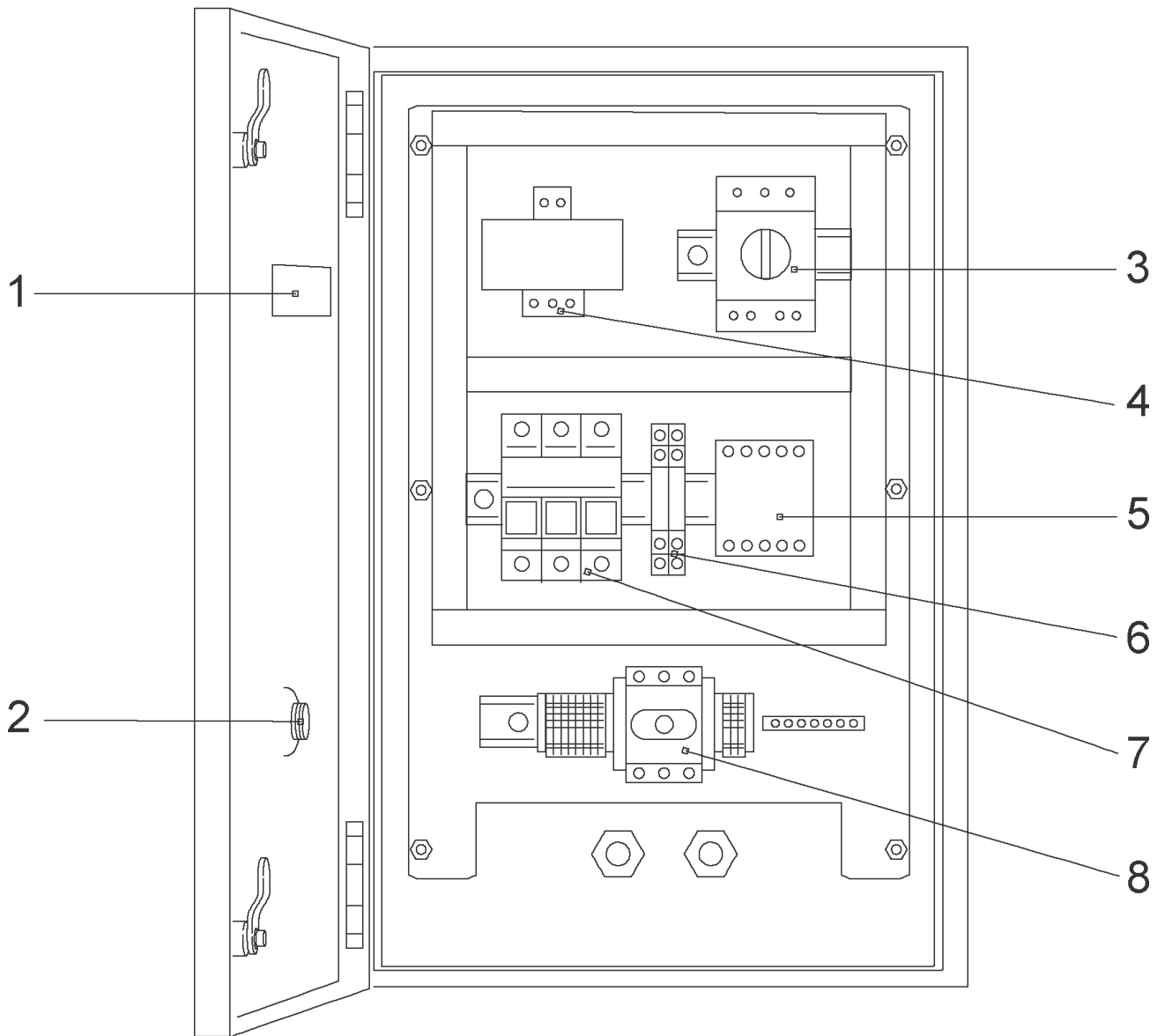


Item	Article no.	Description	Quantity
1	2132514	Display card SiFire/SC-L VP.	1
2	4220487	Assembly HMI SC Fire ED VP.	1
3	4222942	Handle x315-800 G/R VP.	1
4	4222892	Transformer 300VA SEC.24-230V VP.	1
5	4222916	Fuse 10X38mm 2A AM VP.	1
6	4222923	Fuse type NH3 400A AM VP.	1
7	4222947	Tripolar swich OT 630A-E30 VP.	1
8	4222927	Current transformer TAM3D 500A/5A VP.	1
9	4222932	Contactactor AF 230Vc.a.3P 260A NA-NC VP.	1
9	4222931	Contactactor AF 230Vc.a.3P 190A NA-NC VP.	1
10	4220488	Measuring board SC Fire U+I VP.	1
11	4220640	Assembly CPU SC Fire E Modbus Bacnet VP.	1



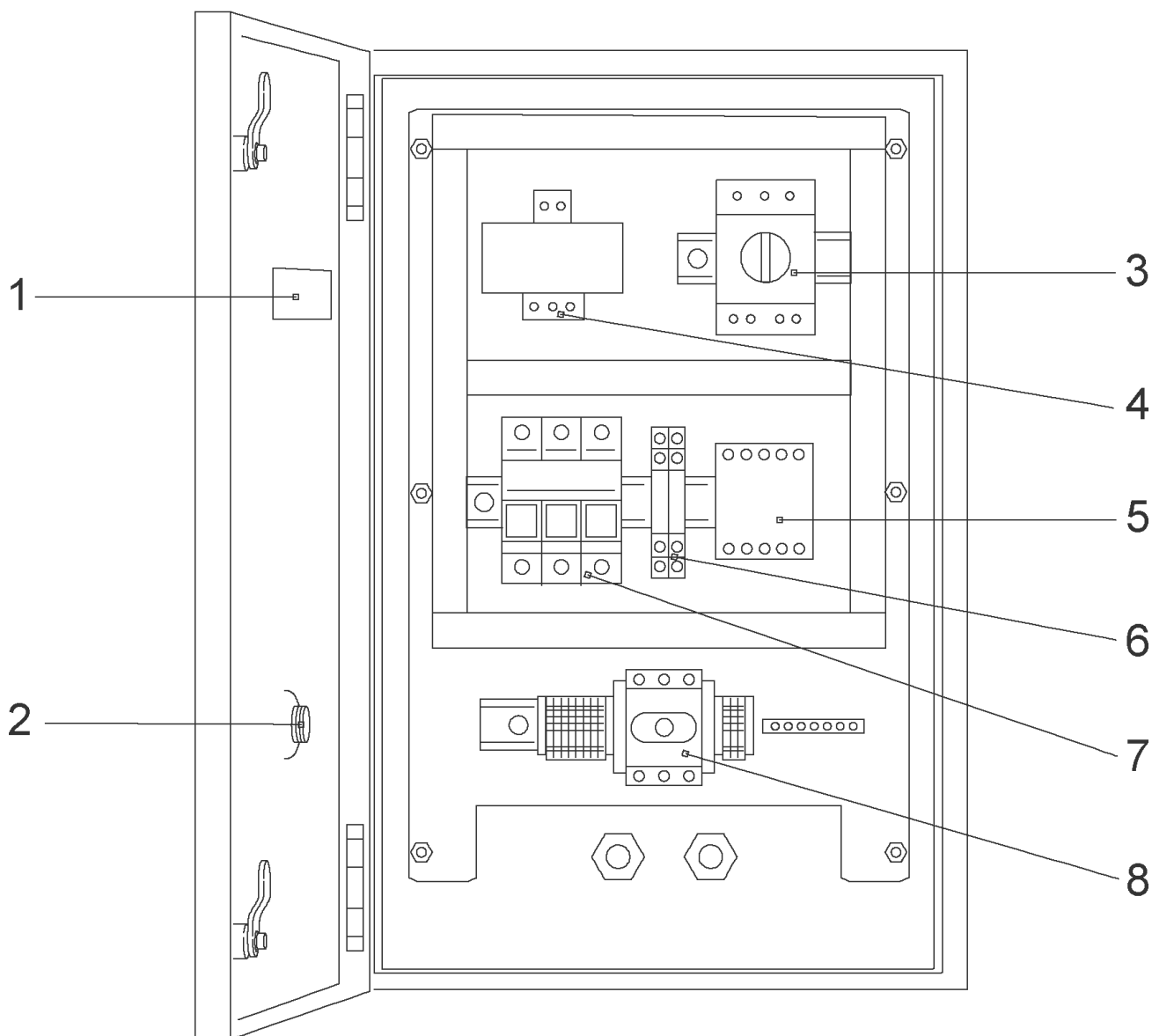
Item	Article no.	Description	Quantity
1	2132514	Display card SiFire/SC-L VP.	1
2	4220487	Assembly HMI SC Fire ED VP.	1
3	4222942	Handle x315-800 G/R VP.	1
4	4222893	Transformer 1000VA SEC.24-230V VP.	1
5	4222916	Fuse 10X38mm 2A AM VP.	1
6	4222924	Fuse type NH3 630A AM VP.	1
7	4222947	Tripolar swich OT 630A-E30 VP.	1
8	4222928	Current transformer TAM3D 800A/5A VP.	1
9	4222932	Contactora AF 230Vc.a.3P 260A NA-NC VP.	1
9	4222933	Contactora AF 230Vc.a.3P 370A NA-NC VP.	1
10	4220488	Measuring board SC Fire U+I VP.	1
11	4220640	Assembly CPU SC Fire E Modbus Bacnet VP.	1

Jockey pump control panel



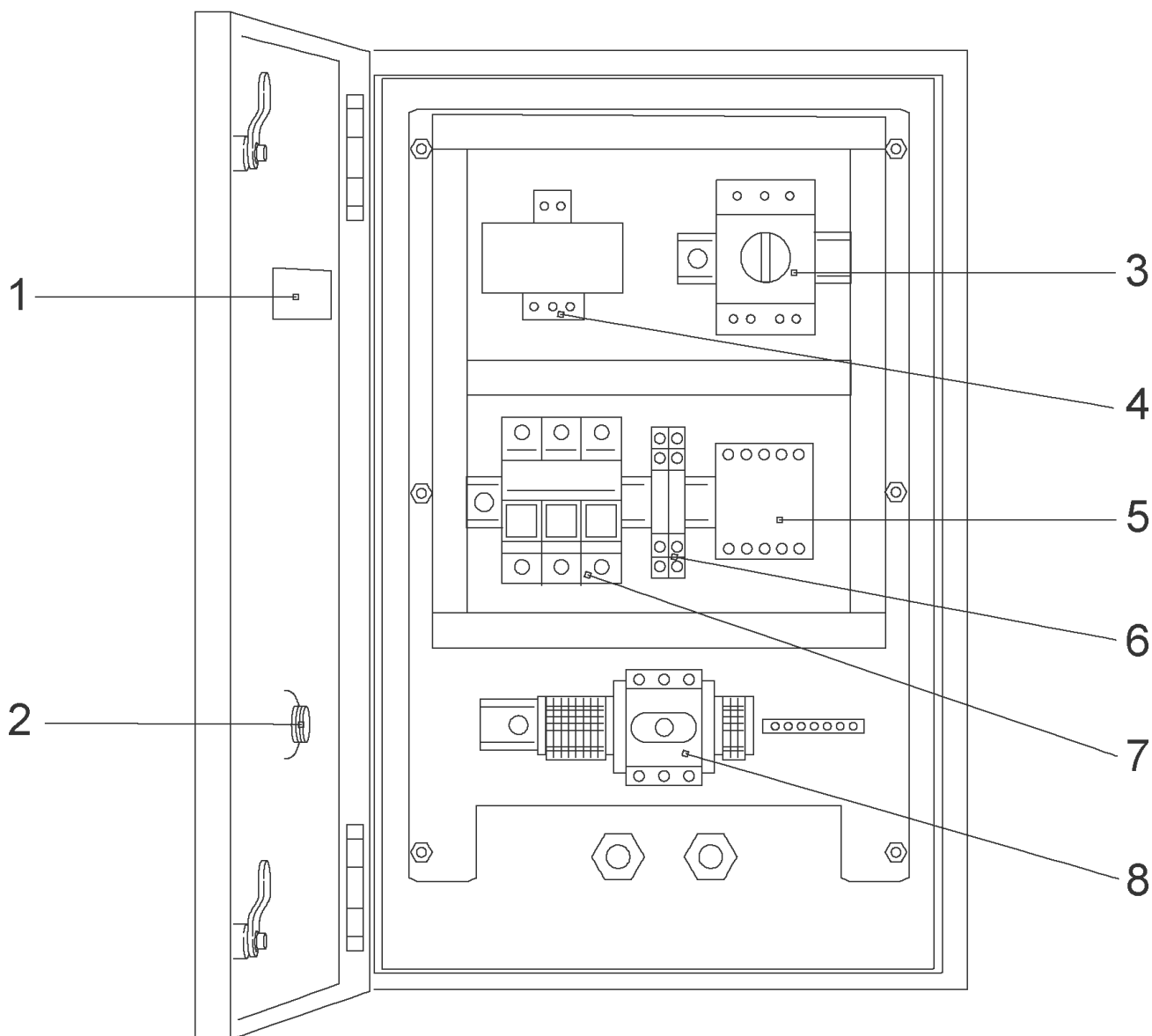
Jockey pump control panel

Description	Quantity
1690103_CTRL-1x1,25A-T4-DOL-J-0,55	1
1690104_CTRL-1x1,58A-T4-DOL-J-0,75	1
1690105_CTRL-1x4.0A-T4-DOL-J-1,1/1,5	1



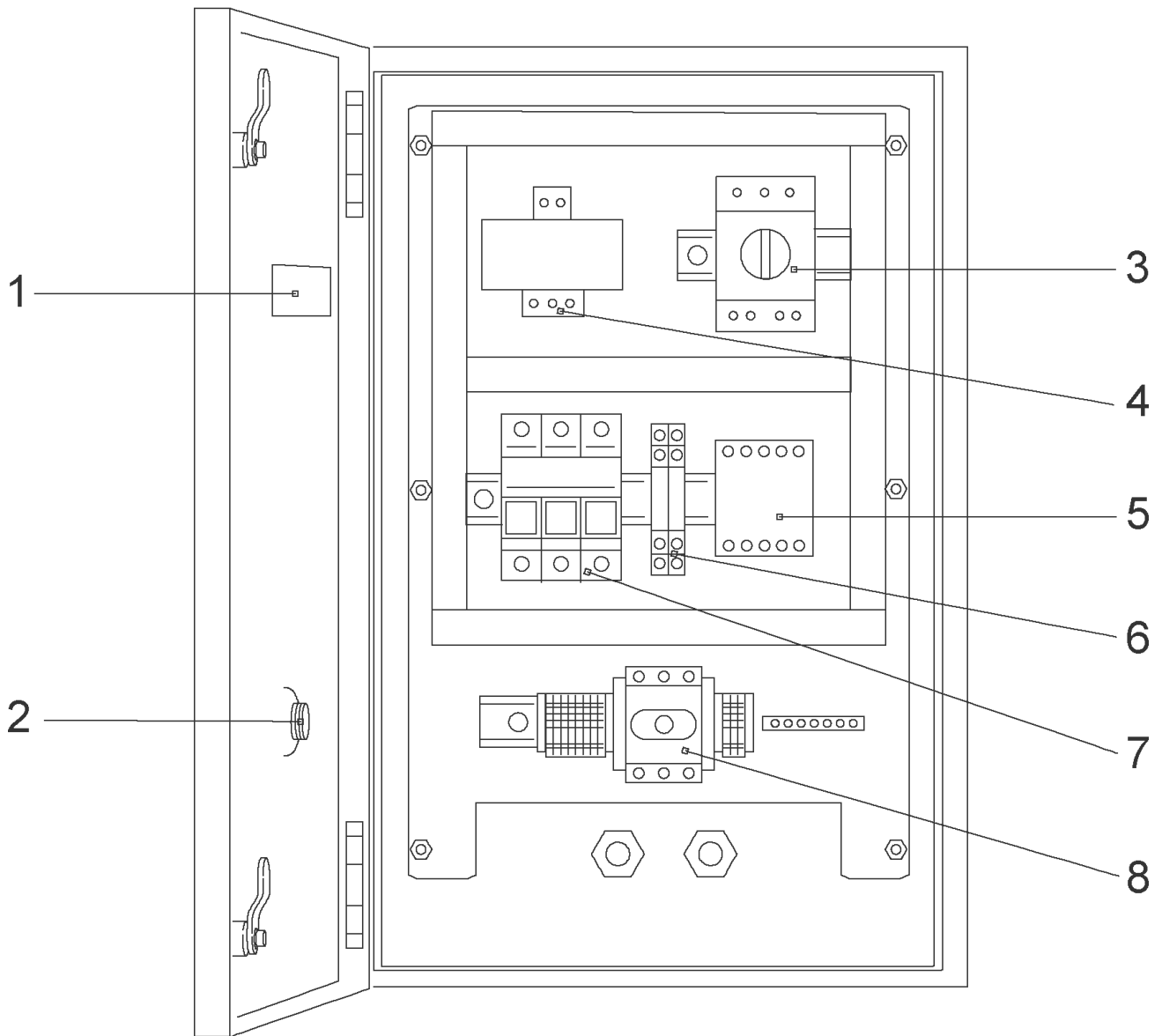
1690103_CTRL-1x1,25A-T4-DOL-J-0,55

Item	Article no.	Description	Quantity
1	4222903	Assembly HMI SC FIRE J VP.	1
2	4222965	Handle GR X SEZ ""OT"" VP.	1
3	4222887	Motor protection MS116 50KA 1.6-2.5A VP.	1
4	4222890	Transformer 50VA SEC.24-230V VP.	1
5	4222886	Contacteur 24 c.a. 9A 1NO aux(AS) VP.	1
6	4222895	Relay CR-P 24Vac 1c/o (ABB) VP.	1
7	4222959	Back-up fuse CIL.10X38 2A GL VP.	1
8	4222882	Tripolar switch 25A VP.	1



1690104_CTRL-1x1,58A-T4-DOL-J-0,75

Item	Article no.	Description	Quantity
1	4222903	Assembly HMI SC FIRE J VP.	1
2	4222965	Handle GR X SEZ ""OT"" VP.	1
3	4222887	Motor protection MS116 50KA 1.6-2.5A VP.	1
4	4222890	Transformer 50VA SEC.24-230V VP.	1
5	4222886	Contacteur 24 c.a. 9A 1NO aux(AS) VP.	1
6	4222895	Relay CR-P 24Vac 1c/o (ABB) VP.	1
7	4222959	Back-up fuse CIL.10X38 2A GL VP.	1
8	4222882	Tripolar switch 25A VP.	1



1690105_CTRL-1x4.0A-T4-DOL-J-1,1/1,5

Item	Article no.	Description	Quantity
1	4222903	Assembly HMI SC FIRE J VP.	1
2	4222965	Handle GR X SEZ ""OT"" VP.	1
3	4222888	Motor protection MS116 50KA 2.5-4.0A VP.	1
4	4222890	Transformer 50VA SEC.24-230V VP.	1
5	4222886	Contacteur 24 c.a. 9A 1NO aux(AS) VP.	1
6	4222895	Relay CR-P 24Vac 1c/o (ABB) VP.	1
7	4222959	Back-up fuse CIL.10X38 2A GL VP.	1
8	4222882	Tripolar switch 25A VP.	1

Elektromotor
electric motor
moteur électrique

Leistung power puissance 50Hz	Koblingsbuske coupling bush tampon d'accouplement	Menge quantity quantité
4,0 kW	1	3
5,5 kW	1	4
7,5 kW	1	4
11,0 kW	1	4
15,0 kW	1	4
18,5 kW	1	4
22,0 kW	1	5
30,0 kW	1	5
37,0 kW	1	5
45,0 kW	2	5
55,0 kW	2	5
75,0 kW	2	5
90,0 kW	2	5
110,0 kW	2	6
132,0 kW	2	6
160,0 kW	2	8
200,0 kW	2	8
250,0 kW	2	8

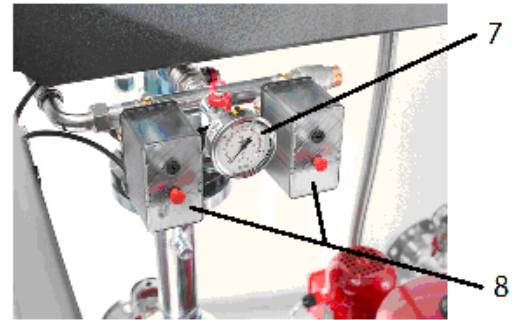
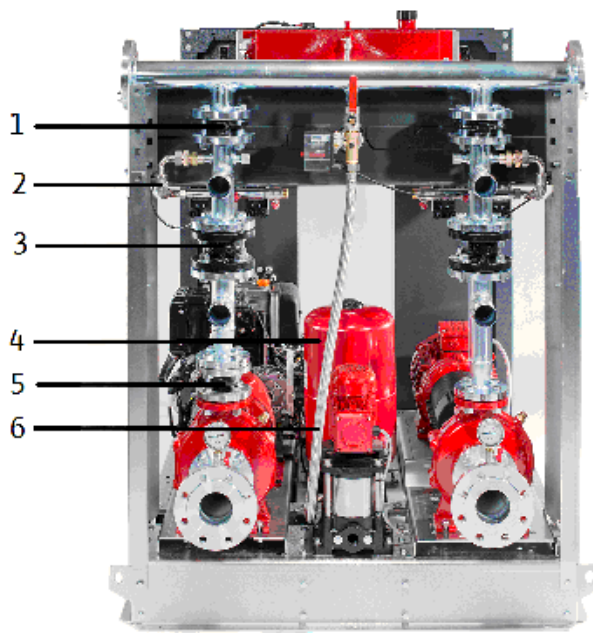
Dieselmotor
diesel motor
moteur diesel

Leistung power puissance 50Hz	Koblingsbuske coupling bush tampon d'accouplement	Menge quantity quantité
4,25 kW	1	4
6,8 kW	1	4
10,5 kW	1	5
12,9 kW	2	5
17,7 kW	2	5
26,5 kW	2	5
31,5 kW	2	6
47,7 kW	2	6
66,0 kW	2	6
100,0 kW	2	8
109,0 kW	2	8
145,0 kW	2	8
197,0 kW	2	8
222,0 kW	2	9
246,0 kW	2	9

Coupling bush

Item	Article no.	Description	Quantity
1	4227019	Coupling bush SiFire 4080001 VP.	1
2	4227020	Coupling bush SiFire 4080011 VP.	1

Others components



Others components

Item	Article no.	Description	Quantity
1	4226905	Butterfly valve PN16 - DN65 VP.	1
1	4226906	Butterfly valve PN16 - DN80 VP.	1
1	4226907	Butterfly valve PN16 - DN100 VP.	1
1	4226908	Butterfly valve PN16 - DN125 VP.	1
1	4226909	Butterfly valve PN16 - DN150 VP.	1
1	4226910	Butterfly valve PN16 - DN200 VP.	1
1	4226911	Butterfly valve PN16 - DN250 VP.	1
2	4222861	Hose 1/2X3/4 L-300 inox VP.	1
3	4222863	Non return valve PN16 - DN50 VP.	1
3	4222864	Non return valve PN16 - DN65 VP.	1
3	4222865	Non return valve PN16 - DN80 VP.	1
3	4222866	Non return valve PN16 - DN100 VP.	1
3	4222867	Non return valve PN16 - DN125 VP.	1
3	4222868	Non return valve PN16 - DN150 VP.	1
3	4222869	Non return valve PN16 - DN200 VP.	1
3	4222870	Non return valve PN16 - DN250 VP.	1
4	4222849	TANK 20 LIT - 16 BAR VP.	1
5	4230758	Vibrationless rubber sleeve DN50 VP	1
5	4230766	Vibrationless rubber sleeve DN65 VP	1
5	4230759	Vibrationless rubber sleeve DN80 VP	1
5	4230760	Vibrationless rubber sleeve DN100 VP	1
5	4230761	Vibrationless rubber sleeve DN125 VP	1
5	4230762	Vibrationless rubber sleeve DN150 VP	1
5	4230763	Vibrationless rubber sleeve DN200 VP	1
5	4230764	Vibrationless rubber sleeve DN250 VP	1
6	4222859	Hose 1"Fx1"FC L-1210 VP.	1
6	4222860	Hose 1"Fx1"FC L-1500 VP.	1
7	4203933	PRESSURE-GAUGE-0/16B-D63-G1/4"-AXIAL-VP.	1
8	4222862	Pressure sensor 2-16BAR 1/4" F VP.	1
		Other article on request	1