



Helix V36

Article no.	Description
4198470	HELIX V3601-1/16/E/KS/400-50
4150745	HELIX V3601-2/16/V/KS/400-50
4138309	HELIX V3601-3/16/E/KS/400-50
4198469	HELIX V3601/1-1/16/E/KS/400-50
4150744	HELIX V3601/1-2/16/V/KS/400-50
4138308	HELIX V3601/1-3/16/E/KS/400-50
4198473	HELIX V3602-1/16/E/KS/400-50
4150748	HELIX V3602-2/16/V/KS/400-50
4138312	HELIX V3602-3/16/E/K/400-50
4138834	HELIX V3602-3/16/E/KS/400-50
4183403	HELIX V3602-4/16/E/S/400-50
4198472	HELIX V3602/1-1/16/E/KS/400-50
4150747	HELIX V3602/1-2/16/V/KS/400-50
4138311	HELIX V3602/1-3/16/E/K/400-50
4138833	HELIX V3602/1-3/16/E/KS/400-50
4198471	HELIX V3602/2-1/16/E/KS/400-50
4150746	HELIX V3602/2-2/16/V/KS/400-50
4138310	HELIX V3602/2-3/16/E/K/400-50
4138832	HELIX V3602/2-3/16/E/KS/400-50
4183402	HELIX V3602/2-4/16/E/S/400-50
4198476	HELIX V3603-1/16/E/KS/400-50
4150753	HELIX V3603-2/16/V/KS/400-50
4150754	HELIX V3603-2/25/V/KS/400-50
4138317	HELIX V3603-3/16/E/K/400-50
4138837	HELIX V3603-3/16/E/KS/400-50
4138318	HELIX V3603-3/25/E/KS/400-50
4183405	HELIX V3603-4/16/E/S/400-50-FF240
4198475	HELIX V3603/1-1/16/E/KS/400-50
4150751	HELIX V3603/1-2/16/V/KS/400-50
4150752	HELIX V3603/1-2/25/V/KS/400-50
4138315	HELIX V3603/1-3/16/E/K/400-50
4138836	HELIX V3603/1-3/16/E/KS/400-50
4138316	HELIX V3603/1-3/25/E/KS/400-50
4183404	HELIX V3603/1-4/16/E/S/400-50-FF240

Helix V36

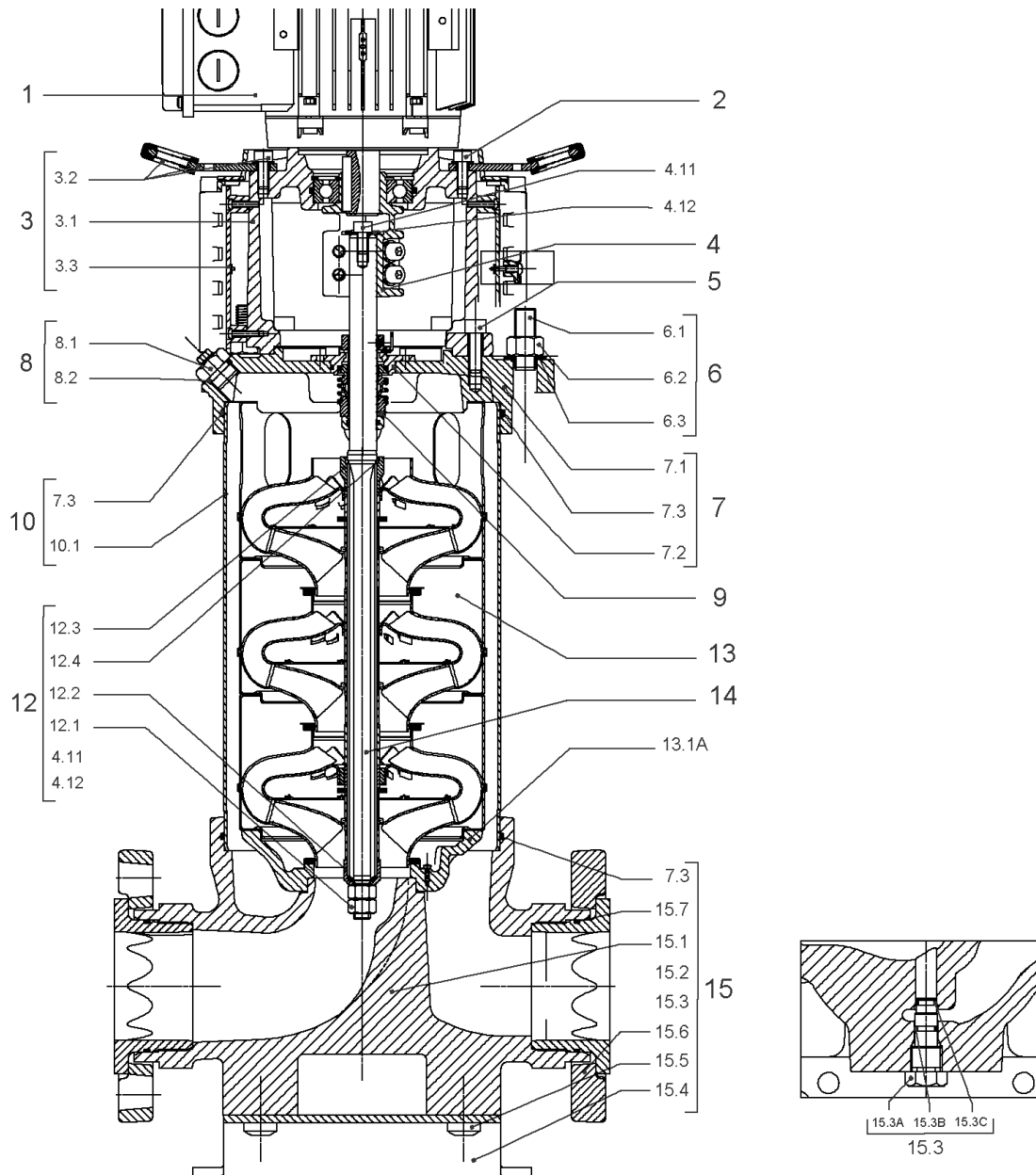
Article no.	Description
4198474	HELIX V3603/2-1/16/E/KS/400-50
4150749	HELIX V3603/2-2/16/V/KS/400-50
4150750	HELIX V3603/2-2/25/V/KS/400-50
4138313	HELIX V3603/2-3/16/E/K/400-50
4138835	HELIX V3603/2-3/16/E/KS/400-50
4138314	HELIX V3603/2-3/25/E/KS/400-50
4198478	HELIX V3604-1/16/E/KS/400-50
4150757	HELIX V3604-2/16/V/KS/400-50
4150758	HELIX V3604-2/25/V/KS/400-50
4138321	HELIX V3604-3/16/E/K/400-50
4138839	HELIX V3604-3/16/E/KS/400-50
4138322	HELIX V3604-3/25/E/KS/400-50
4183407	HELIX V3604-4/16/E/S/400-50-FF240
4198477	HELIX V3604/2-1/16/E/KS/400-50
4150755	HELIX V3604/2-2/16/V/KS/400-50
4150756	HELIX V3604/2-2/25/V/KS/400-50
4138319	HELIX V3604/2-3/16/E/K/400-50
4138838	HELIX V3604/2-3/16/E/KS/400-50
4138320	HELIX V3604/2-3/25/E/KS/400-50
4183406	HELIX V3604/2-4/16/E/S/400-50-FF240
4198480	HELIX V3605-1/16/E/KS/400-50
4150761	HELIX V3605-2/16/V/KS/400-50
4150762	HELIX V3605-2/25/V/KS/400-50
4138325	HELIX V3605-3/16/E/K/400-50
4138841	HELIX V3605-3/16/E/KS/400-50
4138326	HELIX V3605-3/25/E/KS/400-50
4183409	HELIX V3605-4/16/E/KS/400-50
4198479	HELIX V3605/2-1/16/E/KS/400-50
4150759	HELIX V3605/2-2/16/V/KS/400-50
4150760	HELIX V3605/2-2/25/V/KS/400-50
4138323	HELIX V3605/2-3/16/E/K/400-50
4138840	HELIX V3605/2-3/16/E/KS/400-50
4138324	HELIX V3605/2-3/25/E/KS/400-50
4183408	HELIX V3605/2-4/16/E/KS/400-50

Helix V36

Article no.	Description
4198483	HELIX V3606-1/16/E/KS/400-50
4198484	HELIX V3606-1/25/E/KS/400-50
4150765	HELIX V3606-2/16/V/KS/400-50
4150766	HELIX V3606-2/25/V/KS/400-50
4138329	HELIX V3606-3/16/E/K/400-50
4138843	HELIX V3606-3/16/E/KS/400-50
4138330	HELIX V3606-3/25/E/KS/400-50
4183411	HELIX V3606-4/16/E/KS/400-50
4198481	HELIX V3606/2-1/16/E/KS/400-50
4198482	HELIX V3606/2-1/25/E/KS/400-50
4150763	HELIX V3606/2-2/16/V/KS/400-50
4150764	HELIX V3606/2-2/25/V/KS/400-50
4138327	HELIX V3606/2-3/16/E/K/400-50
4138842	HELIX V3606/2-3/16/E/KS/400-50
4138328	HELIX V3606/2-3/25/E/KS/400-50
4183410	HELIX V3606/2-4/16/E/KS/400-50
4198486	HELIX V3607-1/25/E/KS/400-50
4150768	HELIX V3607-2/25/V/KS/400-50
4138332	HELIX V3607-3/25/E/KS/400-50
4198485	HELIX V3607/2-1/25/E/KS/400-50
4150767	HELIX V3607/2-2/25/V/KS/400-50
4138331	HELIX V3607/2-3/25/E/KS/400-50
4198488	HELIX V3608-1/25/E/KS/400-50
4150770	HELIX V3608-2/25/V/KS/400-50
4138334	HELIX V3608-3/25/E/KS/400-50
4198487	HELIX V3608/2-1/25/E/KS/400-50
4150769	HELIX V3608/2-2/25/V/KS/400-50
4138333	HELIX V3608/2-3/25/E/KS/400-50
4198490	HELIX V3609-1/25/E/KS/400-50
4150772	HELIX V3609-2/25/V/KS/400-50
4138336	HELIX V3609-3/25/E/KS/400-50
4198489	HELIX V3609/2-1/25/E/KS/400-50
4150771	HELIX V3609/2-2/25/V/KS/400-50
4138335	HELIX V3609/2-3/25/E/KS/400-50

Helix V36

Article no.	Description
4165832	HELIX V3610-2/30/V/KS/400-50
4165795	HELIX V3610-3/30/E/KS/400-50
4198491	HELIX V3610/2-1/25/E/KS/400-50
4150773	HELIX V3610/2-2/25/V/KS/400-50
4165838	HELIX V3611-2/30/V/KS/400-50
4165801	HELIX V3611-3/30/E/KS/400-50
4165835	HELIX V3611/2-2/30/V/KS/400-50
4165798	HELIX V3611/2-3/30/E/KS/400-50

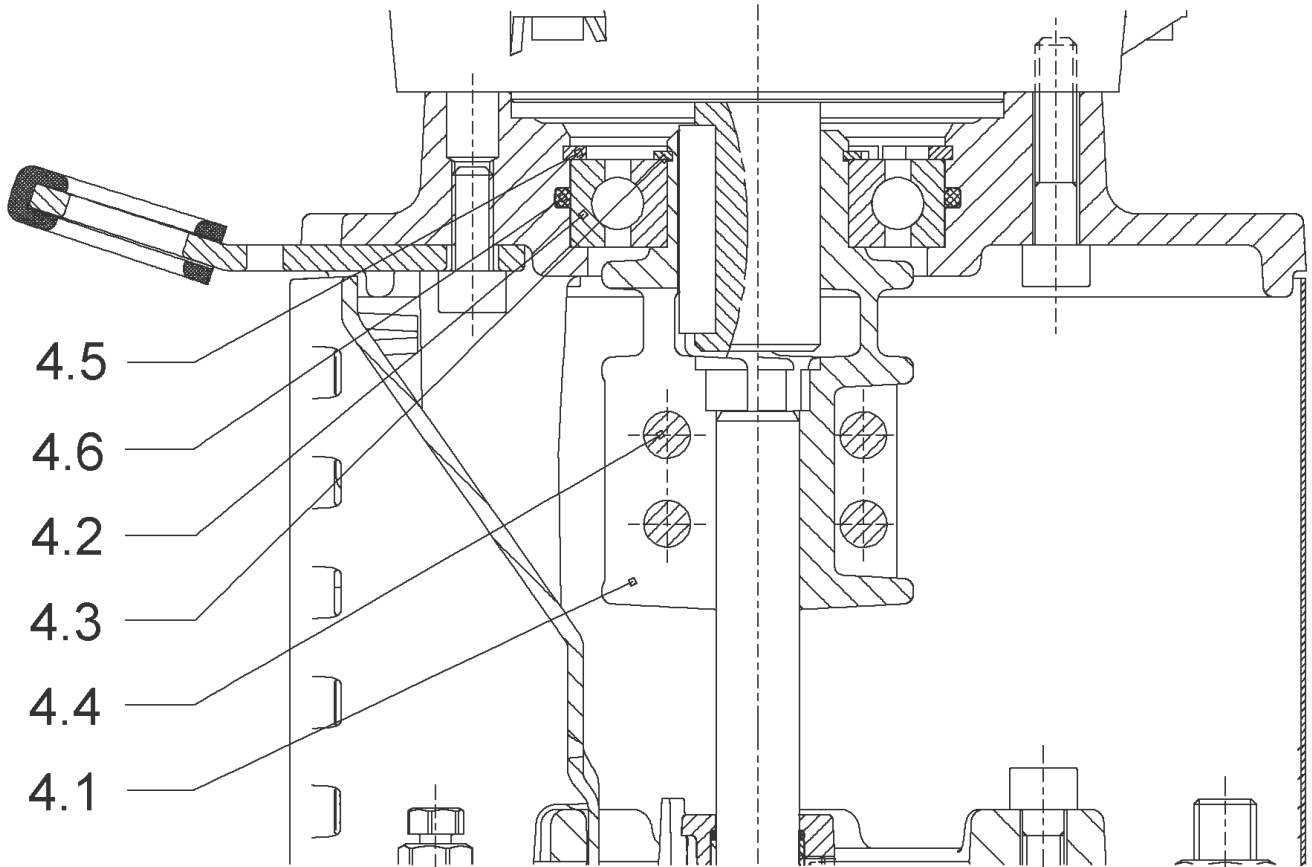


HELIX V3601/1-3/16/E/KS/400-50 (4138308)

Item	Article no.	Description	Quantity
1	4169943	MOTOR 2,2/2/90 3~230/400V 50HZ IE3 VP.	1
		SPARE PARTS MOTOR:ON REQUEST	1
2	4159707	SCREW M8X30 (4 PIECES)	1
3	4157718	LANTERN FT115 HELIX V22/V36 KIT	1
3.1		> LANTERN FT115 M+ GJL MACHINED+CATA	1
3.2	4179561	> EYELET CPL.FT HELIX(2 PIECES)	1
3.3	4143968	> COUPLING PROTECT HELIX FT KIT	1
4	4143963	COUPLING D.22XD.36 FT115 KIT	1
5	4094462	SCREWS M10 (4 PIECES)	1
6	4179563	STUD BOLT M16X198 KIT	1
6.1		> TIE BOLT M16-198x24x44-1.4057	1
6.2	4179562	> NUT M16 8.8 ISO4032 (4 PIECES)	1
6.3	4097852	> WASHER-CS-16.4-32-2.8-NFE25-511-A2	1
7	4179565	END SHIELD HELIX 8" EPDM KIT	1
7.1		> END SHIELD M+ GJL MACHINED+CATA	1
7.2	4179564	> O-RING D.42.52x2.62 EPDM VP.	1
7.3	4179571	> O-RING HOUSING PIPE HELIX22/36/52 VP.	1
8	4143765	FILING/PURGING PLUG 316L HELIX KIT	1
8.1		> FILLING/VENTING-PLUG-VMI8/10-316L	1
8.2	4032291	> O-RING 17x3 EPDM KTW/WRC	1
9	4143973	CARTRIDGE HELIX22-36-52 O/E KIT	1
10	4179575	HOUSING PIPE D.204X130 1.4301 KIT	1
7.3	4179571	> O-RING HOUSING PIPE HELIX22/36/52 VP.	1
10.1		> HOUSING-PIPE Ø204-M+3601/5201-304	1
12	4161186	SHAFT EQUIPMENT HELIX V36 8" KIT	1
13		HYDRAULIC HELIX V 3601-1	1
14	4180017	SHAFT D.22X287,34 1.4057 VP.	1
15	4161185	EQUIPED HOUSING HELIX 36 GJL KIT	1
15.1		> PUMP HOUSING SET with CATA. PARTS-DN65	1
15.3	4143766	> DRAIN/PRIMING PLUG EPDM HELIX KIT	1
15.3A		>> PRIMING/DRAIN PLUG-304-VERSION 1	1
15.3B	4032293	>> O-RING-10x3-EPDM-KTW/WRC	1
15.3C	4233957	>> O-RING ID.9 EPDM VP.	1
15.4	4221729	> BASE M+ DN50/65/80 VP.	1

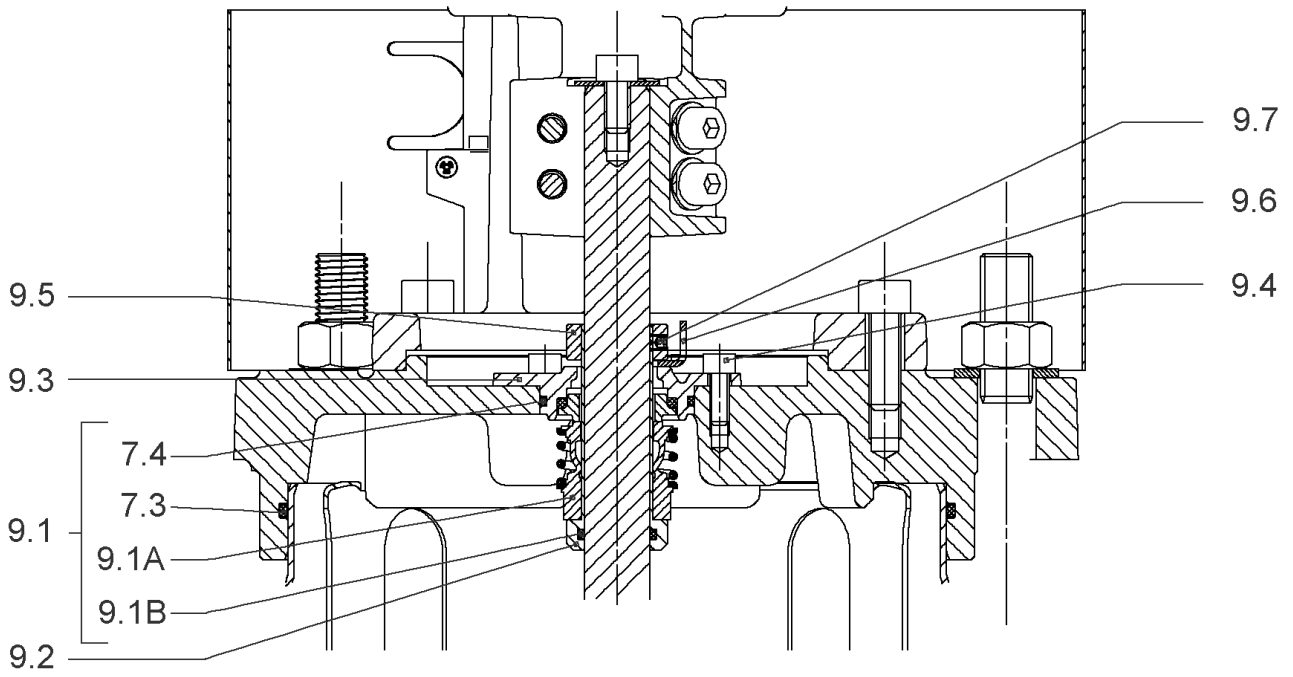
HELIX V3601/1-3/16/E/KS/400-50 (4138308)

Item	Article no.	Description	Quantity
15.5		> SCREW TBHC M12x25 ISO7380 ZN	1
15.6		> FLANGE M+ DN65 NF PN16-25 ASME PN16 CATA	1
15.7		> O-RING Ø79.5xØ3 EPDM	1
13.1A	4161200	> NECK RING 1.STAGE HELIX V36/52 KIT	1
		>> NECK-RING-M+36/52	1
		>> HYDRAULIC SUPPORT CAP M+36/52 304	1
		>> SCREW TCL M3X8 A4 POZIDRIV	1
7.3	4179571	> O-RING HOUSING PIPE HELIX22/36/52 VP.	1



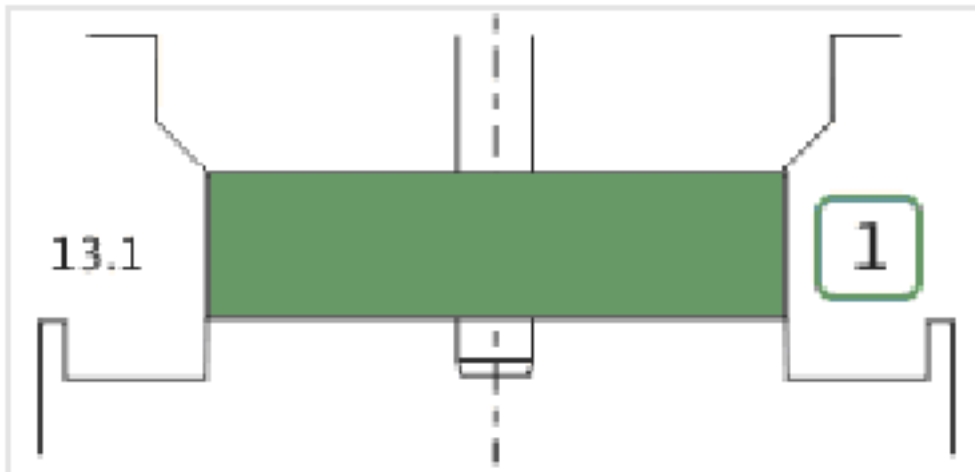
COUPLING D.22XD.36 FT115 KIT (4143963)

Item	Article no.	Description	Quantity
4.1		COUPLING-M+ Ø20XØ24-FT115-MACHINED	1
4.2	2131023	BALL BEARING 6207/ZZ-C3(HT)VP.	1
4.3	4234254	CIRCLIP-FOR-SHAFT-D35x1.5 VP.	1
4.4	4157726	SCREW KIT M8X30 (4 PIECES)	1
4.5	4234251	CIRCLIP-D72x2.5 VP.	1
4.6	4234246	O-RING 72X3 VP.	1



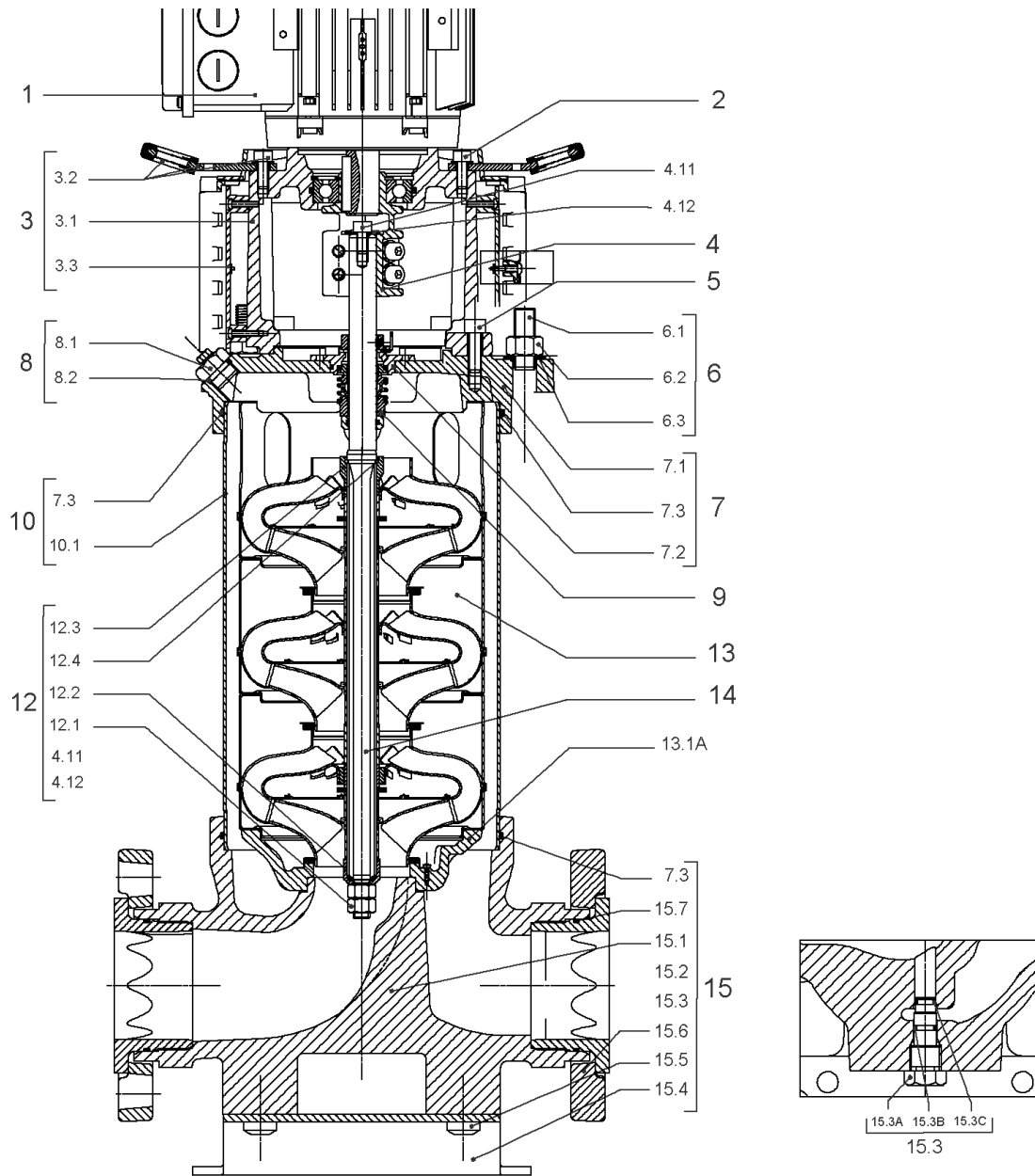
CARTRIDGE HELIX22-36-52 O/E KIT (4143973)

Item	Article no.	Description	Quantity
9.1	4143974	SEAL-KIT-HELIX22-36-52 O/E	1
7.3	4179571	> O-RING HOUSING PIPE HELIX22/36/52 VP.	1
7.4	4179572	> O-RING ID.42.52X2.62 EPDM VP.	1
9.1A	4179573	> M.SEAL.HELIX22-36-52 O/E VP.	1
9.1B	4179574	> O-RING ID.20x2.65 EPDM VP.	1
9.2	4179566	SHAFT SLEEVE D.20/20X60 1.4404 VP.	1
9.3	4179567	RING HOLDER Ø22 1.4301 VP.	1
9.4	4176520	SCREW CH M5x5 A4-70 (3PIECES)	1
9.5	4179568	DRIVE RING D.31/22.1x11 MACH.VP.	1
9.6	4179569	TOOL M.S.CART.HELIX 8" VP.	1
9.7	4179570	SCREW M6X16 ISO4762 8.8 GEOMET(4 PIECES)	1



HYDRAULIC HELIX V 3601-1

Item	Article no.	Description	Quantity
13.1	4161199	UPPER STAGE HELIX 36 1.4301 KIT	1
		> STOP COLLAR OF IMPELLER L20-Ø22-316L	1
		> SHAFT-SLEEVE-D26xD22x16-CW	1
		> SLEEVE-SPACER-D22XL16,66-316L	1
		> REDUCED-IMPELLER-H1-M+36-304	1
		> MACH.-RIGID-BEARING-DISC.-CHAMBER-M+36-3	1
13.1A	4161200	> NECK RING 1.STAGE HELIX V36/52 KIT	1
		>> NECK-RING-M+36/52	1
		>> HYDRAULIC SUPPORT CAP M+36/52 304	1
		>> SCREW TCL M3X8 A4 POZIDRIV	1

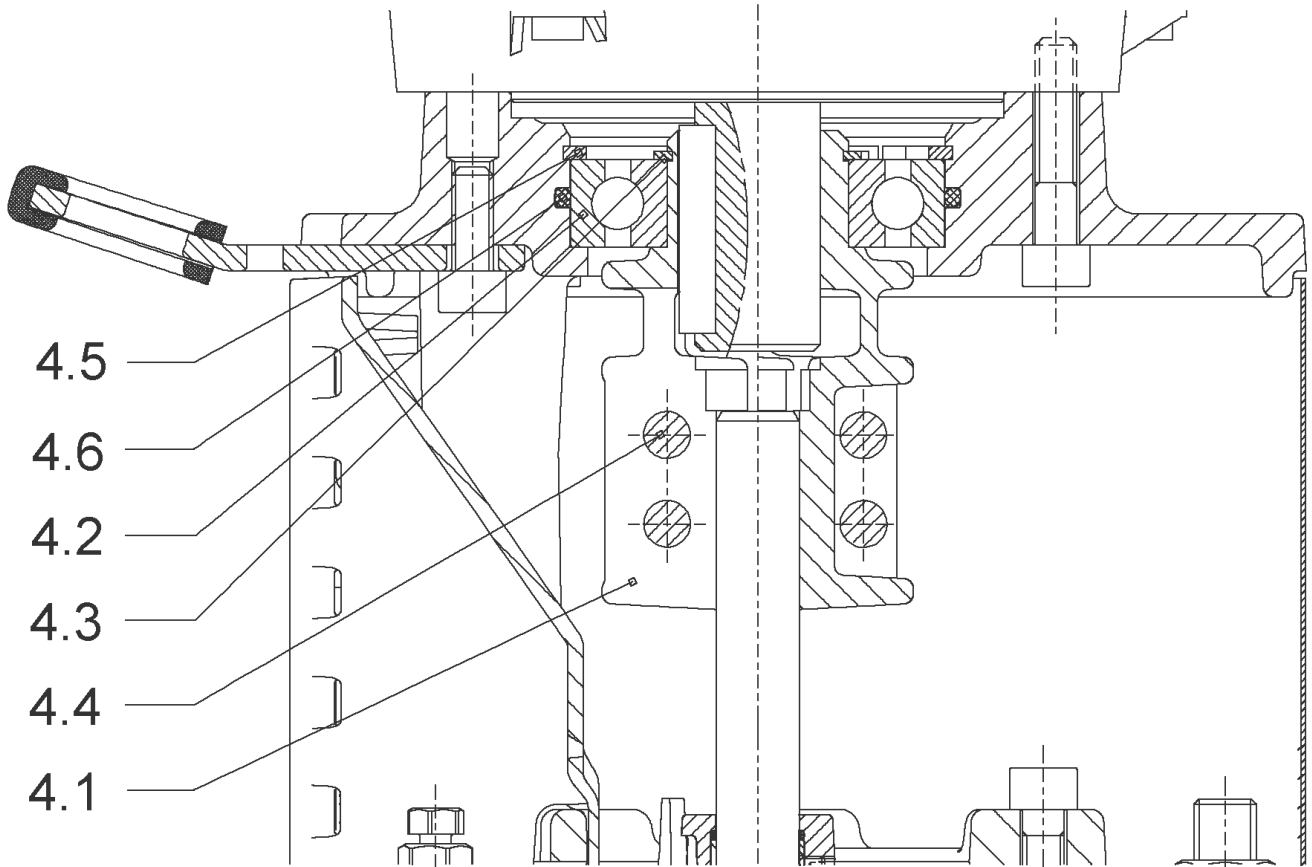


HELIX V3601-3/16/E/KS/400-50 (4138309)

Item	Article no.	Description	Quantity
1	4169944	MOTOR 3/2/100 3~230/400V 50HZ IE3 VP.	1
		SPARE PARTS MOTOR:ON REQUEST	1
2	4159707	SCREW M8X30 (4 PIECES)	1
3	4157719	LANTERN HELIX 22/36 FT130 KIT	1
3.1		> LANTERN FT130 M+ GJL MACHINED+CATA	1
3.2	4179561	> EYELET CPL.FT HELIX(2 PIECES)	1
3.3	4143968	> COUPLING PROTECT HELIX FT KIT	1
4	4143964	COUPLING D.20XD.28 FT130 KIT	1
5	4094462	SCREWS M10 (4 PIECES)	1
6	4179563	STUD BOLT M16X198 KIT	1
6.1		> TIE BOLT M16-198x24x44-1.4057	1
6.2	4179562	> NUT M16 8.8 ISO4032 (4 PIECES)	1
6.3	4097852	> WASHER-CS-16.4-32-2.8-NFE25-511-A2	1
7	4179565	END SHIELD HELIX 8" EPDM KIT	1
7.1		> END SHIELD M+ GJL MACHINED+CATA	1
7.2	4179564	> O-RING D.42.52x2.62 EPDM VP.	1
7.3	4179571	> O-RING HOUSING PIPE HELIX22/36/52 VP.	1
8	4143765	FILING/PURGING PLUG 316L HELIX KIT	1
8.1		> FILLING/VENTING-PLUG-VMI8/10-316L	1
8.2	4032291	> O-RING 17x3 EPDM KTW/WRC	1
9	4143973	CARTRIDGE HELIX22-36-52 O/E KIT	1
10	4179575	HOUSING PIPE D.204X130 1.4301 KIT	1
7.3	4179571	> O-RING HOUSING PIPE HELIX22/36/52 VP.	1
10.1		> HOUSING-PIPE Ø204-M+3601/5201-304	1
12	4161186	SHAFT EQUIPMENT HELIX V36 8" KIT	1
13		HYDRAULICHELIX V 3601	1
14	4180017	SHAFT D.22X287,34 1.4057 VP.	1
15	4161185	EQUIPED HOUSING HELIX 36 GJL KIT	1
15.1		> PUMP HOUSING SET with CATA. PARTS-DN65	1
15.3	4143766	> DRAIN/PRIMING PLUG EPDM HELIX KIT	1
15.3A		>> PRIMING/DRAIN PLUG-304-VERSION 1	1
15.3B	4032293	>> O-RING-10x3-EPDM-KTW/WRC	1
15.3C	4233957	>> O-RING ID.9 EPDM VP.	1
15.4	4221729	> BASE M+ DN50/65/80 VP.	1

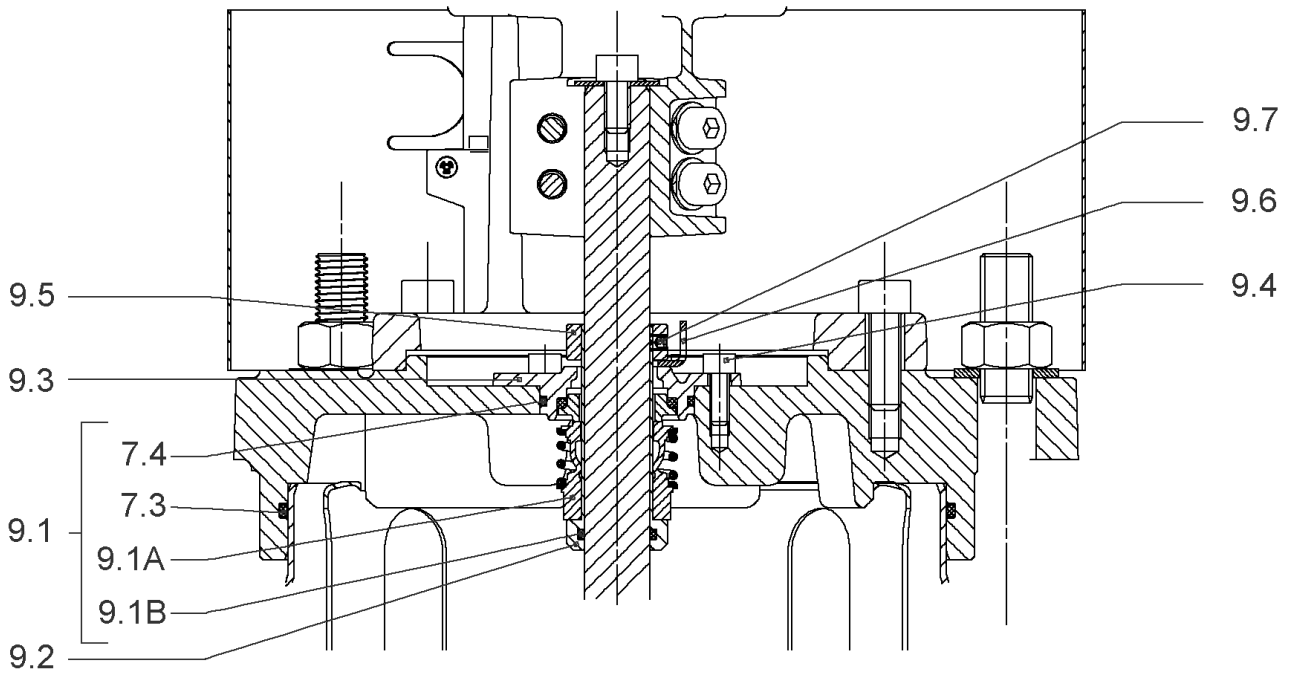
HELIX V3601-3/16/E/KS/400-50 (4138309)

Item	Article no.	Description	Quantity
15.5		> SCREW TBHC M12x25 ISO7380 ZN	1
15.6		> FLANGE M+ DN65 NF PN16-25 ASME PN16 CATA	1
15.7		> O-RING Ø79.5xØ3 EPDM	1
13.1A	4161200	> NECK RING 1.STAGE HELIX V36/52 KIT	1
		>> NECK-RING-M+36/52	1
		>> HYDRAULIC SUPPORT CAP M+36/52 304	1
		>> SCREW TCL M3X8 A4 POZIDRIV	1
7.3	4179571	> O-RING HOUSING PIPE HELIX22/36/52 VP.	1



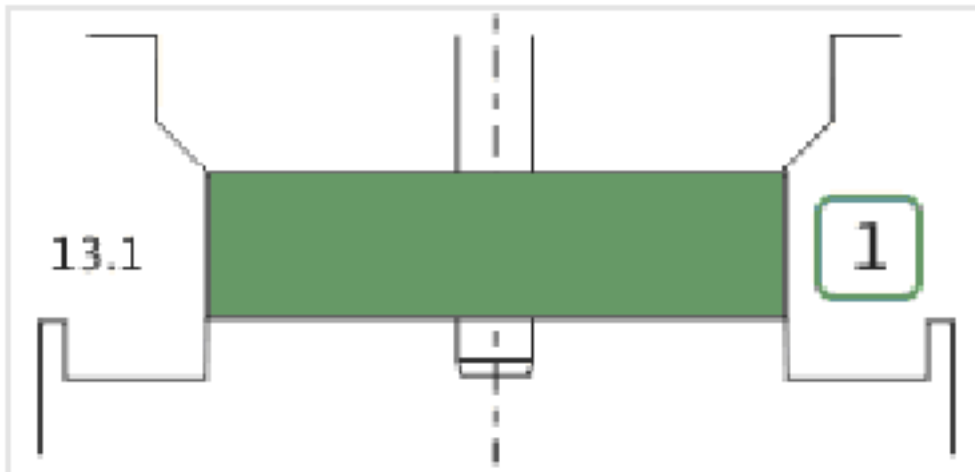
COUPLING D.20XD.28 FT130 KIT (4143964)

Item	Article no.	Description	Quantity
4.1		COUPLING M+ Ø20XØ28-FT130 MACHINED	1
4.2	2131022	BALL BEARING 6209/ZZ-C3(HT)VP.	1
4.3	4233930	CIRCLIP-FOR-BORES-D45x1,75 VP.	1
4.4	4157726	SCREW KIT M8X30 (4 PIECES)	1
4.5	4234252	CIRCLIPS 85X3 VP.	1
4.6	4234243	O-RING 85X3 VP.	1
		NOMEL CONTACT WASHER 8x16x1,4 STEEL ZC	1

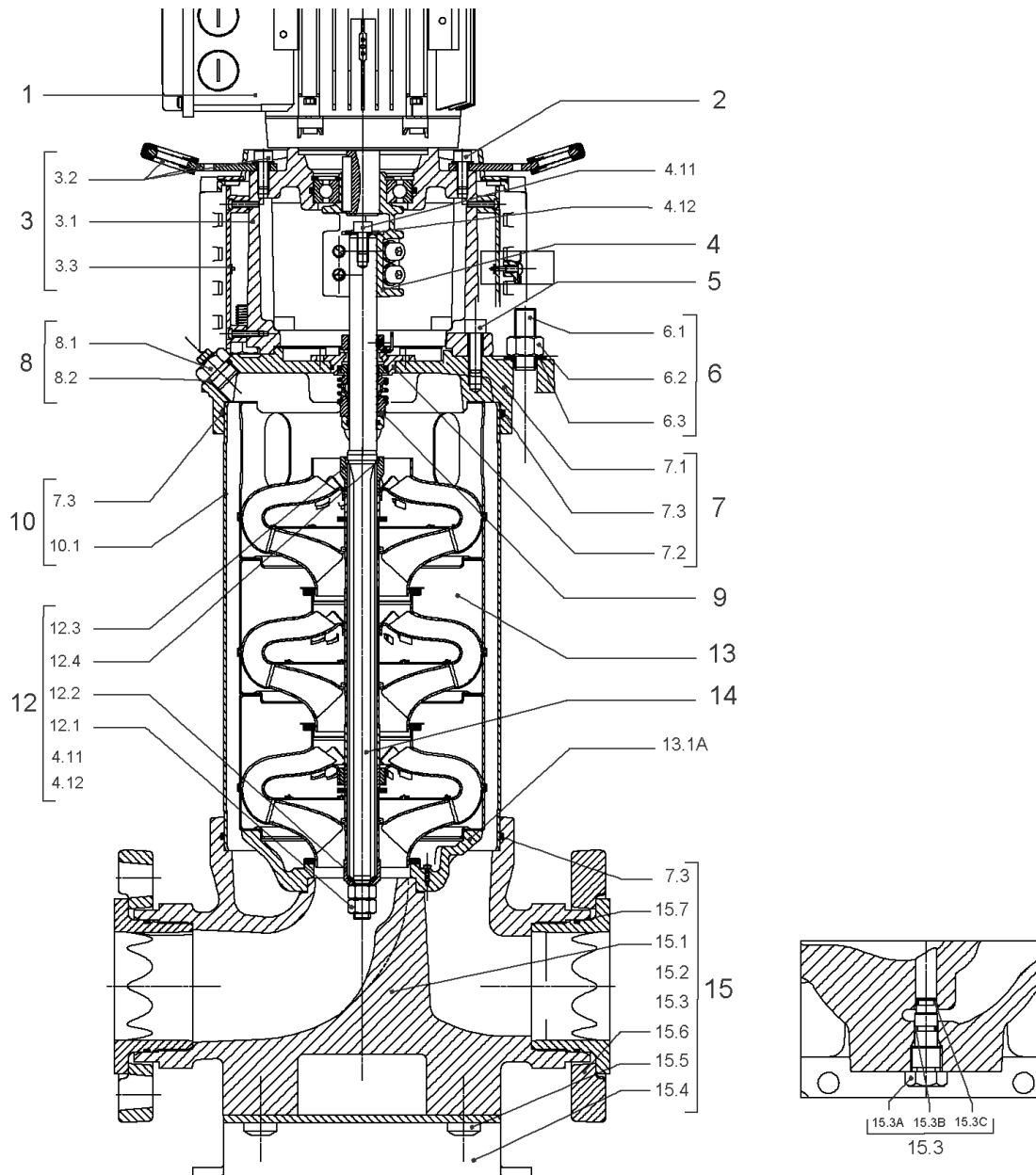


CARTRIDGE HELIX22-36-52 O/E KIT (4143973)

Item	Article no.	Description	Quantity
9.1	4143974	SEAL-KIT-HELIX22-36-52 O/E	1
7.3	4179571	> O-RING HOUSING PIPE HELIX22/36/52 VP.	1
7.4	4179572	> O-RING ID.42.52X2.62 EPDM VP.	1
9.1A	4179573	> M.SEAL.HELIX22-36-52 O/E VP.	1
9.1B	4179574	> O-RING ID.20x2.65 EPDM VP.	1
9.2	4179566	SHAFT SLEEVE D.20/20X60 1.4404 VP.	1
9.3	4179567	RING HOLDER Ø22 1.4301 VP.	1
9.4	4176520	SCREW CH M5x5 A4-70 (3PIECES)	1
9.5	4179568	DRIVE RING D.31/22.1x11 MACH.VP.	1
9.6	4179569	TOOL M.S.CART.HELIX 8" VP.	1
9.7	4179570	SCREW M6X16 ISO4762 8.8 GEOMET(4 PIECES)	1



Item	Article no.	Description	Quantity
13.1	4161198	UPPER STAGE HELIX 36 1.4301 KIT	1
		> STOP COLLAR OF IMPELLER L20-Ø22-316L	1
		> SHAFT-SLEEVE-D26xD22x16-CW	1
		> SLEEVE-SPACER-D22XL16,66-316L	1
		> IMPELLER-H1-M+36-304	1
		> MACH.-RIGID-BEARING-DISC.-CHAMBER-M+36-3	1
13.1A	4161200	> NECK RING 1.STAGE HELIX V36/52 KIT	1
		>> NECK-RING-M+36/52	1
		>> HYDRAULIC SUPPORT CAP M+36/52 304	1
		>> SCREW TCL M3X8 A4 POZIDRIV	1

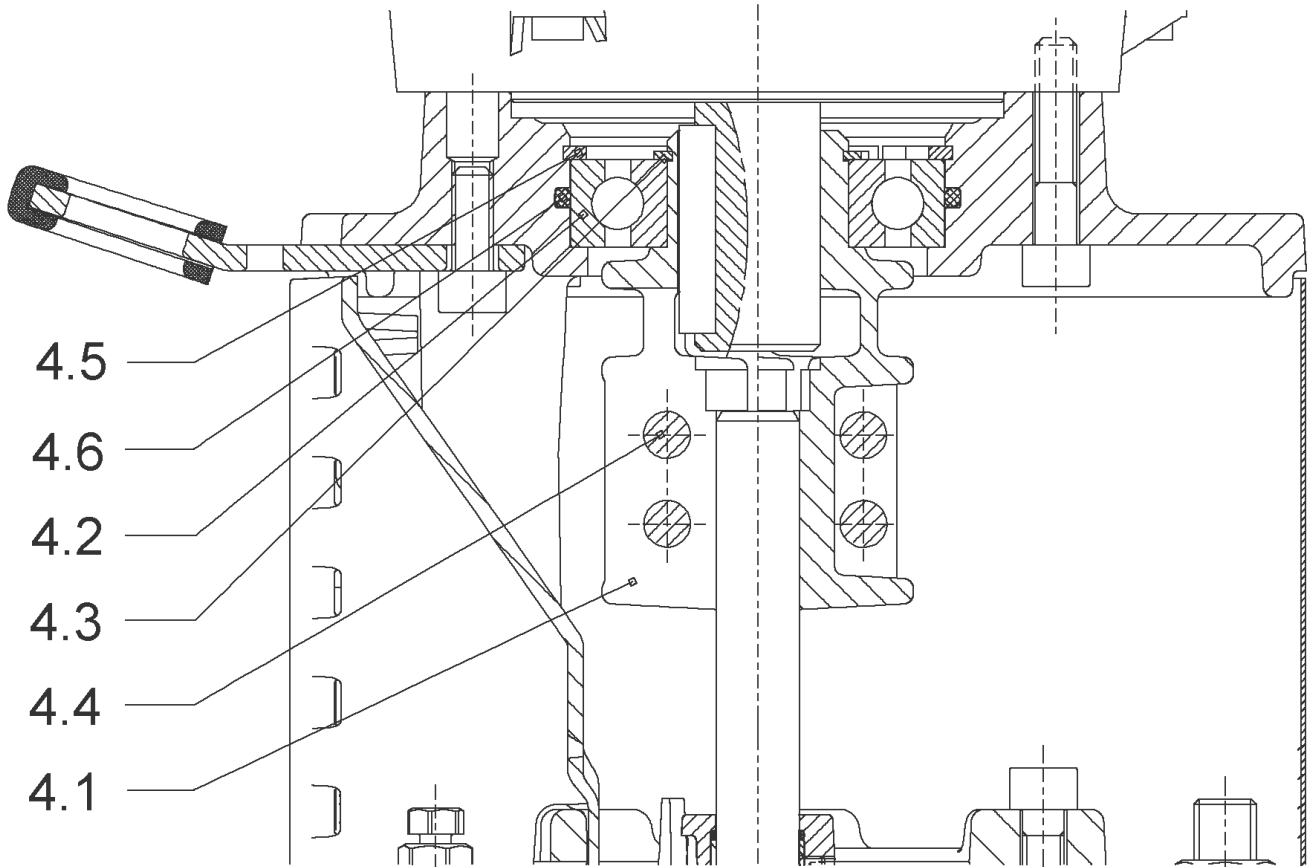


HELIX V3602/2-3/16/E/K/400-50 (4138310)

Item	Article no.	Description	Quantity
1	4169945	MO.4/2 3~230/400(460)V 50(60)HZ IE3 VP.	1
		SPARE PARTS MOTOR:ON REQUEST	1
2	4159707	SCREW M8X30 (4 PIECES)	1
3	4157719	LANTERN HELIX 22/36 FT130 KIT	1
3.1		> LANTERN FT130 M+ GJL MACHINED+CATA	1
3.2	4179561	> EYELET CPL.FT HELIX(2 PIECES)	1
3.3	4143968	> COUPLING PROTECT HELIX FT KIT	1
4	4143964	COUPLING D.20XD.28 FT130 KIT	1
5	4094462	SCREWS M10 (4 PIECES)	1
6	4180018	STUD BOLT M16X267 KIT	1
6.1		> TIE BOLT M16-267x24x44-1.4057	1
6.2	4179562	> NUT M16 8.8 ISO4032 (4 PIECES)	1
6.3	4097852	> WASHER-CS-16.4-32-2.8-NFE25-511-A2	1
7	4179565	END SHIELD HELIX 8" EPDM KIT	1
7.1		> END SHIELD M+ GJL MACHINED+CATA	1
7.2	4179564	> O-RING D.42.52x2.62 EPDM VP.	1
7.3	4179571	> O-RING HOUSING PIPE HELIX22/36/52 VP.	1
8	4143765	FILING/PURGING PLUG 316L HELIX KIT	1
8.1		> FILLING/VENTING-PLUG-VMI8/10-316L	1
8.2	4032291	> O-RING 17x3 EPDM KTW/WRC	1
9	4143973	CARTRIDGE HELIX22-36-52 O/E KIT	1
10	4181070	HOUSING PIPE D.204X197 1.4307 KIT	1
7.3	4179571	> O-RING HOUSING PIPE HELIX22/36/52 VP.	1
10.1		> HOUSING-PIPE Ø204-M+3602-304	1
12	4161186	SHAFT EQUIPMENT HELIX V36 8" KIT	1
13		HYDRAULIC HELIX V 3602-2	1
14	4181073	SHAFTS D.22X354 1.4057 VP.	1
15	4161185	EQUIPED HOUSING HELIX 36 GJL KIT	1
15.1		> PUMP HOUSING SET with CATA. PARTS-DN65	1
15.3	4143766	> DRAIN/PRIMING PLUG EPDM HELIX KIT	1
15.3A		>> PRIMING/DRAIN PLUG-304-VERSION 1	1
15.3B	4032293	>> O-RING-10x3-EPDM-KTW/WRC	1
15.3C	4233957	>> O-RING ID.9 EPDM VP.	1
15.4	4221729	> BASE M+ DN50/65/80 VP.	1

HELIX V3602/2-3/16/E/K/400-50 (4138310)

Item	Article no.	Description	Quantity
15.5		> SCREW TBHC M12x25 ISO7380 ZN	1
15.6		> FLANGE M+ DN65 NF PN16-25 ASME PN16 CATA	1
15.7		> O-RING Ø79.5xØ3 EPDM	1
13.1A	4161200	> NECK RING 1.STAGE HELIX V36/52 KIT	1
		>> NECK-RING-M+36/52	1
		>> HYDRAULIC SUPPORT CAP M+36/52 304	1
		>> SCREW TCL M3X8 A4 POZIDRIV	1
7.3	4179571	> O-RING HOUSING PIPE HELIX22/36/52 VP.	1



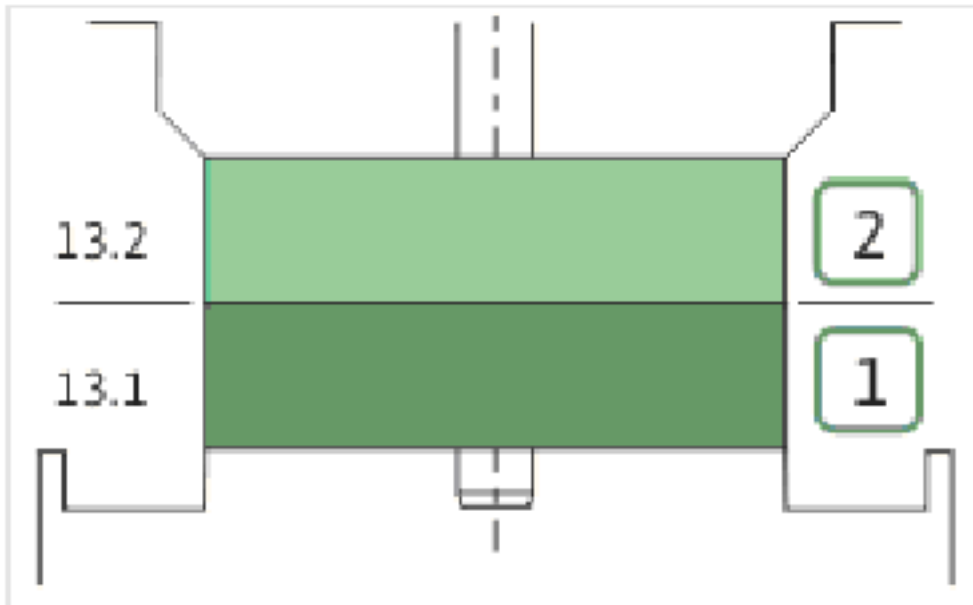
COUPLING D.20XD.28 FT130 KIT (4143964)

Item	Article no.	Description	Quantity
4.1		COUPLING M+ Ø20XØ28-FT130 MACHINED	1
4.2	2131022	BALL BEARING 6209/ZZ-C3(HT)VP.	1
4.3	4233930	CIRCLIP-FOR-BORES-D45x1,75 VP.	1
4.4	4157726	SCREW KIT M8X30 (4 PIECES)	1
4.5	4234252	CIRCLIPS 85X3 VP.	1
4.6	4234243	O-RING 85X3 VP.	1
		NOMEL CONTACT WASHER 8x16x1,4 STEEL ZC	1



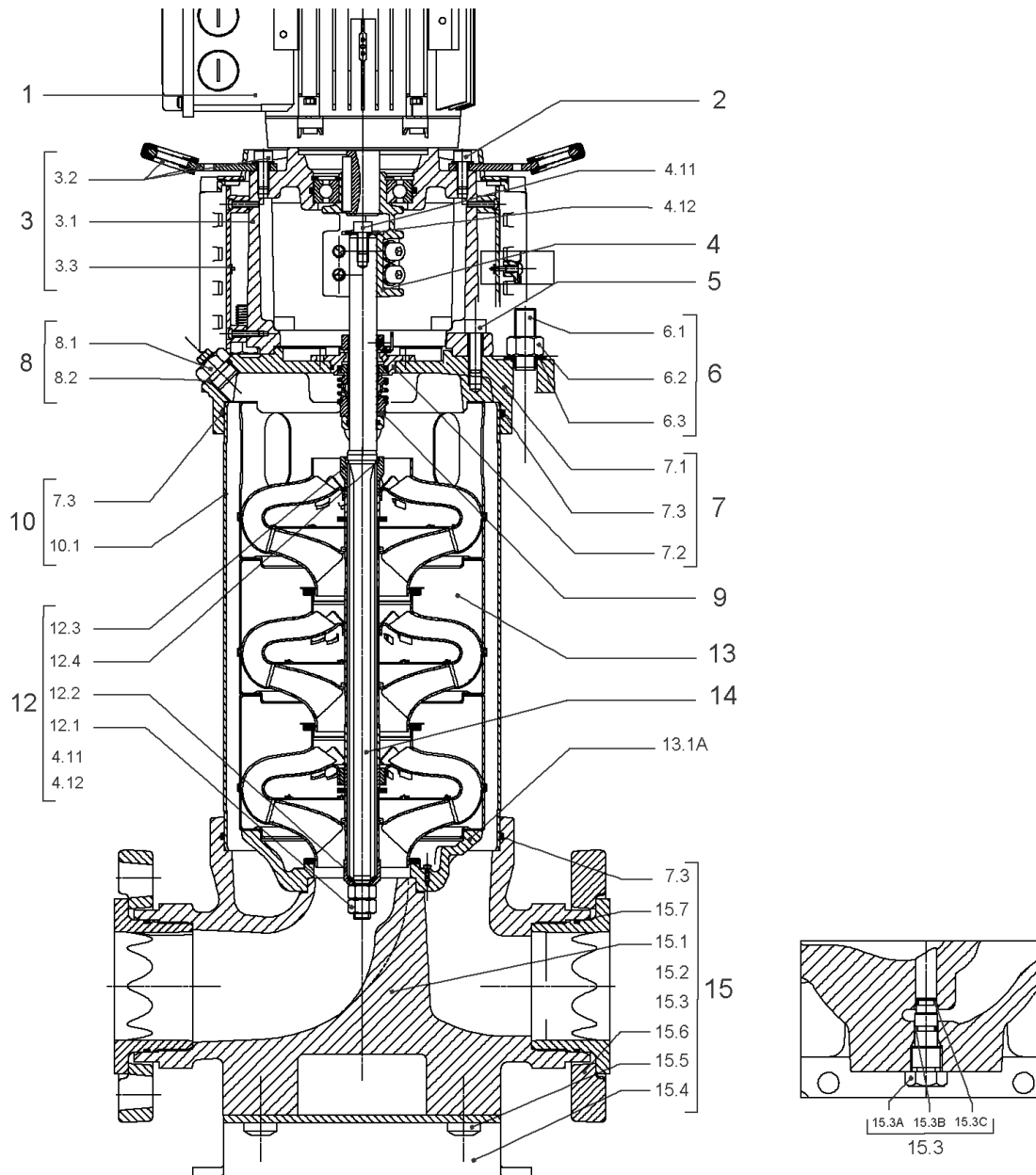
CARTRIDGE HELIX22-36-52 O/E KIT (4143973)

Item	Article no.	Description	Quantity
9.1	4143974	SEAL-KIT-HELIX22-36-52 O/E	1
7.3	4179571	> O-RING HOUSING PIPE HELIX22/36/52 VP.	1
7.4	4179572	> O-RING ID.42.52X2.62 EPDM VP.	1
9.1A	4179573	> M.SEAL.HELIX22-36-52 O/E VP.	1
9.1B	4179574	> O-RING ID.20x2.65 EPDM VP.	1
9.2	4179566	SHAFT SLEEVE D.20/20X60 1.4404 VP.	1
9.3	4179567	RING HOLDER Ø22 1.4301 VP.	1
9.4	4176520	SCREW CH M5x5 A4-70 (3PIECES)	1
9.5	4179568	DRIVE RING D.31/22.1x11 MACH.VP.	1
9.6	4179569	TOOL M.S.CART.HELIX 8" VP.	1
9.7	4179570	SCREW M6X16 ISO4762 8.8 GEOMET(4 PIECES)	1



HYDRAULIC HELIX V 3602-2

Item	Article no.	Description	Quantity
13.1	4161197	INTERMEDIATE STAGE HELIX V36 1.4301 KIT	1
		> SLEEVE-SPACER-D22XL16,66-316L	1
		> MACH.BEARING-DIFFUSER+NR-M+36-304	1
		> SHAFT-SLEEVE-D26xD22x16-CW	1
		> REDUCED-IMPELLER-H1-M+36-304	1
13.1A	4161200	> NECK RING 1.STAGE HELIX V36/52 KIT	1
		>> NECK-RING-M+36/52	1
		>> HYDRAULIC SUPPORT CAP M+36/52 304	1
		>> SCREW TCL M3X8 A4 POZIDRIV	1
13.2	4161196	UPPER STAGE HELIX 36 1.4301 KIT	1
		> STOP COLLAR OF IMPELLER L20-Ø22-316L	1
		> REDUCED-IMPELLER-H4-M+36-304	1
		> MACH.-RIGID-STD-DISCH.-CHAMBER-M+36-304	1

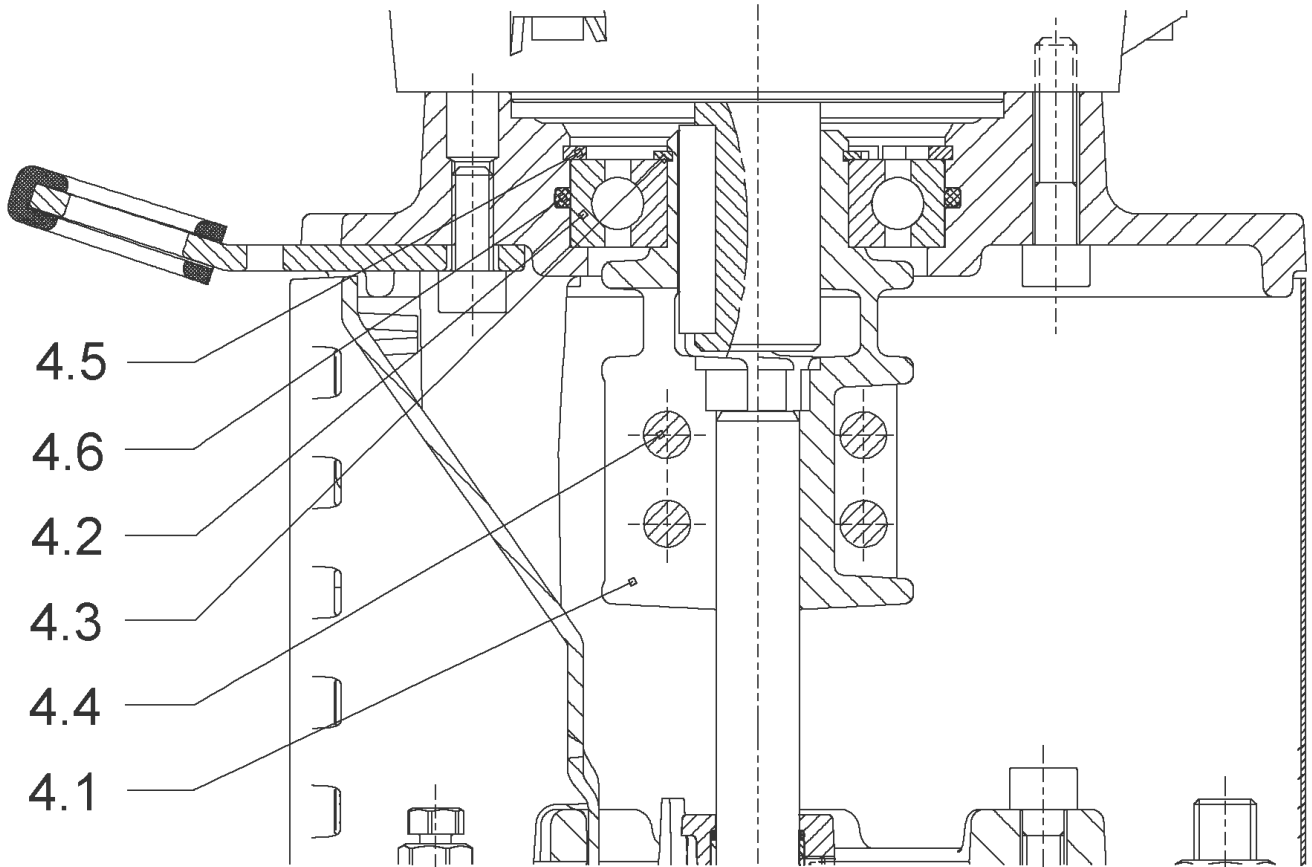


HELIX V3602/1-3/16/E/K/400-50 (4138311)

Item	Article no.	Description	Quantity
1	4169947	MO 5,5/2/112 3~400V50Hz 460V60Hz IE3 VP.	1
		SPARE PARTS MOTOR:ON REQUEST	1
2	4159707	SCREW M8X30 (4 PIECES)	1
3	4157719	LANTERN HELIX 22/36 FT130 KIT	1
3.1		> LANTERN FT130 M+ GJL MACHINED+CATA	1
3.2	4179561	> EYELET CPL.FT HELIX(2 PIECES)	1
3.3	4143968	> COUPLING PROTECT HELIX FT KIT	1
4	4143964	COUPLING D.20XD.28 FT130 KIT	1
5	4094462	SCREWS M10 (4 PIECES)	1
6	4180018	STUD BOLT M16X267 KIT	1
6.1		> TIE BOLT M16-267x24x44-1.4057	1
6.2	4179562	> NUT M16 8.8 ISO4032 (4 PIECES)	1
6.3	4097852	> WASHER-CS-16.4-32-2.8-NFE25-511-A2	1
7	4179565	END SHIELD HELIX 8" EPDM KIT	1
7.1		> END SHIELD M+ GJL MACHINED+CATA	1
7.2	4179564	> O-RING D.42.52x2.62 EPDM VP.	1
7.3	4179571	> O-RING HOUSING PIPE HELIX22/36/52 VP.	1
8	4143765	FILING/PURGING PLUG 316L HELIX KIT	1
8.1		> FILLING/VENTING-PLUG-VMI8/10-316L	1
8.2	4032291	> O-RING 17x3 EPDM KTW/WRC	1
9	4143973	CARTRIDGE HELIX22-36-52 O/E KIT	1
10	4181070	HOUSING PIPE D.204X197 1.4307 KIT	1
7.3	4179571	> O-RING HOUSING PIPE HELIX22/36/52 VP.	1
10.1		> HOUSING-PIPE Ø204-M+3602-304	1
12	4161186	SHAFT EQUIPMENT HELIX V36 8" KIT	1
13		HYDRAULIC HELIX V 3602-1	1
14	4181073	SHAFTS D.22X354 1.4057 VP.	1
15	4161185	EQUIPED HOUSING HELIX 36 GJL KIT	1
15.1		> PUMP HOUSING SET with CATA. PARTS-DN65	1
15.3	4143766	> DRAIN/PRIMING PLUG EPDM HELIX KIT	1
15.3A		>> PRIMING/DRAIN PLUG-304-VERSION 1	1
15.3B	4032293	>> O-RING-10x3-EPDM-KTW/WRC	1
15.3C	4233957	>> O-RING ID.9 EPDM VP.	1
15.4	4221729	> BASE M+ DN50/65/80 VP.	1

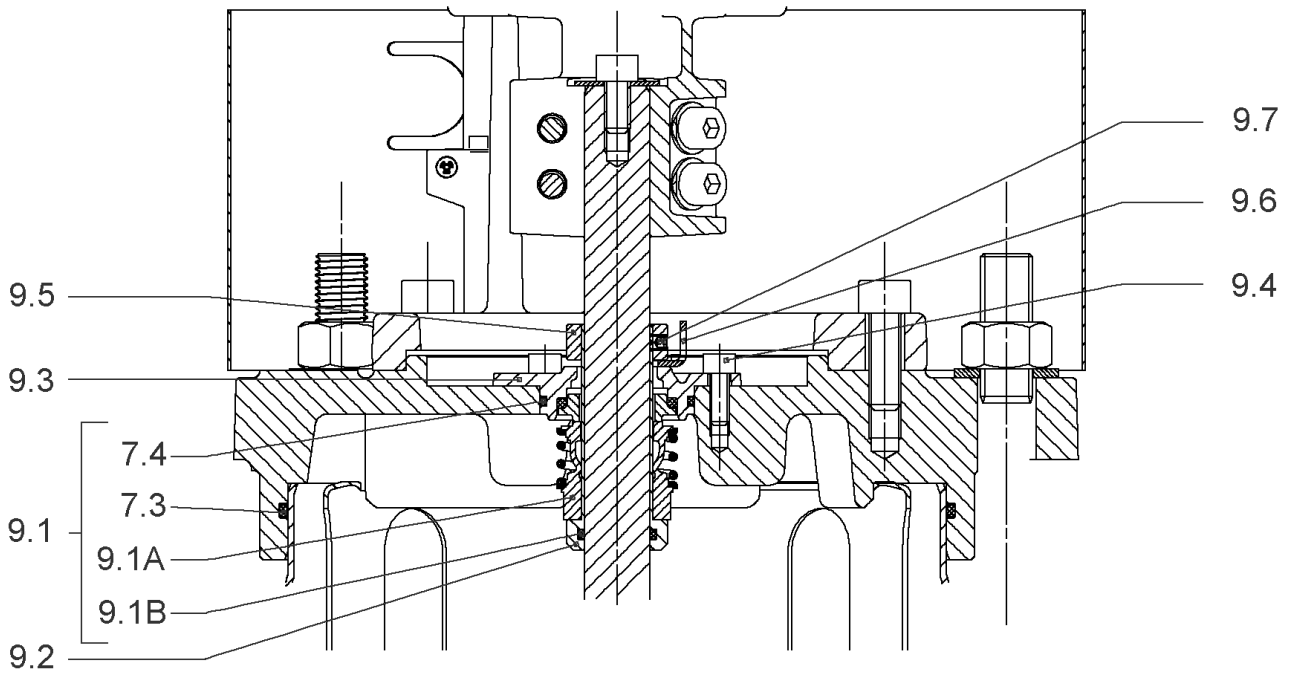
HELIX V3602/1-3/16/E/K/400-50 (4138311)

Item	Article no.	Description	Quantity
15.5		> SCREW TBHC M12x25 ISO7380 ZN	1
15.6		> FLANGE M+ DN65 NF PN16-25 ASME PN16 CATA	1
15.7		> O-RING Ø79.5xØ3 EPDM	1
13.1A	4161200	> NECK RING 1.STAGE HELIX V36/52 KIT	1
		>> NECK-RING-M+36/52	1
		>> HYDRAULIC SUPPORT CAP M+36/52 304	1
		>> SCREW TCL M3X8 A4 POZIDRIV	1
7.3	4179571	> O-RING HOUSING PIPE HELIX22/36/52 VP.	1



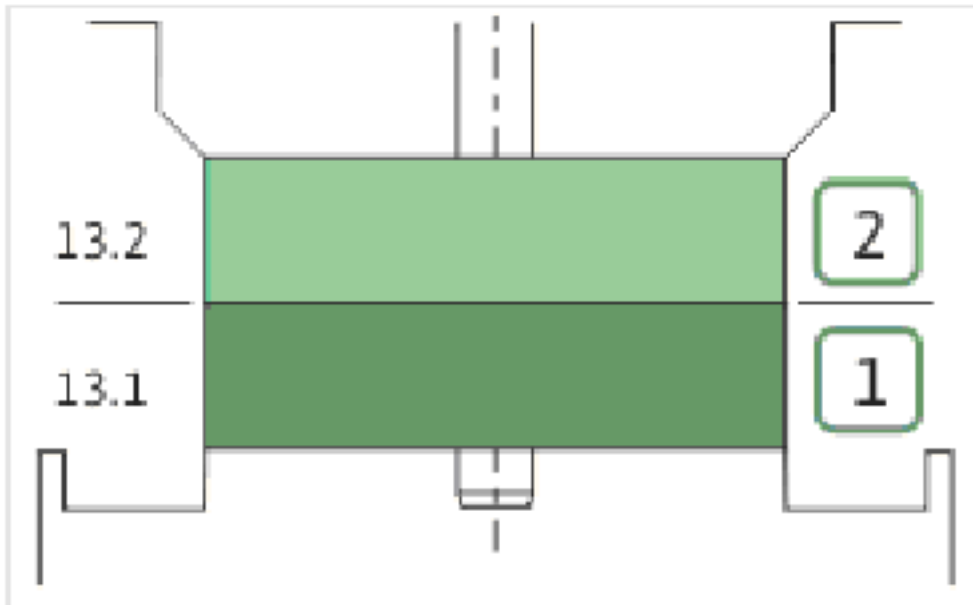
COUPLING D.20XD.28 FT130 KIT (4143964)

Item	Article no.	Description	Quantity
4.1		COUPLING M+ Ø20XØ28-FT130 MACHINED	1
4.2	2131022	BALL BEARING 6209/ZZ-C3(HT)VP.	1
4.3	4233930	CIRCLIP-FOR-BORES-D45x1,75 VP.	1
4.4	4157726	SCREW KIT M8X30 (4 PIECES)	1
4.5	4234252	CIRCLIPS 85X3 VP.	1
4.6	4234243	O-RING 85X3 VP.	1
		NOMEL CONTACT WASHER 8x16x1,4 STEEL ZC	1



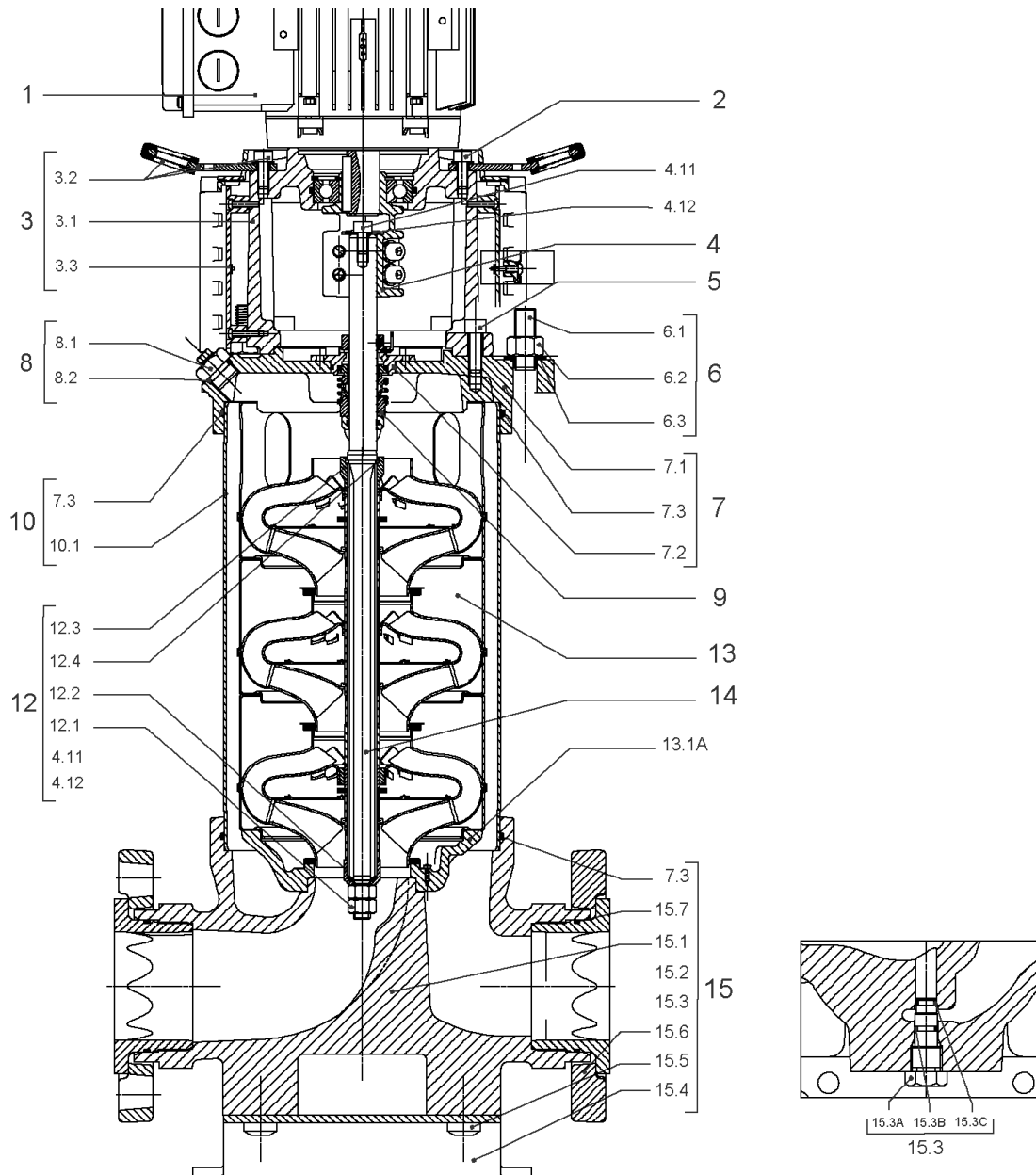
CARTRIDGE HELIX22-36-52 O/E KIT (4143973)

Item	Article no.	Description	Quantity
9.1	4143974	SEAL-KIT-HELIX22-36-52 O/E	1
7.3	4179571	> O-RING HOUSING PIPE HELIX22/36/52 VP.	1
7.4	4179572	> O-RING ID.42.52X2.62 EPDM VP.	1
9.1A	4179573	> M.SEAL.HELIX22-36-52 O/E VP.	1
9.1B	4179574	> O-RING ID.20x2.65 EPDM VP.	1
9.2	4179566	SHAFT SLEEVE D.20/20X60 1.4404 VP.	1
9.3	4179567	RING HOLDER Ø22 1.4301 VP.	1
9.4	4176520	SCREW CH M5x5 A4-70 (3PIECES)	1
9.5	4179568	DRIVE RING D.31/22.1x11 MACH.VP.	1
9.6	4179569	TOOL M.S.CART.HELIX 8" VP.	1
9.7	4179570	SCREW M6X16 ISO4762 8.8 GEOMET(4 PIECES)	1



HYDRAULIC HELIX V 3602-1

Item	Article no.	Description	Quantity
13.1	4161192	INTERMEDIATE STAGE HELIX V36 1.4301 KIT	1
		> SLEEVE-SPACER-D22XL16,66-316L	1
		> MACH.BEARING-DIFFUSER+NR-M+36-304	1
		> SHAFT-SLEEVE-D26xD22x16-CW	1
		> IMPELLER-H1-M+36-304	1
13.1A	4161200	> NECK RING 1.STAGE HELIX V36/52 KIT	1
		>> NECK-RING-M+36/52	1
		>> HYDRAULIC SUPPORT CAP M+36/52 304	1
		>> SCREW TCL M3X8 A4 POZIDRIV	1
13.2	4161196	UPPER STAGE HELIX 36 1.4301 KIT	1
		> STOP COLLAR OF IMPELLER L20-Ø22-316L	1
		> REDUCED-IMPELLER-H4-M+36-304	1
		> MACH.-RIGID-STD-DISCH.-CHAMBER-M+36-304	1

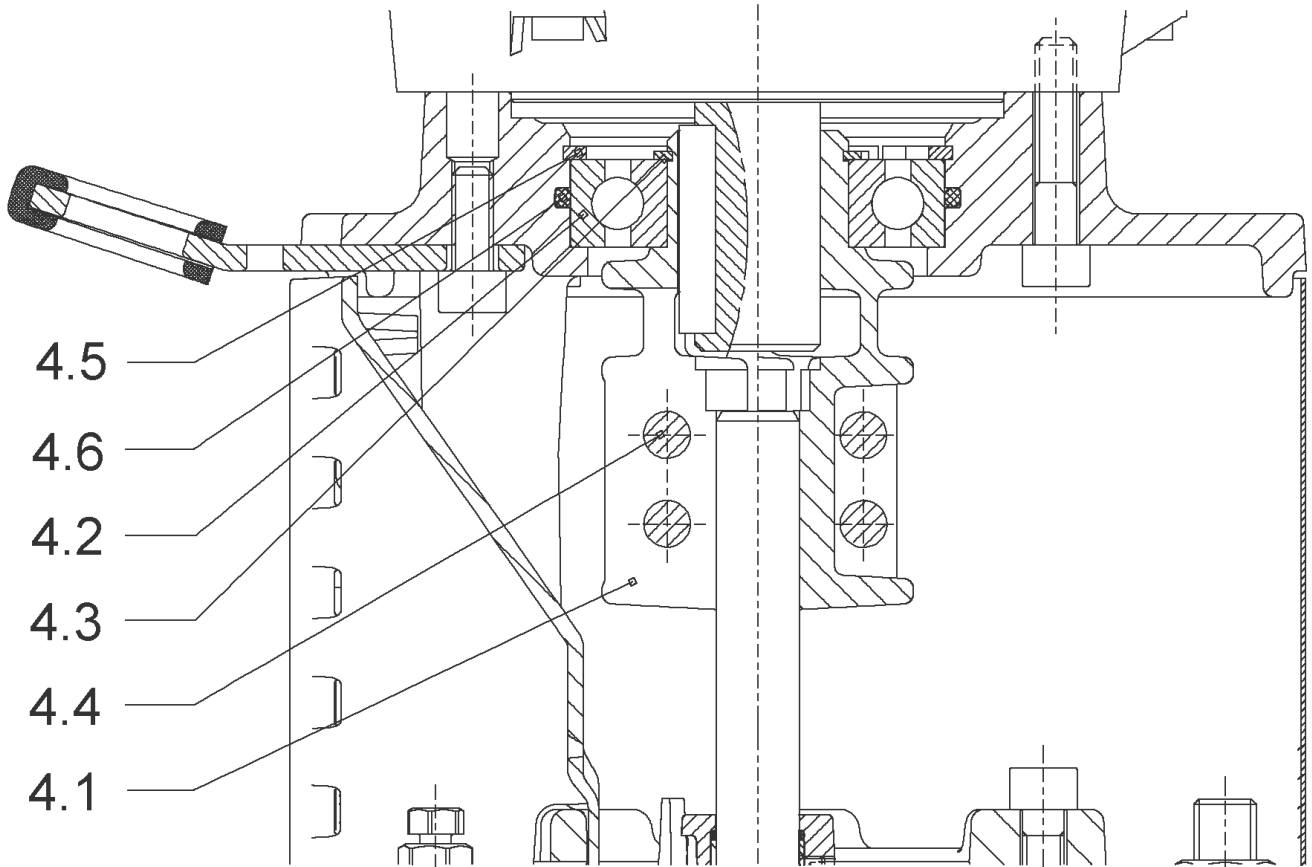


HELIX V3602-3/16/E/K/400-50 (4138312)

Item	Article no.	Description	Quantity
1	4169947	MO 5,5/2/112 3~400V50Hz 460V60Hz IE3 VP.	1
		SPARE PARTS MOTOR:ON REQUEST	1
2	4159707	SCREW M8X30 (4 PIECES)	1
3	4157719	LANTERN HELIX 22/36 FT130 KIT	1
3.1		> LANTERN FT130 M+ GJL MACHINED+CATA	1
3.2	4179561	> EYELET CPL.FT HELIX(2 PIECES)	1
3.3	4143968	> COUPLING PROTECT HELIX FT KIT	1
4	4143964	COUPLING D.20XD.28 FT130 KIT	1
5	4094462	SCREWS M10 (4 PIECES)	1
6	4180018	STUD BOLT M16X267 KIT	1
6.1		> TIE BOLT M16-267x24x44-1.4057	1
6.2	4179562	> NUT M16 8.8 ISO4032 (4 PIECES)	1
6.3	4097852	> WASHER-CS-16.4-32-2.8-NFE25-511-A2	1
7	4179565	END SHIELD HELIX 8" EPDM KIT	1
7.1		> END SHIELD M+ GJL MACHINED+CATA	1
7.2	4179564	> O-RING D.42.52x2.62 EPDM VP.	1
7.3	4179571	> O-RING HOUSING PIPE HELIX22/36/52 VP.	1
8	4143765	FILING/PURGING PLUG 316L HELIX KIT	1
8.1		> FILLING/VENTING-PLUG-VMI8/10-316L	1
8.2	4032291	> O-RING 17x3 EPDM KTW/WRC	1
9	4143973	CARTRIDGE HELIX22-36-52 O/E KIT	1
10	4181070	HOUSING PIPE D.204X197 1.4307 KIT	1
7.3	4179571	> O-RING HOUSING PIPE HELIX22/36/52 VP.	1
10.1		> HOUSING-PIPE Ø204-M+3602-304	1
12	4161186	SHAFT EQUIPMENT HELIX V36 8" KIT	1
13		HYDRAULIC HELIX V 3602	1
14	4181073	SHAFTS D.22X354 1.4057 VP.	1
15	4161185	EQUIPED HOUSING HELIX 36 GJL KIT	1
15.1		> PUMP HOUSING SET with CATA. PARTS-DN65	1
15.3	4143766	> DRAIN/PRIMING PLUG EPDM HELIX KIT	1
15.3A		>> PRIMING/DRAIN PLUG-304-VERSION 1	1
15.3B	4032293	>> O-RING-10x3-EPDM-KTW/WRC	1
15.3C	4233957	>> O-RING ID.9 EPDM VP.	1
15.4	4221729	> BASE M+ DN50/65/80 VP.	1

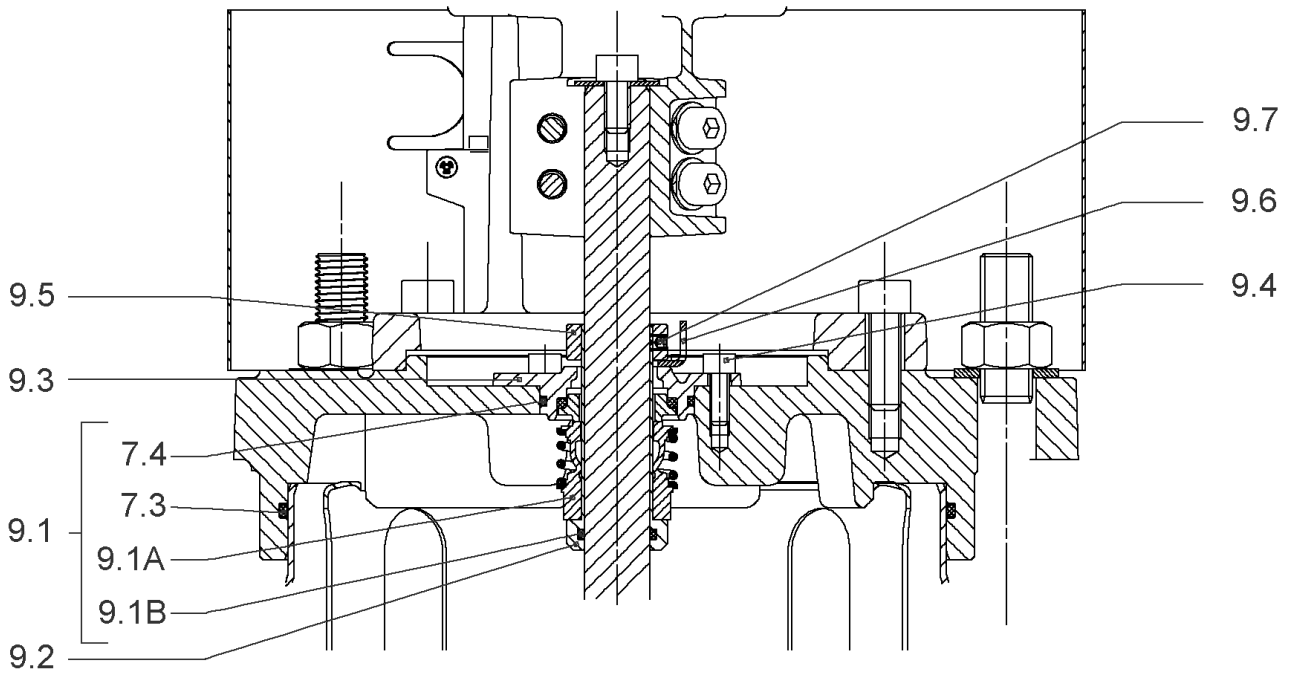
HELIX V3602-3/16/E/K/400-50 (4138312)

Item	Article no.	Description	Quantity
15.5		> SCREW TBHC M12x25 ISO7380 ZN	1
15.6		> FLANGE M+ DN65 NF PN16-25 ASME PN16 CATA	1
15.7		> O-RING Ø79.5xØ3 EPDM	1
13.1A	4161200	> NECK RING 1.STAGE HELIX V36/52 KIT	1
		>> NECK-RING-M+36/52	1
		>> HYDRAULIC SUPPORT CAP M+36/52 304	1
		>> SCREW TCL M3X8 A4 POZIDRIV	1
7.3	4179571	> O-RING HOUSING PIPE HELIX22/36/52 VP.	1



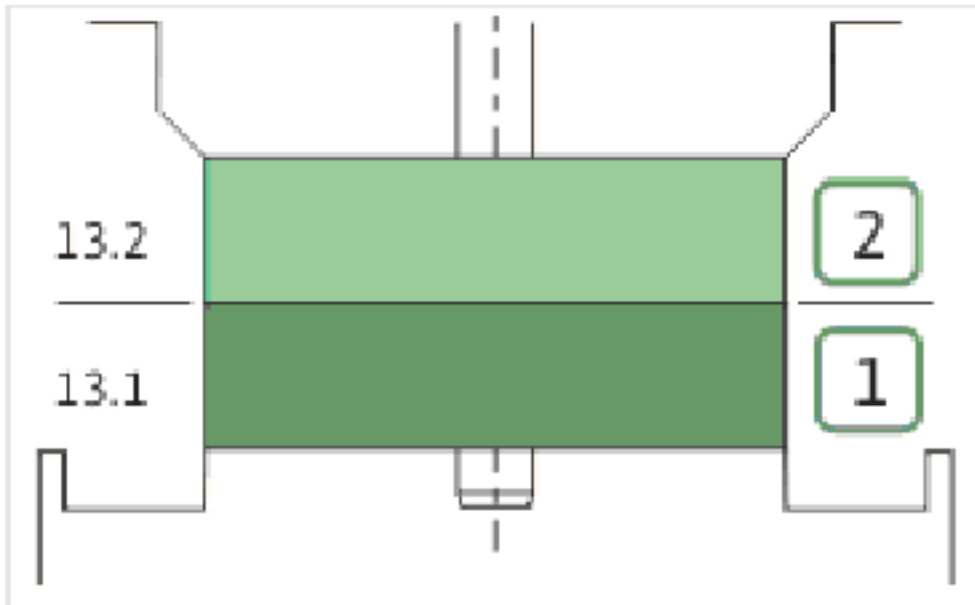
COUPLING D.20XD.28 FT130 KIT (4143964)

Item	Article no.	Description	Quantity
4.1		COUPLING M+ Ø20XØ28-FT130 MACHINED	1
4.2	2131022	BALL BEARING 6209/ZZ-C3(HT)VP.	1
4.3	4233930	CIRCLIP-FOR-BORES-D45x1,75 VP.	1
4.4	4157726	SCREW KIT M8X30 (4 PIECES)	1
4.5	4234252	CIRCLIPS 85X3 VP.	1
4.6	4234243	O-RING 85X3 VP.	1
		NOMEL CONTACT WASHER 8x16x1,4 STEEL ZC	1



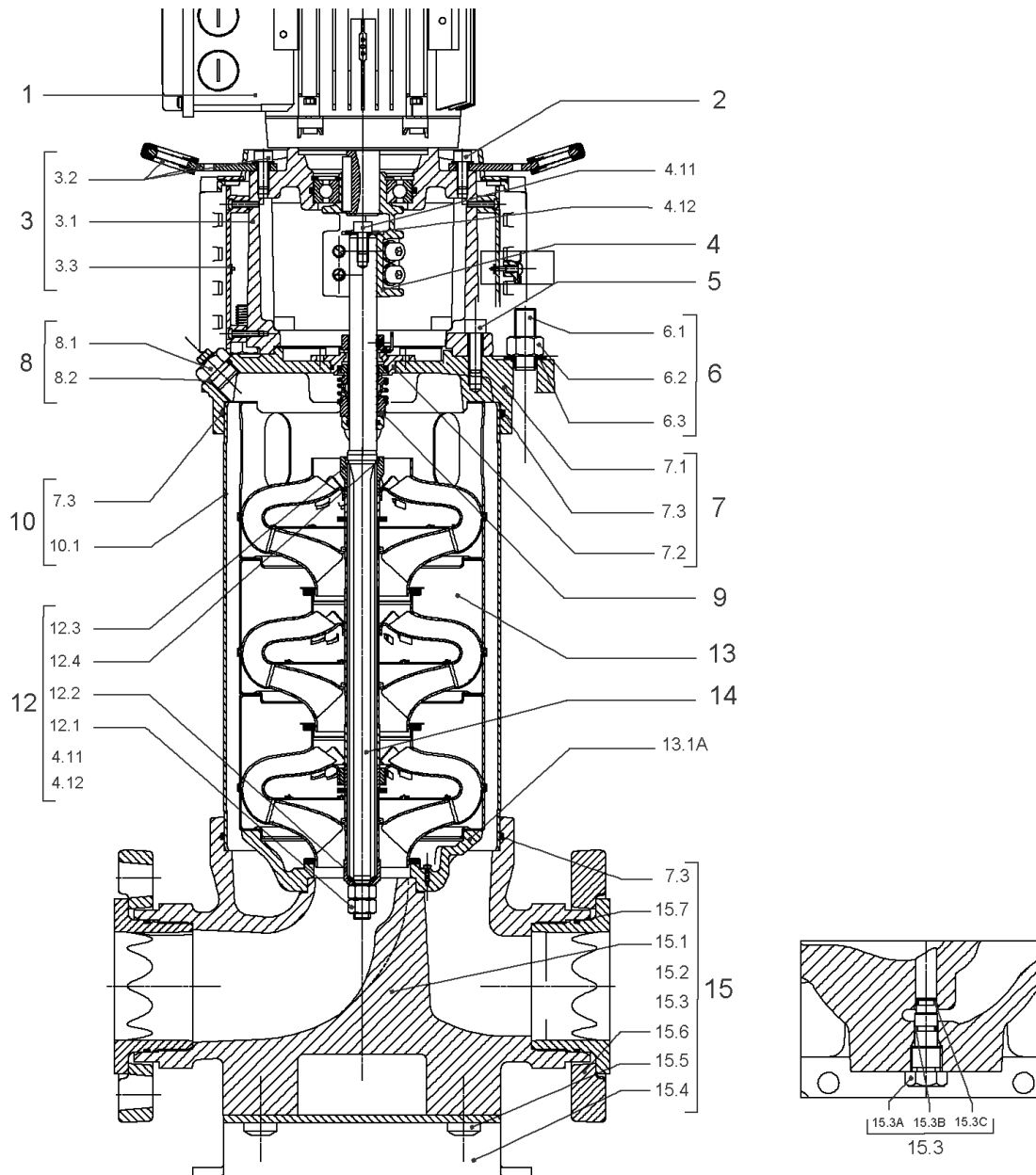
CARTRIDGE HELIX22-36-52 O/E KIT (4143973)

Item	Article no.	Description	Quantity
9.1	4143974	SEAL-KIT-HELIX22-36-52 O/E	1
7.3	4179571	> O-RING HOUSING PIPE HELIX22/36/52 VP.	1
7.4	4179572	> O-RING ID.42.52X2.62 EPDM VP.	1
9.1A	4179573	> M.SEAL.HELIX22-36-52 O/E VP.	1
9.1B	4179574	> O-RING ID.20x2.65 EPDM VP.	1
9.2	4179566	SHAFT SLEEVE D.20/20X60 1.4404 VP.	1
9.3	4179567	RING HOLDER Ø22 1.4301 VP.	1
9.4	4176520	SCREW CH M5x5 A4-70 (3PIECES)	1
9.5	4179568	DRIVE RING D.31/22.1x11 MACH.VP.	1
9.6	4179569	TOOL M.S.CART.HELIX 8" VP.	1
9.7	4179570	SCREW M6X16 ISO4762 8.8 GEOMET(4 PIECES)	1



HYDRAULIC HELIX V 3602

Item	Article no.	Description	Quantity
13.1	4161192	INTERMEDIATE STAGE HELIX V36 1.4301 KIT	1
		> SLEEVE-SPACER-D22XL16,66-316L	1
		> MACH.BEARING-DIFFUSER+NR-M+36-304	1
		> SHAFT-SLEEVE-D26xD22x16-CW	1
		> IMPELLER-H1-M+36-304	1
13.1A	4161200	> NECK RING 1.STAGE HELIX V36/52 KIT	1
		>> NECK-RING-M+36/52	1
		>> HYDRAULIC SUPPORT CAP M+36/52 304	1
		>> SCREW TCL M3X8 A4 POZIDRIV	1
13.2	4161194	UPPER STAGE HELIX 36 1.4301 KIT	1
		> STOP COLLAR OF IMPELLER L20-Ø22-316L	1
		> IMPELLER-H4-M+36-304	1
		> MACH.-RIGID-STD-DISCH.-CHAMBER-M+36-304	1

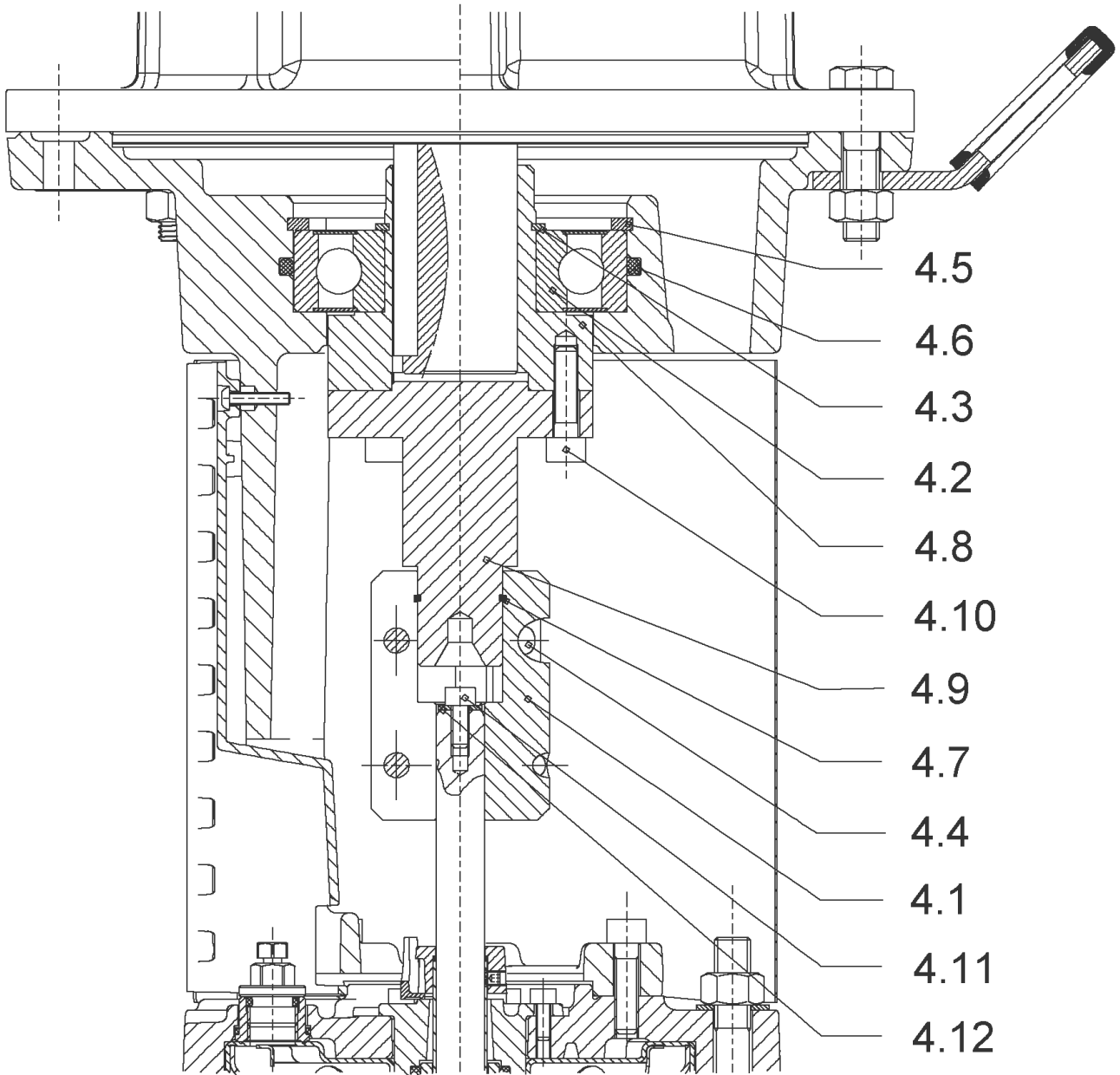


HELIX V3603/2-3/16/E/K/400-50 (4138313)

Item	Article no.	Description	Quantity
1	4195450	MOTOR 7,5/2/* 3~400V 50HZ IE3 VP.	1
		SPARE PARTS MOTOR:ON REQUEST	1
2	4174093	SCREW M12X50 (4 PIECES)	1
3	4161187	LANTERN FF265 HELIX 8" KIT	1
3.1		> LANTERN FF265 M+ GJL MACHINED+CATA	1
3.2	2127605	> EYELET CPL.FF265 HELIX(2 PIECES)	1
3.3	4143969	> COUPLING PROTECT HELIX FF KIT	1
4	4143965	COUPLING D.20XD.28 FF265 KIT	1
5	4157725	SCREW M10X40 (4 PIECES)	1
6	4181076	STUD BOLT M16X338 KIT	1
		> TIE BOLT M16-338x24x44-1.4057	1
	4179562	> NUT M16 8.8 ISO4032 (4 PIECES)	1
	4097852	> WASHER-CS-16.4-32-2.8-NFE25-511-A2	1
7	4179565	END SHIELD HELIX 8" EPDM KIT	1
7.1		> END SHIELD M+ GJL MACHINED+CATA	1
7.2	4179564	> O-RING D.42.52x2.62 EPDM VP.	1
7.3	4179571	> O-RING HOUSING PIPE HELIX22/36/52 VP.	1
8	4143765	FILING/PURGING PLUG 316L HELIX KIT	1
8.1		> FILLING/VENTING-PLUG-VMI8/10-316L	1
8.2	4032291	> O-RING 17x3 EPDM KTW/WRC	1
9	4143973	CARTRIDGE HELIX22-36-52 O/E KIT	1
10	4181077	HOUSING-PIPE D.204X264 1.4307 KIT	1
7.3	4179571	> O-RING HOUSING PIPE HELIX22/36/52 VP.	1
10.1		> HOUSING-PIPE Ø204-M+2204/3603-304	1
12	4161186	SHAFT EQUIPMENT HELIX V36 8" KIT	1
13		HYDRAULIC HELIX V 3603-2	1
14	2119966	SHAFT D.22 LG.420,67 HELIX 1.4057 VP.	1
15	4161185	EQUIPED HOUSING HELIX 36 GJL KIT	1
15.1		> PUMP HOUSING SET with CATA. PARTS-DN65	1
15.3	4143766	> DRAIN/PRIMING PLUG EPDM HELIX KIT	1
15.3A		>> PRIMING/DRAIN PLUG-304-VERSION 1	1
15.3B	4032293	>> O-RING-10x3-EPDM-KTW/WRC	1
15.3C	4233957	>> O-RING ID.9 EPDM VP.	1
15.4	4221729	> BASE M+ DN50/65/80 VP.	1

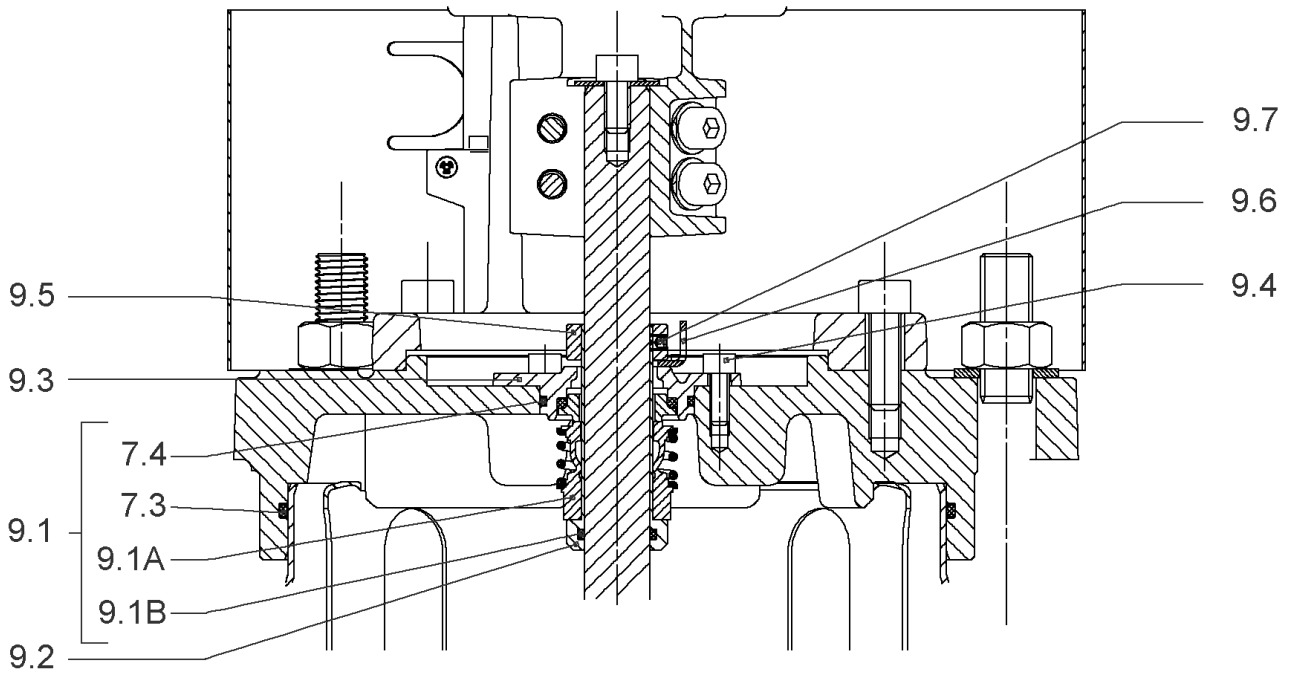
HELIX V3603/2-3/16/E/K/400-50 (4138313)

Item	Article no.	Description	Quantity
15.5		> SCREW TBHC M12x25 ISO7380 ZN	1
15.6		> FLANGE M+ DN65 NF PN16-25 ASME PN16 CATA	1
15.7		> O-RING Ø79.5xØ3 EPDM	1
13.1A	4161200	> NECK RING 1.STAGE HELIX V36/52 KIT	1
		>> NECK-RING-M+36/52	1
		>> HYDRAULIC SUPPORT CAP M+36/52 304	1
		>> SCREW TCL M3X8 A4 POZIDRIV	1
7.3	4179571	> O-RING HOUSING PIPE HELIX22/36/52 VP.	1



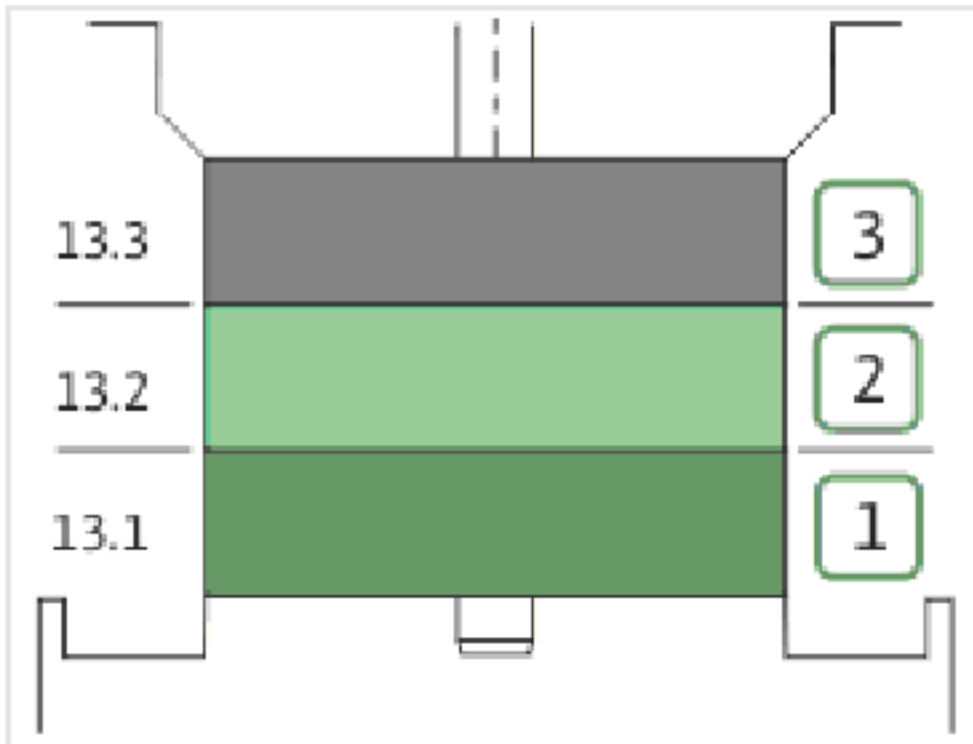
COUPLING D.20XD.28 FF265 KIT (4143965)

Item	Article no.	Description	Quantity
4.1	4179584	COUPLING 2 PARTS D.20XD.28XL83 VP.	1
4.2	2131017	BALL BEARING 6310/ZZ-C4(HT)VP.	1
4.3	4234253	CIRCLIP-FOR-SHAFT-D50x2 VP.	1
4.4	4159707	SCREW M8X30 (4 PIECES)	1
4.5	4234255	CIRCLIPS 110X4 VP.	1
4.6	4233944	O-RING ID.110 VP.	1
4.7	4179585	STOP-RUSH D26xD2 DIN7993 STEEL VP.	1
4.8	2131020	HUB D.38XD.50 VP.	1
4.9	2131021	SPACER D.28XD.45 VP.	1
4.10	4157726	SCREW KIT M8X30 (4 PIECES)	1
4.11	4233959	SCREW M8x16 VP.	1
4.12		SERRATED LOCK WASHER Ø8.2XØ25X35X2	1



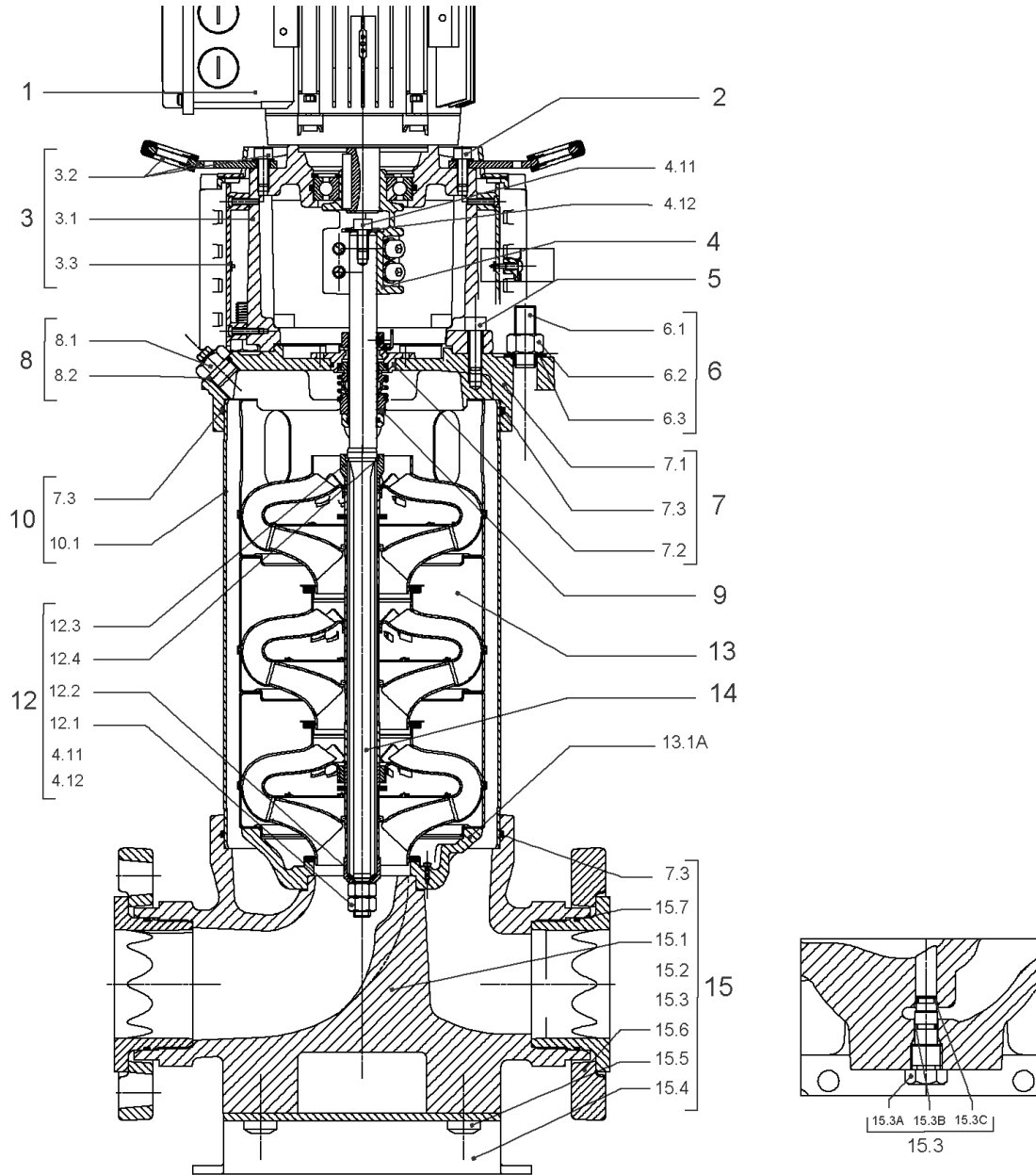
CARTRIDGE HELIX22-36-52 O/E KIT (4143973)

Item	Article no.	Description	Quantity
9.1	4143974	SEAL-KIT-HELIX22-36-52 O/E	1
7.3	4179571	> O-RING HOUSING PIPE HELIX22/36/52 VP.	1
7.4	4179572	> O-RING ID.42.52X2.62 EPDM VP.	1
9.1A	4179573	> M.SEAL.HELIX22-36-52 O/E VP.	1
9.1B	4179574	> O-RING ID.20x2.65 EPDM VP.	1
9.2	4179566	SHAFT SLEEVE D.20/20X60 1.4404 VP.	1
9.3	4179567	RING HOLDER Ø22 1.4301 VP.	1
9.4	4176520	SCREW CH M5x5 A4-70 (3PIECES)	1
9.5	4179568	DRIVE RING D.31/22.1x11 MACH.VP.	1
9.6	4179569	TOOL M.S.CART.HELIX 8" VP.	1
9.7	4179570	SCREW M6X16 ISO4762 8.8 GEOMET(4 PIECES)	1



HYDRAULIC HELIX V 3603-2

Item	Article no.	Description	Quantity
13.1	4161192	INTERMEDIATE STAGE HELIX V36 1.4301 KIT	1
		> SLEEVE-SPACER-D22XL16,66-316L	1
		> MACH.BEARING-DIFFUSER+NR-M+36-304	1
		> SHAFT-SLEEVE-D26xD22x16-CW	1
		> IMPELLER-H1-M+36-304	1
13.1A	4161200	> NECK RING 1.STAGE HELIX V36/52 KIT	1
		>> NECK-RING-M+36/52	1
		>> HYDRAULIC SUPPORT CAP M+36/52 304	1
		>> SCREW TCL M3X8 A4 POZIDRIV	1
13.2	4161195	INTERMEDIATE STAGE HELIX V36 1.4301 KIT	1
		> REDUCED-IMPELLER-H4-M+36-304	1
		> MACH.STD-DIFFUSER+NR-M+36-304	1
13.3	4161196	UPPER STAGE HELIX 36 1.4301 KIT	1
		> STOP COLLAR OF IMPELLER L20-Ø22-316L	1
		> REDUCED-IMPELLER-H4-M+36-304	1
		> MACH.-RIGID-STD-DISCH.-CHAMBER-M+36-304	1

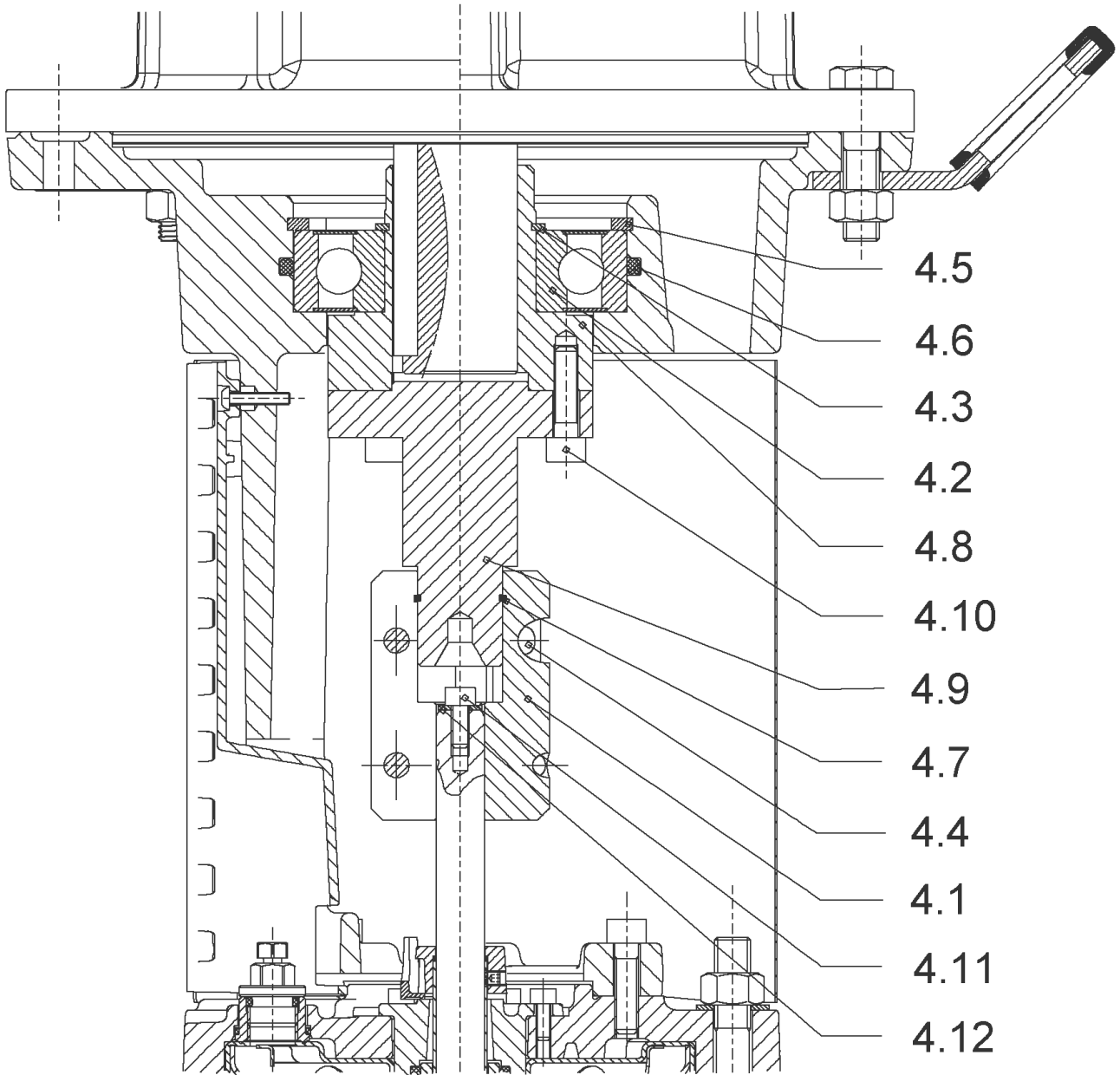


HELIX V3603/2-3/25/E/KS/400-50 (4138314)

Item	Article no.	Description	Quantity
1	4195450	MOTOR 7,5/2/* 3~400V 50HZ IE3 VP.	1
		SPARE PARTS MOTOR:ON REQUEST	1
2	4174093	SCREW M12X50 (4 PIECES)	1
3	4161187	LANTERN FF265 HELIX 8" KIT	1
3.1		> LANTERN FF265 M+ GJL MACHINED+CATA	1
3.2	2127605	> EYELET CPL.FF265 HELIX(2 PIECES)	1
3.3	4143969	> COUPLING PROTECT HELIX FF KIT	1
4	4143965	COUPLING D.20XD.28 FF265 KIT	1
5	4157725	SCREW M10X40 (4 PIECES)	1
6	4181076	STUD BOLT M16X338 KIT	1
		> TIE BOLT M16-338x24x44-1.4057	1
	4179562	> NUT M16 8.8 ISO4032 (4 PIECES)	1
	4097852	> WASHER-CS-16.4-32-2.8-NFE25-511-A2	1
7	4179565	END SHIELD HELIX 8" EPDM KIT	1
7.1		> END SHIELD M+ GJL MACHINED+CATA	1
7.2	4179564	> O-RING D.42.52x2.62 EPDM VP.	1
7.3	4179571	> O-RING HOUSING PIPE HELIX22/36/52 VP.	1
8	4143765	FILING/PURGING PLUG 316L HELIX KIT	1
8.1		> FILLING/VENTING-PLUG-VMI8/10-316L	1
8.2	4032291	> O-RING 17x3 EPDM KTW/WRC	1
9	4143975	CARTRIDGE HELIX22-36-52 F/E KIT	1
10	4181077	HOUSING-PIPE D.204X264 1.4307 KIT	1
7.3	4179571	> O-RING HOUSING PIPE HELIX22/36/52 VP.	1
10.1		> HOUSING-PIPE Ø204-M+2204/3603-304	1
12	4161186	SHAFT EQUIPMENT HELIX V36 8" KIT	1
13		HYDRAULIC HELIX V 3603-2	1
14	2119966	SHAFT D.22 LG.420,67 HELIX 1.4057 VP.	1
15	4161185	EQUIPED HOUSING HELIX 36 GJL KIT	1
15.1		> PUMP HOUSING SET with CATA. PARTS-DN65	1
15.3	4143766	> DRAIN/PRIMING PLUG EPDM HELIX KIT	1
15.3A		>> PRIMING/DRAIN PLUG-304-VERSION 1	1
15.3B	4032293	>> O-RING-10x3-EPDM-KTW/WRC	1
15.3C	4233957	>> O-RING ID.9 EPDM VP.	1
15.4	4221729	> BASE M+ DN50/65/80 VP.	1

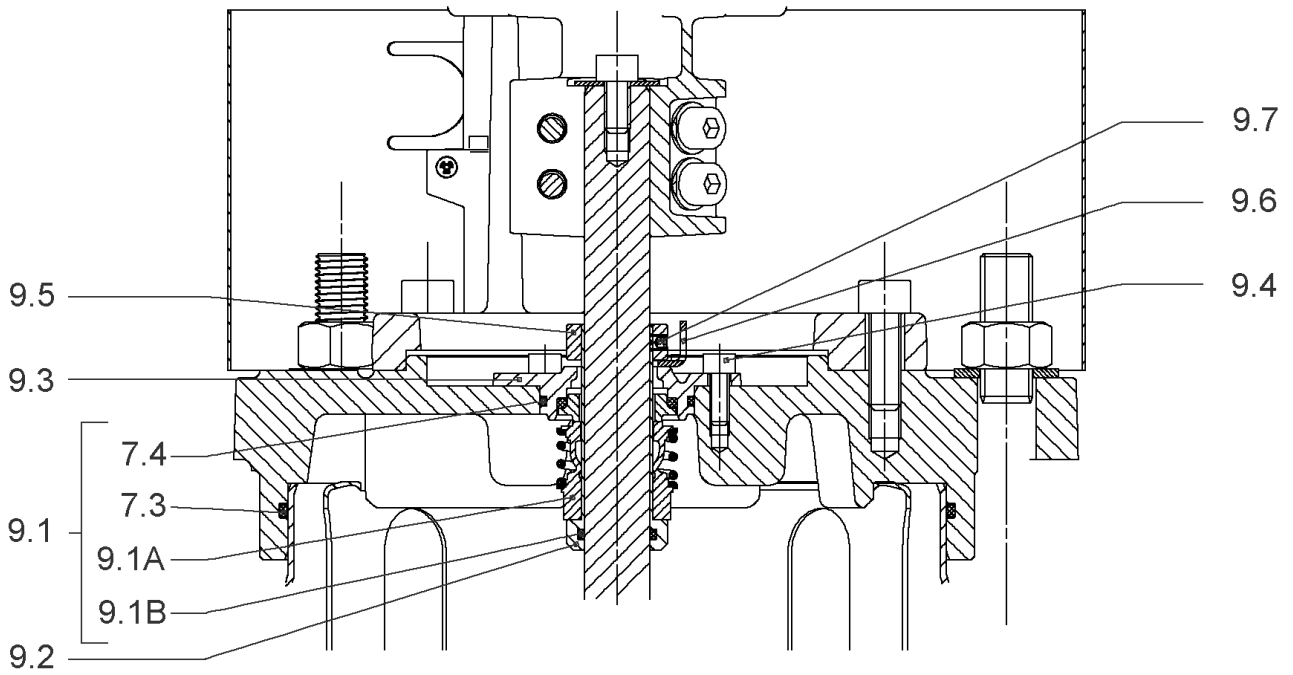
HELIX V3603/2-3/25/E/KS/400-50 (4138314)

Item	Article no.	Description	Quantity
15.5		> SCREW TBHC M12x25 ISO7380 ZN	1
15.6		> FLANGE M+ DN65 NF PN16-25 ASME PN16 CATA	1
15.7		> O-RING Ø79.5xØ3 EPDM	1
13.1A	4161200	> NECK RING 1.STAGE HELIX V36/52 KIT	1
		>> NECK-RING-M+36/52	1
		>> HYDRAULIC SUPPORT CAP M+36/52 304	1
		>> SCREW TCL M3X8 A4 POZIDRIV	1
7.3	4179571	> O-RING HOUSING PIPE HELIX22/36/52 VP.	1



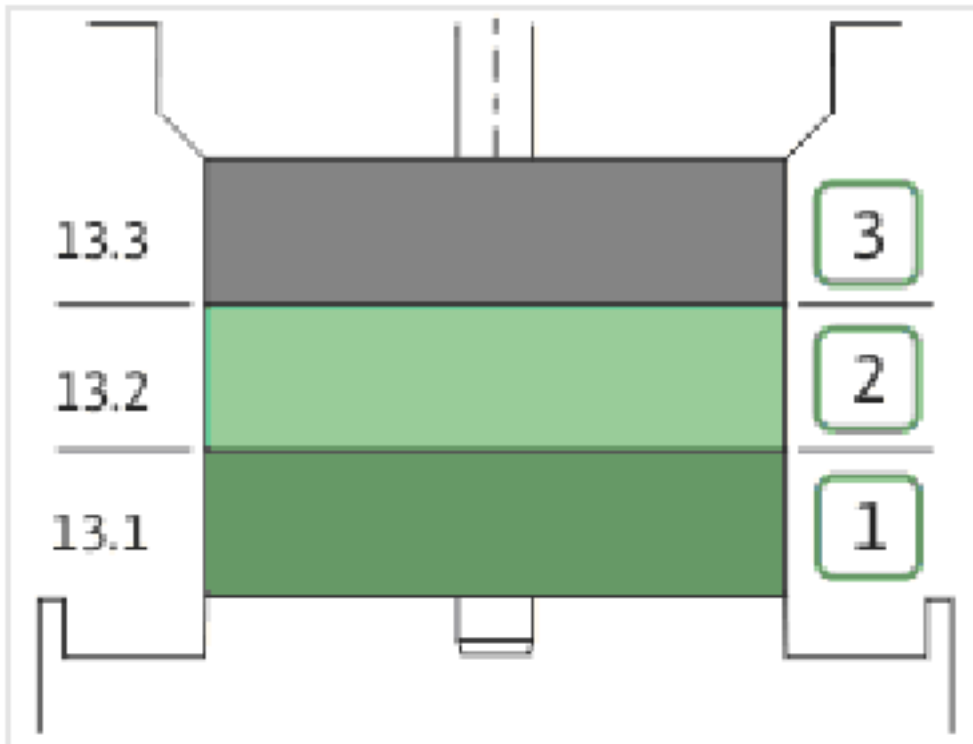
COUPLING D.20XD.28 FF265 KIT (4143965)

Item	Article no.	Description	Quantity
4.1	4179584	COUPLING 2 PARTS D.20XD.28XL83 VP.	1
4.2	2131017	BALL BEARING 6310/ZZ-C4(HT)VP.	1
4.3	4234253	CIRCLIP-FOR-SHAFT-D50x2 VP.	1
4.4	4159707	SCREW M8X30 (4 PIECES)	1
4.5	4234255	CIRCLIPS 110X4 VP.	1
4.6	4233944	O-RING ID.110 VP.	1
4.7	4179585	STOP-RUSH D26xD2 DIN7993 STEEL VP.	1
4.8	2131020	HUB D.38XD.50 VP.	1
4.9	2131021	SPACER D.28XD.45 VP.	1
4.10	4157726	SCREW KIT M8X30 (4 PIECES)	1
4.11	4233959	SCREW M8x16 VP.	1
4.12		SERRATED LOCK WASHER Ø8.2XØ25X35X2	1



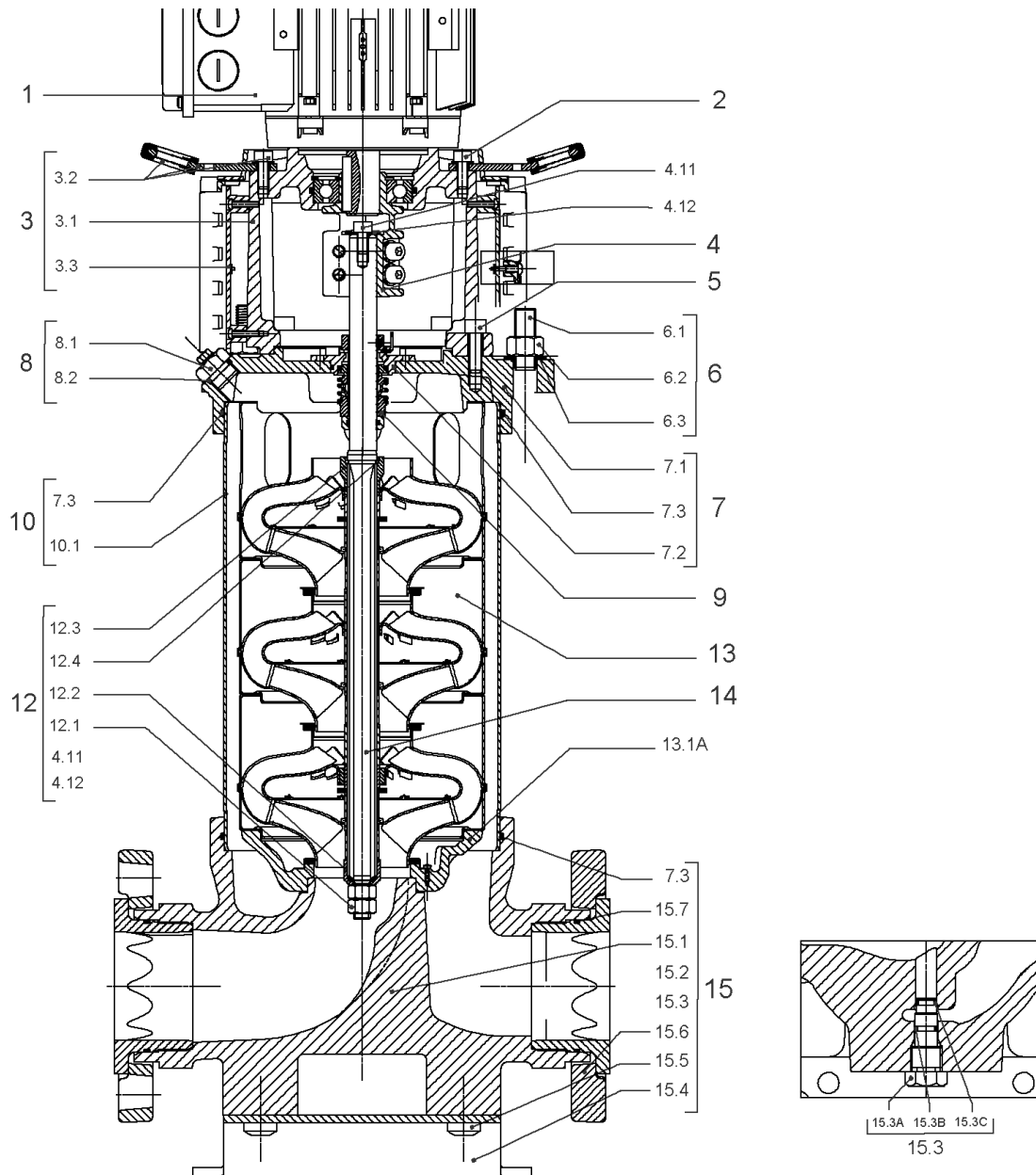
CARTRIDGE HELIX22-36-52 F/E KIT (4143975)

Item	Article no.	Description	Quantity
9.1	4143976	SEAL-KIT-HELIX22-36-52 F/E	1
7.3	4179571	> O-RING HOUSING PIPE HELIX22/36/52 VP.	1
7.4	4179572	> O-RING ID.42.52X2.62 EPDM VP.	1
9.1A	2127447	> M.SEAL.HELIX22-36-52 F/E VP.	1
9.1B	4179574	> O-RING ID.20x2.65 EPDM VP.	1
9.2	4179566	SHAFT SLEEVE D.20/20X60 1.4404 VP.	1
9.3	4179567	RING HOLDER Ø22 1.4301 VP.	1
9.4	4176520	SCREW CH M5x5 A4-70 (3PIECES)	1
9.5	4179568	DRIVE RING D.31/22.1x11 MACH.VP.	1
9.6	4179569	TOOL M.S.CART.HELIX 8" VP.	1
9.7	4179570	SCREW M6X16 ISO4762 8.8 GEOMET(4 PIECES)	1



HYDRAULIC HELIX V 3603-2

Item	Article no.	Description	Quantity
13.1	4161192	INTERMEDIATE STAGE HELIX V36 1.4301 KIT	1
		> SLEEVE-SPACER-D22XL16,66-316L	1
		> MACH.BEARING-DIFFUSER+NR-M+36-304	1
		> SHAFT-SLEEVE-D26xD22x16-CW	1
		> IMPELLER-H1-M+36-304	1
13.1A	4161200	> NECK RING 1.STAGE HELIX V36/52 KIT	1
		>> NECK-RING-M+36/52	1
		>> HYDRAULIC SUPPORT CAP M+36/52 304	1
		>> SCREW TCL M3X8 A4 POZIDRIV	1
13.2	4161195	INTERMEDIATE STAGE HELIX V36 1.4301 KIT	1
		> REDUCED-IMPELLER-H4-M+36-304	1
		> MACH.STD-DIFFUSER+NR-M+36-304	1
13.3	4161196	UPPER STAGE HELIX 36 1.4301 KIT	1
		> STOP COLLAR OF IMPELLER L20-Ø22-316L	1
		> REDUCED-IMPELLER-H4-M+36-304	1
		> MACH.-RIGID-STD-DISCH.-CHAMBER-M+36-304	1

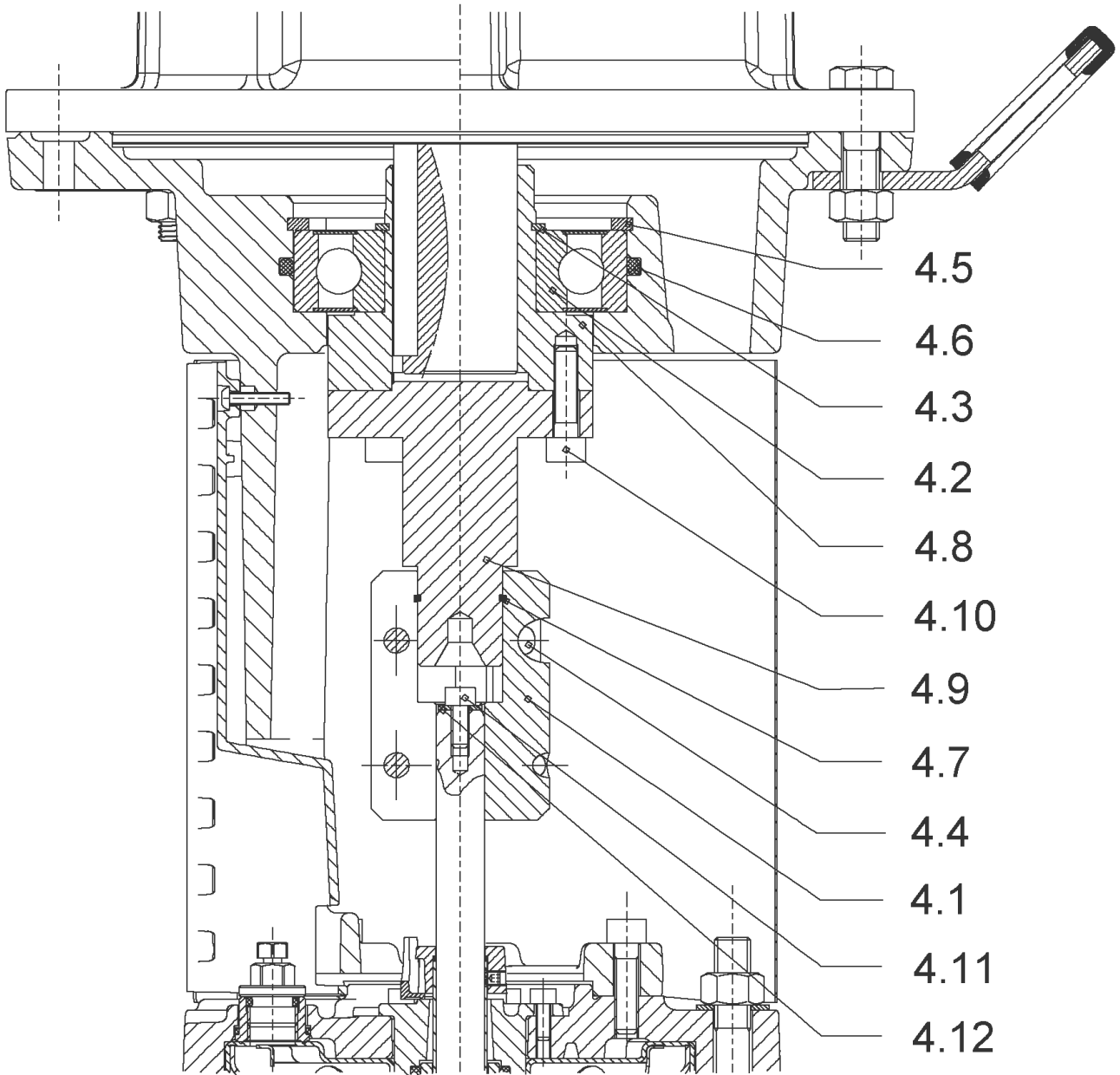


HELIX V3603/1-3/16/E/K/400-50 (4138315)

Item	Article no.	Description	Quantity
1	4195450	MOTOR 7,5/2/* 3~400V 50HZ IE3 VP.	1
		SPARE PARTS MOTOR:ON REQUEST	1
2	4174093	SCREW M12X50 (4 PIECES)	1
3	4161187	LANTERN FF265 HELIX 8" KIT	1
3.1		> LANTERN FF265 M+ GJL MACHINED+CATA	1
3.2	2127605	> EYELET CPL.FF265 HELIX(2 PIECES)	1
3.3	4143969	> COUPLING PROTECT HELIX FF KIT	1
4	4143965	COUPLING D.20XD.28 FF265 KIT	1
5	4157725	SCREW M10X40 (4 PIECES)	1
6	4181076	STUD BOLT M16X338 KIT	1
		> TIE BOLT M16-338x24x44-1.4057	1
	4179562	> NUT M16 8.8 ISO4032 (4 PIECES)	1
	4097852	> WASHER-CS-16.4-32-2.8-NFE25-511-A2	1
7	4179565	END SHIELD HELIX 8" EPDM KIT	1
7.1		> END SHIELD M+ GJL MACHINED+CATA	1
7.2	4179564	> O-RING D.42.52x2.62 EPDM VP.	1
7.3	4179571	> O-RING HOUSING PIPE HELIX22/36/52 VP.	1
8	4143765	FILING/PURGING PLUG 316L HELIX KIT	1
8.1		> FILLING/VENTING-PLUG-VM18/10-316L	1
8.2	4032291	> O-RING 17x3 EPDM KTW/WRC	1
9	4143973	CARTRIDGE HELIX22-36-52 O/E KIT	1
10	4181077	HOUSING-PIPE D.204X264 1.4307 KIT	1
7.3	4179571	> O-RING HOUSING PIPE HELIX22/36/52 VP.	1
10.1		> HOUSING-PIPE Ø204-M+2204/3603-304	1
12	4161186	SHAFT EQUIPMENT HELIX V36 8" KIT	1
13		HYDRAULIC HELIX V 3603-1	1
14	2119966	SHAFT D.22 LG.420,67 HELIX 1.4057 VP.	1
15	4161185	EQUIPED HOUSING HELIX 36 GJL KIT	1
15.1		> PUMP HOUSING SET with CATA. PARTS-DN65	1
15.3	4143766	> DRAIN/PRIMING PLUG EPDM HELIX KIT	1
15.3A		>> PRIMING/DRAIN PLUG-304-VERSION 1	1
15.3B	4032293	>> O-RING-10x3-EPDM-KTW/WRC	1
15.3C	4233957	>> O-RING ID.9 EPDM VP.	1
15.4	4221729	> BASE M+ DN50/65/80 VP.	1

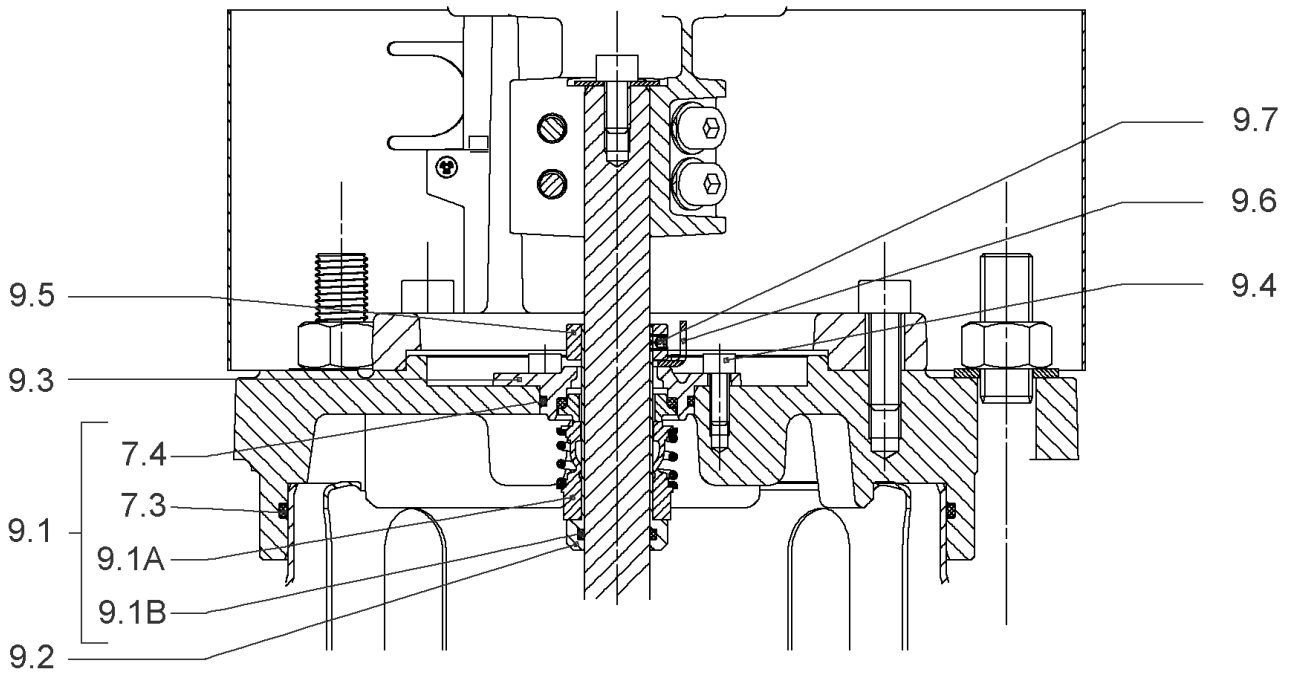
HELIX V3603/1-3/16/E/K/400-50 (4138315)

Item	Article no.	Description	Quantity
15.5		> SCREW TBHC M12x25 ISO7380 ZN	1
15.6		> FLANGE M+ DN65 NF PN16-25 ASME PN16 CATA	1
15.7		> O-RING Ø79.5xØ3 EPDM	1
13.1A	4161200	> NECK RING 1.STAGE HELIX V36/52 KIT	1
		>> NECK-RING-M+36/52	1
		>> HYDRAULIC SUPPORT CAP M+36/52 304	1
		>> SCREW TCL M3X8 A4 POZIDRIV	1
7.3	4179571	> O-RING HOUSING PIPE HELIX22/36/52 VP.	1



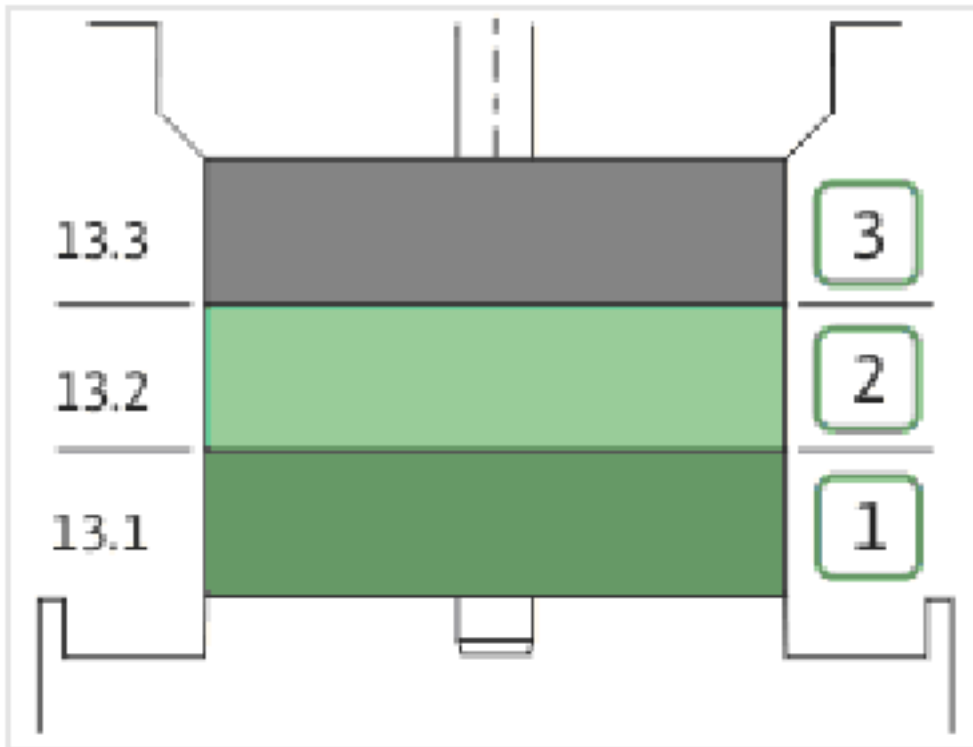
COUPLING D.20XD.28 FF265 KIT (4143965)

Item	Article no.	Description	Quantity
4.1	4179584	COUPLING 2 PARTS D.20XD.28XL83 VP.	1
4.2	2131017	BALL BEARING 6310/ZZ-C4(HT)VP.	1
4.3	4234253	CIRCLIP-FOR-SHAFT-D50x2 VP.	1
4.4	4159707	SCREW M8X30 (4 PIECES)	1
4.5	4234255	CIRCLIPS 110X4 VP.	1
4.6	4233944	O-RING ID.110 VP.	1
4.7	4179585	STOP-RUSH D26xD2 DIN7993 STEEL VP.	1
4.8	2131020	HUB D.38XD.50 VP.	1
4.9	2131021	SPACER D.28XD.45 VP.	1
4.10	4157726	SCREW KIT M8X30 (4 PIECES)	1
4.11	4233959	SCREW M8x16 VP.	1
4.12		SERRATED LOCK WASHER Ø8.2XØ25X35X2	1



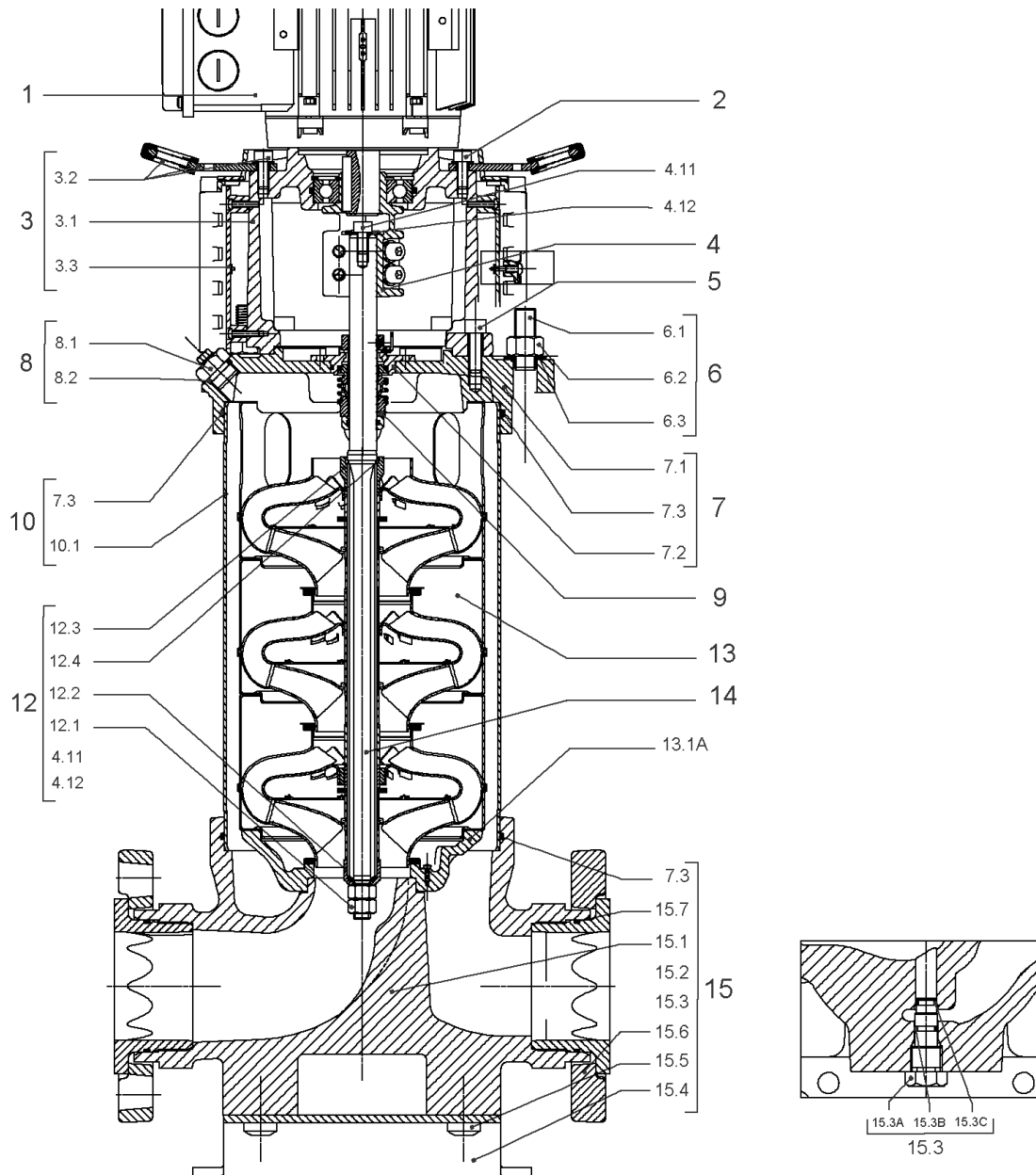
CARTRIDGE HELIX22-36-52 O/E KIT (4143973)

Item	Article no.	Description	Quantity
9.1	4143974	SEAL-KIT-HELIX22-36-52 O/E	1
7.3	4179571	> O-RING HOUSING PIPE HELIX22/36/52 VP.	1
7.4	4179572	> O-RING ID.42.52X2.62 EPDM VP.	1
9.1A	4179573	> M.SEAL.HELIX22-36-52 O/E VP.	1
9.1B	4179574	> O-RING ID.20x2.65 EPDM VP.	1
9.2	4179566	SHAFT SLEEVE D.20/20X60 1.4404 VP.	1
9.3	4179567	RING HOLDER Ø22 1.4301 VP.	1
9.4	4176520	SCREW CH M5x5 A4-70 (3PIECES)	1
9.5	4179568	DRIVE RING D.31/22.1x11 MACH.VP.	1
9.6	4179569	TOOL M.S.CART.HELIX 8" VP.	1
9.7	4179570	SCREW M6X16 ISO4762 8.8 GEOMET(4 PIECES)	1



HYDRAULIC HELIX V 3603-1

Item	Article no.	Description	Quantity
13.1	4161192	INTERMEDIATE STAGE HELIX V36 1.4301 KIT	1
		> SLEEVE-SPACER-D22XL16,66-316L	1
		> MACH.BEARING-DIFFUSER+NR-M+36-304	1
		> SHAFT-SLEEVE-D26xD22x16-CW	1
		> IMPELLER-H1-M+36-304	1
13.1A	4161200	> NECK RING 1.STAGE HELIX V36/52 KIT	1
		>> NECK-RING-M+36/52	1
		>> HYDRAULIC SUPPORT CAP M+36/52 304	1
		>> SCREW TCL M3X8 A4 POZIDRIV	1
13.2	4161193	INTERMEDIATE STAGE HELIX V36 1.4301 KIT	1
		> MACH.STD-DIFFUSER+NR-M+36-304	1
		> IMPELLER-H4-M+36-304	1
13.3	4161196	UPPER STAGE HELIX 36 1.4301 KIT	1
		> STOP COLLAR OF IMPELLER L20-Ø22-316L	1
		> REDUCED-IMPELLER-H4-M+36-304	1
		> MACH.-RIGID-STD-DISCH.-CHAMBER-M+36-304	1

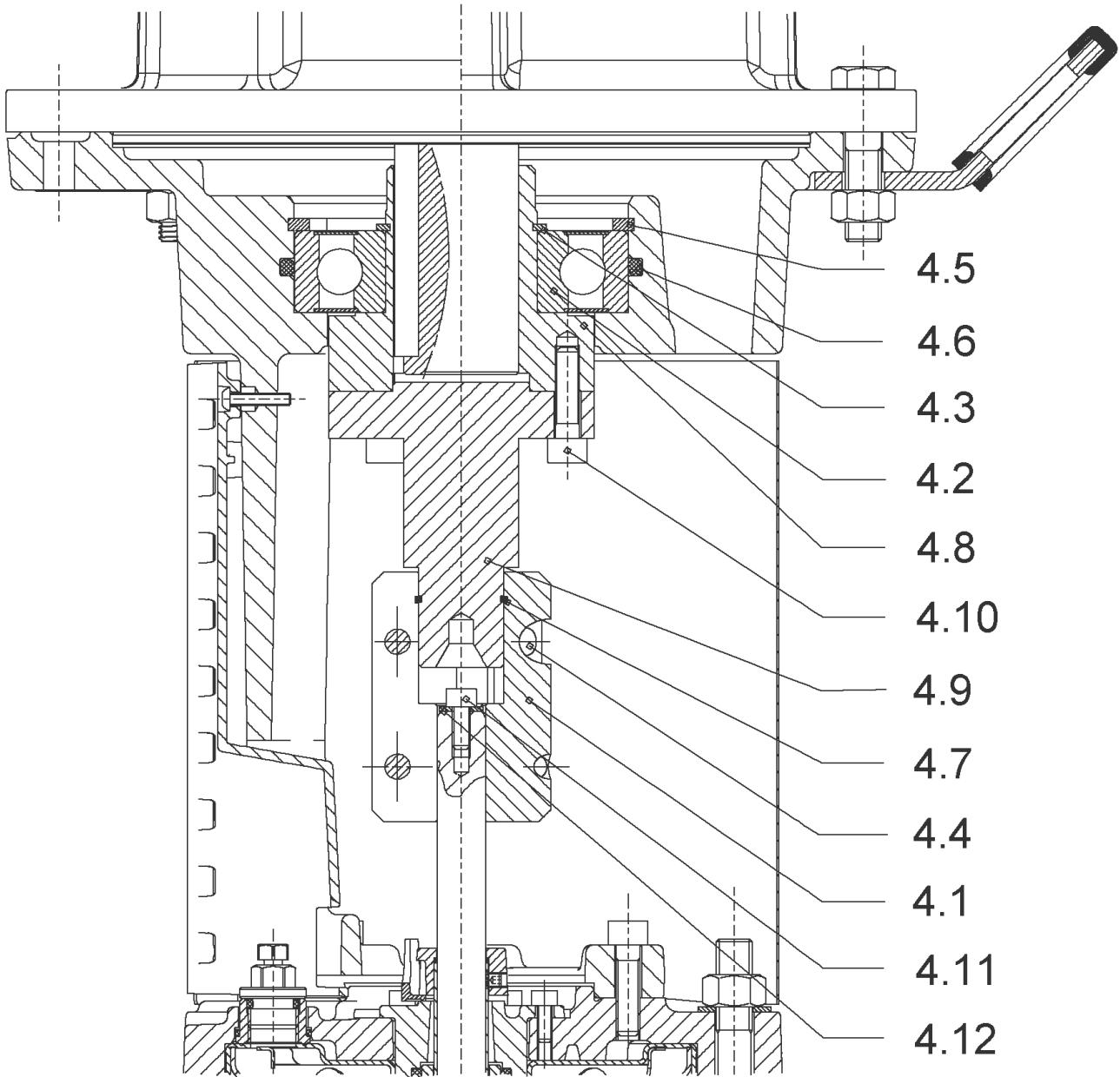


HELIX V3603/1-3/25/E/KS/400-50 (4138316)

Item	Article no.	Description	Quantity
1	4195450	MOTOR 7,5/2/* 3~400V 50HZ IE3 VP.	1
		SPARE PARTS MOTOR:ON REQUEST	1
2	4174093	SCREW M12X50 (4 PIECES)	1
3	4161187	LANTERN FF265 HELIX 8" KIT	1
3.1		> LANTERN FF265 M+ GJL MACHINED+CATA	1
3.2	2127605	> EYELET CPL.FF265 HELIX(2 PIECES)	1
3.3	4143969	> COUPLING PROTECT HELIX FF KIT	1
4	4143965	COUPLING D.20XD.28 FF265 KIT	1
5	4157725	SCREW M10X40 (4 PIECES)	1
6	4181076	STUD BOLT M16X338 KIT	1
		> TIE BOLT M16-338x24x44-1.4057	1
	4179562	> NUT M16 8.8 ISO4032 (4 PIECES)	1
	4097852	> WASHER-CS-16.4-32-2.8-NFE25-511-A2	1
7	4179565	END SHIELD HELIX 8" EPDM KIT	1
7.1		> END SHIELD M+ GJL MACHINED+CATA	1
7.2	4179564	> O-RING D.42.52x2.62 EPDM VP.	1
7.3	4179571	> O-RING HOUSING PIPE HELIX22/36/52 VP.	1
8	4143765	FILING/PURGING PLUG 316L HELIX KIT	1
8.1		> FILLING/VENTING-PLUG-VMI8/10-316L	1
8.2	4032291	> O-RING 17x3 EPDM KTW/WRC	1
9	4143975	CARTRIDGE HELIX22-36-52 F/E KIT	1
10	4181077	HOUSING-PIPE D.204X264 1.4307 KIT	1
7.3	4179571	> O-RING HOUSING PIPE HELIX22/36/52 VP.	1
10.1		> HOUSING-PIPE Ø204-M+2204/3603-304	1
12	4161186	SHAFT EQUIPMENT HELIX V36 8" KIT	1
13		HYDRAULIC HELIX V 3603-1	1
14	2119966	SHAFT D.22 LG.420,67 HELIX 1.4057 VP.	1
15	4161185	EQUIPED HOUSING HELIX 36 GJL KIT	1
15.1		> PUMP HOUSING SET with CATA. PARTS-DN65	1
15.3	4143766	> DRAIN/PRIMING PLUG EPDM HELIX KIT	1
15.3A		>> PRIMING/DRAIN PLUG-304-VERSION 1	1
15.3B	4032293	>> O-RING-10x3-EPDM-KTW/WRC	1
15.3C	4233957	>> O-RING ID.9 EPDM VP.	1
15.4	4221729	> BASE M+ DN50/65/80 VP.	1

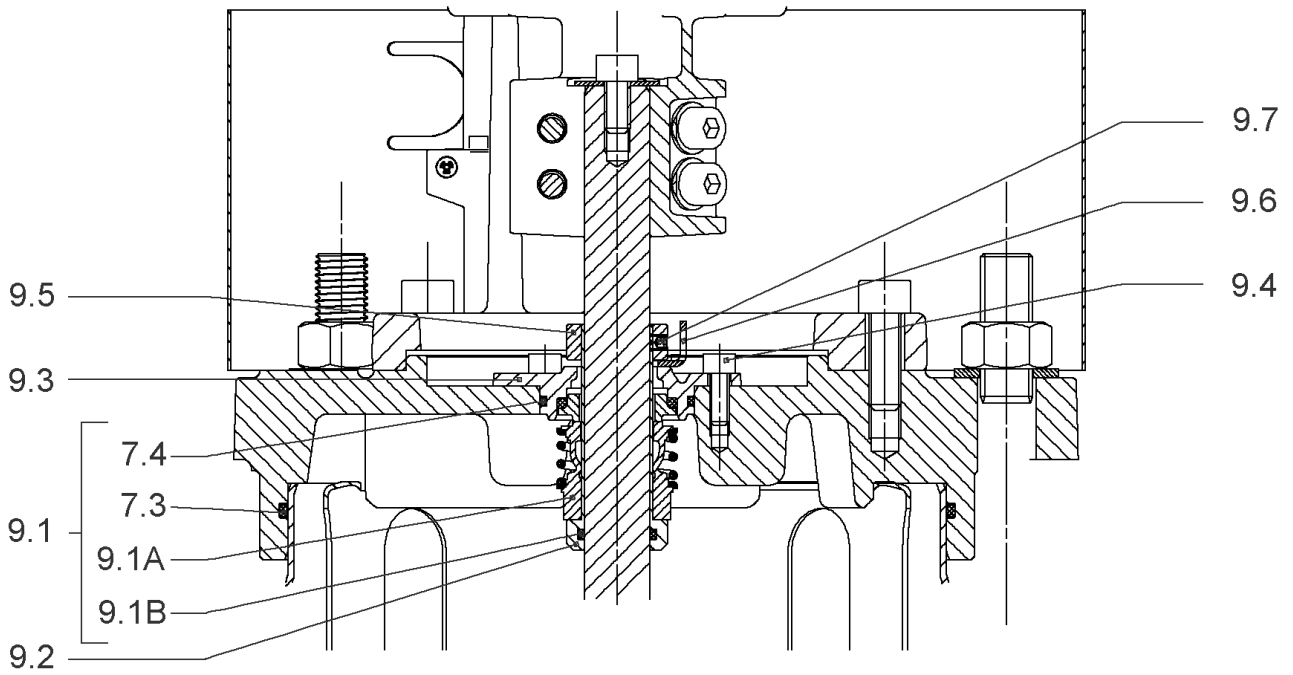
HELIX V3603/1-3/25/E/KS/400-50 (4138316)

Item	Article no.	Description	Quantity
15.5		> SCREW TBHC M12x25 ISO7380 ZN	1
15.6		> FLANGE M+ DN65 NF PN16-25 ASME PN16 CATA	1
15.7		> O-RING Ø79.5xØ3 EPDM	1
13.1A	4161200	> NECK RING 1.STAGE HELIX V36/52 KIT	1
		>> NECK-RING-M+36/52	1
		>> HYDRAULIC SUPPORT CAP M+36/52 304	1
		>> SCREW TCL M3X8 A4 POZIDRIV	1
7.3	4179571	> O-RING HOUSING PIPE HELIX22/36/52 VP.	1



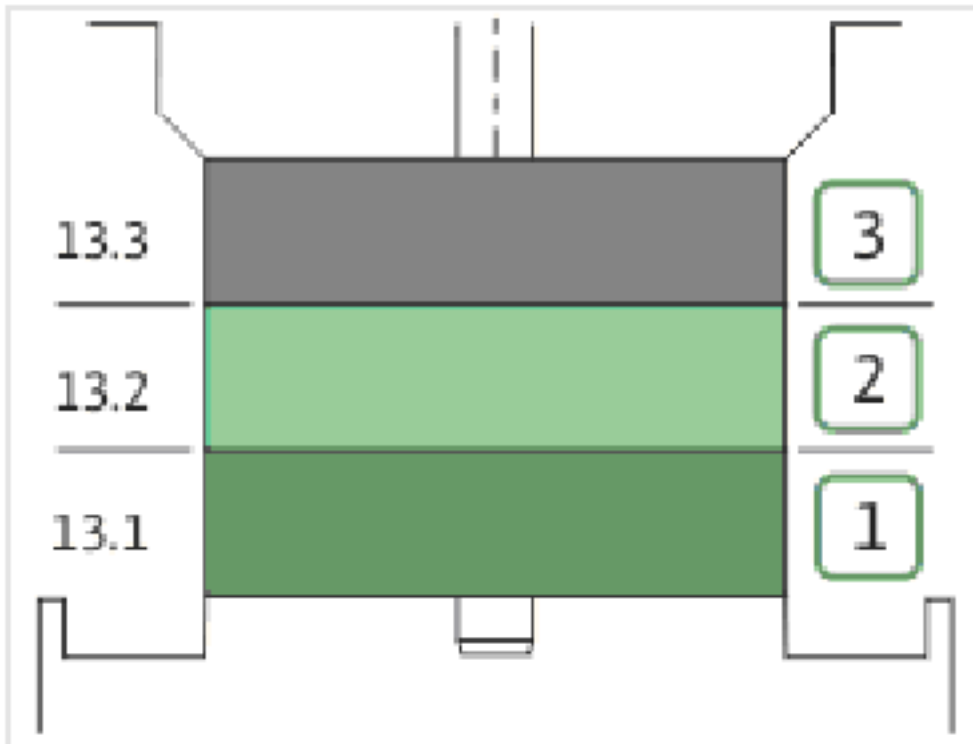
COUPLING D.20XD.28 FF265 KIT (4143965)

Item	Article no.	Description	Quantity
4.1	4179584	COUPLING 2 PARTS D.20XD.28XL83 VP.	1
4.2	2131017	BALL BEARING 6310/ZZ-C4(HT)VP.	1
4.3	4234253	CIRCLIP-FOR-SHAFT-D50x2 VP.	1
4.4	4159707	SCREW M8X30 (4 PIECES)	1
4.5	4234255	CIRCLIPS 110X4 VP.	1
4.6	4233944	O-RING ID.110 VP.	1
4.7	4179585	STOP-RUSH D26xD2 DIN7993 STEEL VP.	1
4.8	2131020	HUB D.38XD.50 VP.	1
4.9	2131021	SPACER D.28XD.45 VP.	1
4.10	4157726	SCREW KIT M8X30 (4 PIECES)	1
4.11	4233959	SCREW M8x16 VP.	1
4.12		SERRATED LOCK WASHER Ø8.2XØ25X35X2	1



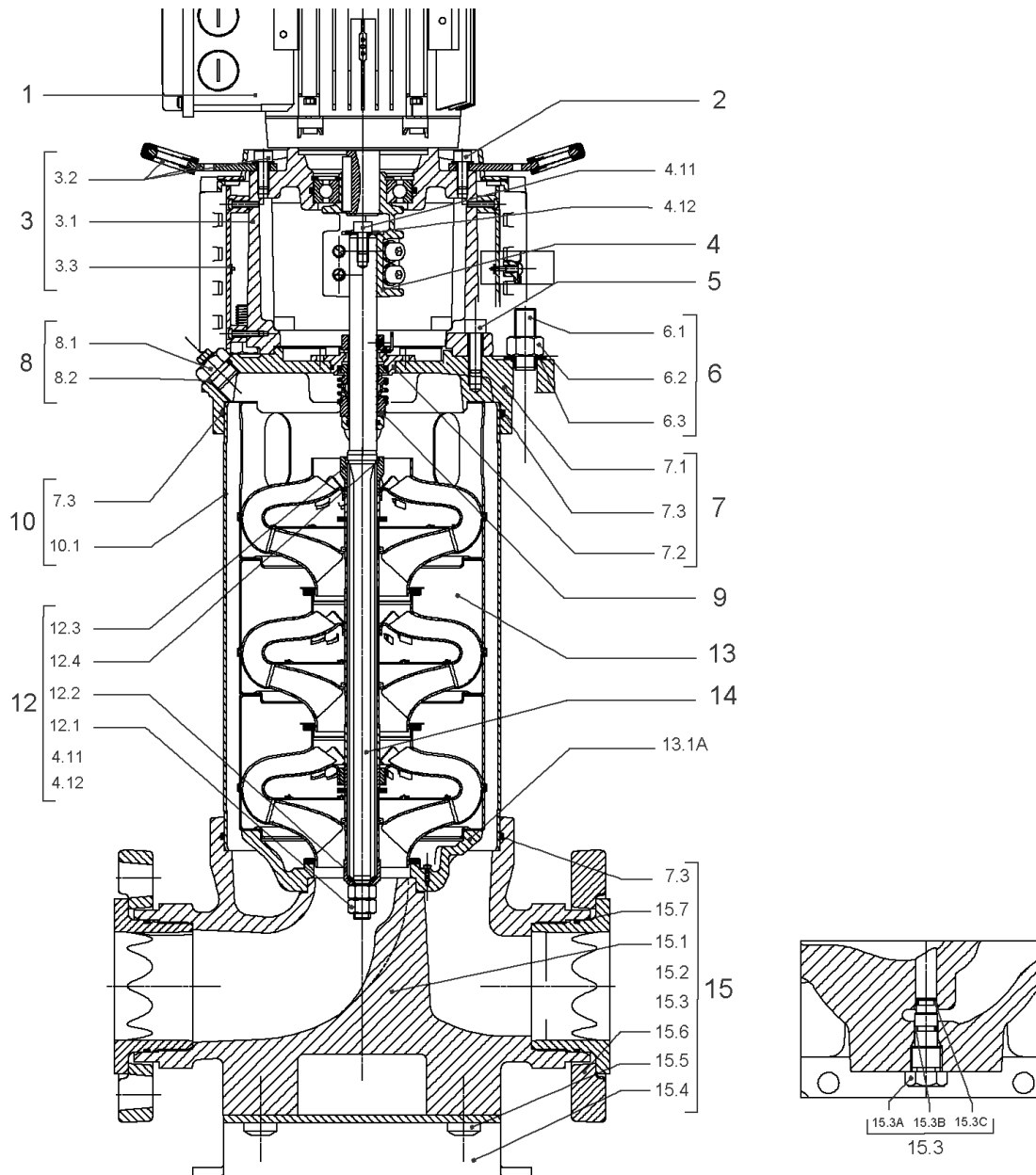
CARTRIDGE HELIX22-36-52 F/E KIT (4143975)

Item	Article no.	Description	Quantity
9.1	4143976	SEAL-KIT-HELIX22-36-52 F/E	1
7.3	4179571	> O-RING HOUSING PIPE HELIX22/36/52 VP.	1
7.4	4179572	> O-RING ID.42.52X2.62 EPDM VP.	1
9.1A	2127447	> M.SEAL.HELIX22-36-52 F/E VP.	1
9.1B	4179574	> O-RING ID.20x2.65 EPDM VP.	1
9.2	4179566	SHAFT SLEEVE D.20/20X60 1.4404 VP.	1
9.3	4179567	RING HOLDER Ø22 1.4301 VP.	1
9.4	4176520	SCREW CH M5x5 A4-70 (3PIECES)	1
9.5	4179568	DRIVE RING D.31/22.1x11 MACH.VP.	1
9.6	4179569	TOOL M.S.CART.HELIX 8" VP.	1
9.7	4179570	SCREW M6X16 ISO4762 8.8 GEOMET(4 PIECES)	1



HYDRAULIC HELIX V 3603-1

Item	Article no.	Description	Quantity
13.1	4161192	INTERMEDIATE STAGE HELIX V36 1.4301 KIT	1
		> SLEEVE-SPACER-D22XL16,66-316L	1
		> MACH.BEARING-DIFFUSER+NR-M+36-304	1
		> SHAFT-SLEEVE-D26xD22x16-CW	1
		> IMPELLER-H1-M+36-304	1
13.1A	4161200	> NECK RING 1.STAGE HELIX V36/52 KIT	1
		>> NECK-RING-M+36/52	1
		>> HYDRAULIC SUPPORT CAP M+36/52 304	1
		>> SCREW TCL M3X8 A4 POZIDRIV	1
13.2	4161193	INTERMEDIATE STAGE HELIX V36 1.4301 KIT	1
		> MACH.STD-DIFFUSER+NR-M+36-304	1
		> IMPELLER-H4-M+36-304	1
13.3	4161196	UPPER STAGE HELIX 36 1.4301 KIT	1
		> STOP COLLAR OF IMPELLER L20-Ø22-316L	1
		> REDUCED-IMPELLER-H4-M+36-304	1
		> MACH.-RIGID-STD-DISCH.-CHAMBER-M+36-304	1

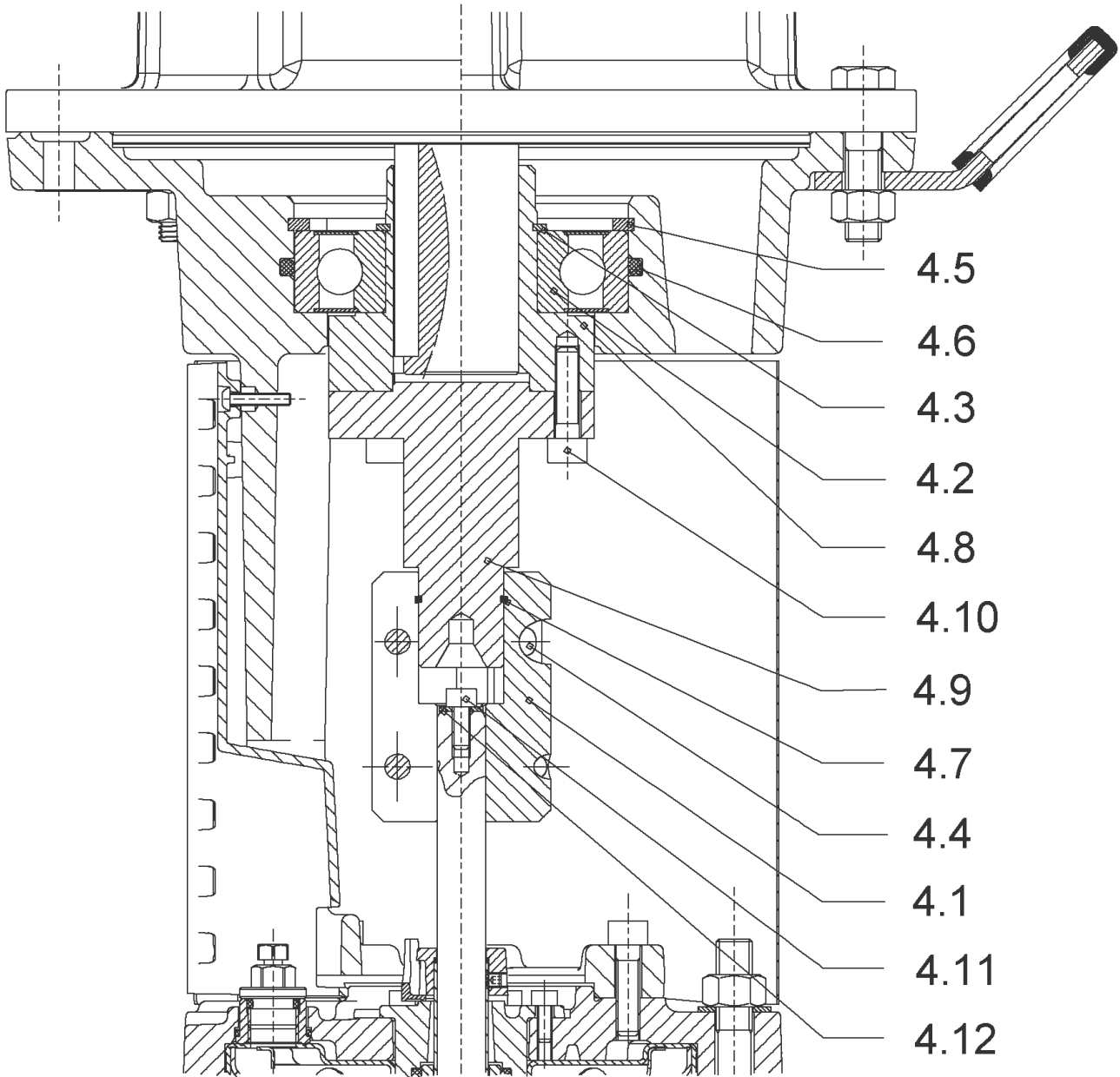


HELIX V3603-3/16/E/K/400-50 (4138317)

Item	Article no.	Description	Quantity
1	4195483	MOTOR 9/2/132 3~400V 50HZ IE3 VP.	1
		SPARE PARTS MOTOR:ON REQUEST	1
2	4174093	SCREW M12X50 (4 PIECES)	1
3	4161187	LANTERN FF265 HELIX 8" KIT	1
3.1		> LANTERN FF265 M+ GJL MACHINED+CATA	1
3.2	2127605	> EYELET CPL.FF265 HELIX(2 PIECES)	1
3.3	4143969	> COUPLING PROTECT HELIX FF KIT	1
4	4143965	COUPLING D.20XD.28 FF265 KIT	1
5	4157725	SCREW M10X40 (4 PIECES)	1
6	4181076	STUD BOLT M16X338 KIT	1
		> TIE BOLT M16-338x24x44-1.4057	1
	4179562	> NUT M16 8.8 ISO4032 (4 PIECES)	1
	4097852	> WASHER-CS-16.4-32-2.8-NFE25-511-A2	1
7	4179565	END SHIELD HELIX 8" EPDM KIT	1
7.1		> END SHIELD M+ GJL MACHINED+CATA	1
7.2	4179564	> O-RING D.42.52x2.62 EPDM VP.	1
7.3	4179571	> O-RING HOUSING PIPE HELIX22/36/52 VP.	1
8	4143765	FILING/PURGING PLUG 316L HELIX KIT	1
8.1		> FILLING/VENTING-PLUG-VM18/10-316L	1
8.2	4032291	> O-RING 17x3 EPDM KTW/WRC	1
9	4143973	CARTRIDGE HELIX22-36-52 O/E KIT	1
10	4181077	HOUSING-PIPE D.204X264 1.4307 KIT	1
7.3	4179571	> O-RING HOUSING PIPE HELIX22/36/52 VP.	1
10.1		> HOUSING-PIPE Ø204-M+2204/3603-304	1
12	4161186	SHAFT EQUIPMENT HELIX V36 8" KIT	1
13		HYDRAULIC HELIX V 3603	1
14	2119966	SHAFT D.22 LG.420,67 HELIX 1.4057 VP.	1
15	4161185	EQUIPED HOUSING HELIX 36 GJL KIT	1
15.1		> PUMP HOUSING SET with CATA. PARTS-DN65	1
15.3	4143766	> DRAIN/PRIMING PLUG EPDM HELIX KIT	1
15.3A		>> PRIMING/DRAIN PLUG-304-VERSION 1	1
15.3B	4032293	>> O-RING-10x3-EPDM-KTW/WRC	1
15.3C	4233957	>> O-RING ID.9 EPDM VP.	1
15.4	4221729	> BASE M+ DN50/65/80 VP.	1

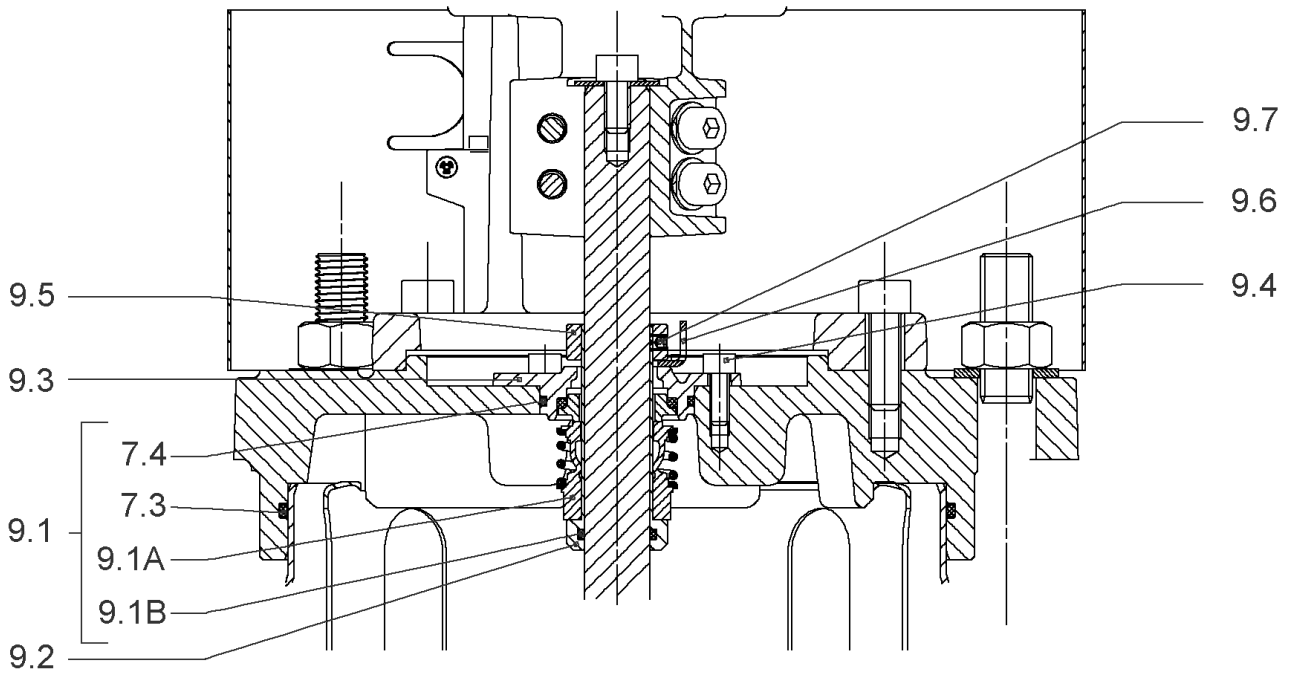
HELIX V3603-3/16/E/K/400-50 (4138317)

Item	Article no.	Description	Quantity
15.5		> SCREW TBHC M12x25 ISO7380 ZN	1
15.6		> FLANGE M+ DN65 NF PN16-25 ASME PN16 CATA	1
15.7		> O-RING Ø79.5xØ3 EPDM	1
13.1A	4161200	> NECK RING 1.STAGE HELIX V36/52 KIT	1
		>> NECK-RING-M+36/52	1
		>> HYDRAULIC SUPPORT CAP M+36/52 304	1
		>> SCREW TCL M3X8 A4 POZIDRIV	1
7.3	4179571	> O-RING HOUSING PIPE HELIX22/36/52 VP.	1



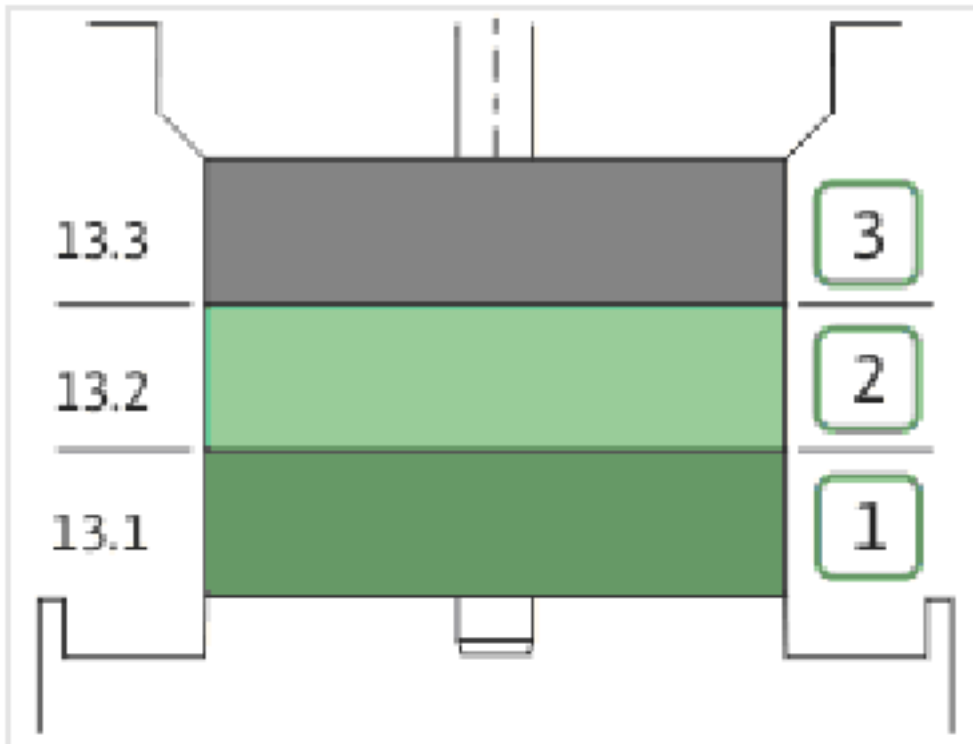
COUPLING D.20XD.28 FF265 KIT (4143965)

Item	Article no.	Description	Quantity
4.1	4179584	COUPLING 2 PARTS D.20XD.28XL83 VP.	1
4.2	2131017	BALL BEARING 6310/ZZ-C4(HT)VP.	1
4.3	4234253	CIRCLIP-FOR-SHAFT-D50x2 VP.	1
4.4	4159707	SCREW M8X30 (4 PIECES)	1
4.5	4234255	CIRCLIPS 110X4 VP.	1
4.6	4233944	O-RING ID.110 VP.	1
4.7	4179585	STOP-RUSH D26xD2 DIN7993 STEEL VP.	1
4.8	2131020	HUB D.38XD.50 VP.	1
4.9	2131021	SPACER D.28XD.45 VP.	1
4.10	4157726	SCREW KIT M8X30 (4 PIECES)	1
4.11	4233959	SCREW M8x16 VP.	1
4.12		SERRATED LOCK WASHER Ø8.2XØ25X35X2	1



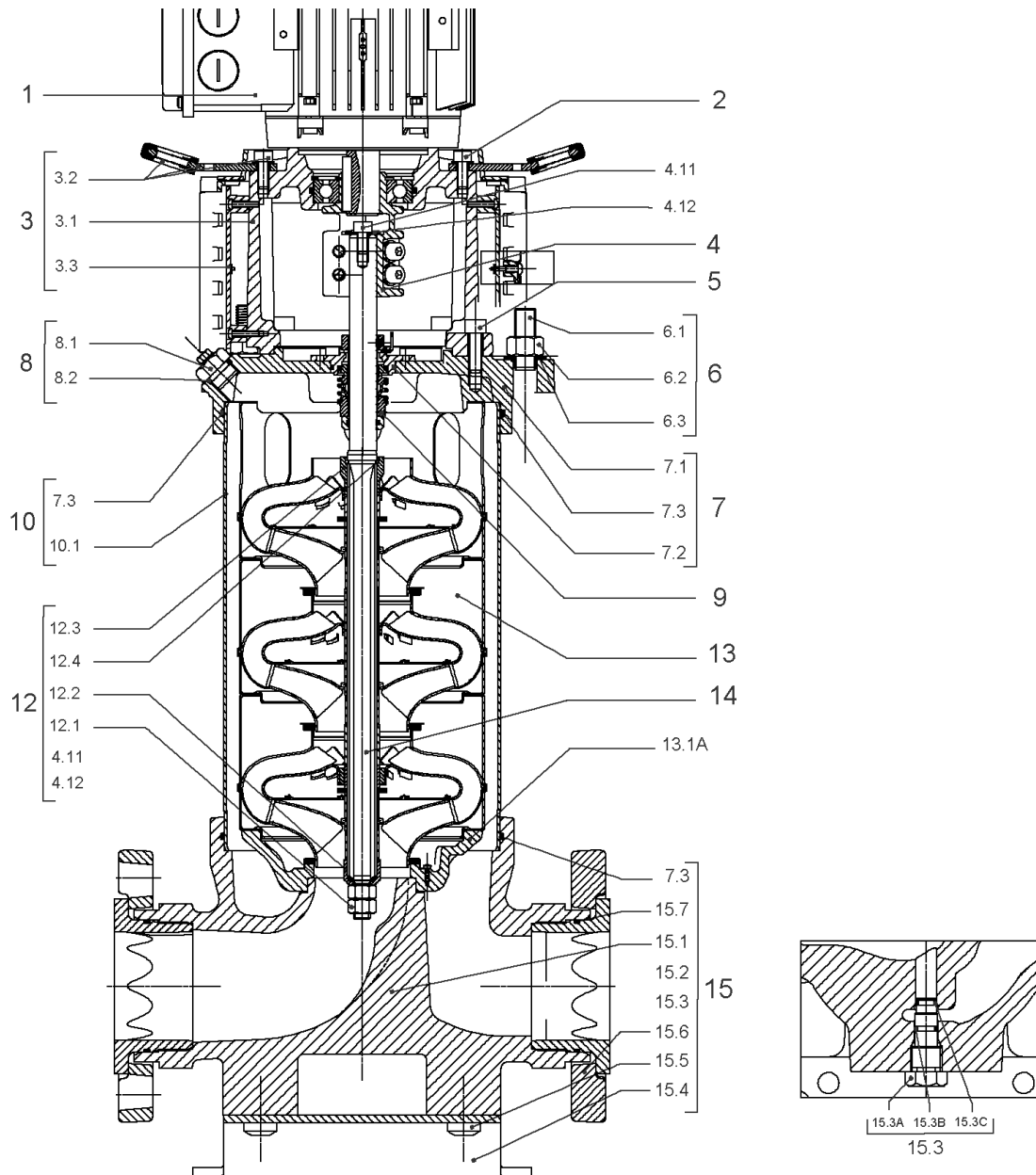
CARTRIDGE HELIX22-36-52 O/E KIT (4143973)

Item	Article no.	Description	Quantity
9.1	4143974	SEAL-KIT-HELIX22-36-52 O/E	1
7.3	4179571	> O-RING HOUSING PIPE HELIX22/36/52 VP.	1
7.4	4179572	> O-RING ID.42.52X2.62 EPDM VP.	1
9.1A	4179573	> M.SEAL.HELIX22-36-52 O/E VP.	1
9.1B	4179574	> O-RING ID.20x2.65 EPDM VP.	1
9.2	4179566	SHAFT SLEEVE D.20/20X60 1.4404 VP.	1
9.3	4179567	RING HOLDER Ø22 1.4301 VP.	1
9.4	4176520	SCREW CH M5x5 A4-70 (3PIECES)	1
9.5	4179568	DRIVE RING D.31/22.1x11 MACH.VP.	1
9.6	4179569	TOOL M.S.CART.HELIX 8" VP.	1
9.7	4179570	SCREW M6X16 ISO4762 8.8 GEOMET(4 PIECES)	1



HYDRAULIC HELIX V 3603

Item	Article no.	Description	Quantity
13.1	4161192	INTERMEDIATE STAGE HELIX V36 1.4301 KIT	1
		> SLEEVE-SPACER-D22XL16,66-316L	1
		> MACH.BEARING-DIFFUSER+NR-M+36-304	1
		> SHAFT-SLEEVE-D26xD22x16-CW	1
		> IMPELLER-H1-M+36-304	1
13.1A	4161200	> NECK RING 1.STAGE HELIX V36/52 KIT	1
		>> NECK-RING-M+36/52	1
		>> HYDRAULIC SUPPORT CAP M+36/52 304	1
		>> SCREW TCL M3X8 A4 POZIDRIV	1
13.2	4161193	INTERMEDIATE STAGE HELIX V36 1.4301 KIT	1
		> MACH.STD-DIFFUSER+NR-M+36-304	1
		> IMPELLER-H4-M+36-304	1
13.3	4161194	UPPER STAGE HELIX 36 1.4301 KIT	1
		> STOP COLLAR OF IMPELLER L20-Ø22-316L	1
		> IMPELLER-H4-M+36-304	1
		> MACH.-RIGID-STD-DISCH.-CHAMBER-M+36-304	1

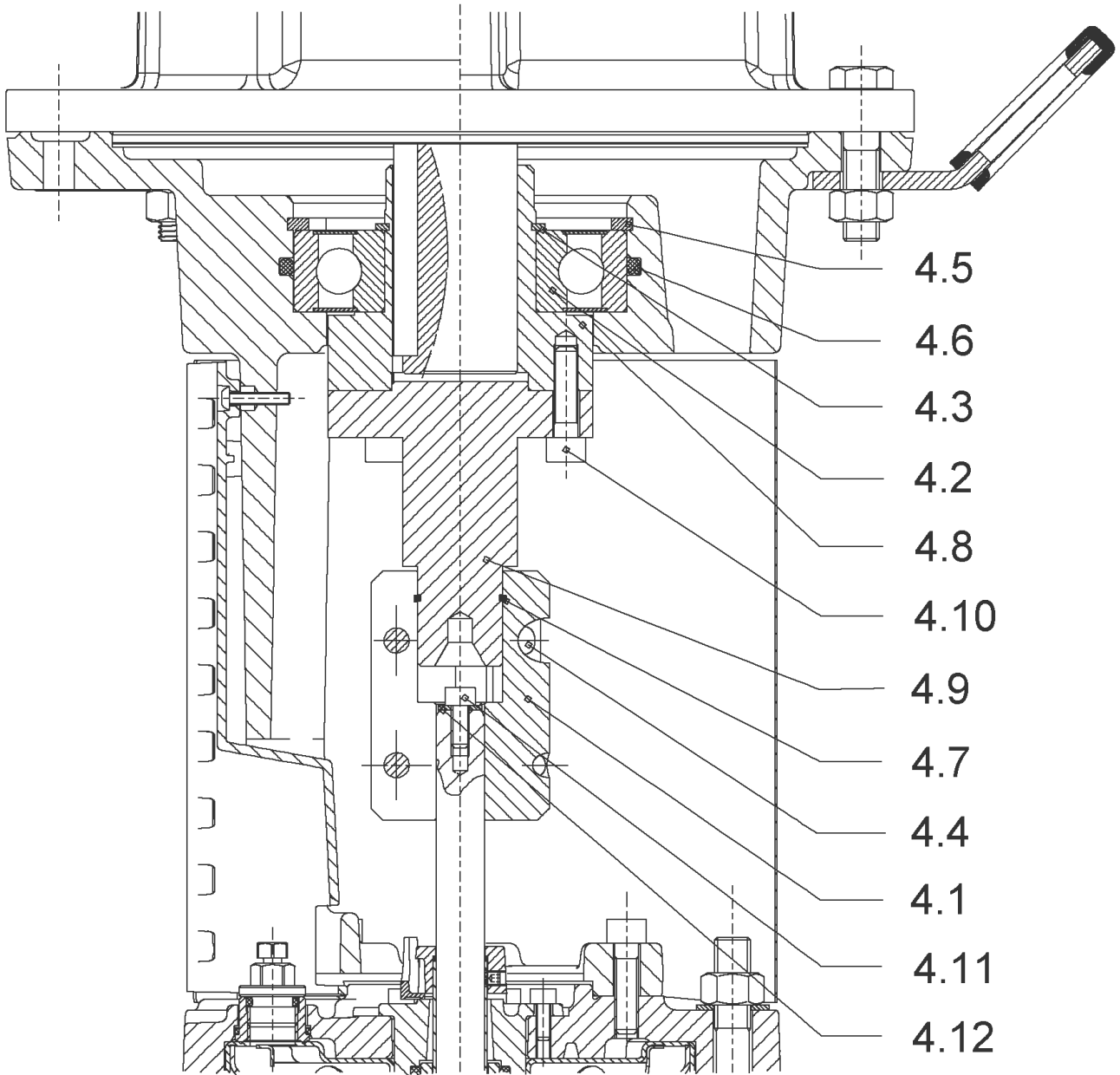


HELIX V3603-3/25/E/KS/400-50 (4138318)

Item	Article no.	Description	Quantity
1	4195483	MOTOR 9/2/132 3~400V 50HZ IE3 VP.	1
		SPARE PARTS MOTOR:ON REQUEST	1
2	4174093	SCREW M12X50 (4 PIECES)	1
3	4161187	LANTERN FF265 HELIX 8" KIT	1
3.1		> LANTERN FF265 M+ GJL MACHINED+CATA	1
3.2	2127605	> EYELET CPL.FF265 HELIX(2 PIECES)	1
3.3	4143969	> COUPLING PROTECT HELIX FF KIT	1
4	4143965	COUPLING D.20XD.28 FF265 KIT	1
5	4157725	SCREW M10X40 (4 PIECES)	1
6	4181076	STUD BOLT M16X338 KIT	1
		> TIE BOLT M16-338x24x44-1.4057	1
	4179562	> NUT M16 8.8 ISO4032 (4 PIECES)	1
	4097852	> WASHER-CS-16.4-32-2.8-NFE25-511-A2	1
7	4179565	END SHIELD HELIX 8" EPDM KIT	1
7.1		> END SHIELD M+ GJL MACHINED+CATA	1
7.2	4179564	> O-RING D.42.52x2.62 EPDM VP.	1
7.3	4179571	> O-RING HOUSING PIPE HELIX22/36/52 VP.	1
8	4143765	FILING/PURGING PLUG 316L HELIX KIT	1
8.1		> FILLING/VENTING-PLUG-VM18/10-316L	1
8.2	4032291	> O-RING 17x3 EPDM KTW/WRC	1
9	4143975	CARTRIDGE HELIX22-36-52 F/E KIT	1
10	4181077	HOUSING-PIPE D.204X264 1.4307 KIT	1
7.3	4179571	> O-RING HOUSING PIPE HELIX22/36/52 VP.	1
10.1		> HOUSING-PIPE Ø204-M+2204/3603-304	1
12	4161186	SHAFT EQUIPMENT HELIX V36 8" KIT	1
13		HYDRAULIC HELIX V 3603	1
14	2119966	SHAFT D.22 LG.420,67 HELIX 1.4057 VP.	1
15	4161185	EQUIPED HOUSING HELIX 36 GJL KIT	1
15.1		> PUMP HOUSING SET with CATA. PARTS-DN65	1
15.3	4143766	> DRAIN/PRIMING PLUG EPDM HELIX KIT	1
15.3A		>> PRIMING/DRAIN PLUG-304-VERSION 1	1
15.3B	4032293	>> O-RING-10x3-EPDM-KTW/WRC	1
15.3C	4233957	>> O-RING ID.9 EPDM VP.	1
15.4	4221729	> BASE M+ DN50/65/80 VP.	1

HELIX V3603-3/25/E/KS/400-50 (4138318)

Item	Article no.	Description	Quantity
15.5		> SCREW TBHC M12x25 ISO7380 ZN	1
15.6		> FLANGE M+ DN65 NF PN16-25 ASME PN16 CATA	1
15.7		> O-RING Ø79.5xØ3 EPDM	1
13.1A	4161200	> NECK RING 1.STAGE HELIX V36/52 KIT	1
		>> NECK-RING-M+36/52	1
		>> HYDRAULIC SUPPORT CAP M+36/52 304	1
		>> SCREW TCL M3X8 A4 POZIDRIV	1
7.3	4179571	> O-RING HOUSING PIPE HELIX22/36/52 VP.	1



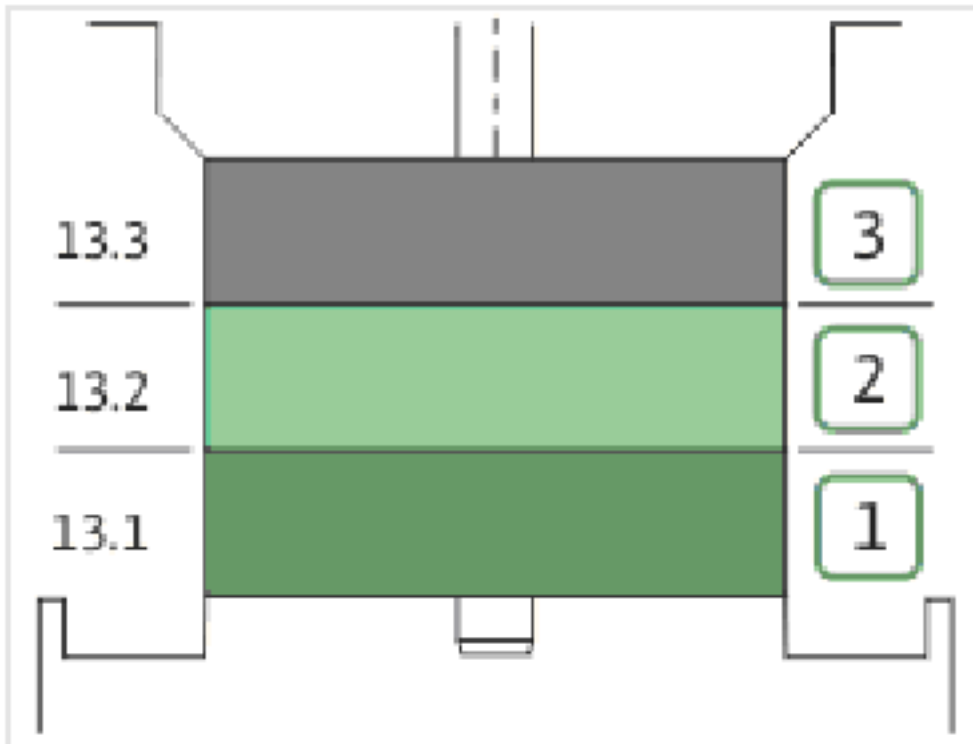
COUPLING D.20XD.28 FF265 KIT (4143965)

Item	Article no.	Description	Quantity
4.1	4179584	COUPLING 2 PARTS D.20XD.28XL83 VP.	1
4.2	2131017	BALL BEARING 6310/ZZ-C4(HT)VP.	1
4.3	4234253	CIRCLIP-FOR-SHAFT-D50x2 VP.	1
4.4	4159707	SCREW M8X30 (4 PIECES)	1
4.5	4234255	CIRCLIPS 110X4 VP.	1
4.6	4233944	O-RING ID.110 VP.	1
4.7	4179585	STOP-RUSH D26xD2 DIN7993 STEEL VP.	1
4.8	2131020	HUB D.38XD.50 VP.	1
4.9	2131021	SPACER D.28XD.45 VP.	1
4.10	4157726	SCREW KIT M8X30 (4 PIECES)	1
4.11	4233959	SCREW M8x16 VP.	1
4.12		SERRATED LOCK WASHER Ø8.2XØ25X35X2	1



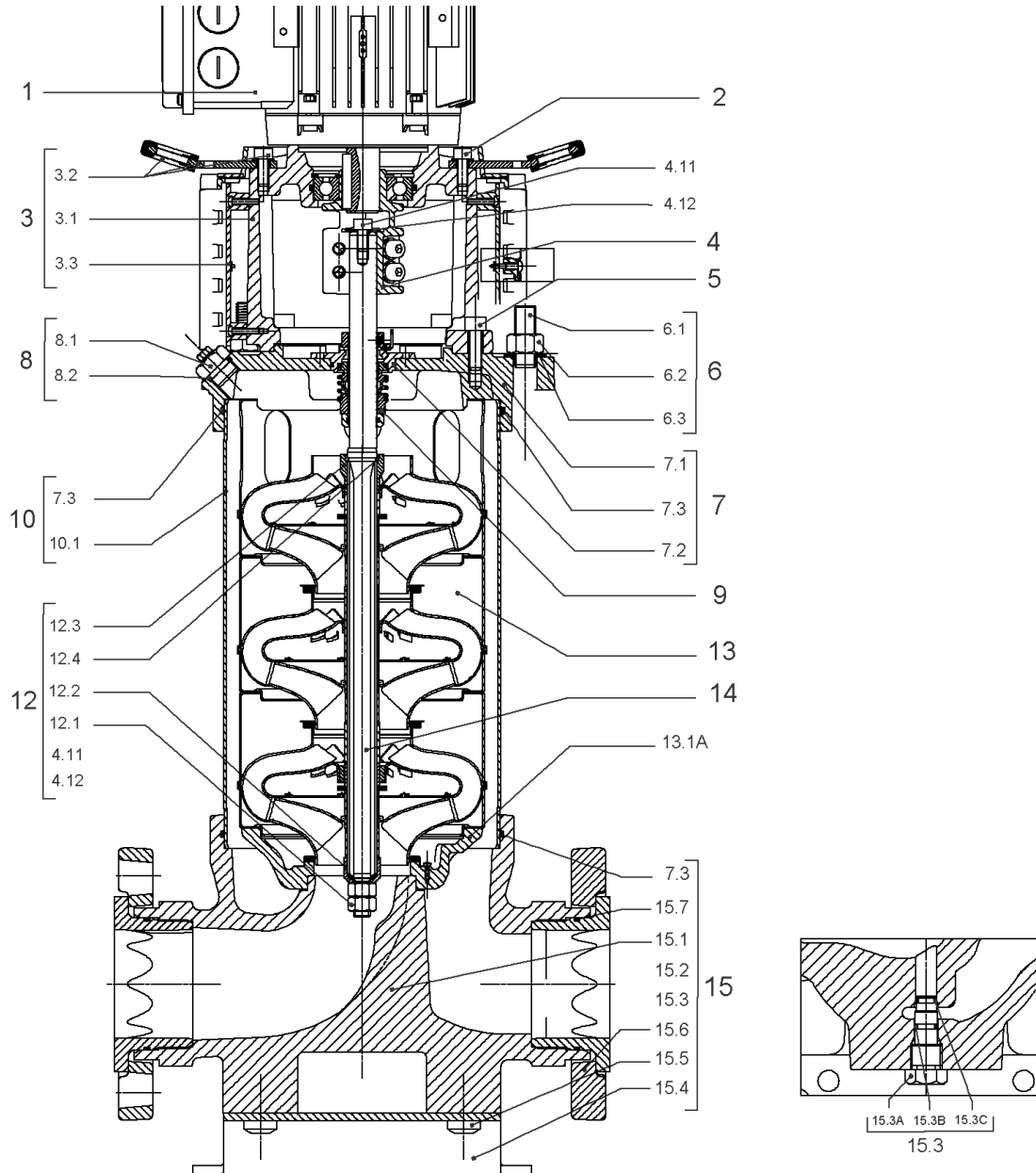
CARTRIDGE HELIX22-36-52 F/E KIT (4143975)

Item	Article no.	Description	Quantity
9.1	4143976	SEAL-KIT-HELIX22-36-52 F/E	1
7.3	4179571	> O-RING HOUSING PIPE HELIX22/36/52 VP.	1
7.4	4179572	> O-RING ID.42.52X2.62 EPDM VP.	1
9.1A	2127447	> M.SEAL.HELIX22-36-52 F/E VP.	1
9.1B	4179574	> O-RING ID.20x2.65 EPDM VP.	1
9.2	4179566	SHAFT SLEEVE D.20/20X60 1.4404 VP.	1
9.3	4179567	RING HOLDER Ø22 1.4301 VP.	1
9.4	4176520	SCREW CH M5x5 A4-70 (3PIECES)	1
9.5	4179568	DRIVE RING D.31/22.1x11 MACH.VP.	1
9.6	4179569	TOOL M.S.CART.HELIX 8" VP.	1
9.7	4179570	SCREW M6X16 ISO4762 8.8 GEOMET(4 PIECES)	1



HYDRAULIC HELIX V 3603

Item	Article no.	Description	Quantity
13.1	4161192	INTERMEDIATE STAGE HELIX V36 1.4301 KIT	1
		> SLEEVE-SPACER-D22XL16,66-316L	1
		> MACH.BEARING-DIFFUSER+NR-M+36-304	1
		> SHAFT-SLEEVE-D26xD22x16-CW	1
		> IMPELLER-H1-M+36-304	1
13.1A	4161200	> NECK RING 1.STAGE HELIX V36/52 KIT	1
		>> NECK-RING-M+36/52	1
		>> HYDRAULIC SUPPORT CAP M+36/52 304	1
		>> SCREW TCL M3X8 A4 POZIDRIV	1
13.2	4161193	INTERMEDIATE STAGE HELIX V36 1.4301 KIT	1
		> MACH.STD-DIFFUSER+NR-M+36-304	1
		> IMPELLER-H4-M+36-304	1
13.3	4161194	UPPER STAGE HELIX 36 1.4301 KIT	1
		> STOP COLLAR OF IMPELLER L20-Ø22-316L	1
		> IMPELLER-H4-M+36-304	1
		> MACH.-RIGID-STD-DISCH.-CHAMBER-M+36-304	1

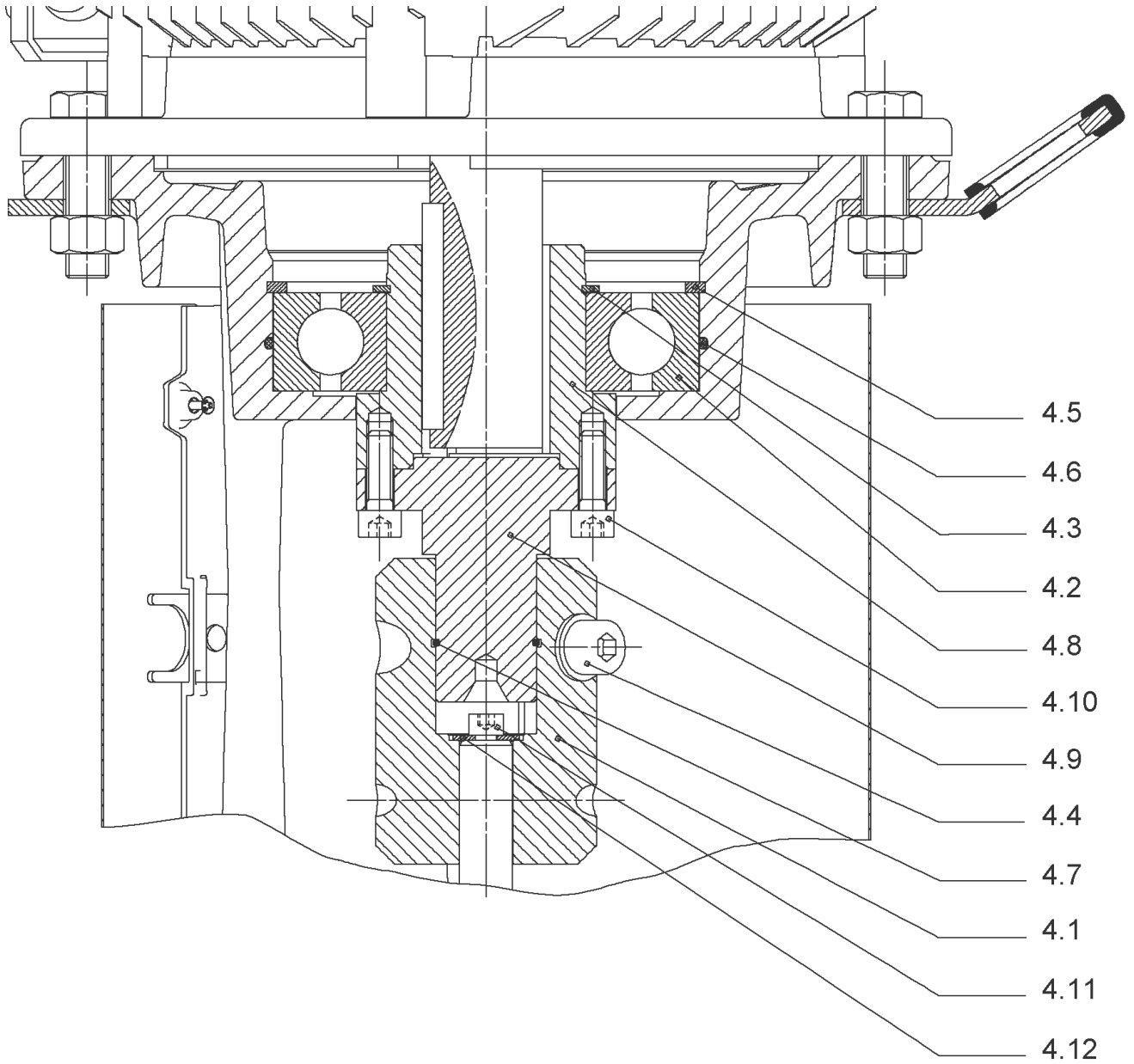


HELIX V3604/2-3/16/E/K/400-50 (4138319)

Item	Article no.	Description	Quantity
1	4199884	MOTOR 11/2/160 3~400V 50HZ VP.	1
		SPARE PARTS MOTOR:ON REQUEST	1
2	4179586	SCREW M16X60 (4 PIECES)	1
3	4157721	LANTERN HELIX 22/36 FF300 BB6312 KIT	1
3.1		> LANTERN FF300 M+ GJL MACHINED+CATA 6312	1
3.2	4179589	> EYELET CPL.FF300 HELIX(4 PIECES)	1
3.3	4143969	> COUPLING PROTECT HELIX FF KIT	1
4	4143966	COUPLING D.20XD.38 FF300 KIT	1
5	4157725	SCREW M10X40 (4 PIECES)	1
6	4179592	STUD BOLT M16X405 KIT	1
6.1		> TIE BOLT M16-405x24x44-1.4057	1
6.2	4179562	> NUT M16 8.8 ISO4032 (4 PIECES)	1
6.3	4097852	> WASHER-CS-16.4-32-2.8-NFE25-511-A2	1
7	4179565	END SHIELD HELIX 8" EPDM KIT	1
7.1		> END SHIELD M+ GJL MACHINED+CATA	1
7.2	4179564	> O-RING D.42.52x2.62 EPDM VP.	1
7.3	4179571	> O-RING HOUSING PIPE HELIX22/36/52 VP.	1
8	4143765	FILING/PURGING PLUG 316L HELIX KIT	1
8.1		> FILLING/VENTING-PLUG-VMI8/10-316L	1
8.2	4032291	> O-RING 17x3 EPDM KTW/WRC	1
9	4143973	CARTRIDGE HELIX22-36-52 O/E KIT	1
10	4179593	HOUSING PIPE D.204X330 1.4307 KIT	1
7.3	4179571	> O-RING HOUSING PIPE HELIX22/36/52 VP.	1
10.1		> HOUSING-PIPE Ø204-M+3604/5203-304	1
12	4161186	SHAFT EQUIPMENT HELIX V36 8" KIT	1
13		HYDRAULIC HELIX V 3604-2	1
14	2123751	SHAFT D.22 LG.487,34 HELIX 1.4057 VP.	1
15	4161185	EQUIPED HOUSING HELIX 36 GJL KIT	1
15.1		> PUMP HOUSING SET with CATA. PARTS-DN65	1
15.3	4143766	> DRAIN/PRIMING PLUG EPDM HELIX KIT	1
15.3A		>> PRIMING/DRAIN PLUG-304-VERSION 1	1
15.3B	4032293	>> O-RING-10x3-EPDM-KTW/WRC	1
15.3C	4233957	>> O-RING ID.9 EPDM VP.	1
15.4	4221729	> BASE M+ DN50/65/80 VP.	1

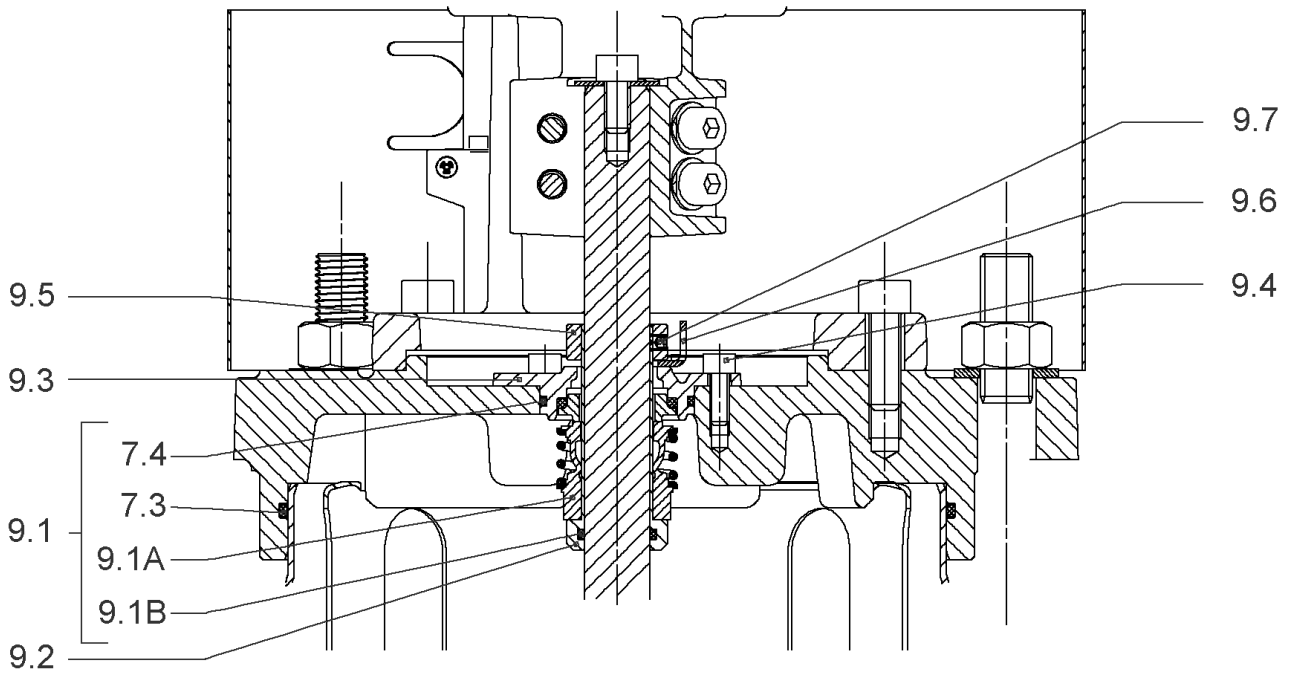
HELIX V3604/2-3/16/E/K/400-50 (4138319)

Item	Article no.	Description	Quantity
15.5		> SCREW TBHC M12x25 ISO7380 ZN	1
15.6		> FLANGE M+ DN65 NF PN16-25 ASME PN16 CATA	1
15.7		> O-RING Ø79.5xØ3 EPDM	1
13.1A	4161200	> NECK RING 1.STAGE HELIX V36/52 KIT	1
		>> NECK-RING-M+36/52	1
		>> HYDRAULIC SUPPORT CAP M+36/52 304	1
		>> SCREW TCL M3X8 A4 POZIDRIV	1
7.3	4179571	> O-RING HOUSING PIPE HELIX22/36/52 VP.	1



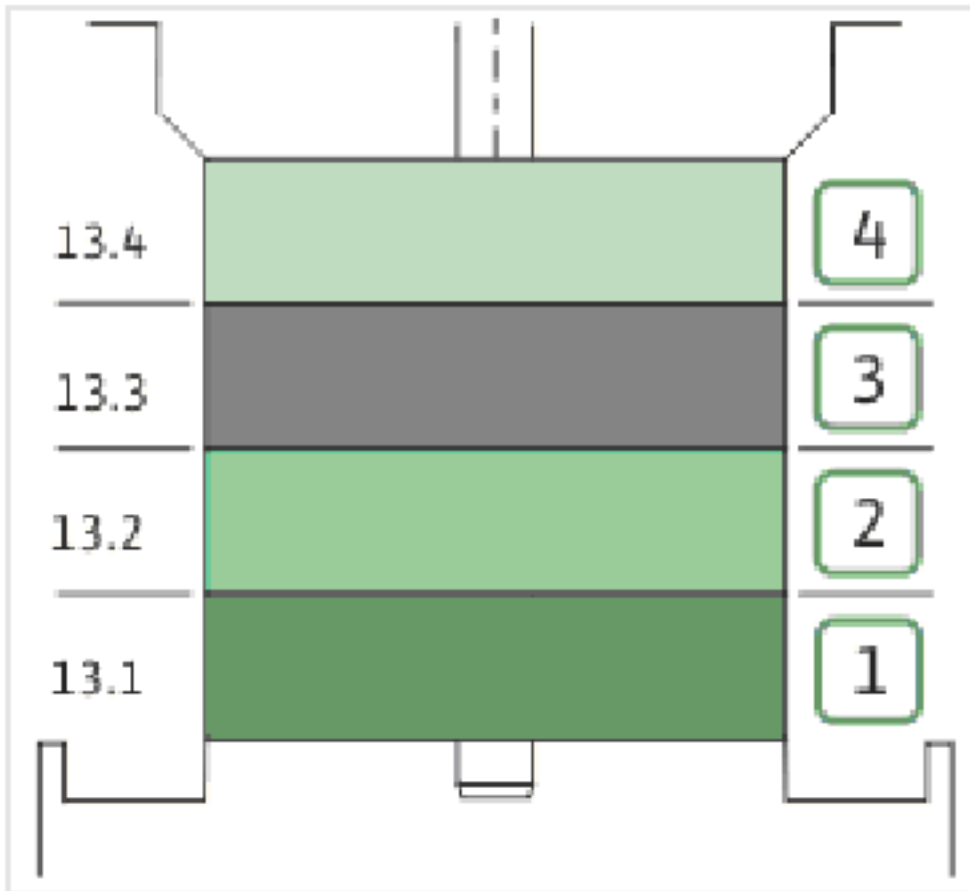
COUPLING D.20XD.38 FF300 KIT (4143966)

Item	Article no.	Description	Quantity
4.1	4179590	COUPLING 2 PARTS D.20XD.38XL115 VP.	1
4.2	2123699	BALL BEARING 6312/2Z-C4 (HT) VP.	1
4.3	63428	CIRCLIP-FOR-SHAFT-D60x2	1
4.4	2130991	SCREW M12X30 ISO4762 8.8 ZN(4 PIECES)	1
4.5	4032277	CIRCLIP-HOLE-130x4	1
4.6	4006725	O-RING ID.132,94x3,53 NBR70SR	1
4.7	2130992	RETAINING RING D.35xD.2,5 DIN7993 VP.	1
4.8	4179591	HUB D.42xD.60 VP.	1
4.9	2130994	SPACER D.38XD.55 VP.	1
4.10	4094462	SCREWS M10 (4 PIECES)	1
4.11	4233959	SCREW M8x16 VP.	1
4.12		SERRATED LOCK WASHER Ø8.2XØ25X35X2	1



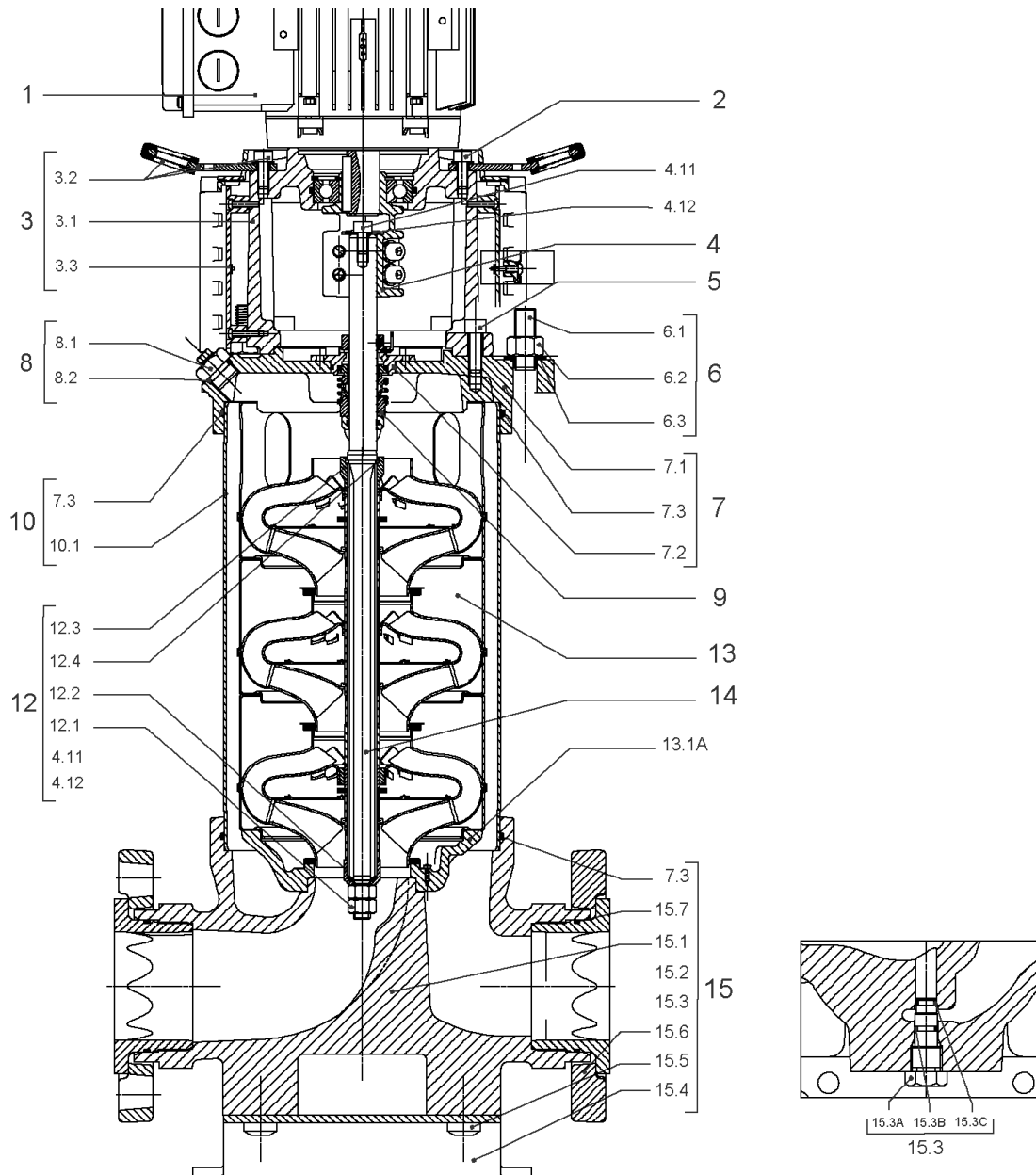
CARTRIDGE HELIX22-36-52 O/E KIT (4143973)

Item	Article no.	Description	Quantity
9.1	4143974	SEAL-KIT-HELIX22-36-52 O/E	1
7.3	4179571	> O-RING HOUSING PIPE HELIX22/36/52 VP.	1
7.4	4179572	> O-RING ID.42.52X2.62 EPDM VP.	1
9.1A	4179573	> M.SEAL.HELIX22-36-52 O/E VP.	1
9.1B	4179574	> O-RING ID.20x2.65 EPDM VP.	1
9.2	4179566	SHAFT SLEEVE D.20/20X60 1.4404 VP.	1
9.3	4179567	RING HOLDER Ø22 1.4301 VP.	1
9.4	4176520	SCREW CH M5x5 A4-70 (3PIECES)	1
9.5	4179568	DRIVE RING D.31/22.1x11 MACH.VP.	1
9.6	4179569	TOOL M.S.CART.HELIX 8" VP.	1
9.7	4179570	SCREW M6X16 ISO4762 8.8 GEOMET(4 PIECES)	1



HYDRAULIC HELIX V 3604-2

Item	Article no.	Description	Quantity
13.1	4161192	INTERMEDIATE STAGE HELIX V36 1.4301 KIT	1
		> SLEEVE-SPACER-D22XL16,66-316L	1
		> MACH.BEARING-DIFFUSER+NR-M+36-304	1
		> SHAFT-SLEEVE-D26xD22x16-CW	1
		> IMPELLER-H1-M+36-304	1
13.1A	4161200	> NECK RING 1.STAGE HELIX V36/52 KIT	1
		>> NECK-RING-M+36/52	1
		>> HYDRAULIC SUPPORT CAP M+36/52 304	1
		>> SCREW TCL M3X8 A4 POZIDRIV	1
13.2	4161193	INTERMEDIATE STAGE HELIX V36 1.4301 KIT	1
		> MACH.STD-DIFFUSER+NR-M+36-304	1
		> IMPELLER-H4-M+36-304	1
13.3	4161195	INTERMEDIATE STAGE HELIX V36 1.4301 KIT	1
		> REDUCED-IMPELLER-H4-M+36-304	1
		> MACH.STD-DIFFUSER+NR-M+36-304	1
13.4	4161196	UPPER STAGE HELIX 36 1.4301 KIT	1
		> STOP COLLAR OF IMPELLER L20-Ø22-316L	1
		> REDUCED-IMPELLER-H4-M+36-304	1
		> MACH.-RIGID-STD-DISCH.-CHAMBER-M+36-304	1

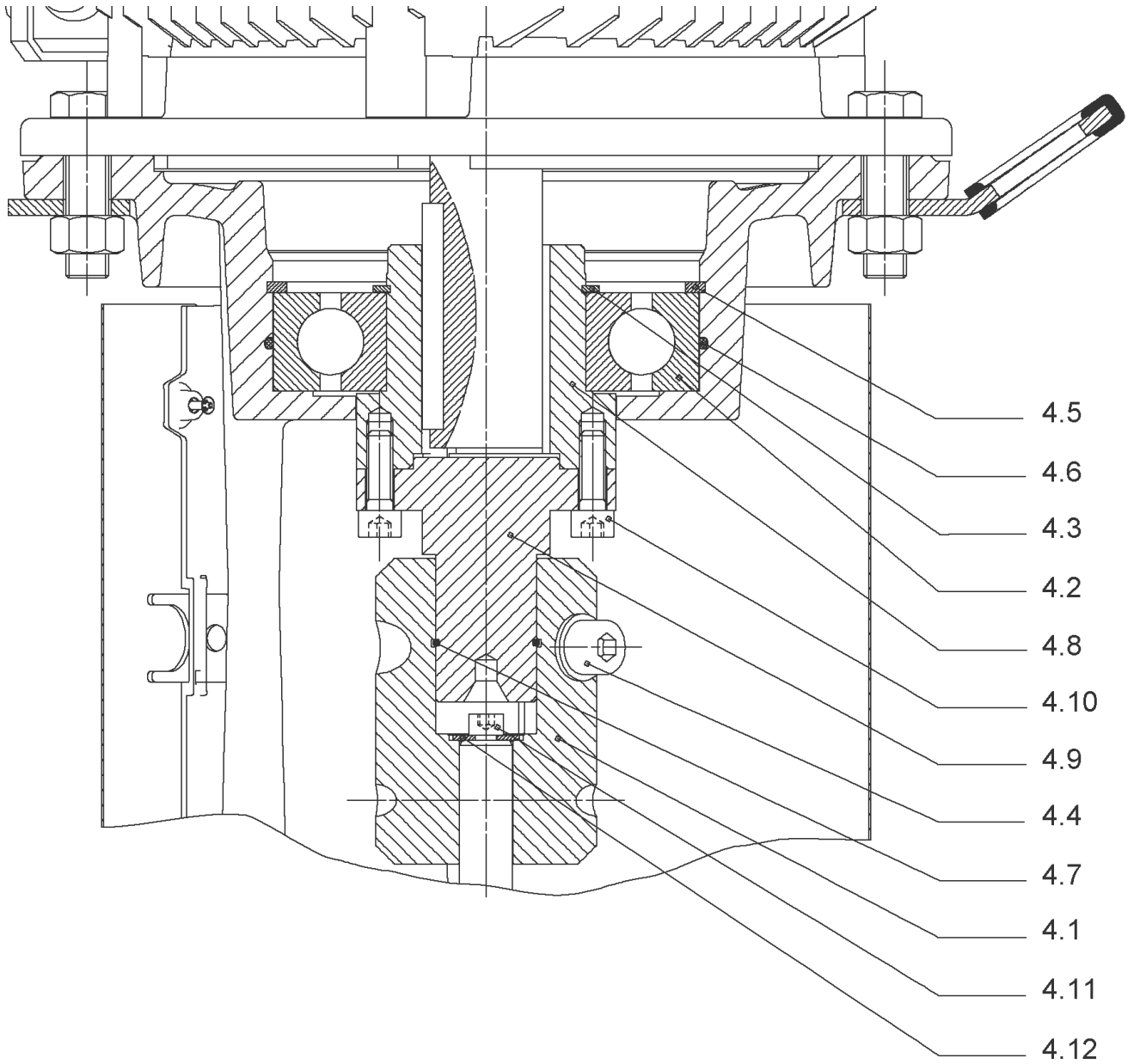


HELIX V3604/2-3/25/E/KS/400-50 (4138320)

Item	Article no.	Description	Quantity
1	4199884	MOTOR 11/2/160 3~400V 50HZ VP.	1
		SPARE PARTS MOTOR:ON REQUEST	1
2	4179586	SCREW M16X60 (4 PIECES)	1
3	4157721	LANTERN HELIX 22/36 FF300 BB6312 KIT	1
3.1		> LANTERN FF300 M+ GJL MACHINED+CATA 6312	1
3.2	4179589	> EYELET CPL.FF300 HELIX(4 PIECES)	1
3.3	4143969	> COUPLING PROTECT HELIX FF KIT	1
4	4143966	COUPLING D.20XD.38 FF300 KIT	1
5	4157725	SCREW M10X40 (4 PIECES)	1
6	4179592	STUD BOLT M16X405 KIT	1
6.1		> TIE BOLT M16-405x24x44-1.4057	1
6.2	4179562	> NUT M16 8.8 ISO4032 (4 PIECES)	1
6.3	4097852	> WASHER-CS-16.4-32-2.8-NFE25-511-A2	1
7	4179565	END SHIELD HELIX 8" EPDM KIT	1
7.1		> END SHIELD M+ GJL MACHINED+CATA	1
7.2	4179564	> O-RING D.42.52x2.62 EPDM VP.	1
7.3	4179571	> O-RING HOUSING PIPE HELIX22/36/52 VP.	1
8	4143765	FILING/PURGING PLUG 316L HELIX KIT	1
8.1		> FILLING/VENTING-PLUG-VMI8/10-316L	1
8.2	4032291	> O-RING 17x3 EPDM KTW/WRC	1
9	4143975	CARTRIDGE HELIX22-36-52 F/E KIT	1
10	4179593	HOUSING PIPE D.204X330 1.4307 KIT	1
7.3	4179571	> O-RING HOUSING PIPE HELIX22/36/52 VP.	1
10.1		> HOUSING-PIPE Ø204-M+3604/5203-304	1
12	4161186	SHAFT EQUIPMENT HELIX V36 8" KIT	1
13		HYDRAULIC HELIX V 3604-2	1
14	2123751	SHAFT D.22 LG.487,34 HELIX 1.4057 VP.	1
15	4161185	EQUIPED HOUSING HELIX 36 GJL KIT	1
15.1		> PUMP HOUSING SET with CATA. PARTS-DN65	1
15.3	4143766	> DRAIN/PRIMING PLUG EPDM HELIX KIT	1
15.3A		>> PRIMING/DRAIN PLUG-304-VERSION 1	1
15.3B	4032293	>> O-RING-10x3-EPDM-KTW/WRC	1
15.3C	4233957	>> O-RING ID.9 EPDM VP.	1
15.4	4221729	> BASE M+ DN50/65/80 VP.	1

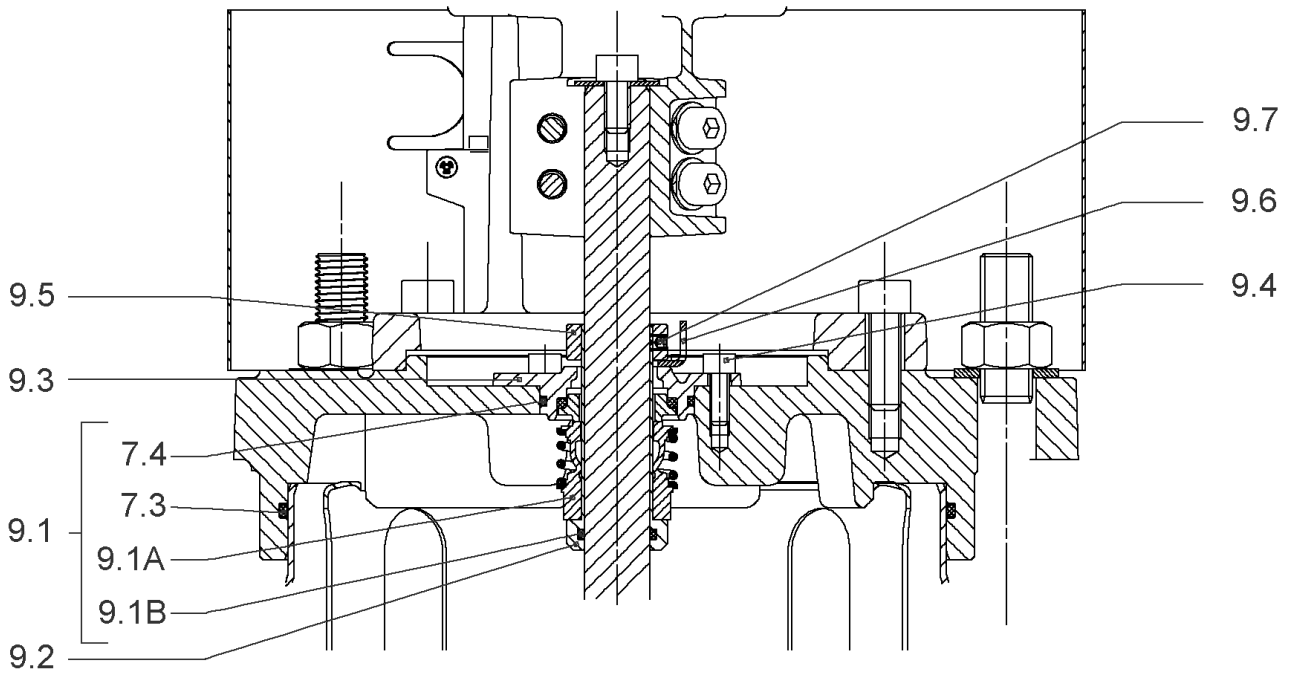
HELIX V3604/2-3/25/E/KS/400-50 (4138320)

Item	Article no.	Description	Quantity
15.5		> SCREW TBHC M12x25 ISO7380 ZN	1
15.6		> FLANGE M+ DN65 NF PN16-25 ASME PN16 CATA	1
15.7		> O-RING Ø79.5xØ3 EPDM	1
13.1A	4161200	> NECK RING 1.STAGE HELIX V36/52 KIT	1
		>> NECK-RING-M+36/52	1
		>> HYDRAULIC SUPPORT CAP M+36/52 304	1
		>> SCREW TCL M3X8 A4 POZIDRIV	1
7.3	4179571	> O-RING HOUSING PIPE HELIX22/36/52 VP.	1



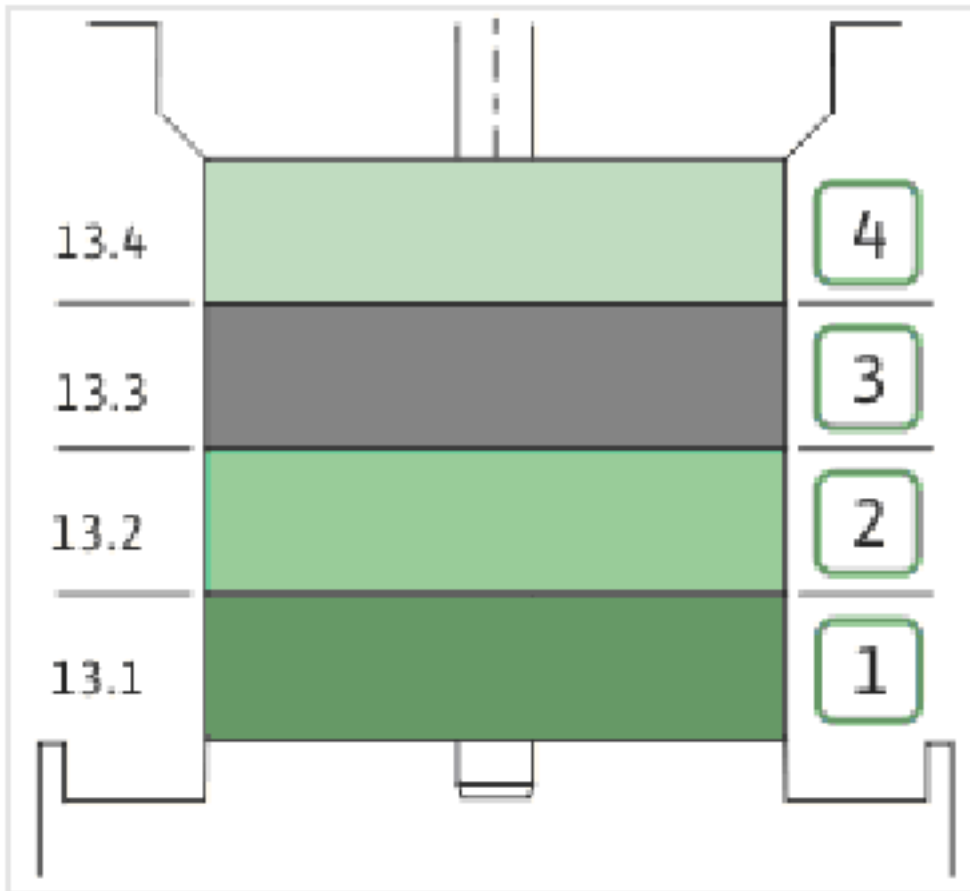
COUPLING D.20XD.38 FF300 KIT (4143966)

Item	Article no.	Description	Quantity
4.1	4179590	COUPLING 2 PARTS D.20XD.38XL115 VP.	1
4.2	2123699	BALL BEARING 6312/2Z-C4 (HT) VP.	1
4.3	63428	CIRCLIP-FOR-SHAFT-D60x2	1
4.4	2130991	SCREW M12X30 ISO4762 8.8 ZN(4 PIECES)	1
4.5	4032277	CIRCLIP-HOLE-130x4	1
4.6	4006725	O-RING ID.132,94x3,53 NBR70SR	1
4.7	2130992	RETAINING RING D.35xD.2,5 DIN7993 VP.	1
4.8	4179591	HUB D.42xD.60 VP.	1
4.9	2130994	SPACER D.38XD.55 VP.	1
4.10	4094462	SCREWS M10 (4 PIECES)	1
4.11	4233959	SCREW M8x16 VP.	1
4.12		SERRATED LOCK WASHER Ø8.2XØ25X35X2	1



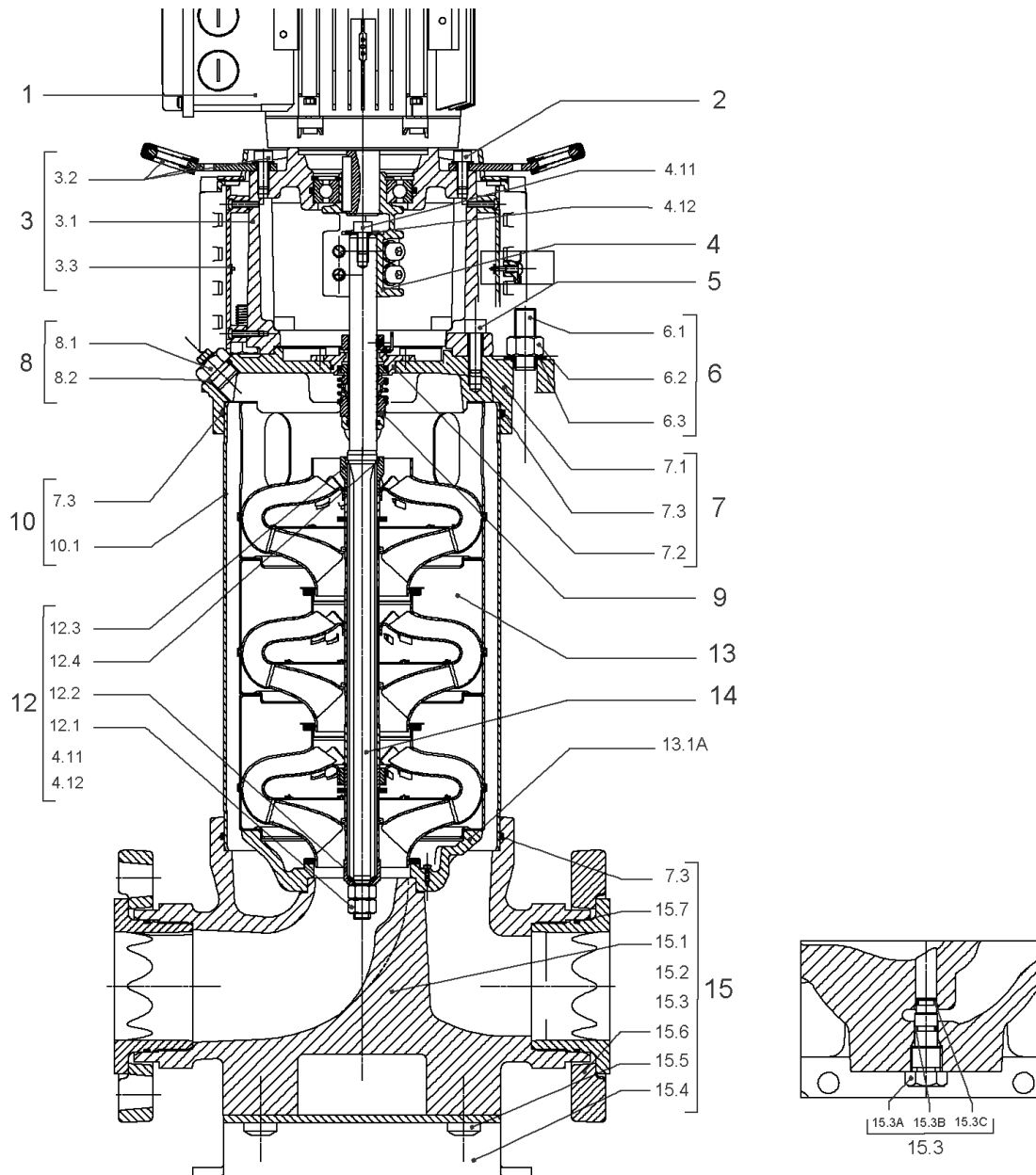
CARTRIDGE HELIX22-36-52 F/E KIT (4143975)

Item	Article no.	Description	Quantity
9.1	4143976	SEAL-KIT-HELIX22-36-52 F/E	1
7.3	4179571	> O-RING HOUSING PIPE HELIX22/36/52 VP.	1
7.4	4179572	> O-RING ID.42.52X2.62 EPDM VP.	1
9.1A	2127447	> M.SEAL.HELIX22-36-52 F/E VP.	1
9.1B	4179574	> O-RING ID.20x2.65 EPDM VP.	1
9.2	4179566	SHAFT SLEEVE D.20/20X60 1.4404 VP.	1
9.3	4179567	RING HOLDER Ø22 1.4301 VP.	1
9.4	4176520	SCREW CH M5x5 A4-70 (3PIECES)	1
9.5	4179568	DRIVE RING D.31/22.1x11 MACH.VP.	1
9.6	4179569	TOOL M.S.CART.HELIX 8" VP.	1
9.7	4179570	SCREW M6X16 ISO4762 8.8 GEOMET(4 PIECES)	1



HYDRAULIC HELIX V 3604-2

Item	Article no.	Description	Quantity
13.1	4161192	INTERMEDIATE STAGE HELIX V36 1.4301 KIT	1
		> SLEEVE-SPACER-D22XL16,66-316L	1
		> MACH.BEARING-DIFFUSER+NR-M+36-304	1
		> SHAFT-SLEEVE-D26xD22x16-CW	1
		> IMPELLER-H1-M+36-304	1
13.1A	4161200	> NECK RING 1.STAGE HELIX V36/52 KIT	1
		>> NECK-RING-M+36/52	1
		>> HYDRAULIC SUPPORT CAP M+36/52 304	1
		>> SCREW TCL M3X8 A4 POZIDRIV	1
13.2	4161193	INTERMEDIATE STAGE HELIX V36 1.4301 KIT	1
		> MACH.STD-DIFFUSER+NR-M+36-304	1
		> IMPELLER-H4-M+36-304	1
13.3	4161195	INTERMEDIATE STAGE HELIX V36 1.4301 KIT	1
		> REDUCED-IMPELLER-H4-M+36-304	1
		> MACH.STD-DIFFUSER+NR-M+36-304	1
13.4	4161196	UPPER STAGE HELIX 36 1.4301 KIT	1
		> STOP COLLAR OF IMPELLER L20-Ø22-316L	1
		> REDUCED-IMPELLER-H4-M+36-304	1
		> MACH.-RIGID-STD-DISCH.-CHAMBER-M+36-304	1

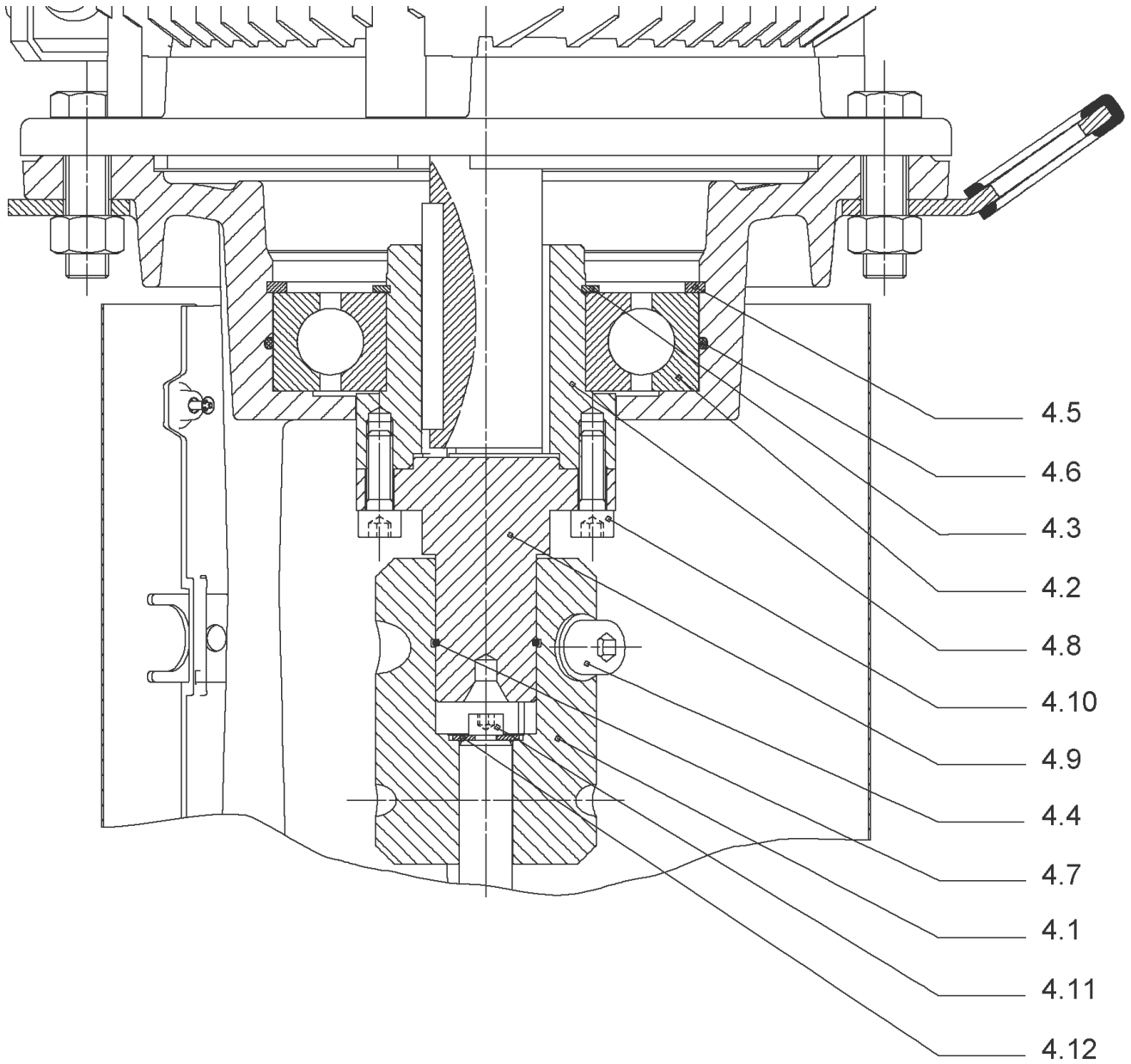


HELIX V3604-3/16/E/K/400-50 (4138321)

Item	Article no.	Description	Quantity
1	4199884	MOTOR 11/2/160 3~400V 50HZ VP.	1
		SPARE PARTS MOTOR:ON REQUEST	1
2	4179586	SCREW M16X60 (4 PIECES)	1
3	4157721	LANTERN HELIX 22/36 FF300 BB6312 KIT	1
3.1		> LANTERN FF300 M+ GJL MACHINED+CATA 6312	1
3.2	4179589	> EYELET CPL.FF300 HELIX(4 PIECES)	1
3.3	4143969	> COUPLING PROTECT HELIX FF KIT	1
4	4143966	COUPLING D.20XD.38 FF300 KIT	1
5	4157725	SCREW M10X40 (4 PIECES)	1
6	4179592	STUD BOLT M16X405 KIT	1
6.1		> TIE BOLT M16-405x24x44-1.4057	1
6.2	4179562	> NUT M16 8.8 ISO4032 (4 PIECES)	1
6.3	4097852	> WASHER-CS-16.4-32-2.8-NFE25-511-A2	1
7	4179565	END SHIELD HELIX 8" EPDM KIT	1
7.1		> END SHIELD M+ GJL MACHINED+CATA	1
7.2	4179564	> O-RING D.42.52x2.62 EPDM VP.	1
7.3	4179571	> O-RING HOUSING PIPE HELIX22/36/52 VP.	1
8	4143765	FILING/PURGING PLUG 316L HELIX KIT	1
8.1		> FILLING/VENTING-PLUG-VMI8/10-316L	1
8.2	4032291	> O-RING 17x3 EPDM KTW/WRC	1
9	4143973	CARTRIDGE HELIX22-36-52 O/E KIT	1
10	4179593	HOUSING PIPE D.204X330 1.4307 KIT	1
7.3	4179571	> O-RING HOUSING PIPE HELIX22/36/52 VP.	1
10.1		> HOUSING-PIPE Ø204-M+3604/5203-304	1
12	4161186	SHAFT EQUIPMENT HELIX V36 8" KIT	1
13		HYDRAULIC HELIX V 3604	1
14	2123751	SHAFT D.22 LG.487,34 HELIX 1.4057 VP.	1
15	4161185	EQUIPED HOUSING HELIX 36 GJL KIT	1
15.1		> PUMP HOUSING SET with CATA. PARTS-DN65	1
15.3	4143766	> DRAIN/PRIMING PLUG EPDM HELIX KIT	1
15.3A		>> PRIMING/DRAIN PLUG-304-VERSION 1	1
15.3B	4032293	>> O-RING-10x3-EPDM-KTW/WRC	1
15.3C	4233957	>> O-RING ID.9 EPDM VP.	1
15.4	4221729	> BASE M+ DN50/65/80 VP.	1

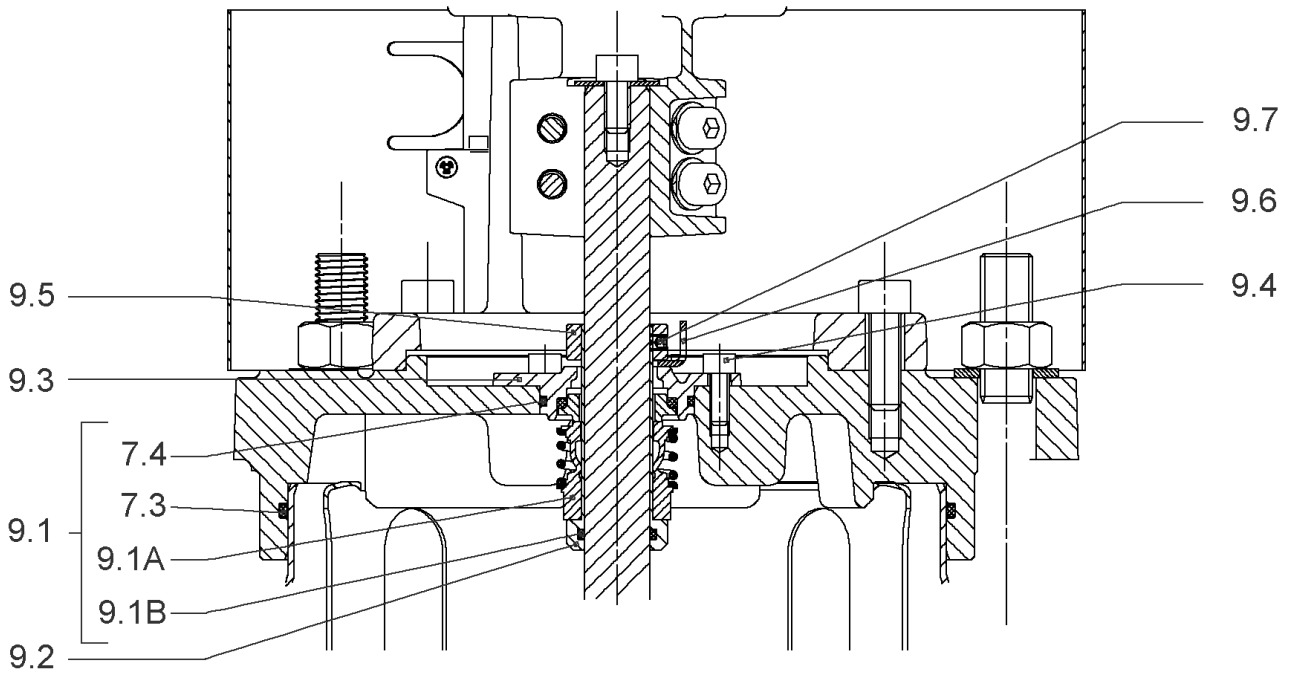
HELIX V3604-3/16/E/K/400-50 (4138321)

Item	Article no.	Description	Quantity
15.5		> SCREW TBHC M12x25 ISO7380 ZN	1
15.6		> FLANGE M+ DN65 NF PN16-25 ASME PN16 CATA	1
15.7		> O-RING Ø79.5xØ3 EPDM	1
13.1A	4161200	> NECK RING 1.STAGE HELIX V36/52 KIT	1
		>> NECK-RING-M+36/52	1
		>> HYDRAULIC SUPPORT CAP M+36/52 304	1
		>> SCREW TCL M3X8 A4 POZIDRIV	1
7.3	4179571	> O-RING HOUSING PIPE HELIX22/36/52 VP.	1



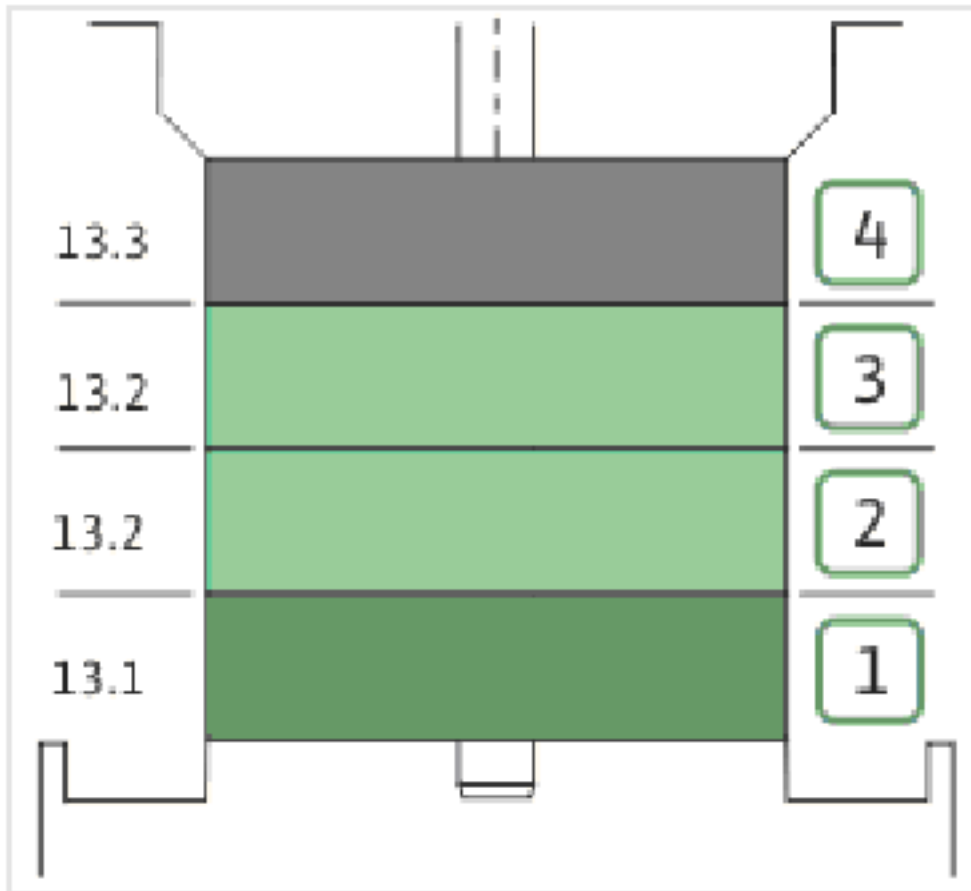
COUPLING D.20XD.38 FF300 KIT (4143966)

Item	Article no.	Description	Quantity
4.1	4179590	COUPLING 2 PARTS D.20XD.38XL115 VP.	1
4.2	2123699	BALL BEARING 6312/2Z-C4 (HT) VP.	1
4.3	63428	CIRCLIP-FOR-SHAFT-D60x2	1
4.4	2130991	SCREW M12X30 ISO4762 8.8 ZN(4 PIECES)	1
4.5	4032277	CIRCLIP-HOLE-130x4	1
4.6	4006725	O-RING ID.132,94x3,53 NBR70SR	1
4.7	2130992	RETAINING RING D.35xD.2,5 DIN7993 VP.	1
4.8	4179591	HUB D.42xD.60 VP.	1
4.9	2130994	SPACER D.38XD.55 VP.	1
4.10	4094462	SCREWS M10 (4 PIECES)	1
4.11	4233959	SCREW M8x16 VP.	1
4.12		SERRATED LOCK WASHER Ø8.2XØ25X35X2	1



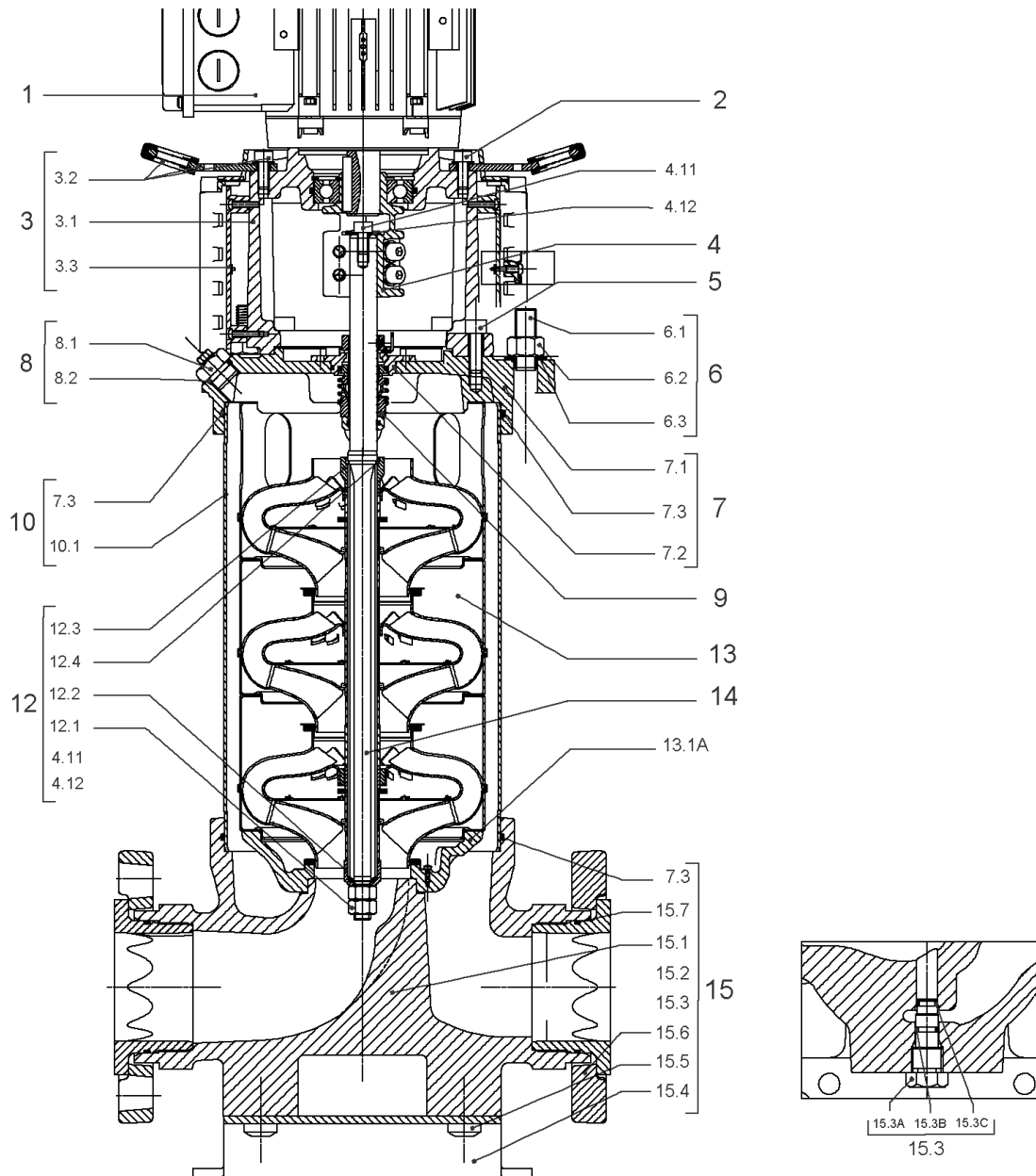
CARTRIDGE HELIX22-36-52 O/E KIT (4143973)

Item	Article no.	Description	Quantity
9.1	4143974	SEAL-KIT-HELIX22-36-52 O/E	1
7.3	4179571	> O-RING HOUSING PIPE HELIX22/36/52 VP.	1
7.4	4179572	> O-RING ID.42.52X2.62 EPDM VP.	1
9.1A	4179573	> M.SEAL.HELIX22-36-52 O/E VP.	1
9.1B	4179574	> O-RING ID.20x2.65 EPDM VP.	1
9.2	4179566	SHAFT SLEEVE D.20/20X60 1.4404 VP.	1
9.3	4179567	RING HOLDER Ø22 1.4301 VP.	1
9.4	4176520	SCREW CH M5x5 A4-70 (3PIECES)	1
9.5	4179568	DRIVE RING D.31/22.1x11 MACH.VP.	1
9.6	4179569	TOOL M.S.CART.HELIX 8" VP.	1
9.7	4179570	SCREW M6X16 ISO4762 8.8 GEOMET(4 PIECES)	1



HYDRAULIC HELIX V 3604

Item	Article no.	Description	Quantity
13.1	4161192	INTERMEDIATE STAGE HELIX V36 1.4301 KIT	1
		> SLEEVE-SPACER-D22XL16,66-316L	1
		> MACH.BEARING-DIFFUSER+NR-M+36-304	1
		> SHAFT-SLEEVE-D26xD22x16-CW	1
		> IMPELLER-H1-M+36-304	1
13.1A	4161200	> NECK RING 1.STAGE HELIX V36/52 KIT	1
		>> NECK-RING-M+36/52	1
		>> HYDRAULIC SUPPORT CAP M+36/52 304	1
		>> SCREW TCL M3X8 A4 POZIDRIV	1
13.2	4161193	INTERMEDIATE STAGE HELIX V36 1.4301 KIT	1
		> MACH.STD-DIFFUSER+NR-M+36-304	1
		> IMPELLER-H4-M+36-304	1
13.3	4161194	UPPER STAGE HELIX 36 1.4301 KIT	1
		> STOP COLLAR OF IMPELLER L20-Ø22-316L	1
		> IMPELLER-H4-M+36-304	1
		> MACH.-RIGID-STD-DISCH.-CHAMBER-M+36-304	1

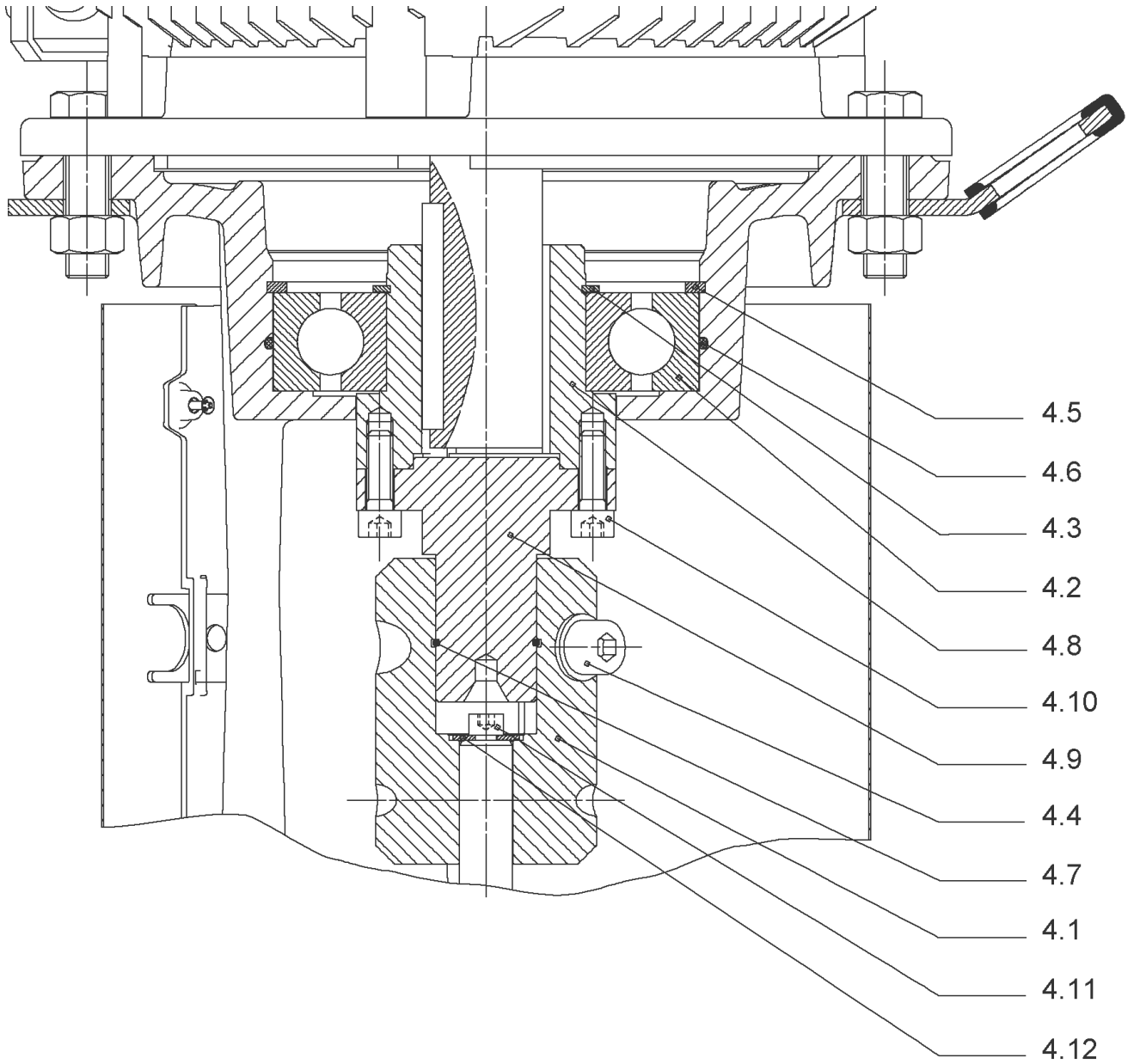


HELIX V3604-3/25/E/KS/400-50 (4138322)

Item	Article no.	Description	Quantity
1	4199884	MOTOR 11/2/160 3~400V 50HZ VP.	1
		SPARE PARTS MOTOR:ON REQUEST	1
2	4179586	SCREW M16X60 (4 PIECES)	1
3	4157721	LANTERN HELIX 22/36 FF300 BB6312 KIT	1
3.1		> LANTERN FF300 M+ GJL MACHINED+CATA 6312	1
3.2	4179589	> EYELET CPL.FF300 HELIX(4 PIECES)	1
3.3	4143969	> COUPLING PROTECT HELIX FF KIT	1
4	4143966	COUPLING D.20XD.38 FF300 KIT	1
5	4157725	SCREW M10X40 (4 PIECES)	1
6	4179592	STUD BOLT M16X405 KIT	1
6.1		> TIE BOLT M16-405x24x44-1.4057	1
6.2	4179562	> NUT M16 8.8 ISO4032 (4 PIECES)	1
6.3	4097852	> WASHER-CS-16.4-32-2.8-NFE25-511-A2	1
7	4179565	END SHIELD HELIX 8" EPDM KIT	1
7.1		> END SHIELD M+ GJL MACHINED+CATA	1
7.2	4179564	> O-RING D.42.52x2.62 EPDM VP.	1
7.3	4179571	> O-RING HOUSING PIPE HELIX22/36/52 VP.	1
8	4143765	FILING/PURGING PLUG 316L HELIX KIT	1
8.1		> FILLING/VENTING-PLUG-VMI8/10-316L	1
8.2	4032291	> O-RING 17x3 EPDM KTW/WRC	1
9	4143975	CARTRIDGE HELIX22-36-52 F/E KIT	1
10	4179593	HOUSING PIPE D.204X330 1.4307 KIT	1
7.3	4179571	> O-RING HOUSING PIPE HELIX22/36/52 VP.	1
10.1		> HOUSING-PIPE Ø204-M+3604/5203-304	1
12	4161186	SHAFT EQUIPMENT HELIX V36 8" KIT	1
13		HYDRAULIC HELIX V 3604	1
14	2123751	SHAFT D.22 LG.487,34 HELIX 1.4057 VP.	1
15	4161185	EQUIPED HOUSING HELIX 36 GJL KIT	1
15.1		> PUMP HOUSING SET with CATA. PARTS-DN65	1
15.3	4143766	> DRAIN/PRIMING PLUG EPDM HELIX KIT	1
15.3A		>> PRIMING/DRAIN PLUG-304-VERSION 1	1
15.3B	4032293	>> O-RING-10x3-EPDM-KTW/WRC	1
15.3C	4233957	>> O-RING ID.9 EPDM VP.	1
15.4	4221729	> BASE M+ DN50/65/80 VP.	1

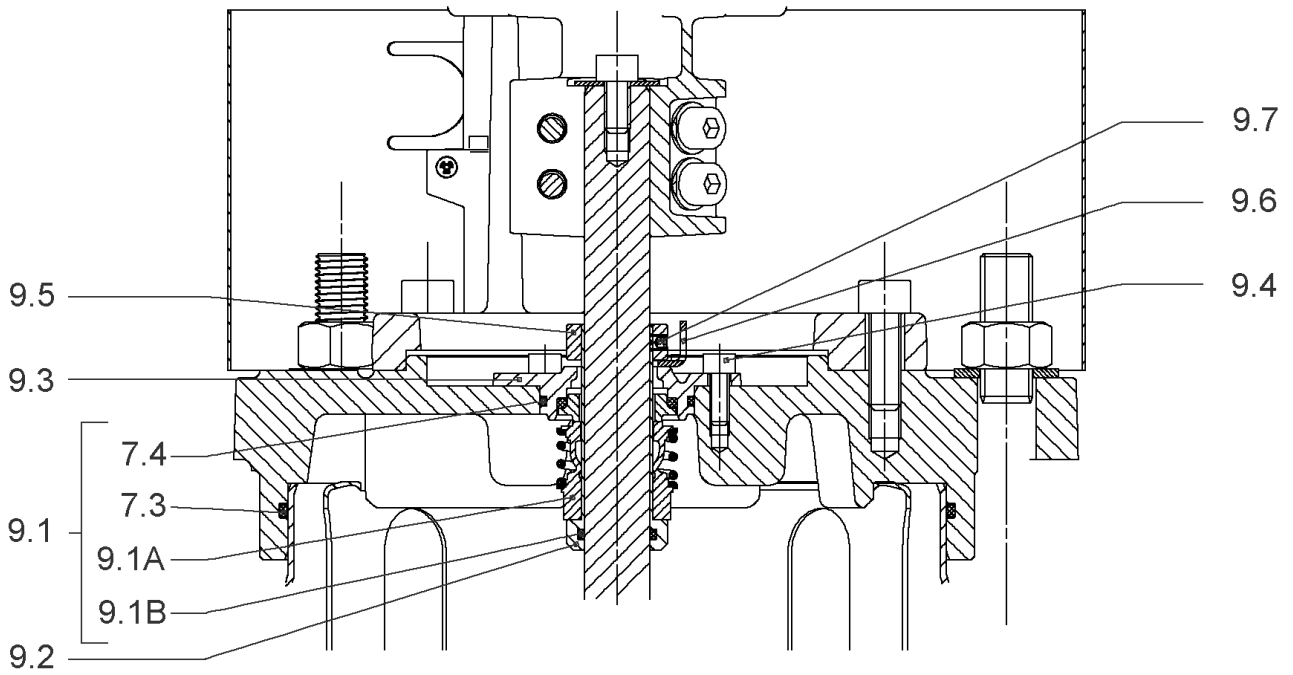
HELIX V3604-3/25/E/KS/400-50 (4138322)

Item	Article no.	Description	Quantity
15.5		> SCREW TBHC M12x25 ISO7380 ZN	1
15.6		> FLANGE M+ DN65 NF PN16-25 ASME PN16 CATA	1
15.7		> O-RING Ø79.5xØ3 EPDM	1
13.1A	4161200	> NECK RING 1.STAGE HELIX V36/52 KIT	1
		>> NECK-RING-M+36/52	1
		>> HYDRAULIC SUPPORT CAP M+36/52 304	1
		>> SCREW TCL M3X8 A4 POZIDRIV	1
7.3	4179571	> O-RING HOUSING PIPE HELIX22/36/52 VP.	1



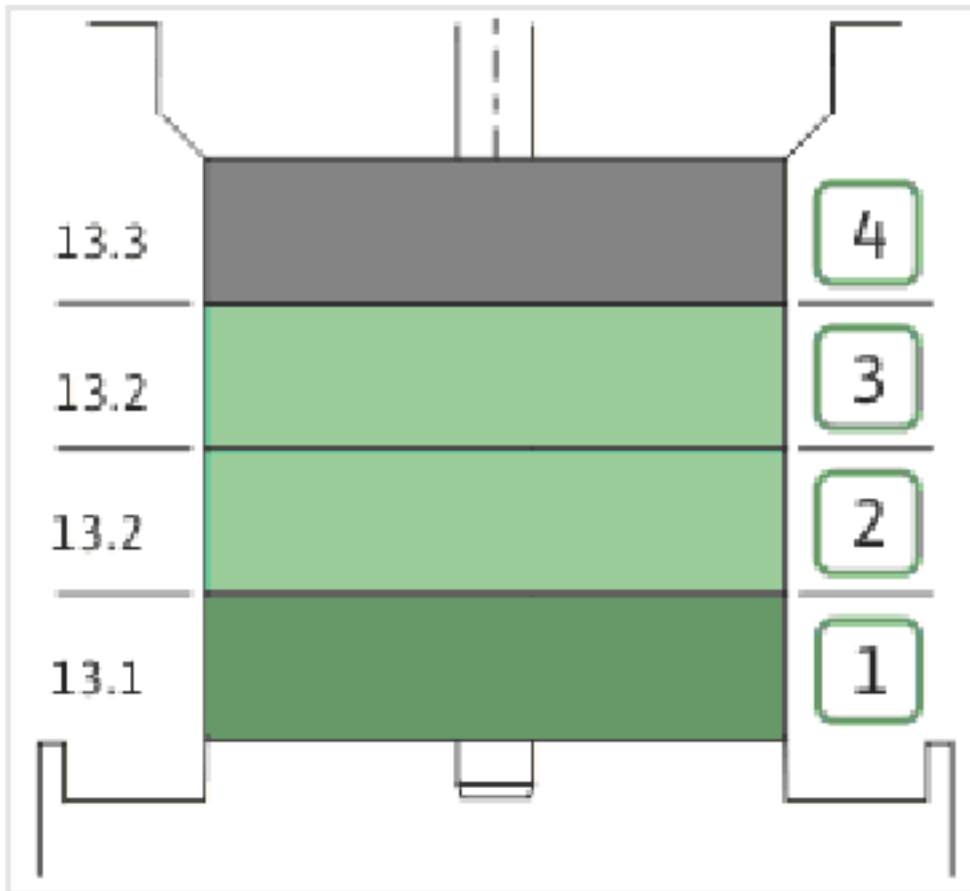
COUPLING D.20XD.38 FF300 KIT (4143966)

Item	Article no.	Description	Quantity
4.1	4179590	COUPLING 2 PARTS D.20XD.38XL115 VP.	1
4.2	2123699	BALL BEARING 6312/2Z-C4 (HT) VP.	1
4.3	63428	CIRCLIP-FOR-SHAFT-D60x2	1
4.4	2130991	SCREW M12X30 ISO4762 8.8 ZN(4 PIECES)	1
4.5	4032277	CIRCLIP-HOLE-130x4	1
4.6	4006725	O-RING ID.132,94x3,53 NBR70SR	1
4.7	2130992	RETAINING RING D.35xD.2,5 DIN7993 VP.	1
4.8	4179591	HUB D.42xD.60 VP.	1
4.9	2130994	SPACER D.38XD.55 VP.	1
4.10	4094462	SCREWS M10 (4 PIECES)	1
4.11	4233959	SCREW M8x16 VP.	1
4.12		SERRATED LOCK WASHER Ø8.2XØ25X35X2	1



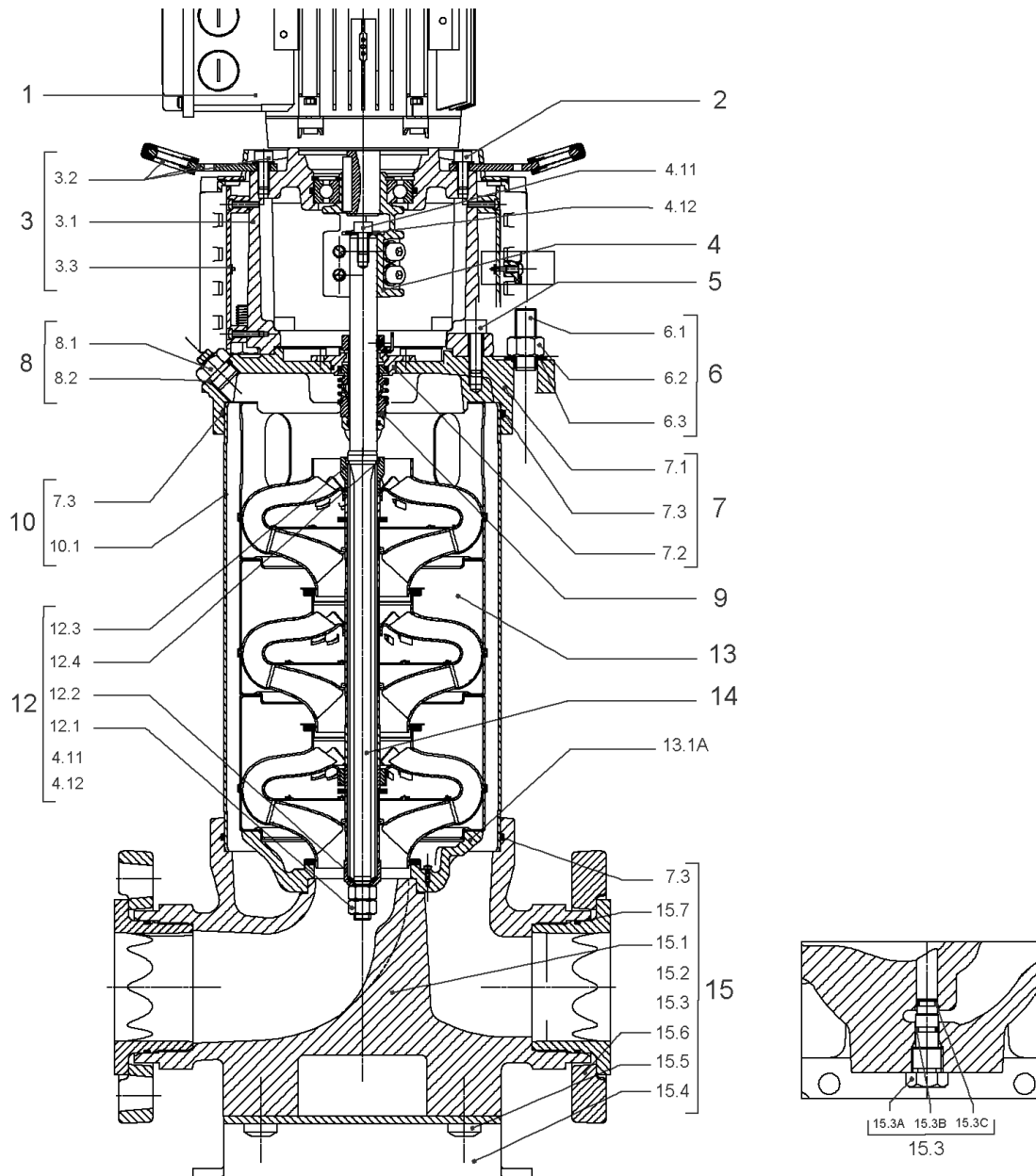
CARTRIDGE HELIX22-36-52 F/E KIT (4143975)

Item	Article no.	Description	Quantity
9.1	4143976	SEAL-KIT-HELIX22-36-52 F/E	1
7.3	4179571	> O-RING HOUSING PIPE HELIX22/36/52 VP.	1
7.4	4179572	> O-RING ID.42.52X2.62 EPDM VP.	1
9.1A	2127447	> M.SEAL.HELIX22-36-52 F/E VP.	1
9.1B	4179574	> O-RING ID.20x2.65 EPDM VP.	1
9.2	4179566	SHAFT SLEEVE D.20/20X60 1.4404 VP.	1
9.3	4179567	RING HOLDER Ø22 1.4301 VP.	1
9.4	4176520	SCREW CH M5x5 A4-70 (3PIECES)	1
9.5	4179568	DRIVE RING D.31/22.1x11 MACH.VP.	1
9.6	4179569	TOOL M.S.CART.HELIX 8" VP.	1
9.7	4179570	SCREW M6X16 ISO4762 8.8 GEOMET(4 PIECES)	1



HYDRAULIC HELIX V 3604

Item	Article no.	Description	Quantity
13.1	4161192	INTERMEDIATE STAGE HELIX V36 1.4301 KIT	1
		> SLEEVE-SPACER-D22XL16,66-316L	1
		> MACH.BEARING-DIFFUSER+NR-M+36-304	1
		> SHAFT-SLEEVE-D26xD22x16-CW	1
		> IMPELLER-H1-M+36-304	1
13.1A	4161200	> NECK RING 1.STAGE HELIX V36/52 KIT	1
		>> NECK-RING-M+36/52	1
		>> HYDRAULIC SUPPORT CAP M+36/52 304	1
		>> SCREW TCL M3X8 A4 POZIDRIV	1
13.2	4161193	INTERMEDIATE STAGE HELIX V36 1.4301 KIT	1
		> MACH.STD-DIFFUSER+NR-M+36-304	1
		> IMPELLER-H4-M+36-304	1
13.3	4161194	UPPER STAGE HELIX 36 1.4301 KIT	1
		> STOP COLLAR OF IMPELLER L20-Ø22-316L	1
		> IMPELLER-H4-M+36-304	1
		> MACH.-RIGID-STD-DISCH.-CHAMBER-M+36-304	1

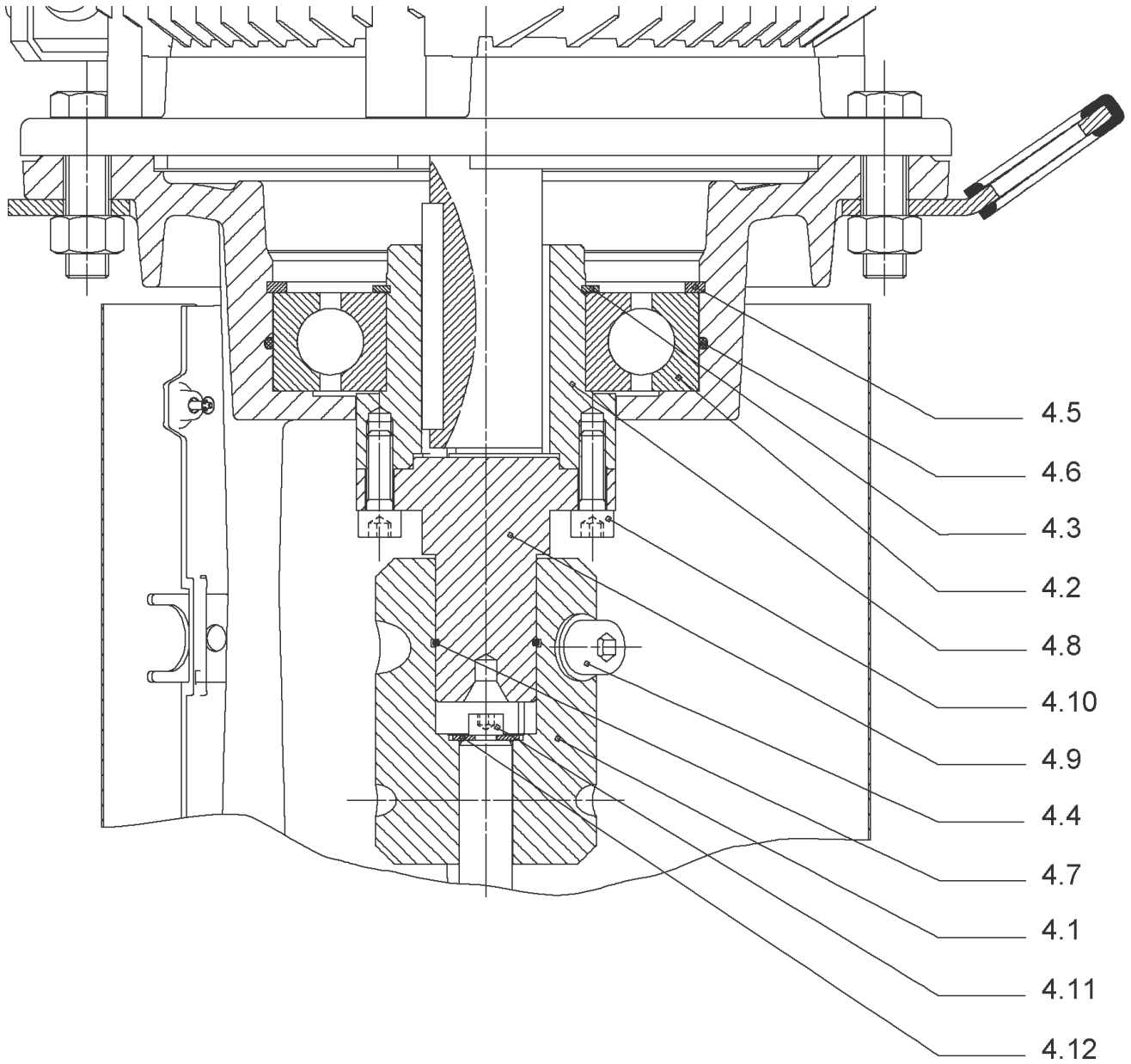


HELIX V3605/2-3/16/E/K/400-50 (4138323)

Item	Article no.	Description	Quantity
1	4199884	MOTOR 11/2/160 3~400V 50HZ VP.	1
		SPARE PARTS MOTOR:ON REQUEST	1
2	4179586	SCREW M16X60 (4 PIECES)	1
3	4157721	LANTERN HELIX 22/36 FF300 BB6312 KIT	1
3.1		> LANTERN FF300 M+ GJL MACHINED+CATA 6312	1
3.2	4179589	> EYELET CPL.FF300 HELIX(4 PIECES)	1
3.3	4143969	> COUPLING PROTECT HELIX FF KIT	1
4	4143966	COUPLING D.20XD.38 FF300 KIT	1
5	4157725	SCREW M10X40 (4 PIECES)	1
6	4181083	STUD BOLT M16X466 KIT	1
6.1		> TIE BOLT M16-466x24x44-1.4057	1
6.2	4179562	> NUT M16 8.8 ISO4032 (4 PIECES)	1
6.3	4097852	> WASHER-CS-16.4-32-2.8-NFE25-511-A2	1
7	4179565	END SHIELD HELIX 8" EPDM KIT	1
7.1		> END SHIELD M+ GJL MACHINED+CATA	1
7.2	4179564	> O-RING D.42.52x2.62 EPDM VP.	1
7.3	4179571	> O-RING HOUSING PIPE HELIX22/36/52 VP.	1
8	4143765	FILING/PURGING PLUG 316L HELIX KIT	1
8.1		> FILLING/VENTING-PLUG-VMI8/10-316L	1
8.2	4032291	> O-RING 17x3 EPDM KTW/WRC	1
9	4143973	CARTRIDGE HELIX22-36-52 O/E KIT	1
10	2131084	HOUSING PIPE D.204x397,44 1.4307 KIT	1
7.3	4179571	> O-RING HOUSING PIPE HELIX22/36/52 VP.	1
10.1		> HOUSING-PIPE Ø204-M+3605-304	1
12	4161186	SHAFT EQUIPMENT HELIX V36 8" KIT	1
13		HYDRAULIC HELIX V 3605-2	1
14	4179578	SHAFT D.22X554 1.4057 VP.	1
15	4161185	EQUIPED HOUSING HELIX 36 GJL KIT	1
15.1		> PUMP HOUSING SET with CATA. PARTS-DN65	1
15.3	4143766	> DRAIN/PRIMING PLUG EPDM HELIX KIT	1
15.3A		>> PRIMING/DRAIN PLUG-304-VERSION 1	1
15.3B	4032293	>> O-RING-10x3-EPDM-KTW/WRC	1
15.3C	4233957	>> O-RING ID.9 EPDM VP.	1
15.4	4221729	> BASE M+ DN50/65/80 VP.	1

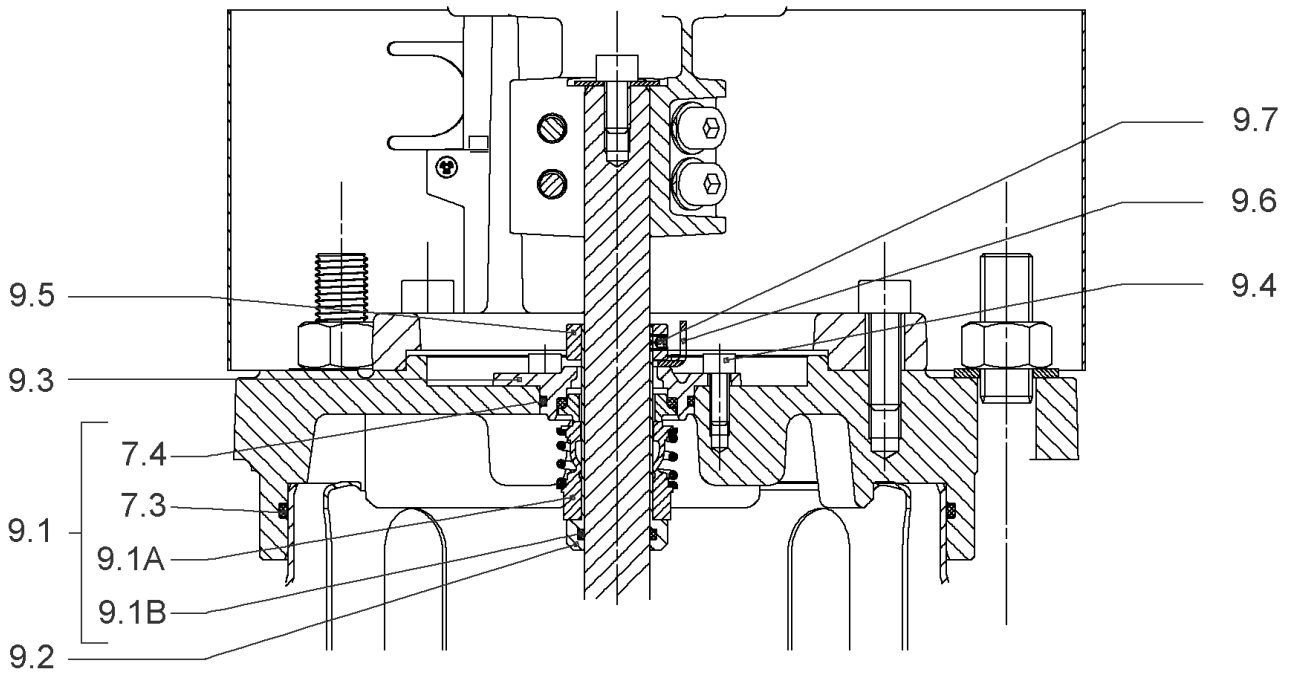
HELIX V3605/2-3/16/E/K/400-50 (4138323)

Item	Article no.	Description	Quantity
15.5		> SCREW TBHC M12x25 ISO7380 ZN	1
15.6		> FLANGE M+ DN65 NF PN16-25 ASME PN16 CATA	1
15.7		> O-RING Ø79.5xØ3 EPDM	1
13.1A	4161200	> NECK RING 1.STAGE HELIX V36/52 KIT	1
		>> NECK-RING-M+36/52	1
		>> HYDRAULIC SUPPORT CAP M+36/52 304	1
		>> SCREW TCL M3X8 A4 POZIDRIV	1
7.3	4179571	> O-RING HOUSING PIPE HELIX22/36/52 VP.	1



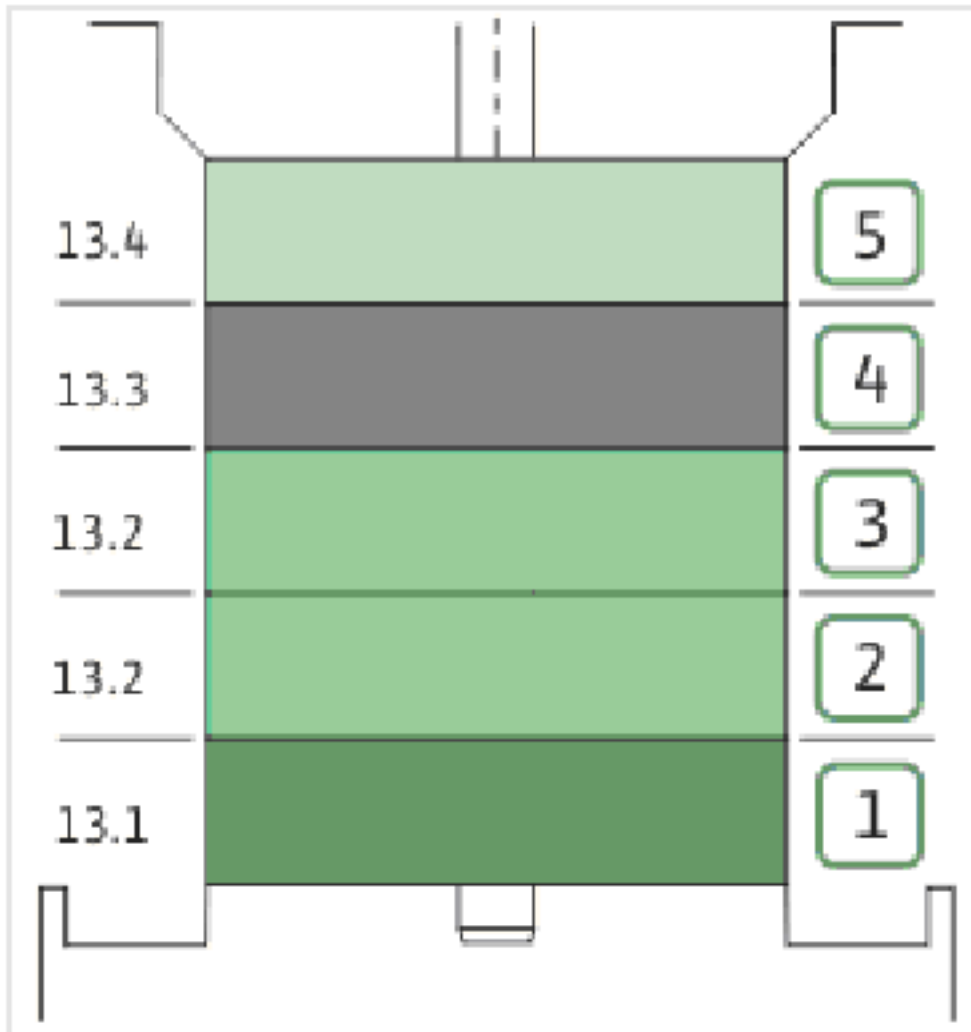
COUPLING D.20XD.38 FF300 KIT (4143966)

Item	Article no.	Description	Quantity
4.1	4179590	COUPLING 2 PARTS D.20XD.38XL115 VP.	1
4.2	2123699	BALL BEARING 6312/2Z-C4 (HT) VP.	1
4.3	63428	CIRCLIP-FOR-SHAFT-D60x2	1
4.4	2130991	SCREW M12X30 ISO4762 8.8 ZN(4 PIECES)	1
4.5	4032277	CIRCLIP-HOLE-130x4	1
4.6	4006725	O-RING ID.132,94x3,53 NBR70SR	1
4.7	2130992	RETAINING RING D.35xD.2,5 DIN7993 VP.	1
4.8	4179591	HUB D.42xD.60 VP.	1
4.9	2130994	SPACER D.38XD.55 VP.	1
4.10	4094462	SCREWS M10 (4 PIECES)	1
4.11	4233959	SCREW M8x16 VP.	1
4.12		SERRATED LOCK WASHER Ø8.2XØ25X35X2	1



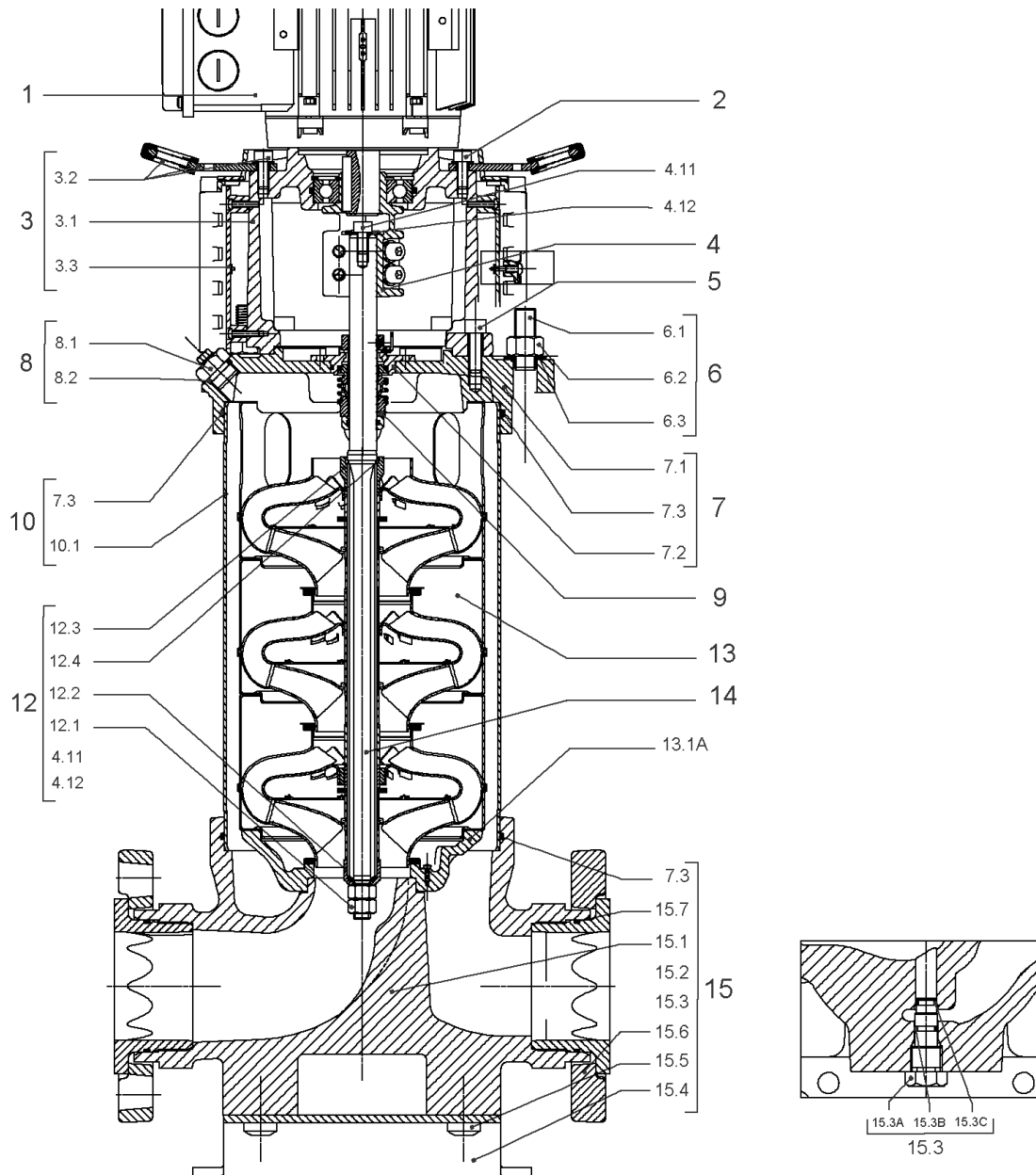
CARTRIDGE HELIX22-36-52 O/E KIT (4143973)

Item	Article no.	Description	Quantity
9.1	4143974	SEAL-KIT-HELIX22-36-52 O/E	1
7.3	4179571	> O-RING HOUSING PIPE HELIX22/36/52 VP.	1
7.4	4179572	> O-RING ID.42.52X2.62 EPDM VP.	1
9.1A	4179573	> M.SEAL.HELIX22-36-52 O/E VP.	1
9.1B	4179574	> O-RING ID.20x2.65 EPDM VP.	1
9.2	4179566	SHAFT SLEEVE D.20/20X60 1.4404 VP.	1
9.3	4179567	RING HOLDER Ø22 1.4301 VP.	1
9.4	4176520	SCREW CH M5x5 A4-70 (3PIECES)	1
9.5	4179568	DRIVE RING D.31/22.1x11 MACH.VP.	1
9.6	4179569	TOOL M.S.CART.HELIX 8" VP.	1
9.7	4179570	SCREW M6X16 ISO4762 8.8 GEOMET(4 PIECES)	1



HYDRAULIC HELIX V 3605-2

Item	Article no.	Description	Quantity
13.1	4161192	INTERMEDIATE STAGE HELIX V36 1.4301 KIT	1
		> SLEEVE-SPACER-D22XL16,66-316L	1
		> MACH.BEARING-DIFFUSER+NR-M+36-304	1
		> SHAFT-SLEEVE-D26xD22x16-CW	1
		> IMPELLER-H1-M+36-304	1
13.1A	4161200	> NECK RING 1.STAGE HELIX V36/52 KIT	1
		>> NECK-RING-M+36/52	1
		>> HYDRAULIC SUPPORT CAP M+36/52 304	1
		>> SCREW TCL M3X8 A4 POZIDRIV	1
13.2	4161193	INTERMEDIATE STAGE HELIX V36 1.4301 KIT	1
		> MACH.STD-DIFFUSER+NR-M+36-304	1
		> IMPELLER-H4-M+36-304	1
13.3	4161195	INTERMEDIATE STAGE HELIX V36 1.4301 KIT	1
		> REDUCED-IMPELLER-H4-M+36-304	1
		> MACH.STD-DIFFUSER+NR-M+36-304	1
13.4	4161196	UPPER STAGE HELIX 36 1.4301 KIT	1
		> STOP COLLAR OF IMPELLER L20-Ø22-316L	1
		> REDUCED-IMPELLER-H4-M+36-304	1
		> MACH.-RIGID-STD-DISCH.-CHAMBER-M+36-304	1

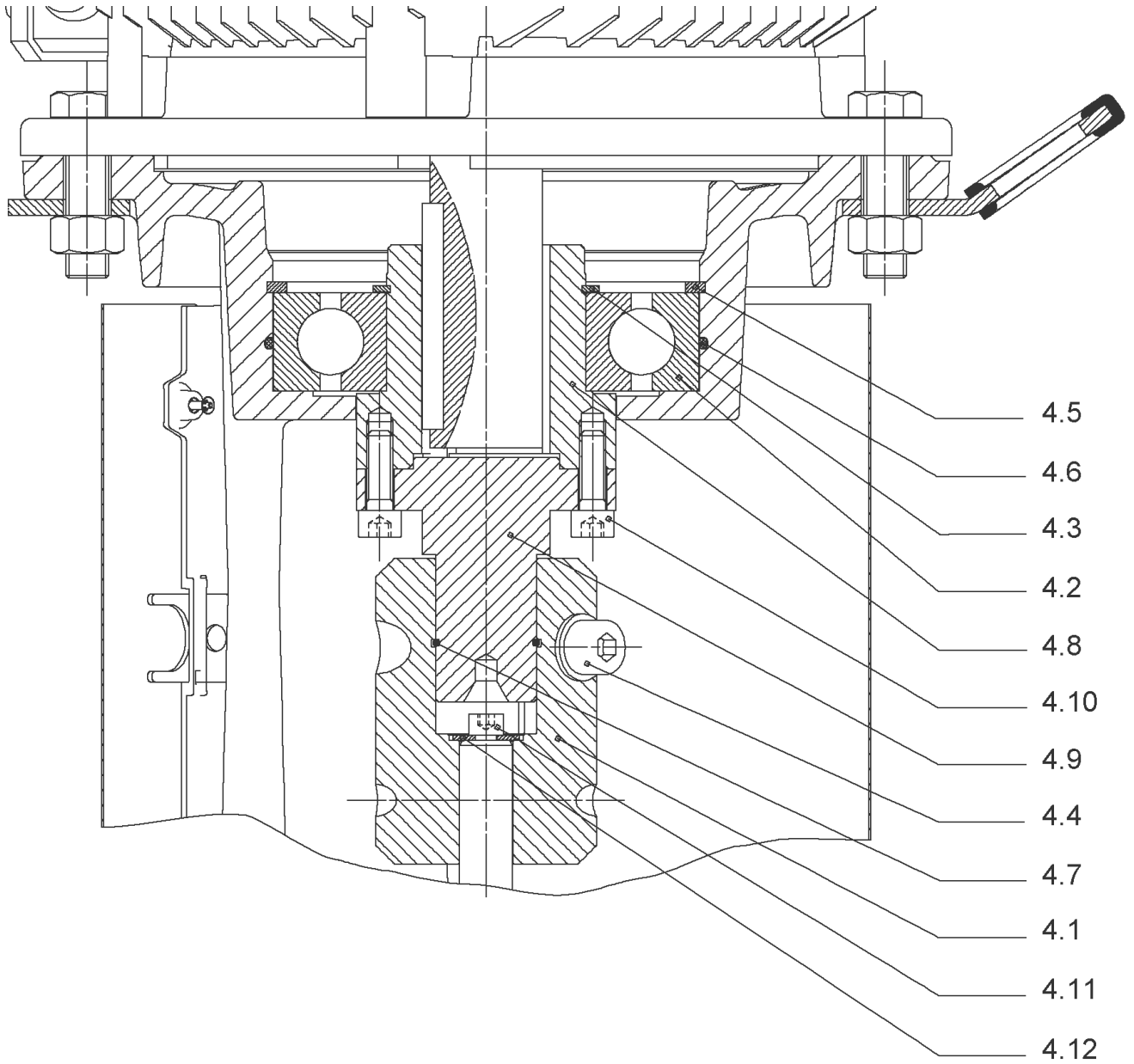


HELIX V3605/2-3/25/E/KS/400-50 (4138324)

Item	Article no.	Description	Quantity
1	4199884	MOTOR 11/2/160 3~400V 50HZ VP.	1
		SPARE PARTS MOTOR:ON REQUEST	1
2	4179586	SCREW M16X60 (4 PIECES)	1
3	4157721	LANTERN HELIX 22/36 FF300 BB6312 KIT	1
3.1		> LANTERN FF300 M+ GJL MACHINED+CATA 6312	1
3.2	4179589	> EYELET CPL.FF300 HELIX(4 PIECES)	1
3.3	4143969	> COUPLING PROTECT HELIX FF KIT	1
4	4143966	COUPLING D.20XD.38 FF300 KIT	1
5	4157725	SCREW M10X40 (4 PIECES)	1
6	4181083	STUD BOLT M16X466 KIT	1
6.1		> TIE BOLT M16-466x24x44-1.4057	1
6.2	4179562	> NUT M16 8.8 ISO4032 (4 PIECES)	1
6.3	4097852	> WASHER-CS-16.4-32-2.8-NFE25-511-A2	1
7	4179565	END SHIELD HELIX 8" EPDM KIT	1
7.1		> END SHIELD M+ GJL MACHINED+CATA	1
7.2	4179564	> O-RING D.42.52x2.62 EPDM VP.	1
7.3	4179571	> O-RING HOUSING PIPE HELIX22/36/52 VP.	1
8	4143765	FILING/PURGING PLUG 316L HELIX KIT	1
8.1		> FILLING/VENTING-PLUG-VMI8/10-316L	1
8.2	4032291	> O-RING 17x3 EPDM KTW/WRC	1
9	4143975	CARTRIDGE HELIX22-36-52 F/E KIT	1
10	2131084	HOUSING PIPE D.204x397,44 1.4307 KIT	1
7.3	4179571	> O-RING HOUSING PIPE HELIX22/36/52 VP.	1
10.1		> HOUSING-PIPE Ø204-M+3605-304	1
12	4161186	SHAFT EQUIPMENT HELIX V36 8" KIT	1
13		HYDRAULIC HELIX V 3605-2	1
14	4179578	SHAFT D.22X554 1.4057 VP.	1
15	4161185	EQUIPED HOUSING HELIX 36 GJL KIT	1
15.1		> PUMP HOUSING SET with CATA. PARTS-DN65	1
15.3	4143766	> DRAIN/PRIMING PLUG EPDM HELIX KIT	1
15.3A		>> PRIMING/DRAIN PLUG-304-VERSION 1	1
15.3B	4032293	>> O-RING-10x3-EPDM-KTW/WRC	1
15.3C	4233957	>> O-RING ID.9 EPDM VP.	1
15.4	4221729	> BASE M+ DN50/65/80 VP.	1

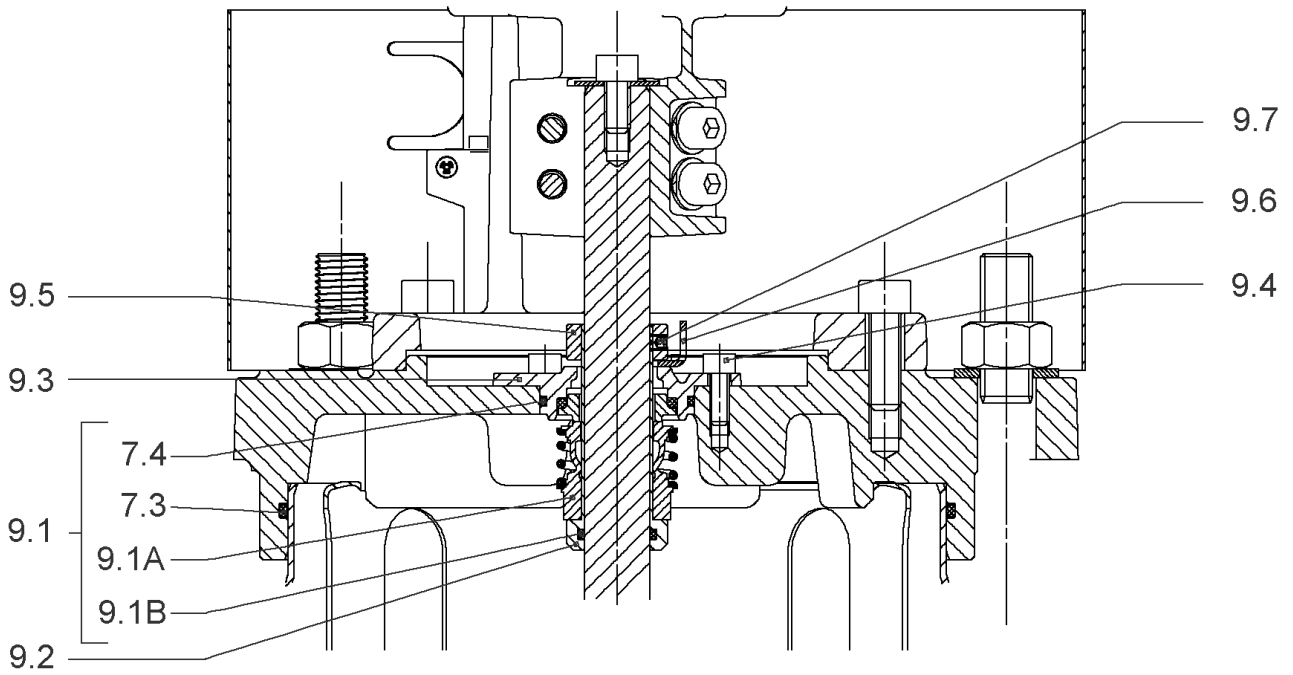
HELIX V3605/2-3/25/E/KS/400-50 (4138324)

Item	Article no.	Description	Quantity
15.5		> SCREW TBHC M12x25 ISO7380 ZN	1
15.6		> FLANGE M+ DN65 NF PN16-25 ASME PN16 CATA	1
15.7		> O-RING Ø79.5xØ3 EPDM	1
13.1A	4161200	> NECK RING 1.STAGE HELIX V36/52 KIT	1
		>> NECK-RING-M+36/52	1
		>> HYDRAULIC SUPPORT CAP M+36/52 304	1
		>> SCREW TCL M3X8 A4 POZIDRIV	1
7.3	4179571	> O-RING HOUSING PIPE HELIX22/36/52 VP.	1



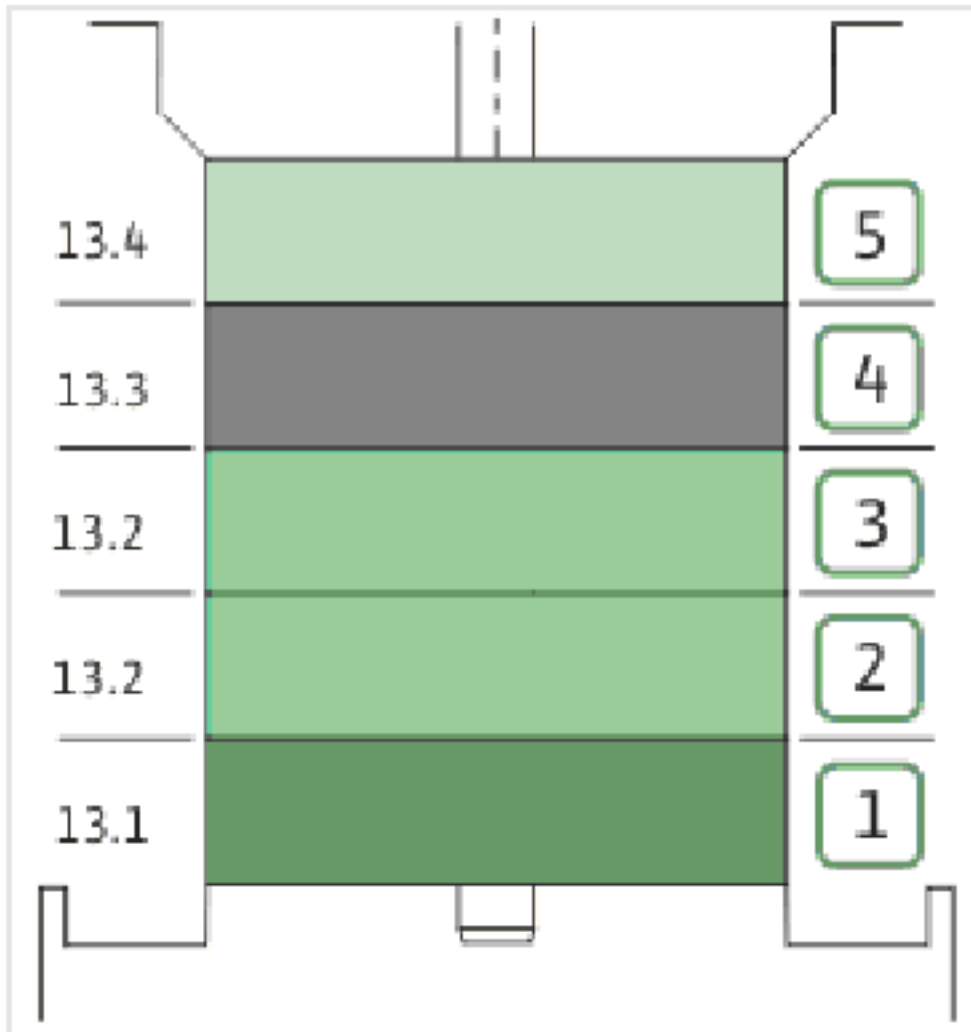
COUPLING D.20XD.38 FF300 KIT (4143966)

Item	Article no.	Description	Quantity
4.1	4179590	COUPLING 2 PARTS D.20XD.38XL115 VP.	1
4.2	2123699	BALL BEARING 6312/2Z-C4 (HT) VP.	1
4.3	63428	CIRCLIP-FOR-SHAFT-D60x2	1
4.4	2130991	SCREW M12X30 ISO4762 8.8 ZN(4 PIECES)	1
4.5	4032277	CIRCLIP-HOLE-130x4	1
4.6	4006725	O-RING ID.132,94x3,53 NBR70SR	1
4.7	2130992	RETAINING RING D.35xD.2,5 DIN7993 VP.	1
4.8	4179591	HUB D.42xD.60 VP.	1
4.9	2130994	SPACER D.38XD.55 VP.	1
4.10	4094462	SCREWS M10 (4 PIECES)	1
4.11	4233959	SCREW M8x16 VP.	1
4.12		SERRATED LOCK WASHER Ø8.2XØ25X35X2	1



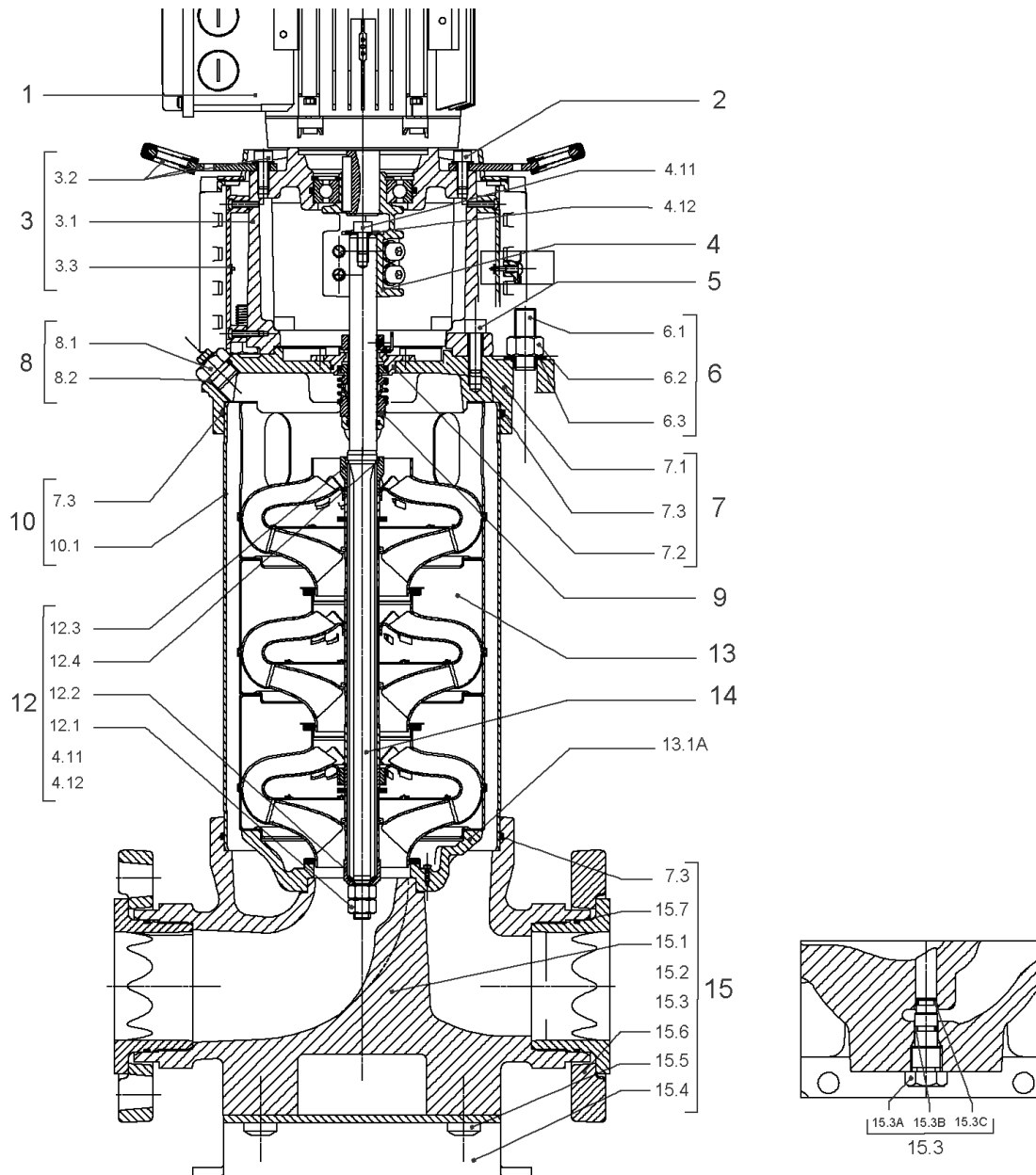
CARTRIDGE HELIX22-36-52 F/E KIT (4143975)

Item	Article no.	Description	Quantity
9.1	4143976	SEAL-KIT-HELIX22-36-52 F/E	1
7.3	4179571	> O-RING HOUSING PIPE HELIX22/36/52 VP.	1
7.4	4179572	> O-RING ID.42.52X2.62 EPDM VP.	1
9.1A	2127447	> M.SEAL.HELIX22-36-52 F/E VP.	1
9.1B	4179574	> O-RING ID.20x2.65 EPDM VP.	1
9.2	4179566	SHAFT SLEEVE D.20/20X60 1.4404 VP.	1
9.3	4179567	RING HOLDER Ø22 1.4301 VP.	1
9.4	4176520	SCREW CH M5x5 A4-70 (3PIECES)	1
9.5	4179568	DRIVE RING D.31/22.1x11 MACH.VP.	1
9.6	4179569	TOOL M.S.CART.HELIX 8" VP.	1
9.7	4179570	SCREW M6X16 ISO4762 8.8 GEOMET(4 PIECES)	1



HYDRAULIC HELIX V 3605-2

Item	Article no.	Description	Quantity
13.1	4161192	INTERMEDIATE STAGE HELIX V36 1.4301 KIT	1
		> SLEEVE-SPACER-D22XL16,66-316L	1
		> MACH.BEARING-DIFFUSER+NR-M+36-304	1
		> SHAFT-SLEEVE-D26xD22x16-CW	1
		> IMPELLER-H1-M+36-304	1
13.1A	4161200	> NECK RING 1.STAGE HELIX V36/52 KIT	1
		>> NECK-RING-M+36/52	1
		>> HYDRAULIC SUPPORT CAP M+36/52 304	1
		>> SCREW TCL M3X8 A4 POZIDRIV	1
13.2	4161193	INTERMEDIATE STAGE HELIX V36 1.4301 KIT	1
		> MACH.STD-DIFFUSER+NR-M+36-304	1
		> IMPELLER-H4-M+36-304	1
13.3	4161195	INTERMEDIATE STAGE HELIX V36 1.4301 KIT	1
		> REDUCED-IMPELLER-H4-M+36-304	1
		> MACH.STD-DIFFUSER+NR-M+36-304	1
13.4	4161196	UPPER STAGE HELIX 36 1.4301 KIT	1
		> STOP COLLAR OF IMPELLER L20-Ø22-316L	1
		> REDUCED-IMPELLER-H4-M+36-304	1
		> MACH.-RIGID-STD-DISCH.-CHAMBER-M+36-304	1

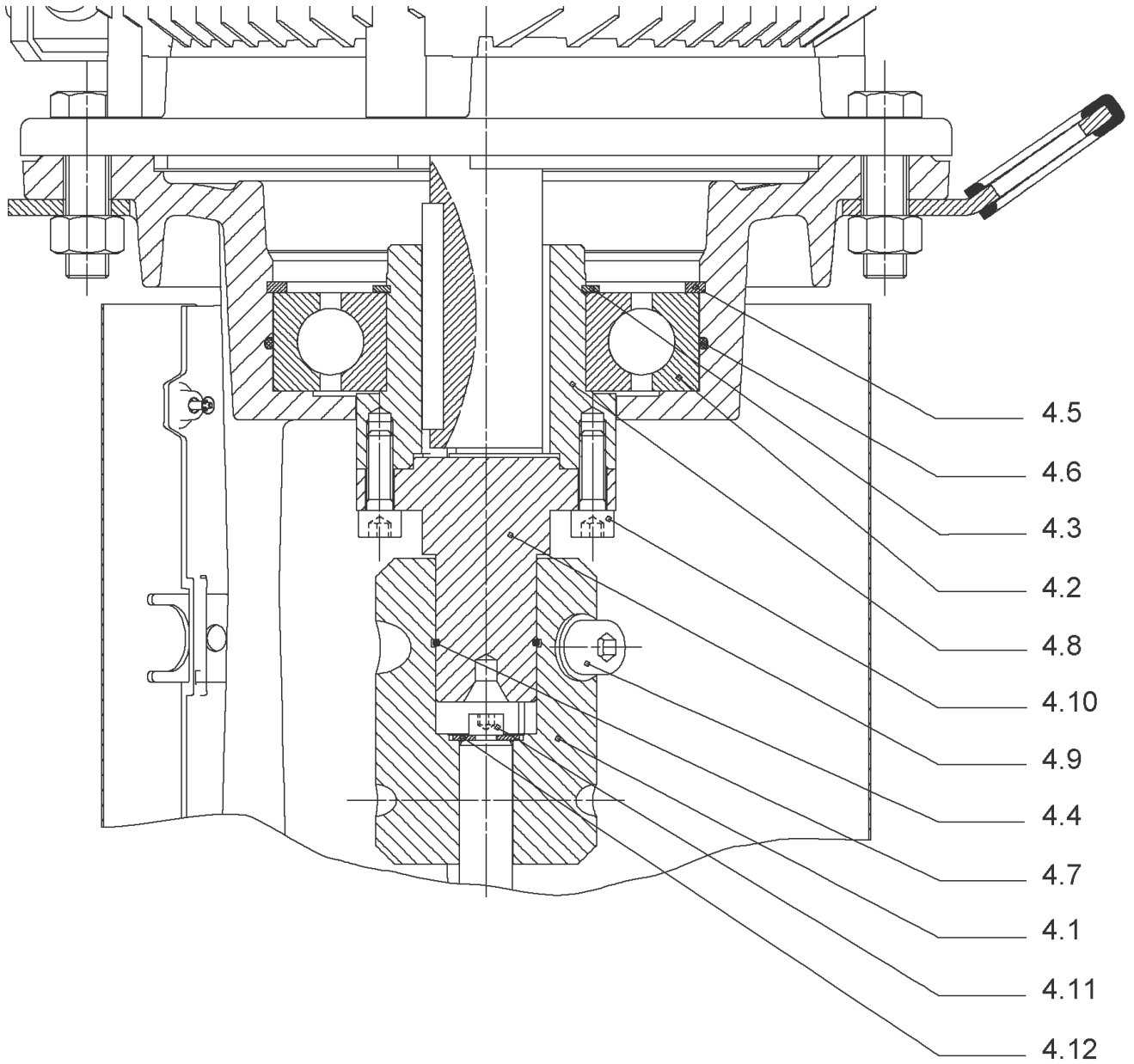


HELIX V3605-3/16/E/K/400-50 (4138325)

Item	Article no.	Description	Quantity
1	4199884	MOTOR 11/2/160 3~400V 50HZ VP.	1
		SPARE PARTS MOTOR:ON REQUEST	1
2	4179586	SCREW M16X60 (4 PIECES)	1
3	4157721	LANTERN HELIX 22/36 FF300 BB6312 KIT	1
3.1		> LANTERN FF300 M+ GJL MACHINED+CATA 6312	1
3.2	4179589	> EYELET CPL.FF300 HELIX(4 PIECES)	1
3.3	4143969	> COUPLING PROTECT HELIX FF KIT	1
4	4143966	COUPLING D.20XD.38 FF300 KIT	1
5	4157725	SCREW M10X40 (4 PIECES)	1
6	4181083	STUD BOLT M16X466 KIT	1
6.1		> TIE BOLT M16-466x24x44-1.4057	1
6.2	4179562	> NUT M16 8.8 ISO4032 (4 PIECES)	1
6.3	4097852	> WASHER-CS-16.4-32-2.8-NFE25-511-A2	1
7	4179565	END SHIELD HELIX 8" EPDM KIT	1
7.1		> END SHIELD M+ GJL MACHINED+CATA	1
7.2	4179564	> O-RING D.42.52x2.62 EPDM VP.	1
7.3	4179571	> O-RING HOUSING PIPE HELIX22/36/52 VP.	1
8	4143765	FILING/PURGING PLUG 316L HELIX KIT	1
8.1		> FILLING/VENTING-PLUG-VMI8/10-316L	1
8.2	4032291	> O-RING 17x3 EPDM KTW/WRC	1
9	4143973	CARTRIDGE HELIX22-36-52 O/E KIT	1
10	2131084	HOUSING PIPE D.204x397,44 1.4307 KIT	1
7.3	4179571	> O-RING HOUSING PIPE HELIX22/36/52 VP.	1
10.1		> HOUSING-PIPE Ø204-M+3605-304	1
12	4161186	SHAFT EQUIPMENT HELIX V36 8" KIT	1
13		HYDRAULIC HELIX V 3605	1
14	4179578	SHAFT D.22X554 1.4057 VP.	1
15	4161185	EQUIPED HOUSING HELIX 36 GJL KIT	1
15.1		> PUMP HOUSING SET with CATA. PARTS-DN65	1
15.3	4143766	> DRAIN/PRIMING PLUG EPDM HELIX KIT	1
15.3A		>> PRIMING/DRAIN PLUG-304-VERSION 1	1
15.3B	4032293	>> O-RING-10x3-EPDM-KTW/WRC	1
15.3C	4233957	>> O-RING ID.9 EPDM VP.	1
15.4	4221729	> BASE M+ DN50/65/80 VP.	1

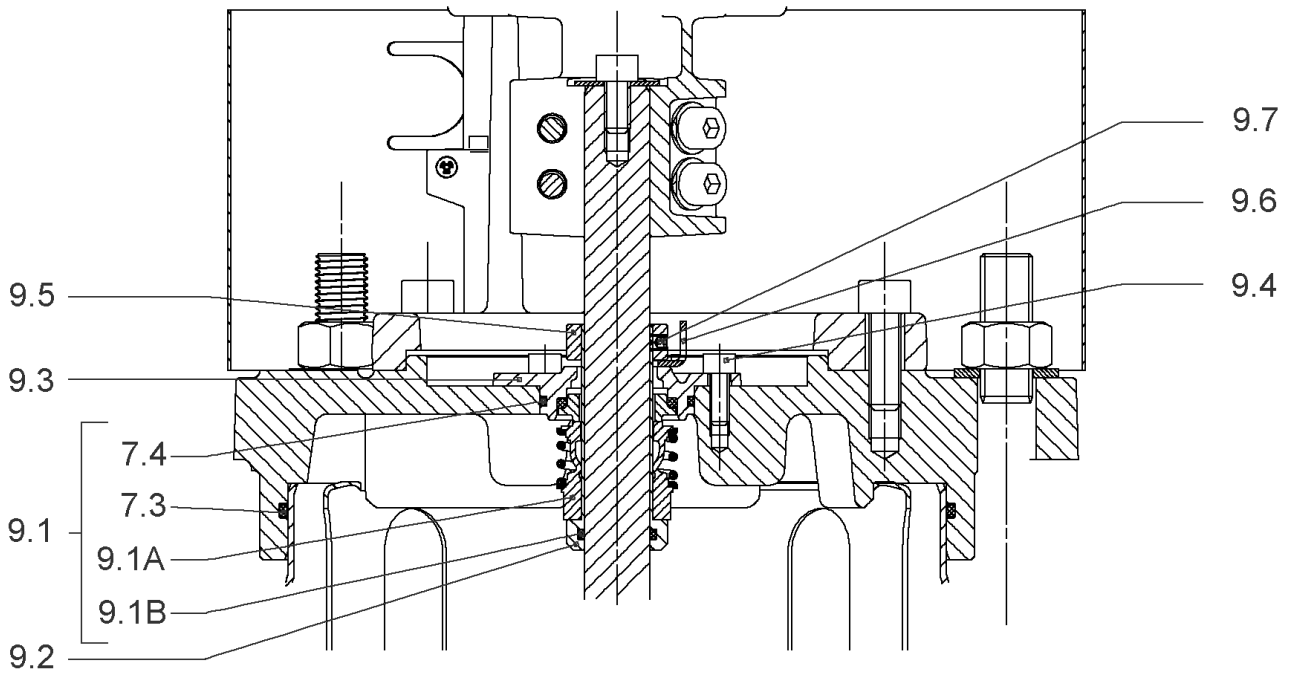
HELIX V3605-3/16/E/K/400-50 (4138325)

Item	Article no.	Description	Quantity
15.5		> SCREW TBHC M12x25 ISO7380 ZN	1
15.6		> FLANGE M+ DN65 NF PN16-25 ASME PN16 CATA	1
15.7		> O-RING Ø79.5xØ3 EPDM	1
13.1A	4161200	> NECK RING 1.STAGE HELIX V36/52 KIT	1
		>> NECK-RING-M+36/52	1
		>> HYDRAULIC SUPPORT CAP M+36/52 304	1
		>> SCREW TCL M3X8 A4 POZIDRIV	1
7.3	4179571	> O-RING HOUSING PIPE HELIX22/36/52 VP.	1



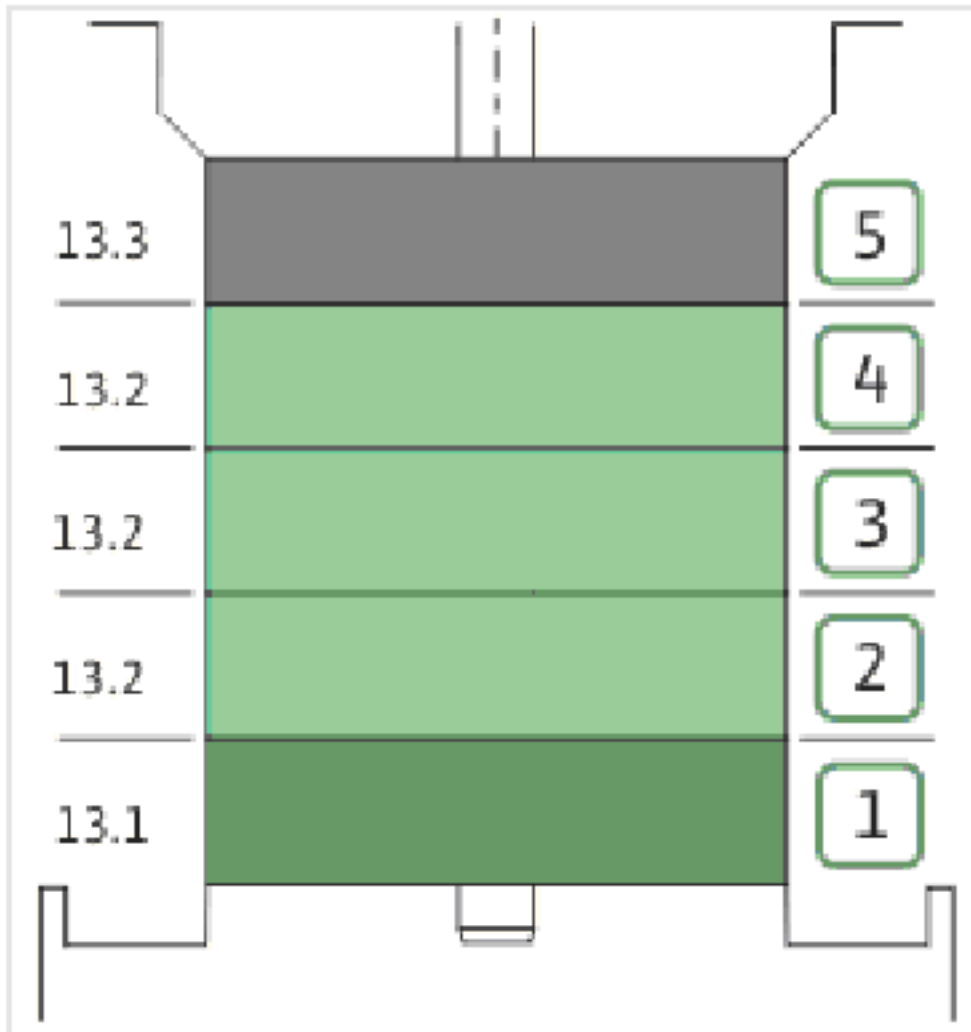
COUPLING D.20XD.38 FF300 KIT (4143966)

Item	Article no.	Description	Quantity
4.1	4179590	COUPLING 2 PARTS D.20XD.38XL115 VP.	1
4.2	2123699	BALL BEARING 6312/2Z-C4 (HT) VP.	1
4.3	63428	CIRCLIP-FOR-SHAFT-D60x2	1
4.4	2130991	SCREW M12X30 ISO4762 8.8 ZN(4 PIECES)	1
4.5	4032277	CIRCLIP-HOLE-130x4	1
4.6	4006725	O-RING ID.132,94x3,53 NBR70SR	1
4.7	2130992	RETAINING RING D.35xD.2,5 DIN7993 VP.	1
4.8	4179591	HUB D.42xD.60 VP.	1
4.9	2130994	SPACER D.38XD.55 VP.	1
4.10	4094462	SCREWS M10 (4 PIECES)	1
4.11	4233959	SCREW M8x16 VP.	1
4.12		SERRATED LOCK WASHER Ø8.2XØ25X35X2	1



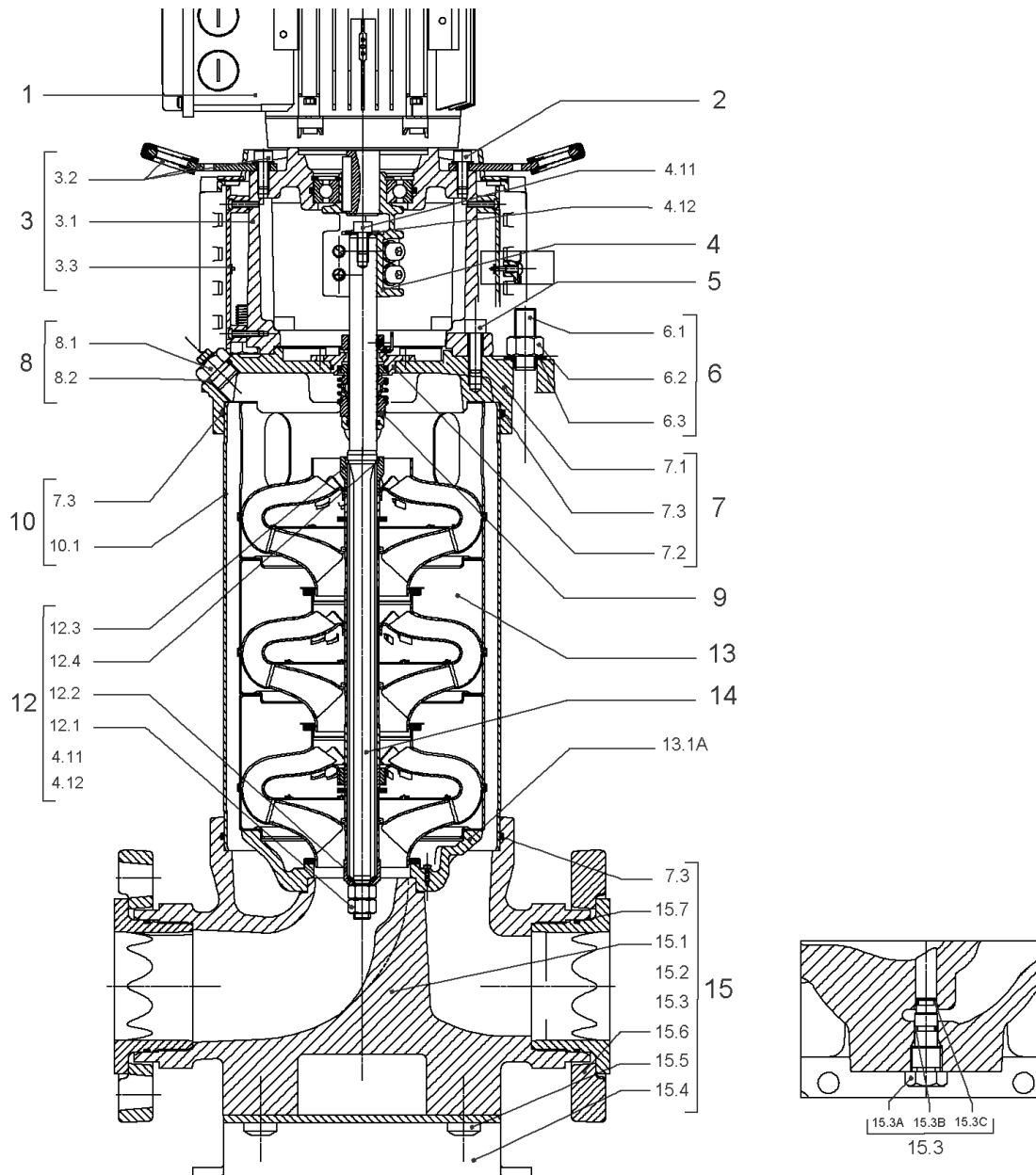
CARTRIDGE HELIX22-36-52 O/E KIT (4143973)

Item	Article no.	Description	Quantity
9.1	4143974	SEAL-KIT-HELIX22-36-52 O/E	1
7.3	4179571	> O-RING HOUSING PIPE HELIX22/36/52 VP.	1
7.4	4179572	> O-RING ID.42.52X2.62 EPDM VP.	1
9.1A	4179573	> M.SEAL.HELIX22-36-52 O/E VP.	1
9.1B	4179574	> O-RING ID.20x2.65 EPDM VP.	1
9.2	4179566	SHAFT SLEEVE D.20/20X60 1.4404 VP.	1
9.3	4179567	RING HOLDER Ø22 1.4301 VP.	1
9.4	4176520	SCREW CH M5x5 A4-70 (3PIECES)	1
9.5	4179568	DRIVE RING D.31/22.1x11 MACH.VP.	1
9.6	4179569	TOOL M.S.CART.HELIX 8" VP.	1
9.7	4179570	SCREW M6X16 ISO4762 8.8 GEOMET(4 PIECES)	1



HYDRAULIC HELIX V 3605

Item	Article no.	Description	Quantity
13.1	4161192	INTERMEDIATE STAGE HELIX V36 1.4301 KIT	1
		> SLEEVE-SPACER-D22XL16,66-316L	1
		> MACH.BEARING-DIFFUSER+NR-M+36-304	1
		> SHAFT-SLEEVE-D26xD22x16-CW	1
		> IMPELLER-H1-M+36-304	1
13.1A	4161200	> NECK RING 1.STAGE HELIX V36/52 KIT	1
		>> NECK-RING-M+36/52	1
		>> HYDRAULIC SUPPORT CAP M+36/52 304	1
		>> SCREW TCL M3X8 A4 POZIDRIV	1
13.2	4161193	INTERMEDIATE STAGE HELIX V36 1.4301 KIT	1
		> MACH.STD-DIFFUSER+NR-M+36-304	1
		> IMPELLER-H4-M+36-304	1
13.3	4161194	UPPER STAGE HELIX 36 1.4301 KIT	1
		> STOP COLLAR OF IMPELLER L20-Ø22-316L	1
		> IMPELLER-H4-M+36-304	1
		> MACH.-RIGID-STD-DISCH.-CHAMBER-M+36-304	1

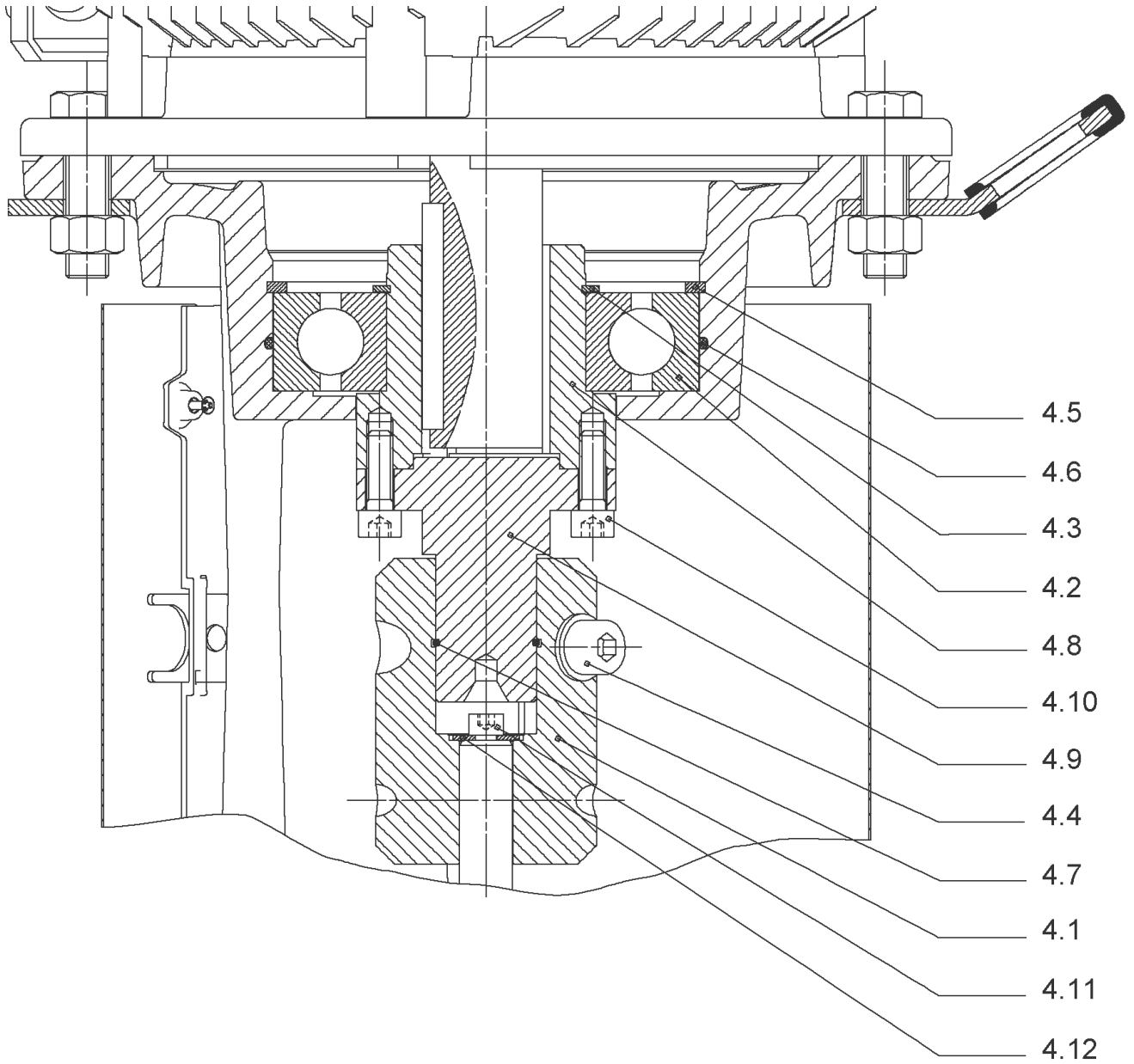


HELIX V3605-3/25/E/KS/400-50 (4138326)

Item	Article no.	Description	Quantity
1	4199884	MOTOR 11/2/160 3~400V 50HZ VP.	1
		SPARE PARTS MOTOR:ON REQUEST	1
2	4179586	SCREW M16X60 (4 PIECES)	1
3	4157721	LANTERN HELIX 22/36 FF300 BB6312 KIT	1
3.1		> LANTERN FF300 M+ GJL MACHINED+CATA 6312	1
3.2	4179589	> EYELET CPL.FF300 HELIX(4 PIECES)	1
3.3	4143969	> COUPLING PROTECT HELIX FF KIT	1
4	4143966	COUPLING D.20XD.38 FF300 KIT	1
5	4157725	SCREW M10X40 (4 PIECES)	1
6	4181083	STUD BOLT M16X466 KIT	1
6.1		> TIE BOLT M16-466x24x44-1.4057	1
6.2	4179562	> NUT M16 8.8 ISO4032 (4 PIECES)	1
6.3	4097852	> WASHER-CS-16.4-32-2.8-NFE25-511-A2	1
7	4179565	END SHIELD HELIX 8" EPDM KIT	1
7.1		> END SHIELD M+ GJL MACHINED+CATA	1
7.2	4179564	> O-RING D.42.52x2.62 EPDM VP.	1
7.3	4179571	> O-RING HOUSING PIPE HELIX22/36/52 VP.	1
8	4143765	FILING/PURGING PLUG 316L HELIX KIT	1
8.1		> FILLING/VENTING-PLUG-VMI8/10-316L	1
8.2	4032291	> O-RING 17x3 EPDM KTW/WRC	1
9	4143975	CARTRIDGE HELIX22-36-52 F/E KIT	1
10	2131084	HOUSING PIPE D.204x397,44 1.4307 KIT	1
7.3	4179571	> O-RING HOUSING PIPE HELIX22/36/52 VP.	1
10.1		> HOUSING-PIPE Ø204-M+3605-304	1
12	4161186	SHAFT EQUIPMENT HELIX V36 8" KIT	1
13		HYDRAULIC HELIX V 3605	1
14	4179578	SHAFT D.22X554 1.4057 VP.	1
15	4161185	EQUIPED HOUSING HELIX 36 GJL KIT	1
15.1		> PUMP HOUSING SET with CATA. PARTS-DN65	1
15.3	4143766	> DRAIN/PRIMING PLUG EPDM HELIX KIT	1
15.3A		>> PRIMING/DRAIN PLUG-304-VERSION 1	1
15.3B	4032293	>> O-RING-10x3-EPDM-KTW/WRC	1
15.3C	4233957	>> O-RING ID.9 EPDM VP.	1
15.4	4221729	> BASE M+ DN50/65/80 VP.	1

HELIX V3605-3/25/E/KS/400-50 (4138326)

Item	Article no.	Description	Quantity
15.5		> SCREW TBHC M12x25 ISO7380 ZN	1
15.6		> FLANGE M+ DN65 NF PN16-25 ASME PN16 CATA	1
15.7		> O-RING Ø79.5xØ3 EPDM	1
13.1A	4161200	> NECK RING 1.STAGE HELIX V36/52 KIT	1
		>> NECK-RING-M+36/52	1
		>> HYDRAULIC SUPPORT CAP M+36/52 304	1
		>> SCREW TCL M3X8 A4 POZIDRIV	1
7.3	4179571	> O-RING HOUSING PIPE HELIX22/36/52 VP.	1



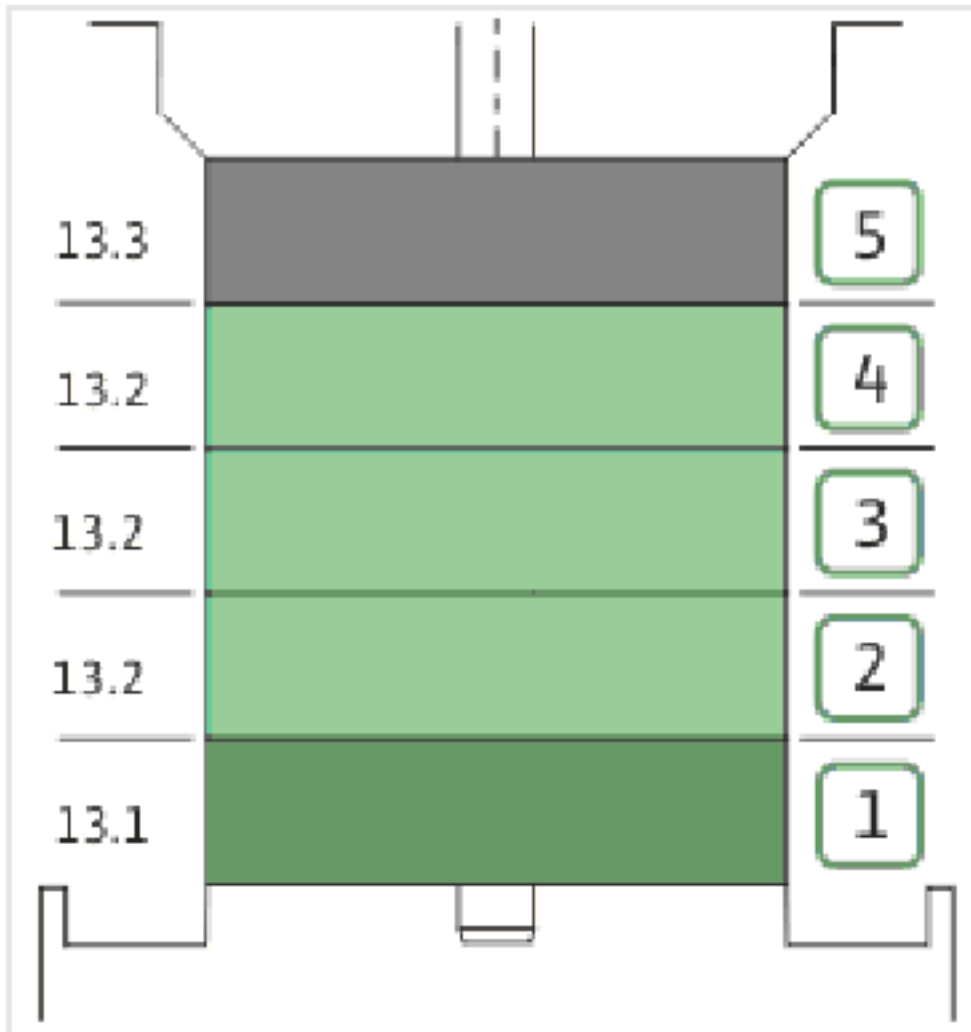
COUPLING D.20XD.38 FF300 KIT (4143966)

Item	Article no.	Description	Quantity
4.1	4179590	COUPLING 2 PARTS D.20XD.38XL115 VP.	1
4.2	2123699	BALL BEARING 6312/2Z-C4 (HT) VP.	1
4.3	63428	CIRCLIP-FOR-SHAFT-D60x2	1
4.4	2130991	SCREW M12X30 ISO4762 8.8 ZN(4 PIECES)	1
4.5	4032277	CIRCLIP-HOLE-130x4	1
4.6	4006725	O-RING ID.132,94x3,53 NBR70SR	1
4.7	2130992	RETAINING RING D.35xD.2,5 DIN7993 VP.	1
4.8	4179591	HUB D.42xD.60 VP.	1
4.9	2130994	SPACER D.38XD.55 VP.	1
4.10	4094462	SCREWS M10 (4 PIECES)	1
4.11	4233959	SCREW M8x16 VP.	1
4.12		SERRATED LOCK WASHER Ø8.2XØ25X35X2	1



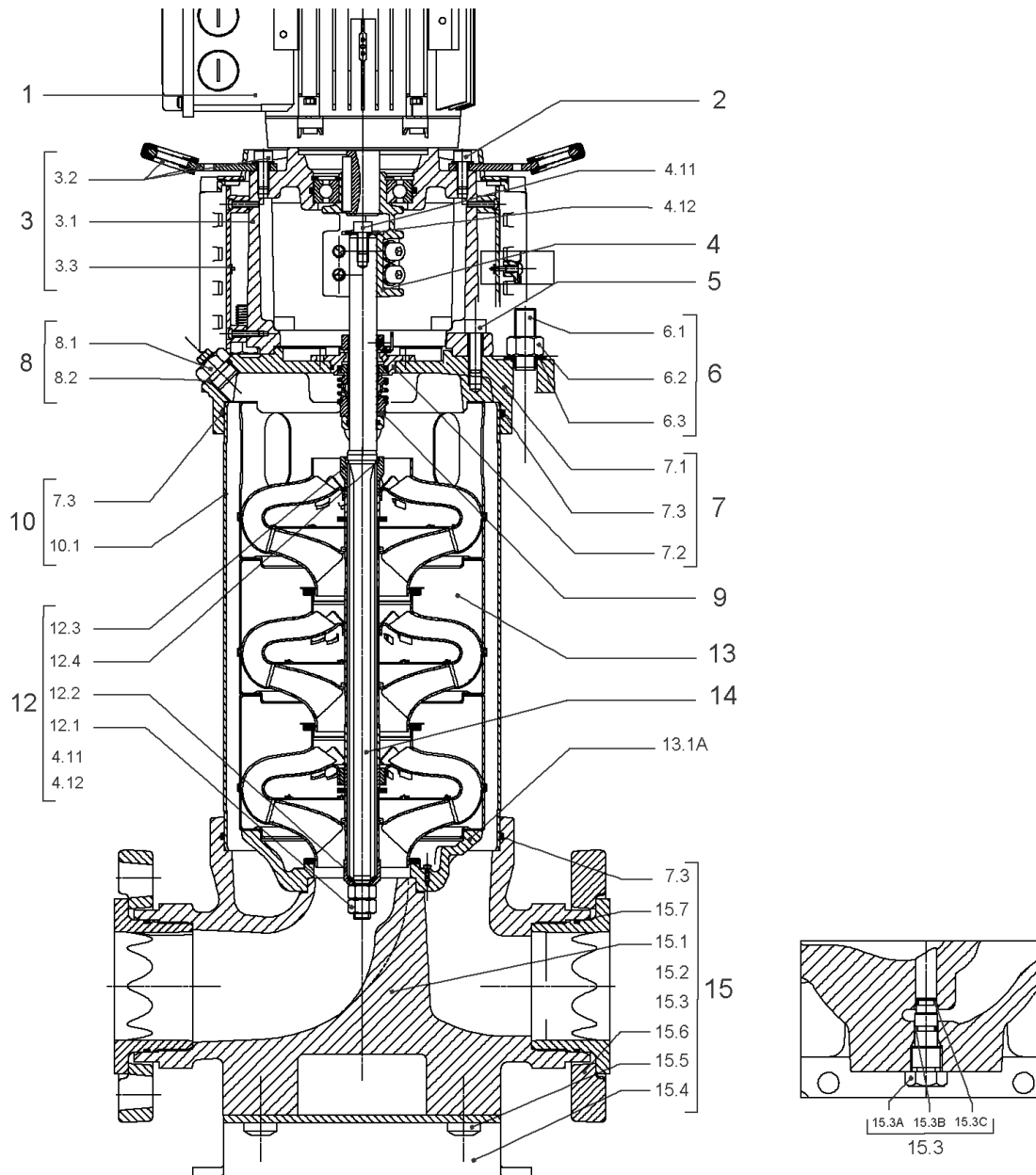
CARTRIDGE HELIX22-36-52 F/E KIT (4143975)

Item	Article no.	Description	Quantity
9.1	4143976	SEAL-KIT-HELIX22-36-52 F/E	1
7.3	4179571	> O-RING HOUSING PIPE HELIX22/36/52 VP.	1
7.4	4179572	> O-RING ID.42.52X2.62 EPDM VP.	1
9.1A	2127447	> M.SEAL.HELIX22-36-52 F/E VP.	1
9.1B	4179574	> O-RING ID.20x2.65 EPDM VP.	1
9.2	4179566	SHAFT SLEEVE D.20/20X60 1.4404 VP.	1
9.3	4179567	RING HOLDER Ø22 1.4301 VP.	1
9.4	4176520	SCREW CH M5x5 A4-70 (3PIECES)	1
9.5	4179568	DRIVE RING D.31/22.1x11 MACH.VP.	1
9.6	4179569	TOOL M.S.CART.HELIX 8" VP.	1
9.7	4179570	SCREW M6X16 ISO4762 8.8 GEOMET(4 PIECES)	1



HYDRAULIC HELIX V 3605

Item	Article no.	Description	Quantity
13.1	4161192	INTERMEDIATE STAGE HELIX V36 1.4301 KIT	1
		> SLEEVE-SPACER-D22XL16,66-316L	1
		> MACH.BEARING-DIFFUSER+NR-M+36-304	1
		> SHAFT-SLEEVE-D26xD22x16-CW	1
		> IMPELLER-H1-M+36-304	1
13.1A	4161200	> NECK RING 1.STAGE HELIX V36/52 KIT	1
		>> NECK-RING-M+36/52	1
		>> HYDRAULIC SUPPORT CAP M+36/52 304	1
		>> SCREW TCL M3X8 A4 POZIDRIV	1
13.2	4161193	INTERMEDIATE STAGE HELIX V36 1.4301 KIT	1
		> MACH.STD-DIFFUSER+NR-M+36-304	1
		> IMPELLER-H4-M+36-304	1
13.3	4161194	UPPER STAGE HELIX 36 1.4301 KIT	1
		> STOP COLLAR OF IMPELLER L20-Ø22-316L	1
		> IMPELLER-H4-M+36-304	1
		> MACH.-RIGID-STD-DISCH.-CHAMBER-M+36-304	1

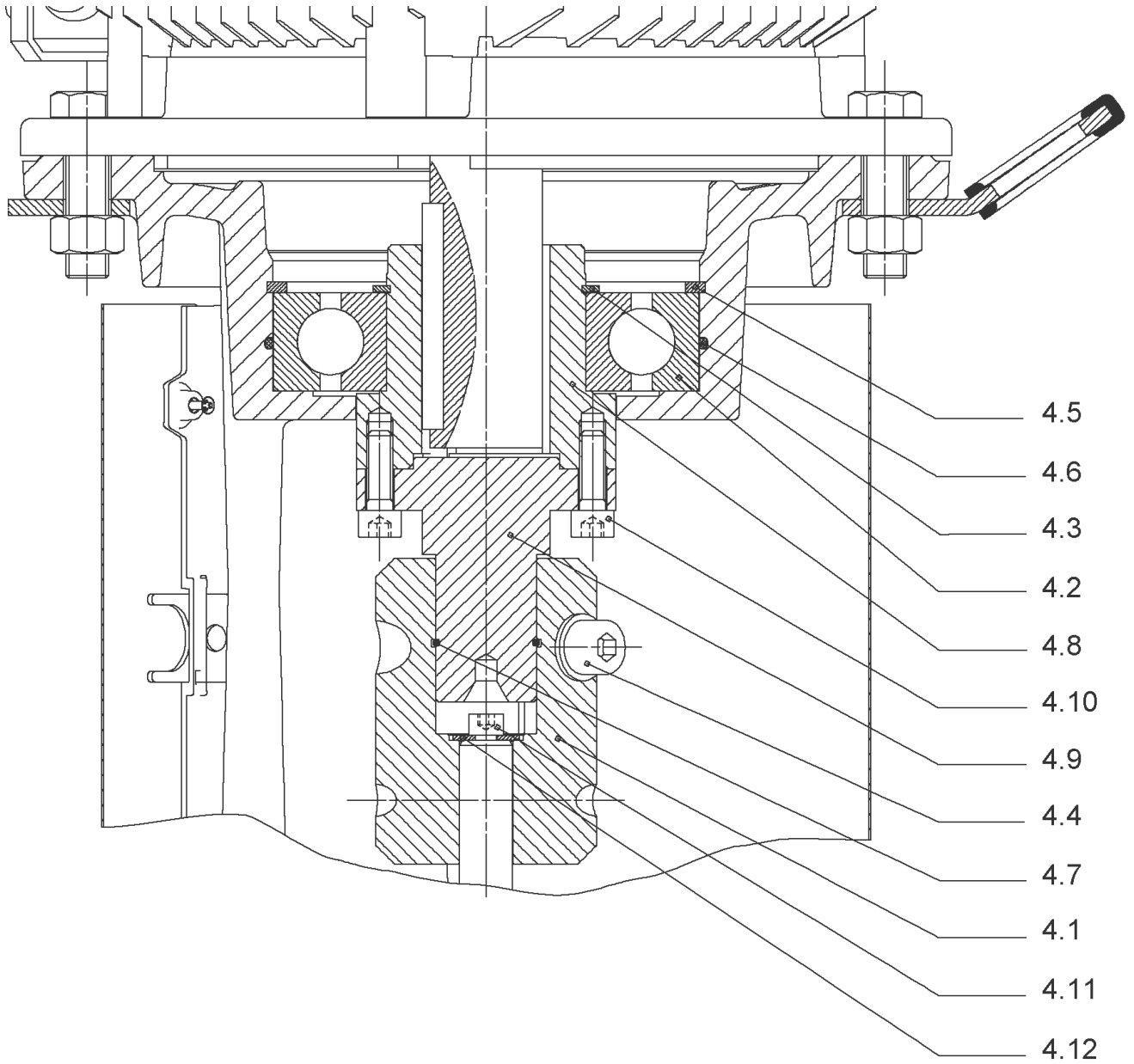


HELIX V3606/2-3/16/E/K/400-50 (4138327)

Item	Article no.	Description	Quantity
1	4199884	MOTOR 11/2/160 3~400V 50HZ VP.	1
		SPARE PARTS MOTOR:ON REQUEST	1
2	4179586	SCREW M16X60 (4 PIECES)	1
3	4157721	LANTERN HELIX 22/36 FF300 BB6312 KIT	1
3.1		> LANTERN FF300 M+ GJL MACHINED+CATA 6312	1
3.2	4179589	> EYELET CPL.FF300 HELIX(4 PIECES)	1
3.3	4143969	> COUPLING PROTECT HELIX FF KIT	1
4	4143966	COUPLING D.20XD.38 FF300 KIT	1
5	4157725	SCREW M10X40 (4 PIECES)	1
6	4181086	STUD BOLT M16X533 KIT	1
6.1		> TIE BOLT M16-533x24x44-1.4057	1
6.2	4179562	> NUT M16 8.8 ISO4032 (4 PIECES)	1
6.3	4097852	> WASHER-CS-16.4-32-2.8-NFE25-511-A2	1
7	4179565	END SHIELD HELIX 8" EPDM KIT	1
7.1		> END SHIELD M+ GJL MACHINED+CATA	1
7.2	4179564	> O-RING D.42.52x2.62 EPDM VP.	1
7.3	4179571	> O-RING HOUSING PIPE HELIX22/36/52 VP.	1
8	4143765	FILING/PURGING PLUG 316L HELIX KIT	1
8.1		> FILLING/VENTING-PLUG-VM18/10-316L	1
8.2	4032291	> O-RING 17x3 EPDM KTW/WRC	1
9	4143973	CARTRIDGE HELIX22-36-52 O/E KIT	1
10	4181087	HOUSING PIPE D.204x464,13 1.4307 KIT	1
7.3	4179571	> O-RING HOUSING PIPE HELIX22/36/52 VP.	1
10.1		> HOUSING-PIPE Ø204-M+2208/3606-304	1
12	4161186	SHAFT EQUIPMENT HELIX V36 8" KIT	1
13		HYDRAULIC HELIX V 3606-2	1
14	2127545	SHAFT D.22 LG.620,67 HELIX 1.4057 VP.	1
15	4161185	EQUIPED HOUSING HELIX 36 GJL KIT	1
15.1		> PUMP HOUSING SET with CATA. PARTS-DN65	1
15.3	4143766	> DRAIN/PRIMING PLUG EPDM HELIX KIT	1
15.3A		>> PRIMING/DRAIN PLUG-304-VERSION 1	1
15.3B	4032293	>> O-RING-10x3-EPDM-KTW/WRC	1
15.3C	4233957	>> O-RING ID.9 EPDM VP.	1
15.4	4221729	> BASE M+ DN50/65/80 VP.	1

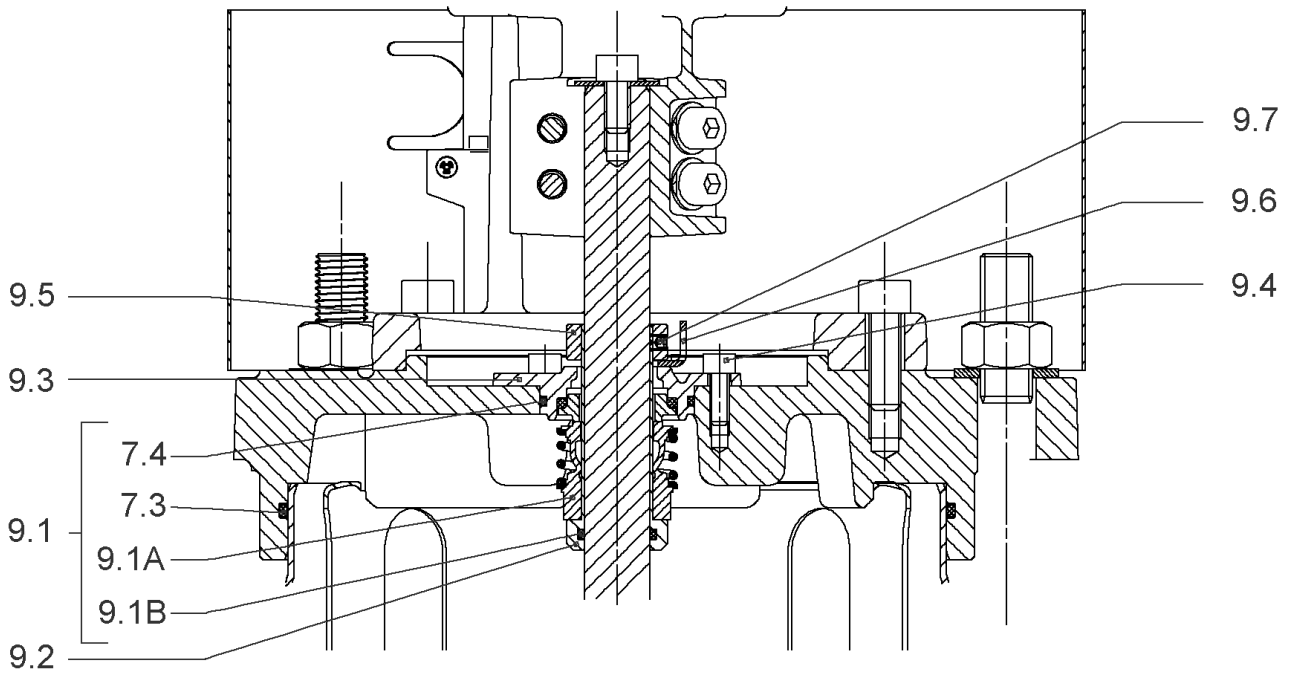
HELIX V3606/2-3/16/E/K/400-50 (4138327)

Item	Article no.	Description	Quantity
15.5		> SCREW TBHC M12x25 ISO7380 ZN	1
15.6		> FLANGE M+ DN65 NF PN16-25 ASME PN16 CATA	1
15.7		> O-RING Ø79.5xØ3 EPDM	1
13.1A	4161200	> NECK RING 1.STAGE HELIX V36/52 KIT	1
		>> NECK-RING-M+36/52	1
		>> HYDRAULIC SUPPORT CAP M+36/52 304	1
		>> SCREW TCL M3X8 A4 POZIDRIV	1
7.3	4179571	> O-RING HOUSING PIPE HELIX22/36/52 VP.	1



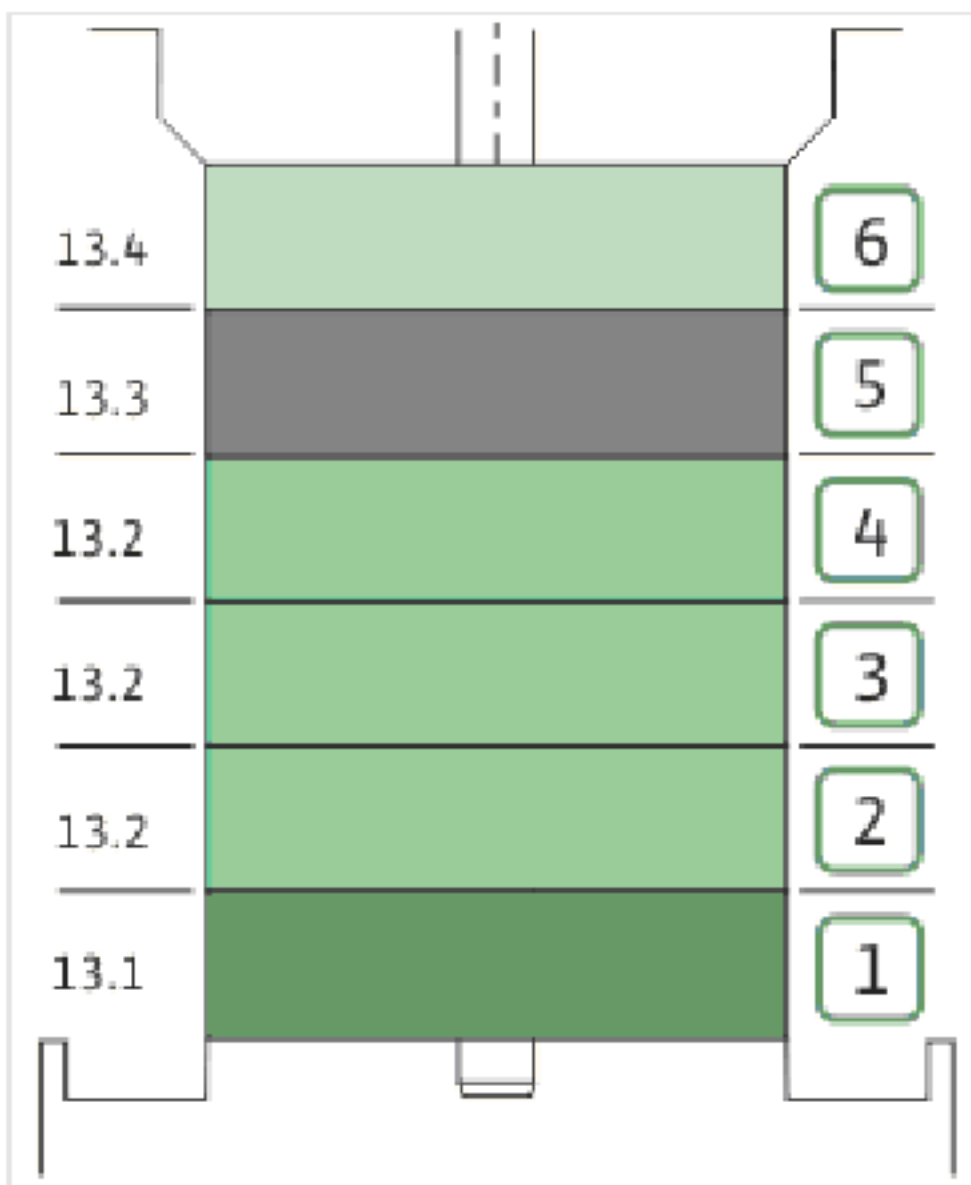
COUPLING D.20XD.38 FF300 KIT (4143966)

Item	Article no.	Description	Quantity
4.1	4179590	COUPLING 2 PARTS D.20XD.38XL115 VP.	1
4.2	2123699	BALL BEARING 6312/2Z-C4 (HT) VP.	1
4.3	63428	CIRCLIP-FOR-SHAFT-D60x2	1
4.4	2130991	SCREW M12X30 ISO4762 8.8 ZN(4 PIECES)	1
4.5	4032277	CIRCLIP-HOLE-130x4	1
4.6	4006725	O-RING ID.132,94x3,53 NBR70SR	1
4.7	2130992	RETAINING RING D.35xD.2,5 DIN7993 VP.	1
4.8	4179591	HUB D.42xD.60 VP.	1
4.9	2130994	SPACER D.38XD.55 VP.	1
4.10	4094462	SCREWS M10 (4 PIECES)	1
4.11	4233959	SCREW M8x16 VP.	1
4.12		SERRATED LOCK WASHER Ø8.2XØ25X35X2	1



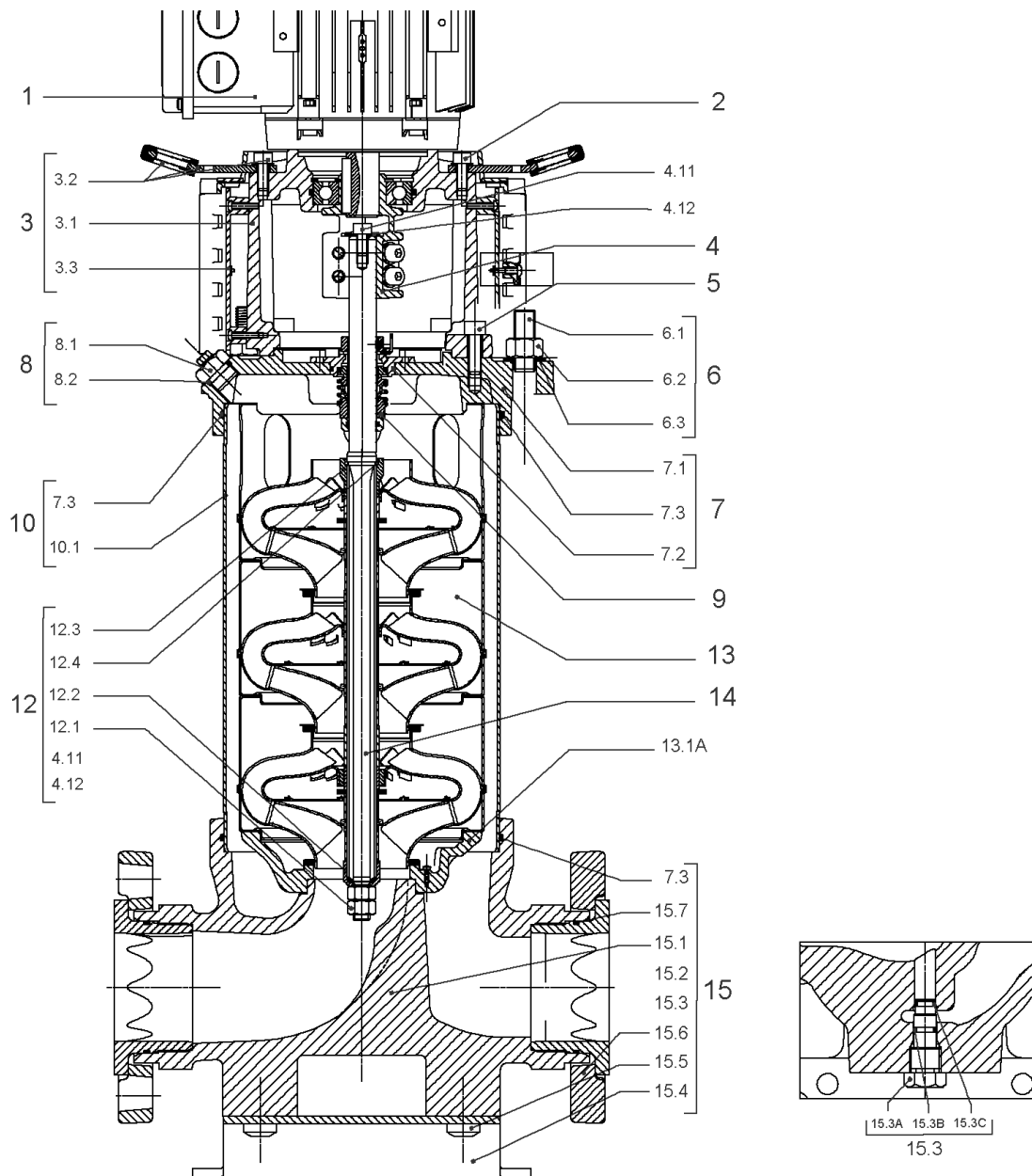
CARTRIDGE HELIX22-36-52 O/E KIT (4143973)

Item	Article no.	Description	Quantity
9.1	4143974	SEAL-KIT-HELIX22-36-52 O/E	1
7.3	4179571	> O-RING HOUSING PIPE HELIX22/36/52 VP.	1
7.4	4179572	> O-RING ID.42.52X2.62 EPDM VP.	1
9.1A	4179573	> M.SEAL.HELIX22-36-52 O/E VP.	1
9.1B	4179574	> O-RING ID.20x2.65 EPDM VP.	1
9.2	4179566	SHAFT SLEEVE D.20/20X60 1.4404 VP.	1
9.3	4179567	RING HOLDER Ø22 1.4301 VP.	1
9.4	4176520	SCREW CH M5x5 A4-70 (3PIECES)	1
9.5	4179568	DRIVE RING D.31/22.1x11 MACH.VP.	1
9.6	4179569	TOOL M.S.CART.HELIX 8" VP.	1
9.7	4179570	SCREW M6X16 ISO4762 8.8 GEOMET(4 PIECES)	1



HYDRAULIC HELIX V 3606-2

Item	Article no.	Description	Quantity
13.1	4161192	INTERMEDIATE STAGE HELIX V36 1.4301 KIT	1
		> SLEEVE-SPACER-D22XL16,66-316L	1
		> MACH.BEARING-DIFFUSER+NR-M+36-304	1
		> SHAFT-SLEEVE-D26xD22x16-CW	1
		> IMPELLER-H1-M+36-304	1
13.1A	4161200	> NECK RING 1.STAGE HELIX V36/52 KIT	1
		>> NECK-RING-M+36/52	1
		>> HYDRAULIC SUPPORT CAP M+36/52 304	1
		>> SCREW TCL M3X8 A4 POZIDRIV	1
13.2	4161193	INTERMEDIATE STAGE HELIX V36 1.4301 KIT	1
		> MACH.STD-DIFFUSER+NR-M+36-304	1
		> IMPELLER-H4-M+36-304	1
13.3	4161195	INTERMEDIATE STAGE HELIX V36 1.4301 KIT	1
		> REDUCED-IMPELLER-H4-M+36-304	1
		> MACH.STD-DIFFUSER+NR-M+36-304	1
13.4	4161196	UPPER STAGE HELIX 36 1.4301 KIT	1
		> STOP COLLAR OF IMPELLER L20-Ø22-316L	1
		> REDUCED-IMPELLER-H4-M+36-304	1
		> MACH.-RIGID-STD-DISCH.-CHAMBER-M+36-304	1

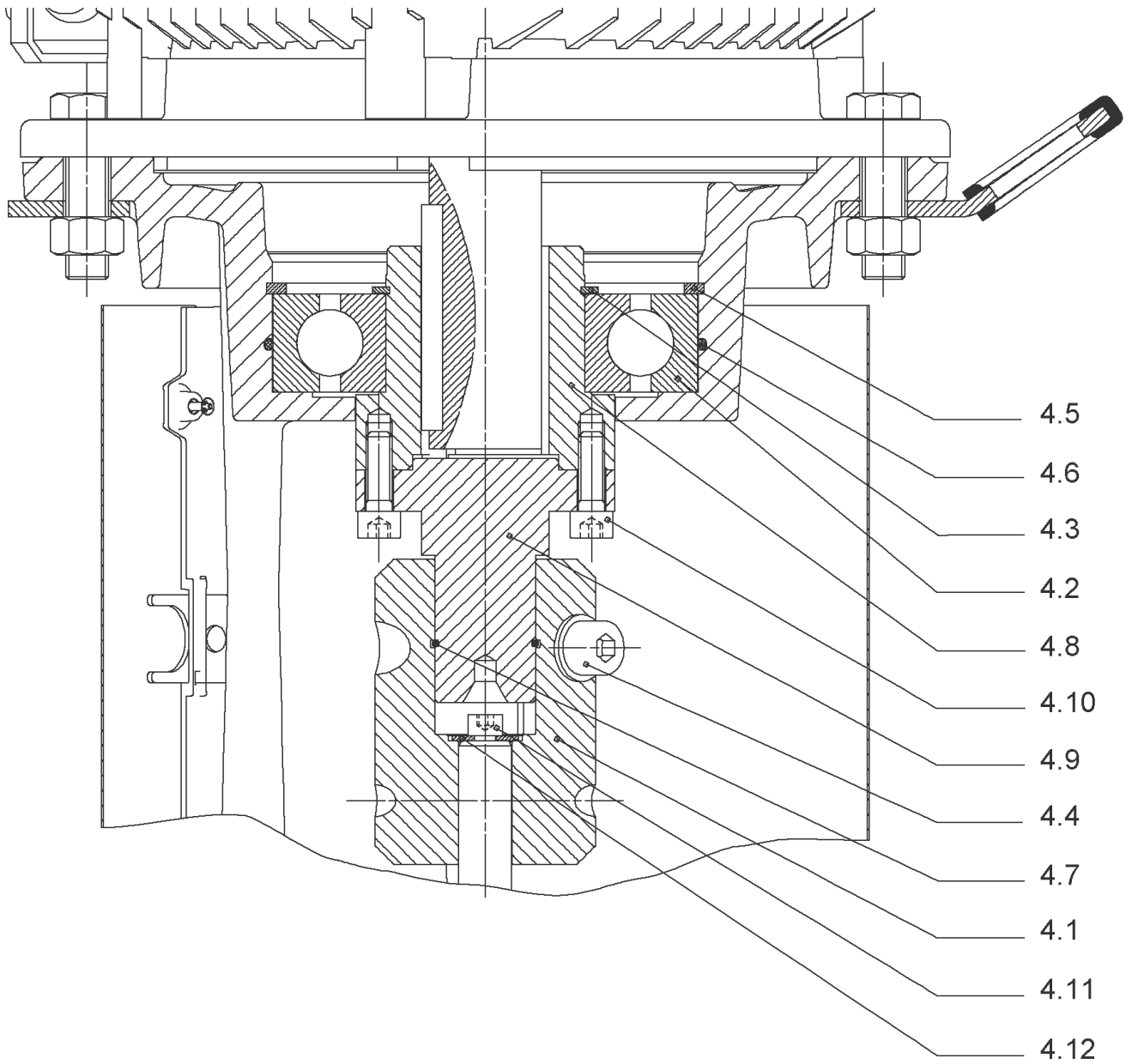


HELIX V3606/2-3/25/E/KS/400-50 (4138328)

Item	Article no.	Description	Quantity
1	4199884	MOTOR 11/2/160 3~400V 50HZ VP.	1
		SPARE PARTS MOTOR:ON REQUEST	1
2	4179586	SCREW M16X60 (4 PIECES)	1
3	4157721	LANTERN HELIX 22/36 FF300 BB6312 KIT	1
3.1		> LANTERN FF300 M+ GJL MACHINED+CATA 6312	1
3.2	4179589	> EYELET CPL.FF300 HELIX(4 PIECES)	1
3.3	4143969	> COUPLING PROTECT HELIX FF KIT	1
4	4143966	COUPLING D.20XD.38 FF300 KIT	1
5	4157725	SCREW M10X40 (4 PIECES)	1
6	4181086	STUD BOLT M16X533 KIT	1
6.1		> TIE BOLT M16-533x24x44-1.4057	1
6.2	4179562	> NUT M16 8.8 ISO4032 (4 PIECES)	1
6.3	4097852	> WASHER-CS-16.4-32-2.8-NFE25-511-A2	1
7	4179565	END SHIELD HELIX 8" EPDM KIT	1
7.1		> END SHIELD M+ GJL MACHINED+CATA	1
7.2	4179564	> O-RING D.42.52x2.62 EPDM VP.	1
7.3	4179571	> O-RING HOUSING PIPE HELIX22/36/52 VP.	1
8	4143765	FILING/PURGING PLUG 316L HELIX KIT	1
8.1		> FILLING/VENTING-PLUG-VM18/10-316L	1
8.2	4032291	> O-RING 17x3 EPDM KTW/WRC	1
9	4143975	CARTRIDGE HELIX22-36-52 F/E KIT	1
10	4181087	HOUSING PIPE D.204x464,13 1.4307 KIT	1
7.3	4179571	> O-RING HOUSING PIPE HELIX22/36/52 VP.	1
10.1		> HOUSING-PIPE Ø204-M+2208/3606-304	1
12	4161186	SHAFT EQUIPMENT HELIX V36 8" KIT	1
13		HYDRAULIC HELIX V 3606-2	1
14	2127545	SHAFT D.22 LG.620,67 HELIX 1.4057 VP.	1
15	4161185	EQUIPED HOUSING HELIX 36 GJL KIT	1
15.1		> PUMP HOUSING SET with CATA. PARTS-DN65	1
15.3	4143766	> DRAIN/PRIMING PLUG EPDM HELIX KIT	1
15.3A		>> PRIMING/DRAIN PLUG-304-VERSION 1	1
15.3B	4032293	>> O-RING-10x3-EPDM-KTW/WRC	1
15.3C	4233957	>> O-RING ID.9 EPDM VP.	1
15.4	4221729	> BASE M+ DN50/65/80 VP.	1

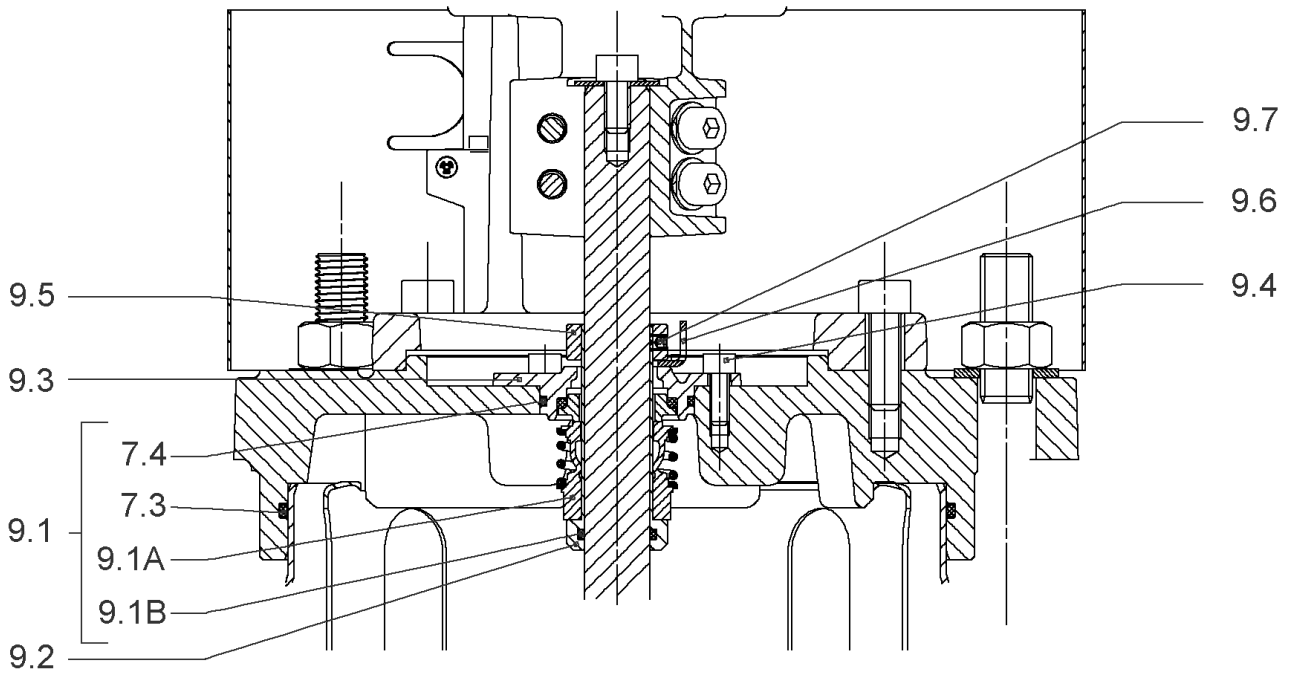
HELIX V3606/2-3/25/E/KS/400-50 (4138328)

Item	Article no.	Description	Quantity
15.5		> SCREW TBHC M12x25 ISO7380 ZN	1
15.6		> FLANGE M+ DN65 NF PN16-25 ASME PN16 CATA	1
15.7		> O-RING Ø79.5xØ3 EPDM	1
13.1A	4161200	> NECK RING 1.STAGE HELIX V36/52 KIT	1
		>> NECK-RING-M+36/52	1
		>> HYDRAULIC SUPPORT CAP M+36/52 304	1
		>> SCREW TCL M3X8 A4 POZIDRIV	1
7.3	4179571	> O-RING HOUSING PIPE HELIX22/36/52 VP.	1



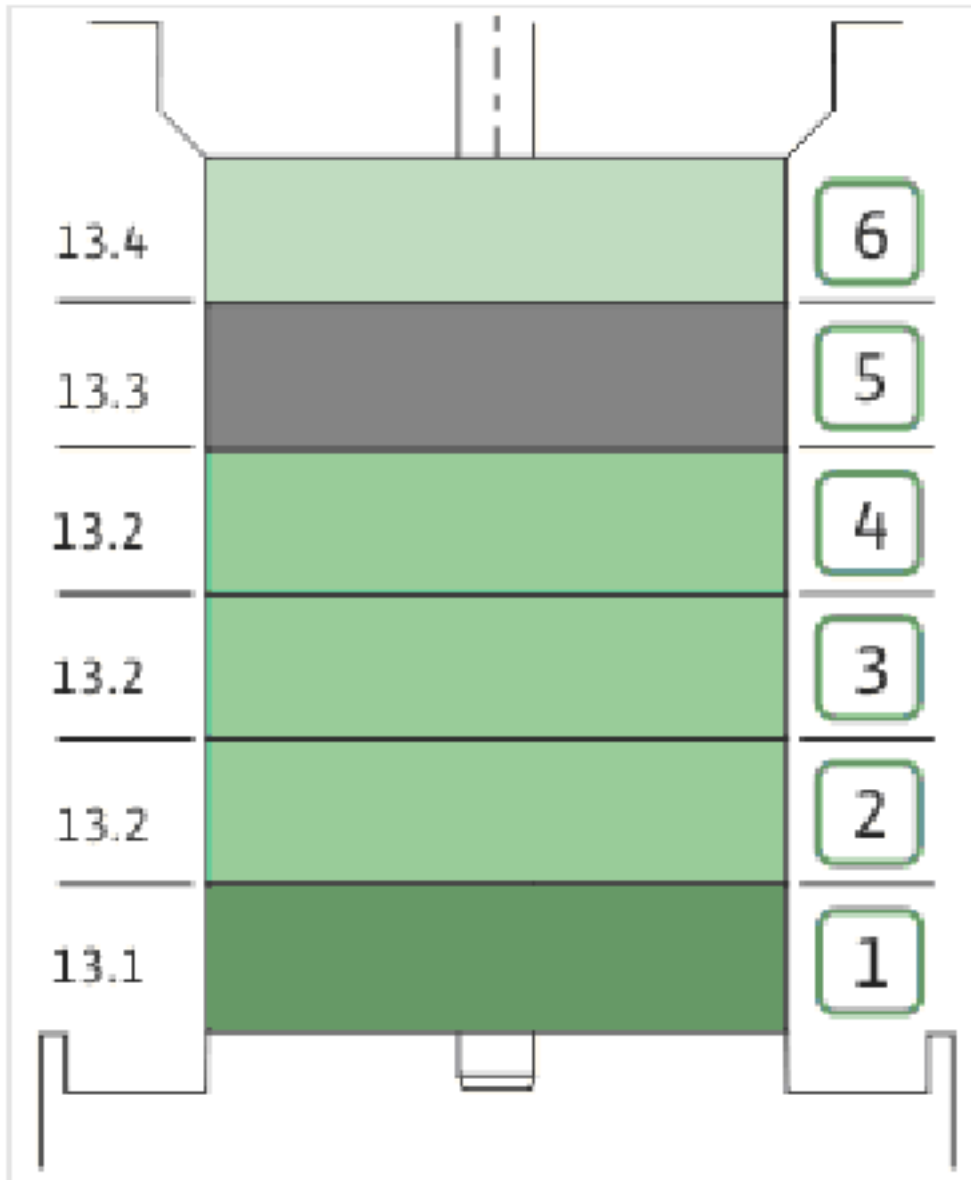
COUPLING D.20XD.38 FF300 KIT (4143966)

Item	Article no.	Description	Quantity
4.1	4179590	COUPLING 2 PARTS D.20XD.38XL115 VP.	1
4.2	2123699	BALL BEARING 6312/2Z-C4 (HT) VP.	1
4.3	63428	CIRCLIP-FOR-SHAFT-D60x2	1
4.4	2130991	SCREW M12X30 ISO4762 8.8 ZN(4 PIECES)	1
4.5	4032277	CIRCLIP-HOLE-130x4	1
4.6	4006725	O-RING ID.132,94x3,53 NBR70SR	1
4.7	2130992	RETAINING RING D.35xD.2,5 DIN7993 VP.	1
4.8	4179591	HUB D.42xD.60 VP.	1
4.9	2130994	SPACER D.38XD.55 VP.	1
4.10	4094462	SCREWS M10 (4 PIECES)	1
4.11	4233959	SCREW M8x16 VP.	1
4.12		SERRATED LOCK WASHER Ø8.2XØ25X35X2	1



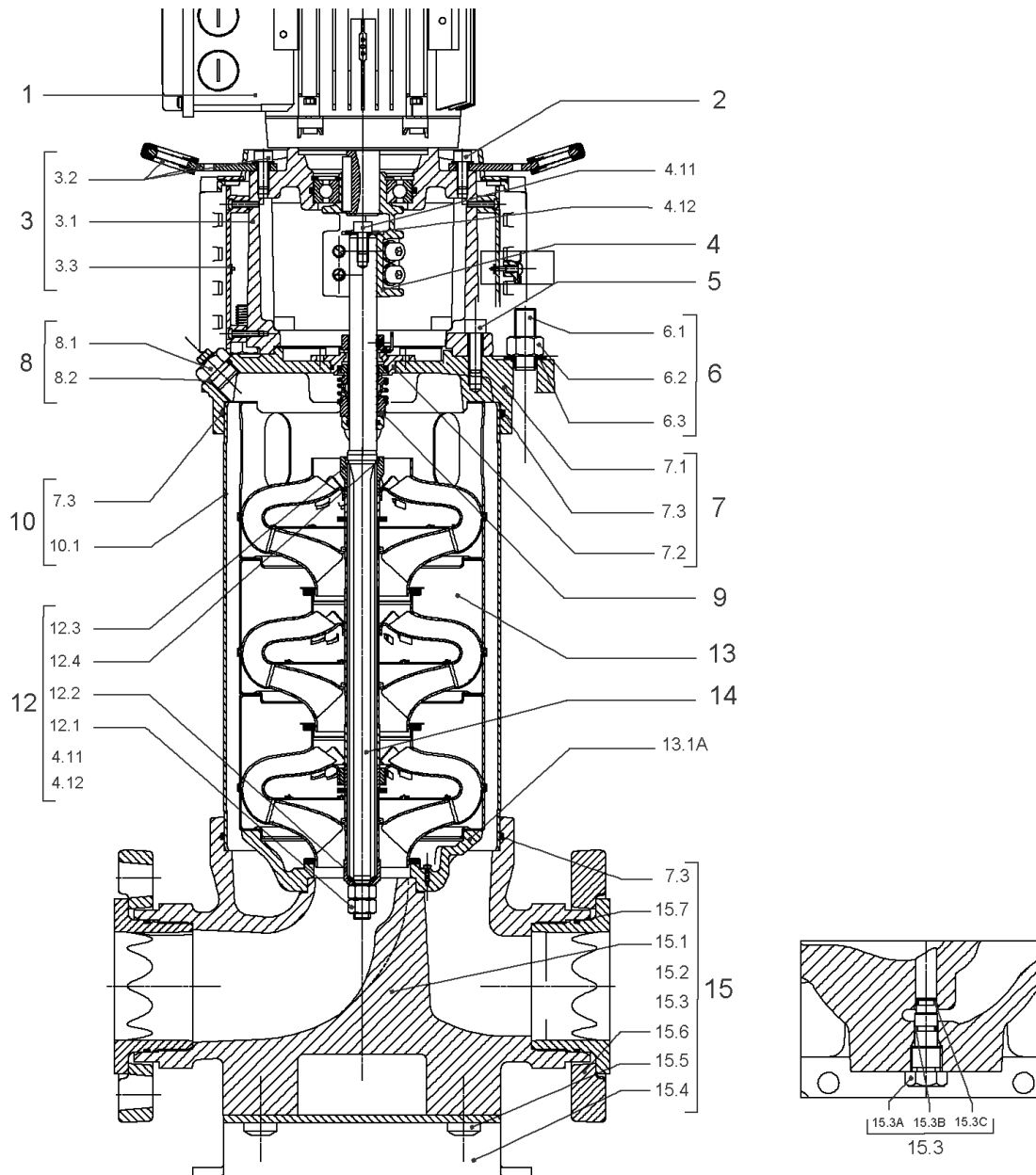
CARTRIDGE HELIX22-36-52 F/E KIT (4143975)

Item	Article no.	Description	Quantity
9.1	4143976	SEAL-KIT-HELIX22-36-52 F/E	1
7.3	4179571	> O-RING HOUSING PIPE HELIX22/36/52 VP.	1
7.4	4179572	> O-RING ID.42.52X2.62 EPDM VP.	1
9.1A	2127447	> M.SEAL.HELIX22-36-52 F/E VP.	1
9.1B	4179574	> O-RING ID.20x2.65 EPDM VP.	1
9.2	4179566	SHAFT SLEEVE D.20/20X60 1.4404 VP.	1
9.3	4179567	RING HOLDER Ø22 1.4301 VP.	1
9.4	4176520	SCREW CH M5x5 A4-70 (3PIECES)	1
9.5	4179568	DRIVE RING D.31/22.1x11 MACH.VP.	1
9.6	4179569	TOOL M.S.CART.HELIX 8" VP.	1
9.7	4179570	SCREW M6X16 ISO4762 8.8 GEOMET(4 PIECES)	1



HYDRAULIC HELIX V 3606-2

Item	Article no.	Description	Quantity
13.1	4161192	INTERMEDIATE STAGE HELIX V36 1.4301 KIT	1
		> SLEEVE-SPACER-D22XL16,66-316L	1
		> MACH.BEARING-DIFFUSER+NR-M+36-304	1
		> SHAFT-SLEEVE-D26xD22x16-CW	1
		> IMPELLER-H1-M+36-304	1
13.1A	4161200	> NECK RING 1.STAGE HELIX V36/52 KIT	1
		>> NECK-RING-M+36/52	1
		>> HYDRAULIC SUPPORT CAP M+36/52 304	1
		>> SCREW TCL M3X8 A4 POZIDRIV	1
13.2	4161193	INTERMEDIATE STAGE HELIX V36 1.4301 KIT	1
		> MACH.STD-DIFFUSER+NR-M+36-304	1
		> IMPELLER-H4-M+36-304	1
13.3	4161195	INTERMEDIATE STAGE HELIX V36 1.4301 KIT	1
		> REDUCED-IMPELLER-H4-M+36-304	1
		> MACH.STD-DIFFUSER+NR-M+36-304	1
13.4	4161196	UPPER STAGE HELIX 36 1.4301 KIT	1
		> STOP COLLAR OF IMPELLER L20-Ø22-316L	1
		> REDUCED-IMPELLER-H4-M+36-304	1
		> MACH.-RIGID-STD-DISCH.-CHAMBER-M+36-304	1

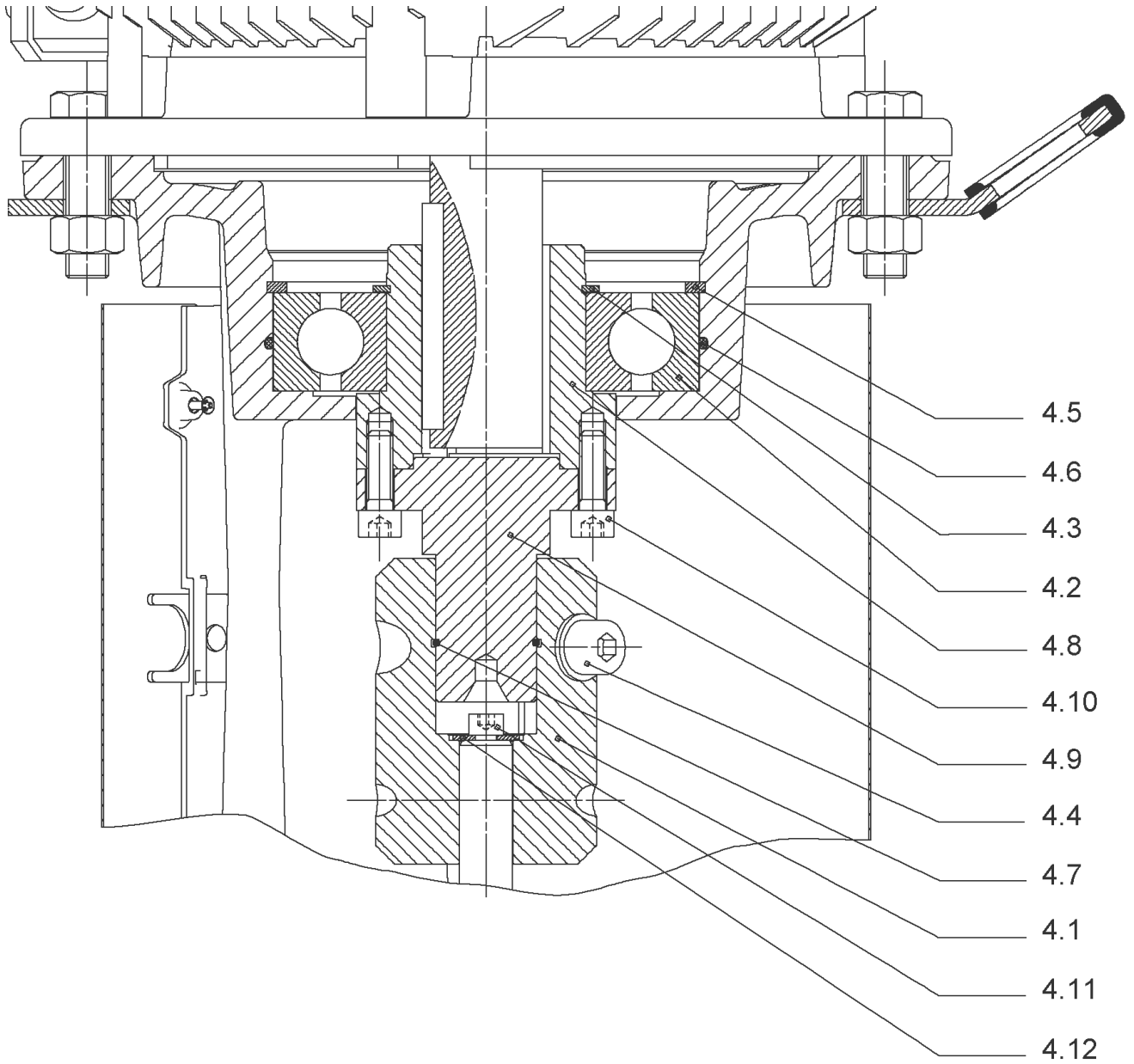


HELIX V3606-3/16/E/K/400-50 (4138329)

Item	Article no.	Description	Quantity
1	4195488	MOTOR 18.5/2/160 3~400V 50HZ ARC VP.	1
		SPARE PARTS MOTOR:ON REQUEST	1
2	4179586	SCREW M16X60 (4 PIECES)	1
3	4157721	LANTERN HELIX 22/36 FF300 BB6312 KIT	1
3.1		> LANTERN FF300 M+ GJL MACHINED+CATA 6312	1
3.2	4179589	> EYELET CPL.FF300 HELIX(4 PIECES)	1
3.3	4143969	> COUPLING PROTECT HELIX FF KIT	1
4	4143966	COUPLING D.20XD.38 FF300 KIT	1
5	4157725	SCREW M10X40 (4 PIECES)	1
6	4181086	STUD BOLT M16X533 KIT	1
6.1		> TIE BOLT M16-533x24x44-1.4057	1
6.2	4179562	> NUT M16 8.8 ISO4032 (4 PIECES)	1
6.3	4097852	> WASHER-CS-16.4-32-2.8-NFE25-511-A2	1
7	4179565	END SHIELD HELIX 8" EPDM KIT	1
7.1		> END SHIELD M+ GJL MACHINED+CATA	1
7.2	4179564	> O-RING D.42.52x2.62 EPDM VP.	1
7.3	4179571	> O-RING HOUSING PIPE HELIX22/36/52 VP.	1
8	4143765	FILING/PURGING PLUG 316L HELIX KIT	1
8.1		> FILLING/VENTING-PLUG-VMI8/10-316L	1
8.2	4032291	> O-RING 17x3 EPDM KTW/WRC	1
9	4143973	CARTRIDGE HELIX22-36-52 O/E KIT	1
10	4181087	HOUSING PIPE D.204x464,13 1.4307 KIT	1
7.3	4179571	> O-RING HOUSING PIPE HELIX22/36/52 VP.	1
10.1		> HOUSING-PIPE Ø204-M+2208/3606-304	1
12	4161186	SHAFT EQUIPMENT HELIX V36 8" KIT	1
13		HYDRAULIC HELIX V 3606	1
14	2127545	SHAFT D.22 LG.620,67 HELIX 1.4057 VP.	1
15	4161185	EQUIPED HOUSING HELIX 36 GJL KIT	1
15.1		> PUMP HOUSING SET with CATA. PARTS-DN65	1
15.3	4143766	> DRAIN/PRIMING PLUG EPDM HELIX KIT	1
15.3A		>> PRIMING/DRAIN PLUG-304-VERSION 1	1
15.3B	4032293	>> O-RING-10x3-EPDM-KTW/WRC	1
15.3C	4233957	>> O-RING ID.9 EPDM VP.	1
15.4	4221729	> BASE M+ DN50/65/80 VP.	1

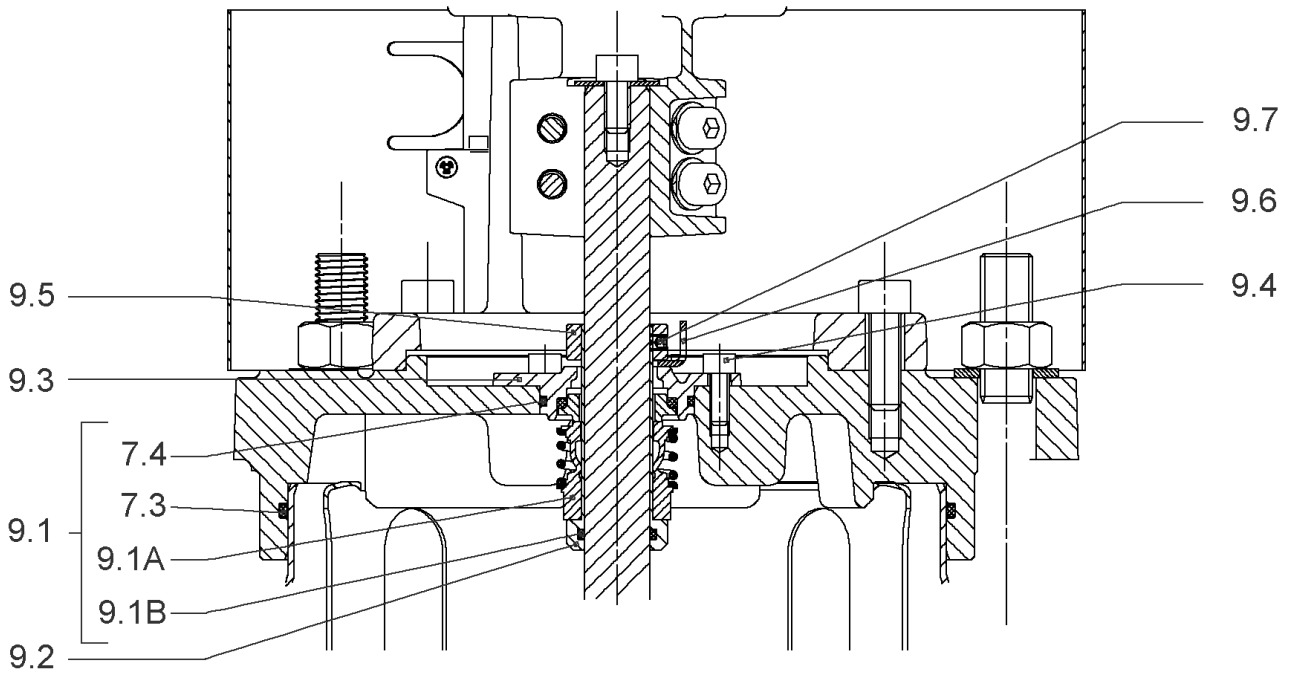
HELIX V3606-3/16/E/K/400-50 (4138329)

Item	Article no.	Description	Quantity
15.5		> SCREW TBHC M12x25 ISO7380 ZN	1
15.6		> FLANGE M+ DN65 NF PN16-25 ASME PN16 CATA	1
15.7		> O-RING Ø79.5xØ3 EPDM	1
13.1A	4161200	> NECK RING 1.STAGE HELIX V36/52 KIT	1
		>> NECK-RING-M+36/52	1
		>> HYDRAULIC SUPPORT CAP M+36/52 304	1
		>> SCREW TCL M3X8 A4 POZIDRIV	1
7.3	4179571	> O-RING HOUSING PIPE HELIX22/36/52 VP.	1



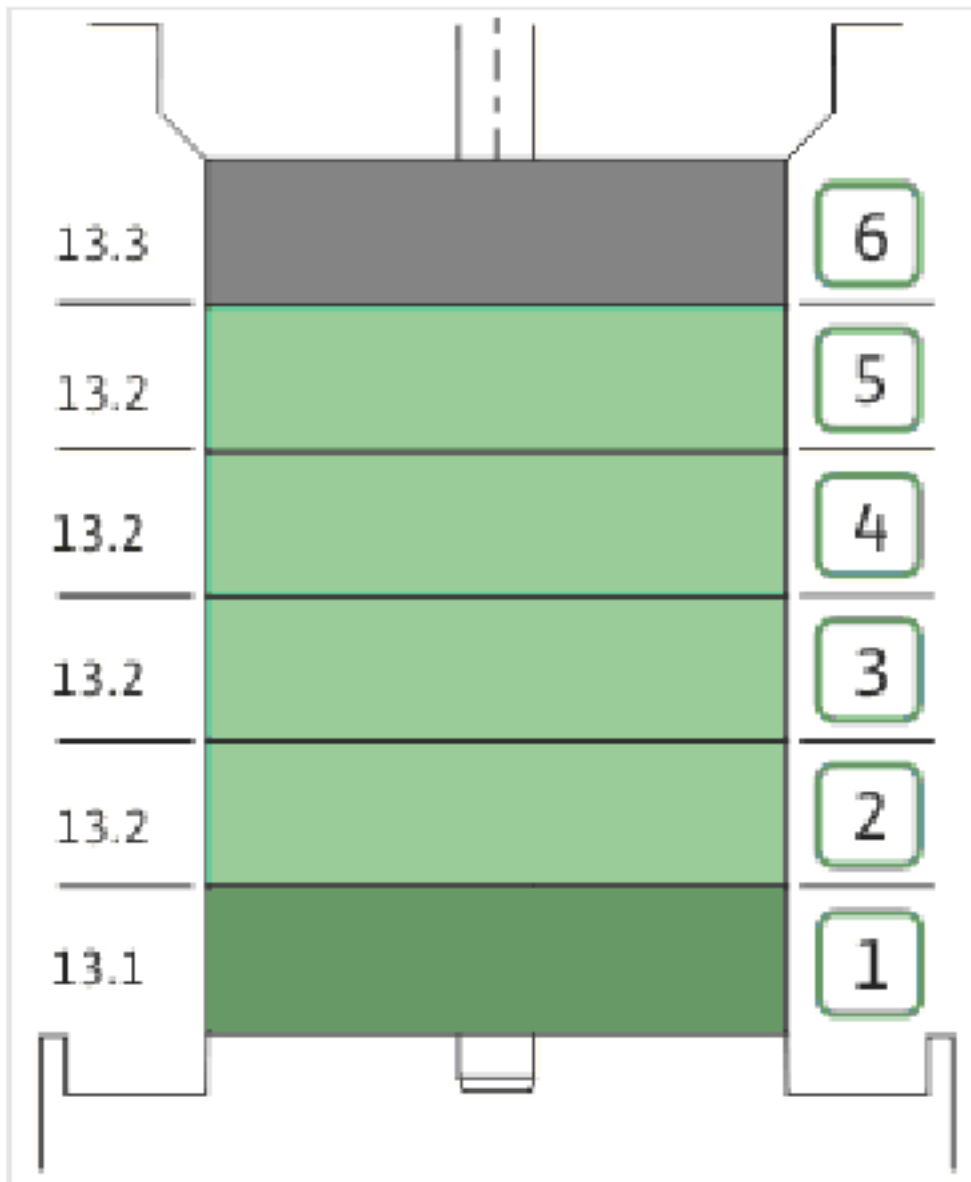
COUPLING D.20XD.38 FF300 KIT (4143966)

Item	Article no.	Description	Quantity
4.1	4179590	COUPLING 2 PARTS D.20XD.38XL115 VP.	1
4.2	2123699	BALL BEARING 6312/2Z-C4 (HT) VP.	1
4.3	63428	CIRCLIP-FOR-SHAFT-D60x2	1
4.4	2130991	SCREW M12X30 ISO4762 8.8 ZN(4 PIECES)	1
4.5	4032277	CIRCLIP-HOLE-130x4	1
4.6	4006725	O-RING ID.132,94x3,53 NBR70SR	1
4.7	2130992	RETAINING RING D.35xD.2,5 DIN7993 VP.	1
4.8	4179591	HUB D.42xD.60 VP.	1
4.9	2130994	SPACER D.38XD.55 VP.	1
4.10	4094462	SCREWS M10 (4 PIECES)	1
4.11	4233959	SCREW M8x16 VP.	1
4.12		SERRATED LOCK WASHER Ø8.2XØ25X35X2	1



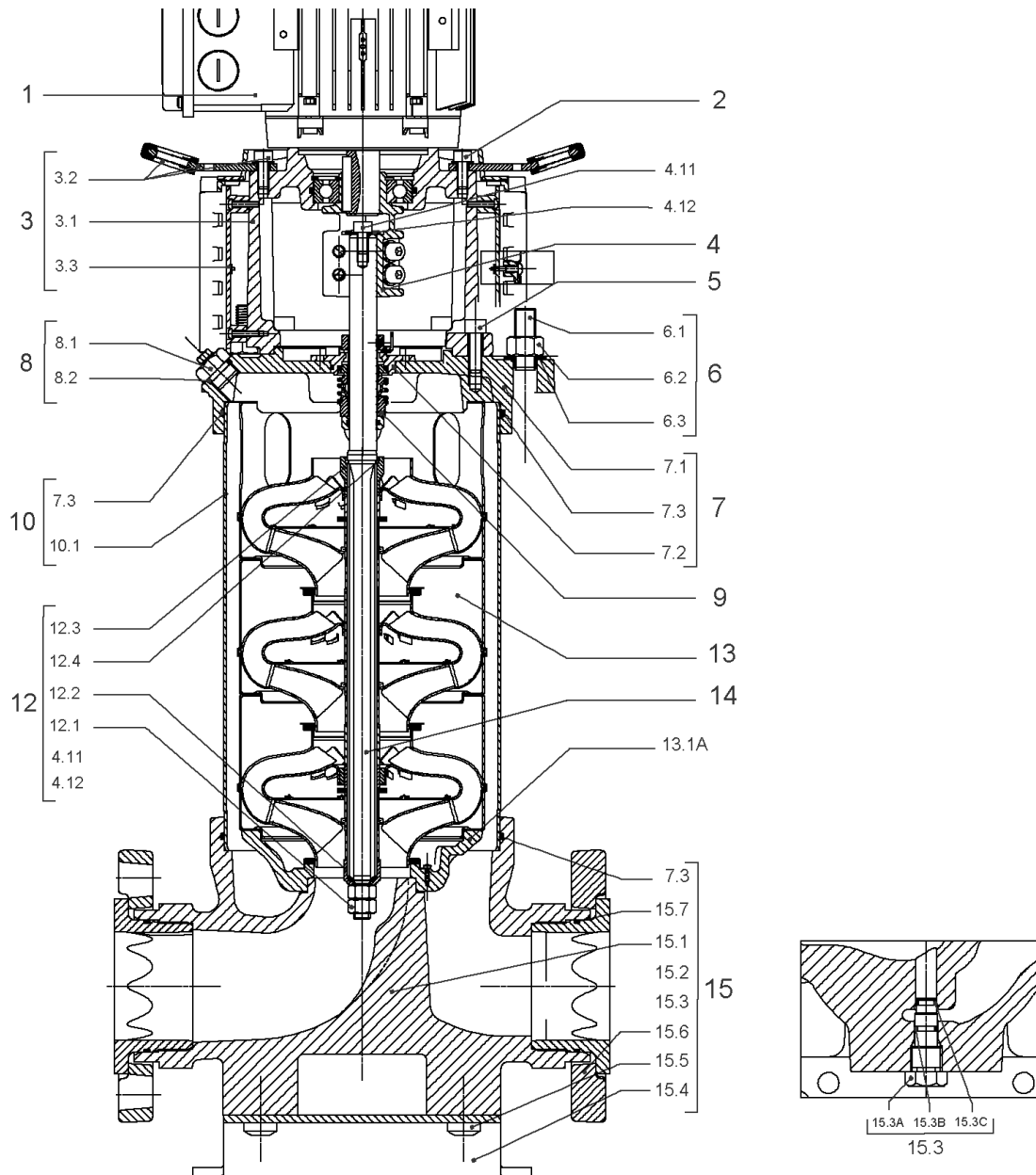
CARTRIDGE HELIX22-36-52 O/E KIT (4143973)

Item	Article no.	Description	Quantity
9.1	4143974	SEAL-KIT-HELIX22-36-52 O/E	1
7.3	4179571	> O-RING HOUSING PIPE HELIX22/36/52 VP.	1
7.4	4179572	> O-RING ID.42.52X2.62 EPDM VP.	1
9.1A	4179573	> M.SEAL.HELIX22-36-52 O/E VP.	1
9.1B	4179574	> O-RING ID.20x2.65 EPDM VP.	1
9.2	4179566	SHAFT SLEEVE D.20/20X60 1.4404 VP.	1
9.3	4179567	RING HOLDER Ø22 1.4301 VP.	1
9.4	4176520	SCREW CH M5x5 A4-70 (3PIECES)	1
9.5	4179568	DRIVE RING D.31/22.1x11 MACH.VP.	1
9.6	4179569	TOOL M.S.CART.HELIX 8" VP.	1
9.7	4179570	SCREW M6X16 ISO4762 8.8 GEOMET(4 PIECES)	1



HYDRAULIC HELIX V 3606

Item	Article no.	Description	Quantity
13.1	4161192	INTERMEDIATE STAGE HELIX V36 1.4301 KIT	1
		> SLEEVE-SPACER-D22XL16,66-316L	1
		> MACH.BEARING-DIFFUSER+NR-M+36-304	1
		> SHAFT-SLEEVE-D26xD22x16-CW	1
		> IMPELLER-H1-M+36-304	1
13.1A	4161200	> NECK RING 1.STAGE HELIX V36/52 KIT	1
		>> NECK-RING-M+36/52	1
		>> HYDRAULIC SUPPORT CAP M+36/52 304	1
		>> SCREW TCL M3X8 A4 POZIDRIV	1
13.2	4161193	INTERMEDIATE STAGE HELIX V36 1.4301 KIT	1
		> MACH.STD-DIFFUSER+NR-M+36-304	1
		> IMPELLER-H4-M+36-304	1
13.3	4161194	UPPER STAGE HELIX 36 1.4301 KIT	1
		> STOP COLLAR OF IMPELLER L20-Ø22-316L	1
		> IMPELLER-H4-M+36-304	1
		> MACH.-RIGID-STD-DISCH.-CHAMBER-M+36-304	1

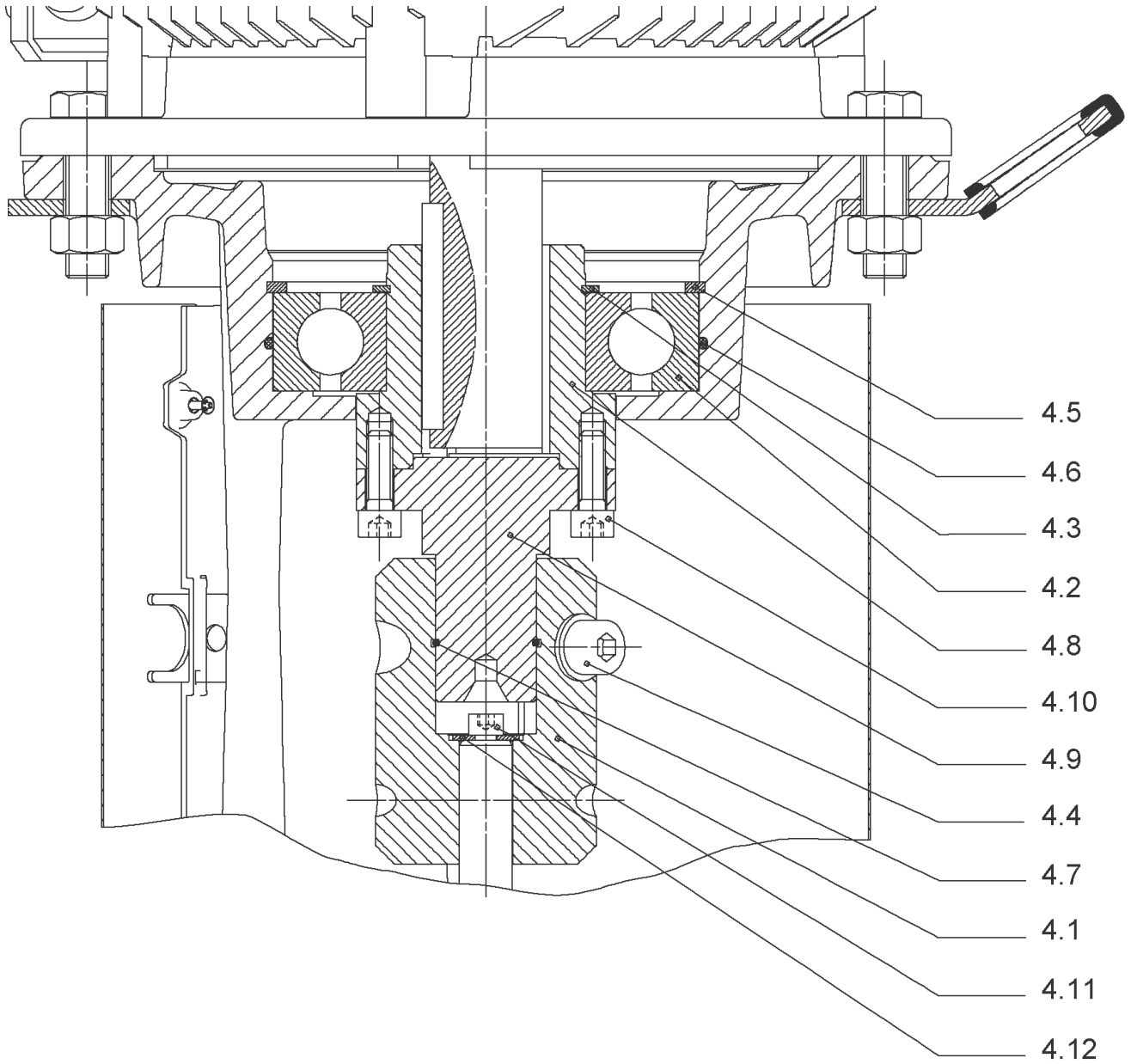


HELIX V3606-3/25/E/KS/400-50 (4138330)

Item	Article no.	Description	Quantity
1	4195488	MOTOR 18.5/2/160 3~400V 50HZ ARC VP.	1
		SPARE PARTS MOTOR:ON REQUEST	1
2	4179586	SCREW M16X60 (4 PIECES)	1
3	4157721	LANTERN HELIX 22/36 FF300 BB6312 KIT	1
3.1		> LANTERN FF300 M+ GJL MACHINED+CATA 6312	1
3.2	4179589	> EYELET CPL.FF300 HELIX(4 PIECES)	1
3.3	4143969	> COUPLING PROTECT HELIX FF KIT	1
4	4143966	COUPLING D.20XD.38 FF300 KIT	1
5	4157725	SCREW M10X40 (4 PIECES)	1
6	4181086	STUD BOLT M16X533 KIT	1
6.1		> TIE BOLT M16-533x24x44-1.4057	1
6.2	4179562	> NUT M16 8.8 ISO4032 (4 PIECES)	1
6.3	4097852	> WASHER-CS-16.4-32-2.8-NFE25-511-A2	1
7	4179565	END SHIELD HELIX 8" EPDM KIT	1
7.1		> END SHIELD M+ GJL MACHINED+CATA	1
7.2	4179564	> O-RING D.42.52x2.62 EPDM VP.	1
7.3	4179571	> O-RING HOUSING PIPE HELIX22/36/52 VP.	1
8	4143765	FILING/PURGING PLUG 316L HELIX KIT	1
8.1		> FILLING/VENTING-PLUG-VMI8/10-316L	1
8.2	4032291	> O-RING 17x3 EPDM KTW/WRC	1
9	4143975	CARTRIDGE HELIX22-36-52 F/E KIT	1
10	4181087	HOUSING PIPE D.204x464,13 1.4307 KIT	1
7.3	4179571	> O-RING HOUSING PIPE HELIX22/36/52 VP.	1
10.1		> HOUSING-PIPE Ø204-M+2208/3606-304	1
12	4161186	SHAFT EQUIPMENT HELIX V36 8" KIT	1
13		HYDRAULIC HELIX V 3606	1
14	2127545	SHAFT D.22 LG.620,67 HELIX 1.4057 VP.	1
15	4161185	EQUIPED HOUSING HELIX 36 GJL KIT	1
15.1		> PUMP HOUSING SET with CATA. PARTS-DN65	1
15.3	4143766	> DRAIN/PRIMING PLUG EPDM HELIX KIT	1
15.3A		>> PRIMING/DRAIN PLUG-304-VERSION 1	1
15.3B	4032293	>> O-RING-10x3-EPDM-KTW/WRC	1
15.3C	4233957	>> O-RING ID.9 EPDM VP.	1
15.4	4221729	> BASE M+ DN50/65/80 VP.	1

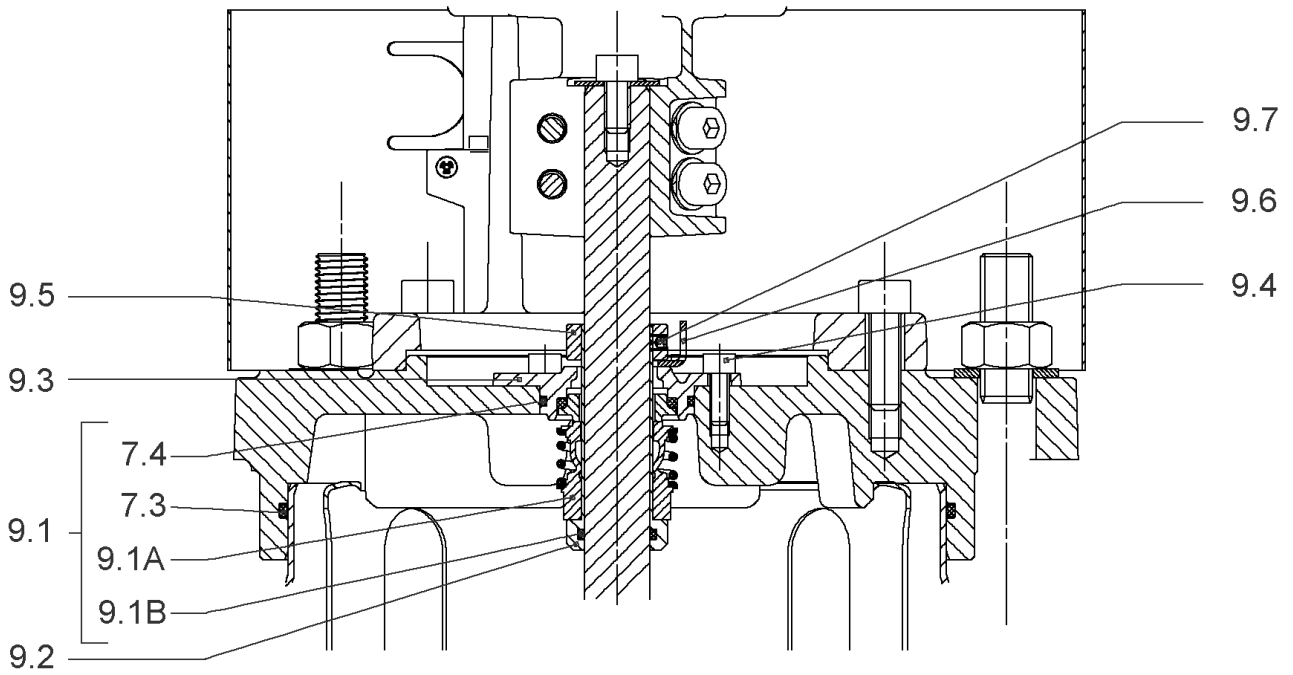
HELIX V3606-3/25/E/KS/400-50 (4138330)

Item	Article no.	Description	Quantity
15.5		> SCREW TBHC M12x25 ISO7380 ZN	1
15.6		> FLANGE M+ DN65 NF PN16-25 ASME PN16 CATA	1
15.7		> O-RING Ø79.5xØ3 EPDM	1
13.1A	4161200	> NECK RING 1.STAGE HELIX V36/52 KIT	1
		>> NECK-RING-M+36/52	1
		>> HYDRAULIC SUPPORT CAP M+36/52 304	1
		>> SCREW TCL M3X8 A4 POZIDRIV	1
7.3	4179571	> O-RING HOUSING PIPE HELIX22/36/52 VP.	1



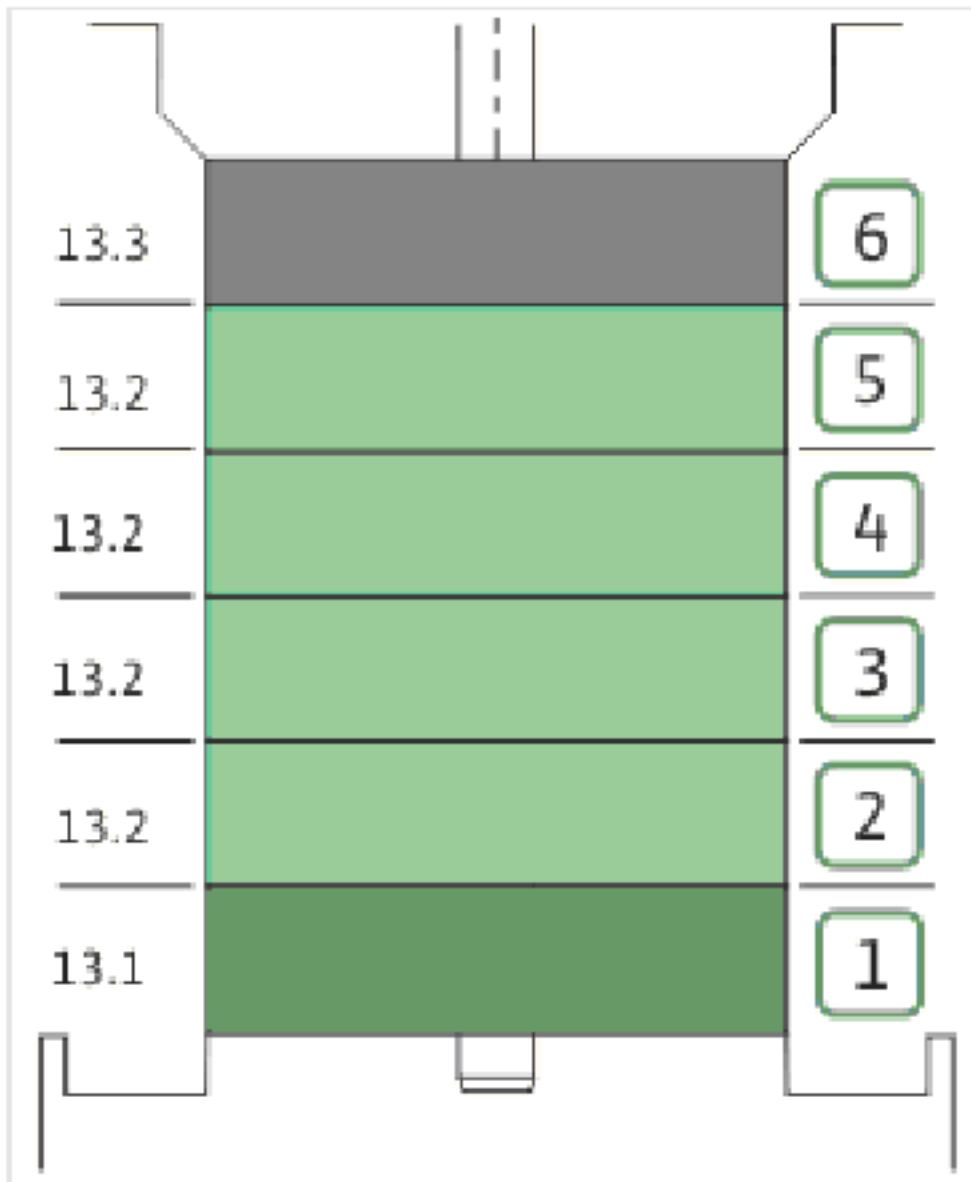
COUPLING D.20XD.38 FF300 KIT (4143966)

Item	Article no.	Description	Quantity
4.1	4179590	COUPLING 2 PARTS D.20XD.38XL115 VP.	1
4.2	2123699	BALL BEARING 6312/2Z-C4 (HT) VP.	1
4.3	63428	CIRCLIP-FOR-SHAFT-D60x2	1
4.4	2130991	SCREW M12X30 ISO4762 8.8 ZN(4 PIECES)	1
4.5	4032277	CIRCLIP-HOLE-130x4	1
4.6	4006725	O-RING ID.132,94x3,53 NBR70SR	1
4.7	2130992	RETAINING RING D.35xD.2,5 DIN7993 VP.	1
4.8	4179591	HUB D.42xD.60 VP.	1
4.9	2130994	SPACER D.38XD.55 VP.	1
4.10	4094462	SCREWS M10 (4 PIECES)	1
4.11	4233959	SCREW M8x16 VP.	1
4.12		SERRATED LOCK WASHER Ø8.2XØ25X35X2	1



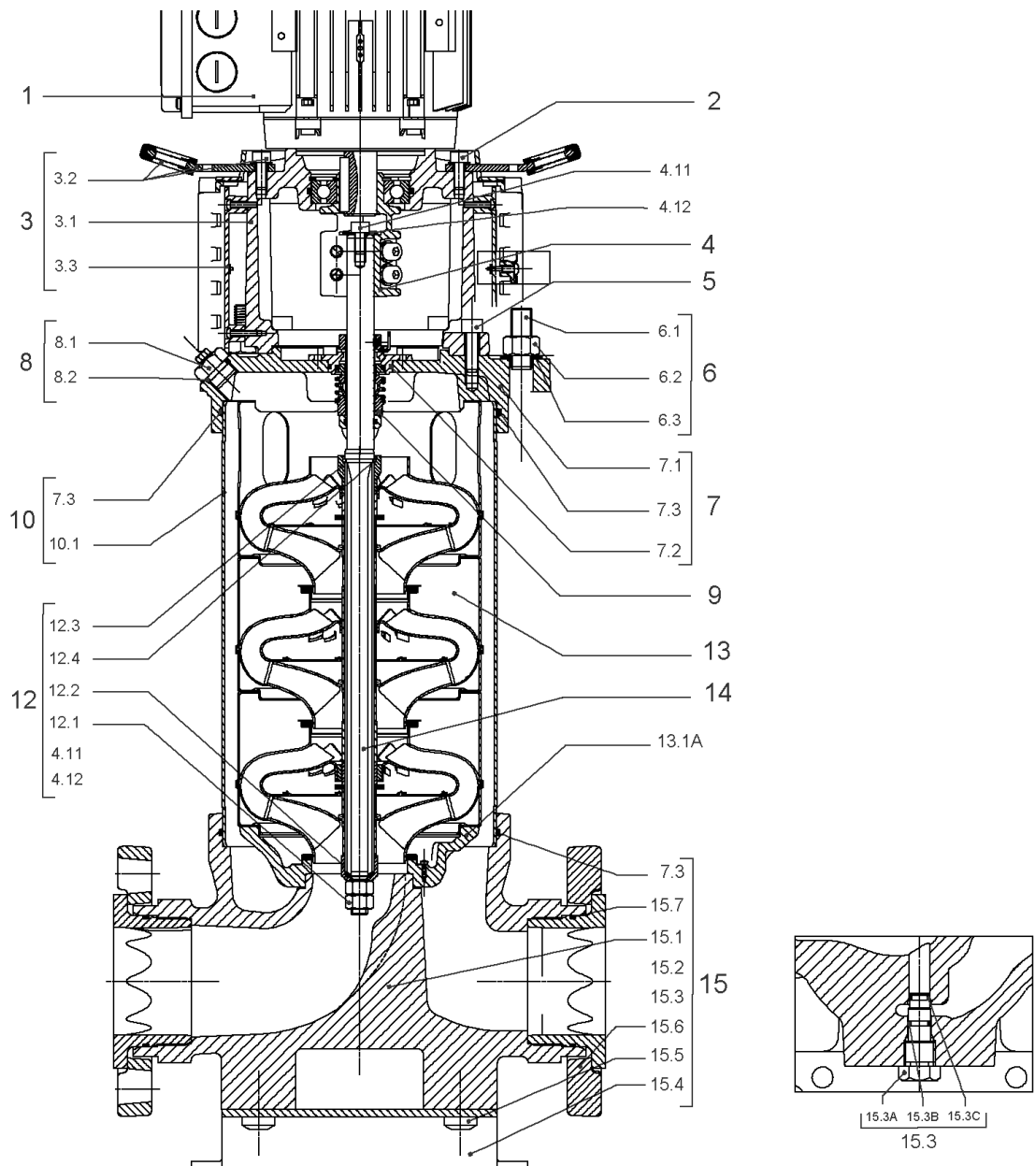
CARTRIDGE HELIX22-36-52 F/E KIT (4143975)

Item	Article no.	Description	Quantity
9.1	4143976	SEAL-KIT-HELIX22-36-52 F/E	1
7.3	4179571	> O-RING HOUSING PIPE HELIX22/36/52 VP.	1
7.4	4179572	> O-RING ID.42.52X2.62 EPDM VP.	1
9.1A	2127447	> M.SEAL.HELIX22-36-52 F/E VP.	1
9.1B	4179574	> O-RING ID.20x2.65 EPDM VP.	1
9.2	4179566	SHAFT SLEEVE D.20/20X60 1.4404 VP.	1
9.3	4179567	RING HOLDER Ø22 1.4301 VP.	1
9.4	4176520	SCREW CH M5x5 A4-70 (3PIECES)	1
9.5	4179568	DRIVE RING D.31/22.1x11 MACH.VP.	1
9.6	4179569	TOOL M.S.CART.HELIX 8" VP.	1
9.7	4179570	SCREW M6X16 ISO4762 8.8 GEOMET(4 PIECES)	1



HYDRAULIC HELIX V 3606

Item	Article no.	Description	Quantity
13.1	4161192	INTERMEDIATE STAGE HELIX V36 1.4301 KIT	1
		> SLEEVE-SPACER-D22XL16,66-316L	1
		> MACH.BEARING-DIFFUSER+NR-M+36-304	1
		> SHAFT-SLEEVE-D26xD22x16-CW	1
		> IMPELLER-H1-M+36-304	1
13.1A	4161200	> NECK RING 1.STAGE HELIX V36/52 KIT	1
		>> NECK-RING-M+36/52	1
		>> HYDRAULIC SUPPORT CAP M+36/52 304	1
		>> SCREW TCL M3X8 A4 POZIDRIV	1
13.2	4161193	INTERMEDIATE STAGE HELIX V36 1.4301 KIT	1
		> MACH.STD-DIFFUSER+NR-M+36-304	1
		> IMPELLER-H4-M+36-304	1
13.3	4161194	UPPER STAGE HELIX 36 1.4301 KIT	1
		> STOP COLLAR OF IMPELLER L20-Ø22-316L	1
		> IMPELLER-H4-M+36-304	1
		> MACH.-RIGID-STD-DISCH.-CHAMBER-M+36-304	1

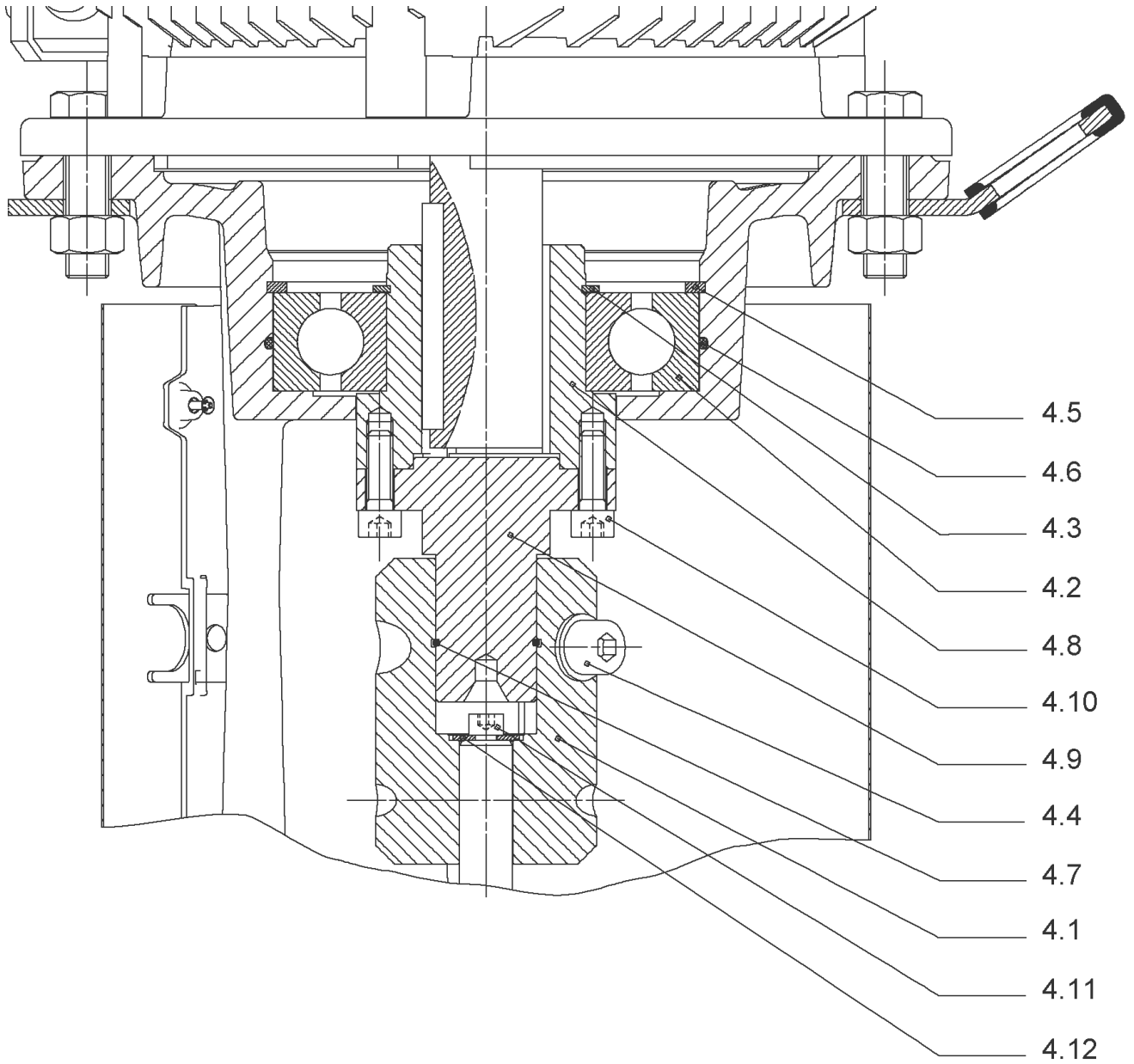


HELIX V3607/2-3/25/E/KS/400-50 (4138331)

Item	Article no.	Description	Quantity
1	4195488	MOTOR 18.5/2/160 3~400V 50HZ ARC VP.	1
		SPARE PARTS MOTOR:ON REQUEST	1
2	4179586	SCREW M16X60 (4 PIECES)	1
3	4157721	LANTERN HELIX 22/36 FF300 BB6312 KIT	1
3.1		> LANTERN FF300 M+ GJL MACHINED+CATA 6312	1
3.2	4179589	> EYELET CPL.FF300 HELIX(4 PIECES)	1
3.3	4143969	> COUPLING PROTECT HELIX FF KIT	1
4	4143966	COUPLING D.20XD.38 FF300 KIT	1
5	4157725	SCREW M10X40 (4 PIECES)	1
6	4179923	STUD BOLT M16X600 KIT	1
6.1		> TIE BOLT M16-600x24x44-1.4057	1
6.2	4179562	> NUT M16 8.8 ISO4032 (4 PIECES)	1
6.3	4097852	> WASHER-CS-16.4-32-2.8-NFE25-511-A2	1
7	4179565	END SHIELD HELIX 8" EPDM KIT	1
7.1		> END SHIELD M+ GJL MACHINED+CATA	1
7.2	4179564	> O-RING D.42.52x2.62 EPDM VP.	1
7.3	4179571	> O-RING HOUSING PIPE HELIX22/36/52 VP.	1
8	4143765	FILING/PURGING PLUG 316L HELIX KIT	1
8.1		> FILLING/VENTING-PLUG-VM18/10-316L	1
8.2	4032291	> O-RING 17x3 EPDM KTW/WRC	1
9	4143975	CARTRIDGE HELIX22-36-52 F/E KIT	1
10	4179924	HOUSING PIPE D.204X530 1.4301 KIT	1
7.3	4179571	> O-RING HOUSING PIPE HELIX22/36/52 VP.	1
10.1		> HOUSING-PIPE Ø204-M+3607/5205-304	1
12	4161186	SHAFT EQUIPMENT HELIX V36 8" KIT	1
13		HYDRAULIC HELIX V 3607-2	1
14	4181091	SHAFT D.22X687,34 1.4057 VP.	1
15	4161185	EQUIPED HOUSING HELIX 36 GJL KIT	1
15.1		> PUMP HOUSING SET with CATA. PARTS-DN65	1
15.3	4143766	> DRAIN/PRIMING PLUG EPDM HELIX KIT	1
15.3A		>> PRIMING/DRAIN PLUG-304-VERSION 1	1
15.3B	4032293	>> O-RING-10x3-EPDM-KTW/WRC	1
15.3C	4233957	>> O-RING ID.9 EPDM VP.	1
15.4	4221729	> BASE M+ DN50/65/80 VP.	1

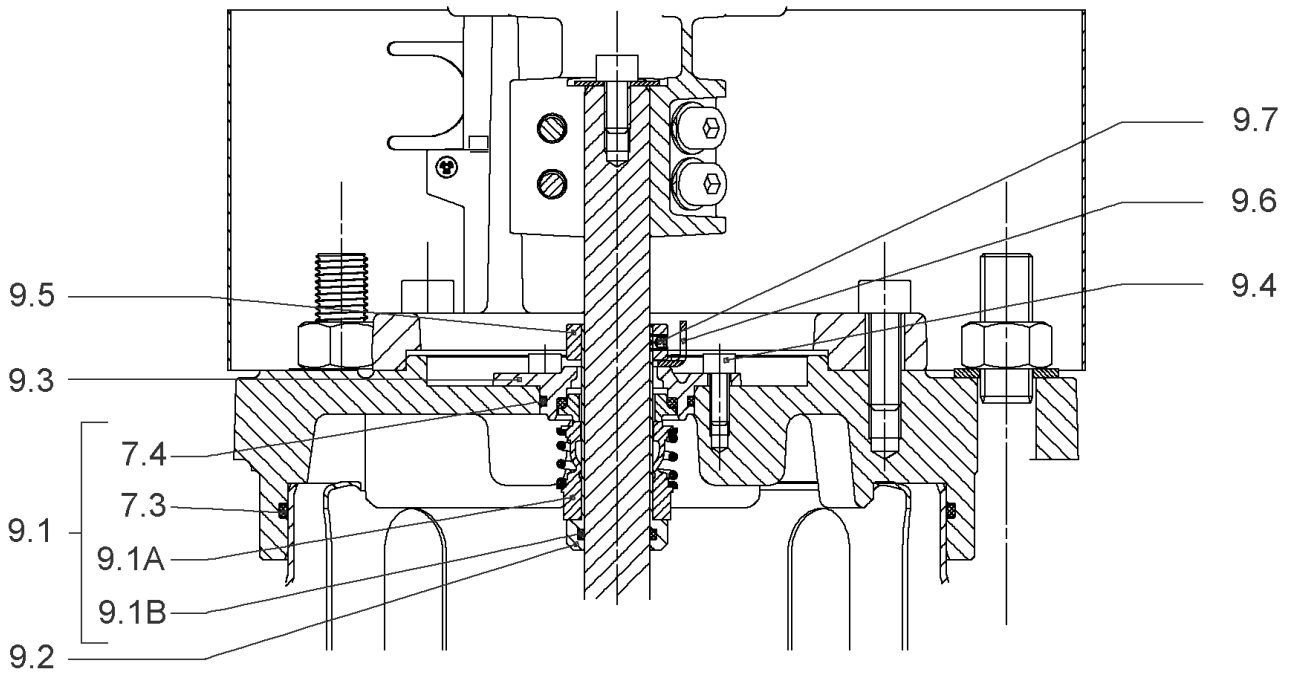
HELIX V3607/2-3/25/E/KS/400-50 (4138331)

Item	Article no.	Description	Quantity
15.5		> SCREW TBHC M12x25 ISO7380 ZN	1
15.6		> FLANGE M+ DN65 NF PN16-25 ASME PN16 CATA	1
15.7		> O-RING Ø79.5xØ3 EPDM	1
13.1A	4161200	> NECK RING 1.STAGE HELIX V36/52 KIT	1
		>> NECK-RING-M+36/52	1
		>> HYDRAULIC SUPPORT CAP M+36/52 304	1
		>> SCREW TCL M3X8 A4 POZIDRIV	1
7.3	4179571	> O-RING HOUSING PIPE HELIX22/36/52 VP.	1



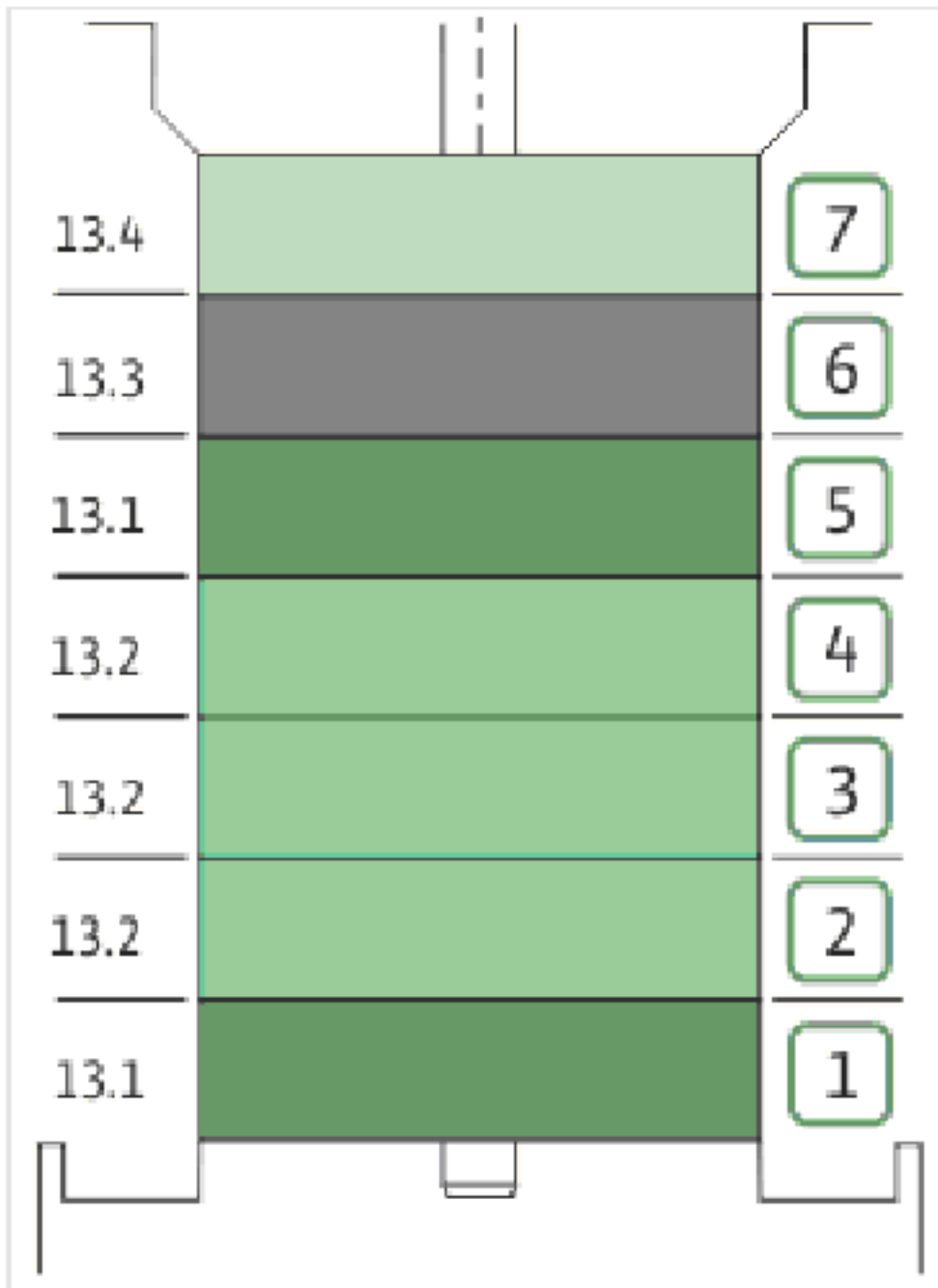
COUPLING D.20XD.38 FF300 KIT (4143966)

Item	Article no.	Description	Quantity
4.1	4179590	COUPLING 2 PARTS D.20XD.38XL115 VP.	1
4.2	2123699	BALL BEARING 6312/2Z-C4 (HT) VP.	1
4.3	63428	CIRCLIP-FOR-SHAFT-D60x2	1
4.4	2130991	SCREW M12X30 ISO4762 8.8 ZN(4 PIECES)	1
4.5	4032277	CIRCLIP-HOLE-130x4	1
4.6	4006725	O-RING ID.132,94x3,53 NBR70SR	1
4.7	2130992	RETAINING RING D.35xD.2,5 DIN7993 VP.	1
4.8	4179591	HUB D.42xD.60 VP.	1
4.9	2130994	SPACER D.38XD.55 VP.	1
4.10	4094462	SCREWS M10 (4 PIECES)	1
4.11	4233959	SCREW M8x16 VP.	1
4.12		SERRATED LOCK WASHER Ø8.2XØ25X35X2	1



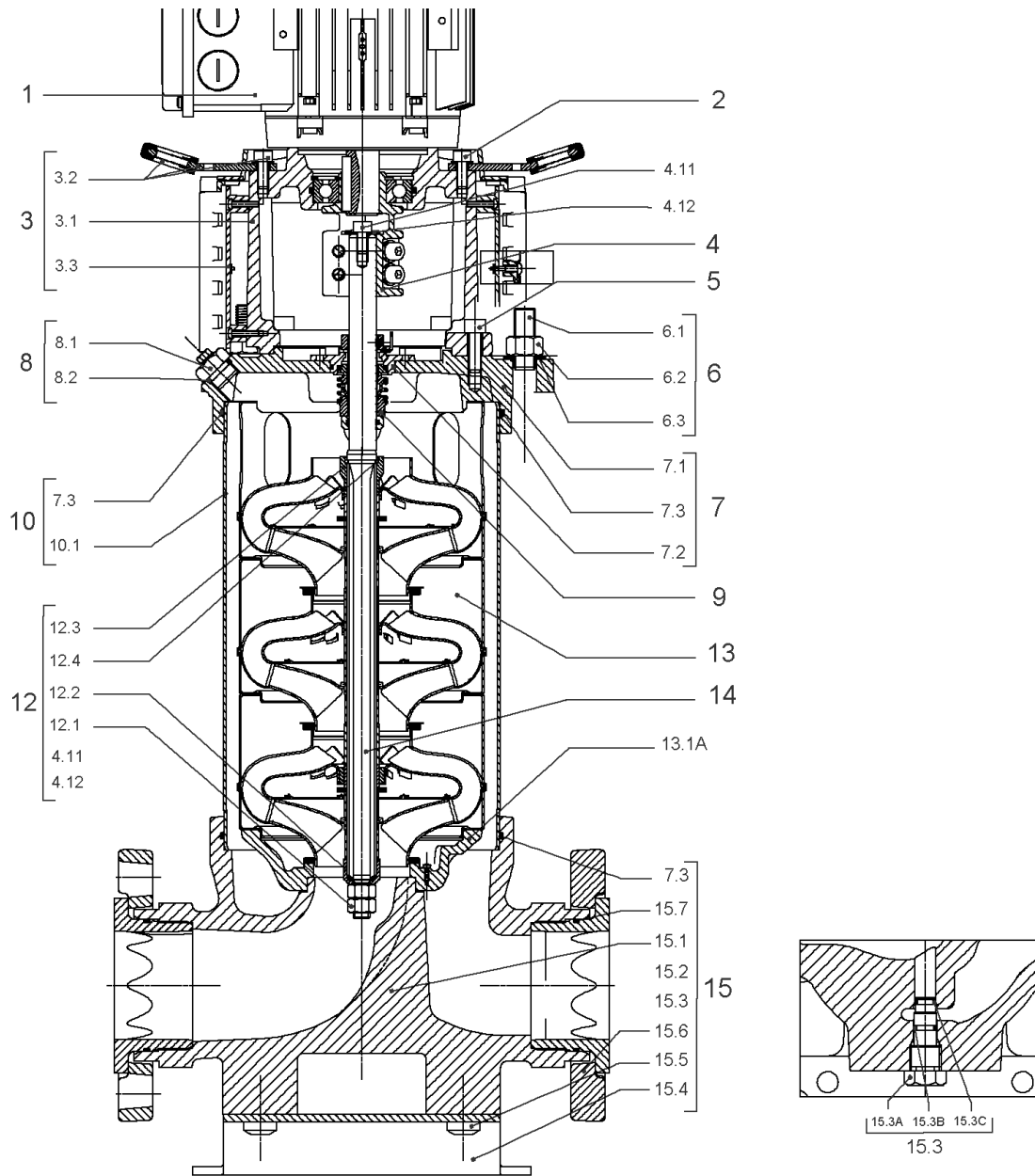
CARTRIDGE HELIX22-36-52 F/E KIT (4143975)

Item	Article no.	Description	Quantity
9.1	4143976	SEAL-KIT-HELIX22-36-52 F/E	1
7.3	4179571	> O-RING HOUSING PIPE HELIX22/36/52 VP.	1
7.4	4179572	> O-RING ID.42.52X2.62 EPDM VP.	1
9.1A	2127447	> M.SEAL.HELIX22-36-52 F/E VP.	1
9.1B	4179574	> O-RING ID.20x2.65 EPDM VP.	1
9.2	4179566	SHAFT SLEEVE D.20/20X60 1.4404 VP.	1
9.3	4179567	RING HOLDER Ø22 1.4301 VP.	1
9.4	4176520	SCREW CH M5x5 A4-70 (3PIECES)	1
9.5	4179568	DRIVE RING D.31/22.1x11 MACH.VP.	1
9.6	4179569	TOOL M.S.CART.HELIX 8" VP.	1
9.7	4179570	SCREW M6X16 ISO4762 8.8 GEOMET(4 PIECES)	1



HYDRAULIC HELIX V 3607-2

Item	Article no.	Description	Quantity
13.1	4161192	INTERMEDIATE STAGE HELIX V36 1.4301 KIT	1
		> SLEEVE-SPACER-D22XL16,66-316L	1
		> MACH.BEARING-DIFFUSER+NR-M+36-304	1
		> SHAFT-SLEEVE-D26xD22x16-CW	1
		> IMPELLER-H1-M+36-304	1
13.1A	4161200	> NECK RING 1.STAGE HELIX V36/52 KIT	1
		>> NECK-RING-M+36/52	1
		>> HYDRAULIC SUPPORT CAP M+36/52 304	1
		>> SCREW TCL M3X8 A4 POZIDRIV	1
13.2	4161193	INTERMEDIATE STAGE HELIX V36 1.4301 KIT	1
		> MACH.STD-DIFFUSER+NR-M+36-304	1
		> IMPELLER-H4-M+36-304	1
13.3	4161195	INTERMEDIATE STAGE HELIX V36 1.4301 KIT	1
		> REDUCED-IMPELLER-H4-M+36-304	1
		> MACH.STD-DIFFUSER+NR-M+36-304	1
13.4	4161196	UPPER STAGE HELIX 36 1.4301 KIT	1
		> STOP COLLAR OF IMPELLER L20-Ø22-316L	1
		> REDUCED-IMPELLER-H4-M+36-304	1
		> MACH.-RIGID-STD-DISCH.-CHAMBER-M+36-304	1



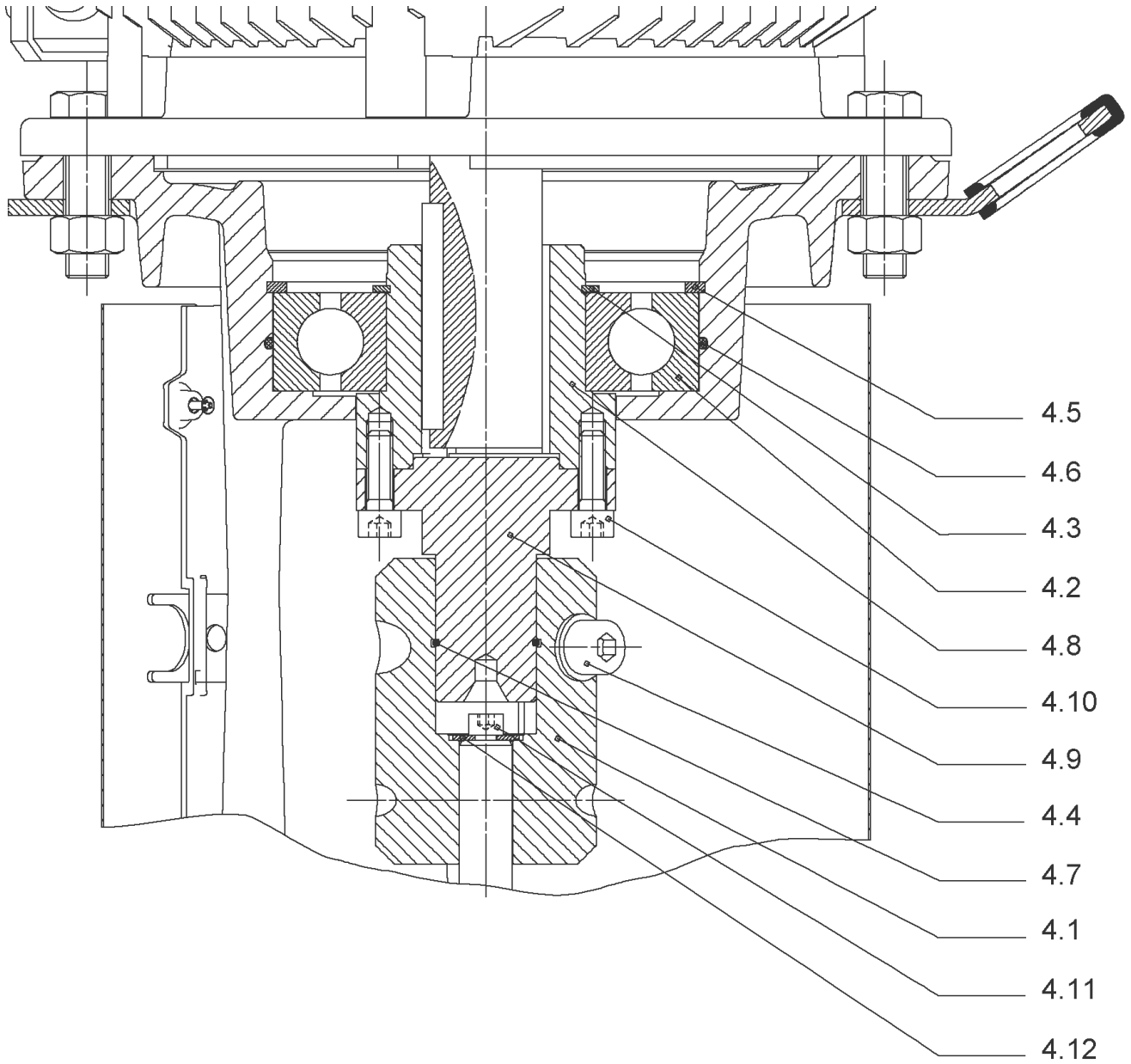
HELIX V3607-3/25/E/KS/400-50 (4138332)

Item	Article no.	Description	Quantity
1	4195490	MOTOR 22/2/180 3~400V 50HZ VP.	1
		SPARE PARTS MOTOR:ON REQUEST	1
2	4179586	SCREW M16X60 (4 PIECES)	1
3	4161188	LANTERN HELIX V36/52 FF300 BB6313 KIT	1
3.1		> LANTERN FF300 M+ GJL MACHINED+CATA 6313	1
3.2	4179589	> EYELET CPL.FF300 HELIX(4 PIECES)	1
3.3	4143969	> COUPLING PROTECT HELIX FF KIT	1
4	4161190	COUPLING D.20XD.38 FF300 KIT	1
5	4157725	SCREW M10X40 (4 PIECES)	1
6	4179923	STUD BOLT M16X600 KIT	1
6.1		> TIE BOLT M16-600x24x44-1.4057	1
6.2	4179562	> NUT M16 8.8 ISO4032 (4 PIECES)	1
6.3	4097852	> WASHER-CS-16.4-32-2.8-NFE25-511-A2	1
7	4179565	END SHIELD HELIX 8" EPDM KIT	1
7.1		> END SHIELD M+ GJL MACHINED+CATA	1
7.2	4179564	> O-RING D.42.52x2.62 EPDM VP.	1
7.3	4179571	> O-RING HOUSING PIPE HELIX22/36/52 VP.	1
8	4143765	FILING/PURGING PLUG 316L HELIX KIT	1
8.1		> FILLING/VENTING-PLUG-VMI8/10-316L	1
8.2	4032291	> O-RING 17x3 EPDM KTW/WRC	1
9	4143975	CARTRIDGE HELIX22-36-52 F/E KIT	1
10	4179924	HOUSING PIPE D.204X530 1.4301 KIT	1
7.3	4179571	> O-RING HOUSING PIPE HELIX22/36/52 VP.	1
10.1		> HOUSING-PIPE Ø204-M+3607/5205-304	1
12	4161186	SHAFT EQUIPMENT HELIX V36 8" KIT	1
13		HYDRAULIC HELIX V 3607	1
14	4181091	SHAFT D.22X687,34 1.4057 VP.	1
15	4161185	EQUIPED HOUSING HELIX 36 GJL KIT	1
15.1		> PUMP HOUSING SET with CATA. PARTS-DN65	1
15.3	4143766	> DRAIN/PRIMING PLUG EPDM HELIX KIT	1
15.3A		>> PRIMING/DRAIN PLUG-304-VERSION 1	1
15.3B	4032293	>> O-RING-10x3-EPDM-KTW/WRC	1
15.3C	4233957	>> O-RING ID.9 EPDM VP.	1
15.4	4221729	> BASE M+ DN50/65/80 VP.	1

HELIX V3607-3/25/E/KS/400-50 (4138332)

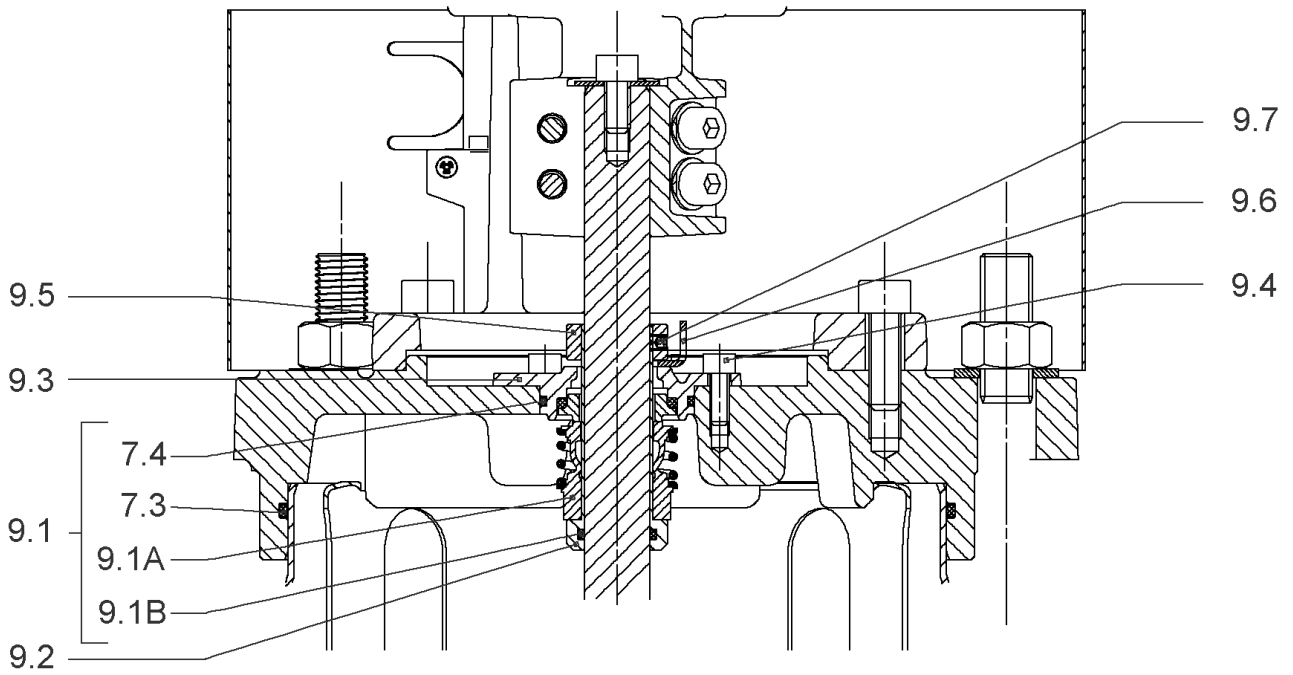
Item	Article no.	Description	Quantity
15.5		> SCREW TBHC M12x25 ISO7380 ZN	1
15.6		> FLANGE M+ DN65 NF PN16-25 ASME PN16 CATA	1
15.7		> O-RING Ø79.5xØ3 EPDM	1
13.1A	4161200	> NECK RING 1.STAGE HELIX V36/52 KIT	1
		>> NECK-RING-M+36/52	1
		>> HYDRAULIC SUPPORT CAP M+36/52 304	1
		>> SCREW TCL M3X8 A4 POZIDRIV	1
7.3	4179571	> O-RING HOUSING PIPE HELIX22/36/52 VP.	1

COUPLING D.20XD.38 FF300 KIT (4161190)



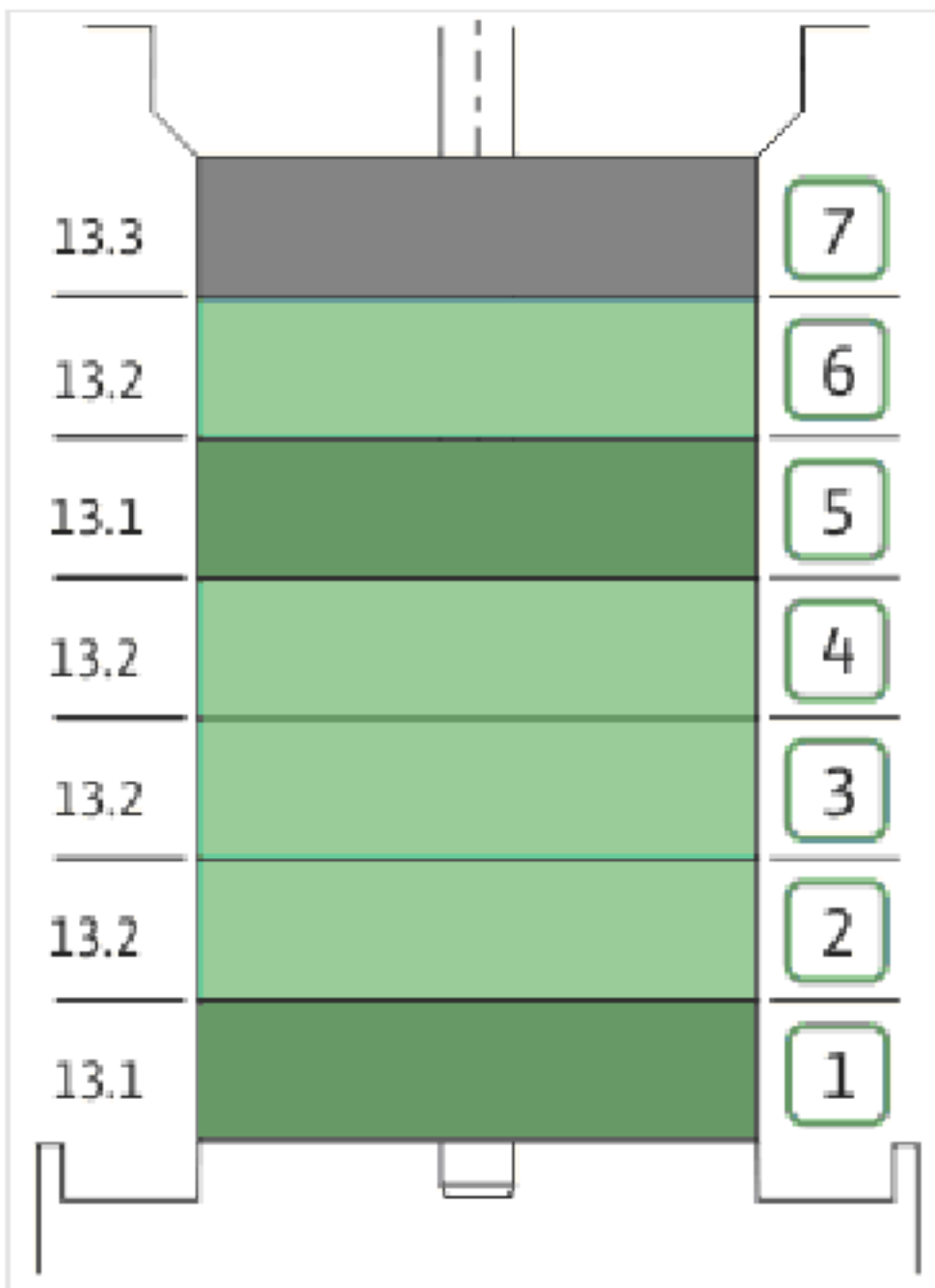
COUPLING D.20XD.38 FF300 KIT (4161190)

Item	Article no.	Description	Quantity
4.1	4179590	COUPLING 2 PARTS D.20XD.38XL115 VP.	1
4.2	2132521	BALL BEARING 6313/2Z-C4(HT)VP.	1
4.3	4032276	CIRCLIP-SHAFT-D65x2,5	1
4.4	2130991	SCREW M12X30 ISO4762 8.8 ZN(4 PIECES)	1
4.5	4233130	CIRCLIP-FOR-BORES-D140 VP.	1
4.6	4233945	O-RING ID.140 VP.	1
4.7	2130992	RETAINING RING D.35xD.2,5 DIN7993 VP.	1
4.8	4179928	HUB D.48xD.65 VP.	1
4.9	2130994	SPACER D.38XD.55 VP.	1
4.10	4094462	SCREWS M10 (4 PIECES)	1
4.11	4233959	SCREW M8x16 VP.	1
4.12		SERRATED LOCK WASHER Ø8.2XØ25X35X2	1



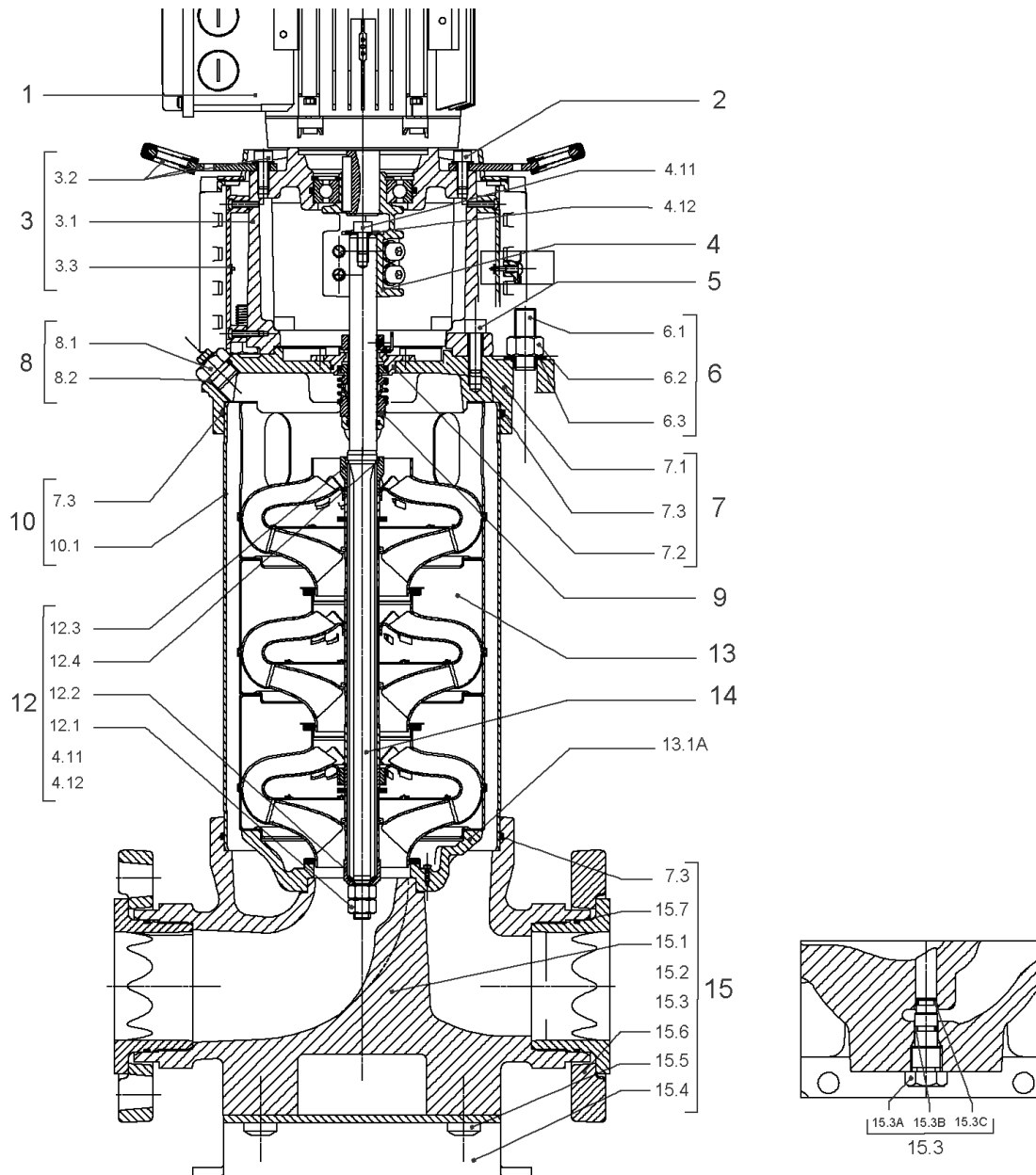
CARTRIDGE HELIX22-36-52 F/E KIT (4143975)

Item	Article no.	Description	Quantity
9.1	4143976	SEAL-KIT-HELIX22-36-52 F/E	1
7.3	4179571	> O-RING HOUSING PIPE HELIX22/36/52 VP.	1
7.4	4179572	> O-RING ID.42.52X2.62 EPDM VP.	1
9.1A	2127447	> M.SEAL.HELIX22-36-52 F/E VP.	1
9.1B	4179574	> O-RING ID.20x2.65 EPDM VP.	1
9.2	4179566	SHAFT SLEEVE D.20/20X60 1.4404 VP.	1
9.3	4179567	RING HOLDER Ø22 1.4301 VP.	1
9.4	4176520	SCREW CH M5x5 A4-70 (3PIECES)	1
9.5	4179568	DRIVE RING D.31/22.1x11 MACH.VP.	1
9.6	4179569	TOOL M.S.CART.HELIX 8" VP.	1
9.7	4179570	SCREW M6X16 ISO4762 8.8 GEOMET(4 PIECES)	1



HYDRAULIC HELIX V 3607

Item	Article no.	Description	Quantity
13.1	4161192	INTERMEDIATE STAGE HELIX V36 1.4301 KIT	1
		> SLEEVE-SPACER-D22XL16,66-316L	1
		> MACH.BEARING-DIFFUSER+NR-M+36-304	1
		> SHAFT-SLEEVE-D26xD22x16-CW	1
		> IMPELLER-H1-M+36-304	1
13.1A	4161200	> NECK RING 1.STAGE HELIX V36/52 KIT	1
		>> NECK-RING-M+36/52	1
		>> HYDRAULIC SUPPORT CAP M+36/52 304	1
		>> SCREW TCL M3X8 A4 POZIDRIV	1
13.2	4161193	INTERMEDIATE STAGE HELIX V36 1.4301 KIT	1
		> MACH.STD-DIFFUSER+NR-M+36-304	1
		> IMPELLER-H4-M+36-304	1
13.3	4161194	UPPER STAGE HELIX 36 1.4301 KIT	1
		> STOP COLLAR OF IMPELLER L20-Ø22-316L	1
		> IMPELLER-H4-M+36-304	1
		> MACH.-RIGID-STD-DISCH.-CHAMBER-M+36-304	1



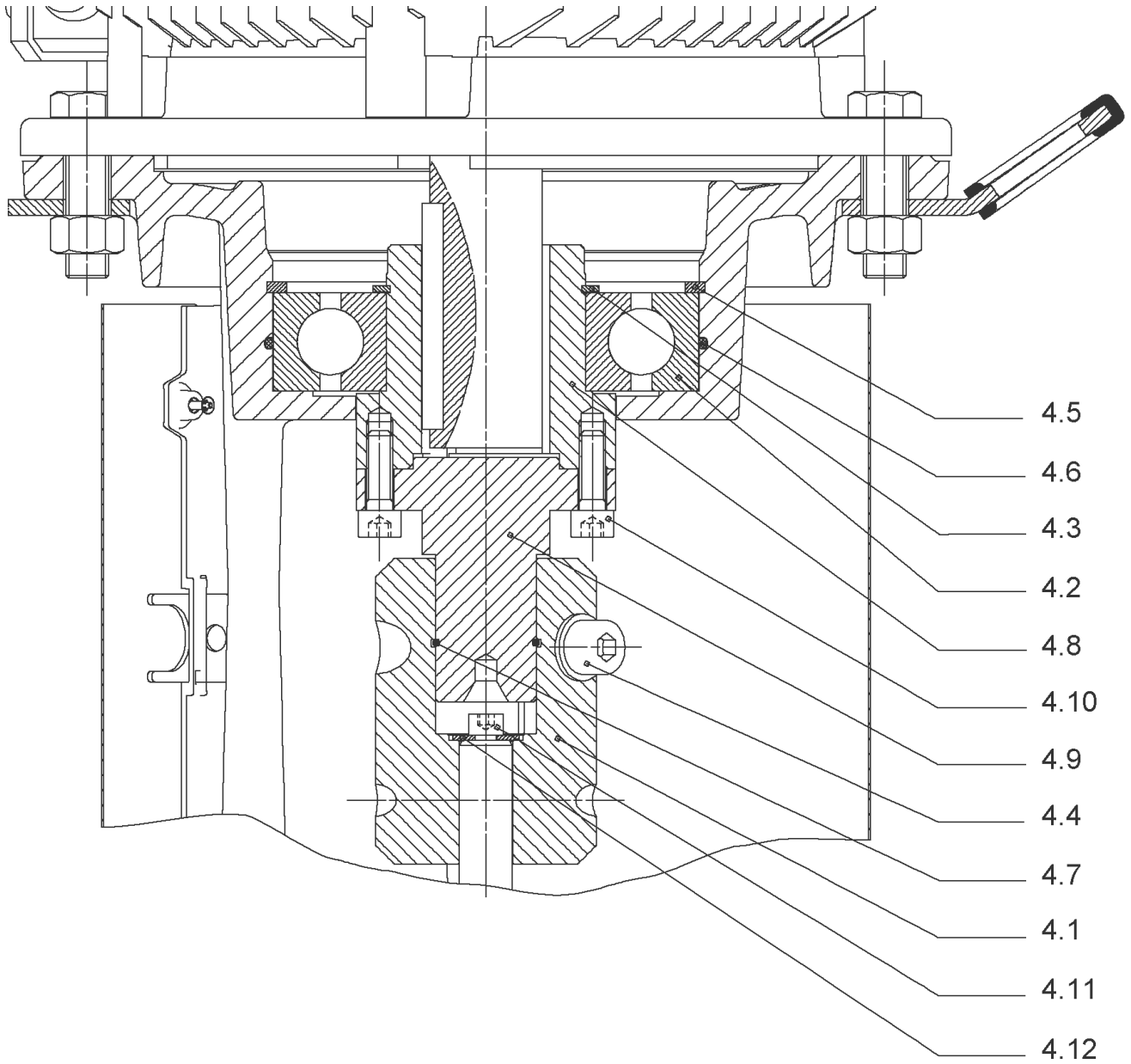
HELIX V3608/2-3/25/E/KS/400-50 (4138333)

Item	Article no.	Description	Quantity
1	4195490	MOTOR 22/2/180 3~400V 50HZ VP.	1
		SPARE PARTS MOTOR:ON REQUEST	1
2	4179586	SCREW M16X60 (4 PIECES)	1
3	4161188	LANTERN HELIX V36/52 FF300 BB6313 KIT	1
3.1		> LANTERN FF300 M+ GJL MACHINED+CATA 6313	1
3.2	4179589	> EYELET CPL.FF300 HELIX(4 PIECES)	1
3.3	4143969	> COUPLING PROTECT HELIX FF KIT	1
4	4161190	COUPLING D.20XD.38 FF300 KIT	1
5	4157725	SCREW M10X40 (4 PIECES)	1
6	4181093	STUD BOLT M16X666 KIT	1
6.1		> TIE BOLT M16-666x24x44-1.4057	1
6.2	4179562	> NUT M16 8.8 ISO4032 (4 PIECES)	1
6.3	4097852	> WASHER-CS-16.4-32-2.8-NFE25-511-A2	1
7	4179565	END SHIELD HELIX 8" EPDM KIT	1
7.1		> END SHIELD M+ GJL MACHINED+CATA	1
7.2	4179564	> O-RING D.42.52x2.62 EPDM VP.	1
7.3	4179571	> O-RING HOUSING PIPE HELIX22/36/52 VP.	1
8	4143765	FILING/PURGING PLUG 316L HELIX KIT	1
8.1		> FILLING/VENTING-PLUG-VMI8/10-316L	1
8.2	4032291	> O-RING 17x3 EPDM KTW/WRC	1
9	4143975	CARTRIDGE HELIX22-36-52 F/E KIT	1
10	4181094	HOUSING PIPE D.204X597 1.4301 KIT	1
7.3	4179571	> O-RING HOUSING PIPE HELIX22/36/52 VP.	1
10.1		> HOUSING-PIPE Ø204-M+3608-304	1
12	4161186	SHAFT EQUIPMENT HELIX V36 8" KIT	1
13		HYDRAULIC HELIX V 3608-2	1
14	4181096	SHAFT D.22X754 1.4057 VP.	1
15	4161185	EQUIPED HOUSING HELIX 36 GJL KIT	1
15.1		> PUMP HOUSING SET with CATA. PARTS-DN65	1
15.3	4143766	> DRAIN/PRIMING PLUG EPDM HELIX KIT	1
15.3A		>> PRIMING/DRAIN PLUG-304-VERSION 1	1
15.3B	4032293	>> O-RING-10x3-EPDM-KTW/WRC	1
15.3C	4233957	>> O-RING ID.9 EPDM VP.	1
15.4	4221729	> BASE M+ DN50/65/80 VP.	1

HELIX V3608/2-3/25/E/KS/400-50 (4138333)

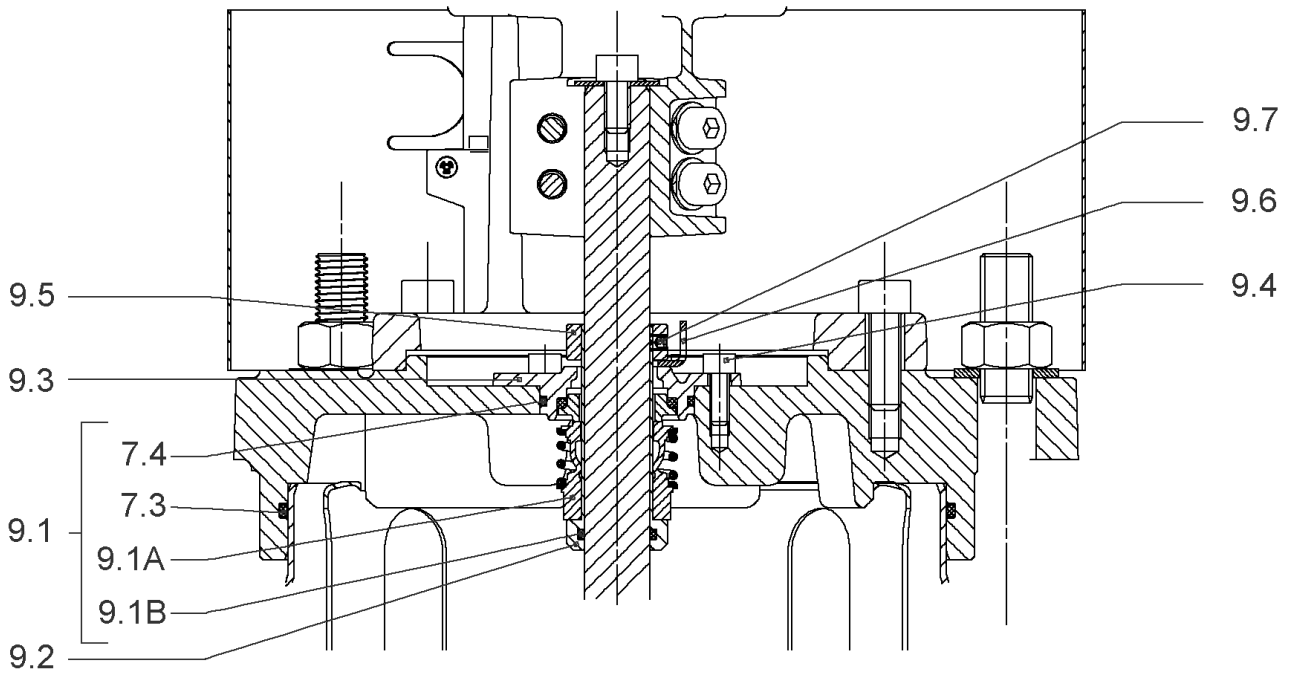
Item	Article no.	Description	Quantity
15.5		> SCREW TBHC M12x25 ISO7380 ZN	1
15.6		> FLANGE M+ DN65 NF PN16-25 ASME PN16 CATA	1
15.7		> O-RING Ø79.5xØ3 EPDM	1
13.1A	4161200	> NECK RING 1.STAGE HELIX V36/52 KIT	1
		>> NECK-RING-M+36/52	1
		>> HYDRAULIC SUPPORT CAP M+36/52 304	1
		>> SCREW TCL M3X8 A4 POZIDRIV	1
7.3	4179571	> O-RING HOUSING PIPE HELIX22/36/52 VP.	1

COUPLING D.20XD.38 FF300 KIT (4161190)



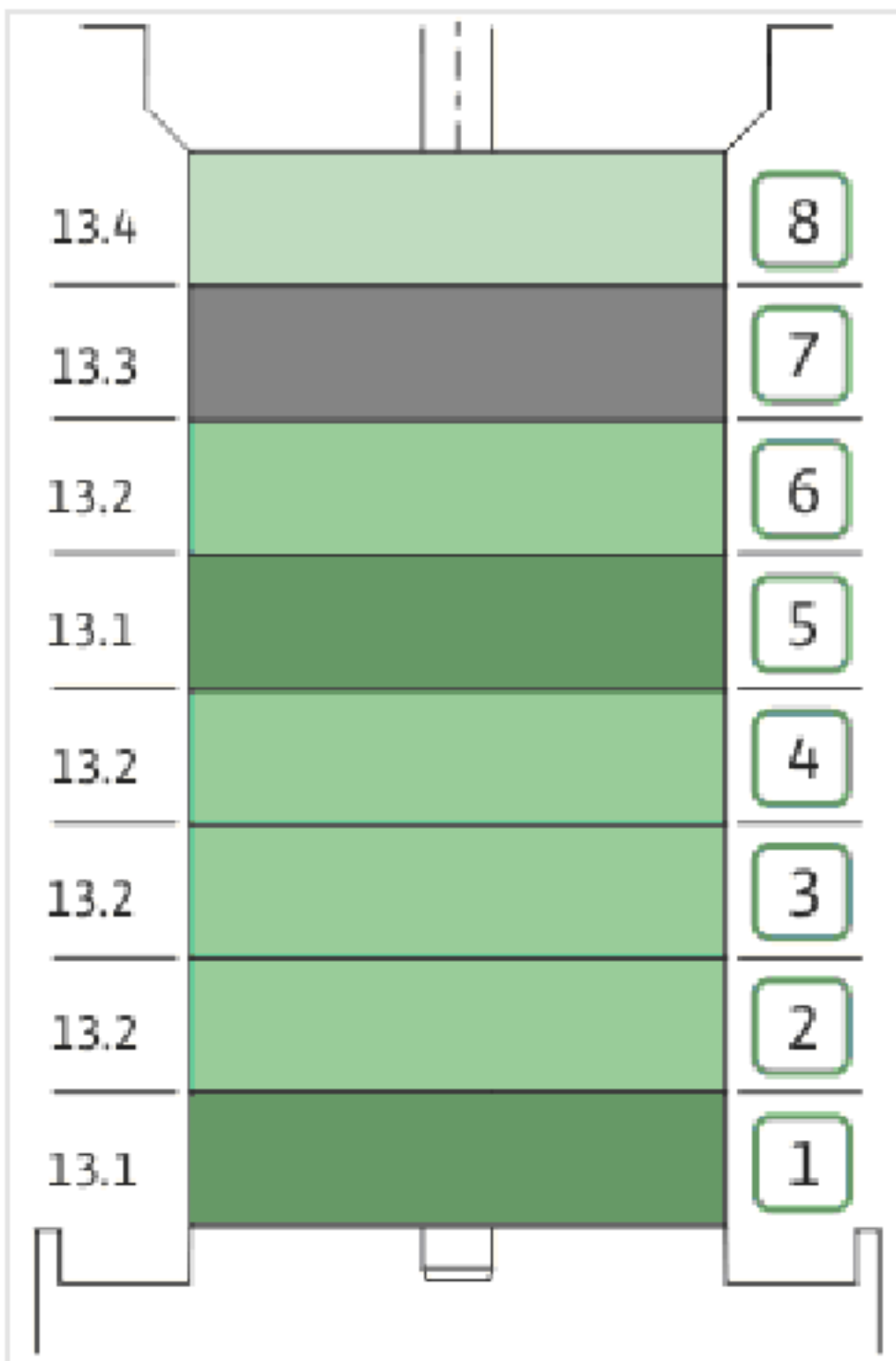
COUPLING D.20XD.38 FF300 KIT (4161190)

Item	Article no.	Description	Quantity
4.1	4179590	COUPLING 2 PARTS D.20XD.38XL115 VP.	1
4.2	2132521	BALL BEARING 6313/2Z-C4(HT)VP.	1
4.3	4032276	CIRCLIP-SHAFT-D65x2,5	1
4.4	2130991	SCREW M12X30 ISO4762 8.8 ZN(4 PIECES)	1
4.5	4233130	CIRCLIP-FOR-BORES-D140 VP.	1
4.6	4233945	O-RING ID.140 VP.	1
4.7	2130992	RETAINING RING D.35xD.2,5 DIN7993 VP.	1
4.8	4179928	HUB D.48xD.65 VP.	1
4.9	2130994	SPACER D.38XD.55 VP.	1
4.10	4094462	SCREWS M10 (4 PIECES)	1
4.11	4233959	SCREW M8x16 VP.	1
4.12		SERRATED LOCK WASHER Ø8.2XØ25X35X2	1



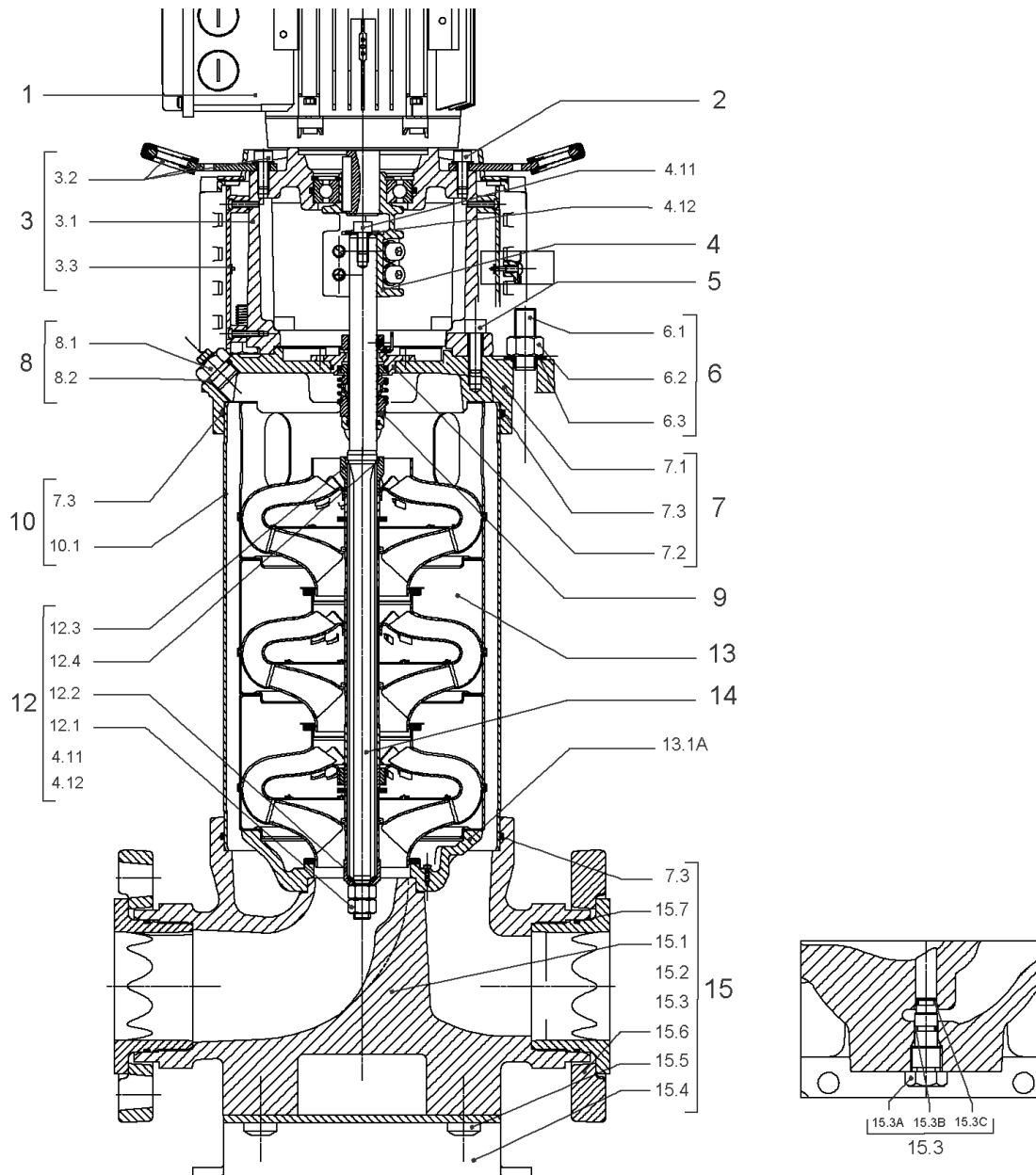
CARTRIDGE HELIX22-36-52 F/E KIT (4143975)

Item	Article no.	Description	Quantity
9.1	4143976	SEAL-KIT-HELIX22-36-52 F/E	1
7.3	4179571	> O-RING HOUSING PIPE HELIX22/36/52 VP.	1
7.4	4179572	> O-RING ID.42.52X2.62 EPDM VP.	1
9.1A	2127447	> M.SEAL.HELIX22-36-52 F/E VP.	1
9.1B	4179574	> O-RING ID.20x2.65 EPDM VP.	1
9.2	4179566	SHAFT SLEEVE D.20/20X60 1.4404 VP.	1
9.3	4179567	RING HOLDER Ø22 1.4301 VP.	1
9.4	4176520	SCREW CH M5x5 A4-70 (3PIECES)	1
9.5	4179568	DRIVE RING D.31/22.1x11 MACH.VP.	1
9.6	4179569	TOOL M.S.CART.HELIX 8" VP.	1
9.7	4179570	SCREW M6X16 ISO4762 8.8 GEOMET(4 PIECES)	1



HYDRAULIC HELIX V 3608-2

Item	Article no.	Description	Quantity
13.1	4161192	INTERMEDIATE STAGE HELIX V36 1.4301 KIT	1
		> SLEEVE-SPACER-D22XL16,66-316L	1
		> MACH.BEARING-DIFFUSER+NR-M+36-304	1
		> SHAFT-SLEEVE-D26xD22x16-CW	1
		> IMPELLER-H1-M+36-304	1
13.1A	4161200	> NECK RING 1.STAGE HELIX V36/52 KIT	1
		>> NECK-RING-M+36/52	1
		>> HYDRAULIC SUPPORT CAP M+36/52 304	1
		>> SCREW TCL M3X8 A4 POZIDRIV	1
13.2	4161193	INTERMEDIATE STAGE HELIX V36 1.4301 KIT	1
		> MACH.STD-DIFFUSER+NR-M+36-304	1
		> IMPELLER-H4-M+36-304	1
13.3	4161195	INTERMEDIATE STAGE HELIX V36 1.4301 KIT	1
		> REDUCED-IMPELLER-H4-M+36-304	1
		> MACH.STD-DIFFUSER+NR-M+36-304	1
13.4	4161196	UPPER STAGE HELIX 36 1.4301 KIT	1
		> STOP COLLAR OF IMPELLER L20-Ø22-316L	1
		> REDUCED-IMPELLER-H4-M+36-304	1
		> MACH.-RIGID-STD-DISCH.-CHAMBER-M+36-304	1



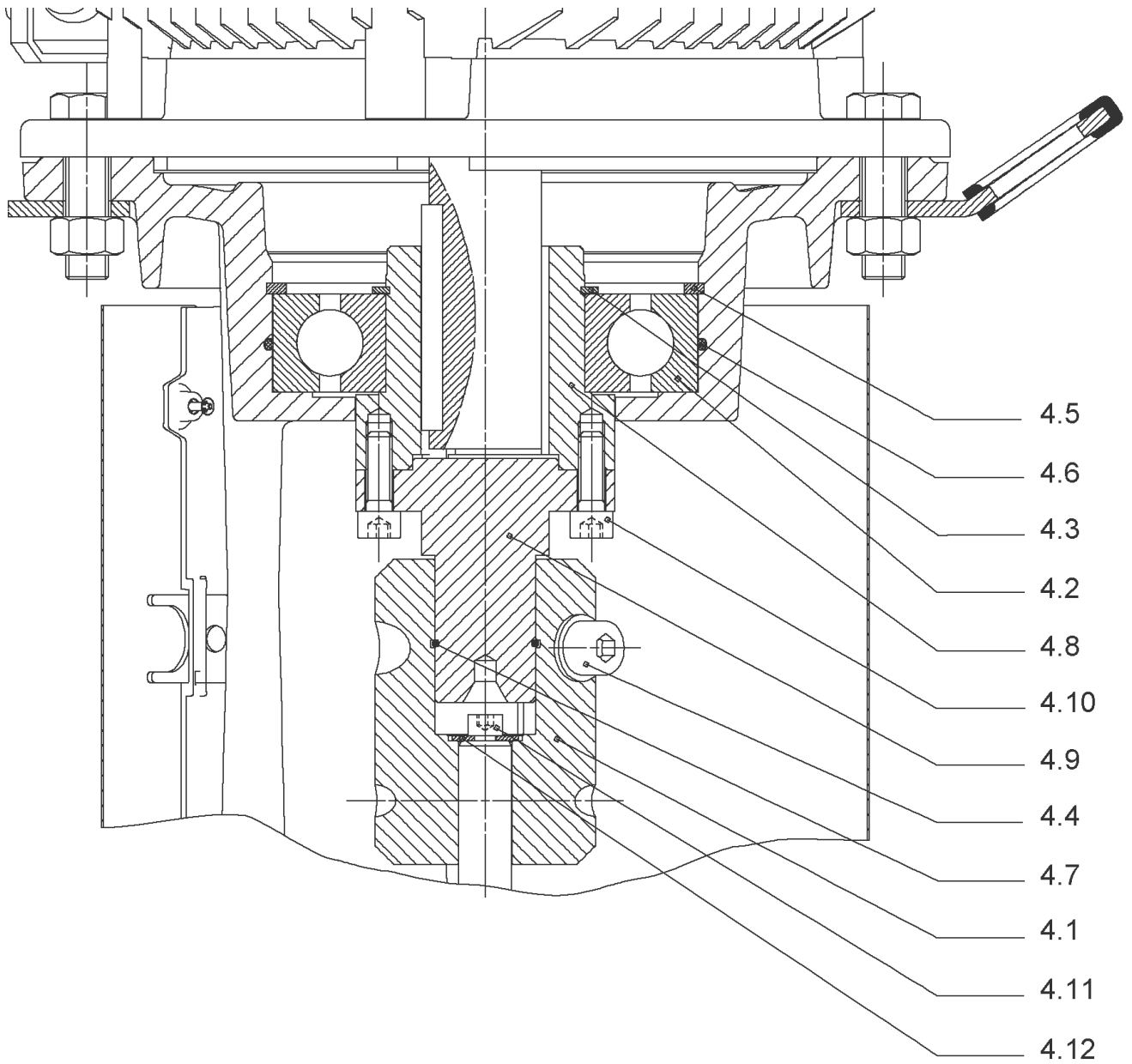
HELIX V3608-3/25/E/KS/400-50 (4138334)

Item	Article no.	Description	Quantity
1	4195490	MOTOR 22/2/180 3~400V 50HZ VP.	1
		SPARE PARTS MOTOR:ON REQUEST	1
2	4179586	SCREW M16X60 (4 PIECES)	1
3	4161188	LANTERN HELIX V36/52 FF300 BB6313 KIT	1
3.1		> LANTERN FF300 M+ GJL MACHINED+CATA 6313	1
3.2	4179589	> EYELET CPL.FF300 HELIX(4 PIECES)	1
3.3	4143969	> COUPLING PROTECT HELIX FF KIT	1
4	4161190	COUPLING D.20XD.38 FF300 KIT	1
5	4157725	SCREW M10X40 (4 PIECES)	1
6	4181093	STUD BOLT M16X666 KIT	1
6.1		> TIE BOLT M16-666x24x44-1.4057	1
6.2	4179562	> NUT M16 8.8 ISO4032 (4 PIECES)	1
6.3	4097852	> WASHER-CS-16.4-32-2.8-NFE25-511-A2	1
7	4179565	END SHIELD HELIX 8" EPDM KIT	1
7.1		> END SHIELD M+ GJL MACHINED+CATA	1
7.2	4179564	> O-RING D.42.52x2.62 EPDM VP.	1
7.3	4179571	> O-RING HOUSING PIPE HELIX22/36/52 VP.	1
8	4143765	FILING/PURGING PLUG 316L HELIX KIT	1
8.1		> FILLING/VENTING-PLUG-VMI8/10-316L	1
8.2	4032291	> O-RING 17x3 EPDM KTW/WRC	1
9	4143975	CARTRIDGE HELIX22-36-52 F/E KIT	1
10	4181094	HOUSING PIPE D.204X597 1.4301 KIT	1
7.3	4179571	> O-RING HOUSING PIPE HELIX22/36/52 VP.	1
10.1		> HOUSING-PIPE Ø204-M+3608-304	1
12	4161186	SHAFT EQUIPMENT HELIX V36 8" KIT	1
13		HYDRAULIC HELIX V 3608	1
14	4181096	SHAFT D.22X754 1.4057 VP.	1
15	4161185	EQUIPED HOUSING HELIX 36 GJL KIT	1
15.1		> PUMP HOUSING SET with CATA. PARTS-DN65	1
15.3	4143766	> DRAIN/PRIMING PLUG EPDM HELIX KIT	1
15.3A		>> PRIMING/DRAIN PLUG-304-VERSION 1	1
15.3B	4032293	>> O-RING-10x3-EPDM-KTW/WRC	1
15.3C	4233957	>> O-RING ID.9 EPDM VP.	1
15.4	4221729	> BASE M+ DN50/65/80 VP.	1

HELIX V3608-3/25/E/KS/400-50 (4138334)

Item	Article no.	Description	Quantity
15.5		> SCREW TBHC M12x25 ISO7380 ZN	1
15.6		> FLANGE M+ DN65 NF PN16-25 ASME PN16 CATA	1
15.7		> O-RING Ø79.5xØ3 EPDM	1
13.1A	4161200	> NECK RING 1.STAGE HELIX V36/52 KIT	1
		>> NECK-RING-M+36/52	1
		>> HYDRAULIC SUPPORT CAP M+36/52 304	1
		>> SCREW TCL M3X8 A4 POZIDRIV	1
7.3	4179571	> O-RING HOUSING PIPE HELIX22/36/52 VP.	1

COUPLING D.20XD.38 FF300 KIT (4161190)



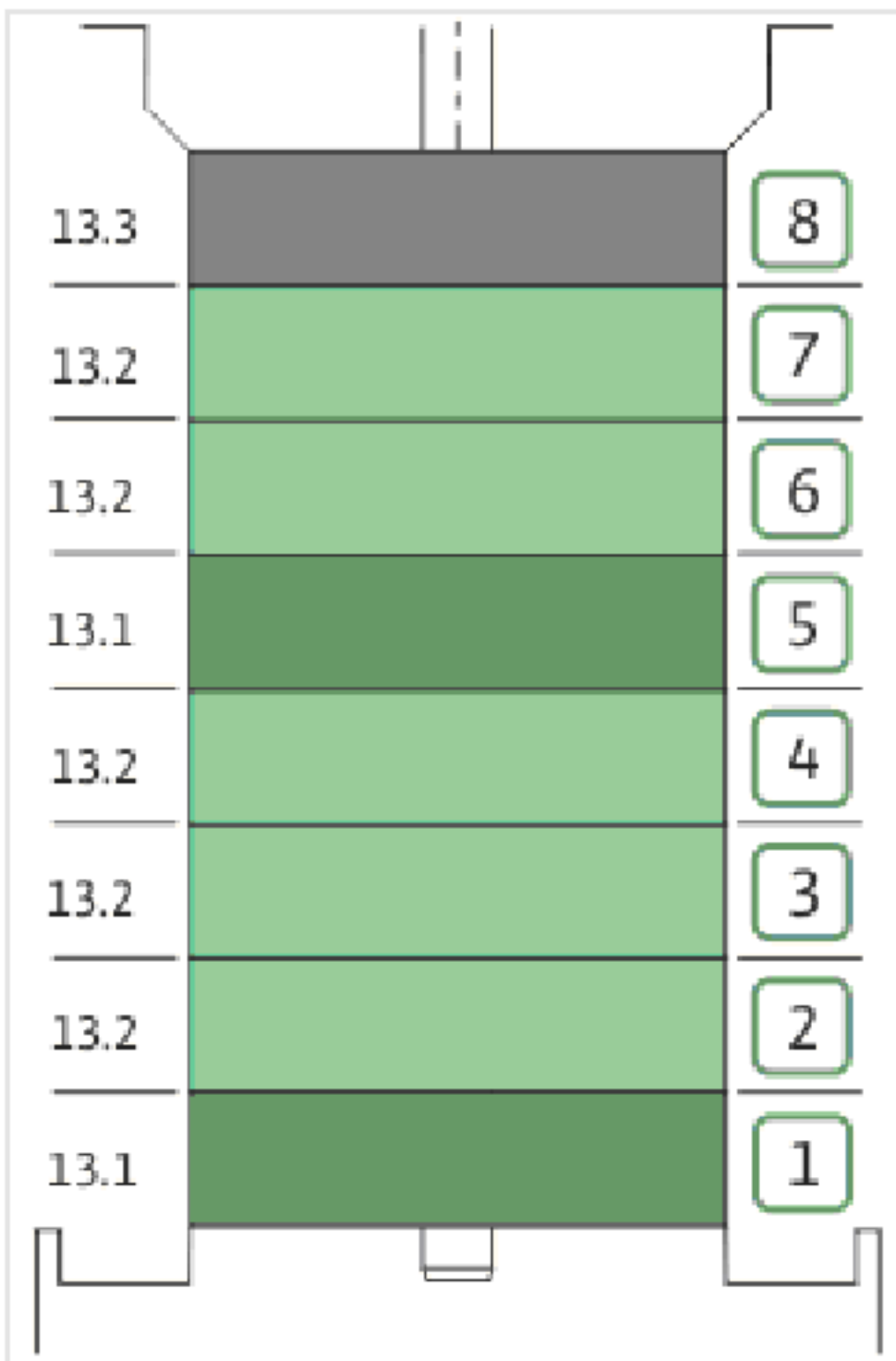
COUPLING D.20XD.38 FF300 KIT (4161190)

Item	Article no.	Description	Quantity
4.1	4179590	COUPLING 2 PARTS D.20XD.38XL115 VP.	1
4.2	2132521	BALL BEARING 6313/2Z-C4(HT)VP.	1
4.3	4032276	CIRCLIP-SHAFT-D65x2,5	1
4.4	2130991	SCREW M12X30 ISO4762 8.8 ZN(4 PIECES)	1
4.5	4233130	CIRCLIP-FOR-BORES-D140 VP.	1
4.6	4233945	O-RING ID.140 VP.	1
4.7	2130992	RETAINING RING D.35xD.2,5 DIN7993 VP.	1
4.8	4179928	HUB D.48xD.65 VP.	1
4.9	2130994	SPACER D.38XD.55 VP.	1
4.10	4094462	SCREWS M10 (4 PIECES)	1
4.11	4233959	SCREW M8x16 VP.	1
4.12		SERRATED LOCK WASHER Ø8.2XØ25X35X2	1



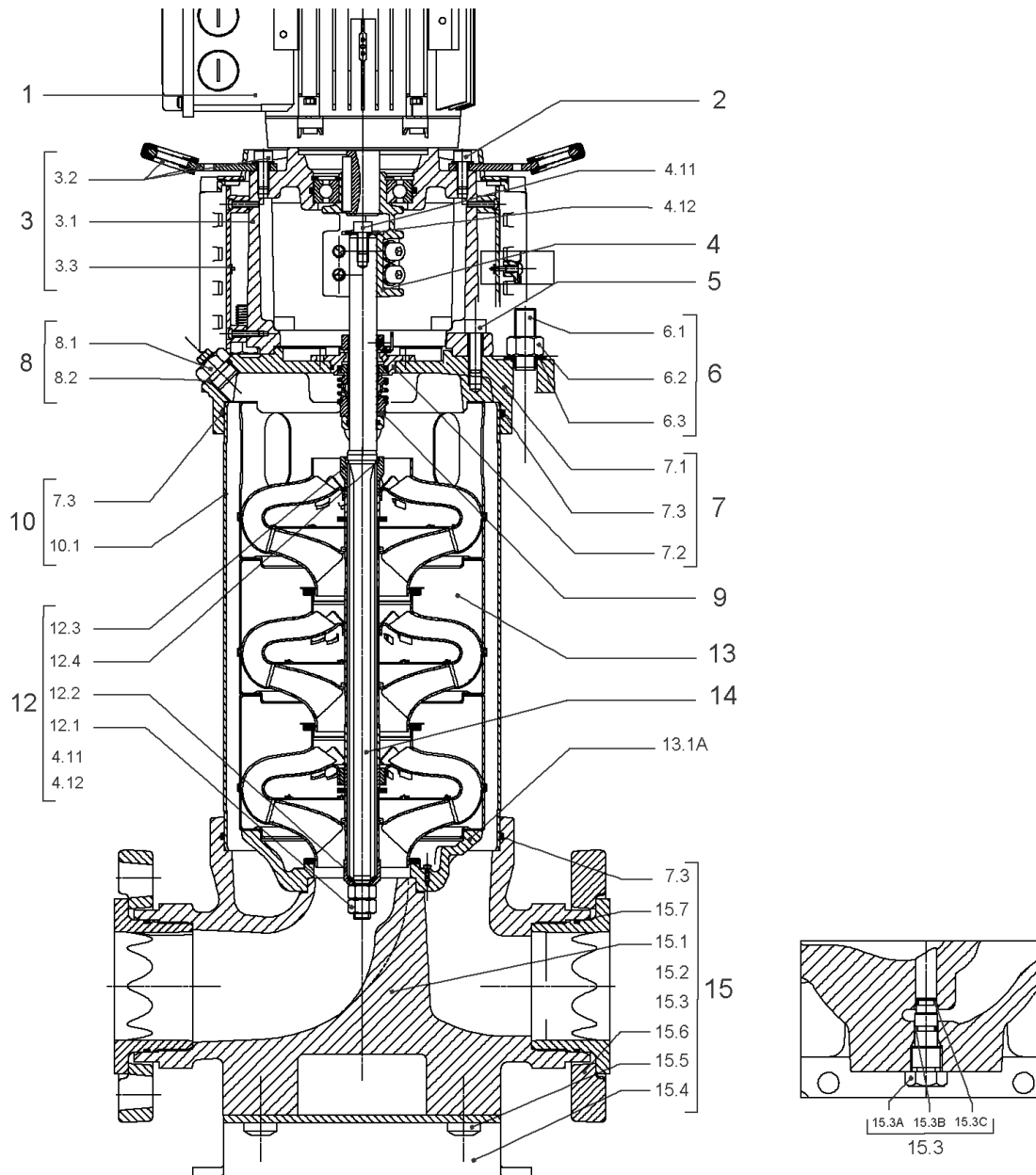
CARTRIDGE HELIX22-36-52 F/E KIT (4143975)

Item	Article no.	Description	Quantity
9.1	4143976	SEAL-KIT-HELIX22-36-52 F/E	1
7.3	4179571	> O-RING HOUSING PIPE HELIX22/36/52 VP.	1
7.4	4179572	> O-RING ID.42.52X2.62 EPDM VP.	1
9.1A	2127447	> M.SEAL.HELIX22-36-52 F/E VP.	1
9.1B	4179574	> O-RING ID.20x2.65 EPDM VP.	1
9.2	4179566	SHAFT SLEEVE D.20/20X60 1.4404 VP.	1
9.3	4179567	RING HOLDER Ø22 1.4301 VP.	1
9.4	4176520	SCREW CH M5x5 A4-70 (3PIECES)	1
9.5	4179568	DRIVE RING D.31/22.1x11 MACH.VP.	1
9.6	4179569	TOOL M.S.CART.HELIX 8" VP.	1
9.7	4179570	SCREW M6X16 ISO4762 8.8 GEOMET(4 PIECES)	1



HYDRAULIC HELIX V 3608

Item	Article no.	Description	Quantity
13.1	4161192	INTERMEDIATE STAGE HELIX V36 1.4301 KIT	1
		> SLEEVE-SPACER-D22XL16,66-316L	1
		> MACH.BEARING-DIFFUSER+NR-M+36-304	1
		> SHAFT-SLEEVE-D26xD22x16-CW	1
		> IMPELLER-H1-M+36-304	1
13.1A	4161200	> NECK RING 1.STAGE HELIX V36/52 KIT	1
		>> NECK-RING-M+36/52	1
		>> HYDRAULIC SUPPORT CAP M+36/52 304	1
		>> SCREW TCL M3X8 A4 POZIDRIV	1
13.2	4161193	INTERMEDIATE STAGE HELIX V36 1.4301 KIT	1
		> MACH.STD-DIFFUSER+NR-M+36-304	1
		> IMPELLER-H4-M+36-304	1
13.3	4161194	UPPER STAGE HELIX 36 1.4301 KIT	1
		> STOP COLLAR OF IMPELLER L20-Ø22-316L	1
		> IMPELLER-H4-M+36-304	1
		> MACH.-RIGID-STD-DISCH.-CHAMBER-M+36-304	1

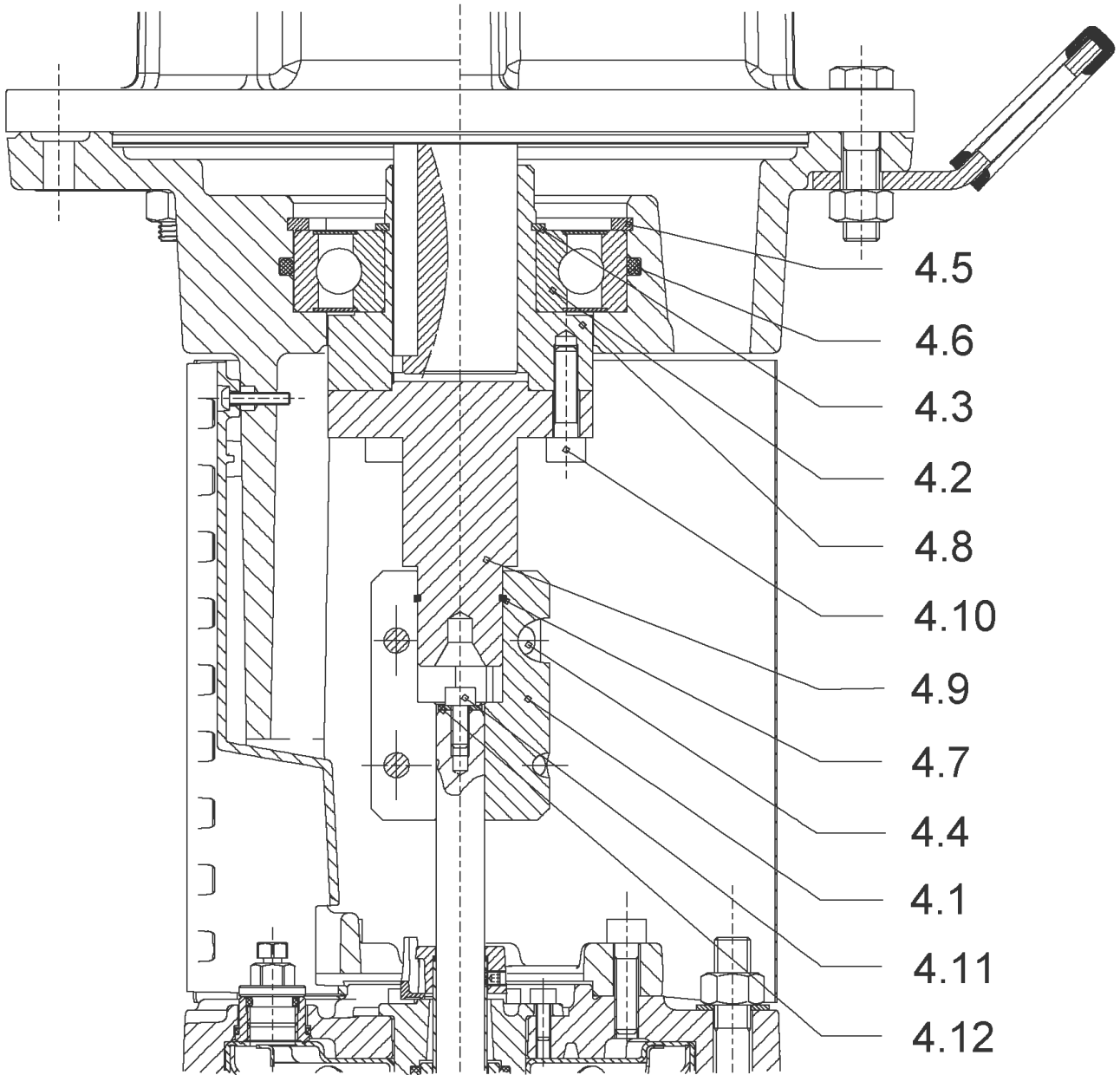


HELIX V3609/2-3/25/E/KS/400-50 (4138335)

Item	Article no.	Description	Quantity
1	4195491	MOTOR 30/2/200 3~400V 50HZ IE3 VP.	1
		SPARE PARTS MOTOR:ON REQUEST	1
2	4179586	SCREW M16X60 (4 PIECES)	1
3	4161189	LANTERN HELIX V36 FF350 BB6315 KIT	1
3.1		> LANTERN FF350 M+ GJL MACHINED+CATA 6315	1
3.2	4179938	> EYELET CPL.FF350 HELIX(4 PIECES)	1
3.3	4143969	> COUPLING PROTECT HELIX FF KIT	1
4	4161191	COUPLING HELIX V36/52 FF350 RLT6315 KIT	1
5	4157725	SCREW M10X40 (4 PIECES)	1
6	4181098	STUD BOLT M16X733 KIT	1
6.1		> TIE BOLT M16-733x24x44-1.4057	1
6.2	4179562	> NUT M16 8.8 ISO4032 (4 PIECES)	1
6.3	4097852	> WASHER-CS-16.4-32-2.8-NFE25-511-A2	1
7	4179565	END SHIELD HELIX 8" EPDM KIT	1
7.1		> END SHIELD M+ GJL MACHINED+CATA	1
7.2	4179564	> O-RING D.42.52x2.62 EPDM VP.	1
7.3	4179571	> O-RING HOUSING PIPE HELIX22/36/52 VP.	1
8	4143765	FILING/PURGING PLUG 316L HELIX KIT	1
8.1		> FILLING/VENTING-PLUG-VM18/10-316L	1
8.2	4032291	> O-RING 17x3 EPDM KTW/WRC	1
9	4143975	CARTRIDGE HELIX22-36-52 F/E KIT	1
10	4181099	HOUSING PIPE D.204X664 1.4301 KIT	1
7.3	4179571	> O-RING HOUSING PIPE HELIX22/36/52 VP.	1
10.1		> HOUSING-PIPE Ø204-M+2212/3609-304	1
12	4161186	SHAFT EQUIPMENT HELIX V36 8" KIT	1
13		HYDRAULIC HELIX V 3609-2	1
14	4181101	SHAFT D.22X820,67 1.4057 VP.	1
15	4161185	EQUIPED HOUSING HELIX 36 GJL KIT	1
15.1		> PUMP HOUSING SET with CATA. PARTS-DN65	1
15.3	4143766	> DRAIN/PRIMING PLUG EPDM HELIX KIT	1
15.3A		>> PRIMING/DRAIN PLUG-304-VERSION 1	1
15.3B	4032293	>> O-RING-10x3-EPDM-KTW/WRC	1
15.3C	4233957	>> O-RING ID.9 EPDM VP.	1
15.4	4221729	> BASE M+ DN50/65/80 VP.	1

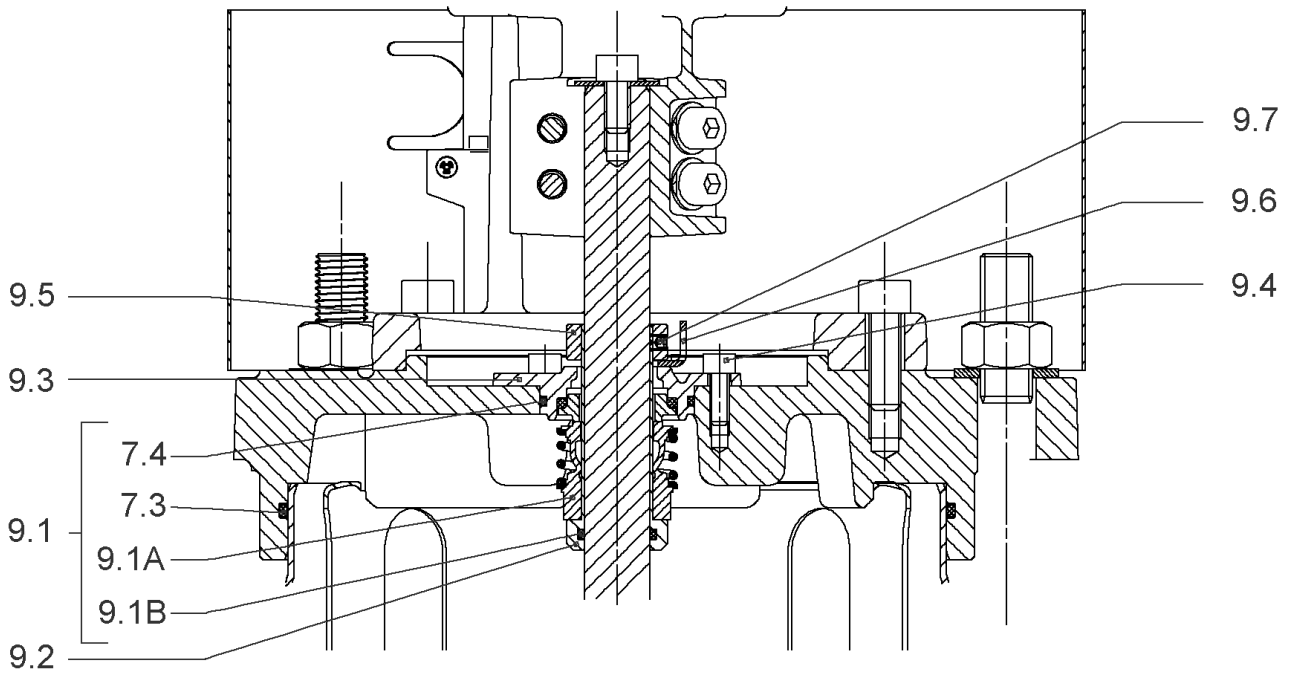
HELIX V3609/2-3/25/E/KS/400-50 (4138335)

Item	Article no.	Description	Quantity
15.5		> SCREW TBHC M12x25 ISO7380 ZN	1
15.6		> FLANGE M+ DN65 NF PN16-25 ASME PN16 CATA	1
15.7		> O-RING Ø79.5xØ3 EPDM	1
13.1A	4161200	> NECK RING 1.STAGE HELIX V36/52 KIT	1
		>> NECK-RING-M+36/52	1
		>> HYDRAULIC SUPPORT CAP M+36/52 304	1
		>> SCREW TCL M3X8 A4 POZIDRIV	1
7.3	4179571	> O-RING HOUSING PIPE HELIX22/36/52 VP.	1



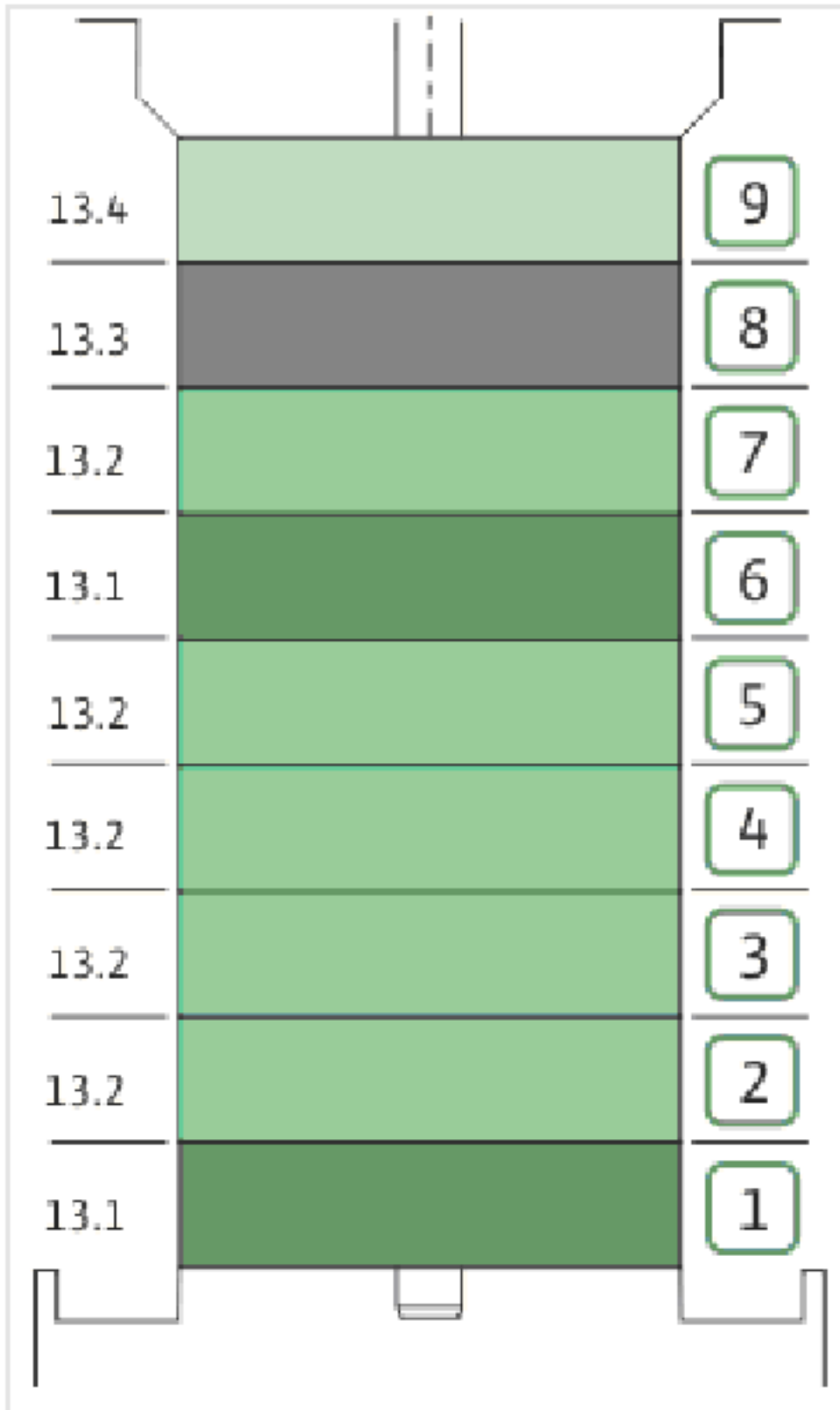
COUPLING HELIX V36/52 FF350 RLT6315 KIT (4161191)

Item	Article no.	Description	Quantity
4.1	4179935	COUPLING 2 PARTS D.20XD.38XL115 VP.	1
4.2	2114423	BALL BEARING 6315C4-ZZ-HT VP.	1
4.3	2119916	CIRCLIP D75X2.5 VP.	1
4.4	4179934	SCREW M12X30 (8 PIECES)	1
4.5	2119917	CIRCLIP D160X4 VP.	1
4.6	2119918	O-RING Ø158.34X3.53 NBR 70SH.VP.	1
4.7	2130992	RETAINING RING D.35xD.2,5 DIN7993 VP.	1
4.8	4179937	HUB D.55XD.75 VP.	1
4.9	4179936	SPACER D.38XD.65 VP.	1
4.10	2130991	SCREW M12X30 ISO4762 8.8 ZN(4 PIECES)	1
4.11	4233959	SCREW M8x16 VP.	1
4.12		SERRATED LOCK WASHER Ø8.2XØ25X35X2	1



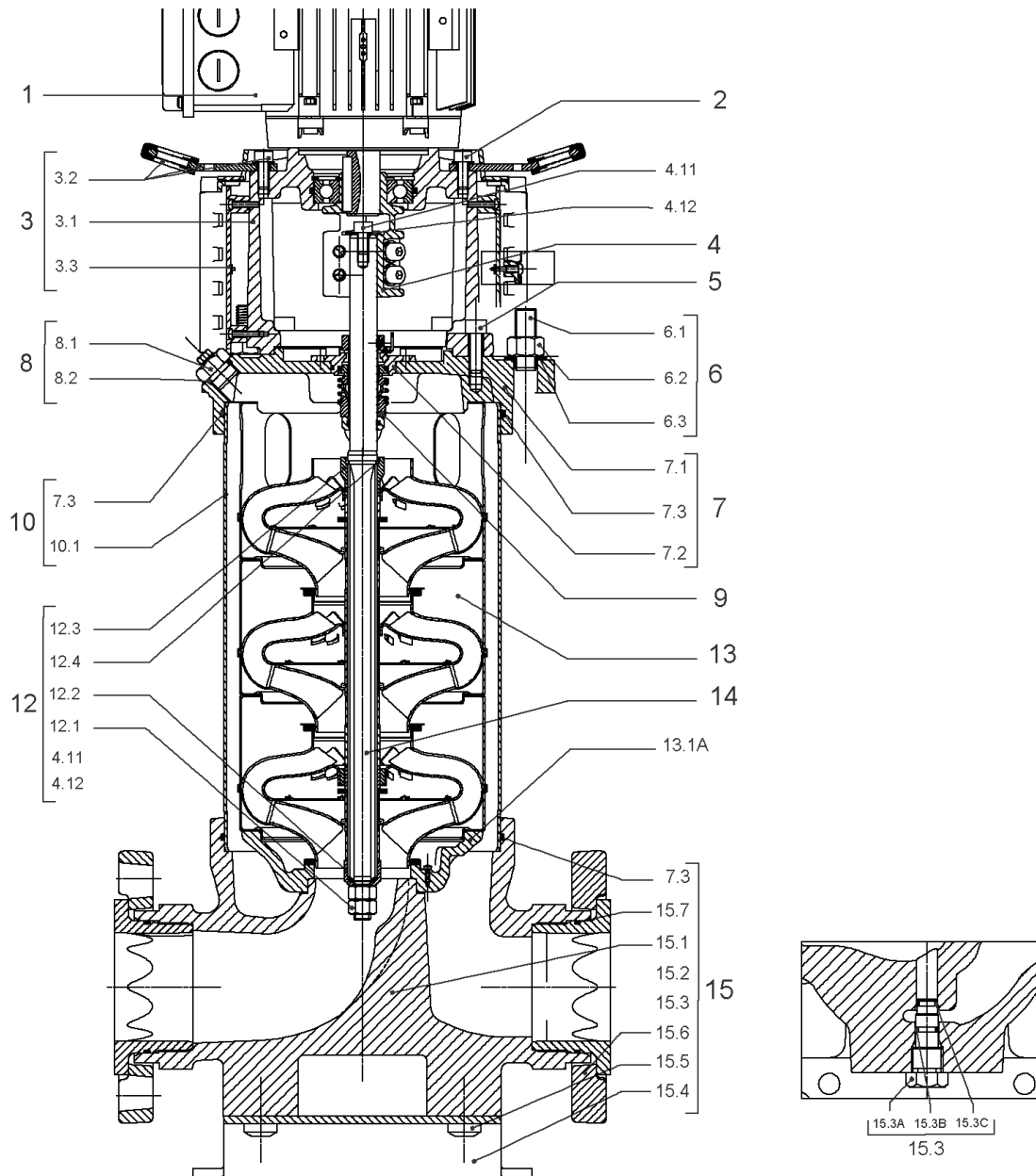
CARTRIDGE HELIX22-36-52 F/E KIT (4143975)

Item	Article no.	Description	Quantity
9.1	4143976	SEAL-KIT-HELIX22-36-52 F/E	1
7.3	4179571	> O-RING HOUSING PIPE HELIX22/36/52 VP.	1
7.4	4179572	> O-RING ID.42.52X2.62 EPDM VP.	1
9.1A	2127447	> M.SEAL.HELIX22-36-52 F/E VP.	1
9.1B	4179574	> O-RING ID.20x2.65 EPDM VP.	1
9.2	4179566	SHAFT SLEEVE D.20/20X60 1.4404 VP.	1
9.3	4179567	RING HOLDER Ø22 1.4301 VP.	1
9.4	4176520	SCREW CH M5x5 A4-70 (3PIECES)	1
9.5	4179568	DRIVE RING D.31/22.1x11 MACH.VP.	1
9.6	4179569	TOOL M.S.CART.HELIX 8" VP.	1
9.7	4179570	SCREW M6X16 ISO4762 8.8 GEOMET(4 PIECES)	1



HYDRAULIC HELIX V 3609-2

Item	Article no.	Description	Quantity
13.1	4161192	INTERMEDIATE STAGE HELIX V36 1.4301 KIT	1
		> SLEEVE-SPACER-D22XL16,66-316L	1
		> MACH.BEARING-DIFFUSER+NR-M+36-304	1
		> SHAFT-SLEEVE-D26xD22x16-CW	1
		> IMPELLER-H1-M+36-304	1
13.1A	4161200	> NECK RING 1.STAGE HELIX V36/52 KIT	1
		>> NECK-RING-M+36/52	1
		>> HYDRAULIC SUPPORT CAP M+36/52 304	1
		>> SCREW TCL M3X8 A4 POZIDRIV	1
13.2	4161193	INTERMEDIATE STAGE HELIX V36 1.4301 KIT	1
		> MACH.STD-DIFFUSER+NR-M+36-304	1
		> IMPELLER-H4-M+36-304	1
13.3	4161195	INTERMEDIATE STAGE HELIX V36 1.4301 KIT	1
		> REDUCED-IMPELLER-H4-M+36-304	1
		> MACH.STD-DIFFUSER+NR-M+36-304	1
13.4	4161196	UPPER STAGE HELIX 36 1.4301 KIT	1
		> STOP COLLAR OF IMPELLER L20-Ø22-316L	1
		> REDUCED-IMPELLER-H4-M+36-304	1
		> MACH.-RIGID-STD-DISCH.-CHAMBER-M+36-304	1

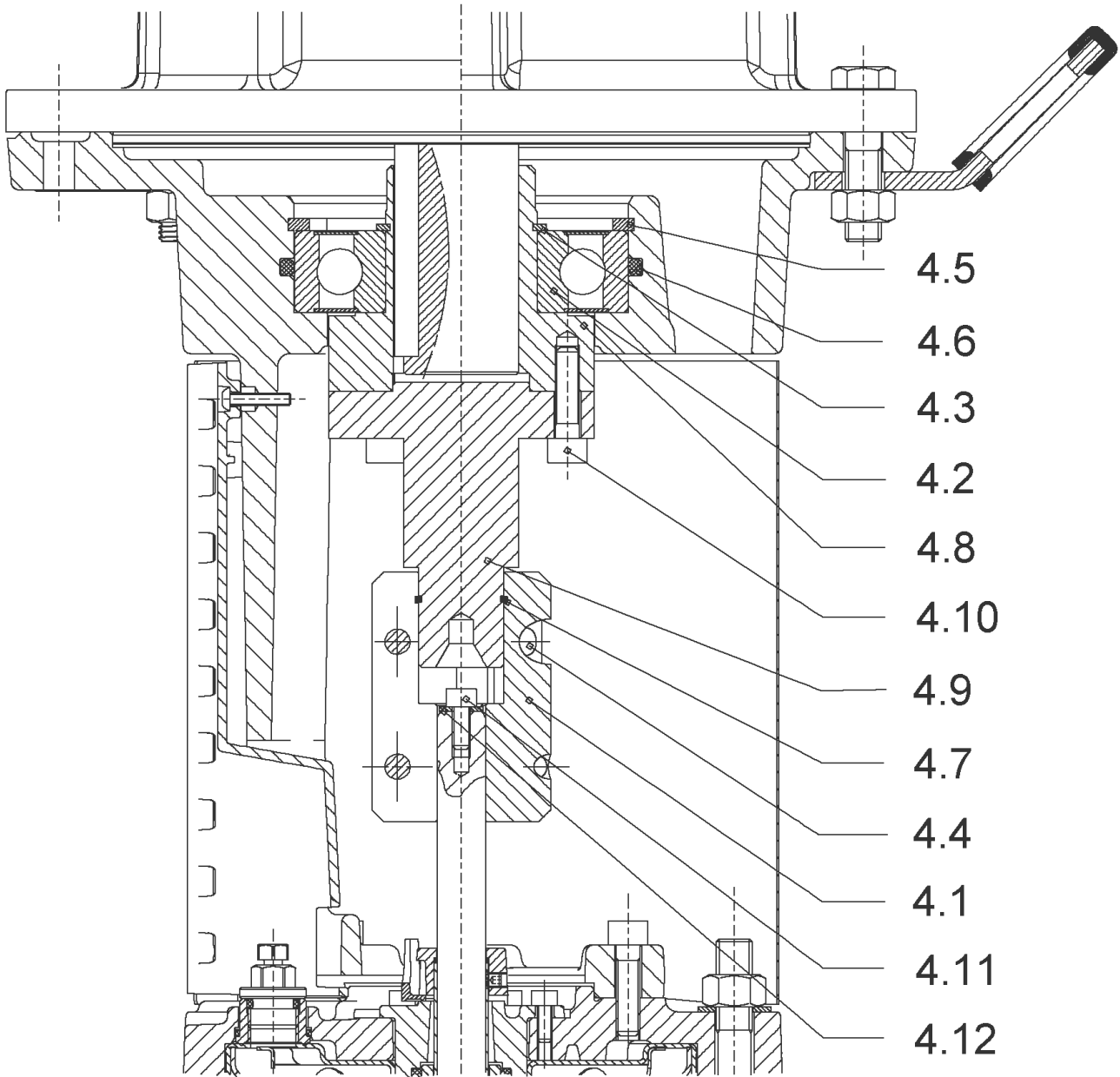


HELIX V3609-3/25/E/KS/400-50 (4138336)

Item	Article no.	Description	Quantity
1	4195491	MOTOR 30/2/200 3~400V 50HZ IE3 VP.	1
		SPARE PARTS MOTOR:ON REQUEST	1
2	4179586	SCREW M16X60 (4 PIECES)	1
3	4161189	LANTERN HELIX V36 FF350 BB6315 KIT	1
3.1		> LANTERN FF350 M+ GJL MACHINED+CATA 6315	1
3.2	4179938	> EYELET CPL.FF350 HELIX(4 PIECES)	1
3.3	4143969	> COUPLING PROTECT HELIX FF KIT	1
4	4161191	COUPLING HELIX V36/52 FF350 RLT6315 KIT	1
5	4157725	SCREW M10X40 (4 PIECES)	1
6	4181098	STUD BOLT M16X733 KIT	1
6.1		> TIE BOLT M16-733x24x44-1.4057	1
6.2	4179562	> NUT M16 8.8 ISO4032 (4 PIECES)	1
6.3	4097852	> WASHER-CS-16.4-32-2.8-NFE25-511-A2	1
7	4179565	END SHIELD HELIX 8" EPDM KIT	1
7.1		> END SHIELD M+ GJL MACHINED+CATA	1
7.2	4179564	> O-RING D.42.52x2.62 EPDM VP.	1
7.3	4179571	> O-RING HOUSING PIPE HELIX22/36/52 VP.	1
8	4143765	FILING/PURGING PLUG 316L HELIX KIT	1
8.1		> FILLING/VENTING-PLUG-VMI8/10-316L	1
8.2	4032291	> O-RING 17x3 EPDM KTW/WRC	1
9	4143975	CARTRIDGE HELIX22-36-52 F/E KIT	1
10	4181099	HOUSING PIPE D.204X664 1.4301 KIT	1
7.3	4179571	> O-RING HOUSING PIPE HELIX22/36/52 VP.	1
10.1		> HOUSING-PIPE Ø204-M+2212/3609-304	1
12	4161186	SHAFT EQUIPMENT HELIX V36 8" KIT	1
13		HYDRAULIC HELIX V 3609	1
14	4181101	SHAFT D.22X820,67 1.4057 VP.	1
15	4161185	EQUIPED HOUSING HELIX 36 GJL KIT	1
15.1		> PUMP HOUSING SET with CATA. PARTS-DN65	1
15.3	4143766	> DRAIN/PRIMING PLUG EPDM HELIX KIT	1
15.3A		>> PRIMING/DRAIN PLUG-304-VERSION 1	1
15.3B	4032293	>> O-RING-10x3-EPDM-KTW/WRC	1
15.3C	4233957	>> O-RING ID.9 EPDM VP.	1
15.4	4221729	> BASE M+ DN50/65/80 VP.	1

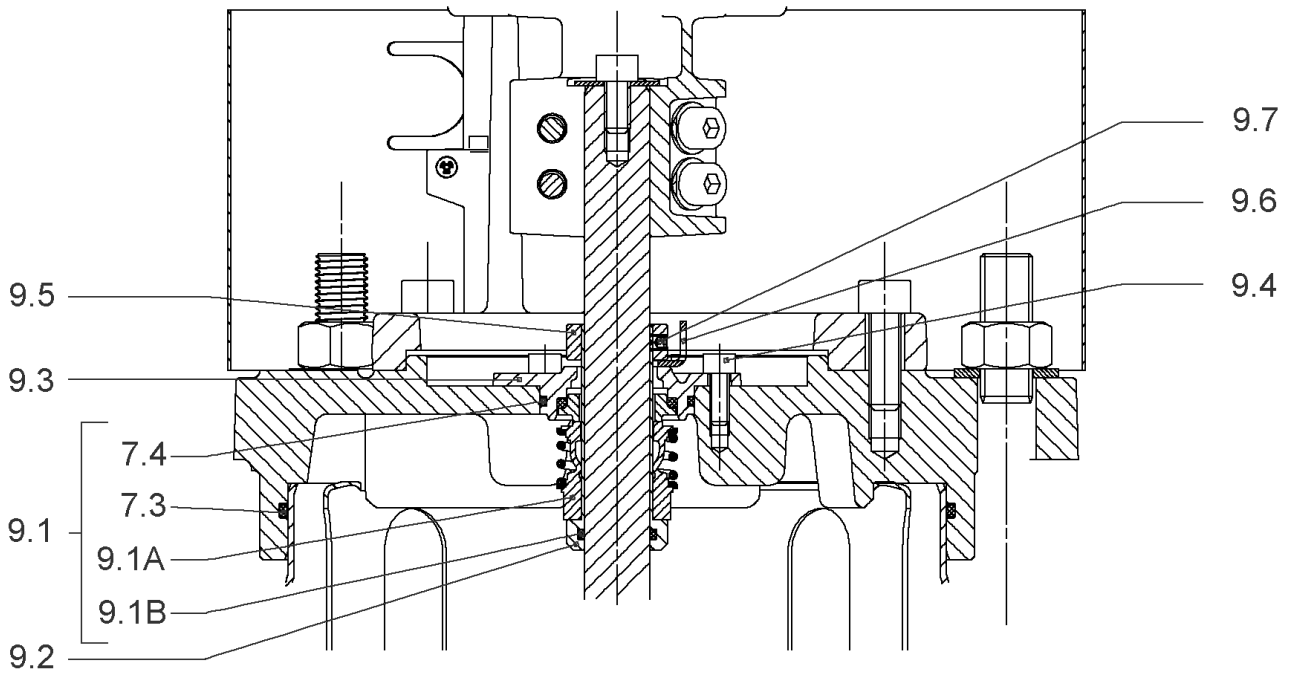
HELIX V3609-3/25/E/KS/400-50 (4138336)

Item	Article no.	Description	Quantity
15.5		> SCREW TBHC M12x25 ISO7380 ZN	1
15.6		> FLANGE M+ DN65 NF PN16-25 ASME PN16 CATA	1
15.7		> O-RING Ø79.5xØ3 EPDM	1
13.1A	4161200	> NECK RING 1.STAGE HELIX V36/52 KIT	1
		>> NECK-RING-M+36/52	1
		>> HYDRAULIC SUPPORT CAP M+36/52 304	1
		>> SCREW TCL M3X8 A4 POZIDRIV	1
7.3	4179571	> O-RING HOUSING PIPE HELIX22/36/52 VP.	1



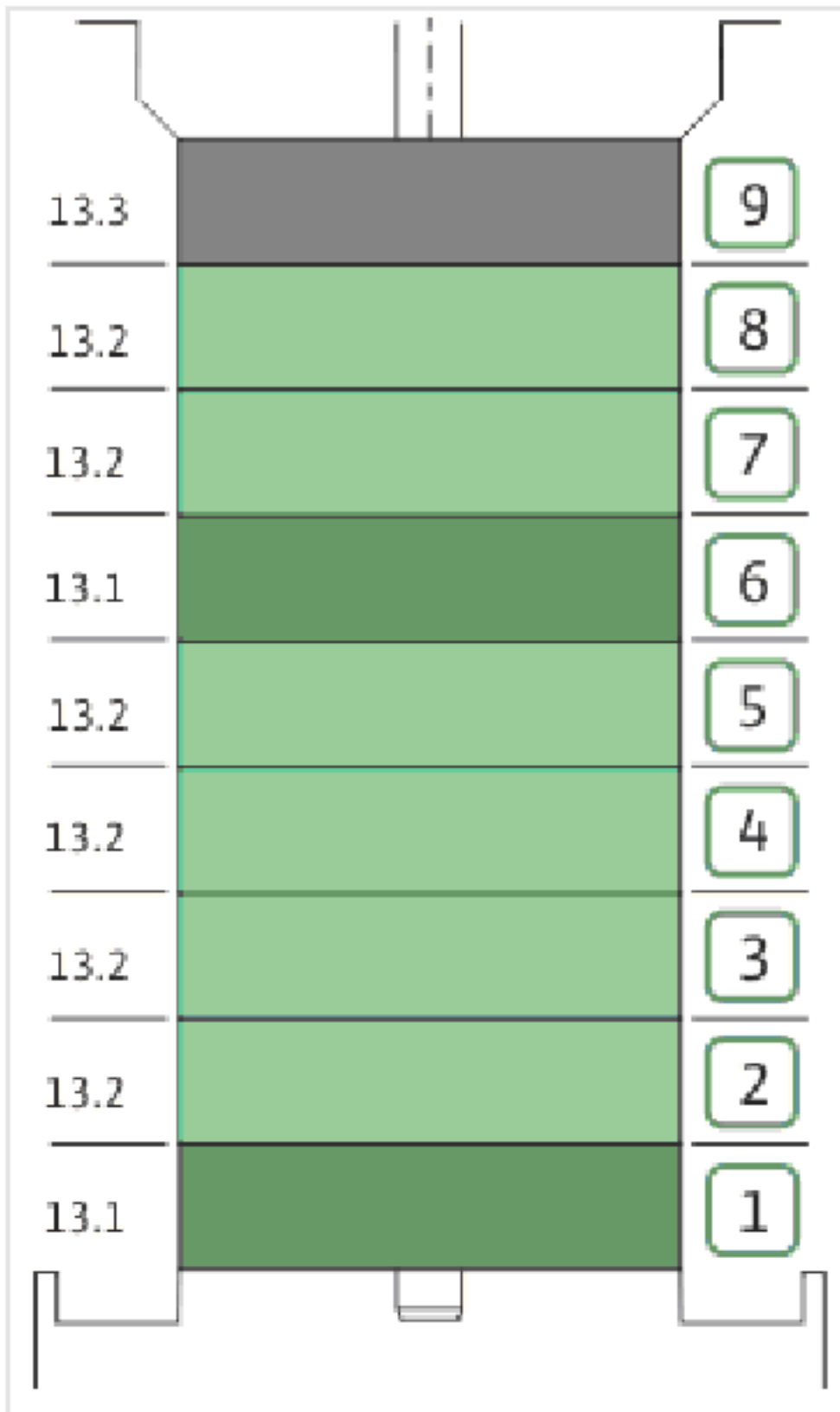
COUPLING HELIX V36/52 FF350 RLT6315 KIT (4161191)

Item	Article no.	Description	Quantity
4.1	4179935	COUPLING 2 PARTS D.20XD.38XL115 VP.	1
4.2	2114423	BALL BEARING 6315C4-ZZ-HT VP.	1
4.3	2119916	CIRCLIP D75X2.5 VP.	1
4.4	4179934	SCREW M12X30 (8 PIECES)	1
4.5	2119917	CIRCLIP D160X4 VP.	1
4.6	2119918	O-RING Ø158.34X3.53 NBR 70SH.VP.	1
4.7	2130992	RETAINING RING D.35xD.2,5 DIN7993 VP.	1
4.8	4179937	HUB D.55XD.75 VP.	1
4.9	4179936	SPACER D.38XD.65 VP.	1
4.10	2130991	SCREW M12X30 ISO4762 8.8 ZN(4 PIECES)	1
4.11	4233959	SCREW M8x16 VP.	1
4.12		SERRATED LOCK WASHER Ø8.2XØ25X35X2	1



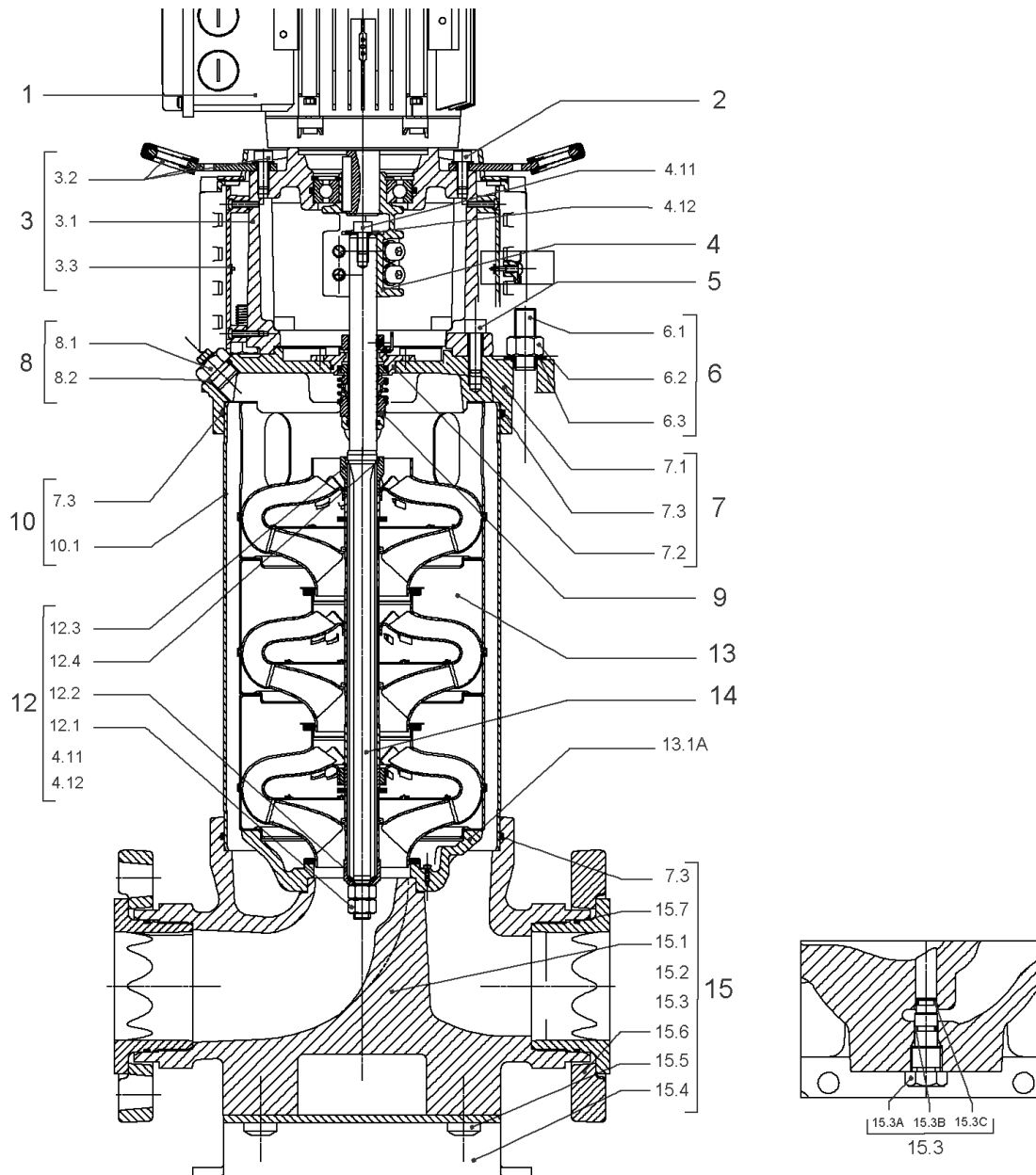
CARTRIDGE HELIX22-36-52 F/E KIT (4143975)

Item	Article no.	Description	Quantity
9.1	4143976	SEAL-KIT-HELIX22-36-52 F/E	1
7.3	4179571	> O-RING HOUSING PIPE HELIX22/36/52 VP.	1
7.4	4179572	> O-RING ID.42.52X2.62 EPDM VP.	1
9.1A	2127447	> M.SEAL.HELIX22-36-52 F/E VP.	1
9.1B	4179574	> O-RING ID.20x2.65 EPDM VP.	1
9.2	4179566	SHAFT SLEEVE D.20/20X60 1.4404 VP.	1
9.3	4179567	RING HOLDER Ø22 1.4301 VP.	1
9.4	4176520	SCREW CH M5x5 A4-70 (3PIECES)	1
9.5	4179568	DRIVE RING D.31/22.1x11 MACH.VP.	1
9.6	4179569	TOOL M.S.CART.HELIX 8" VP.	1
9.7	4179570	SCREW M6X16 ISO4762 8.8 GEOMET(4 PIECES)	1



HYDRAULIC HELIX V 3609

Item	Article no.	Description	Quantity
13.1	4161192	INTERMEDIATE STAGE HELIX V36 1.4301 KIT	1
		> SLEEVE-SPACER-D22XL16,66-316L	1
		> MACH.BEARING-DIFFUSER+NR-M+36-304	1
		> SHAFT-SLEEVE-D26xD22x16-CW	1
		> IMPELLER-H1-M+36-304	1
13.1A	4161200	> NECK RING 1.STAGE HELIX V36/52 KIT	1
		>> NECK-RING-M+36/52	1
		>> HYDRAULIC SUPPORT CAP M+36/52 304	1
		>> SCREW TCL M3X8 A4 POZIDRIV	1
13.2	4161193	INTERMEDIATE STAGE HELIX V36 1.4301 KIT	1
		> MACH.STD-DIFFUSER+NR-M+36-304	1
		> IMPELLER-H4-M+36-304	1
13.3	4161194	UPPER STAGE HELIX 36 1.4301 KIT	1
		> STOP COLLAR OF IMPELLER L20-Ø22-316L	1
		> IMPELLER-H4-M+36-304	1
		> MACH.-RIGID-STD-DISCH.-CHAMBER-M+36-304	1

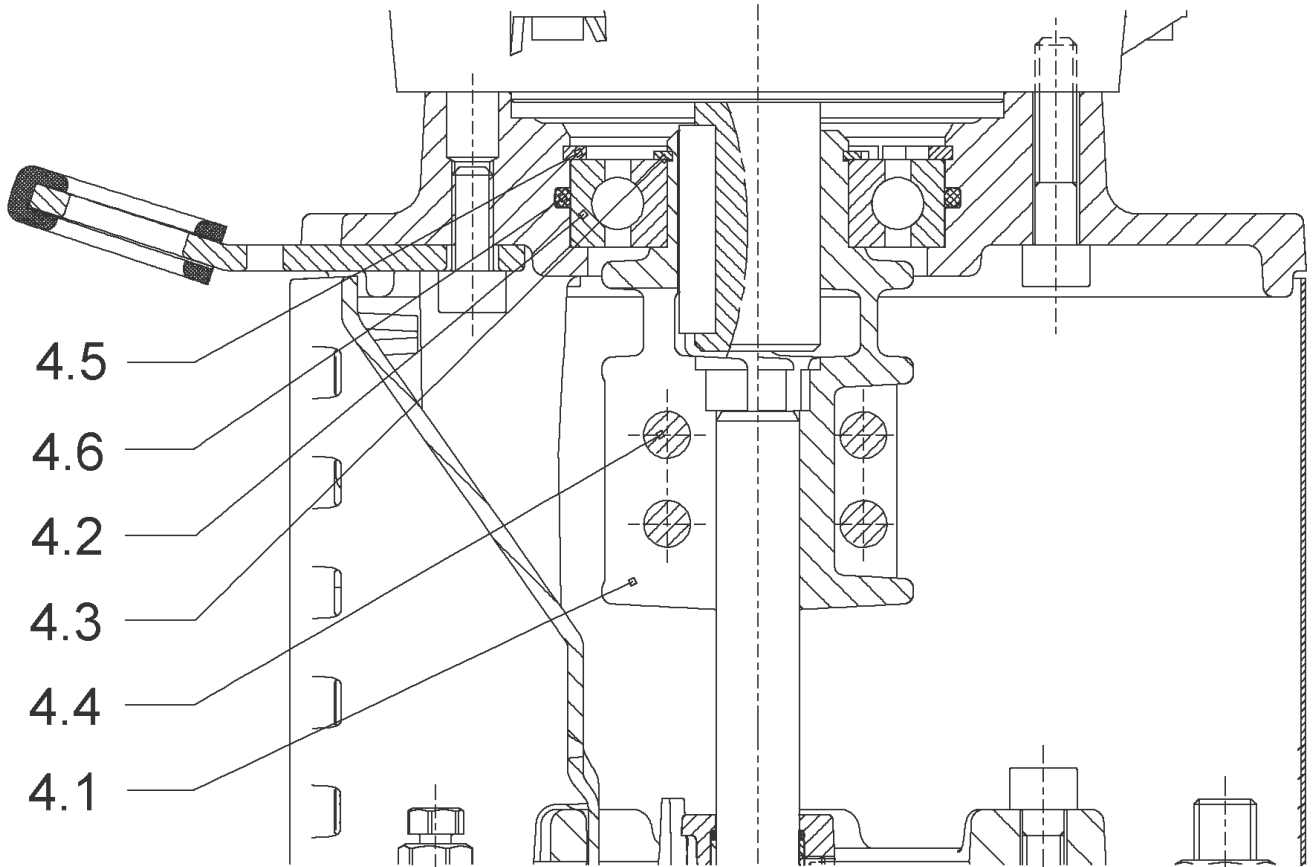


HELIX V3602/2-3/16/E/KS/400-50 (4138832)

Item	Article no.	Description	Quantity
1	4169945	MO.4/2 3~230/400(460)V 50(60)HZ IE3 VP.	1
		SPARE PARTS MOTOR:ON REQUEST	1
2	4159707	SCREW M8X30 (4 PIECES)	1
3	4157719	LANTERN HELIX 22/36 FT130 KIT	1
3.1		> LANTERN FT130 M+ GJL MACHINED+CATA	1
3.2	4179561	> EYELET CPL.FT HELIX(2 PIECES)	1
3.3	4143968	> COUPLING PROTECT HELIX FT KIT	1
4	4143964	COUPLING D.20XD.28 FT130 KIT	1
5	4094462	SCREWS M10 (4 PIECES)	1
6	4180018	STUD BOLT M16X267 KIT	1
6.1		> TIE BOLT M16-267x24x44-1.4057	1
6.2	4179562	> NUT M16 8.8 ISO4032 (4 PIECES)	1
6.3	4097852	> WASHER-CS-16.4-32-2.8-NFE25-511-A2	1
7	4179565	END SHIELD HELIX 8" EPDM KIT	1
7.1		> END SHIELD M+ GJL MACHINED+CATA	1
7.2	4179564	> O-RING D.42.52x2.62 EPDM VP.	1
7.3	4179571	> O-RING HOUSING PIPE HELIX22/36/52 VP.	1
8	4143765	FILING/PURGING PLUG 316L HELIX KIT	1
8.1		> FILLING/VENTING-PLUG-VMI8/10-316L	1
8.2	4032291	> O-RING 17x3 EPDM KTW/WRC	1
9	4143973	CARTRIDGE HELIX22-36-52 O/E KIT	1
10	4181070	HOUSING PIPE D.204X197 1.4307 KIT	1
7.3	4179571	> O-RING HOUSING PIPE HELIX22/36/52 VP.	1
10.1		> HOUSING-PIPE Ø204-M+3602-304	1
12	4161186	SHAFT EQUIPMENT HELIX V36 8" KIT	1
13		HYDRAULIC HELIX V 3602-2	1
14	4181073	SHAFTS D.22X354 1.4057 VP.	1
15	4161185	EQUIPED HOUSING HELIX 36 GJL KIT	1
15.1		> PUMP HOUSING SET with CATA. PARTS-DN65	1
15.3	4143766	> DRAIN/PRIMING PLUG EPDM HELIX KIT	1
15.3A		>> PRIMING/DRAIN PLUG-304-VERSION 1	1
15.3B	4032293	>> O-RING-10x3-EPDM-KTW/WRC	1
15.3C	4233957	>> O-RING ID.9 EPDM VP.	1
15.4	4221729	> BASE M+ DN50/65/80 VP.	1

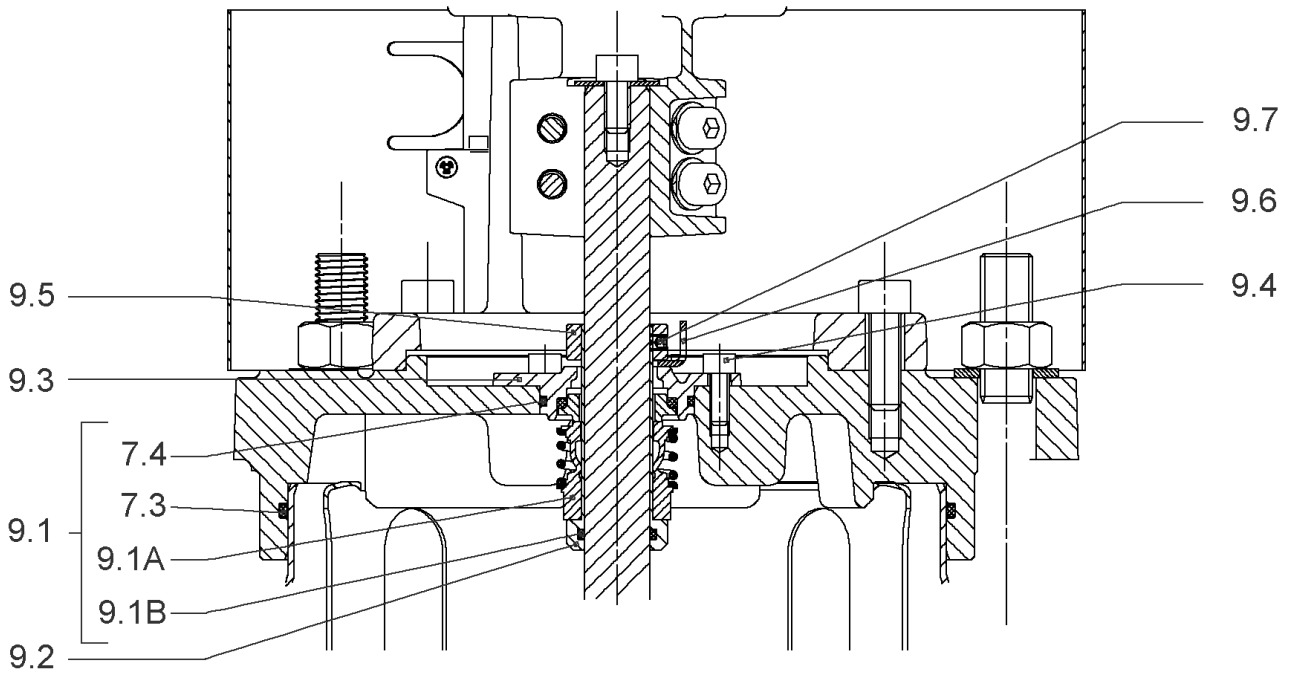
HELIX V3602/2-3/16/E/KS/400-50 (4138832)

Item	Article no.	Description	Quantity
15.5		> SCREW TBHC M12x25 ISO7380 ZN	1
15.6		> FLANGE M+ DN65 NF PN16-25 ASME PN16 CATA	1
15.7		> O-RING Ø79.5xØ3 EPDM	1
13.1A	4161200	> NECK RING 1.STAGE HELIX V36/52 KIT	1
		>> NECK-RING-M+36/52	1
		>> HYDRAULIC SUPPORT CAP M+36/52 304	1
		>> SCREW TCL M3X8 A4 POZIDRIV	1
7.3	4179571	> O-RING HOUSING PIPE HELIX22/36/52 VP.	1



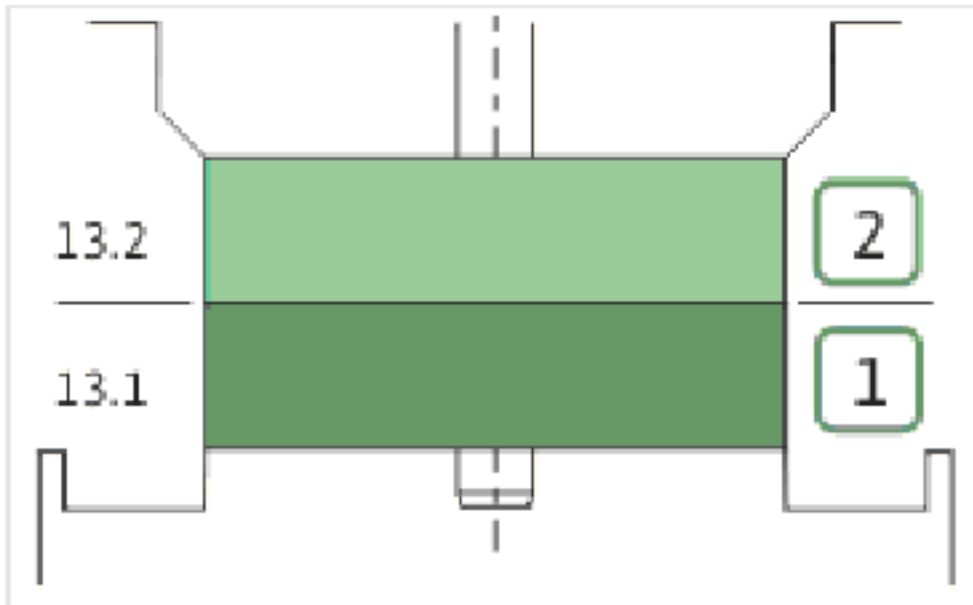
COUPLING D.20XD.28 FT130 KIT (4143964)

Item	Article no.	Description	Quantity
4.1		COUPLING M+ Ø20XØ28-FT130 MACHINED	1
4.2	2131022	BALL BEARING 6209/ZZ-C3(HT)VP.	1
4.3	4233930	CIRCLIP-FOR-BORES-D45x1,75 VP.	1
4.4	4157726	SCREW KIT M8X30 (4 PIECES)	1
4.5	4234252	CIRCLIPS 85X3 VP.	1
4.6	4234243	O-RING 85X3 VP.	1
		NOMEL CONTACT WASHER 8x16x1,4 STEEL ZC	1



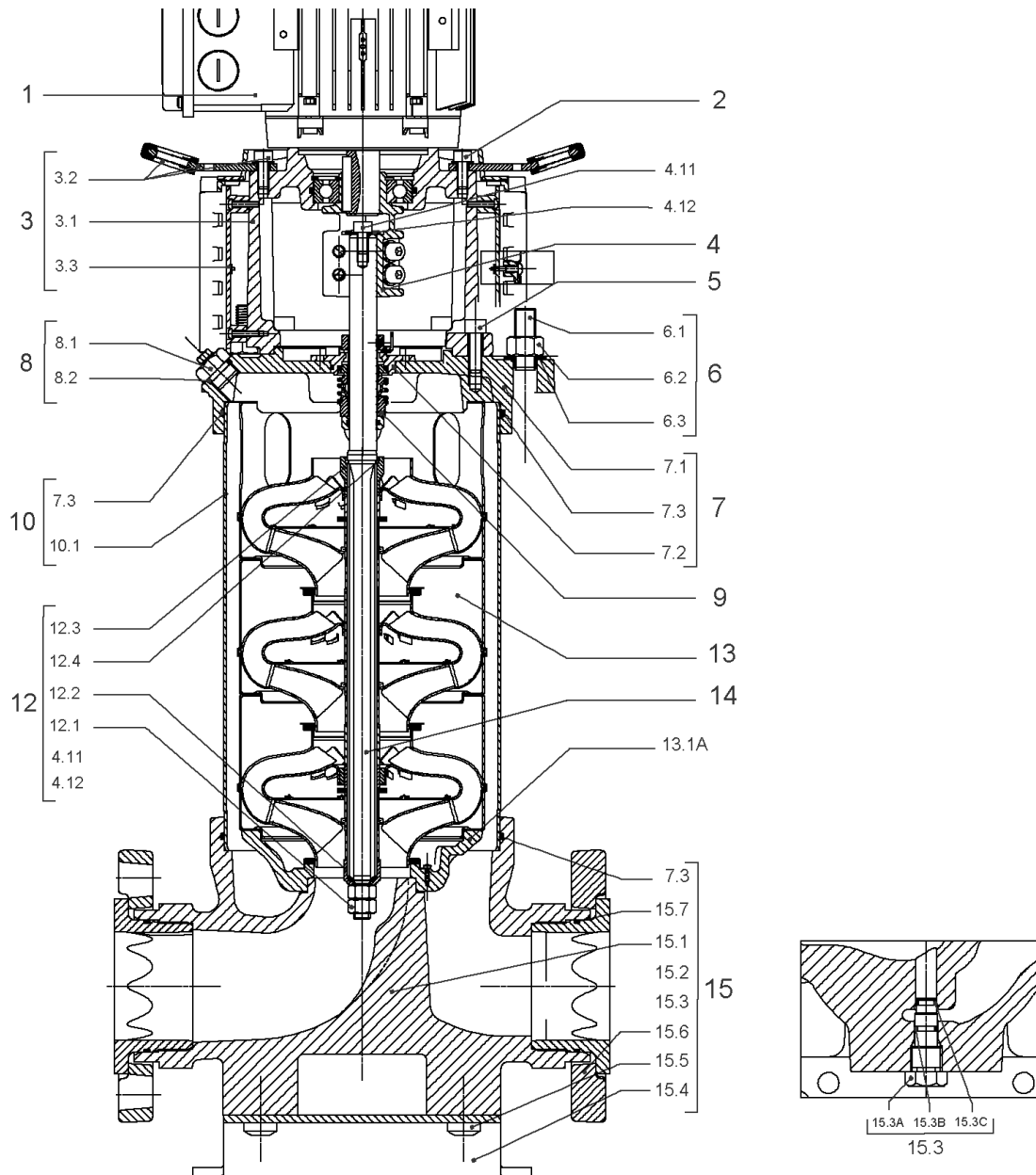
CARTRIDGE HELIX22-36-52 O/E KIT (4143973)

Item	Article no.	Description	Quantity
9.1	4143974	SEAL-KIT-HELIX22-36-52 O/E	1
7.3	4179571	> O-RING HOUSING PIPE HELIX22/36/52 VP.	1
7.4	4179572	> O-RING ID.42.52X2.62 EPDM VP.	1
9.1A	4179573	> M.SEAL.HELIX22-36-52 O/E VP.	1
9.1B	4179574	> O-RING ID.20x2.65 EPDM VP.	1
9.2	4179566	SHAFT SLEEVE D.20/20X60 1.4404 VP.	1
9.3	4179567	RING HOLDER Ø22 1.4301 VP.	1
9.4	4176520	SCREW CH M5x5 A4-70 (3PIECES)	1
9.5	4179568	DRIVE RING D.31/22.1x11 MACH.VP.	1
9.6	4179569	TOOL M.S.CART.HELIX 8" VP.	1
9.7	4179570	SCREW M6X16 ISO4762 8.8 GEOMET(4 PIECES)	1



HYDRAULIC HELIX V 3602-2

Item	Article no.	Description	Quantity
13.1	4161197	INTERMEDIATE STAGE HELIX V36 1.4301 KIT	1
		> SLEEVE-SPACER-D22XL16,66-316L	1
		> MACH.BEARING-DIFFUSER+NR-M+36-304	1
		> SHAFT-SLEEVE-D26xD22x16-CW	1
		> REDUCED-IMPELLER-H1-M+36-304	1
13.1A	4161200	> NECK RING 1.STAGE HELIX V36/52 KIT	1
		>> NECK-RING-M+36/52	1
		>> HYDRAULIC SUPPORT CAP M+36/52 304	1
		>> SCREW TCL M3X8 A4 POZIDRIV	1
13.2	4161196	UPPER STAGE HELIX 36 1.4301 KIT	1
		> STOP COLLAR OF IMPELLER L20-Ø22-316L	1
		> REDUCED-IMPELLER-H4-M+36-304	1
		> MACH.-RIGID-STD-DISCH.-CHAMBER-M+36-304	1

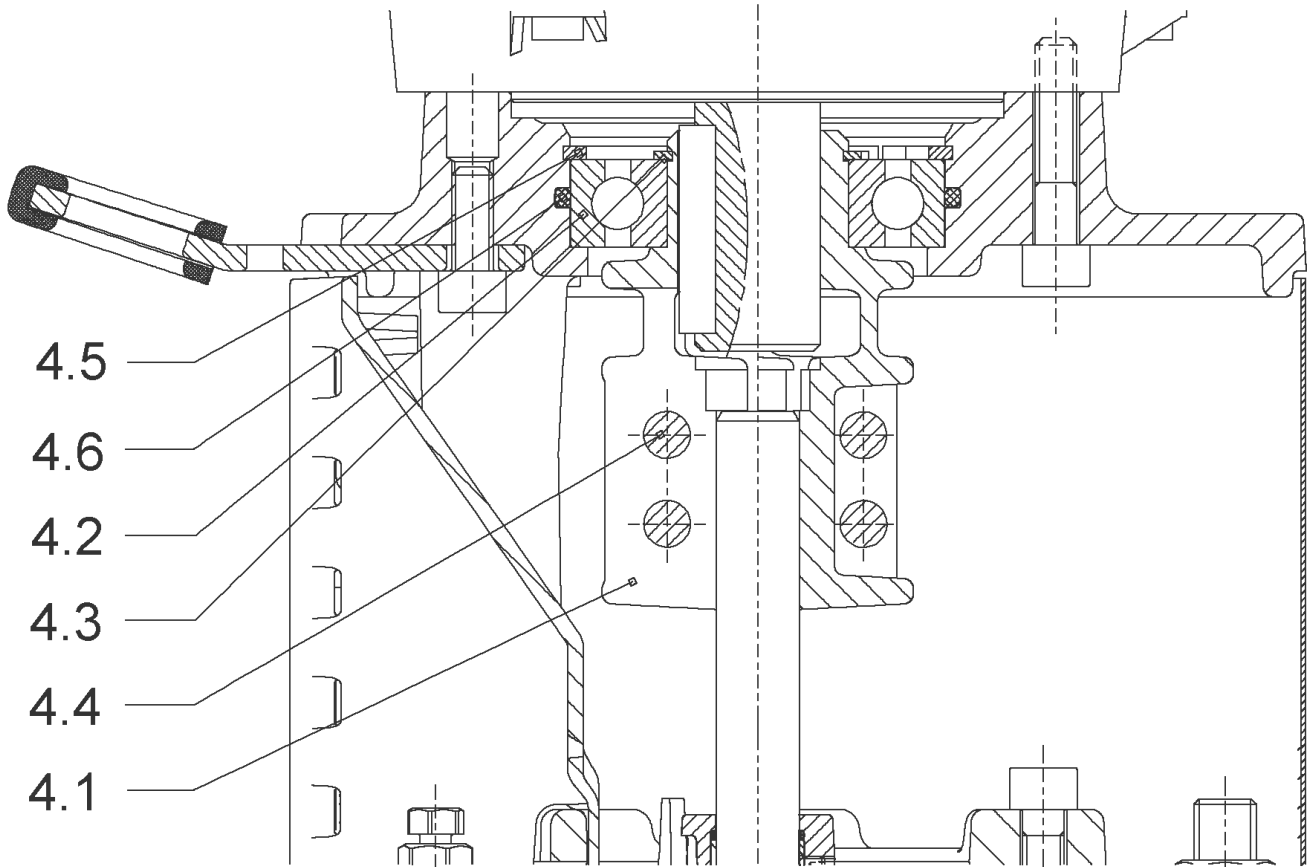


HELIX V3602/1-3/16/E/KS/400-50 (4138833)

Item	Article no.	Description	Quantity
1	4169947	MO 5,5/2/112 3~400V50Hz 460V60Hz IE3 VP.	1
		SPARE PARTS MOTOR:ON REQUEST	1
2	4159707	SCREW M8X30 (4 PIECES)	1
3	4157719	LANTERN HELIX 22/36 FT130 KIT	1
3.1		> LANTERN FT130 M+ GJL MACHINED+CATA	1
3.2	4179561	> EYELET CPL.FT HELIX(2 PIECES)	1
3.3	4143968	> COUPLING PROTECT HELIX FT KIT	1
4	4143964	COUPLING D.20XD.28 FT130 KIT	1
5	4094462	SCREWS M10 (4 PIECES)	1
6	4180018	STUD BOLT M16X267 KIT	1
6.1		> TIE BOLT M16-267x24x44-1.4057	1
6.2	4179562	> NUT M16 8.8 ISO4032 (4 PIECES)	1
6.3	4097852	> WASHER-CS-16.4-32-2.8-NFE25-511-A2	1
7	4179565	END SHIELD HELIX 8" EPDM KIT	1
7.1		> END SHIELD M+ GJL MACHINED+CATA	1
7.2	4179564	> O-RING D.42.52x2.62 EPDM VP.	1
7.3	4179571	> O-RING HOUSING PIPE HELIX22/36/52 VP.	1
8	4143765	FILING/PURGING PLUG 316L HELIX KIT	1
8.1		> FILLING/VENTING-PLUG-VMI8/10-316L	1
8.2	4032291	> O-RING 17x3 EPDM KTW/WRC	1
9	4143973	CARTRIDGE HELIX22-36-52 O/E KIT	1
10	4181070	HOUSING PIPE D.204X197 1.4307 KIT	1
7.3	4179571	> O-RING HOUSING PIPE HELIX22/36/52 VP.	1
10.1		> HOUSING-PIPE Ø204-M+3602-304	1
12	4161186	SHAFT EQUIPMENT HELIX V36 8" KIT	1
13		HYDRAULIC HELIX V 3602-1	1
14	4181073	SHAFTS D.22X354 1.4057 VP.	1
15	4161185	EQUIPED HOUSING HELIX 36 GJL KIT	1
15.1		> PUMP HOUSING SET with CATA. PARTS-DN65	1
15.3	4143766	> DRAIN/PRIMING PLUG EPDM HELIX KIT	1
15.3A		>> PRIMING/DRAIN PLUG-304-VERSION 1	1
15.3B	4032293	>> O-RING-10x3-EPDM-KTW/WRC	1
15.3C	4233957	>> O-RING ID.9 EPDM VP.	1
15.4	4221729	> BASE M+ DN50/65/80 VP.	1

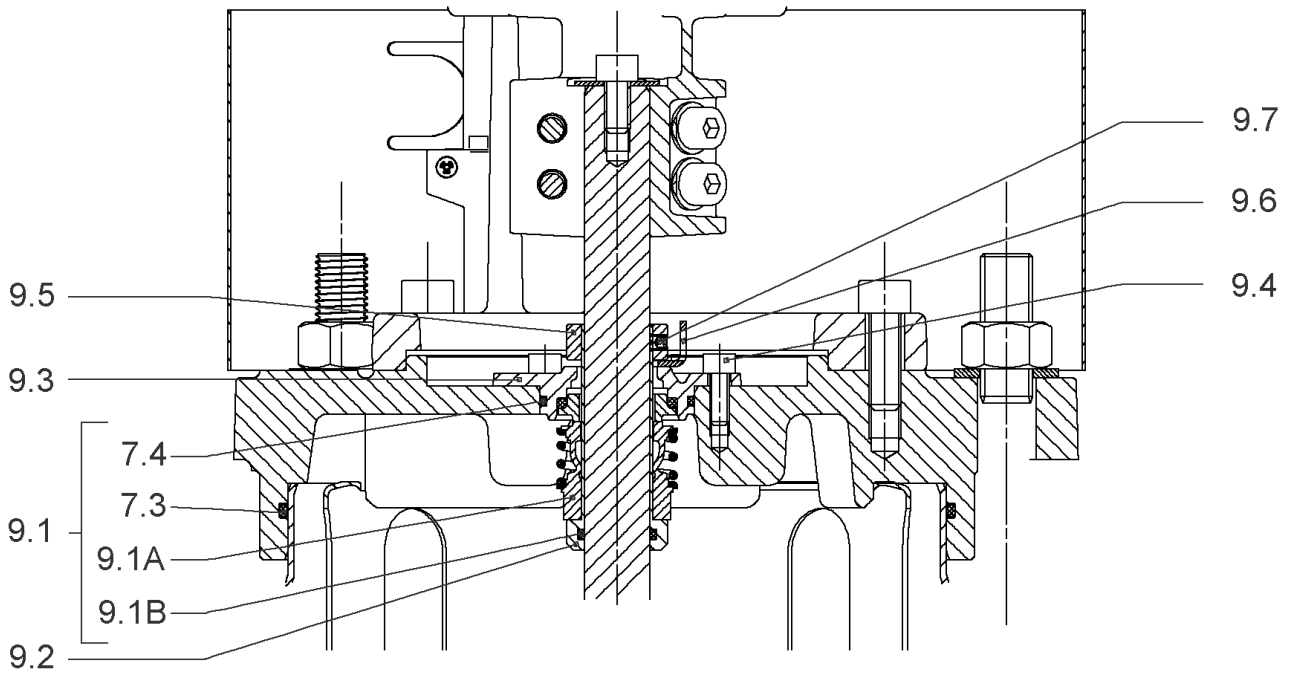
HELIX V3602/1-3/16/E/KS/400-50 (4138833)

Item	Article no.	Description	Quantity
15.5		> SCREW TBHC M12x25 ISO7380 ZN	1
15.6		> FLANGE M+ DN65 NF PN16-25 ASME PN16 CATA	1
15.7		> O-RING Ø79.5xØ3 EPDM	1
13.1A	4161200	> NECK RING 1.STAGE HELIX V36/52 KIT	1
		>> NECK-RING-M+36/52	1
		>> HYDRAULIC SUPPORT CAP M+36/52 304	1
		>> SCREW TCL M3X8 A4 POZIDRIV	1
7.3	4179571	> O-RING HOUSING PIPE HELIX22/36/52 VP.	1



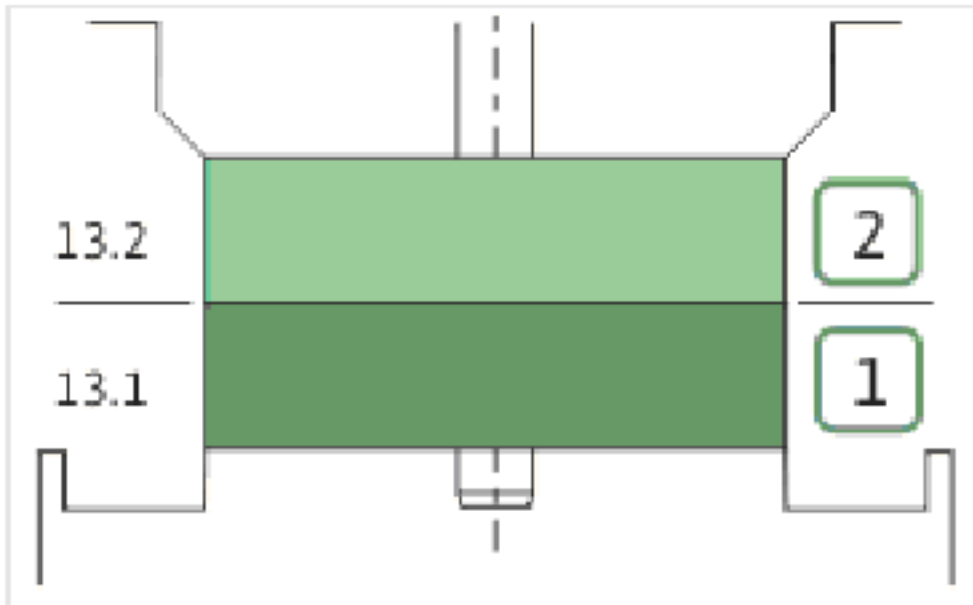
COUPLING D.20XD.28 FT130 KIT (4143964)

Item	Article no.	Description	Quantity
4.1		COUPLING M+ Ø20XØ28-FT130 MACHINED	1
4.2	2131022	BALL BEARING 6209/ZZ-C3(HT)VP.	1
4.3	4233930	CIRCLIP-FOR-BORES-D45x1,75 VP.	1
4.4	4157726	SCREW KIT M8X30 (4 PIECES)	1
4.5	4234252	CIRCLIPS 85X3 VP.	1
4.6	4234243	O-RING 85X3 VP.	1
		NOMEL CONTACT WASHER 8x16x1,4 STEEL ZC	1



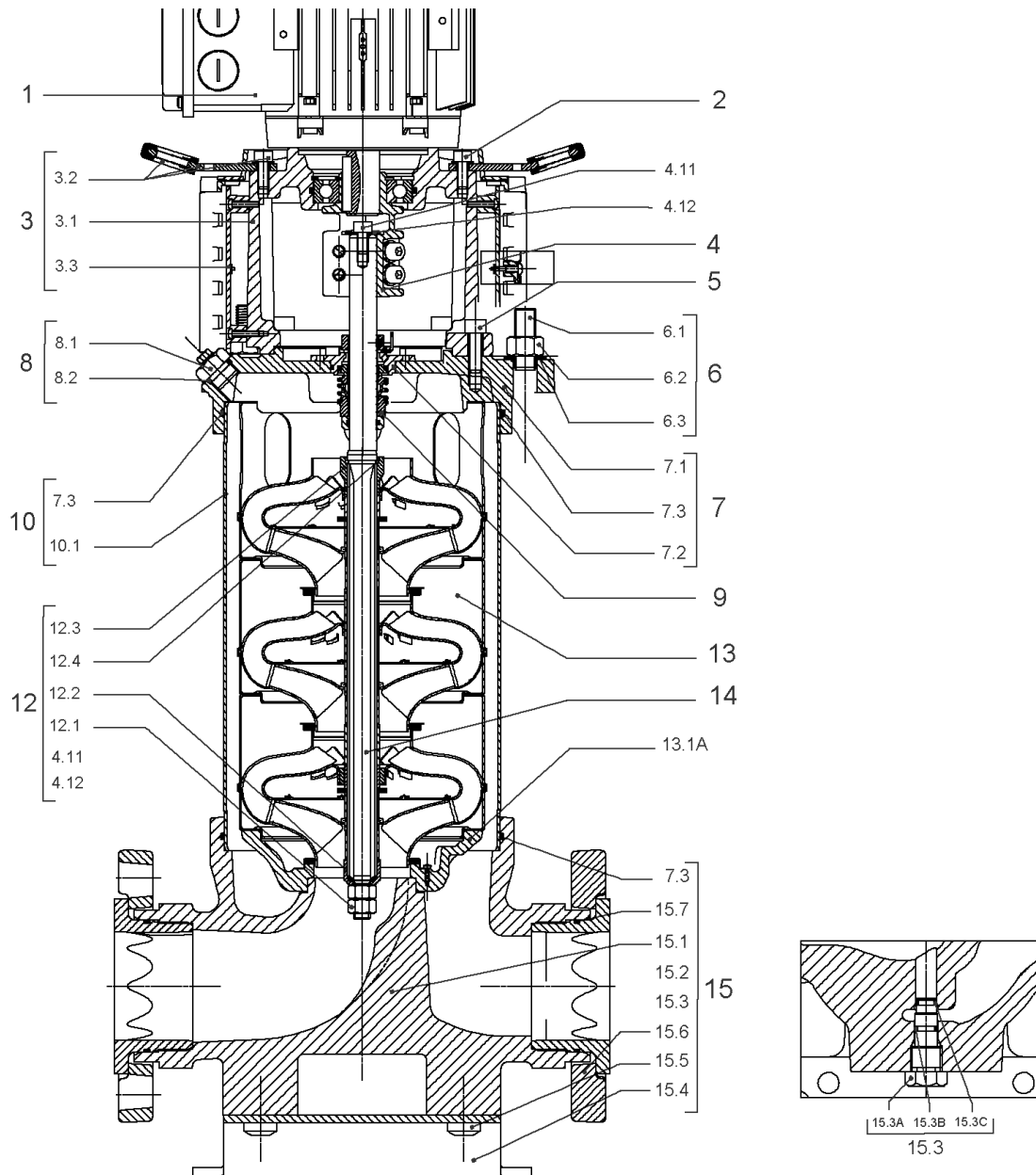
CARTRIDGE HELIX22-36-52 O/E KIT (4143973)

Item	Article no.	Description	Quantity
9.1	4143974	SEAL-KIT-HELIX22-36-52 O/E	1
7.3	4179571	> O-RING HOUSING PIPE HELIX22/36/52 VP.	1
7.4	4179572	> O-RING ID.42.52X2.62 EPDM VP.	1
9.1A	4179573	> M.SEAL.HELIX22-36-52 O/E VP.	1
9.1B	4179574	> O-RING ID.20x2.65 EPDM VP.	1
9.2	4179566	SHAFT SLEEVE D.20/20X60 1.4404 VP.	1
9.3	4179567	RING HOLDER Ø22 1.4301 VP.	1
9.4	4176520	SCREW CH M5x5 A4-70 (3PIECES)	1
9.5	4179568	DRIVE RING D.31/22.1x11 MACH.VP.	1
9.6	4179569	TOOL M.S.CART.HELIX 8" VP.	1
9.7	4179570	SCREW M6X16 ISO4762 8.8 GEOMET(4 PIECES)	1



HYDRAULIC HELIX V 3602-1

Item	Article no.	Description	Quantity
13.1	4161192	INTERMEDIATE STAGE HELIX V36 1.4301 KIT	1
		> SLEEVE-SPACER-D22XL16,66-316L	1
		> MACH.BEARING-DIFFUSER+NR-M+36-304	1
		> SHAFT-SLEEVE-D26xD22x16-CW	1
		> IMPELLER-H1-M+36-304	1
13.1A	4161200	> NECK RING 1.STAGE HELIX V36/52 KIT	1
		>> NECK-RING-M+36/52	1
		>> HYDRAULIC SUPPORT CAP M+36/52 304	1
		>> SCREW TCL M3X8 A4 POZIDRIV	1
13.2	4161196	UPPER STAGE HELIX 36 1.4301 KIT	1
		> STOP COLLAR OF IMPELLER L20-Ø22-316L	1
		> REDUCED-IMPELLER-H4-M+36-304	1
		> MACH.-RIGID-STD-DISCH.-CHAMBER-M+36-304	1

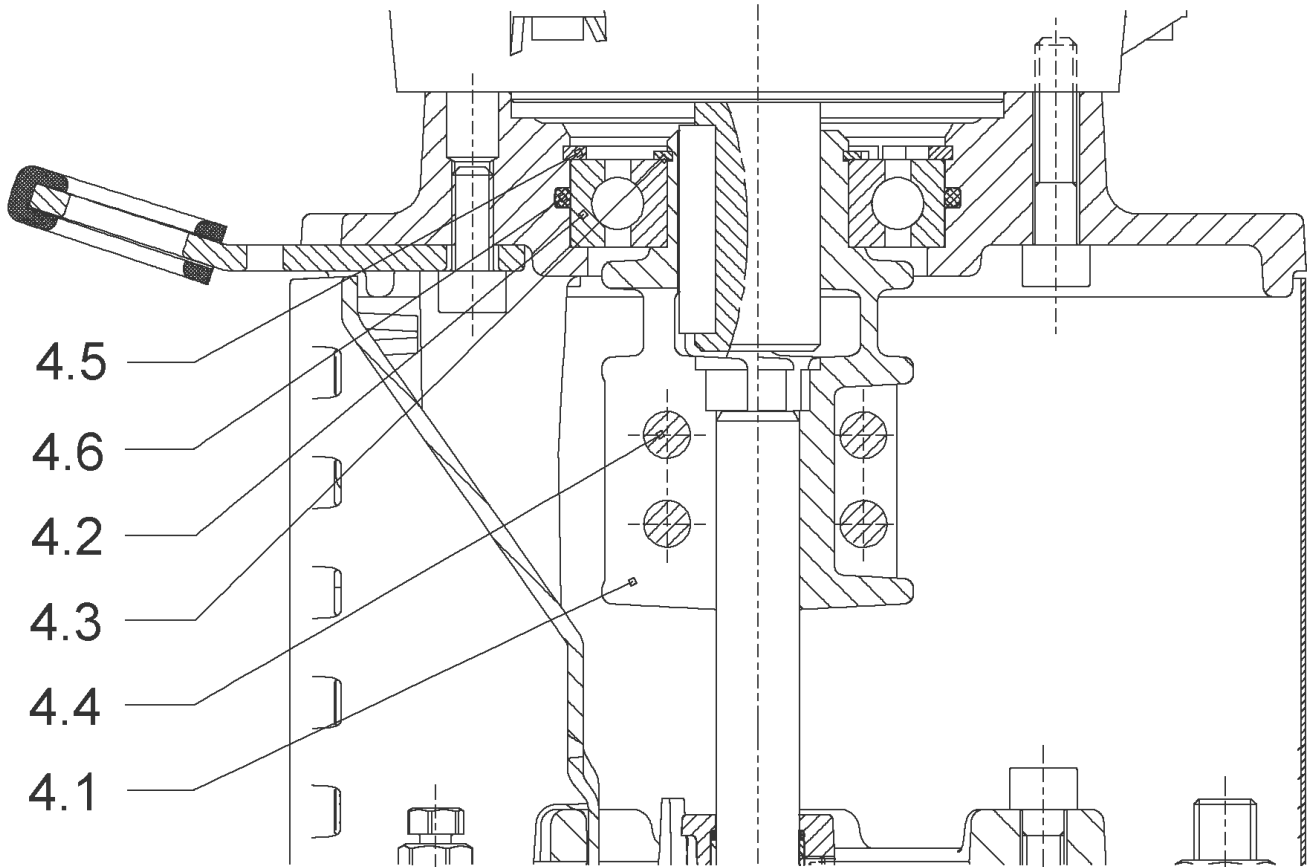


HELIX V3602-3/16/E/KS/400-50 (4138834)

Item	Article no.	Description	Quantity
1	4169947	MO 5,5/2/112 3~400V50Hz 460V60Hz IE3 VP.	1
		SPARE PARTS MOTOR:ON REQUEST	1
2	4159707	SCREW M8X30 (4 PIECES)	1
3	4157719	LANTERN HELIX 22/36 FT130 KIT	1
3.1		> LANTERN FT130 M+ GJL MACHINED+CATA	1
3.2	4179561	> EYELET CPL.FT HELIX(2 PIECES)	1
3.3	4143968	> COUPLING PROTECT HELIX FT KIT	1
4	4143964	COUPLING D.20XD.28 FT130 KIT	1
5	4094462	SCREWS M10 (4 PIECES)	1
6	4180018	STUD BOLT M16X267 KIT	1
6.1		> TIE BOLT M16-267x24x44-1.4057	1
6.2	4179562	> NUT M16 8.8 ISO4032 (4 PIECES)	1
6.3	4097852	> WASHER-CS-16.4-32-2.8-NFE25-511-A2	1
7	4179565	END SHIELD HELIX 8" EPDM KIT	1
7.1		> END SHIELD M+ GJL MACHINED+CATA	1
7.2	4179564	> O-RING D.42.52x2.62 EPDM VP.	1
7.3	4179571	> O-RING HOUSING PIPE HELIX22/36/52 VP.	1
8	4143765	FILING/PURGING PLUG 316L HELIX KIT	1
8.1		> FILLING/VENTING-PLUG-VMI8/10-316L	1
8.2	4032291	> O-RING 17x3 EPDM KTW/WRC	1
9	4143973	CARTRIDGE HELIX22-36-52 O/E KIT	1
10	4181070	HOUSING PIPE D.204X197 1.4307 KIT	1
7.3	4179571	> O-RING HOUSING PIPE HELIX22/36/52 VP.	1
10.1		> HOUSING-PIPE Ø204-M+3602-304	1
12	4161186	SHAFT EQUIPMENT HELIX V36 8" KIT	1
13		HYDRAULIC HELIX V 3602	1
14	4181073	SHAFTS D.22X354 1.4057 VP.	1
15	4161185	EQUIPED HOUSING HELIX 36 GJL KIT	1
15.1		> PUMP HOUSING SET with CATA. PARTS-DN65	1
15.3	4143766	> DRAIN/PRIMING PLUG EPDM HELIX KIT	1
15.3A		>> PRIMING/DRAIN PLUG-304-VERSION 1	1
15.3B	4032293	>> O-RING-10x3-EPDM-KTW/WRC	1
15.3C	4233957	>> O-RING ID.9 EPDM VP.	1
15.4	4221729	> BASE M+ DN50/65/80 VP.	1

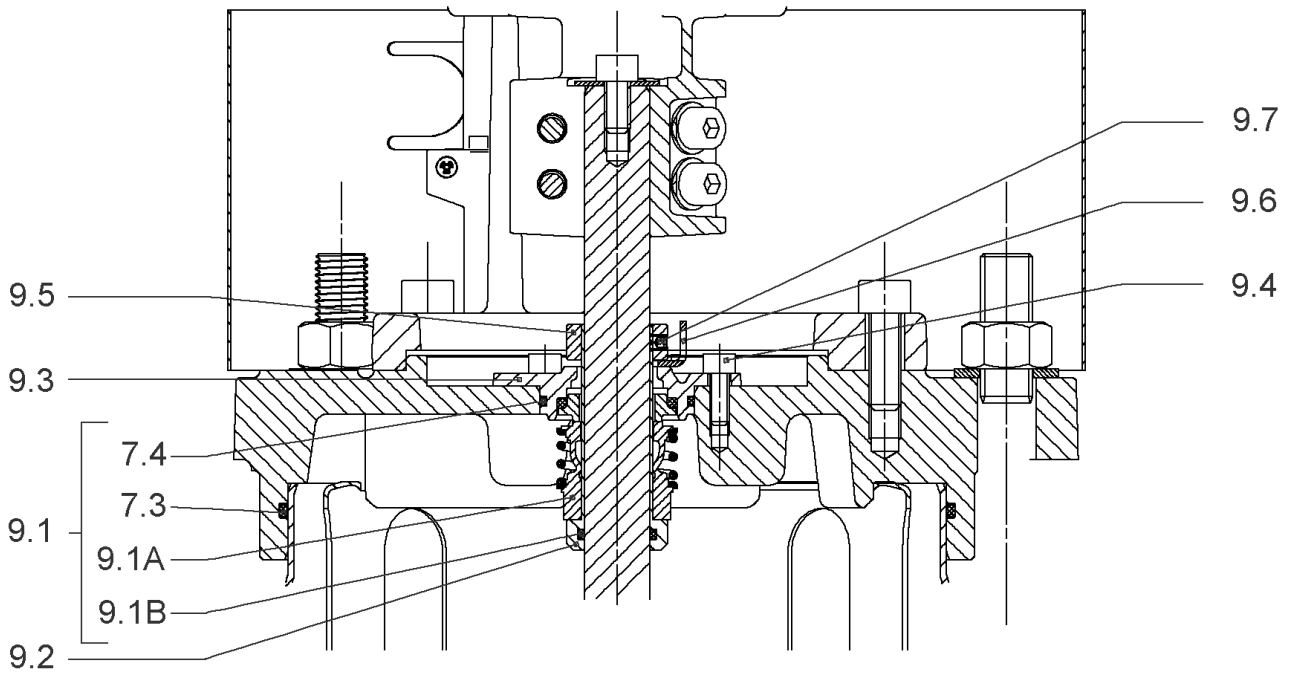
HELIX V3602-3/16/E/KS/400-50 (4138834)

Item	Article no.	Description	Quantity
15.5		> SCREW TBHC M12x25 ISO7380 ZN	1
15.6		> FLANGE M+ DN65 NF PN16-25 ASME PN16 CATA	1
15.7		> O-RING Ø79.5xØ3 EPDM	1
13.1A	4161200	> NECK RING 1.STAGE HELIX V36/52 KIT	1
		>> NECK-RING-M+36/52	1
		>> HYDRAULIC SUPPORT CAP M+36/52 304	1
		>> SCREW TCL M3X8 A4 POZIDRIV	1
7.3	4179571	> O-RING HOUSING PIPE HELIX22/36/52 VP.	1



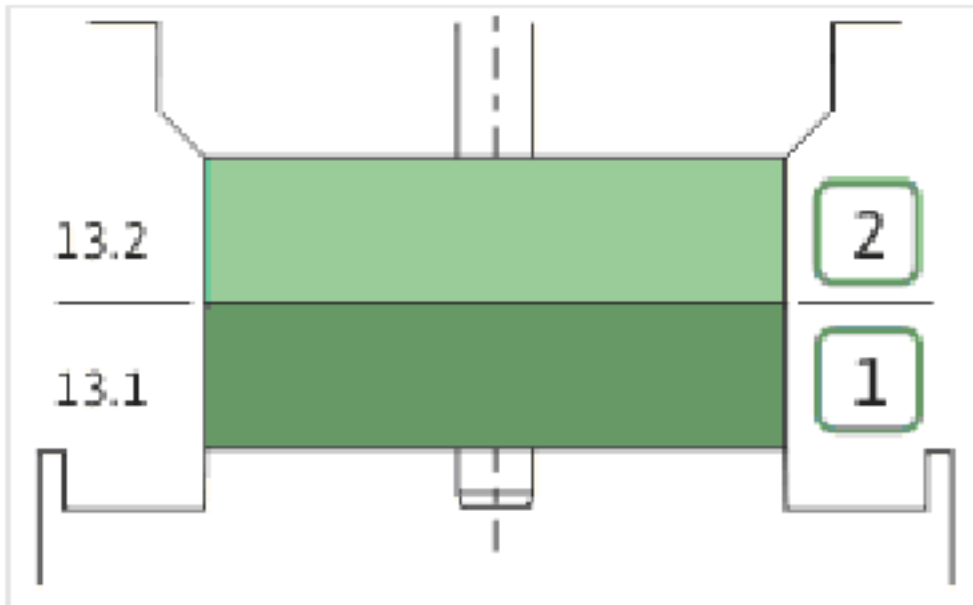
COUPLING D.20XD.28 FT130 KIT (4143964)

Item	Article no.	Description	Quantity
4.1		COUPLING M+ Ø20XØ28-FT130 MACHINED	1
4.2	2131022	BALL BEARING 6209/ZZ-C3(HT)VP.	1
4.3	4233930	CIRCLIP-FOR-BORES-D45x1,75 VP.	1
4.4	4157726	SCREW KIT M8X30 (4 PIECES)	1
4.5	4234252	CIRCLIPS 85X3 VP.	1
4.6	4234243	O-RING 85X3 VP.	1
		NOMEL CONTACT WASHER 8x16x1,4 STEEL ZC	1



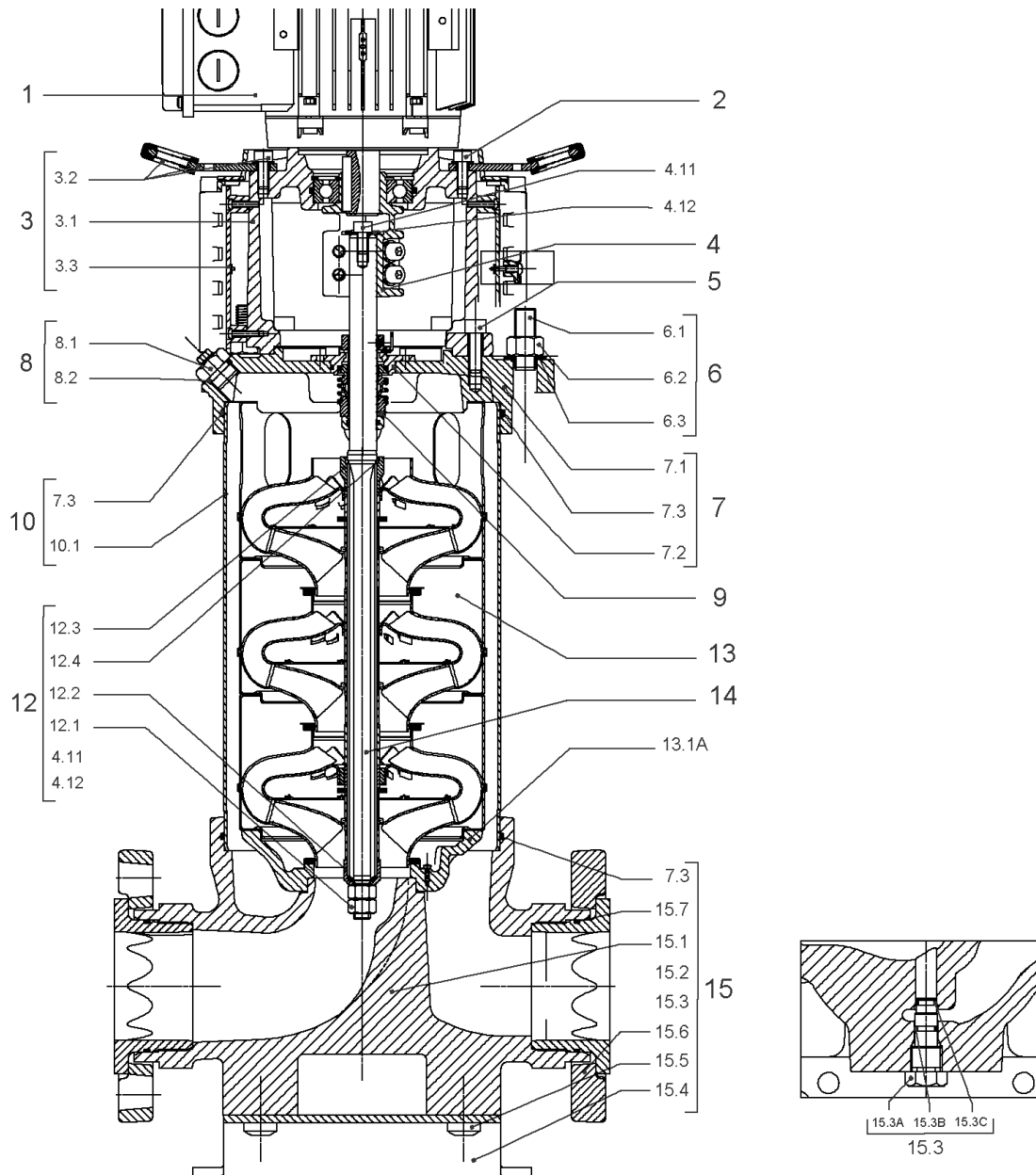
CARTRIDGE HELIX22-36-52 O/E KIT (4143973)

Item	Article no.	Description	Quantity
9.1	4143974	SEAL-KIT-HELIX22-36-52 O/E	1
7.3	4179571	> O-RING HOUSING PIPE HELIX22/36/52 VP.	1
7.4	4179572	> O-RING ID.42.52X2.62 EPDM VP.	1
9.1A	4179573	> M.SEAL.HELIX22-36-52 O/E VP.	1
9.1B	4179574	> O-RING ID.20x2.65 EPDM VP.	1
9.2	4179566	SHAFT SLEEVE D.20/20X60 1.4404 VP.	1
9.3	4179567	RING HOLDER Ø22 1.4301 VP.	1
9.4	4176520	SCREW CH M5x5 A4-70 (3PIECES)	1
9.5	4179568	DRIVE RING D.31/22.1x11 MACH.VP.	1
9.6	4179569	TOOL M.S.CART.HELIX 8" VP.	1
9.7	4179570	SCREW M6X16 ISO4762 8.8 GEOMET(4 PIECES)	1



HYDRAULIC HELIX V 3602

Item	Article no.	Description	Quantity
13.1	4161192	INTERMEDIATE STAGE HELIX V36 1.4301 KIT	1
		> SLEEVE-SPACER-D22XL16,66-316L	1
		> MACH.BEARING-DIFFUSER+NR-M+36-304	1
		> SHAFT-SLEEVE-D26xD22x16-CW	1
		> IMPELLER-H1-M+36-304	1
13.1A	4161200	> NECK RING 1.STAGE HELIX V36/52 KIT	1
		>> NECK-RING-M+36/52	1
		>> HYDRAULIC SUPPORT CAP M+36/52 304	1
		>> SCREW TCL M3X8 A4 POZIDRIV	1
13.2	4161194	UPPER STAGE HELIX 36 1.4301 KIT	1
		> STOP COLLAR OF IMPELLER L20-Ø22-316L	1
		> IMPELLER-H4-M+36-304	1
		> MACH.-RIGID-STD-DISCH.-CHAMBER-M+36-304	1

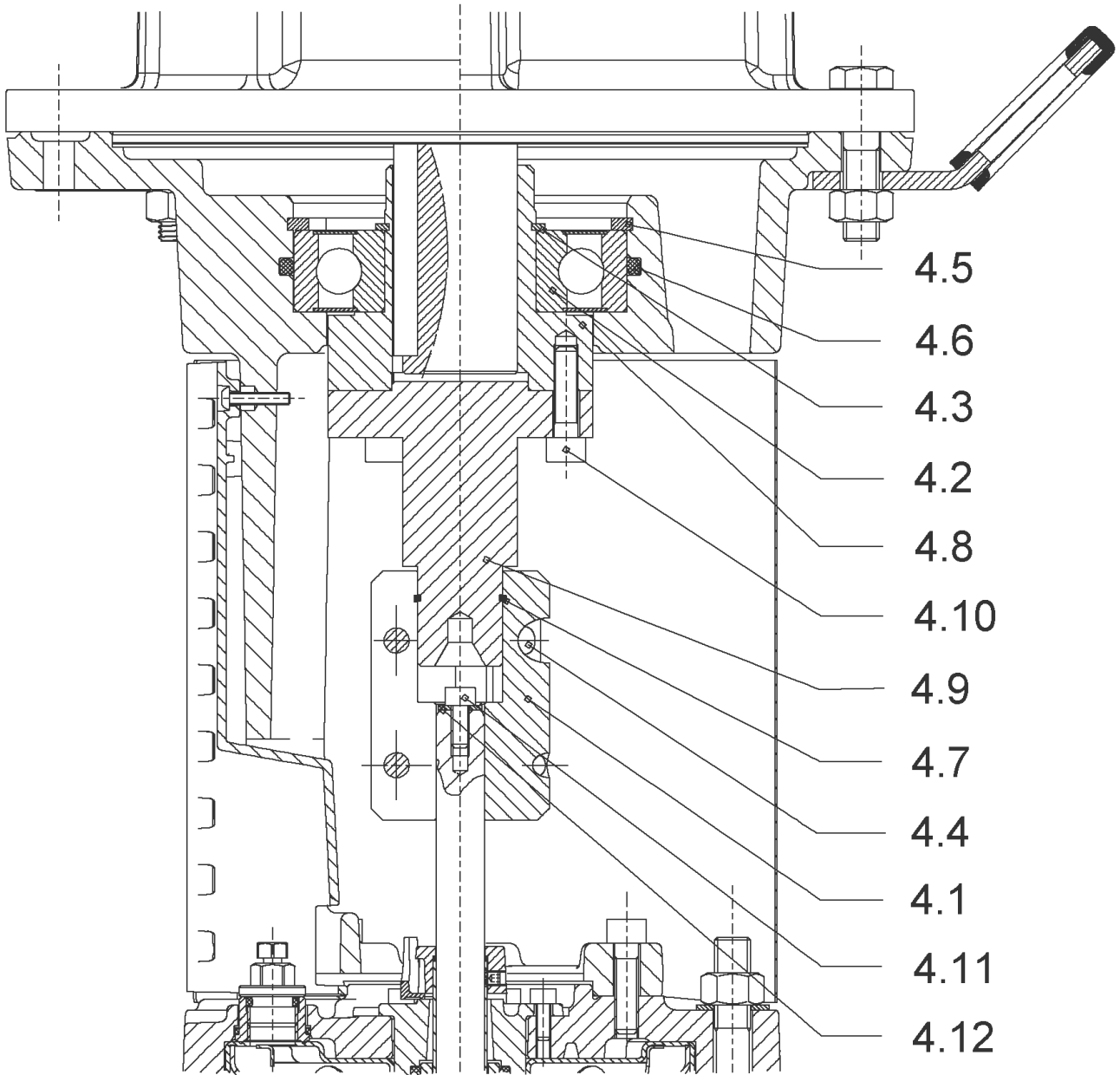


HELIX V3603/2-3/16/E/KS/400-50 (4138835)

Item	Article no.	Description	Quantity
1	4195450	MOTOR 7,5/2/* 3~400V 50HZ IE3 VP.	1
		SPARE PARTS MOTOR:ON REQUEST	1
2	4174093	SCREW M12X50 (4 PIECES)	1
3	4161187	LANTERN FF265 HELIX 8" KIT	1
3.1		> LANTERN FF265 M+ GJL MACHINED+CATA	1
3.2	2127605	> EYELET CPL.FF265 HELIX(2 PIECES)	1
3.3	4143969	> COUPLING PROTECT HELIX FF KIT	1
4	4143965	COUPLING D.20XD.28 FF265 KIT	1
5	4157725	SCREW M10X40 (4 PIECES)	1
6	4181076	STUD BOLT M16X338 KIT	1
		> TIE BOLT M16-338x24x44-1.4057	1
	4179562	> NUT M16 8.8 ISO4032 (4 PIECES)	1
	4097852	> WASHER-CS-16.4-32-2.8-NFE25-511-A2	1
7	4179565	END SHIELD HELIX 8" EPDM KIT	1
7.1		> END SHIELD M+ GJL MACHINED+CATA	1
7.2	4179564	> O-RING D.42.52x2.62 EPDM VP.	1
7.3	4179571	> O-RING HOUSING PIPE HELIX22/36/52 VP.	1
8	4143765	FILING/PURGING PLUG 316L HELIX KIT	1
8.1		> FILLING/VENTING-PLUG-VM18/10-316L	1
8.2	4032291	> O-RING 17x3 EPDM KTW/WRC	1
9	4143973	CARTRIDGE HELIX22-36-52 O/E KIT	1
10	4181077	HOUSING-PIPE D.204X264 1.4307 KIT	1
7.3	4179571	> O-RING HOUSING PIPE HELIX22/36/52 VP.	1
10.1		> HOUSING-PIPE Ø204-M+2204/3603-304	1
12	4161186	SHAFT EQUIPMENT HELIX V36 8" KIT	1
13		HYDRAULIC HELIX V 3603-2	1
14	2119966	SHAFT D.22 LG.420,67 HELIX 1.4057 VP.	1
15	4161185	EQUIPED HOUSING HELIX 36 GJL KIT	1
15.1		> PUMP HOUSING SET with CATA. PARTS-DN65	1
15.3	4143766	> DRAIN/PRIMING PLUG EPDM HELIX KIT	1
15.3A		>> PRIMING/DRAIN PLUG-304-VERSION 1	1
15.3B	4032293	>> O-RING-10x3-EPDM-KTW/WRC	1
15.3C	4233957	>> O-RING ID.9 EPDM VP.	1
15.4	4221729	> BASE M+ DN50/65/80 VP.	1

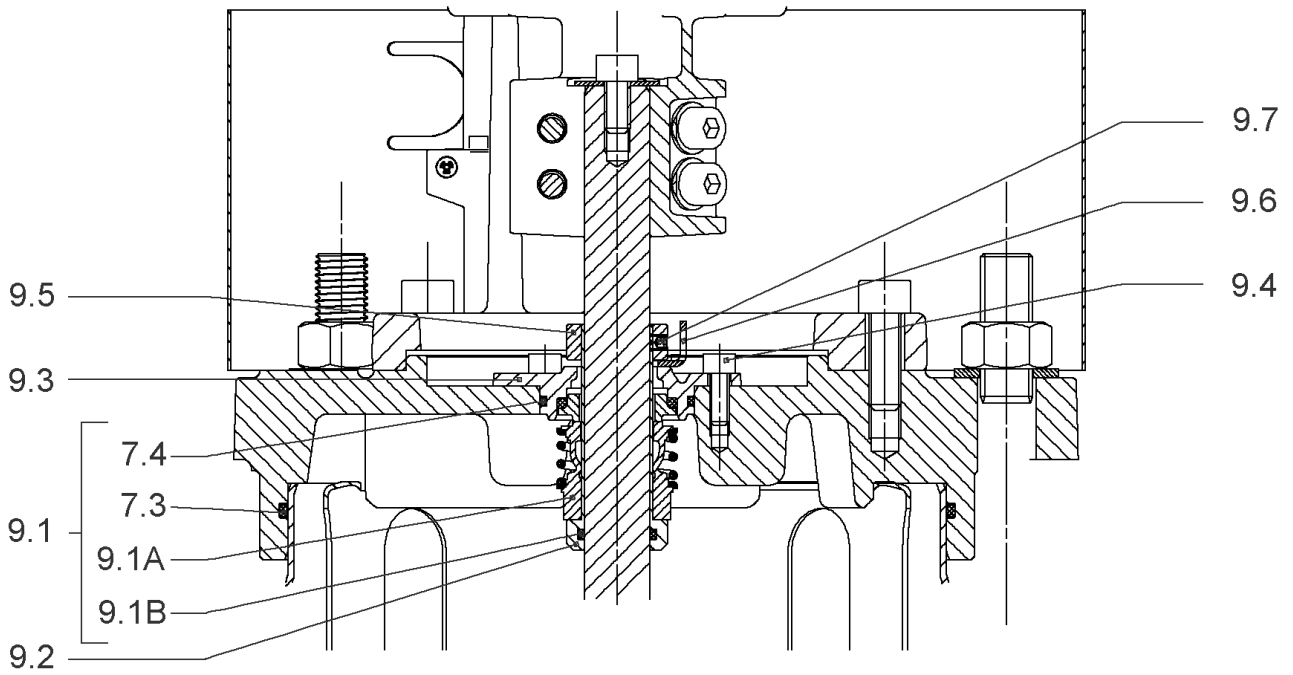
HELIX V3603/2-3/16/E/KS/400-50 (4138835)

Item	Article no.	Description	Quantity
15.5		> SCREW TBHC M12x25 ISO7380 ZN	1
15.6		> FLANGE M+ DN65 NF PN16-25 ASME PN16 CATA	1
15.7		> O-RING Ø79.5xØ3 EPDM	1
13.1A	4161200	> NECK RING 1.STAGE HELIX V36/52 KIT	1
		>> NECK-RING-M+36/52	1
		>> HYDRAULIC SUPPORT CAP M+36/52 304	1
		>> SCREW TCL M3X8 A4 POZIDRIV	1
7.3	4179571	> O-RING HOUSING PIPE HELIX22/36/52 VP.	1



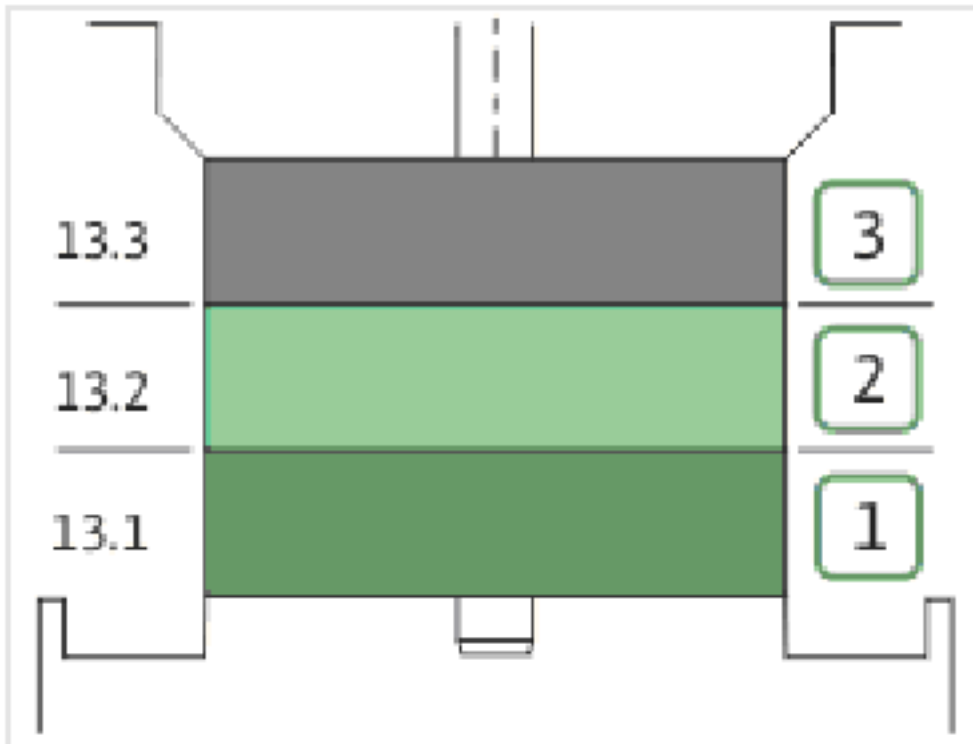
COUPLING D.20XD.28 FF265 KIT (4143965)

Item	Article no.	Description	Quantity
4.1	4179584	COUPLING 2 PARTS D.20XD.28XL83 VP.	1
4.2	2131017	BALL BEARING 6310/ZZ-C4(HT)VP.	1
4.3	4234253	CIRCLIP-FOR-SHAFT-D50x2 VP.	1
4.4	4159707	SCREW M8X30 (4 PIECES)	1
4.5	4234255	CIRCLIPS 110X4 VP.	1
4.6	4233944	O-RING ID.110 VP.	1
4.7	4179585	STOP-RUSH D26xD2 DIN7993 STEEL VP.	1
4.8	2131020	HUB D.38XD.50 VP.	1
4.9	2131021	SPACER D.28XD.45 VP.	1
4.10	4157726	SCREW KIT M8X30 (4 PIECES)	1
4.11	4233959	SCREW M8x16 VP.	1
4.12		SERRATED LOCK WASHER Ø8.2XØ25X35X2	1



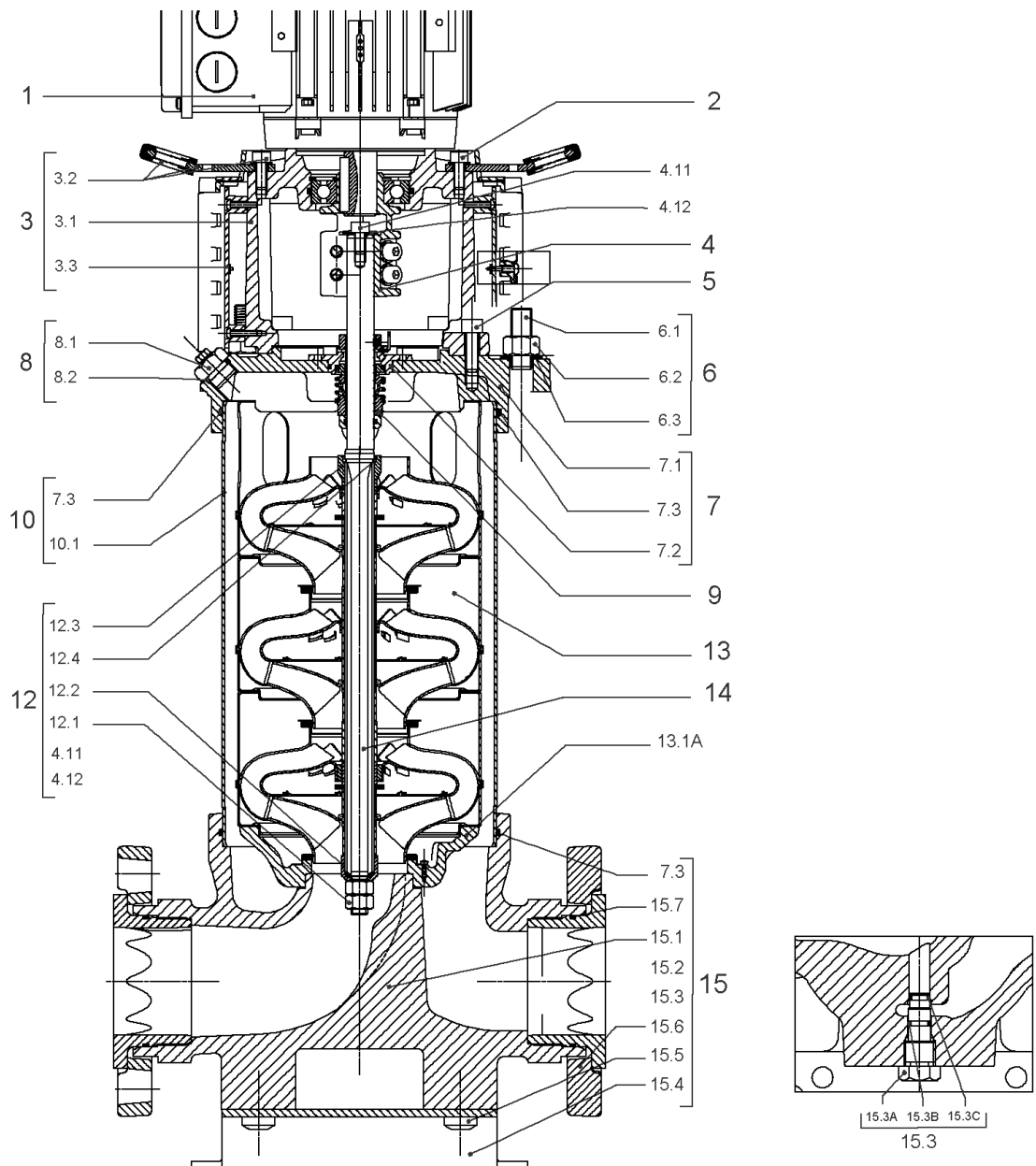
CARTRIDGE HELIX22-36-52 O/E KIT (4143973)

Item	Article no.	Description	Quantity
9.1	4143974	SEAL-KIT-HELIX22-36-52 O/E	1
7.3	4179571	> O-RING HOUSING PIPE HELIX22/36/52 VP.	1
7.4	4179572	> O-RING ID.42.52X2.62 EPDM VP.	1
9.1A	4179573	> M.SEAL.HELIX22-36-52 O/E VP.	1
9.1B	4179574	> O-RING ID.20x2.65 EPDM VP.	1
9.2	4179566	SHAFT SLEEVE D.20/20X60 1.4404 VP.	1
9.3	4179567	RING HOLDER Ø22 1.4301 VP.	1
9.4	4176520	SCREW CH M5x5 A4-70 (3PIECES)	1
9.5	4179568	DRIVE RING D.31/22.1x11 MACH.VP.	1
9.6	4179569	TOOL M.S.CART.HELIX 8" VP.	1
9.7	4179570	SCREW M6X16 ISO4762 8.8 GEOMET(4 PIECES)	1



HYDRAULIC HELIX V 3603-2

Item	Article no.	Description	Quantity
13.1	4161192	INTERMEDIATE STAGE HELIX V36 1.4301 KIT	1
		> SLEEVE-SPACER-D22XL16,66-316L	1
		> MACH.BEARING-DIFFUSER+NR-M+36-304	1
		> SHAFT-SLEEVE-D26xD22x16-CW	1
		> IMPELLER-H1-M+36-304	1
13.1A	4161200	> NECK RING 1.STAGE HELIX V36/52 KIT	1
		>> NECK-RING-M+36/52	1
		>> HYDRAULIC SUPPORT CAP M+36/52 304	1
		>> SCREW TCL M3X8 A4 POZIDRIV	1
13.2	4161195	INTERMEDIATE STAGE HELIX V36 1.4301 KIT	1
		> REDUCED-IMPELLER-H4-M+36-304	1
		> MACH.STD-DIFFUSER+NR-M+36-304	1
13.3	4161196	UPPER STAGE HELIX 36 1.4301 KIT	1
		> STOP COLLAR OF IMPELLER L20-Ø22-316L	1
		> REDUCED-IMPELLER-H4-M+36-304	1
		> MACH.-RIGID-STD-DISCH.-CHAMBER-M+36-304	1

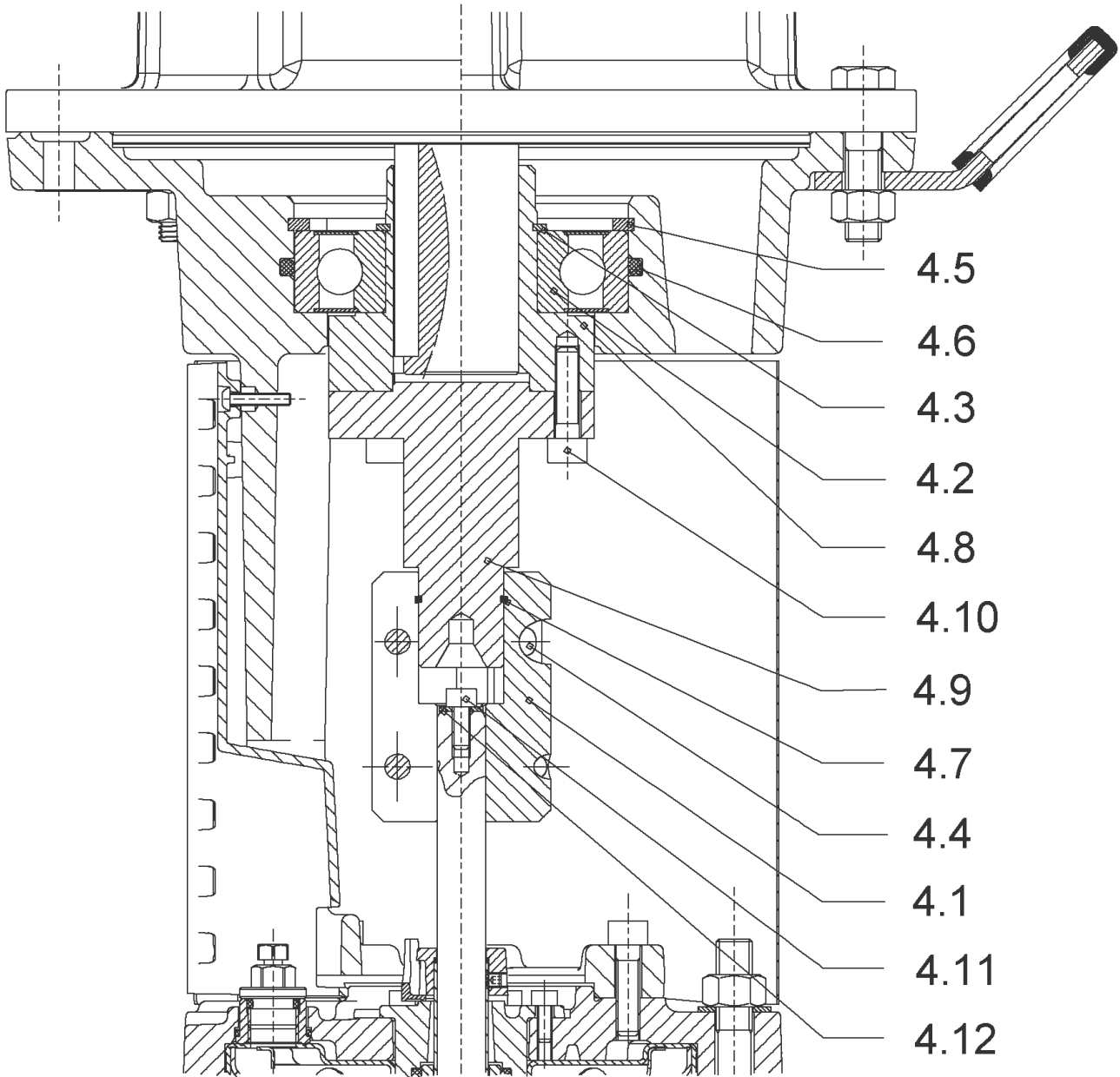


HELIX V3603/1-3/16/E/KS/400-50 (4138836)

Item	Article no.	Description	Quantity
1	4195450	MOTOR 7,5/2/* 3~400V 50HZ IE3 VP.	1
		SPARE PARTS MOTOR:ON REQUEST	1
2	4174093	SCREW M12X50 (4 PIECES)	1
3	4161187	LANTERN FF265 HELIX 8" KIT	1
3.1		> LANTERN FF265 M+ GJL MACHINED+CATA	1
3.2	2127605	> EYELET CPL.FF265 HELIX(2 PIECES)	1
3.3	4143969	> COUPLING PROTECT HELIX FF KIT	1
4	4143965	COUPLING D.20XD.28 FF265 KIT	1
5	4157725	SCREW M10X40 (4 PIECES)	1
6	4181076	STUD BOLT M16X338 KIT	1
		> TIE BOLT M16-338x24x44-1.4057	1
	4179562	> NUT M16 8.8 ISO4032 (4 PIECES)	1
	4097852	> WASHER-CS-16.4-32-2.8-NFE25-511-A2	1
7	4179565	END SHIELD HELIX 8" EPDM KIT	1
7.1		> END SHIELD M+ GJL MACHINED+CATA	1
7.2	4179564	> O-RING D.42.52x2.62 EPDM VP.	1
7.3	4179571	> O-RING HOUSING PIPE HELIX22/36/52 VP.	1
8	4143765	FILING/PURGING PLUG 316L HELIX KIT	1
8.1		> FILLING/VENTING-PLUG-VMI8/10-316L	1
8.2	4032291	> O-RING 17x3 EPDM KTW/WRC	1
9	4143973	CARTRIDGE HELIX22-36-52 O/E KIT	1
10	4181077	HOUSING-PIPE D.204X264 1.4307 KIT	1
7.3	4179571	> O-RING HOUSING PIPE HELIX22/36/52 VP.	1
10.1		> HOUSING-PIPE Ø204-M+2204/3603-304	1
12	4161186	SHAFT EQUIPMENT HELIX V36 8" KIT	1
13		HYDRAULIC HELIX V 3603-1	1
14	2119966	SHAFT D.22 LG.420,67 HELIX 1.4057 VP.	1
15	4161185	EQUIPED HOUSING HELIX 36 GJL KIT	1
15.1		> PUMP HOUSING SET with CATA. PARTS-DN65	1
15.3	4143766	> DRAIN/PRIMING PLUG EPDM HELIX KIT	1
15.3A		>> PRIMING/DRAIN PLUG-304-VERSION 1	1
15.3B	4032293	>> O-RING-10x3-EPDM-KTW/WRC	1
15.3C	4233957	>> O-RING ID.9 EPDM VP.	1
15.4	4221729	> BASE M+ DN50/65/80 VP.	1

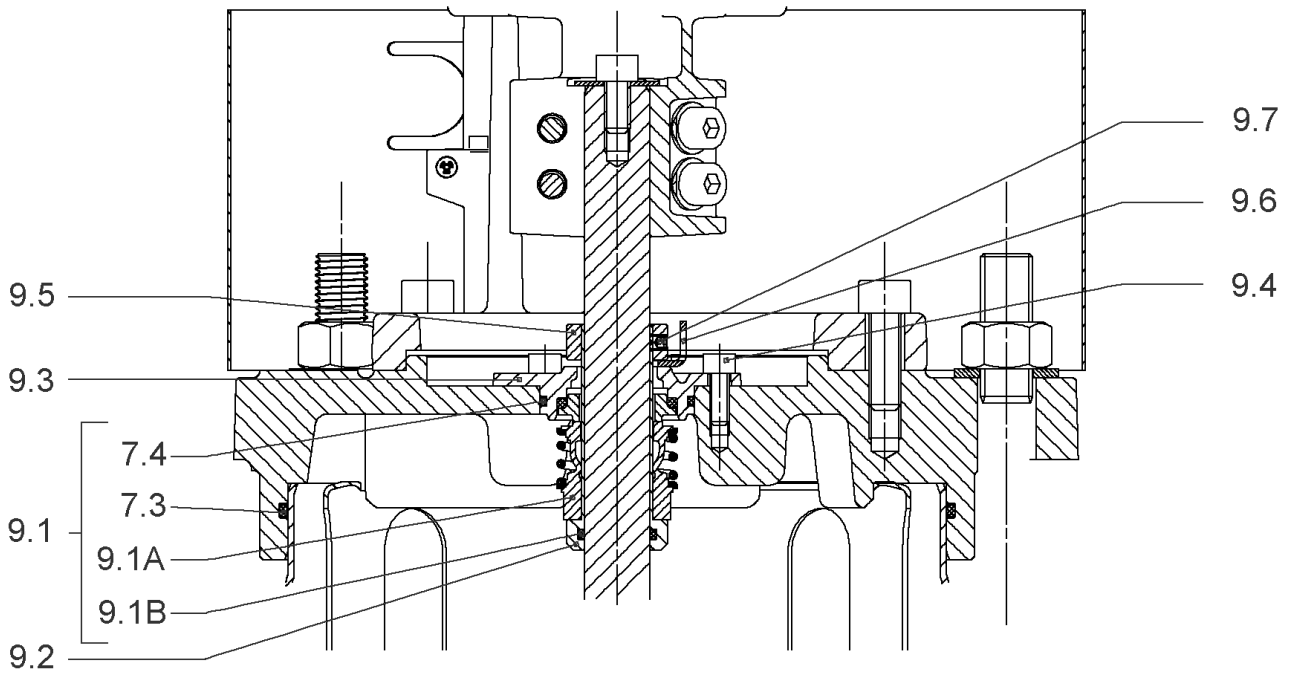
HELIX V3603/1-3/16/E/KS/400-50 (4138836)

Item	Article no.	Description	Quantity
15.5		> SCREW TBHC M12x25 ISO7380 ZN	1
15.6		> FLANGE M+ DN65 NF PN16-25 ASME PN16 CATA	1
15.7		> O-RING Ø79.5xØ3 EPDM	1
13.1A	4161200	> NECK RING 1.STAGE HELIX V36/52 KIT	1
		>> NECK-RING-M+36/52	1
		>> HYDRAULIC SUPPORT CAP M+36/52 304	1
		>> SCREW TCL M3X8 A4 POZIDRIV	1
7.3	4179571	> O-RING HOUSING PIPE HELIX22/36/52 VP.	1



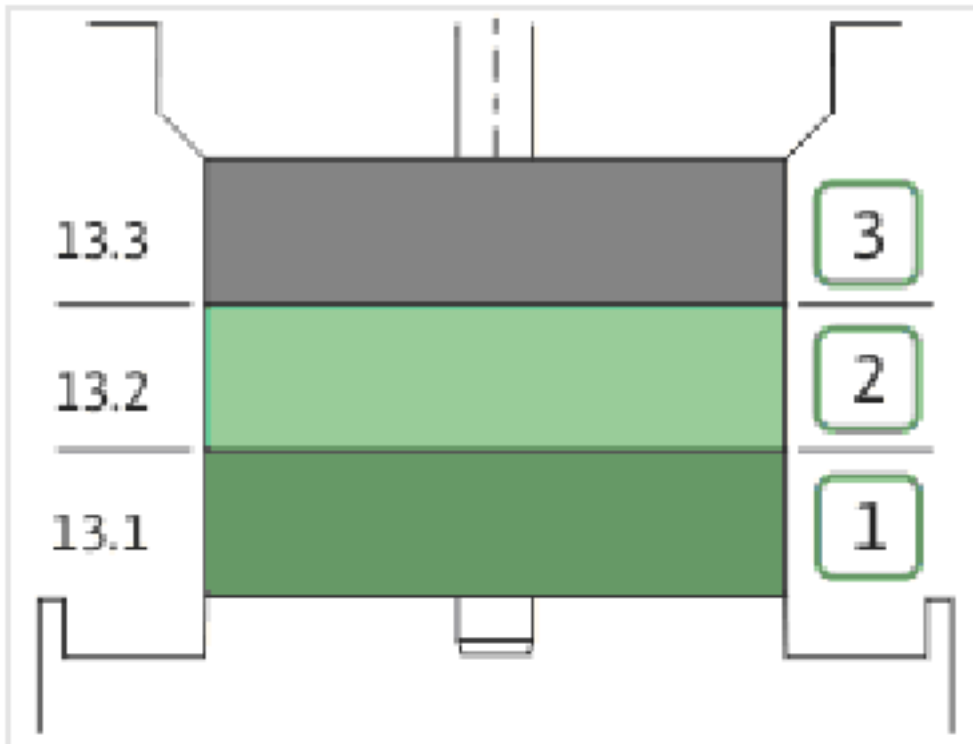
COUPLING D.20XD.28 FF265 KIT (4143965)

Item	Article no.	Description	Quantity
4.1	4179584	COUPLING 2 PARTS D.20XD.28XL83 VP.	1
4.2	2131017	BALL BEARING 6310/ZZ-C4(HT)VP.	1
4.3	4234253	CIRCLIP-FOR-SHAFT-D50x2 VP.	1
4.4	4159707	SCREW M8X30 (4 PIECES)	1
4.5	4234255	CIRCLIPS 110X4 VP.	1
4.6	4233944	O-RING ID.110 VP.	1
4.7	4179585	STOP-RUSH D26xD2 DIN7993 STEEL VP.	1
4.8	2131020	HUB D.38XD.50 VP.	1
4.9	2131021	SPACER D.28XD.45 VP.	1
4.10	4157726	SCREW KIT M8X30 (4 PIECES)	1
4.11	4233959	SCREW M8x16 VP.	1
4.12		SERRATED LOCK WASHER Ø8.2XØ25X35X2	1



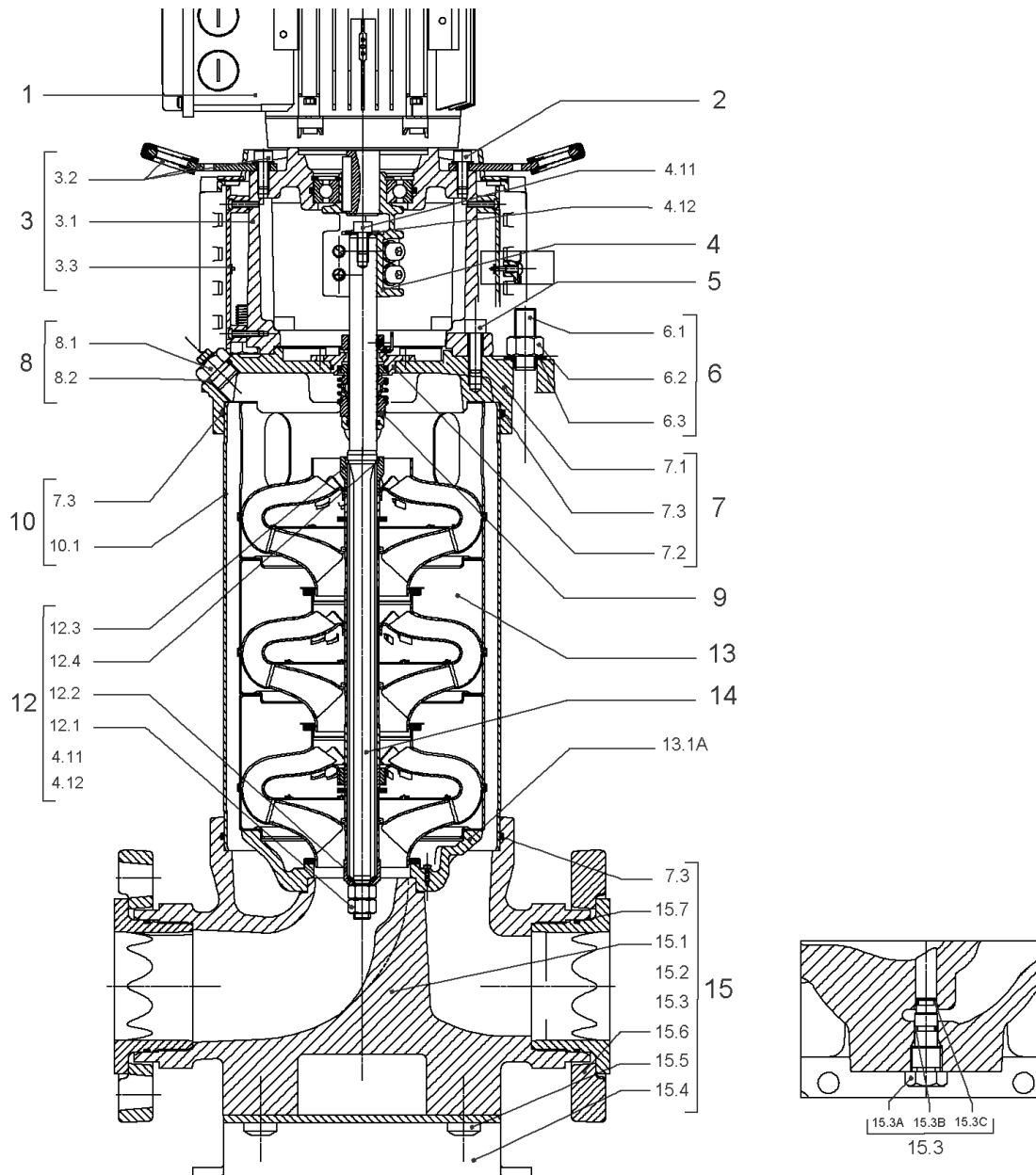
CARTRIDGE HELIX22-36-52 O/E KIT (4143973)

Item	Article no.	Description	Quantity
9.1	4143974	SEAL-KIT-HELIX22-36-52 O/E	1
7.3	4179571	> O-RING HOUSING PIPE HELIX22/36/52 VP.	1
7.4	4179572	> O-RING ID.42.52X2.62 EPDM VP.	1
9.1A	4179573	> M.SEAL.HELIX22-36-52 O/E VP.	1
9.1B	4179574	> O-RING ID.20x2.65 EPDM VP.	1
9.2	4179566	SHAFT SLEEVE D.20/20X60 1.4404 VP.	1
9.3	4179567	RING HOLDER Ø22 1.4301 VP.	1
9.4	4176520	SCREW CH M5x5 A4-70 (3PIECES)	1
9.5	4179568	DRIVE RING D.31/22.1x11 MACH.VP.	1
9.6	4179569	TOOL M.S.CART.HELIX 8" VP.	1
9.7	4179570	SCREW M6X16 ISO4762 8.8 GEOMET(4 PIECES)	1



HYDRAULIC HELIX V 3603-1

Item	Article no.	Description	Quantity
13.1	4161192	INTERMEDIATE STAGE HELIX V36 1.4301 KIT	1
		> SLEEVE-SPACER-D22XL16,66-316L	1
		> MACH.BEARING-DIFFUSER+NR-M+36-304	1
		> SHAFT-SLEEVE-D26xD22x16-CW	1
		> IMPELLER-H1-M+36-304	1
13.1A	4161200	> NECK RING 1.STAGE HELIX V36/52 KIT	1
		>> NECK-RING-M+36/52	1
		>> HYDRAULIC SUPPORT CAP M+36/52 304	1
		>> SCREW TCL M3X8 A4 POZIDRIV	1
13.2	4161193	INTERMEDIATE STAGE HELIX V36 1.4301 KIT	1
		> MACH.STD-DIFFUSER+NR-M+36-304	1
		> IMPELLER-H4-M+36-304	1
13.3	4161196	UPPER STAGE HELIX 36 1.4301 KIT	1
		> STOP COLLAR OF IMPELLER L20-Ø22-316L	1
		> REDUCED-IMPELLER-H4-M+36-304	1
		> MACH.-RIGID-STD-DISCH.-CHAMBER-M+36-304	1

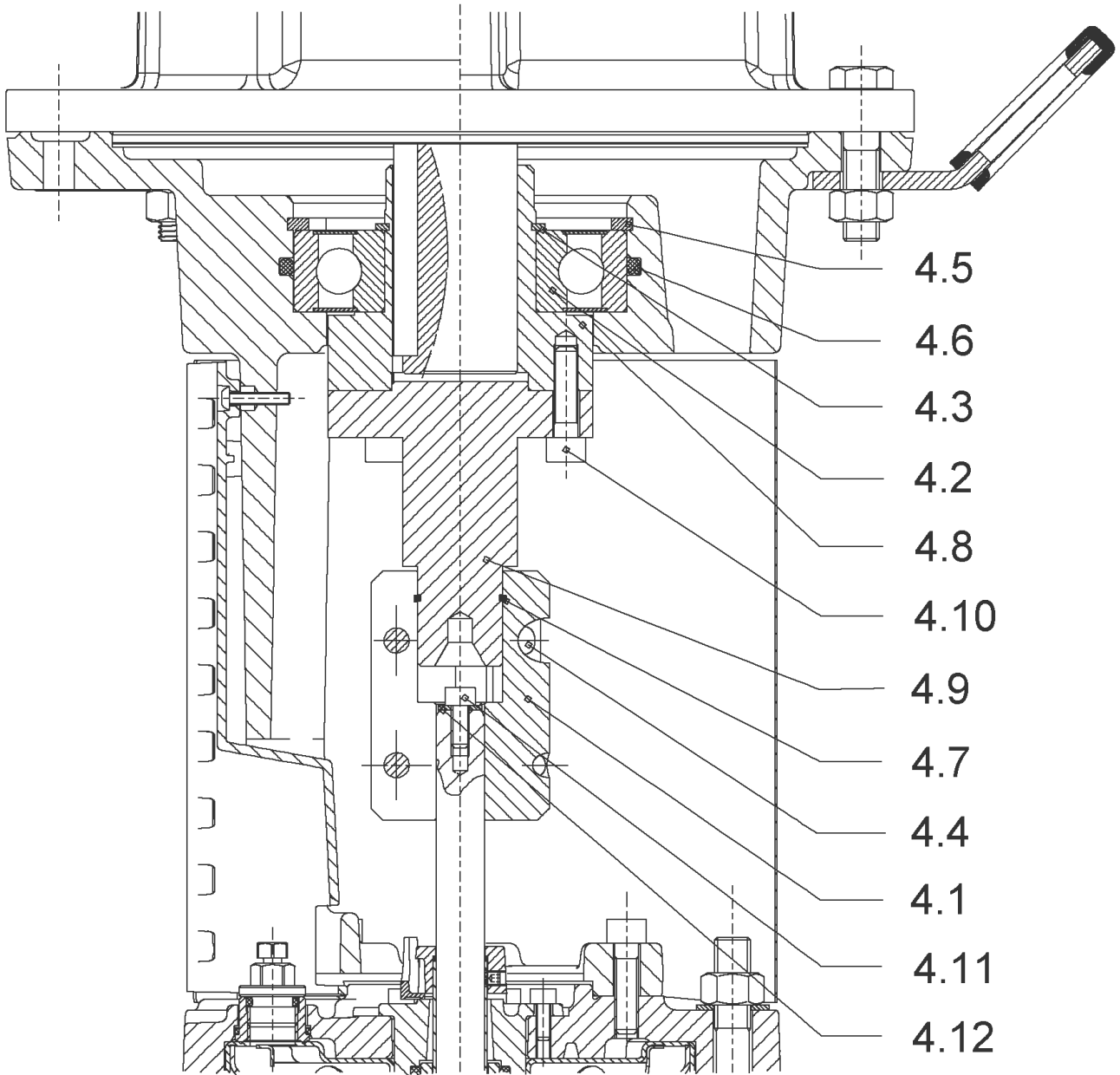


HELIX V3603-3/16/E/KS/400-50 (4138837)

Item	Article no.	Description	Quantity
1	4195483	MOTOR 9/2/132 3~400V 50HZ IE3 VP.	1
		SPARE PARTS MOTOR:ON REQUEST	1
2	4174093	SCREW M12X50 (4 PIECES)	1
3	4161187	LANTERN FF265 HELIX 8" KIT	1
3.1		> LANTERN FF265 M+ GJL MACHINED+CATA	1
3.2	2127605	> EYELET CPL.FF265 HELIX(2 PIECES)	1
3.3	4143969	> COUPLING PROTECT HELIX FF KIT	1
4	4143965	COUPLING D.20XD.28 FF265 KIT	1
5	4157725	SCREW M10X40 (4 PIECES)	1
6	4181076	STUD BOLT M16X338 KIT	1
		> TIE BOLT M16-338x24x44-1.4057	1
	4179562	> NUT M16 8.8 ISO4032 (4 PIECES)	1
	4097852	> WASHER-CS-16.4-32-2.8-NFE25-511-A2	1
7	4179565	END SHIELD HELIX 8" EPDM KIT	1
7.1		> END SHIELD M+ GJL MACHINED+CATA	1
7.2	4179564	> O-RING D.42.52x2.62 EPDM VP.	1
7.3	4179571	> O-RING HOUSING PIPE HELIX22/36/52 VP.	1
8	4143765	FILING/PURGING PLUG 316L HELIX KIT	1
8.1		> FILLING/VENTING-PLUG-VM18/10-316L	1
8.2	4032291	> O-RING 17x3 EPDM KTW/WRC	1
9	4143973	CARTRIDGE HELIX22-36-52 O/E KIT	1
10	4181077	HOUSING-PIPE D.204X264 1.4307 KIT	1
7.3	4179571	> O-RING HOUSING PIPE HELIX22/36/52 VP.	1
10.1		> HOUSING-PIPE Ø204-M+2204/3603-304	1
12	4161186	SHAFT EQUIPMENT HELIX V36 8" KIT	1
13		HYDRAULIC HELIX V 3603	1
14	2119966	SHAFT D.22 LG.420,67 HELIX 1.4057 VP.	1
15	4161185	EQUIPED HOUSING HELIX 36 GJL KIT	1
15.1		> PUMP HOUSING SET with CATA. PARTS-DN65	1
15.3	4143766	> DRAIN/PRIMING PLUG EPDM HELIX KIT	1
15.3A		>> PRIMING/DRAIN PLUG-304-VERSION 1	1
15.3B	4032293	>> O-RING-10x3-EPDM-KTW/WRC	1
15.3C	4233957	>> O-RING ID.9 EPDM VP.	1
15.4	4221729	> BASE M+ DN50/65/80 VP.	1

HELIX V3603-3/16/E/KS/400-50 (4138837)

Item	Article no.	Description	Quantity
15.5		> SCREW TBHC M12x25 ISO7380 ZN	1
15.6		> FLANGE M+ DN65 NF PN16-25 ASME PN16 CATA	1
15.7		> O-RING Ø79.5xØ3 EPDM	1
13.1A	4161200	> NECK RING 1.STAGE HELIX V36/52 KIT	1
		>> NECK-RING-M+36/52	1
		>> HYDRAULIC SUPPORT CAP M+36/52 304	1
		>> SCREW TCL M3X8 A4 POZIDRIV	1
7.3	4179571	> O-RING HOUSING PIPE HELIX22/36/52 VP.	1



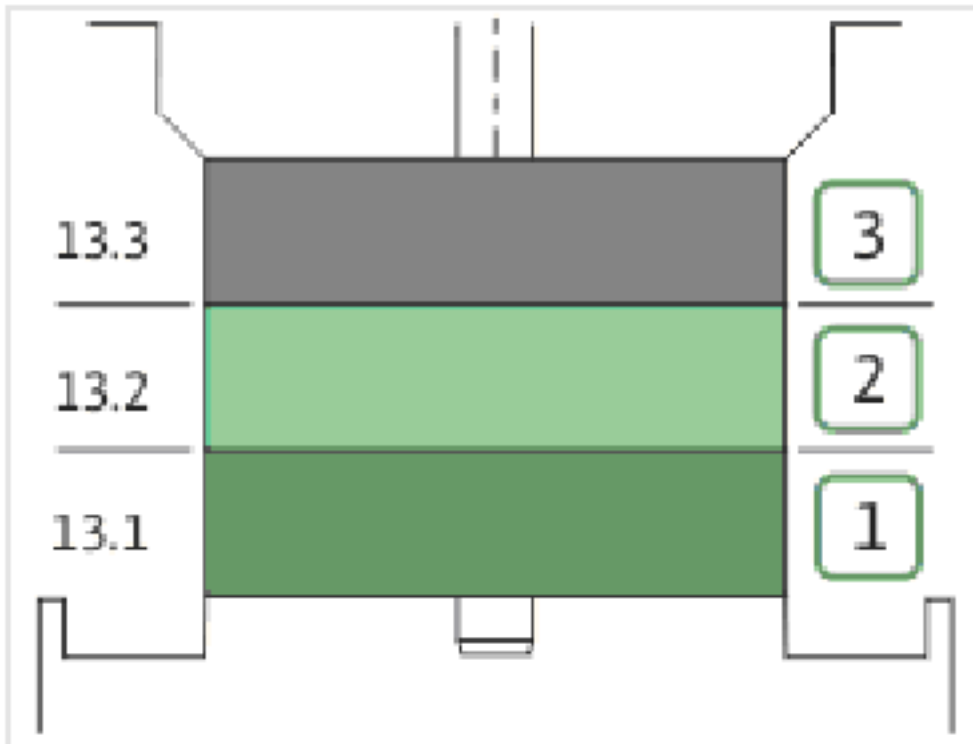
COUPLING D.20XD.28 FF265 KIT (4143965)

Item	Article no.	Description	Quantity
4.1	4179584	COUPLING 2 PARTS D.20XD.28XL83 VP.	1
4.2	2131017	BALL BEARING 6310/ZZ-C4(HT)VP.	1
4.3	4234253	CIRCLIP-FOR-SHAFT-D50x2 VP.	1
4.4	4159707	SCREW M8X30 (4 PIECES)	1
4.5	4234255	CIRCLIPS 110X4 VP.	1
4.6	4233944	O-RING ID.110 VP.	1
4.7	4179585	STOP-RUSH D26xD2 DIN7993 STEEL VP.	1
4.8	2131020	HUB D.38XD.50 VP.	1
4.9	2131021	SPACER D.28XD.45 VP.	1
4.10	4157726	SCREW KIT M8X30 (4 PIECES)	1
4.11	4233959	SCREW M8x16 VP.	1
4.12		SERRATED LOCK WASHER Ø8.2XØ25X35X2	1



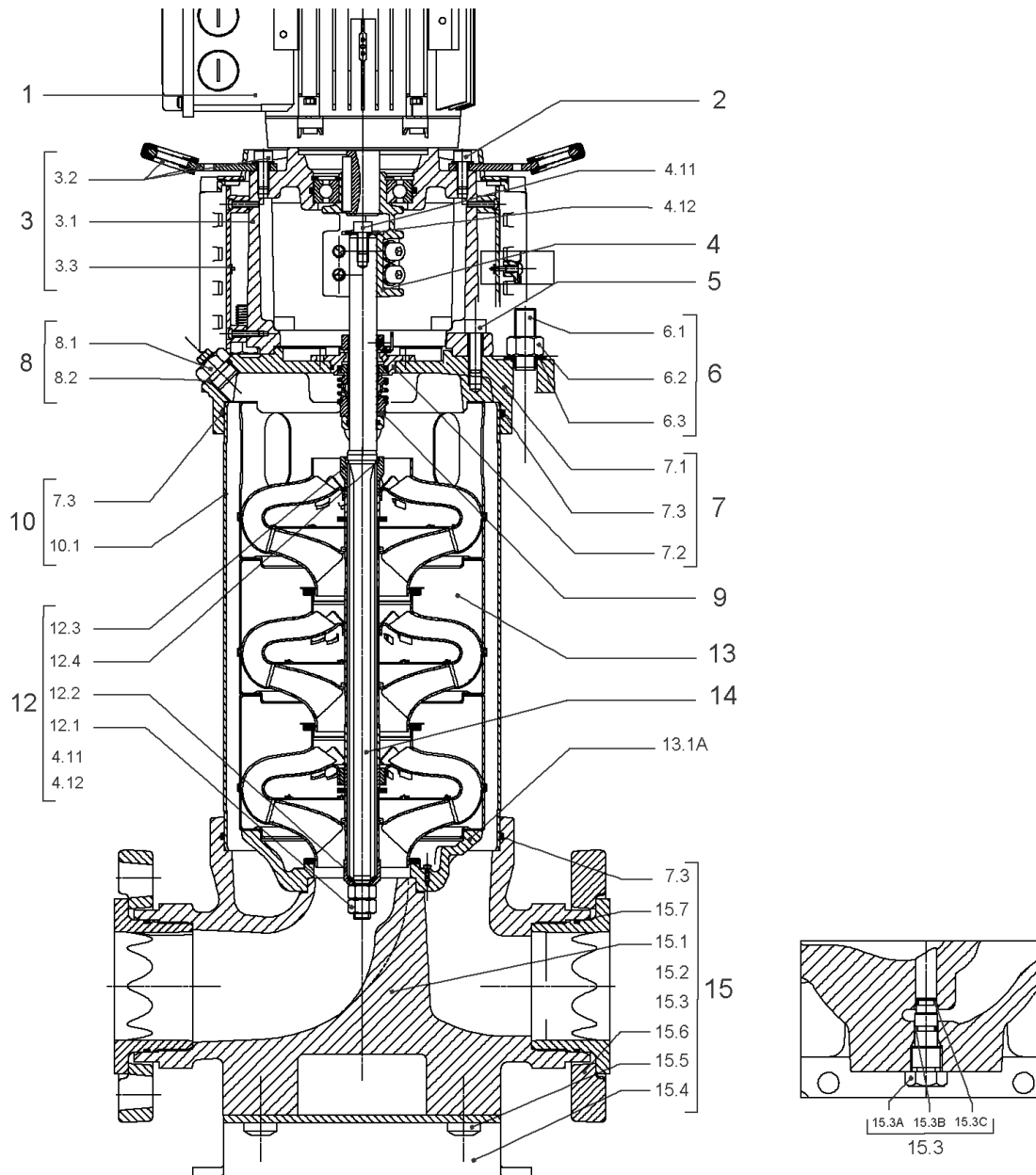
CARTRIDGE HELIX22-36-52 O/E KIT (4143973)

Item	Article no.	Description	Quantity
9.1	4143974	SEAL-KIT-HELIX22-36-52 O/E	1
7.3	4179571	> O-RING HOUSING PIPE HELIX22/36/52 VP.	1
7.4	4179572	> O-RING ID.42.52X2.62 EPDM VP.	1
9.1A	4179573	> M.SEAL.HELIX22-36-52 O/E VP.	1
9.1B	4179574	> O-RING ID.20x2.65 EPDM VP.	1
9.2	4179566	SHAFT SLEEVE D.20/20X60 1.4404 VP.	1
9.3	4179567	RING HOLDER Ø22 1.4301 VP.	1
9.4	4176520	SCREW CH M5x5 A4-70 (3PIECES)	1
9.5	4179568	DRIVE RING D.31/22.1x11 MACH.VP.	1
9.6	4179569	TOOL M.S.CART.HELIX 8" VP.	1
9.7	4179570	SCREW M6X16 ISO4762 8.8 GEOMET(4 PIECES)	1



HYDRAULIC HELIX V 3603

Item	Article no.	Description	Quantity
13.1	4161192	INTERMEDIATE STAGE HELIX V36 1.4301 KIT	1
		> SLEEVE-SPACER-D22XL16,66-316L	1
		> MACH.BEARING-DIFFUSER+NR-M+36-304	1
		> SHAFT-SLEEVE-D26xD22x16-CW	1
		> IMPELLER-H1-M+36-304	1
13.1A	4161200	> NECK RING 1.STAGE HELIX V36/52 KIT	1
		>> NECK-RING-M+36/52	1
		>> HYDRAULIC SUPPORT CAP M+36/52 304	1
		>> SCREW TCL M3X8 A4 POZIDRIV	1
13.2	4161193	INTERMEDIATE STAGE HELIX V36 1.4301 KIT	1
		> MACH.STD-DIFFUSER+NR-M+36-304	1
		> IMPELLER-H4-M+36-304	1
13.3	4161194	UPPER STAGE HELIX 36 1.4301 KIT	1
		> STOP COLLAR OF IMPELLER L20-Ø22-316L	1
		> IMPELLER-H4-M+36-304	1
		> MACH.-RIGID-STD-DISCH.-CHAMBER-M+36-304	1

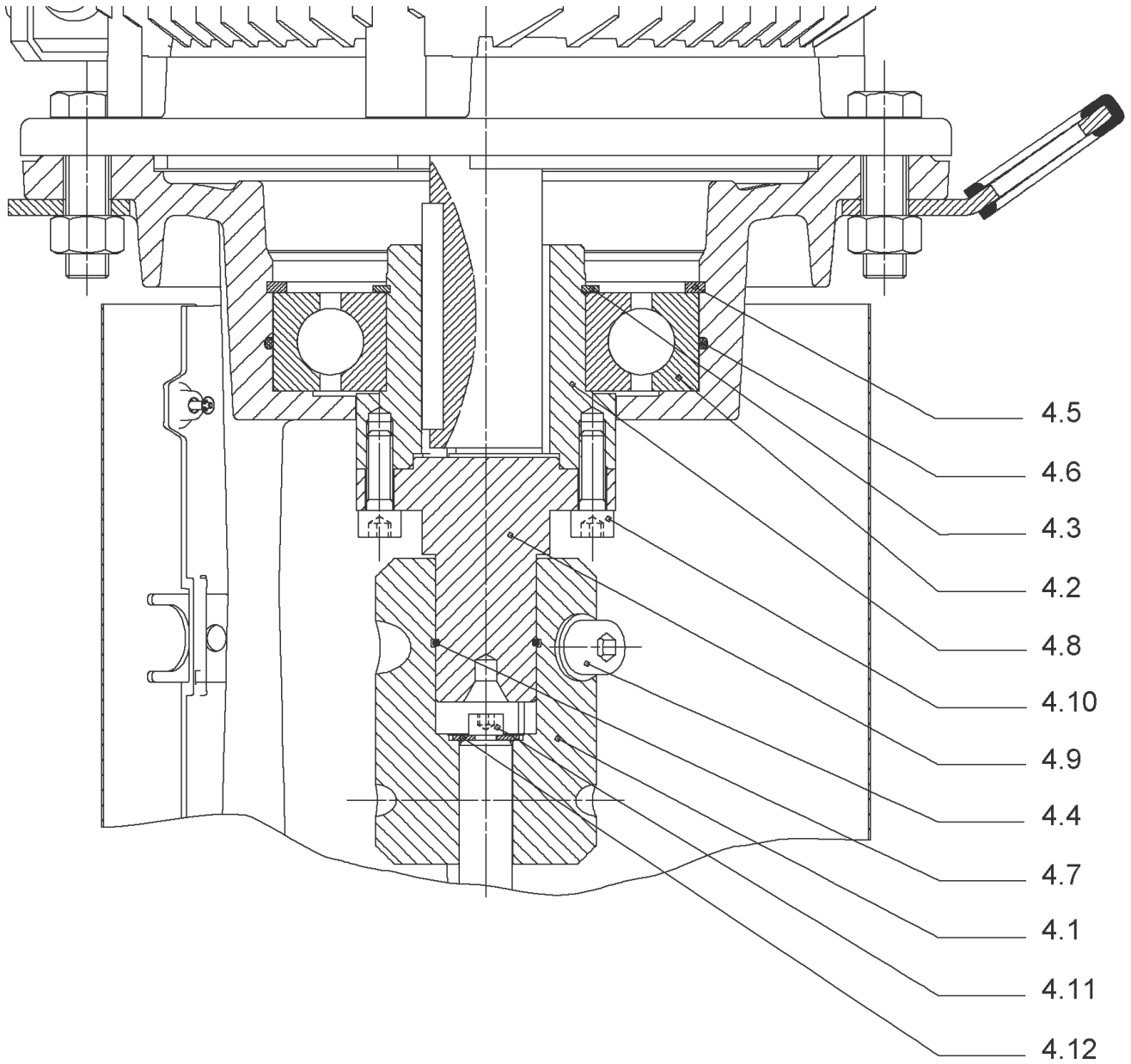


HELIX V3604/2-3/16/E/KS/400-50 (4138838)

Item	Article no.	Description	Quantity
1	4199884	MOTOR 11/2/160 3~400V 50HZ VP.	1
		SPARE PARTS MOTOR:ON REQUEST	1
2	4179586	SCREW M16X60 (4 PIECES)	1
3	4157721	LANTERN HELIX 22/36 FF300 BB6312 KIT	1
3.1		> LANTERN FF300 M+ GJL MACHINED+CATA 6312	1
3.2	4179589	> EYELET CPL.FF300 HELIX(4 PIECES)	1
3.3	4143969	> COUPLING PROTECT HELIX FF KIT	1
4	4143966	COUPLING D.20XD.38 FF300 KIT	1
5	4157725	SCREW M10X40 (4 PIECES)	1
6	4179592	STUD BOLT M16X405 KIT	1
6.1		> TIE BOLT M16-405x24x44-1.4057	1
6.2	4179562	> NUT M16 8.8 ISO4032 (4 PIECES)	1
6.3	4097852	> WASHER-CS-16.4-32-2.8-NFE25-511-A2	1
7	4179565	END SHIELD HELIX 8" EPDM KIT	1
7.1		> END SHIELD M+ GJL MACHINED+CATA	1
7.2	4179564	> O-RING D.42.52x2.62 EPDM VP.	1
7.3	4179571	> O-RING HOUSING PIPE HELIX22/36/52 VP.	1
8	4143765	FILING/PURGING PLUG 316L HELIX KIT	1
8.1		> FILLING/VENTING-PLUG-VM18/10-316L	1
8.2	4032291	> O-RING 17x3 EPDM KTW/WRC	1
9	4143973	CARTRIDGE HELIX22-36-52 O/E KIT	1
10	4179593	HOUSING PIPE D.204X330 1.4307 KIT	1
7.3	4179571	> O-RING HOUSING PIPE HELIX22/36/52 VP.	1
10.1		> HOUSING-PIPE Ø204-M+3604/5203-304	1
12	4161186	SHAFT EQUIPMENT HELIX V36 8" KIT	1
13		HYDRAULIC HELIX V 3604-2	1
14	2123751	SHAFT D.22 LG.487,34 HELIX 1.4057 VP.	1
15	4161185	EQUIPED HOUSING HELIX 36 GJL KIT	1
15.1		> PUMP HOUSING SET with CATA. PARTS-DN65	1
15.3	4143766	> DRAIN/PRIMING PLUG EPDM HELIX KIT	1
15.3A		>> PRIMING/DRAIN PLUG-304-VERSION 1	1
15.3B	4032293	>> O-RING-10x3-EPDM-KTW/WRC	1
15.3C	4233957	>> O-RING ID.9 EPDM VP.	1
15.4	4221729	> BASE M+ DN50/65/80 VP.	1

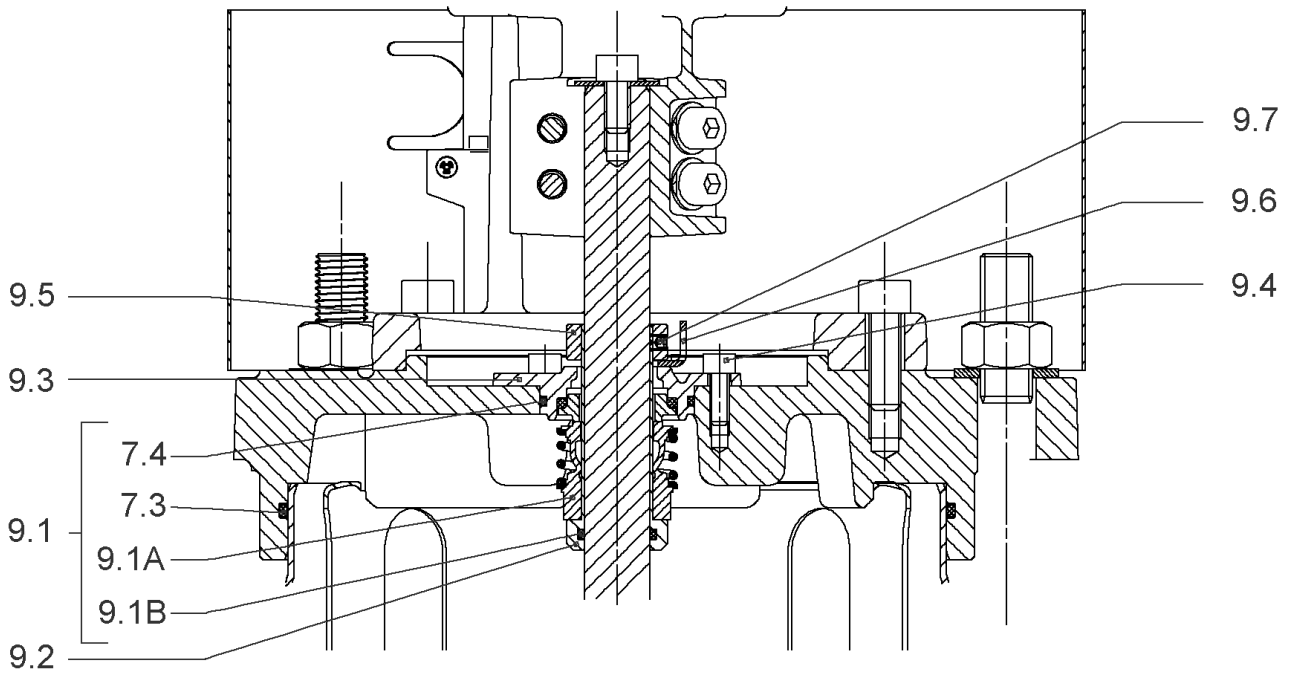
HELIX V3604/2-3/16/E/KS/400-50 (4138838)

Item	Article no.	Description	Quantity
15.5		> SCREW TBHC M12x25 ISO7380 ZN	1
15.6		> FLANGE M+ DN65 NF PN16-25 ASME PN16 CATA	1
15.7		> O-RING Ø79.5xØ3 EPDM	1
13.1A	4161200	> NECK RING 1.STAGE HELIX V36/52 KIT	1
		>> NECK-RING-M+36/52	1
		>> HYDRAULIC SUPPORT CAP M+36/52 304	1
		>> SCREW TCL M3X8 A4 POZIDRIV	1
7.3	4179571	> O-RING HOUSING PIPE HELIX22/36/52 VP.	1



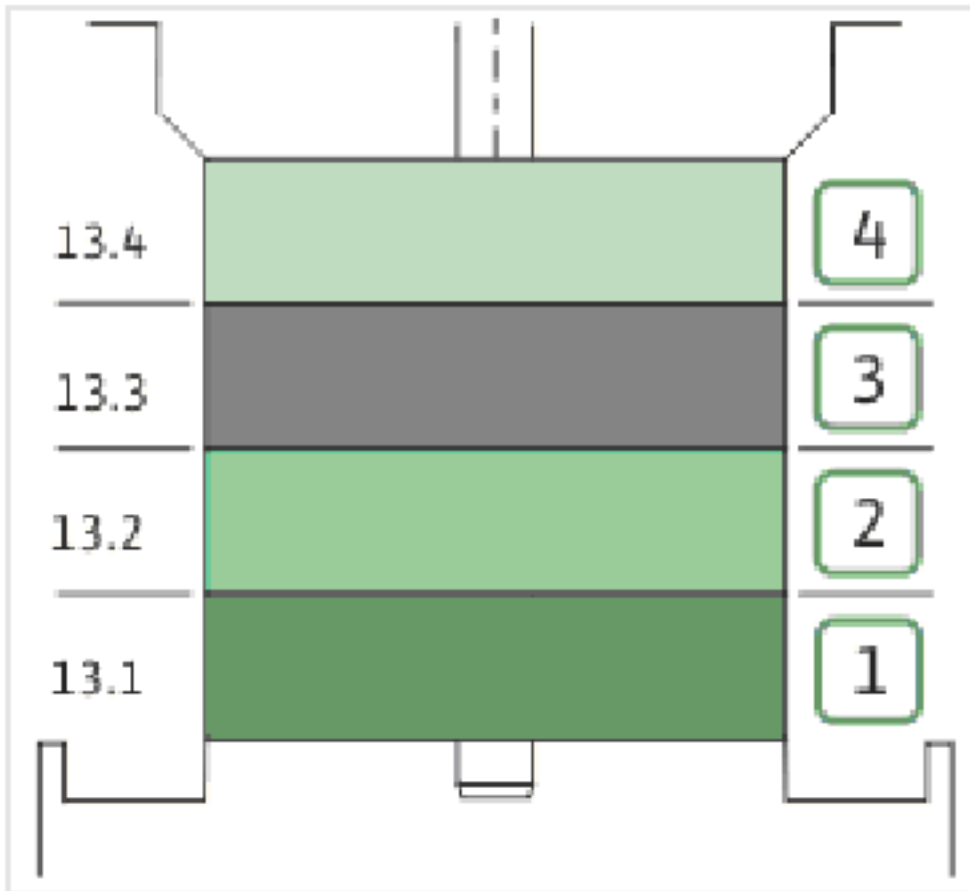
COUPLING D.20XD.38 FF300 KIT (4143966)

Item	Article no.	Description	Quantity
4.1	4179590	COUPLING 2 PARTS D.20XD.38XL115 VP.	1
4.2	2123699	BALL BEARING 6312/2Z-C4 (HT) VP.	1
4.3	63428	CIRCLIP-FOR-SHAFT-D60x2	1
4.4	2130991	SCREW M12X30 ISO4762 8.8 ZN(4 PIECES)	1
4.5	4032277	CIRCLIP-HOLE-130x4	1
4.6	4006725	O-RING ID.132,94x3,53 NBR70SR	1
4.7	2130992	RETAINING RING D.35xD.2,5 DIN7993 VP.	1
4.8	4179591	HUB D.42xD.60 VP.	1
4.9	2130994	SPACER D.38XD.55 VP.	1
4.10	4094462	SCREWS M10 (4 PIECES)	1
4.11	4233959	SCREW M8x16 VP.	1
4.12		SERRATED LOCK WASHER Ø8.2XØ25X35X2	1



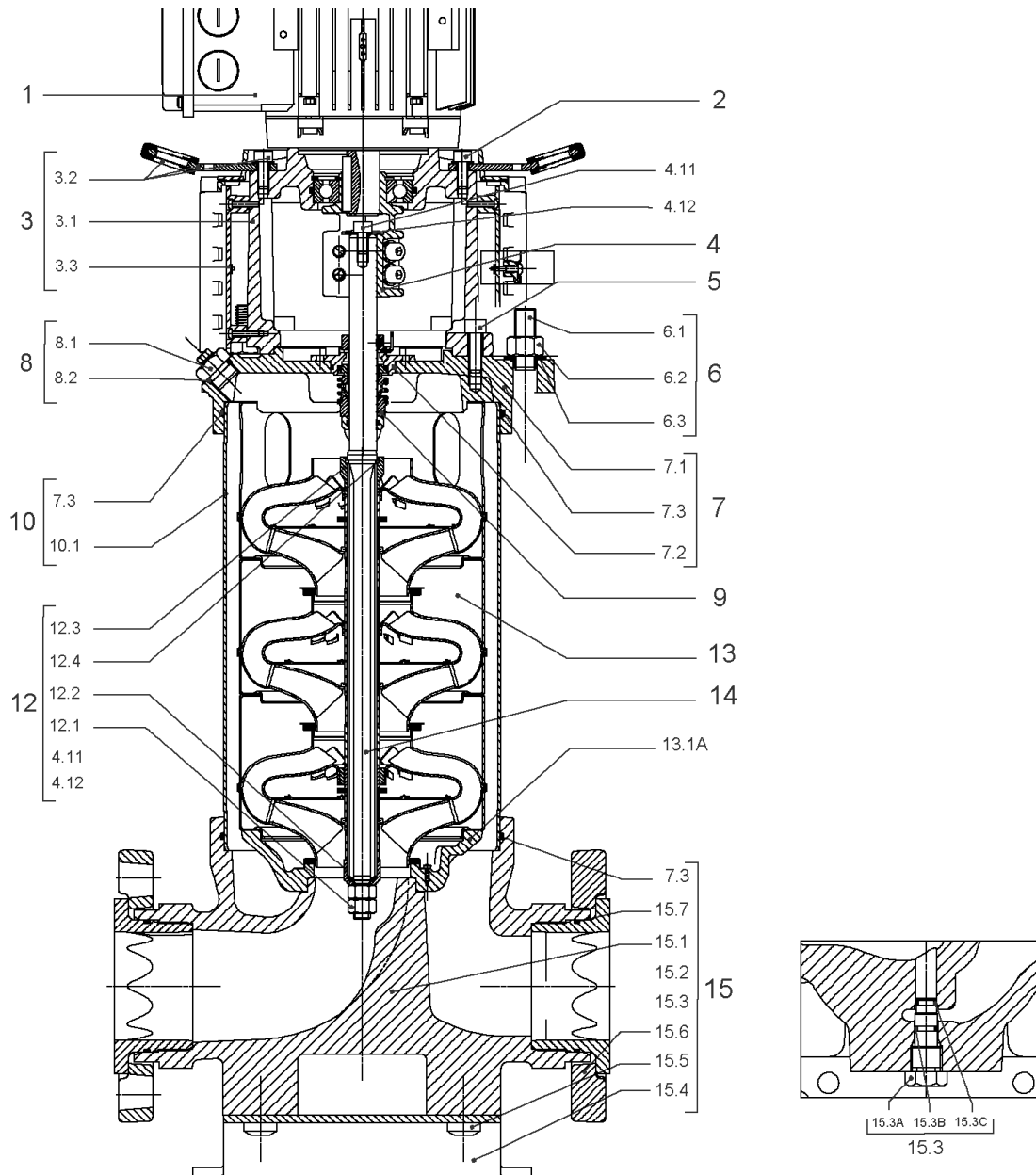
CARTRIDGE HELIX22-36-52 O/E KIT (4143973)

Item	Article no.	Description	Quantity
9.1	4143974	SEAL-KIT-HELIX22-36-52 O/E	1
7.3	4179571	> O-RING HOUSING PIPE HELIX22/36/52 VP.	1
7.4	4179572	> O-RING ID.42.52X2.62 EPDM VP.	1
9.1A	4179573	> M.SEAL.HELIX22-36-52 O/E VP.	1
9.1B	4179574	> O-RING ID.20x2.65 EPDM VP.	1
9.2	4179566	SHAFT SLEEVE D.20/20X60 1.4404 VP.	1
9.3	4179567	RING HOLDER Ø22 1.4301 VP.	1
9.4	4176520	SCREW CH M5x5 A4-70 (3PIECES)	1
9.5	4179568	DRIVE RING D.31/22.1x11 MACH.VP.	1
9.6	4179569	TOOL M.S.CART.HELIX 8" VP.	1
9.7	4179570	SCREW M6X16 ISO4762 8.8 GEOMET(4 PIECES)	1



HYDRAULIC HELIX V 3604-2

Item	Article no.	Description	Quantity
13.1	4161192	INTERMEDIATE STAGE HELIX V36 1.4301 KIT	1
		> SLEEVE-SPACER-D22XL16,66-316L	1
		> MACH.BEARING-DIFFUSER+NR-M+36-304	1
		> SHAFT-SLEEVE-D26xD22x16-CW	1
		> IMPELLER-H1-M+36-304	1
13.1A	4161200	> NECK RING 1.STAGE HELIX V36/52 KIT	1
		>> NECK-RING-M+36/52	1
		>> HYDRAULIC SUPPORT CAP M+36/52 304	1
		>> SCREW TCL M3X8 A4 POZIDRIV	1
13.2	4161193	INTERMEDIATE STAGE HELIX V36 1.4301 KIT	1
		> MACH.STD-DIFFUSER+NR-M+36-304	1
		> IMPELLER-H4-M+36-304	1
13.3	4161195	INTERMEDIATE STAGE HELIX V36 1.4301 KIT	1
		> REDUCED-IMPELLER-H4-M+36-304	1
		> MACH.STD-DIFFUSER+NR-M+36-304	1
13.4	4161196	UPPER STAGE HELIX 36 1.4301 KIT	1
		> STOP COLLAR OF IMPELLER L20-Ø22-316L	1
		> REDUCED-IMPELLER-H4-M+36-304	1
		> MACH.-RIGID-STD-DISCH.-CHAMBER-M+36-304	1

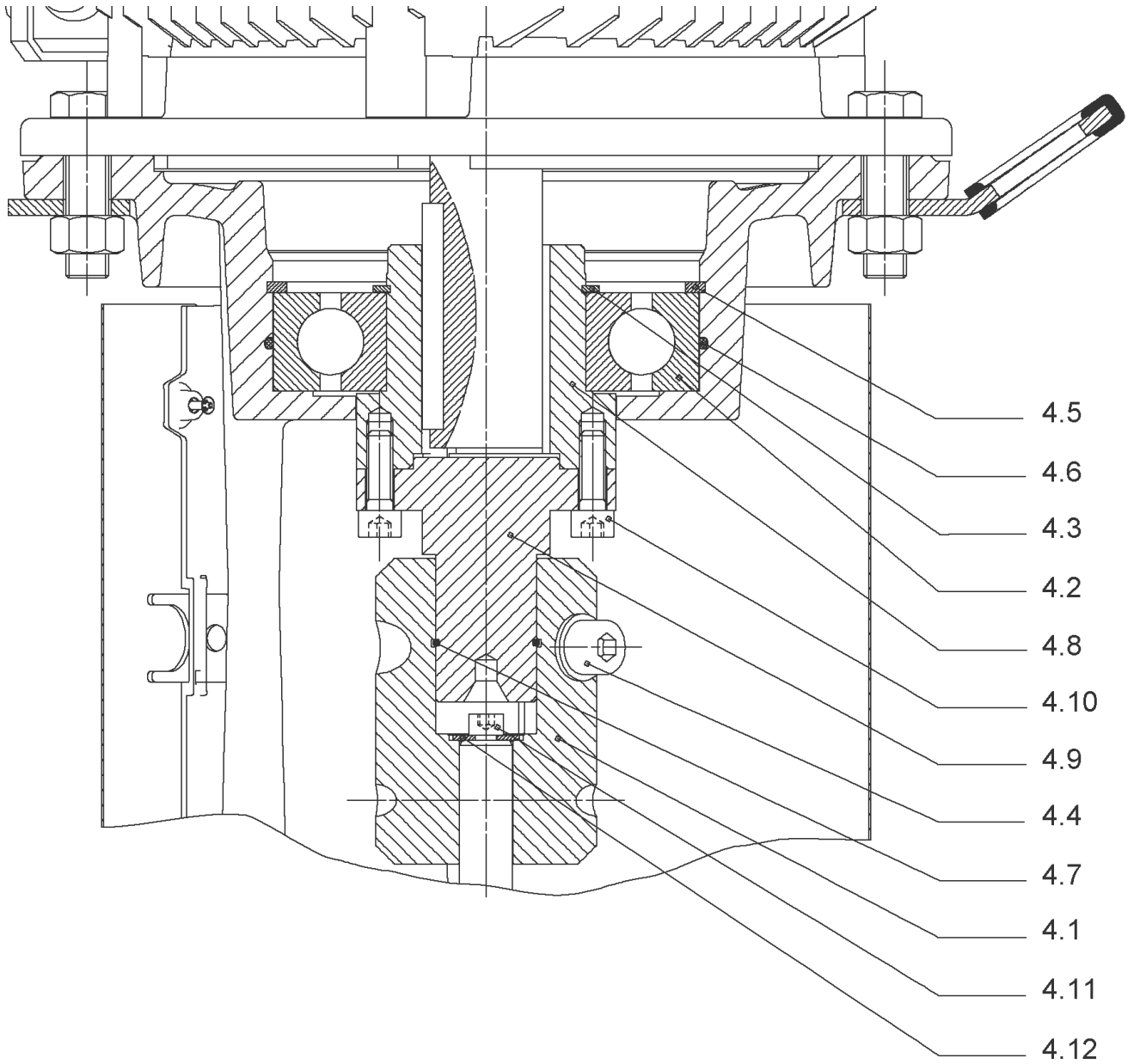


HELIX V3604-3/16/E/KS/400-50 (4138839)

Item	Article no.	Description	Quantity
1	4199884	MOTOR 11/2/160 3~400V 50HZ VP.	1
		SPARE PARTS MOTOR:ON REQUEST	1
2	4179586	SCREW M16X60 (4 PIECES)	1
3	4157721	LANTERN HELIX 22/36 FF300 BB6312 KIT	1
3.1		> LANTERN FF300 M+ GJL MACHINED+CATA 6312	1
3.2	4179589	> EYELET CPL.FF300 HELIX(4 PIECES)	1
3.3	4143969	> COUPLING PROTECT HELIX FF KIT	1
4	4143966	COUPLING D.20XD.38 FF300 KIT	1
5	4157725	SCREW M10X40 (4 PIECES)	1
6	4179592	STUD BOLT M16X405 KIT	1
6.1		> TIE BOLT M16-405x24x44-1.4057	1
6.2	4179562	> NUT M16 8.8 ISO4032 (4 PIECES)	1
6.3	4097852	> WASHER-CS-16.4-32-2.8-NFE25-511-A2	1
7	4179565	END SHIELD HELIX 8" EPDM KIT	1
7.1		> END SHIELD M+ GJL MACHINED+CATA	1
7.2	4179564	> O-RING D.42.52x2.62 EPDM VP.	1
7.3	4179571	> O-RING HOUSING PIPE HELIX22/36/52 VP.	1
8	4143765	FILING/PURGING PLUG 316L HELIX KIT	1
8.1		> FILLING/VENTING-PLUG-VM18/10-316L	1
8.2	4032291	> O-RING 17x3 EPDM KTW/WRC	1
9	4143973	CARTRIDGE HELIX22-36-52 O/E KIT	1
10	4179593	HOUSING PIPE D.204X330 1.4307 KIT	1
7.3	4179571	> O-RING HOUSING PIPE HELIX22/36/52 VP.	1
10.1		> HOUSING-PIPE Ø204-M+3604/5203-304	1
12	4161186	SHAFT EQUIPMENT HELIX V36 8" KIT	1
13		HYDRAULIC HELIX V 3604	1
14	2123751	SHAFT D.22 LG.487,34 HELIX 1.4057 VP.	1
15	4161185	EQUIPED HOUSING HELIX 36 GJL KIT	1
15.1		> PUMP HOUSING SET with CATA. PARTS-DN65	1
15.3	4143766	> DRAIN/PRIMING PLUG EPDM HELIX KIT	1
15.3A		>> PRIMING/DRAIN PLUG-304-VERSION 1	1
15.3B	4032293	>> O-RING-10x3-EPDM-KTW/WRC	1
15.3C	4233957	>> O-RING ID.9 EPDM VP.	1
15.4	4221729	> BASE M+ DN50/65/80 VP.	1

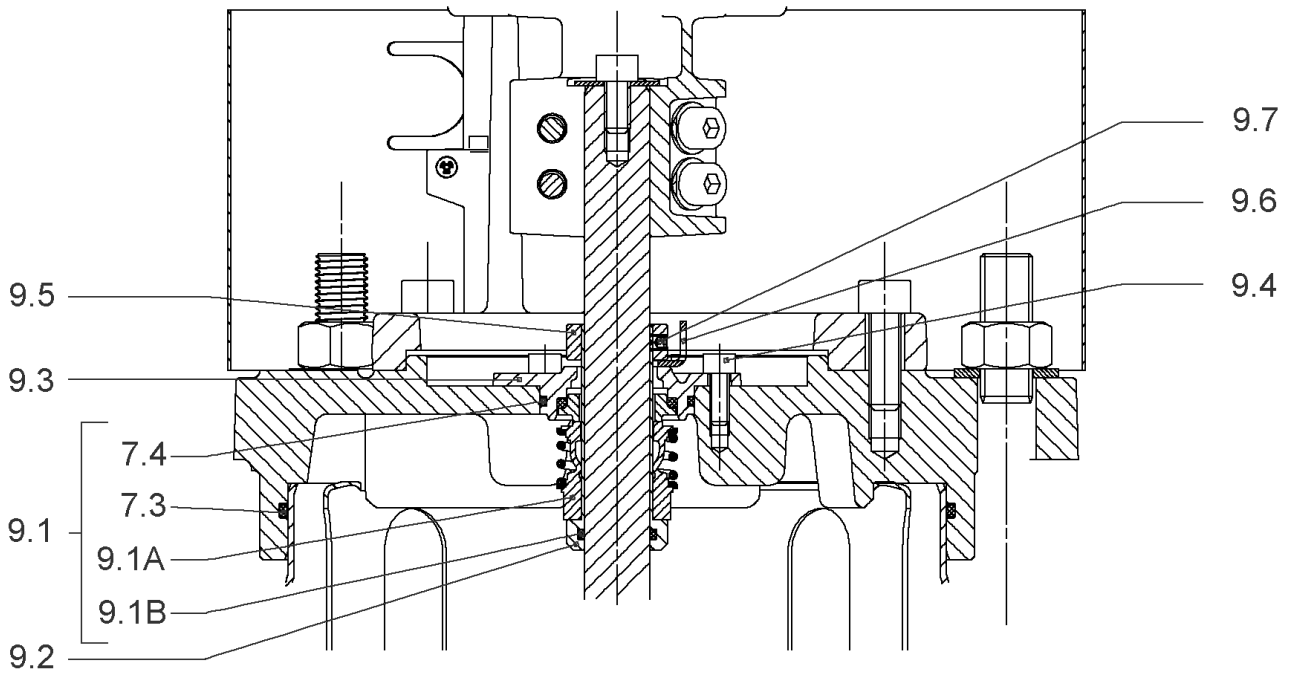
HELIX V3604-3/16/E/KS/400-50 (4138839)

Item	Article no.	Description	Quantity
15.5		> SCREW TBHC M12x25 ISO7380 ZN	1
15.6		> FLANGE M+ DN65 NF PN16-25 ASME PN16 CATA	1
15.7		> O-RING Ø79.5xØ3 EPDM	1
13.1A	4161200	> NECK RING 1.STAGE HELIX V36/52 KIT	1
		>> NECK-RING-M+36/52	1
		>> HYDRAULIC SUPPORT CAP M+36/52 304	1
		>> SCREW TCL M3X8 A4 POZIDRIV	1
7.3	4179571	> O-RING HOUSING PIPE HELIX22/36/52 VP.	1



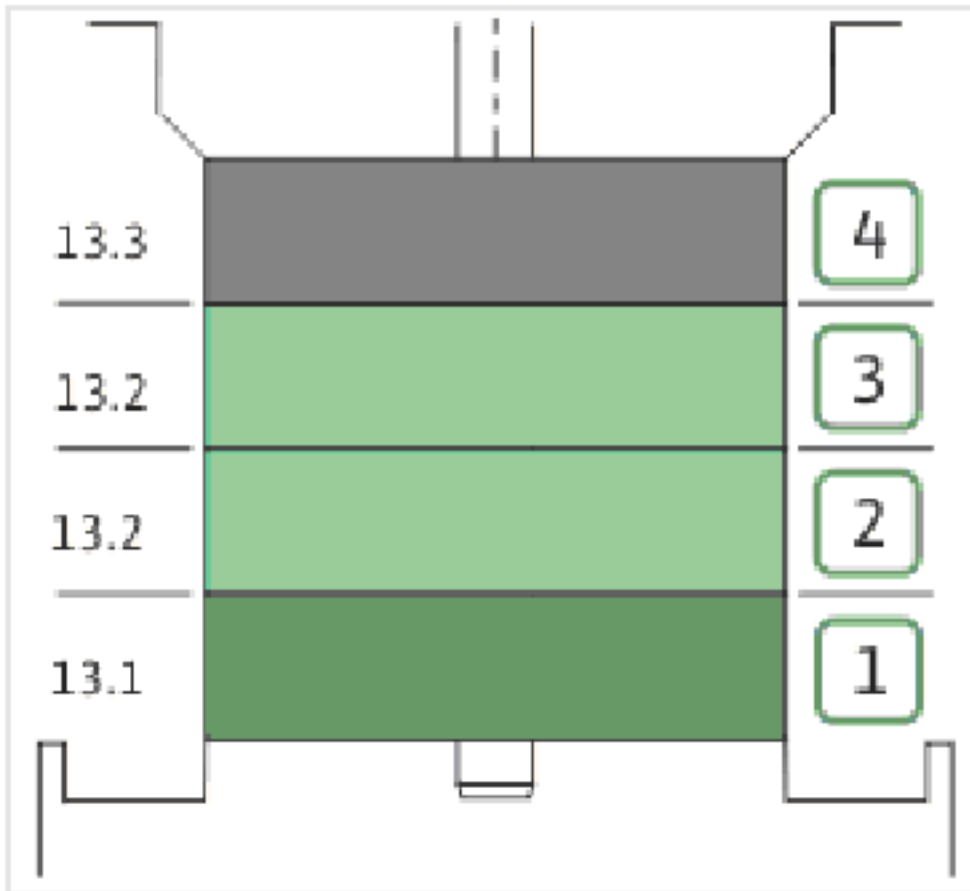
COUPLING D.20XD.38 FF300 KIT (4143966)

Item	Article no.	Description	Quantity
4.1	4179590	COUPLING 2 PARTS D.20XD.38XL115 VP.	1
4.2	2123699	BALL BEARING 6312/2Z-C4 (HT) VP.	1
4.3	63428	CIRCLIP-FOR-SHAFT-D60x2	1
4.4	2130991	SCREW M12X30 ISO4762 8.8 ZN(4 PIECES)	1
4.5	4032277	CIRCLIP-HOLE-130x4	1
4.6	4006725	O-RING ID.132,94x3,53 NBR70SR	1
4.7	2130992	RETAINING RING D.35xD.2,5 DIN7993 VP.	1
4.8	4179591	HUB D.42xD.60 VP.	1
4.9	2130994	SPACER D.38XD.55 VP.	1
4.10	4094462	SCREWS M10 (4 PIECES)	1
4.11	4233959	SCREW M8x16 VP.	1
4.12		SERRATED LOCK WASHER Ø8.2XØ25X35X2	1



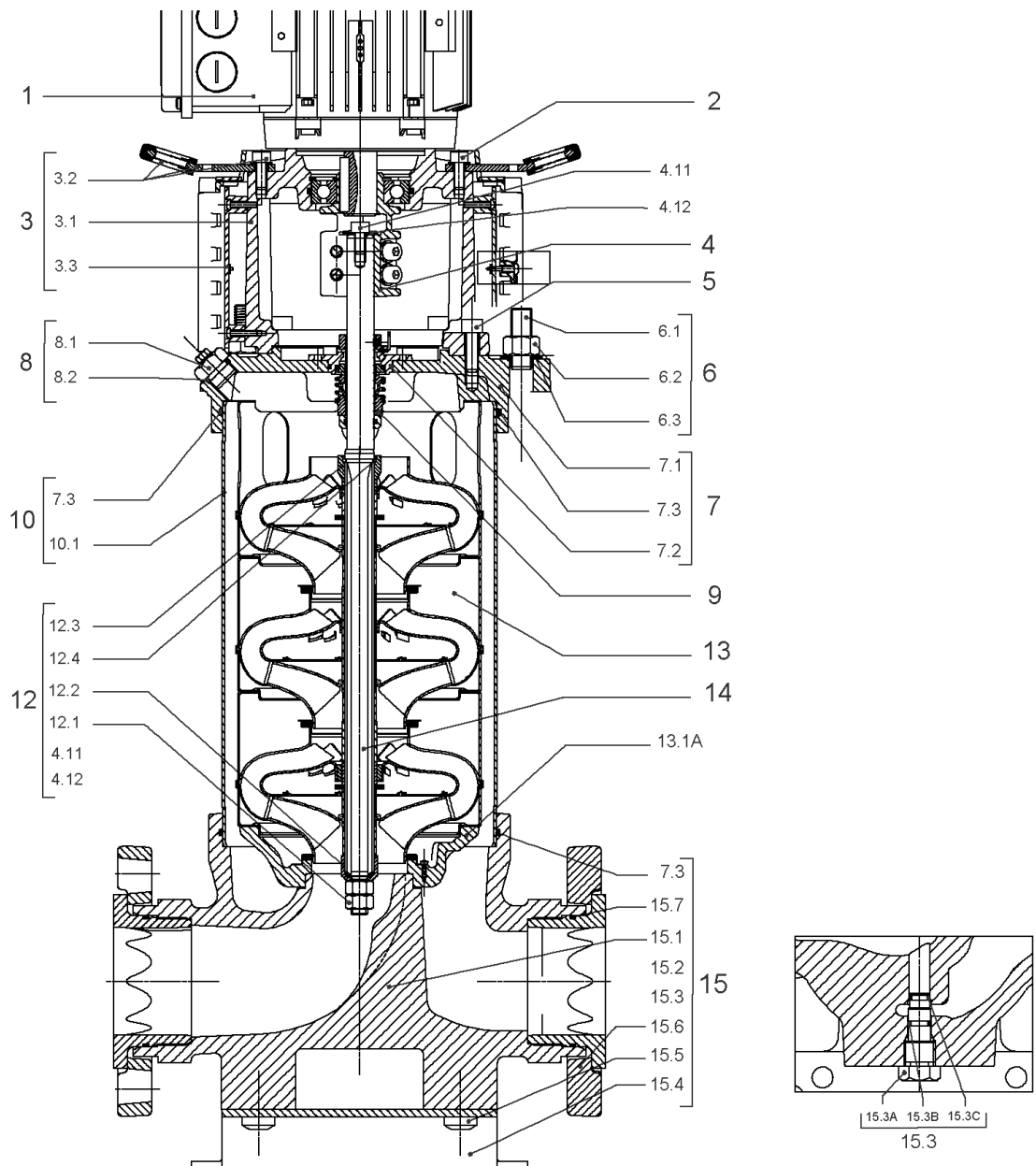
CARTRIDGE HELIX22-36-52 O/E KIT (4143973)

Item	Article no.	Description	Quantity
9.1	4143974	SEAL-KIT-HELIX22-36-52 O/E	1
7.3	4179571	> O-RING HOUSING PIPE HELIX22/36/52 VP.	1
7.4	4179572	> O-RING ID.42.52X2.62 EPDM VP.	1
9.1A	4179573	> M.SEAL.HELIX22-36-52 O/E VP.	1
9.1B	4179574	> O-RING ID.20x2.65 EPDM VP.	1
9.2	4179566	SHAFT SLEEVE D.20/20X60 1.4404 VP.	1
9.3	4179567	RING HOLDER Ø22 1.4301 VP.	1
9.4	4176520	SCREW CH M5x5 A4-70 (3PIECES)	1
9.5	4179568	DRIVE RING D.31/22.1x11 MACH.VP.	1
9.6	4179569	TOOL M.S.CART.HELIX 8" VP.	1
9.7	4179570	SCREW M6X16 ISO4762 8.8 GEOMET(4 PIECES)	1



HYDRAULIC HELIX V 3604

Item	Article no.	Description	Quantity
13.1	4161192	INTERMEDIATE STAGE HELIX V36 1.4301 KIT	1
		> SLEEVE-SPACER-D22XL16,66-316L	1
		> MACH.BEARING-DIFFUSER+NR-M+36-304	1
		> SHAFT-SLEEVE-D26xD22x16-CW	1
		> IMPELLER-H1-M+36-304	1
13.1A	4161200	> NECK RING 1.STAGE HELIX V36/52 KIT	1
		>> NECK-RING-M+36/52	1
		>> HYDRAULIC SUPPORT CAP M+36/52 304	1
		>> SCREW TCL M3X8 A4 POZIDRIV	1
13.2	4161193	INTERMEDIATE STAGE HELIX V36 1.4301 KIT	1
		> MACH.STD-DIFFUSER+NR-M+36-304	1
		> IMPELLER-H4-M+36-304	1
13.3	4161194	UPPER STAGE HELIX 36 1.4301 KIT	1
		> STOP COLLAR OF IMPELLER L20-Ø22-316L	1
		> IMPELLER-H4-M+36-304	1
		> MACH.-RIGID-STD-DISCH.-CHAMBER-M+36-304	1

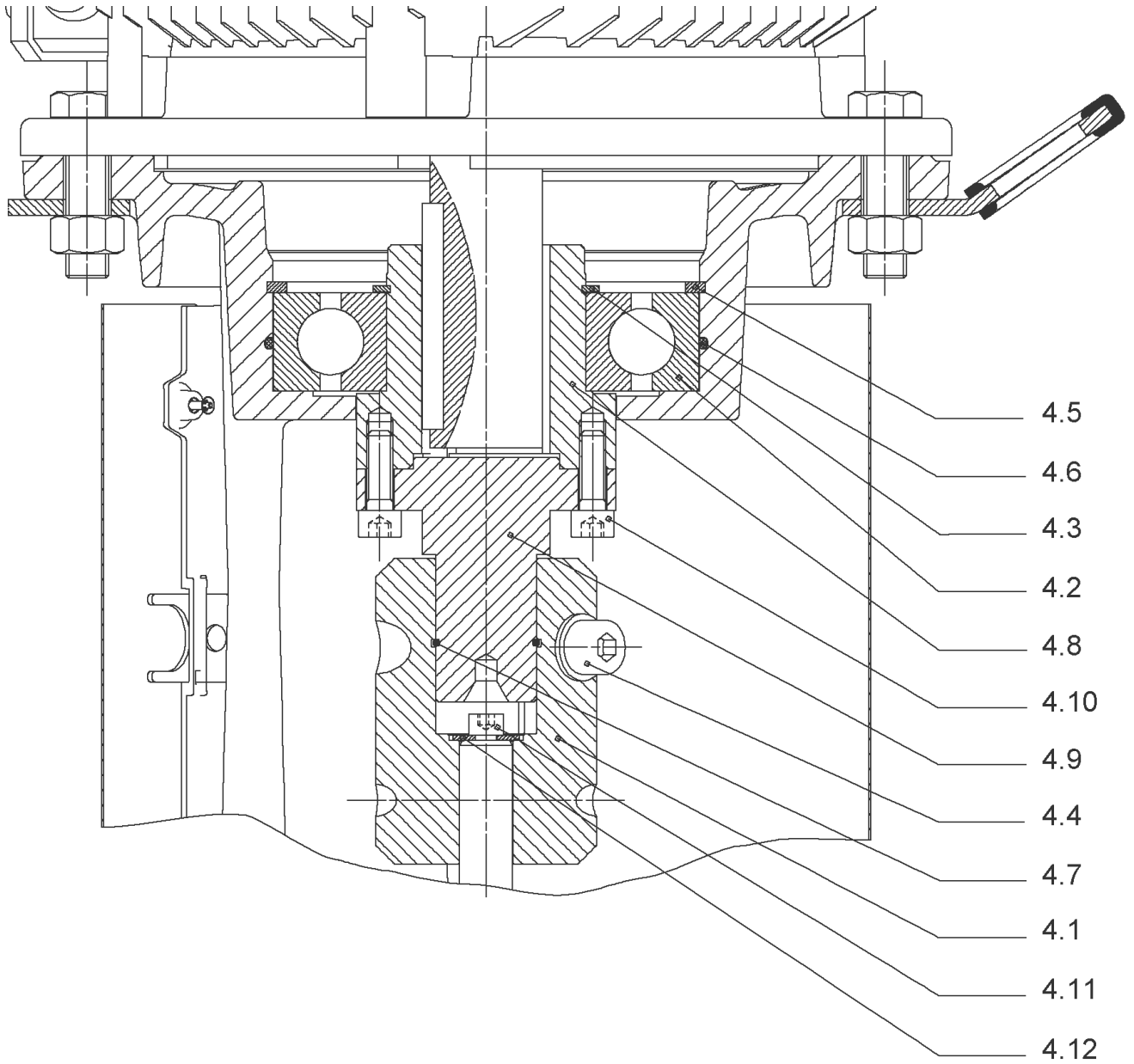


HELIX V3605/2-3/16/E/KS/400-50 (4138840)

Item	Article no.	Description	Quantity
1	4199884	MOTOR 11/2/160 3~400V 50HZ VP.	1
		SPARE PARTS MOTOR:ON REQUEST	1
2	4179586	SCREW M16X60 (4 PIECES)	1
3	4157721	LANTERN HELIX 22/36 FF300 BB6312 KIT	1
3.1		> LANTERN FF300 M+ GJL MACHINED+CATA 6312	1
3.2	4179589	> EYELET CPL.FF300 HELIX(4 PIECES)	1
3.3	4143969	> COUPLING PROTECT HELIX FF KIT	1
4	4143966	COUPLING D.20XD.38 FF300 KIT	1
5	4157725	SCREW M10X40 (4 PIECES)	1
6	4181083	STUD BOLT M16X466 KIT	1
6.1		> TIE BOLT M16-466x24x44-1.4057	1
6.2	4179562	> NUT M16 8.8 ISO4032 (4 PIECES)	1
6.3	4097852	> WASHER-CS-16.4-32-2.8-NFE25-511-A2	1
7	4179565	END SHIELD HELIX 8" EPDM KIT	1
7.1		> END SHIELD M+ GJL MACHINED+CATA	1
7.2	4179564	> O-RING D.42.52x2.62 EPDM VP.	1
7.3	4179571	> O-RING HOUSING PIPE HELIX22/36/52 VP.	1
8	4143765	FILING/PURGING PLUG 316L HELIX KIT	1
8.1		> FILLING/VENTING-PLUG-VM18/10-316L	1
8.2	4032291	> O-RING 17x3 EPDM KTW/WRC	1
9	4143973	CARTRIDGE HELIX22-36-52 O/E KIT	1
10	2131084	HOUSING PIPE D.204x397,44 1.4307 KIT	1
7.3	4179571	> O-RING HOUSING PIPE HELIX22/36/52 VP.	1
10.1		> HOUSING-PIPE Ø204-M+3605-304	1
12	4161186	SHAFT EQUIPMENT HELIX V36 8" KIT	1
13		HYDRAULIC HELIX V 3605-2	1
14	4179578	SHAFT D.22X554 1.4057 VP.	1
15	4161185	EQUIPED HOUSING HELIX 36 GJL KIT	1
15.1		> PUMP HOUSING SET with CATA. PARTS-DN65	1
15.3	4143766	> DRAIN/PRIMING PLUG EPDM HELIX KIT	1
15.3A		>> PRIMING/DRAIN PLUG-304-VERSION 1	1
15.3B	4032293	>> O-RING-10x3-EPDM-KTW/WRC	1
15.3C	4233957	>> O-RING ID.9 EPDM VP.	1
15.4	4221729	> BASE M+ DN50/65/80 VP.	1

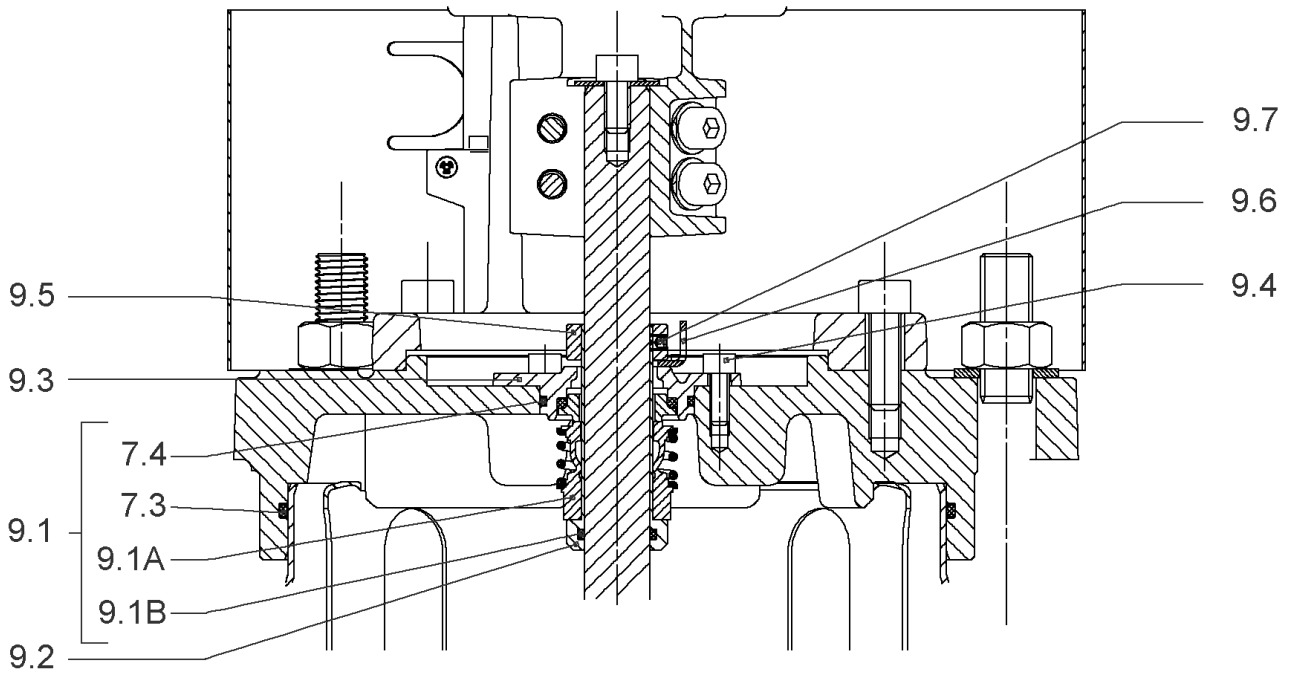
HELIX V3605/2-3/16/E/KS/400-50 (4138840)

Item	Article no.	Description	Quantity
15.5		> SCREW TBHC M12x25 ISO7380 ZN	1
15.6		> FLANGE M+ DN65 NF PN16-25 ASME PN16 CATA	1
15.7		> O-RING Ø79.5xØ3 EPDM	1
13.1A	4161200	> NECK RING 1.STAGE HELIX V36/52 KIT	1
		>> NECK-RING-M+36/52	1
		>> HYDRAULIC SUPPORT CAP M+36/52 304	1
		>> SCREW TCL M3X8 A4 POZIDRIV	1
7.3	4179571	> O-RING HOUSING PIPE HELIX22/36/52 VP.	1



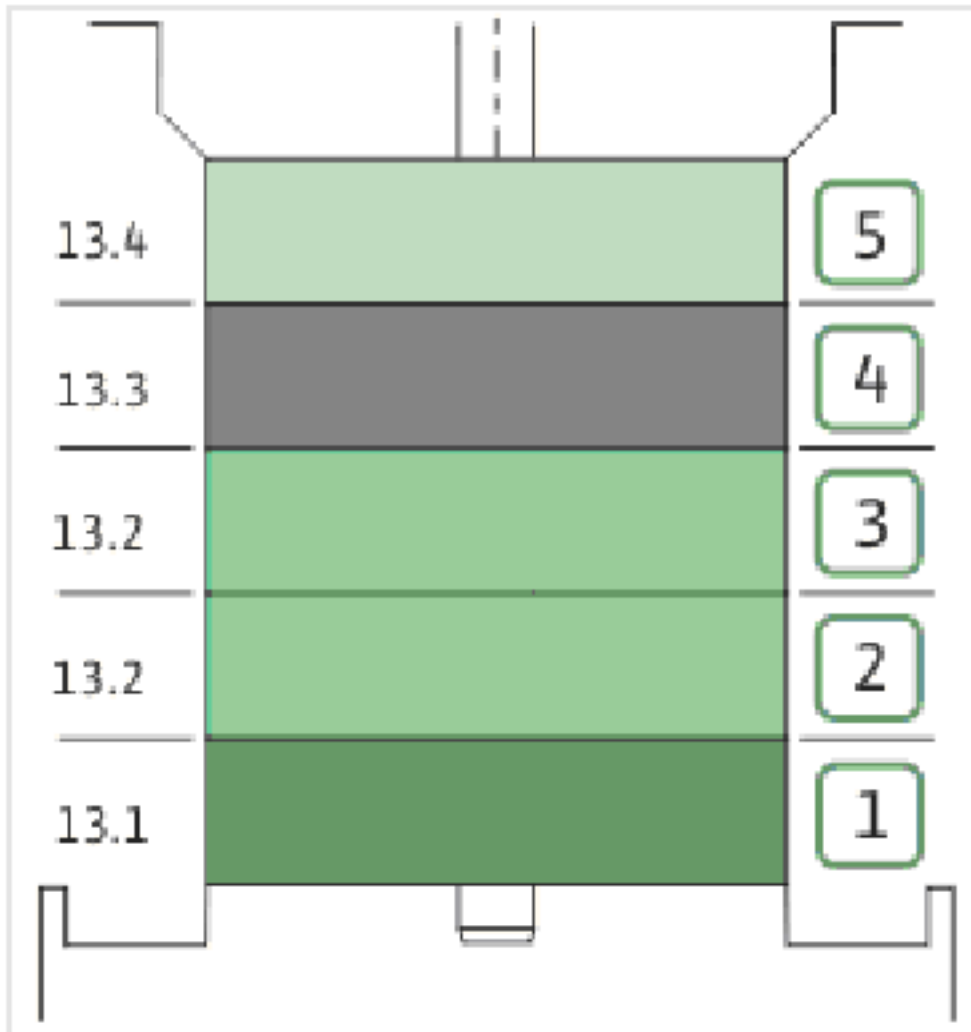
COUPLING D.20XD.38 FF300 KIT (4143966)

Item	Article no.	Description	Quantity
4.1	4179590	COUPLING 2 PARTS D.20XD.38XL115 VP.	1
4.2	2123699	BALL BEARING 6312/2Z-C4 (HT) VP.	1
4.3	63428	CIRCLIP-FOR-SHAFT-D60x2	1
4.4	2130991	SCREW M12X30 ISO4762 8.8 ZN(4 PIECES)	1
4.5	4032277	CIRCLIP-HOLE-130x4	1
4.6	4006725	O-RING ID.132,94x3,53 NBR70SR	1
4.7	2130992	RETAINING RING D.35xD.2,5 DIN7993 VP.	1
4.8	4179591	HUB D.42xD.60 VP.	1
4.9	2130994	SPACER D.38XD.55 VP.	1
4.10	4094462	SCREWS M10 (4 PIECES)	1
4.11	4233959	SCREW M8x16 VP.	1
4.12		SERRATED LOCK WASHER Ø8.2XØ25X35X2	1



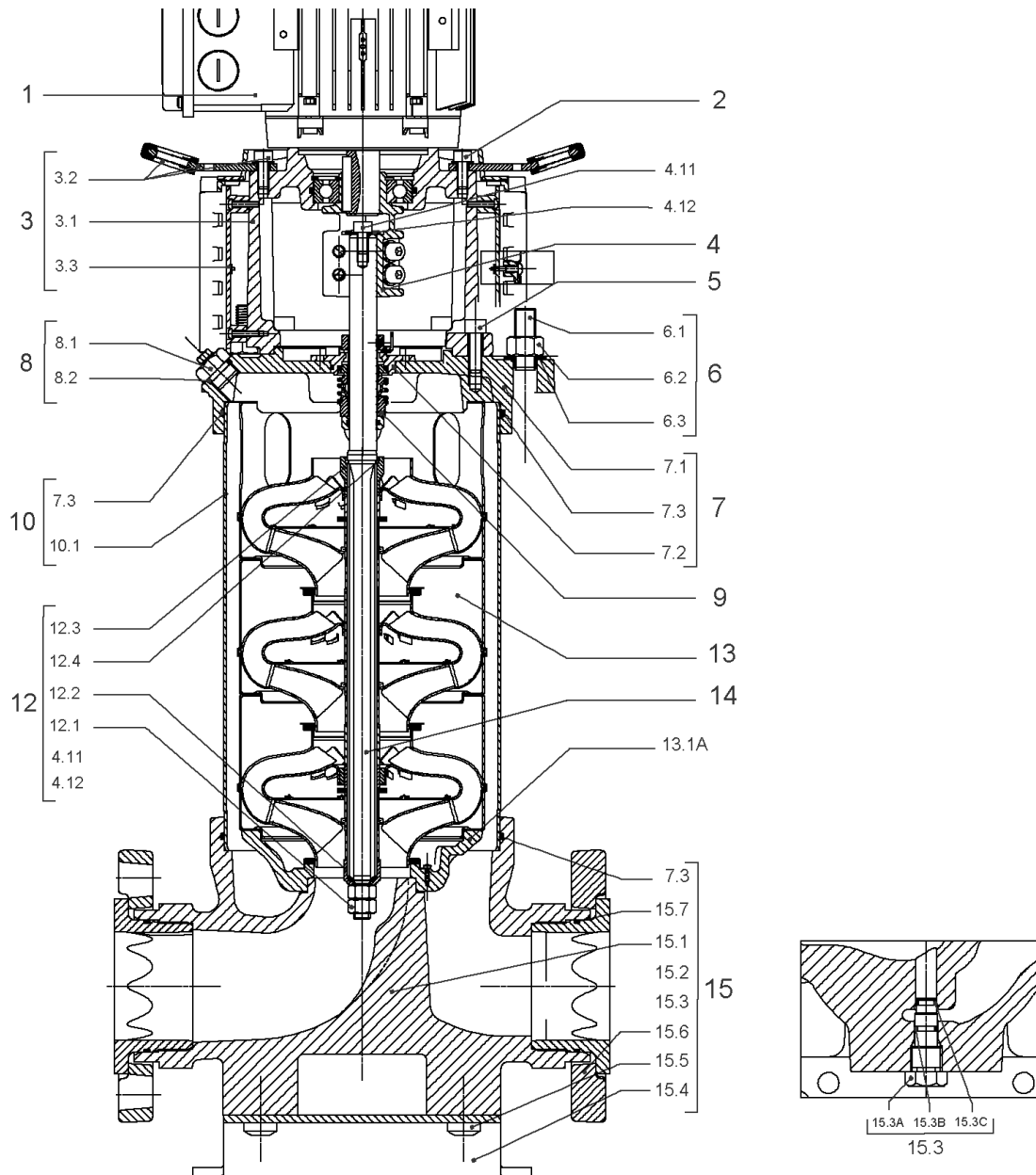
CARTRIDGE HELIX22-36-52 O/E KIT (4143973)

Item	Article no.	Description	Quantity
9.1	4143974	SEAL-KIT-HELIX22-36-52 O/E	1
7.3	4179571	> O-RING HOUSING PIPE HELIX22/36/52 VP.	1
7.4	4179572	> O-RING ID.42.52X2.62 EPDM VP.	1
9.1A	4179573	> M.SEAL.HELIX22-36-52 O/E VP.	1
9.1B	4179574	> O-RING ID.20x2.65 EPDM VP.	1
9.2	4179566	SHAFT SLEEVE D.20/20X60 1.4404 VP.	1
9.3	4179567	RING HOLDER Ø22 1.4301 VP.	1
9.4	4176520	SCREW CH M5x5 A4-70 (3PIECES)	1
9.5	4179568	DRIVE RING D.31/22.1x11 MACH.VP.	1
9.6	4179569	TOOL M.S.CART.HELIX 8" VP.	1
9.7	4179570	SCREW M6X16 ISO4762 8.8 GEOMET(4 PIECES)	1



HYDRAULIC HELIX V 3605-2

Item	Article no.	Description	Quantity
13.1	4161192	INTERMEDIATE STAGE HELIX V36 1.4301 KIT	1
		> SLEEVE-SPACER-D22XL16,66-316L	1
		> MACH.BEARING-DIFFUSER+NR-M+36-304	1
		> SHAFT-SLEEVE-D26xD22x16-CW	1
		> IMPELLER-H1-M+36-304	1
13.1A	4161200	> NECK RING 1.STAGE HELIX V36/52 KIT	1
		>> NECK-RING-M+36/52	1
		>> HYDRAULIC SUPPORT CAP M+36/52 304	1
		>> SCREW TCL M3X8 A4 POZIDRIV	1
13.2	4161193	INTERMEDIATE STAGE HELIX V36 1.4301 KIT	1
		> MACH.STD-DIFFUSER+NR-M+36-304	1
		> IMPELLER-H4-M+36-304	1
13.3	4161195	INTERMEDIATE STAGE HELIX V36 1.4301 KIT	1
		> REDUCED-IMPELLER-H4-M+36-304	1
		> MACH.STD-DIFFUSER+NR-M+36-304	1
13.4	4161196	UPPER STAGE HELIX 36 1.4301 KIT	1
		> STOP COLLAR OF IMPELLER L20-Ø22-316L	1
		> REDUCED-IMPELLER-H4-M+36-304	1
		> MACH.-RIGID-STD-DISCH.-CHAMBER-M+36-304	1

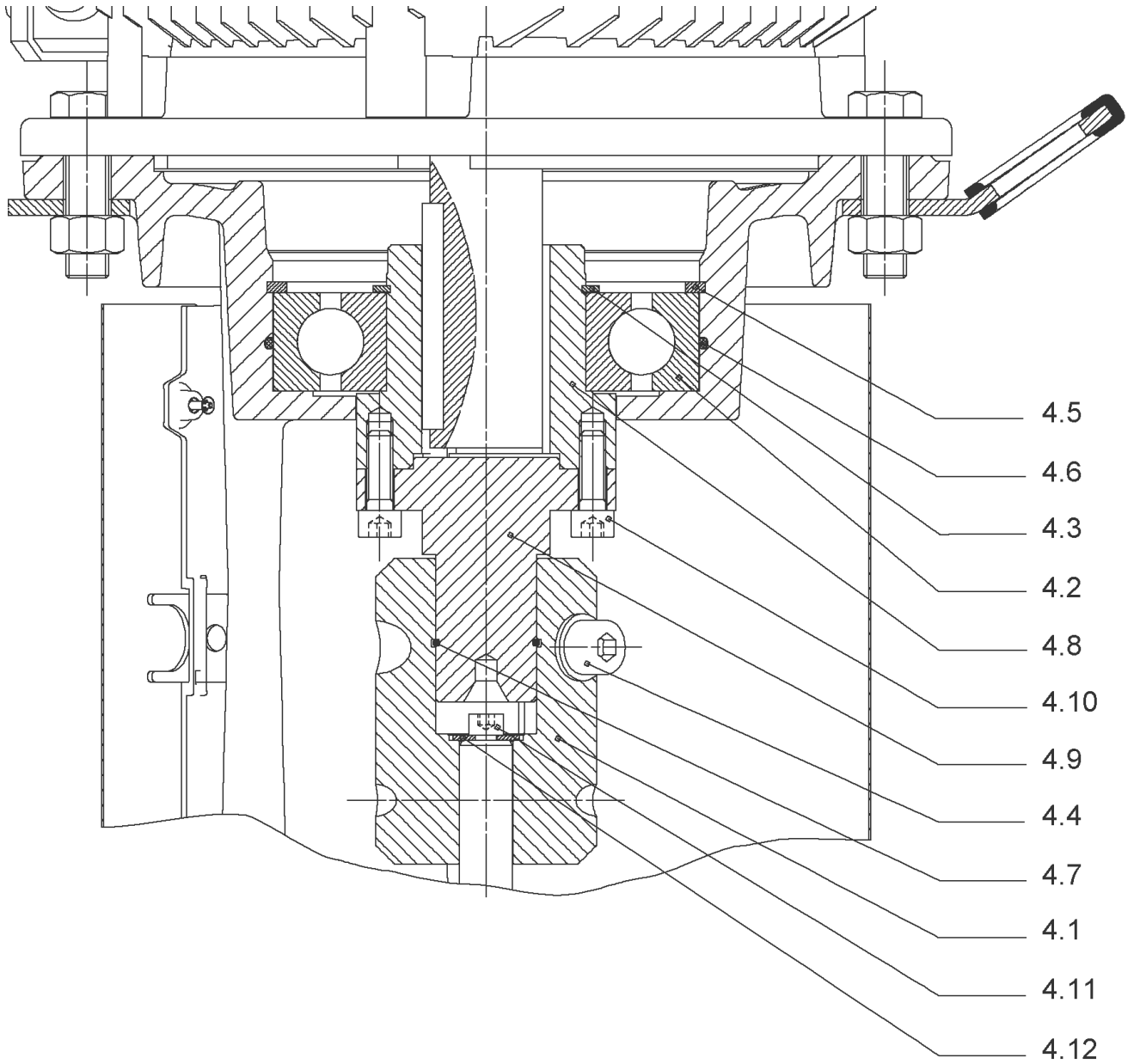


HELIX V3605-3/16/E/KS/400-50 (4138841)

Item	Article no.	Description	Quantity
1	4199884	MOTOR 11/2/160 3~400V 50HZ VP.	1
		SPARE PARTS MOTOR:ON REQUEST	1
2	4179586	SCREW M16X60 (4 PIECES)	1
3	4157721	LANTERN HELIX 22/36 FF300 BB6312 KIT	1
3.1		> LANTERN FF300 M+ GJL MACHINED+CATA 6312	1
3.2	4179589	> EYELET CPL.FF300 HELIX(4 PIECES)	1
3.3	4143969	> COUPLING PROTECT HELIX FF KIT	1
4	4143966	COUPLING D.20XD.38 FF300 KIT	1
5	4157725	SCREW M10X40 (4 PIECES)	1
6	4181083	STUD BOLT M16X466 KIT	1
6.1		> TIE BOLT M16-466x24x44-1.4057	1
6.2	4179562	> NUT M16 8.8 ISO4032 (4 PIECES)	1
6.3	4097852	> WASHER-CS-16.4-32-2.8-NFE25-511-A2	1
7	4179565	END SHIELD HELIX 8" EPDM KIT	1
7.1		> END SHIELD M+ GJL MACHINED+CATA	1
7.2	4179564	> O-RING D.42.52x2.62 EPDM VP.	1
7.3	4179571	> O-RING HOUSING PIPE HELIX22/36/52 VP.	1
8	4143765	FILING/PURGING PLUG 316L HELIX KIT	1
8.1		> FILLING/VENTING-PLUG-VMI8/10-316L	1
8.2	4032291	> O-RING 17x3 EPDM KTW/WRC	1
9	4143973	CARTRIDGE HELIX22-36-52 O/E KIT	1
10	2131084	HOUSING PIPE D.204x397,44 1.4307 KIT	1
7.3	4179571	> O-RING HOUSING PIPE HELIX22/36/52 VP.	1
10.1		> HOUSING-PIPE Ø204-M+3605-304	1
12	4161186	SHAFT EQUIPMENT HELIX V36 8" KIT	1
13		HYDRAULIC HELIX V 3605	1
14	4179578	SHAFT D.22X554 1.4057 VP.	1
15	4161185	EQUIPED HOUSING HELIX 36 GJL KIT	1
15.1		> PUMP HOUSING SET with CATA. PARTS-DN65	1
15.3	4143766	> DRAIN/PRIMING PLUG EPDM HELIX KIT	1
15.3A		>> PRIMING/DRAIN PLUG-304-VERSION 1	1
15.3B	4032293	>> O-RING-10x3-EPDM-KTW/WRC	1
15.3C	4233957	>> O-RING ID.9 EPDM VP.	1
15.4	4221729	> BASE M+ DN50/65/80 VP.	1

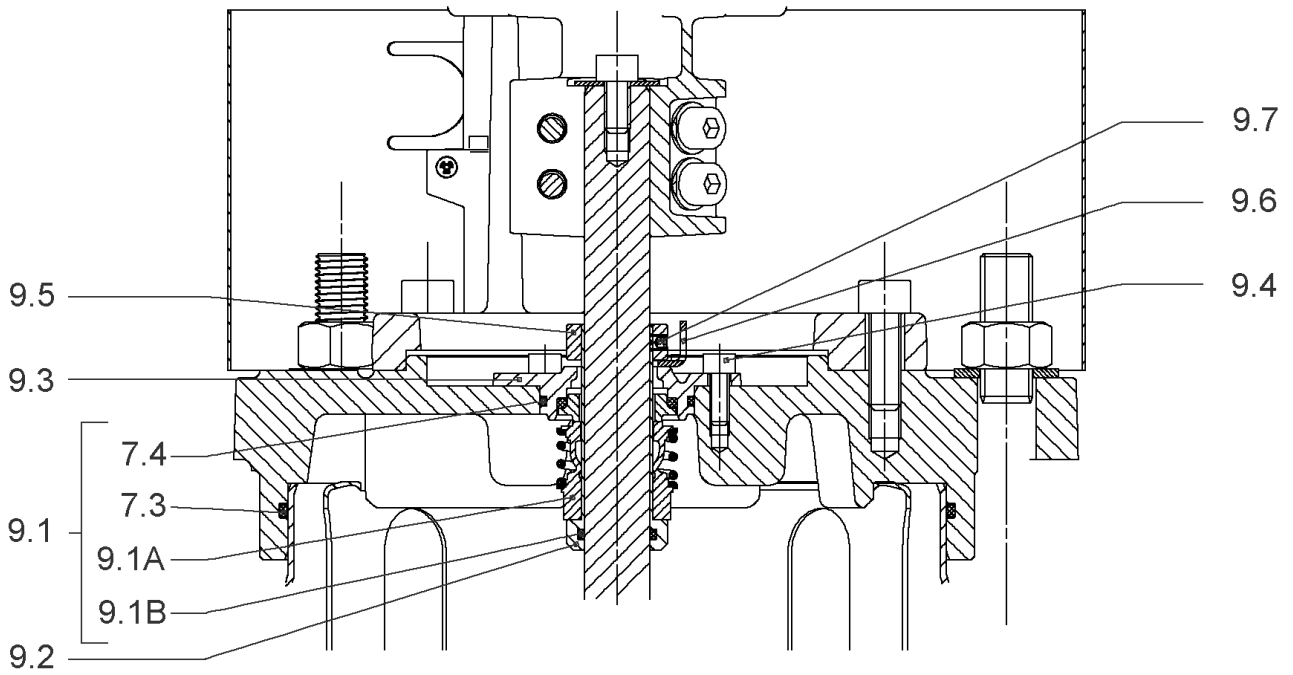
HELIX V3605-3/16/E/KS/400-50 (4138841)

Item	Article no.	Description	Quantity
15.5		> SCREW TBHC M12x25 ISO7380 ZN	1
15.6		> FLANGE M+ DN65 NF PN16-25 ASME PN16 CATA	1
15.7		> O-RING Ø79.5xØ3 EPDM	1
13.1A	4161200	> NECK RING 1.STAGE HELIX V36/52 KIT	1
		>> NECK-RING-M+36/52	1
		>> HYDRAULIC SUPPORT CAP M+36/52 304	1
		>> SCREW TCL M3X8 A4 POZIDRIV	1
7.3	4179571	> O-RING HOUSING PIPE HELIX22/36/52 VP.	1



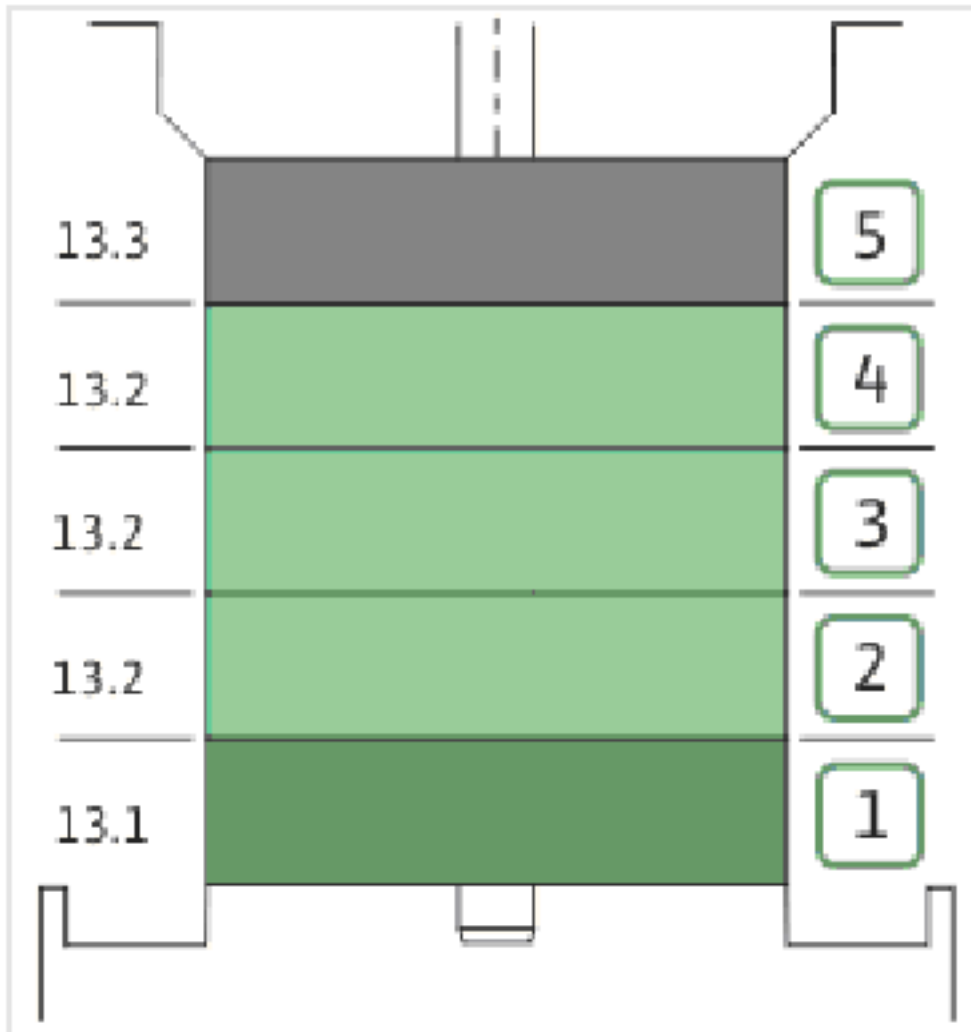
COUPLING D.20XD.38 FF300 KIT (4143966)

Item	Article no.	Description	Quantity
4.1	4179590	COUPLING 2 PARTS D.20XD.38XL115 VP.	1
4.2	2123699	BALL BEARING 6312/2Z-C4 (HT) VP.	1
4.3	63428	CIRCLIP-FOR-SHAFT-D60x2	1
4.4	2130991	SCREW M12X30 ISO4762 8.8 ZN(4 PIECES)	1
4.5	4032277	CIRCLIP-HOLE-130x4	1
4.6	4006725	O-RING ID.132,94x3,53 NBR70SR	1
4.7	2130992	RETAINING RING D.35xD.2,5 DIN7993 VP.	1
4.8	4179591	HUB D.42xD.60 VP.	1
4.9	2130994	SPACER D.38XD.55 VP.	1
4.10	4094462	SCREWS M10 (4 PIECES)	1
4.11	4233959	SCREW M8x16 VP.	1
4.12		SERRATED LOCK WASHER Ø8.2XØ25X35X2	1



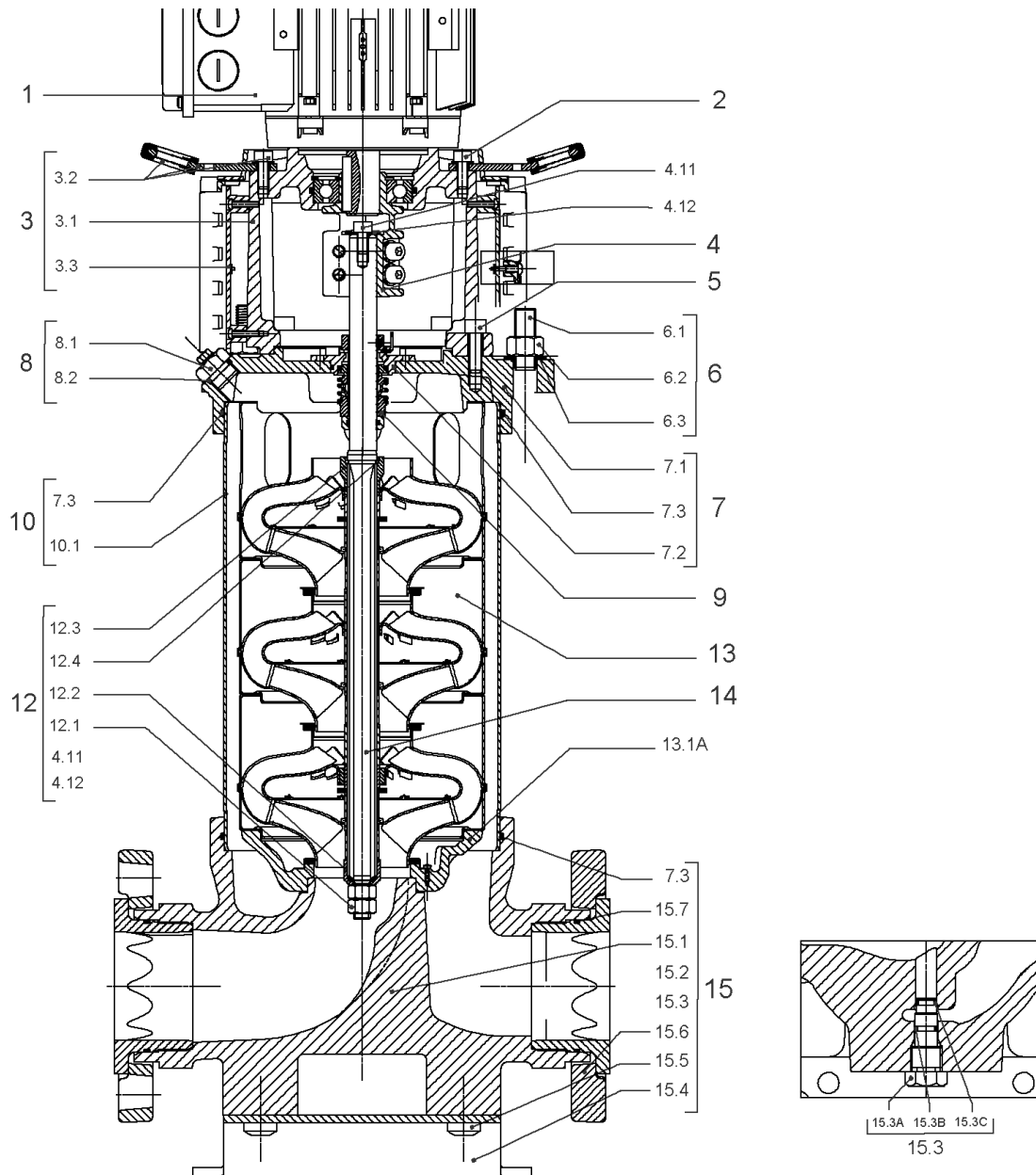
CARTRIDGE HELIX22-36-52 O/E KIT (4143973)

Item	Article no.	Description	Quantity
9.1	4143974	SEAL-KIT-HELIX22-36-52 O/E	1
7.3	4179571	> O-RING HOUSING PIPE HELIX22/36/52 VP.	1
7.4	4179572	> O-RING ID.42.52X2.62 EPDM VP.	1
9.1A	4179573	> M.SEAL.HELIX22-36-52 O/E VP.	1
9.1B	4179574	> O-RING ID.20x2.65 EPDM VP.	1
9.2	4179566	SHAFT SLEEVE D.20/20X60 1.4404 VP.	1
9.3	4179567	RING HOLDER Ø22 1.4301 VP.	1
9.4	4176520	SCREW CH M5x5 A4-70 (3PIECES)	1
9.5	4179568	DRIVE RING D.31/22.1x11 MACH.VP.	1
9.6	4179569	TOOL M.S.CART.HELIX 8" VP.	1
9.7	4179570	SCREW M6X16 ISO4762 8.8 GEOMET(4 PIECES)	1



HYDRAULIC HELIX V 3605

Item	Article no.	Description	Quantity
13.1	4161192	INTERMEDIATE STAGE HELIX V36 1.4301 KIT	1
		> SLEEVE-SPACER-D22XL16,66-316L	1
		> MACH.BEARING-DIFFUSER+NR-M+36-304	1
		> SHAFT-SLEEVE-D26xD22x16-CW	1
		> IMPELLER-H1-M+36-304	1
13.1A	4161200	> NECK RING 1.STAGE HELIX V36/52 KIT	1
		>> NECK-RING-M+36/52	1
		>> HYDRAULIC SUPPORT CAP M+36/52 304	1
		>> SCREW TCL M3X8 A4 POZIDRIV	1
13.2	4161193	INTERMEDIATE STAGE HELIX V36 1.4301 KIT	1
		> MACH.STD-DIFFUSER+NR-M+36-304	1
		> IMPELLER-H4-M+36-304	1
13.3	4161194	UPPER STAGE HELIX 36 1.4301 KIT	1
		> STOP COLLAR OF IMPELLER L20-Ø22-316L	1
		> IMPELLER-H4-M+36-304	1
		> MACH.-RIGID-STD-DISCH.-CHAMBER-M+36-304	1

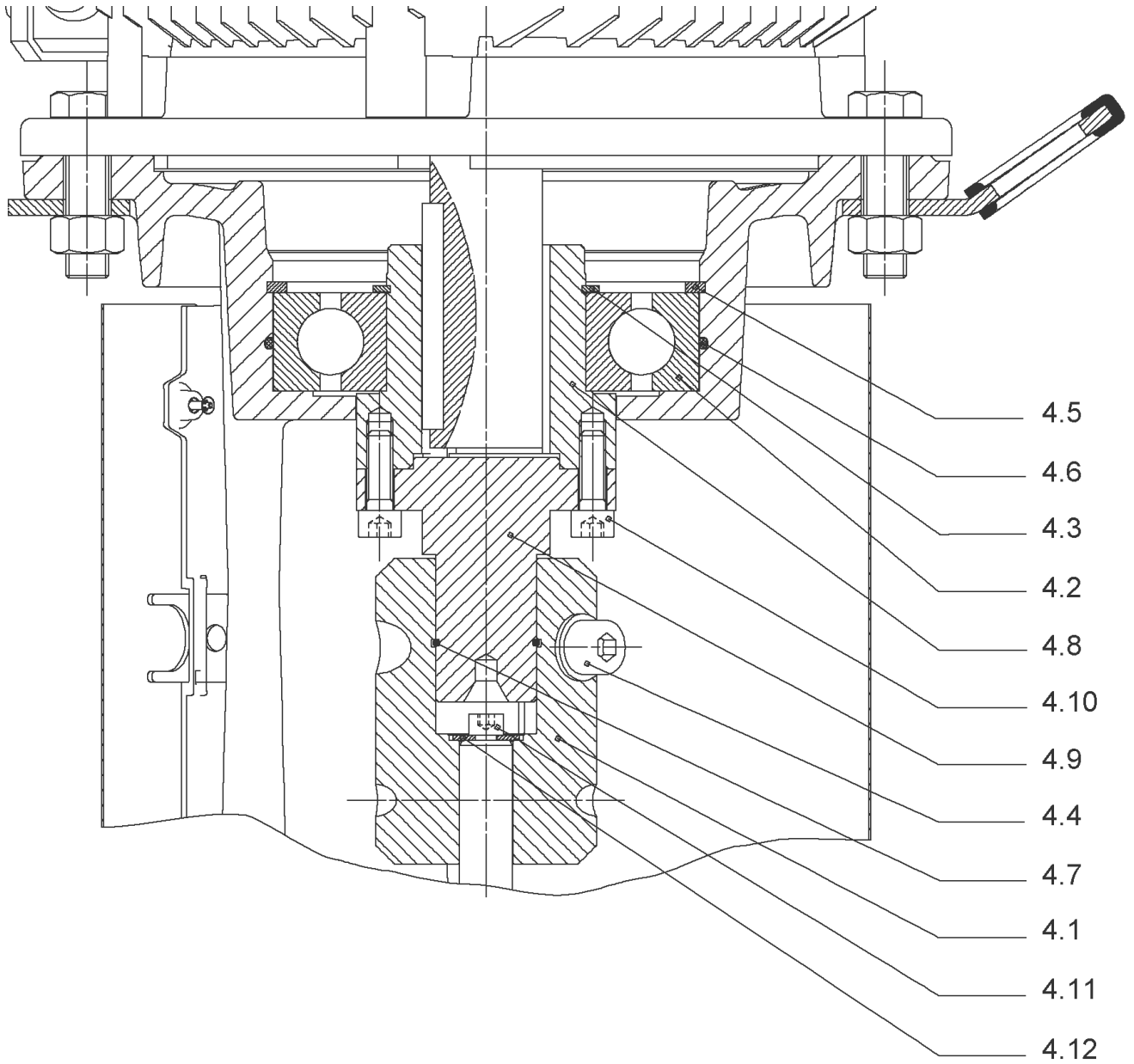


HELIX V3606/2-3/16/E/KS/400-50 (4138842)

Item	Article no.	Description	Quantity
1	4199884	MOTOR 11/2/160 3~400V 50HZ VP.	1
		SPARE PARTS MOTOR:ON REQUEST	1
2	4179586	SCREW M16X60 (4 PIECES)	1
3	4157721	LANTERN HELIX 22/36 FF300 BB6312 KIT	1
3.1		> LANTERN FF300 M+ GJL MACHINED+CATA 6312	1
3.2	4179589	> EYELET CPL.FF300 HELIX(4 PIECES)	1
3.3	4143969	> COUPLING PROTECT HELIX FF KIT	1
4	4143966	COUPLING D.20XD.38 FF300 KIT	1
5	4157725	SCREW M10X40 (4 PIECES)	1
6	4181086	STUD BOLT M16X533 KIT	1
6.1		> TIE BOLT M16-533x24x44-1.4057	1
6.2	4179562	> NUT M16 8.8 ISO4032 (4 PIECES)	1
6.3	4097852	> WASHER-CS-16.4-32-2.8-NFE25-511-A2	1
7	4179565	END SHIELD HELIX 8" EPDM KIT	1
7.1		> END SHIELD M+ GJL MACHINED+CATA	1
7.2	4179564	> O-RING D.42.52x2.62 EPDM VP.	1
7.3	4179571	> O-RING HOUSING PIPE HELIX22/36/52 VP.	1
8	4143765	FILING/PURGING PLUG 316L HELIX KIT	1
8.1		> FILLING/VENTING-PLUG-VMI8/10-316L	1
8.2	4032291	> O-RING 17x3 EPDM KTW/WRC	1
9	4143973	CARTRIDGE HELIX22-36-52 O/E KIT	1
10	4181087	HOUSING PIPE D.204x464,13 1.4307 KIT	1
7.3	4179571	> O-RING HOUSING PIPE HELIX22/36/52 VP.	1
10.1		> HOUSING-PIPE Ø204-M+2208/3606-304	1
12	4161186	SHAFT EQUIPMENT HELIX V36 8" KIT	1
13		HYDRAULIC HELIX V 3606-2	1
14	2127545	SHAFT D.22 LG.620,67 HELIX 1.4057 VP.	1
15	4161185	EQUIPED HOUSING HELIX 36 GJL KIT	1
15.1		> PUMP HOUSING SET with CATA. PARTS-DN65	1
15.3	4143766	> DRAIN/PRIMING PLUG EPDM HELIX KIT	1
15.3A		>> PRIMING/DRAIN PLUG-304-VERSION 1	1
15.3B	4032293	>> O-RING-10x3-EPDM-KTW/WRC	1
15.3C	4233957	>> O-RING ID.9 EPDM VP.	1
15.4	4221729	> BASE M+ DN50/65/80 VP.	1

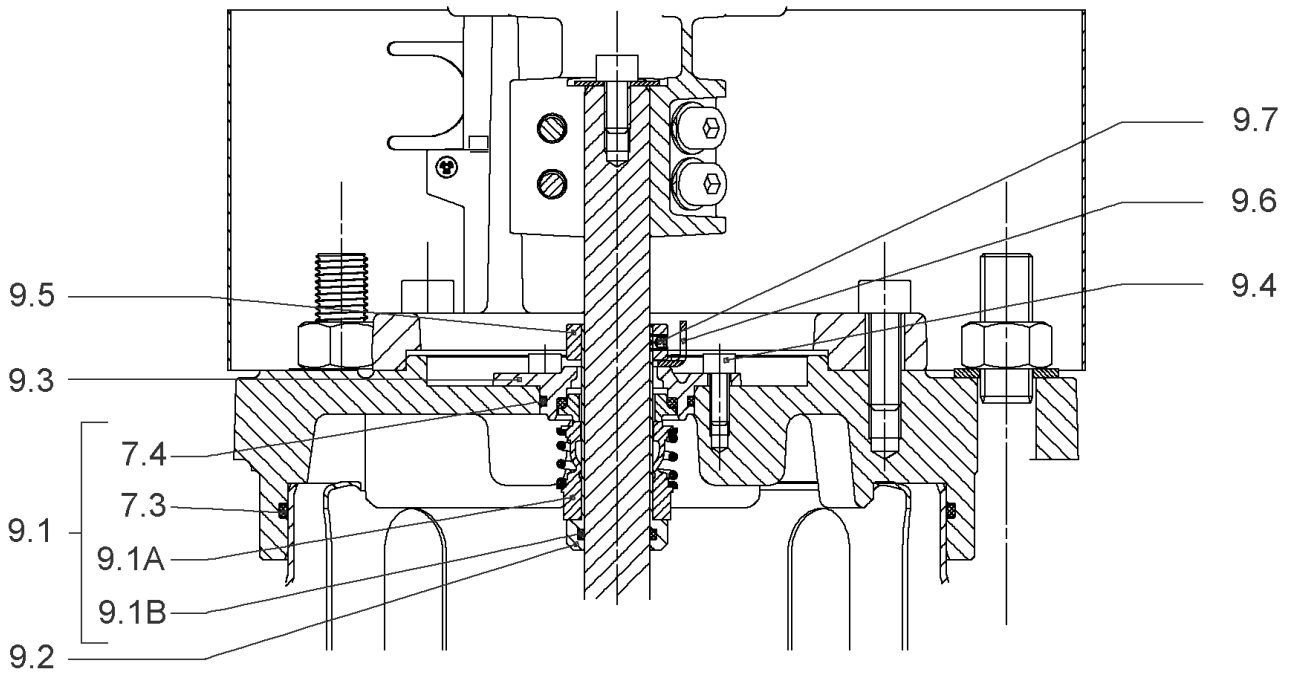
HELIX V3606/2-3/16/E/KS/400-50 (4138842)

Item	Article no.	Description	Quantity
15.5		> SCREW TBHC M12x25 ISO7380 ZN	1
15.6		> FLANGE M+ DN65 NF PN16-25 ASME PN16 CATA	1
15.7		> O-RING Ø79.5xØ3 EPDM	1
13.1A	4161200	> NECK RING 1.STAGE HELIX V36/52 KIT	1
		>> NECK-RING-M+36/52	1
		>> HYDRAULIC SUPPORT CAP M+36/52 304	1
		>> SCREW TCL M3X8 A4 POZIDRIV	1
7.3	4179571	> O-RING HOUSING PIPE HELIX22/36/52 VP.	1



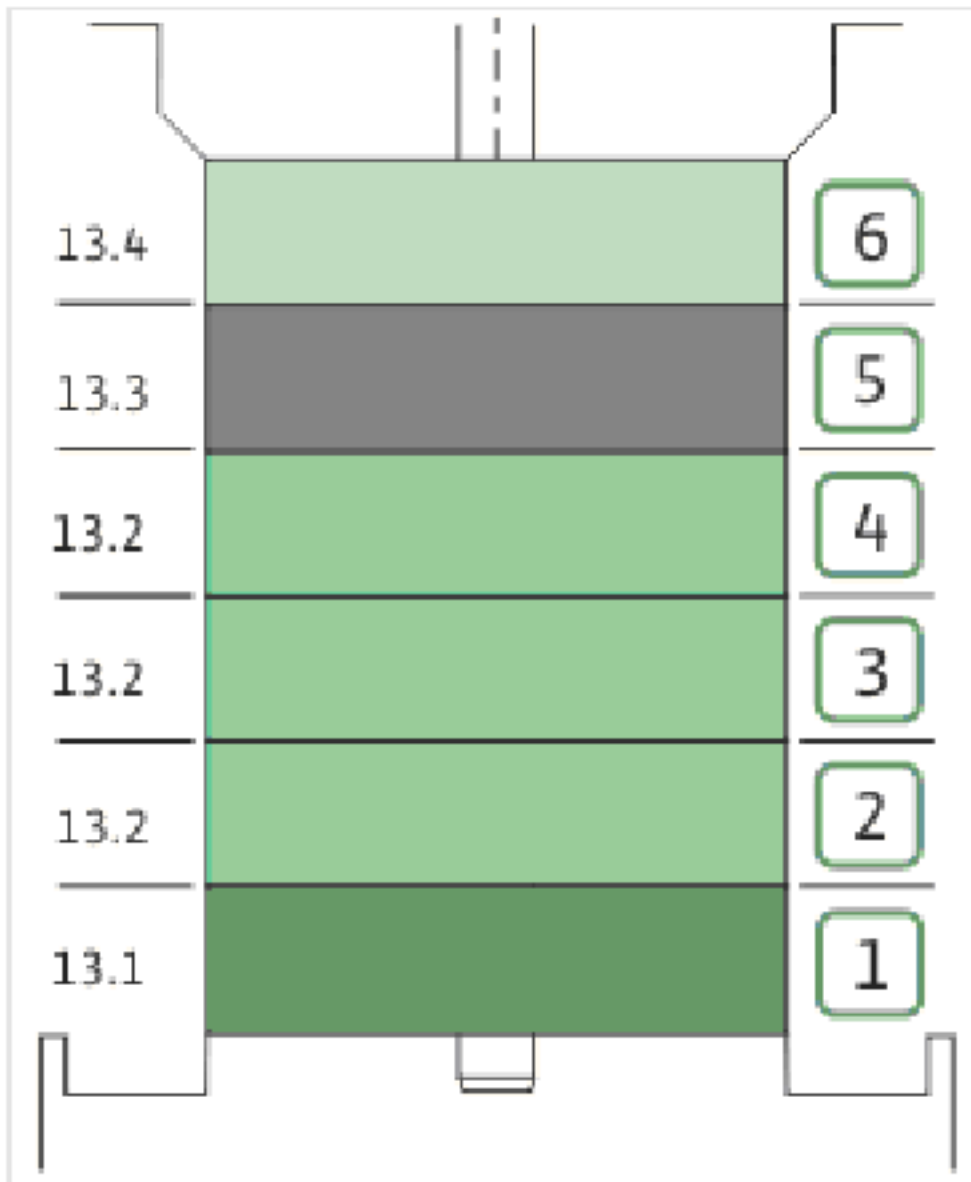
COUPLING D.20XD.38 FF300 KIT (4143966)

Item	Article no.	Description	Quantity
4.1	4179590	COUPLING 2 PARTS D.20XD.38XL115 VP.	1
4.2	2123699	BALL BEARING 6312/2Z-C4 (HT) VP.	1
4.3	63428	CIRCLIP-FOR-SHAFT-D60x2	1
4.4	2130991	SCREW M12X30 ISO4762 8.8 ZN(4 PIECES)	1
4.5	4032277	CIRCLIP-HOLE-130x4	1
4.6	4006725	O-RING ID.132,94x3,53 NBR70SR	1
4.7	2130992	RETAINING RING D.35xD.2,5 DIN7993 VP.	1
4.8	4179591	HUB D.42xD.60 VP.	1
4.9	2130994	SPACER D.38XD.55 VP.	1
4.10	4094462	SCREWS M10 (4 PIECES)	1
4.11	4233959	SCREW M8x16 VP.	1
4.12		SERRATED LOCK WASHER Ø8.2XØ25X35X2	1



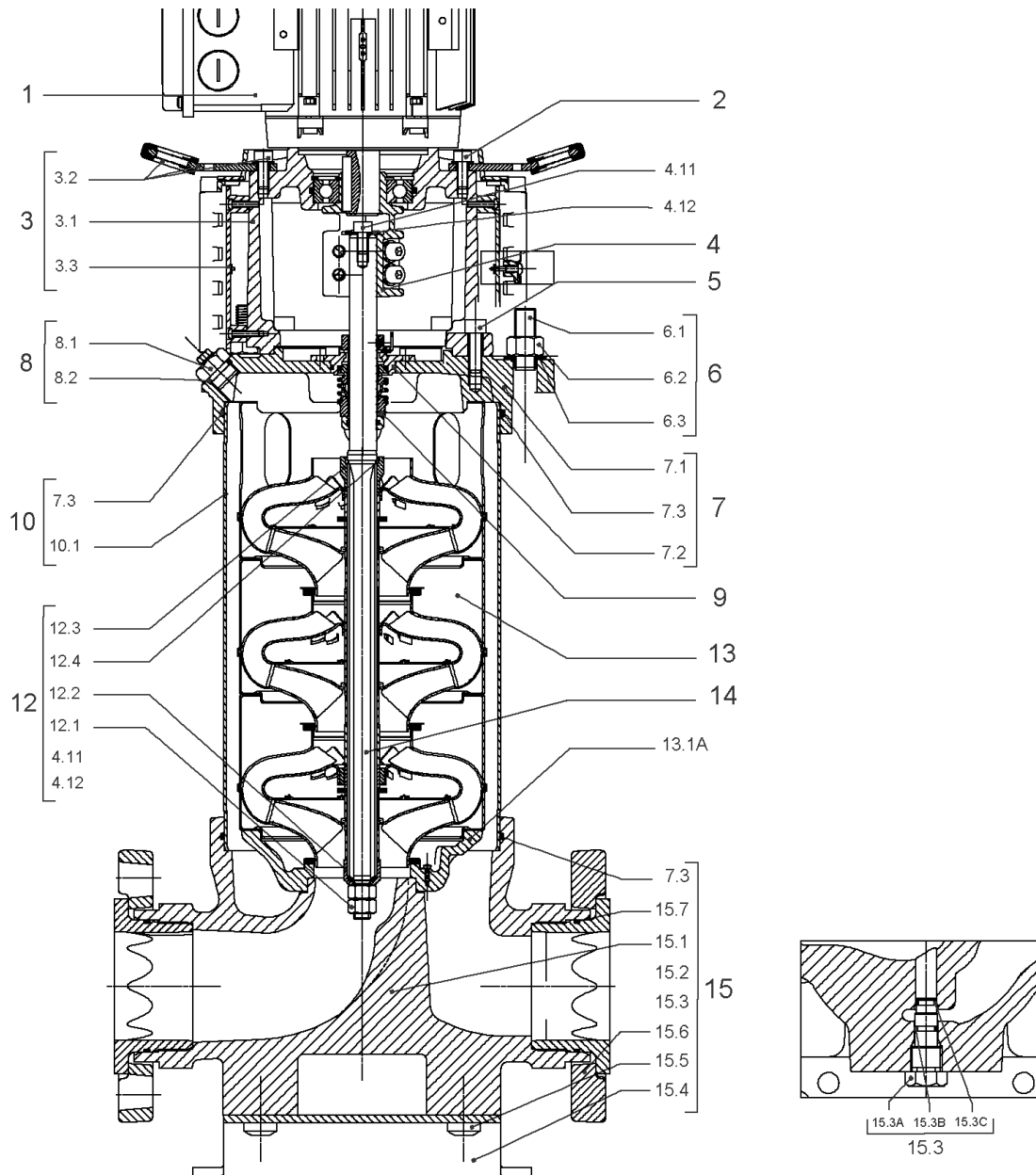
CARTRIDGE HELIX22-36-52 O/E KIT (4143973)

Item	Article no.	Description	Quantity
9.1	4143974	SEAL-KIT-HELIX22-36-52 O/E	1
7.3	4179571	> O-RING HOUSING PIPE HELIX22/36/52 VP.	1
7.4	4179572	> O-RING ID.42.52X2.62 EPDM VP.	1
9.1A	4179573	> M.SEAL.HELIX22-36-52 O/E VP.	1
9.1B	4179574	> O-RING ID.20x2.65 EPDM VP.	1
9.2	4179566	SHAFT SLEEVE D.20/20X60 1.4404 VP.	1
9.3	4179567	RING HOLDER Ø22 1.4301 VP.	1
9.4	4176520	SCREW CH M5x5 A4-70 (3PIECES)	1
9.5	4179568	DRIVE RING D.31/22.1x11 MACH.VP.	1
9.6	4179569	TOOL M.S.CART.HELIX 8" VP.	1
9.7	4179570	SCREW M6X16 ISO4762 8.8 GEOMET(4 PIECES)	1



HYDRAULIC HELIX V 3606-2

Item	Article no.	Description	Quantity
13.1	4161192	INTERMEDIATE STAGE HELIX V36 1.4301 KIT	1
		> SLEEVE-SPACER-D22XL16,66-316L	1
		> MACH.BEARING-DIFFUSER+NR-M+36-304	1
		> SHAFT-SLEEVE-D26xD22x16-CW	1
		> IMPELLER-H1-M+36-304	1
13.1A	4161200	> NECK RING 1.STAGE HELIX V36/52 KIT	1
		>> NECK-RING-M+36/52	1
		>> HYDRAULIC SUPPORT CAP M+36/52 304	1
		>> SCREW TCL M3X8 A4 POZIDRIV	1
13.2	4161193	INTERMEDIATE STAGE HELIX V36 1.4301 KIT	1
		> MACH.STD-DIFFUSER+NR-M+36-304	1
		> IMPELLER-H4-M+36-304	1
13.3	4161195	INTERMEDIATE STAGE HELIX V36 1.4301 KIT	1
		> REDUCED-IMPELLER-H4-M+36-304	1
		> MACH.STD-DIFFUSER+NR-M+36-304	1
13.4	4161196	UPPER STAGE HELIX 36 1.4301 KIT	1
		> STOP COLLAR OF IMPELLER L20-Ø22-316L	1
		> REDUCED-IMPELLER-H4-M+36-304	1
		> MACH.-RIGID-STD-DISCH.-CHAMBER-M+36-304	1

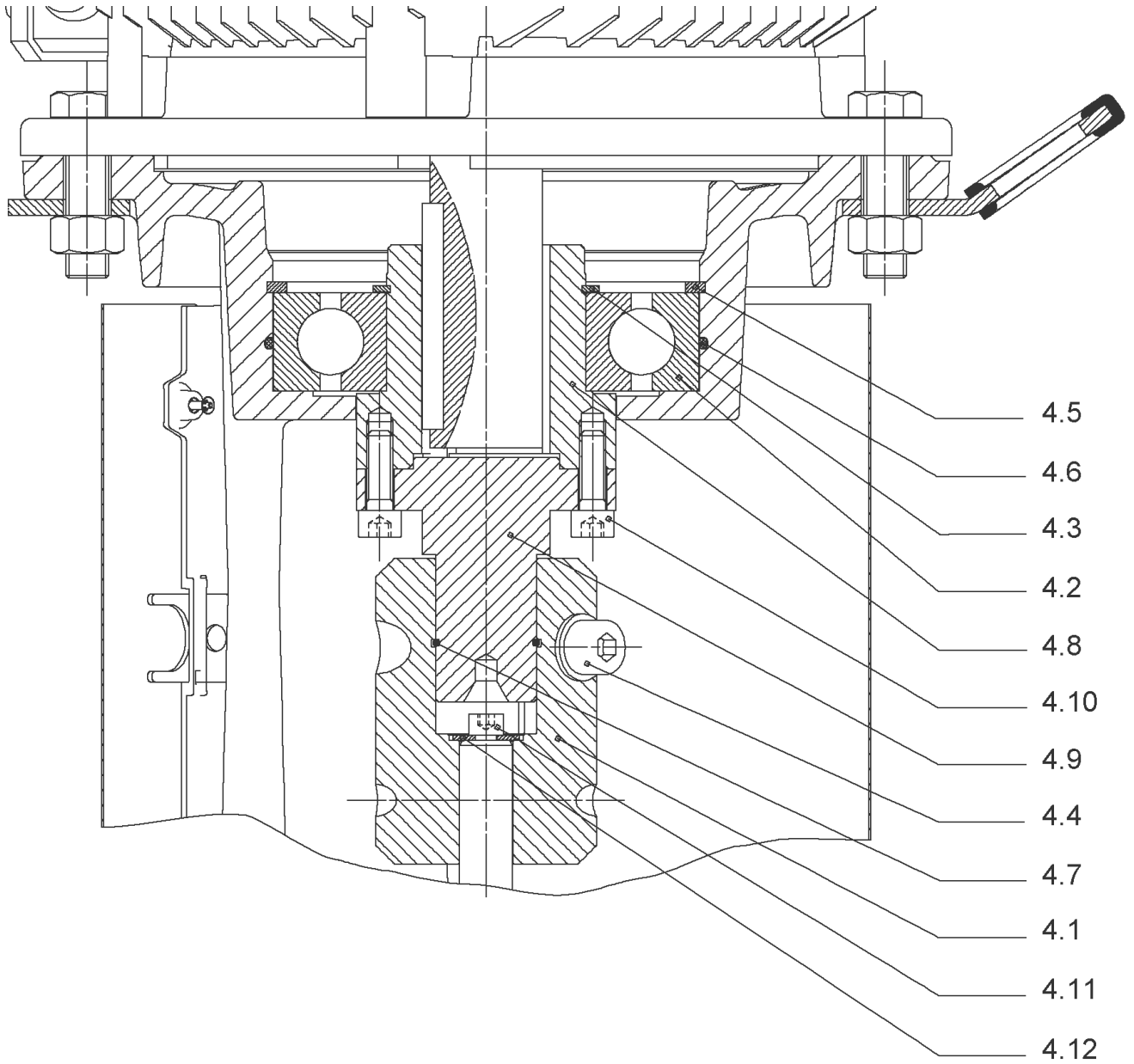


HELIX V3606-3/16/E/KS/400-50 (4138843)

Item	Article no.	Description	Quantity
1	4195488	MOTOR 18.5/2/160 3~400V 50HZ ARC VP.	1
		SPARE PARTS MOTOR:ON REQUEST	1
2	4179586	SCREW M16X60 (4 PIECES)	1
3	4157721	LANTERN HELIX 22/36 FF300 BB6312 KIT	1
3.1		> LANTERN FF300 M+ GJL MACHINED+CATA 6312	1
3.2	4179589	> EYELET CPL.FF300 HELIX(4 PIECES)	1
3.3	4143969	> COUPLING PROTECT HELIX FF KIT	1
4	4143966	COUPLING D.20XD.38 FF300 KIT	1
5	4157725	SCREW M10X40 (4 PIECES)	1
6	4181086	STUD BOLT M16X533 KIT	1
6.1		> TIE BOLT M16-533x24x44-1.4057	1
6.2	4179562	> NUT M16 8.8 ISO4032 (4 PIECES)	1
6.3	4097852	> WASHER-CS-16.4-32-2.8-NFE25-511-A2	1
7	4179565	END SHIELD HELIX 8" EPDM KIT	1
7.1		> END SHIELD M+ GJL MACHINED+CATA	1
7.2	4179564	> O-RING D.42.52x2.62 EPDM VP.	1
7.3	4179571	> O-RING HOUSING PIPE HELIX22/36/52 VP.	1
8	4143765	FILING/PURGING PLUG 316L HELIX KIT	1
8.1		> FILLING/VENTING-PLUG-VMI8/10-316L	1
8.2	4032291	> O-RING 17x3 EPDM KTW/WRC	1
9	4143973	CARTRIDGE HELIX22-36-52 O/E KIT	1
10	4181087	HOUSING PIPE D.204x464,13 1.4307 KIT	1
7.3	4179571	> O-RING HOUSING PIPE HELIX22/36/52 VP.	1
10.1		> HOUSING-PIPE Ø204-M+2208/3606-304	1
12	4161186	SHAFT EQUIPMENT HELIX V36 8" KIT	1
13		HYDRAULIC HELIX V 3606	1
14	2127545	SHAFT D.22 LG.620,67 HELIX 1.4057 VP.	1
15	4161185	EQUIPED HOUSING HELIX 36 GJL KIT	1
15.1		> PUMP HOUSING SET with CATA. PARTS-DN65	1
15.3	4143766	> DRAIN/PRIMING PLUG EPDM HELIX KIT	1
15.3A		>> PRIMING/DRAIN PLUG-304-VERSION 1	1
15.3B	4032293	>> O-RING-10x3-EPDM-KTW/WRC	1
15.3C	4233957	>> O-RING ID.9 EPDM VP.	1
15.4	4221729	> BASE M+ DN50/65/80 VP.	1

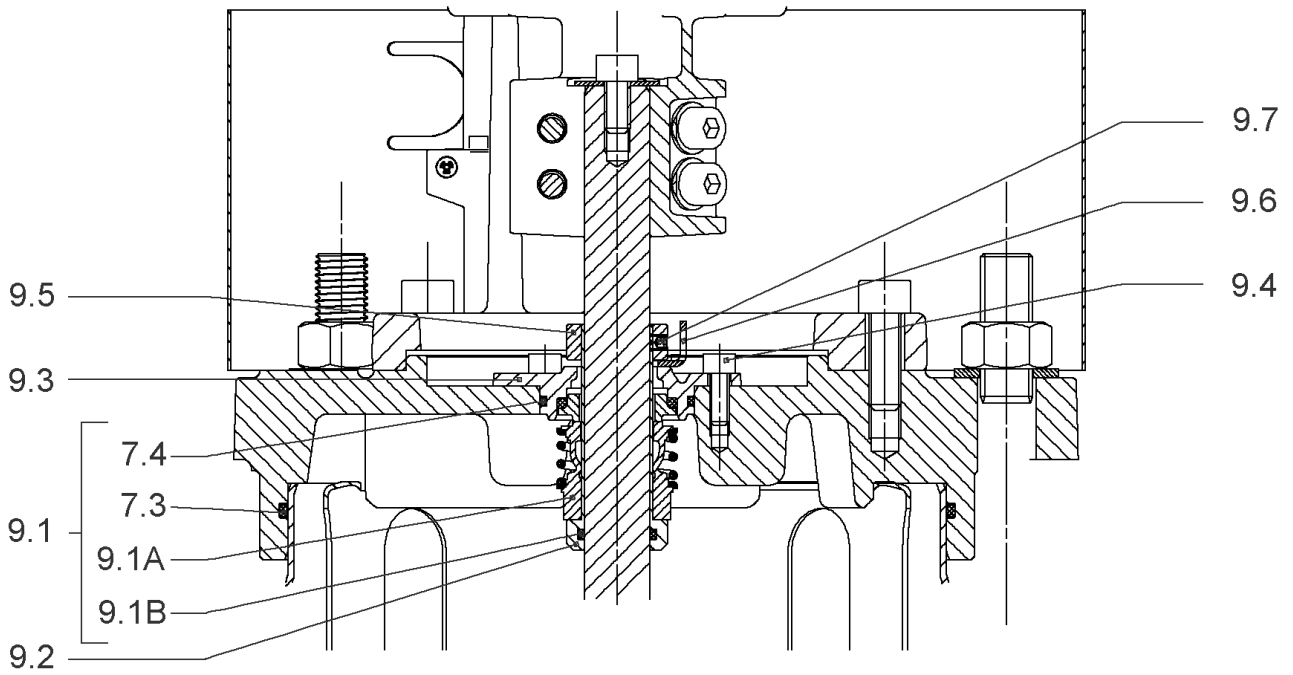
HELIX V3606-3/16/E/KS/400-50 (4138843)

Item	Article no.	Description	Quantity
15.5		> SCREW TBHC M12x25 ISO7380 ZN	1
15.6		> FLANGE M+ DN65 NF PN16-25 ASME PN16 CATA	1
15.7		> O-RING Ø79.5xØ3 EPDM	1
13.1A	4161200	> NECK RING 1.STAGE HELIX V36/52 KIT	1
		>> NECK-RING-M+36/52	1
		>> HYDRAULIC SUPPORT CAP M+36/52 304	1
		>> SCREW TCL M3X8 A4 POZIDRIV	1
7.3	4179571	> O-RING HOUSING PIPE HELIX22/36/52 VP.	1



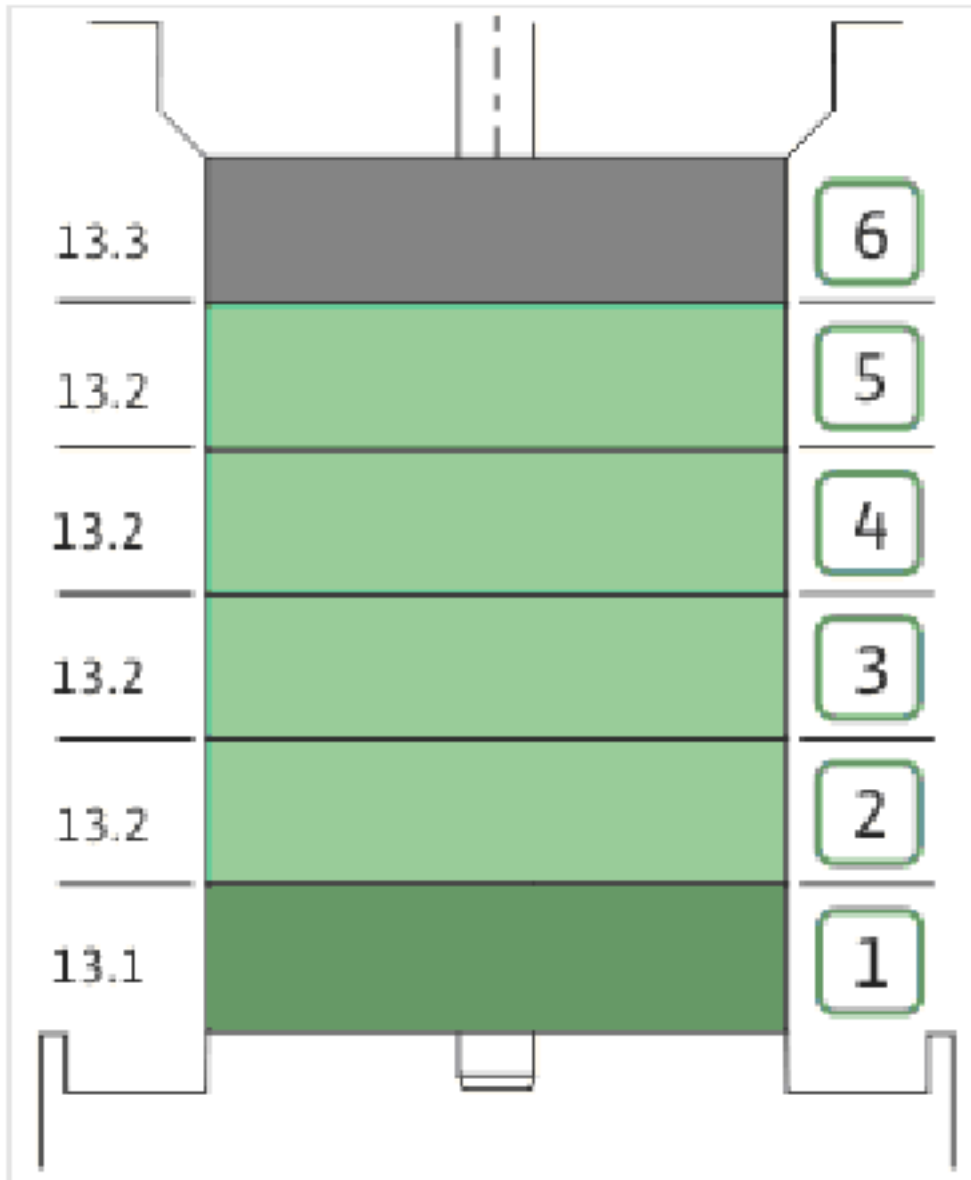
COUPLING D.20XD.38 FF300 KIT (4143966)

Item	Article no.	Description	Quantity
4.1	4179590	COUPLING 2 PARTS D.20XD.38XL115 VP.	1
4.2	2123699	BALL BEARING 6312/2Z-C4 (HT) VP.	1
4.3	63428	CIRCLIP-FOR-SHAFT-D60x2	1
4.4	2130991	SCREW M12X30 ISO4762 8.8 ZN(4 PIECES)	1
4.5	4032277	CIRCLIP-HOLE-130x4	1
4.6	4006725	O-RING ID.132,94x3,53 NBR70SR	1
4.7	2130992	RETAINING RING D.35xD.2,5 DIN7993 VP.	1
4.8	4179591	HUB D.42xD.60 VP.	1
4.9	2130994	SPACER D.38XD.55 VP.	1
4.10	4094462	SCREWS M10 (4 PIECES)	1
4.11	4233959	SCREW M8x16 VP.	1
4.12		SERRATED LOCK WASHER Ø8.2XØ25X35X2	1



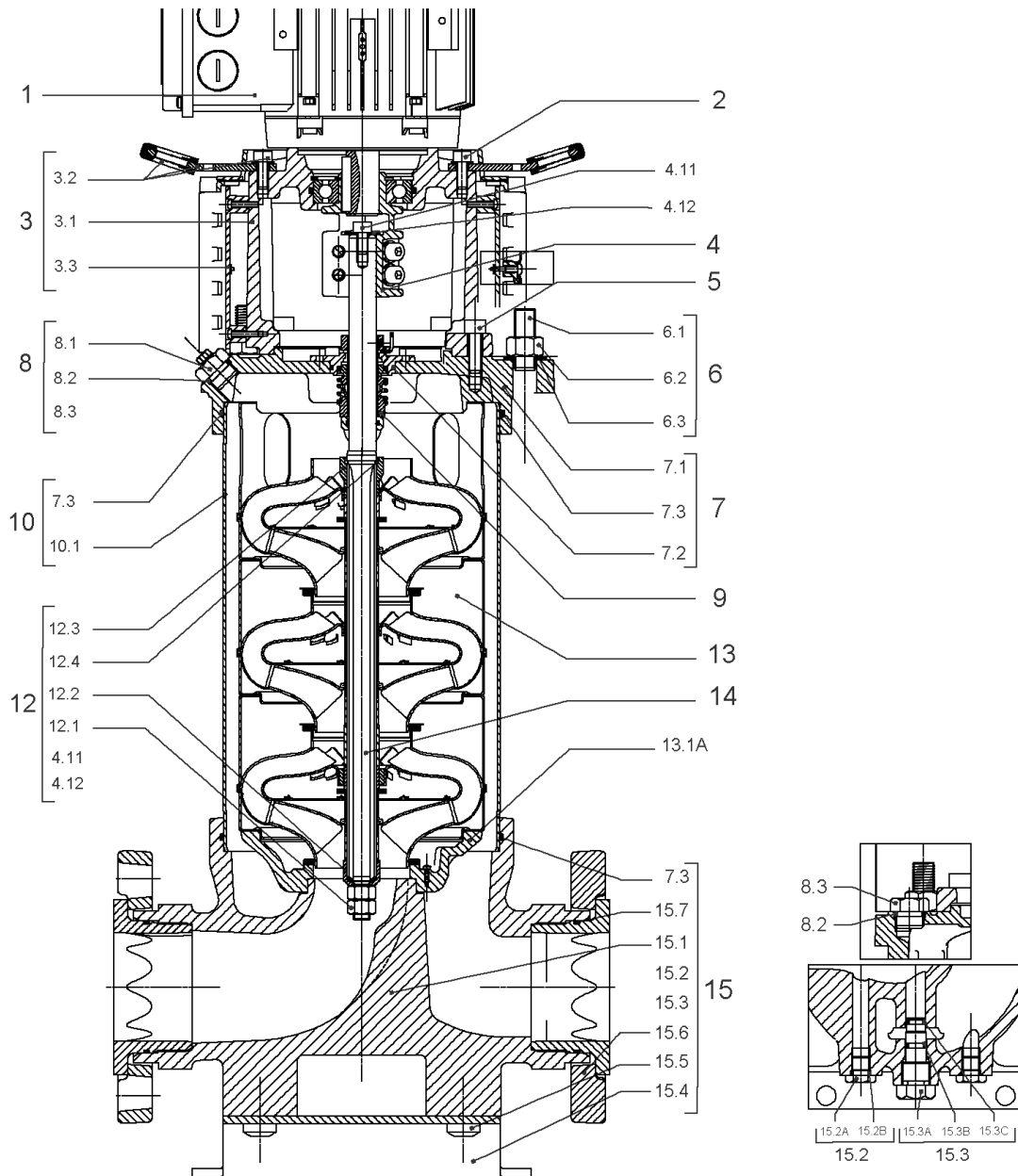
CARTRIDGE HELIX22-36-52 O/E KIT (4143973)

Item	Article no.	Description	Quantity
9.1	4143974	SEAL-KIT-HELIX22-36-52 O/E	1
7.3	4179571	> O-RING HOUSING PIPE HELIX22/36/52 VP.	1
7.4	4179572	> O-RING ID.42.52X2.62 EPDM VP.	1
9.1A	4179573	> M.SEAL.HELIX22-36-52 O/E VP.	1
9.1B	4179574	> O-RING ID.20x2.65 EPDM VP.	1
9.2	4179566	SHAFT SLEEVE D.20/20X60 1.4404 VP.	1
9.3	4179567	RING HOLDER Ø22 1.4301 VP.	1
9.4	4176520	SCREW CH M5x5 A4-70 (3PIECES)	1
9.5	4179568	DRIVE RING D.31/22.1x11 MACH.VP.	1
9.6	4179569	TOOL M.S.CART.HELIX 8" VP.	1
9.7	4179570	SCREW M6X16 ISO4762 8.8 GEOMET(4 PIECES)	1



HYDRAULIC HELIX V 3606

Item	Article no.	Description	Quantity
13.1	4161192	INTERMEDIATE STAGE HELIX V36 1.4301 KIT	1
		> SLEEVE-SPACER-D22XL16,66-316L	1
		> MACH.BEARING-DIFFUSER+NR-M+36-304	1
		> SHAFT-SLEEVE-D26xD22x16-CW	1
		> IMPELLER-H1-M+36-304	1
13.1A	4161200	> NECK RING 1.STAGE HELIX V36/52 KIT	1
		>> NECK-RING-M+36/52	1
		>> HYDRAULIC SUPPORT CAP M+36/52 304	1
		>> SCREW TCL M3X8 A4 POZIDRIV	1
13.2	4161193	INTERMEDIATE STAGE HELIX V36 1.4301 KIT	1
		> MACH.STD-DIFFUSER+NR-M+36-304	1
		> IMPELLER-H4-M+36-304	1
13.3	4161194	UPPER STAGE HELIX 36 1.4301 KIT	1
		> STOP COLLAR OF IMPELLER L20-Ø22-316L	1
		> IMPELLER-H4-M+36-304	1
		> MACH.-RIGID-STD-DISCH.-CHAMBER-M+36-304	1

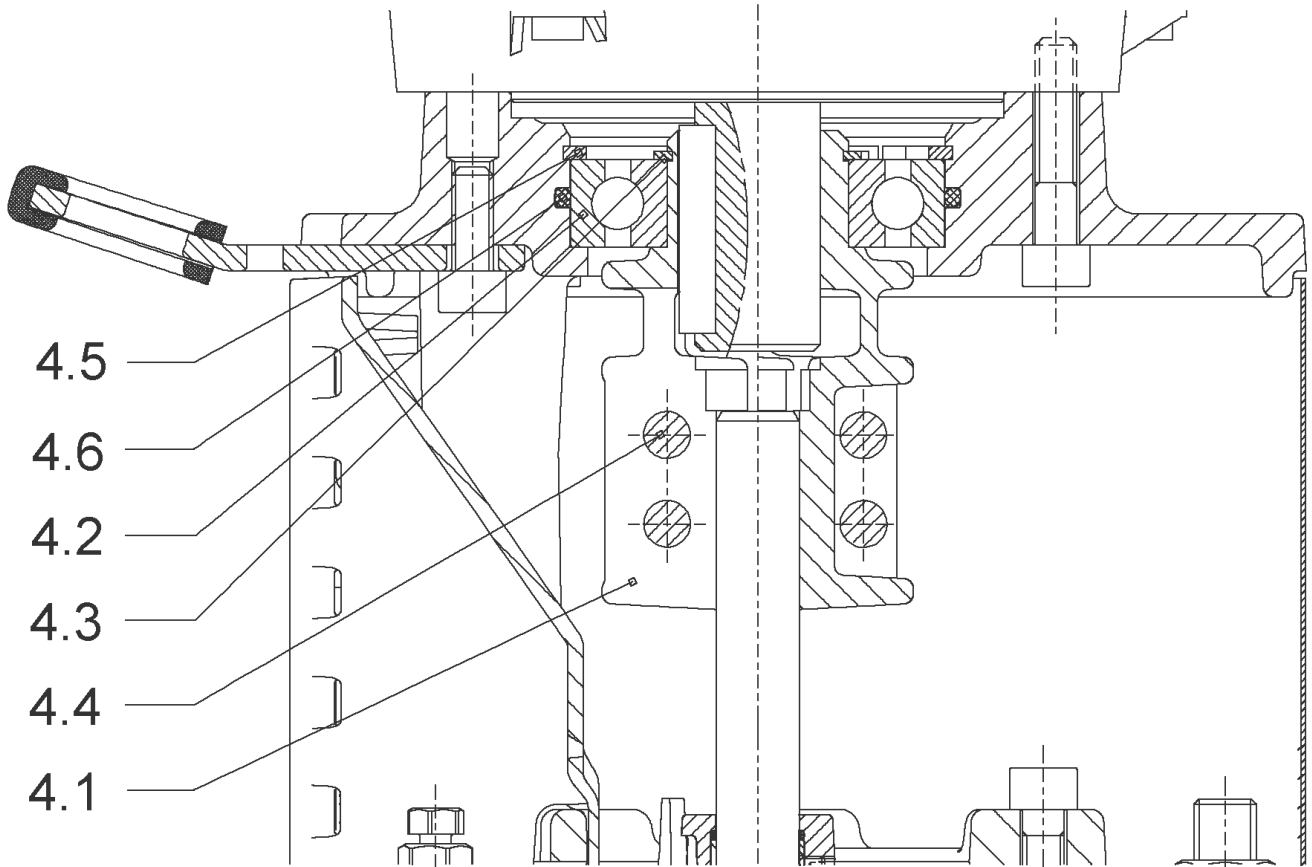


HELIX V3601/1-2/16/V/KS/400-50 (4150744)

Item	Article no.	Description	Quantity
1	4169943	MOTOR 2,2/2/90 3~230/400V 50HZ IE3 VP.	1
		SPARE PARTS MOTOR:ON REQUEST	1
2	4159707	SCREW M8X30 (4 PIECES)	1
3	4157718	LANTERN FT115 HELIX V22/V36 KIT	1
3.1		> LANTERN FT115 M+ GJL MACHINED+CATA	1
3.2	4179561	> EYELET CPL.FT HELIX(2 PIECES)	1
3.3	4143968	> COUPLING PROTECT HELIX FT KIT	1
4	4143963	COUPLING D.22XD.36 FT115 KIT	1
5	4094462	SCREWS M10 (4 PIECES)	1
6	4179563	STUD BOLT M16X198 KIT	1
6.1		> TIE BOLT M16-198x24x44-1.4057	1
6.2	4179562	> NUT M16 8.8 ISO4032 (4 PIECES)	1
6.3	4097852	> WASHER-CS-16.4-32-2.8-NFE25-511-A2	1
7	4179959	END SHIELD HELIX 8" FKM 1.4404 KIT	1
7.1		> END SHIELD HELIX 316L MACHINED	1
7.2	4179958	> O-RING-ID.42.52X2.62 VITON VP.	1
7.3	2107767	> O-RING ID.202,80x3,53 VITON VP.	1
8	4161256	FILING/PURGING PLUG FKM KIT	1
8.1		> FILLING/VENTING-PLUG-VM18/10-316L	1
8.2		> FILLING AND VENTING PLUG M+8" 316L	1
8.3		> GASKET-17x3-VITON	1
9	4158204	CARTRIDGE HELIX22-36-52 O/V KIT	1
10	4179939	HOUSING PIPE D.204X130 1.4404 KIT	1
7.3	2107767	> O-RING ID.202,80x3,53 VITON VP.	1
10.1		> HOUSING-PIPE Ø204-M+3601/5201-316L	1
12	4161186	SHAFT EQUIPMENT HELIX V36 8" KIT	1
13		HYDRAULIC HELIX V 3601-1	1
14	4181112	SHAFTS D.22X287,34 1.4404 VP.	1
15	4161255	EQUIPED HOUSING DN65 HELIX 36 1.4409 KIT	1
7.3	2107767	> O-RING ID.202,80x3,53 VITON VP.	1
15.1		> PUMP HOUSING M+ DN65 316L MACHINED	1
15.1		> GASKET HOLDER M+ DN65 316L MACHINED	1
15.1		> HYDRAULIC SUPPORT M+ DN65 316L MACHINED	1
15.2	4158195	> PLUG PRESSURE CONNECTION G1/4"316L KIT	1

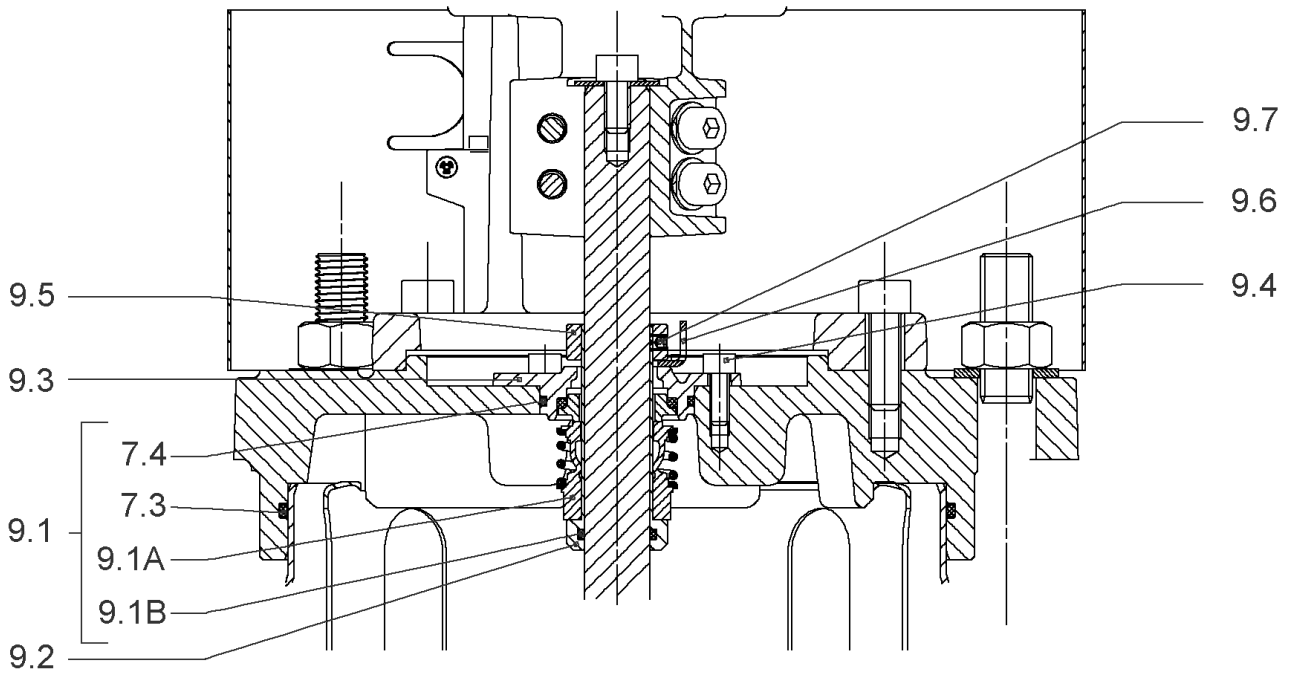
HELIX V3601/1-2/16/V/KS/400-50 (4150744)

Item	Article no.	Description	Quantity
15.2A		>> PLUG PRESSURE CONNECTION - G1/4" - 316L	1
15.2B	2107769	>> O-RING ID.9,9x2,62 VITON VP.	1
15.3	4158196	> DRAIN/PRIMING PLUG VITON HELIX KIT	1
15.3A		>> DRAIN-AND-PRIMING-PLUG-VM18"-316L	1
15.3B	4032294	>> GASKET-10x3-VITON	1
15.3C	2107768	>> O-RING ID.8,9x2,7 VITON VP.	1
15.4	4143749	> BASE M+ DN50/65/80-304	1
15.5		> SCREW TBHC M12x25 ISO7380 ZN	1
15.6	4124455	> FLANGE M+ DN65 NF PN16-25 ASME PN16 CATA	1
15.7		> O-RING Ø79.5xØ3 VITON	1
13.1A	4161268	> NECK RING 1.STAGE HELIX 36 316 KIT	1
		>> NECK-RING-M+36/52	1
		>> HYDRAULIC SUPPORT CAP M+36/52 316	1
		>> SCREW TCL M3X8 A4 POZIDRIV	1



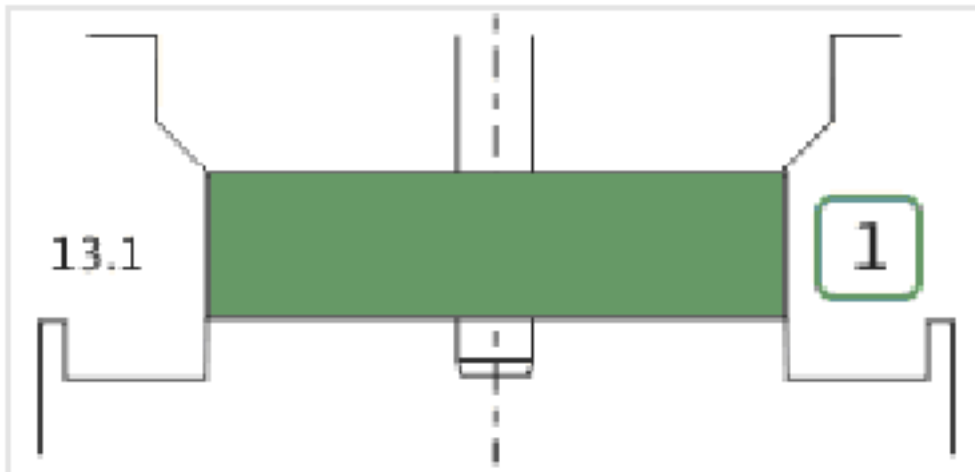
COUPLING D.22XD.36 FT115 KIT (4143963)

Item	Article no.	Description	Quantity
4.1		COUPLING-M+ Ø20XØ24-FT115-MACHINED	1
4.2	2131023	BALL BEARING 6207/ZZ-C3(HT)VP.	1
4.3	4234254	CIRCLIP-FOR-SHAFT-D35x1.5 VP.	1
4.4	4157726	SCREW KIT M8X30 (4 PIECES)	1
4.5	4234251	CIRCLIP-D72x2.5 VP.	1
4.6	4234246	O-RING 72X3 VP.	1



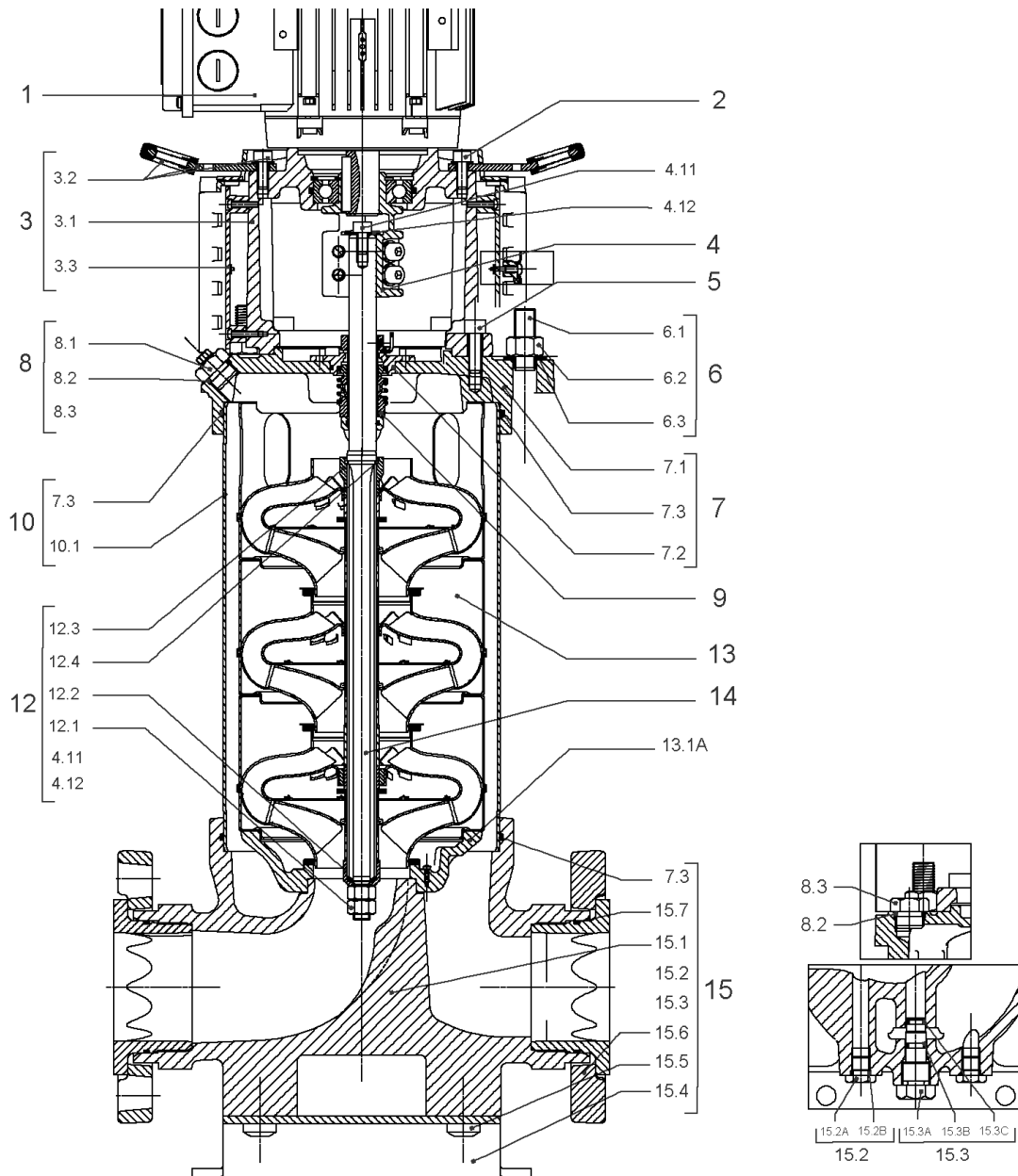
CARTRIDGE HELIX22-36-52 O/V KIT (4158204)

Item	Article no.	Description	Quantity
9.1	4158203	SEAL-KIT-HELIX22-36-52 O/V	1
7.3	2107767	> O-RING ID.202,80x3,53 VITON VP.	1
7.4	4179958	> O-RING-ID.42.52X2.62 VITON VP.	1
9.1A	2127454	> M.SEAL.HELIX22-36-52 O/V VP.	1
9.1B	4179960	> O-RING ID.20x2.65 FKM VP.	1
9.2	4179566	SHAFT SLEEVE D.20/20X60 1.4404 VP.	1
9.3	4179567	RING HOLDER Ø22 1.4301 VP.	1
9.4	4176520	SCREW CH M5x5 A4-70 (3PIECES)	1
9.5	4179568	DRIVE RING D.31/22.1x11 MACH.VP.	1
9.6	4179569	TOOL M.S.CART.HELIX 8" VP.	1
9.7	4179570	SCREW M6X16 ISO4762 8.8 GEOMET(4 PIECES)	1



HYDRAULIC HELIX V 3601-1

Item	Article no.	Description	Quantity
13.1	4161267	UPPER STAGE HELIX 36 1.4404 KIT	1
		> STOP COLLAR OF IMPELLER L20-Ø22-316L	1
		> SHAFT-SLEEVE-D26xD22x16-CW	1
		> SLEEVE-SPACER-D22XL16,66-316L	1
		> REDUCED-IMPELLER-H1-M+36-316	1
		> MACH.-RIGIDBEARING-DIS.-CHAMBER-M+36-316	1
13.1A	4161268	> NECK RING 1.STAGE HELIX 36 316 KIT	1
		>> NECK-RING-M+36/52	1
		>> HYDRAULIC SUPPORT CAP M+36/52 316	1
		>> SCREW TCL M3X8 A4 POZIDRIV	1

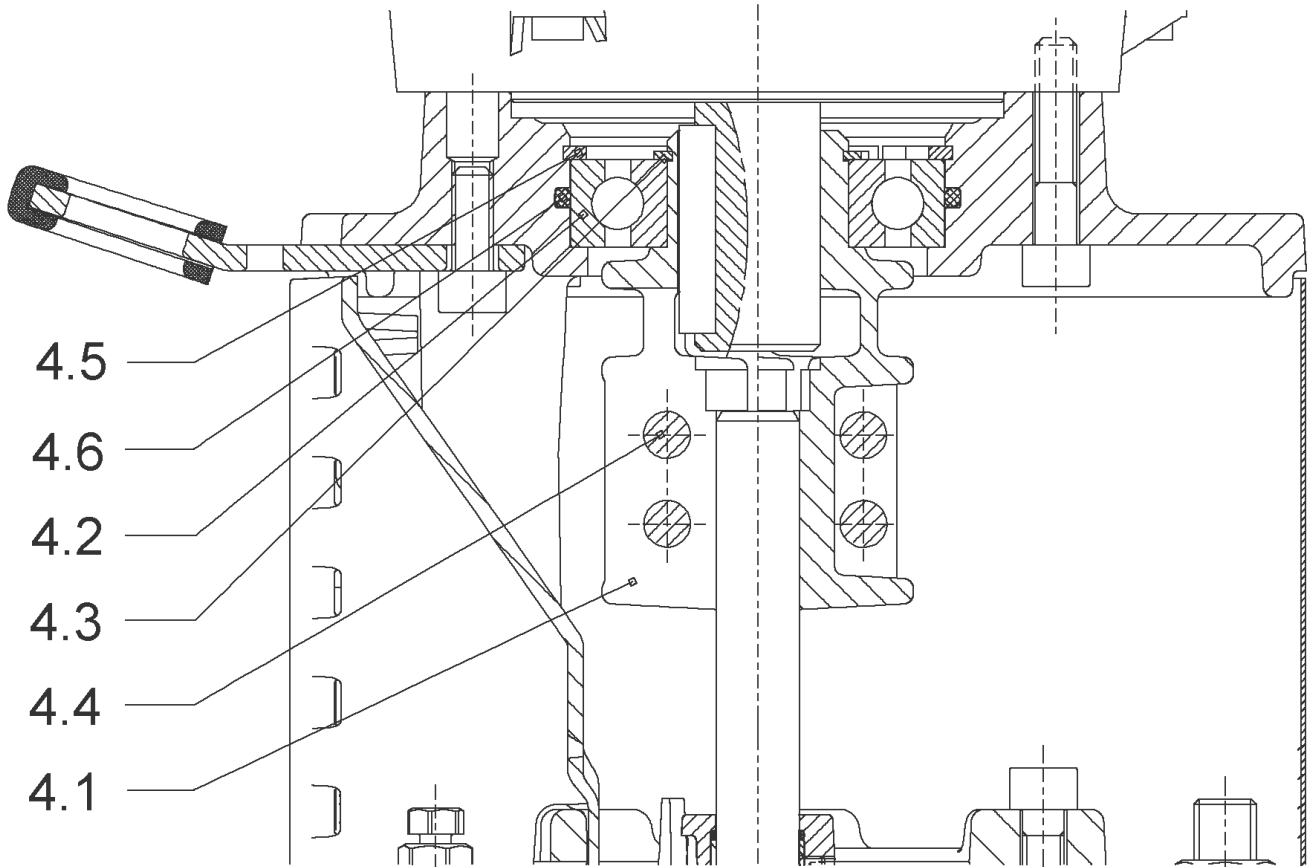


HELIX V3601-2/16/V/KS/400-50 (4150745)

Item	Article no.	Description	Quantity
1	4169944	MOTOR 3/2/100 3~230/400V 50HZ IE3 VP.	1
		SPARE PARTS MOTOR:ON REQUEST	1
2	4159707	SCREW M8X30 (4 PIECES)	1
3	4157719	LANTERN HELIX 22/36 FT130 KIT	1
3.1		> LANTERN FT130 M+ GJL MACHINED+CATA	1
3.2	4179561	> EYELET CPL.FT HELIX(2 PIECES)	1
3.3	4143968	> COUPLING PROTECT HELIX FT KIT	1
4	4143964	COUPLING D.20XD.28 FT130 KIT	1
5	4094462	SCREWS M10 (4 PIECES)	1
6	4179563	STUD BOLT M16X198 KIT	1
6.1		> TIE BOLT M16-198x24x44-1.4057	1
6.2	4179562	> NUT M16 8.8 ISO4032 (4 PIECES)	1
6.3	4097852	> WASHER-CS-16.4-32-2.8-NFE25-511-A2	1
7	4179959	END SHIELD HELIX 8" FKM 1.4404 KIT	1
7.1		> END SHIELD HELIX 316L MACHINED	1
7.2	4179958	> O-RING-ID.42.52X2.62 VITON VP.	1
7.3	2107767	> O-RING ID.202,80x3,53 VITON VP.	1
8	4161256	FILING/PURGING PLUG FKM KIT	1
8.1		> FILLING/VENTING-PLUG-VM18/10-316L	1
8.2		> FILLING AND VENTING PLUG M+8" 316L	1
8.3		> GASKET-17x3-VITON	1
9	4158204	CARTRIDGE HELIX22-36-52 O/V KIT	1
10	4179939	HOUSING PIPE D.204X130 1.4404 KIT	1
7.3	2107767	> O-RING ID.202,80x3,53 VITON VP.	1
10.1		> HOUSING-PIPE Ø204-M+3601/5201-316L	1
12	4161186	SHAFT EQUIPMENT HELIX V36 8" KIT	1
13		HYDRAULIC HELIX V 3601	1
14	4181112	SHAFTS D.22X287,34 1.4404 VP.	1
15	4161255	EQUIPED HOUSING DN65 HELIX 36 1.4409 KIT	1
7.3	2107767	> O-RING ID.202,80x3,53 VITON VP.	1
15.1		> PUMP HOUSING M+ DN65 316L MACHINED	1
15.1		> GASKET HOLDER M+ DN65 316L MACHINED	1
15.1		> HYDRAULIC SUPPORT M+ DN65 316L MACHINED	1
15.2	4158195	> PLUG PRESSURE CONNECTION G1/4"316L KIT	1

HELIX V3601-2/16/V/KS/400-50 (4150745)

Item	Article no.	Description	Quantity
15.2A		>> PLUG PRESSURE CONNECTION - G1/4" - 316L	1
15.2B	2107769	>> O-RING ID.9,9x2,62 VITON VP.	1
15.3	4158196	> DRAIN/PRIMING PLUG VITON HELIX KIT	1
15.3A		>> DRAIN-AND-PRIMING-PLUG-VM18"-316L	1
15.3B	4032294	>> GASKET-10x3-VITON	1
15.3C	2107768	>> O-RING ID.8,9x2,7 VITON VP.	1
15.4	4143749	> BASE M+ DN50/65/80-304	1
15.5		> SCREW TBHC M12x25 ISO7380 ZN	1
15.6	4124455	> FLANGE M+ DN65 NF PN16-25 ASME PN16 CATA	1
15.7		> O-RING Ø79.5xØ3 VITON	1
13.1A	4161268	> NECK RING 1.STAGE HELIX 36 316 KIT	1
		>> NECK-RING-M+36/52	1
		>> HYDRAULIC SUPPORT CAP M+36/52 316	1
		>> SCREW TCL M3X8 A4 POZIDRIV	1



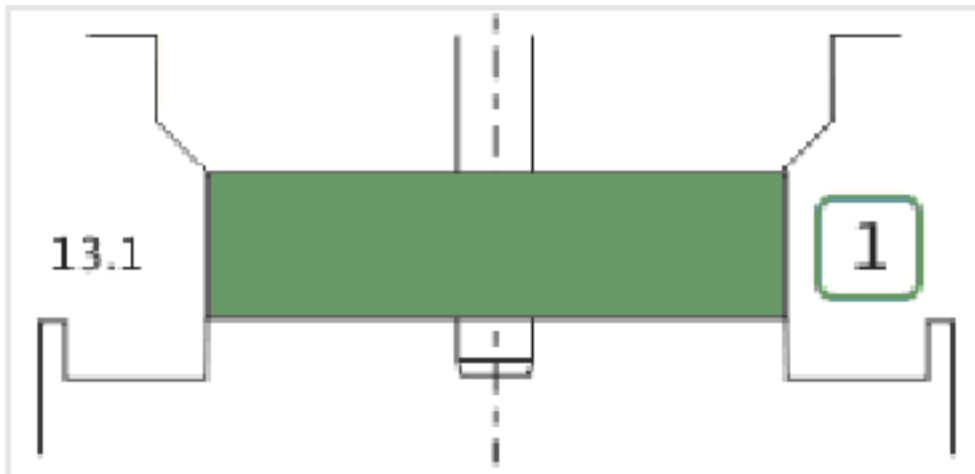
COUPLING D.20XD.28 FT130 KIT (4143964)

Item	Article no.	Description	Quantity
4.1		COUPLING M+ Ø20XØ28-FT130 MACHINED	1
4.2	2131022	BALL BEARING 6209/ZZ-C3(HT)VP.	1
4.3	4233930	CIRCLIP-FOR-BORES-D45x1,75 VP.	1
4.4	4157726	SCREW KIT M8X30 (4 PIECES)	1
4.5	4234252	CIRCLIPS 85X3 VP.	1
4.6	4234243	O-RING 85X3 VP.	1
		NOMEL CONTACT WASHER 8x16x1,4 STEEL ZC	1



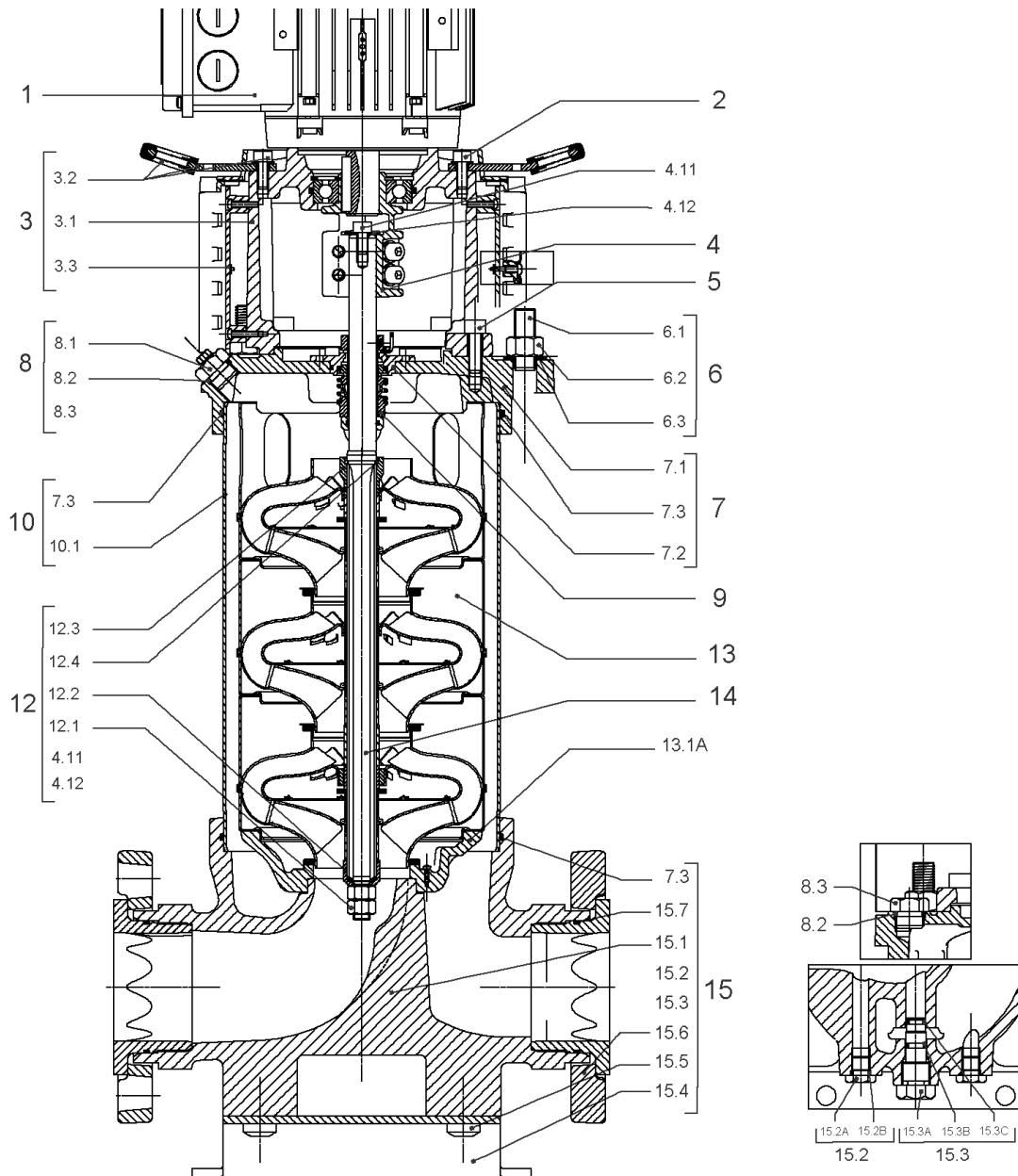
CARTRIDGE HELIX22-36-52 O/V KIT (4158204)

Item	Article no.	Description	Quantity
9.1	4158203	SEAL-KIT-HELIX22-36-52 O/V	1
7.3	2107767	> O-RING ID.202,80x3,53 VITON VP.	1
7.4	4179958	> O-RING-ID.42.52X2.62 VITON VP.	1
9.1A	2127454	> M.SEAL.HELIX22-36-52 O/V VP.	1
9.1B	4179960	> O-RING ID.20x2.65 FKM VP.	1
9.2	4179566	SHAFT SLEEVE D.20/20X60 1.4404 VP.	1
9.3	4179567	RING HOLDER Ø22 1.4301 VP.	1
9.4	4176520	SCREW CH M5x5 A4-70 (3PIECES)	1
9.5	4179568	DRIVE RING D.31/22.1x11 MACH.VP.	1
9.6	4179569	TOOL M.S.CART.HELIX 8" VP.	1
9.7	4179570	SCREW M6X16 ISO4762 8.8 GEOMET(4 PIECES)	1



HYDRAULIC HELIX V 3601

Item	Article no.	Description	Quantity
13.1	4161266	UPPER STAGE HELIX 36 1.4404 KIT	1
		> STOP COLLAR OF IMPELLER L20-Ø22-316L	1
		> SHAFT-SLEEVE-D26xD22x16-CW	1
		> MACH.-RIGIDBEARING-DIS.-CHAMBER-M+36-316	1
		> SLEEVE-SPACER-D22XL16,66-316L	1
		> IMPELLER-H1-M+36-316	1
13.1A	4161268	> NECK RING 1.STAGE HELIX 36 316 KIT	1
		>> NECK-RING-M+36/52	1
		>> HYDRAULIC SUPPORT CAP M+36/52 316	1
		>> SCREW TCL M3X8 A4 POZIDRIV	1

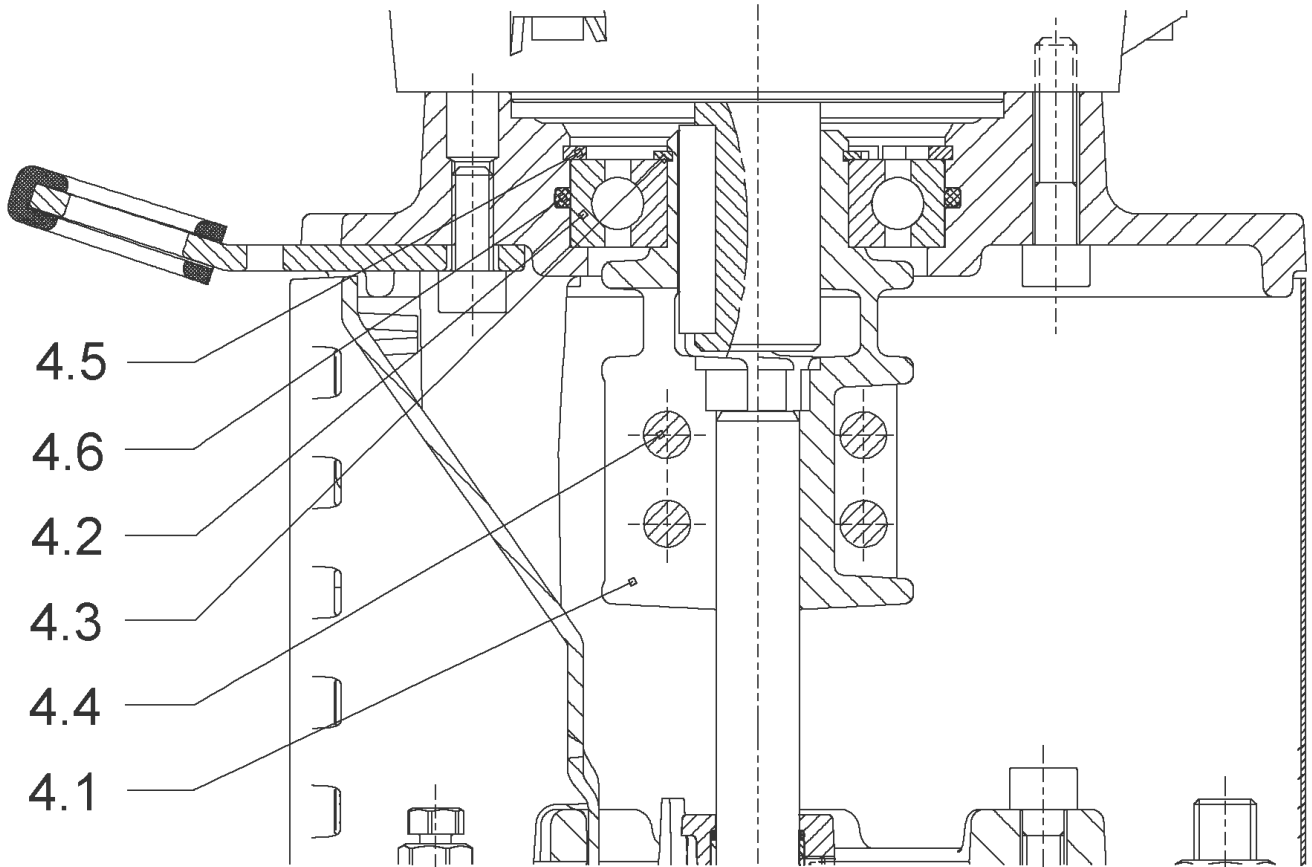


HELIX V3602/2-2/16/V/KS/400-50 (4150746)

Item	Article no.	Description	Quantity
1	4169945	MO.4/2 3~230/400(460)V 50(60)HZ IE3 VP.	1
		SPARE PARTS MOTOR:ON REQUEST	1
2	4159707	SCREW M8X30 (4 PIECES)	1
3	4157719	LANTERN HELIX 22/36 FT130 KIT	1
3.1		> LANTERN FT130 M+ GJL MACHINED+CATA	1
3.2	4179561	> EYELET CPL.FT HELIX(2 PIECES)	1
3.3	4143968	> COUPLING PROTECT HELIX FT KIT	1
4	4143964	COUPLING D.20XD.28 FT130 KIT	1
5	4094462	SCREWS M10 (4 PIECES)	1
6	4180018	STUD BOLT M16X267 KIT	1
6.1		> TIE BOLT M16-267x24x44-1.4057	1
6.2	4179562	> NUT M16 8.8 ISO4032 (4 PIECES)	1
6.3	4097852	> WASHER-CS-16.4-32-2.8-NFE25-511-A2	1
7	4179959	END SHIELD HELIX 8" FKM 1.4404 KIT	1
7.1		> END SHIELD HELIX 316L MACHINED	1
7.2	4179958	> O-RING-ID.42.52X2.62 VITON VP.	1
7.3	2107767	> O-RING ID.202,80x3,53 VITON VP.	1
8	4161256	FILING/PURGING PLUG FKM KIT	1
8.1		> FILLING/VENTING-PLUG-VM18/10-316L	1
8.2		> FILLING AND VENTING PLUG M+8" 316L	1
8.3		> GASKET-17x3-VITON	1
9	4158204	CARTRIDGE HELIX22-36-52 O/V KIT	1
10	4181114	HOUSING PIPE D.204X197 1.4404 KIT	1
7.3	2107767	> O-RING ID.202,80x3,53 VITON VP.	1
10.1		> HOUSING-PIPE Ø204-M+3602-316L	1
12	4161186	SHAFT EQUIPMENT HELIX V36 8" KIT	1
13		HYDRAULIC HELIX V 3602-2	1
14	4181117	SHAFT D.22X354 1.4404 VP.	1
15	4161255	EQUIPED HOUSING DN65 HELIX 36 1.4409 KIT	1
7.3	2107767	> O-RING ID.202,80x3,53 VITON VP.	1
15.1		> PUMP HOUSING M+ DN65 316L MACHINED	1
15.1		> GASKET HOLDER M+ DN65 316L MACHINED	1
15.1		> HYDRAULIC SUPPORT M+ DN65 316L MACHINED	1
15.2	4158195	> PLUG PRESSURE CONNECTION G1/4"316L KIT	1

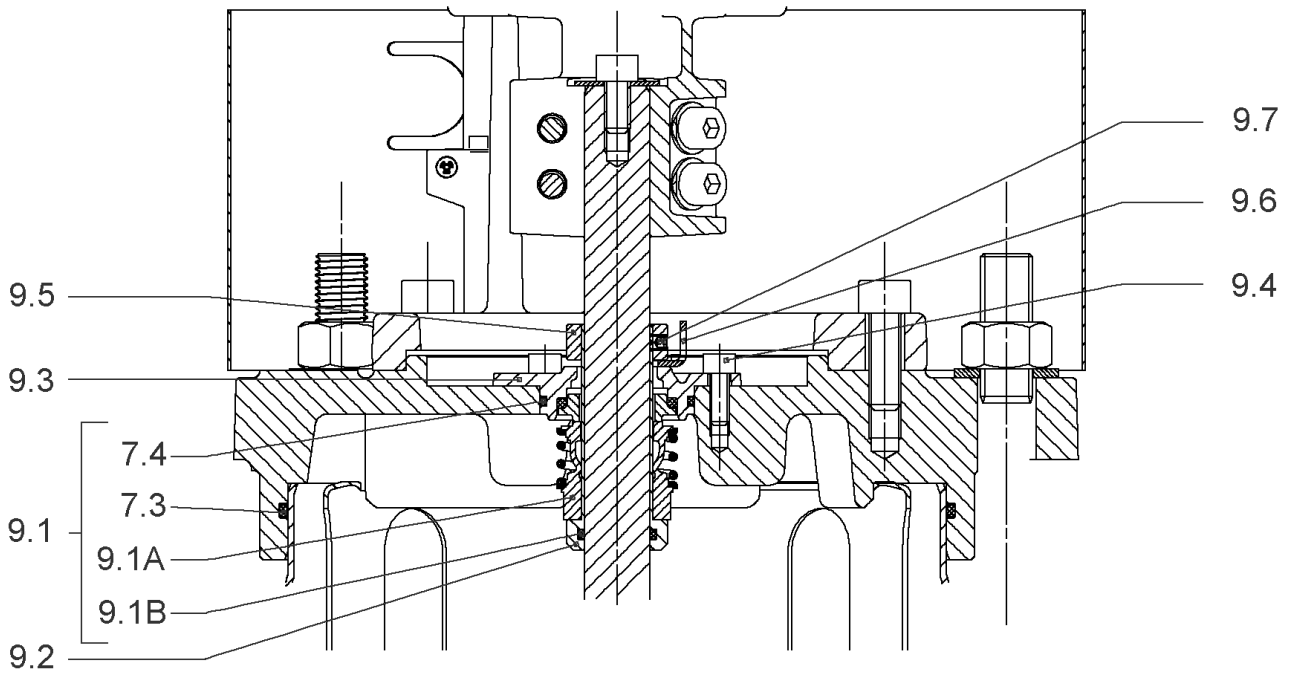
HELIX V3602/2-2/16/V/KS/400-50 (4150746)

Item	Article no.	Description	Quantity
15.2A		>> PLUG PRESSURE CONNECTION - G1/4" - 316L	1
15.2B	2107769	>> O-RING ID.9,9x2,62 VITON VP.	1
15.3	4158196	> DRAIN/PRIMING PLUG VITON HELIX KIT	1
15.3A		>> DRAIN-AND-PRIMING-PLUG-VM18"-316L	1
15.3B	4032294	>> GASKET-10x3-VITON	1
15.3C	2107768	>> O-RING ID.8,9x2,7 VITON VP.	1
15.4	4143749	> BASE M+ DN50/65/80-304	1
15.5		> SCREW TBHC M12x25 ISO7380 ZN	1
15.6	4124455	> FLANGE M+ DN65 NF PN16-25 ASME PN16 CATA	1
15.7		> O-RING Ø79.5xØ3 VITON	1
13.1A	4161268	> NECK RING 1.STAGE HELIX 36 316 KIT	1
		>> NECK-RING-M+36/52	1
		>> HYDRAULIC SUPPORT CAP M+36/52 316	1
		>> SCREW TCL M3X8 A4 POZIDRIV	1



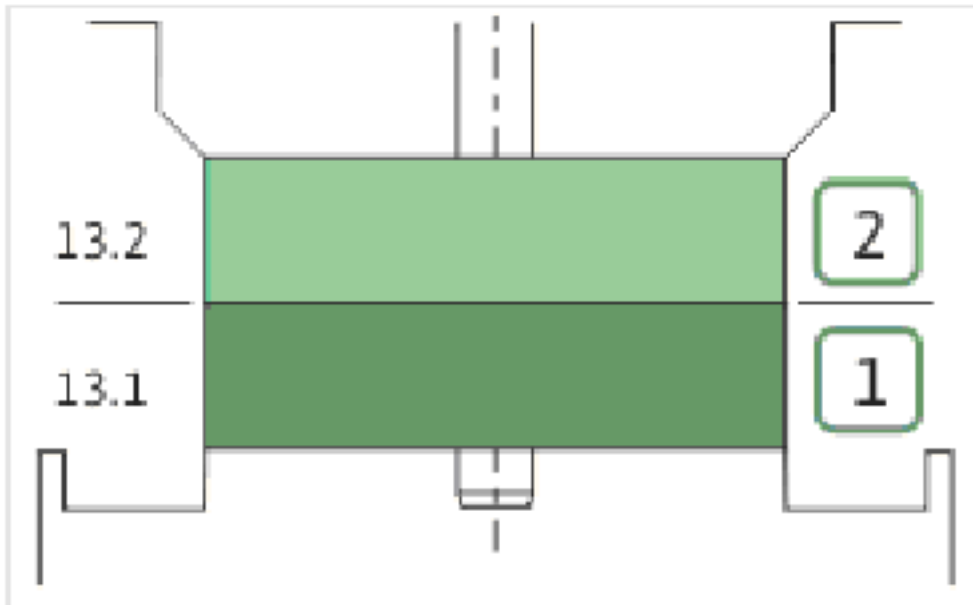
COUPLING D.20XD.28 FT130 KIT (4143964)

Item	Article no.	Description	Quantity
4.1		COUPLING M+ Ø20XØ28-FT130 MACHINED	1
4.2	2131022	BALL BEARING 6209/ZZ-C3(HT)VP.	1
4.3	4233930	CIRCLIP-FOR-BORES-D45x1,75 VP.	1
4.4	4157726	SCREW KIT M8X30 (4 PIECES)	1
4.5	4234252	CIRCLIPS 85X3 VP.	1
4.6	4234243	O-RING 85X3 VP.	1
		NOMEL CONTACT WASHER 8x16x1,4 STEEL ZC	1



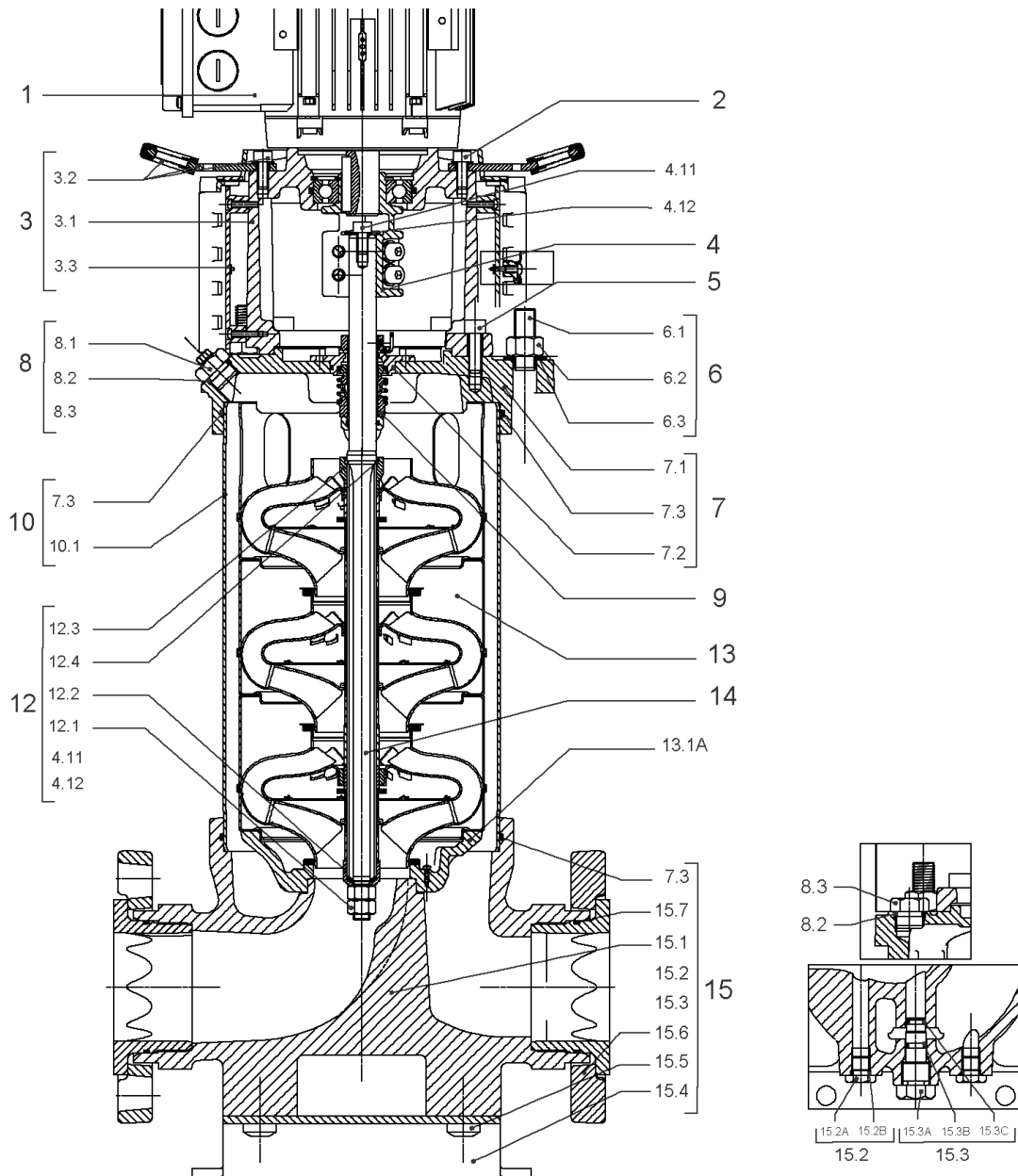
CARTRIDGE HELIX22-36-52 O/V KIT (4158204)

Item	Article no.	Description	Quantity
9.1	4158203	SEAL-KIT-HELIX22-36-52 O/V	1
7.3	2107767	> O-RING ID.202,80x3,53 VITON VP.	1
7.4	4179958	> O-RING-ID.42.52X2.62 VITON VP.	1
9.1A	2127454	> M.SEAL.HELIX22-36-52 O/V VP.	1
9.1B	4179960	> O-RING ID.20x2.65 FKM VP.	1
9.2	4179566	SHAFT SLEEVE D.20/20X60 1.4404 VP.	1
9.3	4179567	RING HOLDER Ø22 1.4301 VP.	1
9.4	4176520	SCREW CH M5x5 A4-70 (3PIECES)	1
9.5	4179568	DRIVE RING D.31/22.1x11 MACH.VP.	1
9.6	4179569	TOOL M.S.CART.HELIX 8" VP.	1
9.7	4179570	SCREW M6X16 ISO4762 8.8 GEOMET(4 PIECES)	1



HYDRAULIC HELIX V 3602-2

Item	Article no.	Description	Quantity
13.1	4161265	INTERMEDIATE STAGE HELIX V36 1.4404 KIT	1
		> SLEEVE-SPACER-D22XL16,66-316L	1
		> MACH.BEARING-DIFFUSER+NR-M+36-316	1
		> SHAFT-SLEEVE-D26xD22x16-CW	1
		> REDUCED-IMPELLER-H1-M+36-316	1
13.1A	4161268	> NECK RING 1.STAGE HELIX 36 316 KIT	1
		>> NECK-RING-M+36/52	1
		>> HYDRAULIC SUPPORT CAP M+36/52 316	1
		>> SCREW TCL M3X8 A4 POZIDRIV	1
13.2	4161264	UPPER STAGE HELIX 36 1.4404 KIT	1
		> STOP COLLAR OF IMPELLER L20-Ø22-316L	1
		> REDUCED-IMPELLER-H4-M+36-316	1
		> MACH.-RIGID-STD-DISCH.-CHAMBER-M+36-316	1

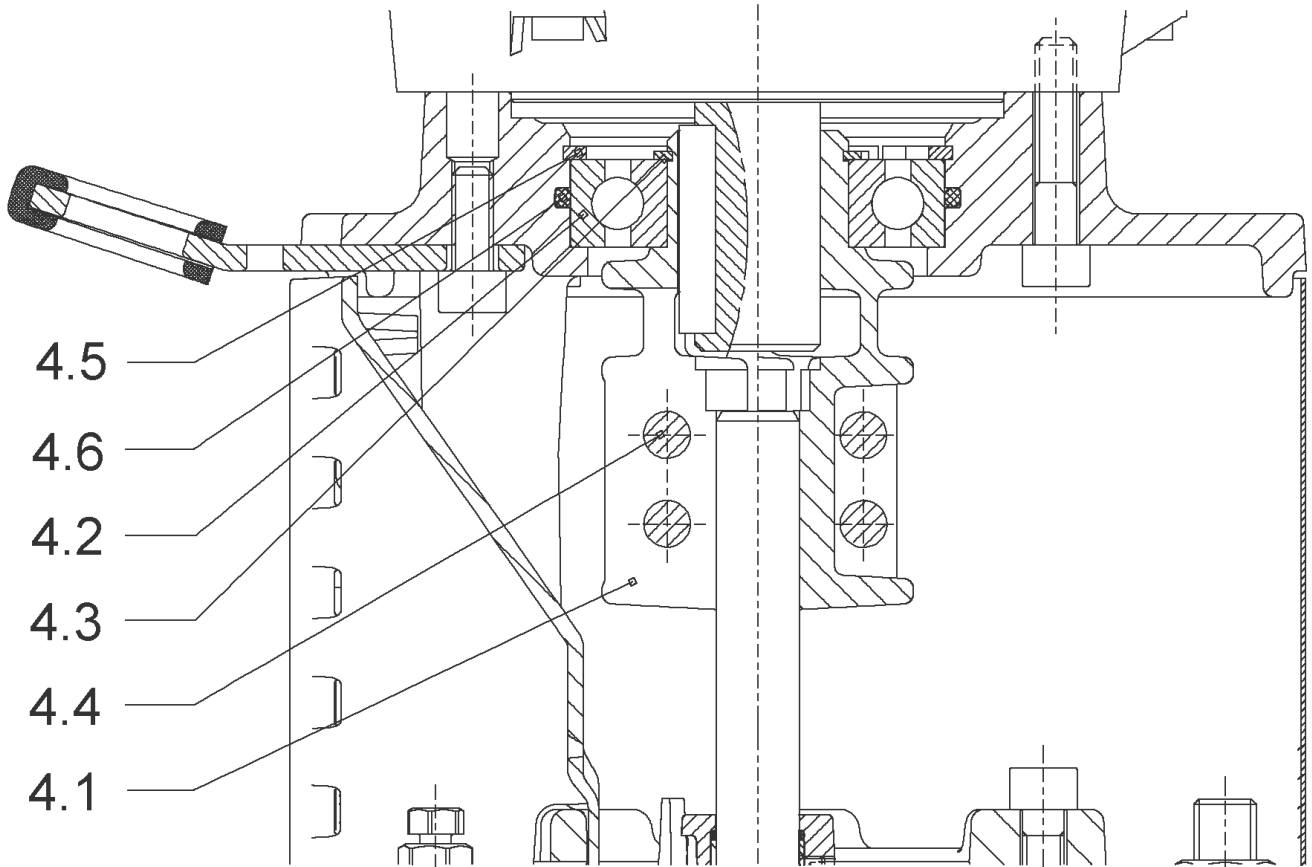


HELIX V3602/1-2/16/V/KS/400-50 (4150747)

Item	Article no.	Description	Quantity
1	4169947	MO 5,5/2/112 3~400V50Hz 460V60Hz IE3 VP.	1
		SPARE PARTS MOTOR:ON REQUEST	1
2	4159707	SCREW M8X30 (4 PIECES)	1
3	4157719	LANTERN HELIX 22/36 FT130 KIT	1
3.1		> LANTERN FT130 M+ GJL MACHINED+CATA	1
3.2	4179561	> EYELET CPL.FT HELIX(2 PIECES)	1
3.3	4143968	> COUPLING PROTECT HELIX FT KIT	1
4	4143964	COUPLING D.20XD.28 FT130 KIT	1
5	4094462	SCREWS M10 (4 PIECES)	1
6	4180018	STUD BOLT M16X267 KIT	1
6.1		> TIE BOLT M16-267x24x44-1.4057	1
6.2	4179562	> NUT M16 8.8 ISO4032 (4 PIECES)	1
6.3	4097852	> WASHER-CS-16.4-32-2.8-NFE25-511-A2	1
7	4179959	END SHIELD HELIX 8" FKM 1.4404 KIT	1
7.1		> END SHIELD HELIX 316L MACHINED	1
7.2	4179958	> O-RING-ID.42.52X2.62 VITON VP.	1
7.3	2107767	> O-RING ID.202,80x3,53 VITON VP.	1
8	4161256	FILING/PURGING PLUG FKM KIT	1
8.1		> FILLING/VENTING-PLUG-VM18/10-316L	1
8.2		> FILLING AND VENTING PLUG M+8" 316L	1
8.3		> GASKET-17x3-VITON	1
9	4158204	CARTRIDGE HELIX22-36-52 O/V KIT	1
10	4181114	HOUSING PIPE D.204X197 1.4404 KIT	1
7.3	2107767	> O-RING ID.202,80x3,53 VITON VP.	1
10.1		> HOUSING-PIPE Ø204-M+3602-316L	1
12	4161186	SHAFT EQUIPMENT HELIX V36 8" KIT	1
13		HYDRAULIC HELIX V 3602-1	1
14	4181117	SHAFT D.22X354 1.4404 VP.	1
15	4161255	EQUIPED HOUSING DN65 HELIX 36 1.4409 KIT	1
7.3	2107767	> O-RING ID.202,80x3,53 VITON VP.	1
15.1		> PUMP HOUSING M+ DN65 316L MACHINED	1
15.1		> GASKET HOLDER M+ DN65 316L MACHINED	1
15.1		> HYDRAULIC SUPPORT M+ DN65 316L MACHINED	1
15.2	4158195	> PLUG PRESSURE CONNECTION G1/4"316L KIT	1

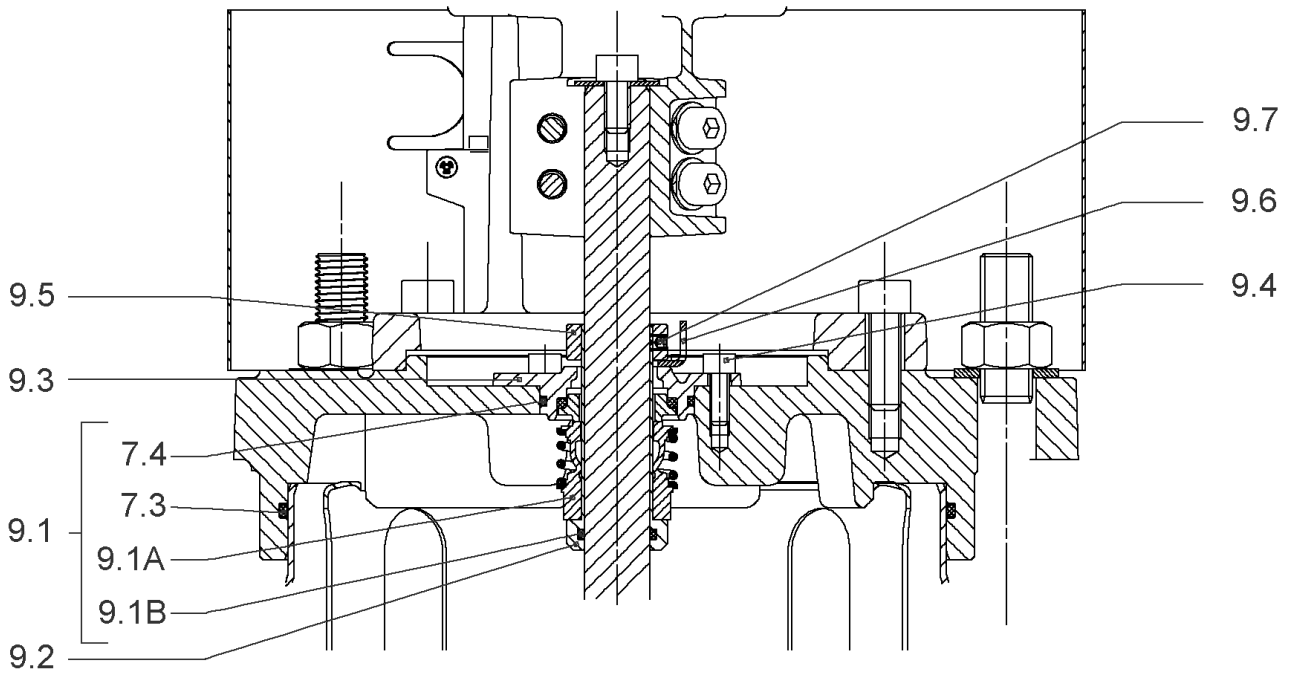
HELIX V3602/1-2/16/V/KS/400-50 (4150747)

Item	Article no.	Description	Quantity
15.2A		>> PLUG PRESSURE CONNECTION - G1/4" - 316L	1
15.2B	2107769	>> O-RING ID.9,9x2,62 VITON VP.	1
15.3	4158196	> DRAIN/PRIMING PLUG VITON HELIX KIT	1
15.3A		>> DRAIN-AND-PRIMING-PLUG-VM18"-316L	1
15.3B	4032294	>> GASKET-10x3-VITON	1
15.3C	2107768	>> O-RING ID.8,9x2,7 VITON VP.	1
15.4	4143749	> BASE M+ DN50/65/80-304	1
15.5		> SCREW TBHC M12x25 ISO7380 ZN	1
15.6	4124455	> FLANGE M+ DN65 NF PN16-25 ASME PN16 CATA	1
15.7		> O-RING Ø79.5xØ3 VITON	1
13.1A	4161268	> NECK RING 1.STAGE HELIX 36 316 KIT	1
		>> NECK-RING-M+36/52	1
		>> HYDRAULIC SUPPORT CAP M+36/52 316	1
		>> SCREW TCL M3X8 A4 POZIDRIV	1



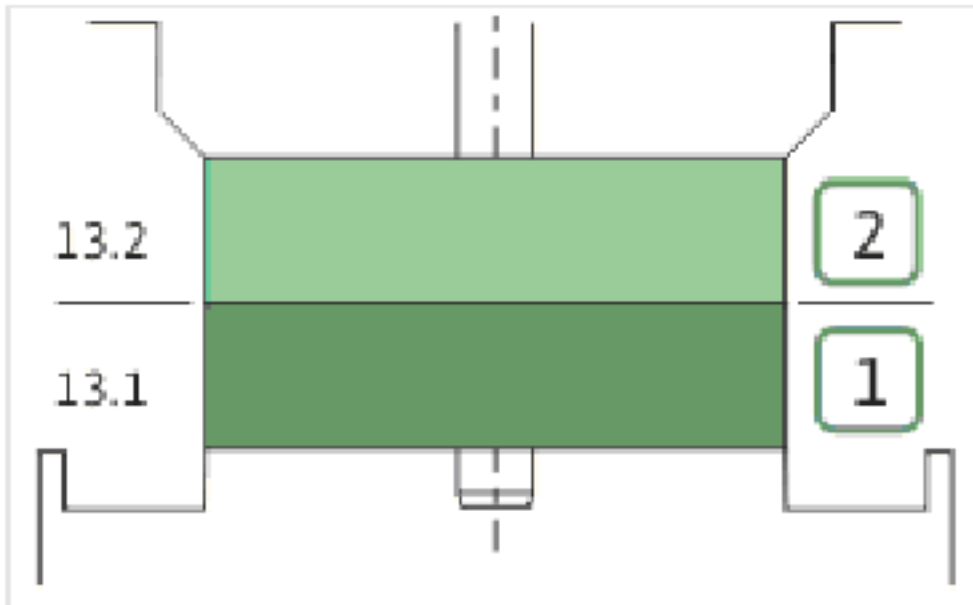
COUPLING D.20XD.28 FT130 KIT (4143964)

Item	Article no.	Description	Quantity
4.1		COUPLING M+ Ø20XØ28-FT130 MACHINED	1
4.2	2131022	BALL BEARING 6209/ZZ-C3(HT)VP.	1
4.3	4233930	CIRCLIP-FOR-BORES-D45x1,75 VP.	1
4.4	4157726	SCREW KIT M8X30 (4 PIECES)	1
4.5	4234252	CIRCLIPS 85X3 VP.	1
4.6	4234243	O-RING 85X3 VP.	1
		NOMEL CONTACT WASHER 8x16x1,4 STEEL ZC	1



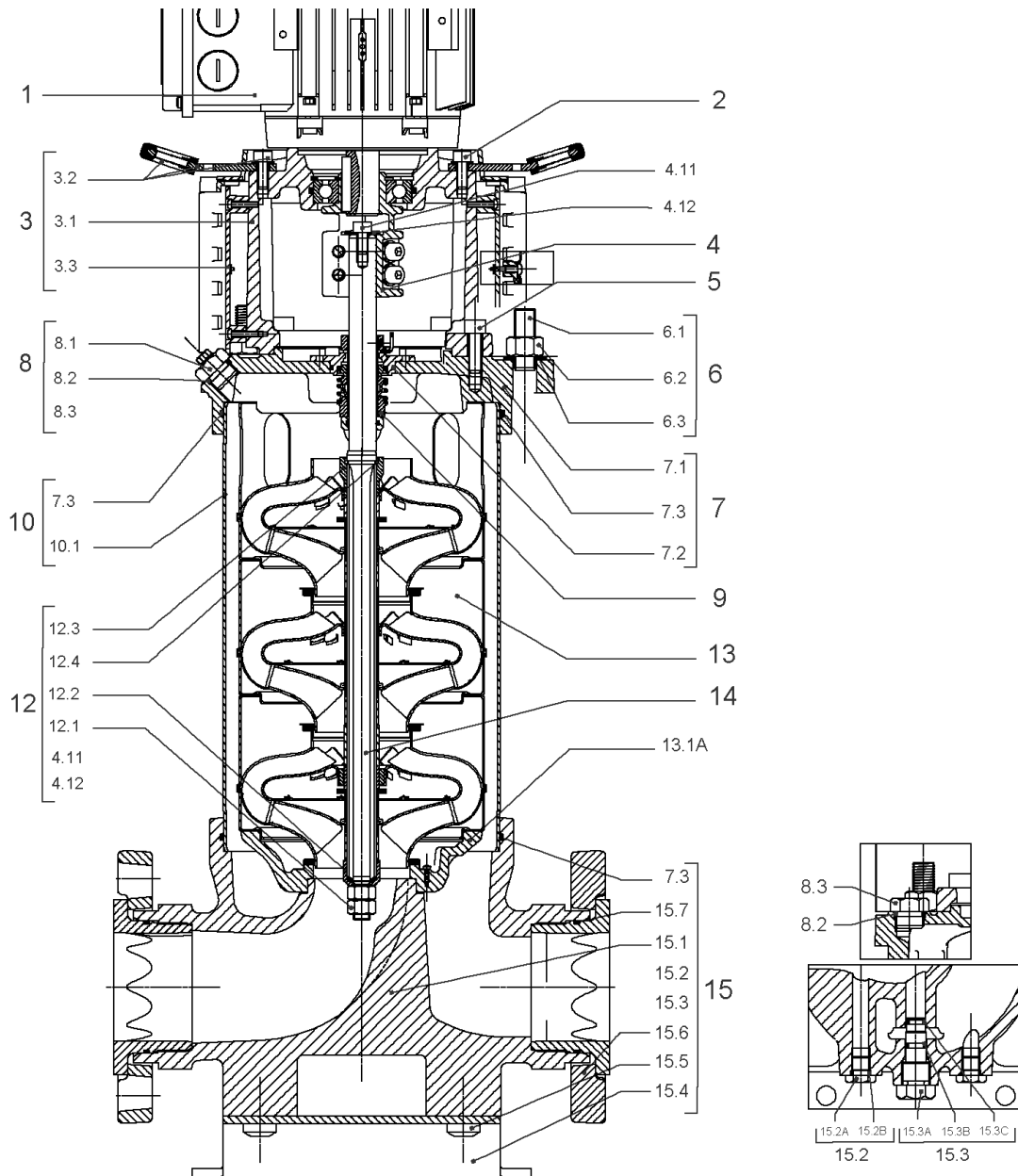
CARTRIDGE HELIX22-36-52 O/V KIT (4158204)

Item	Article no.	Description	Quantity
9.1	4158203	SEAL-KIT-HELIX22-36-52 O/V	1
7.3	2107767	> O-RING ID.202,80x3,53 VITON VP.	1
7.4	4179958	> O-RING-ID.42.52X2.62 VITON VP.	1
9.1A	2127454	> M.SEAL.HELIX22-36-52 O/V VP.	1
9.1B	4179960	> O-RING ID.20x2.65 FKM VP.	1
9.2	4179566	SHAFT SLEEVE D.20/20X60 1.4404 VP.	1
9.3	4179567	RING HOLDER Ø22 1.4301 VP.	1
9.4	4176520	SCREW CH M5x5 A4-70 (3PIECES)	1
9.5	4179568	DRIVE RING D.31/22.1x11 MACH.VP.	1
9.6	4179569	TOOL M.S.CART.HELIX 8" VP.	1
9.7	4179570	SCREW M6X16 ISO4762 8.8 GEOMET(4 PIECES)	1



HYDRAULIC HELIX V 3602-1

Item	Article no.	Description	Quantity
13.1	4161260	INTERMEDIATE STAGE HELIX V36 1.4404 KIT	1
		> SLEEVE-SPACER-D22XL16,66-316L	1
		> MACH.BEARING-DIFFUSER+NR-M+36-316	1
		> SHAFT-SLEEVE-D26xD22x16-CW	1
		> IMPELLER-H1-M+36-316	1
13.2	4161264	UPPER STAGE HELIX 36 1.4404 KIT	1
		> STOP COLLAR OF IMPELLER L20-Ø22-316L	1
		> REDUCED-IMPELLER-H4-M+36-316	1
		> MACH.-RIGID-STD-DISCH.-CHAMBER-M+36-316	1

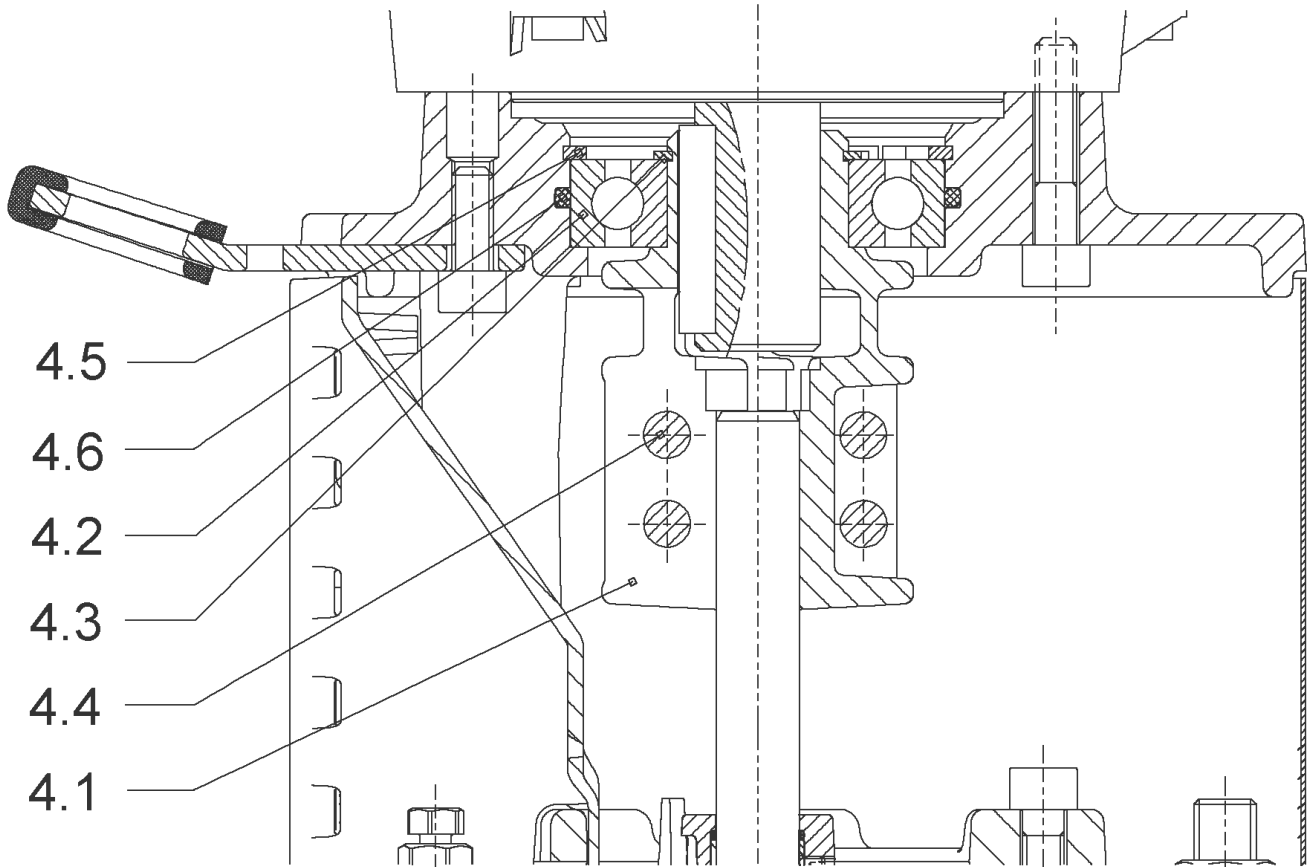


HELIX V3602-2/16/V/KS/400-50 (4150748)

Item	Article no.	Description	Quantity
1	4169947	MO 5,5/2/112 3~400V50Hz 460V60Hz IE3 VP.	1
		SPARE PARTS MOTOR:ON REQUEST	1
2	4159707	SCREW M8X30 (4 PIECES)	1
3	4157719	LANTERN HELIX 22/36 FT130 KIT	1
3.1		> LANTERN FT130 M+ GJL MACHINED+CATA	1
3.2	4179561	> EYELET CPL.FT HELIX(2 PIECES)	1
3.3	4143968	> COUPLING PROTECT HELIX FT KIT	1
4	4143964	COUPLING D.20XD.28 FT130 KIT	1
5	4094462	SCREWS M10 (4 PIECES)	1
6	4180018	STUD BOLT M16X267 KIT	1
6.1		> TIE BOLT M16-267x24x44-1.4057	1
6.2	4179562	> NUT M16 8.8 ISO4032 (4 PIECES)	1
6.3	4097852	> WASHER-CS-16.4-32-2.8-NFE25-511-A2	1
7	4179959	END SHIELD HELIX 8" FKM 1.4404 KIT	1
7.1		> END SHIELD HELIX 316L MACHINED	1
7.2	4179958	> O-RING-ID.42.52X2.62 VITON VP.	1
7.3	2107767	> O-RING ID.202,80x3,53 VITON VP.	1
8	4161256	FILING/PURGING PLUG FKM KIT	1
8.1		> FILLING/VENTING-PLUG-VM18/10-316L	1
8.2		> FILLING AND VENTING PLUG M+8" 316L	1
8.3		> GASKET-17x3-VITON	1
9	4158204	CARTRIDGE HELIX22-36-52 O/V KIT	1
10	4181114	HOUSING PIPE D.204X197 1.4404 KIT	1
7.3	2107767	> O-RING ID.202,80x3,53 VITON VP.	1
10.1		> HOUSING-PIPE Ø204-M+3602-316L	1
12	4161186	SHAFT EQUIPMENT HELIX V36 8" KIT	1
13		HYDRAULIC HELIX V 3602	1
14	4181117	SHAFT D.22X354 1.4404 VP.	1
15	4161255	EQUIPED HOUSING DN65 HELIX 36 1.4409 KIT	1
7.3	2107767	> O-RING ID.202,80x3,53 VITON VP.	1
15.1		> PUMP HOUSING M+ DN65 316L MACHINED	1
15.1		> GASKET HOLDER M+ DN65 316L MACHINED	1
15.1		> HYDRAULIC SUPPORT M+ DN65 316L MACHINED	1
15.2	4158195	> PLUG PRESSURE CONNECTION G1/4"316L KIT	1

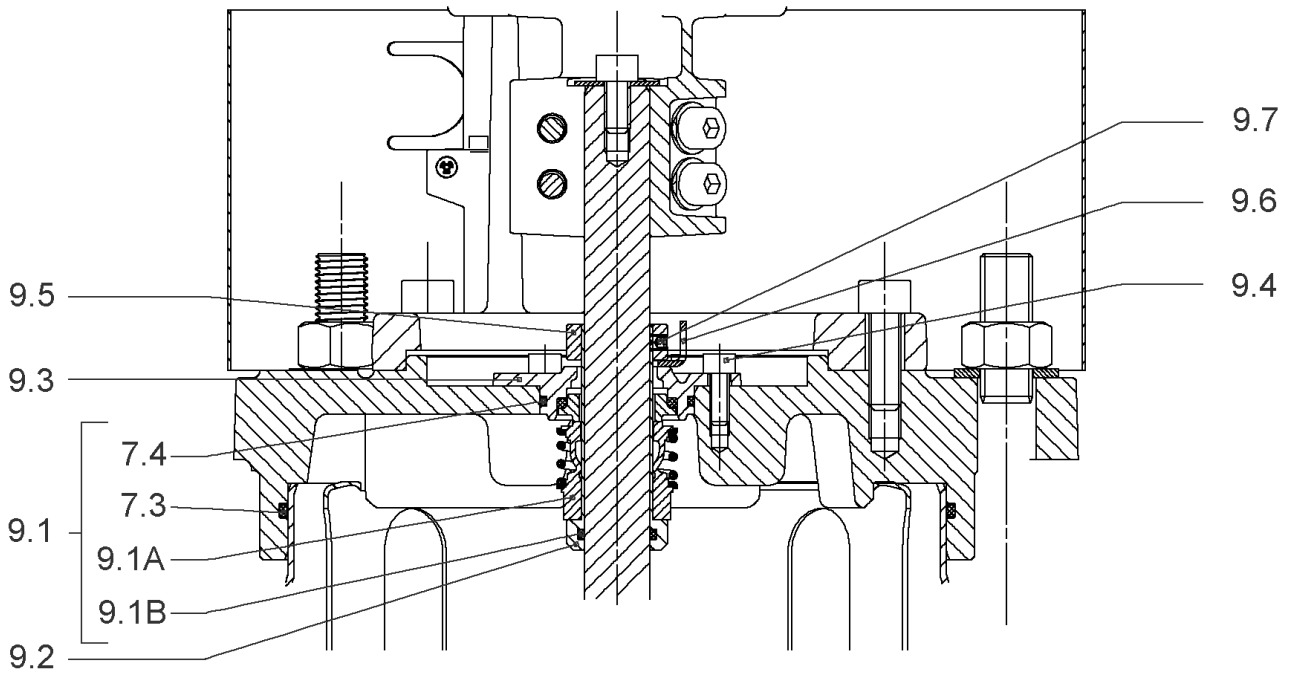
HELIX V3602-2/16/V/KS/400-50 (4150748)

Item	Article no.	Description	Quantity
15.2A		>> PLUG PRESSURE CONNECTION - G1/4" - 316L	1
15.2B	2107769	>> O-RING ID.9,9x2,62 VITON VP.	1
15.3	4158196	> DRAIN/PRIMING PLUG VITON HELIX KIT	1
15.3A		>> DRAIN-AND-PRIMING-PLUG-VM18"-316L	1
15.3B	4032294	>> GASKET-10x3-VITON	1
15.3C	2107768	>> O-RING ID.8,9x2,7 VITON VP.	1
15.4	4143749	> BASE M+ DN50/65/80-304	1
15.5		> SCREW TBHC M12x25 ISO7380 ZN	1
15.6	4124455	> FLANGE M+ DN65 NF PN16-25 ASME PN16 CATA	1
15.7		> O-RING Ø79.5xØ3 VITON	1
13.1A	4161268	> NECK RING 1.STAGE HELIX 36 316 KIT	1
		>> NECK-RING-M+36/52	1
		>> HYDRAULIC SUPPORT CAP M+36/52 316	1
		>> SCREW TCL M3X8 A4 POZIDRIV	1



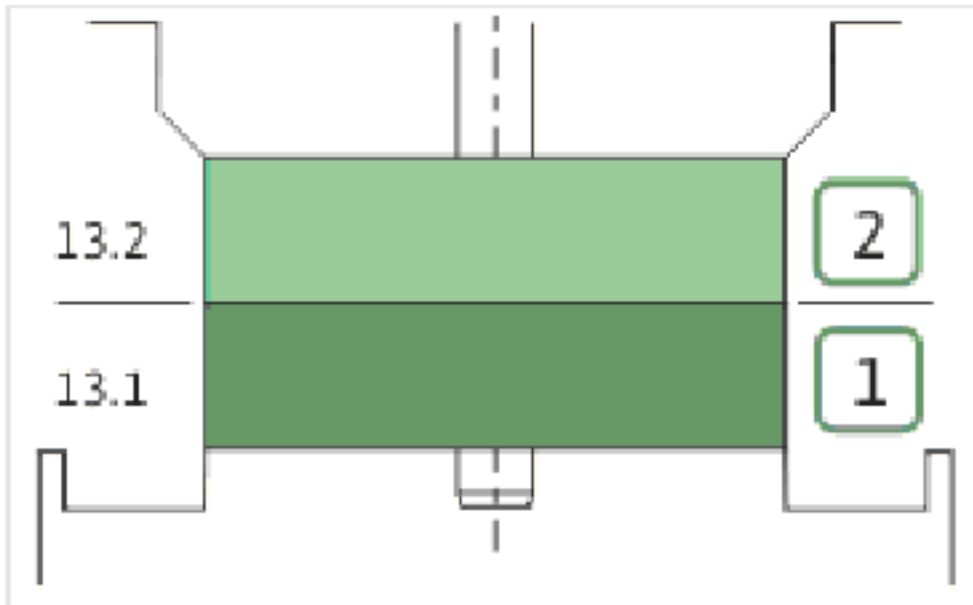
COUPLING D.20XD.28 FT130 KIT (4143964)

Item	Article no.	Description	Quantity
4.1		COUPLING M+ Ø20XØ28-FT130 MACHINED	1
4.2	2131022	BALL BEARING 6209/ZZ-C3(HT)VP.	1
4.3	4233930	CIRCLIP-FOR-BORES-D45x1,75 VP.	1
4.4	4157726	SCREW KIT M8X30 (4 PIECES)	1
4.5	4234252	CIRCLIPS 85X3 VP.	1
4.6	4234243	O-RING 85X3 VP.	1
		NOMEL CONTACT WASHER 8x16x1,4 STEEL ZC	1



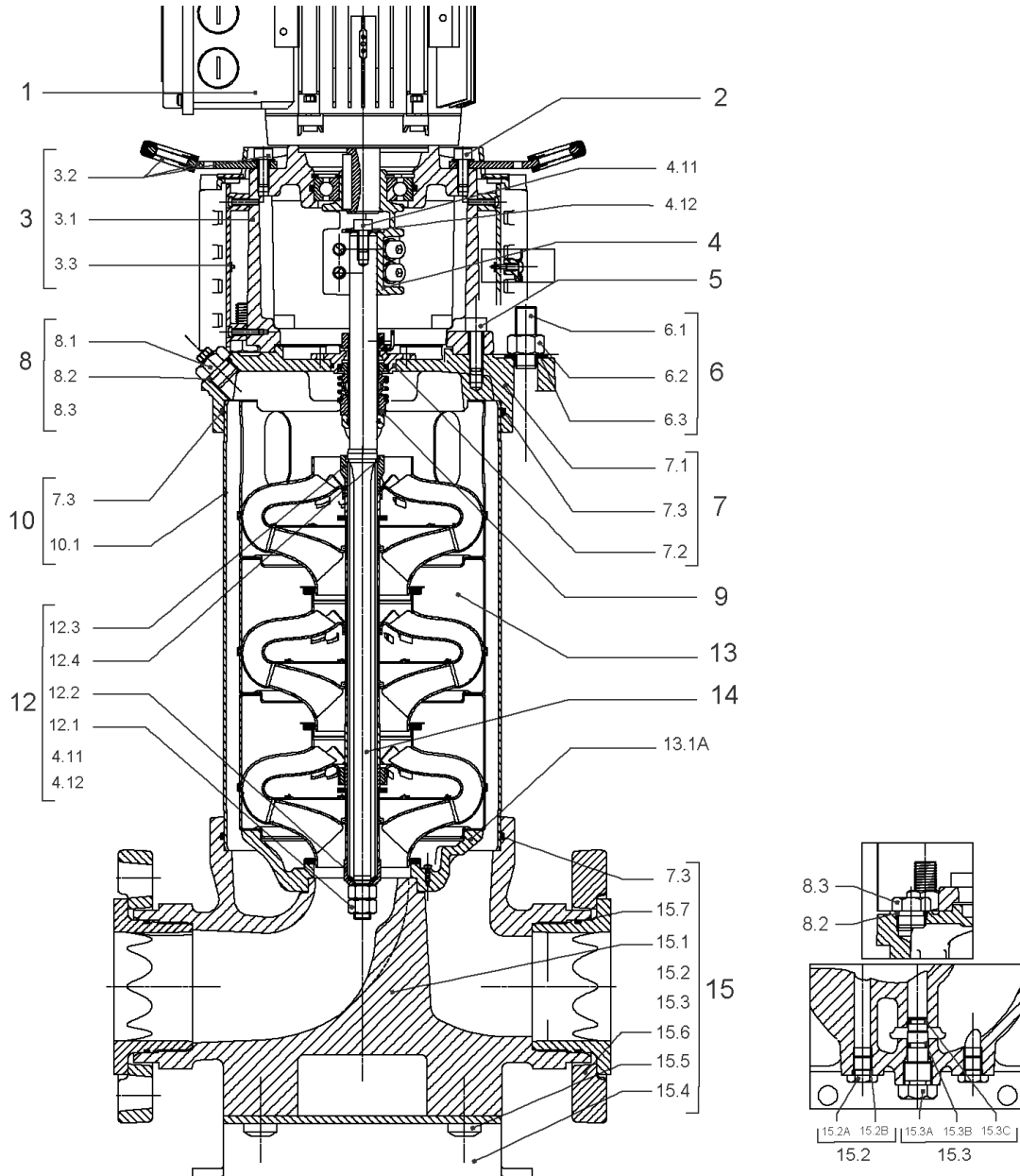
CARTRIDGE HELIX22-36-52 O/V KIT (4158204)

Item	Article no.	Description	Quantity
9.1	4158203	SEAL-KIT-HELIX22-36-52 O/V	1
7.3	2107767	> O-RING ID.202,80x3,53 VITON VP.	1
7.4	4179958	> O-RING-ID.42.52X2.62 VITON VP.	1
9.1A	2127454	> M.SEAL.HELIX22-36-52 O/V VP.	1
9.1B	4179960	> O-RING ID.20x2.65 FKM VP.	1
9.2	4179566	SHAFT SLEEVE D.20/20X60 1.4404 VP.	1
9.3	4179567	RING HOLDER Ø22 1.4301 VP.	1
9.4	4176520	SCREW CH M5x5 A4-70 (3PIECES)	1
9.5	4179568	DRIVE RING D.31/22.1x11 MACH.VP.	1
9.6	4179569	TOOL M.S.CART.HELIX 8" VP.	1
9.7	4179570	SCREW M6X16 ISO4762 8.8 GEOMET(4 PIECES)	1



HYDRAULIC HELIX V 3602

Item	Article no.	Description	Quantity
13.1	4161260	INTERMEDIATE STAGE HELIX V36 1.4404 KIT	1
		> SLEEVE-SPACER-D22XL16,66-316L	1
		> MACH.BEARING-DIFFUSER+NR-M+36-316	1
		> SHAFT-SLEEVE-D26xD22x16-CW	1
		> IMPELLER-H1-M+36-316	1
13.2	4161262	UPPER STAGE HELIX 36 1.4404 KIT	1
		> STOP COLLAR OF IMPELLER L20-Ø22-316L	1
		> MACH.-RIGID-STD-DISCH.-CHAMBER-M+36-316	1
		> IMPELLER-H4-M+36-316	1

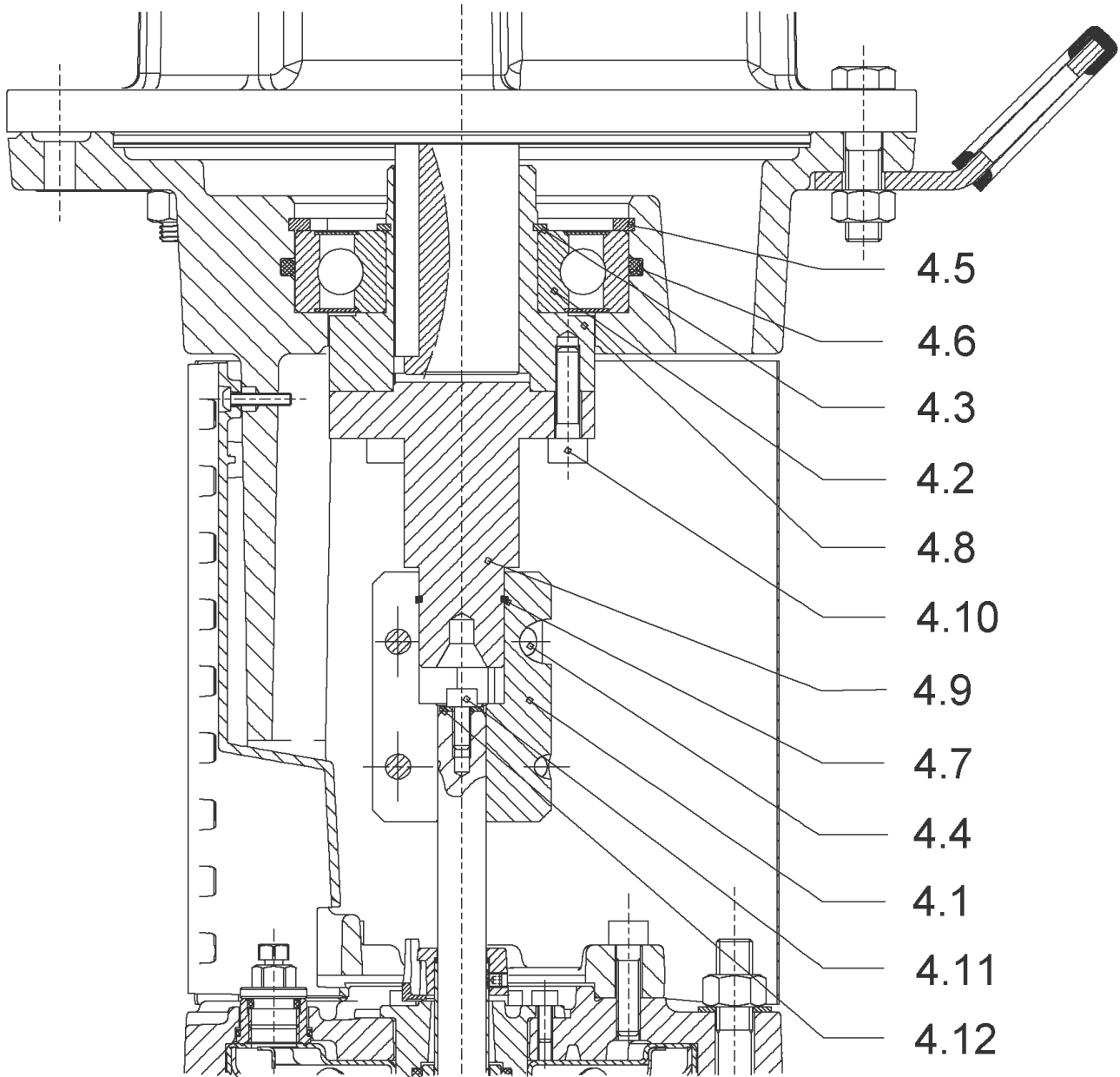


HELIX V3603/2-2/16/V/KS/400-50 (4150749)

Item	Article no.	Description	Quantity
1	4195450	MOTOR 7,5/2/* 3~400V 50HZ IE3 VP.	1
		SPARE PARTS MOTOR:ON REQUEST	1
2	4174093	SCREW M12X50 (4 PIECES)	1
3	4161187	LANTERN FF265 HELIX 8" KIT	1
3.1		> LANTERN FF265 M+ GJL MACHINED+CATA	1
3.2	2127605	> EYELET CPL.FF265 HELIX(2 PIECES)	1
3.3	4143969	> COUPLING PROTECT HELIX FF KIT	1
4	4143965	COUPLING D.20XD.28 FF265 KIT	1
5	4157725	SCREW M10X40 (4 PIECES)	1
6	4181076	STUD BOLT M16X338 KIT	1
		> TIE BOLT M16-338x24x44-1.4057	1
	4179562	> NUT M16 8.8 ISO4032 (4 PIECES)	1
	4097852	> WASHER-CS-16.4-32-2.8-NFE25-511-A2	1
7	4179959	END SHIELD HELIX 8" FKM 1.4404 KIT	1
7.1		> END SHIELD HELIX 316L MACHINED	1
7.2	4179958	> O-RING-ID.42.52X2.62 VITON VP.	1
7.3	2107767	> O-RING ID.202,80x3,53 VITON VP.	1
8	4161256	FILING/PURGING PLUG FKM KIT	1
8.1		> FILLING/VENTING-PLUG-VM18/10-316L	1
8.2		> FILLING AND VENTING PLUG M+8" 316L	1
8.3		> GASKET-17x3-VITON	1
9	4158204	CARTRIDGE HELIX22-36-52 O/V KIT	1
10	4181120	HOUSING PIPE D.204X264 1.4404 KIT	1
7.3	2107767	> O-RING ID.202,80x3,53 VITON VP.	1
10.1		> HOUSING-PIPE Ø204-M+2204/3603-316L	1
12	4161186	SHAFT EQUIPMENT HELIX V36 8" KIT	1
13		HYDRAULIC HELIX V 3603-2	1
14	4181122	SHAFTS D.22X420,67 1.4404 VP.	1
15	4161255	EQUIPED HOUSING DN65 HELIX 36 1.4409 KIT	1
7.3	2107767	> O-RING ID.202,80x3,53 VITON VP.	1
15.1		> PUMP HOUSING M+ DN65 316L MACHINED	1
15.1		> GASKET HOLDER M+ DN65 316L MACHINED	1
15.1		> HYDRAULIC SUPPORT M+ DN65 316L MACHINED	1
15.2	4158195	> PLUG PRESSURE CONNECTION G1/4"316L KIT	1

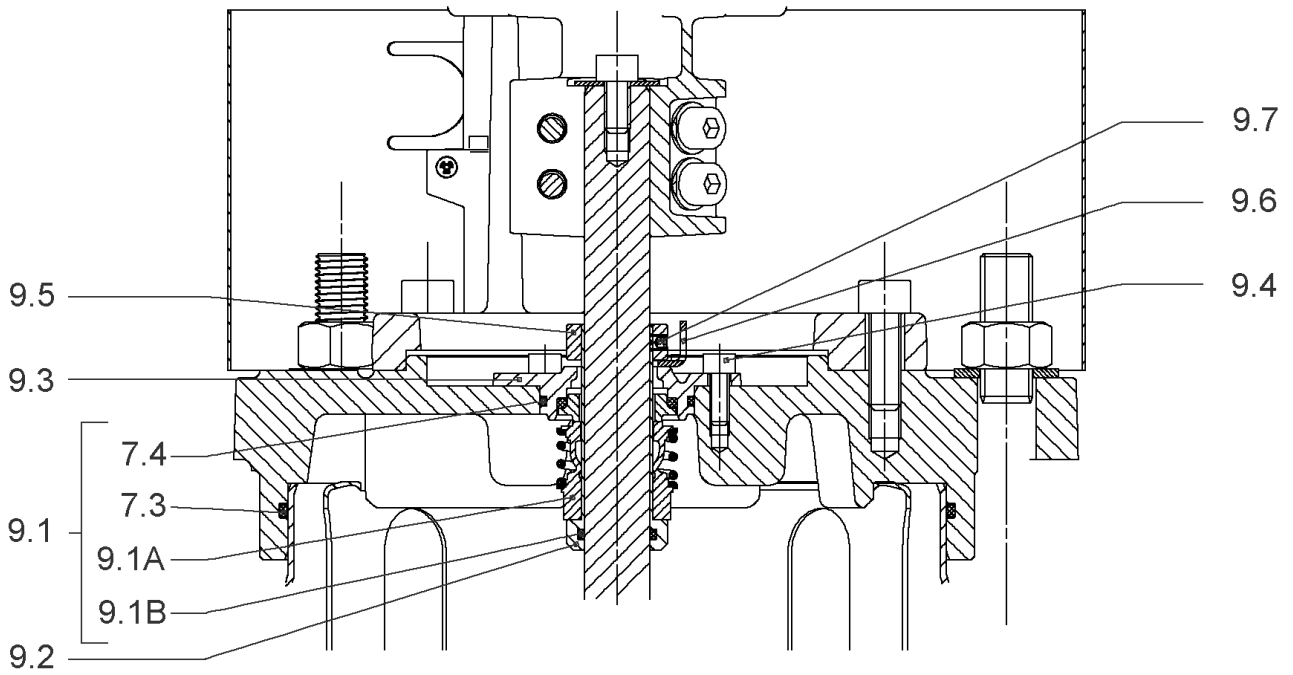
HELIX V3603/2-2/16/V/KS/400-50 (4150749)

Item	Article no.	Description	Quantity
15.2A		>> PLUG PRESSURE CONNECTION - G1/4" - 316L	1
15.2B	2107769	>> O-RING ID.9,9x2,62 VITON VP.	1
15.3	4158196	> DRAIN/PRIMING PLUG VITON HELIX KIT	1
15.3A		>> DRAIN-AND-PRIMING-PLUG-VM18"-316L	1
15.3B	4032294	>> GASKET-10x3-VITON	1
15.3C	2107768	>> O-RING ID.8,9x2,7 VITON VP.	1
15.4	4143749	> BASE M+ DN50/65/80-304	1
15.5		> SCREW TBHC M12x25 ISO7380 ZN	1
15.6	4124455	> FLANGE M+ DN65 NF PN16-25 ASME PN16 CATA	1
15.7		> O-RING Ø79.5xØ3 VITON	1
13.1A	4161268	> NECK RING 1.STAGE HELIX 36 316 KIT	1
		>> NECK-RING-M+36/52	1
		>> HYDRAULIC SUPPORT CAP M+36/52 316	1
		>> SCREW TCL M3X8 A4 POZIDRIV	1



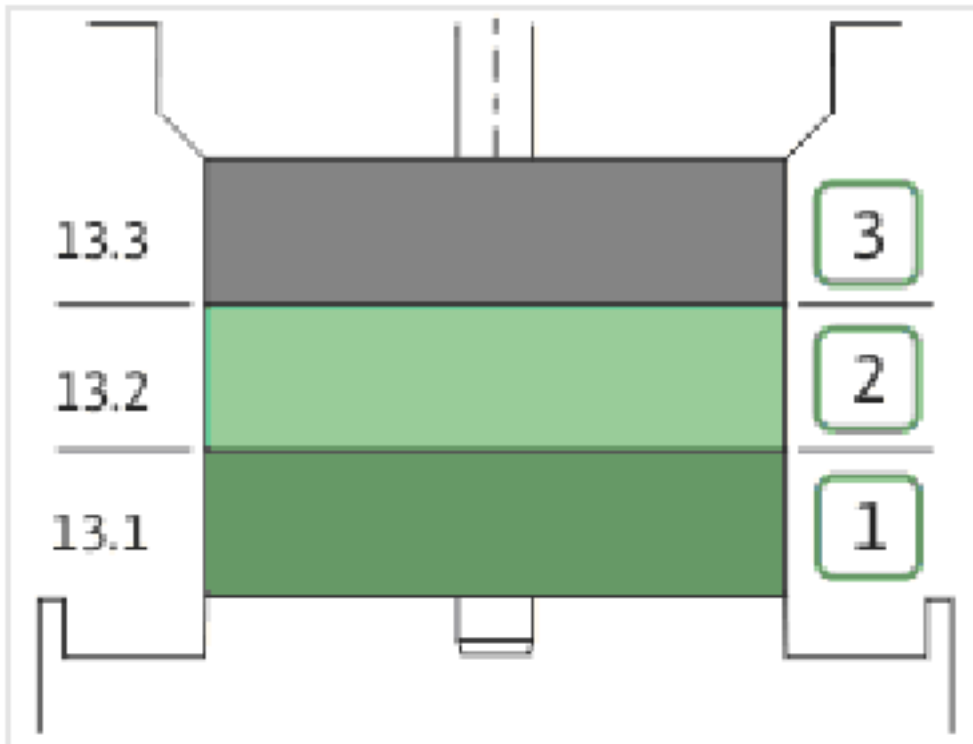
COUPLING D.20XD.28 FF265 KIT (4143965)

Item	Article no.	Description	Quantity
4.1	4179584	COUPLING 2 PARTS D.20XD.28XL83 VP.	1
4.2	2131017	BALL BEARING 6310/ZZ-C4(HT)VP.	1
4.3	4234253	CIRCLIP-FOR-SHAFT-D50x2 VP.	1
4.4	4159707	SCREW M8X30 (4 PIECES)	1
4.5	4234255	CIRCLIPS 110X4 VP.	1
4.6	4233944	O-RING ID.110 VP.	1
4.7	4179585	STOP-RUSH D26xD2 DIN7993 STEEL VP.	1
4.8	2131020	HUB D.38XD.50 VP.	1
4.9	2131021	SPACER D.28XD.45 VP.	1
4.10	4157726	SCREW KIT M8X30 (4 PIECES)	1
4.11	4233959	SCREW M8x16 VP.	1
4.12		SERRATED LOCK WASHER Ø8.2XØ25X35X2	1



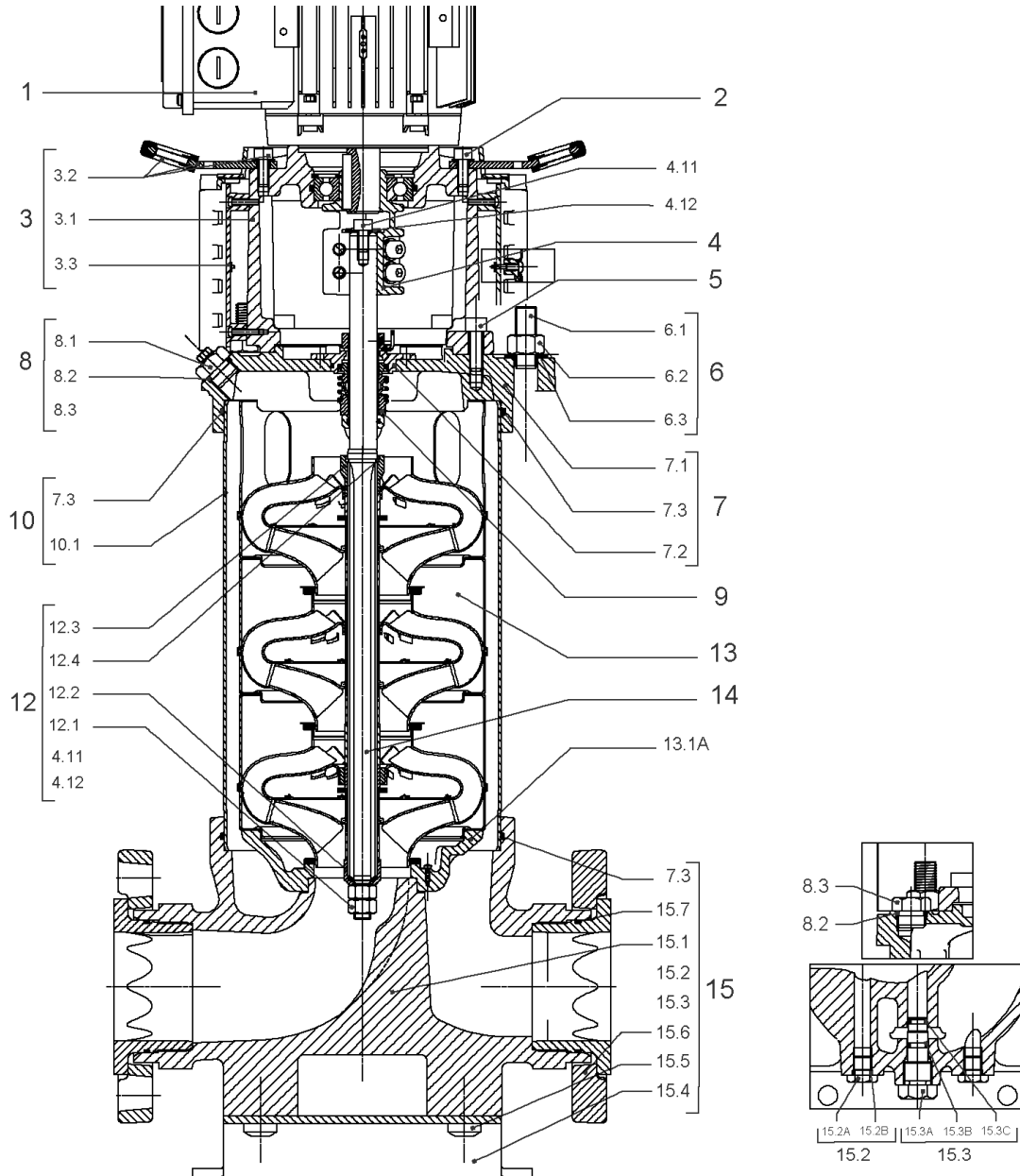
CARTRIDGE HELIX22-36-52 O/V KIT (4158204)

Item	Article no.	Description	Quantity
9.1	4158203	SEAL-KIT-HELIX22-36-52 O/V	1
7.3	2107767	> O-RING ID.202,80x3,53 VITON VP.	1
7.4	4179958	> O-RING-ID.42.52X2.62 VITON VP.	1
9.1A	2127454	> M.SEAL.HELIX22-36-52 O/V VP.	1
9.1B	4179960	> O-RING ID.20x2.65 FKM VP.	1
9.2	4179566	SHAFT SLEEVE D.20/20X60 1.4404 VP.	1
9.3	4179567	RING HOLDER Ø22 1.4301 VP.	1
9.4	4176520	SCREW CH M5x5 A4-70 (3PIECES)	1
9.5	4179568	DRIVE RING D.31/22.1x11 MACH.VP.	1
9.6	4179569	TOOL M.S.CART.HELIX 8" VP.	1
9.7	4179570	SCREW M6X16 ISO4762 8.8 GEOMET(4 PIECES)	1



HYDRAULIC HELIX V 3603-2

Item	Article no.	Description	Quantity
13.1	4161260	INTERMEDIATE STAGE HELIX V36 1.4404 KIT	1
		> SLEEVE-SPACER-D22XL16,66-316L	1
		> MACH.BEARING-DIFFUSER+NR-M+36-316	1
		> SHAFT-SLEEVE-D26xD22x16-CW	1
		> IMPELLER-H1-M+36-316	1
13.2	4161263	INTERMEDIATE STAGE HELIX V36 1.4404 KIT	1
		> MACH.STD-DIFFUSER+NR-M+36-316	1
		> REDUCED-IMPELLER-H4-M+36-316	1
13.3	4161264	UPPER STAGE HELIX 36 1.4404 KIT	1
		> STOP COLLAR OF IMPELLER L20-Ø22-316L	1
		> REDUCED-IMPELLER-H4-M+36-316	1
		> MACH.-RIGID-STD-DISCH.-CHAMBER-M+36-316	1

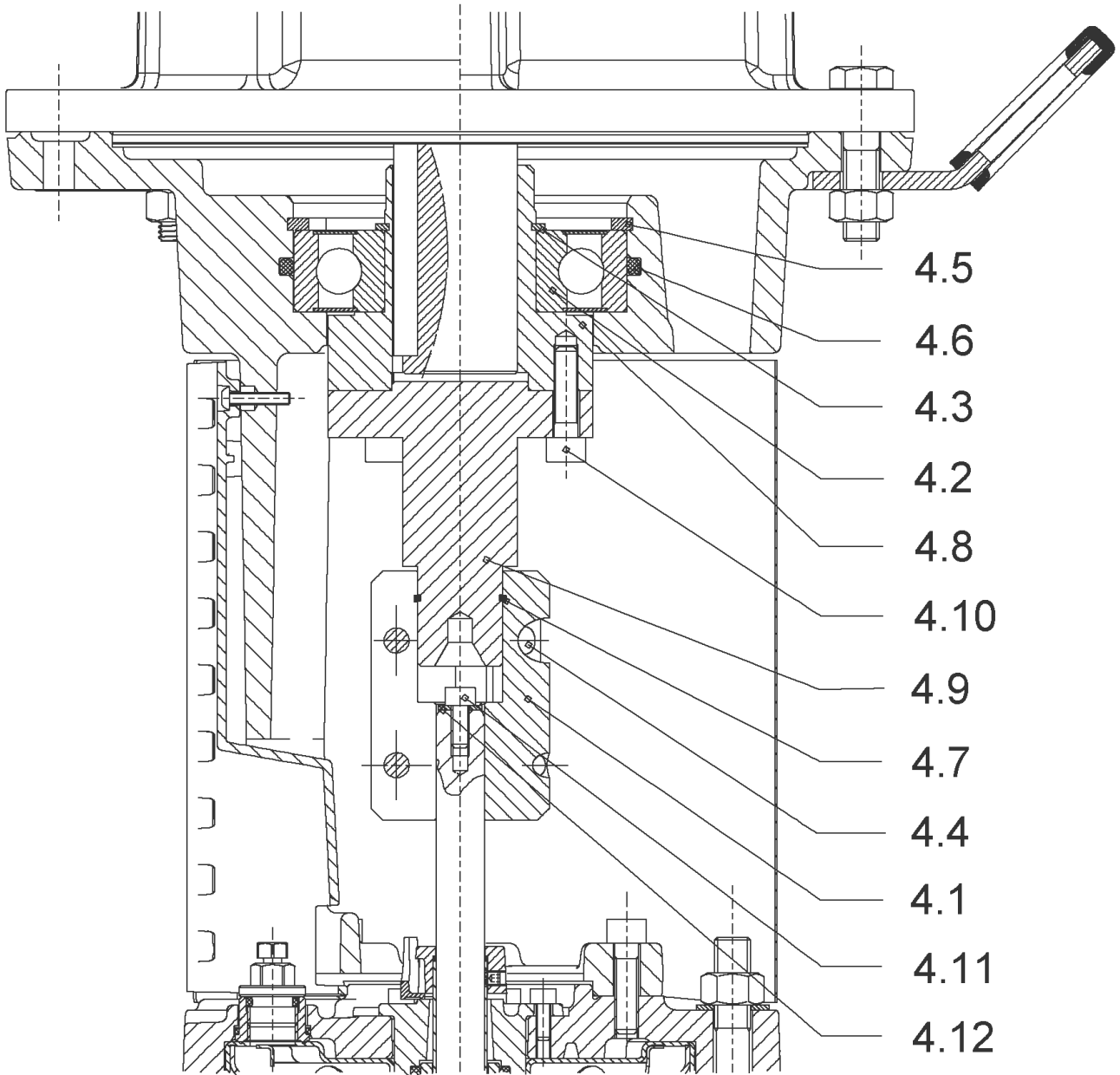


HELIX V3603/2-2/25/V/KS/400-50 (4150750)

Item	Article no.	Description	Quantity
1	4195450	MOTOR 7,5/2/* 3~400V 50HZ IE3 VP.	1
		SPARE PARTS MOTOR:ON REQUEST	1
2	4174093	SCREW M12X50 (4 PIECES)	1
3	4161187	LANTERN FF265 HELIX 8" KIT	1
3.1		> LANTERN FF265 M+ GJL MACHINED+CATA	1
3.2	2127605	> EYELET CPL.FF265 HELIX(2 PIECES)	1
3.3	4143969	> COUPLING PROTECT HELIX FF KIT	1
4	4143965	COUPLING D.20XD.28 FF265 KIT	1
5	4157725	SCREW M10X40 (4 PIECES)	1
6	4181076	STUD BOLT M16X338 KIT	1
		> TIE BOLT M16-338x24x44-1.4057	1
	4179562	> NUT M16 8.8 ISO4032 (4 PIECES)	1
	4097852	> WASHER-CS-16.4-32-2.8-NFE25-511-A2	1
7	4179959	END SHIELD HELIX 8" FKM 1.4404 KIT	1
7.1		> END SHIELD HELIX 316L MACHINED	1
7.2	4179958	> O-RING-ID.42.52X2.62 VITON VP.	1
7.3	2107767	> O-RING ID.202,80x3,53 VITON VP.	1
8	4161256	FILING/PURGING PLUG FKM KIT	1
8.1		> FILLING/VENTING-PLUG-VM18/10-316L	1
8.2		> FILLING AND VENTING PLUG M+8" 316L	1
8.3		> GASKET-17x3-VITON	1
9	4158206	CARTRIDGE HELIX22-36-52 F/V KIT	1
10	4181120	HOUSING PIPE D.204X264 1.4404 KIT	1
7.3	2107767	> O-RING ID.202,80x3,53 VITON VP.	1
10.1		> HOUSING-PIPE Ø204-M+2204/3603-316L	1
12	4161186	SHAFT EQUIPMENT HELIX V36 8" KIT	1
13		HYDRAULIC HELIX V 3603-2	1
14	4181122	SHAFTS D.22X420,67 1.4404 VP.	1
15	4161255	EQUIPED HOUSING DN65 HELIX 36 1.4409 KIT	1
7.3	2107767	> O-RING ID.202,80x3,53 VITON VP.	1
15.1		> PUMP HOUSING M+ DN65 316L MACHINED	1
15.1		> GASKET HOLDER M+ DN65 316L MACHINED	1
15.1		> HYDRAULIC SUPPORT M+ DN65 316L MACHINED	1
15.2	4158195	> PLUG PRESSURE CONNECTION G1/4"316L KIT	1

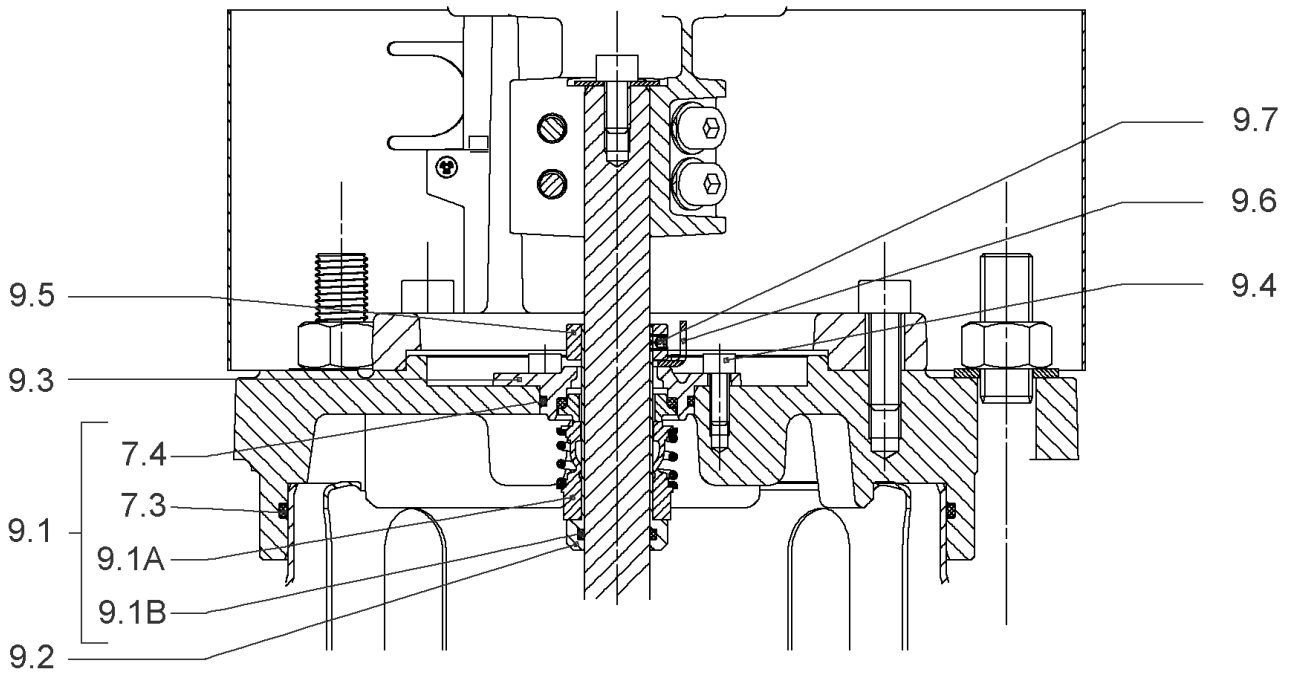
HELIX V3603/2-2/25/V/KS/400-50 (4150750)

Item	Article no.	Description	Quantity
15.2A		>> PLUG PRESSURE CONNECTION - G1/4" - 316L	1
15.2B	2107769	>> O-RING ID.9,9x2,62 VITON VP.	1
15.3	4158196	> DRAIN/PRIMING PLUG VITON HELIX KIT	1
15.3A		>> DRAIN-AND-PRIMING-PLUG-VM18"-316L	1
15.3B	4032294	>> GASKET-10x3-VITON	1
15.3C	2107768	>> O-RING ID.8,9x2,7 VITON VP.	1
15.4	4143749	> BASE M+ DN50/65/80-304	1
15.5		> SCREW TBHC M12x25 ISO7380 ZN	1
15.6	4124455	> FLANGE M+ DN65 NF PN16-25 ASME PN16 CATA	1
15.7		> O-RING Ø79.5xØ3 VITON	1
13.1A	4161268	> NECK RING 1.STAGE HELIX 36 316 KIT	1
		>> NECK-RING-M+36/52	1
		>> HYDRAULIC SUPPORT CAP M+36/52 316	1
		>> SCREW TCL M3X8 A4 POZIDRIV	1



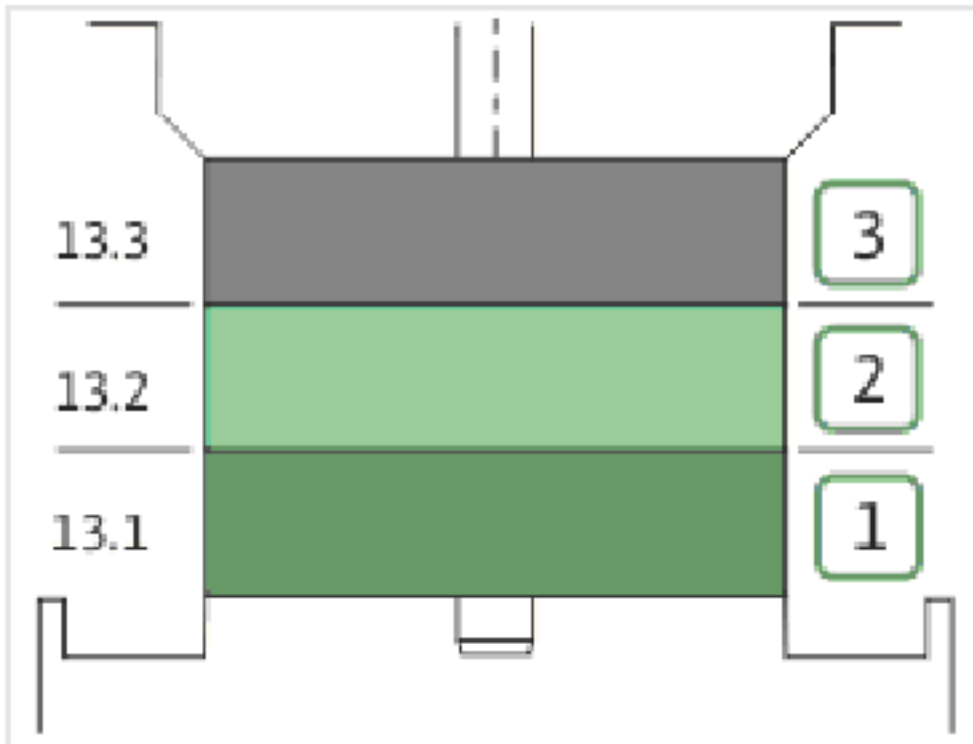
COUPLING D.20XD.28 FF265 KIT (4143965)

Item	Article no.	Description	Quantity
4.1	4179584	COUPLING 2 PARTS D.20XD.28XL83 VP.	1
4.2	2131017	BALL BEARING 6310/ZZ-C4(HT)VP.	1
4.3	4234253	CIRCLIP-FOR-SHAFT-D50x2 VP.	1
4.4	4159707	SCREW M8X30 (4 PIECES)	1
4.5	4234255	CIRCLIPS 110X4 VP.	1
4.6	4233944	O-RING ID.110 VP.	1
4.7	4179585	STOP-RUSH D26xD2 DIN7993 STEEL VP.	1
4.8	2131020	HUB D.38XD.50 VP.	1
4.9	2131021	SPACER D.28XD.45 VP.	1
4.10	4157726	SCREW KIT M8X30 (4 PIECES)	1
4.11	4233959	SCREW M8x16 VP.	1
4.12		SERRATED LOCK WASHER Ø8.2XØ25X35X2	1



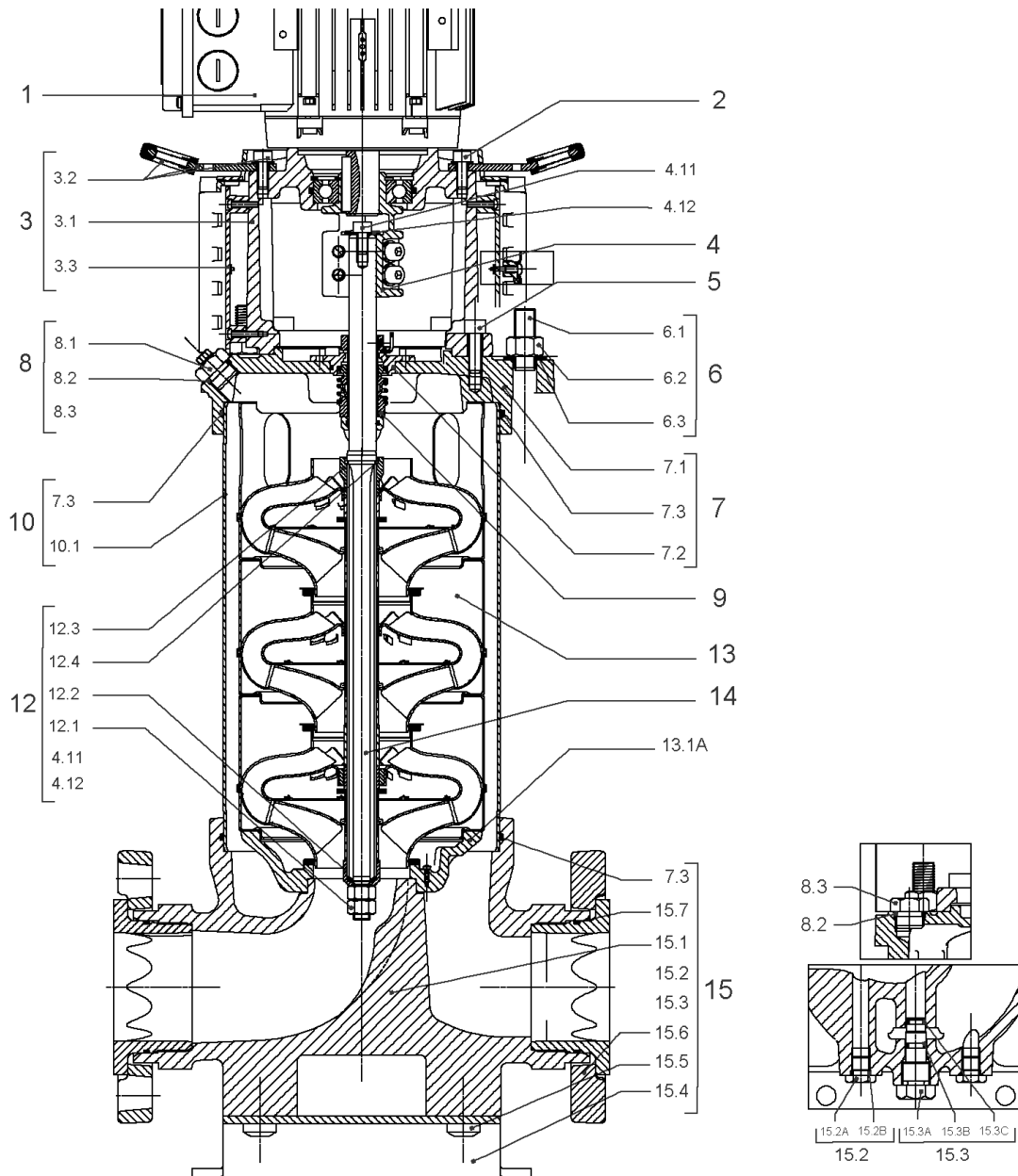
CARTRIDGE HELIX22-36-52 F/V KIT (4158206)

Item	Article no.	Description	Quantity
9.1	4158205	SEAL-KIT-HELIX22-36-52 F/V	1
7.3	2107767	> O-RING ID.202,80x3,53 VITON VP.	1
7.4	4179958	> O-RING-ID.42.52X2.62 VITON VP.	1
9.1A	4179982	> M.SEAL.HELIX22-36-52 F/V VP.	1
9.1B	4179960	> O-RING ID.20x2.65 FKM VP.	1
9.2	4179566	SHAFT SLEEVE D.20/20X60 1.4404 VP.	1
9.3	4179567	RING HOLDER Ø22 1.4301 VP.	1
9.4	4176520	SCREW CH M5x5 A4-70 (3PIECES)	1
9.5	4179568	DRIVE RING D.31/22.1x11 MACH.VP.	1
9.6	4179569	TOOL M.S.CART.HELIX 8" VP.	1
9.7	4179570	SCREW M6X16 ISO4762 8.8 GEOMET(4 PIECES)	1



HYDRAULIC HELIX V 3603-2

Item	Article no.	Description	Quantity
13.1	4161260	INTERMEDIATE STAGE HELIX V36 1.4404 KIT	1
		> SLEEVE-SPACER-D22XL16,66-316L	1
		> MACH.BEARING-DIFFUSER+NR-M+36-316	1
		> SHAFT-SLEEVE-D26xD22x16-CW	1
		> IMPELLER-H1-M+36-316	1
13.2	4161263	INTERMEDIATE STAGE HELIX V36 1.4404 KIT	1
		> MACH.STD-DIFFUSER+NR-M+36-316	1
		> REDUCED-IMPELLER-H4-M+36-316	1
13.3	4161264	UPPER STAGE HELIX 36 1.4404 KIT	1
		> STOP COLLAR OF IMPELLER L20-Ø22-316L	1
		> REDUCED-IMPELLER-H4-M+36-316	1
		> MACH.-RIGID-STD-DISCH.-CHAMBER-M+36-316	1

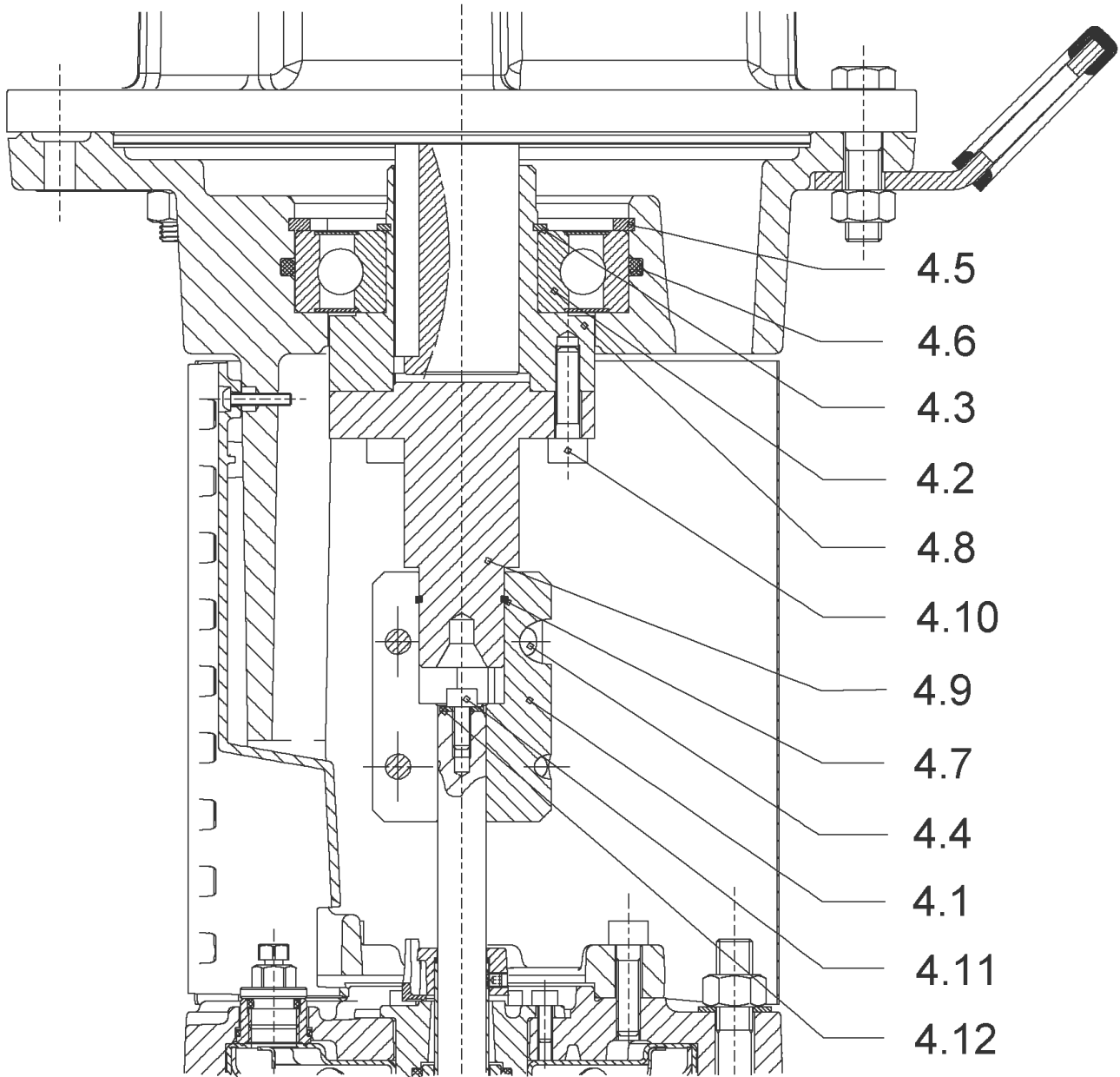


HELIX V3603/1-2/16/V/KS/400-50 (4150751)

Item	Article no.	Description	Quantity
1	4195450	MOTOR 7,5/2/* 3~400V 50HZ IE3 VP.	1
		SPARE PARTS MOTOR:ON REQUEST	1
2	4174093	SCREW M12X50 (4 PIECES)	1
3	4161187	LANTERN FF265 HELIX 8" KIT	1
3.1		> LANTERN FF265 M+ GJL MACHINED+CATA	1
3.2	2127605	> EYELET CPL.FF265 HELIX(2 PIECES)	1
3.3	4143969	> COUPLING PROTECT HELIX FF KIT	1
4	4143965	COUPLING D.20XD.28 FF265 KIT	1
5	4157725	SCREW M10X40 (4 PIECES)	1
6	4181076	STUD BOLT M16X338 KIT	1
		> TIE BOLT M16-338x24x44-1.4057	1
	4179562	> NUT M16 8.8 ISO4032 (4 PIECES)	1
	4097852	> WASHER-CS-16.4-32-2.8-NFE25-511-A2	1
7	4179959	END SHIELD HELIX 8" FKM 1.4404 KIT	1
7.1		> END SHIELD HELIX 316L MACHINED	1
7.2	4179958	> O-RING-ID.42.52X2.62 VITON VP.	1
7.3	2107767	> O-RING ID.202,80x3,53 VITON VP.	1
8	4161256	FILING/PURGING PLUG FKM KIT	1
8.1		> FILLING/VENTING-PLUG-VM18/10-316L	1
8.2		> FILLING AND VENTING PLUG M+8" 316L	1
8.3		> GASKET-17x3-VITON	1
9	4158204	CARTRIDGE HELIX22-36-52 O/V KIT	1
10	4181120	HOUSING PIPE D.204X264 1.4404 KIT	1
7.3	2107767	> O-RING ID.202,80x3,53 VITON VP.	1
10.1		> HOUSING-PIPE Ø204-M+2204/3603-316L	1
12	4161186	SHAFT EQUIPMENT HELIX V36 8" KIT	1
13		HYDRAULIC HELIX V 3603-1	1
14	4181122	SHAFTS D.22X420,67 1.4404 VP.	1
15	4161255	EQUIPED HOUSING DN65 HELIX 36 1.4409 KIT	1
7.3	2107767	> O-RING ID.202,80x3,53 VITON VP.	1
15.1		> PUMP HOUSING M+ DN65 316L MACHINED	1
15.1		> GASKET HOLDER M+ DN65 316L MACHINED	1
15.1		> HYDRAULIC SUPPORT M+ DN65 316L MACHINED	1
15.2	4158195	> PLUG PRESSURE CONNECTION G1/4"316L KIT	1

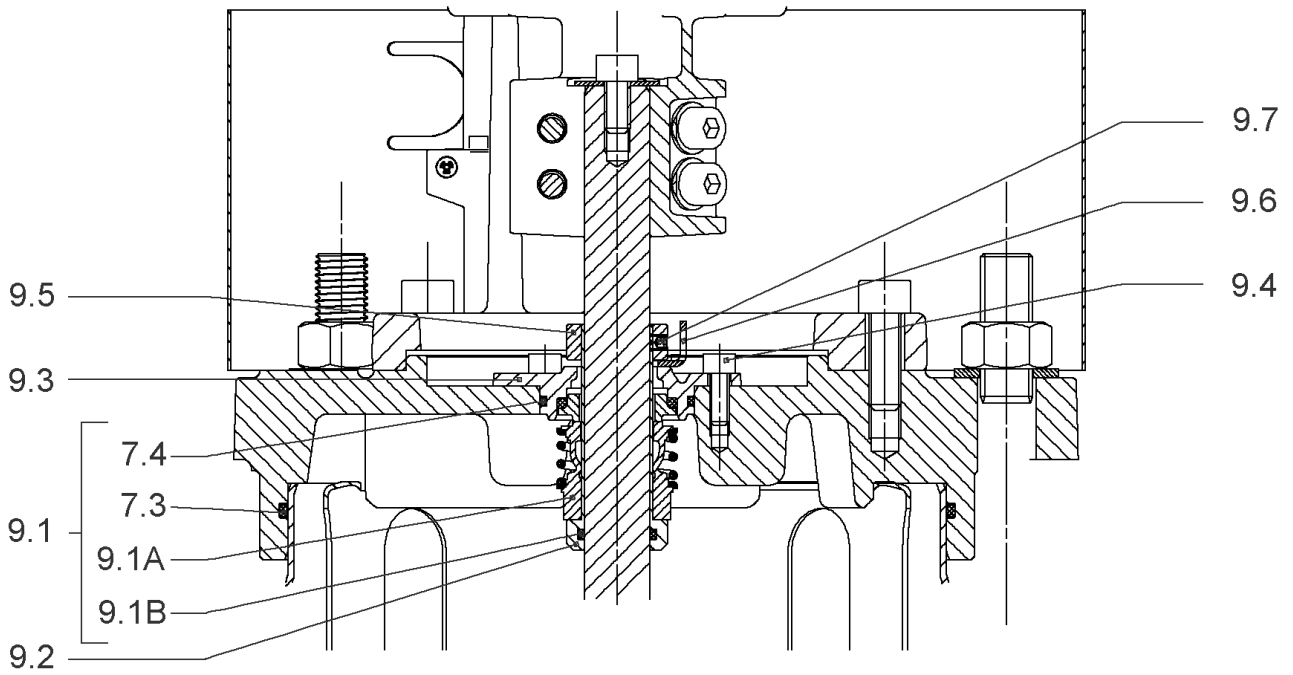
HELIX V3603/1-2/16/V/KS/400-50 (4150751)

Item	Article no.	Description	Quantity
15.2A		>> PLUG PRESSURE CONNECTION - G1/4" - 316L	1
15.2B	2107769	>> O-RING ID.9,9x2,62 VITON VP.	1
15.3	4158196	> DRAIN/PRIMING PLUG VITON HELIX KIT	1
15.3A		>> DRAIN-AND-PRIMING-PLUG-VM18"-316L	1
15.3B	4032294	>> GASKET-10x3-VITON	1
15.3C	2107768	>> O-RING ID.8,9x2,7 VITON VP.	1
15.4	4143749	> BASE M+ DN50/65/80-304	1
15.5		> SCREW TBHC M12x25 ISO7380 ZN	1
15.6	4124455	> FLANGE M+ DN65 NF PN16-25 ASME PN16 CATA	1
15.7		> O-RING Ø79.5xØ3 VITON	1
13.1A	4161268	> NECK RING 1.STAGE HELIX 36 316 KIT	1
		>> NECK-RING-M+36/52	1
		>> HYDRAULIC SUPPORT CAP M+36/52 316	1
		>> SCREW TCL M3X8 A4 POZIDRIV	1



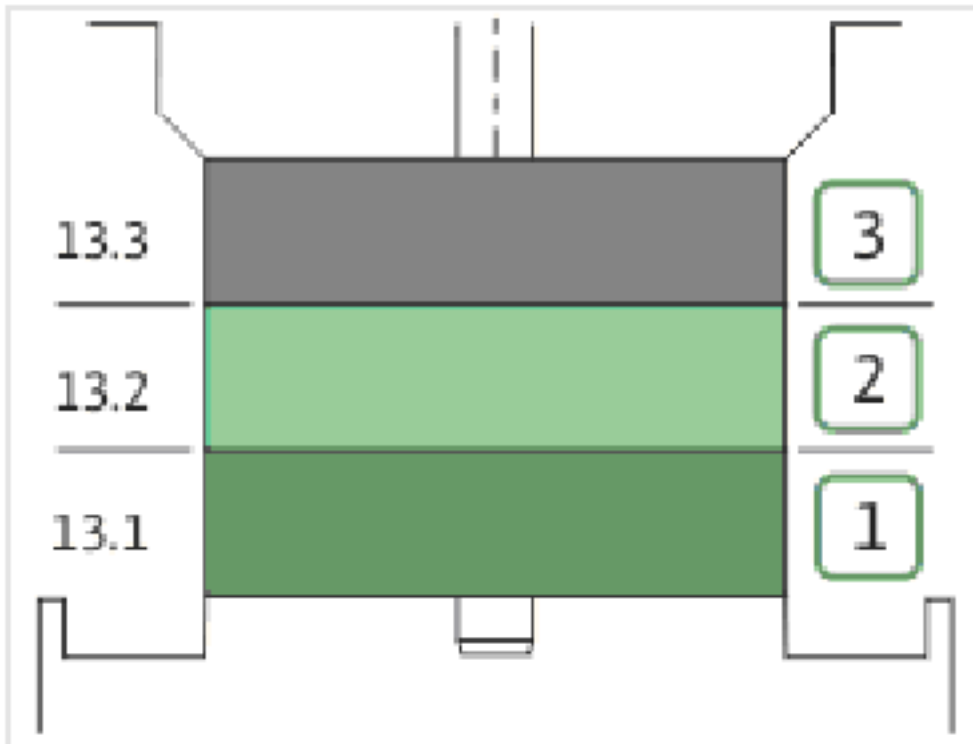
COUPLING D.20XD.28 FF265 KIT (4143965)

Item	Article no.	Description	Quantity
4.1	4179584	COUPLING 2 PARTS D.20XD.28XL83 VP.	1
4.2	2131017	BALL BEARING 6310/ZZ-C4(HT)VP.	1
4.3	4234253	CIRCLIP-FOR-SHAFT-D50x2 VP.	1
4.4	4159707	SCREW M8X30 (4 PIECES)	1
4.5	4234255	CIRCLIPS 110X4 VP.	1
4.6	4233944	O-RING ID.110 VP.	1
4.7	4179585	STOP-RUSH D26xD2 DIN7993 STEEL VP.	1
4.8	2131020	HUB D.38XD.50 VP.	1
4.9	2131021	SPACER D.28XD.45 VP.	1
4.10	4157726	SCREW KIT M8X30 (4 PIECES)	1
4.11	4233959	SCREW M8x16 VP.	1
4.12		SERRATED LOCK WASHER Ø8.2XØ25X35X2	1



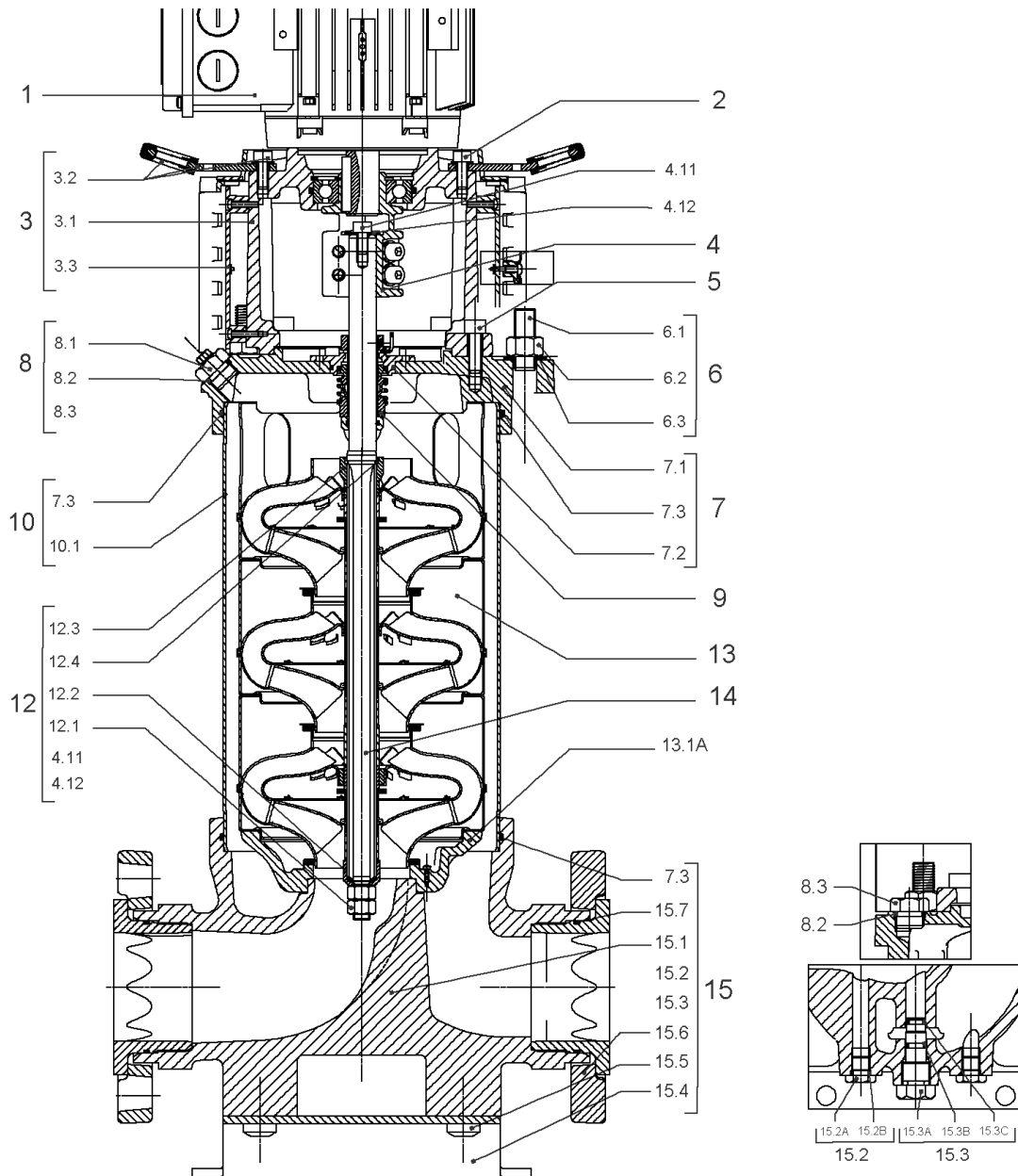
CARTRIDGE HELIX22-36-52 O/V KIT (4158204)

Item	Article no.	Description	Quantity
9.1	4158203	SEAL-KIT-HELIX22-36-52 O/V	1
7.3	2107767	> O-RING ID.202,80x3,53 VITON VP.	1
7.4	4179958	> O-RING-ID.42.52X2.62 VITON VP.	1
9.1A	2127454	> M.SEAL.HELIX22-36-52 O/V VP.	1
9.1B	4179960	> O-RING ID.20x2.65 FKM VP.	1
9.2	4179566	SHAFT SLEEVE D.20/20X60 1.4404 VP.	1
9.3	4179567	RING HOLDER Ø22 1.4301 VP.	1
9.4	4176520	SCREW CH M5x5 A4-70 (3PIECES)	1
9.5	4179568	DRIVE RING D.31/22.1x11 MACH.VP.	1
9.6	4179569	TOOL M.S.CART.HELIX 8" VP.	1
9.7	4179570	SCREW M6X16 ISO4762 8.8 GEOMET(4 PIECES)	1



HYDRAULIC HELIX V 3603-1

Item	Article no.	Description	Quantity
13.1	4161260	INTERMEDIATE STAGE HELIX V36 1.4404 KIT	1
		> SLEEVE-SPACER-D22XL16,66-316L	1
		> MACH.BEARING-DIFFUSER+NR-M+36-316	1
		> SHAFT-SLEEVE-D26xD22x16-CW	1
		> IMPELLER-H1-M+36-316	1
13.2	4161261	INTERMEDIATE STAGE HELIX V36 1.4404 KIT	1
		> MACH.STD-DIFFUSER+NR-M+36-316	1
		> IMPELLER-H4-M+36-316	1
13.3	4161264	UPPER STAGE HELIX 36 1.4404 KIT	1
		> STOP COLLAR OF IMPELLER L20-Ø22-316L	1
		> REDUCED-IMPELLER-H4-M+36-316	1
		> MACH.-RIGID-STD-DISCH.-CHAMBER-M+36-316	1

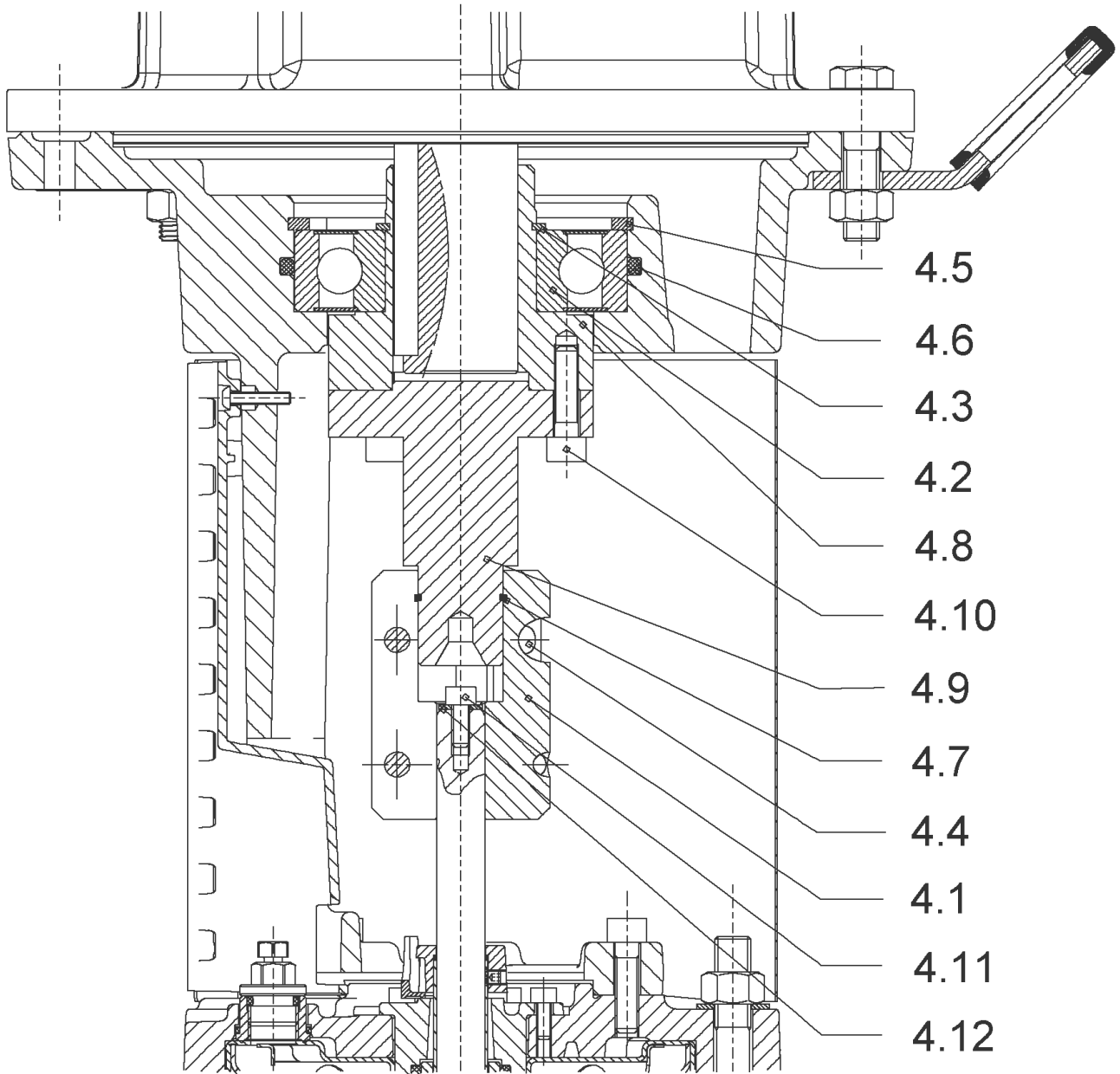


HELIX V3603/1-2/25/V/KS/400-50 (4150752)

Item	Article no.	Description	Quantity
1	4195450	MOTOR 7,5/2/* 3~400V 50HZ IE3 VP.	1
		SPARE PARTS MOTOR:ON REQUEST	1
2	4174093	SCREW M12X50 (4 PIECES)	1
3	4161187	LANTERN FF265 HELIX 8" KIT	1
3.1		> LANTERN FF265 M+ GJL MACHINED+CATA	1
3.2	2127605	> EYELET CPL.FF265 HELIX(2 PIECES)	1
3.3	4143969	> COUPLING PROTECT HELIX FF KIT	1
4	4143965	COUPLING D.20XD.28 FF265 KIT	1
5	4157725	SCREW M10X40 (4 PIECES)	1
6	4181076	STUD BOLT M16X338 KIT	1
		> TIE BOLT M16-338x24x44-1.4057	1
	4179562	> NUT M16 8.8 ISO4032 (4 PIECES)	1
	4097852	> WASHER-CS-16.4-32-2.8-NFE25-511-A2	1
7	4179959	END SHIELD HELIX 8" FKM 1.4404 KIT	1
7.1		> END SHIELD HELIX 316L MACHINED	1
7.2	4179958	> O-RING-ID.42.52X2.62 VITON VP.	1
7.3	2107767	> O-RING ID.202,80x3,53 VITON VP.	1
8	4161256	FILING/PURGING PLUG FKM KIT	1
8.1		> FILLING/VENTING-PLUG-VM18/10-316L	1
8.2		> FILLING AND VENTING PLUG M+8" 316L	1
8.3		> GASKET-17x3-VITON	1
9	4158206	CARTRIDGE HELIX22-36-52 F/V KIT	1
10	4181120	HOUSING PIPE D.204X264 1.4404 KIT	1
7.3	2107767	> O-RING ID.202,80x3,53 VITON VP.	1
10.1		> HOUSING-PIPE Ø204-M+2204/3603-316L	1
12	4161186	SHAFT EQUIPMENT HELIX V36 8" KIT	1
13		HYDRAULIC HELIX V 3603-1	1
14	4181122	SHAFTS D.22X420,67 1.4404 VP.	1
15	4161255	EQUIPED HOUSING DN65 HELIX 36 1.4409 KIT	1
7.3	2107767	> O-RING ID.202,80x3,53 VITON VP.	1
15.1		> PUMP HOUSING M+ DN65 316L MACHINED	1
15.1		> GASKET HOLDER M+ DN65 316L MACHINED	1
15.1		> HYDRAULIC SUPPORT M+ DN65 316L MACHINED	1
15.2	4158195	> PLUG PRESSURE CONNECTION G1/4"316L KIT	1

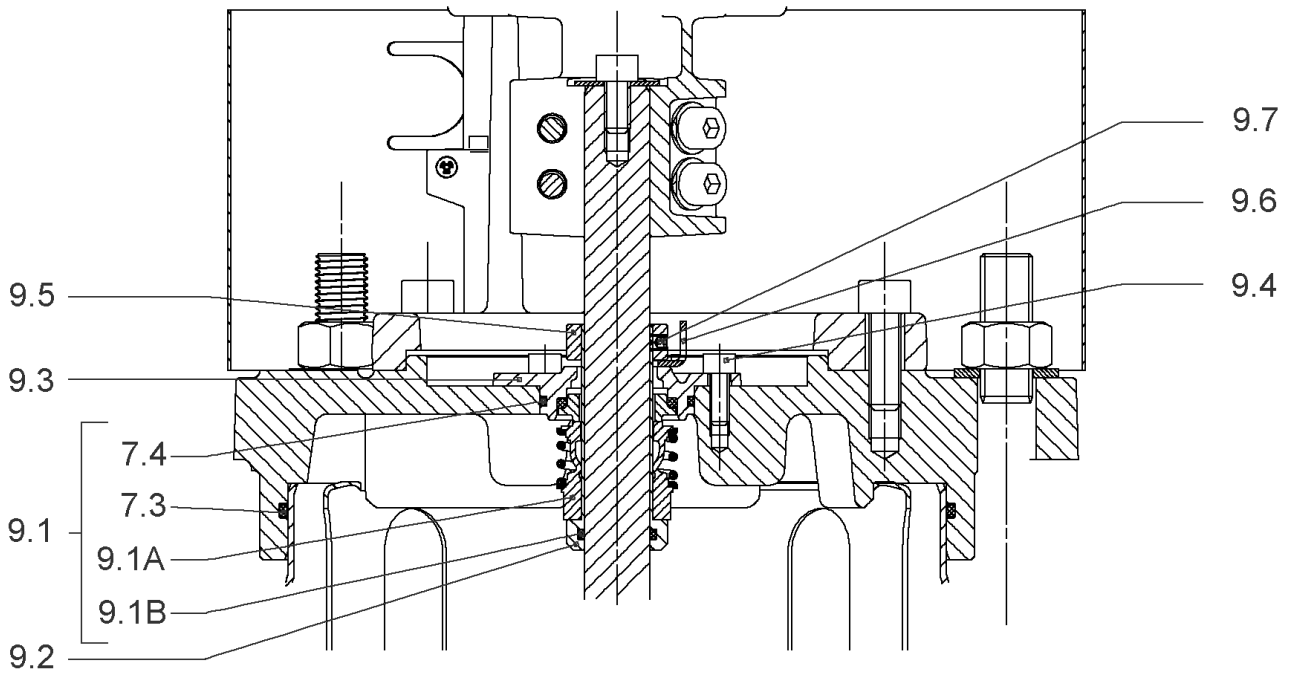
HELIX V3603/1-2/25/V/KS/400-50 (4150752)

Item	Article no.	Description	Quantity
15.2A		>> PLUG PRESSURE CONNECTION - G1/4" - 316L	1
15.2B	2107769	>> O-RING ID.9,9x2,62 VITON VP.	1
15.3	4158196	> DRAIN/PRIMING PLUG VITON HELIX KIT	1
15.3A		>> DRAIN-AND-PRIMING-PLUG-VM18"-316L	1
15.3B	4032294	>> GASKET-10x3-VITON	1
15.3C	2107768	>> O-RING ID.8,9x2,7 VITON VP.	1
15.4	4143749	> BASE M+ DN50/65/80-304	1
15.5		> SCREW TBHC M12x25 ISO7380 ZN	1
15.6	4124455	> FLANGE M+ DN65 NF PN16-25 ASME PN16 CATA	1
15.7		> O-RING Ø79.5xØ3 VITON	1
13.1A	4161268	> NECK RING 1.STAGE HELIX 36 316 KIT	1
		>> NECK-RING-M+36/52	1
		>> HYDRAULIC SUPPORT CAP M+36/52 316	1
		>> SCREW TCL M3X8 A4 POZIDRIV	1



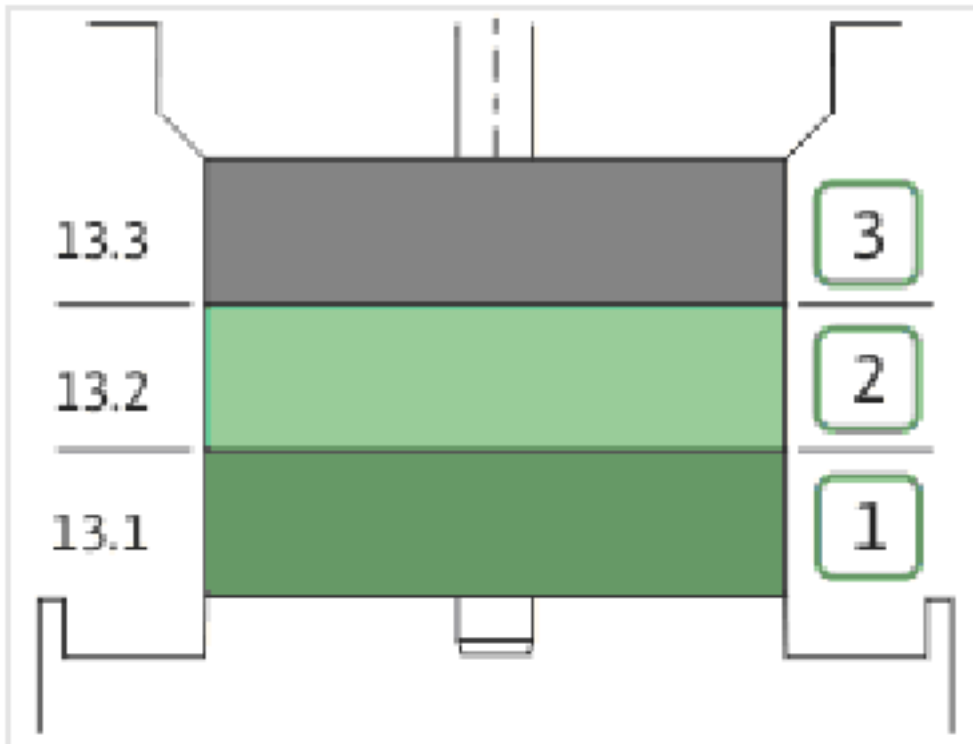
COUPLING D.20XD.28 FF265 KIT (4143965)

Item	Article no.	Description	Quantity
4.1	4179584	COUPLING 2 PARTS D.20XD.28XL83 VP.	1
4.2	2131017	BALL BEARING 6310/ZZ-C4(HT)VP.	1
4.3	4234253	CIRCLIP-FOR-SHAFT-D50x2 VP.	1
4.4	4159707	SCREW M8X30 (4 PIECES)	1
4.5	4234255	CIRCLIPS 110X4 VP.	1
4.6	4233944	O-RING ID.110 VP.	1
4.7	4179585	STOP-RUSH D26xD2 DIN7993 STEEL VP.	1
4.8	2131020	HUB D.38XD.50 VP.	1
4.9	2131021	SPACER D.28XD.45 VP.	1
4.10	4157726	SCREW KIT M8X30 (4 PIECES)	1
4.11	4233959	SCREW M8x16 VP.	1
4.12		SERRATED LOCK WASHER Ø8.2XØ25X35X2	1



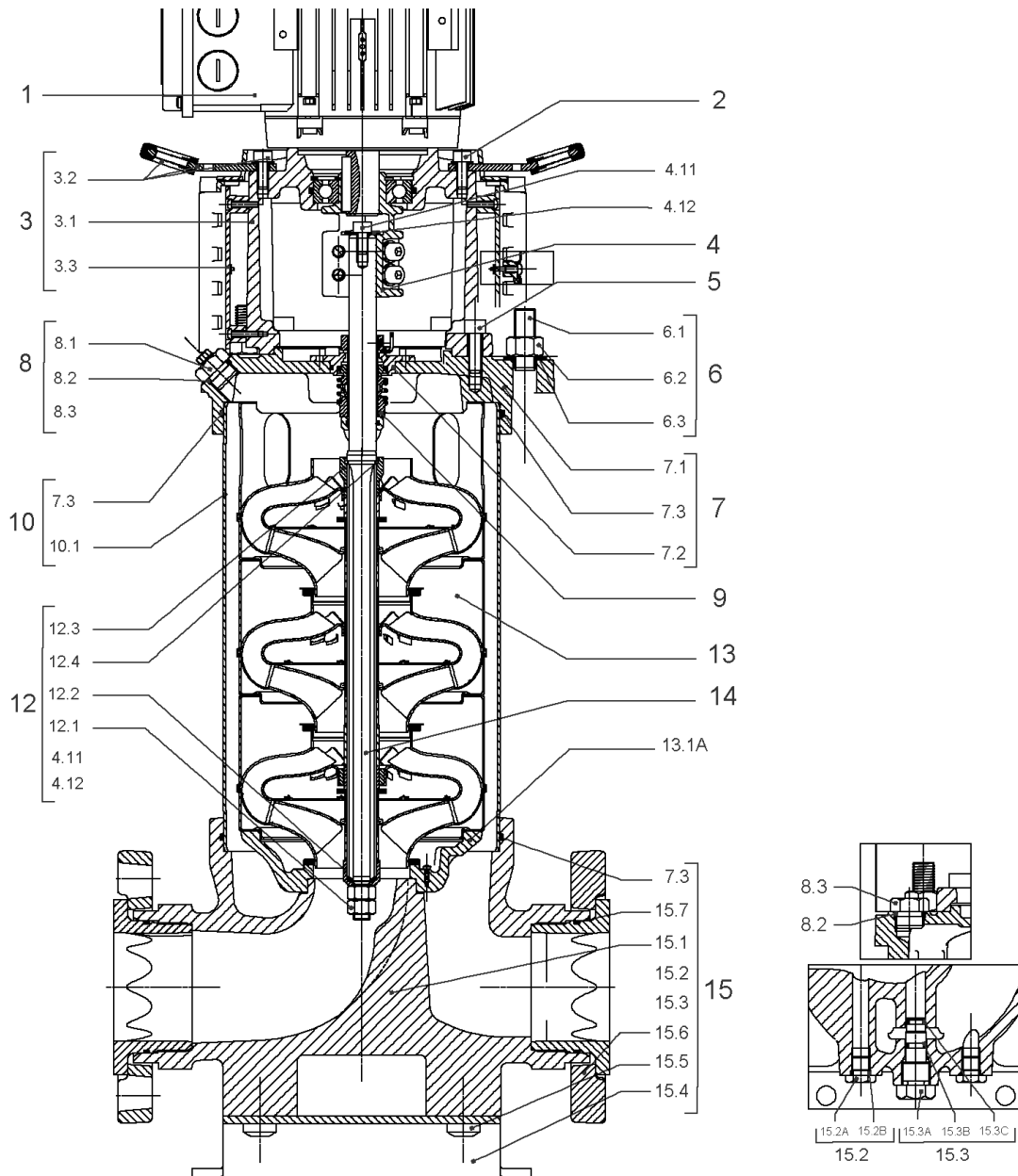
CARTRIDGE HELIX22-36-52 F/V KIT (4158206)

Item	Article no.	Description	Quantity
9.1	4158205	SEAL-KIT-HELIX22-36-52 F/V	1
7.3	2107767	> O-RING ID.202,80x3,53 VITON VP.	1
7.4	4179958	> O-RING-ID.42.52X2.62 VITON VP.	1
9.1A	4179982	> M.SEAL.HELIX22-36-52 F/V VP.	1
9.1B	4179960	> O-RING ID.20x2.65 FKM VP.	1
9.2	4179566	SHAFT SLEEVE D.20/20X60 1.4404 VP.	1
9.3	4179567	RING HOLDER Ø22 1.4301 VP.	1
9.4	4176520	SCREW CH M5x5 A4-70 (3PIECES)	1
9.5	4179568	DRIVE RING D.31/22.1x11 MACH.VP.	1
9.6	4179569	TOOL M.S.CART.HELIX 8" VP.	1
9.7	4179570	SCREW M6X16 ISO4762 8.8 GEOMET(4 PIECES)	1



HYDRAULIC HELIX V 3603-1

Item	Article no.	Description	Quantity
13.1	4161260	INTERMEDIATE STAGE HELIX V36 1.4404 KIT	1
		> SLEEVE-SPACER-D22XL16,66-316L	1
		> MACH.BEARING-DIFFUSER+NR-M+36-316	1
		> SHAFT-SLEEVE-D26xD22x16-CW	1
		> IMPELLER-H1-M+36-316	1
13.2	4161261	INTERMEDIATE STAGE HELIX V36 1.4404 KIT	1
		> MACH.STD-DIFFUSER+NR-M+36-316	1
		> IMPELLER-H4-M+36-316	1
13.3	4161264	UPPER STAGE HELIX 36 1.4404 KIT	1
		> STOP COLLAR OF IMPELLER L20-Ø22-316L	1
		> REDUCED-IMPELLER-H4-M+36-316	1
		> MACH.-RIGID-STD-DISCH.-CHAMBER-M+36-316	1

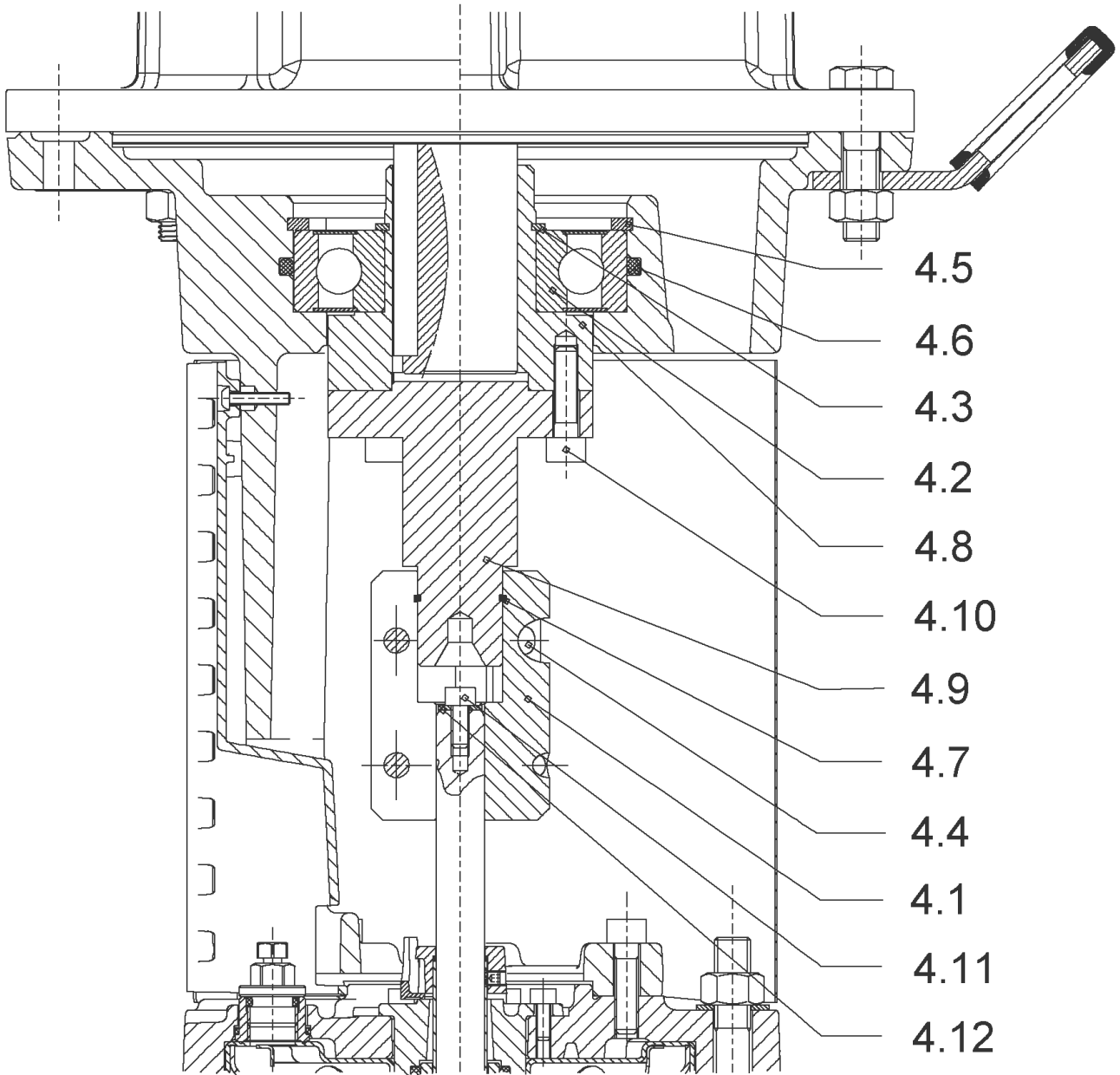


HELIX V3603-2/16/V/KS/400-50 (4150753)

Item	Article no.	Description	Quantity
1	4195483	MOTOR 9/2/132 3~400V 50HZ IE3 VP.	1
		SPARE PARTS MOTOR:ON REQUEST	1
2	4174093	SCREW M12X50 (4 PIECES)	1
3	4161187	LANTERN FF265 HELIX 8" KIT	1
3.1		> LANTERN FF265 M+ GJL MACHINED+CATA	1
3.2	2127605	> EYELET CPL.FF265 HELIX(2 PIECES)	1
3.3	4143969	> COUPLING PROTECT HELIX FF KIT	1
4	4143965	COUPLING D.20XD.28 FF265 KIT	1
5	4157725	SCREW M10X40 (4 PIECES)	1
6	4181076	STUD BOLT M16X338 KIT	1
		> TIE BOLT M16-338x24x44-1.4057	1
	4179562	> NUT M16 8.8 ISO4032 (4 PIECES)	1
	4097852	> WASHER-CS-16.4-32-2.8-NFE25-511-A2	1
7	4179959	END SHIELD HELIX 8" FKM 1.4404 KIT	1
7.1		> END SHIELD HELIX 316L MACHINED	1
7.2	4179958	> O-RING-ID.42.52X2.62 VITON VP.	1
7.3	2107767	> O-RING ID.202,80x3,53 VITON VP.	1
8	4161256	FILING/PURGING PLUG FKM KIT	1
8.1		> FILLING/VENTING-PLUG-VM18/10-316L	1
8.2		> FILLING AND VENTING PLUG M+8" 316L	1
8.3		> GASKET-17x3-VITON	1
9	4158204	CARTRIDGE HELIX22-36-52 O/V KIT	1
10	4181120	HOUSING PIPE D.204X264 1.4404 KIT	1
7.3	2107767	> O-RING ID.202,80x3,53 VITON VP.	1
10.1		> HOUSING-PIPE Ø204-M+2204/3603-316L	1
12	4161186	SHAFT EQUIPMENT HELIX V36 8" KIT	1
13		HYDRAULIC HELIX V 3603	1
14	4181122	SHAFTS D.22X420,67 1.4404 VP.	1
15	4161255	EQUIPED HOUSING DN65 HELIX 36 1.4409 KIT	1
7.3	2107767	> O-RING ID.202,80x3,53 VITON VP.	1
15.1		> PUMP HOUSING M+ DN65 316L MACHINED	1
15.1		> GASKET HOLDER M+ DN65 316L MACHINED	1
15.1		> HYDRAULIC SUPPORT M+ DN65 316L MACHINED	1
15.2	4158195	> PLUG PRESSURE CONNECTION G1/4"316L KIT	1

HELIX V3603-2/16/V/KS/400-50 (4150753)

Item	Article no.	Description	Quantity
15.2A		>> PLUG PRESSURE CONNECTION - G1/4" - 316L	1
15.2B	2107769	>> O-RING ID.9,9x2,62 VITON VP.	1
15.3	4158196	> DRAIN/PRIMING PLUG VITON HELIX KIT	1
15.3A		>> DRAIN-AND-PRIMING-PLUG-VM18"-316L	1
15.3B	4032294	>> GASKET-10x3-VITON	1
15.3C	2107768	>> O-RING ID.8,9x2,7 VITON VP.	1
15.4	4143749	> BASE M+ DN50/65/80-304	1
15.5		> SCREW TBHC M12x25 ISO7380 ZN	1
15.6	4124455	> FLANGE M+ DN65 NF PN16-25 ASME PN16 CATA	1
15.7		> O-RING Ø79.5xØ3 VITON	1
13.1A	4161268	> NECK RING 1.STAGE HELIX 36 316 KIT	1
		>> NECK-RING-M+36/52	1
		>> HYDRAULIC SUPPORT CAP M+36/52 316	1
		>> SCREW TCL M3X8 A4 POZIDRIV	1



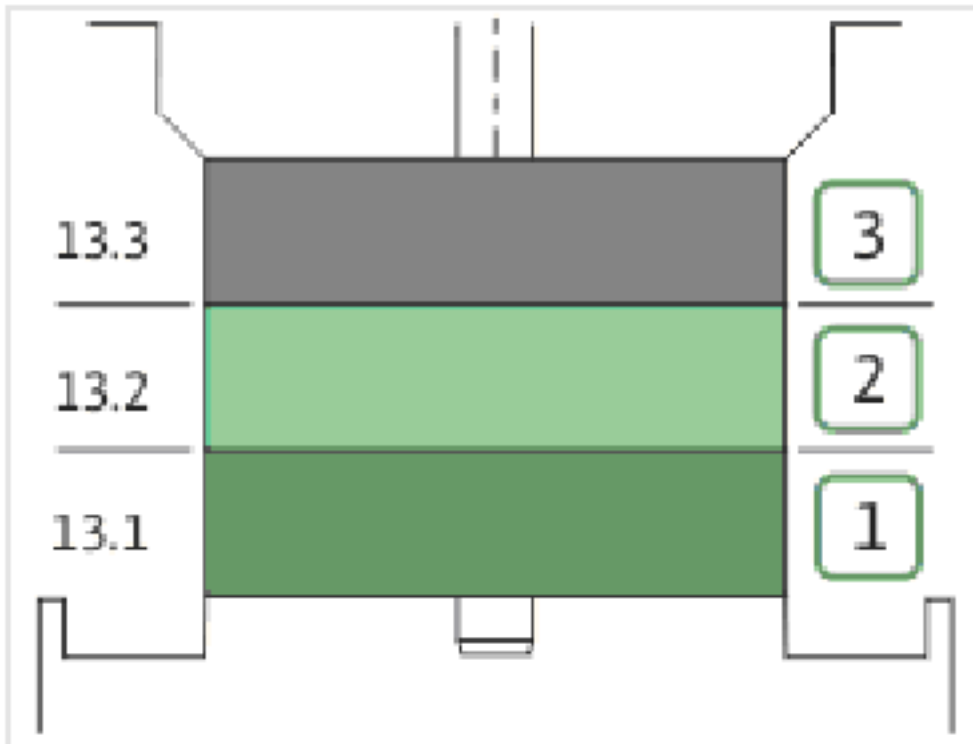
COUPLING D.20XD.28 FF265 KIT (4143965)

Item	Article no.	Description	Quantity
4.1	4179584	COUPLING 2 PARTS D.20XD.28XL83 VP.	1
4.2	2131017	BALL BEARING 6310/ZZ-C4(HT)VP.	1
4.3	4234253	CIRCLIP-FOR-SHAFT-D50x2 VP.	1
4.4	4159707	SCREW M8X30 (4 PIECES)	1
4.5	4234255	CIRCLIPS 110X4 VP.	1
4.6	4233944	O-RING ID.110 VP.	1
4.7	4179585	STOP-RUSH D26xD2 DIN7993 STEEL VP.	1
4.8	2131020	HUB D.38XD.50 VP.	1
4.9	2131021	SPACER D.28XD.45 VP.	1
4.10	4157726	SCREW KIT M8X30 (4 PIECES)	1
4.11	4233959	SCREW M8x16 VP.	1
4.12		SERRATED LOCK WASHER Ø8.2XØ25X35X2	1



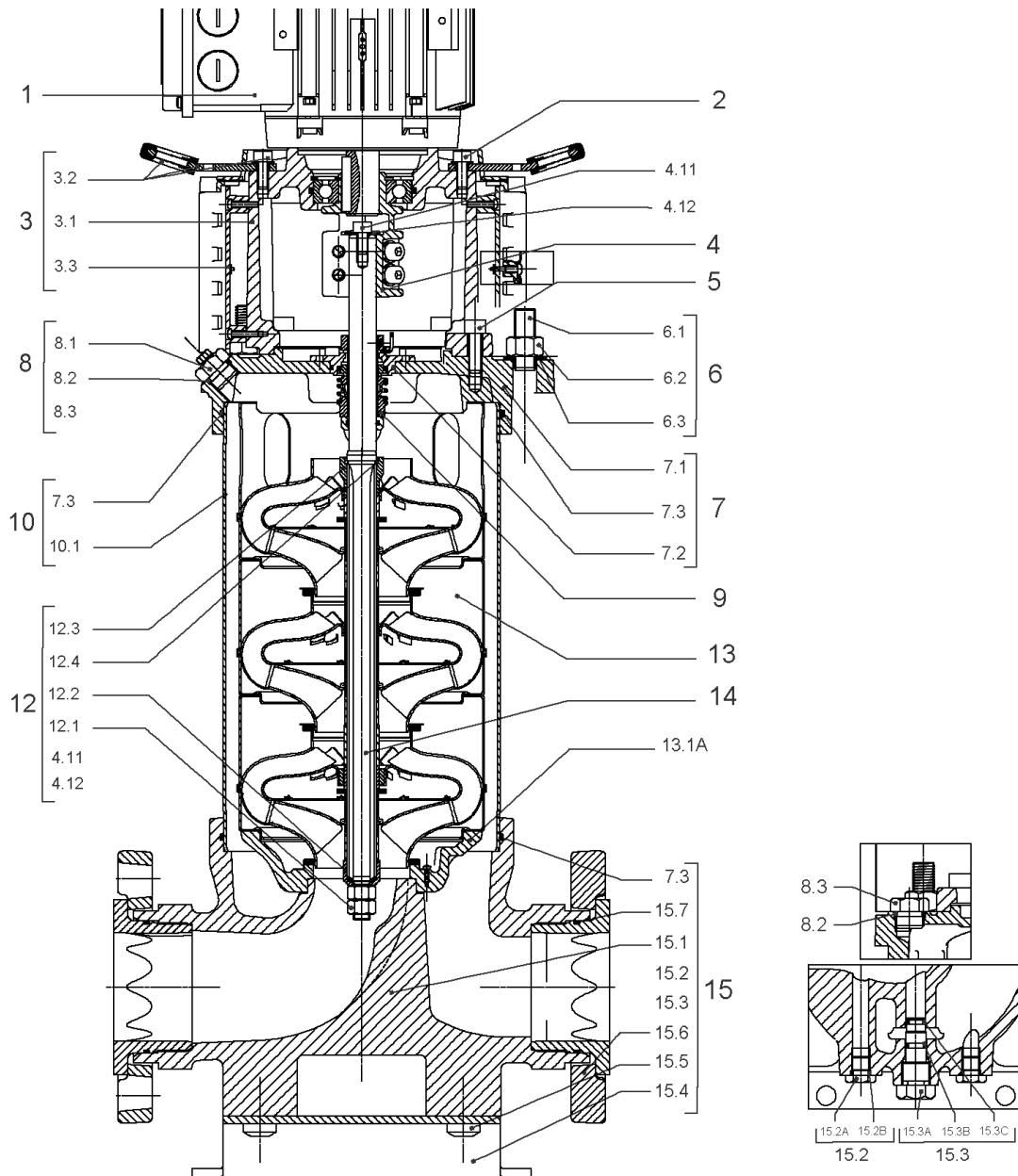
CARTRIDGE HELIX22-36-52 O/V KIT (4158204)

Item	Article no.	Description	Quantity
9.1	4158203	SEAL-KIT-HELIX22-36-52 O/V	1
7.3	2107767	> O-RING ID.202,80x3,53 VITON VP.	1
7.4	4179958	> O-RING-ID.42.52X2.62 VITON VP.	1
9.1A	2127454	> M.SEAL.HELIX22-36-52 O/V VP.	1
9.1B	4179960	> O-RING ID.20x2.65 FKM VP.	1
9.2	4179566	SHAFT SLEEVE D.20/20X60 1.4404 VP.	1
9.3	4179567	RING HOLDER Ø22 1.4301 VP.	1
9.4	4176520	SCREW CH M5x5 A4-70 (3PIECES)	1
9.5	4179568	DRIVE RING D.31/22.1x11 MACH.VP.	1
9.6	4179569	TOOL M.S.CART.HELIX 8" VP.	1
9.7	4179570	SCREW M6X16 ISO4762 8.8 GEOMET(4 PIECES)	1



HYDRAULIC HELIX V 3603

Item	Article no.	Description	Quantity
13.1	4161260	INTERMEDIATE STAGE HELIX V36 1.4404 KIT	1
		> SLEEVE-SPACER-D22XL16,66-316L	1
		> MACH.BEARING-DIFFUSER+NR-M+36-316	1
		> SHAFT-SLEEVE-D26xD22x16-CW	1
		> IMPELLER-H1-M+36-316	1
13.2	4161261	INTERMEDIATE STAGE HELIX V36 1.4404 KIT	1
		> MACH.STD-DIFFUSER+NR-M+36-316	1
		> IMPELLER-H4-M+36-316	1
13.3	4161262	UPPER STAGE HELIX 36 1.4404 KIT	1
		> STOP COLLAR OF IMPELLER L20-Ø22-316L	1
		> MACH.-RIGID-STD-DISCH.-CHAMBER-M+36-316	1
		> IMPELLER-H4-M+36-316	1

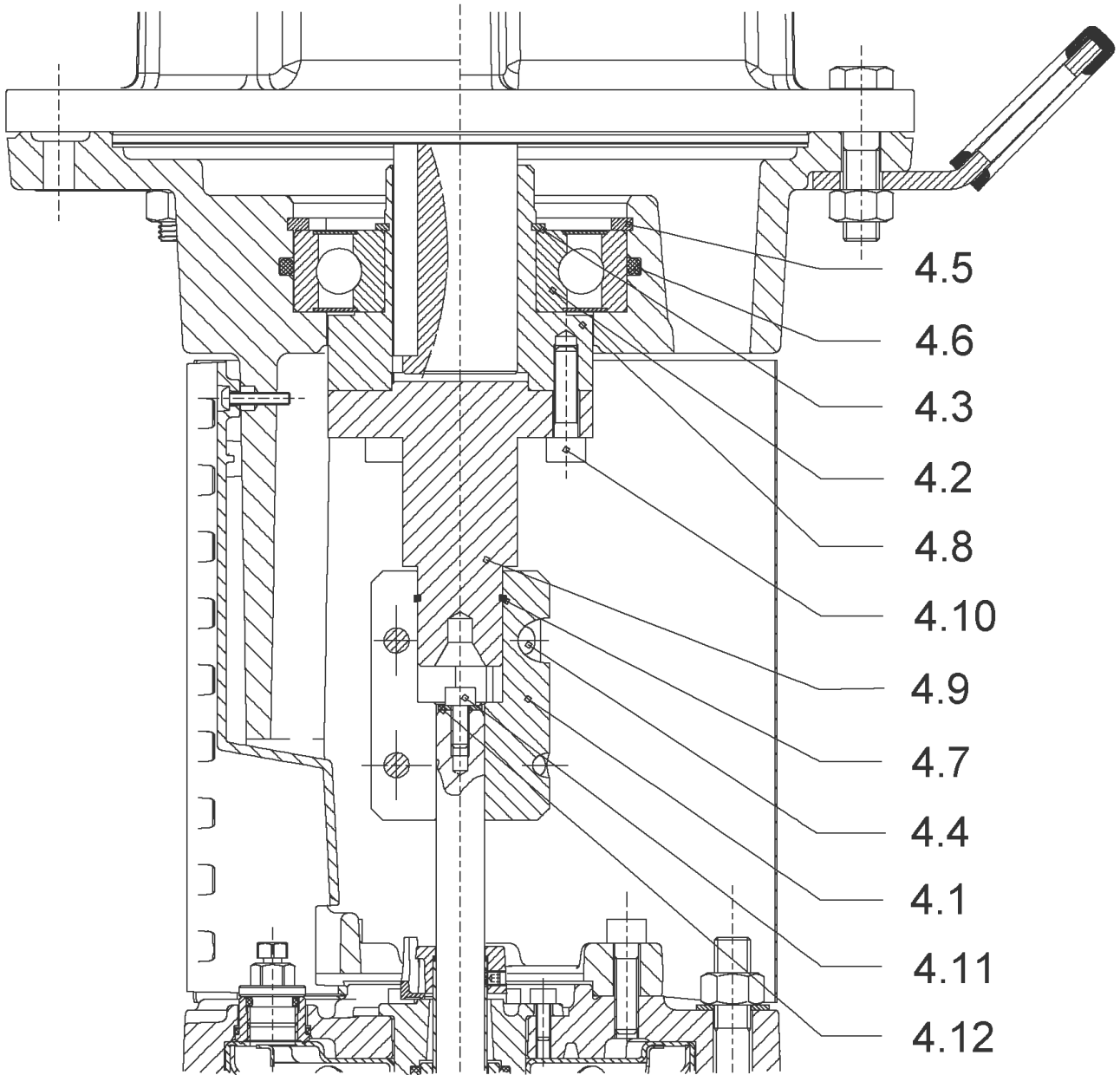


HELIX V3603-2/25/V/KS/400-50 (4150754)

Item	Article no.	Description	Quantity
1	4195483	MOTOR 9/2/132 3~400V 50HZ IE3 VP.	1
		SPARE PARTS MOTOR:ON REQUEST	1
2	4174093	SCREW M12X50 (4 PIECES)	1
3	4161187	LANTERN FF265 HELIX 8" KIT	1
3.1		> LANTERN FF265 M+ GJL MACHINED+CATA	1
3.2	2127605	> EYELET CPL.FF265 HELIX(2 PIECES)	1
3.3	4143969	> COUPLING PROTECT HELIX FF KIT	1
4	4143965	COUPLING D.20XD.28 FF265 KIT	1
5	4157725	SCREW M10X40 (4 PIECES)	1
6	4181076	STUD BOLT M16X338 KIT	1
		> TIE BOLT M16-338x24x44-1.4057	1
	4179562	> NUT M16 8.8 ISO4032 (4 PIECES)	1
	4097852	> WASHER-CS-16.4-32-2.8-NFE25-511-A2	1
7	4179959	END SHIELD HELIX 8" FKM 1.4404 KIT	1
7.1		> END SHIELD HELIX 316L MACHINED	1
7.2	4179958	> O-RING-ID.42.52X2.62 VITON VP.	1
7.3	2107767	> O-RING ID.202,80x3,53 VITON VP.	1
8	4161256	FILING/PURGING PLUG FKM KIT	1
8.1		> FILLING/VENTING-PLUG-VM18/10-316L	1
8.2		> FILLING AND VENTING PLUG M+8" 316L	1
8.3		> GASKET-17x3-VITON	1
9	4158206	CARTRIDGE HELIX22-36-52 F/V KIT	1
10	4181120	HOUSING PIPE D.204X264 1.4404 KIT	1
7.3	2107767	> O-RING ID.202,80x3,53 VITON VP.	1
10.1		> HOUSING-PIPE Ø204-M+2204/3603-316L	1
12	4161186	SHAFT EQUIPMENT HELIX V36 8" KIT	1
13		HYDRAULIC HELIX V 3603	1
14	4181122	SHAFTS D.22X420,67 1.4404 VP.	1
15	4161255	EQUIPED HOUSING DN65 HELIX 36 1.4409 KIT	1
7.3	2107767	> O-RING ID.202,80x3,53 VITON VP.	1
15.1		> PUMP HOUSING M+ DN65 316L MACHINED	1
15.1		> GASKET HOLDER M+ DN65 316L MACHINED	1
15.1		> HYDRAULIC SUPPORT M+ DN65 316L MACHINED	1
15.2	4158195	> PLUG PRESSURE CONNECTION G1/4"316L KIT	1

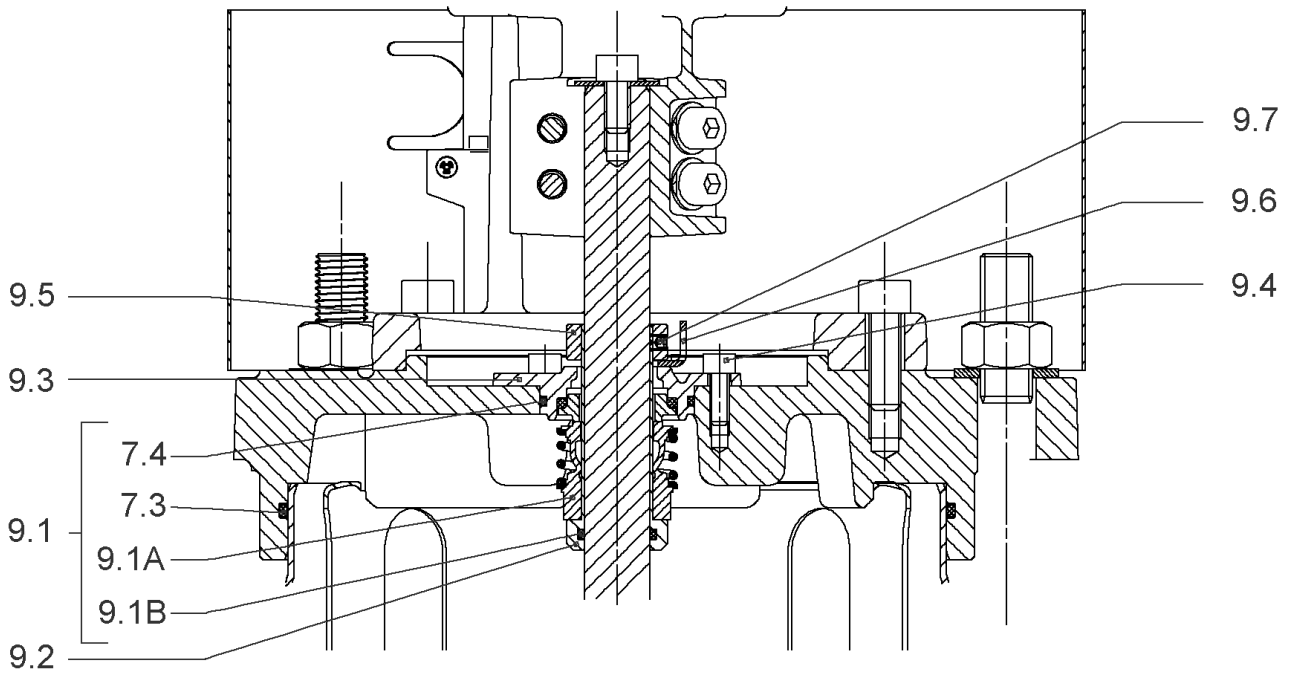
HELIX V3603-2/25/V/KS/400-50 (4150754)

Item	Article no.	Description	Quantity
15.2A		>> PLUG PRESSURE CONNECTION - G1/4" - 316L	1
15.2B	2107769	>> O-RING ID.9,9x2,62 VITON VP.	1
15.3	4158196	> DRAIN/PRIMING PLUG VITON HELIX KIT	1
15.3A		>> DRAIN-AND-PRIMING-PLUG-VM18"-316L	1
15.3B	4032294	>> GASKET-10x3-VITON	1
15.3C	2107768	>> O-RING ID.8,9x2,7 VITON VP.	1
15.4	4143749	> BASE M+ DN50/65/80-304	1
15.5		> SCREW TBHC M12x25 ISO7380 ZN	1
15.6	4124455	> FLANGE M+ DN65 NF PN16-25 ASME PN16 CATA	1
15.7		> O-RING Ø79.5xØ3 VITON	1
13.1A	4161268	> NECK RING 1.STAGE HELIX 36 316 KIT	1
		>> NECK-RING-M+36/52	1
		>> HYDRAULIC SUPPORT CAP M+36/52 316	1
		>> SCREW TCL M3X8 A4 POZIDRIV	1



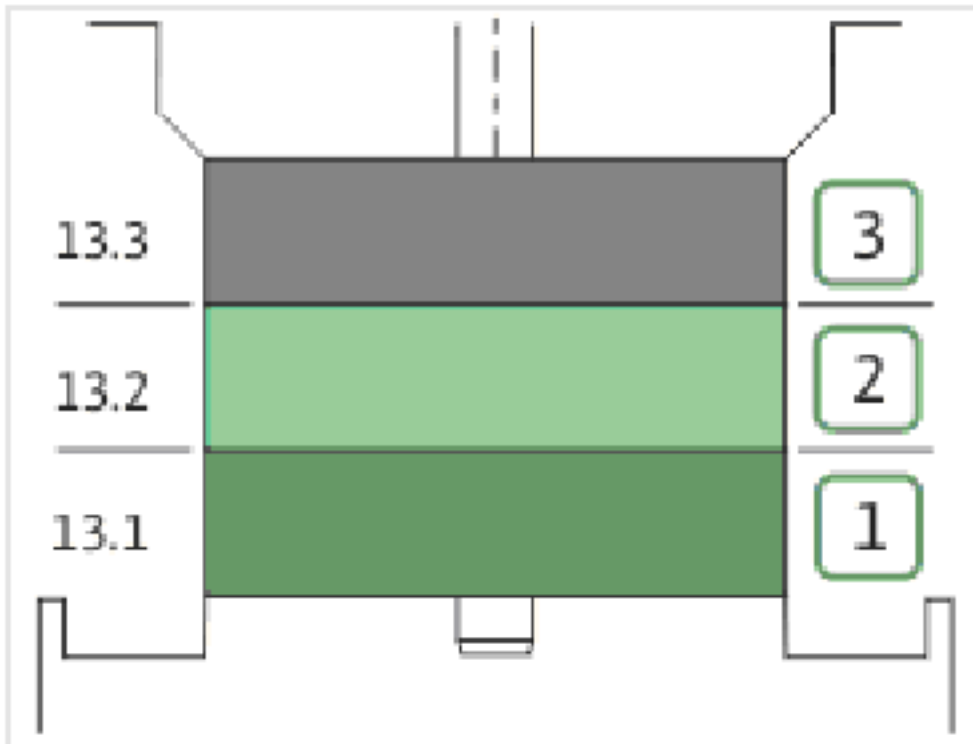
COUPLING D.20XD.28 FF265 KIT (4143965)

Item	Article no.	Description	Quantity
4.1	4179584	COUPLING 2 PARTS D.20XD.28XL83 VP.	1
4.2	2131017	BALL BEARING 6310/ZZ-C4(HT)VP.	1
4.3	4234253	CIRCLIP-FOR-SHAFT-D50x2 VP.	1
4.4	4159707	SCREW M8X30 (4 PIECES)	1
4.5	4234255	CIRCLIPS 110X4 VP.	1
4.6	4233944	O-RING ID.110 VP.	1
4.7	4179585	STOP-RUSH D26xD2 DIN7993 STEEL VP.	1
4.8	2131020	HUB D.38XD.50 VP.	1
4.9	2131021	SPACER D.28XD.45 VP.	1
4.10	4157726	SCREW KIT M8X30 (4 PIECES)	1
4.11	4233959	SCREW M8x16 VP.	1
4.12		SERRATED LOCK WASHER Ø8.2XØ25X35X2	1

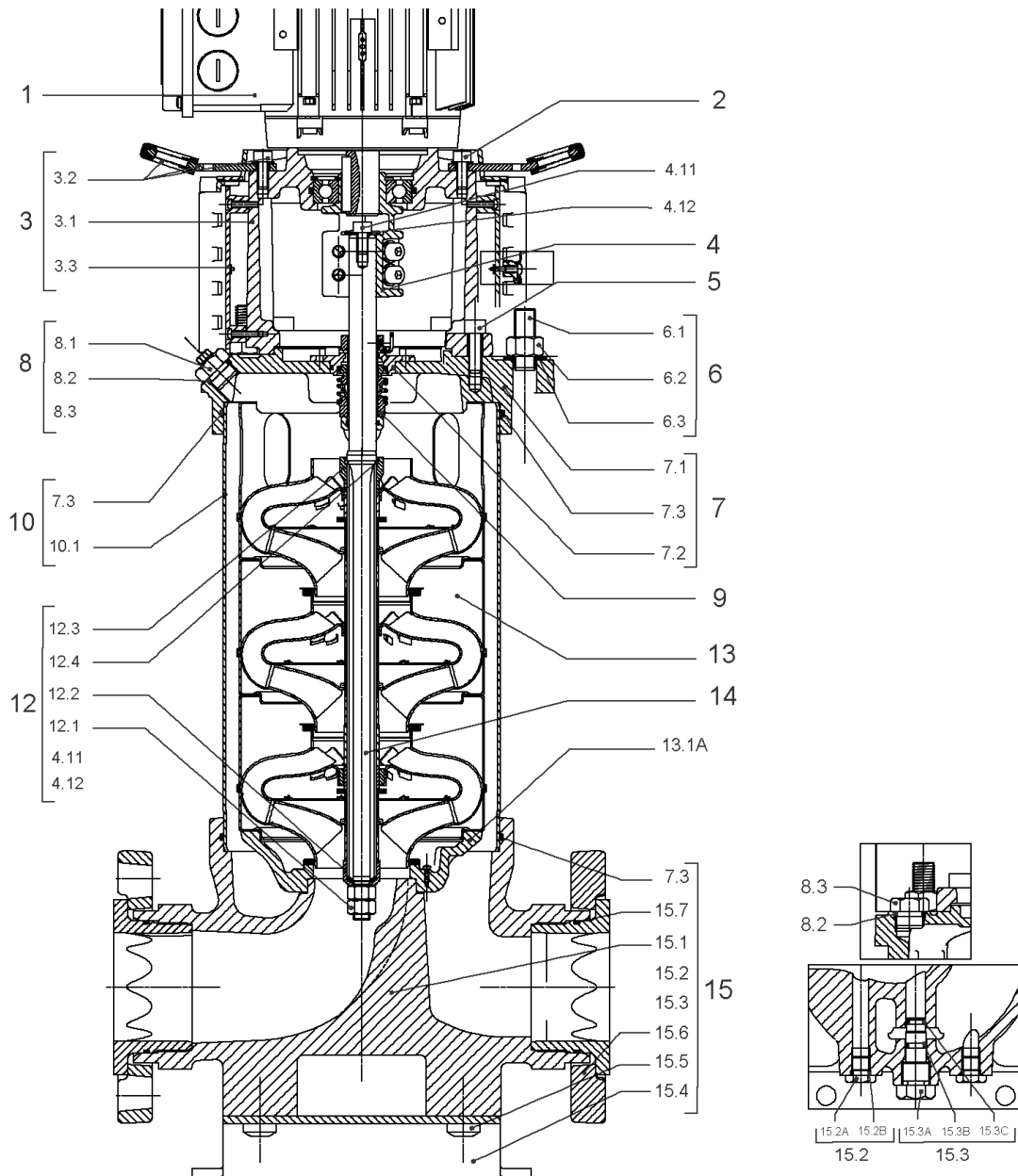


CARTRIDGE HELIX22-36-52 F/V KIT (4158206)

Item	Article no.	Description	Quantity
9.1	4158205	SEAL-KIT-HELIX22-36-52 F/V	1
7.3	2107767	> O-RING ID.202,80x3,53 VITON VP.	1
7.4	4179958	> O-RING-ID.42.52X2.62 VITON VP.	1
9.1A	4179982	> M.SEAL.HELIX22-36-52 F/V VP.	1
9.1B	4179960	> O-RING ID.20x2.65 FKM VP.	1
9.2	4179566	SHAFT SLEEVE D.20/20X60 1.4404 VP.	1
9.3	4179567	RING HOLDER Ø22 1.4301 VP.	1
9.4	4176520	SCREW CH M5x5 A4-70 (3PIECES)	1
9.5	4179568	DRIVE RING D.31/22.1x11 MACH.VP.	1
9.6	4179569	TOOL M.S.CART.HELIX 8" VP.	1
9.7	4179570	SCREW M6X16 ISO4762 8.8 GEOMET(4 PIECES)	1



Item	Article no.	Description	Quantity
13.1	4161260	INTERMEDIATE STAGE HELIX V36 1.4404 KIT	1
		> SLEEVE-SPACER-D22XL16,66-316L	1
		> MACH.BEARING-DIFFUSER+NR-M+36-316	1
		> SHAFT-SLEEVE-D26xD22x16-CW	1
		> IMPELLER-H1-M+36-316	1
13.2	4161261	INTERMEDIATE STAGE HELIX V36 1.4404 KIT	1
		> MACH.STD-DIFFUSER+NR-M+36-316	1
		> IMPELLER-H4-M+36-316	1
13.3	4161262	UPPER STAGE HELIX 36 1.4404 KIT	1
		> STOP COLLAR OF IMPELLER L20-Ø22-316L	1
		> MACH.-RIGID-STD-DISCH.-CHAMBER-M+36-316	1
		> IMPELLER-H4-M+36-316	1

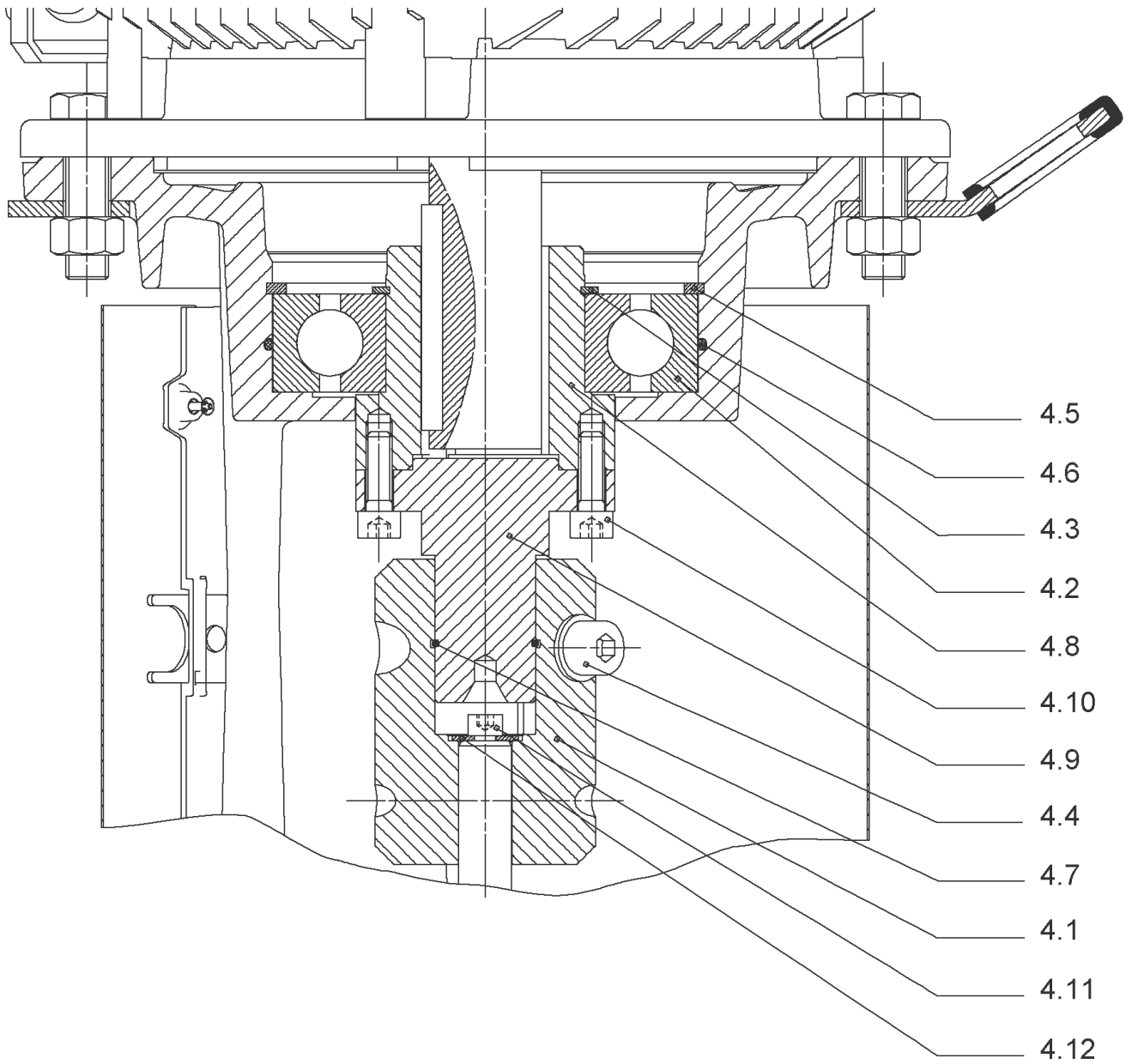


HELIX V3604/2-2/16/V/KS/400-50 (4150755)

Item	Article no.	Description	Quantity
1	4199884	MOTOR 11/2/160 3~400V 50HZ VP.	1
		SPARE PARTS MOTOR:ON REQUEST	1
2	4179586	SCREW M16X60 (4 PIECES)	1
3	4157721	LANTERN HELIX 22/36 FF300 BB6312 KIT	1
3.1		> LANTERN FF300 M+ GJL MACHINED+CATA 6312	1
3.2	4179589	> EYELET CPL.FF300 HELIX(4 PIECES)	1
3.3	4143969	> COUPLING PROTECT HELIX FF KIT	1
4	4143966	COUPLING D.20XD.38 FF300 KIT	1
5	4157725	SCREW M10X40 (4 PIECES)	1
6	4179592	STUD BOLT M16X405 KIT	1
6.1		> TIE BOLT M16-405x24x44-1.4057	1
6.2	4179562	> NUT M16 8.8 ISO4032 (4 PIECES)	1
6.3	4097852	> WASHER-CS-16.4-32-2.8-NFE25-511-A2	1
7	4179959	END SHIELD HELIX 8" FKM 1.4404 KIT	1
7.1		> END SHIELD HELIX 316L MACHINED	1
7.2	4179958	> O-RING-ID.42.52X2.62 VITON VP.	1
7.3	2107767	> O-RING ID.202,80x3,53 VITON VP.	1
8	4161256	FILING/PURGING PLUG FKM KIT	1
8.1		> FILLING/VENTING-PLUG-VM18/10-316L	1
8.2		> FILLING AND VENTING PLUG M+8" 316L	1
8.3		> GASKET-17x3-VITON	1
9	4158204	CARTRIDGE HELIX22-36-52 O/V KIT	1
10	4179968	HOUSING PIPE D.204X330 1.4404 KIT	1
7.3	2107767	> O-RING ID.202,80x3,53 VITON VP.	1
10.1		> HOUSING-PIPE Ø204-M+3604/5203-316L	1
12	4161186	SHAFT EQUIPMENT HELIX V36 8" KIT	1
13		HYDRAULIC HELIX V 3604-2	1
14	4181126	SHAFTS D.22X487,34 1.4404 VP.	1
15	4161255	EQUIPED HOUSING DN65 HELIX 36 1.4409 KIT	1
7.3	2107767	> O-RING ID.202,80x3,53 VITON VP.	1
15.1		> PUMP HOUSING M+ DN65 316L MACHINED	1
15.1		> GASKET HOLDER M+ DN65 316L MACHINED	1
15.1		> HYDRAULIC SUPPORT M+ DN65 316L MACHINED	1
15.2	4158195	> PLUG PRESSURE CONNECTION G1/4"316L KIT	1

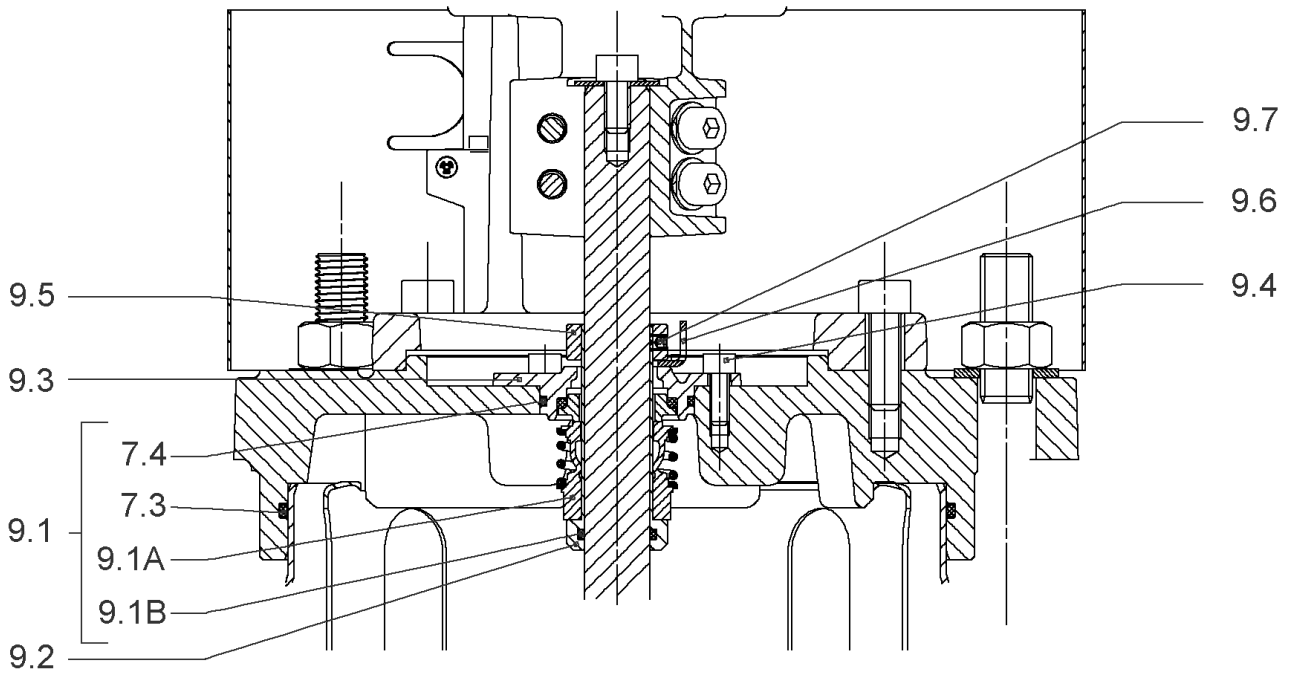
HELIX V3604/2-2/16/V/KS/400-50 (4150755)

Item	Article no.	Description	Quantity
15.2A		>> PLUG PRESSURE CONNECTION - G1/4" - 316L	1
15.2B	2107769	>> O-RING ID.9,9x2,62 VITON VP.	1
15.3	4158196	> DRAIN/PRIMING PLUG VITON HELIX KIT	1
15.3A		>> DRAIN-AND-PRIMING-PLUG-VM18"-316L	1
15.3B	4032294	>> GASKET-10x3-VITON	1
15.3C	2107768	>> O-RING ID.8,9x2,7 VITON VP.	1
15.4	4143749	> BASE M+ DN50/65/80-304	1
15.5		> SCREW TBHC M12x25 ISO7380 ZN	1
15.6	4124455	> FLANGE M+ DN65 NF PN16-25 ASME PN16 CATA	1
15.7		> O-RING Ø79.5xØ3 VITON	1
13.1A	4161268	> NECK RING 1.STAGE HELIX 36 316 KIT	1
		>> NECK-RING-M+36/52	1
		>> HYDRAULIC SUPPORT CAP M+36/52 316	1
		>> SCREW TCL M3X8 A4 POZIDRIV	1



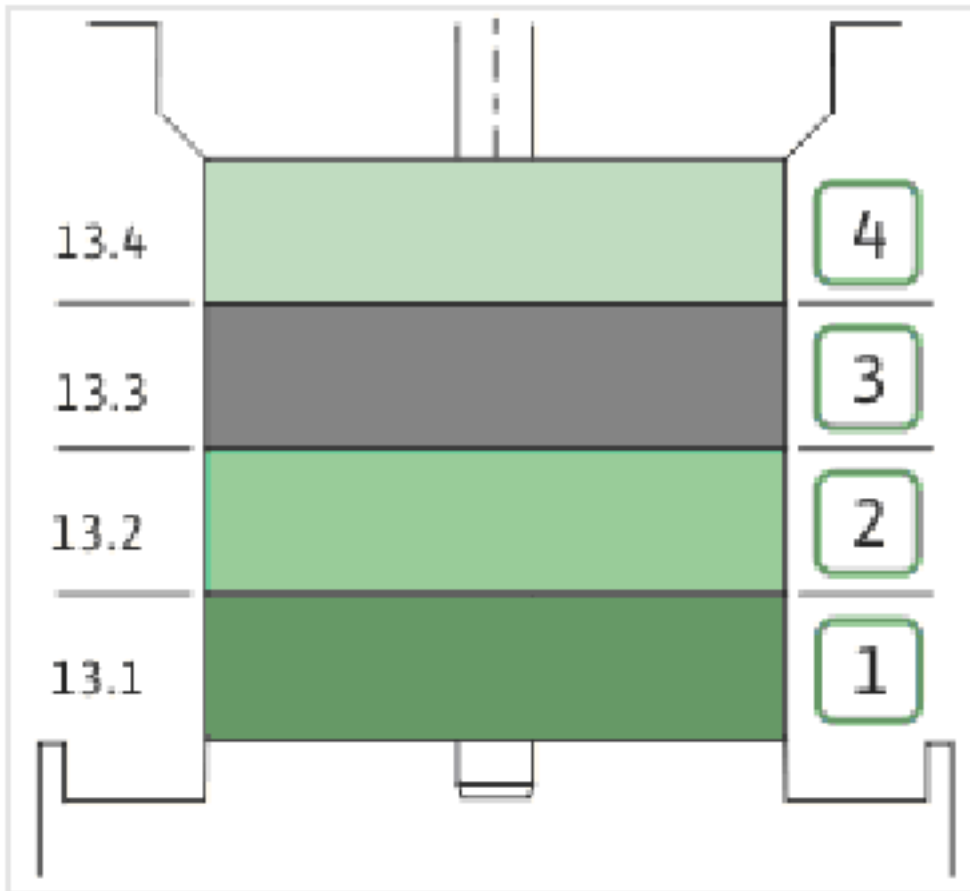
COUPLING D.20XD.38 FF300 KIT (4143966)

Item	Article no.	Description	Quantity
4.1	4179590	COUPLING 2 PARTS D.20XD.38XL115 VP.	1
4.2	2123699	BALL BEARING 6312/2Z-C4 (HT) VP.	1
4.3	63428	CIRCLIP-FOR-SHAFT-D60x2	1
4.4	2130991	SCREW M12X30 ISO4762 8.8 ZN(4 PIECES)	1
4.5	4032277	CIRCLIP-HOLE-130x4	1
4.6	4006725	O-RING ID.132,94x3,53 NBR70SR	1
4.7	2130992	RETAINING RING D.35xD.2,5 DIN7993 VP.	1
4.8	4179591	HUB D.42xD.60 VP.	1
4.9	2130994	SPACER D.38XD.55 VP.	1
4.10	4094462	SCREWS M10 (4 PIECES)	1
4.11	4233959	SCREW M8x16 VP.	1
4.12		SERRATED LOCK WASHER Ø8.2XØ25X35X2	1



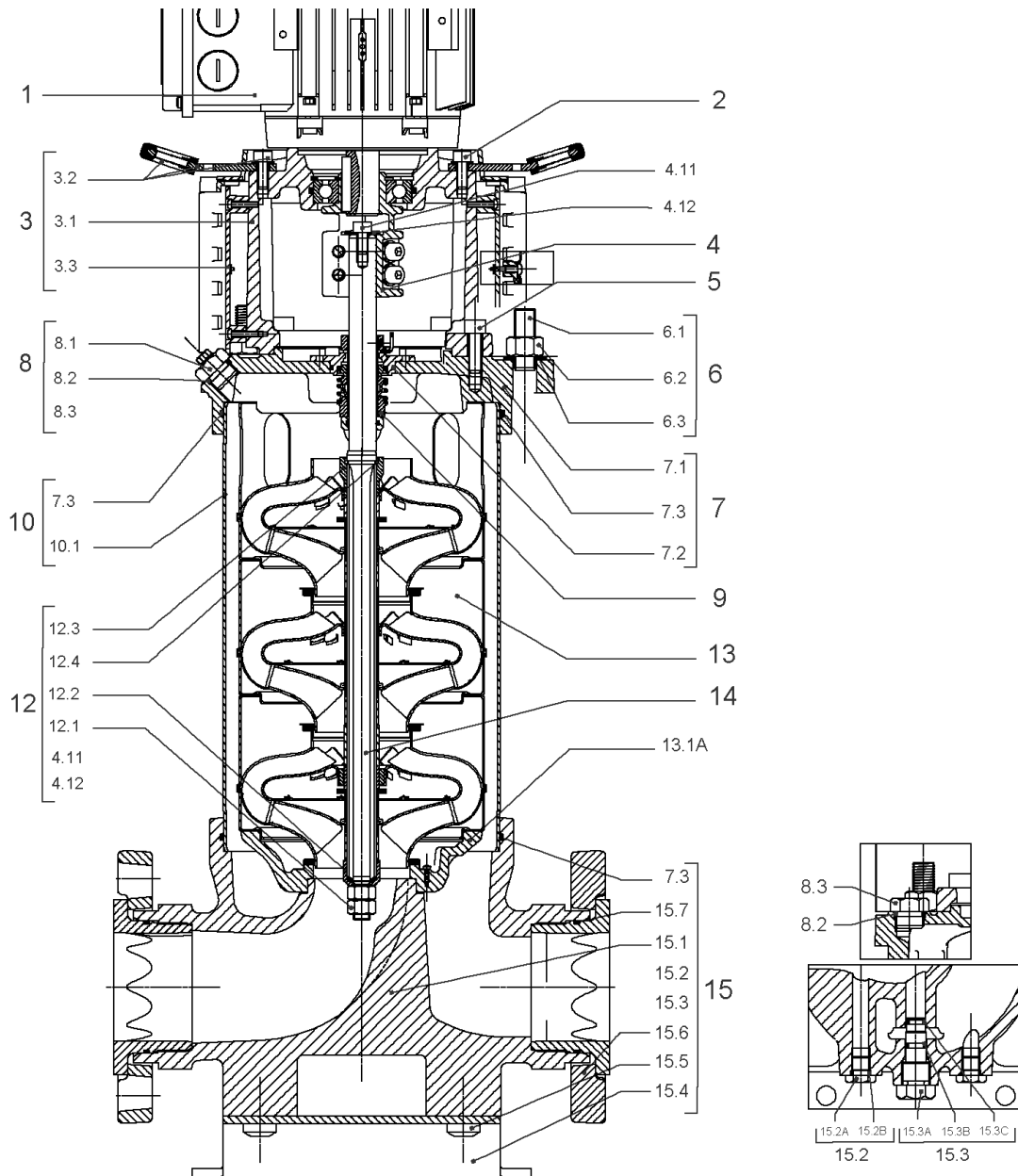
CARTRIDGE HELIX22-36-52 O/V KIT (4158204)

Item	Article no.	Description	Quantity
9.1	4158203	SEAL-KIT-HELIX22-36-52 O/V	1
7.3	2107767	> O-RING ID.202,80x3,53 VITON VP.	1
7.4	4179958	> O-RING-ID.42.52X2.62 VITON VP.	1
9.1A	2127454	> M.SEAL.HELIX22-36-52 O/V VP.	1
9.1B	4179960	> O-RING ID.20x2.65 FKM VP.	1
9.2	4179566	SHAFT SLEEVE D.20/20X60 1.4404 VP.	1
9.3	4179567	RING HOLDER Ø22 1.4301 VP.	1
9.4	4176520	SCREW CH M5x5 A4-70 (3PIECES)	1
9.5	4179568	DRIVE RING D.31/22.1x11 MACH.VP.	1
9.6	4179569	TOOL M.S.CART.HELIX 8" VP.	1
9.7	4179570	SCREW M6X16 ISO4762 8.8 GEOMET(4 PIECES)	1



HYDRAULIC HELIX V 3604-2

Item	Article no.	Description	Quantity
13.1	4161260	INTERMEDIATE STAGE HELIX V36 1.4404 KIT	1
		> SLEEVE-SPACER-D22XL16,66-316L	1
		> MACH.BEARING-DIFFUSER+NR-M+36-316	1
		> SHAFT-SLEEVE-D26xD22x16-CW	1
		> IMPELLER-H1-M+36-316	1
13.2	4161261	INTERMEDIATE STAGE HELIX V36 1.4404 KIT	1
		> MACH.STD-DIFFUSER+NR-M+36-316	1
		> IMPELLER-H4-M+36-316	1
13.3	4161263	INTERMEDIATE STAGE HELIX V36 1.4404 KIT	1
		> MACH.STD-DIFFUSER+NR-M+36-316	1
		> REDUCED-IMPELLER-H4-M+36-316	1
13.4	4161264	UPPER STAGE HELIX 36 1.4404 KIT	1
		> STOP COLLAR OF IMPELLER L20-Ø22-316L	1
		> REDUCED-IMPELLER-H4-M+36-316	1
		> MACH.-RIGID-STD-DISCH.-CHAMBER-M+36-316	1

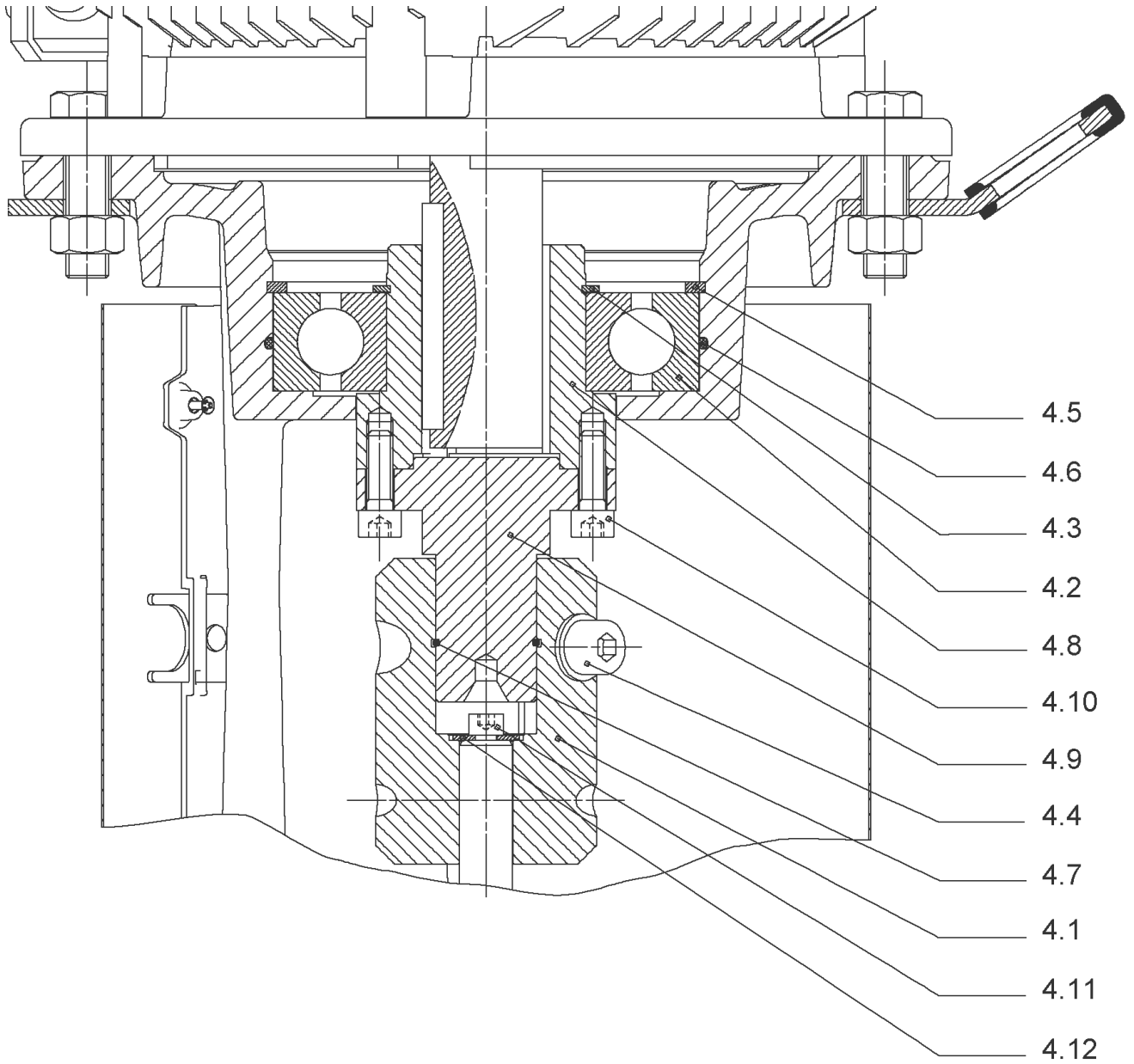


HELIX V3604/2-2/25/V/KS/400-50 (4150756)

Item	Article no.	Description	Quantity
1	4199884	MOTOR 11/2/160 3~400V 50HZ VP.	1
		SPARE PARTS MOTOR:ON REQUEST	1
2	4179586	SCREW M16X60 (4 PIECES)	1
3	4157721	LANTERN HELIX 22/36 FF300 BB6312 KIT	1
3.1		> LANTERN FF300 M+ GJL MACHINED+CATA 6312	1
3.2	4179589	> EYELET CPL.FF300 HELIX(4 PIECES)	1
3.3	4143969	> COUPLING PROTECT HELIX FF KIT	1
4	4143966	COUPLING D.20XD.38 FF300 KIT	1
5	4157725	SCREW M10X40 (4 PIECES)	1
6	4179592	STUD BOLT M16X405 KIT	1
6.1		> TIE BOLT M16-405x24x44-1.4057	1
6.2	4179562	> NUT M16 8.8 ISO4032 (4 PIECES)	1
6.3	4097852	> WASHER-CS-16.4-32-2.8-NFE25-511-A2	1
7	4179959	END SHIELD HELIX 8" FKM 1.4404 KIT	1
7.1		> END SHIELD HELIX 316L MACHINED	1
7.2	4179958	> O-RING-ID.42.52X2.62 VITON VP.	1
7.3	2107767	> O-RING ID.202,80x3,53 VITON VP.	1
8	4161256	FILING/PURGING PLUG FKM KIT	1
8.1		> FILLING/VENTING-PLUG-VM18/10-316L	1
8.2		> FILLING AND VENTING PLUG M+8" 316L	1
8.3		> GASKET-17x3-VITON	1
9	4158206	CARTRIDGE HELIX22-36-52 F/V KIT	1
10	4179968	HOUSING PIPE D.204X330 1.4404 KIT	1
7.3	2107767	> O-RING ID.202,80x3,53 VITON VP.	1
10.1		> HOUSING-PIPE Ø204-M+3604/5203-316L	1
12	4161186	SHAFT EQUIPMENT HELIX V36 8" KIT	1
13		HYDRAULIC HELIX V 3604-2	1
14	4181126	SHAFTS D.22X487,34 1.4404 VP.	1
15	4161255	EQUIPED HOUSING DN65 HELIX 36 1.4409 KIT	1
7.3	2107767	> O-RING ID.202,80x3,53 VITON VP.	1
15.1		> PUMP HOUSING M+ DN65 316L MACHINED	1
15.1		> GASKET HOLDER M+ DN65 316L MACHINED	1
15.1		> HYDRAULIC SUPPORT M+ DN65 316L MACHINED	1
15.2	4158195	> PLUG PRESSURE CONNECTION G1/4"316L KIT	1

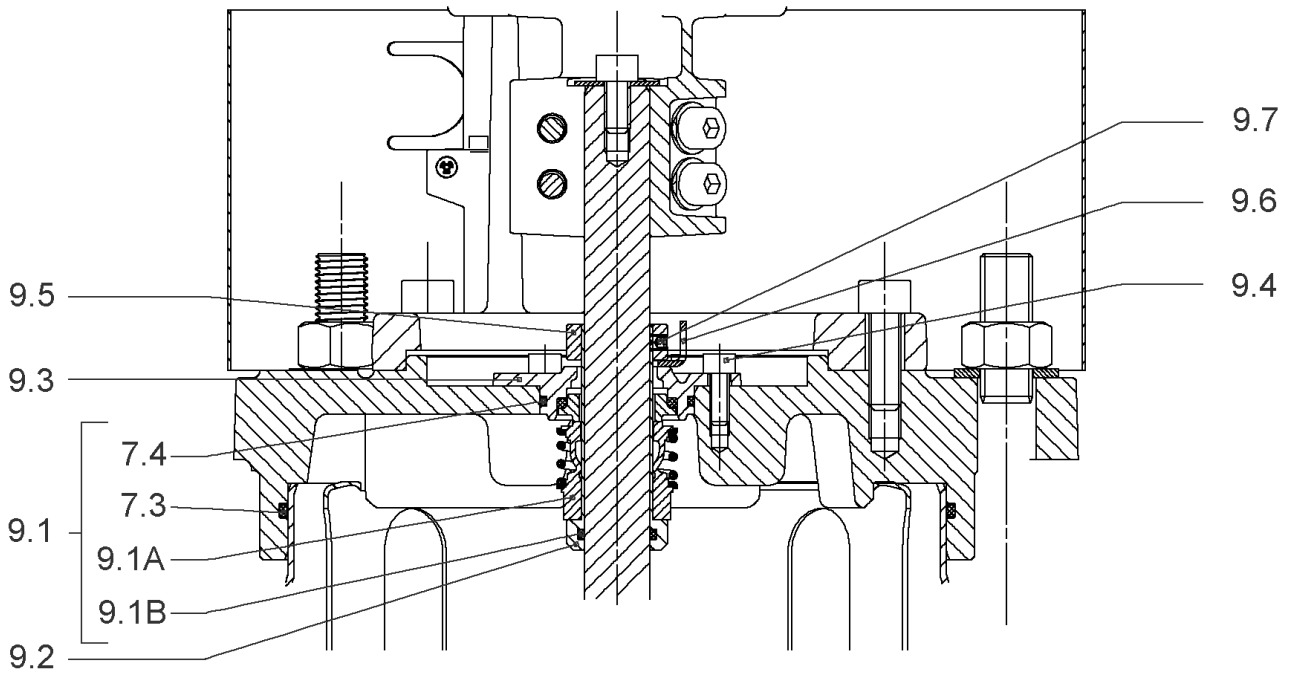
HELIX V3604/2-2/25/V/KS/400-50 (4150756)

Item	Article no.	Description	Quantity
15.2A		>> PLUG PRESSURE CONNECTION - G1/4" - 316L	1
15.2B	2107769	>> O-RING ID.9,9x2,62 VITON VP.	1
15.3	4158196	> DRAIN/PRIMING PLUG VITON HELIX KIT	1
15.3A		>> DRAIN-AND-PRIMING-PLUG-VM18"-316L	1
15.3B	4032294	>> GASKET-10x3-VITON	1
15.3C	2107768	>> O-RING ID.8,9x2,7 VITON VP.	1
15.4	4143749	> BASE M+ DN50/65/80-304	1
15.5		> SCREW TBHC M12x25 ISO7380 ZN	1
15.6	4124455	> FLANGE M+ DN65 NF PN16-25 ASME PN16 CATA	1
15.7		> O-RING Ø79.5xØ3 VITON	1
13.1A	4161268	> NECK RING 1.STAGE HELIX 36 316 KIT	1
		>> NECK-RING-M+36/52	1
		>> HYDRAULIC SUPPORT CAP M+36/52 316	1
		>> SCREW TCL M3X8 A4 POZIDRIV	1



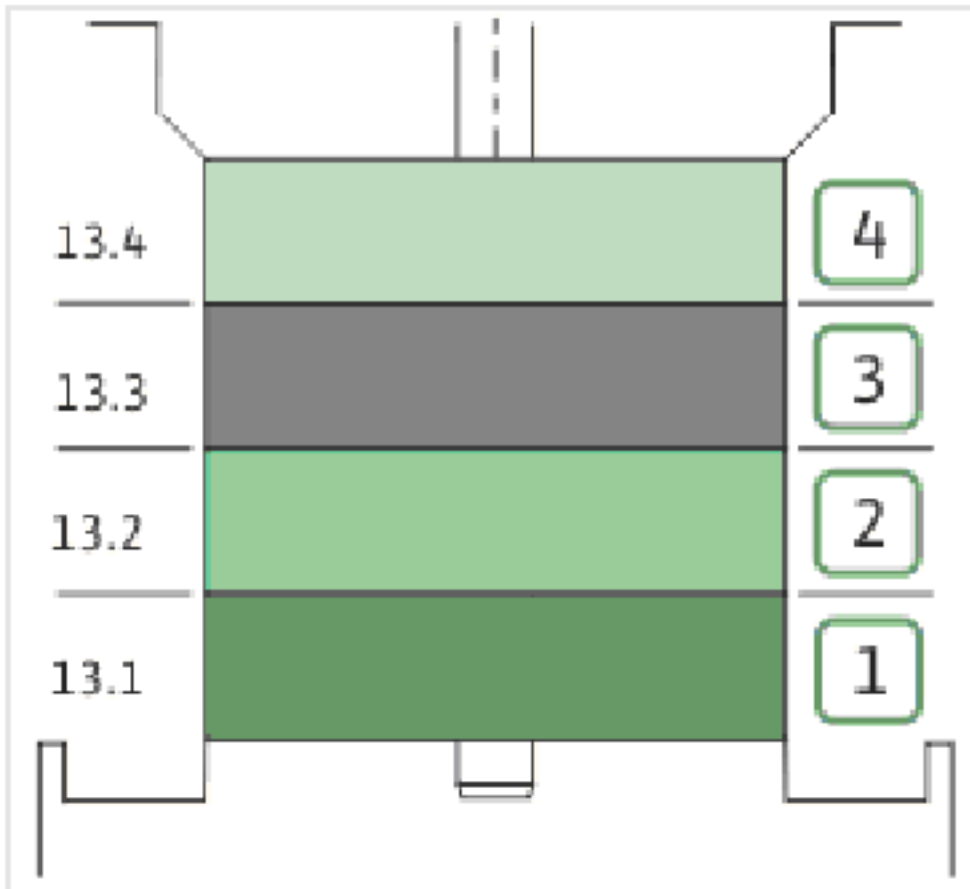
COUPLING D.20XD.38 FF300 KIT (4143966)

Item	Article no.	Description	Quantity
4.1	4179590	COUPLING 2 PARTS D.20XD.38XL115 VP.	1
4.2	2123699	BALL BEARING 6312/2Z-C4 (HT) VP.	1
4.3	63428	CIRCLIP-FOR-SHAFT-D60x2	1
4.4	2130991	SCREW M12X30 ISO4762 8.8 ZN(4 PIECES)	1
4.5	4032277	CIRCLIP-HOLE-130x4	1
4.6	4006725	O-RING ID.132,94x3,53 NBR70SR	1
4.7	2130992	RETAINING RING D.35xD.2,5 DIN7993 VP.	1
4.8	4179591	HUB D.42xD.60 VP.	1
4.9	2130994	SPACER D.38XD.55 VP.	1
4.10	4094462	SCREWS M10 (4 PIECES)	1
4.11	4233959	SCREW M8x16 VP.	1
4.12		SERRATED LOCK WASHER Ø8.2XØ25X35X2	1



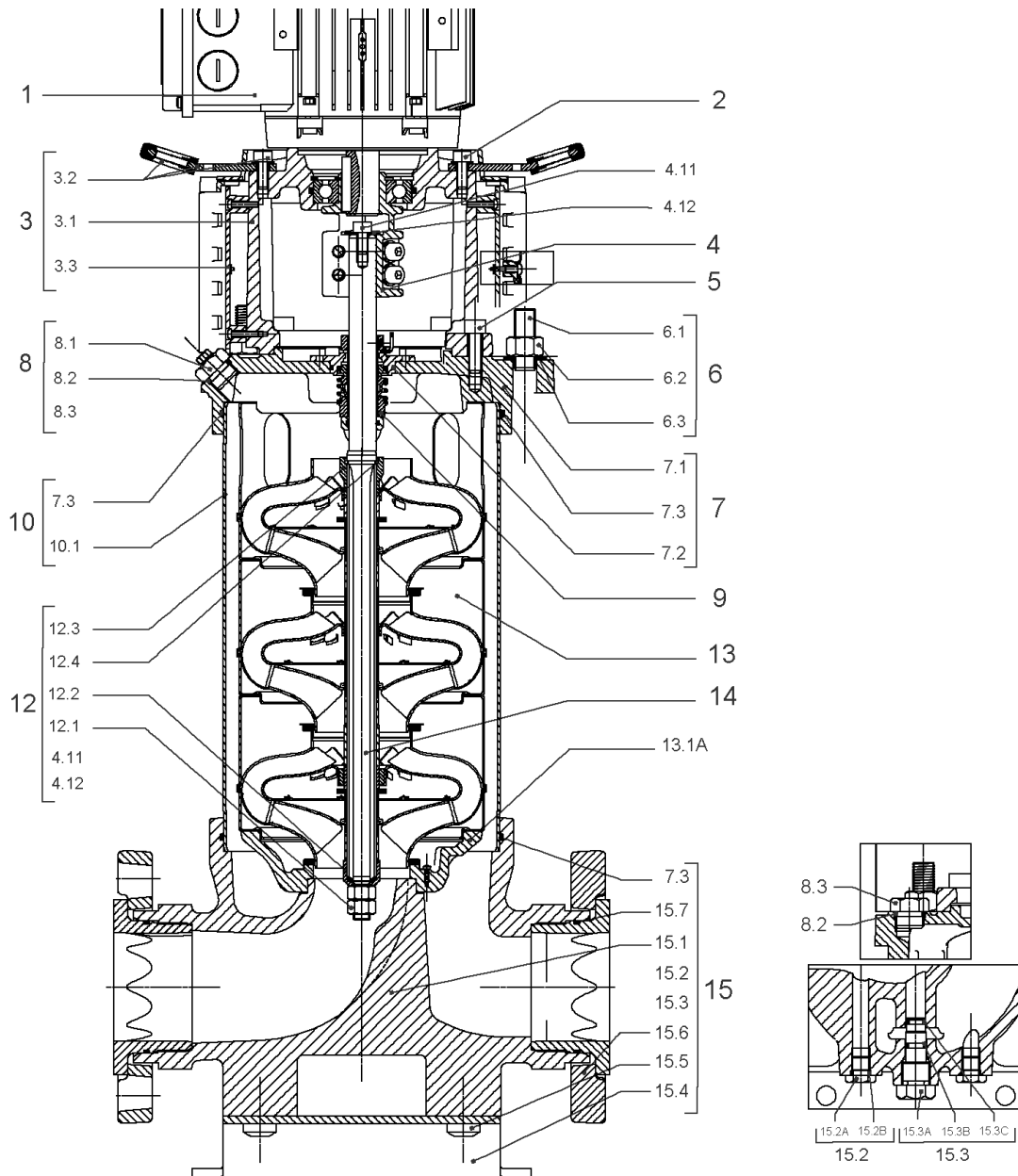
CARTRIDGE HELIX22-36-52 F/V KIT (4158206)

Item	Article no.	Description	Quantity
9.1	4158205	SEAL-KIT-HELIX22-36-52 F/V	1
7.3	2107767	> O-RING ID.202,80x3,53 VITON VP.	1
7.4	4179958	> O-RING-ID.42.52X2.62 VITON VP.	1
9.1A	4179982	> M.SEAL.HELIX22-36-52 F/V VP.	1
9.1B	4179960	> O-RING ID.20x2.65 FKM VP.	1
9.2	4179566	SHAFT SLEEVE D.20/20X60 1.4404 VP.	1
9.3	4179567	RING HOLDER Ø22 1.4301 VP.	1
9.4	4176520	SCREW CH M5x5 A4-70 (3PIECES)	1
9.5	4179568	DRIVE RING D.31/22.1x11 MACH.VP.	1
9.6	4179569	TOOL M.S.CART.HELIX 8" VP.	1
9.7	4179570	SCREW M6X16 ISO4762 8.8 GEOMET(4 PIECES)	1



HYDRAULIC HELIX V 3604-2

Item	Article no.	Description	Quantity
13.1	4161260	INTERMEDIATE STAGE HELIX V36 1.4404 KIT	1
		> SLEEVE-SPACER-D22XL16,66-316L	1
		> MACH.BEARING-DIFFUSER+NR-M+36-316	1
		> SHAFT-SLEEVE-D26xD22x16-CW	1
		> IMPELLER-H1-M+36-316	1
13.2	4161261	INTERMEDIATE STAGE HELIX V36 1.4404 KIT	1
		> MACH.STD-DIFFUSER+NR-M+36-316	1
		> IMPELLER-H4-M+36-316	1
13.3	4161263	INTERMEDIATE STAGE HELIX V36 1.4404 KIT	1
		> MACH.STD-DIFFUSER+NR-M+36-316	1
		> REDUCED-IMPELLER-H4-M+36-316	1
13.4	4161264	UPPER STAGE HELIX 36 1.4404 KIT	1
		> STOP COLLAR OF IMPELLER L20-Ø22-316L	1
		> REDUCED-IMPELLER-H4-M+36-316	1
		> MACH.-RIGID-STD-DISCH.-CHAMBER-M+36-316	1

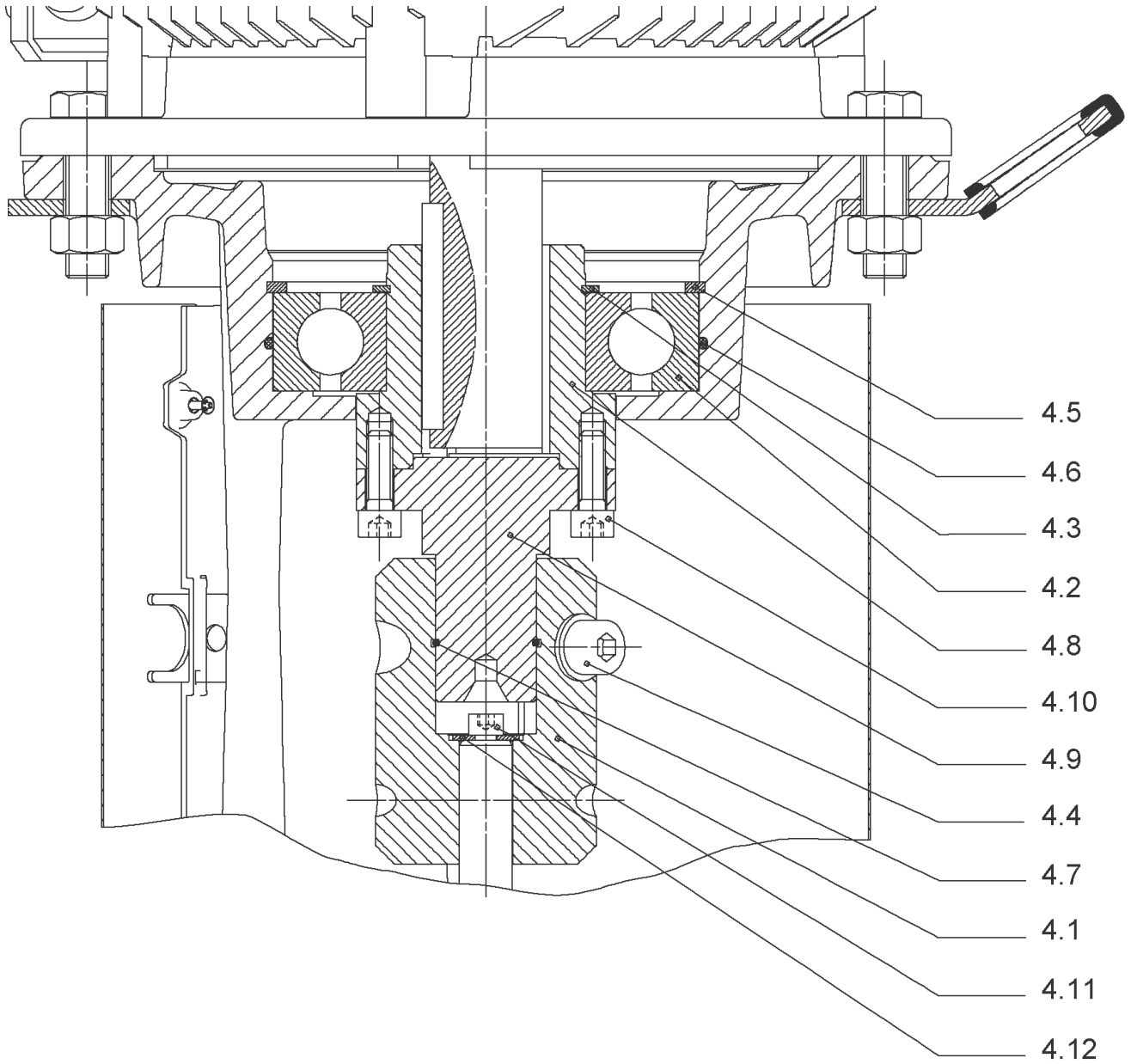


HELIX V3604-2/16/V/KS/400-50 (4150757)

Item	Article no.	Description	Quantity
1	4199884	MOTOR 11/2/160 3~400V 50HZ VP.	1
		SPARE PARTS MOTOR:ON REQUEST	1
2	4179586	SCREW M16X60 (4 PIECES)	1
3	4157721	LANTERN HELIX 22/36 FF300 BB6312 KIT	1
3.1		> LANTERN FF300 M+ GJL MACHINED+CATA 6312	1
3.2	4179589	> EYELET CPL.FF300 HELIX(4 PIECES)	1
3.3	4143969	> COUPLING PROTECT HELIX FF KIT	1
4	4143966	COUPLING D.20XD.38 FF300 KIT	1
5	4157725	SCREW M10X40 (4 PIECES)	1
6	4179592	STUD BOLT M16X405 KIT	1
6.1		> TIE BOLT M16-405x24x44-1.4057	1
6.2	4179562	> NUT M16 8.8 ISO4032 (4 PIECES)	1
6.3	4097852	> WASHER-CS-16.4-32-2.8-NFE25-511-A2	1
7	4179959	END SHIELD HELIX 8" FKM 1.4404 KIT	1
7.1		> END SHIELD HELIX 316L MACHINED	1
7.2	4179958	> O-RING-ID.42.52X2.62 VITON VP.	1
7.3	2107767	> O-RING ID.202,80x3,53 VITON VP.	1
8	4161256	FILING/PURGING PLUG FKM KIT	1
8.1		> FILLING/VENTING-PLUG-VM18/10-316L	1
8.2		> FILLING AND VENTING PLUG M+8" 316L	1
8.3		> GASKET-17x3-VITON	1
9	4158204	CARTRIDGE HELIX22-36-52 O/V KIT	1
10	4179968	HOUSING PIPE D.204X330 1.4404 KIT	1
7.3	2107767	> O-RING ID.202,80x3,53 VITON VP.	1
10.1		> HOUSING-PIPE Ø204-M+3604/5203-316L	1
12	4161186	SHAFT EQUIPMENT HELIX V36 8" KIT	1
13		HYDRAULIC HELIX V 3604	1
14	4181126	SHAFTS D.22X487,34 1.4404 VP.	1
15	4161255	EQUIPED HOUSING DN65 HELIX 36 1.4409 KIT	1
7.3	2107767	> O-RING ID.202,80x3,53 VITON VP.	1
15.1		> PUMP HOUSING M+ DN65 316L MACHINED	1
15.1		> GASKET HOLDER M+ DN65 316L MACHINED	1
15.1		> HYDRAULIC SUPPORT M+ DN65 316L MACHINED	1
15.2	4158195	> PLUG PRESSURE CONNECTION G1/4"316L KIT	1

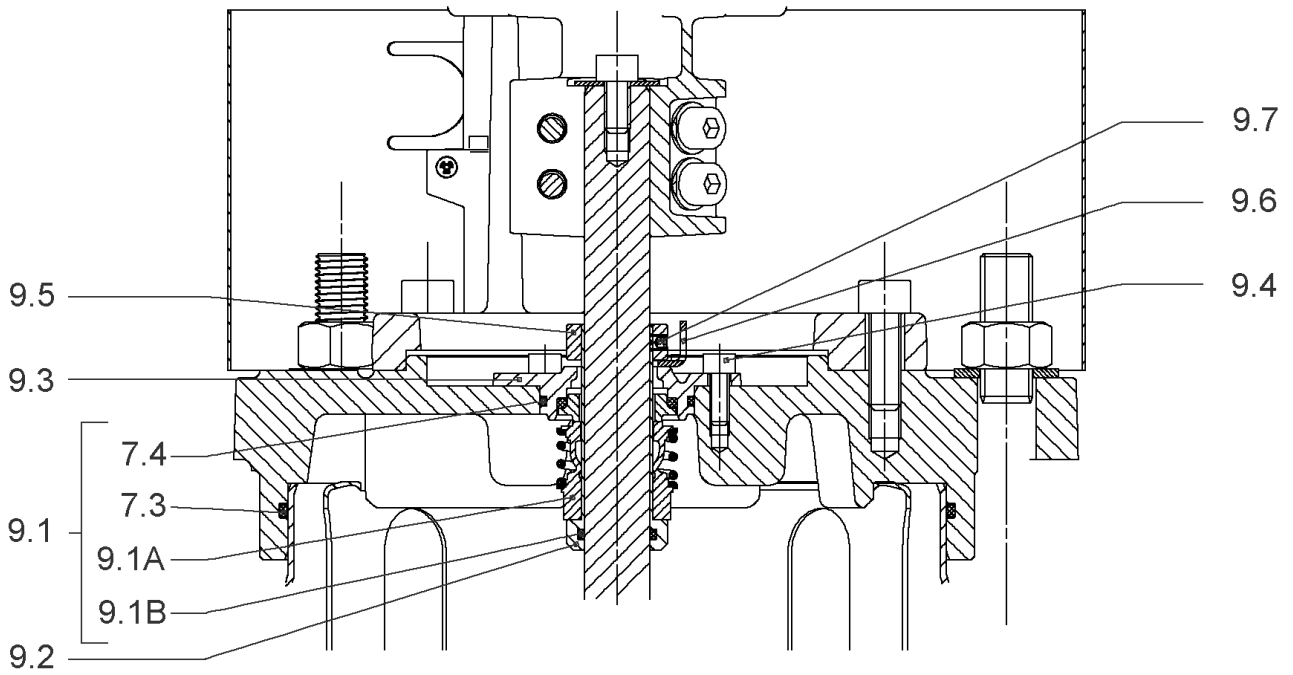
HELIX V3604-2/16/V/KS/400-50 (4150757)

Item	Article no.	Description	Quantity
15.2A		>> PLUG PRESSURE CONNECTION - G1/4" - 316L	1
15.2B	2107769	>> O-RING ID.9,9x2,62 VITON VP.	1
15.3	4158196	> DRAIN/PRIMING PLUG VITON HELIX KIT	1
15.3A		>> DRAIN-AND-PRIMING-PLUG-VM18"-316L	1
15.3B	4032294	>> GASKET-10x3-VITON	1
15.3C	2107768	>> O-RING ID.8,9x2,7 VITON VP.	1
15.4	4143749	> BASE M+ DN50/65/80-304	1
15.5		> SCREW TBHC M12x25 ISO7380 ZN	1
15.6	4124455	> FLANGE M+ DN65 NF PN16-25 ASME PN16 CATA	1
15.7		> O-RING Ø79.5xØ3 VITON	1
13.1A	4161268	> NECK RING 1.STAGE HELIX 36 316 KIT	1
		>> NECK-RING-M+36/52	1
		>> HYDRAULIC SUPPORT CAP M+36/52 316	1
		>> SCREW TCL M3X8 A4 POZIDRIV	1



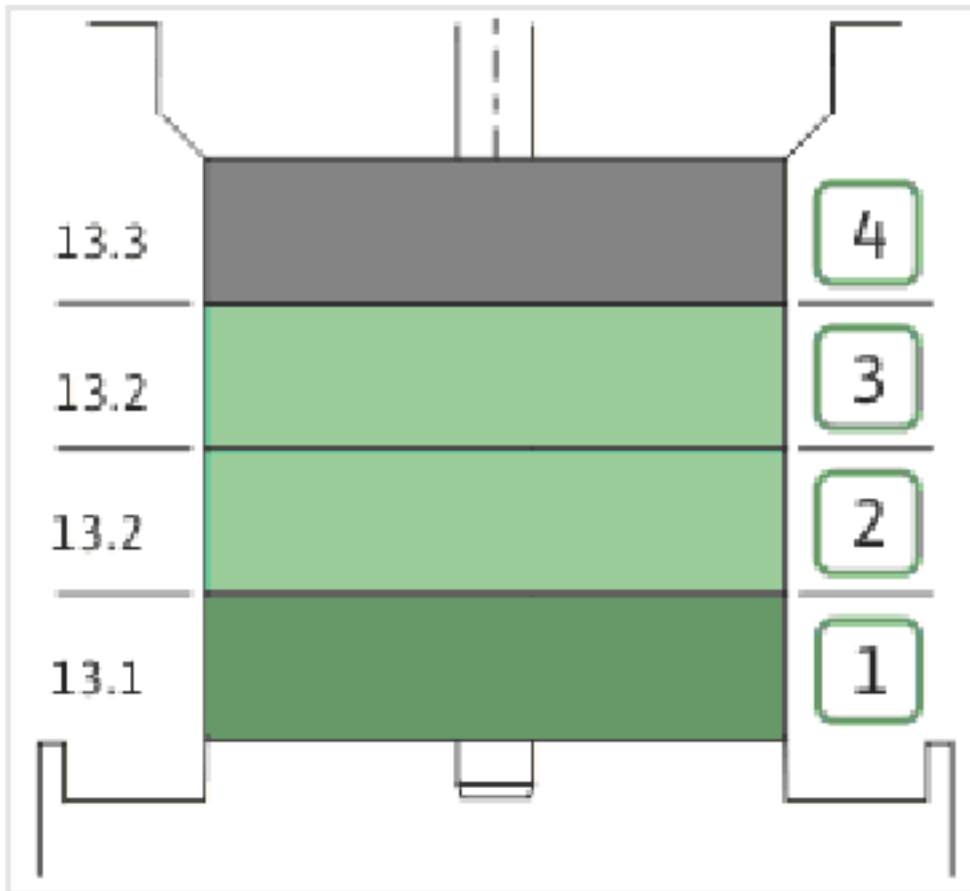
COUPLING D.20XD.38 FF300 KIT (4143966)

Item	Article no.	Description	Quantity
4.1	4179590	COUPLING 2 PARTS D.20XD.38XL115 VP.	1
4.2	2123699	BALL BEARING 6312/2Z-C4 (HT) VP.	1
4.3	63428	CIRCLIP-FOR-SHAFT-D60x2	1
4.4	2130991	SCREW M12X30 ISO4762 8.8 ZN(4 PIECES)	1
4.5	4032277	CIRCLIP-HOLE-130x4	1
4.6	4006725	O-RING ID.132,94x3,53 NBR70SR	1
4.7	2130992	RETAINING RING D.35xD.2,5 DIN7993 VP.	1
4.8	4179591	HUB D.42xD.60 VP.	1
4.9	2130994	SPACER D.38XD.55 VP.	1
4.10	4094462	SCREWS M10 (4 PIECES)	1
4.11	4233959	SCREW M8x16 VP.	1
4.12		SERRATED LOCK WASHER Ø8.2XØ25X35X2	1

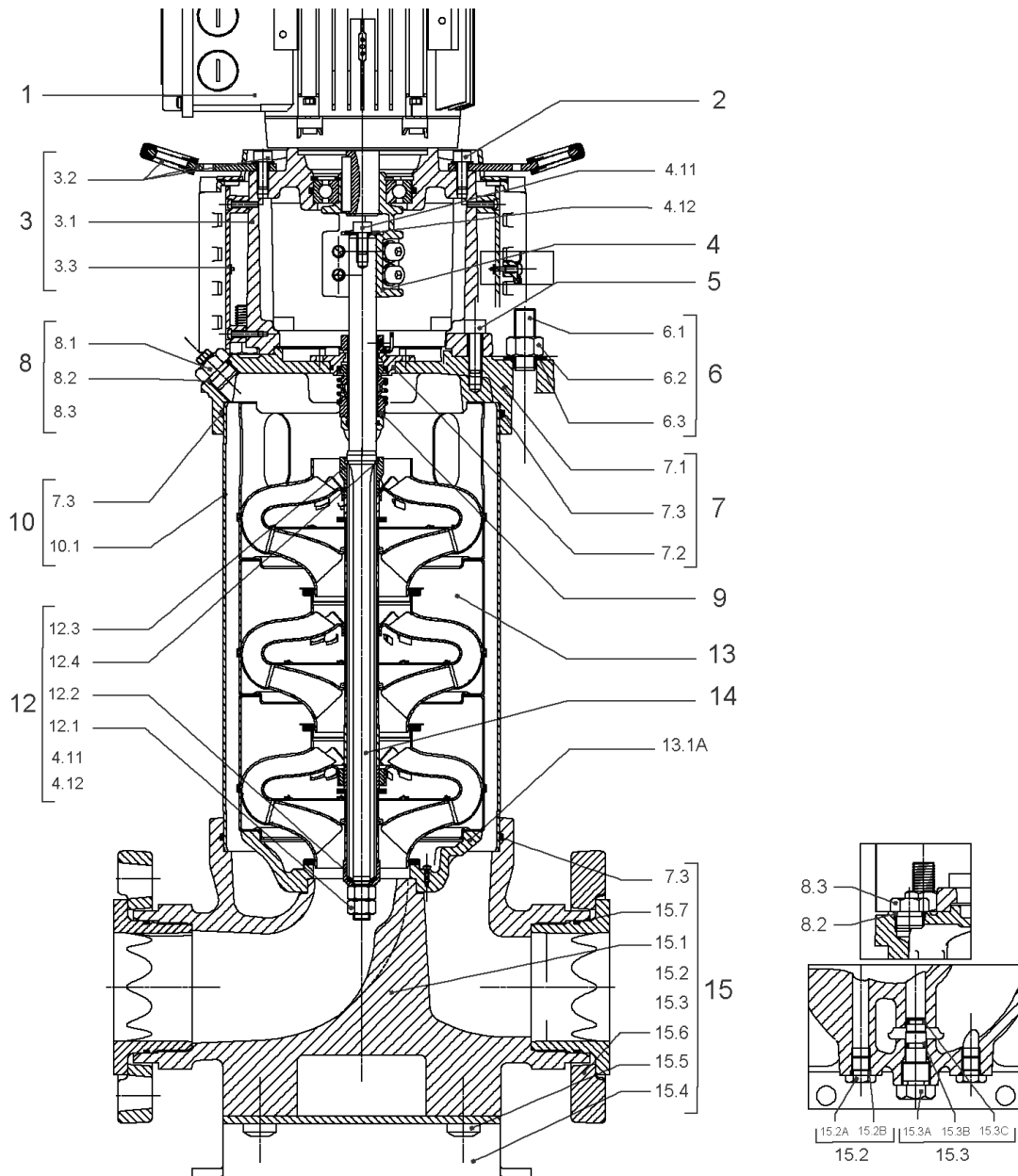


CARTRIDGE HELIX22-36-52 O/V KIT (4158204)

Item	Article no.	Description	Quantity
9.1	4158203	SEAL-KIT-HELIX22-36-52 O/V	1
7.3	2107767	> O-RING ID.202,80x3,53 VITON VP.	1
7.4	4179958	> O-RING-ID.42.52X2.62 VITON VP.	1
9.1A	2127454	> M.SEAL.HELIX22-36-52 O/V VP.	1
9.1B	4179960	> O-RING ID.20x2.65 FKM VP.	1
9.2	4179566	SHAFT SLEEVE D.20/20X60 1.4404 VP.	1
9.3	4179567	RING HOLDER Ø22 1.4301 VP.	1
9.4	4176520	SCREW CH M5x5 A4-70 (3PIECES)	1
9.5	4179568	DRIVE RING D.31/22.1x11 MACH.VP.	1
9.6	4179569	TOOL M.S.CART.HELIX 8" VP.	1
9.7	4179570	SCREW M6X16 ISO4762 8.8 GEOMET(4 PIECES)	1



Item	Article no.	Description	Quantity
13.1	4161260	INTERMEDIATE STAGE HELIX V36 1.4404 KIT	1
		> SLEEVE-SPACER-D22XL16,66-316L	1
		> MACH.BEARING-DIFFUSER+NR-M+36-316	1
		> SHAFT-SLEEVE-D26xD22x16-CW	1
		> IMPELLER-H1-M+36-316	1
13.2	4161261	INTERMEDIATE STAGE HELIX V36 1.4404 KIT	1
		> MACH.STD-DIFFUSER+NR-M+36-316	1
		> IMPELLER-H4-M+36-316	1
13.3	4161262	UPPER STAGE HELIX 36 1.4404 KIT	1
		> STOP COLLAR OF IMPELLER L20-Ø22-316L	1
		> MACH.-RIGID-STD-DISCH.-CHAMBER-M+36-316	1
		> IMPELLER-H4-M+36-316	1

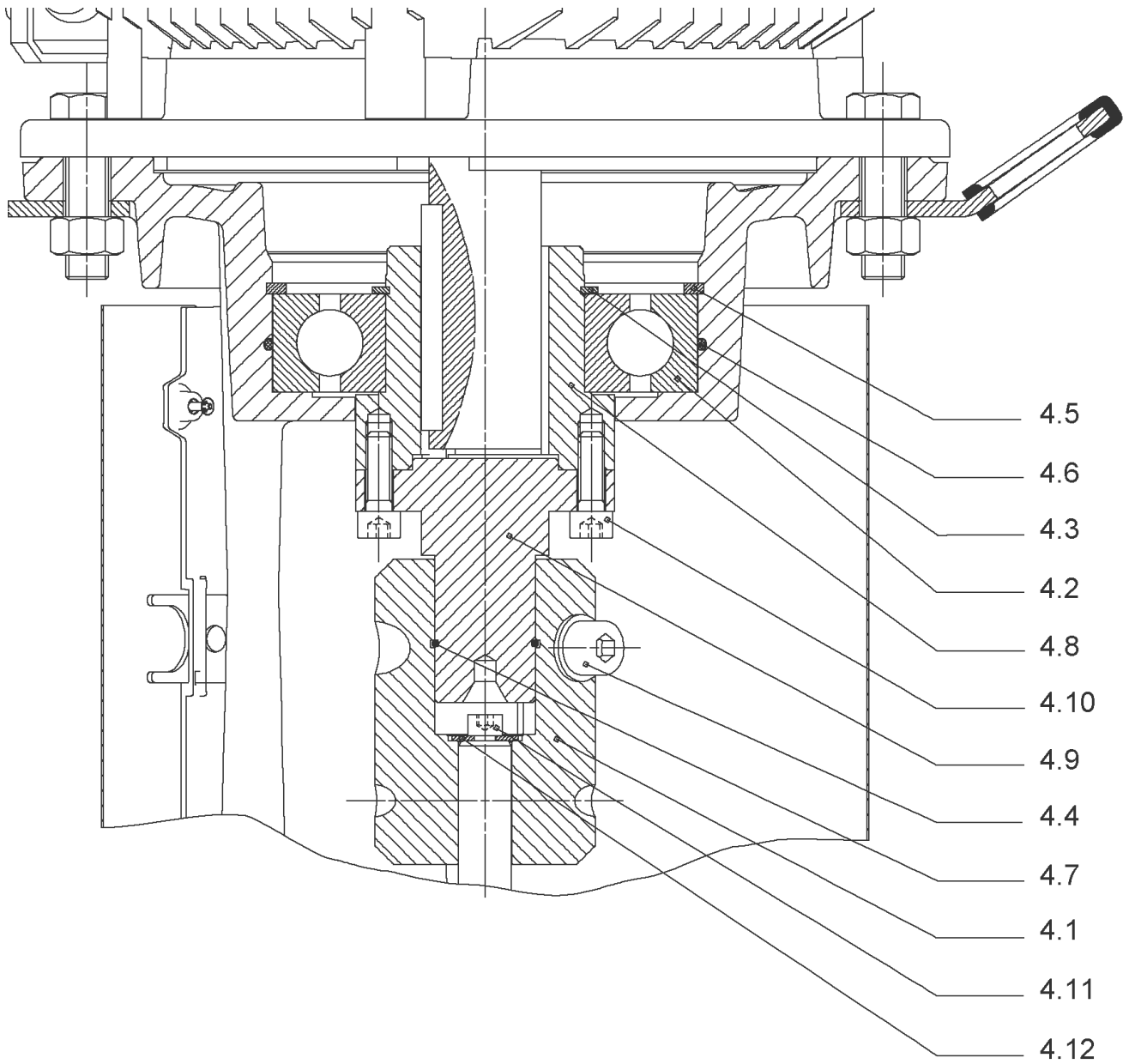


HELIX V3604-2/25/V/KS/400-50 (4150758)

Item	Article no.	Description	Quantity
1	4199884	MOTOR 11/2/160 3~400V 50HZ VP.	1
		SPARE PARTS MOTOR:ON REQUEST	1
2	4179586	SCREW M16X60 (4 PIECES)	1
3	4157721	LANTERN HELIX 22/36 FF300 BB6312 KIT	1
3.1		> LANTERN FF300 M+ GJL MACHINED+CATA 6312	1
3.2	4179589	> EYELET CPL.FF300 HELIX(4 PIECES)	1
3.3	4143969	> COUPLING PROTECT HELIX FF KIT	1
4	4143966	COUPLING D.20XD.38 FF300 KIT	1
5	4157725	SCREW M10X40 (4 PIECES)	1
6	4179592	STUD BOLT M16X405 KIT	1
6.1		> TIE BOLT M16-405x24x44-1.4057	1
6.2	4179562	> NUT M16 8.8 ISO4032 (4 PIECES)	1
6.3	4097852	> WASHER-CS-16.4-32-2.8-NFE25-511-A2	1
7	4179959	END SHIELD HELIX 8" FKM 1.4404 KIT	1
7.1		> END SHIELD HELIX 316L MACHINED	1
7.2	4179958	> O-RING-ID.42.52X2.62 VITON VP.	1
7.3	2107767	> O-RING ID.202,80x3,53 VITON VP.	1
8	4161256	FILING/PURGING PLUG FKM KIT	1
8.1		> FILLING/VENTING-PLUG-VM18/10-316L	1
8.2		> FILLING AND VENTING PLUG M+8" 316L	1
8.3		> GASKET-17x3-VITON	1
9	4158206	CARTRIDGE HELIX22-36-52 F/V KIT	1
10	4179968	HOUSING PIPE D.204X330 1.4404 KIT	1
7.3	2107767	> O-RING ID.202,80x3,53 VITON VP.	1
10.1		> HOUSING-PIPE Ø204-M+3604/5203-316L	1
12	4161186	SHAFT EQUIPMENT HELIX V36 8" KIT	1
13		HYDRAULIC HELIX V 3604	1
14	4181126	SHAFTS D.22X487,34 1.4404 VP.	1
15	4161255	EQUIPED HOUSING DN65 HELIX 36 1.4409 KIT	1
7.3	2107767	> O-RING ID.202,80x3,53 VITON VP.	1
15.1		> PUMP HOUSING M+ DN65 316L MACHINED	1
15.1		> GASKET HOLDER M+ DN65 316L MACHINED	1
15.1		> HYDRAULIC SUPPORT M+ DN65 316L MACHINED	1
15.2	4158195	> PLUG PRESSURE CONNECTION G1/4"316L KIT	1

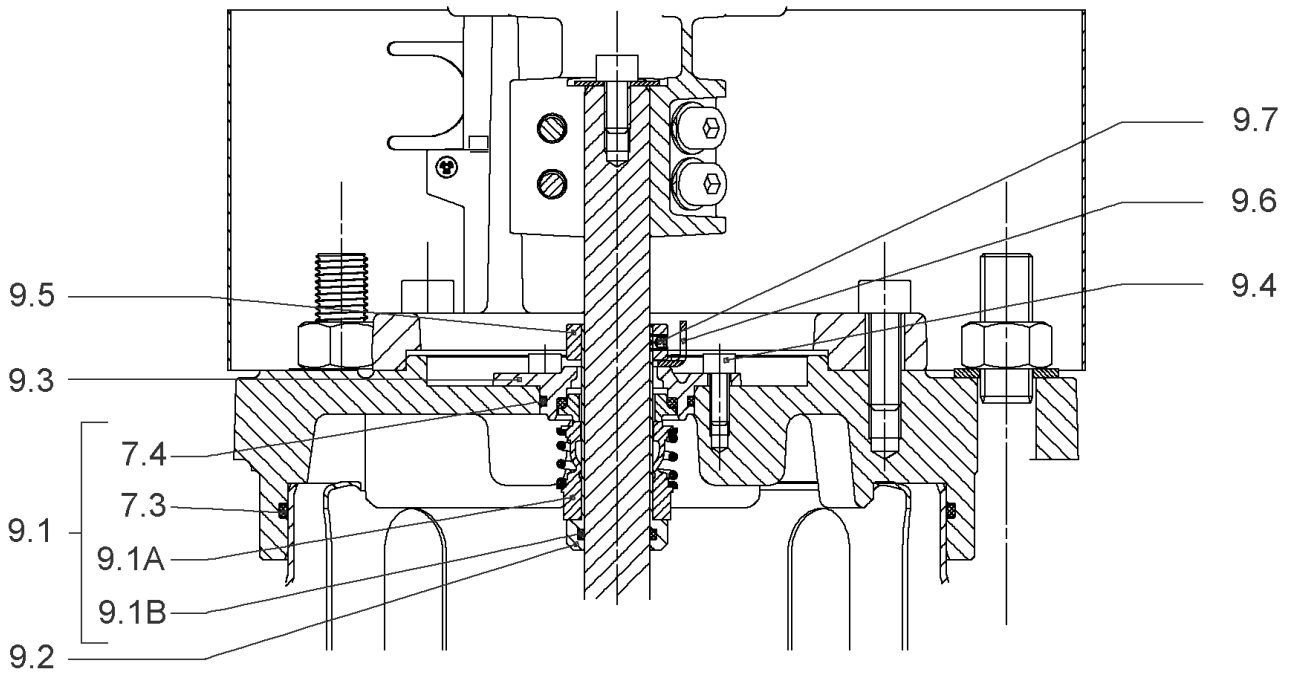
HELIX V3604-2/25/V/KS/400-50 (4150758)

Item	Article no.	Description	Quantity
15.2A		>> PLUG PRESSURE CONNECTION - G1/4" - 316L	1
15.2B	2107769	>> O-RING ID.9,9x2,62 VITON VP.	1
15.3	4158196	> DRAIN/PRIMING PLUG VITON HELIX KIT	1
15.3A		>> DRAIN-AND-PRIMING-PLUG-VM18"-316L	1
15.3B	4032294	>> GASKET-10x3-VITON	1
15.3C	2107768	>> O-RING ID.8,9x2,7 VITON VP.	1
15.4	4143749	> BASE M+ DN50/65/80-304	1
15.5		> SCREW TBHC M12x25 ISO7380 ZN	1
15.6	4124455	> FLANGE M+ DN65 NF PN16-25 ASME PN16 CATA	1
15.7		> O-RING Ø79.5xØ3 VITON	1
13.1A	4161268	> NECK RING 1.STAGE HELIX 36 316 KIT	1
		>> NECK-RING-M+36/52	1
		>> HYDRAULIC SUPPORT CAP M+36/52 316	1
		>> SCREW TCL M3X8 A4 POZIDRIV	1



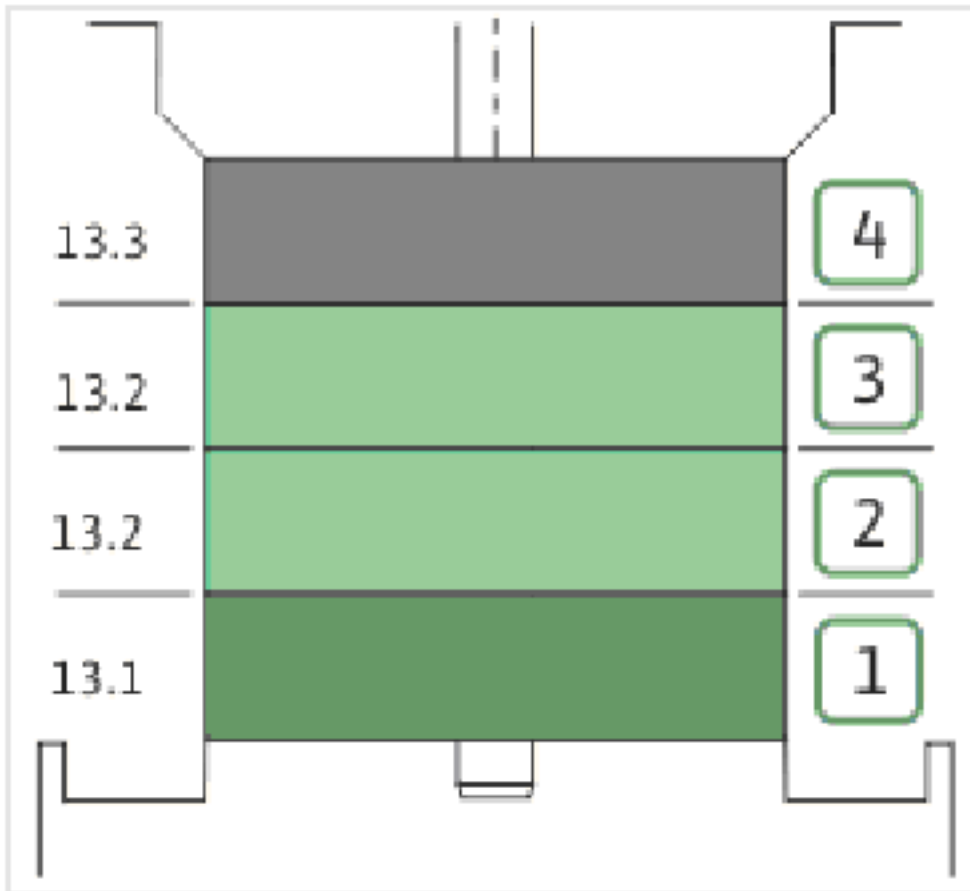
COUPLING D.20XD.38 FF300 KIT (4143966)

Item	Article no.	Description	Quantity
4.1	4179590	COUPLING 2 PARTS D.20XD.38XL115 VP.	1
4.2	2123699	BALL BEARING 6312/2Z-C4 (HT) VP.	1
4.3	63428	CIRCLIP-FOR-SHAFT-D60x2	1
4.4	2130991	SCREW M12X30 ISO4762 8.8 ZN(4 PIECES)	1
4.5	4032277	CIRCLIP-HOLE-130x4	1
4.6	4006725	O-RING ID.132,94x3,53 NBR70SR	1
4.7	2130992	RETAINING RING D.35xD.2,5 DIN7993 VP.	1
4.8	4179591	HUB D.42xD.60 VP.	1
4.9	2130994	SPACER D.38XD.55 VP.	1
4.10	4094462	SCREWS M10 (4 PIECES)	1
4.11	4233959	SCREW M8x16 VP.	1
4.12		SERRATED LOCK WASHER Ø8.2XØ25X35X2	1

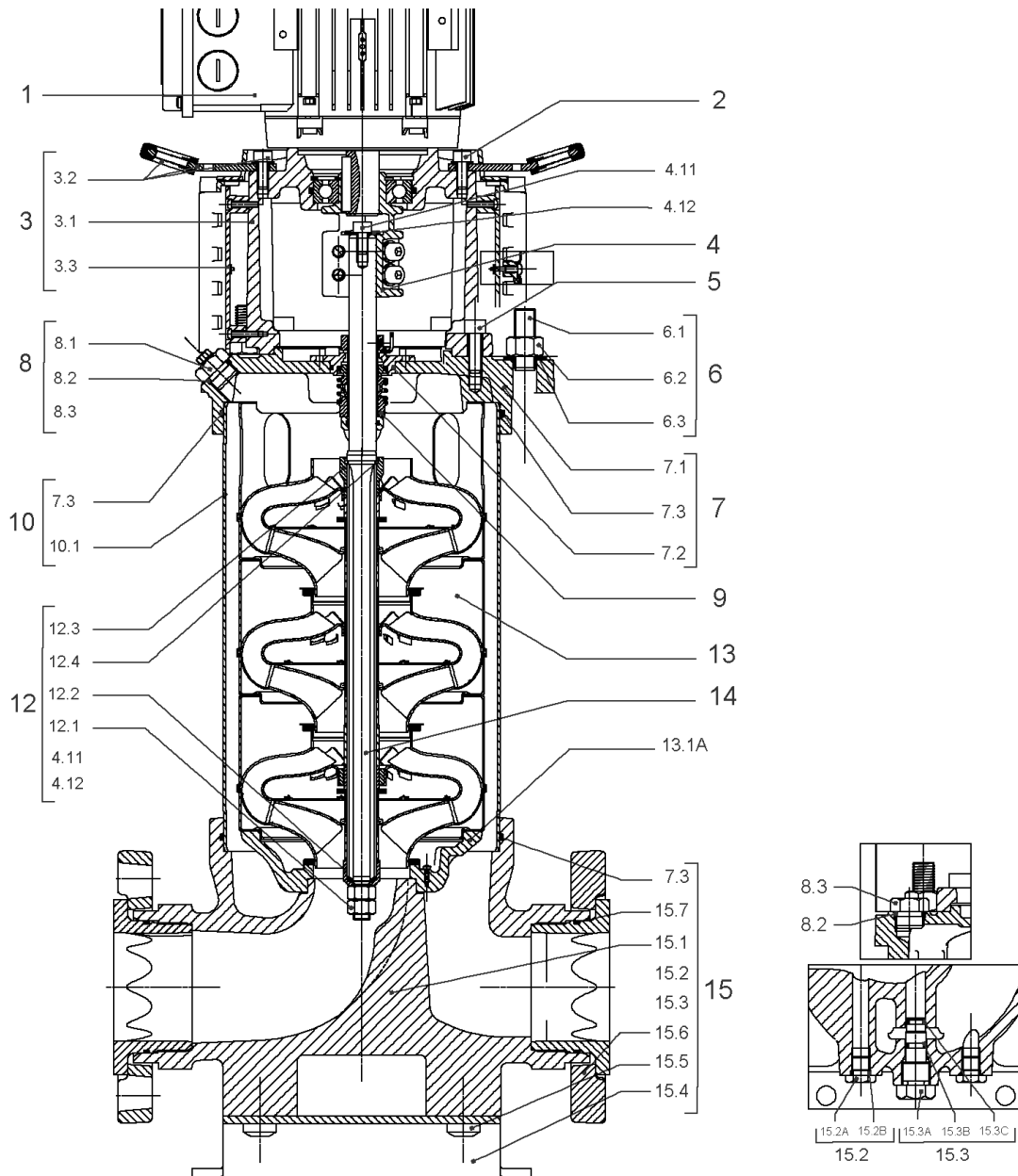


CARTRIDGE HELIX22-36-52 F/V KIT (4158206)

Item	Article no.	Description	Quantity
9.1	4158205	SEAL-KIT-HELIX22-36-52 F/V	1
7.3	2107767	> O-RING ID.202,80x3,53 VITON VP.	1
7.4	4179958	> O-RING-ID.42.52X2.62 VITON VP.	1
9.1A	4179982	> M.SEAL.HELIX22-36-52 F/V VP.	1
9.1B	4179960	> O-RING ID.20x2.65 FKM VP.	1
9.2	4179566	SHAFT SLEEVE D.20/20X60 1.4404 VP.	1
9.3	4179567	RING HOLDER Ø22 1.4301 VP.	1
9.4	4176520	SCREW CH M5x5 A4-70 (3PIECES)	1
9.5	4179568	DRIVE RING D.31/22.1x11 MACH.VP.	1
9.6	4179569	TOOL M.S.CART.HELIX 8" VP.	1
9.7	4179570	SCREW M6X16 ISO4762 8.8 GEOMET(4 PIECES)	1



Item	Article no.	Description	Quantity
13.1	4161260	INTERMEDIATE STAGE HELIX V36 1.4404 KIT	1
		> SLEEVE-SPACER-D22XL16,66-316L	1
		> MACH.BEARING-DIFFUSER+NR-M+36-316	1
		> SHAFT-SLEEVE-D26xD22x16-CW	1
		> IMPELLER-H1-M+36-316	1
13.2	4161261	INTERMEDIATE STAGE HELIX V36 1.4404 KIT	1
		> MACH.STD-DIFFUSER+NR-M+36-316	1
		> IMPELLER-H4-M+36-316	1
13.3	4161262	UPPER STAGE HELIX 36 1.4404 KIT	1
		> STOP COLLAR OF IMPELLER L20-Ø22-316L	1
		> MACH.-RIGID-STD-DISCH.-CHAMBER-M+36-316	1
		> IMPELLER-H4-M+36-316	1



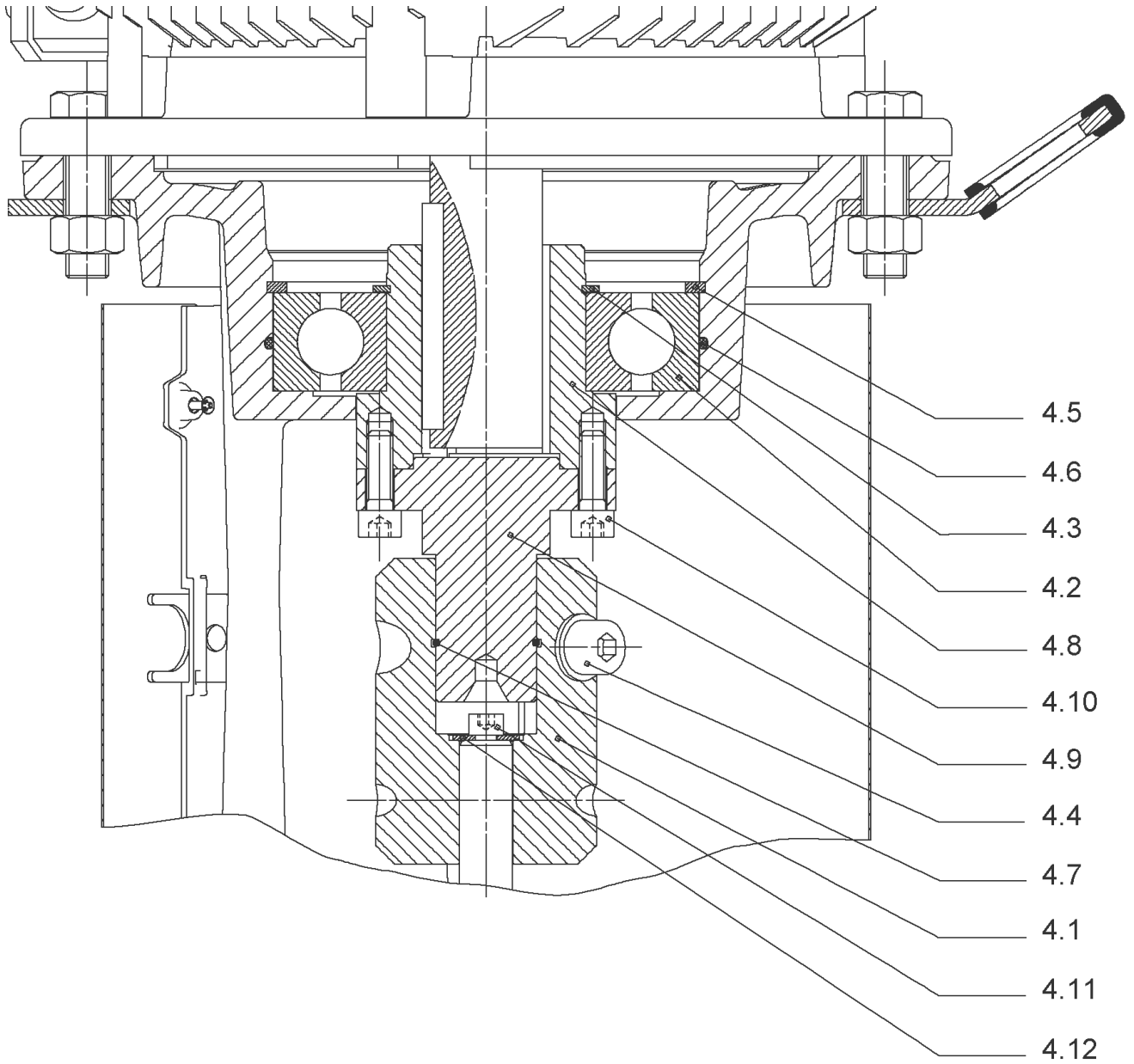
HELIX V3605/2-2/16/V/KS/400-50 (4150759)

Item	Article no.	Description	Quantity
1	4199884	MOTOR 11/2/160 3~400V 50HZ VP.	1
		SPARE PARTS MOTOR:ON REQUEST	1
2	4179586	SCREW M16X60 (4 PIECES)	1
3	4157721	LANTERN HELIX 22/36 FF300 BB6312 KIT	1
3.1		> LANTERN FF300 M+ GJL MACHINED+CATA 6312	1
3.2	4179589	> EYELET CPL.FF300 HELIX(4 PIECES)	1
3.3	4143969	> COUPLING PROTECT HELIX FF KIT	1
4	4143966	COUPLING D.20XD.38 FF300 KIT	1
5	4157725	SCREW M10X40 (4 PIECES)	1
6	4181083	STUD BOLT M16X466 KIT	1
6.1		> TIE BOLT M16-466x24x44-1.4057	1
6.2	4179562	> NUT M16 8.8 ISO4032 (4 PIECES)	1
6.3	4097852	> WASHER-CS-16.4-32-2.8-NFE25-511-A2	1
7	4179959	END SHIELD HELIX 8" FKM 1.4404 KIT	1
7.1		> END SHIELD HELIX 316L MACHINED	1
7.2	4179958	> O-RING-ID.42.52X2.62 VITON VP.	1
7.3	2107767	> O-RING ID.202,80x3,53 VITON VP.	1
8	4161256	FILING/PURGING PLUG FKM KIT	1
8.1		> FILLING/VENTING-PLUG-VM18/10-316L	1
8.2		> FILLING AND VENTING PLUG M+8" 316L	1
8.3		> GASKET-17x3-VITON	1
9	4158204	CARTRIDGE HELIX22-36-52 O/V KIT	1
10	4181128	HOUSING PIPE D.204X397 1.4404 KIT	1
7.3	2107767	> O-RING ID.202,80x3,53 VITON VP.	1
10.1		> HOUSING-PIPE Ø204-M+3605-316L	1
12	4161186	SHAFT EQUIPMENT HELIX V36 8" KIT	1
13		HYDRAULIC HELIX V 3605-2	1
14	4181130	SHAFTS D.22X554 1.4462 VP.	1
15	4161255	EQUIPED HOUSING DN65 HELIX 36 1.4409 KIT	1
7.3	2107767	> O-RING ID.202,80x3,53 VITON VP.	1
15.1		> PUMP HOUSING M+ DN65 316L MACHINED	1
15.1		> GASKET HOLDER M+ DN65 316L MACHINED	1
15.1		> HYDRAULIC SUPPORT M+ DN65 316L MACHINED	1
15.2	4158195	> PLUG PRESSURE CONNECTION G1/4"316L KIT	1

HELIX V3605/2-2/16/V/KS/400-50 (4150759)

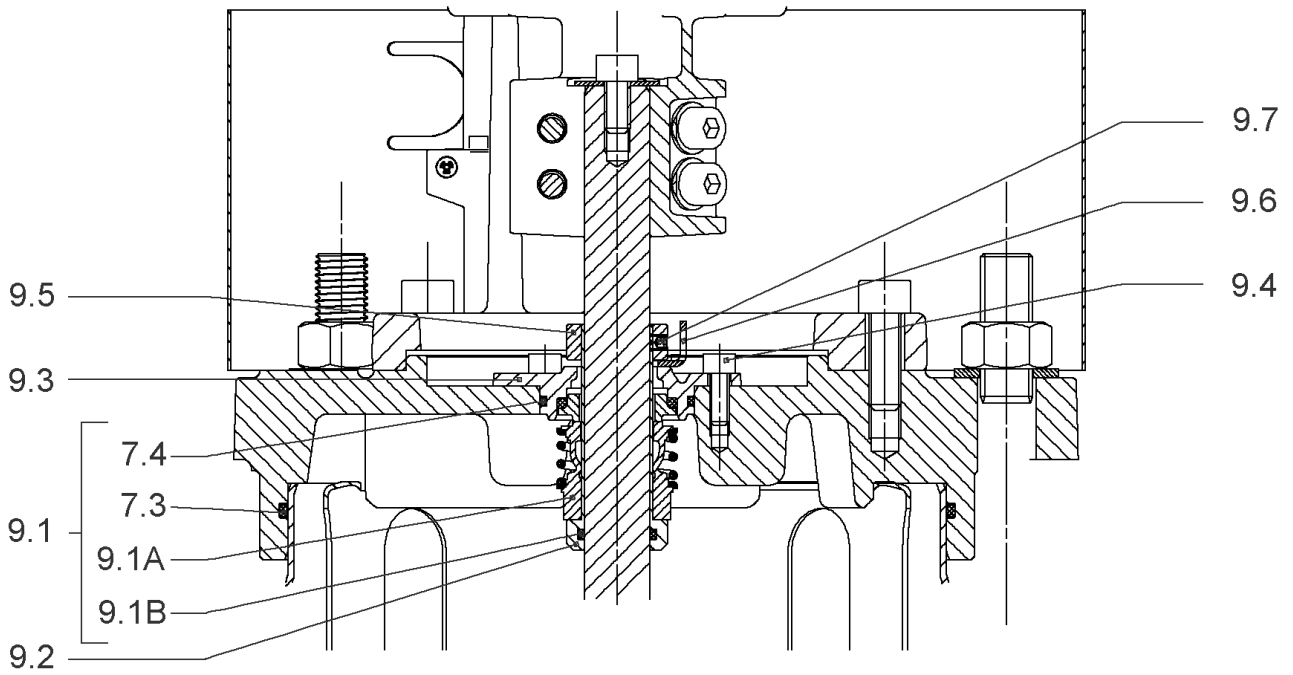
Item	Article no.	Description	Quantity
15.2A		>> PLUG PRESSURE CONNECTION - G1/4" - 316L	1
15.2B	2107769	>> O-RING ID.9,9x2,62 VITON VP.	1
15.3	4158196	> DRAIN/PRIMING PLUG VITON HELIX KIT	1
15.3A		>> DRAIN-AND-PRIMING-PLUG-VM18"-316L	1
15.3B	4032294	>> GASKET-10x3-VITON	1
15.3C	2107768	>> O-RING ID.8,9x2,7 VITON VP.	1
15.4	4143749	> BASE M+ DN50/65/80-304	1
15.5		> SCREW TBHC M12x25 ISO7380 ZN	1
15.6	4124455	> FLANGE M+ DN65 NF PN16-25 ASME PN16 CATA	1
15.7		> O-RING Ø79.5xØ3 VITON	1
13.1A	4161268	> NECK RING 1.STAGE HELIX 36 316 KIT	1
		>> NECK-RING-M+36/52	1
		>> HYDRAULIC SUPPORT CAP M+36/52 316	1
		>> SCREW TCL M3X8 A4 POZIDRIV	1

COUPLING D.20XD.38 FF300 KIT (4143966)



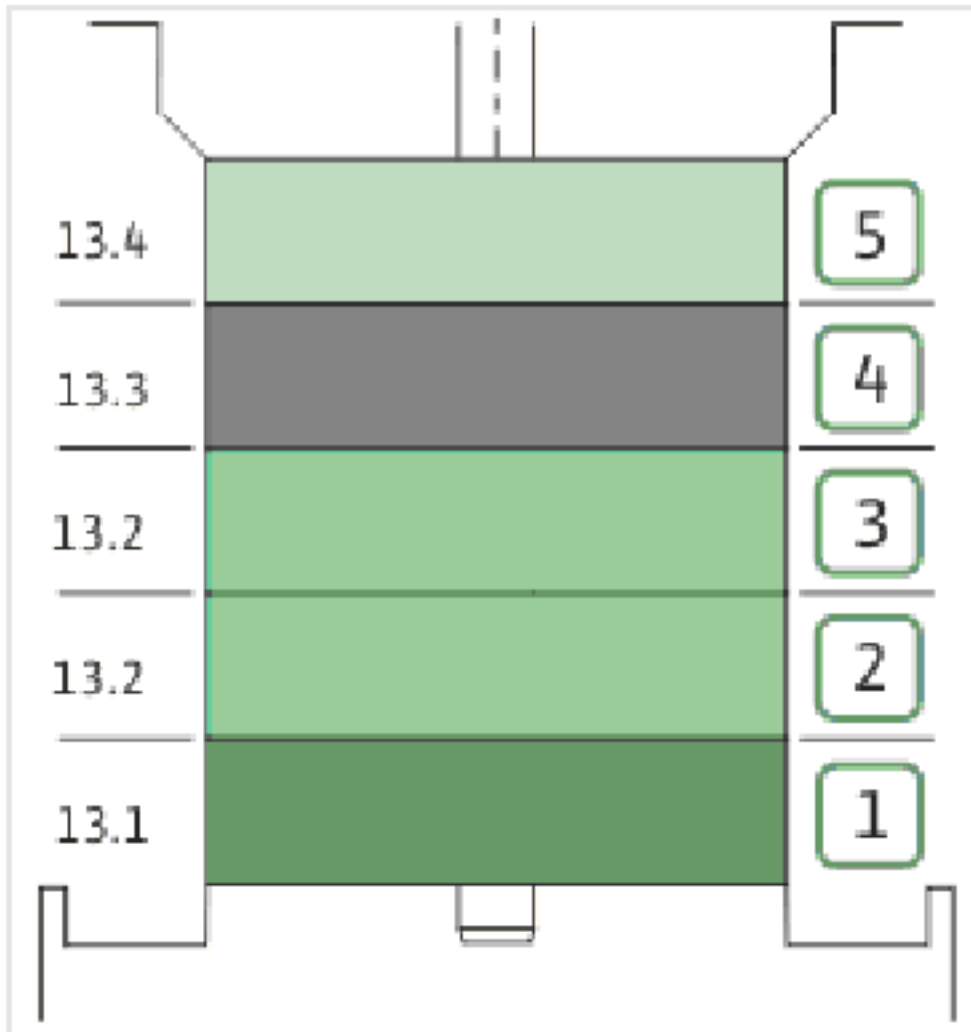
COUPLING D.20XD.38 FF300 KIT (4143966)

Item	Article no.	Description	Quantity
4.1	4179590	COUPLING 2 PARTS D.20XD.38XL115 VP.	1
4.2	2123699	BALL BEARING 6312/2Z-C4 (HT) VP.	1
4.3	63428	CIRCLIP-FOR-SHAFT-D60x2	1
4.4	2130991	SCREW M12X30 ISO4762 8.8 ZN(4 PIECES)	1
4.5	4032277	CIRCLIP-HOLE-130x4	1
4.6	4006725	O-RING ID.132,94x3,53 NBR70SR	1
4.7	2130992	RETAINING RING D.35xD.2,5 DIN7993 VP.	1
4.8	4179591	HUB D.42xD.60 VP.	1
4.9	2130994	SPACER D.38XD.55 VP.	1
4.10	4094462	SCREWS M10 (4 PIECES)	1
4.11	4233959	SCREW M8x16 VP.	1
4.12		SERRATED LOCK WASHER Ø8.2XØ25X35X2	1



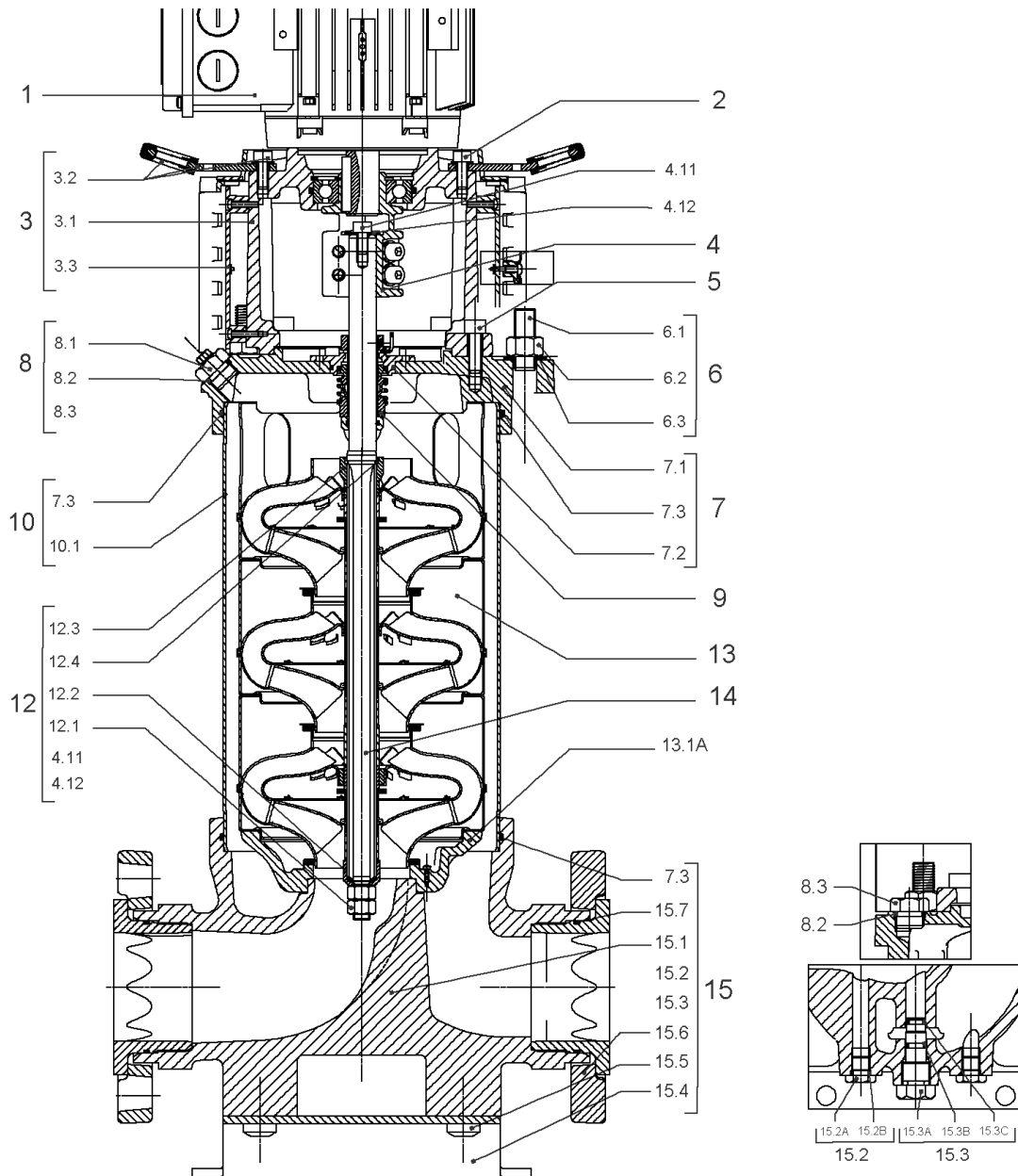
CARTRIDGE HELIX22-36-52 O/V KIT (4158204)

Item	Article no.	Description	Quantity
9.1	4158203	SEAL-KIT-HELIX22-36-52 O/V	1
7.3	2107767	> O-RING ID.202,80x3,53 VITON VP.	1
7.4	4179958	> O-RING-ID.42.52X2.62 VITON VP.	1
9.1A	2127454	> M.SEAL.HELIX22-36-52 O/V VP.	1
9.1B	4179960	> O-RING ID.20x2.65 FKM VP.	1
9.2	4179566	SHAFT SLEEVE D.20/20X60 1.4404 VP.	1
9.3	4179567	RING HOLDER Ø22 1.4301 VP.	1
9.4	4176520	SCREW CH M5x5 A4-70 (3PIECES)	1
9.5	4179568	DRIVE RING D.31/22.1x11 MACH.VP.	1
9.6	4179569	TOOL M.S.CART.HELIX 8" VP.	1
9.7	4179570	SCREW M6X16 ISO4762 8.8 GEOMET(4 PIECES)	1



HYDRAULIC HELIX V 3605-2

Item	Article no.	Description	Quantity
13.1	4161260	INTERMEDIATE STAGE HELIX V36 1.4404 KIT	1
		> SLEEVE-SPACER-D22XL16,66-316L	1
		> MACH.BEARING-DIFFUSER+NR-M+36-316	1
		> SHAFT-SLEEVE-D26xD22x16-CW	1
		> IMPELLER-H1-M+36-316	1
13.2	4161261	INTERMEDIATE STAGE HELIX V36 1.4404 KIT	1
		> MACH.STD-DIFFUSER+NR-M+36-316	1
		> IMPELLER-H4-M+36-316	1
13.3	4161263	INTERMEDIATE STAGE HELIX V36 1.4404 KIT	1
		> MACH.STD-DIFFUSER+NR-M+36-316	1
		> REDUCED-IMPELLER-H4-M+36-316	1
13.4	4161264	UPPER STAGE HELIX 36 1.4404 KIT	1
		> STOP COLLAR OF IMPELLER L20-Ø22-316L	1
		> REDUCED-IMPELLER-H4-M+36-316	1
		> MACH.-RIGID-STD-DISCH.-CHAMBER-M+36-316	1

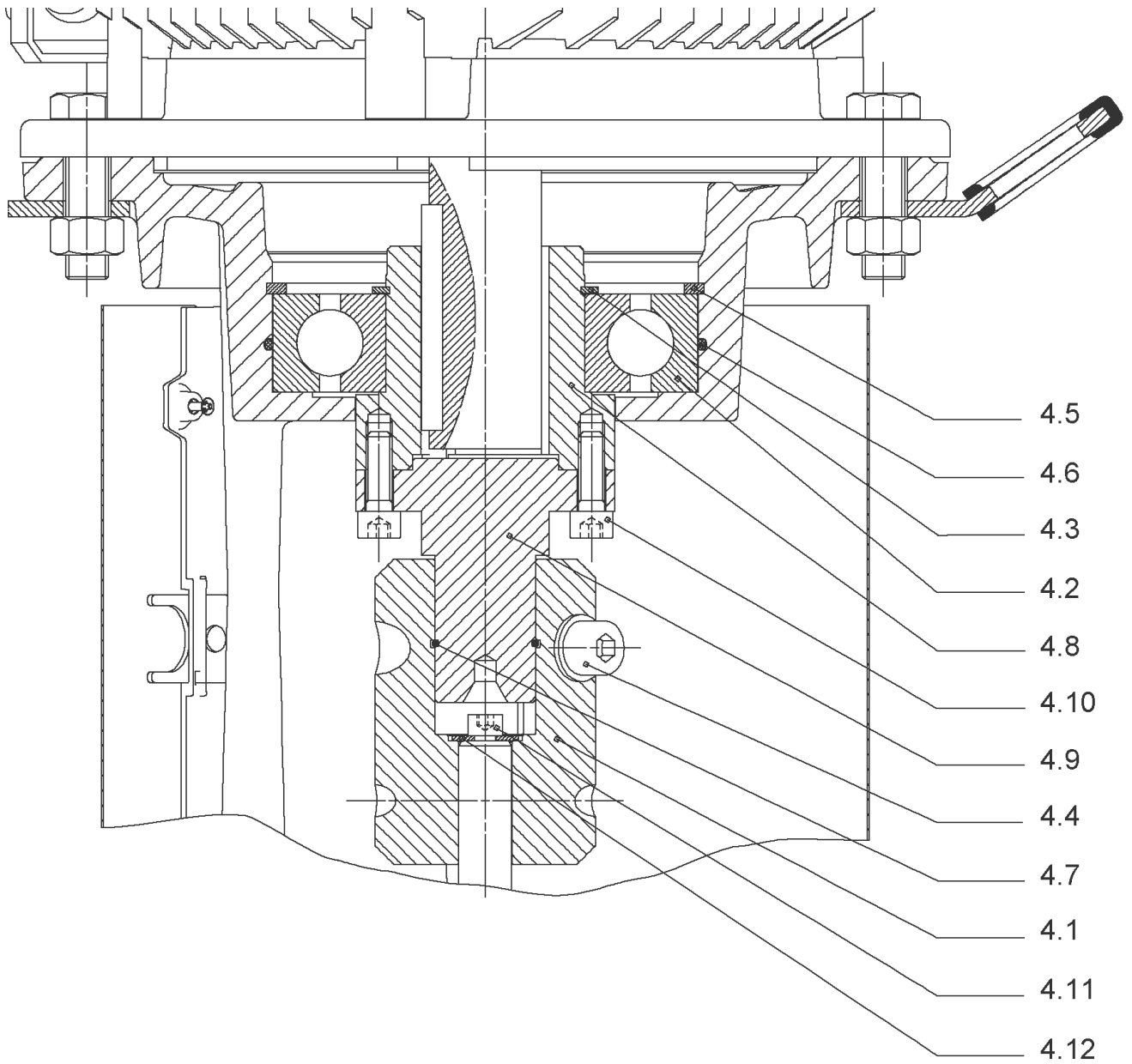


HELIX V3605/2-2/25/V/KS/400-50 (4150760)

Item	Article no.	Description	Quantity
1	4199884	MOTOR 11/2/160 3~400V 50HZ VP.	1
		SPARE PARTS MOTOR:ON REQUEST	1
2	4179586	SCREW M16X60 (4 PIECES)	1
3	4157721	LANTERN HELIX 22/36 FF300 BB6312 KIT	1
3.1		> LANTERN FF300 M+ GJL MACHINED+CATA 6312	1
3.2	4179589	> EYELET CPL.FF300 HELIX(4 PIECES)	1
3.3	4143969	> COUPLING PROTECT HELIX FF KIT	1
4	4143966	COUPLING D.20XD.38 FF300 KIT	1
5	4157725	SCREW M10X40 (4 PIECES)	1
6	4181083	STUD BOLT M16X466 KIT	1
6.1		> TIE BOLT M16-466x24x44-1.4057	1
6.2	4179562	> NUT M16 8.8 ISO4032 (4 PIECES)	1
6.3	4097852	> WASHER-CS-16.4-32-2.8-NFE25-511-A2	1
7	4179959	END SHIELD HELIX 8" FKM 1.4404 KIT	1
7.1		> END SHIELD HELIX 316L MACHINED	1
7.2	4179958	> O-RING-ID.42.52X2.62 VITON VP.	1
7.3	2107767	> O-RING ID.202,80x3,53 VITON VP.	1
8	4161256	FILING/PURGING PLUG FKM KIT	1
8.1		> FILLING/VENTING-PLUG-VM18/10-316L	1
8.2		> FILLING AND VENTING PLUG M+8" 316L	1
8.3		> GASKET-17x3-VITON	1
9	4158206	CARTRIDGE HELIX22-36-52 F/V KIT	1
10	4181128	HOUSING PIPE D.204X397 1.4404 KIT	1
7.3	2107767	> O-RING ID.202,80x3,53 VITON VP.	1
10.1		> HOUSING-PIPE Ø204-M+3605-316L	1
12	4161186	SHAFT EQUIPMENT HELIX V36 8" KIT	1
13		HYDRAULIC HELIX V 3605-2	1
14	4181130	SHAFTS D.22X554 1.4462 VP.	1
15	4161255	EQUIPED HOUSING DN65 HELIX 36 1.4409 KIT	1
7.3	2107767	> O-RING ID.202,80x3,53 VITON VP.	1
15.1		> PUMP HOUSING M+ DN65 316L MACHINED	1
15.1		> GASKET HOLDER M+ DN65 316L MACHINED	1
15.1		> HYDRAULIC SUPPORT M+ DN65 316L MACHINED	1
15.2	4158195	> PLUG PRESSURE CONNECTION G1/4"316L KIT	1

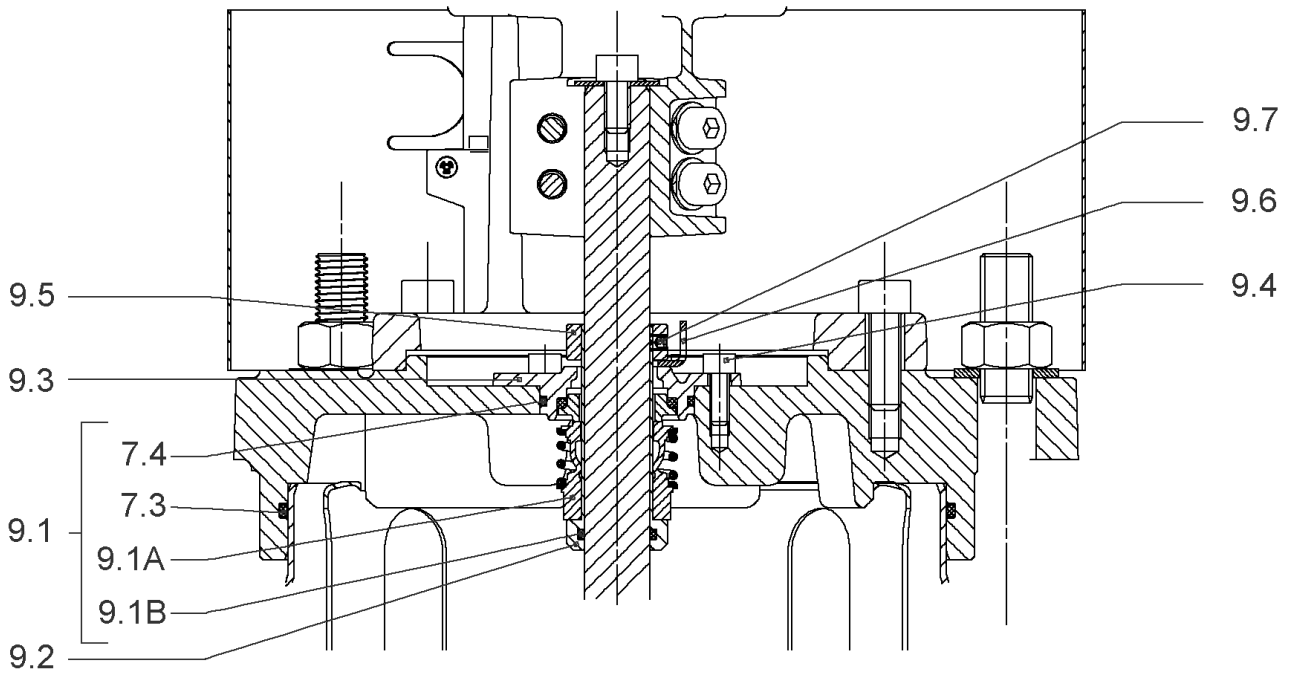
HELIX V3605/2-2/25/V/KS/400-50 (4150760)

Item	Article no.	Description	Quantity
15.2A		>> PLUG PRESSURE CONNECTION - G1/4" - 316L	1
15.2B	2107769	>> O-RING ID.9,9x2,62 VITON VP.	1
15.3	4158196	> DRAIN/PRIMING PLUG VITON HELIX KIT	1
15.3A		>> DRAIN-AND-PRIMING-PLUG-VM18"-316L	1
15.3B	4032294	>> GASKET-10x3-VITON	1
15.3C	2107768	>> O-RING ID.8,9x2,7 VITON VP.	1
15.4	4143749	> BASE M+ DN50/65/80-304	1
15.5		> SCREW TBHC M12x25 ISO7380 ZN	1
15.6	4124455	> FLANGE M+ DN65 NF PN16-25 ASME PN16 CATA	1
15.7		> O-RING Ø79.5xØ3 VITON	1
13.1A	4161268	> NECK RING 1.STAGE HELIX 36 316 KIT	1
		>> NECK-RING-M+36/52	1
		>> HYDRAULIC SUPPORT CAP M+36/52 316	1
		>> SCREW TCL M3X8 A4 POZIDRIV	1



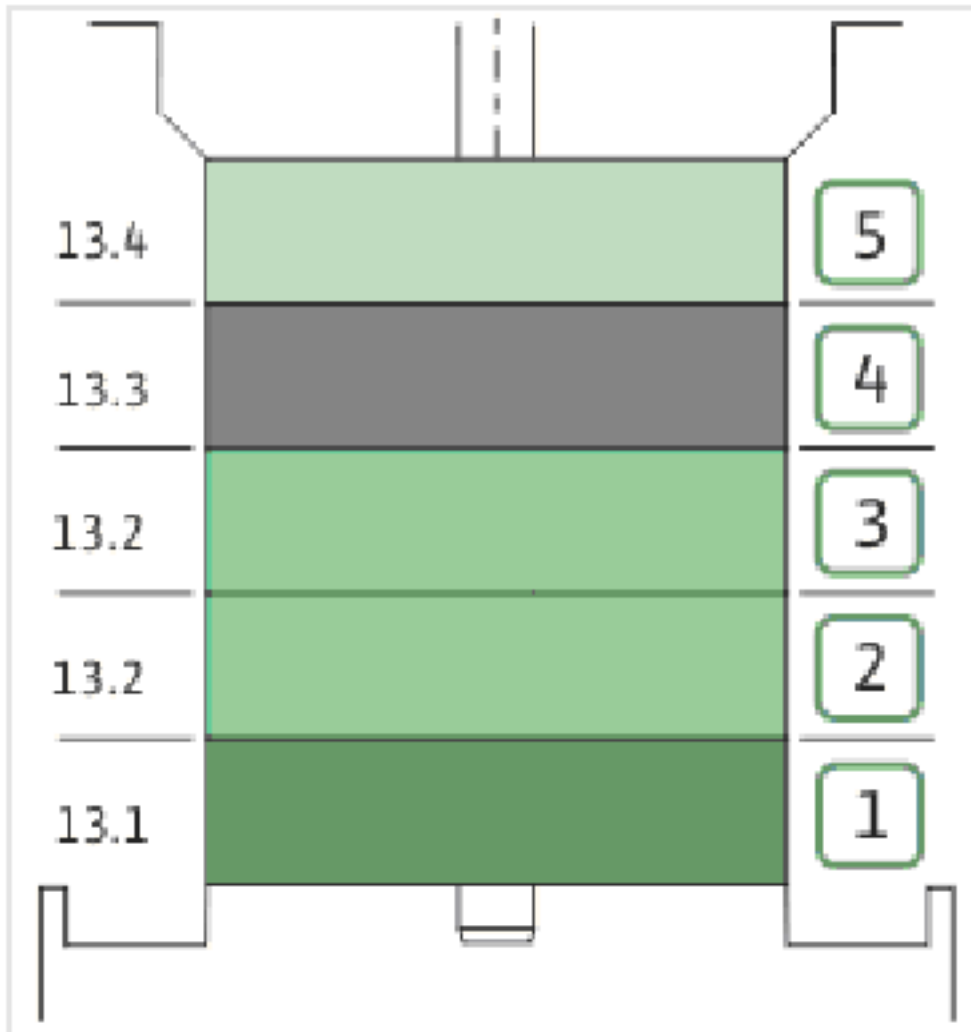
COUPLING D.20XD.38 FF300 KIT (4143966)

Item	Article no.	Description	Quantity
4.1	4179590	COUPLING 2 PARTS D.20XD.38XL115 VP.	1
4.2	2123699	BALL BEARING 6312/2Z-C4 (HT) VP.	1
4.3	63428	CIRCLIP-FOR-SHAFT-D60x2	1
4.4	2130991	SCREW M12X30 ISO4762 8.8 ZN(4 PIECES)	1
4.5	4032277	CIRCLIP-HOLE-130x4	1
4.6	4006725	O-RING ID.132,94x3,53 NBR70SR	1
4.7	2130992	RETAINING RING D.35xD.2,5 DIN7993 VP.	1
4.8	4179591	HUB D.42xD.60 VP.	1
4.9	2130994	SPACER D.38XD.55 VP.	1
4.10	4094462	SCREWS M10 (4 PIECES)	1
4.11	4233959	SCREW M8x16 VP.	1
4.12		SERRATED LOCK WASHER Ø8.2XØ25X35X2	1



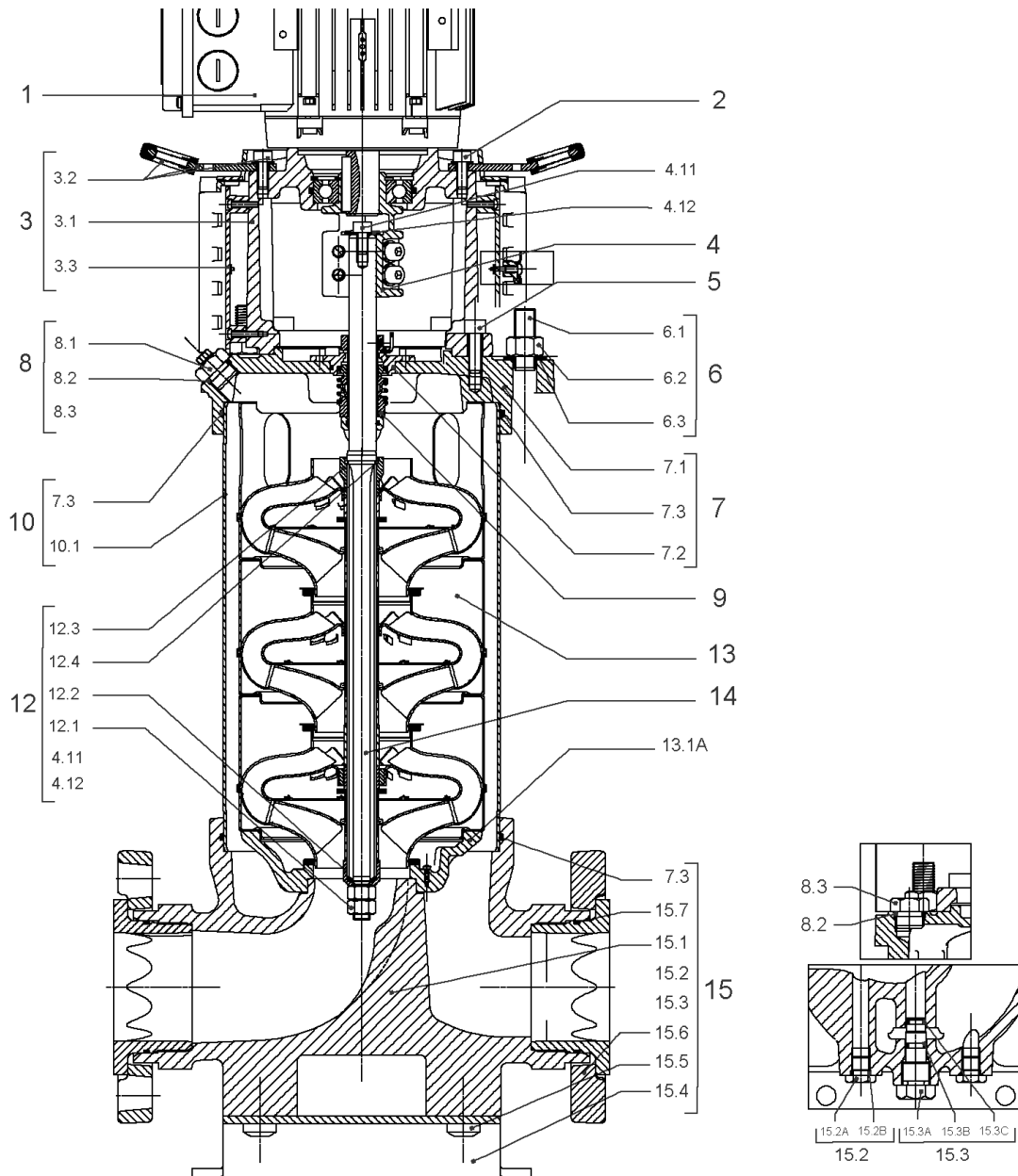
CARTRIDGE HELIX22-36-52 F/V KIT (4158206)

Item	Article no.	Description	Quantity
9.1	4158205	SEAL-KIT-HELIX22-36-52 F/V	1
7.3	2107767	> O-RING ID.202,80x3,53 VITON VP.	1
7.4	4179958	> O-RING-ID.42.52X2.62 VITON VP.	1
9.1A	4179982	> M.SEAL.HELIX22-36-52 F/V VP.	1
9.1B	4179960	> O-RING ID.20x2.65 FKM VP.	1
9.2	4179566	SHAFT SLEEVE D.20/20X60 1.4404 VP.	1
9.3	4179567	RING HOLDER Ø22 1.4301 VP.	1
9.4	4176520	SCREW CH M5x5 A4-70 (3PIECES)	1
9.5	4179568	DRIVE RING D.31/22.1x11 MACH.VP.	1
9.6	4179569	TOOL M.S.CART.HELIX 8" VP.	1
9.7	4179570	SCREW M6X16 ISO4762 8.8 GEOMET(4 PIECES)	1



HYDRAULIC HELIX V 3605-2

Item	Article no.	Description	Quantity
13.1	4161260	INTERMEDIATE STAGE HELIX V36 1.4404 KIT	1
		> SLEEVE-SPACER-D22XL16,66-316L	1
		> MACH.BEARING-DIFFUSER+NR-M+36-316	1
		> SHAFT-SLEEVE-D26xD22x16-CW	1
		> IMPELLER-H1-M+36-316	1
13.2	4161261	INTERMEDIATE STAGE HELIX V36 1.4404 KIT	1
		> MACH.STD-DIFFUSER+NR-M+36-316	1
		> IMPELLER-H4-M+36-316	1
13.3	4161263	INTERMEDIATE STAGE HELIX V36 1.4404 KIT	1
		> MACH.STD-DIFFUSER+NR-M+36-316	1
		> REDUCED-IMPELLER-H4-M+36-316	1
13.4	4161264	UPPER STAGE HELIX 36 1.4404 KIT	1
		> STOP COLLAR OF IMPELLER L20-Ø22-316L	1
		> REDUCED-IMPELLER-H4-M+36-316	1
		> MACH.-RIGID-STD-DISCH.-CHAMBER-M+36-316	1



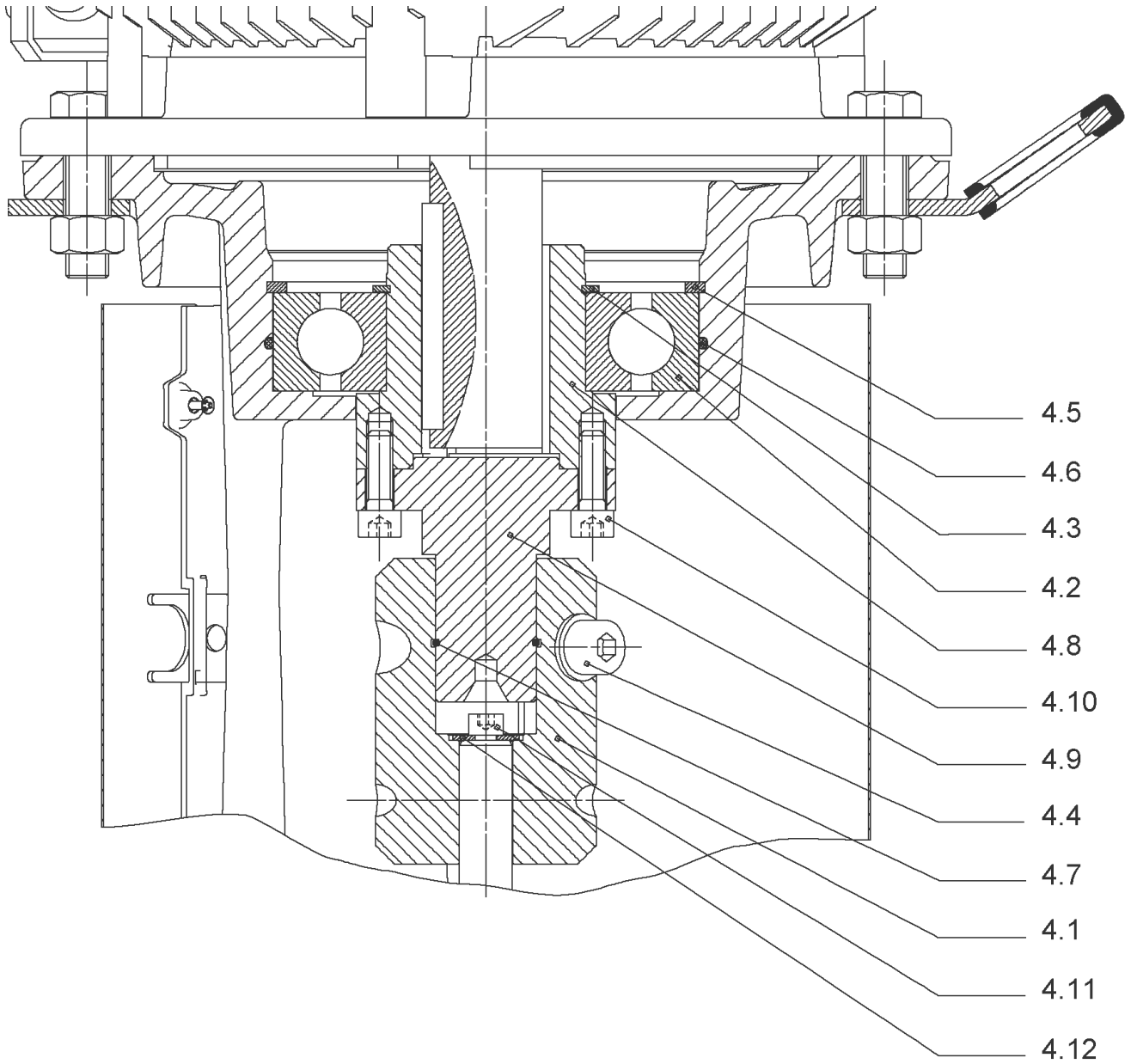
HELIX V3605-2/16/V/KS/400-50 (4150761)

Item	Article no.	Description	Quantity
1	4199884	MOTOR 11/2/160 3~400V 50HZ VP.	1
		SPARE PARTS MOTOR:ON REQUEST	1
2	4179586	SCREW M16X60 (4 PIECES)	1
3	4157721	LANTERN HELIX 22/36 FF300 BB6312 KIT	1
3.1		> LANTERN FF300 M+ GJL MACHINED+CATA 6312	1
3.2	4179589	> EYELET CPL.FF300 HELIX(4 PIECES)	1
3.3	4143969	> COUPLING PROTECT HELIX FF KIT	1
4	4143966	COUPLING D.20XD.38 FF300 KIT	1
5	4157725	SCREW M10X40 (4 PIECES)	1
6	4181083	STUD BOLT M16X466 KIT	1
6.1		> TIE BOLT M16-466x24x44-1.4057	1
6.2	4179562	> NUT M16 8.8 ISO4032 (4 PIECES)	1
6.3	4097852	> WASHER-CS-16.4-32-2.8-NFE25-511-A2	1
7	4179959	END SHIELD HELIX 8" FKM 1.4404 KIT	1
7.1		> END SHIELD HELIX 316L MACHINED	1
7.2	4179958	> O-RING-ID.42.52X2.62 VITON VP.	1
7.3	2107767	> O-RING ID.202,80x3,53 VITON VP.	1
8	4161256	FILING/PURGING PLUG FKM KIT	1
8.1		> FILLING/VENTING-PLUG-VM18/10-316L	1
8.2		> FILLING AND VENTING PLUG M+8" 316L	1
8.3		> GASKET-17x3-VITON	1
9	4158204	CARTRIDGE HELIX22-36-52 O/V KIT	1
10	4181128	HOUSING PIPE D.204X397 1.4404 KIT	1
7.3	2107767	> O-RING ID.202,80x3,53 VITON VP.	1
10.1		> HOUSING-PIPE Ø204-M+3605-316L	1
12	4161186	SHAFT EQUIPMENT HELIX V36 8" KIT	1
13		HYDRAULIC HELIX V 3605	1
14	4181130	SHAFTS D.22X554 1.4462 VP.	1
15	4161255	EQUIPED HOUSING DN65 HELIX 36 1.4409 KIT	1
7.3	2107767	> O-RING ID.202,80x3,53 VITON VP.	1
15.1		> PUMP HOUSING M+ DN65 316L MACHINED	1
15.1		> GASKET HOLDER M+ DN65 316L MACHINED	1
15.1		> HYDRAULIC SUPPORT M+ DN65 316L MACHINED	1
15.2	4158195	> PLUG PRESSURE CONNECTION G1/4"316L KIT	1

HELIX V3605-2/16/V/KS/400-50 (4150761)

Item	Article no.	Description	Quantity
15.2A		>> PLUG PRESSURE CONNECTION - G1/4" - 316L	1
15.2B	2107769	>> O-RING ID.9,9x2,62 VITON VP.	1
15.3	4158196	> DRAIN/PRIMING PLUG VITON HELIX KIT	1
15.3A		>> DRAIN-AND-PRIMING-PLUG-VM18"-316L	1
15.3B	4032294	>> GASKET-10x3-VITON	1
15.3C	2107768	>> O-RING ID.8,9x2,7 VITON VP.	1
15.4	4143749	> BASE M+ DN50/65/80-304	1
15.5		> SCREW TBHC M12x25 ISO7380 ZN	1
15.6	4124455	> FLANGE M+ DN65 NF PN16-25 ASME PN16 CATA	1
15.7		> O-RING Ø79.5xØ3 VITON	1
13.1A	4161268	> NECK RING 1.STAGE HELIX 36 316 KIT	1
		>> NECK-RING-M+36/52	1
		>> HYDRAULIC SUPPORT CAP M+36/52 316	1
		>> SCREW TCL M3X8 A4 POZIDRIV	1

COUPLING D.20XD.38 FF300 KIT (4143966)



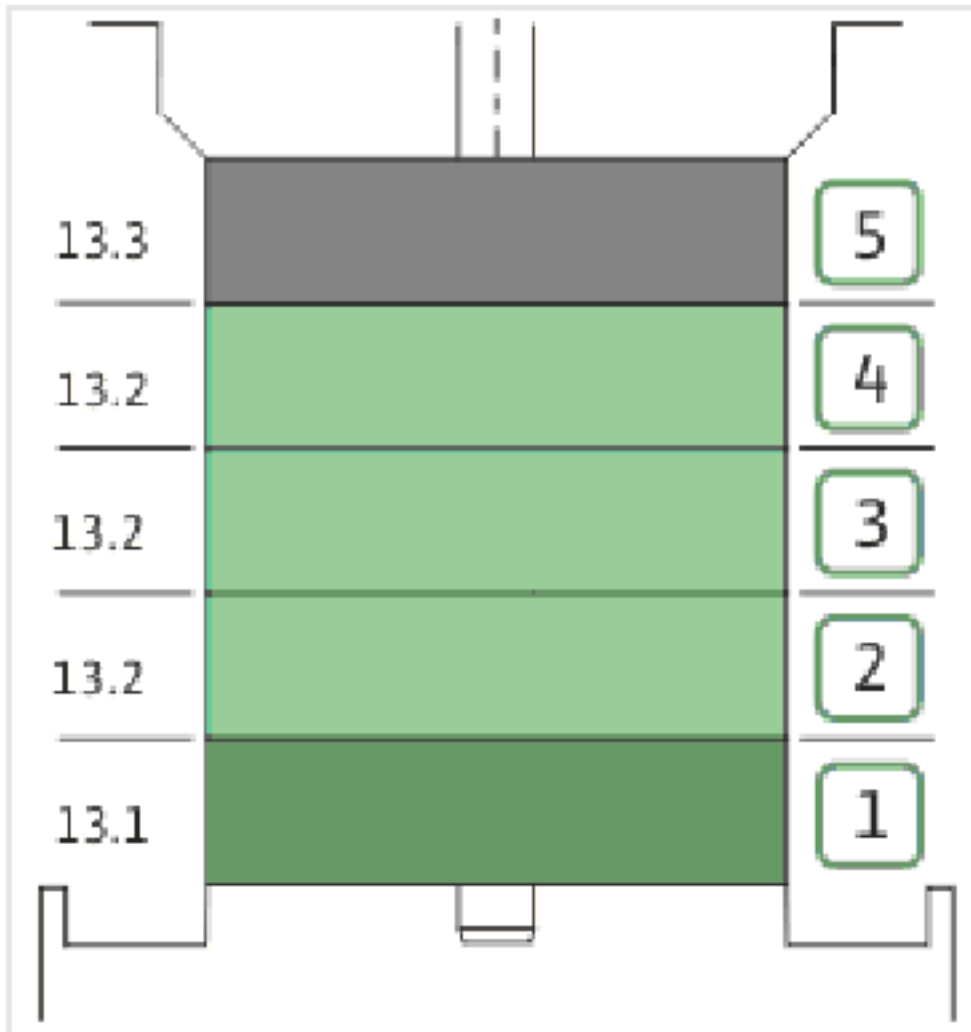
COUPLING D.20XD.38 FF300 KIT (4143966)

Item	Article no.	Description	Quantity
4.1	4179590	COUPLING 2 PARTS D.20XD.38XL115 VP.	1
4.2	2123699	BALL BEARING 6312/2Z-C4 (HT) VP.	1
4.3	63428	CIRCLIP-FOR-SHAFT-D60x2	1
4.4	2130991	SCREW M12X30 ISO4762 8.8 ZN(4 PIECES)	1
4.5	4032277	CIRCLIP-HOLE-130x4	1
4.6	4006725	O-RING ID.132,94x3,53 NBR70SR	1
4.7	2130992	RETAINING RING D.35xD.2,5 DIN7993 VP.	1
4.8	4179591	HUB D.42xD.60 VP.	1
4.9	2130994	SPACER D.38XD.55 VP.	1
4.10	4094462	SCREWS M10 (4 PIECES)	1
4.11	4233959	SCREW M8x16 VP.	1
4.12		SERRATED LOCK WASHER Ø8.2XØ25X35X2	1

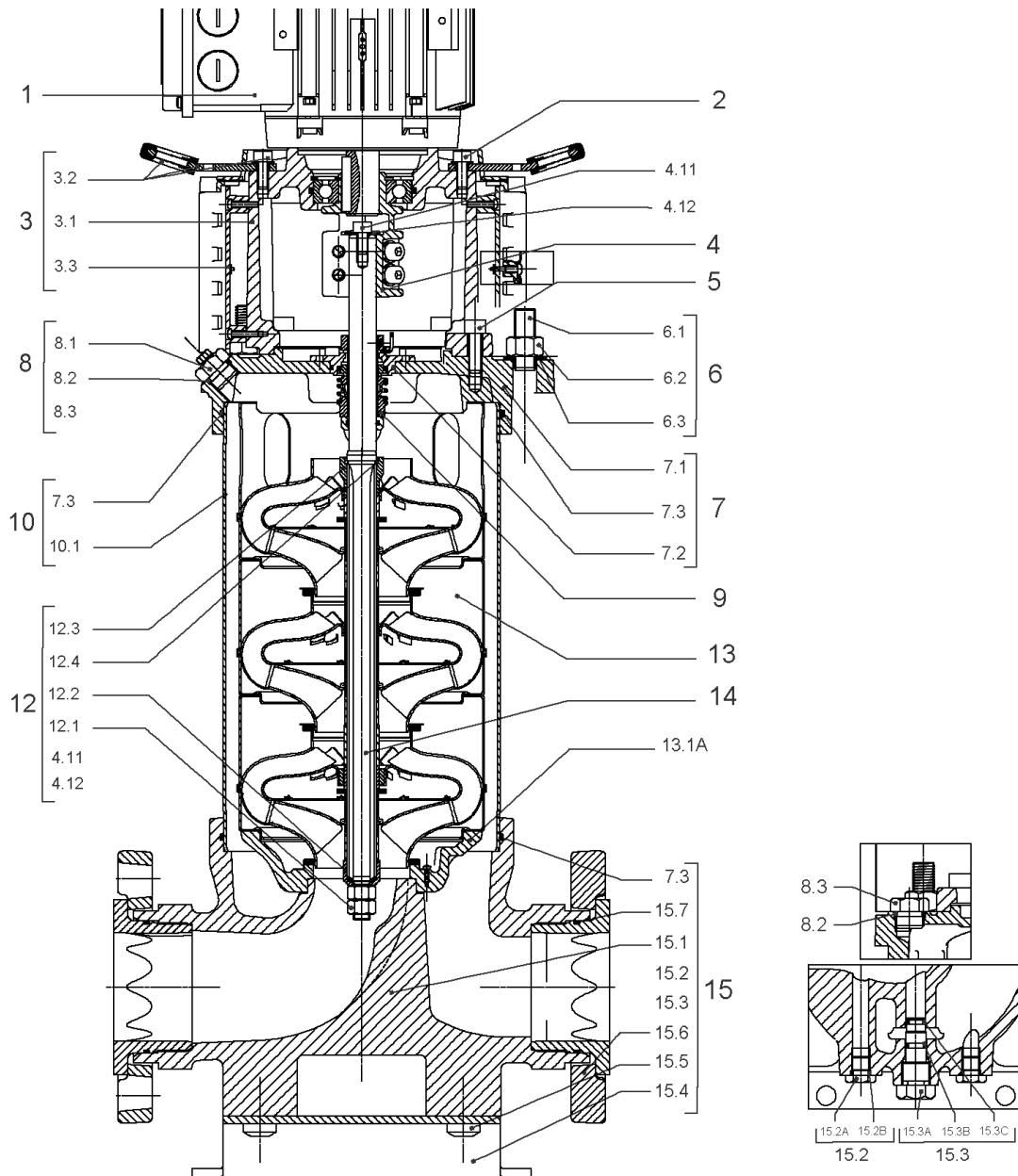


CARTRIDGE HELIX22-36-52 O/V KIT (4158204)

Item	Article no.	Description	Quantity
9.1	4158203	SEAL-KIT-HELIX22-36-52 O/V	1
7.3	2107767	> O-RING ID.202,80x3,53 VITON VP.	1
7.4	4179958	> O-RING-ID.42.52X2.62 VITON VP.	1
9.1A	2127454	> M.SEAL.HELIX22-36-52 O/V VP.	1
9.1B	4179960	> O-RING ID.20x2.65 FKM VP.	1
9.2	4179566	SHAFT SLEEVE D.20/20X60 1.4404 VP.	1
9.3	4179567	RING HOLDER Ø22 1.4301 VP.	1
9.4	4176520	SCREW CH M5x5 A4-70 (3PIECES)	1
9.5	4179568	DRIVE RING D.31/22.1x11 MACH.VP.	1
9.6	4179569	TOOL M.S.CART.HELIX 8" VP.	1
9.7	4179570	SCREW M6X16 ISO4762 8.8 GEOMET(4 PIECES)	1



Item	Article no.	Description	Quantity
13.1	4161260	INTERMEDIATE STAGE HELIX V36 1.4404 KIT	1
		> SLEEVE-SPACER-D22XL16,66-316L	1
		> MACH.BEARING-DIFFUSER+NR-M+36-316	1
		> SHAFT-SLEEVE-D26xD22x16-CW	1
		> IMPELLER-H1-M+36-316	1
13.2	4161261	INTERMEDIATE STAGE HELIX V36 1.4404 KIT	1
		> MACH.STD-DIFFUSER+NR-M+36-316	1
		> IMPELLER-H4-M+36-316	1
13.3	4161262	UPPER STAGE HELIX 36 1.4404 KIT	1
		> STOP COLLAR OF IMPELLER L20-Ø22-316L	1
		> MACH.-RIGID-STD-DISCH.-CHAMBER-M+36-316	1
		> IMPELLER-H4-M+36-316	1

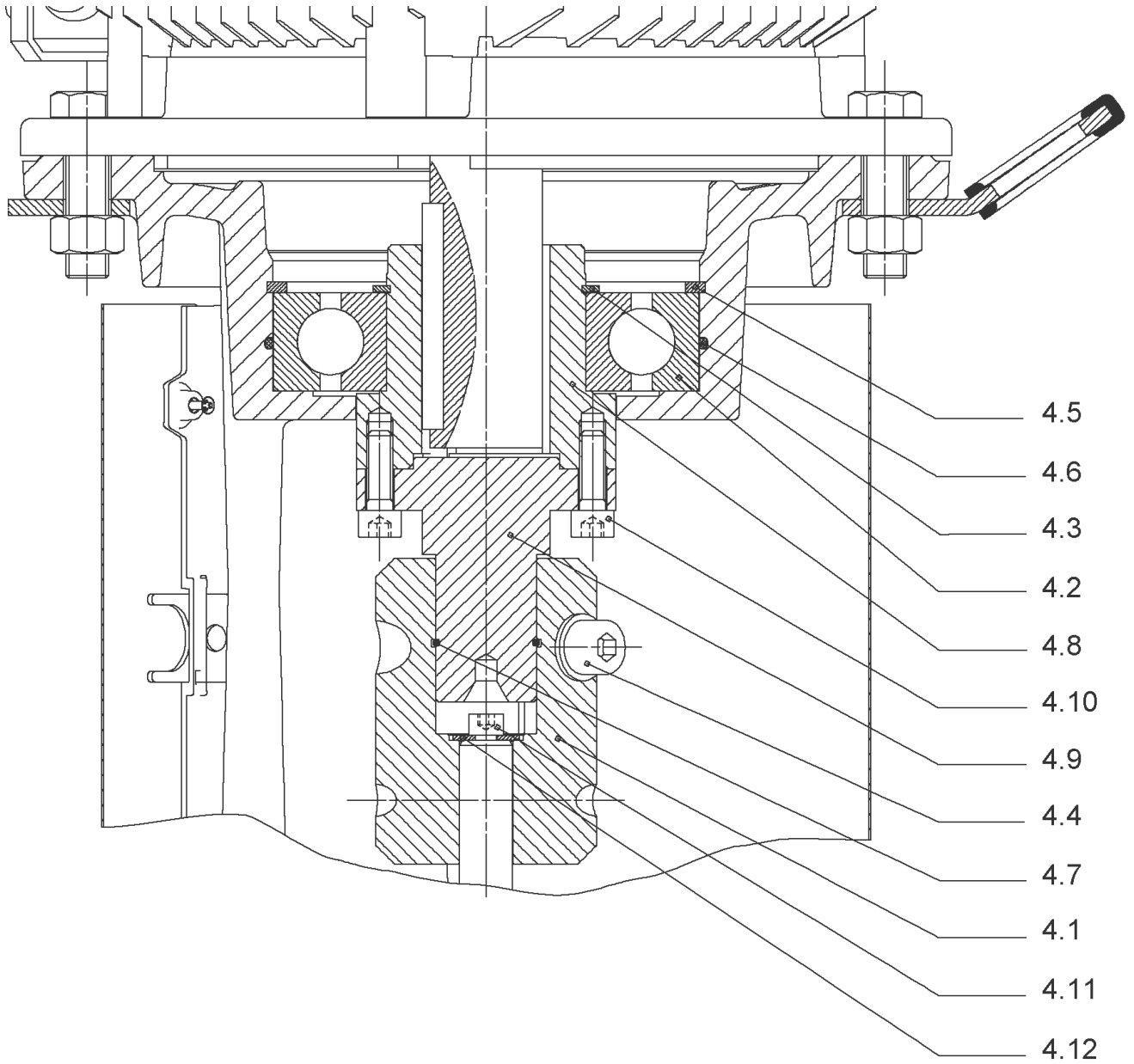


HELIX V3605-2/25/V/KS/400-50 (4150762)

Item	Article no.	Description	Quantity
1	4199884	MOTOR 11/2/160 3~400V 50HZ VP.	1
		SPARE PARTS MOTOR:ON REQUEST	1
2	4179586	SCREW M16X60 (4 PIECES)	1
3	4157721	LANTERN HELIX 22/36 FF300 BB6312 KIT	1
3.1		> LANTERN FF300 M+ GJL MACHINED+CATA 6312	1
3.2	4179589	> EYELET CPL.FF300 HELIX(4 PIECES)	1
3.3	4143969	> COUPLING PROTECT HELIX FF KIT	1
4	4143966	COUPLING D.20XD.38 FF300 KIT	1
5	4157725	SCREW M10X40 (4 PIECES)	1
6	4181083	STUD BOLT M16X466 KIT	1
6.1		> TIE BOLT M16-466x24x44-1.4057	1
6.2	4179562	> NUT M16 8.8 ISO4032 (4 PIECES)	1
6.3	4097852	> WASHER-CS-16.4-32-2.8-NFE25-511-A2	1
7	4179959	END SHIELD HELIX 8" FKM 1.4404 KIT	1
7.1		> END SHIELD HELIX 316L MACHINED	1
7.2	4179958	> O-RING-ID.42.52X2.62 VITON VP.	1
7.3	2107767	> O-RING ID.202,80x3,53 VITON VP.	1
8	4161256	FILING/PURGING PLUG FKM KIT	1
8.1		> FILLING/VENTING-PLUG-VM18/10-316L	1
8.2		> FILLING AND VENTING PLUG M+8" 316L	1
8.3		> GASKET-17x3-VITON	1
9	4158204	CARTRIDGE HELIX22-36-52 O/V KIT	1
10	4181128	HOUSING PIPE D.204X397 1.4404 KIT	1
7.3	2107767	> O-RING ID.202,80x3,53 VITON VP.	1
10.1		> HOUSING-PIPE Ø204-M+3605-316L	1
12	4161186	SHAFT EQUIPMENT HELIX V36 8" KIT	1
13		HYDRAULIC HELIX V 3605	1
14	4181130	SHAFTS D.22X554 1.4462 VP.	1
15	4161255	EQUIPED HOUSING DN65 HELIX 36 1.4409 KIT	1
7.3	2107767	> O-RING ID.202,80x3,53 VITON VP.	1
15.1		> PUMP HOUSING M+ DN65 316L MACHINED	1
15.1		> GASKET HOLDER M+ DN65 316L MACHINED	1
15.1		> HYDRAULIC SUPPORT M+ DN65 316L MACHINED	1
15.2	4158195	> PLUG PRESSURE CONNECTION G1/4"316L KIT	1

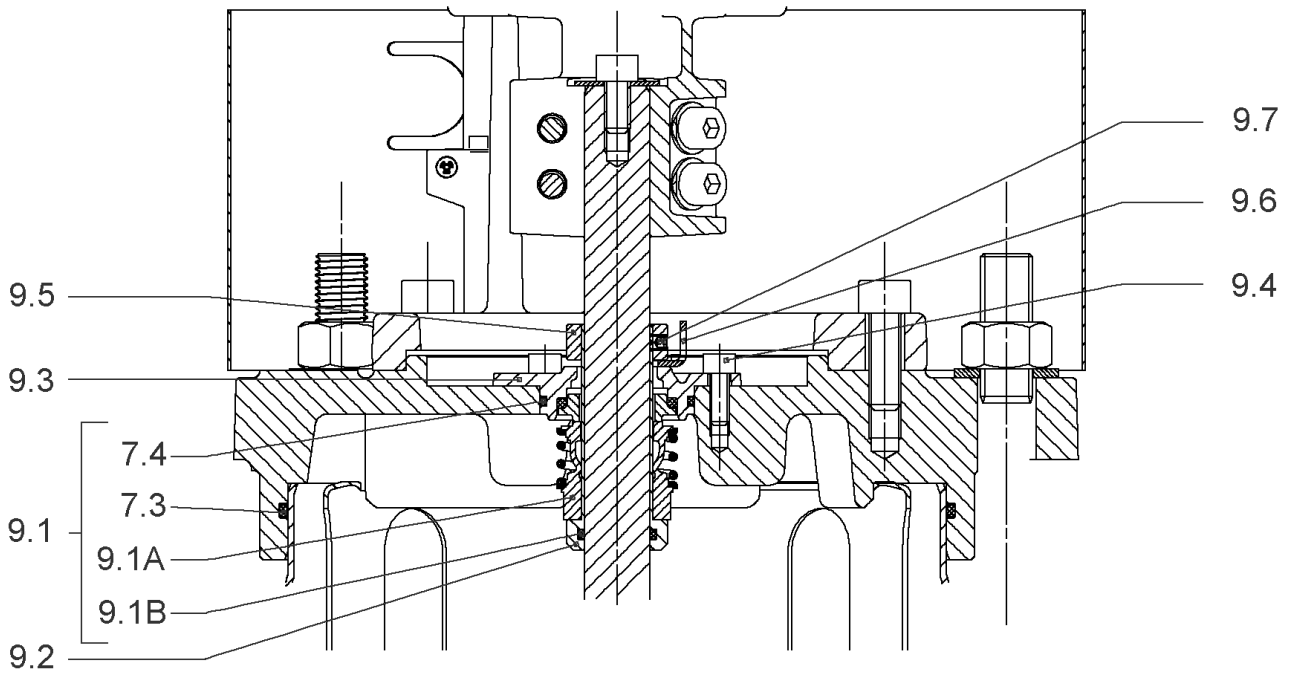
HELIX V3605-2/25/V/KS/400-50 (4150762)

Item	Article no.	Description	Quantity
15.2A		>> PLUG PRESSURE CONNECTION - G1/4" - 316L	1
15.2B	2107769	>> O-RING ID.9,9x2,62 VITON VP.	1
15.3	4158196	> DRAIN/PRIMING PLUG VITON HELIX KIT	1
15.3A		>> DRAIN-AND-PRIMING-PLUG-VM18"-316L	1
15.3B	4032294	>> GASKET-10x3-VITON	1
15.3C	2107768	>> O-RING ID.8,9x2,7 VITON VP.	1
15.4	4143749	> BASE M+ DN50/65/80-304	1
15.5		> SCREW TBHC M12x25 ISO7380 ZN	1
15.6	4124455	> FLANGE M+ DN65 NF PN16-25 ASME PN16 CATA	1
15.7		> O-RING Ø79.5xØ3 VITON	1
13.1A	4161268	> NECK RING 1.STAGE HELIX 36 316 KIT	1
		>> NECK-RING-M+36/52	1
		>> HYDRAULIC SUPPORT CAP M+36/52 316	1
		>> SCREW TCL M3X8 A4 POZIDRIV	1



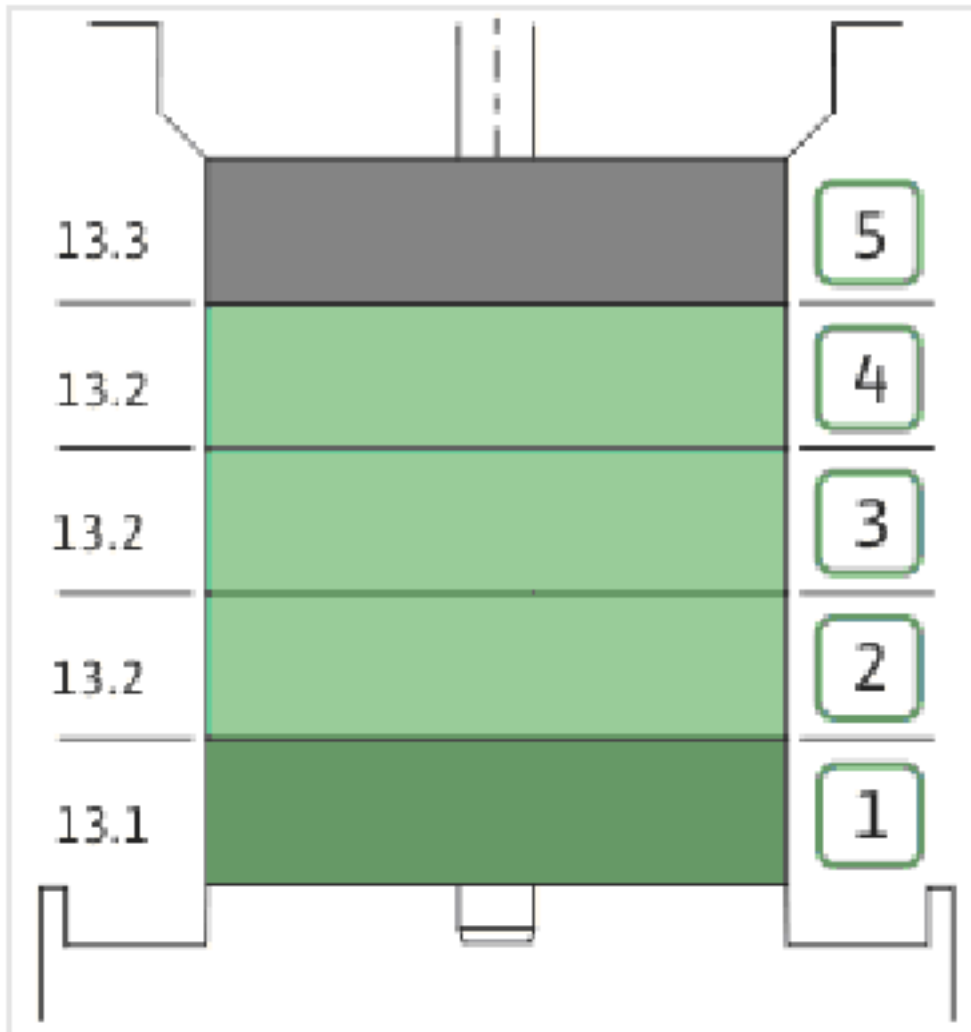
COUPLING D.20XD.38 FF300 KIT (4143966)

Item	Article no.	Description	Quantity
4.1	4179590	COUPLING 2 PARTS D.20XD.38XL115 VP.	1
4.2	2123699	BALL BEARING 6312/2Z-C4 (HT) VP.	1
4.3	63428	CIRCLIP-FOR-SHAFT-D60x2	1
4.4	2130991	SCREW M12X30 ISO4762 8.8 ZN(4 PIECES)	1
4.5	4032277	CIRCLIP-HOLE-130x4	1
4.6	4006725	O-RING ID.132,94x3,53 NBR70SR	1
4.7	2130992	RETAINING RING D.35xD.2,5 DIN7993 VP.	1
4.8	4179591	HUB D.42xD.60 VP.	1
4.9	2130994	SPACER D.38XD.55 VP.	1
4.10	4094462	SCREWS M10 (4 PIECES)	1
4.11	4233959	SCREW M8x16 VP.	1
4.12		SERRATED LOCK WASHER Ø8.2XØ25X35X2	1

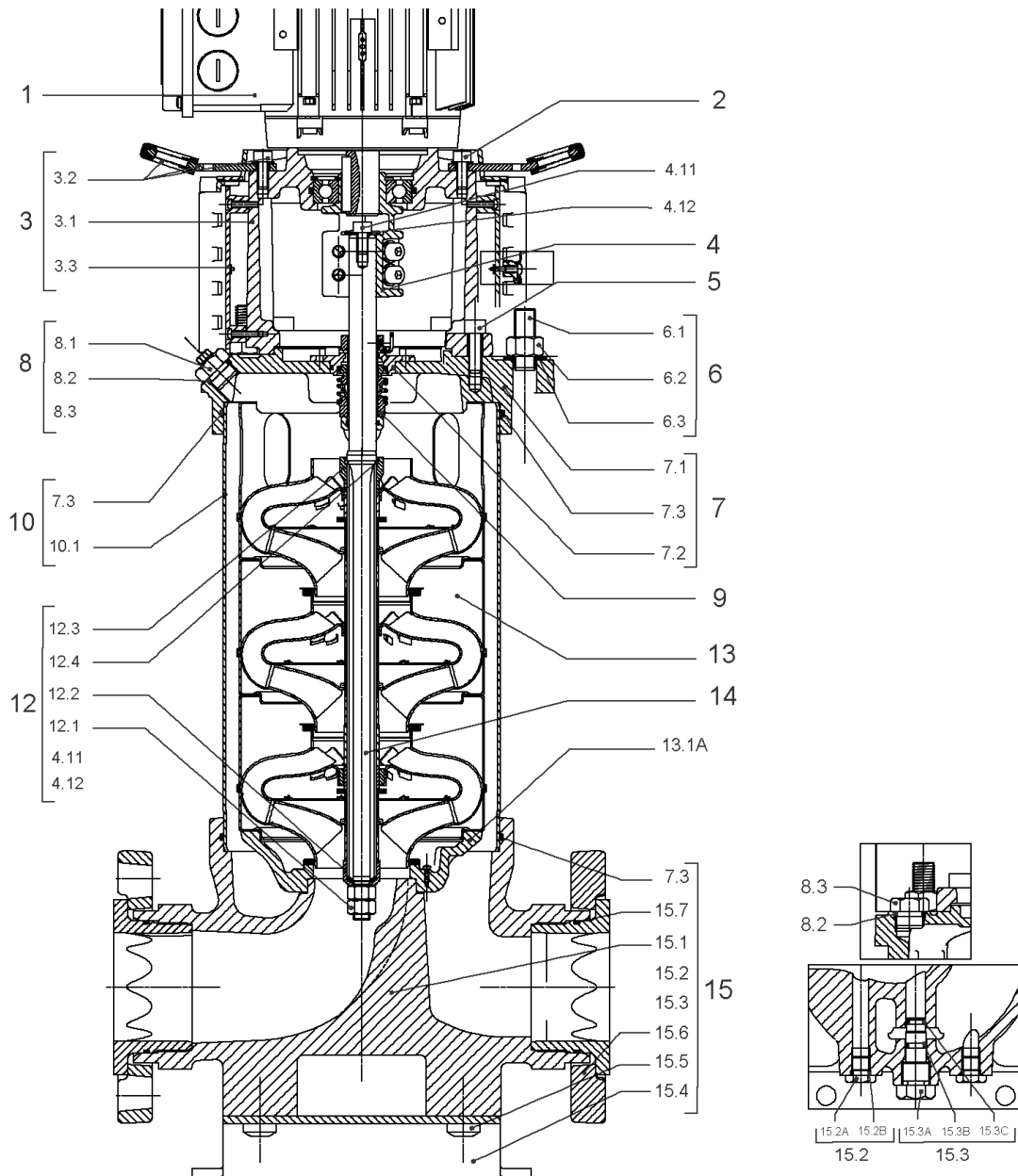


CARTRIDGE HELIX22-36-52 O/V KIT (4158204)

Item	Article no.	Description	Quantity
9.1	4158203	SEAL-KIT-HELIX22-36-52 O/V	1
7.3	2107767	> O-RING ID.202,80x3,53 VITON VP.	1
7.4	4179958	> O-RING-ID.42.52X2.62 VITON VP.	1
9.1A	2127454	> M.SEAL.HELIX22-36-52 O/V VP.	1
9.1B	4179960	> O-RING ID.20x2.65 FKM VP.	1
9.2	4179566	SHAFT SLEEVE D.20/20X60 1.4404 VP.	1
9.3	4179567	RING HOLDER Ø22 1.4301 VP.	1
9.4	4176520	SCREW CH M5x5 A4-70 (3PIECES)	1
9.5	4179568	DRIVE RING D.31/22.1x11 MACH.VP.	1
9.6	4179569	TOOL M.S.CART.HELIX 8" VP.	1
9.7	4179570	SCREW M6X16 ISO4762 8.8 GEOMET(4 PIECES)	1



Item	Article no.	Description	Quantity
13.1	4161260	INTERMEDIATE STAGE HELIX V36 1.4404 KIT	1
		> SLEEVE-SPACER-D22XL16,66-316L	1
		> MACH.BEARING-DIFFUSER+NR-M+36-316	1
		> SHAFT-SLEEVE-D26xD22x16-CW	1
		> IMPELLER-H1-M+36-316	1
13.2	4161261	INTERMEDIATE STAGE HELIX V36 1.4404 KIT	1
		> MACH.STD-DIFFUSER+NR-M+36-316	1
		> IMPELLER-H4-M+36-316	1
13.3	4161262	UPPER STAGE HELIX 36 1.4404 KIT	1
		> STOP COLLAR OF IMPELLER L20-Ø22-316L	1
		> MACH.-RIGID-STD-DISCH.-CHAMBER-M+36-316	1
		> IMPELLER-H4-M+36-316	1

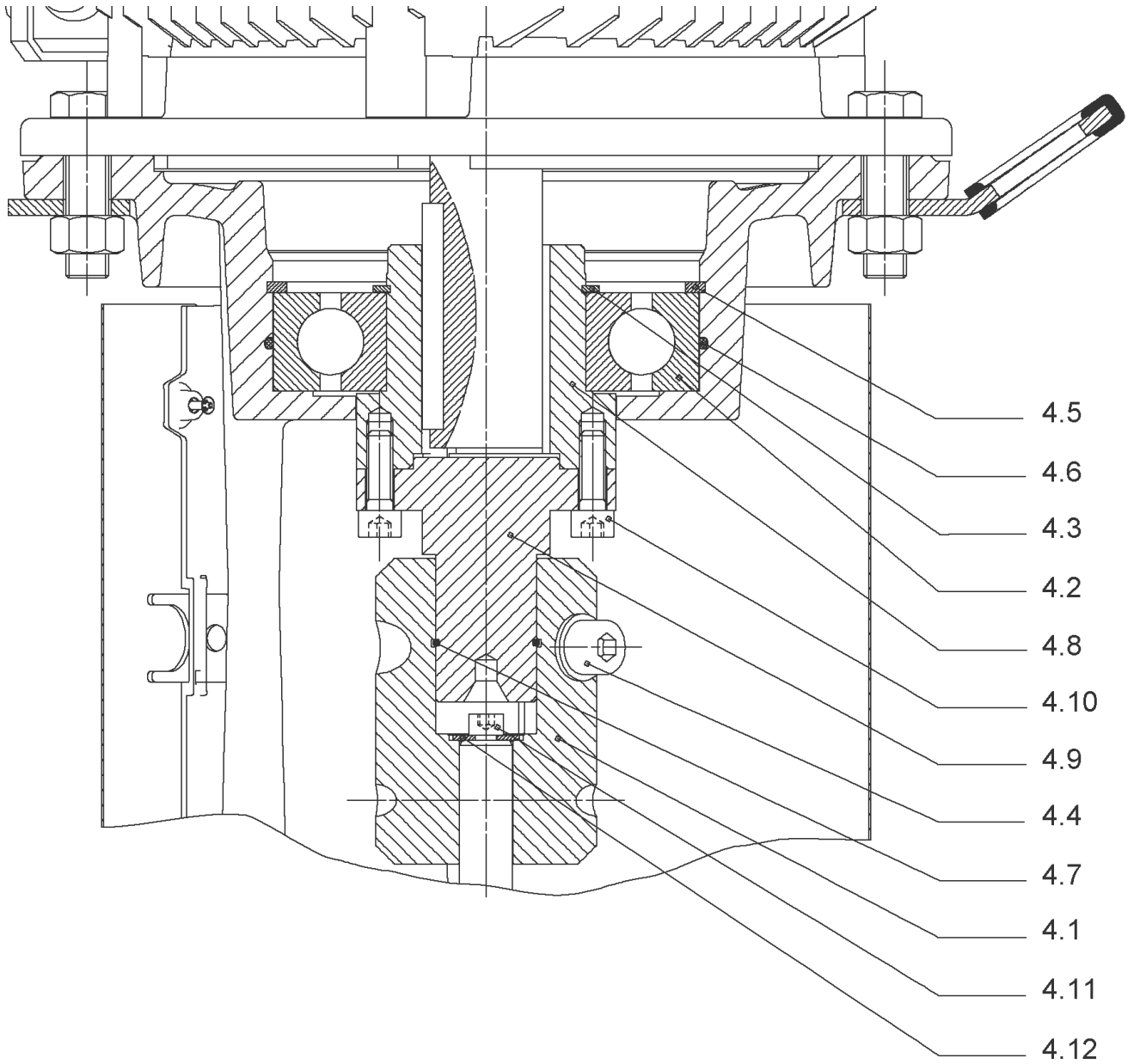


HELIX V3606/2-2/16/V/KS/400-50 (4150763)

Item	Article no.	Description	Quantity
1	4199884	MOTOR 11/2/160 3~400V 50HZ VP.	1
		SPARE PARTS MOTOR:ON REQUEST	1
2	4179586	SCREW M16X60 (4 PIECES)	1
3	4157721	LANTERN HELIX 22/36 FF300 BB6312 KIT	1
3.1		> LANTERN FF300 M+ GJL MACHINED+CATA 6312	1
3.2	4179589	> EYELET CPL.FF300 HELIX(4 PIECES)	1
3.3	4143969	> COUPLING PROTECT HELIX FF KIT	1
4	4143966	COUPLING D.20XD.38 FF300 KIT	1
5	4157725	SCREW M10X40 (4 PIECES)	1
6	4181086	STUD BOLT M16X533 KIT	1
6.1		> TIE BOLT M16-533x24x44-1.4057	1
6.2	4179562	> NUT M16 8.8 ISO4032 (4 PIECES)	1
6.3	4097852	> WASHER-CS-16.4-32-2.8-NFE25-511-A2	1
7	4179959	END SHIELD HELIX 8" FKM 1.4404 KIT	1
7.1		> END SHIELD HELIX 316L MACHINED	1
7.2	4179958	> O-RING-ID.42.52X2.62 VITON VP.	1
7.3	2107767	> O-RING ID.202,80x3,53 VITON VP.	1
8	4161256	FILING/PURGING PLUG FKM KIT	1
8.1		> FILLING/VENTING-PLUG-VM18/10-316L	1
8.2		> FILLING AND VENTING PLUG M+8" 316L	1
8.3		> GASKET-17x3-VITON	1
9	4158204	CARTRIDGE HELIX22-36-52 O/V KIT	1
10	4181132	HOUSING PIPE D.204X464 1.4404 KIT	1
7.3	2107767	> O-RING ID.202,80x3,53 VITON VP.	1
10.1		> HOUSING-PIPE Ø204-M+2208/3606-316L	1
12	4161186	SHAFT EQUIPMENT HELIX V36 8" KIT	1
13		HYDRAULIC HELIX V 3606-2	1
14	4181134	SHAFTS D.22XL620,67 1.4462 VP.	1
15	4161255	EQUIPED HOUSING DN65 HELIX 36 1.4409 KIT	1
7.3	2107767	> O-RING ID.202,80x3,53 VITON VP.	1
15.1		> PUMP HOUSING M+ DN65 316L MACHINED	1
15.1		> GASKET HOLDER M+ DN65 316L MACHINED	1
15.1		> HYDRAULIC SUPPORT M+ DN65 316L MACHINED	1
15.2	4158195	> PLUG PRESSURE CONNECTION G1/4"316L KIT	1

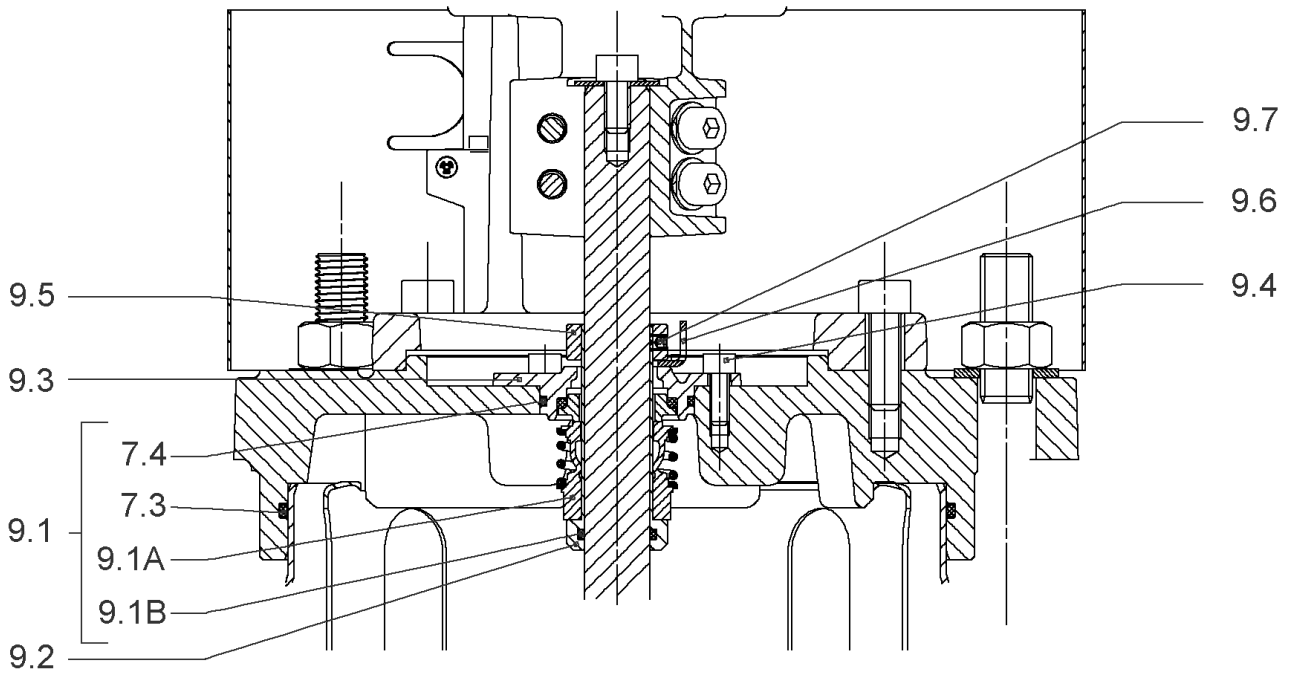
HELIX V3606/2-2/16/V/KS/400-50 (4150763)

Item	Article no.	Description	Quantity
15.2A		>> PLUG PRESSURE CONNECTION - G1/4" - 316L	1
15.2B	2107769	>> O-RING ID.9,9x2,62 VITON VP.	1
15.3	4158196	> DRAIN/PRIMING PLUG VITON HELIX KIT	1
15.3A		>> DRAIN-AND-PRIMING-PLUG-VM18"-316L	1
15.3B	4032294	>> GASKET-10x3-VITON	1
15.3C	2107768	>> O-RING ID.8,9x2,7 VITON VP.	1
15.4	4143749	> BASE M+ DN50/65/80-304	1
15.5		> SCREW TBHC M12x25 ISO7380 ZN	1
15.6	4124455	> FLANGE M+ DN65 NF PN16-25 ASME PN16 CATA	1
15.7		> O-RING Ø79.5xØ3 VITON	1
13.1A	4161268	> NECK RING 1.STAGE HELIX 36 316 KIT	1
		>> NECK-RING-M+36/52	1
		>> HYDRAULIC SUPPORT CAP M+36/52 316	1
		>> SCREW TCL M3X8 A4 POZIDRIV	1



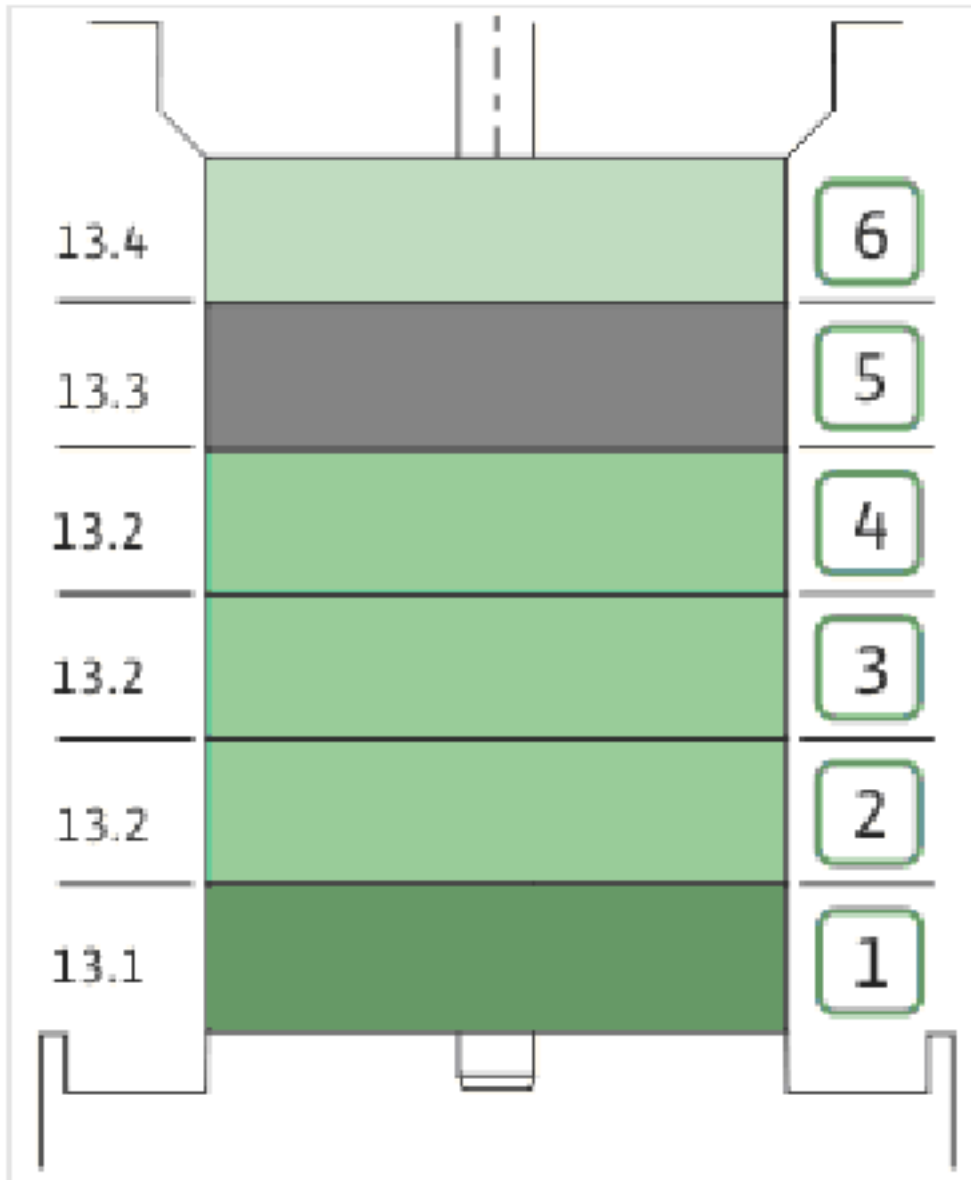
COUPLING D.20XD.38 FF300 KIT (4143966)

Item	Article no.	Description	Quantity
4.1	4179590	COUPLING 2 PARTS D.20XD.38XL115 VP.	1
4.2	2123699	BALL BEARING 6312/2Z-C4 (HT) VP.	1
4.3	63428	CIRCLIP-FOR-SHAFT-D60x2	1
4.4	2130991	SCREW M12X30 ISO4762 8.8 ZN(4 PIECES)	1
4.5	4032277	CIRCLIP-HOLE-130x4	1
4.6	4006725	O-RING ID.132,94x3,53 NBR70SR	1
4.7	2130992	RETAINING RING D.35xD.2,5 DIN7993 VP.	1
4.8	4179591	HUB D.42xD.60 VP.	1
4.9	2130994	SPACER D.38XD.55 VP.	1
4.10	4094462	SCREWS M10 (4 PIECES)	1
4.11	4233959	SCREW M8x16 VP.	1
4.12		SERRATED LOCK WASHER Ø8.2XØ25X35X2	1



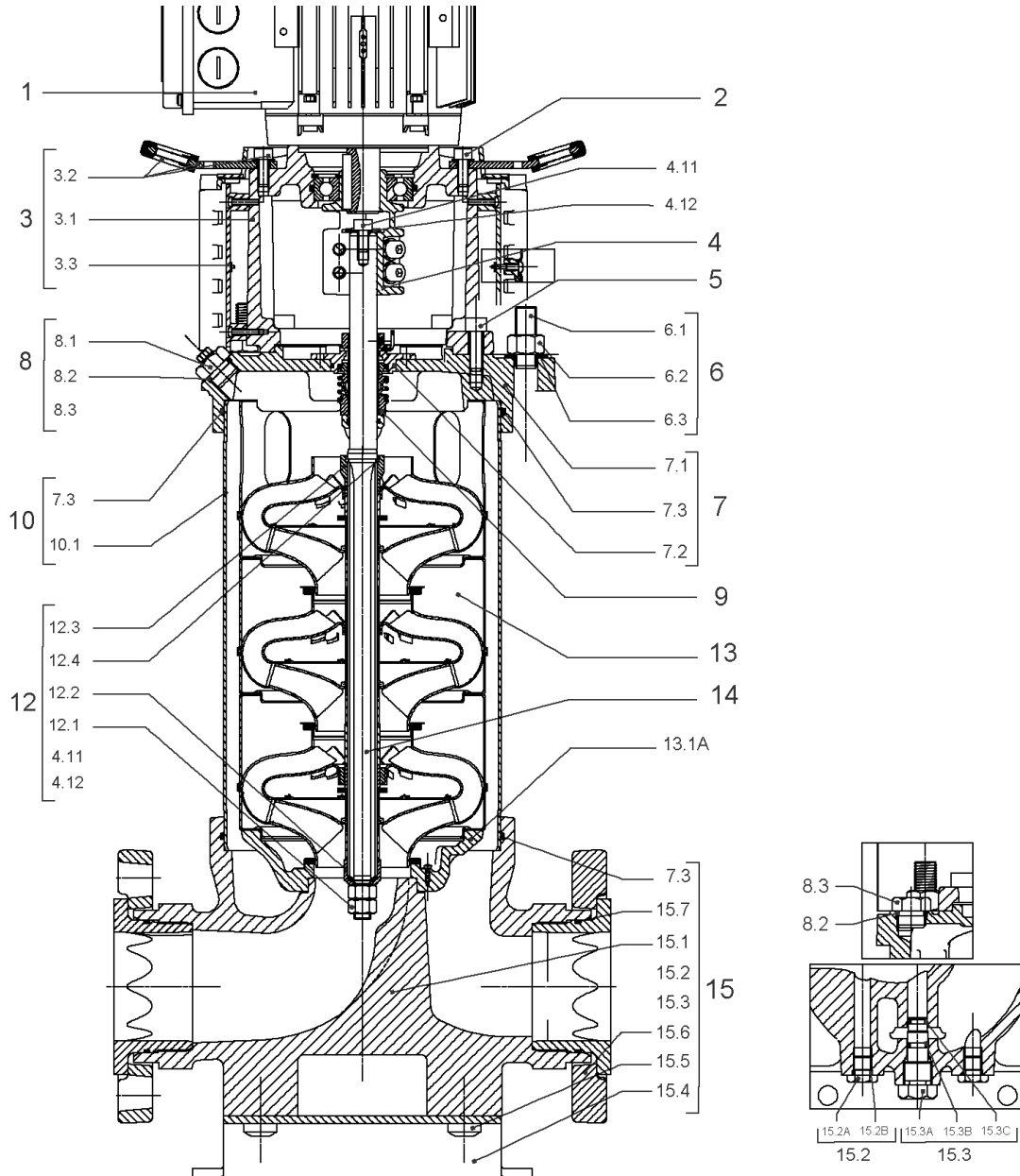
CARTRIDGE HELIX22-36-52 O/V KIT (4158204)

Item	Article no.	Description	Quantity
9.1	4158203	SEAL-KIT-HELIX22-36-52 O/V	1
7.3	2107767	> O-RING ID.202,80x3,53 VITON VP.	1
7.4	4179958	> O-RING-ID.42.52X2.62 VITON VP.	1
9.1A	2127454	> M.SEAL.HELIX22-36-52 O/V VP.	1
9.1B	4179960	> O-RING ID.20x2.65 FKM VP.	1
9.2	4179566	SHAFT SLEEVE D.20/20X60 1.4404 VP.	1
9.3	4179567	RING HOLDER Ø22 1.4301 VP.	1
9.4	4176520	SCREW CH M5x5 A4-70 (3PIECES)	1
9.5	4179568	DRIVE RING D.31/22.1x11 MACH.VP.	1
9.6	4179569	TOOL M.S.CART.HELIX 8" VP.	1
9.7	4179570	SCREW M6X16 ISO4762 8.8 GEOMET(4 PIECES)	1



HYDRAULIC HELIX V 3606-2

Item	Article no.	Description	Quantity
13.1	4161260	INTERMEDIATE STAGE HELIX V36 1.4404 KIT	1
		> SLEEVE-SPACER-D22XL16,66-316L	1
		> MACH.BEARING-DIFFUSER+NR-M+36-316	1
		> SHAFT-SLEEVE-D26xD22x16-CW	1
		> IMPELLER-H1-M+36-316	1
13.2	4161261	INTERMEDIATE STAGE HELIX V36 1.4404 KIT	1
		> MACH.STD-DIFFUSER+NR-M+36-316	1
		> IMPELLER-H4-M+36-316	1
13.3	4161263	INTERMEDIATE STAGE HELIX V36 1.4404 KIT	1
		> MACH.STD-DIFFUSER+NR-M+36-316	1
		> REDUCED-IMPELLER-H4-M+36-316	1
13.4	4161264	UPPER STAGE HELIX 36 1.4404 KIT	1
		> STOP COLLAR OF IMPELLER L20-Ø22-316L	1
		> REDUCED-IMPELLER-H4-M+36-316	1
		> MACH.-RIGID-STD-DISCH.-CHAMBER-M+36-316	1

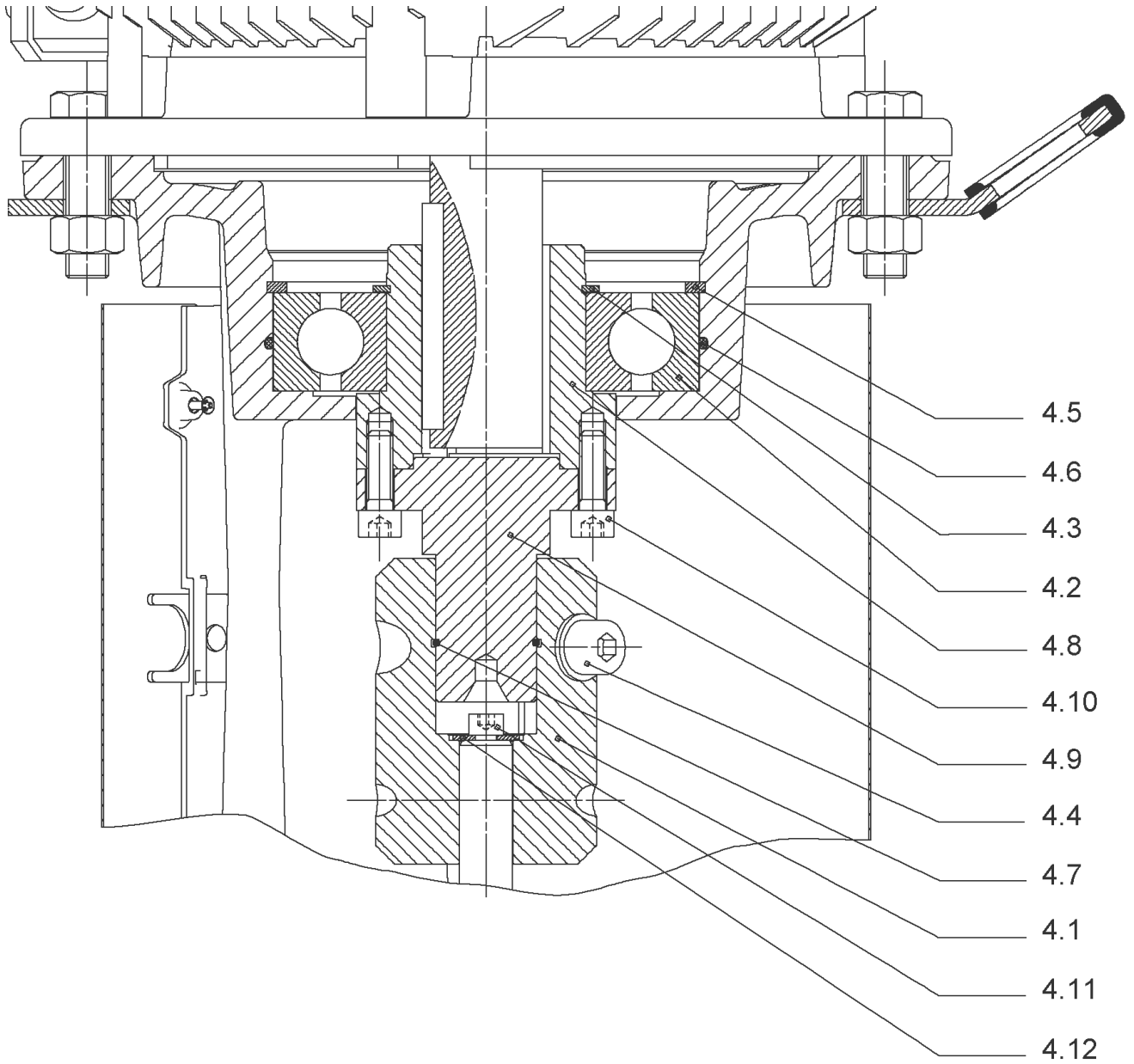


HELIX V3606/2-2/25/V/KS/400-50 (4150764)

Item	Article no.	Description	Quantity
1	4199884	MOTOR 11/2/160 3~400V 50HZ VP.	1
		SPARE PARTS MOTOR:ON REQUEST	1
2	4179586	SCREW M16X60 (4 PIECES)	1
3	4157721	LANTERN HELIX 22/36 FF300 BB6312 KIT	1
3.1		> LANTERN FF300 M+ GJL MACHINED+CATA 6312	1
3.2	4179589	> EYELET CPL.FF300 HELIX(4 PIECES)	1
3.3	4143969	> COUPLING PROTECT HELIX FF KIT	1
4	4143966	COUPLING D.20XD.38 FF300 KIT	1
5	4157725	SCREW M10X40 (4 PIECES)	1
6	4181086	STUD BOLT M16X533 KIT	1
6.1		> TIE BOLT M16-533x24x44-1.4057	1
6.2	4179562	> NUT M16 8.8 ISO4032 (4 PIECES)	1
6.3	4097852	> WASHER-CS-16.4-32-2.8-NFE25-511-A2	1
7	4179959	END SHIELD HELIX 8" FKM 1.4404 KIT	1
7.1		> END SHIELD HELIX 316L MACHINED	1
7.2	4179958	> O-RING-ID.42.52X2.62 VITON VP.	1
7.3	2107767	> O-RING ID.202,80x3,53 VITON VP.	1
8	4161256	FILING/PURGING PLUG FKM KIT	1
8.1		> FILLING/VENTING-PLUG-VM18/10-316L	1
8.2		> FILLING AND VENTING PLUG M+8" 316L	1
8.3		> GASKET-17x3-VITON	1
9	4158206	CARTRIDGE HELIX22-36-52 F/V KIT	1
10	4181132	HOUSING PIPE D.204X464 1.4404 KIT	1
7.3	2107767	> O-RING ID.202,80x3,53 VITON VP.	1
10.1		> HOUSING-PIPE Ø204-M+2208/3606-316L	1
12	4161186	SHAFT EQUIPMENT HELIX V36 8" KIT	1
13		HYDRAULIC HELIX V 3606-2	1
14	4181134	SHAFTS D.22XL620,67 1.4462 VP.	1
15	4161255	EQUIPED HOUSING DN65 HELIX 36 1.4409 KIT	1
7.3	2107767	> O-RING ID.202,80x3,53 VITON VP.	1
15.1		> PUMP HOUSING M+ DN65 316L MACHINED	1
15.1		> GASKET HOLDER M+ DN65 316L MACHINED	1
15.1		> HYDRAULIC SUPPORT M+ DN65 316L MACHINED	1
15.2	4158195	> PLUG PRESSURE CONNECTION G1/4"316L KIT	1

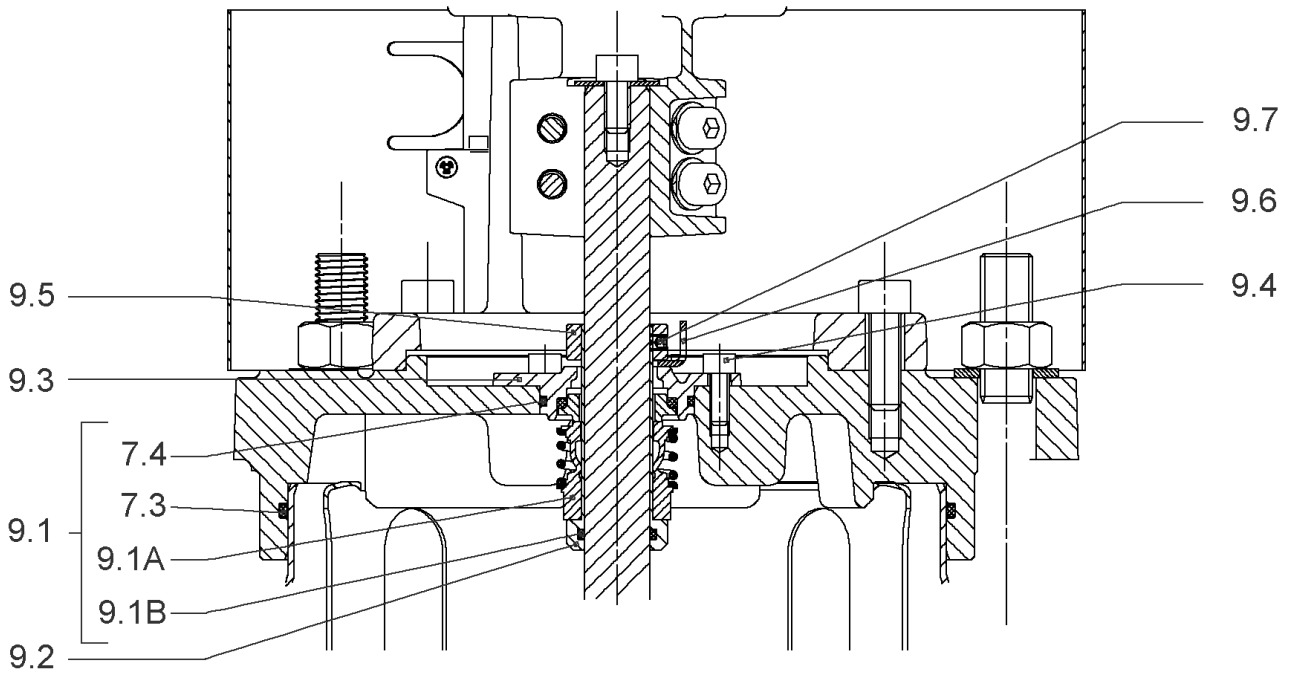
HELIX V3606/2-2/25/V/KS/400-50 (4150764)

Item	Article no.	Description	Quantity
15.2A		>> PLUG PRESSURE CONNECTION - G1/4" - 316L	1
15.2B	2107769	>> O-RING ID.9,9x2,62 VITON VP.	1
15.3	4158196	> DRAIN/PRIMING PLUG VITON HELIX KIT	1
15.3A		>> DRAIN-AND-PRIMING-PLUG-VM18"-316L	1
15.3B	4032294	>> GASKET-10x3-VITON	1
15.3C	2107768	>> O-RING ID.8,9x2,7 VITON VP.	1
15.4	4143749	> BASE M+ DN50/65/80-304	1
15.5		> SCREW TBHC M12x25 ISO7380 ZN	1
15.6	4124455	> FLANGE M+ DN65 NF PN16-25 ASME PN16 CATA	1
15.7		> O-RING Ø79.5xØ3 VITON	1
13.1A	4161268	> NECK RING 1.STAGE HELIX 36 316 KIT	1
		>> NECK-RING-M+36/52	1
		>> HYDRAULIC SUPPORT CAP M+36/52 316	1
		>> SCREW TCL M3X8 A4 POZIDRIV	1



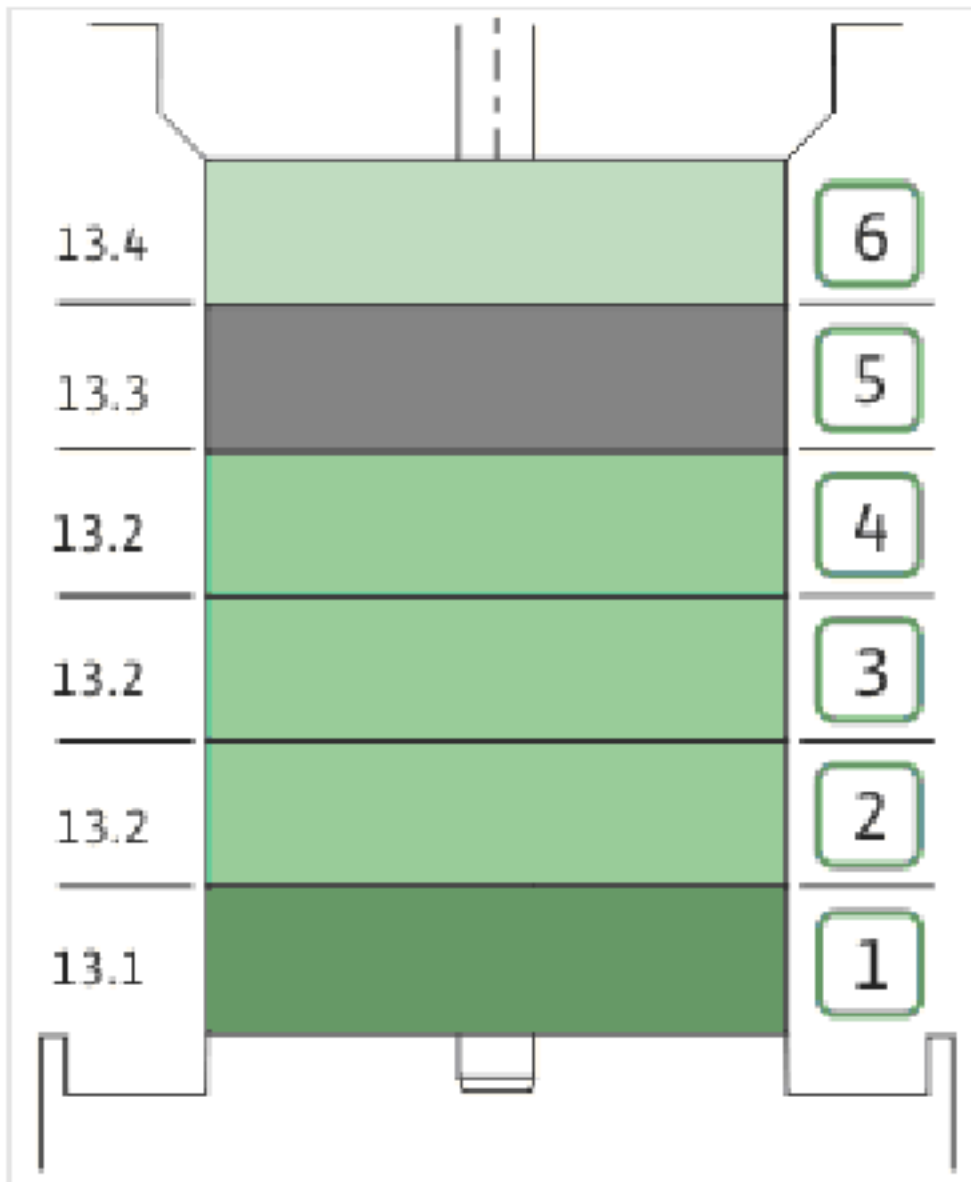
COUPLING D.20XD.38 FF300 KIT (4143966)

Item	Article no.	Description	Quantity
4.1	4179590	COUPLING 2 PARTS D.20XD.38XL115 VP.	1
4.2	2123699	BALL BEARING 6312/2Z-C4 (HT) VP.	1
4.3	63428	CIRCLIP-FOR-SHAFT-D60x2	1
4.4	2130991	SCREW M12X30 ISO4762 8.8 ZN(4 PIECES)	1
4.5	4032277	CIRCLIP-HOLE-130x4	1
4.6	4006725	O-RING ID.132,94x3,53 NBR70SR	1
4.7	2130992	RETAINING RING D.35xD.2,5 DIN7993 VP.	1
4.8	4179591	HUB D.42xD.60 VP.	1
4.9	2130994	SPACER D.38XD.55 VP.	1
4.10	4094462	SCREWS M10 (4 PIECES)	1
4.11	4233959	SCREW M8x16 VP.	1
4.12		SERRATED LOCK WASHER Ø8.2XØ25X35X2	1



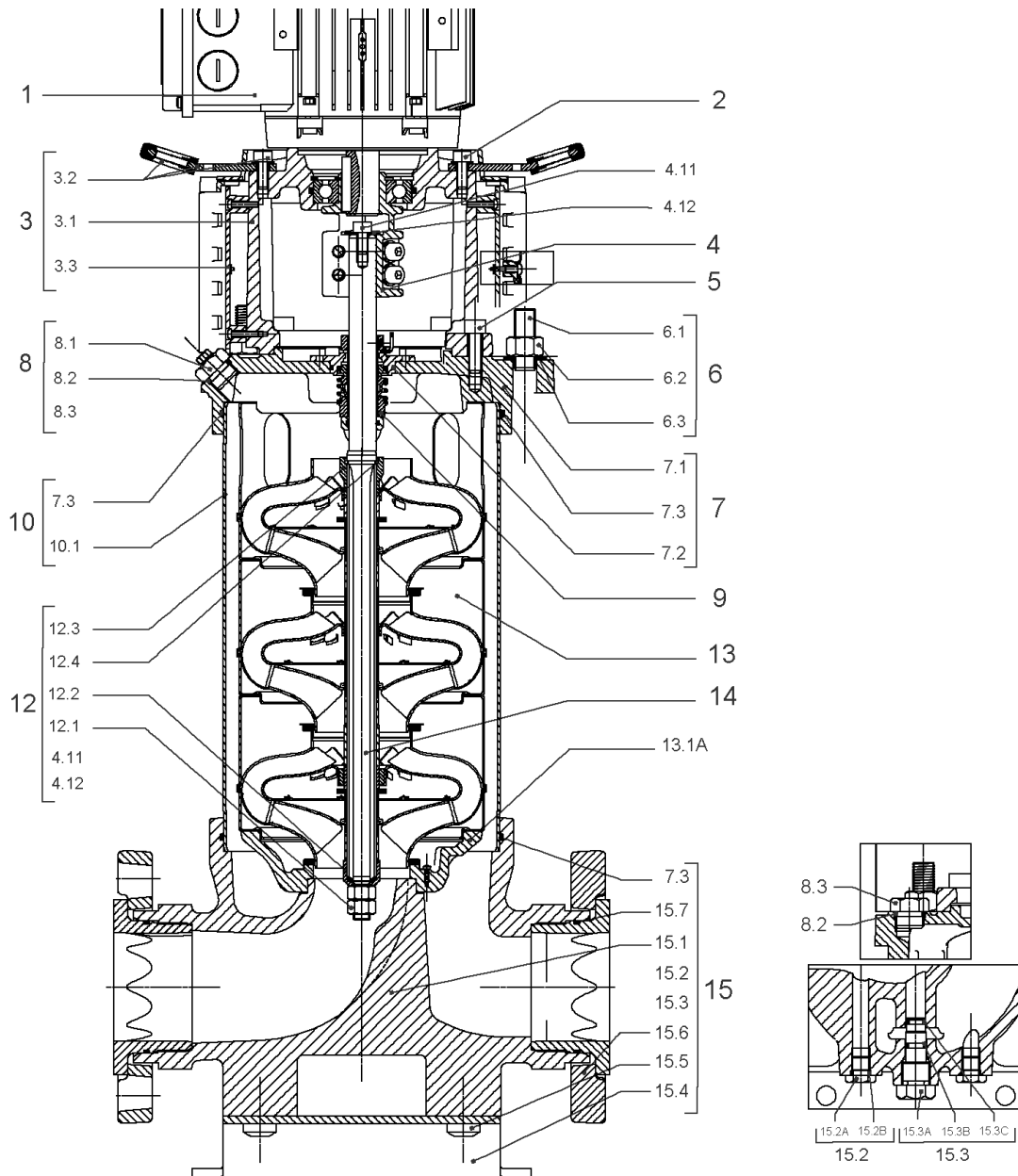
CARTRIDGE HELIX22-36-52 F/V KIT (4158206)

Item	Article no.	Description	Quantity
9.1	4158205	SEAL-KIT-HELIX22-36-52 F/V	1
7.3	2107767	> O-RING ID.202,80x3,53 VITON VP.	1
7.4	4179958	> O-RING-ID.42.52X2.62 VITON VP.	1
9.1A	4179982	> M.SEAL.HELIX22-36-52 F/V VP.	1
9.1B	4179960	> O-RING ID.20x2.65 FKM VP.	1
9.2	4179566	SHAFT SLEEVE D.20/20X60 1.4404 VP.	1
9.3	4179567	RING HOLDER Ø22 1.4301 VP.	1
9.4	4176520	SCREW CH M5x5 A4-70 (3PIECES)	1
9.5	4179568	DRIVE RING D.31/22.1x11 MACH.VP.	1
9.6	4179569	TOOL M.S.CART.HELIX 8" VP.	1
9.7	4179570	SCREW M6X16 ISO4762 8.8 GEOMET(4 PIECES)	1



HYDRAULIC HELIX V 3606-2

Item	Article no.	Description	Quantity
13.1	4161260	INTERMEDIATE STAGE HELIX V36 1.4404 KIT	1
		> SLEEVE-SPACER-D22XL16,66-316L	1
		> MACH.BEARING-DIFFUSER+NR-M+36-316	1
		> SHAFT-SLEEVE-D26xD22x16-CW	1
		> IMPELLER-H1-M+36-316	1
13.2	4161261	INTERMEDIATE STAGE HELIX V36 1.4404 KIT	1
		> MACH.STD-DIFFUSER+NR-M+36-316	1
		> IMPELLER-H4-M+36-316	1
13.3	4161263	INTERMEDIATE STAGE HELIX V36 1.4404 KIT	1
		> MACH.STD-DIFFUSER+NR-M+36-316	1
		> REDUCED-IMPELLER-H4-M+36-316	1
13.4	4161264	UPPER STAGE HELIX 36 1.4404 KIT	1
		> STOP COLLAR OF IMPELLER L20-Ø22-316L	1
		> REDUCED-IMPELLER-H4-M+36-316	1
		> MACH.-RIGID-STD-DISCH.-CHAMBER-M+36-316	1

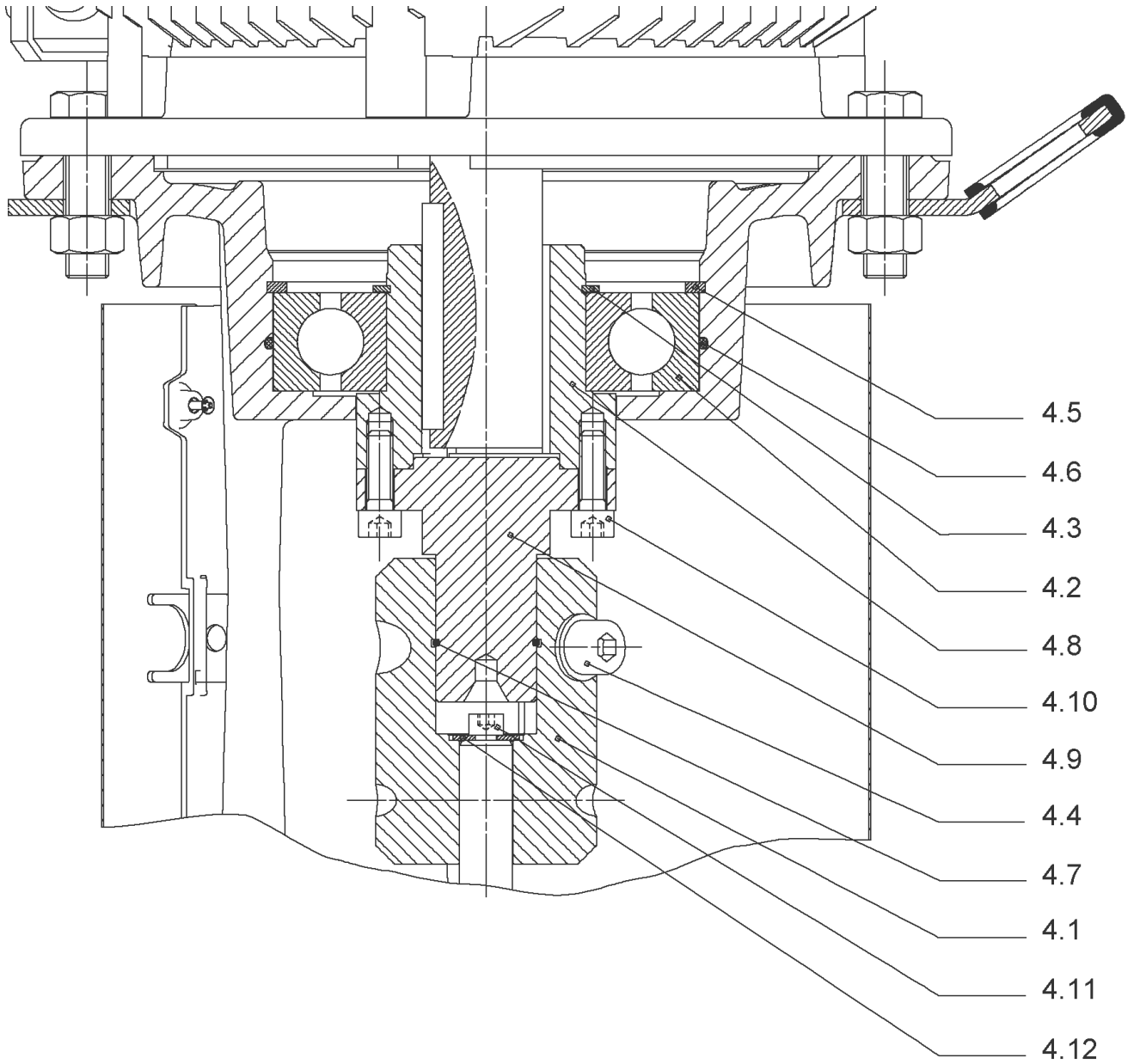


HELIX V3606-2/16/V/KS/400-50 (4150765)

Item	Article no.	Description	Quantity
1	4195488	MOTOR 18.5/2/160 3~400V 50HZ ARC VP.	1
		SPARE PARTS MOTOR:ON REQUEST	1
2	4179586	SCREW M16X60 (4 PIECES)	1
3	4157721	LANTERN HELIX 22/36 FF300 BB6312 KIT	1
3.1		> LANTERN FF300 M+ GJL MACHINED+CATA 6312	1
3.2	4179589	> EYELET CPL.FF300 HELIX(4 PIECES)	1
3.3	4143969	> COUPLING PROTECT HELIX FF KIT	1
4	4143966	COUPLING D.20XD.38 FF300 KIT	1
5	4157725	SCREW M10X40 (4 PIECES)	1
6	4181086	STUD BOLT M16X533 KIT	1
6.1		> TIE BOLT M16-533x24x44-1.4057	1
6.2	4179562	> NUT M16 8.8 ISO4032 (4 PIECES)	1
6.3	4097852	> WASHER-CS-16.4-32-2.8-NFE25-511-A2	1
7	4179959	END SHIELD HELIX 8" FKM 1.4404 KIT	1
7.1		> END SHIELD HELIX 316L MACHINED	1
7.2	4179958	> O-RING-ID.42.52X2.62 VITON VP.	1
7.3	2107767	> O-RING ID.202,80x3,53 VITON VP.	1
8	4161256	FILING/PURGING PLUG FKM KIT	1
8.1		> FILLING/VENTING-PLUG-VM18/10-316L	1
8.2		> FILLING AND VENTING PLUG M+8" 316L	1
8.3		> GASKET-17x3-VITON	1
9	4158204	CARTRIDGE HELIX22-36-52 O/V KIT	1
10	4181132	HOUSING PIPE D.204X464 1.4404 KIT	1
7.3	2107767	> O-RING ID.202,80x3,53 VITON VP.	1
10.1		> HOUSING-PIPE Ø204-M+2208/3606-316L	1
12	4161186	SHAFT EQUIPMENT HELIX V36 8" KIT	1
13		HYDRAULIC HELIX V 3606	1
14	4181134	SHAFTS D.22XL620,67 1.4462 VP.	1
15	4161255	EQUIPED HOUSING DN65 HELIX 36 1.4409 KIT	1
7.3	2107767	> O-RING ID.202,80x3,53 VITON VP.	1
15.1		> PUMP HOUSING M+ DN65 316L MACHINED	1
15.1		> GASKET HOLDER M+ DN65 316L MACHINED	1
15.1		> HYDRAULIC SUPPORT M+ DN65 316L MACHINED	1
15.2	4158195	> PLUG PRESSURE CONNECTION G1/4"316L KIT	1

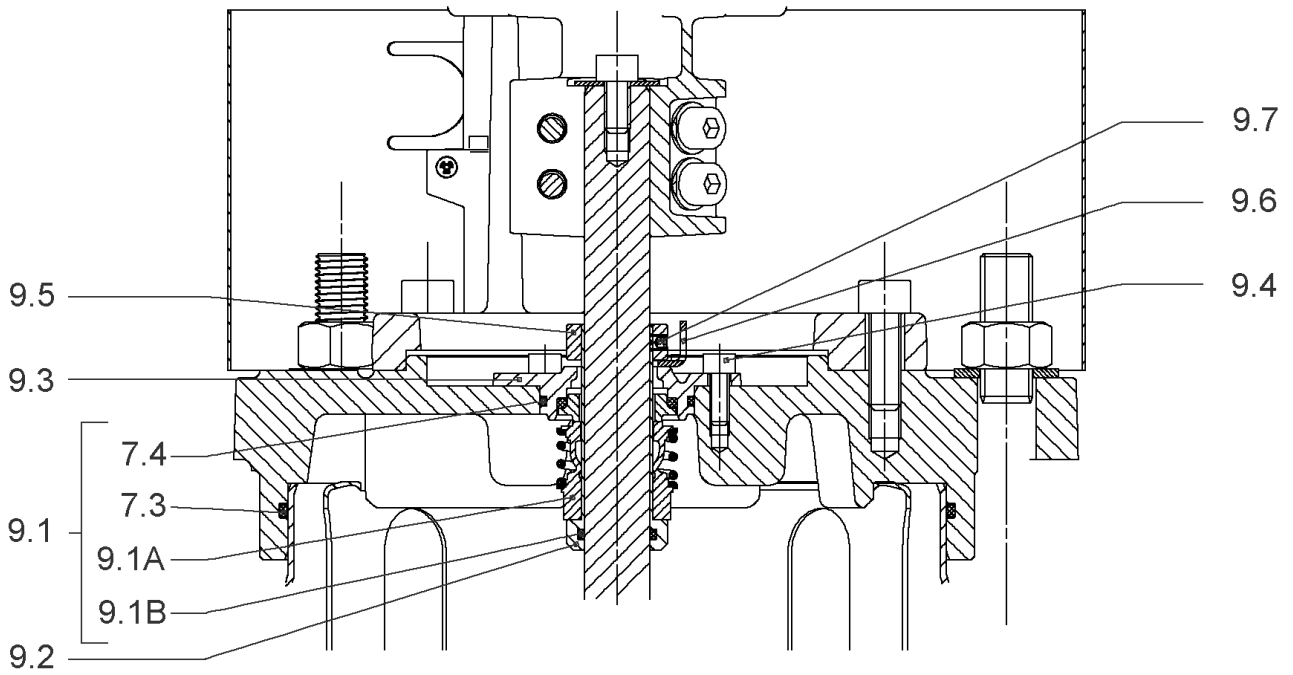
HELIX V3606-2/16/V/KS/400-50 (4150765)

Item	Article no.	Description	Quantity
15.2A		>> PLUG PRESSURE CONNECTION - G1/4" - 316L	1
15.2B	2107769	>> O-RING ID.9,9x2,62 VITON VP.	1
15.3	4158196	> DRAIN/PRIMING PLUG VITON HELIX KIT	1
15.3A		>> DRAIN-AND-PRIMING-PLUG-VM18"-316L	1
15.3B	4032294	>> GASKET-10x3-VITON	1
15.3C	2107768	>> O-RING ID.8,9x2,7 VITON VP.	1
15.4	4143749	> BASE M+ DN50/65/80-304	1
15.5		> SCREW TBHC M12x25 ISO7380 ZN	1
15.6	4124455	> FLANGE M+ DN65 NF PN16-25 ASME PN16 CATA	1
15.7		> O-RING Ø79.5xØ3 VITON	1
13.1A	4161268	> NECK RING 1.STAGE HELIX 36 316 KIT	1
		>> NECK-RING-M+36/52	1
		>> HYDRAULIC SUPPORT CAP M+36/52 316	1
		>> SCREW TCL M3X8 A4 POZIDRIV	1



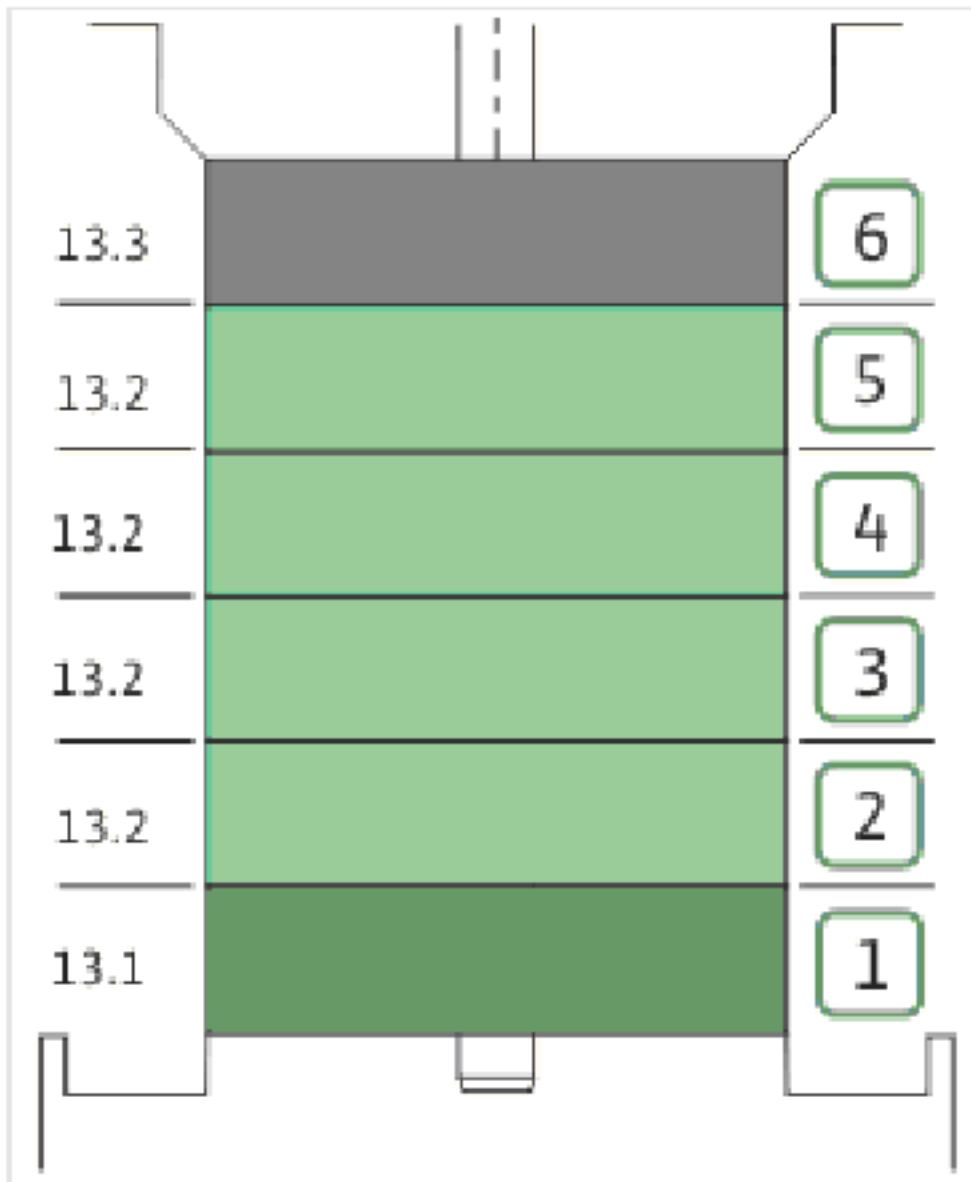
COUPLING D.20XD.38 FF300 KIT (4143966)

Item	Article no.	Description	Quantity
4.1	4179590	COUPLING 2 PARTS D.20XD.38XL115 VP.	1
4.2	2123699	BALL BEARING 6312/2Z-C4 (HT) VP.	1
4.3	63428	CIRCLIP-FOR-SHAFT-D60x2	1
4.4	2130991	SCREW M12X30 ISO4762 8.8 ZN(4 PIECES)	1
4.5	4032277	CIRCLIP-HOLE-130x4	1
4.6	4006725	O-RING ID.132,94x3,53 NBR70SR	1
4.7	2130992	RETAINING RING D.35xD.2,5 DIN7993 VP.	1
4.8	4179591	HUB D.42xD.60 VP.	1
4.9	2130994	SPACER D.38XD.55 VP.	1
4.10	4094462	SCREWS M10 (4 PIECES)	1
4.11	4233959	SCREW M8x16 VP.	1
4.12		SERRATED LOCK WASHER Ø8.2XØ25X35X2	1



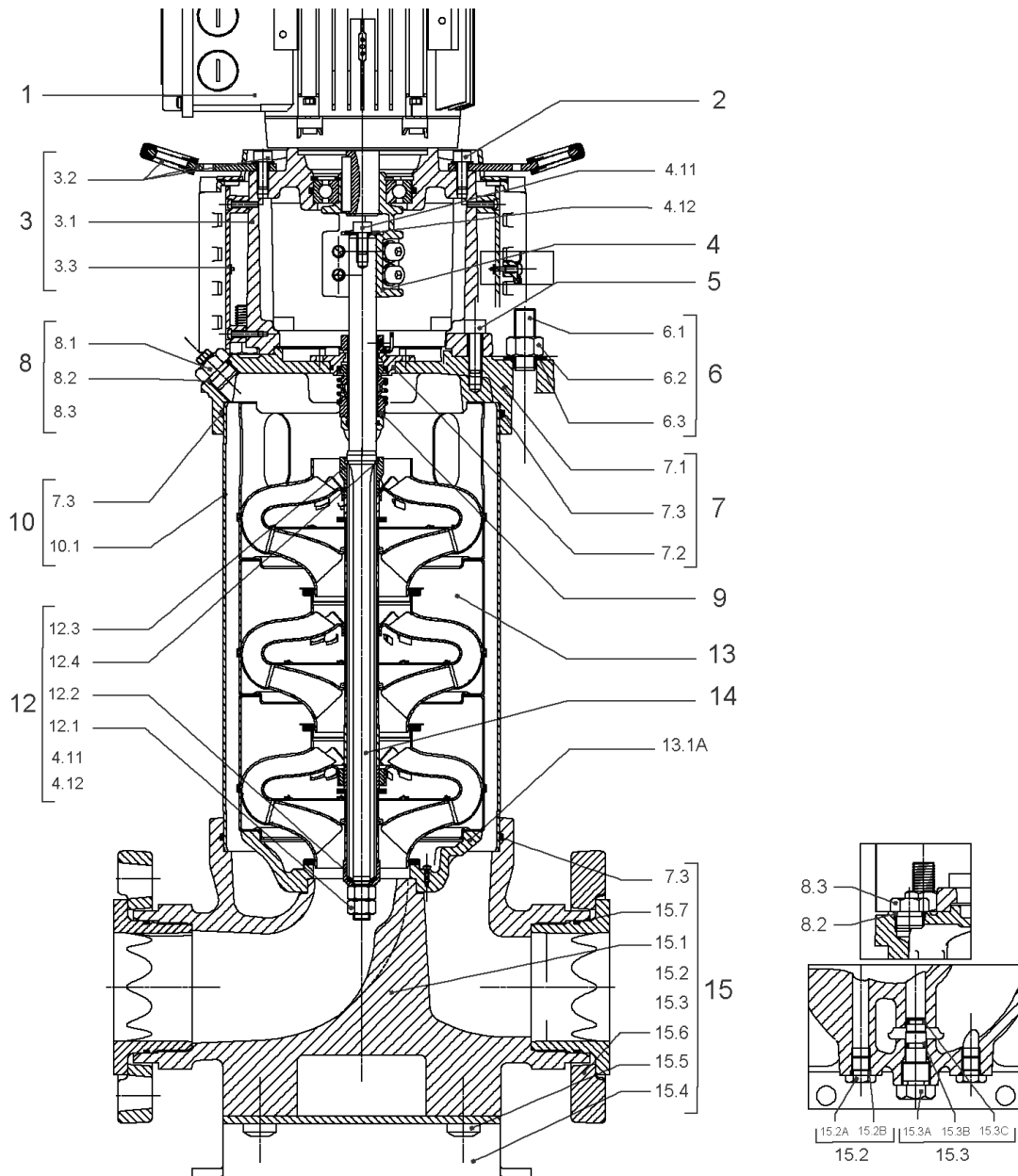
CARTRIDGE HELIX22-36-52 O/V KIT (4158204)

Item	Article no.	Description	Quantity
9.1	4158203	SEAL-KIT-HELIX22-36-52 O/V	1
7.3	2107767	> O-RING ID.202,80x3,53 VITON VP.	1
7.4	4179958	> O-RING-ID.42.52X2.62 VITON VP.	1
9.1A	2127454	> M.SEAL.HELIX22-36-52 O/V VP.	1
9.1B	4179960	> O-RING ID.20x2.65 FKM VP.	1
9.2	4179566	SHAFT SLEEVE D.20/20X60 1.4404 VP.	1
9.3	4179567	RING HOLDER Ø22 1.4301 VP.	1
9.4	4176520	SCREW CH M5x5 A4-70 (3PIECES)	1
9.5	4179568	DRIVE RING D.31/22.1x11 MACH.VP.	1
9.6	4179569	TOOL M.S.CART.HELIX 8" VP.	1
9.7	4179570	SCREW M6X16 ISO4762 8.8 GEOMET(4 PIECES)	1



HYDRAULIC HELIX V 3606

Item	Article no.	Description	Quantity
13.1	4161260	INTERMEDIATE STAGE HELIX V36 1.4404 KIT	1
		> SLEEVE-SPACER-D22XL16,66-316L	1
		> MACH.BEARING-DIFFUSER+NR-M+36-316	1
		> SHAFT-SLEEVE-D26xD22x16-CW	1
		> IMPELLER-H1-M+36-316	1
13.2	4161261	INTERMEDIATE STAGE HELIX V36 1.4404 KIT	1
		> MACH.STD-DIFFUSER+NR-M+36-316	1
		> IMPELLER-H4-M+36-316	1
13.3	4161262	UPPER STAGE HELIX 36 1.4404 KIT	1
		> STOP COLLAR OF IMPELLER L20-Ø22-316L	1
		> MACH.-RIGID-STD-DISCH.-CHAMBER-M+36-316	1
		> IMPELLER-H4-M+36-316	1

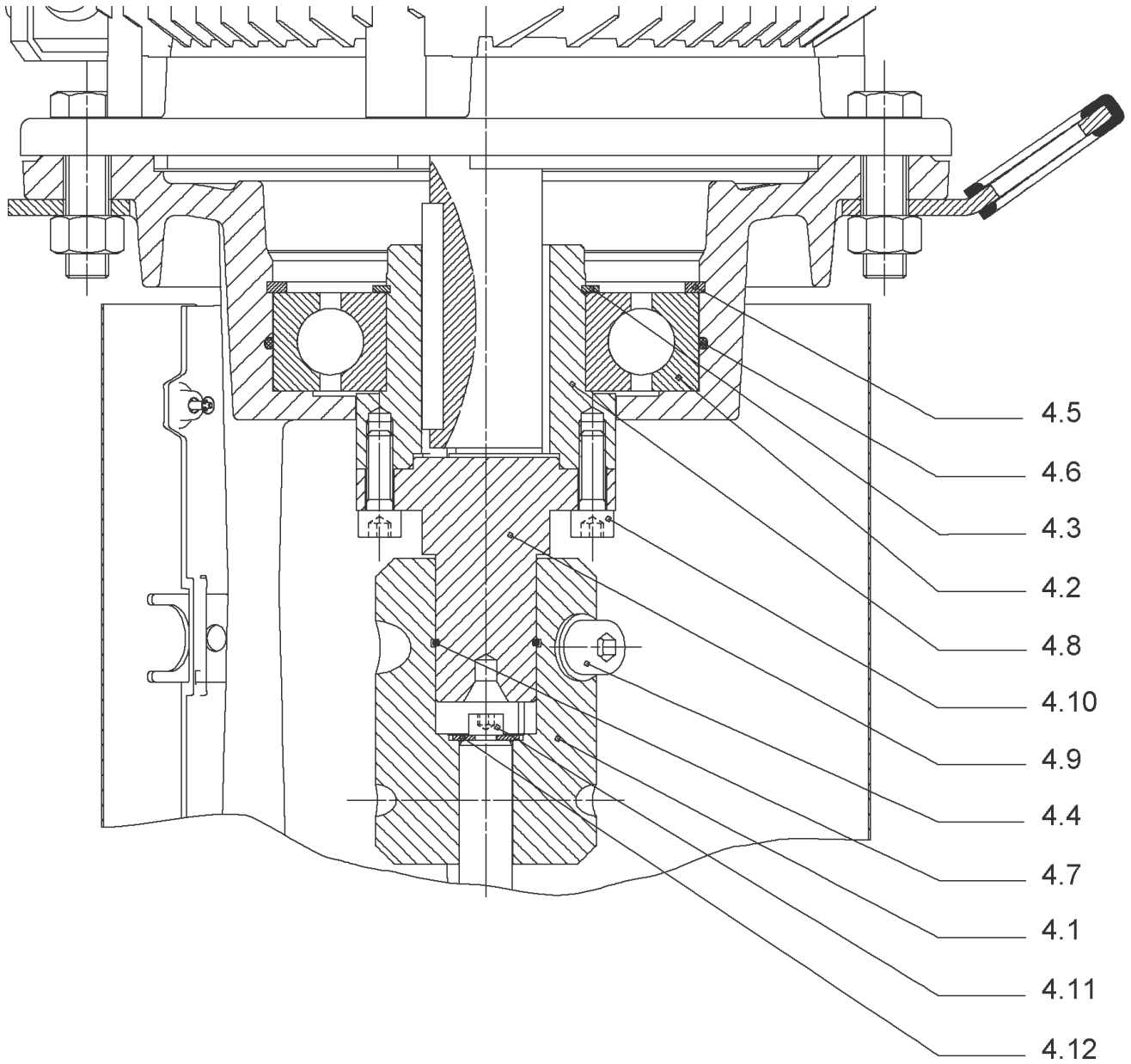


HELIX V3606-2/25/V/KS/400-50 (4150766)

Item	Article no.	Description	Quantity
1	4195488	MOTOR 18.5/2/160 3~400V 50HZ ARC VP.	1
		SPARE PARTS MOTOR:ON REQUEST	1
2	4179586	SCREW M16X60 (4 PIECES)	1
3	4157721	LANTERN HELIX 22/36 FF300 BB6312 KIT	1
3.1		> LANTERN FF300 M+ GJL MACHINED+CATA 6312	1
3.2	4179589	> EYELET CPL.FF300 HELIX(4 PIECES)	1
3.3	4143969	> COUPLING PROTECT HELIX FF KIT	1
4	4143966	COUPLING D.20XD.38 FF300 KIT	1
5	4157725	SCREW M10X40 (4 PIECES)	1
6	4181086	STUD BOLT M16X533 KIT	1
6.1		> TIE BOLT M16-533x24x44-1.4057	1
6.2	4179562	> NUT M16 8.8 ISO4032 (4 PIECES)	1
6.3	4097852	> WASHER-CS-16.4-32-2.8-NFE25-511-A2	1
7	4179959	END SHIELD HELIX 8" FKM 1.4404 KIT	1
7.1		> END SHIELD HELIX 316L MACHINED	1
7.2	4179958	> O-RING-ID.42.52X2.62 VITON VP.	1
7.3	2107767	> O-RING ID.202,80x3,53 VITON VP.	1
8	4161256	FILING/PURGING PLUG FKM KIT	1
8.1		> FILLING/VENTING-PLUG-VM18/10-316L	1
8.2		> FILLING AND VENTING PLUG M+8" 316L	1
8.3		> GASKET-17x3-VITON	1
9	4158206	CARTRIDGE HELIX22-36-52 F/V KIT	1
10	4181132	HOUSING PIPE D.204X464 1.4404 KIT	1
7.3	2107767	> O-RING ID.202,80x3,53 VITON VP.	1
10.1		> HOUSING-PIPE Ø204-M+2208/3606-316L	1
12	4161186	SHAFT EQUIPMENT HELIX V36 8" KIT	1
13		HYDRAULIC HELIX V 3606	1
14	4181134	SHAFTS D.22XL620,67 1.4462 VP.	1
15	4161255	EQUIPED HOUSING DN65 HELIX 36 1.4409 KIT	1
7.3	2107767	> O-RING ID.202,80x3,53 VITON VP.	1
15.1		> PUMP HOUSING M+ DN65 316L MACHINED	1
15.1		> GASKET HOLDER M+ DN65 316L MACHINED	1
15.1		> HYDRAULIC SUPPORT M+ DN65 316L MACHINED	1
15.2	4158195	> PLUG PRESSURE CONNECTION G1/4"316L KIT	1

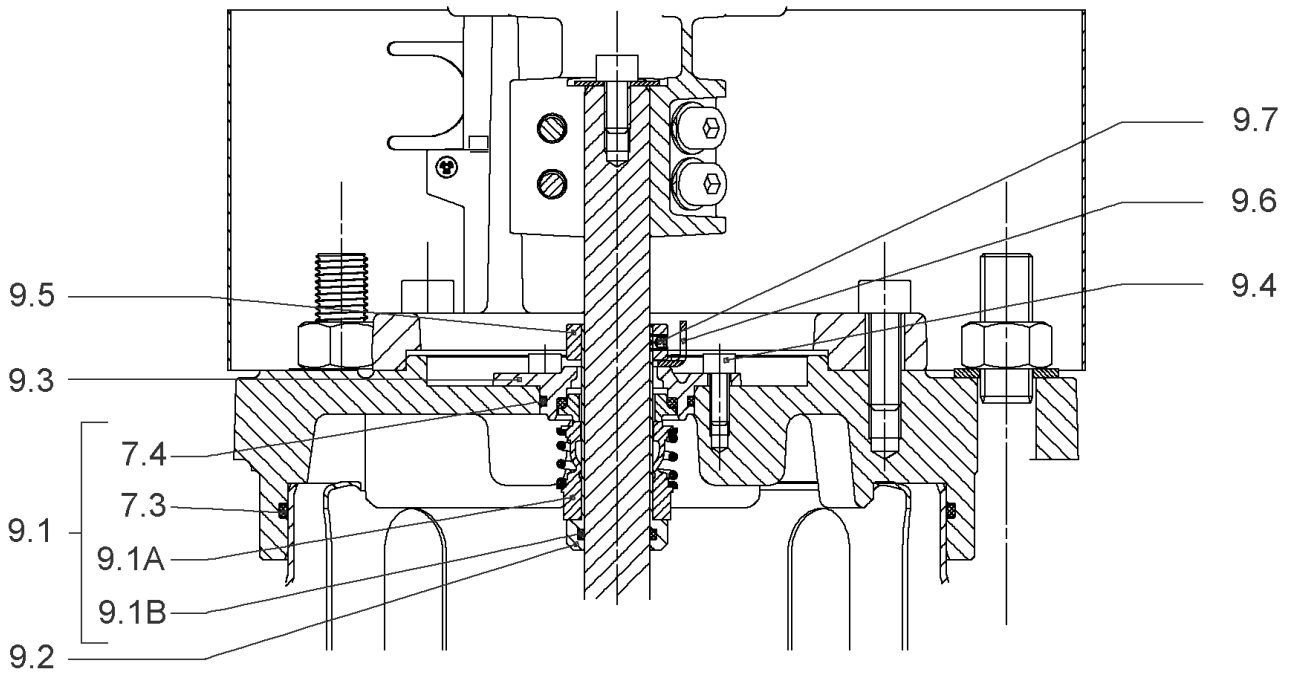
HELIX V3606-2/25/V/KS/400-50 (4150766)

Item	Article no.	Description	Quantity
15.2A		>> PLUG PRESSURE CONNECTION - G1/4" - 316L	1
15.2B	2107769	>> O-RING ID.9,9x2,62 VITON VP.	1
15.3	4158196	> DRAIN/PRIMING PLUG VITON HELIX KIT	1
15.3A		>> DRAIN-AND-PRIMING-PLUG-VM18"-316L	1
15.3B	4032294	>> GASKET-10x3-VITON	1
15.3C	2107768	>> O-RING ID.8,9x2,7 VITON VP.	1
15.4	4143749	> BASE M+ DN50/65/80-304	1
15.5		> SCREW TBHC M12x25 ISO7380 ZN	1
15.6	4124455	> FLANGE M+ DN65 NF PN16-25 ASME PN16 CATA	1
15.7		> O-RING Ø79.5xØ3 VITON	1
13.1A	4161268	> NECK RING 1.STAGE HELIX 36 316 KIT	1
		>> NECK-RING-M+36/52	1
		>> HYDRAULIC SUPPORT CAP M+36/52 316	1
		>> SCREW TCL M3X8 A4 POZIDRIV	1



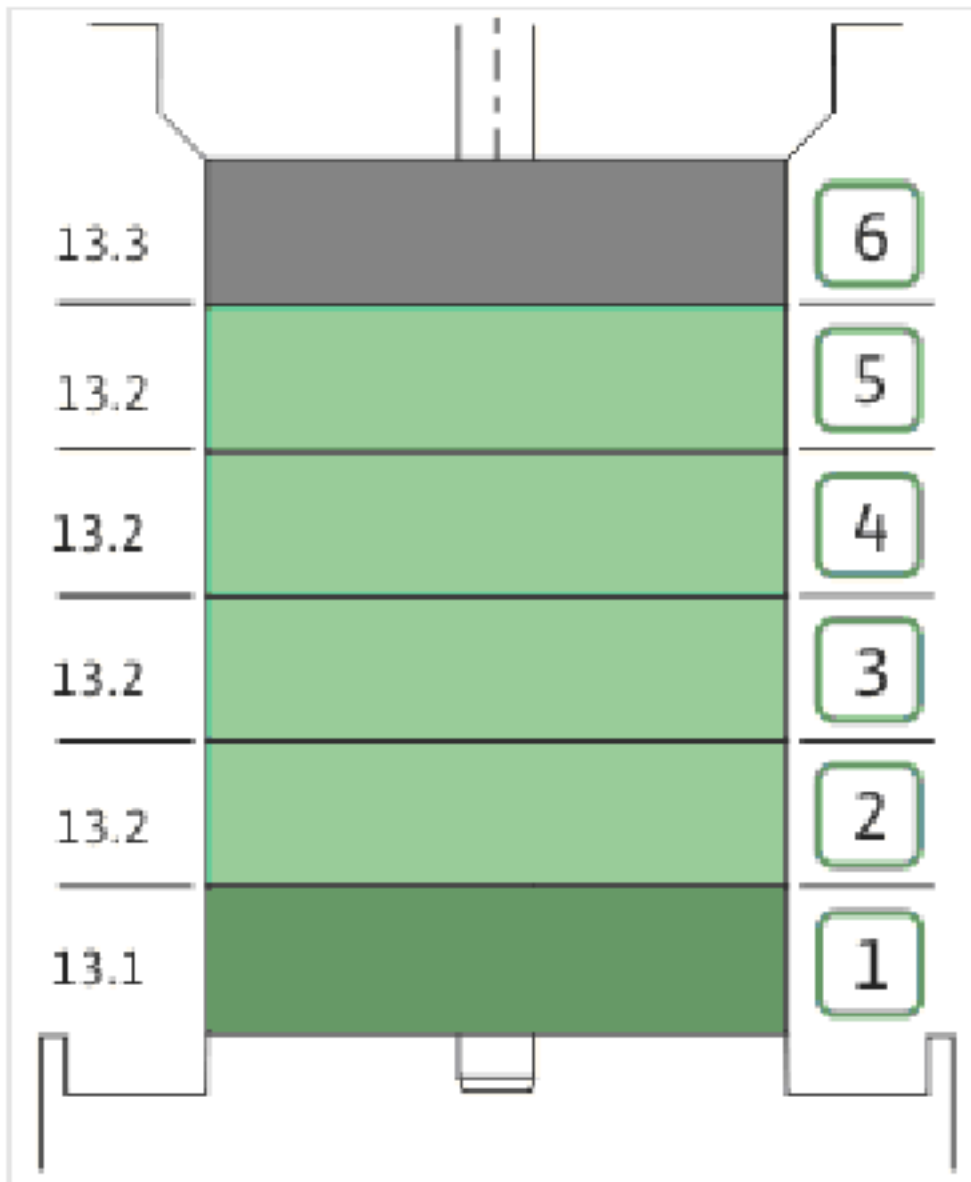
COUPLING D.20XD.38 FF300 KIT (4143966)

Item	Article no.	Description	Quantity
4.1	4179590	COUPLING 2 PARTS D.20XD.38XL115 VP.	1
4.2	2123699	BALL BEARING 6312/2Z-C4 (HT) VP.	1
4.3	63428	CIRCLIP-FOR-SHAFT-D60x2	1
4.4	2130991	SCREW M12X30 ISO4762 8.8 ZN(4 PIECES)	1
4.5	4032277	CIRCLIP-HOLE-130x4	1
4.6	4006725	O-RING ID.132,94x3,53 NBR70SR	1
4.7	2130992	RETAINING RING D.35xD.2,5 DIN7993 VP.	1
4.8	4179591	HUB D.42xD.60 VP.	1
4.9	2130994	SPACER D.38XD.55 VP.	1
4.10	4094462	SCREWS M10 (4 PIECES)	1
4.11	4233959	SCREW M8x16 VP.	1
4.12		SERRATED LOCK WASHER Ø8.2XØ25X35X2	1

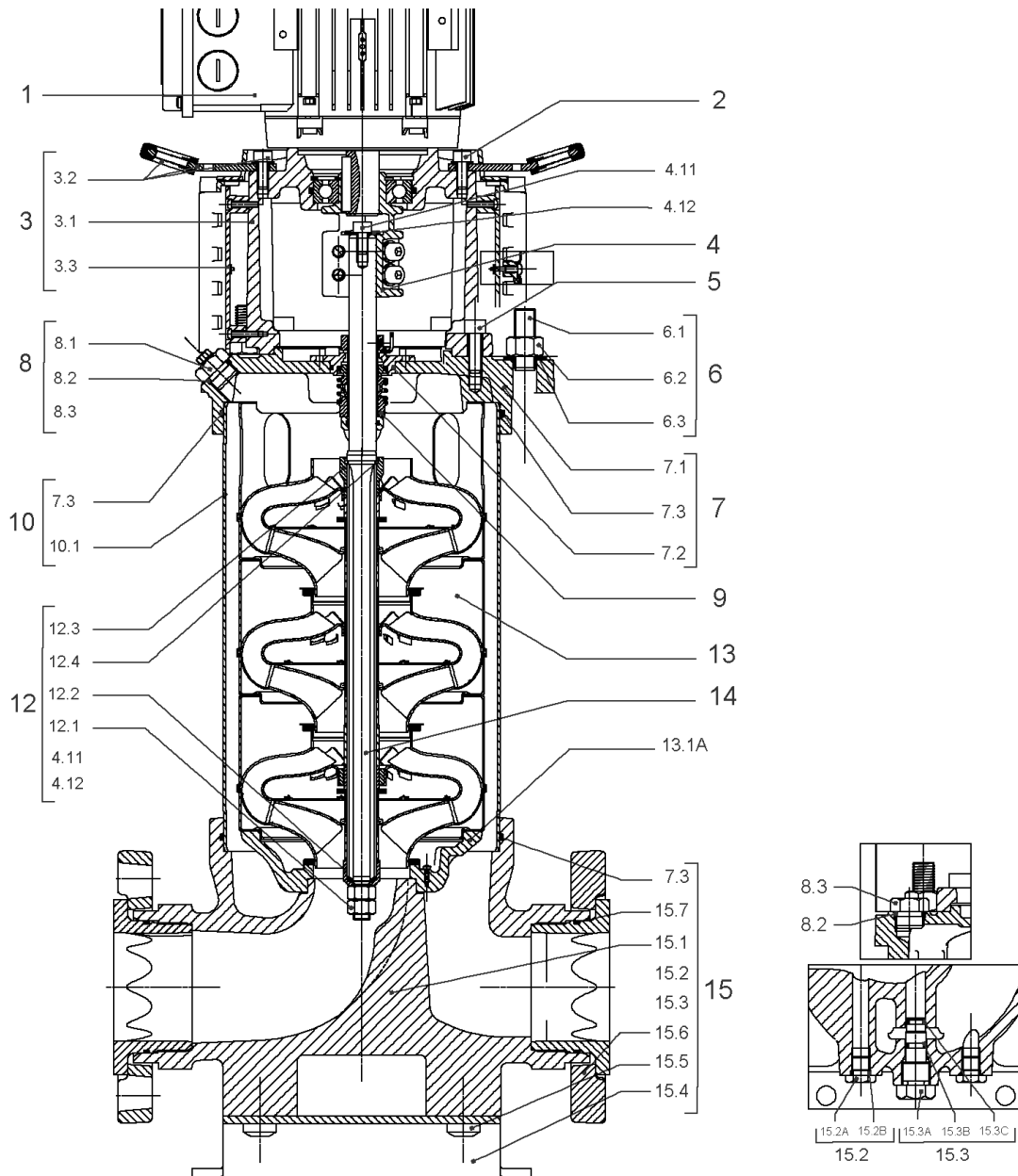


CARTRIDGE HELIX22-36-52 F/V KIT (4158206)

Item	Article no.	Description	Quantity
9.1	4158205	SEAL-KIT-HELIX22-36-52 F/V	1
7.3	2107767	> O-RING ID.202,80x3,53 VITON VP.	1
7.4	4179958	> O-RING-ID.42.52X2.62 VITON VP.	1
9.1A	4179982	> M.SEAL.HELIX22-36-52 F/V VP.	1
9.1B	4179960	> O-RING ID.20x2.65 FKM VP.	1
9.2	4179566	SHAFT SLEEVE D.20/20X60 1.4404 VP.	1
9.3	4179567	RING HOLDER Ø22 1.4301 VP.	1
9.4	4176520	SCREW CH M5x5 A4-70 (3PIECES)	1
9.5	4179568	DRIVE RING D.31/22.1x11 MACH.VP.	1
9.6	4179569	TOOL M.S.CART.HELIX 8" VP.	1
9.7	4179570	SCREW M6X16 ISO4762 8.8 GEOMET(4 PIECES)	1



Item	Article no.	Description	Quantity
13.1	4161260	INTERMEDIATE STAGE HELIX V36 1.4404 KIT	1
		> SLEEVE-SPACER-D22XL16,66-316L	1
		> MACH.BEARING-DIFFUSER+NR-M+36-316	1
		> SHAFT-SLEEVE-D26xD22x16-CW	1
		> IMPELLER-H1-M+36-316	1
13.2	4161261	INTERMEDIATE STAGE HELIX V36 1.4404 KIT	1
		> MACH.STD-DIFFUSER+NR-M+36-316	1
		> IMPELLER-H4-M+36-316	1
13.3	4161262	UPPER STAGE HELIX 36 1.4404 KIT	1
		> STOP COLLAR OF IMPELLER L20-Ø22-316L	1
		> MACH.-RIGID-STD-DISCH.-CHAMBER-M+36-316	1
		> IMPELLER-H4-M+36-316	1

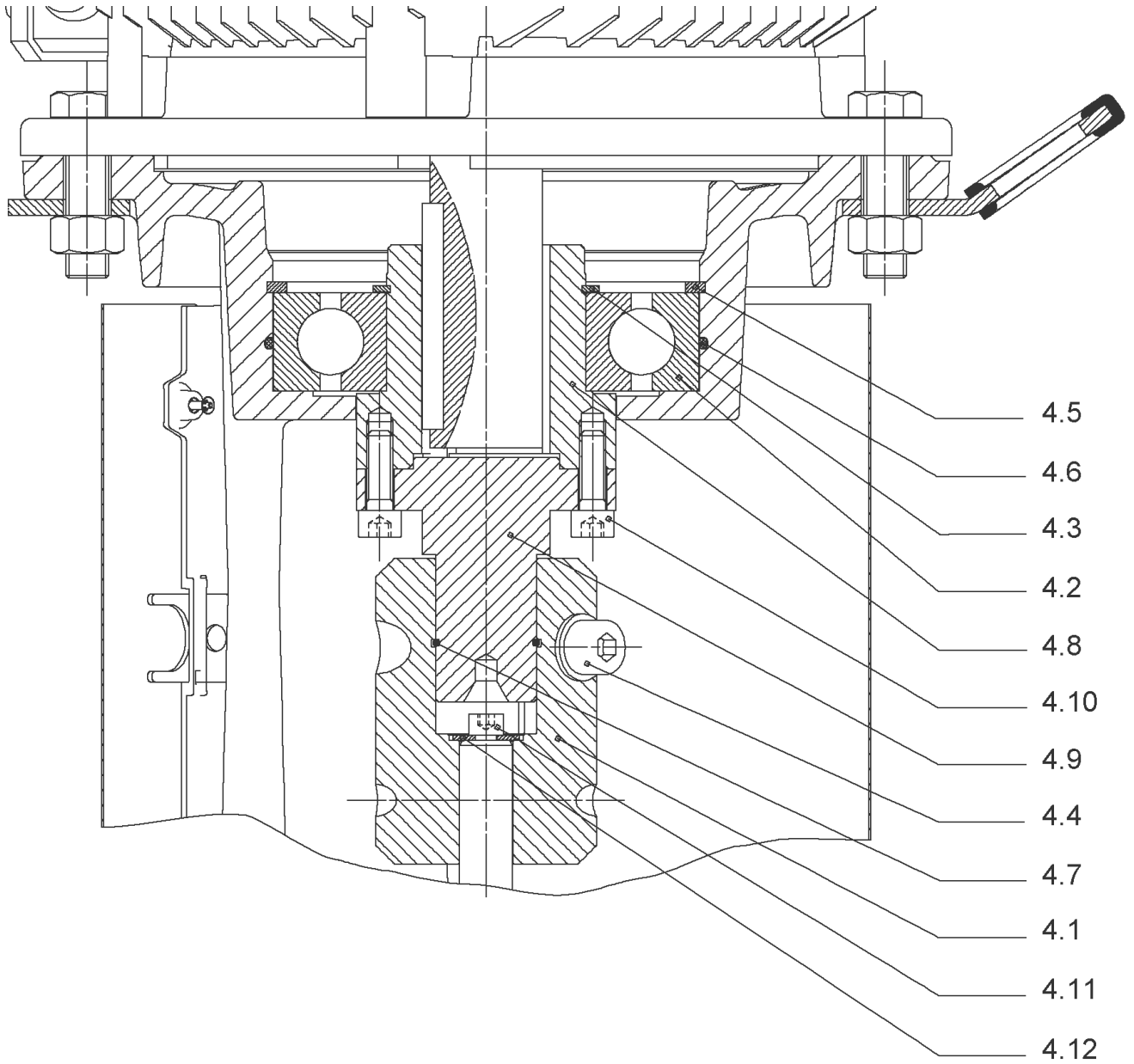


HELIX V3607/2-2/25/V/KS/400-50 (4150767)

Item	Article no.	Description	Quantity
1	4195488	MOTOR 18.5/2/160 3~400V 50HZ ARC VP.	1
		SPARE PARTS MOTOR:ON REQUEST	1
2	4179586	SCREW M16X60 (4 PIECES)	1
3	4157721	LANTERN HELIX 22/36 FF300 BB6312 KIT	1
3.1		> LANTERN FF300 M+ GJL MACHINED+CATA 6312	1
3.2	4179589	> EYELET CPL.FF300 HELIX(4 PIECES)	1
3.3	4143969	> COUPLING PROTECT HELIX FF KIT	1
4	4143966	COUPLING D.20XD.38 FF300 KIT	1
5	4157725	SCREW M10X40 (4 PIECES)	1
6	4179923	STUD BOLT M16X600 KIT	1
6.1		> TIE BOLT M16-600x24x44-1.4057	1
6.2	4179562	> NUT M16 8.8 ISO4032 (4 PIECES)	1
6.3	4097852	> WASHER-CS-16.4-32-2.8-NFE25-511-A2	1
7	4179959	END SHIELD HELIX 8" FKM 1.4404 KIT	1
7.1		> END SHIELD HELIX 316L MACHINED	1
7.2	4179958	> O-RING-ID.42.52X2.62 VITON VP.	1
7.3	2107767	> O-RING ID.202,80x3,53 VITON VP.	1
8	4161256	FILING/PURGING PLUG FKM KIT	1
8.1		> FILLING/VENTING-PLUG-VM18/10-316L	1
8.2		> FILLING AND VENTING PLUG M+8" 316L	1
8.3		> GASKET-17x3-VITON	1
9	4158206	CARTRIDGE HELIX22-36-52 F/V KIT	1
10	4179975	HOUSING PIPE D.204X530 1.4404 KIT	1
7.3	2107767	> O-RING ID.202,80x3,53 VITON VP.	1
10.1		> HOUSING-PIPE Ø204-M+3607/5205-316L	1
12	4161186	SHAFT EQUIPMENT HELIX V36 8" KIT	1
13		HYDRAULIC HELIX V 3607-2	1
14	4181137	SHAFTS D.22X687,34 1.4462 VP.	1
15	4161255	EQUIPED HOUSING DN65 HELIX 36 1.4409 KIT	1
7.3	2107767	> O-RING ID.202,80x3,53 VITON VP.	1
15.1		> PUMP HOUSING M+ DN65 316L MACHINED	1
15.1		> GASKET HOLDER M+ DN65 316L MACHINED	1
15.1		> HYDRAULIC SUPPORT M+ DN65 316L MACHINED	1
15.2	4158195	> PLUG PRESSURE CONNECTION G1/4"316L KIT	1

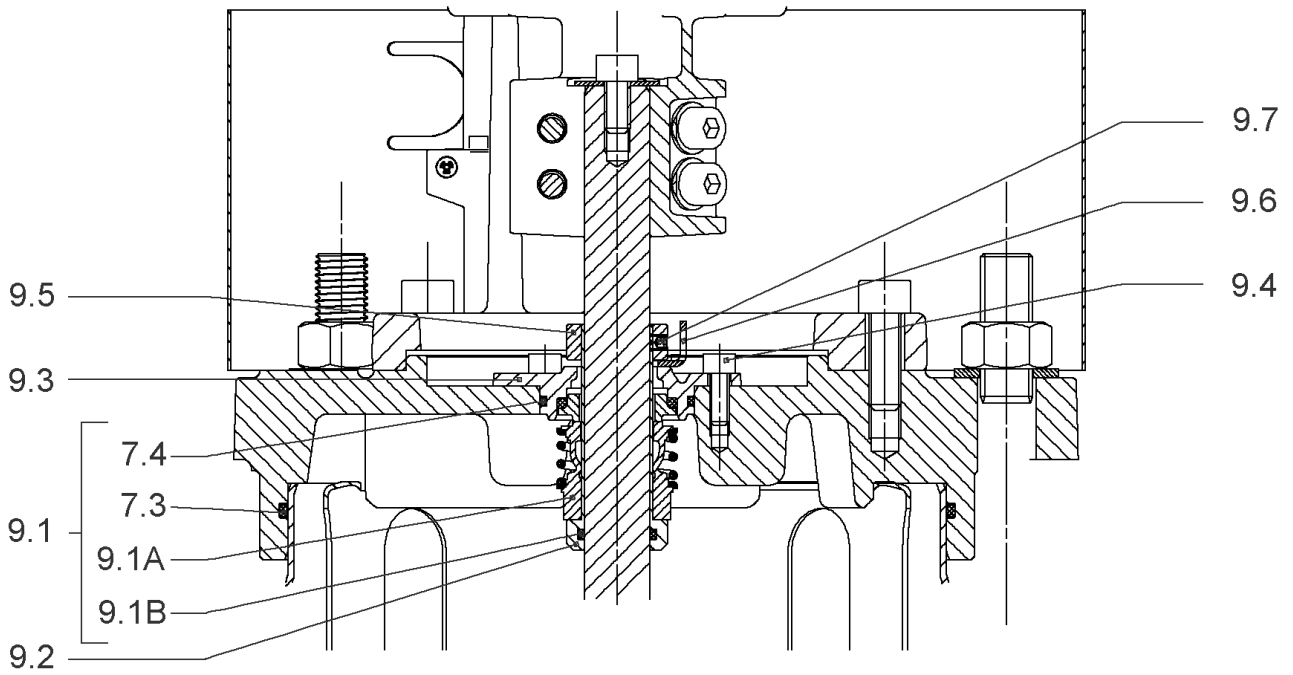
HELIX V3607/2-2/25/V/KS/400-50 (4150767)

Item	Article no.	Description	Quantity
15.2A		>> PLUG PRESSURE CONNECTION - G1/4" - 316L	1
15.2B	2107769	>> O-RING ID.9,9x2,62 VITON VP.	1
15.3	4158196	> DRAIN/PRIMING PLUG VITON HELIX KIT	1
15.3A		>> DRAIN-AND-PRIMING-PLUG-VM18"-316L	1
15.3B	4032294	>> GASKET-10x3-VITON	1
15.3C	2107768	>> O-RING ID.8,9x2,7 VITON VP.	1
15.4	4143749	> BASE M+ DN50/65/80-304	1
15.5		> SCREW TBHC M12x25 ISO7380 ZN	1
15.6	4124455	> FLANGE M+ DN65 NF PN16-25 ASME PN16 CATA	1
15.7		> O-RING Ø79.5xØ3 VITON	1
13.1A	4161268	> NECK RING 1.STAGE HELIX 36 316 KIT	1
		>> NECK-RING-M+36/52	1
		>> HYDRAULIC SUPPORT CAP M+36/52 316	1
		>> SCREW TCL M3X8 A4 POZIDRIV	1



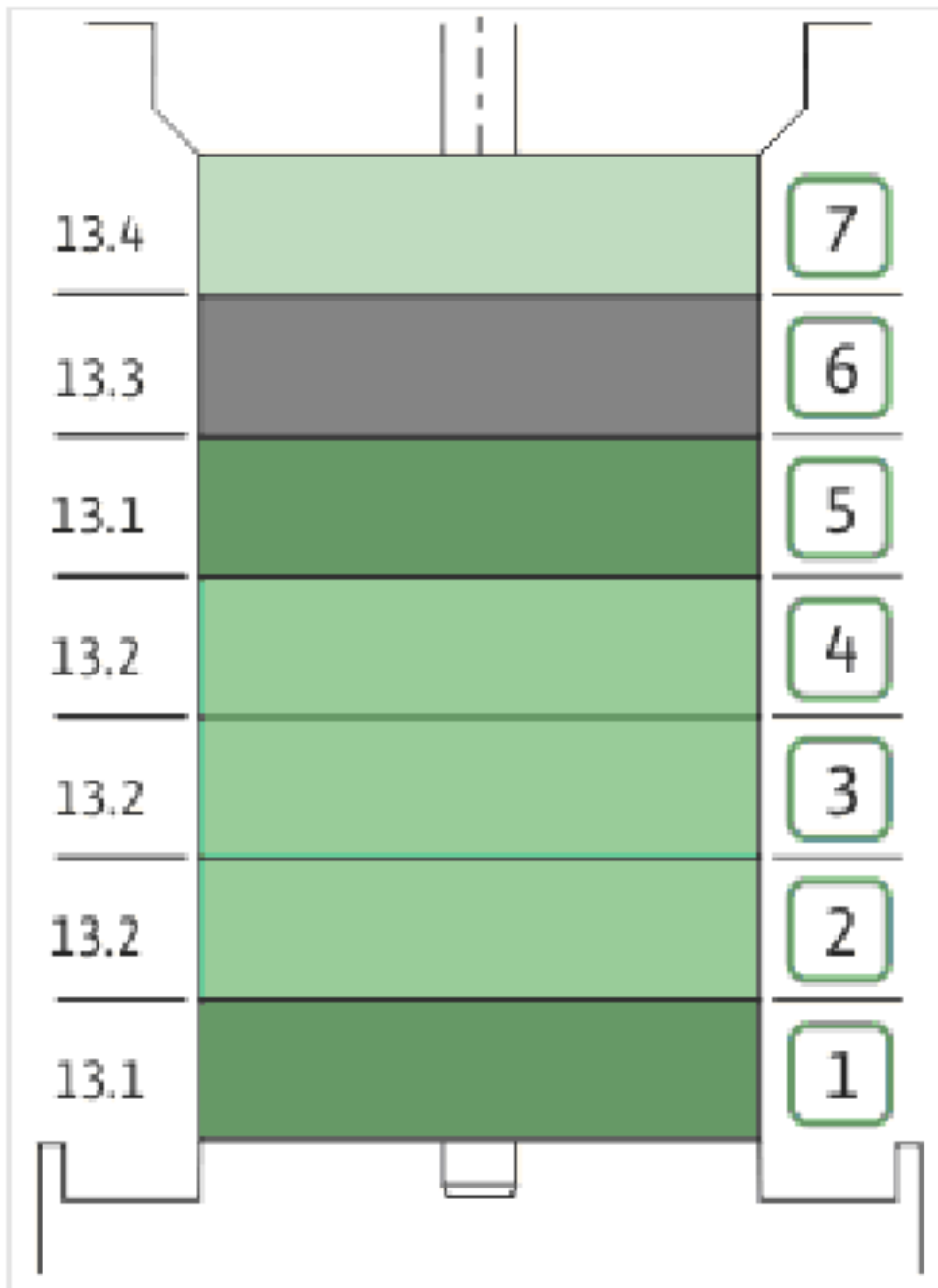
COUPLING D.20XD.38 FF300 KIT (4143966)

Item	Article no.	Description	Quantity
4.1	4179590	COUPLING 2 PARTS D.20XD.38XL115 VP.	1
4.2	2123699	BALL BEARING 6312/2Z-C4 (HT) VP.	1
4.3	63428	CIRCLIP-FOR-SHAFT-D60x2	1
4.4	2130991	SCREW M12X30 ISO4762 8.8 ZN(4 PIECES)	1
4.5	4032277	CIRCLIP-HOLE-130x4	1
4.6	4006725	O-RING ID.132,94x3,53 NBR70SR	1
4.7	2130992	RETAINING RING D.35xD.2,5 DIN7993 VP.	1
4.8	4179591	HUB D.42xD.60 VP.	1
4.9	2130994	SPACER D.38XD.55 VP.	1
4.10	4094462	SCREWS M10 (4 PIECES)	1
4.11	4233959	SCREW M8x16 VP.	1
4.12		SERRATED LOCK WASHER Ø8.2XØ25X35X2	1



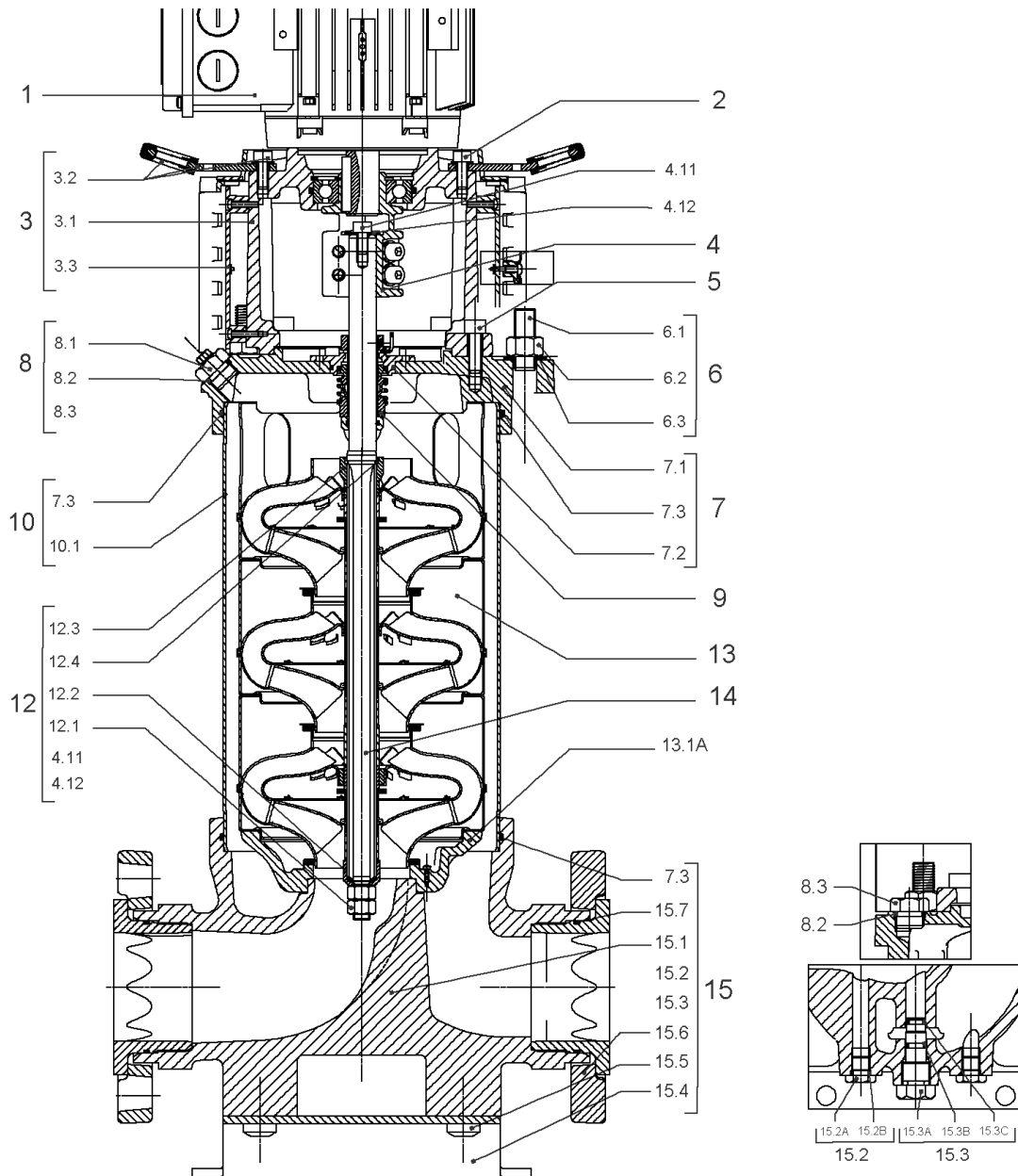
CARTRIDGE HELIX22-36-52 F/V KIT (4158206)

Item	Article no.	Description	Quantity
9.1	4158205	SEAL-KIT-HELIX22-36-52 F/V	1
7.3	2107767	> O-RING ID.202,80x3,53 VITON VP.	1
7.4	4179958	> O-RING-ID.42.52X2.62 VITON VP.	1
9.1A	4179982	> M.SEAL.HELIX22-36-52 F/V VP.	1
9.1B	4179960	> O-RING ID.20x2.65 FKM VP.	1
9.2	4179566	SHAFT SLEEVE D.20/20X60 1.4404 VP.	1
9.3	4179567	RING HOLDER Ø22 1.4301 VP.	1
9.4	4176520	SCREW CH M5x5 A4-70 (3PIECES)	1
9.5	4179568	DRIVE RING D.31/22.1x11 MACH.VP.	1
9.6	4179569	TOOL M.S.CART.HELIX 8" VP.	1
9.7	4179570	SCREW M6X16 ISO4762 8.8 GEOMET(4 PIECES)	1



HYDRAULIC HELIX V 3607-2

Item	Article no.	Description	Quantity
13.1	4161260	INTERMEDIATE STAGE HELIX V36 1.4404 KIT	1
		> SLEEVE-SPACER-D22XL16,66-316L	1
		> MACH.BEARING-DIFFUSER+NR-M+36-316	1
		> SHAFT-SLEEVE-D26xD22x16-CW	1
		> IMPELLER-H1-M+36-316	1
13.2	4161261	INTERMEDIATE STAGE HELIX V36 1.4404 KIT	1
		> MACH.STD-DIFFUSER+NR-M+36-316	1
		> IMPELLER-H4-M+36-316	1
13.3	4161263	INTERMEDIATE STAGE HELIX V36 1.4404 KIT	1
		> MACH.STD-DIFFUSER+NR-M+36-316	1
		> REDUCED-IMPELLER-H4-M+36-316	1
13.4	4161264	UPPER STAGE HELIX 36 1.4404 KIT	1
		> STOP COLLAR OF IMPELLER L20-Ø22-316L	1
		> REDUCED-IMPELLER-H4-M+36-316	1
		> MACH.-RIGID-STD-DISCH.-CHAMBER-M+36-316	1



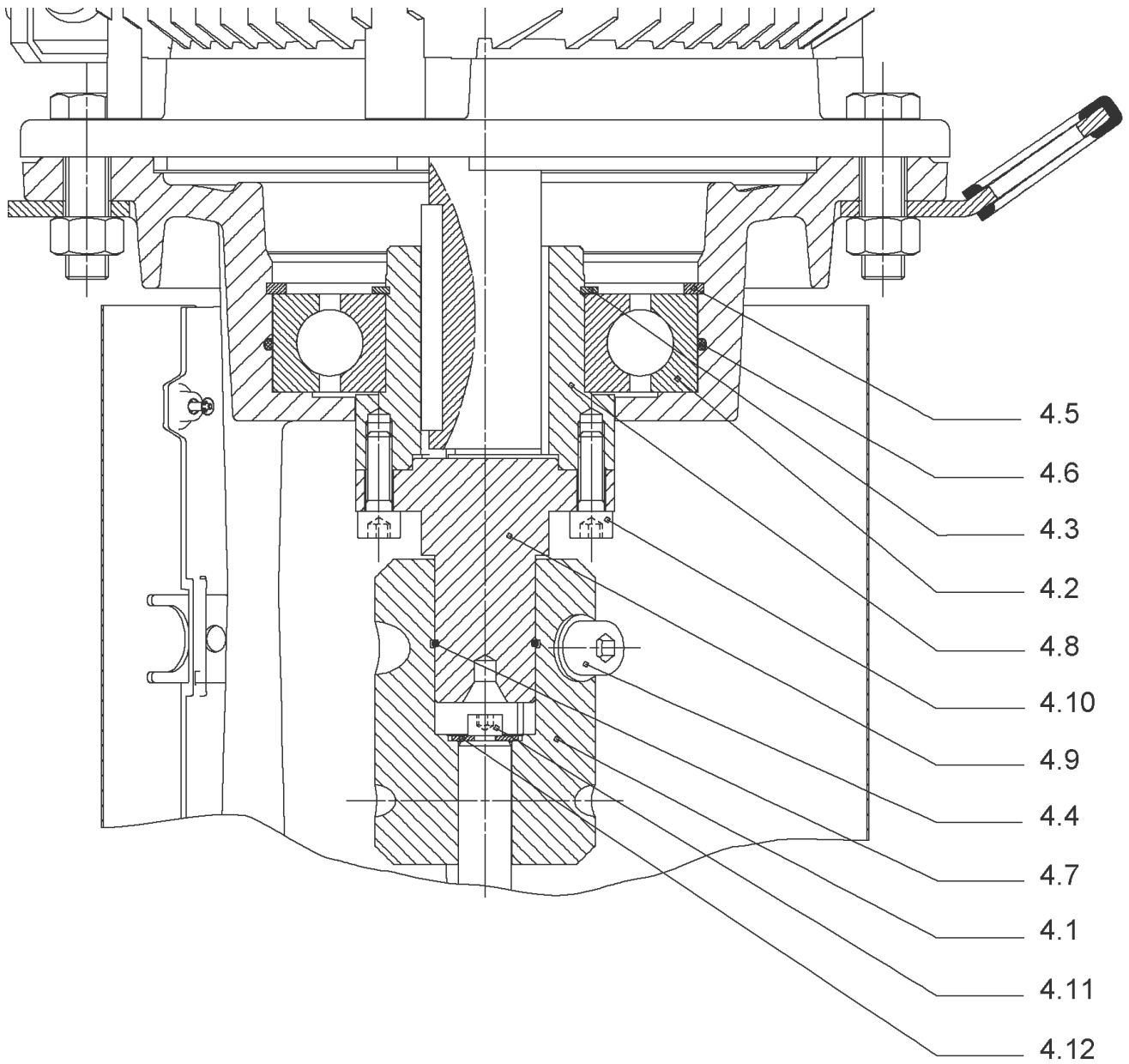
HELIX V3607-2/25/V/KS/400-50 (4150768)

Item	Article no.	Description	Quantity
1	4195490	MOTOR 22/2/180 3~400V 50HZ VP.	1
		SPARE PARTS MOTOR:ON REQUEST	1
2	4179586	SCREW M16X60 (4 PIECES)	1
3	4161188	LANTERN HELIX V36/52 FF300 BB6313 KIT	1
3.1		> LANTERN FF300 M+ GJL MACHINED+CATA 6313	1
3.2	4179589	> EYELET CPL.FF300 HELIX(4 PIECES)	1
3.3	4143969	> COUPLING PROTECT HELIX FF KIT	1
4	4161190	COUPLING D.20XD.38 FF300 KIT	1
5	4157725	SCREW M10X40 (4 PIECES)	1
6	4179923	STUD BOLT M16X600 KIT	1
6.1		> TIE BOLT M16-600x24x44-1.4057	1
6.2	4179562	> NUT M16 8.8 ISO4032 (4 PIECES)	1
6.3	4097852	> WASHER-CS-16.4-32-2.8-NFE25-511-A2	1
7	4179959	END SHIELD HELIX 8" FKM 1.4404 KIT	1
7.1		> END SHIELD HELIX 316L MACHINED	1
7.2	4179958	> O-RING-ID.42.52X2.62 VITON VP.	1
7.3	2107767	> O-RING ID.202,80x3,53 VITON VP.	1
8	4161256	FILING/PURGING PLUG FKM KIT	1
8.1		> FILLING/VENTING-PLUG-VM18/10-316L	1
8.2		> FILLING AND VENTING PLUG M+8" 316L	1
8.3		> GASKET-17x3-VITON	1
9	4158206	CARTRIDGE HELIX22-36-52 F/V KIT	1
10	4179975	HOUSING PIPE D.204X530 1.4404 KIT	1
7.3	2107767	> O-RING ID.202,80x3,53 VITON VP.	1
10.1		> HOUSING-PIPE Ø204-M+3607/5205-316L	1
12	4161186	SHAFT EQUIPMENT HELIX V36 8" KIT	1
13		HYDRAULIC HELIX V 3607	1
14	4181137	SHAFTS D.22X687,34 1.4462 VP.	1
15	4161255	EQUIPED HOUSING DN65 HELIX 36 1.4409 KIT	1
7.3	2107767	> O-RING ID.202,80x3,53 VITON VP.	1
15.1		> PUMP HOUSING M+ DN65 316L MACHINED	1
15.1		> GASKET HOLDER M+ DN65 316L MACHINED	1
15.1		> HYDRAULIC SUPPORT M+ DN65 316L MACHINED	1
15.2	4158195	> PLUG PRESSURE CONNECTION G1/4"316L KIT	1

HELIX V3607-2/25/V/KS/400-50 (4150768)

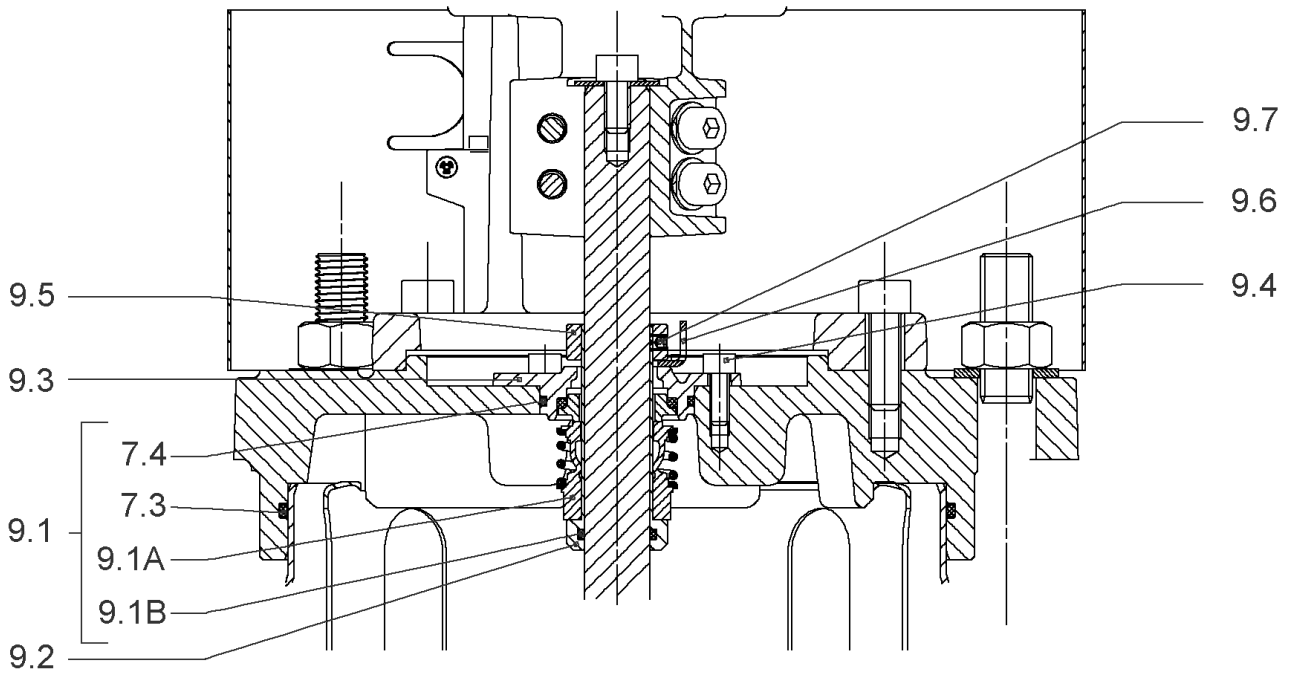
Item	Article no.	Description	Quantity
15.2A		>> PLUG PRESSURE CONNECTION - G1/4" - 316L	1
15.2B	2107769	>> O-RING ID.9,9x2,62 VITON VP.	1
15.3	4158196	> DRAIN/PRIMING PLUG VITON HELIX KIT	1
15.3A		>> DRAIN-AND-PRIMING-PLUG-VM18"-316L	1
15.3B	4032294	>> GASKET-10x3-VITON	1
15.3C	2107768	>> O-RING ID.8,9x2,7 VITON VP.	1
15.4	4143749	> BASE M+ DN50/65/80-304	1
15.5		> SCREW TBHC M12x25 ISO7380 ZN	1
15.6	4124455	> FLANGE M+ DN65 NF PN16-25 ASME PN16 CATA	1
15.7		> O-RING Ø79.5xØ3 VITON	1
13.1A	4161268	> NECK RING 1.STAGE HELIX 36 316 KIT	1
		>> NECK-RING-M+36/52	1
		>> HYDRAULIC SUPPORT CAP M+36/52 316	1
		>> SCREW TCL M3X8 A4 POZIDRIV	1

COUPLING D.20XD.38 FF300 KIT (4161190)



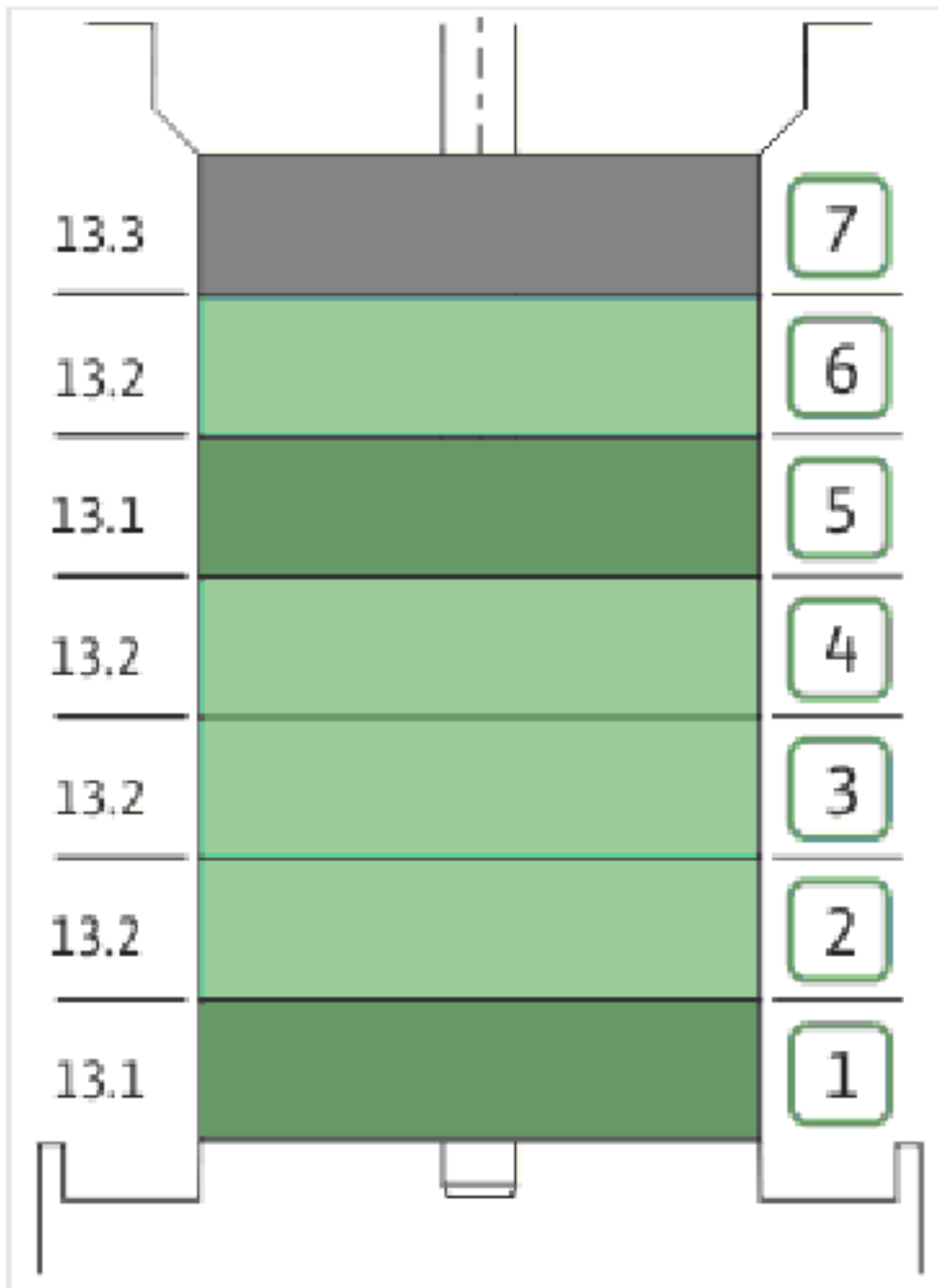
COUPLING D.20XD.38 FF300 KIT (4161190)

Item	Article no.	Description	Quantity
4.1	4179590	COUPLING 2 PARTS D.20XD.38XL115 VP.	1
4.2	2132521	BALL BEARING 6313/2Z-C4(HT)VP.	1
4.3	4032276	CIRCLIP-SHAFT-D65x2,5	1
4.4	2130991	SCREW M12X30 ISO4762 8.8 ZN(4 PIECES)	1
4.5	4233130	CIRCLIP-FOR-BORES-D140 VP.	1
4.6	4233945	O-RING ID.140 VP.	1
4.7	2130992	RETAINING RING D.35xD.2,5 DIN7993 VP.	1
4.8	4179928	HUB D.48xD.65 VP.	1
4.9	2130994	SPACER D.38XD.55 VP.	1
4.10	4094462	SCREWS M10 (4 PIECES)	1
4.11	4233959	SCREW M8x16 VP.	1
4.12		SERRATED LOCK WASHER Ø8.2XØ25X35X2	1

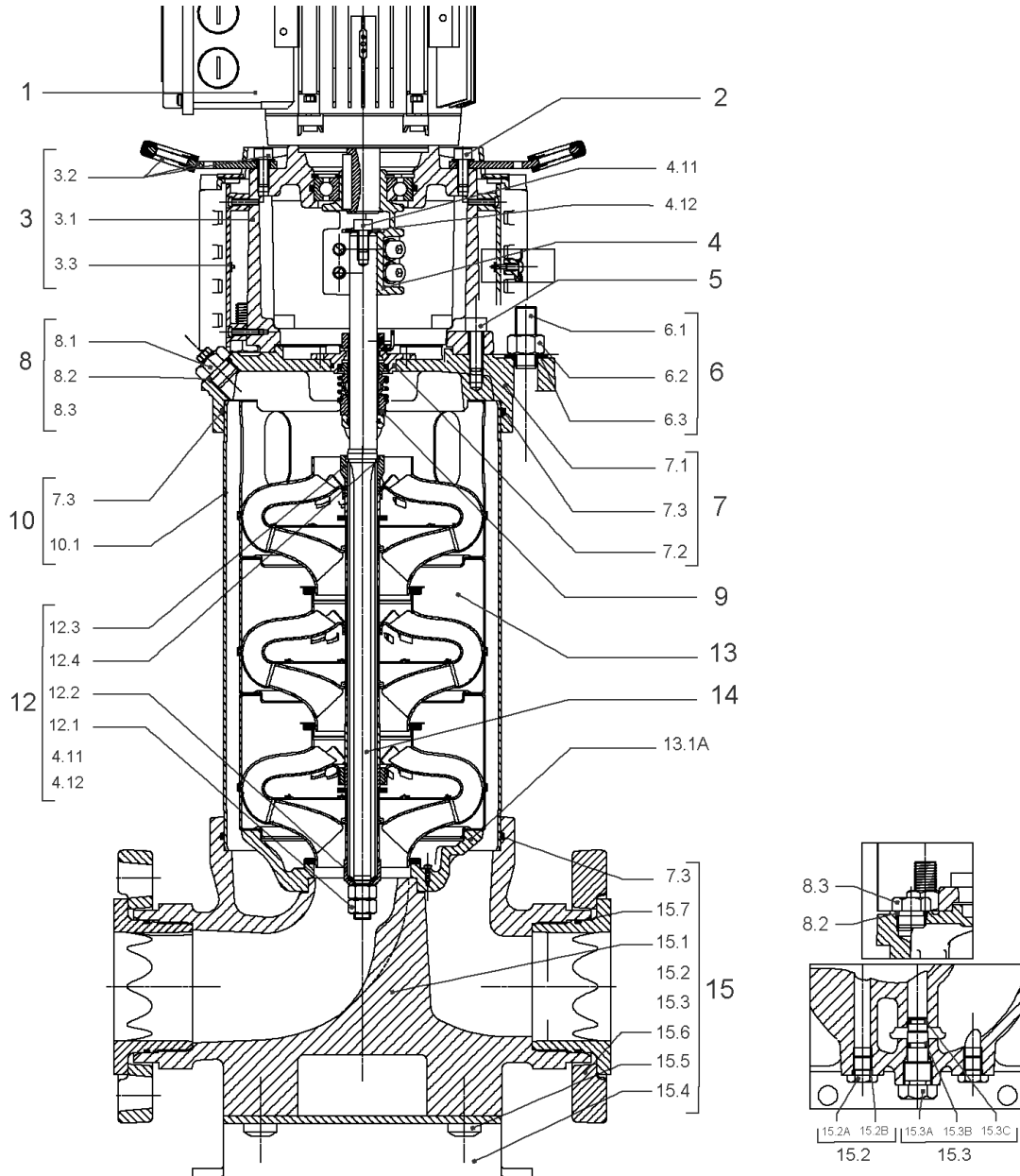


CARTRIDGE HELIX22-36-52 F/V KIT (4158206)

Item	Article no.	Description	Quantity
9.1	4158205	SEAL-KIT-HELIX22-36-52 F/V	1
7.3	2107767	> O-RING ID.202,80x3,53 VITON VP.	1
7.4	4179958	> O-RING-ID.42.52X2.62 VITON VP.	1
9.1A	4179982	> M.SEAL.HELIX22-36-52 F/V VP.	1
9.1B	4179960	> O-RING ID.20x2.65 FKM VP.	1
9.2	4179566	SHAFT SLEEVE D.20/20X60 1.4404 VP.	1
9.3	4179567	RING HOLDER Ø22 1.4301 VP.	1
9.4	4176520	SCREW CH M5x5 A4-70 (3PIECES)	1
9.5	4179568	DRIVE RING D.31/22.1x11 MACH.VP.	1
9.6	4179569	TOOL M.S.CART.HELIX 8" VP.	1
9.7	4179570	SCREW M6X16 ISO4762 8.8 GEOMET(4 PIECES)	1



Item	Article no.	Description	Quantity
13.1	4161260	INTERMEDIATE STAGE HELIX V36 1.4404 KIT	1
		> SLEEVE-SPACER-D22XL16,66-316L	1
		> MACH.BEARING-DIFFUSER+NR-M+36-316	1
		> SHAFT-SLEEVE-D26xD22x16-CW	1
		> IMPELLER-H1-M+36-316	1
13.2	4161261	INTERMEDIATE STAGE HELIX V36 1.4404 KIT	1
		> MACH.STD-DIFFUSER+NR-M+36-316	1
		> IMPELLER-H4-M+36-316	1
13.3	4161262	UPPER STAGE HELIX 36 1.4404 KIT	1
		> STOP COLLAR OF IMPELLER L20-Ø22-316L	1
		> MACH.-RIGID-STD-DISCH.-CHAMBER-M+36-316	1
		> IMPELLER-H4-M+36-316	1

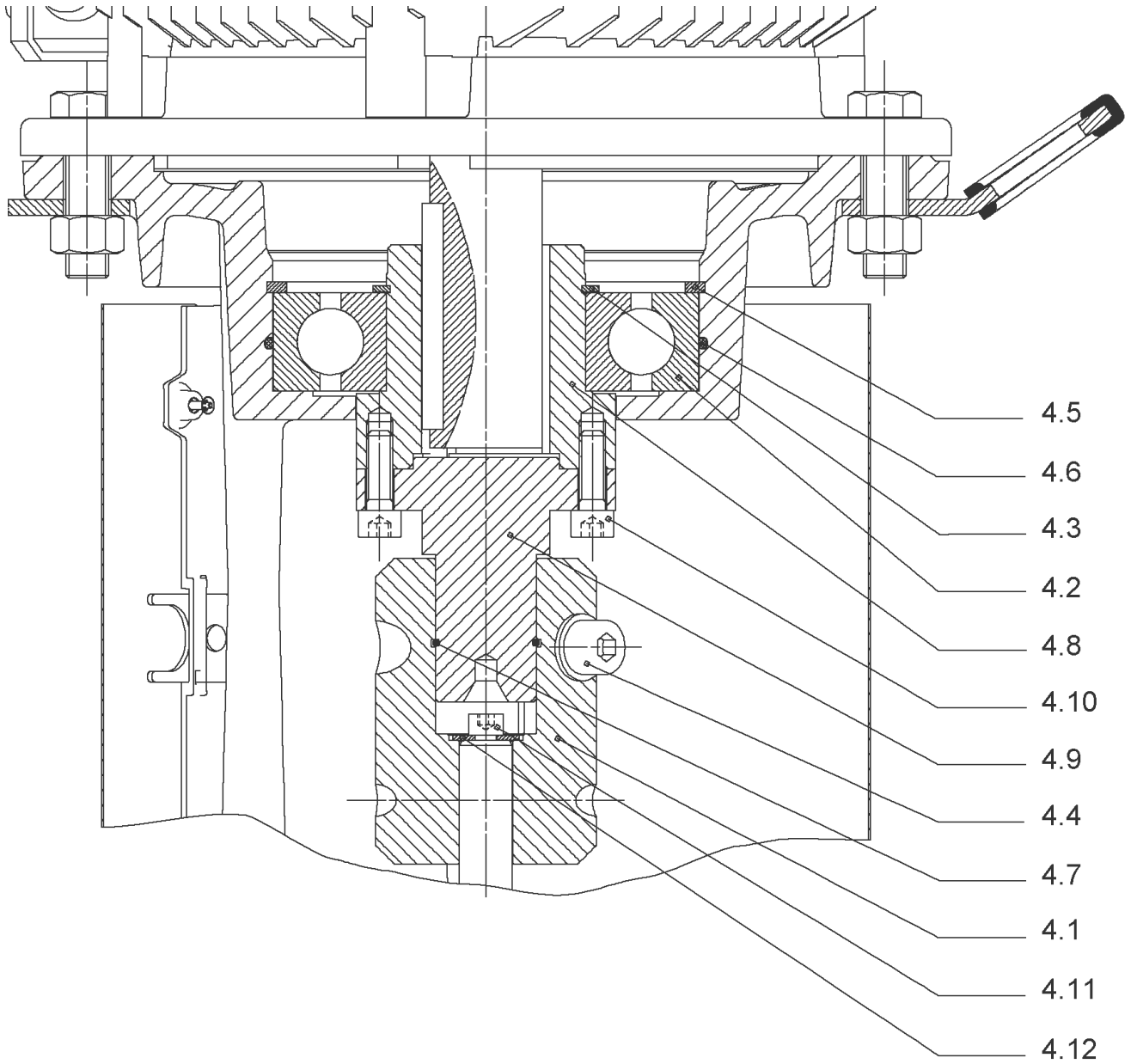


HELIX V3608/2-2/25/V/KS/400-50 (4150769)

Item	Article no.	Description	Quantity
1	4195490	MOTOR 22/2/180 3~400V 50HZ VP.	1
		SPARE PARTS MOTOR:ON REQUEST	1
2	4179586	SCREW M16X60 (4 PIECES)	1
3	4161188	LANTERN HELIX V36/52 FF300 BB6313 KIT	1
3.1		> LANTERN FF300 M+ GJL MACHINED+CATA 6313	1
3.2	4179589	> EYELET CPL.FF300 HELIX(4 PIECES)	1
3.3	4143969	> COUPLING PROTECT HELIX FF KIT	1
4	4161190	COUPLING D.20XD.38 FF300 KIT	1
5	4157725	SCREW M10X40 (4 PIECES)	1
6	4181093	STUD BOLT M16X666 KIT	1
6.1		> TIE BOLT M16-666x24x44-1.4057	1
6.2	4179562	> NUT M16 8.8 ISO4032 (4 PIECES)	1
6.3	4097852	> WASHER-CS-16.4-32-2.8-NFE25-511-A2	1
7	4179959	END SHIELD HELIX 8" FKM 1.4404 KIT	1
7.1		> END SHIELD HELIX 316L MACHINED	1
7.2	4179958	> O-RING-ID.42.52X2.62 VITON VP.	1
7.3	2107767	> O-RING ID.202,80x3,53 VITON VP.	1
8	4161256	FILING/PURGING PLUG FKM KIT	1
8.1		> FILLING/VENTING-PLUG-VM18/10-316L	1
8.2		> FILLING AND VENTING PLUG M+8" 316L	1
8.3		> GASKET-17x3-VITON	1
9	4158206	CARTRIDGE HELIX22-36-52 F/V KIT	1
10	4181140	HOUSING PIPE D.204X597 1.4404 KIT	1
7.3	2107767	> O-RING ID.202,80x3,53 VITON VP.	1
10.1		> HOUSING-PIPE Ø204-M+3608-316L	1
12	4161186	SHAFT EQUIPMENT HELIX V36 8" KIT	1
13		HYDRAULIC HELIX V 3608-2	1
14	4181139	SHAFTS D.22X754 1.4462 VP.	1
15	4161255	EQUIPED HOUSING DN65 HELIX 36 1.4409 KIT	1
7.3	2107767	> O-RING ID.202,80x3,53 VITON VP.	1
15.1		> PUMP HOUSING M+ DN65 316L MACHINED	1
15.1		> GASKET HOLDER M+ DN65 316L MACHINED	1
15.1		> HYDRAULIC SUPPORT M+ DN65 316L MACHINED	1
15.2	4158195	> PLUG PRESSURE CONNECTION G1/4"316L KIT	1

HELIX V3608/2-2/25/V/KS/400-50 (4150769)

Item	Article no.	Description	Quantity
15.2A		>> PLUG PRESSURE CONNECTION - G1/4" - 316L	1
15.2B	2107769	>> O-RING ID.9,9x2,62 VITON VP.	1
15.3	4158196	> DRAIN/PRIMING PLUG VITON HELIX KIT	1
15.3A		>> DRAIN-AND-PRIMING-PLUG-VM18"-316L	1
15.3B	4032294	>> GASKET-10x3-VITON	1
15.3C	2107768	>> O-RING ID.8,9x2,7 VITON VP.	1
15.4	4143749	> BASE M+ DN50/65/80-304	1
15.5		> SCREW TBHC M12x25 ISO7380 ZN	1
15.6	4124455	> FLANGE M+ DN65 NF PN16-25 ASME PN16 CATA	1
15.7		> O-RING Ø79.5xØ3 VITON	1
13.1A	4161268	> NECK RING 1.STAGE HELIX 36 316 KIT	1
		>> NECK-RING-M+36/52	1
		>> HYDRAULIC SUPPORT CAP M+36/52 316	1
		>> SCREW TCL M3X8 A4 POZIDRIV	1



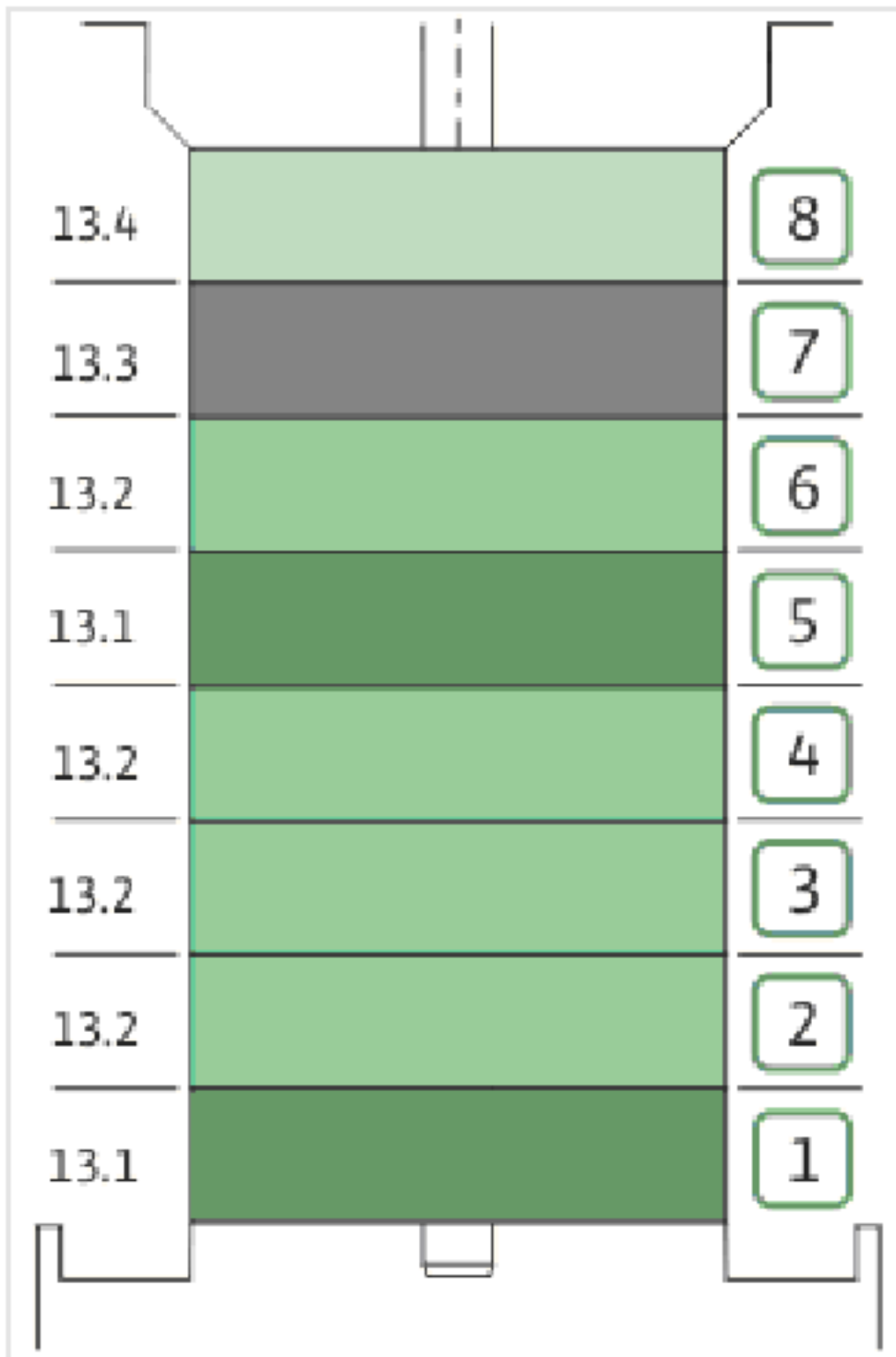
COUPLING D.20XD.38 FF300 KIT (4161190)

Item	Article no.	Description	Quantity
4.1	4179590	COUPLING 2 PARTS D.20XD.38XL115 VP.	1
4.2	2132521	BALL BEARING 6313/2Z-C4(HT)VP.	1
4.3	4032276	CIRCLIP-SHAFT-D65x2,5	1
4.4	2130991	SCREW M12X30 ISO4762 8.8 ZN(4 PIECES)	1
4.5	4233130	CIRCLIP-FOR-BORES-D140 VP.	1
4.6	4233945	O-RING ID.140 VP.	1
4.7	2130992	RETAINING RING D.35xD.2,5 DIN7993 VP.	1
4.8	4179928	HUB D.48xD.65 VP.	1
4.9	2130994	SPACER D.38XD.55 VP.	1
4.10	4094462	SCREWS M10 (4 PIECES)	1
4.11	4233959	SCREW M8x16 VP.	1
4.12		SERRATED LOCK WASHER Ø8.2XØ25X35X2	1



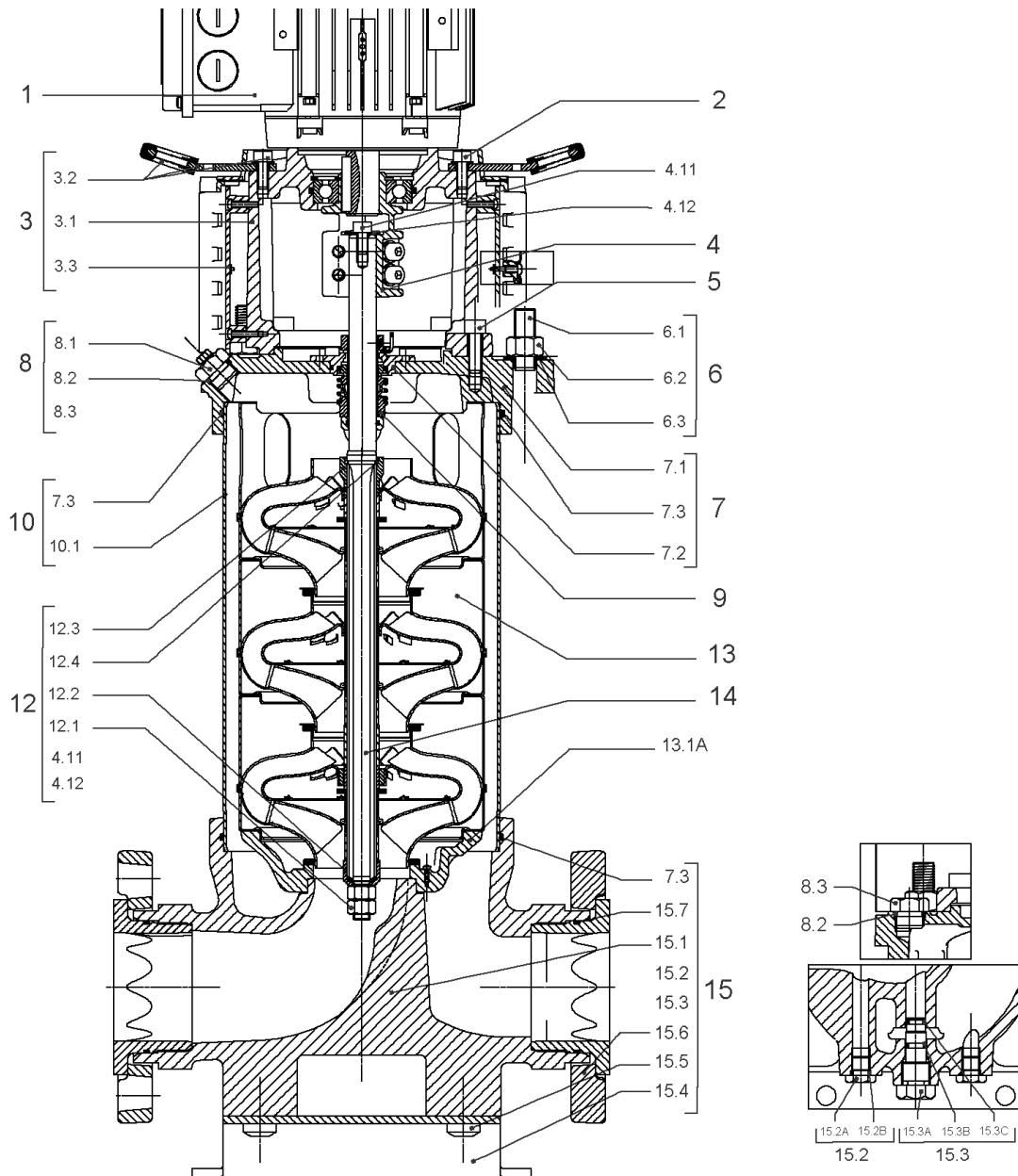
CARTRIDGE HELIX22-36-52 F/V KIT (4158206)

Item	Article no.	Description	Quantity
9.1	4158205	SEAL-KIT-HELIX22-36-52 F/V	1
7.3	2107767	> O-RING ID.202,80x3,53 VITON VP.	1
7.4	4179958	> O-RING-ID.42.52X2.62 VITON VP.	1
9.1A	4179982	> M.SEAL.HELIX22-36-52 F/V VP.	1
9.1B	4179960	> O-RING ID.20x2.65 FKM VP.	1
9.2	4179566	SHAFT SLEEVE D.20/20X60 1.4404 VP.	1
9.3	4179567	RING HOLDER Ø22 1.4301 VP.	1
9.4	4176520	SCREW CH M5x5 A4-70 (3PIECES)	1
9.5	4179568	DRIVE RING D.31/22.1x11 MACH.VP.	1
9.6	4179569	TOOL M.S.CART.HELIX 8" VP.	1
9.7	4179570	SCREW M6X16 ISO4762 8.8 GEOMET(4 PIECES)	1



HYDRAULIC HELIX V 3608-2

Item	Article no.	Description	Quantity
13.1	4161260	INTERMEDIATE STAGE HELIX V36 1.4404 KIT	1
		> SLEEVE-SPACER-D22XL16,66-316L	1
		> MACH.BEARING-DIFFUSER+NR-M+36-316	1
		> SHAFT-SLEEVE-D26xD22x16-CW	1
		> IMPELLER-H1-M+36-316	1
13.2	4161261	INTERMEDIATE STAGE HELIX V36 1.4404 KIT	1
		> MACH.STD-DIFFUSER+NR-M+36-316	1
		> IMPELLER-H4-M+36-316	1
13.3	4161263	INTERMEDIATE STAGE HELIX V36 1.4404 KIT	1
		> MACH.STD-DIFFUSER+NR-M+36-316	1
		> REDUCED-IMPELLER-H4-M+36-316	1
13.4	4161264	UPPER STAGE HELIX 36 1.4404 KIT	1
		> STOP COLLAR OF IMPELLER L20-Ø22-316L	1
		> REDUCED-IMPELLER-H4-M+36-316	1
		> MACH.-RIGID-STD-DISCH.-CHAMBER-M+36-316	1



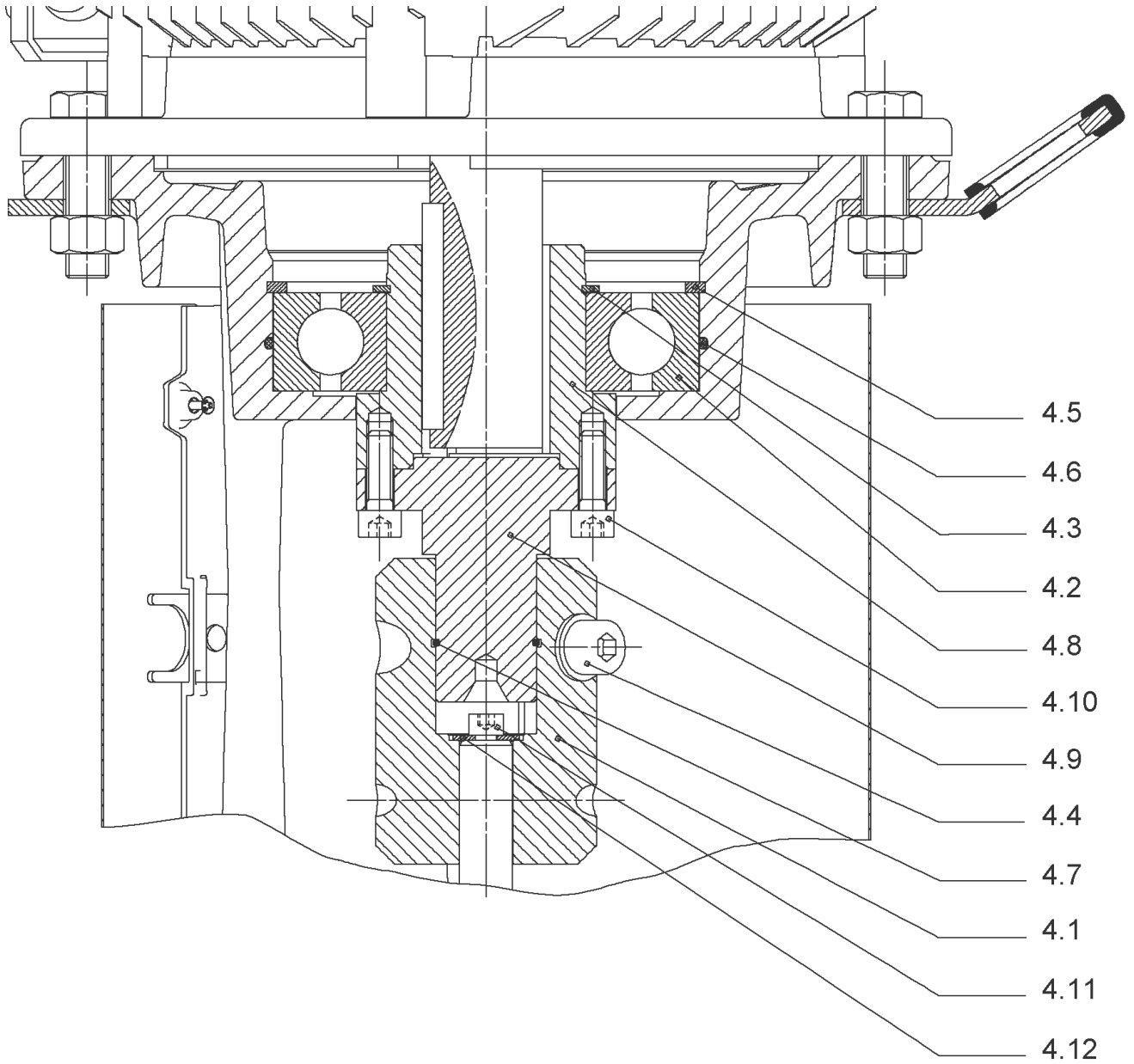
HELIX V3608-2/25/V/KS/400-50 (4150770)

Item	Article no.	Description	Quantity
1	4195490	MOTOR 22/2/180 3~400V 50HZ VP.	1
		SPARE PARTS MOTOR:ON REQUEST	1
2	4179586	SCREW M16X60 (4 PIECES)	1
3	4161188	LANTERN HELIX V36/52 FF300 BB6313 KIT	1
3.1		> LANTERN FF300 M+ GJL MACHINED+CATA 6313	1
3.2	4179589	> EYELET CPL.FF300 HELIX(4 PIECES)	1
3.3	4143969	> COUPLING PROTECT HELIX FF KIT	1
4	4161190	COUPLING D.20XD.38 FF300 KIT	1
5	4157725	SCREW M10X40 (4 PIECES)	1
6	4181093	STUD BOLT M16X666 KIT	1
6.1		> TIE BOLT M16-666x24x44-1.4057	1
6.2	4179562	> NUT M16 8.8 ISO4032 (4 PIECES)	1
6.3	4097852	> WASHER-CS-16.4-32-2.8-NFE25-511-A2	1
7	4179959	END SHIELD HELIX 8" FKM 1.4404 KIT	1
7.1		> END SHIELD HELIX 316L MACHINED	1
7.2	4179958	> O-RING-ID.42.52X2.62 VITON VP.	1
7.3	2107767	> O-RING ID.202,80x3,53 VITON VP.	1
8	4161256	FILING/PURGING PLUG FKM KIT	1
8.1		> FILLING/VENTING-PLUG-VM18/10-316L	1
8.2		> FILLING AND VENTING PLUG M+8" 316L	1
8.3		> GASKET-17x3-VITON	1
9	4158206	CARTRIDGE HELIX22-36-52 F/V KIT	1
10	4181140	HOUSING PIPE D.204X597 1.4404 KIT	1
7.3	2107767	> O-RING ID.202,80x3,53 VITON VP.	1
10.1		> HOUSING-PIPE Ø204-M+3608-316L	1
12	4161186	SHAFT EQUIPMENT HELIX V36 8" KIT	1
13		HYDRAULIC HELIX V 3608	1
14	4181139	SHAFTS D.22X754 1.4462 VP.	1
15	4161255	EQUIPED HOUSING DN65 HELIX 36 1.4409 KIT	1
7.3	2107767	> O-RING ID.202,80x3,53 VITON VP.	1
15.1		> PUMP HOUSING M+ DN65 316L MACHINED	1
15.1		> GASKET HOLDER M+ DN65 316L MACHINED	1
15.1		> HYDRAULIC SUPPORT M+ DN65 316L MACHINED	1
15.2	4158195	> PLUG PRESSURE CONNECTION G1/4"316L KIT	1

HELIX V3608-2/25/V/KS/400-50 (4150770)

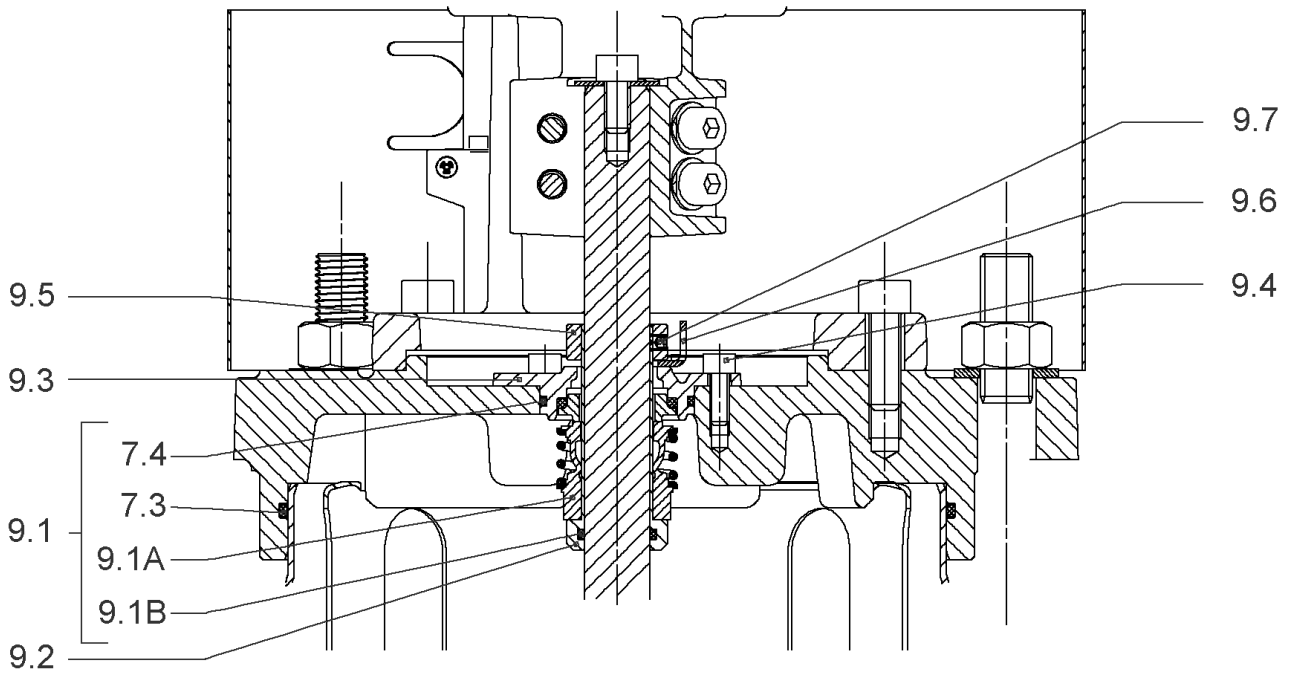
Item	Article no.	Description	Quantity
15.2A		>> PLUG PRESSURE CONNECTION - G1/4" - 316L	1
15.2B	2107769	>> O-RING ID.9,9x2,62 VITON VP.	1
15.3	4158196	> DRAIN/PRIMING PLUG VITON HELIX KIT	1
15.3A		>> DRAIN-AND-PRIMING-PLUG-VM18"-316L	1
15.3B	4032294	>> GASKET-10x3-VITON	1
15.3C	2107768	>> O-RING ID.8,9x2,7 VITON VP.	1
15.4	4143749	> BASE M+ DN50/65/80-304	1
15.5		> SCREW TBHC M12x25 ISO7380 ZN	1
15.6	4124455	> FLANGE M+ DN65 NF PN16-25 ASME PN16 CATA	1
15.7		> O-RING Ø79.5xØ3 VITON	1
13.1A	4161268	> NECK RING 1.STAGE HELIX 36 316 KIT	1
		>> NECK-RING-M+36/52	1
		>> HYDRAULIC SUPPORT CAP M+36/52 316	1
		>> SCREW TCL M3X8 A4 POZIDRIV	1

COUPLING D.20XD.38 FF300 KIT (4161190)



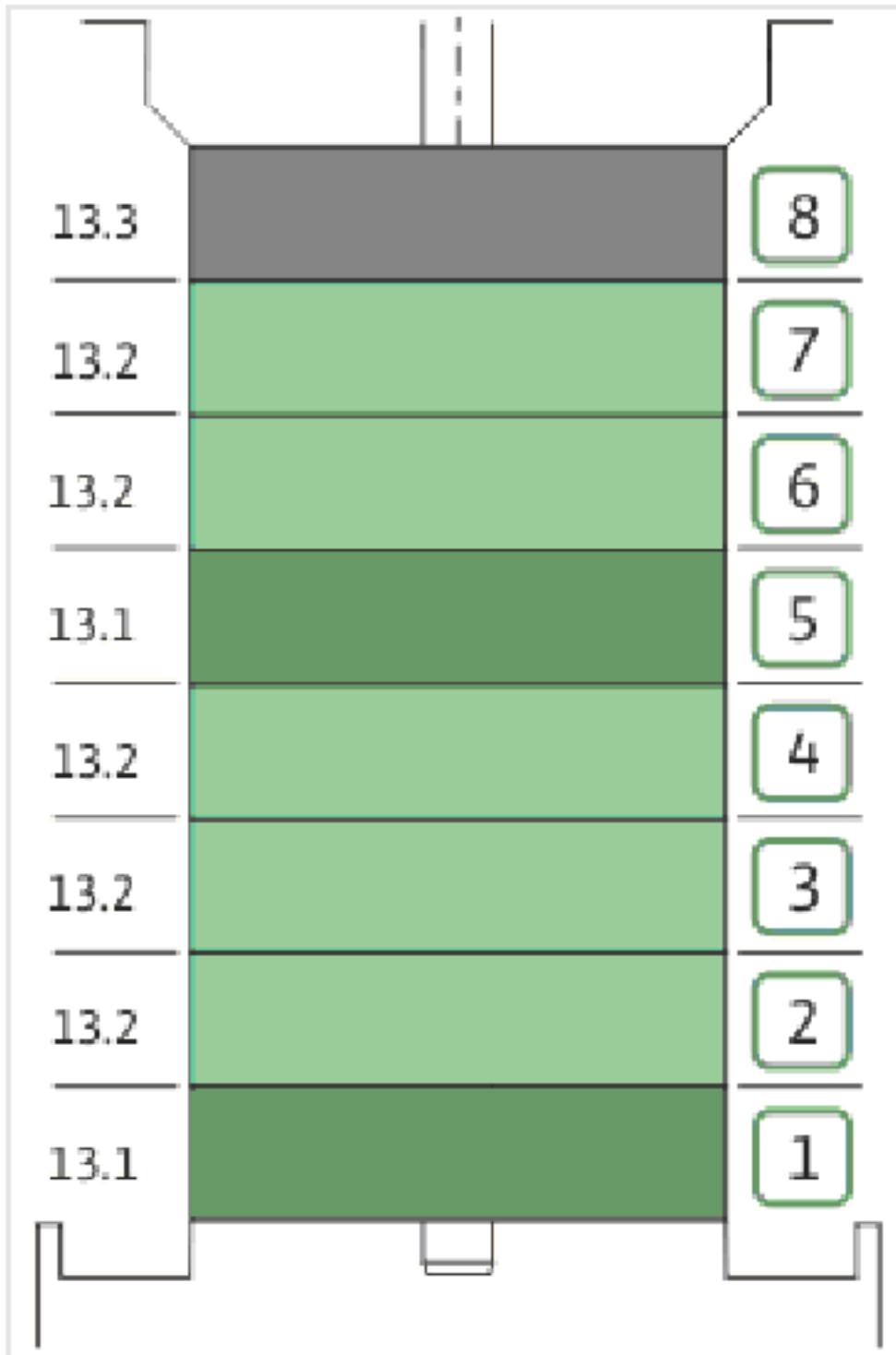
COUPLING D.20XD.38 FF300 KIT (4161190)

Item	Article no.	Description	Quantity
4.1	4179590	COUPLING 2 PARTS D.20XD.38XL115 VP.	1
4.2	2132521	BALL BEARING 6313/2Z-C4(HT)VP.	1
4.3	4032276	CIRCLIP-SHAFT-D65x2,5	1
4.4	2130991	SCREW M12X30 ISO4762 8.8 ZN(4 PIECES)	1
4.5	4233130	CIRCLIP-FOR-BORES-D140 VP.	1
4.6	4233945	O-RING ID.140 VP.	1
4.7	2130992	RETAINING RING D.35xD.2,5 DIN7993 VP.	1
4.8	4179928	HUB D.48xD.65 VP.	1
4.9	2130994	SPACER D.38XD.55 VP.	1
4.10	4094462	SCREWS M10 (4 PIECES)	1
4.11	4233959	SCREW M8x16 VP.	1
4.12		SERRATED LOCK WASHER Ø8.2XØ25X35X2	1

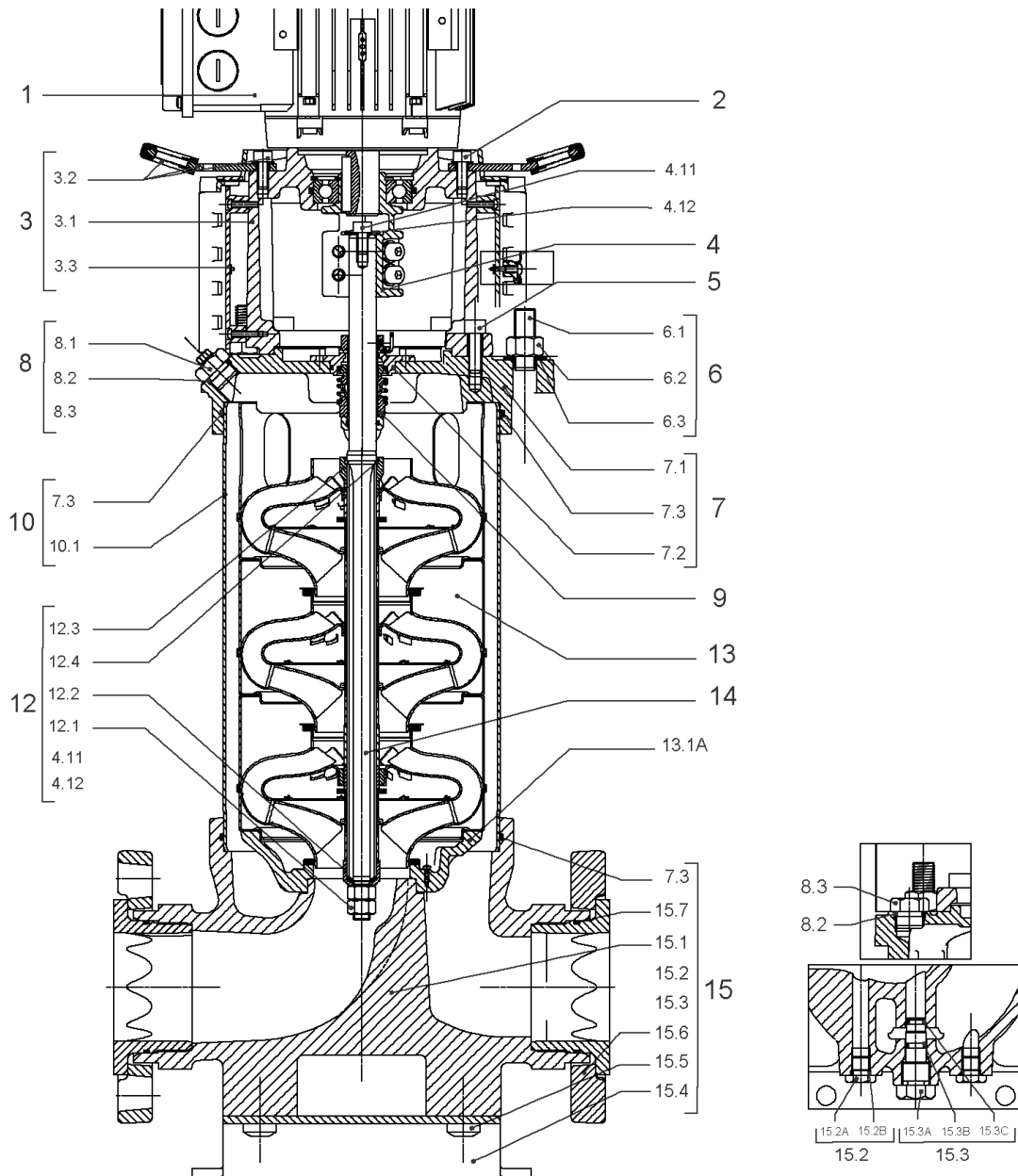


CARTRIDGE HELIX22-36-52 F/V KIT (4158206)

Item	Article no.	Description	Quantity
9.1	4158205	SEAL-KIT-HELIX22-36-52 F/V	1
7.3	2107767	> O-RING ID.202,80x3,53 VITON VP.	1
7.4	4179958	> O-RING-ID.42.52X2.62 VITON VP.	1
9.1A	4179982	> M.SEAL.HELIX22-36-52 F/V VP.	1
9.1B	4179960	> O-RING ID.20x2.65 FKM VP.	1
9.2	4179566	SHAFT SLEEVE D.20/20X60 1.4404 VP.	1
9.3	4179567	RING HOLDER Ø22 1.4301 VP.	1
9.4	4176520	SCREW CH M5x5 A4-70 (3PIECES)	1
9.5	4179568	DRIVE RING D.31/22.1x11 MACH.VP.	1
9.6	4179569	TOOL M.S.CART.HELIX 8" VP.	1
9.7	4179570	SCREW M6X16 ISO4762 8.8 GEOMET(4 PIECES)	1



Item	Article no.	Description	Quantity
13.1	4161260	INTERMEDIATE STAGE HELIX V36 1.4404 KIT	1
		> SLEEVE-SPACER-D22XL16,66-316L	1
		> MACH.BEARING-DIFFUSER+NR-M+36-316	1
		> SHAFT-SLEEVE-D26xD22x16-CW	1
		> IMPELLER-H1-M+36-316	1
13.2	4161261	INTERMEDIATE STAGE HELIX V36 1.4404 KIT	1
		> MACH.STD-DIFFUSER+NR-M+36-316	1
		> IMPELLER-H4-M+36-316	1
13.3	4161262	UPPER STAGE HELIX 36 1.4404 KIT	1
		> STOP COLLAR OF IMPELLER L20-Ø22-316L	1
		> MACH.-RIGID-STD-DISCH.-CHAMBER-M+36-316	1
		> IMPELLER-H4-M+36-316	1

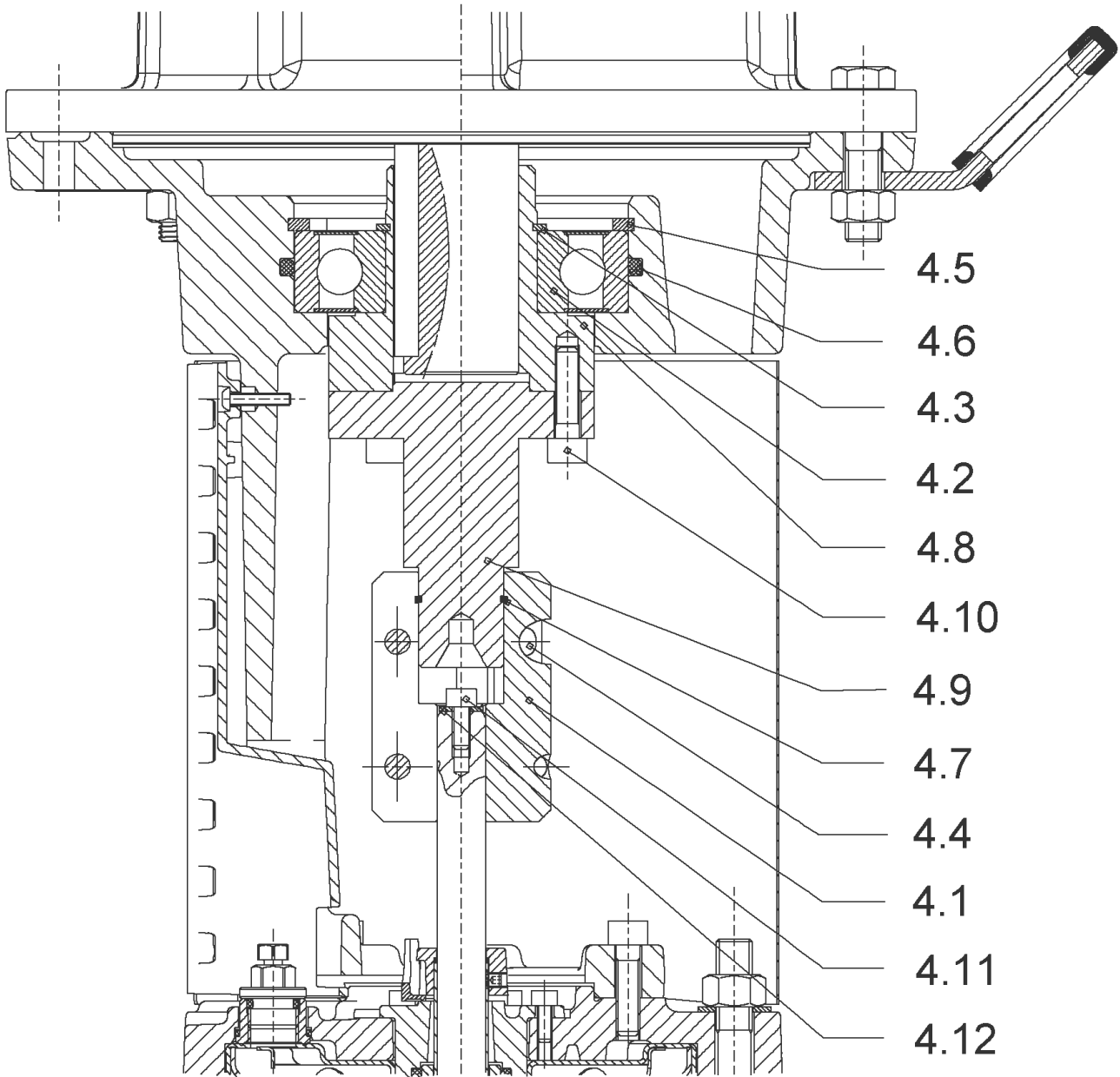


HELIX V3609/2-2/25/V/KS/400-50 (4150771)

Item	Article no.	Description	Quantity
1	4195491	MOTOR 30/2/200 3~400V 50HZ IE3 VP.	1
		SPARE PARTS MOTOR:ON REQUEST	1
2	4179586	SCREW M16X60 (4 PIECES)	1
3	4161189	LANTERN HELIX V36 FF350 BB6315 KIT	1
3.1		> LANTERN FF350 M+ GJL MACHINED+CATA 6315	1
3.2	4179938	> EYELET CPL.FF350 HELIX(4 PIECES)	1
3.3	4143969	> COUPLING PROTECT HELIX FF KIT	1
4	4161191	COUPLING HELIX V36/52 FF350 RLT6315 KIT	1
5	4157725	SCREW M10X40 (4 PIECES)	1
6	4181098	STUD BOLT M16X733 KIT	1
6.1		> TIE BOLT M16-733x24x44-1.4057	1
6.2	4179562	> NUT M16 8.8 ISO4032 (4 PIECES)	1
6.3	4097852	> WASHER-CS-16.4-32-2.8-NFE25-511-A2	1
7	4179959	END SHIELD HELIX 8" FKM 1.4404 KIT	1
7.1		> END SHIELD HELIX 316L MACHINED	1
7.2	4179958	> O-RING-ID.42.52X2.62 VITON VP.	1
7.3	2107767	> O-RING ID.202,80x3,53 VITON VP.	1
8	4161256	FILING/PURGING PLUG FKM KIT	1
8.1		> FILLING/VENTING-PLUG-VM18/10-316L	1
8.2		> FILLING AND VENTING PLUG M+8" 316L	1
8.3		> GASKET-17x3-VITON	1
9	4158206	CARTRIDGE HELIX22-36-52 F/V KIT	1
10	4181143	HOUSING PIPE D.204X664 1.4404 KIT	1
7.3	2107767	> O-RING ID.202,80x3,53 VITON VP.	1
10.1		> HOUSING-PIPE Ø204-M+2212/3609-316L	1
12	4161186	SHAFT EQUIPMENT HELIX V36 8" KIT	1
13		HYDRAULIC HELIX V 3609-2	1
14	4181145	SHAFTS D.22X820,67 1.4462 VP.	1
15	4161255	EQUIPED HOUSING DN65 HELIX 36 1.4409 KIT	1
7.3	2107767	> O-RING ID.202,80x3,53 VITON VP.	1
15.1		> PUMP HOUSING M+ DN65 316L MACHINED	1
15.1		> GASKET HOLDER M+ DN65 316L MACHINED	1
15.1		> HYDRAULIC SUPPORT M+ DN65 316L MACHINED	1
15.2	4158195	> PLUG PRESSURE CONNECTION G1/4"316L KIT	1

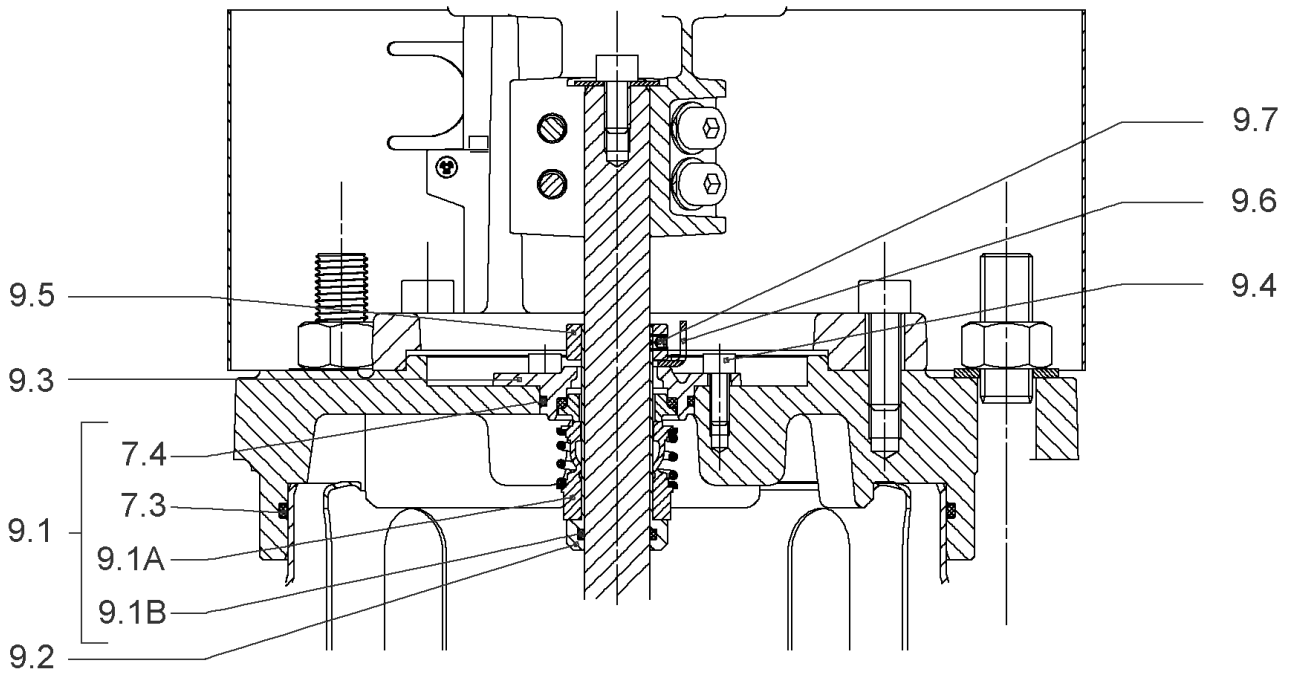
HELIX V3609/2-2/25/V/KS/400-50 (4150771)

Item	Article no.	Description	Quantity
15.2A		>> PLUG PRESSURE CONNECTION - G1/4" - 316L	1
15.2B	2107769	>> O-RING ID.9,9x2,62 VITON VP.	1
15.3	4158196	> DRAIN/PRIMING PLUG VITON HELIX KIT	1
15.3A		>> DRAIN-AND-PRIMING-PLUG-VM18"-316L	1
15.3B	4032294	>> GASKET-10x3-VITON	1
15.3C	2107768	>> O-RING ID.8,9x2,7 VITON VP.	1
15.4	4143749	> BASE M+ DN50/65/80-304	1
15.5		> SCREW TBHC M12x25 ISO7380 ZN	1
15.6	4124455	> FLANGE M+ DN65 NF PN16-25 ASME PN16 CATA	1
15.7		> O-RING Ø79.5xØ3 VITON	1
13.1A	4161268	> NECK RING 1.STAGE HELIX 36 316 KIT	1
		>> NECK-RING-M+36/52	1
		>> HYDRAULIC SUPPORT CAP M+36/52 316	1
		>> SCREW TCL M3X8 A4 POZIDRIV	1



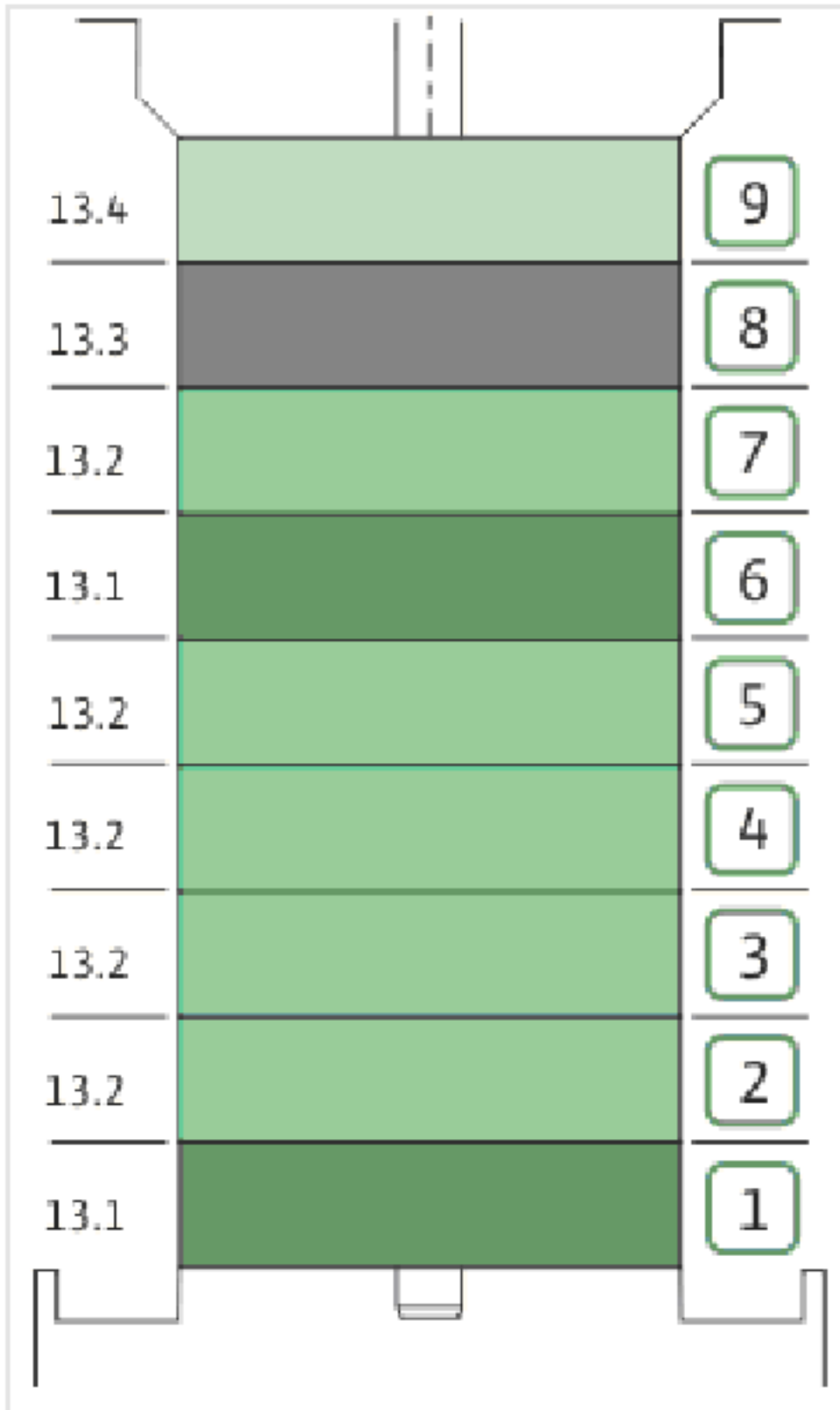
COUPLING HELIX V36/52 FF350 RLT6315 KIT (4161191)

Item	Article no.	Description	Quantity
4.1	4179935	COUPLING 2 PARTS D.20XD.38XL115 VP.	1
4.2	2114423	BALL BEARING 6315C4-ZZ-HT VP.	1
4.3	2119916	CIRCLIP D75X2.5 VP.	1
4.4	4179934	SCREW M12X30 (8 PIECES)	1
4.5	2119917	CIRCLIP D160X4 VP.	1
4.6	2119918	O-RING Ø158.34X3.53 NBR 70SH.VP.	1
4.7	2130992	RETAINING RING D.35xD.2,5 DIN7993 VP.	1
4.8	4179937	HUB D.55XD.75 VP.	1
4.9	4179936	SPACER D.38XD.65 VP.	1
4.10	2130991	SCREW M12X30 ISO4762 8.8 ZN(4 PIECES)	1
4.11	4233959	SCREW M8x16 VP.	1
4.12		SERRATED LOCK WASHER Ø8.2XØ25X35X2	1



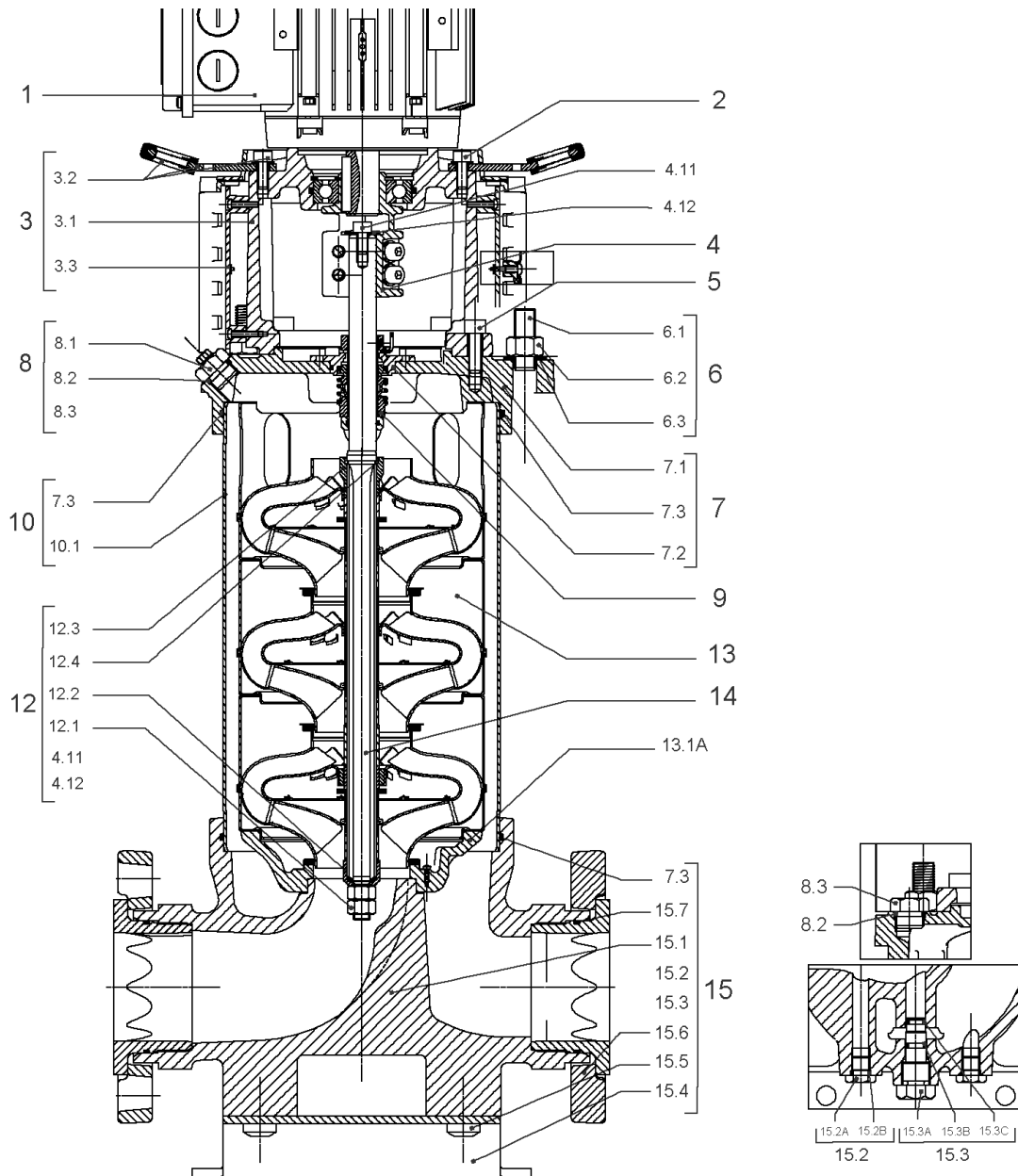
CARTRIDGE HELIX22-36-52 F/V KIT (4158206)

Item	Article no.	Description	Quantity
9.1	4158205	SEAL-KIT-HELIX22-36-52 F/V	1
7.3	2107767	> O-RING ID.202,80x3,53 VITON VP.	1
7.4	4179958	> O-RING-ID.42.52X2.62 VITON VP.	1
9.1A	4179982	> M.SEAL.HELIX22-36-52 F/V VP.	1
9.1B	4179960	> O-RING ID.20x2.65 FKM VP.	1
9.2	4179566	SHAFT SLEEVE D.20/20X60 1.4404 VP.	1
9.3	4179567	RING HOLDER Ø22 1.4301 VP.	1
9.4	4176520	SCREW CH M5x5 A4-70 (3PIECES)	1
9.5	4179568	DRIVE RING D.31/22.1x11 MACH.VP.	1
9.6	4179569	TOOL M.S.CART.HELIX 8" VP.	1
9.7	4179570	SCREW M6X16 ISO4762 8.8 GEOMET(4 PIECES)	1



HYDRAULIC HELIX V 3609-2

Item	Article no.	Description	Quantity
13.1	4161260	INTERMEDIATE STAGE HELIX V36 1.4404 KIT	1
		> SLEEVE-SPACER-D22XL16,66-316L	1
		> MACH.BEARING-DIFFUSER+NR-M+36-316	1
		> SHAFT-SLEEVE-D26xD22x16-CW	1
		> IMPELLER-H1-M+36-316	1
13.2	4161261	INTERMEDIATE STAGE HELIX V36 1.4404 KIT	1
		> MACH.STD-DIFFUSER+NR-M+36-316	1
		> IMPELLER-H4-M+36-316	1
13.3	4161263	INTERMEDIATE STAGE HELIX V36 1.4404 KIT	1
		> MACH.STD-DIFFUSER+NR-M+36-316	1
		> REDUCED-IMPELLER-H4-M+36-316	1
13.4	4161264	UPPER STAGE HELIX 36 1.4404 KIT	1
		> STOP COLLAR OF IMPELLER L20-Ø22-316L	1
		> REDUCED-IMPELLER-H4-M+36-316	1
		> MACH.-RIGID-STD-DISCH.-CHAMBER-M+36-316	1

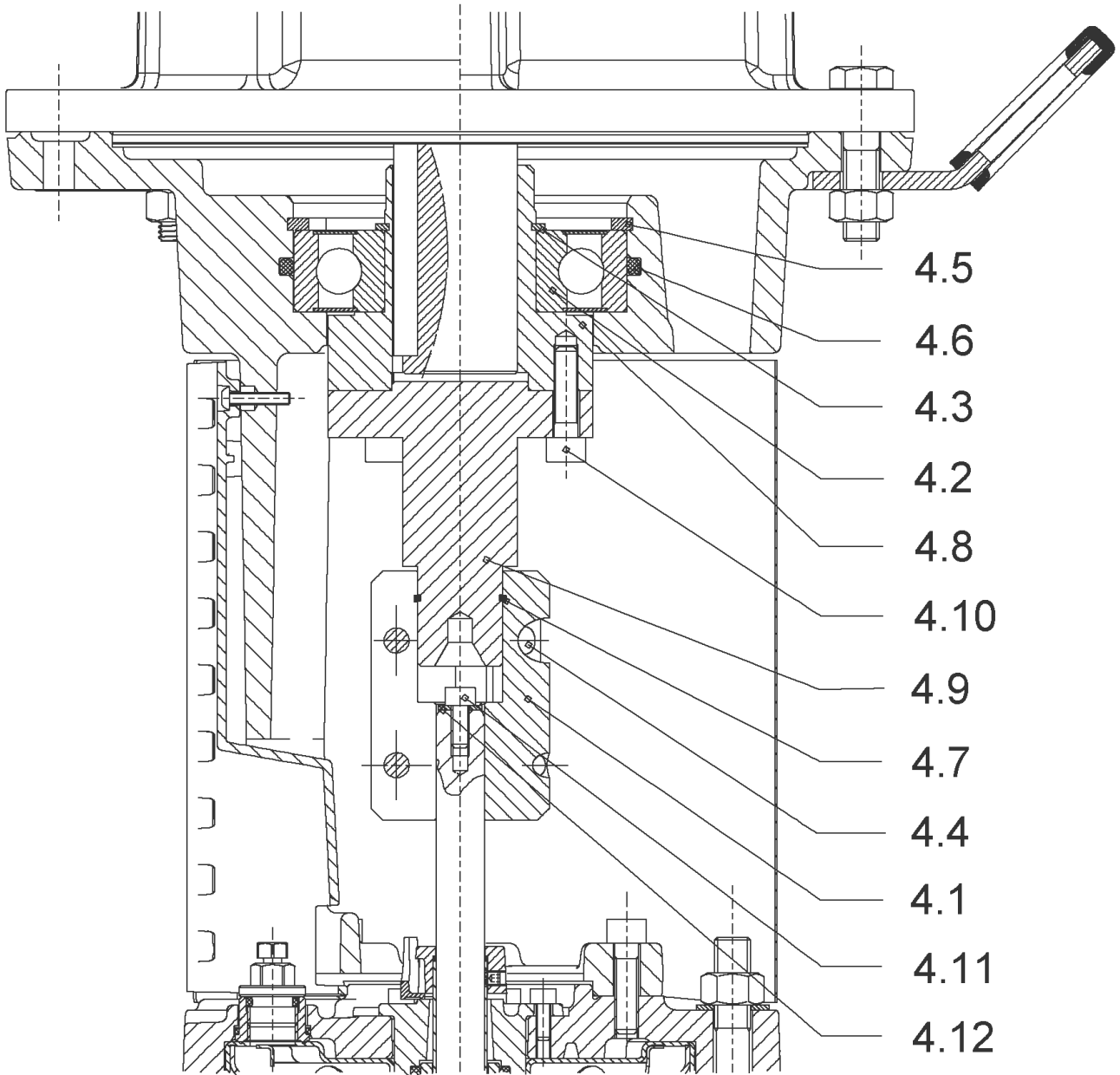


HELIX V3609-2/25/V/KS/400-50 (4150772)

Item	Article no.	Description	Quantity
1	4195491	MOTOR 30/2/200 3~400V 50HZ IE3 VP.	1
		SPARE PARTS MOTOR:ON REQUEST	1
2	4179586	SCREW M16X60 (4 PIECES)	1
3	4161189	LANTERN HELIX V36 FF350 BB6315 KIT	1
3.1		> LANTERN FF350 M+ GJL MACHINED+CATA 6315	1
3.2	4179938	> EYELET CPL.FF350 HELIX(4 PIECES)	1
3.3	4143969	> COUPLING PROTECT HELIX FF KIT	1
4	4161191	COUPLING HELIX V36/52 FF350 RLT6315 KIT	1
5	4157725	SCREW M10X40 (4 PIECES)	1
6	4181098	STUD BOLT M16X733 KIT	1
6.1		> TIE BOLT M16-733x24x44-1.4057	1
6.2	4179562	> NUT M16 8.8 ISO4032 (4 PIECES)	1
6.3	4097852	> WASHER-CS-16.4-32-2.8-NFE25-511-A2	1
7	4179959	END SHIELD HELIX 8" FKM 1.4404 KIT	1
7.1		> END SHIELD HELIX 316L MACHINED	1
7.2	4179958	> O-RING-ID.42.52X2.62 VITON VP.	1
7.3	2107767	> O-RING ID.202,80x3,53 VITON VP.	1
8	4161256	FILING/PURGING PLUG FKM KIT	1
8.1		> FILLING/VENTING-PLUG-VM18/10-316L	1
8.2		> FILLING AND VENTING PLUG M+8" 316L	1
8.3		> GASKET-17x3-VITON	1
9	4158206	CARTRIDGE HELIX22-36-52 F/V KIT	1
10	4181143	HOUSING PIPE D.204X664 1.4404 KIT	1
7.3	2107767	> O-RING ID.202,80x3,53 VITON VP.	1
10.1		> HOUSING-PIPE Ø204-M+2212/3609-316L	1
12	4161186	SHAFT EQUIPMENT HELIX V36 8" KIT	1
13		HYDRAULIC HELIX V 3609	1
14	4181145	SHAFTS D.22X820,67 1.4462 VP.	1
15	4161255	EQUIPED HOUSING DN65 HELIX 36 1.4409 KIT	1
7.3	2107767	> O-RING ID.202,80x3,53 VITON VP.	1
15.1		> PUMP HOUSING M+ DN65 316L MACHINED	1
15.1		> GASKET HOLDER M+ DN65 316L MACHINED	1
15.1		> HYDRAULIC SUPPORT M+ DN65 316L MACHINED	1
15.2	4158195	> PLUG PRESSURE CONNECTION G1/4"316L KIT	1

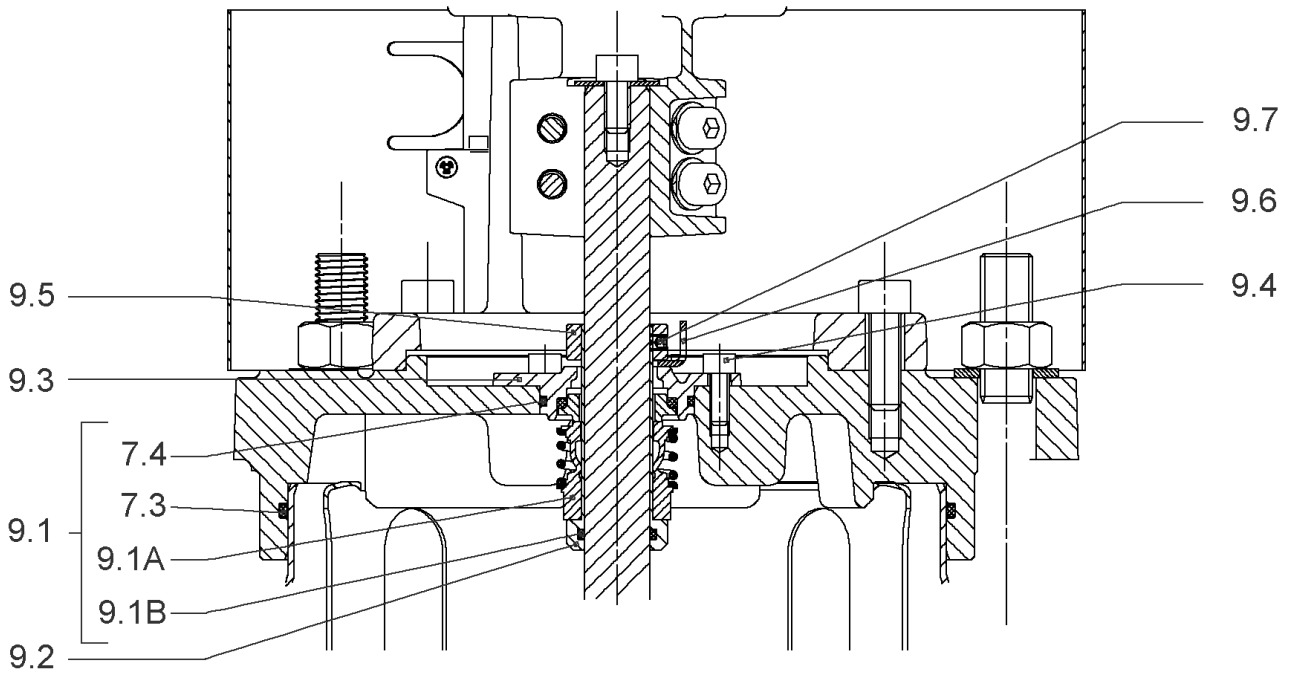
HELIX V3609-2/25/V/KS/400-50 (4150772)

Item	Article no.	Description	Quantity
15.2A		>> PLUG PRESSURE CONNECTION - G1/4" - 316L	1
15.2B	2107769	>> O-RING ID.9,9x2,62 VITON VP.	1
15.3	4158196	> DRAIN/PRIMING PLUG VITON HELIX KIT	1
15.3A		>> DRAIN-AND-PRIMING-PLUG-VM18"-316L	1
15.3B	4032294	>> GASKET-10x3-VITON	1
15.3C	2107768	>> O-RING ID.8,9x2,7 VITON VP.	1
15.4	4143749	> BASE M+ DN50/65/80-304	1
15.5		> SCREW TBHC M12x25 ISO7380 ZN	1
15.6	4124455	> FLANGE M+ DN65 NF PN16-25 ASME PN16 CATA	1
15.7		> O-RING Ø79.5xØ3 VITON	1
13.1A	4161268	> NECK RING 1.STAGE HELIX 36 316 KIT	1
		>> NECK-RING-M+36/52	1
		>> HYDRAULIC SUPPORT CAP M+36/52 316	1
		>> SCREW TCL M3X8 A4 POZIDRIV	1



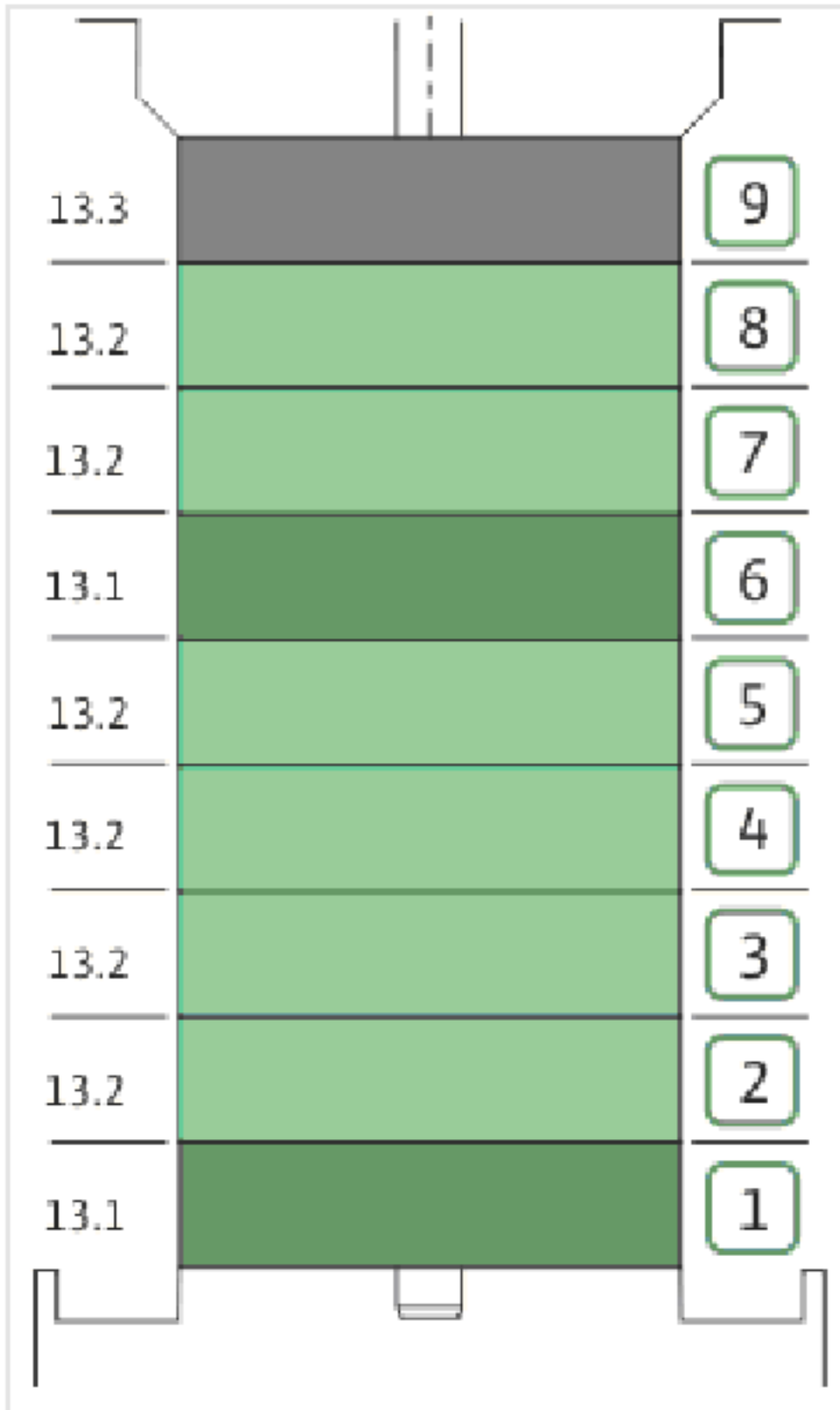
COUPLING HELIX V36/52 FF350 RLT6315 KIT (4161191)

Item	Article no.	Description	Quantity
4.1	4179935	COUPLING 2 PARTS D.20XD.38XL115 VP.	1
4.2	2114423	BALL BEARING 6315C4-ZZ-HT VP.	1
4.3	2119916	CIRCLIP D75X2.5 VP.	1
4.4	4179934	SCREW M12X30 (8 PIECES)	1
4.5	2119917	CIRCLIP D160X4 VP.	1
4.6	2119918	O-RING Ø158.34X3.53 NBR 70SH.VP.	1
4.7	2130992	RETAINING RING D.35xD.2,5 DIN7993 VP.	1
4.8	4179937	HUB D.55XD.75 VP.	1
4.9	4179936	SPACER D.38XD.65 VP.	1
4.10	2130991	SCREW M12X30 ISO4762 8.8 ZN(4 PIECES)	1
4.11	4233959	SCREW M8x16 VP.	1
4.12		SERRATED LOCK WASHER Ø8.2XØ25X35X2	1

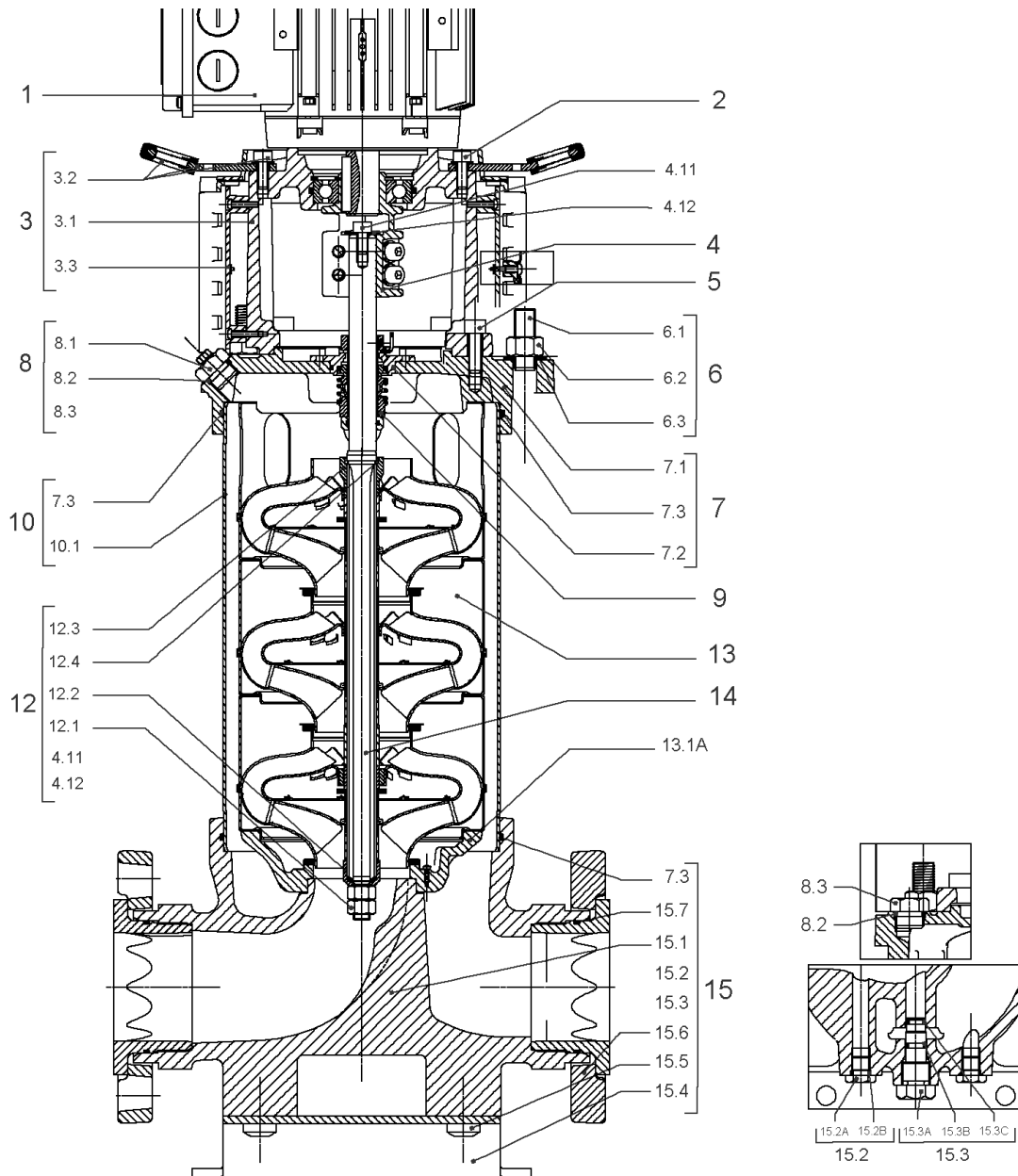


CARTRIDGE HELIX22-36-52 F/V KIT (4158206)

Item	Article no.	Description	Quantity
9.1	4158205	SEAL-KIT-HELIX22-36-52 F/V	1
7.3	2107767	> O-RING ID.202,80x3,53 VITON VP.	1
7.4	4179958	> O-RING-ID.42.52X2.62 VITON VP.	1
9.1A	4179982	> M.SEAL.HELIX22-36-52 F/V VP.	1
9.1B	4179960	> O-RING ID.20x2.65 FKM VP.	1
9.2	4179566	SHAFT SLEEVE D.20/20X60 1.4404 VP.	1
9.3	4179567	RING HOLDER Ø22 1.4301 VP.	1
9.4	4176520	SCREW CH M5x5 A4-70 (3PIECES)	1
9.5	4179568	DRIVE RING D.31/22.1x11 MACH.VP.	1
9.6	4179569	TOOL M.S.CART.HELIX 8" VP.	1
9.7	4179570	SCREW M6X16 ISO4762 8.8 GEOMET(4 PIECES)	1



Item	Article no.	Description	Quantity
13.1	4161260	INTERMEDIATE STAGE HELIX V36 1.4404 KIT	1
		> SLEEVE-SPACER-D22XL16,66-316L	1
		> MACH.BEARING-DIFFUSER+NR-M+36-316	1
		> SHAFT-SLEEVE-D26xD22x16-CW	1
		> IMPELLER-H1-M+36-316	1
13.2	4161261	INTERMEDIATE STAGE HELIX V36 1.4404 KIT	1
		> MACH.STD-DIFFUSER+NR-M+36-316	1
		> IMPELLER-H4-M+36-316	1
13.3	4161262	UPPER STAGE HELIX 36 1.4404 KIT	1
		> STOP COLLAR OF IMPELLER L20-Ø22-316L	1
		> MACH.-RIGID-STD-DISCH.-CHAMBER-M+36-316	1
		> IMPELLER-H4-M+36-316	1

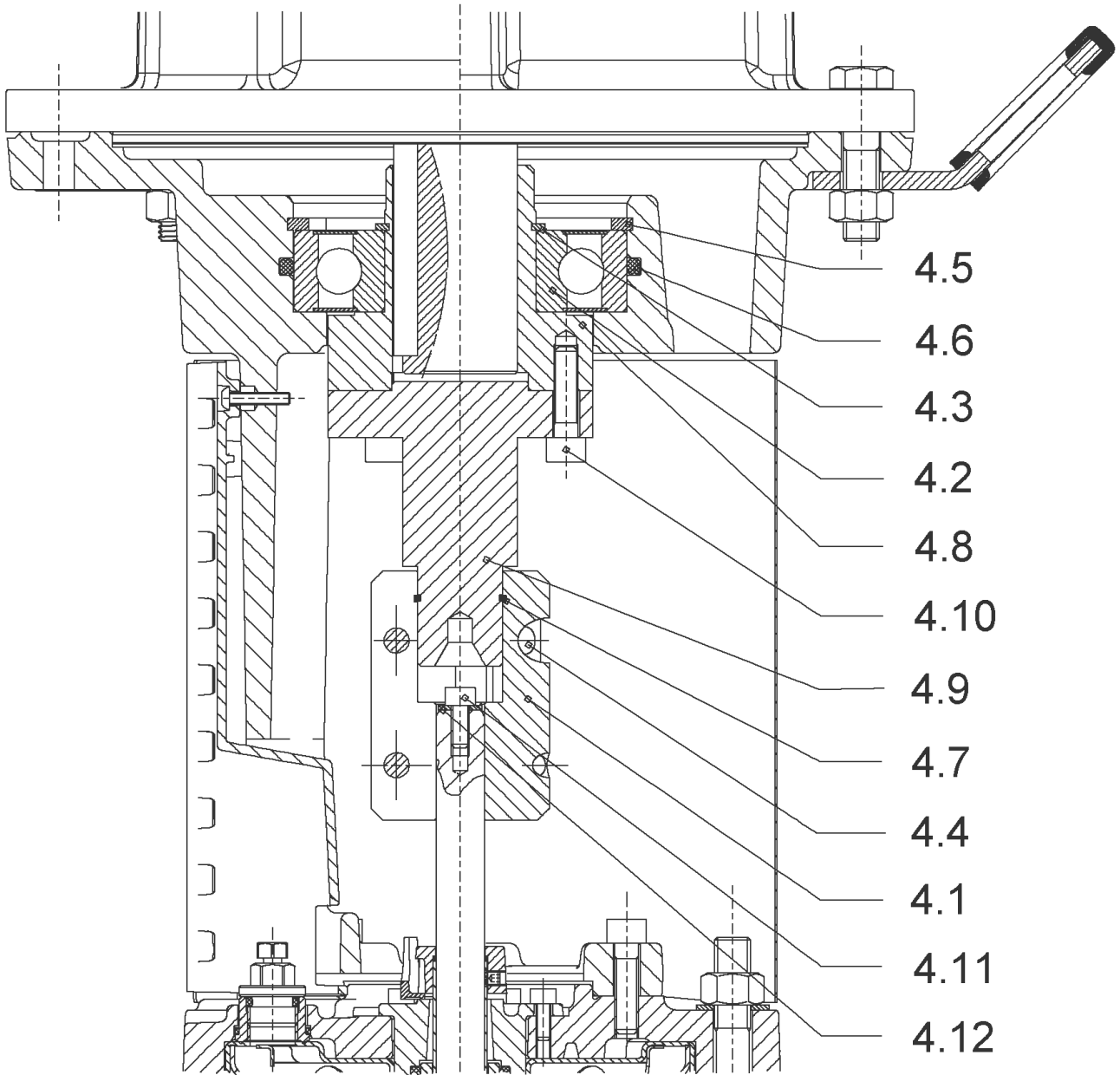


HELIX V3610/2-2/25/V/KS/400-50 (4150773)

Item	Article no.	Description	Quantity
1	4195491	MOTOR 30/2/200 3~400V 50HZ IE3 VP.	1
		SPARE PARTS MOTOR:ON REQUEST	1
2	4179586	SCREW M16X60 (4 PIECES)	1
3	4161189	LANTERN HELIX V36 FF350 BB6315 KIT	1
3.1		> LANTERN FF350 M+ GJL MACHINED+CATA 6315	1
3.2	4179938	> EYELET CPL.FF350 HELIX(4 PIECES)	1
3.3	4143969	> COUPLING PROTECT HELIX FF KIT	1
4	4161191	COUPLING HELIX V36/52 FF350 RLT6315 KIT	1
5	4157725	SCREW M10X40 (4 PIECES)	1
6	4179940	STUD BOLT M16X796 KIT	1
6.1		> TIE BOLT M16-796x24x44-1.4057	1
6.2	4179562	> NUT M16 8.8 ISO4032 (4 PIECES)	1
6.3	4097852	> WASHER-CS-16.4-32-2.8-NFE25-511-A2	1
7	4179959	END SHIELD HELIX 8" FKM 1.4404 KIT	1
7.1		> END SHIELD HELIX 316L MACHINED	1
7.2	4179958	> O-RING-ID.42.52X2.62 VITON VP.	1
7.3	2107767	> O-RING ID.202,80x3,53 VITON VP.	1
8	4161256	FILING/PURGING PLUG FKM KIT	1
8.1		> FILLING/VENTING-PLUG-VM18/10-316L	1
8.2		> FILLING AND VENTING PLUG M+8" 316L	1
8.3		> GASKET-17x3-VITON	1
9	4158206	CARTRIDGE HELIX22-36-52 F/V KIT	1
10	4179984	HOUSING PIPE D.204X730 1.4404 KIT	1
7.3	2107767	> O-RING ID.202,80x3,53 VITON VP.	1
10.1		> HOUSING-PIPE Ø204-M+3610/5207-316L	1
12	4161186	SHAFT EQUIPMENT HELIX V36 8" KIT	1
13		HYDRAULIC HELIX V 3610-2	1
14	4181148	SHAFTS D.22X887,34 1.4462 VP.	1
15	4161255	EQUIPED HOUSING DN65 HELIX 36 1.4409 KIT	1
7.3	2107767	> O-RING ID.202,80x3,53 VITON VP.	1
15.1		> PUMP HOUSING M+ DN65 316L MACHINED	1
15.1		> GASKET HOLDER M+ DN65 316L MACHINED	1
15.1		> HYDRAULIC SUPPORT M+ DN65 316L MACHINED	1
15.2	4158195	> PLUG PRESSURE CONNECTION G1/4"316L KIT	1

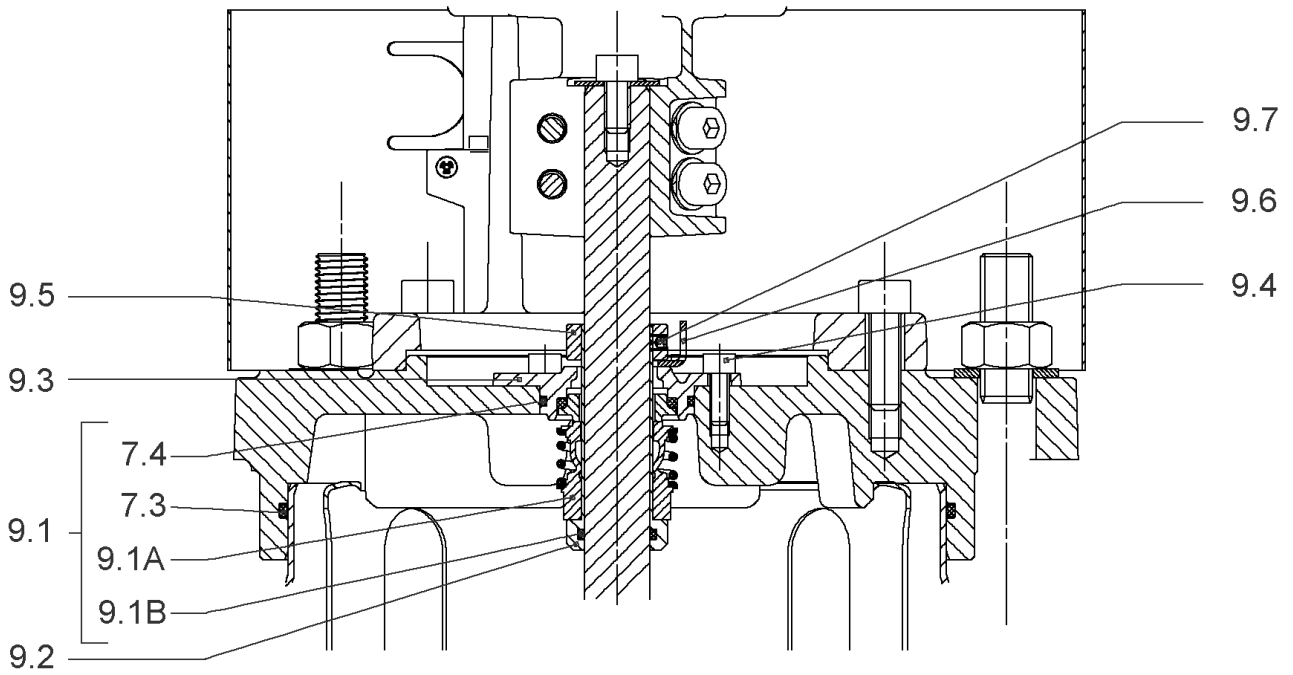
HELIX V3610/2-2/25/V/KS/400-50 (4150773)

Item	Article no.	Description	Quantity
15.2A		>> PLUG PRESSURE CONNECTION - G1/4" - 316L	1
15.2B	2107769	>> O-RING ID.9,9x2,62 VITON VP.	1
15.3	4158196	> DRAIN/PRIMING PLUG VITON HELIX KIT	1
15.3A		>> DRAIN-AND-PRIMING-PLUG-VM18"-316L	1
15.3B	4032294	>> GASKET-10x3-VITON	1
15.3C	2107768	>> O-RING ID.8,9x2,7 VITON VP.	1
15.4	4143749	> BASE M+ DN50/65/80-304	1
15.5		> SCREW TBHC M12x25 ISO7380 ZN	1
15.6	4124455	> FLANGE M+ DN65 NF PN16-25 ASME PN16 CATA	1
15.7		> O-RING Ø79.5xØ3 VITON	1
13.1A	4161268	> NECK RING 1.STAGE HELIX 36 316 KIT	1
		>> NECK-RING-M+36/52	1
		>> HYDRAULIC SUPPORT CAP M+36/52 316	1
		>> SCREW TCL M3X8 A4 POZIDRIV	1



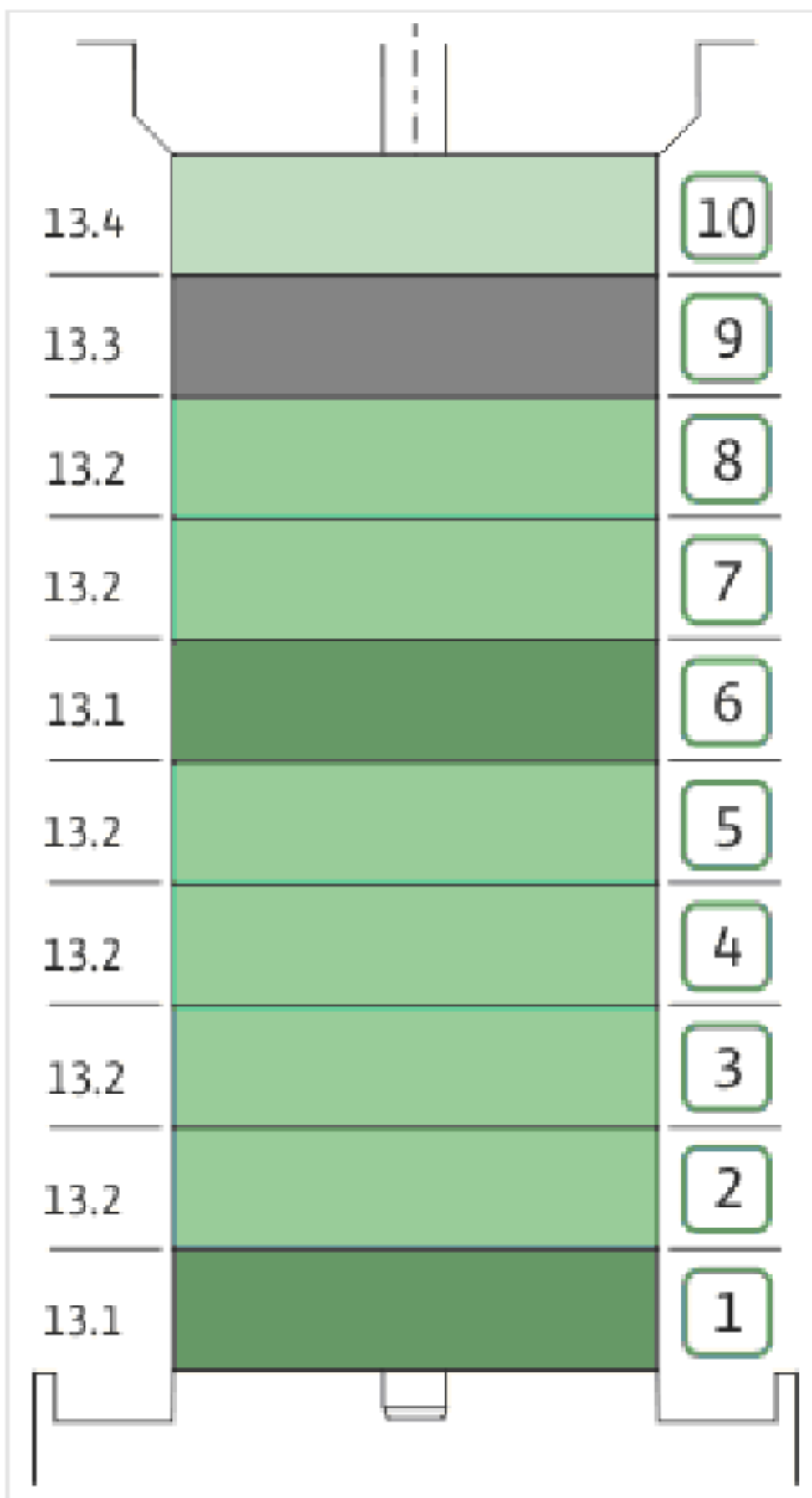
COUPLING HELIX V36/52 FF350 RLT6315 KIT (4161191)

Item	Article no.	Description	Quantity
4.1	4179935	COUPLING 2 PARTS D.20XD.38XL115 VP.	1
4.2	2114423	BALL BEARING 6315C4-ZZ-HT VP.	1
4.3	2119916	CIRCLIP D75X2.5 VP.	1
4.4	4179934	SCREW M12X30 (8 PIECES)	1
4.5	2119917	CIRCLIP D160X4 VP.	1
4.6	2119918	O-RING Ø158.34X3.53 NBR 70SH.VP.	1
4.7	2130992	RETAINING RING D.35xD.2,5 DIN7993 VP.	1
4.8	4179937	HUB D.55XD.75 VP.	1
4.9	4179936	SPACER D.38XD.65 VP.	1
4.10	2130991	SCREW M12X30 ISO4762 8.8 ZN(4 PIECES)	1
4.11	4233959	SCREW M8x16 VP.	1
4.12		SERRATED LOCK WASHER Ø8.2XØ25X35X2	1



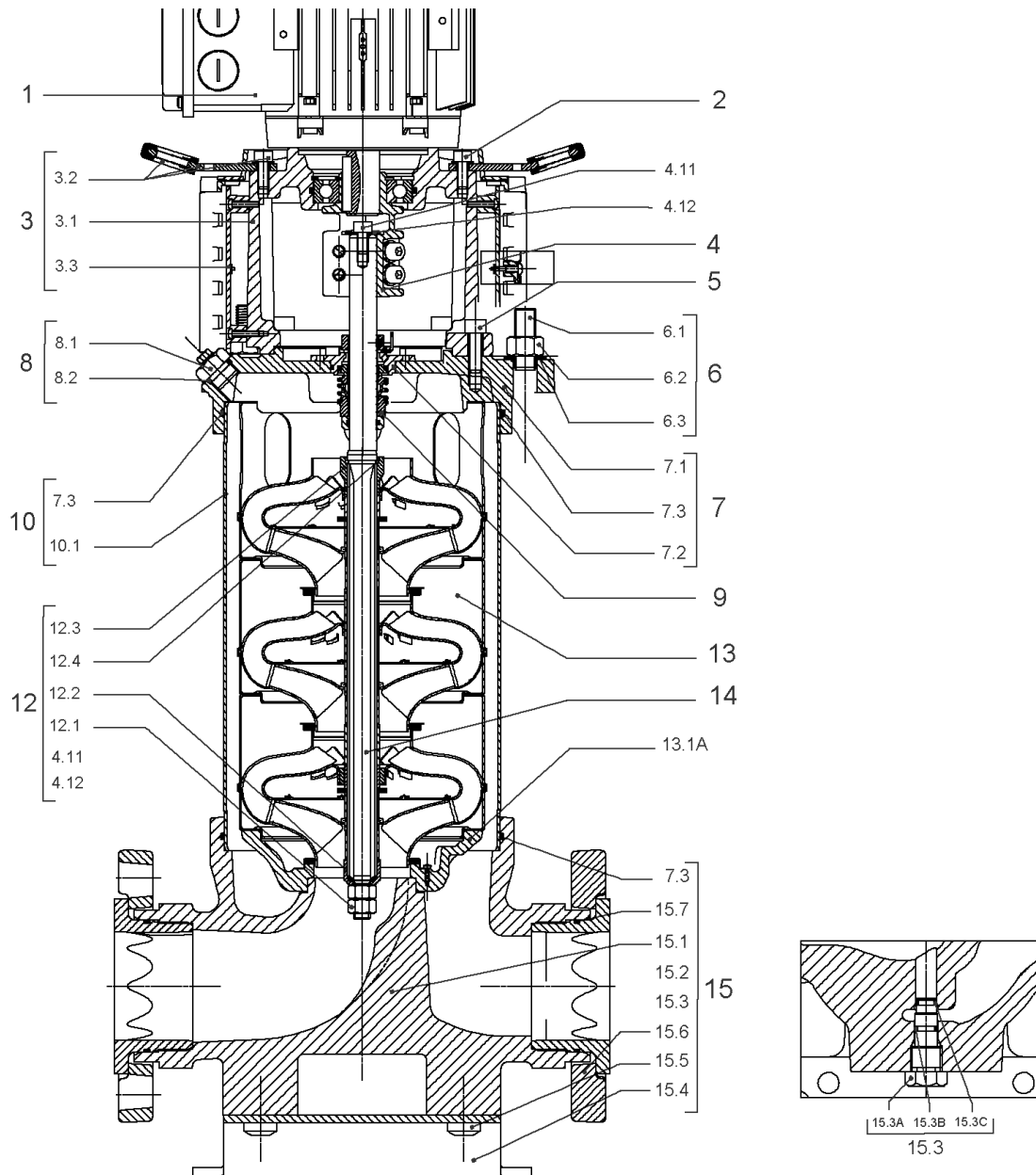
CARTRIDGE HELIX22-36-52 F/V KIT (4158206)

Item	Article no.	Description	Quantity
9.1	4158205	SEAL-KIT-HELIX22-36-52 F/V	1
7.3	2107767	> O-RING ID.202,80x3,53 VITON VP.	1
7.4	4179958	> O-RING-ID.42.52X2.62 VITON VP.	1
9.1A	4179982	> M.SEAL.HELIX22-36-52 F/V VP.	1
9.1B	4179960	> O-RING ID.20x2.65 FKM VP.	1
9.2	4179566	SHAFT SLEEVE D.20/20X60 1.4404 VP.	1
9.3	4179567	RING HOLDER Ø22 1.4301 VP.	1
9.4	4176520	SCREW CH M5x5 A4-70 (3PIECES)	1
9.5	4179568	DRIVE RING D.31/22.1x11 MACH.VP.	1
9.6	4179569	TOOL M.S.CART.HELIX 8" VP.	1
9.7	4179570	SCREW M6X16 ISO4762 8.8 GEOMET(4 PIECES)	1



HYDRAULIC HELIX V 3610-2

Item	Article no.	Description	Quantity
13.1	4161260	INTERMEDIATE STAGE HELIX V36 1.4404 KIT	1
		> SLEEVE-SPACER-D22XL16,66-316L	1
		> MACH.BEARING-DIFFUSER+NR-M+36-316	1
		> SHAFT-SLEEVE-D26xD22x16-CW	1
		> IMPELLER-H1-M+36-316	1
13.2	4161261	INTERMEDIATE STAGE HELIX V36 1.4404 KIT	1
		> MACH.STD-DIFFUSER+NR-M+36-316	1
		> IMPELLER-H4-M+36-316	1
13.3	4161263	INTERMEDIATE STAGE HELIX V36 1.4404 KIT	1
		> MACH.STD-DIFFUSER+NR-M+36-316	1
		> REDUCED-IMPELLER-H4-M+36-316	1
13.4	4161264	UPPER STAGE HELIX 36 1.4404 KIT	1
		> STOP COLLAR OF IMPELLER L20-Ø22-316L	1
		> REDUCED-IMPELLER-H4-M+36-316	1
		> MACH.-RIGID-STD-DISCH.-CHAMBER-M+36-316	1

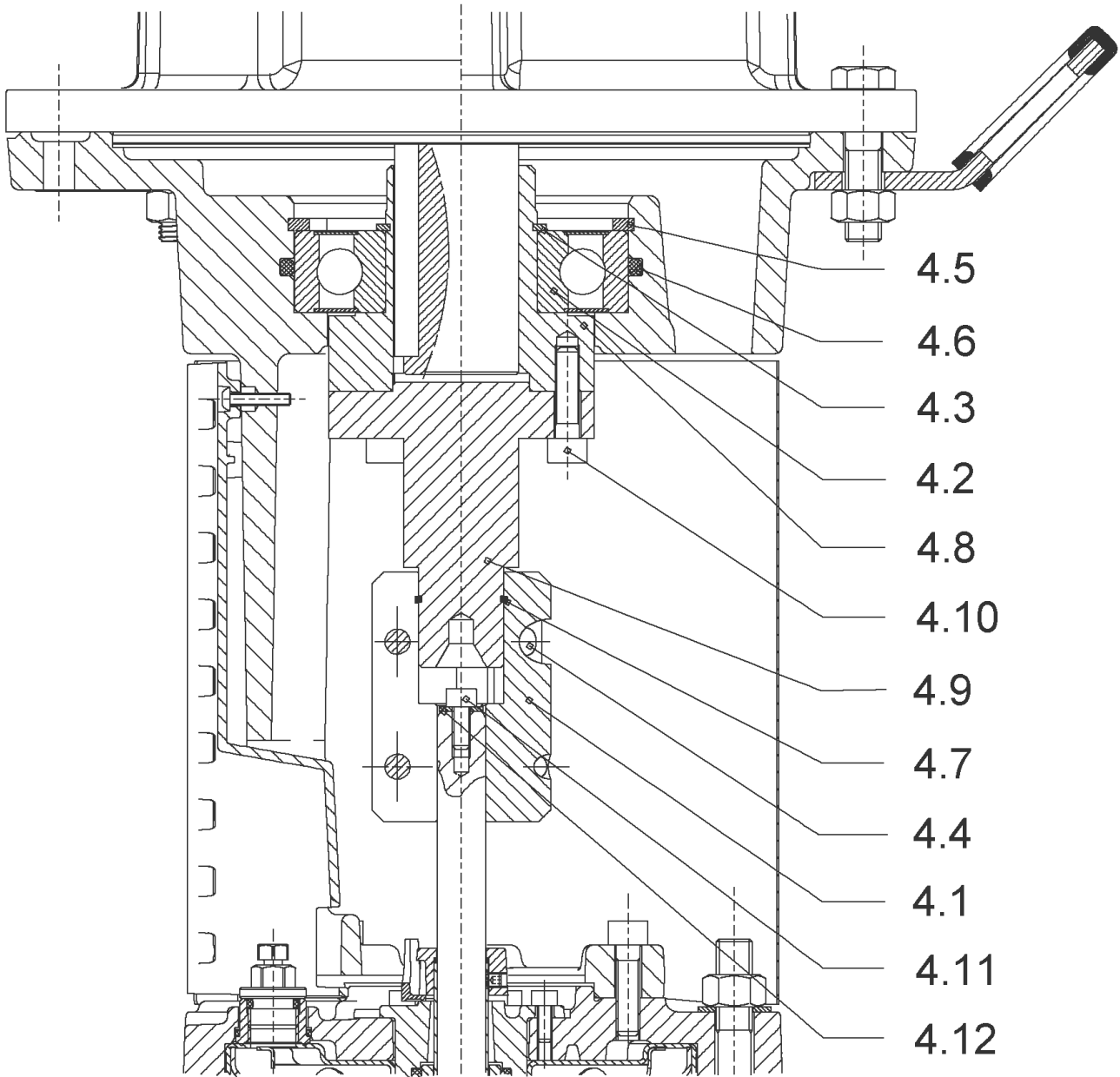


HELIX V3610-3/30/E/KS/400-50 (4165795)

Item	Article no.	Description	Quantity
1	4195491	MOTOR 30/2/200 3~400V 50HZ IE3 VP.	1
		SPARE PARTS MOTOR:ON REQUEST	1
2	4179586	SCREW M16X60 (4 PIECES)	1
3	4161189	LANTERN HELIX V36 FF350 BB6315 KIT	1
3.1		> LANTERN FF350 M+ GJL MACHINED+CATA 6315	1
3.2	4179938	> EYELET CPL.FF350 HELIX(4 PIECES)	1
3.3	4143969	> COUPLING PROTECT HELIX FF KIT	1
4	4161191	COUPLING HELIX V36/52 FF350 RLT6315 KIT	1
5	4157725	SCREW M10X40 (4 PIECES)	1
6	4179940	STUD BOLT M16X796 KIT	1
6.1		> TIE BOLT M16-796x24x44-1.4057	1
6.2	4179562	> NUT M16 8.8 ISO4032 (4 PIECES)	1
6.3	4097852	> WASHER-CS-16.4-32-2.8-NFE25-511-A2	1
7	4179565	END SHIELD HELIX 8" EPDM KIT	1
7.1		> END SHIELD M+ GJL MACHINED+CATA	1
7.2	4179564	> O-RING D.42.52x2.62 EPDM VP.	1
7.3	4179571	> O-RING HOUSING PIPE HELIX22/36/52 VP.	1
8	4143765	FILING/PURGING PLUG 316L HELIX KIT	1
8.1		> FILLING/VENTING-PLUG-VMI8/10-316L	1
8.2	4032291	> O-RING 17x3 EPDM KTW/WRC	1
9	4180008	CARTRIDGE HELIX22-36-52 T/E KIT	1
10	4179933	HOUSING PIPE D.204X730 1.4301 KIT	1
7.3	4179571	> O-RING HOUSING PIPE HELIX22/36/52 VP.	1
10.1		> HOUSING-PIPE Ø204-M+3610/5207-304	1
12	4161186	SHAFT EQUIPMENT HELIX V36 8" KIT	1
13		HYDRAULIC HELIX V 3610	1
14	4181104	SHAFT D.22X887,34 1.4057 VP.	1
15	4161185	EQUIPED HOUSING HELIX 36 GJL KIT	1
15.1		> PUMP HOUSING SET with CATA. PARTS-DN65	1
15.3	4143766	> DRAIN/PRIMING PLUG EPDM HELIX KIT	1
15.3A		>> PRIMING/DRAIN PLUG-304-VERSION 1	1
15.3B	4032293	>> O-RING-10x3-EPDM-KTW/WRC	1
15.3C	4233957	>> O-RING ID.9 EPDM VP.	1
15.4	4221729	> BASE M+ DN50/65/80 VP.	1

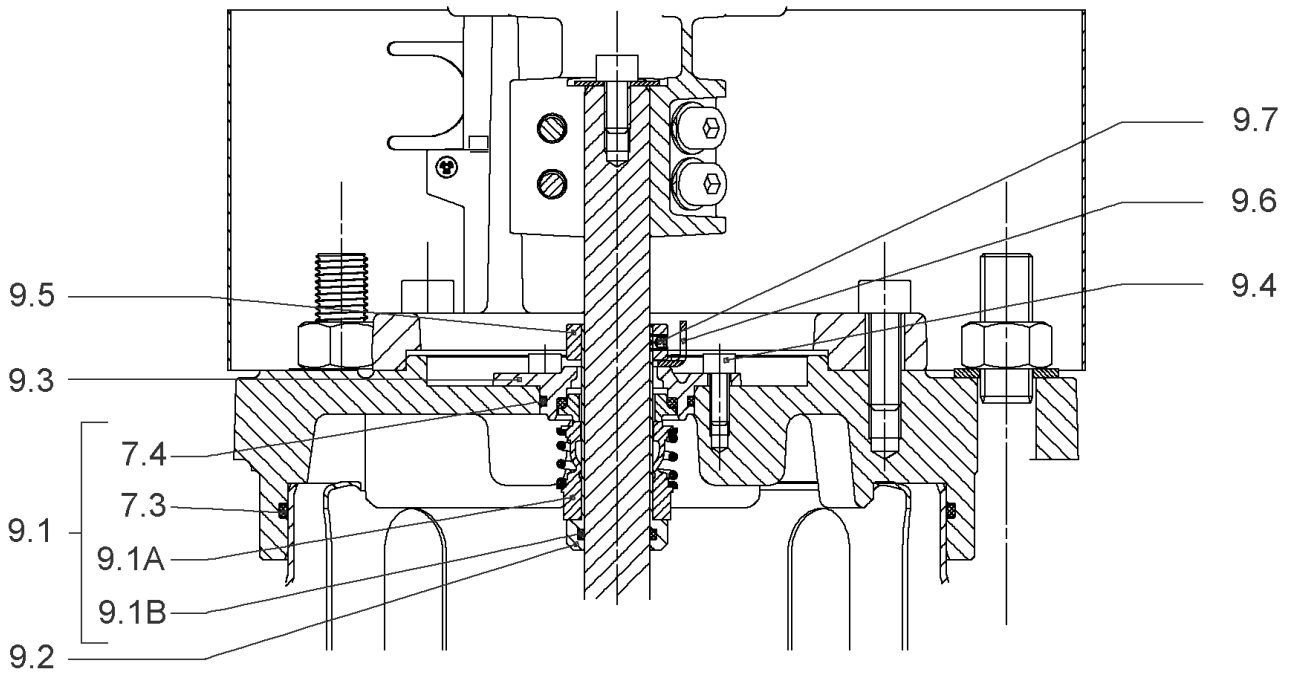
HELIX V3610-3/30/E/KS/400-50 (4165795)

Item	Article no.	Description	Quantity
15.5		> SCREW TBHC M12x25 ISO7380 ZN	1
15.6		> FLANGE M+ DN65 NF PN16-25 ASME PN16 CATA	1
15.7		> O-RING Ø79.5xØ3 EPDM	1
13.1A	4161200	> NECK RING 1.STAGE HELIX V36/52 KIT	1
		>> NECK-RING-M+36/52	1
		>> HYDRAULIC SUPPORT CAP M+36/52 304	1
		>> SCREW TCL M3X8 A4 POZIDRIV	1
7.3	4179571	> O-RING HOUSING PIPE HELIX22/36/52 VP.	1



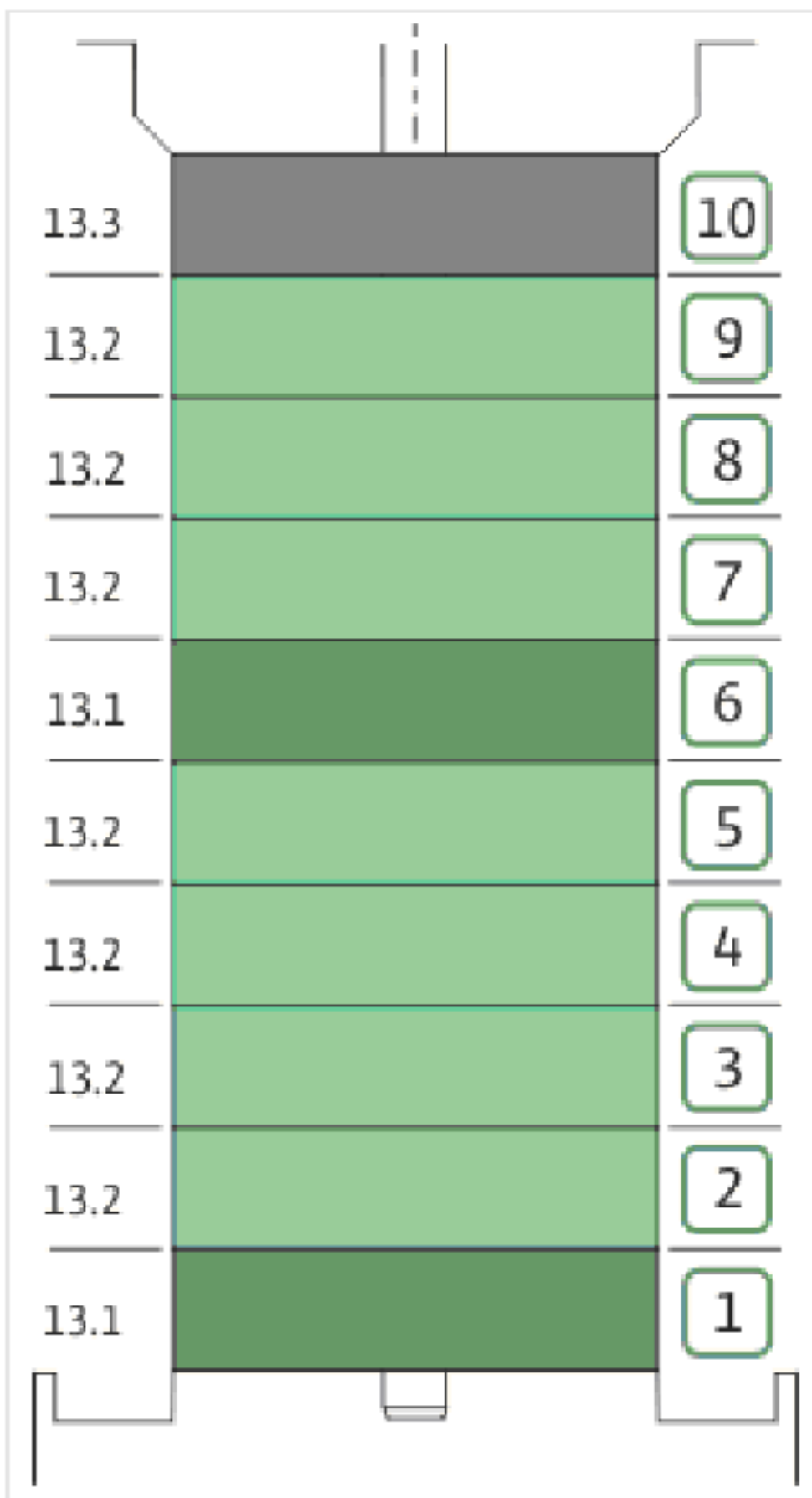
COUPLING HELIX V36/52 FF350 RLT6315 KIT (4161191)

Item	Article no.	Description	Quantity
4.1	4179935	COUPLING 2 PARTS D.20XD.38XL115 VP.	1
4.2	2114423	BALL BEARING 6315C4-ZZ-HT VP.	1
4.3	2119916	CIRCLIP D75X2.5 VP.	1
4.4	4179934	SCREW M12X30 (8 PIECES)	1
4.5	2119917	CIRCLIP D160X4 VP.	1
4.6	2119918	O-RING Ø158.34X3.53 NBR 70SH.VP.	1
4.7	2130992	RETAINING RING D.35xD.2,5 DIN7993 VP.	1
4.8	4179937	HUB D.55XD.75 VP.	1
4.9	4179936	SPACER D.38XD.65 VP.	1
4.10	2130991	SCREW M12X30 ISO4762 8.8 ZN(4 PIECES)	1
4.11	4233959	SCREW M8x16 VP.	1
4.12		SERRATED LOCK WASHER Ø8.2XØ25X35X2	1



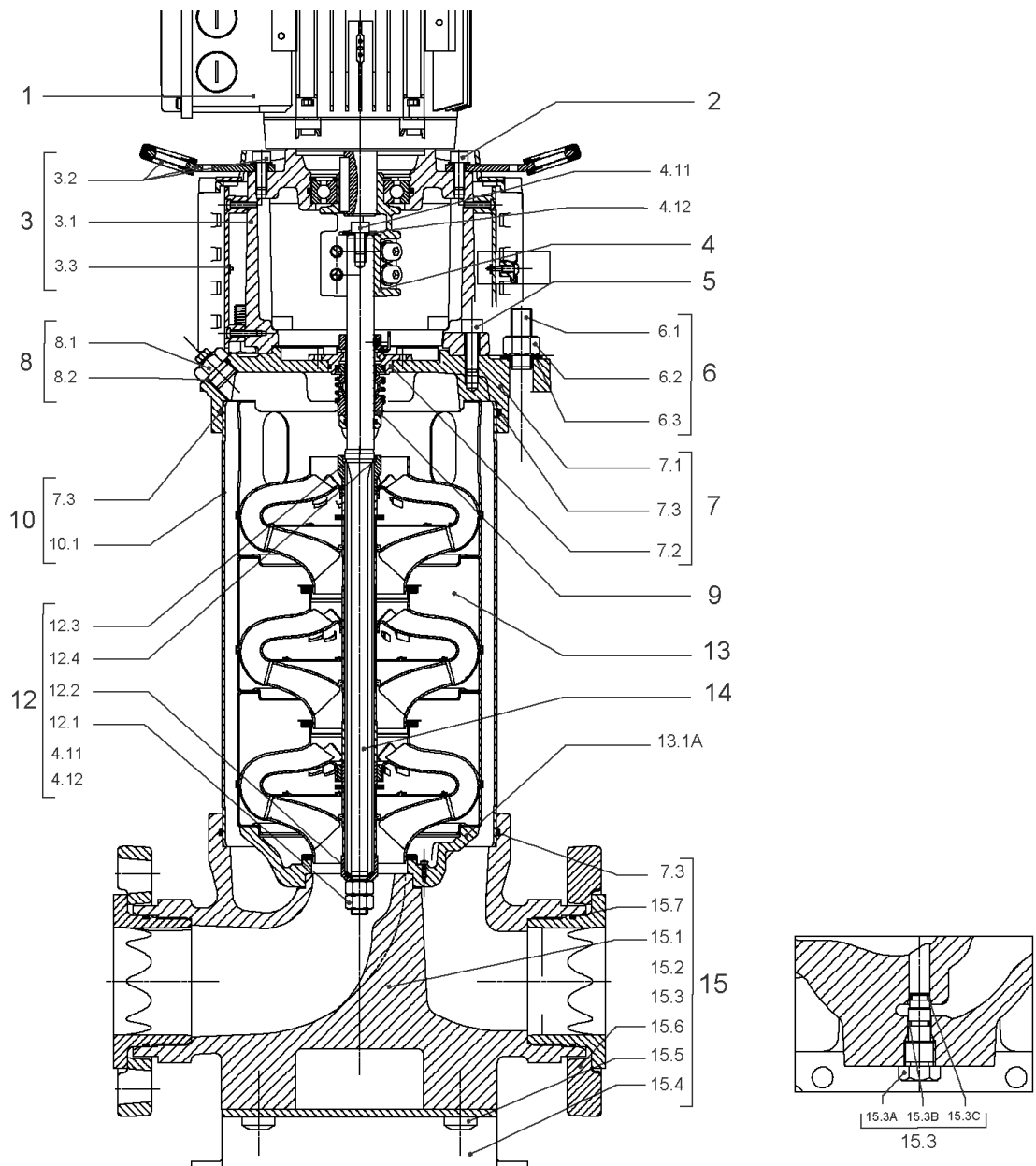
CARTRIDGE HELIX22-36-52 T/E KIT (4180008)

Item	Article no.	Description	Quantity
9.1	4180007	SEAL-KIT-HELIX22-36-52 T/E	1
7.3	4179571	> O-RING HOUSING PIPE HELIX22/36/52 VP.	1
7.4	4179572	> O-RING ID.42.52X2.62 EPDM VP.	1
9.1A	4180006	> M.SEAL.HELIX22-36-52 T/E VP.	1
9.1B	4179574	> O-RING ID.20x2.65 EPDM VP.	1
9.2	4180005	SHAFT SLEEVE D.22/20X71 1.4404 VP.	1
9.3	4180004	RING HOLDER 30B VP.	1
9.4	4176520	SCREW CH M5x5 A4-70 (3PIECES)	1
9.5	4179568	DRIVE RING D.31/22.1x11 MACH.VP.	1
9.6	4179569	TOOL M.S.CART.HELIX 8" VP.	1
9.7	4179570	SCREW M6X16 ISO4762 8.8 GEOMET(4 PIECES)	1



HYDRAULIC HELIX V 3610

Item	Article no.	Description	Quantity
13.1	4161192	INTERMEDIATE STAGE HELIX V36 1.4301 KIT	1
		> SLEEVE-SPACER-D22XL16,66-316L	1
		> MACH.BEARING-DIFFUSER+NR-M+36-304	1
		> SHAFT-SLEEVE-D26xD22x16-CW	1
		> IMPELLER-H1-M+36-304	1
13.1A	4161200	> NECK RING 1.STAGE HELIX V36/52 KIT	1
		>> NECK-RING-M+36/52	1
		>> HYDRAULIC SUPPORT CAP M+36/52 304	1
		>> SCREW TCL M3X8 A4 POZIDRIV	1
13.2	4161193	INTERMEDIATE STAGE HELIX V36 1.4301 KIT	1
		> MACH.STD-DIFFUSER+NR-M+36-304	1
		> IMPELLER-H4-M+36-304	1
13.3	4161194	UPPER STAGE HELIX 36 1.4301 KIT	1
		> STOP COLLAR OF IMPELLER L20-Ø22-316L	1
		> IMPELLER-H4-M+36-304	1
		> MACH.-RIGID-STD-DISCH.-CHAMBER-M+36-304	1

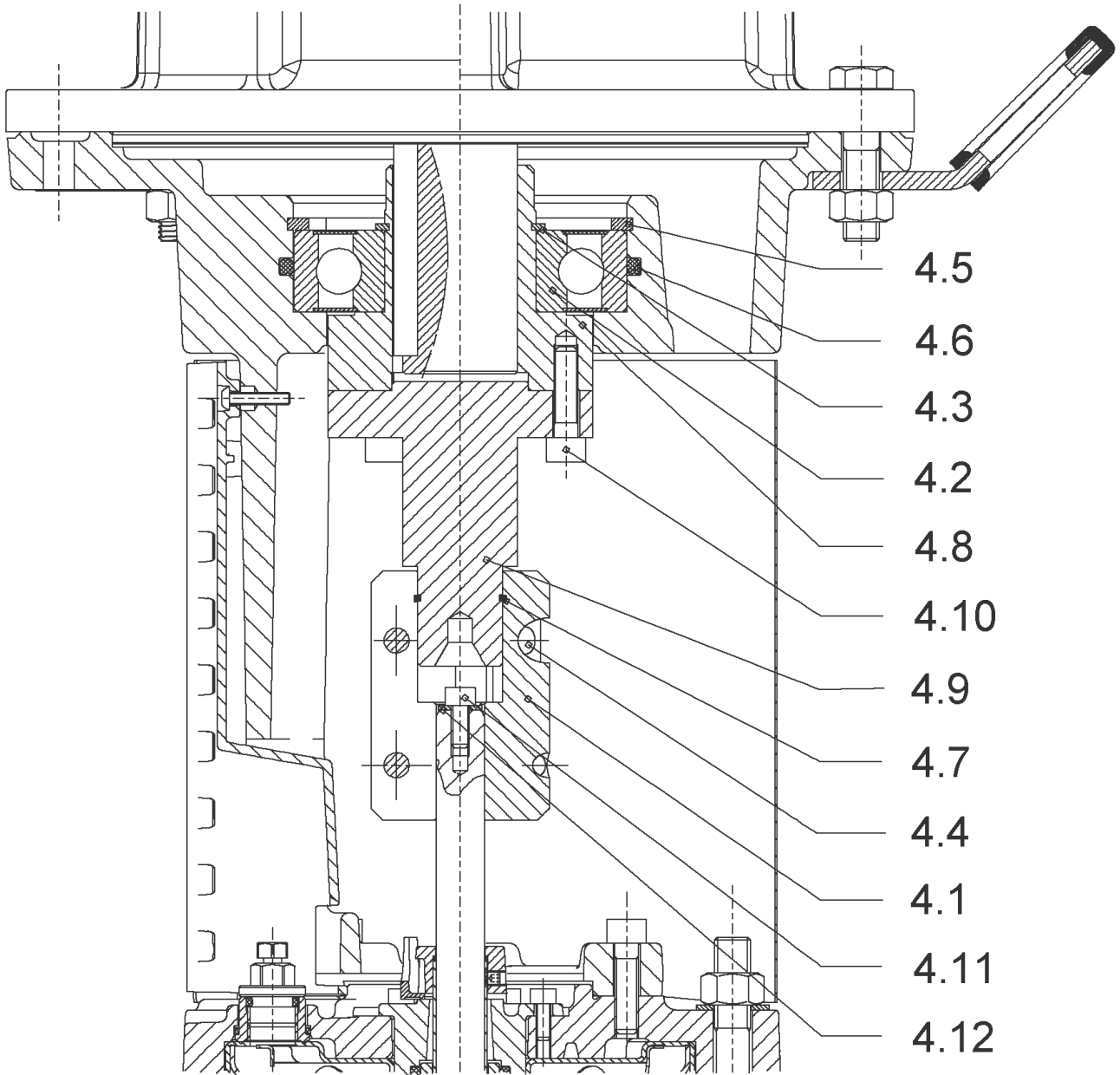


HELIX V3611/2-3/30/E/KS/400-50 (4165798)

Item	Article no.	Description	Quantity
1	4195491	MOTOR 30/2/200 3~400V 50HZ IE3 VP.	1
		SPARE PARTS MOTOR:ON REQUEST	1
2	4179586	SCREW M16X60 (4 PIECES)	1
3	4161189	LANTERN HELIX V36 FF350 BB6315 KIT	1
3.1		> LANTERN FF350 M+ GJL MACHINED+CATA 6315	1
3.2	4179938	> EYELET CPL.FF350 HELIX(4 PIECES)	1
3.3	4143969	> COUPLING PROTECT HELIX FF KIT	1
4	4161191	COUPLING HELIX V36/52 FF350 RLT6315 KIT	1
5	4157725	SCREW M10X40 (4 PIECES)	1
6	4181105	STUD BOLT M16X866 KIT	1
6.1		> TIE BOLT M16-866x24x44-1.4057	1
6.2	4179562	> NUT M16 8.8 ISO4032 (4 PIECES)	1
6.3	4097852	> WASHER-CS-16.4-32-2.8-NFE25-511-A2	1
7	4179565	END SHIELD HELIX 8" EPDM KIT	1
7.1		> END SHIELD M+ GJL MACHINED+CATA	1
7.2	4179564	> O-RING D.42.52x2.62 EPDM VP.	1
7.3	4179571	> O-RING HOUSING PIPE HELIX22/36/52 VP.	1
8	4143765	FILING/PURGING PLUG 316L HELIX KIT	1
8.1		> FILLING/VENTING-PLUG-VM18/10-316L	1
8.2	4032291	> O-RING 17x3 EPDM KTW/WRC	1
9	4180008	CARTRIDGE HELIX22-36-52 T/E KIT	1
10	4181106	HOUSING PIPE D.204X797 1.4301 KIT	1
7.3	4179571	> O-RING HOUSING PIPE HELIX22/36/52 VP.	1
10.1		> HOUSING-PIPE Ø204-M+3611-304	1
12	4161186	SHAFT EQUIPMENT HELIX V36 8" KIT	1
13		HYDRAULIC HELIX V 3611-2	1
14	4181108	SHAFT D.22X954 1.4057 VP.	1
15	4161185	EQUIPED HOUSING HELIX 36 GJL KIT	1
15.1		> PUMP HOUSING SET with CATA. PARTS-DN65	1
15.3	4143766	> DRAIN/PRIMING PLUG EPDM HELIX KIT	1
15.3A		>> PRIMING/DRAIN PLUG-304-VERSION 1	1
15.3B	4032293	>> O-RING-10x3-EPDM-KTW/WRC	1
15.3C	4233957	>> O-RING ID.9 EPDM VP.	1
15.4	4221729	> BASE M+ DN50/65/80 VP.	1

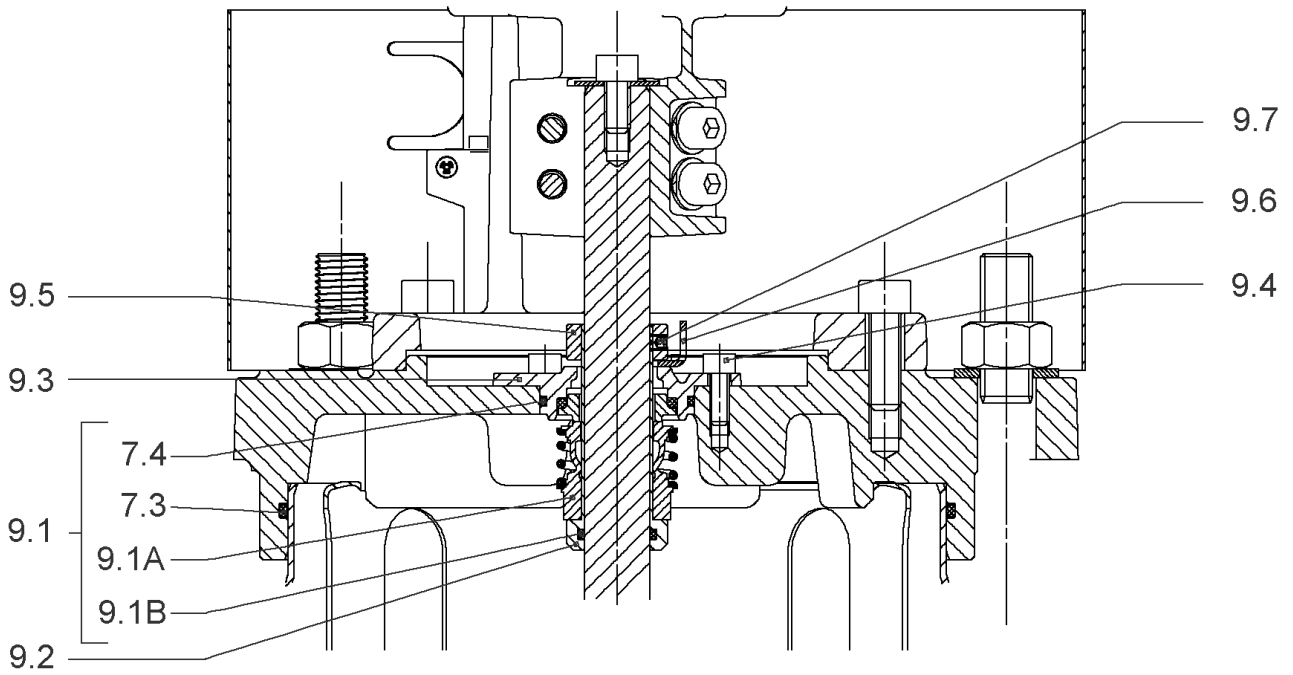
HELIX V3611/2-3/30/E/KS/400-50 (4165798)

Item	Article no.	Description	Quantity
15.5		> SCREW TBHC M12x25 ISO7380 ZN	1
15.6		> FLANGE M+ DN65 NF PN16-25 ASME PN16 CATA	1
15.7		> O-RING Ø79.5xØ3 EPDM	1
13.1A	4161200	> NECK RING 1.STAGE HELIX V36/52 KIT	1
		>> NECK-RING-M+36/52	1
		>> HYDRAULIC SUPPORT CAP M+36/52 304	1
		>> SCREW TCL M3X8 A4 POZIDRIV	1
7.3	4179571	> O-RING HOUSING PIPE HELIX22/36/52 VP.	1



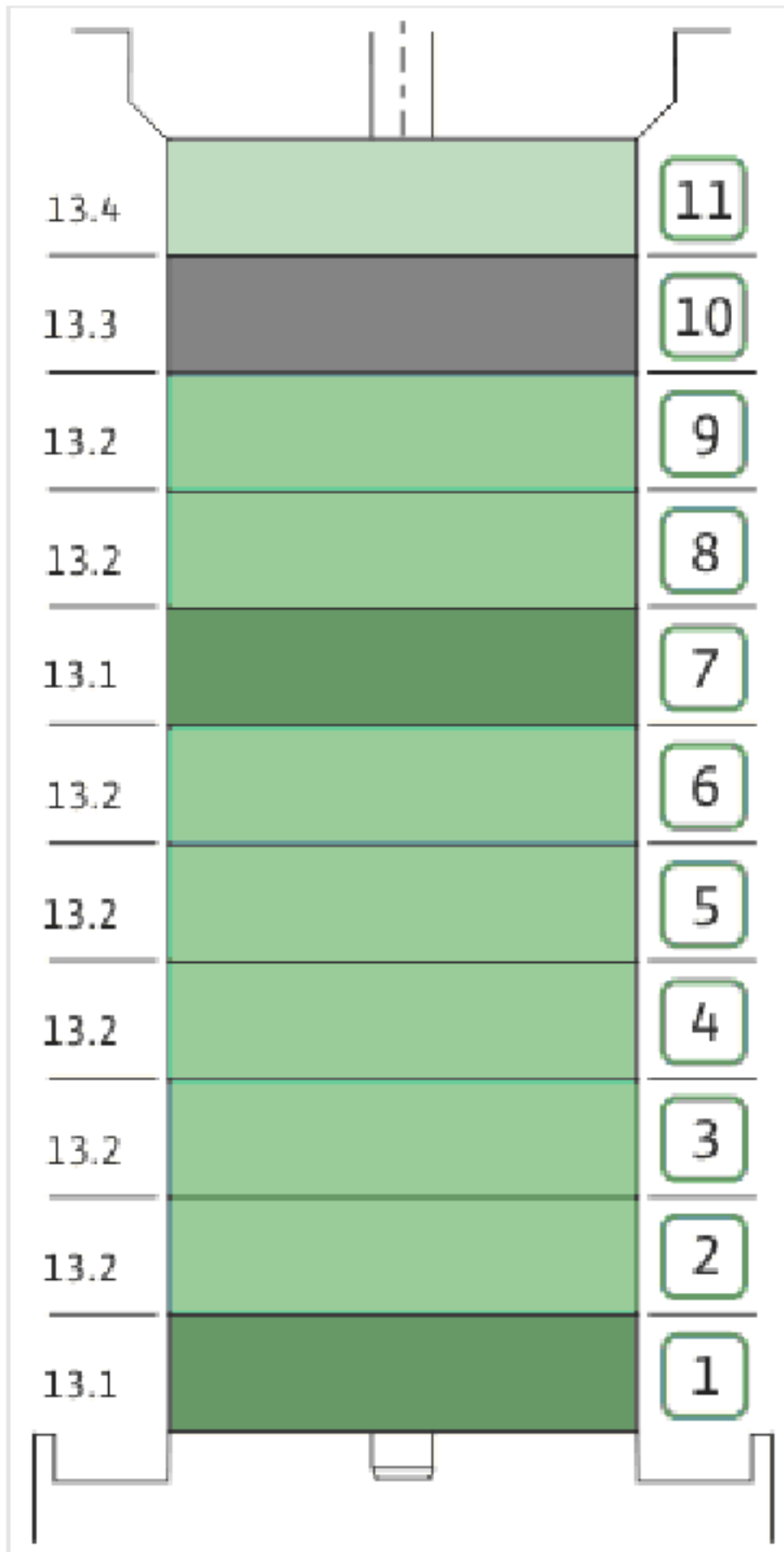
COUPLING HELIX V36/52 FF350 RLT6315 KIT (4161191)

Item	Article no.	Description	Quantity
4.1	4179935	COUPLING 2 PARTS D.20XD.38XL115 VP.	1
4.2	2114423	BALL BEARING 6315C4-ZZ-HT VP.	1
4.3	2119916	CIRCLIP D75X2.5 VP.	1
4.4	4179934	SCREW M12X30 (8 PIECES)	1
4.5	2119917	CIRCLIP D160X4 VP.	1
4.6	2119918	O-RING Ø158.34X3.53 NBR 70SH.VP.	1
4.7	2130992	RETAINING RING D.35xD.2,5 DIN7993 VP.	1
4.8	4179937	HUB D.55XD.75 VP.	1
4.9	4179936	SPACER D.38XD.65 VP.	1
4.10	2130991	SCREW M12X30 ISO4762 8.8 ZN(4 PIECES)	1
4.11	4233959	SCREW M8x16 VP.	1
4.12		SERRATED LOCK WASHER Ø8.2XØ25X35X2	1



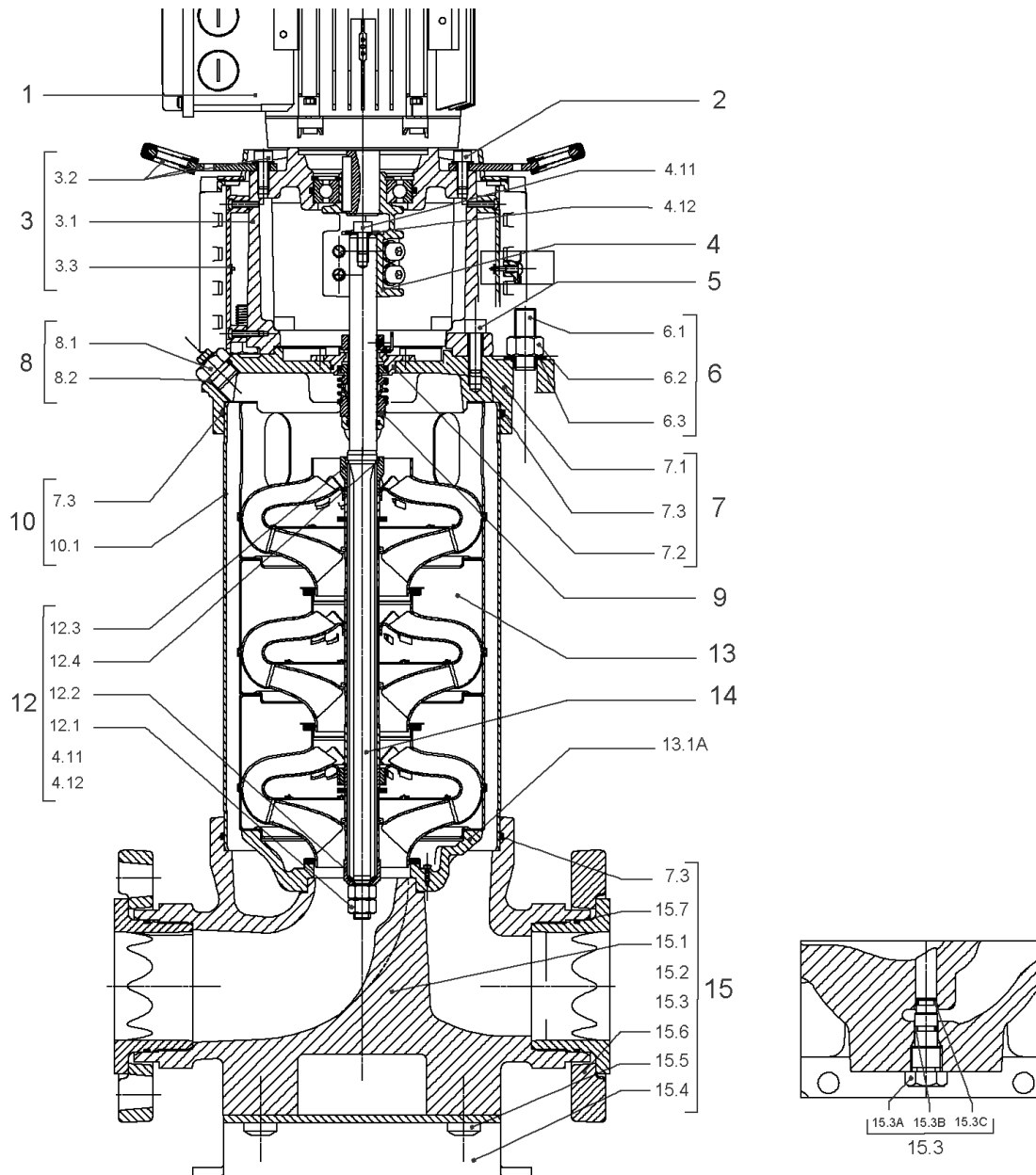
CARTRIDGE HELIX22-36-52 T/E KIT (4180008)

Item	Article no.	Description	Quantity
9.1	4180007	SEAL-KIT-HELIX22-36-52 T/E	1
7.3	4179571	> O-RING HOUSING PIPE HELIX22/36/52 VP.	1
7.4	4179572	> O-RING ID.42.52X2.62 EPDM VP.	1
9.1A	4180006	> M.SEAL.HELIX22-36-52 T/E VP.	1
9.1B	4179574	> O-RING ID.20x2.65 EPDM VP.	1
9.2	4180005	SHAFT SLEEVE D.22/20X71 1.4404 VP.	1
9.3	4180004	RING HOLDER 30B VP.	1
9.4	4176520	SCREW CH M5x5 A4-70 (3PIECES)	1
9.5	4179568	DRIVE RING D.31/22.1x11 MACH.VP.	1
9.6	4179569	TOOL M.S.CART.HELIX 8" VP.	1
9.7	4179570	SCREW M6X16 ISO4762 8.8 GEOMET(4 PIECES)	1



HYDRAULIC HELIX V 3611-2

Item	Article no.	Description	Quantity
13.1	4161192	INTERMEDIATE STAGE HELIX V36 1.4301 KIT	1
		> SLEEVE-SPACER-D22XL16,66-316L	1
		> MACH.BEARING-DIFFUSER+NR-M+36-304	1
		> SHAFT-SLEEVE-D26xD22x16-CW	1
		> IMPELLER-H1-M+36-304	1
13.1A	4161200	> NECK RING 1.STAGE HELIX V36/52 KIT	1
		>> NECK-RING-M+36/52	1
		>> HYDRAULIC SUPPORT CAP M+36/52 304	1
		>> SCREW TCL M3X8 A4 POZIDRIV	1
13.2	4161193	INTERMEDIATE STAGE HELIX V36 1.4301 KIT	1
		> MACH.STD-DIFFUSER+NR-M+36-304	1
		> IMPELLER-H4-M+36-304	1
13.3	4161195	INTERMEDIATE STAGE HELIX V36 1.4301 KIT	1
		> REDUCED-IMPELLER-H4-M+36-304	1
		> MACH.STD-DIFFUSER+NR-M+36-304	1
13.4	4161196	UPPER STAGE HELIX 36 1.4301 KIT	1
		> STOP COLLAR OF IMPELLER L20-Ø22-316L	1
		> REDUCED-IMPELLER-H4-M+36-304	1
		> MACH.-RIGID-STD-DISCH.-CHAMBER-M+36-304	1



HELIX V3611-3/30/E/KS/400-50 (4165801)

Item	Article no.	Description	Quantity
1	4195492	MOTOR 37/2/200 3~400V 50HZ IE3 VP.	1
		SPARE PARTS MOTOR:ON REQUEST	1
2	4179586	SCREW M16X60 (4 PIECES)	1
3	4164725	LANTERN HELIX 36/52 FF350 BB6216 KIT	1
3.1		> LANT.FF350 M+ GJL MACHIN.+CATA 7216-6216	1
3.2	4179938	> EYELET CPL.FF350 HELIX(4 PIECES)	1
3.3	4143969	> COUPLING PROTECT HELIX FF KIT	1
4	4164726	COUPLING HELIX D.20XD.38 2KUL.KIT	1
5	4157725	SCREW M10X40 (4 PIECES)	1
6	4181105	STUD BOLT M16X866 KIT	1
6.1		> TIE BOLT M16-866x24x44-1.4057	1
6.2	4179562	> NUT M16 8.8 ISO4032 (4 PIECES)	1
6.3	4097852	> WASHER-CS-16.4-32-2.8-NFE25-511-A2	1
7	4179565	END SHIELD HELIX 8" EPDM KIT	1
7.1		> END SHIELD M+ GJL MACHINED+CATA	1
7.2	4179564	> O-RING D.42.52x2.62 EPDM VP.	1
7.3	4179571	> O-RING HOUSING PIPE HELIX22/36/52 VP.	1
8	4143765	FILING/PURGING PLUG 316L HELIX KIT	1
8.1		> FILLING/VENTING-PLUG-VM18/10-316L	1
8.2	4032291	> O-RING 17x3 EPDM KTW/WRC	1
9	4180008	CARTRIDGE HELIX22-36-52 T/E KIT	1
10	4181106	HOUSING PIPE D.204X797 1.4301 KIT	1
7.3	4179571	> O-RING HOUSING PIPE HELIX22/36/52 VP.	1
10.1		> HOUSING-PIPE Ø204-M+3611-304	1
12	4161186	SHAFT EQUIPMENT HELIX V36 8" KIT	1
13		HYDRAULIC HELIX V 3611	1
14	4181108	SHAFT D.22X954 1.4057 VP.	1
15	4161185	EQUIPED HOUSING HELIX 36 GJL KIT	1
15.1		> PUMP HOUSING SET with CATA. PARTS-DN65	1
15.3	4143766	> DRAIN/PRIMING PLUG EPDM HELIX KIT	1
15.3A		>> PRIMING/DRAIN PLUG-304-VERSION 1	1
15.3B	4032293	>> O-RING-10x3-EPDM-KTW/WRC	1
15.3C	4233957	>> O-RING ID.9 EPDM VP.	1
15.4	4221729	> BASE M+ DN50/65/80 VP.	1

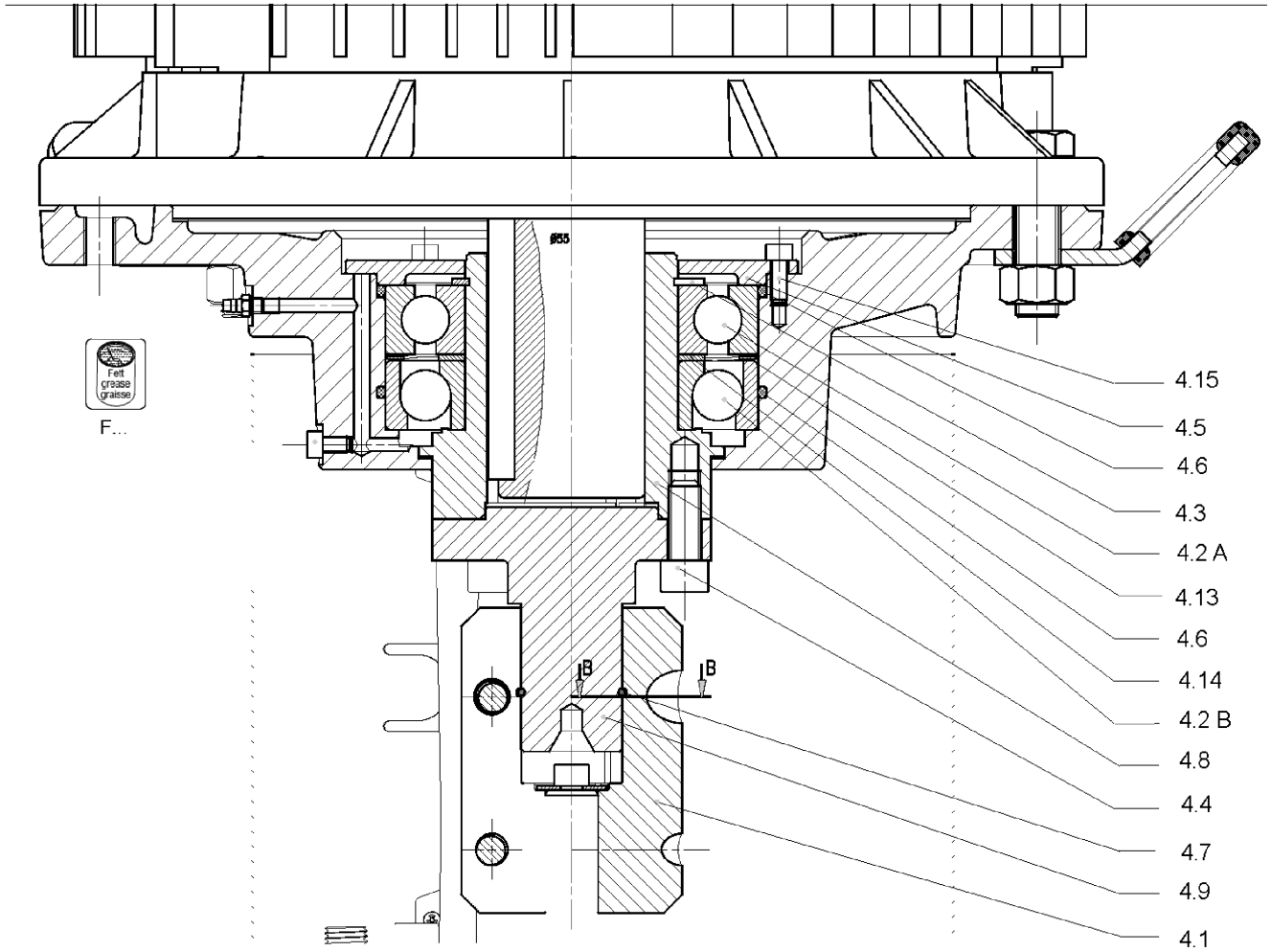
HELIX V3611-3/30/E/KS/400-50 (4165801)

Item	Article no.	Description	Quantity
15.5		> SCREW TBHC M12x25 ISO7380 ZN	1
15.6		> FLANGE M+ DN65 NF PN16-25 ASME PN16 CATA	1
15.7		> O-RING Ø79.5xØ3 EPDM	1
13.1A	4161200	> NECK RING 1.STAGE HELIX V36/52 KIT	1
		>> NECK-RING-M+36/52	1
		>> HYDRAULIC SUPPORT CAP M+36/52 304	1
		>> SCREW TCL M3X8 A4 POZIDRIV	1
7.3	4179571	> O-RING HOUSING PIPE HELIX22/36/52 VP.	1

MOTEUR A BRIDE 55FF350 **

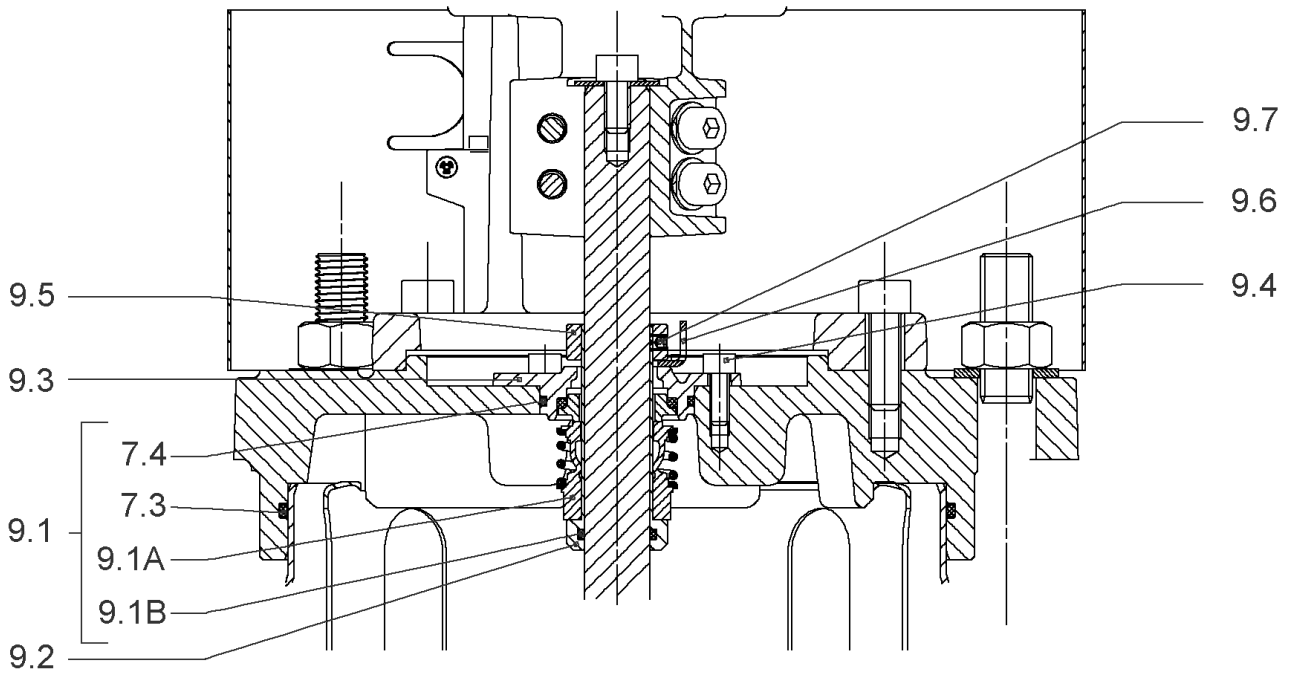
FLANGE MOTOR 55FF350 **

** VERSION 2 ROULEMENTS / ** 2 BALL BEARING VERSION



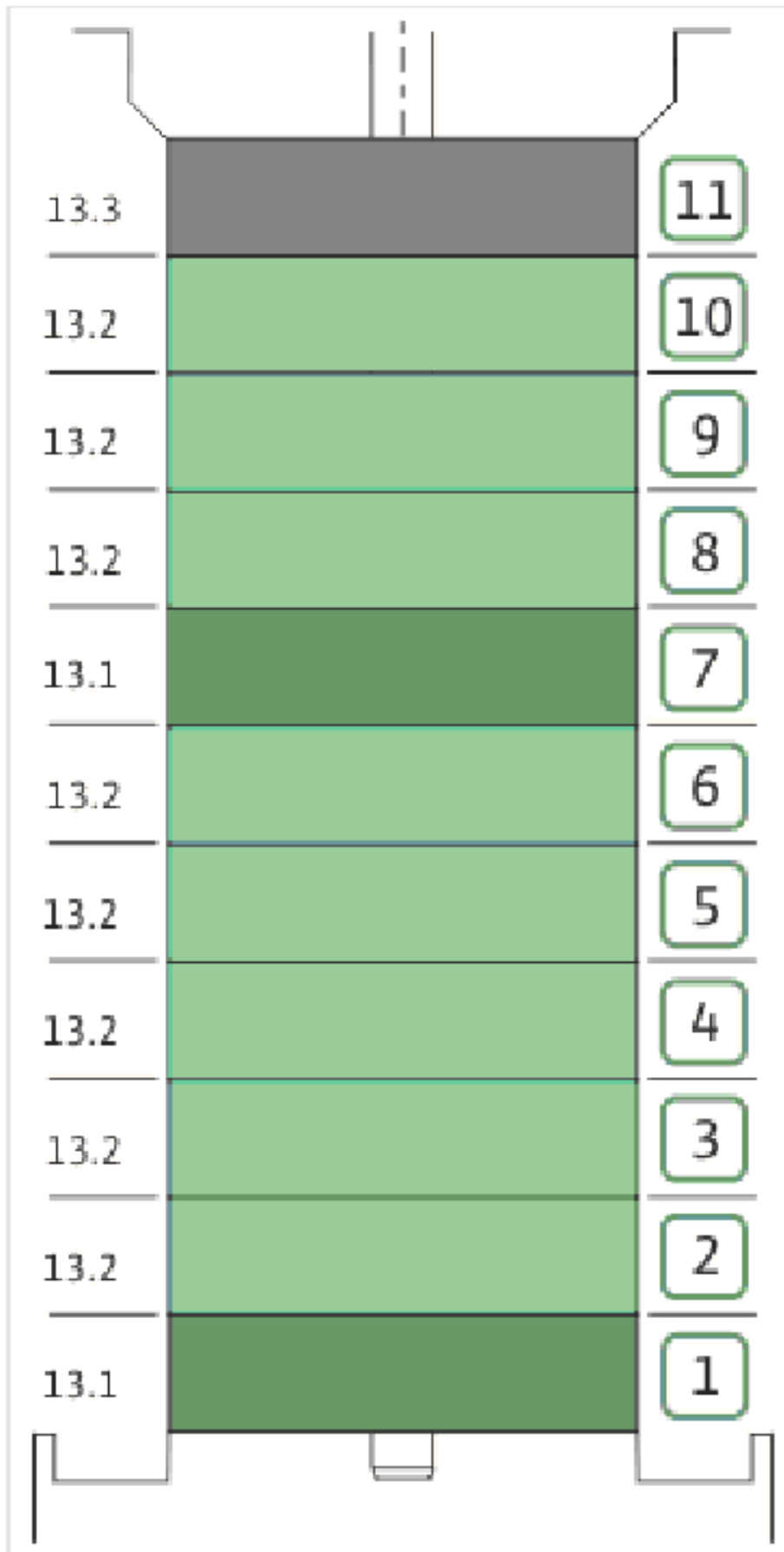
COUPLING HELIX D.20XD.38 2KUL.KIT (4164726)

Item	Article no.	Description	Quantity
4.1	4179935	COUPLING 2 PARTS D.20XD.38XL115 VP.	1
4.2A	4179950	BALL BEARING 7216-BEP-VP.	1
4.2B	4179949	BALL BEARING OPEN 6216 C3 VP.	1
4.3	4055234	CIRCLIP-FOR-SHAFT-D80X2.5-AC.PARK.	1
4.4	4179934	SCREW M12X30 (8 PIECES)	1
4.5		COVER HOUSING BALL BEARING FF350 7216	1
4.6	4233945	O-RING ID.140 VP.	1
4.7	2130992	RETAINING RING D.35xD.2,5 DIN7993 VP.	1
4.8	4179953	HUB D.55XD.80 VP.	1
4.9	4179936	SPACER D.38XD.65 VP.	1
4.10	2130991	SCREW M12X30 ISO4762 8.8 ZN(4 PIECES)	1
4.11	4233959	SCREW M8x16 VP.	1
4.12		SERRATED LOCK WASHER Ø8.2XØ25X35X2	1
4.13	4179951	WASHER INNER-BEARINGD.80XD.100x2.5E24VP.	1
4.14	4179952	CURV.SPRING WASH.A139B126E1-6216/6313VP.	1
4.15		SCREW M6X16 ISO4762 8.8 GEOMET 500B	1



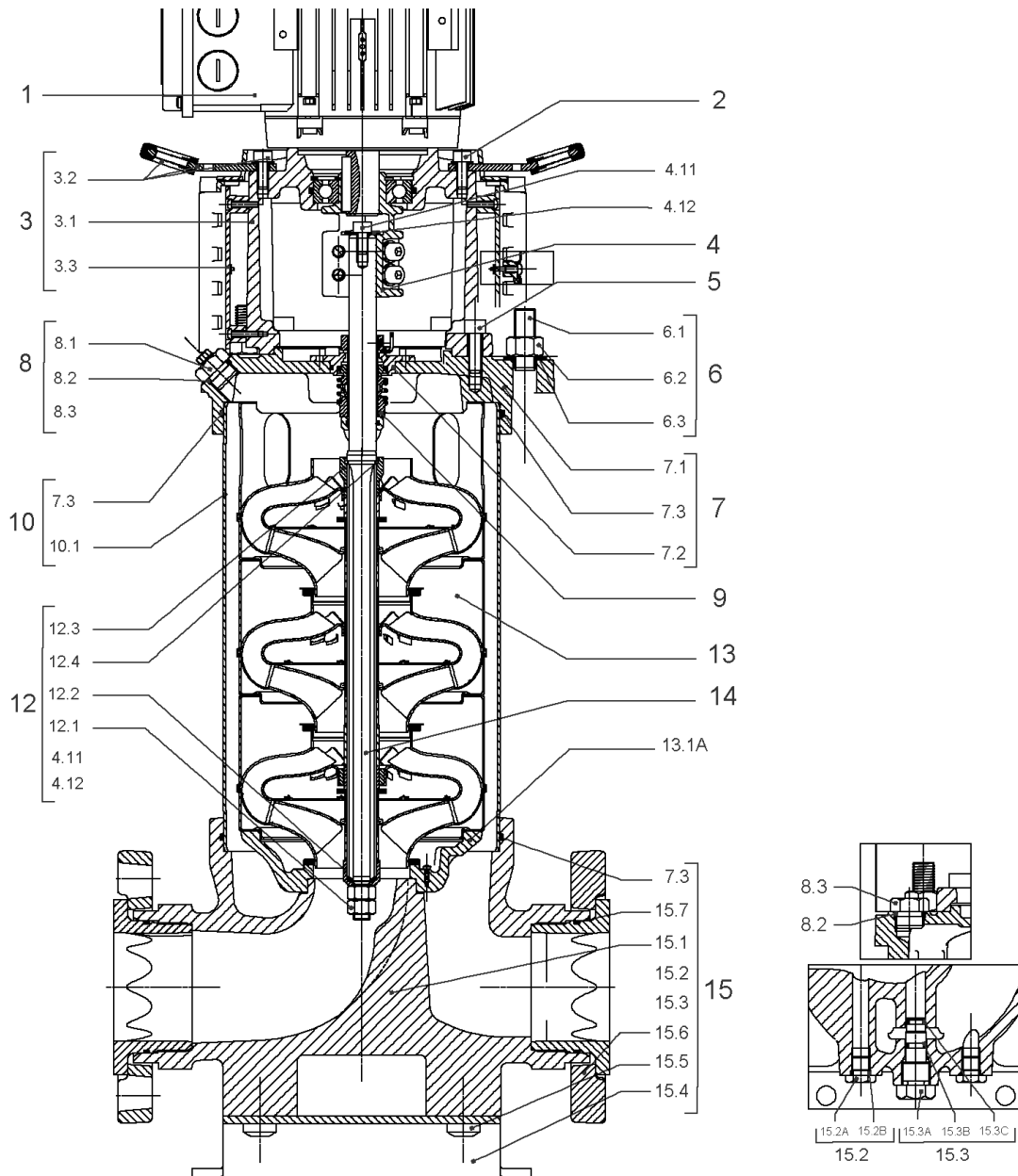
CARTRIDGE HELIX22-36-52 T/E KIT (4180008)

Item	Article no.	Description	Quantity
9.1	4180007	SEAL-KIT-HELIX22-36-52 T/E	1
7.3	4179571	> O-RING HOUSING PIPE HELIX22/36/52 VP.	1
7.4	4179572	> O-RING ID.42.52X2.62 EPDM VP.	1
9.1A	4180006	> M.SEAL.HELIX22-36-52 T/E VP.	1
9.1B	4179574	> O-RING ID.20x2.65 EPDM VP.	1
9.2	4180005	SHAFT SLEEVE D.22/20X71 1.4404 VP.	1
9.3	4180004	RING HOLDER 30B VP.	1
9.4	4176520	SCREW CH M5x5 A4-70 (3PIECES)	1
9.5	4179568	DRIVE RING D.31/22.1x11 MACH.VP.	1
9.6	4179569	TOOL M.S.CART.HELIX 8" VP.	1
9.7	4179570	SCREW M6X16 ISO4762 8.8 GEOMET(4 PIECES)	1



HYDRAULIC HELIX V 3611

Item	Article no.	Description	Quantity
13.1	4161192	INTERMEDIATE STAGE HELIX V36 1.4301 KIT	1
		> SLEEVE-SPACER-D22XL16,66-316L	1
		> MACH.BEARING-DIFFUSER+NR-M+36-304	1
		> SHAFT-SLEEVE-D26xD22x16-CW	1
		> IMPELLER-H1-M+36-304	1
13.1A	4161200	> NECK RING 1.STAGE HELIX V36/52 KIT	1
		>> NECK-RING-M+36/52	1
		>> HYDRAULIC SUPPORT CAP M+36/52 304	1
		>> SCREW TCL M3X8 A4 POZIDRIV	1
13.2	4161193	INTERMEDIATE STAGE HELIX V36 1.4301 KIT	1
		> MACH.STD-DIFFUSER+NR-M+36-304	1
		> IMPELLER-H4-M+36-304	1
13.3	4161194	UPPER STAGE HELIX 36 1.4301 KIT	1
		> STOP COLLAR OF IMPELLER L20-Ø22-316L	1
		> IMPELLER-H4-M+36-304	1
		> MACH.-RIGID-STD-DISCH.-CHAMBER-M+36-304	1

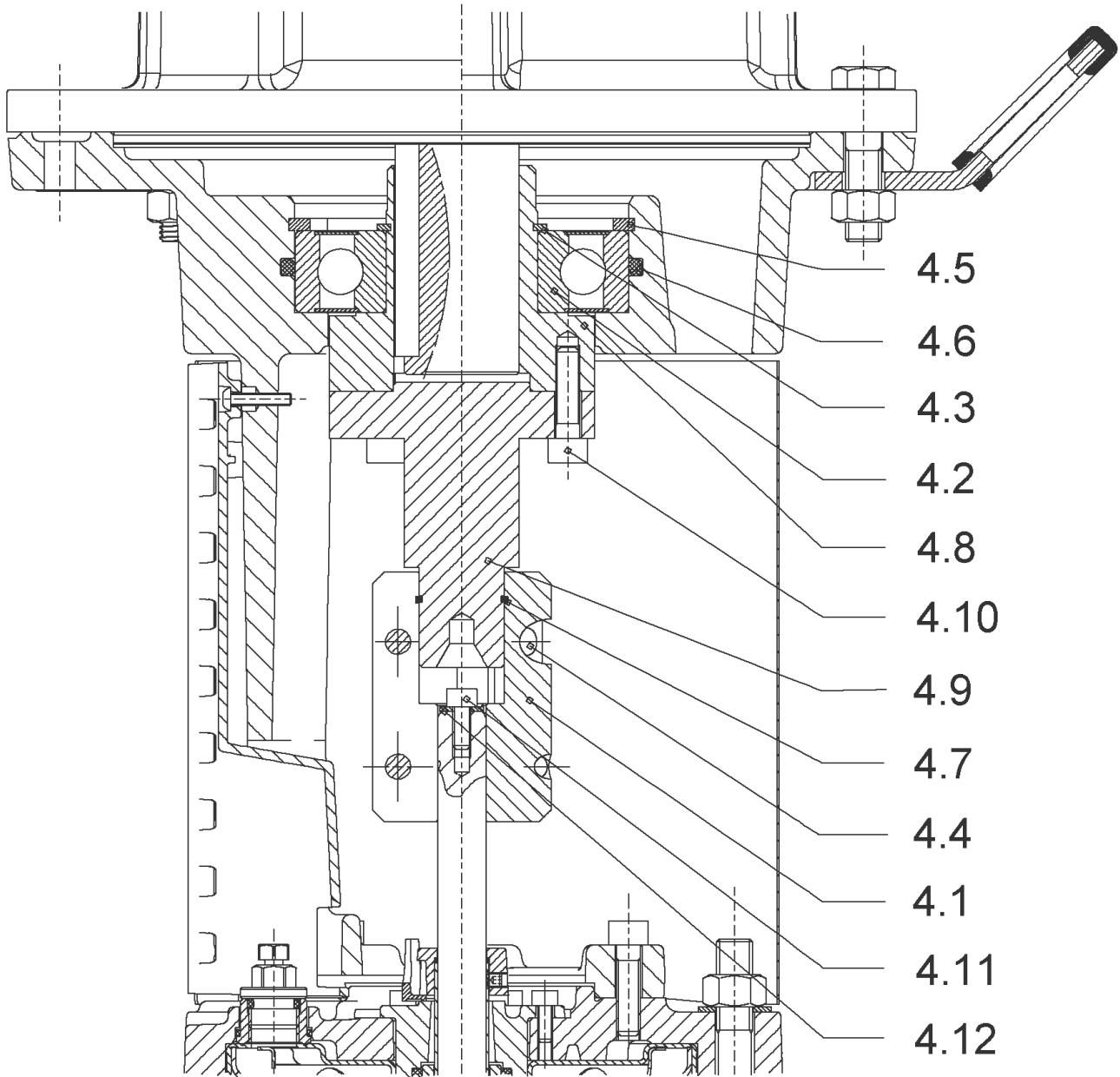


HELIX V3610-2/30/V/KS/400-50 (4165832)

Item	Article no.	Description	Quantity
1	4195491	MOTOR 30/2/200 3~400V 50HZ IE3 VP.	1
		SPARE PARTS MOTOR:ON REQUEST	1
2	4179586	SCREW M16X60 (4 PIECES)	1
3	4161189	LANTERN HELIX V36 FF350 BB6315 KIT	1
3.1		> LANTERN FF350 M+ GJL MACHINED+CATA 6315	1
3.2	4179938	> EYELET CPL.FF350 HELIX(4 PIECES)	1
3.3	4143969	> COUPLING PROTECT HELIX FF KIT	1
4	4161191	COUPLING HELIX V36/52 FF350 RLT6315 KIT	1
5	4157725	SCREW M10X40 (4 PIECES)	1
6	4179940	STUD BOLT M16X796 KIT	1
6.1		> TIE BOLT M16-796x24x44-1.4057	1
6.2	4179562	> NUT M16 8.8 ISO4032 (4 PIECES)	1
6.3	4097852	> WASHER-CS-16.4-32-2.8-NFE25-511-A2	1
7	4179959	END SHIELD HELIX 8" FKM 1.4404 KIT	1
7.1		> END SHIELD HELIX 316L MACHINED	1
7.2	4179958	> O-RING-ID.42.52X2.62 VITON VP.	1
7.3	2107767	> O-RING ID.202,80x3,53 VITON VP.	1
8	4161256	FILING/PURGING PLUG FKM KIT	1
8.1		> FILLING/VENTING-PLUG-VM18/10-316L	1
8.2		> FILLING AND VENTING PLUG M+8" 316L	1
8.3		> GASKET-17x3-VITON	1
9	4179997	CARTRIDGE HELIX22-36-52 T/V KIT	1
10	4179984	HOUSING PIPE D.204X730 1.4404 KIT	1
7.3	2107767	> O-RING ID.202,80x3,53 VITON VP.	1
10.1		> HOUSING-PIPE Ø204-M+3610/5207-316L	1
12	4161186	SHAFT EQUIPMENT HELIX V36 8" KIT	1
13		HYDRAULIC HELIX V 3610	1
14	4181148	SHAFTS D.22X887,34 1.4462 VP.	1
15	4161255	EQUIPED HOUSING DN65 HELIX 36 1.4409 KIT	1
7.3	2107767	> O-RING ID.202,80x3,53 VITON VP.	1
15.1		> PUMP HOUSING M+ DN65 316L MACHINED	1
15.1		> GASKET HOLDER M+ DN65 316L MACHINED	1
15.1		> HYDRAULIC SUPPORT M+ DN65 316L MACHINED	1
15.2	4158195	> PLUG PRESSURE CONNECTION G1/4"316L KIT	1

HELIX V3610-2/30/V/KS/400-50 (4165832)

Item	Article no.	Description	Quantity
15.2A		>> PLUG PRESSURE CONNECTION - G1/4" - 316L	1
15.2B	2107769	>> O-RING ID.9,9x2,62 VITON VP.	1
15.3	4158196	> DRAIN/PRIMING PLUG VITON HELIX KIT	1
15.3A		>> DRAIN-AND-PRIMING-PLUG-VM18"-316L	1
15.3B	4032294	>> GASKET-10x3-VITON	1
15.3C	2107768	>> O-RING ID.8,9x2,7 VITON VP.	1
15.4	4143749	> BASE M+ DN50/65/80-304	1
15.5		> SCREW TBHC M12x25 ISO7380 ZN	1
15.6	4124455	> FLANGE M+ DN65 NF PN16-25 ASME PN16 CATA	1
15.7		> O-RING Ø79.5xØ3 VITON	1
13.1A	4161268	> NECK RING 1.STAGE HELIX 36 316 KIT	1
		>> NECK-RING-M+36/52	1
		>> HYDRAULIC SUPPORT CAP M+36/52 316	1
		>> SCREW TCL M3X8 A4 POZIDRIV	1



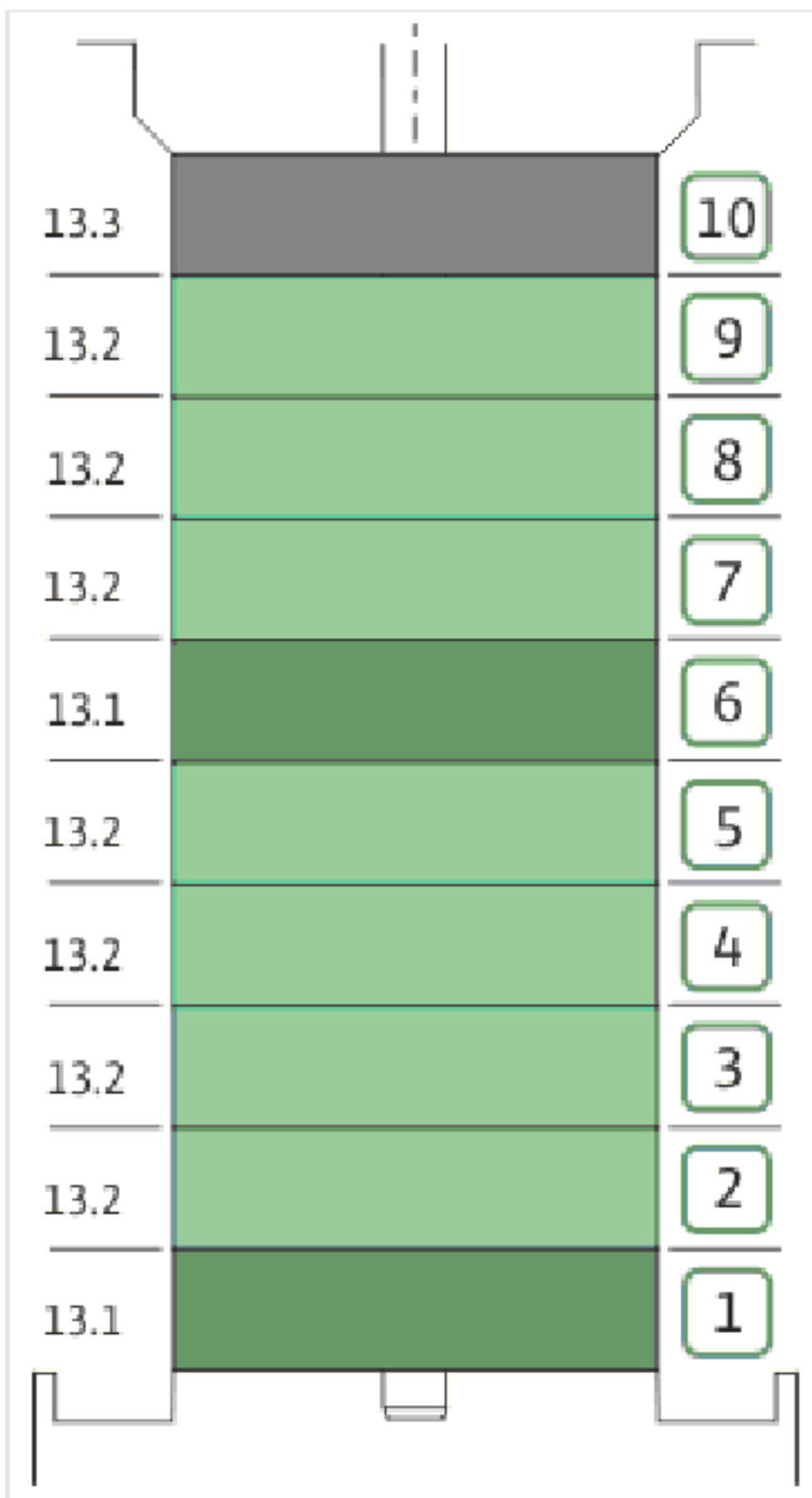
COUPLING HELIX V36/52 FF350 RLT6315 KIT (4161191)

Item	Article no.	Description	Quantity
4.1	4179935	COUPLING 2 PARTS D.20XD.38XL115 VP.	1
4.2	2114423	BALL BEARING 6315C4-ZZ-HT VP.	1
4.3	2119916	CIRCLIP D75X2.5 VP.	1
4.4	4179934	SCREW M12X30 (8 PIECES)	1
4.5	2119917	CIRCLIP D160X4 VP.	1
4.6	2119918	O-RING Ø158.34X3.53 NBR 70SH.VP.	1
4.7	2130992	RETAINING RING D.35xD.2,5 DIN7993 VP.	1
4.8	4179937	HUB D.55XD.75 VP.	1
4.9	4179936	SPACER D.38XD.65 VP.	1
4.10	2130991	SCREW M12X30 ISO4762 8.8 ZN(4 PIECES)	1
4.11	4233959	SCREW M8x16 VP.	1
4.12		SERRATED LOCK WASHER Ø8.2XØ25X35X2	1



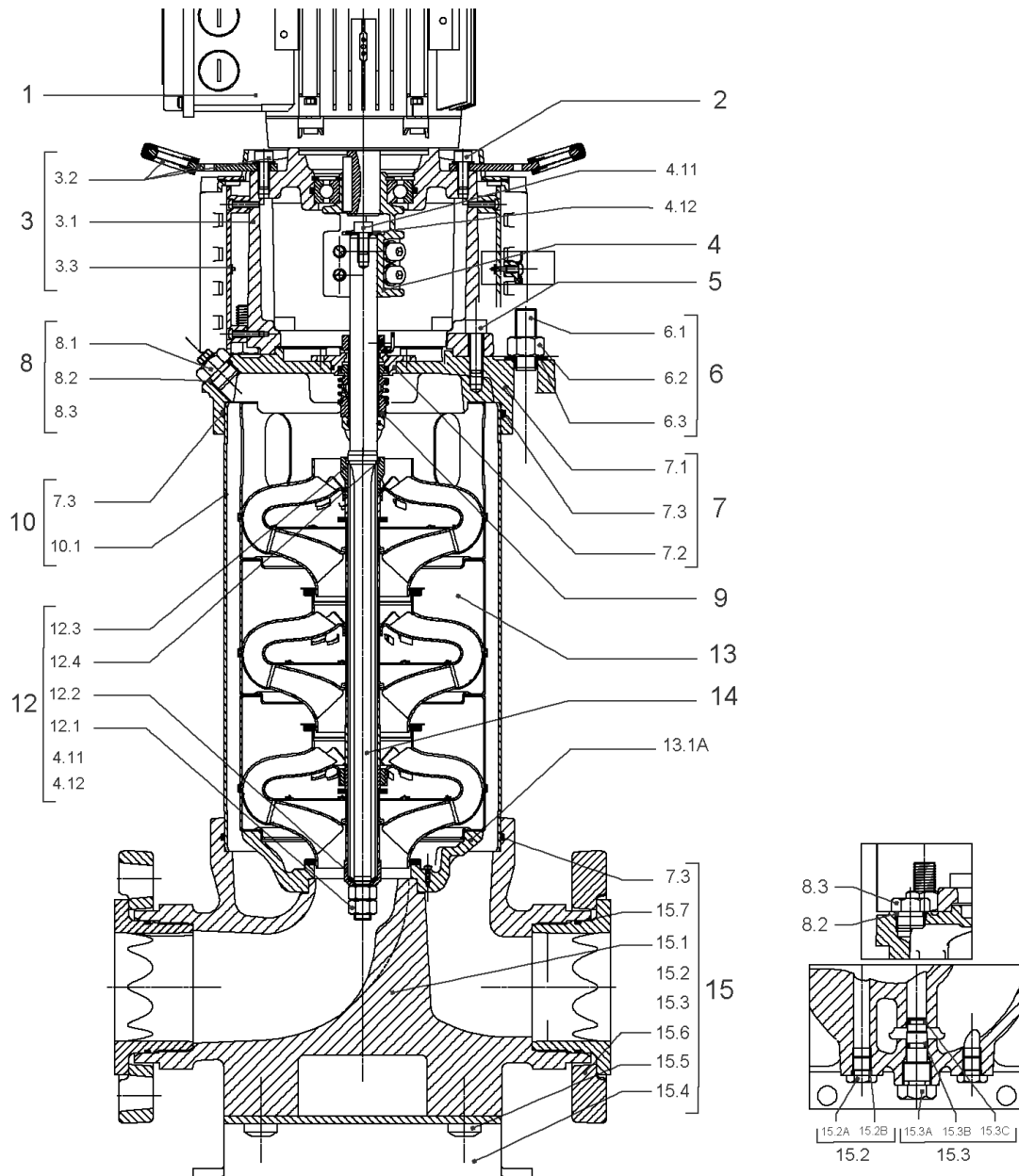
CARTRIDGE HELIX22-36-52 T/V KIT (4179997)

Item	Article no.	Description	Quantity
9.1	4179996	SEAL-KIT-HELIX22-36-52 T/V	1
7.3	2107767	> O-RING ID.202,80x3,53 VITON VP.	1
7.4	4179958	> O-RING-ID.42.52X2.62 VITON VP.	1
9.1A	4179995	> M.SEAL.HELIX22-36-52 T/V VP.	1
9.1B	4179960	> O-RING ID.20x2.65 FKM VP.	1
9.2	4180005	SHAFT SLEEVE D.22/20X71 1.4404 VP.	1
9.3	4180004	RING HOLDER 30B VP.	1
9.4	4176520	SCREW CH M5x5 A4-70 (3PIECES)	1
9.5	4179568	DRIVE RING D.31/22.1x11 MACH.VP.	1
9.6	4179569	TOOL M.S.CART.HELIX 8" VP.	1
9.7	4179570	SCREW M6X16 ISO4762 8.8 GEOMET(4 PIECES)	1



HYDRAULIC HELIX V 3610

Item	Article no.	Description	Quantity
13.1	4161260	INTERMEDIATE STAGE HELIX V36 1.4404 KIT	1
		> SLEEVE-SPACER-D22XL16,66-316L	1
		> MACH.BEARING-DIFFUSER+NR-M+36-316	1
		> SHAFT-SLEEVE-D26xD22x16-CW	1
		> IMPELLER-H1-M+36-316	1
13.2	4161261	INTERMEDIATE STAGE HELIX V36 1.4404 KIT	1
		> MACH.STD-DIFFUSER+NR-M+36-316	1
		> IMPELLER-H4-M+36-316	1
13.3	4161262	UPPER STAGE HELIX 36 1.4404 KIT	1
		> STOP COLLAR OF IMPELLER L20-Ø22-316L	1
		> MACH.-RIGID-STD-DISCH.-CHAMBER-M+36-316	1
		> IMPELLER-H4-M+36-316	1

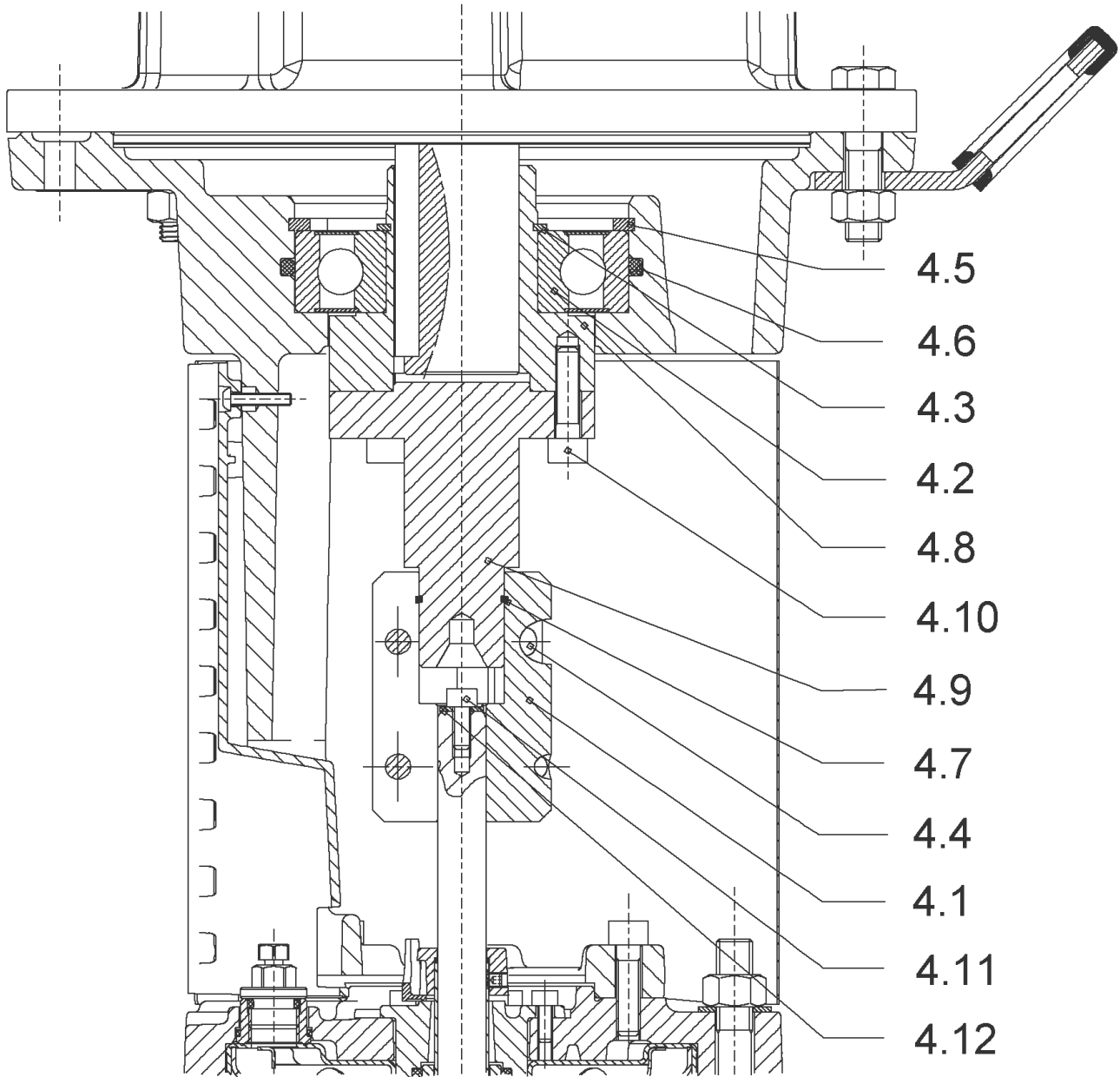


HELIX V3611/2-2/30/V/KS/400-50 (4165835)

Item	Article no.	Description	Quantity
1	4195491	MOTOR 30/2/200 3~400V 50HZ IE3 VP.	1
		SPARE PARTS MOTOR:ON REQUEST	1
2	4179586	SCREW M16X60 (4 PIECES)	1
3	4161189	LANTERN HELIX V36 FF350 BB6315 KIT	1
3.1		> LANTERN FF350 M+ GJL MACHINED+CATA 6315	1
3.2	4179938	> EYELET CPL.FF350 HELIX(4 PIECES)	1
3.3	4143969	> COUPLING PROTECT HELIX FF KIT	1
4	4161191	COUPLING HELIX V36/52 FF350 RLT6315 KIT	1
5	4157725	SCREW M10X40 (4 PIECES)	1
6	4181105	STUD BOLT M16X866 KIT	1
6.1		> TIE BOLT M16-866x24x44-1.4057	1
6.2	4179562	> NUT M16 8.8 ISO4032 (4 PIECES)	1
6.3	4097852	> WASHER-CS-16.4-32-2.8-NFE25-511-A2	1
7	4179959	END SHIELD HELIX 8" FKM 1.4404 KIT	1
7.1		> END SHIELD HELIX 316L MACHINED	1
7.2	4179958	> O-RING-ID.42.52X2.62 VITON VP.	1
7.3	2107767	> O-RING ID.202,80x3,53 VITON VP.	1
8	4161256	FILING/PURGING PLUG FKM KIT	1
8.1		> FILLING/VENTING-PLUG-VM18/10-316L	1
8.2		> FILLING AND VENTING PLUG M+8" 316L	1
8.3		> GASKET-17x3-VITON	1
9	4179997	CARTRIDGE HELIX22-36-52 T/V KIT	1
10	4181150	HOUSING PIPE D.204X797 1.4404 KIT	1
7.3	2107767	> O-RING ID.202,80x3,53 VITON VP.	1
10.1		> HOUSING-PIPE Ø204-M+3611-316L	1
12	4161186	SHAFT EQUIPMENT HELIX V36 8" KIT	1
13		HYDRAULIC HELIX V 3611-2	1
14	4181152	SHAFTS D.22X954 1.4462 VP.	1
15	4161255	EQUIPED HOUSING DN65 HELIX 36 1.4409 KIT	1
7.3	2107767	> O-RING ID.202,80x3,53 VITON VP.	1
15.1		> PUMP HOUSING M+ DN65 316L MACHINED	1
15.1		> GASKET HOLDER M+ DN65 316L MACHINED	1
15.1		> HYDRAULIC SUPPORT M+ DN65 316L MACHINED	1
15.2	4158195	> PLUG PRESSURE CONNECTION G1/4"316L KIT	1

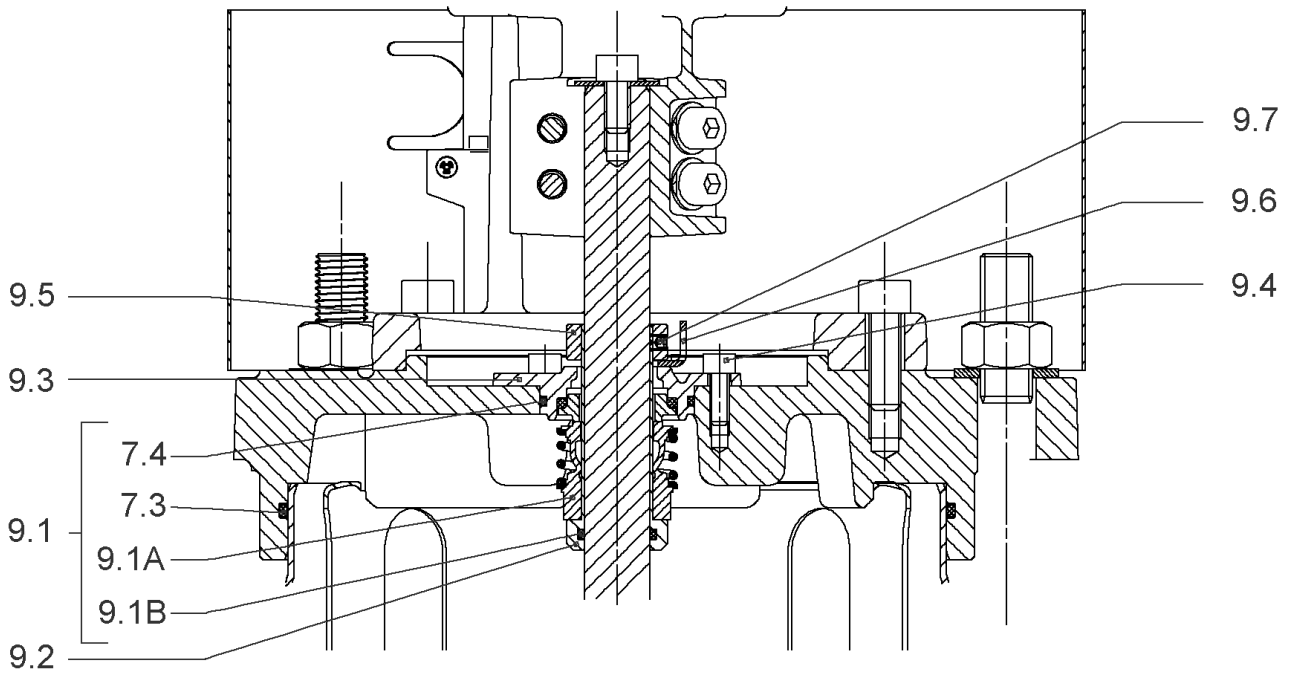
HELIX V3611/2-2/30/V/KS/400-50 (4165835)

Item	Article no.	Description	Quantity
15.2A		>> PLUG PRESSURE CONNECTION - G1/4" - 316L	1
15.2B	2107769	>> O-RING ID.9,9x2,62 VITON VP.	1
15.3	4158196	> DRAIN/PRIMING PLUG VITON HELIX KIT	1
15.3A		>> DRAIN-AND-PRIMING-PLUG-VM18"-316L	1
15.3B	4032294	>> GASKET-10x3-VITON	1
15.3C	2107768	>> O-RING ID.8,9x2,7 VITON VP.	1
15.4	4143749	> BASE M+ DN50/65/80-304	1
15.5		> SCREW TBHC M12x25 ISO7380 ZN	1
15.6	4124455	> FLANGE M+ DN65 NF PN16-25 ASME PN16 CATA	1
15.7		> O-RING Ø79.5xØ3 VITON	1
13.1A	4161268	> NECK RING 1.STAGE HELIX 36 316 KIT	1
		>> NECK-RING-M+36/52	1
		>> HYDRAULIC SUPPORT CAP M+36/52 316	1
		>> SCREW TCL M3X8 A4 POZIDRIV	1



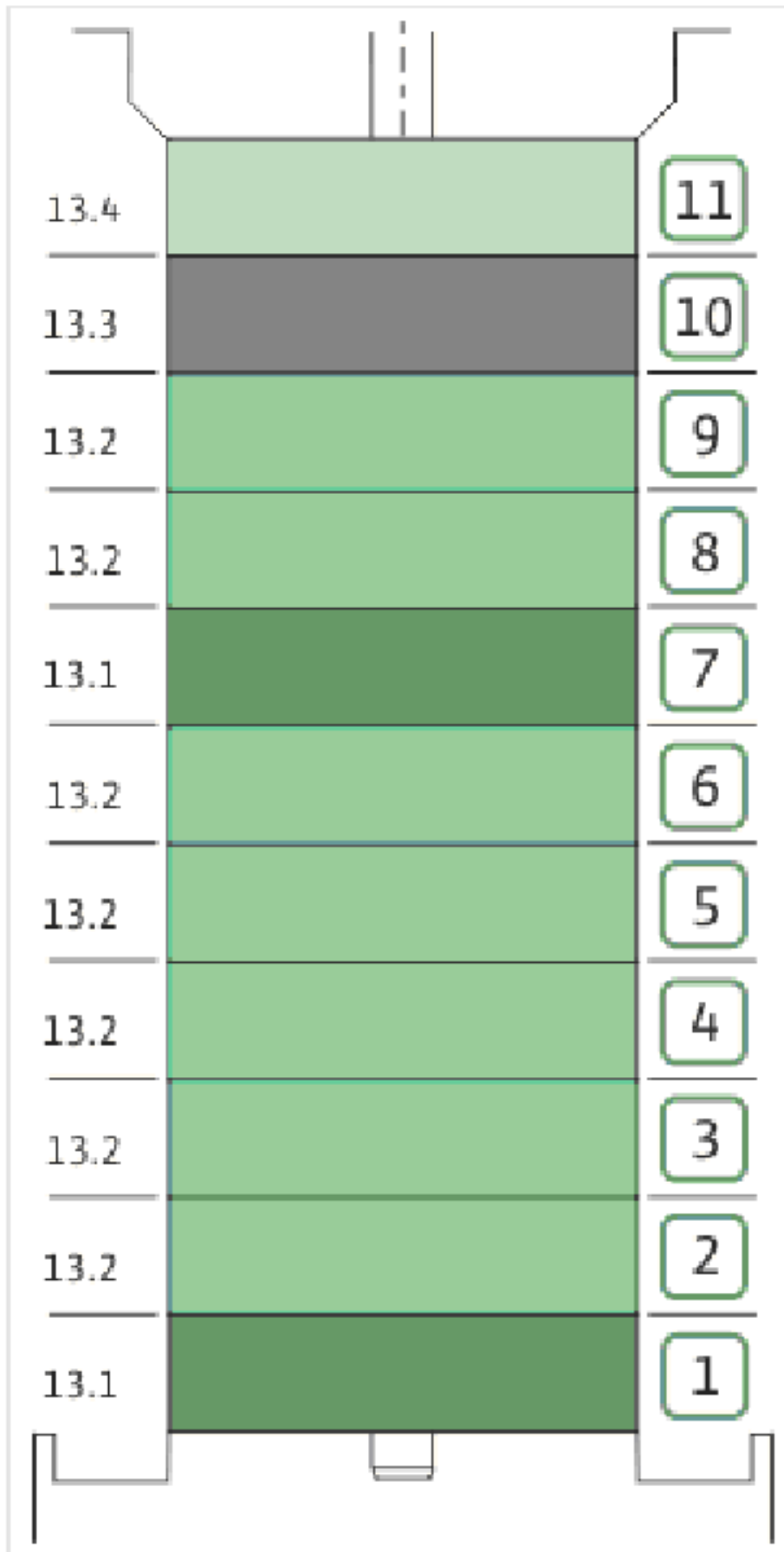
COUPLING HELIX V36/52 FF350 RLT6315 KIT (4161191)

Item	Article no.	Description	Quantity
4.1	4179935	COUPLING 2 PARTS D.20XD.38XL115 VP.	1
4.2	2114423	BALL BEARING 6315C4-ZZ-HT VP.	1
4.3	2119916	CIRCLIP D75X2.5 VP.	1
4.4	4179934	SCREW M12X30 (8 PIECES)	1
4.5	2119917	CIRCLIP D160X4 VP.	1
4.6	2119918	O-RING Ø158.34X3.53 NBR 70SH.VP.	1
4.7	2130992	RETAINING RING D.35xD.2,5 DIN7993 VP.	1
4.8	4179937	HUB D.55XD.75 VP.	1
4.9	4179936	SPACER D.38XD.65 VP.	1
4.10	2130991	SCREW M12X30 ISO4762 8.8 ZN(4 PIECES)	1
4.11	4233959	SCREW M8x16 VP.	1
4.12		SERRATED LOCK WASHER Ø8.2XØ25X35X2	1



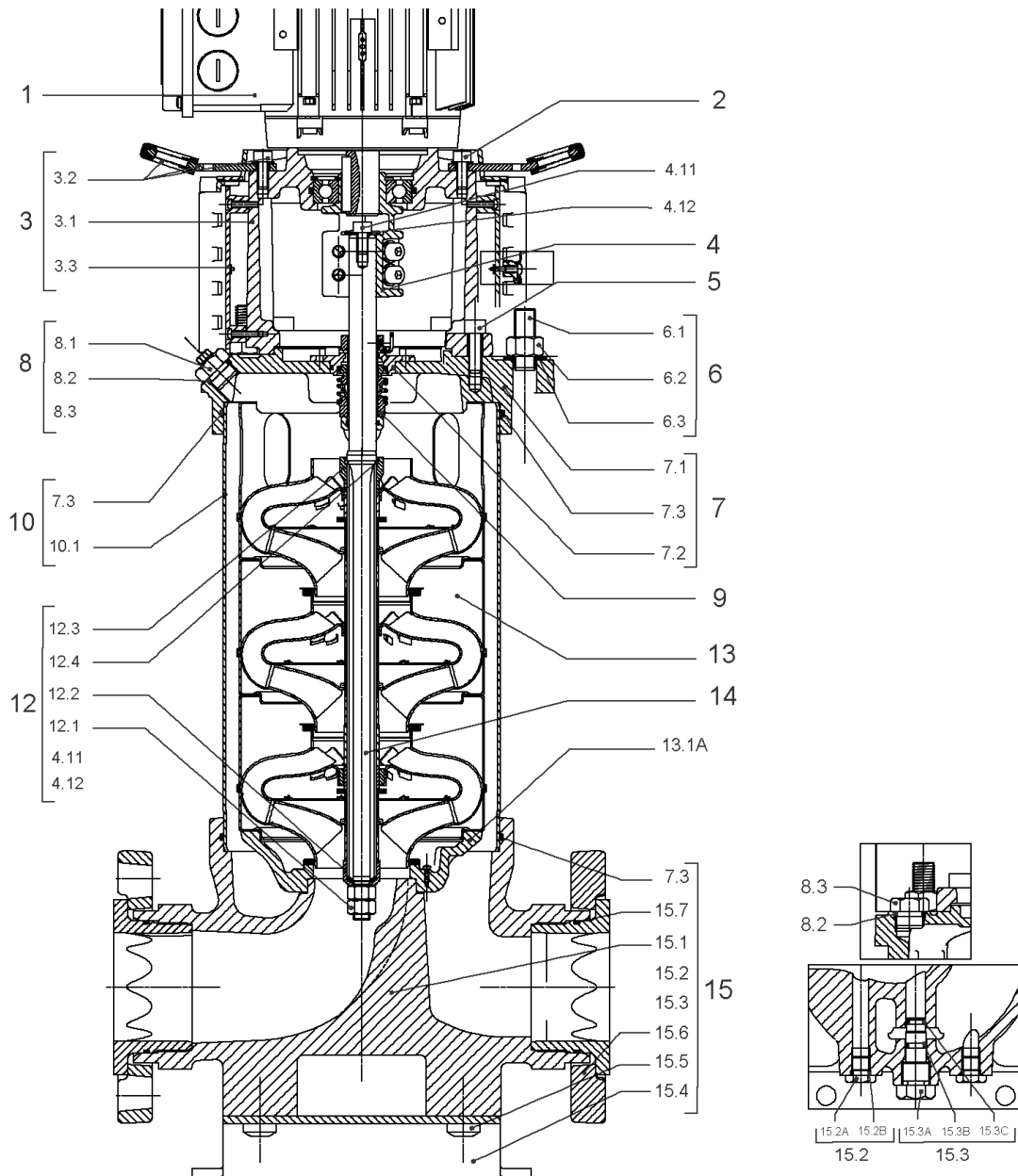
CARTRIDGE HELIX22-36-52 T/V KIT (4179997)

Item	Article no.	Description	Quantity
9.1	4179996	SEAL-KIT-HELIX22-36-52 T/V	1
7.3	2107767	> O-RING ID.202,80x3,53 VITON VP.	1
7.4	4179958	> O-RING-ID.42.52X2.62 VITON VP.	1
9.1A	4179995	> M.SEAL.HELIX22-36-52 T/V VP.	1
9.1B	4179960	> O-RING ID.20x2.65 FKM VP.	1
9.2	4180005	SHAFT SLEEVE D.22/20X71 1.4404 VP.	1
9.3	4180004	RING HOLDER 30B VP.	1
9.4	4176520	SCREW CH M5x5 A4-70 (3PIECES)	1
9.5	4179568	DRIVE RING D.31/22.1x11 MACH.VP.	1
9.6	4179569	TOOL M.S.CART.HELIX 8" VP.	1
9.7	4179570	SCREW M6X16 ISO4762 8.8 GEOMET(4 PIECES)	1



HYDRAULIC HELIX V 3611-2

Item	Article no.	Description	Quantity
13.1	4161260	INTERMEDIATE STAGE HELIX V36 1.4404 KIT	1
		> SLEEVE-SPACER-D22XL16,66-316L	1
		> MACH.BEARING-DIFFUSER+NR-M+36-316	1
		> SHAFT-SLEEVE-D26xD22x16-CW	1
		> IMPELLER-H1-M+36-316	1
13.2	4161261	INTERMEDIATE STAGE HELIX V36 1.4404 KIT	1
		> MACH.STD-DIFFUSER+NR-M+36-316	1
		> IMPELLER-H4-M+36-316	1
13.3	4161263	INTERMEDIATE STAGE HELIX V36 1.4404 KIT	1
		> MACH.STD-DIFFUSER+NR-M+36-316	1
		> REDUCED-IMPELLER-H4-M+36-316	1
13.4	4161264	UPPER STAGE HELIX 36 1.4404 KIT	1
		> STOP COLLAR OF IMPELLER L20-Ø22-316L	1
		> REDUCED-IMPELLER-H4-M+36-316	1
		> MACH.-RIGID-STD-DISCH.-CHAMBER-M+36-316	1



HELIX V3611-2/30/V/KS/400-50 (4165838)

Item	Article no.	Description	Quantity
1	4195492	MOTOR 37/2/200 3~400V 50HZ IE3 VP.	1
		SPARE PARTS MOTOR:ON REQUEST	1
2	4179586	SCREW M16X60 (4 PIECES)	1
3	4164725	LANTERN HELIX 36/52 FF350 BB6216 KIT	1
3.1		> LANT.FF350 M+ GJL MACHIN.+CATA 7216-6216	1
3.2	4179938	> EYELET CPL.FF350 HELIX(4 PIECES)	1
3.3	4143969	> COUPLING PROTECT HELIX FF KIT	1
4	4164726	COUPLING HELIX D.20XD.38 2KUL.KIT	1
5	4157725	SCREW M10X40 (4 PIECES)	1
6	4181105	STUD BOLT M16X866 KIT	1
6.1		> TIE BOLT M16-866x24x44-1.4057	1
6.2	4179562	> NUT M16 8.8 ISO4032 (4 PIECES)	1
6.3	4097852	> WASHER-CS-16.4-32-2.8-NFE25-511-A2	1
7	4179959	END SHIELD HELIX 8" FKM 1.4404 KIT	1
7.1		> END SHIELD HELIX 316L MACHINED	1
7.2	4179958	> O-RING-ID.42.52X2.62 VITON VP.	1
7.3	2107767	> O-RING ID.202,80x3,53 VITON VP.	1
8	4161256	FILING/PURGING PLUG FKM KIT	1
8.1		> FILLING/VENTING-PLUG-VM18/10-316L	1
8.2		> FILLING AND VENTING PLUG M+8" 316L	1
8.3		> GASKET-17x3-VITON	1
9	4179997	CARTRIDGE HELIX22-36-52 T/V KIT	1
10	4181150	HOUSING PIPE D.204X797 1.4404 KIT	1
7.3	2107767	> O-RING ID.202,80x3,53 VITON VP.	1
10.1		> HOUSING-PIPE Ø204-M+3611-316L	1
12	4161186	SHAFT EQUIPMENT HELIX V36 8" KIT	1
13		HYDRAULIC HELIX V 3611	1
14	4181152	SHAFTS D.22X954 1.4462 VP.	1
15	4161255	EQUIPED HOUSING DN65 HELIX 36 1.4409 KIT	1
7.3	2107767	> O-RING ID.202,80x3,53 VITON VP.	1
15.1		> PUMP HOUSING M+ DN65 316L MACHINED	1
15.1		> GASKET HOLDER M+ DN65 316L MACHINED	1
15.1		> HYDRAULIC SUPPORT M+ DN65 316L MACHINED	1
15.2	4158195	> PLUG PRESSURE CONNECTION G1/4"316L KIT	1

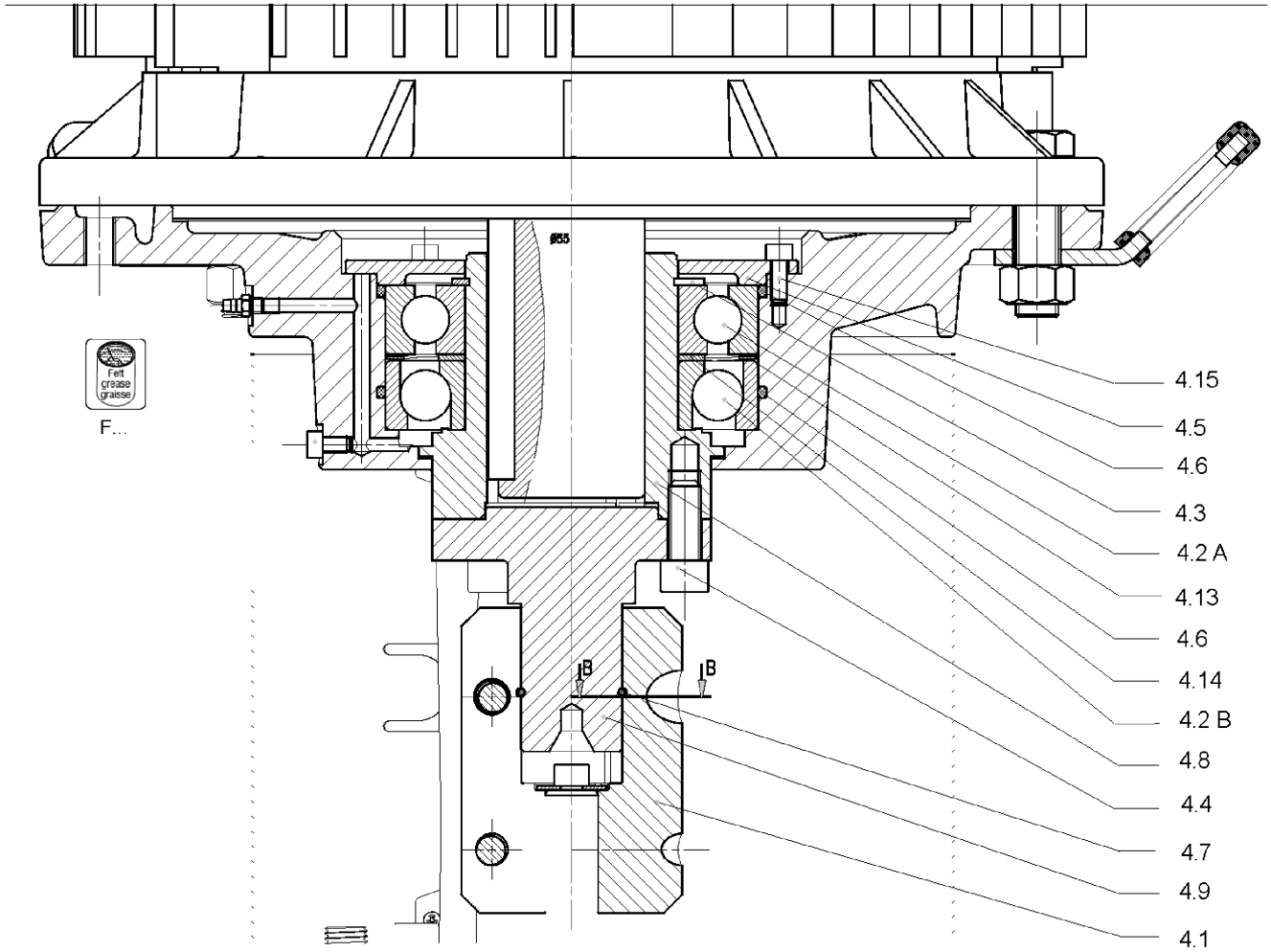
HELIX V3611-2/30/V/KS/400-50 (4165838)

Item	Article no.	Description	Quantity
15.2A		>> PLUG PRESSURE CONNECTION - G1/4" - 316L	1
15.2B	2107769	>> O-RING ID.9,9x2,62 VITON VP.	1
15.3	4158196	> DRAIN/PRIMING PLUG VITON HELIX KIT	1
15.3A		>> DRAIN-AND-PRIMING-PLUG-VM18"-316L	1
15.3B	4032294	>> GASKET-10x3-VITON	1
15.3C	2107768	>> O-RING ID.8,9x2,7 VITON VP.	1
15.4	4143749	> BASE M+ DN50/65/80-304	1
15.5		> SCREW TBHC M12x25 ISO7380 ZN	1
15.6	4124455	> FLANGE M+ DN65 NF PN16-25 ASME PN16 CATA	1
15.7		> O-RING Ø79.5xØ3 VITON	1
13.1A	4161268	> NECK RING 1.STAGE HELIX 36 316 KIT	1
		>> NECK-RING-M+36/52	1
		>> HYDRAULIC SUPPORT CAP M+36/52 316	1
		>> SCREW TCL M3X8 A4 POZIDRIV	1

MOTEUR A BRIDE 55FF350 **

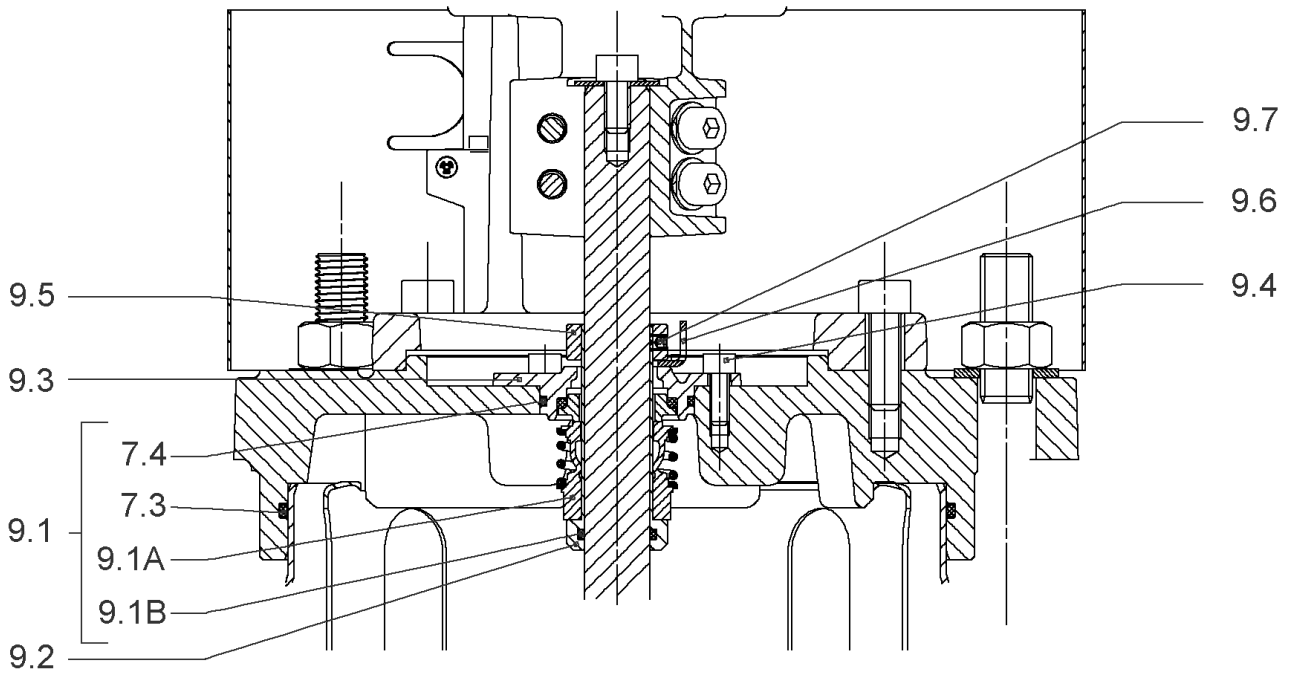
FLANGE MOTOR 55FF350 **

** VERSION 2 ROULEMENTS / ** 2 BALL BEARING VERSION



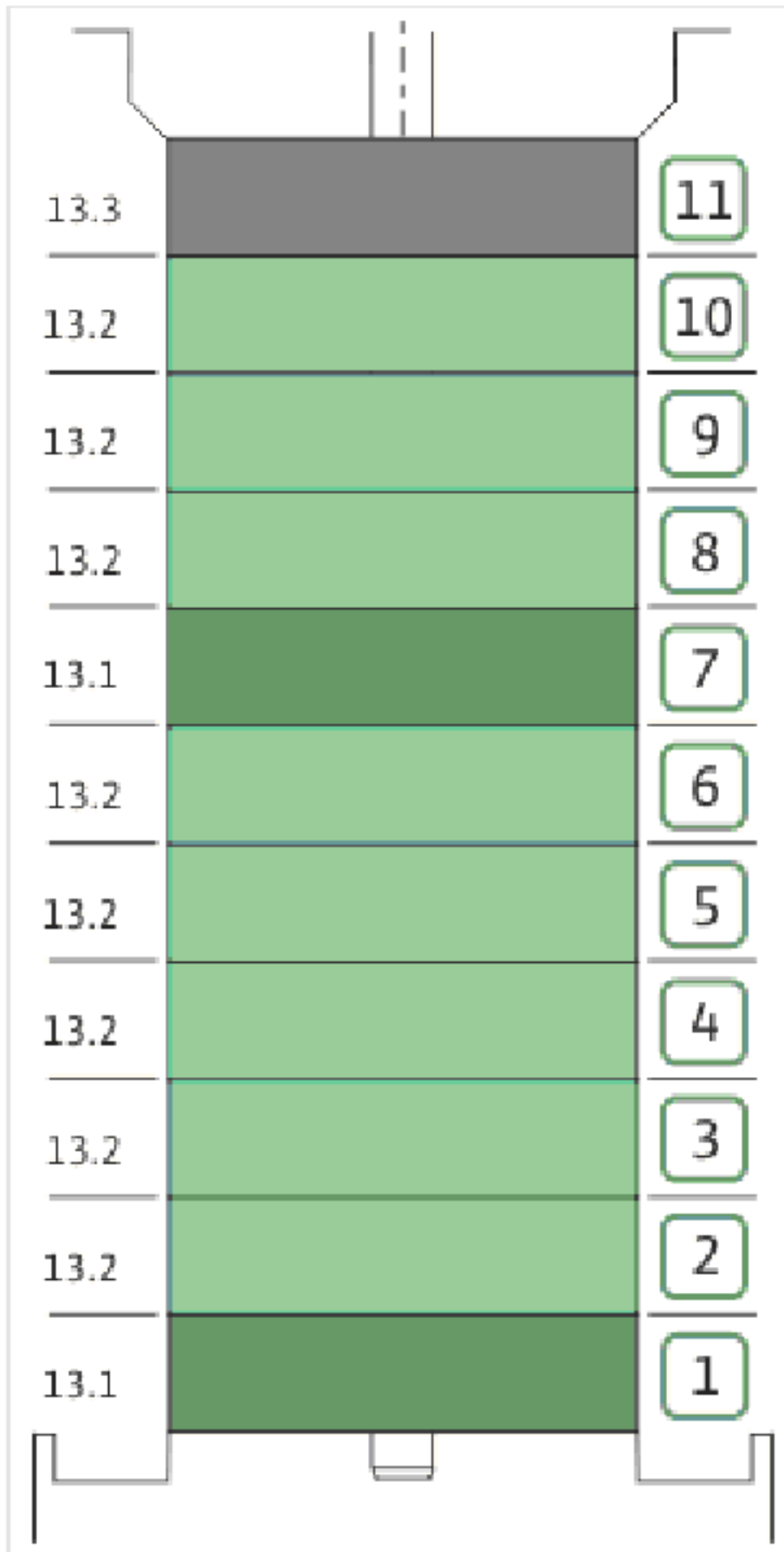
COUPLING HELIX D.20XD.38 2KUL.KIT (4164726)

Item	Article no.	Description	Quantity
4.1	4179935	COUPLING 2 PARTS D.20XD.38XL115 VP.	1
4.2A	4179950	BALL BEARING 7216-BEP-VP.	1
4.2B	4179949	BALL BEARING OPEN 6216 C3 VP.	1
4.3	4055234	CIRCLIP-FOR-SHAFT-D80X2.5-AC.PARK.	1
4.4	4179934	SCREW M12X30 (8 PIECES)	1
4.5		COVER HOUSING BALL BEARING FF350 7216	1
4.6	4233945	O-RING ID.140 VP.	1
4.7	2130992	RETAINING RING D.35xD.2,5 DIN7993 VP.	1
4.8	4179953	HUB D.55XD.80 VP.	1
4.9	4179936	SPACER D.38XD.65 VP.	1
4.10	2130991	SCREW M12X30 ISO4762 8.8 ZN(4 PIECES)	1
4.11	4233959	SCREW M8x16 VP.	1
4.12		SERRATED LOCK WASHER Ø8.2XØ25X35X2	1
4.13	4179951	WASHER INNER-BEARINGD.80XD.100x2.5E24VP.	1
4.14	4179952	CURV.SPRING WASH.A139B126E1-6216/6313VP.	1
4.15		SCREW M6X16 ISO4762 8.8 GEOMET 500B	1



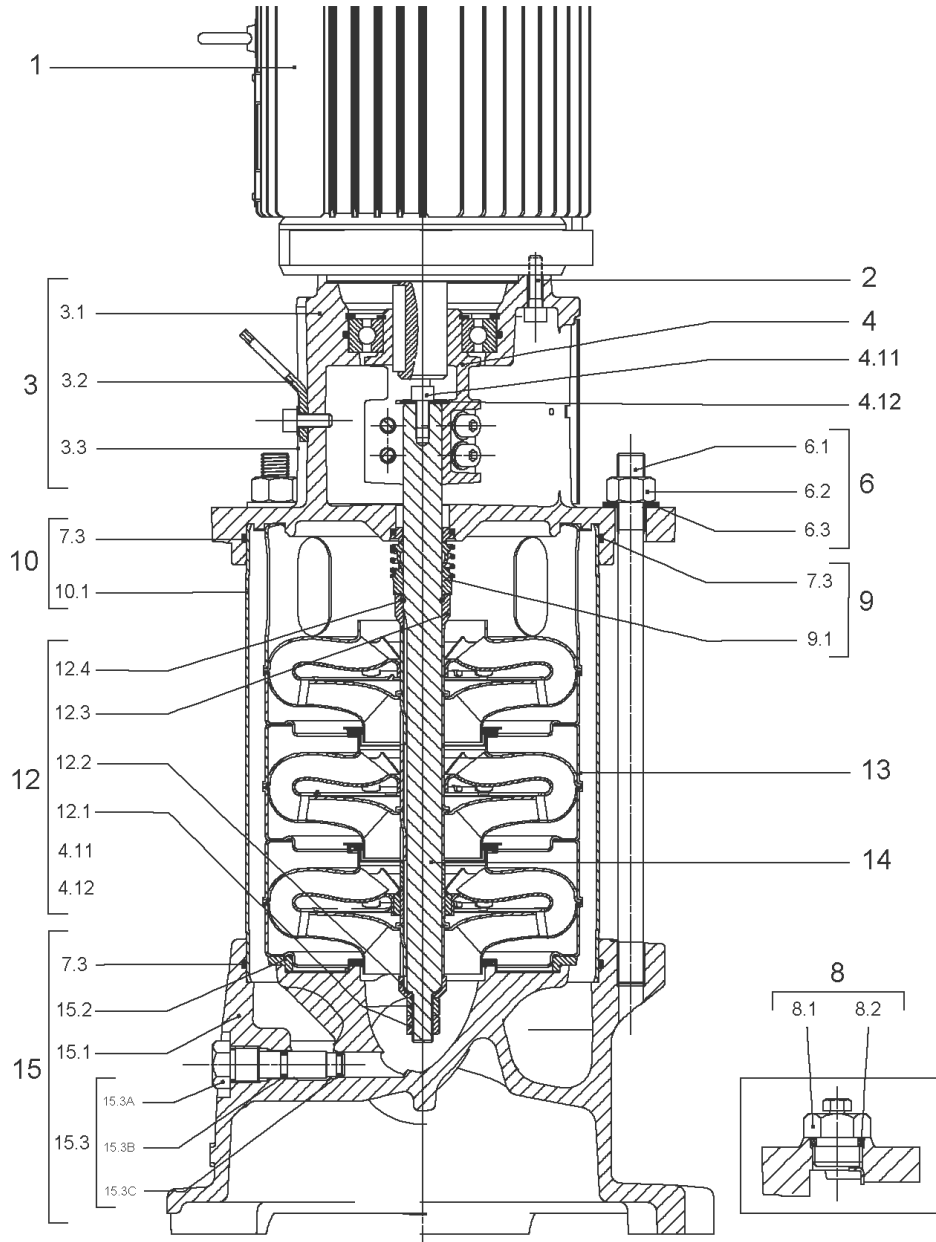
CARTRIDGE HELIX22-36-52 T/V KIT (4179997)

Item	Article no.	Description	Quantity
9.1	4179996	SEAL-KIT-HELIX22-36-52 T/V	1
7.3	2107767	> O-RING ID.202,80x3,53 VITON VP.	1
7.4	4179958	> O-RING-ID.42.52X2.62 VITON VP.	1
9.1A	4179995	> M.SEAL.HELIX22-36-52 T/V VP.	1
9.1B	4179960	> O-RING ID.20x2.65 FKM VP.	1
9.2	4180005	SHAFT SLEEVE D.22/20X71 1.4404 VP.	1
9.3	4180004	RING HOLDER 30B VP.	1
9.4	4176520	SCREW CH M5x5 A4-70 (3PIECES)	1
9.5	4179568	DRIVE RING D.31/22.1x11 MACH.VP.	1
9.6	4179569	TOOL M.S.CART.HELIX 8" VP.	1
9.7	4179570	SCREW M6X16 ISO4762 8.8 GEOMET(4 PIECES)	1



HYDRAULIC HELIX V 3611

Item	Article no.	Description	Quantity
13.1	4161260	INTERMEDIATE STAGE HELIX V36 1.4404 KIT	1
		> SLEEVE-SPACER-D22XL16,66-316L	1
		> MACH.BEARING-DIFFUSER+NR-M+36-316	1
		> SHAFT-SLEEVE-D26xD22x16-CW	1
		> IMPELLER-H1-M+36-316	1
13.2	4161261	INTERMEDIATE STAGE HELIX V36 1.4404 KIT	1
		> MACH.STD-DIFFUSER+NR-M+36-316	1
		> IMPELLER-H4-M+36-316	1
13.3	4161262	UPPER STAGE HELIX 36 1.4404 KIT	1
		> STOP COLLAR OF IMPELLER L20-Ø22-316L	1
		> MACH.-RIGID-STD-DISCH.-CHAMBER-M+36-316	1
		> IMPELLER-H4-M+36-316	1



HELIX V3602/2-4/16/E/S/400-50 (4183402)

Item	Article no.	Description	Quantity
1	4169945	MO.4/2 3~230/400(460)V 50(60)HZ IE3 VP.	1
		SPARE PARTS MOTOR:ON REQUEST	1
2	4159707	SCREW M8X30 (4 PIECES)	1
3	4186356	LANTERN HELIX OPTI 8" FT130 KIT	1
3.1		> M+8_LANTERN_ONE-PIECE_FT130_CATA_DWA	1
3.2	4184852	> EYELET CPL.FT HELIX (2 PIECES)	1
3.3	4184853	> COUPLING PROTECTOR FT HELIX 8" KIT	1
4	4184854	COUPLING D.22XD.28 FT130 HELIX KIT	1
6	4181156	STUD BOLT M16X233 KIT	1
6.1		> TIE BOLT M16-233x24x44-1.4057	1
6.2	4179562	> NUT M16 8.8 ISO4032 (4 PIECES)	1
6.3	4097852	> WASHER-CS-16.4-32-2.8-NFE25-511-A2	1
8	4186377	FILING/PURGING PLUG 304 HELIX KIT	1
8.1		> FILLING/VENTING-PLUG-MVI8/10"-304	1
8.2	4032291	> O-RING 17x3 EPDM KTW/WRC	1
9	4192148	SEAL-KIT-HELIX22-36-52 FIRST O/E	1
7.3	4179571	> O-RING HOUSING PIPE HELIX22/36/52 VP.	1
9.1	4179573	> M.SEAL.HELIX22-36-52 O/E VP.	1
10	4181070	HOUSING PIPE D.204X197 1.4307 KIT	1
7.3	4179571	> O-RING HOUSING PIPE HELIX22/36/52 VP.	1
10.1		> HOUSING-PIPE Ø204-M+3602-304	1
12	4186374	SHAFT EQUIPMENT HELIX 36 FIRST KIT	1
13		HYDRAULIC HELIX V 3602-2	1
14	4186343	SHAFT D.22X301 1.4057 VP.	1
15	4186381	EQUIPED HOUSING HELIX OPTI DN65 GJL KIT	1
15.1		> PUMP CASING MONO.M+8" DN65 PN16 DWA	1
15.2		> HYD.SUP.M+8" MONO.HOUSING DN65 DWA	1
15.3	4106048	> DRAIN/PRIMING PLUG EPDM HELIX FIRST KIT	1
15.3A		>> DRAIN AND PRIMING PLUG-VMI10"-304	1
15.3B	4032293	>> O-RING-10x3-EPDM-KTW/WRC	1
15.3C	4233957	>> O-RING ID.9 EPDM VP.	1
7.3	4179571	> O-RING HOUSING PIPE HELIX22/36/52 VP.	1
13.1A	4161200	> NECK RING 1.STAGE HELIX V36/52 KIT	1
		>> NECK-RING-M+36/52	1

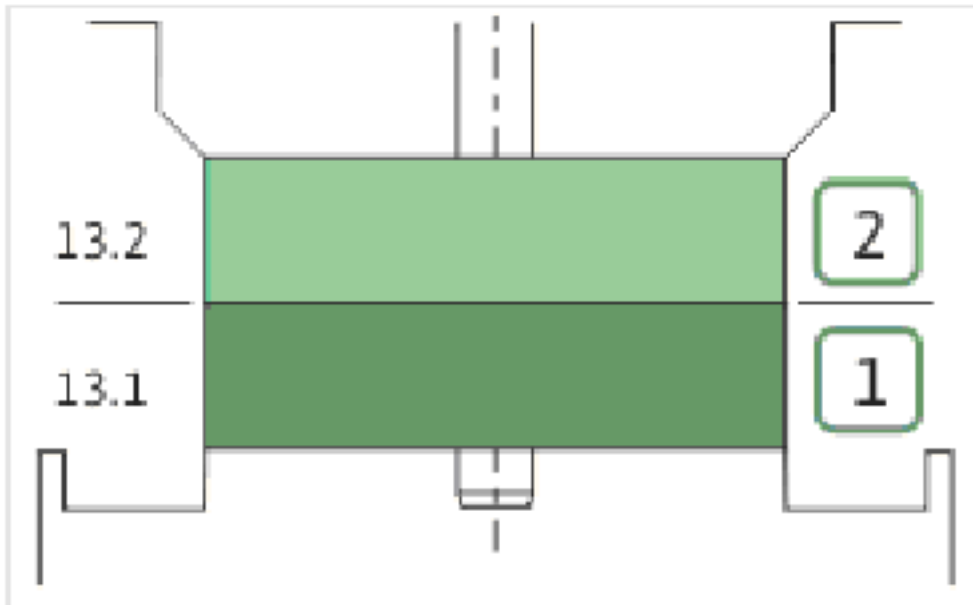
HELIX V3602/2-4/16/E/S/400-50 (4183402)

Item	Article no.	Description	Quantity
		>> HYDRAULIC SUPPORT CAP M+36/52 304	1
		>> SCREW TCL M3X8 A4 POZIDRIV	1



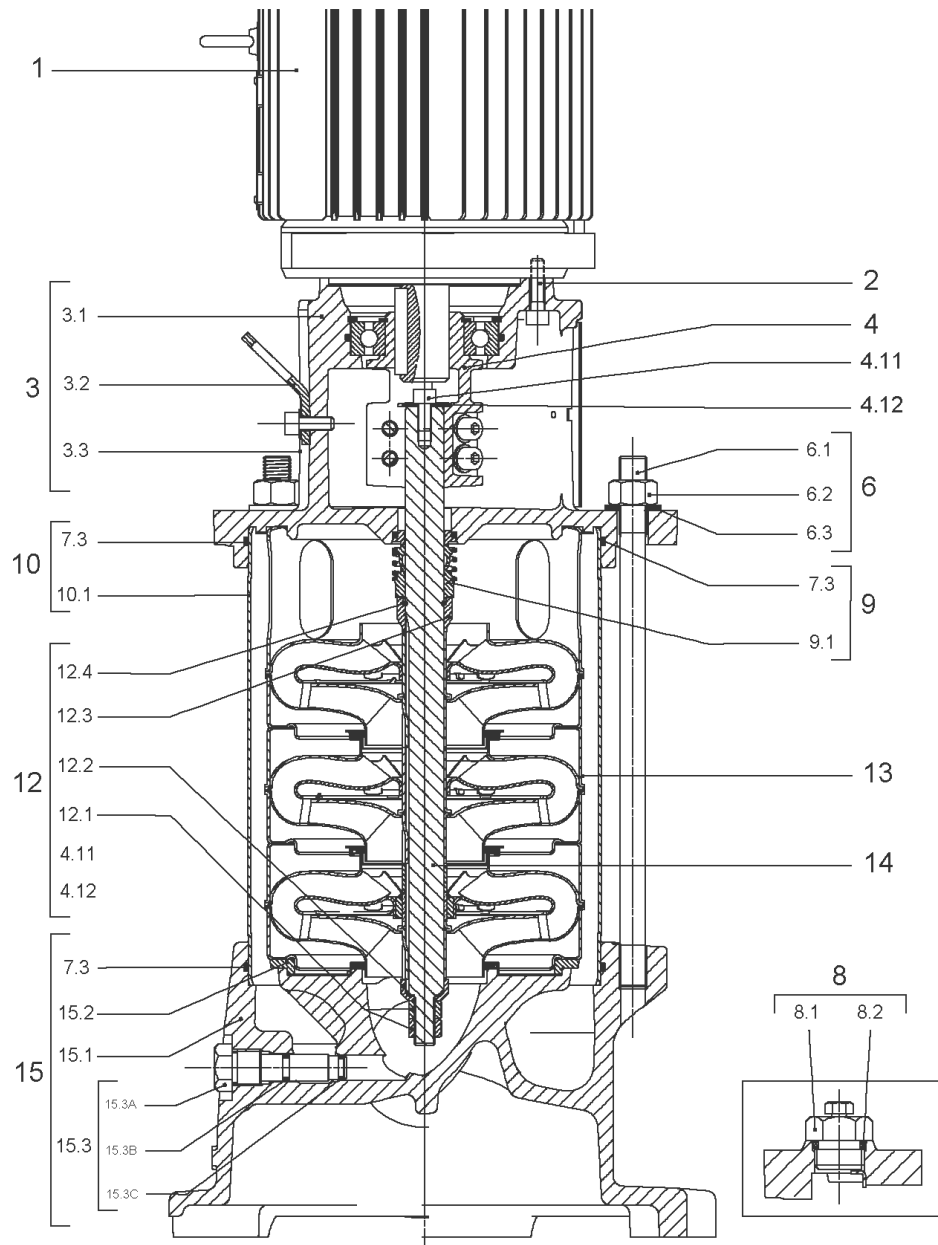
COUPLING D.22XD.28 FT130 HELIX KIT (4184854)

Item	Article no.	Description	Quantity
4.1		COUPLING-VMI-Ø22xØ28-FT130-MACHINED	1
4.2	2131022	BALL BEARING 6209/ZZ-C3(HT)VP.	1
4.3	4233930	CIRCLIP-FOR-BORES-D45x1,75 VP.	1
4.4	4157726	SCREW KIT M8X30 (4 PIECES)	1
4.5	4234252	CIRCLIPS 85X3 VP.	1
4.6	4234243	O-RING 85X3 VP.	1
		NOMEL CONTACT WASHER 8x16x1,4 STEEL ZC	1



HYDRAULIC HELIX V 3602-2

Item	Article no.	Description	Quantity
13.1	4161197	INTERMEDIATE STAGE HELIX V36 1.4301 KIT	1
		> SLEEVE-SPACER-D22XL16,66-316L	1
		> MACH.BEARING-DIFFUSER+NR-M+36-304	1
		> SHAFT-SLEEVE-D26xD22x16-CW	1
		> REDUCED-IMPELLER-H1-M+36-304	1
13.1A	4161200	> NECK RING 1.STAGE HELIX V36/52 KIT	1
		>> NECK-RING-M+36/52	1
		>> HYDRAULIC SUPPORT CAP M+36/52 304	1
		>> SCREW TCL M3X8 A4 POZIDRIV	1
13.2	4161196	UPPER STAGE HELIX 36 1.4301 KIT	1
		> STOP COLLAR OF IMPELLER L20-Ø22-316L	1
		> REDUCED-IMPELLER-H4-M+36-304	1
		> MACH.-RIGID-STD-DISCH.-CHAMBER-M+36-304	1



HELIX V3602-4/16/E/S/400-50 (4183403)

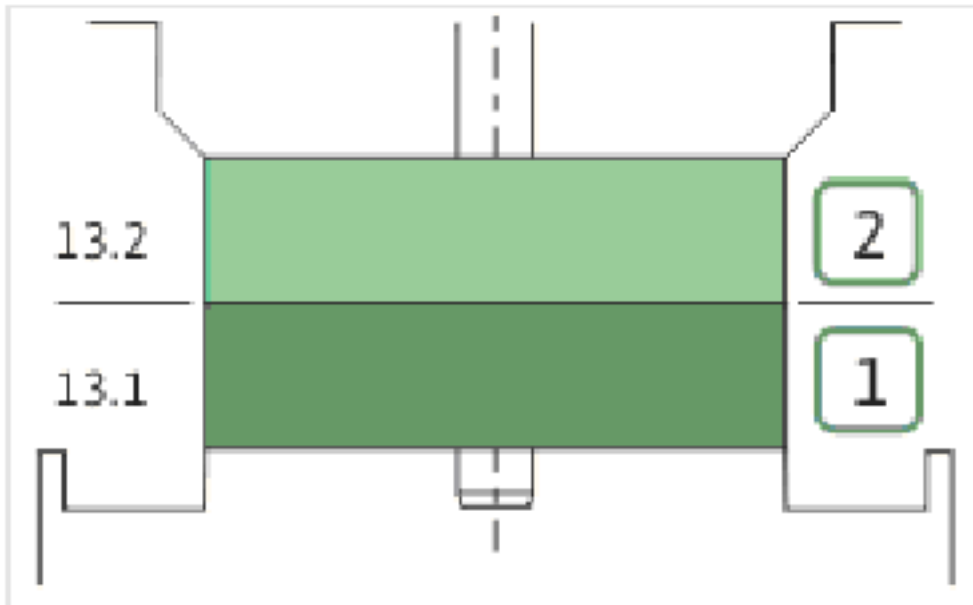
Item	Article no.	Description	Quantity
1	4169947	MO 5,5/2/112 3~400V50Hz 460V60Hz IE3 VP.	1
		SPARE PARTS MOTOR:ON REQUEST	1
2	4159707	SCREW M8X30 (4 PIECES)	1
3	4186356	LANTERN HELIX OPTI 8" FT130 KIT	1
3.1		> M+8_LANTERN_ONE-PIECE_FT130_CATA_DWA	1
3.2	4184852	> EYELET CPL.FT HELIX (2 PIECES)	1
3.3	4184853	> COUPLING PROTECTOR FT HELIX 8" KIT	1
4	4184854	COUPLING D.22XD.28 FT130 HELIX KIT	1
6	4181156	STUD BOLT M16X233 KIT	1
6.1		> TIE BOLT M16-233x24x44-1.4057	1
6.2	4179562	> NUT M16 8.8 ISO4032 (4 PIECES)	1
6.3	4097852	> WASHER-CS-16.4-32-2.8-NFE25-511-A2	1
8	4186377	FILING/PURGING PLUG 304 HELIX KIT	1
8.1		> FILLING/VENTING-PLUG-MVI8/10"-304	1
8.2	4032291	> O-RING 17x3 EPDM KTW/WRC	1
9	4192148	SEAL-KIT-HELIX22-36-52 FIRST O/E	1
7.3	4179571	> O-RING HOUSING PIPE HELIX22/36/52 VP.	1
9.1	4179573	> M.SEAL.HELIX22-36-52 O/E VP.	1
10	4181070	HOUSING PIPE D.204X197 1.4307 KIT	1
7.3	4179571	> O-RING HOUSING PIPE HELIX22/36/52 VP.	1
10.1		> HOUSING-PIPE Ø204-M+3602-304	1
12	4186374	SHAFT EQUIPMENT HELIX 36 FIRST KIT	1
13		HYDRAULIC HELIX V 3602	1
14	4186343	SHAFT D.22X301 1.4057 VP.	1
15	4186381	EQUIPED HOUSING HELIX OPTI DN65 GJL KIT	1
15.1		> PUMP CASING MONO.M+8" DN65 PN16 DWA	1
15.2		> HYD.SUP.M+8" MONO.HOUSING DN65 DWA	1
15.3	4106048	> DRAIN/PRIMING PLUG EPDM HELIX FIRST KIT	1
15.3A		>> DRAIN AND PRIMING PLUG-VMI10"-304	1
15.3B	4032293	>> O-RING-10x3-EPDM-KTW/WRC	1
15.3C	4233957	>> O-RING ID.9 EPDM VP.	1
7.3	4179571	> O-RING HOUSING PIPE HELIX22/36/52 VP.	1
13.1A	4161200	> NECK RING 1.STAGE HELIX V36/52 KIT	1
		>> NECK-RING-M+36/52	1

Item	Article no.	Description	Quantity
		>> HYDRAULIC SUPPORT CAP M+36/52 304	1
		>> SCREW TCL M3X8 A4 POZIDRIV	1



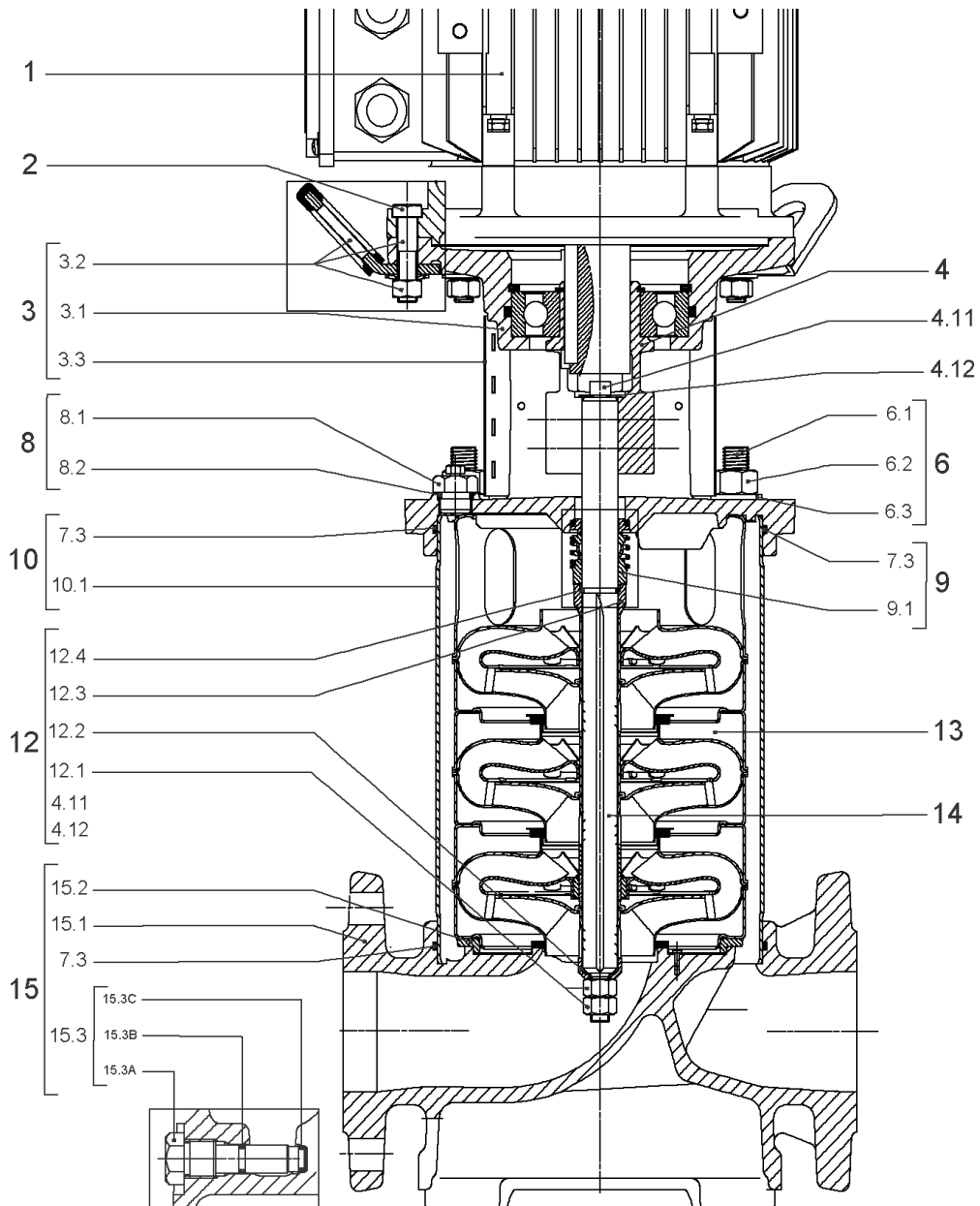
COUPLING D.22XD.28 FT130 HELIX KIT (4184854)

Item	Article no.	Description	Quantity
4.1		COUPLING-VMI-Ø22xØ28-FT130-MACHINED	1
4.2	2131022	BALL BEARING 6209/ZZ-C3(HT)VP.	1
4.3	4233930	CIRCLIP-FOR-BORES-D45x1,75 VP.	1
4.4	4157726	SCREW KIT M8X30 (4 PIECES)	1
4.5	4234252	CIRCLIPS 85X3 VP.	1
4.6	4234243	O-RING 85X3 VP.	1
		NOMEL CONTACT WASHER 8x16x1,4 STEEL ZC	1



HYDRAULIC HELIX V 3602

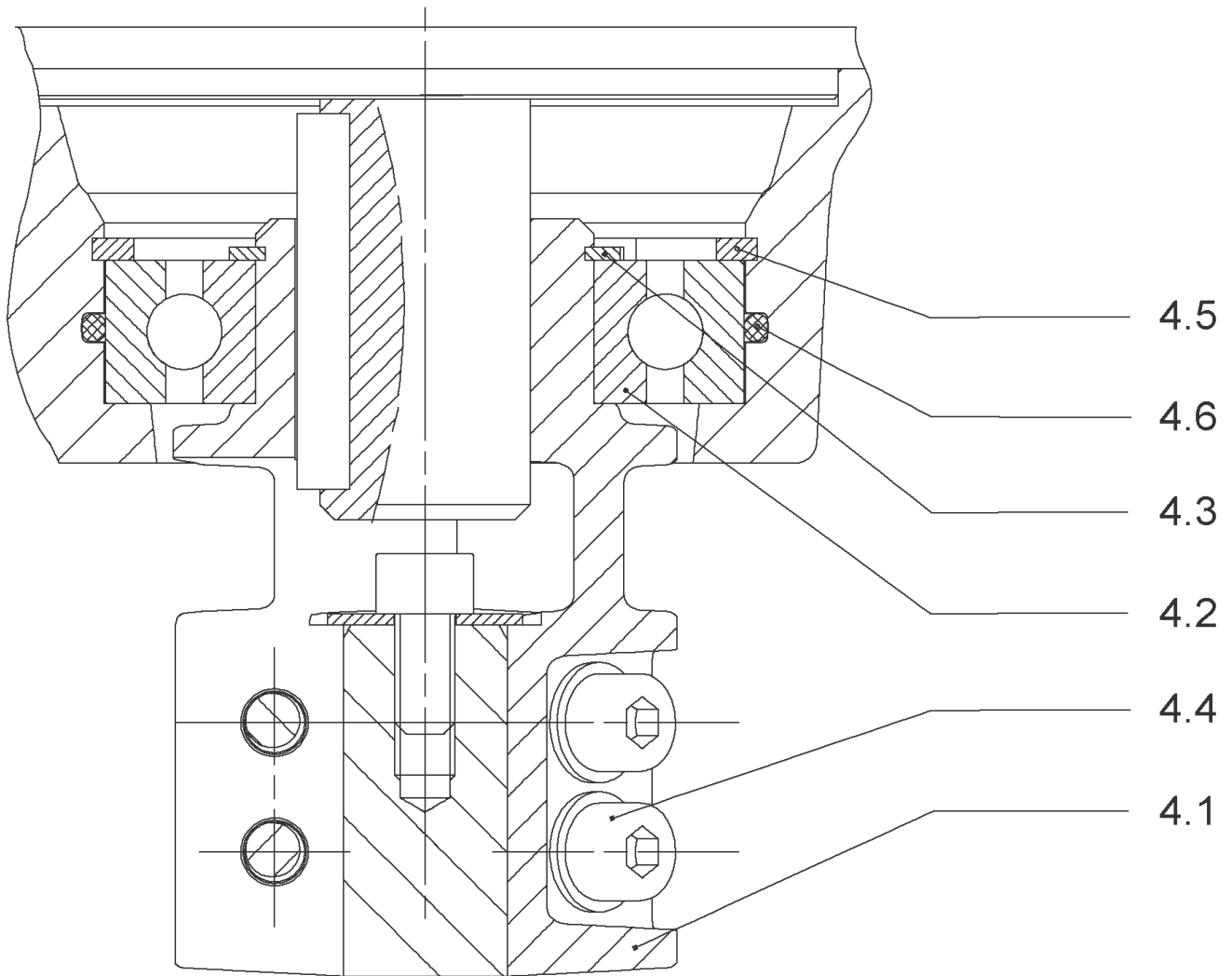
Item	Article no.	Description	Quantity
13.1	4161192	INTERMEDIATE STAGE HELIX V36 1.4301 KIT	1
		> SLEEVE-SPACER-D22XL16,66-316L	1
		> MACH.BEARING-DIFFUSER+NR-M+36-304	1
		> SHAFT-SLEEVE-D26xD22x16-CW	1
		> IMPELLER-H1-M+36-304	1
13.1A	4161200	> NECK RING 1.STAGE HELIX V36/52 KIT	1
		>> NECK-RING-M+36/52	1
		>> HYDRAULIC SUPPORT CAP M+36/52 304	1
		>> SCREW TCL M3X8 A4 POZIDRIV	1
13.2	4161194	UPPER STAGE HELIX 36 1.4301 KIT	1
		> STOP COLLAR OF IMPELLER L20-Ø22-316L	1
		> IMPELLER-H4-M+36-304	1
		> MACH.-RIGID-STD-DISCH.-CHAMBER-M+36-304	1



HELIX V3603/1-4/16/E/S/400-50-FF240 (4183404)

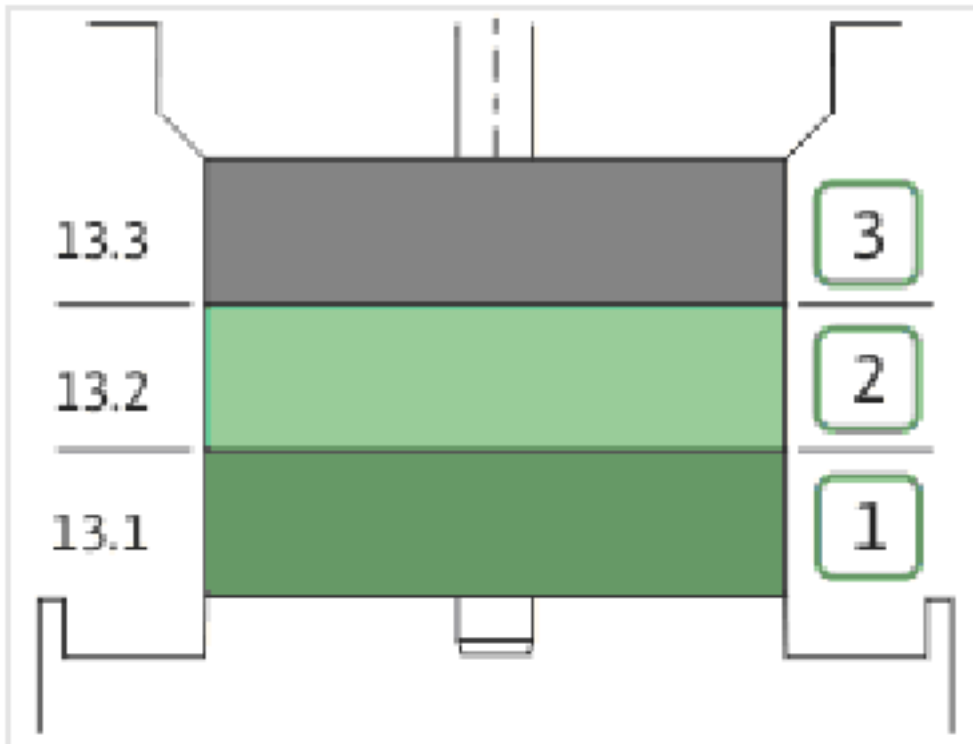
Item	Article no.	Description	Quantity
1	4195512	MOTOR 7,5/2/112 3~400V 50HZ IE3 VP.	1
		SPARE PARTS MOTOR:ON REQUEST	1
2	4174093	SCREW M12X50 (4 PIECES)	1
3	4186358	LANTERN HELIX OPTI 8" FF240 KIT	1
3.1		> M+8_LANTERN_ONE-PIECE_FF240_CATA_DWA	1
3.2	4186346	> EYELET CPL.FF240 HELIX (4 PIECES)	1
3.3	4184853	> COUPLING PROTECTOR FT HELIX 8" KIT	1
4	4186347	COUPLING D.22XD.38 FF240T130 HELIX KIT	1
6	4179581	STUD BOLT M16X305.5 KIT	1
6.1		> TIE BOLT M16-305.5x24x44-1.4057	1
6.2	4179562	> NUT M16 8.8 ISO4032 (4 PIECES)	1
6.3	4097852	> WASHER-CS-16.4-32-2.8-NFE25-511-A2	1
8	4186377	FILING/PURGING PLUG 304 HELIX KIT	1
8.1		> FILLING/VENTING-PLUG-MVI8/10"-304	1
8.2	4032291	> O-RING 17x3 EPDM KTW/WRC	1
9	4192148	SEAL-KIT-HELIX22-36-52 FIRST O/E	1
7.3	4179571	> O-RING HOUSING PIPE HELIX22/36/52 VP.	1
9.1	4179573	> M.SEAL.HELIX22-36-52 O/E VP.	1
10	4181077	HOUSING-PIPE D.204X264 1.4307 KIT	1
7.3	4179571	> O-RING HOUSING PIPE HELIX22/36/52 VP.	1
10.1		> HOUSING-PIPE Ø204-M+2204/3603-304	1
12	4186374	SHAFT EQUIPMENT HELIX 36 FIRST KIT	1
13		HYDRAULIC HELIX V 3603-1	1
14	4186378	SHAFT D.22X367,67 1.4057 VP.	1
15	4186381	EQUIPED HOUSING HELIX OPTI DN65 GJL KIT	1
15.1		> PUMP CASING MONO.M+8" DN65 PN16 DWA	1
15.2		> HYD.SUP.M+8" MONO.HOUSING DN65 DWA	1
15.3	4106048	> DRAIN/PRIMING PLUG EPDM HELIX FIRST KIT	1
15.3A		>> DRAIN AND PRIMING PLUG-VMI10"-304	1
15.3B	4032293	>> O-RING-10x3-EPDM-KTW/WRC	1
15.3C	4233957	>> O-RING ID.9 EPDM VP.	1
7.3	4179571	> O-RING HOUSING PIPE HELIX22/36/52 VP.	1
13.1A	4161200	> NECK RING 1.STAGE HELIX V36/52 KIT	1
		>> NECK-RING-M+36/52	1

Item	Article no.	Description	Quantity
		>> HYDRAULIC SUPPORT CAP M+36/52 304	1
		>> SCREW TCL M3X8 A4 POZIDRIV	1



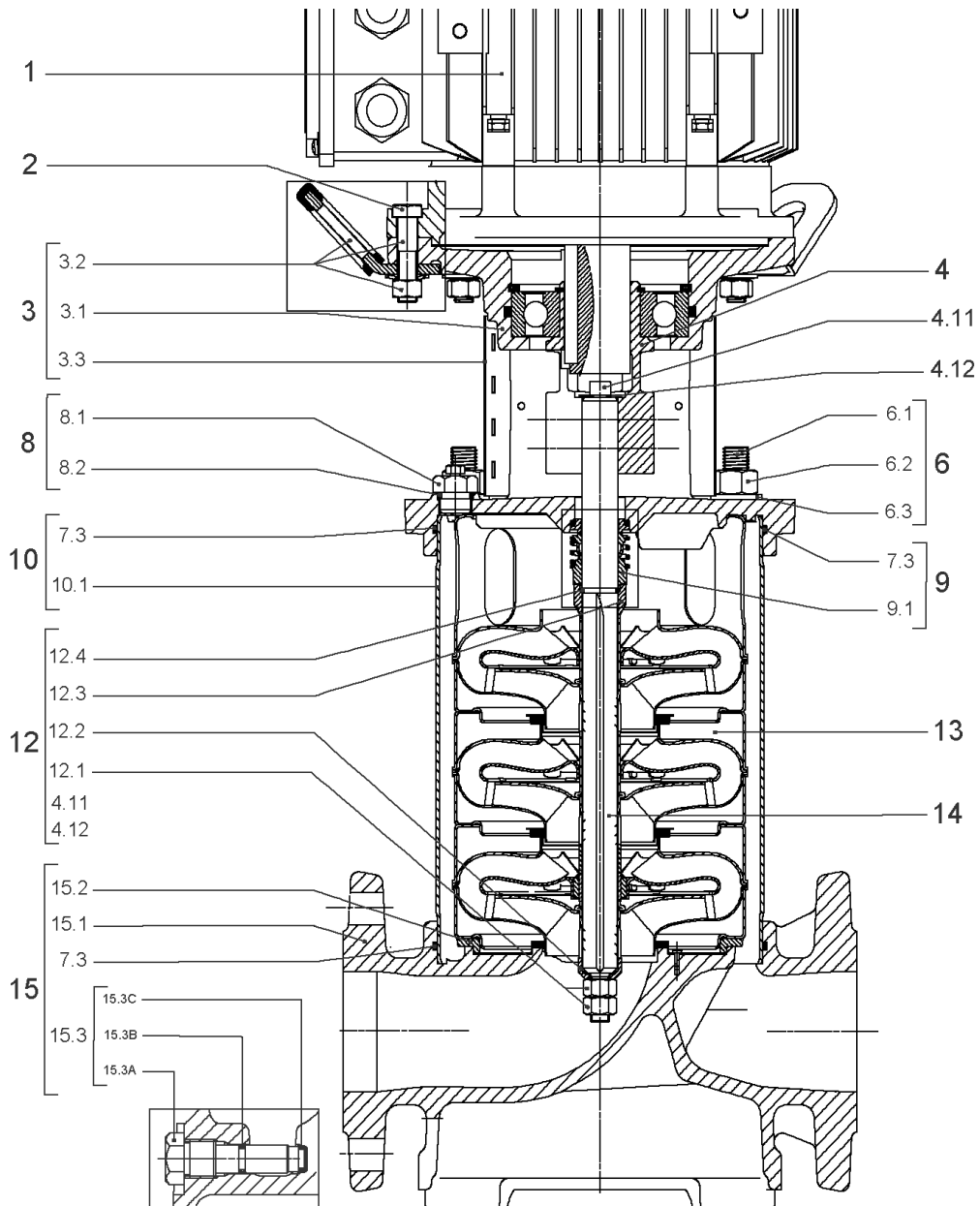
COUPLING D.22XD.38 FF240T130 HELIX KIT (4186347)

Item	Article no.	Description	Quantity
4.1		COUPLING-VMI-D22xD38-FF265-MACHINED	1
4.2	2131017	BALL BEARING 6310/ZZ-C4(HT)VP.	1
4.3	4234253	CIRCLIP-FOR-SHAFT-D50x2 VP.	1
4.4	4157726	SCREW KIT M8X30 (4 PIECES)	1
4.5	4234255	CIRCLIPS 110X4 VP.	1
4.6	4233944	O-RING ID.110 VP.	1
		NOMEL CONTACT WASHER 8x16x1,4 STEEL ZC	1



HYDRAULIC HELIX V 3603-1

Item	Article no.	Description	Quantity
13.1	4161192	INTERMEDIATE STAGE HELIX V36 1.4301 KIT	1
		> SLEEVE-SPACER-D22XL16,66-316L	1
		> MACH.BEARING-DIFFUSER+NR-M+36-304	1
		> SHAFT-SLEEVE-D26xD22x16-CW	1
		> IMPELLER-H1-M+36-304	1
13.1A	4161200	> NECK RING 1.STAGE HELIX V36/52 KIT	1
		>> NECK-RING-M+36/52	1
		>> HYDRAULIC SUPPORT CAP M+36/52 304	1
		>> SCREW TCL M3X8 A4 POZIDRIV	1
13.2	4161193	INTERMEDIATE STAGE HELIX V36 1.4301 KIT	1
		> MACH.STD-DIFFUSER+NR-M+36-304	1
		> IMPELLER-H4-M+36-304	1
13.3	4161196	UPPER STAGE HELIX 36 1.4301 KIT	1
		> STOP COLLAR OF IMPELLER L20-Ø22-316L	1
		> REDUCED-IMPELLER-H4-M+36-304	1
		> MACH.-RIGID-STD-DISCH.-CHAMBER-M+36-304	1



HELIX V3603-4/16/E/S/400-50-FF240 (4183405)

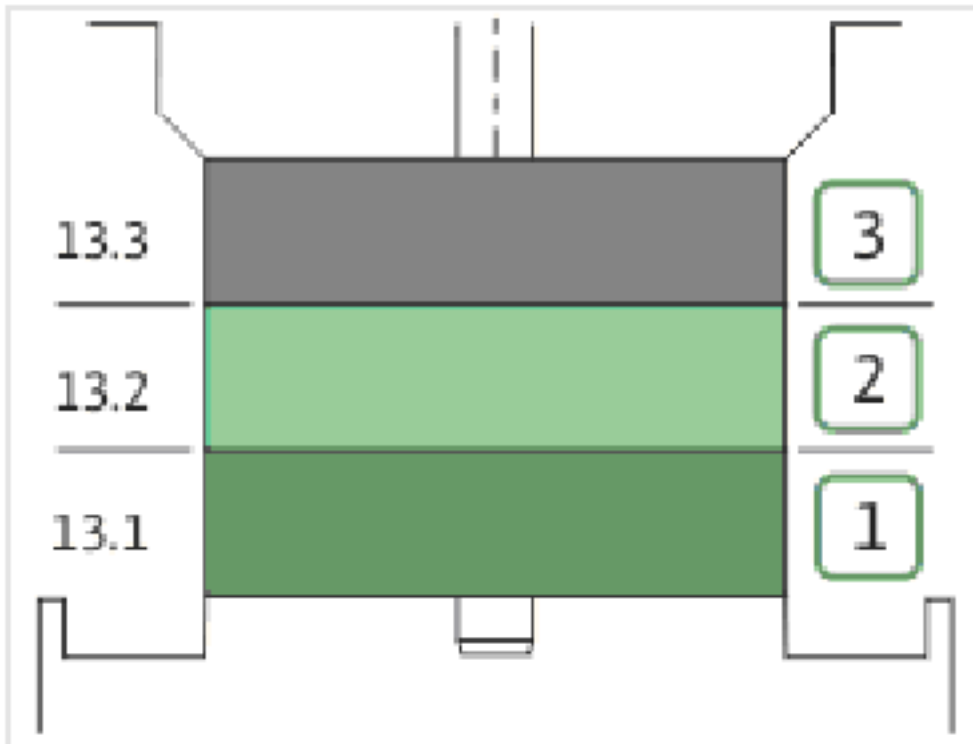
Item	Article no.	Description	Quantity
1	4195482	MOTOR 9/2/132 3~400V 50HZ IE3 VP.	1
		SPARE PARTS MOTOR:ON REQUEST	1
2	4174093	SCREW M12X50 (4 PIECES)	1
3	4186358	LANTERN HELIX OPTI 8" FF240 KIT	1
3.1		> M+8_LANTERN_ONE-PIECE_FF240_CATA_DWA	1
3.2	4186346	> EYELET CPL.FF240 HELIX (4 PIECES)	1
3.3	4184853	> COUPLING PROTECTOR FT HELIX 8" KIT	1
4	4186347	COUPLING D.22XD.38 FF240T130 HELIX KIT	1
6	4179581	STUD BOLT M16X305.5 KIT	1
6.1		> TIE BOLT M16-305.5x24x44-1.4057	1
6.2	4179562	> NUT M16 8.8 ISO4032 (4 PIECES)	1
6.3	4097852	> WASHER-CS-16.4-32-2.8-NFE25-511-A2	1
8	4186377	FILING/PURGING PLUG 304 HELIX KIT	1
8.1		> FILLING/VENTING-PLUG-MVI8/10"-304	1
8.2	4032291	> O-RING 17x3 EPDM KTW/WRC	1
9	4192148	SEAL-KIT-HELIX22-36-52 FIRST O/E	1
7.3	4179571	> O-RING HOUSING PIPE HELIX22/36/52 VP.	1
9.1	4179573	> M.SEAL.HELIX22-36-52 O/E VP.	1
10	4181077	HOUSING-PIPE D.204X264 1.4307 KIT	1
7.3	4179571	> O-RING HOUSING PIPE HELIX22/36/52 VP.	1
10.1		> HOUSING-PIPE Ø204-M+2204/3603-304	1
12	4186374	SHAFT EQUIPMENT HELIX 36 FIRST KIT	1
13		HYDRAULIC HELIX V 3603	1
14	4186378	SHAFT D.22X367,67 1.4057 VP.	1
15	4186381	EQUIPED HOUSING HELIX OPTI DN65 GJL KIT	1
15.1		> PUMP CASING MONO.M+8" DN65 PN16 DWA	1
15.2		> HYD.SUP.M+8" MONO.HOUSING DN65 DWA	1
15.3	4106048	> DRAIN/PRIMING PLUG EPDM HELIX FIRST KIT	1
15.3A		>> DRAIN AND PRIMING PLUG-VMI10"-304	1
15.3B	4032293	>> O-RING-10x3-EPDM-KTW/WRC	1
15.3C	4233957	>> O-RING ID.9 EPDM VP.	1
7.3	4179571	> O-RING HOUSING PIPE HELIX22/36/52 VP.	1
13.1A	4161200	> NECK RING 1.STAGE HELIX V36/52 KIT	1
		>> NECK-RING-M+36/52	1

Item	Article no.	Description	Quantity
		>> HYDRAULIC SUPPORT CAP M+36/52 304	1
		>> SCREW TCL M3X8 A4 POZIDRIV	1



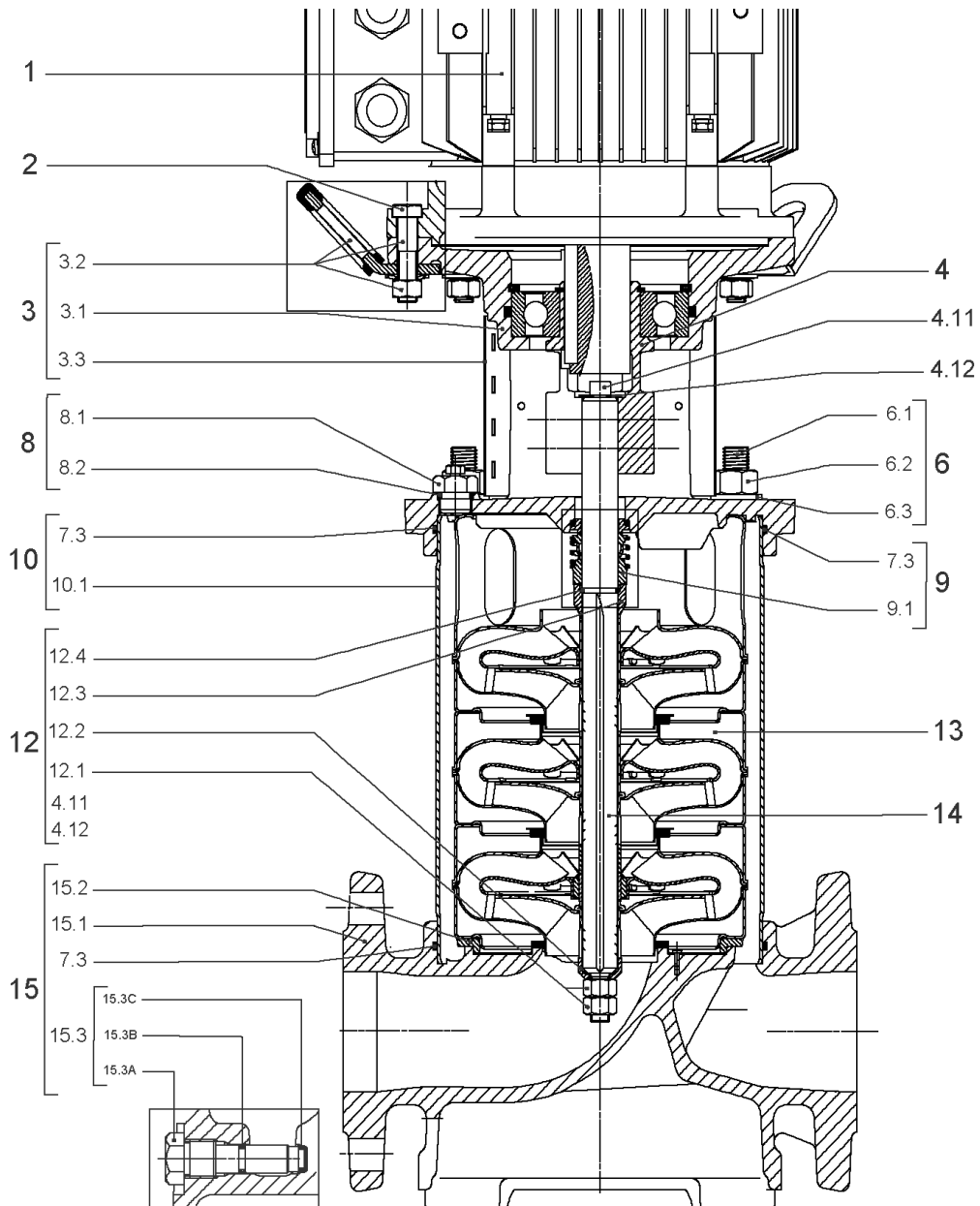
COUPLING D.22XD.38 FF240T130 HELIX KIT (4186347)

Item	Article no.	Description	Quantity
4.1		COUPLING-VMI-D22xD38-FF265-MACHINED	1
4.2	2131017	BALL BEARING 6310/ZZ-C4(HT)VP.	1
4.3	4234253	CIRCLIP-FOR-SHAFT-D50x2 VP.	1
4.4	4157726	SCREW KIT M8X30 (4 PIECES)	1
4.5	4234255	CIRCLIPS 110X4 VP.	1
4.6	4233944	O-RING ID.110 VP.	1
		NOMEL CONTACT WASHER 8x16x1,4 STEEL ZC	1



HYDRAULIC HELIX V 3603

Item	Article no.	Description	Quantity
13.1	4161192	INTERMEDIATE STAGE HELIX V36 1.4301 KIT	1
		> SLEEVE-SPACER-D22XL16,66-316L	1
		> MACH.BEARING-DIFFUSER+NR-M+36-304	1
		> SHAFT-SLEEVE-D26xD22x16-CW	1
		> IMPELLER-H1-M+36-304	1
13.1A	4161200	> NECK RING 1.STAGE HELIX V36/52 KIT	1
		>> NECK-RING-M+36/52	1
		>> HYDRAULIC SUPPORT CAP M+36/52 304	1
		>> SCREW TCL M3X8 A4 POZIDRIV	1
13.2	4161193	INTERMEDIATE STAGE HELIX V36 1.4301 KIT	1
		> MACH.STD-DIFFUSER+NR-M+36-304	1
		> IMPELLER-H4-M+36-304	1
13.3	4161194	UPPER STAGE HELIX 36 1.4301 KIT	1
		> STOP COLLAR OF IMPELLER L20-Ø22-316L	1
		> IMPELLER-H4-M+36-304	1
		> MACH.-RIGID-STD-DISCH.-CHAMBER-M+36-304	1



HELIX V3604/2-4/16/E/S/400-50-FF240 (4183406)

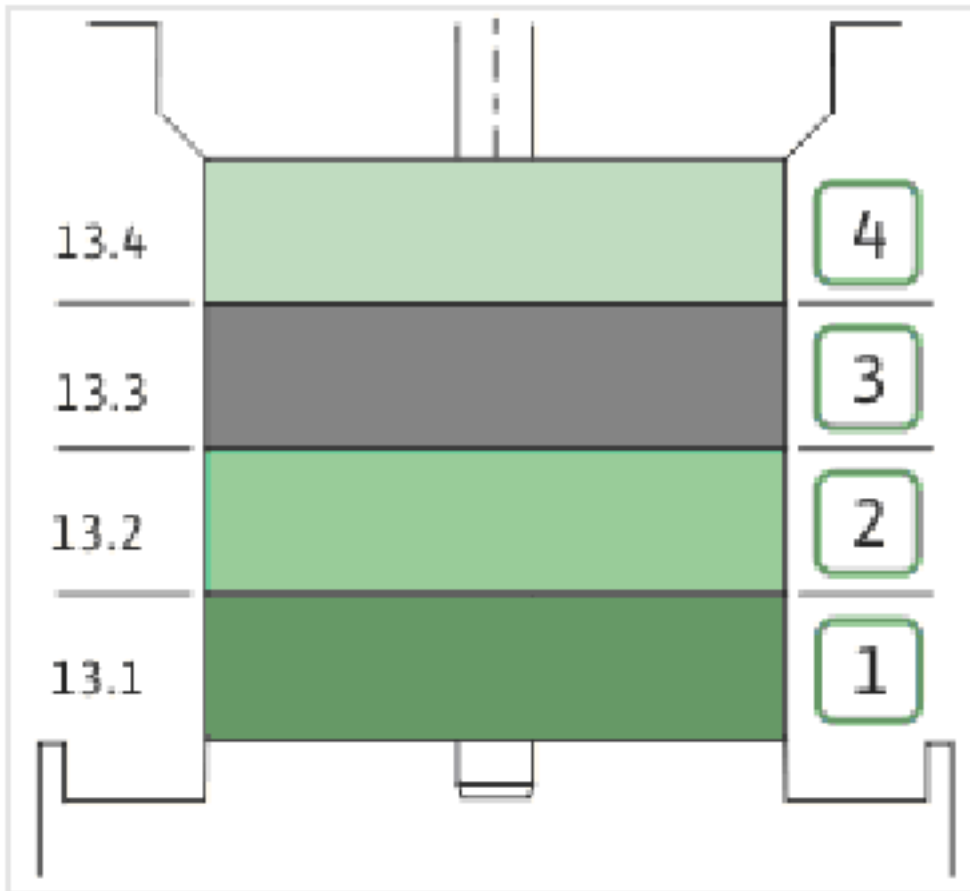
Item	Article no.	Description	Quantity
1	4195485	MOTOR 11/2/132 3~400V 50HZ IE3 VP.	1
		SPARE PARTS MOTOR:ON REQUEST	1
2	4174093	SCREW M12X50 (4 PIECES)	1
3	4186358	LANTERN HELIX OPTI 8" FF240 KIT	1
3.1		> M+8_LANTERN_ONE-PIECE_FF240_CATA_DWA	1
3.2	4186346	> EYELET CPL.FF240 HELIX (4 PIECES)	1
3.3	4184853	> COUPLING PROTECTOR FT HELIX 8" KIT	1
4	4186347	COUPLING D.22XD.38 FF240T130 HELIX KIT	1
6	4186380	STUD BOLT M16X371 KIT	1
6.1		> TIE BOLT M16-371x24x44-1.4057	1
6.2	4179562	> NUT M16 8.8 ISO4032 (4 PIECES)	1
6.3	4097852	> WASHER-CS-16.4-32-2.8-NFE25-511-A2	1
8	4186377	FILING/PURGING PLUG 304 HELIX KIT	1
8.1		> FILLING/VENTING-PLUG-MVI8/10"-304	1
8.2	4032291	> O-RING 17x3 EPDM KTW/WRC	1
9	4192148	SEAL-KIT-HELIX22-36-52 FIRST O/E	1
7.3	4179571	> O-RING HOUSING PIPE HELIX22/36/52 VP.	1
9.1	4179573	> M.SEAL.HELIX22-36-52 O/E VP.	1
10	4179593	HOUSING PIPE D.204X330 1.4307 KIT	1
7.3	4179571	> O-RING HOUSING PIPE HELIX22/36/52 VP.	1
10.1		> HOUSING-PIPE Ø204-M+3604/5203-304	1
12	4186374	SHAFT EQUIPMENT HELIX 36 FIRST KIT	1
13		HYDRAULIC HELIX V 3604-2	1
14	4186379	SHAFT D.22X434 1.4057 VP.	1
15	4186381	EQUIPED HOUSING HELIX OPTI DN65 GJL KIT	1
15.1		> PUMP CASING MONO.M+8" DN65 PN16 DWA	1
15.2		> HYD.SUP.M+8" MONO.HOUSING DN65 DWA	1
15.3	4106048	> DRAIN/PRIMING PLUG EPDM HELIX FIRST KIT	1
15.3A		>> DRAIN AND PRIMING PLUG-VMI10"-304	1
15.3B	4032293	>> O-RING-10x3-EPDM-KTW/WRC	1
15.3C	4233957	>> O-RING ID.9 EPDM VP.	1
7.3	4179571	> O-RING HOUSING PIPE HELIX22/36/52 VP.	1
13.1A	4161200	> NECK RING 1.STAGE HELIX V36/52 KIT	1
		>> NECK-RING-M+36/52	1

Item	Article no.	Description	Quantity
		>> HYDRAULIC SUPPORT CAP M+36/52 304	1
		>> SCREW TCL M3X8 A4 POZIDRIV	1



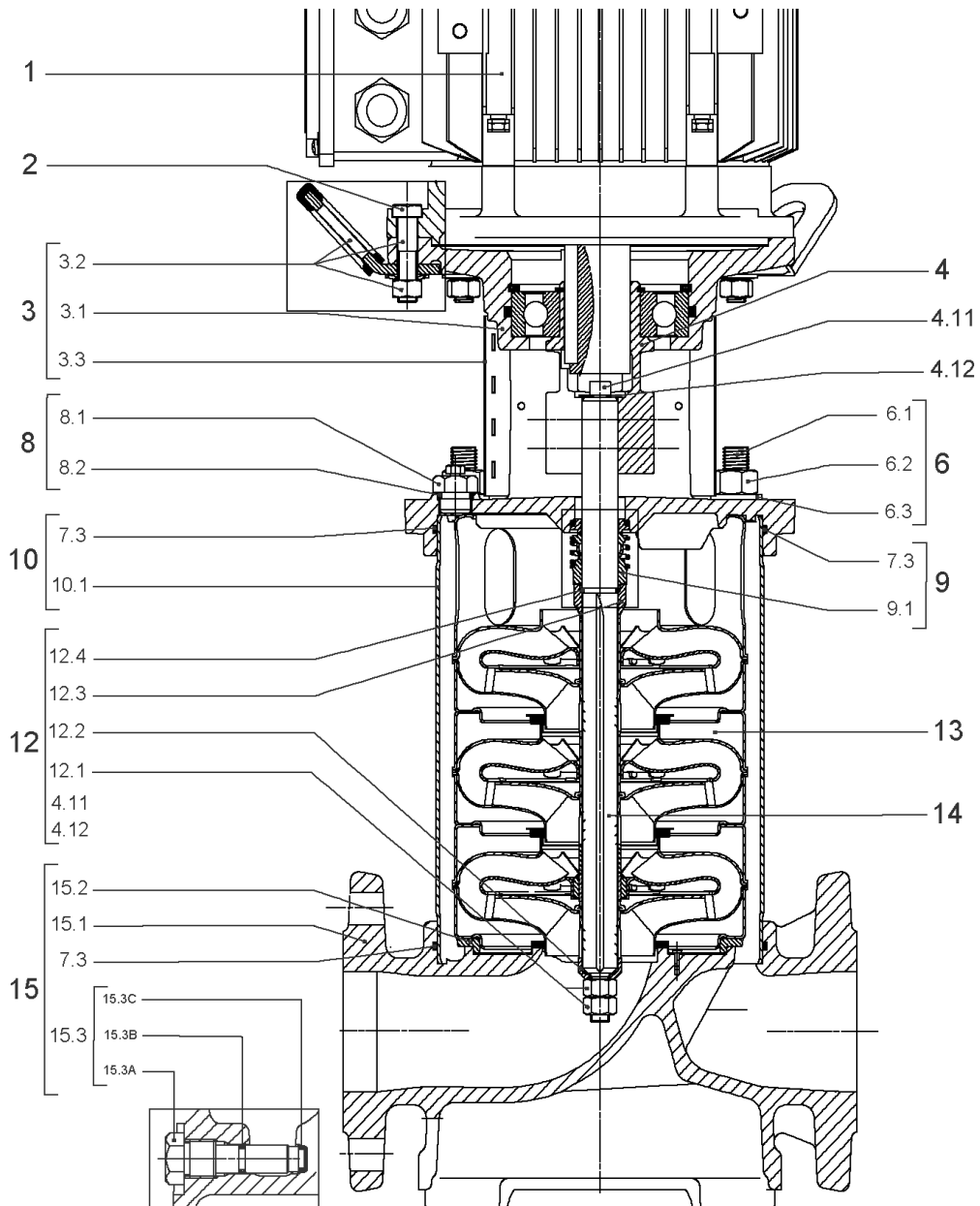
COUPLING D.22XD.38 FF240T130 HELIX KIT (4186347)

Item	Article no.	Description	Quantity
4.1		COUPLING-VMI-D22xD38-FF265-MACHINED	1
4.2	2131017	BALL BEARING 6310/ZZ-C4(HT)VP.	1
4.3	4234253	CIRCLIP-FOR-SHAFT-D50x2 VP.	1
4.4	4157726	SCREW KIT M8X30 (4 PIECES)	1
4.5	4234255	CIRCLIPS 110X4 VP.	1
4.6	4233944	O-RING ID.110 VP.	1
		NOMEL CONTACT WASHER 8x16x1,4 STEEL ZC	1



HYDRAULIC HELIX V 3604-2

Item	Article no.	Description	Quantity
13.1	4161192	INTERMEDIATE STAGE HELIX V36 1.4301 KIT	1
		> SLEEVE-SPACER-D22XL16,66-316L	1
		> MACH.BEARING-DIFFUSER+NR-M+36-304	1
		> SHAFT-SLEEVE-D26xD22x16-CW	1
		> IMPELLER-H1-M+36-304	1
13.1A	4161200	> NECK RING 1.STAGE HELIX V36/52 KIT	1
		>> NECK-RING-M+36/52	1
		>> HYDRAULIC SUPPORT CAP M+36/52 304	1
		>> SCREW TCL M3X8 A4 POZIDRIV	1
13.2	4161193	INTERMEDIATE STAGE HELIX V36 1.4301 KIT	1
		> MACH.STD-DIFFUSER+NR-M+36-304	1
		> IMPELLER-H4-M+36-304	1
13.3	4161195	INTERMEDIATE STAGE HELIX V36 1.4301 KIT	1
		> REDUCED-IMPELLER-H4-M+36-304	1
		> MACH.STD-DIFFUSER+NR-M+36-304	1
13.4	4161196	UPPER STAGE HELIX 36 1.4301 KIT	1
		> STOP COLLAR OF IMPELLER L20-Ø22-316L	1
		> REDUCED-IMPELLER-H4-M+36-304	1
		> MACH.-RIGID-STD-DISCH.-CHAMBER-M+36-304	1



HELIX V3604-4/16/E/S/400-50-FF240 (4183407)

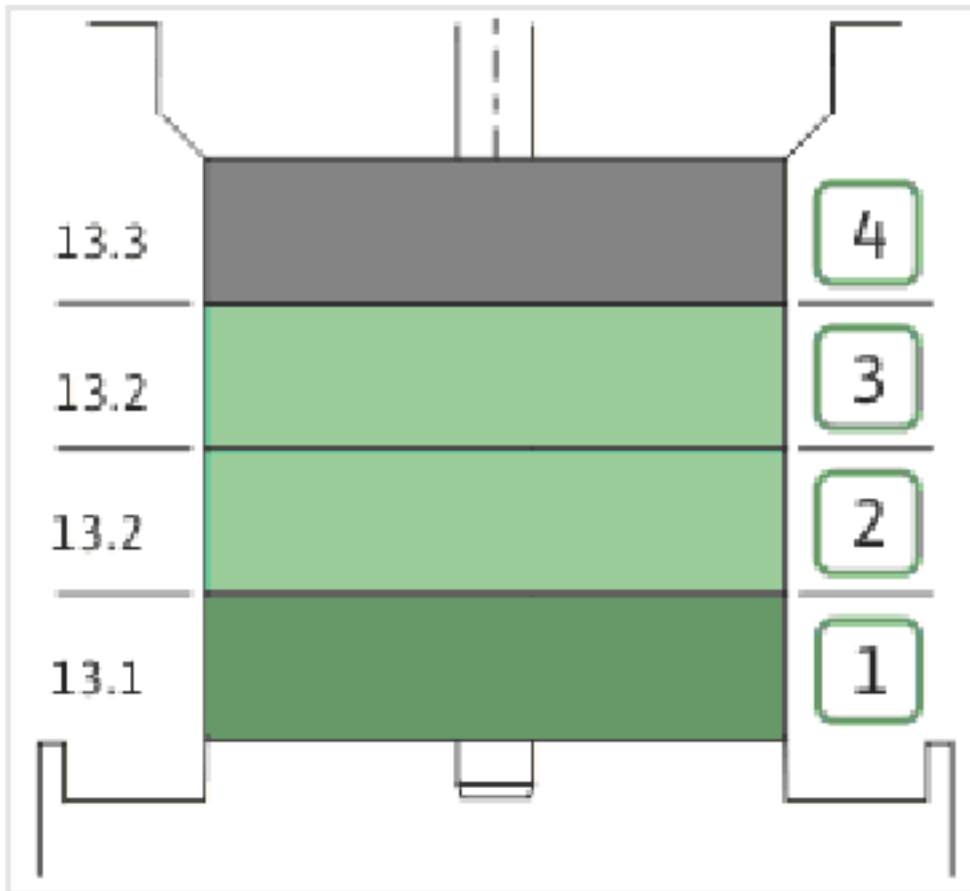
Item	Article no.	Description	Quantity
1	4195485	MOTOR 11/2/132 3~400V 50HZ IE3 VP.	1
		SPARE PARTS MOTOR:ON REQUEST	1
2	4174093	SCREW M12X50 (4 PIECES)	1
3	4186358	LANTERN HELIX OPTI 8" FF240 KIT	1
3.1		> M+8_LANTERN_ONE-PIECE_FF240_CATA_DWA	1
3.2	4186346	> EYELET CPL.FF240 HELIX (4 PIECES)	1
3.3	4184853	> COUPLING PROTECTOR FT HELIX 8" KIT	1
4	4186347	COUPLING D.22XD.38 FF240T130 HELIX KIT	1
6	4186380	STUD BOLT M16X371 KIT	1
6.1		> TIE BOLT M16-371x24x44-1.4057	1
6.2	4179562	> NUT M16 8.8 ISO4032 (4 PIECES)	1
6.3	4097852	> WASHER-CS-16.4-32-2.8-NFE25-511-A2	1
8	4186377	FILING/PURGING PLUG 304 HELIX KIT	1
8.1		> FILLING/VENTING-PLUG-MVI8/10"-304	1
8.2	4032291	> O-RING 17x3 EPDM KTW/WRC	1
9	4192148	SEAL-KIT-HELIX22-36-52 FIRST O/E	1
7.3	4179571	> O-RING HOUSING PIPE HELIX22/36/52 VP.	1
9.1	4179573	> M.SEAL.HELIX22-36-52 O/E VP.	1
10	4179593	HOUSING PIPE D.204X330 1.4307 KIT	1
7.3	4179571	> O-RING HOUSING PIPE HELIX22/36/52 VP.	1
10.1		> HOUSING-PIPE Ø204-M+3604/5203-304	1
12	4186374	SHAFT EQUIPMENT HELIX 36 FIRST KIT	1
13		HYDRAULIC HELIX V 3604	1
14	4186379	SHAFT D.22X434 1.4057 VP.	1
15	4186381	EQUIPED HOUSING HELIX OPTI DN65 GJL KIT	1
15.1		> PUMP CASING MONO.M+8" DN65 PN16 DWA	1
15.2		> HYD.SUP.M+8" MONO.HOUSING DN65 DWA	1
15.3	4106048	> DRAIN/PRIMING PLUG EPDM HELIX FIRST KIT	1
15.3A		>> DRAIN AND PRIMING PLUG-VMI10"-304	1
15.3B	4032293	>> O-RING-10x3-EPDM-KTW/WRC	1
15.3C	4233957	>> O-RING ID.9 EPDM VP.	1
7.3	4179571	> O-RING HOUSING PIPE HELIX22/36/52 VP.	1
13.1A	4161200	> NECK RING 1.STAGE HELIX V36/52 KIT	1
		>> NECK-RING-M+36/52	1

Item	Article no.	Description	Quantity
		>> HYDRAULIC SUPPORT CAP M+36/52 304	1
		>> SCREW TCL M3X8 A4 POZIDRIV	1



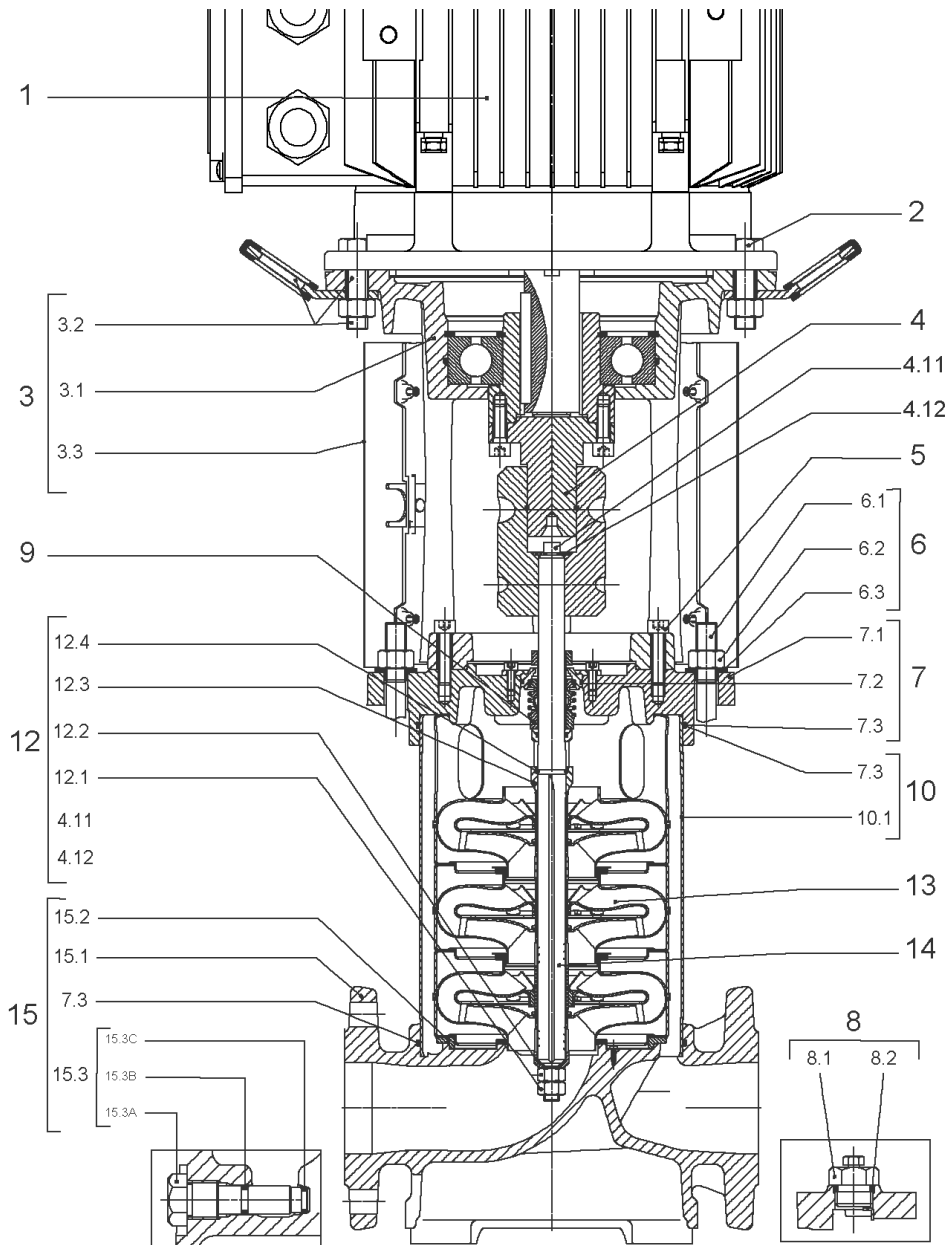
COUPLING D.22XD.38 FF240T130 HELIX KIT (4186347)

Item	Article no.	Description	Quantity
4.1		COUPLING-VMI-D22xD38-FF265-MACHINED	1
4.2	2131017	BALL BEARING 6310/ZZ-C4(HT)VP.	1
4.3	4234253	CIRCLIP-FOR-SHAFT-D50x2 VP.	1
4.4	4157726	SCREW KIT M8X30 (4 PIECES)	1
4.5	4234255	CIRCLIPS 110X4 VP.	1
4.6	4233944	O-RING ID.110 VP.	1
		NOMEL CONTACT WASHER 8x16x1,4 STEEL ZC	1



HYDRAULIC HELIX V 3604

Item	Article no.	Description	Quantity
13.1	4161192	INTERMEDIATE STAGE HELIX V36 1.4301 KIT	1
		> SLEEVE-SPACER-D22XL16,66-316L	1
		> MACH.BEARING-DIFFUSER+NR-M+36-304	1
		> SHAFT-SLEEVE-D26xD22x16-CW	1
		> IMPELLER-H1-M+36-304	1
13.1A	4161200	> NECK RING 1.STAGE HELIX V36/52 KIT	1
		>> NECK-RING-M+36/52	1
		>> HYDRAULIC SUPPORT CAP M+36/52 304	1
		>> SCREW TCL M3X8 A4 POZIDRIV	1
13.2	4161193	INTERMEDIATE STAGE HELIX V36 1.4301 KIT	1
		> MACH.STD-DIFFUSER+NR-M+36-304	1
		> IMPELLER-H4-M+36-304	1
13.3	4161194	UPPER STAGE HELIX 36 1.4301 KIT	1
		> STOP COLLAR OF IMPELLER L20-Ø22-316L	1
		> IMPELLER-H4-M+36-304	1
		> MACH.-RIGID-STD-DISCH.-CHAMBER-M+36-304	1

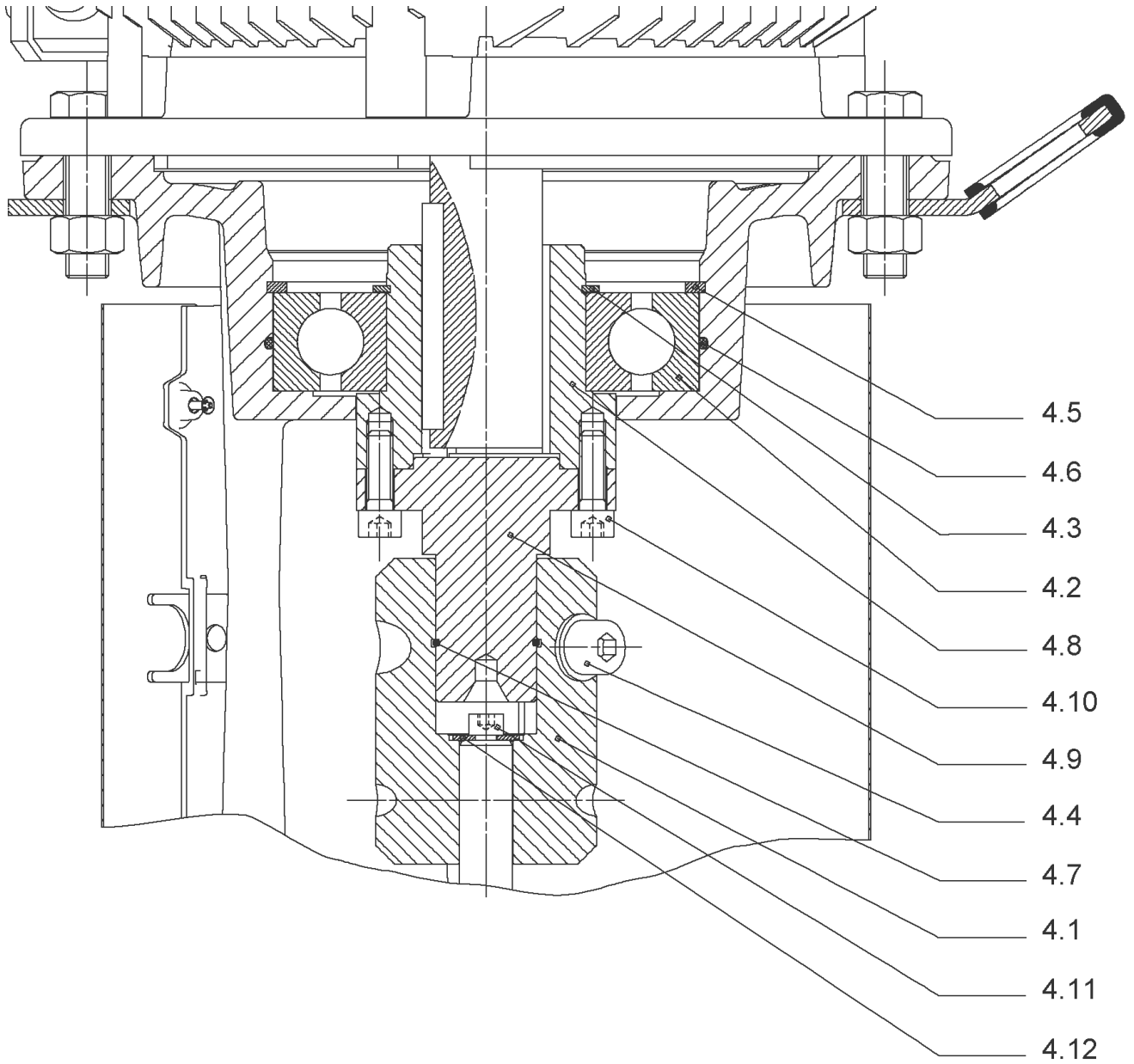


HELIX V3605/2-4/16/E/KS/400-50 (4183408)

Item	Article no.	Description	Quantity
1	4199884	MOTOR 11/2/160 3~400V 50HZ VP.	1
		SPARE PARTS MOTOR:ON REQUEST	1
2	4179586	SCREW M16X60 (4 PIECES)	1
3	4157721	LANTERN HELIX 22/36 FF300 BB6312 KIT	1
3.1		> LANTERN FF300 M+ GJL MACHINED+CATA 6312	1
3.2	4179589	> EYELET CPL.FF300 HELIX(4 PIECES)	1
3.3	4143969	> COUPLING PROTECT HELIX FF KIT	1
4	4143966	COUPLING D.20XD.38 FF300 KIT	1
5	4157725	SCREW M10X40 (4 PIECES)	1
6	4181083	STUD BOLT M16X466 KIT	1
6.1		> TIE BOLT M16-466x24x44-1.4057	1
6.2	4179562	> NUT M16 8.8 ISO4032 (4 PIECES)	1
6.3	4097852	> WASHER-CS-16.4-32-2.8-NFE25-511-A2	1
7	4179565	END SHIELD HELIX 8" EPDM KIT	1
7.1		> END SHIELD M+ GJL MACHINED+CATA	1
7.2	4179564	> O-RING D.42.52x2.62 EPDM VP.	1
7.3	4179571	> O-RING HOUSING PIPE HELIX22/36/52 VP.	1
8	4186377	FILING/PURGING PLUG 304 HELIX KIT	1
8.1		> FILLING/VENTING-PLUG-MVI8/10"-304	1
8.2	4032291	> O-RING 17x3 EPDM KTW/WRC	1
9	4143973	CARTRIDGE HELIX22-36-52 O/E KIT	1
10	2131084	HOUSING PIPE D.204x397,44 1.4307 KIT	1
7.3	4179571	> O-RING HOUSING PIPE HELIX22/36/52 VP.	1
10.1		> HOUSING-PIPE Ø204-M+3605-304	1
12	4161186	SHAFT EQUIPMENT HELIX V36 8" KIT	1
13		HYDRAULIC HELIX V 3605-2	1
14	4179578	SHAFT D.22X554 1.4057 VP.	1
15	4186381	EQUIPED HOUSING HELIX OPTI DN65 GJL KIT	1
15.1		> PUMP CASING MONO.M+8" DN65 PN16 DWA	1
15.2		> HYD.SUP.M+8" MONO.HOUSING DN65 DWA	1
15.3	4106048	> DRAIN/PRIMING PLUG EPDM HELIX FIRST KIT	1
15.3A		>> DRAIN AND PRIMING PLUG-VMI10"-304	1
15.3B	4032293	>> O-RING-10x3-EPDM-KTW/WRC	1
15.3C	4233957	>> O-RING ID.9 EPDM VP.	1

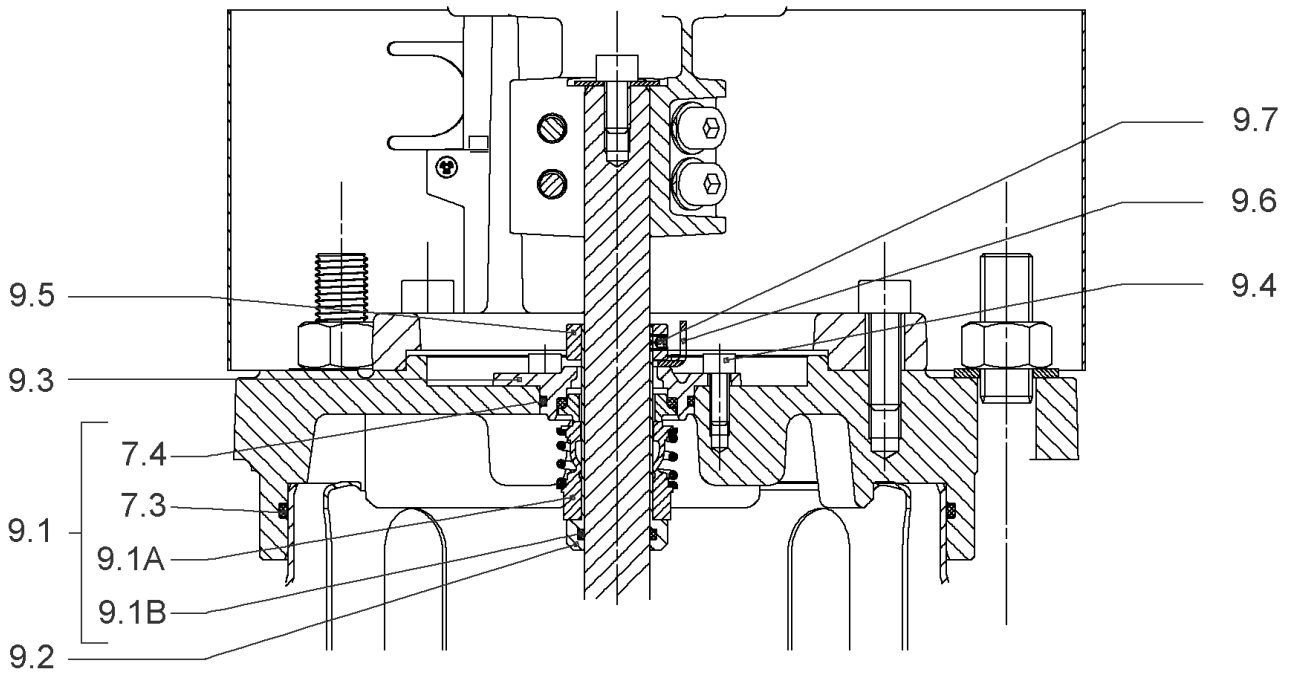
HELIX V3605/2-4/16/E/KS/400-50 (4183408)

Item	Article no.	Description	Quantity
7.3	4179571	> O-RING HOUSING PIPE HELIX22/36/52 VP.	1
13.1A	4161200	> NECK RING 1.STAGE HELIX V36/52 KIT	1
		>> NECK-RING-M+36/52	1
		>> HYDRAULIC SUPPORT CAP M+36/52 304	1
		>> SCREW TCL M3X8 A4 POZIDRIV	1



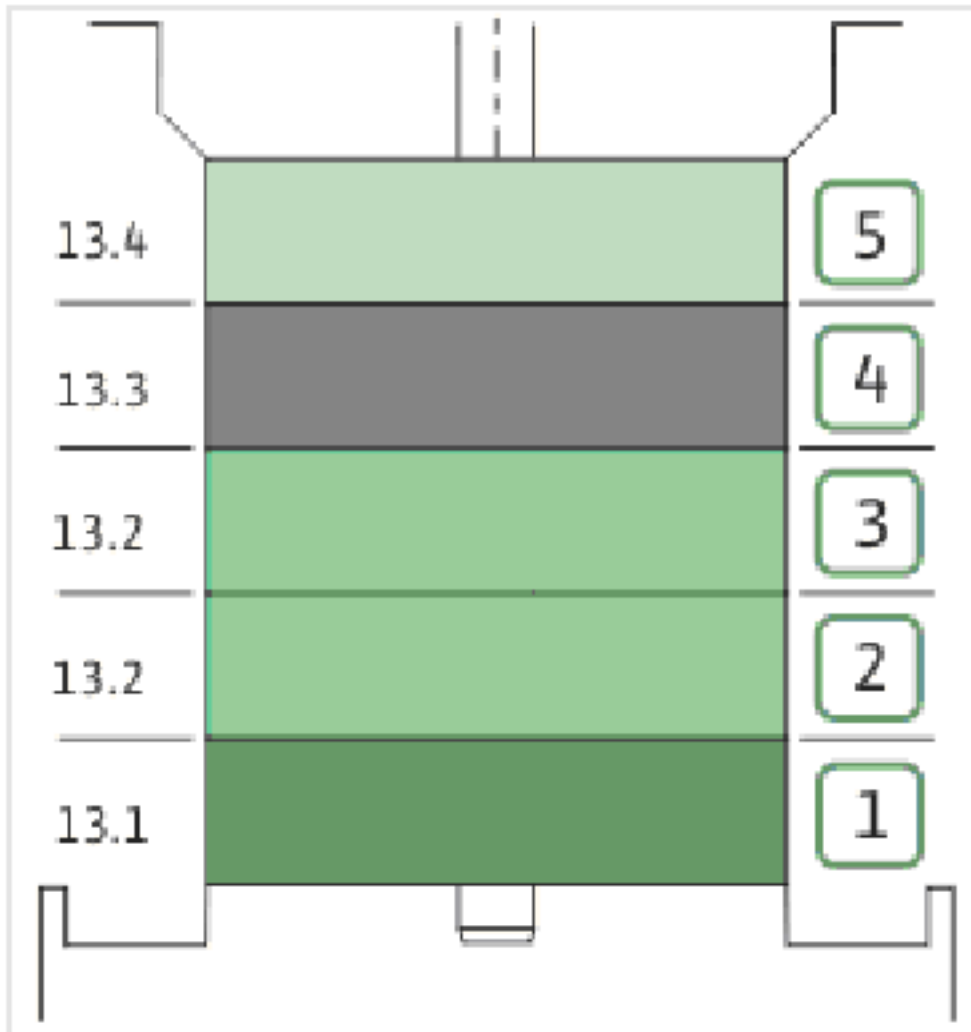
COUPLING D.20XD.38 FF300 KIT (4143966)

Item	Article no.	Description	Quantity
4.1	4179590	COUPLING 2 PARTS D.20XD.38XL115 VP.	1
4.2	2123699	BALL BEARING 6312/2Z-C4 (HT) VP.	1
4.3	63428	CIRCLIP-FOR-SHAFT-D60x2	1
4.4	2130991	SCREW M12X30 ISO4762 8.8 ZN(4 PIECES)	1
4.5	4032277	CIRCLIP-HOLE-130x4	1
4.6	4006725	O-RING ID.132,94x3,53 NBR70SR	1
4.7	2130992	RETAINING RING D.35xD.2,5 DIN7993 VP.	1
4.8	4179591	HUB D.42xD.60 VP.	1
4.9	2130994	SPACER D.38XD.55 VP.	1
4.10	4094462	SCREWS M10 (4 PIECES)	1
4.11	4233959	SCREW M8x16 VP.	1
4.12		SERRATED LOCK WASHER Ø8.2XØ25X35X2	1



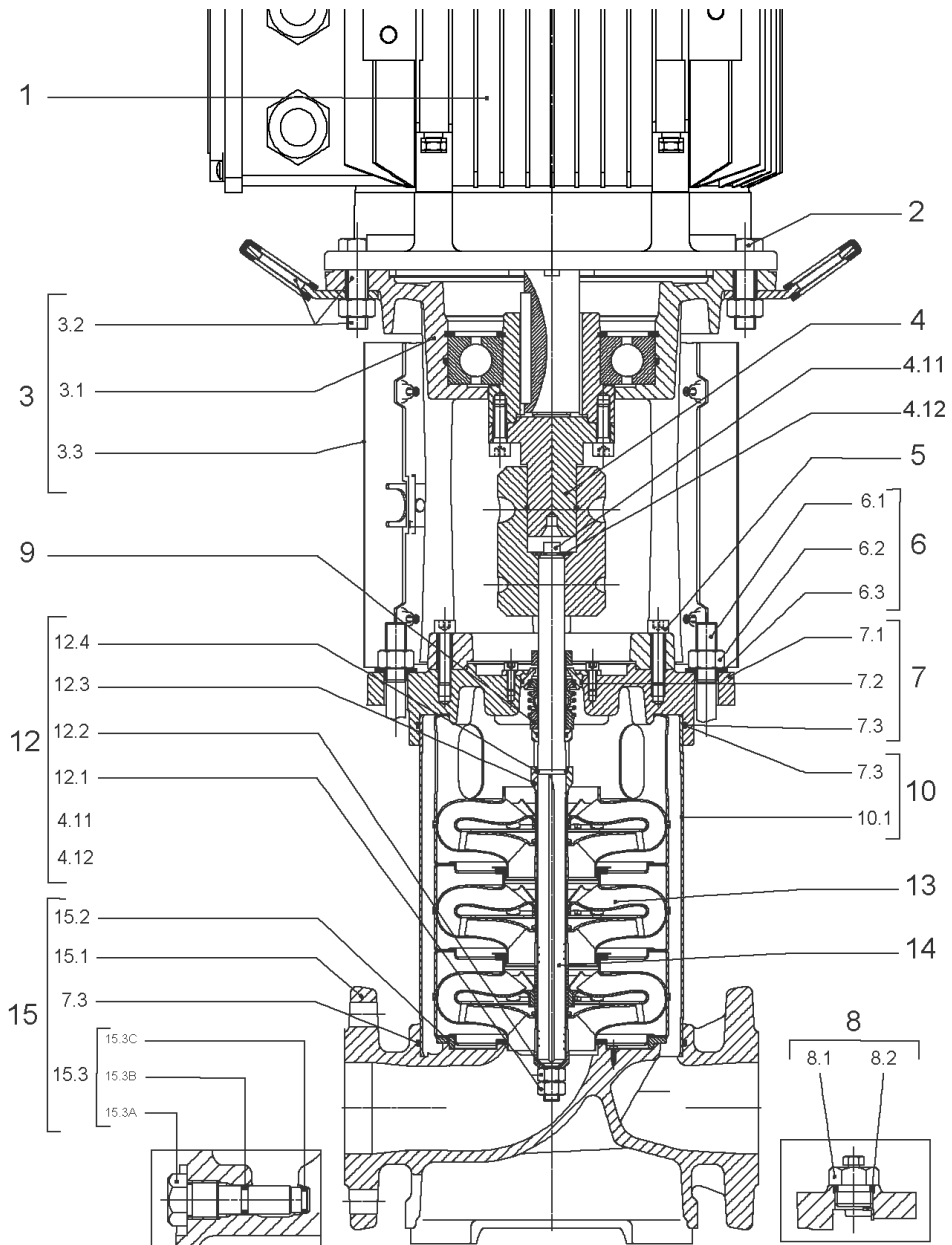
CARTRIDGE HELIX22-36-52 O/E KIT (4143973)

Item	Article no.	Description	Quantity
9.1	4143974	SEAL-KIT-HELIX22-36-52 O/E	1
7.3	4179571	> O-RING HOUSING PIPE HELIX22/36/52 VP.	1
7.4	4179572	> O-RING ID.42.52X2.62 EPDM VP.	1
9.1A	4179573	> M.SEAL.HELIX22-36-52 O/E VP.	1
9.1B	4179574	> O-RING ID.20x2.65 EPDM VP.	1
9.2	4179566	SHAFT SLEEVE D.20/20X60 1.4404 VP.	1
9.3	4179567	RING HOLDER Ø22 1.4301 VP.	1
9.4	4176520	SCREW CH M5x5 A4-70 (3PIECES)	1
9.5	4179568	DRIVE RING D.31/22.1x11 MACH.VP.	1
9.6	4179569	TOOL M.S.CART.HELIX 8" VP.	1
9.7	4179570	SCREW M6X16 ISO4762 8.8 GEOMET(4 PIECES)	1



HYDRAULIC HELIX V 3605-2

Item	Article no.	Description	Quantity
13.1	4161192	INTERMEDIATE STAGE HELIX V36 1.4301 KIT	1
		> SLEEVE-SPACER-D22XL16,66-316L	1
		> MACH.BEARING-DIFFUSER+NR-M+36-304	1
		> SHAFT-SLEEVE-D26xD22x16-CW	1
		> IMPELLER-H1-M+36-304	1
13.1A	4161200	> NECK RING 1.STAGE HELIX V36/52 KIT	1
		>> NECK-RING-M+36/52	1
		>> HYDRAULIC SUPPORT CAP M+36/52 304	1
		>> SCREW TCL M3X8 A4 POZIDRIV	1
13.2	4161193	INTERMEDIATE STAGE HELIX V36 1.4301 KIT	1
		> MACH.STD-DIFFUSER+NR-M+36-304	1
		> IMPELLER-H4-M+36-304	1
13.3	4161195	INTERMEDIATE STAGE HELIX V36 1.4301 KIT	1
		> REDUCED-IMPELLER-H4-M+36-304	1
		> MACH.STD-DIFFUSER+NR-M+36-304	1
13.4	4161196	UPPER STAGE HELIX 36 1.4301 KIT	1
		> STOP COLLAR OF IMPELLER L20-Ø22-316L	1
		> REDUCED-IMPELLER-H4-M+36-304	1
		> MACH.-RIGID-STD-DISCH.-CHAMBER-M+36-304	1



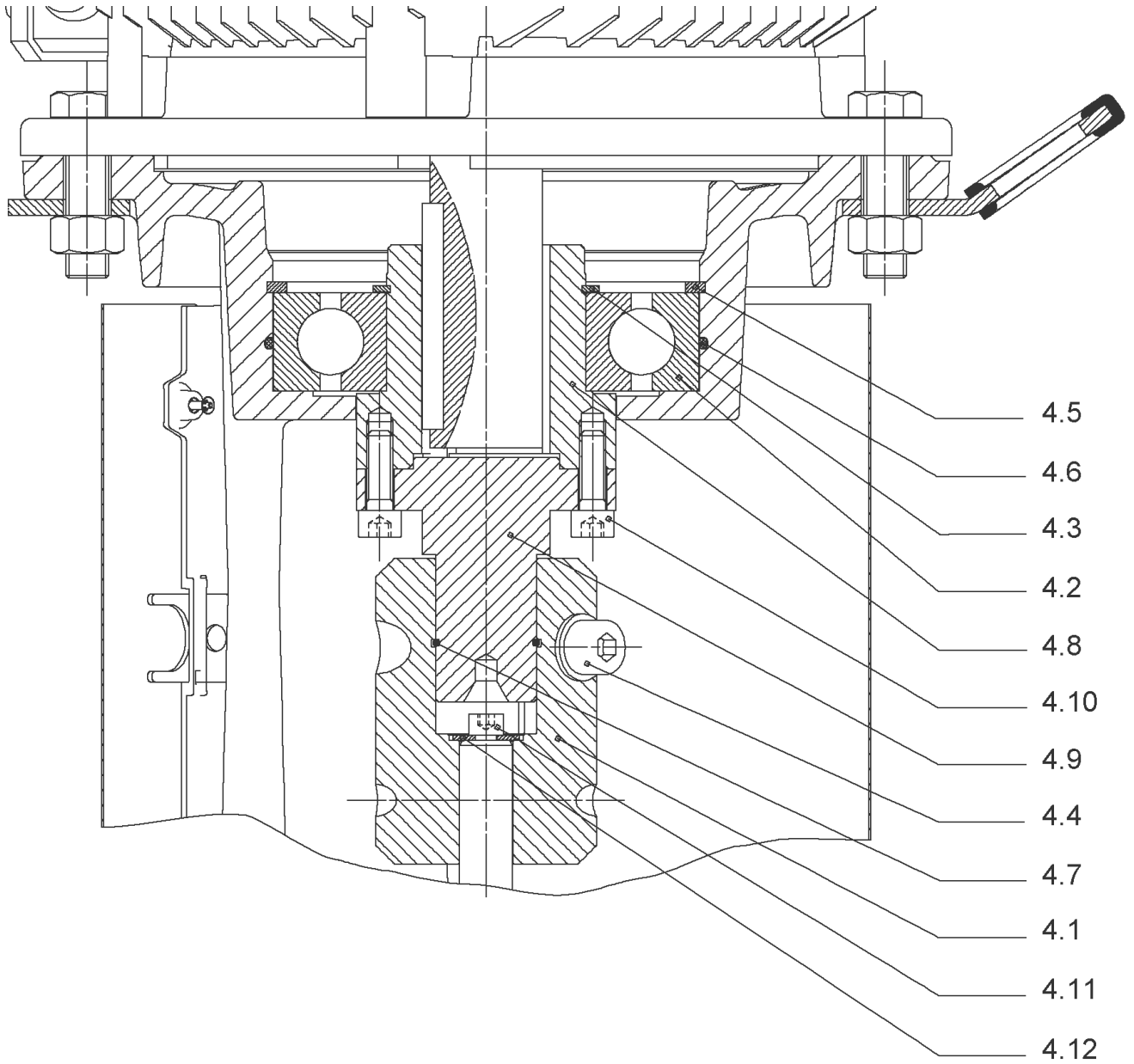
HELIX V3605-4/16/E/KS/400-50 (4183409)

Item	Article no.	Description	Quantity
1	4199884	MOTOR 11/2/160 3~400V 50HZ VP.	1
		SPARE PARTS MOTOR:ON REQUEST	1
2	4179586	SCREW M16X60 (4 PIECES)	1
3	4157721	LANTERN HELIX 22/36 FF300 BB6312 KIT	1
3.1		> LANTERN FF300 M+ GJL MACHINED+CATA 6312	1
3.2	4179589	> EYELET CPL.FF300 HELIX(4 PIECES)	1
3.3	4143969	> COUPLING PROTECT HELIX FF KIT	1
4	4143966	COUPLING D.20XD.38 FF300 KIT	1
5	4157725	SCREW M10X40 (4 PIECES)	1
6	4181083	STUD BOLT M16X466 KIT	1
6.1		> TIE BOLT M16-466x24x44-1.4057	1
6.2	4179562	> NUT M16 8.8 ISO4032 (4 PIECES)	1
6.3	4097852	> WASHER-CS-16.4-32-2.8-NFE25-511-A2	1
7	4179565	END SHIELD HELIX 8" EPDM KIT	1
7.1		> END SHIELD M+ GJL MACHINED+CATA	1
7.2	4179564	> O-RING D.42.52x2.62 EPDM VP.	1
7.3	4179571	> O-RING HOUSING PIPE HELIX22/36/52 VP.	1
8	4186377	FILING/PURGING PLUG 304 HELIX KIT	1
8.1		> FILLING/VENTING-PLUG-MVI8/10"-304	1
8.2	4032291	> O-RING 17x3 EPDM KTW/WRC	1
9	4143973	CARTRIDGE HELIX22-36-52 O/E KIT	1
10	2131084	HOUSING PIPE D.204x397,44 1.4307 KIT	1
7.3	4179571	> O-RING HOUSING PIPE HELIX22/36/52 VP.	1
10.1		> HOUSING-PIPE Ø204-M+3605-304	1
12	4161186	SHAFT EQUIPMENT HELIX V36 8" KIT	1
13		HYDRAULIC HELIX V 3605	1
14	4179578	SHAFT D.22X554 1.4057 VP.	1
15	4186381	EQUIPED HOUSING HELIX OPTI DN65 GJL KIT	1
15.1		> PUMP CASING MONO.M+8" DN65 PN16 DWA	1
15.2		> HYD.SUP.M+8" MONO.HOUSING DN65 DWA	1
15.3	4106048	> DRAIN/PRIMING PLUG EPDM HELIX FIRST KIT	1
15.3A		>> DRAIN AND PRIMING PLUG-VMI10"-304	1
15.3B	4032293	>> O-RING-10x3-EPDM-KTW/WRC	1
15.3C	4233957	>> O-RING ID.9 EPDM VP.	1

HELIX V3605-4/16/E/KS/400-50 (4183409)

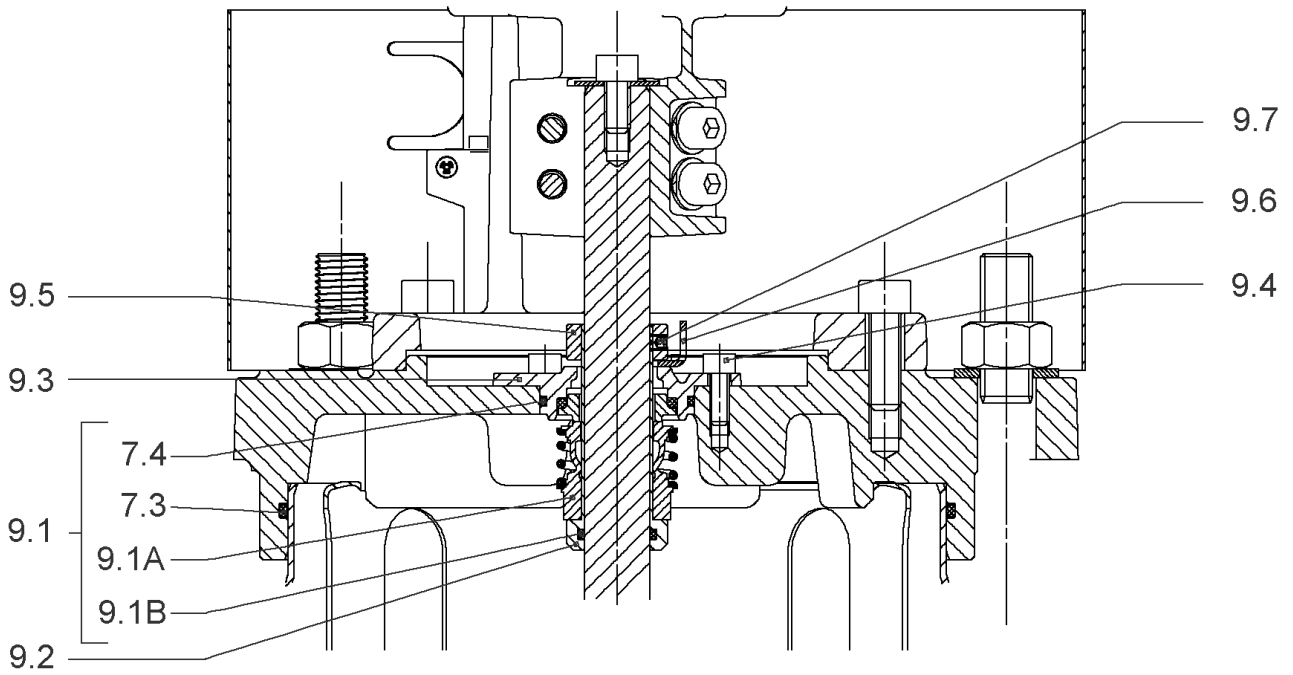
Item	Article no.	Description	Quantity
7.3	4179571	> O-RING HOUSING PIPE HELIX22/36/52 VP.	1
13.1A	4161200	> NECK RING 1.STAGE HELIX V36/52 KIT	1
		>> NECK-RING-M+36/52	1
		>> HYDRAULIC SUPPORT CAP M+36/52 304	1
		>> SCREW TCL M3X8 A4 POZIDRIV	1

COUPLING D.20XD.38 FF300 KIT (4143966)



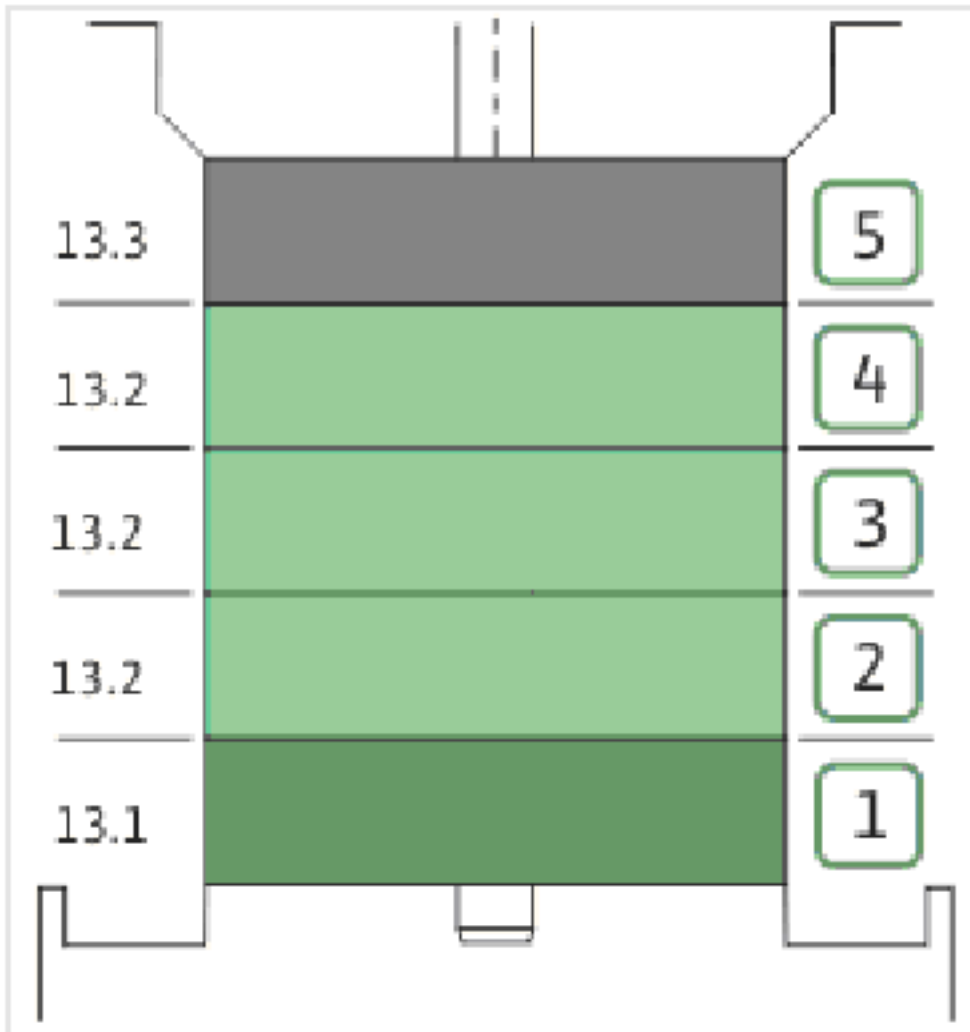
COUPLING D.20XD.38 FF300 KIT (4143966)

Item	Article no.	Description	Quantity
4.1	4179590	COUPLING 2 PARTS D.20XD.38XL115 VP.	1
4.2	2123699	BALL BEARING 6312/2Z-C4 (HT) VP.	1
4.3	63428	CIRCLIP-FOR-SHAFT-D60x2	1
4.4	2130991	SCREW M12X30 ISO4762 8.8 ZN(4 PIECES)	1
4.5	4032277	CIRCLIP-HOLE-130x4	1
4.6	4006725	O-RING ID.132,94x3,53 NBR70SR	1
4.7	2130992	RETAINING RING D.35xD.2,5 DIN7993 VP.	1
4.8	4179591	HUB D.42xD.60 VP.	1
4.9	2130994	SPACER D.38XD.55 VP.	1
4.10	4094462	SCREWS M10 (4 PIECES)	1
4.11	4233959	SCREW M8x16 VP.	1
4.12		SERRATED LOCK WASHER Ø8.2XØ25X35X2	1



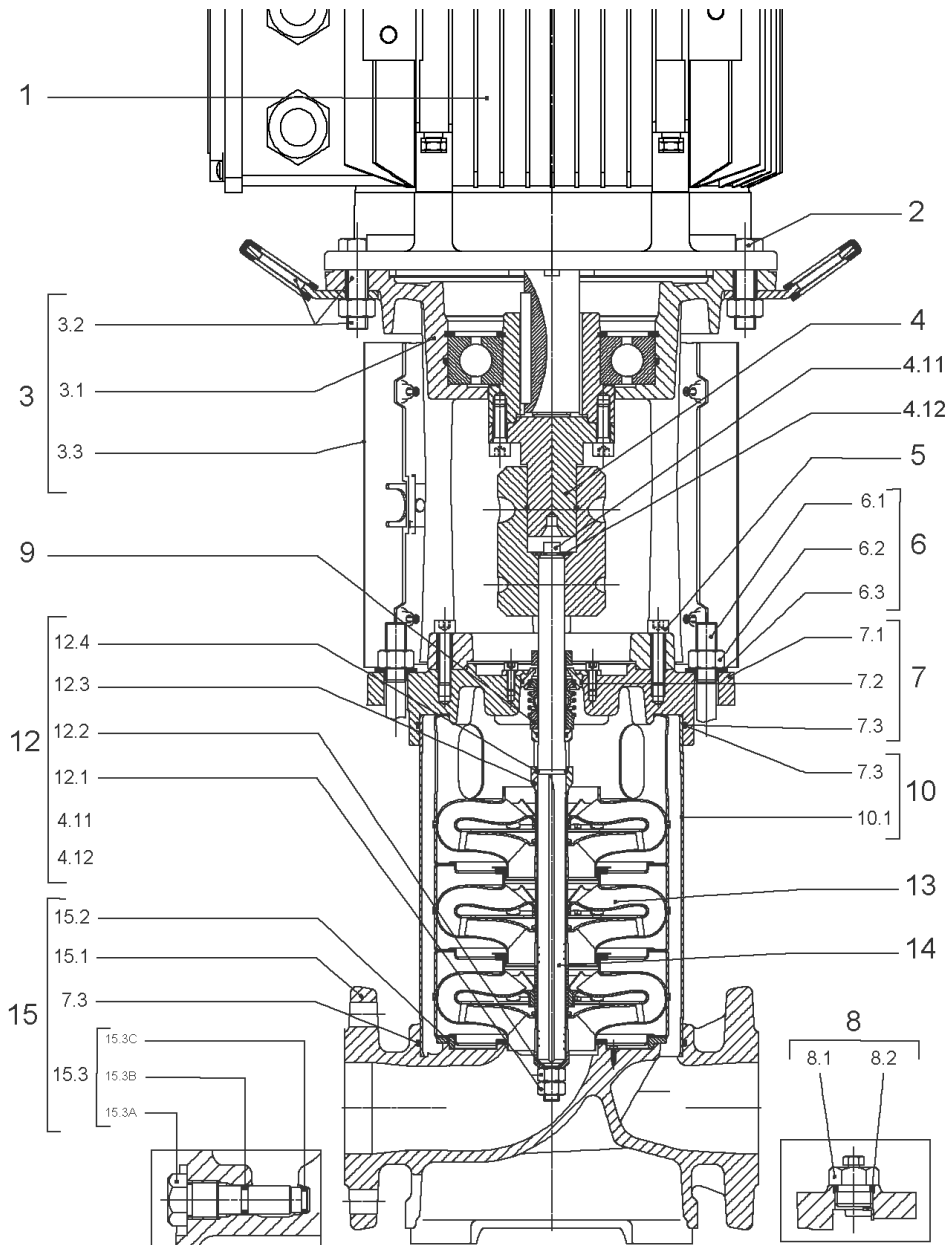
CARTRIDGE HELIX22-36-52 O/E KIT (4143973)

Item	Article no.	Description	Quantity
9.1	4143974	SEAL-KIT-HELIX22-36-52 O/E	1
7.3	4179571	> O-RING HOUSING PIPE HELIX22/36/52 VP.	1
7.4	4179572	> O-RING ID.42.52X2.62 EPDM VP.	1
9.1A	4179573	> M.SEAL.HELIX22-36-52 O/E VP.	1
9.1B	4179574	> O-RING ID.20x2.65 EPDM VP.	1
9.2	4179566	SHAFT SLEEVE D.20/20X60 1.4404 VP.	1
9.3	4179567	RING HOLDER Ø22 1.4301 VP.	1
9.4	4176520	SCREW CH M5x5 A4-70 (3PIECES)	1
9.5	4179568	DRIVE RING D.31/22.1x11 MACH.VP.	1
9.6	4179569	TOOL M.S.CART.HELIX 8" VP.	1
9.7	4179570	SCREW M6X16 ISO4762 8.8 GEOMET(4 PIECES)	1



HYDRAULIC HELIX V 3605

Item	Article no.	Description	Quantity
13.1	4161192	INTERMEDIATE STAGE HELIX V36 1.4301 KIT	1
		> SLEEVE-SPACER-D22XL16,66-316L	1
		> MACH.BEARING-DIFFUSER+NR-M+36-304	1
		> SHAFT-SLEEVE-D26xD22x16-CW	1
		> IMPELLER-H1-M+36-304	1
13.1A	4161200	> NECK RING 1.STAGE HELIX V36/52 KIT	1
		>> NECK-RING-M+36/52	1
		>> HYDRAULIC SUPPORT CAP M+36/52 304	1
		>> SCREW TCL M3X8 A4 POZIDRIV	1
13.2	4161193	INTERMEDIATE STAGE HELIX V36 1.4301 KIT	1
		> MACH.STD-DIFFUSER+NR-M+36-304	1
		> IMPELLER-H4-M+36-304	1
13.3	4161194	UPPER STAGE HELIX 36 1.4301 KIT	1
		> STOP COLLAR OF IMPELLER L20-Ø22-316L	1
		> IMPELLER-H4-M+36-304	1
		> MACH.-RIGID-STD-DISCH.-CHAMBER-M+36-304	1

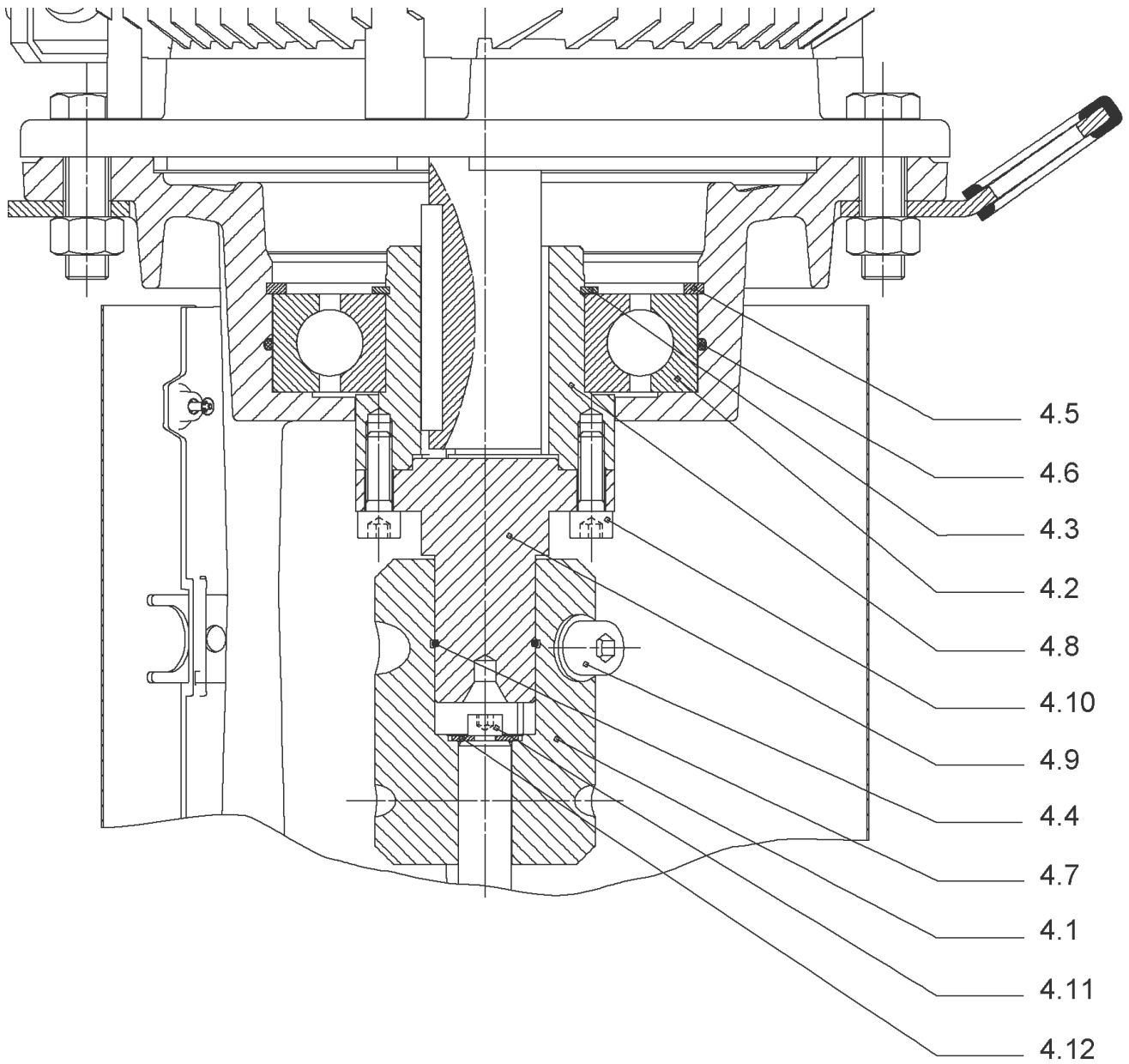


HELIX V3606/2-4/16/E/KS/400-50 (4183410)

Item	Article no.	Description	Quantity
1	4199884	MOTOR 11/2/160 3~400V 50HZ VP.	1
		SPARE PARTS MOTOR:ON REQUEST	1
2	4179586	SCREW M16X60 (4 PIECES)	1
3	4157721	LANTERN HELIX 22/36 FF300 BB6312 KIT	1
3.1		> LANTERN FF300 M+ GJL MACHINED+CATA 6312	1
3.2	4179589	> EYELET CPL.FF300 HELIX(4 PIECES)	1
3.3	4143969	> COUPLING PROTECT HELIX FF KIT	1
4	4143966	COUPLING D.20XD.38 FF300 KIT	1
5	4157725	SCREW M10X40 (4 PIECES)	1
6	4181086	STUD BOLT M16X533 KIT	1
6.1		> TIE BOLT M16-533x24x44-1.4057	1
6.2	4179562	> NUT M16 8.8 ISO4032 (4 PIECES)	1
6.3	4097852	> WASHER-CS-16.4-32-2.8-NFE25-511-A2	1
7	4179565	END SHIELD HELIX 8" EPDM KIT	1
7.1		> END SHIELD M+ GJL MACHINED+CATA	1
7.2	4179564	> O-RING D.42.52x2.62 EPDM VP.	1
7.3	4179571	> O-RING HOUSING PIPE HELIX22/36/52 VP.	1
8	4186377	FILING/PURGING PLUG 304 HELIX KIT	1
8.1		> FILLING/VENTING-PLUG-MVI8/10"-304	1
8.2	4032291	> O-RING 17x3 EPDM KTW/WRC	1
9	4143973	CARTRIDGE HELIX22-36-52 O/E KIT	1
10	4181087	HOUSING PIPE D.204x464,13 1.4307 KIT	1
7.3	4179571	> O-RING HOUSING PIPE HELIX22/36/52 VP.	1
10.1		> HOUSING-PIPE Ø204-M+2208/3606-304	1
12	4161186	SHAFT EQUIPMENT HELIX V36 8" KIT	1
13		HYDRAULIC HELIX V 3606-2	1
14	2127545	SHAFT D.22 LG.620,67 HELIX 1.4057 VP.	1
15	4186381	EQUIPED HOUSING HELIX OPTI DN65 GJL KIT	1
15.1		> PUMP CASING MONO.M+8" DN65 PN16 DWA	1
15.2		> HYD.SUP.M+8" MONO.HOUSING DN65 DWA	1
15.3	4106048	> DRAIN/PRIMING PLUG EPDM HELIX FIRST KIT	1
15.3A		>> DRAIN AND PRIMING PLUG-VMI10"-304	1
15.3B	4032293	>> O-RING-10x3-EPDM-KTW/WRC	1
15.3C	4233957	>> O-RING ID.9 EPDM VP.	1

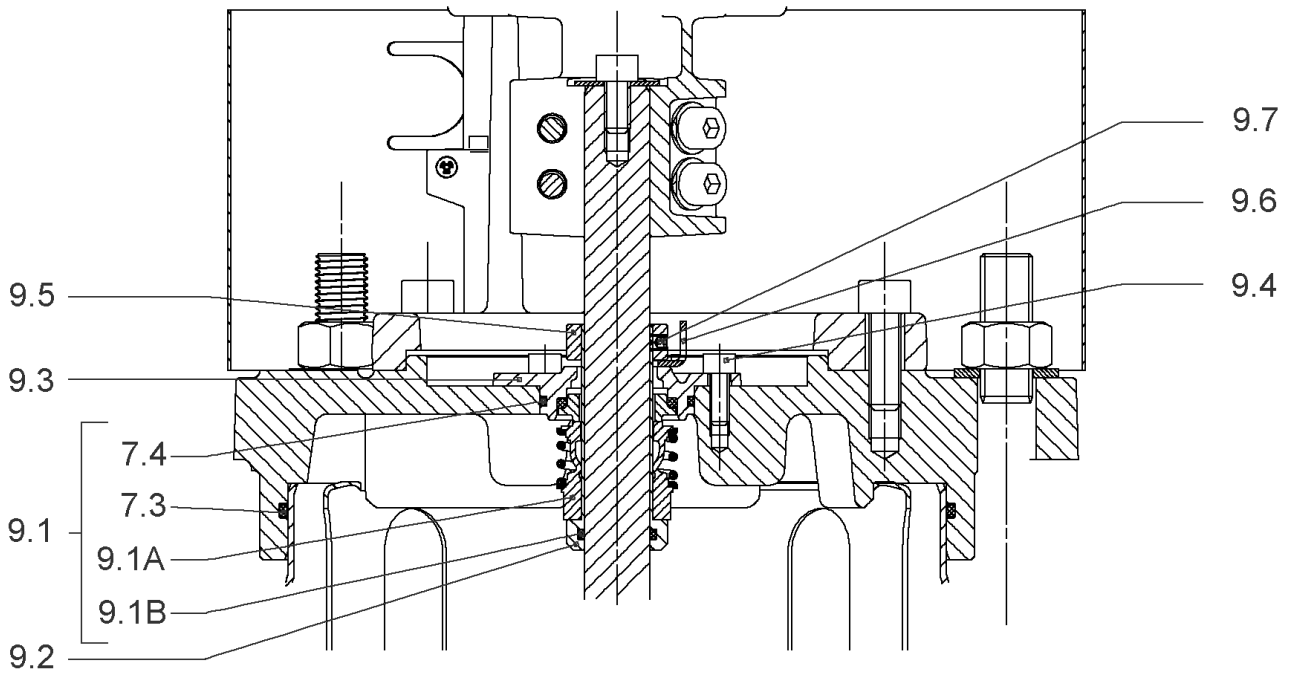
HELIX V3606/2-4/16/E/KS/400-50 (4183410)

Item	Article no.	Description	Quantity
7.3	4179571	> O-RING HOUSING PIPE HELIX22/36/52 VP.	1
13.1A	4161200	> NECK RING 1.STAGE HELIX V36/52 KIT	1
		>> NECK-RING-M+36/52	1
		>> HYDRAULIC SUPPORT CAP M+36/52 304	1
		>> SCREW TCL M3X8 A4 POZIDRIV	1



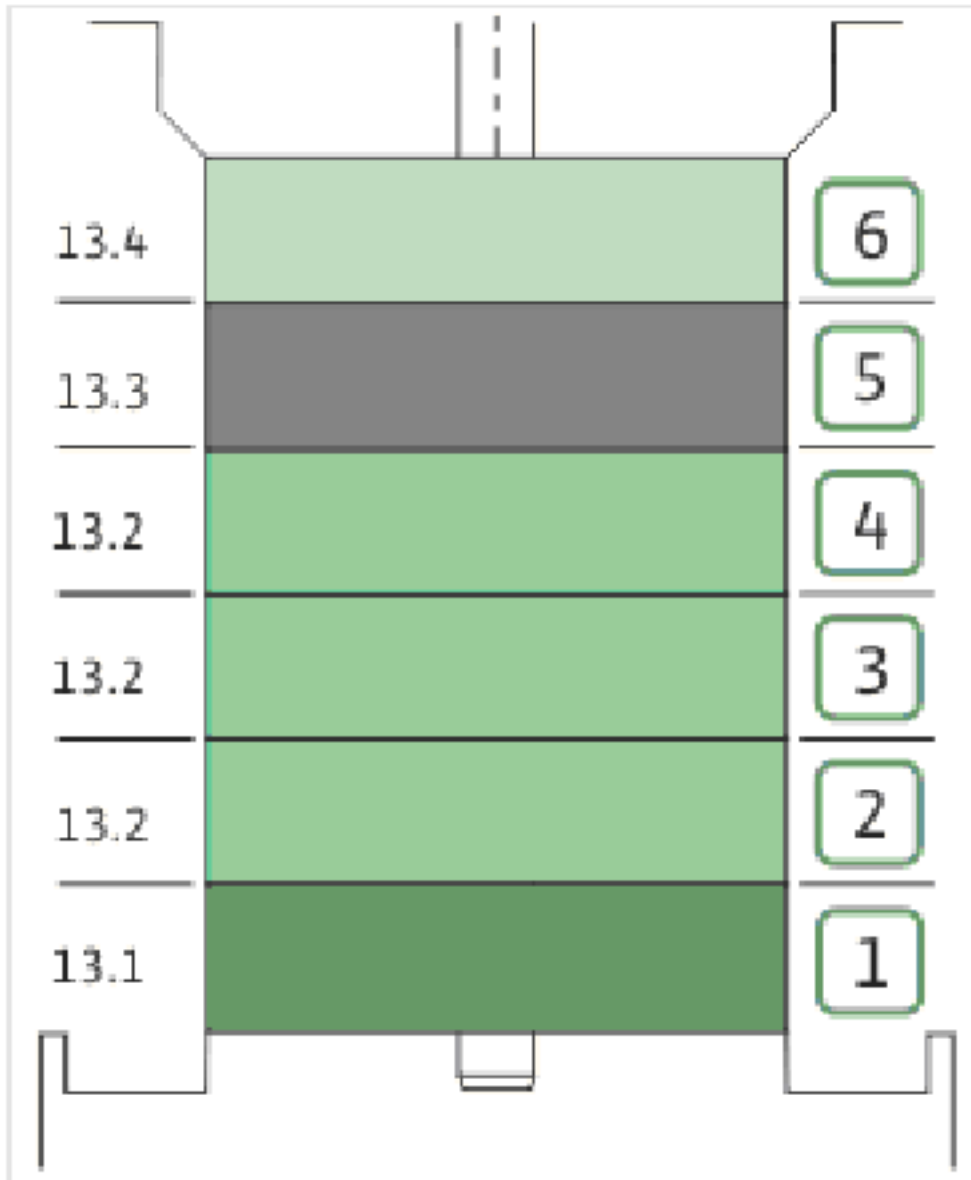
COUPLING D.20XD.38 FF300 KIT (4143966)

Item	Article no.	Description	Quantity
4.1	4179590	COUPLING 2 PARTS D.20XD.38XL115 VP.	1
4.2	2123699	BALL BEARING 6312/2Z-C4 (HT) VP.	1
4.3	63428	CIRCLIP-FOR-SHAFT-D60x2	1
4.4	2130991	SCREW M12X30 ISO4762 8.8 ZN(4 PIECES)	1
4.5	4032277	CIRCLIP-HOLE-130x4	1
4.6	4006725	O-RING ID.132,94x3,53 NBR70SR	1
4.7	2130992	RETAINING RING D.35xD.2,5 DIN7993 VP.	1
4.8	4179591	HUB D.42xD.60 VP.	1
4.9	2130994	SPACER D.38XD.55 VP.	1
4.10	4094462	SCREWS M10 (4 PIECES)	1
4.11	4233959	SCREW M8x16 VP.	1
4.12		SERRATED LOCK WASHER Ø8.2XØ25X35X2	1



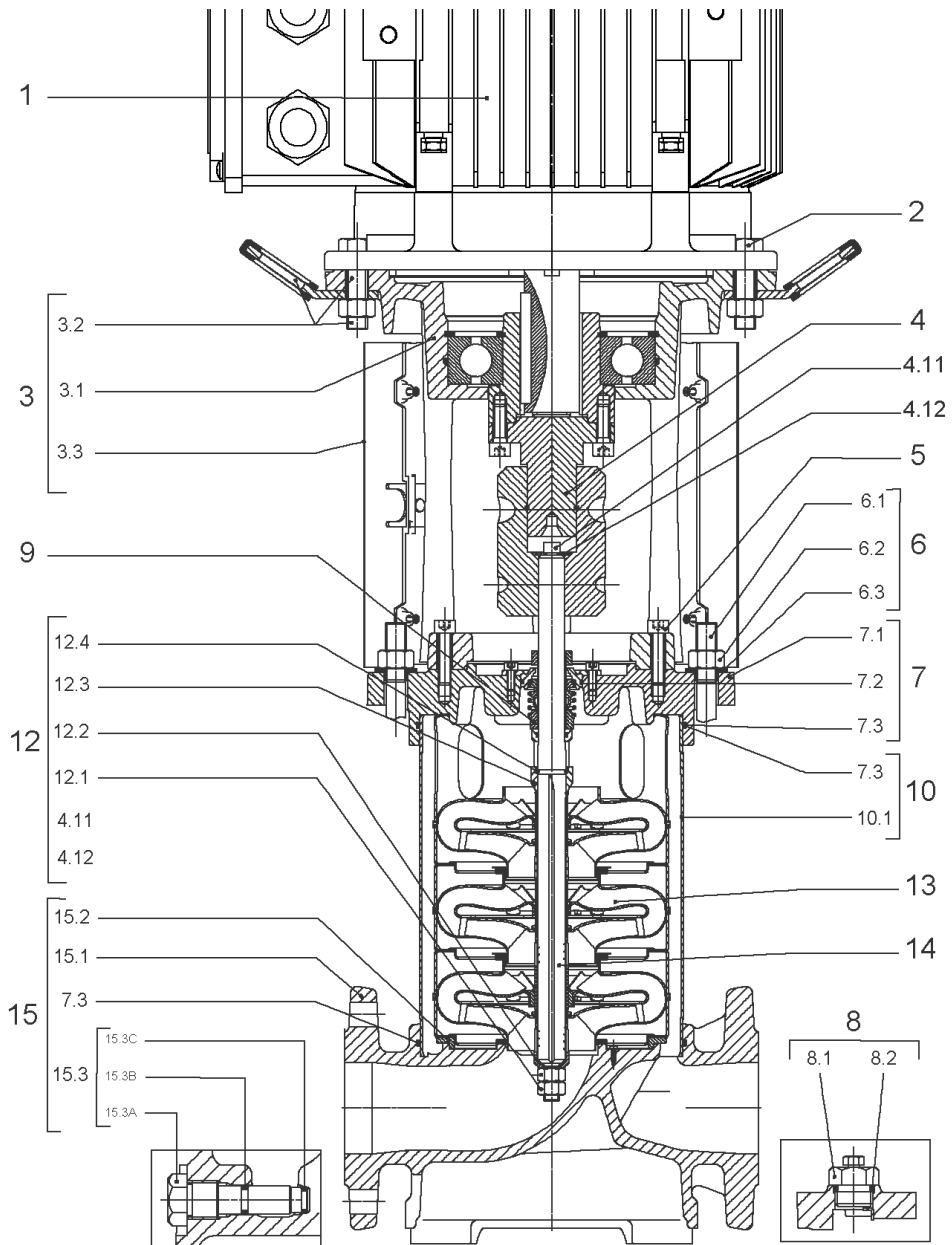
CARTRIDGE HELIX22-36-52 O/E KIT (4143973)

Item	Article no.	Description	Quantity
9.1	4143974	SEAL-KIT-HELIX22-36-52 O/E	1
7.3	4179571	> O-RING HOUSING PIPE HELIX22/36/52 VP.	1
7.4	4179572	> O-RING ID.42.52X2.62 EPDM VP.	1
9.1A	4179573	> M.SEAL.HELIX22-36-52 O/E VP.	1
9.1B	4179574	> O-RING ID.20x2.65 EPDM VP.	1
9.2	4179566	SHAFT SLEEVE D.20/20X60 1.4404 VP.	1
9.3	4179567	RING HOLDER Ø22 1.4301 VP.	1
9.4	4176520	SCREW CH M5x5 A4-70 (3PIECES)	1
9.5	4179568	DRIVE RING D.31/22.1x11 MACH.VP.	1
9.6	4179569	TOOL M.S.CART.HELIX 8" VP.	1
9.7	4179570	SCREW M6X16 ISO4762 8.8 GEOMET(4 PIECES)	1



HYDRAULIC HELIX V 3606-2

Item	Article no.	Description	Quantity
13.1	4161192	INTERMEDIATE STAGE HELIX V36 1.4301 KIT	1
		> SLEEVE-SPACER-D22XL16,66-316L	1
		> MACH.BEARING-DIFFUSER+NR-M+36-304	1
		> SHAFT-SLEEVE-D26xD22x16-CW	1
		> IMPELLER-H1-M+36-304	1
13.1A	4161200	> NECK RING 1.STAGE HELIX V36/52 KIT	1
		>> NECK-RING-M+36/52	1
		>> HYDRAULIC SUPPORT CAP M+36/52 304	1
		>> SCREW TCL M3X8 A4 POZIDRIV	1
13.2	4161193	INTERMEDIATE STAGE HELIX V36 1.4301 KIT	1
		> MACH.STD-DIFFUSER+NR-M+36-304	1
		> IMPELLER-H4-M+36-304	1
13.3	4161195	INTERMEDIATE STAGE HELIX V36 1.4301 KIT	1
		> REDUCED-IMPELLER-H4-M+36-304	1
		> MACH.STD-DIFFUSER+NR-M+36-304	1
13.4	4161196	UPPER STAGE HELIX 36 1.4301 KIT	1
		> STOP COLLAR OF IMPELLER L20-Ø22-316L	1
		> REDUCED-IMPELLER-H4-M+36-304	1
		> MACH.-RIGID-STD-DISCH.-CHAMBER-M+36-304	1

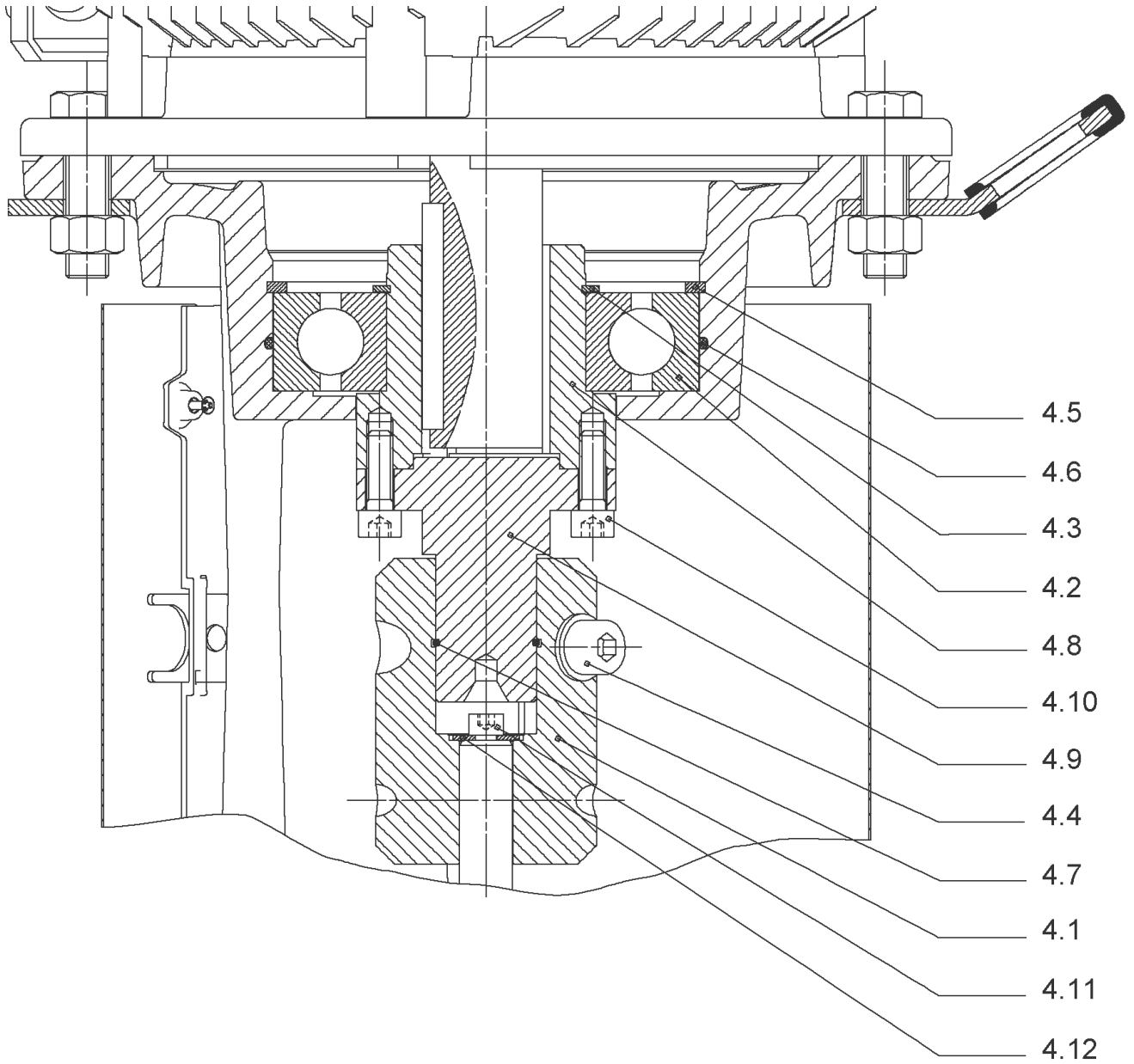


HELIX V3606-4/16/E/KS/400-50 (4183411)

Item	Article no.	Description	Quantity
1	4195488	MOTOR 18.5/2/160 3~400V 50HZ ARC VP.	1
		SPARE PARTS MOTOR:ON REQUEST	1
2	4179586	SCREW M16X60 (4 PIECES)	1
3	4157721	LANTERN HELIX 22/36 FF300 BB6312 KIT	1
3.1		> LANTERN FF300 M+ GJL MACHINED+CATA 6312	1
3.2	4179589	> EYELET CPL.FF300 HELIX(4 PIECES)	1
3.3	4143969	> COUPLING PROTECT HELIX FF KIT	1
4	4143966	COUPLING D.20XD.38 FF300 KIT	1
5	4157725	SCREW M10X40 (4 PIECES)	1
6	4181086	STUD BOLT M16X533 KIT	1
6.1		> TIE BOLT M16-533x24x44-1.4057	1
6.2	4179562	> NUT M16 8.8 ISO4032 (4 PIECES)	1
6.3	4097852	> WASHER-CS-16.4-32-2.8-NFE25-511-A2	1
7	4179565	END SHIELD HELIX 8" EPDM KIT	1
7.1		> END SHIELD M+ GJL MACHINED+CATA	1
7.2	4179564	> O-RING D.42.52x2.62 EPDM VP.	1
7.3	4179571	> O-RING HOUSING PIPE HELIX22/36/52 VP.	1
8	4186377	FILING/PURGING PLUG 304 HELIX KIT	1
8.1		> FILLING/VENTING-PLUG-MVI8/10"-304	1
8.2	4032291	> O-RING 17x3 EPDM KTW/WRC	1
9	4143973	CARTRIDGE HELIX22-36-52 O/E KIT	1
10	4181087	HOUSING PIPE D.204x464,13 1.4307 KIT	1
7.3	4179571	> O-RING HOUSING PIPE HELIX22/36/52 VP.	1
10.1		> HOUSING-PIPE Ø204-M+2208/3606-304	1
12	4161186	SHAFT EQUIPMENT HELIX V36 8" KIT	1
13		HYDRAULIC HELIX V 3606	1
14	2127545	SHAFT D.22 LG.620,67 HELIX 1.4057 VP.	1
15	4186381	EQUIPED HOUSING HELIX OPTI DN65 GJL KIT	1
15.1		> PUMP CASING MONO.M+8" DN65 PN16 DWA	1
15.2		> HYD.SUP.M+8" MONO.HOUSING DN65 DWA	1
15.3	4106048	> DRAIN/PRIMING PLUG EPDM HELIX FIRST KIT	1
15.3A		>> DRAIN AND PRIMING PLUG-VMI10"-304	1
15.3B	4032293	>> O-RING-10x3-EPDM-KTW/WRC	1
15.3C	4233957	>> O-RING ID.9 EPDM VP.	1

HELIX V3606-4/16/E/KS/400-50 (4183411)

Item	Article no.	Description	Quantity
7.3	4179571	> O-RING HOUSING PIPE HELIX22/36/52 VP.	1
13.1A	4161200	> NECK RING 1.STAGE HELIX V36/52 KIT	1
		>> NECK-RING-M+36/52	1
		>> HYDRAULIC SUPPORT CAP M+36/52 304	1
		>> SCREW TCL M3X8 A4 POZIDRIV	1



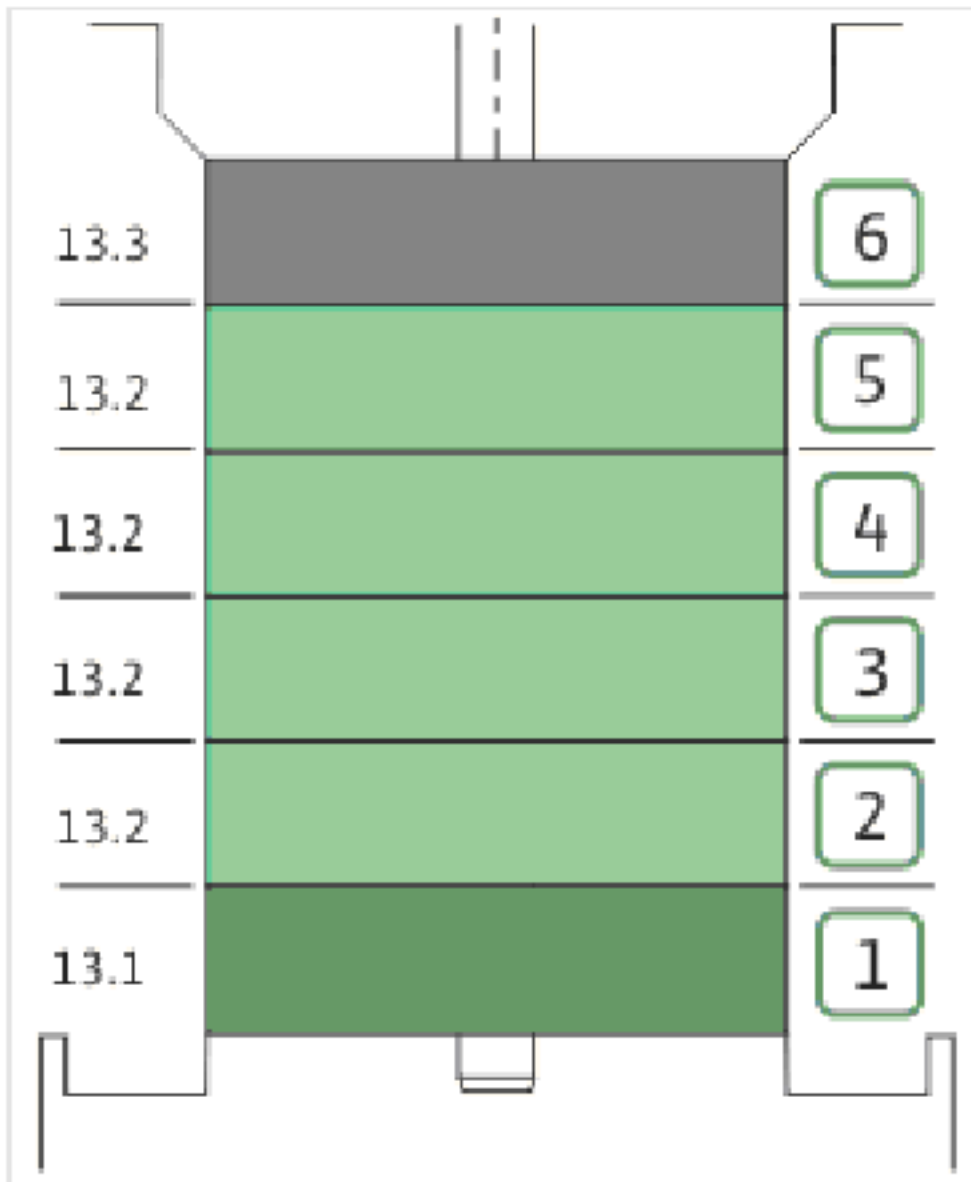
COUPLING D.20XD.38 FF300 KIT (4143966)

Item	Article no.	Description	Quantity
4.1	4179590	COUPLING 2 PARTS D.20XD.38XL115 VP.	1
4.2	2123699	BALL BEARING 6312/2Z-C4 (HT) VP.	1
4.3	63428	CIRCLIP-FOR-SHAFT-D60x2	1
4.4	2130991	SCREW M12X30 ISO4762 8.8 ZN(4 PIECES)	1
4.5	4032277	CIRCLIP-HOLE-130x4	1
4.6	4006725	O-RING ID.132,94x3,53 NBR70SR	1
4.7	2130992	RETAINING RING D.35xD.2,5 DIN7993 VP.	1
4.8	4179591	HUB D.42xD.60 VP.	1
4.9	2130994	SPACER D.38XD.55 VP.	1
4.10	4094462	SCREWS M10 (4 PIECES)	1
4.11	4233959	SCREW M8x16 VP.	1
4.12		SERRATED LOCK WASHER Ø8.2XØ25X35X2	1



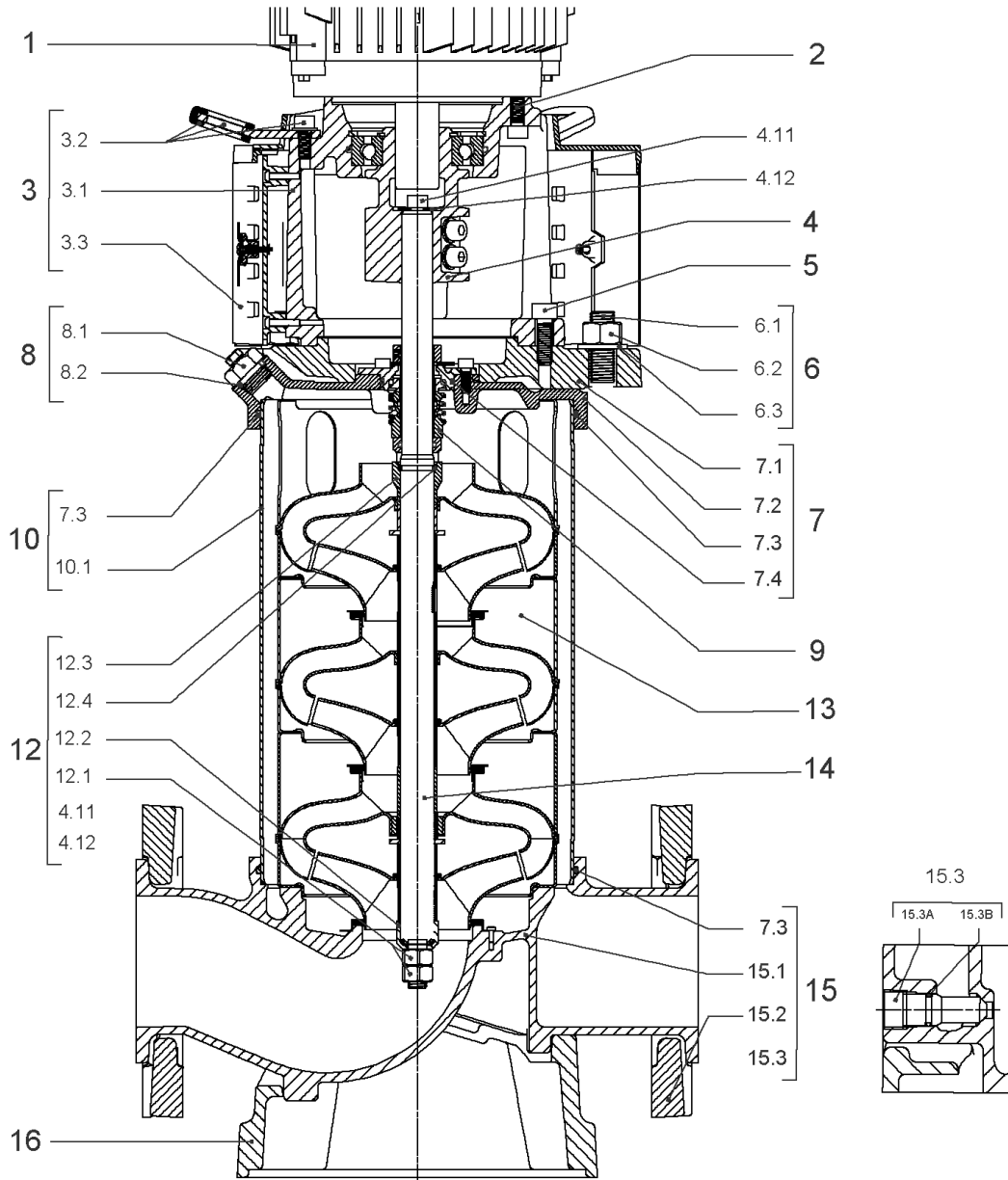
CARTRIDGE HELIX22-36-52 O/E KIT (4143973)

Item	Article no.	Description	Quantity
9.1	4143974	SEAL-KIT-HELIX22-36-52 O/E	1
7.3	4179571	> O-RING HOUSING PIPE HELIX22/36/52 VP.	1
7.4	4179572	> O-RING ID.42.52X2.62 EPDM VP.	1
9.1A	4179573	> M.SEAL.HELIX22-36-52 O/E VP.	1
9.1B	4179574	> O-RING ID.20x2.65 EPDM VP.	1
9.2	4179566	SHAFT SLEEVE D.20/20X60 1.4404 VP.	1
9.3	4179567	RING HOLDER Ø22 1.4301 VP.	1
9.4	4176520	SCREW CH M5x5 A4-70 (3PIECES)	1
9.5	4179568	DRIVE RING D.31/22.1x11 MACH.VP.	1
9.6	4179569	TOOL M.S.CART.HELIX 8" VP.	1
9.7	4179570	SCREW M6X16 ISO4762 8.8 GEOMET(4 PIECES)	1



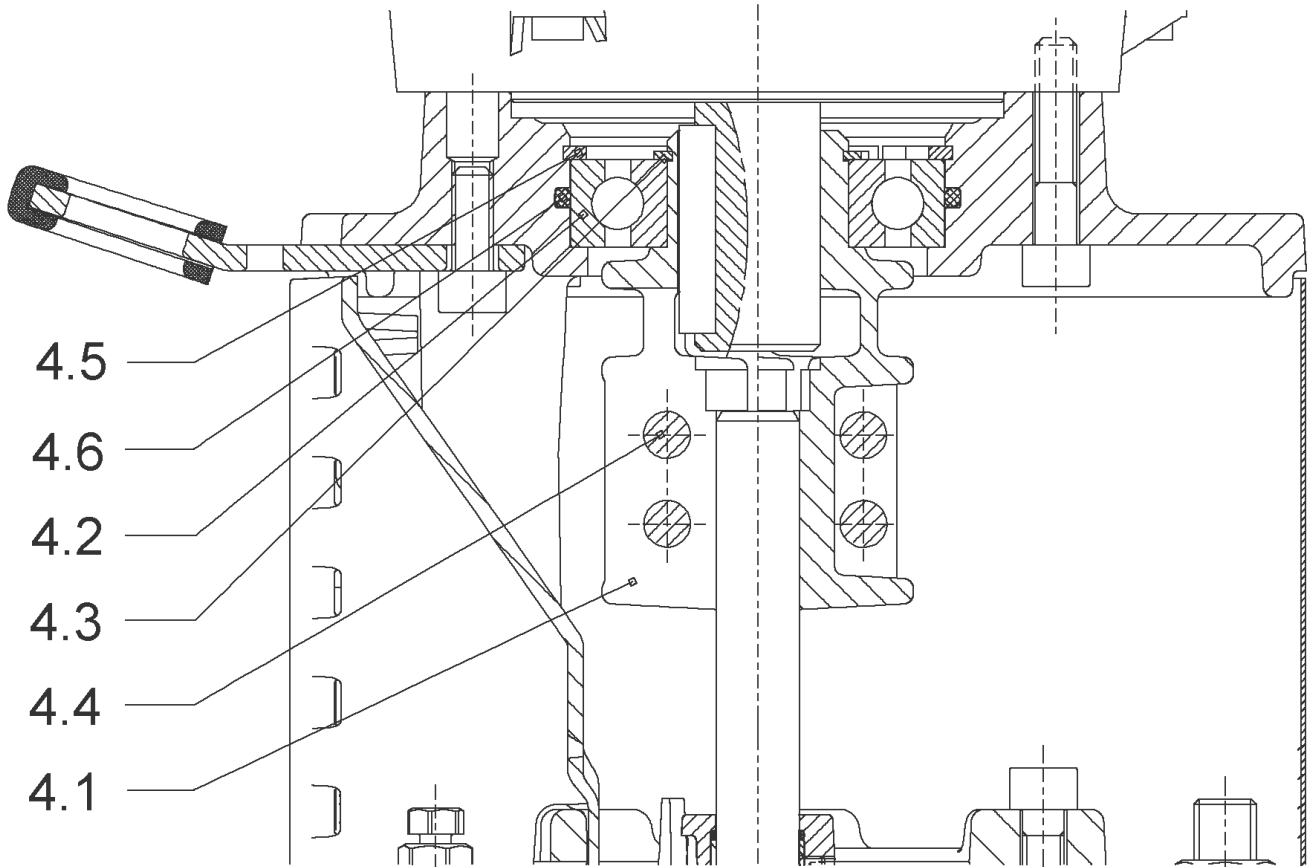
HYDRAULIC HELIX V 3606

Item	Article no.	Description	Quantity
13.1	4161192	INTERMEDIATE STAGE HELIX V36 1.4301 KIT	1
		> SLEEVE-SPACER-D22XL16,66-316L	1
		> MACH.BEARING-DIFFUSER+NR-M+36-304	1
		> SHAFT-SLEEVE-D26xD22x16-CW	1
		> IMPELLER-H1-M+36-304	1
13.1A	4161200	> NECK RING 1.STAGE HELIX V36/52 KIT	1
		>> NECK-RING-M+36/52	1
		>> HYDRAULIC SUPPORT CAP M+36/52 304	1
		>> SCREW TCL M3X8 A4 POZIDRIV	1
13.2	4161193	INTERMEDIATE STAGE HELIX V36 1.4301 KIT	1
		> MACH.STD-DIFFUSER+NR-M+36-304	1
		> IMPELLER-H4-M+36-304	1
13.3	4161194	UPPER STAGE HELIX 36 1.4301 KIT	1
		> STOP COLLAR OF IMPELLER L20-Ø22-316L	1
		> IMPELLER-H4-M+36-304	1
		> MACH.-RIGID-STD-DISCH.-CHAMBER-M+36-304	1



HELIX V3601/1-1/16/E/KS/400-50 (4198469)

Item	Article no.	Description	Quantity
1	4169943	MOTOR 2,2/2/90 3~230/400V 50HZ IE3 VP.	1
		SPARE PARTS MOTOR:ON REQUEST	1
2	4159707	SCREW M8X30 (4 PIECES)	1
3	4157718	LANTERN FT115 HELIX V22/V36 KIT	1
3.1		> LANTERN FT115 M+ GJL MACHINED+CATA	1
3.2	4179561	> EYELET CPL.FT HELIX(2 PIECES)	1
3.3	4143968	> COUPLING PROTECT HELIX FT KIT	1
4	4143963	COUPLING D.22XD.36 FT115 KIT	1
5	4094462	SCREWS M10 (4 PIECES)	1
6	4217903	STUD BOLT M16X319 KIT	1
6.1		> TIE BOLT M16-319x24x44-1.4057	1
6.2	4179562	> NUT M16 8.8 ISO4032 (4 PIECES)	1
6.3	4097852	> WASHER-CS-16.4-32-2.8-NFE25-511-A2	1
7	4217176	END SHIELD HELIX OPTI 8" EPDM KIT	1
7.1		> upper flange machined + cataphoresis	1
7.2	4217174	> STATIONARY RING HOLDER 8" HELIX OPTI VP.	1
7.3	4179571	> O-RING HOUSING PIPE HELIX22/36/52 VP.	1
7.4	4179572	> O-RING ID.42.52X2.62 EPDM VP.	1
8	4186377	FILING/PURGING PLUG 304 HELIX KIT	1
8.1		> FILLING/VENTING-PLUG-MVI8/10"-304	1
8.2	4032291	> O-RING 17x3 EPDM KTW/WRC	1
9	4143973	CARTRIDGE HELIX22-36-52 O/E KIT	1
10	4217905	HOUSING PIPE D.204X97 1.4307 KIT	1
7.3	4179571	> O-RING HOUSING PIPE HELIX22/36/52 VP.	1
10.1		> HOUSING-PIPE Ø204-L97,37-304	1
12	4161186	SHAFT EQUIPMENT HELIX V36 8" KIT	1
13		HYDRAULIC HELIX V 3601-1	1
14	4180017	SHAFT D.22X287,34 1.4057 VP.	1
15	4217909	EQUIPED HOUSING DN65 HELIX OPTI 8" KIT	1
15.1		> pump casing machined DN65	1
15.2	4217907	> HALF FLANGE DN65 HELIX OPTI 8" VP.	1
15.3	4217850	> DRAIN/PRIMING PLUG HELIX OPTI 8" KIT	1
7.3	4179571	> O-RING HOUSING PIPE HELIX22/36/52 VP.	1
16	4217911	BASEPLATE DN65 HELIX OPTI 8" VP.	1



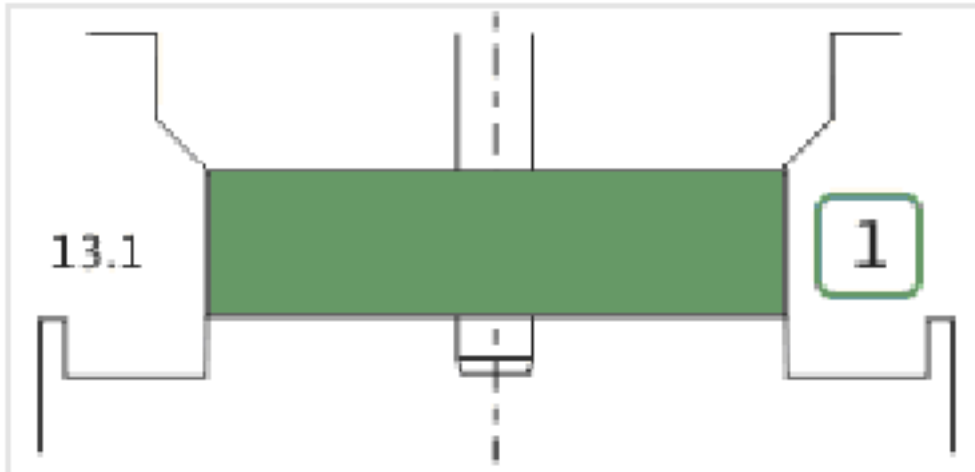
COUPLING D.22XD.36 FT115 KIT (4143963)

Item	Article no.	Description	Quantity
4.1		COUPLING-M+ Ø20XØ24-FT115-MACHINED	1
4.2	2131023	BALL BEARING 6207/ZZ-C3(HT)VP.	1
4.3	4234254	CIRCLIP-FOR-SHAFT-D35x1.5 VP.	1
4.4	4157726	SCREW KIT M8X30 (4 PIECES)	1
4.5	4234251	CIRCLIP-D72x2.5 VP.	1
4.6	4234246	O-RING 72X3 VP.	1



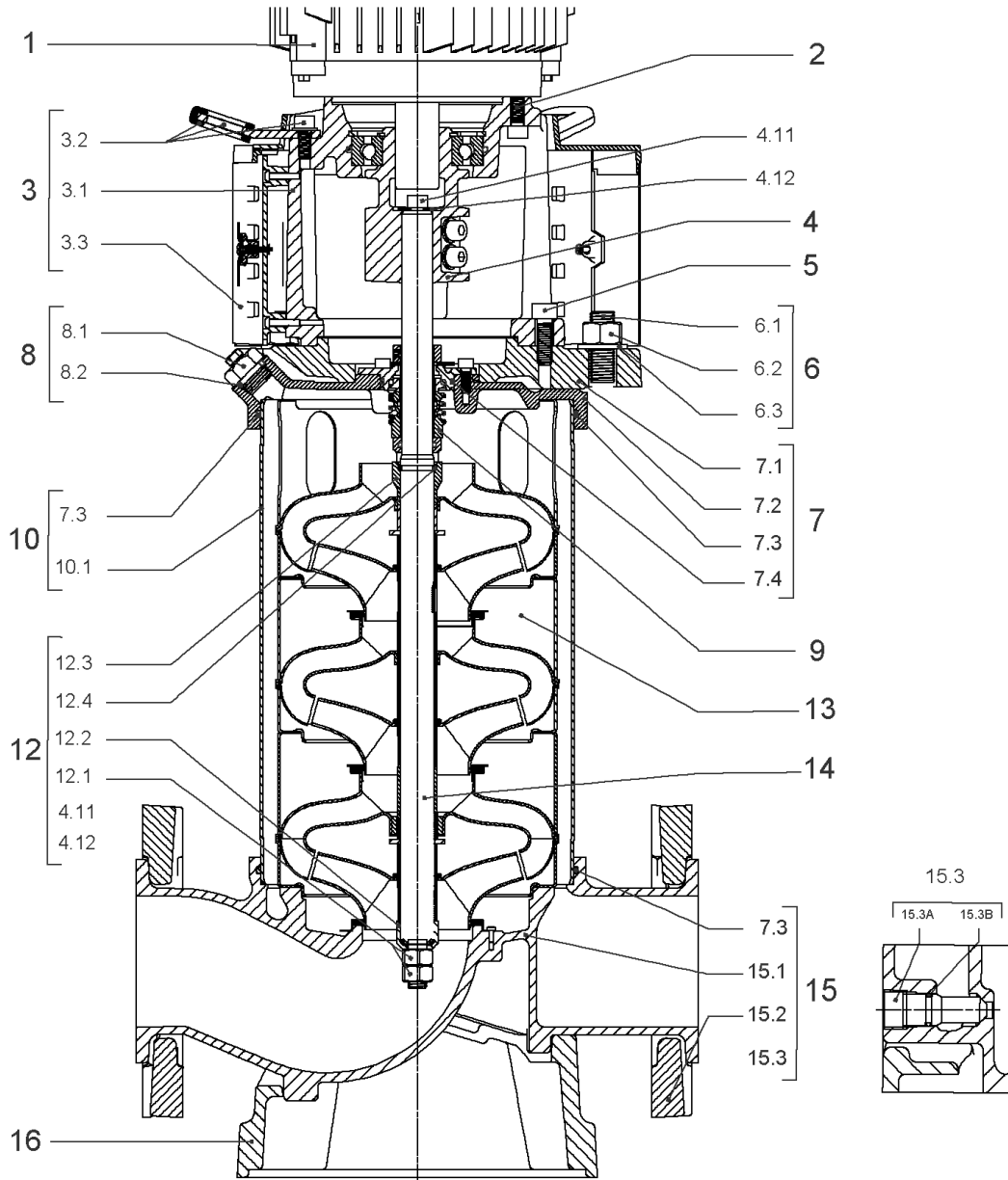
CARTRIDGE HELIX22-36-52 O/E KIT (4143973)

Item	Article no.	Description	Quantity
9.1	4143974	SEAL-KIT-HELIX22-36-52 O/E	1
7.3	4179571	> O-RING HOUSING PIPE HELIX22/36/52 VP.	1
7.4	4179572	> O-RING ID.42.52X2.62 EPDM VP.	1
9.1A	4179573	> M.SEAL.HELIX22-36-52 O/E VP.	1
9.1B	4179574	> O-RING ID.20x2.65 EPDM VP.	1
9.2	4179566	SHAFT SLEEVE D.20/20X60 1.4404 VP.	1
9.3	4179567	RING HOLDER Ø22 1.4301 VP.	1
9.4	4176520	SCREW CH M5x5 A4-70 (3PIECES)	1
9.5	4179568	DRIVE RING D.31/22.1x11 MACH.VP.	1
9.6	4179569	TOOL M.S.CART.HELIX 8" VP.	1
9.7	4179570	SCREW M6X16 ISO4762 8.8 GEOMET(4 PIECES)	1



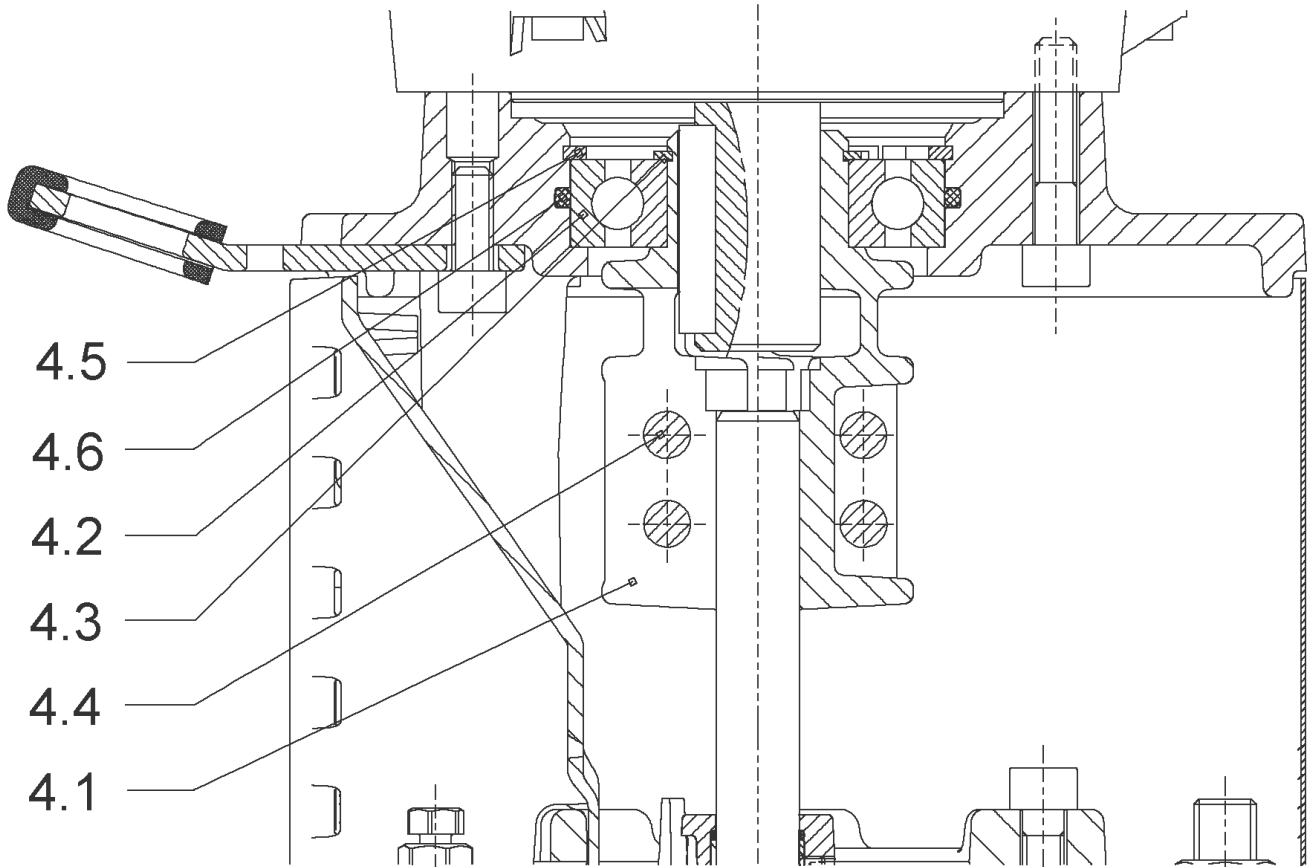
HYDRAULIC HELIX V 3601-1

Item	Article no.	Description	Quantity
13.1	4161199	UPPER STAGE HELIX 36 1.4301 KIT	1
		> STOP COLLAR OF IMPELLER L20-Ø22-316L	1
		> SHAFT-SLEEVE-D26xD22x16-CW	1
		> SLEEVE-SPACER-D22XL16,66-316L	1
		> REDUCED-IMPELLER-H1-M+36-304	1
		> MACH.-RIGID-BEARING-DISC.-CHAMBER-M+36-3	1
13.1A	4161200	> NECK RING 1.STAGE HELIX V36/52 KIT	1
		>> NECK-RING-M+36/52	1
		>> HYDRAULIC SUPPORT CAP M+36/52 304	1
		>> SCREW TCL M3X8 A4 POZIDRIV	1



HELIX V3601-1/16/E/KS/400-50 (4198470)

Item	Article no.	Description	Quantity
1	4169944	MOTOR 3/2/100 3~230/400V 50HZ IE3 VP.	1
		SPARE PARTS MOTOR:ON REQUEST	1
2	4159707	SCREW M8X30 (4 PIECES)	1
3	4157719	LANTERN HELIX 22/36 FT130 KIT	1
3.1		> LANTERN FT130 M+ GJL MACHINED+CATA	1
3.2	4179561	> EYELET CPL.FT HELIX(2 PIECES)	1
3.3	4143968	> COUPLING PROTECT HELIX FT KIT	1
4	4143964	COUPLING D.20XD.28 FT130 KIT	1
5	4094462	SCREWS M10 (4 PIECES)	1
6	4217903	STUD BOLT M16X319 KIT	1
6.1		> TIE BOLT M16-319x24x44-1.4057	1
6.2	4179562	> NUT M16 8.8 ISO4032 (4 PIECES)	1
6.3	4097852	> WASHER-CS-16.4-32-2.8-NFE25-511-A2	1
7	4217176	END SHIELD HELIX OPTI 8" EPDM KIT	1
7.1		> upper flange machined + cataphoresis	1
7.2	4217174	> STATIONARY RING HOLDER 8" HELIX OPTI VP.	1
7.3	4179571	> O-RING HOUSING PIPE HELIX22/36/52 VP.	1
7.4	4179572	> O-RING ID.42.52X2.62 EPDM VP.	1
8	4186377	FILING/PURGING PLUG 304 HELIX KIT	1
8.1		> FILLING/VENTING-PLUG-MVI8/10"-304	1
8.2	4032291	> O-RING 17x3 EPDM KTW/WRC	1
9	4143973	CARTRIDGE HELIX22-36-52 O/E KIT	1
10	4217905	HOUSING PIPE D.204X97 1.4307 KIT	1
7.3	4179571	> O-RING HOUSING PIPE HELIX22/36/52 VP.	1
10.1		> HOUSING-PIPE Ø204-L97,37-304	1
12	4161186	SHAFT EQUIPMENT HELIX V36 8" KIT	1
13		HYDRAULICHELIX V 3601	1
14	4180017	SHAFT D.22X287,34 1.4057 VP.	1
15	4217909	EQUIPED HOUSING DN65 HELIX OPTI 8" KIT	1
15.1		> pump casing machined DN65	1
15.2	4217907	> HALF FLANGE DN65 HELIX OPTI 8" VP.	1
15.3	4217850	> DRAIN/PRIMING PLUG HELIX OPTI 8" KIT	1
7.3	4179571	> O-RING HOUSING PIPE HELIX22/36/52 VP.	1
16	4217911	BASEPLATE DN65 HELIX OPTI 8" VP.	1



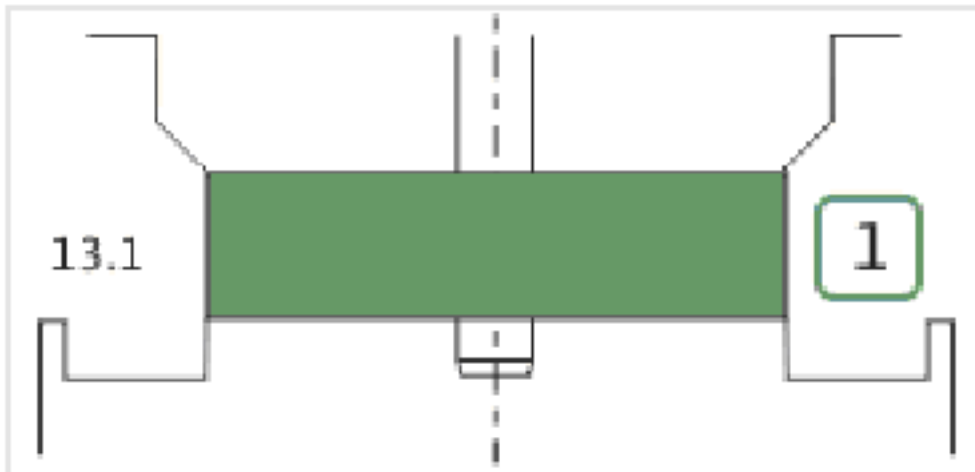
COUPLING D.20XD.28 FT130 KIT (4143964)

Item	Article no.	Description	Quantity
4.1		COUPLING M+ Ø20XØ28-FT130 MACHINED	1
4.2	2131022	BALL BEARING 6209/ZZ-C3(HT)VP.	1
4.3	4233930	CIRCLIP-FOR-BORES-D45x1,75 VP.	1
4.4	4157726	SCREW KIT M8X30 (4 PIECES)	1
4.5	4234252	CIRCLIPS 85X3 VP.	1
4.6	4234243	O-RING 85X3 VP.	1
		NOMEL CONTACT WASHER 8x16x1,4 STEEL ZC	1

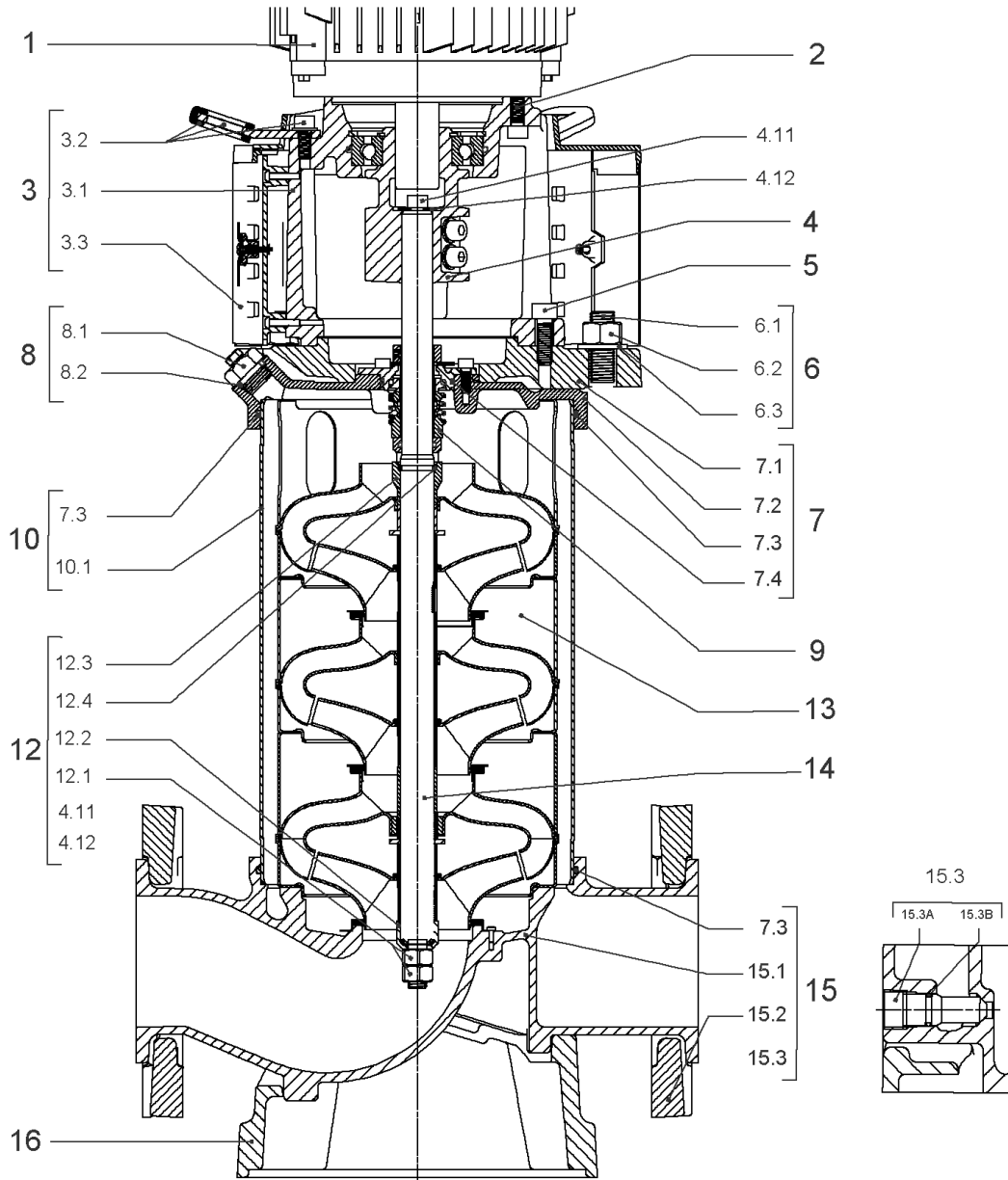


CARTRIDGE HELIX22-36-52 O/E KIT (4143973)

Item	Article no.	Description	Quantity
9.1	4143974	SEAL-KIT-HELIX22-36-52 O/E	1
7.3	4179571	> O-RING HOUSING PIPE HELIX22/36/52 VP.	1
7.4	4179572	> O-RING ID.42.52X2.62 EPDM VP.	1
9.1A	4179573	> M.SEAL.HELIX22-36-52 O/E VP.	1
9.1B	4179574	> O-RING ID.20x2.65 EPDM VP.	1
9.2	4179566	SHAFT SLEEVE D.20/20X60 1.4404 VP.	1
9.3	4179567	RING HOLDER Ø22 1.4301 VP.	1
9.4	4176520	SCREW CH M5x5 A4-70 (3PIECES)	1
9.5	4179568	DRIVE RING D.31/22.1x11 MACH.VP.	1
9.6	4179569	TOOL M.S.CART.HELIX 8" VP.	1
9.7	4179570	SCREW M6X16 ISO4762 8.8 GEOMET(4 PIECES)	1

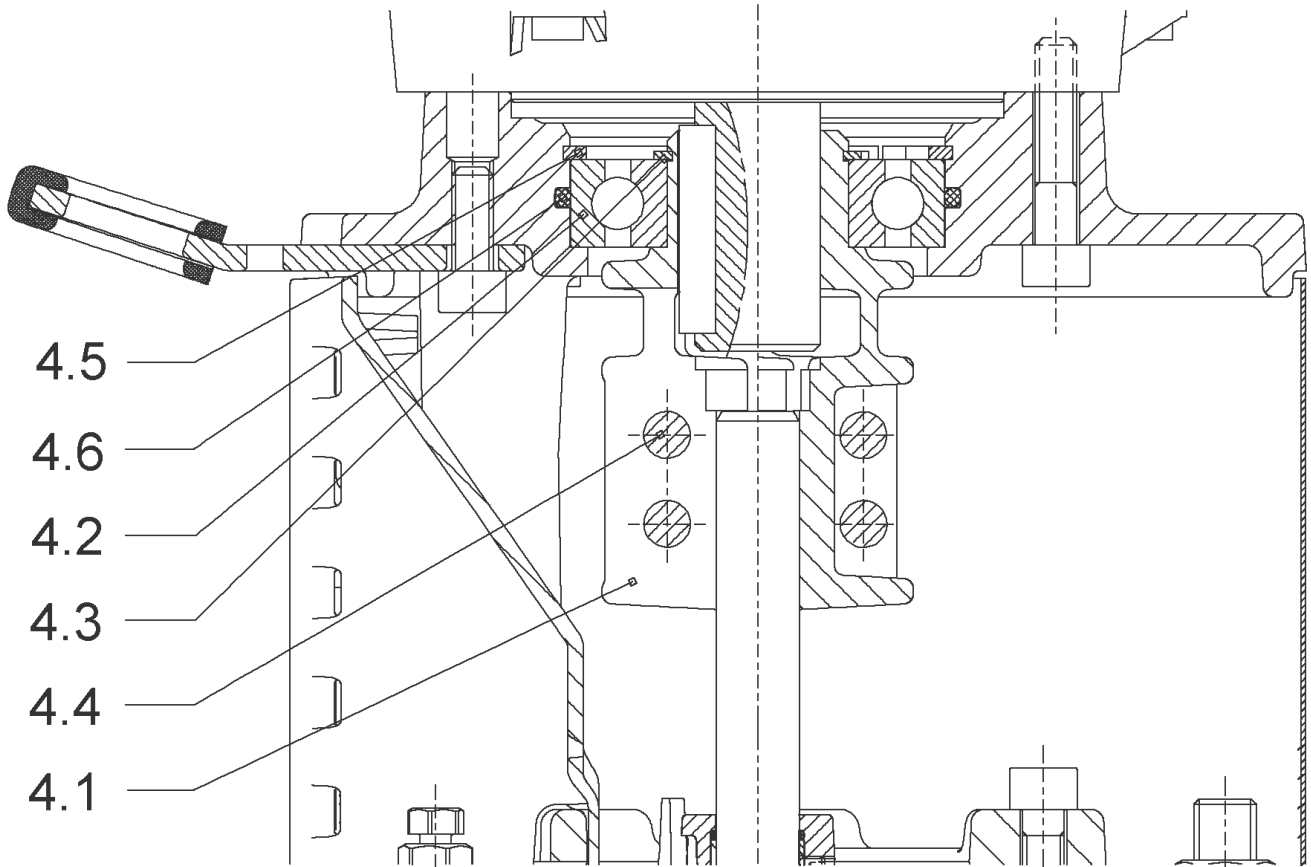


Item	Article no.	Description	Quantity
13.1	4161198	UPPER STAGE HELIX 36 1.4301 KIT	1
		> STOP COLLAR OF IMPELLER L20-Ø22-316L	1
		> SHAFT-SLEEVE-D26xD22x16-CW	1
		> SLEEVE-SPACER-D22XL16,66-316L	1
		> IMPELLER-H1-M+36-304	1
		> MACH.-RIGID-BEARING-DISC.-CHAMBER-M+36-3	1
13.1A	4161200	> NECK RING 1.STAGE HELIX V36/52 KIT	1
		>> NECK-RING-M+36/52	1
		>> HYDRAULIC SUPPORT CAP M+36/52 304	1
		>> SCREW TCL M3X8 A4 POZIDRIV	1



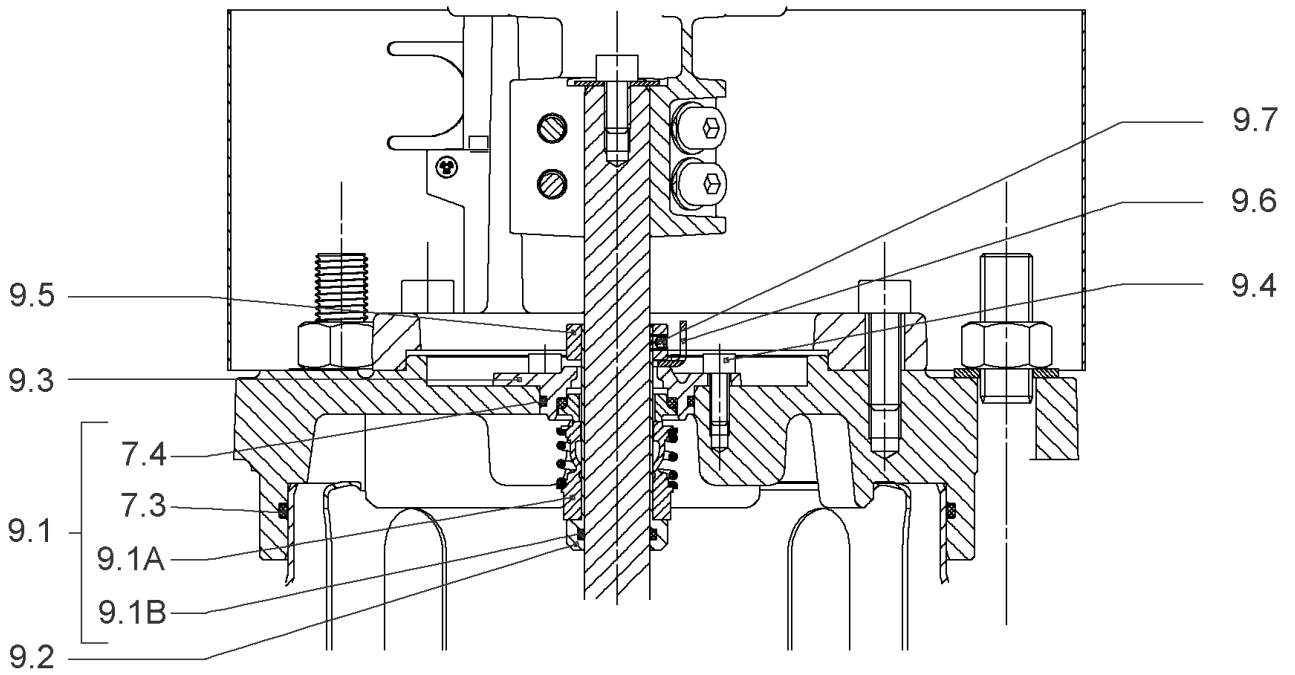
HELIX V3602/2-1/16/E/KS/400-50 (4198471)

Item	Article no.	Description	Quantity
1	4169945	MO.4/2 3~230/400(460)V 50(60)HZ IE3 VP.	1
		SPARE PARTS MOTOR:ON REQUEST	1
2	4159707	SCREW M8X30 (4 PIECES)	1
3	4157719	LANTERN HELIX 22/36 FT130 KIT	1
3.1		> LANTERN FT130 M+ GJL MACHINED+CATA	1
3.2	4179561	> EYELET CPL.FT HELIX(2 PIECES)	1
3.3	4143968	> COUPLING PROTECT HELIX FT KIT	1
4	4143964	COUPLING D.20XD.28 FT130 KIT	1
5	4094462	SCREWS M10 (4 PIECES)	1
6	4181164	STUD BOLT M16X382 KIT	1
6.1		> TIE BOLT M16-382x24x44-1.4057	1
6.2	4179562	> NUT M16 8.8 ISO4032 (4 PIECES)	1
6.3	4097852	> WASHER-CS-16.4-32-2.8-NFE25-511-A2	1
7	4217176	END SHIELD HELIX OPTI 8" EPDM KIT	1
7.1		> upper flange machined + cataphoresis	1
7.2	4217174	> STATIONARY RING HOLDER 8" HELIX OPTI VP.	1
7.3	4179571	> O-RING HOUSING PIPE HELIX22/36/52 VP.	1
7.4	4179572	> O-RING ID.42.52X2.62 EPDM VP.	1
8	4186377	FILING/PURGING PLUG 304 HELIX KIT	1
8.1		> FILLING/VENTING-PLUG-MVI8/10"-304	1
8.2	4032291	> O-RING 17x3 EPDM KTW/WRC	1
9	4143973	CARTRIDGE HELIX22-36-52 O/E KIT	1
10	4181154	HOUSING PIPE D.204X164 1.4307 KIT	1
7.3	4179571	> O-RING HOUSING PIPE HELIX22/36/52 VP.	1
10.1		> HOUSING-PIPE Ø204-M+2201/2202-304	1
12	4161186	SHAFT EQUIPMENT HELIX V36 8" KIT	1
13		HYDRAULIC HELIX V 3602-2	1
14	4181073	SHAFTS D.22X354 1.4057 VP.	1
15	4217909	EQUIPED HOUSING DN65 HELIX OPTI 8" KIT	1
15.1		> pump casing machined DN65	1
15.2	4217907	> HALF FLANGE DN65 HELIX OPTI 8" VP.	1
15.3	4217850	> DRAIN/PRIMING PLUG HELIX OPTI 8" KIT	1
7.3	4179571	> O-RING HOUSING PIPE HELIX22/36/52 VP.	1
16	4217911	BASEPLATE DN65 HELIX OPTI 8" VP.	1



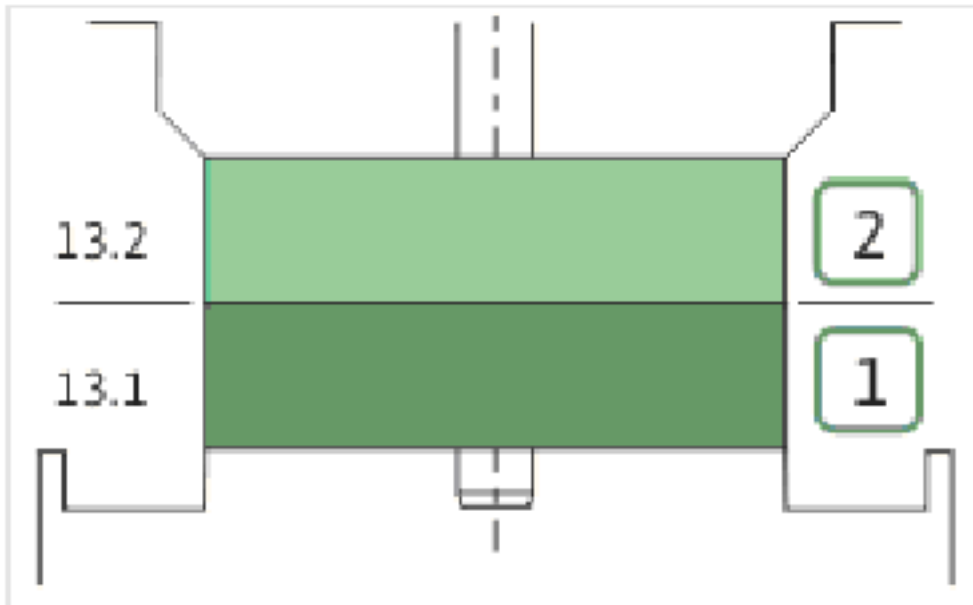
COUPLING D.20XD.28 FT130 KIT (4143964)

Item	Article no.	Description	Quantity
4.1		COUPLING M+ Ø20XØ28-FT130 MACHINED	1
4.2	2131022	BALL BEARING 6209/ZZ-C3(HT)VP.	1
4.3	4233930	CIRCLIP-FOR-BORES-D45x1,75 VP.	1
4.4	4157726	SCREW KIT M8X30 (4 PIECES)	1
4.5	4234252	CIRCLIPS 85X3 VP.	1
4.6	4234243	O-RING 85X3 VP.	1
		NOMEL CONTACT WASHER 8x16x1,4 STEEL ZC	1



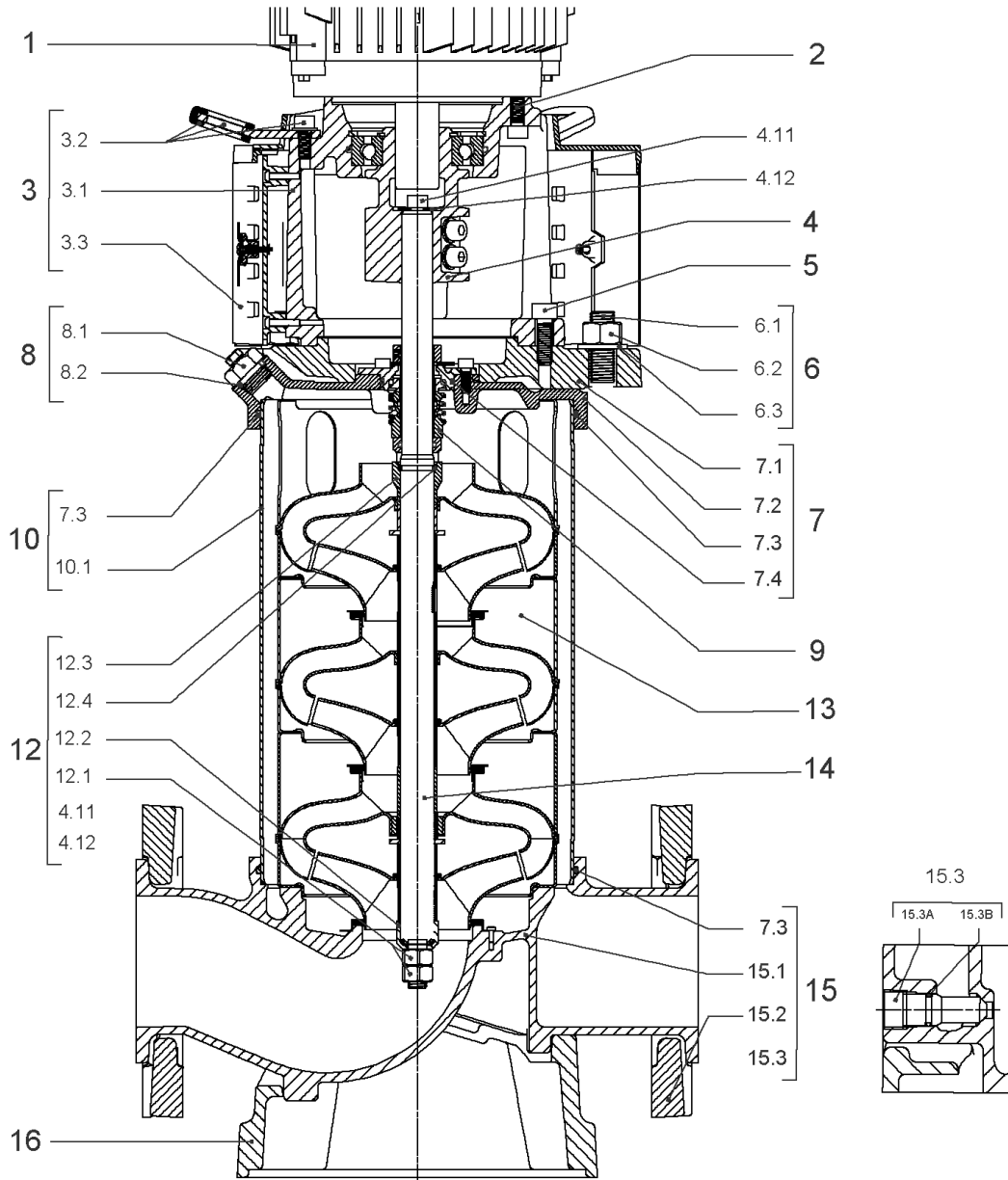
CARTRIDGE HELIX22-36-52 O/E KIT (4143973)

Item	Article no.	Description	Quantity
9.1	4143974	SEAL-KIT-HELIX22-36-52 O/E	1
7.3	4179571	> O-RING HOUSING PIPE HELIX22/36/52 VP.	1
7.4	4179572	> O-RING ID.42.52X2.62 EPDM VP.	1
9.1A	4179573	> M.SEAL.HELIX22-36-52 O/E VP.	1
9.1B	4179574	> O-RING ID.20x2.65 EPDM VP.	1
9.2	4179566	SHAFT SLEEVE D.20/20X60 1.4404 VP.	1
9.3	4179567	RING HOLDER Ø22 1.4301 VP.	1
9.4	4176520	SCREW CH M5x5 A4-70 (3PIECES)	1
9.5	4179568	DRIVE RING D.31/22.1x11 MACH.VP.	1
9.6	4179569	TOOL M.S.CART.HELIX 8" VP.	1
9.7	4179570	SCREW M6X16 ISO4762 8.8 GEOMET(4 PIECES)	1



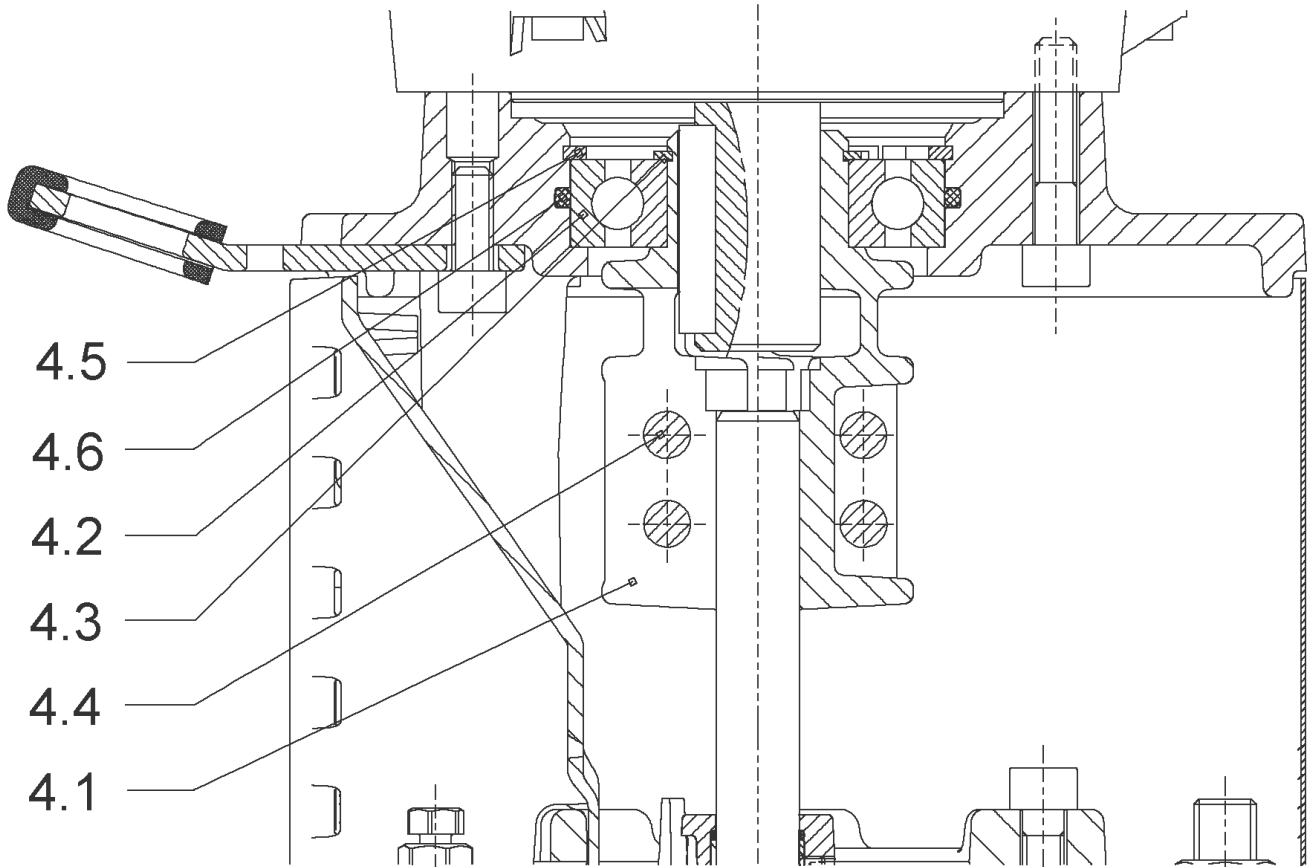
HYDRAULIC HELIX V 3602-2

Item	Article no.	Description	Quantity
13.1	4161197	INTERMEDIATE STAGE HELIX V36 1.4301 KIT	1
		> SLEEVE-SPACER-D22XL16,66-316L	1
		> MACH.BEARING-DIFFUSER+NR-M+36-304	1
		> SHAFT-SLEEVE-D26xD22x16-CW	1
		> REDUCED-IMPELLER-H1-M+36-304	1
13.1A	4161200	> NECK RING 1.STAGE HELIX V36/52 KIT	1
		>> NECK-RING-M+36/52	1
		>> HYDRAULIC SUPPORT CAP M+36/52 304	1
		>> SCREW TCL M3X8 A4 POZIDRIV	1
13.2	4161196	UPPER STAGE HELIX 36 1.4301 KIT	1
		> STOP COLLAR OF IMPELLER L20-Ø22-316L	1
		> REDUCED-IMPELLER-H4-M+36-304	1
		> MACH.-RIGID-STD-DISCH.-CHAMBER-M+36-304	1



HELIX V3602/1-1/16/E/KS/400-50 (4198472)

Item	Article no.	Description	Quantity
1	4169947	MO 5,5/2/112 3~400V50Hz 460V60Hz IE3 VP.	1
		SPARE PARTS MOTOR:ON REQUEST	1
2	4159707	SCREW M8X30 (4 PIECES)	1
3	4157719	LANTERN HELIX 22/36 FT130 KIT	1
3.1		> LANTERN FT130 M+ GJL MACHINED+CATA	1
3.2	4179561	> EYELET CPL.FT HELIX(2 PIECES)	1
3.3	4143968	> COUPLING PROTECT HELIX FT KIT	1
4	4143964	COUPLING D.20XD.28 FT130 KIT	1
5	4094462	SCREWS M10 (4 PIECES)	1
6	4181164	STUD BOLT M16X382 KIT	1
6.1		> TIE BOLT M16-382x24x44-1.4057	1
6.2	4179562	> NUT M16 8.8 ISO4032 (4 PIECES)	1
6.3	4097852	> WASHER-CS-16.4-32-2.8-NFE25-511-A2	1
7	4217176	END SHIELD HELIX OPTI 8" EPDM KIT	1
7.1		> upper flange machined + cataphoresis	1
7.2	4217174	> STATIONARY RING HOLDER 8" HELIX OPTI VP.	1
7.3	4179571	> O-RING HOUSING PIPE HELIX22/36/52 VP.	1
7.4	4179572	> O-RING ID.42.52X2.62 EPDM VP.	1
8	4186377	FILING/PURGING PLUG 304 HELIX KIT	1
8.1		> FILLING/VENTING-PLUG-MVI8/10"-304	1
8.2	4032291	> O-RING 17x3 EPDM KTW/WRC	1
9	4143973	CARTRIDGE HELIX22-36-52 O/E KIT	1
10	4181154	HOUSING PIPE D.204X164 1.4307 KIT	1
7.3	4179571	> O-RING HOUSING PIPE HELIX22/36/52 VP.	1
10.1		> HOUSING-PIPE Ø204-M+2201/2202-304	1
12	4161186	SHAFT EQUIPMENT HELIX V36 8" KIT	1
13		HYDRAULIC HELIX V 3602-1	1
14	4181073	SHAFTS D.22X354 1.4057 VP.	1
15	4217909	EQUIPED HOUSING DN65 HELIX OPTI 8" KIT	1
15.1		> pump casing machined DN65	1
15.2	4217907	> HALF FLANGE DN65 HELIX OPTI 8" VP.	1
15.3	4217850	> DRAIN/PRIMING PLUG HELIX OPTI 8" KIT	1
7.3	4179571	> O-RING HOUSING PIPE HELIX22/36/52 VP.	1
16	4217911	BASEPLATE DN65 HELIX OPTI 8" VP.	1



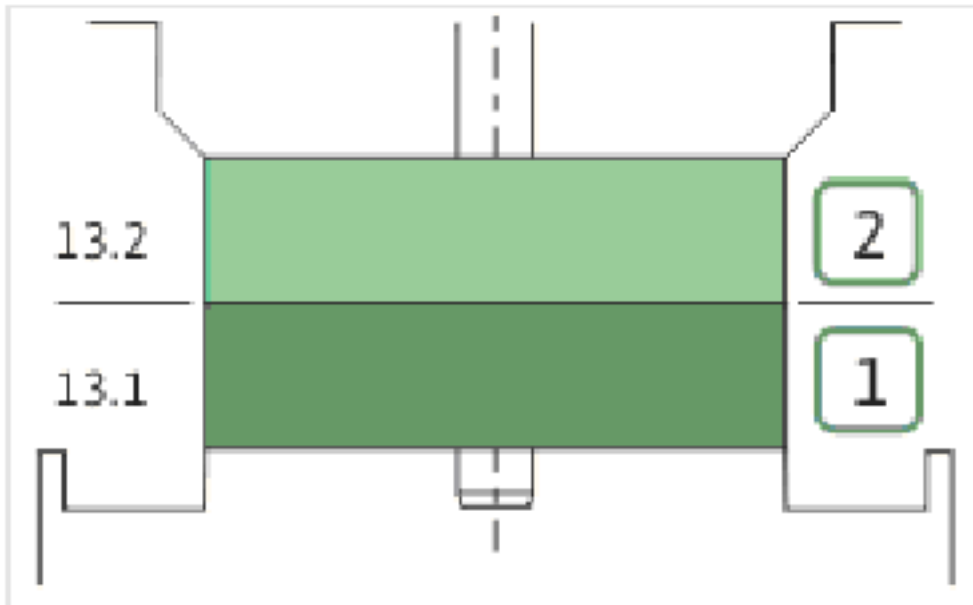
COUPLING D.20XD.28 FT130 KIT (4143964)

Item	Article no.	Description	Quantity
4.1		COUPLING M+ Ø20XØ28-FT130 MACHINED	1
4.2	2131022	BALL BEARING 6209/ZZ-C3(HT)VP.	1
4.3	4233930	CIRCLIP-FOR-BORES-D45x1,75 VP.	1
4.4	4157726	SCREW KIT M8X30 (4 PIECES)	1
4.5	4234252	CIRCLIPS 85X3 VP.	1
4.6	4234243	O-RING 85X3 VP.	1
		NOMEL CONTACT WASHER 8x16x1,4 STEEL ZC	1



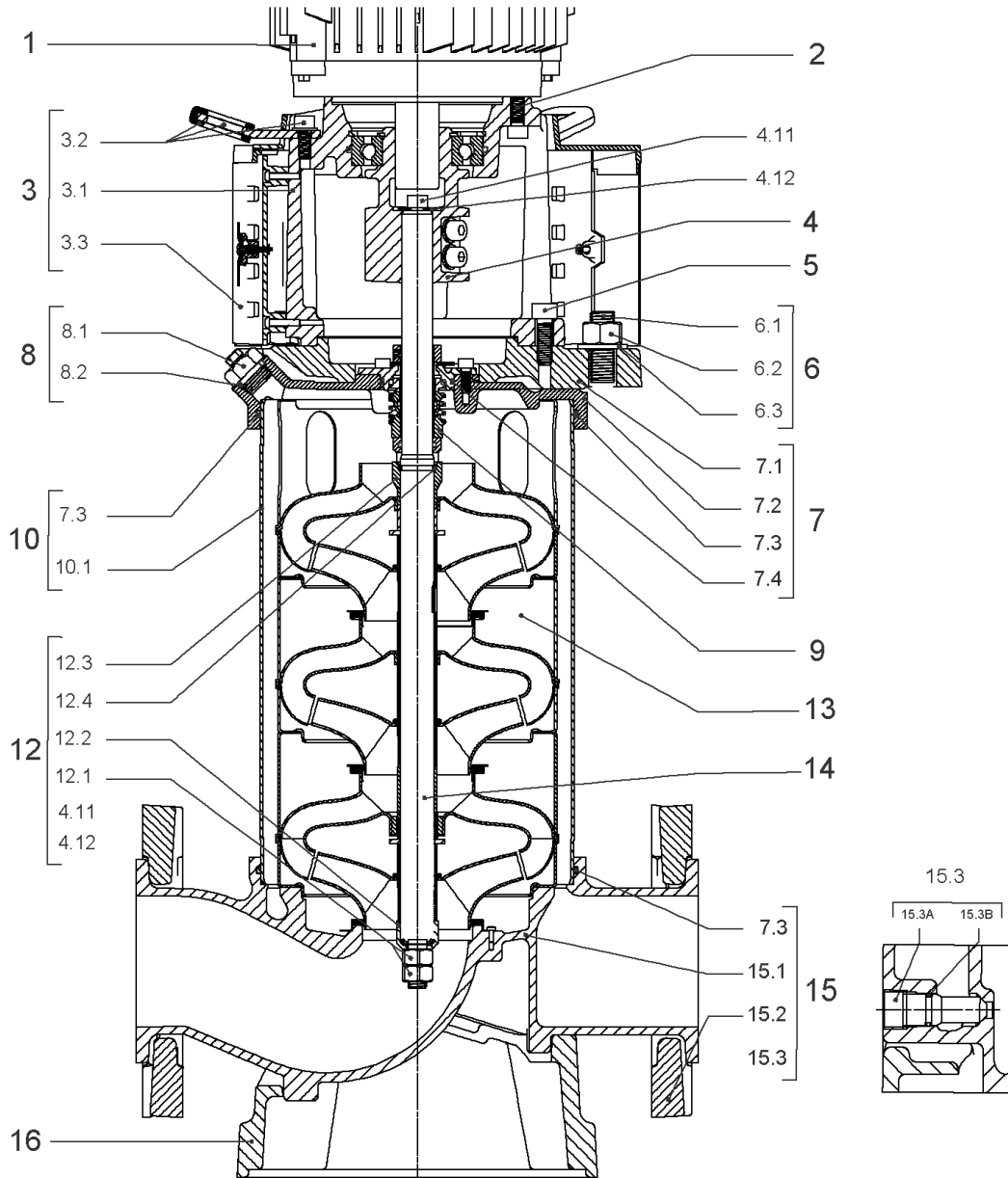
CARTRIDGE HELIX22-36-52 O/E KIT (4143973)

Item	Article no.	Description	Quantity
9.1	4143974	SEAL-KIT-HELIX22-36-52 O/E	1
7.3	4179571	> O-RING HOUSING PIPE HELIX22/36/52 VP.	1
7.4	4179572	> O-RING ID.42.52X2.62 EPDM VP.	1
9.1A	4179573	> M.SEAL.HELIX22-36-52 O/E VP.	1
9.1B	4179574	> O-RING ID.20x2.65 EPDM VP.	1
9.2	4179566	SHAFT SLEEVE D.20/20X60 1.4404 VP.	1
9.3	4179567	RING HOLDER Ø22 1.4301 VP.	1
9.4	4176520	SCREW CH M5x5 A4-70 (3PIECES)	1
9.5	4179568	DRIVE RING D.31/22.1x11 MACH.VP.	1
9.6	4179569	TOOL M.S.CART.HELIX 8" VP.	1
9.7	4179570	SCREW M6X16 ISO4762 8.8 GEOMET(4 PIECES)	1



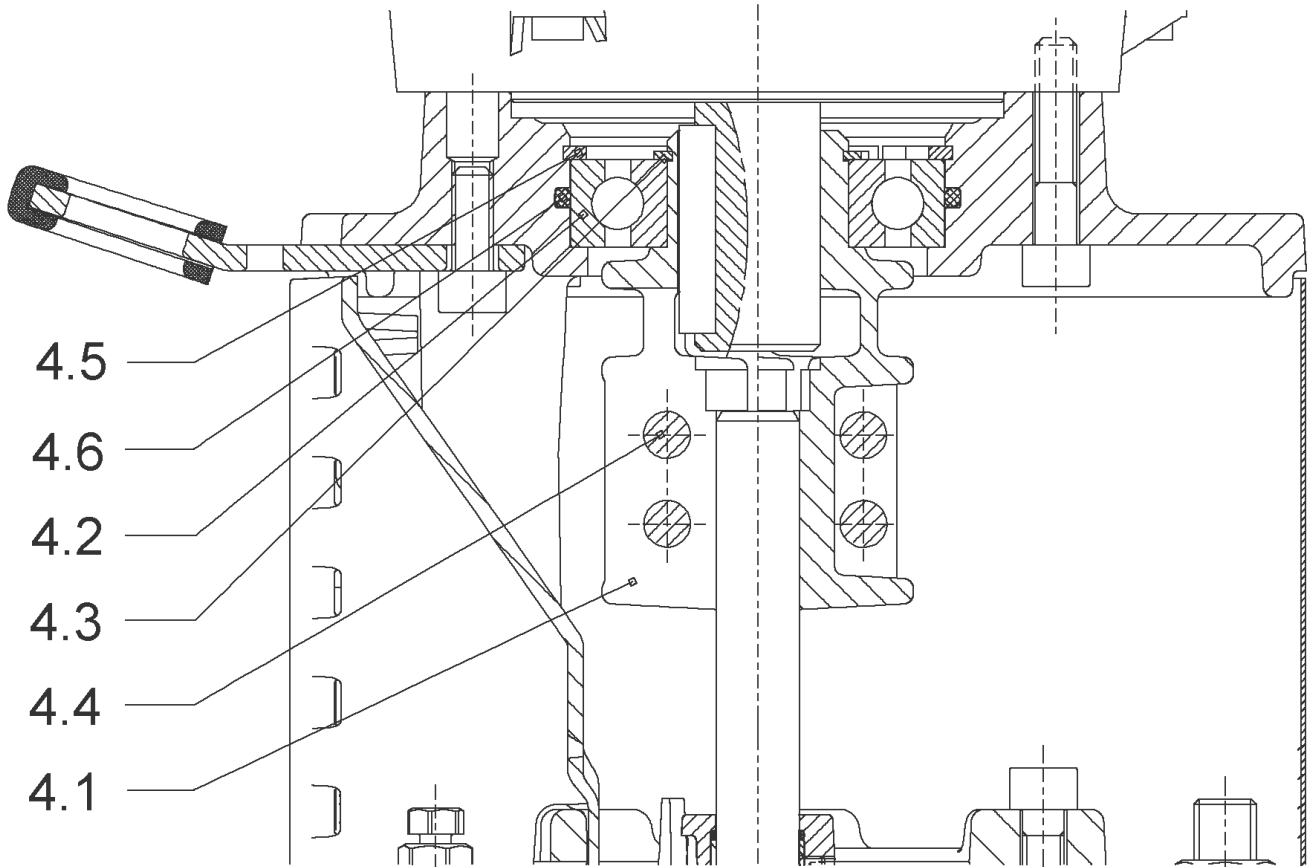
HYDRAULIC HELIX V 3602-1

Item	Article no.	Description	Quantity
13.1	4161192	INTERMEDIATE STAGE HELIX V36 1.4301 KIT	1
		> SLEEVE-SPACER-D22XL16,66-316L	1
		> MACH.BEARING-DIFFUSER+NR-M+36-304	1
		> SHAFT-SLEEVE-D26xD22x16-CW	1
		> IMPELLER-H1-M+36-304	1
13.1A	4161200	> NECK RING 1.STAGE HELIX V36/52 KIT	1
		>> NECK-RING-M+36/52	1
		>> HYDRAULIC SUPPORT CAP M+36/52 304	1
		>> SCREW TCL M3X8 A4 POZIDRIV	1
13.2	4161196	UPPER STAGE HELIX 36 1.4301 KIT	1
		> STOP COLLAR OF IMPELLER L20-Ø22-316L	1
		> REDUCED-IMPELLER-H4-M+36-304	1
		> MACH.-RIGID-STD-DISCH.-CHAMBER-M+36-304	1



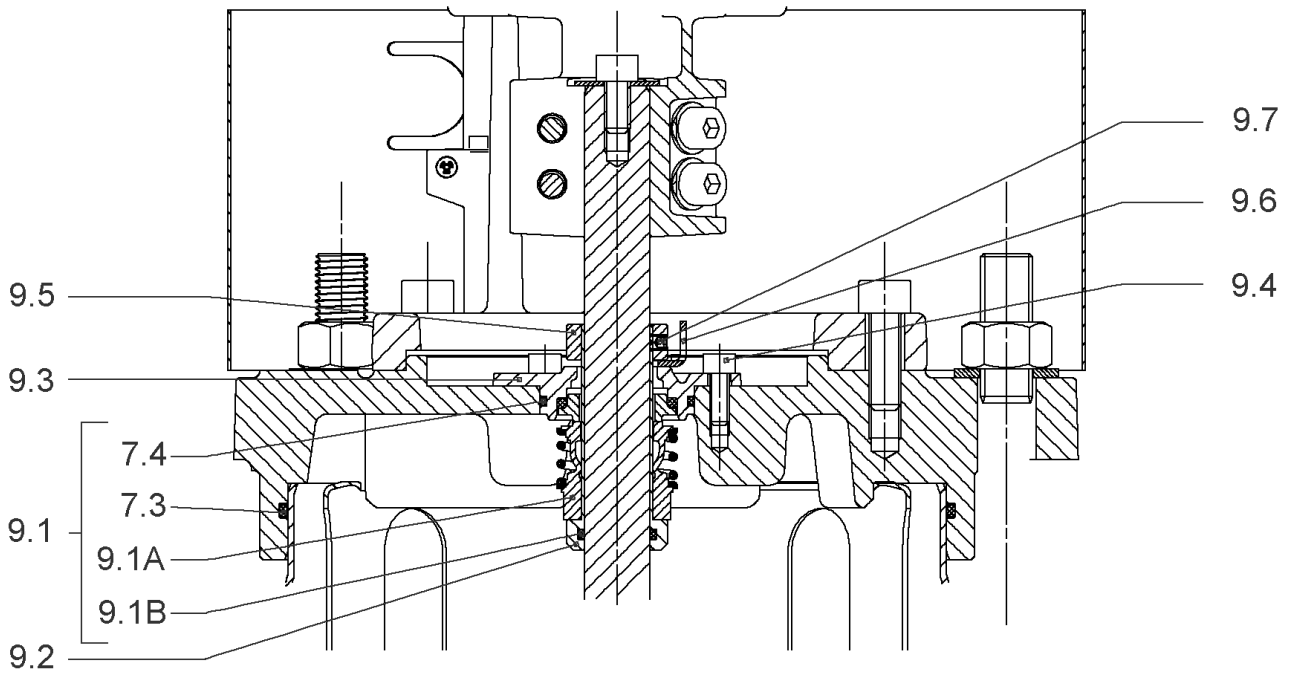
HELIX V3602-1/16/E/KS/400-50 (4198473)

Item	Article no.	Description	Quantity
1	4169947	MO 5,5/2/112 3~400V50Hz 460V60Hz IE3 VP.	1
		SPARE PARTS MOTOR:ON REQUEST	1
2	4159707	SCREW M8X30 (4 PIECES)	1
3	4157719	LANTERN HELIX 22/36 FT130 KIT	1
3.1		> LANTERN FT130 M+ GJL MACHINED+CATA	1
3.2	4179561	> EYELET CPL.FT HELIX(2 PIECES)	1
3.3	4143968	> COUPLING PROTECT HELIX FT KIT	1
4	4143964	COUPLING D.20XD.28 FT130 KIT	1
5	4094462	SCREWS M10 (4 PIECES)	1
6	4181164	STUD BOLT M16X382 KIT	1
6.1		> TIE BOLT M16-382x24x44-1.4057	1
6.2	4179562	> NUT M16 8.8 ISO4032 (4 PIECES)	1
6.3	4097852	> WASHER-CS-16.4-32-2.8-NFE25-511-A2	1
7	4217176	END SHIELD HELIX OPTI 8" EPDM KIT	1
7.1		> upper flange machined + cataphoresis	1
7.2	4217174	> STATIONARY RING HOLDER 8" HELIX OPTI VP.	1
7.3	4179571	> O-RING HOUSING PIPE HELIX22/36/52 VP.	1
7.4	4179572	> O-RING ID.42.52X2.62 EPDM VP.	1
8	4186377	FILING/PURGING PLUG 304 HELIX KIT	1
8.1		> FILLING/VENTING-PLUG-MVI8/10"-304	1
8.2	4032291	> O-RING 17x3 EPDM KTW/WRC	1
9	4143973	CARTRIDGE HELIX22-36-52 O/E KIT	1
10	4181154	HOUSING PIPE D.204X164 1.4307 KIT	1
7.3	4179571	> O-RING HOUSING PIPE HELIX22/36/52 VP.	1
10.1		> HOUSING-PIPE Ø204-M+2201/2202-304	1
12	4161186	SHAFT EQUIPMENT HELIX V36 8" KIT	1
13		HYDRAULIC HELIX V 3602	1
14	4181073	SHAFTS D.22X354 1.4057 VP.	1
15	4217909	EQUIPED HOUSING DN65 HELIX OPTI 8" KIT	1
15.1		> pump casing machined DN65	1
15.2	4217907	> HALF FLANGE DN65 HELIX OPTI 8" VP.	1
15.3	4217850	> DRAIN/PRIMING PLUG HELIX OPTI 8" KIT	1
7.3	4179571	> O-RING HOUSING PIPE HELIX22/36/52 VP.	1
16	4217911	BASEPLATE DN65 HELIX OPTI 8" VP.	1



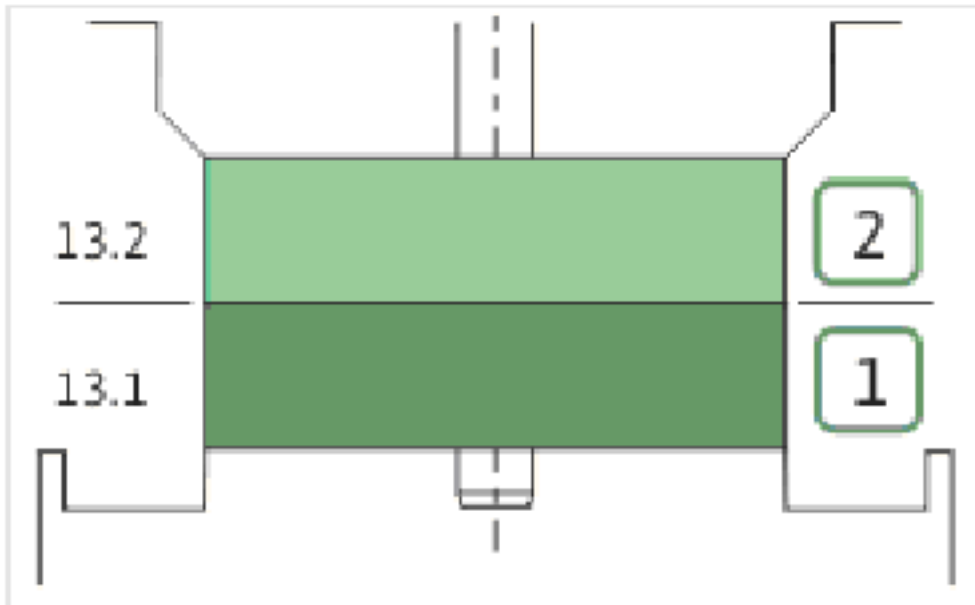
COUPLING D.20XD.28 FT130 KIT (4143964)

Item	Article no.	Description	Quantity
4.1		COUPLING M+ Ø20XØ28-FT130 MACHINED	1
4.2	2131022	BALL BEARING 6209/ZZ-C3(HT)VP.	1
4.3	4233930	CIRCLIP-FOR-BORES-D45x1,75 VP.	1
4.4	4157726	SCREW KIT M8X30 (4 PIECES)	1
4.5	4234252	CIRCLIPS 85X3 VP.	1
4.6	4234243	O-RING 85X3 VP.	1
		NOMEL CONTACT WASHER 8x16x1,4 STEEL ZC	1



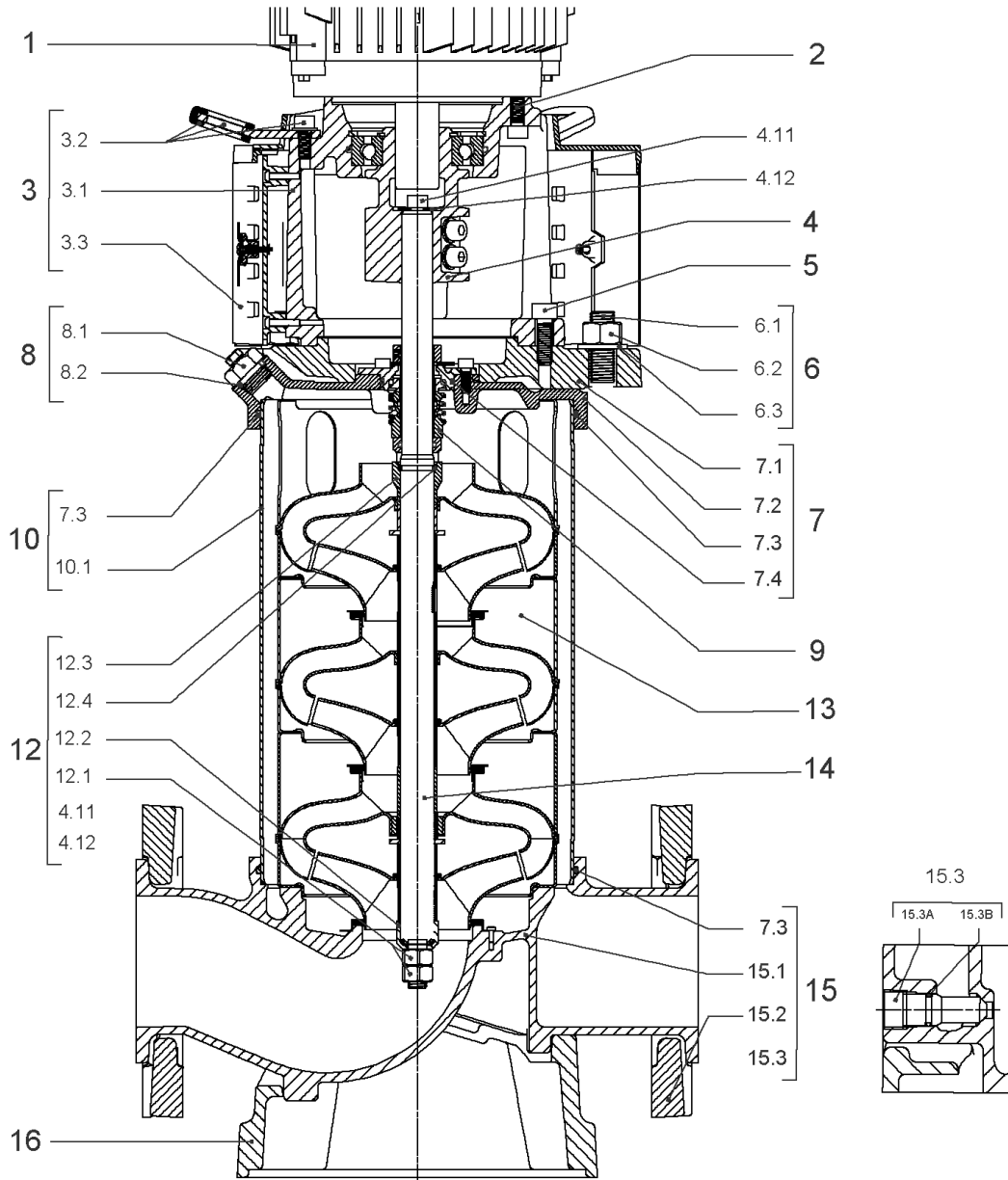
CARTRIDGE HELIX22-36-52 O/E KIT (4143973)

Item	Article no.	Description	Quantity
9.1	4143974	SEAL-KIT-HELIX22-36-52 O/E	1
7.3	4179571	> O-RING HOUSING PIPE HELIX22/36/52 VP.	1
7.4	4179572	> O-RING ID.42.52X2.62 EPDM VP.	1
9.1A	4179573	> M.SEAL.HELIX22-36-52 O/E VP.	1
9.1B	4179574	> O-RING ID.20x2.65 EPDM VP.	1
9.2	4179566	SHAFT SLEEVE D.20/20X60 1.4404 VP.	1
9.3	4179567	RING HOLDER Ø22 1.4301 VP.	1
9.4	4176520	SCREW CH M5x5 A4-70 (3PIECES)	1
9.5	4179568	DRIVE RING D.31/22.1x11 MACH.VP.	1
9.6	4179569	TOOL M.S.CART.HELIX 8" VP.	1
9.7	4179570	SCREW M6X16 ISO4762 8.8 GEOMET(4 PIECES)	1



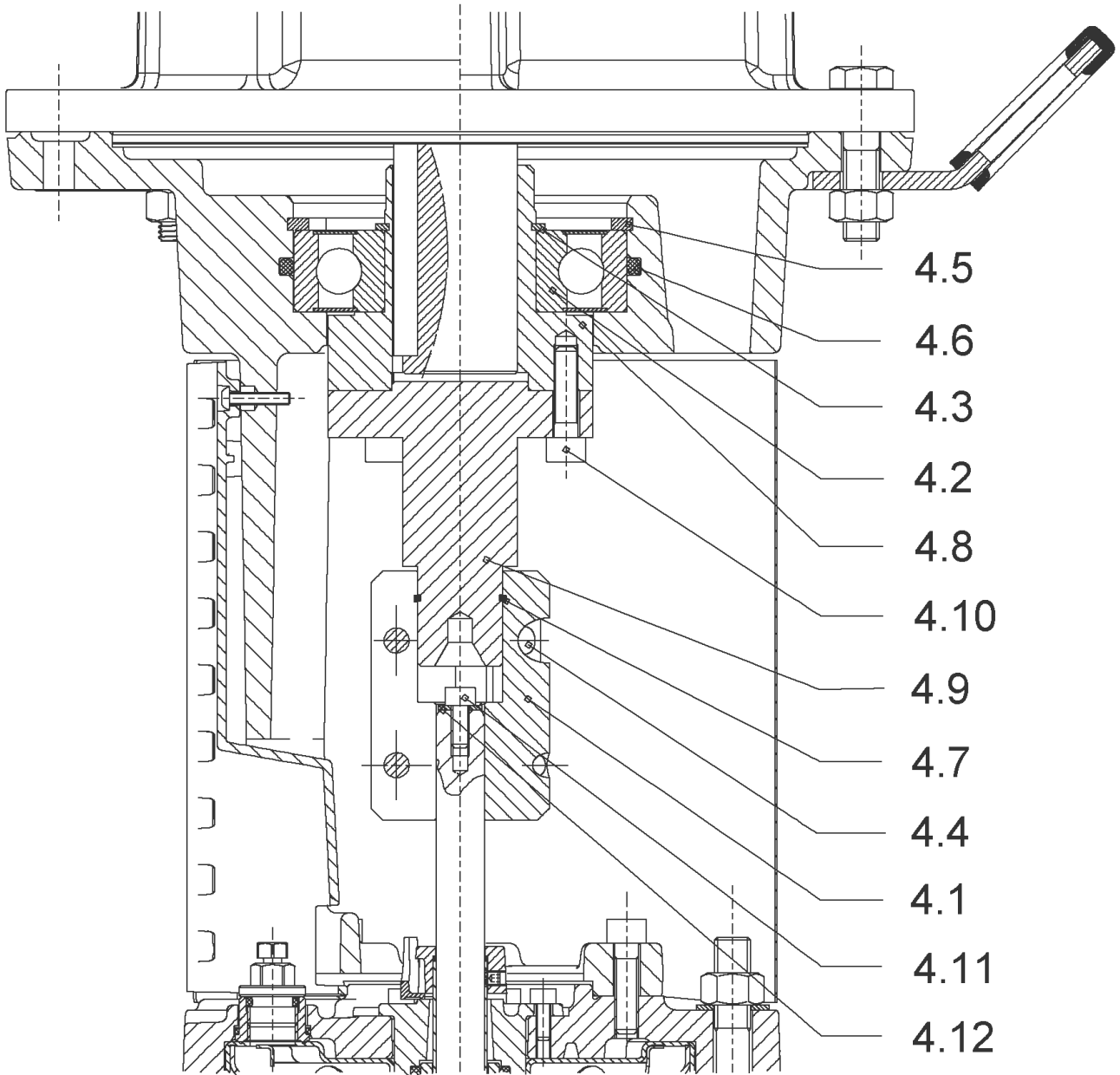
HYDRAULIC HELIX V 3602

Item	Article no.	Description	Quantity
13.1	4161192	INTERMEDIATE STAGE HELIX V36 1.4301 KIT	1
		> SLEEVE-SPACER-D22XL16,66-316L	1
		> MACH.BEARING-DIFFUSER+NR-M+36-304	1
		> SHAFT-SLEEVE-D26xD22x16-CW	1
		> IMPELLER-H1-M+36-304	1
13.1A	4161200	> NECK RING 1.STAGE HELIX V36/52 KIT	1
		>> NECK-RING-M+36/52	1
		>> HYDRAULIC SUPPORT CAP M+36/52 304	1
		>> SCREW TCL M3X8 A4 POZIDRIV	1
13.2	4161194	UPPER STAGE HELIX 36 1.4301 KIT	1
		> STOP COLLAR OF IMPELLER L20-Ø22-316L	1
		> IMPELLER-H4-M+36-304	1
		> MACH.-RIGID-STD-DISCH.-CHAMBER-M+36-304	1



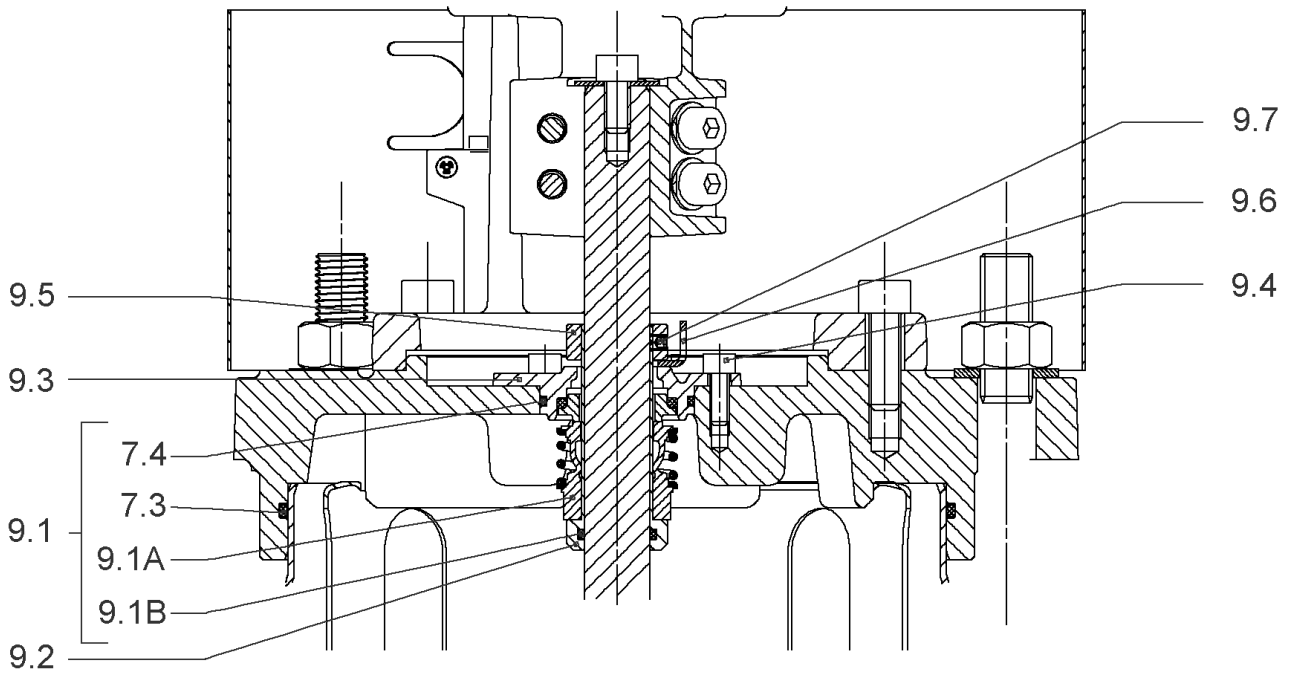
HELIX V3603/2-1/16/E/KS/400-50 (4198474)

Item	Article no.	Description	Quantity
1	4195450	MOTOR 7,5/2/* 3~400V 50HZ IE3 VP.	1
		SPARE PARTS MOTOR:ON REQUEST	1
2	4159704	SCREW KIT M12X50 (4 PIECES)	1
3	4161187	LANTERN FF265 HELIX 8" KIT	1
3.1		> LANTERN FF265 M+ GJL MACHINED+CATA	1
3.2	2127605	> EYELET CPL.FF265 HELIX(2 PIECES)	1
3.3	4143969	> COUPLING PROTECT HELIX FF KIT	1
4	4143965	COUPLING D.20XD.28 FF265 KIT	1
5	4157725	SCREW M10X40 (4 PIECES)	1
6	4186355	STUD BOLT M16X453 KIT	1
6.1		> TIE BOLT M16-453x24x44-1.4057	1
6.2	4179562	> NUT M16 8.8 ISO4032 (4 PIECES)	1
6.3	4097852	> WASHER-CS-16.4-32-2.8-NFE25-511-A2	1
7	4217176	END SHIELD HELIX OPTI 8" EPDM KIT	1
7.1		> upper flange machined + cataphoresis	1
7.2	4217174	> STATIONARY RING HOLDER 8" HELIX OPTI VP.	1
7.3	4179571	> O-RING HOUSING PIPE HELIX22/36/52 VP.	1
7.4	4179572	> O-RING ID.42.52X2.62 EPDM VP.	1
8	4186377	FILING/PURGING PLUG 304 HELIX KIT	1
8.1		> FILLING/VENTING-PLUG-MVI8/10"-304	1
8.2	4032291	> O-RING 17x3 EPDM KTW/WRC	1
9	4143973	CARTRIDGE HELIX22-36-52 O/E KIT	1
10	4179582	HOUSING PIPE D.204X230 1.4307 KIT	1
7.3	4179571	> O-RING HOUSING PIPE HELIX22/36/52 VP.	1
10.1		> HOUSING-PIPE Ø204-M+5202-304	1
12	4161186	SHAFT EQUIPMENT HELIX V36 8" KIT	1
13		HYDRAULIC HELIX V 3603-2	1
14	2119966	SHAFT D.22 LG.420,67 HELIX 1.4057 VP.	1
15	4217909	EQUIPED HOUSING DN65 HELIX OPTI 8" KIT	1
15.1		> pump casing machined DN65	1
15.2	4217907	> HALF FLANGE DN65 HELIX OPTI 8" VP.	1
15.3	4217850	> DRAIN/PRIMING PLUG HELIX OPTI 8" KIT	1
7.3	4179571	> O-RING HOUSING PIPE HELIX22/36/52 VP.	1
16	4217911	BASEPLATE DN65 HELIX OPTI 8" VP.	1



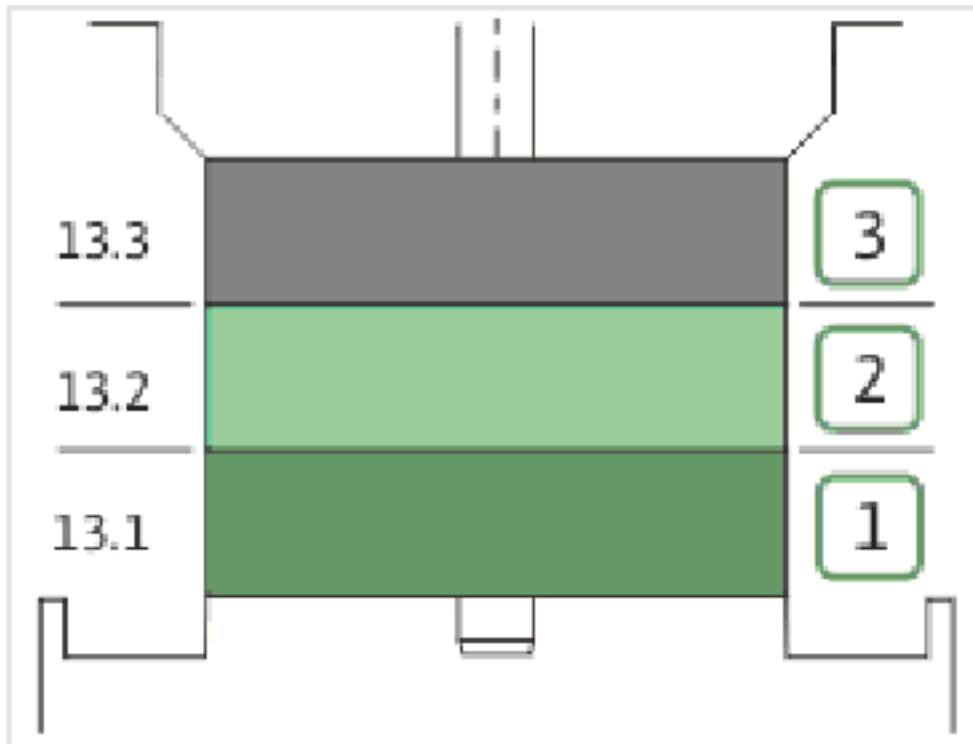
COUPLING D.20XD.28 FF265 KIT (4143965)

Item	Article no.	Description	Quantity
4.1	4179584	COUPLING 2 PARTS D.20XD.28XL83 VP.	1
4.2	2131017	BALL BEARING 6310/ZZ-C4(HT)VP.	1
4.3	4234253	CIRCLIP-FOR-SHAFT-D50x2 VP.	1
4.4	4159707	SCREW M8X30 (4 PIECES)	1
4.5	4234255	CIRCLIPS 110X4 VP.	1
4.6	4233944	O-RING ID.110 VP.	1
4.7	4179585	STOP-RUSH D26xD2 DIN7993 STEEL VP.	1
4.8	2131020	HUB D.38XD.50 VP.	1
4.9	2131021	SPACER D.28XD.45 VP.	1
4.10	4157726	SCREW KIT M8X30 (4 PIECES)	1
4.11	4233959	SCREW M8x16 VP.	1
4.12		SERRATED LOCK WASHER Ø8.2XØ25X35X2	1



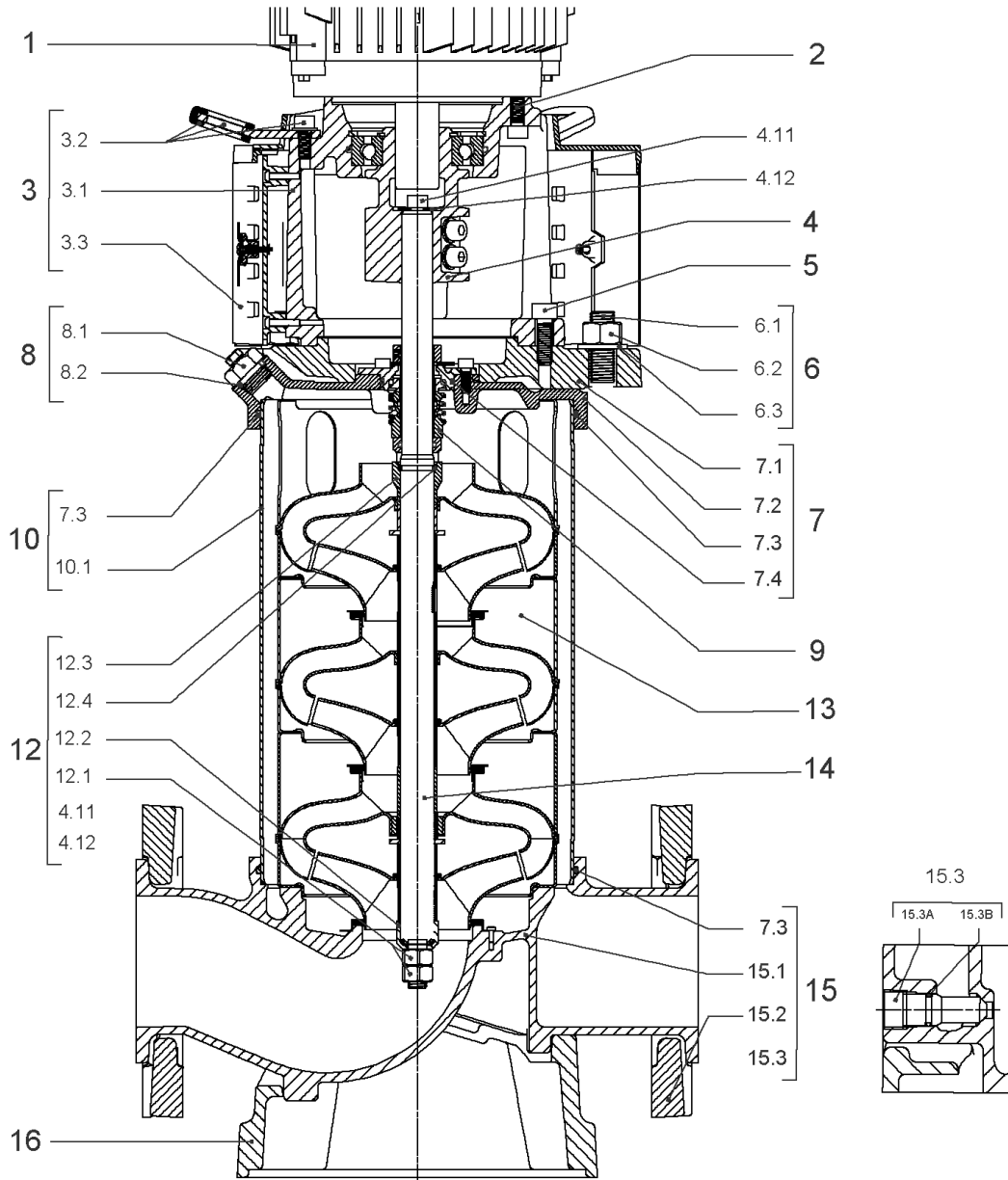
CARTRIDGE HELIX22-36-52 O/E KIT (4143973)

Item	Article no.	Description	Quantity
9.1	4143974	SEAL-KIT-HELIX22-36-52 O/E	1
7.3	4179571	> O-RING HOUSING PIPE HELIX22/36/52 VP.	1
7.4	4179572	> O-RING ID.42.52X2.62 EPDM VP.	1
9.1A	4179573	> M.SEAL.HELIX22-36-52 O/E VP.	1
9.1B	4179574	> O-RING ID.20x2.65 EPDM VP.	1
9.2	4179566	SHAFT SLEEVE D.20/20X60 1.4404 VP.	1
9.3	4179567	RING HOLDER Ø22 1.4301 VP.	1
9.4	4176520	SCREW CH M5x5 A4-70 (3PIECES)	1
9.5	4179568	DRIVE RING D.31/22.1x11 MACH.VP.	1
9.6	4179569	TOOL M.S.CART.HELIX 8" VP.	1
9.7	4179570	SCREW M6X16 ISO4762 8.8 GEOMET(4 PIECES)	1



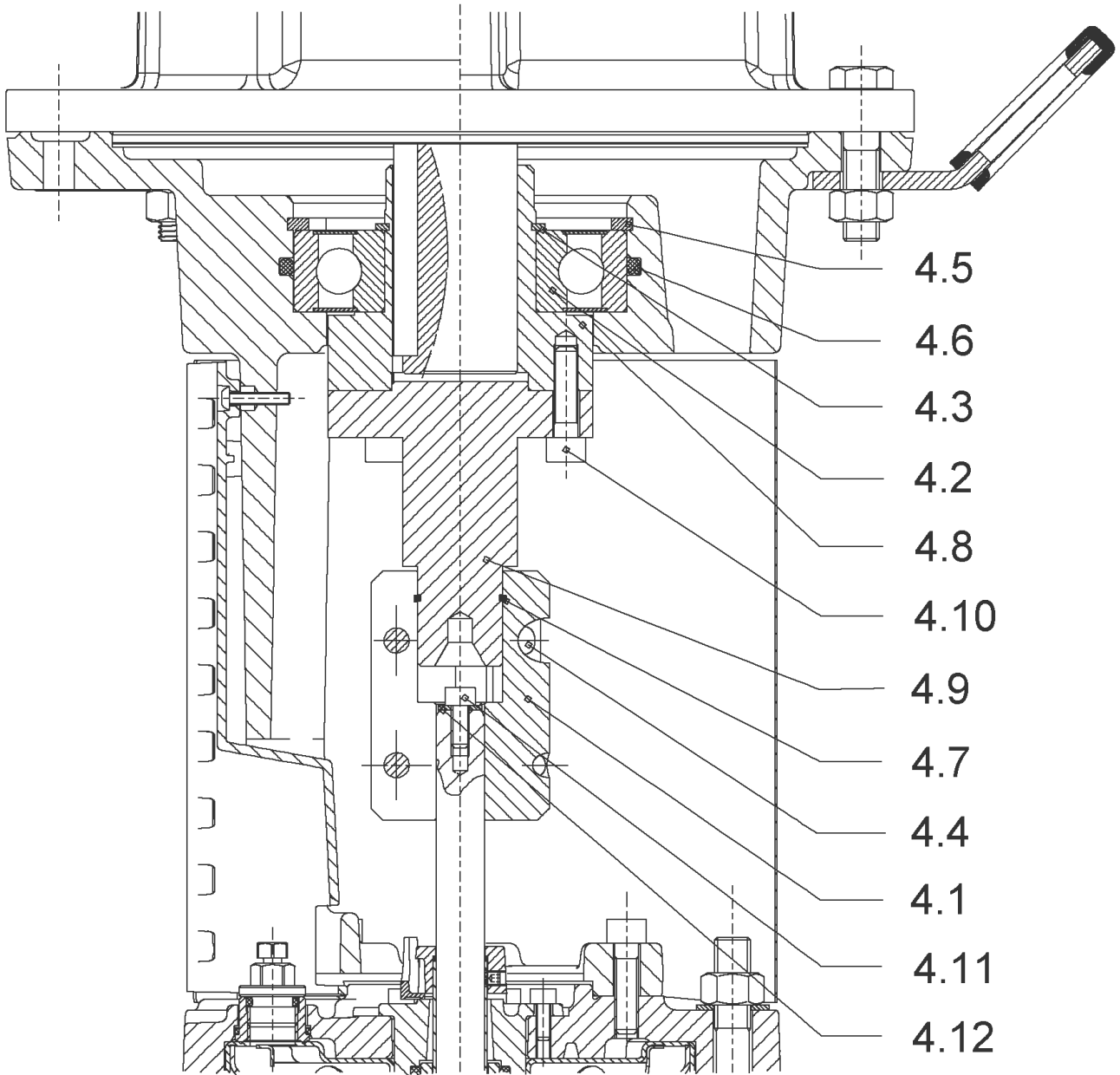
HYDRAULIC HELIX V 3603-2

Item	Article no.	Description	Quantity
13.1	4161192	INTERMEDIATE STAGE HELIX V36 1.4301 KIT	1
		> SLEEVE-SPACER-D22XL16,66-316L	1
		> MACH.BEARING-DIFFUSER+NR-M+36-304	1
		> SHAFT-SLEEVE-D26xD22x16-CW	1
		> IMPELLER-H1-M+36-304	1
13.1A	4161200	> NECK RING 1.STAGE HELIX V36/52 KIT	1
		>> NECK-RING-M+36/52	1
		>> HYDRAULIC SUPPORT CAP M+36/52 304	1
		>> SCREW TCL M3X8 A4 POZIDRIV	1
13.2	4161195	INTERMEDIATE STAGE HELIX V36 1.4301 KIT	1
		> REDUCED-IMPELLER-H4-M+36-304	1
		> MACH.STD-DIFFUSER+NR-M+36-304	1
13.3	4161196	UPPER STAGE HELIX 36 1.4301 KIT	1
		> STOP COLLAR OF IMPELLER L20-Ø22-316L	1
		> REDUCED-IMPELLER-H4-M+36-304	1
		> MACH.-RIGID-STD-DISCH.-CHAMBER-M+36-304	1



HELIX V3603/1-1/16/E/KS/400-50 (4198475)

Item	Article no.	Description	Quantity
1	4195450	MOTOR 7,5/2/* 3~400V 50HZ IE3 VP.	1
		SPARE PARTS MOTOR:ON REQUEST	1
2	4159704	SCREW KIT M12X50 (4 PIECES)	1
3	4161187	LANTERN FF265 HELIX 8" KIT	1
3.1		> LANTERN FF265 M+ GJL MACHINED+CATA	1
3.2	2127605	> EYELET CPL.FF265 HELIX(2 PIECES)	1
3.3	4143969	> COUPLING PROTECT HELIX FF KIT	1
4	4143965	COUPLING D.20XD.28 FF265 KIT	1
5	4157725	SCREW M10X40 (4 PIECES)	1
6	4186355	STUD BOLT M16X453 KIT	1
6.1		> TIE BOLT M16-453x24x44-1.4057	1
6.2	4179562	> NUT M16 8.8 ISO4032 (4 PIECES)	1
6.3	4097852	> WASHER-CS-16.4-32-2.8-NFE25-511-A2	1
7	4217176	END SHIELD HELIX OPTI 8" EPDM KIT	1
7.1		> upper flange machined + cataphoresis	1
7.2	4217174	> STATIONARY RING HOLDER 8" HELIX OPTI VP.	1
7.3	4179571	> O-RING HOUSING PIPE HELIX22/36/52 VP.	1
7.4	4179572	> O-RING ID.42.52X2.62 EPDM VP.	1
8	4186377	FILING/PURGING PLUG 304 HELIX KIT	1
8.1		> FILLING/VENTING-PLUG-MVI8/10"-304	1
8.2	4032291	> O-RING 17x3 EPDM KTW/WRC	1
9	4143973	CARTRIDGE HELIX22-36-52 O/E KIT	1
10	4179582	HOUSING PIPE D.204X230 1.4307 KIT	1
7.3	4179571	> O-RING HOUSING PIPE HELIX22/36/52 VP.	1
10.1		> HOUSING-PIPE Ø204-M+5202-304	1
12	4161186	SHAFT EQUIPMENT HELIX V36 8" KIT	1
13		HYDRAULIC HELIX V 3603-1	1
14	2119966	SHAFT D.22 LG.420,67 HELIX 1.4057 VP.	1
15	4217909	EQUIPED HOUSING DN65 HELIX OPTI 8" KIT	1
15.1		> pump casing machined DN65	1
15.2	4217907	> HALF FLANGE DN65 HELIX OPTI 8" VP.	1
15.3	4217850	> DRAIN/PRIMING PLUG HELIX OPTI 8" KIT	1
7.3	4179571	> O-RING HOUSING PIPE HELIX22/36/52 VP.	1
16	4217911	BASEPLATE DN65 HELIX OPTI 8" VP.	1



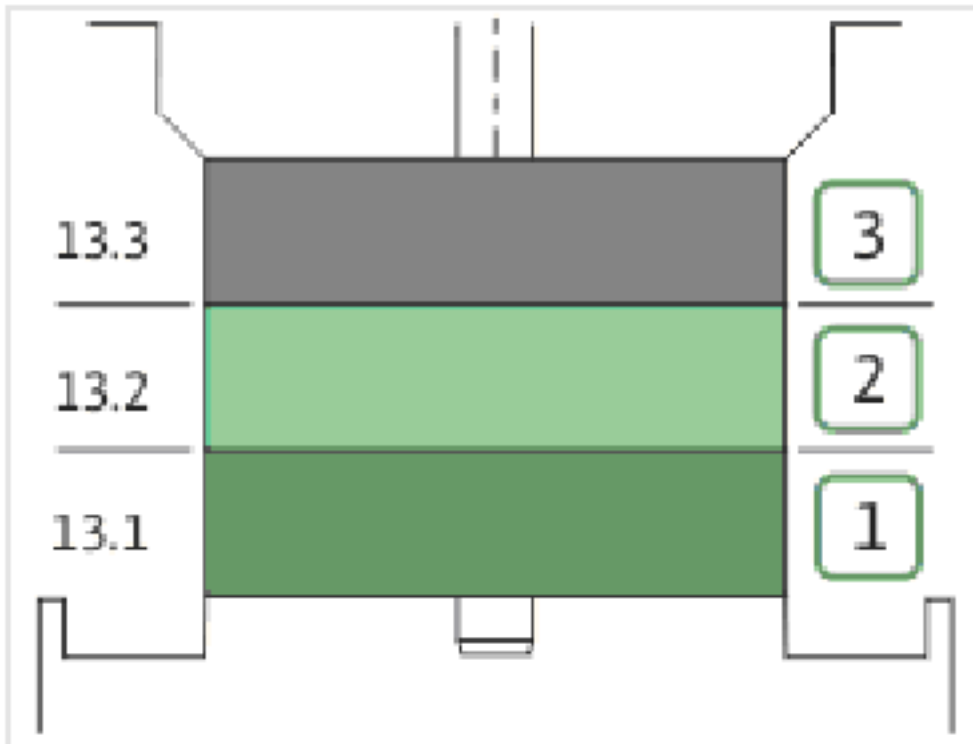
COUPLING D.20XD.28 FF265 KIT (4143965)

Item	Article no.	Description	Quantity
4.1	4179584	COUPLING 2 PARTS D.20XD.28XL83 VP.	1
4.2	2131017	BALL BEARING 6310/ZZ-C4(HT)VP.	1
4.3	4234253	CIRCLIP-FOR-SHAFT-D50x2 VP.	1
4.4	4159707	SCREW M8X30 (4 PIECES)	1
4.5	4234255	CIRCLIPS 110X4 VP.	1
4.6	4233944	O-RING ID.110 VP.	1
4.7	4179585	STOP-RUSH D26xD2 DIN7993 STEEL VP.	1
4.8	2131020	HUB D.38XD.50 VP.	1
4.9	2131021	SPACER D.28XD.45 VP.	1
4.10	4157726	SCREW KIT M8X30 (4 PIECES)	1
4.11	4233959	SCREW M8x16 VP.	1
4.12		SERRATED LOCK WASHER Ø8.2XØ25X35X2	1



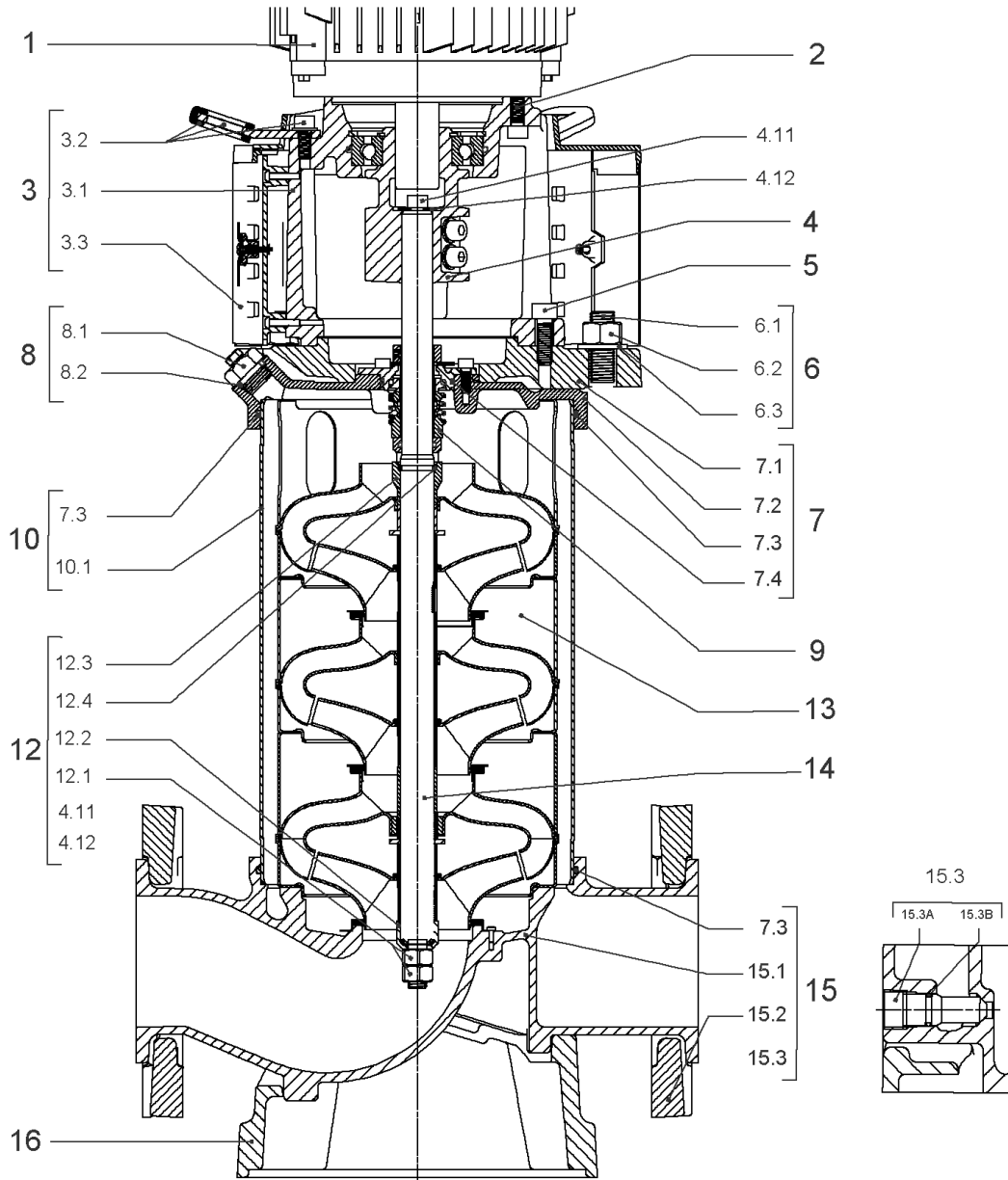
CARTRIDGE HELIX22-36-52 O/E KIT (4143973)

Item	Article no.	Description	Quantity
9.1	4143974	SEAL-KIT-HELIX22-36-52 O/E	1
7.3	4179571	> O-RING HOUSING PIPE HELIX22/36/52 VP.	1
7.4	4179572	> O-RING ID.42.52X2.62 EPDM VP.	1
9.1A	4179573	> M.SEAL.HELIX22-36-52 O/E VP.	1
9.1B	4179574	> O-RING ID.20x2.65 EPDM VP.	1
9.2	4179566	SHAFT SLEEVE D.20/20X60 1.4404 VP.	1
9.3	4179567	RING HOLDER Ø22 1.4301 VP.	1
9.4	4176520	SCREW CH M5x5 A4-70 (3PIECES)	1
9.5	4179568	DRIVE RING D.31/22.1x11 MACH.VP.	1
9.6	4179569	TOOL M.S.CART.HELIX 8" VP.	1
9.7	4179570	SCREW M6X16 ISO4762 8.8 GEOMET(4 PIECES)	1



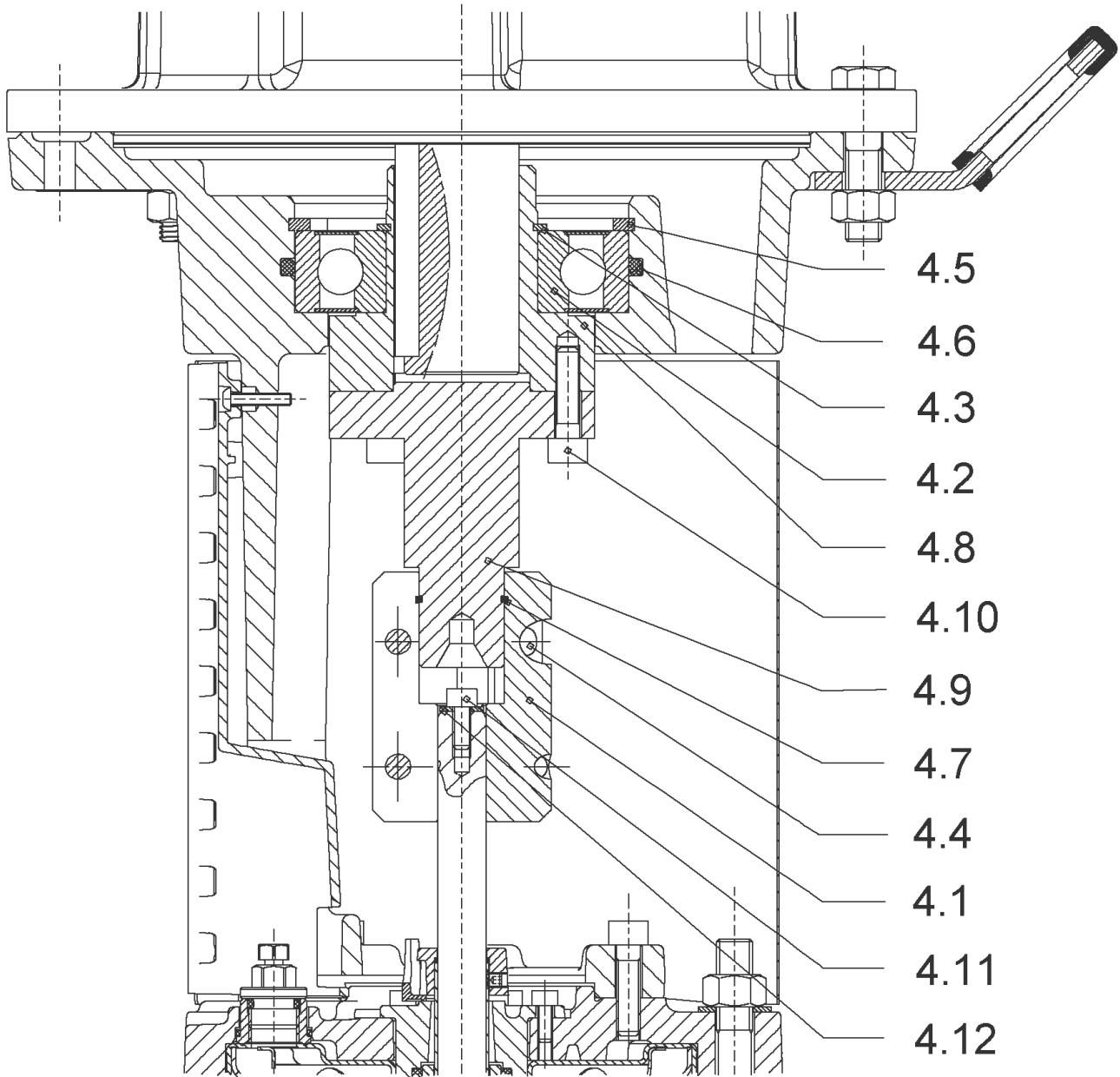
HYDRAULIC HELIX V 3603-1

Item	Article no.	Description	Quantity
13.1	4161192	INTERMEDIATE STAGE HELIX V36 1.4301 KIT	1
		> SLEEVE-SPACER-D22XL16,66-316L	1
		> MACH.BEARING-DIFFUSER+NR-M+36-304	1
		> SHAFT-SLEEVE-D26xD22x16-CW	1
		> IMPELLER-H1-M+36-304	1
13.1A	4161200	> NECK RING 1.STAGE HELIX V36/52 KIT	1
		>> NECK-RING-M+36/52	1
		>> HYDRAULIC SUPPORT CAP M+36/52 304	1
		>> SCREW TCL M3X8 A4 POZIDRIV	1
13.2	4161193	INTERMEDIATE STAGE HELIX V36 1.4301 KIT	1
		> MACH.STD-DIFFUSER+NR-M+36-304	1
		> IMPELLER-H4-M+36-304	1
13.3	4161196	UPPER STAGE HELIX 36 1.4301 KIT	1
		> STOP COLLAR OF IMPELLER L20-Ø22-316L	1
		> REDUCED-IMPELLER-H4-M+36-304	1
		> MACH.-RIGID-STD-DISCH.-CHAMBER-M+36-304	1



HELIX V3603-1/16/E/KS/400-50 (4198476)

Item	Article no.	Description	Quantity
1	4195483	MOTOR 9/2/132 3~400V 50HZ IE3 VP.	1
		SPARE PARTS MOTOR:ON REQUEST	1
2	4159704	SCREW KIT M12X50 (4 PIECES)	1
3	4161187	LANTERN FF265 HELIX 8" KIT	1
3.1		> LANTERN FF265 M+ GJL MACHINED+CATA	1
3.2	2127605	> EYELET CPL.FF265 HELIX(2 PIECES)	1
3.3	4143969	> COUPLING PROTECT HELIX FF KIT	1
4	4143965	COUPLING D.20XD.28 FF265 KIT	1
5	4157725	SCREW M10X40 (4 PIECES)	1
6	4186355	STUD BOLT M16X453 KIT	1
6.1		> TIE BOLT M16-453x24x44-1.4057	1
6.2	4179562	> NUT M16 8.8 ISO4032 (4 PIECES)	1
6.3	4097852	> WASHER-CS-16.4-32-2.8-NFE25-511-A2	1
7	4217176	END SHIELD HELIX OPTI 8" EPDM KIT	1
7.1		> upper flange machined + cataphoresis	1
7.2	4217174	> STATIONARY RING HOLDER 8" HELIX OPTI VP.	1
7.3	4179571	> O-RING HOUSING PIPE HELIX22/36/52 VP.	1
7.4	4179572	> O-RING ID.42.52X2.62 EPDM VP.	1
8	4186377	FILING/PURGING PLUG 304 HELIX KIT	1
8.1		> FILLING/VENTING-PLUG-MVI8/10"-304	1
8.2	4032291	> O-RING 17x3 EPDM KTW/WRC	1
9	4143973	CARTRIDGE HELIX22-36-52 O/E KIT	1
10	4179582	HOUSING PIPE D.204X230 1.4307 KIT	1
7.3	4179571	> O-RING HOUSING PIPE HELIX22/36/52 VP.	1
10.1		> HOUSING-PIPE Ø204-M+5202-304	1
12	4161186	SHAFT EQUIPMENT HELIX V36 8" KIT	1
13		HYDRAULIC HELIX V 3603	1
14	2119966	SHAFT D.22 LG.420,67 HELIX 1.4057 VP.	1
15	4217909	EQUIPED HOUSING DN65 HELIX OPTI 8" KIT	1
15.1		> pump casing machined DN65	1
15.2	4217907	> HALF FLANGE DN65 HELIX OPTI 8" VP.	1
15.3	4217850	> DRAIN/PRIMING PLUG HELIX OPTI 8" KIT	1
7.3	4179571	> O-RING HOUSING PIPE HELIX22/36/52 VP.	1
16	4217911	BASEPLATE DN65 HELIX OPTI 8" VP.	1



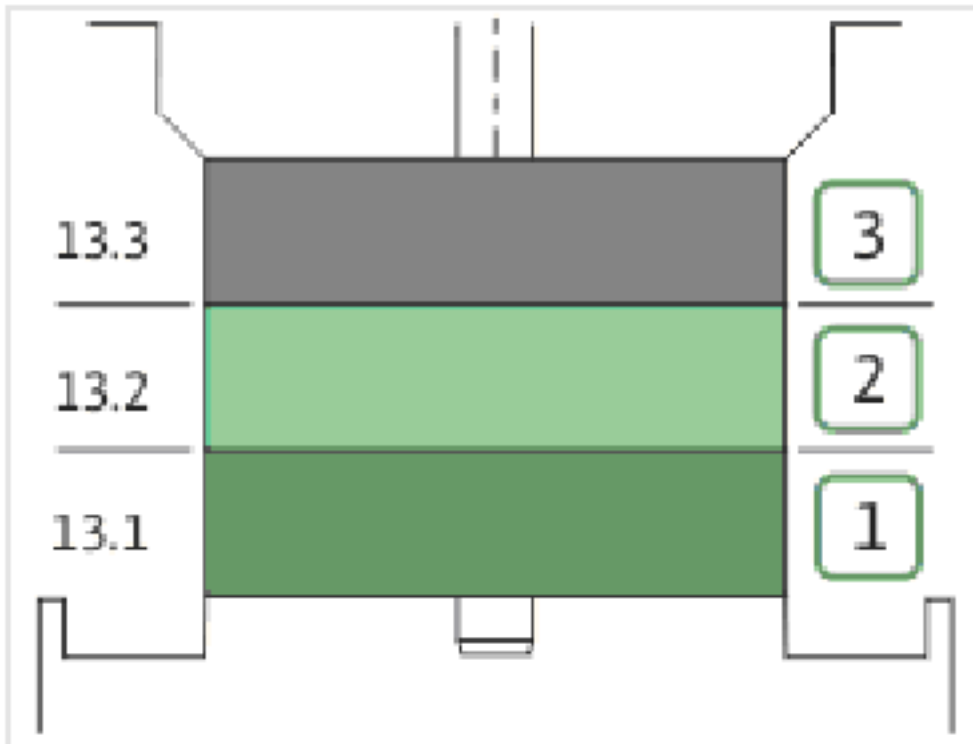
COUPLING D.20XD.28 FF265 KIT (4143965)

Item	Article no.	Description	Quantity
4.1	4179584	COUPLING 2 PARTS D.20XD.28XL83 VP.	1
4.2	2131017	BALL BEARING 6310/ZZ-C4(HT)VP.	1
4.3	4234253	CIRCLIP-FOR-SHAFT-D50x2 VP.	1
4.4	4159707	SCREW M8X30 (4 PIECES)	1
4.5	4234255	CIRCLIPS 110X4 VP.	1
4.6	4233944	O-RING ID.110 VP.	1
4.7	4179585	STOP-RUSH D26xD2 DIN7993 STEEL VP.	1
4.8	2131020	HUB D.38XD.50 VP.	1
4.9	2131021	SPACER D.28XD.45 VP.	1
4.10	4157726	SCREW KIT M8X30 (4 PIECES)	1
4.11	4233959	SCREW M8x16 VP.	1
4.12		SERRATED LOCK WASHER Ø8.2XØ25X35X2	1



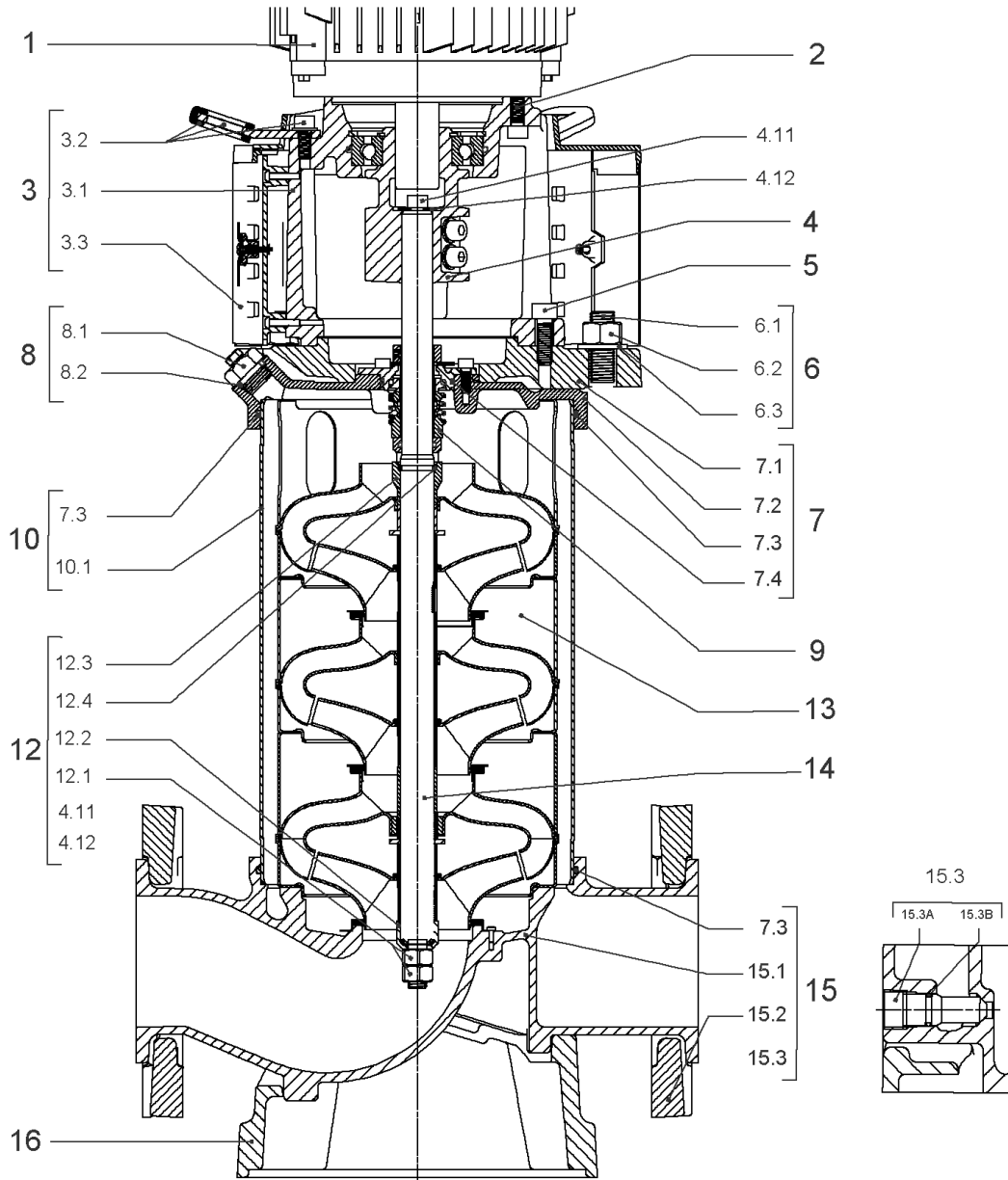
CARTRIDGE HELIX22-36-52 O/E KIT (4143973)

Item	Article no.	Description	Quantity
9.1	4143974	SEAL-KIT-HELIX22-36-52 O/E	1
7.3	4179571	> O-RING HOUSING PIPE HELIX22/36/52 VP.	1
7.4	4179572	> O-RING ID.42.52X2.62 EPDM VP.	1
9.1A	4179573	> M.SEAL.HELIX22-36-52 O/E VP.	1
9.1B	4179574	> O-RING ID.20x2.65 EPDM VP.	1
9.2	4179566	SHAFT SLEEVE D.20/20X60 1.4404 VP.	1
9.3	4179567	RING HOLDER Ø22 1.4301 VP.	1
9.4	4176520	SCREW CH M5x5 A4-70 (3PIECES)	1
9.5	4179568	DRIVE RING D.31/22.1x11 MACH.VP.	1
9.6	4179569	TOOL M.S.CART.HELIX 8" VP.	1
9.7	4179570	SCREW M6X16 ISO4762 8.8 GEOMET(4 PIECES)	1



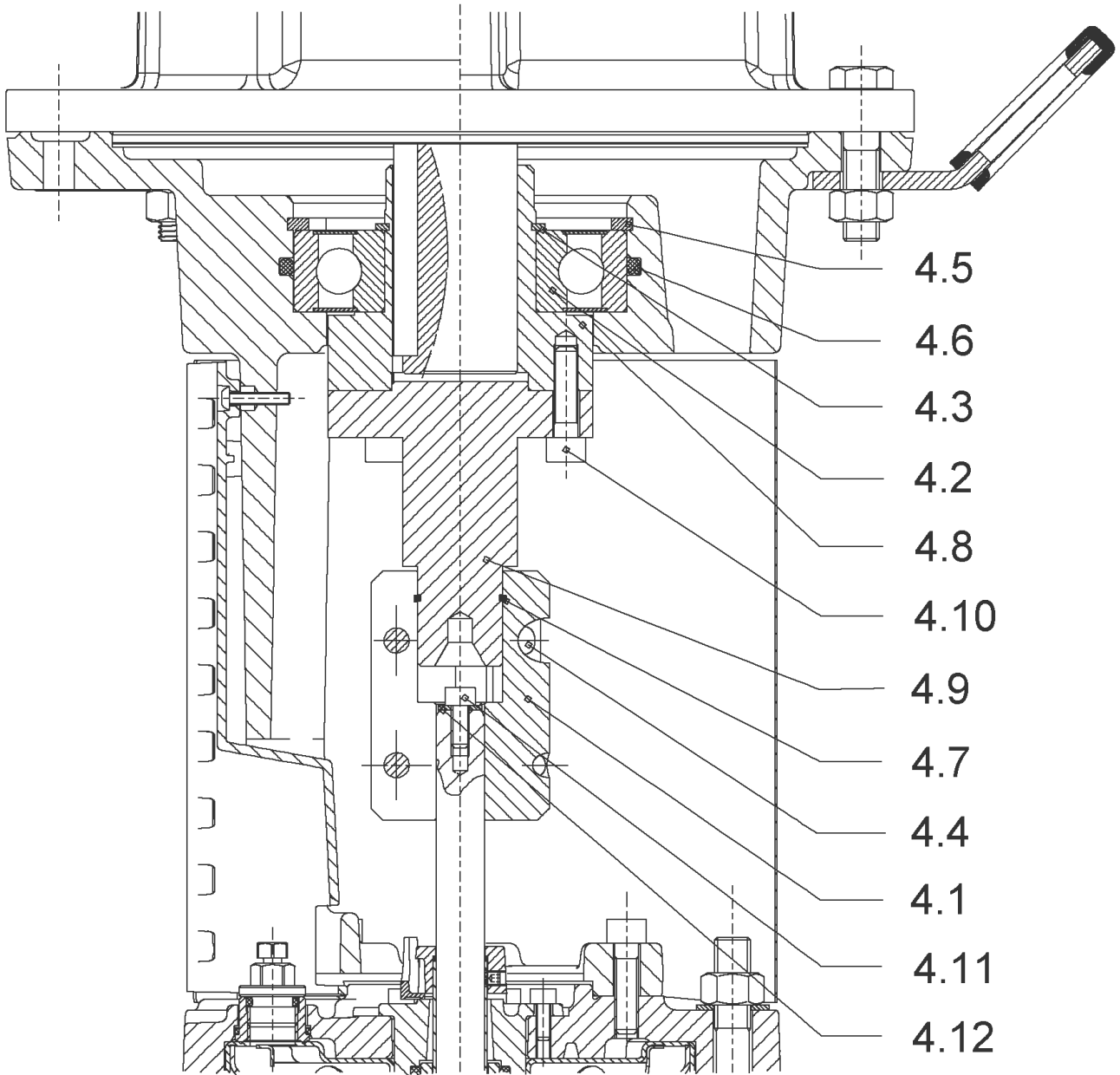
HYDRAULIC HELIX V 3603

Item	Article no.	Description	Quantity
13.1	4161192	INTERMEDIATE STAGE HELIX V36 1.4301 KIT	1
		> SLEEVE-SPACER-D22XL16,66-316L	1
		> MACH.BEARING-DIFFUSER+NR-M+36-304	1
		> SHAFT-SLEEVE-D26xD22x16-CW	1
		> IMPELLER-H1-M+36-304	1
13.1A	4161200	> NECK RING 1.STAGE HELIX V36/52 KIT	1
		>> NECK-RING-M+36/52	1
		>> HYDRAULIC SUPPORT CAP M+36/52 304	1
		>> SCREW TCL M3X8 A4 POZIDRIV	1
13.2	4161193	INTERMEDIATE STAGE HELIX V36 1.4301 KIT	1
		> MACH.STD-DIFFUSER+NR-M+36-304	1
		> IMPELLER-H4-M+36-304	1
13.3	4161194	UPPER STAGE HELIX 36 1.4301 KIT	1
		> STOP COLLAR OF IMPELLER L20-Ø22-316L	1
		> IMPELLER-H4-M+36-304	1
		> MACH.-RIGID-STD-DISCH.-CHAMBER-M+36-304	1



HELIX V3604/2-1/16/E/KS/400-50 (4198477)

Item	Article no.	Description	Quantity
1	4195486	MO. 11/2/132 3~400V50HZ 460V60HZ IE3 VP.	1
		SPARE PARTS MOTOR:ON REQUEST	1
2	4159704	SCREW KIT M12X50 (4 PIECES)	1
3	4161187	LANTERN FF265 HELIX 8" KIT	1
3.1		> LANTERN FF265 M+ GJL MACHINED+CATA	1
3.2	2127605	> EYELET CPL.FF265 HELIX(2 PIECES)	1
3.3	4143969	> COUPLING PROTECT HELIX FF KIT	1
4	4143965	COUPLING D.20XD.28 FF265 KIT	1
5	4157725	SCREW M10X40 (4 PIECES)	1
6	4217922	STUD BOLT M16X509 KIT	1
6.1		> TIE BOLT M16-509x24x44-1.4057	1
6.2	4179562	> NUT M16 8.8 ISO4032 (4 PIECES)	1
6.3	4097852	> WASHER-CS-16.4-32-2.8-NFE25-511-A2	1
7	4217176	END SHIELD HELIX OPTI 8" EPDM KIT	1
7.1		> upper flange machined + cataphoresis	1
7.2	4217174	> STATIONARY RING HOLDER 8" HELIX OPTI VP.	1
7.3	4179571	> O-RING HOUSING PIPE HELIX22/36/52 VP.	1
7.4	4179572	> O-RING ID.42.52X2.62 EPDM VP.	1
8	4186377	FILING/PURGING PLUG 304 HELIX KIT	1
8.1		> FILLING/VENTING-PLUG-MVI8/10"-304	1
8.2	4032291	> O-RING 17x3 EPDM KTW/WRC	1
9	4143973	CARTRIDGE HELIX22-36-52 O/E KIT	1
10	4217924	HOUSING PIPE D.204X297 1.4307 KIT	1
7.3	4179571	> O-RING HOUSING PIPE HELIX22/36/52 VP.	1
10.1		> HOUSING-PIPE Ø204-L297,43-304	1
12	4161186	SHAFT EQUIPMENT HELIX V36 8" KIT	1
13		HYDRAULIC HELIX V 3604-2	1
14	2123751	SHAFT D.22 LG.487,34 HELIX 1.4057 VP.	1
15	4217909	EQUIPED HOUSING DN65 HELIX OPTI 8" KIT	1
15.1		> pump casing machined DN65	1
15.2	4217907	> HALF FLANGE DN65 HELIX OPTI 8" VP.	1
15.3	4217850	> DRAIN/PRIMING PLUG HELIX OPTI 8" KIT	1
7.3	4179571	> O-RING HOUSING PIPE HELIX22/36/52 VP.	1
16	4217911	BASEPLATE DN65 HELIX OPTI 8" VP.	1



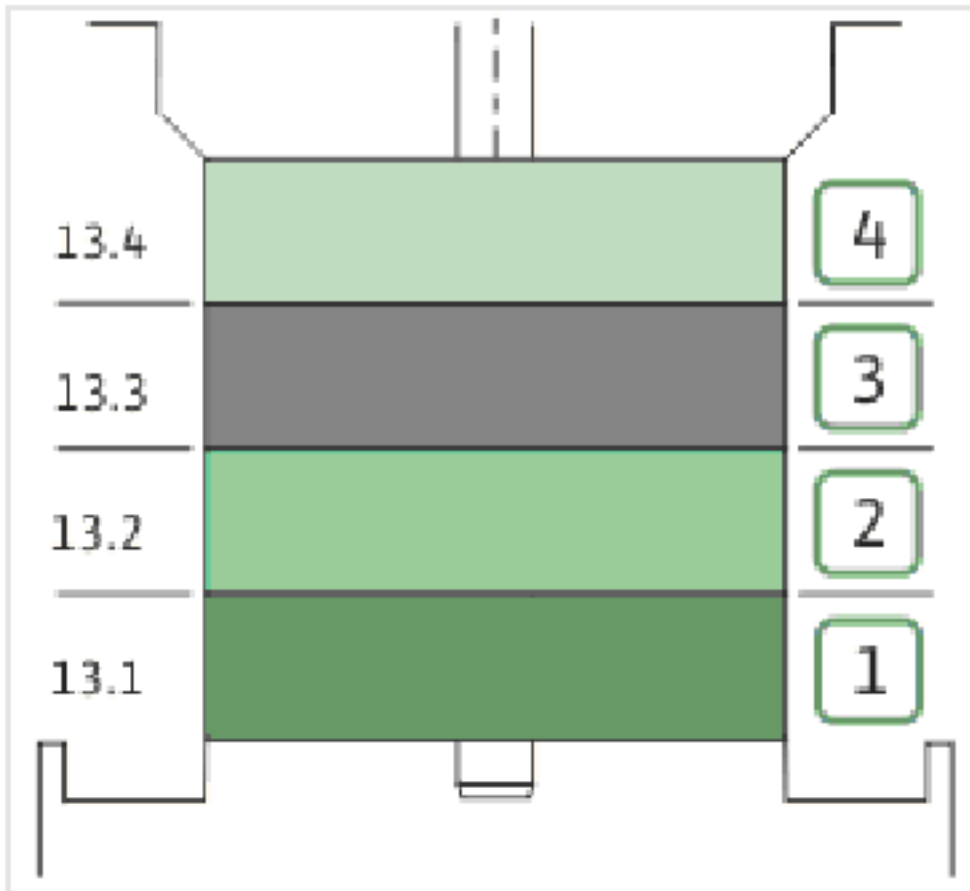
COUPLING D.20XD.28 FF265 KIT (4143965)

Item	Article no.	Description	Quantity
4.1	4179584	COUPLING 2 PARTS D.20XD.28XL83 VP.	1
4.2	2131017	BALL BEARING 6310/ZZ-C4(HT)VP.	1
4.3	4234253	CIRCLIP-FOR-SHAFT-D50x2 VP.	1
4.4	4159707	SCREW M8X30 (4 PIECES)	1
4.5	4234255	CIRCLIPS 110X4 VP.	1
4.6	4233944	O-RING ID.110 VP.	1
4.7	4179585	STOP-RUSH D26xD2 DIN7993 STEEL VP.	1
4.8	2131020	HUB D.38XD.50 VP.	1
4.9	2131021	SPACER D.28XD.45 VP.	1
4.10	4157726	SCREW KIT M8X30 (4 PIECES)	1
4.11	4233959	SCREW M8x16 VP.	1
4.12		SERRATED LOCK WASHER Ø8.2XØ25X35X2	1



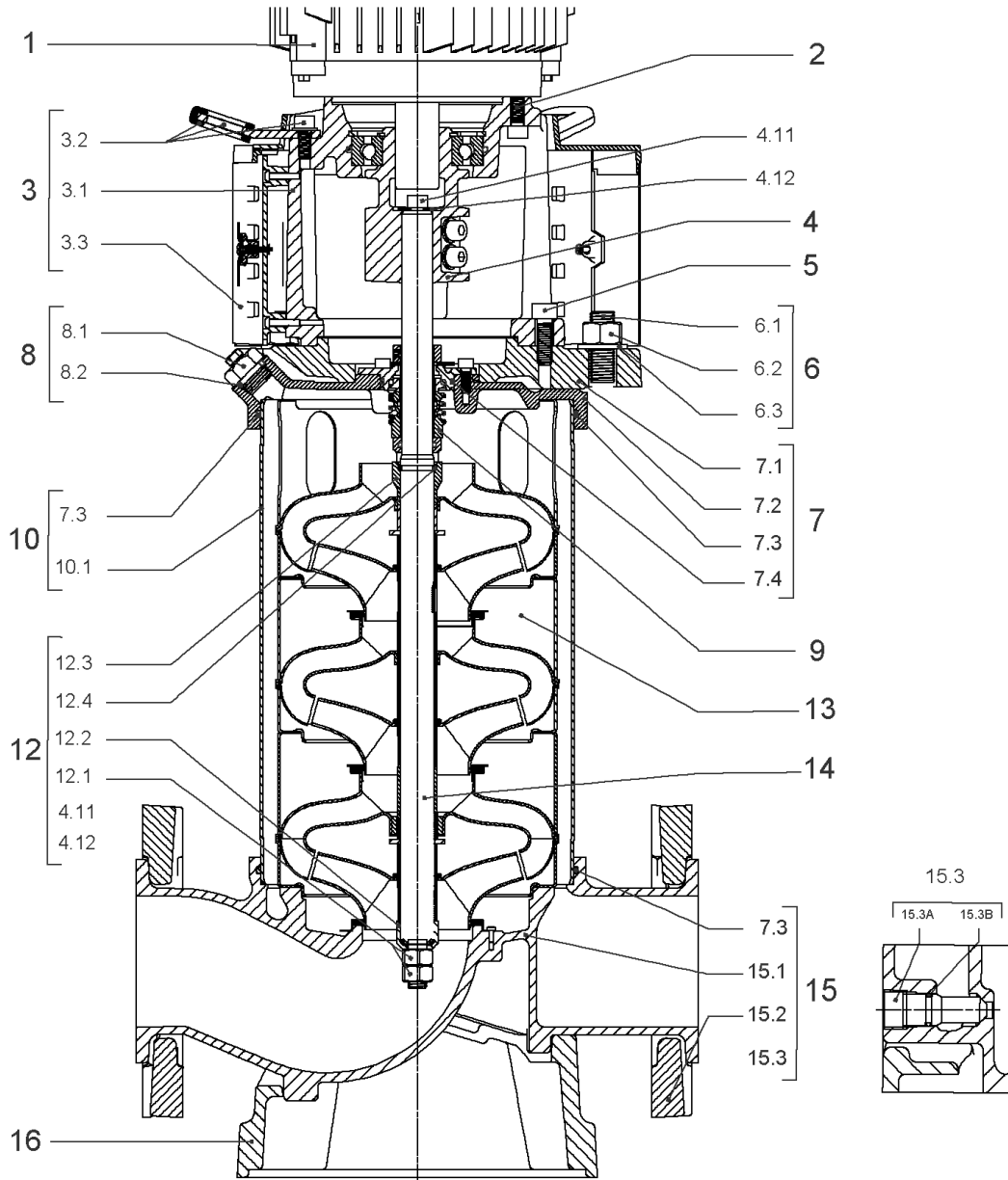
CARTRIDGE HELIX22-36-52 O/E KIT (4143973)

Item	Article no.	Description	Quantity
9.1	4143974	SEAL-KIT-HELIX22-36-52 O/E	1
7.3	4179571	> O-RING HOUSING PIPE HELIX22/36/52 VP.	1
7.4	4179572	> O-RING ID.42.52X2.62 EPDM VP.	1
9.1A	4179573	> M.SEAL.HELIX22-36-52 O/E VP.	1
9.1B	4179574	> O-RING ID.20x2.65 EPDM VP.	1
9.2	4179566	SHAFT SLEEVE D.20/20X60 1.4404 VP.	1
9.3	4179567	RING HOLDER Ø22 1.4301 VP.	1
9.4	4176520	SCREW CH M5x5 A4-70 (3PIECES)	1
9.5	4179568	DRIVE RING D.31/22.1x11 MACH.VP.	1
9.6	4179569	TOOL M.S.CART.HELIX 8" VP.	1
9.7	4179570	SCREW M6X16 ISO4762 8.8 GEOMET(4 PIECES)	1



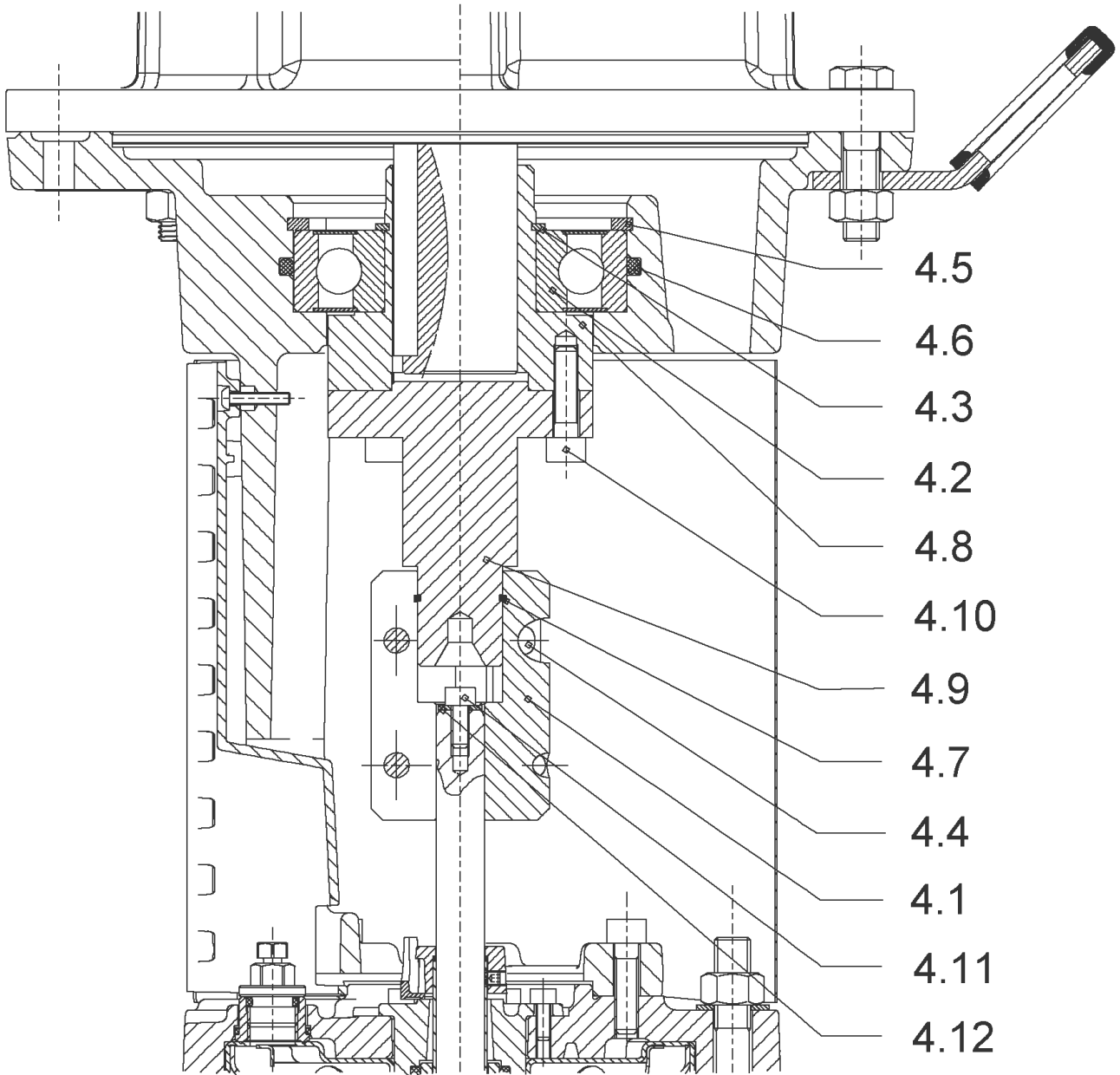
HYDRAULIC HELIX V 3604-2

Item	Article no.	Description	Quantity
13.1	4161192	INTERMEDIATE STAGE HELIX V36 1.4301 KIT	1
		> SLEEVE-SPACER-D22XL16,66-316L	1
		> MACH.BEARING-DIFFUSER+NR-M+36-304	1
		> SHAFT-SLEEVE-D26xD22x16-CW	1
		> IMPELLER-H1-M+36-304	1
13.1A	4161200	> NECK RING 1.STAGE HELIX V36/52 KIT	1
		>> NECK-RING-M+36/52	1
		>> HYDRAULIC SUPPORT CAP M+36/52 304	1
		>> SCREW TCL M3X8 A4 POZIDRIV	1
13.2	4161193	INTERMEDIATE STAGE HELIX V36 1.4301 KIT	1
		> MACH.STD-DIFFUSER+NR-M+36-304	1
		> IMPELLER-H4-M+36-304	1
13.3	4161195	INTERMEDIATE STAGE HELIX V36 1.4301 KIT	1
		> REDUCED-IMPELLER-H4-M+36-304	1
		> MACH.STD-DIFFUSER+NR-M+36-304	1
13.4	4161196	UPPER STAGE HELIX 36 1.4301 KIT	1
		> STOP COLLAR OF IMPELLER L20-Ø22-316L	1
		> REDUCED-IMPELLER-H4-M+36-304	1
		> MACH.-RIGID-STD-DISCH.-CHAMBER-M+36-304	1



HELIX V3604-1/16/E/KS/400-50 (4198478)

Item	Article no.	Description	Quantity
1	4195486	MO. 11/2/132 3~400V50HZ 460V60HZ IE3 VP.	1
		SPARE PARTS MOTOR:ON REQUEST	1
2	4159704	SCREW KIT M12X50 (4 PIECES)	1
3	4161187	LANTERN FF265 HELIX 8" KIT	1
3.1		> LANTERN FF265 M+ GJL MACHINED+CATA	1
3.2	2127605	> EYELET CPL.FF265 HELIX(2 PIECES)	1
3.3	4143969	> COUPLING PROTECT HELIX FF KIT	1
4	4143965	COUPLING D.20XD.28 FF265 KIT	1
5	4157725	SCREW M10X40 (4 PIECES)	1
6	4217922	STUD BOLT M16X509 KIT	1
6.1		> TIE BOLT M16-509x24x44-1.4057	1
6.2	4179562	> NUT M16 8.8 ISO4032 (4 PIECES)	1
6.3	4097852	> WASHER-CS-16.4-32-2.8-NFE25-511-A2	1
7	4217176	END SHIELD HELIX OPTI 8" EPDM KIT	1
7.1		> upper flange machined + cataphoresis	1
7.2	4217174	> STATIONARY RING HOLDER 8" HELIX OPTI VP.	1
7.3	4179571	> O-RING HOUSING PIPE HELIX22/36/52 VP.	1
7.4	4179572	> O-RING ID.42.52X2.62 EPDM VP.	1
8	4186377	FILING/PURGING PLUG 304 HELIX KIT	1
8.1		> FILLING/VENTING-PLUG-MVI8/10"-304	1
8.2	4032291	> O-RING 17x3 EPDM KTW/WRC	1
9	4143973	CARTRIDGE HELIX22-36-52 O/E KIT	1
10	4217924	HOUSING PIPE D.204X297 1.4307 KIT	1
7.3	4179571	> O-RING HOUSING PIPE HELIX22/36/52 VP.	1
10.1		> HOUSING-PIPE Ø204-L297,43-304	1
12	4161186	SHAFT EQUIPMENT HELIX V36 8" KIT	1
13		HYDRAULIC HELIX V 3604	1
14	2123751	SHAFT D.22 LG.487,34 HELIX 1.4057 VP.	1
15	4217909	EQUIPED HOUSING DN65 HELIX OPTI 8" KIT	1
15.1		> pump casing machined DN65	1
15.2	4217907	> HALF FLANGE DN65 HELIX OPTI 8" VP.	1
15.3	4217850	> DRAIN/PRIMING PLUG HELIX OPTI 8" KIT	1
7.3	4179571	> O-RING HOUSING PIPE HELIX22/36/52 VP.	1
16	4217911	BASEPLATE DN65 HELIX OPTI 8" VP.	1



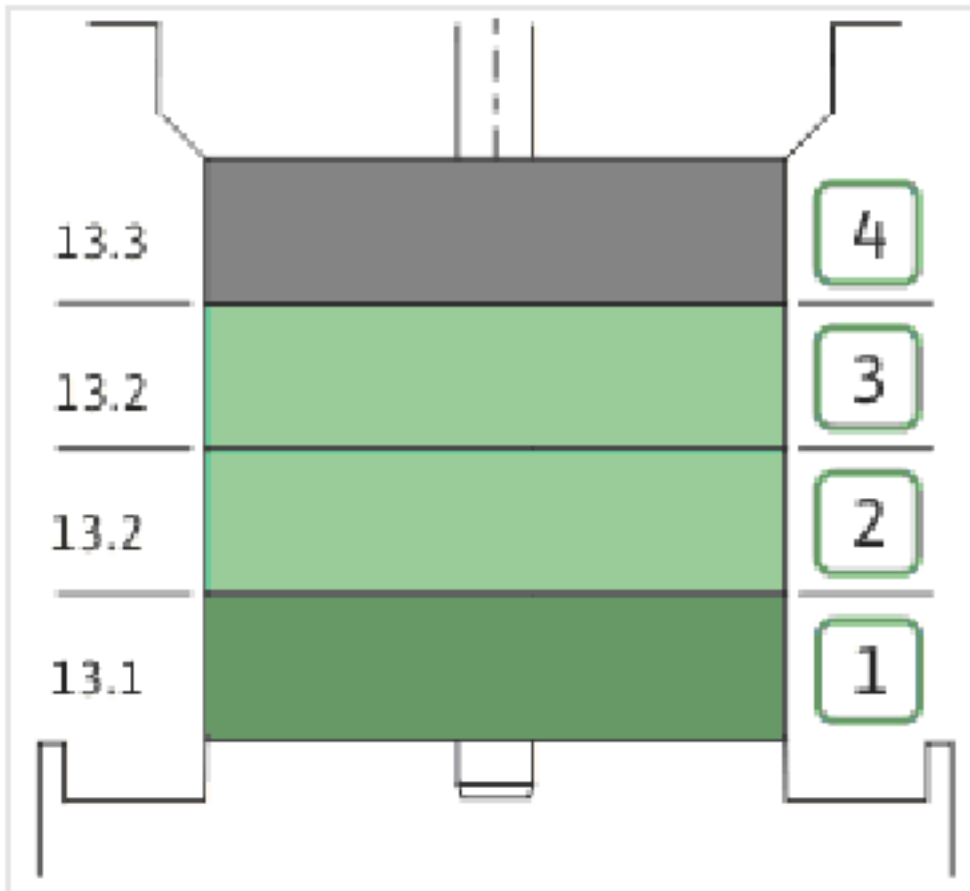
COUPLING D.20XD.28 FF265 KIT (4143965)

Item	Article no.	Description	Quantity
4.1	4179584	COUPLING 2 PARTS D.20XD.28XL83 VP.	1
4.2	2131017	BALL BEARING 6310/ZZ-C4(HT)VP.	1
4.3	4234253	CIRCLIP-FOR-SHAFT-D50x2 VP.	1
4.4	4159707	SCREW M8X30 (4 PIECES)	1
4.5	4234255	CIRCLIPS 110X4 VP.	1
4.6	4233944	O-RING ID.110 VP.	1
4.7	4179585	STOP-RUSH D26xD2 DIN7993 STEEL VP.	1
4.8	2131020	HUB D.38XD.50 VP.	1
4.9	2131021	SPACER D.28XD.45 VP.	1
4.10	4157726	SCREW KIT M8X30 (4 PIECES)	1
4.11	4233959	SCREW M8x16 VP.	1
4.12		SERRATED LOCK WASHER Ø8.2XØ25X35X2	1



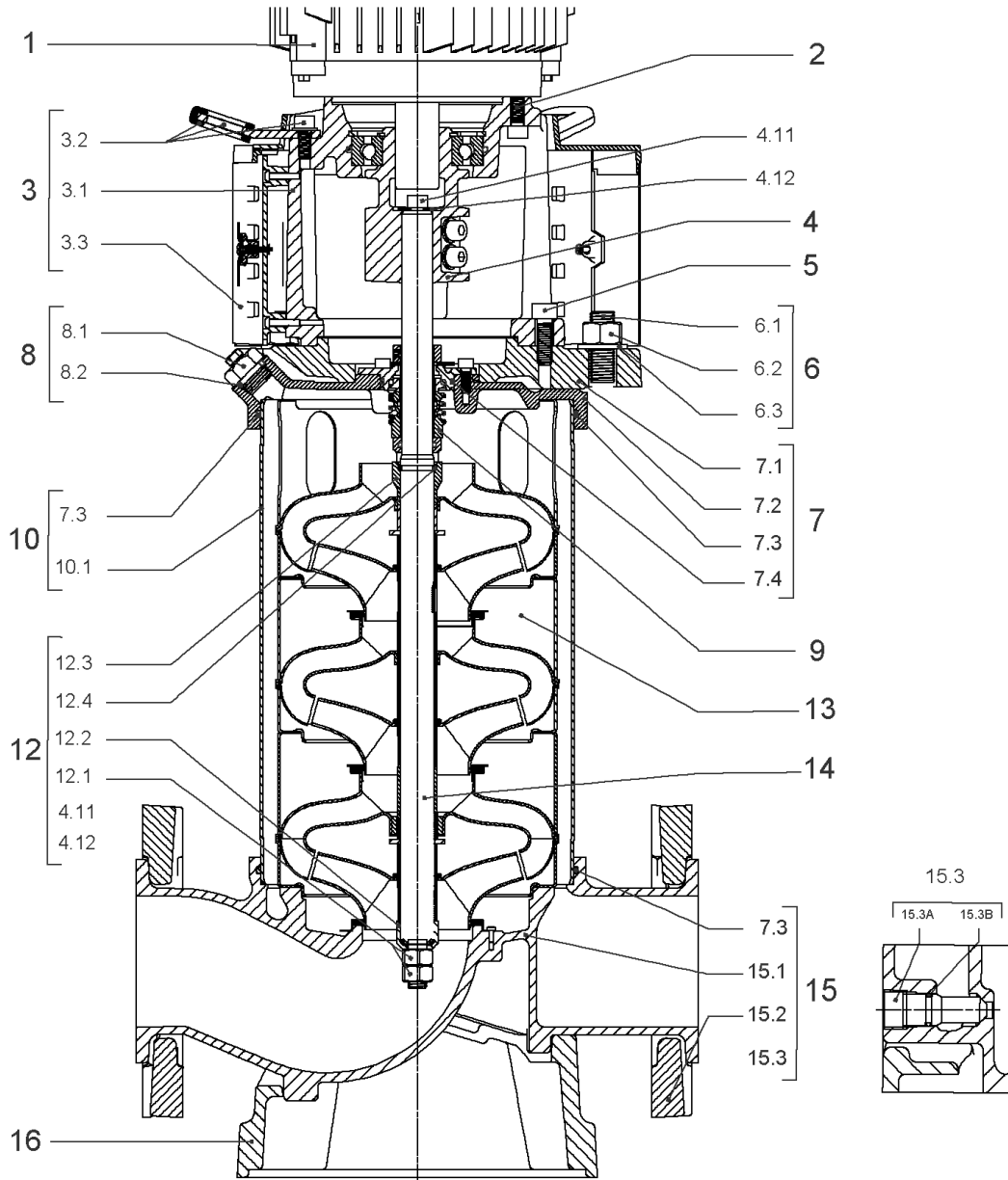
CARTRIDGE HELIX22-36-52 O/E KIT (4143973)

Item	Article no.	Description	Quantity
9.1	4143974	SEAL-KIT-HELIX22-36-52 O/E	1
7.3	4179571	> O-RING HOUSING PIPE HELIX22/36/52 VP.	1
7.4	4179572	> O-RING ID.42.52X2.62 EPDM VP.	1
9.1A	4179573	> M.SEAL.HELIX22-36-52 O/E VP.	1
9.1B	4179574	> O-RING ID.20x2.65 EPDM VP.	1
9.2	4179566	SHAFT SLEEVE D.20/20X60 1.4404 VP.	1
9.3	4179567	RING HOLDER Ø22 1.4301 VP.	1
9.4	4176520	SCREW CH M5x5 A4-70 (3PIECES)	1
9.5	4179568	DRIVE RING D.31/22.1x11 MACH.VP.	1
9.6	4179569	TOOL M.S.CART.HELIX 8" VP.	1
9.7	4179570	SCREW M6X16 ISO4762 8.8 GEOMET(4 PIECES)	1



HYDRAULIC HELIX V 3604

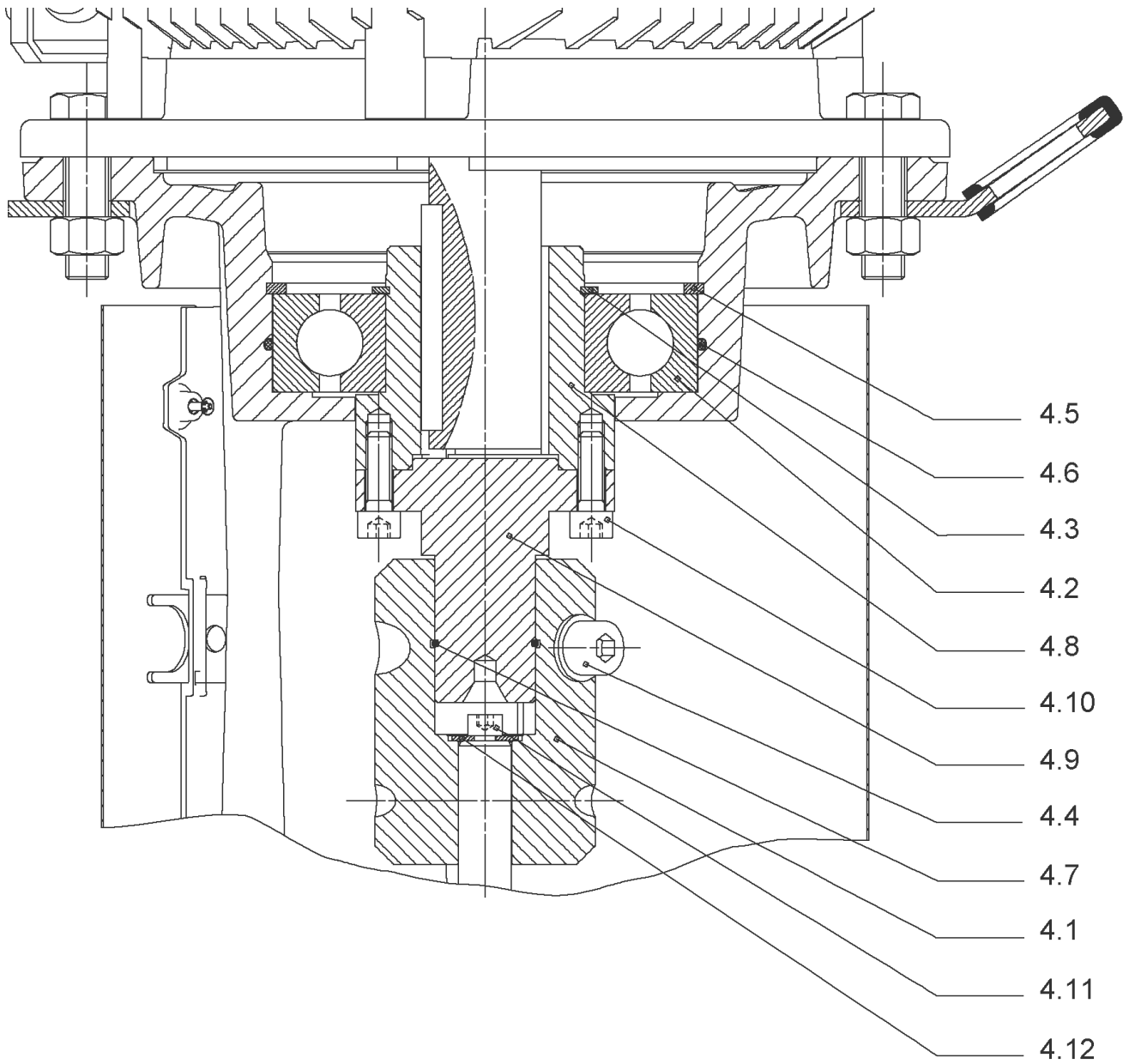
Item	Article no.	Description	Quantity
13.1	4161192	INTERMEDIATE STAGE HELIX V36 1.4301 KIT	1
		> SLEEVE-SPACER-D22XL16,66-316L	1
		> MACH.BEARING-DIFFUSER+NR-M+36-304	1
		> SHAFT-SLEEVE-D26xD22x16-CW	1
		> IMPELLER-H1-M+36-304	1
13.1A	4161200	> NECK RING 1.STAGE HELIX V36/52 KIT	1
		>> NECK-RING-M+36/52	1
		>> HYDRAULIC SUPPORT CAP M+36/52 304	1
		>> SCREW TCL M3X8 A4 POZIDRIV	1
13.2	4161193	INTERMEDIATE STAGE HELIX V36 1.4301 KIT	1
		> MACH.STD-DIFFUSER+NR-M+36-304	1
		> IMPELLER-H4-M+36-304	1
13.3	4161194	UPPER STAGE HELIX 36 1.4301 KIT	1
		> STOP COLLAR OF IMPELLER L20-Ø22-316L	1
		> IMPELLER-H4-M+36-304	1
		> MACH.-RIGID-STD-DISCH.-CHAMBER-M+36-304	1



HELIX V3605/2-1/16/E/KS/400-50 (4198479)

Item	Article no.	Description	Quantity
1	4195487	MOTOR 15/2/160 3~400V 50HZ VP.	1
		SPARE PARTS MOTOR:ON REQUEST	1
2	4179586	SCREW M16X60 (4 PIECES)	1
3	4157721	LANTERN HELIX 22/36 FF300 BB6312 KIT	1
3.1		> LANTERN FF300 M+ GJL MACHINED+CATA 6312	1
3.2	4179589	> EYELET CPL.FF300 HELIX(4 PIECES)	1
3.3	4143969	> COUPLING PROTECT HELIX FF KIT	1
4	4143966	COUPLING D.20XD.38 FF300 KIT	1
5	4157725	SCREW M10X40 (4 PIECES)	1
6	4181669	STUD BOLT M16X578 KIT	1
6.1		> TIE BOLT M16-578x24x44-1.4057	1
6.2	4179562	> NUT M16 8.8 ISO4032 (4 PIECES)	1
6.3	4097852	> WASHER-CS-16.4-32-2.8-NFE25-511-A2	1
7	4217176	END SHIELD HELIX OPTI 8" EPDM KIT	1
7.1		> upper flange machined + cataphoresis	1
7.2	4217174	> STATIONARY RING HOLDER 8" HELIX OPTI VP.	1
7.3	4179571	> O-RING HOUSING PIPE HELIX22/36/52 VP.	1
7.4	4179572	> O-RING ID.42.52X2.62 EPDM VP.	1
8	4186377	FILING/PURGING PLUG 304 HELIX KIT	1
8.1		> FILLING/VENTING-PLUG-MVI8/10"-304	1
8.2	4032291	> O-RING 17x3 EPDM KTW/WRC	1
9	4143973	CARTRIDGE HELIX22-36-52 O/E KIT	1
10	4181168	HOUSING PIPE D.204X364 1.4307 KIT	1
7.3	4179571	> O-RING HOUSING PIPE HELIX22/36/52 VP.	1
10.1		> HOUSING-PIPE Ø204-M+2206-304	1
12	4161186	SHAFT EQUIPMENT HELIX V36 8" KIT	1
13		HYDRAULIC HELIX V 3605-2	1
14	4179578	SHAFT D.22X554 1.4057 VP.	1
15	4217909	EQUIPED HOUSING DN65 HELIX OPTI 8" KIT	1
15.1		> pump casing machined DN65	1
15.2	4217907	> HALF FLANGE DN65 HELIX OPTI 8" VP.	1
15.3	4217850	> DRAIN/PRIMING PLUG HELIX OPTI 8" KIT	1
7.3	4179571	> O-RING HOUSING PIPE HELIX22/36/52 VP.	1
16	4217911	BASEPLATE DN65 HELIX OPTI 8" VP.	1

COUPLING D.20XD.38 FF300 KIT (4143966)



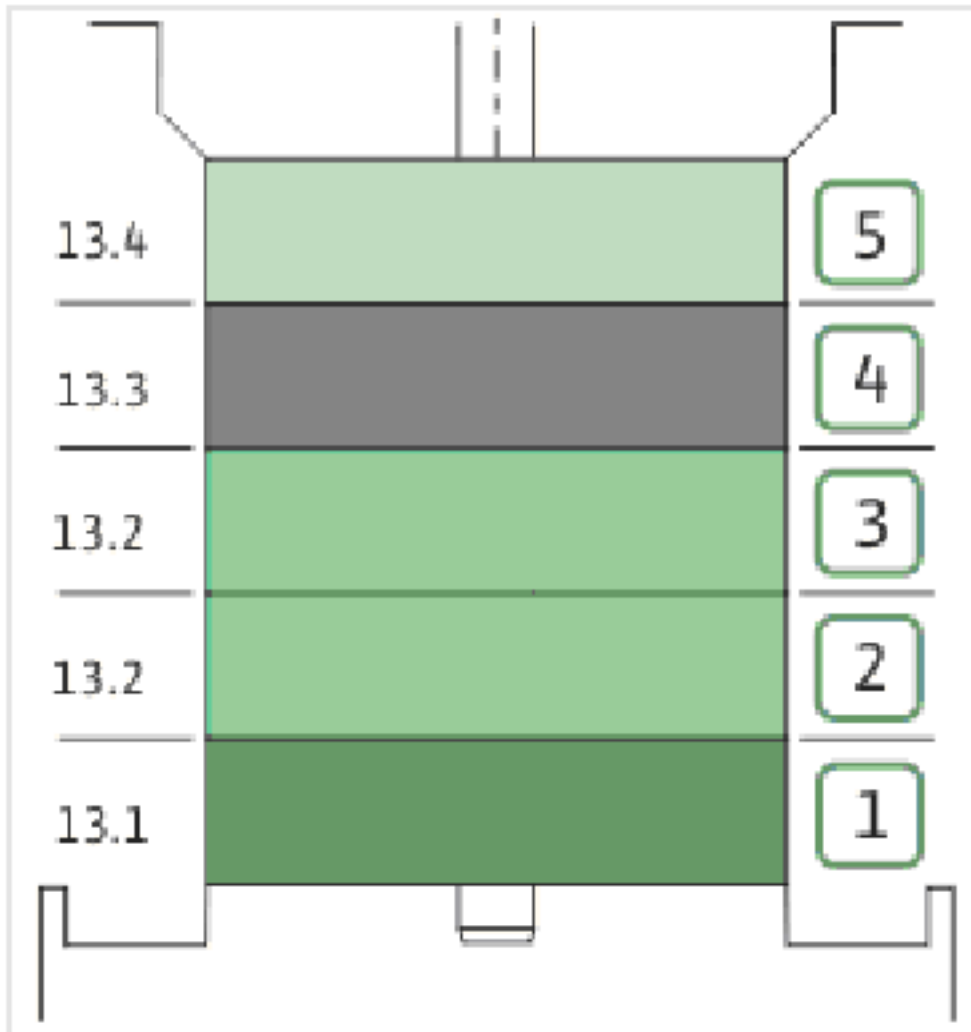
COUPLING D.20XD.38 FF300 KIT (4143966)

Item	Article no.	Description	Quantity
4.1	4179590	COUPLING 2 PARTS D.20XD.38XL115 VP.	1
4.2	2123699	BALL BEARING 6312/2Z-C4 (HT) VP.	1
4.3	63428	CIRCLIP-FOR-SHAFT-D60x2	1
4.4	2130991	SCREW M12X30 ISO4762 8.8 ZN(4 PIECES)	1
4.5	4032277	CIRCLIP-HOLE-130x4	1
4.6	4006725	O-RING ID.132,94x3,53 NBR70SR	1
4.7	2130992	RETAINING RING D.35xD.2,5 DIN7993 VP.	1
4.8	4179591	HUB D.42xD.60 VP.	1
4.9	2130994	SPACER D.38XD.55 VP.	1
4.10	4094462	SCREWS M10 (4 PIECES)	1
4.11	4233959	SCREW M8x16 VP.	1
4.12		SERRATED LOCK WASHER Ø8.2XØ25X35X2	1



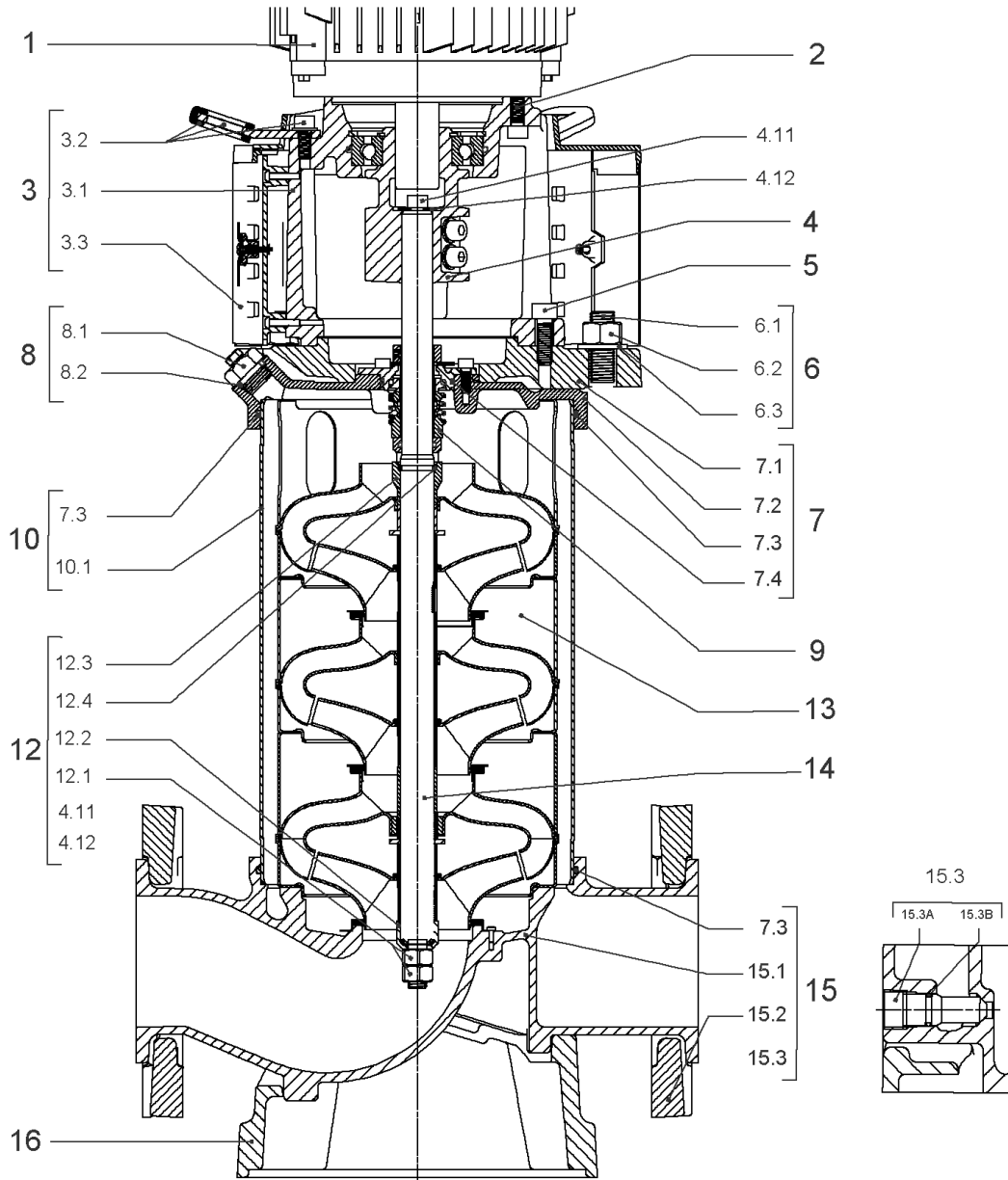
CARTRIDGE HELIX22-36-52 O/E KIT (4143973)

Item	Article no.	Description	Quantity
9.1	4143974	SEAL-KIT-HELIX22-36-52 O/E	1
7.3	4179571	> O-RING HOUSING PIPE HELIX22/36/52 VP.	1
7.4	4179572	> O-RING ID.42.52X2.62 EPDM VP.	1
9.1A	4179573	> M.SEAL.HELIX22-36-52 O/E VP.	1
9.1B	4179574	> O-RING ID.20x2.65 EPDM VP.	1
9.2	4179566	SHAFT SLEEVE D.20/20X60 1.4404 VP.	1
9.3	4179567	RING HOLDER Ø22 1.4301 VP.	1
9.4	4176520	SCREW CH M5x5 A4-70 (3PIECES)	1
9.5	4179568	DRIVE RING D.31/22.1x11 MACH.VP.	1
9.6	4179569	TOOL M.S.CART.HELIX 8" VP.	1
9.7	4179570	SCREW M6X16 ISO4762 8.8 GEOMET(4 PIECES)	1



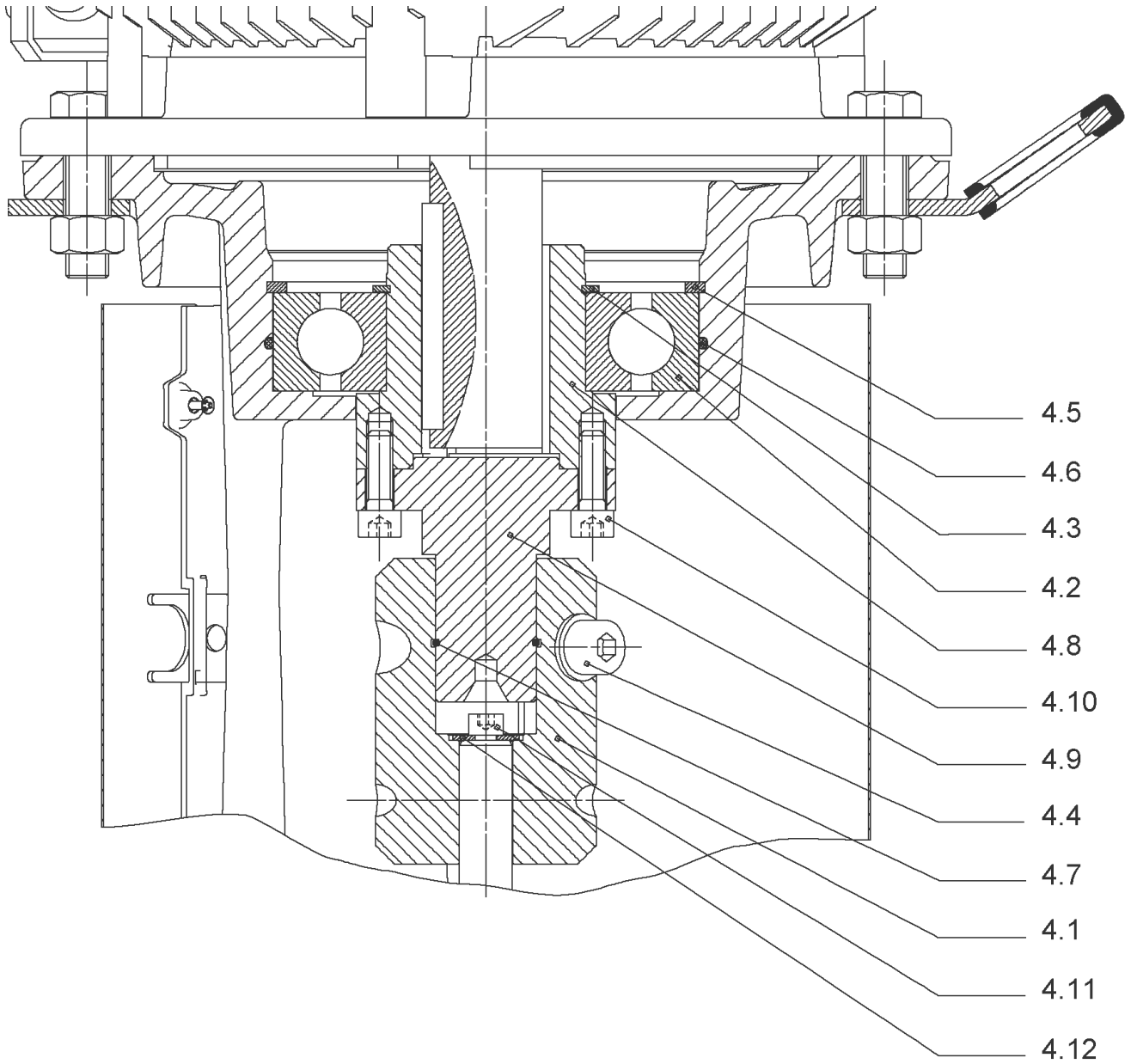
HYDRAULIC HELIX V 3605-2

Item	Article no.	Description	Quantity
13.1	4161192	INTERMEDIATE STAGE HELIX V36 1.4301 KIT	1
		> SLEEVE-SPACER-D22XL16,66-316L	1
		> MACH.BEARING-DIFFUSER+NR-M+36-304	1
		> SHAFT-SLEEVE-D26xD22x16-CW	1
		> IMPELLER-H1-M+36-304	1
13.1A	4161200	> NECK RING 1.STAGE HELIX V36/52 KIT	1
		>> NECK-RING-M+36/52	1
		>> HYDRAULIC SUPPORT CAP M+36/52 304	1
		>> SCREW TCL M3X8 A4 POZIDRIV	1
13.2	4161193	INTERMEDIATE STAGE HELIX V36 1.4301 KIT	1
		> MACH.STD-DIFFUSER+NR-M+36-304	1
		> IMPELLER-H4-M+36-304	1
13.3	4161195	INTERMEDIATE STAGE HELIX V36 1.4301 KIT	1
		> REDUCED-IMPELLER-H4-M+36-304	1
		> MACH.STD-DIFFUSER+NR-M+36-304	1
13.4	4161196	UPPER STAGE HELIX 36 1.4301 KIT	1
		> STOP COLLAR OF IMPELLER L20-Ø22-316L	1
		> REDUCED-IMPELLER-H4-M+36-304	1
		> MACH.-RIGID-STD-DISCH.-CHAMBER-M+36-304	1



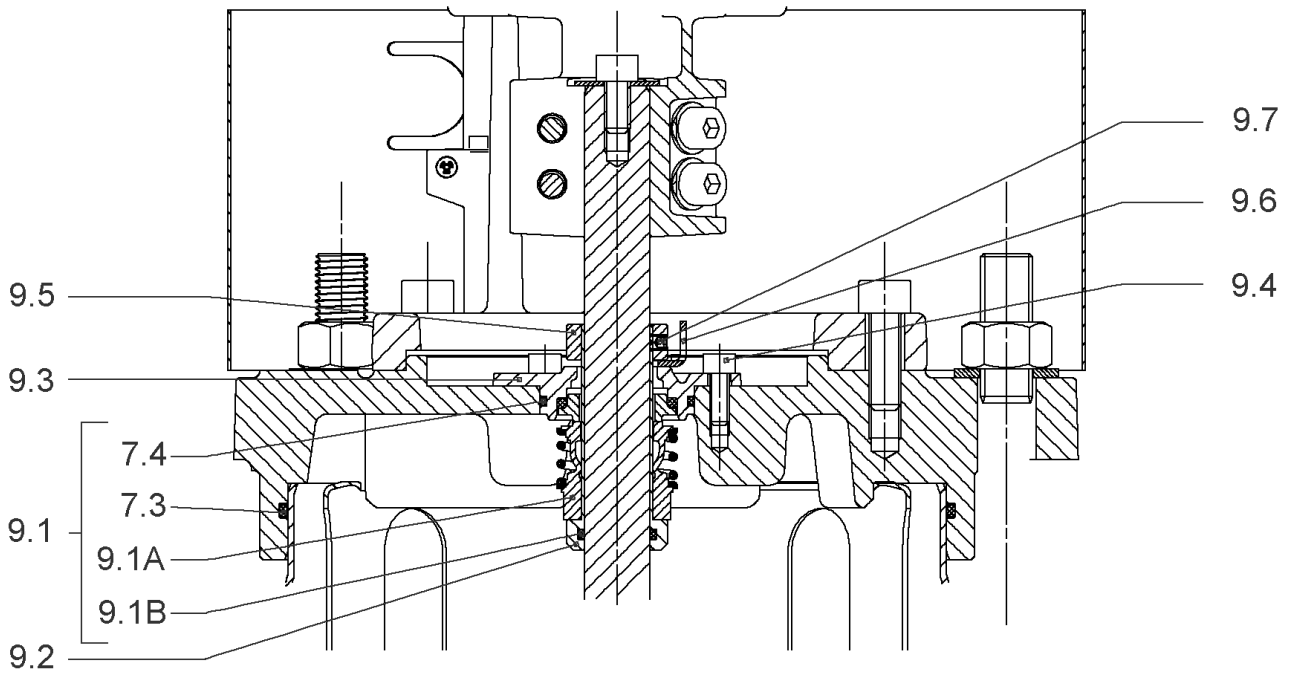
HELIX V3605-1/16/E/KS/400-50 (4198480)

Item	Article no.	Description	Quantity
1	4195487	MOTOR 15/2/160 3~400V 50HZ VP.	1
		SPARE PARTS MOTOR:ON REQUEST	1
2	4179586	SCREW M16X60 (4 PIECES)	1
3	4157721	LANTERN HELIX 22/36 FF300 BB6312 KIT	1
3.1		> LANTERN FF300 M+ GJL MACHINED+CATA 6312	1
3.2	4179589	> EYELET CPL.FF300 HELIX(4 PIECES)	1
3.3	4143969	> COUPLING PROTECT HELIX FF KIT	1
4	4143966	COUPLING D.20XD.38 FF300 KIT	1
5	4157725	SCREW M10X40 (4 PIECES)	1
6	4181669	STUD BOLT M16X578 KIT	1
6.1		> TIE BOLT M16-578x24x44-1.4057	1
6.2	4179562	> NUT M16 8.8 ISO4032 (4 PIECES)	1
6.3	4097852	> WASHER-CS-16.4-32-2.8-NFE25-511-A2	1
7	4217176	END SHIELD HELIX OPTI 8" EPDM KIT	1
7.1		> upper flange machined + cataphoresis	1
7.2	4217174	> STATIONARY RING HOLDER 8" HELIX OPTI VP.	1
7.3	4179571	> O-RING HOUSING PIPE HELIX22/36/52 VP.	1
7.4	4179572	> O-RING ID.42.52X2.62 EPDM VP.	1
8	4186377	FILING/PURGING PLUG 304 HELIX KIT	1
8.1		> FILLING/VENTING-PLUG-MVI8/10"-304	1
8.2	4032291	> O-RING 17x3 EPDM KTW/WRC	1
9	4143973	CARTRIDGE HELIX22-36-52 O/E KIT	1
10	4181168	HOUSING PIPE D.204X364 1.4307 KIT	1
7.3	4179571	> O-RING HOUSING PIPE HELIX22/36/52 VP.	1
10.1		> HOUSING-PIPE Ø204-M+2206-304	1
12	4161186	SHAFT EQUIPMENT HELIX V36 8" KIT	1
13		HYDRAULIC HELIX V 3605	1
14	4179578	SHAFT D.22X554 1.4057 VP.	1
15	4217909	EQUIPED HOUSING DN65 HELIX OPTI 8" KIT	1
15.1		> pump casing machined DN65	1
15.2	4217907	> HALF FLANGE DN65 HELIX OPTI 8" VP.	1
15.3	4217850	> DRAIN/PRIMING PLUG HELIX OPTI 8" KIT	1
7.3	4179571	> O-RING HOUSING PIPE HELIX22/36/52 VP.	1
16	4217911	BASEPLATE DN65 HELIX OPTI 8" VP.	1



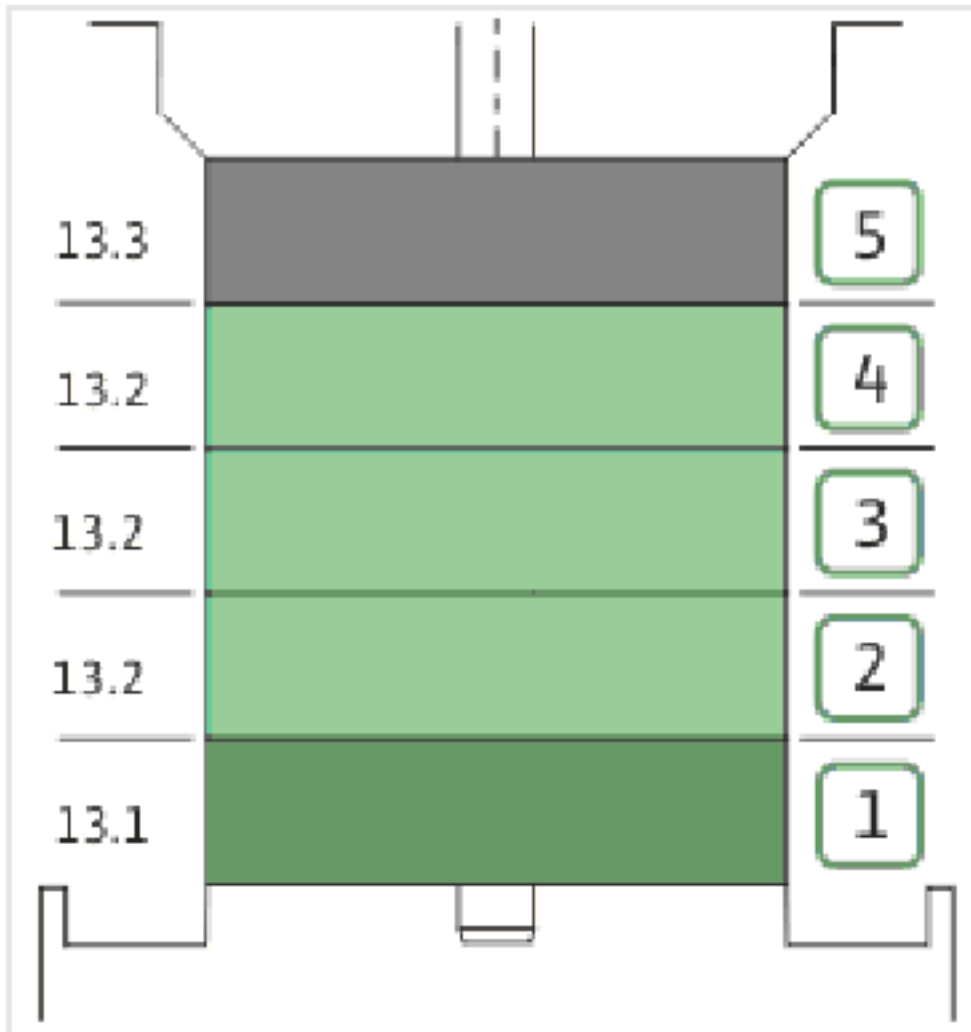
COUPLING D.20XD.38 FF300 KIT (4143966)

Item	Article no.	Description	Quantity
4.1	4179590	COUPLING 2 PARTS D.20XD.38XL115 VP.	1
4.2	2123699	BALL BEARING 6312/2Z-C4 (HT) VP.	1
4.3	63428	CIRCLIP-FOR-SHAFT-D60x2	1
4.4	2130991	SCREW M12X30 ISO4762 8.8 ZN(4 PIECES)	1
4.5	4032277	CIRCLIP-HOLE-130x4	1
4.6	4006725	O-RING ID.132,94x3,53 NBR70SR	1
4.7	2130992	RETAINING RING D.35xD.2,5 DIN7993 VP.	1
4.8	4179591	HUB D.42xD.60 VP.	1
4.9	2130994	SPACER D.38XD.55 VP.	1
4.10	4094462	SCREWS M10 (4 PIECES)	1
4.11	4233959	SCREW M8x16 VP.	1
4.12		SERRATED LOCK WASHER Ø8.2XØ25X35X2	1



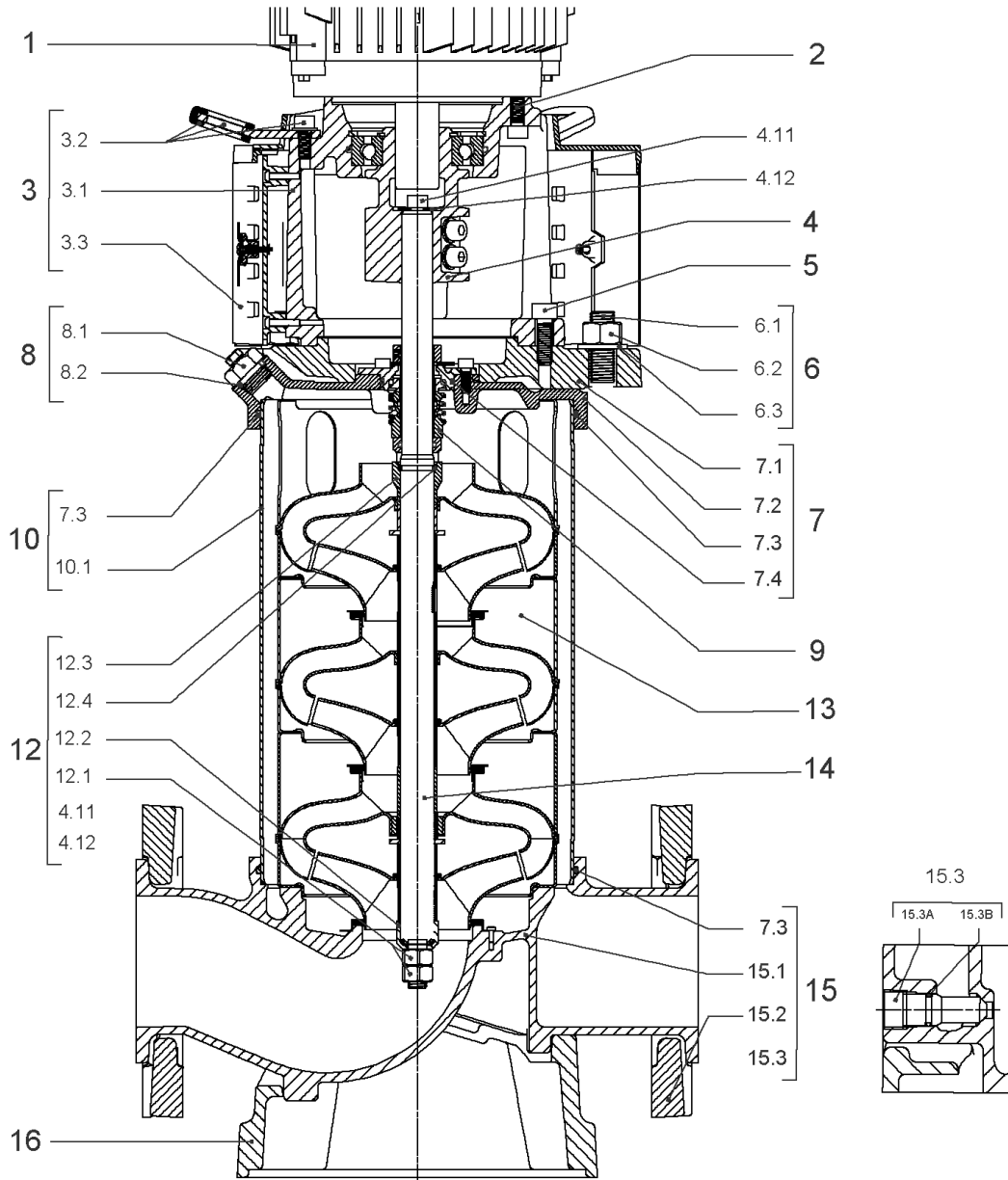
CARTRIDGE HELIX22-36-52 O/E KIT (4143973)

Item	Article no.	Description	Quantity
9.1	4143974	SEAL-KIT-HELIX22-36-52 O/E	1
7.3	4179571	> O-RING HOUSING PIPE HELIX22/36/52 VP.	1
7.4	4179572	> O-RING ID.42.52X2.62 EPDM VP.	1
9.1A	4179573	> M.SEAL.HELIX22-36-52 O/E VP.	1
9.1B	4179574	> O-RING ID.20x2.65 EPDM VP.	1
9.2	4179566	SHAFT SLEEVE D.20/20X60 1.4404 VP.	1
9.3	4179567	RING HOLDER Ø22 1.4301 VP.	1
9.4	4176520	SCREW CH M5x5 A4-70 (3PIECES)	1
9.5	4179568	DRIVE RING D.31/22.1x11 MACH.VP.	1
9.6	4179569	TOOL M.S.CART.HELIX 8" VP.	1
9.7	4179570	SCREW M6X16 ISO4762 8.8 GEOMET(4 PIECES)	1



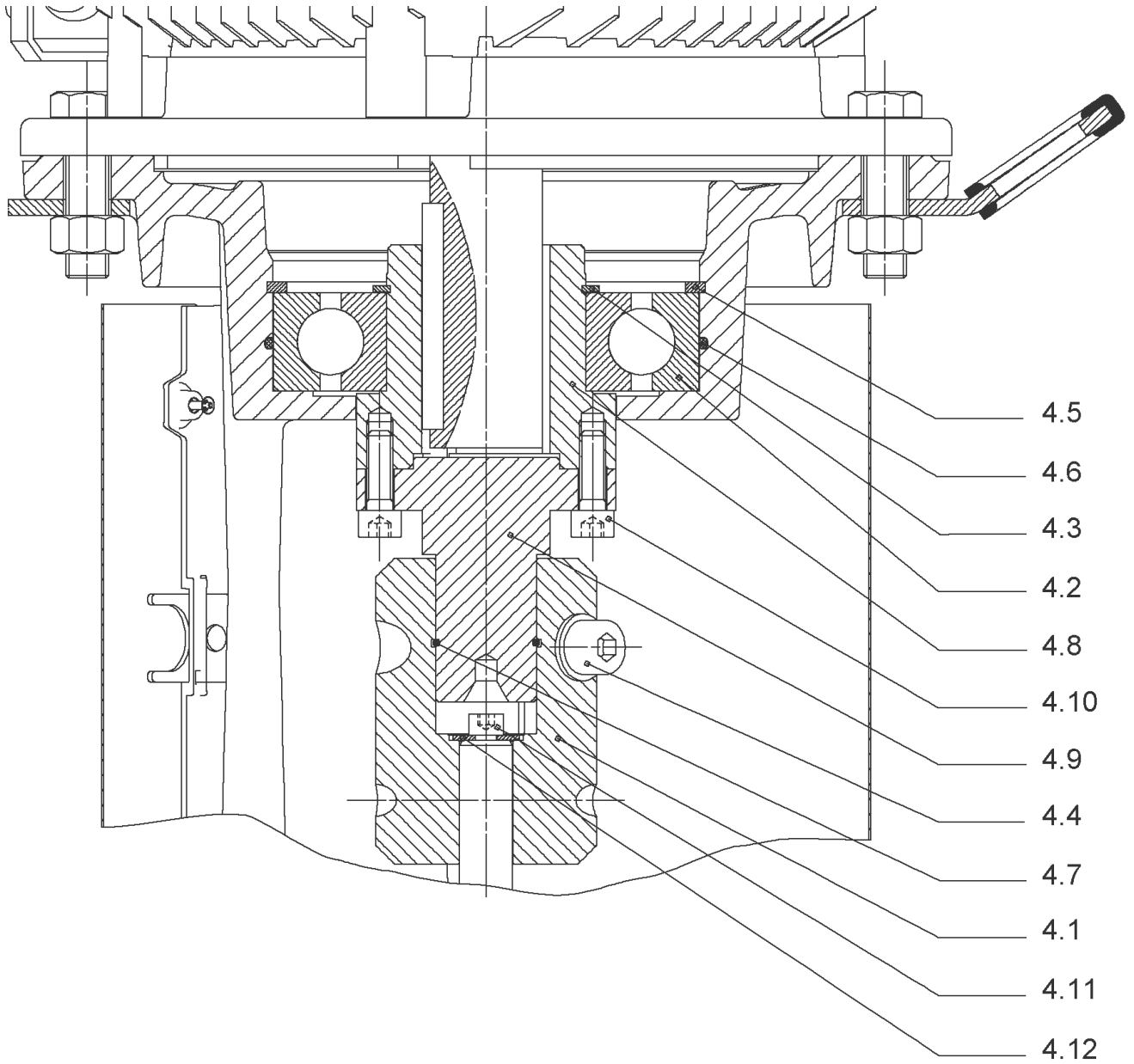
HYDRAULIC HELIX V 3605

Item	Article no.	Description	Quantity
13.1	4161192	INTERMEDIATE STAGE HELIX V36 1.4301 KIT	1
		> SLEEVE-SPACER-D22XL16,66-316L	1
		> MACH.BEARING-DIFFUSER+NR-M+36-304	1
		> SHAFT-SLEEVE-D26xD22x16-CW	1
		> IMPELLER-H1-M+36-304	1
13.1A	4161200	> NECK RING 1.STAGE HELIX V36/52 KIT	1
		>> NECK-RING-M+36/52	1
		>> HYDRAULIC SUPPORT CAP M+36/52 304	1
		>> SCREW TCL M3X8 A4 POZIDRIV	1
13.2	4161193	INTERMEDIATE STAGE HELIX V36 1.4301 KIT	1
		> MACH.STD-DIFFUSER+NR-M+36-304	1
		> IMPELLER-H4-M+36-304	1
13.3	4161194	UPPER STAGE HELIX 36 1.4301 KIT	1
		> STOP COLLAR OF IMPELLER L20-Ø22-316L	1
		> IMPELLER-H4-M+36-304	1
		> MACH.-RIGID-STD-DISCH.-CHAMBER-M+36-304	1



HELIX V3606/2-1/16/E/KS/400-50 (4198481)

Item	Article no.	Description	Quantity
1	4195487	MOTOR 15/2/160 3~400V 50HZ VP.	1
		SPARE PARTS MOTOR:ON REQUEST	1
2	4179586	SCREW M16X60 (4 PIECES)	1
3	4157721	LANTERN HELIX 22/36 FF300 BB6312 KIT	1
3.1		> LANTERN FF300 M+ GJL MACHINED+CATA 6312	1
3.2	4179589	> EYELET CPL.FF300 HELIX(4 PIECES)	1
3.3	4143969	> COUPLING PROTECT HELIX FF KIT	1
4	4143966	COUPLING D.20XD.38 FF300 KIT	1
5	4157725	SCREW M10X40 (4 PIECES)	1
6	4217859	STUD BOLT M16X646 KIT	1
6.1		> TIE BOLT M16-646x24x44-1.4057	1
6.2	4179562	> NUT M16 8.8 ISO4032 (4 PIECES)	1
6.3	4097852	> WASHER-CS-16.4-32-2.8-NFE25-511-A2	1
7	4217176	END SHIELD HELIX OPTI 8" EPDM KIT	1
7.1		> upper flange machined + cataphoresis	1
7.2	4217174	> STATIONARY RING HOLDER 8" HELIX OPTI VP.	1
7.3	4179571	> O-RING HOUSING PIPE HELIX22/36/52 VP.	1
7.4	4179572	> O-RING ID.42.52X2.62 EPDM VP.	1
8	4186377	FILING/PURGING PLUG 304 HELIX KIT	1
8.1		> FILLING/VENTING-PLUG-MVI8/10"-304	1
8.2	4032291	> O-RING 17x3 EPDM KTW/WRC	1
9	4143973	CARTRIDGE HELIX22-36-52 O/E KIT	1
10	4179920	HOUSING PIPE D204 X 430 1.4301 KIT	1
7.3	4179571	> O-RING HOUSING PIPE HELIX22/36/52 VP.	1
10.1		> HOUSING-PIPE Ø204-M+5204-304	1
12	4161186	SHAFT EQUIPMENT HELIX V36 8" KIT	1
13		HYDRAULIC HELIX V 3606-2	1
14	2127545	SHAFT D.22 LG.620,67 HELIX 1.4057 VP.	1
15	4217909	EQUIPED HOUSING DN65 HELIX OPTI 8" KIT	1
15.1		> pump casing machined DN65	1
15.2	4217907	> HALF FLANGE DN65 HELIX OPTI 8" VP.	1
15.3	4217850	> DRAIN/PRIMING PLUG HELIX OPTI 8" KIT	1
7.3	4179571	> O-RING HOUSING PIPE HELIX22/36/52 VP.	1
16	4217911	BASEPLATE DN65 HELIX OPTI 8" VP.	1



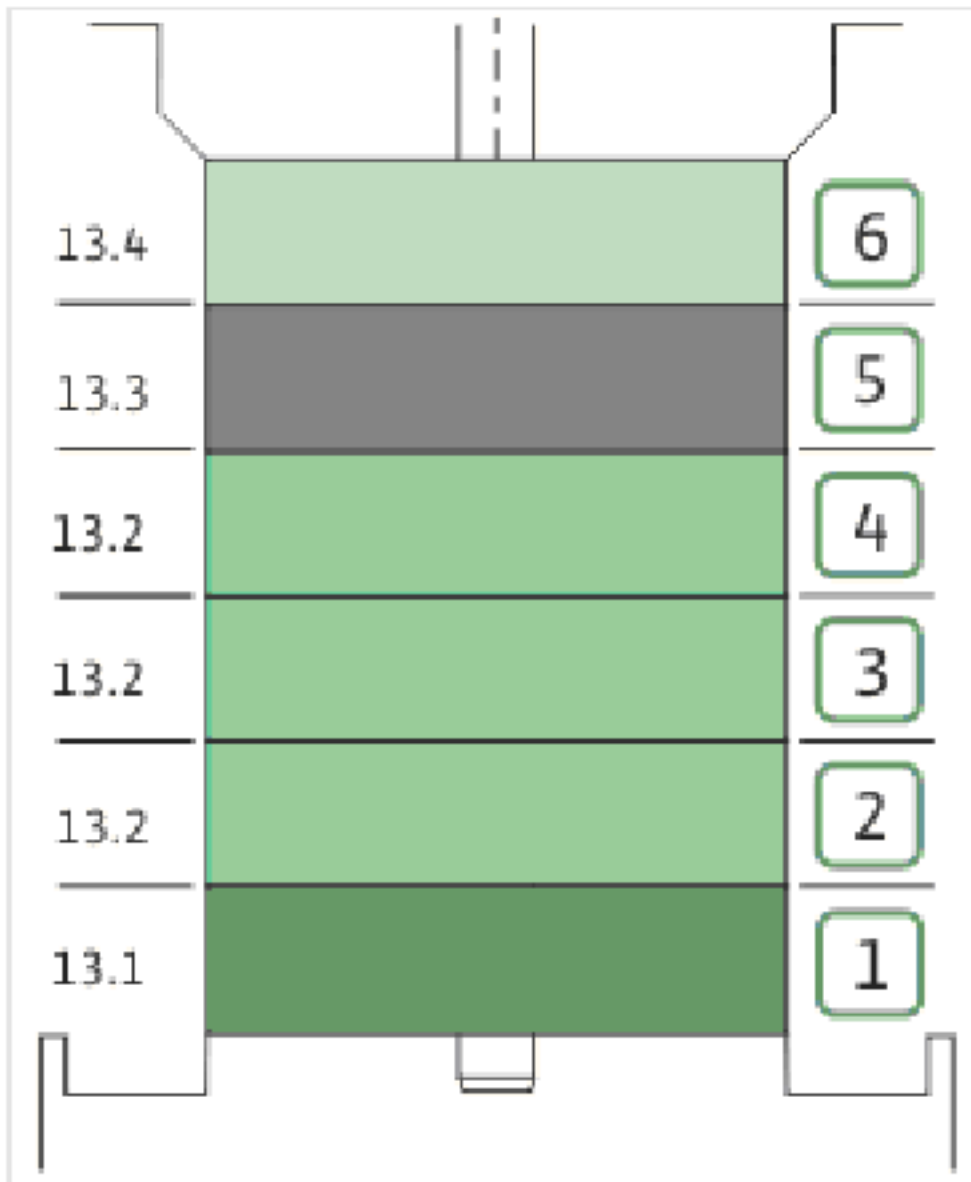
COUPLING D.20XD.38 FF300 KIT (4143966)

Item	Article no.	Description	Quantity
4.1	4179590	COUPLING 2 PARTS D.20XD.38XL115 VP.	1
4.2	2123699	BALL BEARING 6312/2Z-C4 (HT) VP.	1
4.3	63428	CIRCLIP-FOR-SHAFT-D60x2	1
4.4	2130991	SCREW M12X30 ISO4762 8.8 ZN(4 PIECES)	1
4.5	4032277	CIRCLIP-HOLE-130x4	1
4.6	4006725	O-RING ID.132,94x3,53 NBR70SR	1
4.7	2130992	RETAINING RING D.35xD.2,5 DIN7993 VP.	1
4.8	4179591	HUB D.42xD.60 VP.	1
4.9	2130994	SPACER D.38XD.55 VP.	1
4.10	4094462	SCREWS M10 (4 PIECES)	1
4.11	4233959	SCREW M8x16 VP.	1
4.12		SERRATED LOCK WASHER Ø8.2XØ25X35X2	1



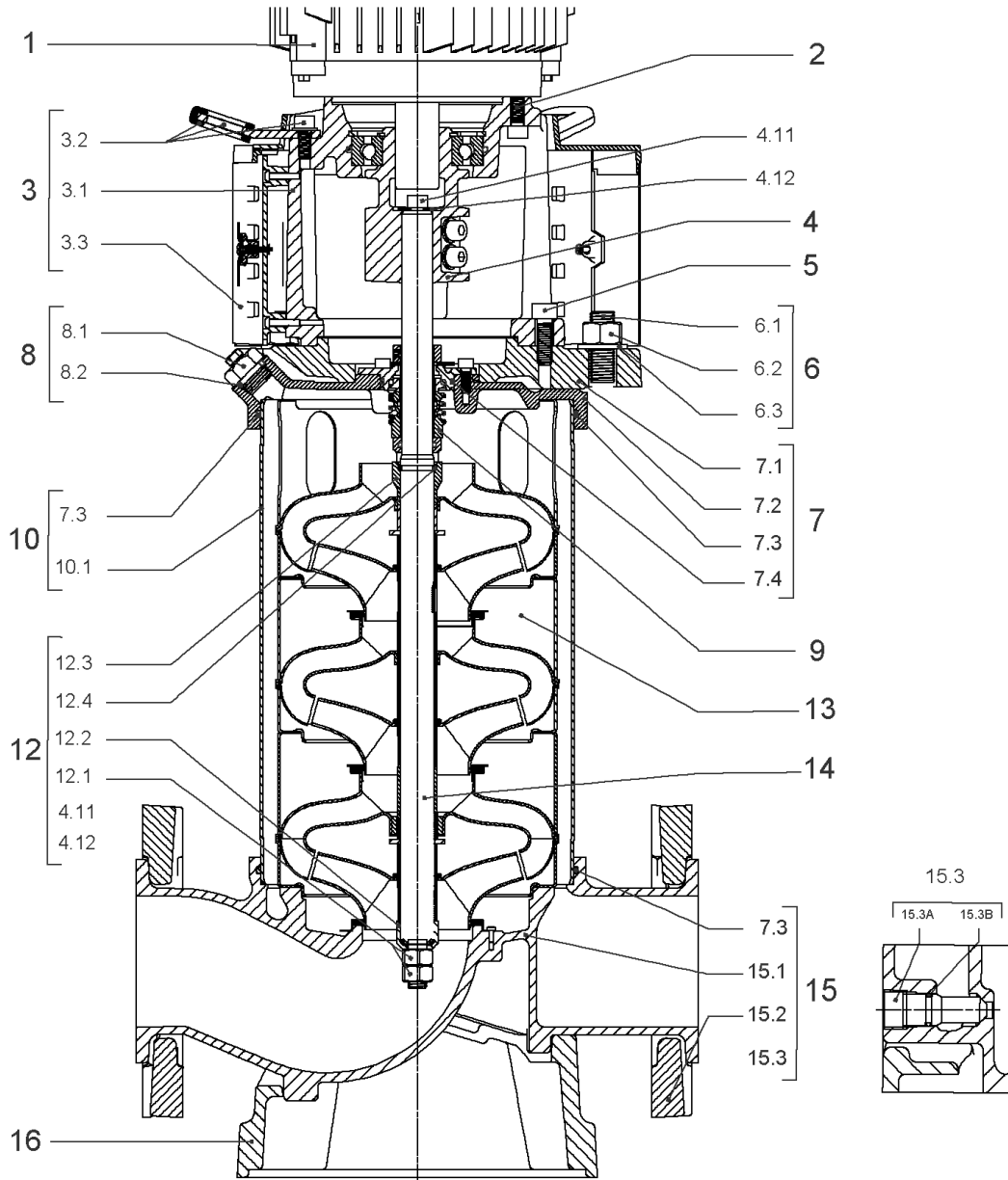
CARTRIDGE HELIX22-36-52 O/E KIT (4143973)

Item	Article no.	Description	Quantity
9.1	4143974	SEAL-KIT-HELIX22-36-52 O/E	1
7.3	4179571	> O-RING HOUSING PIPE HELIX22/36/52 VP.	1
7.4	4179572	> O-RING ID.42.52X2.62 EPDM VP.	1
9.1A	4179573	> M.SEAL.HELIX22-36-52 O/E VP.	1
9.1B	4179574	> O-RING ID.20x2.65 EPDM VP.	1
9.2	4179566	SHAFT SLEEVE D.20/20X60 1.4404 VP.	1
9.3	4179567	RING HOLDER Ø22 1.4301 VP.	1
9.4	4176520	SCREW CH M5x5 A4-70 (3PIECES)	1
9.5	4179568	DRIVE RING D.31/22.1x11 MACH.VP.	1
9.6	4179569	TOOL M.S.CART.HELIX 8" VP.	1
9.7	4179570	SCREW M6X16 ISO4762 8.8 GEOMET(4 PIECES)	1



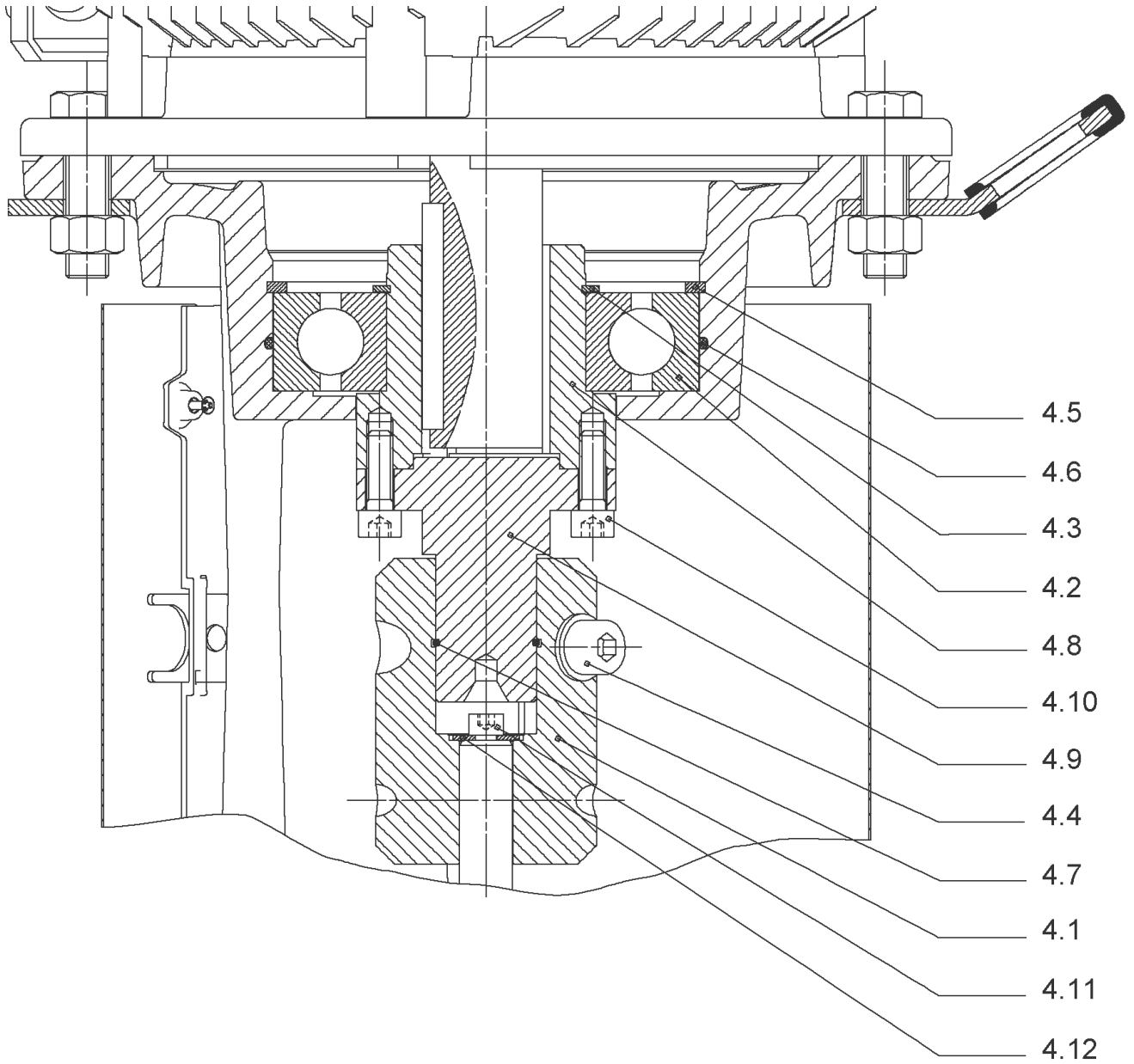
HYDRAULIC HELIX V 3606-2

Item	Article no.	Description	Quantity
13.1	4161192	INTERMEDIATE STAGE HELIX V36 1.4301 KIT	1
		> SLEEVE-SPACER-D22XL16,66-316L	1
		> MACH.BEARING-DIFFUSER+NR-M+36-304	1
		> SHAFT-SLEEVE-D26xD22x16-CW	1
		> IMPELLER-H1-M+36-304	1
13.1A	4161200	> NECK RING 1.STAGE HELIX V36/52 KIT	1
		>> NECK-RING-M+36/52	1
		>> HYDRAULIC SUPPORT CAP M+36/52 304	1
		>> SCREW TCL M3X8 A4 POZIDRIV	1
13.2	4161193	INTERMEDIATE STAGE HELIX V36 1.4301 KIT	1
		> MACH.STD-DIFFUSER+NR-M+36-304	1
		> IMPELLER-H4-M+36-304	1
13.3	4161195	INTERMEDIATE STAGE HELIX V36 1.4301 KIT	1
		> REDUCED-IMPELLER-H4-M+36-304	1
		> MACH.STD-DIFFUSER+NR-M+36-304	1
13.4	4161196	UPPER STAGE HELIX 36 1.4301 KIT	1
		> STOP COLLAR OF IMPELLER L20-Ø22-316L	1
		> REDUCED-IMPELLER-H4-M+36-304	1
		> MACH.-RIGID-STD-DISCH.-CHAMBER-M+36-304	1



HELIX V3606/2-1/25/E/KS/400-50 (4198482)

Item	Article no.	Description	Quantity
1	4195487	MOTOR 15/2/160 3~400V 50HZ VP.	1
		SPARE PARTS MOTOR:ON REQUEST	1
2	4179586	SCREW M16X60 (4 PIECES)	1
3	4157721	LANTERN HELIX 22/36 FF300 BB6312 KIT	1
3.1		> LANTERN FF300 M+ GJL MACHINED+CATA 6312	1
3.2	4179589	> EYELET CPL.FF300 HELIX(4 PIECES)	1
3.3	4143969	> COUPLING PROTECT HELIX FF KIT	1
4	4143966	COUPLING D.20XD.38 FF300 KIT	1
5	4157725	SCREW M10X40 (4 PIECES)	1
6	4217859	STUD BOLT M16X646 KIT	1
6.1		> TIE BOLT M16-646x24x44-1.4057	1
6.2	4179562	> NUT M16 8.8 ISO4032 (4 PIECES)	1
6.3	4097852	> WASHER-CS-16.4-32-2.8-NFE25-511-A2	1
7	4217176	END SHIELD HELIX OPTI 8" EPDM KIT	1
7.1		> upper flange machined + cataphoresis	1
7.2	4217174	> STATIONARY RING HOLDER 8" HELIX OPTI VP.	1
7.3	4179571	> O-RING HOUSING PIPE HELIX22/36/52 VP.	1
7.4	4179572	> O-RING ID.42.52X2.62 EPDM VP.	1
8	4186377	FILING/PURGING PLUG 304 HELIX KIT	1
8.1		> FILLING/VENTING-PLUG-MVI8/10"-304	1
8.2	4032291	> O-RING 17x3 EPDM KTW/WRC	1
9	4143975	CARTRIDGE HELIX22-36-52 F/E KIT	1
10	4179920	HOUSING PIPE D204 X 430 1.4301 KIT	1
7.3	4179571	> O-RING HOUSING PIPE HELIX22/36/52 VP.	1
10.1		> HOUSING-PIPE Ø204-M+5204-304	1
12	4161186	SHAFT EQUIPMENT HELIX V36 8" KIT	1
13		HYDRAULIC HELIX V 3606-2	1
14	2127545	SHAFT D.22 LG.620,67 HELIX 1.4057 VP.	1
15	4217909	EQUIPED HOUSING DN65 HELIX OPTI 8" KIT	1
15.1		> pump casing machined DN65	1
15.2	4217907	> HALF FLANGE DN65 HELIX OPTI 8" VP.	1
15.3	4217850	> DRAIN/PRIMING PLUG HELIX OPTI 8" KIT	1
7.3	4179571	> O-RING HOUSING PIPE HELIX22/36/52 VP.	1
16	4217911	BASEPLATE DN65 HELIX OPTI 8" VP.	1



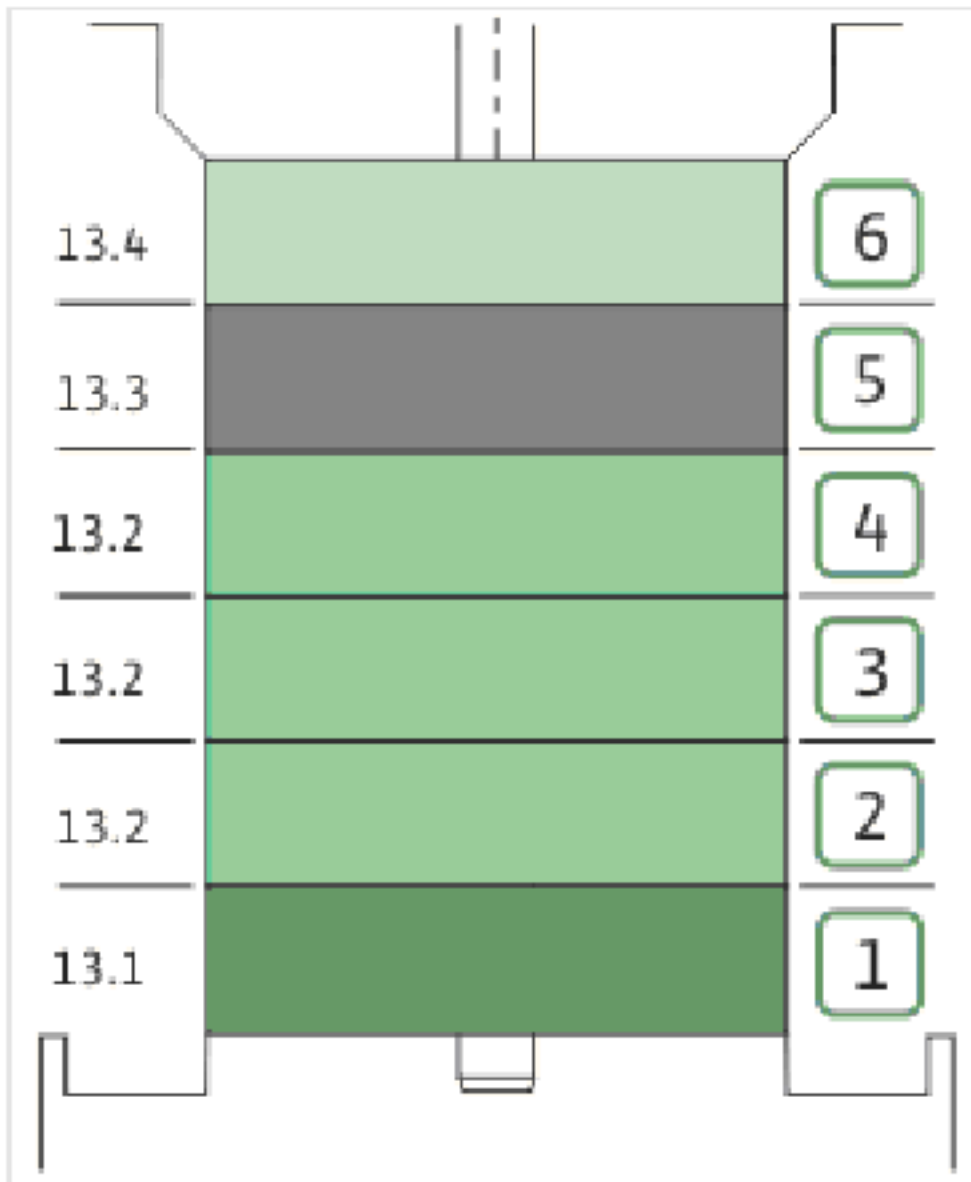
COUPLING D.20XD.38 FF300 KIT (4143966)

Item	Article no.	Description	Quantity
4.1	4179590	COUPLING 2 PARTS D.20XD.38XL115 VP.	1
4.2	2123699	BALL BEARING 6312/2Z-C4 (HT) VP.	1
4.3	63428	CIRCLIP-FOR-SHAFT-D60x2	1
4.4	2130991	SCREW M12X30 ISO4762 8.8 ZN(4 PIECES)	1
4.5	4032277	CIRCLIP-HOLE-130x4	1
4.6	4006725	O-RING ID.132,94x3,53 NBR70SR	1
4.7	2130992	RETAINING RING D.35xD.2,5 DIN7993 VP.	1
4.8	4179591	HUB D.42xD.60 VP.	1
4.9	2130994	SPACER D.38XD.55 VP.	1
4.10	4094462	SCREWS M10 (4 PIECES)	1
4.11	4233959	SCREW M8x16 VP.	1
4.12		SERRATED LOCK WASHER Ø8.2XØ25X35X2	1



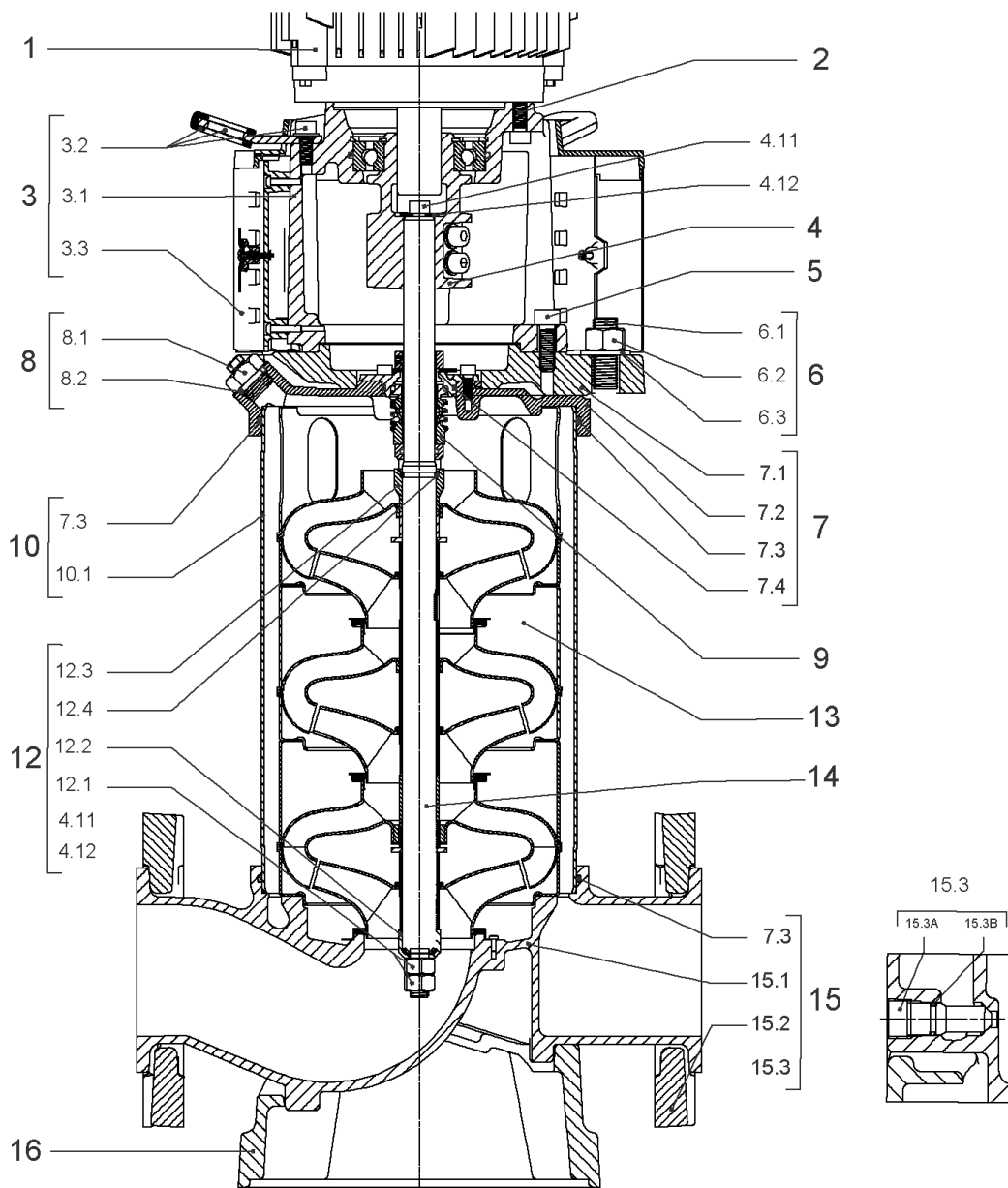
CARTRIDGE HELIX22-36-52 F/E KIT (4143975)

Item	Article no.	Description	Quantity
9.1	4143976	SEAL-KIT-HELIX22-36-52 F/E	1
7.3	4179571	> O-RING HOUSING PIPE HELIX22/36/52 VP.	1
7.4	4179572	> O-RING ID.42.52X2.62 EPDM VP.	1
9.1A	2127447	> M.SEAL.HELIX22-36-52 F/E VP.	1
9.1B	4179574	> O-RING ID.20x2.65 EPDM VP.	1
9.2	4179566	SHAFT SLEEVE D.20/20X60 1.4404 VP.	1
9.3	4179567	RING HOLDER Ø22 1.4301 VP.	1
9.4	4176520	SCREW CH M5x5 A4-70 (3PIECES)	1
9.5	4179568	DRIVE RING D.31/22.1x11 MACH.VP.	1
9.6	4179569	TOOL M.S.CART.HELIX 8" VP.	1
9.7	4179570	SCREW M6X16 ISO4762 8.8 GEOMET(4 PIECES)	1



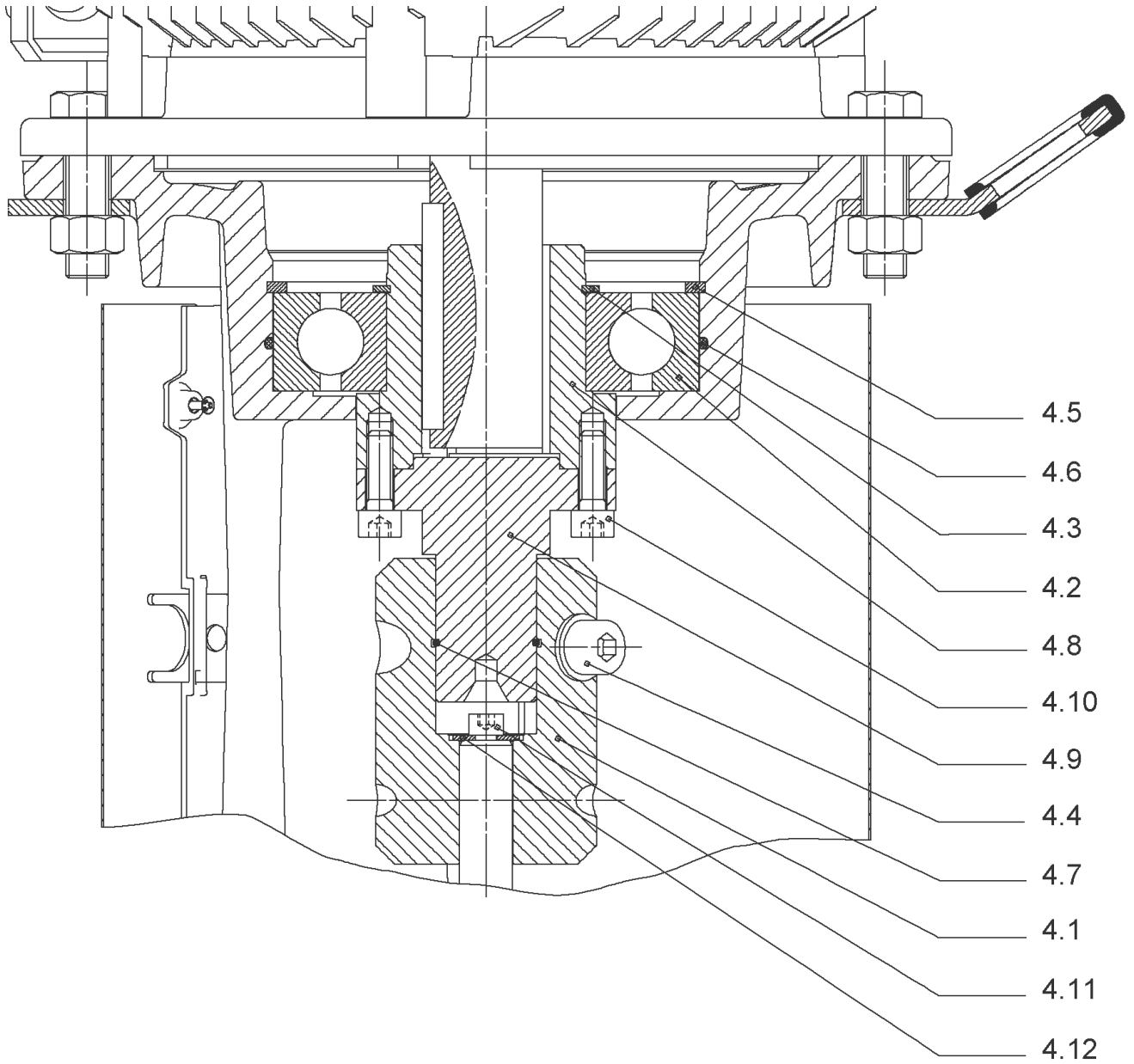
HYDRAULIC HELIX V 3606-2

Item	Article no.	Description	Quantity
13.1	4161192	INTERMEDIATE STAGE HELIX V36 1.4301 KIT	1
		> SLEEVE-SPACER-D22XL16,66-316L	1
		> MACH.BEARING-DIFFUSER+NR-M+36-304	1
		> SHAFT-SLEEVE-D26xD22x16-CW	1
		> IMPELLER-H1-M+36-304	1
13.1A	4161200	> NECK RING 1.STAGE HELIX V36/52 KIT	1
		>> NECK-RING-M+36/52	1
		>> HYDRAULIC SUPPORT CAP M+36/52 304	1
		>> SCREW TCL M3X8 A4 POZIDRIV	1
13.2	4161193	INTERMEDIATE STAGE HELIX V36 1.4301 KIT	1
		> MACH.STD-DIFFUSER+NR-M+36-304	1
		> IMPELLER-H4-M+36-304	1
13.3	4161195	INTERMEDIATE STAGE HELIX V36 1.4301 KIT	1
		> REDUCED-IMPELLER-H4-M+36-304	1
		> MACH.STD-DIFFUSER+NR-M+36-304	1
13.4	4161196	UPPER STAGE HELIX 36 1.4301 KIT	1
		> STOP COLLAR OF IMPELLER L20-Ø22-316L	1
		> REDUCED-IMPELLER-H4-M+36-304	1
		> MACH.-RIGID-STD-DISCH.-CHAMBER-M+36-304	1



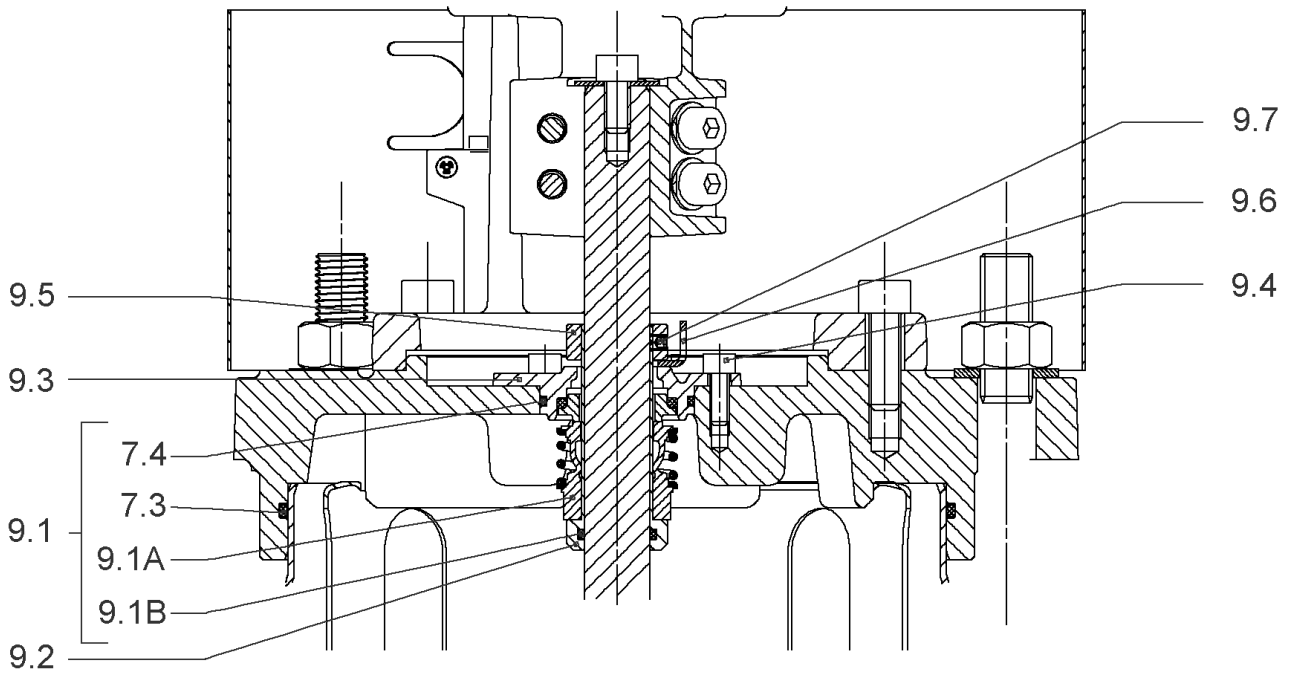
HELIX V3606-1/16/E/KS/400-50 (4198483)

Item	Article no.	Description	Quantity
1	4195488	MOTOR 18.5/2/160 3~400V 50HZ ARC VP.	1
		SPARE PARTS MOTOR:ON REQUEST	1
2	4179586	SCREW M16X60 (4 PIECES)	1
3	4157721	LANTERN HELIX 22/36 FF300 BB6312 KIT	1
3.1		> LANTERN FF300 M+ GJL MACHINED+CATA 6312	1
3.2	4179589	> EYELET CPL.FF300 HELIX(4 PIECES)	1
3.3	4143969	> COUPLING PROTECT HELIX FF KIT	1
4	4143966	COUPLING D.20XD.38 FF300 KIT	1
5	4157725	SCREW M10X40 (4 PIECES)	1
6	4217859	STUD BOLT M16X646 KIT	1
6.1		> TIE BOLT M16-646x24x44-1.4057	1
6.2	4179562	> NUT M16 8.8 ISO4032 (4 PIECES)	1
6.3	4097852	> WASHER-CS-16.4-32-2.8-NFE25-511-A2	1
7	4217176	END SHIELD HELIX OPTI 8" EPDM KIT	1
7.1		> upper flange machined + cataphoresis	1
7.2	4217174	> STATIONARY RING HOLDER 8" HELIX OPTI VP.	1
7.3	4179571	> O-RING HOUSING PIPE HELIX22/36/52 VP.	1
7.4	4179572	> O-RING ID.42.52X2.62 EPDM VP.	1
8	4186377	FILING/PURGING PLUG 304 HELIX KIT	1
8.1		> FILLING/VENTING-PLUG-MVI8/10"-304	1
8.2	4032291	> O-RING 17x3 EPDM KTW/WRC	1
9	4143973	CARTRIDGE HELIX22-36-52 O/E KIT	1
10	4179920	HOUSING PIPE D204 X 430 1.4301 KIT	1
7.3	4179571	> O-RING HOUSING PIPE HELIX22/36/52 VP.	1
10.1		> HOUSING-PIPE Ø204-M+5204-304	1
12	4161186	SHAFT EQUIPMENT HELIX V36 8" KIT	1
13		HYDRAULIC HELIX V 3606	1
14	2127545	SHAFT D.22 LG.620,67 HELIX 1.4057 VP.	1
15	4217909	EQUIPED HOUSING DN65 HELIX OPTI 8" KIT	1
15.1		> pump casing machined DN65	1
15.2	4217907	> HALF FLANGE DN65 HELIX OPTI 8" VP.	1
15.3	4217850	> DRAIN/PRIMING PLUG HELIX OPTI 8" KIT	1
7.3	4179571	> O-RING HOUSING PIPE HELIX22/36/52 VP.	1
16	4217911	BASEPLATE DN65 HELIX OPTI 8" VP.	1



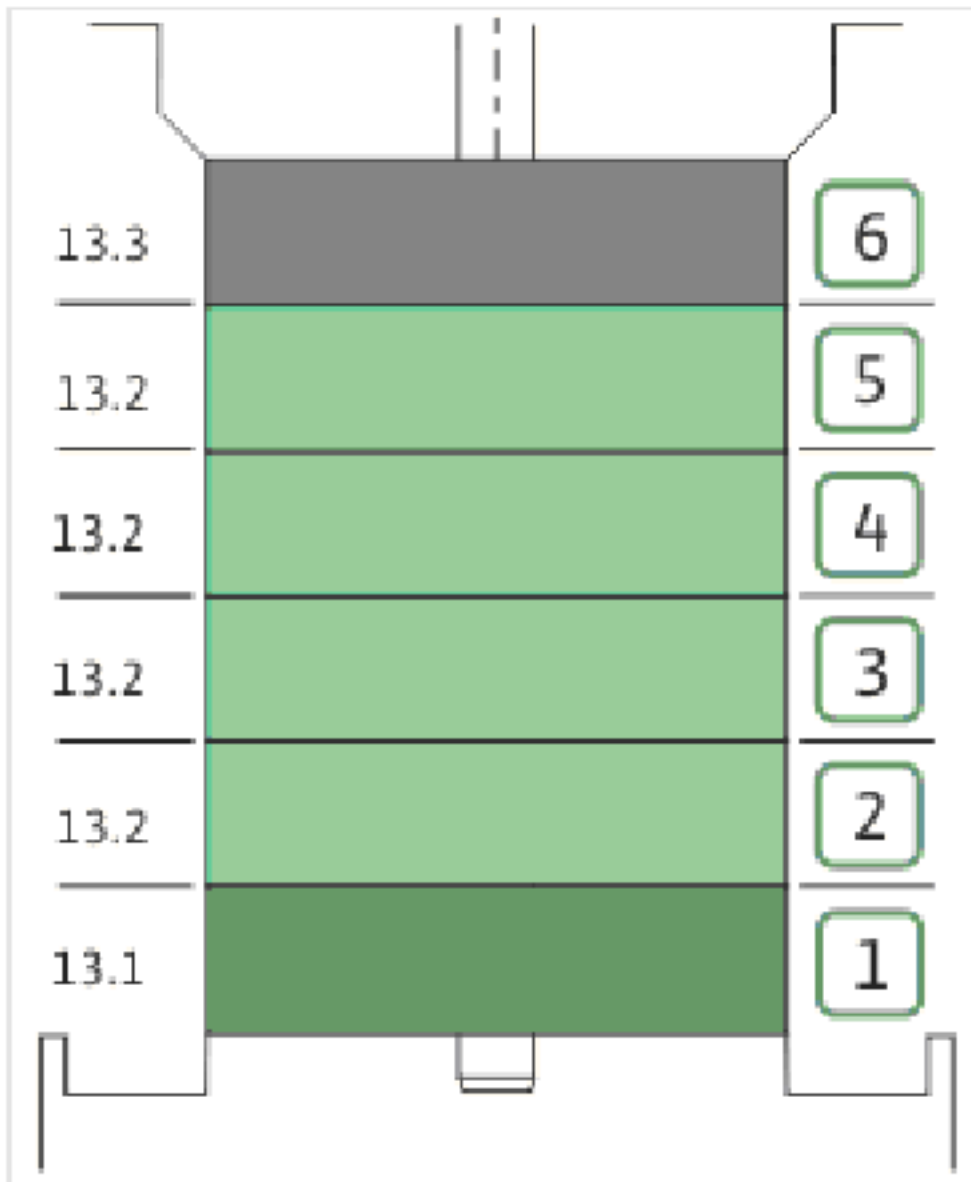
COUPLING D.20XD.38 FF300 KIT (4143966)

Item	Article no.	Description	Quantity
4.1	4179590	COUPLING 2 PARTS D.20XD.38XL115 VP.	1
4.2	2123699	BALL BEARING 6312/2Z-C4 (HT) VP.	1
4.3	63428	CIRCLIP-FOR-SHAFT-D60x2	1
4.4	2130991	SCREW M12X30 ISO4762 8.8 ZN(4 PIECES)	1
4.5	4032277	CIRCLIP-HOLE-130x4	1
4.6	4006725	O-RING ID.132,94x3,53 NBR70SR	1
4.7	2130992	RETAINING RING D.35xD.2,5 DIN7993 VP.	1
4.8	4179591	HUB D.42xD.60 VP.	1
4.9	2130994	SPACER D.38XD.55 VP.	1
4.10	4094462	SCREWS M10 (4 PIECES)	1
4.11	4233959	SCREW M8x16 VP.	1
4.12		SERRATED LOCK WASHER Ø8.2XØ25X35X2	1



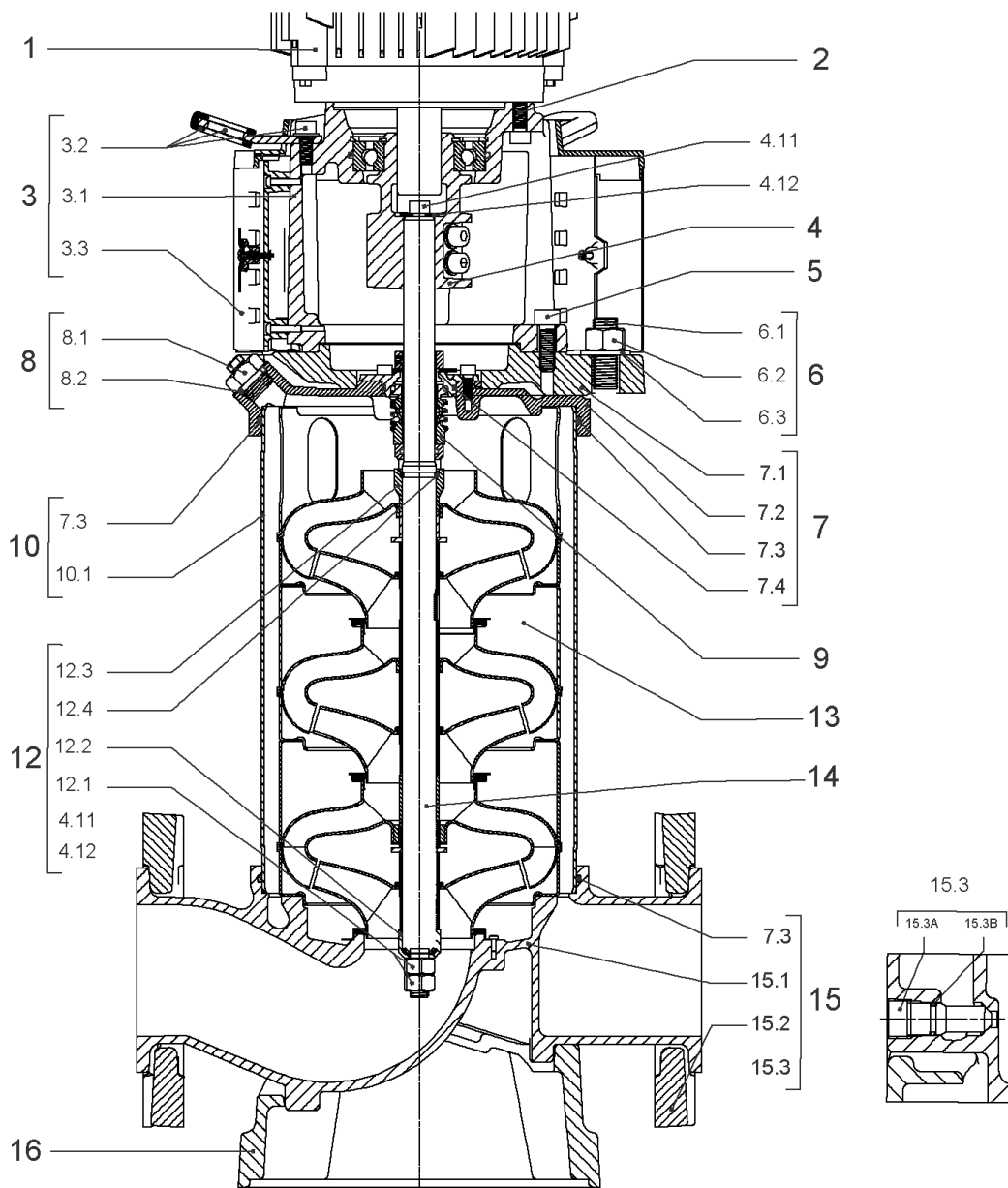
CARTRIDGE HELIX22-36-52 O/E KIT (4143973)

Item	Article no.	Description	Quantity
9.1	4143974	SEAL-KIT-HELIX22-36-52 O/E	1
7.3	4179571	> O-RING HOUSING PIPE HELIX22/36/52 VP.	1
7.4	4179572	> O-RING ID.42.52X2.62 EPDM VP.	1
9.1A	4179573	> M.SEAL.HELIX22-36-52 O/E VP.	1
9.1B	4179574	> O-RING ID.20x2.65 EPDM VP.	1
9.2	4179566	SHAFT SLEEVE D.20/20X60 1.4404 VP.	1
9.3	4179567	RING HOLDER Ø22 1.4301 VP.	1
9.4	4176520	SCREW CH M5x5 A4-70 (3PIECES)	1
9.5	4179568	DRIVE RING D.31/22.1x11 MACH.VP.	1
9.6	4179569	TOOL M.S.CART.HELIX 8" VP.	1
9.7	4179570	SCREW M6X16 ISO4762 8.8 GEOMET(4 PIECES)	1



HYDRAULIC HELIX V 3606

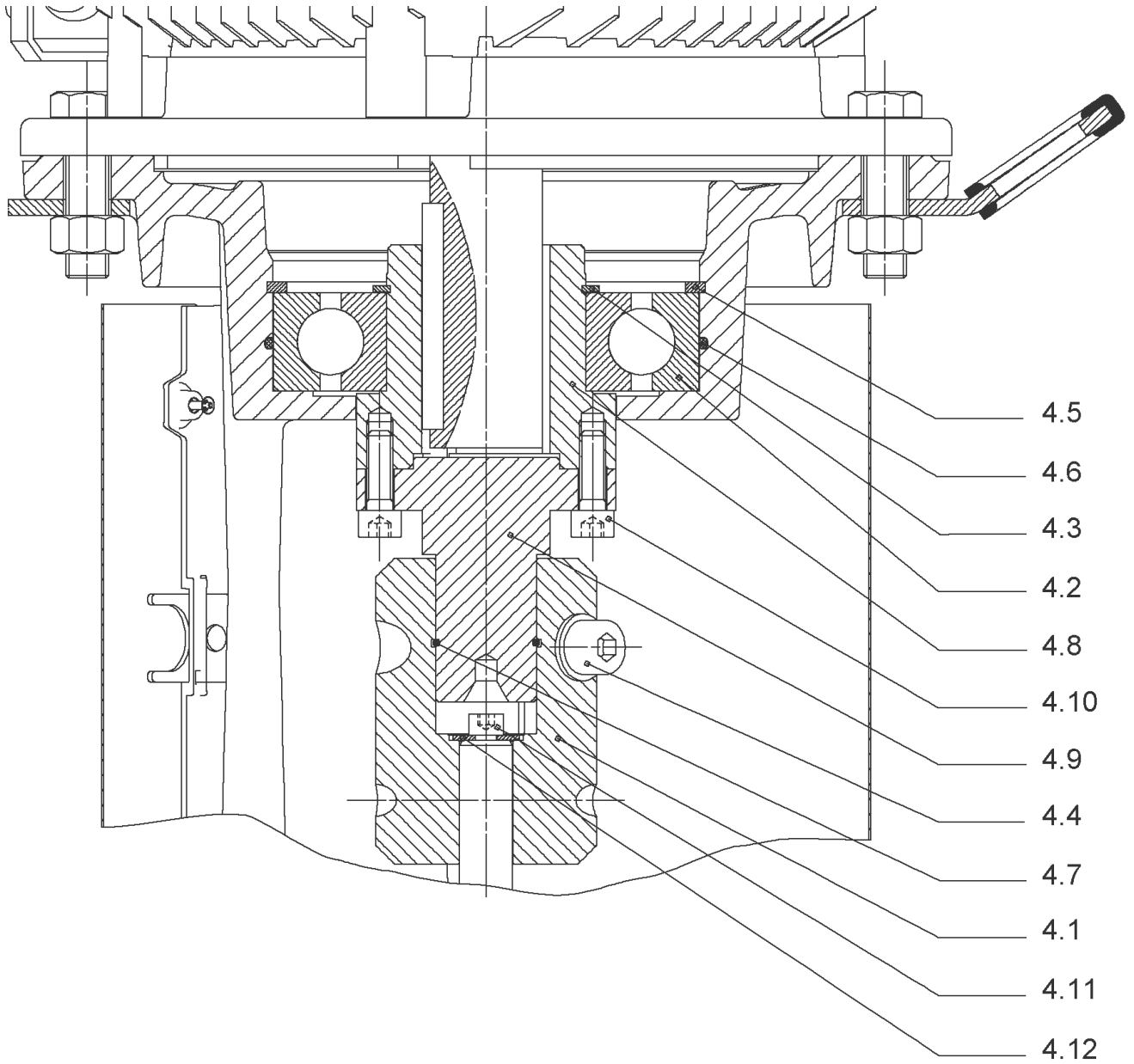
Item	Article no.	Description	Quantity
13.1	4161192	INTERMEDIATE STAGE HELIX V36 1.4301 KIT	1
		> SLEEVE-SPACER-D22XL16,66-316L	1
		> MACH.BEARING-DIFFUSER+NR-M+36-304	1
		> SHAFT-SLEEVE-D26xD22x16-CW	1
		> IMPELLER-H1-M+36-304	1
13.1A	4161200	> NECK RING 1.STAGE HELIX V36/52 KIT	1
		>> NECK-RING-M+36/52	1
		>> HYDRAULIC SUPPORT CAP M+36/52 304	1
		>> SCREW TCL M3X8 A4 POZIDRIV	1
13.2	4161193	INTERMEDIATE STAGE HELIX V36 1.4301 KIT	1
		> MACH.STD-DIFFUSER+NR-M+36-304	1
		> IMPELLER-H4-M+36-304	1
13.3	4161194	UPPER STAGE HELIX 36 1.4301 KIT	1
		> STOP COLLAR OF IMPELLER L20-Ø22-316L	1
		> IMPELLER-H4-M+36-304	1
		> MACH.-RIGID-STD-DISCH.-CHAMBER-M+36-304	1



HELIX V3606-1/25/E/KS/400-50 (4198484)

Item	Article no.	Description	Quantity
1	4195488	MOTOR 18.5/2/160 3~400V 50HZ ARC VP.	1
		SPARE PARTS MOTOR:ON REQUEST	1
2	4179586	SCREW M16X60 (4 PIECES)	1
3	4157721	LANTERN HELIX 22/36 FF300 BB6312 KIT	1
3.1		> LANTERN FF300 M+ GJL MACHINED+CATA 6312	1
3.2	4179589	> EYELET CPL.FF300 HELIX(4 PIECES)	1
3.3	4143969	> COUPLING PROTECT HELIX FF KIT	1
4	4143966	COUPLING D.20XD.38 FF300 KIT	1
5	4157725	SCREW M10X40 (4 PIECES)	1
6	4217859	STUD BOLT M16X646 KIT	1
6.1		> TIE BOLT M16-646x24x44-1.4057	1
6.2	4179562	> NUT M16 8.8 ISO4032 (4 PIECES)	1
6.3	4097852	> WASHER-CS-16.4-32-2.8-NFE25-511-A2	1
7	4217176	END SHIELD HELIX OPTI 8" EPDM KIT	1
7.1		> upper flange machined + cataphoresis	1
7.2	4217174	> STATIONARY RING HOLDER 8" HELIX OPTI VP.	1
7.3	4179571	> O-RING HOUSING PIPE HELIX22/36/52 VP.	1
7.4	4179572	> O-RING ID.42.52X2.62 EPDM VP.	1
8	4186377	FILING/PURGING PLUG 304 HELIX KIT	1
8.1		> FILLING/VENTING-PLUG-MVI8/10"-304	1
8.2	4032291	> O-RING 17x3 EPDM KTW/WRC	1
9	4143975	CARTRIDGE HELIX22-36-52 F/E KIT	1
10	4179920	HOUSING PIPE D204 X 430 1.4301 KIT	1
7.3	4179571	> O-RING HOUSING PIPE HELIX22/36/52 VP.	1
10.1		> HOUSING-PIPE Ø204-M+5204-304	1
12	4161186	SHAFT EQUIPMENT HELIX V36 8" KIT	1
13		HYDRAULIC HELIX V 3606	1
14	2127545	SHAFT D.22 LG.620,67 HELIX 1.4057 VP.	1
15	4217909	EQUIPED HOUSING DN65 HELIX OPTI 8" KIT	1
15.1		> pump casing machined DN65	1
15.2	4217907	> HALF FLANGE DN65 HELIX OPTI 8" VP.	1
15.3	4217850	> DRAIN/PRIMING PLUG HELIX OPTI 8" KIT	1
7.3	4179571	> O-RING HOUSING PIPE HELIX22/36/52 VP.	1
16	4217911	BASEPLATE DN65 HELIX OPTI 8" VP.	1

COUPLING D.20XD.38 FF300 KIT (4143966)



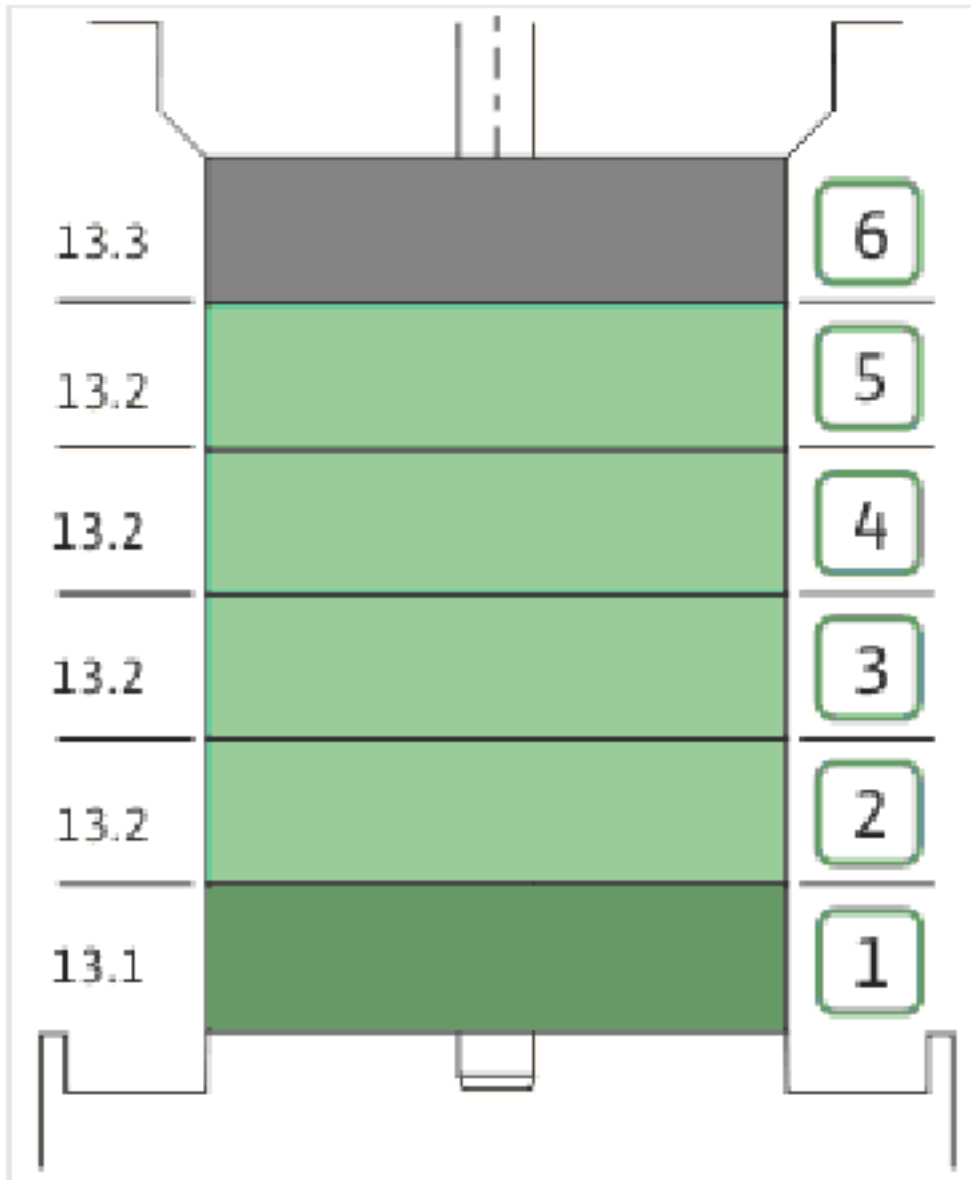
COUPLING D.20XD.38 FF300 KIT (4143966)

Item	Article no.	Description	Quantity
4.1	4179590	COUPLING 2 PARTS D.20XD.38XL115 VP.	1
4.2	2123699	BALL BEARING 6312/2Z-C4 (HT) VP.	1
4.3	63428	CIRCLIP-FOR-SHAFT-D60x2	1
4.4	2130991	SCREW M12X30 ISO4762 8.8 ZN(4 PIECES)	1
4.5	4032277	CIRCLIP-HOLE-130x4	1
4.6	4006725	O-RING ID.132,94x3,53 NBR70SR	1
4.7	2130992	RETAINING RING D.35xD.2,5 DIN7993 VP.	1
4.8	4179591	HUB D.42xD.60 VP.	1
4.9	2130994	SPACER D.38XD.55 VP.	1
4.10	4094462	SCREWS M10 (4 PIECES)	1
4.11	4233959	SCREW M8x16 VP.	1
4.12		SERRATED LOCK WASHER Ø8.2XØ25X35X2	1



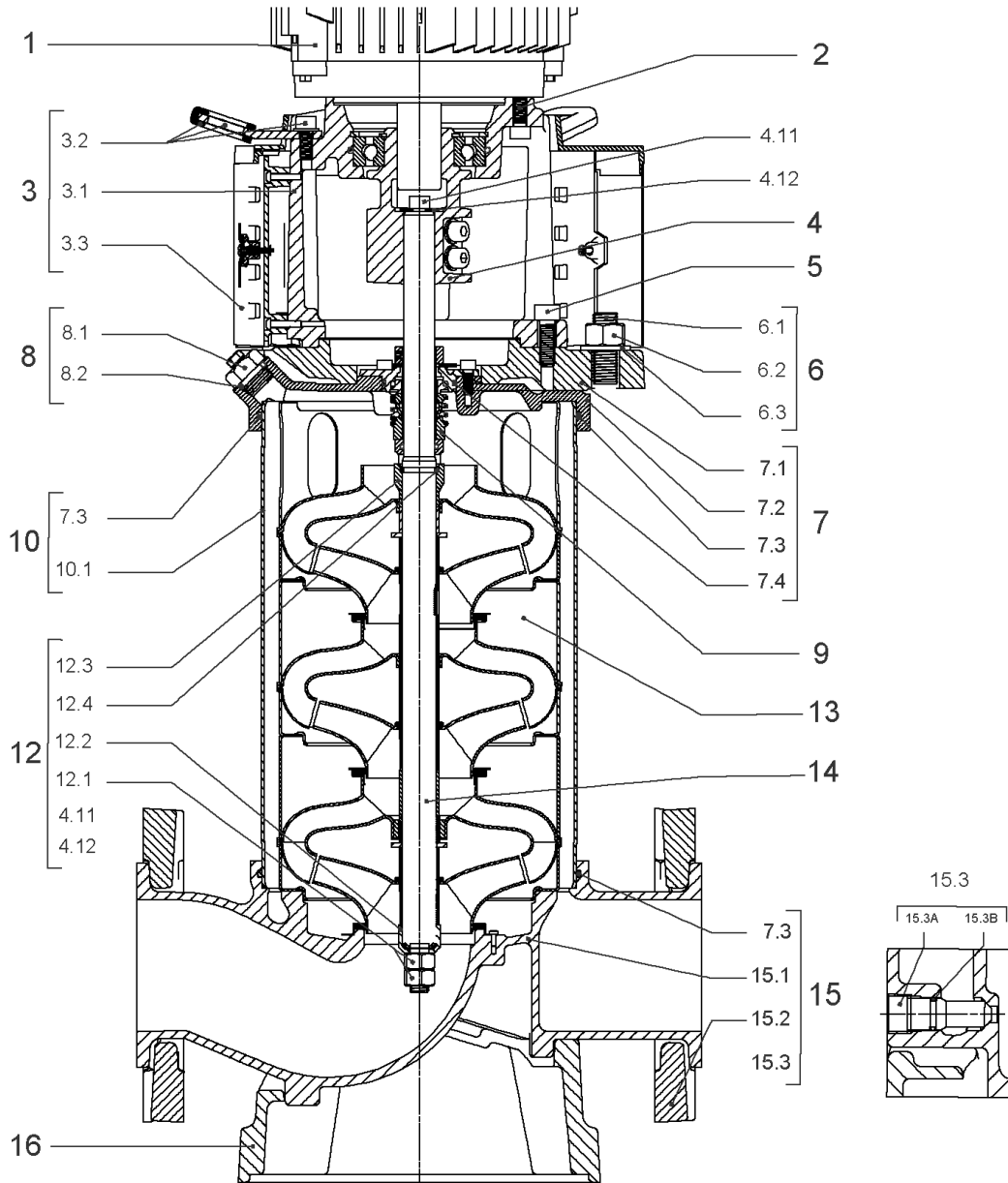
CARTRIDGE HELIX22-36-52 F/E KIT (4143975)

Item	Article no.	Description	Quantity
9.1	4143976	SEAL-KIT-HELIX22-36-52 F/E	1
7.3	4179571	> O-RING HOUSING PIPE HELIX22/36/52 VP.	1
7.4	4179572	> O-RING ID.42.52X2.62 EPDM VP.	1
9.1A	2127447	> M.SEAL.HELIX22-36-52 F/E VP.	1
9.1B	4179574	> O-RING ID.20x2.65 EPDM VP.	1
9.2	4179566	SHAFT SLEEVE D.20/20X60 1.4404 VP.	1
9.3	4179567	RING HOLDER Ø22 1.4301 VP.	1
9.4	4176520	SCREW CH M5x5 A4-70 (3PIECES)	1
9.5	4179568	DRIVE RING D.31/22.1x11 MACH.VP.	1
9.6	4179569	TOOL M.S.CART.HELIX 8" VP.	1
9.7	4179570	SCREW M6X16 ISO4762 8.8 GEOMET(4 PIECES)	1



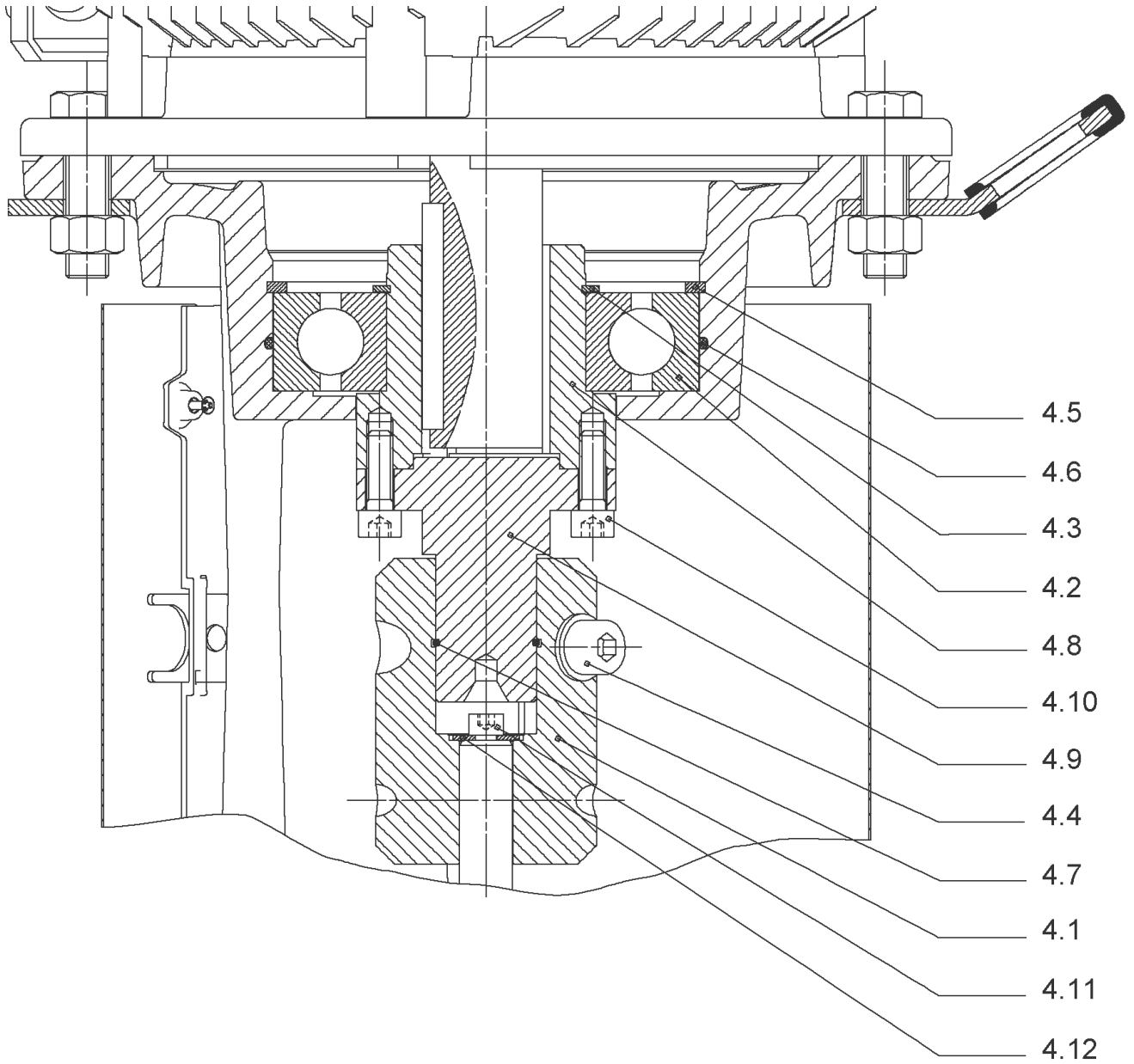
HYDRAULIC HELIX V 3606

Item	Article no.	Description	Quantity
13.1	4161192	INTERMEDIATE STAGE HELIX V36 1.4301 KIT	1
		> SLEEVE-SPACER-D22XL16,66-316L	1
		> MACH.BEARING-DIFFUSER+NR-M+36-304	1
		> SHAFT-SLEEVE-D26xD22x16-CW	1
		> IMPELLER-H1-M+36-304	1
13.1A	4161200	> NECK RING 1.STAGE HELIX V36/52 KIT	1
		>> NECK-RING-M+36/52	1
		>> HYDRAULIC SUPPORT CAP M+36/52 304	1
		>> SCREW TCL M3X8 A4 POZIDRIV	1
13.2	4161193	INTERMEDIATE STAGE HELIX V36 1.4301 KIT	1
		> MACH.STD-DIFFUSER+NR-M+36-304	1
		> IMPELLER-H4-M+36-304	1
13.3	4161194	UPPER STAGE HELIX 36 1.4301 KIT	1
		> STOP COLLAR OF IMPELLER L20-Ø22-316L	1
		> IMPELLER-H4-M+36-304	1
		> MACH.-RIGID-STD-DISCH.-CHAMBER-M+36-304	1



HELIX V3607/2-1/25/E/KS/400-50 (4198485)

Item	Article no.	Description	Quantity
1	4195488	MOTOR 18.5/2/160 3~400V 50HZ ARC VP.	1
		SPARE PARTS MOTOR:ON REQUEST	1
2	4179586	SCREW M16X60 (4 PIECES)	1
3	4157721	LANTERN HELIX 22/36 FF300 BB6312 KIT	1
3.1		> LANTERN FF300 M+ GJL MACHINED+CATA 6312	1
3.2	4179589	> EYELET CPL.FF300 HELIX(4 PIECES)	1
3.3	4143969	> COUPLING PROTECT HELIX FF KIT	1
4	4143966	COUPLING D.20XD.38 FF300 KIT	1
5	4157725	SCREW M10X40 (4 PIECES)	1
6	4218361	STUD BOLT M16X719 KIT	1
6.1		> TIE BOLT M16-719x24x44-1.4057	1
6.2	4179562	> NUT M16 8.8 ISO4032 (4 PIECES)	1
6.3	4097852	> WASHER-CS-16.4-32-2.8-NFE25-511-A2	1
7	4217176	END SHIELD HELIX OPTI 8" EPDM KIT	1
7.1		> upper flange machined + cataphoresis	1
7.2	4217174	> STATIONARY RING HOLDER 8" HELIX OPTI VP.	1
7.3	4179571	> O-RING HOUSING PIPE HELIX22/36/52 VP.	1
7.4	4179572	> O-RING ID.42.52X2.62 EPDM VP.	1
8	4186377	FILING/PURGING PLUG 304 HELIX KIT	1
8.1		> FILLING/VENTING-PLUG-MVI8/10"-304	1
8.2	4032291	> O-RING 17x3 EPDM KTW/WRC	1
9	4143975	CARTRIDGE HELIX22-36-52 F/E KIT	1
10	4218363	HOUSING PIPE D204 X 497 1.4301 KIT	1
7.3	4179571	> O-RING HOUSING PIPE HELIX22/36/52 VP.	1
10.1		> HOUSING-PIPE Ø204-L497,48-304	1
12	4161186	SHAFT EQUIPMENT HELIX V36 8" KIT	1
13		HYDRAULIC HELIX V 3607-2	1
14	4181091	SHAFT D.22X687,34 1.4057 VP.	1
15	4217909	EQUIPED HOUSING DN65 HELIX OPTI 8" KIT	1
15.1		> pump casing machined DN65	1
15.2	4217907	> HALF FLANGE DN65 HELIX OPTI 8" VP.	1
15.3	4217850	> DRAIN/PRIMING PLUG HELIX OPTI 8" KIT	1
7.3	4179571	> O-RING HOUSING PIPE HELIX22/36/52 VP.	1
16	4217911	BASEPLATE DN65 HELIX OPTI 8" VP.	1



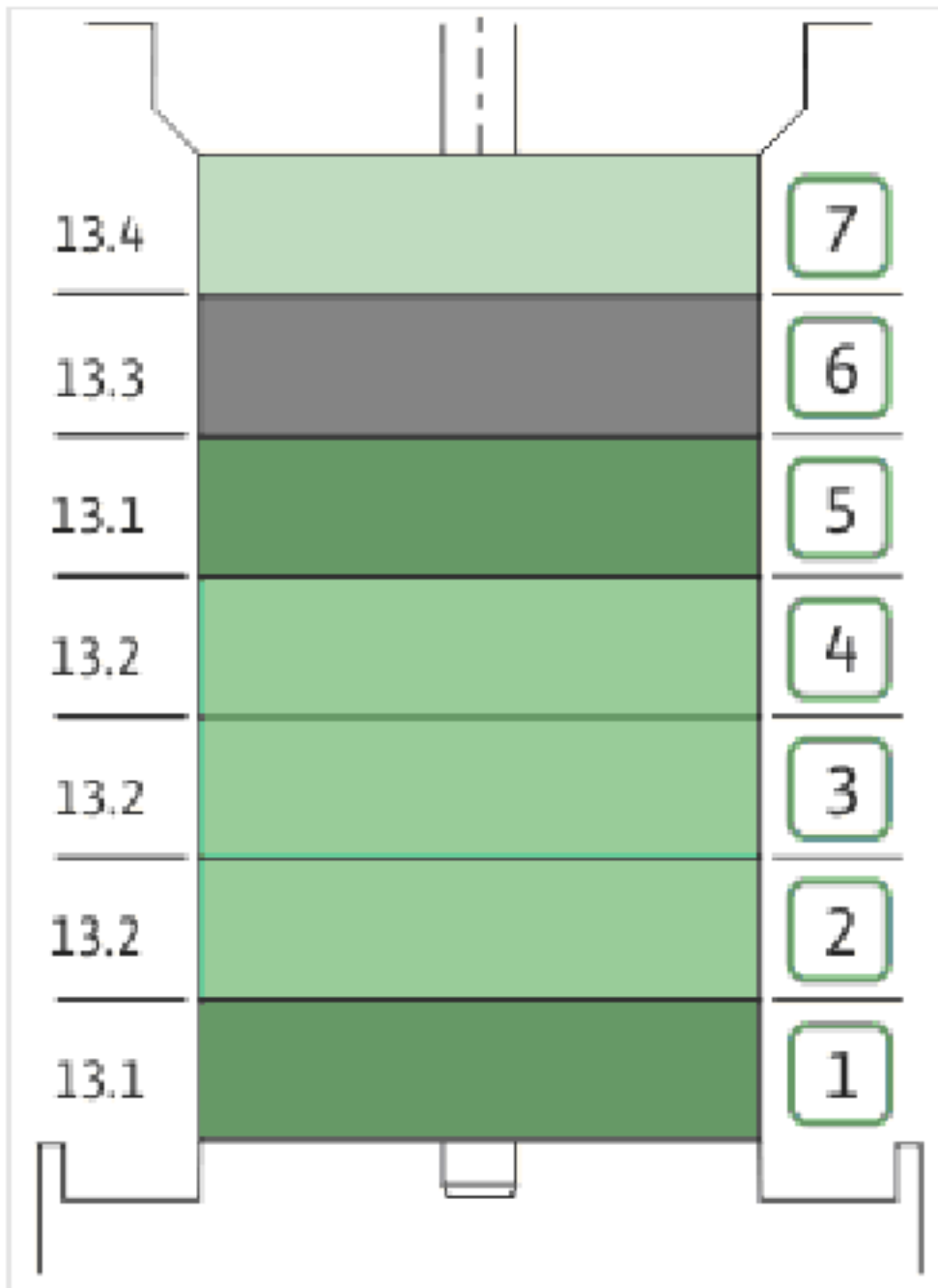
COUPLING D.20XD.38 FF300 KIT (4143966)

Item	Article no.	Description	Quantity
4.1	4179590	COUPLING 2 PARTS D.20XD.38XL115 VP.	1
4.2	2123699	BALL BEARING 6312/2Z-C4 (HT) VP.	1
4.3	63428	CIRCLIP-FOR-SHAFT-D60x2	1
4.4	2130991	SCREW M12X30 ISO4762 8.8 ZN(4 PIECES)	1
4.5	4032277	CIRCLIP-HOLE-130x4	1
4.6	4006725	O-RING ID.132,94x3,53 NBR70SR	1
4.7	2130992	RETAINING RING D.35xD.2,5 DIN7993 VP.	1
4.8	4179591	HUB D.42xD.60 VP.	1
4.9	2130994	SPACER D.38XD.55 VP.	1
4.10	4094462	SCREWS M10 (4 PIECES)	1
4.11	4233959	SCREW M8x16 VP.	1
4.12		SERRATED LOCK WASHER Ø8.2XØ25X35X2	1



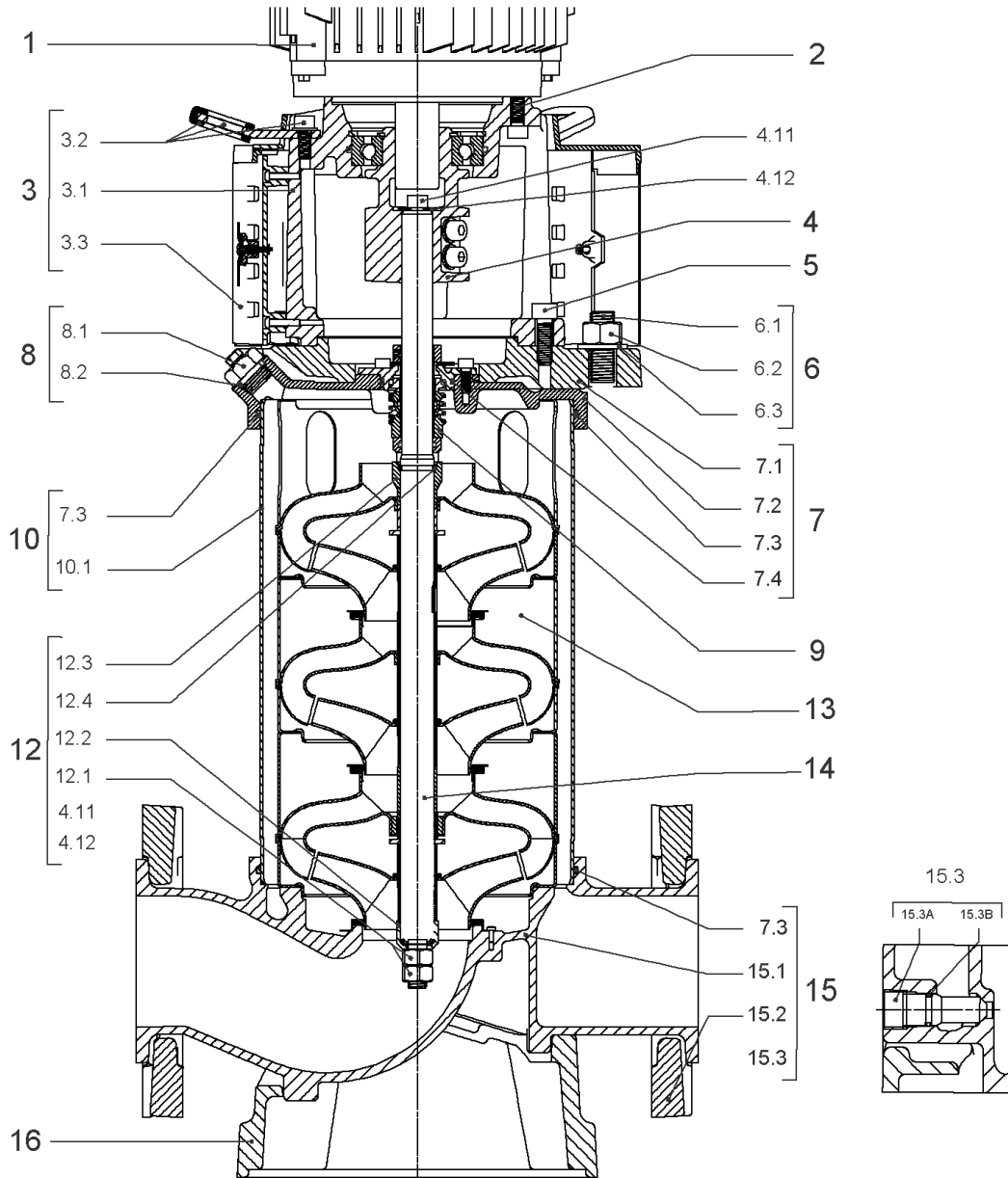
CARTRIDGE HELIX22-36-52 F/E KIT (4143975)

Item	Article no.	Description	Quantity
9.1	4143976	SEAL-KIT-HELIX22-36-52 F/E	1
7.3	4179571	> O-RING HOUSING PIPE HELIX22/36/52 VP.	1
7.4	4179572	> O-RING ID.42.52X2.62 EPDM VP.	1
9.1A	2127447	> M.SEAL.HELIX22-36-52 F/E VP.	1
9.1B	4179574	> O-RING ID.20x2.65 EPDM VP.	1
9.2	4179566	SHAFT SLEEVE D.20/20X60 1.4404 VP.	1
9.3	4179567	RING HOLDER Ø22 1.4301 VP.	1
9.4	4176520	SCREW CH M5x5 A4-70 (3PIECES)	1
9.5	4179568	DRIVE RING D.31/22.1x11 MACH.VP.	1
9.6	4179569	TOOL M.S.CART.HELIX 8" VP.	1
9.7	4179570	SCREW M6X16 ISO4762 8.8 GEOMET(4 PIECES)	1



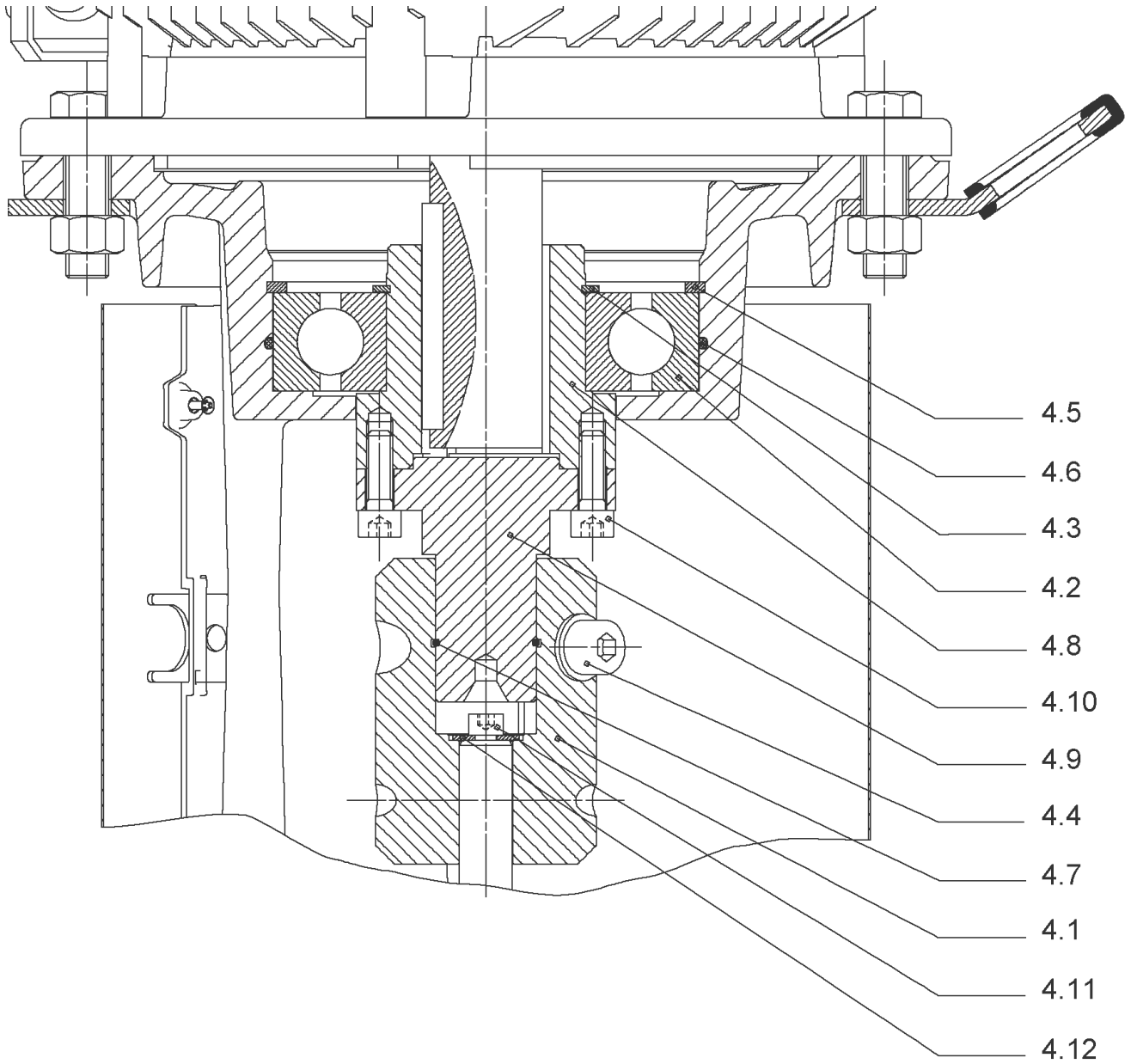
HYDRAULIC HELIX V 3607-2

Item	Article no.	Description	Quantity
13.1	4161192	INTERMEDIATE STAGE HELIX V36 1.4301 KIT	1
		> SLEEVE-SPACER-D22XL16,66-316L	1
		> MACH.BEARING-DIFFUSER+NR-M+36-304	1
		> SHAFT-SLEEVE-D26xD22x16-CW	1
		> IMPELLER-H1-M+36-304	1
13.1A	4161200	> NECK RING 1.STAGE HELIX V36/52 KIT	1
		>> NECK-RING-M+36/52	1
		>> HYDRAULIC SUPPORT CAP M+36/52 304	1
		>> SCREW TCL M3X8 A4 POZIDRIV	1
13.2	4161193	INTERMEDIATE STAGE HELIX V36 1.4301 KIT	1
		> MACH.STD-DIFFUSER+NR-M+36-304	1
		> IMPELLER-H4-M+36-304	1
13.3	4161195	INTERMEDIATE STAGE HELIX V36 1.4301 KIT	1
		> REDUCED-IMPELLER-H4-M+36-304	1
		> MACH.STD-DIFFUSER+NR-M+36-304	1
13.4	4161196	UPPER STAGE HELIX 36 1.4301 KIT	1
		> STOP COLLAR OF IMPELLER L20-Ø22-316L	1
		> REDUCED-IMPELLER-H4-M+36-304	1
		> MACH.-RIGID-STD-DISCH.-CHAMBER-M+36-304	1



HELIX V3607-1/25/E/KS/400-50 (4198486)

Item	Article no.	Description	Quantity
1	4195489	MOTOR 22/2/160 3~400V 50HZ IE3 VP.	1
		SPARE PARTS MOTOR:ON REQUEST	1
2	4179586	SCREW M16X60 (4 PIECES)	1
3	4157721	LANTERN HELIX 22/36 FF300 BB6312 KIT	1
3.1		> LANTERN FF300 M+ GJL MACHINED+CATA 6312	1
3.2	4179589	> EYELET CPL.FF300 HELIX(4 PIECES)	1
3.3	4143969	> COUPLING PROTECT HELIX FF KIT	1
4	4143966	COUPLING D.20XD.38 FF300 KIT	1
5	4157725	SCREW M10X40 (4 PIECES)	1
6	4218361	STUD BOLT M16X719 KIT	1
6.1		> TIE BOLT M16-719x24x44-1.4057	1
6.2	4179562	> NUT M16 8.8 ISO4032 (4 PIECES)	1
6.3	4097852	> WASHER-CS-16.4-32-2.8-NFE25-511-A2	1
7	4217176	END SHIELD HELIX OPTI 8" EPDM KIT	1
7.1		> upper flange machined + cataphoresis	1
7.2	4217174	> STATIONARY RING HOLDER 8" HELIX OPTI VP.	1
7.3	4179571	> O-RING HOUSING PIPE HELIX22/36/52 VP.	1
7.4	4179572	> O-RING ID.42.52X2.62 EPDM VP.	1
8	4186377	FILING/PURGING PLUG 304 HELIX KIT	1
8.1		> FILLING/VENTING-PLUG-MVI8/10"-304	1
8.2	4032291	> O-RING 17x3 EPDM KTW/WRC	1
9	4143975	CARTRIDGE HELIX22-36-52 F/E KIT	1
10	4218363	HOUSING PIPE D204 X 497 1.4301 KIT	1
7.3	4179571	> O-RING HOUSING PIPE HELIX22/36/52 VP.	1
10.1		> HOUSING-PIPE Ø204-L497,48-304	1
12	4161186	SHAFT EQUIPMENT HELIX V36 8" KIT	1
13		HYDRAULIC HELIX V 3607	1
14	4181091	SHAFT D.22X687,34 1.4057 VP.	1
15	4217909	EQUIPED HOUSING DN65 HELIX OPTI 8" KIT	1
15.1		> pump casing machined DN65	1
15.2	4217907	> HALF FLANGE DN65 HELIX OPTI 8" VP.	1
15.3	4217850	> DRAIN/PRIMING PLUG HELIX OPTI 8" KIT	1
7.3	4179571	> O-RING HOUSING PIPE HELIX22/36/52 VP.	1
16	4217911	BASEPLATE DN65 HELIX OPTI 8" VP.	1



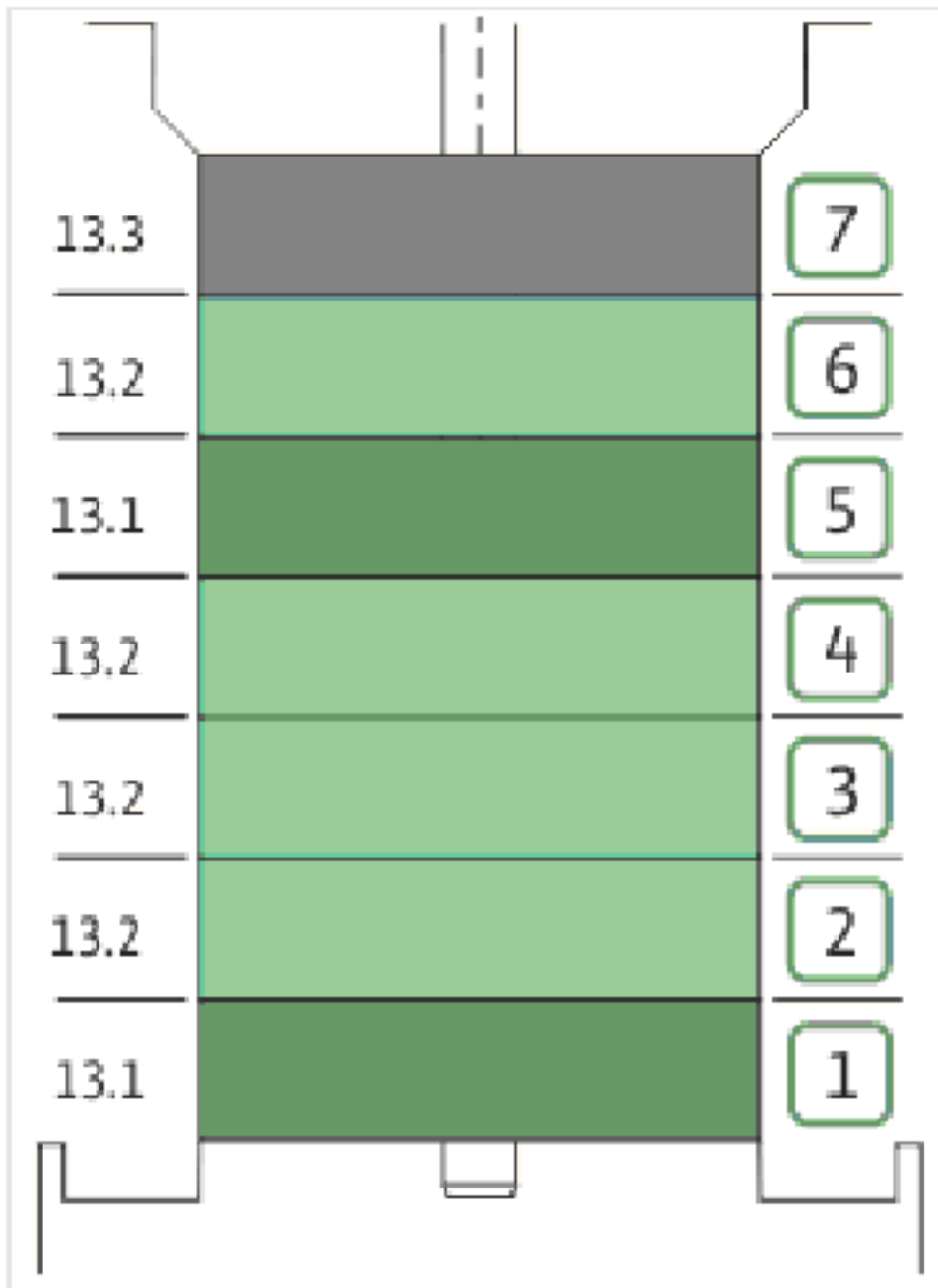
COUPLING D.20XD.38 FF300 KIT (4143966)

Item	Article no.	Description	Quantity
4.1	4179590	COUPLING 2 PARTS D.20XD.38XL115 VP.	1
4.2	2123699	BALL BEARING 6312/2Z-C4 (HT) VP.	1
4.3	63428	CIRCLIP-FOR-SHAFT-D60x2	1
4.4	2130991	SCREW M12X30 ISO4762 8.8 ZN(4 PIECES)	1
4.5	4032277	CIRCLIP-HOLE-130x4	1
4.6	4006725	O-RING ID.132,94x3,53 NBR70SR	1
4.7	2130992	RETAINING RING D.35xD.2,5 DIN7993 VP.	1
4.8	4179591	HUB D.42xD.60 VP.	1
4.9	2130994	SPACER D.38XD.55 VP.	1
4.10	4094462	SCREWS M10 (4 PIECES)	1
4.11	4233959	SCREW M8x16 VP.	1
4.12		SERRATED LOCK WASHER Ø8.2XØ25X35X2	1



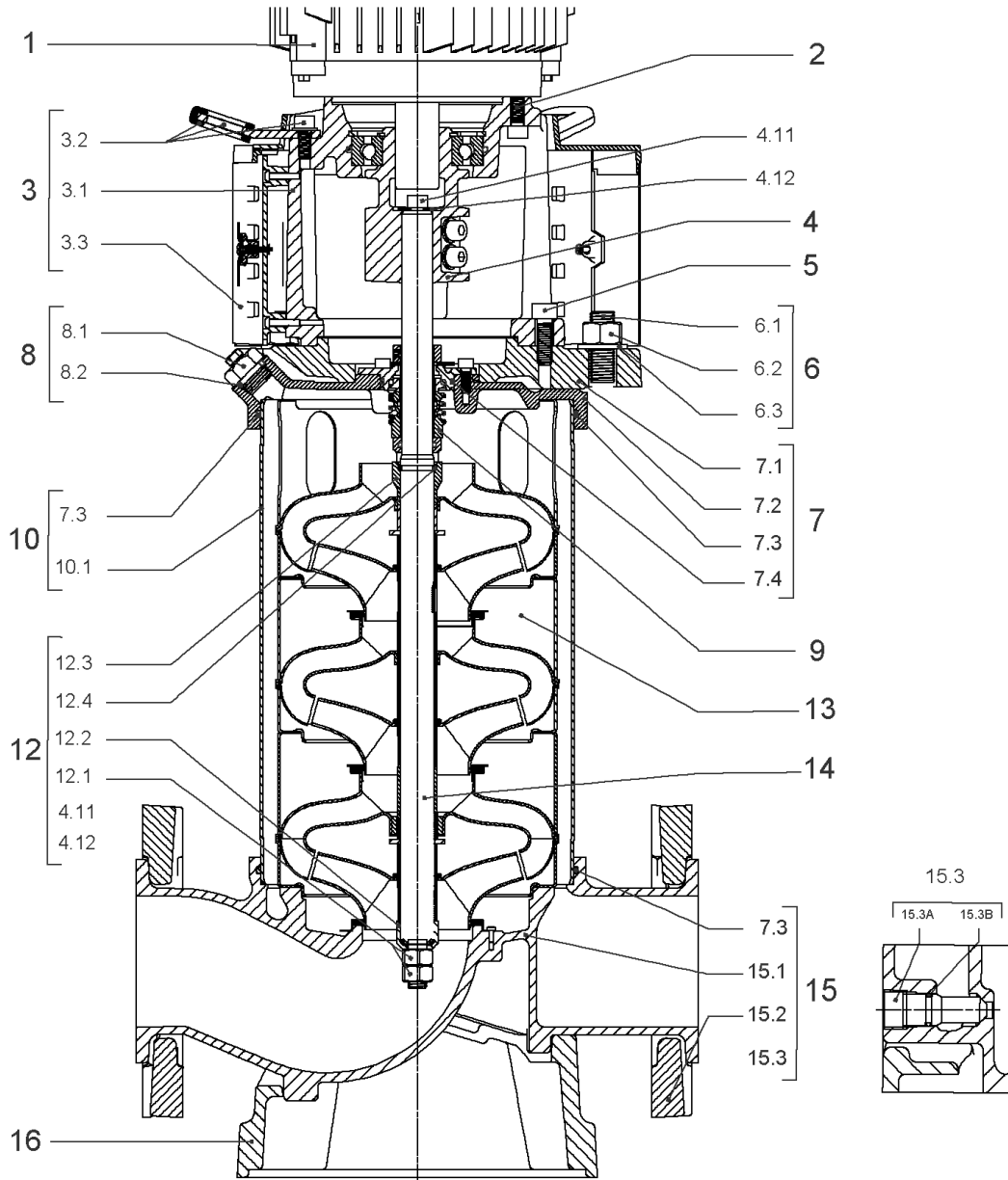
CARTRIDGE HELIX22-36-52 F/E KIT (4143975)

Item	Article no.	Description	Quantity
9.1	4143976	SEAL-KIT-HELIX22-36-52 F/E	1
7.3	4179571	> O-RING HOUSING PIPE HELIX22/36/52 VP.	1
7.4	4179572	> O-RING ID.42.52X2.62 EPDM VP.	1
9.1A	2127447	> M.SEAL.HELIX22-36-52 F/E VP.	1
9.1B	4179574	> O-RING ID.20x2.65 EPDM VP.	1
9.2	4179566	SHAFT SLEEVE D.20/20X60 1.4404 VP.	1
9.3	4179567	RING HOLDER Ø22 1.4301 VP.	1
9.4	4176520	SCREW CH M5x5 A4-70 (3PIECES)	1
9.5	4179568	DRIVE RING D.31/22.1x11 MACH.VP.	1
9.6	4179569	TOOL M.S.CART.HELIX 8" VP.	1
9.7	4179570	SCREW M6X16 ISO4762 8.8 GEOMET(4 PIECES)	1



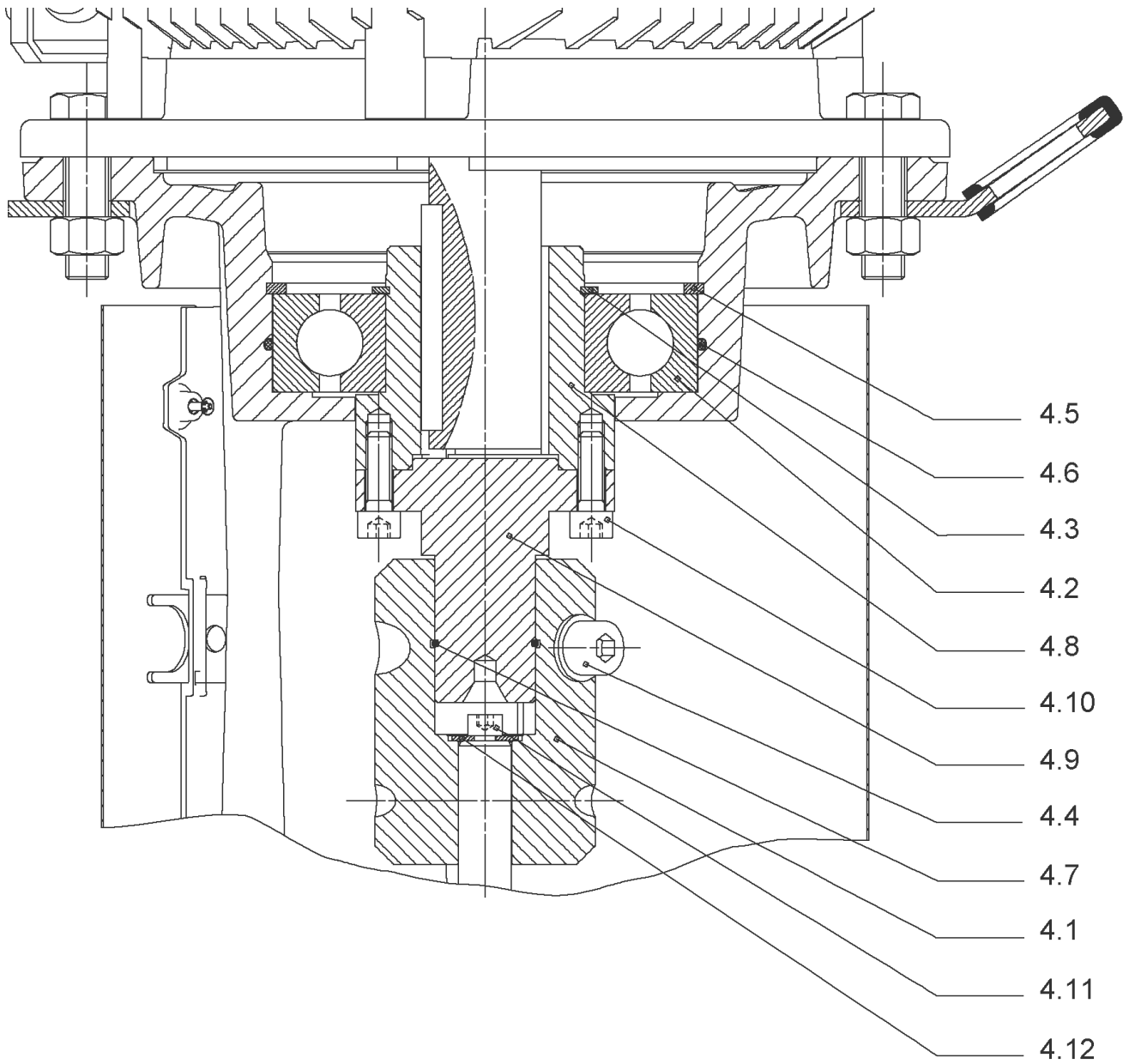
HYDRAULIC HELIX V 3607

Item	Article no.	Description	Quantity
13.1	4161192	INTERMEDIATE STAGE HELIX V36 1.4301 KIT	1
		> SLEEVE-SPACER-D22XL16,66-316L	1
		> MACH.BEARING-DIFFUSER+NR-M+36-304	1
		> SHAFT-SLEEVE-D26xD22x16-CW	1
		> IMPELLER-H1-M+36-304	1
13.1A	4161200	> NECK RING 1.STAGE HELIX V36/52 KIT	1
		>> NECK-RING-M+36/52	1
		>> HYDRAULIC SUPPORT CAP M+36/52 304	1
		>> SCREW TCL M3X8 A4 POZIDRIV	1
13.2	4161193	INTERMEDIATE STAGE HELIX V36 1.4301 KIT	1
		> MACH.STD-DIFFUSER+NR-M+36-304	1
		> IMPELLER-H4-M+36-304	1
13.3	4161194	UPPER STAGE HELIX 36 1.4301 KIT	1
		> STOP COLLAR OF IMPELLER L20-Ø22-316L	1
		> IMPELLER-H4-M+36-304	1
		> MACH.-RIGID-STD-DISCH.-CHAMBER-M+36-304	1



HELIX V3608/2-1/25/E/KS/400-50 (4198487)

Item	Article no.	Description	Quantity
1	4195489	MOTOR 22/2/160 3~400V 50HZ IE3 VP.	1
		SPARE PARTS MOTOR:ON REQUEST	1
2	4179586	SCREW M16X60 (4 PIECES)	1
3	4157721	LANTERN HELIX 22/36 FF300 BB6312 KIT	1
3.1		> LANTERN FF300 M+ GJL MACHINED+CATA 6312	1
3.2	4179589	> EYELET CPL.FF300 HELIX(4 PIECES)	1
3.3	4143969	> COUPLING PROTECT HELIX FF KIT	1
4	4143966	COUPLING D.20XD.38 FF300 KIT	1
5	4157725	SCREW M10X40 (4 PIECES)	1
6	4181680	STUD BOLT M16X783 KIT	1
6.1		> TIE BOLT M16-783x24x44-1.4057	1
6.2	4179562	> NUT M16 8.8 ISO4032 (4 PIECES)	1
6.3	4097852	> WASHER-CS-16.4-32-2.8-NFE25-511-A2	1
7	4217176	END SHIELD HELIX OPTI 8" EPDM KIT	1
7.1		> upper flange machined + cataphoresis	1
7.2	4217174	> STATIONARY RING HOLDER 8" HELIX OPTI VP.	1
7.3	4179571	> O-RING HOUSING PIPE HELIX22/36/52 VP.	1
7.4	4179572	> O-RING ID.42.52X2.62 EPDM VP.	1
8	4186377	FILING/PURGING PLUG 304 HELIX KIT	1
8.1		> FILLING/VENTING-PLUG-MVI8/10"-304	1
8.2	4032291	> O-RING 17x3 EPDM KTW/WRC	1
9	4143975	CARTRIDGE HELIX22-36-52 F/E KIT	1
10	4181674	HOUSING PIPE D.204X564 1.4301 KIT	1
7.3	4179571	> O-RING HOUSING PIPE HELIX22/36/52 VP.	1
10.1		> HOUSING-PIPE Ø204-M+2210-304	1
12	4161186	SHAFT EQUIPMENT HELIX V36 8" KIT	1
13		HYDRAULIC HELIX V 3608-2	1
14	4181096	SHAFT D.22X754 1.4057 VP.	1
15	4217909	EQUIPED HOUSING DN65 HELIX OPTI 8" KIT	1
15.1		> pump casing machined DN65	1
15.2	4217907	> HALF FLANGE DN65 HELIX OPTI 8" VP.	1
15.3	4217850	> DRAIN/PRIMING PLUG HELIX OPTI 8" KIT	1
7.3	4179571	> O-RING HOUSING PIPE HELIX22/36/52 VP.	1
16	4217911	BASEPLATE DN65 HELIX OPTI 8" VP.	1



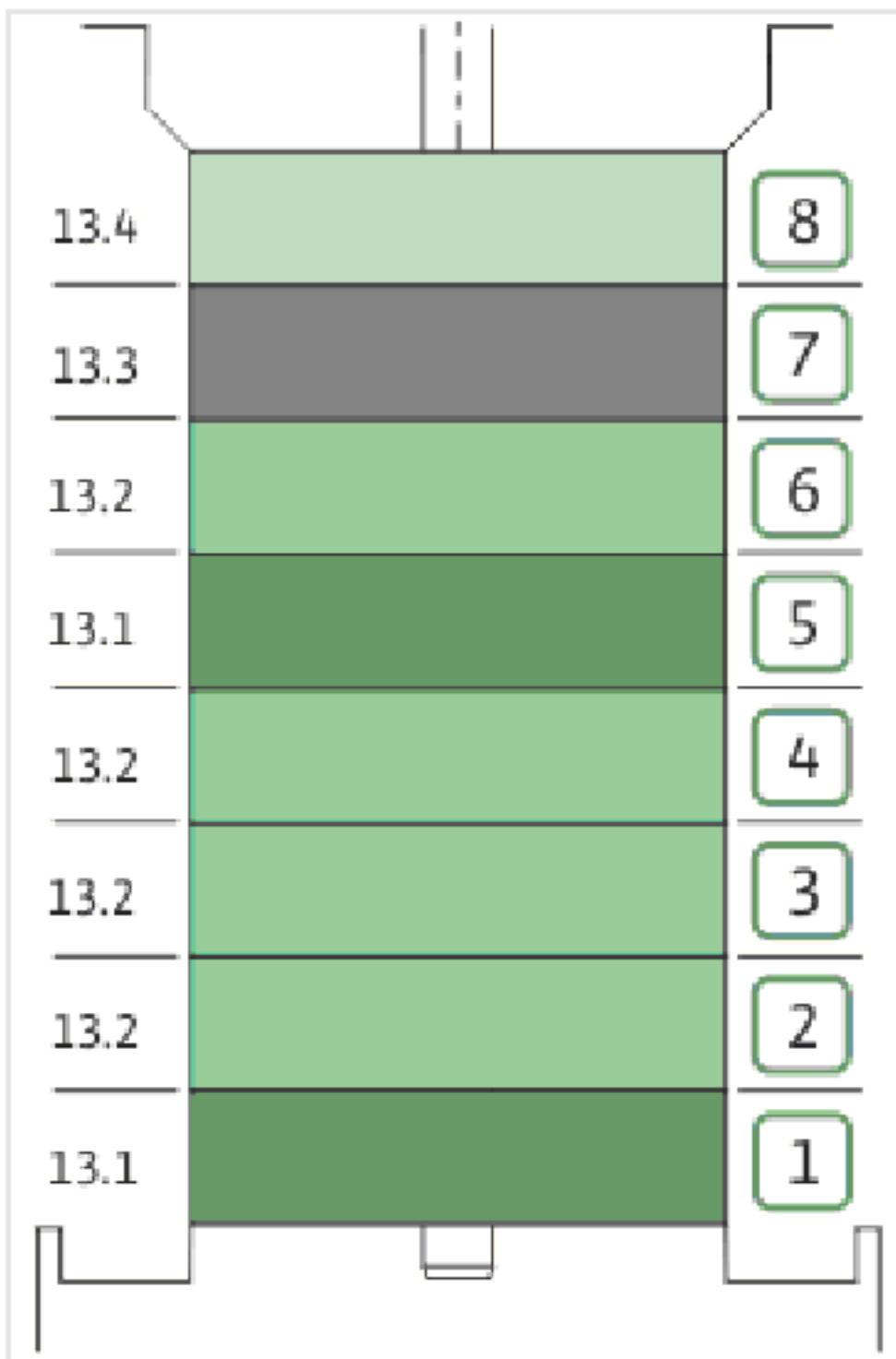
COUPLING D.20XD.38 FF300 KIT (4143966)

Item	Article no.	Description	Quantity
4.1	4179590	COUPLING 2 PARTS D.20XD.38XL115 VP.	1
4.2	2123699	BALL BEARING 6312/2Z-C4 (HT) VP.	1
4.3	63428	CIRCLIP-FOR-SHAFT-D60x2	1
4.4	2130991	SCREW M12X30 ISO4762 8.8 ZN(4 PIECES)	1
4.5	4032277	CIRCLIP-HOLE-130x4	1
4.6	4006725	O-RING ID.132,94x3,53 NBR70SR	1
4.7	2130992	RETAINING RING D.35xD.2,5 DIN7993 VP.	1
4.8	4179591	HUB D.42xD.60 VP.	1
4.9	2130994	SPACER D.38XD.55 VP.	1
4.10	4094462	SCREWS M10 (4 PIECES)	1
4.11	4233959	SCREW M8x16 VP.	1
4.12		SERRATED LOCK WASHER Ø8.2XØ25X35X2	1



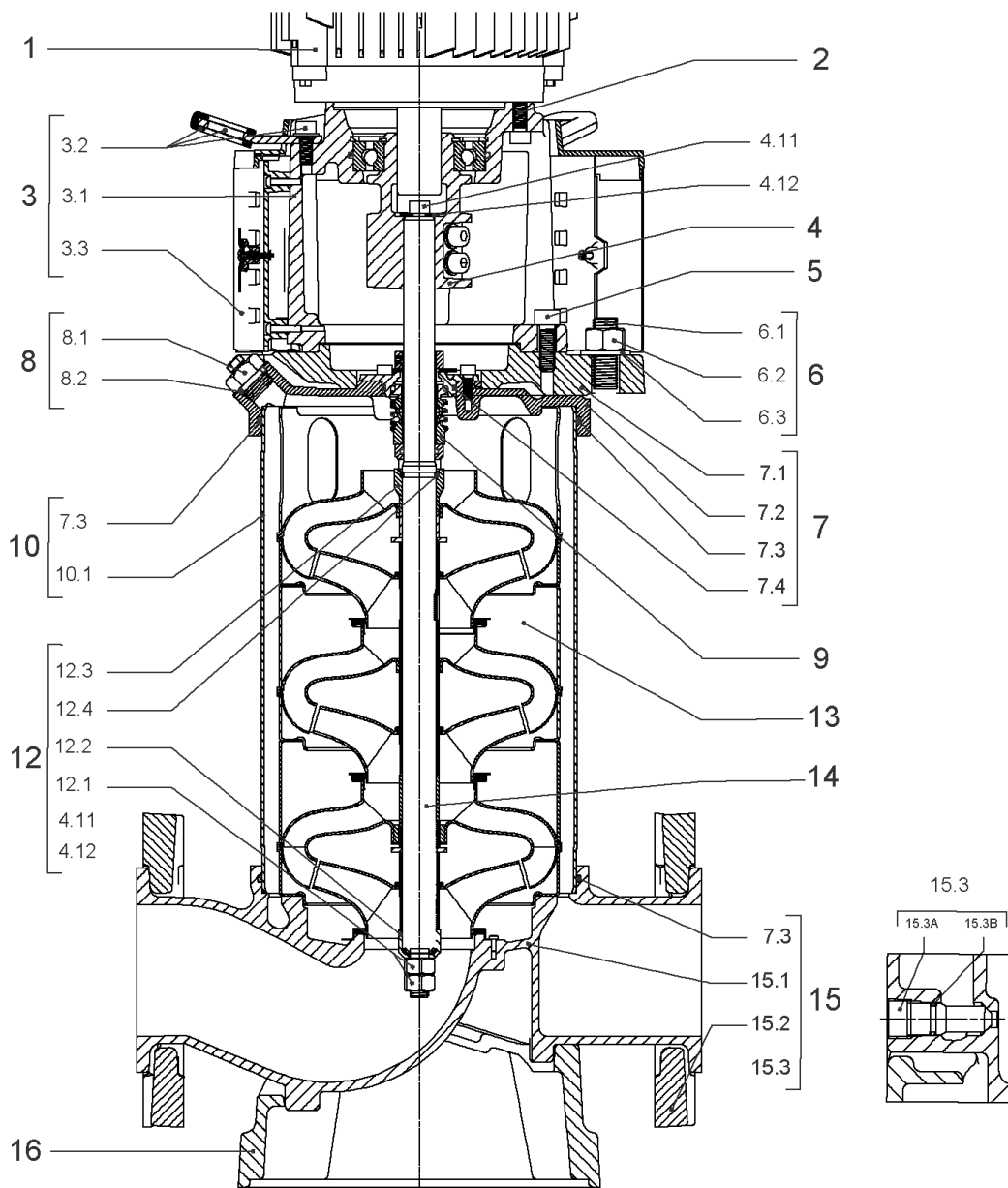
CARTRIDGE HELIX22-36-52 F/E KIT (4143975)

Item	Article no.	Description	Quantity
9.1	4143976	SEAL-KIT-HELIX22-36-52 F/E	1
7.3	4179571	> O-RING HOUSING PIPE HELIX22/36/52 VP.	1
7.4	4179572	> O-RING ID.42.52X2.62 EPDM VP.	1
9.1A	2127447	> M.SEAL.HELIX22-36-52 F/E VP.	1
9.1B	4179574	> O-RING ID.20x2.65 EPDM VP.	1
9.2	4179566	SHAFT SLEEVE D.20/20X60 1.4404 VP.	1
9.3	4179567	RING HOLDER Ø22 1.4301 VP.	1
9.4	4176520	SCREW CH M5x5 A4-70 (3PIECES)	1
9.5	4179568	DRIVE RING D.31/22.1x11 MACH.VP.	1
9.6	4179569	TOOL M.S.CART.HELIX 8" VP.	1
9.7	4179570	SCREW M6X16 ISO4762 8.8 GEOMET(4 PIECES)	1



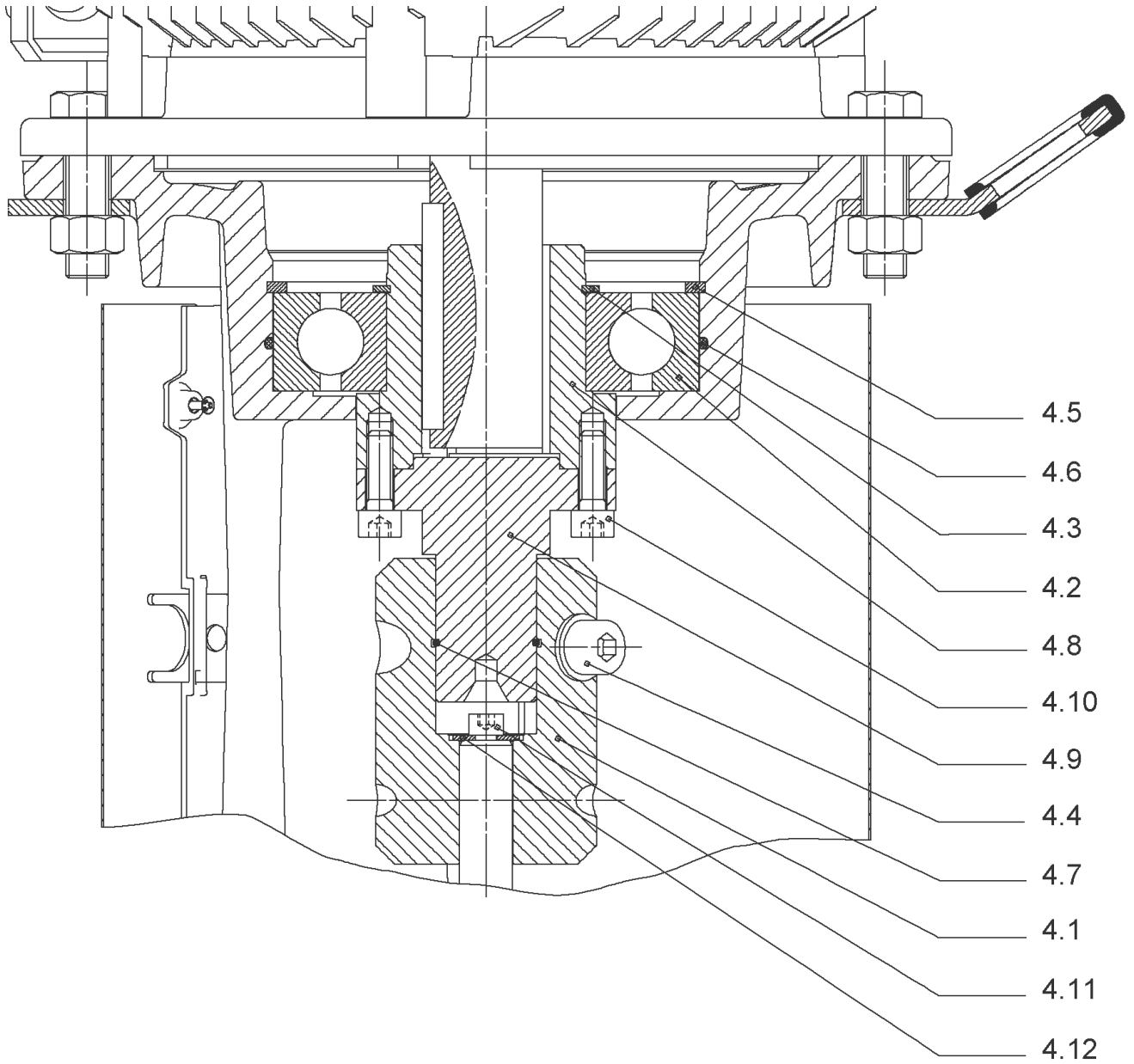
HYDRAULIC HELIX V 3608-2

Item	Article no.	Description	Quantity
13.1	4161192	INTERMEDIATE STAGE HELIX V36 1.4301 KIT	1
		> SLEEVE-SPACER-D22XL16,66-316L	1
		> MACH.BEARING-DIFFUSER+NR-M+36-304	1
		> SHAFT-SLEEVE-D26xD22x16-CW	1
		> IMPELLER-H1-M+36-304	1
13.1A	4161200	> NECK RING 1.STAGE HELIX V36/52 KIT	1
		>> NECK-RING-M+36/52	1
		>> HYDRAULIC SUPPORT CAP M+36/52 304	1
		>> SCREW TCL M3X8 A4 POZIDRIV	1
13.2	4161193	INTERMEDIATE STAGE HELIX V36 1.4301 KIT	1
		> MACH.STD-DIFFUSER+NR-M+36-304	1
		> IMPELLER-H4-M+36-304	1
13.3	4161195	INTERMEDIATE STAGE HELIX V36 1.4301 KIT	1
		> REDUCED-IMPELLER-H4-M+36-304	1
		> MACH.STD-DIFFUSER+NR-M+36-304	1
13.4	4161196	UPPER STAGE HELIX 36 1.4301 KIT	1
		> STOP COLLAR OF IMPELLER L20-Ø22-316L	1
		> REDUCED-IMPELLER-H4-M+36-304	1
		> MACH.-RIGID-STD-DISCH.-CHAMBER-M+36-304	1



HELIX V3608-1/25/E/KS/400-50 (4198488)

Item	Article no.	Description	Quantity
1	4195489	MOTOR 22/2/160 3~400V 50HZ IE3 VP.	1
		SPARE PARTS MOTOR:ON REQUEST	1
2	4179586	SCREW M16X60 (4 PIECES)	1
3	4157721	LANTERN HELIX 22/36 FF300 BB6312 KIT	1
3.1		> LANTERN FF300 M+ GJL MACHINED+CATA 6312	1
3.2	4179589	> EYELET CPL.FF300 HELIX(4 PIECES)	1
3.3	4143969	> COUPLING PROTECT HELIX FF KIT	1
4	4143966	COUPLING D.20XD.38 FF300 KIT	1
5	4157725	SCREW M10X40 (4 PIECES)	1
6	4181680	STUD BOLT M16X783 KIT	1
6.1		> TIE BOLT M16-783x24x44-1.4057	1
6.2	4179562	> NUT M16 8.8 ISO4032 (4 PIECES)	1
6.3	4097852	> WASHER-CS-16.4-32-2.8-NFE25-511-A2	1
7	4217176	END SHIELD HELIX OPTI 8" EPDM KIT	1
7.1		> upper flange machined + cataphoresis	1
7.2	4217174	> STATIONARY RING HOLDER 8" HELIX OPTI VP.	1
7.3	4179571	> O-RING HOUSING PIPE HELIX22/36/52 VP.	1
7.4	4179572	> O-RING ID.42.52X2.62 EPDM VP.	1
8	4186377	FILING/PURGING PLUG 304 HELIX KIT	1
8.1		> FILLING/VENTING-PLUG-MVI8/10"-304	1
8.2	4032291	> O-RING 17x3 EPDM KTW/WRC	1
9	4143975	CARTRIDGE HELIX22-36-52 F/E KIT	1
10	4181674	HOUSING PIPE D.204X564 1.4301 KIT	1
7.3	4179571	> O-RING HOUSING PIPE HELIX22/36/52 VP.	1
10.1		> HOUSING-PIPE Ø204-M+2210-304	1
12	4161186	SHAFT EQUIPMENT HELIX V36 8" KIT	1
13		HYDRAULIC HELIX V 3608	1
14	4181096	SHAFT D.22X754 1.4057 VP.	1
15	4217909	EQUIPED HOUSING DN65 HELIX OPTI 8" KIT	1
15.1		> pump casing machined DN65	1
15.2	4217907	> HALF FLANGE DN65 HELIX OPTI 8" VP.	1
15.3	4217850	> DRAIN/PRIMING PLUG HELIX OPTI 8" KIT	1
7.3	4179571	> O-RING HOUSING PIPE HELIX22/36/52 VP.	1
16	4217911	BASEPLATE DN65 HELIX OPTI 8" VP.	1



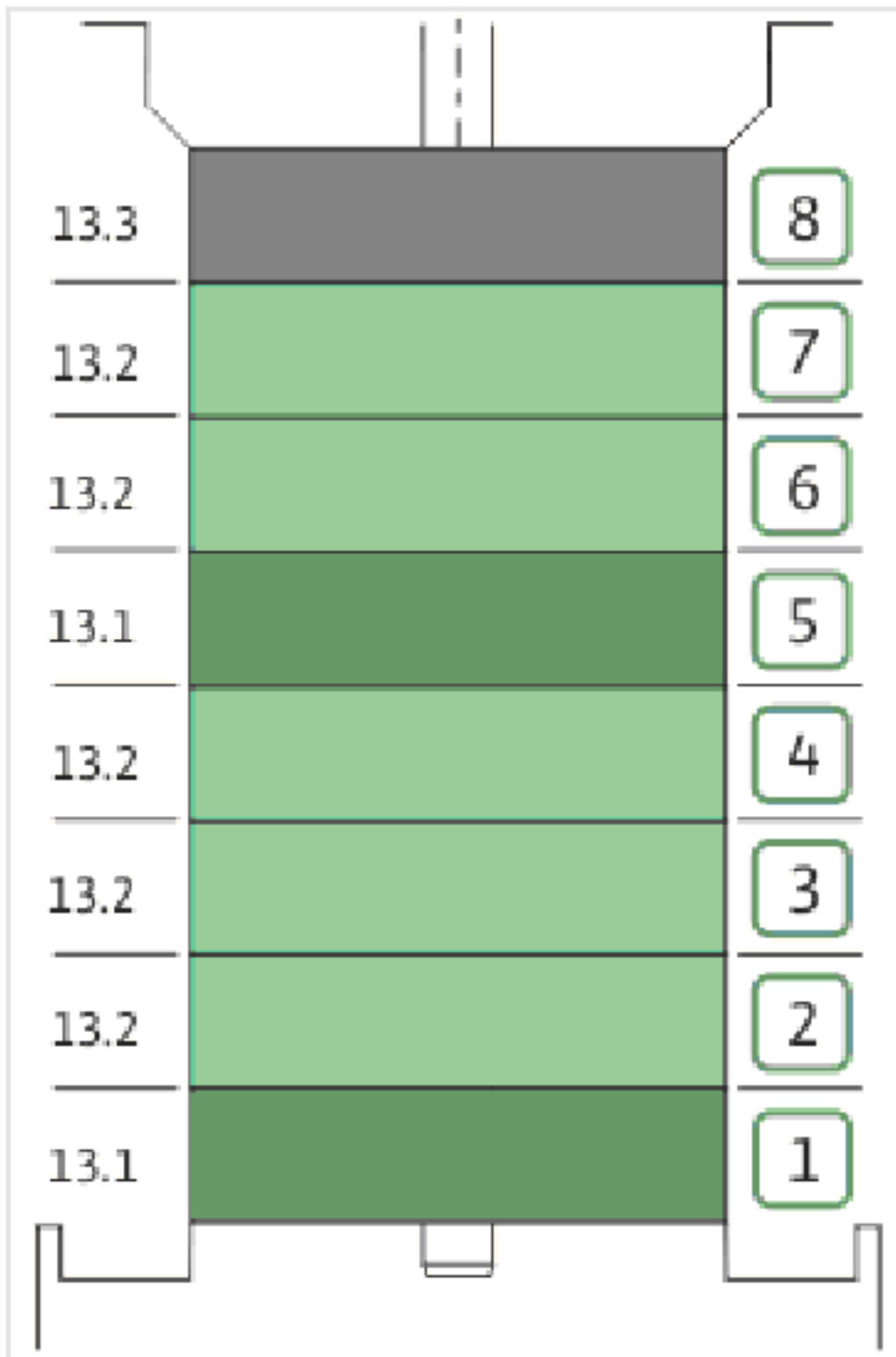
COUPLING D.20XD.38 FF300 KIT (4143966)

Item	Article no.	Description	Quantity
4.1	4179590	COUPLING 2 PARTS D.20XD.38XL115 VP.	1
4.2	2123699	BALL BEARING 6312/2Z-C4 (HT) VP.	1
4.3	63428	CIRCLIP-FOR-SHAFT-D60x2	1
4.4	2130991	SCREW M12X30 ISO4762 8.8 ZN(4 PIECES)	1
4.5	4032277	CIRCLIP-HOLE-130x4	1
4.6	4006725	O-RING ID.132,94x3,53 NBR70SR	1
4.7	2130992	RETAINING RING D.35xD.2,5 DIN7993 VP.	1
4.8	4179591	HUB D.42xD.60 VP.	1
4.9	2130994	SPACER D.38XD.55 VP.	1
4.10	4094462	SCREWS M10 (4 PIECES)	1
4.11	4233959	SCREW M8x16 VP.	1
4.12		SERRATED LOCK WASHER Ø8.2XØ25X35X2	1



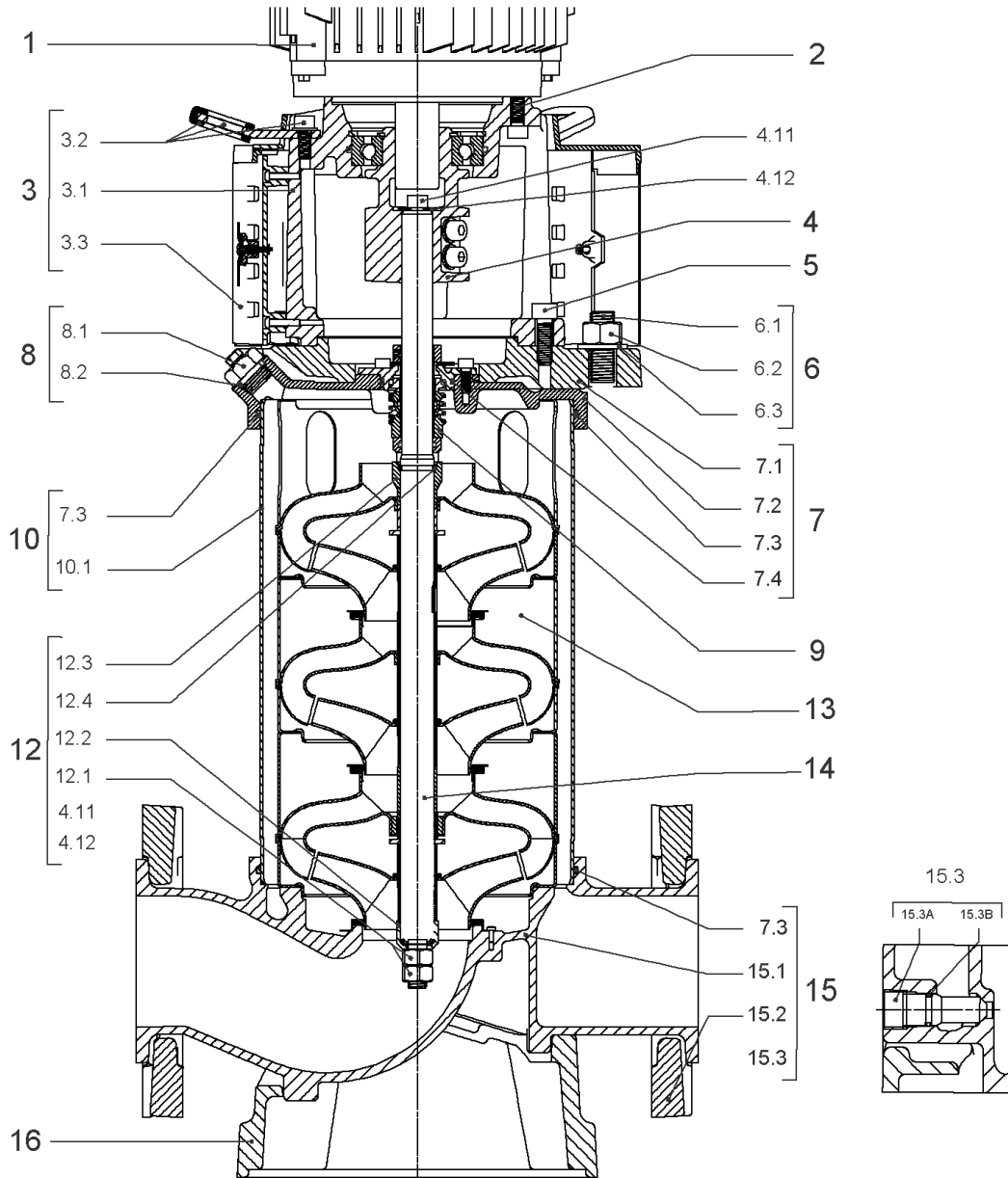
CARTRIDGE HELIX22-36-52 F/E KIT (4143975)

Item	Article no.	Description	Quantity
9.1	4143976	SEAL-KIT-HELIX22-36-52 F/E	1
7.3	4179571	> O-RING HOUSING PIPE HELIX22/36/52 VP.	1
7.4	4179572	> O-RING ID.42.52X2.62 EPDM VP.	1
9.1A	2127447	> M.SEAL.HELIX22-36-52 F/E VP.	1
9.1B	4179574	> O-RING ID.20x2.65 EPDM VP.	1
9.2	4179566	SHAFT SLEEVE D.20/20X60 1.4404 VP.	1
9.3	4179567	RING HOLDER Ø22 1.4301 VP.	1
9.4	4176520	SCREW CH M5x5 A4-70 (3PIECES)	1
9.5	4179568	DRIVE RING D.31/22.1x11 MACH.VP.	1
9.6	4179569	TOOL M.S.CART.HELIX 8" VP.	1
9.7	4179570	SCREW M6X16 ISO4762 8.8 GEOMET(4 PIECES)	1



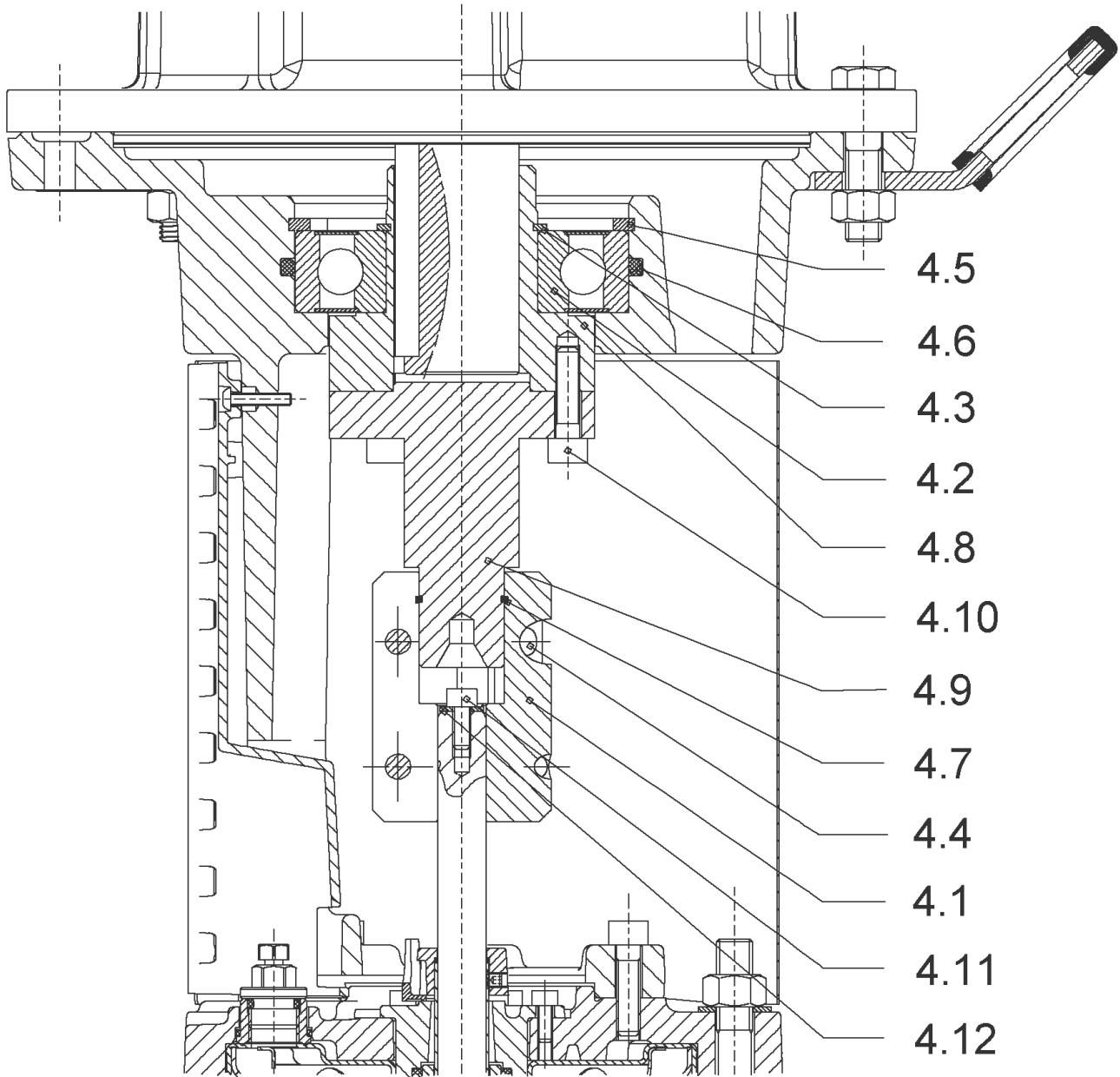
HYDRAULIC HELIX V 3608

Item	Article no.	Description	Quantity
13.1	4161192	INTERMEDIATE STAGE HELIX V36 1.4301 KIT	1
		> SLEEVE-SPACER-D22XL16,66-316L	1
		> MACH.BEARING-DIFFUSER+NR-M+36-304	1
		> SHAFT-SLEEVE-D26xD22x16-CW	1
		> IMPELLER-H1-M+36-304	1
13.1A	4161200	> NECK RING 1.STAGE HELIX V36/52 KIT	1
		>> NECK-RING-M+36/52	1
		>> HYDRAULIC SUPPORT CAP M+36/52 304	1
		>> SCREW TCL M3X8 A4 POZIDRIV	1
13.2	4161193	INTERMEDIATE STAGE HELIX V36 1.4301 KIT	1
		> MACH.STD-DIFFUSER+NR-M+36-304	1
		> IMPELLER-H4-M+36-304	1
13.3	4161194	UPPER STAGE HELIX 36 1.4301 KIT	1
		> STOP COLLAR OF IMPELLER L20-Ø22-316L	1
		> IMPELLER-H4-M+36-304	1
		> MACH.-RIGID-STD-DISCH.-CHAMBER-M+36-304	1



HELIX V3609/2-1/25/E/KS/400-50 (4198489)

Item	Article no.	Description	Quantity
1	4195491	MOTOR 30/2/200 3~400V 50HZ IE3 VP.	1
		SPARE PARTS MOTOR:ON REQUEST	1
2	4179586	SCREW M16X60 (4 PIECES)	1
3	4161189	LANTERN HELIX V36 FF350 BB6315 KIT	1
3.1		> LANTERN FF350 M+ GJL MACHINED+CATA 6315	1
3.2	4179938	> EYELET CPL.FF350 HELIX(4 PIECES)	1
3.3	4143969	> COUPLING PROTECT HELIX FF KIT	1
4	4161191	COUPLING HELIX V36/52 FF350 RLT6315 KIT	1
5	4157725	SCREW M10X40 (4 PIECES)	1
6	4217868	STUD BOLT M16X850 KIT	1
6.1		> TIE BOLT M16-850x24x44-1.4057	1
6.2	4179562	> NUT M16 8.8 ISO4032 (4 PIECES)	1
6.3	4097852	> WASHER-CS-16.4-32-2.8-NFE25-511-A2	1
7	4217176	END SHIELD HELIX OPTI 8" EPDM KIT	1
7.1		> upper flange machined + cataphoresis	1
7.2	4217174	> STATIONARY RING HOLDER 8" HELIX OPTI VP.	1
7.3	4179571	> O-RING HOUSING PIPE HELIX22/36/52 VP.	1
7.4	4179572	> O-RING ID.42.52X2.62 EPDM VP.	1
8	4186377	FILING/PURGING PLUG 304 HELIX KIT	1
8.1		> FILLING/VENTING-PLUG-MVI8/10"-304	1
8.2	4032291	> O-RING 17x3 EPDM KTW/WRC	1
9	4143975	CARTRIDGE HELIX22-36-52 F/E KIT	1
10	4179930	HOUSING PIPE D.204X630 1.4301 KIT	1
7.3	4179571	> O-RING HOUSING PIPE HELIX22/36/52 VP.	1
10.1		> HOUSING-PIPE Ø204-M+5206-304	1
12	4161186	SHAFT EQUIPMENT HELIX V36 8" KIT	1
13		HYDRAULIC HELIX V 3609-2	1
14	4181101	SHAFT D.22X820,67 1.4057 VP.	1
15	4217909	EQUIPED HOUSING DN65 HELIX OPTI 8" KIT	1
15.1		> pump casing machined DN65	1
15.2	4217907	> HALF FLANGE DN65 HELIX OPTI 8" VP.	1
15.3	4217850	> DRAIN/PRIMING PLUG HELIX OPTI 8" KIT	1
7.3	4179571	> O-RING HOUSING PIPE HELIX22/36/52 VP.	1
16	4217911	BASEPLATE DN65 HELIX OPTI 8" VP.	1



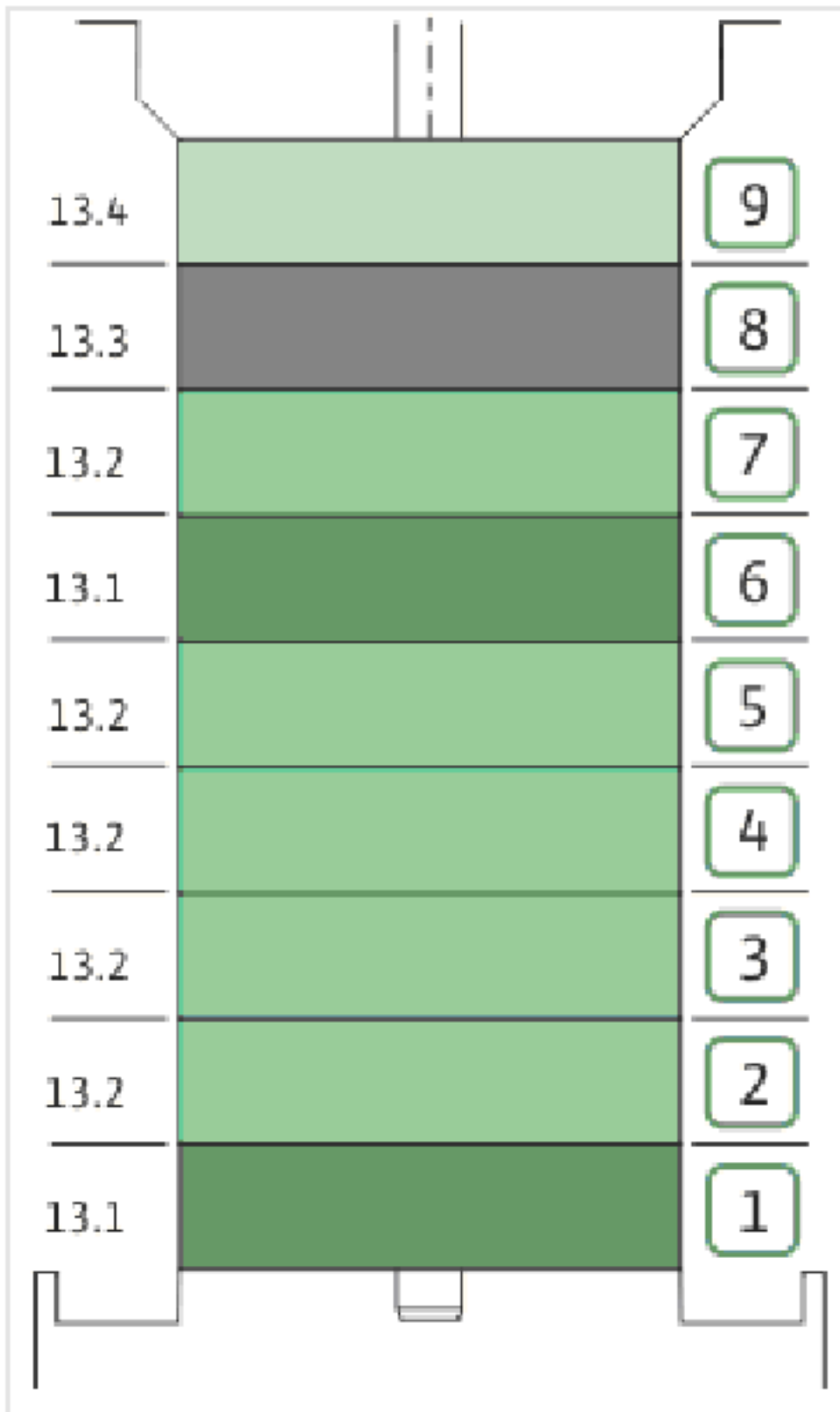
COUPLING HELIX V36/52 FF350 RLT6315 KIT (4161191)

Item	Article no.	Description	Quantity
4.1	4179935	COUPLING 2 PARTS D.20XD.38XL115 VP.	1
4.2	2114423	BALL BEARING 6315C4-ZZ-HT VP.	1
4.3	2119916	CIRCLIP D75X2.5 VP.	1
4.4	4179934	SCREW M12X30 (8 PIECES)	1
4.5	2119917	CIRCLIP D160X4 VP.	1
4.6	2119918	O-RING Ø158.34X3.53 NBR 70SH.VP.	1
4.7	2130992	RETAINING RING D.35xD.2,5 DIN7993 VP.	1
4.8	4179937	HUB D.55XD.75 VP.	1
4.9	4179936	SPACER D.38XD.65 VP.	1
4.10	2130991	SCREW M12X30 ISO4762 8.8 ZN(4 PIECES)	1
4.11	4233959	SCREW M8x16 VP.	1
4.12		SERRATED LOCK WASHER Ø8.2XØ25X35X2	1



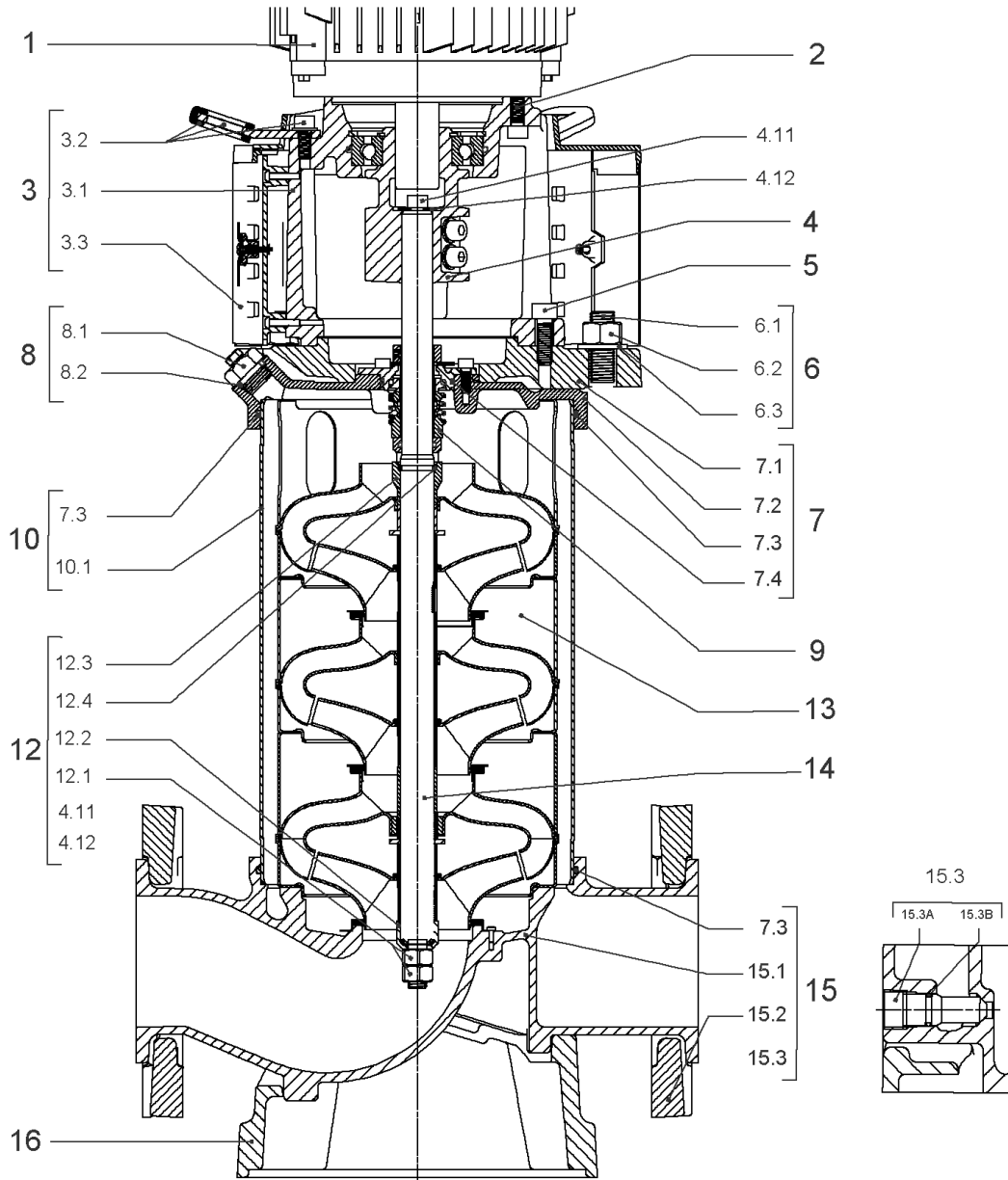
CARTRIDGE HELIX22-36-52 F/E KIT (4143975)

Item	Article no.	Description	Quantity
9.1	4143976	SEAL-KIT-HELIX22-36-52 F/E	1
7.3	4179571	> O-RING HOUSING PIPE HELIX22/36/52 VP.	1
7.4	4179572	> O-RING ID.42.52X2.62 EPDM VP.	1
9.1A	2127447	> M.SEAL.HELIX22-36-52 F/E VP.	1
9.1B	4179574	> O-RING ID.20x2.65 EPDM VP.	1
9.2	4179566	SHAFT SLEEVE D.20/20X60 1.4404 VP.	1
9.3	4179567	RING HOLDER Ø22 1.4301 VP.	1
9.4	4176520	SCREW CH M5x5 A4-70 (3PIECES)	1
9.5	4179568	DRIVE RING D.31/22.1x11 MACH.VP.	1
9.6	4179569	TOOL M.S.CART.HELIX 8" VP.	1
9.7	4179570	SCREW M6X16 ISO4762 8.8 GEOMET(4 PIECES)	1



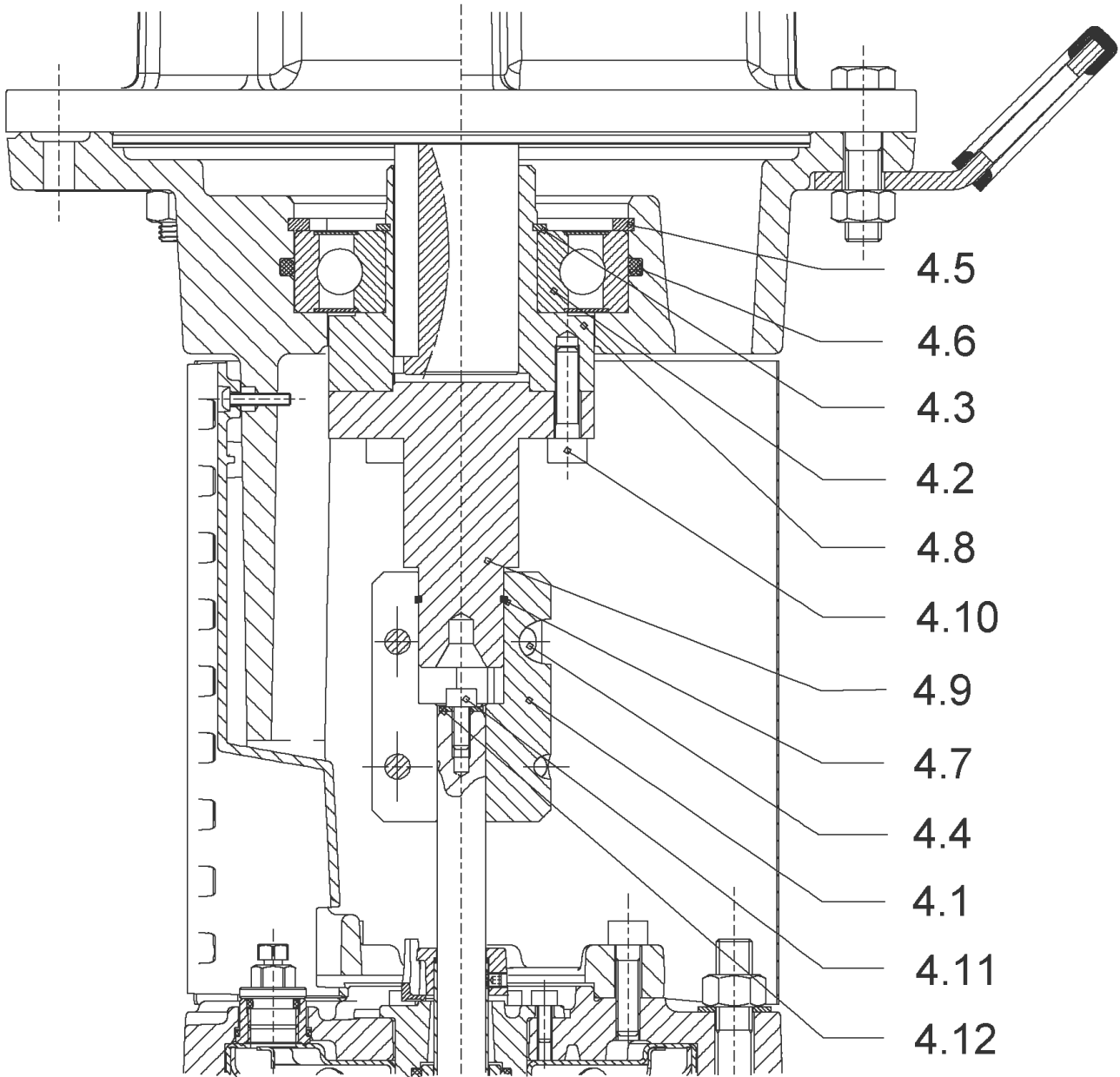
HYDRAULIC HELIX V 3609-2

Item	Article no.	Description	Quantity
13.1	4161192	INTERMEDIATE STAGE HELIX V36 1.4301 KIT	1
		> SLEEVE-SPACER-D22XL16,66-316L	1
		> MACH.BEARING-DIFFUSER+NR-M+36-304	1
		> SHAFT-SLEEVE-D26xD22x16-CW	1
		> IMPELLER-H1-M+36-304	1
13.1A	4161200	> NECK RING 1.STAGE HELIX V36/52 KIT	1
		>> NECK-RING-M+36/52	1
		>> HYDRAULIC SUPPORT CAP M+36/52 304	1
		>> SCREW TCL M3X8 A4 POZIDRIV	1
13.2	4161193	INTERMEDIATE STAGE HELIX V36 1.4301 KIT	1
		> MACH.STD-DIFFUSER+NR-M+36-304	1
		> IMPELLER-H4-M+36-304	1
13.3	4161195	INTERMEDIATE STAGE HELIX V36 1.4301 KIT	1
		> REDUCED-IMPELLER-H4-M+36-304	1
		> MACH.STD-DIFFUSER+NR-M+36-304	1
13.4	4161196	UPPER STAGE HELIX 36 1.4301 KIT	1
		> STOP COLLAR OF IMPELLER L20-Ø22-316L	1
		> REDUCED-IMPELLER-H4-M+36-304	1
		> MACH.-RIGID-STD-DISCH.-CHAMBER-M+36-304	1



HELIX V3609-1/25/E/KS/400-50 (4198490)

Item	Article no.	Description	Quantity
1	4195491	MOTOR 30/2/200 3~400V 50HZ IE3 VP.	1
		SPARE PARTS MOTOR:ON REQUEST	1
2	4179586	SCREW M16X60 (4 PIECES)	1
3	4161189	LANTERN HELIX V36 FF350 BB6315 KIT	1
3.1		> LANTERN FF350 M+ GJL MACHINED+CATA 6315	1
3.2	4179938	> EYELET CPL.FF350 HELIX(4 PIECES)	1
3.3	4143969	> COUPLING PROTECT HELIX FF KIT	1
4	4161191	COUPLING HELIX V36/52 FF350 RLT6315 KIT	1
5	4157725	SCREW M10X40 (4 PIECES)	1
6	4217868	STUD BOLT M16X850 KIT	1
6.1		> TIE BOLT M16-850x24x44-1.4057	1
6.2	4179562	> NUT M16 8.8 ISO4032 (4 PIECES)	1
6.3	4097852	> WASHER-CS-16.4-32-2.8-NFE25-511-A2	1
7	4217176	END SHIELD HELIX OPTI 8" EPDM KIT	1
7.1		> upper flange machined + cataphoresis	1
7.2	4217174	> STATIONARY RING HOLDER 8" HELIX OPTI VP.	1
7.3	4179571	> O-RING HOUSING PIPE HELIX22/36/52 VP.	1
7.4	4179572	> O-RING ID.42.52X2.62 EPDM VP.	1
8	4186377	FILING/PURGING PLUG 304 HELIX KIT	1
8.1		> FILLING/VENTING-PLUG-MVI8/10"-304	1
8.2	4032291	> O-RING 17x3 EPDM KTW/WRC	1
9	4143975	CARTRIDGE HELIX22-36-52 F/E KIT	1
10	4179930	HOUSING PIPE D.204X630 1.4301 KIT	1
7.3	4179571	> O-RING HOUSING PIPE HELIX22/36/52 VP.	1
10.1		> HOUSING-PIPE Ø204-M+5206-304	1
12	4161186	SHAFT EQUIPMENT HELIX V36 8" KIT	1
13		HYDRAULIC HELIX V 3609	1
14	4181101	SHAFT D.22X820,67 1.4057 VP.	1
15	4217909	EQUIPED HOUSING DN65 HELIX OPTI 8" KIT	1
15.1		> pump casing machined DN65	1
15.2	4217907	> HALF FLANGE DN65 HELIX OPTI 8" VP.	1
15.3	4217850	> DRAIN/PRIMING PLUG HELIX OPTI 8" KIT	1
7.3	4179571	> O-RING HOUSING PIPE HELIX22/36/52 VP.	1
16	4217911	BASEPLATE DN65 HELIX OPTI 8" VP.	1



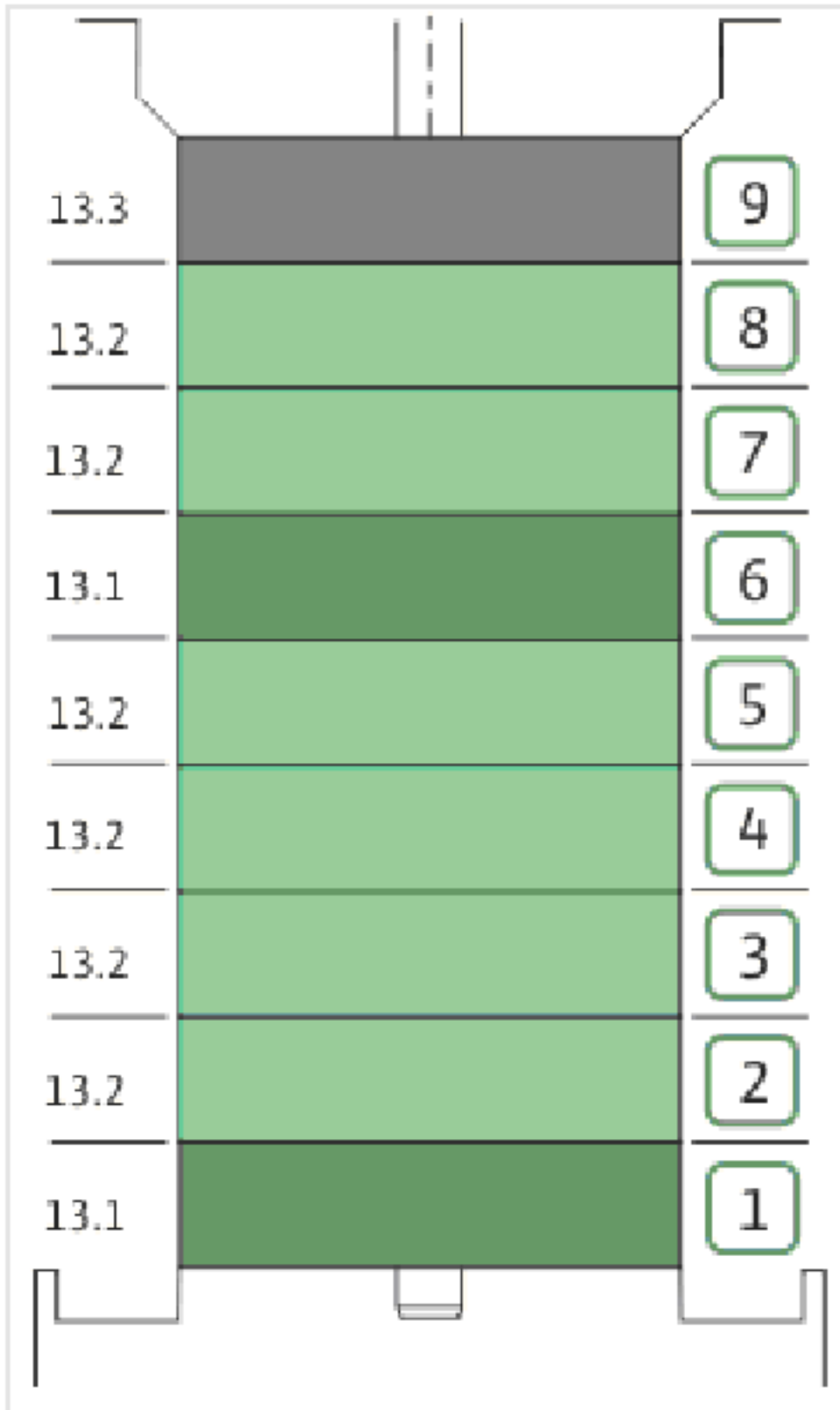
COUPLING HELIX V36/52 FF350 RLT6315 KIT (4161191)

Item	Article no.	Description	Quantity
4.1	4179935	COUPLING 2 PARTS D.20XD.38XL115 VP.	1
4.2	2114423	BALL BEARING 6315C4-ZZ-HT VP.	1
4.3	2119916	CIRCLIP D75X2.5 VP.	1
4.4	4179934	SCREW M12X30 (8 PIECES)	1
4.5	2119917	CIRCLIP D160X4 VP.	1
4.6	2119918	O-RING Ø158.34X3.53 NBR 70SH.VP.	1
4.7	2130992	RETAINING RING D.35xD.2,5 DIN7993 VP.	1
4.8	4179937	HUB D.55XD.75 VP.	1
4.9	4179936	SPACER D.38XD.65 VP.	1
4.10	2130991	SCREW M12X30 ISO4762 8.8 ZN(4 PIECES)	1
4.11	4233959	SCREW M8x16 VP.	1
4.12		SERRATED LOCK WASHER Ø8.2XØ25X35X2	1



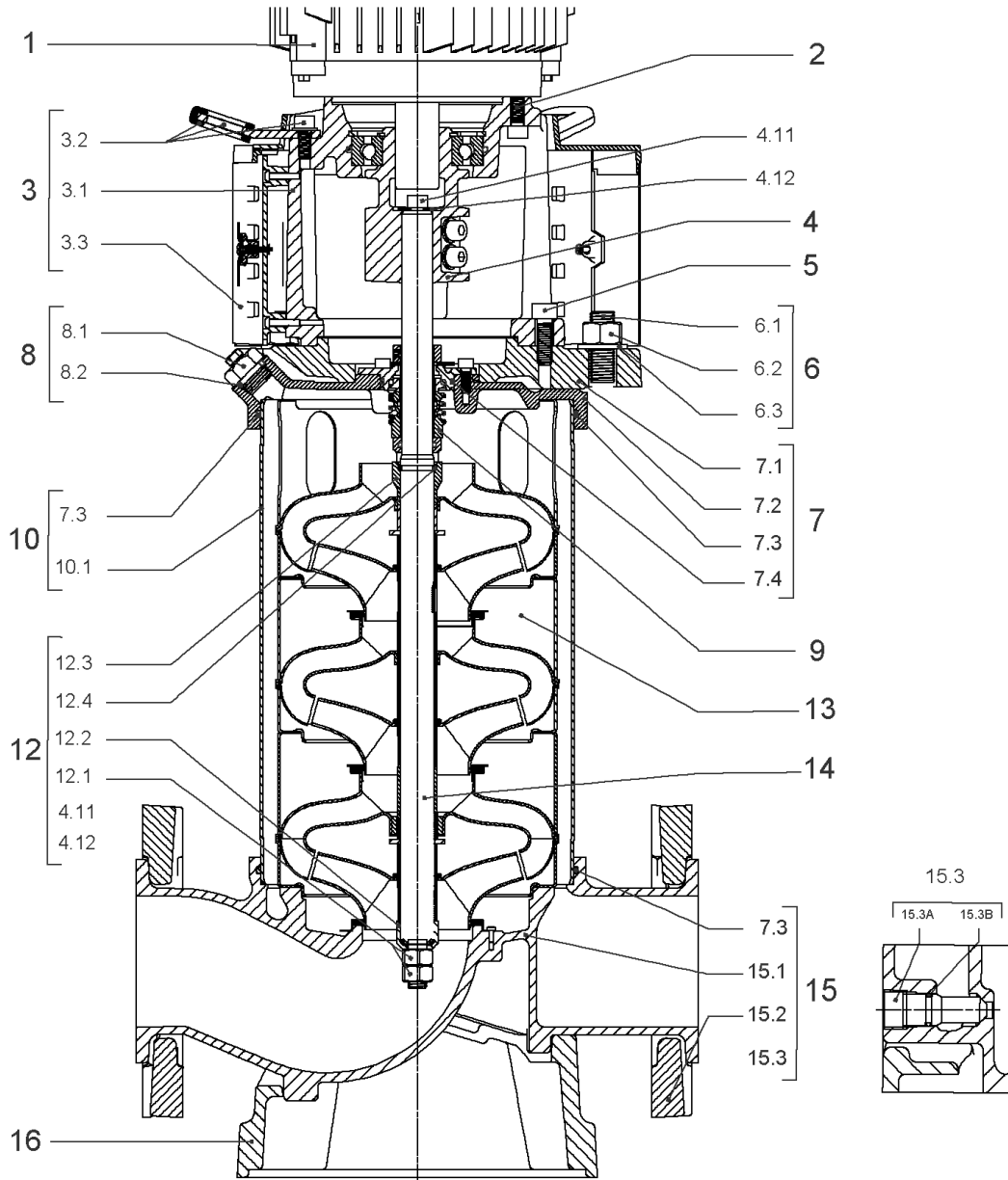
CARTRIDGE HELIX22-36-52 F/E KIT (4143975)

Item	Article no.	Description	Quantity
9.1	4143976	SEAL-KIT-HELIX22-36-52 F/E	1
7.3	4179571	> O-RING HOUSING PIPE HELIX22/36/52 VP.	1
7.4	4179572	> O-RING ID.42.52X2.62 EPDM VP.	1
9.1A	2127447	> M.SEAL.HELIX22-36-52 F/E VP.	1
9.1B	4179574	> O-RING ID.20x2.65 EPDM VP.	1
9.2	4179566	SHAFT SLEEVE D.20/20X60 1.4404 VP.	1
9.3	4179567	RING HOLDER Ø22 1.4301 VP.	1
9.4	4176520	SCREW CH M5x5 A4-70 (3PIECES)	1
9.5	4179568	DRIVE RING D.31/22.1x11 MACH.VP.	1
9.6	4179569	TOOL M.S.CART.HELIX 8" VP.	1
9.7	4179570	SCREW M6X16 ISO4762 8.8 GEOMET(4 PIECES)	1



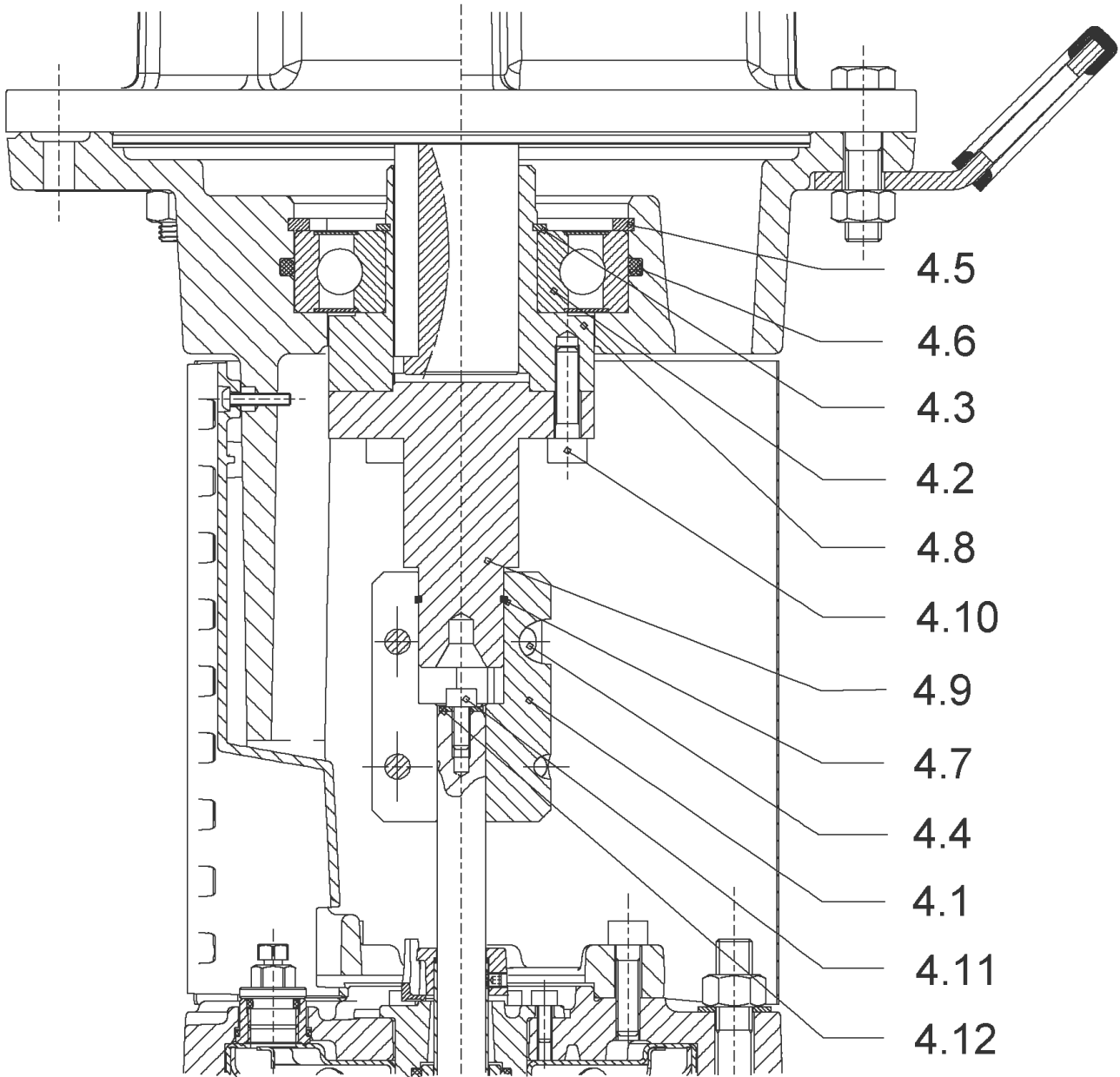
HYDRAULIC HELIX V 3609

Item	Article no.	Description	Quantity
13.1	4161192	INTERMEDIATE STAGE HELIX V36 1.4301 KIT	1
		> SLEEVE-SPACER-D22XL16,66-316L	1
		> MACH.BEARING-DIFFUSER+NR-M+36-304	1
		> SHAFT-SLEEVE-D26xD22x16-CW	1
		> IMPELLER-H1-M+36-304	1
13.1A	4161200	> NECK RING 1.STAGE HELIX V36/52 KIT	1
		>> NECK-RING-M+36/52	1
		>> HYDRAULIC SUPPORT CAP M+36/52 304	1
		>> SCREW TCL M3X8 A4 POZIDRIV	1
13.2	4161193	INTERMEDIATE STAGE HELIX V36 1.4301 KIT	1
		> MACH.STD-DIFFUSER+NR-M+36-304	1
		> IMPELLER-H4-M+36-304	1
13.3	4161194	UPPER STAGE HELIX 36 1.4301 KIT	1
		> STOP COLLAR OF IMPELLER L20-Ø22-316L	1
		> IMPELLER-H4-M+36-304	1
		> MACH.-RIGID-STD-DISCH.-CHAMBER-M+36-304	1



HELIX V3610/2-1/25/E/KS/400-50 (4198491)

Item	Article no.	Description	Quantity
1	4195491	MOTOR 30/2/200 3~400V 50HZ IE3 VP.	1
		SPARE PARTS MOTOR:ON REQUEST	1
2	4179586	SCREW M16X60 (4 PIECES)	1
3	4161189	LANTERN HELIX V36 FF350 BB6315 KIT	1
3.1		> LANTERN FF350 M+ GJL MACHINED+CATA 6315	1
3.2	4179938	> EYELET CPL.FF350 HELIX(4 PIECES)	1
3.3	4143969	> COUPLING PROTECT HELIX FF KIT	1
4	4161191	COUPLING HELIX V36/52 FF350 RLT6315 KIT	1
5	4157725	SCREW M10X40 (4 PIECES)	1
6	4218375	STUD BOLT M16X915 KIT	1
6.1		> TIE BOLT M16-915x24x44-1.4057	1
6.2	4179562	> NUT M16 8.8 ISO4032 (4 PIECES)	1
6.3	4097852	> WASHER-CS-16.4-32-2.8-NFE25-511-A2	1
7	4217176	END SHIELD HELIX OPTI 8" EPDM KIT	1
7.1		> upper flange machined + cataphoresis	1
7.2	4217174	> STATIONARY RING HOLDER 8" HELIX OPTI VP.	1
7.3	4179571	> O-RING HOUSING PIPE HELIX22/36/52 VP.	1
7.4	4179572	> O-RING ID.42.52X2.62 EPDM VP.	1
8	4186377	FILING/PURGING PLUG 304 HELIX KIT	1
8.1		> FILLING/VENTING-PLUG-MVI8/10"-304	1
8.2	4032291	> O-RING 17x3 EPDM KTW/WRC	1
9	4143975	CARTRIDGE HELIX22-36-52 F/E KIT	1
10	4218377	HOUSING PIPE D204 X 697 1.4301 KIT	1
7.3	4179571	> O-RING HOUSING PIPE HELIX22/36/52 VP.	1
10.1		> HOUSING-PIPE Ø204-L697,54-304	1
12	4161186	SHAFT EQUIPMENT HELIX V36 8" KIT	1
13		HYDRAULIC HELIX V 3610-2	1
14	4181104	SHAFT D.22X887,34 1.4057 VP.	1
15	4217909	EQUIPED HOUSING DN65 HELIX OPTI 8" KIT	1
15.1		> pump casing machined DN65	1
15.2	4217907	> HALF FLANGE DN65 HELIX OPTI 8" VP.	1
15.3	4217850	> DRAIN/PRIMING PLUG HELIX OPTI 8" KIT	1
7.3	4179571	> O-RING HOUSING PIPE HELIX22/36/52 VP.	1
16	4217911	BASEPLATE DN65 HELIX OPTI 8" VP.	1



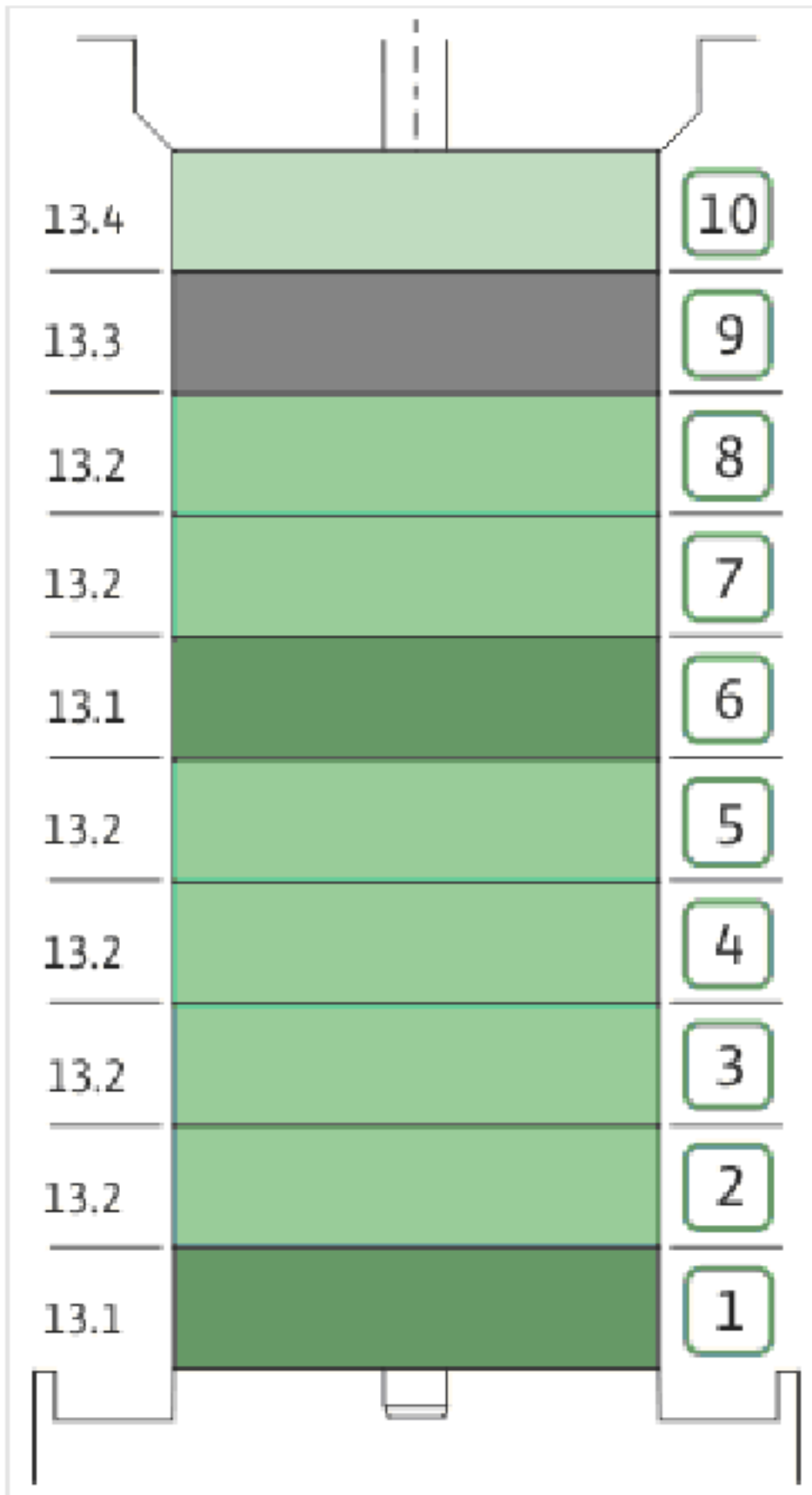
COUPLING HELIX V36/52 FF350 RLT6315 KIT (4161191)

Item	Article no.	Description	Quantity
4.1	4179935	COUPLING 2 PARTS D.20XD.38XL115 VP.	1
4.2	2114423	BALL BEARING 6315C4-ZZ-HT VP.	1
4.3	2119916	CIRCLIP D75X2.5 VP.	1
4.4	4179934	SCREW M12X30 (8 PIECES)	1
4.5	2119917	CIRCLIP D160X4 VP.	1
4.6	2119918	O-RING Ø158.34X3.53 NBR 70SH.VP.	1
4.7	2130992	RETAINING RING D.35xD.2,5 DIN7993 VP.	1
4.8	4179937	HUB D.55XD.75 VP.	1
4.9	4179936	SPACER D.38XD.65 VP.	1
4.10	2130991	SCREW M12X30 ISO4762 8.8 ZN(4 PIECES)	1
4.11	4233959	SCREW M8x16 VP.	1
4.12		SERRATED LOCK WASHER Ø8.2XØ25X35X2	1



CARTRIDGE HELIX22-36-52 F/E KIT (4143975)

Item	Article no.	Description	Quantity
9.1	4143976	SEAL-KIT-HELIX22-36-52 F/E	1
7.3	4179571	> O-RING HOUSING PIPE HELIX22/36/52 VP.	1
7.4	4179572	> O-RING ID.42.52X2.62 EPDM VP.	1
9.1A	2127447	> M.SEAL.HELIX22-36-52 F/E VP.	1
9.1B	4179574	> O-RING ID.20x2.65 EPDM VP.	1
9.2	4179566	SHAFT SLEEVE D.20/20X60 1.4404 VP.	1
9.3	4179567	RING HOLDER Ø22 1.4301 VP.	1
9.4	4176520	SCREW CH M5x5 A4-70 (3PIECES)	1
9.5	4179568	DRIVE RING D.31/22.1x11 MACH.VP.	1
9.6	4179569	TOOL M.S.CART.HELIX 8" VP.	1
9.7	4179570	SCREW M6X16 ISO4762 8.8 GEOMET(4 PIECES)	1



HYDRAULIC HELIX V 3610-2

Item	Article no.	Description	Quantity
13.1	4161192	INTERMEDIATE STAGE HELIX V36 1.4301 KIT	1
		> SLEEVE-SPACER-D22XL16,66-316L	1
		> MACH.BEARING-DIFFUSER+NR-M+36-304	1
		> SHAFT-SLEEVE-D26xD22x16-CW	1
		> IMPELLER-H1-M+36-304	1
13.1A	4161200	> NECK RING 1.STAGE HELIX V36/52 KIT	1
		>> NECK-RING-M+36/52	1
		>> HYDRAULIC SUPPORT CAP M+36/52 304	1
		>> SCREW TCL M3X8 A4 POZIDRIV	1
13.2	4161193	INTERMEDIATE STAGE HELIX V36 1.4301 KIT	1
		> MACH.STD-DIFFUSER+NR-M+36-304	1
		> IMPELLER-H4-M+36-304	1
13.3	4161195	INTERMEDIATE STAGE HELIX V36 1.4301 KIT	1
		> REDUCED-IMPELLER-H4-M+36-304	1
		> MACH.STD-DIFFUSER+NR-M+36-304	1
13.4	4161196	UPPER STAGE HELIX 36 1.4301 KIT	1
		> STOP COLLAR OF IMPELLER L20-Ø22-316L	1
		> REDUCED-IMPELLER-H4-M+36-304	1
		> MACH.-RIGID-STD-DISCH.-CHAMBER-M+36-304	1