

JUNG PUMPEN MULTIFREE SEWAGE PUMPS

- Connection alternatively PN6 or PN10
- Safe to run dry
- Controllable oil chamber
- Plug-in cable connection
- SiC mechanical seal independent of sense of rotation
- Moisture-sealed cable inlet
- Installed motor protection



APPLICATION

“The centrifugal submersible sewage pumps MultiFree are suitable for handling effluent or sewage in municipal and industrial pumping stations as well as in surface water drainage applications. The smaller types are also very successfully as portable units to deal with emergency situations.

The sewage pumps are suitable for handling sewage water.

In hazardous locations explosion-proof sewage pumps Ex have to be used.

MultiFree-sewage pumps are recommended for:

effluent which contains fibrous matter prone to matting / effluent which contains solids / abrasive effluent / effluent which contains trapped air or gas / mixed water / raw effluent / raw sludge / surface water / rainwater

MECHANICAL DATA

Pump	Vertical single-stage	Dry run protection	Yes
Bearing	Ball bearings, grease-packed	Impeller	Vortex impeller, spheroidal graphite iron
Seal towards the motor section	Duplex shaft seal, from 55/: mechanical seal	Motor housing	Grey cast iron
Oil chamber	Yes	Pump housing	Grey cast iron
Seal towards the medium section	SiC mechanical seal	Submersible	Yes

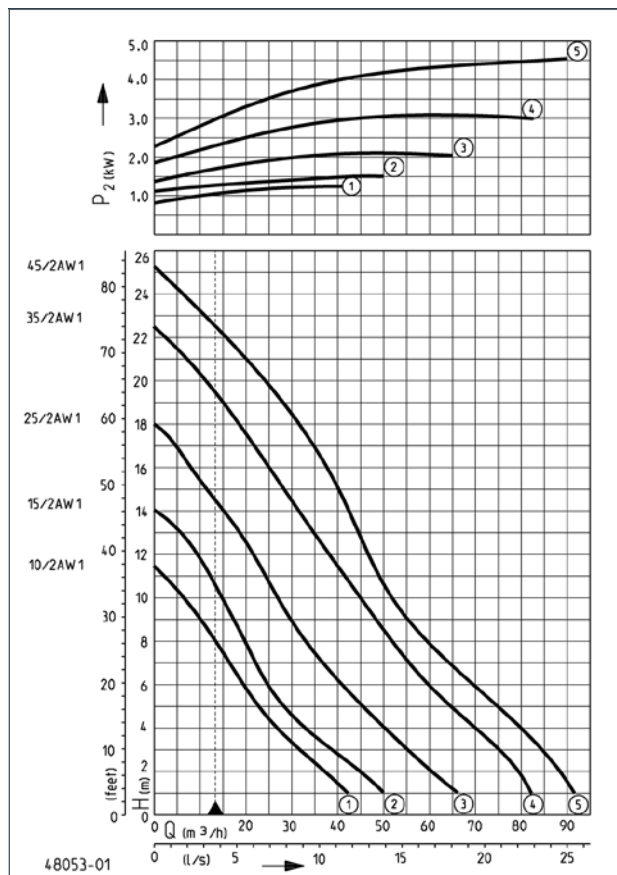
ELECTRICAL DATA

Voltage	3/PE~400V 3/PE~400/690V	Type of enclosure	IP 68
Power line	10m H07RN-F	Winding thermostat	Yes

JUNG PUMPEN MULTIFREE

SEWAGE PUMPS

PERFORMANCE



Type	Art.-Nr.	Single unit Type	Art.-Nr.	Duplex unit Type	Art.-Nr.
Without ex-proof					
10/2 AW1	JP47280	AD 25	JP00310	BD 25	JP45737
15/2 AW1	JP47278	AD 25	JP00310	BD 25	JP45737
25/2 AW1	JP09149	AD 46	JP14353	BD 46	JP45739
35/2 AW1	JP09151	AD 610	JP14354	BD 610	JP45741
45/2 AW1	JP46796	AD 910	JP47263	BD 910	JP47264
With ex-proof					
10/2 AW1, Ex	JP47281	AD 25 Ex	JP09683	BD 25 Ex	JP09681
15/2 AW1, Ex	JP47279	AD 25 Ex	JP09683	BD 25 Ex	JP09681
25/2 AW1, Ex	JP09150	AD 46 Ex	JP14355	BD 46 Ex	JP14360
35/2 AW1, Ex	JP09152	AD 610 Ex	JP14356	BD 610 Ex	JP14361
45/2 AW1, Ex	JP46870	AD 910 Ex	JP47265	BD 910 Ex	JP47266

Additional requirements, see technical data control units

Type	Delivery head H [m]	1	2	3	4	5	6	7	8	9	10	12	14	16	18	20	22
10/2 AW1	Flow rate Q [m³/h]	45	37	31	27	22	19	16	13	10	7						
15/2 AW1		50	45	37	33	28	25	22	20	17	15	10					
25/2 AW1		68	61	55	51	46	41	37	33	30	27	22	16	9			
35/2 AW1		82	80	76	70	65	59	56	52	48	44	38	32	26	19	11	2
45/2 AW1		95	90	84	78	75	72	64	60	54	52	46	41	37	30	24	18

We reserve the right to change specifications without notice. Pump performance is subject to ISO 9906 tolerances

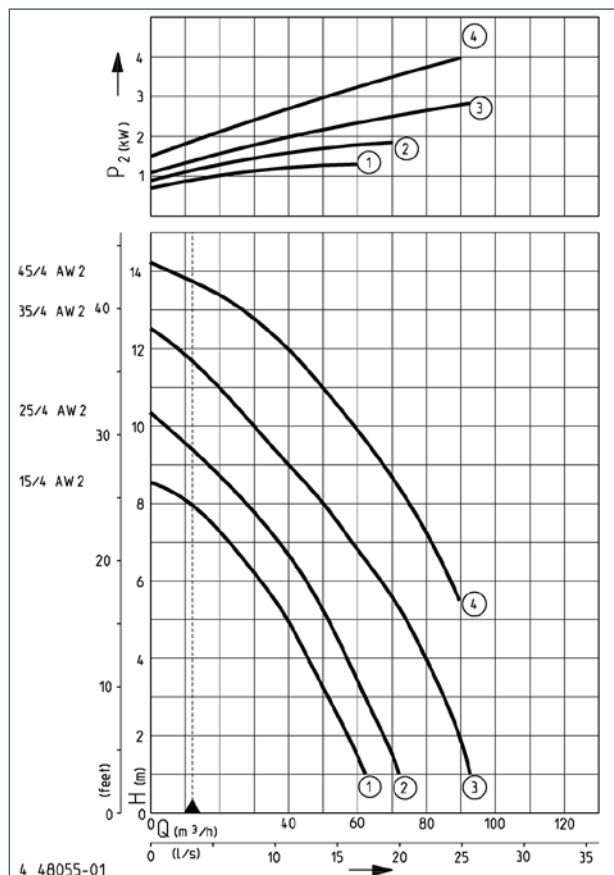
The minimum flow rate in the pressure pipe of $v = 0,7 \text{ m/s}$ is marked in the Q-H-diagram (operative limit).

MULTIFREE DN 65, N = 2900 MIN-1

Type	Motor rating		Current	Wires	Fuse	S3	Free pas-sage	Discharge branch	Weight
	P1	P2							
10/2 AW1	1.7 kW	1.4 kW	3.3 A	6G1,5	10 A	50 %	65 mm	DN 65	43 kg
15/2 AW1	2.1 kW	1.7 kW	3.8 A	6G1,5	10 A	45 %	65 mm	DN 65	43 kg
25/2 AW1	2.9 kW	2.3 kW	4.9 A	6G1,5	10 A	35 %	65 mm	DN 65	43 kg
35/2 AW1	4.05 kW	3.34 kW	7.1 A	6G1,5	10 A	35 %	65 mm	DN 65	46 kg
45/2 AW1	6 kW	5 kW	9.4 A	6G1,5	20 A	20 %	65 mm	DN 65	51 kg

JUNG PUMPEN MULTIFREE SEWAGE PUMPS

PERFORMANCE



Type	Art.-Nr.	Single unit Type	Art.-Nr.	Duplex unit Type	Art.-Nr.
Without ex-proof					
15/4 AW2	JP46791	AD 25	JP00310	BD 25	JP45737
25/4 AW2	JP46793	AD 46	JP14353	BD 46	JP45739
35/4 AW2	JP46794	AD 610	JP14354	BD 610	JP45741
45/4 AW2	JP46795	AD 910	JP47263	BD 910	JP47264
With ex-proof					
15/4 AW2, Ex	JP46792	AD 25 Ex	JP09683	BD 25 Ex	JP09681
25/4 AW2, Ex	JP46867	AD 46 Ex	JP14355	BD 46 Ex	JP14360
35/4 AW2, Ex	JP46868	AD 610 Ex	JP14356	BD 610 Ex	JP14361
45/4 AW2, Ex	JP46869	AD 910 Ex	JP47265	BD 910 Ex	JP47266

Additional requirements, see technical data control units

Type	Delivery head H [m]	1	2	3	4	5	6	7	8	9	10	12	14
15/4 AW2	Flow rate Q [m³/h]	63	57	51	45	39	33	24	13				
25/4 AW2		73	67	62	57	52	46	38	29	18	6		
35/4 AW2		93	89	84	79	73	67	59	50	40	30	9	
45/4 AW2							87	81	75	68	60	41	8

We reserve the right to change specifications without notice. Pump performance is subject to ISO 9906 tolerances

The minimum flow rate in the pressure pipe of $v = 0,7$ m/s is marked in the Q-H-diagram (operative limit).

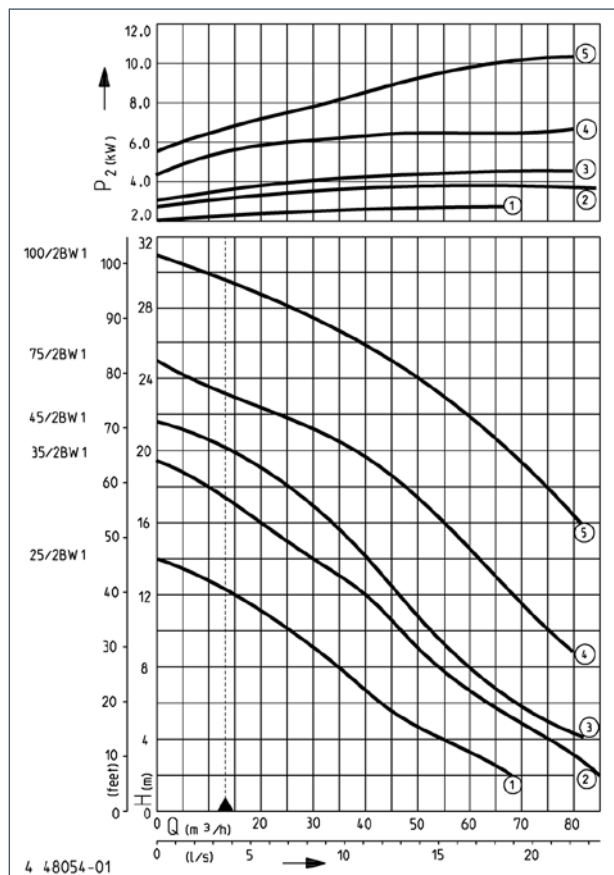
MULTIFREE DN 65, N = 1450 MIN-1

Type	Motor rating		Current	Wires	Fuse	S3	Free pas- sage	Discharge branch	Weight
	P1	P2							
15/4 AW2	1.8 kW	1.4 kW	3.5 A	6G1,5	10 A	40 %	65 mm	DN 65	49 kg
25/4 AW2	2.7 kW	2 kW	4.6 A	6G1,5	10 A	25 %	65 mm	DN 65	49.5 kg
35/4 AW2	4 kW	3.1 kW	7.8 A	6G1,5	10 A	20 %	65 mm	DN 65	53 kg
45/4 AW2	5.6 kW	4.3 kW	9.8 A	6G1,5	20 A	10 %	65 mm	DN 65	55 kg

JUNG PUMPEN MULTIFREE

SEWAGE PUMPS

PERFORMANCE



Type	Art.-Nr.	Single unit Type	Art.-Nr.	Duplex unit Type	Art.-Nr.
Without ex-proof					
25/2 BW1	JP09498	AD 46	JP14353	BD 46	JP45739
35/2 BW1	JP09500	AD 610	JP14354	BD 610	JP45741
45/2 BW1	JP46856	AD 910	JP47263	BD 910	JP47264
75/2 BW1	JP46873	AS 610	JP14407	BS 610	JP14412
100/2 BW1	JP46871	AS 1016	JP14408	BS 1016	JP14413
With ex-proof					
25/2 BW1, Ex	JP09499	AD 46 Ex	JP14355	BD 46 Ex	JP14360
35/2 BW1, Ex	JP09501	AD 610 Ex	JP14356	BD 610 Ex	JP14361
45/2 BW1, Ex	JP46857	AD 910 Ex	JP47265	BD 910 Ex	JP47266
75/2 BW1, Ex	JP46874	AS 610	JP14407	BS 610	JP14412
100/2 BW1, Ex	JP46872	AS 1016	JP14408	BS 1016	JP14413

Additional requirements, see technical data control units

Type	Delivery head H [m]	1	2	3	4	5	6	7	8	9	10	12	14	16	18	20	22	24	26	28	30	
25/2 BW1	Flow rate Q [m³/h]	68	62	55	49	43	38	35	31	27	15											
35/2 BW1		90	85	80	74	70	65	60	57	53	50	43	36	29	20	5						
45/2 BW1				86	78	72	66	61	57	54	46	41	35	27	12							
75/2 BW1									80	74	65	59	53	46	36	26	12					
100/2 BW1													82	75	67	60	51	40	29	14		

We reserve the right to change specifications without notice. Pump performance is subject to ISO 9906 tolerances

The minimum flow rate in the pressure pipe of $v = 0,7$ m/s is marked in the Q-H-diagram (operative limit).

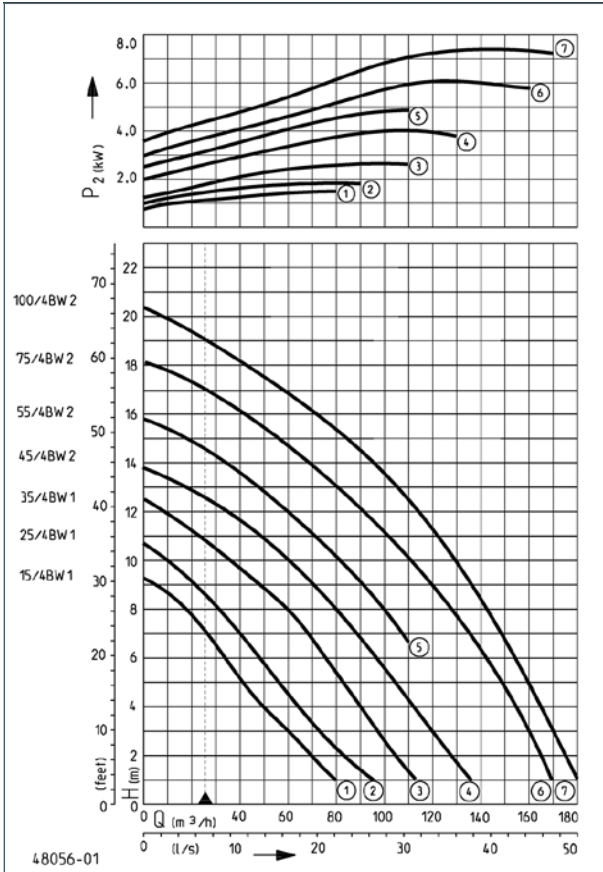
MULTIFREE DN 80, N = 2900 MIN-1

Type	Motor rating		Current	Wires	Fuse	S3	Free pas- sage	Discharge branch	Weight
	P1	P2							
25/2 BW1	3.27 kW	2.55 kW	5.4 A	6G1,5	10 A	25 %	80 mm	DN 80	46 kg
35/2 BW1	4.84 kW	3.95 kW	8.2 A	6G1,5	10 A	25 %	80 mm	DN 80	49 kg
45/2 BW1	6 kW	5 kW	9.4 A	6G1,5	20 A	20 %	80 mm	DN 80	56 kg
75/2 BW1	8.05 kW	6.8 kW	9.4 A/7.9 A	10G2,5	20 A	25 %	80 mm	DN 80	96 kg
100/2 BW1	12.2 kW	10.7 kW	21 A/12.2 A	10G2,5	25 A	20 %	80 mm	DN 80	116 kg

JUNG PUMPEN MULTIFREE

SEWAGE PUMPS

PERFORMANCE



Type	Art.-Nr.	Single unit Type	Art.-Nr.	Duplex unit Type	Art.-Nr.
Without ex-proof					
15/4 BW1	JP09455	AD 46	JP14353	BD 46	JP45739
25/4 BW1	JP09456	AD 46	JP14353	BD 46	JP45739
35/4 BW1	JP09457	AD 610	JP14354	BD 610	JP45741
45/4 BW2	JP46858	AD 910	JP47263	BD 910	JP47264
55/4 BW2	JP48267	AS 610	JP14407	BS 610	JP14412
75/4 BW2	JP46877	AS 610	JP14407	BS 610	JP14412
100/4 BW2	JP46875	AS 1016	JP14408	BS 1016	JP14413
With ex-proof					
15/4 BW1, Ex	JP09458	AD 46 Ex	JP14355	BD 46 Ex	JP14360
25/4 BW1, Ex	JP09459	AD 46 Ex	JP14355	BD 46 Ex	JP14360
35/4 BW1, Ex	JP09460	AD 610 Ex	JP14356	BD 610 Ex	JP14361
45/4 BW2, Ex	JP46859	AD 910 Ex	JP47265	BD 910 Ex	JP47266
55/4 BW2, Ex	JP48268	AS 610	JP14407	BS 610	JP14412
75/4 BW2, Ex	JP46878	AS 610	JP14407	BS 610	JP14412
100/4 BW2, Ex	JP46876	AS 1016	JP14408	BS 1016	JP14413

Additional requirements, see technical data control units

Type	Delivery head H [m]	1	2	3	4	5	6	7	8	9	10	12	14	16	18	20
15/4 BW1	Flow rate Q [m³/h]	80	71	60	50	42	34	27	18	4						
25/4 BW1		95	84	74	64	55	47	40	32	21	9					
35/4 BW1		115	107	98	90	82	75	68	59	49	35	10				
45/4 BW2		138	128	119	110	105	98	90	80	69	57	31				
55/4 BW2								110	100	93	83	60	34			
75/4 BW2		170	159	152	147	142	136	130	124	117	110	90	67	38	5	
100/4 BW2		180	176	170	165	160	155	150	145	138	131	116	97	73	44	8

We reserve the right to change specifications without notice. Pump performance is subject to ISO 9906 tolerances

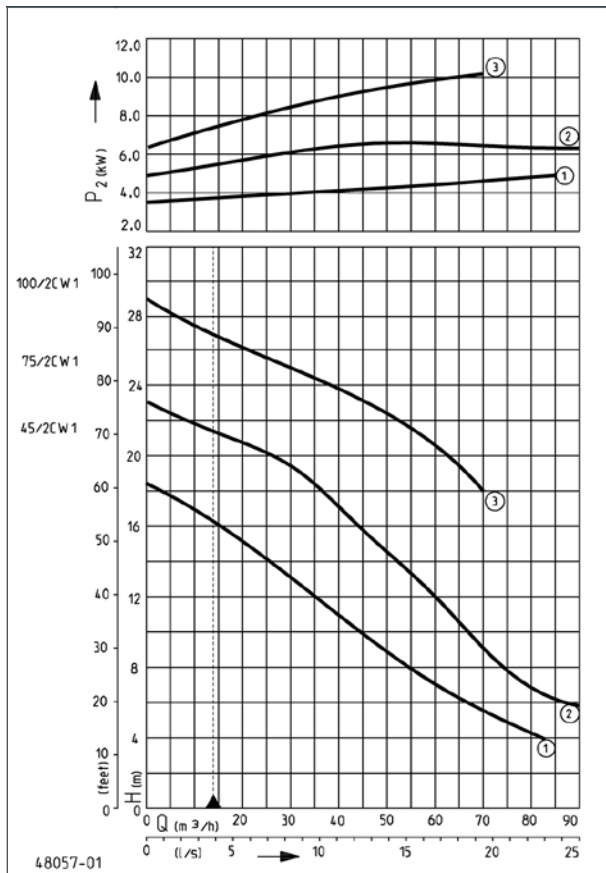
The minimum flow rate in the pressure pipe of $v = 0,7$ m/s is marked in the Q-H-diagram (operative limit).

MULTIFREE DN 80, N = 1450 MIN-1

Type	Motor rating		Current	Wires	Fuse	S3	Free pas- sage	Discharge branch	Weight
	P1	P2							
15/4 BW1	2.2 kW	1.7 kW	4 A	6G1,5	10 A	35 %	80 mm	DN 80	47 kg
25/4 BW1	2.8 kW	2.1 kW	4.7 A	6G1,5	10 A	25 %	80 mm	DN 80	47 kg
35/4 BW1	4.2 kW	3.2 kW	7.8 A	6G1,5	10 A	20 %	80 mm	DN 80	51 kg
45/4 BW2	5.5 kW	4.2 kW	9.6 A	6G1,5	10 A	10 %	80 mm	DN 80	73 kg
55/4 BW2	6.39 kW	5.08 kW	10.8 A/6.3 A	10G2,5	16 A	15 %	80 mm	DN 80	109 kg
75/4 BW2	8.25 kW	6.7 kW	14.2 A/8.2 A	10G2,5	20 A	15 %	80 mm	DN 80	113 kg
100/4 BW2	10 kW	8.4 kW	17.6 A/10.2 A	10G2,5	25 A	20 %	80 mm	DN 80	136 kg

JUNG PUMPEN MULTIFREE SEWAGE PUMPS

PERFORMANCE



Type	Single unit		Duplex unit	
	Art.-Nr.	Type	Art.-Nr.	Type
Without ex-proof				
45/2 CW1	JP47352	AD 910	JP47263	BD 910
75/2 CW1	JP46881	AD 910	JP47263	BD 910
100/2 CW1	JP46879	AD 910	JP47263	BD 910
With ex-proof				
45/2 CW1, Ex	JP47353	AD 910	JP47263	BD 910
75/2 CW1, Ex	JP47229	AD 910	JP47263	BD 910
100/2 CW1, Ex	JP46880	AD 910	JP47263	BD 910

Additional requirements, see technical data control units

Type	Delivery head H [m]	4	5	6	7	8	9	10	12	14	16	18	20	22	24	26	28
45/2 CW1	Flow rate Q [m³/h]	84	74	67	60	54	50	46	38	29	17	5					
75/2 CW1				95	77	67	61	55	47	39	28						
100/2 CW1												70	62	52	39	25	9

We reserve the right to change specifications without notice. Pump performance is subject to ISO 9906 tolerances

The minimum flow rate in the pressure pipe of $v = 0,7$ m/s is marked in the Q-H-diagram (operative limit).

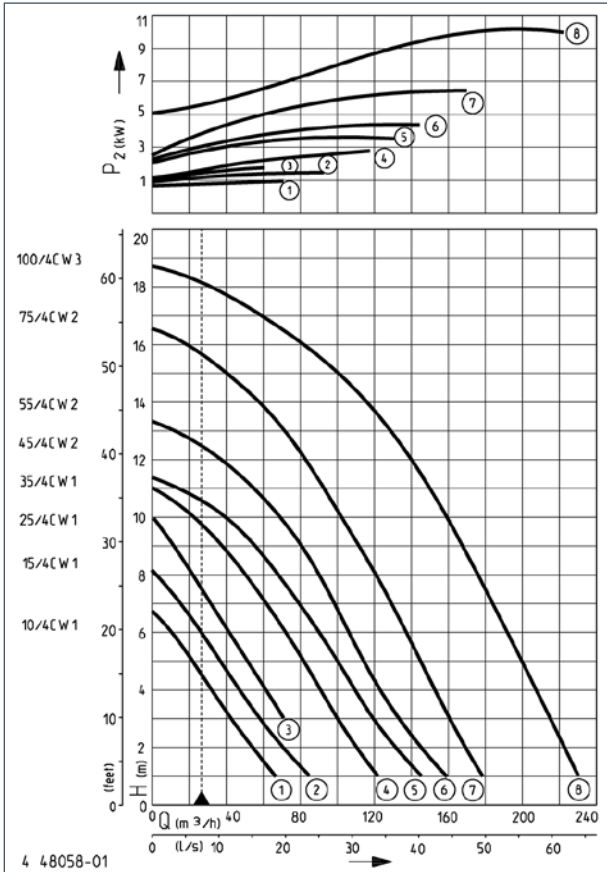
MULTIFREE DN 100, N = 2900 MIN-1

Type	Motor rating		Current	Wires	Fuse	S3	Free pas- sage	Discharge branch	Weight
	P1	P2							
45/2 CW1	6 kW	5 kW	9.4 A	6G1,5	20 A	20 %	100 mm	DN 100	51 kg
75/2 CW1	8.1 kW	6.8 kW	13.7 A/7.9 A	10G2,5	20 A	25 %	100 mm	DN 100	98.5 kg
100/2 CW1	12.2 kW	10.7 kW	21 A/12.2 A	10G2,5	25 A	20 %	100 mm	DN 100	110 kg

JUNG PUMPEN MULTIFREE

SEWAGE PUMPS

PERFORMANCE



Type	Art.-Nr.	Single unit Type	Art.-Nr.	Duplex unit Type	Art.-Nr.
Without ex-proof					
10/4 CW1	JP09610	AD 25	JP00310	BD 25	JP45737
15/4 CW1	JP09612	AD 46	JP14353	BD 46	JP45739
25/4 CW1	JP09655	AD 46	JP14353	BD 46	JP45739
35/4 CW1	JP09858	AD 610	JP14354	BD 610	JP45741
45/4 CW2	JP47236	AD 910	JP47263	BD 910	JP47264
55/4 CW2	JP47372	AS 610	JP14407	BS 610	JP14412
75/4 CW2	JP47234	AS 610	JP14407	BS 610	JP14412
100/4 CW3	JP47354	AS 1016	JP14408	BS 1016	JP14413
With ex-proof					
10/4 CW1, Ex	JP09609	AD 25 Ex	JP09683	BD 25 Ex	JP09681
15/4 CW1, Ex	JP09611	AD 46 Ex	JP14355	BD 46 Ex	JP14360
25/4 CW1, Ex	JP09656	AD 46 Ex	JP14355	BD 46 Ex	JP14360
35/4 CW1, Ex	JP09859	AD 610 Ex	JP14356	BD 610 Ex	JP14361
45/4 CW2, Ex	JP47237	AD 910 Ex	JP47265	BD 910 Ex	JP47266
55/4 CW2, Ex	JP47373	AS 610	JP14407	BS 610	JP14412
75/4 CW2, Ex	JP47235	AS 610	JP14407	BS 610	JP14412
100/4 CW3, Ex	JP47355	AS 1016	JP14408	BS 1016	JP14413

Additional requirements, see technical data control units

Type	Delivery head H [m]	1	2	3	4	5	6	7	8	9	10	12	14	16	18
10/4 CW1	Flow rate Q [m³/h]	68	51	37	26	15	11								
15/4 CW1		85	69	56	46	37	28	18	5						
25/4 CW1				70	59	50	41	32	23	11					
35/4 CW1		120	112	100	90	81	71	60	48	35	20				
45/4 CW2		142	130	118	108	98	85	79	68	56	43				
55/4 CW2		160	145	134	122	109	105	95	88	78	67	37			
75/4 CW2		180	170	162	150	143	136	126	118	109	101	84	58	19	
100/4 CW3		230	223	216	208	200	193	184	173	168	158	138	116	85	29

We reserve the right to change specifications without notice. Pump performance is subject to ISO 9906 tolerances

The minimum flow rate in the pressure pipe of $v = 0,7$ m/s is marked in the Q-H-diagram (operative limit).

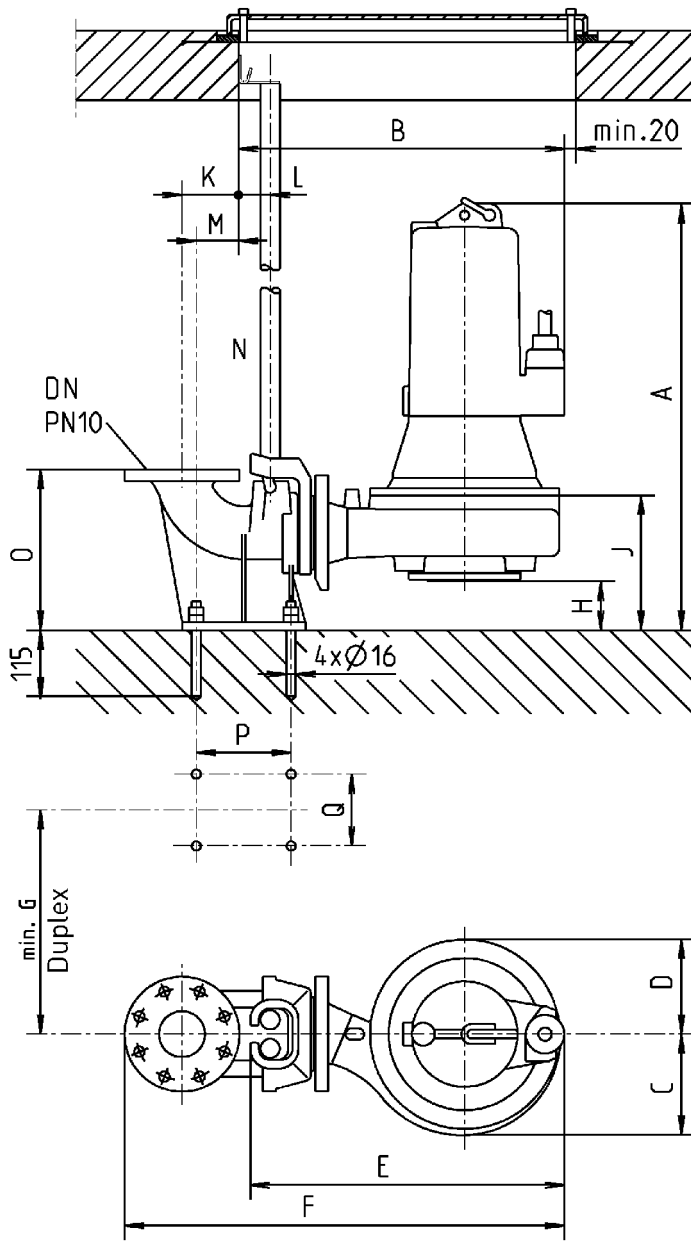
MULTIFREE DN 100, N = 1450 MIN⁻¹

Type	Motor rating		Current	Wires	Fuse	S3	Free pas- sage	Discharge branch	Weight
	P1	P2							
10/4 CW1	1.8 kW	1.4 kW	3.6 A	6G1,5	10 A	40 %	100 mm	DN 100	49 kg
15/4 CW1	2.4 kW	1.9 kW	4.4 A	6G1,5	10 A	30 %	100 mm	DN 100	49 kg
25/4 CW1	2.8 kW	2.04 kW	4.7 A	6G1,5	10 A	20 %	100 mm	DN 100	49 kg
35/4 CW1	4 kW	3 kW	7.4 A	6G1,5	10 A	20 %	100 mm	DN 100	53 kg
45/4 CW2	5.3 kW	4.1 kW	9.3 A	6G1,5	20 A	10 %	100 mm	DN 100	81 kg
55/4 CW2	6.3 kW	5.1 kW	10.7 A/6.2 A	10G2,5	16 A	15 %	100 mm	DN 100	113 kg
75/4 CW2	8.25 kW	6.6 kW	14.2 A/8.2 A	10G2,5	20 A	15 %	100 mm	DN 100	117 kg
100/4 CW3	12.95 kW	10.6 kW	20.3 A/11.7 A	10G2,5	25 A	15 %	100 mm	DN 100	139 kg

JUNG PUMPEN MULTIFREE

SEWAGE PUMPS

Dimensions guide rail system



22574-06

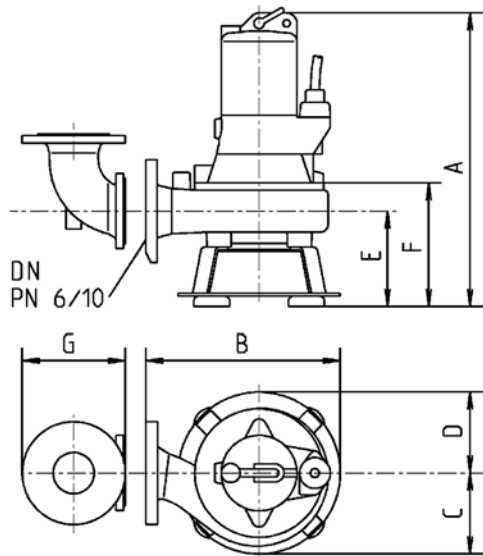
JUNG PUMPEN MULTIFREE

SEWAGE PUMPS

	GR	DN	A	B	C	D	E	F	G	H	J	K	L	M	N	O	P	Q
10/2 AW1	65	80	520	490	130	130	470	690	390	115	220	100	55	74	1"	280	165	125
15/2 AW1	65	80	520	490	130	130	470	690	390	115	220	100	55	74	1"	280	165	125
25/2 AW1	65	80	520	490	130	130	470	690	390	115	220	100	55	74	1"	280	165	125
35/2 AW1	65	80	555	490	130	130	470	690	390	115	220	100	55	74	1"	280	165	125
45/2 AW1	65	80	605	505	130	130	485	705	390	115	225	100	55	74	1"	280	165	125
15/4 AW2	65	80	555	525	140	130	510	725	390	110	260	100	55	74	1"	280	165	125
25/4 AW2	65	80	555	525	140	130	510	725	390	110	260	100	55	74	1"	280	165	125
35/4 AW2	65	80	590	525	140	130	510	725	390	110	260	100	55	74	1"	280	165	125
45/4 AW2	65	80	640	545	140	130	530	745	390	110	260	100	55	74	1"	280	165	125
25/2 BW1	80	80	535	490	140	140	485	705	390	85	235	100	55	74	1"	280	165	125
35/2 BW1	80	80	570	490	140	140	485	705	390	85	235	100	55	74	1"	280	165	125
45/2 BW1	80	80	615	520	140	140	505	725	390	85	235	100	55	74	1"	280	165	125
75/2 BW1	80	80	700	540	140	140	520	740	390	85	235	100	55	74	1"	280	165	125
100/2 BW1	80	80	760	540	140	140	520	740	390	85	235	100	55	74	1"	280	165	125
15/4 BW1	80	80	530	505	140	140	485	705	390	85	235	100	55	74	1"	280	165	125
25/4 BW1	80	80	535	505	140	140	485	705	390	85	235	100	55	74	1"	280	165	125
35/4 BW1	80	80	570	505	140	140	485	705	390	85	235	100	55	74	1"	280	165	125
45/4 BW2	80	80	660	630	200	175	610	830	480	95	280	100	55	74	1"	280	165	125
55/4 BW2	80	80	725	630	200	175	610	830	480	95	280	100	55	74	1"	280	165	125
75/4 BW2	80	80	730	630	205	175	610	830	390	95	280	100	55	74	1"	280	165	125
100/4 BW2	80	80	790	630	205	175	610	830	390	95	280	100	55	74	1"	280	165	125
45/2 CW1	100	100	650	550	140	140	530	775	390	120	270	110	55	82	1"	310	175	150
75/2 CW1	100	100	730	570	140	140	550	795	390	120	270	110	55	82	1"	310	175	150
100/2 CW1	100	100	790	570	140	140	550	795	390	120	270	110	55	82	1"	310	175	150
10/4 CW1	100	100	565	540	140	140	520	760	390	120	270	110	55	82	1"	310	175	150
15/4 CW1	100	100	565	540	140	140	520	760	390	120	270	110	55	82	1"	310	175	150
25/4 CW1	100	100	565	540	140	140	520	760	390	120	270	110	55	82	1"	310	175	150
35/4 CW1	100	100	605	540	140	140	520	760	390	120	270	110	55	82	1"	310	175	150
45/4 CW2	101	100	710	635	195	195	620	860	480	135	330	110	55	82	1"	345	175	385
55/4 CW2	101	100	775	635	195	195	620	860	480	135	330	110	55	82	1"	345	175	385
75/4 CW2	101	100	775	635	195	195	620	860	480	135	330	110	55	82	1"	345	175	385
100/4 CW3	101	100	870	640	215	175	620	865	480	145	360	110	55	82	1"	345	175	385

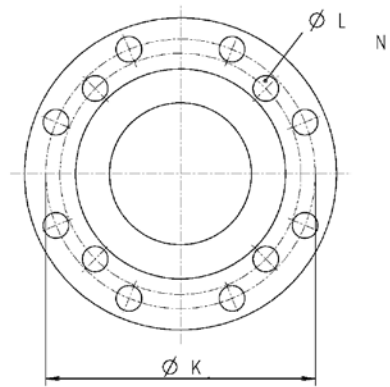
JUNG PUMPEN MULTIFREE SEWAGE PUMPS

Dimensions pump base



22575-05

Discharge outlet



29044

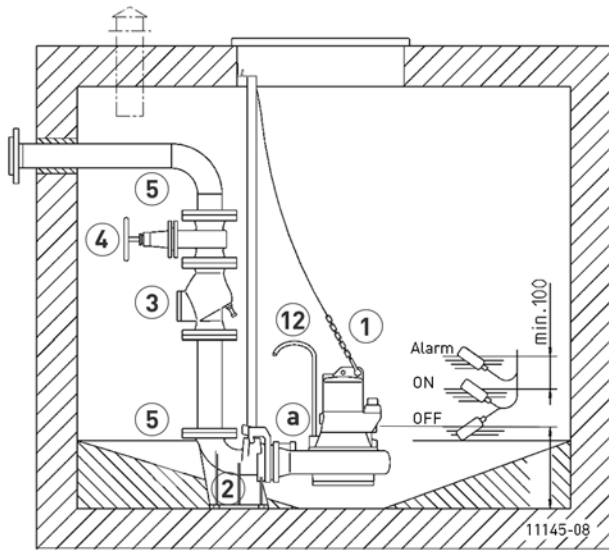
JUNG PUMPEN MULTIFREE

SEWAGE PUMPS

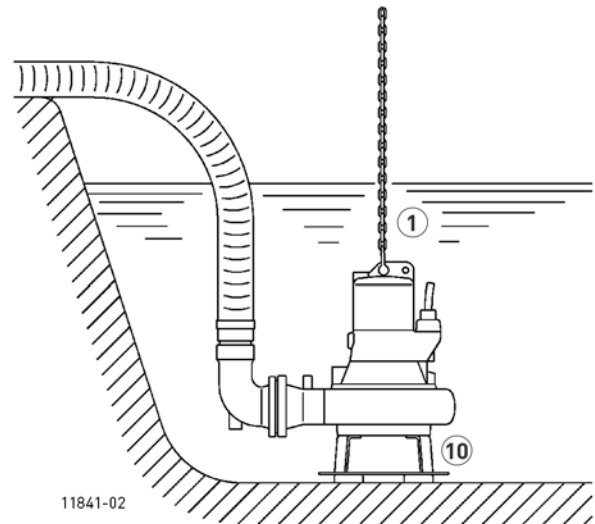
	DN	A	B	C	D	E	F	G	K	L	N
10/2 AW1	65	500	375	130	130	150	200	175	130/145	14/18	4
15/2 AW1	65	500	375	130	130	150	200	175	130/145	14/18	4
25/2 AW1	65	500	375	130	130	150	200	175	130/145	14/18	4
35/2 AW1	65	500	375	130	130	150	200	175	130/145	14/18	4
45/2 AW1	65	580	375	130	130	150	200	175	130/145	14/18	4
15/4 AW2	65	590	400	140	130	210	295	175	130/145	14/18	4
25/4 AW2	65	590	400	140	130	210	295	175	130/145	14/18	4
35/4 AW2	65	625	400	140	130	210	295	175	130/145	14/18	4
45/4 AW2	65	675	415	140	130	210	295	175	130/145	14/18	4
25/2 BW1	80	550	390	140	140	195	260	200	150/160	18	4/8
35/2 BW1	80	585	390	140	140	195	260	200	150/160	18	4/8
45/2 BW1	80	640	390	140	140	195	260	200	150/160	18	4/8
75/2 BW1	80	780	410	140	140	195	260	200	150/160	18	4/8
100/2 BW1	80	780	410	140	140	195	260	200	150/160	18	4/8
15/4 BW1	80	560	375	140	140	195	260	200	150/160	18	4/8
25/4 BW1	80	560	375	140	140	195	260	200	150/160	18	4/8
35/4 BW1	80	595	375	140	140	195	260	200	150/160	18	4/8
45/4 BW2	80	705	500	200	175	220	330	200	150/160	18	4/8
55/4 BW2	80	775	500	200	175	220	330	200	150/160	18	4/8
75/4 BW2	80	775	500	205	175	220	330	200	150/160	18	4/8
100/4 BW2	80	835	500	205	175	220	330	200	150/160	18	4/8
45/2 CW1	100	770	405	140	140	220	290	230	170/180	18	4/8
75/2 CW1	100	750	425	140	140	220	290	230	170/180	18	4/8
100/2 CW1	100	810	425	140	140	220	290	230	170/180	18	4/8
10/4 CW1	100	590	390	140	140	220	290	230	170/180	18	4/8
15/4 CW1	100	590	390	140	140	220	290	230	170/180	18	4/8
25/4 CW1	100	590	390	140	140	220	290	230	170/180	18	4/8
35/4 CW1	100	625	390	140	140	220	290	230	170/180	18	4/8
45/4 CW2	100	720	490	195	195	245	335	230	170/180	18	4/8
55/4 CW2	100	785	490	195	195	245	335	230	170/180	18	4/8
75/4 CW2	100	785	490	195	195	245	335	230	170/180	18	4/8
100/4 CW3	100	870	500	215	175	235	360	230	170/180	18	4/8

JUNG PUMPEN MULTIFREE SEWAGE PUMPS

Example of installation guide rail system





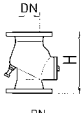
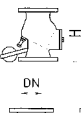
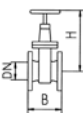
Example of installation pump base



Types of operation: Up to 40°C medium temperature
Motor submerged: continuous operation S1

Motor not submerged intermittent operation S3
(e.g. 20% = 2 min operation and 8 min pause)

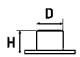
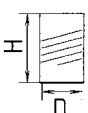

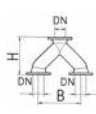
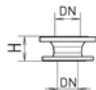
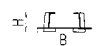
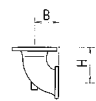

MECHANICAL ACCESSORIES

			Art.-Nr.
	1 Chain	certified, 2.5 m, 160 kg, 5 rings (EN 818 mod.) certified, 5.0 m, 160 kg, 8 rings (EN 818 mod.) certified, 7.5 m, 160 kg, 11 rings (EN 818 mod.) certified, 5.0 m, 320 kg, 8 rings (EN 818 mod.) certified, 7.5 m, 320 kg, 11 rings (EN 818 mod.) Shackle, certified, 500 kg, stainless steel Pump hanging (08 Ex - 100...)	JP45901 JP45902 JP47365 JP45903 JP47366 JP45904 JP45925
	2 Guide rail system	GR 65 DN 80, 170x226x280 (AxBxH) GR 80 DN 80, 170x229x280 (AxBxH) GR 100 DN 100, 200x254x310 (AxBxH) GR 101 DN 100, 235x254x345 (AxBxH)	JP00494 JP00495 JP00496 JP21037
	3 Swing-type check valve	R 80 EN 12050-4 DN 80, PN 4, flange PN 10, DIN 3202, 260 (H) R 80 G EN 12050-4 DN 80, PN 4, flange PN 10, DIN 3202, with counter weight, 260 (H) R 101 EN 12050-4 DN 100, PN 4, flange PN 10, DIN 3202, 300 (H) R 100 G EN 12050-4 DN 100, PN 4, flange PN 10, DIN 3202, with counter weight, 300(H)	JP00706 JP00707 JP00325 JP00324
	Ball-type check valve	K 80 EN 12050-4 DN 80, PN 4, flange PN 10, DIN 3202, 260 (H)	JP44781
	4 Sluice valve	DN 80, PN 10, EN 1171 315x180 (HxB) DN 100, PN 10, EN 1171 345x190 (HxB)	JP00639 JP00329


JUNG PUMPEN MULTIFREE

SEWAGE PUMPS

MECHANICAL ACCESSORIES

				Art.-Nr.
	5 Flanged spigot	DN 100 PN 10, F-KS	153x110 (HxD)	JP08673
	6 Elastic connection for plastic pipe for steel pipe	DN 80	200x90 (HxD)	JP44768
		DN 100, PN 4	200x110 (HxD)	JP44778
		DN 100, PN 4	200x114 (HxD)	JP44774
	7 Hose band clamp	3" (DN 80) 4" (DN 100)		JP44766 JP44767
	8 Flanged Y-pipe	DN 80/100/80	355x390(HxB), PN 10	JP00448
		DN 100/100/100	355x390(HxB), PN 10	JP00458
		DN 80/100/80	355x480(HxB), PN 10	JP00202
		DN 100/100/100	355x480(HxB), PN 10	JP00203
		DN 100/150/100	355x480(HxB), PN 10	JP00204
	9 Reducing adapter	DN 80/100 to PN 10, (similar FFR-piece), H=100		JP00498
		DN 100/150 to PN 10, (similar FFR-piece), H=200		JP00510
	10 Pump base	A 220, for A2, AW1, AW2	90x295 (HxB)	JP00682
		B 220, for B2,B3,B4,BW1	115x315 (HxB)	JP00684
		C 220, for CW1	145x330 (HxB)	JP11453
		C 275, for B5,B6,C1,C5,BW2,CW3	145x385 (HxB)	JP00685
		C 325, for C2,CW2	145x565 (HxB)	JP00701
	11 Flanged connection	A 80 (similar Q-piece 90°), DN 80 PN10/DN 65 PN6	130x75 (HxB)	JP00577
		B 80 (similar Q-piece 90°), DN 80 PN10/PN6	150x100 (HxB)	JP00578
		C 100 (similar Q-piece 90°), DN 100 PN10/PN6	175x120 (HxB)	JP00579
	12 Flushing tube	Typ I	10/... - 45/...	JP28221
		Typ II	55/... - 100/...	JP28222

ELECTRICAL ACCESSORIES

			Art.-Nr.
	a Seal leak detector	DKG DKG Ex for explosion-proof pumps	JP44900 JP00249

JUNG PUMPEN MULTIFREE

SEWAGE PUMPS