

Stainless steel-submersible drainage pump with cooling jacket for clear and domestic drainage water.

CR253

Application

Irrigation and drainage assignments in clean or dirty water. Cellar draining, keeping trenches, shafts and rooms dry. Domestic waste water disposal in cellar rooms (e.g. washbasins, showers, washing machines). Reduction of surface water. Emergency deployment for flooding. Water extraction from water-courses or reservoirs for irrigation. A cooling jacket with discharge connector at the top ensures sufficient motor cooling even at low water level (sip operation).

DIN EN 12050-2: Design tested and monitored.

Installation: Stationary or mobile. Version with float switch for use as automatic water level controlled drainage pump. Guided float switch, adjustable switch level. Attachable low suction ring for low suction pumping.

Pumped medium: Clear- or drainage water containing solids up to 10 mm particle size. Max. temperature of pumped medium: 35°C, for brief periods up to 60°C.

Operating mode: Intermittent operation.

Design

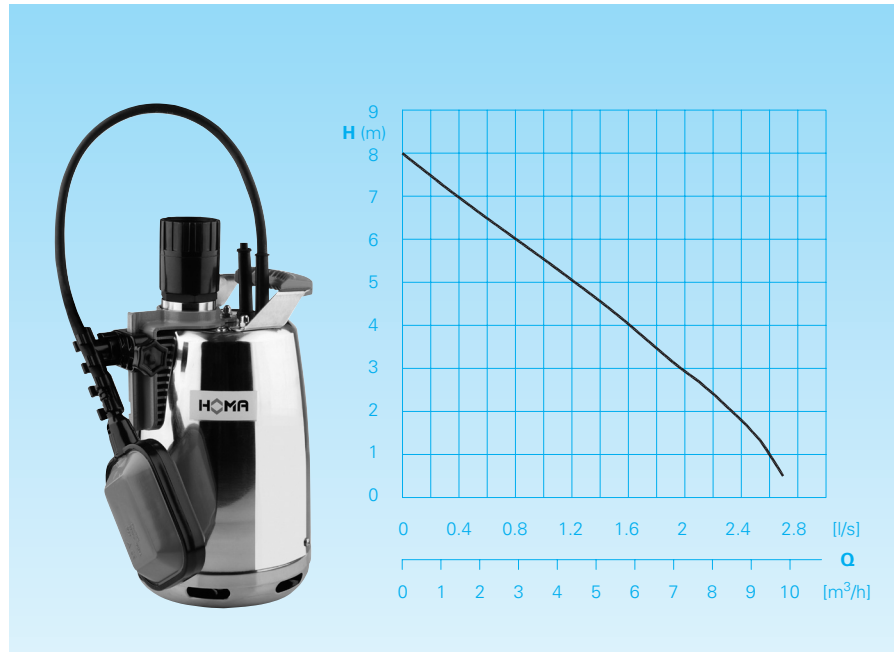
Submersible pump, consisting of:
Pump: Single-stage stainless steel centrifugal pump with cooling jacket and vertical discharge.

Impeller: Open multi-blade impeller, free passage 10 mm.

Motor: Single-phase electric motor. Thermal sensor for temperature monitoring in the winding. Insulation class F. Protection rating IPX 8. Stainless steel motor shaft with ceramic coated sealing surface, pre-lubricated bearings.

Shaft seal: 3 shaft sealing rings.

Conveying capacity



Technical data

Pump type	Motor input		Voltage 50 Hz (V)	Nominal current (A)	Connecting cable type	Weight (kg)
	P ₁ (kW)	P ₂ (kW)				
CR253 W(A)	0,53	0,34	230/1Ph	2,1	H07RN-F3G0,75	5,0

Rotational speed: 2900 rpm

Discharge: G1 1/4

Model A: with automatic float switch HOMA-Nivomatik.

Materials

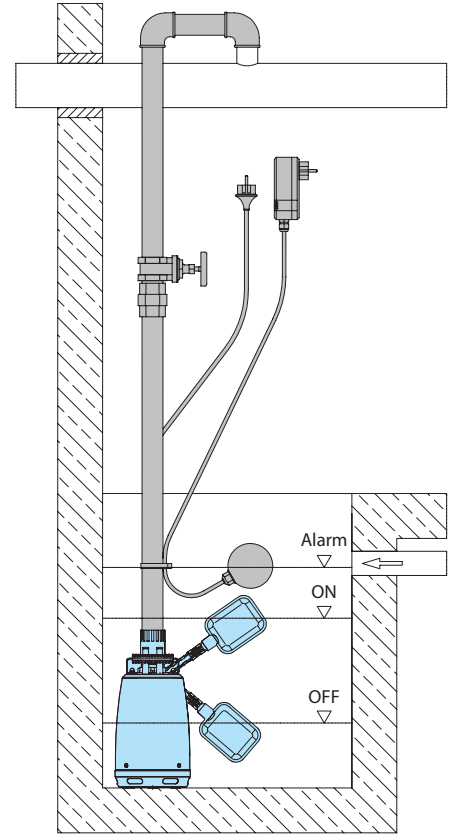
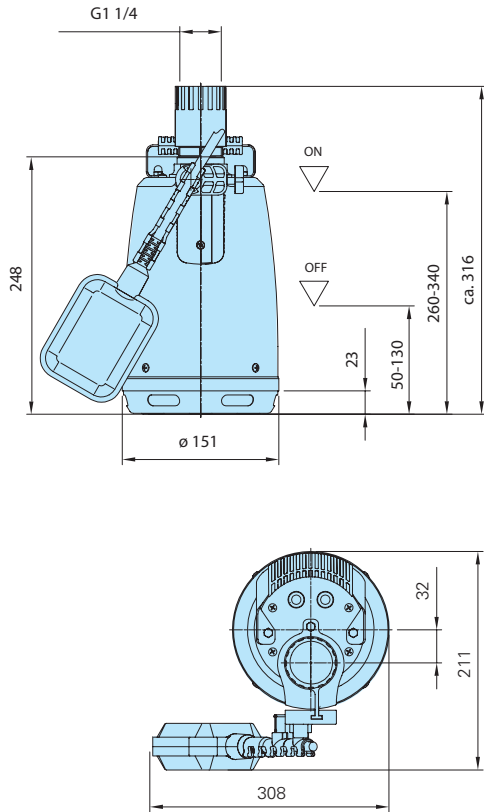
Motor housing, pump housing, screws, suction sieve	Stainless steel
Motor shaft	ceramic coated stainless steel
Impeller	Plastic
Elastomers	NBR

Scope of supply

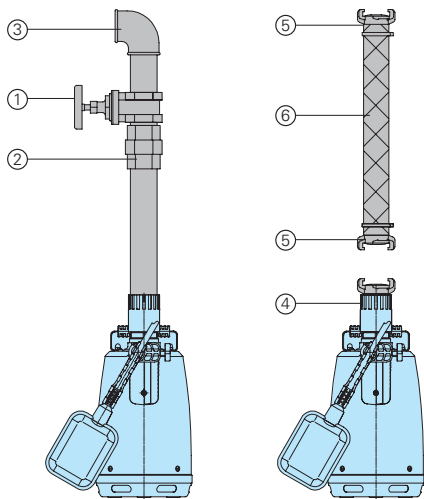
10 m of connecting cable and mains plug, non-return valve. Hose connection.

Model A: With automatic float switch HOMA-Nivomatik.

Dimensions and installation example (all dimensions in mm)



Accessories



Description	Size	Part no.
① Shut-off gate valve Brass	BSP 1 1/4" F	2216012
② Transition screw connection, galvanized	BSP 1 1/4" M/F	2114304
③ Connection bend 90°, galvanized	BSP 1 1/4" F	2113604
	BSP 1 1/4" F/M	2111405
T-piece for merging the pressure pipe in double pump stations, galvanized	BSP 1 1/4" F	2114301
○ Non-return valve, brass (if the integrated non-return valve is omitted)	BSP 1 1/4" F	2211213
○ Double nipple, galvanized	BSP 1 1/4" M	2009011
④ Fixed coupling, brass	BSP 1 1/4" M	2005413
	1"	2003313
⑤ Hose coupling brass	1 1/4"	2003413
	1" Ø 25 mm	2621000
⑥ PVC-hose, per m	1 1/4" Ø 30 mm	2621200
	1" Ø 25 mm	2632025
Plastic- spiral hose, per m	1 1/4" Ø 32 mm	2632030
	3/4" - 1"	2302330
Hose clamp	1 1/4"	2303252

Description	Size	Part no.
HOMA-Nivomatik float switch level control conversion unit - for 230 V/ 1 Ph		
AZW 10/5	5 m of cable	1435055
AZW 10/10	10 m of cable	1435105
○ Fault-current circuit breaker 2-pin, Fi 16/0.03 A		1561160
○ Mains-dependent alarm control unit AL3 with connector for 9 V rechargeable battery (see below) for operation independent of mains power supply, with built-in signal transmitter, float switch and 10 m of cable. Main phase connection 230V/1Ph		1586141
9 V rechargeable battery for mains-independent alarm		1952215
○ For pump controllers and switchgears for mobile and stationary applications, measuring systems and monitoring devices, see HOMA accessories		



We reserve the right to alter our specifications without notice!