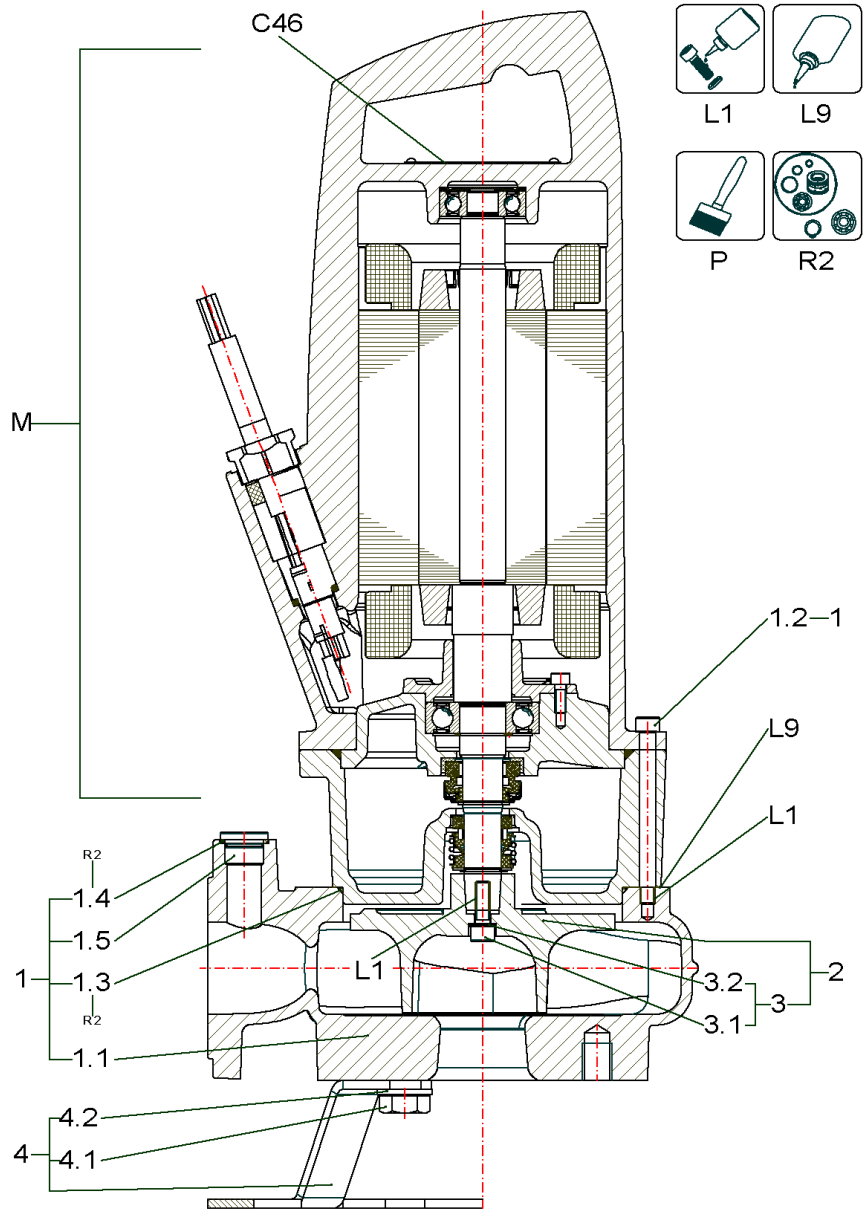




Rexa PRO Aggregat

Article no.	Description
6082575	PRO V05DA-323/EAD0X2-T0068-540-O
6082576	PRO V05DA-324/EAD0X2-T0105-540-O
6082577	PRO V05DA-325/EAD0X2-T0105-540-O
6082578	PRO V05DA-326/EAD0X2-T0105-540-O
6082579	PRO V05DA-328/EAD0X2-T0105-540-O
6082820	PRO V08DA-243/EAD0X2-T0068-540-O
6082821	PRO V08DA-244/EAD0X2-T0105-540-O
6082822	PRO V08DA-245/EAD0X2-T0105-540-O
6082823	PRO V08DA-246/EAD0X2-T0105-540-O
6082824	PRO V08DA-248/EAD0X2-T0105-540-O
6074978	SUBMERSIBLE SEWAGE PUMP C05-320 UNIT
6074986	SUBMERSIBLE SEWAGE PUMP C06-340 UNIT
6074994	SUBMERSIBLE SEWAGE PUMP C08-410 UNIT
6074990	SUBMERSIBLE SEWAGE PUMP C08-430 UNIT
6074982	SUBMERSIBLE SEWAGE PUMP C10-510 UNIT
6065009	SUBMERSIBLE SEWAGE PUMP V05-120 UNIT
6065015	SUBMERSIBLE SEWAGE PUMP V05-220 UNIT
6081750	SUBMERSIBLE SEWAGE PUMP V05-320 UNIT
6065021	SUBMERSIBLE SEWAGE PUMP V06-210 UNIT
6064210	SUBMERSIBLE SEWAGE PUMP V06-220 UNIT
6064063	SUBMERSIBLE SEWAGE PUMP V06-620 UNIT
6081733	SUBMERSIBLE SEWAGE PUMP V08-240 UNIT
6065570	SUBMERSIBLE SEWAGE PUMP V08-420 UNIT
6065588	SUBMERSIBLE SEWAGE PUMP V08-520 UNIT
6079794	SUBMERSIBLE SEWAGE PUMP V10-420 UNIT

SUBMERSIBLE SEWAGE PUMP C05-320 UNIT (6074978)



SUBMERSIBLE SEWAGE PUMP C05-320 UNIT (6074978)

Item	Article no.	Description	Quantity
C46		name plate information "Rexa"	1
R2	6065495	Rep.Kit 2 P13.1	1
P	6042254	PAINT SPRAY Pantone334	1
P	6042255	colour 2K-paint IV80 pantone334C 250ml	1
P	6023614	Ceram C0 black 100 ml KIT	1
P	6020579	Ceram C0 black 250 ml KIT	1
P	6023485	Ceram C0 Black 500ml Kit	1
L1	6080531	Loctite 243 5g flask VP:	1
L9	6080535	Loctite 5203 300ml VP.	1

M		MOTOR PRO P13.1 XC	1

1	6076865	pump housing Rexa C05-3xx DN50 GG SET	1
1.1		> pump housing Q50 6051884 GG	1
1.2		> screw M8x95 DIN912 A4-70	3
1.2	6076889	> screw M8x95 DIN912 A4-70 (10pc)	1
1.3		> o-ring ID.150,0x3,0 NBR70	1
1.3	6076891	> o-ring ID.150,0x3,0 NBR70 VP.	1
1.4		> screw plug G1/2 DIN908 A4	1
1.4	6067638	> screw plug G1/2 DIN908 A4 (3pcs)	1
1.5		> seal ring A21/26x1,5 DIN7603 PA	1
1.5	6048832	> joint ring A21/26x1,5 DIN7603 PA(10pc)	1
1	6076866	pump housing Rexa C05-3xx ANSI GG KIT	1
1.1		> pump housing Q50 6051884 GG	1
1.2		> screw M8x95 DIN912 A4-70	3
1.3		> o-ring ID.150,0x3,0 NBR70	1
1.4		> screw plug G1/2 DIN908 A4	1
1.5		> seal ring A21/26x1,5 DIN7603 PA	1
1.2	6076889	> screw M8x95 DIN912 A4-70 (10pc)	1
1.3	6076891	> o-ring ID.150,0x3,0 NBR70 VP.	1
1.4	6067638	> screw plug G1/2 DIN908 A4 (3pcs)	1
1.5	6048832	> joint ring A21/26x1,5 DIN7603 PA(10pc)	1
2	6077856	impeller C05xA-322 GGG SVA	1
2	6077857	impeller C05xA-324 GGG SVA	1

SUBMERSIBLE SEWAGE PUMP C05-320 UNIT (6074978)

Item	Article no.	Description	Quantity
2	6077858	impeller C05xA-326 GGG SVA	1
2	6077859	impeller C05xA-328 GGG SVA	1
2	6077860	impeller C05xA-329 GGG SVA	1
3	6067645	impeller fixation 8x25 Geomet KIT	1
3.1		> screw M8x25 DIN912 10.9 Geomet	1
3.2		> screw locking Nord-Lock 13,5/8,7 A4	1
4	6064666	Pump foot DN50/65 KIT	1
4B.1		> screw M16x25 DIN933 A4-70	4
4B.2	6076816	> washer A17 Din125 A4 (20pc)	1
4.1		screw M16x25 DIN933 A4-70	4
4.2	6076816	washer A17 Din125 A4 (20pc)	1

name plate information "Rexa"

submersible sewage pump

1 2 3 4 5 6 7 8 9 10 11 12 13 14 15 16 17

29

28 P-Typ **PRO V 06 D A - 628 / E A D 2 X 4 - T 0039 - 5 40 - O** 18

M-Typ **P 13.2-11 / EAD2X4-T** **MFY 2013W35**

27 **P₁ 5.50kW** **P₂ 3.90kW** **n 2874 1/min** 19

Q_{max} 45.0m³/h **H_{max} 60m** **H_{min} 2m** 22

Q_N 26.0l/s **H_N 30.0m** **SF 1.00/ _{SF} 15.25A**

16 **U 400 - 3 V** **I_N 15.25A** **I_{ST} 25.9A** 20

13 **AT Direkt** **OT_S S1** **OT_E S3** 31

f 50 Hz **IP 68** **cos p 0.89** **T 40°C** **▽ 20.0m** 30

26 **m 2000 kg** **cl.F** **IM_{org} 122mm** **IM_{kor} 118mm** 30

15 **Warnung! Nicht in explosionsgefährdeten Bereich öffnen!** **Nicht unter Spannung öffnen!** 21
Warning! Do not open in explosion hazardous location! **Do not open when energized!**

25 **II 2G Ex d IIB T4Gb** **DIN EN 12050-1/ICE60034-1**

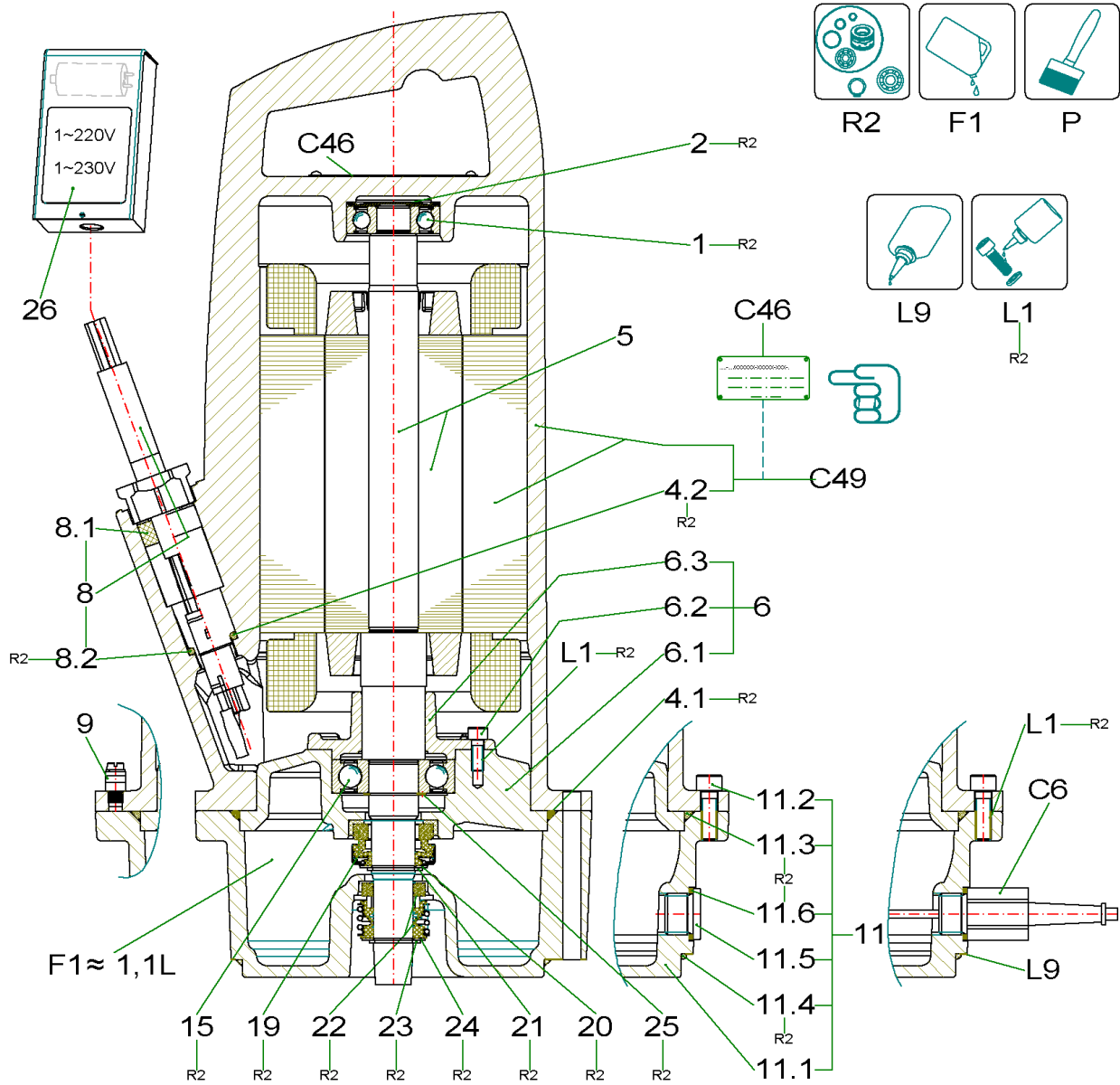
BSV 11 ATEX E 119 X

Produced by WILO SE, Hof **S/N : 650161916** 24

23 **Made by Wilo Group in Germany**
WILO SE Nortkirchenstr.100
44263 Dortmund Germany 0158

name plate information "Rexa"

Item	Description	Quantity
1	Series	1
2	Impeller shape	1
3	size of pressure connection	1
4	Hydraulic version	1
5	Material code hydraulics	1
6	Hydraulics definition	1
7	Motor version	1
8	Material code motor	1
9	Seal version	1
10	IE-Efficiency class	1
11	Explosion prevention	1
12	Numbers of pol	1
13	Mains supply M=1~ / T=3~	1
14	/10 = Rated motor power P2 in kW	1
15	Frequency	1
16	Code for rated voltage	1
17	Additional electrical equipment	1
18	Year of manufacture	1
19	speed	1
20	Starting current	1
21	Impeller diameter trimmed	1
22	Rated current	1
23	Impeller diameter	1
24	Serial number	1
25	Insulating class	1
26	Starting type	1
27	Duty data	1
28	Power consumption P1	1
29	Motor data	1
30	operation type: immersed	1
31	operation type: out of water	1



MOTOR PRO P13.1 XC

Item	Article no.	Description	Quantity
C46		name plate information "Rexa"	1
R2	6065495	Rep.Kit 2 P13.1	1
P	6042254	PAINT SPRAY Pantone334	1
P	6042255	colour 2K-paint IV80 pantone334C 250ml	1
P	6023614	Ceram C0 black 100 ml KIT	1
P	6020579	Ceram C0 black 250 ml KIT	1
P	6023485	Ceram C0 Black 500ml Kit	1
F1	6025460	medical white oil 1L KIT	1
F1	6025461	medical white oil 5L KIT	1
L1	6080531	Loctite 243 5g flask VP:	1
L1	2096167	Loctite 243 50ml VP.	1
L9	6080535	Loctite 5203 300ml VP.	1

C6		electrode KIT	1
C49		stator P13.	1

1	6065495	Rep.Kit 2 P13.1	1
Note: für / for / pour 1,1 kW			
1		grooved ball bearing 6303 ZZ	1
Note: für / for / pour 1,5kW + 2,5kW + 3,9kW			
2		wave spring ring D.40 YSSB-0158	1
4.1		o-ring ID.150,0x4,0 NBR70	1
4.2		o-ring ID.18,0x3,5 NBR70	1
5	6067580	rotor S/P13.1-8/EAD0X2-M VP.	1
5	6067579	rotor S/P13.1-8/EAD1X2-T VP.	1
5	6077472	rotor P13.1-9/EAD3X2-T VP.	1
5	6067577	rotor S/P13.1-10/EAD1X2-T VP.	1
5	6086069	rotor S/P13.1-11/EAD1X2-T VP.	1
5	6077473	rotor P13.1-11/EAD3X2-T VP.	1
5	6067578	rotor P13.1-15/EAD1X2-T VP.	1
5	6077474	rotor P13.1-16/EAD3X2-T VP.	1
5	6077475	rotor P13.1-10/EAD1X4-T VP.	1
5	6077476	rotor P13.1-11/EAD0X4-M VP.	1
5	6077477	rotor P13.1-16/EAD3X4-T VP.	1

MOTOR PRO P13.1 XC

Item	Article no.	Description	Quantity
6	6067403	bearing housing P13.1 6050238 GG KIT	1
6.1		> bearing housing B 6050238 GG	1
6.2		> screw M6x16 ISO4762 A4	3
6.3		> bearing cover D.62,2g6 6050240 GG	1
8	6066645	cable trumpet 30T P13 10MH07 7G1,5 KIT	1
8	6066648	REXA PRO cable trumpet 30T P13 20MH07	1
8	6080978	cable trumpet 30T P13 30MH07 7G1,5 KIT	1
8	6081765	cable trumpet 30T P13 40MH07 7G1,5 KIT	1
8.1		seal ring D.29,5/17x16,5 54.17777 NBR VP	1
8.2		o-ring ID.18,0x3,5 NBR70	1
9	6067407	Barlian bow terminal M5 A2	1
11	6076873	sealing casing P/S13.1 D.152 GG XC KI	1
11.1		> sealing casing D.152g6 6051979 GG	1
11.2	6076892	> screw M8x25 DIN912 A4 (10pc)	1
Note: P13.1			
11.2		> screw M8x16 ISO4762 A2-70	6
Note: S13.			
11.3	6076893	> o-ring ID.150,0x4,0 NBR70 VP.	1
11.4	6076891	> o-ring ID.150,0x3,0 NBR70 VP.	1
11.5	6067638	> screw plug G1/2 DIN908 A4 (3pcs)	1
11.6	6048832	> joint ring A21/26x1,5 DIN7603 PA(10pc)	1
15		SRDG BALL BEARING 6305 ZZ	1
19		MECHANICAL SEAL BT-AR/22 BXPFF	1
20		pressure ring D.34/22,5x1 6050343 A4	1
21		CIRCLIPS 22x1,2 DIN471 1.4122	1
22		mechanical shaft seal MG1/20-G60 QPFGG	1
23		circlips 20x1,2 DIN471 1.4116	1
24		pressure ring D.32/20,5x1 6050343 A4	1
25		circlips 25x1,2 DIN471 FSt	1
26	6080916	terminal-Box CD35+70MF VP.	1

name plate information "Rexa"

submersible sewage pump

1 2 3 4 5 6 7 8 9 10 11 12 13 14 15 16 17

29

28 P-Typ **PRO V 06 D A - 628 / E A D 2 X 4 - T 0039 - 5 40 - O** 18

M-Typ **P 13.2-11 / EAD2X4-T** **MFY 2013W35**

27 **P₁ 5.50kW** **P₂ 3.90kW** **n 2874 1/min** 19

Q_{max} 45.0m³/h **H_{max} 60m** **H_{min} 2m** 22

Q_N 26.0l/s **H_N 30.0m** **SF 1.00/ _{SF} 15.25A**

16 **U 400 - 3 V** **I_N 15.25A** **I_{ST} 25.9A** 20

13 **AT Direkt** **OT_S S1** **OT_E S3** 31

f 50 Hz **IP 68** **cos φ 0.89** **T 40°C** **▽ 20.0m** 30

26 **m 2000 kg** **cl.F** **IM_{org} 122mm** **IM_{kor} 118mm** 30

15 **Warnung! Nicht in explosionsgefährdeten Bereich öffnen!** **Nicht unter Spannung öffnen!** 21
Warning! Do not open in explosion hazardous location! **Do not open when energized!**

25 **II 2G Ex d IIB T4Gb** **DIN EN 12050-1/ICE60034-1**

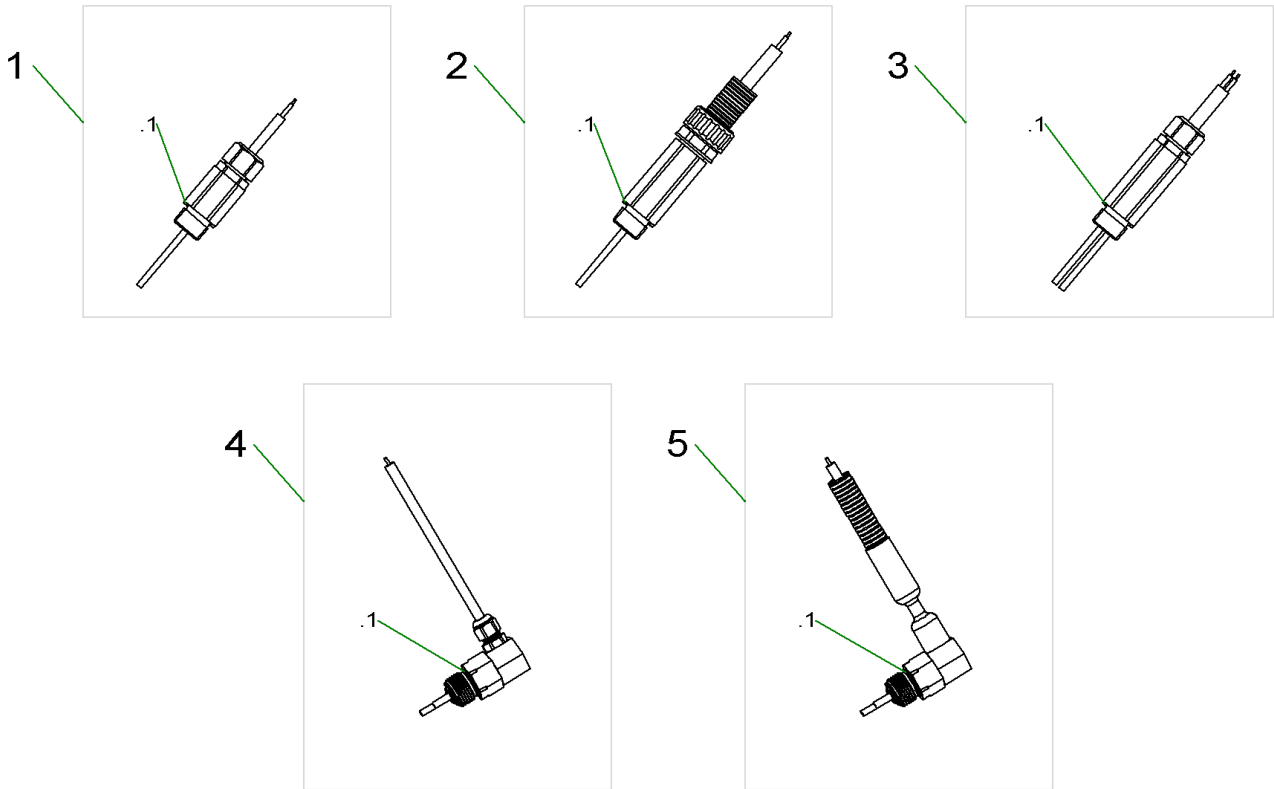
BSV 11 ATEX E 119 X

Produced by WILO SE, Hof **S/N : 650161916** 24

23 **Made by Wilo Group in Germany**
WILO SE Nortkirchenstr.100
44263 Dortmund Germany 0158

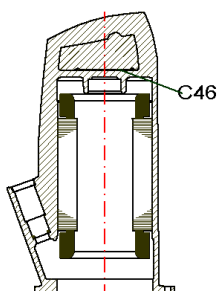
name plate information "Rexa"

Item	Description	Quantity
1	Series	1
2	Impeller shape	1
3	size of pressure connection	1
4	Hydraulic version	1
5	Material code hydraulics	1
6	Hydraulics definition	1
7	Motor version	1
8	Material code motor	1
9	Seal version	1
10	IE-Efficiency class	1
11	Explosion prevention	1
12	Numbers of pol	1
13	Mains supply M=1~ / T=3~	1
14	/10 = Rated motor power P2 in kW	1
15	Frequency	1
16	Code for rated voltage	1
17	Additional electrical equipment	1
18	Year of manufacture	1
19	speed	1
20	Starting current	1
21	Impeller diameter trimmed	1
22	Rated current	1
23	Impeller diameter	1
24	Serial number	1
25	Insulating class	1
26	Starting type	1
27	Duty data	1
28	Power consumption P1	1
29	Motor data	1
30	operation type: immersed	1
31	operation type: out of water	1



electrode KIT

Item	Article no.	Description	Quantity
.1	6048832	joint ring A21/26x1,5 DIN7603 PA(10pc)	1
1	6042222	pencil electrode G1/2 10m KIT	1
1	6042313	pencil electrode G1/2 15m KIT	1
1	6042223	pencil electrode G1/2 20m KIT	1
1	6061068	pencil electrode G1/2 25KIT	1
1	6061070	pencil electrode G1/2 30m KIT	1
1	6061069	Stabelektrode G1/2 40m SET	1
1	6060956	pencil electrode G1/2 55m KIT	1
2	6042227	pencil electrode G1/2 10m+hose KIT	1
2	6065196	pencil electrode G1/2 15m+hose KIT	1
3	6042229	double pencil electrode G1/2 10m KIT	1
3	6042228	double pencil electrode G1/2 20m KIT	1
3	6063536	double pencil electrode G1/2 40m KIT	1
3	6065157	double pencil electrode G1/2 10m 4*A KIT	1
3	6065156	double pencil electrode G1/2 20m 4*AWKIT	1
4	6068049	elbow pencil electrode G1/2 10m SET	1
4	6068050	elbow pencil electrode G1/2 15m SET	1
4	6075169	elbow pencil electrode G1/2 20m SET	1
5	6068345	elbow pencil electrode G1/2 10m+Schl. KI	1
5	6068346	elbow pencil electrode G1/2 15m+Schl. SE	1



Type	Pol.	Power P ₂ kW	IE	DOL / YD	Bi / PTC	1~220V/50Hz	1~230V/50Hz	3~380V/50Hz	3~400V/50Hz	3~415V/50Hz	3~500V/50Hz	3~208V/60Hz	3~220/60Hz	1~230/60Hz	3~230/60Hz	3~380V/60Hz	3~440/60Hz	3~460V/60Hz	3~480/60Hz
P13.	2	1,1	0	DOL	Bi		1						13						
P13.	2	1,1	1	DOL	Bi			2						14			2	2	
P13.	2	1,1	3	DOL	Bi			9									9		
P13.	2	1,2	3	DOL	Bi			9									9		
P13.	2	1,35	3	DOL	Bi			11									11		
P13.	2	1,5	0	DOL	Bi		1						13						
P13.	2	1,5	1	DOL	Bi			2						14			2	2	
P13.	2	1,5	3	DOL	Bi			9									9		
P13.	2	1,65	3	DOL	Bi			10									10		
P13.	2	2,5	1	DOL	Bi			3						15			3		
P13.	2	2,5	3	DOL	Bi			11									11		
P13.	2	3,9	1	DOL	Bi			4						16			4		
P13.	2	3,9	3	DOL	Bi			10									10		
P13.	4	1,1	0	DOL	Bi		6												
P13.	4	1,1	1	DOL	Bi			5						17			5		
P13.	4	1,1	3	DOL	Bi			12									12		
P13.	4	1,25	3	DOL	Bi			12									12		
P13.	4	1,5	0	DOL	Bi		6												
P13.	4	1,5	1	DOL	Bi			5						17			5		
P13.	4	1,5	3	DOL	Bi			12									12		
P13.	4	2,5	1	DOL	Bi			7						18			7		
P13.	4	3,5	0	DOL	Bi			8						19			8		

stator P13.

Item	Article no.	Description	Quantity
C46		name plate information "Rexa" -----	1
1	6070463	stator-unit P13.-2/8 1~ KIT	1
2	6070461	stator-unit P13.-2/8 3~ KIT	1
3	6070465	stator-unit P13.-2/10 3~ KIT	1
4	6070466	stator-unit P13.-2/15 3~ KIT	1
5	6070468	stator-unit P13.-4/10 3~ KIT	1
6	6070470	stator-unit P13.-4/11 1~ KIT	1
7	6070471	stator-unit P13.-4/13 3~ KIT	1
8	6070472	stator-unit P13.-4/16 3~ KIT	1
9	6072170	stator-unit P13.-2/9 3~ KIT	1
10	6072171	stator-unit P13.-2/16 3~ KIT	1
11	6072172	stator-unit P13.-2/11 3~ KIT	1
12	6072173	stator-unit P13.-4/16 3~ KIT	1
13	6076974	stator-unit P13.2/8 1~ KIT	1
14	6076973	stator-unit P13.-2/8 3~ KIT	1
15	6076972	stator-unit P13.-2/10 3~ KIT	1
16	6076971	stator-unit P13.-2/15 3~ KIT	1
17	6076970	stator-unit P13.-4/10 3~ KIT	1
18	6076969	stator-unit P13.-4/14 3~ KIT	1
19	6076968	stator-unit P13.-4/16 3~ KIT	1

name plate information "Rexa"



submersible sewage pump

1 2 3 4 5 6 7 8 9 10 11 12 13 14 15 16 17

29

28 P-Typ **PRO V 06 D A - 628 / E A D 2 X 4 - T 0039 - 5 40 - O** 18

M-Typ **P 13.2-11 / EAD2X4-T** **MFY 2013W35**

27 **P₁ 5.50kW** **P₂ 3.90kW** **n 2874 1/min** 19

Q_{max} 45.0m³/h **H_{max} 60m** **H_{min} 2m** 22

Q_N 26.0l/s **H_N 30.0m** **SF 1.00/ _{SF} 15.25A**

16 **U 400 - 3 V** **I_N 15.25A** **I_{ST} 25.9A** 20

13 **AT Direkt** **OT_S S1** **OT_E S3** 31

f 50 Hz **IP 68** **cos φ 0.89** **T 40°C** **▽ 20.0m** 30

26 **m 2000 kg** **cl.F** **IM_{org} 122mm** **IM_{kor} 118mm** 30

15 **Warnung! Nicht in explosionsgefährdeten Bereich öffnen!** **Nicht unter Spannung öffnen!** 21
Warning! Do not open in explosion hazardous location! **Do not open when energized!**

II 2G Ex d IIB T4Gb **DIN EN 12050-1/ICE60034-1**

25 **BSV 11 ATEX E 119 X** **S/N : 650161916** 24

23 **Produced by WILO SE, Hof**

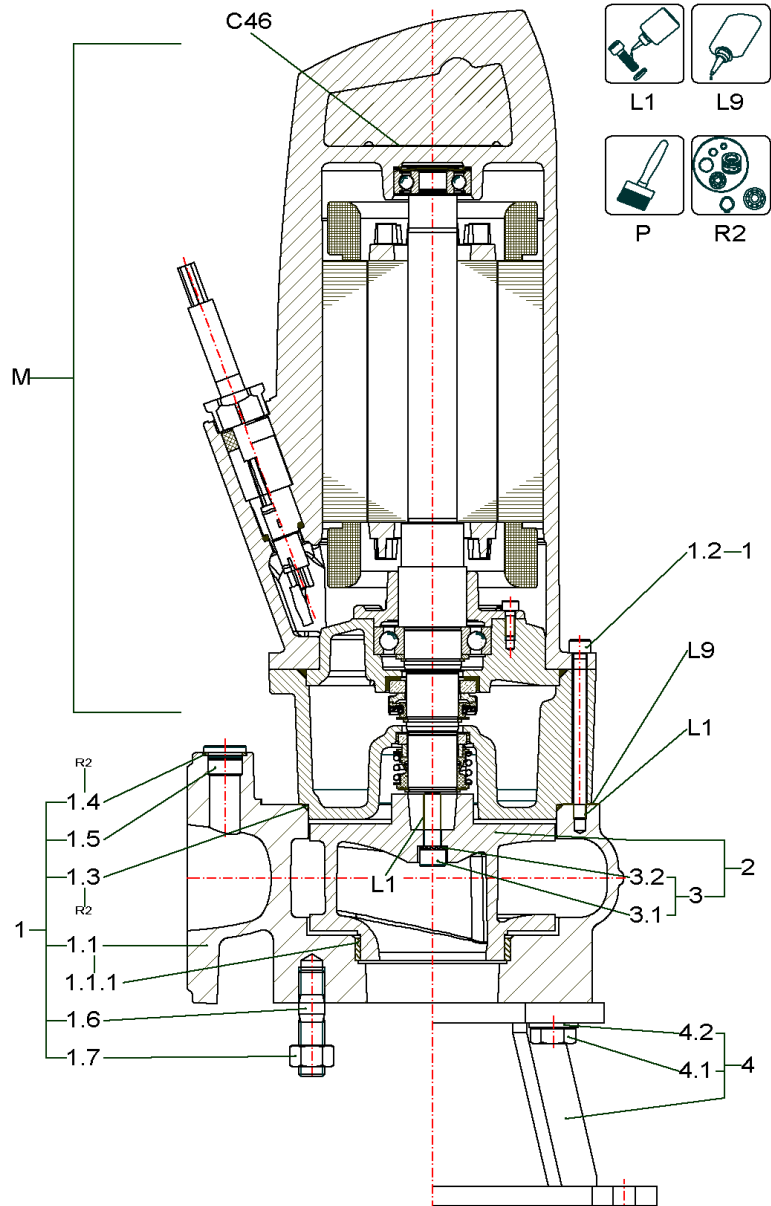
Made by Wilo Group in Germany
 WILO SE Nortkirchenstr.100
 44263 Dortmund Germany

0158 **CE**

name plate information "Rexa"

Item	Description	Quantity
1	Series	1
2	Impeller shape	1
3	size of pressure connection	1
4	Hydraulic version	1
5	Material code hydraulics	1
6	Hydraulics definition	1
7	Motor version	1
8	Material code motor	1
9	Seal version	1
10	IE-Efficiency class	1
11	Explosion prevention	1
12	Numbers of pol	1
13	Mains supply M=1~ / T=3~	1
14	/10 = Rated motor power P2 in kW	1
15	Frequency	1
16	Code for rated voltage	1
17	Additional electrical equipment	1
18	Year of manufacture	1
19	speed	1
20	Starting current	1
21	Impeller diameter trimmed	1
22	Rated current	1
23	Impeller diameter	1
24	Serial number	1
25	Insulating class	1
26	Starting type	1
27	Duty data	1
28	Power consumption P1	1
29	Motor data	1
30	operation type: immersed	1
31	operation type: out of water	1

SUBMERSIBLE SEWAGE PUMP C06-340 UNIT (6074986)



SUBMERSIBLE SEWAGE PUMP C06-340 UNIT (6074986)

Item	Article no.	Description	Quantity
C46		name plate information "Rexa"	1
R2	6065496	Rep.Kit 2 P13.2	1
P	6042254	PAINT SPRAY Pantone334	1
P	6042255	colour 2K-paint IV80 pantone334C 250ml	1
P	6023614	Ceram C0 black 100 ml KIT	1
P	6020579	Ceram C0 black 250 ml KIT	1
P	6023485	Ceram C0 Black 500ml Kit	1
L1	6080531	Loctite 243 5g flask VP:	1
L9	6080535	Loctite 5203 300ml VP.	1

M		MOTOR PRO P13.2 XD	1

1	6078020	pump housing Rexa C06-3xx DN80 GG KIT	1
1.1		> pump housing Q65 6052100 GG	1
1.1.1	6074594	> neck ring D.95x14 55.10874 1.4308 VP.	1
1.2	6078050	> screw M8x105 DIN912 A4-70 (3pc)	1
1.3	6076891	> o-ring ID.150,0x3,0 NBR70 VP.	1
1.4	6048832	> joint ring A21/26x1,5 DIN7603 PA(10pc)	1
1.5	6067638	> screw plug G1/2 DIN908 A4 (3pcs)	1
1.6	6076692	> screw M16x45 DIN939 A4-70 (10pc)	1
1.7	6074496	> nut M16 DIN934 A4-80 (10pc)	1
1	6078019	pump housing Rexa C06-3xx ANSI GG KIT	1
1.1		> pump housing Q65 6052100 GG	1
1.1.1	6074594	> neck ring D.95x14 55.10874 1.4308 VP.	1
1.2	6078050	> screw M8x105 DIN912 A4-70 (3pc)	1
1.3	6076891	> o-ring ID.150,0x3,0 NBR70 VP.	1
1.4	6048832	> joint ring A21/26x1,5 DIN7603 PA(10pc)	1
1.5	6067638	> screw plug G1/2 DIN908 A4 (3pcs)	1
1.6	6076692	> screw M16x45 DIN939 A4-70 (10pc)	1
1.7	6074496	> nut M16 DIN934 A4-80 (10pc)	1
2	6077861	impeller C06xA-342 GG SVA	1
2	6077862	impeller C06xA-344 GG SVA	1
2	6077863	impeller C06xA-345 GG SVA	1
2	6077864	impeller C06xA-346 GG SVA	1

SUBMERSIBLE SEWAGE PUMP C06-340 UNIT (6074986)

Item	Article no.	Description	Quantity
2	6077865	impeller C06xA-348 GG SVA	1
2	6077866	impeller C06xA-349 GG SVA	1
3	6067646	impeller fixation 10x35 Geomet KIT	1
3.1		> screw M10x35 DIN912 10.9 Geomet	1
3.2		> SCREW LOCKING NORD-LOCK 16/10,7 A4	1
4	6065949	Pump foot DN80/100 KIT	1
4.1		> Screw M16x35 ISO4017 A4-70	4
4.2	6076816	> washer A17 Din125 A4 (20pc)	1
4.1		Screw M16x35 ISO4017 A4-70	4
4.2	6076816	washer A17 Din125 A4 (20pc)	1

name plate information "Rexa"



submersible sewage pump

1 2 3 4 5 6 7 8 9 10 11 12 13 14 15 16 17

29

28 P-Typ **PRO V 06 D A - 628 / E A D 2 X 4 - T 0039 - 5 40 - O** 18

M-Typ **P 13.2-11 / EAD2X4-T** **MFY 2013W35**

27 **P₁ 5.50kW** **P₂ 3.90kW** **n 2874 1/min** 19

Q_{max} 45.0m³/h **H_{max} 60m** **H_{min} 2m** 22

Q_N 26.0l/s **H_N 30.0m** **SF 1.00/ _{SF} 15.25A**

16 **U 400 - 3 V** **I_N 15.25A** **I_{ST} 25.9A** 20

13 **AT Direkt** **OT_S S1** **OT_E S3** 31

f 50 Hz **IP 68** **cos p 0.89** **T 40°C** **▽ 20.0m** 30

26 **m 2000 kg** **cl.F** **IM_{org} 122mm** **IM_{kor} 118mm** 30

15 **Warnung! Nicht in explosionsgefährdeten Bereich öffnen!** **Nicht unter Spannung öffnen!** 21
Warning! Do not open in explosion hazardous location! **Do not open when energized!**

25 **II 2G Ex d IIB T4Gb** **DIN EN 12050-1/ICE60034-1**

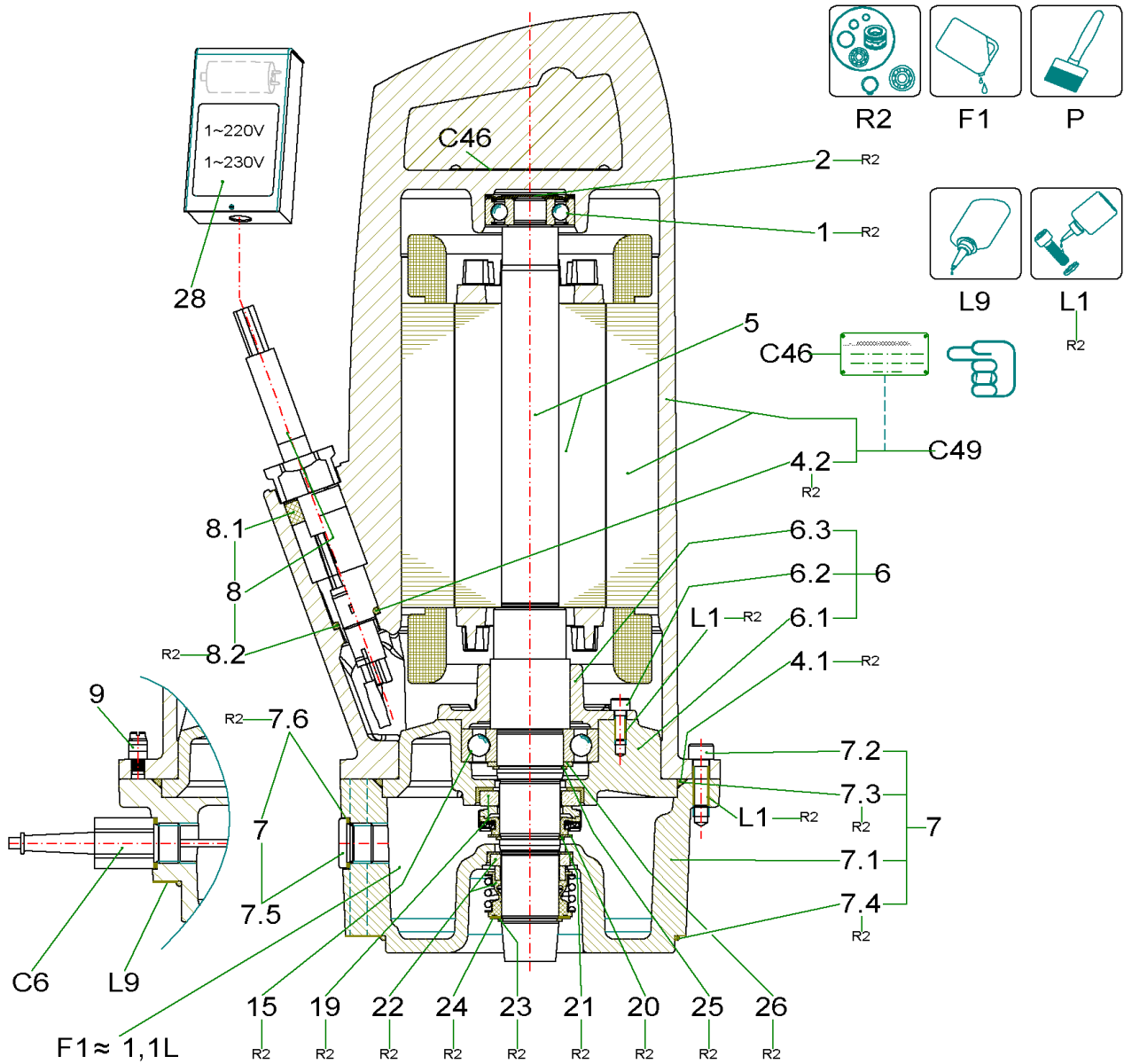
BSV 11 ATEX E 119 X

Produced by WILO SE, Hof **S/N : 650161916** 24

23 **Made by Wilo Group in Germany**
WILO SE Nortkirchenstr.100
44263 Dortmund Germany **0158** **CE**

name plate information "Rexa"

Item	Description	Quantity
1	Series	1
2	Impeller shape	1
3	size of pressure connection	1
4	Hydraulic version	1
5	Material code hydraulics	1
6	Hydraulics definition	1
7	Motor version	1
8	Material code motor	1
9	Seal version	1
10	IE-Efficiency class	1
11	Explosion prevention	1
12	Numbers of pol	1
13	Mains supply M=1~ / T=3~	1
14	/10 = Rated motor power P2 in kW	1
15	Frequency	1
16	Code for rated voltage	1
17	Additional electrical equipment	1
18	Year of manufacture	1
19	speed	1
20	Starting current	1
21	Impeller diameter trimmed	1
22	Rated current	1
23	Impeller diameter	1
24	Serial number	1
25	Insulating class	1
26	Starting type	1
27	Duty data	1
28	Power consumption P1	1
29	Motor data	1
30	operation type: immersed	1
31	operation type: out of water	1



MOTOR PRO P13.2 XD

Item	Article no.	Description	Quantity
C46		name plate information "Rexa"	1
R2	6065496	Rep.Kit 2 P13.2	1
P	6042254	PAINT SPRAY Pantone334	1
P	6042255	colour 2K-paint IV80 pantone334C 250ml	1
P	6023614	Ceram C0 black 100 ml KIT	1
P	6020579	Ceram C0 black 250 ml KIT	1
P	6023485	Ceram C0 Black 500ml Kit	1
F1	6025460	medical white oil 1L KIT	1
F1	6025461	medical white oil 5L KIT	1
L1	6080531	Loctite 243 5g flask VP:	1
L1	2096167	Loctite 243 50ml VP.	1
L9	6080535	Loctite 5203 300ml VP.	1

C6		electrode KIT	1
C49		stator P13.	1

1		Rep.Kit 2 P13.2	1
Note: für / for / pour 1,1 kW			
1		grooved ball bearing 6303 ZZ	1
Note: für / for / pour 1,5kW + 2,5kW + 3,9kW			
2		wave spring ring D.40 YSSB-0158	1
4.1		o-ring ID.150,0x4,0 NBR70	1
4.2		o-ring ID.18,0x3,5 NBR70	1
5	6077478	rotor P13.2-10/EAD1X2-T VP.	1
5	6077479	rotor P13.2-11/EAD3X2-T VP.	1
5	6077480	rotor P13.2-15/EAD1X2-T VP.	1
5	6077481	rotor P13.2-16/EAD3X2-T VP.	1
6	6067409	bearing housing P13.2 6050298 GG KIT	1
6.1		> bearing housing u 6050298 GG	1
6.2		> bearing cover D.62,2f7 6050300 GG	1
6.3		> screw M6x16 ISO4762 A4	3
7	6077467	sealing casing P/S13.2 D.152 GG XD KIT	1
11.1		> sealing casing D.152g6 6051867 GG	1
11.2	6076892	> screw M8x25 DIN912 A4 (10pc)	1

MOTOR PRO P13.2 XD

Item	Article no.	Description	Quantity
11.3	6076893	> o-ring ID.150,0x4,0 NBR70 VP.	1
11.4	6076891	> o-ring ID.150,0x3,0 NBR70 VP.	1
11.5	6067638	> screw plug G1/2 DIN908 A4 (3pcs)	1
11.6	6048832	> joint ring A21/26x1,5 DIN7603 PA(10pc)	1
8	6066645	cable trumpet 30T P13 10MH07 7G1,5 KIT	1
8	6066648	REXA PRO cable trumpet 30T P13 20MH07	1
8	6080978	cable trumpet 30T P13 30MH07 7G1,5 KIT	1
8	6081765	cable trumpet 30T P13 40MH07 7G1,5 KIT	1
8.1	6076650	seal ring D.29,5/17x16,5 54.17777 NBR VP	1
8.2	6007674	o-ring ID.18,0x3,5 NBR70	1
9	6067407	Barlian bow terminal M5 A2	1
15		ball bearing 6207 w.2 Dichtschr. VP.	1
19		MECHANICAL SEAL BT-AR/32 BXPFF	1
20		pressure ring D.44/32,5x1 6050343 A4	1
21		CIRCLIP 32X1,5 DIN471 1.4122	1
22		mechanical shaft seal MG1/30-G60 QPFG	1
23		CIRCLIP 30X1,5 DIN471 1.4122	1
24		pressure ring D.42/30,5x1 6050343 A4	1
25	6078169	circlips 35x1,5 DIN471 FST VP.	1
26		washer D.35/45x2,5 DIN988 St	1
28	6080916	terminal-Box CD35+70MF VP.	1

name plate information "Rexa"



submersible sewage pump

1 2 3 4 5 6 7 8 9 10 11 12 13 14 15 16 17

29

28 P-Typ **PRO V 06 D A - 628 / E A D 2 X 4 - T 0039 - 5 40 - O** 18

M-Typ **P 13.2-11 / EAD2X4-T** **MFY 2013W35**

27 **P₁ 5.50kW** **P₂ 3.90kW** **n 2874 1/min** 19

Q_{max} 45.0m³/h **H_{max} 60m** **H_{min} 2m** 22

Q_N 26.0l/s **H_N 30.0m** **SF 1.00/ _{SF} 15.25A**

16 **U 400 - 3 V** **I_N 15.25A** **I_{ST} 25.9A** 20

13 **AT Direkt** **OT_S S1** **OT_E S3** 31

f 50 Hz **IP 68** **cos φ 0.89** **T 40°C** **▽ 20.0m** 30

26 **m 2000 kg** **cl.F** **IM_{org} 122mm** **IM_{kor} 118mm** 30

15 **Warnung! Nicht in explosionsgefährdeten Bereich öffnen!** **Nicht unter Spannung öffnen!** 21
Warning! Do not open in explosion hazardous location! **Do not open when energized!**

25 **II 2G Ex d IIB T4Gb** **DIN EN 12050-1/ICE60034-1**

BSV 11 ATEX E 119 X

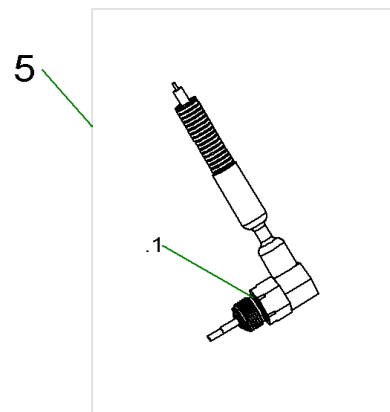
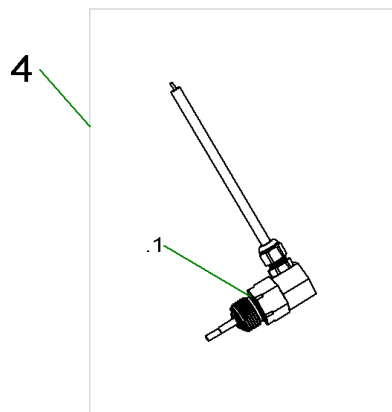
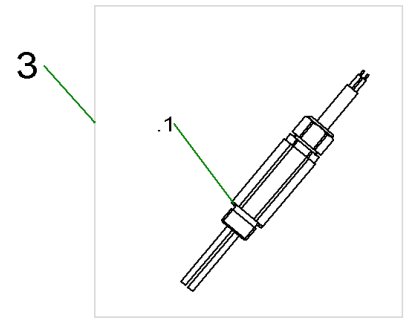
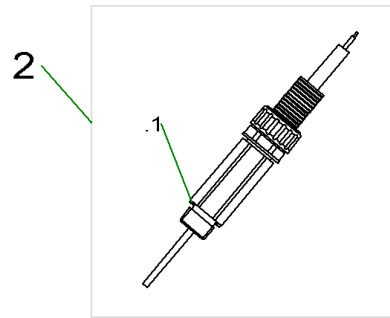
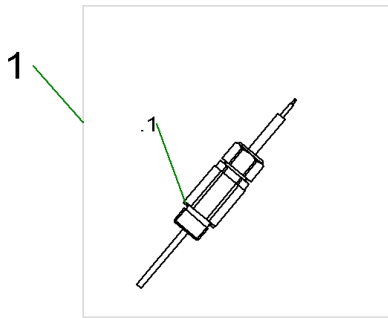
Produced by WILO SE, Hof **S/N : 650161916** 24

23 **Made by Wilo Group in Germany**
WILO SE Nortkirchenstr.100
44263 Dortmund Germany

0158 **CE**

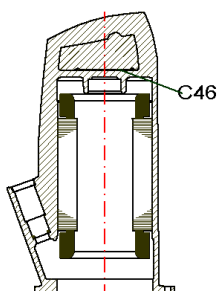
name plate information "Rexa"

Item	Description	Quantity
1	Series	1
2	Impeller shape	1
3	size of pressure connection	1
4	Hydraulic version	1
5	Material code hydraulics	1
6	Hydraulics definition	1
7	Motor version	1
8	Material code motor	1
9	Seal version	1
10	IE-Efficiency class	1
11	Explosion prevention	1
12	Numbers of pol	1
13	Mains supply M=1~ / T=3~	1
14	/10 = Rated motor power P2 in kW	1
15	Frequency	1
16	Code for rated voltage	1
17	Additional electrical equipment	1
18	Year of manufacture	1
19	speed	1
20	Starting current	1
21	Impeller diameter trimmed	1
22	Rated current	1
23	Impeller diameter	1
24	Serial number	1
25	Insulating class	1
26	Starting type	1
27	Duty data	1
28	Power consumption P1	1
29	Motor data	1
30	operation type: immersed	1
31	operation type: out of water	1



electrode KIT

Item	Article no.	Description	Quantity
.1	6048832	joint ring A21/26x1,5 DIN7603 PA(10pc)	1
1	6042222	pencil electrode G1/2 10m KIT	1
1	6042313	pencil electrode G1/2 15m KIT	1
1	6042223	pencil electrode G1/2 20m KIT	1
1	6061068	pencil electrode G1/2 25KIT	1
1	6061070	pencil electrode G1/2 30m KIT	1
1	6061069	Stabelektrode G1/2 40m SET	1
1	6060956	pencil electrode G1/2 55m KIT	1
2	6042227	pencil electrode G1/2 10m+hose KIT	1
2	6065196	pencil electrode G1/2 15m+hose KIT	1
3	6042229	double pencil electrode G1/2 10m KIT	1
3	6042228	double pencil electrode G1/2 20m KIT	1
3	6063536	double pencil electrode G1/2 40m KIT	1
3	6065157	double pencil electrode G1/2 10m 4*A KIT	1
3	6065156	double pencil electrode G1/2 20m 4*AWKIT	1
4	6068049	elbow pencil electrode G1/2 10m SET	1
4	6068050	elbow pencil electrode G1/2 15m SET	1
4	6075169	elbow pencil electrode G1/2 20m SET	1
5	6068345	elbow pencil electrode G1/2 10m+Schl. KI	1
5	6068346	elbow pencil electrode G1/2 15m+Schl. SE	1



Type	Pol.	Power P ₂ kW	IE	DOL / YD	Bi / PTC	1~220V/50Hz	1~230V/50Hz	3~380V/50Hz	3~400V/50Hz	3~415V/50Hz	3~500V/50Hz	3~208V/60Hz	3~220/60Hz	1~230/60Hz	3~230/60Hz	3~380V/60Hz	3~440/60Hz	3~460V/60Hz	3~480/60Hz
P13.	2	1,1	0	DOL	Bi		1						13						
P13.	2	1,1	1	DOL	Bi			2						14				2	2
P13.	2	1,1	3	DOL	Bi			9										9	
P13.	2	1,2	3	DOL	Bi			9										9	
P13.	2	1,35	3	DOL	Bi			11										11	
P13.	2	1,5	0	DOL	Bi		1						13						
P13.	2	1,5	1	DOL	Bi			2						14				2	2
P13.	2	1,5	3	DOL	Bi			9										9	
P13.	2	1,65	3	DOL	Bi			10										10	
P13.	2	2,5	1	DOL	Bi			3						15				3	
P13.	2	2,5	3	DOL	Bi			11										11	
P13.	2	3,9	1	DOL	Bi			4						16				4	
P13.	2	3,9	3	DOL	Bi			10										10	
P13.	4	1,1	0	DOL	Bi		6												
P13.	4	1,1	1	DOL	Bi			5						17				5	
P13.	4	1,1	3	DOL	Bi			12										12	
P13.	4	1,25	3	DOL	Bi			12										12	
P13.	4	1,5	0	DOL	Bi		6												
P13.	4	1,5	1	DOL	Bi			5						17				5	
P13.	4	1,5	3	DOL	Bi			12										12	
P13.	4	2,5	1	DOL	Bi			7						18				7	
P13.	4	3,5	0	DOL	Bi			8						19				8	

stator P13.

Item	Article no.	Description	Quantity
C46		name plate information "Rexa" -----	1
1	6070463	stator-unit P13.-2/8 1~ KIT	1
2	6070461	stator-unit P13.-2/8 3~ KIT	1
3	6070465	stator-unit P13.-2/10 3~ KIT	1
4	6070466	stator-unit P13.-2/15 3~ KIT	1
5	6070468	stator-unit P13.-4/10 3~ KIT	1
6	6070470	stator-unit P13.-4/11 1~ KIT	1
7	6070471	stator-unit P13.-4/13 3~ KIT	1
8	6070472	stator-unit P13.-4/16 3~ KIT	1
9	6072170	stator-unit P13.-2/9 3~ KIT	1
10	6072171	stator-unit P13.-2/16 3~ KIT	1
11	6072172	stator-unit P13.-2/11 3~ KIT	1
12	6072173	stator-unit P13.-4/16 3~ KIT	1
13	6076974	stator-unit P13.2/8 1~ KIT	1
14	6076973	stator-unit P13.-2/8 3~ KIT	1
15	6076972	stator-unit P13.-2/10 3~ KIT	1
16	6076971	stator-unit P13.-2/15 3~ KIT	1
17	6076970	stator-unit P13.-4/10 3~ KIT	1
18	6076969	stator-unit P13.-4/14 3~ KIT	1
19	6076968	stator-unit P13.-4/16 3~ KIT	1

name plate information "Rexa"

submersible sewage pump

1 2 3 4 5 6 7 8 9 10 11 12 13 14 15 16 17

29

28 P-Typ **PRO V 06 D A - 628 / E A D 2 X 4 - T 0039 - 5 40 - O** 18

M-Typ **P 13.2-11 / EAD2X4-T** **MFY 2013W35**

27 **P₁ 5.50kW** **P₂ 3.90kW** **n 2874 1/min** 19

Q_{max} 45.0m³/h **H_{max} 60m** **H_{min} 2m** 22

Q_N 26.0l/s **H_N 30.0m** **SF 1.00/ _{SF} 15.25A**

16 **U 400 - 3 V** **I_N 15.25A** **I_{ST} 25.9A** 20

13 **AT Direkt** **OT_S S1** **OT_E S3** 31

f 50 Hz **IP 68** **cos φ 0.89** **T 40°C** **▽ 20.0m** 30

26 **m 2000 kg** **cl.F** **IM_{org} 122mm** **IM_{kor} 118mm** 30

15 **Warnung! Nicht in explosionsgefährdeten Bereich öffnen!** **Nicht unter Spannung öffnen!** 21
Warning! Do not open in explosion hazardous location! **Do not open when energized!**

25 **II 2G Ex d IIB T4Gb** **DIN EN 12050-1/ICE60034-1**

BSV 11 ATEX E 119 X

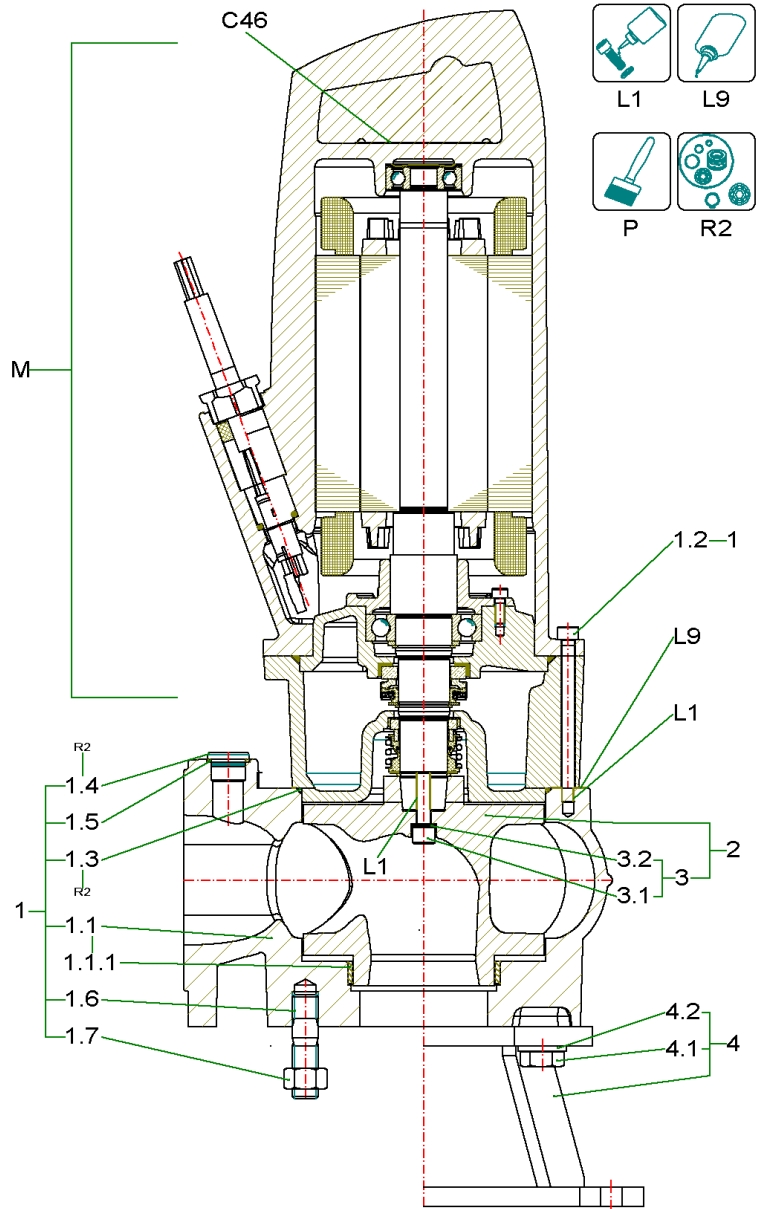
Produced by WILO SE, Hof **S/N : 650161916** 24

23 **Made by Wilo Group in Germany**
WILO SE Nortkirchenstr.100
44263 Dortmund Germany **0158** **CE**

name plate information "Rexa"

Item	Description	Quantity
1	Series	1
2	Impeller shape	1
3	size of pressure connection	1
4	Hydraulic version	1
5	Material code hydraulics	1
6	Hydraulics definition	1
7	Motor version	1
8	Material code motor	1
9	Seal version	1
10	IE-Efficiency class	1
11	Explosion prevention	1
12	Numbers of pol	1
13	Mains supply M=1~ / T=3~	1
14	/10 = Rated motor power P2 in kW	1
15	Frequency	1
16	Code for rated voltage	1
17	Additional electrical equipment	1
18	Year of manufacture	1
19	speed	1
20	Starting current	1
21	Impeller diameter trimmed	1
22	Rated current	1
23	Impeller diameter	1
24	Serial number	1
25	Insulating class	1
26	Starting type	1
27	Duty data	1
28	Power consumption P1	1
29	Motor data	1
30	operation type: immersed	1
31	operation type: out of water	1

SUBMERSIBLE SEWAGE PUMP C08-410 UNIT (6074994)



SUBMERSIBLE SEWAGE PUMP C08-410 UNIT (6074994)

Item	Article no.	Description	Quantity
C46		name plate information "Rexa"	1
R2	6065495	Rep.Kit 2 P13.1	1
P	6042254	PAINT SPRAY Pantone334	1
P	6042255	colour 2K-paint IV80 pantone334C 250ml	1
P	6023614	Ceram C0 black 100 ml KIT	1
P	6020579	Ceram C0 black 250 ml KIT	1
P	6023485	Ceram C0 Black 500ml Kit	1
L1	6080531	Loctite 243 5g flask VP:	1
L9	6080535	Loctite 5203 300ml VP.	1

M		MOTOR PRO P13.1 XC	1

1	6079349	pump housing Rexa C08-41x DN80 GG KIT	1
1.1		> pump housing Q80 6052180 GG	1
1.1.1	6074594	> neck ring D.95x14 55.10874 1.4308 VP.	1
1.2	6076889	> screw M8x95 DIN912 A4-70 (10pc)	1
1.3	6076891	> o-ring ID.150,0x3,0 NBR70 VP.	1
1.4	6048832	> joint ring A21/26x1,5 DIN7603 PA(10pc)	1
1.5	6067638	> screw plug G1/2 DIN908 A4 (3pcs)	1
1.6	6076692	> screw M16x45 DIN939 A4-70 (10pc)	1
1.7	6074496	> nut M16 DIN934 A4-80 (10pc)	1
1	6079350	Pump housing Rexa C08-41x ANSI GG KIT	1
1.1		> pump housing Q80 6052180 GG	1
1.1.1	6074594	> neck ring D.95x14 55.10874 1.4308 VP.	1
1.2	6076889	> screw M8x95 DIN912 A4-70 (10pc)	1
1.3	6076891	> o-ring ID.150,0x3,0 NBR70 VP.	1
1.4	6048832	> joint ring A21/26x1,5 DIN7603 PA(10pc)	1
1.5	6067638	> screw plug G1/2 DIN908 A4 (3pcs)	1
1.6	6076692	> screw M16x45 DIN939 A4-70 (10pc)	1
1.7	6074496	> nut M16 DIN934 A4-80 (10pc)	1
2	6079517	impeller C08xA-412 GG SVA	1
2	6079518	impeller C08xA-413 GG SVA	1
2	6079519	impeller C08xA-415 GG SVA	1
2	6079520	impeller C08xA-417 GG SVA	1

SUBMERSIBLE SEWAGE PUMP C08-410 UNIT (6074994)

Item	Article no.	Description	Quantity
2	6079521	impeller C08xA-418 GG SVA	1
3	6067645	impeller fixation 8x25 Geomet KIT	1
3.1		> screw M8x25 DIN912 10.9 Geomet	1
3.2		> screw locking Nord-Lock 13,5/8,7 A4	1
4	6065949	Pump foot DN80/100 KIT	1
4.1		> Screw M16x35 ISO4017 A4-70	4
4.2	6076816	> washer A17 Din125 A4 (20pc)	1
4.1		Screw M16x35 ISO4017 A4-70	4
4.2	6076816	washer A17 Din125 A4 (20pc)	1

name plate information "Rexa"

submersible sewage pump

1 2 3 4 5 6 7 8 9 10 11 12 13 14 15 16 17

29

28 P-Typ **PRO V 06 D A - 628 / E A D 2 X 4 - T 0039 - 5 40 - O** 18

M-Typ **P 13.2-11 / EAD2X4-T** **MFY 2013W35**

27 **P₁ 5.50kW** **P₂ 3.90kW** **n 2874 1/min** 19

Q_{max} 45.0m³/h **H_{max} 60m** **H_{min} 2m** 22

Q_N 26.0l/s **H_N 30.0m** **SF 1.00/ _{SF} 15.25A**

16 **U 400 - 3 V** **I_N 15.25A** **I_{ST} 25.9A** 20

13 **AT Direkt** **OT_S S1** **OT_E S3** 31

f 50 Hz **IP 68** **cos p 0.89** **T 40°C** **▽ 20.0m** 30

26 **m 2000 kg** **cl.F** **IM_{org} 122mm** **IM_{kor} 118mm** 30

15 **Warnung! Nicht in explosionsgefährdeten Bereich öffnen!** **Nicht unter Spannung öffnen!** 21
Warning! Do not open in explosion hazardous location! **Do not open when energized!**

II 2G Ex d IIB T4Gb **DIN EN 12050-1/ICE60034-1**

25 **BSV 11 ATEX E 119 X** **S/N : 650161916** 24

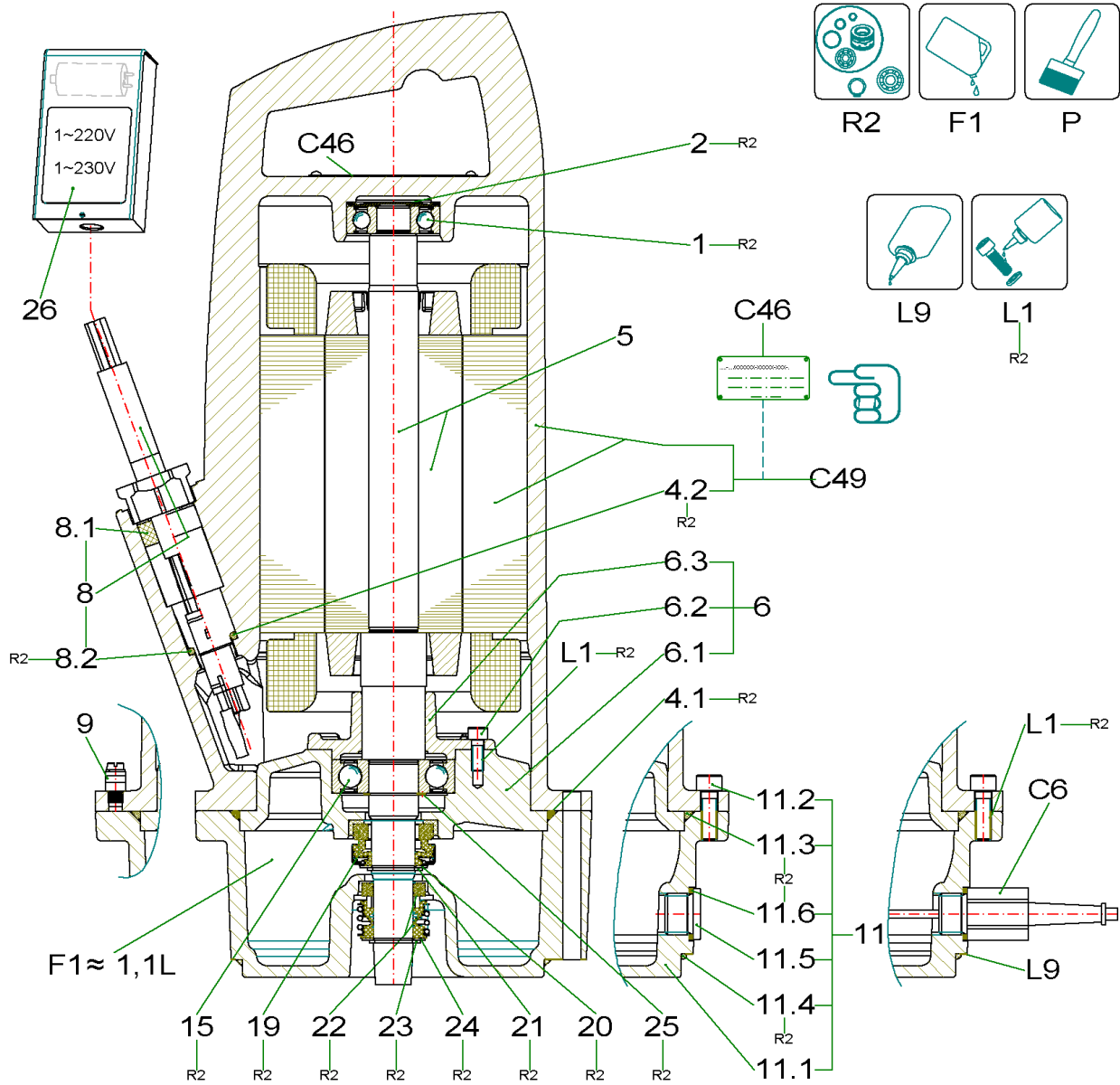
23 **Produced by WILO SE, Hof**

Made by Wilo Group in Germany
 WILO SE Nortkirchenstr.100
 44263 Dortmund Germany

0158

name plate information "Rexa"

Item	Description	Quantity
1	Series	1
2	Impeller shape	1
3	size of pressure connection	1
4	Hydraulic version	1
5	Material code hydraulics	1
6	Hydraulics definition	1
7	Motor version	1
8	Material code motor	1
9	Seal version	1
10	IE-Efficiency class	1
11	Explosion prevention	1
12	Numbers of pol	1
13	Mains supply M=1~ / T=3~	1
14	/10 = Rated motor power P2 in kW	1
15	Frequency	1
16	Code for rated voltage	1
17	Additional electrical equipment	1
18	Year of manufacture	1
19	speed	1
20	Starting current	1
21	Impeller diameter trimmed	1
22	Rated current	1
23	Impeller diameter	1
24	Serial number	1
25	Insulating class	1
26	Starting type	1
27	Duty data	1
28	Power consumption P1	1
29	Motor data	1
30	operation type: immersed	1
31	operation type: out of water	1



MOTOR PRO P13.1 XC

Item	Article no.	Description	Quantity
C46		name plate information "Rexa"	1
R2	6065495	Rep.Kit 2 P13.1	1
P	6042254	PAINT SPRAY Pantone334	1
P	6042255	colour 2K-paint IV80 pantone334C 250ml	1
P	6023614	Ceram C0 black 100 ml KIT	1
P	6020579	Ceram C0 black 250 ml KIT	1
P	6023485	Ceram C0 Black 500ml Kit	1
F1	6025460	medical white oil 1L KIT	1
F1	6025461	medical white oil 5L KIT	1
L1	6080531	Loctite 243 5g flask VP:	1
L1	2096167	Loctite 243 50ml VP.	1
L9	6080535	Loctite 5203 300ml VP.	1

C6		electrode KIT	1
C49		stator P13.	1

1	6065495	Rep.Kit 2 P13.1	1
Note: für / for / pour 1,1 kW			
1		grooved ball bearing 6303 ZZ	1
Note: für / for / pour 1,5kW + 2,5kW + 3,9kW			
2		wave spring ring D.40 YSSB-0158	1
4.1		o-ring ID.150,0x4,0 NBR70	1
4.2		o-ring ID.18,0x3,5 NBR70	1
5	6067580	rotor S/P13.1-8/EAD0X2-M VP.	1
5	6067579	rotor S/P13.1-8/EAD1X2-T VP.	1
5	6077472	rotor P13.1-9/EAD3X2-T VP.	1
5	6067577	rotor S/P13.1-10/EAD1X2-T VP.	1
5	6086069	rotor S/P13.1-11/EAD1X2-T VP.	1
5	6077473	rotor P13.1-11/EAD3X2-T VP.	1
5	6067578	rotor P13.1-15/EAD1X2-T VP.	1
5	6077474	rotor P13.1-16/EAD3X2-T VP.	1
5	6077475	rotor P13.1-10/EAD1X4-T VP.	1
5	6077476	rotor P13.1-11/EAD0X4-M VP.	1
5	6077477	rotor P13.1-16/EAD3X4-T VP.	1

MOTOR PRO P13.1 XC

Item	Article no.	Description	Quantity
6	6067403	bearing housing P13.1 6050238 GG KIT	1
6.1		> bearing housing B 6050238 GG	1
6.2		> screw M6x16 ISO4762 A4	3
6.3		> bearing cover D.62,2g6 6050240 GG	1
8	6066645	cable trumpet 30T P13 10MH07 7G1,5 KIT	1
8	6066648	REXA PRO cable trumpet 30T P13 20MH07	1
8	6080978	cable trumpet 30T P13 30MH07 7G1,5 KIT	1
8	6081765	cable trumpet 30T P13 40MH07 7G1,5 KIT	1
8.1		seal ring D.29,5/17x16,5 54.17777 NBR VP	1
8.2		o-ring ID.18,0x3,5 NBR70	1
9	6067407	Barlian bow terminal M5 A2	1
11	6076873	sealing casing P/S13.1 D.152 GG XC KI	1
11.1		> sealing casing D.152g6 6051979 GG	1
11.2	6076892	> screw M8x25 DIN912 A4 (10pc)	1
Note: P13.1			
11.2		> screw M8x16 ISO4762 A2-70	6
Note: S13.			
11.3	6076893	> o-ring ID.150,0x4,0 NBR70 VP.	1
11.4	6076891	> o-ring ID.150,0x3,0 NBR70 VP.	1
11.5	6067638	> screw plug G1/2 DIN908 A4 (3pcs)	1
11.6	6048832	> joint ring A21/26x1,5 DIN7603 PA(10pc)	1
15		SRDG BALL BEARING 6305 ZZ	1
19		MECHANICAL SEAL BT-AR/22 BXPFF	1
20		pressure ring D.34/22,5x1 6050343 A4	1
21		CIRCLIPS 22x1,2 DIN471 1.4122	1
22		mechanical shaft seal MG1/20-G60 QPFGG	1
23		circlips 20x1,2 DIN471 1.4116	1
24		pressure ring D.32/20,5x1 6050343 A4	1
25		circlips 25x1,2 DIN471 FSt	1
26	6080916	terminal-Box CD35+70MF VP.	1

name plate information "Rexa"

submersible sewage pump

1 2 3 4 5 6 7 8 9 10 11 12 13 14 15 16 17

29

28 P-Typ **PRO V 06 D A - 628 / E A D 2 X 4 - T 0039 - 5 40 - O** 18

M-Typ **P 13.2-11 / EAD2X4-T** **MFY 2013W35**

27 **P₁ 5.50kW** **P₂ 3.90kW** **n 2874 1/min** 19

Q_{max} 45.0m³/h **H_{max} 60m** **H_{min} 2m** 22

Q_N 26.0l/s **H_N 30.0m** **SF 1.00/ _{SF} 15.25A**

16 **U 400 - 3 V** **I_N 15.25A** **I_{ST} 25.9A** 20

13 **AT Direkt** **OT_S S1** **OT_E S3** 31

f 50 Hz **IP 68** **cos φ 0.89** **T 40°C** **▽ 20.0m** 30

26 **m 2000 kg** **cl.F** **IM_{org} 122mm** **IM_{kor} 118mm** 30

15 **Warnung! Nicht in explosionsgefährdeten Bereich öffnen!** **Nicht unter Spannung öffnen!** 21
Warning! Do not open in explosion hazardous location! **Do not open when energized!**

25 **II 2G Ex d IIB T4Gb** **DIN EN 12050-1/ICE60034-1**

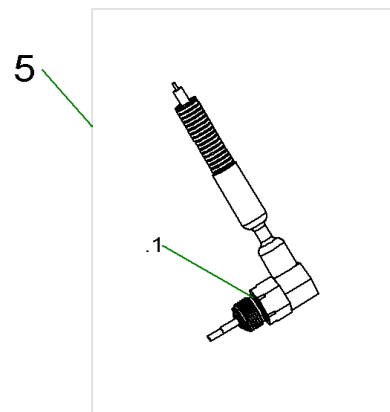
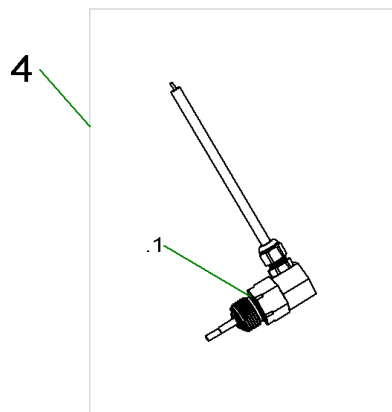
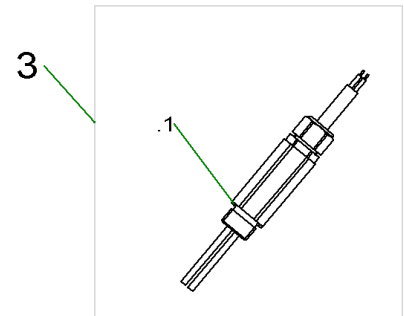
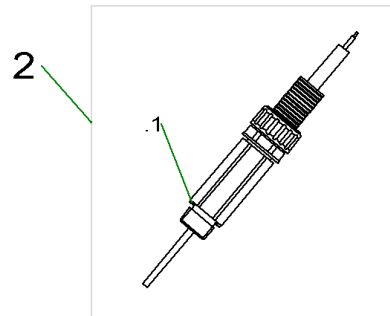
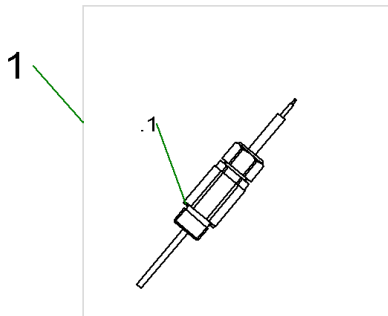
BSV 11 ATEX E 119 X

Produced by WILO SE, Hof **S/N : 650161916** 24

23 **Made by Wilo Group in Germany** **WILO SE Nortkirchenstr.100** **44263 Dortmund Germany** **0158** **CE**

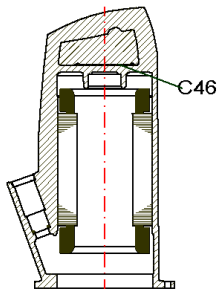
name plate information "Rexa"

Item	Description	Quantity
1	Series	1
2	Impeller shape	1
3	size of pressure connection	1
4	Hydraulic version	1
5	Material code hydraulics	1
6	Hydraulics definition	1
7	Motor version	1
8	Material code motor	1
9	Seal version	1
10	IE-Efficiency class	1
11	Explosion prevention	1
12	Numbers of pol	1
13	Mains supply M=1~ / T=3~	1
14	/10 = Rated motor power P2 in kW	1
15	Frequency	1
16	Code for rated voltage	1
17	Additional electrical equipment	1
18	Year of manufacture	1
19	speed	1
20	Starting current	1
21	Impeller diameter trimmed	1
22	Rated current	1
23	Impeller diameter	1
24	Serial number	1
25	Insulating class	1
26	Starting type	1
27	Duty data	1
28	Power consumption P1	1
29	Motor data	1
30	operation type: immersed	1
31	operation type: out of water	1



electrode KIT

Item	Article no.	Description	Quantity
.1	6048832	joint ring A21/26x1,5 DIN7603 PA(10pc)	1
1	6042222	pencil electrode G1/2 10m KIT	1
1	6042313	pencil electrode G1/2 15m KIT	1
1	6042223	pencil electrode G1/2 20m KIT	1
1	6061068	pencil electrode G1/2 25KIT	1
1	6061070	pencil electrode G1/2 30m KIT	1
1	6061069	Stabelektrode G1/2 40m SET	1
1	6060956	pencil electrode G1/2 55m KIT	1
2	6042227	pencil electrode G1/2 10m+hose KIT	1
2	6065196	pencil electrode G1/2 15m+hose KIT	1
3	6042229	double pencil electrode G1/2 10m KIT	1
3	6042228	double pencil electrode G1/2 20m KIT	1
3	6063536	double pencil electrode G1/2 40m KIT	1
3	6065157	double pencil electrode G1/2 10m 4*A KIT	1
3	6065156	double pencil electrode G1/2 20m 4*AWKIT	1
4	6068049	elbow pencil electrode G1/2 10m SET	1
4	6068050	elbow pencil electrode G1/2 15m SET	1
4	6075169	elbow pencil electrode G1/2 20m SET	1
5	6068345	elbow pencil electrode G1/2 10m+Schl. KI	1
5	6068346	elbow pencil electrode G1/2 15m+Schl. SE	1



Type	Pol.	Power P ₂ kW	IE	DOL / YD	Bi / PTC	1~220V/50Hz	1~230V/50Hz	3~380V/50Hz	3~400V/50Hz	3~415V/50Hz	3~500V/50Hz	3~208V/60Hz	3~220/60Hz	1~230/60Hz	3~230/60Hz	3~380V/60Hz	3~440/60Hz	3~460V/60Hz	3~480/60Hz	
P13.	2	1,1	0	DOL	Bi		1						13							
P13.	2	1,1	1	DOL	Bi			2						14				2	2	
P13.	2	1,1	3	DOL	Bi			9										9		
P13.	2	1,2	3	DOL	Bi			9										9		
P13.	2	1,35	3	DOL	Bi			11										11		
P13.	2	1,5	0	DOL	Bi		1						13							
P13.	2	1,5	1	DOL	Bi			2						14				2	2	
P13.	2	1,5	3	DOL	Bi			9										9		
P13.	2	1,65	3	DOL	Bi			10										10		
P13.	2	2,5	1	DOL	Bi			3						15				3		
P13.	2	2,5	3	DOL	Bi			11										11		
P13.	2	3,9	1	DOL	Bi			4						16				4		
P13.	2	3,9	3	DOL	Bi			10										10		
P13.	4	1,1	0	DOL	Bi		6													
P13.	4	1,1	1	DOL	Bi			5						17				5		
P13.	4	1,1	3	DOL	Bi			12										12		
P13.	4	1,25	3	DOL	Bi			12										12		
P13.	4	1,5	0	DOL	Bi		6													
P13.	4	1,5	1	DOL	Bi			5						17				5		
P13.	4	1,5	3	DOL	Bi			12										12		
P13.	4	2,5	1	DOL	Bi			7						18				7		
P13.	4	3,5	0	DOL	Bi			8						19				8		

stator P13.

Item	Article no.	Description	Quantity
C46		name plate information "Rexa" -----	1
1	6070463	stator-unit P13.-2/8 1~ KIT	1
2	6070461	stator-unit P13.-2/8 3~ KIT	1
3	6070465	stator-unit P13.-2/10 3~ KIT	1
4	6070466	stator-unit P13.-2/15 3~ KIT	1
5	6070468	stator-unit P13.-4/10 3~ KIT	1
6	6070470	stator-unit P13.-4/11 1~ KIT	1
7	6070471	stator-unit P13.-4/13 3~ KIT	1
8	6070472	stator-unit P13.-4/16 3~ KIT	1
9	6072170	stator-unit P13.-2/9 3~ KIT	1
10	6072171	stator-unit P13.-2/16 3~ KIT	1
11	6072172	stator-unit P13.-2/11 3~ KIT	1
12	6072173	stator-unit P13.-4/16 3~ KIT	1
13	6076974	stator-unit P13.2/8 1~ KIT	1
14	6076973	stator-unit P13.-2/8 3~ KIT	1
15	6076972	stator-unit P13.-2/10 3~ KIT	1
16	6076971	stator-unit P13.-2/15 3~ KIT	1
17	6076970	stator-unit P13.-4/10 3~ KIT	1
18	6076969	stator-unit P13.-4/14 3~ KIT	1
19	6076968	stator-unit P13.-4/16 3~ KIT	1

name plate information "Rexa"



submersible sewage pump

1 2 3 4 5 6 7 8 9 10 11 12 13 14 15 16 17

29

28 P-Typ **PRO V 06 D A - 628 / E A D 2 X 4 - T 0039 - 5 40 - O** 18

M-Typ **P 13.2-11 / EAD2X4-T** **MFY 2013W35**

27 **P₁ 5.50kW** **P₂ 3.90kW** **n 2874 1/min** 19

Q_{max} 45.0m³/h **H_{max} 60m** **H_{min} 2m** 22

Q_N 26.0l/s **H_N 30.0m** **SF 1.00/ _{SF} 15.25A**

16 **U 400 - 3 V** **I_N 15.25A** **I_{ST} 25.9A** 20

13 **AT Direkt** **OT_S S1** **OT_E S3** 31

f 50 Hz **IP 68** **cos φ 0.89** **T 40°C** **▽ 20.0m** 30

26 **m 2000 kg** **cl.F** **IM_{org} 122mm** **IM_{kor} 118mm** 30

15 **Warnung! Nicht in explosionsgefährdeten Bereich öffnen!** **Nicht unter Spannung öffnen!** 21
Warning! Do not open in explosion hazardous location! **Do not open when energized!**

II 2G Ex d IIB T4Gb **DIN EN 12050-1/ICE60034-1**

25 **BSV 11 ATEX E 119 X** **S/N : 650161916** 24

23 **Produced by WILO SE, Hof**

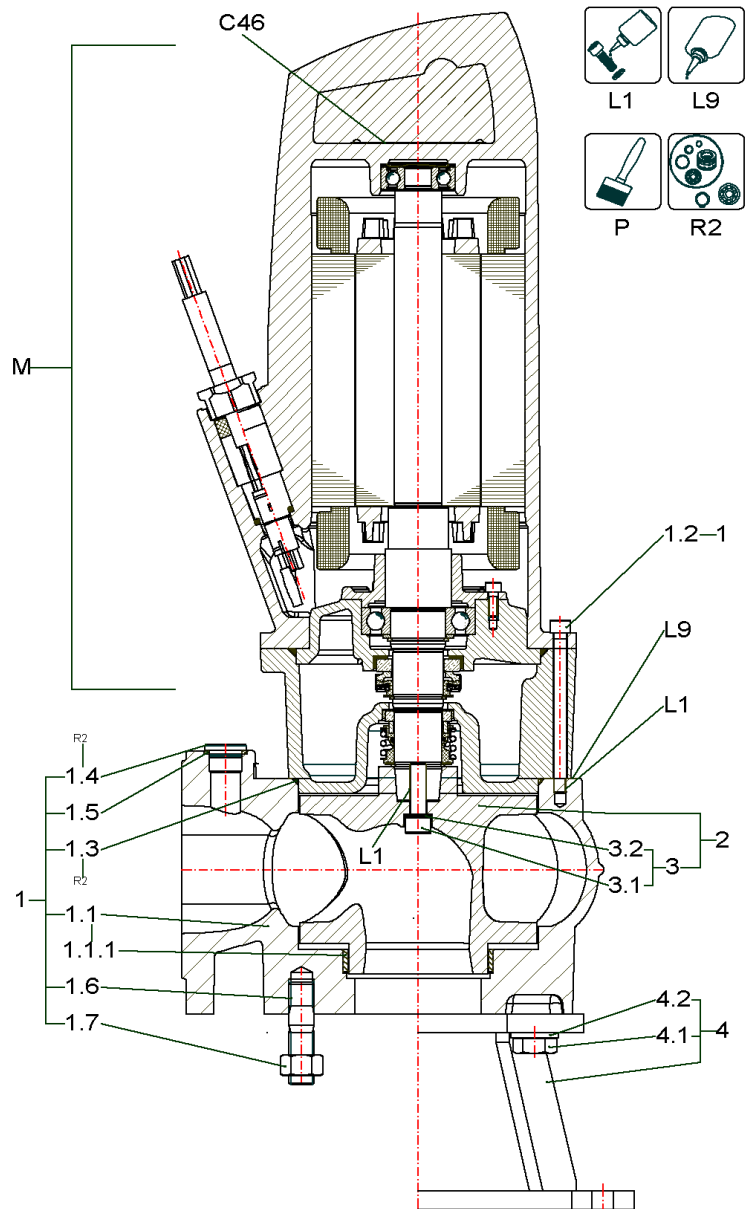
Made by Wilo Group in Germany
 WILO SE Nortkirchenstr.100
 44263 Dortmund Germany

0158 **CE**

name plate information "Rexa"

Item	Description	Quantity
1	Series	1
2	Impeller shape	1
3	size of pressure connection	1
4	Hydraulic version	1
5	Material code hydraulics	1
6	Hydraulics definition	1
7	Motor version	1
8	Material code motor	1
9	Seal version	1
10	IE-Efficiency class	1
11	Explosion prevention	1
12	Numbers of pol	1
13	Mains supply M=1~ / T=3~	1
14	/10 = Rated motor power P2 in kW	1
15	Frequency	1
16	Code for rated voltage	1
17	Additional electrical equipment	1
18	Year of manufacture	1
19	speed	1
20	Starting current	1
21	Impeller diameter trimmed	1
22	Rated current	1
23	Impeller diameter	1
24	Serial number	1
25	Insulating class	1
26	Starting type	1
27	Duty data	1
28	Power consumption P1	1
29	Motor data	1
30	operation type: immersed	1
31	operation type: out of water	1

SUBMERSIBLE SEWAGE PUMP C08-430 UNIT (6074990)



SUBMERSIBLE SEWAGE PUMP C08-430 UNIT (6074990)

Item	Article no.	Description	Quantity
C46		name plate information "Rexa"	1
R2	6065496	Rep.Kit 2 P13.2	1
P	6042254	PAINT SPRAY Pantone334	1
P	6042255	colour 2K-paint IV80 pantone334C 250ml	1
P	6023614	Ceram C0 black 100 ml KIT	1
P	6020579	Ceram C0 black 250 ml KIT	1
P	6023485	Ceram C0 Black 500ml Kit	1
L1	6080531	Loctite 243 5g flask VP:	1
L9	6080535	Loctite 5203 300ml VP.	1

M		MOTOR PRO P13.2 XD	1

1	6078070	pump housing Rexa C08-43x DN80 GG KIT	1
1.1		> pump housing Q80 6051968 GG	1
1.1.1	6074594	> neck ring D.95x14 55.10874 1.4308 VP.	1
1.2	6078050	> screw M8x105 DIN912 A4-70 (3pc)	1
1.3	6076891	> o-ring ID.150,0x3,0 NBR70 VP.	1
1.4	6048832	> joint ring A21/26x1,5 DIN7603 PA(10pc)	1
1.5	6067638	> screw plug G1/2 DIN908 A4 (3pcs)	1
1.6	6076692	> screw M16x45 DIN939 A4-70 (10pc)	1
1.7	6074496	> nut M16 DIN934 A4-80 (10pc)	1
1	6078071	pump housing Rexa C08-43x ANSI GG KIT	1
1.1		> pump housing Q80 6051968 GG	1
1.1.1	6074594	> neck ring D.95x14 55.10874 1.4308 VP.	1
1.2	6078050	> screw M8x105 DIN912 A4-70 (3pc)	1
1.3	6076891	> o-ring ID.150,0x3,0 NBR70 VP.	1
1.4	6048832	> joint ring A21/26x1,5 DIN7603 PA(10pc)	1
1.5	6067638	> screw plug G1/2 DIN908 A4 (3pcs)	1
1.6	6076692	> screw M16x45 DIN939 A4-70 (10pc)	1
1.7	6074496	> nut M16 DIN934 A4-80 (10pc)	1
2	6076599	impeller C08xA-432 GG SVA	1
2	6076598	impeller C08xA-433 GG SVA	1
2	6076597	impeller C08xA-434 GG SVA	1
2	6076596	impeller C08xA-435 GG SVA	1

SUBMERSIBLE SEWAGE PUMP C08-430 UNIT (6074990)

Item	Article no.	Description	Quantity
2	6076595	impeller C08xA-436 GG SVA	1
2	6076594	impeller C08xA-437 GG SVA	1
3	6067646	impeller fixation 10x35 Geomet KIT	1
3.1		> screw M10x35 DIN912 10.9 Geomet	1
3.2		> SCREW LOCKING NORD-LOCK 16/10,7 A4	1
4	6065949	Pump foot DN80/100 KIT	1
4.1		> Screw M16x35 ISO4017 A4-70	4
4.2	6076816	> washer A17 Din125 A4 (20pc)	1
4.1		Screw M16x35 ISO4017 A4-70	4
4.2	6076816	washer A17 Din125 A4 (20pc)	1

name plate information "Rexa"



submersible sewage pump

1 2 3 4 5 6 7 8 9 10 11 12 13 14 15 16 17

29

28 P-Typ **PRO V 06 D A - 628 / E A D 2 X 4 - T 0039 - 5 40 - O** 18

M-Typ **P 13.2-11 / EAD2X4-T** **MFY 2013W35**

27 **P₁ 5.50kW** **P₂ 3.90kW** **n 2874 1/min** 19

Q_{max} 45.0m³/h **H_{max} 60m** **H_{min} 2m** 22

Q_N 26.0l/s **H_N 30.0m** **SF 1.00/ _{SF} 15.25A**

16 **U 400 - 3 V** **I_N 15.25A** **I_{ST} 25.9A** 20

13 **AT Direkt** **OT_S S1** **OT_E S3** 31

f 50 Hz **IP 68** **cos φ 0.89** **T 40°C** **▽ 20.0m** 30

26 **m 2000 kg** **cl.F** **IM_{org} 122mm** **IM_{kor} 118mm** 30

15 **Warnung! Nicht in explosionsgefährdeten Bereich öffnen!** **Nicht unter Spannung öffnen!** 21
Warning! Do not open in explosion hazardous location! **Do not open when energized!**

II 2G Ex d IIB T4Gb **DIN EN 12050-1/ICE60034-1**

25 **BSV 11 ATEX E 119 X** **S/N : 650161916** 24

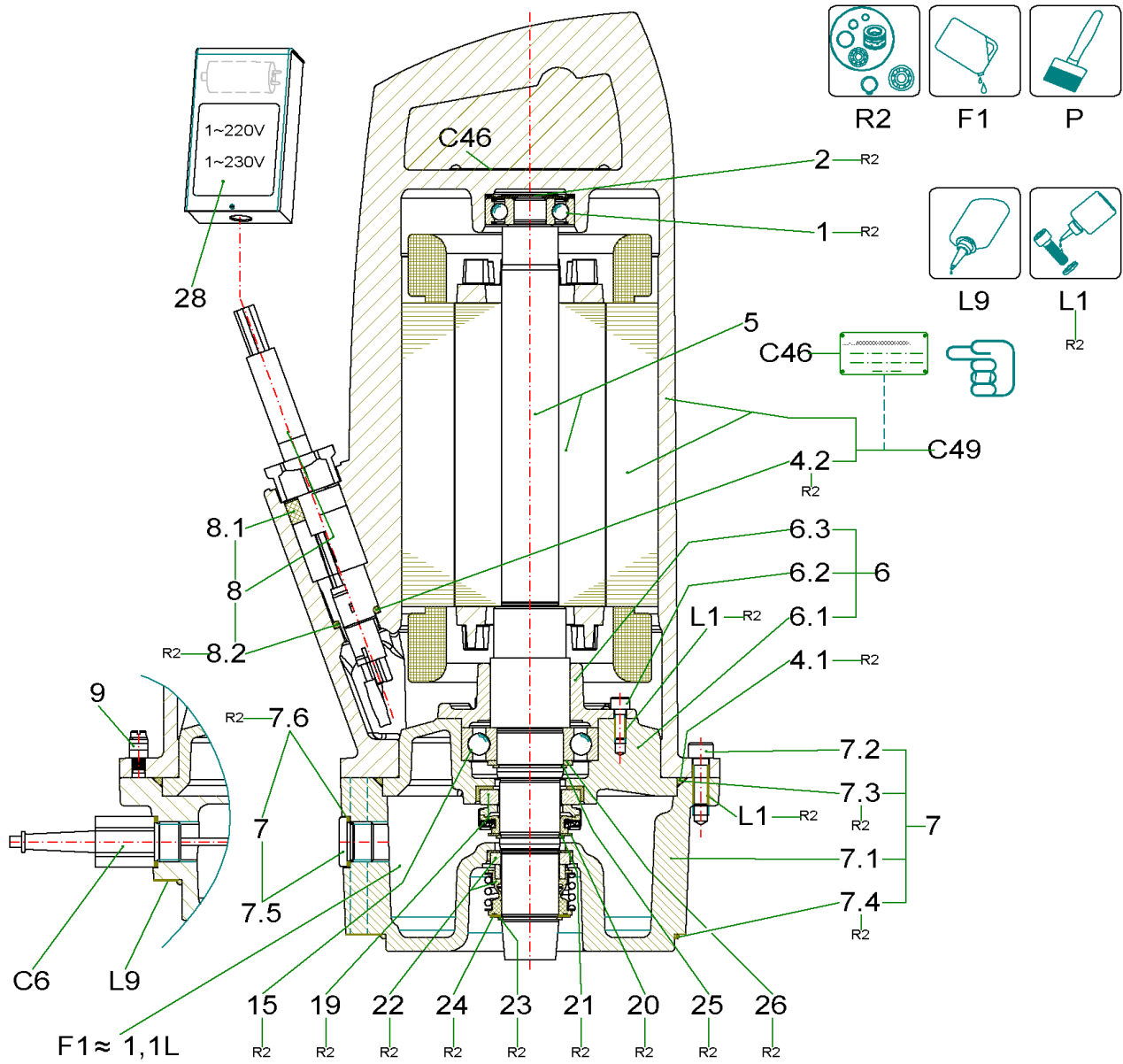
23 **Produced by WILO SE, Hof**

Made by Wilo Group in Germany
 WILO SE Nortkirchenstr.100
 44263 Dortmund Germany

0158 **CE**

name plate information "Rexa"

Item	Description	Quantity
1	Series	1
2	Impeller shape	1
3	size of pressure connection	1
4	Hydraulic version	1
5	Material code hydraulics	1
6	Hydraulics definition	1
7	Motor version	1
8	Material code motor	1
9	Seal version	1
10	IE-Efficiency class	1
11	Explosion prevention	1
12	Numbers of pol	1
13	Mains supply M=1~ / T=3~	1
14	/10 = Rated motor power P2 in kW	1
15	Frequency	1
16	Code for rated voltage	1
17	Additional electrical equipment	1
18	Year of manufacture	1
19	speed	1
20	Starting current	1
21	Impeller diameter trimmed	1
22	Rated current	1
23	Impeller diameter	1
24	Serial number	1
25	Insulating class	1
26	Starting type	1
27	Duty data	1
28	Power consumption P1	1
29	Motor data	1
30	operation type: immersed	1
31	operation type: out of water	1



MOTOR PRO P13.2 XD

Item	Article no.	Description	Quantity
C46		name plate information "Rexa"	1
R2	6065496	Rep.Kit 2 P13.2	1
P	6042254	PAINT SPRAY Pantone334	1
P	6042255	colour 2K-paint IV80 pantone334C 250ml	1
P	6023614	Ceram C0 black 100 ml KIT	1
P	6020579	Ceram C0 black 250 ml KIT	1
P	6023485	Ceram C0 Black 500ml Kit	1
F1	6025460	medical white oil 1L KIT	1
F1	6025461	medical white oil 5L KIT	1
L1	6080531	Loctite 243 5g flask VP:	1
L1	2096167	Loctite 243 50ml VP.	1
L9	6080535	Loctite 5203 300ml VP.	1

C6		electrode KIT	1
C49		stator P13.	1

1		Rep.Kit 2 P13.2	1
Note: für / for / pour 1,1 kW			
1		grooved ball bearing 6303 ZZ	1
Note: für / for / pour 1,5kW + 2,5kW + 3,9kW			
2		wave spring ring D.40 YSSB-0158	1
4.1		o-ring ID.150,0x4,0 NBR70	1
4.2		o-ring ID.18,0x3,5 NBR70	1
5	6077478	rotor P13.2-10/EAD1X2-T VP.	1
5	6077479	rotor P13.2-11/EAD3X2-T VP.	1
5	6077480	rotor P13.2-15/EAD1X2-T VP.	1
5	6077481	rotor P13.2-16/EAD3X2-T VP.	1
6	6067409	bearing housing P13.2 6050298 GG KIT	1
6.1		> bearing housing u 6050298 GG	1
6.2		> bearing cover D.62,2f7 6050300 GG	1
6.3		> screw M6x16 ISO4762 A4	3
7	6077467	sealing casing P/S13.2 D.152 GG XD KIT	1
11.1		> sealing casing D.152g6 6051867 GG	1
11.2	6076892	> screw M8x25 DIN912 A4 (10pc)	1

MOTOR PRO P13.2 XD

Item	Article no.	Description	Quantity
11.3	6076893	> o-ring ID.150,0x4,0 NBR70 VP.	1
11.4	6076891	> o-ring ID.150,0x3,0 NBR70 VP.	1
11.5	6067638	> screw plug G1/2 DIN908 A4 (3pcs)	1
11.6	6048832	> joint ring A21/26x1,5 DIN7603 PA(10pc)	1
8	6066645	cable trumpet 30T P13 10MH07 7G1,5 KIT	1
8	6066648	REXA PRO cable trumpet 30T P13 20MH07	1
8	6080978	cable trumpet 30T P13 30MH07 7G1,5 KIT	1
8	6081765	cable trumpet 30T P13 40MH07 7G1,5 KIT	1
8.1	6076650	seal ring D.29,5/17x16,5 54.17777 NBR VP	1
8.2	6007674	o-ring ID.18,0x3,5 NBR70	1
9	6067407	Barlian bow terminal M5 A2	1
15		ball bearing 6207 w.2 Dichtschr. VP.	1
19		MECHANICAL SEAL BT-AR/32 BXPFF	1
20		pressure ring D.44/32,5x1 6050343 A4	1
21		CIRCLIP 32X1,5 DIN471 1.4122	1
22		mechanical shaft seal MG1/30-G60 QPFGG	1
23		CIRCLIP 30X1,5 DIN471 1.4122	1
24		pressure ring D.42/30,5x1 6050343 A4	1
25	6078169	circlips 35x1,5 DIN471 FST VP.	1
26		washer D.35/45x2,5 DIN988 St	1
28	6080916	terminal-Box CD35+70MF VP.	1

name plate information "Rexa"

submersible sewage pump

1 2 3 4 5 6 7 8 9 10 11 12 13 14 15 16 17

29

28 P-Typ **PRO V 06 D A - 628 / E A D 2 X 4 - T 0039 - 5 40 - O** 18

M-Typ **P 13.2-11 / EAD2X4-T** **MFY 2013W35**

27 **P₁ 5.50kW** **P₂ 3.90kW** **n 2874 1/min** 19

Q_{max} 45.0m³/h **H_{max} 60m** **H_{min} 2m** 22

Q_N 26.0l/s **H_N 30.0m** **SF 1.00/ _{SF} 15.25A**

16 **U 400 - 3 V** **I_N 15.25A** **I_{ST} 25.9A** 20

13 **AT Direkt** **OT_S S1** **OT_E S3** 31

f 50 Hz **IP 68** **cos φ 0.89** **T 40°C** **▽ 20.0m** 30

26 **m 2000 kg** **cl.F** **IM_{org} 122mm** **IM_{kor} 118mm** 30

15 **Warnung! Nicht in explosionsgefährdeten Bereich öffnen!** **Nicht unter Spannung öffnen!** 21
Warning! Do not open in explosion hazardous location! **Do not open when energized!**

II 2G Ex d IIB T4Gb **DIN EN 12050-1/ICE60034-1**

25 **BSV 11 ATEX E 119 X** **S/N : 650161916** 24

23 **Produced by WILO SE, Hof**

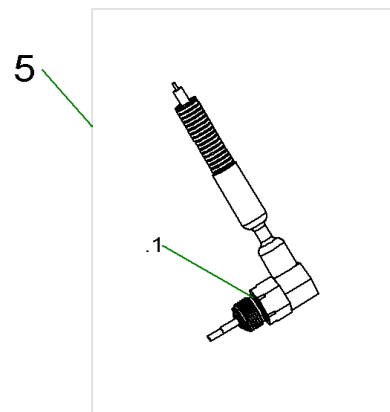
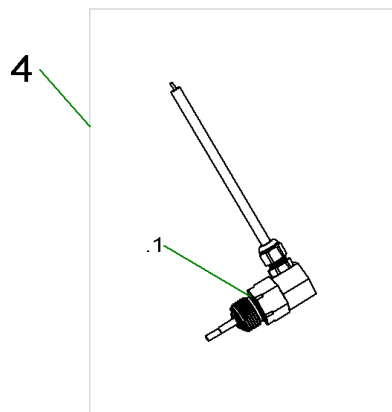
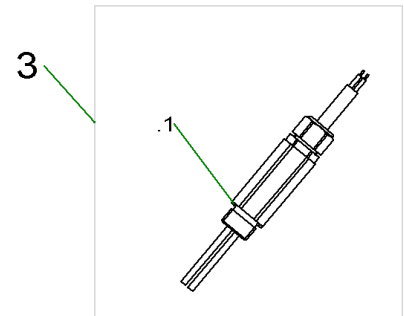
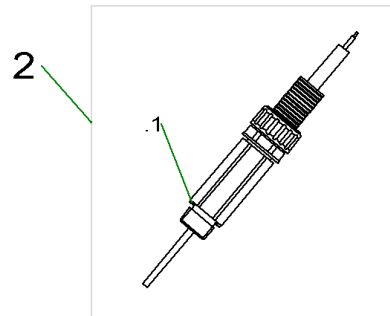
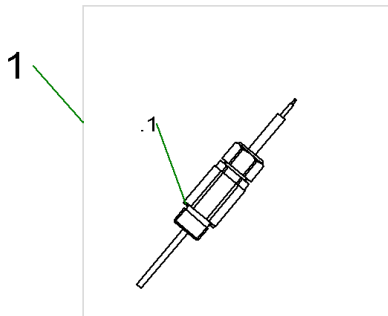
Made by Wilo Group in Germany
 WILO SE Nortkirchenstr.100
 44263 Dortmund Germany

0158

CE

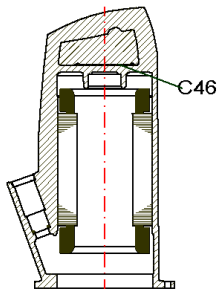
name plate information "Rexa"

Item	Description	Quantity
1	Series	1
2	Impeller shape	1
3	size of pressure connection	1
4	Hydraulic version	1
5	Material code hydraulics	1
6	Hydraulics definition	1
7	Motor version	1
8	Material code motor	1
9	Seal version	1
10	IE-Efficiency class	1
11	Explosion prevention	1
12	Numbers of pol	1
13	Mains supply M=1~ / T=3~	1
14	/10 = Rated motor power P2 in kW	1
15	Frequency	1
16	Code for rated voltage	1
17	Additional electrical equipment	1
18	Year of manufacture	1
19	speed	1
20	Starting current	1
21	Impeller diameter trimmed	1
22	Rated current	1
23	Impeller diameter	1
24	Serial number	1
25	Insulating class	1
26	Starting type	1
27	Duty data	1
28	Power consumption P1	1
29	Motor data	1
30	operation type: immersed	1
31	operation type: out of water	1



electrode KIT

Item	Article no.	Description	Quantity
.1	6048832	joint ring A21/26x1,5 DIN7603 PA(10pc)	1
1	6042222	pencil electrode G1/2 10m KIT	1
1	6042313	pencil electrode G1/2 15m KIT	1
1	6042223	pencil electrode G1/2 20m KIT	1
1	6061068	pencil electrode G1/2 25KIT	1
1	6061070	pencil electrode G1/2 30m KIT	1
1	6061069	Stabelektrode G1/2 40m SET	1
1	6060956	pencil electrode G1/2 55m KIT	1
2	6042227	pencil electrode G1/2 10m+hose KIT	1
2	6065196	pencil electrode G1/2 15m+hose KIT	1
3	6042229	double pencil electrode G1/2 10m KIT	1
3	6042228	double pencil electrode G1/2 20m KIT	1
3	6063536	double pencil electrode G1/2 40m KIT	1
3	6065157	double pencil electrode G1/2 10m 4*A KIT	1
3	6065156	double pencil electrode G1/2 20m 4*AWKIT	1
4	6068049	elbow pencil electrode G1/2 10m SET	1
4	6068050	elbow pencil electrode G1/2 15m SET	1
4	6075169	elbow pencil electrode G1/2 20m SET	1
5	6068345	elbow pencil electrode G1/2 10m+Schl. KI	1
5	6068346	elbow pencil electrode G1/2 15m+Schl. SE	1



Type	Pol.	Power P ₂ kW	IE	DOL / YD	Bi / PTC	1~220V/50Hz	1~230V/50Hz	3~380V/50Hz	3~400V/50Hz	3~415V/50Hz	3~500V/50Hz	3~208V/60Hz	3~220/60Hz	1~230/60Hz	3~230/60Hz	3~380V/60Hz	3~440/60Hz	3~460V/60Hz	3~480/60Hz
P13.	2	1,1	0	DOL	Bi		1						13						
P13.	2	1,1	1	DOL	Bi			2						14			2	2	
P13.	2	1,1	3	DOL	Bi			9									9		
P13.	2	1,2	3	DOL	Bi			9									9		
P13.	2	1,35	3	DOL	Bi			11									11		
P13.	2	1,5	0	DOL	Bi		1						13						
P13.	2	1,5	1	DOL	Bi			2						14			2	2	
P13.	2	1,5	3	DOL	Bi			9									9		
P13.	2	1,65	3	DOL	Bi			10									10		
P13.	2	2,5	1	DOL	Bi			3						15			3		
P13.	2	2,5	3	DOL	Bi			11									11		
P13.	2	3,9	1	DOL	Bi			4						16			4		
P13.	2	3,9	3	DOL	Bi			10									10		
P13.	4	1,1	0	DOL	Bi		6												
P13.	4	1,1	1	DOL	Bi			5						17			5		
P13.	4	1,1	3	DOL	Bi			12									12		
P13.	4	1,25	3	DOL	Bi			12									12		
P13.	4	1,5	0	DOL	Bi		6												
P13.	4	1,5	1	DOL	Bi			5						17			5		
P13.	4	1,5	3	DOL	Bi			12									12		
P13.	4	2,5	1	DOL	Bi			7						18			7		
P13.	4	3,5	0	DOL	Bi			8						19			8		

stator P13.

Item	Article no.	Description	Quantity
C46		name plate information "Rexa" -----	1
1	6070463	stator-unit P13.-2/8 1~ KIT	1
2	6070461	stator-unit P13.-2/8 3~ KIT	1
3	6070465	stator-unit P13.-2/10 3~ KIT	1
4	6070466	stator-unit P13.-2/15 3~ KIT	1
5	6070468	stator-unit P13.-4/10 3~ KIT	1
6	6070470	stator-unit P13.-4/11 1~ KIT	1
7	6070471	stator-unit P13.-4/13 3~ KIT	1
8	6070472	stator-unit P13.-4/16 3~ KIT	1
9	6072170	stator-unit P13.-2/9 3~ KIT	1
10	6072171	stator-unit P13.-2/16 3~ KIT	1
11	6072172	stator-unit P13.-2/11 3~ KIT	1
12	6072173	stator-unit P13.-4/16 3~ KIT	1
13	6076974	stator-unit P13.2/8 1~ KIT	1
14	6076973	stator-unit P13.-2/8 3~ KIT	1
15	6076972	stator-unit P13.-2/10 3~ KIT	1
16	6076971	stator-unit P13.-2/15 3~ KIT	1
17	6076970	stator-unit P13.-4/10 3~ KIT	1
18	6076969	stator-unit P13.-4/14 3~ KIT	1
19	6076968	stator-unit P13.-4/16 3~ KIT	1

name plate information "Rexa"

submersible sewage pump

1 2 3 4 5 6 7 8 9 10 11 12 13 14 15 16 17

29

28 P-Typ **PRO V 06 D A - 628 / E A D 2 X 4 - T 0039 - 5 40 - O** 18

M-Typ **P 13.2-11 / EAD2X4-T** **MFY 2013W35**

27 **P₁ 5.50kW** **P₂ 3.90kW** **n 2874 1/min** 19

Q_{max} 45.0m³/h **H_{max} 60m** **H_{min} 2m** 22

Q_N 26.0l/s **H_N 30.0m** **SF 1.00/ _{SF} 15.25A**

16 **U 400 - 3 V** **I_N 15.25A** **I_{ST} 25.9A** 20

13 **AT Direkt** **OT_S S1** **OT_E S3** 31

f 50 Hz **IP 68** **cos φ 0.89** **T 40°C** **▽ 20.0m** 30

26 **m 2000 kg** **cl.F** **IM_{org} 122mm** **IM_{kor} 118mm** 30

15 **Warnung! Nicht in explosionsgefährdeten Bereich öffnen!** **Nicht unter Spannung öffnen!** 21
Warning! Do not open in explosion hazardous location! **Do not open when energized!**

II 2G Ex d IIB T4Gb **DIN EN 12050-1/ICE60034-1**

25 **BSV 11 ATEX E 119 X** **S/N : 650161916** 24

23 **Produced by WILO SE, Hof**

Made by Wilo Group in Germany
 WILO SE Nortkirchenstr.100
 44263 Dortmund Germany

0158

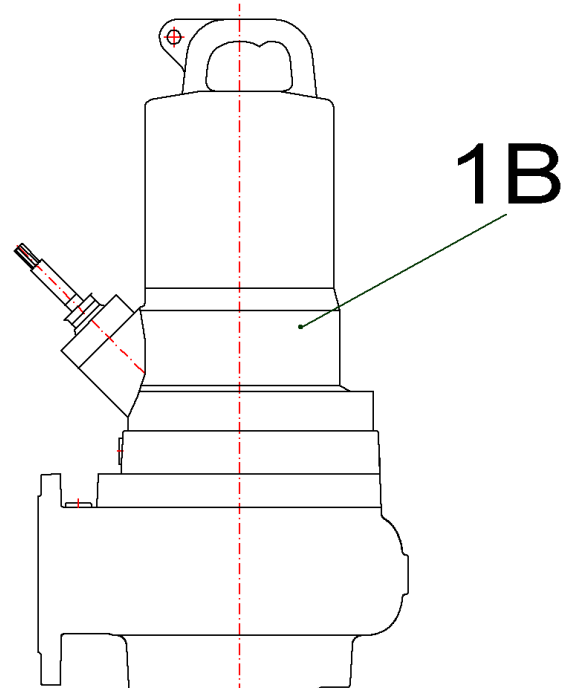
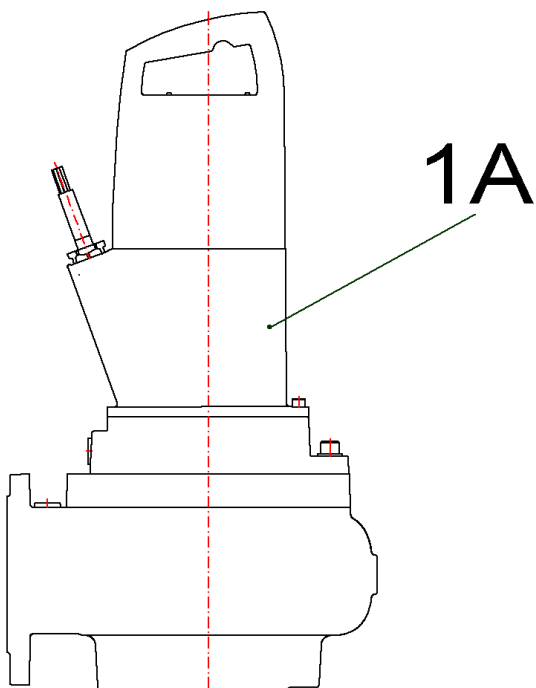
CE

name plate information "Rexa"

Item	Description	Quantity
1	Series	1
2	Impeller shape	1
3	size of pressure connection	1
4	Hydraulic version	1
5	Material code hydraulics	1
6	Hydraulics definition	1
7	Motor version	1
8	Material code motor	1
9	Seal version	1
10	IE-Efficiency class	1
11	Explosion prevention	1
12	Numbers of pol	1
13	Mains supply M=1~ / T=3~	1
14	/10 = Rated motor power P2 in kW	1
15	Frequency	1
16	Code for rated voltage	1
17	Additional electrical equipment	1
18	Year of manufacture	1
19	speed	1
20	Starting current	1
21	Impeller diameter trimmed	1
22	Rated current	1
23	Impeller diameter	1
24	Serial number	1
25	Insulating class	1
26	Starting type	1
27	Duty data	1
28	Power consumption P1	1
29	Motor data	1
30	operation type: immersed	1
31	operation type: out of water	1

Rexa PRO C10xx-51x

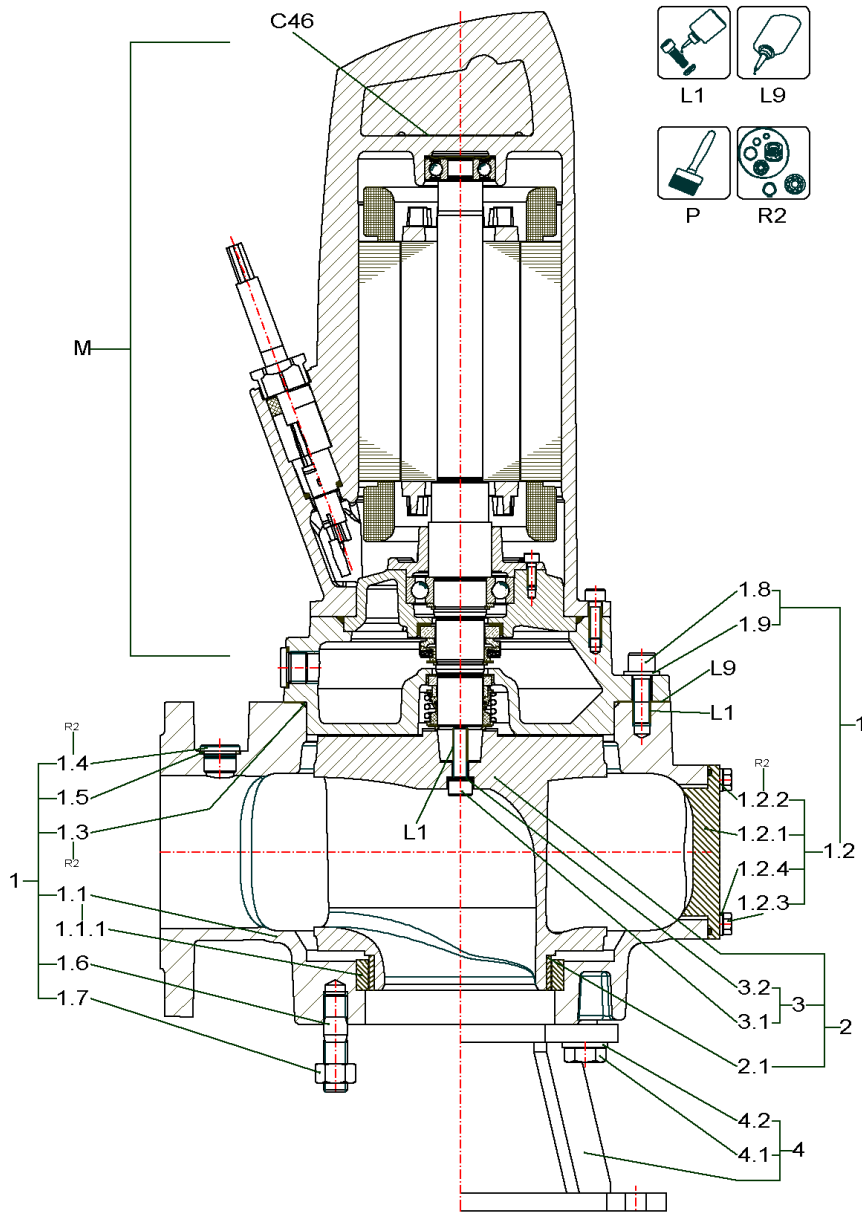
P13.2 P17.1



SUBMERSIBLE SEWAGE PUMP C10-510 UNIT (6074982)



Item	Description	Quantity
1A	Rexa PRO C10xx-51x P13.2	1
1B	Rexa PRO C10xx-51x P17.1	1



Rexa PRO C10xx-51x P13.2

Item	Article no.	Description	Quantity
C46		name plate information "Rexa"	1
R2	6065496	Rep.Kit 2 P13.2	1
P	6042254	PAINT SPRAY Pantone334	1
P	6042255	colour 2K-paint IV80 pantone334C 250ml	1
P	6023614	Ceram C0 black 100 ml KIT	1
P	6020579	Ceram C0 black 250 ml KIT	1
P	6023485	Ceram C0 Black 500ml Kit	1
L1	6080531	Loctite 243 5g flask VP:	1
L9	6080535	Loctite 5203 300ml VP.	1

M		MOTOR PRO P13.2 XB	1

1	6078096	pump housing C10-510 DN80 GG KIT	1
1.1		> pump housing Q100 6051899 GG	1
1.1.1	6074576	> neck ring D.138x20 54.2966 1.4308 VP.	1
1.2	6078099	> inspection cover 53.20097 GG KIT	1
1.2.1		> inspection cover 53.20097 GG-10.51	1
1.2.2	6078301	> o-ring ID.102,0x3,0 Viton 75 VP.	1
1.2.3	6078302	> screw M8x20 DIN933 A4-70 (10pc)	1
1.2.4	6074895	> washer A8,4 DIN125 1.4401 (20pc)	1
1.3		> o-ring ID.203,0x3,0 NBR70	1
1.4	6067638	> screw plug G1/2 DIN908 A4 (3pcs)	1
1.5	6048832	> joint ring A21/26x1,5 DIN7603 PA(10pc)	1
1.6	6076692	> screw M16x45 DIN939 A4-70 (10pc)	1
1.7	6074496	> nut M16 DIN934 A4-80 (10pc)	1
1.8	6078300	> screw M12x35 DIN912 A4 (10pc)	1
1.9	6074494	> washer A13 DIN125 A4 (20pc)	1
1	6078097	pump housing C10-510 ANSI GG KIT	1
1.1		> pump housing Q100 6051899 GG	1
1.1.1	6074576	> neck ring D.138x20 54.2966 1.4308 VP.	1
1.2	6078099	> inspection cover 53.20097 GG KIT	1
1.2.1		> inspection cover 53.20097 GG-10.51	1
1.2.2	6078301	> o-ring ID.102,0x3,0 Viton 75 VP.	1
1.2.3	6078302	> screw M8x20 DIN933 A4-70 (10pc)	1

Rexa PRO C10xx-51x P13.2

Item	Article no.	Description	Quantity
1.2.4	6074895	> washer A8,4 DIN125 1.4401 (20pc)	1
1.3		> o-ring ID.203,0x3,0 NBR70	1
1.4	6067638	> screw plug G1/2 DIN908 A4 (3pcs)	1
1.5	6048832	> joint ring A21/26x1,5 DIN7603 PA(10pc)	1
1.6	6076692	> screw M16x45 DIN939 A4-70 (10pc)	1
1.7	6074496	> nut M16 DIN934 A4-80 (10pc)	1
1.8	6078300	> screw M12x35 DIN912 A4 (10pc)	1
1.9	6074494	> washer A13 DIN125 A4 (20pc)	1
1.1.1	6074576	neck ring D.138x20 54.2966 1.4308 VP.	1
2	6078224	impeller C10xA-512 GG SVA	1
2	6078223	impeller C10xA-513 GG SVA	1
2	6078222	impeller C10xA-514 GG SVA	1
2	6078221	impeller C10xA-516 GG SVA	1
2	6078220	impeller C10xA-518 GG SVA	1
2.1	6074577	mobile wear ring D.121/115x23 1.4470 VP.	1
3	6067646	impeller fixation 10x35 Geomet KIT	1
3.1		> screw M10x35 DIN912 10.9 Geomet	1
3.2		> SCREW LOCKING NORD-LOCK 16/10,7 A4	1
4	6065949	Pump foot DN80/100 KIT	1
4.1		> Screw M16x35 ISO4017 A4-70	4
4.2	6076816	> washer A17 Din125 A4 (20pc)	1
4.1		Screw M16x35 ISO4017 A4-70	4
4.2	6076816	washer A17 Din125 A4 (20pc)	1

name plate information "Rexa"

submersible sewage pump

1 2 3 4 5 6 7 8 9 10 11 12 13 14 15 16 17

29

28 P-Typ **PRO V 06 D A - 628 / E A D 2 X 4 - T 0039 - 5 40 - O** 18

M-Typ **P 13.2-11 / EAD2X4-T** **MFY 2013W35**

27 **P₁ 5.50kW** **P₂ 3.90kW** **n 2874 1/min** 19

Q_{max} 45.0m³/h **H_{max} 60m** **H_{min} 2m** 22

Q_N 26.0l/s **H_N 30.0m** **SF 1.00/ _{SF} 15.25A**

16 **U 400 - 3 V** **I_N 15.25A** **I_{ST} 25.9A** 20

13 **AT Direkt** **OT_S S1** **OT_E S3** 31

f 50 Hz **IP 68** **cos φ 0.89** **T 40°C** **▽ 20.0m** 30

26 **m 2000 kg** **cl.F** **IM_{org} 122mm** **IM_{kor} 118mm** 30

15 **Warnung! Nicht in explosionsgefährdeten Bereich öffnen!** **Nicht unter Spannung öffnen!** 21
Warning! Do not open in explosion hazardous location! **Do not open when energized!**

25 **II 2G Ex d IIB T4Gb** **DIN EN 12050-1/ICE60034-1**

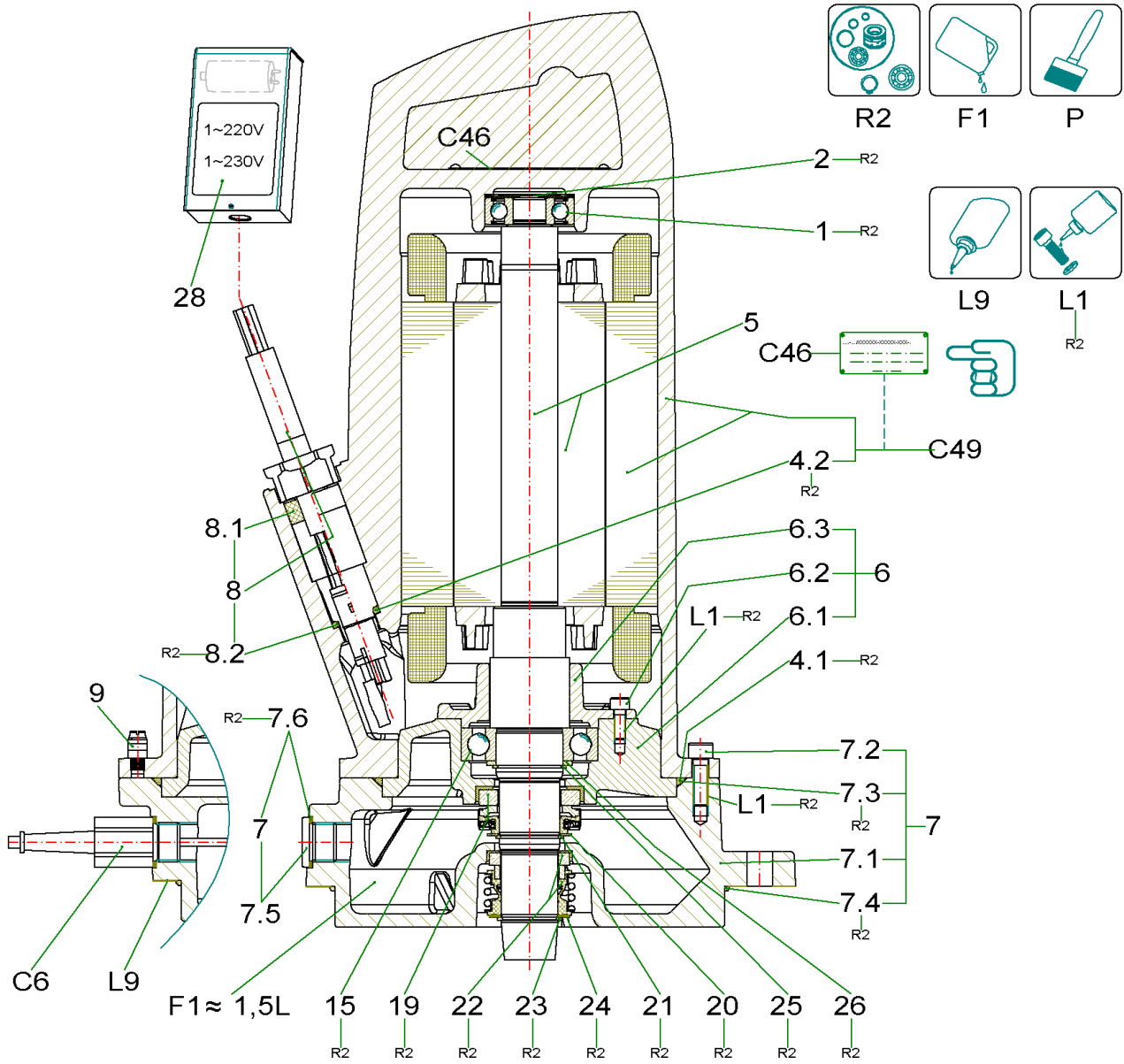
BSV 11 ATEX E 119 X

Produced by WILO SE, Hof **S/N : 650161916** 24

23 **Made by Wilo Group in Germany**
WILO SE Nortkirchenstr.100
44263 Dortmund Germany **0158** **CE**

name plate information "Rexa"

Item	Description	Quantity
1	Series	1
2	Impeller shape	1
3	size of pressure connection	1
4	Hydraulic version	1
5	Material code hydraulics	1
6	Hydraulics definition	1
7	Motor version	1
8	Material code motor	1
9	Seal version	1
10	IE-Efficiency class	1
11	Explosion prevention	1
12	Numbers of pol	1
13	Mains supply M=1~ / T=3~	1
14	/10 = Rated motor power P2 in kW	1
15	Frequency	1
16	Code for rated voltage	1
17	Additional electrical equipment	1
18	Year of manufacture	1
19	speed	1
20	Starting current	1
21	Impeller diameter trimmed	1
22	Rated current	1
23	Impeller diameter	1
24	Serial number	1
25	Insulating class	1
26	Starting type	1
27	Duty data	1
28	Power consumption P1	1
29	Motor data	1
30	operation type: immersed	1
31	operation type: out of water	1



MOTOR PRO P13.2 XB

Item	Article no.	Description	Quantity
C46		name plate information "Rexa"	1
R2	6065496	Rep.Kit 2 P13.2	1
P	6042254	PAINT SPRAY Pantone334	1
P	6042255	colour 2K-paint IV80 pantone334C 250ml	1
P	6023614	Ceram C0 black 100 ml KIT	1
P	6020579	Ceram C0 black 250 ml KIT	1
P	6023485	Ceram C0 Black 500ml Kit	1
F1	6025460	medical white oil 1L KIT	1
F1	6025461	medical white oil 5L KIT	1
L1	6080531	Loctite 243 5g flask VP:	1
L1	2096167	Loctite 243 50ml VP.	1
L9	6080535	Loctite 5203 300ml VP.	1

C6		electrode KIT	1
C49		stator P13.	1

1		Rep.Kit 2 P13.2	1
Note: für / for / pour 1,1 kW			
1		grooved ball bearing 6303 ZZ	1
Note: für / for / pour 1,5kW + 2,5kW + 3,9kW			
2		wave spring ring D.40 YSSB-0158	1
4.1		o-ring ID.150,0x4,0 NBR70	1
4.2		o-ring ID.18,0x3,5 NBR70	1
5	6067576	rotor P13.2-11/EAD0X4-M VP.	1
5	6067575	rotor P13.2-10/EAD1X4-T VP.	1
5	6067574	rotor P13.2-13/EAD1X4-T VP.	1
5	6067573	rotor P13.2-16/EAD1X4-T VP.	1
6	6067409	bearing housing P13.2 6050298 GG KIT	1
6.1		> bearing housing u 6050298 GG	1
6.2		> bearing cover D.62,2f7 6050300 GG	1
6.3		> screw M6x16 ISO4762 A4	3
7	6067410	sealing casing P/S13.2 D.205 GG XB KIT	1
7.1		> sealing casing D.205g6 6050302 GG	1
7.2		> screw M8x25 DIN912 A4 (10pc)	1

MOTOR PRO P13.2 XB

Item	Article no.	Description	Quantity
7.3		> o-ring ID.150,0x4,0 NBR70	1
7.4		> o-ring ID.203,0x3,0 NBR70	1
7.5		> screw plug G1/2 DIN908 A4	1
7.6		> joint ring A21/26x1,5 DIN7603 PA(10pc)	1
8	6066645	cable trumpet 30T P13 10MH07 7G1,5 KIT	1
8	6066648	REXA PRO cable trumpet 30T P13 20MH07	1
8	6080978	cable trumpet 30T P13 30MH07 7G1,5 KIT	1
8	6081765	cable trumpet 30T P13 40MH07 7G1,5 KIT	1
8.1	6076650	seal ring D.29,5/17x16,5 54.17777 NBR VP	1
8.2	6007674	o-ring ID.18,0x3,5 NBR70	1
9	6067407	Barlian bow terminal M5 A2	1
15		ball bearing 6207 w.2 Dichtschr. VP.	1
19		MECHANICAL SEAL BT-AR/32 BXPFF	1
20		pressure ring D.44/32,5x1 6050343 A4	1
21		CIRCLIP 32X1,5 DIN471 1.4122	1
22		mechanical shaft seal MG1/30-G60 QPFG	1
23		CIRCLIP 30X1,5 DIN471 1.4122	1
24		pressure ring D.42/30,5x1 6050343 A4	1
25		circlips 35x1,5 DIN471 FST	1
26		washer D.35/45x2,5 DIN988 St	1
28	6080916	terminal-Box CD35+70MF VP.	1

name plate information "Rexa"

submersible sewage pump

1 2 3 4 5 6 7 8 9 10 11 12 13 14 15 16 17

29

28 P-Typ **PRO V 06 D A - 628 / E A D 2 X 4 - T 0039 - 5 40 - O** 18

M-Typ **P 13.2-11 / EAD2X4-T** **MFY 2013W35**

27 **P₁ 5.50kW** **P₂ 3.90kW** **n 2874 1/min** 19

Q_{max} 45.0m³/h **H_{max} 60m** **H_{min} 2m** 22

Q_N 26.0l/s **H_N 30.0m** **SF 1.00/ _{SF} 15.25A**

16 **U 400 - 3 V** **I_N 15.25A** **I_{ST} 25.9A** 20

13 **AT Direkt** **OT_S S1** **OT_E S3** 31

f 50 Hz **IP 68** **cos φ 0.89** **T 40°C** **▽ 20.0m** 30

26 **m 2000 kg** **cl.F** **IM_{org} 122mm** **IM_{kor} 118mm** 30

15 **Warnung! Nicht in explosionsgefährdeten Bereich öffnen!** **Nicht unter Spannung öffnen!** 21
Warning! Do not open in explosion hazardous location! **Do not open when energized!**

II 2G Ex d IIB T4Gb **DIN EN 12050-1/ICE60034-1**

25 **BSV 11 ATEX E 119 X** **S/N : 650161916** 24

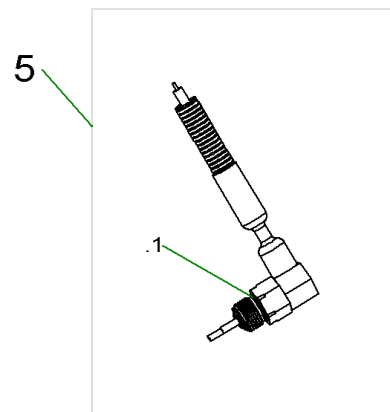
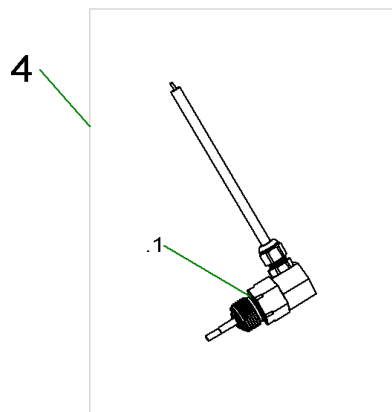
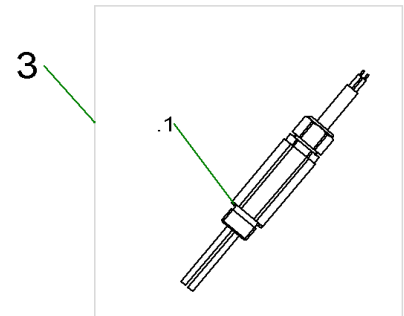
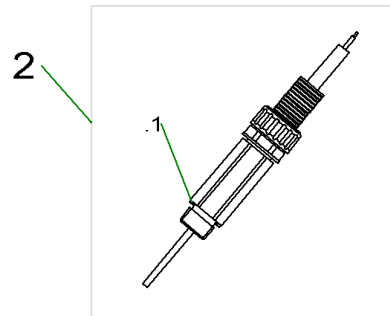
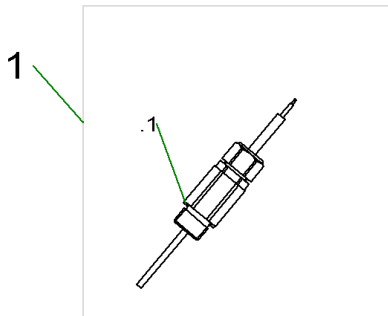
23 **Produced by WILO SE, Hof**

Made by Wilo Group in Germany
 WILO SE Nortkirchenstr.100
 44263 Dortmund Germany

0158 **CE**

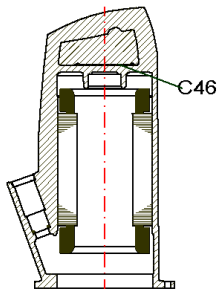
name plate information "Rexa"

Item	Description	Quantity
1	Series	1
2	Impeller shape	1
3	size of pressure connection	1
4	Hydraulic version	1
5	Material code hydraulics	1
6	Hydraulics definition	1
7	Motor version	1
8	Material code motor	1
9	Seal version	1
10	IE-Efficiency class	1
11	Explosion prevention	1
12	Numbers of pol	1
13	Mains supply M=1~ / T=3~	1
14	/10 = Rated motor power P2 in kW	1
15	Frequency	1
16	Code for rated voltage	1
17	Additional electrical equipment	1
18	Year of manufacture	1
19	speed	1
20	Starting current	1
21	Impeller diameter trimmed	1
22	Rated current	1
23	Impeller diameter	1
24	Serial number	1
25	Insulating class	1
26	Starting type	1
27	Duty data	1
28	Power consumption P1	1
29	Motor data	1
30	operation type: immersed	1
31	operation type: out of water	1



electrode KIT

Item	Article no.	Description	Quantity
.1	6048832	joint ring A21/26x1,5 DIN7603 PA(10pc)	1
1	6042222	pencil electrode G1/2 10m KIT	1
1	6042313	pencil electrode G1/2 15m KIT	1
1	6042223	pencil electrode G1/2 20m KIT	1
1	6061068	pencil electrode G1/2 25KIT	1
1	6061070	pencil electrode G1/2 30m KIT	1
1	6061069	Stabelektrode G1/2 40m SET	1
1	6060956	pencil electrode G1/2 55m KIT	1
2	6042227	pencil electrode G1/2 10m+hose KIT	1
2	6065196	pencil electrode G1/2 15m+hose KIT	1
3	6042229	double pencil electrode G1/2 10m KIT	1
3	6042228	double pencil electrode G1/2 20m KIT	1
3	6063536	double pencil electrode G1/2 40m KIT	1
3	6065157	double pencil electrode G1/2 10m 4*A KIT	1
3	6065156	double pencil electrode G1/2 20m 4*AWKIT	1
4	6068049	elbow pencil electrode G1/2 10m SET	1
4	6068050	elbow pencil electrode G1/2 15m SET	1
4	6075169	elbow pencil electrode G1/2 20m SET	1
5	6068345	elbow pencil electrode G1/2 10m+Schl. KI	1
5	6068346	elbow pencil electrode G1/2 15m+Schl. SE	1



Type	Pol.	Power P ₂ kW	IE	DOL / YD	Bi / PTC	1~220V/50Hz	1~230V/50Hz	3~380V/50Hz	3~400V/50Hz	3~415V/50Hz	3~500V/50Hz	3~208V/60Hz	3~220/60Hz	1~230/60Hz	3~230/60Hz	3~380V/60Hz	3~440/60Hz	3~460V/60Hz	3~480/60Hz	
P13.	2	1,1	0	DOL	Bi		1						13							
P13.	2	1,1	1	DOL	Bi			2						14				2	2	
P13.	2	1,1	3	DOL	Bi			9										9		
P13.	2	1,2	3	DOL	Bi			9										9		
P13.	2	1,35	3	DOL	Bi			11										11		
P13.	2	1,5	0	DOL	Bi		1						13							
P13.	2	1,5	1	DOL	Bi			2						14				2	2	
P13.	2	1,5	3	DOL	Bi			9										9		
P13.	2	1,65	3	DOL	Bi			10										10		
P13.	2	2,5	1	DOL	Bi			3						15				3		
P13.	2	2,5	3	DOL	Bi			11										11		
P13.	2	3,9	1	DOL	Bi			4						16				4		
P13.	2	3,9	3	DOL	Bi			10										10		
P13.	4	1,1	0	DOL	Bi		6													
P13.	4	1,1	1	DOL	Bi			5						17				5		
P13.	4	1,1	3	DOL	Bi			12										12		
P13.	4	1,25	3	DOL	Bi			12										12		
P13.	4	1,5	0	DOL	Bi		6													
P13.	4	1,5	1	DOL	Bi			5						17				5		
P13.	4	1,5	3	DOL	Bi			12										12		
P13.	4	2,5	1	DOL	Bi			7						18				7		
P13.	4	3,5	0	DOL	Bi			8						19				8		

stator P13.

Item	Article no.	Description	Quantity
C46		name plate information "Rexa" -----	1
1	6070463	stator-unit P13.-2/8 1~ KIT	1
2	6070461	stator-unit P13.-2/8 3~ KIT	1
3	6070465	stator-unit P13.-2/10 3~ KIT	1
4	6070466	stator-unit P13.-2/15 3~ KIT	1
5	6070468	stator-unit P13.-4/10 3~ KIT	1
6	6070470	stator-unit P13.-4/11 1~ KIT	1
7	6070471	stator-unit P13.-4/13 3~ KIT	1
8	6070472	stator-unit P13.-4/16 3~ KIT	1
9	6072170	stator-unit P13.-2/9 3~ KIT	1
10	6072171	stator-unit P13.-2/16 3~ KIT	1
11	6072172	stator-unit P13.-2/11 3~ KIT	1
12	6072173	stator-unit P13.-4/16 3~ KIT	1
13	6076974	stator-unit P13.2/8 1~ KIT	1
14	6076973	stator-unit P13.-2/8 3~ KIT	1
15	6076972	stator-unit P13.-2/10 3~ KIT	1
16	6076971	stator-unit P13.-2/15 3~ KIT	1
17	6076970	stator-unit P13.-4/10 3~ KIT	1
18	6076969	stator-unit P13.-4/14 3~ KIT	1
19	6076968	stator-unit P13.-4/16 3~ KIT	1

name plate information "Rexa"

submersible sewage pump

1 2 3 4 5 6 7 8 9 10 11 12 13 14 15 16 17

29

28 P-Typ **PRO V 06 D A - 628 / E A D 2 X 4 - T 0039 - 5 40 - O** 18

M-Typ **P 13.2-11 / EAD2X4-T** **MFY 2013W35**

27 **P₁ 5.50kW** **P₂ 3.90kW** **n 2874 1/min** 19

Q_{max} 45.0m³/h **H_{max} 60m** **H_{min} 2m** 22

Q_N 26.0l/s **H_N 30.0m** **SF 1.00/ _{SF} 15.25A**

16 **U 400 - 3 V** **I_N 15.25A** **I_{ST} 25.9A** 20

13 **AT Direkt** **OT_S S1** **OT_E S3** 31

f 50 Hz **IP 68** **cos φ 0.89** **T 40°C** **▽ 20.0m** 30

26 **m 2000 kg** **cl.F** **IM_{org} 122mm** **IM_{kor} 118mm** 30

15 **Warnung! Nicht in explosionsgefährdeten Bereich öffnen!** **Nicht unter Spannung öffnen!** 21
Warning! Do not open in explosion hazardous location! **Do not open when energized!**

25 **II 2G Ex d IIB T4Gb** **DIN EN 12050-1/ICE60034-1**

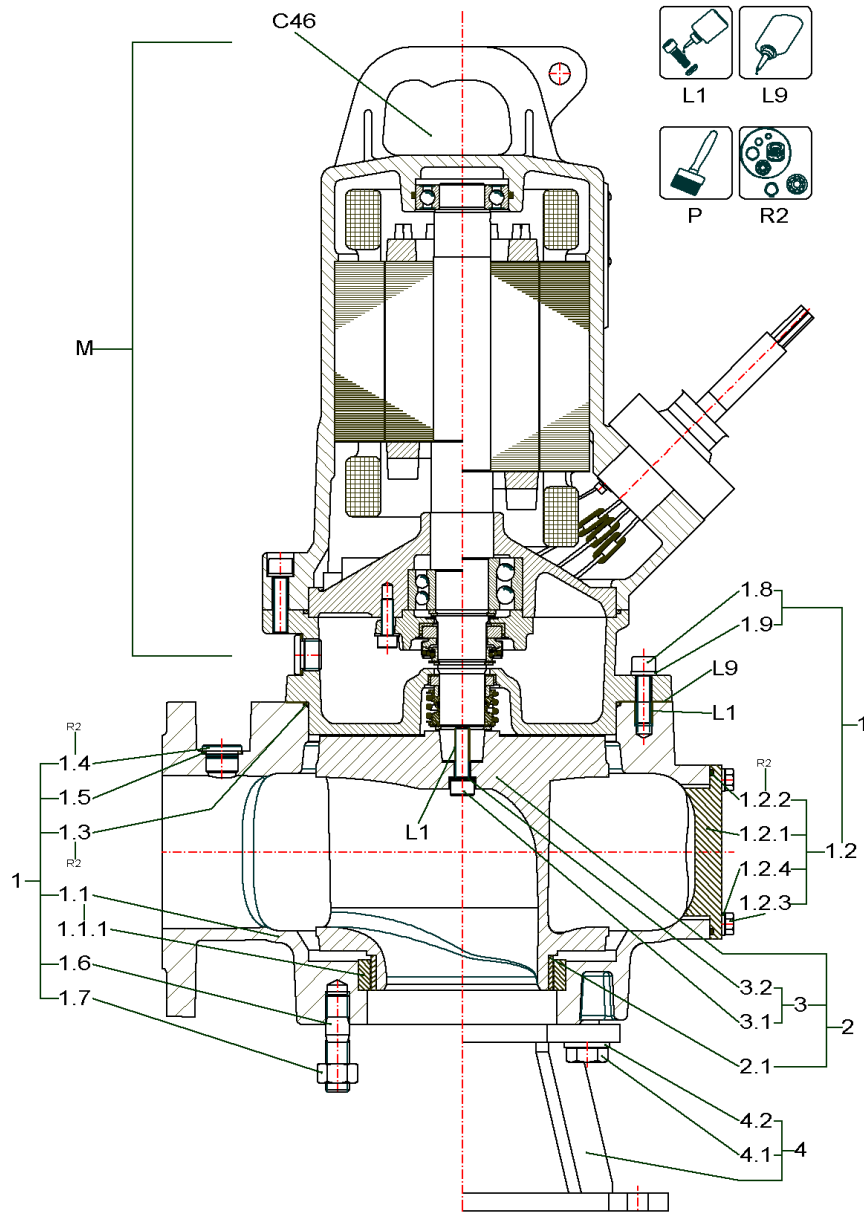
BSV 11 ATEX E 119 X

Produced by WILO SE, Hof **S/N : 650161916** 24

23 **Made by Wilo Group in Germany**
WILO SE Nortkirchenstr.100
44263 Dortmund Germany 0158 **CE**

name plate information "Rexa"

Item	Description	Quantity
1	Series	1
2	Impeller shape	1
3	size of pressure connection	1
4	Hydraulic version	1
5	Material code hydraulics	1
6	Hydraulics definition	1
7	Motor version	1
8	Material code motor	1
9	Seal version	1
10	IE-Efficiency class	1
11	Explosion prevention	1
12	Numbers of pol	1
13	Mains supply M=1~ / T=3~	1
14	/10 = Rated motor power P2 in kW	1
15	Frequency	1
16	Code for rated voltage	1
17	Additional electrical equipment	1
18	Year of manufacture	1
19	speed	1
20	Starting current	1
21	Impeller diameter trimmed	1
22	Rated current	1
23	Impeller diameter	1
24	Serial number	1
25	Insulating class	1
26	Starting type	1
27	Duty data	1
28	Power consumption P1	1
29	Motor data	1
30	operation type: immersed	1
31	operation type: out of water	1



Rexa PRO C10xx-51x P17.1

Item	Article no.	Description	Quantity
C46		name plate information "Rexa"	1
R2	6078364	Rep.Kit 2 P17.1-12	1
R2	6078365	Rep.Kit 2 P17.1-15-24	1
P	6042254	PAINT SPRAY Pantone334	1
P	6042255	colour 2K-paint IV80 pantone334C 250ml	1
P	6023614	Ceram C0 black 100 ml KIT	1
P	6020579	Ceram C0 black 250 ml KIT	1
P	6023485	Ceram C0 Black 500ml Kit	1
L1	6080531	Loctite 243 5g flask VP:	1
L9	6080535	Loctite 5203 300ml VP.	1

M		MOTOR PRO P17.1 XB	1

1	6078096	pump housing C10-510 DN80 GG KIT	1
1.1		> pump housing Q100 6051899 GG	1
1.1.1	6074576	> neck ring D.138x20 54.2966 1.4308 VP.	1
1.2	6078099	> inspection cover 53.20097 GG KIT	1
1.2.1		> inspection cover 53.20097 GG-10.51	1
1.2.2	6078301	> o-ring ID.102,0x3,0 Viton 75 VP.	1
1.2.3	6078302	> screw M8x20 DIN933 A4-70 (10pc)	1
1.2.4	6074895	> washer A8,4 DIN125 1.4401 (20pc)	1
1.3		> o-ring ID.203,0x3,0 NBR70	1
1.4	6067638	> screw plug G1/2 DIN908 A4 (3pcs)	1
1.5	6048832	> joint ring A21/26x1,5 DIN7603 PA(10pc)	1
1.6	6076692	> screw M16x45 DIN939 A4-70 (10pc)	1
1.7	6074496	> nut M16 DIN934 A4-80 (10pc)	1
1.8	6078300	> screw M12x35 DIN912 A4 (10pc)	1
1.9	6074494	> washer A13 DIN125 A4 (20pc)	1
1	6078097	pump housing C10-510 ANSI GG KIT	1
1.1		> pump housing Q100 6051899 GG	1
1.1.1	6074576	> neck ring D.138x20 54.2966 1.4308 VP.	1
1.2	6078099	> inspection cover 53.20097 GG KIT	1
1.2.1		> inspection cover 53.20097 GG-10.51	1
1.2.2	6078301	> o-ring ID.102,0x3,0 Viton 75 VP.	1

Rexa PRO C10xx-51x P17.1

Item	Article no.	Description	Quantity
1.2.3	6078302	> screw M8x20 DIN933 A4-70 (10pc)	1
1.2.4	6074895	> washer A8,4 DIN125 1.4401 (20pc)	1
1.3		> o-ring ID.203,0x3,0 NBR70	1
1.4	6067638	> screw plug G1/2 DIN908 A4 (3pcs)	1
1.5	6048832	> joint ring A21/26x1,5 DIN7603 PA(10pc)	1
1.6	6076692	> screw M16x45 DIN939 A4-70 (10pc)	1
1.7	6074496	> nut M16 DIN934 A4-80 (10pc)	1
1.8	6078300	> screw M12x35 DIN912 A4 (10pc)	1
1.9	6074494	> washer A13 DIN125 A4 (20pc)	1
1.1.1	6074576	neck ring D.138x20 54.2966 1.4308 VP.	1
2	6078224	impeller C10xA-512 GG SVA	1
2	6078223	impeller C10xA-513 GG SVA	1
2	6078222	impeller C10xA-514 GG SVA	1
2	6078221	impeller C10xA-516 GG SVA	1
2	6078220	impeller C10xA-518 GG SVA	1
2.1	6074577	mobile wear ring D.121/115x23 1.4470 VP.	1
3	6067646	impeller fixation 10x35 Geomet KIT	1
3.1		> screw M10x35 DIN912 10.9 Geomet	1
3.2		> SCREW LOCKING NORD-LOCK 16/10,7 A4	1
4	6065949	Pump foot DN80/100 KIT	1
4.1		> Screw M16x35 ISO4017 A4-70	4
4.2	6076816	> washer A17 Din125 A4 (20pc)	1
4.1		Screw M16x35 ISO4017 A4-70	4
4.2	6076816	washer A17 Din125 A4 (20pc)	1

name plate information "Rexa"

submersible sewage pump

1 2 3 4 5 6 7 8 9 10 11 12 13 14 15 16 17

29

28 P-Typ **PRO V 06 D A - 628 / E A D 2 X 4 - T 0039 - 5 40 - O** 18

M-Typ **P 13.2-11 / EAD2X4-T** **MFY 2013W35**

27 **P₁ 5.50kW** **P₂ 3.90kW** **n 2874 1/min** 19

Q_{max} 45.0m³/h **H_{max} 60m** **H_{min} 2m** 22

Q_N 26.0l/s **H_N 30.0m** **SF 1.00/ _{SF} 15.25A**

16 **U 400 - 3 V** **I_N 15.25A** **I_{ST} 25.9A** 20

13 **AT Direkt** **OT_S S1** **OT_E S3** 31

f 50 Hz **IP 68** **cos p 0.89** **T 40°C** **▽ 20.0m** 30

26 **m 2000 kg** **cl.F** **IM_{org} 122mm** **IM_{kor} 118mm** 30

15 **Warnung! Nicht in explosionsgefährdeten Bereich öffnen!** **Nicht unter Spannung öffnen!** 21
Warning! Do not open in explosion hazardous location! **Do not open when energized!**

25 **II 2G Ex d IIB T4Gb** **DIN EN 12050-1/ICE60034-1**

BSV 11 ATEX E 119 X

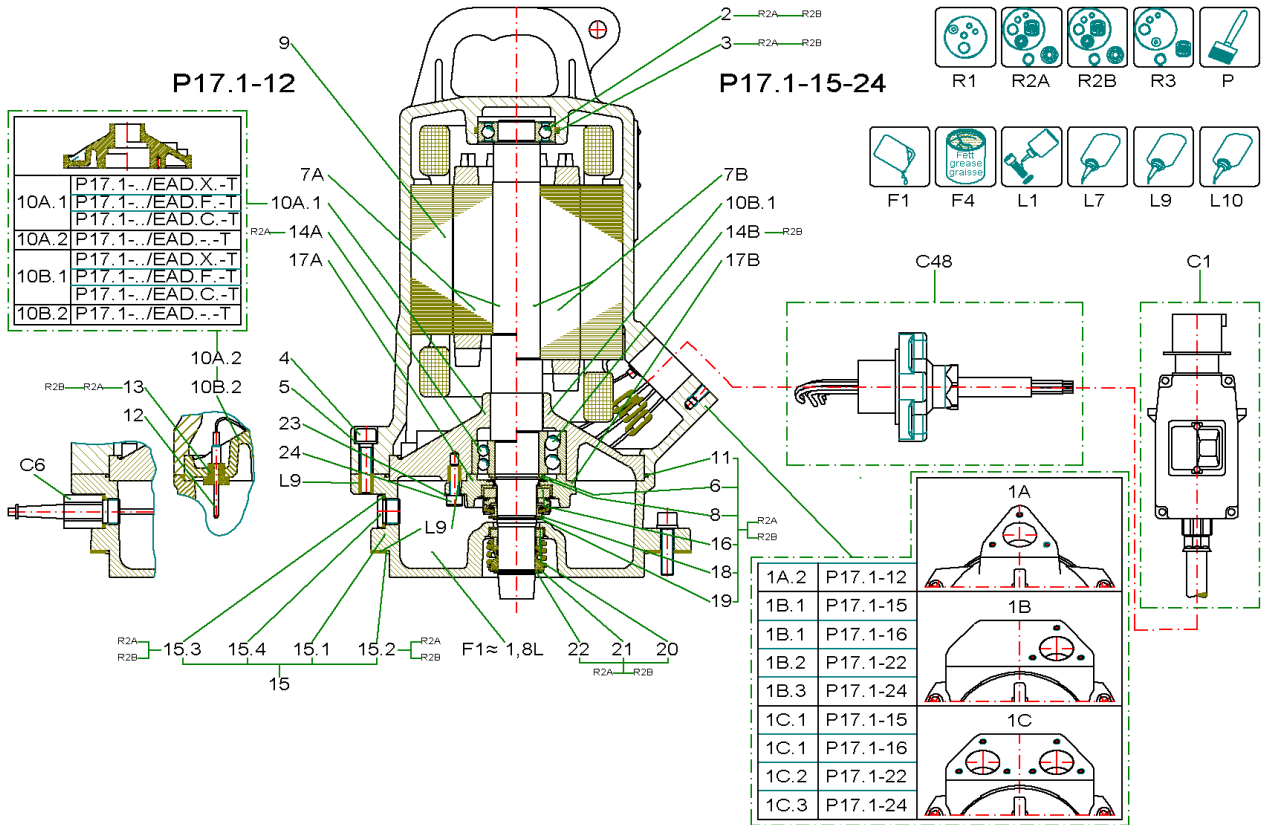
23 **Produced by WILO SE, Hof** **S/N : 650161916** 24

Made by Wilo Group in Germany
 WILO SE Nortkirchenstr.100
 44263 Dortmund Germany

0158

name plate information "Rexa"

Item	Description	Quantity
1	Series	1
2	Impeller shape	1
3	size of pressure connection	1
4	Hydraulic version	1
5	Material code hydraulics	1
6	Hydraulics definition	1
7	Motor version	1
8	Material code motor	1
9	Seal version	1
10	IE-Efficiency class	1
11	Explosion prevention	1
12	Numbers of pol	1
13	Mains supply M=1~ / T=3~	1
14	/10 = Rated motor power P2 in kW	1
15	Frequency	1
16	Code for rated voltage	1
17	Additional electrical equipment	1
18	Year of manufacture	1
19	speed	1
20	Starting current	1
21	Impeller diameter trimmed	1
22	Rated current	1
23	Impeller diameter	1
24	Serial number	1
25	Insulating class	1
26	Starting type	1
27	Duty data	1
28	Power consumption P1	1
29	Motor data	1
30	operation type: immersed	1
31	operation type: out of water	1



MOTOR PRO P17.1 XB

Item	Article no.	Description	Quantity
C46	6200792	name plate information "Rexa"	1
R2	6078364	Rep.Kit 2 P17.1-12	1
R2	6078365	Rep.Kit 2 P17.1-15-24	1
P	6042254	PAINT SPRAY Pantone334	1
P	6042255	colour 2K-paint IV80 pantone334C 250ml	1
P	6023614	Ceram C0 black 100 ml KIT	1
P	6020579	Ceram C0 black 250 ml KIT	1
P	6023485	Ceram C0 Black 500ml Kit	1
F1	6025460	medical white oil 1L KIT	1
F1	6025461	medical white oil 5L KIT	1
L1	6080531	Loctite 243 5g flask VP:	1
L1	2096167	Loctite 243 50ml VP.	1
L9	6080535	Loctite 5203 300ml VP.	1

C1		PLUG	1
C48		cable trumpet 42T P17.1 KIT	1
C6		electrode KIT	1

1A.2	6078307	motor casing 50.13394/1 GG VP.	1
1B.1	6078308	motor casing 50.13392/1 GG VP.	1
1B.2	6078309	motor casing 50.20774 GG VP.	1
1B.3	6078310	motor casing 50.20774 GG VP.	1
1C.1	6078311	motor casing 50.13392/1 GG VP.	1
1C.2	6078312	motor casing 50.20774 GG VP.	1
1C.3	6078313	motor casing 50.20774 GG VP.	1
2		SRDG BALL BEARING 6305 ZZ	1
3	6078160	o-ring ID.62,0x3,0 Viton (3pc)	1
4	6076644	screw M10x40 DIN912 A4-70 (10pcs)	1
5	6078425	shim ring 10x16x1,0 DIN988 A4 (10pc.)	1
9		stator P17.1	1
7A	6078370	rotor D.102,3x367 4/12 1.4021 G VP.	1
10A.1	6078378	bearing housing (Ex design) GG VP.	1
10A.2	6078377	bearing housing (no. Ex design) GG VP.	1
14A		ball bearing 3207 VP.	1

MOTOR PRO P17.1 XB

Item	Article no.	Description	Quantity
17A	6078379	bearing cover D.57H7 6051909 GG VP.	1
7B	6078369	rotor D.102,3x405 4/16 1.4021 G VP.	1
7B	6078368	rotor D.102,3x485 4/24 1.4021 G VP.	1
7B	6078371	rotor D.89,3x405 2/15 1.4021 G VP.	1
7B	6078372	rotor D.89,3x485 2/22 1.4021 G VP.	1
10B.1	6076654	bearing housing (Ex design) GG VP.	1
10B.2	6076655	bearing housing (no. Ex design) GG VP.	1
14B		Ball Bearing 3307 C3 VP.	1
17B	6078380	bearing cover D.57H7 6051830 GG VP.	1
11	6076642	o-ring ID.203,0x3,0 Viton (3pc)	1
12	6076657	electrode rod D.4x53 54.13422 A2 VP.	1
13	6078171	sealing plug 13421 NBR 80 VP.	1
6		washer D.35/45x2,5 DIN988 St	1
8	6078169	circlips 35x1,5 DIN471 FST VP.	1
23	6074895	washer A8,4 DIN125 1.4401 (20pc)	1
24	6076646	screw M8x25 DIN933 A4-70 (10pc)	1
15	6078367	sealing casing D.205g6 6051538 GG SET	1
15.1		> sealing casing D.205g6 6051538 GG	1
15.2	6076642	> o-ring ID.203,0x3,0 Viton (3pc)	1
15.3	6048832	> joint ring A21/26x1,5 DIN7603 PA(10pc)	1
15.4	6067638	> screw plug G1/2 DIN908 A4 (3pcs)	1
16		mechanical shaft seal MG1/30-G60 QPFGG	1
18		pressure ring D.42/30,5x1 6050343 A4	1
19		CIRCLIP 30X1,5 DIN471 1.4122	1
20		MECHANICAL SEAL BT-AR/32 BXPFF	1
21		pressure ring D.44/32,5x1 6050343 A4	1
22		CIRCLIP 32X1,5 DIN471 1.4122	1

name plate information "Rexa" (6200792)

submersible sewage pump

1 2 3 4 5 6 7 8 9 10 11 12 13 14 15 16 17

29

28 P-Typ **PRO V 06 D A - 628 / E A D 2 X 4 - T 0039 - 5 40 - O** 18

M-Typ **P 13.2-11 / EAD2X4-T** **MFY 2013W35**

27 **P₁ 5.50kW** **P₂ 3.90kW** **n 2874 1/min** 19

26 **Q_{max} 45.0m³/h** **H_{max} 60m** **H_{min} 2m** 22

16 **Q_N 26.0l/s** **H_N 30.0m** **SF 1.00/ _{SF} 15.25A** 20

13 **U 400 - 3 V** **I_N 15.25A** **I_{ST} 25.9A** 31

26 **AT Direkt** **OT_S S1** **OT_E S3** 30

13 **f 50 Hz** **IP 68** **cos φ 0.89** **T 40°C** **▽ 20.0m** 21

26 **m 2000 kg** **cl.F** **IM_{org} 122mm** **IM_{kor} 118mm** 30

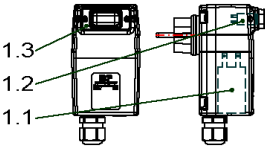
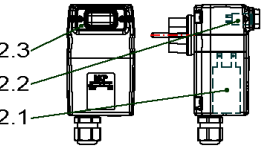
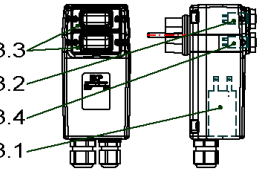
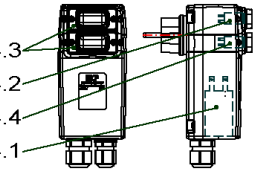
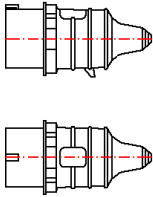
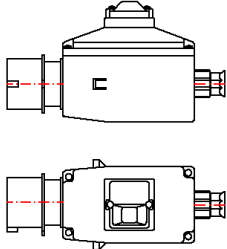
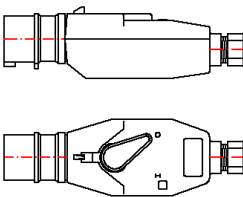
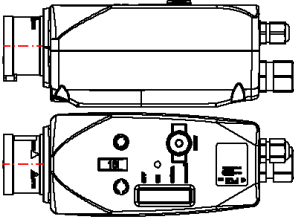
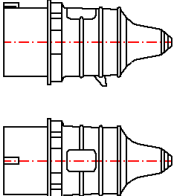
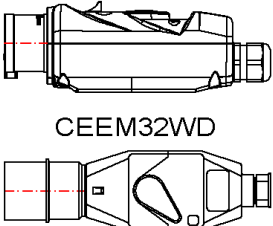
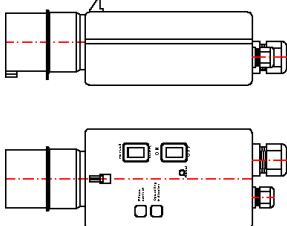
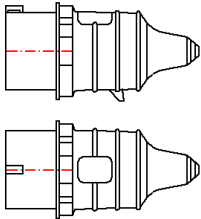
15 **Warning! Nicht in explosionsgefährdeten Bereich öffnen!** **Warning! Do not open in explosion hazardous location!** **Nicht unter Spannung öffnen!** **Do not open when energized!** 21

25 **II 2G Ex d IIB T4Gb** **BSV 11 ATEX E 119 X** **Produced by WILO SE, Hof** **S/N : 650161916** **DIN EN 12050-1/ICE60034-1** 24

23 **Made by Wilo Group in Germany** **WILO SE Nortkirchenstr.100** **44263 Dortmund Germany** **0158** **CE**

name plate information "Rexa" (6200792)

Item	Description	Quantity
1	Series	1
2	Impeller shape	1
3	size of pressure connection	1
4	Hydraulic version	1
5	Material code hydraulics	1
6	Hydraulics definition	1
7	Motor version	1
8	Material code motor	1
9	Seal version	1
10	IE-Efficiency class	1
11	Explosion prevention	1
12	Numbers of pol	1
13	Mains supply M=1~ / T=3~	1
14	/10 = Rated motor power P2 in kW	1
15	Frequency	1
16	Code for rated voltage	1
17	Additional electrical equipment	1
18	Year of manufacture	1
19	speed	1
20	Starting current	1
21	Impeller diameter trimmed	1
22	Rated current	1
23	Impeller diameter	1
24	Serial number	1
25	Insulating class	1
26	Starting type	1
27	Duty data	1
28	Power consumption P1	1
29	Motor data	1
30	operation type: immersed	1
31	operation type: out of water	1

<p>1 MCP 6A-M-H-20μF ~ 230V</p>  <p>$I_N(230V / 50Hz) < 6A = 20\mu F$</p>	<p>2 MCP 10A-M-H-30μF ~ 230V</p>  <p>$I_N(230V / 50Hz) 6-10A = 30\mu F$</p>	<p>3 MCP 6A-M-HA-20μF ~ 230V</p>  <p>$I_N(230V / 50Hz) < 6A = 20\mu F$</p>	<p>4 MCP 10A-M-HA-30μF ~ 230V</p>  <p>$I_N(230V / 50Hz) 6-10A = 30\mu F$</p>
<p>5 CEE16A</p> 	<p>6 CEEM16W</p> 	<p>7 CEEM16WD</p> 	<p>8 MCP T4-HA-ROT-WSK CEE16-5PS</p> 
<p>9 CEE32A</p> 	<p>10 MCP 10-16A-T4-H-ROT CEE32-5PS</p>  <p>CEEM32WD</p>	<p>11 CEEM32WDSHA</p> 	<p>12 CEE63A</p> 

PLUG

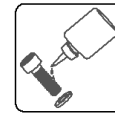
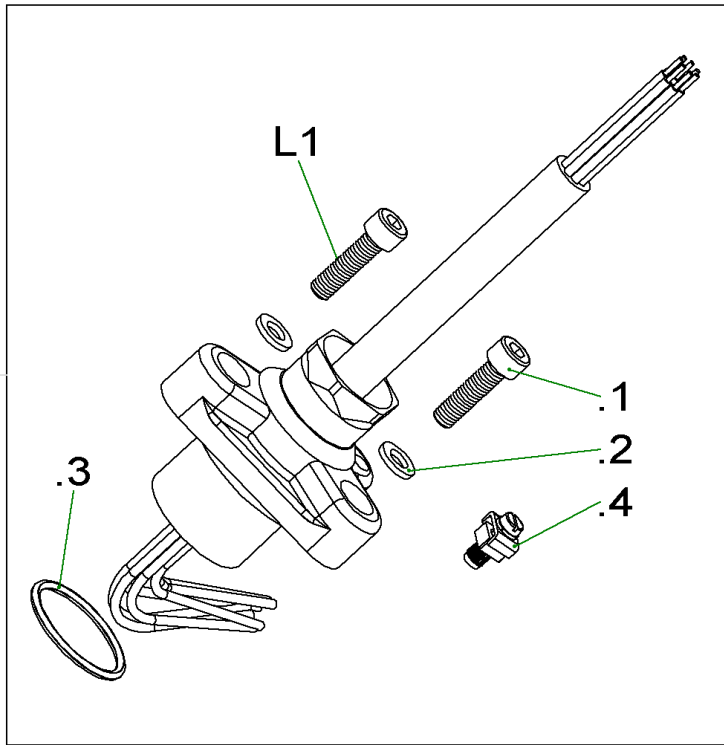
Item	Article no.	Description	Quantity
		IN (230V / 50Hz) <6A - 20μF	
1	6072332	MCP 6A-M-H-20μF-CEE7/7 VP.	1
1.1	6071702	capacitor 400V 20μF MCP VP.	1
1.2	6071704	protection switch 6A MCP VP.	1
1.3	6071707	protecting cap MCP VP.	1
		IN (230V / 50Hz) 6-10A - 30μF	
2	6072330	MCP 10A-M-H-30μF-CEE7/7 VP.	1
2.1	6071703	capacitor 400V 30μF MCP VP.	1
2.2	6071705	protection switch 10A MCP VP.	1
2.3	6071707	protecting cap MCP VP.	1
		IN (230V / 50Hz) <6A - 20μF	
3	6072331	MCP 6A-M-HA-20μF-CEE7/7 VP.	1
3.1	6071702	capacitor 400V 20μF MCP VP.	1
3.2	6071704	protection switch 6A MCP VP.	1
3.3	6071707	protecting cap MCP VP.	2
3.4	6071706	switch on/out MCP VP.	1
		IN (230V / 50Hz) 6-10A - 30μF	
4	6072329	MCP 10A-M-HA-30μF-CEE7/7 VP	1
4.1	6071703	capacitor 400V 30μF MCP VP.	1
4.2	6071705	protection switch 10A MCP VP.	1
4.3	6071707	protecting cap MCP VP.	2
4.4	6071706	switch on/out MCP VP.	1
5	6003000	plug CEE16A/400V 60Hz/5P-11h	1
5	6003248	plug CEE16A/400V/4P-6H	1
5	6003009	plug CEE16A/400V/5P-6H	1
5	6039156	plug CEE16A/400V/5P-6H Phase inverter	1
5	6035231	plug CEE16A/400V/7P-6H	1
5	6003011	plug CEE16A/500V/5P-7H	1
6	6030883	plug MS400V5P CEE16A W 1,0-1,6A	1
6	6030884	plug MS400V5P CEE16A W 1,6-2,5A	1
6	6030888	plug MS400V5P CEE16A W 10,0-16,0A	1
6	6030885	plug MS400V5P CEE16A W 2,5-4,0A	1
6	6030886	plug MS400V5P CEE16A W 4,0-6,3A	1
6	6030887	plug MS400V5P CEE16A W 6,3-10,0A	1

PLUG

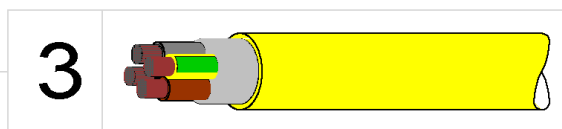
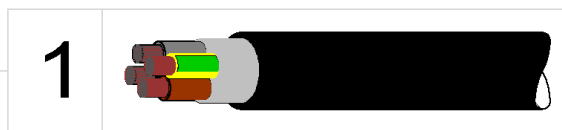
Item	Article no.	Description	Quantity
7	6032446	plug MS400V4P CEE16A WD 1,6-2,5A	1
7	6032447	plug MS400V4P CEE16A WD 12,5-16,0A	1
7	6032295	plug MS400V4P CEE16A WD 2,5-4,0A	1
7	6032289	plug MS400V4P CEE16A WD 4,0-6,3A	1
7	6032292	plug MS400V4P CEE16A WD 6,3-9,0A	1
7	6042190	plug MS400V5P CEE16A WDII 1,6-2,5A	1
7	6042194	plug MS400V5P CEE16A WDII 10,0-16,0A	1
7	6042191	plug MS400V5P CEE16A WDII 2,5-4,0A	1
7	6042192	plug MS400V5P CEE16A WDII 4,0-6,3A	1
7	6042193	plug MS400V5P CEE16A WDII 6,3-10,0A	1
7	6035911	plug MS400V5P CEE16A WD 9,0-12,5A	1
7	6003337	plug MS500V5P CEE16A WD 1,6-2,5A	1
7	6003336	plug MS500V5P CEE16A WD 2,5-4,0A	1
7	6003335	plug MS500V5P CEE16A WD 4,0-6,3A	1
7	6003334	plug MS500V5P CEE16A WD 6,3-9,0A	1
8	6072520	MCP 1,0-1,6A-T4-HA-ROT-WSK-CEE16-5PS VP.	1
8	6072521	MCP 1,6-2,4A-T4-HA-ROT-WSK-CEE16-5PS VP.	1
8	6072522	MCP 2,4-4,0A-T4-HA-ROT-WSK-CEE16-5PS VP.	1
8	6072523	MCP 4,0-6,0A-T4-HA-ROT-WSK-CEE16-5PS VP.	1
8	6072524	MCP 6,0-10A-T4-HA-ROT-WSK-CEE16-5PS VP.	1
8	6072525	MCP 9,0-12A-T4-HA-ROT-WSK-CEE16-5PS VP.	1
8	6072526	MCP 12-16A-T4-HA-ROT-WSK-CEE16-5PS VP.	1
9	6003267	plug CEE32A/400V/4P-6H	1
9	6039155	plug CEE32A/400V/5P-6H Phase inverter	1
9	6035895	plug CEE32A/500V/4P-7H AM-Top	1
9	6003010	plug CEE32A/500V/5P-7H	1
10	6072370	MCP 400V 1,6-2,5A-T4-H-ROT-CEE32-5PS VP.	1
10	6072369	MCP 400V 2,5-4,0A-T4-H-ROT-CEE32-5PS VP.	1
10	6072371	MCP 400V 4,0-6,3A-T4-H-ROT-CEE32-5PS VP.	1
10	6072398	MCP 400V 6,3-10A-T4-H-ROT-CEE32-5PS VP.	1
10	6072519	MCP 400V 10-16A-T4-H-ROT-CEE32-5PS VP.	1
10	6072399	MCP 400V 16-20A-T4-H-ROT-CEE32-5PS VP.	1
10	6072518	MCP 400V 20-25A-T4-H-ROT-CEE32-5PS VP.	1
10	6037649	plug.MS500V4P CEE32A WD 2,5-4,0A	1

PLUG

Item	Article no.	Description	Quantity
10	6041268	plug MS500V4P CEE32A WD 4,0-6,3A	1
10	6035244	plug MS500V5P CEE32A WD 1,6-2,5A	1
10	6034700	plug MS500V5P CEE32A WD 2,5-4,0A	1
10	6041556	plug MS500V5P CEE32A WD 4,0-6,3A	1
10	6002701	plug MS500V5P CEE32A WD 9,0-12,5A	1
10	6002700	plug MS500V5P CEE32A WD 12,5-16,0A	1
11	6003241	plug MS400V5P CEE32A WDSHA 10,0-14,0A	1
11	6003266	plug MS400V5P CEE32A WDSHA 3,7-5,5A	1
11	6003265	plug MS400V5P CEE32A WDSHA 5,5-8,0A	1
11	6003264	plug MS400V5P CEE32A WDSHA 8,0-11,5A	1
12	6003012	plug CEE63A/400V/5P-6H/IP67	1

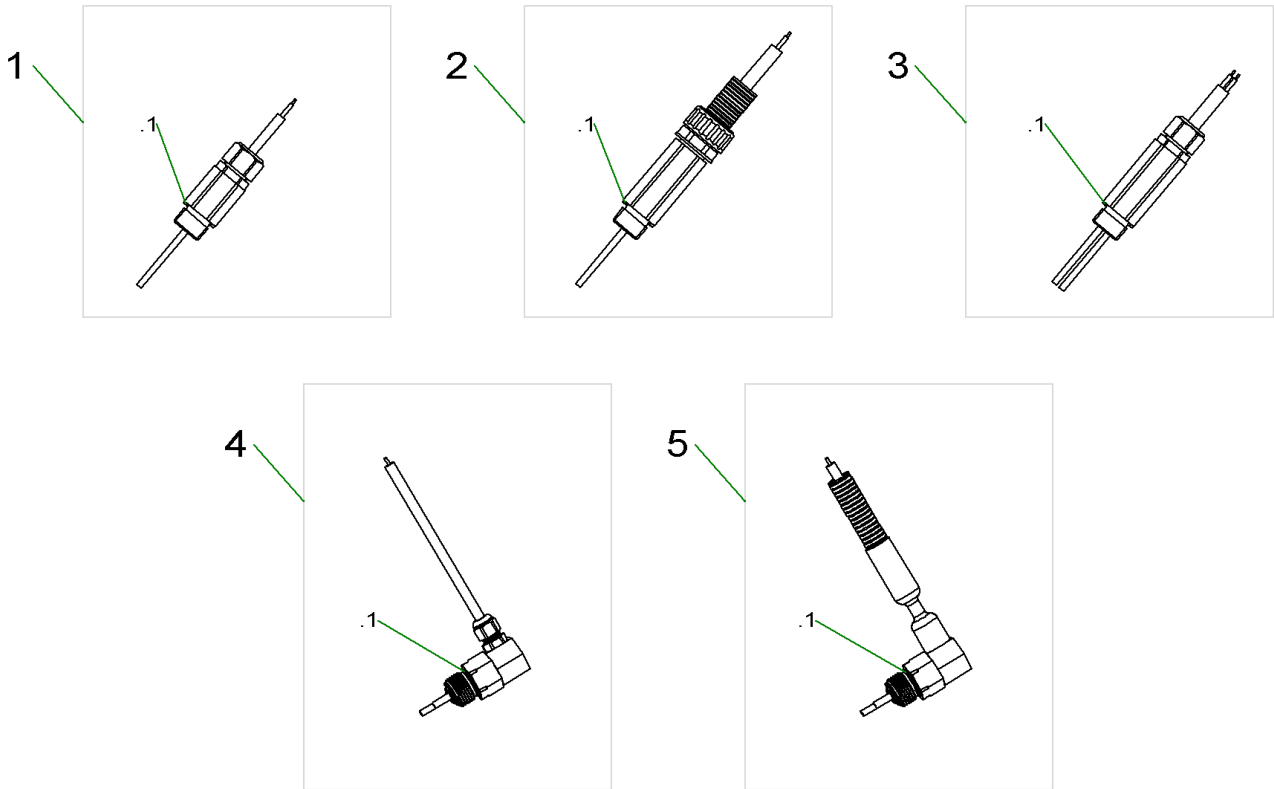


L1



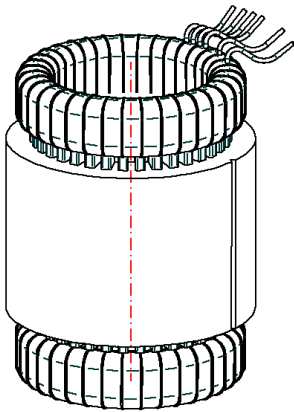
cable trumpet 42T P17.1 KIT

Item	Article no.	Description	Quantity
L1	6080531	Loctite 243 5g flask VP:	1
.1	6078159	screw M8x30 DIN912 A4-70 (10pc)	3
.2	6078161	shim ring 8x14x1,0 DIN988 A2 (10pc)	3
.3	6078162	o-ring ID.40,0x3,0 Viton (3pc)	1
.4	6067407	Barlian bow terminal M5 A2	1
1	6000689	CABLE TRUMPET 42T 10M H07 7G1,5 KIT	1
1	6000691	cable trumpet 42T 20m H07 7G1,5 SET	1
1	6032527	cable trumpet 42T 30m H07 7G1,5 KIT	1
1	6001115	cable trumpet 42T 10m H07 10G1,5 KIT	1
1	6000694	cable trumpet 42T 20m H07 10G1,5 KIT	1
3	6000700	cable trumpet 42T 10m NSS 2x1,5 KIT	1
3	6000702	cable trumpet 42T 20m NSS 2x1,5 KIT	1
3	6061578	cable trumpet 42T 30m NSS 2x1,5 KIT	1
3	6000704	cable trumpet 42T 10m NSS 4x1,5 KIT	1
3	6000706	cable trumpet 42T 20m NSS 4x1,5 KIT	1
3	6019867	cable trumpet 42T 30m NSS 4x1,5 KIT	1
3	6038670	cable trumpet 42T 50m NSS 4x1,5 KIT	1
3	6040496	cable trumpet 42T 60m NSS 4x1,5 KIT	1
3	6000708	cable trumpet 42T 10m NSS 4x2,5 KIT	1
3	6001426	cable trumpet 42T 20m NSS 4x2,5 KIT	1
3	6001428	cable trumpet 42T 10m NSS 4x4 KIT	1
3	6001430	cable trumpet 42T 20m NSS 4x4 KIT	1
3	6075909	cable trumpet 42T 25m NSS 4x4 KIT	1
3		cable trumpet 42T 30m NSS 4x4 KIT	1
3	6072786	cable trumpet 42T 10m NSS 4x6 KIT	1
3	6068990	cable trumpet 42T 20m NSS 4x6 KIT	1
3	6065995	cable trumpet 42T 30m NSS 4x6 KIT	1
3	6040497	cable trumpet 42T 60m NSS 4x6 KIT	1
3	6001432	cable trumpet 42T 10m NSS 7x1,5 KIT	1
3	6001434	cable trumpet 42T 20m NSS 7x1,5 KIT	1
3	6074636	cable trumpet 42T 40m NSS 7x1,5 KIT	1
3	6001436	cable trumpet 42T 10M NSS 7x2,5 KIT	1
3	6001438	cable trumpet 42T 20m NSS 7x2,5 KIT	1



electrode KIT

Item	Article no.	Description	Quantity
.1	6048832	joint ring A21/26x1,5 DIN7603 PA(10pc)	1
1	6042222	pencil electrode G1/2 10m KIT	1
1	6042313	pencil electrode G1/2 15m KIT	1
1	6042223	pencil electrode G1/2 20m KIT	1
1	6061068	pencil electrode G1/2 25KIT	1
1	6061070	pencil electrode G1/2 30m KIT	1
1	6061069	Stabelektrode G1/2 40m SET	1
1	6060956	pencil electrode G1/2 55m KIT	1
2	6042227	pencil electrode G1/2 10m+hose KIT	1
2	6065196	pencil electrode G1/2 15m+hose KIT	1
3	6042229	double pencil electrode G1/2 10m KIT	1
3	6042228	double pencil electrode G1/2 20m KIT	1
3	6063536	double pencil electrode G1/2 40m KIT	1
3	6065157	double pencil electrode G1/2 10m 4*A KIT	1
3	6065156	double pencil electrode G1/2 20m 4*AWKIT	1
4	6068049	elbow pencil electrode G1/2 10m SET	1
4	6068050	elbow pencil electrode G1/2 15m SET	1
4	6075169	elbow pencil electrode G1/2 20m SET	1
5	6068345	elbow pencil electrode G1/2 10m+Schl. KI	1
5	6068346	elbow pencil electrode G1/2 15m+Schl. SE	1

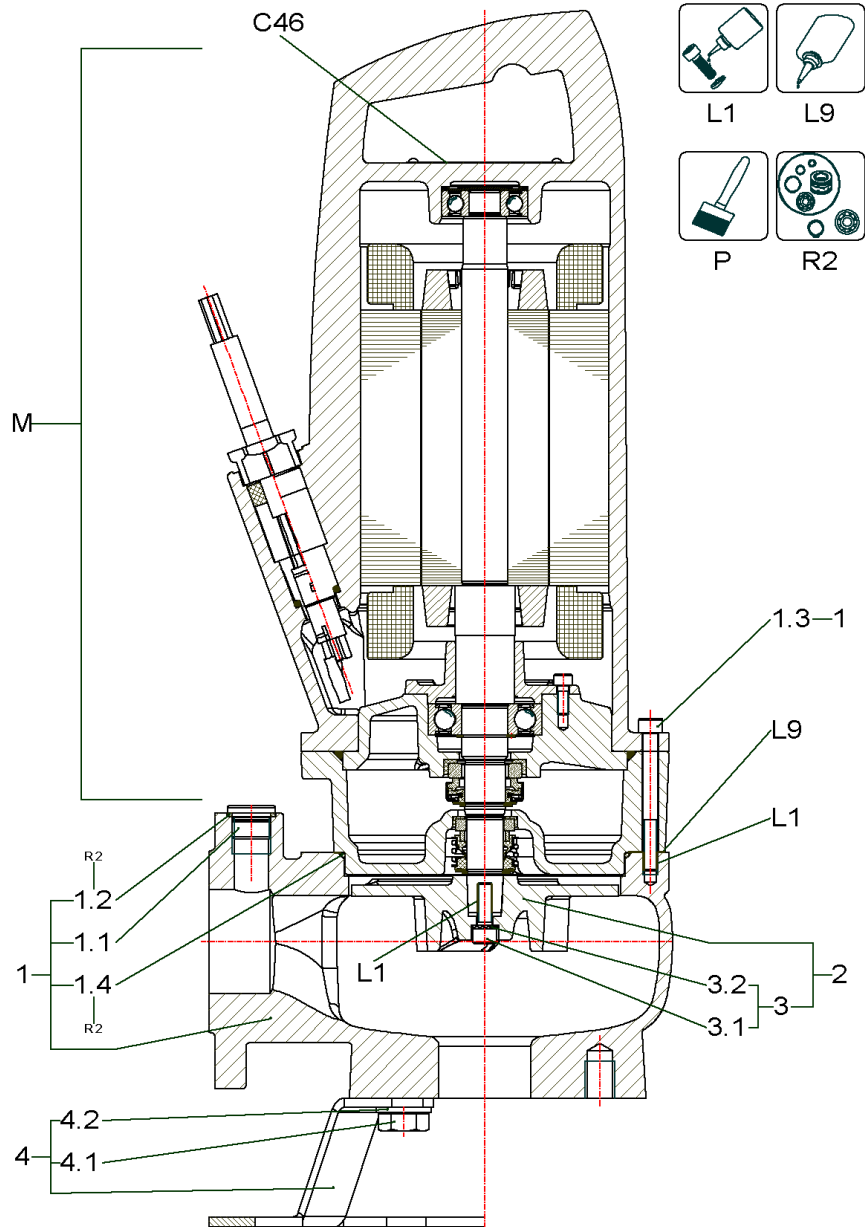


MOTOR, motor, moteur	DOL		Bi 130°+140°	PTC 130°+140°	3~220 50 Hz	3~230 50 Hz	3~380/660V 50Hz	3~400/690V 50Hz	3~415/715V 50Hz	3~500/860V 50Hz	3~380/660 60 Hz	3~400/690 60 Hz	3~440/760V 60Hz	3~460/790V 60Hz	3~480/826V 60Hz	3~230V 60Hz	3~460V 60Hz
	YD																
P17.1-15 . . . 0X2-T	X	X	X				2	2						2	2		
P17.1-22/ . . . 0X2-T	X	X	X				4	4						4	4		
P17.1-8/ . . . 0X4-T	X	X					7	7						7	7		
P17.1-12/ . . . 0X4-T	X	X	X				15	15					15	15	15		
P17.1-12/ . . . 0X4-T	X	X	X				17	17					17	17	17		
P17.1-16/ . . . 0X4-T	X	X	X				19	19	22				19	19	19		
P17.1-16/ . . . 0X4-T	X	X		X			20	20					20	20	20		
P17.1-24/ . . . 0X4-T	X	X	X				27	27					27	27	27		
P17.1-24/ . . . 0X4-T	X	X		X			28	28					28	28	28		

stator P17.1

Item	Article no.	Description	Quantity
2	6077878	Stator T17-2/15 400/690 50Hz VP.	1
4	6077876	Stator T17-2/22 400/690 50Hz VP.	1
7	6077873	Stator T17-4/8 400 50Hz VP.	1
15	6078121	Stator T17-4/12 400 50Hz PTC VP.	1
17	6077896	Stator T17-4/12 400/690 50Hz VP.	1
19	6077894	Stator T17-4/16 400/690 50Hz VP.	1
20	6078122	Stator T17-4/16 400/690 50Hz PTC VP.	1
22	6078131	Stator T17-4/16 415/720 50Hz VP.	1
27	6078126	Stator T17-4/24 400/690 50Hz VP.	1
28	6078125	Stator T17-4/24 400/690 50Hz PTC VP.	1

SUBMERSIBLE SEWAGE PUMP V05-120 UNIT (6065009)



SUBMERSIBLE SEWAGE PUMP V05-120 UNIT (6065009)

Item	Article no.	Description	Quantity
C46		name plate information "Rexa"	1
R2	6065495	Rep.Kit 2 P13.1	1
P	6042254	PAINT SPRAY Pantone334	1
P	6042255	colour 2K-paint IV80 pantone334C 250ml	1
P	6023614	Ceram C0 black 100 ml KIT	1
P	6020579	Ceram C0 black 250 ml KIT	1
P	6023485	Ceram C0 Black 500ml Kit	1
L1	6080531	Loctite 243 5g flask VP:	1
L9	6080535	Loctite 5203 300ml VP.	1

M		MOTOR PRO P13.1 XA	1

1	6065166	pump housing Rexa V05DA-1xx DN50 GG SET	1
1	6065167	pump housing Rexa V05NA-1xx ANSI GG SET	1
1.1		screw plug G1/2 DIN908 A4	1
1.2		joint ring A21/26x1,5 DIN7603 PA(10pc)	1
1.3		screw M8x75 DIN912 A4-70	3
1.4		o-ring ID.150,0x3,0 NBR70	1
2	6065826	impeller Rexa V05xA-122 GG Set SVA	1
2	6065827	impeller Rexa V05xA-124 GG Set SVA	1
2	6065828	impeller Rexa V05xA-126 GG Set SVA	1
3	6067645	impeller fixation 8x25 Geomet KIT	1
3.1		> screw M8x25 DIN912 10.9 Geomet	1
3.2		> screw locking Nord-Lock 13,5/8,7 A4	1
4	6064666	Pump foot DN50/65 KIT	1
4B.1		> screw M16x25 DIN933 A4-70	4
4B.2	6076816	> washer A17 Din125 A4 (20pc)	1
4.1		screw M16x25 DIN933 A4-70	4
4.2	6076816	washer A17 Din125 A4 (20pc)	1

name plate information "Rexa"



submersible sewage pump

1 2 3 4 5 6 7 8 9 10 11 12 13 14 15 16 17

29

28 P-Typ **PRO V 06 D A - 628 / E A D 2 X 4 - T 0039 - 5 40 - O** 18

M-Typ **P 13.2-11 / EAD2X4-T** **MFY 2013W35**

27 **P₁ 5.50kW** **P₂ 3.90kW** **n 2874 1/min** 19

Q_{max} 45.0m³/h **H_{max} 60m** **H_{min} 2m** 22

Q_N 26.0l/s **H_N 30.0m** **SF 1.00/ _{SF} 15.25A**

16 **U 400 - 3 V** **I_N 15.25A** **I_{ST} 25.9A** 20

13 **AT Direkt** **OT_S S1** **OT_E S3** 31

f 50 Hz **IP 68** **cos φ 0.89** **T 40°C** **▽ 20.0m** 30

26 **m 2000 kg** **cl.F** **IM_{org} 122mm** **IM_{kor} 118mm** 30

15 **Warnung! Nicht in explosionsgefährdeten Bereich öffnen!** **Nicht unter Spannung öffnen!** 21
Warning! Do not open in explosion hazardous location! **Do not open when energized!**

II 2G Ex d IIB T4Gb **DIN EN 12050-1/ICE60034-1**

25 **BSV 11 ATEX E 119 X** **S/N : 650161916** 24

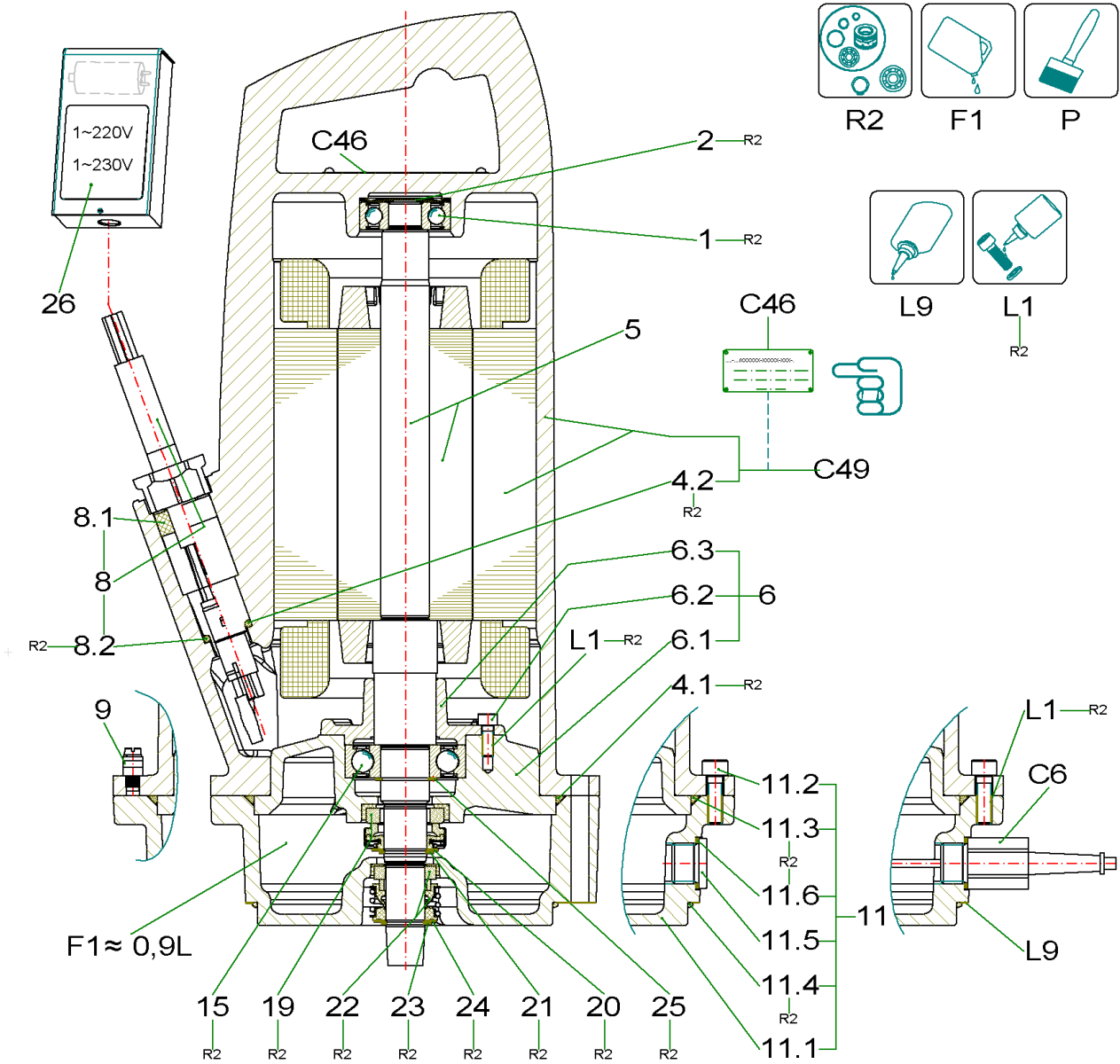
23 **Produced by WILO SE, Hof**

Made by Wilo Group in Germany
 WILO SE Nortkirchenstr.100
 44263 Dortmund Germany

0158 **CE**

name plate information "Rexa"

Item	Description	Quantity
1	Series	1
2	Impeller shape	1
3	size of pressure connection	1
4	Hydraulic version	1
5	Material code hydraulics	1
6	Hydraulics definition	1
7	Motor version	1
8	Material code motor	1
9	Seal version	1
10	IE-Efficiency class	1
11	Explosion prevention	1
12	Numbers of pol	1
13	Mains supply M=1~ / T=3~	1
14	/10 = Rated motor power P2 in kW	1
15	Frequency	1
16	Code for rated voltage	1
17	Additional electrical equipment	1
18	Year of manufacture	1
19	speed	1
20	Starting current	1
21	Impeller diameter trimmed	1
22	Rated current	1
23	Impeller diameter	1
24	Serial number	1
25	Insulating class	1
26	Starting type	1
27	Duty data	1
28	Power consumption P1	1
29	Motor data	1
30	operation type: immersed	1
31	operation type: out of water	1



MOTOR PRO P13.1 XA

Item	Article no.	Description	Quantity
C46		name plate information "Rexa"	1
R2	6065495	Rep.Kit 2 P13.1	1
P	6042254	PAINT SPRAY Pantone334	1
P	6042255	colour 2K-paint IV80 pantone334C 250ml	1
P	6023614	Ceram C0 black 100 ml KIT	1
P	6020579	Ceram C0 black 250 ml KIT	1
P	6023485	Ceram C0 Black 500ml Kit	1
F1	6025460	medical white oil 1L KIT	1
F1	6025461	medical white oil 5L KIT	1
L1	6080531	Loctite 243 5g flask VP:	1
L1	2096167	Loctite 243 50ml VP.	1
L9	6080535	Loctite 5203 300ml VP.	1

C6		electrode KIT	1
C49		stator P13.	1

1		Rep.Kit 2 P13.1	1
Note: für / for / pour 1,1 kW			
1		grooved ball bearing 6303 ZZ	1
Note: für / for / pour 1,5kW + 2,5kW + 3,9kW			
2		wave spring ring D.40 YSSB-0158	1
4.1		o-ring ID.150,0x4,0 NBR70	1
4.2		o-ring ID.18,0x3,5 NBR70	1
5	6067580	rotor S/P13.1-8/EAD0X2-M VP.	1
5	6067579	rotor S/P13.1-8/EAD1X2-T VP.	1
5	6077472	rotor P13.1-9/EAD3X2-T VP.	1
5	6086069	rotor S/P13.1-11/EAD1X2-T VP.	1
5	6077473	rotor P13.1-11/EAD3X2-T VP.	1
5	6067577	rotor S/P13.1-10/EAD1X2-T VP.	1
5	6067578	rotor P13.1-15/EAD1X2-T VP.	1
5	6077474	rotor P13.1-16/EAD3X2-T VP.	1
6	6067403	bearing housing P13.1 6050238 GG KIT	1
6.1		> bearing housing B 6050238 GG	1
6.2		> screw M6x16 ISO4762 A4	3

MOTOR PRO P13.1 XA

Item	Article no.	Description	Quantity
6.3		> bearing cover D.62,2g6 6050240 GG	1
8	6066645	cable trumpet 30T P13 10MH07 7G1,5 KIT	1
8	6066648	REXA PRO cable trumpet 30T P13 20MH07	1
8	6080978	cable trumpet 30T P13 30MH07 7G1,5 KIT	1
8	6081765	cable trumpet 30T P13 40MH07 7G1,5 KIT	1
8.1	6076650	seal ring D.29,5/17x16,5 54.17777 NBR VP	1
8.2		o-ring ID.18,0x3,5 NBR70	1
9	6067407	Barlian bow terminal M5 A2	1
11	6067637	sealing casing P/S13.1 D.152 GG XA SET	1
11.1		> sealing casing D.152g6 6050244 GG	1
11.2	6076892	> screw M8x25 DIN912 A4 (10pc)	1
Note: P13.			
11.2		> screw M8x16 ISO4762 A2-70	6
Note: S13.			
11.3		> o-ring ID.150,0x4,0 HNBR70 green	1
11.4		> o-ring ID.150,0x3,0 HNBR70 green	1
11.5	6067638	> screw plug G1/2 DIN908 A4 (3pcs)	1
11.6	6048832	> joint ring A21/26x1,5 DIN7603 PA(10pc)	1
15		SRDG BALL BEARING 6305 ZZ	1
19		MECHANICAL SEAL BT-AR/22 BXPFF	1
20		pressure ring D.34/22,5x1 6050343 A4	1
21		CIRCLIPS 22x1,2 DIN471 1.4122	1
22		mechanical shaft seal MG1/20-G60 QPFGG	1
23		circlips 20x1,2 DIN471 1.4116	1
24		pressure ring D.32/20,5x1 6050343 A4	1
25		circlips 25x1,2 DIN471 FSt	1
26	6080916	terminal-Box CD35+70MF VP.	1

name plate information "Rexa"



submersible sewage pump

1 2 3 4 5 6 7 8 9 10 11 12 13 14 15 16 17

29

28 P-Typ **PRO V 06 D A - 628 / E A D 2 X 4 - T 0039 - 5 40 - O** 18

M-Typ **P 13.2-11 / EAD2X4-T** **MFY 2013W35**

27 **P₁ 5.50kW** **P₂ 3.90kW** **n 2874 1/min** 19

Q_{max} 45.0m³/h **H_{max} 60m** **H_{min} 2m** 22

Q_N 26.0l/s **H_N 30.0m** **SF 1.00/ _{SF} 15.25A**

16 **U 400 - 3 V** **I_N 15.25A** **I_{ST} 25.9A** 20

13 **AT Direkt** **OT_S S1** **OT_E S3** 31

f 50 Hz **IP 68** **cos p 0.89** **T 40°C** **▽ 20.0m** 30

26 **m 2000 kg** **cl.F** **IM_{org} 122mm** **IM_{kor} 118mm** 21

15 **Warnung! Nicht in explosionsgefährdeten Bereich öffnen!** **Nicht unter Spannung öffnen!** **Warning! Do not open in explosion hazardous location!** **Do not open when energized!** 24

II 2G Ex d IIB T4Gb **DIN EN 12050-1/ICE60034-1**

25 **BSV 11 ATEX E 119 X** **S/N : 650161916**

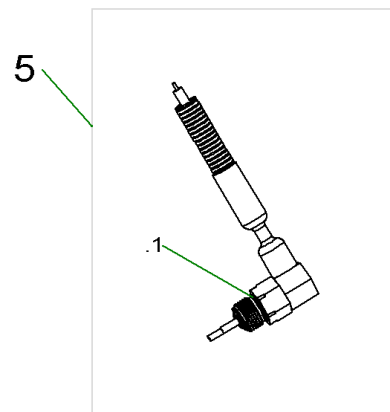
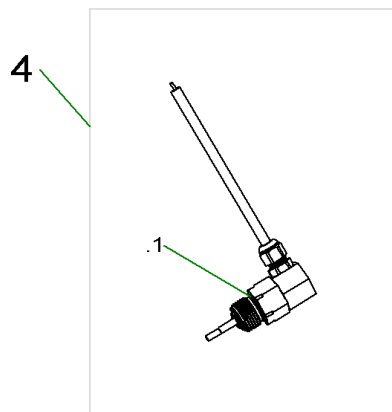
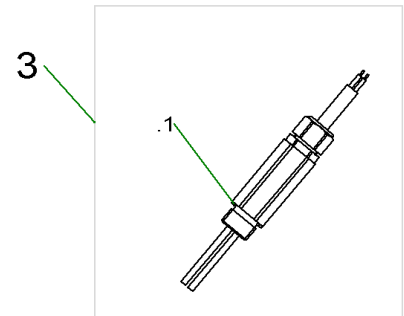
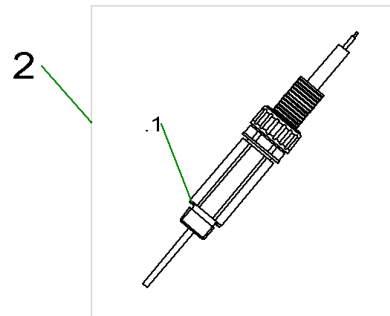
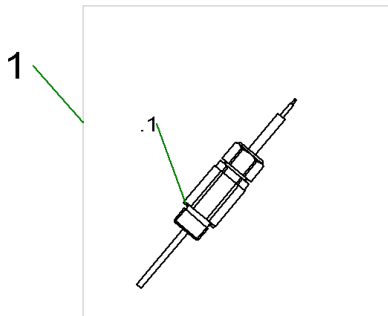
23 **Produced by WILO SE, Hof**

Made by Wilo Group in Germany
 WILO SE Nortkirchenstr.100
 44263 Dortmund Germany

0158 **CE**

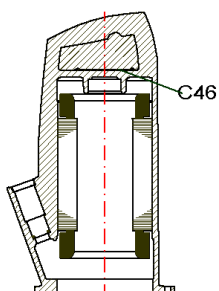
name plate information "Rexa"

Item	Description	Quantity
1	Series	1
2	Impeller shape	1
3	size of pressure connection	1
4	Hydraulic version	1
5	Material code hydraulics	1
6	Hydraulics definition	1
7	Motor version	1
8	Material code motor	1
9	Seal version	1
10	IE-Efficiency class	1
11	Explosion prevention	1
12	Numbers of pol	1
13	Mains supply M=1~ / T=3~	1
14	/10 = Rated motor power P2 in kW	1
15	Frequency	1
16	Code for rated voltage	1
17	Additional electrical equipment	1
18	Year of manufacture	1
19	speed	1
20	Starting current	1
21	Impeller diameter trimmed	1
22	Rated current	1
23	Impeller diameter	1
24	Serial number	1
25	Insulating class	1
26	Starting type	1
27	Duty data	1
28	Power consumption P1	1
29	Motor data	1
30	operation type: immersed	1
31	operation type: out of water	1



electrode KIT

Item	Article no.	Description	Quantity
.1	6048832	joint ring A21/26x1,5 DIN7603 PA(10pc)	1
1	6042222	pencil electrode G1/2 10m KIT	1
1	6042313	pencil electrode G1/2 15m KIT	1
1	6042223	pencil electrode G1/2 20m KIT	1
1	6061068	pencil electrode G1/2 25KIT	1
1	6061070	pencil electrode G1/2 30m KIT	1
1	6061069	Stabelektrode G1/2 40m SET	1
1	6060956	pencil electrode G1/2 55m KIT	1
2	6042227	pencil electrode G1/2 10m+hose KIT	1
2	6065196	pencil electrode G1/2 15m+hose KIT	1
3	6042229	double pencil electrode G1/2 10m KIT	1
3	6042228	double pencil electrode G1/2 20m KIT	1
3	6063536	double pencil electrode G1/2 40m KIT	1
3	6065157	double pencil electrode G1/2 10m 4*A KIT	1
3	6065156	double pencil electrode G1/2 20m 4*AWKIT	1
4	6068049	elbow pencil electrode G1/2 10m SET	1
4	6068050	elbow pencil electrode G1/2 15m SET	1
4	6075169	elbow pencil electrode G1/2 20m SET	1
5	6068345	elbow pencil electrode G1/2 10m+Schl. KI	1
5	6068346	elbow pencil electrode G1/2 15m+Schl. SE	1



Type	Pol.	Power P ₂ kW	IE	DOL / YD	Bi / PTC	1~220V/50Hz	1~230V/50Hz	3~380V/50Hz	3~400V/50Hz	3~415V/50Hz	3~500V/50Hz	3~208V/60Hz	3~220/60Hz	1~230/60Hz	3~230/60Hz	3~380V/60Hz	3~440/60Hz	3~460V/60Hz	3~480/60Hz
P13.	2	1,1	0	DOL	Bi		1						13						
P13.	2	1,1	1	DOL	Bi			2						14			2	2	
P13.	2	1,1	3	DOL	Bi			9									9		
P13.	2	1,2	3	DOL	Bi			9									9		
P13.	2	1,35	3	DOL	Bi			11									11		
P13.	2	1,5	0	DOL	Bi		1						13						
P13.	2	1,5	1	DOL	Bi			2						14			2	2	
P13.	2	1,5	3	DOL	Bi			9									9		
P13.	2	1,65	3	DOL	Bi			10									10		
P13.	2	2,5	1	DOL	Bi			3						15			3		
P13.	2	2,5	3	DOL	Bi			11									11		
P13.	2	3,9	1	DOL	Bi			4						16			4		
P13.	2	3,9	3	DOL	Bi			10									10		
P13.	4	1,1	0	DOL	Bi		6												
P13.	4	1,1	1	DOL	Bi			5						17			5		
P13.	4	1,1	3	DOL	Bi			12									12		
P13.	4	1,25	3	DOL	Bi			12									12		
P13.	4	1,5	0	DOL	Bi		6												
P13.	4	1,5	1	DOL	Bi			5						17			5		
P13.	4	1,5	3	DOL	Bi			12									12		
P13.	4	2,5	1	DOL	Bi			7						18			7		
P13.	4	3,5	0	DOL	Bi			8						19			8		

stator P13.

Item	Article no.	Description	Quantity
C46		name plate information "Rexa" -----	1
1	6070463	stator-unit P13.-2/8 1~ KIT	1
2	6070461	stator-unit P13.-2/8 3~ KIT	1
3	6070465	stator-unit P13.-2/10 3~ KIT	1
4	6070466	stator-unit P13.-2/15 3~ KIT	1
5	6070468	stator-unit P13.-4/10 3~ KIT	1
6	6070470	stator-unit P13.-4/11 1~ KIT	1
7	6070471	stator-unit P13.-4/13 3~ KIT	1
8	6070472	stator-unit P13.-4/16 3~ KIT	1
9	6072170	stator-unit P13.-2/9 3~ KIT	1
10	6072171	stator-unit P13.-2/16 3~ KIT	1
11	6072172	stator-unit P13.-2/11 3~ KIT	1
12	6072173	stator-unit P13.-4/16 3~ KIT	1
13	6076974	stator-unit P13.2/8 1~ KIT	1
14	6076973	stator-unit P13.-2/8 3~ KIT	1
15	6076972	stator-unit P13.-2/10 3~ KIT	1
16	6076971	stator-unit P13.-2/15 3~ KIT	1
17	6076970	stator-unit P13.-4/10 3~ KIT	1
18	6076969	stator-unit P13.-4/14 3~ KIT	1
19	6076968	stator-unit P13.-4/16 3~ KIT	1

name plate information "Rexa"



submersible sewage pump

1 2 3 4 5 6 7 8 9 10 11 12 13 14 15 16 17

29

28 P-Typ **PRO V 06 D A - 628 / E A D 2 X 4 - T 0039 - 5 40 - O** 18

M-Typ **P 13.2-11 / EAD2X4-T** **MFY 2013W35**

27 **P₁ 5.50kW** **P₂ 3.90kW** **n 2874 1/min** 19

Q_{max} 45.0m³/h **H_{max} 60m** **H_{min} 2m** 22

Q_N 26.0l/s **H_N 30.0m** **SF 1.00/ _{SF} 15.25A**

16 **U 400 - 3 V** **I_N 15.25A** **I_{ST} 25.9A** 20

13 **AT Direkt** **OT_S S1** **OT_E S3** 31

f 50 Hz **IP 68** **cos φ 0.89** **T 40°C** **▽ 20.0m** 30

26 **m 2000 kg** **cl.F** **IM_{org} 122mm** **IM_{kor} 118mm** 30

15 **Warnung! Nicht in explosionsgefährdeten Bereich öffnen!** **Nicht unter Spannung öffnen!** 21
Warning! Do not open in explosion hazardous location! **Do not open when energized!**

25 **II 2G Ex d IIB T4Gb** **DIN EN 12050-1/ICE60034-1**

BSV 11 ATEX E 119 X

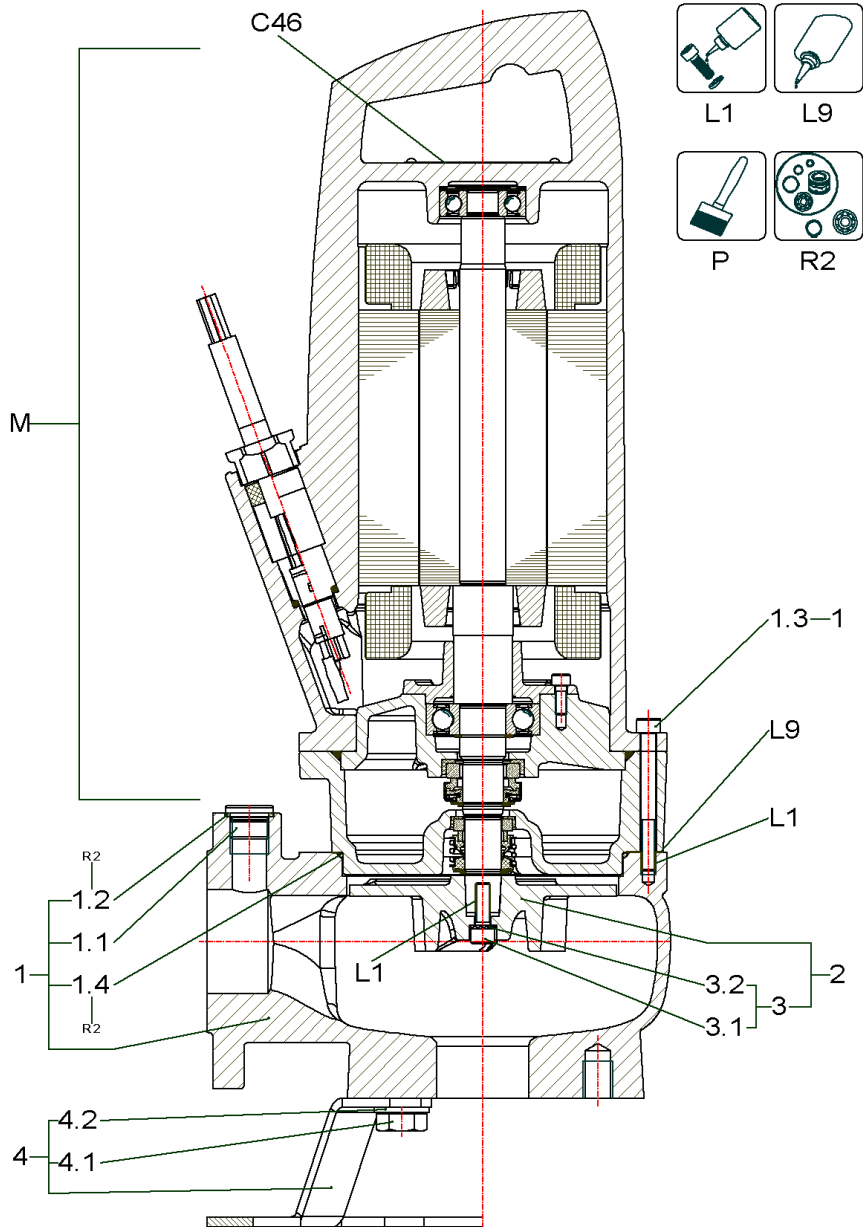
Produced by WILO SE, Hof **S/N : 650161916** 24

23 **Made by Wilo Group in Germany**
WILO SE Nortkirchenstr.100
44263 Dortmund Germany **0158** **CE**

name plate information "Rexa"

Item	Description	Quantity
1	Series	1
2	Impeller shape	1
3	size of pressure connection	1
4	Hydraulic version	1
5	Material code hydraulics	1
6	Hydraulics definition	1
7	Motor version	1
8	Material code motor	1
9	Seal version	1
10	IE-Efficiency class	1
11	Explosion prevention	1
12	Numbers of pol	1
13	Mains supply M=1~ / T=3~	1
14	/10 = Rated motor power P2 in kW	1
15	Frequency	1
16	Code for rated voltage	1
17	Additional electrical equipment	1
18	Year of manufacture	1
19	speed	1
20	Starting current	1
21	Impeller diameter trimmed	1
22	Rated current	1
23	Impeller diameter	1
24	Serial number	1
25	Insulating class	1
26	Starting type	1
27	Duty data	1
28	Power consumption P1	1
29	Motor data	1
30	operation type: immersed	1
31	operation type: out of water	1

SUBMERSIBLE SEWAGE PUMP V05-220 UNIT (6065015)



SUBMERSIBLE SEWAGE PUMP V05-220 UNIT (6065015)

Item	Article no.	Description	Quantity
C46		name plate information "Rexa"	1
R2	6065495	Rep.Kit 2 P13.1	1
P	6042254	PAINT SPRAY Pantone334	1
P	6042255	colour 2K-paint IV80 pantone334C 250ml	1
P	6023614	Ceram C0 black 100 ml KIT	1
P	6020579	Ceram C0 black 250 ml KIT	1
P	6023485	Ceram C0 Black 500ml Kit	1
L1	6080531	Loctite 243 5g flask VP:	1
L9	6080535	Loctite 5203 300ml VP.	1

M		MOTOR PRO P13.1 XA	1

1	6065170	pump housing Rexa V05DA-2xx DN50 GG SET	1
1	6065171	pump housing Rexa V05NA-2xx ANSI GG SET	1
1.1		screw plug G1/2 DIN908 A4	1
1.2		joint ring A21/26x1,5 DIN7603 PA(10pc)	1
1.3		screw M8x75 DIN912 A4-70	3
1.4		o-ring ID.150,0x3,0 NBR70	1
2	6065829	impeller Rexa V05xA-222 GG Set SVA	1
2	6065830	impeller Rexa V05xA-224 GG Set SVA	1
2	6067144	impeller Rexa V05xA-225 GG Set SVA	1
2	6065831	impeller Rexa V05xA-226 GG Set SVA	1
2	6065832	impeller Rexa V05xA-228 GG Set SVA	1
3	6067645	impeller fixation 8x25 Geomet KIT	1
3.1		> screw M8x25 DIN912 10.9 Geomet	1
3.2		> screw locking Nord-Lock 13,5/8,7 A4	1
4	6064666	Pump foot DN50/65 KIT	1
4B.1		> screw M16x25 DIN933 A4-70	4
4B.2	6076816	> washer A17 Din125 A4 (20pc)	1
4.1		screw M16x25 DIN933 A4-70	4
4.2	6076816	washer A17 Din125 A4 (20pc)	1

name plate information "Rexa"

submersible sewage pump

1 2 3 4 5 6 7 8 9 10 11 12 13 14 15 16 17

29

28 P-Typ **PRO V 06 D A - 628 / E A D 2 X 4 - T 0039 - 5 40 - O** 18

M-Typ **P 13.2-11 / EAD2X4-T** **MFY 2013W35**

27 **P₁ 5.50kW** **P₂ 3.90kW** **n 2874 1/min** 19

Q_{max} 45.0m³/h **H_{max} 60m** **H_{min} 2m** 22

Q_N 26.0l/s **H_N 30.0m** **SF 1.00/ _{SF} 15.25A**

16 **U 400 - 3 V** **I_N 15.25A** **I_{ST} 25.9A** 20

13 **AT Direkt** **OT_S S1** **OT_E S3** 31

f 50 Hz **IP 68** **cos φ 0.89** **T 40°C** **▽ 20.0m** 30

26 **m 2000 kg** **cl.F** **IM_{org} 122mm** **IM_{kor} 118mm** 30

15 **Warnung! Nicht in explosionsgefährdeten Bereich öffnen!** **Nicht unter Spannung öffnen!** 21
Warning! Do not open in explosion hazardous location! **Do not open when energized!**

25 **II 2G Ex d IIB T4Gb** **DIN EN 12050-1/ICE60034-1**

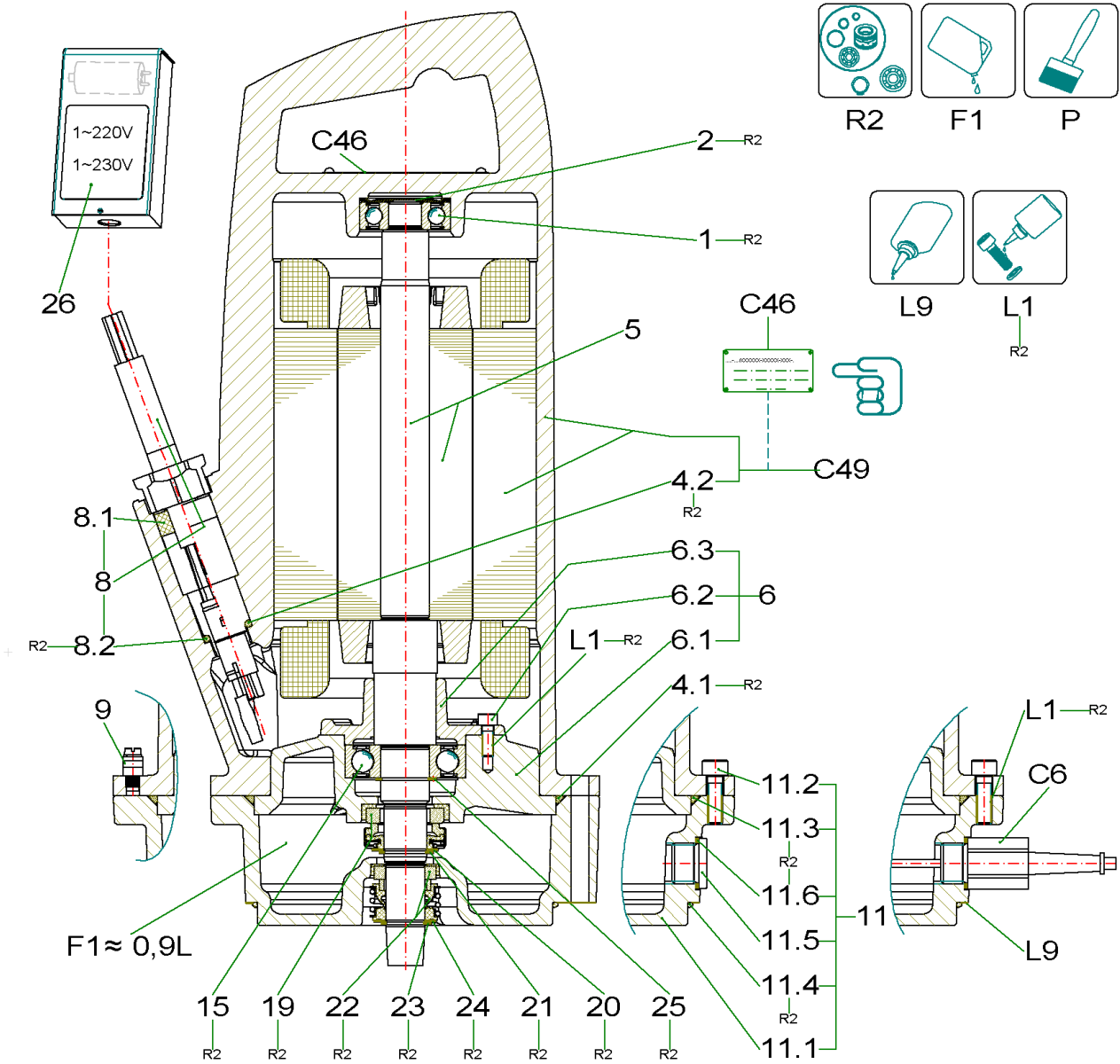
BSV 11 ATEX E 119 X

Produced by WILO SE, Hof **S/N : 650161916** 24

23 **Made by Wilo Group in Germany**
WILO SE Nortkirchenstr.100
44263 Dortmund Germany 0158 **CE**

name plate information "Rexa"

Item	Description	Quantity
1	Series	1
2	Impeller shape	1
3	size of pressure connection	1
4	Hydraulic version	1
5	Material code hydraulics	1
6	Hydraulics definition	1
7	Motor version	1
8	Material code motor	1
9	Seal version	1
10	IE-Efficiency class	1
11	Explosion prevention	1
12	Numbers of pol	1
13	Mains supply M=1~ / T=3~	1
14	/10 = Rated motor power P2 in kW	1
15	Frequency	1
16	Code for rated voltage	1
17	Additional electrical equipment	1
18	Year of manufacture	1
19	speed	1
20	Starting current	1
21	Impeller diameter trimmed	1
22	Rated current	1
23	Impeller diameter	1
24	Serial number	1
25	Insulating class	1
26	Starting type	1
27	Duty data	1
28	Power consumption P1	1
29	Motor data	1
30	operation type: immersed	1
31	operation type: out of water	1



MOTOR PRO P13.1 XA

Item	Article no.	Description	Quantity
C46		name plate information "Rexa"	1
R2	6065495	Rep.Kit 2 P13.1	1
P	6042254	PAINT SPRAY Pantone334	1
P	6042255	colour 2K-paint IV80 pantone334C 250ml	1
P	6023614	Ceram C0 black 100 ml KIT	1
P	6020579	Ceram C0 black 250 ml KIT	1
P	6023485	Ceram C0 Black 500ml Kit	1
F1	6025460	medical white oil 1L KIT	1
F1	6025461	medical white oil 5L KIT	1
L1	6080531	Loctite 243 5g flask VP:	1
L1	2096167	Loctite 243 50ml VP.	1
L9	6080535	Loctite 5203 300ml VP.	1

C6		electrode KIT	1
C49		stator P13.	1

1		Rep.Kit 2 P13.1	1
Note: für / for / pour 1,1 kW			
1		grooved ball bearing 6303 ZZ	1
Note: für / for / pour 1,5kW + 2,5kW + 3,9kW			
2		wave spring ring D.40 YSSB-0158	1
4.1		o-ring ID.150,0x4,0 NBR70	1
4.2		o-ring ID.18,0x3,5 NBR70	1
5	6067580	rotor S/P13.1-8/EAD0X2-M VP.	1
5	6067579	rotor S/P13.1-8/EAD1X2-T VP.	1
5	6077472	rotor P13.1-9/EAD3X2-T VP.	1
5	6086069	rotor S/P13.1-11/EAD1X2-T VP.	1
5	6077473	rotor P13.1-11/EAD3X2-T VP.	1
5	6067577	rotor S/P13.1-10/EAD1X2-T VP.	1
5	6067578	rotor P13.1-15/EAD1X2-T VP.	1
5	6077474	rotor P13.1-16/EAD3X2-T VP.	1
6	6067403	bearing housing P13.1 6050238 GG KIT	1
6.1		> bearing housing B 6050238 GG	1
6.2		> screw M6x16 ISO4762 A4	3

MOTOR PRO P13.1 XA

Item	Article no.	Description	Quantity
6.3		> bearing cover D.62,2g6 6050240 GG	1
8	6066645	cable trumpet 30T P13 10MH07 7G1,5 KIT	1
8	6066648	REXA PRO cable trumpet 30T P13 20MH07	1
8	6080978	cable trumpet 30T P13 30MH07 7G1,5 KIT	1
8	6081765	cable trumpet 30T P13 40MH07 7G1,5 KIT	1
8.1	6076650	seal ring D.29,5/17x16,5 54.17777 NBR VP	1
8.2		o-ring ID.18,0x3,5 NBR70	1
9	6067407	Barlian bow terminal M5 A2	1
11	6067637	sealing casing P/S13.1 D.152 GG XA SET	1
11.1		> sealing casing D.152g6 6050244 GG	1
11.2	6076892	> screw M8x25 DIN912 A4 (10pc)	1
Note: P13.			
11.2		> screw M8x16 ISO4762 A2-70	6
Note: S13.			
11.3		> o-ring ID.150,0x4,0 HNBR70 green	1
11.4		> o-ring ID.150,0x3,0 HNBR70 green	1
11.5	6067638	> screw plug G1/2 DIN908 A4 (3pcs)	1
11.6	6048832	> joint ring A21/26x1,5 DIN7603 PA(10pc)	1
15		SRDG BALL BEARING 6305 ZZ	1
19		MECHANICAL SEAL BT-AR/22 BXPFF	1
20		pressure ring D.34/22,5x1 6050343 A4	1
21		CIRCLIPS 22x1,2 DIN471 1.4122	1
22		mechanical shaft seal MG1/20-G60 QPFGG	1
23		circlips 20x1,2 DIN471 1.4116	1
24		pressure ring D.32/20,5x1 6050343 A4	1
25		circlips 25x1,2 DIN471 FSt	1
26	6080916	terminal-Box CD35+70MF VP.	1

name plate information "Rexa"



submersible sewage pump

1 2 3 4 5 6 7 8 9 10 11 12 13 14 15 16 17

29

28 P-Typ **PRO V 06 D A - 628 / E A D 2 X 4 - T 0039 - 5 40 - O** 18

M-Typ **P 13.2-11 / EAD2X4-T** **MFY 2013W35**

27 **P₁ 5.50kW** **P₂ 3.90kW** **n 2874 1/min** 19

Q_{max} 45.0m³/h **H_{max} 60m** **H_{min} 2m** 22

Q_N 26.0l/s **H_N 30.0m** **SF 1.00/ _{SF} 15.25A**

16 **U 400 - 3 V** **I_N 15.25A** **I_{ST} 25.9A** 20

13 **AT Direkt** **OT_S S1** **OT_E S3** 31

f 50 Hz **IP 68** **cos φ 0.89** **T 40°C** **▽ 20.0m** 30

26 **m 2000 kg** **cl.F** **IM_{org} 122mm** **IM_{kor} 118mm** 30

15 **Warnung! Nicht in explosionsgefährdeten Bereich öffnen!** **Nicht unter Spannung öffnen!** 21
Warning! Do not open in explosion hazardous location! **Do not open when energized!**

25 **II 2G Ex d IIB T4Gb** **DIN EN 12050-1/ICE60034-1**

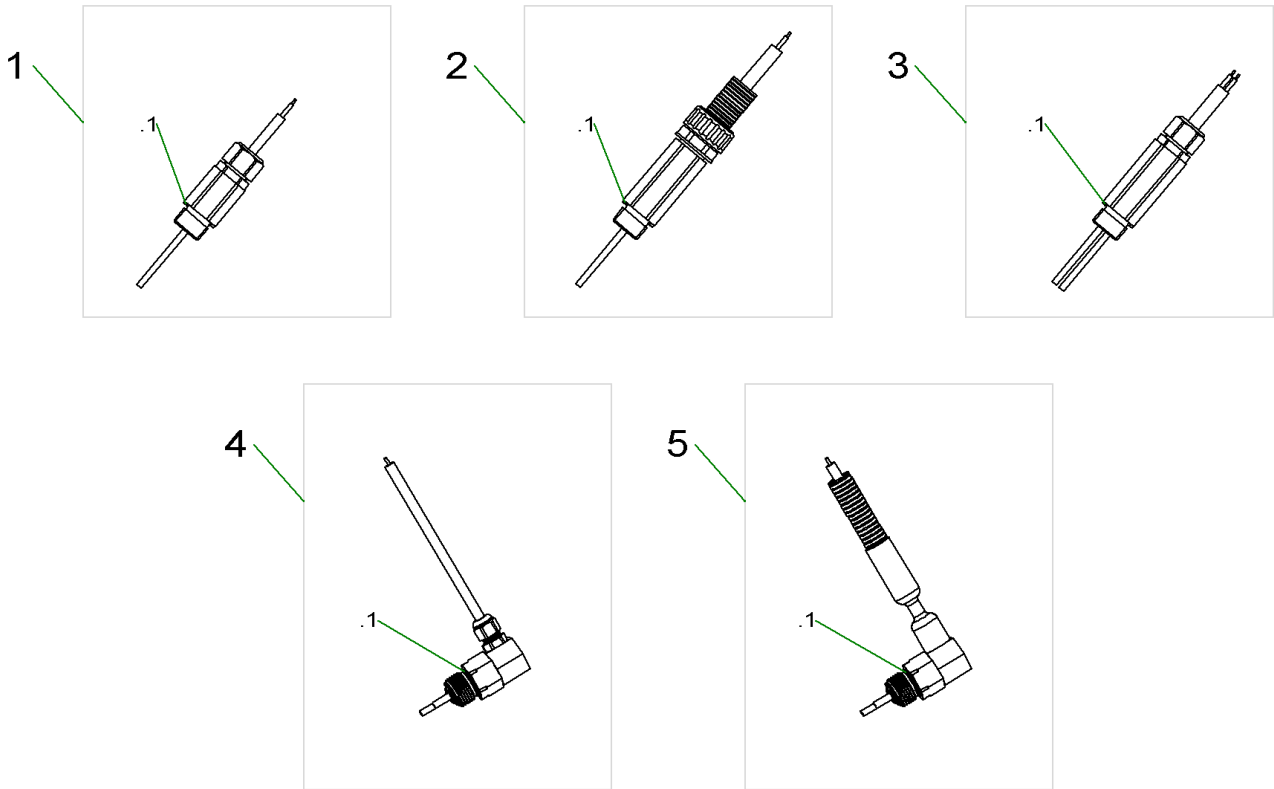
BSV 11 ATEX E 119 X

Produced by WILO SE, Hof **S/N : 650161916** 24

23 **Made by Wilo Group in Germany**
WILO SE Nortkirchenstr.100
44263 Dortmund Germany **0158** **CE**

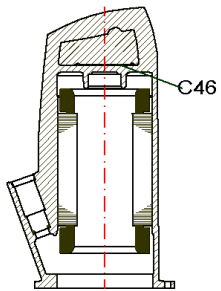
name plate information "Rexa"

Item	Description	Quantity
1	Series	1
2	Impeller shape	1
3	size of pressure connection	1
4	Hydraulic version	1
5	Material code hydraulics	1
6	Hydraulics definition	1
7	Motor version	1
8	Material code motor	1
9	Seal version	1
10	IE-Efficiency class	1
11	Explosion prevention	1
12	Numbers of pol	1
13	Mains supply M=1~ / T=3~	1
14	/10 = Rated motor power P2 in kW	1
15	Frequency	1
16	Code for rated voltage	1
17	Additional electrical equipment	1
18	Year of manufacture	1
19	speed	1
20	Starting current	1
21	Impeller diameter trimmed	1
22	Rated current	1
23	Impeller diameter	1
24	Serial number	1
25	Insulating class	1
26	Starting type	1
27	Duty data	1
28	Power consumption P1	1
29	Motor data	1
30	operation type: immersed	1
31	operation type: out of water	1



electrode KIT

Item	Article no.	Description	Quantity
.1	6048832	joint ring A21/26x1,5 DIN7603 PA(10pc)	1
1	6042222	pencil electrode G1/2 10m KIT	1
1	6042313	pencil electrode G1/2 15m KIT	1
1	6042223	pencil electrode G1/2 20m KIT	1
1	6061068	pencil electrode G1/2 25KIT	1
1	6061070	pencil electrode G1/2 30m KIT	1
1	6061069	Stabelektrode G1/2 40m SET	1
1	6060956	pencil electrode G1/2 55m KIT	1
2	6042227	pencil electrode G1/2 10m+hose KIT	1
2	6065196	pencil electrode G1/2 15m+hose KIT	1
3	6042229	double pencil electrode G1/2 10m KIT	1
3	6042228	double pencil electrode G1/2 20m KIT	1
3	6063536	double pencil electrode G1/2 40m KIT	1
3	6065157	double pencil electrode G1/2 10m 4*A KIT	1
3	6065156	double pencil electrode G1/2 20m 4*AWKIT	1
4	6068049	elbow pencil electrode G1/2 10m SET	1
4	6068050	elbow pencil electrode G1/2 15m SET	1
4	6075169	elbow pencil electrode G1/2 20m SET	1
5	6068345	elbow pencil electrode G1/2 10m+Schl. KI	1
5	6068346	elbow pencil electrode G1/2 15m+Schl. SE	1



Type	Pol.	Power P ₂ kW	IE	DOL / YD	Bi / PTC	1~220V/50Hz	1~230V/50Hz	3~380V/50Hz	3~400V/50Hz	3~415V/50Hz	3~500V/50Hz	3~208V/60Hz	3~220/60Hz	1~230/60Hz	3~230/60Hz	3~380V/60Hz	3~440/60Hz	3~460V/60Hz	3~480/60Hz	
P13.	2	1,1	0	DOL	Bi		1						13							
P13.	2	1,1	1	DOL	Bi			2						14				2	2	
P13.	2	1,1	3	DOL	Bi			9										9		
P13.	2	1,2	3	DOL	Bi			9										9		
P13.	2	1,35	3	DOL	Bi			11										11		
P13.	2	1,5	0	DOL	Bi		1						13							
P13.	2	1,5	1	DOL	Bi			2						14				2	2	
P13.	2	1,5	3	DOL	Bi			9										9		
P13.	2	1,65	3	DOL	Bi			10										10		
P13.	2	2,5	1	DOL	Bi			3						15				3		
P13.	2	2,5	3	DOL	Bi			11										11		
P13.	2	3,9	1	DOL	Bi			4						16				4		
P13.	2	3,9	3	DOL	Bi			10										10		
P13.	4	1,1	0	DOL	Bi		6													
P13.	4	1,1	1	DOL	Bi			5						17				5		
P13.	4	1,1	3	DOL	Bi			12										12		
P13.	4	1,25	3	DOL	Bi			12										12		
P13.	4	1,5	0	DOL	Bi		6													
P13.	4	1,5	1	DOL	Bi			5						17				5		
P13.	4	1,5	3	DOL	Bi			12										12		
P13.	4	2,5	1	DOL	Bi			7						18				7		
P13.	4	3,5	0	DOL	Bi			8						19				8		

stator P13.

Item	Article no.	Description	Quantity
C46		name plate information "Rexa" -----	1
1	6070463	stator-unit P13.-2/8 1~ KIT	1
2	6070461	stator-unit P13.-2/8 3~ KIT	1
3	6070465	stator-unit P13.-2/10 3~ KIT	1
4	6070466	stator-unit P13.-2/15 3~ KIT	1
5	6070468	stator-unit P13.-4/10 3~ KIT	1
6	6070470	stator-unit P13.-4/11 1~ KIT	1
7	6070471	stator-unit P13.-4/13 3~ KIT	1
8	6070472	stator-unit P13.-4/16 3~ KIT	1
9	6072170	stator-unit P13.-2/9 3~ KIT	1
10	6072171	stator-unit P13.-2/16 3~ KIT	1
11	6072172	stator-unit P13.-2/11 3~ KIT	1
12	6072173	stator-unit P13.-4/16 3~ KIT	1
13	6076974	stator-unit P13.2/8 1~ KIT	1
14	6076973	stator-unit P13.-2/8 3~ KIT	1
15	6076972	stator-unit P13.-2/10 3~ KIT	1
16	6076971	stator-unit P13.-2/15 3~ KIT	1
17	6076970	stator-unit P13.-4/10 3~ KIT	1
18	6076969	stator-unit P13.-4/14 3~ KIT	1
19	6076968	stator-unit P13.-4/16 3~ KIT	1

name plate information "Rexa"

submersible sewage pump

1 2 3 4 5 6 7 8 9 10 11 12 13 14 15 16 17

29

28 P-Typ **PRO V 06 D A - 628 / E A D 2 X 4 - T 0039 - 5 40 - O** 18

M-Typ **P 13.2-11 / EAD2X4-T** **MFY 2013W35**

27 **P₁ 5.50kW** **P₂ 3.90kW** **n 2874 1/min** 19

Q_{max} 45.0m³/h **H_{max} 60m** **H_{min} 2m** 22

Q_N 26.0l/s **H_N 30.0m** **SF 1.00/ _{SF} 15.25A**

16 **U 400 - 3 V** **I_N 15.25A** **I_{ST} 25.9A** 20

13 **AT Direkt** **OT_S S1** **OT_E S3** 31

f 50 Hz **IP 68** **cos p 0.89** **T 40°C** **▽ 20.0m** 30

26 **m 2000 kg** **cl.F** **IM_{org} 122mm** **IM_{kor} 118mm** 30

15 **Warnung! Nicht in explosionsgefährdeten Bereich öffnen!** **Nicht unter Spannung öffnen!** 21
Warning! Do not open in explosion hazardous location! **Do not open when energized!**

25 **II 2G Ex d IIB T4Gb** **DIN EN 12050-1/ICE60034-1**

BSV 11 ATEX E 119 X

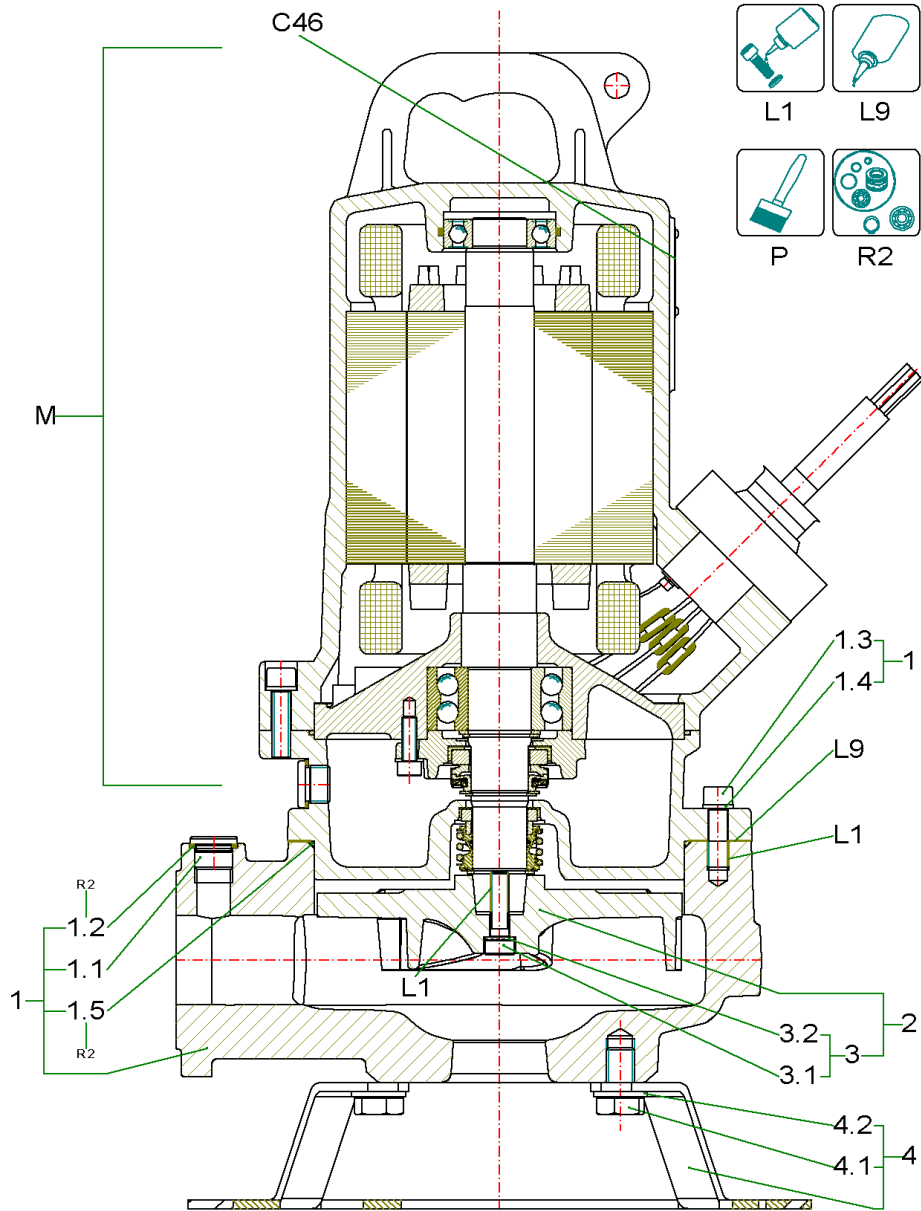
Produced by WILO SE, Hof **S/N : 650161916** 24

23 **Made by Wilo Group in Germany**
WILO SE Nortkirchenstr.100
44263 Dortmund Germany 0158

name plate information "Rexa"

Item	Description	Quantity
1	Series	1
2	Impeller shape	1
3	size of pressure connection	1
4	Hydraulic version	1
5	Material code hydraulics	1
6	Hydraulics definition	1
7	Motor version	1
8	Material code motor	1
9	Seal version	1
10	IE-Efficiency class	1
11	Explosion prevention	1
12	Numbers of pol	1
13	Mains supply M=1~ / T=3~	1
14	/10 = Rated motor power P2 in kW	1
15	Frequency	1
16	Code for rated voltage	1
17	Additional electrical equipment	1
18	Year of manufacture	1
19	speed	1
20	Starting current	1
21	Impeller diameter trimmed	1
22	Rated current	1
23	Impeller diameter	1
24	Serial number	1
25	Insulating class	1
26	Starting type	1
27	Duty data	1
28	Power consumption P1	1
29	Motor data	1
30	operation type: immersed	1
31	operation type: out of water	1

SUBMERSIBLE SEWAGE PUMP V05-320 UNIT (6081750)



SUBMERSIBLE SEWAGE PUMP V05-320 UNIT (6081750)

Item	Article no.	Description	Quantity
C46		name plate information "Rexa"	1
R2	6078365	Rep.Kit 2 P17.1-15-24	1
F1	6025461	medical white oil 5L KIT	1
P	6042254	PAINT SPRAY Pantone334	1
P	6042255	colour 2K-paint IV80 pantone334C 250ml	1
P	6023614	Ceram C0 black 100 ml KIT	1
P	6020579	Ceram C0 black 250 ml KIT	1
P	6023485	Ceram C0 Black 500ml Kit	1
L1	6080531	Loctite 243 5g flask VP:	1
L9	6080535	Loctite 5203 300ml VP.	1

M		MOTOR PRO P17.1 XB	1

1	6083599	pump housing Rexa V05DA-3xx DN50 GG SET	1
1	6083600	pump housing Rexa V05NA-3xx ANSI GG SET	1
1.1	6067638	screw plug G1/2 DIN908 A4 (3pcs)	1
1.2	6048832	joint ring A21/26x1,5 DIN7603 PA(10pc)	1
1.3		screw M12x35 DIN912 A4	3
1.4		washer A13 DIN125 A4 (20pc)	1
1.5		o-ring ID.203,0x3,0 NBR70	1
2	6083473	impeller Rexa V05xA-323 GG Set SVA	1
2	6083474	impeller Rexa V05xA-324 GG Set SVA	1
2	6083475	impeller Rexa V05xA-325 GG Set SVA	1
2	6083476	impeller Rexa V05xA-326 GG Set SVA	1
2	6083477	impeller Rexa V05xA-328 GG Set SVA	1
3	6067646	impeller fixation 10x35 Geomet KIT	1
3.1		> screw M10x35 DIN912 10.9 Geomet	1
3.2		> SCREW LOCKING NORD-LOCK 16/10,7 A4	1
4	6064666	Pump foot DN50/65 KIT	1
4B.1		> screw M16x25 DIN933 A4-70	4
4B.2	6076816	> washer A17 Din125 A4 (20pc)	1
4.1		SCREW M16X25 ISO4017 A2-70	4
4.2		WASHER A17 DIN125 200HV A2	4
4	6077593	Pump foot DN50/65 1.4571 KIT	1

SUBMERSIBLE SEWAGE PUMP V05-320 UNIT (6081750)

Item	Article no.	Description	Quantity
4.1		screw M16x25 DIN933 A4-70	4
4.2	6076816	washer A17 Din125 A4 (20pc)	1

name plate information "Rexa"

submersible sewage pump

1 2 3 4 5 6 7 8 9 10 11 12 13 14 15 16 17

29

28 P-Typ **PRO V 06 D A - 628 / E A D 2 X 4 - T 0039 - 5 40 - O** 18

M-Typ **P 13.2-11 / EAD2X4-T** **MFY 2013W35**

27 **P₁ 5.50kW** **P₂ 3.90kW** **n 2874 1/min** 19

Q_{max} 45.0m³/h **H_{max} 60m** **H_{min} 2m** 22

Q_N 26.0l/s **H_N 30.0m** **SF 1.00/ _{SF} 15.25A**

16 **U 400 - 3 V** **I_N 15.25A** **I_{ST} 25.9A** 20

13 **AT Direkt** **OT_S S1** **OT_E S3** 31

f 50 Hz **IP 68** **cos φ 0.89** **T 40°C** **▽ 20.0m** 30

26 **m 2000 kg** **cl.F** **IM_{org} 122mm** **IM_{kor} 118mm** 30

15 **Warnung! Nicht in explosionsgefährdeten Bereich öffnen!** **Nicht unter Spannung öffnen!** 21
Warning! Do not open in explosion hazardous location! **Do not open when energized!**

25 **II 2G Ex d IIB T4Gb** **DIN EN 12050-1/ICE60034-1**

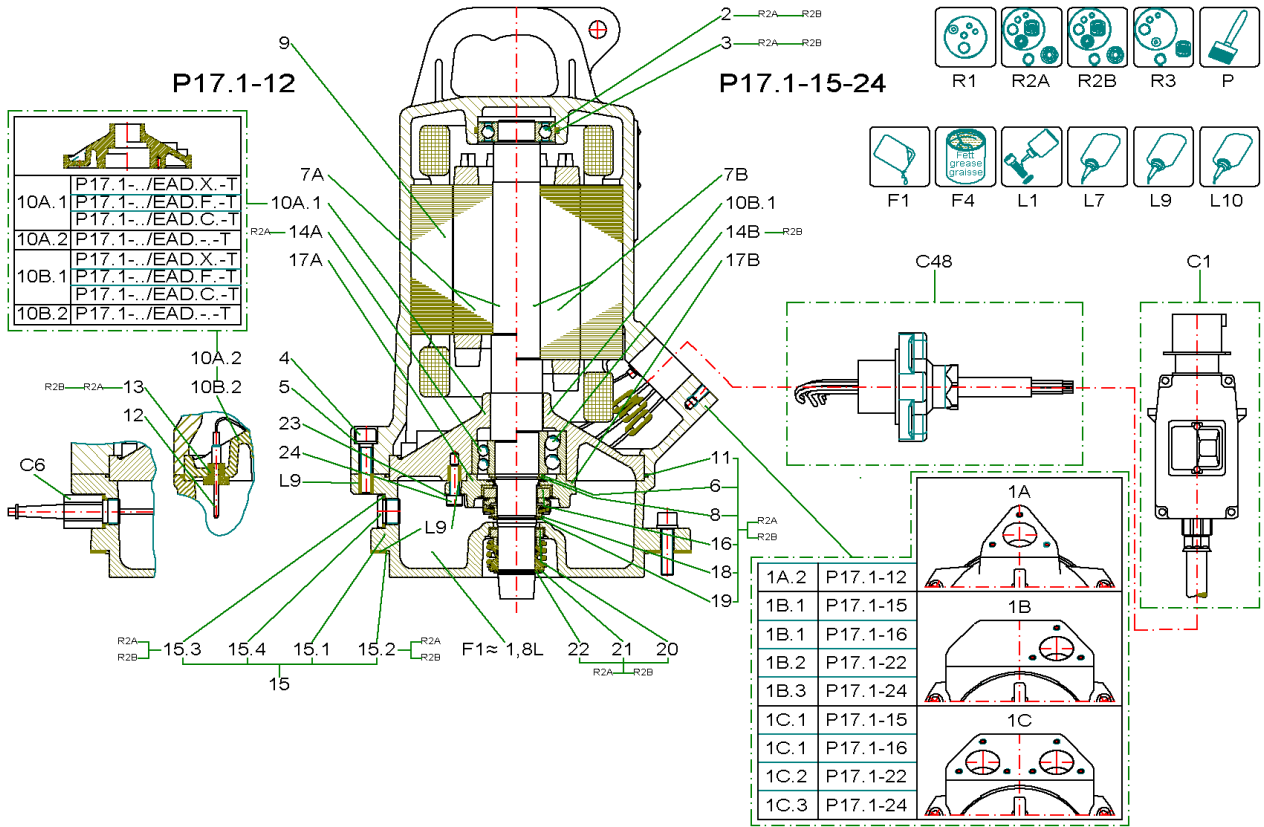
BSV 11 ATEX E 119 X

Produced by WILO SE, Hof **S/N : 650161916** 24

23 **Made by Wilo Group in Germany**
WILO SE Nortkirchenstr.100
44263 Dortmund Germany 0158

name plate information "Rexa"

Item	Description	Quantity
1	Series	1
2	Impeller shape	1
3	size of pressure connection	1
4	Hydraulic version	1
5	Material code hydraulics	1
6	Hydraulics definition	1
7	Motor version	1
8	Material code motor	1
9	Seal version	1
10	IE-Efficiency class	1
11	Explosion prevention	1
12	Numbers of pol	1
13	Mains supply M=1~ / T=3~	1
14	/10 = Rated motor power P2 in kW	1
15	Frequency	1
16	Code for rated voltage	1
17	Additional electrical equipment	1
18	Year of manufacture	1
19	speed	1
20	Starting current	1
21	Impeller diameter trimmed	1
22	Rated current	1
23	Impeller diameter	1
24	Serial number	1
25	Insulating class	1
26	Starting type	1
27	Duty data	1
28	Power consumption P1	1
29	Motor data	1
30	operation type: immersed	1
31	operation type: out of water	1



MOTOR PRO P17.1 XB

Item	Article no.	Description	Quantity
C46	6200792	name plate information "Rexa"	1
R2	6078364	Rep.Kit 2 P17.1-12	1
R2	6078365	Rep.Kit 2 P17.1-15-24	1
P	6042254	PAINT SPRAY Pantone334	1
P	6042255	colour 2K-paint IV80 pantone334C 250ml	1
P	6023614	Ceram C0 black 100 ml KIT	1
P	6020579	Ceram C0 black 250 ml KIT	1
P	6023485	Ceram C0 Black 500ml Kit	1
F1	6025460	medical white oil 1L KIT	1
F1	6025461	medical white oil 5L KIT	1
L1	6080531	Loctite 243 5g flask VP:	1
L1	2096167	Loctite 243 50ml VP.	1
L9	6080535	Loctite 5203 300ml VP.	1

C1		PLUG	1
C48		cable trumpet 42T P17.1 KIT	1
C6		electrode KIT	1

1A.2	6078307	motor casing 50.13394/1 GG VP.	1
1B.1	6078308	motor casing 50.13392/1 GG VP.	1
1B.2	6078309	motor casing 50.20774 GG VP.	1
1B.3	6078310	motor casing 50.20774 GG VP.	1
1C.1	6078311	motor casing 50.13392/1 GG VP.	1
1C.2	6078312	motor casing 50.20774 GG VP.	1
1C.3	6078313	motor casing 50.20774 GG VP.	1
2		SRDG BALL BEARING 6305 ZZ	1
3	6078160	o-ring ID.62,0x3,0 Viton (3pc)	1
4	6076644	screw M10x40 DIN912 A4-70 (10pcs)	1
5	6078425	shim ring 10x16x1,0 DIN988 A4 (10pc.)	1
9		stator P17.1	1
7A	6078370	rotor D.102,3x367 4/12 1.4021 G VP.	1
10A.1	6078378	bearing housing (Ex design) GG VP.	1
10A.2	6078377	bearing housing (no. Ex design) GG VP.	1
14A		ball bearing 3207 VP.	1

MOTOR PRO P17.1 XB

Item	Article no.	Description	Quantity
17A	6078379	bearing cover D.57H7 6051909 GG VP.	1
7B	6078369	rotor D.102,3x405 4/16 1.4021 G VP.	1
7B	6078368	rotor D.102,3x485 4/24 1.4021 G VP.	1
7B	6078371	rotor D.89,3x405 2/15 1.4021 G VP.	1
7B	6078372	rotor D.89,3x485 2/22 1.4021 G VP.	1
10B.1	6076654	bearing housing (Ex design) GG VP.	1
10B.2	6076655	bearing housing (no. Ex design) GG VP.	1
14B		Ball Bearing 3307 C3 VP.	1
17B	6078380	bearing cover D.57H7 6051830 GG VP.	1
11	6076642	o-ring ID.203,0x3,0 Viton (3pc)	1
12	6076657	electrode rod D.4x53 54.13422 A2 VP.	1
13	6078171	sealing plug 13421 NBR 80 VP.	1
6		washer D.35/45x2,5 DIN988 St	1
8	6078169	circlips 35x1,5 DIN471 FST VP.	1
23	6074895	washer A8,4 DIN125 1.4401 (20pc)	1
24	6076646	screw M8x25 DIN933 A4-70 (10pc)	1
15	6078367	sealing casing D.205g6 6051538 GG SET	1
15.1		> sealing casing D.205g6 6051538 GG	1
15.2	6076642	> o-ring ID.203,0x3,0 Viton (3pc)	1
15.3	6048832	> joint ring A21/26x1,5 DIN7603 PA(10pc)	1
15.4	6067638	> screw plug G1/2 DIN908 A4 (3pcs)	1
16		mechanical shaft seal MG1/30-G60 QPFGG	1
18		pressure ring D.42/30,5x1 6050343 A4	1
19		CIRCLIP 30X1,5 DIN471 1.4122	1
20		MECHANICAL SEAL BT-AR/32 BXPFF	1
21		pressure ring D.44/32,5x1 6050343 A4	1
22		CIRCLIP 32X1,5 DIN471 1.4122	1

name plate information "Rexa" (6200792)

submersible sewage pump

1 2 3 4 5 6 7 8 9 10 11 12 13 14 15 16 17

29

28 P-Typ **PRO V 06 D A - 628 / E A D 2 X 4 - T 0039 - 5 40 - O** 18

M-Typ **P 13.2-11 / EAD2X4-T** **MFY 2013W35**

27 **P₁ 5.50kW** **P₂ 3.90kW** **n 2874 1/min** 19

Q_{max} 45.0m³/h **H_{max} 60m** **H_{min} 2m** 22

Q_N 26.0l/s **H_N 30.0m** **SF 1.00/ _{SF} 15.25A**

16 **U 400 - 3 V** **I_N 15.25A** **I_{ST} 25.9A** 20

13 **AT Direkt** **OT_S S1** **OT_E S3** 31

f 50 Hz **IP 68** **cos φ 0.89** **T 40°C** **▽ 20.0m** 30

26 **m 2000 kg** **cl.F** **IM_{org} 122mm** **IM_{kor} 118mm** 30

15 **Warnung! Nicht in explosionsgefährdeten Bereich öffnen!** **Nicht unter Spannung öffnen!** 21
Warning! Do not open in explosion hazardous location! **Do not open when energized!**

25 **II 2G Ex d IIB T4Gb** **DIN EN 12050-1/ICE60034-1** 21

BSV 11 ATEX E 119 X **S/N : 650161916** 24

23 **Produced by WILO SE, Hof**

Made by Wilo Group in Germany
 WILO SE Nortkirchenstr.100
 44263 Dortmund Germany

0158

CE

name plate information "Rexa" (6200792)

Item	Description	Quantity
1	Series	1
2	Impeller shape	1
3	size of pressure connection	1
4	Hydraulic version	1
5	Material code hydraulics	1
6	Hydraulics definition	1
7	Motor version	1
8	Material code motor	1
9	Seal version	1
10	IE-Efficiency class	1
11	Explosion prevention	1
12	Numbers of pol	1
13	Mains supply M=1~ / T=3~	1
14	/10 = Rated motor power P2 in kW	1
15	Frequency	1
16	Code for rated voltage	1
17	Additional electrical equipment	1
18	Year of manufacture	1
19	speed	1
20	Starting current	1
21	Impeller diameter trimmed	1
22	Rated current	1
23	Impeller diameter	1
24	Serial number	1
25	Insulating class	1
26	Starting type	1
27	Duty data	1
28	Power consumption P1	1
29	Motor data	1
30	operation type: immersed	1
31	operation type: out of water	1

<p>1 MCP 6A-M-H-20μF ~ 230V</p> <p>$I_N(230V / 50Hz) < 6A = 20\mu F$</p>	<p>2 MCP 10A-M-H-30μF ~ 230V</p> <p>$I_N(230V / 50Hz) 6-10A = 30\mu F$</p>	<p>3 MCP 6A-M-HA-20μF ~ 230V</p> <p>$I_N(230V / 50Hz) < 6A = 20\mu F$</p>	<p>4 MCP 10A-M-HA-30μF ~ 230V</p> <p>$I_N(230V / 50Hz) 6-10A = 30\mu F$</p>
<p>5 CEE16A</p>	<p>6 CEEM16W</p>	<p>7 CEEM16WD</p>	<p>8 MCP T4-HA-ROT-WSK CEE16-5PS</p>
<p>9 CEE32A</p>	<p>10 MCP 10-16A-T4-H-ROT CEE32-5PS</p> <p>CEEM32WD</p>	<p>11 CEEM32WDSHA</p>	<p>12 CEE63A</p>

PLUG

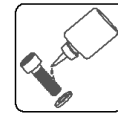
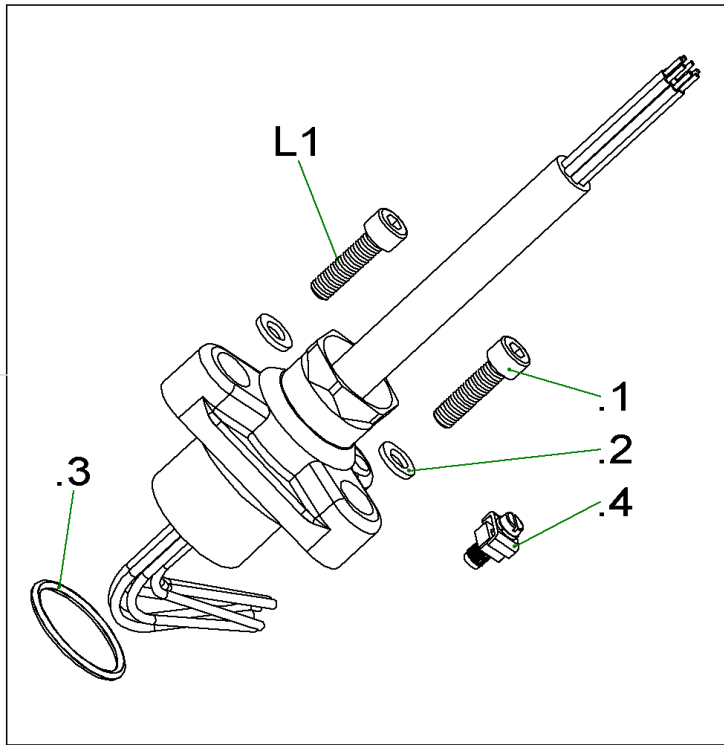
Item	Article no.	Description	Quantity
		IN (230V / 50Hz) <6A - 20μF	
1	6072332	MCP 6A-M-H-20μF-CEE7/7 VP.	1
1.1	6071702	capacitor 400V 20μF MCP VP.	1
1.2	6071704	protection switch 6A MCP VP.	1
1.3	6071707	protecting cap MCP VP.	1
		IN (230V / 50Hz) 6-10A - 30μF	
2	6072330	MCP 10A-M-H-30μF-CEE7/7 VP.	1
2.1	6071703	capacitor 400V 30μF MCP VP.	1
2.2	6071705	protection switch 10A MCP VP.	1
2.3	6071707	protecting cap MCP VP.	1
		IN (230V / 50Hz) <6A - 20μF	
3	6072331	MCP 6A-M-HA-20μF-CEE7/7 VP.	1
3.1	6071702	capacitor 400V 20μF MCP VP.	1
3.2	6071704	protection switch 6A MCP VP.	1
3.3	6071707	protecting cap MCP VP.	2
3.4	6071706	switch on/out MCP VP.	1
		IN (230V / 50Hz) 6-10A - 30μF	
4	6072329	MCP 10A-M-HA-30μF-CEE7/7 VP	1
4.1	6071703	capacitor 400V 30μF MCP VP.	1
4.2	6071705	protection switch 10A MCP VP.	1
4.3	6071707	protecting cap MCP VP.	2
4.4	6071706	switch on/out MCP VP.	1
5	6003000	plug CEE16A/400V 60Hz/5P-11h	1
5	6003248	plug CEE16A/400V/4P-6H	1
5	6003009	plug CEE16A/400V/5P-6H	1
5	6039156	plug CEE16A/400V/5P-6H Phase inverter	1
5	6035231	plug CEE16A/400V/7P-6H	1
5	6003011	plug CEE16A/500V/5P-7H	1
6	6030883	plug MS400V5P CEE16A W 1,0-1,6A	1
6	6030884	plug MS400V5P CEE16A W 1,6-2,5A	1
6	6030888	plug MS400V5P CEE16A W 10,0-16,0A	1
6	6030885	plug MS400V5P CEE16A W 2,5-4,0A	1
6	6030886	plug MS400V5P CEE16A W 4,0-6,3A	1
6	6030887	plug MS400V5P CEE16A W 6,3-10,0A	1

PLUG

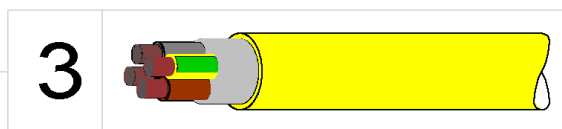
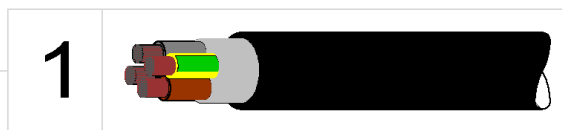
Item	Article no.	Description	Quantity
7	6032446	plug MS400V4P CEE16A WD 1,6-2,5A	1
7	6032447	plug MS400V4P CEE16A WD 12,5-16,0A	1
7	6032295	plug MS400V4P CEE16A WD 2,5-4,0A	1
7	6032289	plug MS400V4P CEE16A WD 4,0-6,3A	1
7	6032292	plug MS400V4P CEE16A WD 6,3-9,0A	1
7	6042190	plug MS400V5P CEE16A WDII 1,6-2,5A	1
7	6042194	plug MS400V5P CEE16A WDII 10,0-16,0A	1
7	6042191	plug MS400V5P CEE16A WDII 2,5-4,0A	1
7	6042192	plug MS400V5P CEE16A WDII 4,0-6,3A	1
7	6042193	plug MS400V5P CEE16A WDII 6,3-10,0A	1
7	6035911	plug MS400V5P CEE16A WD 9,0-12,5A	1
7	6003337	plug MS500V5P CEE16A WD 1,6-2,5A	1
7	6003336	plug MS500V5P CEE16A WD 2,5-4,0A	1
7	6003335	plug MS500V5P CEE16A WD 4,0-6,3A	1
7	6003334	plug MS500V5P CEE16A WD 6,3-9,0A	1
8	6072520	MCP 1,0-1,6A-T4-HA-ROT-WSK-CEE16-5PS VP.	1
8	6072521	MCP 1,6-2,4A-T4-HA-ROT-WSK-CEE16-5PS VP.	1
8	6072522	MCP 2,4-4,0A-T4-HA-ROT-WSK-CEE16-5PS VP.	1
8	6072523	MCP 4,0-6,0A-T4-HA-ROT-WSK-CEE16-5PS VP.	1
8	6072524	MCP 6,0-10A-T4-HA-ROT-WSK-CEE16-5PS VP.	1
8	6072525	MCP 9,0-12A-T4-HA-ROT-WSK-CEE16-5PS VP.	1
8	6072526	MCP 12-16A-T4-HA-ROT-WSK-CEE16-5PS VP.	1
9	6003267	plug CEE32A/400V/4P-6H	1
9	6039155	plug CEE32A/400V/5P-6H Phase inverter	1
9	6035895	plug CEE32A/500V/4P-7H AM-Top	1
9	6003010	plug CEE32A/500V/5P-7H	1
10	6072370	MCP 400V 1,6-2,5A-T4-H-ROT-CEE32-5PS VP.	1
10	6072369	MCP 400V 2,5-4,0A-T4-H-ROT-CEE32-5PS VP.	1
10	6072371	MCP 400V 4,0-6,3A-T4-H-ROT-CEE32-5PS VP.	1
10	6072398	MCP 400V 6,3-10A-T4-H-ROT-CEE32-5PS VP.	1
10	6072519	MCP 400V 10-16A-T4-H-ROT-CEE32-5PS VP.	1
10	6072399	MCP 400V 16-20A-T4-H-ROT-CEE32-5PS VP.	1
10	6072518	MCP 400V 20-25A-T4-H-ROT-CEE32-5PS VP.	1
10	6037649	plug.MS500V4P CEE32A WD 2,5-4,0A	1

PLUG

Item	Article no.	Description	Quantity
10	6041268	plug MS500V4P CEE32A WD 4,0-6,3A	1
10	6035244	plug MS500V5P CEE32A WD 1,6-2,5A	1
10	6034700	plug MS500V5P CEE32A WD 2,5-4,0A	1
10	6041556	plug MS500V5P CEE32A WD 4,0-6,3A	1
10	6002701	plug MS500V5P CEE32A WD 9,0-12,5A	1
10	6002700	plug MS500V5P CEE32A WD 12,5-16,0A	1
11	6003241	plug MS400V5P CEE32A WDSHA 10,0-14,0A	1
11	6003266	plug MS400V5P CEE32A WDSHA 3,7-5,5A	1
11	6003265	plug MS400V5P CEE32A WDSHA 5,5-8,0A	1
11	6003264	plug MS400V5P CEE32A WDSHA 8,0-11,5A	1
12	6003012	plug CEE63A/400V/5P-6H/IP67	1

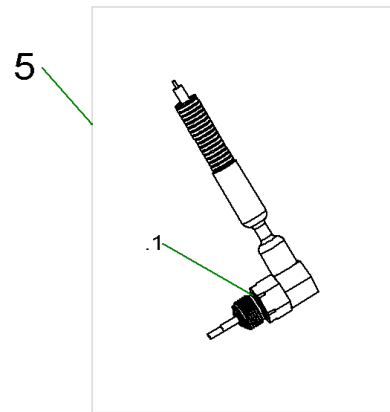
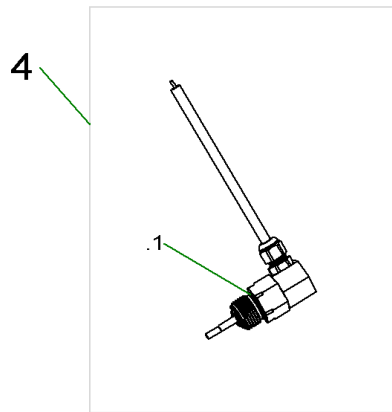
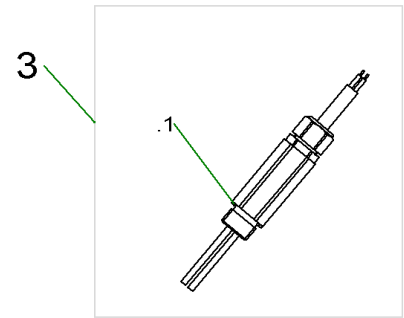
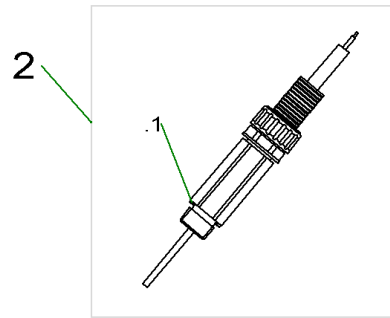
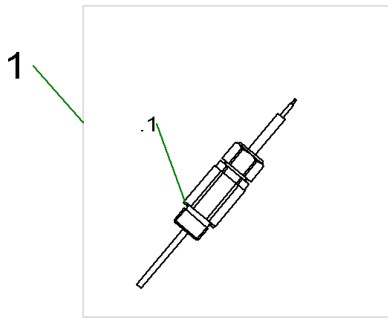


L1



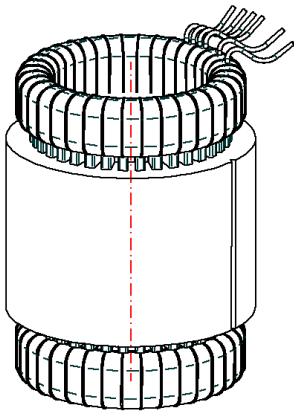
cable trumpet 42T P17.1 KIT

Item	Article no.	Description	Quantity
L1	6080531	Loctite 243 5g flask VP:	1
.1	6078159	screw M8x30 DIN912 A4-70 (10pc)	3
.2	6078161	shim ring 8x14x1,0 DIN988 A2 (10pc)	3
.3	6078162	o-ring ID.40,0x3,0 Viton (3pc)	1
.4	6067407	Barlian bow terminal M5 A2	1
1	6000689	CABLE TRUMPET 42T 10M H07 7G1,5 KIT	1
1	6000691	cable trumpet 42T 20m H07 7G1,5 SET	1
1	6032527	cable trumpet 42T 30m H07 7G1,5 KIT	1
1	6001115	cable trumpet 42T 10m H07 10G1,5 KIT	1
1	6000694	cable trumpet 42T 20m H07 10G1,5 KIT	1
3	6000700	cable trumpet 42T 10m NSS 2x1,5 KIT	1
3	6000702	cable trumpet 42T 20m NSS 2x1,5 KIT	1
3	6061578	cable trumpet 42T 30m NSS 2x1,5 KIT	1
3	6000704	cable trumpet 42T 10m NSS 4x1,5 KIT	1
3	6000706	cable trumpet 42T 20m NSS 4x1,5 KIT	1
3	6019867	cable trumpet 42T 30m NSS 4x1,5 KIT	1
3	6038670	cable trumpet 42T 50m NSS 4x1,5 KIT	1
3	6040496	cable trumpet 42T 60m NSS 4x1,5 KIT	1
3	6000708	cable trumpet 42T 10m NSS 4x2,5 KIT	1
3	6001426	cable trumpet 42T 20m NSS 4x2,5 KIT	1
3	6001428	cable trumpet 42T 10m NSS 4x4 KIT	1
3	6001430	cable trumpet 42T 20m NSS 4x4 KIT	1
3	6075909	cable trumpet 42T 25m NSS 4x4 KIT	1
3		cable trumpet 42T 30m NSS 4x4 KIT	1
3	6072786	cable trumpet 42T 10m NSS 4x6 KIT	1
3	6068990	cable trumpet 42T 20m NSS 4x6 KIT	1
3	6065995	cable trumpet 42T 30m NSS 4x6 KIT	1
3	6040497	cable trumpet 42T 60m NSS 4x6 KIT	1
3	6001432	cable trumpet 42T 10m NSS 7x1,5 KIT	1
3	6001434	cable trumpet 42T 20m NSS 7x1,5 KIT	1
3	6074636	cable trumpet 42T 40m NSS 7x1,5 KIT	1
3	6001436	cable trumpet 42T 10M NSS 7x2,5 KIT	1
3	6001438	cable trumpet 42T 20m NSS 7x2,5 KIT	1



electrode KIT

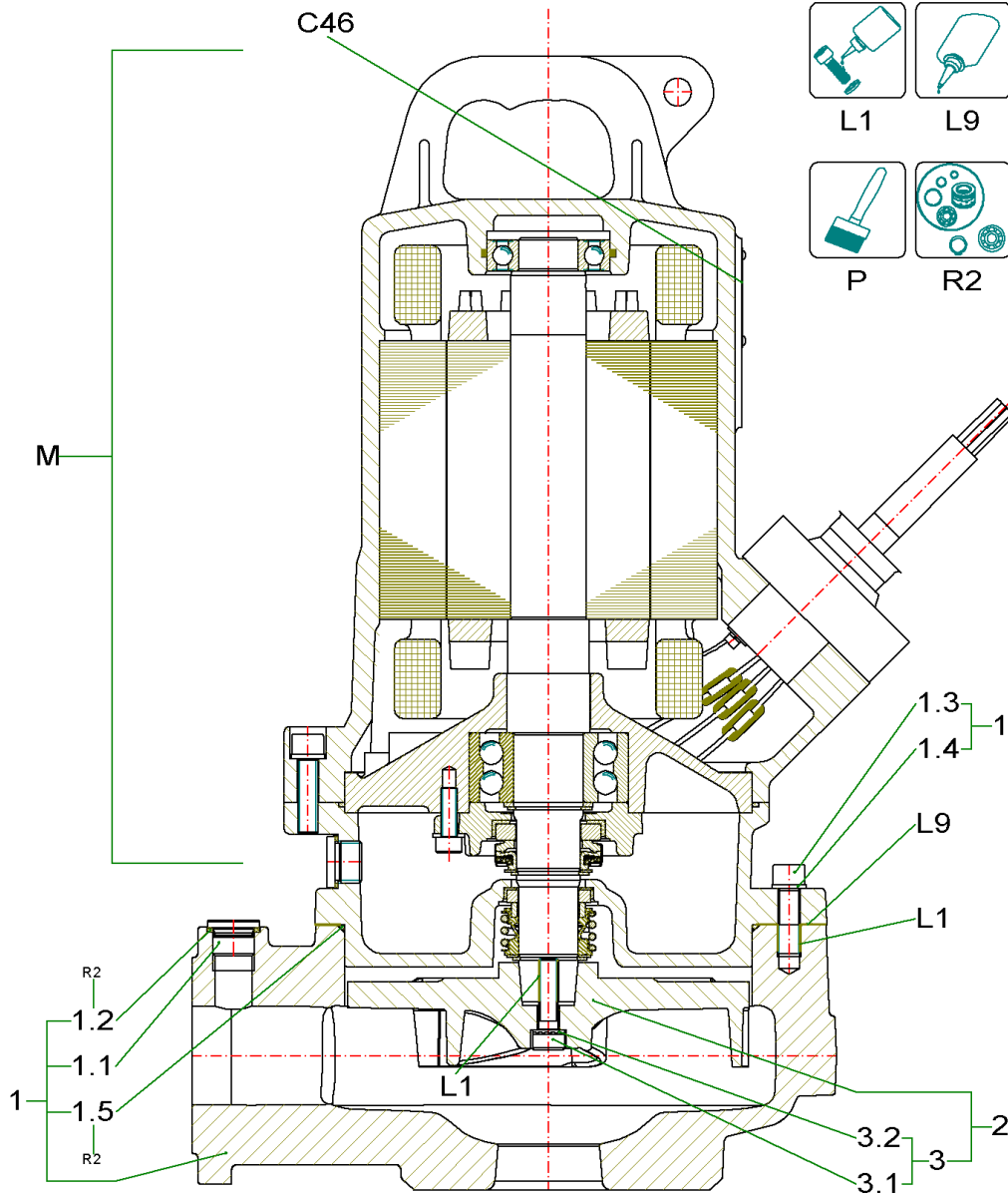
Item	Article no.	Description	Quantity
.1	6048832	joint ring A21/26x1,5 DIN7603 PA(10pc)	1
1	6042222	pencil electrode G1/2 10m KIT	1
1	6042313	pencil electrode G1/2 15m KIT	1
1	6042223	pencil electrode G1/2 20m KIT	1
1	6061068	pencil electrode G1/2 25KIT	1
1	6061070	pencil electrode G1/2 30m KIT	1
1	6061069	Stabelektrode G1/2 40m SET	1
1	6060956	pencil electrode G1/2 55m KIT	1
2	6042227	pencil electrode G1/2 10m+hose KIT	1
2	6065196	pencil electrode G1/2 15m+hose KIT	1
3	6042229	double pencil electrode G1/2 10m KIT	1
3	6042228	double pencil electrode G1/2 20m KIT	1
3	6063536	double pencil electrode G1/2 40m KIT	1
3	6065157	double pencil electrode G1/2 10m 4*A KIT	1
3	6065156	double pencil electrode G1/2 20m 4*AWKIT	1
4	6068049	elbow pencil electrode G1/2 10m SET	1
4	6068050	elbow pencil electrode G1/2 15m SET	1
4	6075169	elbow pencil electrode G1/2 20m SET	1
5	6068345	elbow pencil electrode G1/2 10m+Schl. KI	1
5	6068346	elbow pencil electrode G1/2 15m+Schl. SE	1



MOTOR, motor, moteur	DOL		Bi 130°+140°	PTC 130°+140°	3~220 50 Hz	3~230 50 Hz	3~380/660V 50Hz	3~400/690V 50Hz	3~415/715V 50Hz	3~500/860V 50Hz	3~380/660 60 Hz	3~400/690 60 Hz	3~440/760V 60Hz	3~460/790V 60Hz	3~480/826V 60Hz	3~230V 60Hz	3~460V 60Hz
	YD																
P17.1-15 . . . 0X2-T	X	X	X				2	2						2	2		
P17.1-22/ . . . 0X2-T	X	X	X				4	4						4	4		
P17.1-8/ . . . 0X4-T	X	X					7	7						7	7		
P17.1-12/ . . . 0X4-T	X	X	X				15	15					15	15	15		
P17.1-12/ . . . 0X4-T	X	X	X				17	17					17	17	17		
P17.1-16/ . . . 0X4-T	X	X	X				19	19	22				19	19	19		
P17.1-16/ . . . 0X4-T	X	X		X			20	20					20	20	20		
P17.1-24/ . . . 0X4-T	X	X	X				27	27					27	27	27		
P17.1-24/ . . . 0X4-T	X	X		X			28	28					28	28	28		

stator P17.1

Item	Article no.	Description	Quantity
2	6077878	Stator T17-2/15 400/690 50Hz VP.	1
4	6077876	Stator T17-2/22 400/690 50Hz VP.	1
7	6077873	Stator T17-4/8 400 50Hz VP.	1
15	6078121	Stator T17-4/12 400 50Hz PTC VP.	1
17	6077896	Stator T17-4/12 400/690 50Hz VP.	1
19	6077894	Stator T17-4/16 400/690 50Hz VP.	1
20	6078122	Stator T17-4/16 400/690 50Hz PTC VP.	1
22	6078131	Stator T17-4/16 415/720 50Hz VP.	1
27	6078126	Stator T17-4/24 400/690 50Hz VP.	1
28	6078125	Stator T17-4/24 400/690 50Hz PTC VP.	1



PRO V05DA-323/EAD0X2-T0068-540-O (6082575)

Item	Article no.	Description	Quantity
C46		name plate information "Rexa"	1
R2	6078365	Rep.Kit 2 P17.1-15-24	1
F1	6025461	medical white oil 5L KIT	1
P	6042255	colour 2K-paint IV80 pantone334C 250ml	1
L1	6080531	Loctite 243 5g flask VP:	1
L9	6080535	Loctite 5203 300ml VP.	1

M		MOTOR PRO P17.1 XB/SVA-15	1

1	6083599	pump housing Rexa V05DA-3xx DN50 GG SET	1
1.1	6067638	screw plug G1/2 DIN908 A4 (3pcs)	1
1.2	6048832	joint ring A21/26x1,5 DIN7603 PA(10pc)	1
1.3		screw M12x35 DIN912 A4	3
1.4	6074494	washer A13 DIN125 A4 (20pc)	1
1.5		o-ring ID.203,0x3,0 NBR70	1
2	6083473	impeller Rexa V05xA-323 GG Set SVA	1
3	6067646	impeller fixation 10x35 Geomet KIT	1
3.1		> screw M10x35 DIN912 10.9 Geomet	1
3.2		> SCREW LOCKING NORD-LOCK 16/10,7 A4	1

name plate information "Rexa"



submersible sewage pump

1 2 3 4 5 6 7 8 9 10 11 12 13 14 15 16 17

29

28 P-Typ **PRO V 06 D A - 628 / E A D 2 X 4 - T 0039 - 5 40 - O** 18

M-Typ **P 13.2-11 / EAD2X4-T** **MFY 2013W35**

27 **P₁ 5.50kW** **P₂ 3.90kW** **n 2874 1/min** 19

Q_{max} 45.0m³/h **H_{max} 60m** **H_{min} 2m** 22

Q_N 26.0l/s **H_N 30.0m** **SF 1.00/ _{SF} 15.25A**

16 **U 400 - 3 V** **I_N 15.25A** **I_{ST} 25.9A** 20

13 **AT Direkt** **OT_S S1** **OT_E S3** 31

f 50 Hz **IP 68** **cos φ 0.89** **T 40°C** **▽ 20.0m** 30

26 **m 2000 kg** **cl.F** **IM_{org} 122mm** **IM_{kor} 118mm** 30

15 **Warnung! Nicht in explosionsgefährdeten Bereich öffnen!** **Nicht unter Spannung öffnen!** 21
Warning! Do not open in explosion hazardous location! **Do not open when energized!**

II 2G Ex d IIB T4Gb **DIN EN 12050-1/ICE60034-1**

25 **BSV 11 ATEX E 119 X** **S/N : 650161916** 24

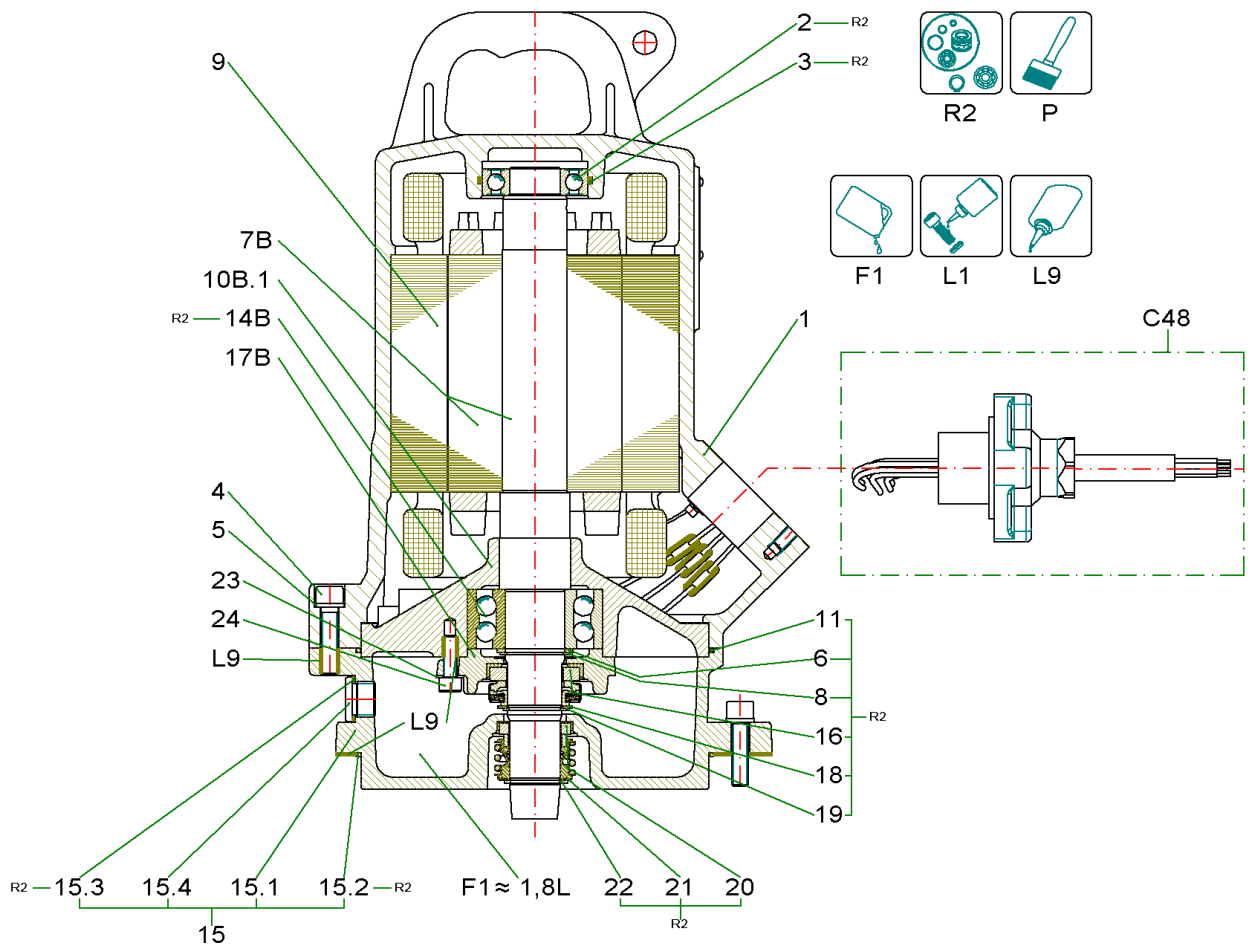
23 **Produced by WILO SE, Hof**

Made by Wilo Group in Germany
 WILO SE Nortkirchenstr.100
 44263 Dortmund Germany

0158 **CE**

name plate information "Rexa"

Item	Description	Quantity
1	Series	1
2	Impeller shape	1
3	size of pressure connection	1
4	Hydraulic version	1
5	Material code hydraulics	1
6	Hydraulics definition	1
7	Motor version	1
8	Material code motor	1
9	Seal version	1
10	IE-Efficiency class	1
11	Explosion prevention	1
12	Numbers of pol	1
13	Mains supply M=1~ / T=3~	1
14	/10 = Rated motor power P2 in kW	1
15	Frequency	1
16	Code for rated voltage	1
17	Additional electrical equipment	1
18	Year of manufacture	1
19	speed	1
20	Starting current	1
21	Impeller diameter trimmed	1
22	Rated current	1
23	Impeller diameter	1
24	Serial number	1
25	Insulating class	1
26	Starting type	1
27	Duty data	1
28	Power consumption P1	1
29	Motor data	1
30	operation type: immersed	1
31	operation type: out of water	1



MOTOR PRO P17.1 XB/SVA-15

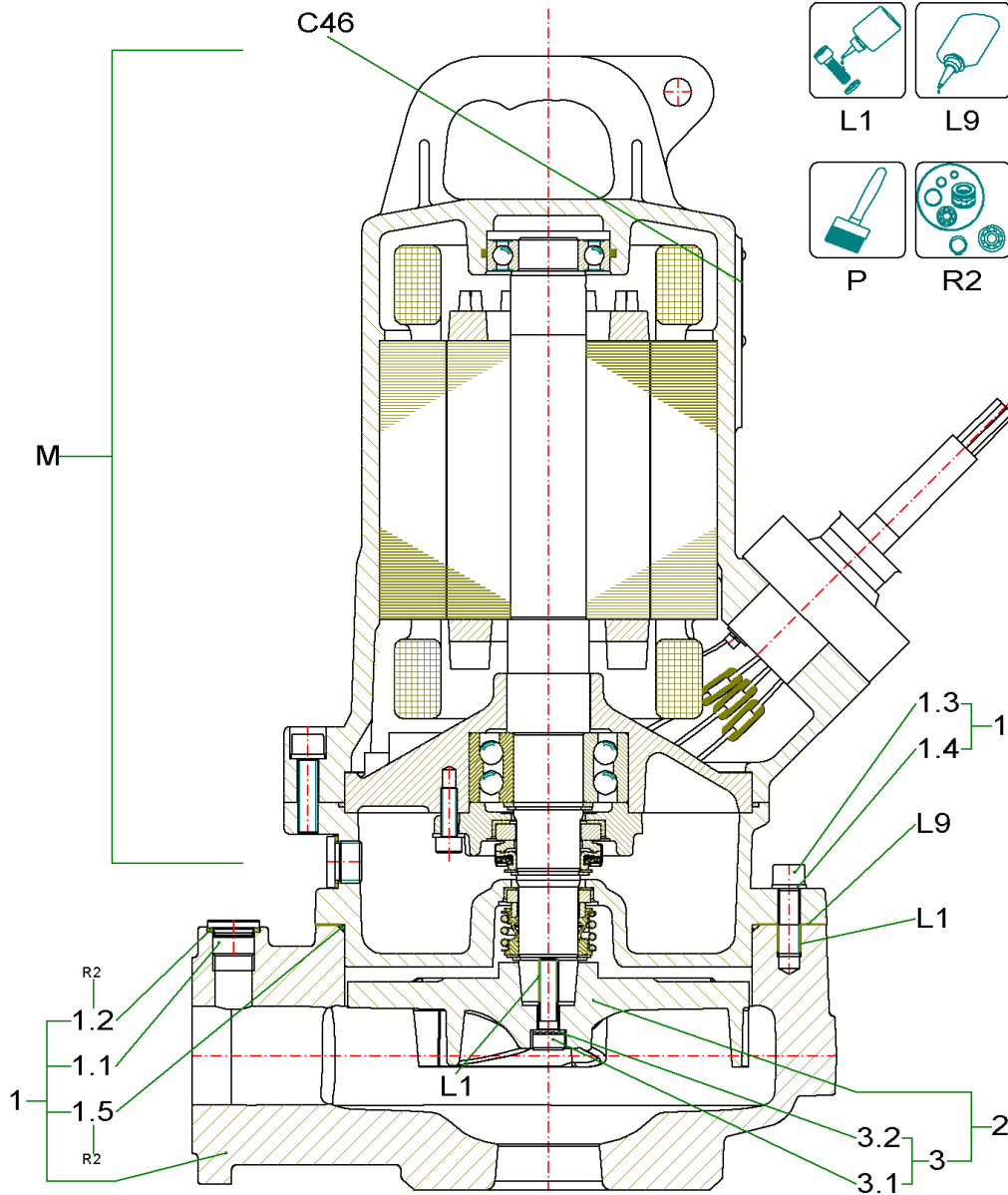
Item	Article no.	Description	Quantity
R2	6078365	Rep.Kit 2 P17.1-15-24	1
P	6042254	PAINT SPRAY Pantone334	1
P	6042255	colour 2K-paint IV80 pantone334C 250ml	1
F1	6025460	medical white oil 1L KIT	1
F1	6025461	medical white oil 5L KIT	1
L1	6080531	Loctite 243 5g flask VP:	1
L1	2096167	Loctite 243 50ml VP.	1
L9	6080535	Loctite 5203 300ml VP.	1

C48	6001115	cable trumpet 42T 10m H07 10G1,5 KIT	1

1	6078308	motor casing 50.13392/1 GG VP.	1
2		SRDG BALL BEARING 6305 ZZ	1
3	6078160	o-ring ID.62,0x3,0 Viton (3pc)	1
4	6076644	screw M10x40 DIN912 A4-70 (10pcs)	1
5	6078425	shim ring 10x16x1,0 DIN988 A4 (10pc.)	1
9	6077878	Stator T17-2/15 400/690 50Hz VP.	1
7B	6078371	rotor D.89,3x405 2/15 1.4021 G VP.	1
10B.1	6082649	bearing housing (Ex design) GG VP.	1
14B		Ball Bearing 3307 C3 VP.	1
17B	6078380	bearing cover D.57H7 6051830 GG VP.	1
11	6076642	o-ring ID.203,0x3,0 Viton (3pc)	1
6		washer D.35/45x2,5 DIN988 St	1
8	6078169	circlips 35x1,5 DIN471 FST VP.	1
23	6074895	washer A8,4 DIN125 1.4401 (20pc)	1
24	6076646	screw M8x25 DIN933 A4-70 (10pc)	1
15	6078367	sealing casing D.205g6 6051538 GG SET	1
15.1		> sealing casing D.205g6 6051538 GG	1
15.2	6076642	> o-ring ID.203,0x3,0 Viton (3pc)	1
15.3	6048832	> joint ring A21/26x1,5 DIN7603 PA(10pc)	1
15.4	6067638	> screw plug G1/2 DIN908 A4 (3pcs)	1
16		mechanical shaft seal MG1/30-G60 QPPGG	1
18		pressure ring D.42/30,5x1 6050343 A4	1
19		CIRCLIP 30X1,5 DIN471 1.4122	1

MOTOR PRO P17.1 XB/SVA-15

Item	Article no.	Description	Quantity
20		MECHANICAL SEAL BT-AR/32 BXPFF	1
21		pressure ring D.44/32,5x1 6050343 A4	1
22		CIRCLIP 32X1,5 DIN471 1.4122	1



PRO V05DA-324/EAD0X2-T0105-540-O (6082576)

Item	Article no.	Description	Quantity
C46		name plate information "Rexa"	1
R2	6078365	Rep.Kit 2 P17.1-15-24	1
F1	6025461	medical white oil 5L KIT	1
P	6042255	colour 2K-paint IV80 pantone334C 250ml	1
L1	6080531	Loctite 243 5g flask VP:	1
L9	6080535	Loctite 5203 300ml VP.	1

M		MOTOR PRO P17.1 XB/SVA-22	1

1	6083599	pump housing Rexa V05DA-3xx DN50 GG SET	1
1.1	6067638	screw plug G1/2 DIN908 A4 (3pcs)	1
1.2	6048832	joint ring A21/26x1,5 DIN7603 PA(10pc)	1
1.3		screw M12x35 DIN912 A4	3
1.4	6074494	washer A13 DIN125 A4 (20pc)	1
1.5		o-ring ID.203,0x3,0 NBR70	1
2	6083474	impeller Rexa V05xA-324 GG Set SVA	1
3	6067646	impeller fixation 10x35 Geomet KIT	1
3.1		> screw M10x35 DIN912 10.9 Geomet	1
3.2		> SCREW LOCKING NORD-LOCK 16/10,7 A4	1

name plate information "Rexa"



submersible sewage pump

1 2 3 4 5 6 7 8 9 10 11 12 13 14 15 16 17

29

28 P-Typ **PRO V 06 D A - 628 / E A D 2 X 4 - T 0039 - 5 40 - O** 18

M-Typ **P 13.2-11 / EAD2X4-T** **MFY 2013W35**

27 **P₁ 5.50kW** **P₂ 3.90kW** **n 2874 1/min** 19

Q_{max} 45.0m³/h **H_{max} 60m** **H_{min} 2m** 22

Q_N 26.0l/s **H_N 30.0m** **SF 1.00/ _{SF} 15.25A**

16 **U 400 - 3 V** **I_N 15.25A** **I_{ST} 25.9A** 20

13 **AT Direkt** **OT_S S1** **OT_E S3** 31

f 50 Hz **IP 68** **cos φ 0.89** **T 40°C** **▽ 20.0m** 30

26 **m 2000 kg** **cl.F** **IM_{org} 122mm** **IM_{kor} 118mm** 30

15 **Warnung! Nicht in explosionsgefährdeten Bereich öffnen!** **Nicht unter Spannung öffnen!** 21
Warning! Do not open in explosion hazardous location! **Do not open when energized!**

25 **II 2G Ex d IIB T4Gb** **DIN EN 12050-1/ICE60034-1**

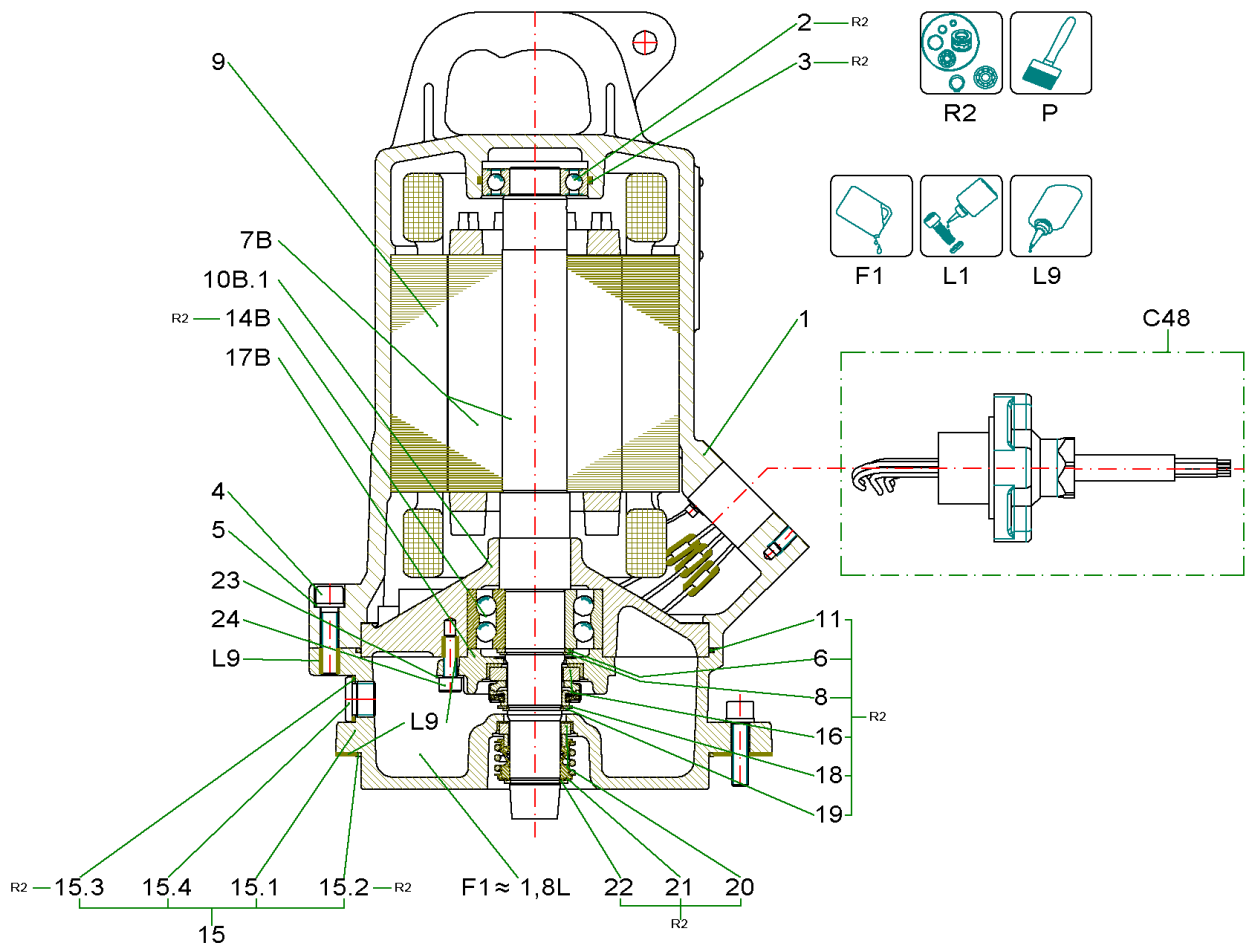
BSV 11 ATEX E 119 X

Produced by WILO SE, Hof **S/N : 650161916** 24

23 **Made by Wilo Group in Germany**
WILO SE Nortkirchenstr.100
44263 Dortmund Germany **0158** **CE**

name plate information "Rexa"

Item	Description	Quantity
1	Series	1
2	Impeller shape	1
3	size of pressure connection	1
4	Hydraulic version	1
5	Material code hydraulics	1
6	Hydraulics definition	1
7	Motor version	1
8	Material code motor	1
9	Seal version	1
10	IE-Efficiency class	1
11	Explosion prevention	1
12	Numbers of pol	1
13	Mains supply M=1~ / T=3~	1
14	/10 = Rated motor power P2 in kW	1
15	Frequency	1
16	Code for rated voltage	1
17	Additional electrical equipment	1
18	Year of manufacture	1
19	speed	1
20	Starting current	1
21	Impeller diameter trimmed	1
22	Rated current	1
23	Impeller diameter	1
24	Serial number	1
25	Insulating class	1
26	Starting type	1
27	Duty data	1
28	Power consumption P1	1
29	Motor data	1
30	operation type: immersed	1
31	operation type: out of water	1



MOTOR PRO P17.1 XB/SVA-22

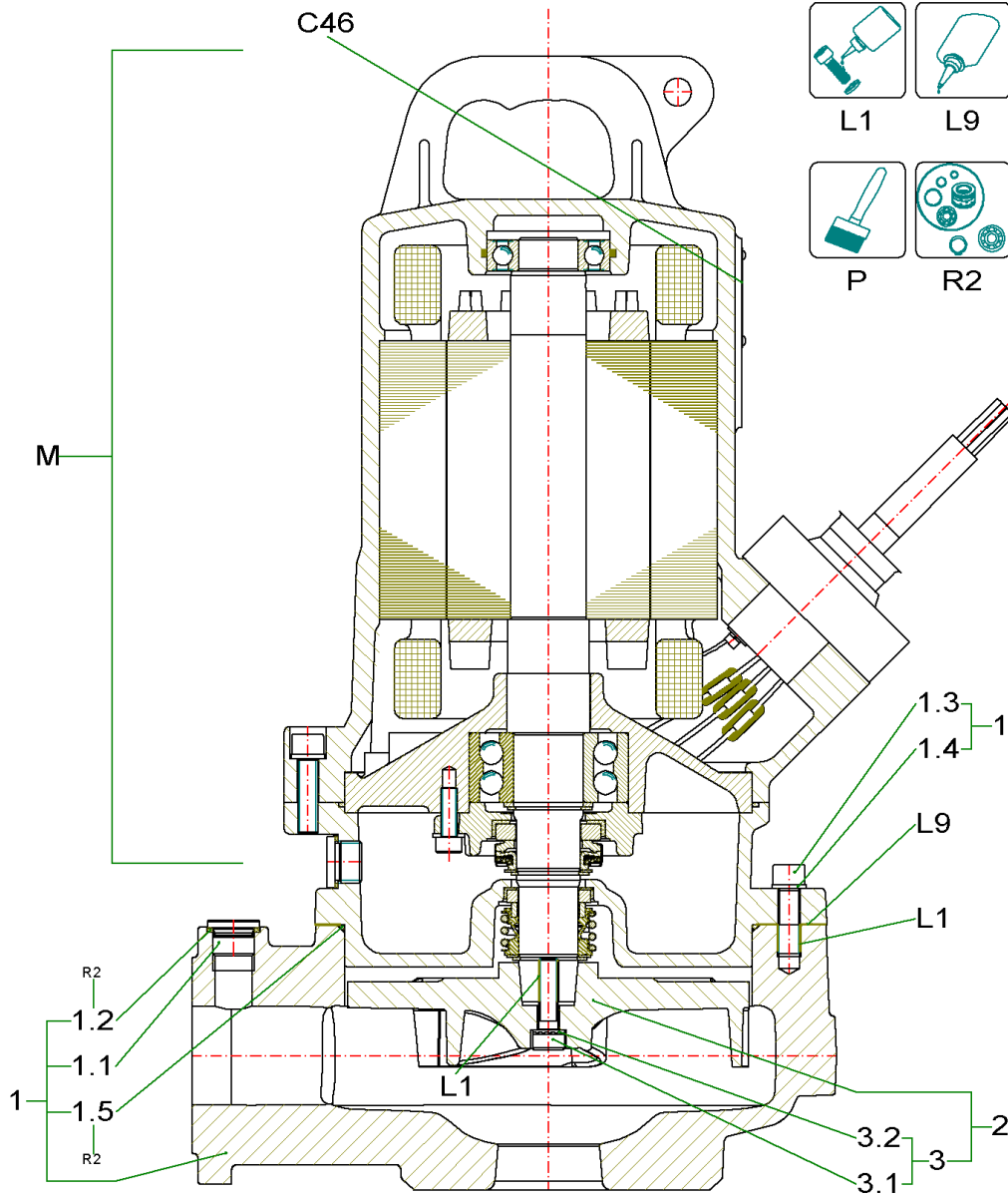
Item	Article no.	Description	Quantity
R2	6078365	Rep.Kit 2 P17.1-15-24	1
P	6042254	PAINT SPRAY Pantone334	1
P	6042255	colour 2K-paint IV80 pantone334C 250ml	1
F1	6025460	medical white oil 1L KIT	1
F1	6025461	medical white oil 5L KIT	1
L1	6080531	Loctite 243 5g flask VP:	1
L1	2096167	Loctite 243 50ml VP.	1
L9	6080535	Loctite 5203 300ml VP.	1

C48	6001115	cable trumpet 42T 10m H07 10G1,5 KIT	1

1	6078309	motor casing 50.20774 GG VP.	1
2		SRDG BALL BEARING 6305 ZZ	1
3	6078160	o-ring ID.62,0x3,0 Viton (3pc)	1
4	6076644	screw M10x40 DIN912 A4-70 (10pcs)	1
5	6078425	shim ring 10x16x1,0 DIN988 A4 (10pc.)	1
9	6077876	Stator T17-2/22 400/690 50Hz VP.	1
7B	6078372	rotor D.89,3x485 2/22 1.4021 G VP.	1
10B.1	6082649	bearing housing (Ex design) GG VP.	1
14B		Ball Bearing 3307 C3 VP.	1
17B	6078380	bearing cover D.57H7 6051830 GG VP.	1
11	6076642	o-ring ID.203,0x3,0 Viton (3pc)	1
6		washer D.35/45x2,5 DIN988 St	1
8	6078169	circlips 35x1,5 DIN471 FST VP.	1
23	6074895	washer A8,4 DIN125 1.4401 (20pc)	1
24	6076646	screw M8x25 DIN933 A4-70 (10pc)	1
15	6078367	sealing casing D.205g6 6051538 GG SET	1
15.1		> sealing casing D.205g6 6051538 GG	1
15.2	6076642	> o-ring ID.203,0x3,0 Viton (3pc)	1
15.3	6048832	> joint ring A21/26x1,5 DIN7603 PA(10pc)	1
15.4	6067638	> screw plug G1/2 DIN908 A4 (3pcs)	1
16		MECHANICAL SEAL BT-AR/32 BXPFF	1
18		pressure ring D.42/30,5x1 6050343 A4	1
19		CIRCLIP 30X1,5 DIN471 1.4122	1

MOTOR PRO P17.1 XB/SVA-22

Item	Article no.	Description	Quantity
20		mechanical shaft seal MG1/30-G60 QPGG	1
21		pressure ring D.44/32,5x1 6050343 A4	1
22		CIRCLIP 32X1,5 DIN471 1.4122	1



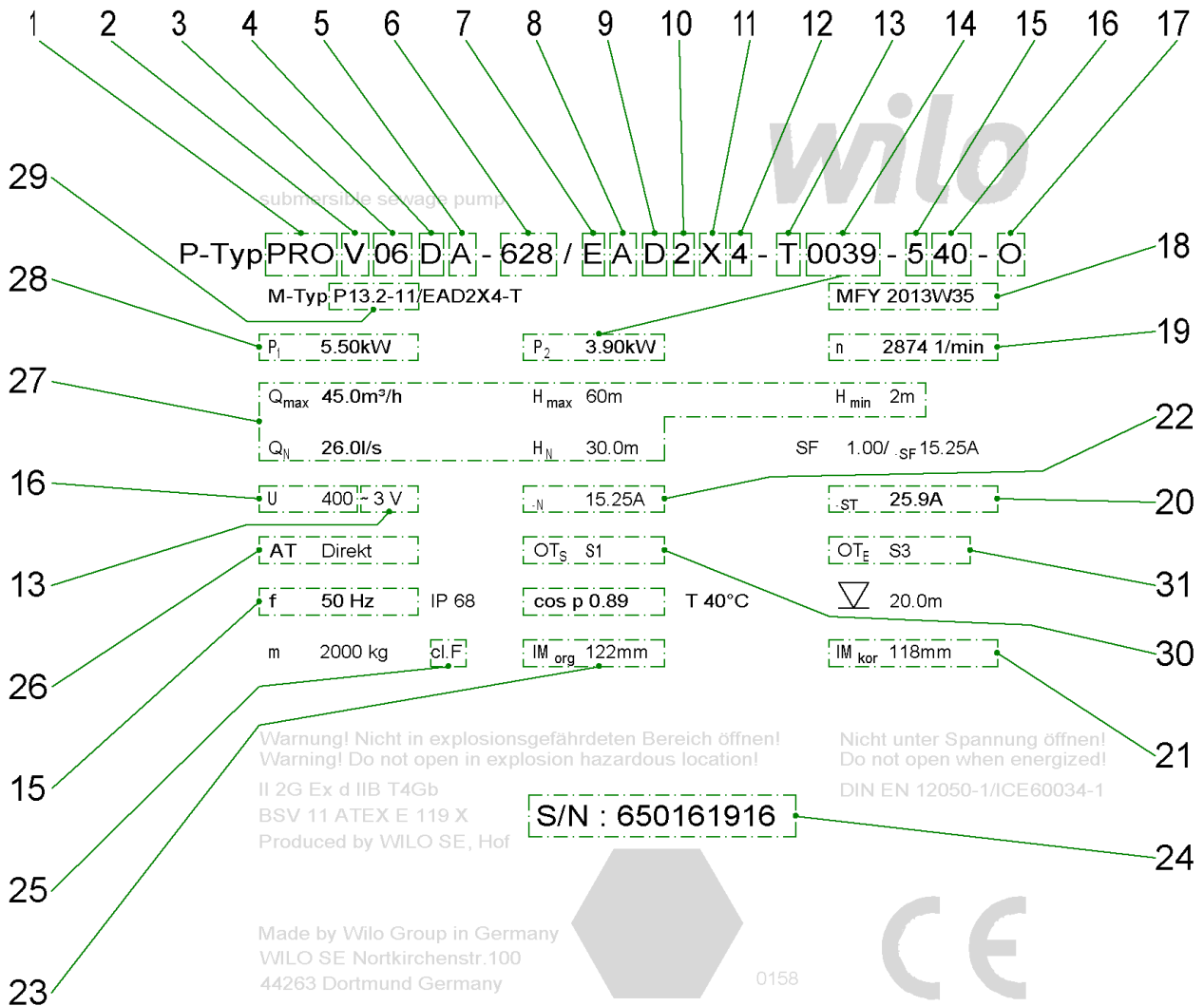
PRO V05DA-325/EAD0X2-T0105-540-O (6082577)

Item	Article no.	Description	Quantity
C46		name plate information "Rexa"	1
R2	6078365	Rep.Kit 2 P17.1-15-24	1
F1	6025461	medical white oil 5L KIT	1
P	6042255	colour 2K-paint IV80 pantone334C 250ml	1
L1	6080531	Loctite 243 5g flask VP:	1
L9	6080535	Loctite 5203 300ml VP.	1

M		MOTOR PRO P17.1 XB/SVA-22	1

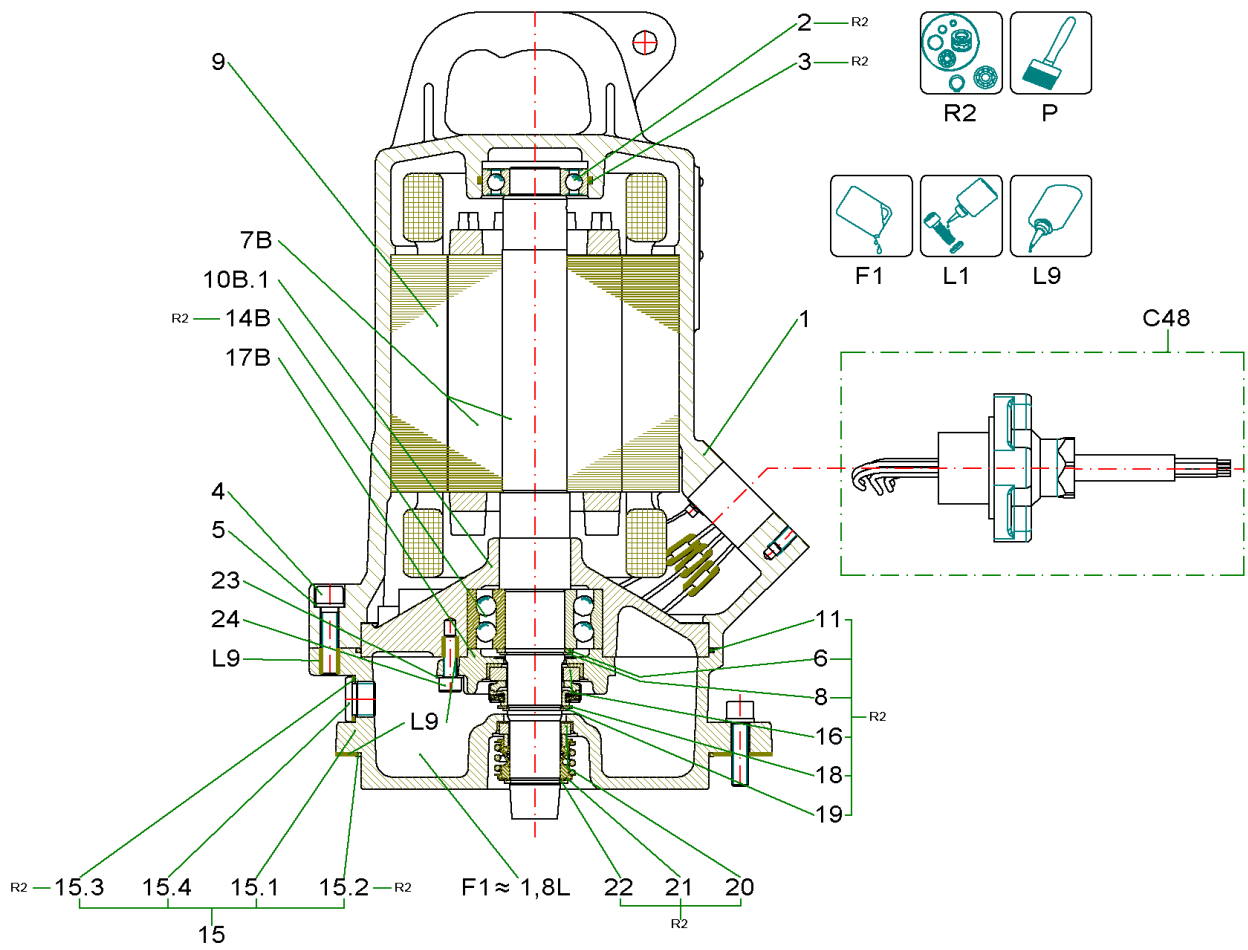
1	6083599	pump housing Rexa V05DA-3xx DN50 GG SET	1
1.1	6067638	screw plug G1/2 DIN908 A4 (3pcs)	1
1.2	6048832	joint ring A21/26x1,5 DIN7603 PA(10pc)	1
1.3		screw M12x35 DIN912 A4	3
1.4	6074494	washer A13 DIN125 A4 (20pc)	1
1.5		o-ring ID.203,0x3,0 NBR70	1
2	6083475	impeller Rexa V05xA-325 GG Set SVA	1
3	6067646	impeller fixation 10x35 Geomet KIT	1
3.1		> screw M10x35 DIN912 10.9 Geomet	1
3.2		> SCREW LOCKING NORD-LOCK 16/10,7 A4	1

name plate information "Rexa"



name plate information "Rexa"

Item	Description	Quantity
1	Series	1
2	Impeller shape	1
3	size of pressure connection	1
4	Hydraulic version	1
5	Material code hydraulics	1
6	Hydraulics definition	1
7	Motor version	1
8	Material code motor	1
9	Seal version	1
10	IE-Efficiency class	1
11	Explosion prevention	1
12	Numbers of pol	1
13	Mains supply M=1~ / T=3~	1
14	/10 = Rated motor power P2 in kW	1
15	Frequency	1
16	Code for rated voltage	1
17	Additional electrical equipment	1
18	Year of manufacture	1
19	speed	1
20	Starting current	1
21	Impeller diameter trimmed	1
22	Rated current	1
23	Impeller diameter	1
24	Serial number	1
25	Insulating class	1
26	Starting type	1
27	Duty data	1
28	Power consumption P1	1
29	Motor data	1
30	operation type: immersed	1
31	operation type: out of water	1



MOTOR PRO P17.1 XB/SVA-22

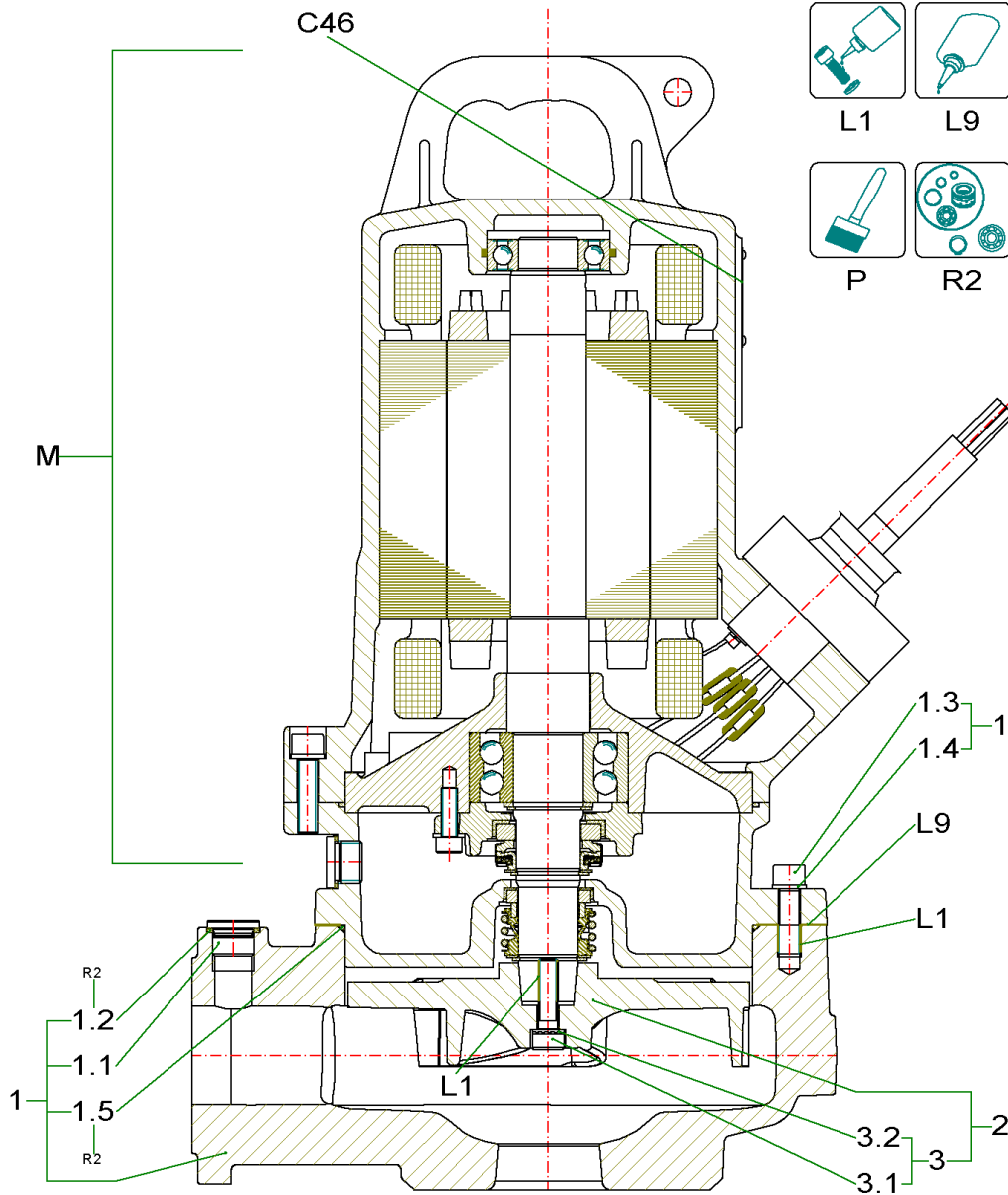
Item	Article no.	Description	Quantity
R2	6078365	Rep.Kit 2 P17.1-15-24	1
P	6042254	PAINT SPRAY Pantone334	1
P	6042255	colour 2K-paint IV80 pantone334C 250ml	1
F1	6025460	medical white oil 1L KIT	1
F1	6025461	medical white oil 5L KIT	1
L1	6080531	Loctite 243 5g flask VP:	1
L1	2096167	Loctite 243 50ml VP.	1
L9	6080535	Loctite 5203 300ml VP.	1

C48	6001115	cable trumpet 42T 10m H07 10G1,5 KIT	1

1	6078309	motor casing 50.20774 GG VP.	1
2		SRDG BALL BEARING 6305 ZZ	1
3	6078160	o-ring ID.62,0x3,0 Viton (3pc)	1
4	6076644	screw M10x40 DIN912 A4-70 (10pcs)	1
5	6078425	shim ring 10x16x1,0 DIN988 A4 (10pc.)	1
9	6077876	Stator T17-2/22 400/690 50Hz VP.	1
7B	6078372	rotor D.89,3x485 2/22 1.4021 G VP.	1
10B.1	6082649	bearing housing (Ex design) GG VP.	1
14B		Ball Bearing 3307 C3 VP.	1
17B	6078380	bearing cover D.57H7 6051830 GG VP.	1
11	6076642	o-ring ID.203,0x3,0 Viton (3pc)	1
6		washer D.35/45x2,5 DIN988 St	1
8	6078169	circlips 35x1,5 DIN471 FST VP.	1
23	6074895	washer A8,4 DIN125 1.4401 (20pc)	1
24	6076646	screw M8x25 DIN933 A4-70 (10pc)	1
15	6078367	sealing casing D.205g6 6051538 GG SET	1
15.1		> sealing casing D.205g6 6051538 GG	1
15.2	6076642	> o-ring ID.203,0x3,0 Viton (3pc)	1
15.3	6048832	> joint ring A21/26x1,5 DIN7603 PA(10pc)	1
15.4	6067638	> screw plug G1/2 DIN908 A4 (3pcs)	1
16		MECHANICAL SEAL BT-AR/32 BXPFF	1
18		pressure ring D.42/30,5x1 6050343 A4	1
19		CIRCLIP 30X1,5 DIN471 1.4122	1

MOTOR PRO P17.1 XB/SVA-22

Item	Article no.	Description	Quantity
20		mechanical shaft seal MG1/30-G60 QPGG	1
21		pressure ring D.44/32,5x1 6050343 A4	1
22		CIRCLIP 32X1,5 DIN471 1.4122	1



PRO V05DA-326/EAD0X2-T0105-540-O (6082578)

Item	Article no.	Description	Quantity
C46		name plate information "Rexa"	1
R2	6078365	Rep.Kit 2 P17.1-15-24	1
F1	6025461	medical white oil 5L KIT	1
P	6042255	colour 2K-paint IV80 pantone334C 250ml	1
L1	6080531	Loctite 243 5g flask VP:	1
L9	6080535	Loctite 5203 300ml VP.	1

M		MOTOR PRO P17.1 XB/SVA-22	1

1	6083599	pump housing Rexa V05DA-3xx DN50 GG SET	1
1.1	6067638	screw plug G1/2 DIN908 A4 (3pcs)	1
1.2	6048832	joint ring A21/26x1,5 DIN7603 PA(10pc)	1
1.3		screw M12x35 DIN912 A4	3
1.4	6074494	washer A13 DIN125 A4 (20pc)	1
1.5		o-ring ID.203,0x3,0 NBR70	1
2	6083476	impeller Rexa V05xA-326 GG Set SVA	1
3	6067646	impeller fixation 10x35 Geomet KIT	1
3.1		> screw M10x35 DIN912 10.9 Geomet	1
3.2		> SCREW LOCKING NORD-LOCK 16/10,7 A4	1

name plate information "Rexa"



submersible sewage pump

1 2 3 4 5 6 7 8 9 10 11 12 13 14 15 16 17

29

28 P-Typ **PRO V 06 D A - 628 / E A D 2 X 4 - T 0039 - 5 40 - O** 18

M-Typ **P 13.2-11 / EAD2X4-T** **MFY 2013W35**

27 **P₁ 5.50kW** **P₂ 3.90kW** **n 2874 1/min** 19

Q_{max} 45.0m³/h **H_{max} 60m** **H_{min} 2m** 22

Q_N 26.0l/s **H_N 30.0m** **SF 1.00/ _{SF} 15.25A**

16 **U 400 - 3 V** **I_N 15.25A** **I_{ST} 25.9A** 20

13 **AT Direkt** **OT_S S1** **OT_E S3** 31

f 50 Hz **IP 68** **cos φ 0.89** **T 40°C** **▽ 20.0m** 30

26 **m 2000 kg** **cl.F** **IM_{org} 122mm** **IM_{kor} 118mm** 30

15 **Warnung! Nicht in explosionsgefährdeten Bereich öffnen!** **Nicht unter Spannung öffnen!** 21
Warning! Do not open in explosion hazardous location! **Do not open when energized!**

II 2G Ex d IIB T4Gb **DIN EN 12050-1/ICE60034-1**

25 **BSV 11 ATEX E 119 X** **S/N : 650161916** 24

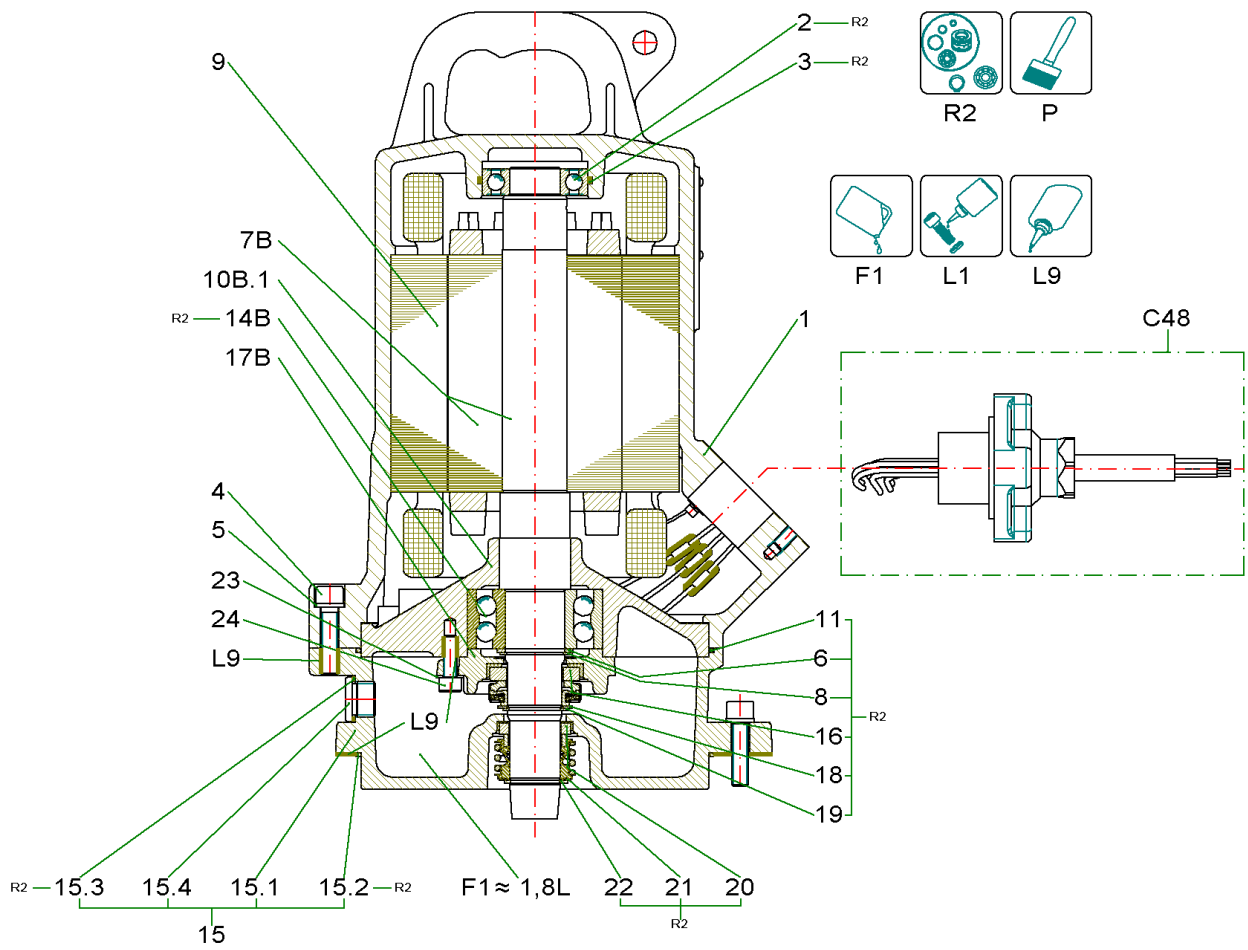
23 **Produced by WILO SE, Hof**

Made by Wilo Group in Germany
 WILO SE Nortkirchenstr.100
 44263 Dortmund Germany

0158 **CE**

name plate information "Rexa"

Item	Description	Quantity
1	Series	1
2	Impeller shape	1
3	size of pressure connection	1
4	Hydraulic version	1
5	Material code hydraulics	1
6	Hydraulics definition	1
7	Motor version	1
8	Material code motor	1
9	Seal version	1
10	IE-Efficiency class	1
11	Explosion prevention	1
12	Numbers of pol	1
13	Mains supply M=1~ / T=3~	1
14	/10 = Rated motor power P2 in kW	1
15	Frequency	1
16	Code for rated voltage	1
17	Additional electrical equipment	1
18	Year of manufacture	1
19	speed	1
20	Starting current	1
21	Impeller diameter trimmed	1
22	Rated current	1
23	Impeller diameter	1
24	Serial number	1
25	Insulating class	1
26	Starting type	1
27	Duty data	1
28	Power consumption P1	1
29	Motor data	1
30	operation type: immersed	1
31	operation type: out of water	1



MOTOR PRO P17.1 XB/SVA-22

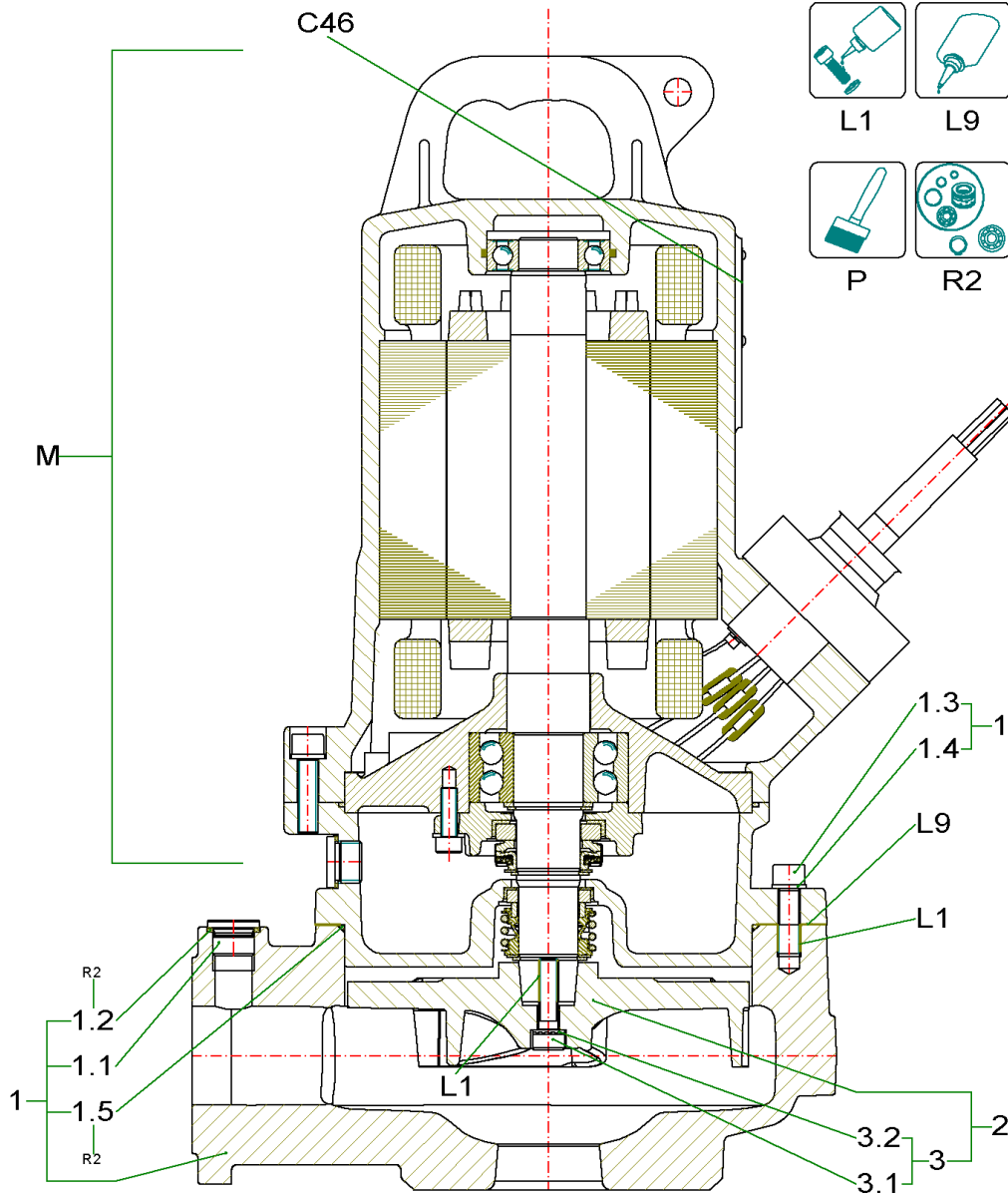
Item	Article no.	Description	Quantity
R2	6078365	Rep.Kit 2 P17.1-15-24	1
P	6042254	PAINT SPRAY Pantone334	1
P	6042255	colour 2K-paint IV80 pantone334C 250ml	1
F1	6025460	medical white oil 1L KIT	1
F1	6025461	medical white oil 5L KIT	1
L1	6080531	Loctite 243 5g flask VP:	1
L1	2096167	Loctite 243 50ml VP.	1
L9	6080535	Loctite 5203 300ml VP.	1

C48	6001115	cable trumpet 42T 10m H07 10G1,5 KIT	1

1	6078309	motor casing 50.20774 GG VP.	1
2		SRDG BALL BEARING 6305 ZZ	1
3	6078160	o-ring ID.62,0x3,0 Viton (3pc)	1
4	6076644	screw M10x40 DIN912 A4-70 (10pcs)	1
5	6078425	shim ring 10x16x1,0 DIN988 A4 (10pc.)	1
9	6077876	Stator T17-2/22 400/690 50Hz VP.	1
7B	6078372	rotor D.89,3x485 2/22 1.4021 G VP.	1
10B.1	6082649	bearing housing (Ex design) GG VP.	1
14B		Ball Bearing 3307 C3 VP.	1
17B	6078380	bearing cover D.57H7 6051830 GG VP.	1
11	6076642	o-ring ID.203,0x3,0 Viton (3pc)	1
6		washer D.35/45x2,5 DIN988 St	1
8	6078169	circlips 35x1,5 DIN471 FST VP.	1
23	6074895	washer A8,4 DIN125 1.4401 (20pc)	1
24	6076646	screw M8x25 DIN933 A4-70 (10pc)	1
15	6078367	sealing casing D.205g6 6051538 GG SET	1
15.1		> sealing casing D.205g6 6051538 GG	1
15.2	6076642	> o-ring ID.203,0x3,0 Viton (3pc)	1
15.3	6048832	> joint ring A21/26x1,5 DIN7603 PA(10pc)	1
15.4	6067638	> screw plug G1/2 DIN908 A4 (3pcs)	1
16		MECHANICAL SEAL BT-AR/32 BXPFF	1
18		pressure ring D.42/30,5x1 6050343 A4	1
19		CIRCLIP 30X1,5 DIN471 1.4122	1

MOTOR PRO P17.1 XB/SVA-22

Item	Article no.	Description	Quantity
20		mechanical shaft seal MG1/30-G60 QPGG	1
21		pressure ring D.44/32,5x1 6050343 A4	1
22		CIRCLIP 32X1,5 DIN471 1.4122	1



PRO V05DA-328/EAD0X2-T0105-540-O (6082579)

Item	Article no.	Description	Quantity
C46		name plate information "Rexa"	1
R2	6078365	Rep.Kit 2 P17.1-15-24	1
F1	6025461	medical white oil 5L KIT	1
P	6042255	colour 2K-paint IV80 pantone334C 250ml	1
L1	6080531	Loctite 243 5g flask VP:	1
L9	6080535	Loctite 5203 300ml VP.	1

M		MOTOR PRO P17.1 XB/SVA-22	1

1	6083599	pump housing Rexa V05DA-3xx DN50 GG SET	1
1.1	6067638	screw plug G1/2 DIN908 A4 (3pcs)	1
1.2	6048832	joint ring A21/26x1,5 DIN7603 PA(10pc)	1
1.3		screw M12x35 DIN912 A4	3
1.4	6074494	washer A13 DIN125 A4 (20pc)	1
1.5		o-ring ID.203,0x3,0 NBR70	1
2	6083477	impeller Rexa V05xA-328 GG Set SVA	1
3	6067646	impeller fixation 10x35 Geomet KIT	1
3.1		> screw M10x35 DIN912 10.9 Geomet	1
3.2		> SCREW LOCKING NORD-LOCK 16/10,7 A4	1

name plate information "Rexa"

submersible sewage pump

1 2 3 4 5 6 7 8 9 10 11 12 13 14 15 16 17

29

28 P-Typ **PRO V 06 D A - 628 / E A D 2 X 4 - T 0039 - 5 40 - O** 18

M-Typ **P 13.2-11 / EAD2X4-T** **MFY 2013W35**

27 **P₁ 5.50kW** **P₂ 3.90kW** **n 2874 1/min** 19

Q_{max} 45.0m³/h **H_{max} 60m** **H_{min} 2m** 22

Q_N 26.0l/s **H_N 30.0m** **SF 1.00/ _{SF} 15.25A**

16 **U 400 - 3 V** **I_N 15.25A** **I_{ST} 25.9A** 20

13 **AT Direkt** **OT_S S1** **OT_E S3** 31

f 50 Hz **IP 68** **cos φ 0.89** **T 40°C** **▽ 20.0m** 30

26 **m 2000 kg** **cl.F** **IM_{org} 122mm** **IM_{kor} 118mm** 30

15 **Warnung! Nicht in explosionsgefährdeten Bereich öffnen!** **Nicht unter Spannung öffnen!** 21
Warning! Do not open in explosion hazardous location! **Do not open when energized!**

II 2G Ex d IIB T4Gb **DIN EN 12050-1/ICE60034-1**

25 **BSV 11 ATEX E 119 X** **S/N : 650161916** 24

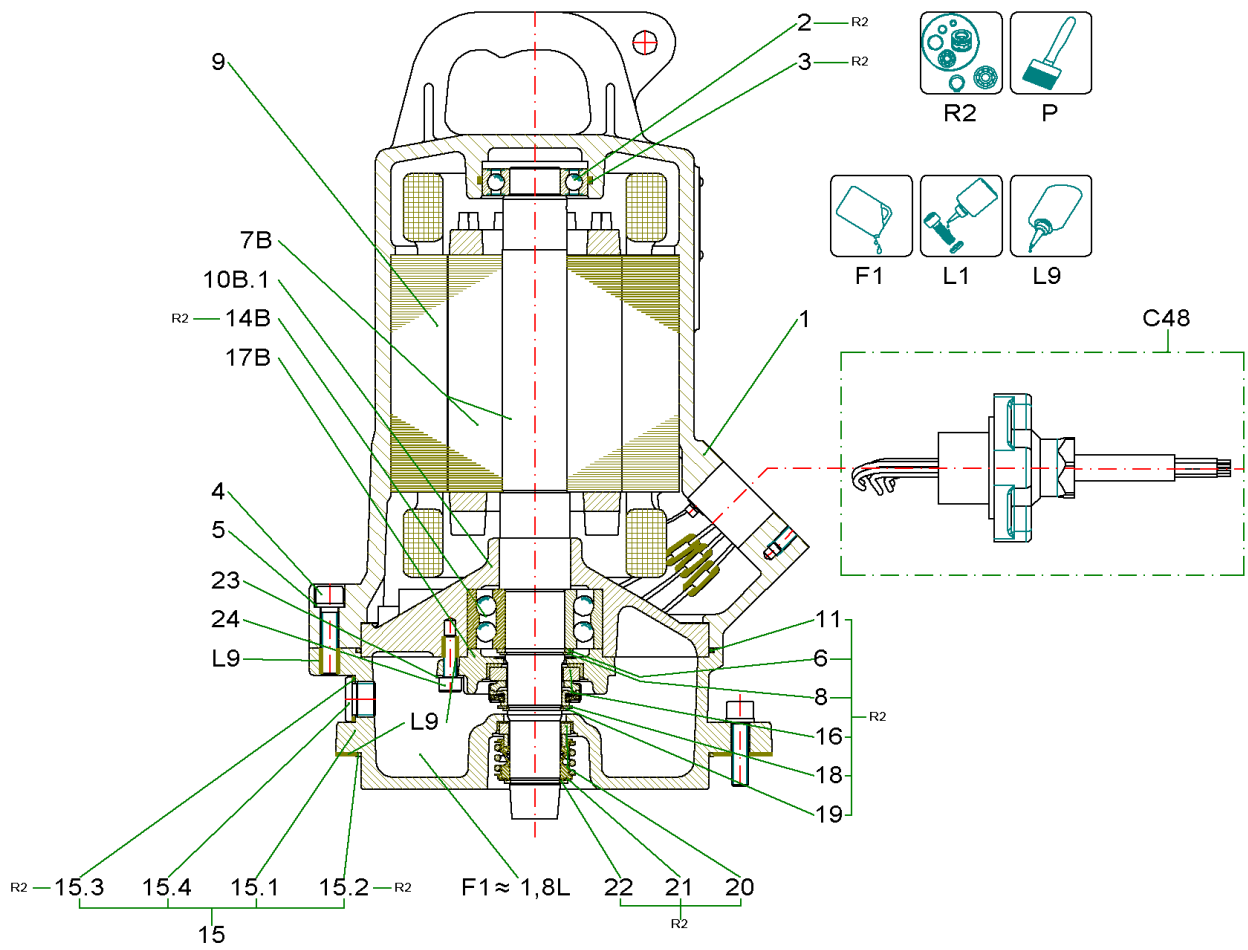
23 **Produced by WILO SE, Hof**

Made by Wilo Group in Germany
 WILO SE Nortkirchenstr.100
 44263 Dortmund Germany

0158 **CE**

name plate information "Rexa"

Item	Description	Quantity
1	Series	1
2	Impeller shape	1
3	size of pressure connection	1
4	Hydraulic version	1
5	Material code hydraulics	1
6	Hydraulics definition	1
7	Motor version	1
8	Material code motor	1
9	Seal version	1
10	IE-Efficiency class	1
11	Explosion prevention	1
12	Numbers of pol	1
13	Mains supply M=1~ / T=3~	1
14	/10 = Rated motor power P2 in kW	1
15	Frequency	1
16	Code for rated voltage	1
17	Additional electrical equipment	1
18	Year of manufacture	1
19	speed	1
20	Starting current	1
21	Impeller diameter trimmed	1
22	Rated current	1
23	Impeller diameter	1
24	Serial number	1
25	Insulating class	1
26	Starting type	1
27	Duty data	1
28	Power consumption P1	1
29	Motor data	1
30	operation type: immersed	1
31	operation type: out of water	1



MOTOR PRO P17.1 XB/SVA-22

Item	Article no.	Description	Quantity
R2	6078365	Rep.Kit 2 P17.1-15-24	1
P	6042254	PAINT SPRAY Pantone334	1
P	6042255	colour 2K-paint IV80 pantone334C 250ml	1
F1	6025460	medical white oil 1L KIT	1
F1	6025461	medical white oil 5L KIT	1
L1	6080531	Loctite 243 5g flask VP:	1
L1	2096167	Loctite 243 50ml VP.	1
L9	6080535	Loctite 5203 300ml VP.	1

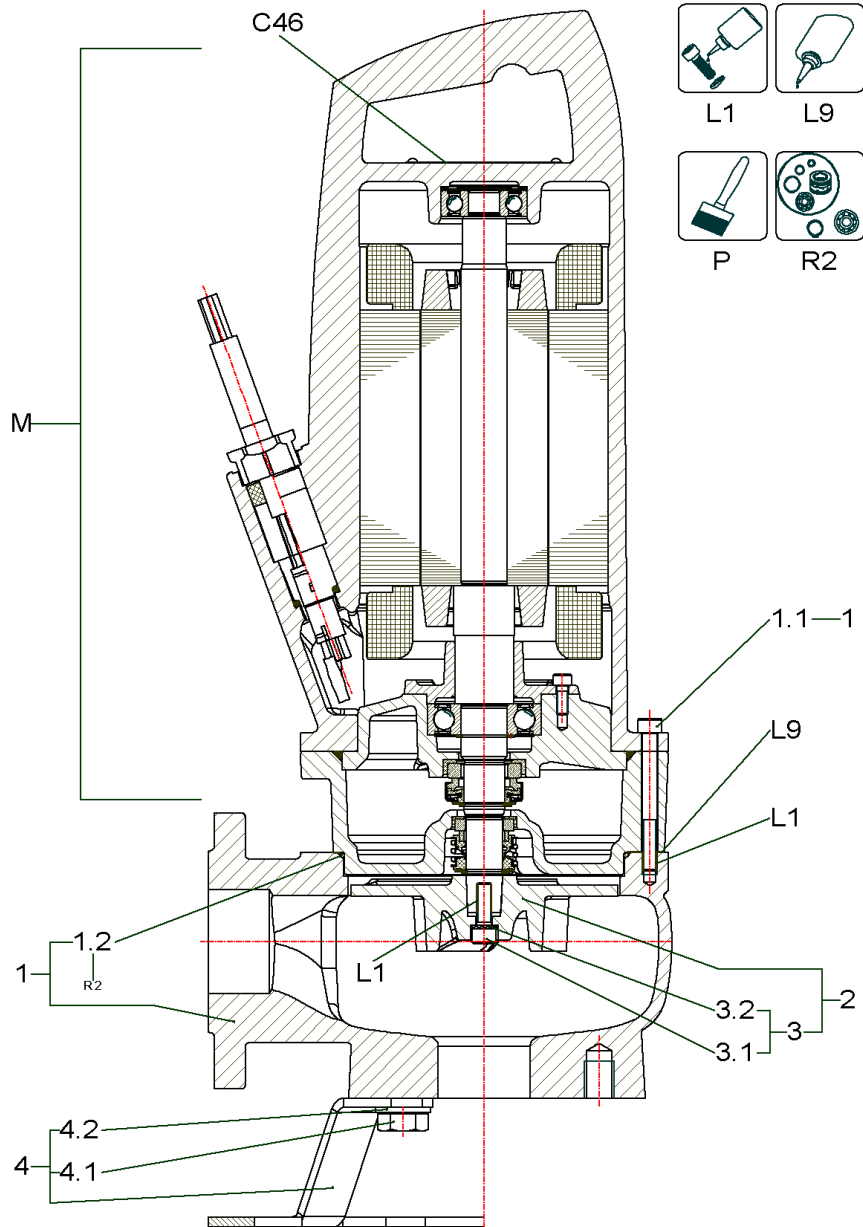
C48	6001115	cable trumpet 42T 10m H07 10G1,5 KIT	1

1	6078309	motor casing 50.20774 GG VP.	1
2		SRDG BALL BEARING 6305 ZZ	1
3	6078160	o-ring ID.62,0x3,0 Viton (3pc)	1
4	6076644	screw M10x40 DIN912 A4-70 (10pcs)	1
5	6078425	shim ring 10x16x1,0 DIN988 A4 (10pc.)	1
9	6077876	Stator T17-2/22 400/690 50Hz VP.	1
7B	6078372	rotor D.89,3x485 2/22 1.4021 G VP.	1
10B.1	6082649	bearing housing (Ex design) GG VP.	1
14B		Ball Bearing 3307 C3 VP.	1
17B	6078380	bearing cover D.57H7 6051830 GG VP.	1
11	6076642	o-ring ID.203,0x3,0 Viton (3pc)	1
6		washer D.35/45x2,5 DIN988 St	1
8	6078169	circlips 35x1,5 DIN471 FST VP.	1
23	6074895	washer A8,4 DIN125 1.4401 (20pc)	1
24	6076646	screw M8x25 DIN933 A4-70 (10pc)	1
15	6078367	sealing casing D.205g6 6051538 GG SET	1
15.1		> sealing casing D.205g6 6051538 GG	1
15.2	6076642	> o-ring ID.203,0x3,0 Viton (3pc)	1
15.3	6048832	> joint ring A21/26x1,5 DIN7603 PA(10pc)	1
15.4	6067638	> screw plug G1/2 DIN908 A4 (3pcs)	1
16		MECHANICAL SEAL BT-AR/32 BXPFF	1
18		pressure ring D.42/30,5x1 6050343 A4	1
19		CIRCLIP 30X1,5 DIN471 1.4122	1

MOTOR PRO P17.1 XB/SVA-22

Item	Article no.	Description	Quantity
20		mechanical shaft seal MG1/30-G60 QPGG	1
21		pressure ring D.44/32,5x1 6050343 A4	1
22		CIRCLIP 32X1,5 DIN471 1.4122	1

SUBMERSIBLE SEWAGE PUMP V06-210 UNIT (6065021)



SUBMERSIBLE SEWAGE PUMP V06-210 UNIT (6065021)

Item	Article no.	Description	Quantity
C46		name plate information "Rexa"	1
R2	6065495	Rep.Kit 2 P13.1	1
P	6042254	PAINT SPRAY Pantone334	1
P	6042255	colour 2K-paint IV80 pantone334C 250ml	1
P	6023614	Ceram C0 black 100 ml KIT	1
P	6020579	Ceram C0 black 250 ml KIT	1
P	6023485	Ceram C0 Black 500ml Kit	1
L1	6080531	Loctite 243 5g flask VP:	1
L9	6080535	Loctite 5203 300ml VP.	1

M		MOTOR PRO P13.1 XA	1

1	6065172	pump housing Rexa V06DA-2xx DN65 GG SET	1
1	6065173	pump housing Rexa V06NA-2xx ANSI GG SET	1
1.1		screw M8x75 DIN912 A4-70	3
1.2		o-ring ID.150,0x3,0 NBR70	1
2	6065833	impeller Rexa V06xA-212 GG Set SVA	1
2	6065834	impeller Rexa V06xA-214 GG Set SVA	1
2	6067145	impeller Rexa V06xA-215 GG Set SVA	1
2	6065835	impeller Rexa V06xA-216 GG Set SVA	1
3	6067645	impeller fixation 8x25 Geomet KIT	1
3.1		> screw M8x25 DIN912 10.9 Geomet	1
3.2		> screw locking Nord-Lock 13,5/8,7 A4	1
4	6064666	Pump foot DN50/65 KIT	1
4B.1		> screw M16x25 DIN933 A4-70	4
4B.2	6076816	> washer A17 Din125 A4 (20pc)	1
4.1		screw M16x25 DIN933 A4-70	4
4.2	6076816	washer A17 Din125 A4 (20pc)	1

name plate information "Rexa"

submersible sewage pump

1 2 3 4 5 6 7 8 9 10 11 12 13 14 15 16 17

29

28 P-Typ **PRO V 06 D A - 628 / E A D 2 X 4 - T 0039 - 5 40 - O** 18

M-Typ **P 13.2-11 / EAD2X4-T** **MFY 2013W35**

27 **P₁ 5.50kW** **P₂ 3.90kW** **n 2874 1/min** 19

Q_{max} 45.0m³/h **H_{max} 60m** **H_{min} 2m** 22

Q_N 26.0l/s **H_N 30.0m** **SF 1.00/ _{SF} 15.25A**

16 **U 400 - 3 V** **I_N 15.25A** **I_{ST} 25.9A** 20

13 **AT Direkt** **OT_S S1** **OT_E S3** 31

f 50 Hz **IP 68** **cos p 0.89** **T 40°C** **▽ 20.0m** 30

26 **m 2000 kg** **cl.F** **IM_{org} 122mm** **IM_{kor} 118mm** 30

15 **Warnung! Nicht in explosionsgefährdeten Bereich öffnen!** **Nicht unter Spannung öffnen!** 21
Warning! Do not open in explosion hazardous location! **Do not open when energized!**

25 **II 2G Ex d IIB T4Gb** **DIN EN 12050-1/ICE60034-1**

BSV 11 ATEX E 119 X

23 **Produced by WILO SE, Hof** **S/N : 650161916** 24

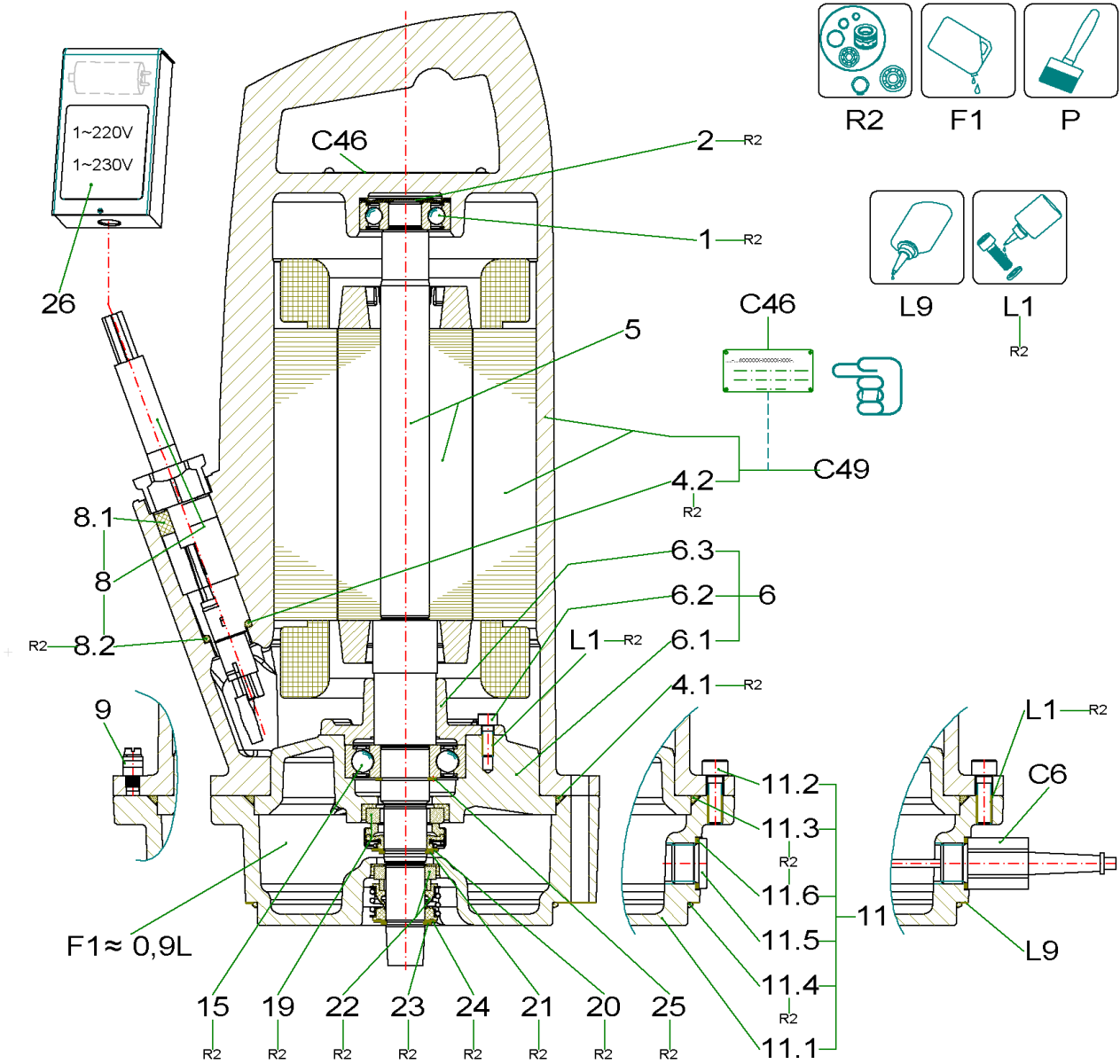
Made by Wilo Group in Germany
 WILO SE Nortkirchenstr.100
 44263 Dortmund Germany

0158

CE

name plate information "Rexa"

Item	Description	Quantity
1	Series	1
2	Impeller shape	1
3	size of pressure connection	1
4	Hydraulic version	1
5	Material code hydraulics	1
6	Hydraulics definition	1
7	Motor version	1
8	Material code motor	1
9	Seal version	1
10	IE-Efficiency class	1
11	Explosion prevention	1
12	Numbers of pol	1
13	Mains supply M=1~ / T=3~	1
14	/10 = Rated motor power P2 in kW	1
15	Frequency	1
16	Code for rated voltage	1
17	Additional electrical equipment	1
18	Year of manufacture	1
19	speed	1
20	Starting current	1
21	Impeller diameter trimmed	1
22	Rated current	1
23	Impeller diameter	1
24	Serial number	1
25	Insulating class	1
26	Starting type	1
27	Duty data	1
28	Power consumption P1	1
29	Motor data	1
30	operation type: immersed	1
31	operation type: out of water	1



MOTOR PRO P13.1 XA

Item	Article no.	Description	Quantity
C46		name plate information "Rexa"	1
R2	6065495	Rep.Kit 2 P13.1	1
P	6042254	PAINT SPRAY Pantone334	1
P	6042255	colour 2K-paint IV80 pantone334C 250ml	1
P	6023614	Ceram C0 black 100 ml KIT	1
P	6020579	Ceram C0 black 250 ml KIT	1
P	6023485	Ceram C0 Black 500ml Kit	1
F1	6025460	medical white oil 1L KIT	1
F1	6025461	medical white oil 5L KIT	1
L1	6080531	Loctite 243 5g flask VP:	1
L1	2096167	Loctite 243 50ml VP.	1
L9	6080535	Loctite 5203 300ml VP.	1

C6		electrode KIT	1
C49		stator P13.	1

1		Rep.Kit 2 P13.1	1
Note: für / for / pour 1,1 kW			
1		grooved ball bearing 6303 ZZ	1
Note: für / for / pour 1,5kW + 2,5kW + 3,9kW			
2		wave spring ring D.40 YSSB-0158	1
4.1		o-ring ID.150,0x4,0 NBR70	1
4.2		o-ring ID.18,0x3,5 NBR70	1
5	6067580	rotor S/P13.1-8/EAD0X2-M VP.	1
5	6067579	rotor S/P13.1-8/EAD1X2-T VP.	1
5	6077472	rotor P13.1-9/EAD3X2-T VP.	1
5	6086069	rotor S/P13.1-11/EAD1X2-T VP.	1
5	6077473	rotor P13.1-11/EAD3X2-T VP.	1
5	6067577	rotor S/P13.1-10/EAD1X2-T VP.	1
5	6067578	rotor P13.1-15/EAD1X2-T VP.	1
5	6077474	rotor P13.1-16/EAD3X2-T VP.	1
6	6067403	bearing housing P13.1 6050238 GG KIT	1
6.1		> bearing housing B 6050238 GG	1
6.2		> screw M6x16 ISO4762 A4	3

MOTOR PRO P13.1 XA

Item	Article no.	Description	Quantity
6.3		> bearing cover D.62,2g6 6050240 GG	1
8	6066645	cable trumpet 30T P13 10MH07 7G1,5 KIT	1
8	6066648	REXA PRO cable trumpet 30T P13 20MH07	1
8	6080978	cable trumpet 30T P13 30MH07 7G1,5 KIT	1
8	6081765	cable trumpet 30T P13 40MH07 7G1,5 KIT	1
8.1	6076650	seal ring D.29,5/17x16,5 54.17777 NBR VP	1
8.2		o-ring ID.18,0x3,5 NBR70	1
9	6067407	Barlian bow terminal M5 A2	1
11	6067637	sealing casing P/S13.1 D.152 GG XA SET	1
11.1		> sealing casing D.152g6 6050244 GG	1
11.2	6076892	> screw M8x25 DIN912 A4 (10pc)	1
Note: P13.			
11.2		> screw M8x16 ISO4762 A2-70	6
Note: S13.			
11.3		> o-ring ID.150,0x4,0 HNBR70 green	1
11.4		> o-ring ID.150,0x3,0 HNBR70 green	1
11.5	6067638	> screw plug G1/2 DIN908 A4 (3pcs)	1
11.6	6048832	> joint ring A21/26x1,5 DIN7603 PA(10pc)	1
15		SRDG BALL BEARING 6305 ZZ	1
19		MECHANICAL SEAL BT-AR/22 BXPFF	1
20		pressure ring D.34/22,5x1 6050343 A4	1
21		CIRCLIPS 22x1,2 DIN471 1.4122	1
22		mechanical shaft seal MG1/20-G60 QPFGG	1
23		circlips 20x1,2 DIN471 1.4116	1
24		pressure ring D.32/20,5x1 6050343 A4	1
25		circlips 25x1,2 DIN471 FSt	1
26	6080916	terminal-Box CD35+70MF VP.	1

name plate information "Rexa"



submersible sewage pump

1 2 3 4 5 6 7 8 9 10 11 12 13 14 15 16 17

29

28 P-Typ **PRO V 06 D A - 628 / E A D 2 X 4 - T 0039 - 5 40 - O** 18

M-Typ **P 13.2-11 / EAD2X4-T** **MFY 2013W35**

27 **P₁ 5.50kW** **P₂ 3.90kW** **n 2874 1/min** 19

Q_{max} 45.0m³/h **H_{max} 60m** **H_{min} 2m** 22

Q_N 26.0l/s **H_N 30.0m** **SF 1.00/ _{SF} 15.25A**

16 **U 400 - 3 V** **I_N 15.25A** **I_{ST} 25.9A** 20

13 **AT Direkt** **OT_S S1** **OT_E S3** 31

f 50 Hz **IP 68** **cos φ 0.89** **T 40°C** **▽ 20.0m** 30

26 **m 2000 kg** **cl.F** **IM_{org} 122mm** **IM_{kor} 118mm** 21

15 **Warnung! Nicht in explosionsgefährdeten Bereich öffnen!** **Nicht unter Spannung öffnen!** **Warning! Do not open in explosion hazardous location!** **Do not open when energized!** 24

II 2G Ex d IIB T4Gb **DIN EN 12050-1/ICE60034-1**

25 **BSV 11 ATEX E 119 X** **S/N : 650161916**

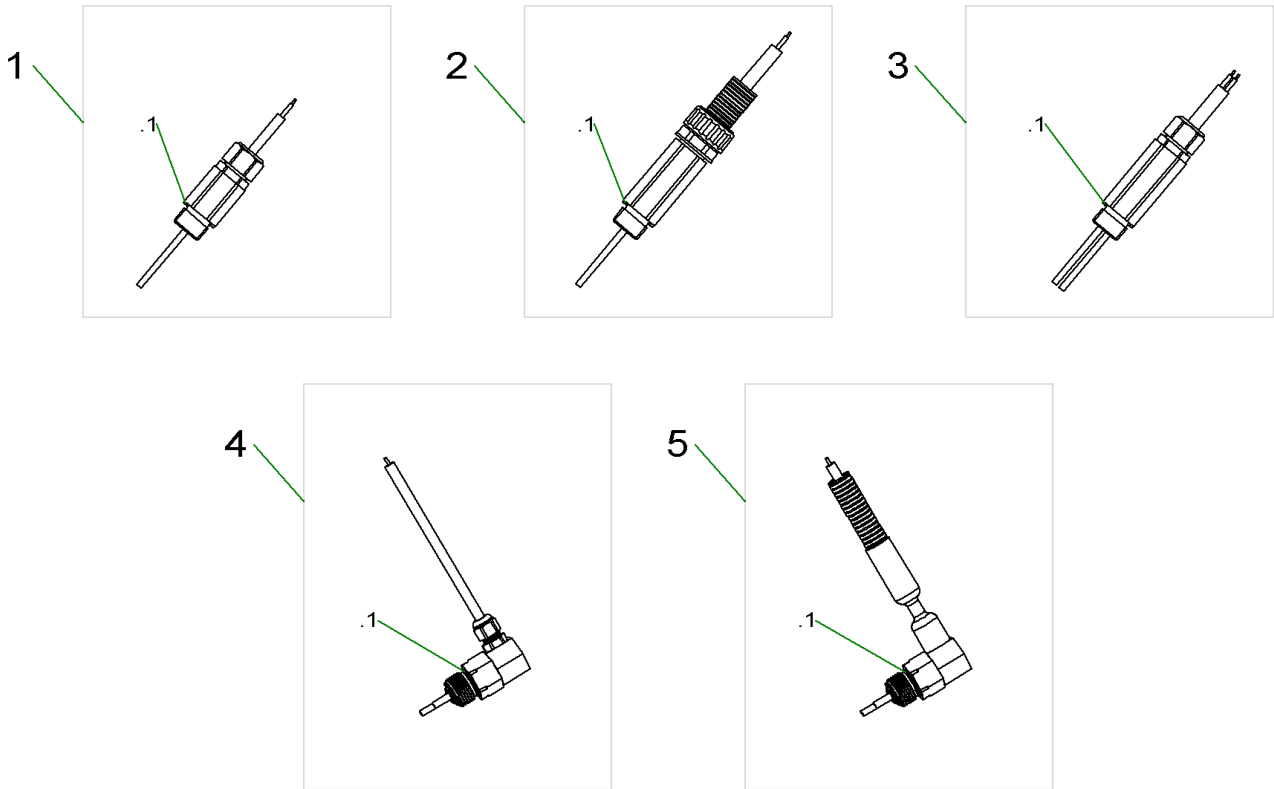
23 **Produced by WILO SE, Hof**

Made by Wilo Group in Germany
 WILO SE Nortkirchenstr.100
 44263 Dortmund Germany

0158 **CE**

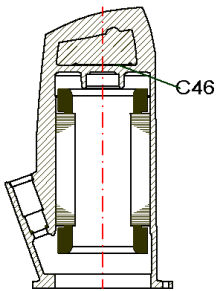
name plate information "Rexa"

Item	Description	Quantity
1	Series	1
2	Impeller shape	1
3	size of pressure connection	1
4	Hydraulic version	1
5	Material code hydraulics	1
6	Hydraulics definition	1
7	Motor version	1
8	Material code motor	1
9	Seal version	1
10	IE-Efficiency class	1
11	Explosion prevention	1
12	Numbers of pol	1
13	Mains supply M=1~ / T=3~	1
14	/10 = Rated motor power P2 in kW	1
15	Frequency	1
16	Code for rated voltage	1
17	Additional electrical equipment	1
18	Year of manufacture	1
19	speed	1
20	Starting current	1
21	Impeller diameter trimmed	1
22	Rated current	1
23	Impeller diameter	1
24	Serial number	1
25	Insulating class	1
26	Starting type	1
27	Duty data	1
28	Power consumption P1	1
29	Motor data	1
30	operation type: immersed	1
31	operation type: out of water	1



electrode KIT

Item	Article no.	Description	Quantity
.1	6048832	joint ring A21/26x1,5 DIN7603 PA(10pc)	1
1	6042222	pencil electrode G1/2 10m KIT	1
1	6042313	pencil electrode G1/2 15m KIT	1
1	6042223	pencil electrode G1/2 20m KIT	1
1	6061068	pencil electrode G1/2 25KIT	1
1	6061070	pencil electrode G1/2 30m KIT	1
1	6061069	Stabelektrode G1/2 40m SET	1
1	6060956	pencil electrode G1/2 55m KIT	1
2	6042227	pencil electrode G1/2 10m+hose KIT	1
2	6065196	pencil electrode G1/2 15m+hose KIT	1
3	6042229	double pencil electrode G1/2 10m KIT	1
3	6042228	double pencil electrode G1/2 20m KIT	1
3	6063536	double pencil electrode G1/2 40m KIT	1
3	6065157	double pencil electrode G1/2 10m 4*A KIT	1
3	6065156	double pencil electrode G1/2 20m 4*AWKIT	1
4	6068049	elbow pencil electrode G1/2 10m SET	1
4	6068050	elbow pencil electrode G1/2 15m SET	1
4	6075169	elbow pencil electrode G1/2 20m SET	1
5	6068345	elbow pencil electrode G1/2 10m+Schl. KI	1
5	6068346	elbow pencil electrode G1/2 15m+Schl. SE	1



Type	Pol.	Power P ₂ kW	IE	DOL / YD	Bi / PTC	1~220V/50Hz	1~230V/50Hz	3~380V/50Hz	3~400V/50Hz	3~415V/50Hz	3~500V/50Hz	3~208V/60Hz	3~220/60Hz	1~230/60Hz	3~230/60Hz	3~380V/60Hz	3~440/60Hz	3~460V/60Hz	3~480/60Hz	
P13.	2	1,1	0	DOL	Bi		1						13							
P13.	2	1,1	1	DOL	Bi			2						14				2	2	
P13.	2	1,1	3	DOL	Bi			9										9		
P13.	2	1,2	3	DOL	Bi			9										9		
P13.	2	1,35	3	DOL	Bi			11										11		
P13.	2	1,5	0	DOL	Bi		1						13							
P13.	2	1,5	1	DOL	Bi			2						14				2	2	
P13.	2	1,5	3	DOL	Bi			9										9		
P13.	2	1,65	3	DOL	Bi			10										10		
P13.	2	2,5	1	DOL	Bi			3						15				3		
P13.	2	2,5	3	DOL	Bi			11										11		
P13.	2	3,9	1	DOL	Bi			4						16				4		
P13.	2	3,9	3	DOL	Bi			10										10		
P13.	4	1,1	0	DOL	Bi		6													
P13.	4	1,1	1	DOL	Bi			5						17				5		
P13.	4	1,1	3	DOL	Bi			12										12		
P13.	4	1,25	3	DOL	Bi			12										12		
P13.	4	1,5	0	DOL	Bi		6													
P13.	4	1,5	1	DOL	Bi			5						17				5		
P13.	4	1,5	3	DOL	Bi			12										12		
P13.	4	2,5	1	DOL	Bi			7						18				7		
P13.	4	3,5	0	DOL	Bi			8						19				8		

stator P13.

Item	Article no.	Description	Quantity
C46		name plate information "Rexa" -----	1
1	6070463	stator-unit P13.-2/8 1~ KIT	1
2	6070461	stator-unit P13.-2/8 3~ KIT	1
3	6070465	stator-unit P13.-2/10 3~ KIT	1
4	6070466	stator-unit P13.-2/15 3~ KIT	1
5	6070468	stator-unit P13.-4/10 3~ KIT	1
6	6070470	stator-unit P13.-4/11 1~ KIT	1
7	6070471	stator-unit P13.-4/13 3~ KIT	1
8	6070472	stator-unit P13.-4/16 3~ KIT	1
9	6072170	stator-unit P13.-2/9 3~ KIT	1
10	6072171	stator-unit P13.-2/16 3~ KIT	1
11	6072172	stator-unit P13.-2/11 3~ KIT	1
12	6072173	stator-unit P13.-4/16 3~ KIT	1
13	6076974	stator-unit P13.2/8 1~ KIT	1
14	6076973	stator-unit P13.-2/8 3~ KIT	1
15	6076972	stator-unit P13.-2/10 3~ KIT	1
16	6076971	stator-unit P13.-2/15 3~ KIT	1
17	6076970	stator-unit P13.-4/10 3~ KIT	1
18	6076969	stator-unit P13.-4/14 3~ KIT	1
19	6076968	stator-unit P13.-4/16 3~ KIT	1

name plate information "Rexa"

submersible sewage pump

1 2 3 4 5 6 7 8 9 10 11 12 13 14 15 16 17

29

28 P-Typ **PRO V 06 D A - 628 / E A D 2 X 4 - T 0039 - 5 40 - O** 18

M-Typ **P 13.2-11 / EAD2X4-T** **MFY 2013W35**

27 **P₁ 5.50kW** **P₂ 3.90kW** **n 2874 1/min** 19

Q_{max} 45.0m³/h **H_{max} 60m** **H_{min} 2m** 22

Q_N 26.0l/s **H_N 30.0m** **SF 1.00/ _{SF} 15.25A**

16 **U 400 - 3 V** **I_N 15.25A** **I_{ST} 25.9A** 20

13 **AT Direkt** **OT_S S1** **OT_E S3** 31

f 50 Hz **IP 68** **cos p 0.89** **T 40°C** **▽ 20.0m** 30

26 **m 2000 kg** **cl.F** **IM_{org} 122mm** **IM_{kor} 118mm** 30

15 **Warnung! Nicht in explosionsgefährdeten Bereich öffnen!** **Nicht unter Spannung öffnen!** 21
Warning! Do not open in explosion hazardous location! **Do not open when energized!**

25 **II 2G Ex d IIB T4Gb** **DIN EN 12050-1/ICE60034-1**

BSV 11 ATEX E 119 X

Produced by WILO SE, Hof **S/N : 650161916** 24

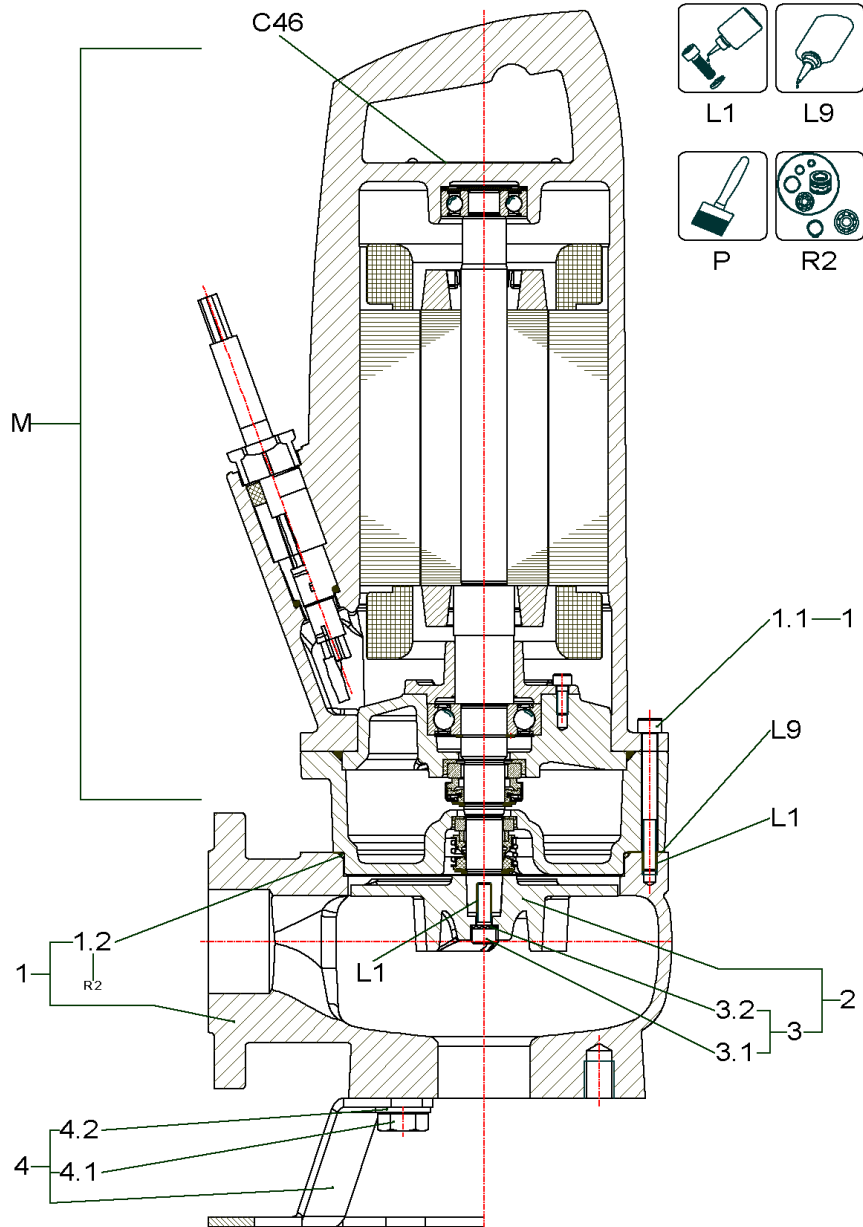
23 **Made by Wilo Group in Germany**
WILO SE Nortkirchenstr.100
44263 Dortmund Germany

0158

name plate information "Rexa"

Item	Description	Quantity
1	Series	1
2	Impeller shape	1
3	size of pressure connection	1
4	Hydraulic version	1
5	Material code hydraulics	1
6	Hydraulics definition	1
7	Motor version	1
8	Material code motor	1
9	Seal version	1
10	IE-Efficiency class	1
11	Explosion prevention	1
12	Numbers of pol	1
13	Mains supply M=1~ / T=3~	1
14	/10 = Rated motor power P2 in kW	1
15	Frequency	1
16	Code for rated voltage	1
17	Additional electrical equipment	1
18	Year of manufacture	1
19	speed	1
20	Starting current	1
21	Impeller diameter trimmed	1
22	Rated current	1
23	Impeller diameter	1
24	Serial number	1
25	Insulating class	1
26	Starting type	1
27	Duty data	1
28	Power consumption P1	1
29	Motor data	1
30	operation type: immersed	1
31	operation type: out of water	1

SUBMERSIBLE SEWAGE PUMP V06-220 UNIT (6064210)



SUBMERSIBLE SEWAGE PUMP V06-220 UNIT (6064210)

Item	Article no.	Description	Quantity
C46		name plate information "Rexa"	1
R2	6065495	Rep.Kit 2 P13.1	1
P	6042254	PAINT SPRAY Pantone334	1
P	6042255	colour 2K-paint IV80 pantone334C 250ml	1
P	6023614	Ceram C0 black 100 ml KIT	1
P	6020579	Ceram C0 black 250 ml KIT	1
P	6023485	Ceram C0 Black 500ml Kit	1
L1	6080531	Loctite 243 5g flask VP:	1
L9	6080535	Loctite 5203 300ml VP.	1

M		MOTOR PRO P13.1 XA	1

1	6065172	pump housing Rexa V06DA-2xx DN65 GG SET	1
1	6065173	pump housing Rexa V06NA-2xx ANSI GG SET	1
1.1		screw M8x75 DIN912 A4-70	3
1.2		o-ring ID.150,0x3,0 NBR70	1
2	6065836	impeller Rexa V06xA-222 GG Set SVA	1
2	6065837	impeller Rexa V06xA-224 GG Set SVA	1
3	6067645	impeller fixation 8x25 Geomet KIT	1
3.1		> screw M8x25 DIN912 10.9 Geomet	1
3.2		> screw locking Nord-Lock 13,5/8,7 A4	1
4	6064666	Pump foot DN50/65 KIT	1
4B.1		> screw M16x25 DIN933 A4-70	4
4B.2	6076816	> washer A17 Din125 A4 (20pc)	1
4.1		screw M16x25 DIN933 A4-70	4
4.2	6076816	washer A17 Din125 A4 (20pc)	1

name plate information "Rexa"

submersible sewage pump

1 2 3 4 5 6 7 8 9 10 11 12 13 14 15 16 17

29

28 P-Typ **PRO V 06 D A - 628 / E A D 2 X 4 - T 0039 - 5 40 - O** 18

M-Typ **P 13.2-11 / EAD2X4-T** **MFY 2013W35**

27 **P₁ 5.50kW** **P₂ 3.90kW** **n 2874 1/min** 19

Q_{max} 45.0m³/h **H_{max} 60m** **H_{min} 2m** 22

Q_N 26.0l/s **H_N 30.0m** **SF 1.00/ _{SF} 15.25A**

16 **U 400 - 3 V** **I_N 15.25A** **I_{ST} 25.9A** 20

13 **AT Direkt** **OT_S S1** **OT_E S3** 31

f 50 Hz **IP 68** **cos p 0.89** **T 40°C** **▽ 20.0m** 30

26 **m 2000 kg** **cl.F** **IM_{org} 122mm** **IM_{kor} 118mm** 30

15 **Warnung! Nicht in explosionsgefährdeten Bereich öffnen!** **Nicht unter Spannung öffnen!** 21
Warning! Do not open in explosion hazardous location! **Do not open when energized!**

25 **II 2G Ex d IIB T4Gb** **DIN EN 12050-1/ICE60034-1**

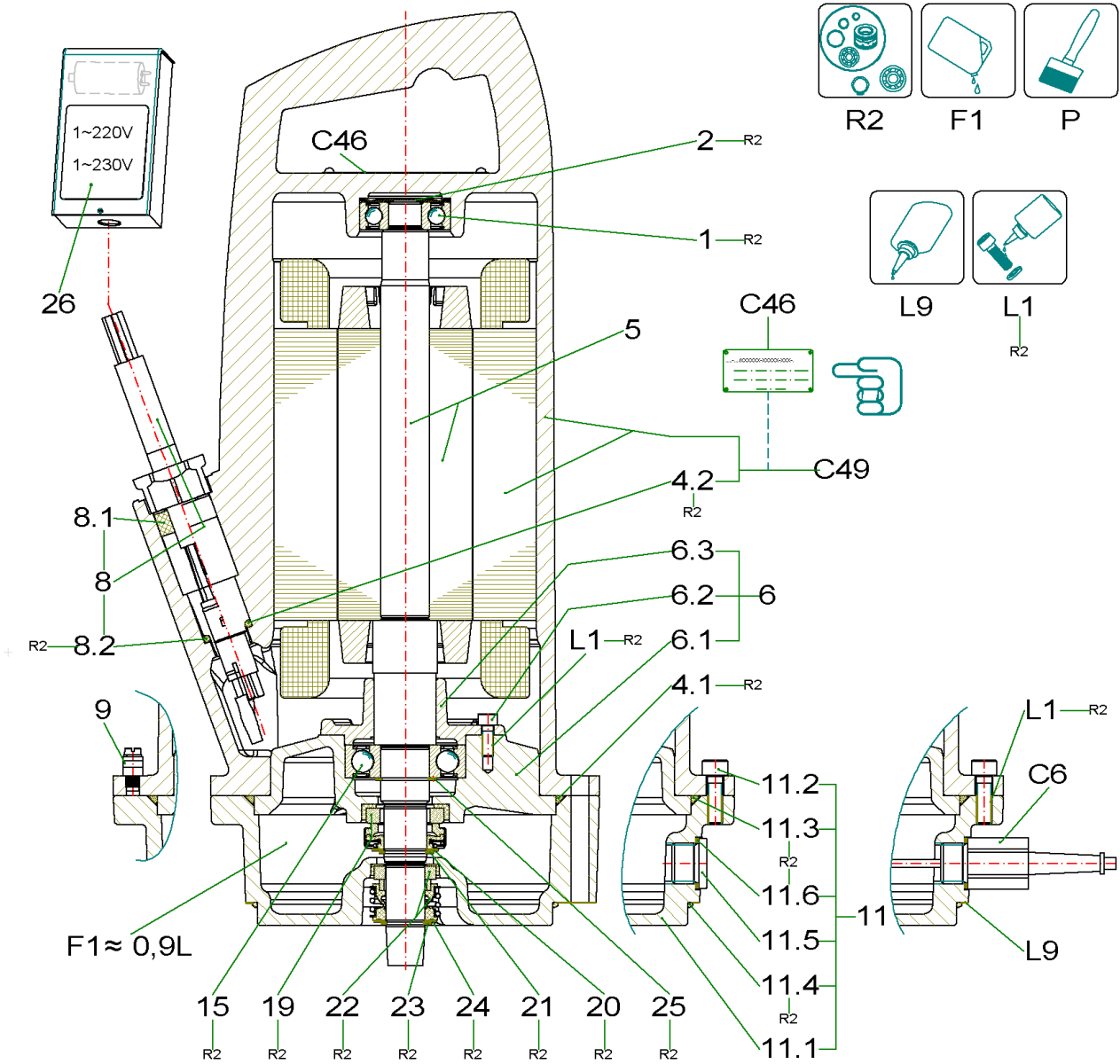
BSV 11 ATEX E 119 X

Produced by WILO SE, Hof **S/N : 650161916** 24

23 **Made by Wilo Group in Germany**
WILO SE Nortkirchenstr.100
44263 Dortmund Germany **0158** **CE**

name plate information "Rexa"

Item	Description	Quantity
1	Series	1
2	Impeller shape	1
3	size of pressure connection	1
4	Hydraulic version	1
5	Material code hydraulics	1
6	Hydraulics definition	1
7	Motor version	1
8	Material code motor	1
9	Seal version	1
10	IE-Efficiency class	1
11	Explosion prevention	1
12	Numbers of pol	1
13	Mains supply M=1~ / T=3~	1
14	/10 = Rated motor power P2 in kW	1
15	Frequency	1
16	Code for rated voltage	1
17	Additional electrical equipment	1
18	Year of manufacture	1
19	speed	1
20	Starting current	1
21	Impeller diameter trimmed	1
22	Rated current	1
23	Impeller diameter	1
24	Serial number	1
25	Insulating class	1
26	Starting type	1
27	Duty data	1
28	Power consumption P1	1
29	Motor data	1
30	operation type: immersed	1
31	operation type: out of water	1



MOTOR PRO P13.1 XA

Item	Article no.	Description	Quantity
C46		name plate information "Rexa"	1
R2	6065495	Rep.Kit 2 P13.1	1
P	6042254	PAINT SPRAY Pantone334	1
P	6042255	colour 2K-paint IV80 pantone334C 250ml	1
P	6023614	Ceram C0 black 100 ml KIT	1
P	6020579	Ceram C0 black 250 ml KIT	1
P	6023485	Ceram C0 Black 500ml Kit	1
F1	6025460	medical white oil 1L KIT	1
F1	6025461	medical white oil 5L KIT	1
L1	6080531	Loctite 243 5g flask VP:	1
L1	2096167	Loctite 243 50ml VP.	1
L9	6080535	Loctite 5203 300ml VP.	1

C6		electrode KIT	1
C49		stator P13.	1

1		Rep.Kit 2 P13.1	1
Note: für / for / pour 1,1 kW			
1		grooved ball bearing 6303 ZZ	1
Note: für / for / pour 1,5kW + 2,5kW + 3,9kW			
2		wave spring ring D.40 YSSB-0158	1
4.1		o-ring ID.150,0x4,0 NBR70	1
4.2		o-ring ID.18,0x3,5 NBR70	1
5	6067580	rotor S/P13.1-8/EAD0X2-M VP.	1
5	6067579	rotor S/P13.1-8/EAD1X2-T VP.	1
5	6077472	rotor P13.1-9/EAD3X2-T VP.	1
5	6086069	rotor S/P13.1-11/EAD1X2-T VP.	1
5	6077473	rotor P13.1-11/EAD3X2-T VP.	1
5	6067577	rotor S/P13.1-10/EAD1X2-T VP.	1
5	6067578	rotor P13.1-15/EAD1X2-T VP.	1
5	6077474	rotor P13.1-16/EAD3X2-T VP.	1
6	6067403	bearing housing P13.1 6050238 GG KIT	1
6.1		> bearing housing B 6050238 GG	1
6.2		> screw M6x16 ISO4762 A4	3

MOTOR PRO P13.1 XA

Item	Article no.	Description	Quantity
6.3		> bearing cover D.62,2g6 6050240 GG	1
8	6066645	cable trumpet 30T P13 10MH07 7G1,5 KIT	1
8	6066648	REXA PRO cable trumpet 30T P13 20MH07	1
8	6080978	cable trumpet 30T P13 30MH07 7G1,5 KIT	1
8	6081765	cable trumpet 30T P13 40MH07 7G1,5 KIT	1
8.1	6076650	seal ring D.29,5/17x16,5 54.17777 NBR VP	1
8.2		o-ring ID.18,0x3,5 NBR70	1
9	6067407	Barlian bow terminal M5 A2	1
11	6067637	sealing casing P/S13.1 D.152 GG XA SET	1
11.1		> sealing casing D.152g6 6050244 GG	1
11.2	6076892	> screw M8x25 DIN912 A4 (10pc)	1
Note: P13.			
11.2		> screw M8x16 ISO4762 A2-70	6
Note: S13.			
11.3		> o-ring ID.150,0x4,0 HNBR70 green	1
11.4		> o-ring ID.150,0x3,0 HNBR70 green	1
11.5	6067638	> screw plug G1/2 DIN908 A4 (3pcs)	1
11.6	6048832	> joint ring A21/26x1,5 DIN7603 PA(10pc)	1
15		SRDG BALL BEARING 6305 ZZ	1
19		MECHANICAL SEAL BT-AR/22 BXPFF	1
20		pressure ring D.34/22,5x1 6050343 A4	1
21		CIRCLIPS 22x1,2 DIN471 1.4122	1
22		mechanical shaft seal MG1/20-G60 QPFGG	1
23		circlips 20x1,2 DIN471 1.4116	1
24		pressure ring D.32/20,5x1 6050343 A4	1
25		circlips 25x1,2 DIN471 FSt	1
26	6080916	terminal-Box CD35+70MF VP.	1

name plate information "Rexa"

submersible sewage pump

1 2 3 4 5 6 7 8 9 10 11 12 13 14 15 16 17

29

28 P-Typ **PRO V 06 D A - 628 / E A D 2 X 4 - T 0039 - 5 40 - O** 18

M-Typ **P 13.2-11 / EAD2X4-T** **MFY 2013W35**

27 **P₁ 5.50kW** **P₂ 3.90kW** **n 2874 1/min** 19

Q_{max} 45.0m³/h **H_{max} 60m** **H_{min} 2m** 22

Q_N 26.0l/s **H_N 30.0m** **SF 1.00/ _{SF} 15.25A**

16 **U 400 - 3 V** **I_N 15.25A** **I_{ST} 25.9A** 20

13 **AT Direkt** **OT_S S1** **OT_E S3** 31

f 50 Hz **IP 68** **cos p 0.89** **T 40°C** **▽ 20.0m** 30

26 **m 2000 kg** **cl.F** **IM_{org} 122mm** **IM_{kor} 118mm** 30

15 **Warnung! Nicht in explosionsgefährdeten Bereich öffnen!** **Nicht unter Spannung öffnen!** 21
Warning! Do not open in explosion hazardous location! **Do not open when energized!**

25 **II 2G Ex d IIB T4Gb** **DIN EN 12050-1/ICE60034-1**

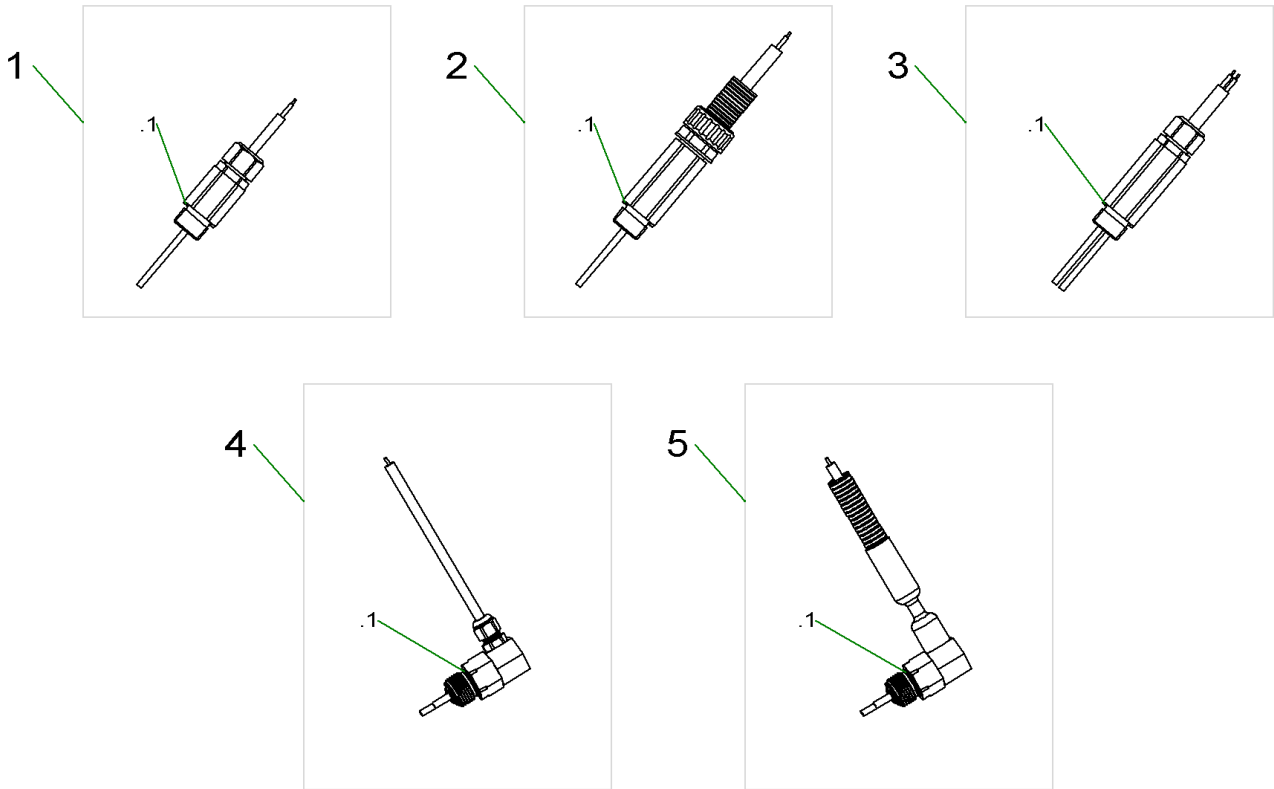
BSV 11 ATEX E 119 X

Produced by WILO SE, Hof **S/N : 650161916** 24

23 **Made by Wilo Group in Germany**
WILO SE Nortkirchenstr.100
44263 Dortmund Germany **0158** **CE**

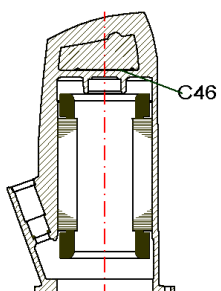
name plate information "Rexa"

Item	Description	Quantity
1	Series	1
2	Impeller shape	1
3	size of pressure connection	1
4	Hydraulic version	1
5	Material code hydraulics	1
6	Hydraulics definition	1
7	Motor version	1
8	Material code motor	1
9	Seal version	1
10	IE-Efficiency class	1
11	Explosion prevention	1
12	Numbers of pol	1
13	Mains supply M=1~ / T=3~	1
14	/10 = Rated motor power P2 in kW	1
15	Frequency	1
16	Code for rated voltage	1
17	Additional electrical equipment	1
18	Year of manufacture	1
19	speed	1
20	Starting current	1
21	Impeller diameter trimmed	1
22	Rated current	1
23	Impeller diameter	1
24	Serial number	1
25	Insulating class	1
26	Starting type	1
27	Duty data	1
28	Power consumption P1	1
29	Motor data	1
30	operation type: immersed	1
31	operation type: out of water	1



electrode KIT

Item	Article no.	Description	Quantity
.1	6048832	joint ring A21/26x1,5 DIN7603 PA(10pc)	1
1	6042222	pencil electrode G1/2 10m KIT	1
1	6042313	pencil electrode G1/2 15m KIT	1
1	6042223	pencil electrode G1/2 20m KIT	1
1	6061068	pencil electrode G1/2 25KIT	1
1	6061070	pencil electrode G1/2 30m KIT	1
1	6061069	Stabelektrode G1/2 40m SET	1
1	6060956	pencil electrode G1/2 55m KIT	1
2	6042227	pencil electrode G1/2 10m+hose KIT	1
2	6065196	pencil electrode G1/2 15m+hose KIT	1
3	6042229	double pencil electrode G1/2 10m KIT	1
3	6042228	double pencil electrode G1/2 20m KIT	1
3	6063536	double pencil electrode G1/2 40m KIT	1
3	6065157	double pencil electrode G1/2 10m 4*A KIT	1
3	6065156	double pencil electrode G1/2 20m 4*AWKIT	1
4	6068049	elbow pencil electrode G1/2 10m SET	1
4	6068050	elbow pencil electrode G1/2 15m SET	1
4	6075169	elbow pencil electrode G1/2 20m SET	1
5	6068345	elbow pencil electrode G1/2 10m+Schl. KI	1
5	6068346	elbow pencil electrode G1/2 15m+Schl. SE	1



Type	Pol.	Power P ₂ kW	IE	DOL / YD	Bi / PTC	1~220V/50Hz	1~230V/50Hz	3~380V/50Hz	3~400V/50Hz	3~415V/50Hz	3~500V/50Hz	3~208V/60Hz	3~220/60Hz	1~230/60Hz	3~230/60Hz	3~380V/60Hz	3~440/60Hz	3~460V/60Hz	3~480/60Hz
P13.	2	1,1	0	DOL	Bi		1						13						
P13.	2	1,1	1	DOL	Bi			2						14			2	2	
P13.	2	1,1	3	DOL	Bi			9									9		
P13.	2	1,2	3	DOL	Bi			9									9		
P13.	2	1,35	3	DOL	Bi			11									11		
P13.	2	1,5	0	DOL	Bi		1						13						
P13.	2	1,5	1	DOL	Bi			2						14			2	2	
P13.	2	1,5	3	DOL	Bi			9									9		
P13.	2	1,65	3	DOL	Bi			10									10		
P13.	2	2,5	1	DOL	Bi			3						15			3		
P13.	2	2,5	3	DOL	Bi			11									11		
P13.	2	3,9	1	DOL	Bi			4						16			4		
P13.	2	3,9	3	DOL	Bi			10									10		
P13.	4	1,1	0	DOL	Bi		6												
P13.	4	1,1	1	DOL	Bi			5						17			5		
P13.	4	1,1	3	DOL	Bi			12									12		
P13.	4	1,25	3	DOL	Bi			12									12		
P13.	4	1,5	0	DOL	Bi		6												
P13.	4	1,5	1	DOL	Bi			5						17			5		
P13.	4	1,5	3	DOL	Bi			12									12		
P13.	4	2,5	1	DOL	Bi			7						18			7		
P13.	4	3,5	0	DOL	Bi			8						19			8		

stator P13.

Item	Article no.	Description	Quantity
C46		name plate information "Rexa" -----	1
1	6070463	stator-unit P13.-2/8 1~ KIT	1
2	6070461	stator-unit P13.-2/8 3~ KIT	1
3	6070465	stator-unit P13.-2/10 3~ KIT	1
4	6070466	stator-unit P13.-2/15 3~ KIT	1
5	6070468	stator-unit P13.-4/10 3~ KIT	1
6	6070470	stator-unit P13.-4/11 1~ KIT	1
7	6070471	stator-unit P13.-4/13 3~ KIT	1
8	6070472	stator-unit P13.-4/16 3~ KIT	1
9	6072170	stator-unit P13.-2/9 3~ KIT	1
10	6072171	stator-unit P13.-2/16 3~ KIT	1
11	6072172	stator-unit P13.-2/11 3~ KIT	1
12	6072173	stator-unit P13.-4/16 3~ KIT	1
13	6076974	stator-unit P13.2/8 1~ KIT	1
14	6076973	stator-unit P13.-2/8 3~ KIT	1
15	6076972	stator-unit P13.-2/10 3~ KIT	1
16	6076971	stator-unit P13.-2/15 3~ KIT	1
17	6076970	stator-unit P13.-4/10 3~ KIT	1
18	6076969	stator-unit P13.-4/14 3~ KIT	1
19	6076968	stator-unit P13.-4/16 3~ KIT	1

name plate information "Rexa"



submersible sewage pump

1 2 3 4 5 6 7 8 9 10 11 12 13 14 15 16 17

29

28 P-Typ **PRO V 06 D A - 628 / E A D 2 X 4 - T 0039 - 5 40 - O** 18

M-Typ **P 13.2-11 / EAD2X4-T** **MFY 2013W35**

27 **P₁ 5.50kW** **P₂ 3.90kW** **n 2874 1/min** 19

Q_{max} 45.0m³/h **H_{max} 60m** **H_{min} 2m** 22

Q_N 26.0l/s **H_N 30.0m** **SF 1.00/ _{SF} 15.25A**

16 **U 400 - 3 V** **I_N 15.25A** **I_{ST} 25.9A** 20

13 **AT Direkt** **OT_S S1** **OT_E S3** 31

f 50 Hz **IP 68** **cos φ 0.89** **T 40°C** **▽ 20.0m** 30

26 **m 2000 kg** **cl.F** **IM_{org} 122mm** **IM_{kor} 118mm** 30

15 **Warnung! Nicht in explosionsgefährdeten Bereich öffnen!** **Nicht unter Spannung öffnen!** 21
Warning! Do not open in explosion hazardous location! **Do not open when energized!**

25 **II 2G Ex d IIB T4Gb** **DIN EN 12050-1/ICE60034-1**

BSV 11 ATEX E 119 X

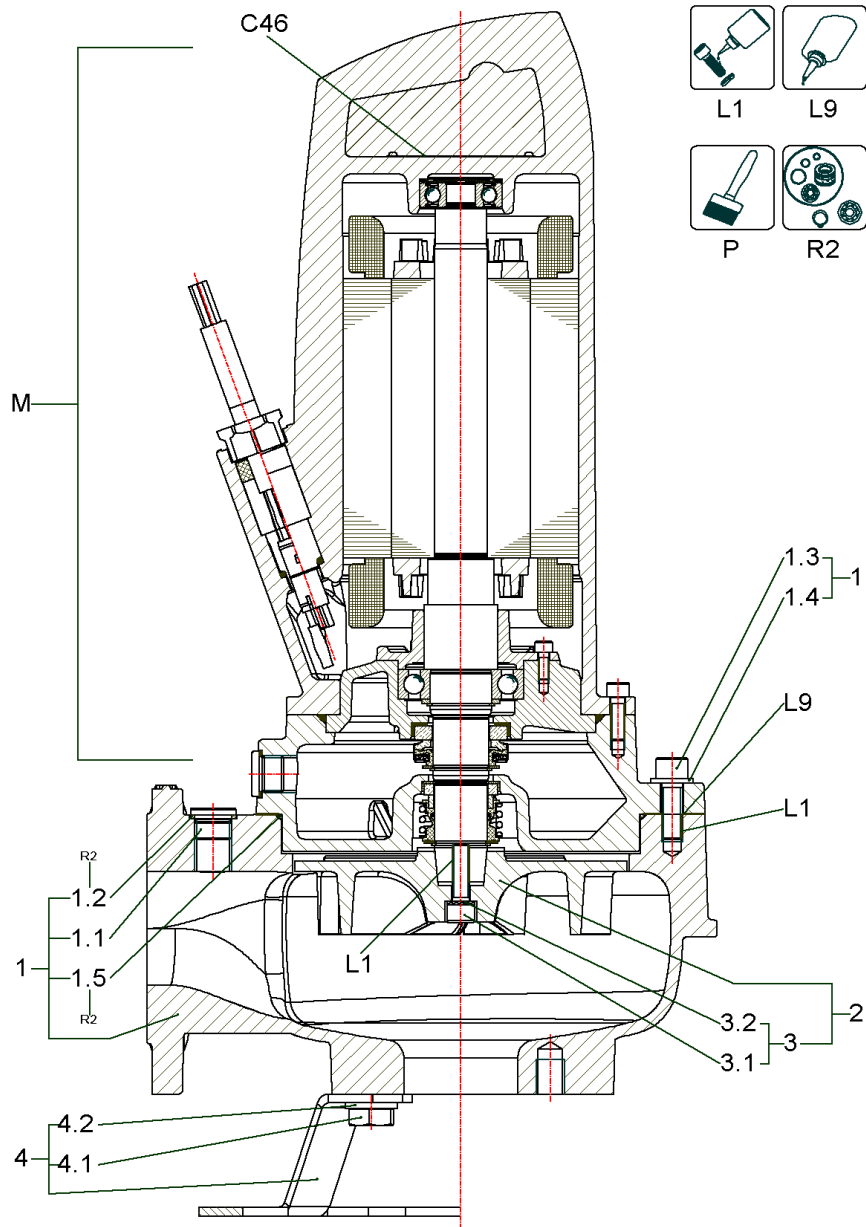
Produced by WILO SE, Hof **S/N : 650161916** 24

23 **Made by Wilo Group in Germany**
WILO SE Nortkirchenstr.100
44263 Dortmund Germany **0158** **CE**

name plate information "Rexa"

Item	Description	Quantity
1	Series	1
2	Impeller shape	1
3	size of pressure connection	1
4	Hydraulic version	1
5	Material code hydraulics	1
6	Hydraulics definition	1
7	Motor version	1
8	Material code motor	1
9	Seal version	1
10	IE-Efficiency class	1
11	Explosion prevention	1
12	Numbers of pol	1
13	Mains supply M=1~ / T=3~	1
14	/10 = Rated motor power P2 in kW	1
15	Frequency	1
16	Code for rated voltage	1
17	Additional electrical equipment	1
18	Year of manufacture	1
19	speed	1
20	Starting current	1
21	Impeller diameter trimmed	1
22	Rated current	1
23	Impeller diameter	1
24	Serial number	1
25	Insulating class	1
26	Starting type	1
27	Duty data	1
28	Power consumption P1	1
29	Motor data	1
30	operation type: immersed	1
31	operation type: out of water	1

SUBMERSIBLE SEWAGE PUMP V06-620 UNIT (6064063)



SUBMERSIBLE SEWAGE PUMP V06-620 UNIT (6064063)

Item	Article no.	Description	Quantity
C46		name plate information "Rexa"	1
R2	6065496	Rep.Kit 2 P13.2	1
P	6042254	PAINT SPRAY Pantone334	1
P	6042255	colour 2K-paint IV80 pantone334C 250ml	1
P	6023614	Ceram C0 black 100 ml KIT	1
P	6020579	Ceram C0 black 250 ml KIT	1
P	6023485	Ceram C0 Black 500ml Kit	1
L1	6080531	Loctite 243 5g flask VP:	1
L9	6080535	Loctite 5203 300ml VP.	1

M		MOTOR PRO P13.2 XB	1

1	6065174	pump housing Rexa V06DA-xx6 DN65 GG SET	1
1	6065175	pump housing Rexa V06NA-6xx ANSI GG SET	1
1.1		screw plug G1/2 DIN908 A4	1
1.2		joint ring A21/26x1,5 DIN7603 PA(10pc)	1
1.3		screw M12x35 DIN912 A4	3
1.4		washer A13 DIN125 A4 (20pc)	1
1.5		o-ring ID.203,0x3,0 NBR70	1
2	6065838	impeller Rexa V06xA-622 GG Set SVA	1
2	6065839	impeller Rexa V06xA-623 GG Set SVA	1
2	6065840	impeller Rexa V06xA-625 GG Set SVA	1
2	6065841	impeller V06xA-626 GG kit SVA	1
2	6065842	impeller V06xA-628 GG Set SVA	1
3	6067646	impeller fixation 10x35 Geomet KIT	1
3.1		> screw M10x35 DIN912 10.9 Geomet	1
3.2		> SCREW LOCKING NORD-LOCK 16/10,7 A4	1
4	6064666	Pump foot DN50/65 KIT	1
4B.1		> screw M16x25 DIN933 A4-70	4
4B.2	6076816	> washer A17 Din125 A4 (20pc)	1
4.1		screw M16x25 DIN933 A4-70	4
4.2	6076816	washer A17 Din125 A4 (20pc)	1

name plate information "Rexa"

submersible sewage pump

1 2 3 4 5 6 7 8 9 10 11 12 13 14 15 16 17

29

28 P-Typ **PRO V 06 D A - 628 / E A D 2 X 4 - T 0039 - 5 40 - O** 18

M-Typ **P 13.2-11 / EAD2X4-T** **MFY 2013W35**

27 **P₁ 5.50kW** **P₂ 3.90kW** **n 2874 1/min** 19

Q_{max} 45.0m³/h **H_{max} 60m** **H_{min} 2m** 22

Q_N 26.0l/s **H_N 30.0m** **SF 1.00/ _{SF} 15.25A**

16 **U 400 - 3 V** **I_N 15.25A** **I_{ST} 25.9A** 20

13 **AT Direkt** **OT_S S1** **OT_E S3** 31

f 50 Hz **IP 68** **cos φ 0.89** **T 40°C** **▽ 20.0m** 30

26 **m 2000 kg** **cl.F** **IM_{org} 122mm** **IM_{kor} 118mm** 30

15 **Warnung! Nicht in explosionsgefährdeten Bereich öffnen!** **Nicht unter Spannung öffnen!** 21
Warning! Do not open in explosion hazardous location! **Do not open when energized!**

25 **II 2G Ex d IIB T4Gb** **DIN EN 12050-1/ICE60034-1**

BSV 11 ATEX E 119 X

23 **Produced by WILO SE, Hof** **S/N : 650161916** 24

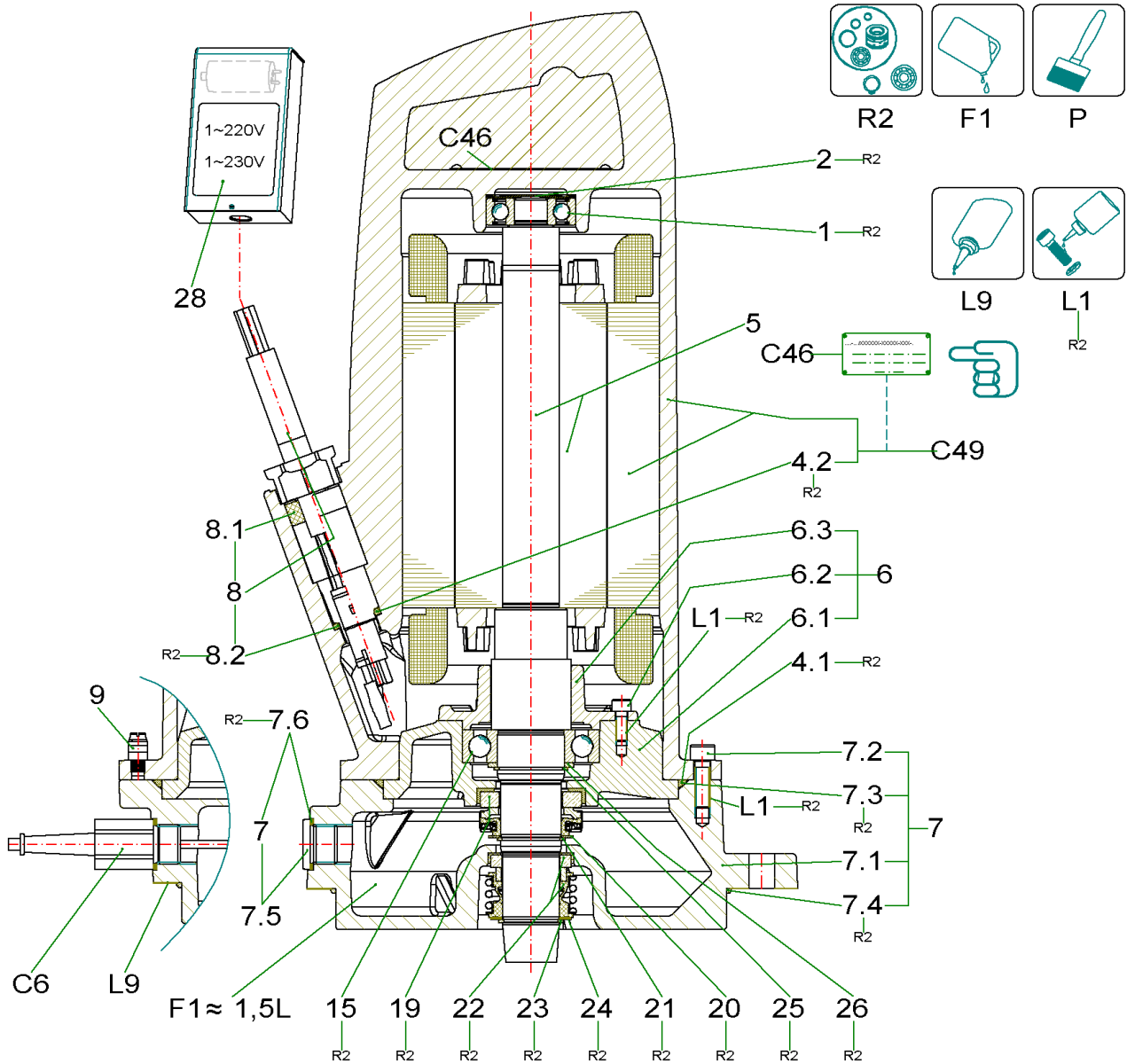
Made by Wilo Group in Germany
 WILO SE Nortkirchenstr.100
 44263 Dortmund Germany

0158

CE

name plate information "Rexa"

Item	Description	Quantity
1	Series	1
2	Impeller shape	1
3	size of pressure connection	1
4	Hydraulic version	1
5	Material code hydraulics	1
6	Hydraulics definition	1
7	Motor version	1
8	Material code motor	1
9	Seal version	1
10	IE-Efficiency class	1
11	Explosion prevention	1
12	Numbers of pol	1
13	Mains supply M=1~ / T=3~	1
14	/10 = Rated motor power P2 in kW	1
15	Frequency	1
16	Code for rated voltage	1
17	Additional electrical equipment	1
18	Year of manufacture	1
19	speed	1
20	Starting current	1
21	Impeller diameter trimmed	1
22	Rated current	1
23	Impeller diameter	1
24	Serial number	1
25	Insulating class	1
26	Starting type	1
27	Duty data	1
28	Power consumption P1	1
29	Motor data	1
30	operation type: immersed	1
31	operation type: out of water	1



MOTOR PRO P13.2 XB

Item	Article no.	Description	Quantity
C46		name plate information "Rexa"	1
R2	6065496	Rep.Kit 2 P13.2	1
P	6042254	PAINT SPRAY Pantone334	1
P	6042255	colour 2K-paint IV80 pantone334C 250ml	1
P	6023614	Ceram C0 black 100 ml KIT	1
P	6020579	Ceram C0 black 250 ml KIT	1
P	6023485	Ceram C0 Black 500ml Kit	1
F1	6025460	medical white oil 1L KIT	1
F1	6025461	medical white oil 5L KIT	1
L1	6080531	Loctite 243 5g flask VP:	1
L1	2096167	Loctite 243 50ml VP.	1
L9	6080535	Loctite 5203 300ml VP.	1

C6		electrode KIT	1
C49		stator P13.	1

1		Rep.Kit 2 P13.2	1
Note: für / for / pour 1,1 kW			
1		grooved ball bearing 6303 ZZ	1
Note: für / for / pour 1,5kW + 2,5kW + 3,9kW			
2		wave spring ring D.40 YSSB-0158	1
4.1		o-ring ID.150,0x4,0 NBR70	1
4.2		o-ring ID.18,0x3,5 NBR70	1
5	6067576	rotor P13.2-11/EAD0X4-M VP.	1
5	6067575	rotor P13.2-10/EAD1X4-T VP.	1
5	6067574	rotor P13.2-13/EAD1X4-T VP.	1
5	6067573	rotor P13.2-16/EAD1X4-T VP.	1
6	6067409	bearing housing P13.2 6050298 GG KIT	1
6.1		> bearing housing u 6050298 GG	1
6.2		> bearing cover D.62,2f7 6050300 GG	1
6.3		> screw M6x16 ISO4762 A4	3
7	6067410	sealing casing P/S13.2 D.205 GG XB KIT	1
7.1		> sealing casing D.205g6 6050302 GG	1
7.2		> screw M8x25 DIN912 A4 (10pc)	1

MOTOR PRO P13.2 XB

Item	Article no.	Description	Quantity
7.3		> o-ring ID.150,0x4,0 NBR70	1
7.4		> o-ring ID.203,0x3,0 NBR70	1
7.5		> screw plug G1/2 DIN908 A4	1
7.6		> joint ring A21/26x1,5 DIN7603 PA(10pc)	1
8	6066645	cable trumpet 30T P13 10MH07 7G1,5 KIT	1
8	6066648	REXA PRO cable trumpet 30T P13 20MH07	1
8	6080978	cable trumpet 30T P13 30MH07 7G1,5 KIT	1
8	6081765	cable trumpet 30T P13 40MH07 7G1,5 KIT	1
8.1	6076650	seal ring D.29,5/17x16,5 54.17777 NBR VP	1
8.2	6007674	o-ring ID.18,0x3,5 NBR70	1
9	6067407	Barlian bow terminal M5 A2	1
15		ball bearing 6207 w.2 Dichtschr. VP.	1
19		MECHANICAL SEAL BT-AR/32 BXPFF	1
20		pressure ring D.44/32,5x1 6050343 A4	1
21		CIRCLIP 32X1,5 DIN471 1.4122	1
22		mechanical shaft seal MG1/30-G60 QPFG	1
23		CIRCLIP 30X1,5 DIN471 1.4122	1
24		pressure ring D.42/30,5x1 6050343 A4	1
25		circlips 35x1,5 DIN471 FST	1
26		washer D.35/45x2,5 DIN988 St	1
28	6080916	terminal-Box CD35+70MF VP.	1

name plate information "Rexa"



submersible sewage pump

1 2 3 4 5 6 7 8 9 10 11 12 13 14 15 16 17

29

28 P-Typ **PRO V 06 D A - 628 / E A D 2 X 4 - T 0039 - 5 40 - O** 18

M-Typ **P 13.2-11 / EAD2X4-T** **MFY 2013W35**

27 **P₁ 5.50kW** **P₂ 3.90kW** **n 2874 1/min** 19

Q_{max} 45.0m³/h **H_{max} 60m** **H_{min} 2m** 22

Q_N 26.0l/s **H_N 30.0m** **SF 1.00/ _{SF} 15.25A**

16 **U 400 - 3 V** **I_N 15.25A** **I_{ST} 25.9A** 20

13 **AT Direkt** **OT_S S1** **OT_E S3** 31

f 50 Hz **IP 68** **cos p 0.89** **T 40°C** **▽ 20.0m** 30

26 **m 2000 kg** **cl.F** **IM_{org} 122mm** **IM_{kor} 118mm** 30

15 **Warnung! Nicht in explosionsgefährdeten Bereich öffnen!** **Nicht unter Spannung öffnen!** 21
Warning! Do not open in explosion hazardous location! **Do not open when energized!**

25 **II 2G Ex d IIB T4Gb** **DIN EN 12050-1/ICE60034-1**

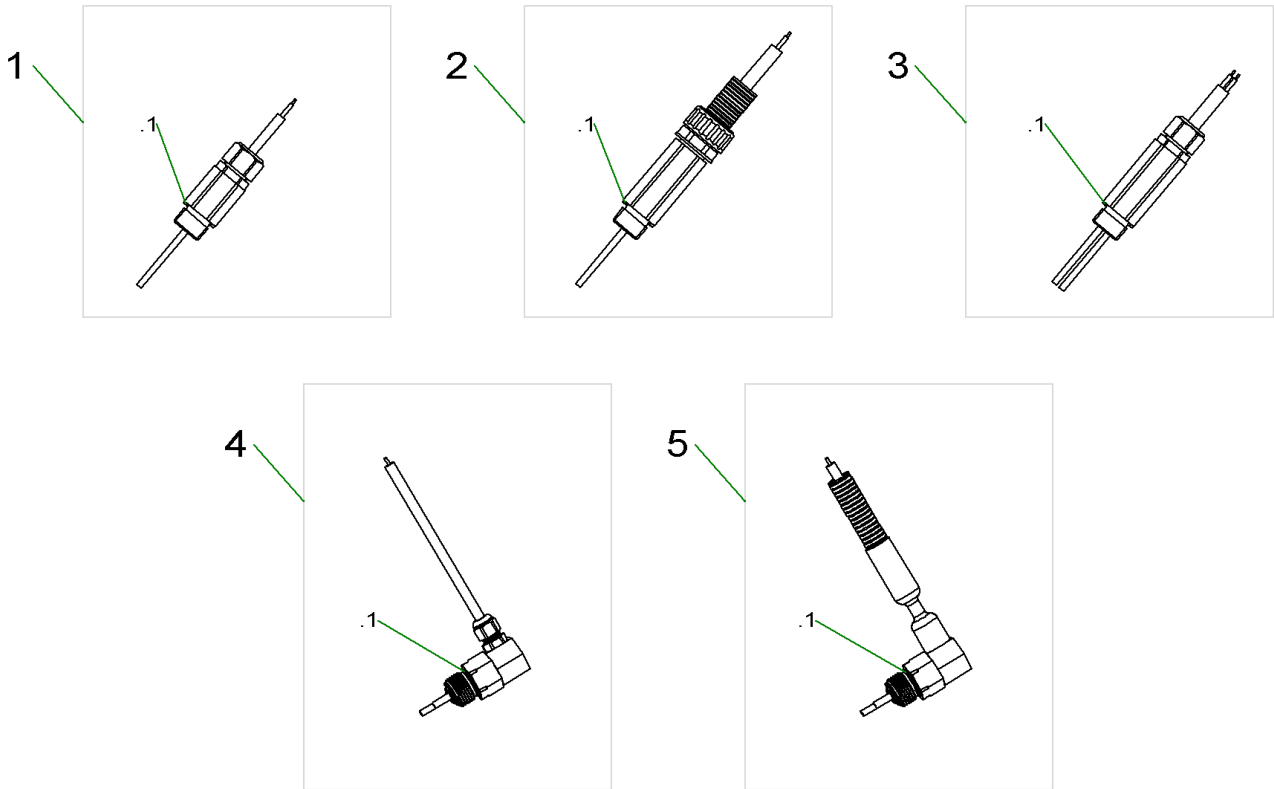
BSV 11 ATEX E 119 X

Produced by WILO SE, Hof **S/N : 650161916** 24

23 **Made by Wilo Group in Germany**
WILO SE Nortkirchenstr.100
44263 Dortmund Germany **0158** **CE**

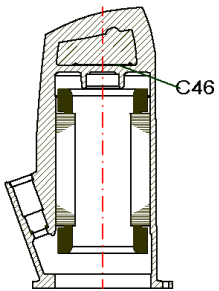
name plate information "Rexa"

Item	Description	Quantity
1	Series	1
2	Impeller shape	1
3	size of pressure connection	1
4	Hydraulic version	1
5	Material code hydraulics	1
6	Hydraulics definition	1
7	Motor version	1
8	Material code motor	1
9	Seal version	1
10	IE-Efficiency class	1
11	Explosion prevention	1
12	Numbers of pol	1
13	Mains supply M=1~ / T=3~	1
14	/10 = Rated motor power P2 in kW	1
15	Frequency	1
16	Code for rated voltage	1
17	Additional electrical equipment	1
18	Year of manufacture	1
19	speed	1
20	Starting current	1
21	Impeller diameter trimmed	1
22	Rated current	1
23	Impeller diameter	1
24	Serial number	1
25	Insulating class	1
26	Starting type	1
27	Duty data	1
28	Power consumption P1	1
29	Motor data	1
30	operation type: immersed	1
31	operation type: out of water	1



electrode KIT

Item	Article no.	Description	Quantity
.1	6048832	joint ring A21/26x1,5 DIN7603 PA(10pc)	1
1	6042222	pencil electrode G1/2 10m KIT	1
1	6042313	pencil electrode G1/2 15m KIT	1
1	6042223	pencil electrode G1/2 20m KIT	1
1	6061068	pencil electrode G1/2 25KIT	1
1	6061070	pencil electrode G1/2 30m KIT	1
1	6061069	Stabelektrode G1/2 40m SET	1
1	6060956	pencil electrode G1/2 55m KIT	1
2	6042227	pencil electrode G1/2 10m+hose KIT	1
2	6065196	pencil electrode G1/2 15m+hose KIT	1
3	6042229	double pencil electrode G1/2 10m KIT	1
3	6042228	double pencil electrode G1/2 20m KIT	1
3	6063536	double pencil electrode G1/2 40m KIT	1
3	6065157	double pencil electrode G1/2 10m 4*A KIT	1
3	6065156	double pencil electrode G1/2 20m 4*AWKIT	1
4	6068049	elbow pencil electrode G1/2 10m SET	1
4	6068050	elbow pencil electrode G1/2 15m SET	1
4	6075169	elbow pencil electrode G1/2 20m SET	1
5	6068345	elbow pencil electrode G1/2 10m+Schl. KI	1
5	6068346	elbow pencil electrode G1/2 15m+Schl. SE	1



Type	Pol.	Power P ₂ kW	IE	DOL / YD	Bi / PTC	1~220V/50Hz	1~230V/50Hz	3~380V/50Hz	3~400V/50Hz	3~415V/50Hz	3~500V/50Hz	3~208V/60Hz	3~220/60Hz	1~230/60Hz	3~230/60Hz	3~380V/60Hz	3~440/60Hz	3~460V/60Hz	3~480/60Hz	
P13.	2	1,1	0	DOL	Bi		1						13							
P13.	2	1,1	1	DOL	Bi			2						14				2	2	
P13.	2	1,1	3	DOL	Bi			9										9		
P13.	2	1,2	3	DOL	Bi			9										9		
P13.	2	1,35	3	DOL	Bi			11										11		
P13.	2	1,5	0	DOL	Bi		1						13							
P13.	2	1,5	1	DOL	Bi			2						14				2	2	
P13.	2	1,5	3	DOL	Bi			9										9		
P13.	2	1,65	3	DOL	Bi			10										10		
P13.	2	2,5	1	DOL	Bi			3						15				3		
P13.	2	2,5	3	DOL	Bi			11										11		
P13.	2	3,9	1	DOL	Bi			4						16				4		
P13.	2	3,9	3	DOL	Bi			10										10		
P13.	4	1,1	0	DOL	Bi		6													
P13.	4	1,1	1	DOL	Bi			5						17				5		
P13.	4	1,1	3	DOL	Bi			12										12		
P13.	4	1,25	3	DOL	Bi			12										12		
P13.	4	1,5	0	DOL	Bi		6													
P13.	4	1,5	1	DOL	Bi			5						17				5		
P13.	4	1,5	3	DOL	Bi			12										12		
P13.	4	2,5	1	DOL	Bi			7						18				7		
P13.	4	3,5	0	DOL	Bi			8						19				8		

stator P13.

Item	Article no.	Description	Quantity
C46		name plate information "Rexa" -----	1
1	6070463	stator-unit P13.-2/8 1~ KIT	1
2	6070461	stator-unit P13.-2/8 3~ KIT	1
3	6070465	stator-unit P13.-2/10 3~ KIT	1
4	6070466	stator-unit P13.-2/15 3~ KIT	1
5	6070468	stator-unit P13.-4/10 3~ KIT	1
6	6070470	stator-unit P13.-4/11 1~ KIT	1
7	6070471	stator-unit P13.-4/13 3~ KIT	1
8	6070472	stator-unit P13.-4/16 3~ KIT	1
9	6072170	stator-unit P13.-2/9 3~ KIT	1
10	6072171	stator-unit P13.-2/16 3~ KIT	1
11	6072172	stator-unit P13.-2/11 3~ KIT	1
12	6072173	stator-unit P13.-4/16 3~ KIT	1
13	6076974	stator-unit P13.2/8 1~ KIT	1
14	6076973	stator-unit P13.-2/8 3~ KIT	1
15	6076972	stator-unit P13.-2/10 3~ KIT	1
16	6076971	stator-unit P13.-2/15 3~ KIT	1
17	6076970	stator-unit P13.-4/10 3~ KIT	1
18	6076969	stator-unit P13.-4/14 3~ KIT	1
19	6076968	stator-unit P13.-4/16 3~ KIT	1

name plate information "Rexa"



submersible sewage pump

1 2 3 4 5 6 7 8 9 10 11 12 13 14 15 16 17

29

28 P-Typ **PRO V 06 D A - 628 / E A D 2 X 4 - T 0039 - 5 40 - O** 18

M-Typ **P 13.2-11 / EAD2X4-T** **MFY 2013W35**

27 **P₁ 5.50kW** **P₂ 3.90kW** **n 2874 1/min** 19

Q_{max} 45.0m³/h **H_{max} 60m** **H_{min} 2m** 22

Q_N 26.0l/s **H_N 30.0m** **SF 1.00/ _{SF} 15.25A**

16 **U 400 - 3 V** **I_N 15.25A** **I_{ST} 25.9A** 20

13 **AT Direkt** **OT_S S1** **OT_E S3** 31

f 50 Hz **IP 68** **cos φ 0.89** **T 40°C** **▽ 20.0m** 30

26 **m 2000 kg** **cl.F** **IM_{org} 122mm** **IM_{kor} 118mm** 30

15 **Warnung! Nicht in explosionsgefährdeten Bereich öffnen!** **Nicht unter Spannung öffnen!** 21
Warning! Do not open in explosion hazardous location! **Do not open when energized!**

25 **II 2G Ex d IIB T4Gb** **DIN EN 12050-1/ICE60034-1**

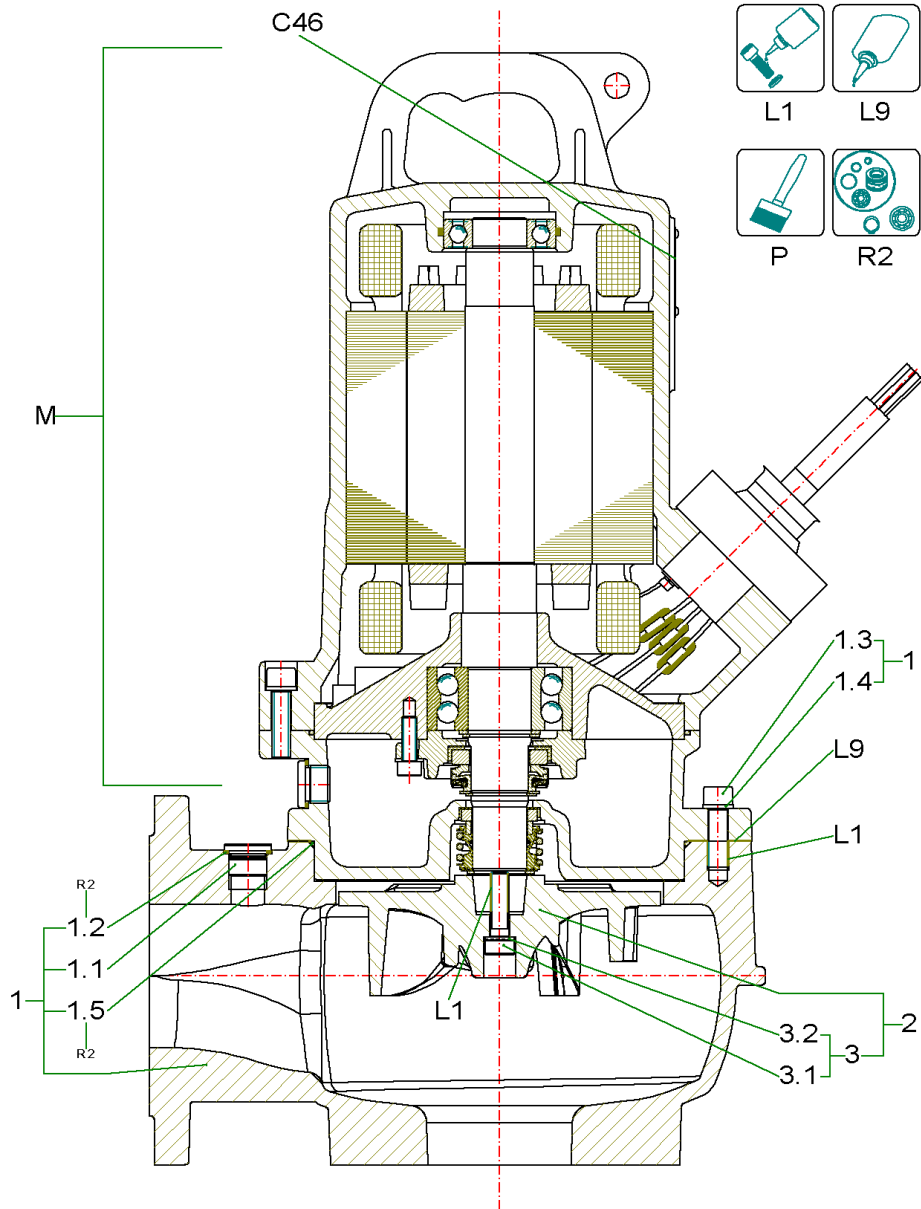
BSV 11 ATEX E 119 X

Produced by WILO SE, Hof **S/N : 650161916** 24

23 **Made by Wilo Group in Germany**
WILO SE Nortkirchenstr.100
44263 Dortmund Germany **0158** **CE**

name plate information "Rexa"

Item	Description	Quantity
1	Series	1
2	Impeller shape	1
3	size of pressure connection	1
4	Hydraulic version	1
5	Material code hydraulics	1
6	Hydraulics definition	1
7	Motor version	1
8	Material code motor	1
9	Seal version	1
10	IE-Efficiency class	1
11	Explosion prevention	1
12	Numbers of pol	1
13	Mains supply M=1~ / T=3~	1
14	/10 = Rated motor power P2 in kW	1
15	Frequency	1
16	Code for rated voltage	1
17	Additional electrical equipment	1
18	Year of manufacture	1
19	speed	1
20	Starting current	1
21	Impeller diameter trimmed	1
22	Rated current	1
23	Impeller diameter	1
24	Serial number	1
25	Insulating class	1
26	Starting type	1
27	Duty data	1
28	Power consumption P1	1
29	Motor data	1
30	operation type: immersed	1
31	operation type: out of water	1



PRO V08DA-243/EAD0X2-T0068-540-O (6082820)

Item	Article no.	Description	Quantity
C46		name plate information "Rexa"	1
R2	6078365	Rep.Kit 2 P17.1-15-24	1
F1	6025461	medical white oil 5L KIT	1
P	6042255	colour 2K-paint IV80 pantone334C 250ml	1
L1	6080531	Loctite 243 5g flask VP:	1
L9	6080535	Loctite 5203 300ml VP.	1

M		MOTOR PRO P17.1 XB/SVA-15	1

1	6083846	pump housing Rexa V08DA-2xx DN50 GG	1
1.1	6067638	screw plug G1/2 DIN908 A4 (3pcs)	1
1.2	6048832	joint ring A21/26x1,5 DIN7603 PA(10pc)	1
1.3		screw M12x35 DIN912 A4	3
1.4	6074494	washer A13 DIN125 A4 (20pc)	1
1.5		o-ring ID.203,0x3,0 NBR70	1
2	6083478	impeller Rexa V08DA-243 GG Set SVA	1
3	6067646	impeller fixation 10x35 Geomet KIT	1
3.1		> screw M10x35 DIN912 10.9 Geomet	1
3.2		> SCREW LOCKING NORD-LOCK 16/10,7 A4	1

name plate information "Rexa"

submersible sewage pump

1 2 3 4 5 6 7 8 9 10 11 12 13 14 15 16 17

29

28 P-Typ **PRO V 06 D A - 628 / E A D 2 X 4 - T 0039 - 5 40 - O** 18

M-Typ **P 13.2-11 / EAD2X4-T** **MFY 2013W35**

27 **P₁ 5.50kW** **P₂ 3.90kW** **n 2874 1/min** 19

Q_{max} 45.0m³/h **H_{max} 60m** **H_{min} 2m** 22

Q_N 26.0l/s **H_N 30.0m** **SF 1.00/ _{SF} 15.25A**

16 **U 400 - 3 V** **I_N 15.25A** **I_{ST} 25.9A** 20

13 **AT Direkt** **OT_S S1** **OT_E S3** 31

f 50 Hz **IP 68** **cos p 0.89** **T 40°C** **▽ 20.0m** 30

26 **m 2000 kg** **cl.F** **IM_{org} 122mm** **IM_{kor} 118mm** 30

15 **Warnung! Nicht in explosionsgefährdeten Bereich öffnen!** **Nicht unter Spannung öffnen!** 21
Warning! Do not open in explosion hazardous location! **Do not open when energized!**

25 **II 2G Ex d IIB T4Gb** **DIN EN 12050-1/ICE60034-1**

BSV 11 ATEX E 119 X

23 **Produced by WILO SE, Hof** **S/N : 650161916** 24

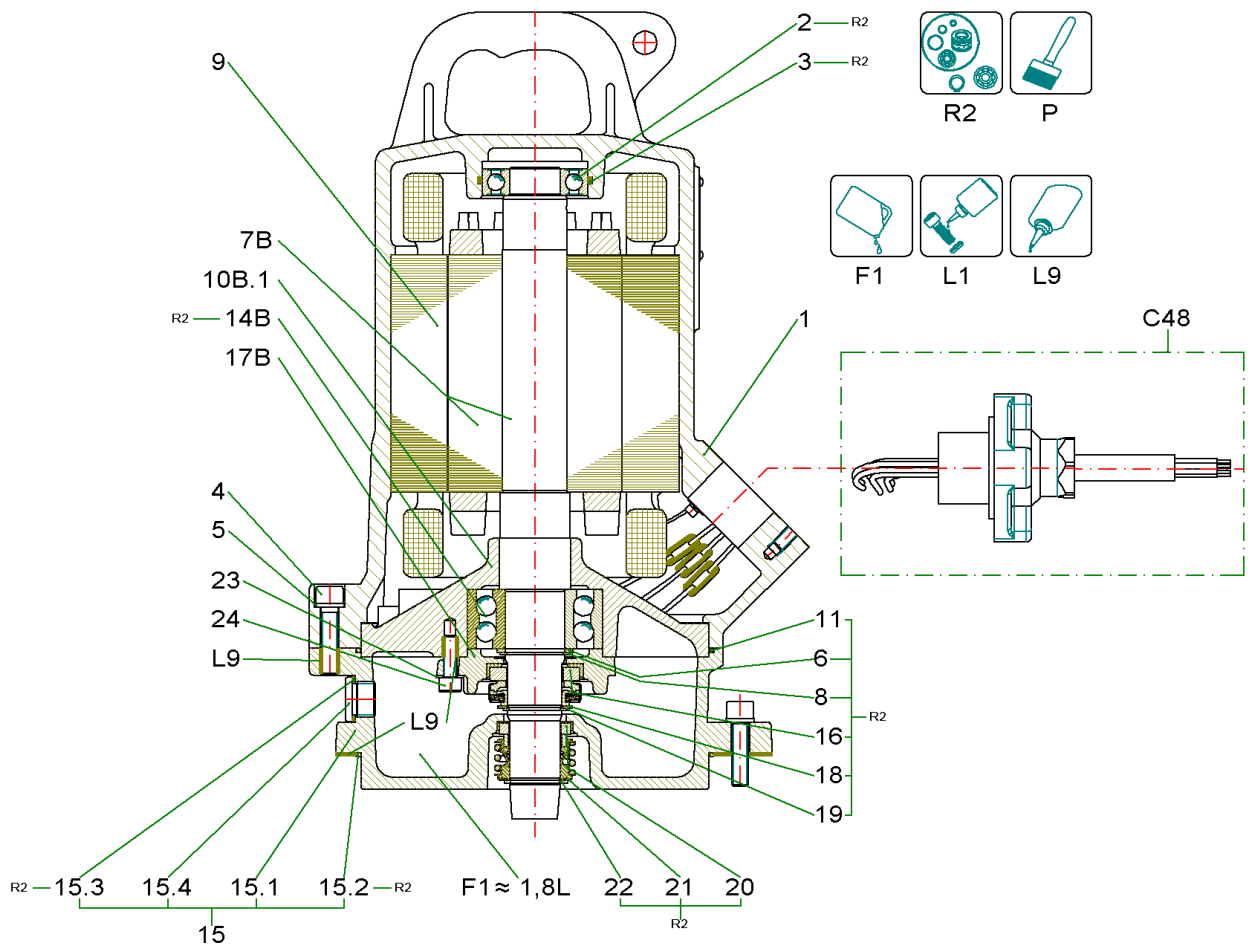
Made by Wilo Group in Germany
 WILO SE Nortkirchenstr.100
 44263 Dortmund Germany

0158

CE

name plate information "Rexa"

Item	Description	Quantity
1	Series	1
2	Impeller shape	1
3	size of pressure connection	1
4	Hydraulic version	1
5	Material code hydraulics	1
6	Hydraulics definition	1
7	Motor version	1
8	Material code motor	1
9	Seal version	1
10	IE-Efficiency class	1
11	Explosion prevention	1
12	Numbers of pol	1
13	Mains supply M=1~ / T=3~	1
14	/10 = Rated motor power P2 in kW	1
15	Frequency	1
16	Code for rated voltage	1
17	Additional electrical equipment	1
18	Year of manufacture	1
19	speed	1
20	Starting current	1
21	Impeller diameter trimmed	1
22	Rated current	1
23	Impeller diameter	1
24	Serial number	1
25	Insulating class	1
26	Starting type	1
27	Duty data	1
28	Power consumption P1	1
29	Motor data	1
30	operation type: immersed	1
31	operation type: out of water	1



MOTOR PRO P17.1 XB/SVA-15

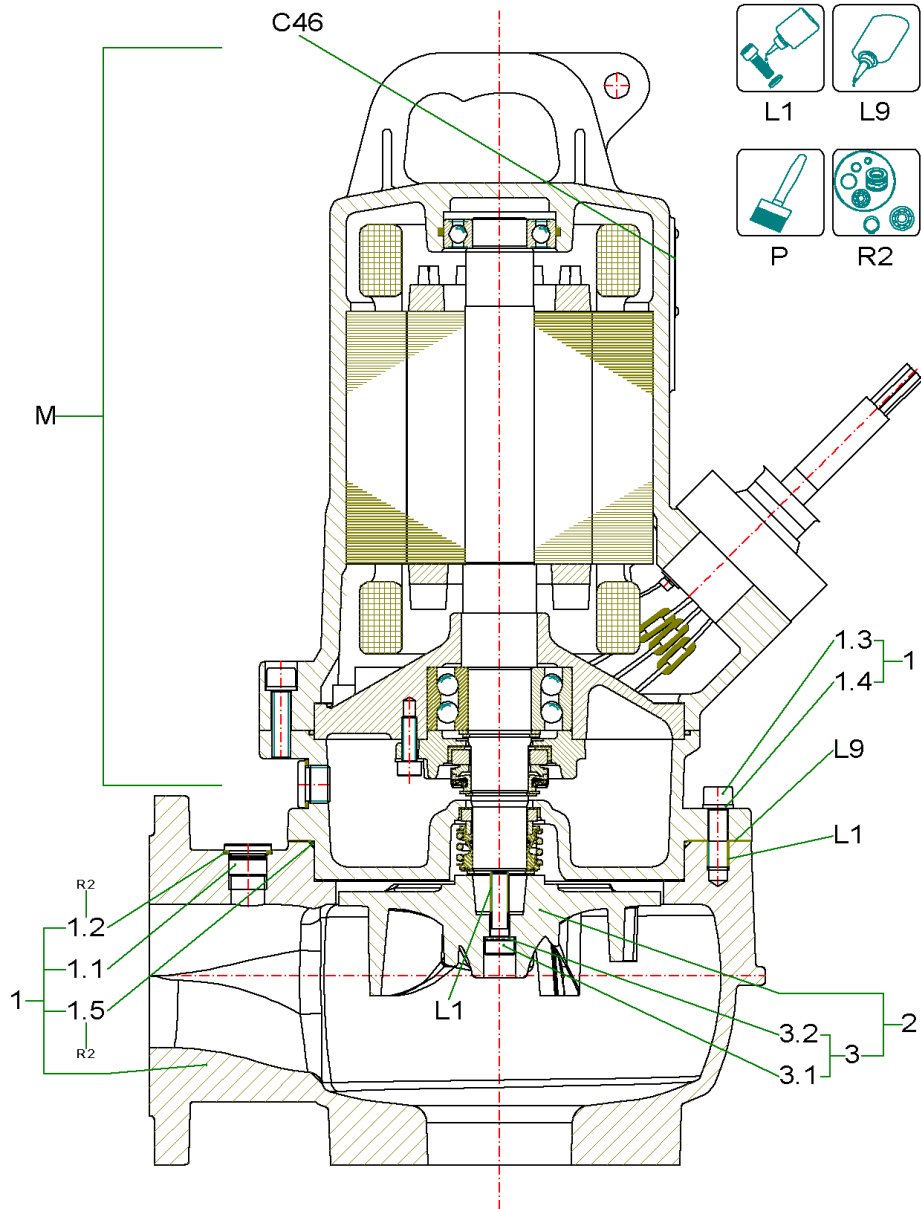
Item	Article no.	Description	Quantity
R2	6078365	Rep.Kit 2 P17.1-15-24	1
P	6042254	PAINT SPRAY Pantone334	1
P	6042255	colour 2K-paint IV80 pantone334C 250ml	1
F1	6025460	medical white oil 1L KIT	1
F1	6025461	medical white oil 5L KIT	1
L1	6080531	Loctite 243 5g flask VP:	1
L1	2096167	Loctite 243 50ml VP.	1
L9	6080535	Loctite 5203 300ml VP.	1

C48	6001115	cable trumpet 42T 10m H07 10G1,5 KIT	1

1	6078308	motor casing 50.13392/1 GG VP.	1
2		SRDG BALL BEARING 6305 ZZ	1
3	6078160	o-ring ID.62,0x3,0 Viton (3pc)	1
4	6076644	screw M10x40 DIN912 A4-70 (10pcs)	1
5	6078425	shim ring 10x16x1,0 DIN988 A4 (10pc.)	1
9	6077878	Stator T17-2/15 400/690 50Hz VP.	1
7B	6078371	rotor D.89,3x405 2/15 1.4021 G VP.	1
10B.1	6082649	bearing housing (Ex design) GG VP.	1
14B		Ball Bearing 3307 C3 VP.	1
17B	6078380	bearing cover D.57H7 6051830 GG VP.	1
11	6076642	o-ring ID.203,0x3,0 Viton (3pc)	1
6		washer D.35/45x2,5 DIN988 St	1
8	6078169	circlips 35x1,5 DIN471 FST VP.	1
23	6074895	washer A8,4 DIN125 1.4401 (20pc)	1
24	6076646	screw M8x25 DIN933 A4-70 (10pc)	1
15	6078367	sealing casing D.205g6 6051538 GG SET	1
15.1		> sealing casing D.205g6 6051538 GG	1
15.2	6076642	> o-ring ID.203,0x3,0 Viton (3pc)	1
15.3	6048832	> joint ring A21/26x1,5 DIN7603 PA(10pc)	1
15.4	6067638	> screw plug G1/2 DIN908 A4 (3pcs)	1
16		mechanical shaft seal MG1/30-G60 QQPGG	1
18		pressure ring D.42/30,5x1 6050343 A4	1
19		CIRCLIP 30X1,5 DIN471 1.4122	1

MOTOR PRO P17.1 XB/SVA-15

Item	Article no.	Description	Quantity
20		MECHANICAL SEAL BT-AR/32 BXPFF	1
21		pressure ring D.44/32,5x1 6050343 A4	1
22		CIRCLIP 32X1,5 DIN471 1.4122	1



PRO V08DA-244/EAD0X2-T0105-540-O (6082821)

Item	Article no.	Description	Quantity
C46		name plate information "Rexa"	1
R2	6078365	Rep.Kit 2 P17.1-15-24	1
F1	6025461	medical white oil 5L KIT	1
P	6042255	colour 2K-paint IV80 pantone334C 250ml	1
L1	6080531	Loctite 243 5g flask VP:	1
L9	6080535	Loctite 5203 300ml VP.	1

M		MOTOR PRO P17.1 XB/SVA-22	1

1	6083846	pump housing Rexa V08DA-2xx DN50 GG	1
1.1	6067638	screw plug G1/2 DIN908 A4 (3pcs)	1
1.2	6048832	joint ring A21/26x1,5 DIN7603 PA(10pc)	1
1.3		screw M12x35 DIN912 A4	3
1.4	6074494	washer A13 DIN125 A4 (20pc)	1
1.5		o-ring ID.203,0x3,0 NBR70	1
2	6083479	impeller Rexa V08DA-244 GG Set SVA	1
3	6067646	impeller fixation 10x35 Geomet KIT	1
3.1		> screw M10x35 DIN912 10.9 Geomet	1
3.2		> SCREW LOCKING NORD-LOCK 16/10,7 A4	1

name plate information "Rexa"



submersible sewage pump

1 2 3 4 5 6 7 8 9 10 11 12 13 14 15 16 17

29

28 P-Typ **PRO V 06 D A - 628 / E A D 2 X 4 - T 0039 - 5 40 - O** 18

M-Typ **P 13.2-11 / EAD2X4-T** **MFY 2013W35**

27 **P₁ 5.50kW** **P₂ 3.90kW** **n 2874 1/min** 19

Q_{max} 45.0m³/h **H_{max} 60m** **H_{min} 2m** 22

Q_N 26.0l/s **H_N 30.0m** **SF 1.00/ _{SF} 15.25A**

16 **U 400 - 3 V** **I_N 15.25A** **I_{ST} 25.9A** 20

13 **AT Direkt** **OT_S S1** **OT_E S3** 31

f 50 Hz **IP 68** **cos p 0.89** **T 40°C** **▽ 20.0m** 30

26 **m 2000 kg** **cl.F** **IM_{org} 122mm** **IM_{kor} 118mm** 30

15 **Warnung! Nicht in explosionsgefährdeten Bereich öffnen!** **Nicht unter Spannung öffnen!** 21
Warning! Do not open in explosion hazardous location! **Do not open when energized!**

II 2G Ex d IIB T4Gb **DIN EN 12050-1/ICE60034-1**

25 **BSV 11 ATEX E 119 X** **S/N : 650161916** 24

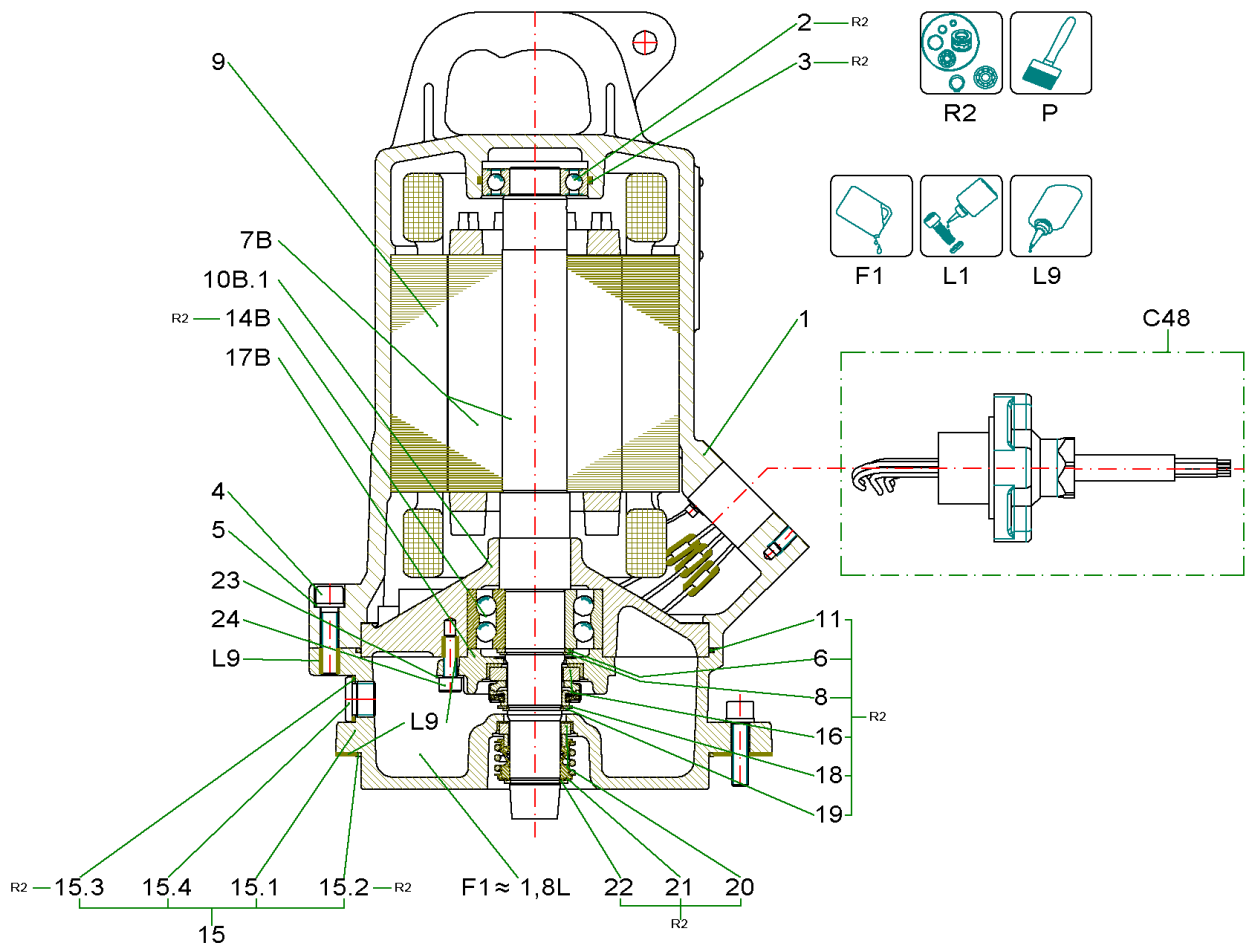
23 **Produced by WILO SE, Hof**

Made by Wilo Group in Germany
 WILO SE Nortkirchenstr.100
 44263 Dortmund Germany

0158 **CE**

name plate information "Rexa"

Item	Description	Quantity
1	Series	1
2	Impeller shape	1
3	size of pressure connection	1
4	Hydraulic version	1
5	Material code hydraulics	1
6	Hydraulics definition	1
7	Motor version	1
8	Material code motor	1
9	Seal version	1
10	IE-Efficiency class	1
11	Explosion prevention	1
12	Numbers of pol	1
13	Mains supply M=1~ / T=3~	1
14	/10 = Rated motor power P2 in kW	1
15	Frequency	1
16	Code for rated voltage	1
17	Additional electrical equipment	1
18	Year of manufacture	1
19	speed	1
20	Starting current	1
21	Impeller diameter trimmed	1
22	Rated current	1
23	Impeller diameter	1
24	Serial number	1
25	Insulating class	1
26	Starting type	1
27	Duty data	1
28	Power consumption P1	1
29	Motor data	1
30	operation type: immersed	1
31	operation type: out of water	1



MOTOR PRO P17.1 XB/SVA-22

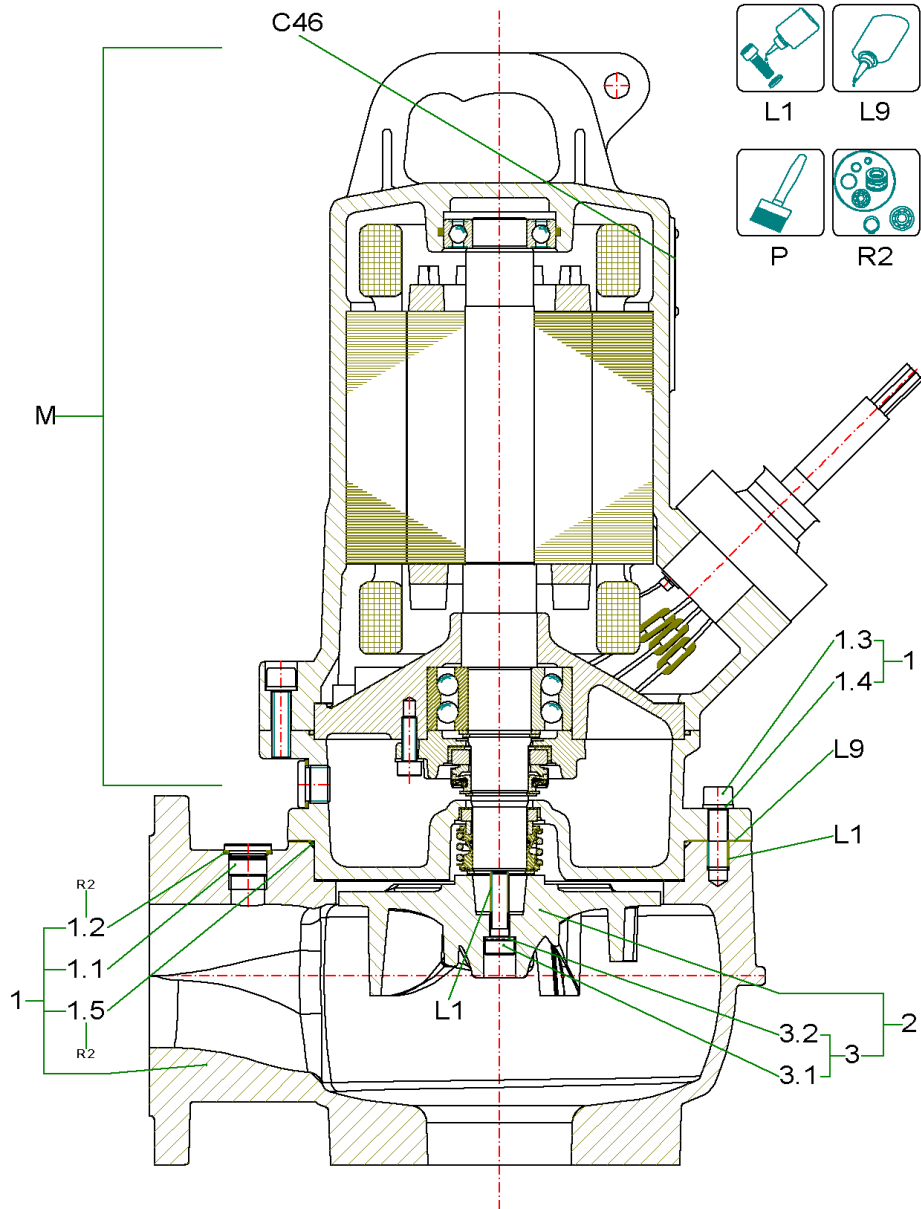
Item	Article no.	Description	Quantity
R2	6078365	Rep.Kit 2 P17.1-15-24	1
P	6042254	PAINT SPRAY Pantone334	1
P	6042255	colour 2K-paint IV80 pantone334C 250ml	1
F1	6025460	medical white oil 1L KIT	1
F1	6025461	medical white oil 5L KIT	1
L1	6080531	Loctite 243 5g flask VP:	1
L1	2096167	Loctite 243 50ml VP.	1
L9	6080535	Loctite 5203 300ml VP.	1

C48	6001115	cable trumpet 42T 10m H07 10G1,5 KIT	1

1	6078309	motor casing 50.20774 GG VP.	1
2		SRDG BALL BEARING 6305 ZZ	1
3	6078160	o-ring ID.62,0x3,0 Viton (3pc)	1
4	6076644	screw M10x40 DIN912 A4-70 (10pcs)	1
5	6078425	shim ring 10x16x1,0 DIN988 A4 (10pc.)	1
9	6077876	Stator T17-2/22 400/690 50Hz VP.	1
7B	6078372	rotor D.89,3x485 2/22 1.4021 G VP.	1
10B.1	6082649	bearing housing (Ex design) GG VP.	1
14B		Ball Bearing 3307 C3 VP.	1
17B	6078380	bearing cover D.57H7 6051830 GG VP.	1
11	6076642	o-ring ID.203,0x3,0 Viton (3pc)	1
6		washer D.35/45x2,5 DIN988 St	1
8	6078169	circlips 35x1,5 DIN471 FST VP.	1
23	6074895	washer A8,4 DIN125 1.4401 (20pc)	1
24	6076646	screw M8x25 DIN933 A4-70 (10pc)	1
15	6078367	sealing casing D.205g6 6051538 GG SET	1
15.1		> sealing casing D.205g6 6051538 GG	1
15.2	6076642	> o-ring ID.203,0x3,0 Viton (3pc)	1
15.3	6048832	> joint ring A21/26x1,5 DIN7603 PA(10pc)	1
15.4	6067638	> screw plug G1/2 DIN908 A4 (3pcs)	1
16		MECHANICAL SEAL BT-AR/32 BXPFF	1
18		pressure ring D.42/30,5x1 6050343 A4	1
19		CIRCLIP 30X1,5 DIN471 1.4122	1

MOTOR PRO P17.1 XB/SVA-22

Item	Article no.	Description	Quantity
20		mechanical shaft seal MG1/30-G60 QPGG	1
21		pressure ring D.44/32,5x1 6050343 A4	1
22		CIRCLIP 32X1,5 DIN471 1.4122	1



PRO V08DA-245/EAD0X2-T0105-540-O (6082822)

Item	Article no.	Description	Quantity
C46		name plate information "Rexa"	1
R2	6078365	Rep.Kit 2 P17.1-15-24	1
F1	6025461	medical white oil 5L KIT	1
P	6042255	colour 2K-paint IV80 pantone334C 250ml	1
L1	6080531	Loctite 243 5g flask VP:	1
L9	6080535	Loctite 5203 300ml VP.	1

M		MOTOR PRO P17.1 XB/SVA-22	1

1	6083846	pump housing Rexa V08DA-2xx DN50 GG	1
1.1	6067638	screw plug G1/2 DIN908 A4 (3pcs)	1
1.2	6048832	joint ring A21/26x1,5 DIN7603 PA(10pc)	1
1.3		screw M12x35 DIN912 A4	3
1.4	6074494	washer A13 DIN125 A4 (20pc)	1
1.5		o-ring ID.203,0x3,0 NBR70	1
2	6083480	impeller Rexa V08DA-245 GG Set SVA	1
3	6067646	impeller fixation 10x35 Geomet KIT	1
3.1		> screw M10x35 DIN912 10.9 Geomet	1
3.2		> SCREW LOCKING NORD-LOCK 16/10,7 A4	1

name plate information "Rexa"



submersible sewage pump

1 2 3 4 5 6 7 8 9 10 11 12 13 14 15 16 17

29

28 P-Typ **PRO V 06 D A - 628 / E A D 2 X 4 - T 0039 - 5 40 - O** 18

M-Typ **P 13.2-11 / EAD2X4-T** **MFY 2013W35**

27 **P₁ 5.50kW** **P₂ 3.90kW** **n 2874 1/min** 19

Q_{max} 45.0m³/h **H_{max} 60m** **H_{min} 2m** 22

Q_N 26.0l/s **H_N 30.0m** **SF 1.00/ _{SF} 15.25A**

16 **U 400 - 3 V** **I_N 15.25A** **I_{ST} 25.9A** 20

13 **AT Direkt** **OT_S S1** **OT_E S3** 31

f 50 Hz **IP 68** **cos φ 0.89** **T 40°C** **▽ 20.0m** 30

26 **m 2000 kg** **cl.F** **IM_{org} 122mm** **IM_{kor} 118mm** 30

15 **Warnung! Nicht in explosionsgefährdeten Bereich öffnen!** **Nicht unter Spannung öffnen!** 21
Warning! Do not open in explosion hazardous location! **Do not open when energized!**

25 **II 2G Ex d IIB T4Gb** **DIN EN 12050-1/ICE60034-1**

BSV 11 ATEX E 119 X

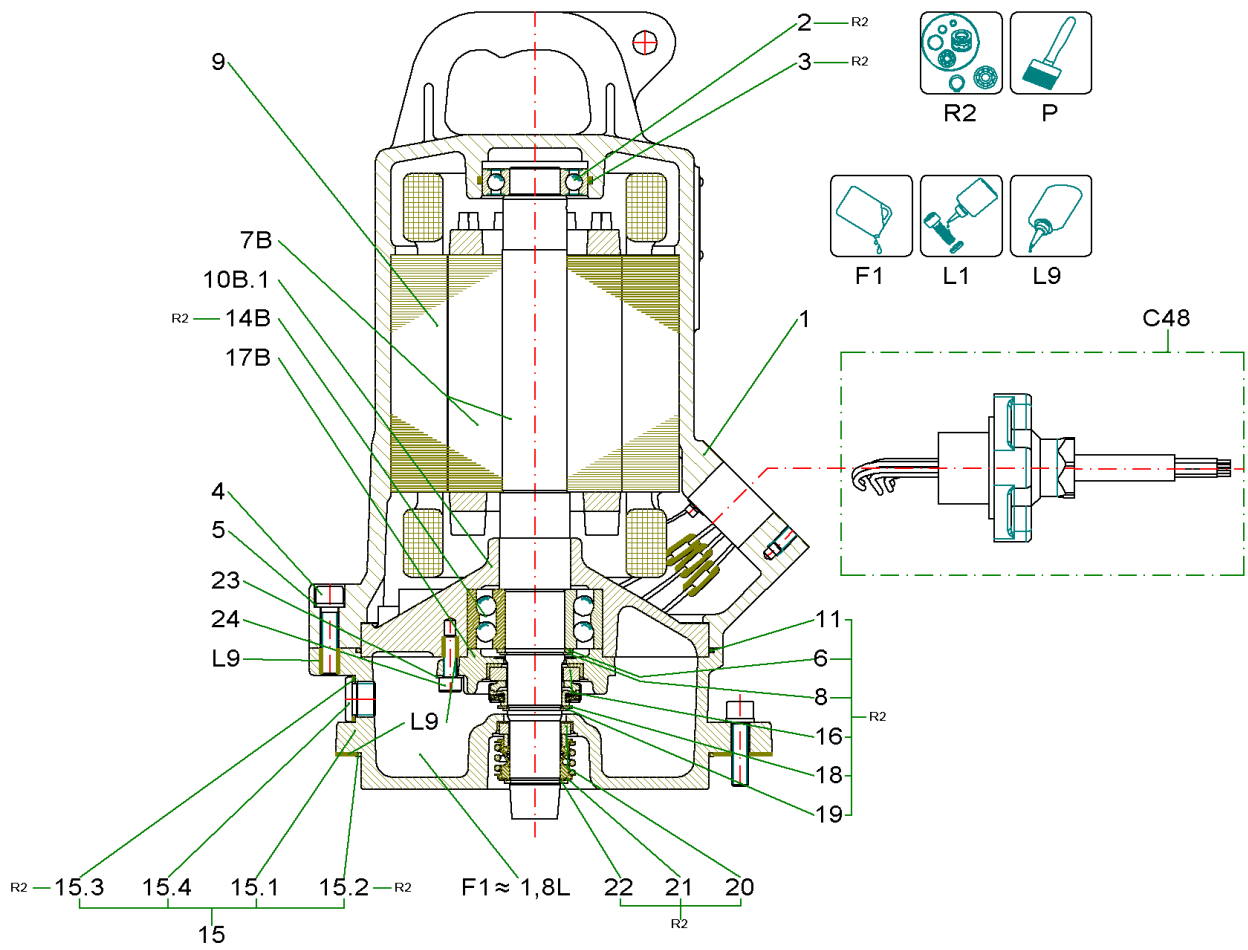
23 **Produced by WILO SE, Hof** **S/N : 650161916** 24

Made by Wilo Group in Germany
 WILO SE Nortkirchenstr.100
 44263 Dortmund Germany

0158 **CE**

name plate information "Rexa"

Item	Description	Quantity
1	Series	1
2	Impeller shape	1
3	size of pressure connection	1
4	Hydraulic version	1
5	Material code hydraulics	1
6	Hydraulics definition	1
7	Motor version	1
8	Material code motor	1
9	Seal version	1
10	IE-Efficiency class	1
11	Explosion prevention	1
12	Numbers of pol	1
13	Mains supply M=1~ / T=3~	1
14	/10 = Rated motor power P2 in kW	1
15	Frequency	1
16	Code for rated voltage	1
17	Additional electrical equipment	1
18	Year of manufacture	1
19	speed	1
20	Starting current	1
21	Impeller diameter trimmed	1
22	Rated current	1
23	Impeller diameter	1
24	Serial number	1
25	Insulating class	1
26	Starting type	1
27	Duty data	1
28	Power consumption P1	1
29	Motor data	1
30	operation type: immersed	1
31	operation type: out of water	1



MOTOR PRO P17.1 XB/SVA-22

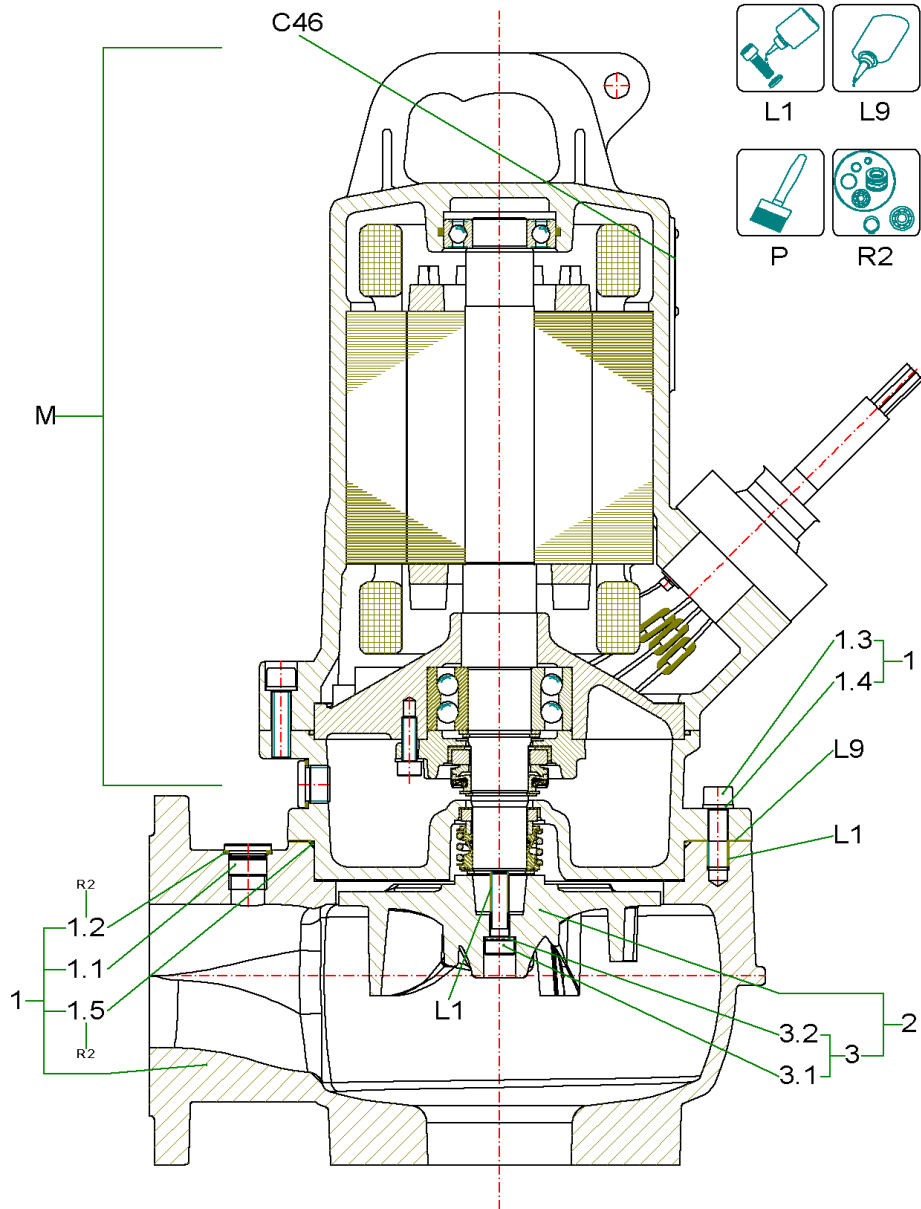
Item	Article no.	Description	Quantity
R2	6078365	Rep.Kit 2 P17.1-15-24	1
P	6042254	PAINT SPRAY Pantone334	1
P	6042255	colour 2K-paint IV80 pantone334C 250ml	1
F1	6025460	medical white oil 1L KIT	1
F1	6025461	medical white oil 5L KIT	1
L1	6080531	Loctite 243 5g flask VP:	1
L1	2096167	Loctite 243 50ml VP.	1
L9	6080535	Loctite 5203 300ml VP.	1

C48	6001115	cable trumpet 42T 10m H07 10G1,5 KIT	1

1	6078309	motor casing 50.20774 GG VP.	1
2		SRDG BALL BEARING 6305 ZZ	1
3	6078160	o-ring ID.62,0x3,0 Viton (3pc)	1
4	6076644	screw M10x40 DIN912 A4-70 (10pcs)	1
5	6078425	shim ring 10x16x1,0 DIN988 A4 (10pc.)	1
9	6077876	Stator T17-2/22 400/690 50Hz VP.	1
7B	6078372	rotor D.89,3x485 2/22 1.4021 G VP.	1
10B.1	6082649	bearing housing (Ex design) GG VP.	1
14B		Ball Bearing 3307 C3 VP.	1
17B	6078380	bearing cover D.57H7 6051830 GG VP.	1
11	6076642	o-ring ID.203,0x3,0 Viton (3pc)	1
6		washer D.35/45x2,5 DIN988 St	1
8	6078169	circlips 35x1,5 DIN471 FST VP.	1
23	6074895	washer A8,4 DIN125 1.4401 (20pc)	1
24	6076646	screw M8x25 DIN933 A4-70 (10pc)	1
15	6078367	sealing casing D.205g6 6051538 GG SET	1
15.1		> sealing casing D.205g6 6051538 GG	1
15.2	6076642	> o-ring ID.203,0x3,0 Viton (3pc)	1
15.3	6048832	> joint ring A21/26x1,5 DIN7603 PA(10pc)	1
15.4	6067638	> screw plug G1/2 DIN908 A4 (3pcs)	1
16		MECHANICAL SEAL BT-AR/32 BXPFF	1
18		pressure ring D.42/30,5x1 6050343 A4	1
19		CIRCLIP 30X1,5 DIN471 1.4122	1

MOTOR PRO P17.1 XB/SVA-22

Item	Article no.	Description	Quantity
20		mechanical shaft seal MG1/30-G60 QPGG	1
21		pressure ring D.44/32,5x1 6050343 A4	1
22		CIRCLIP 32X1,5 DIN471 1.4122	1



PRO V08DA-246/EAD0X2-T0105-540-O (6082823)

Item	Article no.	Description	Quantity
C46		name plate information "Rexa"	1
R2	6078365	Rep.Kit 2 P17.1-15-24	1
F1	6025461	medical white oil 5L KIT	1
P	6042255	colour 2K-paint IV80 pantone334C 250ml	1
L1	6080531	Loctite 243 5g flask VP:	1
L9	6080535	Loctite 5203 300ml VP.	1

M		MOTOR PRO P17.1 XB/SVA-22	1

1	6083846	pump housing Rexa V08DA-2xx DN50 GG	1
1.1	6067638	screw plug G1/2 DIN908 A4 (3pcs)	1
1.2	6048832	joint ring A21/26x1,5 DIN7603 PA(10pc)	1
1.3		screw M12x35 DIN912 A4	3
1.4	6074494	washer A13 DIN125 A4 (20pc)	1
1.5		o-ring ID.203,0x3,0 NBR70	1
2	6083481	impeller Rexa V08DA-246 GG Set SVA	1
3	6067646	impeller fixation 10x35 Geomet KIT	1
3.1		> screw M10x35 DIN912 10.9 Geomet	1
3.2		> SCREW LOCKING NORD-LOCK 16/10,7 A4	1

name plate information "Rexa"

submersible sewage pump

1 2 3 4 5 6 7 8 9 10 11 12 13 14 15 16 17

29

28 P-Typ **PRO V 06 D A - 628 / E A D 2 X 4 - T 0039 - 5 40 - O** 18

M-Typ **P 13.2-11 / EAD2X4-T** **MFY 2013W35**

27 **P₁ 5.50kW** **P₂ 3.90kW** **n 2874 1/min** 19

Q_{max} 45.0m³/h **H_{max} 60m** **H_{min} 2m** 22

Q_N 26.0l/s **H_N 30.0m** **SF 1.00/ _{SF} 15.25A**

16 **U 400 - 3 V** **I_N 15.25A** **I_{ST} 25.9A** 20

13 **AT Direkt** **OT_S S1** **OT_E S3** 31

f 50 Hz **IP 68** **cos p 0.89** **T 40°C** **▽ 20.0m** 30

26 **m 2000 kg** **cl.F** **IM_{org} 122mm** **IM_{kor} 118mm** 30

15 **Warnung! Nicht in explosionsgefährdeten Bereich öffnen!** **Nicht unter Spannung öffnen!** 21
Warning! Do not open in explosion hazardous location! **Do not open when energized!**

25 **II 2G Ex d IIB T4Gb** **DIN EN 12050-1/ICE60034-1**

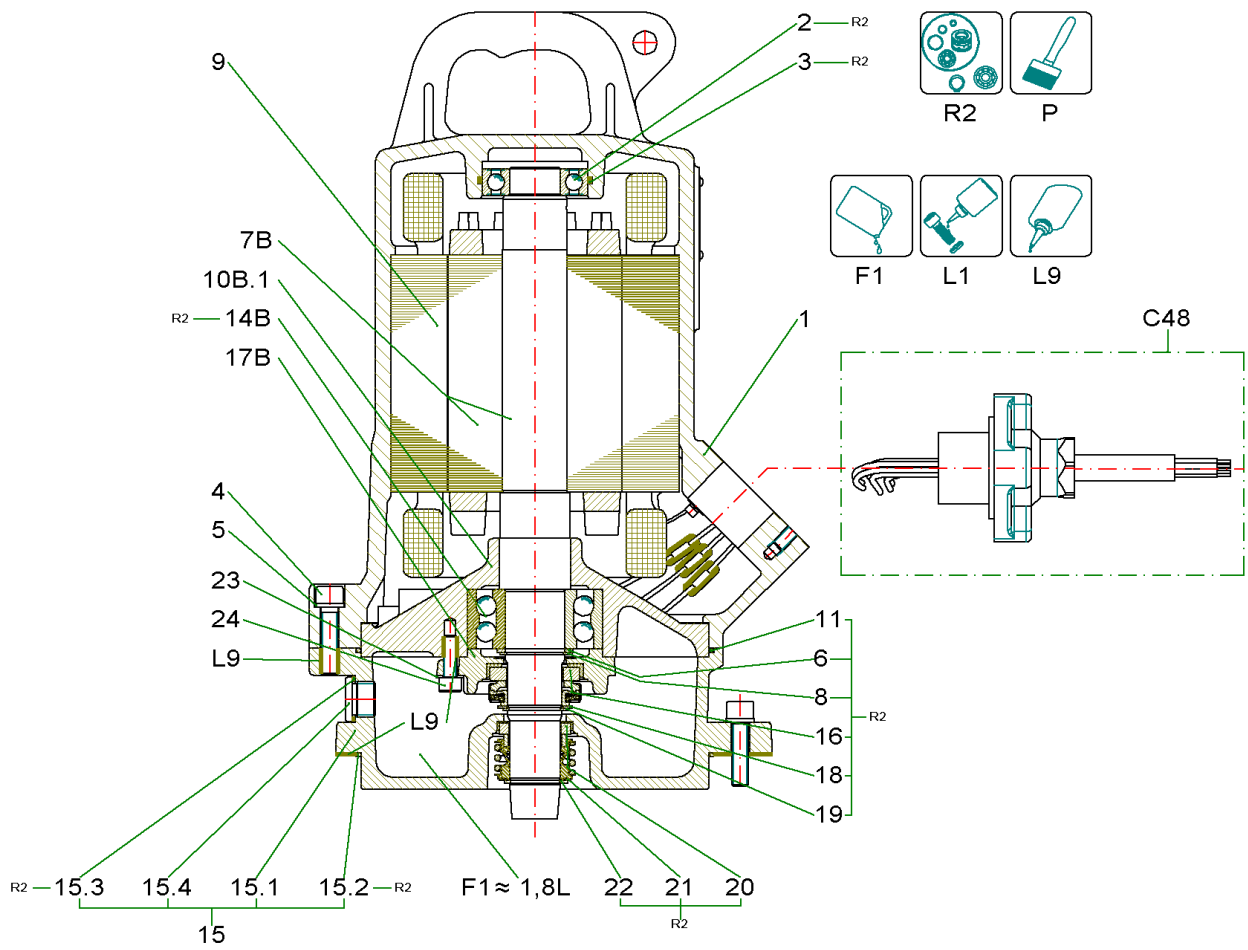
BSV 11 ATEX E 119 X

Produced by WILO SE, Hof **S/N : 650161916** 24

23 **Made by Wilo Group in Germany**
WILO SE Nortkirchenstr.100
44263 Dortmund Germany 0158

name plate information "Rexa"

Item	Description	Quantity
1	Series	1
2	Impeller shape	1
3	size of pressure connection	1
4	Hydraulic version	1
5	Material code hydraulics	1
6	Hydraulics definition	1
7	Motor version	1
8	Material code motor	1
9	Seal version	1
10	IE-Efficiency class	1
11	Explosion prevention	1
12	Numbers of pol	1
13	Mains supply M=1~ / T=3~	1
14	/10 = Rated motor power P2 in kW	1
15	Frequency	1
16	Code for rated voltage	1
17	Additional electrical equipment	1
18	Year of manufacture	1
19	speed	1
20	Starting current	1
21	Impeller diameter trimmed	1
22	Rated current	1
23	Impeller diameter	1
24	Serial number	1
25	Insulating class	1
26	Starting type	1
27	Duty data	1
28	Power consumption P1	1
29	Motor data	1
30	operation type: immersed	1
31	operation type: out of water	1



MOTOR PRO P17.1 XB/SVA-22

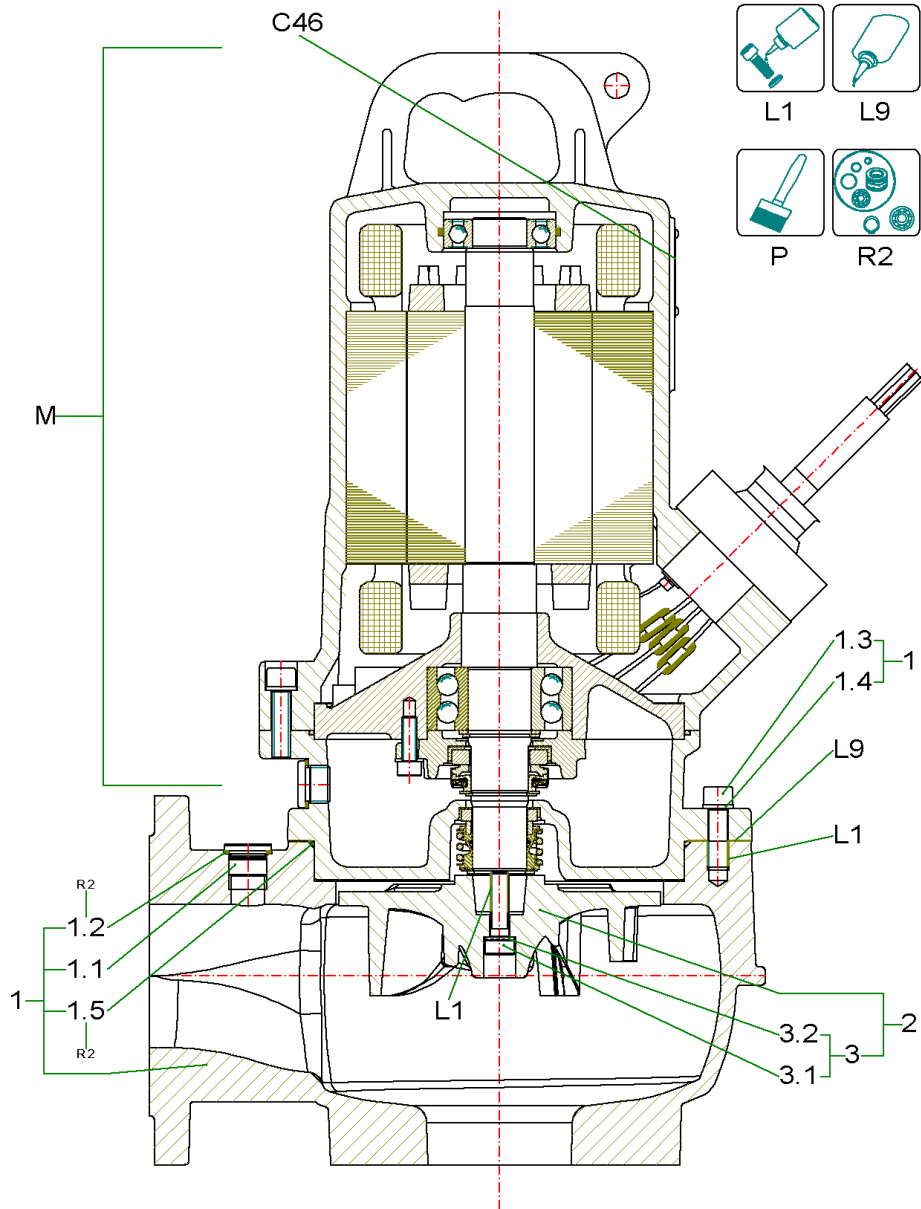
Item	Article no.	Description	Quantity
R2	6078365	Rep.Kit 2 P17.1-15-24	1
P	6042254	PAINT SPRAY Pantone334	1
P	6042255	colour 2K-paint IV80 pantone334C 250ml	1
F1	6025460	medical white oil 1L KIT	1
F1	6025461	medical white oil 5L KIT	1
L1	6080531	Loctite 243 5g flask VP:	1
L1	2096167	Loctite 243 50ml VP.	1
L9	6080535	Loctite 5203 300ml VP.	1

C48	6001115	cable trumpet 42T 10m H07 10G1,5 KIT	1

1	6078309	motor casing 50.20774 GG VP.	1
2		SRDG BALL BEARING 6305 ZZ	1
3	6078160	o-ring ID.62,0x3,0 Viton (3pc)	1
4	6076644	screw M10x40 DIN912 A4-70 (10pcs)	1
5	6078425	shim ring 10x16x1,0 DIN988 A4 (10pc.)	1
9	6077876	Stator T17-2/22 400/690 50Hz VP.	1
7B	6078372	rotor D.89,3x485 2/22 1.4021 G VP.	1
10B.1	6082649	bearing housing (Ex design) GG VP.	1
14B		Ball Bearing 3307 C3 VP.	1
17B	6078380	bearing cover D.57H7 6051830 GG VP.	1
11	6076642	o-ring ID.203,0x3,0 Viton (3pc)	1
6		washer D.35/45x2,5 DIN988 St	1
8	6078169	circlips 35x1,5 DIN471 FST VP.	1
23	6074895	washer A8,4 DIN125 1.4401 (20pc)	1
24	6076646	screw M8x25 DIN933 A4-70 (10pc)	1
15	6078367	sealing casing D.205g6 6051538 GG SET	1
15.1		> sealing casing D.205g6 6051538 GG	1
15.2	6076642	> o-ring ID.203,0x3,0 Viton (3pc)	1
15.3	6048832	> joint ring A21/26x1,5 DIN7603 PA(10pc)	1
15.4	6067638	> screw plug G1/2 DIN908 A4 (3pcs)	1
16		MECHANICAL SEAL BT-AR/32 BXPFF	1
18		pressure ring D.42/30,5x1 6050343 A4	1
19		CIRCLIP 30X1,5 DIN471 1.4122	1

MOTOR PRO P17.1 XB/SVA-22

Item	Article no.	Description	Quantity
20		mechanical shaft seal MG1/30-G60 QPGG	1
21		pressure ring D.44/32,5x1 6050343 A4	1
22		CIRCLIP 32X1,5 DIN471 1.4122	1



PRO V08DA-248/EAD0X2-T0105-540-O (6082824)

Item	Article no.	Description	Quantity
C46		name plate information "Rexa"	1
R2	6078365	Rep.Kit 2 P17.1-15-24	1
F1	6025461	medical white oil 5L KIT	1
P	6042255	colour 2K-paint IV80 pantone334C 250ml	1
L1	6080531	Loctite 243 5g flask VP:	1
L9	6080535	Loctite 5203 300ml VP.	1

M		MOTOR PRO P17.1 XB/SVA-22	1

1	6083846	pump housing Rexa V08DA-2xx DN50 GG	1
1.1	6067638	screw plug G1/2 DIN908 A4 (3pcs)	1
1.2	6048832	joint ring A21/26x1,5 DIN7603 PA(10pc)	1
1.3		screw M12x35 DIN912 A4	3
1.4	6074494	washer A13 DIN125 A4 (20pc)	1
1.5		o-ring ID.203,0x3,0 NBR70	1
2	6083482	impeller Rexa V08DA-248 GG Set SVA	1
3	6067646	impeller fixation 10x35 Geomet KIT	1
3.1		> screw M10x35 DIN912 10.9 Geomet	1
3.2		> SCREW LOCKING NORD-LOCK 16/10,7 A4	1

name plate information "Rexa"

submersible sewage pump

1 2 3 4 5 6 7 8 9 10 11 12 13 14 15 16 17

29

28 P-Typ **PRO V 06 D A - 628 / E A D 2 X 4 - T 0039 - 5 40 - O** 18

M-Typ **P 13.2-11 / EAD2X4-T** **MFY 2013W35**

27 **P₁ 5.50kW** **P₂ 3.90kW** **n 2874 1/min** 19

Q_{max} 45.0m³/h **H_{max} 60m** **H_{min} 2m** 22

Q_N 26.0l/s **H_N 30.0m** **SF 1.00/ _{SF} 15.25A**

16 **U 400 - 3 V** **I_N 15.25A** **I_{ST} 25.9A** 20

13 **AT Direkt** **OT_S S1** **OT_E S3** 31

f 50 Hz **IP 68** **cos φ 0.89** **T 40°C** **▽ 20.0m** 30

26 **m 2000 kg** **cl.F** **IM_{org} 122mm** **IM_{kor} 118mm** 30

15 **Warnung! Nicht in explosionsgefährdeten Bereich öffnen!** **Nicht unter Spannung öffnen!** 21
Warning! Do not open in explosion hazardous location! **Do not open when energized!**

25 **II 2G Ex d IIB T4Gb** **DIN EN 12050-1/ICE60034-1**

BSV 11 ATEX E 119 X

23 **Produced by WILO SE, Hof** **S/N : 650161916** 24

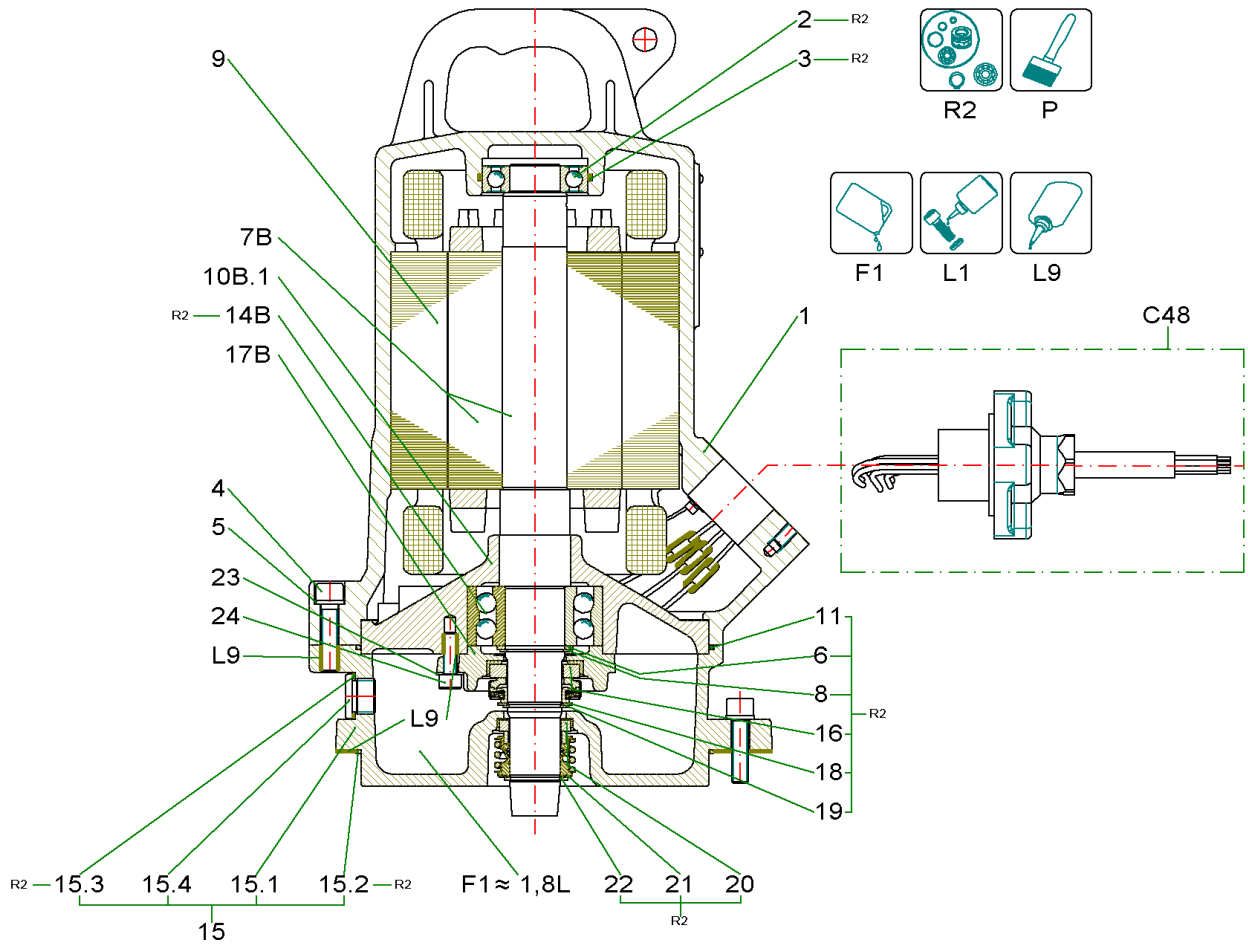
Made by Wilo Group in Germany
 WILO SE Nortkirchenstr.100
 44263 Dortmund Germany

0158

CE

name plate information "Rexa"

Item	Description	Quantity
1	Series	1
2	Impeller shape	1
3	size of pressure connection	1
4	Hydraulic version	1
5	Material code hydraulics	1
6	Hydraulics definition	1
7	Motor version	1
8	Material code motor	1
9	Seal version	1
10	IE-Efficiency class	1
11	Explosion prevention	1
12	Numbers of pol	1
13	Mains supply M=1~ / T=3~	1
14	/10 = Rated motor power P2 in kW	1
15	Frequency	1
16	Code for rated voltage	1
17	Additional electrical equipment	1
18	Year of manufacture	1
19	speed	1
20	Starting current	1
21	Impeller diameter trimmed	1
22	Rated current	1
23	Impeller diameter	1
24	Serial number	1
25	Insulating class	1
26	Starting type	1
27	Duty data	1
28	Power consumption P1	1
29	Motor data	1
30	operation type: immersed	1
31	operation type: out of water	1



MOTOR PRO P17.1 XB/SVA-22

Item	Article no.	Description	Quantity
R2	6078365	Rep.Kit 2 P17.1-15-24	1
P	6042254	PAINT SPRAY Pantone334	1
P	6042255	colour 2K-paint IV80 pantone334C 250ml	1
F1	6025460	medical white oil 1L KIT	1
F1	6025461	medical white oil 5L KIT	1
L1	6080531	Loctite 243 5g flask VP:	1
L1	2096167	Loctite 243 50ml VP.	1
L9	6080535	Loctite 5203 300ml VP.	1

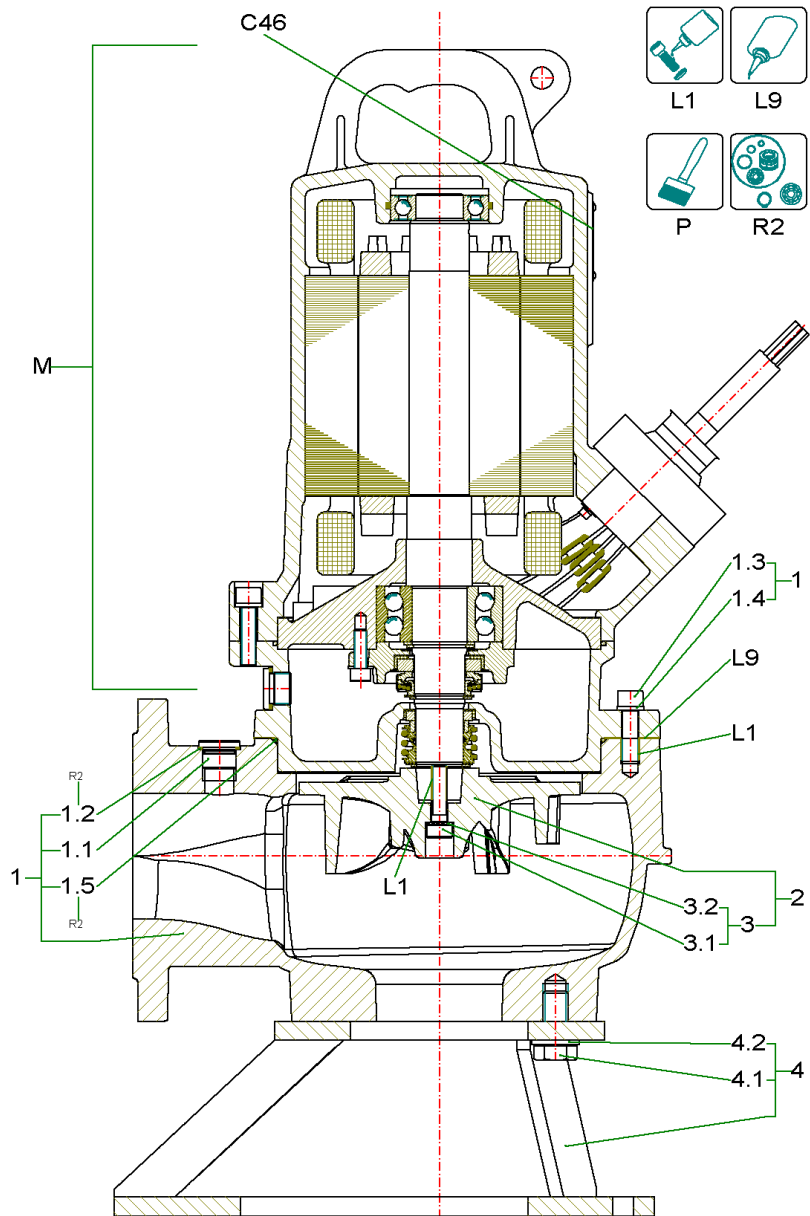
C48	6001115	cable trumpet 42T 10m H07 10G1,5 KIT	1

1	6078309	motor casing 50.20774 GG VP.	1
2		SRDG BALL BEARING 6305 ZZ	1
3	6078160	o-ring ID.62,0x3,0 Viton (3pc)	1
4	6076644	screw M10x40 DIN912 A4-70 (10pcs)	1
5	6078425	shim ring 10x16x1,0 DIN988 A4 (10pc.)	1
9	6077876	Stator T17-2/22 400/690 50Hz VP.	1
7B	6078372	rotor D.89,3x485 2/22 1.4021 G VP.	1
10B.1	6082649	bearing housing (Ex design) GG VP.	1
14B		Ball Bearing 3307 C3 VP.	1
17B	6078380	bearing cover D.57H7 6051830 GG VP.	1
11	6076642	o-ring ID.203,0x3,0 Viton (3pc)	1
6		washer D.35/45x2,5 DIN988 St	1
8	6078169	circlips 35x1,5 DIN471 FST VP.	1
23	6074895	washer A8,4 DIN125 1.4401 (20pc)	1
24	6076646	screw M8x25 DIN933 A4-70 (10pc)	1
15	6078367	sealing casing D.205g6 6051538 GG SET	1
15.1		> sealing casing D.205g6 6051538 GG	1
15.2	6076642	> o-ring ID.203,0x3,0 Viton (3pc)	1
15.3	6048832	> joint ring A21/26x1,5 DIN7603 PA(10pc)	1
15.4	6067638	> screw plug G1/2 DIN908 A4 (3pcs)	1
16		MECHANICAL SEAL BT-AR/32 BXPFF	1
18		pressure ring D.42/30,5x1 6050343 A4	1
19		CIRCLIP 30X1,5 DIN471 1.4122	1

MOTOR PRO P17.1 XB/SVA-22

Item	Article no.	Description	Quantity
20		mechanical shaft seal MG1/30-G60 QPGG	1
21		pressure ring D.44/32,5x1 6050343 A4	1
22		CIRCLIP 32X1,5 DIN471 1.4122	1

SUBMERSIBLE SEWAGE PUMP V08-240 UNIT (6081733)



SUBMERSIBLE SEWAGE PUMP V08-240 UNIT (6081733)

Item	Article no.	Description	Quantity
C46		name plate information "Rexa"	1
R2	6078365	Rep.Kit 2 P17.1-15-24	1
F1	6025461	medical white oil 5L KIT	1
P	6042254	PAINT SPRAY Pantone334	1
P	6042255	colour 2K-paint IV80 pantone334C 250ml	1
P	6023614	Ceram C0 black 100 ml KIT	1
P	6020579	Ceram C0 black 250 ml KIT	1
P	6023485	Ceram C0 Black 500ml Kit	1
L1	6080531	Loctite 243 5g flask VP:	1
L9	6080535	Loctite 5203 300ml VP.	1

M		MOTOR PRO P17.1 XB	1

1	6083846	pump housing Rexa V08DA-2xx DN50 GG	1
1	6083847	pump housing Rexa V08DA-2xx ANSI GG KIT	1
1.1	6067638	screw plug G1/2 DIN908 A4 (3pcs)	1
1.2	6048832	joint ring A21/26x1,5 DIN7603 PA(10pc)	1
1.3		screw M12x35 DIN912 A4	3
1.4		washer A13 DIN125 A4 (20pc)	1
1.5		o-ring ID.203,0x3,0 NBR70	1
2	6083478	impeller Rexa V08DA-243 GG Set SVA	1
2	6083479	impeller Rexa V08DA-244 GG Set SVA	1
2	6083480	impeller Rexa V08DA-245 GG Set SVA	1
2	6083481	impeller Rexa V08DA-246 GG Set SVA	1
2	6083482	impeller Rexa V08DA-248 GG Set SVA	1
3	6067646	impeller fixation 10x35 Geomet KIT	1
3.1		> screw M10x35 DIN912 10.9 Geomet	1
3.2		> SCREW LOCKING NORD-LOCK 16/10,7 A4	1
4	6065949	Pump foot DN80/100 KIT	1
4.1		> Screw M16x35 ISO4017 A4-70	4
4.2	6076816	> washer A17 Din125 A4 (20pc)	1
4.1		Screw M16x35 ISO4017 A4-70	4
4.2		WASHER A17 DIN125 200HV A2	4
4	6065953	Pump foot DN80/100 1.4571 KIT	1

SUBMERSIBLE SEWAGE PUMP V08-240 UNIT (6081733)

Item	Article no.	Description	Quantity
4.1		Screw M16x35 ISO4017 A4-70	4
4.2	6076816	washer A17 Din125 A4 (20pc)	1

name plate information "Rexa"

submersible sewage pump

1 2 3 4 5 6 7 8 9 10 11 12 13 14 15 16 17

29

28 P-Typ **PRO V 06 D A - 628 / E A D 2 X 4 - T 0039 - 5 40 - O** 18

M-Typ **P 13.2-11 / EAD2X4-T** **MFY 2013W35**

27 **P₁ 5.50kW** **P₂ 3.90kW** **n 2874 1/min** 19

Q_{max} 45.0m³/h **H_{max} 60m** **H_{min} 2m** 22

Q_N 26.0l/s **H_N 30.0m** **SF 1.00/ _{SF} 15.25A**

16 **U 400 - 3 V** **I_N 15.25A** **I_{ST} 25.9A** 20

13 **AT Direkt** **OT_S S1** **OT_E S3** 31

f 50 Hz **IP 68** **cos φ 0.89** **T 40°C** **▽ 20.0m** 30

26 **m 2000 kg** **cl.F** **IM_{org} 122mm** **IM_{kor} 118mm** 30

15 **Warnung! Nicht in explosionsgefährdeten Bereich öffnen!** **Nicht unter Spannung öffnen!** 21
Warning! Do not open in explosion hazardous location! **Do not open when energized!**

25 **II 2G Ex d IIB T4Gb** **DIN EN 12050-1/ICE60034-1**

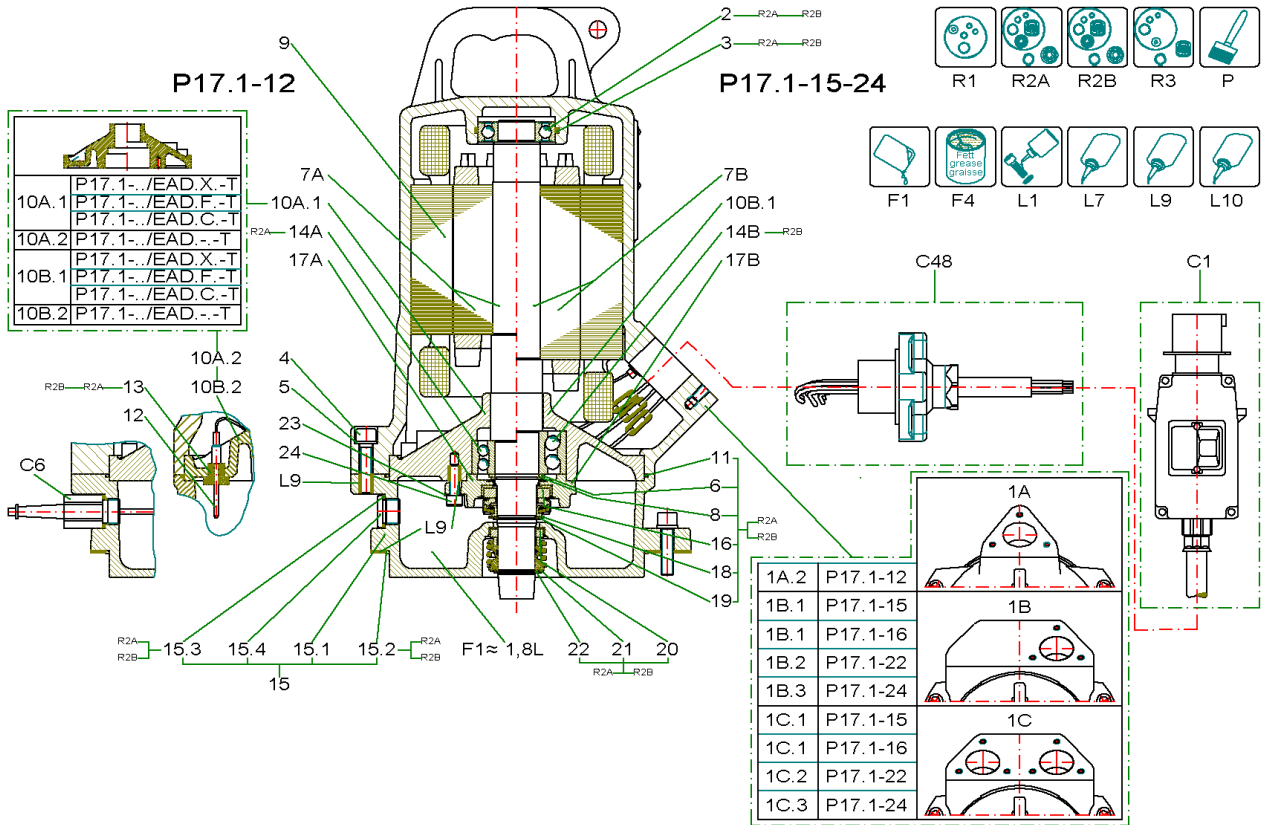
BSV 11 ATEX E 119 X

Produced by WILO SE, Hof **S/N : 650161916** 24

23 **Made by Wilo Group in Germany**
WILO SE Nortkirchenstr.100
44263 Dortmund Germany **0158** **CE**

name plate information "Rexa"

Item	Description	Quantity
1	Series	1
2	Impeller shape	1
3	size of pressure connection	1
4	Hydraulic version	1
5	Material code hydraulics	1
6	Hydraulics definition	1
7	Motor version	1
8	Material code motor	1
9	Seal version	1
10	IE-Efficiency class	1
11	Explosion prevention	1
12	Numbers of pol	1
13	Mains supply M=1~ / T=3~	1
14	/10 = Rated motor power P2 in kW	1
15	Frequency	1
16	Code for rated voltage	1
17	Additional electrical equipment	1
18	Year of manufacture	1
19	speed	1
20	Starting current	1
21	Impeller diameter trimmed	1
22	Rated current	1
23	Impeller diameter	1
24	Serial number	1
25	Insulating class	1
26	Starting type	1
27	Duty data	1
28	Power consumption P1	1
29	Motor data	1
30	operation type: immersed	1
31	operation type: out of water	1



MOTOR PRO P17.1 XB

Item	Article no.	Description	Quantity
C46	6200792	name plate information "Rexa"	1
R2	6078364	Rep.Kit 2 P17.1-12	1
R2	6078365	Rep.Kit 2 P17.1-15-24	1
P	6042254	PAINT SPRAY Pantone334	1
P	6042255	colour 2K-paint IV80 pantone334C 250ml	1
P	6023614	Ceram C0 black 100 ml KIT	1
P	6020579	Ceram C0 black 250 ml KIT	1
P	6023485	Ceram C0 Black 500ml Kit	1
F1	6025460	medical white oil 1L KIT	1
F1	6025461	medical white oil 5L KIT	1
L1	6080531	Loctite 243 5g flask VP:	1
L1	2096167	Loctite 243 50ml VP.	1
L9	6080535	Loctite 5203 300ml VP.	1

C1		PLUG	1
C48		cable trumpet 42T P17.1 KIT	1
C6		electrode KIT	1

1A.2	6078307	motor casing 50.13394/1 GG VP.	1
1B.1	6078308	motor casing 50.13392/1 GG VP.	1
1B.2	6078309	motor casing 50.20774 GG VP.	1
1B.3	6078310	motor casing 50.20774 GG VP.	1
1C.1	6078311	motor casing 50.13392/1 GG VP.	1
1C.2	6078312	motor casing 50.20774 GG VP.	1
1C.3	6078313	motor casing 50.20774 GG VP.	1
2		SRDG BALL BEARING 6305 ZZ	1
3	6078160	o-ring ID.62,0x3,0 Viton (3pc)	1
4	6076644	screw M10x40 DIN912 A4-70 (10pcs)	1
5	6078425	shim ring 10x16x1,0 DIN988 A4 (10pc.)	1
9		stator P17.1	1
7A	6078370	rotor D.102,3x367 4/12 1.4021 G VP.	1
10A.1	6078378	bearing housing (Ex design) GG VP.	1
10A.2	6078377	bearing housing (no. Ex design) GG VP.	1
14A		ball bearing 3207 VP.	1

MOTOR PRO P17.1 XB

Item	Article no.	Description	Quantity
17A	6078379	bearing cover D.57H7 6051909 GG VP.	1
7B	6078369	rotor D.102,3x405 4/16 1.4021 G VP.	1
7B	6078368	rotor D.102,3x485 4/24 1.4021 G VP.	1
7B	6078371	rotor D.89,3x405 2/15 1.4021 G VP.	1
7B	6078372	rotor D.89,3x485 2/22 1.4021 G VP.	1
10B.1	6076654	bearing housing (Ex design) GG VP.	1
10B.2	6076655	bearing housing (no. Ex design) GG VP.	1
14B		Ball Bearing 3307 C3 VP.	1
17B	6078380	bearing cover D.57H7 6051830 GG VP.	1
11	6076642	o-ring ID.203,0x3,0 Viton (3pc)	1
12	6076657	electrode rod D.4x53 54.13422 A2 VP.	1
13	6078171	sealing plug 13421 NBR 80 VP.	1
6		washer D.35/45x2,5 DIN988 St	1
8	6078169	circlips 35x1,5 DIN471 FST VP.	1
23	6074895	washer A8,4 DIN125 1.4401 (20pc)	1
24	6076646	screw M8x25 DIN933 A4-70 (10pc)	1
15	6078367	sealing casing D.205g6 6051538 GG SET	1
15.1		> sealing casing D.205g6 6051538 GG	1
15.2	6076642	> o-ring ID.203,0x3,0 Viton (3pc)	1
15.3	6048832	> joint ring A21/26x1,5 DIN7603 PA(10pc)	1
15.4	6067638	> screw plug G1/2 DIN908 A4 (3pcs)	1
16		mechanical shaft seal MG1/30-G60 QPFGG	1
18		pressure ring D.42/30,5x1 6050343 A4	1
19		CIRCLIP 30X1,5 DIN471 1.4122	1
20		MECHANICAL SEAL BT-AR/32 BXPFF	1
21		pressure ring D.44/32,5x1 6050343 A4	1
22		CIRCLIP 32X1,5 DIN471 1.4122	1

name plate information "Rexa" (6200792)

submersible sewage pump

1 2 3 4 5 6 7 8 9 10 11 12 13 14 15 16 17

29

28 P-Typ **PRO V 06 D A - 628 / E A D 2 X 4 - T 0039 - 5 40 - O** 18

M-Typ **P 13.2-11 / EAD2X4-T** **MFY 2013W35**

27 **P₁ 5.50kW** **P₂ 3.90kW** **n 2874 1/min** 19

26 **Q_{max} 45.0m³/h** **H_{max} 60m** **H_{min} 2m** 22

16 **Q_N 26.0l/s** **H_N 30.0m** **SF 1.00/ _{SF} 15.25A** 20

13 **U 400 - 3 V** **I_N 15.25A** **I_{ST} 25.9A** 31

26 **AT Direkt** **OT_S S1** **OT_E S3** 30

13 **f 50 Hz** **IP 68** **cos φ 0.89** **T 40°C** **▽ 20.0m** 21

26 **m 2000 kg** **cl.F** **IM_{org} 122mm** **IM_{kor} 118mm** 30

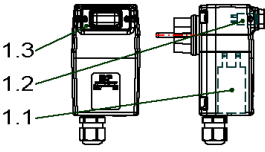
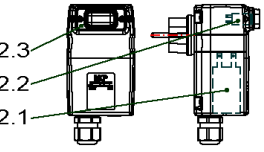
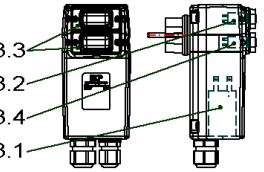
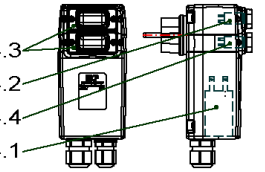
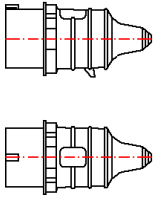
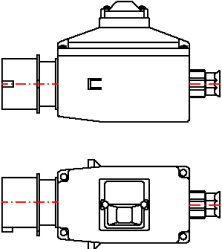
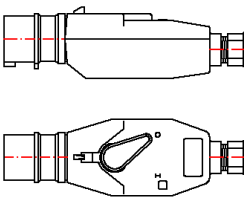
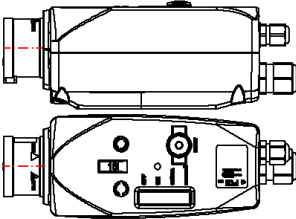
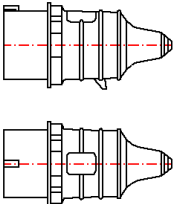
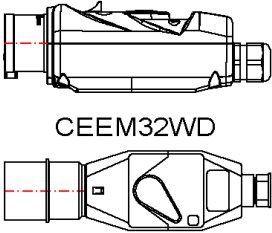
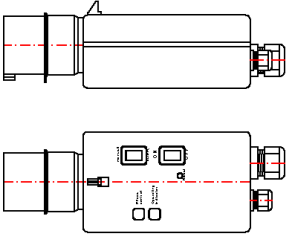
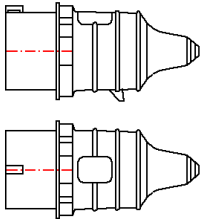
15 **Warning! Nicht in explosionsgefährdeten Bereich öffnen!** **Warning! Do not open in explosion hazardous location!** **Nicht unter Spannung öffnen!** **Do not open when energized!** 21

25 **II 2G Ex d IIB T4Gb** **BSV 11 ATEX E 119 X** **Produced by WILO SE, Hof** **S/N : 650161916** **DIN EN 12050-1/ICE60034-1** 24

23 **Made by Wilo Group in Germany** **WILO SE Nortkirchenstr.100** **44263 Dortmund Germany** **0158**

name plate information "Rexa" (6200792)

Item	Description	Quantity
1	Series	1
2	Impeller shape	1
3	size of pressure connection	1
4	Hydraulic version	1
5	Material code hydraulics	1
6	Hydraulics definition	1
7	Motor version	1
8	Material code motor	1
9	Seal version	1
10	IE-Efficiency class	1
11	Explosion prevention	1
12	Numbers of pol	1
13	Mains supply M=1~ / T=3~	1
14	/10 = Rated motor power P2 in kW	1
15	Frequency	1
16	Code for rated voltage	1
17	Additional electrical equipment	1
18	Year of manufacture	1
19	speed	1
20	Starting current	1
21	Impeller diameter trimmed	1
22	Rated current	1
23	Impeller diameter	1
24	Serial number	1
25	Insulating class	1
26	Starting type	1
27	Duty data	1
28	Power consumption P1	1
29	Motor data	1
30	operation type: immersed	1
31	operation type: out of water	1

<p>1 MCP 6A-M-H-20μF ~ 230V</p>  <p>$I_N(230V / 50Hz) < 6A = 20\mu F$</p>	<p>2 MCP 10A-M-H-30μF ~ 230V</p>  <p>$I_N(230V / 50Hz) 6-10A = 30\mu F$</p>	<p>3 MCP 6A-M-HA-20μF ~ 230V</p>  <p>$I_N(230V / 50Hz) < 6A = 20\mu F$</p>	<p>4 MCP 10A-M-HA-30μF ~ 230V</p>  <p>$I_N(230V / 50Hz) 6-10A = 30\mu F$</p>
<p>5 CEE16A</p> 	<p>6 CEEM16W</p> 	<p>7 CEEM16WD</p> 	<p>8 MCP T4-HA-ROT-WSK CEE16-5PS</p> 
<p>9 CEE32A</p> 	<p>10 MCP 10-16A-T4-H-ROT CEE32-5PS</p>  <p>CEEM32WD</p>	<p>11 CEEM32WDSHA</p> 	<p>12 CEE63A</p> 

PLUG

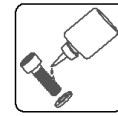
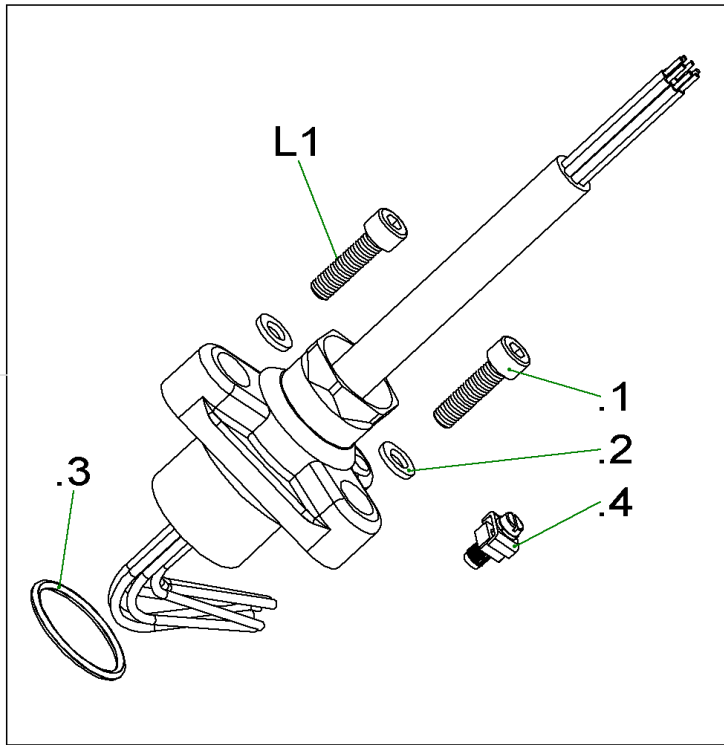
Item	Article no.	Description	Quantity
		IN (230V / 50Hz) <6A - 20μF	
1	6072332	MCP 6A-M-H-20μF-CEE7/7 VP.	1
1.1	6071702	capacitor 400V 20μF MCP VP.	1
1.2	6071704	protection switch 6A MCP VP.	1
1.3	6071707	protecting cap MCP VP.	1
		IN (230V / 50Hz) 6-10A - 30μF	
2	6072330	MCP 10A-M-H-30μF-CEE7/7 VP.	1
2.1	6071703	capacitor 400V 30μF MCP VP.	1
2.2	6071705	protection switch 10A MCP VP.	1
2.3	6071707	protecting cap MCP VP.	1
		IN (230V / 50Hz) <6A - 20μF	
3	6072331	MCP 6A-M-HA-20μF-CEE7/7 VP.	1
3.1	6071702	capacitor 400V 20μF MCP VP.	1
3.2	6071704	protection switch 6A MCP VP.	1
3.3	6071707	protecting cap MCP VP.	2
3.4	6071706	switch on/out MCP VP.	1
		IN (230V / 50Hz) 6-10A - 30μF	
4	6072329	MCP 10A-M-HA-30μF-CEE7/7 VP	1
4.1	6071703	capacitor 400V 30μF MCP VP.	1
4.2	6071705	protection switch 10A MCP VP.	1
4.3	6071707	protecting cap MCP VP.	2
4.4	6071706	switch on/out MCP VP.	1
5	6003000	plug CEE16A/400V 60Hz/5P-11h	1
5	6003248	plug CEE16A/400V/4P-6H	1
5	6003009	plug CEE16A/400V/5P-6H	1
5	6039156	plug CEE16A/400V/5P-6H Phase inverter	1
5	6035231	plug CEE16A/400V/7P-6H	1
5	6003011	plug CEE16A/500V/5P-7H	1
6	6030883	plug MS400V5P CEE16A W 1,0-1,6A	1
6	6030884	plug MS400V5P CEE16A W 1,6-2,5A	1
6	6030888	plug MS400V5P CEE16A W 10,0-16,0A	1
6	6030885	plug MS400V5P CEE16A W 2,5-4,0A	1
6	6030886	plug MS400V5P CEE16A W 4,0-6,3A	1
6	6030887	plug MS400V5P CEE16A W 6,3-10,0A	1

PLUG

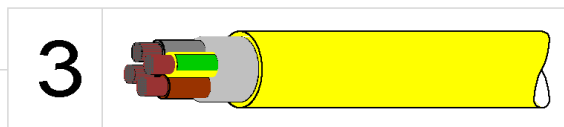
Item	Article no.	Description	Quantity
7	6032446	plug MS400V4P CEE16A WD 1,6-2,5A	1
7	6032447	plug MS400V4P CEE16A WD 12,5-16,0A	1
7	6032295	plug MS400V4P CEE16A WD 2,5-4,0A	1
7	6032289	plug MS400V4P CEE16A WD 4,0-6,3A	1
7	6032292	plug MS400V4P CEE16A WD 6,3-9,0A	1
7	6042190	plug MS400V5P CEE16A WDII 1,6-2,5A	1
7	6042194	plug MS400V5P CEE16A WDII 10,0-16,0A	1
7	6042191	plug MS400V5P CEE16A WDII 2,5-4,0A	1
7	6042192	plug MS400V5P CEE16A WDII 4,0-6,3A	1
7	6042193	plug MS400V5P CEE16A WDII 6,3-10,0A	1
7	6035911	plug MS400V5P CEE16A WD 9,0-12,5A	1
7	6003337	plug MS500V5P CEE16A WD 1,6-2,5A	1
7	6003336	plug MS500V5P CEE16A WD 2,5-4,0A	1
7	6003335	plug MS500V5P CEE16A WD 4,0-6,3A	1
7	6003334	plug MS500V5P CEE16A WD 6,3-9,0A	1
8	6072520	MCP 1,0-1,6A-T4-HA-ROT-WSK-CEE16-5PS VP.	1
8	6072521	MCP 1,6-2,4A-T4-HA-ROT-WSK-CEE16-5PS VP.	1
8	6072522	MCP 2,4-4,0A-T4-HA-ROT-WSK-CEE16-5PS VP.	1
8	6072523	MCP 4,0-6,0A-T4-HA-ROT-WSK-CEE16-5PS VP.	1
8	6072524	MCP 6,0-10A-T4-HA-ROT-WSK-CEE16-5PS VP.	1
8	6072525	MCP 9,0-12A-T4-HA-ROT-WSK-CEE16-5PS VP.	1
8	6072526	MCP 12-16A-T4-HA-ROT-WSK-CEE16-5PS VP.	1
9	6003267	plug CEE32A/400V/4P-6H	1
9	6039155	plug CEE32A/400V/5P-6H Phase inverter	1
9	6035895	plug CEE32A/500V/4P-7H AM-Top	1
9	6003010	plug CEE32A/500V/5P-7H	1
10	6072370	MCP 400V 1,6-2,5A-T4-H-ROT-CEE32-5PS VP.	1
10	6072369	MCP 400V 2,5-4,0A-T4-H-ROT-CEE32-5PS VP.	1
10	6072371	MCP 400V 4,0-6,3A-T4-H-ROT-CEE32-5PS VP.	1
10	6072398	MCP 400V 6,3-10A-T4-H-ROT-CEE32-5PS VP.	1
10	6072519	MCP 400V 10-16A-T4-H-ROT-CEE32-5PS VP.	1
10	6072399	MCP 400V 16-20A-T4-H-ROT-CEE32-5PS VP.	1
10	6072518	MCP 400V 20-25A-T4-H-ROT-CEE32-5PS VP.	1
10	6037649	plug.MS500V4P CEE32A WD 2,5-4,0A	1

PLUG

Item	Article no.	Description	Quantity
10	6041268	plug MS500V4P CEE32A WD 4,0-6,3A	1
10	6035244	plug MS500V5P CEE32A WD 1,6-2,5A	1
10	6034700	plug MS500V5P CEE32A WD 2,5-4,0A	1
10	6041556	plug MS500V5P CEE32A WD 4,0-6,3A	1
10	6002701	plug MS500V5P CEE32A WD 9,0-12,5A	1
10	6002700	plug MS500V5P CEE32A WD 12,5-16,0A	1
11	6003241	plug MS400V5P CEE32A WDSHA 10,0-14,0A	1
11	6003266	plug MS400V5P CEE32A WDSHA 3,7-5,5A	1
11	6003265	plug MS400V5P CEE32A WDSHA 5,5-8,0A	1
11	6003264	plug MS400V5P CEE32A WDSHA 8,0-11,5A	1
12	6003012	plug CEE63A/400V/5P-6H/IP67	1

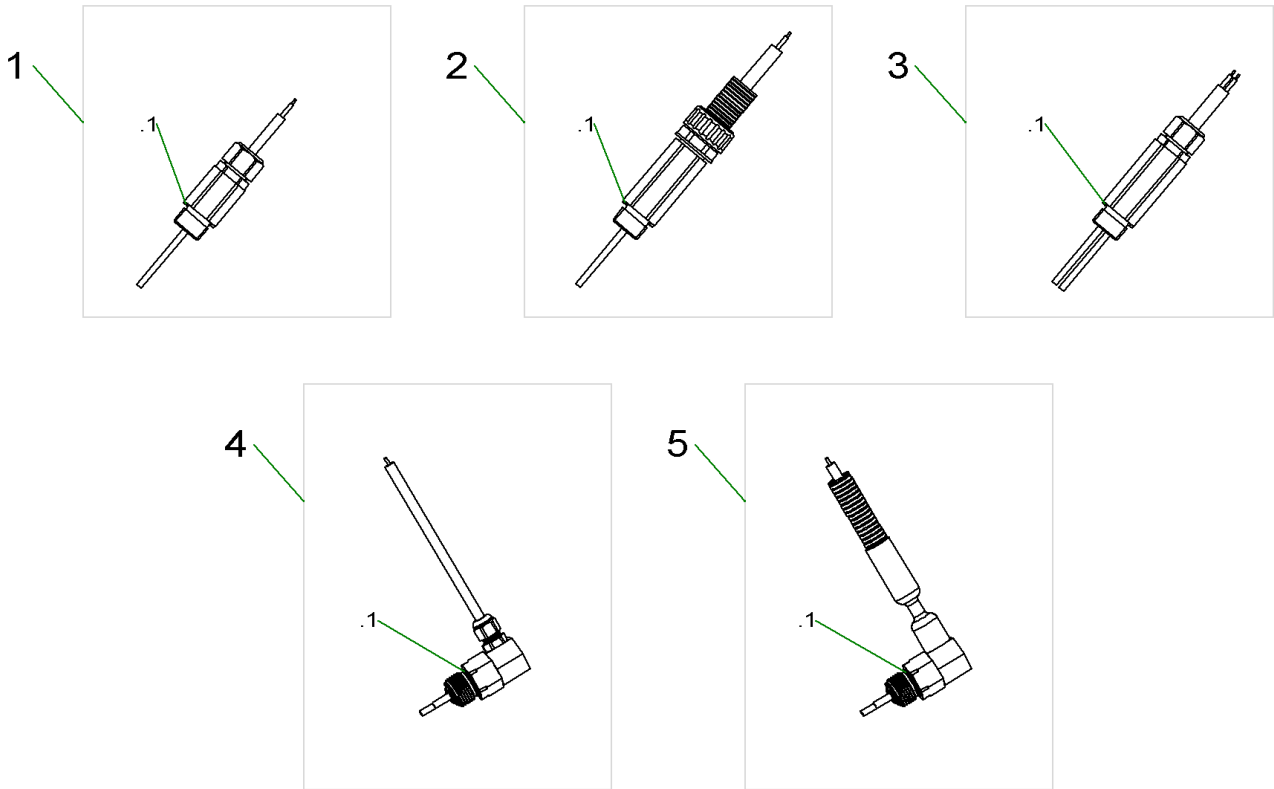


L1



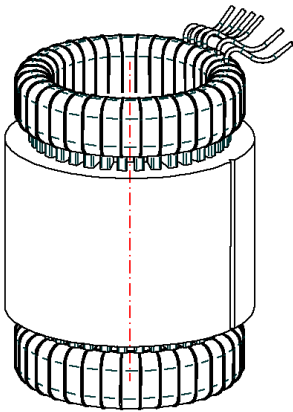
cable trumpet 42T P17.1 KIT

Item	Article no.	Description	Quantity
L1	6080531	Loctite 243 5g flask VP:	1
.1	6078159	screw M8x30 DIN912 A4-70 (10pc)	3
.2	6078161	shim ring 8x14x1,0 DIN988 A2 (10pc)	3
.3	6078162	o-ring ID.40,0x3,0 Viton (3pc)	1
.4	6067407	Barlian bow terminal M5 A2	1
1	6000689	CABLE TRUMPET 42T 10M H07 7G1,5 KIT	1
1	6000691	cable trumpet 42T 20m H07 7G1,5 SET	1
1	6032527	cable trumpet 42T 30m H07 7G1,5 KIT	1
1	6001115	cable trumpet 42T 10m H07 10G1,5 KIT	1
1	6000694	cable trumpet 42T 20m H07 10G1,5 KIT	1
3	6000700	cable trumpet 42T 10m NSS 2x1,5 KIT	1
3	6000702	cable trumpet 42T 20m NSS 2x1,5 KIT	1
3	6061578	cable trumpet 42T 30m NSS 2x1,5 KIT	1
3	6000704	cable trumpet 42T 10m NSS 4x1,5 KIT	1
3	6000706	cable trumpet 42T 20m NSS 4x1,5 KIT	1
3	6019867	cable trumpet 42T 30m NSS 4x1,5 KIT	1
3	6038670	cable trumpet 42T 50m NSS 4x1,5 KIT	1
3	6040496	cable trumpet 42T 60m NSS 4x1,5 KIT	1
3	6000708	cable trumpet 42T 10m NSS 4x2,5 KIT	1
3	6001426	cable trumpet 42T 20m NSS 4x2,5 KIT	1
3	6001428	cable trumpet 42T 10m NSS 4x4 KIT	1
3	6001430	cable trumpet 42T 20m NSS 4x4 KIT	1
3	6075909	cable trumpet 42T 25m NSS 4x4 KIT	1
3		cable trumpet 42T 30m NSS 4x4 KIT	1
3	6072786	cable trumpet 42T 10m NSS 4x6 KIT	1
3	6068990	cable trumpet 42T 20m NSS 4x6 KIT	1
3	6065995	cable trumpet 42T 30m NSS 4x6 KIT	1
3	6040497	cable trumpet 42T 60m NSS 4x6 KIT	1
3	6001432	cable trumpet 42T 10m NSS 7x1,5 KIT	1
3	6001434	cable trumpet 42T 20m NSS 7x1,5 KIT	1
3	6074636	cable trumpet 42T 40m NSS 7x1,5 KIT	1
3	6001436	cable trumpet 42T 10M NSS 7x2,5 KIT	1
3	6001438	cable trumpet 42T 20m NSS 7x2,5 KIT	1



electrode KIT

Item	Article no.	Description	Quantity
.1	6048832	joint ring A21/26x1,5 DIN7603 PA(10pc)	1
1	6042222	pencil electrode G1/2 10m KIT	1
1	6042313	pencil electrode G1/2 15m KIT	1
1	6042223	pencil electrode G1/2 20m KIT	1
1	6061068	pencil electrode G1/2 25KIT	1
1	6061070	pencil electrode G1/2 30m KIT	1
1	6061069	Stabelektrode G1/2 40m SET	1
1	6060956	pencil electrode G1/2 55m KIT	1
2	6042227	pencil electrode G1/2 10m+hose KIT	1
2	6065196	pencil electrode G1/2 15m+hose KIT	1
3	6042229	double pencil electrode G1/2 10m KIT	1
3	6042228	double pencil electrode G1/2 20m KIT	1
3	6063536	double pencil electrode G1/2 40m KIT	1
3	6065157	double pencil electrode G1/2 10m 4*A KIT	1
3	6065156	double pencil electrode G1/2 20m 4*AWKIT	1
4	6068049	elbow pencil electrode G1/2 10m SET	1
4	6068050	elbow pencil electrode G1/2 15m SET	1
4	6075169	elbow pencil electrode G1/2 20m SET	1
5	6068345	elbow pencil electrode G1/2 10m+Schl. KI	1
5	6068346	elbow pencil electrode G1/2 15m+Schl. SE	1



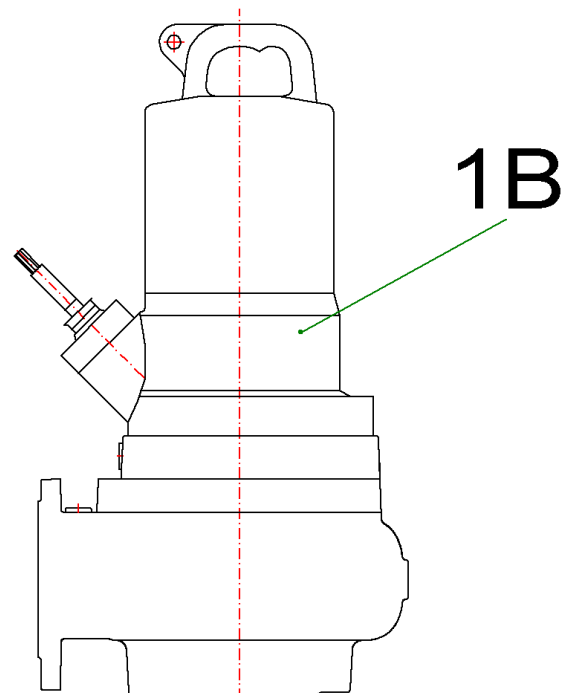
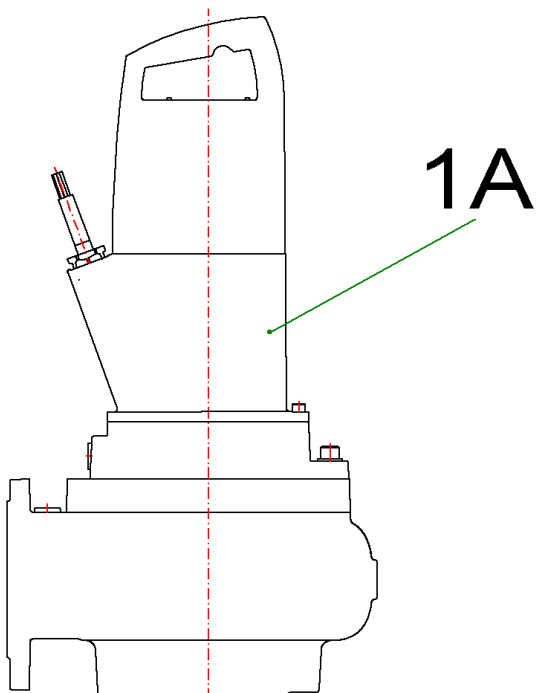
MOTOR, motor, moteur	DOL		Bi 130°+140°	PTC 130°+140°	3~220 50 Hz	3~230 50 Hz	3~380/660V 50Hz	3~400/690V 50Hz	3~415/715V 50Hz	3~500/860V 50Hz	3~380/660 60 Hz	3~400/690 60 Hz	3~440/760V 60Hz	3~460/790V 60Hz	3~480/826V 60Hz	3~230V 60Hz	3~460V 60Hz
	YD																
P17.1-15 . . . 0X2-T	X	X	X				2	2						2	2		
P17.1-22/ . . . 0X2-T	X	X	X				4	4						4	4		
P17.1-8/ . . . 0X4-T	X	X					7	7						7	7		
P17.1-12/ . . . 0X4-T	X	X	X				15	15					15	15	15		
P17.1-12/ . . . 0X4-T	X	X	X				17	17					17	17	17		
P17.1-16/ . . . 0X4-T	X	X	X				19	19	22				19	19	19		
P17.1-16/ . . . 0X4-T	X	X		X			20	20					20	20	20		
P17.1-24/ . . . 0X4-T	X	X	X				27	27					27	27	27		
P17.1-24/ . . . 0X4-T	X	X		X			28	28					28	28	28		

stator P17.1

Item	Article no.	Description	Quantity
2	6077878	Stator T17-2/15 400/690 50Hz VP.	1
4	6077876	Stator T17-2/22 400/690 50Hz VP.	1
7	6077873	Stator T17-4/8 400 50Hz VP.	1
15	6078121	Stator T17-4/12 400 50Hz PTC VP.	1
17	6077896	Stator T17-4/12 400/690 50Hz VP.	1
19	6077894	Stator T17-4/16 400/690 50Hz VP.	1
20	6078122	Stator T17-4/16 400/690 50Hz PTC VP.	1
22	6078131	Stator T17-4/16 415/720 50Hz VP.	1
27	6078126	Stator T17-4/24 400/690 50Hz VP.	1
28	6078125	Stator T17-4/24 400/690 50Hz PTC VP.	1

Rexa PRO V08-42x

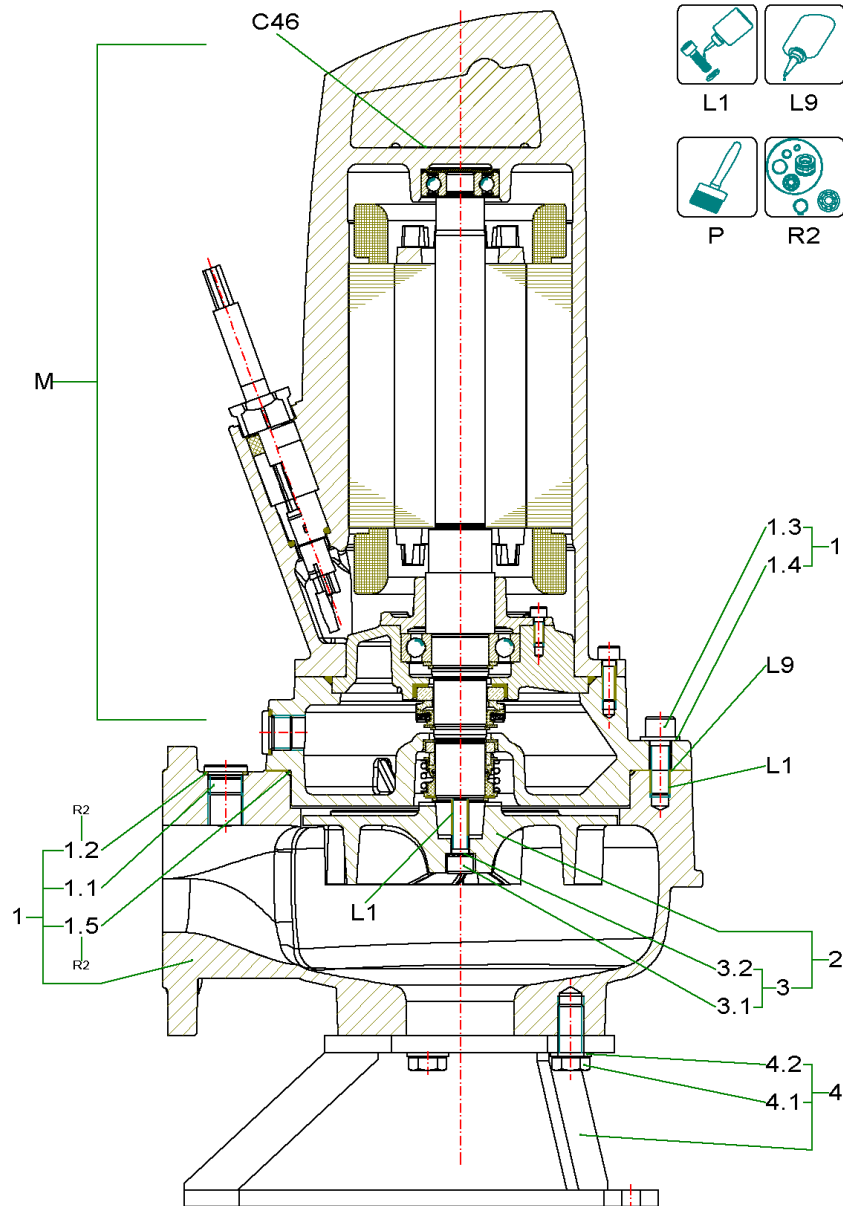
P13.2 P17.1



SUBMERSIBLE SEWAGE PUMP V08-420 UNIT (6065570)



Item	Description	Quantity
1A	Rexa PRO V08-420/P13.2 XB	1
1B	Rexa PRO V08-420/P17.1 XB	1



Rexa PRO V08-420/P13.2 XB

Item	Article no.	Description	Quantity
C46		name plate information "Rexa"	1
R2	6065496	Rep.Kit 2 P13.2	1
P	6042254	PAINT SPRAY Pantone334	1
P	6042255	colour 2K-paint IV80 pantone334C 250ml	1
P	6023614	Ceram C0 black 100 ml KIT	1
P	6020579	Ceram C0 black 250 ml KIT	1
P	6023485	Ceram C0 Black 500ml Kit	1
L1	6080531	Loctite 243 5g flask VP:	1
L9	6080535	Loctite 5203 300ml VP.	1

M		MOTOR PRO P13.2 XB	1

1	6066945	pump housing Rexa V08Dx-4xx DN80 GG KIT	1
1	6066946	pump housing Rexa V08Nx-4xx ANSI GG KIT	1
1	6074637	pump housing Rexa V08Hx-4xx DN80 GG KIT	1
1.1	6067638	screw plug G1/2 DIN908 A4 (3pcs)	1
1.2	6048832	joint ring A21/26x1,5 DIN7603 PA(10pc)	1
1.3		screw M12x35 DIN912 A4	3
1.4		washer A13 DIN125 A4 (20pc)	1
1.5		o-ring ID.203,0x3,0 NBR70	1
2	6066940	impeller Rexa V08xA-422 GG Set SVA	1
2	6066941	impeller Rexa V08xA-423 GG Set SVA	1
2	6066942	impeller Rexa V08xA-424 GG Set SVA	1
2	6066943	impeller Rexa V08xA-426 GG Set SVA	1
2	6066944	impeller Rexa V08xA-428 GG Set SVA	1
3	6067646	impeller fixation 10x35 Geomet KIT	1
3.1		> screw M10x35 DIN912 10.9 Geomet	1
3.2		> SCREW LOCKING NORD-LOCK 16/10,7 A4	1
4	6065949	Pump foot DN80/100 KIT	1
4.1		> Screw M16x35 ISO4017 A4-70	4
4.2	6076816	> washer A17 Din125 A4 (20pc)	1
4.1		Screw M16x35 ISO4017 A4-70	4
4.2		WASHER A17 DIN125 200HV A2	4
4	6065953	Pump foot DN80/100 1.4571 KIT	1

Rexa PRO V08-420/P13.2 XB

Item	Article no.	Description	Quantity
4.1		Screw M16x35 ISO4017 A4-70	4
4.2	6076816	washer A17 Din125 A4 (20pc)	1

name plate information "Rexa"

submersible sewage pump

1 2 3 4 5 6 7 8 9 10 11 12 13 14 15 16 17

29

28

27

16

13

26

15

25

23

18

19

22

20

31

30

21

24

P-Typ PRO V 06 D A - 628 / E A D 2 X 4 - T 0039 - 5 40 - O

M-Typ P 13.2-11 / EAD2X4-T

MFY 2013W35

P_1 5.50kW

P_2 3.90kW

n 2874 1/min

Q_{max} 45.0m³/h

H_{max} 60m

H_{min} 2m

Q_N 26.0l/s

H_N 30.0m

SF 1.00/ s_F 15.25A

U 400 - 3 V

I_N 15.25A

s_T 25.9A

AT Direkt

OT_S S1

OT_E S3

f 50 Hz

IP 68

$\cos \phi$ 0.89

T 40°C

∇ 20.0m

m 2000 kg

cl.F

IM_{org} 122mm

IM_{kor} 118mm

Warning! Nicht in explosionsgefährdeten Bereich öffnen!
Warning! Do not open in explosion hazardous location!

II 2G Ex d IIB T4Gb
BSV 11 ATEX E 119 X
Produced by WILO SE, Hof

Nicht unter Spannung öffnen!
Do not open when energized!
DIN EN 12050-1/ICE60034-1

S/N : 650161916

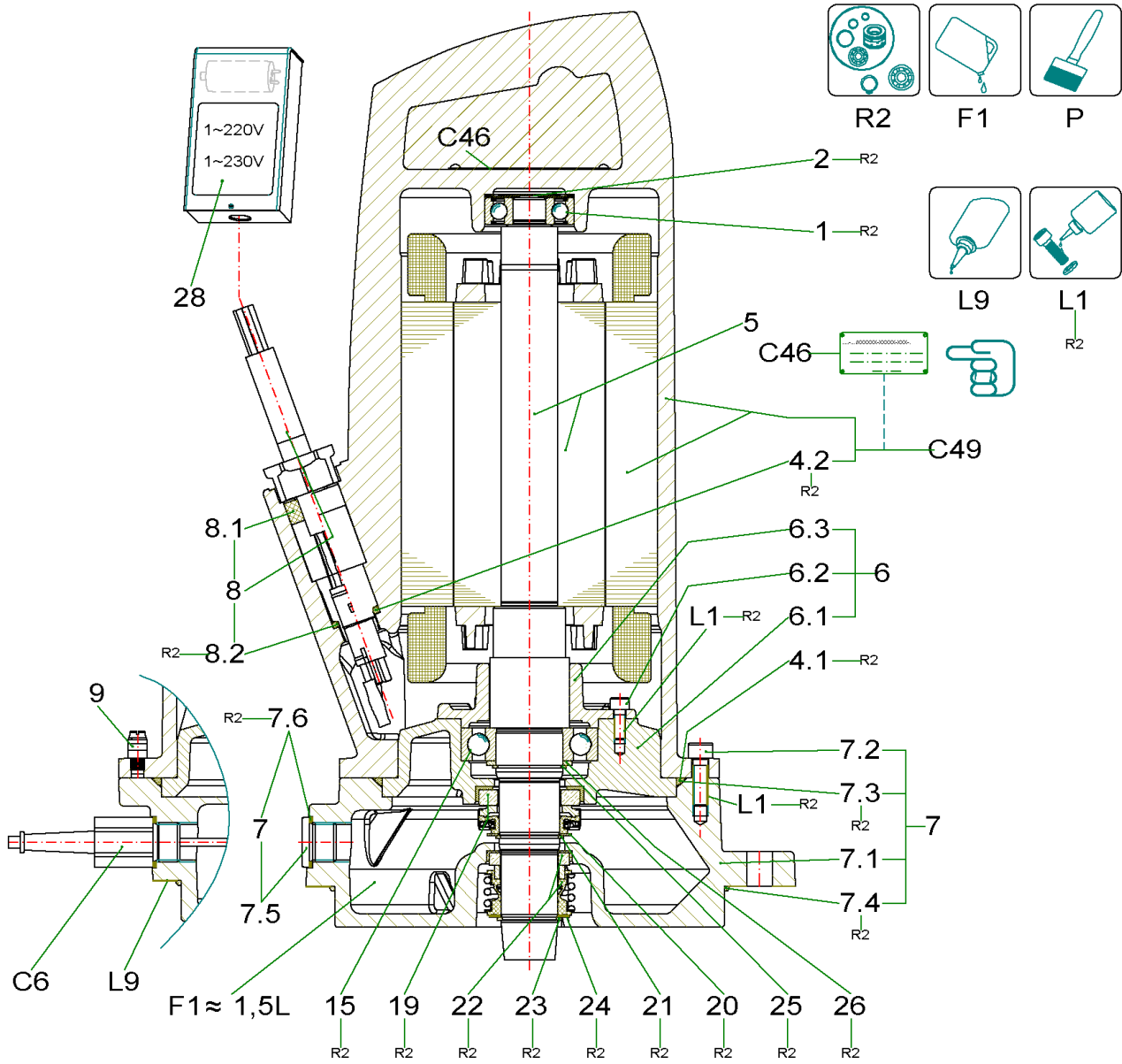
Made by Wilo Group in Germany
WILO SE Nortkirchenstr.100
44263 Dortmund Germany

0158

CE

name plate information "Rexa"

Item	Description	Quantity
1	Series	1
2	Impeller shape	1
3	size of pressure connection	1
4	Hydraulic version	1
5	Material code hydraulics	1
6	Hydraulics definition	1
7	Motor version	1
8	Material code motor	1
9	Seal version	1
10	IE-Efficiency class	1
11	Explosion prevention	1
12	Numbers of pol	1
13	Mains supply M=1~ / T=3~	1
14	/10 = Rated motor power P2 in kW	1
15	Frequency	1
16	Code for rated voltage	1
17	Additional electrical equipment	1
18	Year of manufacture	1
19	speed	1
20	Starting current	1
21	Impeller diameter trimmed	1
22	Rated current	1
23	Impeller diameter	1
24	Serial number	1
25	Insulating class	1
26	Starting type	1
27	Duty data	1
28	Power consumption P1	1
29	Motor data	1
30	operation type: immersed	1
31	operation type: out of water	1



MOTOR PRO P13.2 XB

Item	Article no.	Description	Quantity
C46		name plate information "Rexa"	1
R2	6065496	Rep.Kit 2 P13.2	1
P	6042254	PAINT SPRAY Pantone334	1
P	6042255	colour 2K-paint IV80 pantone334C 250ml	1
P	6023614	Ceram C0 black 100 ml KIT	1
P	6020579	Ceram C0 black 250 ml KIT	1
P	6023485	Ceram C0 Black 500ml Kit	1
F1	6025460	medical white oil 1L KIT	1
F1	6025461	medical white oil 5L KIT	1
L1	6080531	Loctite 243 5g flask VP:	1
L1	2096167	Loctite 243 50ml VP.	1
L9	6080535	Loctite 5203 300ml VP.	1

C6		electrode KIT	1
C49		stator P13.	1

1		Rep.Kit 2 P13.2	1
Note: für / for / pour 1,1 kW			
1		grooved ball bearing 6303 ZZ	1
Note: für / for / pour 1,5kW + 2,5kW + 3,9kW			
2		wave spring ring D.40 YSSB-0158	1
4.1		o-ring ID.150,0x4,0 NBR70	1
4.2		o-ring ID.18,0x3,5 NBR70	1
5	6067576	rotor P13.2-11/EAD0X4-M VP.	1
5	6067575	rotor P13.2-10/EAD1X4-T VP.	1
5	6067574	rotor P13.2-13/EAD1X4-T VP.	1
5	6067573	rotor P13.2-16/EAD1X4-T VP.	1
6	6067409	bearing housing P13.2 6050298 GG KIT	1
6.1		> bearing housing u 6050298 GG	1
6.2		> bearing cover D.62,2f7 6050300 GG	1
6.3		> screw M6x16 ISO4762 A4	3
7	6067410	sealing casing P/S13.2 D.205 GG XB KIT	1
7.1		> sealing casing D.205g6 6050302 GG	1
7.2		> screw M8x25 DIN912 A4 (10pc)	1

MOTOR PRO P13.2 XB

Item	Article no.	Description	Quantity
7.3		> o-ring ID.150,0x4,0 NBR70	1
7.4		> o-ring ID.203,0x3,0 NBR70	1
7.5		> screw plug G1/2 DIN908 A4	1
7.6		> joint ring A21/26x1,5 DIN7603 PA(10pc)	1
8	6066645	cable trumpet 30T P13 10MH07 7G1,5 KIT	1
8	6066648	REXA PRO cable trumpet 30T P13 20MH07	1
8	6080978	cable trumpet 30T P13 30MH07 7G1,5 KIT	1
8	6081765	cable trumpet 30T P13 40MH07 7G1,5 KIT	1
8.1	6076650	seal ring D.29,5/17x16,5 54.17777 NBR VP	1
8.2	6007674	o-ring ID.18,0x3,5 NBR70	1
9	6067407	Barlian bow terminal M5 A2	1
15		ball bearing 6207 w.2 Dichtschr. VP.	1
19		MECHANICAL SEAL BT-AR/32 BXPFF	1
20		pressure ring D.44/32,5x1 6050343 A4	1
21		CIRCLIP 32X1,5 DIN471 1.4122	1
22		mechanical shaft seal MG1/30-G60 QPFG	1
23		CIRCLIP 30X1,5 DIN471 1.4122	1
24		pressure ring D.42/30,5x1 6050343 A4	1
25		circlips 35x1,5 DIN471 FST	1
26		washer D.35/45x2,5 DIN988 St	1
28	6080916	terminal-Box CD35+70MF VP.	1

name plate information "Rexa"



submersible sewage pump

1 2 3 4 5 6 7 8 9 10 11 12 13 14 15 16 17

29

28 P-Typ **PRO V 06 D A - 628 / E A D 2 X 4 - T 0039 - 5 40 - O** 18

M-Typ P13.2-11/EAD2X4-T MFY 2013W35

27 P_1 5.50kW P_2 3.90kW n 2874 1/min 19

26 Q_{max} 45.0m³/h H_{max} 60m H_{min} 2m 22

Q_N 26.0l/s H_N 30.0m SF 1.00/ $SF_{15.25A}$

16 U 400 - 3 V I_N 15.25A I_{ST} 25.9A 20

13 AT Direkt OT_S S1 OT_E S3 31

f 50 Hz IP 68 $\cos \phi$ 0.89 T 40°C ∇ 20.0m 30

26 m 2000 kg $cl.F$ IM_{org} 122mm IM_{kor} 118mm 30

15 **Warnung! Nicht in explosionsgefährdeten Bereich öffnen!**
Warning! Do not open in explosion hazardous location! 21

15 **Nicht unter Spannung öffnen!**
Do not open when energized! 21

25 II 2G Ex d IIB T4Gb
 BSV 11 ATEX E 119 X
 Produced by WILO SE, Hof

S/N : 650161916 24

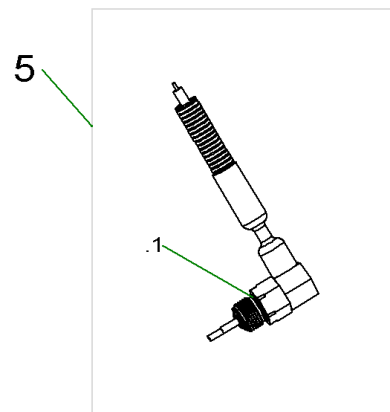
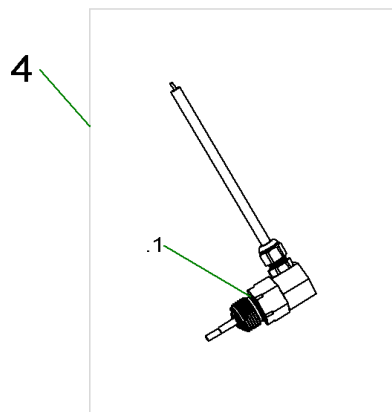
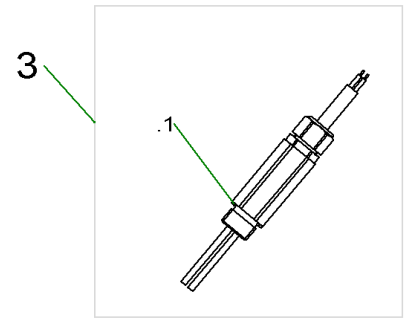
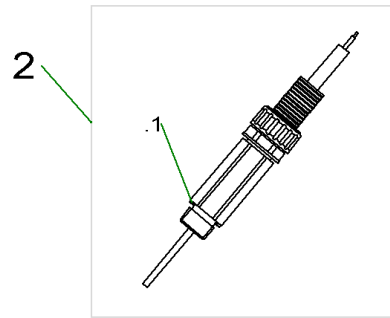
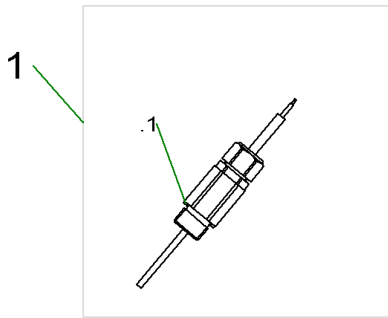
23 Made by Wilo Group in Germany
 WILO SE Nortkirchenstr.100
 44263 Dortmund Germany

0158

CE

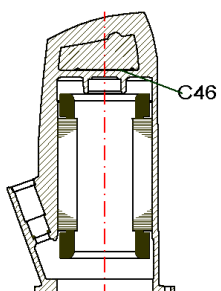
name plate information "Rexa"

Item	Description	Quantity
1	Series	1
2	Impeller shape	1
3	size of pressure connection	1
4	Hydraulic version	1
5	Material code hydraulics	1
6	Hydraulics definition	1
7	Motor version	1
8	Material code motor	1
9	Seal version	1
10	IE-Efficiency class	1
11	Explosion prevention	1
12	Numbers of pol	1
13	Mains supply M=1~ / T=3~	1
14	/10 = Rated motor power P2 in kW	1
15	Frequency	1
16	Code for rated voltage	1
17	Additional electrical equipment	1
18	Year of manufacture	1
19	speed	1
20	Starting current	1
21	Impeller diameter trimmed	1
22	Rated current	1
23	Impeller diameter	1
24	Serial number	1
25	Insulating class	1
26	Starting type	1
27	Duty data	1
28	Power consumption P1	1
29	Motor data	1
30	operation type: immersed	1
31	operation type: out of water	1



electrode KIT

Item	Article no.	Description	Quantity
.1	6048832	joint ring A21/26x1,5 DIN7603 PA(10pc)	1
1	6042222	pencil electrode G1/2 10m KIT	1
1	6042313	pencil electrode G1/2 15m KIT	1
1	6042223	pencil electrode G1/2 20m KIT	1
1	6061068	pencil electrode G1/2 25KIT	1
1	6061070	pencil electrode G1/2 30m KIT	1
1	6061069	Stabelektrode G1/2 40m SET	1
1	6060956	pencil electrode G1/2 55m KIT	1
2	6042227	pencil electrode G1/2 10m+hose KIT	1
2	6065196	pencil electrode G1/2 15m+hose KIT	1
3	6042229	double pencil electrode G1/2 10m KIT	1
3	6042228	double pencil electrode G1/2 20m KIT	1
3	6063536	double pencil electrode G1/2 40m KIT	1
3	6065157	double pencil electrode G1/2 10m 4*A KIT	1
3	6065156	double pencil electrode G1/2 20m 4*AWKIT	1
4	6068049	elbow pencil electrode G1/2 10m SET	1
4	6068050	elbow pencil electrode G1/2 15m SET	1
4	6075169	elbow pencil electrode G1/2 20m SET	1
5	6068345	elbow pencil electrode G1/2 10m+Schl. KI	1
5	6068346	elbow pencil electrode G1/2 15m+Schl. SE	1



Type	Pol.	Power P ₂ kW	IE	DOL / YD	Bi / PTC	1~220V/50Hz	1~230V/50Hz	3~380V/50Hz	3~400V/50Hz	3~415V/50Hz	3~500V/50Hz	3~208V/60Hz	3~220/60Hz	1~230/60Hz	3~230/60Hz	3~380V/60Hz	3~440/60Hz	3~460V/60Hz	3~480/60Hz
P13.	2	1,1	0	DOL	Bi		1						13						
P13.	2	1,1	1	DOL	Bi			2						14			2	2	
P13.	2	1,1	3	DOL	Bi			9									9		
P13.	2	1,2	3	DOL	Bi			9									9		
P13.	2	1,35	3	DOL	Bi			11									11		
P13.	2	1,5	0	DOL	Bi		1						13						
P13.	2	1,5	1	DOL	Bi			2						14			2	2	
P13.	2	1,5	3	DOL	Bi			9									9		
P13.	2	1,65	3	DOL	Bi			10									10		
P13.	2	2,5	1	DOL	Bi			3						15			3		
P13.	2	2,5	3	DOL	Bi			11									11		
P13.	2	3,9	1	DOL	Bi			4						16			4		
P13.	2	3,9	3	DOL	Bi			10									10		
P13.	4	1,1	0	DOL	Bi		6												
P13.	4	1,1	1	DOL	Bi			5						17			5		
P13.	4	1,1	3	DOL	Bi			12									12		
P13.	4	1,25	3	DOL	Bi			12									12		
P13.	4	1,5	0	DOL	Bi		6												
P13.	4	1,5	1	DOL	Bi			5						17			5		
P13.	4	1,5	3	DOL	Bi			12									12		
P13.	4	2,5	1	DOL	Bi			7						18			7		
P13.	4	3,5	0	DOL	Bi			8						19			8		

stator P13.

Item	Article no.	Description	Quantity
C46		name plate information "Rexa" -----	1
1	6070463	stator-unit P13.-2/8 1~ KIT	1
2	6070461	stator-unit P13.-2/8 3~ KIT	1
3	6070465	stator-unit P13.-2/10 3~ KIT	1
4	6070466	stator-unit P13.-2/15 3~ KIT	1
5	6070468	stator-unit P13.-4/10 3~ KIT	1
6	6070470	stator-unit P13.-4/11 1~ KIT	1
7	6070471	stator-unit P13.-4/13 3~ KIT	1
8	6070472	stator-unit P13.-4/16 3~ KIT	1
9	6072170	stator-unit P13.-2/9 3~ KIT	1
10	6072171	stator-unit P13.-2/16 3~ KIT	1
11	6072172	stator-unit P13.-2/11 3~ KIT	1
12	6072173	stator-unit P13.-4/16 3~ KIT	1
13	6076974	stator-unit P13.2/8 1~ KIT	1
14	6076973	stator-unit P13.-2/8 3~ KIT	1
15	6076972	stator-unit P13.-2/10 3~ KIT	1
16	6076971	stator-unit P13.-2/15 3~ KIT	1
17	6076970	stator-unit P13.-4/10 3~ KIT	1
18	6076969	stator-unit P13.-4/14 3~ KIT	1
19	6076968	stator-unit P13.-4/16 3~ KIT	1

name plate information "Rexa"

submersible sewage pump

1 2 3 4 5 6 7 8 9 10 11 12 13 14 15 16 17

29

28 P-Typ **PRO V 06 D A - 628 / E A D 2 X 4 - T 0039 - 5 40 - O** 18

M-Typ **P 13.2-11 / EAD2X4-T** **MFY 2013W35**

27 **P₁ 5.50kW** **P₂ 3.90kW** **n 2874 1/min** 19

Q_{max} 45.0m³/h **H_{max} 60m** **H_{min} 2m** 22

Q_N 26.0l/s **H_N 30.0m** **SF 1.00/ _{SF} 15.25A**

16 **U 400 - 3 V** **I_N 15.25A** **I_{ST} 25.9A** 20

13 **AT Direkt** **OT_S S1** **OT_E S3** 31

f 50 Hz **IP 68** **cos φ 0.89** **T 40°C** **▽ 20.0m** 30

26 **m 2000 kg** **cl.F** **IM_{org} 122mm** **IM_{kor} 118mm** 21

15 **Warnung! Nicht in explosionsgefährdeten Bereich öffnen!** **Nicht unter Spannung öffnen!** **Warning! Do not open in explosion hazardous location!** **Do not open when energized!** 24

II 2G Ex d IIB T4Gb **DIN EN 12050-1/ICE60034-1**

25 **BSV 11 ATEX E 119 X** **S/N : 650161916**

23 **Produced by WILO SE, Hof**

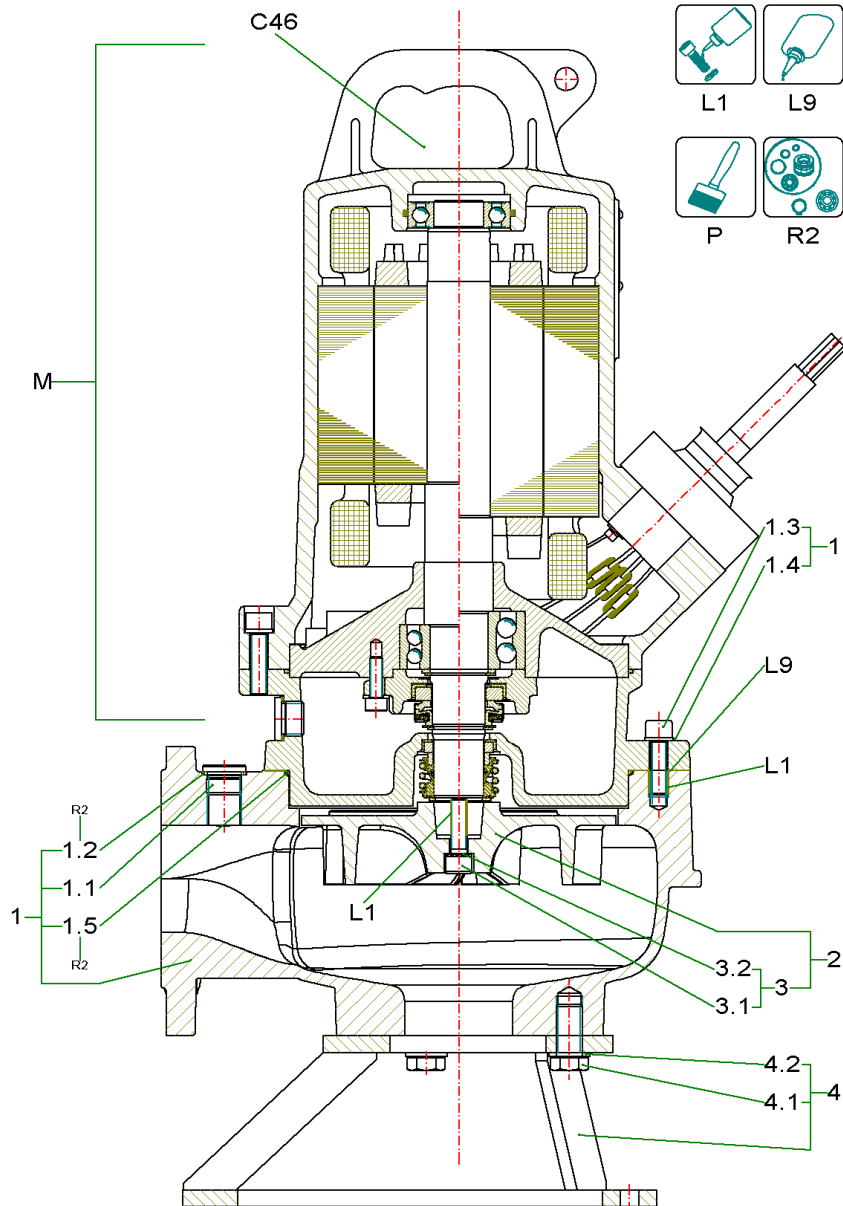
Made by Wilo Group in Germany
WILO SE Nortkirchenstr.100
44263 Dortmund Germany

0158

CE

name plate information "Rexa"

Item	Description	Quantity
1	Series	1
2	Impeller shape	1
3	size of pressure connection	1
4	Hydraulic version	1
5	Material code hydraulics	1
6	Hydraulics definition	1
7	Motor version	1
8	Material code motor	1
9	Seal version	1
10	IE-Efficiency class	1
11	Explosion prevention	1
12	Numbers of pol	1
13	Mains supply M=1~ / T=3~	1
14	/10 = Rated motor power P2 in kW	1
15	Frequency	1
16	Code for rated voltage	1
17	Additional electrical equipment	1
18	Year of manufacture	1
19	speed	1
20	Starting current	1
21	Impeller diameter trimmed	1
22	Rated current	1
23	Impeller diameter	1
24	Serial number	1
25	Insulating class	1
26	Starting type	1
27	Duty data	1
28	Power consumption P1	1
29	Motor data	1
30	operation type: immersed	1
31	operation type: out of water	1



Rexa PRO V08-420/P17.1 XB

Item	Article no.	Description	Quantity
C46		name plate information "Rexa"	1
R2	6078364	Rep.Kit 2 P17.1-12	1
R2	6078365	Rep.Kit 2 P17.1-15-24	1
P	6042254	PAINT SPRAY Pantone334	1
P	6042255	colour 2K-paint IV80 pantone334C 250ml	1
P	6023614	Ceram C0 black 100 ml KIT	1
P	6020579	Ceram C0 black 250 ml KIT	1
P	6023485	Ceram C0 Black 500ml Kit	1
L1	6080531	Loctite 243 5g flask VP:	1
L9	6080535	Loctite 5203 300ml VP.	1

M		MOTOR PRO P17.1 XB	1

1	6066945	pump housing Rexa V08Dx-4xx DN80 GG KIT	1
1	6066946	pump housing Rexa V08Nx-4xx ANSI GG KIT	1
1	6074637	pump housing Rexa V08Hx-4xx DN80 GG KIT	1
1.1	6067638	screw plug G1/2 DIN908 A4 (3pcs)	1
1.2	6048832	joint ring A21/26x1,5 DIN7603 PA(10pc)	1
1.3		screw M12x35 DIN912 A4	3
1.4		washer A13 DIN125 A4 (20pc)	1
1.5		o-ring ID.203,0x3,0 NBR70	1
2	6066940	impeller Rexa V08xA-422 GG Set SVA	1
2	6066941	impeller Rexa V08xA-423 GG Set SVA	1
2	6066942	impeller Rexa V08xA-424 GG Set SVA	1
2	6066943	impeller Rexa V08xA-426 GG Set SVA	1
2	6066944	impeller Rexa V08xA-428 GG Set SVA	1
3	6067646	impeller fixation 10x35 Geomet KIT	1
3.1		> screw M10x35 DIN912 10.9 Geomet	1
3.2		> SCREW LOCKING NORD-LOCK 16/10,7 A4	1
4	6065949	Pump foot DN80/100 KIT	1
4.1		> Screw M16x35 ISO4017 A4-70	4
4.2	6076816	> washer A17 Din125 A4 (20pc)	1
4.1		Screw M16x35 ISO4017 A4-70	4
4.2		WASHER A17 DIN125 200HV A2	4

Rexa PRO V08-420/P17.1 XB

Item	Article no.	Description	Quantity
4	6065953	Pump foot DN80/100 1.4571 KIT	1
4.1		Screw M16x35 ISO4017 A4-70	4
4.2	6076816	washer A17 Din125 A4 (20pc)	1

name plate information "Rexa"



submersible sewage pump

1 2 3 4 5 6 7 8 9 10 11 12 13 14 15 16 17

29

28 P-Typ **PRO V 06 D A - 628 / E A D 2 X 4 - T 0039 - 5 40 - O** 18

M-Typ **P 13.2-11 / EAD2X4-T** **MFY 2013W35**

27 **P₁ 5.50kW** **P₂ 3.90kW** **n 2874 1/min** 19

Q_{max} 45.0m³/h **H_{max} 60m** **H_{min} 2m** 22

Q_N 26.0l/s **H_N 30.0m** **SF 1.00/ _{SF} 15.25A**

16 **U 400 - 3 V** **I_N 15.25A** **I_{ST} 25.9A** 20

13 **AT Direkt** **OT_S S1** **OT_E S3** 31

f 50 Hz **IP 68** **cos p 0.89** **T 40°C** **▽ 20.0m** 30

26 **m 2000 kg** **cl.F** **IM_{org} 122mm** **IM_{kor} 118mm** 30

15 **Warnung! Nicht in explosionsgefährdeten Bereich öffnen!** **Nicht unter Spannung öffnen!** 21
Warning! Do not open in explosion hazardous location! **Do not open when energized!**

II 2G Ex d IIB T4Gb **DIN EN 12050-1/ICE60034-1**

25 **BSV 11 ATEX E 119 X** **S/N : 650161916** 24

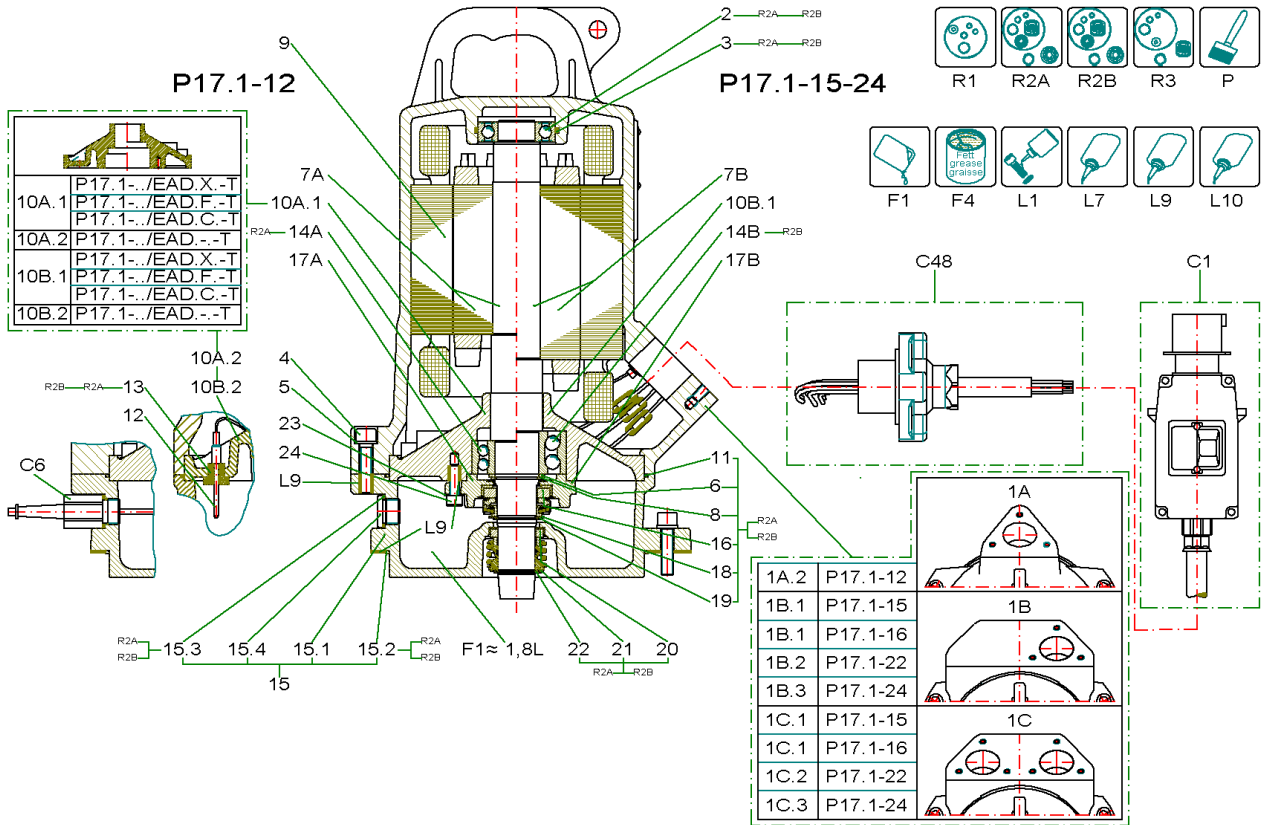
23 **Produced by WILO SE, Hof**

Made by Wilo Group in Germany
 WILO SE Nortkirchenstr.100
 44263 Dortmund Germany

0158 **CE**

name plate information "Rexa"

Item	Description	Quantity
1	Series	1
2	Impeller shape	1
3	size of pressure connection	1
4	Hydraulic version	1
5	Material code hydraulics	1
6	Hydraulics definition	1
7	Motor version	1
8	Material code motor	1
9	Seal version	1
10	IE-Efficiency class	1
11	Explosion prevention	1
12	Numbers of pol	1
13	Mains supply M=1~ / T=3~	1
14	/10 = Rated motor power P2 in kW	1
15	Frequency	1
16	Code for rated voltage	1
17	Additional electrical equipment	1
18	Year of manufacture	1
19	speed	1
20	Starting current	1
21	Impeller diameter trimmed	1
22	Rated current	1
23	Impeller diameter	1
24	Serial number	1
25	Insulating class	1
26	Starting type	1
27	Duty data	1
28	Power consumption P1	1
29	Motor data	1
30	operation type: immersed	1
31	operation type: out of water	1



MOTOR PRO P17.1 XB

Item	Article no.	Description	Quantity
C46	6200792	name plate information "Rexa"	1
R2	6078364	Rep.Kit 2 P17.1-12	1
R2	6078365	Rep.Kit 2 P17.1-15-24	1
P	6042254	PAINT SPRAY Pantone334	1
P	6042255	colour 2K-paint IV80 pantone334C 250ml	1
P	6023614	Ceram C0 black 100 ml KIT	1
P	6020579	Ceram C0 black 250 ml KIT	1
P	6023485	Ceram C0 Black 500ml Kit	1
F1	6025460	medical white oil 1L KIT	1
F1	6025461	medical white oil 5L KIT	1
L1	6080531	Loctite 243 5g flask VP:	1
L1	2096167	Loctite 243 50ml VP.	1
L9	6080535	Loctite 5203 300ml VP.	1

C1		PLUG	1
C48		cable trumpet 42T P17.1 KIT	1
C6		electrode KIT	1

1A.2	6078307	motor casing 50.13394/1 GG VP.	1
1B.1	6078308	motor casing 50.13392/1 GG VP.	1
1B.2	6078309	motor casing 50.20774 GG VP.	1
1B.3	6078310	motor casing 50.20774 GG VP.	1
1C.1	6078311	motor casing 50.13392/1 GG VP.	1
1C.2	6078312	motor casing 50.20774 GG VP.	1
1C.3	6078313	motor casing 50.20774 GG VP.	1
2		SRDG BALL BEARING 6305 ZZ	1
3	6078160	o-ring ID.62,0x3,0 Viton (3pc)	1
4	6076644	screw M10x40 DIN912 A4-70 (10pcs)	1
5	6078425	shim ring 10x16x1,0 DIN988 A4 (10pc.)	1
9		stator P17.1	1
7A	6078370	rotor D.102,3x367 4/12 1.4021 G VP.	1
10A.1	6078378	bearing housing (Ex design) GG VP.	1
10A.2	6078377	bearing housing (no. Ex design) GG VP.	1
14A		ball bearing 3207 VP.	1

MOTOR PRO P17.1 XB

Item	Article no.	Description	Quantity
17A	6078379	bearing cover D.57H7 6051909 GG VP.	1
7B	6078369	rotor D.102,3x405 4/16 1.4021 G VP.	1
7B	6078368	rotor D.102,3x485 4/24 1.4021 G VP.	1
7B	6078371	rotor D.89,3x405 2/15 1.4021 G VP.	1
7B	6078372	rotor D.89,3x485 2/22 1.4021 G VP.	1
10B.1	6076654	bearing housing (Ex design) GG VP.	1
10B.2	6076655	bearing housing (no. Ex design) GG VP.	1
14B		Ball Bearing 3307 C3 VP.	1
17B	6078380	bearing cover D.57H7 6051830 GG VP.	1
11	6076642	o-ring ID.203,0x3,0 Viton (3pc)	1
12	6076657	electrode rod D.4x53 54.13422 A2 VP.	1
13	6078171	sealing plug 13421 NBR 80 VP.	1
6		washer D.35/45x2,5 DIN988 St	1
8	6078169	circlips 35x1,5 DIN471 FST VP.	1
23	6074895	washer A8,4 DIN125 1.4401 (20pc)	1
24	6076646	screw M8x25 DIN933 A4-70 (10pc)	1
15	6078367	sealing casing D.205g6 6051538 GG SET	1
15.1		> sealing casing D.205g6 6051538 GG	1
15.2	6076642	> o-ring ID.203,0x3,0 Viton (3pc)	1
15.3	6048832	> joint ring A21/26x1,5 DIN7603 PA(10pc)	1
15.4	6067638	> screw plug G1/2 DIN908 A4 (3pcs)	1
16		mechanical shaft seal MG1/30-G60 QPFGG	1
18		pressure ring D.42/30,5x1 6050343 A4	1
19		CIRCLIP 30X1,5 DIN471 1.4122	1
20		MECHANICAL SEAL BT-AR/32 BXPFF	1
21		pressure ring D.44/32,5x1 6050343 A4	1
22		CIRCLIP 32X1,5 DIN471 1.4122	1

name plate information "Rexa" (6200792)

submersible sewage pump

1 2 3 4 5 6 7 8 9 10 11 12 13 14 15 16 17

29

28 P-Typ **PRO V 06 D A - 628 / E A D 2 X 4 - T 0039 - 5 40 - O** 18

M-Typ **P 13.2-11 / EAD2X4-T** **MFY 2013W35**

27 **P₁ 5.50kW** **P₂ 3.90kW** **n 2874 1/min** 19

26 **Q_{max} 45.0m³/h** **H_{max} 60m** **H_{min} 2m** 22

16 **Q_N 26.0l/s** **H_N 30.0m** **SF 1.00/ _{SF} 15.25A**

13 **U 400 - 3 V** **I_N 15.25A** **I_{ST} 25.9A** 20

26 **AT Direkt** **OT_S S1** **OT_E S3** 31

13 **f 50 Hz** **IP 68** **cos φ 0.89** **T 40°C** **▽ 20.0m** 30

26 **m 2000 kg** **cl.F** **IM_{org} 122mm** **IM_{kor} 118mm** 30

15 **Warning! Nicht in explosionsgefährdeten Bereich öffnen!** **Nicht unter Spannung öffnen!** **Warning! Do not open in explosion hazardous location!** **Do not open when energized!** 21

25 **II 2G Ex d IIB T4Gb** **DIN EN 12050-1/ICE60034-1**

23 **BSV 11 ATEX E 119 X** **S/N : 650161916** 24

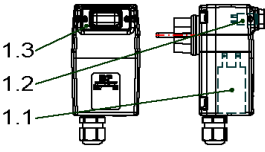
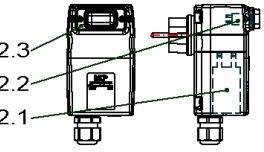
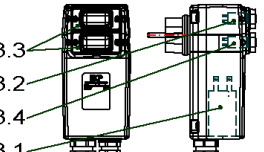
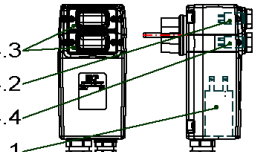
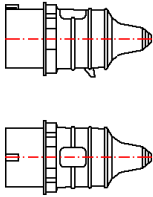
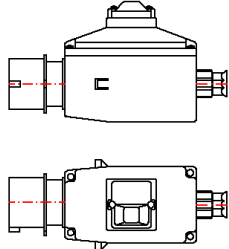
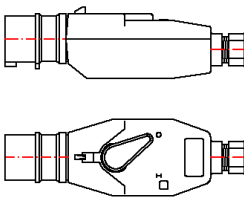
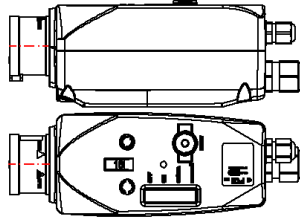
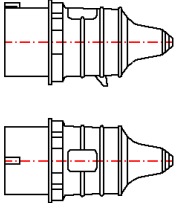
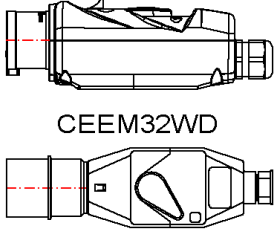
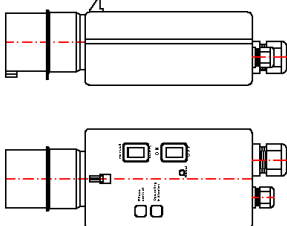
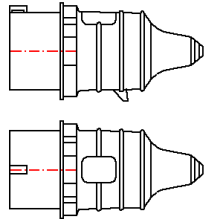
23 **Produced by WILO SE, Hof**

Made by Wilo Group in Germany
 WILO SE Nortkirchenstr.100
 44263 Dortmund Germany

0158

name plate information "Rexa" (6200792)

Item	Description	Quantity
1	Series	1
2	Impeller shape	1
3	size of pressure connection	1
4	Hydraulic version	1
5	Material code hydraulics	1
6	Hydraulics definition	1
7	Motor version	1
8	Material code motor	1
9	Seal version	1
10	IE-Efficiency class	1
11	Explosion prevention	1
12	Numbers of pol	1
13	Mains supply M=1~ / T=3~	1
14	/10 = Rated motor power P2 in kW	1
15	Frequency	1
16	Code for rated voltage	1
17	Additional electrical equipment	1
18	Year of manufacture	1
19	speed	1
20	Starting current	1
21	Impeller diameter trimmed	1
22	Rated current	1
23	Impeller diameter	1
24	Serial number	1
25	Insulating class	1
26	Starting type	1
27	Duty data	1
28	Power consumption P1	1
29	Motor data	1
30	operation type: immersed	1
31	operation type: out of water	1

<p>1 MCP 6A-M-H-20μF ~ 230V</p>  <p>$I_N(230V / 50Hz) < 6A = 20\mu F$</p>	<p>2 MCP 10A-M-H-30μF ~ 230V</p>  <p>$I_N(230V / 50Hz) 6-10A = 30\mu F$</p>	<p>3 MCP 6A-M-HA-20μF ~ 230V</p>  <p>$I_N(230V / 50Hz) < 6A = 20\mu F$</p>	<p>4 MCP 10A-M-HA-30μF ~ 230V</p>  <p>$I_N(230V / 50Hz) 6-10A = 30\mu F$</p>
<p>5 CEE16A</p> 	<p>6 CEEM16W</p> 	<p>7 CEEM16WD</p> 	<p>8 MCP T4-HA-ROT-WSK CEE16-5PS</p> 
<p>9 CEE32A</p> 	<p>10 MCP 10-16A-T4-H-ROT CEE32-5PS</p>  <p>CEEM32WD</p>	<p>11 CEEM32WDSHA</p> 	<p>12 CEE63A</p> 

PLUG

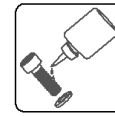
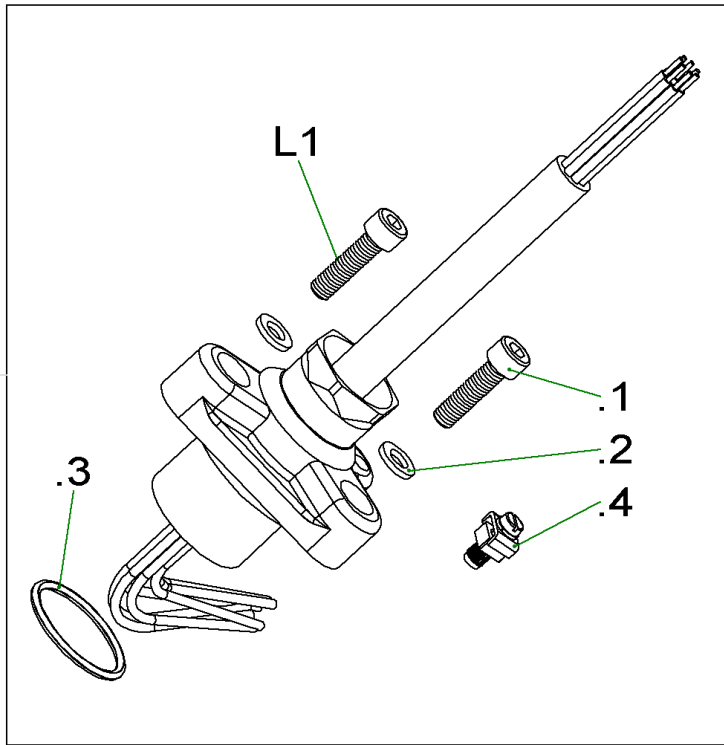
Item	Article no.	Description	Quantity
		IN (230V / 50Hz) <6A - 20μF	
1	6072332	MCP 6A-M-H-20μF-CEE7/7 VP.	1
1.1	6071702	capacitor 400V 20μF MCP VP.	1
1.2	6071704	protection switch 6A MCP VP.	1
1.3	6071707	protecting cap MCP VP.	1
		IN (230V / 50Hz) 6-10A - 30μF	
2	6072330	MCP 10A-M-H-30μF-CEE7/7 VP.	1
2.1	6071703	capacitor 400V 30μF MCP VP.	1
2.2	6071705	protection switch 10A MCP VP.	1
2.3	6071707	protecting cap MCP VP.	1
		IN (230V / 50Hz) <6A - 20μF	
3	6072331	MCP 6A-M-HA-20μF-CEE7/7 VP.	1
3.1	6071702	capacitor 400V 20μF MCP VP.	1
3.2	6071704	protection switch 6A MCP VP.	1
3.3	6071707	protecting cap MCP VP.	2
3.4	6071706	switch on/out MCP VP.	1
		IN (230V / 50Hz) 6-10A - 30μF	
4	6072329	MCP 10A-M-HA-30μF-CEE7/7 VP	1
4.1	6071703	capacitor 400V 30μF MCP VP.	1
4.2	6071705	protection switch 10A MCP VP.	1
4.3	6071707	protecting cap MCP VP.	2
4.4	6071706	switch on/out MCP VP.	1
5	6003000	plug CEE16A/400V 60Hz/5P-11h	1
5	6003248	plug CEE16A/400V/4P-6H	1
5	6003009	plug CEE16A/400V/5P-6H	1
5	6039156	plug CEE16A/400V/5P-6H Phase inverter	1
5	6035231	plug CEE16A/400V/7P-6H	1
5	6003011	plug CEE16A/500V/5P-7H	1
6	6030883	plug MS400V5P CEE16A W 1,0-1,6A	1
6	6030884	plug MS400V5P CEE16A W 1,6-2,5A	1
6	6030888	plug MS400V5P CEE16A W 10,0-16,0A	1
6	6030885	plug MS400V5P CEE16A W 2,5-4,0A	1
6	6030886	plug MS400V5P CEE16A W 4,0-6,3A	1
6	6030887	plug MS400V5P CEE16A W 6,3-10,0A	1

PLUG

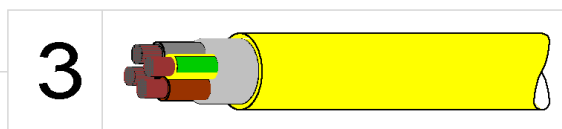
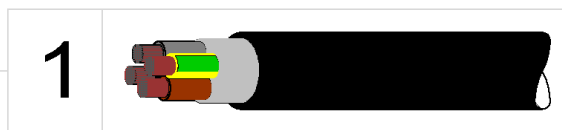
Item	Article no.	Description	Quantity
7	6032446	plug MS400V4P CEE16A WD 1,6-2,5A	1
7	6032447	plug MS400V4P CEE16A WD 12,5-16,0A	1
7	6032295	plug MS400V4P CEE16A WD 2,5-4,0A	1
7	6032289	plug MS400V4P CEE16A WD 4,0-6,3A	1
7	6032292	plug MS400V4P CEE16A WD 6,3-9,0A	1
7	6042190	plug MS400V5P CEE16A WDII 1,6-2,5A	1
7	6042194	plug MS400V5P CEE16A WDII 10,0-16,0A	1
7	6042191	plug MS400V5P CEE16A WDII 2,5-4,0A	1
7	6042192	plug MS400V5P CEE16A WDII 4,0-6,3A	1
7	6042193	plug MS400V5P CEE16A WDII 6,3-10,0A	1
7	6035911	plug MS400V5P CEE16A WD 9,0-12,5A	1
7	6003337	plug MS500V5P CEE16A WD 1,6-2,5A	1
7	6003336	plug MS500V5P CEE16A WD 2,5-4,0A	1
7	6003335	plug MS500V5P CEE16A WD 4,0-6,3A	1
7	6003334	plug MS500V5P CEE16A WD 6,3-9,0A	1
8	6072520	MCP 1,0-1,6A-T4-HA-ROT-WSK-CEE16-5PS VP.	1
8	6072521	MCP 1,6-2,4A-T4-HA-ROT-WSK-CEE16-5PS VP.	1
8	6072522	MCP 2,4-4,0A-T4-HA-ROT-WSK-CEE16-5PS VP.	1
8	6072523	MCP 4,0-6,0A-T4-HA-ROT-WSK-CEE16-5PS VP.	1
8	6072524	MCP 6,0-10A-T4-HA-ROT-WSK-CEE16-5PS VP.	1
8	6072525	MCP 9,0-12A-T4-HA-ROT-WSK-CEE16-5PS VP.	1
8	6072526	MCP 12-16A-T4-HA-ROT-WSK-CEE16-5PS VP.	1
9	6003267	plug CEE32A/400V/4P-6H	1
9	6039155	plug CEE32A/400V/5P-6H Phase inverter	1
9	6035895	plug CEE32A/500V/4P-7H AM-Top	1
9	6003010	plug CEE32A/500V/5P-7H	1
10	6072370	MCP 400V 1,6-2,5A-T4-H-ROT-CEE32-5PS VP.	1
10	6072369	MCP 400V 2,5-4,0A-T4-H-ROT-CEE32-5PS VP.	1
10	6072371	MCP 400V 4,0-6,3A-T4-H-ROT-CEE32-5PS VP.	1
10	6072398	MCP 400V 6,3-10A-T4-H-ROT-CEE32-5PS VP.	1
10	6072519	MCP 400V 10-16A-T4-H-ROT-CEE32-5PS VP.	1
10	6072399	MCP 400V 16-20A-T4-H-ROT-CEE32-5PS VP.	1
10	6072518	MCP 400V 20-25A-T4-H-ROT-CEE32-5PS VP.	1
10	6037649	plug.MS500V4P CEE32A WD 2,5-4,0A	1

PLUG

Item	Article no.	Description	Quantity
10	6041268	plug MS500V4P CEE32A WD 4,0-6,3A	1
10	6035244	plug MS500V5P CEE32A WD 1,6-2,5A	1
10	6034700	plug MS500V5P CEE32A WD 2,5-4,0A	1
10	6041556	plug MS500V5P CEE32A WD 4,0-6,3A	1
10	6002701	plug MS500V5P CEE32A WD 9,0-12,5A	1
10	6002700	plug MS500V5P CEE32A WD 12,5-16,0A	1
11	6003241	plug MS400V5P CEE32A WDSHA 10,0-14,0A	1
11	6003266	plug MS400V5P CEE32A WDSHA 3,7-5,5A	1
11	6003265	plug MS400V5P CEE32A WDSHA 5,5-8,0A	1
11	6003264	plug MS400V5P CEE32A WDSHA 8,0-11,5A	1
12	6003012	plug CEE63A/400V/5P-6H/IP67	1

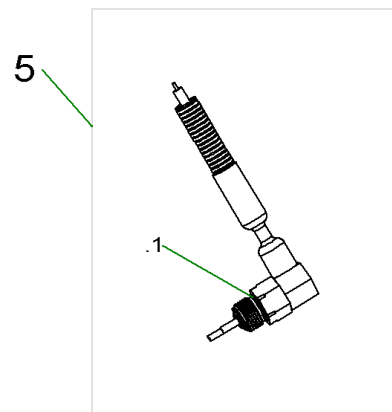
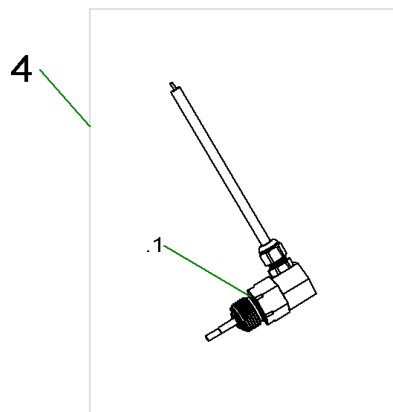
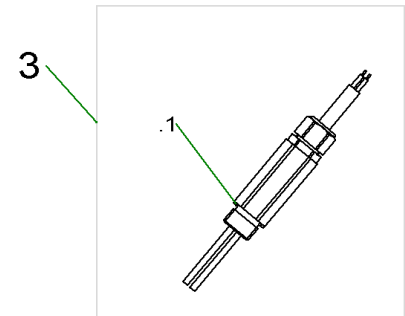
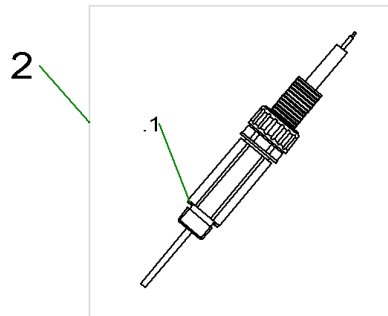
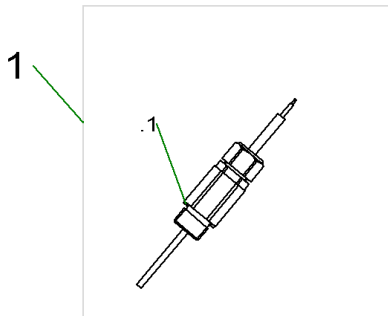


L1



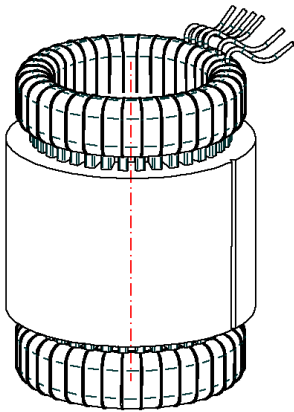
cable trumpet 42T P17.1 KIT

Item	Article no.	Description	Quantity
L1	6080531	Loctite 243 5g flask VP:	1
.1	6078159	screw M8x30 DIN912 A4-70 (10pc)	3
.2	6078161	shim ring 8x14x1,0 DIN988 A2 (10pc)	3
.3	6078162	o-ring ID.40,0x3,0 Viton (3pc)	1
.4	6067407	Barlian bow terminal M5 A2	1
1	6000689	CABLE TRUMPET 42T 10M H07 7G1,5 KIT	1
1	6000691	cable trumpet 42T 20m H07 7G1,5 SET	1
1	6032527	cable trumpet 42T 30m H07 7G1,5 KIT	1
1	6001115	cable trumpet 42T 10m H07 10G1,5 KIT	1
1	6000694	cable trumpet 42T 20m H07 10G1,5 KIT	1
3	6000700	cable trumpet 42T 10m NSS 2x1,5 KIT	1
3	6000702	cable trumpet 42T 20m NSS 2x1,5 KIT	1
3	6061578	cable trumpet 42T 30m NSS 2x1,5 KIT	1
3	6000704	cable trumpet 42T 10m NSS 4x1,5 KIT	1
3	6000706	cable trumpet 42T 20m NSS 4x1,5 KIT	1
3	6019867	cable trumpet 42T 30m NSS 4x1,5 KIT	1
3	6038670	cable trumpet 42T 50m NSS 4x1,5 KIT	1
3	6040496	cable trumpet 42T 60m NSS 4x1,5 KIT	1
3	6000708	cable trumpet 42T 10m NSS 4x2,5 KIT	1
3	6001426	cable trumpet 42T 20m NSS 4x2,5 KIT	1
3	6001428	cable trumpet 42T 10m NSS 4x4 KIT	1
3	6001430	cable trumpet 42T 20m NSS 4x4 KIT	1
3	6075909	cable trumpet 42T 25m NSS 4x4 KIT	1
3		cable trumpet 42T 30m NSS 4x4 KIT	1
3	6072786	cable trumpet 42T 10m NSS 4x6 KIT	1
3	6068990	cable trumpet 42T 20m NSS 4x6 KIT	1
3	6065995	cable trumpet 42T 30m NSS 4x6 KIT	1
3	6040497	cable trumpet 42T 60m NSS 4x6 KIT	1
3	6001432	cable trumpet 42T 10m NSS 7x1,5 KIT	1
3	6001434	cable trumpet 42T 20m NSS 7x1,5 KIT	1
3	6074636	cable trumpet 42T 40m NSS 7x1,5 KIT	1
3	6001436	cable trumpet 42T 10M NSS 7x2,5 KIT	1
3	6001438	cable trumpet 42T 20m NSS 7x2,5 KIT	1



electrode KIT

Item	Article no.	Description	Quantity
.1	6048832	joint ring A21/26x1,5 DIN7603 PA(10pc)	1
1	6042222	pencil electrode G1/2 10m KIT	1
1	6042313	pencil electrode G1/2 15m KIT	1
1	6042223	pencil electrode G1/2 20m KIT	1
1	6061068	pencil electrode G1/2 25KIT	1
1	6061070	pencil electrode G1/2 30m KIT	1
1	6061069	Stabelektrode G1/2 40m SET	1
1	6060956	pencil electrode G1/2 55m KIT	1
2	6042227	pencil electrode G1/2 10m+hose KIT	1
2	6065196	pencil electrode G1/2 15m+hose KIT	1
3	6042229	double pencil electrode G1/2 10m KIT	1
3	6042228	double pencil electrode G1/2 20m KIT	1
3	6063536	double pencil electrode G1/2 40m KIT	1
3	6065157	double pencil electrode G1/2 10m 4*A KIT	1
3	6065156	double pencil electrode G1/2 20m 4*AWKIT	1
4	6068049	elbow pencil electrode G1/2 10m SET	1
4	6068050	elbow pencil electrode G1/2 15m SET	1
4	6075169	elbow pencil electrode G1/2 20m SET	1
5	6068345	elbow pencil electrode G1/2 10m+Schl. KI	1
5	6068346	elbow pencil electrode G1/2 15m+Schl. SE	1



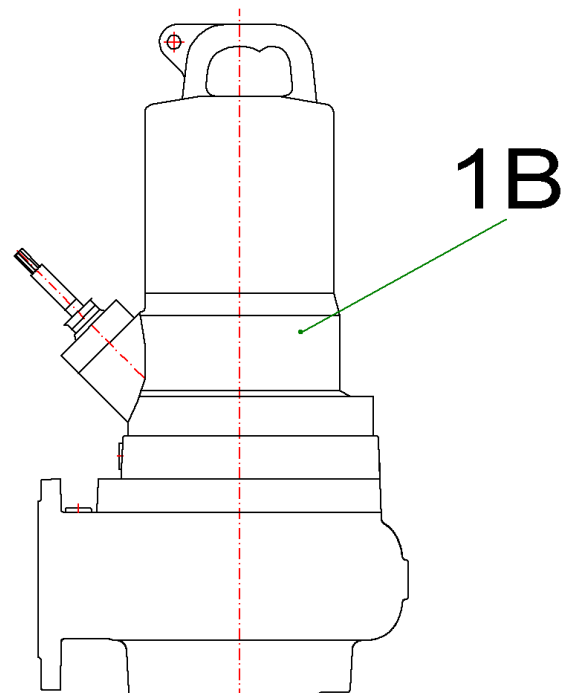
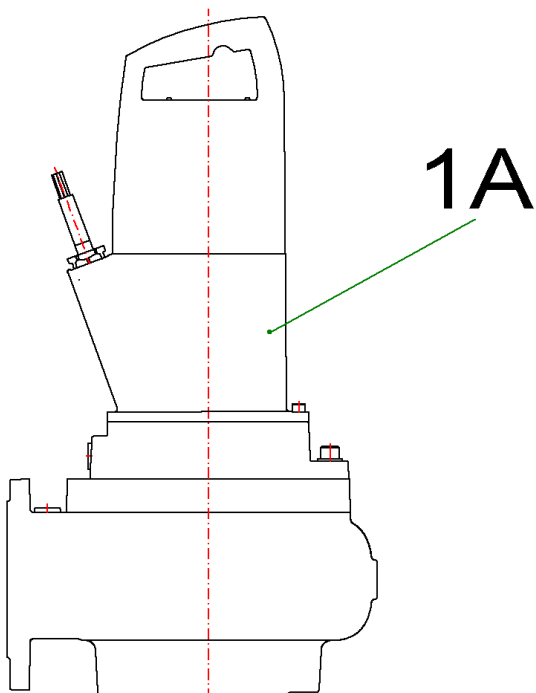
MOTOR, motor, moteur	DOL		Bi 130°+140°	PTC 130°+140°	3~220 50 Hz	3~230 50 Hz	3~380/660V 50Hz	3~400/690V 50Hz	3~415/715V 50Hz	3~500/860V 50Hz	3~380/660 60 Hz	3~400/690 60 Hz	3~440/760V 60Hz	3~460/790V 60Hz	3~480/826V 60Hz	3~230V 60Hz	3~460V 60Hz
	YD																
P17.1-15 . . . 0X2-T	X	X	X				2	2						2	2		
P17.1-22/ . . . 0X2-T	X	X	X				4	4						4	4		
P17.1-8/ . . . 0X4-T	X	X					7	7						7	7		
P17.1-12/ . . . 0X4-T	X	X	X				15	15					15	15	15		
P17.1-12/ . . . 0X4-T	X	X	X				17	17					17	17	17		
P17.1-16/ . . . 0X4-T	X	X	X				19	19	22				19	19	19		
P17.1-16/ . . . 0X4-T	X	X		X			20	20					20	20	20		
P17.1-24/ . . . 0X4-T	X	X	X				27	27					27	27	27		
P17.1-24/ . . . 0X4-T	X	X		X			28	28					28	28	28		

stator P17.1

Item	Article no.	Description	Quantity
2	6077878	Stator T17-2/15 400/690 50Hz VP.	1
4	6077876	Stator T17-2/22 400/690 50Hz VP.	1
7	6077873	Stator T17-4/8 400 50Hz VP.	1
15	6078121	Stator T17-4/12 400 50Hz PTC VP.	1
17	6077896	Stator T17-4/12 400/690 50Hz VP.	1
19	6077894	Stator T17-4/16 400/690 50Hz VP.	1
20	6078122	Stator T17-4/16 400/690 50Hz PTC VP.	1
22	6078131	Stator T17-4/16 415/720 50Hz VP.	1
27	6078126	Stator T17-4/24 400/690 50Hz VP.	1
28	6078125	Stator T17-4/24 400/690 50Hz PTC VP.	1

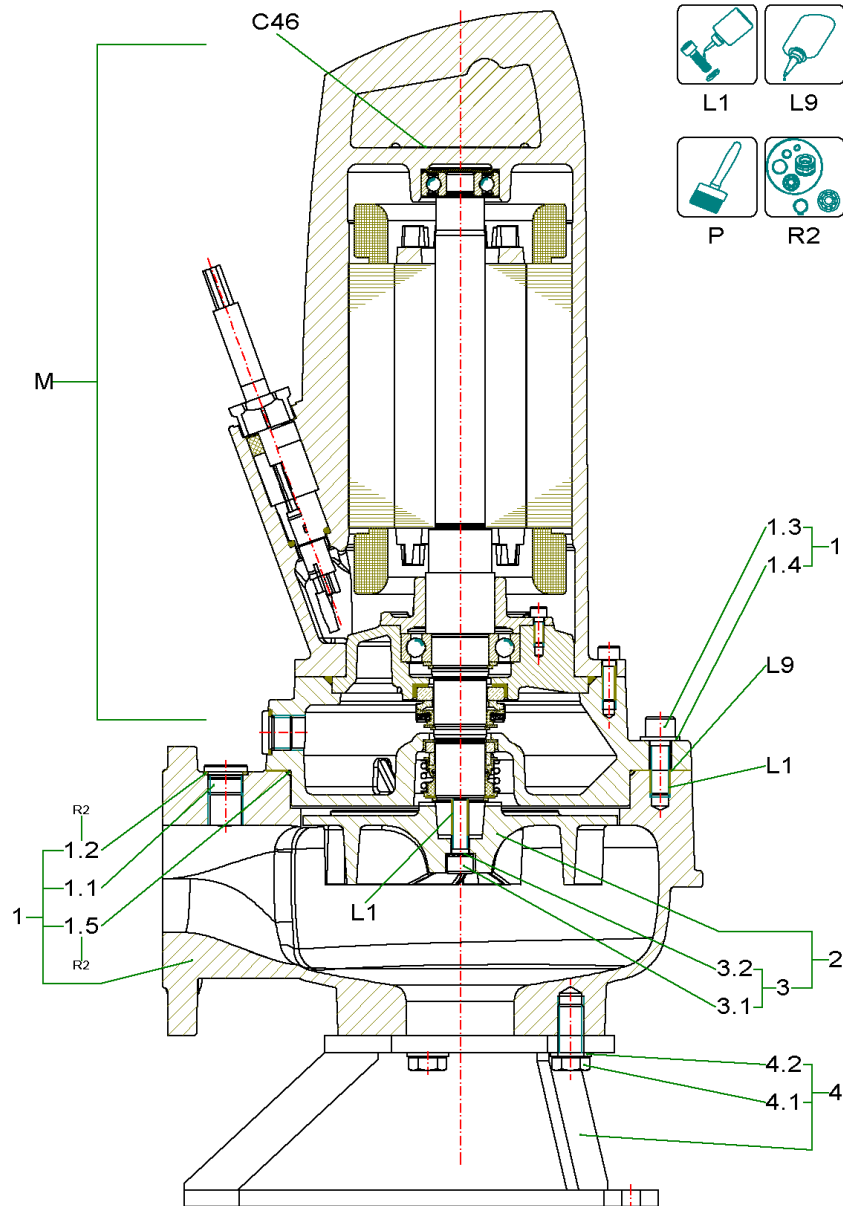
Rexa PRO V08-52x

P13.2 P17.1



SUBMERSIBLE SEWAGE PUMP V08-520 UNIT (6065588)

Item	Description	Quantity
1A	Rexa PRO V08-520/P13.2 XB	1
1B	Rexa PRO V08-520/P17.1 XB	1



Rexa PRO V08-520/P13.2 XB

Item	Article no.	Description	Quantity
C46		name plate information "Rexa"	1
R2	6065496	Rep.Kit 2 P13.2	1
P	6042254	PAINT SPRAY Pantone334	1
P	6042255	colour 2K-paint IV80 pantone334C 250ml	1
P	6023614	Ceram C0 black 100 ml KIT	1
P	6020579	Ceram C0 black 250 ml KIT	1
P	6023485	Ceram C0 Black 500ml Kit	1
L1	6080531	Loctite 243 5g flask VP:	1
L9	6080535	Loctite 5203 300ml VP.	1

M		MOTOR PRO P13.2 XB	1

1	6066948	pump housing Rexa V08Dx-5xx DN80 GG KIT	1
1	6066947	pump housing Rexa V08Nx-5xx ANSI GG KIT	1
1	6074638	pump housing Rexa V08Hx-5xx DN80 GG KIT	1
1.1	6067638	screw plug G1/2 DIN908 A4 (3pcs)	1
1.2	6048832	joint ring A21/26x1,5 DIN7603 PA(10pc)	1
1.3		screw M12x35 DIN912 A4	3
1.4		washer A13 DIN125 A4 (20pc)	1
1.5		o-ring ID.203,0x3,0 NBR70	1
2	6066937	impeller Rexa V08xA-522 GG Set SVA	1
2	6066938	impeller Rexa V08xA-524 GG Set SVA	1
2	6066939	impeller Rexa V08xA-526 GG Set SVA	1
2	6078183	impeller Rexa V08xA-528 GG KIT SVA	1
3	6067646	impeller fixation 10x35 Geomet KIT	1
3.1		> screw M10x35 DIN912 10.9 Geomet	1
3.2		> SCREW LOCKING NORD-LOCK 16/10,7 A4	1
4	6065949	Pump foot DN80/100 KIT	1
4.1		> Screw M16x35 ISO4017 A4-70	4
4.2	6076816	> washer A17 Din125 A4 (20pc)	1
4.1		Screw M16x35 ISO4017 A4-70	4
4.2		WASHER A17 DIN125 200HV A2	4
4	6065953	Pump foot DN80/100 1.4571 KIT	1
4.1		Screw M16x35 ISO4017 A4-70	4

Item	Article no.	Description	Quantity
4.2	6076816	washer A17 Din125 A4 (20pc)	1

name plate information "Rexa"



submersible sewage pump

1 2 3 4 5 6 7 8 9 10 11 12 13 14 15 16 17

29

28 P-Typ **PRO V 06 D A - 628 / E A D 2 X 4 - T 0039 - 5 40 - O** 18

M-Typ **P 13.2-11 / EAD2X4-T** **MFY 2013W35**

27 **P₁ 5.50kW** **P₂ 3.90kW** **n 2874 1/min** 19

Q_{max} 45.0m³/h **H_{max} 60m** **H_{min} 2m** 22

Q_N 26.0l/s **H_N 30.0m** **SF 1.00/ _{SF} 15.25A**

16 **U 400 - 3 V** **I_N 15.25A** **I_{ST} 25.9A** 20

13 **AT Direkt** **OT_S S1** **OT_E S3** 31

f 50 Hz **IP 68** **cos φ 0.89** **T 40°C** **▽ 20.0m** 30

26 **m 2000 kg** **cl.F** **IM_{org} 122mm** **IM_{kor} 118mm** 30

15 **Warnung! Nicht in explosionsgefährdeten Bereich öffnen!** **Nicht unter Spannung öffnen!** 21
Warning! Do not open in explosion hazardous location! **Do not open when energized!**

25 **II 2G Ex d IIB T4Gb** **DIN EN 12050-1/ICE60034-1**

BSV 11 ATEX E 119 X

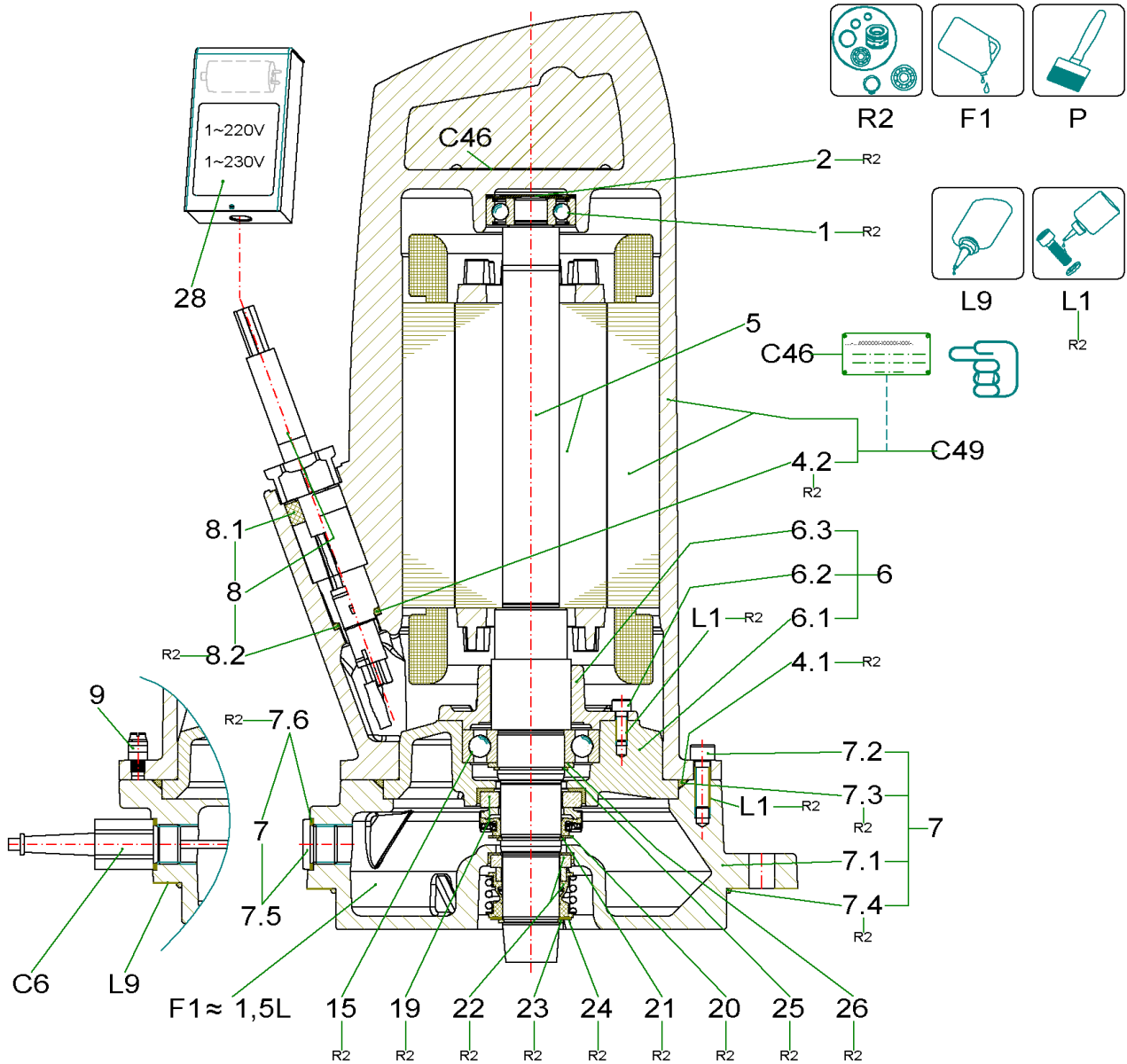
23 **Produced by WILO SE, Hof** **S/N : 650161916** 24

Made by Wilo Group in Germany
 WILO SE Nortkirchenstr.100
 44263 Dortmund Germany

0158 **CE**

name plate information "Rexa"

Item	Description	Quantity
1	Series	1
2	Impeller shape	1
3	size of pressure connection	1
4	Hydraulic version	1
5	Material code hydraulics	1
6	Hydraulics definition	1
7	Motor version	1
8	Material code motor	1
9	Seal version	1
10	IE-Efficiency class	1
11	Explosion prevention	1
12	Numbers of pol	1
13	Mains supply M=1~ / T=3~	1
14	/10 = Rated motor power P2 in kW	1
15	Frequency	1
16	Code for rated voltage	1
17	Additional electrical equipment	1
18	Year of manufacture	1
19	speed	1
20	Starting current	1
21	Impeller diameter trimmed	1
22	Rated current	1
23	Impeller diameter	1
24	Serial number	1
25	Insulating class	1
26	Starting type	1
27	Duty data	1
28	Power consumption P1	1
29	Motor data	1
30	operation type: immersed	1
31	operation type: out of water	1



MOTOR PRO P13.2 XB

Item	Article no.	Description	Quantity
C46		name plate information "Rexa"	1
R2	6065496	Rep.Kit 2 P13.2	1
P	6042254	PAINT SPRAY Pantone334	1
P	6042255	colour 2K-paint IV80 pantone334C 250ml	1
P	6023614	Ceram C0 black 100 ml KIT	1
P	6020579	Ceram C0 black 250 ml KIT	1
P	6023485	Ceram C0 Black 500ml Kit	1
F1	6025460	medical white oil 1L KIT	1
F1	6025461	medical white oil 5L KIT	1
L1	6080531	Loctite 243 5g flask VP:	1
L1	2096167	Loctite 243 50ml VP.	1
L9	6080535	Loctite 5203 300ml VP.	1

C6		electrode KIT	1
C49		stator P13.	1

1		Rep.Kit 2 P13.2	1
Note: für / for / pour 1,1 kW			
1		grooved ball bearing 6303 ZZ	1
Note: für / for / pour 1,5kW + 2,5kW + 3,9kW			
2		wave spring ring D.40 YSSB-0158	1
4.1		o-ring ID.150,0x4,0 NBR70	1
4.2		o-ring ID.18,0x3,5 NBR70	1
5	6067576	rotor P13.2-11/EAD0X4-M VP.	1
5	6067575	rotor P13.2-10/EAD1X4-T VP.	1
5	6067574	rotor P13.2-13/EAD1X4-T VP.	1
5	6067573	rotor P13.2-16/EAD1X4-T VP.	1
6	6067409	bearing housing P13.2 6050298 GG KIT	1
6.1		> bearing housing u 6050298 GG	1
6.2		> bearing cover D.62,2f7 6050300 GG	1
6.3		> screw M6x16 ISO4762 A4	3
7	6067410	sealing casing P/S13.2 D.205 GG XB KIT	1
7.1		> sealing casing D.205g6 6050302 GG	1
7.2		> screw M8x25 DIN912 A4 (10pc)	1

MOTOR PRO P13.2 XB

Item	Article no.	Description	Quantity
7.3		> o-ring ID.150,0x4,0 NBR70	1
7.4		> o-ring ID.203,0x3,0 NBR70	1
7.5		> screw plug G1/2 DIN908 A4	1
7.6		> joint ring A21/26x1,5 DIN7603 PA(10pc)	1
8	6066645	cable trumpet 30T P13 10MH07 7G1,5 KIT	1
8	6066648	REXA PRO cable trumpet 30T P13 20MH07	1
8	6080978	cable trumpet 30T P13 30MH07 7G1,5 KIT	1
8	6081765	cable trumpet 30T P13 40MH07 7G1,5 KIT	1
8.1	6076650	seal ring D.29,5/17x16,5 54.17777 NBR VP	1
8.2	6007674	o-ring ID.18,0x3,5 NBR70	1
9	6067407	Barlian bow terminal M5 A2	1
15		ball bearing 6207 w.2 Dichtschr. VP.	1
19		MECHANICAL SEAL BT-AR/32 BXPFF	1
20		pressure ring D.44/32,5x1 6050343 A4	1
21		CIRCLIP 32X1,5 DIN471 1.4122	1
22		mechanical shaft seal MG1/30-G60 QPFG	1
23		CIRCLIP 30X1,5 DIN471 1.4122	1
24		pressure ring D.42/30,5x1 6050343 A4	1
25		circlips 35x1,5 DIN471 FST	1
26		washer D.35/45x2,5 DIN988 St	1
28	6080916	terminal-Box CD35+70MF VP.	1

name plate information "Rexa"



submersible sewage pump

1 2 3 4 5 6 7 8 9 10 11 12 13 14 15 16 17

29

28 P-Typ **PRO V 06 D A - 628 / E A D 2 X 4 - T 0039 - 5 40 - O** 18

M-Typ **P 13.2-11 / EAD2X4-T** **MFY 2013W35**

27 **P₁ 5.50kW** **P₂ 3.90kW** **n 2874 1/min** 19

Q_{max} 45.0m³/h **H_{max} 60m** **H_{min} 2m** 22

Q_N 26.0l/s **H_N 30.0m** **SF 1.00/ _{SF} 15.25A**

16 **U 400 - 3 V** **I_N 15.25A** **I_{ST} 25.9A** 20

13 **AT Direkt** **OT_S S1** **OT_E S3** 31

f 50 Hz **IP 68** **cos φ 0.89** **T 40°C** **▽ 20.0m** 30

26 **m 2000 kg** **cl.F** **IM_{org} 122mm** **IM_{kor} 118mm** 30

15 **Warnung! Nicht in explosionsgefährdeten Bereich öffnen!** **Nicht unter Spannung öffnen!** 21
Warning! Do not open in explosion hazardous location! **Do not open when energized!**

25 **II 2G Ex d IIB T4Gb** **DIN EN 12050-1/ICE60034-1**

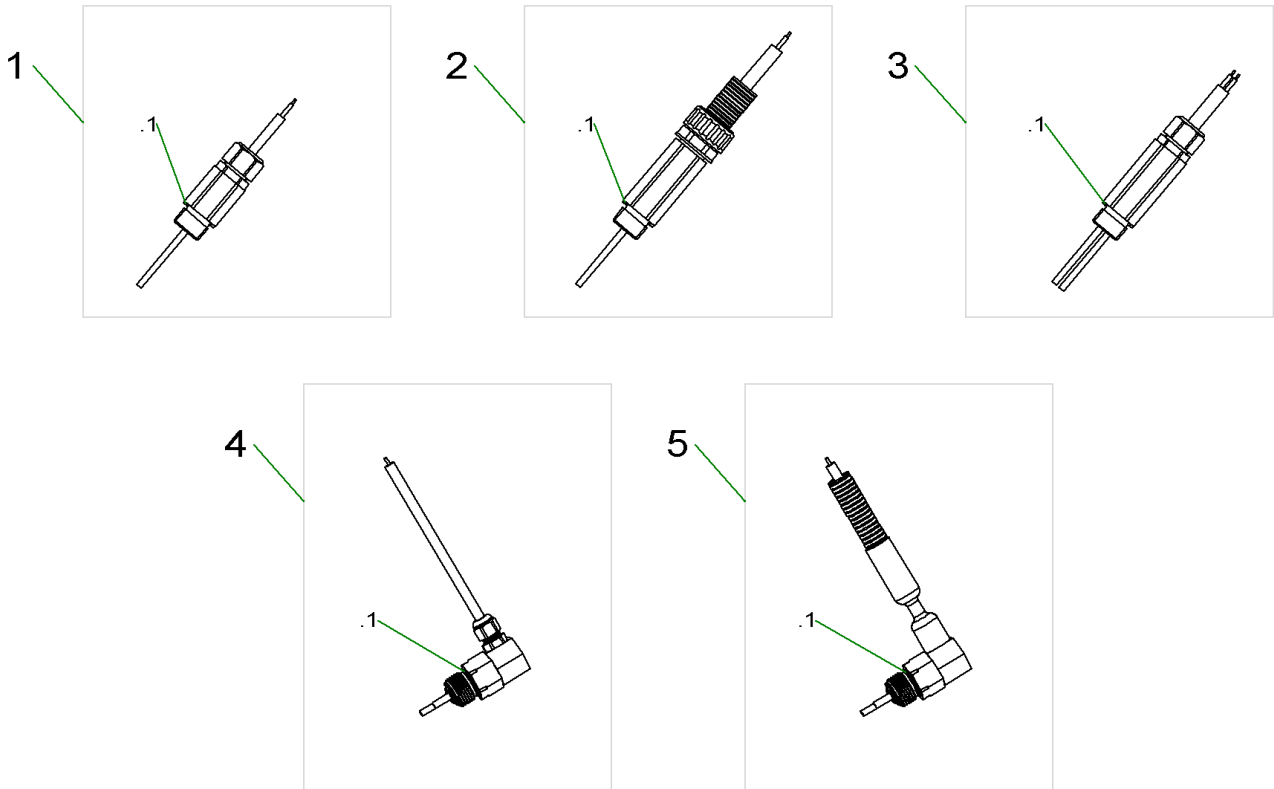
BSV 11 ATEX E 119 X

Produced by WILO SE, Hof **S/N : 650161916** 24

23 **Made by Wilo Group in Germany**
WILO SE Nortkirchenstr.100
44263 Dortmund Germany **0158** **CE**

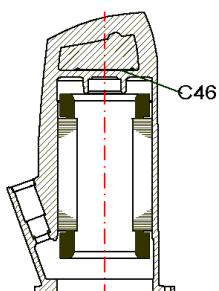
name plate information "Rexa"

Item	Description	Quantity
1	Series	1
2	Impeller shape	1
3	size of pressure connection	1
4	Hydraulic version	1
5	Material code hydraulics	1
6	Hydraulics definition	1
7	Motor version	1
8	Material code motor	1
9	Seal version	1
10	IE-Efficiency class	1
11	Explosion prevention	1
12	Numbers of pol	1
13	Mains supply M=1~ / T=3~	1
14	/10 = Rated motor power P2 in kW	1
15	Frequency	1
16	Code for rated voltage	1
17	Additional electrical equipment	1
18	Year of manufacture	1
19	speed	1
20	Starting current	1
21	Impeller diameter trimmed	1
22	Rated current	1
23	Impeller diameter	1
24	Serial number	1
25	Insulating class	1
26	Starting type	1
27	Duty data	1
28	Power consumption P1	1
29	Motor data	1
30	operation type: immersed	1
31	operation type: out of water	1



electrode KIT

Item	Article no.	Description	Quantity
.1	6048832	joint ring A21/26x1,5 DIN7603 PA(10pc)	1
1	6042222	pencil electrode G1/2 10m KIT	1
1	6042313	pencil electrode G1/2 15m KIT	1
1	6042223	pencil electrode G1/2 20m KIT	1
1	6061068	pencil electrode G1/2 25KIT	1
1	6061070	pencil electrode G1/2 30m KIT	1
1	6061069	Stabelektrode G1/2 40m SET	1
1	6060956	pencil electrode G1/2 55m KIT	1
2	6042227	pencil electrode G1/2 10m+hose KIT	1
2	6065196	pencil electrode G1/2 15m+hose KIT	1
3	6042229	double pencil electrode G1/2 10m KIT	1
3	6042228	double pencil electrode G1/2 20m KIT	1
3	6063536	double pencil electrode G1/2 40m KIT	1
3	6065157	double pencil electrode G1/2 10m 4*A KIT	1
3	6065156	double pencil electrode G1/2 20m 4*AWKIT	1
4	6068049	elbow pencil electrode G1/2 10m SET	1
4	6068050	elbow pencil electrode G1/2 15m SET	1
4	6075169	elbow pencil electrode G1/2 20m SET	1
5	6068345	elbow pencil electrode G1/2 10m+Schl. KI	1
5	6068346	elbow pencil electrode G1/2 15m+Schl. SE	1



Type	Pol.	Power P ₂ kW	IE	DOL / YD	Bi / PTC	1~220V/50Hz	1~230V/50Hz	3~380V/50Hz	3~400V/50Hz	3~415V/50Hz	3~500V/50Hz	3~208V/60Hz	3~220/60Hz	1~230/60Hz	3~230/60Hz	3~380V/60Hz	3~440/60Hz	3~460V/60Hz	3~480/60Hz	
P13.	2	1,1	0	DOL	Bi		1						13							
P13.	2	1,1	1	DOL	Bi			2						14				2	2	
P13.	2	1,1	3	DOL	Bi			9										9		
P13.	2	1,2	3	DOL	Bi			9										9		
P13.	2	1,35	3	DOL	Bi			11										11		
P13.	2	1,5	0	DOL	Bi		1						13							
P13.	2	1,5	1	DOL	Bi			2						14				2	2	
P13.	2	1,5	3	DOL	Bi			9										9		
P13.	2	1,65	3	DOL	Bi			10										10		
P13.	2	2,5	1	DOL	Bi			3						15				3		
P13.	2	2,5	3	DOL	Bi			11										11		
P13.	2	3,9	1	DOL	Bi			4						16				4		
P13.	2	3,9	3	DOL	Bi			10										10		
P13.	4	1,1	0	DOL	Bi		6													
P13.	4	1,1	1	DOL	Bi			5						17				5		
P13.	4	1,1	3	DOL	Bi			12										12		
P13.	4	1,25	3	DOL	Bi			12										12		
P13.	4	1,5	0	DOL	Bi		6													
P13.	4	1,5	1	DOL	Bi			5						17				5		
P13.	4	1,5	3	DOL	Bi			12										12		
P13.	4	2,5	1	DOL	Bi			7						18				7		
P13.	4	3,5	0	DOL	Bi			8						19				8		

stator P13.

Item	Article no.	Description	Quantity
C46		name plate information "Rexa" -----	1
1	6070463	stator-unit P13.-2/8 1~ KIT	1
2	6070461	stator-unit P13.-2/8 3~ KIT	1
3	6070465	stator-unit P13.-2/10 3~ KIT	1
4	6070466	stator-unit P13.-2/15 3~ KIT	1
5	6070468	stator-unit P13.-4/10 3~ KIT	1
6	6070470	stator-unit P13.-4/11 1~ KIT	1
7	6070471	stator-unit P13.-4/13 3~ KIT	1
8	6070472	stator-unit P13.-4/16 3~ KIT	1
9	6072170	stator-unit P13.-2/9 3~ KIT	1
10	6072171	stator-unit P13.-2/16 3~ KIT	1
11	6072172	stator-unit P13.-2/11 3~ KIT	1
12	6072173	stator-unit P13.-4/16 3~ KIT	1
13	6076974	stator-unit P13.2/8 1~ KIT	1
14	6076973	stator-unit P13.-2/8 3~ KIT	1
15	6076972	stator-unit P13.-2/10 3~ KIT	1
16	6076971	stator-unit P13.-2/15 3~ KIT	1
17	6076970	stator-unit P13.-4/10 3~ KIT	1
18	6076969	stator-unit P13.-4/14 3~ KIT	1
19	6076968	stator-unit P13.-4/16 3~ KIT	1

name plate information "Rexa"



submersible sewage pump

1 2 3 4 5 6 7 8 9 10 11 12 13 14 15 16 17

29

28 P-Typ **PRO V 06 D A - 628 / E A D 2 X 4 - T 0039 - 5 40 - O** 18

M-Typ P13.2-11/EAD2X4-T MFY 2013W35

27 P_1 5.50kW P_2 3.90kW n 2874 1/min 19

26 Q_{max} 45.0m³/h H_{max} 60m H_{min} 2m 22

16 Q_N 26.0l/s H_N 30.0m SF 1.00/ $SF_{15.25A}$

13 U 400 - 3 V I_N 15.25A I_{ST} 25.9A 20

15 AT Direkt OT_S S1 OT_E S3 31

13 f 50 Hz IP 68 $\cos \phi$ 0.89 T 40°C ∇ 20.0m 30

26 m 2000 kg $cl.F$ IM_{org} 122mm IM_{kor} 118mm 30

15 **Warnung! Nicht in explosionsgefährdeten Bereich öffnen!**
Warning! Do not open in explosion hazardous location!
 II 2G Ex d IIB T4Gb
 BSV 11 ATEX E 119 X
 Produced by WILO SE, Hof

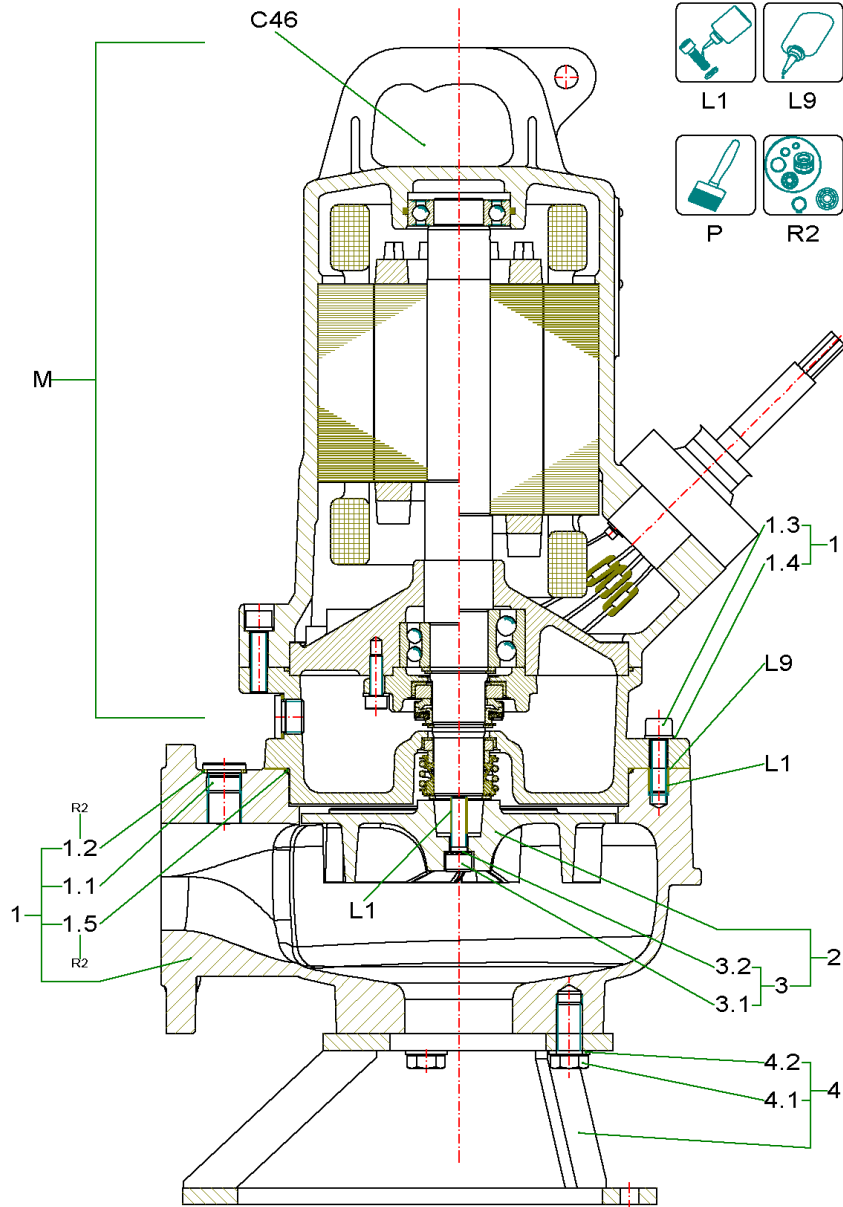
S/N : 650161916 24

25 **Nicht unter Spannung öffnen!**
Do not open when energized!
 DIN EN 12050-1/ICE60034-1 21

23 Made by Wilo Group in Germany
 WILO SE Nortkirchenstr.100
 44263 Dortmund Germany 0158

name plate information "Rexa"

Item	Description	Quantity
1	Series	1
2	Impeller shape	1
3	size of pressure connection	1
4	Hydraulic version	1
5	Material code hydraulics	1
6	Hydraulics definition	1
7	Motor version	1
8	Material code motor	1
9	Seal version	1
10	IE-Efficiency class	1
11	Explosion prevention	1
12	Numbers of pol	1
13	Mains supply M=1~ / T=3~	1
14	/10 = Rated motor power P2 in kW	1
15	Frequency	1
16	Code for rated voltage	1
17	Additional electrical equipment	1
18	Year of manufacture	1
19	speed	1
20	Starting current	1
21	Impeller diameter trimmed	1
22	Rated current	1
23	Impeller diameter	1
24	Serial number	1
25	Insulating class	1
26	Starting type	1
27	Duty data	1
28	Power consumption P1	1
29	Motor data	1
30	operation type: immersed	1
31	operation type: out of water	1



Rexa PRO V08-520/P17.1 XB

Item	Article no.	Description	Quantity
C46		name plate information "Rexa"	1
R2	6078364	Rep.Kit 2 P17.1-12	1
R2	6078365	Rep.Kit 2 P17.1-15-24	1
P	6042254	PAINT SPRAY Pantone334	1
P	6042255	colour 2K-paint IV80 pantone334C 250ml	1
P	6023614	Ceram C0 black 100 ml KIT	1
P	6020579	Ceram C0 black 250 ml KIT	1
P	6023485	Ceram C0 Black 500ml Kit	1
L1	6080531	Loctite 243 5g flask VP:	1
L9	6080535	Loctite 5203 300ml VP.	1

M		MOTOR PRO P17.1 XB	1

1	6066948	pump housing Rexa V08Dx-5xx DN80 GG KIT	1
1	6066947	pump housing Rexa V08Nx-5xx ANSI GG KIT	1
1	6074638	pump housing Rexa V08Hx-5xx DN80 GG KIT	1
1.1	6067638	screw plug G1/2 DIN908 A4 (3pcs)	1
1.2	6048832	joint ring A21/26x1,5 DIN7603 PA(10pc)	1
1.3		screw M12x35 DIN912 A4	3
1.4		washer A13 DIN125 A4 (20pc)	1
1.5		o-ring ID.203,0x3,0 NBR70	1
2	6066937	impeller Rexa V08xA-522 GG Set SVA	1
2	6066938	impeller Rexa V08xA-524 GG Set SVA	1
2	6066939	impeller Rexa V08xA-526 GG Set SVA	1
2	6078183	impeller Rexa V08xA-528 GG KIT SVA	1
3	6067646	impeller fixation 10x35 Geomet KIT	1
3.1		> screw M10x35 DIN912 10.9 Geomet	1
3.2		> SCREW LOCKING NORD-LOCK 16/10,7 A4	1
4	6065949	Pump foot DN80/100 KIT	1
4.1		> Screw M16x35 ISO4017 A4-70	4
4.2	6076816	> washer A17 Din125 A4 (20pc)	1
4.1		Screw M16x35 ISO4017 A4-70	4
4.2		WASHER A17 DIN125 200HV A2	4
4	6065953	Pump foot DN80/100 1.4571 KIT	1

Rexa PRO V08-520/P17.1 XB

Item	Article no.	Description	Quantity
4.1		Screw M16x35 ISO4017 A4-70	4
4.2	6076816	washer A17 Din125 A4 (20pc)	1

name plate information "Rexa"



submersible sewage pump

1 2 3 4 5 6 7 8 9 10 11 12 13 14 15 16 17

29

28 P-Typ **PRO V 06 D A - 628 / E A D 2 X 4 - T 0039 - 5 40 - O** 18

M-Typ **P 13.2-11 / EAD2X4-T** **MFY 2013W35**

27 **P₁ 5.50kW** **P₂ 3.90kW** **n 2874 1/min** 19

Q_{max} 45.0m³/h **H_{max} 60m** **H_{min} 2m** 22

Q_N 26.0l/s **H_N 30.0m** **SF 1.00/ _{SF} 15.25A**

16 **U 400 - 3 V** **I_N 15.25A** **I_{ST} 25.9A** 20

13 **AT Direkt** **OT_S S1** **OT_E S3** 31

f 50 Hz **IP 68** **cos φ 0.89** **T 40°C** **▽ 20.0m** 30

26 **m 2000 kg** **cl.F** **IM_{org} 122mm** **IM_{kor} 118mm** 30

15 **Warnung! Nicht in explosionsgefährdeten Bereich öffnen!** **Nicht unter Spannung öffnen!** 21
Warning! Do not open in explosion hazardous location! **Do not open when energized!**

II 2G Ex d IIB T4Gb **DIN EN 12050-1/ICE60034-1**

25 **BSV 11 ATEX E 119 X** **S/N : 650161916** 24

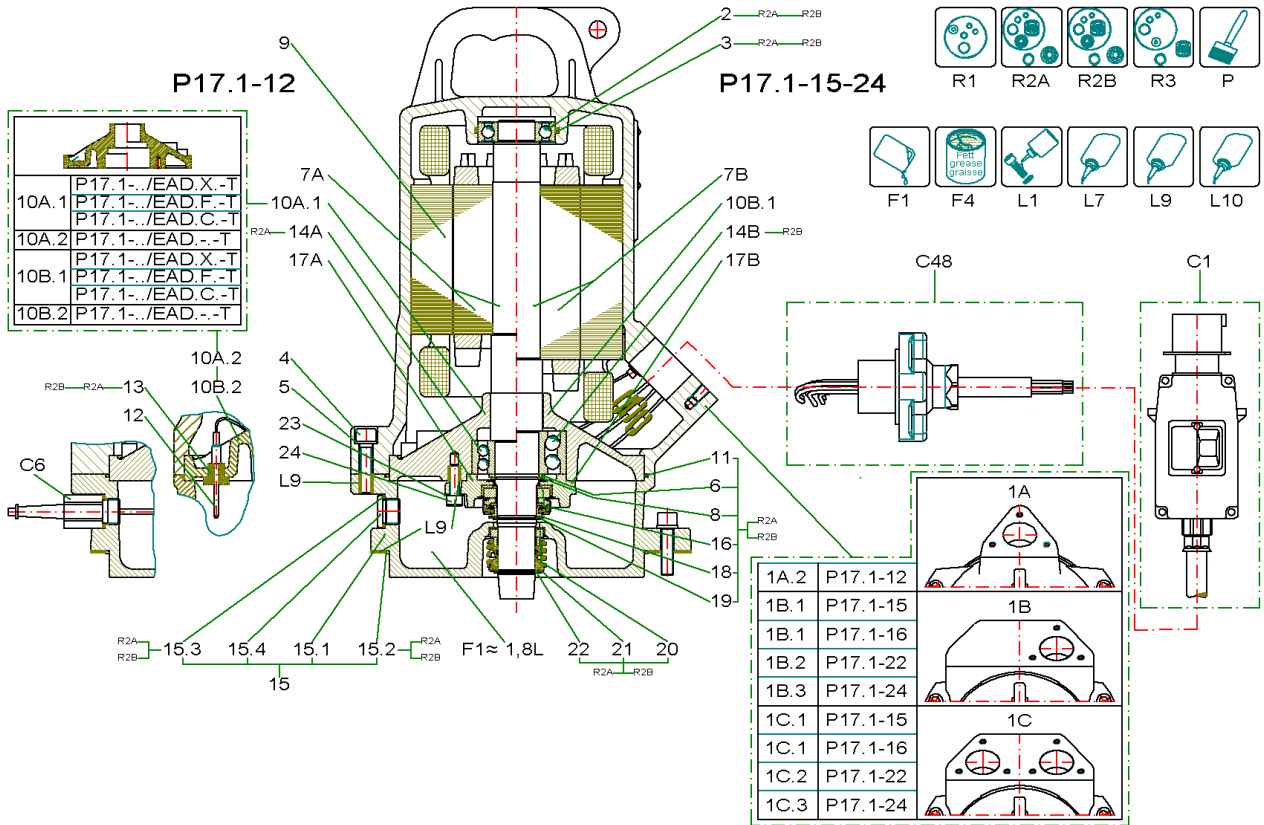
23 **Produced by WILO SE, Hof**

Made by Wilo Group in Germany
 WILO SE Nortkirchenstr.100
 44263 Dortmund Germany

0158 **CE**

name plate information "Rexa"

Item	Description	Quantity
1	Series	1
2	Impeller shape	1
3	size of pressure connection	1
4	Hydraulic version	1
5	Material code hydraulics	1
6	Hydraulics definition	1
7	Motor version	1
8	Material code motor	1
9	Seal version	1
10	IE-Efficiency class	1
11	Explosion prevention	1
12	Numbers of pol	1
13	Mains supply M=1~ / T=3~	1
14	/10 = Rated motor power P2 in kW	1
15	Frequency	1
16	Code for rated voltage	1
17	Additional electrical equipment	1
18	Year of manufacture	1
19	speed	1
20	Starting current	1
21	Impeller diameter trimmed	1
22	Rated current	1
23	Impeller diameter	1
24	Serial number	1
25	Insulating class	1
26	Starting type	1
27	Duty data	1
28	Power consumption P1	1
29	Motor data	1
30	operation type: immersed	1
31	operation type: out of water	1



MOTOR PRO P17.1 XB

Item	Article no.	Description	Quantity
C46	6200792	name plate information "Rexa"	1
R2	6078364	Rep.Kit 2 P17.1-12	1
R2	6078365	Rep.Kit 2 P17.1-15-24	1
P	6042254	PAINT SPRAY Pantone334	1
P	6042255	colour 2K-paint IV80 pantone334C 250ml	1
P	6023614	Ceram C0 black 100 ml KIT	1
P	6020579	Ceram C0 black 250 ml KIT	1
P	6023485	Ceram C0 Black 500ml Kit	1
F1	6025460	medical white oil 1L KIT	1
F1	6025461	medical white oil 5L KIT	1
L1	6080531	Loctite 243 5g flask VP:	1
L1	2096167	Loctite 243 50ml VP.	1
L9	6080535	Loctite 5203 300ml VP.	1

C1		PLUG	1
C48		cable trumpet 42T P17.1 KIT	1
C6		electrode KIT	1

1A.2	6078307	motor casing 50.13394/1 GG VP.	1
1B.1	6078308	motor casing 50.13392/1 GG VP.	1
1B.2	6078309	motor casing 50.20774 GG VP.	1
1B.3	6078310	motor casing 50.20774 GG VP.	1
1C.1	6078311	motor casing 50.13392/1 GG VP.	1
1C.2	6078312	motor casing 50.20774 GG VP.	1
1C.3	6078313	motor casing 50.20774 GG VP.	1
2		SRDG BALL BEARING 6305 ZZ	1
3	6078160	o-ring ID.62,0x3,0 Viton (3pc)	1
4	6076644	screw M10x40 DIN912 A4-70 (10pcs)	1
5	6078425	shim ring 10x16x1,0 DIN988 A4 (10pc.)	1
9		stator P17.1	1
7A	6078370	rotor D.102,3x367 4/12 1.4021 G VP.	1
10A.1	6078378	bearing housing (Ex design) GG VP.	1
10A.2	6078377	bearing housing (no. Ex design) GG VP.	1
14A		ball bearing 3207 VP.	1

MOTOR PRO P17.1 XB

Item	Article no.	Description	Quantity
17A	6078379	bearing cover D.57H7 6051909 GG VP.	1
7B	6078369	rotor D.102,3x405 4/16 1.4021 G VP.	1
7B	6078368	rotor D.102,3x485 4/24 1.4021 G VP.	1
7B	6078371	rotor D.89,3x405 2/15 1.4021 G VP.	1
7B	6078372	rotor D.89,3x485 2/22 1.4021 G VP.	1
10B.1	6076654	bearing housing (Ex design) GG VP.	1
10B.2	6076655	bearing housing (no. Ex design) GG VP.	1
14B		Ball Bearing 3307 C3 VP.	1
17B	6078380	bearing cover D.57H7 6051830 GG VP.	1
11	6076642	o-ring ID.203,0x3,0 Viton (3pc)	1
12	6076657	electrode rod D.4x53 54.13422 A2 VP.	1
13	6078171	sealing plug 13421 NBR 80 VP.	1
6		washer D.35/45x2,5 DIN988 St	1
8	6078169	circlips 35x1,5 DIN471 FST VP.	1
23	6074895	washer A8,4 DIN125 1.4401 (20pc)	1
24	6076646	screw M8x25 DIN933 A4-70 (10pc)	1
15	6078367	sealing casing D.205g6 6051538 GG SET	1
15.1		> sealing casing D.205g6 6051538 GG	1
15.2	6076642	> o-ring ID.203,0x3,0 Viton (3pc)	1
15.3	6048832	> joint ring A21/26x1,5 DIN7603 PA(10pc)	1
15.4	6067638	> screw plug G1/2 DIN908 A4 (3pcs)	1
16		mechanical shaft seal MG1/30-G60 QPFGG	1
18		pressure ring D.42/30,5x1 6050343 A4	1
19		CIRCLIP 30X1,5 DIN471 1.4122	1
20		MECHANICAL SEAL BT-AR/32 BXPFF	1
21		pressure ring D.44/32,5x1 6050343 A4	1
22		CIRCLIP 32X1,5 DIN471 1.4122	1

name plate information "Rexa" (6200792)

submersible sewage pump

1 2 3 4 5 6 7 8 9 10 11 12 13 14 15 16 17

29

28 P-Typ **PRO V 06 D A - 628 / E A D 2 X 4 - T 0039 - 5 40 - O** 18

M-Typ **P 13.2-11 / EAD2X4-T** **MFY 2013W35**

27 **P₁ 5.50kW** **P₂ 3.90kW** **n 2874 1/min** 19

26 **Q_{max} 45.0m³/h** **H_{max} 60m** **H_{min} 2m** 22

16 **Q_N 26.0l/s** **H_N 30.0m** **SF 1.00/ _{SF} 15.25A** 20

13 **U 400 - 3 V** **I_N 15.25A** **I_{ST} 25.9A** 31

26 **AT Direkt** **OT_S S1** **OT_E S3** 30

25 **f 50 Hz** **IP 68** **cos φ 0.89** **T 40°C** **▽ 20.0m** 21

23 **m 2000 kg** **cl.F** **IM_{org} 122mm** **IM_{kor} 118mm** 24

Warning! Nicht in explosionsgefährdeten Bereich öffnen!
Warning! Do not open in explosion hazardous location!

II 2G Ex d IIB T4Gb
BSV 11 ATEX E 119 X
Produced by WILO SE, Hof

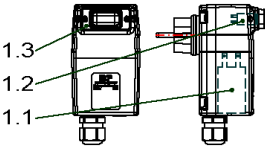
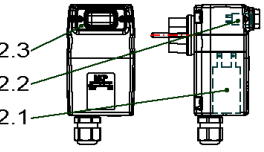
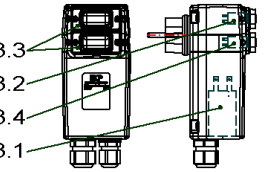
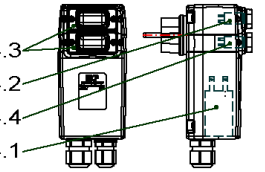
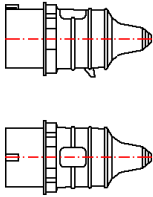
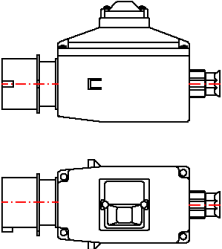
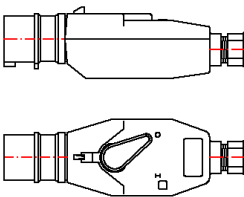
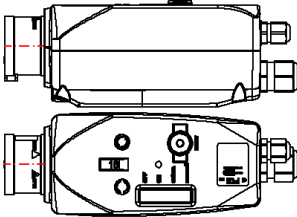
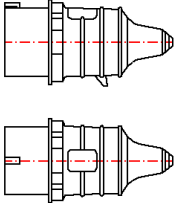
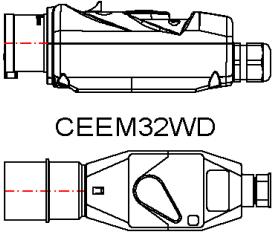
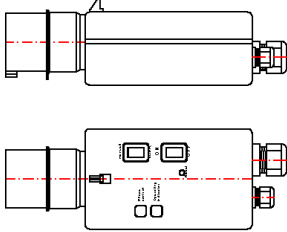
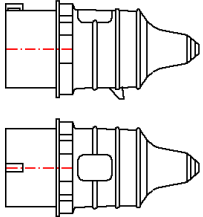
S/N : 650161916

Made by Wilo Group in Germany
WILO SE Nortkirchenstr.100
44263 Dortmund Germany

0158

name plate information "Rexa" (6200792)

Item	Description	Quantity
1	Series	1
2	Impeller shape	1
3	size of pressure connection	1
4	Hydraulic version	1
5	Material code hydraulics	1
6	Hydraulics definition	1
7	Motor version	1
8	Material code motor	1
9	Seal version	1
10	IE-Efficiency class	1
11	Explosion prevention	1
12	Numbers of pol	1
13	Mains supply M=1~ / T=3~	1
14	/10 = Rated motor power P2 in kW	1
15	Frequency	1
16	Code for rated voltage	1
17	Additional electrical equipment	1
18	Year of manufacture	1
19	speed	1
20	Starting current	1
21	Impeller diameter trimmed	1
22	Rated current	1
23	Impeller diameter	1
24	Serial number	1
25	Insulating class	1
26	Starting type	1
27	Duty data	1
28	Power consumption P1	1
29	Motor data	1
30	operation type: immersed	1
31	operation type: out of water	1

<p>1 MCP 6A-M-H-20μF ~ 230V</p>  <p>$I_N(230V / 50Hz) < 6A = 20\mu F$</p>	<p>2 MCP 10A-M-H-30μF ~ 230V</p>  <p>$I_N(230V / 50Hz) 6-10A = 30\mu F$</p>	<p>3 MCP 6A-M-HA-20μF ~ 230V</p>  <p>$I_N(230V / 50Hz) < 6A = 20\mu F$</p>	<p>4 MCP 10A-M-HA-30μF ~ 230V</p>  <p>$I_N(230V / 50Hz) 6-10A = 30\mu F$</p>
<p>5 CEE16A</p> 	<p>6 CEEM16W</p> 	<p>7 CEEM16WD</p> 	<p>8 MCP T4-HA-ROT-WSK CEE16-5PS</p> 
<p>9 CEE32A</p> 	<p>10 MCP 10-16A-T4-H-ROT CEE32-5PS</p>  <p>CEEM32WD</p>	<p>11 CEEM32WDSHA</p> 	<p>12 CEE63A</p> 

PLUG

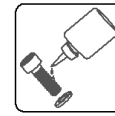
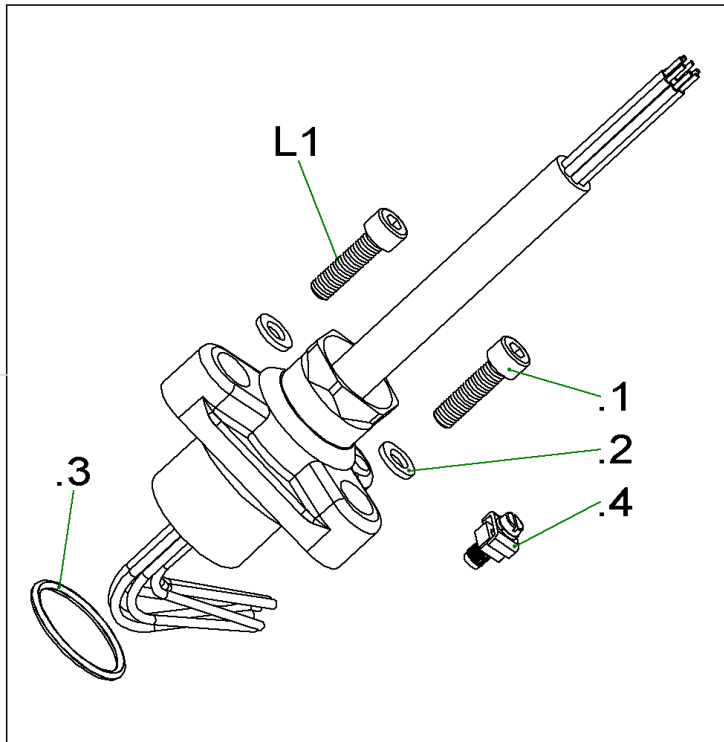
Item	Article no.	Description	Quantity
		IN (230V / 50Hz) <6A - 20μF	
1	6072332	MCP 6A-M-H-20μF-CEE7/7 VP.	1
1.1	6071702	capacitor 400V 20μF MCP VP.	1
1.2	6071704	protection switch 6A MCP VP.	1
1.3	6071707	protecting cap MCP VP.	1
		IN (230V / 50Hz) 6-10A - 30μF	
2	6072330	MCP 10A-M-H-30μF-CEE7/7 VP.	1
2.1	6071703	capacitor 400V 30μF MCP VP.	1
2.2	6071705	protection switch 10A MCP VP.	1
2.3	6071707	protecting cap MCP VP.	1
		IN (230V / 50Hz) <6A - 20μF	
3	6072331	MCP 6A-M-HA-20μF-CEE7/7 VP.	1
3.1	6071702	capacitor 400V 20μF MCP VP.	1
3.2	6071704	protection switch 6A MCP VP.	1
3.3	6071707	protecting cap MCP VP.	2
3.4	6071706	switch on/out MCP VP.	1
		IN (230V / 50Hz) 6-10A - 30μF	
4	6072329	MCP 10A-M-HA-30μF-CEE7/7 VP	1
4.1	6071703	capacitor 400V 30μF MCP VP.	1
4.2	6071705	protection switch 10A MCP VP.	1
4.3	6071707	protecting cap MCP VP.	2
4.4	6071706	switch on/out MCP VP.	1
5	6003000	plug CEE16A/400V 60Hz/5P-11h	1
5	6003248	plug CEE16A/400V/4P-6H	1
5	6003009	plug CEE16A/400V/5P-6H	1
5	6039156	plug CEE16A/400V/5P-6H Phase inverter	1
5	6035231	plug CEE16A/400V/7P-6H	1
5	6003011	plug CEE16A/500V/5P-7H	1
6	6030883	plug MS400V5P CEE16A W 1,0-1,6A	1
6	6030884	plug MS400V5P CEE16A W 1,6-2,5A	1
6	6030888	plug MS400V5P CEE16A W 10,0-16,0A	1
6	6030885	plug MS400V5P CEE16A W 2,5-4,0A	1
6	6030886	plug MS400V5P CEE16A W 4,0-6,3A	1
6	6030887	plug MS400V5P CEE16A W 6,3-10,0A	1

PLUG

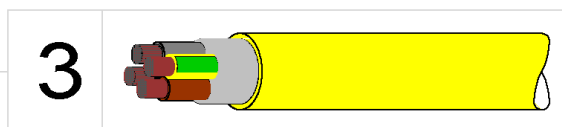
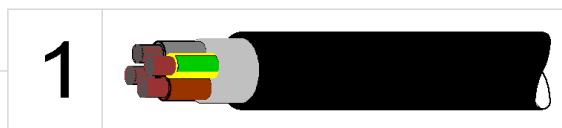
Item	Article no.	Description	Quantity
7	6032446	plug MS400V4P CEE16A WD 1,6-2,5A	1
7	6032447	plug MS400V4P CEE16A WD 12,5-16,0A	1
7	6032295	plug MS400V4P CEE16A WD 2,5-4,0A	1
7	6032289	plug MS400V4P CEE16A WD 4,0-6,3A	1
7	6032292	plug MS400V4P CEE16A WD 6,3-9,0A	1
7	6042190	plug MS400V5P CEE16A WDII 1,6-2,5A	1
7	6042194	plug MS400V5P CEE16A WDII 10,0-16,0A	1
7	6042191	plug MS400V5P CEE16A WDII 2,5-4,0A	1
7	6042192	plug MS400V5P CEE16A WDII 4,0-6,3A	1
7	6042193	plug MS400V5P CEE16A WDII 6,3-10,0A	1
7	6035911	plug MS400V5P CEE16A WD 9,0-12,5A	1
7	6003337	plug MS500V5P CEE16A WD 1,6-2,5A	1
7	6003336	plug MS500V5P CEE16A WD 2,5-4,0A	1
7	6003335	plug MS500V5P CEE16A WD 4,0-6,3A	1
7	6003334	plug MS500V5P CEE16A WD 6,3-9,0A	1
8	6072520	MCP 1,0-1,6A-T4-HA-ROT-WSK-CEE16-5PS VP.	1
8	6072521	MCP 1,6-2,4A-T4-HA-ROT-WSK-CEE16-5PS VP.	1
8	6072522	MCP 2,4-4,0A-T4-HA-ROT-WSK-CEE16-5PS VP.	1
8	6072523	MCP 4,0-6,0A-T4-HA-ROT-WSK-CEE16-5PS VP.	1
8	6072524	MCP 6,0-10A-T4-HA-ROT-WSK-CEE16-5PS VP.	1
8	6072525	MCP 9,0-12A-T4-HA-ROT-WSK-CEE16-5PS VP.	1
8	6072526	MCP 12-16A-T4-HA-ROT-WSK-CEE16-5PS VP.	1
9	6003267	plug CEE32A/400V/4P-6H	1
9	6039155	plug CEE32A/400V/5P-6H Phase inverter	1
9	6035895	plug CEE32A/500V/4P-7H AM-Top	1
9	6003010	plug CEE32A/500V/5P-7H	1
10	6072370	MCP 400V 1,6-2,5A-T4-H-ROT-CEE32-5PS VP.	1
10	6072369	MCP 400V 2,5-4,0A-T4-H-ROT-CEE32-5PS VP.	1
10	6072371	MCP 400V 4,0-6,3A-T4-H-ROT-CEE32-5PS VP.	1
10	6072398	MCP 400V 6,3-10A-T4-H-ROT-CEE32-5PS VP.	1
10	6072519	MCP 400V 10-16A-T4-H-ROT-CEE32-5PS VP.	1
10	6072399	MCP 400V 16-20A-T4-H-ROT-CEE32-5PS VP.	1
10	6072518	MCP 400V 20-25A-T4-H-ROT-CEE32-5PS VP.	1
10	6037649	plug.MS500V4P CEE32A WD 2,5-4,0A	1

PLUG

Item	Article no.	Description	Quantity
10	6041268	plug MS500V4P CEE32A WD 4,0-6,3A	1
10	6035244	plug MS500V5P CEE32A WD 1,6-2,5A	1
10	6034700	plug MS500V5P CEE32A WD 2,5-4,0A	1
10	6041556	plug MS500V5P CEE32A WD 4,0-6,3A	1
10	6002701	plug MS500V5P CEE32A WD 9,0-12,5A	1
10	6002700	plug MS500V5P CEE32A WD 12,5-16,0A	1
11	6003241	plug MS400V5P CEE32A WDSHA 10,0-14,0A	1
11	6003266	plug MS400V5P CEE32A WDSHA 3,7-5,5A	1
11	6003265	plug MS400V5P CEE32A WDSHA 5,5-8,0A	1
11	6003264	plug MS400V5P CEE32A WDSHA 8,0-11,5A	1
12	6003012	plug CEE63A/400V/5P-6H/IP67	1

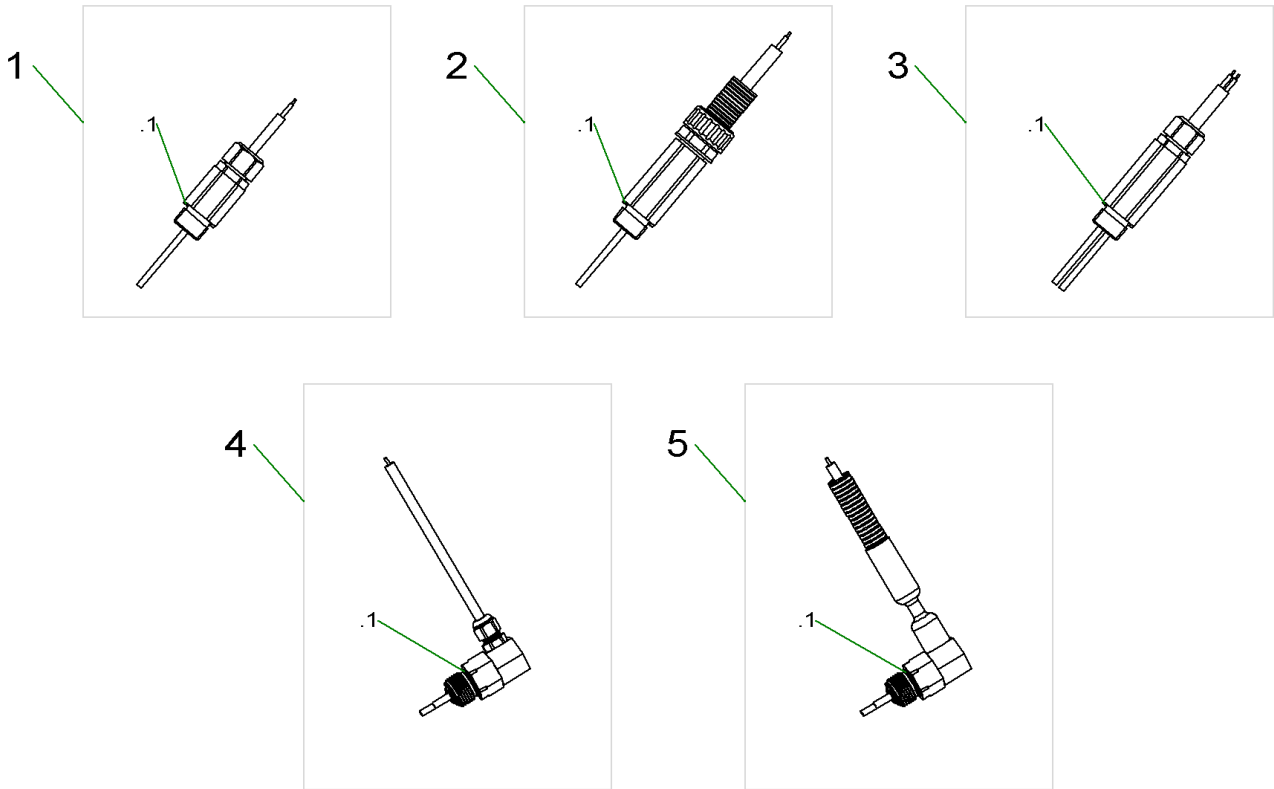


L1



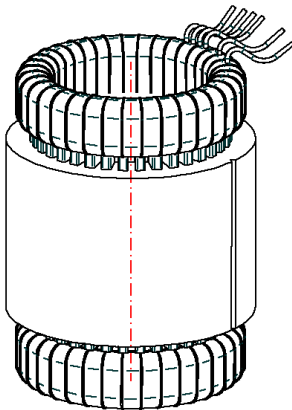
cable trumpet 42T P17.1 KIT

Item	Article no.	Description	Quantity
L1	6080531	Loctite 243 5g flask VP:	1
.1	6078159	screw M8x30 DIN912 A4-70 (10pc)	3
.2	6078161	shim ring 8x14x1,0 DIN988 A2 (10pc)	3
.3	6078162	o-ring ID.40,0x3,0 Viton (3pc)	1
.4	6067407	Barlian bow terminal M5 A2	1
1	6000689	CABLE TRUMPET 42T 10M H07 7G1,5 KIT	1
1	6000691	cable trumpet 42T 20m H07 7G1,5 SET	1
1	6032527	cable trumpet 42T 30m H07 7G1,5 KIT	1
1	6001115	cable trumpet 42T 10m H07 10G1,5 KIT	1
1	6000694	cable trumpet 42T 20m H07 10G1,5 KIT	1
3	6000700	cable trumpet 42T 10m NSS 2x1,5 KIT	1
3	6000702	cable trumpet 42T 20m NSS 2x1,5 KIT	1
3	6061578	cable trumpet 42T 30m NSS 2x1,5 KIT	1
3	6000704	cable trumpet 42T 10m NSS 4x1,5 KIT	1
3	6000706	cable trumpet 42T 20m NSS 4x1,5 KIT	1
3	6019867	cable trumpet 42T 30m NSS 4x1,5 KIT	1
3	6038670	cable trumpet 42T 50m NSS 4x1,5 KIT	1
3	6040496	cable trumpet 42T 60m NSS 4x1,5 KIT	1
3	6000708	cable trumpet 42T 10m NSS 4x2,5 KIT	1
3	6001426	cable trumpet 42T 20m NSS 4x2,5 KIT	1
3	6001428	cable trumpet 42T 10m NSS 4x4 KIT	1
3	6001430	cable trumpet 42T 20m NSS 4x4 KIT	1
3	6075909	cable trumpet 42T 25m NSS 4x4 KIT	1
3		cable trumpet 42T 30m NSS 4x4 KIT	1
3	6072786	cable trumpet 42T 10m NSS 4x6 KIT	1
3	6068990	cable trumpet 42T 20m NSS 4x6 KIT	1
3	6065995	cable trumpet 42T 30m NSS 4x6 KIT	1
3	6040497	cable trumpet 42T 60m NSS 4x6 KIT	1
3	6001432	cable trumpet 42T 10m NSS 7x1,5 KIT	1
3	6001434	cable trumpet 42T 20m NSS 7x1,5 KIT	1
3	6074636	cable trumpet 42T 40m NSS 7x1,5 KIT	1
3	6001436	cable trumpet 42T 10M NSS 7x2,5 KIT	1
3	6001438	cable trumpet 42T 20m NSS 7x2,5 KIT	1



electrode KIT

Item	Article no.	Description	Quantity
.1	6048832	joint ring A21/26x1,5 DIN7603 PA(10pc)	1
1	6042222	pencil electrode G1/2 10m KIT	1
1	6042313	pencil electrode G1/2 15m KIT	1
1	6042223	pencil electrode G1/2 20m KIT	1
1	6061068	pencil electrode G1/2 25KIT	1
1	6061070	pencil electrode G1/2 30m KIT	1
1	6061069	Stabelektrode G1/2 40m SET	1
1	6060956	pencil electrode G1/2 55m KIT	1
2	6042227	pencil electrode G1/2 10m+hose KIT	1
2	6065196	pencil electrode G1/2 15m+hose KIT	1
3	6042229	double pencil electrode G1/2 10m KIT	1
3	6042228	double pencil electrode G1/2 20m KIT	1
3	6063536	double pencil electrode G1/2 40m KIT	1
3	6065157	double pencil electrode G1/2 10m 4*A KIT	1
3	6065156	double pencil electrode G1/2 20m 4*AWKIT	1
4	6068049	elbow pencil electrode G1/2 10m SET	1
4	6068050	elbow pencil electrode G1/2 15m SET	1
4	6075169	elbow pencil electrode G1/2 20m SET	1
5	6068345	elbow pencil electrode G1/2 10m+Schl. KI	1
5	6068346	elbow pencil electrode G1/2 15m+Schl. SE	1



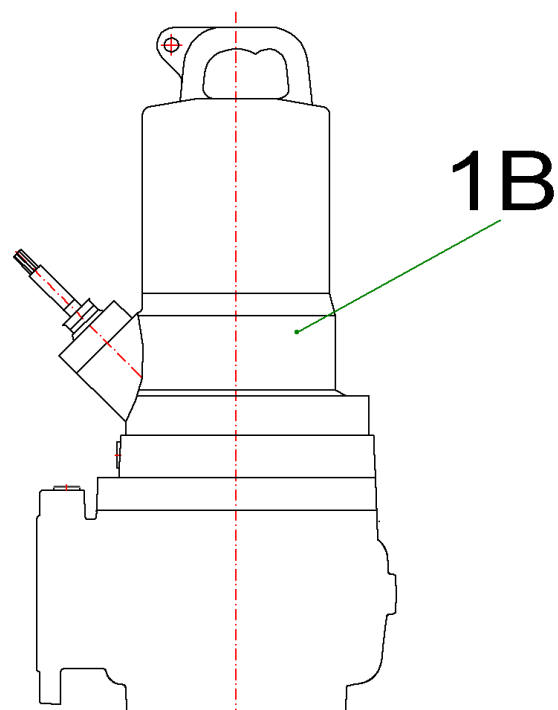
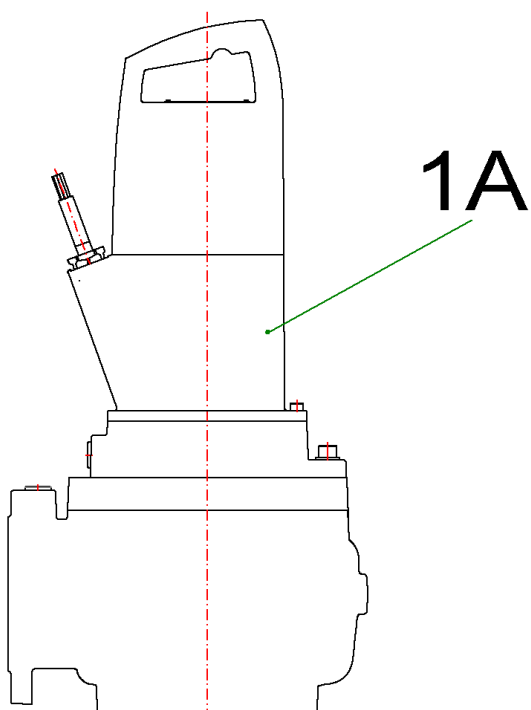
MOTOR, motor, moteur	DOL		Bi 130°+140°	PTC 130°+140°	3~220 50 Hz	3~230 50 Hz	3~380/660V 50Hz	3~400/690V 50Hz	3~415/715V 50Hz	3~500/860V 50Hz	3~380/660 60 Hz	3~400/690 60 Hz	3~440/760V 60Hz	3~460/790V 60Hz	3~480/826V 60Hz	3~230V 60Hz	3~460V 60Hz
	YD																
P17.1-15 . . . 0X2-T	X	X	X				2	2						2	2		
P17.1-22/ . . . 0X2-T	X	X	X				4	4						4	4		
P17.1-8/ . . . 0X4-T	X	X					7	7						7	7		
P17.1-12/ . . . 0X4-T	X	X	X				15	15					15	15	15		
P17.1-12/ . . . 0X4-T	X	X	X				17	17					17	17	17		
P17.1-16/ . . . 0X4-T	X	X	X				19	19	22				19	19	19		
P17.1-16/ . . . 0X4-T	X	X		X			20	20					20	20	20		
P17.1-24/ . . . 0X4-T	X	X	X				27	27					27	27	27		
P17.1-24/ . . . 0X4-T	X	X		X			28	28					28	28	28		

stator P17.1

Item	Article no.	Description	Quantity
2	6077878	Stator T17-2/15 400/690 50Hz VP.	1
4	6077876	Stator T17-2/22 400/690 50Hz VP.	1
7	6077873	Stator T17-4/8 400 50Hz VP.	1
15	6078121	Stator T17-4/12 400 50Hz PTC VP.	1
17	6077896	Stator T17-4/12 400/690 50Hz VP.	1
19	6077894	Stator T17-4/16 400/690 50Hz VP.	1
20	6078122	Stator T17-4/16 400/690 50Hz PTC VP.	1
22	6078131	Stator T17-4/16 415/720 50Hz VP.	1
27	6078126	Stator T17-4/24 400/690 50Hz VP.	1
28	6078125	Stator T17-4/24 400/690 50Hz PTC VP.	1

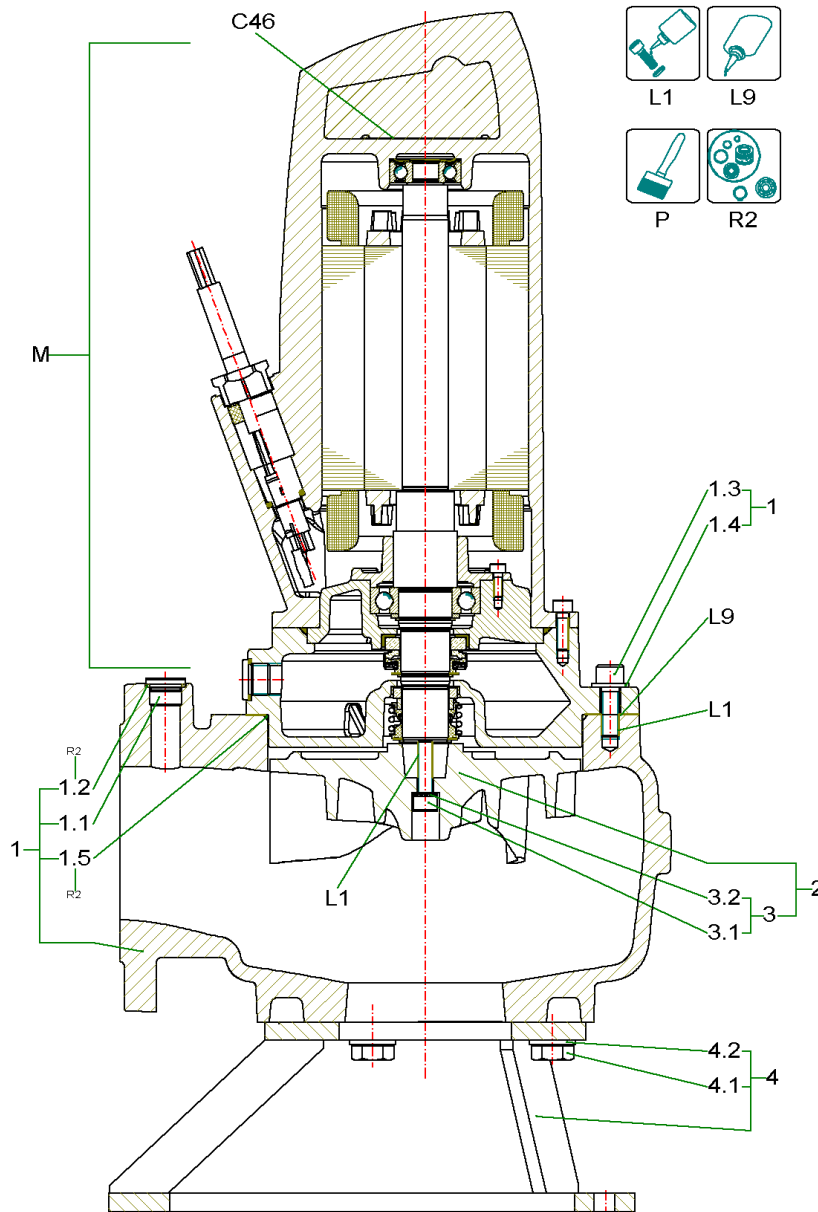
Rexa PRO V10xA-42x

P13.2 P17.1



SUBMERSIBLE SEWAGE PUMP V10-420 UNIT (6079794)

Item	Description	Quantity
1A	Rexa PRO V10xA-42x/P13.2 XB	1
1B	Rexa PRO V10xA-42x/P17.1 XB	1



Rexa PRO V10xA-42x/P13.2 XB

Item	Article no.	Description	Quantity
C46		name plate information "Rexa"	1
R2	6065496	Rep.Kit 2 P13.2	1
F1	6025461	medical white oil 5L KIT	1
P	6042254	PAINT SPRAY Pantone334	1
P	6042255	colour 2K-paint IV80 pantone334C 250ml	1
P	6023614	Ceram C0 black 100 ml KIT	1
P	6020579	Ceram C0 black 250 ml KIT	1
P	6023485	Ceram C0 Black 500ml Kit	1
L1	6080531	Loctite 243 5g flask VP:	1
L9	6080535	Loctite 5203 300ml VP.	1

M		MOTOR PRO P13.2 XB	1

1	6082673	pump housing Rexa V10Dx-4xx DN100 GGGKIT	1
		> pump housing Q100 6052671 GG	1
1.1	6067638	>> screw plug G1/2 DIN908 A4 (3pcs)	1
1.2	6048832	>> joint ring A21/26x1,5 DIN7603 PA(10pc)	1
1.4	6074494	> washer A13 DIN125 A4 (20pc)	1
1.3	6078300	> screw M12x35 DIN912 A4 (10pc)	1
1.5		> o-ring ID.203,0x3,0 NBR70	1
1	6082674	pump housing Rexa V10Nx-4xx DN100 GGGKIT	1
		> pump housing Q100 6052671 GG	1
1.1	6067638	>> screw plug G1/2 DIN908 A4 (3pcs)	1
1.2	6048832	>> joint ring A21/26x1,5 DIN7603 PA(10pc)	1
1.4	6074494	> washer A13 DIN125 A4 (20pc)	3
1.3	6078300	> screw M12x35 DIN912 A4 (10pc)	3
1.5		> o-ring ID.203,0x3,0 NBR70	1
1.1	6067638	screw plug G1/2 DIN908 A4 (3pcs)	1
1.2	6048832	joint ring A21/26x1,5 DIN7603 PA(10pc)	1
1.3		screw M12x35 DIN912 A4	3
1.4		washer A13 DIN125 A4 (20pc)	1
1.5		o-ring ID.203,0x3,0 NBR70	1
2	6082597	Impeller Rexa V10xA-422 GG Set SVA	1
2	6082596	Impeller Rexa V10xA-424 GG Set SVA	1

Rexa PRO V10xA-42x/P13.2 XB

Item	Article no.	Description	Quantity
2	6082595	Impeller Rexa V10xA-425 GG Set SVA	1
2	6082594	Impeller Rexa V10xA-426 GG Set SVA	1
2	6082593	Impeller Rexa V10xA-428 GG Set SVA	1
3	6067646	impeller fixation 10x35 Geomet KIT	1
3.1		> screw M10x35 DIN912 10.9 Geomet	1
3.2		> SCREW LOCKING NORD-LOCK 16/10,7 A4	1
4	6065949	Pump foot DN80/100 KIT	1
4.1		> Screw M16x35 ISO4017 A4-70	4
4.2	6076816	> washer A17 Din125 A4 (20pc)	1
4.1		Screw M16x35 ISO4017 A4-70	4
4.2		WASHER A17 DIN125 200HV A2	4
4	6065953	Pump foot DN80/100 1.4571 KIT	1
4.1		Screw M16x35 ISO4017 A4-70	4
4.2	6076816	washer A17 Din125 A4 (20pc)	1

name plate information "Rexa"

submersible sewage pump

1 2 3 4 5 6 7 8 9 10 11 12 13 14 15 16 17

29

28 P-Typ **PRO V 06 D A - 628 / E A D 2 X 4 - T 0039 - 5 40 - O** 18

M-Typ **P 13.2-11 / EAD2X4-T** **MFY 2013W35**

27 **P₁ 5.50kW** **P₂ 3.90kW** **n 2874 1/min** 19

Q_{max} 45.0m³/h **H_{max} 60m** **H_{min} 2m** 22

Q_N 26.0l/s **H_N 30.0m** **SF 1.00/ _{SF} 15.25A**

16 **U 400 - 3 V** **I_N 15.25A** **I_{ST} 25.9A** 20

13 **AT Direkt** **OT_S S1** **OT_E S3** 31

f 50 Hz **IP 68** **cos p 0.89** **T 40°C** **▽ 20.0m** 30

26 **m 2000 kg** **cl.F** **IM_{org} 122mm** **IM_{kor} 118mm** 30

15 **Warnung! Nicht in explosionsgefährdeten Bereich öffnen!** **Nicht unter Spannung öffnen!** 21
Warning! Do not open in explosion hazardous location! **Do not open when energized!**

25 **II 2G Ex d IIB T4Gb** **DIN EN 12050-1/ICE60034-1**

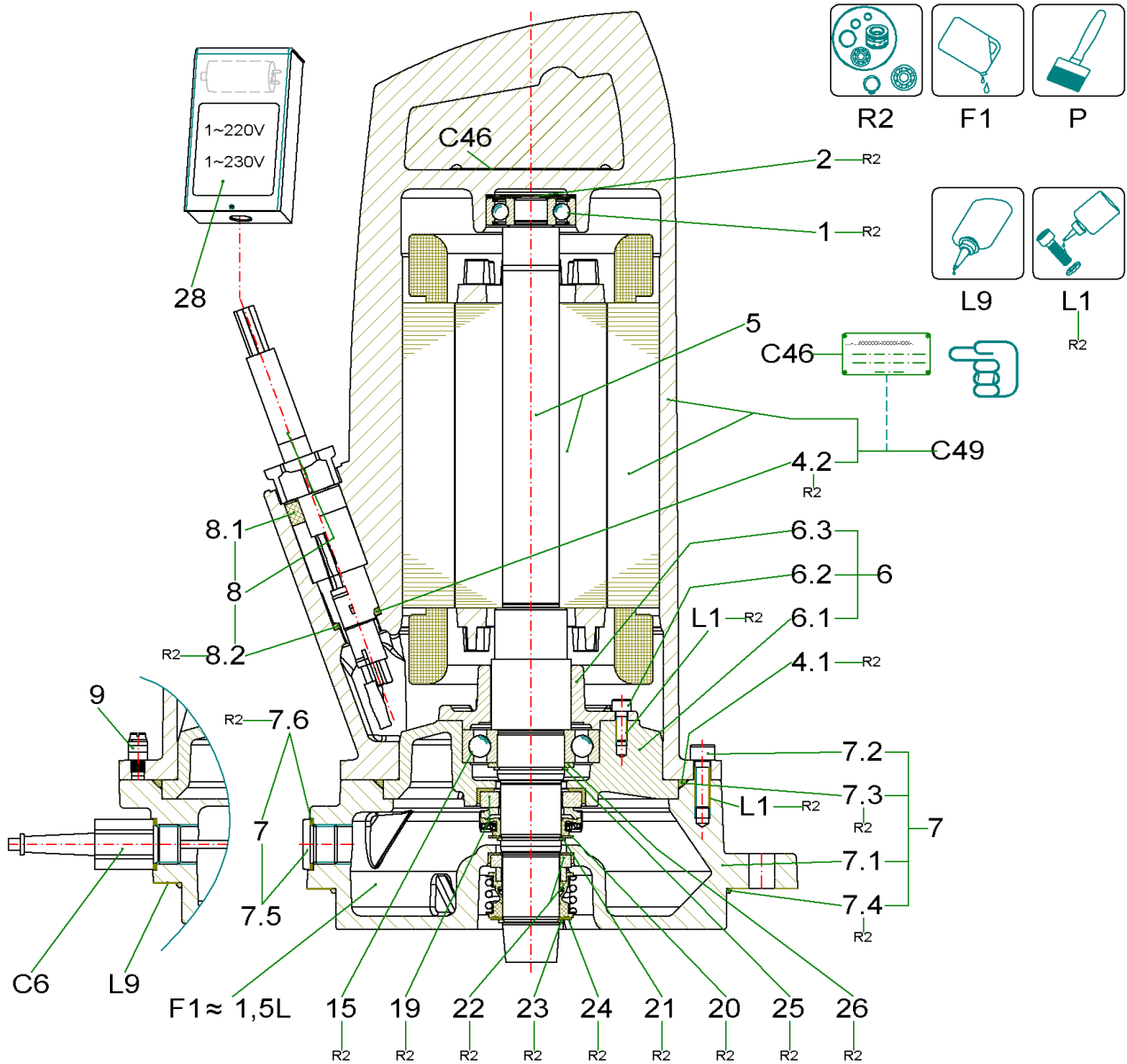
BSV 11 ATEX E 119 X

Produced by WILO SE, Hof **S/N : 650161916** 24

23 **Made by Wilo Group in Germany** **WILO SE Nortkirchenstr.100** **44263 Dortmund Germany** **0158** **CE**

name plate information "Rexa"

Item	Description	Quantity
1	Series	1
2	Impeller shape	1
3	size of pressure connection	1
4	Hydraulic version	1
5	Material code hydraulics	1
6	Hydraulics definition	1
7	Motor version	1
8	Material code motor	1
9	Seal version	1
10	IE-Efficiency class	1
11	Explosion prevention	1
12	Numbers of pol	1
13	Mains supply M=1~ / T=3~	1
14	/10 = Rated motor power P2 in kW	1
15	Frequency	1
16	Code for rated voltage	1
17	Additional electrical equipment	1
18	Year of manufacture	1
19	speed	1
20	Starting current	1
21	Impeller diameter trimmed	1
22	Rated current	1
23	Impeller diameter	1
24	Serial number	1
25	Insulating class	1
26	Starting type	1
27	Duty data	1
28	Power consumption P1	1
29	Motor data	1
30	operation type: immersed	1
31	operation type: out of water	1



MOTOR PRO P13.2 XB

Item	Article no.	Description	Quantity
C46		name plate information "Rexa"	1
R2	6065496	Rep.Kit 2 P13.2	1
P	6042254	PAINT SPRAY Pantone334	1
P	6042255	colour 2K-paint IV80 pantone334C 250ml	1
P	6023614	Ceram C0 black 100 ml KIT	1
P	6020579	Ceram C0 black 250 ml KIT	1
P	6023485	Ceram C0 Black 500ml Kit	1
F1	6025460	medical white oil 1L KIT	1
F1	6025461	medical white oil 5L KIT	1
L1	6080531	Loctite 243 5g flask VP:	1
L1	2096167	Loctite 243 50ml VP.	1
L9	6080535	Loctite 5203 300ml VP.	1

C6		electrode KIT	1
C49		stator P13.	1

1		Rep.Kit 2 P13.2	1
Note: für / for / pour 1,1 kW			
1		grooved ball bearing 6303 ZZ	1
Note: für / for / pour 1,5kW + 2,5kW + 3,9kW			
2		wave spring ring D.40 YSSB-0158	1
4.1		o-ring ID.150,0x4,0 NBR70	1
4.2		o-ring ID.18,0x3,5 NBR70	1
5	6067576	rotor P13.2-11/EAD0X4-M VP.	1
5	6067575	rotor P13.2-10/EAD1X4-T VP.	1
5	6067574	rotor P13.2-13/EAD1X4-T VP.	1
5	6067573	rotor P13.2-16/EAD1X4-T VP.	1
6	6067409	bearing housing P13.2 6050298 GG KIT	1
6.1		> bearing housing u 6050298 GG	1
6.2		> bearing cover D.62,2f7 6050300 GG	1
6.3		> screw M6x16 ISO4762 A4	3
7	6067410	sealing casing P/S13.2 D.205 GG XB KIT	1
7.1		> sealing casing D.205g6 6050302 GG	1
7.2		> screw M8x25 DIN912 A4 (10pc)	1

MOTOR PRO P13.2 XB

Item	Article no.	Description	Quantity
7.3		> o-ring ID.150,0x4,0 NBR70	1
7.4		> o-ring ID.203,0x3,0 NBR70	1
7.5		> screw plug G1/2 DIN908 A4	1
7.6		> joint ring A21/26x1,5 DIN7603 PA(10pc)	1
8	6066645	cable trumpet 30T P13 10MH07 7G1,5 KIT	1
8	6066648	REXA PRO cable trumpet 30T P13 20MH07	1
8	6080978	cable trumpet 30T P13 30MH07 7G1,5 KIT	1
8	6081765	cable trumpet 30T P13 40MH07 7G1,5 KIT	1
8.1	6076650	seal ring D.29,5/17x16,5 54.17777 NBR VP	1
8.2	6007674	o-ring ID.18,0x3,5 NBR70	1
9	6067407	Barlian bow terminal M5 A2	1
15		ball bearing 6207 w.2 Dichtschr. VP.	1
19		MECHANICAL SEAL BT-AR/32 BXPFF	1
20		pressure ring D.44/32,5x1 6050343 A4	1
21		CIRCLIP 32X1,5 DIN471 1.4122	1
22		mechanical shaft seal MG1/30-G60 QPFG	1
23		CIRCLIP 30X1,5 DIN471 1.4122	1
24		pressure ring D.42/30,5x1 6050343 A4	1
25		circlips 35x1,5 DIN471 FST	1
26		washer D.35/45x2,5 DIN988 St	1
28	6080916	terminal-Box CD35+70MF VP.	1

name plate information "Rexa"



submersible sewage pump

1 2 3 4 5 6 7 8 9 10 11 12 13 14 15 16 17

29

28 P-Typ **PRO V 06 D A - 628 / E A D 2 X 4 - T 0039 - 5 40 - O** 18

M-Typ **P 13.2-11 / EAD2X4-T** **MFY 2013W35**

27 **P₁ 5.50kW** **P₂ 3.90kW** **n 2874 1/min** 19

Q_{max} 45.0m³/h **H_{max} 60m** **H_{min} 2m** 22

Q_N 26.0l/s **H_N 30.0m** **SF 1.00/ _{SF} 15.25A**

16 **U 400 - 3 V** **I_N 15.25A** **I_{ST} 25.9A** 20

13 **AT Direkt** **OT_S S1** **OT_E S3** 31

f 50 Hz **IP 68** **cos p 0.89** **T 40°C** **▽ 20.0m** 30

26 **m 2000 kg** **cl.F** **IM_{org} 122mm** **IM_{kor} 118mm** 30

15 **Warnung! Nicht in explosionsgefährdeten Bereich öffnen!** **Nicht unter Spannung öffnen!** 21
Warning! Do not open in explosion hazardous location! **Do not open when energized!**

II 2G Ex d IIB T4Gb **DIN EN 12050-1/ICE60034-1**

25 **BSV 11 ATEX E 119 X** **S/N : 650161916** 24

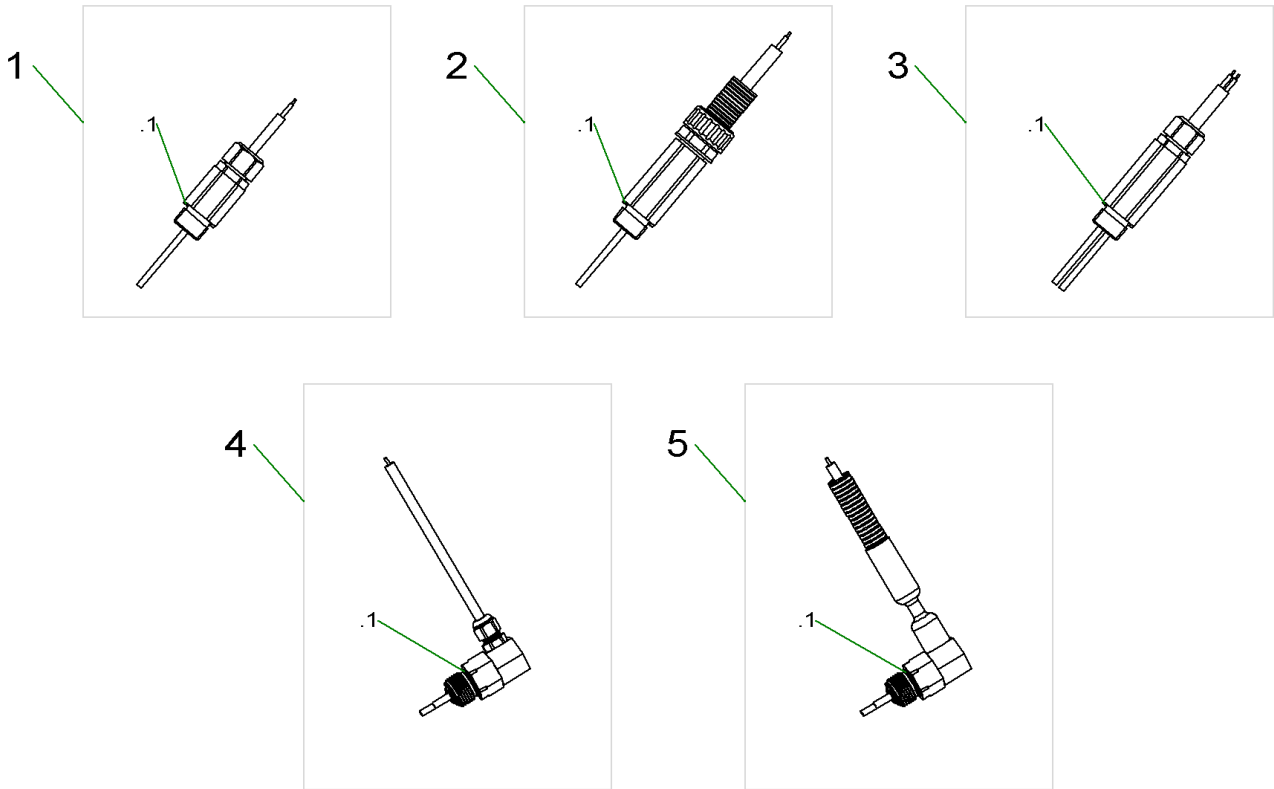
23 **Produced by WILO SE, Hof**

Made by Wilo Group in Germany
 WILO SE Nortkirchenstr.100
 44263 Dortmund Germany

0158 **CE**

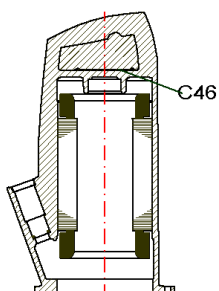
name plate information "Rexa"

Item	Description	Quantity
1	Series	1
2	Impeller shape	1
3	size of pressure connection	1
4	Hydraulic version	1
5	Material code hydraulics	1
6	Hydraulics definition	1
7	Motor version	1
8	Material code motor	1
9	Seal version	1
10	IE-Efficiency class	1
11	Explosion prevention	1
12	Numbers of pol	1
13	Mains supply M=1~ / T=3~	1
14	/10 = Rated motor power P2 in kW	1
15	Frequency	1
16	Code for rated voltage	1
17	Additional electrical equipment	1
18	Year of manufacture	1
19	speed	1
20	Starting current	1
21	Impeller diameter trimmed	1
22	Rated current	1
23	Impeller diameter	1
24	Serial number	1
25	Insulating class	1
26	Starting type	1
27	Duty data	1
28	Power consumption P1	1
29	Motor data	1
30	operation type: immersed	1
31	operation type: out of water	1



electrode KIT

Item	Article no.	Description	Quantity
.1	6048832	joint ring A21/26x1,5 DIN7603 PA(10pc)	1
1	6042222	pencil electrode G1/2 10m KIT	1
1	6042313	pencil electrode G1/2 15m KIT	1
1	6042223	pencil electrode G1/2 20m KIT	1
1	6061068	pencil electrode G1/2 25KIT	1
1	6061070	pencil electrode G1/2 30m KIT	1
1	6061069	Stabelektrode G1/2 40m SET	1
1	6060956	pencil electrode G1/2 55m KIT	1
2	6042227	pencil electrode G1/2 10m+hose KIT	1
2	6065196	pencil electrode G1/2 15m+hose KIT	1
3	6042229	double pencil electrode G1/2 10m KIT	1
3	6042228	double pencil electrode G1/2 20m KIT	1
3	6063536	double pencil electrode G1/2 40m KIT	1
3	6065157	double pencil electrode G1/2 10m 4*A KIT	1
3	6065156	double pencil electrode G1/2 20m 4*AWKIT	1
4	6068049	elbow pencil electrode G1/2 10m SET	1
4	6068050	elbow pencil electrode G1/2 15m SET	1
4	6075169	elbow pencil electrode G1/2 20m SET	1
5	6068345	elbow pencil electrode G1/2 10m+Schl. KI	1
5	6068346	elbow pencil electrode G1/2 15m+Schl. SE	1



Type	Pol.	Power P ₂ kW	IE	DOL / YD	Bi / PTC	1~220V/50Hz	1~230V/50Hz	3~380V/50Hz	3~400V/50Hz	3~415V/50Hz	3~500V/50Hz	3~208V/60Hz	3~220/60Hz	1~230/60Hz	3~230/60Hz	3~380V/60Hz	3~440/60Hz	3~460V/60Hz	3~480/60Hz
P13.	2	1,1	0	DOL	Bi		1						13						
P13.	2	1,1	1	DOL	Bi			2						14			2	2	
P13.	2	1,1	3	DOL	Bi			9									9		
P13.	2	1,2	3	DOL	Bi			9									9		
P13.	2	1,35	3	DOL	Bi			11									11		
P13.	2	1,5	0	DOL	Bi		1						13						
P13.	2	1,5	1	DOL	Bi			2						14			2	2	
P13.	2	1,5	3	DOL	Bi			9									9		
P13.	2	1,65	3	DOL	Bi			10									10		
P13.	2	2,5	1	DOL	Bi			3						15			3		
P13.	2	2,5	3	DOL	Bi			11									11		
P13.	2	3,9	1	DOL	Bi			4						16			4		
P13.	2	3,9	3	DOL	Bi			10									10		
P13.	4	1,1	0	DOL	Bi		6												
P13.	4	1,1	1	DOL	Bi			5						17			5		
P13.	4	1,1	3	DOL	Bi			12									12		
P13.	4	1,25	3	DOL	Bi			12									12		
P13.	4	1,5	0	DOL	Bi		6												
P13.	4	1,5	1	DOL	Bi			5						17			5		
P13.	4	1,5	3	DOL	Bi			12									12		
P13.	4	2,5	1	DOL	Bi			7						18			7		
P13.	4	3,5	0	DOL	Bi			8						19			8		

stator P13.

Item	Article no.	Description	Quantity
C46		name plate information "Rexa" -----	1
1	6070463	stator-unit P13.-2/8 1~ KIT	1
2	6070461	stator-unit P13.-2/8 3~ KIT	1
3	6070465	stator-unit P13.-2/10 3~ KIT	1
4	6070466	stator-unit P13.-2/15 3~ KIT	1
5	6070468	stator-unit P13.-4/10 3~ KIT	1
6	6070470	stator-unit P13.-4/11 1~ KIT	1
7	6070471	stator-unit P13.-4/13 3~ KIT	1
8	6070472	stator-unit P13.-4/16 3~ KIT	1
9	6072170	stator-unit P13.-2/9 3~ KIT	1
10	6072171	stator-unit P13.-2/16 3~ KIT	1
11	6072172	stator-unit P13.-2/11 3~ KIT	1
12	6072173	stator-unit P13.-4/16 3~ KIT	1
13	6076974	stator-unit P13.2/8 1~ KIT	1
14	6076973	stator-unit P13.-2/8 3~ KIT	1
15	6076972	stator-unit P13.-2/10 3~ KIT	1
16	6076971	stator-unit P13.-2/15 3~ KIT	1
17	6076970	stator-unit P13.-4/10 3~ KIT	1
18	6076969	stator-unit P13.-4/14 3~ KIT	1
19	6076968	stator-unit P13.-4/16 3~ KIT	1

name plate information "Rexa"

submersible sewage pump

1 2 3 4 5 6 7 8 9 10 11 12 13 14 15 16 17

29

28 P-Typ **PRO V 06 D A - 628 / E A D 2 X 4 - T 0039 - 5 40 - O** 18

M-Typ **P 13.2-11 / EAD2X4-T** **MFY 2013W35**

27 **P₁ 5.50kW** **P₂ 3.90kW** **n 2874 1/min** 19

Q_{max} 45.0m³/h **H_{max} 60m** **H_{min} 2m** 22

Q_N 26.0l/s **H_N 30.0m** **SF 1.00/ _{SF} 15.25A**

16 **U 400 - 3 V** **I_N 15.25A** **I_{ST} 25.9A** 20

13 **AT Direkt** **OT_S S1** **OT_E S3** 31

f 50 Hz **IP 68** **cos p 0.89** **T 40°C** **▽ 20.0m** 30

26 **m 2000 kg** **cl.F** **IM_{org} 122mm** **IM_{kor} 118mm** 30

15 **Warnung! Nicht in explosionsgefährdeten Bereich öffnen!** **Nicht unter Spannung öffnen!** 21
Warning! Do not open in explosion hazardous location! **Do not open when energized!**

25 **II 2G Ex d IIB T4Gb** **DIN EN 12050-1/ICE60034-1**

BSV 11 ATEX E 119 X

23 **Produced by WILO SE, Hof** **S/N : 650161916** 24

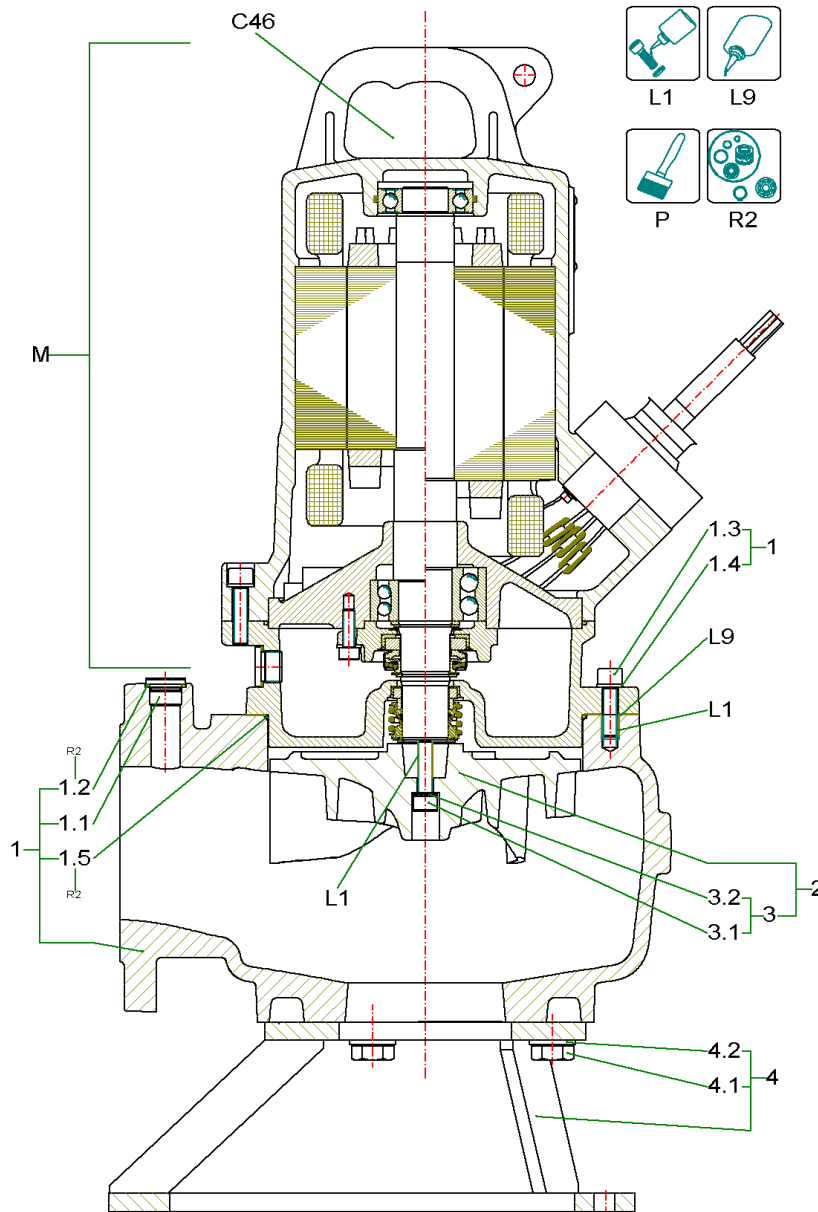
Made by Wilo Group in Germany
 WILO SE Nortkirchenstr.100
 44263 Dortmund Germany

0158

CE

name plate information "Rexa"

Item	Description	Quantity
1	Series	1
2	Impeller shape	1
3	size of pressure connection	1
4	Hydraulic version	1
5	Material code hydraulics	1
6	Hydraulics definition	1
7	Motor version	1
8	Material code motor	1
9	Seal version	1
10	IE-Efficiency class	1
11	Explosion prevention	1
12	Numbers of pol	1
13	Mains supply M=1~ / T=3~	1
14	/10 = Rated motor power P2 in kW	1
15	Frequency	1
16	Code for rated voltage	1
17	Additional electrical equipment	1
18	Year of manufacture	1
19	speed	1
20	Starting current	1
21	Impeller diameter trimmed	1
22	Rated current	1
23	Impeller diameter	1
24	Serial number	1
25	Insulating class	1
26	Starting type	1
27	Duty data	1
28	Power consumption P1	1
29	Motor data	1
30	operation type: immersed	1
31	operation type: out of water	1



Rexa PRO V10xA-42x/P17.1 XB

Item	Article no.	Description	Quantity
C46		name plate information "Rexa"	1
R2	6078364	Rep.Kit 2 P17.1-12	1
F1	6025461	medical white oil 5L KIT	1
P	6042254	PAINT SPRAY Pantone334	1
P	6042255	colour 2K-paint IV80 pantone334C 250ml	1
P	6023614	Ceram C0 black 100 ml KIT	1
P	6020579	Ceram C0 black 250 ml KIT	1
P	6023485	Ceram C0 Black 500ml Kit	1
L1	6080531	Loctite 243 5g flask VP:	1
L9	6080535	Loctite 5203 300ml VP.	1

M		MOTOR PRO P17.1 XB	1

1	6082673	pump housing Rexa V10Dx-4xx DN100 GGTKIT	1
		> pump housing Q100 6052671 GG	1
1.1	6067638	>> screw plug G1/2 DIN908 A4 (3pcs)	1
1.2	6048832	>> joint ring A21/26x1,5 DIN7603 PA(10pc)	1
1.4	6074494	> washer A13 DIN125 A4 (20pc)	1
1.3	6078300	> screw M12x35 DIN912 A4 (10pc)	1
1.5		> o-ring ID.203,0x3,0 NBR70	1
1	6082674	pump housing Rexa V10Nx-4xx DN100 GGTKIT	1
		> pump housing Q100 6052671 GG	1
1.1	6067638	>> screw plug G1/2 DIN908 A4 (3pcs)	1
1.2	6048832	>> joint ring A21/26x1,5 DIN7603 PA(10pc)	1
1.4	6074494	> washer A13 DIN125 A4 (20pc)	3
1.3	6078300	> screw M12x35 DIN912 A4 (10pc)	3
1.5		> o-ring ID.203,0x3,0 NBR70	1
1.1	6067638	screw plug G1/2 DIN908 A4 (3pcs)	1
1.2	6048832	joint ring A21/26x1,5 DIN7603 PA(10pc)	1
1.3		screw M12x35 DIN912 A4	3
1.4		washer A13 DIN125 A4 (20pc)	1
1.5		o-ring ID.203,0x3,0 NBR70	1
2	6082597	Impeller Rexa V10xA-422 GG Set SVA	1
2	6082596	Impeller Rexa V10xA-424 GG Set SVA	1

Rexa PRO V10xA-42x/P17.1 XB

Item	Article no.	Description	Quantity
2	6082595	Impeller Rexa V10xA-425 GG Set SVA	1
2	6082594	Impeller Rexa V10xA-426 GG Set SVA	1
2	6082593	Impeller Rexa V10xA-428 GG Set SVA	1
3	6067646	impeller fixation 10x35 Geomet KIT	1
3.1		> screw M10x35 DIN912 10.9 Geomet	1
3.2		> SCREW LOCKING NORD-LOCK 16/10,7 A4	1
4	6065949	Pump foot DN80/100 KIT	1
4.1		> Screw M16x35 ISO4017 A4-70	4
4.2	6076816	> washer A17 Din125 A4 (20pc)	1
4.1		Screw M16x35 ISO4017 A4-70	4
4.2		WASHER A17 DIN125 200HV A2	4
4	6065953	Pump foot DN80/100 1.4571 KIT	1
4.1		Screw M16x35 ISO4017 A4-70	4
4.2	6076816	washer A17 Din125 A4 (20pc)	1

name plate information "Rexa"

submersible sewage pump

1 2 3 4 5 6 7 8 9 10 11 12 13 14 15 16 17

29

28 P-Typ **PRO V 06 D A - 628 / E A D 2 X 4 - T 0039 - 5 40 - O** 18

M-Typ **P 13.2-11 / EAD2X4-T** **MFY 2013W35**

27 **P₁ 5.50kW** **P₂ 3.90kW** **n 2874 1/min** 19

Q_{max} 45.0m³/h **H_{max} 60m** **H_{min} 2m** 22

Q_N 26.0l/s **H_N 30.0m** **SF 1.00/ _{SF} 15.25A**

16 **U 400 - 3 V** **I_N 15.25A** **I_{ST} 25.9A** 20

13 **AT Direkt** **OT_S S1** **OT_E S3** 31

f 50 Hz **IP 68** **cos p 0.89** **T 40°C** **▽ 20.0m** 30

26 **m 2000 kg** **cl.F** **IM_{org} 122mm** **IM_{kor} 118mm** 30

15 **Warnung! Nicht in explosionsgefährdeten Bereich öffnen!** **Nicht unter Spannung öffnen!** 21
Warning! Do not open in explosion hazardous location! **Do not open when energized!**

II 2G Ex d IIB T4Gb **DIN EN 12050-1/ICE60034-1**

25 **BSV 11 ATEX E 119 X** **S/N : 650161916** 24

23 **Produced by WILO SE, Hof**

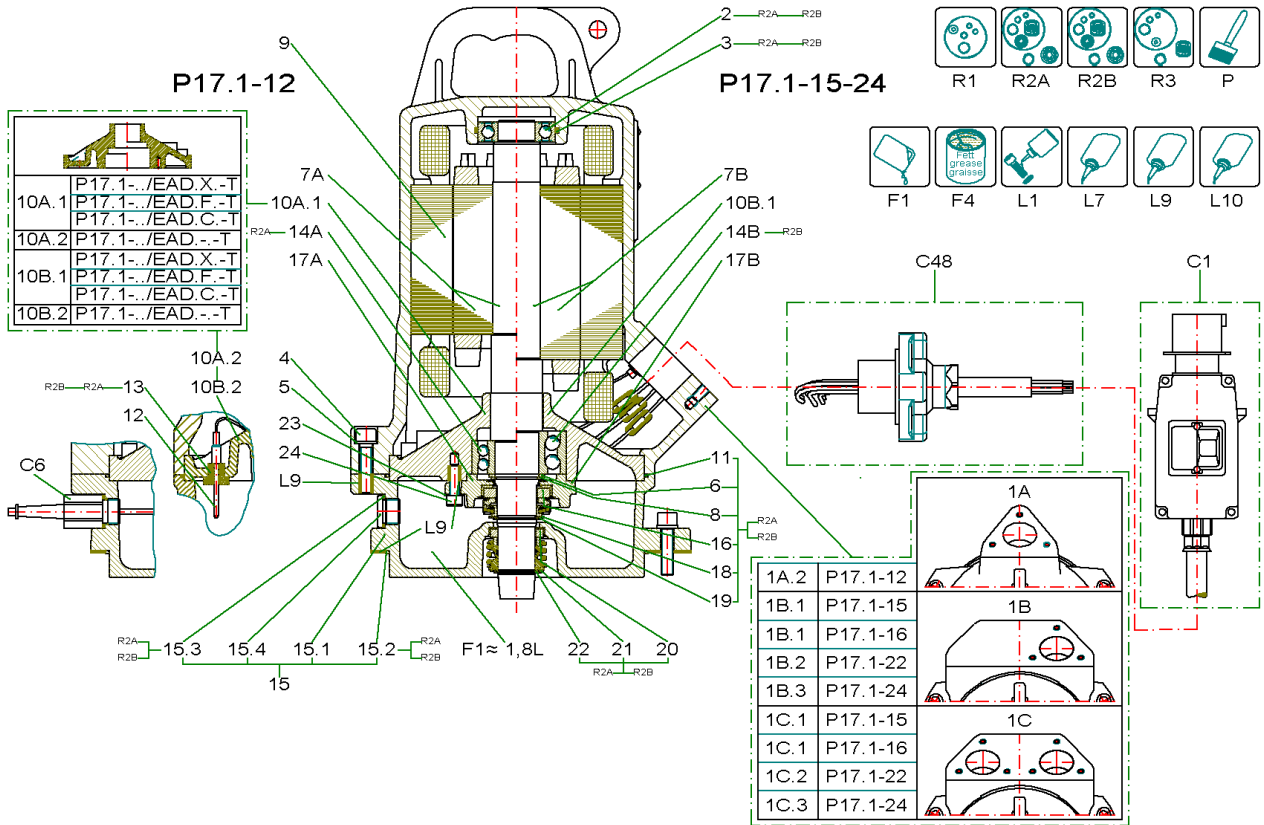
Made by Wilo Group in Germany
 WILO SE Nortkirchenstr.100
 44263 Dortmund Germany

0158

CE

name plate information "Rexa"

Item	Description	Quantity
1	Series	1
2	Impeller shape	1
3	size of pressure connection	1
4	Hydraulic version	1
5	Material code hydraulics	1
6	Hydraulics definition	1
7	Motor version	1
8	Material code motor	1
9	Seal version	1
10	IE-Efficiency class	1
11	Explosion prevention	1
12	Numbers of pol	1
13	Mains supply M=1~ / T=3~	1
14	/10 = Rated motor power P2 in kW	1
15	Frequency	1
16	Code for rated voltage	1
17	Additional electrical equipment	1
18	Year of manufacture	1
19	speed	1
20	Starting current	1
21	Impeller diameter trimmed	1
22	Rated current	1
23	Impeller diameter	1
24	Serial number	1
25	Insulating class	1
26	Starting type	1
27	Duty data	1
28	Power consumption P1	1
29	Motor data	1
30	operation type: immersed	1
31	operation type: out of water	1



MOTOR PRO P17.1 XB

Item	Article no.	Description	Quantity
C46	6200792	name plate information "Rexa"	1
R2	6078364	Rep.Kit 2 P17.1-12	1
R2	6078365	Rep.Kit 2 P17.1-15-24	1
P	6042254	PAINT SPRAY Pantone334	1
P	6042255	colour 2K-paint IV80 pantone334C 250ml	1
P	6023614	Ceram C0 black 100 ml KIT	1
P	6020579	Ceram C0 black 250 ml KIT	1
P	6023485	Ceram C0 Black 500ml Kit	1
F1	6025460	medical white oil 1L KIT	1
F1	6025461	medical white oil 5L KIT	1
L1	6080531	Loctite 243 5g flask VP:	1
L1	2096167	Loctite 243 50ml VP.	1
L9	6080535	Loctite 5203 300ml VP.	1

C1		PLUG	1
C48		cable trumpet 42T P17.1 KIT	1
C6		electrode KIT	1

1A.2	6078307	motor casing 50.13394/1 GG VP.	1
1B.1	6078308	motor casing 50.13392/1 GG VP.	1
1B.2	6078309	motor casing 50.20774 GG VP.	1
1B.3	6078310	motor casing 50.20774 GG VP.	1
1C.1	6078311	motor casing 50.13392/1 GG VP.	1
1C.2	6078312	motor casing 50.20774 GG VP.	1
1C.3	6078313	motor casing 50.20774 GG VP.	1
2		SRDG BALL BEARING 6305 ZZ	1
3	6078160	o-ring ID.62,0x3,0 Viton (3pc)	1
4	6076644	screw M10x40 DIN912 A4-70 (10pcs)	1
5	6078425	shim ring 10x16x1,0 DIN988 A4 (10pc.)	1
9		stator P17.1	1
7A	6078370	rotor D.102,3x367 4/12 1.4021 G VP.	1
10A.1	6078378	bearing housing (Ex design) GG VP.	1
10A.2	6078377	bearing housing (no. Ex design) GG VP.	1
14A		ball bearing 3207 VP.	1

MOTOR PRO P17.1 XB

Item	Article no.	Description	Quantity
17A	6078379	bearing cover D.57H7 6051909 GG VP.	1
7B	6078369	rotor D.102,3x405 4/16 1.4021 G VP.	1
7B	6078368	rotor D.102,3x485 4/24 1.4021 G VP.	1
7B	6078371	rotor D.89,3x405 2/15 1.4021 G VP.	1
7B	6078372	rotor D.89,3x485 2/22 1.4021 G VP.	1
10B.1	6076654	bearing housing (Ex design) GG VP.	1
10B.2	6076655	bearing housing (no. Ex design) GG VP.	1
14B		Ball Bearing 3307 C3 VP.	1
17B	6078380	bearing cover D.57H7 6051830 GG VP.	1
11	6076642	o-ring ID.203,0x3,0 Viton (3pc)	1
12	6076657	electrode rod D.4x53 54.13422 A2 VP.	1
13	6078171	sealing plug 13421 NBR 80 VP.	1
6		washer D.35/45x2,5 DIN988 St	1
8	6078169	circlips 35x1,5 DIN471 FST VP.	1
23	6074895	washer A8,4 DIN125 1.4401 (20pc)	1
24	6076646	screw M8x25 DIN933 A4-70 (10pc)	1
15	6078367	sealing casing D.205g6 6051538 GG SET	1
15.1		> sealing casing D.205g6 6051538 GG	1
15.2	6076642	> o-ring ID.203,0x3,0 Viton (3pc)	1
15.3	6048832	> joint ring A21/26x1,5 DIN7603 PA(10pc)	1
15.4	6067638	> screw plug G1/2 DIN908 A4 (3pcs)	1
16		mechanical shaft seal MG1/30-G60 QPFGG	1
18		pressure ring D.42/30,5x1 6050343 A4	1
19		CIRCLIP 30X1,5 DIN471 1.4122	1
20		MECHANICAL SEAL BT-AR/32 BXPFF	1
21		pressure ring D.44/32,5x1 6050343 A4	1
22		CIRCLIP 32X1,5 DIN471 1.4122	1

name plate information "Rexa" (6200792)

submersible sewage pump

1 2 3 4 5 6 7 8 9 10 11 12 13 14 15 16 17

29

28

27

16

13

26

15

25

23

18

19

22

20

31

30

21

24

P-Typ **PRO V 06 D A - 628 / E A D 2 X 4 - T 0039 - 5 40 - O**

M-Typ **P 13.2-11 / EAD2X4-T**

MFY 2013W35

P₁ 5.50kW **P₂ 3.90kW** **n 2874 1/min**

Q_{max} 45.0m³/h **H_{max} 60m** **H_{min} 2m**

Q_N 26.0l/s **H_N 30.0m** **SF 1.00/ _{SF} 15.25A**

U 400 - 3 V **I_N 15.25A** **I_{ST} 25.9A**

AT Direkt **OT_S S1** **OT_E S3**

f 50 Hz **IP 68** **cos φ 0.89** **T 40°C** **▽ 20.0m**

m 2000 kg **cl.F** **IM_{org} 122mm** **IM_{kor} 118mm**

Warnung! Nicht in explosionsgefährdeten Bereich öffnen!
Warning! Do not open in explosion hazardous location!

II 2G Ex d IIB T4Gb
BSV 11 ATEX E 119 X
Produced by WILO SE, Hof

S/N : 650161916

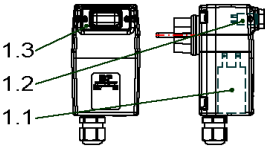
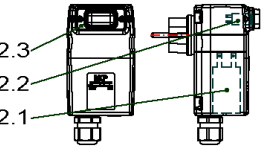
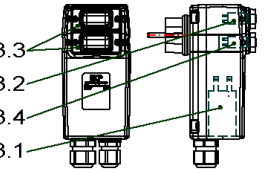
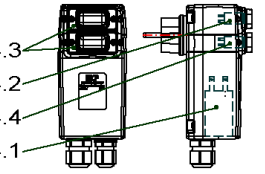
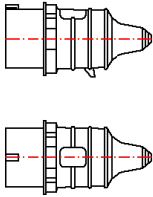
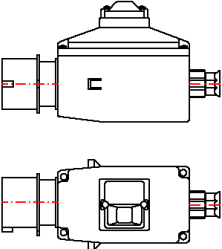
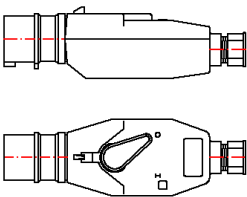
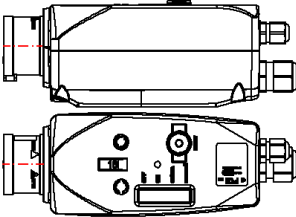
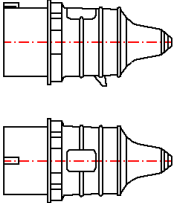
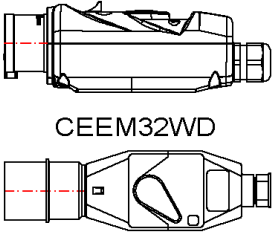
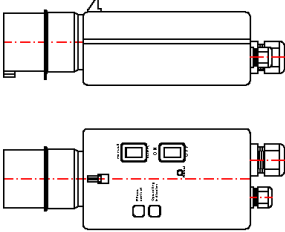
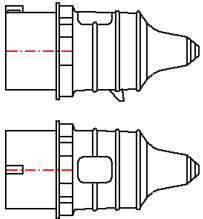
Nicht unter Spannung öffnen!
Do not open when energized!
DIN EN 12050-1/ICE60034-1

Made by Wilo Group in Germany
WILO SE Nortkirchenstr.100
44263 Dortmund Germany

0158

name plate information "Rexa" (6200792)

Item	Description	Quantity
1	Series	1
2	Impeller shape	1
3	size of pressure connection	1
4	Hydraulic version	1
5	Material code hydraulics	1
6	Hydraulics definition	1
7	Motor version	1
8	Material code motor	1
9	Seal version	1
10	IE-Efficiency class	1
11	Explosion prevention	1
12	Numbers of pol	1
13	Mains supply M=1~ / T=3~	1
14	/10 = Rated motor power P2 in kW	1
15	Frequency	1
16	Code for rated voltage	1
17	Additional electrical equipment	1
18	Year of manufacture	1
19	speed	1
20	Starting current	1
21	Impeller diameter trimmed	1
22	Rated current	1
23	Impeller diameter	1
24	Serial number	1
25	Insulating class	1
26	Starting type	1
27	Duty data	1
28	Power consumption P1	1
29	Motor data	1
30	operation type: immersed	1
31	operation type: out of water	1

<p>1 MCP 6A-M-H-20μF ~ 230V</p>  <p>$I_N(230V / 50Hz) < 6A = 20\mu F$</p>	<p>2 MCP 10A-M-H-30μF ~ 230V</p>  <p>$I_N(230V / 50Hz) 6-10A = 30\mu F$</p>	<p>3 MCP 6A-M-HA-20μF ~ 230V</p>  <p>$I_N(230V / 50Hz) < 6A = 20\mu F$</p>	<p>4 MCP 10A-M-HA-30μF ~ 230V</p>  <p>$I_N(230V / 50Hz) 6-10A = 30\mu F$</p>
<p>5 CEE16A</p> 	<p>6 CEEM16W</p> 	<p>7 CEEM16WD</p> 	<p>8 MCP T4-HA-ROT-WSK CEE16-5PS</p> 
<p>9 CEE32A</p> 	<p>10 MCP 10-16A-T4-H-ROT CEE32-5PS</p>  <p>CEEM32WD</p>	<p>11 CEEM32WDSHA</p> 	<p>12 CEE63A</p> 

PLUG

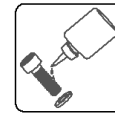
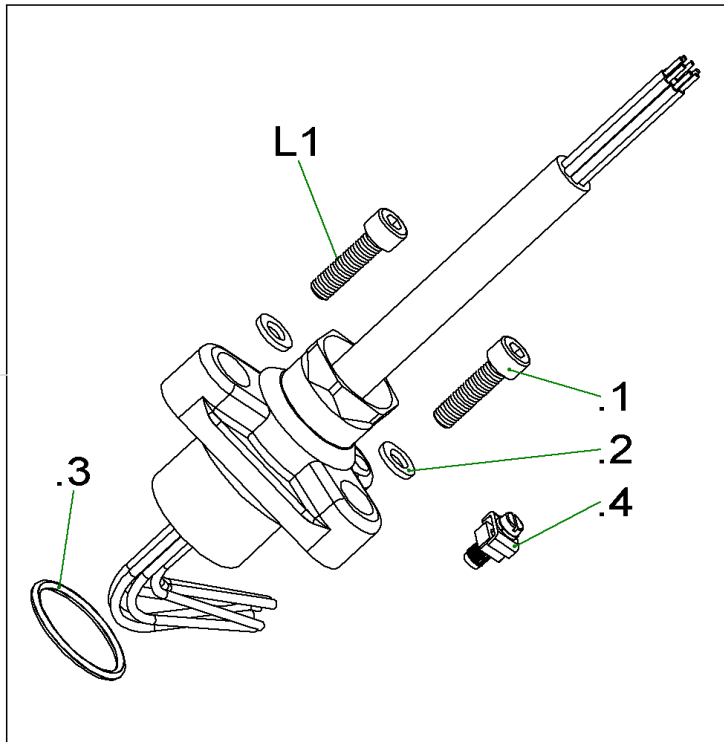
Item	Article no.	Description	Quantity
		IN (230V / 50Hz) <6A - 20μF	
1	6072332	MCP 6A-M-H-20μF-CEE7/7 VP.	1
1.1	6071702	capacitor 400V 20μF MCP VP.	1
1.2	6071704	protection switch 6A MCP VP.	1
1.3	6071707	protecting cap MCP VP.	1
		IN (230V / 50Hz) 6-10A - 30μF	
2	6072330	MCP 10A-M-H-30μF-CEE7/7 VP.	1
2.1	6071703	capacitor 400V 30μF MCP VP.	1
2.2	6071705	protection switch 10A MCP VP.	1
2.3	6071707	protecting cap MCP VP.	1
		IN (230V / 50Hz) <6A - 20μF	
3	6072331	MCP 6A-M-HA-20μF-CEE7/7 VP.	1
3.1	6071702	capacitor 400V 20μF MCP VP.	1
3.2	6071704	protection switch 6A MCP VP.	1
3.3	6071707	protecting cap MCP VP.	2
3.4	6071706	switch on/out MCP VP.	1
		IN (230V / 50Hz) 6-10A - 30μF	
4	6072329	MCP 10A-M-HA-30μF-CEE7/7 VP	1
4.1	6071703	capacitor 400V 30μF MCP VP.	1
4.2	6071705	protection switch 10A MCP VP.	1
4.3	6071707	protecting cap MCP VP.	2
4.4	6071706	switch on/out MCP VP.	1
5	6003000	plug CEE16A/400V 60Hz/5P-11h	1
5	6003248	plug CEE16A/400V/4P-6H	1
5	6003009	plug CEE16A/400V/5P-6H	1
5	6039156	plug CEE16A/400V/5P-6H Phase inverter	1
5	6035231	plug CEE16A/400V/7P-6H	1
5	6003011	plug CEE16A/500V/5P-7H	1
6	6030883	plug MS400V5P CEE16A W 1,0-1,6A	1
6	6030884	plug MS400V5P CEE16A W 1,6-2,5A	1
6	6030888	plug MS400V5P CEE16A W 10,0-16,0A	1
6	6030885	plug MS400V5P CEE16A W 2,5-4,0A	1
6	6030886	plug MS400V5P CEE16A W 4,0-6,3A	1
6	6030887	plug MS400V5P CEE16A W 6,3-10,0A	1

PLUG

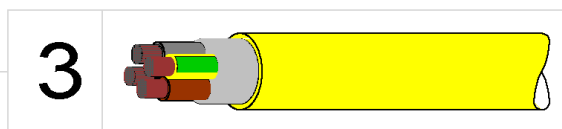
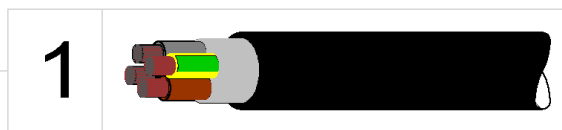
Item	Article no.	Description	Quantity
7	6032446	plug MS400V4P CEE16A WD 1,6-2,5A	1
7	6032447	plug MS400V4P CEE16A WD 12,5-16,0A	1
7	6032295	plug MS400V4P CEE16A WD 2,5-4,0A	1
7	6032289	plug MS400V4P CEE16A WD 4,0-6,3A	1
7	6032292	plug MS400V4P CEE16A WD 6,3-9,0A	1
7	6042190	plug MS400V5P CEE16A WDII 1,6-2,5A	1
7	6042194	plug MS400V5P CEE16A WDII 10,0-16,0A	1
7	6042191	plug MS400V5P CEE16A WDII 2,5-4,0A	1
7	6042192	plug MS400V5P CEE16A WDII 4,0-6,3A	1
7	6042193	plug MS400V5P CEE16A WDII 6,3-10,0A	1
7	6035911	plug MS400V5P CEE16A WD 9,0-12,5A	1
7	6003337	plug MS500V5P CEE16A WD 1,6-2,5A	1
7	6003336	plug MS500V5P CEE16A WD 2,5-4,0A	1
7	6003335	plug MS500V5P CEE16A WD 4,0-6,3A	1
7	6003334	plug MS500V5P CEE16A WD 6,3-9,0A	1
8	6072520	MCP 1,0-1,6A-T4-HA-ROT-WSK-CEE16-5PS VP.	1
8	6072521	MCP 1,6-2,4A-T4-HA-ROT-WSK-CEE16-5PS VP.	1
8	6072522	MCP 2,4-4,0A-T4-HA-ROT-WSK-CEE16-5PS VP.	1
8	6072523	MCP 4,0-6,0A-T4-HA-ROT-WSK-CEE16-5PS VP.	1
8	6072524	MCP 6,0-10A-T4-HA-ROT-WSK-CEE16-5PS VP.	1
8	6072525	MCP 9,0-12A-T4-HA-ROT-WSK-CEE16-5PS VP.	1
8	6072526	MCP 12-16A-T4-HA-ROT-WSK-CEE16-5PS VP.	1
9	6003267	plug CEE32A/400V/4P-6H	1
9	6039155	plug CEE32A/400V/5P-6H Phase inverter	1
9	6035895	plug CEE32A/500V/4P-7H AM-Top	1
9	6003010	plug CEE32A/500V/5P-7H	1
10	6072370	MCP 400V 1,6-2,5A-T4-H-ROT-CEE32-5PS VP.	1
10	6072369	MCP 400V 2,5-4,0A-T4-H-ROT-CEE32-5PS VP.	1
10	6072371	MCP 400V 4,0-6,3A-T4-H-ROT-CEE32-5PS VP.	1
10	6072398	MCP 400V 6,3-10A-T4-H-ROT-CEE32-5PS VP.	1
10	6072519	MCP 400V 10-16A-T4-H-ROT-CEE32-5PS VP.	1
10	6072399	MCP 400V 16-20A-T4-H-ROT-CEE32-5PS VP.	1
10	6072518	MCP 400V 20-25A-T4-H-ROT-CEE32-5PS VP.	1
10	6037649	plug.MS500V4P CEE32A WD 2,5-4,0A	1

PLUG

Item	Article no.	Description	Quantity
10	6041268	plug MS500V4P CEE32A WD 4,0-6,3A	1
10	6035244	plug MS500V5P CEE32A WD 1,6-2,5A	1
10	6034700	plug MS500V5P CEE32A WD 2,5-4,0A	1
10	6041556	plug MS500V5P CEE32A WD 4,0-6,3A	1
10	6002701	plug MS500V5P CEE32A WD 9,0-12,5A	1
10	6002700	plug MS500V5P CEE32A WD 12,5-16,0A	1
11	6003241	plug MS400V5P CEE32A WDSHA 10,0-14,0A	1
11	6003266	plug MS400V5P CEE32A WDSHA 3,7-5,5A	1
11	6003265	plug MS400V5P CEE32A WDSHA 5,5-8,0A	1
11	6003264	plug MS400V5P CEE32A WDSHA 8,0-11,5A	1
12	6003012	plug CEE63A/400V/5P-6H/IP67	1

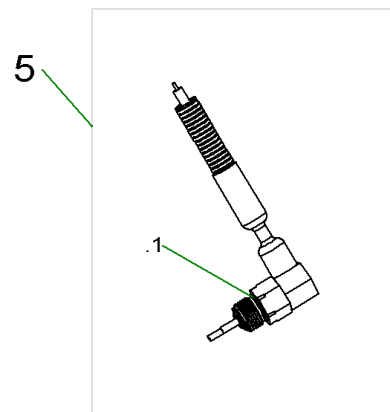
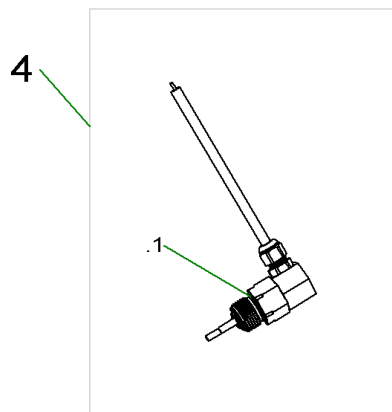
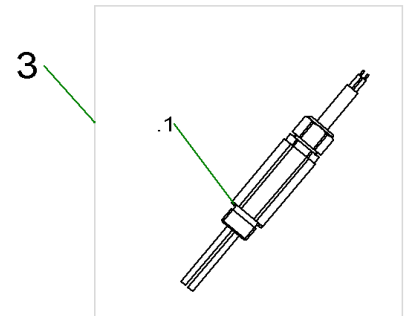
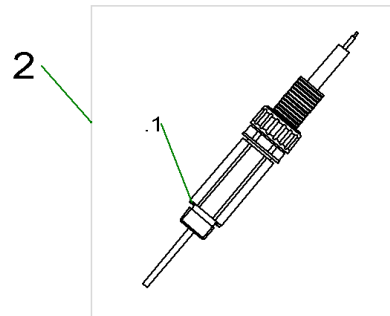
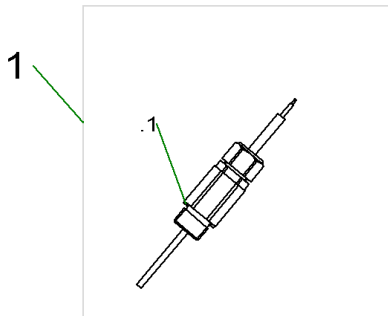


L1



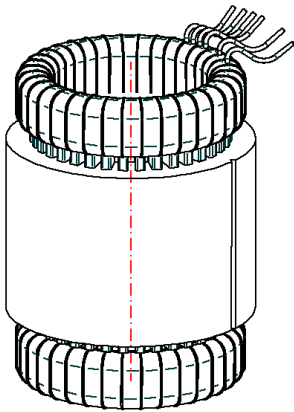
cable trumpet 42T P17.1 KIT

Item	Article no.	Description	Quantity
L1	6080531	Loctite 243 5g flask VP:	1
.1	6078159	screw M8x30 DIN912 A4-70 (10pc)	3
.2	6078161	shim ring 8x14x1,0 DIN988 A2 (10pc)	3
.3	6078162	o-ring ID.40,0x3,0 Viton (3pc)	1
.4	6067407	Barlian bow terminal M5 A2	1
1	6000689	CABLE TRUMPET 42T 10M H07 7G1,5 KIT	1
1	6000691	cable trumpet 42T 20m H07 7G1,5 SET	1
1	6032527	cable trumpet 42T 30m H07 7G1,5 KIT	1
1	6001115	cable trumpet 42T 10m H07 10G1,5 KIT	1
1	6000694	cable trumpet 42T 20m H07 10G1,5 KIT	1
3	6000700	cable trumpet 42T 10m NSS 2x1,5 KIT	1
3	6000702	cable trumpet 42T 20m NSS 2x1,5 KIT	1
3	6061578	cable trumpet 42T 30m NSS 2x1,5 KIT	1
3	6000704	cable trumpet 42T 10m NSS 4x1,5 KIT	1
3	6000706	cable trumpet 42T 20m NSS 4x1,5 KIT	1
3	6019867	cable trumpet 42T 30m NSS 4x1,5 KIT	1
3	6038670	cable trumpet 42T 50m NSS 4x1,5 KIT	1
3	6040496	cable trumpet 42T 60m NSS 4x1,5 KIT	1
3	6000708	cable trumpet 42T 10m NSS 4x2,5 KIT	1
3	6001426	cable trumpet 42T 20m NSS 4x2,5 KIT	1
3	6001428	cable trumpet 42T 10m NSS 4x4 KIT	1
3	6001430	cable trumpet 42T 20m NSS 4x4 KIT	1
3	6075909	cable trumpet 42T 25m NSS 4x4 KIT	1
3		cable trumpet 42T 30m NSS 4x4 KIT	1
3	6072786	cable trumpet 42T 10m NSS 4x6 KIT	1
3	6068990	cable trumpet 42T 20m NSS 4x6 KIT	1
3	6065995	cable trumpet 42T 30m NSS 4x6 KIT	1
3	6040497	cable trumpet 42T 60m NSS 4x6 KIT	1
3	6001432	cable trumpet 42T 10m NSS 7x1,5 KIT	1
3	6001434	cable trumpet 42T 20m NSS 7x1,5 KIT	1
3	6074636	cable trumpet 42T 40m NSS 7x1,5 KIT	1
3	6001436	cable trumpet 42T 10M NSS 7x2,5 KIT	1
3	6001438	cable trumpet 42T 20m NSS 7x2,5 KIT	1



electrode KIT

Item	Article no.	Description	Quantity
.1	6048832	joint ring A21/26x1,5 DIN7603 PA(10pc)	1
1	6042222	pencil electrode G1/2 10m KIT	1
1	6042313	pencil electrode G1/2 15m KIT	1
1	6042223	pencil electrode G1/2 20m KIT	1
1	6061068	pencil electrode G1/2 25KIT	1
1	6061070	pencil electrode G1/2 30m KIT	1
1	6061069	Stabelektrode G1/2 40m SET	1
1	6060956	pencil electrode G1/2 55m KIT	1
2	6042227	pencil electrode G1/2 10m+hose KIT	1
2	6065196	pencil electrode G1/2 15m+hose KIT	1
3	6042229	double pencil electrode G1/2 10m KIT	1
3	6042228	double pencil electrode G1/2 20m KIT	1
3	6063536	double pencil electrode G1/2 40m KIT	1
3	6065157	double pencil electrode G1/2 10m 4*A KIT	1
3	6065156	double pencil electrode G1/2 20m 4*AWKIT	1
4	6068049	elbow pencil electrode G1/2 10m SET	1
4	6068050	elbow pencil electrode G1/2 15m SET	1
4	6075169	elbow pencil electrode G1/2 20m SET	1
5	6068345	elbow pencil electrode G1/2 10m+Schl. KI	1
5	6068346	elbow pencil electrode G1/2 15m+Schl. SE	1



MOTOR, motor, moteur	DOL		Bi 130°+140°	PTC 130°+140°	3~220 50 Hz	3~230 50 Hz	3~380/660V 50Hz	3~400/690V 50Hz	3~415/715V 50Hz	3~500/860V 50Hz	3~380/660 60 Hz	3~400/690 60 Hz	3~440/760V 60Hz	3~460/790V 60Hz	3~480/826V 60Hz	3~230V 60Hz	3~460V 60Hz
	YD																
P17.1-15 . . . 0X2-T	X	X	X				2	2						2	2		
P17.1-22/ . . . 0X2-T	X	X	X				4	4						4	4		
P17.1-8/ . . . 0X4-T	X	X					7	7						7	7		
P17.1-12/ . . . 0X4-T	X	X	X				15	15					15	15	15		
P17.1-12/ . . . 0X4-T	X	X	X				17	17					17	17	17		
P17.1-16/ . . . 0X4-T	X	X	X				19	19	22				19	19	19		
P17.1-16/ . . . 0X4-T	X	X		X			20	20					20	20	20		
P17.1-24/ . . . 0X4-T	X	X	X				27	27					27	27	27		
P17.1-24/ . . . 0X4-T	X	X		X			28	28					28	28	28		

stator P17.1

Item	Article no.	Description	Quantity
2	6077878	Stator T17-2/15 400/690 50Hz VP.	1
4	6077876	Stator T17-2/22 400/690 50Hz VP.	1
7	6077873	Stator T17-4/8 400 50Hz VP.	1
15	6078121	Stator T17-4/12 400 50Hz PTC VP.	1
17	6077896	Stator T17-4/12 400/690 50Hz VP.	1
19	6077894	Stator T17-4/16 400/690 50Hz VP.	1
20	6078122	Stator T17-4/16 400/690 50Hz PTC VP.	1
22	6078131	Stator T17-4/16 415/720 50Hz VP.	1
27	6078126	Stator T17-4/24 400/690 50Hz VP.	1
28	6078125	Stator T17-4/24 400/690 50Hz PTC VP.	1