

**CronoBloc-BL-E**

Article no.	Description
2191367	BL-E32/140-2,2/2
2159698	BL-E32/140-2,2/2-R1
2191425	BL-E32/140-2,2/2-R1
2126110	BL-E32/140-2,2/2-R1-IE2
2191368	BL-E32/150-3/2
2191426	BL-E32/150-3/2-R1
2159699	BL-E32/150-3/2-R1
2126111	BL-E32/150-3/2-R1-IE2
2191369	BL-E32/160-4/2
2159700	BL-E32/160-4/2-R1
2191427	BL-E32/160-4/2-R1
2126112	BL-E32/160-4/2-R1-IE2
2191370	BL-E32/170-5,5/2
2191428	BL-E32/170-5,5/2-R1
2159701	BL-E32/170-5,5/2-R1
2126113	BL-E32/170-5,5/2-R1-IE2
2191371	BL-E32/210-7,5/2
2191429	BL-E32/210-7,5/2-R1
2159702	BL-E32/210-7,5/2-R1
2144294	BL-E32/210-7,5/2-R1-IE2
2126114	BL-E32/210-7,5/2-R1-IE2-X1
2154298	BL-E32/220-11/2-R1
2144295	BL-E32/220-11/2-R1-IE2
2126115	BL-E32/220-11/2-R1-IE2-X1
2191372	BL-E40/110-1,5/2
2191430	BL-E40/110-1,5/2-R1
2159703	BL-E40/110-1,5/2-R1
2126116	BL-E40/110-1,5/2-R1-IE2
2191373	BL-E40/120-2,2/2
2159704	BL-E40/120-2,2/2-R1
2191431	BL-E40/120-2,2/2-R1
2126117	BL-E40/120-2,2/2-R1-IE2
2191374	BL-E40/130-3/2
2159705	BL-E40/130-3/2-R1

**CronoBloc-BL-E**

Article no.	Description
2191432	BL-E40/130-3/2-R1
2126118	BL-E40/130-3/2-R1-IE2
2191375	BL-E40/140-4/2
2159706	BL-E40/140-4/2-R1
2191433	BL-E40/140-4/2-R1
2126119	BL-E40/140-4/2-R1-IE2
2191376	BL-E40/160-5,5/2
2159707	BL-E40/160-5,5/2-R1
2191434	BL-E40/160-5,5/2-R1
2126120	BL-E40/160-5,5/2-R1-IE2
2191377	BL-E40/170-7,5/2
2191435	BL-E40/170-7,5/2-R1
2159708	BL-E40/170-7,5/2-R1
2126121	BL-E40/170-7,5/2-R1-IE2
2191378	BL-E40/180-7,5/2
2191436	BL-E40/180-7,5/2-R1
2159709	BL-E40/180-7,5/2-R1
2126122	BL-E40/180-7,5/2-R1-IE2
2154299	BL-E40/210-11/2-R1
2126123	BL-E40/210-11/2-R1-IE2
2154300	BL-E40/220-15/2-R1
2126124	BL-E40/220-15/2-R1-IE2
2154301	BL-E40/230-18,5/2-R1
2113493	BL-E40/230-18,5/2-R1-IE2
2154302	BL-E40/240-22/2-R1
2126125	BL-E40/240-22/2-R1-IE2
2191379	BL-E50/110-3/2
2159710	BL-E50/110-3/2-R1
2191437	BL-E50/110-3/2-R1
2126126	BL-E50/110-3/2-R1-IE2
2191380	BL-E50/120-4/2
2159711	BL-E50/120-4/2-R1
2191438	BL-E50/120-4/2-R1
2126127	BL-E50/120-4/2-R1-IE2

**CronoBloc-BL-E**

Article no.	Description
2191381	BL-E50/130-5,5/2
2191439	BL-E50/130-5,5/2-R1
2159712	BL-E50/130-5,5/2-R1
2126128	BL-E50/130-5,5/2-R1-IE2
2191382	BL-E50/140-7,5/2
2191440	BL-E50/140-7,5/2-R1
2159713	BL-E50/140-7,5/2-R1
2126129	BL-E50/140-7,5/2-R1-IE2
2191383	BL-E50/150-7,5/2
2191441	BL-E50/150-7,5/2-R1
2159714	BL-E50/150-7,5/2-R1
2126130	BL-E50/150-7,5/2-R1-IE2
2154303	BL-E50/170-11/2-R1
2126131	BL-E50/170-11/2-R1-IE2
2154304	BL-E50/200-15/2-R1
2144296	BL-E50/200-15/2-R1-IE2
2126132	BL-E50/200-15/2-R1-IE2-X1
2154305	BL-E50/210-18,5/2-R1
2144297	BL-E50/210-18,5/2-R1-IE2
2126133	BL-E50/210-18,5/2-R1-IE2-X1
2154306	BL-E50/220-22/2-R1
2144298	BL-E50/220-22/2-R1-IE2
2126134	BL-E50/220-22/2-R1-IE2-X1
2191384	BL-E50/270-5,5/4
2159715	BL-E50/270-5,5/4-R1
2191442	BL-E50/270-5,5/4-R1
2126135	BL-E50/270-5,5/4-R1-IE2-X1
2191385	BL-E65/120-4/2
2191443	BL-E65/120-4/2-R1
2159716	BL-E65/120-4/2-R1
2126136	BL-E65/120-4/2-R1-IE2
2191386	BL-E65/130-5,5/2
2159717	BL-E65/130-5,5/2-R1
2191444	BL-E65/130-5,5/2-R1

**CronoBloc-BL-E**

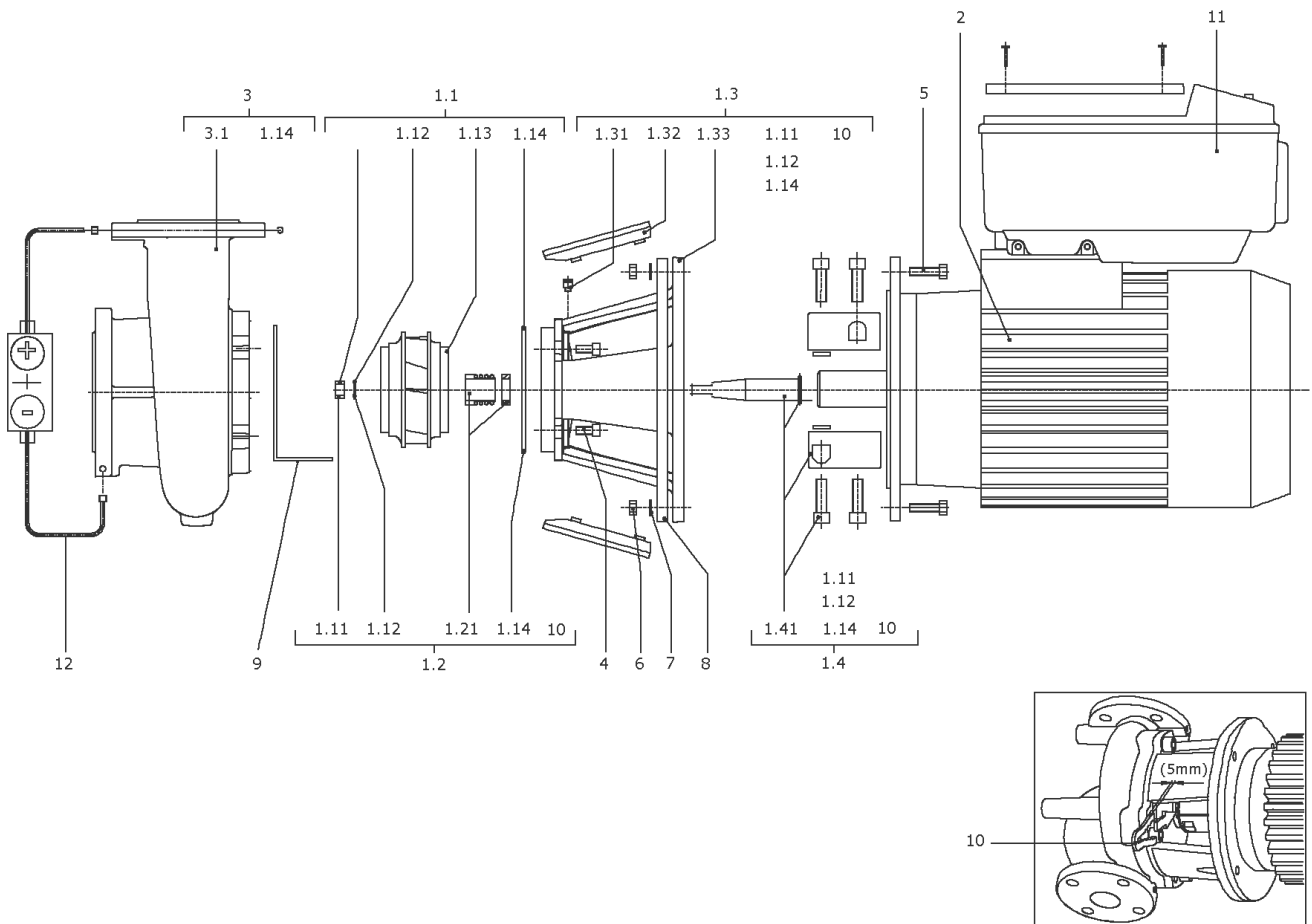
Article no.	Description
2126137	BL-E65/130-5,5/2-R1-IE2
2191387	BL-E65/140-7,5/2
2191445	BL-E65/140-7,5/2-R1
2159718	BL-E65/140-7,5/2-R1
2126138	BL-E65/140-7,5/2-R1-IE2
2154307	BL-E65/160-11/2-R1
2126139	BL-E65/160-11/2-R1-IE2
2154308	BL-E65/170-15/2-R1
2126140	BL-E65/170-15/2-R1-IE2
2154309	BL-E65/190-18,5/2-R1
2126141	BL-E65/190-18,5/2-R1-IE2
2154310	BL-E65/210-22/2-R1
2126142	BL-E65/210-22/2-R1-IE2
2191388	BL-E65/240-5,5/4
2159719	BL-E65/240-5,5/4-R1
2191446	BL-E65/240-5,5/4-R1
2126143	BL-E65/240-5,5/4-R1-IE2
2191389	BL-E65/265-7,5/4
2159720	BL-E65/265-7,5/4-R1
2191447	BL-E65/265-7,5/4-R1
2113532	BL-E65/265-7,5/4-R1-IE2
2154311	BL-E80/145-11/2-R1
2126144	BL-E80/145-11/2-R1-IE2
2154312	BL-E80/150-15/2-R1
2126145	BL-E80/150-15/2-R1-IE2
2126146	BL-E80/160-18,5/2-R1-IE2
2154313	BL-E80/160-18,5/2-R1-IE4
2154314	BL-E80/165-22/2-R1
2126147	BL-E80/165-22/2-R1-IE2
2191390	BL-E80/220-5,5/4
2191448	BL-E80/220-5,5/4-R1
2159721	BL-E80/220-5,5/4-R1
2144299	BL-E80/220-5,5/4-R1-IE2
2126148	BL-E80/220-5,5/4-R1-IE2-X1

**CronoBloc-BL-E**

Article no.	Description
2191391	BL-E80/250-7,5/4
2159722	BL-E80/250-7,5/4-R1
2191449	BL-E80/250-7,5/4-R1
2144300	BL-E80/250-7,5/4-R1-IE2
2126149	BL-E80/250-7,5/4-R1-IE2-X1
2154315	BL-E80/270-11/4-R1
2144301	BL-E80/270-11/4-R1-IE2
2126150	BL-E80/270-11/4-R1-IE2-X1
2191392	BL-E100/200-5,5/4
2159723	BL-E100/200-5,5/4-R1
2191450	BL-E100/200-5,5/4-R1
2144302	BL-E100/200-5,5/4-R1-IE2
2126151	BL-E100/200-5,5/4-R1-IE2-X1
2191393	BL-E100/220-7,5/4
2191451	BL-E100/220-7,5/4-R1
2159724	BL-E100/220-7,5/4-R1
2144303	BL-E100/220-7,5/4-R1-IE2
2126152	BL-E100/220-7,5/4-R1-IE2-X1
2154316	BL-E100/250-11/4-R1
2126153	BL-E100/250-11/4-R1-IE2
2154317	BL-E100/270-15/4-R1
2126154	BL-E100/270-15/4-R1-IE2
2154318	BL-E100/305-18,5/4-R1
2126155	BL-E100/305-18,5/4-R1-IE2
2154319	BL-E100/315-22/4-R1
2126156	BL-E100/315-22/4-R1-IE2
2191394	BL-E125/185-5,5/4
2191452	BL-E125/185-5,5/4-R1
2159725	BL-E125/185-5,5/4-R1
2126157	BL-E125/185-5,5/4-R1-IE2
2191395	BL-E125/210-7,5/4
2159726	BL-E125/210-7,5/4-R1
2191453	BL-E125/210-7,5/4-R1
2126158	BL-E125/210-7,5/4-R1-IE2

**CronoBloc-BL-E**

<b>Article no.</b>	<b>Description</b>
2154320	BL-E125/225-11/4-R1
2126159	BL-E125/225-11/4-R1-IE2
2154321	BL-E125/245-15/4-R1
2126160	BL-E125/245-15/4-R1-IE2
2154322	BL-E125/265-18,5/4-R1
2126161	BL-E125/265-18,5/4-R1-IE2
2154323	BL-E125/275-22/4-R1
2126162	BL-E125/275-22/4-R1-IE2





**BL-E32/140-2,2/2-R1-IE2 (2126110)**

Item	Article no.	Description	Quantity
1.1	2123452	IMPELLER D.40/140/132/18 KIT	1
1.11	2027186	> NUT M10 DIN934 A2	1
1.12	2027189	> TENSIONING DISC DIN6796-10 V2A	1
1.13		> IMPELLER 40/140/132/18 GG BALANCED	1
1.14	2043160	> O-Ring 177,39x3,53 ISO3601B EPDM VP.	1
1.2	2026901	MECHANICAL SEAL MG12/18-G60 AQ1EGG KIT	1
1.11	2027186	> NUT M10 DIN934 A2	1
1.12	2027189	> TENSIONING DISC DIN6796-10 V2A	1
1.14	2037527	> O-RING 148,82x3,53 EPDM 70SR.VP.	1
1.14	2043160	> O-Ring 177,39x3,53 ISO3601B EPDM VP.	1
1.14	2042864	> O-RING ID.224x3,55 7EP1197-W534 VP.	1
1.21		> MECHANICAL SEAL MG12/18-G60 AQ1EGG	1
10	2027202	> TOOL D.18/24/32 VP.	1
1.3	2037197	LANTERN P228X73-F165 KIT	1
1.11	2027186	> NUT M10 DIN934 A2	1
1.12	2027189	> TENSIONING DISC DIN6796-10 V2A	1
1.14	2043160	> O-Ring 177,39x3,53 ISO3601B EPDM VP.	1
1.31	2027201	> BLOWGUN R1/8" VP.	1
1.32	2048839	> COUPLING GUARD F130-165 PA66 (2 PIECES)	1
1.33		> Lantern P228X73-F165 GG KTL WILO	1
10	2027202	> TOOL D.18/24/32 VP.	1
1.4	2029310	COUPLING/SHAFT 18/24x127 OR.177 KIT	1
1.11	2027186	> NUT M10 DIN934 A2	1
1.12	2027189	> TENSIONING DISC DIN6796-10 V2A	1
1.14	2043160	> O-Ring 177,39x3,53 ISO3601B EPDM VP.	1
1.41		> COUPLING 18/24+SHAFT 18X127 BG90 ZN KIT	1
10	2027202	> TOOL D.18/24/32 VP.	1
2	2135927	MOTOR V1 2,2/2/90/200E-IE2-ATB(+TOOL)	1
		SPARE PARTS MOTOR V1 2,2/2/90/200E-IE2	1
3	2037170	PUMP HOUSING B32/170 PN16 KIT	1
1.14	2043160	> O-Ring 177,39x3,53 ISO3601B EPDM VP.	1
3.1		> PUMP HOUSING BL32/182 PN16 CPL.WILO	1
4	2027194	SCREW M16X30/X40 DIN912 8.8 (4 PIECES)	1
5	2037242	SCREW M10X25 ISO4762 8.8 (4 PIECES)	1

**BL-E32/140-2,2/2-R1-IE2 (2126110)**

Item	Article no.	Description	Quantity
7	2029336	WASHER A17 DIN125 ST (4 PIECES)	1
9	2027184	PUMP SUPPORT FOOT BL32-65 <4kW VP.	1
11	2135947	MODULE BL-E32/140-2,2/2-IE2 ATB KIT	1
		> MODULE BL-E32/140-2,2/2 WILO	1
	2054227	> MODULE COVER/GASKET TL3/4 KIT	1
		> SCREW M5X16 ISO4762 8.8 ZnNi	1
		> WASHER TOOTHED LOCK A5,3 DIN6797 FST ZN	1
	2061236	> O-RING ID.38X3 EPDM 70SR.A BUS.	1

### Motor-Typenschild / Motor type plate / Plaque identité moteur

**Bei Ersatzteilbestellung Motorhersteller / Motordaten beachten!**  
**Consider motor manufacturers / motor data for order of spare parts!**  
**Pour les commandes de pièce détachée, indiquer le fabricant / les données du moteur!**

TEE

**TEE ELECTRIC MOTORS**  
ARCELIK A.S. - TURKEY  
2089004

CE IE2

3-Mot. **Q2E FS 60M2D90-F188** Icl F S1 Kg **13**  
 N° 0001  
 04012011 IP **55** IM -

IEC 60034  
VDE 0530

V Δ/A	Hz	min <sup>-1</sup>	kW	Cos φ	A	η
230 / 400	50	2885	1.1	0.83	4.2 / 2.4	IE2-79,6%
205 / 400	60	3480	1.27	0.83	4.0 / 2.3	

Load Efficiency  
 %80 79,1%  
 %75 79,1%

ATB

Motor-Nummer  
motor number  
numéro du moteur

**ATB IE2 CE**

3-Mot. AF 132S/2F - 11S + E 2 /0509 IE2-88,1%  
 S1 132S IMV1 224039411-1 522058X  
 IP 55 Th. Cl. 155(F) SCHWINGGROESSENSTUFE 8  
**KD\_NR.2064705**

kW	V	Hz	A	1/min	cos φ
7,5	Y/Δ690/400	50	7,9 / 13,7	2890	0,90
7,5	Δ460	60	11,8	3510	0,89

Made in Germany 50 kg EN 60034

SIEMENS

Motor-Nummer  
motor number  
numéro du moteur

**SIEMENS 3-MOT. 1 LA9133-4KA61-Z** CE

UC 1009/000001101

82,1kg IMB3 132M IP55 Th.CL.155(F) AMB 40°C

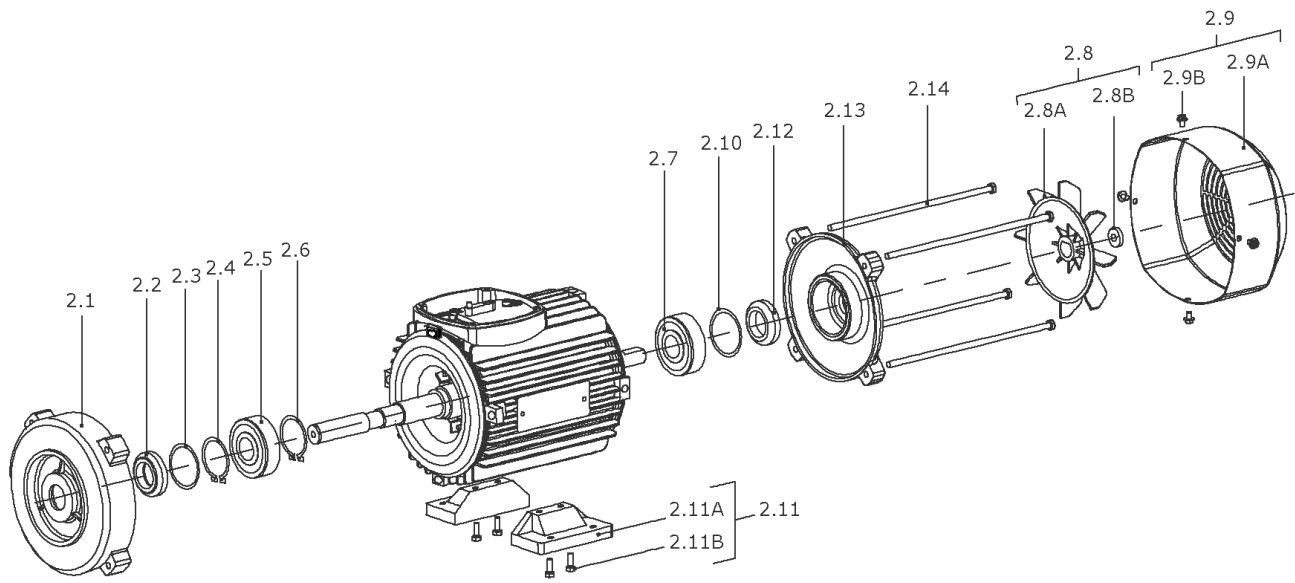
50 Hz	400/690V Δ/Y	60 Hz	460V Δ
7,5 kW	7A	7,5 kW	8,7A
cos φ 0,84	1455 / min	PF 0,82	1760 RPM

IE2 - 88,7% IE2 - 90,5%  
 IEC/EN 60034

**SPARE PARTS MOTOR V1 2,2/2/90/200E-IE2**

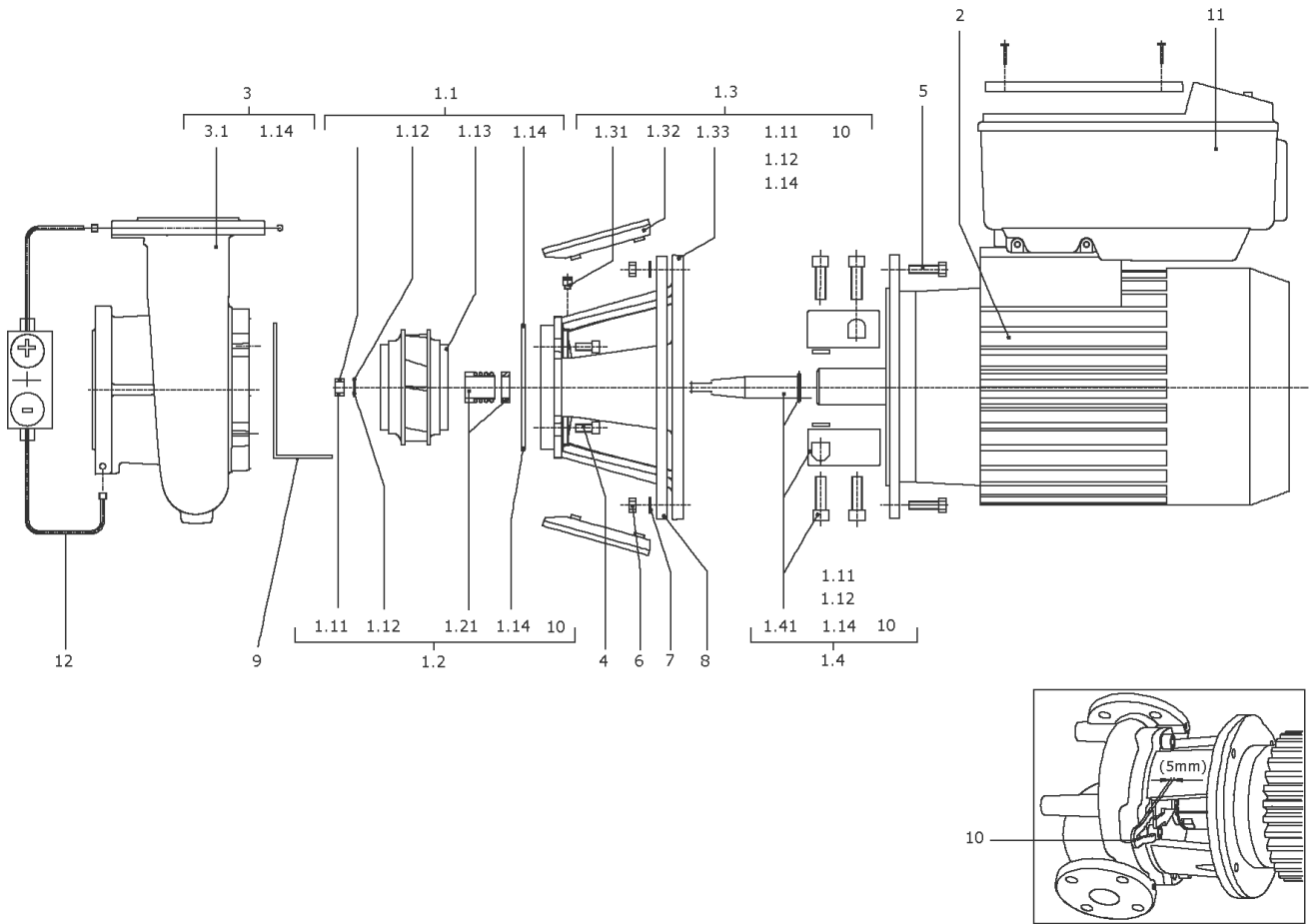


Item	Description	Quantity
2	MOTOR V1 2,2/2/90/200E ATB IE2 S9	1



**MOTOR V1 2,2/2/90/200E ATB IE2 S9**

Item	Article no.	Description	Quantity
2.1	2123972	END SHIELD BG90 ATB D.E.VP.	1
Note: Please give the data from type plate of the motor			
2.2	2138735	SHAFT SEAL RING BG90 D.E.ATB VP.	1
Note: Please give the data from type plate of the motor			
2.3	2112922	CIRCLIP 25X1,2 DIN471 ATB VP.	1
Note: Please give the data from type plate of the motor			
2.3	2112677	CIRCLIP 52X2 J ATB VP.	1
Note: Please give the data from type plate of the motor			
2.4	121083998	BALL BEARING 6205/2Z-C3 (HT) VP.	1
Note: Please give the data from type plate of the motor			
2.5	121083998	BALL BEARING 6205/2Z-C3 (HT) VP.	1
Note: Please give the data from type plate of the motor			
2.6	2096256	SHIM BALL BEARING BG90/100 ATB VP.	1
Note: Please give the data from type plate of the motor			
2.7	2096246	END SHIELD BG90 N.D.E.ATB VP.	1
Note: Please give the data from type plate of the motor			
2.8	121479094	FAN WHEEL BG90/100 ATB KIT	1
Note: Please give the data from type plate of the motor			
2.8A		> FAN WHEEL BG90/100 721383 ATB	1
2.8B	2047016	> CORRUGATED SLEEVE RING BG90/100 ATB VP.	1
Note: Please give the data from type plate of the motor			
2.9	2138748	FAN COVER BG90 ATB KIT	1
Note: Please give the data from type plate of the motor			
2.9A		> FAN COVER BG90 569178 ATB	1
2.9B		> SCREW FAN HOOD BG90 210242 ATB	1
2.10	2112674	SCREW END SHIELD M5X190 ATB(4 PIECES)	1
Note: Please give the data from type plate of the motor			



**BL-E32/150-3/2-R1-IE2 (2126111)**

Item	Article no.	Description	Quantity
1.1	2123451	IMPELLER D.40/148/140/18 KIT	1
1.11	2027186	> NUT M10 DIN934 A2	1
1.12	2027189	> TENSIONING DISC DIN6796-10 V2A	1
1.13		> IMPELLER 40/148/140/18 GG BALANCED	1
1.14	2043160	> O-Ring 177,39x3,53 ISO3601B EPDM VP.	1
1.2	2026901	MECHANICAL SEAL MG12/18-G60 AQ1EGG KIT	1
1.11	2027186	> NUT M10 DIN934 A2	1
1.12	2027189	> TENSIONING DISC DIN6796-10 V2A	1
1.14	2037527	> O-RING 148,82x3,53 EPDM 70SR.VP.	1
1.14	2043160	> O-Ring 177,39x3,53 ISO3601B EPDM VP.	1
1.14	2042864	> O-RING ID.224x3,55 7EP1197-W534 VP.	1
1.21		> MECHANICAL SEAL MG12/18-G60 AQ1EGG	1
10	2027202	> TOOL D.18/24/32 VP.	1
1.3	2037204	LANTERN P228X73-F215 KIT	1
1.11	2027186	> NUT M10 DIN934 A2	1
1.12	2027189	> TENSIONING DISC DIN6796-10 V2A	1
1.14	2043160	> O-Ring 177,39x3,53 ISO3601B EPDM VP.	1
1.31	2027201	> BLOWGUN R1/8" VP.	1
1.32	2048842	> COUPLING GUARD F215 PA66 (2 PIECES)	1
1.33		> Lantern P228X73-F215 GG KTL WILO	1
10	2027202	> TOOL D.18/24/32 VP.	1
1.4	2029314	COUPLING/SHAFT 18/28X134 KIT	1
1.11	2027186	> NUT M10 DIN934 A2	1
1.12	2027189	> TENSIONING DISC DIN6796-10 V2A	1
1.14	2043160	> O-Ring 177,39x3,53 ISO3601B EPDM VP.	1
1.41		> COUPLING 18/28+SHAFT 18X134 BG112 ZN KIT	1
10	2027202	> TOOL D.18/24/32 VP.	1
2	2135928	MOTOR V1 3/2/100/250E-IE2-ATB(+TOOL)	1
		SPARE PARTS MOTOR V1 3/2/100/250E-IE2	1
3	2037170	PUMP HOUSING B32/170 PN16 KIT	1
1.14	2043160	> O-Ring 177,39x3,53 ISO3601B EPDM VP.	1
3.1		> PUMP HOUSING BL32/182 PN16 CPL.WILO	1
4	2027194	SCREW M16X30/X40 DIN912 8.8 (4 PIECES)	1
5	2027195	SCREW M12X25 DIN912 8.8 (4 PIECES)	1



**BL-E32/150-3/2-R1-IE2 (2126111)**

Item	Article no.	Description	Quantity
7	2029335	WASHER A13 DIN125 ST (4 PIECES)	1
9	2027184	PUMP SUPPORT FOOT BL32-65 <4kW VP.	1
11	2135948	MODUL BL-E32/150-3/2-IE2 ATB KIT	1
		> MODUL BL-E32/150-3/2 WILO	1
	2054227	> MODULE COVER/GASKET TL3/4 KIT	1
		> SCREW M5X16 ISO4762 8.8 ZnNi	1
		> WASHER TOOTHED LOCK A5,3 DIN6797 FST ZN	1
	2061236	> O-RING ID.38X3 EPDM 70SR.A BUS.	1
	2029336	WASHER A17 DIN125 ST (4 PIECES)	1

**Motor-Typenschild / Motor type plate / Plaque identité moteur**

**Bei Ersatzteilbestellung Motorhersteller / Motordaten beachten!**  
**Consider motor manufacturers / motor data for order of spare parts!**  
**Pour les commandes de pièce détachée, indiquer le fabricant / les données du moteur!**

TEE

**TEE ELECTRIC MOTORS**  
 ARCELIK A.S. - TURKEY  
 2089004

CE IE2

3-Mot. **Q2E FS 60M2D90-F188** Icl F S1 Kg 13  
 N° 0001  
 04012011 IP 55 IM -

V Δ/A	Hz	min <sup>-1</sup>	kW	Cos φ	A	η
230 / 400	50	2885	1.1	0.83	4.2 / 2.4	IE2-79,6%
230 / 400	60	3480	1.27	0.83	4.0 / 2.3	

IEC 60034  
 VDE 0530

Load Efficiency  
 %80 79,1%  
 %75 79,1%

ATB

Motor-Nummer  
 motor number  
 numéro du moteur

**ATB IE2 CE**

3-Mot. AF 132S/2F - 11S + E 2 /0509 IE2-88,1%  
 S1 132S IMV1 224039411-1 522058X  
 IP 55 Th. Cl. 155(F) SCHWINGGROESSENSTUFE 8  
**KD\_NR.2064705**

kW	V	Hz	A	1/min	cos φ
7.5	Y/Δ690/400	50	7.9 / 13.7	2890	0.90
7.5	Δ460	60	11.8	3510	0.89

Made in Germany 50 kg EN 60034

SIEMENS

Motor-Nummer  
 motor number  
 numéro du moteur

**SIEMENS 3-MOT. 1 LA9133-4KA61-Z** CE

UC 1009/000001101

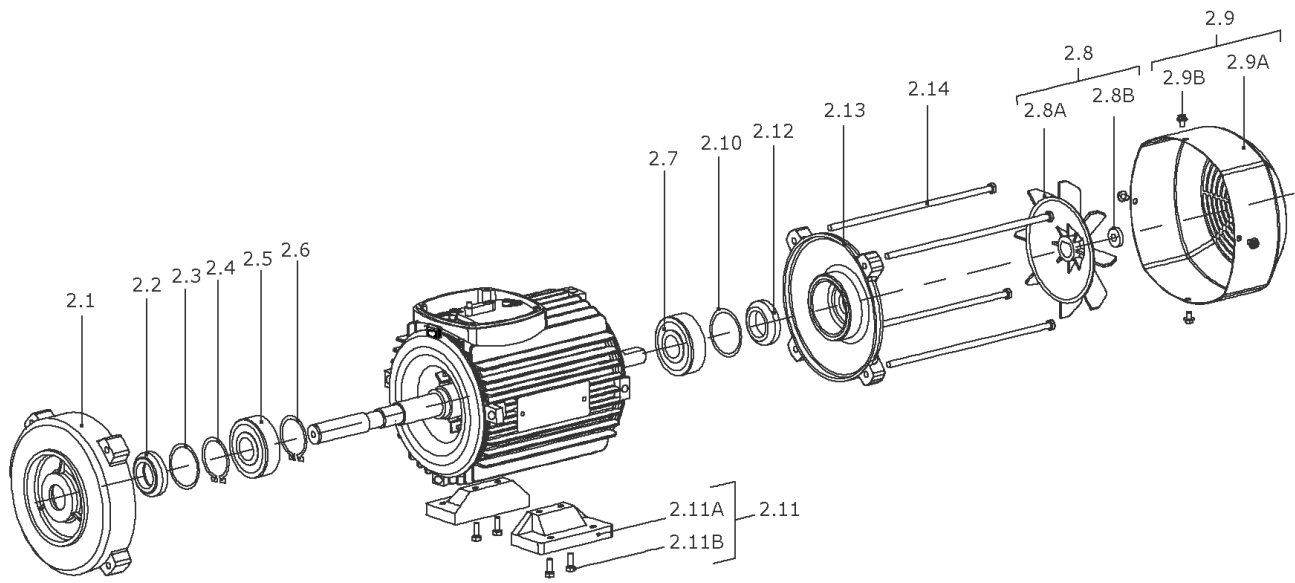
82.1kg IMB3 132M IP55 Th.CL.155(F) AMB 40°C

50 Hz	400/690V Δ/Y	60 Hz	460V Δ
7.5 kW	7A	7.5 kW	8.7A
cos φ 0.84	1455 / min	PF 0.82	1760 RPM

IE2 - 88,7% IE2 - 90,5%  
 IEC/EN 60034

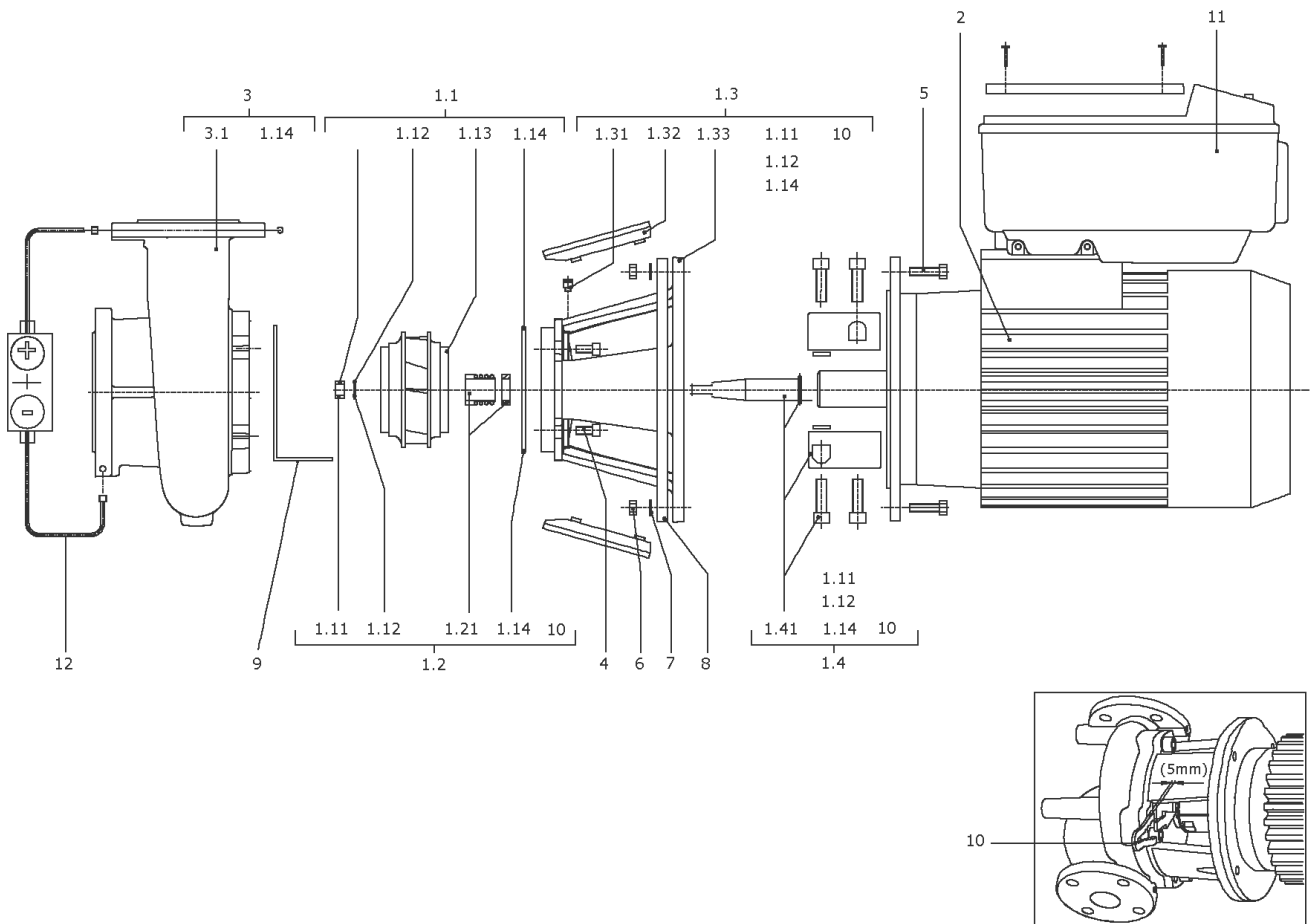
**SPARE PARTS MOTOR V1 3/2/100/250E-IE2**

<b>Item</b>	<b>Description</b>	<b>Quantity</b>
2	MOTOR V1 3/2/100/250E ATB IE2 S9	1



**MOTOR V1 3/2/100/250E ATB IE2 S9**

Item	Article no.	Description	Quantity
2.1	2096232	END SHIELD BG100 D.E.ATB VP.	1
Note: Please give the data from type plate of the motor			
2.2	2138736	SHAFT SEAL RING BG100/112 D.E.ATB VP.	1
Note: Please give the data from type plate of the motor			
2.3	2111441	CIRCLIP BG100/112 ATB VP.	1
Note: Please give the data from type plate of the motor			
2.3	2096258	SHIM BALL BEARING BG90-112 ATB VP.	1
Note: Please give the data from type plate of the motor			
2.4	121084190	BALL BEARING 6206/2Z-C3 (HT) VP.	1
Note: Please give the data from type plate of the motor			
2.5	121084190	BALL BEARING 6206/2Z-C3 (HT) VP.	1
Note: Please give the data from type plate of the motor			
2.6	2046411	CIRCLIP 62X2 DIN472 FST	1
Note: Please give the data from type plate of the motor			
2.7	2166282	End shield BG100 N.D.E.ATB VP.	1
Note: Please give the data from type plate of the motor			
2.8	121479094	FAN WHEEL BG90/100 ATB KIT	1
Note: Please give the data from type plate of the motor			
2.8A		> FAN WHEEL BG90/100 721383 ATB	1
2.8B	2047016	> CORRUGATED SLEEVE RING BG90/100 ATB VP.	1
Note: Please give the data from type plate of the motor			
2.9	2138765	FAN COVER BG100/112 ATB KIT	1
Note: Please give the data from type plate of the motor			
2.9A		> FAN COVER BG100 721210 ATB	1
2.9B		> SCREW M4x8 DIN7985 4.8 A2A	1
2.10	2111443	SCREW END SHILD BG100 D.E.ATB(4 PIECES)	1
Note: Please give the data from type plate of the motor			



**BL-E32/160-4/2-R1-IE2 (2126112)**

Item	Article no.	Description	Quantity
1.1	2048406	IMPELLER D.40/160/18 KIT	1
1.11	2027186	> NUT M10 DIN934 A2	1
1.12	2027189	> TENSIONING DISC DIN6796-10 V2A	1
1.13		> IMPELLER 40/160/152/18 GG BALANCED	1
1.14	2043160	> O-Ring 177,39x3,53 ISO3601B EPDM VP.	1
1.2	2026901	MECHANICAL SEAL MG12/18-G60 AQ1EGG KIT	1
1.11	2027186	> NUT M10 DIN934 A2	1
1.12	2027189	> TENSIONING DISC DIN6796-10 V2A	1
1.14	2037527	> O-RING 148,82x3,53 EPDM 70SR.VP.	1
1.14	2043160	> O-Ring 177,39x3,53 ISO3601B EPDM VP.	1
1.14	2042864	> O-RING ID.224x3,55 7EP1197-W534 VP.	1
1.21		> MECHANICAL SEAL MG12/18-G60 AQ1EGG	1
10	2027202	> TOOL D.18/24/32 VP.	1
1.3	2037204	LANTERN P228X73-F215 KIT	1
1.11	2027186	> NUT M10 DIN934 A2	1
1.12	2027189	> TENSIONING DISC DIN6796-10 V2A	1
1.14	2043160	> O-Ring 177,39x3,53 ISO3601B EPDM VP.	1
1.31	2027201	> BLOWGUN R1/8" VP.	1
1.32	2048842	> COUPLING GUARD F215 PA66 (2 PIECES)	1
1.33		> Lantern P228X73-F215 GG KTL WILO	1
10	2027202	> TOOL D.18/24/32 VP.	1
1.4	2029314	COUPLING/SHAFT 18/28X134 KIT	1
1.11	2027186	> NUT M10 DIN934 A2	1
1.12	2027189	> TENSIONING DISC DIN6796-10 V2A	1
1.14	2043160	> O-Ring 177,39x3,53 ISO3601B EPDM VP.	1
1.41		> COUPLING 18/28+SHAFT 18X134 BG112 ZN KIT	1
10	2027202	> TOOL D.18/24/32 VP.	1
2	2135929	MOTOR V1 4/2/112/250E-IE2-ATB(+TOOL)	1
		SPARE PARTS MOTOR V1 4/2/112/250E-IE2	1
3	2037170	PUMP HOUSING B32/170 PN16 KIT	1
1.14	2043160	> O-Ring 177,39x3,53 ISO3601B EPDM VP.	1
3.1		> PUMP HOUSING BL32/182 PN16 CPL.WILO	1
4	2027194	SCREW M16X30/X40 DIN912 8.8 (4 PIECES)	1
5	2027195	SCREW M12X25 DIN912 8.8 (4 PIECES)	1

**BL-E32/160-4/2-R1-IE2 (2126112)**

Item	Article no.	Description	Quantity
7	2029335	WASHER A13 DIN125 ST (4 PIECES)	1
9	2027184	PUMP SUPPORT FOOT BL32-65 <4kW VP.	1
11	2135949	MODULE BL-E32/160-4/2-IE2 ATB KIT	1
		> MODUL BL-E32/160-4/2 WILO	1
	2054227	> MODULE COVER/GASKET TL3/4 KIT	1
		> SCREW M5X16 ISO4762 8.8 ZnNi	1
		> WASHER TOOTHED LOCK A5,3 DIN6797 FST ZN	1
	2061236	> O-RING ID.38X3 EPDM 70SR.A BUS.	1
	2029336	WASHER A17 DIN125 ST (4 PIECES)	1



### Motor-Typenschild / Motor type plate / Plaque identité moteur

**Bei Ersatzteilbestellung Motorhersteller / Motordaten beachten!**  
**Consider motor manufacturers / motor data for order of spare parts!**  
**Pour les commandes de pièce détachée, indiquer le fabricant / les données du moteur!**

TEE

**TEE ELECTRIC MOTORS**  
ARCELIK A.S. - TURKEY  
2089004

CE IE2

3-Mot. **Q2E FS 60M2D90-F188** Icl F S1 Kg 13  
 N° 0001  
 04012011 IP 55 IM -

V Δ/A	Hz	min <sup>-1</sup>	kW	Cos φ	A	η
230 / 400	50	2985	1.1	0.83	4.2 / 2.4	IE2-79,6%
230 / 400	60	3480	1.27	0.83	4.0 / 2.3	

IEC 60034  
VDE 0530

Load Efficiency  
%80 79,1%  
%75 79,1%

ATB

Motor-Nummer  
motor number  
numéro du moteur

**ATB IE2 CE**

3-Mot. AF 132S/2F - 11S + E 2 /0509 IE2-88,1%  
 S1 132S IMV1 224039411-1 522058X  
 IP 55 Th. Cl. 155(F) SCHWINGGROESSENSTUFE 8  
**KD\_NR.2064705**

kW	V	Hz	A	1/min	cos φ
7,5	Y/Δ690/400	50	7,9 / 13,7	2890	0,90
7,5	Δ460	60	11,8	3510	0,89

Made in Germany 50 kg EN 60034

SIEMENS

Motor-Nummer  
motor number  
numéro du moteur

**SIEMENS 3-MOT. 1 LA9133-4KA61-Z** CE

UC 1009/000001101

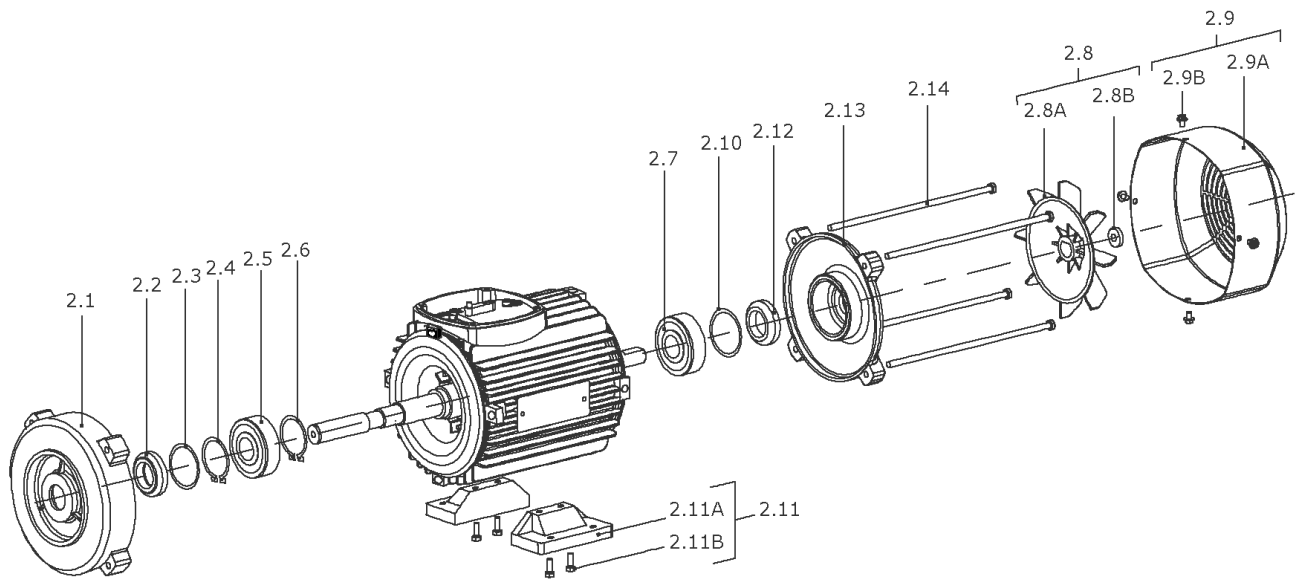
82,1kg IMB3 132M IP55 Th.CL.155(F) AMB 40°C

50 Hz	400/690V Δ/Y	60 Hz	460V Δ
7,5 kW	7A	7,5 kW	8,7A
cos φ 0,84	1455 / min	PF 0,82	1760 RPM

IE2 - 88,7% IE2 - 90,5%  
IEC/EN 60034

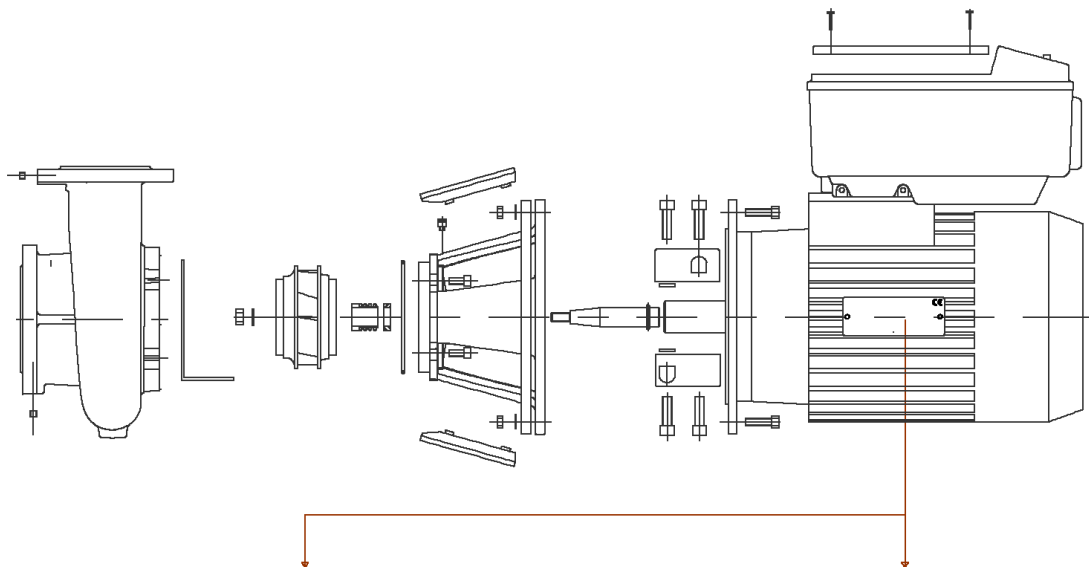
**SPARE PARTS MOTOR V1 4/2/112/250E-IE2**

<b>Item</b>	<b>Description</b>	<b>Quantity</b>
2	MOTOR V1 4/2/112/250E ATB IE2 S9	1



**MOTOR V1 4/2/112/250E ATB IE2 S9**

Item	Article no.	Description	Quantity
2.1	2100572	END SHIELD BG112 D.E.ATB VP.	1
Note: Please give the data from type plate of the motor			
2.2	2138736	SHAFT SEAL RING BG100/112 D.E.ATB VP.	1
Note: Please give the data from type plate of the motor			
2.3	2111441	CIRCLIP BG100/112 ATB VP.	1
Note: Please give the data from type plate of the motor			
2.3	2096260	SHIM BALL BEARING BG132 ATB VP.	1
Note: Please give the data from type plate of the motor			
2.4	121084190	BALL BEARING 6206/2Z-C3 (HT) VP.	1
Note: Please give the data from type plate of the motor			
2.5	121084190	BALL BEARING 6206/2Z-C3 (HT) VP.	1
Note: Please give the data from type plate of the motor			
2.6	2046411	CIRCLIP 62X2 DIN472 FST	1
Note: Please give the data from type plate of the motor			
2.7	2045002	END SHIELD BG112 N.D.E.ATB VP.	1
Note: Please give the data from type plate of the motor			
2.8	121479094	FAN WHEEL BG90/100 ATB KIT	1
Note: Please give the data from type plate of the motor			
2.8A		> FAN WHEEL BG90/100 721383 ATB	1
2.8B	2047016	> CORRUGATED SLEEVE RING BG90/100 ATB VP.	1
Note: Please give the data from type plate of the motor			
2.9	2138765	FAN COVER BG100/112 ATB KIT	1
Note: Please give the data from type plate of the motor			
2.9A		> FAN COVER BG100 721210 ATB	1
2.9B		> SCREW M4x8 DIN7985 4.8 A2A	1
2.10	2111445	SCREW END SHILD M6X220 ATB(4 PIECES)	1
Note: Please give the data from type plate of the motor			



ATB

Motor-Nummer  
motor number  
numéro du moteur

		IE2			
3~Mot.	AF132S/2F-11S+E2/0509	IE2-88,1%			
S1	132S IMV1	224039411-1	522058X		
IP 55	Th. Cl.155(F)	SCHWINGGROESSENSTUFE B			
WILO NR.2064705					
kW	V	Hz	A	1/min	COS φ
7,5	YΔ 690/400	50	7,9/3,7	2890	0,90
7,5	Δ 460	60	11,8	3510	0,89
Made in Germany		50 kg	EN 60034		

SIEMENS

Motor-Nummer  
motor number  
numéro du moteur

SIEMENS		3-MOT.1 LA9133-4KA61-Z		IE2	
Made in Czech Rep		UC 1009/000001101			
62,1kg		IMB3	132M	IP55	TH.CL.155(F) AMB 40°
○ 50 Hz	400/690V YΔ			60 Hz	460V Δ ○
7,5 kW	7 A			7,5 kW	8,7A
cos φ 0,84		1455/min		PF 0,82	1760 RPM
IE2 - 88,7%				IE2 - 90,5%	
IEC / EN 60034					

### Motor-Typenschild / Motor type plate / Plaque identité moteur

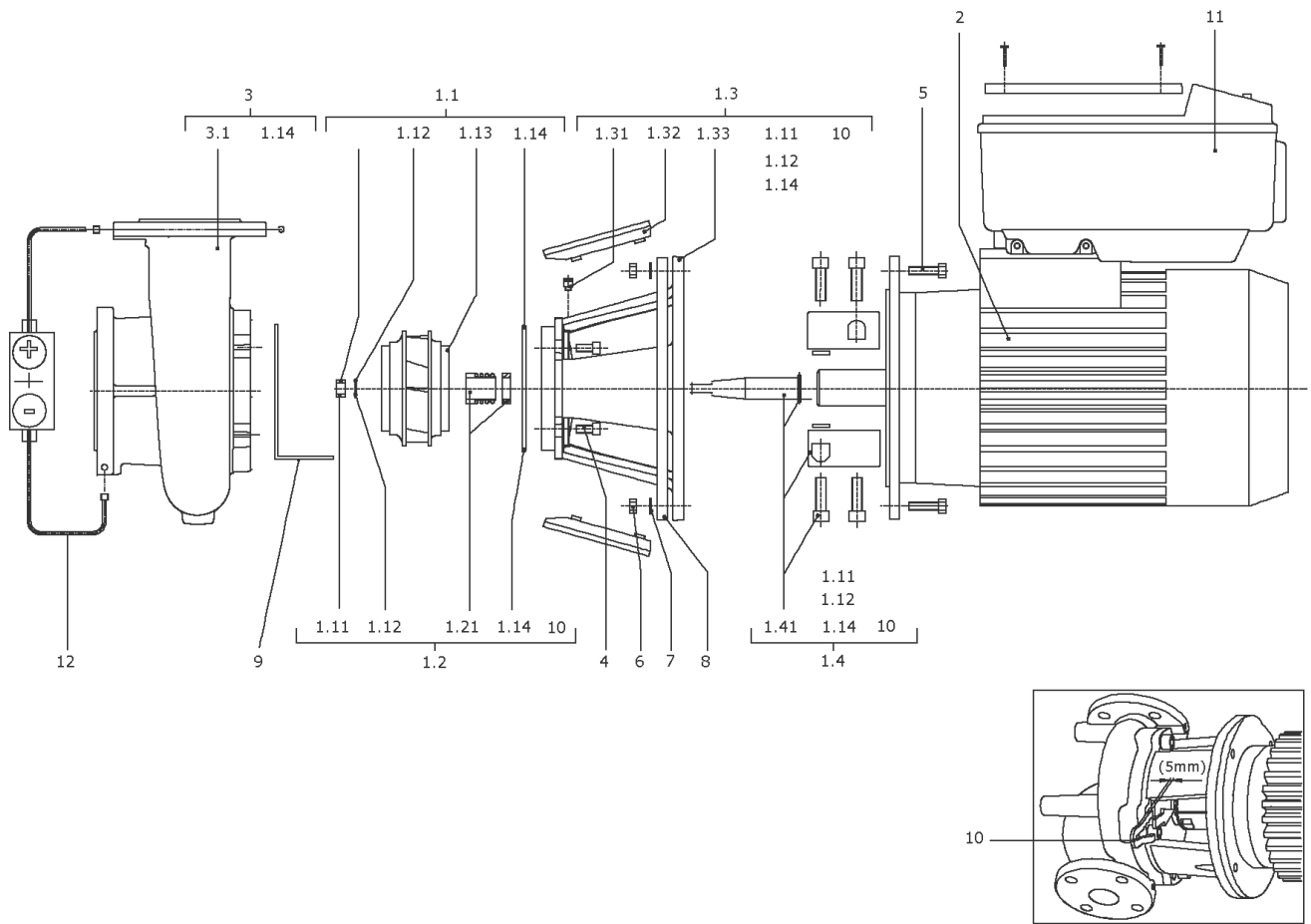
**Bei Ersatzteilbestellung Motor-Nummer angeben!**

**Indicate motor number for order of spare parts!**

**Pour une commande de pièces détachées, donner le numéro du moteur!**

**BL-E32/170-5,5/2-R1-IE2 (2126113)**

<b>Item</b>	<b>Description</b>	<b>Quantity</b>
ATB	Spare parts BL-E32/170-5,5/2-R1 ATB	1
SIEMENS	Spare parts BL-E32/170-5,5/2-R1 SIEMENS	1



**Spare parts BL-E32/170-5,5/2-R1 SIEMENS**

Item	Article no.	Description	Quantity
1.1	2037282	IMPELLER D.40/171/18 KIT	1
1.11	2027186	> NUT M10 DIN934 A2	1
1.12	2027189	> TENSIONING DISC DIN6796-10 V2A	1
1.13		> IMPELLER 40/171/18 GG BALANCED	1
1.14	2043160	> O-Ring 177,39x3,53 ISO3601B EPDM VP.	1
1.2	2026901	MECHANICAL SEAL MG12/18-G60 AQ1EGG KIT	1
1.11	2027186	> NUT M10 DIN934 A2	1
1.12	2027189	> TENSIONING DISC DIN6796-10 V2A	1
1.14	2037527	> O-RING 148,82x3,53 EPDM 70SR.VP.	1
1.14	2043160	> O-Ring 177,39x3,53 ISO3601B EPDM VP.	1
1.14	2042864	> O-RING ID.224x3,55 7EP1197-W534 VP.	1
1.21		> MECHANICAL SEAL MG12/18-G60 AQ1EGG	1
10	2027202	> TOOL D.18/24/32 VP.	1
1.3	2037201	LANTERN P228X73-F265 KIT	1
1.11	2027186	> NUT M10 DIN934 A2	1
1.12	2027189	> TENSIONING DISC DIN6796-10 V2A	1
1.14	2043160	> O-Ring 177,39x3,53 ISO3601B EPDM VP.	1
1.31	2027201	> BLOWGUN R1/8" VP.	1
1.32	2048838	> COUPLING GUARD F265 PA66 AD.(4 PIECES)	1
1.33		> LANTERN P228X73-F265 GG KTL RDES WILO	1
10	2027202	> TOOL D.18/24/32 VP.	1
1.4	2029311	COUPLING/SHAFT 18/38x126 KIT	1
1.11	2027186	> NUT M10 DIN934 A2	1
1.12	2027189	> TENSIONING DISC DIN6796-10 V2A	1
1.14	2043160	> O-Ring 177,39x3,53 ISO3601B EPDM VP.	1
1.41		> COUPLING 18/38+SHAFT 18X126 BG132 ZN KIT	1
10	2027202	> TOOL D.18/24/32 VP.	1
2	2135930	MOTOR B35 5,5/2/132/300E-IE2-SM.(+TOOL)	1
		SPARE PARTS MOTOR B35 5,5/2/132/300E-IE2	1
3	2037170	PUMP HOUSING B32/170 PN16 KIT	1
1.14	2043160	> O-Ring 177,39x3,53 ISO3601B EPDM VP.	1
3.1		> PUMP HOUSING BL32/182 PN16 CPL.WILO	1
4	2027193	SCREW M16X30 ISO4762 8.8 (4 PIECES)	1
5	2027199	Screw M12X65 ISO4014 8.8 (4STÜCK)	1



**Spare parts BL-E32/170-5,5/2-R1 SIEMENS**

Item	Article no.	Description	Quantity
6	2029305	NUT M12 DIN-EN24032 8 (4 PIECES)	1
7	2029335	WASHER A13 DIN125 ST (4 PIECES)	1
8	2027185	Adapter ring BG132 VP.	1
11	2135950	MODULE BL-E32/170-5,5/2-IE2 SM.KIT	1
		> MODULE BL-E32/170-5,5/2 WILO	1
	2111344	> MODULE COVER/GASKET TL5 KIT	1
	2120047	> CABLE CONNECTION M12x1,5/5 cpl.TL5 VP.	1
	2120048	> CABLE CONNECTION M16x1,5/5 cpl.TL5 VP.	1
	2120049	> CABLE CONNECTION M20x1,5/6 cpl.TL5 VP.	1
	2120050	> CABLE CONNECTION M25x1,5/8 cpl.TL5 VP.	1

**Motor-Typenschild / Motor type plate / Plaque identité moteur**

**Bei Ersatzteilbestellung Motorhersteller / Motordaten beachten!**  
**Consider motor manufacturers / motor data for order of spare parts!**  
**Pour les commandes de pièce détachée, indiquer le fabricant / les données du moteur!**

TEE

**TEE ELECTRIC MOTORS**  
 ARCELIK A.S. - TURKEY  
 2089004

CE IE2

3-Mot. **Q2E FS 60M2D90-F188** Icl F S1 Kg 13  
 N° 0001  
 04012011 IP 55 IM -

V Δ/A	Hz	min <sup>-1</sup>	kW	Cos φ	A	η
230 / 400	50	2885	1.1	0.83	4.2 / 2.4	IE2-79,6%
230 / 400	60	3480	1.27	0.83	4.0 / 2.3	

IEC 60034  
 VDE 0530

Load Efficiency  
 %80 79,1%  
 %75 79,1%

ATB

Motor-Nummer  
 motor number  
 numéro du moteur

**ATB IE2 CE**

3-Mot. AF 132S/2F - 11S + E 2 /0509 IE2-88,1%  
 S1 132S IMV1 224039411-1 522058X  
 IP 55 Th. Cl. 155(F) SCHWINGGROESSENSTUFE 8  
**KD\_NR.2064705**

kW	V	Hz	A	1/min	cos φ
7,5	Y/Δ690/400	50	7,9 / 13,7	2890	0,90
7,5	Δ460	60	11,8	3510	0,89

Made in Germany 50 kg EN 60034

SIEMENS

Motor-Nummer  
 motor number  
 numéro du moteur

**SIEMENS 3-MOT. 1 LA9133-4KA61-Z**  
 UC 1009/000001101

IE2 CE

82,1kg IMB3 132M IP55 Th.CL.155(F) AMB 40°C

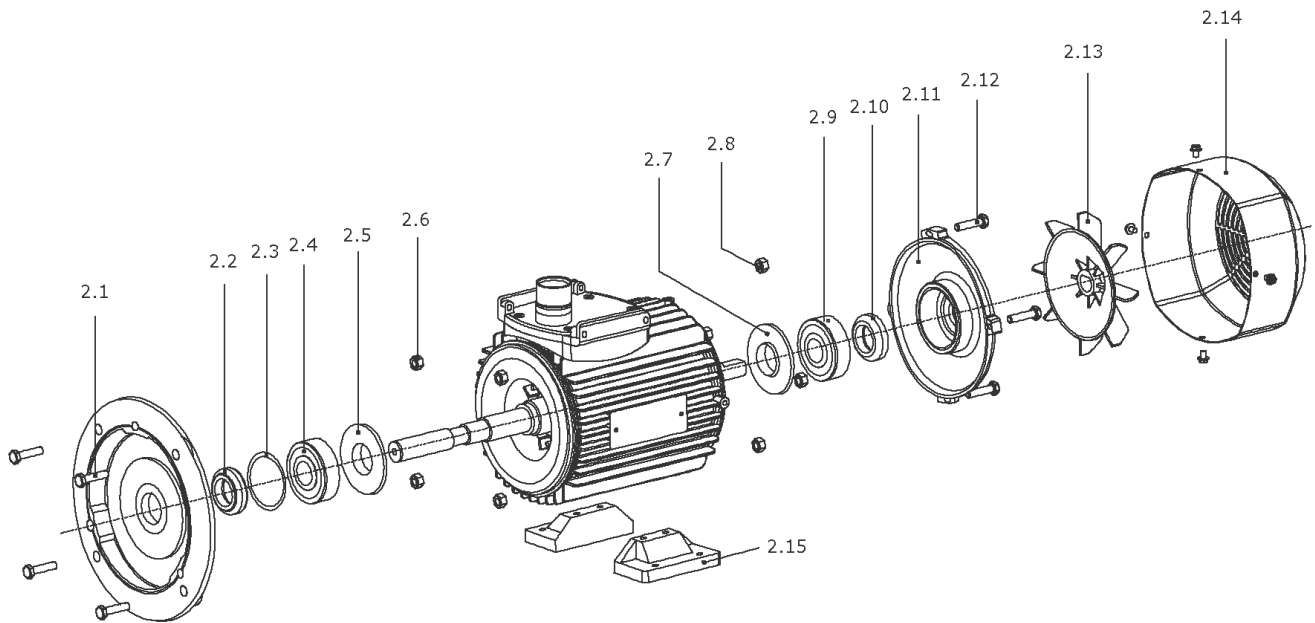
50 Hz	400/690V Δ/Y	60 Hz	460V Δ
7,5 kW	7A	7,5 kW	8,7A
cos φ 0,84	1455 / min	PF 0,82	1760 RPM

IE2 - 88,7% IE2 - 90,5%  
 IEC/EN 60034

**SPARE PARTS MOTOR B35 5,5/2/132/300E-IE2**

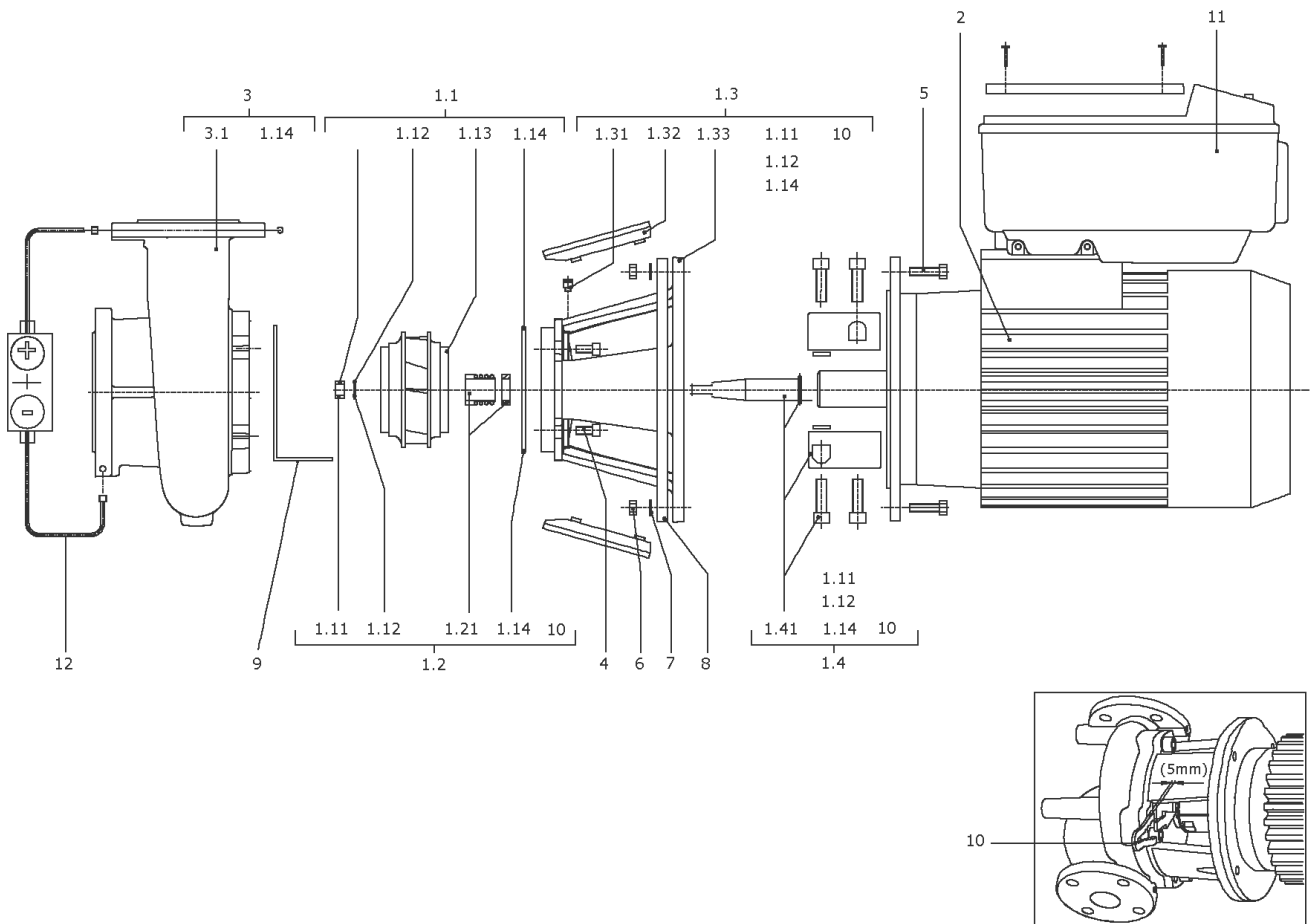


Item	Description	Quantity
3	MOTOR B35 5,5/2/132/300E SM IE2 WILO	1



**MOTOR B35 5,5/2/132/300E SM IE2 WILO**

Item	Article no.	Description	Quantity
2.1	2112830	SCREW M8X65 ISO4762 8.8 (4 PIECES)	1
Note: Please give the data from type plate of the motor			
2.2	2111403	V-RING V40-A SM.VP.	1
Note: Please give the data from type plate of the motor			
2.3	2112832	SPRING WASHER SN60098-56 6208 SM.VP.	1
Note: Please give the data from type plate of the motor			
2.4	2111405	BALL BEARING 6308/2ZJC3 SM.VP.	1
Note: Please give the data from type plate of the motor			
2.5	2111401	BEARING INSERT BG132 D.E.SM.VP.	1
Note: Please give the data from type plate of the motor			
2.6	2112834	NUT M8-8 DIN6923(4 PIECES)	1
Note: Please give the data from type plate of the motor			
2.7	2111409	BEARING INSERT BG132 N.D.E.SM.VP.	1
Note: Please give the data from type plate of the motor			
2.8	2112834	NUT M8-8 DIN6923(4 PIECES)	1
Note: Please give the data from type plate of the motor			
2.9	2111366	BALL BEARING 6208/2ZJC3 SM.VP.	1
Note: Please give the data from type plate of the motor			
2.10	2111403	V-RING V40-A SM.VP.	1
Note: Please give the data from type plate of the motor			
2.11	2111407	END SHIELD N.D.E.BG132 SM.VP.	1
Note: Please give the data from type plate of the motor			
2.12	2112836	SCREW M8X40 ISO4017 8.8 (4 PIECES)	1
Note: Please give the data from type plate of the motor			
2.13	2111413	FAN WHEEL 1PC3 BG132 D.150 SM.VP.	1
Note: Please give the data from type plate of the motor			
2.14	2111411	FAN COVER 1PC3 BG132/300 SM.VP.	1
Note: Please give the data from type plate of the motor			
2.15	2138774	MOTOR FOOT 1LE1 BG132 SM.KIT	1
Note: Please give the data from type plate of the motor			



**BL-E32/210-7,5/2-R1-IE2-X1 (2126114)**

Item	Article no.	Description	Quantity
1.1	2123461	IMPELLER D.40/209/24 KIT	1
1.11	2027187	> NUT M12 DIN-EN24032 A2 VP.	1
1.12	2027190	> WASHER A13 DIN125-T2 A2 VP.	1
1.13		> IMPELLER 40/209/24 GG BALANCED	1
1.14	2042864	> O-RING ID.224x3,55 7EP1197-W534 VP.	1
	2042862	> WASHER S12 V2A VP.	1
1.2	2026902	MECHANICAL SEAL MG12/24-G60 AQ1EGG KIT	1
1.11	2027187	> NUT M12 DIN-EN24032 A2 VP.	1
1.12	2027190	> WASHER A13 DIN125-T2 A2 VP.	1
1.14	2037527	> O-RING 148,82x3,53 EPDM 70SR.VP.	1
1.14	2043160	> O-Ring 177,39x3,53 ISO3601B EPDM VP.	1
1.14	2042864	> O-RING ID.224x3,55 7EP1197-W534 VP.	1
1.14	2051680	> O-RING ID.276,7x5,29 7EP1197-W534 VP.	1
	2042862	> WASHER S12 V2A VP.	1
1.21		> MECHANICAL SEAL MG12/24-G60 AQ1EGG	1
10	2027202	> TOOL D.18/24/32 VP.	1
1.3	2042712	LANTERN P270X72-F265 KTL KIT	1
1.11	2027187	> NUT M12 DIN-EN24032 A2 VP.	1
1.12	2027190	> WASHER A13 DIN125-T2 A2 VP.	1
1.14	2042864	> O-RING ID.224x3,55 7EP1197-W534 VP.	1
	2042862	> WASHER S12 V2A VP.	1
1.31	2027201	> BLOWGUN R1/8" VP.	1
1.32	2048845	> COUPLING GUARD P270-F265 PA66 (2 PIECES)	1
1.33		> LANTERN P270X72-F265 GG KTL WILO	1
10	2027202	> TOOL D.18/24/32 VP.	1
1.4	2043714	COUPLING/SHAFT D.24/38X140 KIT	1
1.11	2027187	> NUT M12 DIN-EN24032 A2 VP.	1
1.12	2027190	> WASHER A13 DIN125-T2 A2 VP.	1
1.14	2042864	> O-RING ID.224x3,55 7EP1197-W534 VP.	1
1.41		> COUPLING 24/38+SHAFT 24X140 BG132 ZN KIT	1
10	2027202	> TOOL D.18/24/32 VP.	1
2	2135931	MOTOR B35 7,5/2/132/300E-IE2-SM.(+TOOL)	1
		SPARE PARTS MOTOR B35 7,5/2/132/300E-IE2	1
3	2042759	PUMP HOUSING B32/230 PN16 KIT	1

**BL-E32/210-7,5/2-R1-IE2-X1 (2126114)**

Item	Article no.	Description	Quantity
1.14	2042864	> O-RING ID.224x3,55 7EP1197-W534 VP.	1
3.1		> PUMP HOUSING BL32/230 PN16 CPL.WILO	1
4	2027193	SCREW M16X30 ISO4762 8.8 (4 PIECES)	1
5	2027195	SCREW M12X25 DIN912 8.8 (4 PIECES)	1
11	2135951	MODULE BL-E32/210-7,5/2-IE2 SM.KIT	1
		> MODULE BL-E32/210-7,5/2 WILO	1
	2111344	> MODULE COVER/GASKET TL5 KIT	1
	2120047	> CABLE CONNECTION M12x1,5/5 cpl.TL5 VP.	1
	2120048	> CABLE CONNECTION M16x1,5/5 cpl.TL5 VP.	1
	2120049	> CABLE CONNECTION M20x1,5/6 cpl.TL5 VP.	1
	2120050	> CABLE CONNECTION M25x1,5/8 cpl.TL5 VP.	1



### Motor-Typenschild / Motor type plate / Plaque identité moteur

**Bei Ersatzteilbestellung Motorhersteller / Motordaten beachten!**  
**Consider motor manufacturers / motor data for order of spare parts!**  
**Pour les commandes de pièce détachée, indiquer le fabricant / les données du moteur!**

TEE

**TEE ELECTRIC MOTORS**  
 ARCELIK A.S. - TURKEY  
 2089004

CE IE2

3-Mot. **Q2E FS 60M2D90-F188** Icl F S1 Kg 13  
 N° 0001  
 04012011 IP 55 IM -

V Δ/A	Hz	min <sup>-1</sup>	kW	Cos φ	A	η
230 / 400	50	2885	1.1	0.83	4.2 / 2.4	IE2-79,6%
205 / 400	60	3480	1.27	0.83	4.0 / 2.3	

IEC 60034 VDE 0530  
 Load Efficiency  
 %80 79,1%  
 %75 79,1%

ATB

Motor-Nummer  
 motor number  
 numéro du moteur

**ATB IE2 CE**

3-Mot. AF 132S/2F - 11S + E 2 /0509 IE2-88,1%  
 S1 132S IMV1 224039411-1 522058X  
 IP 55 Th. Cl. 155(F) SCHWINGGROESSENSTUFE 8  
**KD\_NR.2064705**

kW	V	Hz	A	1/min	cos φ
7.5	Y/Δ690/400	50	7.9 / 13.7	2890	0.90
7.5	Δ460	60	11.8	3510	0.89

Made in Germany 50 kg EN 60034

SIEMENS

Motor-Nummer  
 motor number  
 numéro du moteur

**SIEMENS 3-MOT. 1 LA9133-4KA61-Z** CE

UC 1009/000001101

82.1kg IMB3 132M IP55 Th.CL.155(F) AMB 40°C

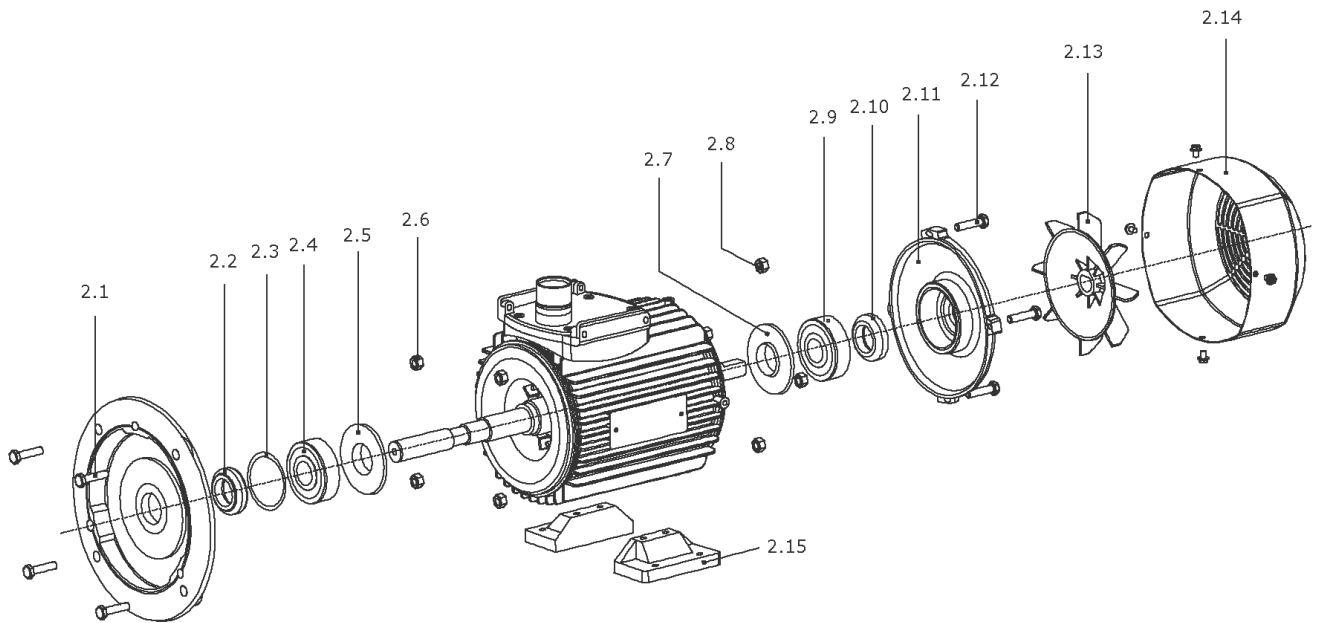
50 Hz	400/690V Δ/Y	7.5 kW	7A	1455 / min	cos φ 0.84
60 Hz	460V Δ	7.5 kW	8.7A	1760 RPM	PF 0.82

IE2 - 88,7%  
 IEC/EN 60034  
 IE2 - 90,5%

## SPARE PARTS MOTOR B35 7,5/2/132/300E-IE2

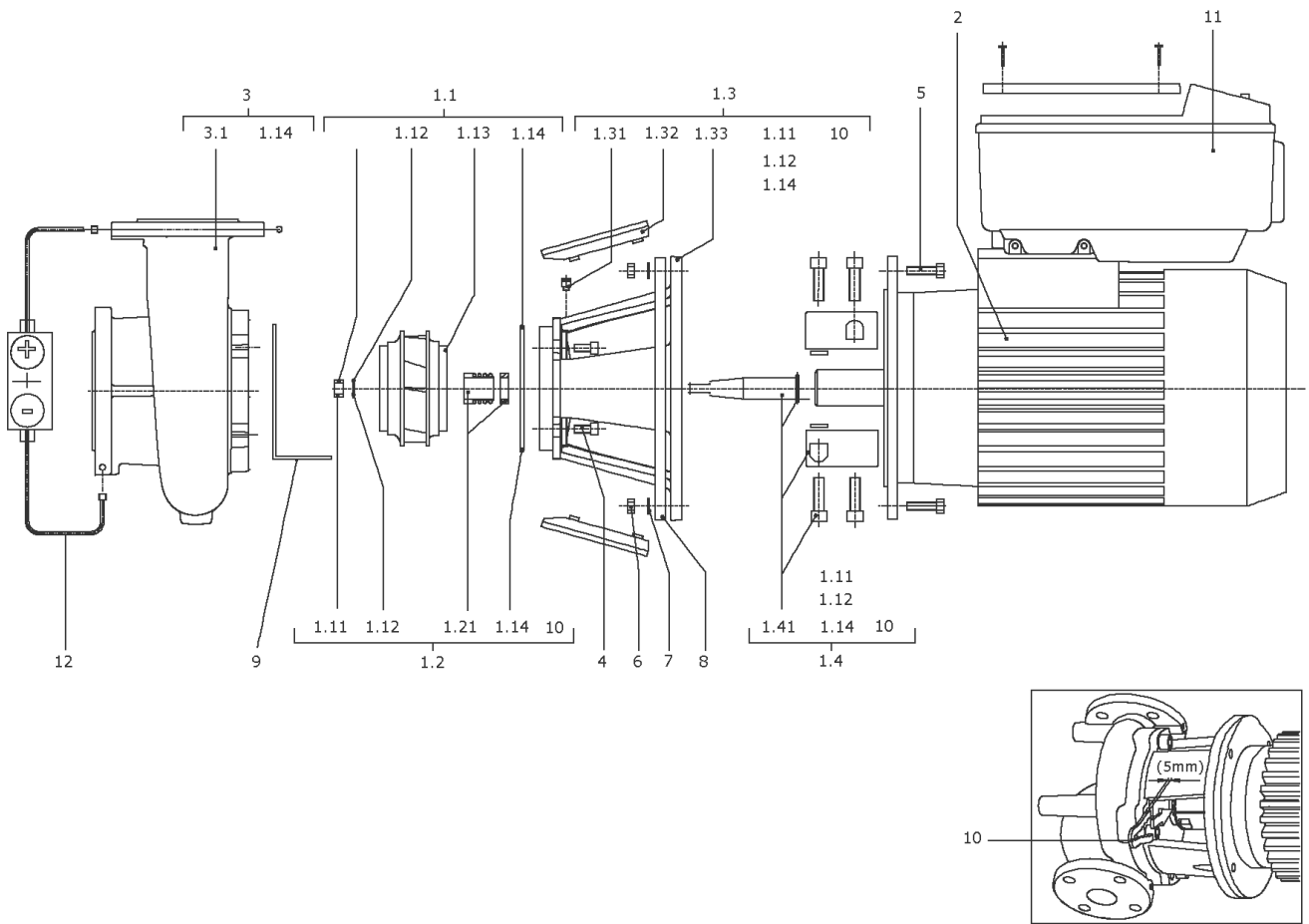


Item	Description	Quantity
3	MOTOR B35 7,5/2/132/300E SM IE2 WILO	1



**MOTOR B35 7,5/2/132/300E SM IE2 WILO**

Item	Article no.	Description	Quantity
2.1	2112830	SCREW M8X65 ISO4762 8.8 (4 PIECES)	1
Note: Please give the data from type plate of the motor			
2.2	2111403	V-RING V40-A SM.VP.	1
Note: Please give the data from type plate of the motor			
2.3	2112832	SPRING WASHER SN60098-56 6208 SM.VP.	1
Note: Please give the data from type plate of the motor			
2.4	2111405	BALL BEARING 6308/2ZJC3 SM.VP.	1
Note: Please give the data from type plate of the motor			
2.5	2111401	BEARING INSERT BG132 D.E.SM.VP.	1
Note: Please give the data from type plate of the motor			
2.6	2112834	NUT M8-8 DIN6923(4 PIECES)	1
Note: Please give the data from type plate of the motor			
2.7	2111409	BEARING INSERT BG132 N.D.E.SM.VP.	1
Note: Please give the data from type plate of the motor			
2.8	2112834	NUT M8-8 DIN6923(4 PIECES)	1
Note: Please give the data from type plate of the motor			
2.9	2111366	BALL BEARING 6208/2ZJC3 SM.VP.	1
Note: Please give the data from type plate of the motor			
2.10	2111403	V-RING V40-A SM.VP.	1
Note: Please give the data from type plate of the motor			
2.11	2111407	END SHIELD N.D.E.BG132 SM.VP.	1
Note: Please give the data from type plate of the motor			
2.12	2112836	SCREW M8X40 ISO4017 8.8 (4 PIECES)	1
Note: Please give the data from type plate of the motor			
2.13	2111413	FAN WHEEL 1PC3 BG132 D.150 SM.VP.	1
Note: Please give the data from type plate of the motor			
2.14	2111411	FAN COVER 1PC3 BG132/300 SM.VP.	1
Note: Please give the data from type plate of the motor			
2.15	2138774	MOTOR FOOT 1LE1 BG132 SM.KIT	1
Note: Please give the data from type plate of the motor			



**BL-E32/220-11/2-R1-IE2-X1 (2126115)**

Item	Article no.	Description	Quantity
1.1	2123460	IMPELLER D.40/222/24 KIT	1
1.11	2027187	> NUT M12 DIN-EN24032 A2 VP.	1
1.12	2027190	> WASHER A13 DIN125-T2 A2 VP.	1
1.13		> IMPELLER 40/222/24 GG BALANCED	1
1.14	2042864	> O-RING ID.224x3,55 7EP1197-W534 VP.	1
	2042862	> WASHER S12 V2A VP.	1
1.2	2026902	MECHANICAL SEAL MG12/24-G60 AQ1EGG KIT	1
1.11	2027187	> NUT M12 DIN-EN24032 A2 VP.	1
1.12	2027190	> WASHER A13 DIN125-T2 A2 VP.	1
1.14	2037527	> O-RING 148,82x3,53 EPDM 70SR.VP.	1
1.14	2043160	> O-Ring 177,39x3,53 ISO3601B EPDM VP.	1
1.14	2042864	> O-RING ID.224x3,55 7EP1197-W534 VP.	1
1.14	2051680	> O-RING ID.276,7x5,29 7EP1197-W534 VP.	1
	2042862	> WASHER S12 V2A VP.	1
1.21		> MECHANICAL SEAL MG12/24-G60 AQ1EGG	1
10	2027202	> TOOL D.18/24/32 VP.	1
1.3	2042713	LANTERN P270X72-F300 KTL KIT	1
1.11	2027187	> NUT M12 DIN-EN24032 A2 VP.	1
1.12	2027190	> WASHER A13 DIN125-T2 A2 VP.	1
1.14	2042864	> O-RING ID.224x3,55 7EP1197-W534 VP.	1
	2042862	> WASHER S12 V2A VP.	1
1.31	2027201	> BLOWGUN R1/8" VP.	1
1.32	2048843	> COUPLING GUARD P270-F300/350 (2 PIECES)	1
1.33		> Lantern P270X72-F300 GG KTL WILO	1
10	2027202	> TOOL D.18/24/32 VP.	1
1.4	2040988	COUPLING/SHAFT D.24/42X150 KIT	1
1.11	2027187	> NUT M12 DIN-EN24032 A2 VP.	1
1.12	2027190	> WASHER A13 DIN125-T2 A2 VP.	1
1.14	2042864	> O-RING ID.224x3,55 7EP1197-W534 VP.	1
1.41		> COUPLING 24/42+SHAFT 24X150 BG160 ZN KIT	1
10	2027202	> TOOL D.18/24/32 VP.	1
2	2135932	MOTOR B35 11/2/160/350E-IE2-TEE(+TOOL)	1
		SPARE PARTS MOTOR B35 11/2/160/350E-IE2	1
3	2042759	PUMP HOUSING B32/230 PN16 KIT	1

**BL-E32/220-11/2-R1-IE2-X1 (2126115)**

Item	Article no.	Description	Quantity
1.14	2042864	> O-RING ID.224x3,55 7EP1197-W534 VP.	1
3.1		> PUMP HOUSING BL32/230 PN16 CPL.WILO	1
4	2027193	SCREW M16X30 ISO4762 8.8 (4 PIECES)	1
5	2046467	Screw M16X35 ISO4017 8.8 (4 PIECES)	1
7	2029336	WASHER A17 DIN125 ST (4 PIECES)	1
11	2135952	MODULE BL-E32/220-11/2-IE2 TEE KIT	1
	2132102	> FAN SMALL TL6/7 FF KIT	1
		>> TL6/7FF module fan sm.cpl.	1
	2132096	>> FAN GRILL TL6/7 FF VP.	1
	2132097	> CABLE CONNECTION M12 TL6/7 FF VP.	1
	2132098	> CABLE CONNECTION M16 TL6/7 FF VP.	1
	2132099	> CABLE CONNECTION M20 TL6/7 FF VP.	1
	2132100	> CABLE CONNECTION SMALL M40 TL6/7 FF VP.	1
	2132104	> COVER SIDE TL6/7 FF CPL.VP.	1
	2132452	> MODULE COVER/BUTTON TL6/7 FF VP.	1

**Motor-Typenschild / Motor type plate / Plaque identité moteur**

**Bei Ersatzteilbestellung Motorhersteller / Motordaten beachten!**  
**Consider motor manufacturers / motor data for order of spare parts!**  
**Pour les commandes de pièce détachée, indiquer le fabricant / les données du moteur!**

TEE

**TEE ELECTRIC MOTORS**  
ARCELIK A.S. - TURKEY  
2089004

CE IE2

3-Mot. **Q2E FS 60M2D90-F188** Icl F S1 Kg 13  
 N° 0001  
 04012011 IP 55 IM -

V Δ/A	Hz	min <sup>-1</sup>	kW	Cos φ	A	η
230 / 400	50	2885	1.1	0.83	4.2 / 2.4	IE2-79,6%
230 / 400	60	3480	1.27	0.83	4.0 / 2.3	

IEC 60034  
VDE 0530

Load Efficiency  
%80 79,1%  
%75 79,1%

ATB

Motor-Nummer  
motor number  
numéro du moteur

**ATB IE2 CE**

3-Mot. AF 132S/2F - 11S + E 2 /0509 IE2-88,1%  
 S1 132S IMV1 224039411-1 522058X  
 IP 55 Th. Cl. 155(F) SCHWINGGROESSENSTUFE 8  
**KD\_NR.2064705**

kW	V	Hz	A	1/min	cos φ
7,5	Y/Δ690/400	50	7,9 / 13,7	2890	0,90
7,5	Δ460	60	11,8	3510	0,89

Made in Germany 50 kg EN 60034

SIEMENS

Motor-Nummer  
motor number  
numéro du moteur

**SIEMENS 3-MOT. 1 LA9133-4KA61-Z** CE

UC 1009/000001101

82,1kg IMB3 132M IP55 Th.CL.155(F) AMB 40°C

50 Hz	400/690V Δ/Y	7,5 kW	7A	1455 / min	cos φ 0,84
60 Hz	460V Δ	7,5 kW	8,7A	1760 RPM	PF 0,82

IE2 - 88,7%  
IE2 - 90,5%

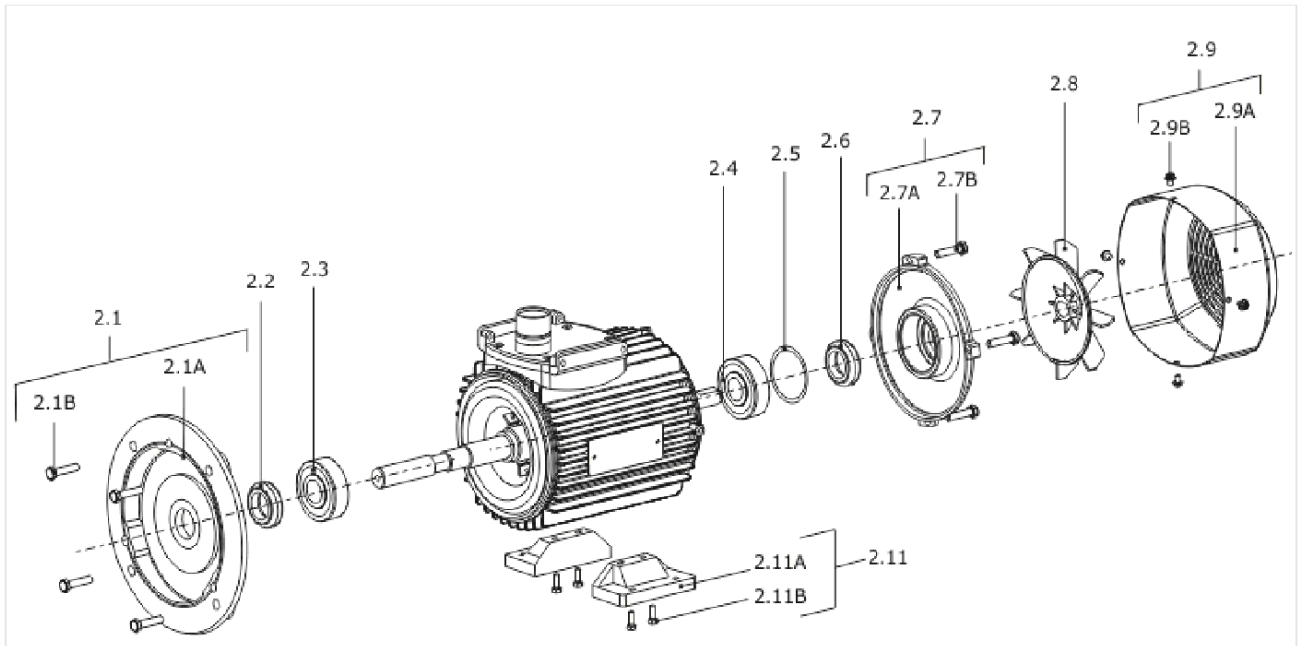
IEC/EN 60034



**SPARE PARTS MOTOR B35 11/2/160/350E-IE2**

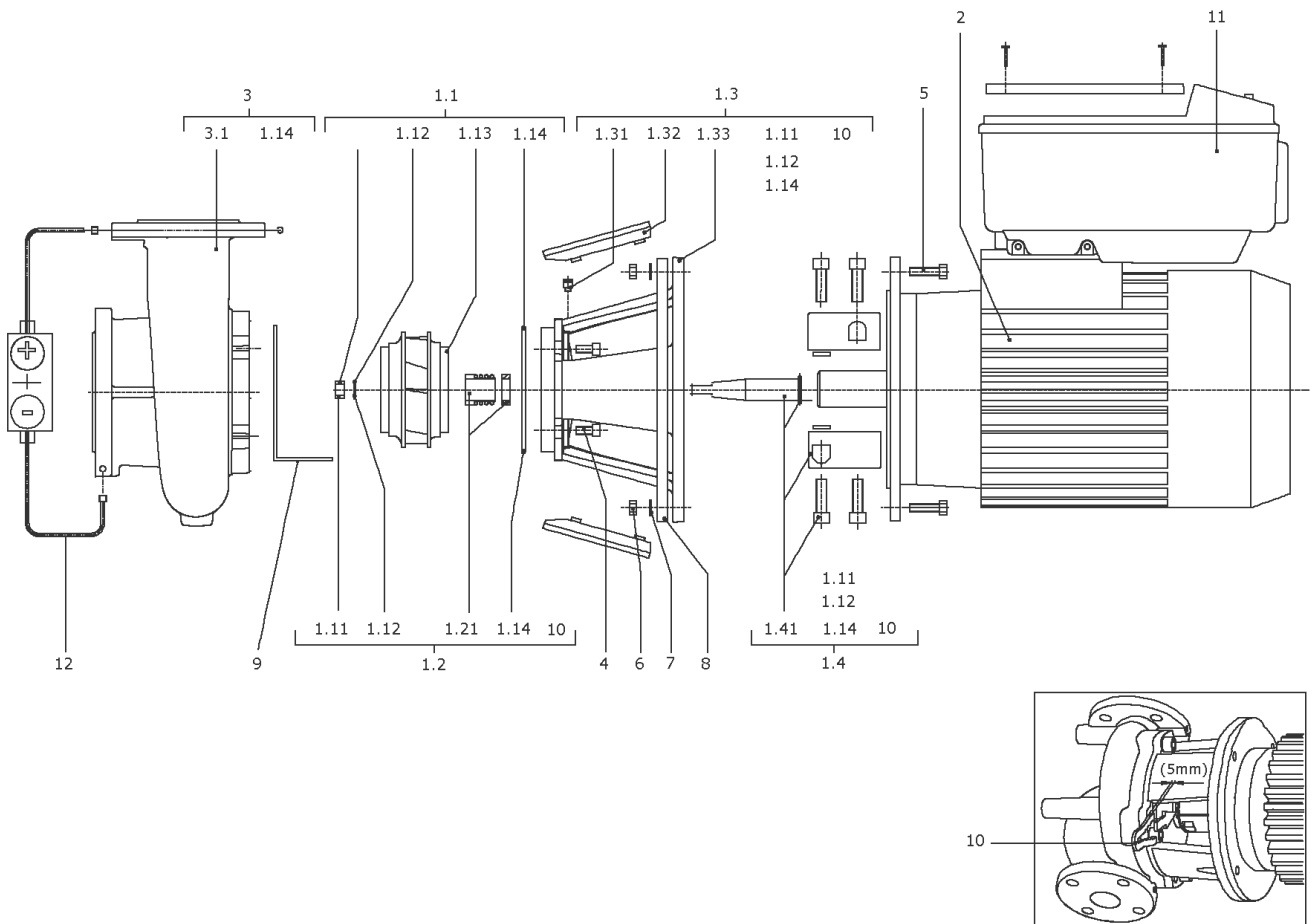


Item	Description	Quantity
1	MOTOR B35 11/2/160/350E TEE IE2 WILO	1



**MOTOR B35 11/2/160/350E TEE IE2 WILO**

Item	Article no.	Description	Quantity
2.1	2120052	END SHIELD BG160 D.E.TEE KIT	1
Note: Please give the data from type plate of the motor			
2.1A		> END SHIELD BG160 642400806 D.E.TEE	1
2.1B	2125338	> SCREW F.END SHIELD BG160 TEE(8 PIECES)	1
Note: Please give the data from type plate of the motor			
2.2	2096382	JOINT RING 45X72X10 TEE VP.	1
Note: Please give the data from type plate of the motor			
2.3	121084396	BALL BEARING 6309/2Z-C3 (HT) VP.	1
Note: Please give the data from type plate of the motor			
2.4	122065996	BALL BEARING 6209/2Z-C3 (HT) VP.	1
Note: Please give the data from type plate of the motor			
2.5	2125362	SPACER DISK BG160 TEE VP.	1
Note: Please give the data from type plate of the motor			
2.6	2096382	JOINT RING 45X72X10 TEE VP.	1
Note: Please give the data from type plate of the motor			
2.7	2125387	END SHIELD BG160 N.D.E.TEE KIT	1
Note: Please give the data from type plate of the motor			
2.7A		> END SHIELD BG160 643232001 N.D.E.TEE	1
2.7B	2125338	> SCREW F.END SHIELD BG160 TEE(8 PIECES)	1
Note: Please give the data from type plate of the motor			
2.8	2042825	FAN WHEEL BG132-225 TEE VP.	1
Note: Please give the data from type plate of the motor			
2.9	2125348	FAN COVER BG160 TEE KIT	1
Note: Please give the data from type plate of the motor			
2.9A		> FAN COVER BG160 644307201 TEE	1
2.9B	2116839	> SCREW BG90-112 TEE (4 PIECE)	1
Note: Please give the data from type plate of the motor			
2.11	2123904	MOTOR FOOT BG160 TEE KIT	1
Note: Please give the data from type plate of the motor			
2.11A		> MOTOR FOOT BG160 LEFT 643409001 TEE	1
2.11A		> MOTOR FOOT BG160 RIGHT 643408901 TEE	1
2.11B	2125331	> SCREW BG132/160 TEE (2 PIECES)	1
Note: Please give the data from type plate of the motor			



**BL-E40/110-1,5/2-R1-IE2 (2126116)**

Item	Article no.	Description	Quantity
1.1	2123473	IMPELLER D.50/103/18 KIT	1
1.11	2027186	> NUT M10 DIN934 A2	1
1.12	2027189	> TENSIONING DISC DIN6796-10 V2A	1
1.13		> IMPELLER 50/103/18 GG BALANCED	1
1.14	2037527	> O-RING 148,82x3,53 EPDM 70SR.VP.	1
1.2	2026901	MECHANICAL SEAL MG12/18-G60 AQ1EGG KIT	1
1.11	2027186	> NUT M10 DIN934 A2	1
1.12	2027189	> TENSIONING DISC DIN6796-10 V2A	1
1.14	2037527	> O-RING 148,82x3,53 EPDM 70SR.VP.	1
1.14	2043160	> O-Ring 177,39x3,53 ISO3601B EPDM VP.	1
1.14	2042864	> O-RING ID.224x3,55 7EP1197-W534 VP.	1
1.21		> MECHANICAL SEAL MG12/18-G60 AQ1EGG	1
10	2027202	> TOOL D.18/24/32 VP.	1
1.3	2037200	LANTERN P190X85,2-F165 KIT	1
1.11	2027186	> NUT M10 DIN934 A2	1
1.12	2027189	> TENSIONING DISC DIN6796-10 V2A	1
1.14	2037527	> O-RING 148,82x3,53 EPDM 70SR.VP.	1
1.31	2027201	> BLOWGUN R1/8" VP.	1
1.32	2048839	> COUPLING GUARD F130-165 PA66 (2 PIECES)	1
1.33		> Lantern P190X85,2-F165 GG KTL WILO	1
10	2027202	> TOOL D.18/24/32 VP.	1
1.4	2042722	COUPLING/SHAFT D.18/24X127 KIT	1
1.11	2027186	> NUT M10 DIN934 A2	1
1.12	2027189	> TENSIONING DISC DIN6796-10 V2A	1
1.14	2037527	> O-RING 148,82x3,53 EPDM 70SR.VP.	1
1.14	2042864	> O-RING ID.224x3,55 7EP1197-W534 VP.	1
1.41		> COUPLING 18/24+SHAFT 18X127 BG90 ZN KIT	1
10	2027202	> TOOL D.18/24/32 VP.	1
2	2135933	MOTOR V1 1,5/2/90/200E-IE2-ATB(+TOOL)	1
		SPARE PARTS MOTOR V1 1,5/2/90/200E-IE2	1
3	2037172	PUMP HOUSING B40/145 PN16 KIT	1
1.14	2037527	> O-RING 148,82x3,53 EPDM 70SR.VP.	1
3.1		> PUMP HOUSING BL40/145 PN16 CPL.WILO	1
4	2027194	SCREW M16X30/X40 DIN912 8.8 (4 PIECES)	1

**BL-E40/110-1,5/2-R1-IE2 (2126116)**

Item	Article no.	Description	Quantity
5	2037242	SCREW M10X25 ISO4762 8.8 (4 PIECES)	1
7	2029336	WASHER A17 DIN125 ST (4 PIECES)	1
9	2037241	MOTOR FOOT BG71-112/P190	1
11	2135953	MODULE BL-E40/110-1,5/2-IE2 ATB KIT	1
		> MODULE BL-E40/110-1,5/2 WILO	1
	2054227	> MODULE COVER/GASKET TL3/4 KIT	1
		> SCREW M5X16 ISO4762 8.8 ZnNi	1
		> WASHER TOOTHED LOCK A5,3 DIN6797 FST ZN	1
	2061236	> O-RING ID.38X3 EPDM 70SR.A BUS.	1

### Motor-Typenschild / Motor type plate / Plaque identité moteur

**Bei Ersatzteilbestellung Motorhersteller / Motordaten beachten!**  
**Consider motor manufacturers / motor data for order of spare parts!**  
**Pour les commandes de pièce détachée, indiquer le fabricant / les données du moteur!**

TEE

**TEE ELECTRIC MOTORS**  
ARCELIK A.S. - TURKEY  
2089004

CE IE2

3-Mot. **Q2E FS 60M2D90-F188** Icl F S1 Kg **13**  
 N° 0001  
 04012011 IP **55** IM -

IEC 60034 VDE 0530

V Δ/A	Hz	min <sup>-1</sup>	kW	Cos φ	A	η
230 / 400	50	2885	1.1	0.83	4.2 / 2.4	IE2-79,6%
205 / 400	60	3480	1.27	0.83	4.0 / 2.3	

Load Efficiency  
 %80 79,1%  
 %75 79,1%

ATB

Motor-Nummer  
motor number  
numéro du moteur

**ATB IE2 CE**

3-Mot. AF 132S/2F - 11S + E 2 /0509 IE2-88,1%  
 S1 132S IMV1 224039411-1 522058X  
 IP 55 Th. Cl. 155(F) SCHWINGGROESSENSTUFE 8  
**KD\_NR.2064705**

kW	V	Hz	A	1/min	cos φ
7,5	Y/Δ690/400	50	7,9 / 13,7	2890	0,90
7,5	Δ460	60	11,8	3510	0,89

Made in Germany 50 kg EN 60034

SIEMENS

Motor-Nummer  
motor number  
numéro du moteur

**SIEMENS 3-MOT. 1 LA9133-4KA61-Z** CE

UC 1009/000001101

82,1kg IMB3 132M IP55 Th.CL.155(F) AMB 40°C

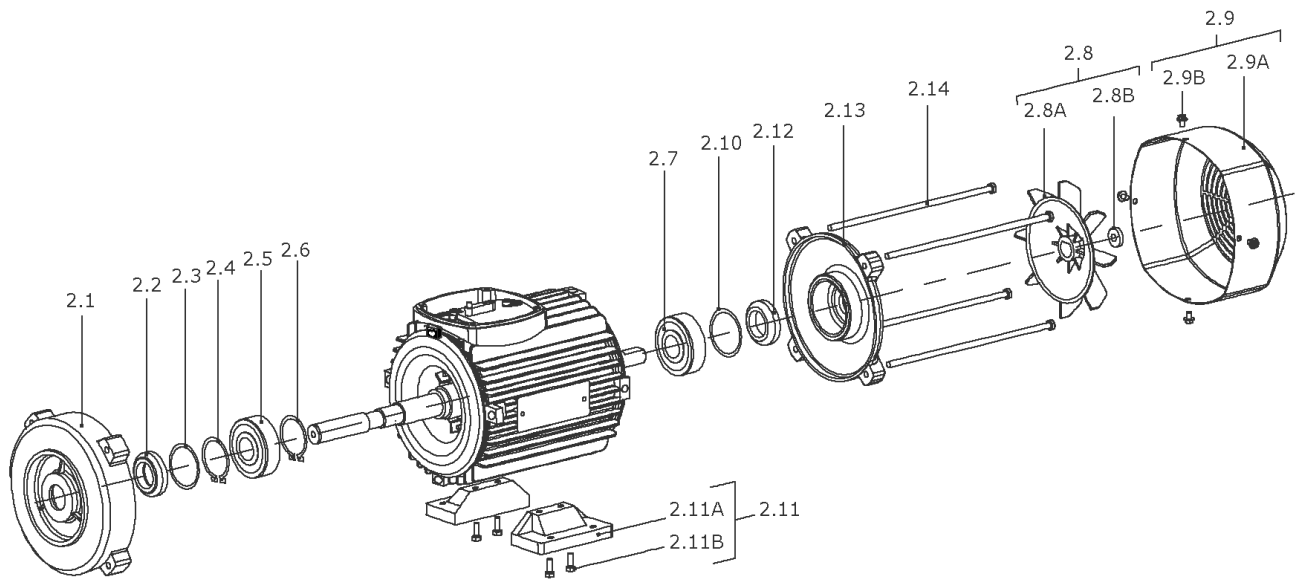
50 Hz	400/690V Δ/Y	80 Hz	460V Δ
7,5 kW	7A	7,5 kW	8,7A
cos φ 0,84	1455 / min	PF 0,82	1760 RPM

IE2 - 88,7% IE2 - 90,5%  
 IEC/EN 60034

**SPARE PARTS MOTOR V1 1,5/2/90/200E-IE2**

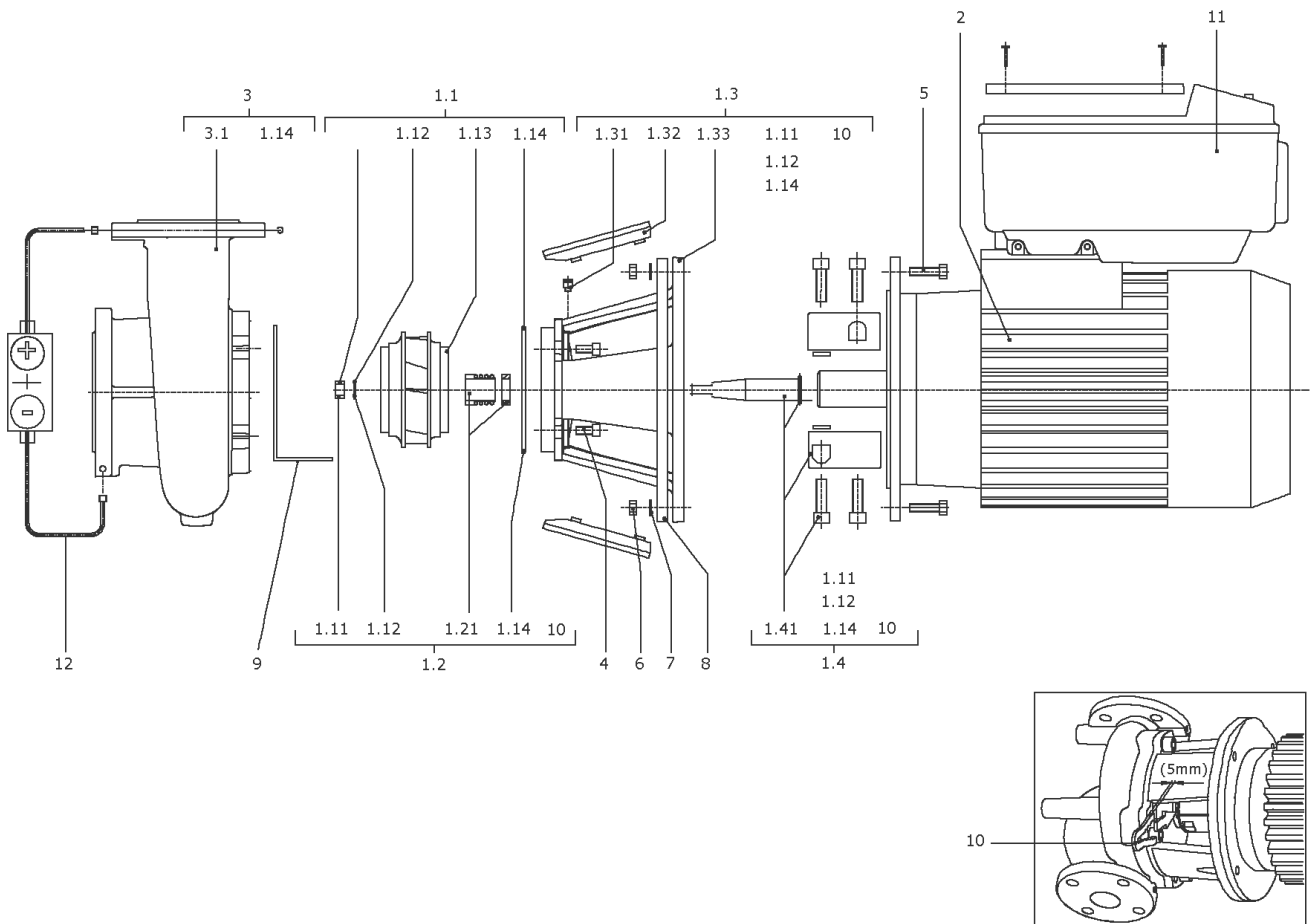
<b>Item</b>	<b>Description</b>	<b>Quantity</b>
2	MOTOR V1 1,5/2/90/200E ATB IE2 S9	1





**MOTOR V1 1,5/2/90/200E ATB IE2 S9**

Item	Article no.	Description	Quantity
2.1	2123972	END SHIELD BG90 ATB D.E.VP.	1
Note: Please give the data from type plate of the motor			
2.2	2138735	SHAFT SEAL RING BG90 D.E.ATB VP.	1
Note: Please give the data from type plate of the motor			
2.3	2112922	CIRCLIP 25X1,2 DIN471 ATB VP.	1
Note: Please give the data from type plate of the motor			
2.3	2112677	CIRCLIP 52X2 J ATB VP.	1
Note: Please give the data from type plate of the motor			
2.4	121083998	BALL BEARING 6205/2Z-C3 (HT) VP.	1
Note: Please give the data from type plate of the motor			
2.5	121083998	BALL BEARING 6205/2Z-C3 (HT) VP.	1
Note: Please give the data from type plate of the motor			
2.6	2096256	SHIM BALL BEARING BG90/100 ATB VP.	1
Note: Please give the data from type plate of the motor			
2.7	2096246	END SHIELD BG90 N.D.E.ATB VP.	1
Note: Please give the data from type plate of the motor			
2.8	121479094	FAN WHEEL BG90/100 ATB KIT	1
Note: Please give the data from type plate of the motor			
2.8A		> FAN WHEEL BG90/100 721383 ATB	1
2.8B	2047016	> CORRUGATED SLEEVE RING BG90/100 ATB VP.	1
Note: Please give the data from type plate of the motor			
2.9	2138747	FAN COVER BG90 ATB KIT	1
Note: Please give the data from type plate of the motor			
2.9A		> FAN COVER BG90 569176 ATB	1
2.9B		> SCREW FAN HOOD BG90 210242 ATB	1
2.10	2112674	SCREW END SHIELD M5X190 ATB(4 PIECES)	1
Note: Please give the data from type plate of the motor			



**BL-E40/120-2,2/2-R1-IE2 (2126117)**

Item	Article no.	Description	Quantity
1.1	2123472	IMPELLER D.50/113/18 KIT	1
1.11	2027186	> NUT M10 DIN934 A2	1
1.12	2027189	> TENSIONING DISC DIN6796-10 V2A	1
1.13		> IMPELLER 50/113/18 GG BALANCED	1
1.14	2037527	> O-RING 148,82x3,53 EPDM 70SR.VP.	1
1.2	2026901	MECHANICAL SEAL MG12/18-G60 AQ1EGG KIT	1
1.11	2027186	> NUT M10 DIN934 A2	1
1.12	2027189	> TENSIONING DISC DIN6796-10 V2A	1
1.14	2037527	> O-RING 148,82x3,53 EPDM 70SR.VP.	1
1.14	2043160	> O-Ring 177,39x3,53 ISO3601B EPDM VP.	1
1.14	2042864	> O-RING ID.224x3,55 7EP1197-W534 VP.	1
1.21		> MECHANICAL SEAL MG12/18-G60 AQ1EGG	1
10	2027202	> TOOL D.18/24/32 VP.	1
1.3	2037200	LANTERN P190X85,2-F165 KIT	1
1.11	2027186	> NUT M10 DIN934 A2	1
1.12	2027189	> TENSIONING DISC DIN6796-10 V2A	1
1.14	2037527	> O-RING 148,82x3,53 EPDM 70SR.VP.	1
1.31	2027201	> BLOWGUN R1/8" VP.	1
1.32	2048839	> COUPLING GUARD F130-165 PA66 (2 PIECES)	1
1.33		> Lantern P190X85,2-F165 GG KTL WILO	1
10	2027202	> TOOL D.18/24/32 VP.	1
1.4	2042722	COUPLING/SHAFT D.18/24X127 KIT	1
1.11	2027186	> NUT M10 DIN934 A2	1
1.12	2027189	> TENSIONING DISC DIN6796-10 V2A	1
1.14	2037527	> O-RING 148,82x3,53 EPDM 70SR.VP.	1
1.14	2042864	> O-RING ID.224x3,55 7EP1197-W534 VP.	1
1.41		> COUPLING 18/24+SHAFT 18X127 BG90 ZN KIT	1
10	2027202	> TOOL D.18/24/32 VP.	1
2	2135927	MOTOR V1 2,2/2/90/200E-IE2-ATB(+TOOL)	1
		SPARE PARTS MOTOR V1 2,2/2/90/200E-IE2	1
3	2037172	PUMP HOUSING B40/145 PN16 KIT	1
1.14	2037527	> O-RING 148,82x3,53 EPDM 70SR.VP.	1
3.1		> PUMP HOUSING BL40/145 PN16 CPL.WILO	1
4	2027194	SCREW M16X30/X40 DIN912 8.8 (4 PIECES)	1

**BL-E40/120-2,2/2-R1-IE2 (2126117)**

Item	Article no.	Description	Quantity
5	2037242	SCREW M10X25 ISO4762 8.8 (4 PIECES)	1
7	2029336	WASHER A17 DIN125 ST (4 PIECES)	1
9	2037241	MOTOR FOOT BG71-112/P190	1
11	2135954	MODULE BL-E40/120-2,2/2-IE2 ATB KIT	1
		> MODULE BL-E40/120-2,2/2 WILO	1
	2054227	> MODULE COVER/GASKET TL3/4 KIT	1
		> SCREW M5X16 ISO4762 8.8 ZnNi	1
		> WASHER TOOTHED LOCK A5,3 DIN6797 FST ZN	1
	2061236	> O-RING ID.38X3 EPDM 70SR.A BUS.	1

### Motor-Typenschild / Motor type plate / Plaque identité moteur

**Bei Ersatzteilbestellung Motorhersteller / Motordaten beachten!**  
**Consider motor manufacturers / motor data for order of spare parts!**  
**Pour les commandes de pièce détachée, indiquer le fabricant / les données du moteur!**

TEE

**TEE ELECTRIC MOTORS**  
ARCELIK A.S. - TURKEY  
2089004

CE IE2

3-Mot. **Q2E FS 60M2D90-F188** Icl F S1 Kg **13**  
 N° 0001  
 04012011 IP **55** IM -

IEC 60034 VDE 0530

V Δ/A	Hz	min <sup>-1</sup>	kW	Cos φ	A	η
230 / 400	50	2885	1.1	0.85	4.2 / 2.4	IE2-79,6%
205 / 480	60	3480	1.27	0.83	4.0 / 2.3	

Load Efficiency  
 %80 79,1%  
 %75 79,1%

ATB

Motor-Nummer  
motor number  
numéro du moteur

**ATB IE2 CE**

3-Mot. AF 132S/2F - 11S + E 2 /0509 IE2-88,1%  
 S1 132S IMV1 224039411-1 522058X  
 IP 55 Th. Cl. 155(F) SCHWINGGROESSENSTUFE 8  
**KD\_NR.2064705**

kW	V	Hz	A	1/min	cos φ
7.5	Y/Δ690/400	50	7.9 / 13.7	2890	0.90
7.5	Δ460	60	11.8	3510	0.89

Made in Germany 50 kg EN 60034

SIEMENS

Motor-Nummer  
motor number  
numéro du moteur

**SIEMENS 3-MOT. 1 LA9133-4KA61-Z** CE

UC 1009/000001101

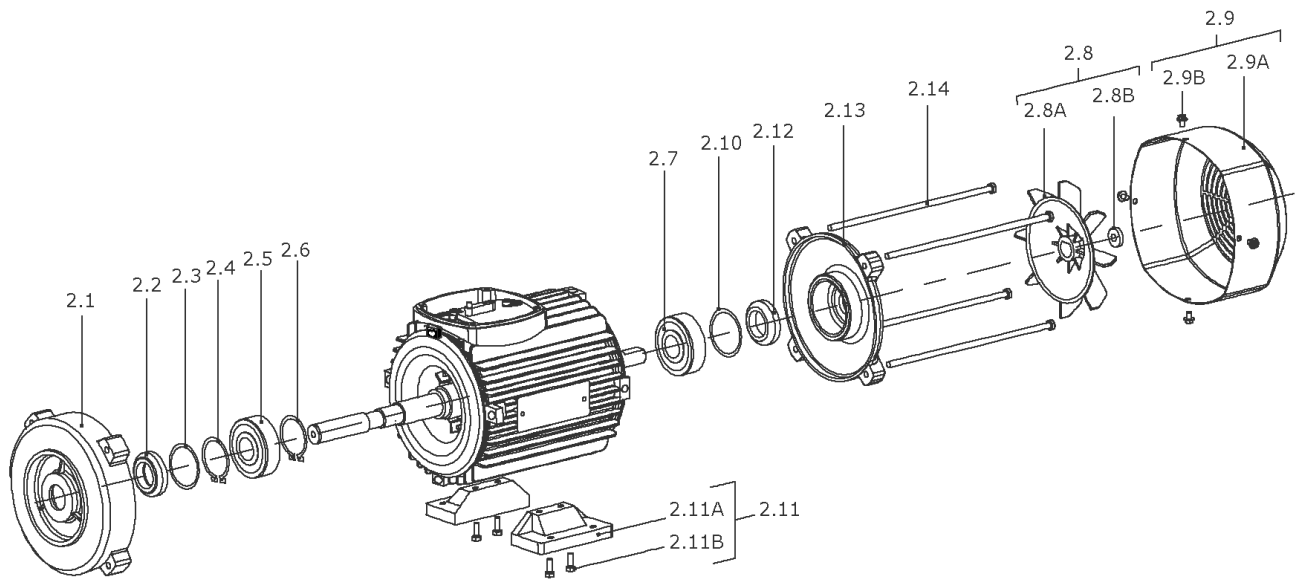
82.1kg IMB3 132M IP55 Th.CL.155(F) AMB 40°C

50 Hz	400/690V Δ/Y	80 Hz	480V Δ
7,5 kW	7A	7,5 kW	8,7A
cos φ 0,84	1455 / min	PF 0,82	1760 RPM

IE2 - 88,7% IE2 - 90,5%  
 IEC/EN 60034

**SPARE PARTS MOTOR V1 2,2/2/90/200E-IE2**

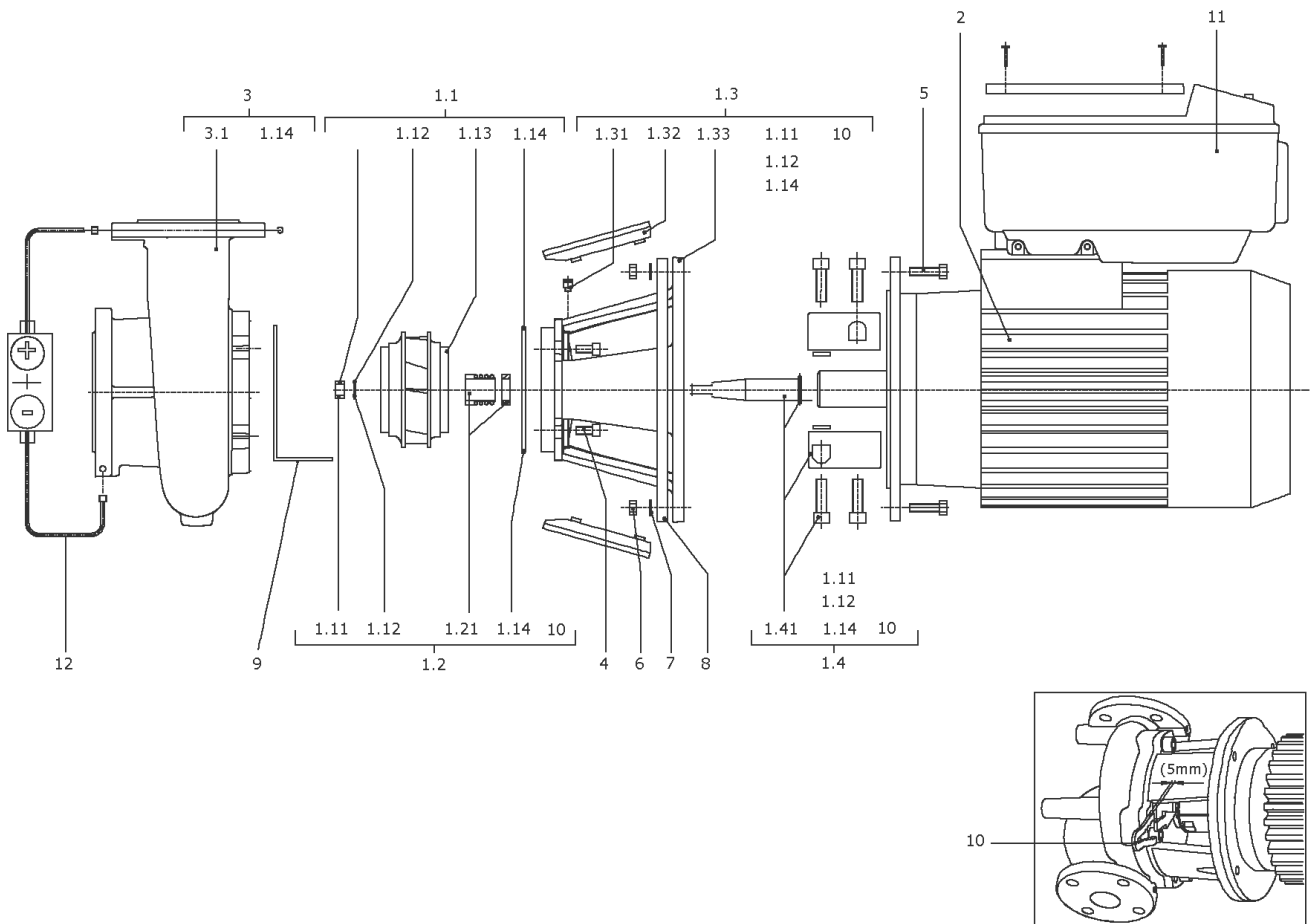
<b>Item</b>	<b>Description</b>	<b>Quantity</b>
2	MOTOR V1 2,2/2/90/200E ATB IE2 S9	1





**MOTOR V1 2,2/2/90/200E ATB IE2 S9**

Item	Article no.	Description	Quantity
2.1	2123972	END SHIELD BG90 ATB D.E.VP.	1
Note: Please give the data from type plate of the motor			
2.2	2138735	SHAFT SEAL RING BG90 D.E.ATB VP.	1
Note: Please give the data from type plate of the motor			
2.3	2112922	CIRCLIP 25X1,2 DIN471 ATB VP.	1
Note: Please give the data from type plate of the motor			
2.3	2112677	CIRCLIP 52X2 J ATB VP.	1
Note: Please give the data from type plate of the motor			
2.4	121083998	BALL BEARING 6205/2Z-C3 (HT) VP.	1
Note: Please give the data from type plate of the motor			
2.5	121083998	BALL BEARING 6205/2Z-C3 (HT) VP.	1
Note: Please give the data from type plate of the motor			
2.6	2096256	SHIM BALL BEARING BG90/100 ATB VP.	1
Note: Please give the data from type plate of the motor			
2.7	2096246	END SHIELD BG90 N.D.E.ATB VP.	1
Note: Please give the data from type plate of the motor			
2.8	121479094	FAN WHEEL BG90/100 ATB KIT	1
Note: Please give the data from type plate of the motor			
2.8A		> FAN WHEEL BG90/100 721383 ATB	1
2.8B	2047016	> CORRUGATED SLEEVE RING BG90/100 ATB VP.	1
Note: Please give the data from type plate of the motor			
2.9	2138748	FAN COVER BG90 ATB KIT	1
Note: Please give the data from type plate of the motor			
2.9A		> FAN COVER BG90 569178 ATB	1
2.9B		> SCREW FAN HOOD BG90 210242 ATB	1
2.10	2112674	SCREW END SHIELD M5X190 ATB(4 PIECES)	1
Note: Please give the data from type plate of the motor			



**BL-E40/130-3/2-R1-IE2 (2126118)**

Item	Article no.	Description	Quantity
1.1	2123470	IMPELLER D.50/125/18 KIT	1
1.11	2027186	> NUT M10 DIN934 A2	1
1.12	2027189	> TENSIONING DISC DIN6796-10 V2A	1
1.13		> IMPELLER 50/125/18 GG BALANCED	1
1.14	2037527	> O-RING 148,82x3,53 EPDM 70SR.VP.	1
1.2	2026901	MECHANICAL SEAL MG12/18-G60 AQ1EGG KIT	1
1.11	2027186	> NUT M10 DIN934 A2	1
1.12	2027189	> TENSIONING DISC DIN6796-10 V2A	1
1.14	2037527	> O-RING 148,82x3,53 EPDM 70SR.VP.	1
1.14	2043160	> O-Ring 177,39x3,53 ISO3601B EPDM VP.	1
1.14	2042864	> O-RING ID.224x3,55 7EP1197-W534 VP.	1
1.21		> MECHANICAL SEAL MG12/18-G60 AQ1EGG	1
10	2027202	> TOOL D.18/24/32 VP.	1
1.3	2037206	LANTERN P190X85,2-F215 KIT	1
1.11	2027186	> NUT M10 DIN934 A2	1
1.12	2027189	> TENSIONING DISC DIN6796-10 V2A	1
1.14	2037527	> O-RING 148,82x3,53 EPDM 70SR.VP.	1
1.31	2027201	> BLOWGUN R1/8" VP.	1
1.32	2048842	> COUPLING GUARD F215 PA66 (2 PIECES)	1
1.33		> Lantern P190X85,2-F215 GG KTL WILO	1
10	2027202	> TOOL D.18/24/32 VP.	1
1.4	2027235	COUPLING/SHAFT 18/28x133 KIT	1
1.11	2027186	> NUT M10 DIN934 A2	1
1.12	2027189	> TENSIONING DISC DIN6796-10 V2A	1
1.14	2037527	> O-RING 148,82x3,53 EPDM 70SR.VP.	1
1.41		> COUPLING 18/28+SHAFT 18X133 GR112 ZN KIT	1
10	2027202	> TOOL D.18/24/32 VP.	1
2	2135928	MOTOR V1 3/2/100/250E-IE2-ATB(+TOOL)	1
		SPARE PARTS MOTOR V1 3/2/100/250E-IE2	1
3	2037172	PUMP HOUSING B40/145 PN16 KIT	1
1.14	2037527	> O-RING 148,82x3,53 EPDM 70SR.VP.	1
3.1		> PUMP HOUSING BL40/145 PN16 CPL.WILO	1
4	2027194	SCREW M16X30/X40 DIN912 8.8 (4 PIECES)	1
5	2027195	SCREW M12X25 DIN912 8.8 (4 PIECES)	1

**BL-E40/130-3/2-R1-IE2 (2126118)**

Item	Article no.	Description	Quantity
7	2029335	WASHER A13 DIN125 ST (4 PIECES)	1
9	2037241	MOTOR FOOT BG71-112/P190	1
11	2135955	MODULE BL-E40/130-3/2-IE2 ATB KIT	1
		> MODULE BL-E40/130-3/2 WILO	1
	2054227	> MODULE COVER/GASKET TL3/4 KIT	1
		> SCREW M5X16 ISO4762 8.8 ZnNi	1
		> WASHER TOOTHED LOCK A5,3 DIN6797 FST ZN	1
	2061236	> O-RING ID.38X3 EPDM 70SR.A BUS.	1
	2029336	WASHER A17 DIN125 ST (4 PIECES)	1

### Motor-Typenschild / Motor type plate / Plaque identité moteur

**Bei Ersatzteilbestellung Motorhersteller / Motordaten beachten!**  
**Consider motor manufacturers / motor data for order of spare parts!**  
**Pour les commandes de pièce détachée, indiquer le fabricant / les données du moteur!**

TEE

**TEE ELECTRIC MOTORS**  
ARCELIK A.S. - TURKEY  
2089004

CE IE2

3-Mot. **Q2E FS 60M2D90-F188** Icl F S1 Kg **13**  
 N° 0001  
 04012011 IP **55** IM -

IEC 60034 VDE 0530

V Δ/A	Hz	min <sup>-1</sup>	kW	Cos φ	A	η
230 / 400	50	2885	1.1	0.83	4.2 / 2.4	IE2-79,6%
230 / 400	60	3480	1.27	0.83	4.0 / 2.3	

Load Efficiency  
 %80 79,1%  
 %75 79,1%

ATB

Motor-Nummer  
motor number  
numéro du moteur

**ATB IE2 CE**

3-Mot. AF 132S/2F - 11S + E 2 /0509 IE2-88,1%  
 S1 132S IMV1 224039411-1 522058X  
 IP 55 Th. Cl. 155(F) SCHWINGGROESSENSTUFE 8  
**KD\_NR.2064705**

kW	V	Hz	A	1/min	cos φ
7,5	Y/Δ690/400	50	7,9 / 13,7	2890	0,90
7,5	Δ460	60	11,8	3510	0,89

Made in Germany 50 kg EN 60034

SIEMENS

Motor-Nummer  
motor number  
numéro du moteur

**SIEMENS 3-MOT. 1 LA9133-4KA61-Z** CE

UC 1009/000001101

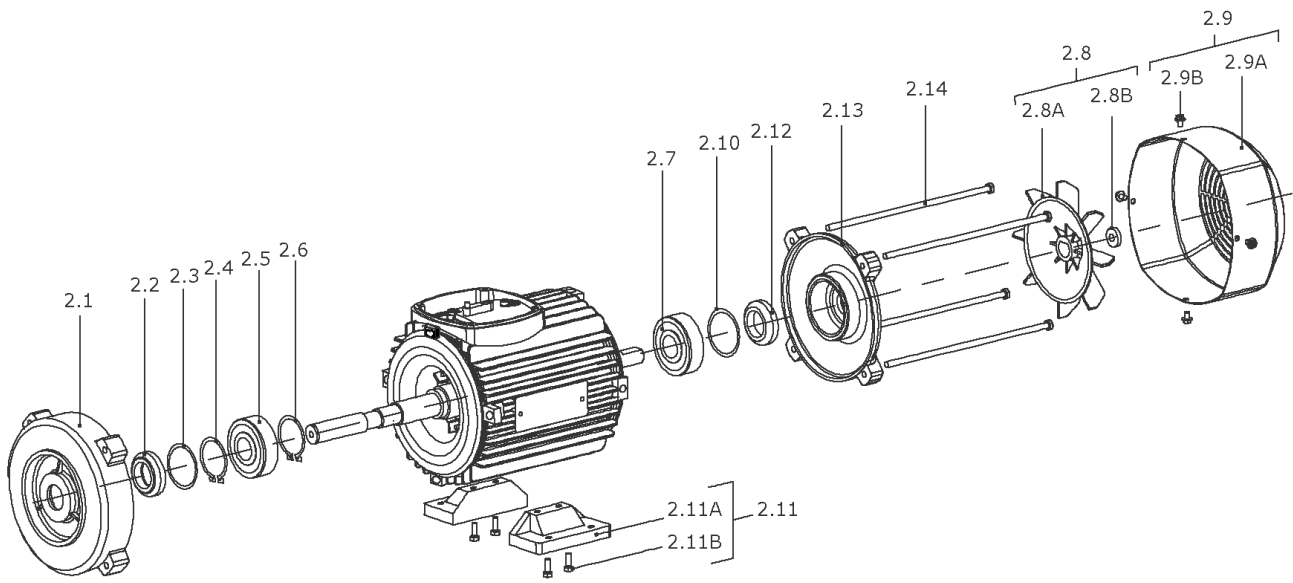
82,1kg IMB3 132M IP55 Th.CL.155(F) AMB 40°C

50 Hz	400/690V Δ/Y	80 Hz	460V Δ
7,5 kW	7A	7,5 kW	8,7A
cos φ 0,84	1455 / min	PF 0,82	1760 RPM

IE2 - 88,7% IE2 - 90,5%  
 IEC/EN 60034

**SPARE PARTS MOTOR V1 3/2/100/250E-IE2**

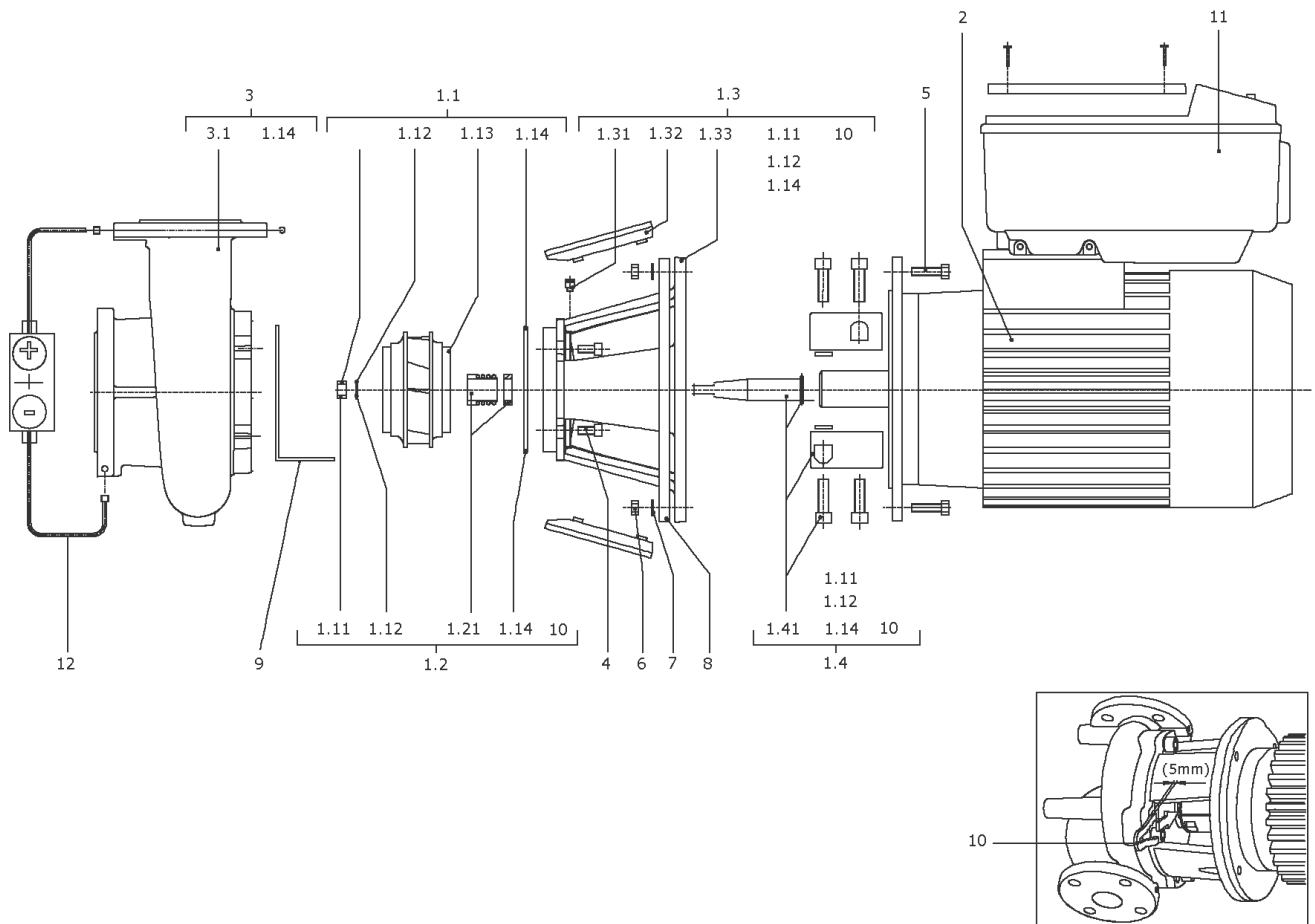
<b>Item</b>	<b>Description</b>	<b>Quantity</b>
2	MOTOR V1 3/2/100/250E ATB IE2 S9	1



**MOTOR V1 3/2/100/250E ATB IE2 S9**

Item	Article no.	Description	Quantity
2.1	2096232	END SHIELD BG100 D.E.ATB VP.	1
Note: Please give the data from type plate of the motor			
2.2	2138736	SHAFT SEAL RING BG100/112 D.E.ATB VP.	1
Note: Please give the data from type plate of the motor			
2.3	2111441	CIRCLIP BG100/112 ATB VP.	1
Note: Please give the data from type plate of the motor			
2.3	2096258	SHIM BALL BEARING BG90-112 ATB VP.	1
Note: Please give the data from type plate of the motor			
2.4	121084190	BALL BEARING 6206/2Z-C3 (HT) VP.	1
Note: Please give the data from type plate of the motor			
2.5	121084190	BALL BEARING 6206/2Z-C3 (HT) VP.	1
Note: Please give the data from type plate of the motor			
2.6	2046411	CIRCLIP 62X2 DIN472 FST	1
Note: Please give the data from type plate of the motor			
2.7	2166282	End shield BG100 N.D.E.ATB VP.	1
Note: Please give the data from type plate of the motor			
2.8	121479094	FAN WHEEL BG90/100 ATB KIT	1
Note: Please give the data from type plate of the motor			
2.8A		> FAN WHEEL BG90/100 721383 ATB	1
2.8B	2047016	> CORRUGATED SLEEVE RING BG90/100 ATB VP.	1
Note: Please give the data from type plate of the motor			
2.9	2138765	FAN COVER BG100/112 ATB KIT	1
Note: Please give the data from type plate of the motor			
2.9A		> FAN COVER BG100 721210 ATB	1
2.9B		> SCREW M4x8 DIN7985 4.8 A2A	1
2.10	2111443	SCREW END SHILD BG100 D.E.ATB(4 PIECES)	1
Note: Please give the data from type plate of the motor			





**BL-E40/140-4/2-R1-IE2 (2126119)**

Item	Article no.	Description	Quantity
1.1	2123469	IMPELLER D.50/136/18 KIT	1
1.11	2027186	> NUT M10 DIN934 A2	1
1.12	2027189	> TENSIONING DISC DIN6796-10 V2A	1
1.13		> IMPELLER 50/136/18 GG BALANCED	1
1.14	2037527	> O-RING 148,82x3,53 EPDM 70SR.VP.	1
1.2	2026901	MECHANICAL SEAL MG12/18-G60 AQ1EGG KIT	1
1.11	2027186	> NUT M10 DIN934 A2	1
1.12	2027189	> TENSIONING DISC DIN6796-10 V2A	1
1.14	2037527	> O-RING 148,82x3,53 EPDM 70SR.VP.	1
1.14	2043160	> O-Ring 177,39x3,53 ISO3601B EPDM VP.	1
1.14	2042864	> O-RING ID.224x3,55 7EP1197-W534 VP.	1
1.21		> MECHANICAL SEAL MG12/18-G60 AQ1EGG	1
10	2027202	> TOOL D.18/24/32 VP.	1
1.3	2037206	LANTERN P190X85,2-F215 KIT	1
1.11	2027186	> NUT M10 DIN934 A2	1
1.12	2027189	> TENSIONING DISC DIN6796-10 V2A	1
1.14	2037527	> O-RING 148,82x3,53 EPDM 70SR.VP.	1
1.31	2027201	> BLOWGUN R1/8" VP.	1
1.32	2048842	> COUPLING GUARD F215 PA66 (2 PIECES)	1
1.33		> Lantern P190X85,2-F215 GG KTL WILO	1
10	2027202	> TOOL D.18/24/32 VP.	1
1.4	2027235	COUPLING/SHAFT 18/28x133 KIT	1
1.11	2027186	> NUT M10 DIN934 A2	1
1.12	2027189	> TENSIONING DISC DIN6796-10 V2A	1
1.14	2037527	> O-RING 148,82x3,53 EPDM 70SR.VP.	1
1.41		> COUPLING 18/28+SHAFT 18X133 GR112 ZN KIT	1
10	2027202	> TOOL D.18/24/32 VP.	1
2	2135929	MOTOR V1 4/2/112/250E-IE2-ATB(+TOOL)	1
		SPARE PARTS MOTOR V1 4/2/112/250E-IE2	1
3	2037172	PUMP HOUSING B40/145 PN16 KIT	1
1.14	2037527	> O-RING 148,82x3,53 EPDM 70SR.VP.	1
3.1		> PUMP HOUSING BL40/145 PN16 CPL.WILO	1
4	2027194	SCREW M16X30/X40 DIN912 8.8 (4 PIECES)	1
5	2027195	SCREW M12X25 DIN912 8.8 (4 PIECES)	1

**BL-E40/140-4/2-R1-IE2 (2126119)**

Item	Article no.	Description	Quantity
7	2029335	WASHER A13 DIN125 ST (4 PIECES)	1
9	2037241	MOTOR FOOT BG71-112/P190	1
11	2135956	MODULE BL-E40/140-4/2-IE2 ATB KIT	1
		> MODULE BL-E40/140-4/2 WILO	1
	2054227	> MODULE COVER/GASKET TL3/4 KIT	1
		> SCREW M5X16 ISO4762 8.8 ZnNi	1
		> WASHER TOOTHED LOCK A5,3 DIN6797 FST ZN	1
	2061236	> O-RING ID.38X3 EPDM 70SR.A BUS.	1
	2029336	WASHER A17 DIN125 ST (4 PIECES)	1

**Motor-Typenschild / Motor type plate / Plaque identité moteur**

**Bei Ersatzteilbestellung Motorhersteller / Motordaten beachten!**  
**Consider motor manufacturers / motor data for order of spare parts!**  
**Pour les commandes de pièce détachée, indiquer le fabricant / les données du moteur!**

TEE

**TEE** ELECTRIC MOTORS  
 ARCELIK A.S. - TURKEY  
 2089004

CE IE2

3-Mot. **Q2E FS 60M2D90-F188** Icl F S1 Kg 13  
 N° 0001  
 04012011 IP 55 IM -

V Δ/A	Hz	min <sup>-1</sup>	kW	Cos φ	A	η
230 / 400	50	2885	1.1	0.83	4.2 / 2.4	IE2-79,6%
230 / 400	60	3480	1.27	0.83	4.0 / 2.3	

IEC 60034  
 VDE 0530

Load Efficiency  
 %80 79,1%  
 %75 79,1%

ATB

Motor-Nummer  
 motor number  
 numéro du moteur

**ATB** IE2 CE

3-Mot. AF 132S/2F - 11S + E 2 /0509 IE2-88,1%  
 S1 132S IMV1 224039411-1 522058X  
 IP 55 Th. Cl. 155(F) SCHWINGGROESSENSTUFE 8  
**KD\_NR.2064705**

kW	V	Hz	A	1/min	cos φ
7,5	Y/Δ690/400	50	7,9 / 13,7	2890	0,90
7,5	Δ460	60	11,8	3510	0,89

Made in Germany 50 kg EN 60034

SIEMENS

Motor-Nummer  
 motor number  
 numéro du moteur

**SIEMENS** 3-MOT. 1 LA9133-4KA61-Z  
 UC 1009/000001101

IE2 CE

82,1kg IMB3 132M IP55 Th.CL.155(F) AMB 40°C

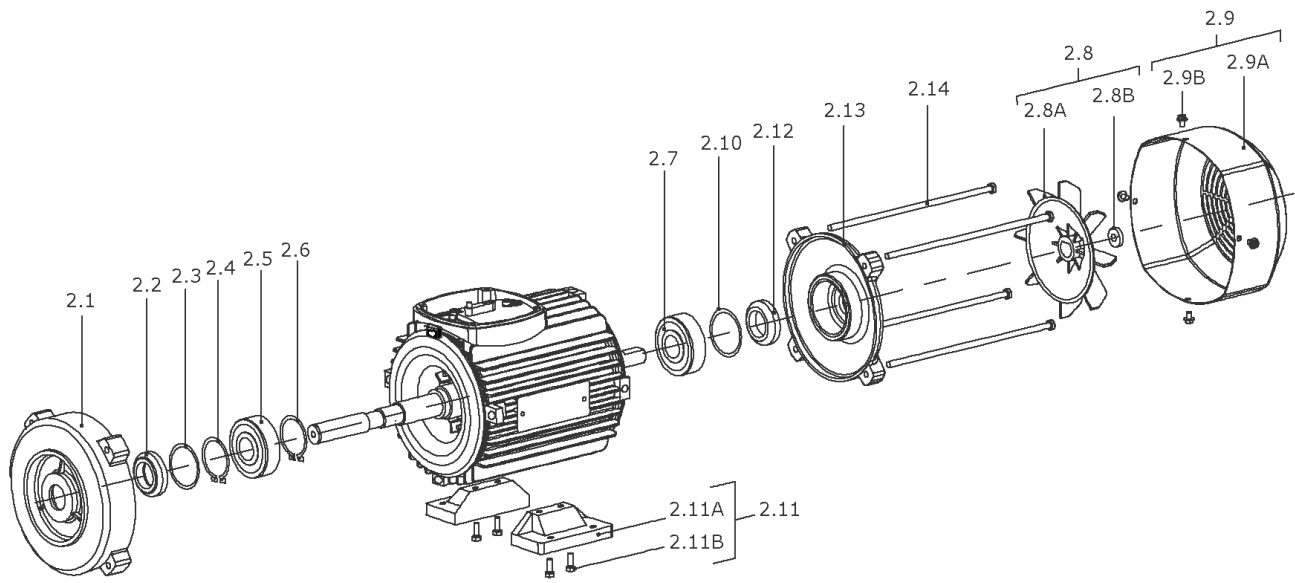
50 Hz	400/690V Δ/Y	7,5 kW	7A	1455 / min	cos φ 0,84
60 Hz	460V Δ	7,5 kW	8,7A	1760 RPM	PF 0,82

IE2 - 88,7%  
 IEC/EN 60034

IE2 - 90,5%

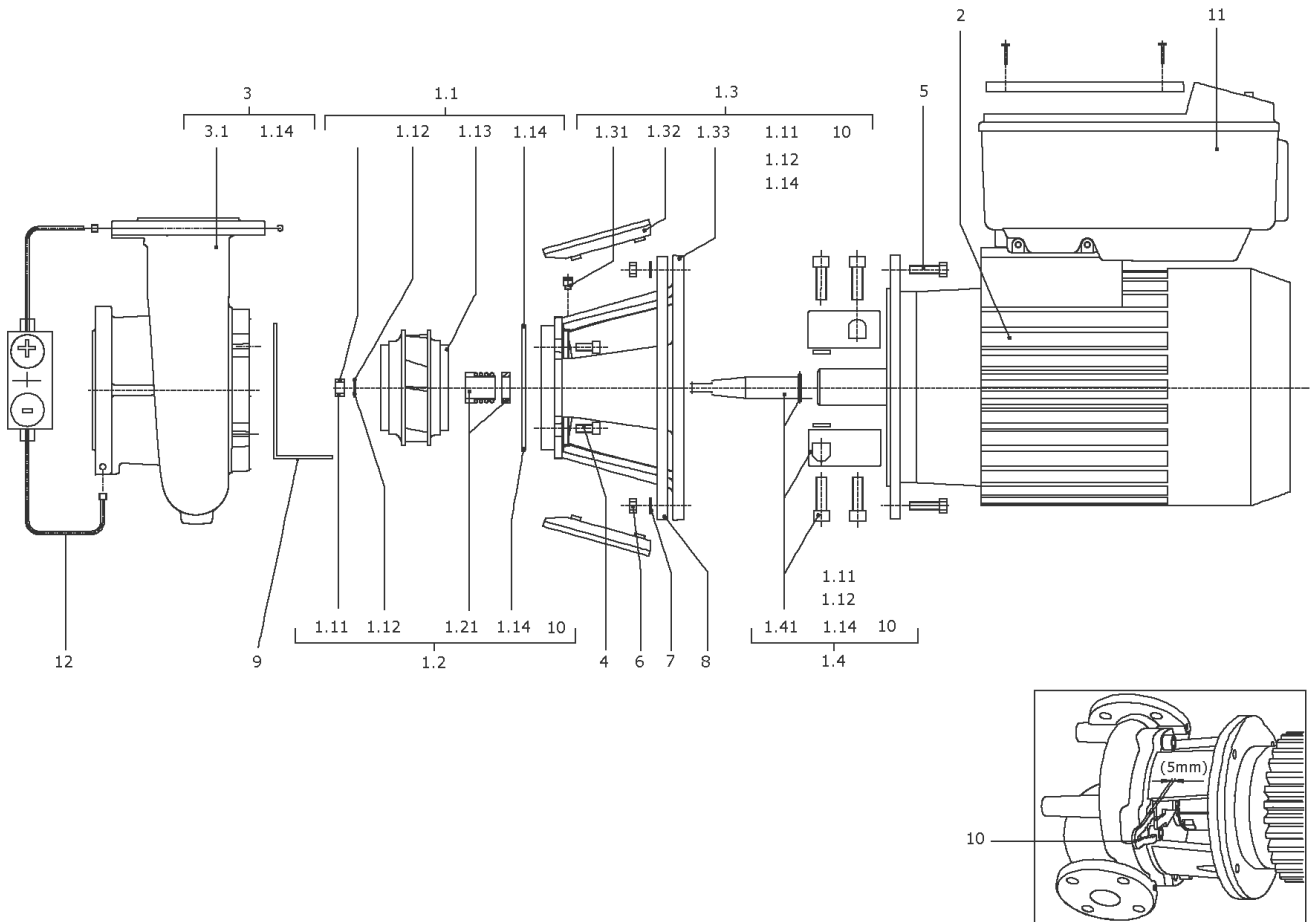
**SPARE PARTS MOTOR V1 4/2/112/250E-IE2**

Item	Description	Quantity
2	MOTOR V1 4/2/112/250E ATB IE2 S9	1



**MOTOR V1 4/2/112/250E ATB IE2 S9**

Item	Article no.	Description	Quantity
2.1	2100572	END SHIELD BG112 D.E.ATB VP.	1
Note: Please give the data from type plate of the motor			
2.2	2138736	SHAFT SEAL RING BG100/112 D.E.ATB VP.	1
Note: Please give the data from type plate of the motor			
2.3	2111441	CIRCLIP BG100/112 ATB VP.	1
Note: Please give the data from type plate of the motor			
2.3	2096260	SHIM BALL BEARING BG132 ATB VP.	1
Note: Please give the data from type plate of the motor			
2.4	121084190	BALL BEARING 6206/2Z-C3 (HT) VP.	1
Note: Please give the data from type plate of the motor			
2.5	121084190	BALL BEARING 6206/2Z-C3 (HT) VP.	1
Note: Please give the data from type plate of the motor			
2.6	2046411	CIRCLIP 62X2 DIN472 FST	1
Note: Please give the data from type plate of the motor			
2.7	2045002	END SHIELD BG112 N.D.E.ATB VP.	1
Note: Please give the data from type plate of the motor			
2.8	121479094	FAN WHEEL BG90/100 ATB KIT	1
Note: Please give the data from type plate of the motor			
2.8A		> FAN WHEEL BG90/100 721383 ATB	1
2.8B	2047016	> CORRUGATED SLEEVE RING BG90/100 ATB VP.	1
Note: Please give the data from type plate of the motor			
2.9	2138765	FAN COVER BG100/112 ATB KIT	1
Note: Please give the data from type plate of the motor			
2.9A		> FAN COVER BG100 721210 ATB	1
2.9B		> SCREW M4x8 DIN7985 4.8 A2A	1
2.10	2111445	SCREW END SHILD M6X220 ATB(4 PIECES)	1
Note: Please give the data from type plate of the motor			





**BL-E40/160-5,5/2-R1-IE2 (2126120)**

Item	Article no.	Description	Quantity
1.1	2037308	IMPELLER D.50/159/24 KIT	1
1.11	2027187	> NUT M12 DIN-EN24032 A2 VP.	1
1.12	2027190	> WASHER A13 DIN125-T2 A2 VP.	1
1.13		> IMPELLER 50/159/149/24 GG BALANCED	1
1.14	2043160	> O-Ring 177,39x3,53 ISO3601B EPDM VP.	1
	2042862	> WASHER S12 V2A VP.	1
1.2	2026902	MECHANICAL SEAL MG12/24-G60 AQ1EGG KIT	1
1.11	2027187	> NUT M12 DIN-EN24032 A2 VP.	1
1.12	2027190	> WASHER A13 DIN125-T2 A2 VP.	1
1.14	2037527	> O-RING 148,82x3,53 EPDM 70SR.VP.	1
1.14	2043160	> O-Ring 177,39x3,53 ISO3601B EPDM VP.	1
1.14	2042864	> O-RING ID.224x3,55 7EP1197-W534 VP.	1
1.14	2051680	> O-RING ID.276,7x5,29 7EP1197-W534 VP.	1
	2042862	> WASHER S12 V2A VP.	1
1.21		> MECHANICAL SEAL MG12/24-G60 AQ1EGG	1
10	2027202	> TOOL D.18/24/32 VP.	1
1.3	2027010	LANTERN P228X85,2-F265 KIT	1
1.11	2027187	> NUT M12 DIN-EN24032 A2 VP.	1
1.12	2027190	> WASHER A13 DIN125-T2 A2 VP.	1
1.14	2043160	> O-Ring 177,39x3,53 ISO3601B EPDM VP.	1
	2042862	> WASHER S12 V2A VP.	1
1.31	2027201	> BLOWGUN R1/8" VP.	1
1.32	2048838	> COUPLING GUARD F265 PA66 AD.(4 PIECES)	1
1.33		> LANTERN P228X85,2-F265 GG KTL RDES WILO	1
10	2027202	> TOOL D.18/24/32 VP.	1
1.4	2026928	COUPLING/SHAFT 24/38x142 OR.177 KIT	1
1.11	2027187	> NUT M12 DIN-EN24032 A2 VP.	1
1.12	2027190	> WASHER A13 DIN125-T2 A2 VP.	1
1.14	2043160	> O-Ring 177,39x3,53 ISO3601B EPDM VP.	1
	2042862	> WASHER S12 V2A VP.	1
1.41		> COUPLING 24/38+SHAFT 24X142 BG132 ZN KIT	1
10	2027202	> TOOL D.18/24/32 VP.	1
2	2135930	MOTOR B35 5,5/2/132/300E-IE2-SM.(+TOOL)	1
		SPARE PARTS MOTOR B35 5,5/2/132/300E-IE2	1

**BL-E40/160-5,5/2-R1-IE2 (2126120)**

Item	Article no.	Description	Quantity
3	2026870	PUMP HOUSING B40/170 PN16 KIT	1
1.14	2043160	> O-Ring 177,39x3,53 ISO3601B EPDM VP.	1
3.1		> PUMP HOUSING BL40/182 PN16 CPL.WILO	1
4	2027193	SCREW M16X30 ISO4762 8.8 (4 PIECES)	1
5	2027199	Screw M12X65 ISO4014 8.8 (4STÜCK)	1
6	2029305	NUT M12 DIN-EN24032 8 (4 PIECES)	1
7	2029335	WASHER A13 DIN125 ST (4 PIECES)	1
8	2027185	Adapter ring BG132 VP.	1
11	2135957	MODULE BL-E40/160-5,5/2-IE2 SM.KIT	1
		> MODULE BL-E40/160-5,5/2 WILO	1
	2111344	> MODULE COVER/GASKET TL5 KIT	1
	2120047	> CABLE CONNECTION M12x1,5/5 cpl.TL5 VP.	1
	2120048	> CABLE CONNECTION M16x1,5/5 cpl.TL5 VP.	1
	2120049	> CABLE CONNECTION M20x1,5/6 cpl.TL5 VP.	1
	2120050	> CABLE CONNECTION M25x1,5/8 cpl.TL5 VP.	1

**Motor-Typenschild / Motor type plate / Plaque identité moteur**

**Bei Ersatzteilbestellung Motorhersteller / Motordaten beachten!**  
**Consider motor manufacturers / motor data for order of spare parts!**  
**Pour les commandes de pièce détachée, indiquer le fabricant / les données du moteur!**

TEE

**TEE** ELECTRIC MOTORS  
 ARCELIK A.S. - TURKEY  
 2089004

CE IE2

3-Mot. **Q2E FS 60M2D90-F188** Icl F S1 Kg 13  
 N° 0001  
 04012011 IP 55 IM -

V Δ/A	Hz	min <sup>-1</sup>	kW	Cos φ	A	η
230 / 400	50	2885	1.1	0.83	4.2 / 2.4	IE2-79,6%
230 / 400	60	3480	1.27	0.83	4.0 / 2.3	

IEC 60034  
 VDE 0530

Load Efficiency  
 %80 79,1%  
 %75 79,1%

ATB

Motor-Nummer  
 motor number  
 numéro du moteur

**ATB** IE2 CE

3-Mot. AF 132S/2F - 11S + E 2 /0509 IE2-88,1%  
 S1 132S IMV1 224039411-1 522058X  
 IP 55 Th. Cl. 155(F) SCHWINGGROESSENSTUFE 8  
**KD\_NR.2064705**

kW	V	Hz	A	1/min	cos φ
7,5	Y/Δ690/400	50	7,9 / 13,7	2890	0,90
7,5	Δ460	60	11,8	3510	0,89

Made in Germany 50 kg EN 60034

SIEMENS

Motor-Nummer  
 motor number  
 numéro du moteur

**SIEMENS** 3-MOT. 1 LA9133-4KA61-Z  
 UC 1009/000001101

IE2 CE

82,1kg IMB3 132M IP55 Th.CL.155(F) AMB 40°C

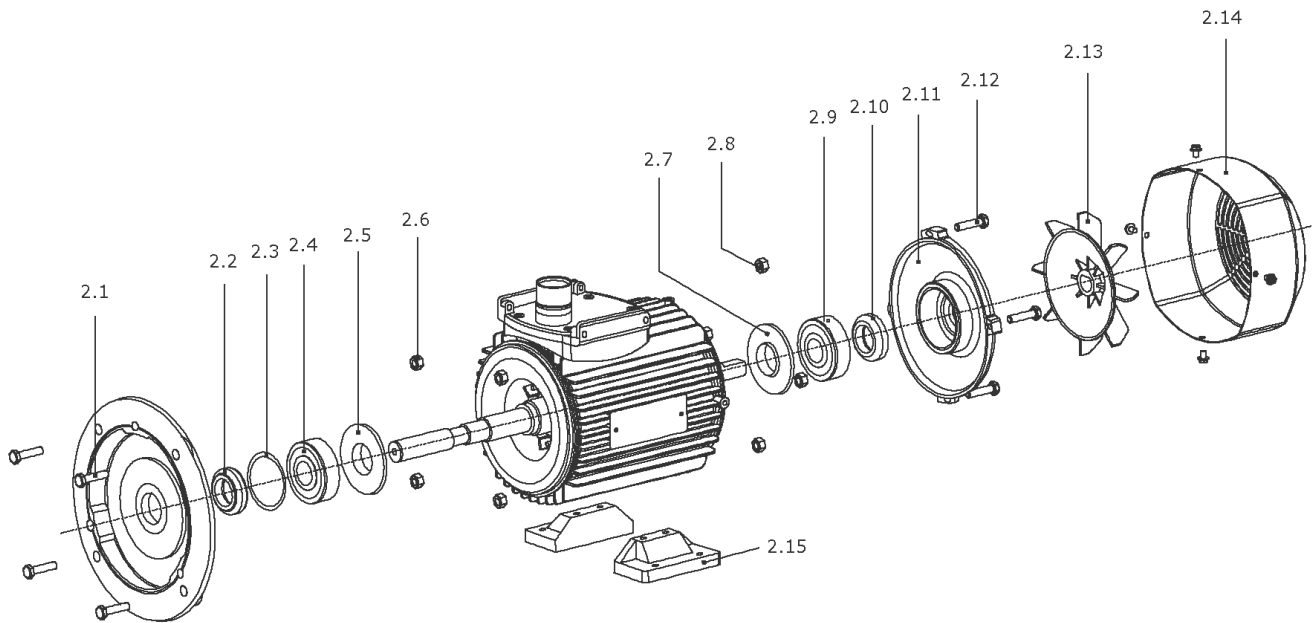
50 Hz	400/690V Δ/Y	60 Hz	460V Δ
7,5 kW	7A	7,5 kW	8,7A
cos φ 0,84	1455 / min	PF 0,82	1760 RPM

IE2 - 88,7% IE2 - 90,5%  
 IEC/EN 60034

**SPARE PARTS MOTOR B35 5,5/2/132/300E-IE2**

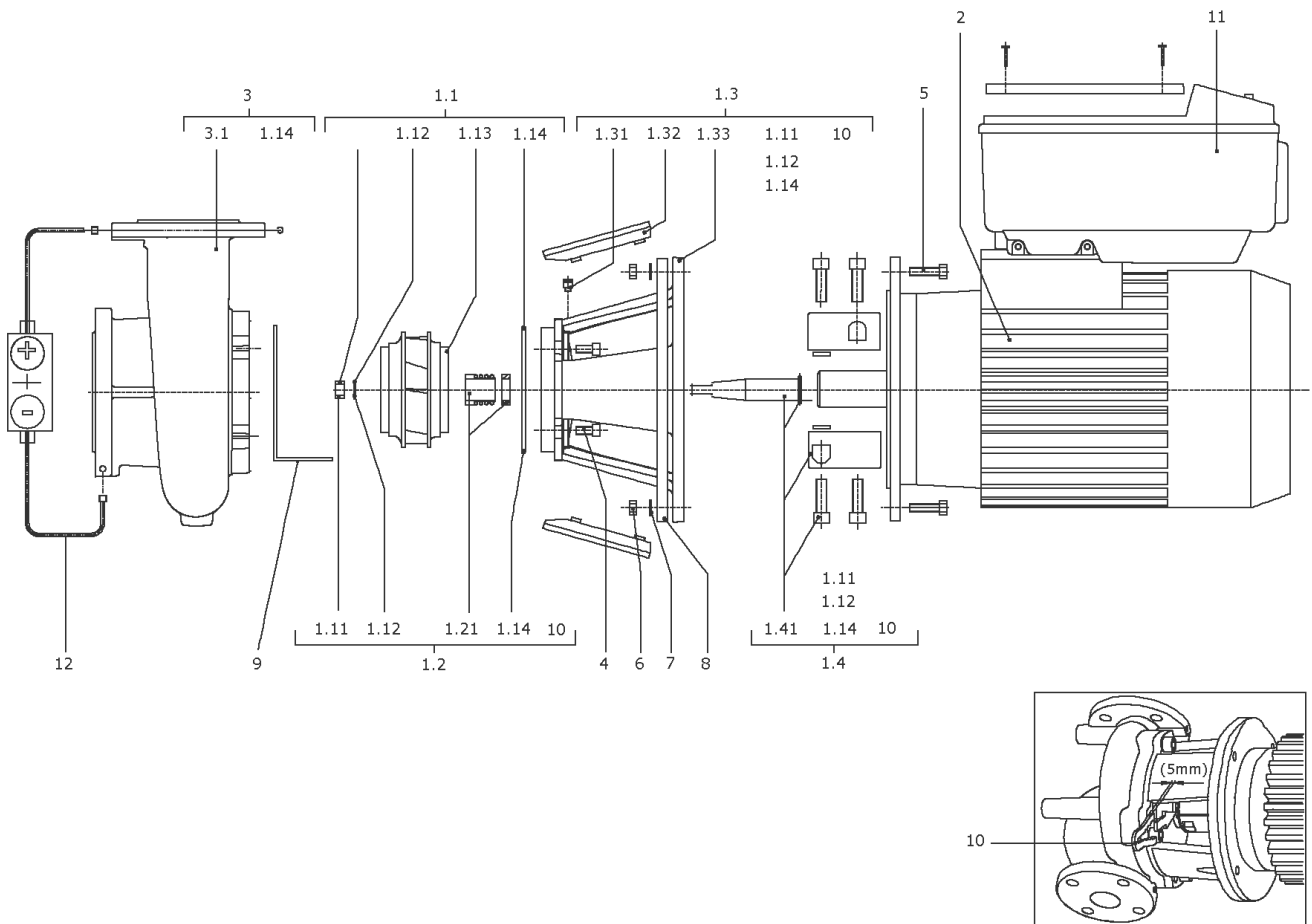


Item	Description	Quantity
3	MOTOR B35 5,5/2/132/300E SM IE2 WILO	1



**MOTOR B35 5,5/2/132/300E SM IE2 WILO**

Item	Article no.	Description	Quantity
2.1	2112830	SCREW M8X65 ISO4762 8.8 (4 PIECES)	1
Note: Please give the data from type plate of the motor			
2.2	2111403	V-RING V40-A SM.VP.	1
Note: Please give the data from type plate of the motor			
2.3	2112832	SPRING WASHER SN60098-56 6208 SM.VP.	1
Note: Please give the data from type plate of the motor			
2.4	2111405	BALL BEARING 6308/2ZJC3 SM.VP.	1
Note: Please give the data from type plate of the motor			
2.5	2111401	BEARING INSERT BG132 D.E.SM.VP.	1
Note: Please give the data from type plate of the motor			
2.6	2112834	NUT M8-8 DIN6923(4 PIECES)	1
Note: Please give the data from type plate of the motor			
2.7	2111409	BEARING INSERT BG132 N.D.E.SM.VP.	1
Note: Please give the data from type plate of the motor			
2.8	2112834	NUT M8-8 DIN6923(4 PIECES)	1
Note: Please give the data from type plate of the motor			
2.9	2111366	BALL BEARING 6208/2ZJC3 SM.VP.	1
Note: Please give the data from type plate of the motor			
2.10	2111403	V-RING V40-A SM.VP.	1
Note: Please give the data from type plate of the motor			
2.11	2111407	END SHIELD N.D.E.BG132 SM.VP.	1
Note: Please give the data from type plate of the motor			
2.12	2112836	SCREW M8X40 ISO4017 8.8 (4 PIECES)	1
Note: Please give the data from type plate of the motor			
2.13	2111413	FAN WHEEL 1PC3 BG132 D.150 SM.VP.	1
Note: Please give the data from type plate of the motor			
2.14	2111411	FAN COVER 1PC3 BG132/300 SM.VP.	1
Note: Please give the data from type plate of the motor			
2.15	2138774	MOTOR FOOT 1LE1 BG132 SM.KIT	1
Note: Please give the data from type plate of the motor			



**BL-E40/170-7,5/2-R1-IE2 (2126121)**

Item	Article no.	Description	Quantity
1.1	2123519	IMPELLER D.50/169/159/24 KIT	1
1.11	2027187	> NUT M12 DIN-EN24032 A2 VP.	1
1.12	2027190	> WASHER A13 DIN125-T2 A2 VP.	1
1.13		> IMPELLER 50/169/159/24 GG BALANCED	1
1.14	2043160	> O-Ring 177,39x3,53 ISO3601B EPDM VP.	1
	2042862	> WASHER S12 V2A VP.	1
1.2	2026902	MECHANICAL SEAL MG12/24-G60 AQ1EGG KIT	1
1.11	2027187	> NUT M12 DIN-EN24032 A2 VP.	1
1.12	2027190	> WASHER A13 DIN125-T2 A2 VP.	1
1.14	2037527	> O-RING 148,82x3,53 EPDM 70SR.VP.	1
1.14	2043160	> O-Ring 177,39x3,53 ISO3601B EPDM VP.	1
1.14	2042864	> O-RING ID.224x3,55 7EP1197-W534 VP.	1
1.14	2051680	> O-RING ID.276,7x5,29 7EP1197-W534 VP.	1
	2042862	> WASHER S12 V2A VP.	1
1.21		> MECHANICAL SEAL MG12/24-G60 AQ1EGG	1
10	2027202	> TOOL D.18/24/32 VP.	1
1.3	2027010	LANTERN P228X85,2-F265 KIT	1
1.11	2027187	> NUT M12 DIN-EN24032 A2 VP.	1
1.12	2027190	> WASHER A13 DIN125-T2 A2 VP.	1
1.14	2043160	> O-Ring 177,39x3,53 ISO3601B EPDM VP.	1
	2042862	> WASHER S12 V2A VP.	1
1.31	2027201	> BLOWGUN R1/8" VP.	1
1.32	2048838	> COUPLING GUARD F265 PA66 AD.(4 PIECES)	1
1.33		> LANTERN P228X85,2-F265 GG KTL RDES WILO	1
10	2027202	> TOOL D.18/24/32 VP.	1
1.4	2026928	COUPLING/SHAFT 24/38x142 OR.177 KIT	1
1.11	2027187	> NUT M12 DIN-EN24032 A2 VP.	1
1.12	2027190	> WASHER A13 DIN125-T2 A2 VP.	1
1.14	2043160	> O-Ring 177,39x3,53 ISO3601B EPDM VP.	1
	2042862	> WASHER S12 V2A VP.	1
1.41		> COUPLING 24/38+SHAFT 24X142 BG132 ZN KIT	1
10	2027202	> TOOL D.18/24/32 VP.	1
2	2135931	MOTOR B35 7,5/2/132/300E-IE2-SM.(+TOOL)	1
		SPARE PARTS MOTOR B35 7,5/2/132/300E-IE2	1



**BL-E40/170-7,5/2-R1-IE2 (2126121)**

Item	Article no.	Description	Quantity
3	2026870	PUMP HOUSING B40/170 PN16 KIT	1
1.14	2043160	> O-Ring 177,39x3,53 ISO3601B EPDM VP.	1
3.1		> PUMP HOUSING BL40/182 PN16 CPL.WILO	1
4	2027193	SCREW M16X30 ISO4762 8.8 (4 PIECES)	1
5	2027199	Screw M12X65 ISO4014 8.8 (4STÜCK)	1
6	2029305	NUT M12 DIN-EN24032 8 (4 PIECES)	1
7	2029335	WASHER A13 DIN125 ST (4 PIECES)	1
8	2027185	Adapter ring BG132 VP.	1
11	2135958	MODULE BL-E40/170-7,5/2-IE2 SM.KIT	1
		> MODULE BL-E40/170-7,5/2 WILO	1
	2111344	> MODULE COVER/GASKET TL5 KIT	1
	2120047	> CABLE CONNECTION M12x1,5/5 cpl.TL5 VP.	1
	2120048	> CABLE CONNECTION M16x1,5/5 cpl.TL5 VP.	1
	2120049	> CABLE CONNECTION M20x1,5/6 cpl.TL5 VP.	1
	2120050	> CABLE CONNECTION M25x1,5/8 cpl.TL5 VP.	1

### Motor-Typenschild / Motor type plate / Plaque identité moteur

**Bei Ersatzteilbestellung Motorhersteller / Motordaten beachten!**  
**Consider motor manufacturers / motor data for order of spare parts!**  
**Pour les commandes de pièce détachée, indiquer le fabricant / les données du moteur!**

TEE

**TEE ELECTRIC MOTORS**  
ARCELIK A.S. - TURKEY  
2089004

CE IE2

3-Mot. **Q2E FS 60M2D90-F188** Icl F S1 Kg **13**  
 N° 0001  
 04012011 IP **55** IM -

V Δ/A	Hz	min <sup>-1</sup>	kW	Cos φ	A	η
230 / 400	50	2885	1.1	0.83	4.2 / 2.4	IE2-79,6%
205 / 400	60	3480	1.27	0.83	4.0 / 2.3	

IEC 60034  
VDE 0530

Load Efficiency  
%80 79,1%  
%75 79,1%

ATB

Motor-Nummer  
motor number  
numéro du moteur

**ATB IE2 CE**

3-Mot. AF 132S/2F - 11S + E 2 /0509 IE2-88,1%  
 S1 132S IMV1 224039411-1 522058X  
 IP 55 Th. Cl. 155(F) SCHWINGGROESSENSTUFE 8  
**KD\_NR.2064705**

kW	V	Hz	A	1/min	cos φ
7.5	Y/Δ690/400	50	7.9 / 13.7	2890	0.90
7.5	Δ460	60	11.8	3510	0.89

Made in Germany 50 kg EN 60034

SIEMENS

Motor-Nummer  
motor number  
numéro du moteur

**SIEMENS 3-MOT. 1 LA9133-4KA61-Z** CE

UC 1009/000001101

82.1kg IMB3 132M IP55 Th.CL.155(F) AMB 40°C

50 Hz	400/690V Δ/Y	7.5 kW	7A	1455 / min	cos φ 0.84
60 Hz	460V Δ	7.5 kW	8.7A	1760 RPM	PF 0.82

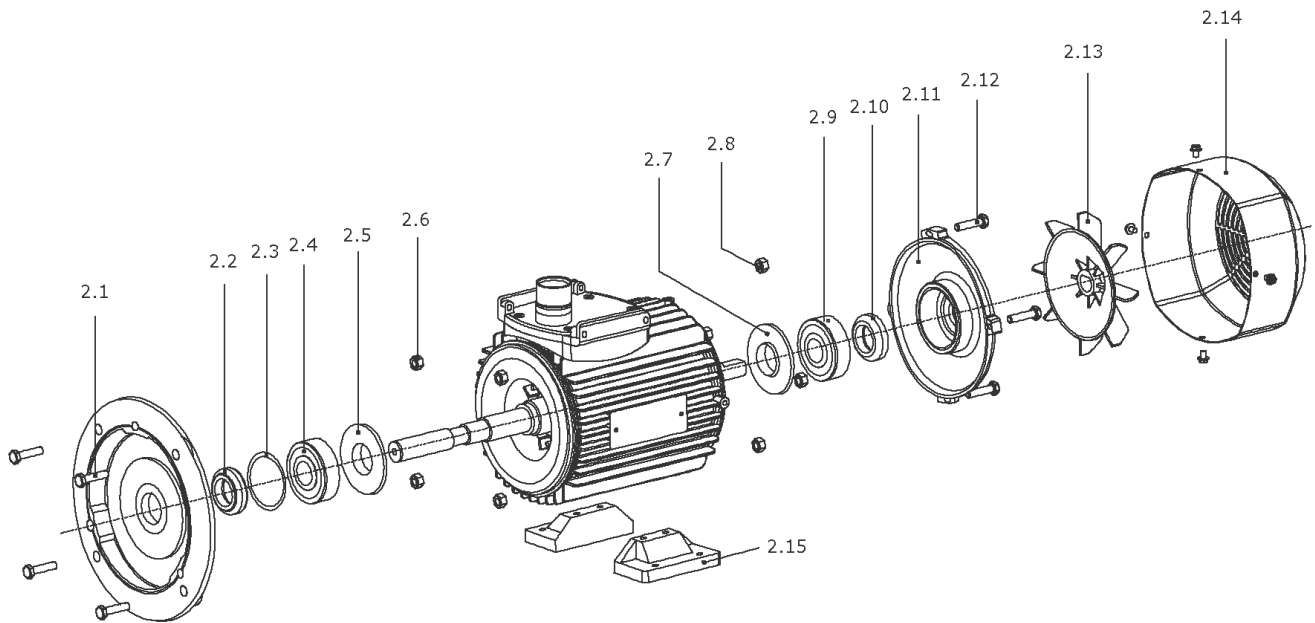
IE2 - 88,7%  
IE2 - 90,5%

IEC/EN 60034

## SPARE PARTS MOTOR B35 7,5/2/132/300E-IE2

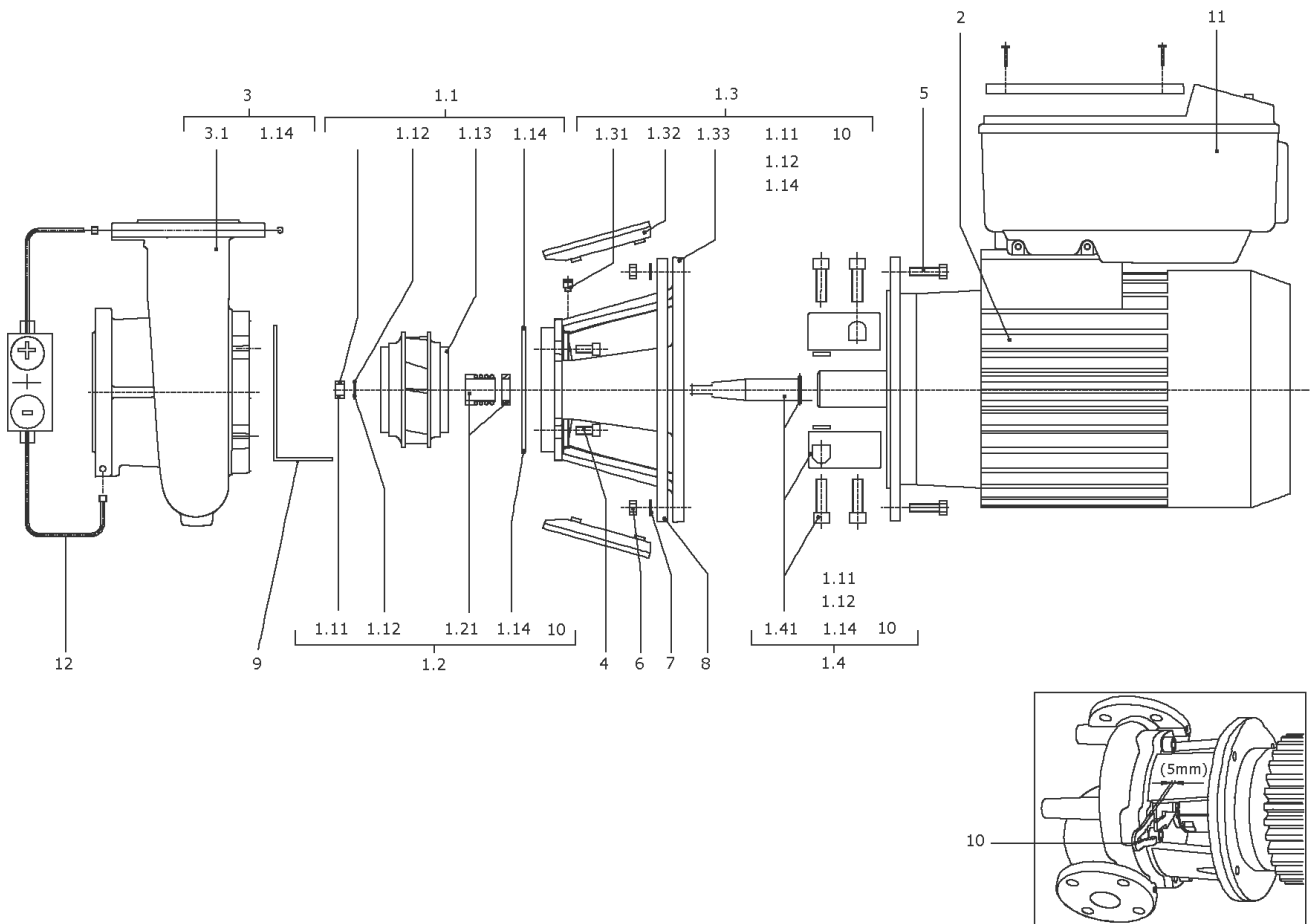


Item	Description	Quantity
3	MOTOR B35 7,5/2/132/300E SM IE2 WILO	1



**MOTOR B35 7,5/2/132/300E SM IE2 WILO**

Item	Article no.	Description	Quantity
2.1	2112830	SCREW M8X65 ISO4762 8.8 (4 PIECES)	1
Note: Please give the data from type plate of the motor			
2.2	2111403	V-RING V40-A SM.VP.	1
Note: Please give the data from type plate of the motor			
2.3	2112832	SPRING WASHER SN60098-56 6208 SM.VP.	1
Note: Please give the data from type plate of the motor			
2.4	2111405	BALL BEARING 6308/2ZJC3 SM.VP.	1
Note: Please give the data from type plate of the motor			
2.5	2111401	BEARING INSERT BG132 D.E.SM.VP.	1
Note: Please give the data from type plate of the motor			
2.6	2112834	NUT M8-8 DIN6923(4 PIECES)	1
Note: Please give the data from type plate of the motor			
2.7	2111409	BEARING INSERT BG132 N.D.E.SM.VP.	1
Note: Please give the data from type plate of the motor			
2.8	2112834	NUT M8-8 DIN6923(4 PIECES)	1
Note: Please give the data from type plate of the motor			
2.9	2111366	BALL BEARING 6208/2ZJC3 SM.VP.	1
Note: Please give the data from type plate of the motor			
2.10	2111403	V-RING V40-A SM.VP.	1
Note: Please give the data from type plate of the motor			
2.11	2111407	END SHIELD N.D.E.BG132 SM.VP.	1
Note: Please give the data from type plate of the motor			
2.12	2112836	SCREW M8X40 ISO4017 8.8 (4 PIECES)	1
Note: Please give the data from type plate of the motor			
2.13	2111413	FAN WHEEL 1PC3 BG132 D.150 SM.VP.	1
Note: Please give the data from type plate of the motor			
2.14	2111411	FAN COVER 1PC3 BG132/300 SM.VP.	1
Note: Please give the data from type plate of the motor			
2.15	2138774	MOTOR FOOT 1LE1 BG132 SM.KIT	1
Note: Please give the data from type plate of the motor			



**BL-E40/180-7,5/2-R1-IE2 (2126122)**

Item	Article no.	Description	Quantity
1.1	2116685	IMPELLER 50/183/173/24 KIT	1
1.11	2027187	> NUT M12 DIN-EN24032 A2 VP.	1
1.12	2027190	> WASHER A13 DIN125-T2 A2 VP.	1
1.13		> IMPELLER 50/183/173/24 GG BALANCED	1
1.14	2042864	> O-RING ID.224x3,55 7EP1197-W534 VP.	1
	2042862	> WASHER S12 V2A VP.	1
1.2	2026902	MECHANICAL SEAL MG12/24-G60 AQ1EGG KIT	1
1.11	2027187	> NUT M12 DIN-EN24032 A2 VP.	1
1.12	2027190	> WASHER A13 DIN125-T2 A2 VP.	1
1.14	2037527	> O-RING 148,82x3,53 EPDM 70SR.VP.	1
1.14	2043160	> O-Ring 177,39x3,53 ISO3601B EPDM VP.	1
1.14	2042864	> O-RING ID.224x3,55 7EP1197-W534 VP.	1
1.14	2051680	> O-RING ID.276,7x5,29 7EP1197-W534 VP.	1
	2042862	> WASHER S12 V2A VP.	1
1.21		> MECHANICAL SEAL MG12/24-G60 AQ1EGG	1
10	2027202	> TOOL D.18/24/32 VP.	1
1.3	2042712	LANTERN P270X72-F265 KTL KIT	1
1.11	2027187	> NUT M12 DIN-EN24032 A2 VP.	1
1.12	2027190	> WASHER A13 DIN125-T2 A2 VP.	1
1.14	2042864	> O-RING ID.224x3,55 7EP1197-W534 VP.	1
	2042862	> WASHER S12 V2A VP.	1
1.31	2027201	> BLOWGUN R1/8" VP.	1
1.32	2048845	> COUPLING GUARD P270-F265 PA66 (2 PIECES)	1
1.33		> LANTERN P270X72-F265 GG KTL WILO	1
10	2027202	> TOOL D.18/24/32 VP.	1
1.4	2042723	COUPLING/SHAFT D.24/38X145 KIT	1
1.11	2027187	> NUT M12 DIN-EN24032 A2 VP.	1
1.12	2027190	> WASHER A13 DIN125-T2 A2 VP.	1
1.14	2042864	> O-RING ID.224x3,55 7EP1197-W534 VP.	1
	2042862	> WASHER S12 V2A VP.	1
1.41		> COUPLING 24/38+SHAFT 24X145 BG132 ZN KIT	1
10	2027202	> TOOL D.18/24/32 VP.	1
2	2135931	MOTOR B35 7,5/2/132/300E-IE2-SM.(+TOOL)	1
		SPARE PARTS MOTOR B35 7,5/2/132/300E-IE2	1

**BL-E40/180-7,5/2-R1-IE2 (2126122)**

Item	Article no.	Description	Quantity
3	2042760	PUMP HOUSING B40/230 PN16 KIT	1
1.14	2042864	> O-RING ID.224x3,55 7EP1197-W534 VP.	1
3.1		> PUMP HOUSING BL40/230 PN16 CPL.WILO	1
4	2027193	SCREW M16X30 ISO4762 8.8 (4 PIECES)	1
5	2027195	SCREW M12X25 DIN912 8.8 (4 PIECES)	1
11	2135959	MODULE BL-E40/180-7,5/2-IE2 SM.KIT	1
		> MODULE BL-E40/180-7,5/2 WILO	1
	2111344	> MODULE COVER/GASKET TL5 KIT	1
	2120047	> CABLE CONNECTION M12x1,5/5 cpl.TL5 VP.	1
	2120048	> CABLE CONNECTION M16x1,5/5 cpl.TL5 VP.	1
	2120049	> CABLE CONNECTION M20x1,5/6 cpl.TL5 VP.	1
	2120050	> CABLE CONNECTION M25x1,5/8 cpl.TL5 VP.	1



**Motor-Typenschild / Motor type plate / Plaque identité moteur**

**Bei Ersatzteilbestellung Motorhersteller / Motordaten beachten!**  
**Consider motor manufacturers / motor data for order of spare parts!**  
**Pour les commandes de pièce détachée, indiquer le fabricant / les données du moteur!**

TEE

**TEE ELECTRIC MOTORS**  
ARCELIK A.S. - TURKEY  
2089004

CE IE2

3-Mot. **Q2E FS 60M2D90-F188** Icl F S1 Kg 13  
 N° 0001  
 04012011 IP 55 IM -

V Δ/A	Hz	min <sup>-1</sup>	kW	Cos φ	A	η
230 / 400	50	2885	1.1	0.83	4.2 / 2.4	IE2-79,6%
205 / 400	60	3480	1.27	0.83	4.0 / 2.3	

IEC 60034  
VDE 0530

Load Efficiency  
%80 79,1%  
%75 79,1%

ATB

Motor-Nummer  
motor number  
numéro du moteur

**ATB IE2 CE**

3-Mot. AF 132S/2F - 11S + E 2 /0509 IE2-88,1%  
 S1 132S IMV1 224039411-1 522058X  
 IP 55 Th. Cl. 155(F) SCHWINGGROESSENSTUFE 8  
**KD\_NR.2064705**

kW	V	Hz	A	1/min	cos φ
7,5	Y/Δ690/400	50	7,9 / 13,7	2890	0,90
7,5	Δ460	60	11,8	3510	0,89

Made in Germany 50 kg EN 60034

SIEMENS

Motor-Nummer  
motor number  
numéro du moteur

**SIEMENS 3-MOT. 1 LA9133-4KA61-Z** CE

UC 1009/000001101

82,1kg IMB3 132M IP55 Th.CL.155(F) AMB 40°C

50 Hz	400/690V Δ/Y	7,5 kW	7A	1455 / min	cos φ 0,84
60 Hz	460V Δ	7,5 kW	8,7A	1760 RPM	PF 0,82

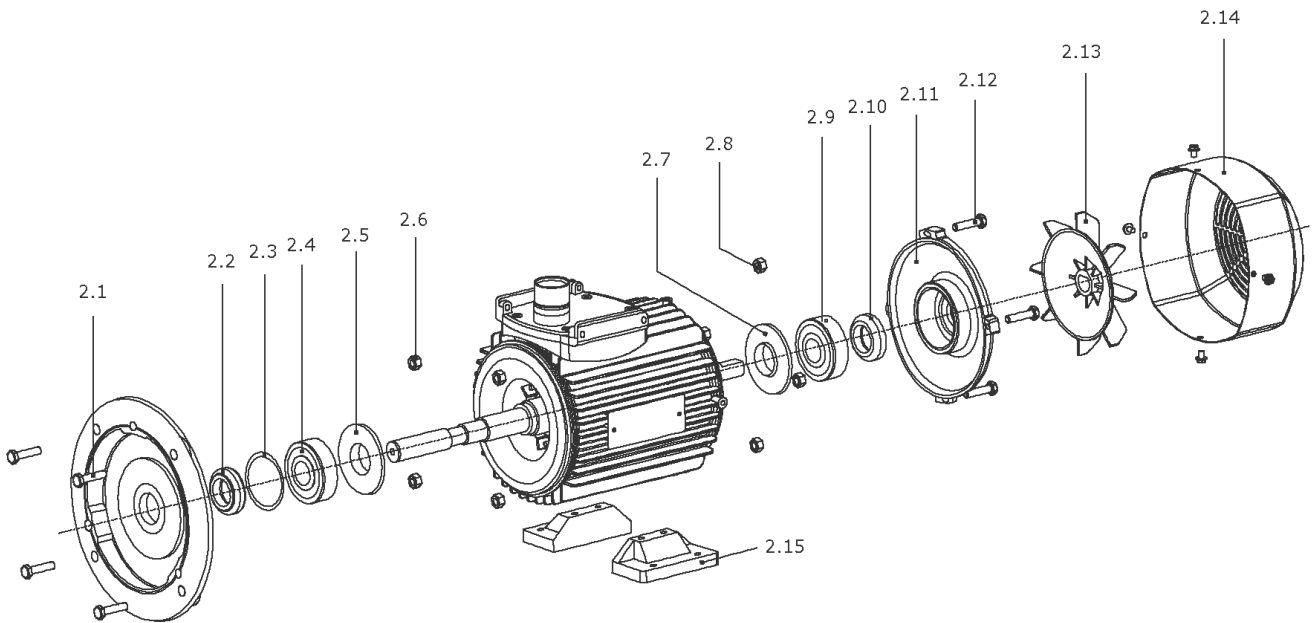
IE2 - 88,7%  
IE2 - 90,5%

IEC/EN 60034

**SPARE PARTS MOTOR B35 7,5/2/132/300E-IE2**

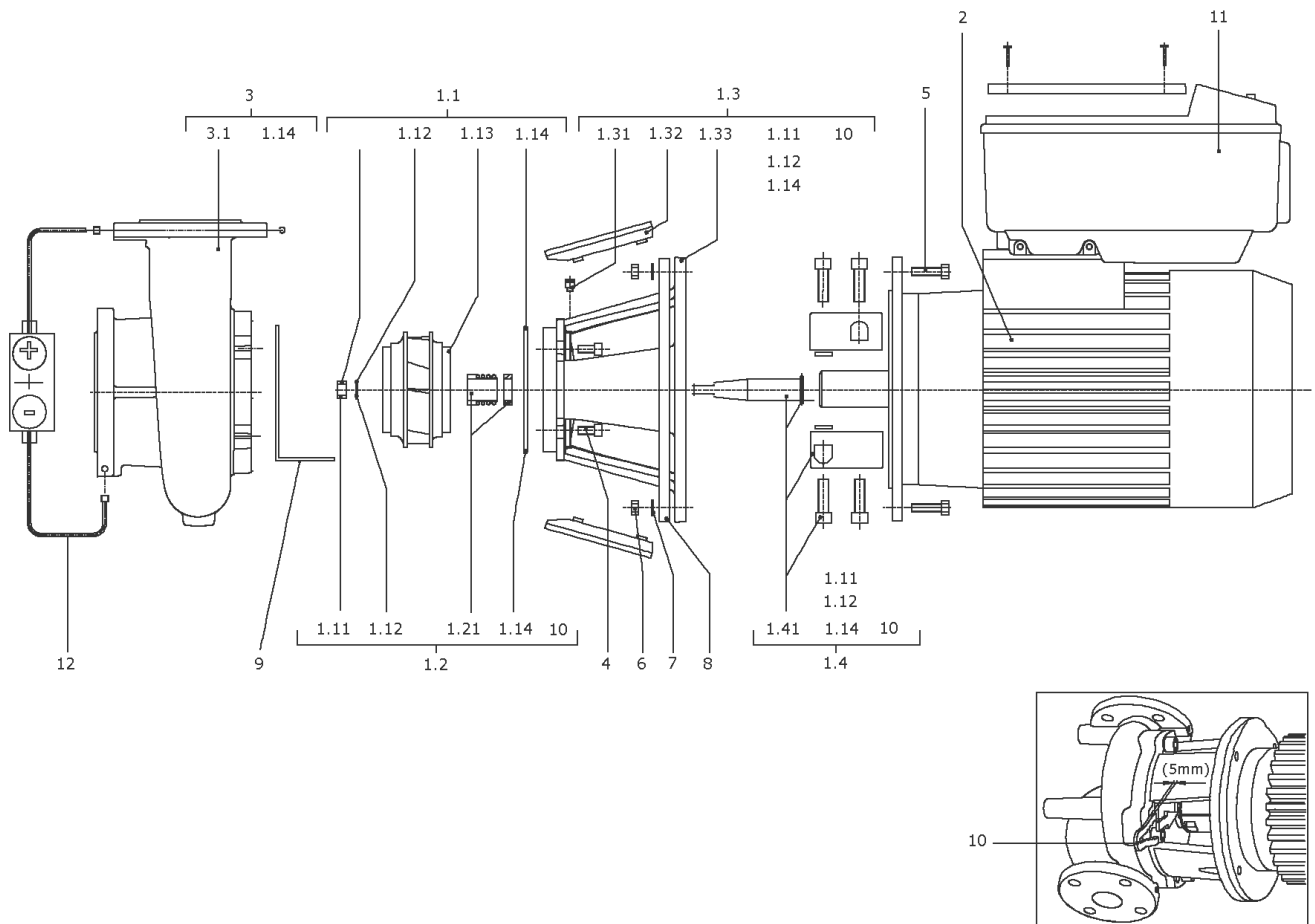


Item	Description	Quantity
3	MOTOR B35 7,5/2/132/300E SM IE2 WILO	1



**MOTOR B35 7,5/2/132/300E SM IE2 WILO**

Item	Article no.	Description	Quantity
2.1	2112830	SCREW M8X65 ISO4762 8.8 (4 PIECES)	1
Note: Please give the data from type plate of the motor			
2.2	2111403	V-RING V40-A SM.VP.	1
Note: Please give the data from type plate of the motor			
2.3	2112832	SPRING WASHER SN60098-56 6208 SM.VP.	1
Note: Please give the data from type plate of the motor			
2.4	2111405	BALL BEARING 6308/2ZJC3 SM.VP.	1
Note: Please give the data from type plate of the motor			
2.5	2111401	BEARING INSERT BG132 D.E.SM.VP.	1
Note: Please give the data from type plate of the motor			
2.6	2112834	NUT M8-8 DIN6923(4 PIECES)	1
Note: Please give the data from type plate of the motor			
2.7	2111409	BEARING INSERT BG132 N.D.E.SM.VP.	1
Note: Please give the data from type plate of the motor			
2.8	2112834	NUT M8-8 DIN6923(4 PIECES)	1
Note: Please give the data from type plate of the motor			
2.9	2111366	BALL BEARING 6208/2ZJC3 SM.VP.	1
Note: Please give the data from type plate of the motor			
2.10	2111403	V-RING V40-A SM.VP.	1
Note: Please give the data from type plate of the motor			
2.11	2111407	END SHIELD N.D.E.BG132 SM.VP.	1
Note: Please give the data from type plate of the motor			
2.12	2112836	SCREW M8X40 ISO4017 8.8 (4 PIECES)	1
Note: Please give the data from type plate of the motor			
2.13	2111413	FAN WHEEL 1PC3 BG132 D.150 SM.VP.	1
Note: Please give the data from type plate of the motor			
2.14	2111411	FAN COVER 1PC3 BG132/300 SM.VP.	1
Note: Please give the data from type plate of the motor			
2.15	2138774	MOTOR FOOT 1LE1 BG132 SM.KIT	1
Note: Please give the data from type plate of the motor			



**BL-E40/210-11/2-R1-IE2 (2126123)**

Item	Article no.	Description	Quantity
1.1	2123477	IMPELLER D.50/200/190/24 KIT	1
1.11	2027187	> NUT M12 DIN-EN24032 A2 VP.	1
1.12	2027190	> WASHER A13 DIN125-T2 A2 VP.	1
1.13		> IMPELLER 50/200/190/24 GG BALANCED	1
1.14	2042864	> O-RING ID.224x3,55 7EP1197-W534 VP.	1
	2042862	> WASHER S12 V2A VP.	1
1.2	2026902	MECHANICAL SEAL MG12/24-G60 AQ1EGG KIT	1
1.11	2027187	> NUT M12 DIN-EN24032 A2 VP.	1
1.12	2027190	> WASHER A13 DIN125-T2 A2 VP.	1
1.14	2037527	> O-RING 148,82x3,53 EPDM 70SR.VP.	1
1.14	2043160	> O-Ring 177,39x3,53 ISO3601B EPDM VP.	1
1.14	2042864	> O-RING ID.224x3,55 7EP1197-W534 VP.	1
1.14	2051680	> O-RING ID.276,7x5,29 7EP1197-W534 VP.	1
	2042862	> WASHER S12 V2A VP.	1
1.21		> MECHANICAL SEAL MG12/24-G60 AQ1EGG	1
10	2027202	> TOOL D.18/24/32 VP.	1
1.3	2042713	LANTERN P270X72-F300 KTL KIT	1
1.11	2027187	> NUT M12 DIN-EN24032 A2 VP.	1
1.12	2027190	> WASHER A13 DIN125-T2 A2 VP.	1
1.14	2042864	> O-RING ID.224x3,55 7EP1197-W534 VP.	1
	2042862	> WASHER S12 V2A VP.	1
1.31	2027201	> BLOWGUN R1/8" VP.	1
1.32	2048843	> COUPLING GUARD P270-F300/350 (2 PIECES)	1
1.33		> Lantern P270X72-F300 GG KTL WILO	1
10	2027202	> TOOL D.18/24/32 VP.	1
1.4	2042724	COUPLING/SHAFT D.24/42X155 KIT	1
1.11	2027187	> NUT M12 DIN-EN24032 A2 VP.	1
1.12	2027190	> WASHER A13 DIN125-T2 A2 VP.	1
1.14	2042864	> O-RING ID.224x3,55 7EP1197-W534 VP.	1
	2042862	> WASHER S12 V2A VP.	1
1.41		> COUPLING 24/42+SHAFT 24X155 BG160 ZN KIT	1
10	2027202	> TOOL D.18/24/32 VP.	1
2	2135932	MOTOR B35 11/2/160/350E-IE2-TEE(+TOOL)	1
		SPARE PARTS MOTOR B35 11/2/160/350E-IE2	1

**BL-E40/210-11/2-R1-IE2 (2126123)**

Item	Article no.	Description	Quantity
3	2042760	PUMP HOUSING B40/230 PN16 KIT	1
1.14	2042864	> O-RING ID.224x3,55 7EP1197-W534 VP.	1
3.1		> PUMP HOUSING BL40/230 PN16 CPL.WILO	1
4	2027193	SCREW M16X30 ISO4762 8.8 (4 PIECES)	1
5	2046467	Screw M16X35 ISO4017 8.8 (4 PIECES)	1
7	2029336	WASHER A17 DIN125 ST (4 PIECES)	1
11	2135960	MODULE BL-E40/210-11/2-IE2 TEE KIT	1
	2132102	> FAN SMALL TL6/7 FF KIT	1
		>> TL6/7FF module fan sm.cpl.	1
	2132096	>> FAN GRILL TL6/7 FF VP.	1
	2132097	> CABLE CONNECTION M12 TL6/7 FF VP.	1
	2132098	> CABLE CONNECTION M16 TL6/7 FF VP.	1
	2132099	> CABLE CONNECTION M20 TL6/7 FF VP.	1
	2132100	> CABLE CONNECTION SMALL M40 TL6/7 FF VP.	1
	2132104	> COVER SIDE TL6/7 FF CPL.VP.	1
	2132452	> MODULE COVER/BUTTON TL6/7 FF VP.	1

**Motor-Typenschild / Motor type plate / Plaque identité moteur**

**Bei Ersatzteilbestellung Motorhersteller / Motordaten beachten!**  
**Consider motor manufacturers / motor data for order of spare parts!**  
**Pour les commandes de pièce détachée, indiquer le fabricant / les données du moteur!**

TEE

**TEE** ELECTRIC MOTORS  
 ARCELIK A.S. - TURKEY  
 2089004

CE IE2

3-Mot. **Q2E FS 60M2D90-F188** Icl F S1 Kg 13  
 N° 0001  
 04012011 IP 55 IM -

V Δ/A	Hz	min <sup>-1</sup>	kW	Cos φ	A	η
230 / 400	50	2885	1.1	0.83	4.2 / 2.4	IE2-79,6%
205 / 400	60	3480	1.27	0.83	4.0 / 2.3	

IEC 60034  
 VDE 0530

Load Efficiency  
 %80 79,1%  
 %75 79,1%

ATB

Motor-Nummer  
 motor number  
 numéro du moteur

**ATB** IE2 CE

3-Mot. AF 132S/2F - 11S + E 2 /0509 IE2-88,1%  
 S1 132S IMV1 224039411-1 522058X  
 IP 55 Th. Cl. 155(F) SCHWINGGROESSENSTUFE 8  
**KD\_NR.2064705**

kW	V	Hz	A	1/min	cos φ
7,5	Y/Δ690/400	50	7,9 / 13,7	2890	0,90
7,5	Δ460	60	11,8	3510	0,89

Made in Germany 50 kg EN 60034

SIEMENS

Motor-Nummer  
 motor number  
 numéro du moteur

**SIEMENS** 3-MOT. 1 LA9133-4KA61-Z  
 UC 1009/000001101

IE2 CE

82,1kg IMB3 132M IP55 Th.CL.155(F) AMB 40°C

50 Hz	400/690V Δ/Y	7,5 kW	7A	1455 / min	cos φ 0,84
60 Hz	460V Δ	7,5 kW	8,7A	1760 RPM	PF 0,82

IE2 - 88,7%  
 IEC/EN 60034

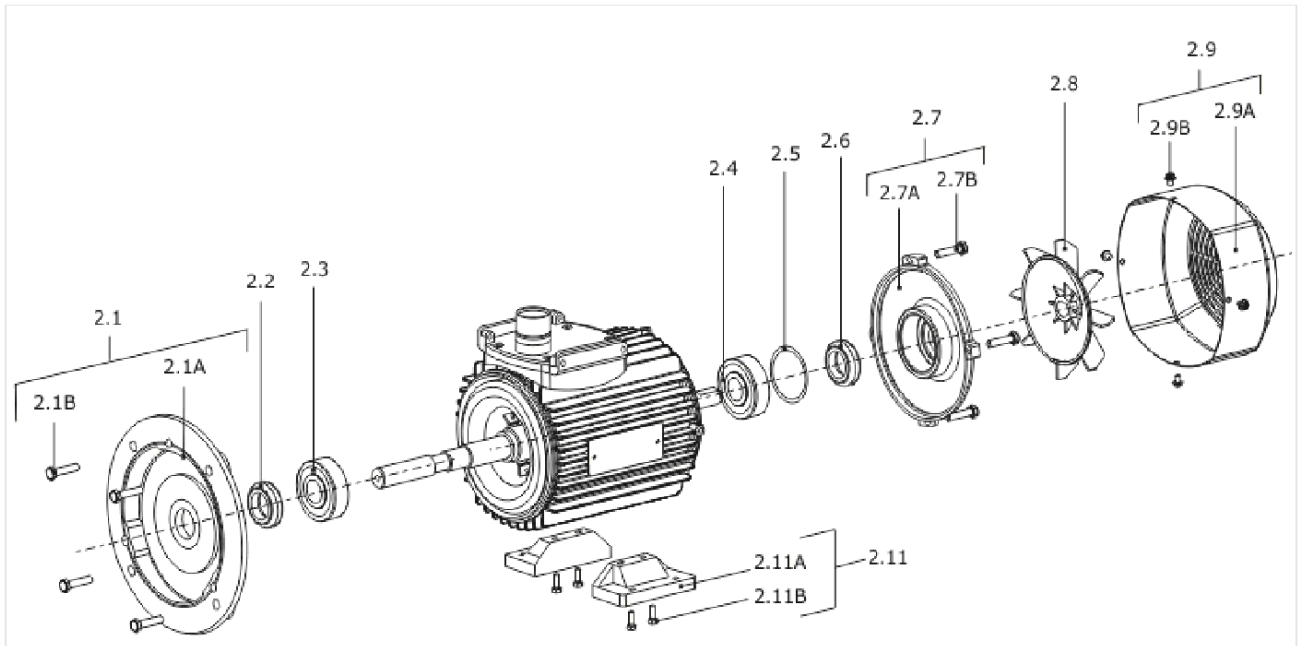
IE2 - 90,5%



**SPARE PARTS MOTOR B35 11/2/160/350E-IE2**

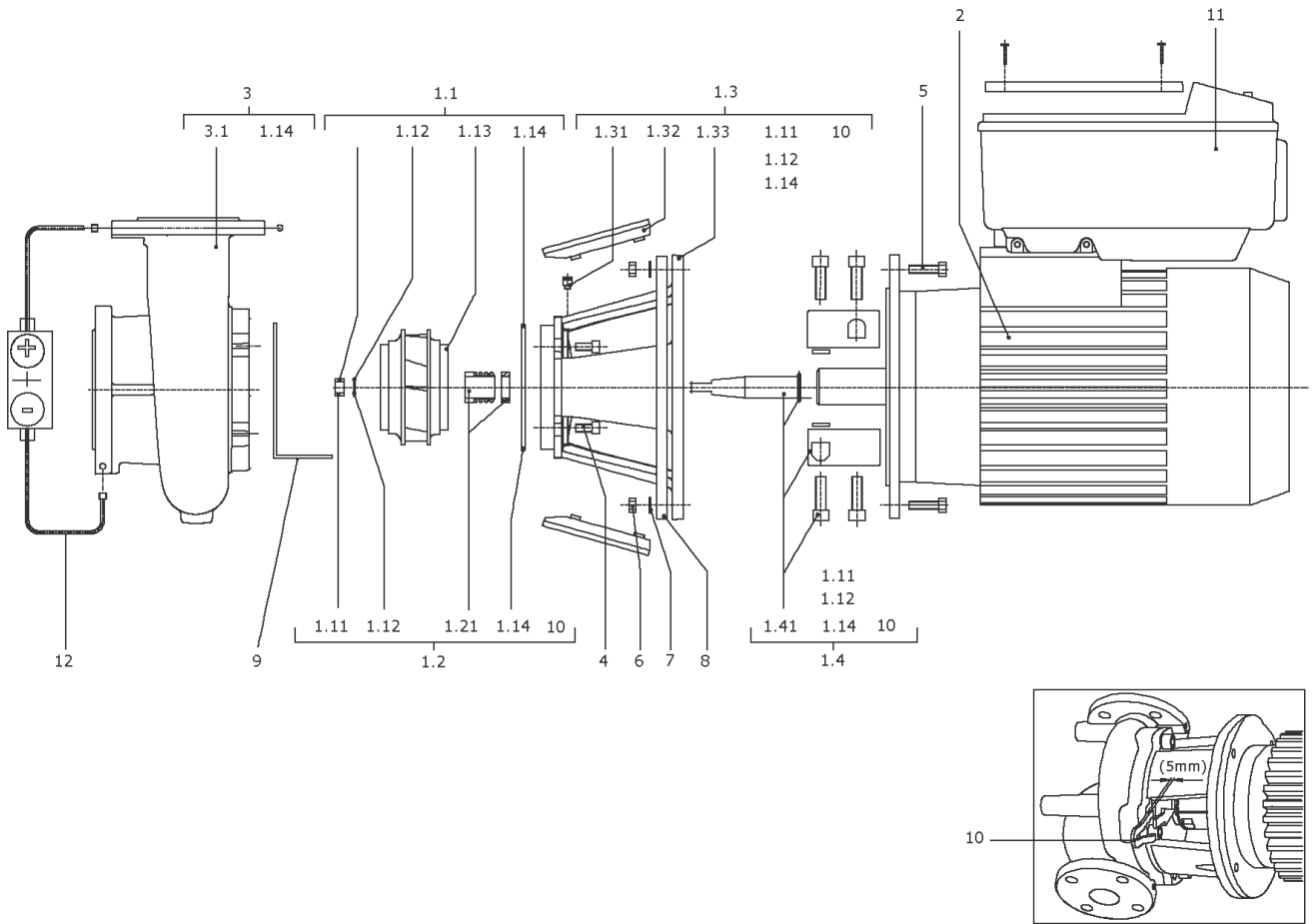


Item	Description	Quantity
1	MOTOR B35 11/2/160/350E TEE IE2 WILO	1



**MOTOR B35 11/2/160/350E TEE IE2 WILO**

Item	Article no.	Description	Quantity
2.1	2120052	END SHIELD BG160 D.E.TEE KIT	1
Note: Please give the data from type plate of the motor			
2.1A		> END SHIELD BG160 642400806 D.E.TEE	1
2.1B	2125338	> SCREW F.END SHIELD BG160 TEE(8 PIECES)	1
Note: Please give the data from type plate of the motor			
2.2	2096382	JOINT RING 45X72X10 TEE VP.	1
Note: Please give the data from type plate of the motor			
2.3	121084396	BALL BEARING 6309/2Z-C3 (HT) VP.	1
Note: Please give the data from type plate of the motor			
2.4	122065996	BALL BEARING 6209/2Z-C3 (HT) VP.	1
Note: Please give the data from type plate of the motor			
2.5	2125362	SPACER DISK BG160 TEE VP.	1
Note: Please give the data from type plate of the motor			
2.6	2096382	JOINT RING 45X72X10 TEE VP.	1
Note: Please give the data from type plate of the motor			
2.7	2125387	END SHIELD BG160 N.D.E.TEE KIT	1
Note: Please give the data from type plate of the motor			
2.7A		> END SHIELD BG160 643232001 N.D.E.TEE	1
2.7B	2125338	> SCREW F.END SHIELD BG160 TEE(8 PIECES)	1
Note: Please give the data from type plate of the motor			
2.8	2042825	FAN WHEEL BG132-225 TEE VP.	1
Note: Please give the data from type plate of the motor			
2.9	2125348	FAN COVER BG160 TEE KIT	1
Note: Please give the data from type plate of the motor			
2.9A		> FAN COVER BG160 644307201 TEE	1
2.9B	2116839	> SCREW BG90-112 TEE (4 PIECE)	1
Note: Please give the data from type plate of the motor			
2.11	2123904	MOTOR FOOT BG160 TEE KIT	1
Note: Please give the data from type plate of the motor			
2.11A		> MOTOR FOOT BG160 LEFT 643409001 TEE	1
2.11A		> MOTOR FOOT BG160 RIGHT 643408901 TEE	1
2.11B	2125331	> SCREW BG132/160 TEE (2 PIECES)	1
Note: Please give the data from type plate of the motor			



**BL-E40/220-15/2-R1-IE2 (2126124)**

Item	Article no.	Description	Quantity
1.1	2123476	IMPELLER D.50/209/24 KIT	1
1.11	2027187	> NUT M12 DIN-EN24032 A2 VP.	1
1.12	2027190	> WASHER A13 DIN125-T2 A2 VP.	1
1.13		> IMPELLER 50/209/24 GG BALANCED	1
1.14	2042864	> O-RING ID.224x3,55 7EP1197-W534 VP.	1
	2042862	> WASHER S12 V2A VP.	1
1.2	2026902	MECHANICAL SEAL MG12/24-G60 AQ1EGG KIT	1
1.11	2027187	> NUT M12 DIN-EN24032 A2 VP.	1
1.12	2027190	> WASHER A13 DIN125-T2 A2 VP.	1
1.14	2037527	> O-RING 148,82x3,53 EPDM 70SR.VP.	1
1.14	2043160	> O-Ring 177,39x3,53 ISO3601B EPDM VP.	1
1.14	2042864	> O-RING ID.224x3,55 7EP1197-W534 VP.	1
1.14	2051680	> O-RING ID.276,7x5,29 7EP1197-W534 VP.	1
	2042862	> WASHER S12 V2A VP.	1
1.21		> MECHANICAL SEAL MG12/24-G60 AQ1EGG	1
10	2027202	> TOOL D.18/24/32 VP.	1
1.3	2042713	LANTERN P270X72-F300 KTL KIT	1
1.11	2027187	> NUT M12 DIN-EN24032 A2 VP.	1
1.12	2027190	> WASHER A13 DIN125-T2 A2 VP.	1
1.14	2042864	> O-RING ID.224x3,55 7EP1197-W534 VP.	1
	2042862	> WASHER S12 V2A VP.	1
1.31	2027201	> BLOWGUN R1/8" VP.	1
1.32	2048843	> COUPLING GUARD P270-F300/350 (2 PIECES)	1
1.33		> Lantern P270X72-F300 GG KTL WILO	1
10	2027202	> TOOL D.18/24/32 VP.	1
1.4	2042724	COUPLING/SHAFT D.24/42X155 KIT	1
1.11	2027187	> NUT M12 DIN-EN24032 A2 VP.	1
1.12	2027190	> WASHER A13 DIN125-T2 A2 VP.	1
1.14	2042864	> O-RING ID.224x3,55 7EP1197-W534 VP.	1
	2042862	> WASHER S12 V2A VP.	1
1.41		> COUPLING 24/42+SHAFT 24X155 BG160 ZN KIT	1
10	2027202	> TOOL D.18/24/32 VP.	1
2	2135934	MOTOR B35 15/2/160/350E-IE2-TEE(+TOOL)	1
		SPARE PARTS MOTOR B35 15/2/160/350E-IE2	1

**BL-E40/220-15/2-R1-IE2 (2126124)**

Item	Article no.	Description	Quantity
3	2042760	PUMP HOUSING B40/230 PN16 KIT	1
1.14	2042864	> O-RING ID.224x3,55 7EP1197-W534 VP.	1
3.1		> PUMP HOUSING BL40/230 PN16 CPL.WILO	1
4	2027193	SCREW M16X30 ISO4762 8.8 (4 PIECES)	1
5	2046467	Screw M16X35 ISO4017 8.8 (4 PIECES)	1
7	2029336	WASHER A17 DIN125 ST (4 PIECES)	1
11	2135961	MODULE BL-E40/220-15/2-IE2 TEE KIT	1
	2132102	> FAN SMALL TL6/7 FF KIT	1
		>> TL6/7FF module fan sm.cpl.	1
	2132096	>> FAN GRILL TL6/7 FF VP.	1
	2132097	> CABLE CONNECTION M12 TL6/7 FF VP.	1
	2132098	> CABLE CONNECTION M16 TL6/7 FF VP.	1
	2132099	> CABLE CONNECTION M20 TL6/7 FF VP.	1
	2132100	> CABLE CONNECTION SMALL M40 TL6/7 FF VP.	1
	2132104	> COVER SIDE TL6/7 FF CPL.VP.	1
	2132452	> MODULE COVER/BUTTON TL6/7 FF VP.	1

**Motor-Typenschild / Motor type plate / Plaque identité moteur**

**Bei Ersatzteilbestellung Motorhersteller / Motordaten beachten!**  
**Consider motor manufacturers / motor data for order of spare parts!**  
**Pour les commandes de pièce détachée, indiquer le fabricant / les données du moteur!**

TEE

**TEE** ELECTRIC MOTORS  
 ARCELIK A.S. - TURKEY  
 2089004

CE IE2

3-Mot. **Q2E FS 60M2D90-F188** Icl F S1 Kg 13  
 N° 0001  
 04012011 IP 55 IM -

V Δ/A	Hz	min <sup>-1</sup>	kW	Cos φ	A	η
230 / 400	50	2885	1.1	0.83	4.2 / 2.4	IE2-79,6%
205 / 400	60	3480	1.27	0.83	4.0 / 2.3	

IEC 60034  
 VDE 0530

Load Efficiency  
 %80 79,1%  
 %75 79,1%

ATB

Motor-Nummer  
 motor number  
 numéro du moteur

**ATB** IE2 CE

3-Mot. AF 132S/2F - 11S + E 2 /0509 IE2-88,1%  
 S1 132S IMV1 224039411-1 522058X  
 IP 55 Th. Cl. 155(F) SCHWINGGROESSENSTUFE 8  
**KD\_NR.2064705**

kW	V	Hz	A	1/min	cos φ
7,5	Y/Δ690/400	50	7,9 / 13,7	2890	0,90
7,5	Δ460	60	11,8	3510	0,89

Made in Germany 50 kg EN 60034

SIEMENS

Motor-Nummer  
 motor number  
 numéro du moteur

**SIEMENS** 3-MOT. 1 LA9133-4KA61-Z  
 UC 1009/000001101

IE2 CE

82,1kg IMB3 132M IP55 Th.CL.155(F) AMB 40°C

50 Hz	400/690V Δ/Y	80 Hz	460V Δ
7,5 kW	7A	7,5 kW	8,7A
cos φ 0,84	1455 / min	PF 0,82	1760 RPM

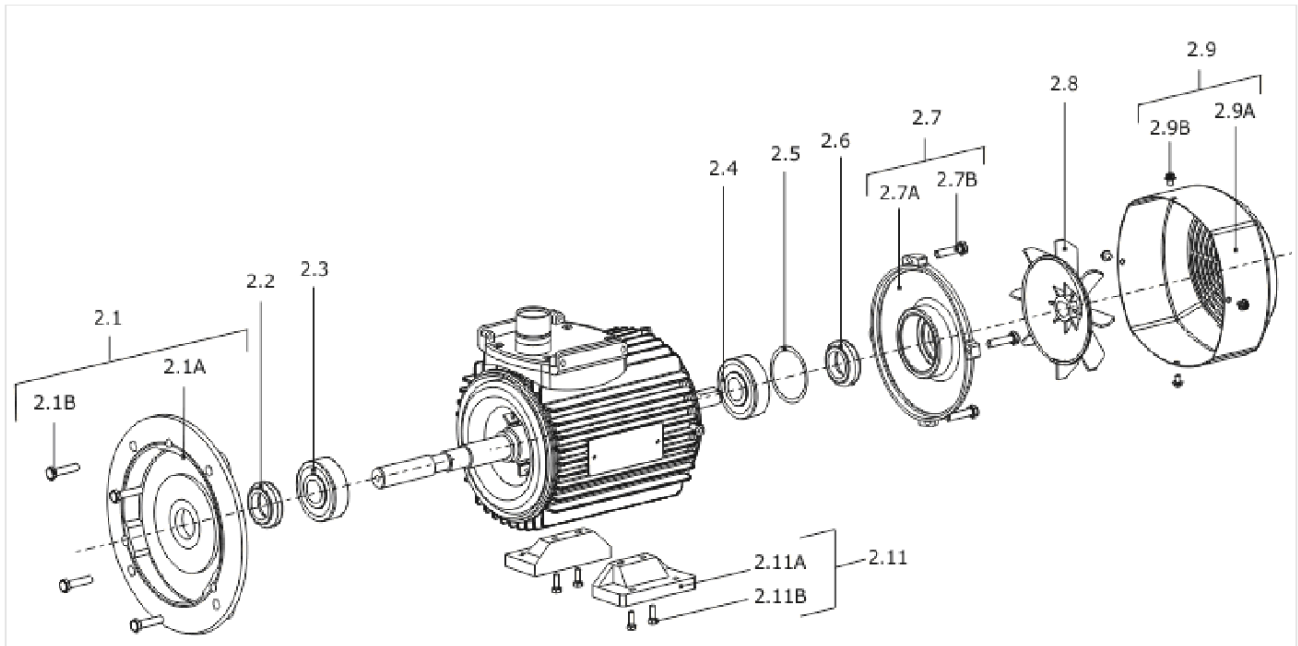
IE2 - 88,7% IE2 - 90,5%  
 IEC/EN 60034

**SPARE PARTS MOTOR B35 15/2/160/350E-IE2**



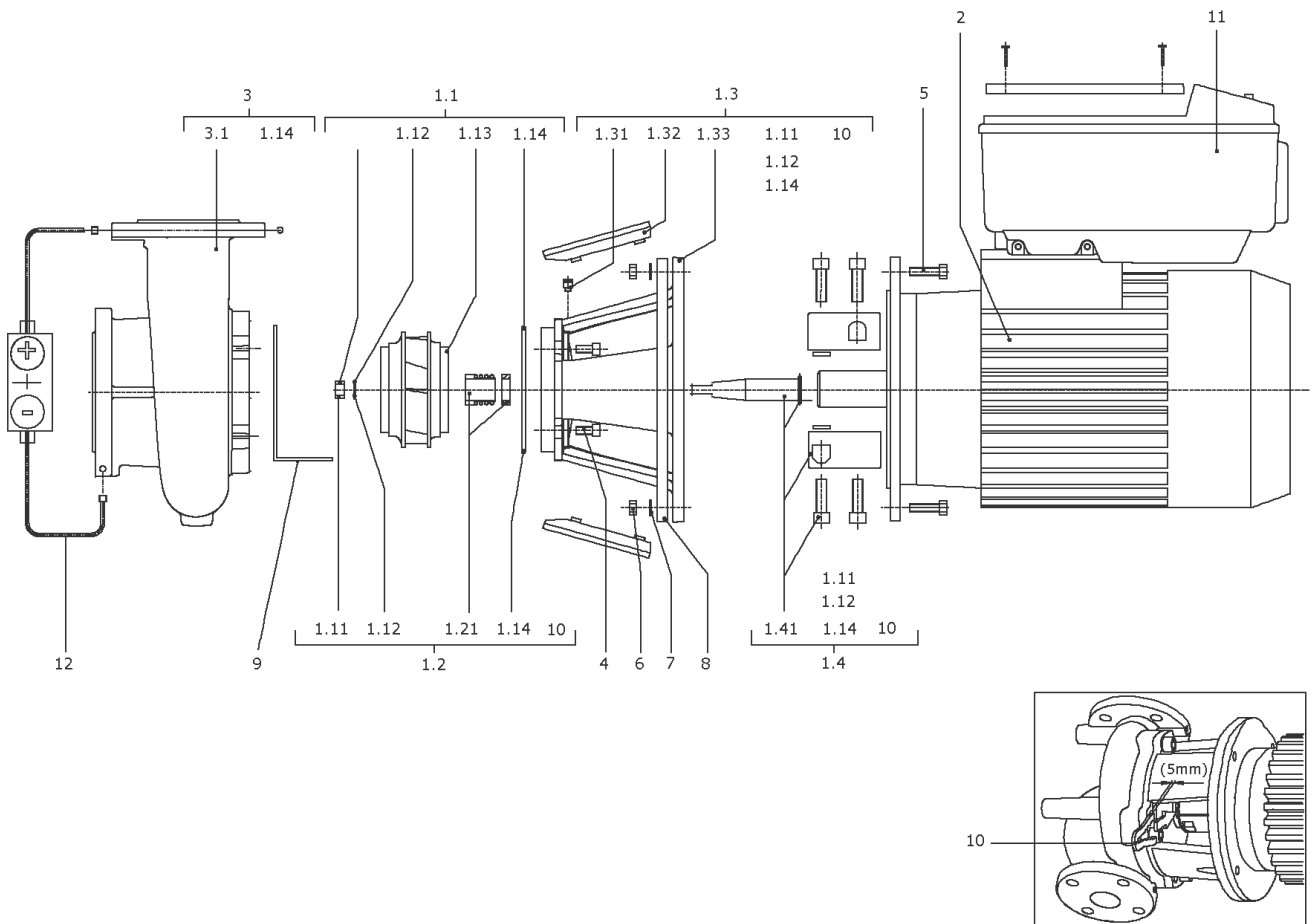
Item	Description	Quantity
1	MOTOR B35 15/2/160/350E TEE IE2 WILO	1





**MOTOR B35 15/2/160/350E TEE IE2 WILO**

Item	Article no.	Description	Quantity
2.1	2120052	END SHIELD BG160 D.E.TEE KIT	1
Note: Please give the data from type plate of the motor			
2.1A		> END SHIELD BG160 642400806 D.E.TEE	1
2.1B	2125338	> SCREW F.END SHIELD BG160 TEE(8 PIECES)	1
Note: Please give the data from type plate of the motor			
2.2	2096382	JOINT RING 45X72X10 TEE VP.	1
Note: Please give the data from type plate of the motor			
2.3	121084396	BALL BEARING 6309/2Z-C3 (HT) VP.	1
Note: Please give the data from type plate of the motor			
2.4	122065996	BALL BEARING 6209/2Z-C3 (HT) VP.	1
Note: Please give the data from type plate of the motor			
2.5	2125362	SPACER DISK BG160 TEE VP.	1
Note: Please give the data from type plate of the motor			
2.6	2096382	JOINT RING 45X72X10 TEE VP.	1
Note: Please give the data from type plate of the motor			
2.7	2125387	END SHIELD BG160 N.D.E.TEE KIT	1
Note: Please give the data from type plate of the motor			
2.7A		> END SHIELD BG160 643232001 N.D.E.TEE	1
2.7B	2125338	> SCREW F.END SHIELD BG160 TEE(8 PIECES)	1
Note: Please give the data from type plate of the motor			
2.8	2042825	FAN WHEEL BG132-225 TEE VP.	1
Note: Please give the data from type plate of the motor			
2.9	2125348	FAN COVER BG160 TEE KIT	1
Note: Please give the data from type plate of the motor			
2.9A		> FAN COVER BG160 644307201 TEE	1
2.9B	2116839	> SCREW BG90-112 TEE (4 PIECE)	1
Note: Please give the data from type plate of the motor			
2.11	2123904	MOTOR FOOT BG160 TEE KIT	1
Note: Please give the data from type plate of the motor			
2.11A		> MOTOR FOOT BG160 LEFT 643409001 TEE	1
2.11A		> MOTOR FOOT BG160 RIGHT 643408901 TEE	1
2.11B	2125331	> SCREW BG132/160 TEE (2 PIECES)	1
Note: Please give the data from type plate of the motor			



**BL-E40/230-18,5/2-R1-IE2 (2113493)**

Item	Article no.	Description	Quantity
1.1	2135918	IMPELLER 50/270-225-98,6/32 GG KIT	1
1.11	2027188	> NUT M16 DIN-EN24032 A4 VP.	1
1.12	2027191	> WASHER A17 DIN125 200HV A2	1
1.13		> IMPELLER 50/270-225-98,6/32 GG BAL.	1
1.14	2051680	> O-RING ID.276,7x5,29 7EP1197-W534 VP.	1
	2042863	> CIRCLIP S16 V2A VP.	1
1.2	2026903	MECH.SEAL MG12/32-G60 AQ1EGG M16 KIT	1
1.11	2027188	> NUT M16 DIN-EN24032 A4 VP.	1
1.12	2027191	> WASHER A17 DIN125 200HV A2	1
1.14	2043160	> O-Ring 177,39x3,53 ISO3601B EPDM VP.	1
1.14	2042864	> O-RING ID.224x3,55 7EP1197-W534 VP.	1
1.14	2051680	> O-RING ID.276,7x5,29 7EP1197-W534 VP.	1
	2042863	> CIRCLIP S16 V2A VP.	1
1.21		> MECHANICAL SEAL MG12/32-G60 AQ1EGG	1
10	2027202	> TOOL D.18/24/32 VP.	1
1.3	2050741	LANTERN P330X99-F300 KTL KIT	1
1.11	2027188	> NUT M16 DIN-EN24032 A4 VP.	1
1.12	2027191	> WASHER A17 DIN125 200HV A2	1
1.14	2051680	> O-RING ID.276,7x5,29 7EP1197-W534 VP.	1
	2042863	> CIRCLIP S16 V2A VP.	1
1.31	2027201	> BLOWGUN R1/8" VP.	1
1.32	2048843	> COUPLING GUARD P270-F300/350 (2 PIECES)	1
1.33		> Lantern P330X99-F300 GG KTL WILO	1
10	2027202	> TOOL D.18/24/32 VP.	1
1.4	2051358	COUPLING/SHAFT 32/42X184 M16 KIT	1
1.11	2027188	> NUT M16 DIN-EN24032 A4 VP.	1
1.12	2027191	> WASHER A17 DIN125 200HV A2	1
1.14	2042864	> O-RING ID.224x3,55 7EP1197-W534 VP.	1
1.14	2051680	> O-RING ID.276,7x5,29 7EP1197-W534 VP.	1
	2042863	> CIRCLIP S16 V2A VP.	1
1.41		> COUPLING 32/42+SHAFT 32X184 BG160 ZN KIT	1
10	2027202	> TOOL D.18/24/32 VP.	1
2	2135935	MOTOR B35 18,5/2/160/350E-IE2-TEE(+TOOL)	1
		SPARE PARTS MOT.B35 18,5/2/160/350E-IE2	1

**BL-E40/230-18,5/2-R1-IE2 (2113493)**

Item	Article no.	Description	Quantity
3	2135943	PUMP HOUSING B40/270-P330 PN16 KIT	1
1.14	2051680	> O-RING ID.276,7x5,29 7EP1197-W534 VP.	1
3.1		> PUMP HOUSING B40/270-P330 PN16 CPL.WILO	1
4	2027193	SCREW M16X30 ISO4762 8.8 (4 PIECES)	1
5	2046467	Screw M16X35 ISO4017 8.8 (4 PIECES)	1
7	2029336	WASHER A17 DIN125 ST (4 PIECES)	1
11	2135962	MODULE BL-E40/230-18,5/2-IE2 TEE KIT	1
	2132103	> FAN LARGE TL6/7 FF KIT	1
		>> TL6/7FF module fan large cpl.	1
	2132096	>> FAN GRILL TL6/7 FF VP.	1
	2132097	> CABLE CONNECTION M12 TL6/7 FF VP.	1
	2132098	> CABLE CONNECTION M16 TL6/7 FF VP.	1
	2132099	> CABLE CONNECTION M20 TL6/7 FF VP.	1
	2132101	> CABLE CONNECTION LARGE M40 TL6/7 FF VP.	1
	2132104	> COVER SIDE TL6/7 FF CPL.VP.	1
	2132452	> MODULE COVER/BUTTON TL6/7 FF VP.	1

### Motor-Typenschild / Motor type plate / Plaque identité moteur

**Bei Ersatzteilbestellung Motorhersteller / Motordaten beachten!**  
**Consider motor manufacturers / motor data for order of spare parts!**  
**Pour les commandes de pièce détachée, indiquer le fabricant / les données du moteur!**

TEE

**TEE** ELECTRIC MOTORS  
 ARCELIK A.S. - TURKEY  
 2089004

CE IE2

3-Mot. **Q2E FS 60M2D90-F188** Icl F S1 Kg 13  
 N° 0001  
 04012011 IP 55 IM -

V Δ/A	Hz	min <sup>-1</sup>	kW	Cos φ	A	η
230 / 400	50	2885	1.1	0.83	4.2 / 2.4	IE2-79,6%
205 / 400	60	3480	1.27	0.83	4.0 / 2.3	

IEC 60034  
 VDE 0530

Load Efficiency  
 %80 79,1%  
 %75 79,1%

ATB

Motor-Nummer  
 motor number  
 numéro du moteur

**ATB** IE2 CE

3-Mot. AF 132S/2F - 11S + E 2 /0509 IE2-88,1%  
 S1 132S IMV1 224039411-1 522058X  
 IP 55 Th. Cl. 155(F) SCHWINGGROESSENSTUFE 8  
**KD\_NR.2064705**

kW	V	Hz	A	1/min	cos φ
7,5	Y/Δ690/400	50	7,9 / 13,7	2890	0,90
7,5	Δ460	60	11,8	3510	0,89

Made in Germany 50 kg EN 60034

SIEMENS

Motor-Nummer  
 motor number  
 numéro du moteur

**SIEMENS** 3-MOT. 1 LA9133-4KA61-Z  
 UC 1009/000001101

IE2 CE

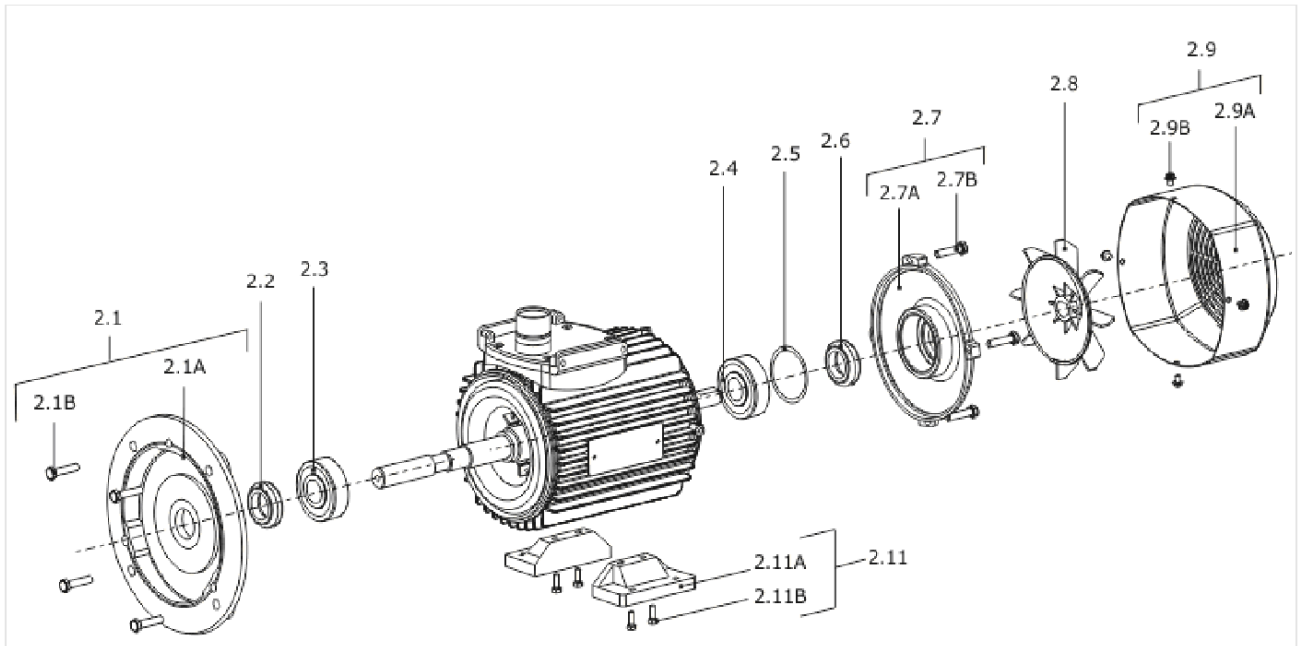
82,1kg IMB3 132M IP55 Th.CL.155(F) AMB 40°C

50 Hz	400/690V Δ/Y	80 Hz	460V Δ
7,5 kW	7A	7,5 kW	8,7A
cos φ 0,84	1455 / min	PF 0,82	1760 RPM

IE2 - 88,7% IE2 - 90,5%  
 IEC/EN 60034

**SPARE PARTS MOT.B35 18,5/2/160/350E-IE2**

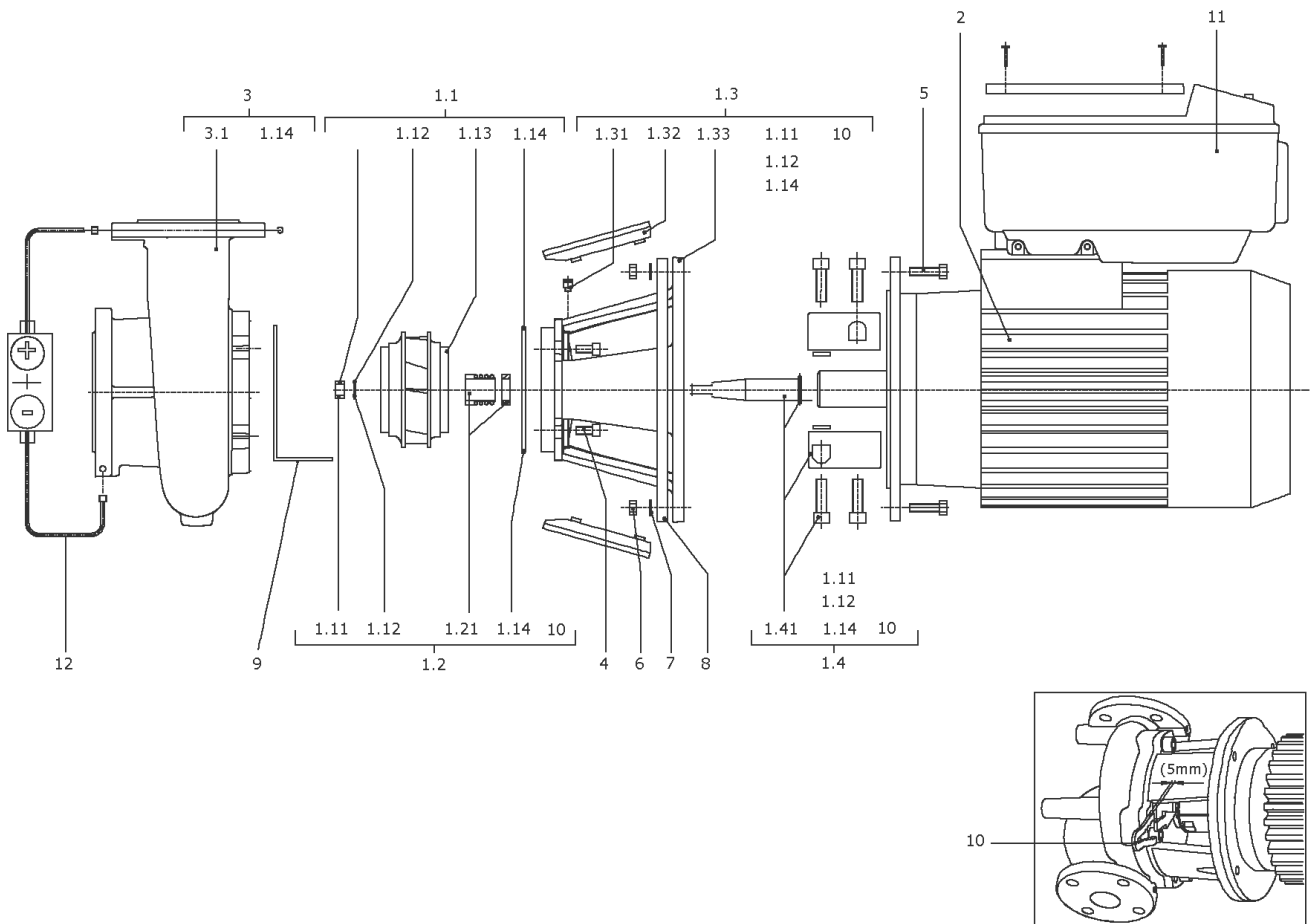
Item	Description	Quantity
1	MOTOR B35 18,5/2/160/350E TEE IE2 WILO	1





**MOTOR B35 18,5/2/160/350E TEE IE2 WILO**

Item	Article no.	Description	Quantity
2.1	2120052	END SHIELD BG160 D.E.TEE KIT	1
Note: Please give the data from type plate of the motor			
2.1A		> END SHIELD BG160 642400806 D.E.TEE	1
2.1B	2125338	> SCREW F.END SHIELD BG160 TEE(8 PIECES)	1
Note: Please give the data from type plate of the motor			
2.2	2096382	JOINT RING 45X72X10 TEE VP.	1
Note: Please give the data from type plate of the motor			
2.3	121084396	BALL BEARING 6309/2Z-C3 (HT) VP.	1
Note: Please give the data from type plate of the motor			
2.4	122065996	BALL BEARING 6209/2Z-C3 (HT) VP.	1
Note: Please give the data from type plate of the motor			
2.5	2125362	SPACER DISK BG160 TEE VP.	1
Note: Please give the data from type plate of the motor			
2.6	2096382	JOINT RING 45X72X10 TEE VP.	1
Note: Please give the data from type plate of the motor			
2.7	2125387	END SHIELD BG160 N.D.E.TEE KIT	1
Note: Please give the data from type plate of the motor			
2.7A		> END SHIELD BG160 643232001 N.D.E.TEE	1
2.7B	2125338	> SCREW F.END SHIELD BG160 TEE(8 PIECES)	1
Note: Please give the data from type plate of the motor			
2.8	2042825	FAN WHEEL BG132-225 TEE VP.	1
Note: Please give the data from type plate of the motor			
2.9	2125348	FAN COVER BG160 TEE KIT	1
Note: Please give the data from type plate of the motor			
2.9A		> FAN COVER BG160 644307201 TEE	1
2.9B	2116839	> SCREW BG90-112 TEE (4 PIECE)	1
Note: Please give the data from type plate of the motor			
2.11	2123904	MOTOR FOOT BG160 TEE KIT	1
Note: Please give the data from type plate of the motor			
2.11A		> MOTOR FOOT BG160 LEFT 643409001 TEE	1
2.11A		> MOTOR FOOT BG160 RIGHT 643408901 TEE	1
2.11B	2125331	> SCREW BG132/160 TEE (2 PIECES)	1
Note: Please give the data from type plate of the motor			



**BL-E40/240-22/2-R1-IE2 (2126125)**

Item	Article no.	Description	Quantity
1.1	2135919	IMPELLER 50/270-242-98,6/32 GG KIT	1
1.11	2027188	> NUT M16 DIN-EN24032 A4 VP.	1
1.12	2027191	> WASHER A17 DIN125 200HV A2	1
1.13		> IMPELLER 50/270-242-98,6/32 GG BAL.	1
1.14	2051680	> O-RING ID.276,7x5,29 7EP1197-W534 VP.	1
	2042863	> CIRCLIP S16 V2A VP.	1
1.2	2026903	MECH.SEAL MG12/32-G60 AQ1EGG M16 KIT	1
1.11	2027188	> NUT M16 DIN-EN24032 A4 VP.	1
1.12	2027191	> WASHER A17 DIN125 200HV A2	1
1.14	2043160	> O-Ring 177,39x3,53 ISO3601B EPDM VP.	1
1.14	2042864	> O-RING ID.224x3,55 7EP1197-W534 VP.	1
1.14	2051680	> O-RING ID.276,7x5,29 7EP1197-W534 VP.	1
	2042863	> CIRCLIP S16 V2A VP.	1
1.21		> MECHANICAL SEAL MG12/32-G60 AQ1EGG	1
10	2027202	> TOOL D.18/24/32 VP.	1
1.3	2050741	LANTERN P330X99-F300 KTL KIT	1
1.11	2027188	> NUT M16 DIN-EN24032 A4 VP.	1
1.12	2027191	> WASHER A17 DIN125 200HV A2	1
1.14	2051680	> O-RING ID.276,7x5,29 7EP1197-W534 VP.	1
	2042863	> CIRCLIP S16 V2A VP.	1
1.31	2027201	> BLOWGUN R1/8" VP.	1
1.32	2048843	> COUPLING GUARD P270-F300/350 (2 PIECES)	1
1.33		> Lantern P330X99-F300 GG KTL WILO	1
10	2027202	> TOOL D.18/24/32 VP.	1
1.4	2051358	COUPLING/SHAFT 32/42X184 M16 KIT	1
1.11	2027188	> NUT M16 DIN-EN24032 A4 VP.	1
1.12	2027191	> WASHER A17 DIN125 200HV A2	1
1.14	2042864	> O-RING ID.224x3,55 7EP1197-W534 VP.	1
1.14	2051680	> O-RING ID.276,7x5,29 7EP1197-W534 VP.	1
	2042863	> CIRCLIP S16 V2A VP.	1
1.41		> COUPLING 32/42+SHAFT 32X184 BG160 ZN KIT	1
10	2027202	> TOOL D.18/24/32 VP.	1
2	2135936	MOTOR B35 22/2/160/350E-IE2-TEE(+TOOL)	1
		SPARE PARTS MOTOR B35 22/2/160/350E-IE2	1

**BL-E40/240-22/2-R1-IE2 (2126125)**

Item	Article no.	Description	Quantity
3	2135943	PUMP HOUSING B40/270-P330 PN16 KIT	1
1.14	2051680	> O-RING ID.276,7x5,29 7EP1197-W534 VP.	1
3.1		> PUMP HOUSING B40/270-P330 PN16 CPL.WILO	1
4	2027193	SCREW M16X30 ISO4762 8.8 (4 PIECES)	1
5	2046467	Screw M16X35 ISO4017 8.8 (4 PIECES)	1
7	2029336	WASHER A17 DIN125 ST (4 PIECES)	1
11	2135963	MODULE BL-E40/240-22/2-IE2 TEE KIT	1
	2132103	> FAN LARGE TL6/7 FF KIT	1
		>> TL6/7FF module fan large cpl.	1
	2132096	>> FAN GRILL TL6/7 FF VP.	1
	2132097	> CABLE CONNECTION M12 TL6/7 FF VP.	1
	2132098	> CABLE CONNECTION M16 TL6/7 FF VP.	1
	2132099	> CABLE CONNECTION M20 TL6/7 FF VP.	1
	2132101	> CABLE CONNECTION LARGE M40 TL6/7 FF VP.	1
	2132104	> COVER SIDE TL6/7 FF CPL.VP.	1
	2132452	> MODULE COVER/BUTTON TL6/7 FF VP.	1

### Motor-Typenschild / Motor type plate / Plaque identité moteur

**Bei Ersatzteilbestellung Motorhersteller / Motordaten beachten!**  
**Consider motor manufacturers / motor data for order of spare parts!**  
**Pour les commandes de pièce détachée, indiquer le fabricant / les données du moteur!**

TEE

**TEE ELECTRIC MOTORS**  
ARCELIK A.S. - TURKEY  
2089004

CE IE2

3-Mot. **Q2E FS 60M2D90-F188** Icl F S1 Kg 13  
 N° 0001  
 04012011 IP 55 IM -

V Δ/A	Hz	min <sup>-1</sup>	kW	Cos φ	A	η
230 / 400	50	2885	1.1	0.83	4.2 / 2.4	IE2-79,6%
205 / 400	60	3480	1.27	0.83	4.0 / 2.3	

IEC 60034  
VDE 0530

Load Efficiency  
%80 79,1%  
%75 79,1%

ATB

Motor-Nummer  
motor number  
numéro du moteur

**ATB IE2 CE**

3-Mot. AF 132S/2F - 11S + E 2 /0509 IE2-88,1%  
 S1 132S IMV1 224039411-1 522058X  
 IP 55 Th. Cl. 155(F) SCHWINGGROESSENSTUFE 8  
**KD\_NR.2064705**

kW	V	Hz	A	1/min	cos φ
7.5	Y/Δ690/400	50	7.9 / 13.7	2890	0.90
7.5	Δ460	60	11.8	3510	0.89

Made in Germany 50 kg EN 60034

SIEMENS

Motor-Nummer  
motor number  
numéro du moteur

**SIEMENS 3-MOT. 1 LA9133-4KA61-Z** CE

UC 1009/000001101

IEC/EN 60034

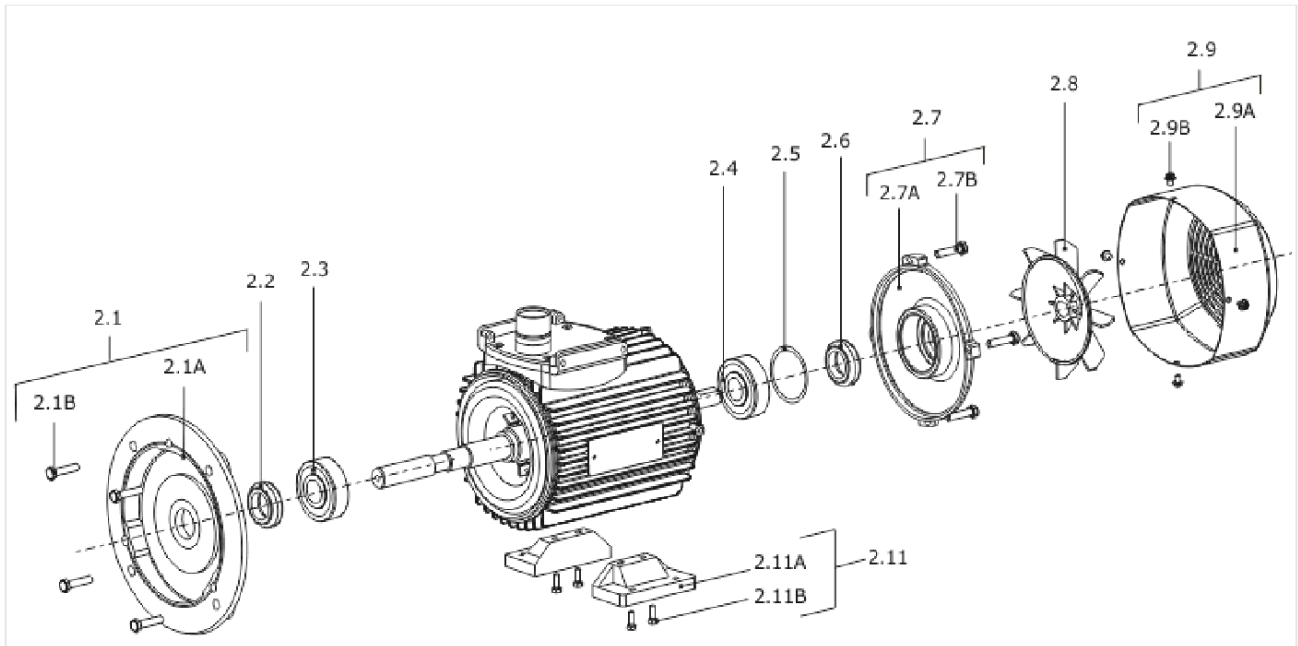
82.1kg IMB3 132M IP55 Th.CL.155(F) AMB 40°C

50 Hz	400/690V Δ/Y	7.5 kW	7A	1455 / min	cos φ 0.84	IE2 - 88,7%
60 Hz	460V Δ	7.5 kW	8.7A	1760 RPM	PF 0.82	IE2 - 90,5%

**SPARE PARTS MOTOR B35 22/2/160/350E-IE2**



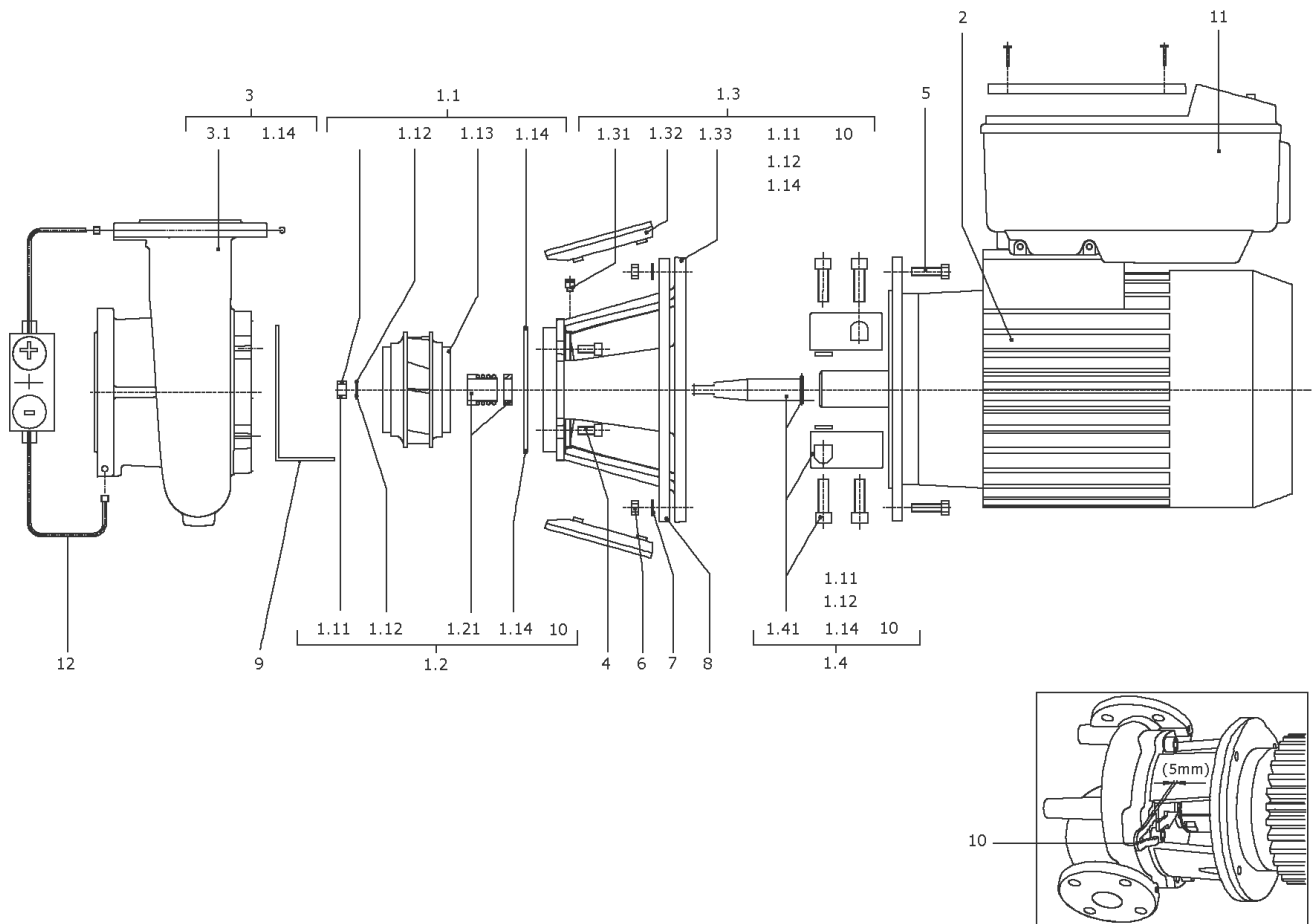
Item	Description	Quantity
1	MOTOR B35 22/2/160/350E TEE IE2 WILO	1



**MOTOR B35 22/2/160/350E TEE IE2 WILO**

Item	Article no.	Description	Quantity
2.1	2120052	END SHIELD BG160 D.E.TEE KIT	1
Note: Please give the data from type plate of the motor			
2.1A		> END SHIELD BG160 642400806 D.E.TEE	1
2.1B	2125338	> SCREW F.END SHIELD BG160 TEE(8 PIECES)	1
Note: Please give the data from type plate of the motor			
2.2	2096382	JOINT RING 45X72X10 TEE VP.	1
Note: Please give the data from type plate of the motor			
2.3	121084396	BALL BEARING 6309/2Z-C3 (HT) VP.	1
Note: Please give the data from type plate of the motor			
2.4	122065996	BALL BEARING 6209/2Z-C3 (HT) VP.	1
Note: Please give the data from type plate of the motor			
2.5	2125362	SPACER DISK BG160 TEE VP.	1
Note: Please give the data from type plate of the motor			
2.6	2096382	JOINT RING 45X72X10 TEE VP.	1
Note: Please give the data from type plate of the motor			
2.7	2125387	END SHIELD BG160 N.D.E.TEE KIT	1
Note: Please give the data from type plate of the motor			
2.7A		> END SHIELD BG160 643232001 N.D.E.TEE	1
2.7B	2125338	> SCREW F.END SHIELD BG160 TEE(8 PIECES)	1
Note: Please give the data from type plate of the motor			
2.8	2042825	FAN WHEEL BG132-225 TEE VP.	1
Note: Please give the data from type plate of the motor			
2.9	2125348	FAN COVER BG160 TEE KIT	1
Note: Please give the data from type plate of the motor			
2.9A		> FAN COVER BG160 644307201 TEE	1
2.9B	2116839	> SCREW BG90-112 TEE (4 PIECE)	1
Note: Please give the data from type plate of the motor			
2.11	2123904	MOTOR FOOT BG160 TEE KIT	1
Note: Please give the data from type plate of the motor			
2.11A		> MOTOR FOOT BG160 LEFT 643409001 TEE	1
2.11A		> MOTOR FOOT BG160 RIGHT 643408901 TEE	1
2.11B	2125331	> SCREW BG132/160 TEE (2 PIECES)	1
Note: Please give the data from type plate of the motor			





**BL-E50/110-3/2-R1-IE2 (2126126)**

Item	Article no.	Description	Quantity
1.1	2123483	IMPELLER D.65/104/94/18 KIT	1
1.11	2027186	> NUT M10 DIN934 A2	1
1.12	2027189	> TENSIONING DISC DIN6796-10 V2A	1
1.13		> IMPELLER 65/104/94/18 GG BALANCED	1
1.14	2037527	> O-RING 148,82x3,53 EPDM 70SR.VP.	1
1.2	2026901	MECHANICAL SEAL MG12/18-G60 AQ1EGG KIT	1
1.11	2027186	> NUT M10 DIN934 A2	1
1.12	2027189	> TENSIONING DISC DIN6796-10 V2A	1
1.14	2037527	> O-RING 148,82x3,53 EPDM 70SR.VP.	1
1.14	2043160	> O-Ring 177,39x3,53 ISO3601B EPDM VP.	1
1.14	2042864	> O-RING ID.224x3,55 7EP1197-W534 VP.	1
1.21		> MECHANICAL SEAL MG12/18-G60 AQ1EGG	1
10	2027202	> TOOL D.18/24/32 VP.	1
1.3	2037206	LANTERN P190X85,2-F215 KIT	1
1.11	2027186	> NUT M10 DIN934 A2	1
1.12	2027189	> TENSIONING DISC DIN6796-10 V2A	1
1.14	2037527	> O-RING 148,82x3,53 EPDM 70SR.VP.	1
1.31	2027201	> BLOWGUN R1/8" VP.	1
1.32	2048842	> COUPLING GUARD F215 PA66 (2 PIECES)	1
1.33		> Lantern P190X85,2-F215 GG KTL WILO	1
10	2027202	> TOOL D.18/24/32 VP.	1
1.4	2029312	COUPLING/SHAFT 18/28X142 OR.148 KIT	1
1.11	2027186	> NUT M10 DIN934 A2	1
1.12	2027189	> TENSIONING DISC DIN6796-10 V2A	1
1.14	2037527	> O-RING 148,82x3,53 EPDM 70SR.VP.	1
1.41		> COUPLING 18/28+SHAFT 18X142 BG112 ZN KIT	1
10	2027202	> TOOL D.18/24/32 VP.	1
2	2135928	MOTOR V1 3/2/100/250E-IE2-ATB(+TOOL)	1
		SPARE PARTS MOTOR V1 3/2/100/250E-IE2	1
3	2037176	PUMP HOUSING B50/140 PN16 KIT	1
1.14	2037527	> O-RING 148,82x3,53 EPDM 70SR.VP.	1
3.1		> PUMP HOUSING BL50/145 PN16 CPL.WILO	1
4	2027194	SCREW M16X30/X40 DIN912 8.8 (4 PIECES)	1
5	2027195	SCREW M12X25 DIN912 8.8 (4 PIECES)	1

**BL-E50/110-3/2-R1-IE2 (2126126)**

Item	Article no.	Description	Quantity
7	2029335	WASHER A13 DIN125 ST (4 PIECES)	1
9	2037241	MOTOR FOOT BG71-112/P190	1
11	2135964	MODULE BL-E50/110-3/2-IE2 ATB KIT	1
		> MODULE BL-E50/110-3/2 WILO	1
	2054227	> MODULE COVER/GASKET TL3/4 KIT	1
		> SCREW M5X16 ISO4762 8.8 ZnNi	1
		> WASHER TOOTHED LOCK A5,3 DIN6797 FST ZN	1
	2061236	> O-RING ID.38X3 EPDM 70SR.A BUS.	1
	2029336	WASHER A17 DIN125 ST (4 PIECES)	1

**Motor-Typenschild / Motor type plate / Plaque identité moteur**

**Bei Ersatzteilbestellung Motorhersteller / Motordaten beachten!**  
**Consider motor manufacturers / motor data for order of spare parts!**  
**Pour les commandes de pièce détachée, indiquer le fabricant / les données du moteur!**

TEE

**TEE** ELECTRIC MOTORS  
 ARCELIK A.S. - TURKEY  
 2089004

CE IE2

3-Mot. **Q2E FS 60M2D90-F188** Icl F S1 Kg 13  
 N° 0001  
 04012011 IP 55 IM -

V Δ/A	Hz	min <sup>-1</sup>	kW	Cos φ	A	η
230 / 400	50	2885	1.1	0.85	4.2 / 2.4	IE2-79,6%
205 / 400	60	3480	1.27	0.83	4.0 / 2.3	

IEC 60034  
 VDE 0530

Load Efficiency  
 %80 79,1%  
 %75 79,1%

ATB

Motor-Nummer  
 motor number  
 numéro du moteur

**ATB** IE2 CE

3-Mot. AF 132S/2F - 11S + E 2 /0509 IE2-88,1%  
 S1 132S IMV1 224039411-1 522058X  
 IP 55 Th. Cl. 155(F) SCHWINGGROESSENSTUFE 8  
**KD\_NR.2064705**

kW	V	Hz	A	1/min	cos φ
7,5	Y/Δ690/400	50	7,9 / 13,7	2890	0,90
7,5	Δ460	60	11,8	3510	0,89

Made in Germany 50 kg EN 60034

SIEMENS

Motor-Nummer  
 motor number  
 numéro du moteur

**SIEMENS** 3-MOT. 1 LA9133-4KA61-Z  
 UC 1009/000001101

IE2 CE

82,1kg IMB3 132M IP55 Th.CL.155(F) AMB 40°C

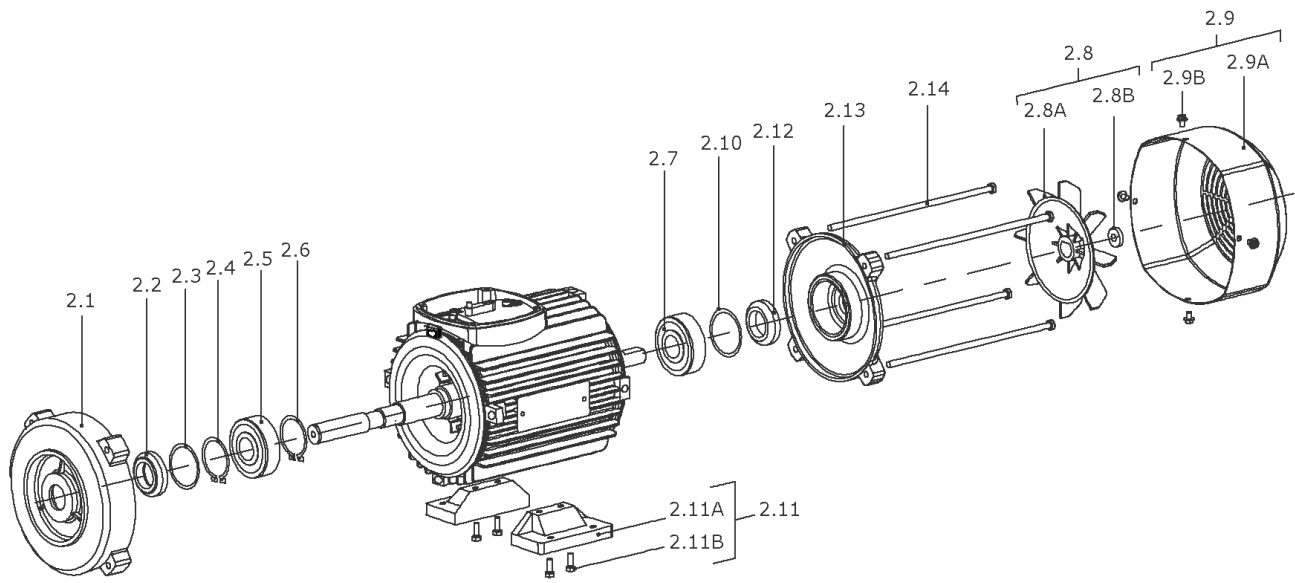
50 Hz	400/690V Δ/Y	7,5 kW	7A	1455 / min	cos φ 0,84
60 Hz	460V Δ	7,5 kW	8,7A	1760 RPM	PF 0,82

IE2 - 88,7%  
 IEC/EN 60034

IE2 - 90,5%

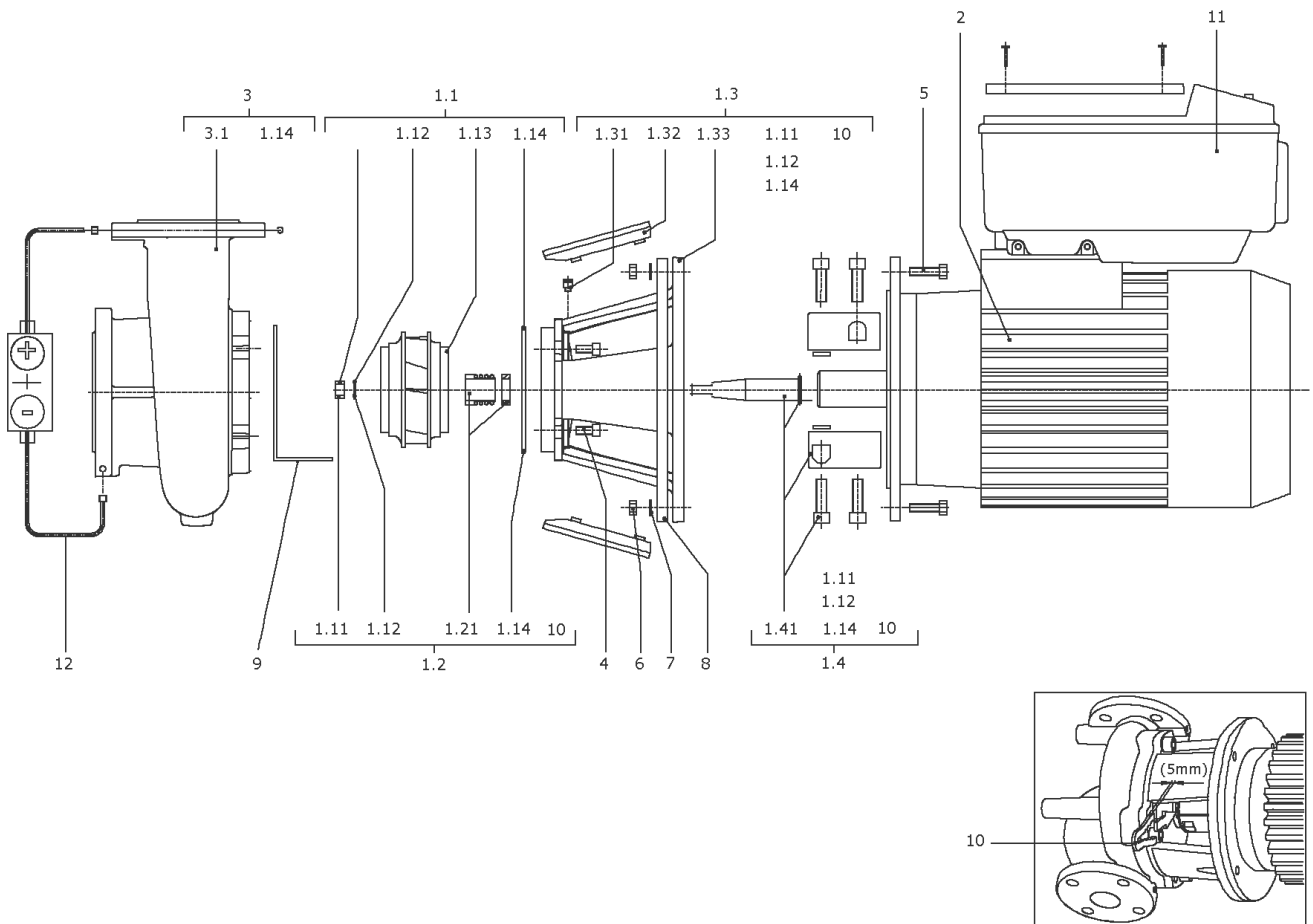
**SPARE PARTS MOTOR V1 3/2/100/250E-IE2**

<b>Item</b>	<b>Description</b>	<b>Quantity</b>
2	MOTOR V1 3/2/100/250E ATB IE2 S9	1



**MOTOR V1 3/2/100/250E ATB IE2 S9**

Item	Article no.	Description	Quantity
2.1	2096232	END SHIELD BG100 D.E.ATB VP.	1
Note: Please give the data from type plate of the motor			
2.2	2138736	SHAFT SEAL RING BG100/112 D.E.ATB VP.	1
Note: Please give the data from type plate of the motor			
2.3	2111441	CIRCLIP BG100/112 ATB VP.	1
Note: Please give the data from type plate of the motor			
2.3	2096258	SHIM BALL BEARING BG90-112 ATB VP.	1
Note: Please give the data from type plate of the motor			
2.4	121084190	BALL BEARING 6206/2Z-C3 (HT) VP.	1
Note: Please give the data from type plate of the motor			
2.5	121084190	BALL BEARING 6206/2Z-C3 (HT) VP.	1
Note: Please give the data from type plate of the motor			
2.6	2046411	CIRCLIP 62X2 DIN472 FST	1
Note: Please give the data from type plate of the motor			
2.7	2166282	End shield BG100 N.D.E.ATB VP.	1
Note: Please give the data from type plate of the motor			
2.8	121479094	FAN WHEEL BG90/100 ATB KIT	1
Note: Please give the data from type plate of the motor			
2.8A		> FAN WHEEL BG90/100 721383 ATB	1
2.8B	2047016	> CORRUGATED SLEEVE RING BG90/100 ATB VP.	1
Note: Please give the data from type plate of the motor			
2.9	2138765	FAN COVER BG100/112 ATB KIT	1
Note: Please give the data from type plate of the motor			
2.9A		> FAN COVER BG100 721210 ATB	1
2.9B		> SCREW M4x8 DIN7985 4.8 A2A	1
2.10	2111443	SCREW END SHILD BG100 D.E.ATB(4 PIECES)	1
Note: Please give the data from type plate of the motor			





**BL-E50/120-4/2-R1-IE2 (2126127)**

Item	Article no.	Description	Quantity
1.1	2123482	IMPELLER D.65/114/104/18 KIT	1
1.11	2027186	> NUT M10 DIN934 A2	1
1.12	2027189	> TENSIONING DISC DIN6796-10 V2A	1
1.13		> IMPELLER 65/114/104/18 GG BALANCED	1
1.14	2037527	> O-RING 148,82x3,53 EPDM 70SR.VP.	1
1.2	2026901	MECHANICAL SEAL MG12/18-G60 AQ1EGG KIT	1
1.11	2027186	> NUT M10 DIN934 A2	1
1.12	2027189	> TENSIONING DISC DIN6796-10 V2A	1
1.14	2037527	> O-RING 148,82x3,53 EPDM 70SR.VP.	1
1.14	2043160	> O-Ring 177,39x3,53 ISO3601B EPDM VP.	1
1.14	2042864	> O-RING ID.224x3,55 7EP1197-W534 VP.	1
1.21		> MECHANICAL SEAL MG12/18-G60 AQ1EGG	1
10	2027202	> TOOL D.18/24/32 VP.	1
1.3	2037206	LANTERN P190X85,2-F215 KIT	1
1.11	2027186	> NUT M10 DIN934 A2	1
1.12	2027189	> TENSIONING DISC DIN6796-10 V2A	1
1.14	2037527	> O-RING 148,82x3,53 EPDM 70SR.VP.	1
1.31	2027201	> BLOWGUN R1/8" VP.	1
1.32	2048842	> COUPLING GUARD F215 PA66 (2 PIECES)	1
1.33		> Lantern P190X85,2-F215 GG KTL WILO	1
10	2027202	> TOOL D.18/24/32 VP.	1
1.4	2029312	COUPLING/SHAFT 18/28X142 OR.148 KIT	1
1.11	2027186	> NUT M10 DIN934 A2	1
1.12	2027189	> TENSIONING DISC DIN6796-10 V2A	1
1.14	2037527	> O-RING 148,82x3,53 EPDM 70SR.VP.	1
1.41		> COUPLING 18/28+SHAFT 18X142 BG112 ZN KIT	1
10	2027202	> TOOL D.18/24/32 VP.	1
2	2135929	MOTOR V1 4/2/112/250E-IE2-ATB(+TOOL)	1
		SPARE PARTS MOTOR V1 4/2/112/250E-IE2	1
3	2037176	PUMP HOUSING B50/140 PN16 KIT	1
1.14	2037527	> O-RING 148,82x3,53 EPDM 70SR.VP.	1
3.1		> PUMP HOUSING BL50/145 PN16 CPL.WILO	1
4	2027194	SCREW M16X30/X40 DIN912 8.8 (4 PIECES)	1
5	2027195	SCREW M12X25 DIN912 8.8 (4 PIECES)	1

**BL-E50/120-4/2-R1-IE2 (2126127)**

Item	Article no.	Description	Quantity
7	2029335	WASHER A13 DIN125 ST (4 PIECES)	1
9	2037241	MOTOR FOOT BG71-112/P190	1
11	2135965	MODULE BL-E50/120-4/2-IE2 ATB KIT	1
		> MODUL BL-E50/120-4/2 WILO	1
	2054227	> MODULE COVER/GASKET TL3/4 KIT	1
		> SCREW M5X16 ISO4762 8.8 ZnNi	1
		> WASHER TOOTHED LOCK A5,3 DIN6797 FST ZN	1
	2061236	> O-RING ID.38X3 EPDM 70SR.A BUS.	1
	2029336	WASHER A17 DIN125 ST (4 PIECES)	1

**Motor-Typenschild / Motor type plate / Plaque identité moteur**

**Bei Ersatzteilbestellung Motorhersteller / Motordaten beachten!**  
**Consider motor manufacturers / motor data for order of spare parts!**  
**Pour les commandes de pièce détachée, indiquer le fabricant / les données du moteur!**

TEE

**TEE ELECTRIC MOTORS**  
ARCELIK A.S. - TURKEY  
2089004

CE IE2

3-Mot. **Q2E FS 60M2D90-F188** Icl F S1 Kg **13**  
 N° 0001  
 04012011 IP **55** IM -

IEC 60034 VDE 0530

V Δ/A	Hz	min <sup>-1</sup>	kW	Cos φ	A	η
230 / 400	50	2985	1.1	0.83	4.2 / 2.4	IE2-79,6%
230 / 400	60	3480	1.27	0.83	4.0 / 2.3	

Load Efficiency  
 %60 79,1%  
 %75 79,1%

ATB

Motor-Nummer  
motor number  
numéro du moteur

**ATB IE2 CE**

3-Mot. AF 132S/2F - 11S + E 2 /0509 IE2-88,1%  
 S1 132S IMV1 224039411-1 522058X  
 IP 55 Th. Cl. 155(F) SCHWINGGROESSENSTUFE 8  
**KD\_NR.2064705**

kW	V	Hz	A	1/min	cos φ
7,5	Y/Δ690/400	50	7,9 / 13,7	2890	0,90
7,5	Δ460	60	11,8	3510	0,89

Made in Germany 50 kg EN 60034

SIEMENS

Motor-Nummer  
motor number  
numéro du moteur

**SIEMENS 3-MOT. 1 LA9133-4KA61-Z** CE

UC 1009/000001101

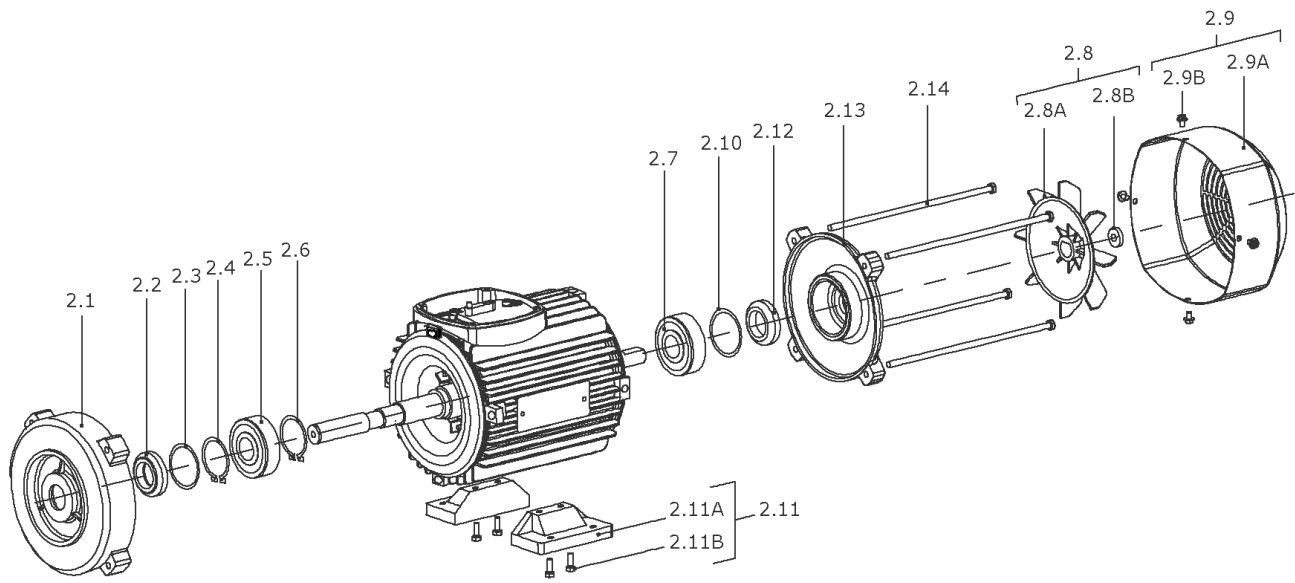
82,1kg IMB3 132M IP55 Th.CL.155(F) AMB 40°C

50 Hz	400/690V Δ/Y	60 Hz	460V Δ
7,5 kW	7A	7,5 kW	8,7A
cos φ 0,84	1455 / min	PF 0,82	1760 RPM

IE2 - 88,7% IE2 - 90,5%  
 IEC/EN 60034

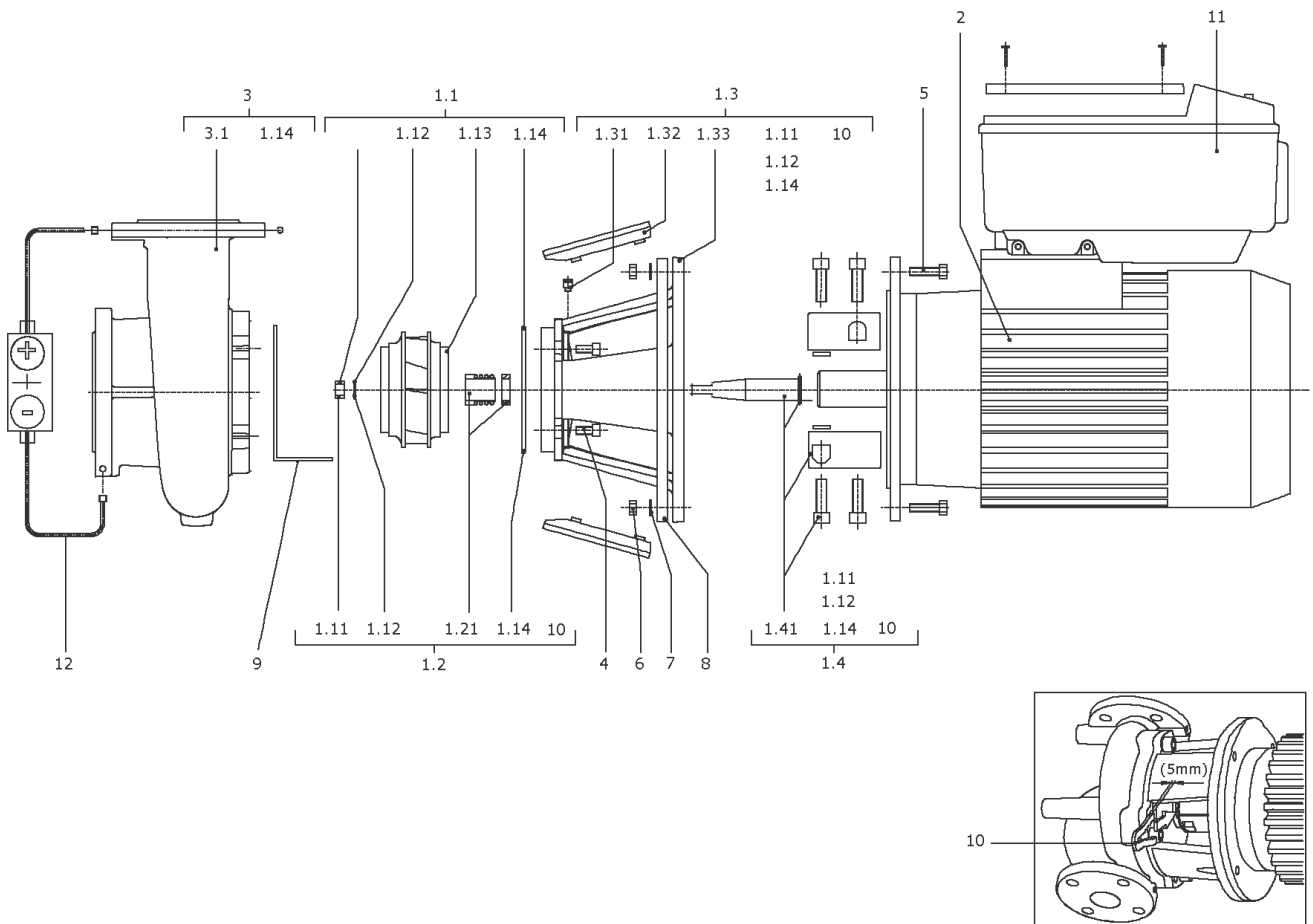
**SPARE PARTS MOTOR V1 4/2/112/250E-IE2**

<b>Item</b>	<b>Description</b>	<b>Quantity</b>
2	MOTOR V1 4/2/112/250E ATB IE2 S9	1



**MOTOR V1 4/2/112/250E ATB IE2 S9**

Item	Article no.	Description	Quantity
2.1	2100572	END SHIELD BG112 D.E.ATB VP.	1
Note: Please give the data from type plate of the motor			
2.2	2138736	SHAFT SEAL RING BG100/112 D.E.ATB VP.	1
Note: Please give the data from type plate of the motor			
2.3	2111441	CIRCLIP BG100/112 ATB VP.	1
Note: Please give the data from type plate of the motor			
2.3	2096260	SHIM BALL BEARING BG132 ATB VP.	1
Note: Please give the data from type plate of the motor			
2.4	121084190	BALL BEARING 6206/2Z-C3 (HT) VP.	1
Note: Please give the data from type plate of the motor			
2.5	121084190	BALL BEARING 6206/2Z-C3 (HT) VP.	1
Note: Please give the data from type plate of the motor			
2.6	2046411	CIRCLIP 62X2 DIN472 FST	1
Note: Please give the data from type plate of the motor			
2.7	2045002	END SHIELD BG112 N.D.E.ATB VP.	1
Note: Please give the data from type plate of the motor			
2.8	121479094	FAN WHEEL BG90/100 ATB KIT	1
Note: Please give the data from type plate of the motor			
2.8A		> FAN WHEEL BG90/100 721383 ATB	1
2.8B	2047016	> CORRUGATED SLEEVE RING BG90/100 ATB VP.	1
Note: Please give the data from type plate of the motor			
2.9	2138765	FAN COVER BG100/112 ATB KIT	1
Note: Please give the data from type plate of the motor			
2.9A		> FAN COVER BG100 721210 ATB	1
2.9B		> SCREW M4x8 DIN7985 4.8 A2A	1
2.10	2111445	SCREW END SHILD M6X220 ATB(4 PIECES)	1
Note: Please give the data from type plate of the motor			



**BL-E50/130-5,5/2-R1-IE2 (2126128)**

Item	Article no.	Description	Quantity
1.1	2123485	IMPELLER D.65/124/24 KIT	1
1.11	2027187	> NUT M12 DIN-EN24032 A2 VP.	1
1.12	2027190	> WASHER A13 DIN125-T2 A2 VP.	1
1.13		> IMPELLER 65/124/24 GG BALANCED	1
1.14	2037527	> O-RING 148,82x3,53 EPDM 70SR.VP.	1
	2042862	> WASHER S12 V2A VP.	1
1.2	2026902	MECHANICAL SEAL MG12/24-G60 AQ1EGG KIT	1
1.11	2027187	> NUT M12 DIN-EN24032 A2 VP.	1
1.12	2027190	> WASHER A13 DIN125-T2 A2 VP.	1
1.14	2037527	> O-RING 148,82x3,53 EPDM 70SR.VP.	1
1.14	2043160	> O-Ring 177,39x3,53 ISO3601B EPDM VP.	1
1.14	2042864	> O-RING ID.224x3,55 7EP1197-W534 VP.	1
1.14	2051680	> O-RING ID.276,7x5,29 7EP1197-W534 VP.	1
	2042862	> WASHER S12 V2A VP.	1
1.21		> MECHANICAL SEAL MG12/24-G60 AQ1EGG	1
10	2027202	> TOOL D.18/24/32 VP.	1
1.3	2037203	LANTERN P190X85,2-F265 KIT	1
1.11	2027187	> NUT M12 DIN-EN24032 A2 VP.	1
1.12	2027190	> WASHER A13 DIN125-T2 A2 VP.	1
1.14	2037527	> O-RING 148,82x3,53 EPDM 70SR.VP.	1
	2042862	> WASHER S12 V2A VP.	1
1.31	2027201	> BLOWGUN R1/8" VP.	1
1.32	2048834	> COUPLING GUARD F265 PA66 (4 PIECES)	1
1.33		> LANTERN P190X85,2-F265 GG KTL WILO	1
10	2027202	> TOOL D.18/24/32 VP.	1
1.4	2027227	COUPLING/SHAFT 24/38x142 OR.148 KIT	1
1.11	2027187	> NUT M12 DIN-EN24032 A2 VP.	1
1.12	2027190	> WASHER A13 DIN125-T2 A2 VP.	1
1.14	2037527	> O-RING 148,82x3,53 EPDM 70SR.VP.	1
	2042862	> WASHER S12 V2A VP.	1
1.41		> COUPLING 24/38+SHAFT 24X142 BG132 ZN KIT	1
10	2027202	> TOOL D.18/24/32 VP.	1
2	2135930	MOTOR B35 5,5/2/132/300E-IE2-SM.(+TOOL)	1
		SPARE PARTS MOTOR B35 5,5/2/132/300E-IE2	1



**BL-E50/130-5,5/2-R1-IE2 (2126128)**

Item	Article no.	Description	Quantity
3	2037176	PUMP HOUSING B50/140 PN16 KIT	1
1.14	2037527	> O-RING 148,82x3,53 EPDM 70SR.VP.	1
3.1		> PUMP HOUSING BL50/145 PN16 CPL.WILO	1
4	2027193	SCREW M16X30 ISO4762 8.8 (4 PIECES)	1
5	2037244	Screw M12X55 ISO4014 8.8 (4STÜCK)	1
6	2029305	NUT M12 DIN-EN24032 8 (4 PIECES)	1
7	2029335	WASHER A13 DIN125 ST (4 PIECES)	1
11	2135966	MODULE BL-E50/130-5,5/2-IE2 SM.KIT	1
		> MODULE BL-E50/130-5,5/2 WILO	1
	2111344	> MODULE COVER/GASKET TL5 KIT	1
	2120047	> CABLE CONNECTION M12x1,5/5 cpl.TL5 VP.	1
	2120048	> CABLE CONNECTION M16x1,5/5 cpl.TL5 VP.	1
	2120049	> CABLE CONNECTION M20x1,5/6 cpl.TL5 VP.	1
	2120050	> CABLE CONNECTION M25x1,5/8 cpl.TL5 VP.	1

### Motor-Typenschild / Motor type plate / Plaque identité moteur

**Bei Ersatzteilbestellung Motorhersteller / Motordaten beachten!**  
**Consider motor manufacturers / motor data for order of spare parts!**  
**Pour les commandes de pièce détachée, indiquer le fabricant / les données du moteur!**

TEE

**TEE** ELECTRIC MOTORS  
 ARCELIK A.S. - TURKEY  
 2089004

CE IE2

3-Mot. **Q2E FS 60M2D90-F188** Icl F S1 Kg 13  
 N° 0001  
 04012011 IP 55 IM -

V Δ/A	Hz	min <sup>-1</sup>	kW	Cos φ	A	η
230 / 400	50	2885	1.1	0.83	4.2 / 2.4	IE2-79,6%
205 / 400	60	3480	1.27	0.83	4.0 / 2.3	

IEC 60034  
 VDE 0530

Load Efficiency  
 %80 79,1%  
 %75 79,1%

ATB

Motor-Nummer  
 motor number  
 numéro du moteur

**ATB** IE2 CE

3-Mot. AF 132S/2F - 11S + E 2 /0509 IE2-88,1%  
 S1 132S IMV1 224039411-1 522058X  
 IP 55 Th. Cl. 155(F) SCHWINGGROESSENSTUFE 8  
**KD\_NR.2064705**

kW	V	Hz	A	1/min	cos φ
7,5	Y/Δ690/400	50	7,9 / 13,7	2890	0,90
7,5	Δ460	60	11,8	3510	0,89

Made in Germany 50 kg EN 60034

SIEMENS

Motor-Nummer  
 motor number  
 numéro du moteur

**SIEMENS** 3-MOT. 1 LA9133-4KA61-Z  
 UC 1009/000001101

IE2 CE

82,1kg IMB3 132M IP55 Th.CL.155(F) AMB 40°C

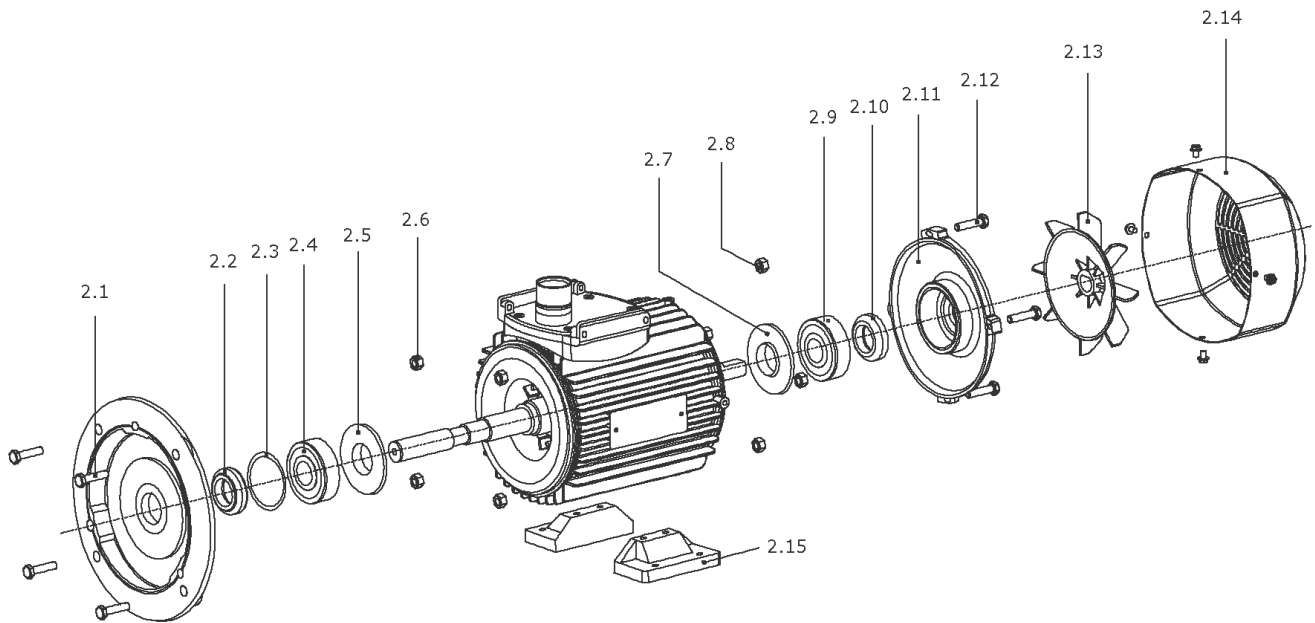
50 Hz	400/690V Δ/Y	80 Hz	460V Δ
7,5 kW	7A	7,5 kW	8,7A
cos φ 0,84	1455 / min	PF 0,82	1760 RPM

IE2 - 88,7% IE2 - 90,5%  
 IEC/EN 60034

**SPARE PARTS MOTOR B35 5,5/2/132/300E-IE2**

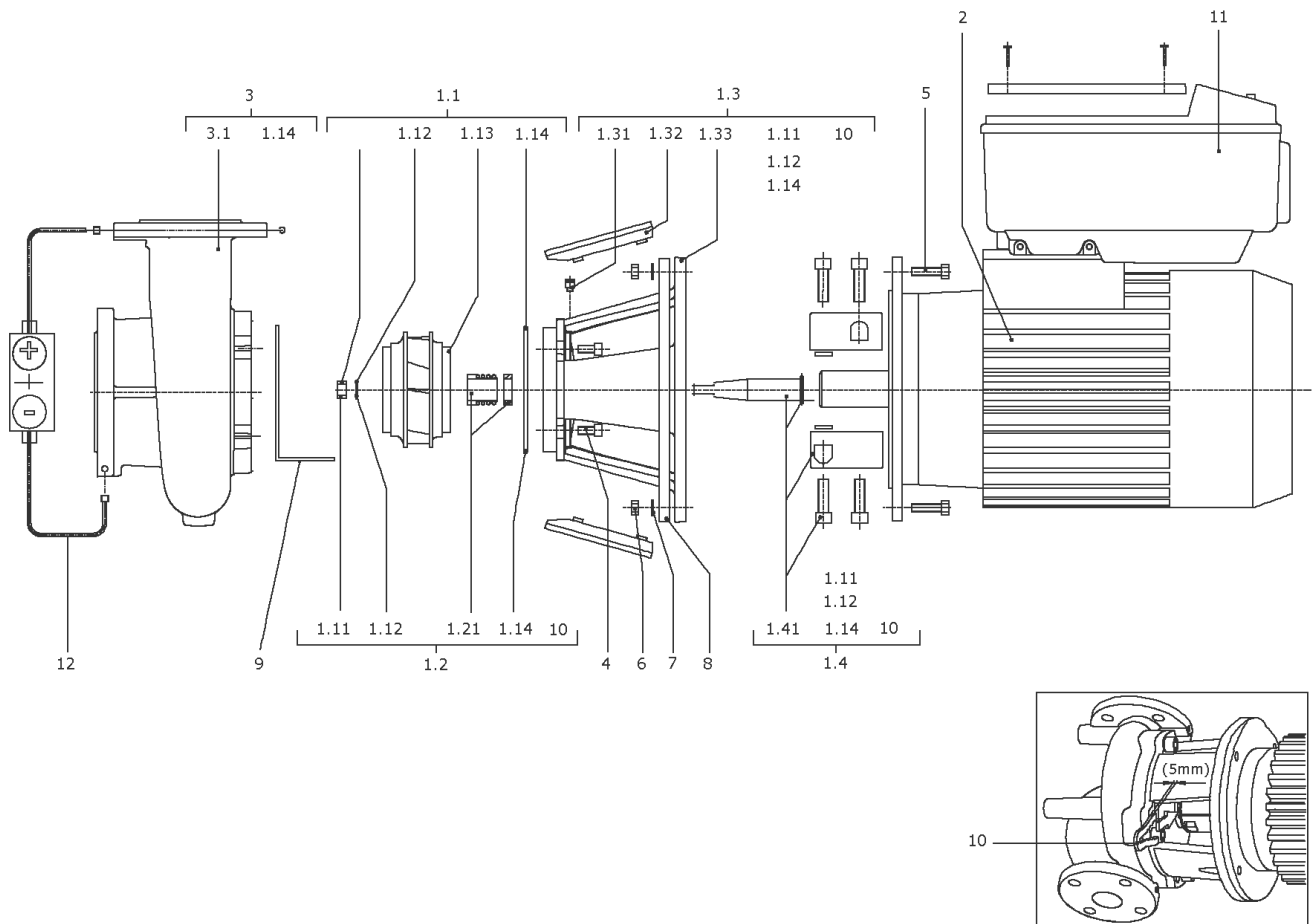


Item	Description	Quantity
3	MOTOR B35 5,5/2/132/300E SM IE2 WILO	1



**MOTOR B35 5,5/2/132/300E SM IE2 WILO**

Item	Article no.	Description	Quantity
2.1	2112830	SCREW M8X65 ISO4762 8.8 (4 PIECES)	1
Note: Please give the data from type plate of the motor			
2.2	2111403	V-RING V40-A SM.VP.	1
Note: Please give the data from type plate of the motor			
2.3	2112832	SPRING WASHER SN60098-56 6208 SM.VP.	1
Note: Please give the data from type plate of the motor			
2.4	2111405	BALL BEARING 6308/2ZJC3 SM.VP.	1
Note: Please give the data from type plate of the motor			
2.5	2111401	BEARING INSERT BG132 D.E.SM.VP.	1
Note: Please give the data from type plate of the motor			
2.6	2112834	NUT M8-8 DIN6923(4 PIECES)	1
Note: Please give the data from type plate of the motor			
2.7	2111409	BEARING INSERT BG132 N.D.E.SM.VP.	1
Note: Please give the data from type plate of the motor			
2.8	2112834	NUT M8-8 DIN6923(4 PIECES)	1
Note: Please give the data from type plate of the motor			
2.9	2111366	BALL BEARING 6208/2ZJC3 SM.VP.	1
Note: Please give the data from type plate of the motor			
2.10	2111403	V-RING V40-A SM.VP.	1
Note: Please give the data from type plate of the motor			
2.11	2111407	END SHIELD N.D.E.BG132 SM.VP.	1
Note: Please give the data from type plate of the motor			
2.12	2112836	SCREW M8X40 ISO4017 8.8 (4 PIECES)	1
Note: Please give the data from type plate of the motor			
2.13	2111413	FAN WHEEL 1PC3 BG132 D.150 SM.VP.	1
Note: Please give the data from type plate of the motor			
2.14	2111411	FAN COVER 1PC3 BG132/300 SM.VP.	1
Note: Please give the data from type plate of the motor			
2.15	2138774	MOTOR FOOT 1LE1 BG132 SM.KIT	1
Note: Please give the data from type plate of the motor			



**BL-E50/140-7,5/2-R1-IE2 (2126129)**

Item	Article no.	Description	Quantity
1.1	2123484	IMPELLER D.65/134/24 KIT	1
1.11	2027187	> NUT M12 DIN-EN24032 A2 VP.	1
1.12	2027190	> WASHER A13 DIN125-T2 A2 VP.	1
1.13		> IMPELLER 65/134/24 GG BALANCED	1
1.14	2037527	> O-RING 148,82x3,53 EPDM 70SR.VP.	1
	2042862	> WASHER S12 V2A VP.	1
1.2	2026902	MECHANICAL SEAL MG12/24-G60 AQ1EGG KIT	1
1.11	2027187	> NUT M12 DIN-EN24032 A2 VP.	1
1.12	2027190	> WASHER A13 DIN125-T2 A2 VP.	1
1.14	2037527	> O-RING 148,82x3,53 EPDM 70SR.VP.	1
1.14	2043160	> O-Ring 177,39x3,53 ISO3601B EPDM VP.	1
1.14	2042864	> O-RING ID.224x3,55 7EP1197-W534 VP.	1
1.14	2051680	> O-RING ID.276,7x5,29 7EP1197-W534 VP.	1
	2042862	> WASHER S12 V2A VP.	1
1.21		> MECHANICAL SEAL MG12/24-G60 AQ1EGG	1
10	2027202	> TOOL D.18/24/32 VP.	1
1.3	2037203	LANTERN P190X85,2-F265 KIT	1
1.11	2027187	> NUT M12 DIN-EN24032 A2 VP.	1
1.12	2027190	> WASHER A13 DIN125-T2 A2 VP.	1
1.14	2037527	> O-RING 148,82x3,53 EPDM 70SR.VP.	1
	2042862	> WASHER S12 V2A VP.	1
1.31	2027201	> BLOWGUN R1/8" VP.	1
1.32	2048834	> COUPLING GUARD F265 PA66 (4 PIECES)	1
1.33		> LANTERN P190X85,2-F265 GG KTL WILO	1
10	2027202	> TOOL D.18/24/32 VP.	1
1.4	2027227	COUPLING/SHAFT 24/38x142 OR.148 KIT	1
1.11	2027187	> NUT M12 DIN-EN24032 A2 VP.	1
1.12	2027190	> WASHER A13 DIN125-T2 A2 VP.	1
1.14	2037527	> O-RING 148,82x3,53 EPDM 70SR.VP.	1
	2042862	> WASHER S12 V2A VP.	1
1.41		> COUPLING 24/38+SHAFT 24X142 BG132 ZN KIT	1
10	2027202	> TOOL D.18/24/32 VP.	1
2	2135931	MOTOR B35 7,5/2/132/300E-IE2-SM.(+TOOL)	1
		SPARE PARTS MOTOR B35 7,5/2/132/300E-IE2	1

**BL-E50/140-7,5/2-R1-IE2 (2126129)**

Item	Article no.	Description	Quantity
3	2037176	PUMP HOUSING B50/140 PN16 KIT	1
1.14	2037527	> O-RING 148,82x3,53 EPDM 70SR.VP.	1
3.1		> PUMP HOUSING BL50/145 PN16 CPL.WILO	1
4	2027193	SCREW M16X30 ISO4762 8.8 (4 PIECES)	1
5	2037244	Screw M12X55 ISO4014 8.8 (4STÜCK)	1
6	2029305	NUT M12 DIN-EN24032 8 (4 PIECES)	1
7	2029335	WASHER A13 DIN125 ST (4 PIECES)	1
11	2135967	MODULE BL-E50/140-7,5/2-IE2 SM.KIT	1
		> MODULE BL-E50/140-7,5/2 WILO	1
	2111344	> MODULE COVER/GASKET TL5 KIT	1
	2120047	> CABLE CONNECTION M12x1,5/5 cpl.TL5 VP.	1
	2120048	> CABLE CONNECTION M16x1,5/5 cpl.TL5 VP.	1
	2120049	> CABLE CONNECTION M20x1,5/6 cpl.TL5 VP.	1
	2120050	> CABLE CONNECTION M25x1,5/8 cpl.TL5 VP.	1



**Motor-Typenschild / Motor type plate / Plaque identité moteur**

**Bei Ersatzteilbestellung Motorhersteller / Motordaten beachten!**  
**Consider motor manufacturers / motor data for order of spare parts!**  
**Pour les commandes de pièce détachée, indiquer le fabricant / les données du moteur!**

TEE

**TEE ELECTRIC MOTORS**  
ARCELIK A.S. - TURKEY  
2089004

CE IE2

3-Mot. **Q2E FS 60M2D90-F188** Icl F S1 Kg **13**  
 N° 0001  
 04012011 IP **55** IM -

IEC 60034  
VDE 0530

V Δ/A	Hz	min <sup>-1</sup>	kW	Cos φ	A	η
230 / 400	50	2885	1.1	0.83	4.2 / 2.4	IE2-79,6%
230 / 400	60	3480	1.27	0.83	4.0 / 2.3	

Load Efficiency  
 %80 79,1%  
 %75 79,1%

ATB

Motor-Nummer  
motor number  
numéro du moteur

**ATB** IE2 CE

3-Mot. AF 132S/2F - 11S + E 2 /0509 IE2-88,1%  
 S1 132S IMV1 224039411-1 522058X  
 IP 55 Th. Cl. 155(F) SCHWINGGROESSENSTUFE 8  
**KD\_NR.2064705**

kW	V	Hz	A	1/min	cos φ
7.5	Y/Δ690/400	50	7.9 / 13.7	2890	0.90
7.5	Δ460	60	11.8	3510	0.89

Made in Germany 50 kg EN 60034

SIEMENS

Motor-Nummer  
motor number  
numéro du moteur

**SIEMENS** 3-MOT. 1 LA9133-4KA61-Z  
UC 1009/000001101

IEC CE

82.1kg IMB3 132M IP55 Th.CL.155(F) AMB 40°C

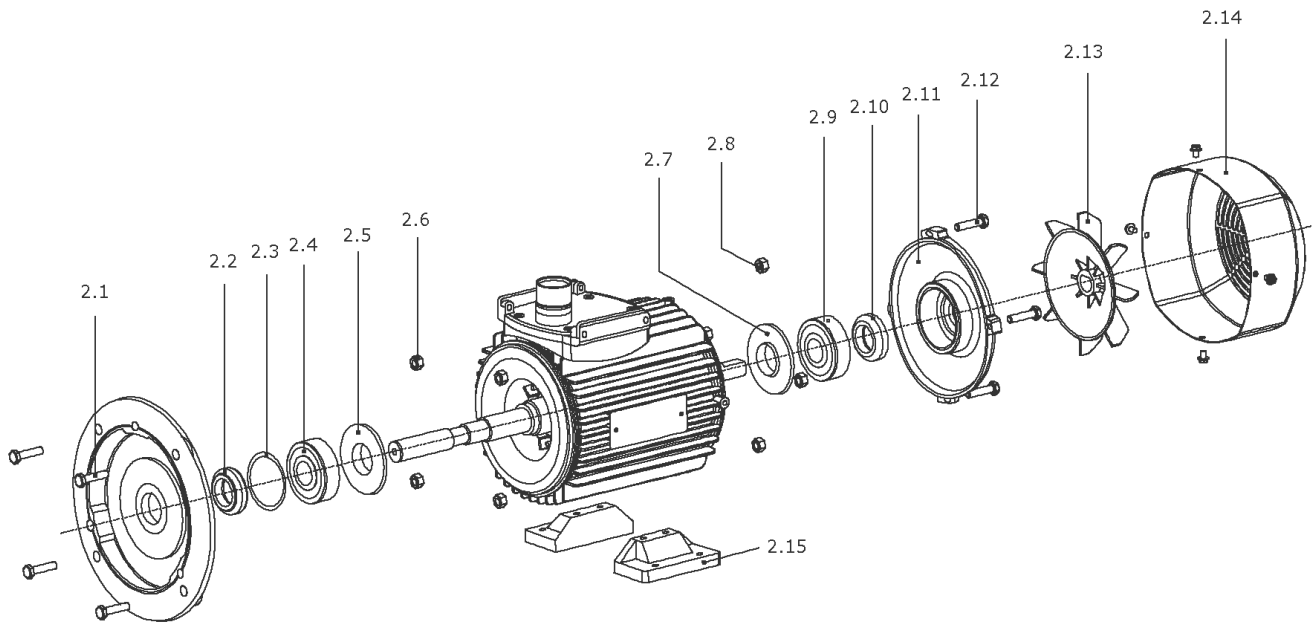
50 Hz	400/690V Δ/Y	60 Hz	460V Δ
7,5 kW	7A	7,5 kW	8,7A
cos φ 0,84	1455 / min	PF 0,82	1760 RPM

IE2 - 88,7% IE2 - 90,5%  
 IEC/EN 60034

**SPARE PARTS MOTOR B35 7,5/2/132/300E-IE2**

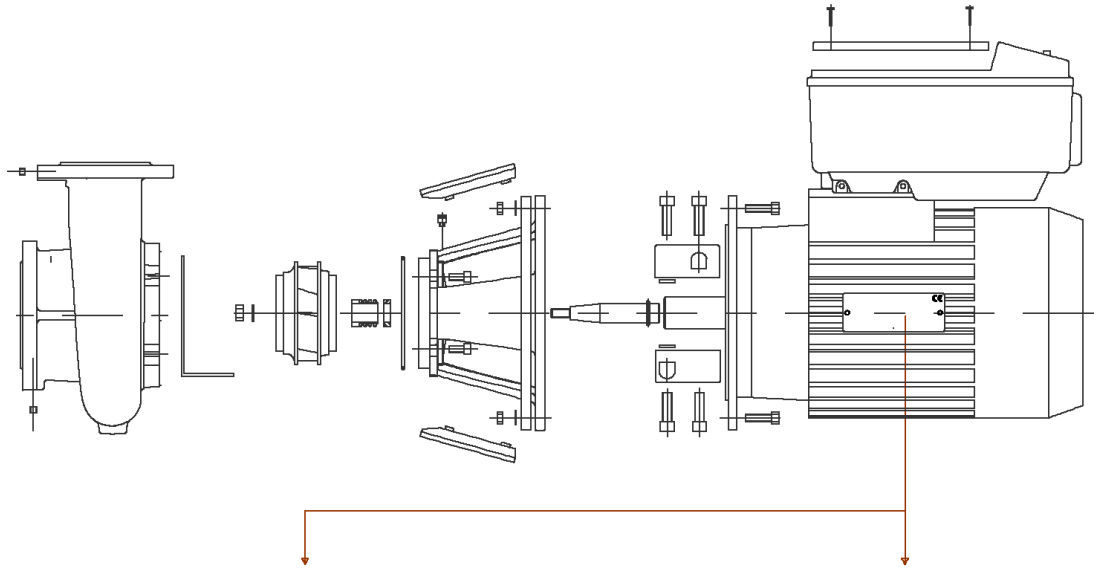


Item	Description	Quantity
3	MOTOR B35 7,5/2/132/300E SM IE2 WILO	1



**MOTOR B35 7,5/2/132/300E SM IE2 WILO**

Item	Article no.	Description	Quantity
2.1	2112830	SCREW M8X65 ISO4762 8.8 (4 PIECES)	1
Note: Please give the data from type plate of the motor			
2.2	2111403	V-RING V40-A SM.VP.	1
Note: Please give the data from type plate of the motor			
2.3	2112832	SPRING WASHER SN60098-56 6208 SM.VP.	1
Note: Please give the data from type plate of the motor			
2.4	2111405	BALL BEARING 6308/2ZJC3 SM.VP.	1
Note: Please give the data from type plate of the motor			
2.5	2111401	BEARING INSERT BG132 D.E.SM.VP.	1
Note: Please give the data from type plate of the motor			
2.6	2112834	NUT M8-8 DIN6923(4 PIECES)	1
Note: Please give the data from type plate of the motor			
2.7	2111409	BEARING INSERT BG132 N.D.E.SM.VP.	1
Note: Please give the data from type plate of the motor			
2.8	2112834	NUT M8-8 DIN6923(4 PIECES)	1
Note: Please give the data from type plate of the motor			
2.9	2111366	BALL BEARING 6208/2ZJC3 SM.VP.	1
Note: Please give the data from type plate of the motor			
2.10	2111403	V-RING V40-A SM.VP.	1
Note: Please give the data from type plate of the motor			
2.11	2111407	END SHIELD N.D.E.BG132 SM.VP.	1
Note: Please give the data from type plate of the motor			
2.12	2112836	SCREW M8X40 ISO4017 8.8 (4 PIECES)	1
Note: Please give the data from type plate of the motor			
2.13	2111413	FAN WHEEL 1PC3 BG132 D.150 SM.VP.	1
Note: Please give the data from type plate of the motor			
2.14	2111411	FAN COVER 1PC3 BG132/300 SM.VP.	1
Note: Please give the data from type plate of the motor			
2.15	2138774	MOTOR FOOT 1LE1 BG132 SM.KIT	1
Note: Please give the data from type plate of the motor			



ATB

Motor-Nummer  
motor number  
numéro du moteur

		IE2			
3~Mot.	AF132S/2F-11S+E2/0509	IE2-88,1%			
S1	132S IMV1	224039411-1	522058X		
IP 55	Th. Cl.155(F)	SCHWINGGROESSENSTUFE B			
WILO NR.2064705					
kW	V	Hz	A	1/min	COS φ
7,5	YΔ 690/400	50	7,9/3,7	2890	0,90
7,5	Δ 460	60	11,8	3510	0,89
Made in Germany		50 kg	EN 60034		

SIEMENS

Motor-Nummer  
motor number  
numéro du moteur

SIEMENS		3-MOT.1 LA9133-4KA61-Z		IE2	
Made in Czech Rep		UC 1009/000001101			
62,1kg		IMB3	132M	IP55	TH.CL.155(F) AMB 40°
50 Hz	400/690V YΔ	60 Hz	460V Δ		
7,5 kW	7 A	7,5 kW	8,7A		
cos φ 0,84	1455/min	PF 0,82	1760 RPM		
IE2 - 88,7%		IE2 - 90,5%			
IEC / EN 60034					

### Motor-Typenschild / Motor type plate / Plaque identité moteur

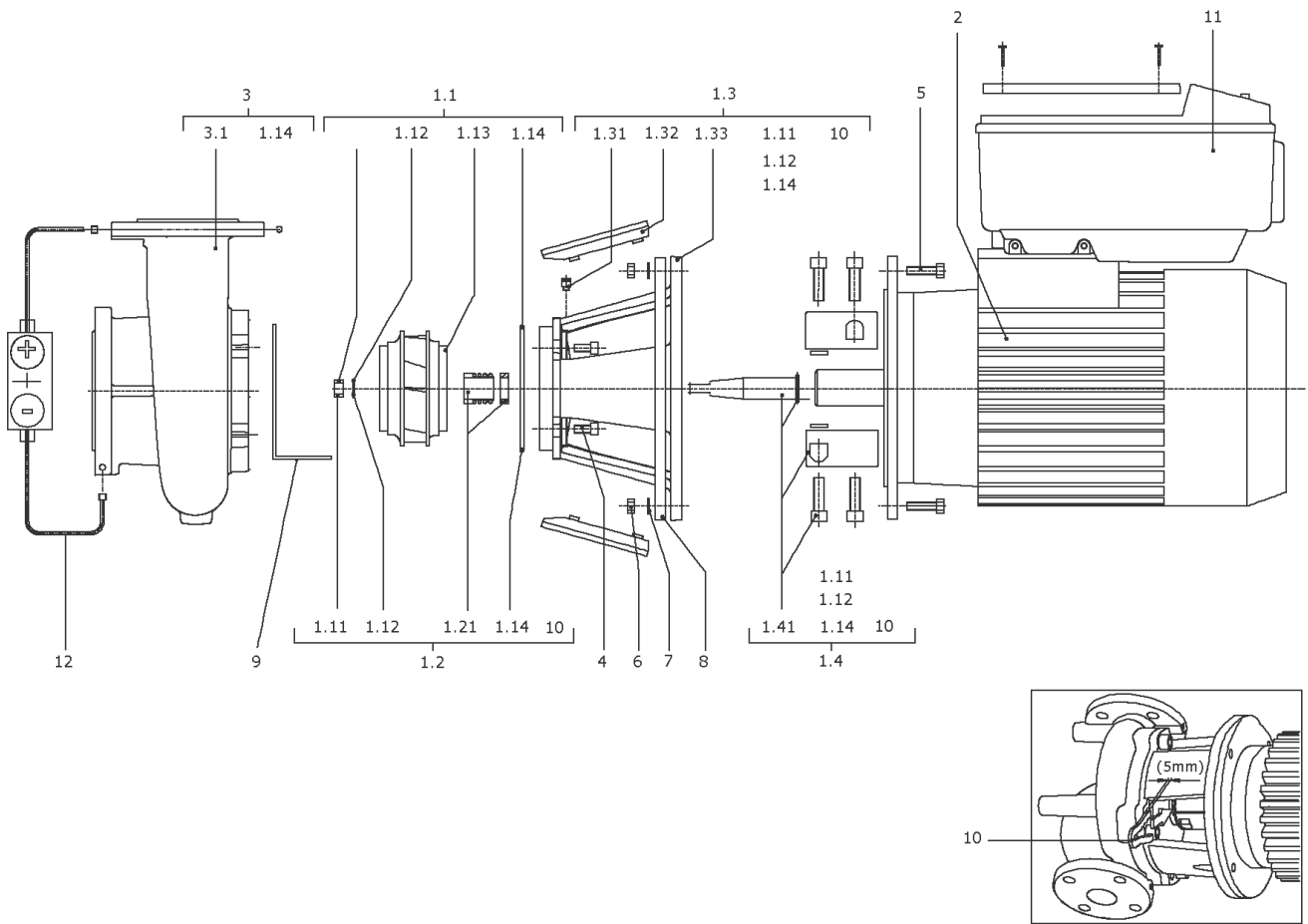
**Bei Ersatzteilbestellung Motor-Nummer angeben!**

**Indicate motor number for order of spare parts!**

**Pour une commande de pièces détachées, donner le numéro du moteur!**

**BL-E50/150-7,5/2-R1-IE2 (2126130)**

<b>Item</b>	<b>Description</b>	<b>Quantity</b>
ATB	Spare parts BL-E50/150-7,5/2-R1 ATB	1
SIEMENS	Spare parts BL-E50/150-7,5/2-R1 SIEMENS	1



**Spare parts BL-E50/150-7,5/2-R1 SIEMENS**

Item	Article no.	Description	Quantity
1.1	2037292	IMPELLER D.65/152/24 KIT	1
1.11	2027187	> NUT M12 DIN-EN24032 A2 VP.	1
1.12	2027190	> WASHER A13 DIN125-T2 A2 VP.	1
1.13		> IMPELLER 65/152/142/24 GG BALANCED	1
1.14	2043160	> O-Ring 177,39x3,53 ISO3601B EPDM VP.	1
	2042862	> WASHER S12 V2A VP.	1
1.2	2026902	MECHANICAL SEAL MG12/24-G60 AQ1EGG KIT	1
1.11	2027187	> NUT M12 DIN-EN24032 A2 VP.	1
1.12	2027190	> WASHER A13 DIN125-T2 A2 VP.	1
1.14	2037527	> O-RING 148,82x3,53 EPDM 70SR.VP.	1
1.14	2043160	> O-Ring 177,39x3,53 ISO3601B EPDM VP.	1
1.14	2042864	> O-RING ID.224x3,55 7EP1197-W534 VP.	1
1.14	2051680	> O-RING ID.276,7x5,29 7EP1197-W534 VP.	1
	2042862	> WASHER S12 V2A VP.	1
1.21		> MECHANICAL SEAL MG12/24-G60 AQ1EGG	1
10	2027202	> TOOL D.18/24/32 VP.	1
1.3	2027010	LANTERN P228X85,2-F265 KIT	1
1.11	2027187	> NUT M12 DIN-EN24032 A2 VP.	1
1.12	2027190	> WASHER A13 DIN125-T2 A2 VP.	1
1.14	2043160	> O-Ring 177,39x3,53 ISO3601B EPDM VP.	1
	2042862	> WASHER S12 V2A VP.	1
1.31	2027201	> BLOWGUN R1/8" VP.	1
1.32	2048838	> COUPLING GUARD F265 PA66 AD.(4 PIECES)	1
1.33		> LANTERN P228X85,2-F265 GG KTL RDES WILO	1
10	2027202	> TOOL D.18/24/32 VP.	1
1.4	2026928	COUPLING/SHAFT 24/38x142 OR.177 KIT	1
1.11	2027187	> NUT M12 DIN-EN24032 A2 VP.	1
1.12	2027190	> WASHER A13 DIN125-T2 A2 VP.	1
1.14	2043160	> O-Ring 177,39x3,53 ISO3601B EPDM VP.	1
	2042862	> WASHER S12 V2A VP.	1
1.41		> COUPLING 24/38+SHAFT 24X142 BG132 ZN KIT	1
10	2027202	> TOOL D.18/24/32 VP.	1
2	2135931	MOTOR B35 7,5/2/132/300E-IE2-SM.(+TOOL)	1
		SPARE PARTS MOTOR B35 7,5/2/132/300E-IE2	1



**Spare parts BL-E50/150-7,5/2-R1 SIEMENS**

Item	Article no.	Description	Quantity
3	2026871	PUMP HOUSING B50/170 PN16 KIT	1
1.14	2043160	> O-Ring 177,39x3,53 ISO3601B EPDM VP.	1
3.1		> PUMP HOUSING BL50/182 PN16 CPL.WILO	1
4	2027193	SCREW M16X30 ISO4762 8.8 (4 PIECES)	1
5	2027199	Screw M12X65 ISO4014 8.8 (4STÜCK)	1
6	2029305	NUT M12 DIN-EN24032 8 (4 PIECES)	1
7	2029335	WASHER A13 DIN125 ST (4 PIECES)	1
8	2027185	Adapter ring BG132 VP.	1
11	2135968	MODULE BL-E50/150-7,5/2-IE2 SM.KIT	1
		> MODULE BL-E50/150-7,5/2 WILO	1
	2111344	> MODULE COVER/GASKET TL5 KIT	1
	2120047	> CABLE CONNECTION M12x1,5/5 cpl.TL5 VP.	1
	2120048	> CABLE CONNECTION M16x1,5/5 cpl.TL5 VP.	1
	2120049	> CABLE CONNECTION M20x1,5/6 cpl.TL5 VP.	1
	2120050	> CABLE CONNECTION M25x1,5/8 cpl.TL5 VP.	1

### Motor-Typenschild / Motor type plate / Plaque identité moteur

**Bei Ersatzteilbestellung Motorhersteller / Motordaten beachten!**  
**Consider motor manufacturers / motor data for order of spare parts!**  
**Pour les commandes de pièce détachée, indiquer le fabricant / les données du moteur!**

TEE

**TEE** ELECTRIC MOTORS  
 ARCELIK A.S. - TURKEY  
 2089004

CE IE2

3-Mot. **Q2E FS 60M2D90-F188** Icl F S1 Kg 13  
 N° 0001  
 04012011 IP 55 IM -

V Δ/A	Hz	min <sup>-1</sup>	kW	Cos φ	A	η
230 / 400	50	2885	1.1	0.83	4.2 / 2.4	IE2-79,6%
230 / 400	60	3480	1.27	0.83	4.0 / 2.3	

IEC 60034  
 VDE 0530

Load Efficiency  
 %80 79,1%  
 %75 79,1%

ATB

Motor-Nummer  
 motor number  
 numéro du moteur

**ATB** IE2 CE

3-Mot. AF 132S/2F - 11S + E 2 /0509 IE2-88,1%  
 S1 132S IMV1 224039411-1 522058X  
 IP 55 Th. Cl. 155(F) SCHWINGGROESSENSTUFE 8  
**KD\_NR.2064705**

kW	V	Hz	A	1/min	cos φ
7.5	Y/Δ690/400	50	7.9 / 13.7	2890	0.90
7.5	Δ460	60	11.8	3510	0.89

Made in Germany 50 kg EN 60034

SIEMENS

Motor-Nummer  
 motor number  
 numéro du moteur

**SIEMENS** 3-MOT. 1 LA9133-4KA61-Z  
 UC 1009/000001101

IE2 CE

82.1kg IMB3 132M IP55 Th.CL.155(F) AMB 40°C

50 Hz	400/690V Δ/Y	7.5 kW	7A	1455 / min	cos φ 0.84
60 Hz	460V Δ	7.5 kW	8.7A	1760 RPM	PF 0.82

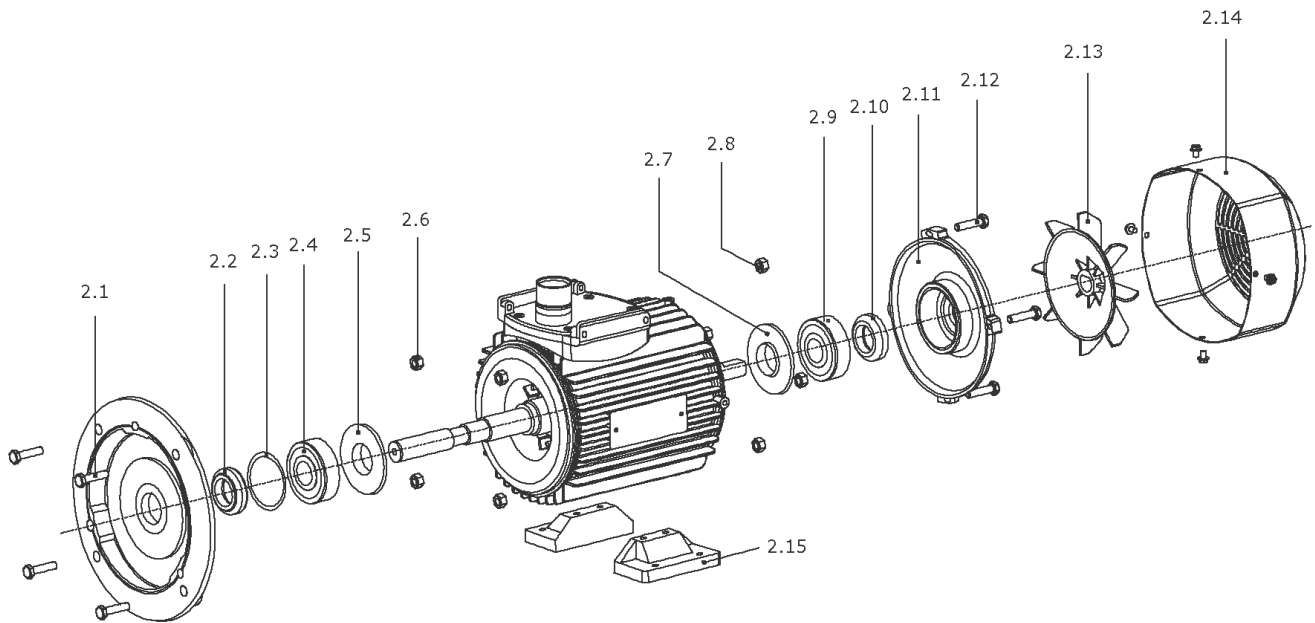
IE2 - 88,7%  
 IEC/EN 60034

IE2 - 90,5%

## SPARE PARTS MOTOR B35 7,5/2/132/300E-IE2

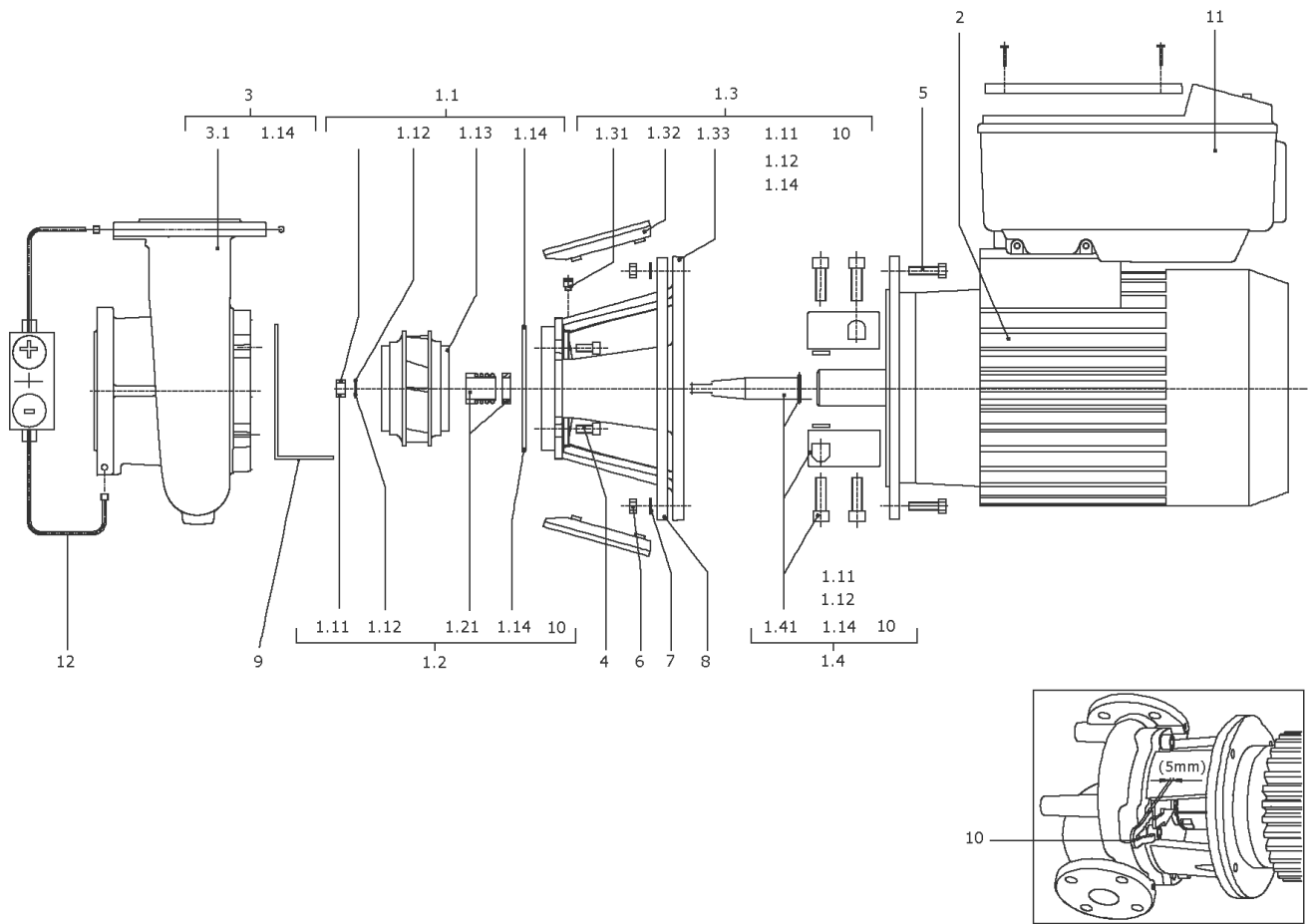


Item	Description	Quantity
3	MOTOR B35 7,5/2/132/300E SM IE2 WILO	1



**MOTOR B35 7,5/2/132/300E SM IE2 WILO**

Item	Article no.	Description	Quantity
2.1	2112830	SCREW M8X65 ISO4762 8.8 (4 PIECES)	1
Note: Please give the data from type plate of the motor			
2.2	2111403	V-RING V40-A SM.VP.	1
Note: Please give the data from type plate of the motor			
2.3	2112832	SPRING WASHER SN60098-56 6208 SM.VP.	1
Note: Please give the data from type plate of the motor			
2.4	2111405	BALL BEARING 6308/2ZJC3 SM.VP.	1
Note: Please give the data from type plate of the motor			
2.5	2111401	BEARING INSERT BG132 D.E.SM.VP.	1
Note: Please give the data from type plate of the motor			
2.6	2112834	NUT M8-8 DIN6923(4 PIECES)	1
Note: Please give the data from type plate of the motor			
2.7	2111409	BEARING INSERT BG132 N.D.E.SM.VP.	1
Note: Please give the data from type plate of the motor			
2.8	2112834	NUT M8-8 DIN6923(4 PIECES)	1
Note: Please give the data from type plate of the motor			
2.9	2111366	BALL BEARING 6208/2ZJC3 SM.VP.	1
Note: Please give the data from type plate of the motor			
2.10	2111403	V-RING V40-A SM.VP.	1
Note: Please give the data from type plate of the motor			
2.11	2111407	END SHIELD N.D.E.BG132 SM.VP.	1
Note: Please give the data from type plate of the motor			
2.12	2112836	SCREW M8X40 ISO4017 8.8 (4 PIECES)	1
Note: Please give the data from type plate of the motor			
2.13	2111413	FAN WHEEL 1PC3 BG132 D.150 SM.VP.	1
Note: Please give the data from type plate of the motor			
2.14	2111411	FAN COVER 1PC3 BG132/300 SM.VP.	1
Note: Please give the data from type plate of the motor			
2.15	2138774	MOTOR FOOT 1LE1 BG132 SM.KIT	1
Note: Please give the data from type plate of the motor			



**BL-E50/170-11/2-R1-IE2 (2126131)**

Item	Article no.	Description	Quantity
1.1	2122509	IMPELLER D.65/171/161/24 KIT	1
1.11	2027187	> NUT M12 DIN-EN24032 A2 VP.	1
1.12	2027190	> WASHER A13 DIN125-T2 A2 VP.	1
1.13		> IMPELLER 65/171/161/24 GG BALANCED	1
1.14	2043160	> O-Ring 177,39x3,53 ISO3601B EPDM VP.	1
	2042862	> WASHER S12 V2A VP.	1
1.2	2026902	MECHANICAL SEAL MG12/24-G60 AQ1EGG KIT	1
1.11	2027187	> NUT M12 DIN-EN24032 A2 VP.	1
1.12	2027190	> WASHER A13 DIN125-T2 A2 VP.	1
1.14	2037527	> O-RING 148,82x3,53 EPDM 70SR.VP.	1
1.14	2043160	> O-Ring 177,39x3,53 ISO3601B EPDM VP.	1
1.14	2042864	> O-RING ID.224x3,55 7EP1197-W534 VP.	1
1.14	2051680	> O-RING ID.276,7x5,29 7EP1197-W534 VP.	1
	2042862	> WASHER S12 V2A VP.	1
1.21		> MECHANICAL SEAL MG12/24-G60 AQ1EGG	1
10	2027202	> TOOL D.18/24/32 VP.	1
1.3	2026914	LANTERN P228X85,2-F300 KIT	1
1.11	2027187	> NUT M12 DIN-EN24032 A2 VP.	1
1.12	2027190	> WASHER A13 DIN125-T2 A2 VP.	1
1.14	2043160	> O-Ring 177,39x3,53 ISO3601B EPDM VP.	1
	2042862	> WASHER S12 V2A VP.	1
1.31	2027201	> BLOWGUN R1/8" VP.	1
1.32	2048841	> COUPLING GUARD F300-350 PA66 (4 PIECES)	1
1.33		> Lantern P228X85,2-F300 GG WILO	1
10	2027202	> TOOL D.18/24/32 VP.	1
1.4	2026932	COUPLING/SHAFT 24/42x160 KIT	1
1.11	2027187	> NUT M12 DIN-EN24032 A2 VP.	1
1.12	2027190	> WASHER A13 DIN125-T2 A2 VP.	1
1.14	2043160	> O-Ring 177,39x3,53 ISO3601B EPDM VP.	1
	2042862	> WASHER S12 V2A VP.	1
1.41		> COUPLING 24/42+SHAFT 24X160 BG160 ZN KIT	1
10	2027202	> TOOL D.18/24/32 VP.	1
2	2135932	MOTOR B35 11/2/160/350E-IE2-TEE(+TOOL)	1
		SPARE PARTS MOTOR B35 11/2/160/350E-IE2	1

**BL-E50/170-11/2-R1-IE2 (2126131)**

Item	Article no.	Description	Quantity
3	2026871	PUMP HOUSING B50/170 PN16 KIT	1
1.14	2043160	> O-Ring 177,39x3,53 ISO3601B EPDM VP.	1
3.1		> PUMP HOUSING BL50/182 PN16 CPL.WILO	1
4	2027193	SCREW M16X30 ISO4762 8.8 (4 PIECES)	1
5	2027197	SCREW M16X60 ISO4014 8.8 (4PIECES)	1
6	2029304	NUT M16 DIN-EN24032 8 (4 PIECES)	1
7	2029336	WASHER A17 DIN125 ST (4 PIECES)	1
11	2135969	MODULE BL-E50/170-11/2-IE2 TEE KIT	1
	2132102	> FAN SMALL TL6/7 FF KIT	1
		>> TL6/7FF module fan sm.cpl.	1
	2132096	>> FAN GRILL TL6/7 FF VP.	1
	2132097	> CABLE CONNECTION M12 TL6/7 FF VP.	1
	2132098	> CABLE CONNECTION M16 TL6/7 FF VP.	1
	2132099	> CABLE CONNECTION M20 TL6/7 FF VP.	1
	2132100	> CABLE CONNECTION SMALL M40 TL6/7 FF VP.	1
	2132104	> COVER SIDE TL6/7 FF CPL.VP.	1
	2132452	> MODULE COVER/BUTTON TL6/7 FF VP.	1



### Motor-Typenschild / Motor type plate / Plaque identité moteur

**Bei Ersatzteilbestellung Motorhersteller / Motordaten beachten!**  
**Consider motor manufacturers / motor data for order of spare parts!**  
**Pour les commandes de pièce détachée, indiquer le fabricant / les données du moteur!**

TEE

**TEE ELECTRIC MOTORS**  
ARCELIK A.S. - TURKEY  
2089004

CE IE2

3-Mot. **Q2E FS 60M2D90-F188** Icl F S1 Kg 13  
 N° 0001  
 04012011 IP 55 IM -

V Δ/A	Hz	min <sup>-1</sup>	kW	Cos φ	A	η
230 / 400	50	2885	1.1	0.83	4.2 / 2.4	IE2-79,6%
230 / 400	60	3480	1.27	0.83	4.0 / 2.3	

IEC 60034 VDE 0530

Load %	Efficiency
90	78,1%
97,5	79,1%

ATB

Motor-Nummer  
motor number  
numéro du moteur

**ATB IE2 CE**

3-Mot. AF 132S/2F - 11S + E 2 /0509 IE2-88,1%  
 S1 132S IMV1 224039411-1 522058X  
 IP 55 Th. Cl. 155(F) SCHWINGGROESSENSTUFE 8  
**KD\_NR.2064705**

kW	V	Hz	A	1/min	cos φ
7,5	Y/Δ690/400	50	7,9 / 13,7	2890	0,90
7,5	Δ460	60	11,8	3510	0,89

Made in Germany 50 kg EN 60034

SIEMENS

Motor-Nummer  
motor number  
numéro du moteur

**SIEMENS 3-MOT. 1 LA9133-4KA61-Z** CE

UC 1009/000001101

82,1kg IMB3 132M IP55 Th.CL.155(F) AMB 40°C

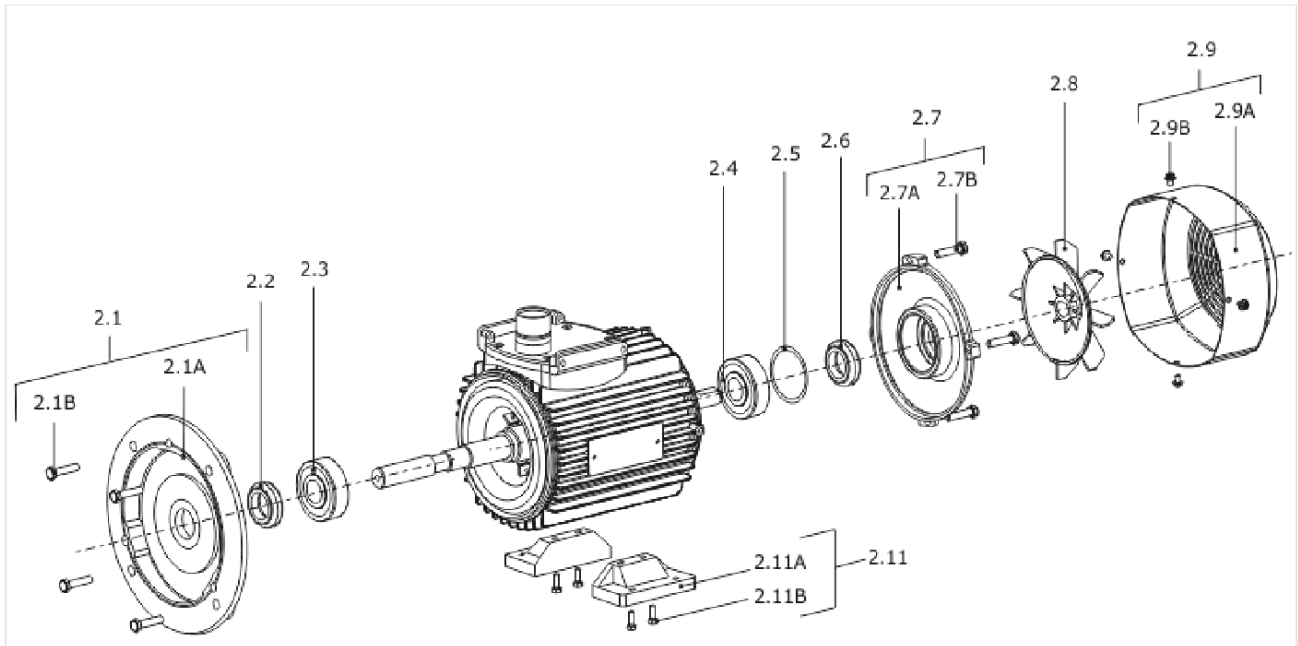
50 Hz	400/690V Δ/Y	60 Hz	460V Δ
7,5 kW	7A	7,5 kW	8,7A
cos φ 0,84	1455 / min	PF 0,82	1760 RPM

IE2 - 88,7% IE2 - 90,5%

IEC/EN 60034

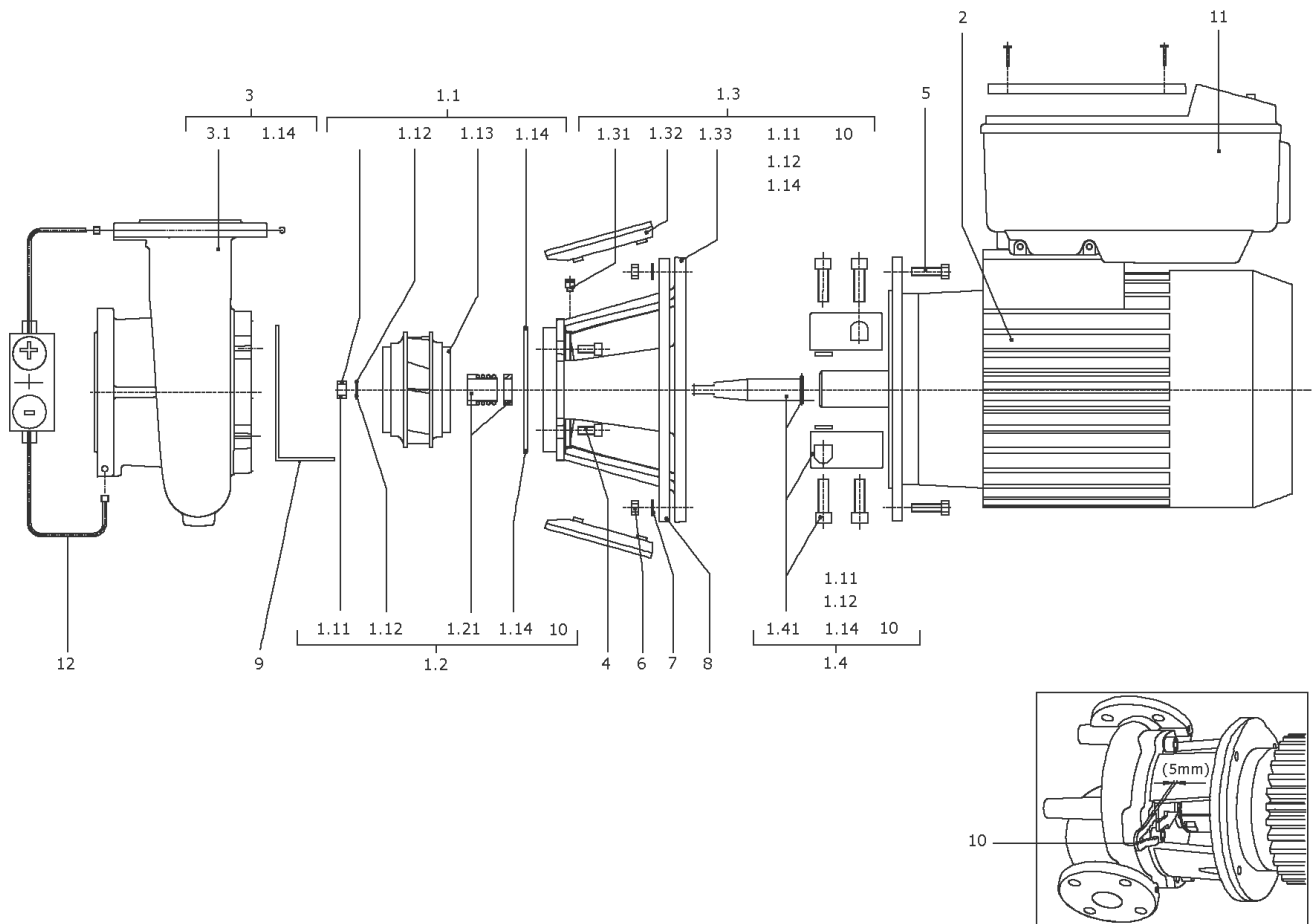
**SPARE PARTS MOTOR B35 11/2/160/350E-IE2**

<b>Item</b>	<b>Description</b>	<b>Quantity</b>
1	MOTOR B35 11/2/160/350E TEE IE2 WILO	1



**MOTOR B35 11/2/160/350E TEE IE2 WILO**

Item	Article no.	Description	Quantity
2.1	2120052	END SHIELD BG160 D.E.TEE KIT	1
Note: Please give the data from type plate of the motor			
2.1A		> END SHIELD BG160 642400806 D.E.TEE	1
2.1B	2125338	> SCREW F.END SHIELD BG160 TEE(8 PIECES)	1
Note: Please give the data from type plate of the motor			
2.2	2096382	JOINT RING 45X72X10 TEE VP.	1
Note: Please give the data from type plate of the motor			
2.3	121084396	BALL BEARING 6309/2Z-C3 (HT) VP.	1
Note: Please give the data from type plate of the motor			
2.4	122065996	BALL BEARING 6209/2Z-C3 (HT) VP.	1
Note: Please give the data from type plate of the motor			
2.5	2125362	SPACER DISK BG160 TEE VP.	1
Note: Please give the data from type plate of the motor			
2.6	2096382	JOINT RING 45X72X10 TEE VP.	1
Note: Please give the data from type plate of the motor			
2.7	2125387	END SHIELD BG160 N.D.E.TEE KIT	1
Note: Please give the data from type plate of the motor			
2.7A		> END SHIELD BG160 643232001 N.D.E.TEE	1
2.7B	2125338	> SCREW F.END SHIELD BG160 TEE(8 PIECES)	1
Note: Please give the data from type plate of the motor			
2.8	2042825	FAN WHEEL BG132-225 TEE VP.	1
Note: Please give the data from type plate of the motor			
2.9	2125348	FAN COVER BG160 TEE KIT	1
Note: Please give the data from type plate of the motor			
2.9A		> FAN COVER BG160 644307201 TEE	1
2.9B	2116839	> SCREW BG90-112 TEE (4 PIECE)	1
Note: Please give the data from type plate of the motor			
2.11	2123904	MOTOR FOOT BG160 TEE KIT	1
Note: Please give the data from type plate of the motor			
2.11A		> MOTOR FOOT BG160 LEFT 643409001 TEE	1
2.11A		> MOTOR FOOT BG160 RIGHT 643408901 TEE	1
2.11B	2125331	> SCREW BG132/160 TEE (2 PIECES)	1
Note: Please give the data from type plate of the motor			



**BL-E50/200-15/2-R1-IE2-X1 (2126132)**

Item	Article no.	Description	Quantity
1.1	2040849	IMPELLER D.65/194/24 KIT	1
1.11	2027188	> NUT M16 DIN-EN24032 A4 VP.	1
1.12	2027191	> WASHER A17 DIN125 200HV A2	1
1.13		> IMPELLER 65/194/184/32 GG BALANCED	1
1.14	2042864	> O-RING ID.224x3,55 7EP1197-W534 VP.	1
	2042863	> CIRCLIP S16 V2A VP.	1
1.2	2026903	MECH.SEAL MG12/32-G60 AQ1EGG M16 KIT	1
1.11	2027188	> NUT M16 DIN-EN24032 A4 VP.	1
1.12	2027191	> WASHER A17 DIN125 200HV A2	1
1.14	2043160	> O-Ring 177,39x3,53 ISO3601B EPDM VP.	1
1.14	2042864	> O-RING ID.224x3,55 7EP1197-W534 VP.	1
1.14	2051680	> O-RING ID.276,7x5,29 7EP1197-W534 VP.	1
	2042863	> CIRCLIP S16 V2A VP.	1
1.21		> MECHANICAL SEAL MG12/32-G60 AQ1EGG	1
10	2027202	> TOOL D.18/24/32 VP.	1
1.3	2042716	LANTERN P270X99-F300 KTL KIT	1
1.11	2027188	> NUT M16 DIN-EN24032 A4 VP.	1
1.12	2027191	> WASHER A17 DIN125 200HV A2	1
1.14	2042864	> O-RING ID.224x3,55 7EP1197-W534 VP.	1
	2042863	> CIRCLIP S16 V2A VP.	1
1.31	2027201	> BLOWGUN R1/8" VP.	1
1.32	2048843	> COUPLING GUARD P270-F300/350 (2 PIECES)	1
1.33		> Lantern P270X99-F300 GG KTL WILO	1
10	2027202	> TOOL D.18/24/32 VP.	1
1.4	2042727	COUPLING/SHAFT D.32/42X161 KIT	1
1.11	2027188	> NUT M16 DIN-EN24032 A4 VP.	1
1.12	2027191	> WASHER A17 DIN125 200HV A2	1
1.14	2042864	> O-RING ID.224x3,55 7EP1197-W534 VP.	1
1.14	2043160	> O-Ring 177,39x3,53 ISO3601B EPDM VP.	1
	2042863	> CIRCLIP S16 V2A VP.	1
1.41		> COUPLING 32/42+SHAFT 32X161 BG160 ZN KIT	1
10	2027202	> TOOL D.18/24/32 VP.	1
2	2135934	MOTOR B35 15/2/160/350E-IE2-TEE(+TOOL)	1
		SPARE PARTS MOTOR B35 15/2/160/350E-IE2	1

**BL-E50/200-15/2-R1-IE2-X1 (2126132)**

Item	Article no.	Description	Quantity
3	2042761	PUMP HOUSING B50/230 PN16 KIT	1
1.14	2042864	> O-RING ID.224x3,55 7EP1197-W534 VP.	1
3.1		> PUMP HOUSING BL50/230 PN16 CPL.WILO	1
4	2027193	SCREW M16X30 ISO4762 8.8 (4 PIECES)	1
5	2046467	Screw M16X35 ISO4017 8.8 (4 PIECES)	1
7	2029336	WASHER A17 DIN125 ST (4 PIECES)	1
11	2135970	MODULE BL-E50/200-15/2-IE2 TEE KIT	1
	2132102	> FAN SMALL TL6/7 FF KIT	1
		>> TL6/7FF module fan sm.cpl.	1
	2132096	>> FAN GRILL TL6/7 FF VP.	1
	2132097	> CABLE CONNECTION M12 TL6/7 FF VP.	1
	2132098	> CABLE CONNECTION M16 TL6/7 FF VP.	1
	2132099	> CABLE CONNECTION M20 TL6/7 FF VP.	1
	2132100	> CABLE CONNECTION SMALL M40 TL6/7 FF VP.	1
	2132104	> COVER SIDE TL6/7 FF CPL.VP.	1
	2132452	> MODULE COVER/BUTTON TL6/7 FF VP.	1

**Motor-Typenschild / Motor type plate / Plaque identité moteur**

**Bei Ersatzteilbestellung Motorhersteller / Motordaten beachten!**  
**Consider motor manufacturers / motor data for order of spare parts!**  
**Pour les commandes de pièce détachée, indiquer le fabricant / les données du moteur!**

TEE

**TEE** ELECTRIC MOTORS  
 ARCELIK A.S. - TURKEY  
 2089004

CE IE2

3-Mot. **Q2E FS 60M2D90-F188** Icl F S1 Kg 13  
 N° 0001  
 04012011 IP 55 IM -

IEC 60034 VDE 0530

V Δ/A	Hz	min <sup>-1</sup>	kW	Cos φ	A	η
230 / 400	50	2885	1.1	0.83	4.2 / 2.4	IE2-79,6%
230 / 400	60	3480	1.27	0.83	4.0 / 2.3	

Load Efficiency  
 %80 79,1%  
 %75 79,1%

ATB

Motor-Nummer  
 motor number  
 numéro du moteur

**ATB** IE2 CE

3-Mot. AF 132S/2F - 11S + E 2 /0509 IE2-88,1%  
 S1 132S IMV1 224039411-1 522058X  
 IP 55 Th. Cl. 155(F) SCHWINGGROESSENSTUFE 8  
**KD\_NR.2064705**

kW	V	Hz	A	1/min	cos φ
7,5	Y/Δ690/400	50	7,9 / 13,7	2890	0,90
7,5	Δ460	60	11,8	3510	0,89

Made in Germany 50 kg EN 60034

SIEMENS

Motor-Nummer  
 motor number  
 numéro du moteur

**SIEMENS** 3-MOT. 1 LA9133-4KA61-Z  
 UC 1009/000001101

IEC 60034 CE

82,1kg IMB3 132M IP55 Th.CL.155(F) AMB 40°C

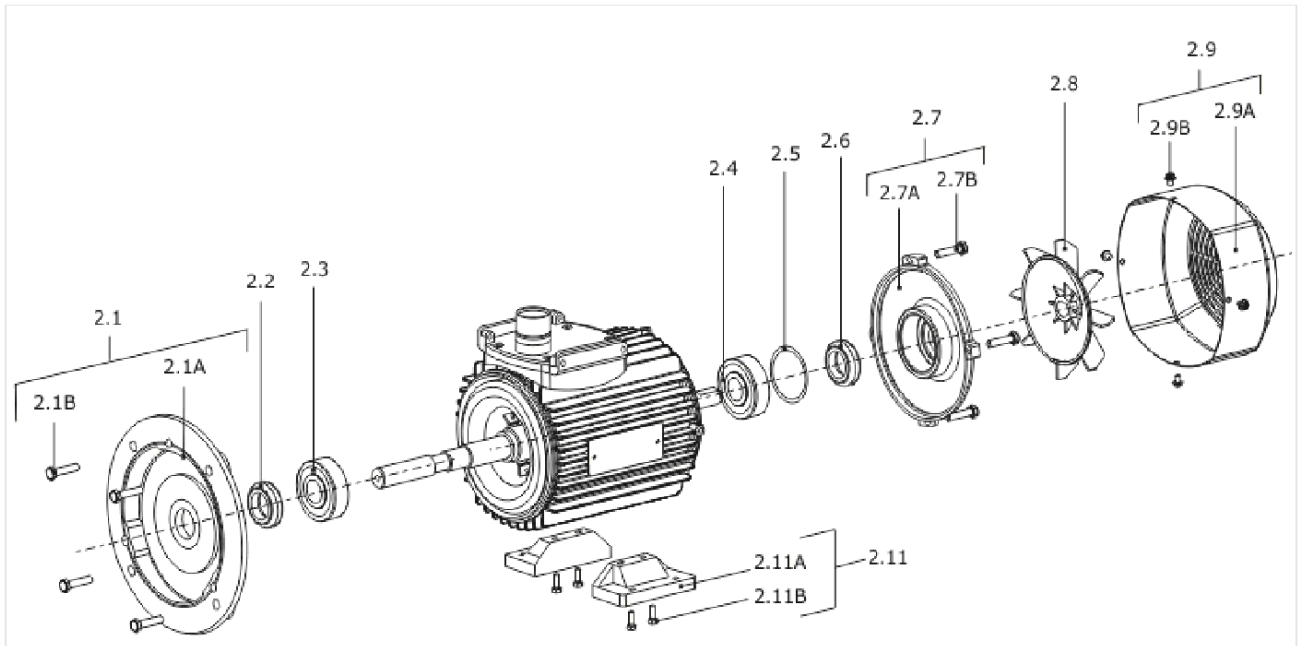
50 Hz	400/690V Δ/Y	60 Hz	460V Δ
7,5 kW	7A	7,5 kW	8,7A
cos φ 0,84	1455 / min	PF 0,82	1760 RPM

IE2 - 88,7% IE2 - 90,5%  
 IEC/EN 60034



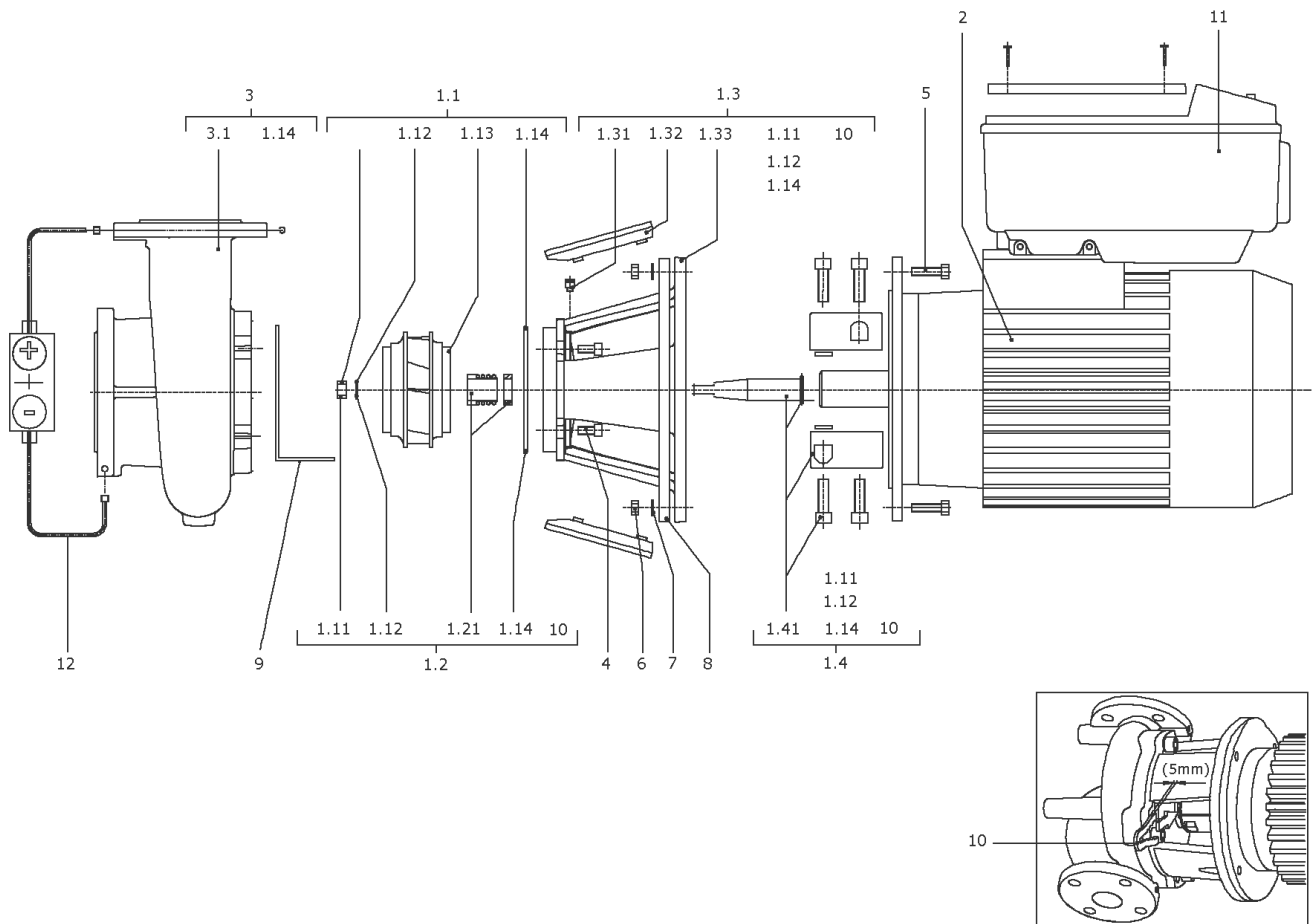
**SPARE PARTS MOTOR B35 15/2/160/350E-IE2**

<b>Item</b>	<b>Description</b>	<b>Quantity</b>
1	MOTOR B35 15/2/160/350E TEE IE2 WILO	1



**MOTOR B35 15/2/160/350E TEE IE2 WILO**

Item	Article no.	Description	Quantity
2.1	2120052	END SHIELD BG160 D.E.TEE KIT	1
Note: Please give the data from type plate of the motor			
2.1A		> END SHIELD BG160 642400806 D.E.TEE	1
2.1B	2125338	> SCREW F.END SHIELD BG160 TEE(8 PIECES)	1
Note: Please give the data from type plate of the motor			
2.2	2096382	JOINT RING 45X72X10 TEE VP.	1
Note: Please give the data from type plate of the motor			
2.3	121084396	BALL BEARING 6309/2Z-C3 (HT) VP.	1
Note: Please give the data from type plate of the motor			
2.4	122065996	BALL BEARING 6209/2Z-C3 (HT) VP.	1
Note: Please give the data from type plate of the motor			
2.5	2125362	SPACER DISK BG160 TEE VP.	1
Note: Please give the data from type plate of the motor			
2.6	2096382	JOINT RING 45X72X10 TEE VP.	1
Note: Please give the data from type plate of the motor			
2.7	2125387	END SHIELD BG160 N.D.E.TEE KIT	1
Note: Please give the data from type plate of the motor			
2.7A		> END SHIELD BG160 643232001 N.D.E.TEE	1
2.7B	2125338	> SCREW F.END SHIELD BG160 TEE(8 PIECES)	1
Note: Please give the data from type plate of the motor			
2.8	2042825	FAN WHEEL BG132-225 TEE VP.	1
Note: Please give the data from type plate of the motor			
2.9	2125348	FAN COVER BG160 TEE KIT	1
Note: Please give the data from type plate of the motor			
2.9A		> FAN COVER BG160 644307201 TEE	1
2.9B	2116839	> SCREW BG90-112 TEE (4 PIECE)	1
Note: Please give the data from type plate of the motor			
2.11	2123904	MOTOR FOOT BG160 TEE KIT	1
Note: Please give the data from type plate of the motor			
2.11A		> MOTOR FOOT BG160 LEFT 643409001 TEE	1
2.11A		> MOTOR FOOT BG160 RIGHT 643408901 TEE	1
2.11B	2125331	> SCREW BG132/160 TEE (2 PIECES)	1
Note: Please give the data from type plate of the motor			



**BL-E50/210-18,5/2-R1-IE2-X1 (2126133)**

Item	Article no.	Description	Quantity
1.1	2123487	IMPELLER D.65/204/194/32 KIT	1
1.11	2027188	> NUT M16 DIN-EN24032 A4 VP.	1
1.12	2027191	> WASHER A17 DIN125 200HV A2	1
1.13		> IMPELLER 65/204/194/32 GG BALANCED	1
1.14	2042864	> O-RING ID.224x3,55 7EP1197-W534 VP.	1
	2042862	> WASHER S12 V2A VP.	1
1.2	2026903	MECH.SEAL MG12/32-G60 AQ1EGG M16 KIT	1
1.11	2027188	> NUT M16 DIN-EN24032 A4 VP.	1
1.12	2027191	> WASHER A17 DIN125 200HV A2	1
1.14	2043160	> O-Ring 177,39x3,53 ISO3601B EPDM VP.	1
1.14	2042864	> O-RING ID.224x3,55 7EP1197-W534 VP.	1
1.14	2051680	> O-RING ID.276,7x5,29 7EP1197-W534 VP.	1
	2042863	> CIRCLIP S16 V2A VP.	1
1.21		> MECHANICAL SEAL MG12/32-G60 AQ1EGG	1
10	2027202	> TOOL D.18/24/32 VP.	1
1.3	2042716	LANTERN P270X99-F300 KTL KIT	1
1.11	2027188	> NUT M16 DIN-EN24032 A4 VP.	1
1.12	2027191	> WASHER A17 DIN125 200HV A2	1
1.14	2042864	> O-RING ID.224x3,55 7EP1197-W534 VP.	1
	2042863	> CIRCLIP S16 V2A VP.	1
1.31	2027201	> BLOWGUN R1/8" VP.	1
1.32	2048843	> COUPLING GUARD P270-F300/350 (2 PIECES)	1
1.33		> Lantern P270X99-F300 GG KTL WILO	1
10	2027202	> TOOL D.18/24/32 VP.	1
1.4	2042727	COUPLING/SHAFT D.32/42X161 KIT	1
1.11	2027188	> NUT M16 DIN-EN24032 A4 VP.	1
1.12	2027191	> WASHER A17 DIN125 200HV A2	1
1.14	2042864	> O-RING ID.224x3,55 7EP1197-W534 VP.	1
1.14	2043160	> O-Ring 177,39x3,53 ISO3601B EPDM VP.	1
	2042863	> CIRCLIP S16 V2A VP.	1
1.41		> COUPLING 32/42+SHAFT 32X161 BG160 ZN KIT	1
10	2027202	> TOOL D.18/24/32 VP.	1
2	2135935	MOTOR B35 18,5/2/160/350E-IE2-TEE(+TOOL)	1
		SPARE PARTS MOT.B35 18,5/2/160/350E-IE2	1

**BL-E50/210-18,5/2-R1-IE2-X1 (2126133)**

Item	Article no.	Description	Quantity
3	2042761	PUMP HOUSING B50/230 PN16 KIT	1
1.14	2042864	> O-RING ID.224x3,55 7EP1197-W534 VP.	1
3.1		> PUMP HOUSING BL50/230 PN16 CPL.WILO	1
4	2027193	SCREW M16X30 ISO4762 8.8 (4 PIECES)	1
5	2046467	Screw M16X35 ISO4017 8.8 (4 PIECES)	1
7	2029336	WASHER A17 DIN125 ST (4 PIECES)	1
11	2135971	MODULE BL-E50/210-18,5/2-IE2 TEE KIT	1
	2132103	> FAN LARGE TL6/7 FF KIT	1
		>> TL6/7FF module fan large cpl.	1
	2132096	>> FAN GRILL TL6/7 FF VP.	1
	2132097	> CABLE CONNECTION M12 TL6/7 FF VP.	1
	2132098	> CABLE CONNECTION M16 TL6/7 FF VP.	1
	2132099	> CABLE CONNECTION M20 TL6/7 FF VP.	1
	2132101	> CABLE CONNECTION LARGE M40 TL6/7 FF VP.	1
	2132104	> COVER SIDE TL6/7 FF CPL.VP.	1
	2132452	> MODULE COVER/BUTTON TL6/7 FF VP.	1

### Motor-Typenschild / Motor type plate / Plaque identité moteur

**Bei Ersatzteilbestellung Motorhersteller / Motordaten beachten!**  
**Consider motor manufacturers / motor data for order of spare parts!**  
**Pour les commandes de pièce détachée, indiquer le fabricant / les données du moteur!**

TEE

**TEE ELECTRIC MOTORS**  
ARCELIK A.S. - TURKEY  
2089004

CE IE2

3-Mot. **Q2E FS 60M2D90-F188** Icl F S1 Kg 13  
 N° 0001  
 04012011 IP 55 IM -

V Δ/A	Hz	min <sup>-1</sup>	kW	Cos φ	A	η
230 / 400	50	2885	1.1	0.83	4.2 / 2.4	IE2-79,6%
230 / 400	60	3480	1.27	0.83	4.0 / 2.3	

IEC 60034 VDE 0530

Load %	Efficiency
90	78,1%
97.5	79,1%

ATB

Motor-Nummer  
motor number  
numéro du moteur

**ATB IE2 CE**

3-Mot. AF 132S/2F - 11S + E 2 /0509 IE2-88,1%  
 S1 132S IMV1 224039411-1 522058X  
 IP 55 Th. Cl. 155(F) SCHWINGGROESSENSTUFE 8  
**KD\_NR.2064705**

kW	V	Hz	A	1/min	cos φ
7.5	Y/Δ690/400	50	7.9 / 13.7	2890	0.90
7.5	Δ460	60	11.8	3510	0.89

Made in Germany 50 kg EN 60034

SIEMENS

Motor-Nummer  
motor number  
numéro du moteur

**SIEMENS 3-MOT. 1 LA9133-4KA61-Z** CE

UC 1009/000001101

82.1kg IMB3 132M IP55 Th.CL.155(F) AMB 40°C

50 Hz	400/690V Δ/Y	80 Hz	460V Δ
7,5 kW	7A	7,5 kW	8,7A
cos φ 0,84	1455 / min	PF 0,82	1760 RPM

IE2 - 88,7% IE2 - 90,5%

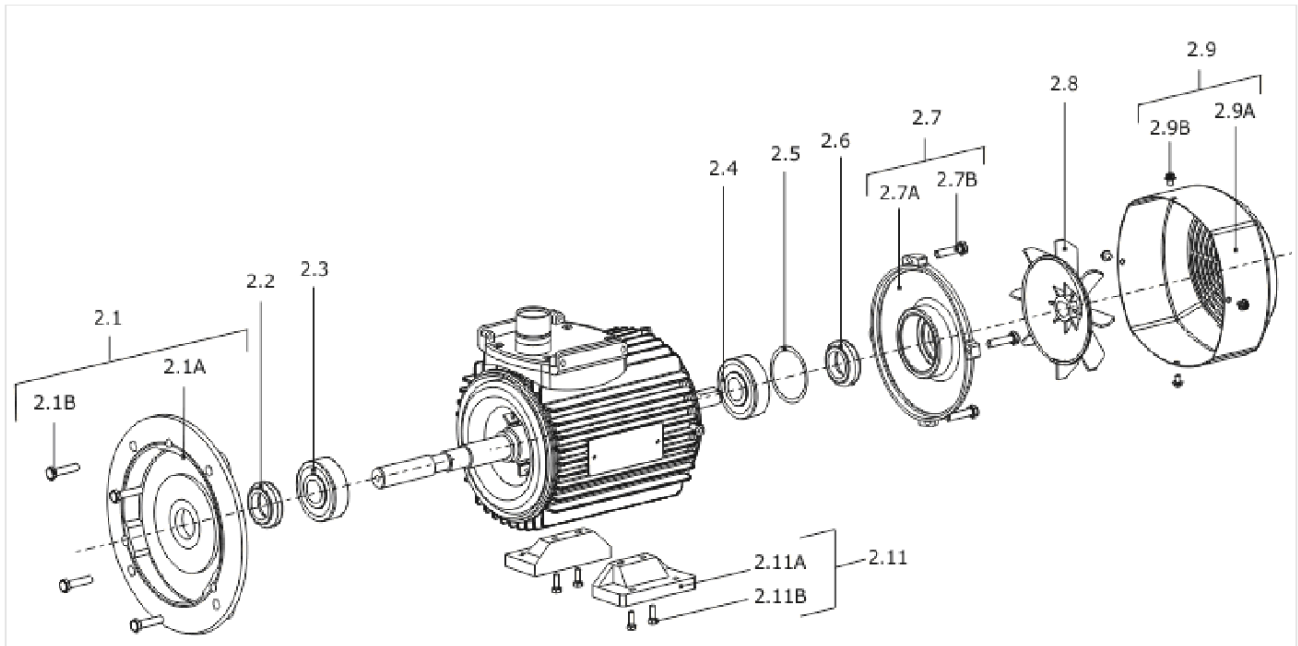
IEC/EN 60034

**SPARE PARTS MOT.B35 18,5/2/160/350E-IE2**



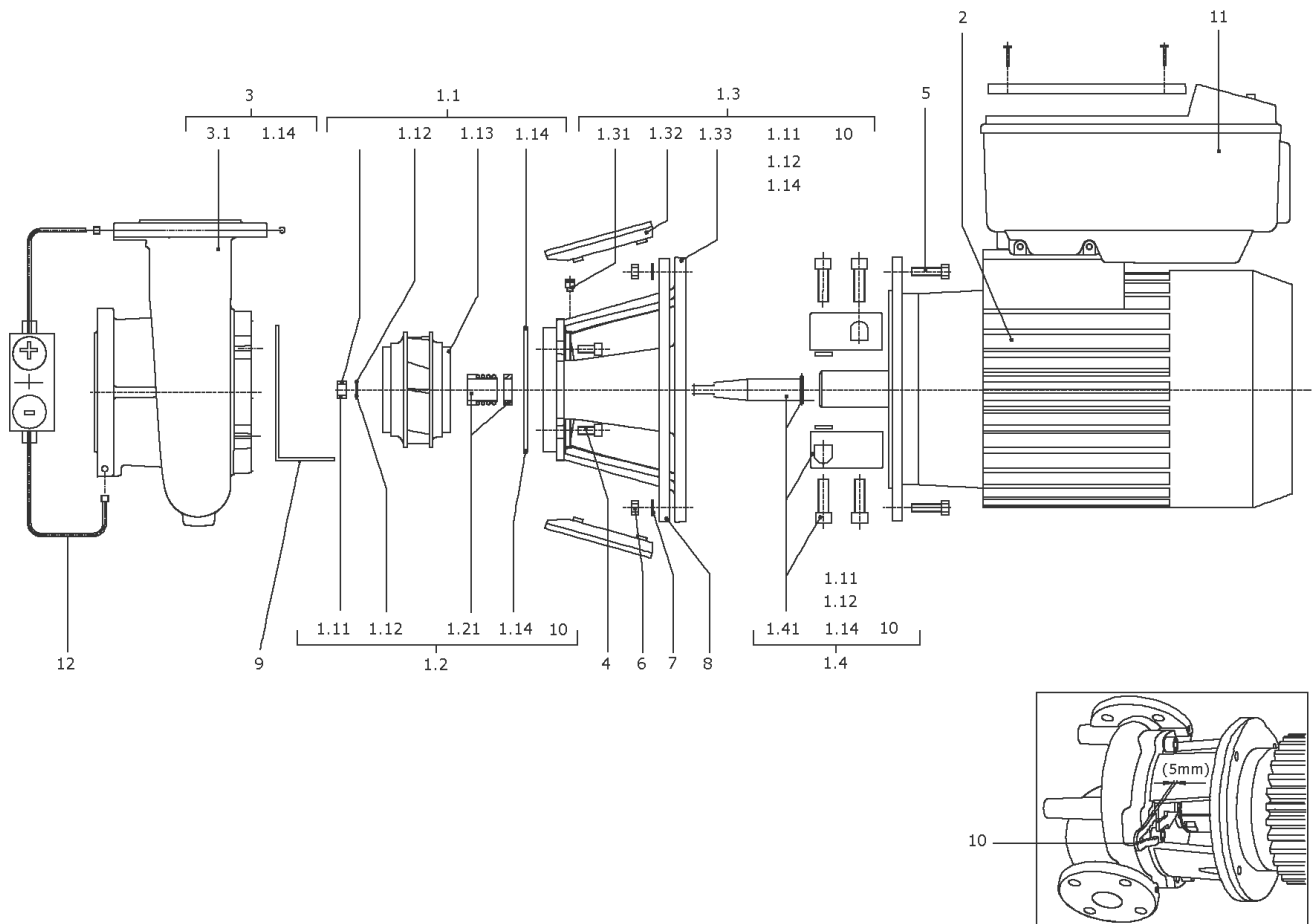
Item	Description	Quantity
1	MOTOR B35 18,5/2/160/350E TEE IE2 WILO	1





**MOTOR B35 18,5/2/160/350E TEE IE2 WILO**

Item	Article no.	Description	Quantity
2.1	2120052	END SHIELD BG160 D.E.TEE KIT	1
Note: Please give the data from type plate of the motor			
2.1A		> END SHIELD BG160 642400806 D.E.TEE	1
2.1B	2125338	> SCREW F.END SHIELD BG160 TEE(8 PIECES)	1
Note: Please give the data from type plate of the motor			
2.2	2096382	JOINT RING 45X72X10 TEE VP.	1
Note: Please give the data from type plate of the motor			
2.3	121084396	BALL BEARING 6309/2Z-C3 (HT) VP.	1
Note: Please give the data from type plate of the motor			
2.4	122065996	BALL BEARING 6209/2Z-C3 (HT) VP.	1
Note: Please give the data from type plate of the motor			
2.5	2125362	SPACER DISK BG160 TEE VP.	1
Note: Please give the data from type plate of the motor			
2.6	2096382	JOINT RING 45X72X10 TEE VP.	1
Note: Please give the data from type plate of the motor			
2.7	2125387	END SHIELD BG160 N.D.E.TEE KIT	1
Note: Please give the data from type plate of the motor			
2.7A		> END SHIELD BG160 643232001 N.D.E.TEE	1
2.7B	2125338	> SCREW F.END SHIELD BG160 TEE(8 PIECES)	1
Note: Please give the data from type plate of the motor			
2.8	2042825	FAN WHEEL BG132-225 TEE VP.	1
Note: Please give the data from type plate of the motor			
2.9	2125348	FAN COVER BG160 TEE KIT	1
Note: Please give the data from type plate of the motor			
2.9A		> FAN COVER BG160 644307201 TEE	1
2.9B	2116839	> SCREW BG90-112 TEE (4 PIECE)	1
Note: Please give the data from type plate of the motor			
2.11	2123904	MOTOR FOOT BG160 TEE KIT	1
Note: Please give the data from type plate of the motor			
2.11A		> MOTOR FOOT BG160 LEFT 643409001 TEE	1
2.11A		> MOTOR FOOT BG160 RIGHT 643408901 TEE	1
2.11B	2125331	> SCREW BG132/160 TEE (2 PIECES)	1
Note: Please give the data from type plate of the motor			



**BL-E50/220-22/2-R1-IE2-X1 (2126134)**

Item	Article no.	Description	Quantity
1.1	2123486	IMPELLER D.65/216/206/32 KIT	1
1.11	2027188	> NUT M16 DIN-EN24032 A4 VP.	1
1.12	2027191	> WASHER A17 DIN125 200HV A2	1
1.13		> IMPELLER 65/216/206/32 GG BALANCED	1
1.14	2042864	> O-RING ID.224x3,55 7EP1197-W534 VP.	1
	2042863	> CIRCLIP S16 V2A VP.	1
1.2	2026903	MECH.SEAL MG12/32-G60 AQ1EGG M16 KIT	1
1.11	2027188	> NUT M16 DIN-EN24032 A4 VP.	1
1.12	2027191	> WASHER A17 DIN125 200HV A2	1
1.14	2043160	> O-Ring 177,39x3,53 ISO3601B EPDM VP.	1
1.14	2042864	> O-RING ID.224x3,55 7EP1197-W534 VP.	1
1.14	2051680	> O-RING ID.276,7x5,29 7EP1197-W534 VP.	1
	2042863	> CIRCLIP S16 V2A VP.	1
1.21		> MECHANICAL SEAL MG12/32-G60 AQ1EGG	1
10	2027202	> TOOL D.18/24/32 VP.	1
1.3	2042716	LANTERN P270X99-F300 KTL KIT	1
1.11	2027188	> NUT M16 DIN-EN24032 A4 VP.	1
1.12	2027191	> WASHER A17 DIN125 200HV A2	1
1.14	2042864	> O-RING ID.224x3,55 7EP1197-W534 VP.	1
	2042863	> CIRCLIP S16 V2A VP.	1
1.31	2027201	> BLOWGUN R1/8" VP.	1
1.32	2048843	> COUPLING GUARD P270-F300/350 (2 PIECES)	1
1.33		> Lantern P270X99-F300 GG KTL WILO	1
10	2027202	> TOOL D.18/24/32 VP.	1
1.4	2042727	COUPLING/SHAFT D.32/42X161 KIT	1
1.11	2027188	> NUT M16 DIN-EN24032 A4 VP.	1
1.12	2027191	> WASHER A17 DIN125 200HV A2	1
1.14	2042864	> O-RING ID.224x3,55 7EP1197-W534 VP.	1
1.14	2043160	> O-Ring 177,39x3,53 ISO3601B EPDM VP.	1
	2042863	> CIRCLIP S16 V2A VP.	1
1.41		> COUPLING 32/42+SHAFT 32X161 BG160 ZN KIT	1
10	2027202	> TOOL D.18/24/32 VP.	1
2	2135936	MOTOR B35 22/2/160/350E-IE2-TEE(+TOOL)	1
		SPARE PARTS MOTOR B35 22/2/160/350E-IE2	1

**BL-E50/220-22/2-R1-IE2-X1 (2126134)**

Item	Article no.	Description	Quantity
3	2042761	PUMP HOUSING B50/230 PN16 KIT	1
1.14	2042864	> O-RING ID.224x3,55 7EP1197-W534 VP.	1
3.1		> PUMP HOUSING BL50/230 PN16 CPL.WILO	1
4	2027193	SCREW M16X30 ISO4762 8.8 (4 PIECES)	1
5	2046467	Screw M16X35 ISO4017 8.8 (4 PIECES)	1
7	2029336	WASHER A17 DIN125 ST (4 PIECES)	1
11	2135972	MODULE BL-E50/220-22/2-IE2 TEE KIT	1
	2132103	> FAN LARGE TL6/7 FF KIT	1
		>> TL6/7FF module fan large cpl.	1
	2132096	>> FAN GRILL TL6/7 FF VP.	1
	2132097	> CABLE CONNECTION M12 TL6/7 FF VP.	1
	2132098	> CABLE CONNECTION M16 TL6/7 FF VP.	1
	2132099	> CABLE CONNECTION M20 TL6/7 FF VP.	1
	2132101	> CABLE CONNECTION LARGE M40 TL6/7 FF VP.	1
	2132104	> COVER SIDE TL6/7 FF CPL.VP.	1
	2132452	> MODULE COVER/BUTTON TL6/7 FF VP.	1

### Motor-Typenschild / Motor type plate / Plaque identité moteur

**Bei Ersatzteilbestellung Motorhersteller / Motordaten beachten!**  
**Consider motor manufacturers / motor data for order of spare parts!**  
**Pour les commandes de pièce détachée, indiquer le fabricant / les données du moteur!**

TEE

**TEE ELECTRIC MOTORS**  
ARCELIK A.S. - TURKEY  
2089004

CE IE2

3-Mot. **Q2E FS 60M2D90-F188** Icl F S1 Kg 13  
 N° 0001  
 04012011 IP 55 IM -

V Δ/A	Hz	min <sup>-1</sup>	kW	Cos φ	A	η
230 / 400	50	2885	1.1	0.83	4.2 / 2.4	IE2-79,6%
205 / 400	60	3480	1.27	0.83	4.0 / 2.3	

IEC 60034  
VDE 0530

Load Efficiency  
%80 79,1%  
%75 79,1%

ATB

Motor-Nummer  
motor number  
numéro du moteur

**ATB IE2 CE**

3-Mot. AF 132S/2F - 11S + E 2 /0509 IE2-88,1%  
 S1 132S IMV1 224039411-1 522058X  
 IP 55 Th. Cl. 155(F) SCHWINGGROESSENSTUFE 8  
**KD\_NR.2064705**

kW	V	Hz	A	1/min	cos φ
7,5	Y/Δ690/400	50	7,9 / 13,7	2890	0,90
7,5	Δ460	60	11,8	3510	0,89

Made in Germany 50 kg EN 60034

SIEMENS

Motor-Nummer  
motor number  
numéro du moteur

**SIEMENS 3-MOT. 1 LA9133-4KA61-Z** CE

UC 1009/000001101

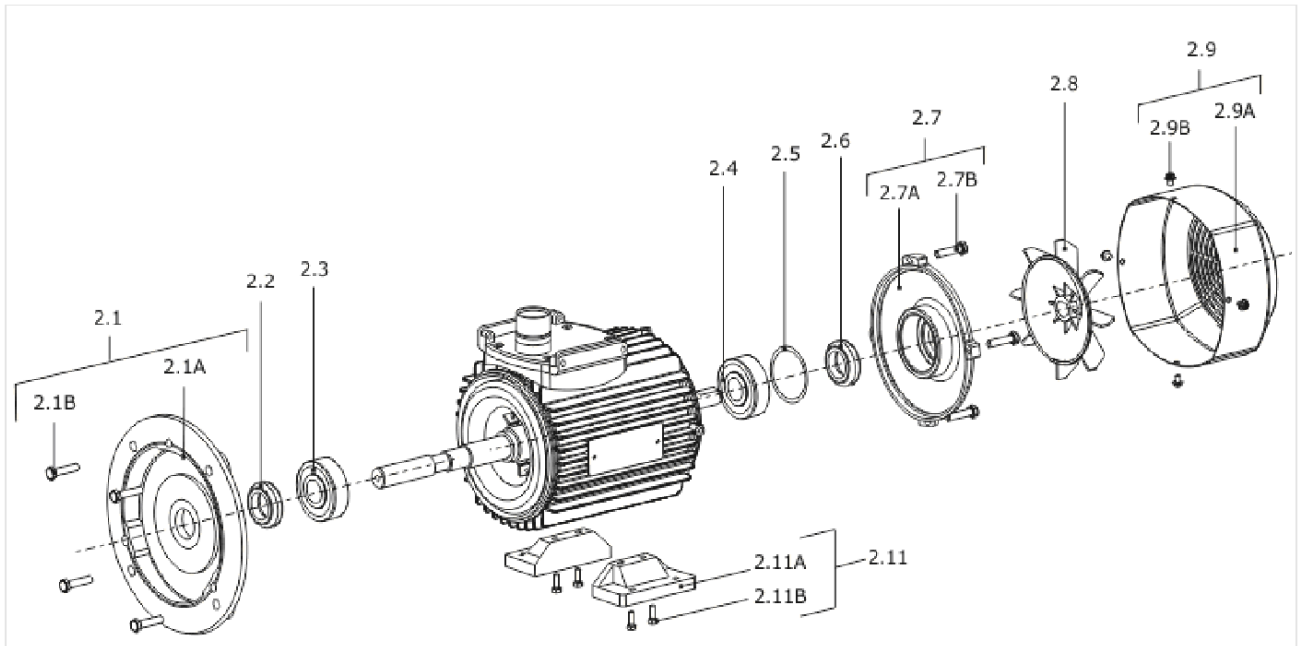
82,1kg IMB3 132M IP55 Th.CL.155(F) AMB 40°C

50 Hz	400/690V Δ/Y	7,5 kW	7A	1455 / min	cos φ 0,84	IE2 - 88,7%
60 Hz	460V Δ	7,5 kW	8,7A	1760 RPM	PF 0,82	IE2 - 90,5%

IEC/EN 60034

**SPARE PARTS MOTOR B35 22/2/160/350E-IE2**

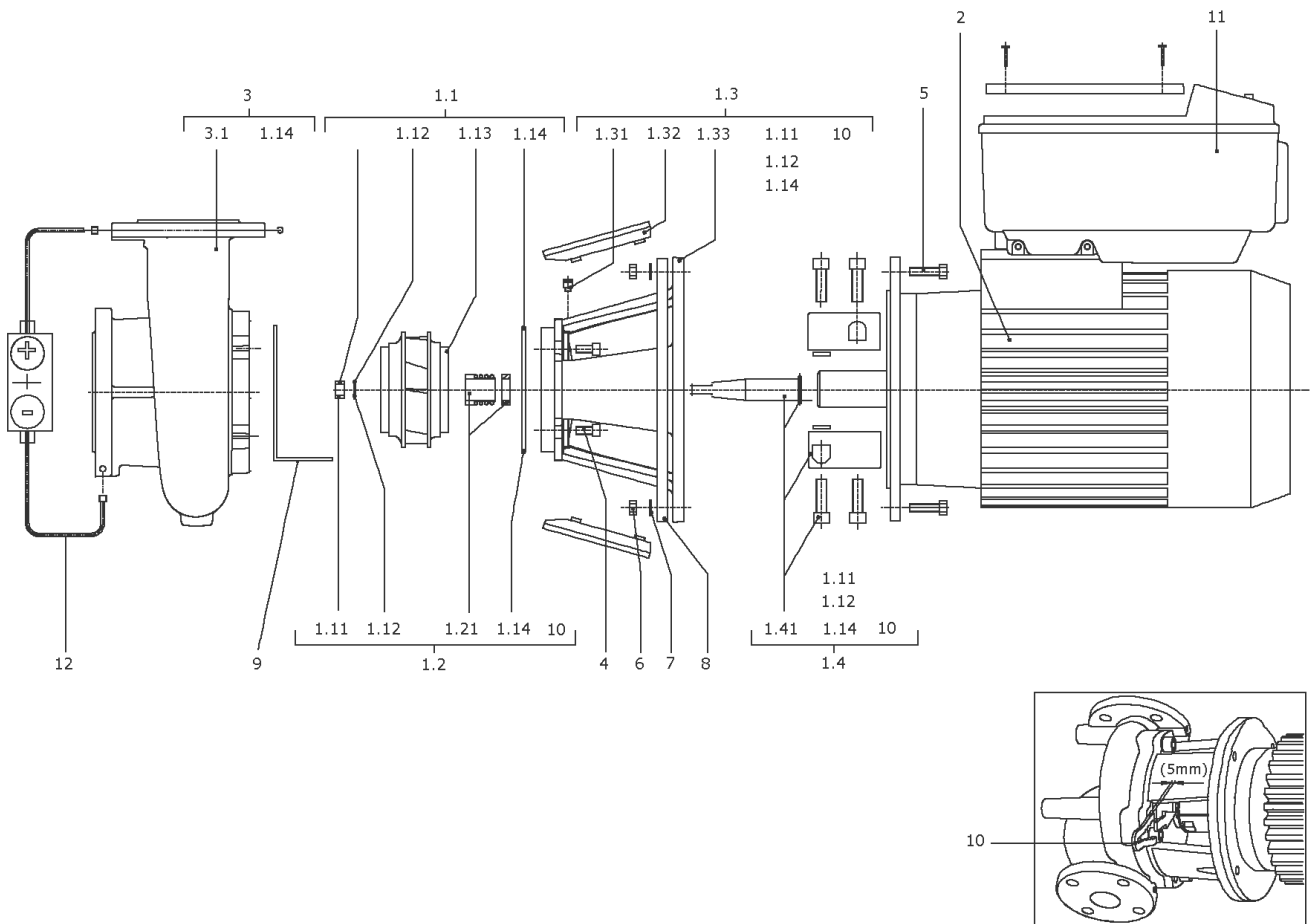
Item	Description	Quantity
1	MOTOR B35 22/2/160/350E TEE IE2 WILO	1





**MOTOR B35 22/2/160/350E TEE IE2 WILO**

Item	Article no.	Description	Quantity
2.1	2120052	END SHIELD BG160 D.E.TEE KIT	1
Note: Please give the data from type plate of the motor			
2.1A		> END SHIELD BG160 642400806 D.E.TEE	1
2.1B	2125338	> SCREW F.END SHIELD BG160 TEE(8 PIECES)	1
Note: Please give the data from type plate of the motor			
2.2	2096382	JOINT RING 45X72X10 TEE VP.	1
Note: Please give the data from type plate of the motor			
2.3	121084396	BALL BEARING 6309/2Z-C3 (HT) VP.	1
Note: Please give the data from type plate of the motor			
2.4	122065996	BALL BEARING 6209/2Z-C3 (HT) VP.	1
Note: Please give the data from type plate of the motor			
2.5	2125362	SPACER DISK BG160 TEE VP.	1
Note: Please give the data from type plate of the motor			
2.6	2096382	JOINT RING 45X72X10 TEE VP.	1
Note: Please give the data from type plate of the motor			
2.7	2125387	END SHIELD BG160 N.D.E.TEE KIT	1
Note: Please give the data from type plate of the motor			
2.7A		> END SHIELD BG160 643232001 N.D.E.TEE	1
2.7B	2125338	> SCREW F.END SHIELD BG160 TEE(8 PIECES)	1
Note: Please give the data from type plate of the motor			
2.8	2042825	FAN WHEEL BG132-225 TEE VP.	1
Note: Please give the data from type plate of the motor			
2.9	2125348	FAN COVER BG160 TEE KIT	1
Note: Please give the data from type plate of the motor			
2.9A		> FAN COVER BG160 644307201 TEE	1
2.9B	2116839	> SCREW BG90-112 TEE (4 PIECE)	1
Note: Please give the data from type plate of the motor			
2.11	2123904	MOTOR FOOT BG160 TEE KIT	1
Note: Please give the data from type plate of the motor			
2.11A		> MOTOR FOOT BG160 LEFT 643409001 TEE	1
2.11A		> MOTOR FOOT BG160 RIGHT 643408901 TEE	1
2.11B	2125331	> SCREW BG132/160 TEE (2 PIECES)	1
Note: Please give the data from type plate of the motor			



**BL-E50/270-5,5/4-R1-IE2-X1 (2126135)**

Item	Article no.	Description	Quantity
1.1	2123492	IMPELLER D.65/266/24 KIT	1
1.11	2027187	> NUT M12 DIN-EN24032 A2 VP.	1
1.12	2027190	> WASHER A13 DIN125-T2 A2 VP.	1
1.13		> IMPELLER 65/266/24 GG BALANCED	1
1.14	2051680	> O-RING ID.276,7x5,29 7EP1197-W534 VP.	1
	2042862	> WASHER S12 V2A VP.	1
1.2	2026902	MECHANICAL SEAL MG12/24-G60 AQ1EGG KIT	1
1.11	2027187	> NUT M12 DIN-EN24032 A2 VP.	1
1.12	2027190	> WASHER A13 DIN125-T2 A2 VP.	1
1.14	2037527	> O-RING 148,82x3,53 EPDM 70SR.VP.	1
1.14	2043160	> O-Ring 177,39x3,53 ISO3601B EPDM VP.	1
1.14	2042864	> O-RING ID.224x3,55 7EP1197-W534 VP.	1
1.14	2051680	> O-RING ID.276,7x5,29 7EP1197-W534 VP.	1
	2042862	> WASHER S12 V2A VP.	1
1.21		> MECHANICAL SEAL MG12/24-G60 AQ1EGG	1
10	2027202	> TOOL D.18/24/32 VP.	1
1.3	2050739	LANTERN P330X99-F265 KTL KIT	1
1.11	2027187	> NUT M12 DIN-EN24032 A2 VP.	1
1.12	2027190	> WASHER A13 DIN125-T2 A2 VP.	1
1.14	2051680	> O-RING ID.276,7x5,29 7EP1197-W534 VP.	1
	2042862	> WASHER S12 V2A VP.	1
1.31	2027201	> BLOWGUN R1/8" VP.	1
1.32	2048845	> COUPLING GUARD P270-F265 PA66 (2 PIECES)	1
1.33		> Lantern P330X99-F265 GG KTL WILO	1
10	2027202	> TOOL D.18/24/32 VP.	1
1.4	2048444	COUPLING/SHAFT D.24/38X153 KIT	1
1.11	2027187	> NUT M12 DIN-EN24032 A2 VP.	1
1.12	2027190	> WASHER A13 DIN125-T2 A2 VP.	1
1.14	2042864	> O-RING ID.224x3,55 7EP1197-W534 VP.	1
1.14	2051680	> O-RING ID.276,7x5,29 7EP1197-W534 VP.	1
	2042862	> WASHER S12 V2A VP.	1
1.41		> COUPLING 24/38+SHAFT 24X153 GR132 ZN KIT	1
10	2027202	> TOOL D.18/24/32 VP.	1
2	2135937	MOTOR B35 5,5/4/132/300E-IE2-SM.(+TOOL)	1

**BL-E50/270-5,5/4-R1-IE2-X1 (2126135)**

Item	Article no.	Description	Quantity
		SPARE PARTS MOTOR B35 5,5/4/132/300E-IE2	1
3	2050784	PUMP HOUSING B50/270 PN16 KIT	1
1.14	2051680	> O-RING ID.276,7x5,29 7EP1197-W534 VP.	1
3.1		> PUMP HOUSING BL50/270 PN16 KPL.WILO	1
4	2027193	SCREW M16X30 ISO4762 8.8 (4 PIECES)	1
5	2027195	SCREW M12X25 DIN912 8.8 (4 PIECES)	1
11	2135973	MODULE BL-E50/270-5,5/4-IE2 SM.KIT	1
		> MODULE BL-E50/270-5,5/4 WILO	1
	2111344	> MODULE COVER/GASKET TL5 KIT	1
	2120047	> CABLE CONNECTION M12x1,5/5 cpl.TL5 VP.	1
	2120048	> CABLE CONNECTION M16x1,5/5 cpl.TL5 VP.	1
	2120049	> CABLE CONNECTION M20x1,5/6 cpl.TL5 VP.	1
	2120050	> CABLE CONNECTION M25x1,5/8 cpl.TL5 VP.	1

**Motor-Typenschild / Motor type plate / Plaque identité moteur**

**Bei Ersatzteilbestellung Motorhersteller / Motordaten beachten!**  
**Consider motor manufacturers / motor data for order of spare parts!**  
**Pour les commandes de pièce détachée, indiquer le fabricant / les données du moteur!**

TEE

**TEE** ELECTRIC MOTORS  
 ARCELIK A.S. - TURKEY  
 2089004

CE IE2

3-Mot. **Q2E FS 60M2D90-F188** Icl F S1 Kg 13  
 N° 0001  
 04012011 IP 55 IM -

V Δ/A	Hz	min <sup>-1</sup>	kW	Cos φ	A	η
230 / 400	50	2885	1.1	0.83	4.2 / 2.4	IE2-79,6%
230 / 400	60	3480	1.27	0.83	4.0 / 2.3	

IEC 60034  
 VDE 0530

Load Efficiency  
 %80 79,1%  
 %75 79,1%

ATB

Motor-Nummer  
 motor number  
 numéro du moteur

**ATB** IE2 CE

3-Mot. AF 132S/2F - 11S + E 2 /0509 IE2-88,1%  
 S1 132S IMV1 224039411-1 522058X  
 IP 55 Th. Cl. 155(F) SCHWINGGROESSENSTUFE 8  
**KD\_NR.2064705**

kW	V	Hz	A	1/min	cos φ
7,5	Y/Δ690/400	50	7,9 / 13,7	2890	0,90
7,5	Δ460	60	11,8	3510	0,89

Made in Germany 50 kg EN 60034

SIEMENS

Motor-Nummer  
 motor number  
 numéro du moteur

**SIEMENS** 3-MOT. 1 LA9133-4KA61-Z  
 UC 1009/000001101

IE2 CE

82,1kg IMB3 132M IP55 Th.CL.155(F) AMB 40°C

50 Hz	400/690V Δ/Y	7,5 kW	7A	1455 / min	cos φ 0,84
60 Hz	460V Δ	7,5 kW	8,7A	1760 RPM	PF 0,82

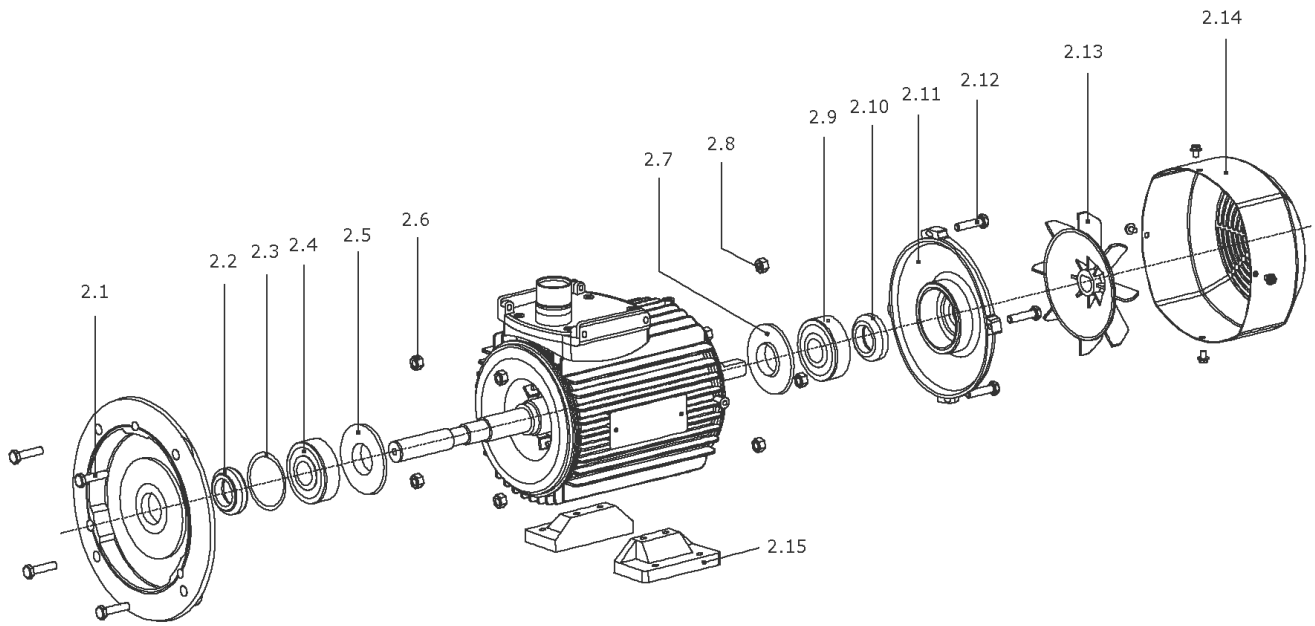
IE2 - 88,7%  
 IEC/EN 60034

IE2 - 90,5%

**SPARE PARTS MOTOR B35 5,5/4/132/300E-IE2**



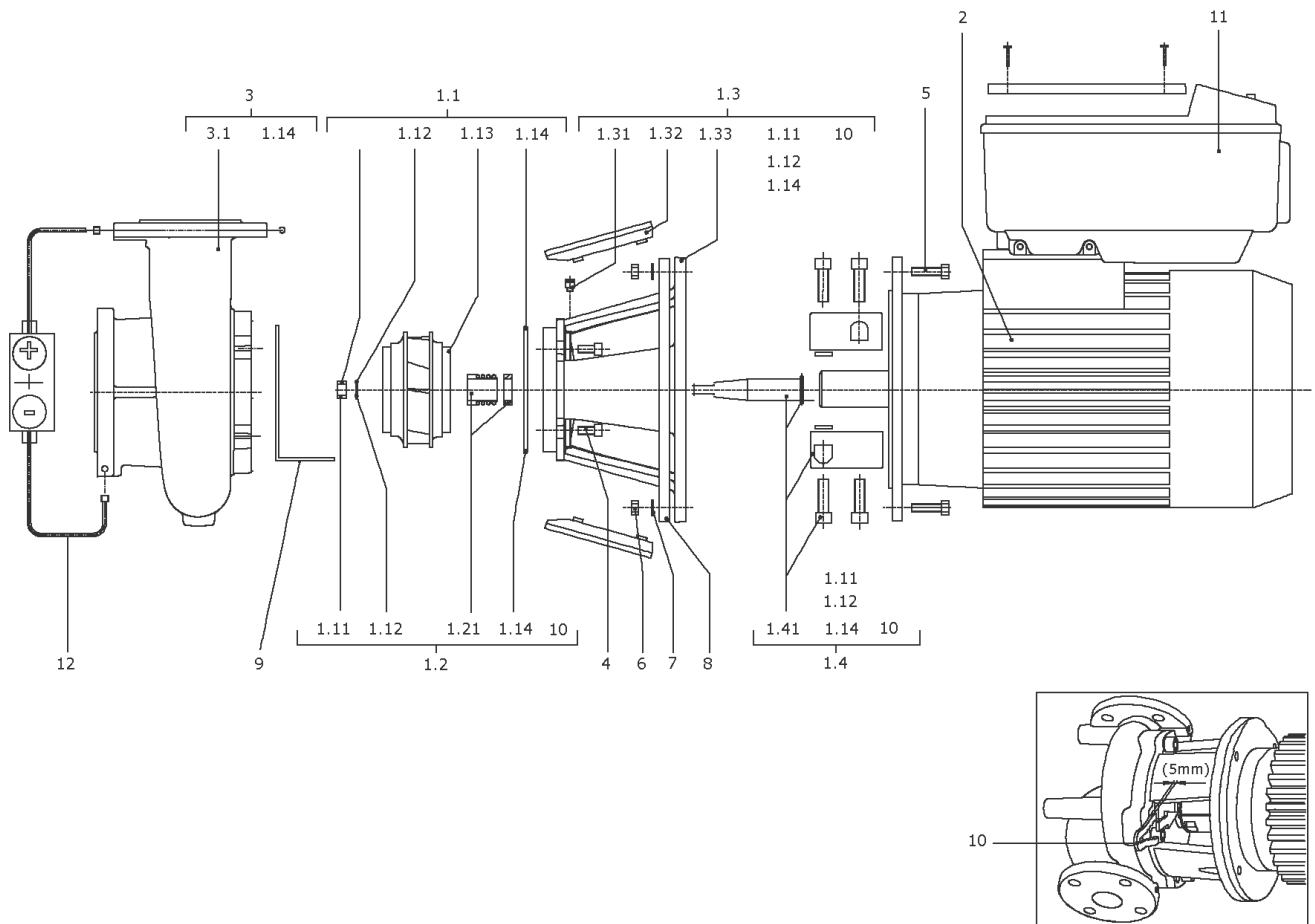
Item	Description	Quantity
3	MOTOR B35 5,5/4/132/300E SM IE2 WILO	1



**MOTOR B35 5,5/4/132/300E SM IE2 WILO**

Item	Article no.	Description	Quantity
2.1	2112830	SCREW M8X65 ISO4762 8.8 (4 PIECES)	1
Note: Please give the data from type plate of the motor			
2.2	2111403	V-RING V40-A SM.VP.	1
Note: Please give the data from type plate of the motor			
2.3	2112832	SPRING WASHER SN60098-56 6208 SM.VP.	1
Note: Please give the data from type plate of the motor			
2.4	2111405	BALL BEARING 6308/2ZJC3 SM.VP.	1
Note: Please give the data from type plate of the motor			
2.5	2111401	BEARING INSERT BG132 D.E.SM.VP.	1
Note: Please give the data from type plate of the motor			
2.6	2112834	NUT M8-8 DIN6923(4 PIECES)	1
Note: Please give the data from type plate of the motor			
2.7	2111409	BEARING INSERT BG132 N.D.E.SM.VP.	1
Note: Please give the data from type plate of the motor			
2.8	2112834	NUT M8-8 DIN6923(4 PIECES)	1
Note: Please give the data from type plate of the motor			
2.9	2111366	BALL BEARING 6208/2ZJC3 SM.VP.	1
Note: Please give the data from type plate of the motor			
2.10	2111403	V-RING V40-A SM.VP.	1
Note: Please give the data from type plate of the motor			
2.11	2111407	END SHIELD N.D.E.BG132 SM.VP.	1
Note: Please give the data from type plate of the motor			
2.12	2112836	SCREW M8X40 ISO4017 8.8 (4 PIECES)	1
Note: Please give the data from type plate of the motor			
2.13	2138769	FAN WHEEL 1PC3 BG132 D.230 SM.VP.	1
Note: Please give the data from type plate of the motor			
2.14	2111411	FAN COVER 1PC3 BG132/300 SM.VP.	1
Note: Please give the data from type plate of the motor			
2.15	2138774	MOTOR FOOT 1LE1 BG132 SM.KIT	1
Note: Please give the data from type plate of the motor			





**BL-E65/120-4/2-R1-IE2 (2126136)**

Item	Article no.	Description	Quantity
1.1	2048413	IMPELLER D.80/114/18 KIT	1
1.11	2027186	> NUT M10 DIN934 A2	1
1.12	2027189	> TENSIONING DISC DIN6796-10 V2A	1
1.13		> IMPELLER 80/114/18 GG BALANCED	1
1.14	2037527	> O-RING 148,82x3,53 EPDM 70SR.VP.	1
1.2	2026901	MECHANICAL SEAL MG12/18-G60 AQ1EGG KIT	1
1.11	2027186	> NUT M10 DIN934 A2	1
1.12	2027189	> TENSIONING DISC DIN6796-10 V2A	1
1.14	2037527	> O-RING 148,82x3,53 EPDM 70SR.VP.	1
1.14	2043160	> O-Ring 177,39x3,53 ISO3601B EPDM VP.	1
1.14	2042864	> O-RING ID.224x3,55 7EP1197-W534 VP.	1
1.21		> MECHANICAL SEAL MG12/18-G60 AQ1EGG	1
10	2027202	> TOOL D.18/24/32 VP.	1
1.3	2037206	LANTERN P190X85,2-F215 KIT	1
1.11	2027186	> NUT M10 DIN934 A2	1
1.12	2027189	> TENSIONING DISC DIN6796-10 V2A	1
1.14	2037527	> O-RING 148,82x3,53 EPDM 70SR.VP.	1
1.31	2027201	> BLOWGUN R1/8" VP.	1
1.32	2048842	> COUPLING GUARD F215 PA66 (2 PIECES)	1
1.33		> Lantern P190X85,2-F215 GG KTL WILO	1
10	2027202	> TOOL D.18/24/32 VP.	1
1.4	2029312	COUPLING/SHAFT 18/28X142 OR.148 KIT	1
1.11	2027186	> NUT M10 DIN934 A2	1
1.12	2027189	> TENSIONING DISC DIN6796-10 V2A	1
1.14	2037527	> O-RING 148,82x3,53 EPDM 70SR.VP.	1
1.41		> COUPLING 18/28+SHAFT 18X142 BG112 ZN KIT	1
10	2027202	> TOOL D.18/24/32 VP.	1
2	2135929	MOTOR V1 4/2/112/250E-IE2-ATB(+TOOL)	1
		SPARE PARTS MOTOR V1 4/2/112/250E-IE2	1
3	2037178	PUMP HOUSING B65/140 PN16 KIT	1
1.14	2037527	> O-RING 148,82x3,53 EPDM 70SR.VP.	1
3.1		> PUMP HOUSING BL65/145 PN16 CPL.WILO	1
4	2027194	SCREW M16X30/X40 DIN912 8.8 (4 PIECES)	1
5	2027195	SCREW M12X25 DIN912 8.8 (4 PIECES)	1

**BL-E65/120-4/2-R1-IE2 (2126136)**

Item	Article no.	Description	Quantity
7	2029335	WASHER A13 DIN125 ST (4 PIECES)	1
9	2037241	MOTOR FOOT BG71-112/P190	1
11	2135974	MODULE BL-E65/120-4/2-IE2 ATB KIT	1
		> MODULE BL-E65/120-4/2 WILO	1
	2054227	> MODULE COVER/GASKET TL3/4 KIT	1
		> SCREW M5X16 ISO4762 8.8 ZnNi	1
		> WASHER TOOTHED LOCK A5,3 DIN6797 FST ZN	1
	2061236	> O-RING ID.38X3 EPDM 70SR.A BUS.	1
	2029336	WASHER A17 DIN125 ST (4 PIECES)	1

### Motor-Typenschild / Motor type plate / Plaque identité moteur

**Bei Ersatzteilbestellung Motorhersteller / Motordaten beachten!**  
**Consider motor manufacturers / motor data for order of spare parts!**  
**Pour les commandes de pièce détachée, indiquer le fabricant / les données du moteur!**

TEE

**TEE ELECTRIC MOTORS**  
ARCELIK A.S. - TURKEY  
2089004

CE IE2

3-Mot. **Q2E FS 60M2D90-F188** Icl F S1 Kg **13**  
 N° 0001  
 04012011 IP **55** IM -

IEC 60034 VDE 0530

V Δ/A	Hz	min <sup>-1</sup>	kW	Cos φ	A	η
230 / 400	50	2885	1.1	0.83	4.2 / 2.4	IE2-79,6%
230 / 400	60	3480	1.27	0.83	4.0 / 2.3	

Load Efficiency  
 %80 79,1%  
 %75 79,1%

ATB

Motor-Nummer  
motor number  
numéro du moteur

**ATB IE2 CE**

3-Mot. AF 132S/2F - 11S + E 2 /0509 IE2-88,1%  
 S1 132S IMV1 224039411-1 522058X  
 IP 55 Th. Cl. 155(F) SCHWINGGROESSENSTUFE 8  
**KD\_NR.2064705**

kW	V	Hz	A	1/min	cos φ
7,5	Y/Δ690/400	50	7,9 / 13,7	2890	0,90
7,5	Δ460	60	11,8	3510	0,89

Made in Germany 50 kg EN 60034

SIEMENS

Motor-Nummer  
motor number  
numéro du moteur

**SIEMENS 3-MOT. 1 LA9133-4KA61-Z** CE

UC 1009/000001101

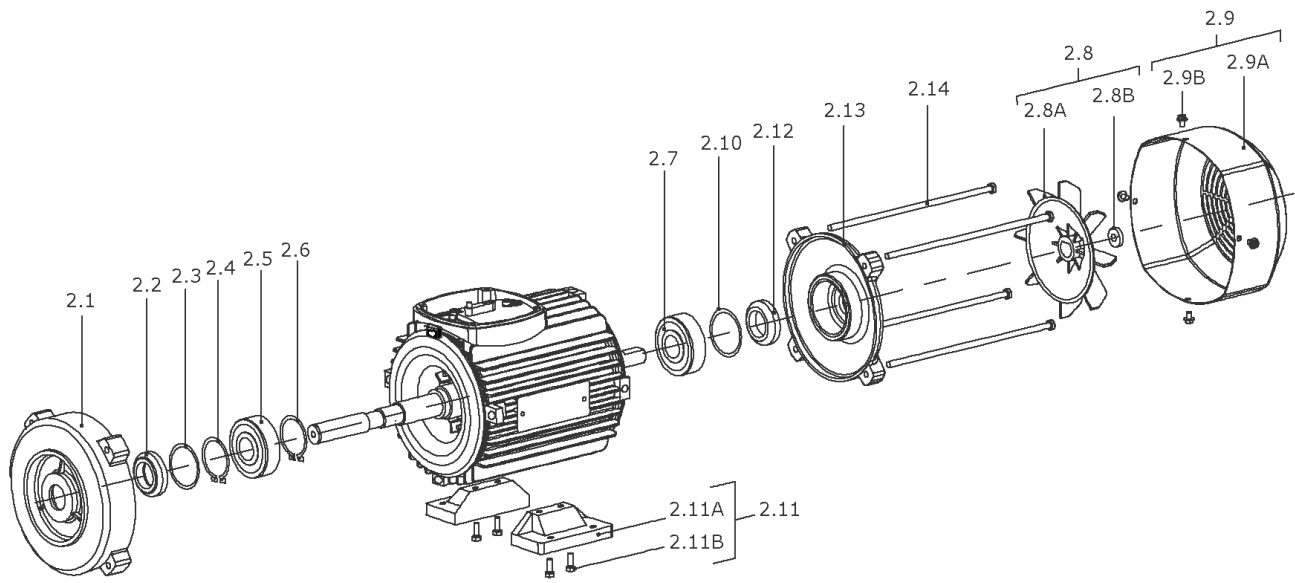
82,1kg IMB3 132M IP55 Th.CL.155(F) AMB 40°C

50 Hz	400/690V Δ/Y	80 Hz	460V Δ
7,5 kW	7A	7,5 kW	8,7A
cos φ 0,84	1455 / min	PF 0,82	1760 RPM

IE2 - 88,7% IE2 - 90,5%  
 IEC/EN 60034

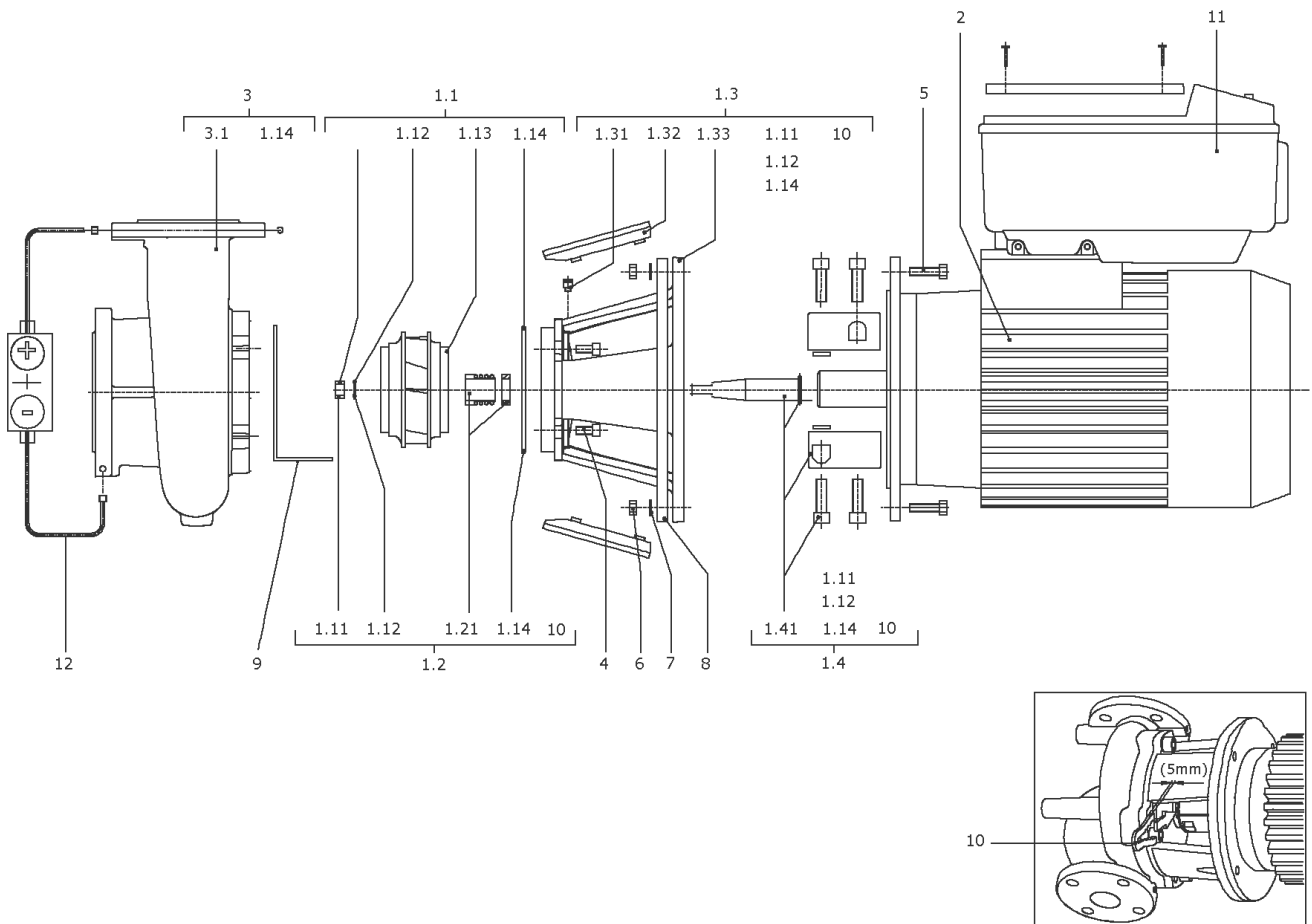
**SPARE PARTS MOTOR V1 4/2/112/250E-IE2**

<b>Item</b>	<b>Description</b>	<b>Quantity</b>
2	MOTOR V1 4/2/112/250E ATB IE2 S9	1



**MOTOR V1 4/2/112/250E ATB IE2 S9**

Item	Article no.	Description	Quantity
2.1	2100572	END SHIELD BG112 D.E.ATB VP.	1
Note: Please give the data from type plate of the motor			
2.2	2138736	SHAFT SEAL RING BG100/112 D.E.ATB VP.	1
Note: Please give the data from type plate of the motor			
2.3	2111441	CIRCLIP BG100/112 ATB VP.	1
Note: Please give the data from type plate of the motor			
2.3	2096260	SHIM BALL BEARING BG132 ATB VP.	1
Note: Please give the data from type plate of the motor			
2.4	121084190	BALL BEARING 6206/2Z-C3 (HT) VP.	1
Note: Please give the data from type plate of the motor			
2.5	121084190	BALL BEARING 6206/2Z-C3 (HT) VP.	1
Note: Please give the data from type plate of the motor			
2.6	2046411	CIRCLIP 62X2 DIN472 FST	1
Note: Please give the data from type plate of the motor			
2.7	2045002	END SHIELD BG112 N.D.E.ATB VP.	1
Note: Please give the data from type plate of the motor			
2.8	121479094	FAN WHEEL BG90/100 ATB KIT	1
Note: Please give the data from type plate of the motor			
2.8A		> FAN WHEEL BG90/100 721383 ATB	1
2.8B	2047016	> CORRUGATED SLEEVE RING BG90/100 ATB VP.	1
Note: Please give the data from type plate of the motor			
2.9	2138765	FAN COVER BG100/112 ATB KIT	1
Note: Please give the data from type plate of the motor			
2.9A		> FAN COVER BG100 721210 ATB	1
2.9B		> SCREW M4x8 DIN7985 4.8 A2A	1
2.10	2111445	SCREW END SHILD M6X220 ATB(4 PIECES)	1
Note: Please give the data from type plate of the motor			





**BL-E65/130-5,5/2-R1-IE2 (2126137)**

Item	Article no.	Description	Quantity
1.1	2037891	IMPELLER D.80/122/24 KIT	1
1.11	2027187	> NUT M12 DIN-EN24032 A2 VP.	1
1.12	2027190	> WASHER A13 DIN125-T2 A2 VP.	1
1.13		> IMPELLER 80/122/24 GG BALANCED	1
1.14	2037527	> O-RING 148,82x3,53 EPDM 70SR.VP.	1
	2042862	> WASHER S12 V2A VP.	1
1.2	2026902	MECHANICAL SEAL MG12/24-G60 AQ1EGG KIT	1
1.11	2027187	> NUT M12 DIN-EN24032 A2 VP.	1
1.12	2027190	> WASHER A13 DIN125-T2 A2 VP.	1
1.14	2037527	> O-RING 148,82x3,53 EPDM 70SR.VP.	1
1.14	2043160	> O-Ring 177,39x3,53 ISO3601B EPDM VP.	1
1.14	2042864	> O-RING ID.224x3,55 7EP1197-W534 VP.	1
1.14	2051680	> O-RING ID.276,7x5,29 7EP1197-W534 VP.	1
	2042862	> WASHER S12 V2A VP.	1
1.21		> MECHANICAL SEAL MG12/24-G60 AQ1EGG	1
10	2027202	> TOOL D.18/24/32 VP.	1
1.3	2037203	LANTERN P190X85,2-F265 KIT	1
1.11	2027187	> NUT M12 DIN-EN24032 A2 VP.	1
1.12	2027190	> WASHER A13 DIN125-T2 A2 VP.	1
1.14	2037527	> O-RING 148,82x3,53 EPDM 70SR.VP.	1
	2042862	> WASHER S12 V2A VP.	1
1.31	2027201	> BLOWGUN R1/8" VP.	1
1.32	2048834	> COUPLING GUARD F265 PA66 (4 PIECES)	1
1.33		> LANTERN P190X85,2-F265 GG KTL WILO	1
10	2027202	> TOOL D.18/24/32 VP.	1
1.4	2027227	COUPLING/SHAFT 24/38x142 OR.148 KIT	1
1.11	2027187	> NUT M12 DIN-EN24032 A2 VP.	1
1.12	2027190	> WASHER A13 DIN125-T2 A2 VP.	1
1.14	2037527	> O-RING 148,82x3,53 EPDM 70SR.VP.	1
	2042862	> WASHER S12 V2A VP.	1
1.41		> COUPLING 24/38+SHAFT 24X142 BG132 ZN KIT	1
10	2027202	> TOOL D.18/24/32 VP.	1
2	2135930	MOTOR B35 5,5/2/132/300E-IE2-SM.(+TOOL)	1
		SPARE PARTS MOTOR B35 5,5/2/132/300E-IE2	1

**BL-E65/130-5,5/2-R1-IE2 (2126137)**

Item	Article no.	Description	Quantity
3	2037178	PUMP HOUSING B65/140 PN16 KIT	1
1.14	2037527	> O-RING 148,82x3,53 EPDM 70SR.VP.	1
3.1		> PUMP HOUSING BL65/145 PN16 CPL.WILO	1
4	2027193	SCREW M16X30 ISO4762 8.8 (4 PIECES)	1
5	2037244	Screw M12X55 ISO4014 8.8 (4STÜCK)	1
6	2029305	NUT M12 DIN-EN24032 8 (4 PIECES)	1
7	2029335	WASHER A13 DIN125 ST (4 PIECES)	1
11	2135975	MODULE BL-E65/130-5,5/2-IE2 SM.KIT	1
		> MODULE BL-E65/130-5,5/2 WILO	1
	2111344	> MODULE COVER/GASKET TL5 KIT	1
	2120047	> CABLE CONNECTION M12x1,5/5 cpl.TL5 VP.	1
	2120048	> CABLE CONNECTION M16x1,5/5 cpl.TL5 VP.	1
	2120049	> CABLE CONNECTION M20x1,5/6 cpl.TL5 VP.	1
	2120050	> CABLE CONNECTION M25x1,5/8 cpl.TL5 VP.	1

**Motor-Typenschild / Motor type plate / Plaque identité moteur**

**Bei Ersatzteilbestellung Motorhersteller / Motordaten beachten!**  
**Consider motor manufacturers / motor data for order of spare parts!**  
**Pour les commandes de pièce détachée, indiquer le fabricant / les données du moteur!**

TEE

**TEE** ELECTRIC MOTORS  
 ARCELIK A.S. - TURKEY  
 2089004

CE IE2

3-Mot. **Q2E FS 60M2D90-F188** Icl F S1 Kg 13  
 N° 0001  
 04012011 IP 55 IM -

V Δ/A	Hz	min <sup>-1</sup>	kW	Cos φ	A	η
230 / 400	50	2885	1.1	0.83	4.2 / 2.4	IE2-79,6%
205 / 400	60	3480	1.27	0.83	4.0 / 2.3	

IEC 60034  
 VDE 0530

Load Efficiency  
 %80 79,1%  
 %75 79,1%

ATB

Motor-Nummer  
 motor number  
 numéro du moteur

**ATB** IE2 CE

3-Mot. AF 132S/2F - 11S + E 2 /0509 IE2-88,1%  
 S1 132S IMV1 224039411-1 522058X  
 IP 55 Th. Cl. 155(F) SCHWINGGROESSENSTUFE 8  
**KD\_NR.2064705**

kW	V	Hz	A	1/min	cos φ
7,5	Y/Δ690/400	50	7,9 / 13,7	2890	0,90
7,5	Δ460	60	11,8	3510	0,89

Made in Germany 50 kg EN 60034

SIEMENS

Motor-Nummer  
 motor number  
 numéro du moteur

**SIEMENS** 3-MOT. 1 LA9133-4KA61-Z  
 UC 1009/000001101

IE2 CE

82,1kg IMB3 132M IP55 Th.CL.155(F) AMB 40°C

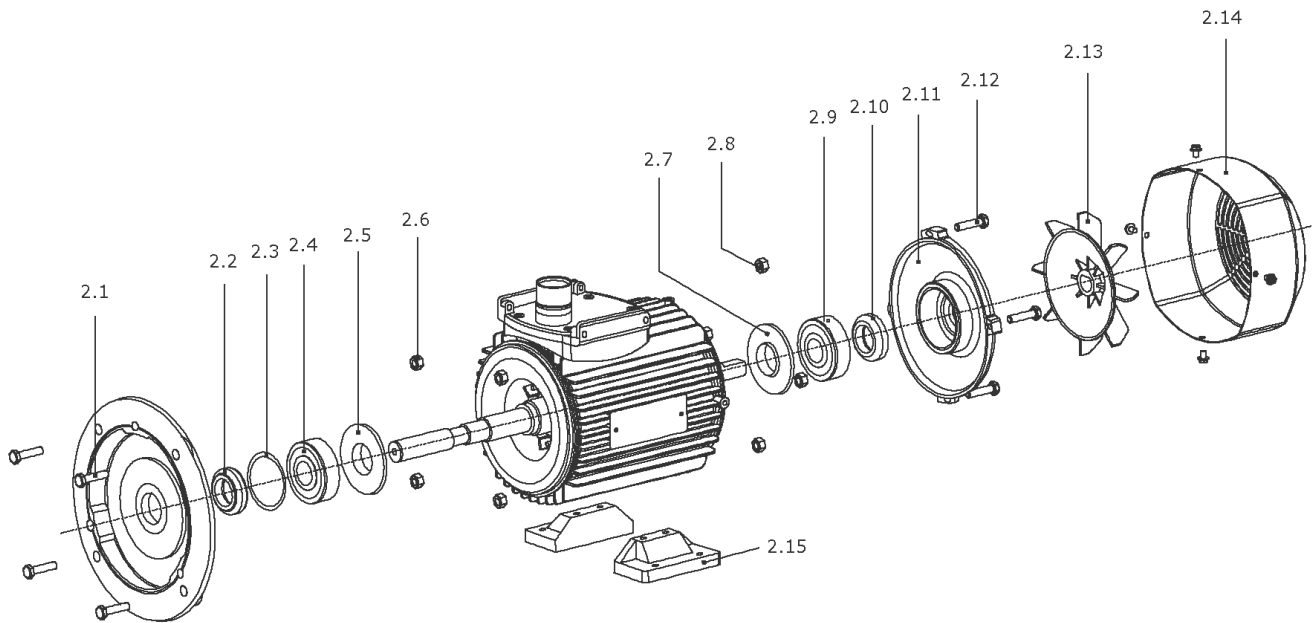
50 Hz	400/690V Δ/Y	60 Hz	460V Δ
7,5 kW	7A	7,5 kW	8,7A
cos φ 0,84	1455 / min	PF 0,82	1760 RPM

IE2 - 88,7% IE2 - 90,5%  
 IEC/EN 60034

**SPARE PARTS MOTOR B35 5,5/2/132/300E-IE2**

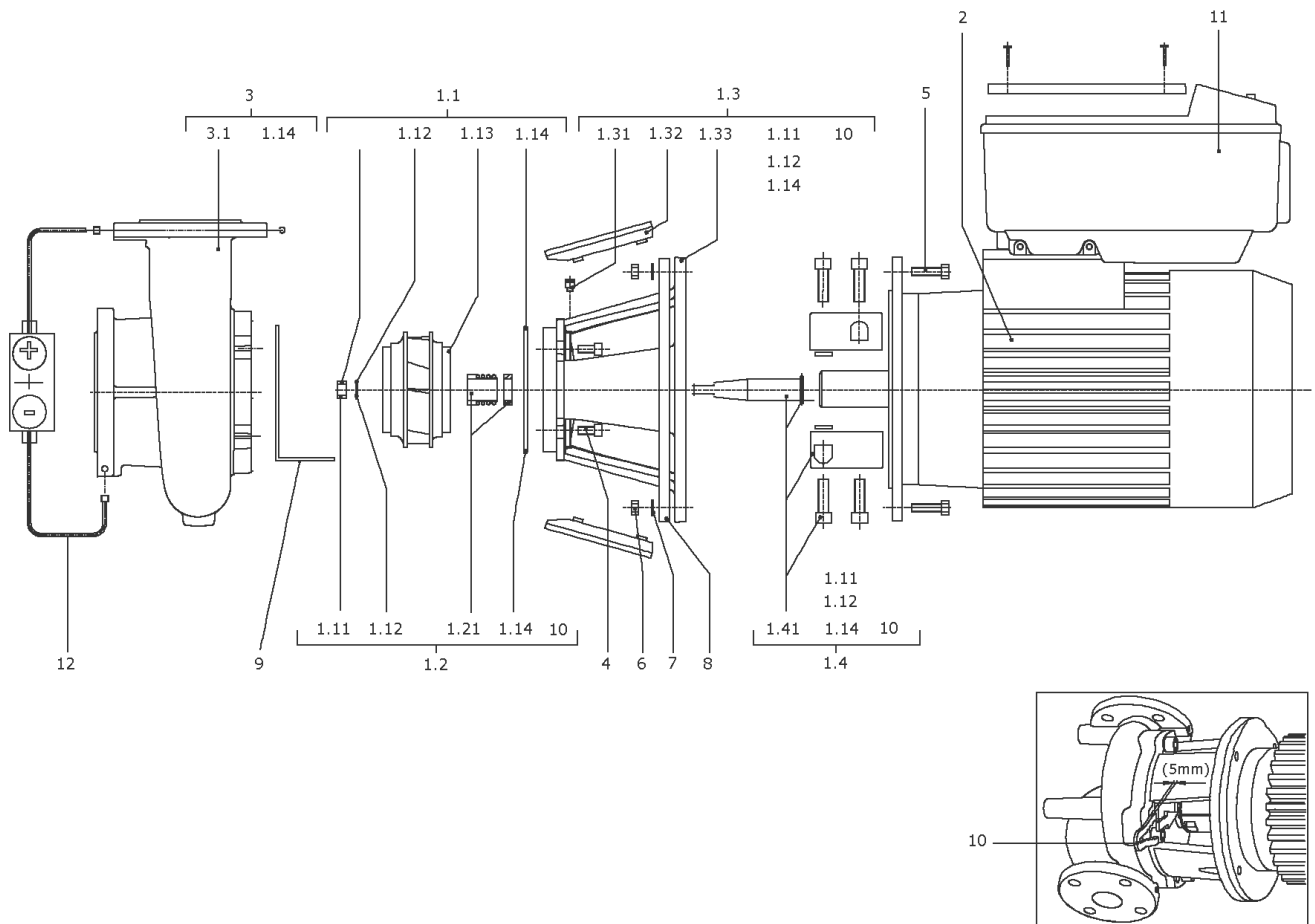


Item	Description	Quantity
3	MOTOR B35 5,5/2/132/300E SM IE2 WILO	1



**MOTOR B35 5,5/2/132/300E SM IE2 WILO**

Item	Article no.	Description	Quantity
2.1	2112830	SCREW M8X65 ISO4762 8.8 (4 PIECES)	1
Note: Please give the data from type plate of the motor			
2.2	2111403	V-RING V40-A SM.VP.	1
Note: Please give the data from type plate of the motor			
2.3	2112832	SPRING WASHER SN60098-56 6208 SM.VP.	1
Note: Please give the data from type plate of the motor			
2.4	2111405	BALL BEARING 6308/2ZJC3 SM.VP.	1
Note: Please give the data from type plate of the motor			
2.5	2111401	BEARING INSERT BG132 D.E.SM.VP.	1
Note: Please give the data from type plate of the motor			
2.6	2112834	NUT M8-8 DIN6923(4 PIECES)	1
Note: Please give the data from type plate of the motor			
2.7	2111409	BEARING INSERT BG132 N.D.E.SM.VP.	1
Note: Please give the data from type plate of the motor			
2.8	2112834	NUT M8-8 DIN6923(4 PIECES)	1
Note: Please give the data from type plate of the motor			
2.9	2111366	BALL BEARING 6208/2ZJC3 SM.VP.	1
Note: Please give the data from type plate of the motor			
2.10	2111403	V-RING V40-A SM.VP.	1
Note: Please give the data from type plate of the motor			
2.11	2111407	END SHIELD N.D.E.BG132 SM.VP.	1
Note: Please give the data from type plate of the motor			
2.12	2112836	SCREW M8X40 ISO4017 8.8 (4 PIECES)	1
Note: Please give the data from type plate of the motor			
2.13	2111413	FAN WHEEL 1PC3 BG132 D.150 SM.VP.	1
Note: Please give the data from type plate of the motor			
2.14	2111411	FAN COVER 1PC3 BG132/300 SM.VP.	1
Note: Please give the data from type plate of the motor			
2.15	2138774	MOTOR FOOT 1LE1 BG132 SM.KIT	1
Note: Please give the data from type plate of the motor			



**BL-E65/140-7,5/2-R1-IE2 (2126138)**

Item	Article no.	Description	Quantity
1.1	2037295	IMPELLER D.80/134/24 KIT	1
1.11	2027187	> NUT M12 DIN-EN24032 A2 VP.	1
1.12	2027190	> WASHER A13 DIN125-T2 A2 VP.	1
1.13		> IMPELLER 80/134/24 GG BALANCED	1
1.14	2037527	> O-RING 148,82x3,53 EPDM 70SR.VP.	1
	2042862	> WASHER S12 V2A VP.	1
1.2	2026902	MECHANICAL SEAL MG12/24-G60 AQ1EGG KIT	1
1.11	2027187	> NUT M12 DIN-EN24032 A2 VP.	1
1.12	2027190	> WASHER A13 DIN125-T2 A2 VP.	1
1.14	2037527	> O-RING 148,82x3,53 EPDM 70SR.VP.	1
1.14	2043160	> O-Ring 177,39x3,53 ISO3601B EPDM VP.	1
1.14	2042864	> O-RING ID.224x3,55 7EP1197-W534 VP.	1
1.14	2051680	> O-RING ID.276,7x5,29 7EP1197-W534 VP.	1
	2042862	> WASHER S12 V2A VP.	1
1.21		> MECHANICAL SEAL MG12/24-G60 AQ1EGG	1
10	2027202	> TOOL D.18/24/32 VP.	1
1.3	2037203	LANTERN P190X85,2-F265 KIT	1
1.11	2027187	> NUT M12 DIN-EN24032 A2 VP.	1
1.12	2027190	> WASHER A13 DIN125-T2 A2 VP.	1
1.14	2037527	> O-RING 148,82x3,53 EPDM 70SR.VP.	1
	2042862	> WASHER S12 V2A VP.	1
1.31	2027201	> BLOWGUN R1/8" VP.	1
1.32	2048834	> COUPLING GUARD F265 PA66 (4 PIECES)	1
1.33		> LANTERN P190X85,2-F265 GG KTL WILO	1
10	2027202	> TOOL D.18/24/32 VP.	1
1.4	2027227	COUPLING/SHAFT 24/38x142 OR.148 KIT	1
1.11	2027187	> NUT M12 DIN-EN24032 A2 VP.	1
1.12	2027190	> WASHER A13 DIN125-T2 A2 VP.	1
1.14	2037527	> O-RING 148,82x3,53 EPDM 70SR.VP.	1
	2042862	> WASHER S12 V2A VP.	1
1.41		> COUPLING 24/38+SHAFT 24X142 BG132 ZN KIT	1
10	2027202	> TOOL D.18/24/32 VP.	1
2	2135931	MOTOR B35 7,5/2/132/300E-IE2-SM.(+TOOL)	1
		SPARE PARTS MOTOR B35 7,5/2/132/300E-IE2	1



**BL-E65/140-7,5/2-R1-IE2 (2126138)**

Item	Article no.	Description	Quantity
3	2037178	PUMP HOUSING B65/140 PN16 KIT	1
1.14	2037527	> O-RING 148,82x3,53 EPDM 70SR.VP.	1
3.1		> PUMP HOUSING BL65/145 PN16 CPL.WILO	1
4	2027193	SCREW M16X30 ISO4762 8.8 (4 PIECES)	1
5	2037244	Screw M12X55 ISO4014 8.8 (4STÜCK)	1
6	2029305	NUT M12 DIN-EN24032 8 (4 PIECES)	1
7	2029335	WASHER A13 DIN125 ST (4 PIECES)	1
11	2135976	MODULE BL-E65/140-7,5/2-IE2 SM.KIT	1
		> MODULE BL-E65/140-7,5/2 WILO	1
	2111344	> MODULE COVER/GASKET TL5 KIT	1
	2120047	> CABLE CONNECTION M12x1,5/5 cpl.TL5 VP.	1
	2120048	> CABLE CONNECTION M16x1,5/5 cpl.TL5 VP.	1
	2120049	> CABLE CONNECTION M20x1,5/6 cpl.TL5 VP.	1
	2120050	> CABLE CONNECTION M25x1,5/8 cpl.TL5 VP.	1

**Motor-Typenschild / Motor type plate / Plaque identité moteur**

**Bei Ersatzteilbestellung Motorhersteller / Motordaten beachten!**  
**Consider motor manufacturers / motor data for order of spare parts!**  
**Pour les commandes de pièce détachée, indiquer le fabricant / les données du moteur!**

TEE

**TEE ELECTRIC MOTORS**  
 ARCELIK A.S. - TURKEY  
 2089004

CE IE2

3-Mot. **Q2E FS 60M2D90-F188** Icl F S1 Kg 13  
 N° 0001  
 04012011 IP 55 IM -

V Δ/A	Hz	min <sup>-1</sup>	kW	Cos φ	A	η
230 / 400	50	2885	1.1	0.83	4.2 / 2.4	IE2-79,6%
230 / 400	60	3480	1.27	0.83	4.0 / 2.3	

IEC 60034  
 VDE 0530

Load Efficiency  
 %80 79,1%  
 %75 79,1%

ATB

Motor-Nummer  
 motor number  
 numéro du moteur

**ATB IE2 CE**

3-Mot. AF 132S/2F - 11S + E 2 /0509 IE2-88,1%  
 S1 132S IMV1 224039411-1 522058X  
 IP 55 Th. Cl. 155(F) SCHWINGGROESSENSTUFE 8  
**KD\_NR.2064705**

kW	V	Hz	A	1/min	cos φ
7,5	Y/Δ690/400	50	7,9 / 13,7	2890	0,90
7,5	Δ460	60	11,8	3510	0,89

Made in Germany 50 kg EN 60034

SIEMENS

Motor-Nummer  
 motor number  
 numéro du moteur

**SIEMENS 3-MOT. 1 LA9133-4KA61-Z**  
 UC 1009/000001101

IE2 CE

82,1kg IMB3 132M IP55 Th.CL.155(F) AMB 40°C

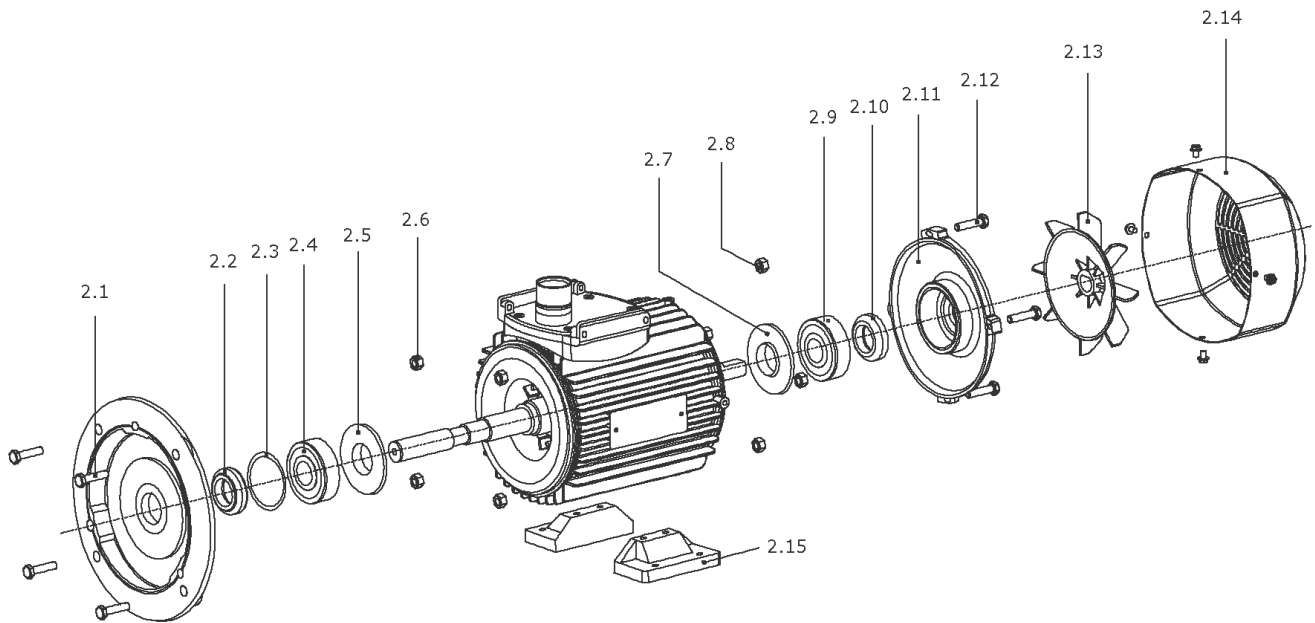
50 Hz	400/690V Δ/Y	80 Hz	460V Δ
7,5 kW	7A	7,5 kW	8,7A
cos φ 0,84	1455 / min	PF 0,82	1760 RPM

IE2 - 88,7% IE2 - 90,5%  
 IEC/EN 60034

**SPARE PARTS MOTOR B35 7,5/2/132/300E-IE2**

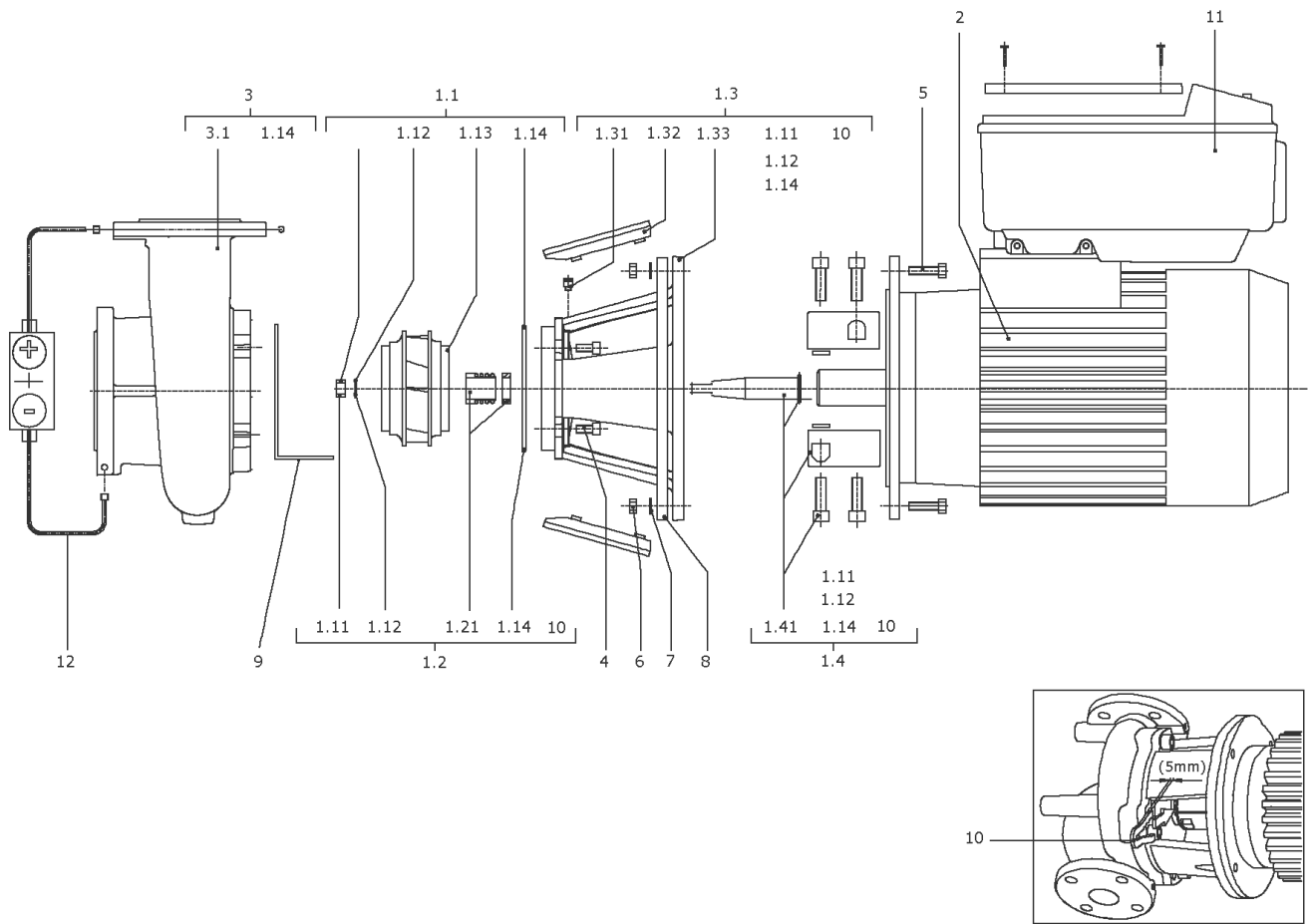


Item	Description	Quantity
3	MOTOR B35 7,5/2/132/300E SM IE2 WILO	1



**MOTOR B35 7,5/2/132/300E SM IE2 WILO**

Item	Article no.	Description	Quantity
2.1	2112830	SCREW M8X65 ISO4762 8.8 (4 PIECES)	1
Note: Please give the data from type plate of the motor			
2.2	2111403	V-RING V40-A SM.VP.	1
Note: Please give the data from type plate of the motor			
2.3	2112832	SPRING WASHER SN60098-56 6208 SM.VP.	1
Note: Please give the data from type plate of the motor			
2.4	2111405	BALL BEARING 6308/2ZJC3 SM.VP.	1
Note: Please give the data from type plate of the motor			
2.5	2111401	BEARING INSERT BG132 D.E.SM.VP.	1
Note: Please give the data from type plate of the motor			
2.6	2112834	NUT M8-8 DIN6923(4 PIECES)	1
Note: Please give the data from type plate of the motor			
2.7	2111409	BEARING INSERT BG132 N.D.E.SM.VP.	1
Note: Please give the data from type plate of the motor			
2.8	2112834	NUT M8-8 DIN6923(4 PIECES)	1
Note: Please give the data from type plate of the motor			
2.9	2111366	BALL BEARING 6208/2ZJC3 SM.VP.	1
Note: Please give the data from type plate of the motor			
2.10	2111403	V-RING V40-A SM.VP.	1
Note: Please give the data from type plate of the motor			
2.11	2111407	END SHIELD N.D.E.BG132 SM.VP.	1
Note: Please give the data from type plate of the motor			
2.12	2112836	SCREW M8X40 ISO4017 8.8 (4 PIECES)	1
Note: Please give the data from type plate of the motor			
2.13	2111413	FAN WHEEL 1PC3 BG132 D.150 SM.VP.	1
Note: Please give the data from type plate of the motor			
2.14	2111411	FAN COVER 1PC3 BG132/300 SM.VP.	1
Note: Please give the data from type plate of the motor			
2.15	2138774	MOTOR FOOT 1LE1 BG132 SM.KIT	1
Note: Please give the data from type plate of the motor			



**BL-E65/160-11/2-R1-IE2 (2126139)**

Item	Article no.	Description	Quantity
1.1	2123525	IMPELLER D.80/153/143/24 KIT	1
1.11	2027187	> NUT M12 DIN-EN24032 A2 VP.	1
1.12	2027190	> WASHER A13 DIN125-T2 A2 VP.	1
1.13		> IMPELLER 80/153/143/24 GG BALANCED	1
1.14	2043160	> O-Ring 177,39x3,53 ISO3601B EPDM VP.	1
	2042862	> WASHER S12 V2A VP.	1
1.2	2026902	MECHANICAL SEAL MG12/24-G60 AQ1EGG KIT	1
1.11	2027187	> NUT M12 DIN-EN24032 A2 VP.	1
1.12	2027190	> WASHER A13 DIN125-T2 A2 VP.	1
1.14	2037527	> O-RING 148,82x3,53 EPDM 70SR.VP.	1
1.14	2043160	> O-Ring 177,39x3,53 ISO3601B EPDM VP.	1
1.14	2042864	> O-RING ID.224x3,55 7EP1197-W534 VP.	1
1.14	2051680	> O-RING ID.276,7x5,29 7EP1197-W534 VP.	1
	2042862	> WASHER S12 V2A VP.	1
1.21		> MECHANICAL SEAL MG12/24-G60 AQ1EGG	1
10	2027202	> TOOL D.18/24/32 VP.	1
1.3	2026917	LANTERN P228X115-F300 KIT	1
1.11	2027187	> NUT M12 DIN-EN24032 A2 VP.	1
1.12	2027190	> WASHER A13 DIN125-T2 A2 VP.	1
1.14	2043160	> O-Ring 177,39x3,53 ISO3601B EPDM VP.	1
	2042862	> WASHER S12 V2A VP.	1
1.31	2027201	> BLOWGUN R1/8" VP.	1
1.32	2048841	> COUPLING GUARD F300-350 PA66 (4 PIECES)	1
1.33		> Lantern P228X115-F300 WE.24 GG WILO	1
10	2027202	> TOOL D.18/24/32 VP.	1
1.4	2026932	COUPLING/SHAFT 24/42x160 KIT	1
1.11	2027187	> NUT M12 DIN-EN24032 A2 VP.	1
1.12	2027190	> WASHER A13 DIN125-T2 A2 VP.	1
1.14	2043160	> O-Ring 177,39x3,53 ISO3601B EPDM VP.	1
	2042862	> WASHER S12 V2A VP.	1
1.41		> COUPLING 24/42+SHAFT 24X160 BG160 ZN KIT	1
10	2027202	> TOOL D.18/24/32 VP.	1
2	2135932	MOTOR B35 11/2/160/350E-IE2-TEE(+TOOL)	1
		SPARE PARTS MOTOR B35 11/2/160/350E-IE2	1

**BL-E65/160-11/2-R1-IE2 (2126139)**

Item	Article no.	Description	Quantity
3	2026872	PUMP HOUSING B65/170 PN16 KIT	1
1.14	2043160	> O-Ring 177,39x3,53 ISO3601B EPDM VP.	1
3.1		> PUMP HOUSING BL65/182 PN16 CPL.WILO	1
4	2027193	SCREW M16X30 ISO4762 8.8 (4 PIECES)	1
5	2027197	SCREW M16X60 ISO4014 8.8 (4PIECES)	1
6	2029304	NUT M16 DIN-EN24032 8 (4 PIECES)	1
7	2029336	WASHER A17 DIN125 ST (4 PIECES)	1
11	2135977	MODULE BL-E65/160-11/2-IE2 TEE KIT	1
	2132102	> FAN SMALL TL6/7 FF KIT	1
		>> TL6/7FF module fan sm.cpl.	1
	2132096	>> FAN GRILL TL6/7 FF VP.	1
	2132097	> CABLE CONNECTION M12 TL6/7 FF VP.	1
	2132098	> CABLE CONNECTION M16 TL6/7 FF VP.	1
	2132099	> CABLE CONNECTION M20 TL6/7 FF VP.	1
	2132100	> CABLE CONNECTION SMALL M40 TL6/7 FF VP.	1
	2132104	> COVER SIDE TL6/7 FF CPL.VP.	1
	2132452	> MODULE COVER/BUTTON TL6/7 FF VP.	1



**Motor-Typenschild / Motor type plate / Plaque identité moteur**

**Bei Ersatzteilbestellung Motorhersteller / Motordaten beachten!**  
**Consider motor manufacturers / motor data for order of spare parts!**  
**Pour les commandes de pièce détachée, indiquer le fabricant / les données du moteur!**

TEE

**TEE** ELECTRIC MOTORS  
 ARCELIK A.S. - TURKEY  
 2089004

CE IE2

3-Mot. **Q2E FS 60M2D90-F188** Icl F S1 Kg 13  
 N° 0001  
 04012011 IP 55 IM -

V Δ/A	Hz	min <sup>-1</sup>	kW	Cos φ	A	η
230 / 400	50	2885	1.1	0.85	4.2 / 2.4	IE2-79.6%
230 / 400	60	3480	1.27	0.83	4.0 / 2.3	

IEC 60034  
 VDE 0530

Load Efficiency  
 %80 79.1%  
 %75 79.1%

ATB

Motor-Nummer  
 motor number  
 numéro du moteur

**ATB** IE2 CE

3-Mot. AF 132S/2F - 11S + E 2 /0509 IE2-88,1%  
 S1 132S IMV1 224039411-1 522058X  
 IP 55 Th. Cl. 155(F) SCHWINGGROESSENSTUFE 8  
**KD\_NR.2064705**

kW	V	Hz	A	1/min	cos φ
7.5	Y/Δ690/400	50	7.9 / 13.7	2890	0.90
7.5	Δ460	60	11.8	3510	0.89

Made in Germany 50 kg EN 60034

SIEMENS

Motor-Nummer  
 motor number  
 numéro du moteur

**SIEMENS** 3-MOT. 1 LA9133-4KA61-Z  
 UC 1009/000001101

IE2 CE

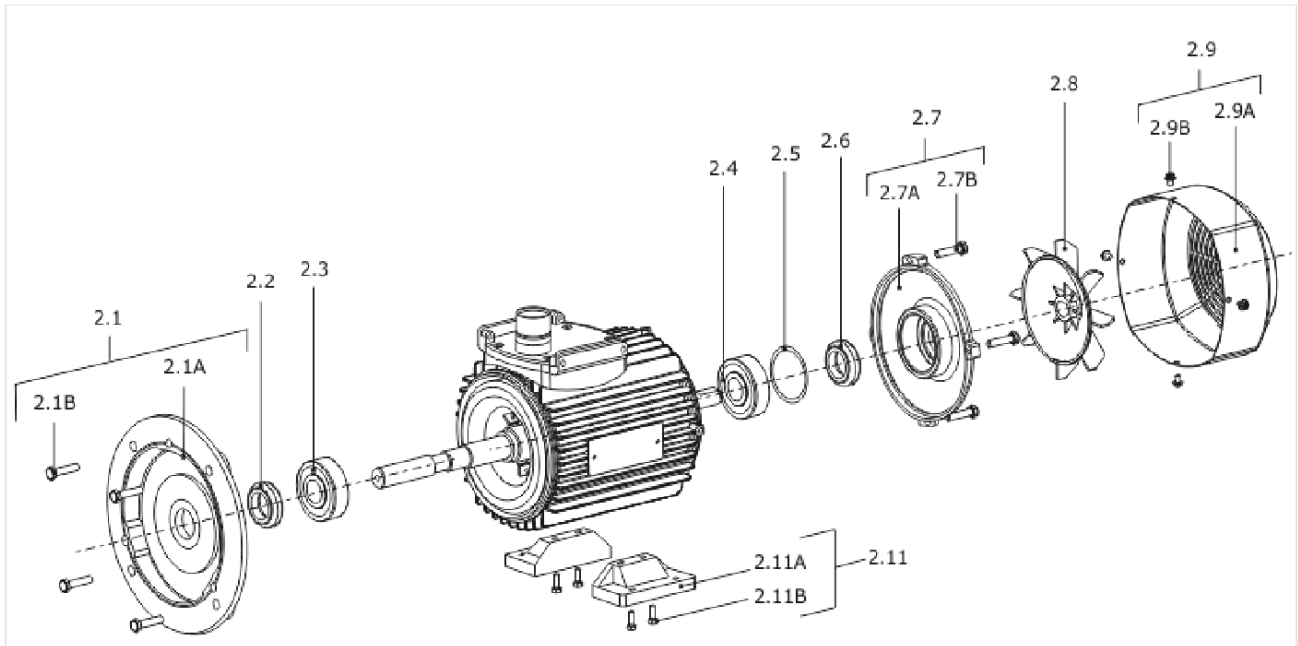
82.1kg IMB3 132M IP55 Th.CL.155(F) AMB 40°C

50 Hz	400/690V Δ/Y	7.5 kW	7A	1455 / min	cos φ 0.84	IE2 - 88.7%
60 Hz	460V Δ	7.5 kW	8.7A	1760 RPM	PF 0.82	IE2 - 90.5%

IEC/EN 60034

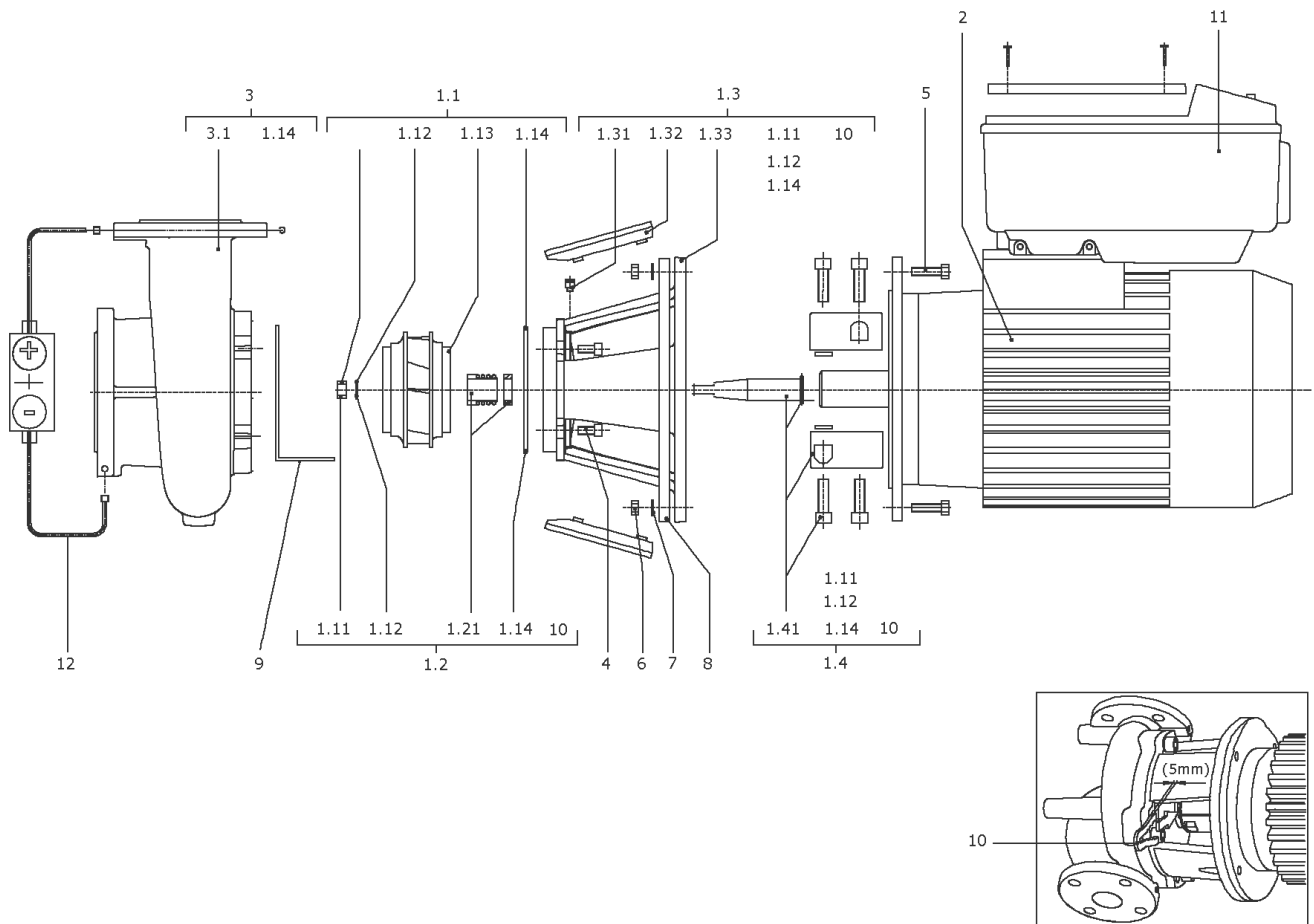
**SPARE PARTS MOTOR B35 11/2/160/350E-IE2**

<b>Item</b>	<b>Description</b>	<b>Quantity</b>
1	MOTOR B35 11/2/160/350E TEE IE2 WILO	1



**MOTOR B35 11/2/160/350E TEE IE2 WILO**

Item	Article no.	Description	Quantity
2.1	2120052	END SHIELD BG160 D.E.TEE KIT	1
Note: Please give the data from type plate of the motor			
2.1A		> END SHIELD BG160 642400806 D.E.TEE	1
2.1B	2125338	> SCREW F.END SHIELD BG160 TEE(8 PIECES)	1
Note: Please give the data from type plate of the motor			
2.2	2096382	JOINT RING 45X72X10 TEE VP.	1
Note: Please give the data from type plate of the motor			
2.3	121084396	BALL BEARING 6309/2Z-C3 (HT) VP.	1
Note: Please give the data from type plate of the motor			
2.4	122065996	BALL BEARING 6209/2Z-C3 (HT) VP.	1
Note: Please give the data from type plate of the motor			
2.5	2125362	SPACER DISK BG160 TEE VP.	1
Note: Please give the data from type plate of the motor			
2.6	2096382	JOINT RING 45X72X10 TEE VP.	1
Note: Please give the data from type plate of the motor			
2.7	2125387	END SHIELD BG160 N.D.E.TEE KIT	1
Note: Please give the data from type plate of the motor			
2.7A		> END SHIELD BG160 643232001 N.D.E.TEE	1
2.7B	2125338	> SCREW F.END SHIELD BG160 TEE(8 PIECES)	1
Note: Please give the data from type plate of the motor			
2.8	2042825	FAN WHEEL BG132-225 TEE VP.	1
Note: Please give the data from type plate of the motor			
2.9	2125348	FAN COVER BG160 TEE KIT	1
Note: Please give the data from type plate of the motor			
2.9A		> FAN COVER BG160 644307201 TEE	1
2.9B	2116839	> SCREW BG90-112 TEE (4 PIECE)	1
Note: Please give the data from type plate of the motor			
2.11	2123904	MOTOR FOOT BG160 TEE KIT	1
Note: Please give the data from type plate of the motor			
2.11A		> MOTOR FOOT BG160 LEFT 643409001 TEE	1
2.11A		> MOTOR FOOT BG160 RIGHT 643408901 TEE	1
2.11B	2125331	> SCREW BG132/160 TEE (2 PIECES)	1
Note: Please give the data from type plate of the motor			



**BL-E65/170-15/2-R1-IE2 (2126140)**

Item	Article no.	Description	Quantity
1.1	2123523	IMPELLER D.80/170/24 KIT	1
1.11	2027187	> NUT M12 DIN-EN24032 A2 VP.	1
1.12	2027190	> WASHER A13 DIN125-T2 A2 VP.	1
1.13		> IMPELLER 80/170/24 GG BALANCED	1
1.14	2043160	> O-Ring 177,39x3,53 ISO3601B EPDM VP.	1
	2042862	> WASHER S12 V2A VP.	1
1.2	2026902	MECHANICAL SEAL MG12/24-G60 AQ1EGG KIT	1
1.11	2027187	> NUT M12 DIN-EN24032 A2 VP.	1
1.12	2027190	> WASHER A13 DIN125-T2 A2 VP.	1
1.14	2037527	> O-RING 148,82x3,53 EPDM 70SR.VP.	1
1.14	2043160	> O-Ring 177,39x3,53 ISO3601B EPDM VP.	1
1.14	2042864	> O-RING ID.224x3,55 7EP1197-W534 VP.	1
1.14	2051680	> O-RING ID.276,7x5,29 7EP1197-W534 VP.	1
	2042862	> WASHER S12 V2A VP.	1
1.21		> MECHANICAL SEAL MG12/24-G60 AQ1EGG	1
10	2027202	> TOOL D.18/24/32 VP.	1
1.3	2026917	LANTERN P228X115-F300 KIT	1
1.11	2027187	> NUT M12 DIN-EN24032 A2 VP.	1
1.12	2027190	> WASHER A13 DIN125-T2 A2 VP.	1
1.14	2043160	> O-Ring 177,39x3,53 ISO3601B EPDM VP.	1
	2042862	> WASHER S12 V2A VP.	1
1.31	2027201	> BLOWGUN R1/8" VP.	1
1.32	2048841	> COUPLING GUARD F300-350 PA66 (4 PIECES)	1
1.33		> Lantern P228X115-F300 WE.24 GG WILO	1
10	2027202	> TOOL D.18/24/32 VP.	1
1.4	2026932	COUPLING/SHAFT 24/42x160 KIT	1
1.11	2027187	> NUT M12 DIN-EN24032 A2 VP.	1
1.12	2027190	> WASHER A13 DIN125-T2 A2 VP.	1
1.14	2043160	> O-Ring 177,39x3,53 ISO3601B EPDM VP.	1
	2042862	> WASHER S12 V2A VP.	1
1.41		> COUPLING 24/42+SHAFT 24X160 BG160 ZN KIT	1
10	2027202	> TOOL D.18/24/32 VP.	1
2	2135934	MOTOR B35 15/2/160/350E-IE2-TEE(+TOOL)	1
		SPARE PARTS MOTOR B35 15/2/160/350E-IE2	1

**BL-E65/170-15/2-R1-IE2 (2126140)**

Item	Article no.	Description	Quantity
3	2026872	PUMP HOUSING B65/170 PN16 KIT	1
1.14	2043160	> O-Ring 177,39x3,53 ISO3601B EPDM VP.	1
3.1		> PUMP HOUSING BL65/182 PN16 CPL.WILO	1
4	2027193	SCREW M16X30 ISO4762 8.8 (4 PIECES)	1
5	2027197	SCREW M16X60 ISO4014 8.8 (4PIECES)	1
6	2029304	NUT M16 DIN-EN24032 8 (4 PIECES)	1
7	2029336	WASHER A17 DIN125 ST (4 PIECES)	1
11	2135978	MODULE BL-E65/170-15/2-IE2 TEE KIT	1
	2132102	> FAN SMALL TL6/7 FF KIT	1
		>> TL6/7FF module fan sm.cpl.	1
	2132096	>> FAN GRILL TL6/7 FF VP.	1
	2132097	> CABLE CONNECTION M12 TL6/7 FF VP.	1
	2132098	> CABLE CONNECTION M16 TL6/7 FF VP.	1
	2132099	> CABLE CONNECTION M20 TL6/7 FF VP.	1
	2132100	> CABLE CONNECTION SMALL M40 TL6/7 FF VP.	1
	2132104	> COVER SIDE TL6/7 FF CPL.VP.	1
	2132452	> MODULE COVER/BUTTON TL6/7 FF VP.	1

### Motor-Typenschild / Motor type plate / Plaque identité moteur

**Bei Ersatzteilbestellung Motorhersteller / Motordaten beachten!**  
**Consider motor manufacturers / motor data for order of spare parts!**  
**Pour les commandes de pièce détachée, indiquer le fabricant / les données du moteur!**

TEE

**TEE ELECTRIC MOTORS**  
ARCELIK A.S. - TURKEY  
2089004

CE IE2

3-Mot. **Q2E FS 60M2D90-F188** Icl F S1 Kg 13  
 N° 0001  
 04012011 IP 55 IM -

V Δ/A	Hz	min <sup>-1</sup>	kW	Cos φ	A	η
230 / 400	50	2885	1.1	0.83	4.2 / 2.4	IE2-79,6%
230 / 400	60	3480	1.27	0.83	4.0 / 2.3	

IEC 60034  
VDE 0530

Load Efficiency  
%80 79,1%  
%75 79,1%

ATB

Motor-Nummer  
motor number  
numéro du moteur

**ATB IE2 CE**

3-Mot. AF 132S/2F - 11S + E 2 /0509 IE2-88,1%  
 S1 132S IMV1 224039411-1 522058X  
 IP 55 Th. Cl. 155(F) SCHWINGGROESSENSTUFE 8  
**KD\_NR.2064705**

kW	V	Hz	A	1/min	cos φ
7,5	Y/Δ690/400	50	7,9 / 13,7	2890	0,90
7,5	Δ460	60	11,8	3510	0,89

Made in Germany 50 kg EN 60034

SIEMENS

Motor-Nummer  
motor number  
numéro du moteur

**SIEMENS 3-MOT. 1 LA9133-4KA61-Z** CE

UC 1009/000001101

82,1kg IMB3 132M IP55 Th.CL.155(F) AMB 40°C

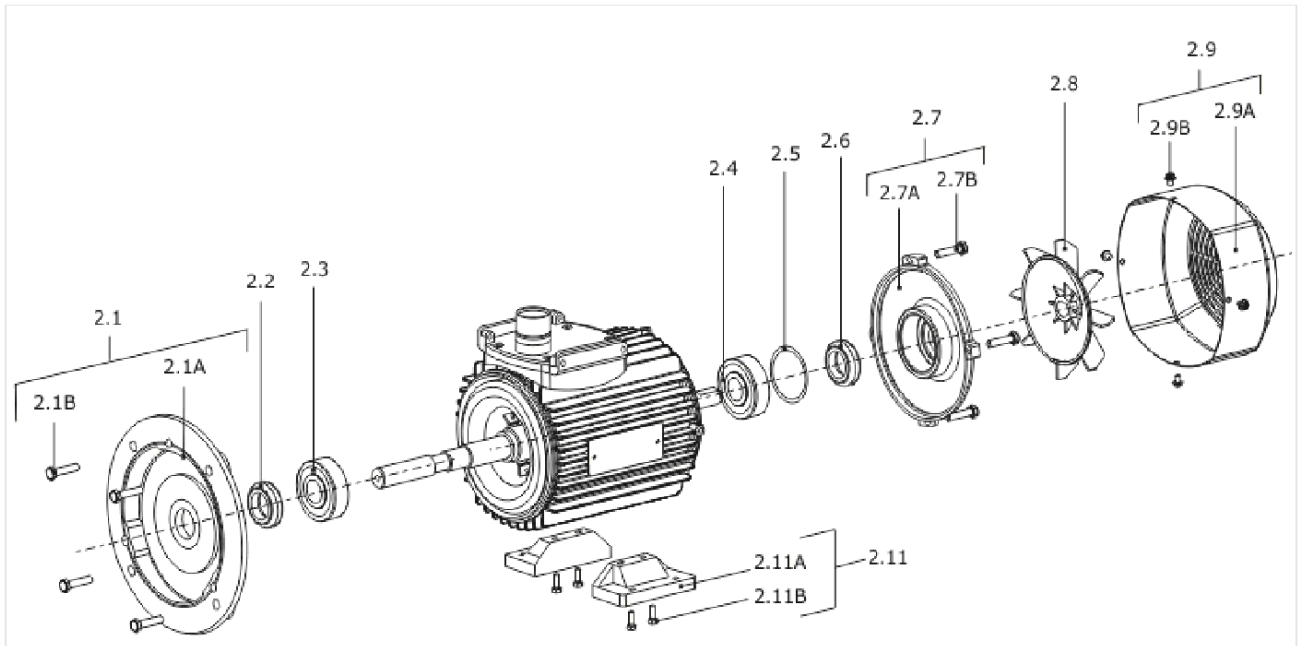
50 Hz	400/690V Δ/Y	7,5 kW	7A	1455 / min	cos φ 0,84	IE2 - 88,7%
60 Hz	460V Δ	7,5 kW	8,7A	1760 RPM	PF 0,82	IE2 - 90,5%

IEC/EN 60034



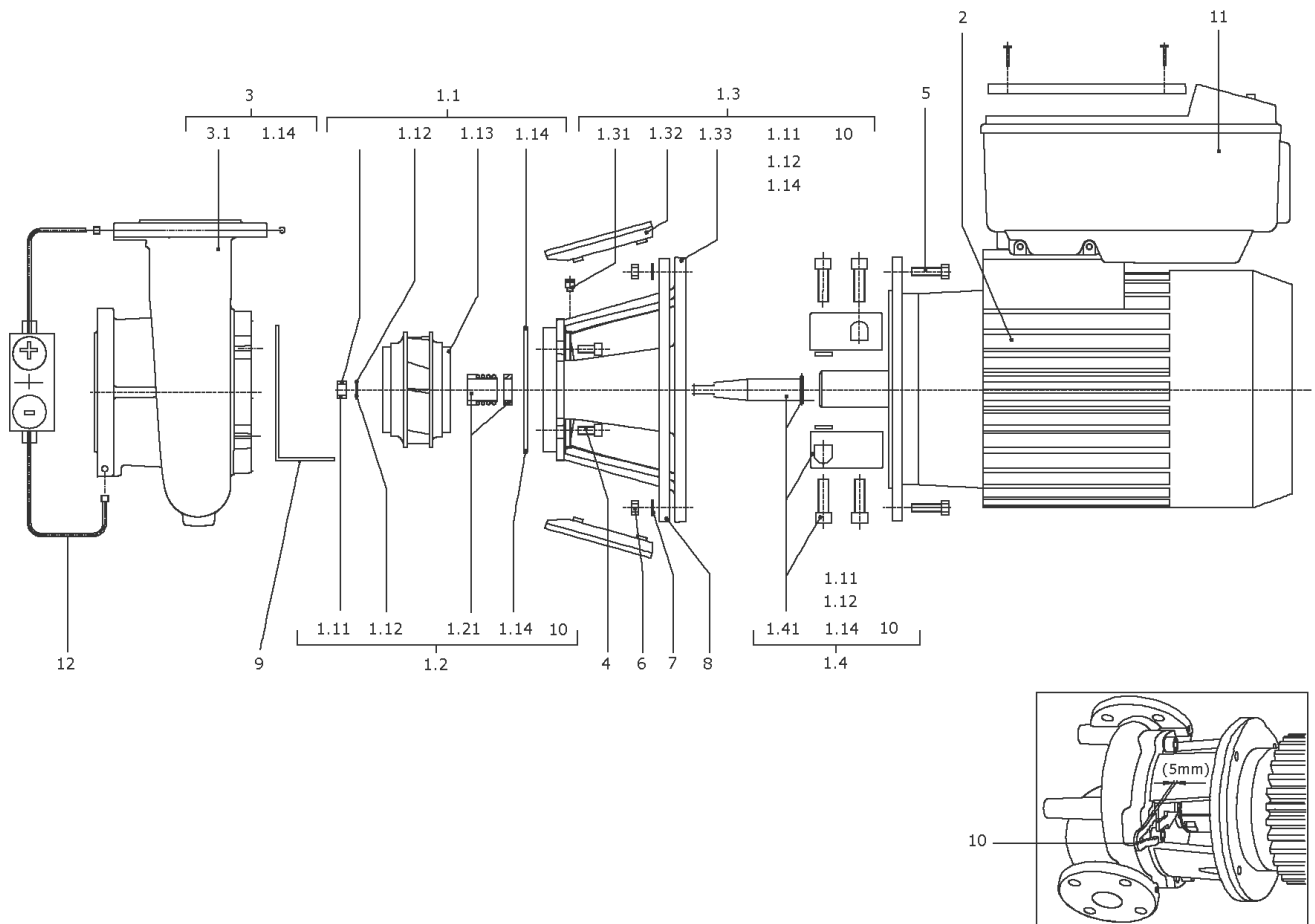
**SPARE PARTS MOTOR B35 15/2/160/350E-IE2**

<b>Item</b>	<b>Description</b>	<b>Quantity</b>
1	MOTOR B35 15/2/160/350E TEE IE2 WILO	1



**MOTOR B35 15/2/160/350E TEE IE2 WILO**

Item	Article no.	Description	Quantity
2.1	2120052	END SHIELD BG160 D.E.TEE KIT	1
Note: Please give the data from type plate of the motor			
2.1A		> END SHIELD BG160 642400806 D.E.TEE	1
2.1B	2125338	> SCREW F.END SHIELD BG160 TEE(8 PIECES)	1
Note: Please give the data from type plate of the motor			
2.2	2096382	JOINT RING 45X72X10 TEE VP.	1
Note: Please give the data from type plate of the motor			
2.3	121084396	BALL BEARING 6309/2Z-C3 (HT) VP.	1
Note: Please give the data from type plate of the motor			
2.4	122065996	BALL BEARING 6209/2Z-C3 (HT) VP.	1
Note: Please give the data from type plate of the motor			
2.5	2125362	SPACER DISK BG160 TEE VP.	1
Note: Please give the data from type plate of the motor			
2.6	2096382	JOINT RING 45X72X10 TEE VP.	1
Note: Please give the data from type plate of the motor			
2.7	2125387	END SHIELD BG160 N.D.E.TEE KIT	1
Note: Please give the data from type plate of the motor			
2.7A		> END SHIELD BG160 643232001 N.D.E.TEE	1
2.7B	2125338	> SCREW F.END SHIELD BG160 TEE(8 PIECES)	1
Note: Please give the data from type plate of the motor			
2.8	2042825	FAN WHEEL BG132-225 TEE VP.	1
Note: Please give the data from type plate of the motor			
2.9	2125348	FAN COVER BG160 TEE KIT	1
Note: Please give the data from type plate of the motor			
2.9A		> FAN COVER BG160 644307201 TEE	1
2.9B	2116839	> SCREW BG90-112 TEE (4 PIECE)	1
Note: Please give the data from type plate of the motor			
2.11	2123904	MOTOR FOOT BG160 TEE KIT	1
Note: Please give the data from type plate of the motor			
2.11A		> MOTOR FOOT BG160 LEFT 643409001 TEE	1
2.11A		> MOTOR FOOT BG160 RIGHT 643408901 TEE	1
2.11B	2125331	> SCREW BG132/160 TEE (2 PIECES)	1
Note: Please give the data from type plate of the motor			



**BL-E65/190-18,5/2-R1-IE2 (2126141)**

Item	Article no.	Description	Quantity
1.1	2123507	IMPELLER D.80/198/188/32 KIT	1
1.11	2027188	> NUT M16 DIN-EN24032 A4 VP.	1
1.12	2027191	> WASHER A17 DIN125 200HV A2	1
1.13		> IMPELLER 80/198/188/32 GG BALANCED	1
1.14	2042864	> O-RING ID.224x3,55 7EP1197-W534 VP.	1
	2042863	> CIRCLIP S16 V2A VP.	1
1.2	2026903	MECH.SEAL MG12/32-G60 AQ1EGG M16 KIT	1
1.11	2027188	> NUT M16 DIN-EN24032 A4 VP.	1
1.12	2027191	> WASHER A17 DIN125 200HV A2	1
1.14	2043160	> O-Ring 177,39x3,53 ISO3601B EPDM VP.	1
1.14	2042864	> O-RING ID.224x3,55 7EP1197-W534 VP.	1
1.14	2051680	> O-RING ID.276,7x5,29 7EP1197-W534 VP.	1
	2042863	> CIRCLIP S16 V2A VP.	1
1.21		> MECHANICAL SEAL MG12/32-G60 AQ1EGG	1
10	2027202	> TOOL D.18/24/32 VP.	1
1.3	2042716	LANTERN P270X99-F300 KTL KIT	1
1.11	2027188	> NUT M16 DIN-EN24032 A4 VP.	1
1.12	2027191	> WASHER A17 DIN125 200HV A2	1
1.14	2042864	> O-RING ID.224x3,55 7EP1197-W534 VP.	1
	2042863	> CIRCLIP S16 V2A VP.	1
1.31	2027201	> BLOWGUN R1/8" VP.	1
1.32	2048843	> COUPLING GUARD P270-F300/350 (2 PIECES)	1
1.33		> Lantern P270X99-F300 GG KTL WILO	1
10	2027202	> TOOL D.18/24/32 VP.	1
1.4	2042730	COUPLING/SHAFT D.32/42X176 OR.224 KIT	1
1.11	2027188	> NUT M16 DIN-EN24032 A4 VP.	1
1.12	2027191	> WASHER A17 DIN125 200HV A2	1
1.14	2042864	> O-RING ID.224x3,55 7EP1197-W534 VP.	1
	2042863	> CIRCLIP S16 V2A VP.	1
1.41		> COUPLING 32/42+SHAFT 32X176 BG160 ZN KIT	1
10	2027202	> TOOL D.18/24/32 VP.	1
2	2135935	MOTOR B35 18,5/2/160/350E-IE2-TEE(+TOOL)	1
		SPARE PARTS MOT.B35 18,5/2/160/350E-IE2	1
3	2026872	PUMP HOUSING B65/170 PN16 KIT	1

**BL-E65/190-18,5/2-R1-IE2 (2126141)**

Item	Article no.	Description	Quantity
1.14	2043160	> O-Ring 177,39x3,53 ISO3601B EPDM VP.	1
3.1		> PUMP HOUSING BL65/182 PN16 CPL.WILO	1
4	2027193	SCREW M16X30 ISO4762 8.8 (4 PIECES)	1
5	2046467	Screw M16X35 ISO4017 8.8 (4 PIECES)	1
7	2029336	WASHER A17 DIN125 ST (4 PIECES)	1
11	2135979	MODULE BL-E65/190-18,5/2-IE2 TEE KIT	1
	2132103	> FAN LARGE TL6/7 FF KIT	1
		>> TL6/7FF module fan large cpl.	1
	2132096	>> FAN GRILL TL6/7 FF VP.	1
	2132097	> CABLE CONNECTION M12 TL6/7 FF VP.	1
	2132098	> CABLE CONNECTION M16 TL6/7 FF VP.	1
	2132099	> CABLE CONNECTION M20 TL6/7 FF VP.	1
	2132101	> CABLE CONNECTION LARGE M40 TL6/7 FF VP.	1
	2132104	> COVER SIDE TL6/7 FF CPL.VP.	1
	2132452	> MODULE COVER/BUTTON TL6/7 FF VP.	1

### Motor-Typenschild / Motor type plate / Plaque identité moteur

**Bei Ersatzteilbestellung Motorhersteller / Motordaten beachten!**  
**Consider motor manufacturers / motor data for order of spare parts!**  
**Pour les commandes de pièce détachée, indiquer le fabricant / les données du moteur!**

TEE

**TEE** ELECTRIC MOTORS  
 ARCELIK A.S. - TURKEY  
 2089004

CE IE2

3-Mot. **Q2E FS 60M2D90-F188** Icl F S1 Kg 13  
 N° 0001  
 04012011 IP 55 IM -

V Δ/A	Hz	min <sup>-1</sup>	kW	Cos φ	A	η
230 / 400	50	2885	1.1	0.85	4.2 / 2.4	IE2-79,6%
205 / 400	60	3480	1.27	0.83	4.0 / 2.3	

IEC 60034  
 VDE 0530

Load Efficiency  
 %80 79,1%  
 %75 79,1%

ATB

Motor-Nummer  
 motor number  
 numéro du moteur

**ATB** IE2 CE

3-Mot. AF 132S/2F - 11S + E 2 /0509 IE2-88,1%  
 S1 132S IMV1 224039411-1 522058X  
 IP 55 Th. Cl. 155(F) SCHWINGGROESSENSTUFE 8  
**KD\_NR.2064705**

kW	V	Hz	A	1/min	cos φ
7,5	Y/Δ690/400	50	7,9 / 13,7	2890	0,90
7,5	Δ460	60	11,8	3510	0,89

Made in Germany 50 kg EN 60034

SIEMENS

Motor-Nummer  
 motor number  
 numéro du moteur

**SIEMENS** 3-MOT. 1 LA9133-4KA61-Z  
 UC 1009/000001101

IE2 CE

82,1kg IMB3 132M IP55 Th.CL.155(F) AMB 40°C

50 Hz	400/690V Δ/Y	7,5 kW	7A	1455 / min	cos φ 0,84
60 Hz	460V Δ	7,5 kW	8,7A	1760 RPM	PF 0,82

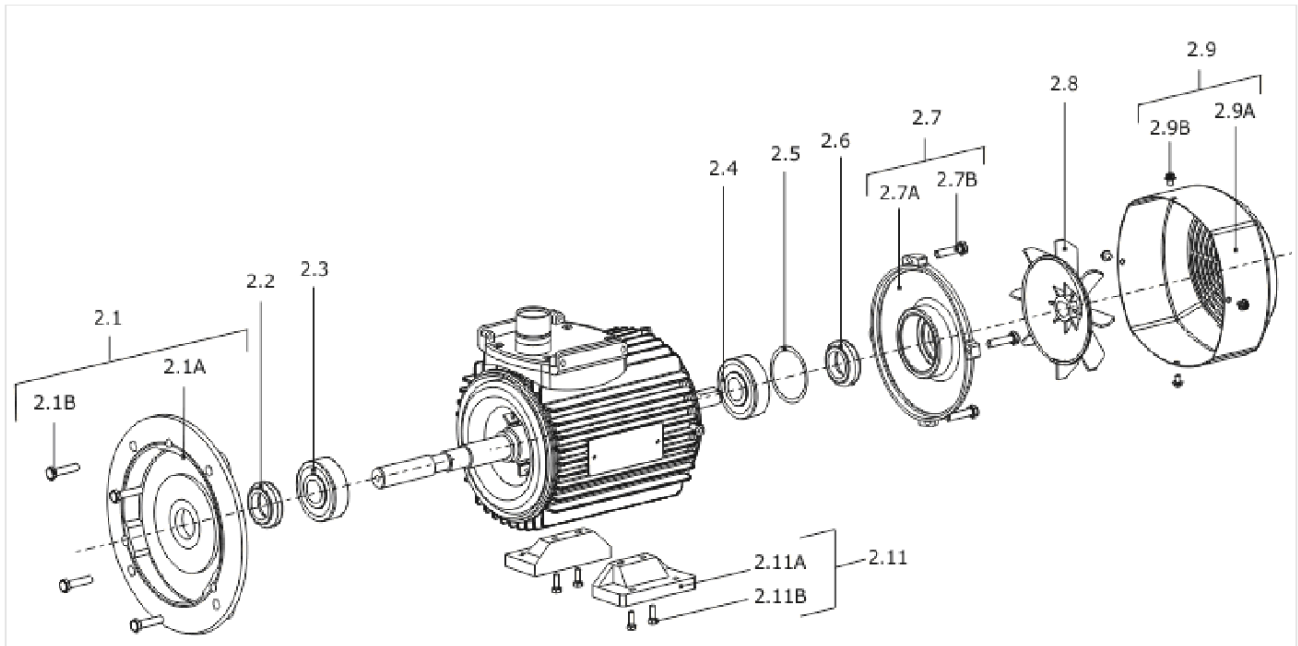
IE2 - 88,7%  
 IEC/EN 60034

IE2 - 90,5%

**SPARE PARTS MOT.B35 18,5/2/160/350E-IE2**

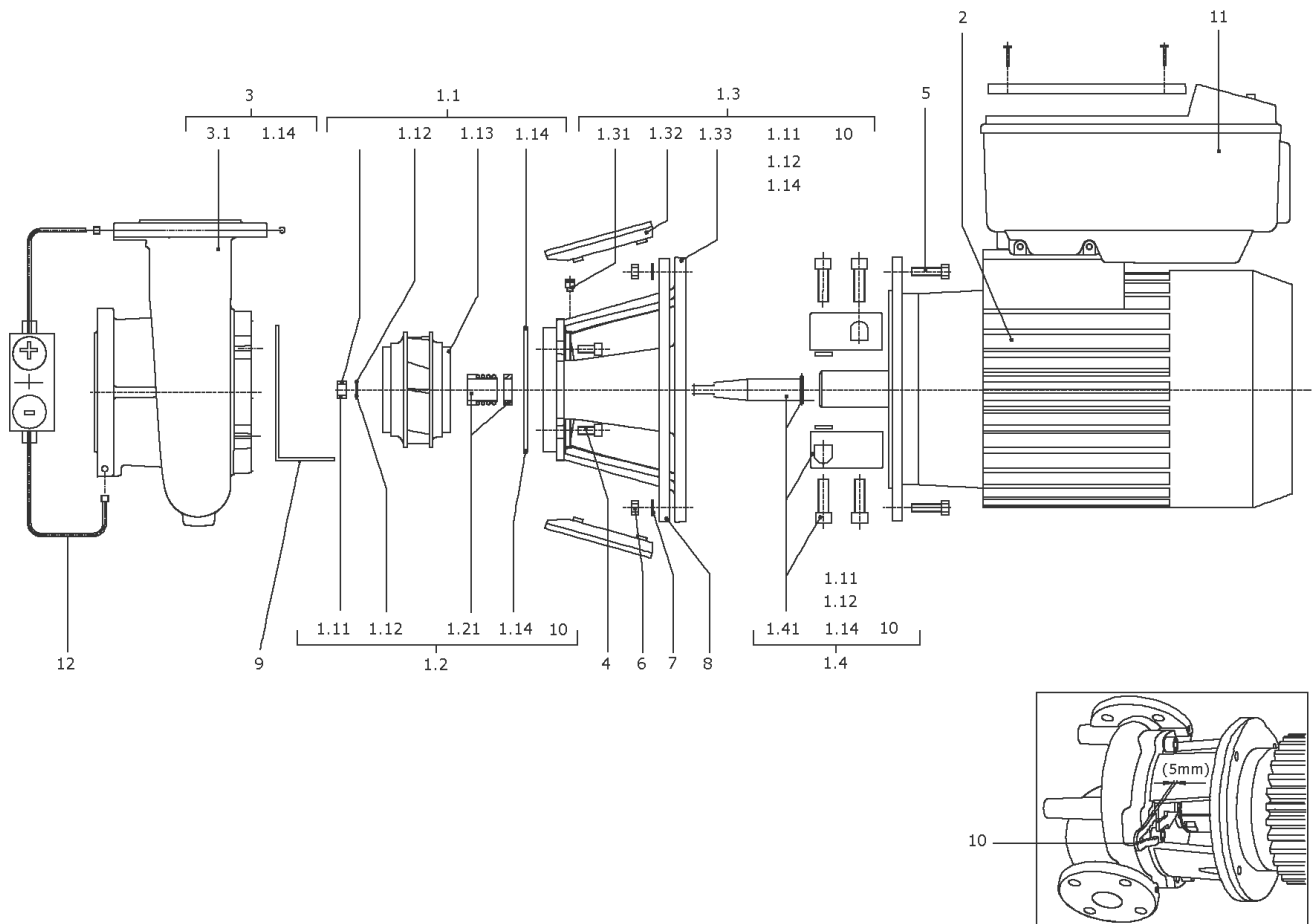
<b>Item</b>	<b>Description</b>	<b>Quantity</b>
1	MOTOR B35 18,5/2/160/350E TEE IE2 WILO	1





**MOTOR B35 18,5/2/160/350E TEE IE2 WILO**

Item	Article no.	Description	Quantity
2.1	2120052	END SHIELD BG160 D.E.TEE KIT	1
Note: Please give the data from type plate of the motor			
2.1A		> END SHIELD BG160 642400806 D.E.TEE	1
2.1B	2125338	> SCREW F.END SHIELD BG160 TEE(8 PIECES)	1
Note: Please give the data from type plate of the motor			
2.2	2096382	JOINT RING 45X72X10 TEE VP.	1
Note: Please give the data from type plate of the motor			
2.3	121084396	BALL BEARING 6309/2Z-C3 (HT) VP.	1
Note: Please give the data from type plate of the motor			
2.4	122065996	BALL BEARING 6209/2Z-C3 (HT) VP.	1
Note: Please give the data from type plate of the motor			
2.5	2125362	SPACER DISK BG160 TEE VP.	1
Note: Please give the data from type plate of the motor			
2.6	2096382	JOINT RING 45X72X10 TEE VP.	1
Note: Please give the data from type plate of the motor			
2.7	2125387	END SHIELD BG160 N.D.E.TEE KIT	1
Note: Please give the data from type plate of the motor			
2.7A		> END SHIELD BG160 643232001 N.D.E.TEE	1
2.7B	2125338	> SCREW F.END SHIELD BG160 TEE(8 PIECES)	1
Note: Please give the data from type plate of the motor			
2.8	2042825	FAN WHEEL BG132-225 TEE VP.	1
Note: Please give the data from type plate of the motor			
2.9	2125348	FAN COVER BG160 TEE KIT	1
Note: Please give the data from type plate of the motor			
2.9A		> FAN COVER BG160 644307201 TEE	1
2.9B	2116839	> SCREW BG90-112 TEE (4 PIECE)	1
Note: Please give the data from type plate of the motor			
2.11	2123904	MOTOR FOOT BG160 TEE KIT	1
Note: Please give the data from type plate of the motor			
2.11A		> MOTOR FOOT BG160 LEFT 643409001 TEE	1
2.11A		> MOTOR FOOT BG160 RIGHT 643408901 TEE	1
2.11B	2125331	> SCREW BG132/160 TEE (2 PIECES)	1
Note: Please give the data from type plate of the motor			



**BL-E65/210-22/2-R1-IE2 (2126142)**

Item	Article no.	Description	Quantity
1.1	2123506	IMPELLER D.80/207/197/32 KIT	1
1.11	2027188	> NUT M16 DIN-EN24032 A4 VP.	1
1.12	2027191	> WASHER A17 DIN125 200HV A2	1
1.13		> IMPELLER 80/207/197/32 GG BALANCED	1
1.14	2042864	> O-RING ID.224x3,55 7EP1197-W534 VP.	1
	2042863	> CIRCLIP S16 V2A VP.	1
1.2	2026903	MECH.SEAL MG12/32-G60 AQ1EGG M16 KIT	1
1.11	2027188	> NUT M16 DIN-EN24032 A4 VP.	1
1.12	2027191	> WASHER A17 DIN125 200HV A2	1
1.14	2043160	> O-Ring 177,39x3,53 ISO3601B EPDM VP.	1
1.14	2042864	> O-RING ID.224x3,55 7EP1197-W534 VP.	1
1.14	2051680	> O-RING ID.276,7x5,29 7EP1197-W534 VP.	1
	2042863	> CIRCLIP S16 V2A VP.	1
1.21		> MECHANICAL SEAL MG12/32-G60 AQ1EGG	1
10	2027202	> TOOL D.18/24/32 VP.	1
1.3	2042716	LANTERN P270X99-F300 KTL KIT	1
1.11	2027188	> NUT M16 DIN-EN24032 A4 VP.	1
1.12	2027191	> WASHER A17 DIN125 200HV A2	1
1.14	2042864	> O-RING ID.224x3,55 7EP1197-W534 VP.	1
	2042863	> CIRCLIP S16 V2A VP.	1
1.31	2027201	> BLOWGUN R1/8" VP.	1
1.32	2048843	> COUPLING GUARD P270-F300/350 (2 PIECES)	1
1.33		> Lantern P270X99-F300 GG KTL WILO	1
10	2027202	> TOOL D.18/24/32 VP.	1
1.4	2042730	COUPLING/SHAFT D.32/42X176 OR.224 KIT	1
1.11	2027188	> NUT M16 DIN-EN24032 A4 VP.	1
1.12	2027191	> WASHER A17 DIN125 200HV A2	1
1.14	2042864	> O-RING ID.224x3,55 7EP1197-W534 VP.	1
	2042863	> CIRCLIP S16 V2A VP.	1
1.41		> COUPLING 32/42+SHAFT 32X176 BG160 ZN KIT	1
10	2027202	> TOOL D.18/24/32 VP.	1
2	2135936	MOTOR B35 22/2/160/350E-IE2-TEE(+TOOL)	1
		SPARE PARTS MOTOR B35 22/2/160/350E-IE2	1
3	2026872	PUMP HOUSING B65/170 PN16 KIT	1

**BL-E65/210-22/2-R1-IE2 (2126142)**

Item	Article no.	Description	Quantity
1.14	2043160	> O-Ring 177,39x3,53 ISO3601B EPDM VP.	1
3.1		> PUMP HOUSING BL65/182 PN16 CPL.WILO	1
4	2027193	SCREW M16X30 ISO4762 8.8 (4 PIECES)	1
5	2046467	Screw M16X35 ISO4017 8.8 (4 PIECES)	1
7	2029336	WASHER A17 DIN125 ST (4 PIECES)	1
11	2135980	MODULE BL-E65/210-22/2-IE2 TEE KIT	1
	2132103	> FAN LARGE TL6/7 FF KIT	1
		>> TL6/7FF module fan large cpl.	1
	2132096	>> FAN GRILL TL6/7 FF VP.	1
	2132097	> CABLE CONNECTION M12 TL6/7 FF VP.	1
	2132098	> CABLE CONNECTION M16 TL6/7 FF VP.	1
	2132099	> CABLE CONNECTION M20 TL6/7 FF VP.	1
	2132101	> CABLE CONNECTION LARGE M40 TL6/7 FF VP.	1
	2132104	> COVER SIDE TL6/7 FF CPL.VP.	1
	2132452	> MODULE COVER/BUTTON TL6/7 FF VP.	1

**Motor-Typenschild / Motor type plate / Plaque identité moteur**

**Bei Ersatzteilbestellung Motorhersteller / Motordaten beachten!**  
**Consider motor manufacturers / motor data for order of spare parts!**  
**Pour les commandes de pièce détachée, indiquer le fabricant / les données du moteur!**

TEE

**TEE** ELECTRIC MOTORS  
 ARCELIK A.S. - TURKEY  
 2089004

CE IE2

3-Mot. **Q2E FS 60M2D90-F188** Icl F S1 Kg 13  
 N° 0001  
 04012011 IP 55 IM -

V Δ/A	Hz	min <sup>-1</sup>	kW	Cos φ	A	η
230 / 400	50	2885	1.1	0.83	4.2 / 2.4	IE2-79,6%
230 / 400	60	3480	1.27	0.83	4.0 / 2.3	

IEC 60034  
 VDE 0530

Load Efficiency  
 %80 79,1%  
 %75 79,1%

ATB

Motor-Nummer  
 motor number  
 numéro du moteur

**ATB** IE2 CE

3-Mot. AF 132S/2F - 11S + E 2 /0509 IE2-88,1%  
 S1 132S IMV1 224039411-1 522058X  
 IP 55 Th. Cl. 155(F) SCHWINGGROESSENSTUFE 8  
**KD\_NR.2064705**

kW	V	Hz	A	1/min	cos φ
7,5	Y/Δ690/400	50	7,9 / 13,7	2890	0,90
7,5	Δ460	60	11,8	3510	0,89

Made in Germany 50 kg EN 60034

SIEMENS

Motor-Nummer  
 motor number  
 numéro du moteur

**SIEMENS** 3-MOT. 1 LA9133-4KA61-Z  
 UC 1009/000001101

IE2 CE

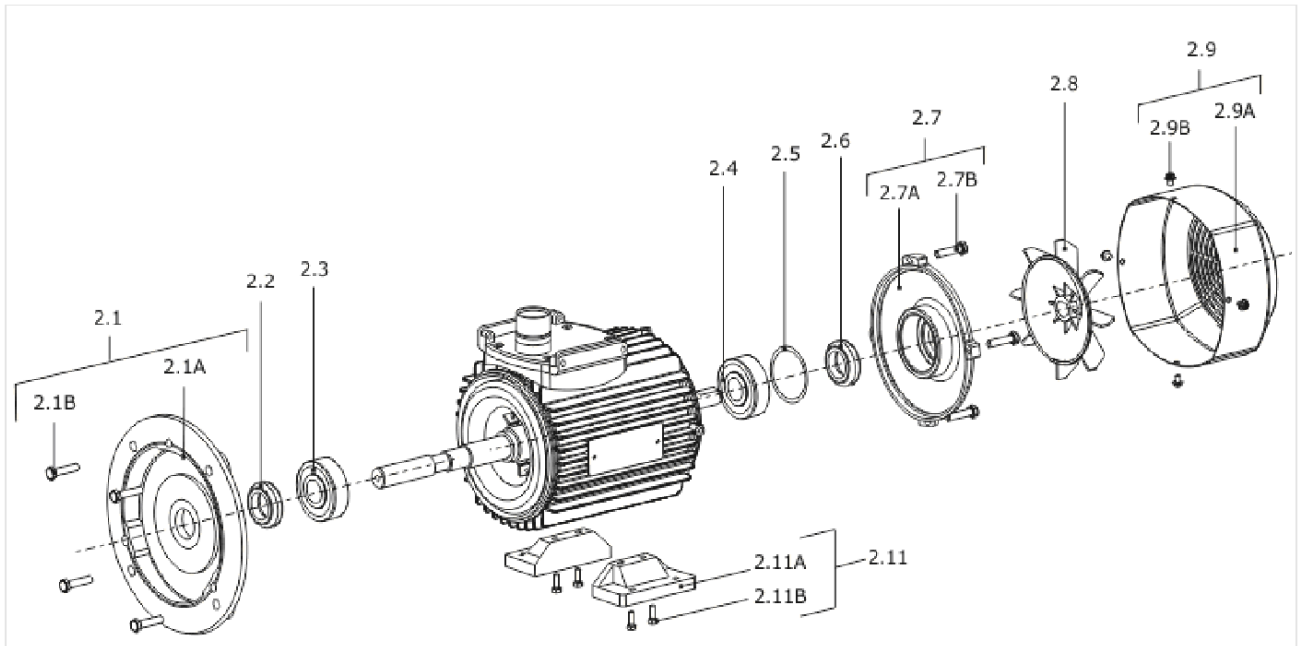
82,1kg IMB3 132M IP55 Th.CL.155(F) AMB 40°C

50 Hz	400/690V Δ/Y	80 Hz	460V Δ
7,5 kW	7A	7,5 kW	8,7A
cos φ 0,84	1455 / min	PF 0,82	1760 RPM

IE2 - 88,7% IE2 - 90,5%  
 IEC/EN 60034

**SPARE PARTS MOTOR B35 22/2/160/350E-IE2**

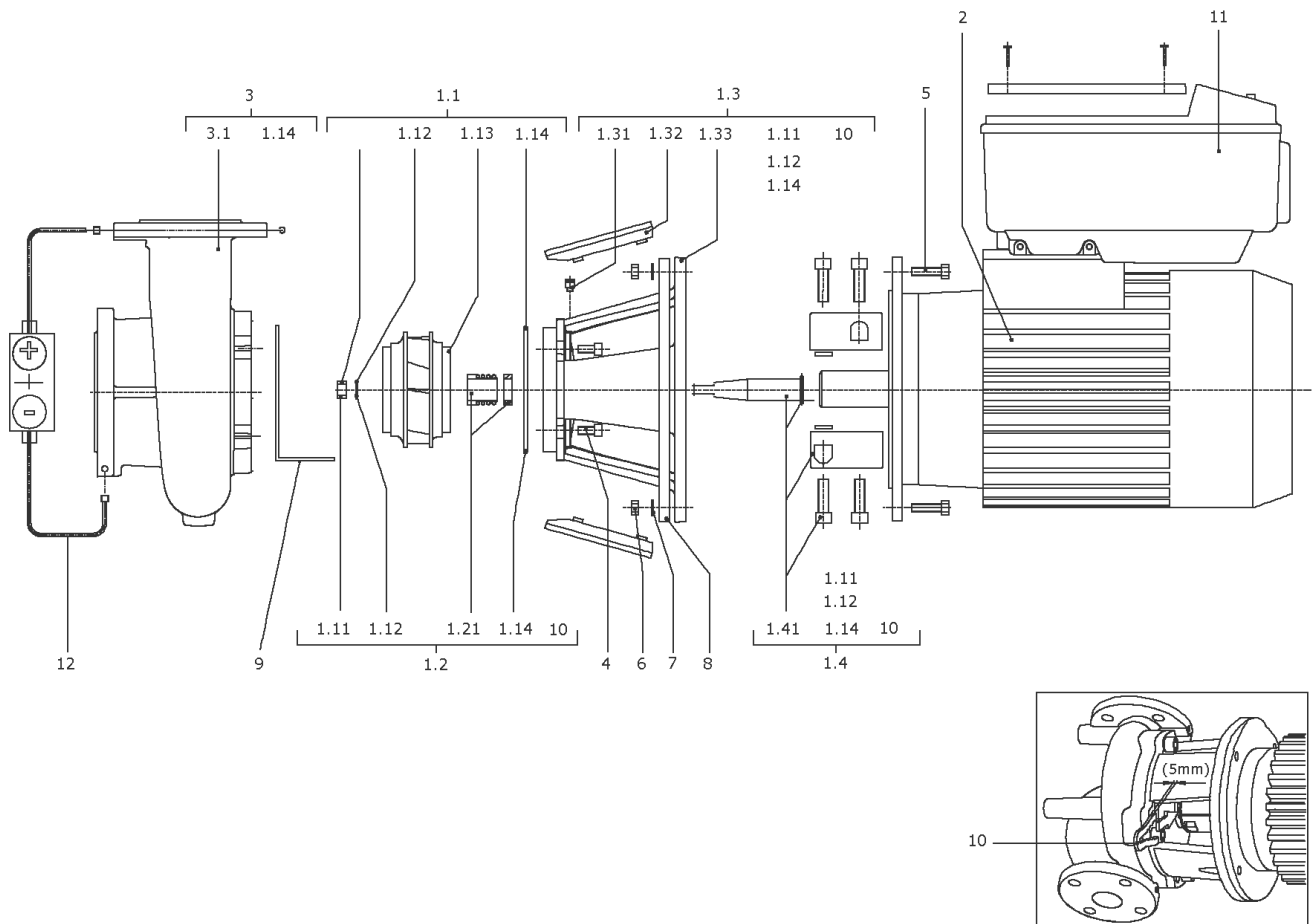
<b>Item</b>	<b>Description</b>	<b>Quantity</b>
1	MOTOR B35 22/2/160/350E TEE IE2 WILO	1





**MOTOR B35 22/2/160/350E TEE IE2 WILO**

Item	Article no.	Description	Quantity
2.1	2120052	END SHIELD BG160 D.E.TEE KIT	1
Note: Please give the data from type plate of the motor			
2.1A		> END SHIELD BG160 642400806 D.E.TEE	1
2.1B	2125338	> SCREW F.END SHIELD BG160 TEE(8 PIECES)	1
Note: Please give the data from type plate of the motor			
2.2	2096382	JOINT RING 45X72X10 TEE VP.	1
Note: Please give the data from type plate of the motor			
2.3	121084396	BALL BEARING 6309/2Z-C3 (HT) VP.	1
Note: Please give the data from type plate of the motor			
2.4	122065996	BALL BEARING 6209/2Z-C3 (HT) VP.	1
Note: Please give the data from type plate of the motor			
2.5	2125362	SPACER DISK BG160 TEE VP.	1
Note: Please give the data from type plate of the motor			
2.6	2096382	JOINT RING 45X72X10 TEE VP.	1
Note: Please give the data from type plate of the motor			
2.7	2125387	END SHIELD BG160 N.D.E.TEE KIT	1
Note: Please give the data from type plate of the motor			
2.7A		> END SHIELD BG160 643232001 N.D.E.TEE	1
2.7B	2125338	> SCREW F.END SHIELD BG160 TEE(8 PIECES)	1
Note: Please give the data from type plate of the motor			
2.8	2042825	FAN WHEEL BG132-225 TEE VP.	1
Note: Please give the data from type plate of the motor			
2.9	2125348	FAN COVER BG160 TEE KIT	1
Note: Please give the data from type plate of the motor			
2.9A		> FAN COVER BG160 644307201 TEE	1
2.9B	2116839	> SCREW BG90-112 TEE (4 PIECE)	1
Note: Please give the data from type plate of the motor			
2.11	2123904	MOTOR FOOT BG160 TEE KIT	1
Note: Please give the data from type plate of the motor			
2.11A		> MOTOR FOOT BG160 LEFT 643409001 TEE	1
2.11A		> MOTOR FOOT BG160 RIGHT 643408901 TEE	1
2.11B	2125331	> SCREW BG132/160 TEE (2 PIECES)	1
Note: Please give the data from type plate of the motor			



**BL-E65/240-5,5/4-R1-IE2 (2126143)**

Item	Article no.	Description	Quantity
1.1	2135920	IMPELLER 80/270-239-119,6/24 GG KIT	1
1.11	2027187	> NUT M12 DIN-EN24032 A2 VP.	1
1.12	2027190	> WASHER A13 DIN125-T2 A2 VP.	1
1.13		> IMPELLER 80/270-239-119,6/24 GG BAL.	1
1.14	2051680	> O-RING ID.276,7x5,29 7EP1197-W534 VP.	1
	2042862	> WASHER S12 V2A VP.	1
1.2	2026902	MECHANICAL SEAL MG12/24-G60 AQ1EGG KIT	1
1.11	2027187	> NUT M12 DIN-EN24032 A2 VP.	1
1.12	2027190	> WASHER A13 DIN125-T2 A2 VP.	1
1.14	2037527	> O-RING 148,82x3,53 EPDM 70SR.VP.	1
1.14	2043160	> O-Ring 177,39x3,53 ISO3601B EPDM VP.	1
1.14	2042864	> O-RING ID.224x3,55 7EP1197-W534 VP.	1
1.14	2051680	> O-RING ID.276,7x5,29 7EP1197-W534 VP.	1
	2042862	> WASHER S12 V2A VP.	1
1.21		> MECHANICAL SEAL MG12/24-G60 AQ1EGG	1
10	2027202	> TOOL D.18/24/32 VP.	1
1.3	2051334	LANTERN P330X120-F265 KIT	1
1.11	2027187	> NUT M12 DIN-EN24032 A2 VP.	1
1.12	2027190	> WASHER A13 DIN125-T2 A2 VP.	1
1.14	2051680	> O-RING ID.276,7x5,29 7EP1197-W534 VP.	1
	2042862	> WASHER S12 V2A VP.	1
1.31	2027201	> BLOWGUN R1/8" VP.	1
1.32	2048845	> COUPLING GUARD P270-F265 PA66 (2 PIECES)	1
1.33		> LANTERN P330X120-F265 GG KTL WILO	1
10	2027202	> TOOL D.18/24/32 VP.	1
1.4	2048444	COUPLING/SHAFT D.24/38X153 KIT	1
1.11	2027187	> NUT M12 DIN-EN24032 A2 VP.	1
1.12	2027190	> WASHER A13 DIN125-T2 A2 VP.	1
1.14	2042864	> O-RING ID.224x3,55 7EP1197-W534 VP.	1
1.14	2051680	> O-RING ID.276,7x5,29 7EP1197-W534 VP.	1
	2042862	> WASHER S12 V2A VP.	1
1.41		> COUPLING 24/38+SHAFT 24X153 GR132 ZN KIT	1
10	2027202	> TOOL D.18/24/32 VP.	1
2	2135937	MOTOR B35 5,5/4/132/300E-IE2-SM.(+TOOL)	1

**BL-E65/240-5,5/4-R1-IE2 (2126143)**

Item	Article no.	Description	Quantity
		SPARE PARTS MOTOR B35 5,5/4/132/300E-IE2	1
3	2135944	PUMP HOUSING B65/270-P330 PN16 KIT	1
1.14	2051680	> O-RING ID.276,7x5,29 7EP1197-W534 VP.	1
3.1		> PUMP HOUSING B65/270-P330 PN16 CPL.WILO	1
4	2027193	SCREW M16X30 ISO4762 8.8 (4 PIECES)	1
5	2027195	SCREW M12X25 DIN912 8.8 (4 PIECES)	1
11	2135981	MODULE BL-E65/240-5,5/4-IE2 SM.KIT	1
		> MODULE BL-E65/240-5,5/4 WILO	1
	2111344	> MODULE COVER/GASKET TL5 KIT	1
	2120047	> CABLE CONNECTION M12x1,5/5 cpl.TL5 VP.	1
	2120048	> CABLE CONNECTION M16x1,5/5 cpl.TL5 VP.	1
	2120049	> CABLE CONNECTION M20x1,5/6 cpl.TL5 VP.	1
	2120050	> CABLE CONNECTION M25x1,5/8 cpl.TL5 VP.	1

**Motor-Typenschild / Motor type plate / Plaque identité moteur**

**Bei Ersatzteilbestellung Motorhersteller / Motordaten beachten!**  
**Consider motor manufacturers / motor data for order of spare parts!**  
**Pour les commandes de pièce détachée, indiquer le fabricant / les données du moteur!**

TEE

**TEE** ELECTRIC MOTORS  
 ARCELIK A.S. - TURKEY  
 2089004

CE IE2

3-Mot. **Q2E FS 60M2D90-F188** Icl F S1 Kg 13  
 N° 0001  
 04012011 IP 55 IM -

V Δ/A	Hz	min <sup>-1</sup>	kW	Cos φ	A	η
230 / 400	50	2885	1.1	0.83	4.2 / 2.4	IE2-79,6%
230 / 400	60	3480	1.27	0.83	4.0 / 2.3	

IEC 60034  
 VDE 0530

Load Efficiency  
 %80 79,1%  
 %75 79,1%

ATB

Motor-Nummer  
 motor number  
 numéro du moteur

**ATB** IE2 CE

3-Mot. AF 132S/2F - 11S + E 2 /0509 IE2-88,1%  
 S1 132S IMV1 224039411-1 522058X  
 IP 55 Th. Cl. 155(F) SCHWINGGROESSENSTUFE 8  
**KD\_NR.2064705**

kW	V	Hz	A	1/min	cos φ
7,5	Y/Δ690/400	50	7,9 / 13,7	2890	0,90
7,5	Δ460	60	11,8	3510	0,89

Made in Germany 50 kg EN 60034

SIEMENS

Motor-Nummer  
 motor number  
 numéro du moteur

**SIEMENS** 3-MOT. 1 LA9133-4KA61-Z  
 UC 1009/000001101

IE2 CE

82,1kg IMB3 132M IP55 Th.CL.155(F) AMB 40°C

50 Hz	400/690V Δ/Y	7,5 kW	7A	1455 / min	cos φ 0,84
60 Hz	460V Δ	7,5 kW	8,7A <td>1760 RPM <td>PF 0,82 </td></td>	1760 RPM <td>PF 0,82 </td>	PF 0,82

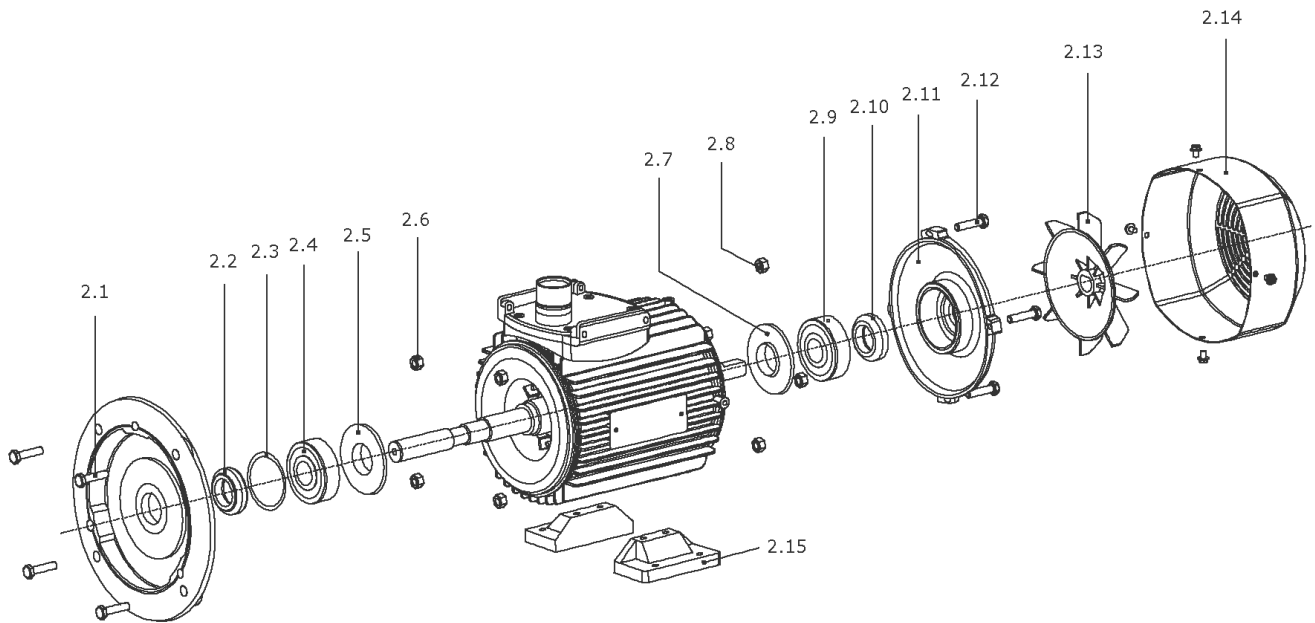
IE2 - 88,7%  
 IEC/EN 60034

IE2 - 90,5%

**SPARE PARTS MOTOR B35 5,5/4/132/300E-IE2**



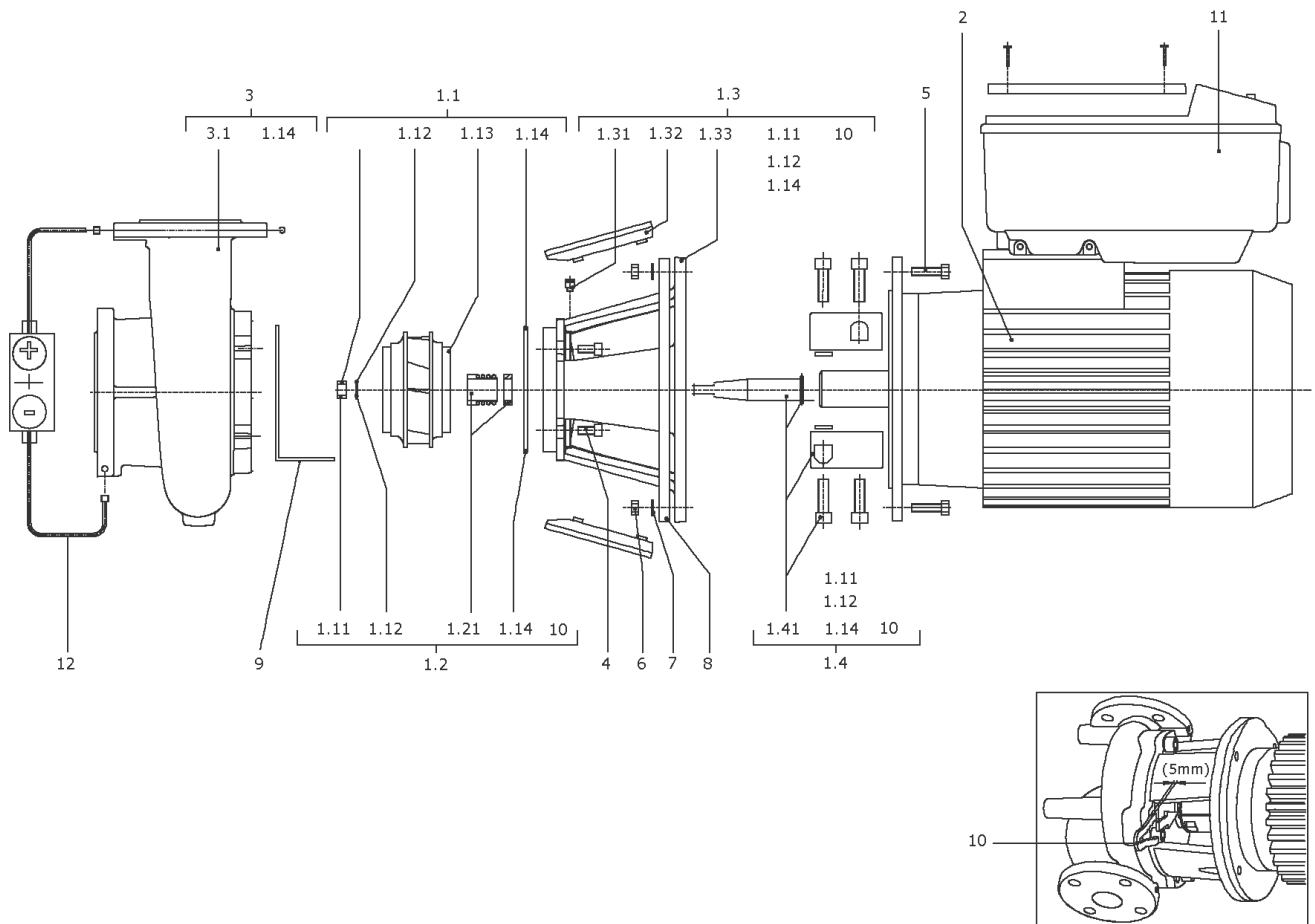
Item	Description	Quantity
3	MOTOR B35 5,5/4/132/300E SM IE2 WILO	1



**MOTOR B35 5,5/4/132/300E SM IE2 WILO**

Item	Article no.	Description	Quantity
2.1	2112830	SCREW M8X65 ISO4762 8.8 (4 PIECES)	1
Note: Please give the data from type plate of the motor			
2.2	2111403	V-RING V40-A SM.VP.	1
Note: Please give the data from type plate of the motor			
2.3	2112832	SPRING WASHER SN60098-56 6208 SM.VP.	1
Note: Please give the data from type plate of the motor			
2.4	2111405	BALL BEARING 6308/2ZJC3 SM.VP.	1
Note: Please give the data from type plate of the motor			
2.5	2111401	BEARING INSERT BG132 D.E.SM.VP.	1
Note: Please give the data from type plate of the motor			
2.6	2112834	NUT M8-8 DIN6923(4 PIECES)	1
Note: Please give the data from type plate of the motor			
2.7	2111409	BEARING INSERT BG132 N.D.E.SM.VP.	1
Note: Please give the data from type plate of the motor			
2.8	2112834	NUT M8-8 DIN6923(4 PIECES)	1
Note: Please give the data from type plate of the motor			
2.9	2111366	BALL BEARING 6208/2ZJC3 SM.VP.	1
Note: Please give the data from type plate of the motor			
2.10	2111403	V-RING V40-A SM.VP.	1
Note: Please give the data from type plate of the motor			
2.11	2111407	END SHIELD N.D.E.BG132 SM.VP.	1
Note: Please give the data from type plate of the motor			
2.12	2112836	SCREW M8X40 ISO4017 8.8 (4 PIECES)	1
Note: Please give the data from type plate of the motor			
2.13	2138769	FAN WHEEL 1PC3 BG132 D.230 SM.VP.	1
Note: Please give the data from type plate of the motor			
2.14	2111411	FAN COVER 1PC3 BG132/300 SM.VP.	1
Note: Please give the data from type plate of the motor			
2.15	2138774	MOTOR FOOT 1LE1 BG132 SM.KIT	1
Note: Please give the data from type plate of the motor			





**BL-E65/265-7,5/4-R1-IE2 (2113532)**

Item	Article no.	Description	Quantity
1.1	2135921	IMPELLER 80/270-265-119,6/24 GG KIT	1
1.11	2027187	> NUT M12 DIN-EN24032 A2 VP.	1
1.12	2027190	> WASHER A13 DIN125-T2 A2 VP.	1
1.13		> IMPELLER 80/270-265-119,6/24 GG GEW	1
1.14	2051680	> O-RING ID.276,7x5,29 7EP1197-W534 VP.	1
	2042862	> WASHER S12 V2A VP.	1
1.2	2026902	MECHANICAL SEAL MG12/24-G60 AQ1EGG KIT	1
1.11	2027187	> NUT M12 DIN-EN24032 A2 VP.	1
1.12	2027190	> WASHER A13 DIN125-T2 A2 VP.	1
1.14	2037527	> O-RING 148,82x3,53 EPDM 70SR.VP.	1
1.14	2043160	> O-Ring 177,39x3,53 ISO3601B EPDM VP.	1
1.14	2042864	> O-RING ID.224x3,55 7EP1197-W534 VP.	1
1.14	2051680	> O-RING ID.276,7x5,29 7EP1197-W534 VP.	1
	2042862	> WASHER S12 V2A VP.	1
1.21		> MECHANICAL SEAL MG12/24-G60 AQ1EGG	1
10	2027202	> TOOL D.18/24/32 VP.	1
1.3	2051334	LANTERN P330X120-F265 KIT	1
1.11	2027187	> NUT M12 DIN-EN24032 A2 VP.	1
1.12	2027190	> WASHER A13 DIN125-T2 A2 VP.	1
1.14	2051680	> O-RING ID.276,7x5,29 7EP1197-W534 VP.	1
	2042862	> WASHER S12 V2A VP.	1
1.31	2027201	> BLOWGUN R1/8" VP.	1
1.32	2048845	> COUPLING GUARD P270-F265 PA66 (2 PIECES)	1
1.33		> LANTERN P330X120-F265 GG KTL WILO	1
10	2027202	> TOOL D.18/24/32 VP.	1
1.4	2048444	COUPLING/SHAFT D.24/38X153 KIT	1
1.11	2027187	> NUT M12 DIN-EN24032 A2 VP.	1
1.12	2027190	> WASHER A13 DIN125-T2 A2 VP.	1
1.14	2042864	> O-RING ID.224x3,55 7EP1197-W534 VP.	1
1.14	2051680	> O-RING ID.276,7x5,29 7EP1197-W534 VP.	1
	2042862	> WASHER S12 V2A VP.	1
1.41		> COUPLING 24/38+SHAFT 24X153 GR132 ZN KIT	1
10	2027202	> TOOL D.18/24/32 VP.	1
2	2135938	MOTOR B35 7,5/4/132/300E-IE2-SM.(+TOOL)	1

**BL-E65/265-7,5/4-R1-IE2 (2113532)**

Item	Article no.	Description	Quantity
		SPARE PARTS MOTOR B35 7,5/4/132/300E-IE2	1
3	2135944	PUMP HOUSING B65/270-P330 PN16 KIT	1
1.14	2051680	> O-RING ID.276,7x5,29 7EP1197-W534 VP.	1
3.1		> PUMP HOUSING B65/270-P330 PN16 CPL.WILO	1
4	2027193	SCREW M16X30 ISO4762 8.8 (4 PIECES)	1
5	2027195	SCREW M12X25 DIN912 8.8 (4 PIECES)	1
11	2135982	MODULE BL-E65/265-7,5/4-IE2 SM.KIT	1
		> Module BL-E65/265-7,5/4 WILO	1
	2111344	> MODULE COVER/GASKET TL5 KIT	1
	2120047	> CABLE CONNECTION M12x1,5/5 cpl.TL5 VP.	1
	2120048	> CABLE CONNECTION M16x1,5/5 cpl.TL5 VP.	1
	2120049	> CABLE CONNECTION M20x1,5/6 cpl.TL5 VP.	1
	2120050	> CABLE CONNECTION M25x1,5/8 cpl.TL5 VP.	1

### Motor-Typenschild / Motor type plate / Plaque identité moteur

**Bei Ersatzteilbestellung Motorhersteller / Motordaten beachten!**  
**Consider motor manufacturers / motor data for order of spare parts!**  
**Pour les commandes de pièce détachée, indiquer le fabricant / les données du moteur!**

TEE

**TEE** ELECTRIC MOTORS  
 ARCELIK A.S. - TURKEY  
 2089004

CE IE2

3-Mot. **Q2E FS 60M2D90-F188** Icl F S1 Kg 13  
 N° 0001  
 04012011 IP 55 IM -

V Δ/A	Hz	min <sup>-1</sup>	kW	Cos φ	A	η
230 / 400	50	2885	1.1	0.83	4.2 / 2.4	IE2-79,6%
205 / 400	60	3480	1.27	0.83	4.0 / 2.3	

IEC 60034  
 VDE 0530

Load Efficiency  
 %80 79,1%  
 %75 79,1%

ATB

Motor-Nummer  
 motor number  
 numéro du moteur

**ATB** IE2 CE

3-Mot. AF 132S/2F - 11S + E 2 /0509 IE2-88,1%  
 S1 132S IMV1 224039411-1 522058X  
 IP 55 Th. Cl. 155(F) SCHWINGGROESSENSTUFE 8  
**KD\_NR.2064705**

kW	V	Hz	A	1/min	cos φ
7,5	Y/Δ690/400	50	7,9 / 13,7	2890	0,90
7,5	Δ460	60	11,8	3510	0,89

Made in Germany 50 kg EN 60034

SIEMENS

Motor-Nummer  
 motor number  
 numéro du moteur

**SIEMENS** 3-MOT. 1 LA9133-4KA61-Z  
 UC 1009/000001101

IE2 CE

82,1kg IMB3 132M IP55 Th.CL.155(F) AMB 40°C

50 Hz	400/690V Δ/Y	7,5 kW	7A	1455 / min	cos φ 0,84
60 Hz	460V Δ	7,5 kW	8,7A	1760 RPM	PF 0,82

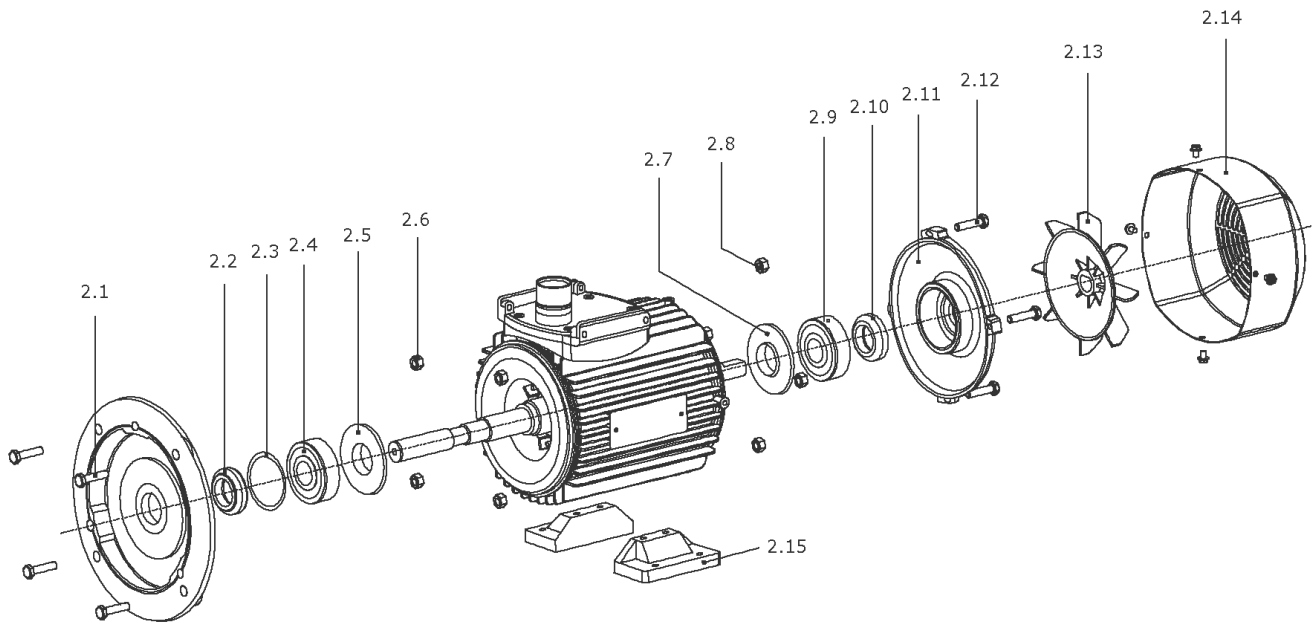
IE2 - 88,7%  
 IEC/EN 60034

IE2 - 90,5%

**SPARE PARTS MOTOR B35 7,5/4/132/300E-IE2**

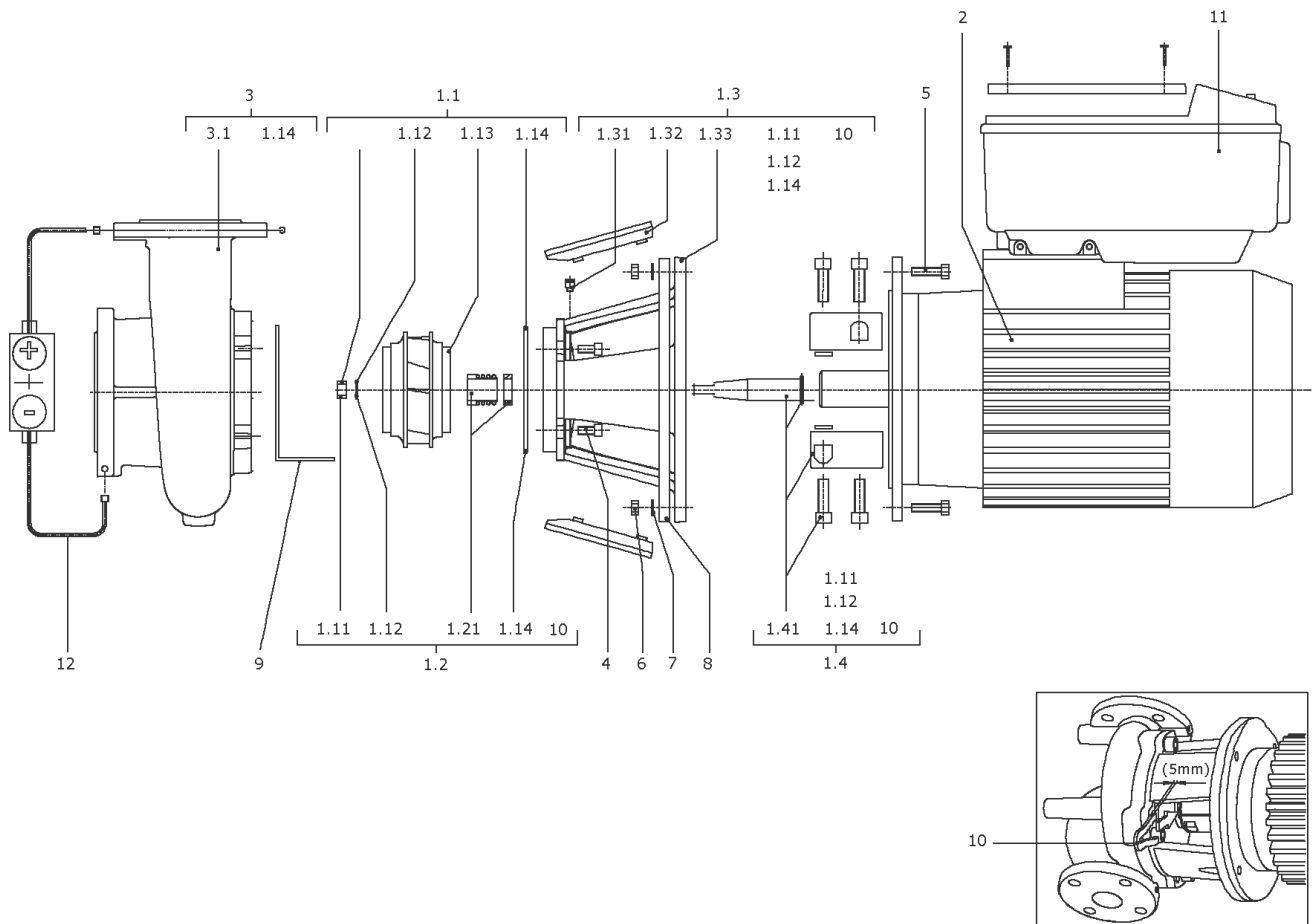


Item	Description	Quantity
3	MOTOR B35 7,5/4/132/300E SM IE2 WILO	1



**MOTOR B35 7,5/4/132/300E SM IE2 WILO**

Item	Article no.	Description	Quantity
2.1	2112830	SCREW M8X65 ISO4762 8.8 (4 PIECES)	1
Note: Please give the data from type plate of the motor			
2.2	2111403	V-RING V40-A SM.VP.	1
Note: Please give the data from type plate of the motor			
2.3	2112832	SPRING WASHER SN60098-56 6208 SM.VP.	1
Note: Please give the data from type plate of the motor			
2.4	2111405	BALL BEARING 6308/2ZJC3 SM.VP.	1
Note: Please give the data from type plate of the motor			
2.5	2111401	BEARING INSERT BG132 D.E.SM.VP.	1
Note: Please give the data from type plate of the motor			
2.6	2112834	NUT M8-8 DIN6923(4 PIECES)	1
Note: Please give the data from type plate of the motor			
2.7	2111409	BEARING INSERT BG132 N.D.E.SM.VP.	1
Note: Please give the data from type plate of the motor			
2.8	2112834	NUT M8-8 DIN6923(4 PIECES)	1
Note: Please give the data from type plate of the motor			
2.9	2111366	BALL BEARING 6208/2ZJC3 SM.VP.	1
Note: Please give the data from type plate of the motor			
2.10	2111403	V-RING V40-A SM.VP.	1
Note: Please give the data from type plate of the motor			
2.11	2111407	END SHIELD N.D.E.BG132 SM.VP.	1
Note: Please give the data from type plate of the motor			
2.12	2112836	SCREW M8X40 ISO4017 8.8 (4 PIECES)	1
Note: Please give the data from type plate of the motor			
2.13	2138769	FAN WHEEL 1PC3 BG132 D.230 SM.VP.	1
Note: Please give the data from type plate of the motor			
2.14	2111411	FAN COVER 1PC3 BG132/300 SM.VP.	1
Note: Please give the data from type plate of the motor			
2.15	2138774	MOTOR FOOT 1LE1 BG132 SM.KIT	1
Note: Please give the data from type plate of the motor			





**BL-E80/145-11/2-R1-IE2 (2126144)**

Item	Article no.	Description	Quantity
1.1	2122501	IMPELLER D.100/141/5°/32 KIT	1
1.11	2027188	> NUT M16 DIN-EN24032 A4 VP.	1
1.12	2027191	> WASHER A17 DIN125 200HV A2	1
1.13		> IMPELLER 100/141/5°/32 GG BALANCED	1
1.14	2043160	> O-Ring 177,39x3,53 ISO3601B EPDM VP.	1
	2042863	> CIRCLIP S16 V2A VP.	1
1.2	2026903	MECH.SEAL MG12/32-G60 AQ1EGG M16 KIT	1
1.11	2027188	> NUT M16 DIN-EN24032 A4 VP.	1
1.12	2027191	> WASHER A17 DIN125 200HV A2	1
1.14	2043160	> O-Ring 177,39x3,53 ISO3601B EPDM VP.	1
1.14	2042864	> O-RING ID.224x3,55 7EP1197-W534 VP.	1
1.14	2051680	> O-RING ID.276,7x5,29 7EP1197-W534 VP.	1
	2042863	> CIRCLIP S16 V2A VP.	1
1.21		> MECHANICAL SEAL MG12/32-G60 AQ1EGG	1
10	2027202	> TOOL D.18/24/32 VP.	1
1.3	2026922	LANTERN P228X115-F300 KIT	1
1.11	2027188	> NUT M16 DIN-EN24032 A4 VP.	1
1.12	2027191	> WASHER A17 DIN125 200HV A2	1
1.14	2043160	> O-Ring 177,39x3,53 ISO3601B EPDM VP.	1
	2042863	> CIRCLIP S16 V2A VP.	1
1.31	2027201	> BLOWGUN R1/8" VP.	1
1.32	2048841	> COUPLING GUARD F300-350 PA66 (4 PIECES)	1
1.33		> Lantern P228X115-F300 GG KTL WILO	1
10	2027202	> TOOL D.18/24/32 VP.	1
1.4	2029313	COUPLING/SHAFT D.32/42X176 OR.177 KIT	1
1.11	2027188	> NUT M16 DIN-EN24032 A4 VP.	1
1.12	2027191	> WASHER A17 DIN125 200HV A2	1
1.14	2043160	> O-Ring 177,39x3,53 ISO3601B EPDM VP.	1
	2042863	> CIRCLIP S16 V2A VP.	1
1.41		> COUPLING 32/42+SHAFT 32X176 BG160 ZN KIT	1
10	2027202	> TOOL D.18/24/32 VP.	1
2	2135932	MOTOR B35 11/2/160/350E-IE2-TEE(+TOOL)	1
		SPARE PARTS MOTOR B35 11/2/160/350E-IE2	1
3	2026873	PUMP HOUSING B80/182 PN16 KIT	1

**BL-E80/145-11/2-R1-IE2 (2126144)**

Item	Article no.	Description	Quantity
1.14	2043160	> O-Ring 177,39x3,53 ISO3601B EPDM VP.	1
3.1		> PUMP HOUSING BL80/182 PN16 CPL.WILO	1
4	2027193	SCREW M16X30 ISO4762 8.8 (4 PIECES)	1
5	2027197	SCREW M16X60 ISO4014 8.8 (4PIECES)	1
6	2029304	NUT M16 DIN-EN24032 8 (4 PIECES)	1
7	2029336	WASHER A17 DIN125 ST (4 PIECES)	1
11	2135983	MODULE BL-E80/145-11/2-IE2 TEE KIT	1
	2132102	> FAN SMALL TL6/7 FF KIT	1
		>> TL6/7FF module fan sm.cpl.	1
	2132096	>> FAN GRILL TL6/7 FF VP.	1
	2132097	> CABLE CONNECTION M12 TL6/7 FF VP.	1
	2132098	> CABLE CONNECTION M16 TL6/7 FF VP.	1
	2132099	> CABLE CONNECTION M20 TL6/7 FF VP.	1
	2132100	> CABLE CONNECTION SMALL M40 TL6/7 FF VP.	1
	2132104	> COVER SIDE TL6/7 FF CPL.VP.	1
	2132452	> MODULE COVER/BUTTON TL6/7 FF VP.	1

**Motor-Typenschild / Motor type plate / Plaque identité moteur**

**Bei Ersatzteilbestellung Motorhersteller / Motordaten beachten!**  
**Consider motor manufacturers / motor data for order of spare parts!**  
**Pour les commandes de pièce détachée, indiquer le fabricant / les données du moteur!**

TEE

**TEE** ELECTRIC MOTORS  
 ARCELIK A.S. - TURKEY  
 2089004

CE IE2

3-Mot. **Q2E FS 60M2D90-F188** Icl F S1 Kg 13  
 N° 0001  
 04012011 IP 55 IM -

IEC 60034 VDE 0530

V Δ/A	Hz	min <sup>-1</sup>	kW	cos φ	A	η
230 / 400	50	2885	1.1	0.85	4.2 / 2.4	IE2-79.6%
230 / 400	60	3480	1.27	0.83	4.0 / 2.3	

Load Efficiency  
 %80 79.1%  
 %75 79.1%

ATB

Motor-Nummer  
 motor number  
 numéro du moteur

**ATB** IE2 CE

3-Mot. AF 132S/2F - 11S + E 2 /0509 IE2-88,1%  
 S1 132S IMV1 224039411-1 522058X  
 IP 55 Th. Cl. 155(F) SCHWINGGROESSENSTUFE 8  
**KD\_NR.2064705**

kW	V	Hz	A	1/min	cos φ
7.5	Y/Δ690/400	50	7.9 / 13.7	2890	0.90
7.5	Δ460	60	11.8	3510	0.89

Made in Germany 50 kg EN 60034

SIEMENS

Motor-Nummer  
 motor number  
 numéro du moteur

**SIEMENS** 3-MOT. 1 LA9133-4KA61-Z  
 UC 1009/000001101

IEC CE

82.1kg IMB3 132M IP55 Th.CL.155(F) AMB 40°C

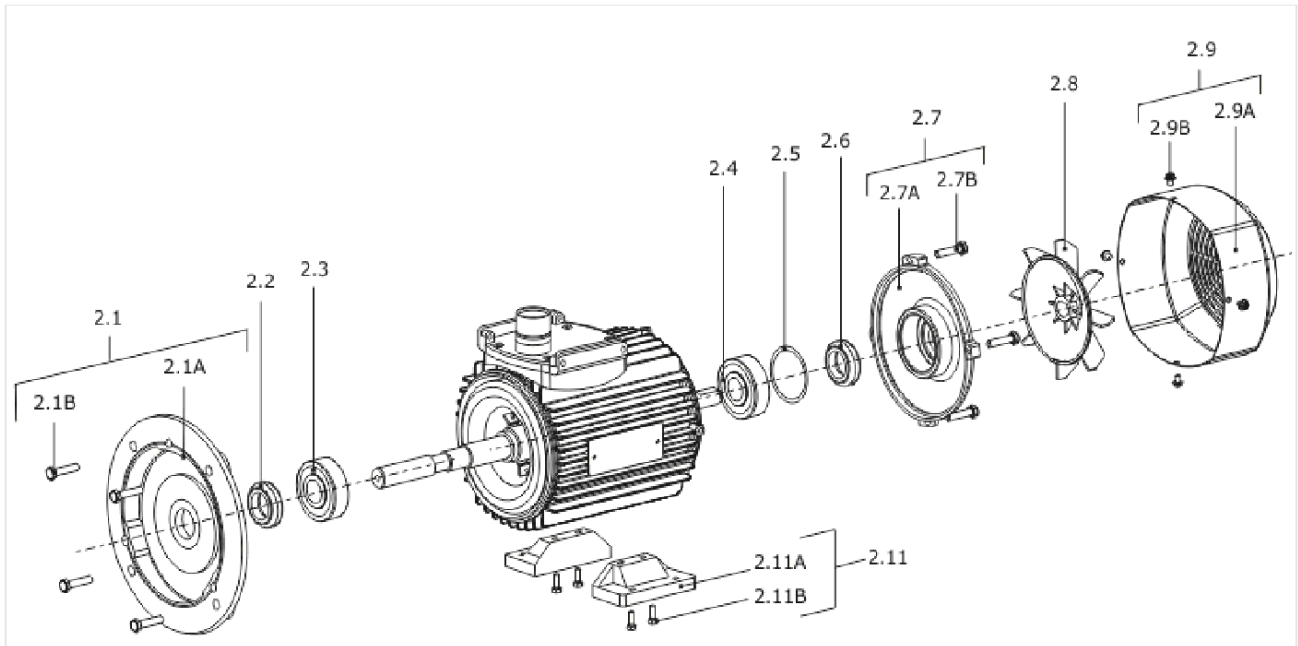
50 Hz	400/690V Δ/Y	80 Hz	460V Δ
7.5 kW	7A	7.5 kW	8.7A
cos φ 0.84	1455 / min	PF 0.82	1760 RPM

IE2 - 88.7% IE2 - 90.5%  
 IEC/EN 60034

**SPARE PARTS MOTOR B35 11/2/160/350E-IE2**

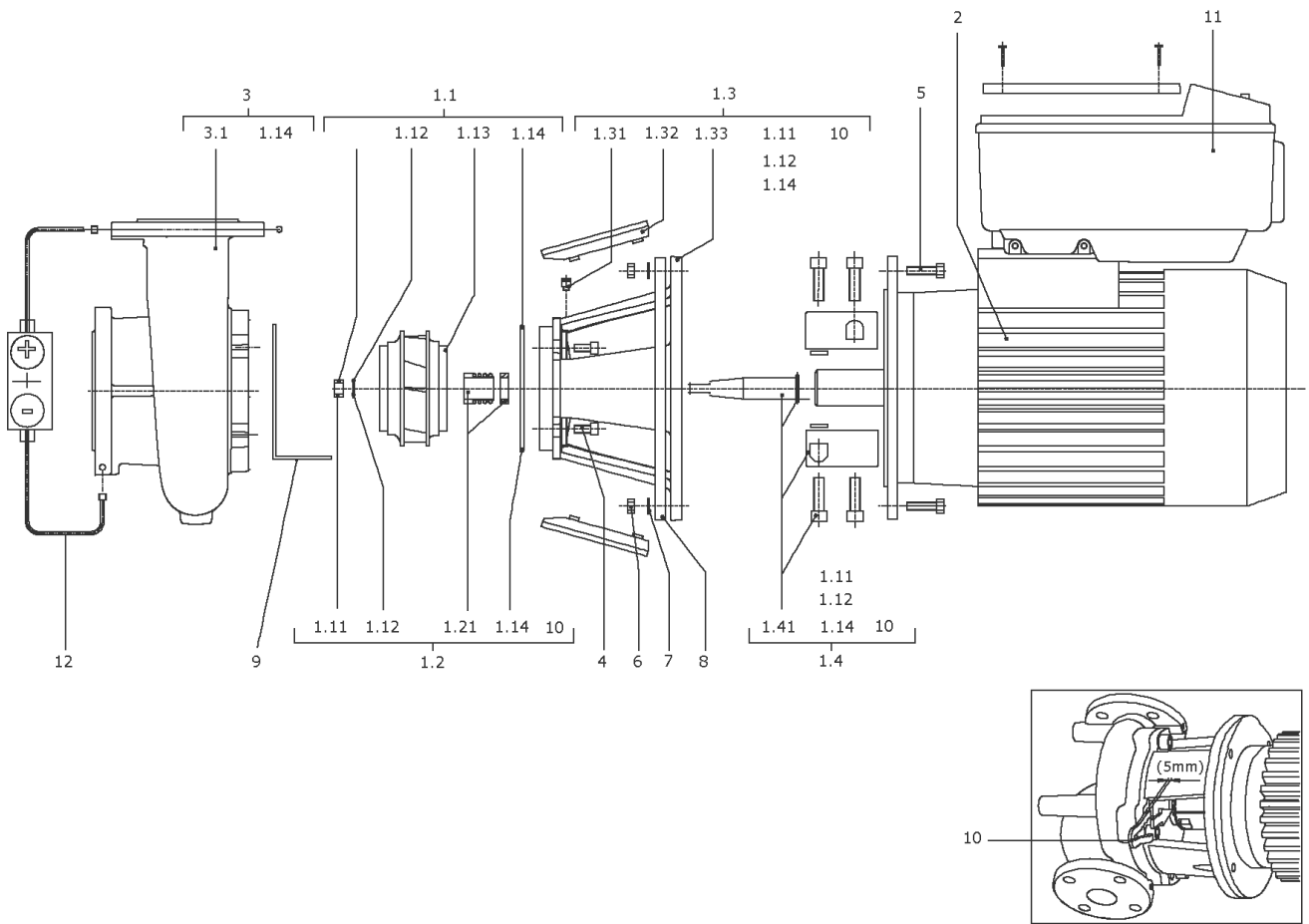


Item	Description	Quantity
1	MOTOR B35 11/2/160/350E TEE IE2 WILO	1



**MOTOR B35 11/2/160/350E TEE IE2 WILO**

Item	Article no.	Description	Quantity
2.1	2120052	END SHIELD BG160 D.E.TEE KIT	1
Note: Please give the data from type plate of the motor			
2.1A		> END SHIELD BG160 642400806 D.E.TEE	1
2.1B	2125338	> SCREW F.END SHIELD BG160 TEE(8 PIECES)	1
Note: Please give the data from type plate of the motor			
2.2	2096382	JOINT RING 45X72X10 TEE VP.	1
Note: Please give the data from type plate of the motor			
2.3	121084396	BALL BEARING 6309/2Z-C3 (HT) VP.	1
Note: Please give the data from type plate of the motor			
2.4	122065996	BALL BEARING 6209/2Z-C3 (HT) VP.	1
Note: Please give the data from type plate of the motor			
2.5	2125362	SPACER DISK BG160 TEE VP.	1
Note: Please give the data from type plate of the motor			
2.6	2096382	JOINT RING 45X72X10 TEE VP.	1
Note: Please give the data from type plate of the motor			
2.7	2125387	END SHIELD BG160 N.D.E.TEE KIT	1
Note: Please give the data from type plate of the motor			
2.7A		> END SHIELD BG160 643232001 N.D.E.TEE	1
2.7B	2125338	> SCREW F.END SHIELD BG160 TEE(8 PIECES)	1
Note: Please give the data from type plate of the motor			
2.8	2042825	FAN WHEEL BG132-225 TEE VP.	1
Note: Please give the data from type plate of the motor			
2.9	2125348	FAN COVER BG160 TEE KIT	1
Note: Please give the data from type plate of the motor			
2.9A		> FAN COVER BG160 644307201 TEE	1
2.9B	2116839	> SCREW BG90-112 TEE (4 PIECE)	1
Note: Please give the data from type plate of the motor			
2.11	2123904	MOTOR FOOT BG160 TEE KIT	1
Note: Please give the data from type plate of the motor			
2.11A		> MOTOR FOOT BG160 LEFT 643409001 TEE	1
2.11A		> MOTOR FOOT BG160 RIGHT 643408901 TEE	1
2.11B	2125331	> SCREW BG132/160 TEE (2 PIECES)	1
Note: Please give the data from type plate of the motor			



**BL-E80/150-15/2-R1-IE2 (2126145)**

Item	Article no.	Description	Quantity
1.1	2122500	IMPELLER D.100/149/32 KIT	1
1.11	2027188	> NUT M16 DIN-EN24032 A4 VP.	1
1.12	2027191	> WASHER A17 DIN125 200HV A2	1
1.13		> IMPELLER 100/149/32 GG BALANCED	1
1.14	2043160	> O-Ring 177,39x3,53 ISO3601B EPDM VP.	1
	2042863	> CIRCLIP S16 V2A VP.	1
1.2	2026903	MECH.SEAL MG12/32-G60 AQ1EGG M16 KIT	1
1.11	2027188	> NUT M16 DIN-EN24032 A4 VP.	1
1.12	2027191	> WASHER A17 DIN125 200HV A2	1
1.14	2043160	> O-Ring 177,39x3,53 ISO3601B EPDM VP.	1
1.14	2042864	> O-RING ID.224x3,55 7EP1197-W534 VP.	1
1.14	2051680	> O-RING ID.276,7x5,29 7EP1197-W534 VP.	1
	2042863	> CIRCLIP S16 V2A VP.	1
1.21		> MECHANICAL SEAL MG12/32-G60 AQ1EGG	1
10	2027202	> TOOL D.18/24/32 VP.	1
1.3	2026922	LANTERN P228X115-F300 KIT	1
1.11	2027188	> NUT M16 DIN-EN24032 A4 VP.	1
1.12	2027191	> WASHER A17 DIN125 200HV A2	1
1.14	2043160	> O-Ring 177,39x3,53 ISO3601B EPDM VP.	1
	2042863	> CIRCLIP S16 V2A VP.	1
1.31	2027201	> BLOWGUN R1/8" VP.	1
1.32	2048841	> COUPLING GUARD F300-350 PA66 (4 PIECES)	1
1.33		> Lantern P228X115-F300 GG KTL WILO	1
10	2027202	> TOOL D.18/24/32 VP.	1
1.4	2029313	COUPLING/SHAFT D.32/42X176 OR.177 KIT	1
1.11	2027188	> NUT M16 DIN-EN24032 A4 VP.	1
1.12	2027191	> WASHER A17 DIN125 200HV A2	1
1.14	2043160	> O-Ring 177,39x3,53 ISO3601B EPDM VP.	1
	2042863	> CIRCLIP S16 V2A VP.	1
1.41		> COUPLING 32/42+SHAFT 32X176 BG160 ZN KIT	1
10	2027202	> TOOL D.18/24/32 VP.	1
2	2135934	MOTOR B35 15/2/160/350E-IE2-TEE(+TOOL)	1
		SPARE PARTS MOTOR B35 15/2/160/350E-IE2	1
3	2026873	PUMP HOUSING B80/182 PN16 KIT	1



**BL-E80/150-15/2-R1-IE2 (2126145)**

Item	Article no.	Description	Quantity
1.14	2043160	> O-Ring 177,39x3,53 ISO3601B EPDM VP.	1
3.1		> PUMP HOUSING BL80/182 PN16 CPL.WILO	1
4	2027193	SCREW M16X30 ISO4762 8.8 (4 PIECES)	1
5	2027197	SCREW M16X60 ISO4014 8.8 (4PIECES)	1
6	2029304	NUT M16 DIN-EN24032 8 (4 PIECES)	1
7	2029336	WASHER A17 DIN125 ST (4 PIECES)	1
11	2135984	MODULE BL-E80/150-15/2-IE2 TEE KIT	1
	2132102	> FAN SMALL TL6/7 FF KIT	1
		>> TL6/7FF module fan sm.cpl.	1
	2132096	>> FAN GRILL TL6/7 FF VP.	1
	2132097	> CABLE CONNECTION M12 TL6/7 FF VP.	1
	2132098	> CABLE CONNECTION M16 TL6/7 FF VP.	1
	2132099	> CABLE CONNECTION M20 TL6/7 FF VP.	1
	2132100	> CABLE CONNECTION SMALL M40 TL6/7 FF VP.	1
	2132104	> COVER SIDE TL6/7 FF CPL.VP.	1
	2132452	> MODULE COVER/BUTTON TL6/7 FF VP.	1

**Motor-Typenschild / Motor type plate / Plaque identité moteur**

**Bei Ersatzteilbestellung Motorhersteller / Motordaten beachten!**  
**Consider motor manufacturers / motor data for order of spare parts!**  
**Pour les commandes de pièce détachée, indiquer le fabricant / les données du moteur!**

TEE

**TEE ELECTRIC MOTORS**  
 ARCELIK A.S. - TURKEY  
 2089004

CE IE2

3-Mot. **Q2E FS 60M2D90-F188** Icl F S1 Kg 13  
 N° 0001  
 04012011 IP 55 IM -

V Δ/A	Hz	min <sup>-1</sup>	kW	Cos φ	A	η
230 / 400	50	2985	1.1	0.83	4.2 / 2.4	IE2-79,6%
230 / 400	60	3480	1.27	0.83	4.0 / 2.3	

IEC 60034 VDE 0530  
 Load Efficiency  
 %80 79,1%  
 %75 79,1%

ATB

Motor-Nummer  
 motor number  
 numéro du moteur

**ATB IE2 CE**

3-Mot. AF 132S/2F - 11S + E 2 /0509 IE2-88,1%  
 S1 132S IMV1 224039411-1 522058X  
 IP 55 Th. Cl. 155(F) SCHWINGGROESSENSTUFE 8  
**KD\_NR.2064705**

kW	V	Hz	A	1/min	cos φ
7.5	Y/Δ690/400	50	7.9 / 13.7	2890	0.90
7.5	Δ460	60	11.8	3510	0.89

Made in Germany 50 kg EN 60034

SIEMENS

Motor-Nummer  
 motor number  
 numéro du moteur

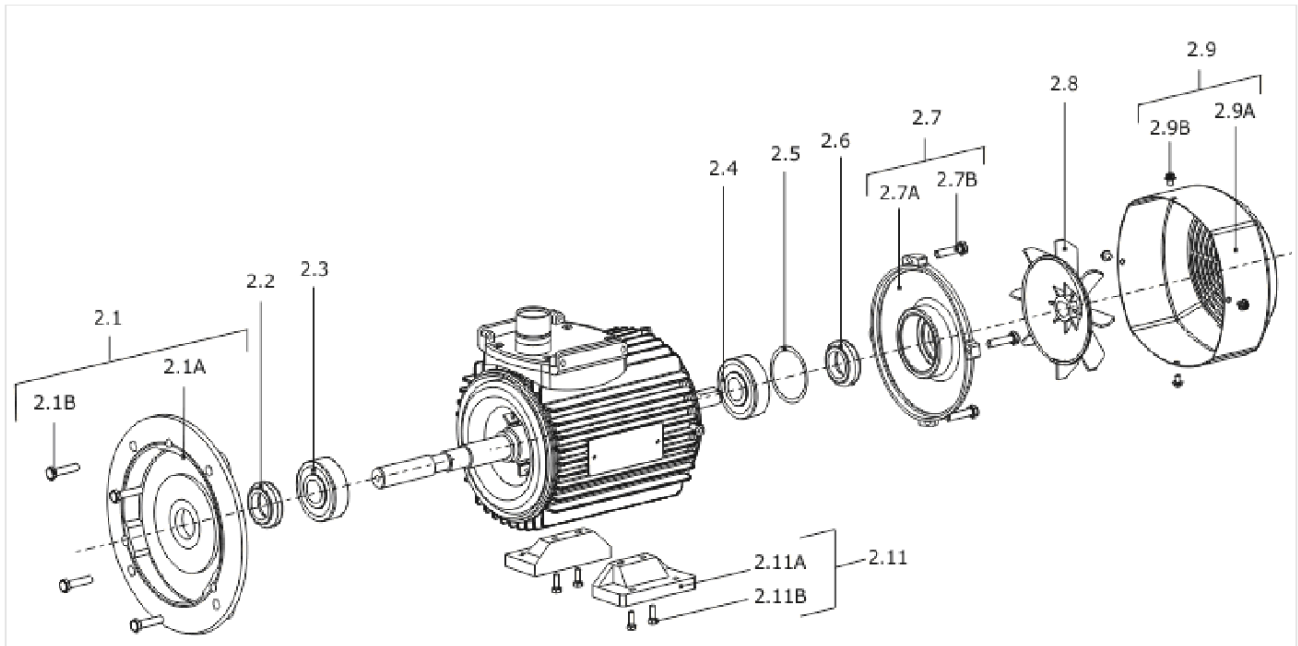
**SIEMENS 3-MOT. 1 LA9133-4KA61-Z** CE  
 UC 1009/000001101

IEC/EN 60034 82,1kg IMB3 132M IP55 Th.CL.155(F) AMB 40°C

50 Hz	400/690V Δ/Y	7.5 kW	7A	1455 / min	cos φ 0,84	IE2 - 88,7%
60 Hz	460V Δ	7,5 kW	8,7A	1760 RPM	PF 0,82	IE2 - 90,5%

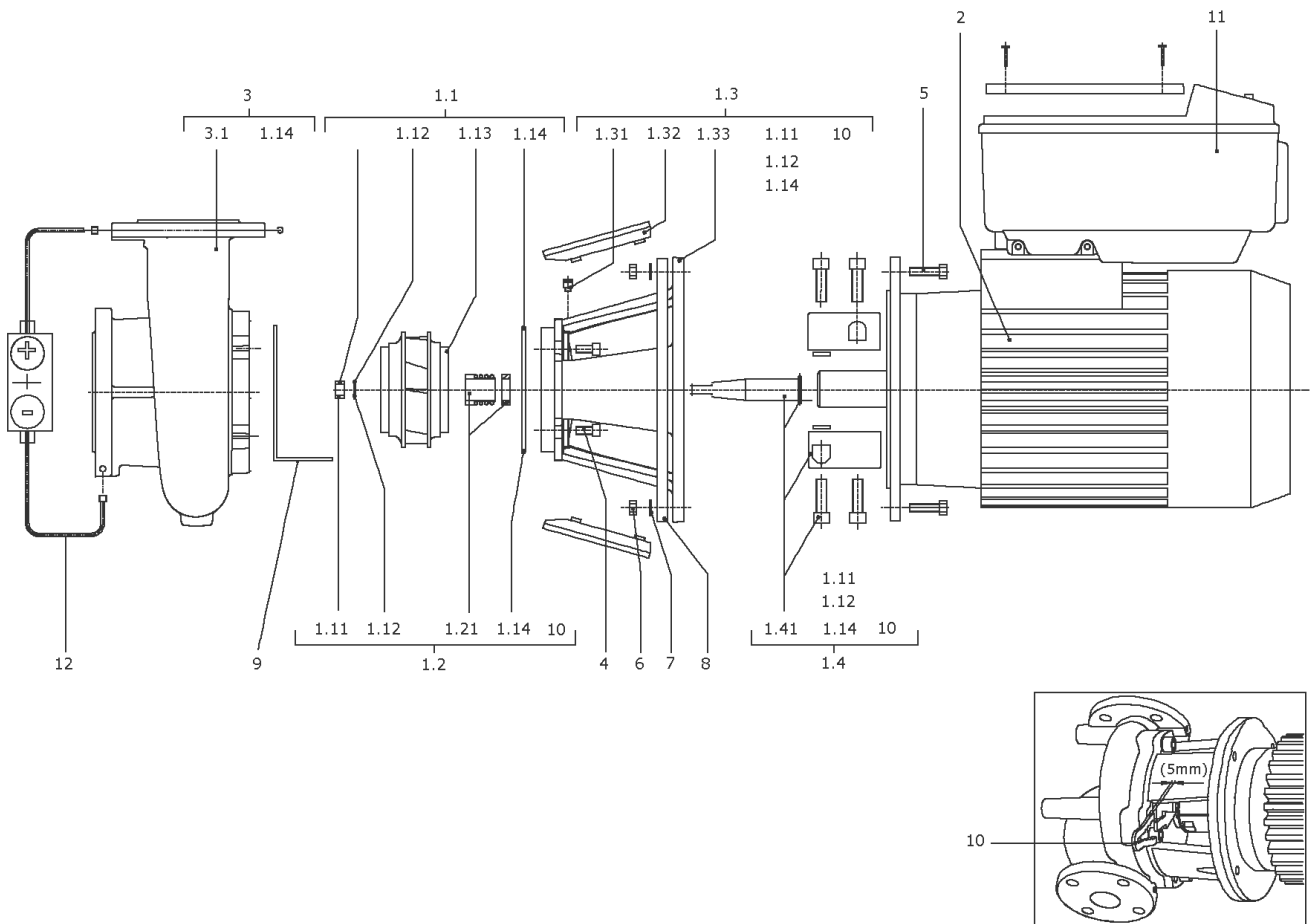
**SPARE PARTS MOTOR B35 15/2/160/350E-IE2**

<b>Item</b>	<b>Description</b>	<b>Quantity</b>
1	MOTOR B35 15/2/160/350E TEE IE2 WILO	1



**MOTOR B35 15/2/160/350E TEE IE2 WILO**

Item	Article no.	Description	Quantity
2.1	2120052	END SHIELD BG160 D.E.TEE KIT	1
Note: Please give the data from type plate of the motor			
2.1A		> END SHIELD BG160 642400806 D.E.TEE	1
2.1B	2125338	> SCREW F.END SHIELD BG160 TEE(8 PIECES)	1
Note: Please give the data from type plate of the motor			
2.2	2096382	JOINT RING 45X72X10 TEE VP.	1
Note: Please give the data from type plate of the motor			
2.3	121084396	BALL BEARING 6309/2Z-C3 (HT) VP.	1
Note: Please give the data from type plate of the motor			
2.4	122065996	BALL BEARING 6209/2Z-C3 (HT) VP.	1
Note: Please give the data from type plate of the motor			
2.5	2125362	SPACER DISK BG160 TEE VP.	1
Note: Please give the data from type plate of the motor			
2.6	2096382	JOINT RING 45X72X10 TEE VP.	1
Note: Please give the data from type plate of the motor			
2.7	2125387	END SHIELD BG160 N.D.E.TEE KIT	1
Note: Please give the data from type plate of the motor			
2.7A		> END SHIELD BG160 643232001 N.D.E.TEE	1
2.7B	2125338	> SCREW F.END SHIELD BG160 TEE(8 PIECES)	1
Note: Please give the data from type plate of the motor			
2.8	2042825	FAN WHEEL BG132-225 TEE VP.	1
Note: Please give the data from type plate of the motor			
2.9	2125348	FAN COVER BG160 TEE KIT	1
Note: Please give the data from type plate of the motor			
2.9A		> FAN COVER BG160 644307201 TEE	1
2.9B	2116839	> SCREW BG90-112 TEE (4 PIECE)	1
Note: Please give the data from type plate of the motor			
2.11	2123904	MOTOR FOOT BG160 TEE KIT	1
Note: Please give the data from type plate of the motor			
2.11A		> MOTOR FOOT BG160 LEFT 643409001 TEE	1
2.11A		> MOTOR FOOT BG160 RIGHT 643408901 TEE	1
2.11B	2125331	> SCREW BG132/160 TEE (2 PIECES)	1
Note: Please give the data from type plate of the motor			



**BL-E80/160-18,5/2-R1-IE2 (2126146)**

Item	Article no.	Description	Quantity
1.1	2123531	IMPELLER D.100/154/32 KIT	1
1.11	2027188	> NUT M16 DIN-EN24032 A4 VP.	1
1.12	2027191	> WASHER A17 DIN125 200HV A2	1
1.13		> IMPELLER 100/154/32 GG BALANCED	1
1.14	2043160	> O-Ring 177,39x3,53 ISO3601B EPDM VP.	1
	2042863	> CIRCLIP S16 V2A VP.	1
1.2	2026903	MECH.SEAL MG12/32-G60 AQ1EGG M16 KIT	1
1.11	2027188	> NUT M16 DIN-EN24032 A4 VP.	1
1.12	2027191	> WASHER A17 DIN125 200HV A2	1
1.14	2043160	> O-Ring 177,39x3,53 ISO3601B EPDM VP.	1
1.14	2042864	> O-RING ID.224x3,55 7EP1197-W534 VP.	1
1.14	2051680	> O-RING ID.276,7x5,29 7EP1197-W534 VP.	1
	2042863	> CIRCLIP S16 V2A VP.	1
1.21		> MECHANICAL SEAL MG12/32-G60 AQ1EGG	1
10	2027202	> TOOL D.18/24/32 VP.	1
1.3	2026922	LANTERN P228X115-F300 KIT	1
1.11	2027188	> NUT M16 DIN-EN24032 A4 VP.	1
1.12	2027191	> WASHER A17 DIN125 200HV A2	1
1.14	2043160	> O-Ring 177,39x3,53 ISO3601B EPDM VP.	1
	2042863	> CIRCLIP S16 V2A VP.	1
1.31	2027201	> BLOWGUN R1/8" VP.	1
1.32	2048841	> COUPLING GUARD F300-350 PA66 (4 PIECES)	1
1.33		> Lantern P228X115-F300 GG KTL WILO	1
10	2027202	> TOOL D.18/24/32 VP.	1
1.4	2029313	COUPLING/SHAFT D.32/42X176 OR.177 KIT	1
1.11	2027188	> NUT M16 DIN-EN24032 A4 VP.	1
1.12	2027191	> WASHER A17 DIN125 200HV A2	1
1.14	2043160	> O-Ring 177,39x3,53 ISO3601B EPDM VP.	1
	2042863	> CIRCLIP S16 V2A VP.	1
1.41		> COUPLING 32/42+SHAFT 32X176 BG160 ZN KIT	1
10	2027202	> TOOL D.18/24/32 VP.	1
2	2135935	MOTOR B35 18,5/2/160/350E-IE2-TEE(+TOOL)	1
		SPARE PARTS MOT.B35 18,5/2/160/350E-IE2	1
3	2026873	PUMP HOUSING B80/182 PN16 KIT	1

**BL-E80/160-18,5/2-R1-IE2 (2126146)**

Item	Article no.	Description	Quantity
1.14	2043160	> O-Ring 177,39x3,53 ISO3601B EPDM VP.	1
3.1		> PUMP HOUSING BL80/182 PN16 CPL.WILO	1
4	2027193	SCREW M16X30 ISO4762 8.8 (4 PIECES)	1
5	2027197	SCREW M16X60 ISO4014 8.8 (4PIECES)	1
6	2029304	NUT M16 DIN-EN24032 8 (4 PIECES)	1
7	2029336	WASHER A17 DIN125 ST (4 PIECES)	1
11	2135985	MODULE BL-E80/160-18,5/2-IE2 TEE KIT	1
	2132103	> FAN LARGE TL6/7 FF KIT	1
		>> TL6/7FF module fan large cpl.	1
	2132096	>> FAN GRILL TL6/7 FF VP.	1
	2132097	> CABLE CONNECTION M12 TL6/7 FF VP.	1
	2132098	> CABLE CONNECTION M16 TL6/7 FF VP.	1
	2132099	> CABLE CONNECTION M20 TL6/7 FF VP.	1
	2132101	> CABLE CONNECTION LARGE M40 TL6/7 FF VP.	1
	2132104	> COVER SIDE TL6/7 FF CPL.VP.	1
	2132452	> MODULE COVER/BUTTON TL6/7 FF VP.	1



### Motor-Typenschild / Motor type plate / Plaque identité moteur

**Bei Ersatzteilbestellung Motorhersteller / Motordaten beachten!**  
**Consider motor manufacturers / motor data for order of spare parts!**  
**Pour les commandes de pièce détachée, indiquer le fabricant / les données du moteur!**

TEE

**TEE ELECTRIC MOTORS**  
ARCELIK A.S. - TURKEY  
2089004

CE IE2

3-Mot. **Q2E FS 60M2D90-F188** Icl F S1 Kg 13  
 N° 0001  
 04012011 IP 55 IM -

V Δ/A	Hz	min <sup>-1</sup>	kW	Cos φ	A	η
230 / 400	50	2885	1.1	0.83	4.2 / 2.4	IE2-79,6%
230 / 400	60	3480	1.27	0.83	4.0 / 2.3	

IEC 60034  
VDE 0530

Load Efficiency  
%80 79,1%  
%75 79,1%

ATB

Motor-Nummer  
motor number  
numéro du moteur

**ATB IE2 CE**

3-Mot. AF 132S/2F - 11S + E 2 /0509 IE2-88,1%  
 S1 132S IMV1 224039411-1 522058X  
 IP 55 Th. Cl. 155(F) SCHWINGGROESSENSTUFE 8  
**KD\_NR.2064705**

kW	V	Hz	A	1/min	cos φ
7.5	Y/Δ690/400	50	7.9 / 13.7	2890	0.90
7.5	Δ460	60	11.8	3510	0.89

Made in Germany 50 kg EN 60034

SIEMENS

Motor-Nummer  
motor number  
numéro du moteur

**SIEMENS 3-MOT. 1 LA9133-4KA61-Z** CE

UC 1009/000001101

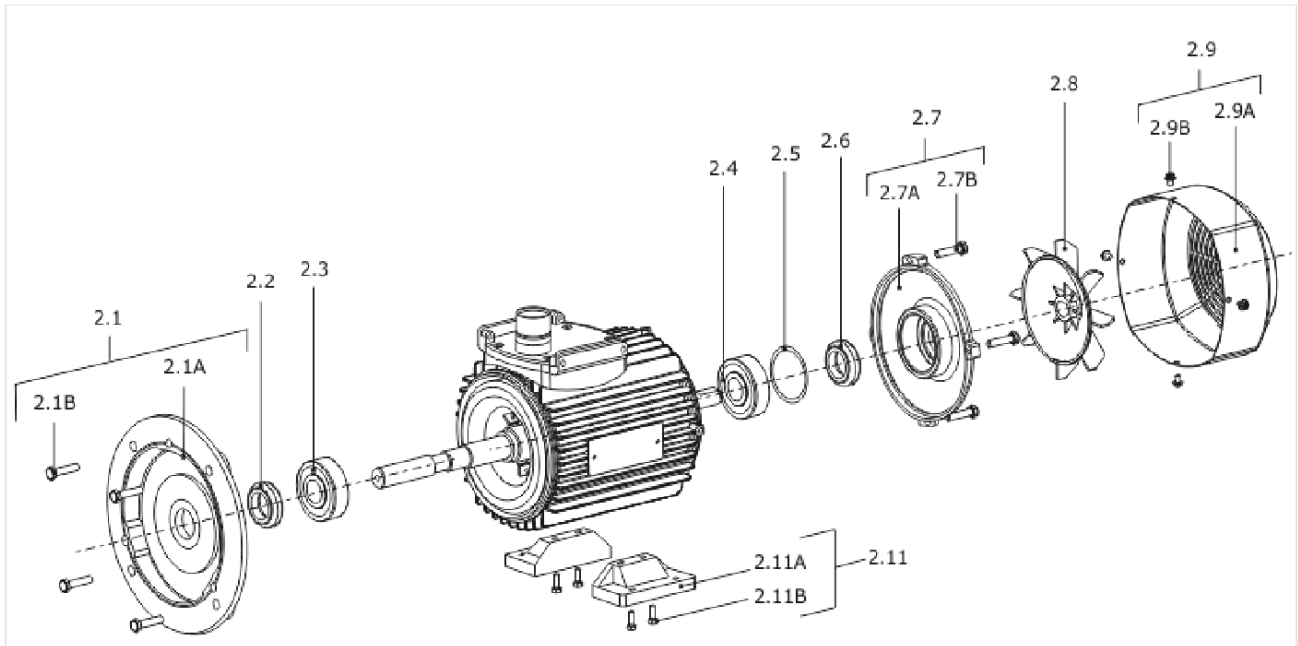
82.1kg IMB3 132M IP55 Th.CL.155(F) AMB 40°C

50 Hz	400/690V Δ/Y	80 Hz	460V Δ
7,5 kW	7A	7,5 kW	8,7A
cos φ 0,84	1455 / min	PF 0,82	1760 RPM

IE2 - 88,7% IE2 - 90,5%  
IEC/EN 60034

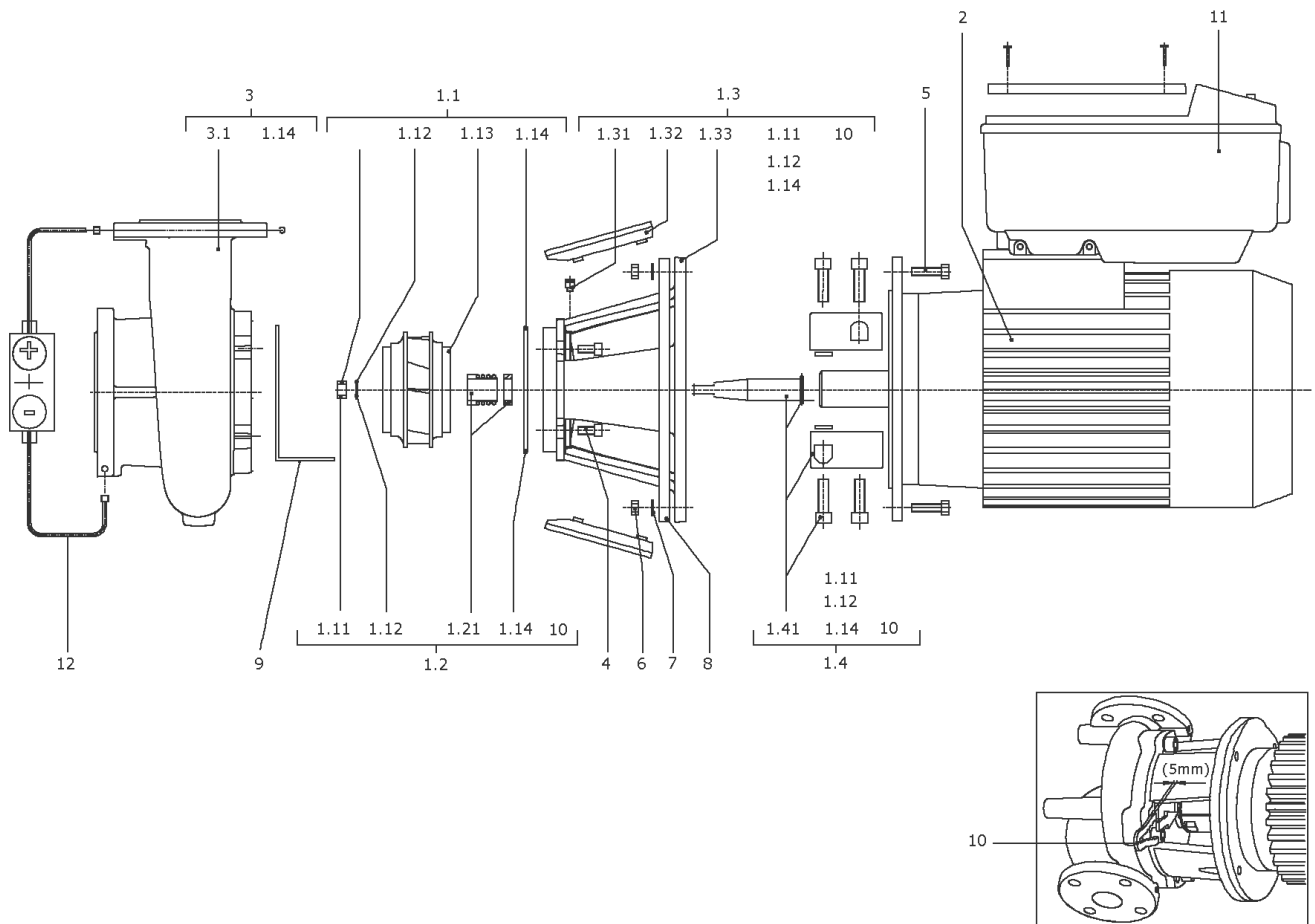
**SPARE PARTS MOT.B35 18,5/2/160/350E-IE2**

Item	Description	Quantity
1	MOTOR B35 18,5/2/160/350E TEE IE2 WILO	1



**MOTOR B35 18,5/2/160/350E TEE IE2 WILO**

Item	Article no.	Description	Quantity
2.1	2120052	END SHIELD BG160 D.E.TEE KIT	1
Note: Please give the data from type plate of the motor			
2.1A		> END SHIELD BG160 642400806 D.E.TEE	1
2.1B	2125338	> SCREW F.END SHIELD BG160 TEE(8 PIECES)	1
Note: Please give the data from type plate of the motor			
2.2	2096382	JOINT RING 45X72X10 TEE VP.	1
Note: Please give the data from type plate of the motor			
2.3	121084396	BALL BEARING 6309/2Z-C3 (HT) VP.	1
Note: Please give the data from type plate of the motor			
2.4	122065996	BALL BEARING 6209/2Z-C3 (HT) VP.	1
Note: Please give the data from type plate of the motor			
2.5	2125362	SPACER DISK BG160 TEE VP.	1
Note: Please give the data from type plate of the motor			
2.6	2096382	JOINT RING 45X72X10 TEE VP.	1
Note: Please give the data from type plate of the motor			
2.7	2125387	END SHIELD BG160 N.D.E.TEE KIT	1
Note: Please give the data from type plate of the motor			
2.7A		> END SHIELD BG160 643232001 N.D.E.TEE	1
2.7B	2125338	> SCREW F.END SHIELD BG160 TEE(8 PIECES)	1
Note: Please give the data from type plate of the motor			
2.8	2042825	FAN WHEEL BG132-225 TEE VP.	1
Note: Please give the data from type plate of the motor			
2.9	2125348	FAN COVER BG160 TEE KIT	1
Note: Please give the data from type plate of the motor			
2.9A		> FAN COVER BG160 644307201 TEE	1
2.9B	2116839	> SCREW BG90-112 TEE (4 PIECE)	1
Note: Please give the data from type plate of the motor			
2.11	2123904	MOTOR FOOT BG160 TEE KIT	1
Note: Please give the data from type plate of the motor			
2.11A		> MOTOR FOOT BG160 LEFT 643409001 TEE	1
2.11A		> MOTOR FOOT BG160 RIGHT 643408901 TEE	1
2.11B	2125331	> SCREW BG132/160 TEE (2 PIECES)	1
Note: Please give the data from type plate of the motor			



**BL-E80/165-22/2-R1-IE2 (2126147)**

Item	Article no.	Description	Quantity
1.1	2122499	IMPELLER D.100/163/32 KIT	1
1.11	2027188	> NUT M16 DIN-EN24032 A4 VP.	1
1.12	2027191	> WASHER A17 DIN125 200HV A2	1
1.13		> IMPELLER 100/163/32 GG BALANCED	1
1.14	2043160	> O-Ring 177,39x3,53 ISO3601B EPDM VP.	1
	2042863	> CIRCLIP S16 V2A VP.	1
1.2	2026903	MECH.SEAL MG12/32-G60 AQ1EGG M16 KIT	1
1.11	2027188	> NUT M16 DIN-EN24032 A4 VP.	1
1.12	2027191	> WASHER A17 DIN125 200HV A2	1
1.14	2043160	> O-Ring 177,39x3,53 ISO3601B EPDM VP.	1
1.14	2042864	> O-RING ID.224x3,55 7EP1197-W534 VP.	1
1.14	2051680	> O-RING ID.276,7x5,29 7EP1197-W534 VP.	1
	2042863	> CIRCLIP S16 V2A VP.	1
1.21		> MECHANICAL SEAL MG12/32-G60 AQ1EGG	1
10	2027202	> TOOL D.18/24/32 VP.	1
1.3	2026922	LANTERN P228X115-F300 KIT	1
1.11	2027188	> NUT M16 DIN-EN24032 A4 VP.	1
1.12	2027191	> WASHER A17 DIN125 200HV A2	1
1.14	2043160	> O-Ring 177,39x3,53 ISO3601B EPDM VP.	1
	2042863	> CIRCLIP S16 V2A VP.	1
1.31	2027201	> BLOWGUN R1/8" VP.	1
1.32	2048841	> COUPLING GUARD F300-350 PA66 (4 PIECES)	1
1.33		> Lantern P228X115-F300 GG KTL WILO	1
10	2027202	> TOOL D.18/24/32 VP.	1
1.4	2029313	COUPLING/SHAFT D.32/42X176 OR.177 KIT	1
1.11	2027188	> NUT M16 DIN-EN24032 A4 VP.	1
1.12	2027191	> WASHER A17 DIN125 200HV A2	1
1.14	2043160	> O-Ring 177,39x3,53 ISO3601B EPDM VP.	1
	2042863	> CIRCLIP S16 V2A VP.	1
1.41		> COUPLING 32/42+SHAFT 32X176 BG160 ZN KIT	1
10	2027202	> TOOL D.18/24/32 VP.	1
2	2135936	MOTOR B35 22/2/160/350E-IE2-TEE(+TOOL)	1
		SPARE PARTS MOTOR B35 22/2/160/350E-IE2	1
3	2026873	PUMP HOUSING B80/182 PN16 KIT	1

**BL-E80/165-22/2-R1-IE2 (2126147)**

Item	Article no.	Description	Quantity
1.14	2043160	> O-Ring 177,39x3,53 ISO3601B EPDM VP.	1
3.1		> PUMP HOUSING BL80/182 PN16 CPL.WILO	1
4	2027193	SCREW M16X30 ISO4762 8.8 (4 PIECES)	1
5	2027197	SCREW M16X60 ISO4014 8.8 (4PIECES)	1
6	2029304	NUT M16 DIN-EN24032 8 (4 PIECES)	1
7	2029336	WASHER A17 DIN125 ST (4 PIECES)	1
11	2135986	MODULE BL-E80/165-22/2-IE2 TEE KIT	1
	2132103	> FAN LARGE TL6/7 FF KIT	1
		>> TL6/7FF module fan large cpl.	1
	2132096	>> FAN GRILL TL6/7 FF VP.	1
	2132097	> CABLE CONNECTION M12 TL6/7 FF VP.	1
	2132098	> CABLE CONNECTION M16 TL6/7 FF VP.	1
	2132099	> CABLE CONNECTION M20 TL6/7 FF VP.	1
	2132101	> CABLE CONNECTION LARGE M40 TL6/7 FF VP.	1
	2132104	> COVER SIDE TL6/7 FF CPL.VP.	1
	2132452	> MODULE COVER/BUTTON TL6/7 FF VP.	1

### Motor-Typenschild / Motor type plate / Plaque identité moteur

**Bei Ersatzteilbestellung Motorhersteller / Motordaten beachten!**  
**Consider motor manufacturers / motor data for order of spare parts!**  
**Pour les commandes de pièce détachée, indiquer le fabricant / les données du moteur!**

TEE

**TEE ELECTRIC MOTORS**  
ARCELIK A.S. - TURKEY  
2089004

CE IE2

3-Mot. **Q2E FS 60M2D90-F188** Icl F S1 Kg 13  
 N° 0001  
 04012011 IP 55 IM -

V Δ/A	Hz	min <sup>-1</sup>	kW	Cos φ	A	η
230 / 400	50	2885	1.1	0.83	4.2 / 2.4	IE2-79,6%
230 / 400	60	3480	1.27	0.83	4.0 / 2.3	

IEC 60034 VDE 0530

Load %	Efficiency
90	79,1%
97.5	79,1%

ATB

Motor-Nummer  
motor number  
numéro du moteur

**ATB IE2 CE**

3-Mot. AF 132S/2F - 11S + E 2 /0509 IE2-88,1%  
 S1 132S IMV1 224039411-1 522058X  
 IP 55 Th. Cl. 155(F) SCHWINGGROESSENSTUFE 8  
**KD\_NR.2064705**

kW	V	Hz	A	1/min	cos φ
7.5	Y/Δ690/400	50	7.9 / 13.7	2890	0.90
7.5	Δ460	60	11.8	3510	0.89

Made in Germany 50 kg EN 60034

SIEMENS

Motor-Nummer  
motor number  
numéro du moteur

**SIEMENS 3-MOT. 1 LA9133-4KA61-Z** CE

UC 1009/000001101

82.1kg IMB3 132M IP55 Th.CL.155(F) AMB 40°C

50 Hz	400/690V Δ/Y	60 Hz	460V Δ
7.5 kW	7A	7.5 kW	8.7A
cos φ 0.84	1455 / min	PF 0.82	1760 RPM

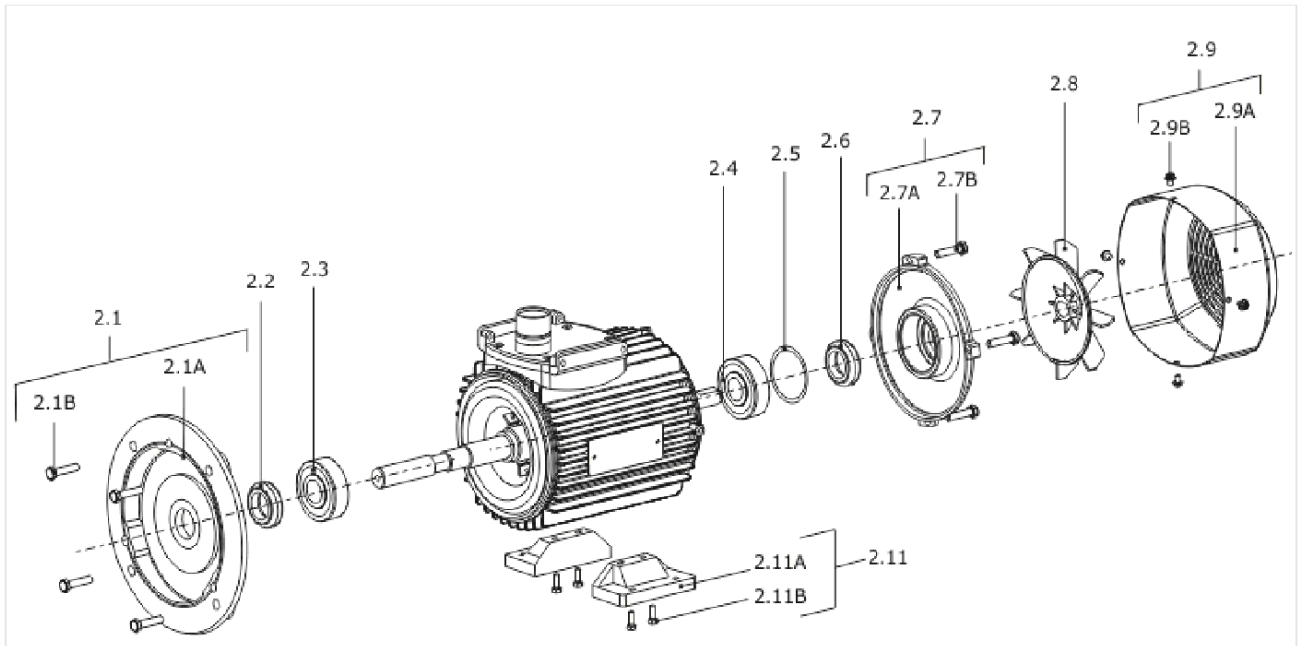
IE2 - 88,7% IE2 - 90,5%

IEC/EN 60034



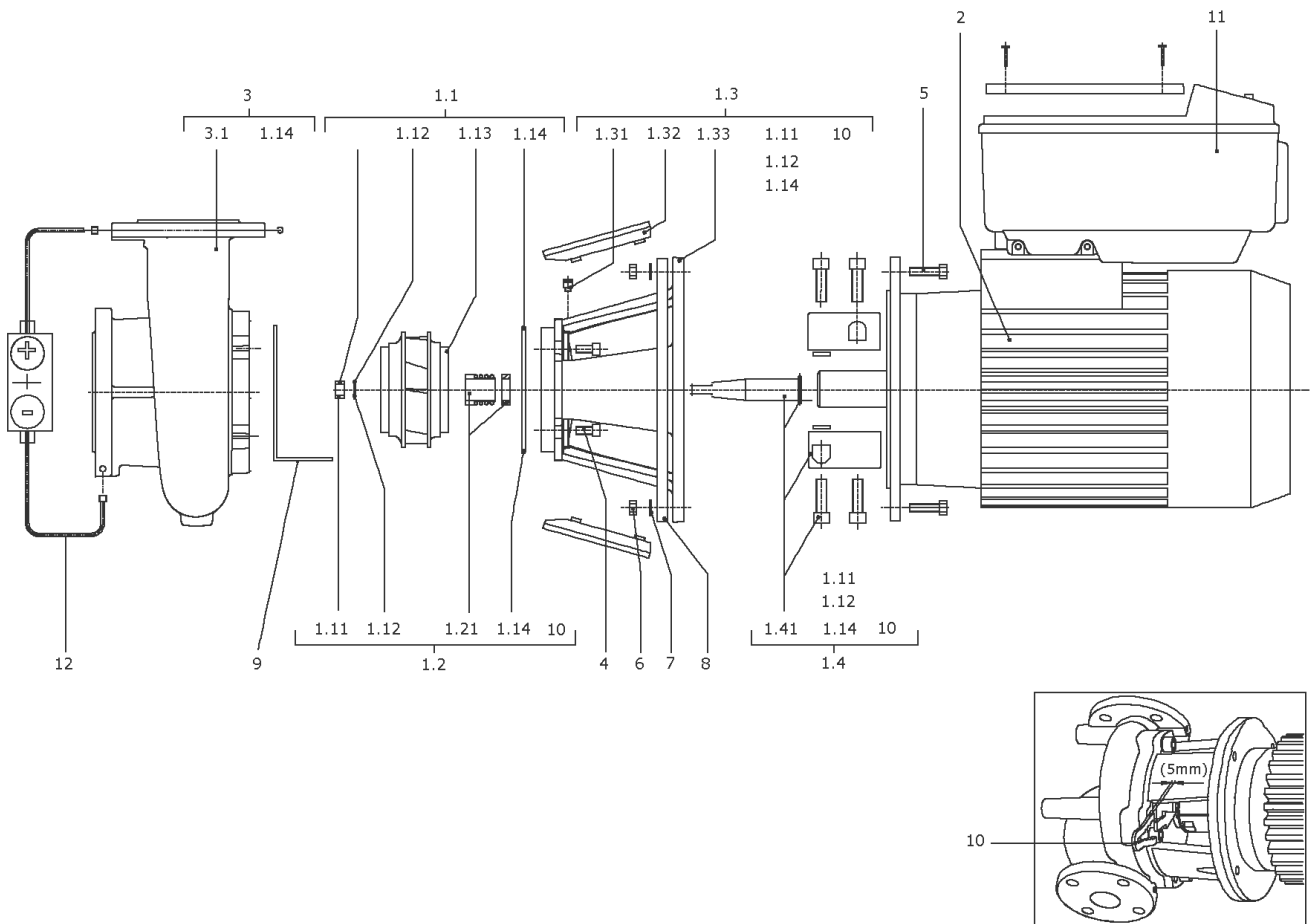
**SPARE PARTS MOTOR B35 22/2/160/350E-IE2**

Item	Description	Quantity
1	MOTOR B35 22/2/160/350E TEE IE2 WILO	1



**MOTOR B35 22/2/160/350E TEE IE2 WILO**

Item	Article no.	Description	Quantity
2.1	2120052	END SHIELD BG160 D.E.TEE KIT	1
Note: Please give the data from type plate of the motor			
2.1A		> END SHIELD BG160 642400806 D.E.TEE	1
2.1B	2125338	> SCREW F.END SHIELD BG160 TEE(8 PIECES)	1
Note: Please give the data from type plate of the motor			
2.2	2096382	JOINT RING 45X72X10 TEE VP.	1
Note: Please give the data from type plate of the motor			
2.3	121084396	BALL BEARING 6309/2Z-C3 (HT) VP.	1
Note: Please give the data from type plate of the motor			
2.4	122065996	BALL BEARING 6209/2Z-C3 (HT) VP.	1
Note: Please give the data from type plate of the motor			
2.5	2125362	SPACER DISK BG160 TEE VP.	1
Note: Please give the data from type plate of the motor			
2.6	2096382	JOINT RING 45X72X10 TEE VP.	1
Note: Please give the data from type plate of the motor			
2.7	2125387	END SHIELD BG160 N.D.E.TEE KIT	1
Note: Please give the data from type plate of the motor			
2.7A		> END SHIELD BG160 643232001 N.D.E.TEE	1
2.7B	2125338	> SCREW F.END SHIELD BG160 TEE(8 PIECES)	1
Note: Please give the data from type plate of the motor			
2.8	2042825	FAN WHEEL BG132-225 TEE VP.	1
Note: Please give the data from type plate of the motor			
2.9	2125348	FAN COVER BG160 TEE KIT	1
Note: Please give the data from type plate of the motor			
2.9A		> FAN COVER BG160 644307201 TEE	1
2.9B	2116839	> SCREW BG90-112 TEE (4 PIECE)	1
Note: Please give the data from type plate of the motor			
2.11	2123904	MOTOR FOOT BG160 TEE KIT	1
Note: Please give the data from type plate of the motor			
2.11A		> MOTOR FOOT BG160 LEFT 643409001 TEE	1
2.11A		> MOTOR FOOT BG160 RIGHT 643408901 TEE	1
2.11B	2125331	> SCREW BG132/160 TEE (2 PIECES)	1
Note: Please give the data from type plate of the motor			



**BL-E80/220-5,5/4-R1-IE2-X1 (2126148)**

Item	Article no.	Description	Quantity
1.1	2123420	IMPELLER D.100/221/24 KIT	1
1.11	2027187	> NUT M12 DIN-EN24032 A2 VP.	1
1.12	2027190	> WASHER A13 DIN125-T2 A2 VP.	1
1.13		> IMPELLER 100/221/24 GG BALANCED	1
1.14	2042864	> O-RING ID.224x3,55 7EP1197-W534 VP.	1
	2042862	> WASHER S12 V2A VP.	1
1.2	2026902	MECHANICAL SEAL MG12/24-G60 AQ1EGG KIT	1
1.11	2027187	> NUT M12 DIN-EN24032 A2 VP.	1
1.12	2027190	> WASHER A13 DIN125-T2 A2 VP.	1
1.14	2037527	> O-RING 148,82x3,53 EPDM 70SR.VP.	1
1.14	2043160	> O-Ring 177,39x3,53 ISO3601B EPDM VP.	1
1.14	2042864	> O-RING ID.224x3,55 7EP1197-W534 VP.	1
1.14	2051680	> O-RING ID.276,7x5,29 7EP1197-W534 VP.	1
	2042862	> WASHER S12 V2A VP.	1
1.21		> MECHANICAL SEAL MG12/24-G60 AQ1EGG	1
10	2027202	> TOOL D.18/24/32 VP.	1
1.3	2042721	LANTERN P270X122-F265 KTL KIT	1
1.11	2027187	> NUT M12 DIN-EN24032 A2 VP.	1
1.12	2027190	> WASHER A13 DIN125-T2 A2 VP.	1
1.14	2042864	> O-RING ID.224x3,55 7EP1197-W534 VP.	1
	2042862	> WASHER S12 V2A VP.	1
1.31	2027201	> BLOWGUN R1/8" VP.	1
1.32	2048845	> COUPLING GUARD P270-F265 PA66 (2 PIECES)	1
1.33		> LANTERN P270X122-F265 GG KTL WILO	1
10	2027202	> TOOL D.18/24/32 VP.	1
1.4	2048444	COUPLING/SHAFT D.24/38X153 KIT	1
1.11	2027187	> NUT M12 DIN-EN24032 A2 VP.	1
1.12	2027190	> WASHER A13 DIN125-T2 A2 VP.	1
1.14	2042864	> O-RING ID.224x3,55 7EP1197-W534 VP.	1
1.14	2051680	> O-RING ID.276,7x5,29 7EP1197-W534 VP.	1
	2042862	> WASHER S12 V2A VP.	1
1.41		> COUPLING 24/38+SHAFT 24X153 GR132 ZN KIT	1
10	2027202	> TOOL D.18/24/32 VP.	1
2	2135937	MOTOR B35 5,5/4/132/300E-IE2-SM.(+TOOL)	1

**BL-E80/220-5,5/4-R1-IE2-X1 (2126148)**

Item	Article no.	Description	Quantity
		SPARE PARTS MOTOR B35 5,5/4/132/300E-IE2	1
3	2042763	PUMP HOUSING B80/230 PN16 KIT	1
1.14	2042864	> O-RING ID.224x3,55 7EP1197-W534 VP.	1
3.1		> PUMP HOUSING BL80/230 PN16 CPL.WILO	1
4	2027193	SCREW M16X30 ISO4762 8.8 (4 PIECES)	1
5	2027195	SCREW M12X25 DIN912 8.8 (4 PIECES)	1
11	2135987	MODULE BL-E80/220-5,5/4-IE2 SM.KIT	1
		> MODULE BL-E80/220-5,5/4 WILO	1
	2111344	> MODULE COVER/GASKET TL5 KIT	1
	2120047	> CABLE CONNECTION M12x1,5/5 cpl.TL5 VP.	1
	2120048	> CABLE CONNECTION M16x1,5/5 cpl.TL5 VP.	1
	2120049	> CABLE CONNECTION M20x1,5/6 cpl.TL5 VP.	1
	2120050	> CABLE CONNECTION M25x1,5/8 cpl.TL5 VP.	1

**Motor-Typenschild / Motor type plate / Plaque identité moteur**

**Bei Ersatzteilbestellung Motorhersteller / Motordaten beachten!**  
**Consider motor manufacturers / motor data for order of spare parts!**  
**Pour les commandes de pièce détachée, indiquer le fabricant / les données du moteur!**

TEE

**TEE ELECTRIC MOTORS**  
ARCELIK A.S. - TURKEY  
2089004

CE IE2

3-Mot. **Q2E FS 60M2D90-F188** Icl F S1 Kg **13**  
 N° 0001  
 04012011 IP **55** IM -

IEC 60034 VDE 0530

V Δ/A	Hz	min <sup>-1</sup>	kW	Cos φ	A	η
230 / 400	50	2885	1.1	0.83	4.2 / 2.4	IE2-79,6%
230 / 400	60	3480	1.27	0.83	4.0 / 2.3	

Load Efficiency  
 %80 79,1%  
 %75 79,1%

ATB

Motor-Nummer  
motor number  
numéro du moteur

**ATB IE2 CE**

3-Mot. AF 132S/2F - 11S + E 2 /0509 IE2-88,1%  
 S1 132S IMV1 224039411-1 522058X  
 IP 55 Th. Cl. 155(F) SCHWINGGROESSENSTUFE 8  
**KD\_NR.2064705**

kW	V	Hz	A	1/min	cos φ
7,5	Y/Δ690/400	50	7,9 / 13,7	2890	0,90
7,5	Δ460	60	11,8	3510	0,89

Made in Germany 50 kg EN 60034

SIEMENS

Motor-Nummer  
motor number  
numéro du moteur

**SIEMENS 3-MOT. 1 LA9133-4KA61-Z** CE

UC 1009/000001101

82,1kg IMB3 132M IP55 Th.CL.155(F) AMB 40°C

50 Hz	400/690V Δ/Y	60 Hz	460V Δ
7,5 kW	7A	7,5 kW	8,7A
cos φ 0,84	1455 / min	PF 0,82	1760 RPM

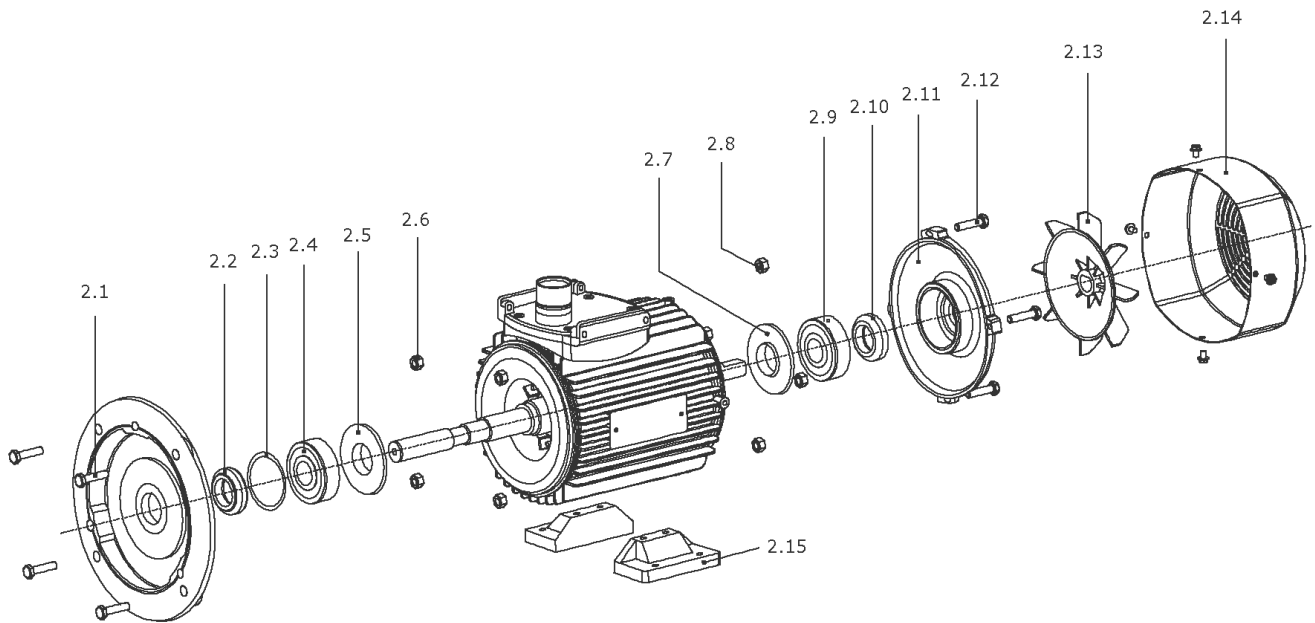
IE2 - 88,7% IE2 - 90,5%  
 IEC/EN 60034

**SPARE PARTS MOTOR B35 5,5/4/132/300E-IE2**



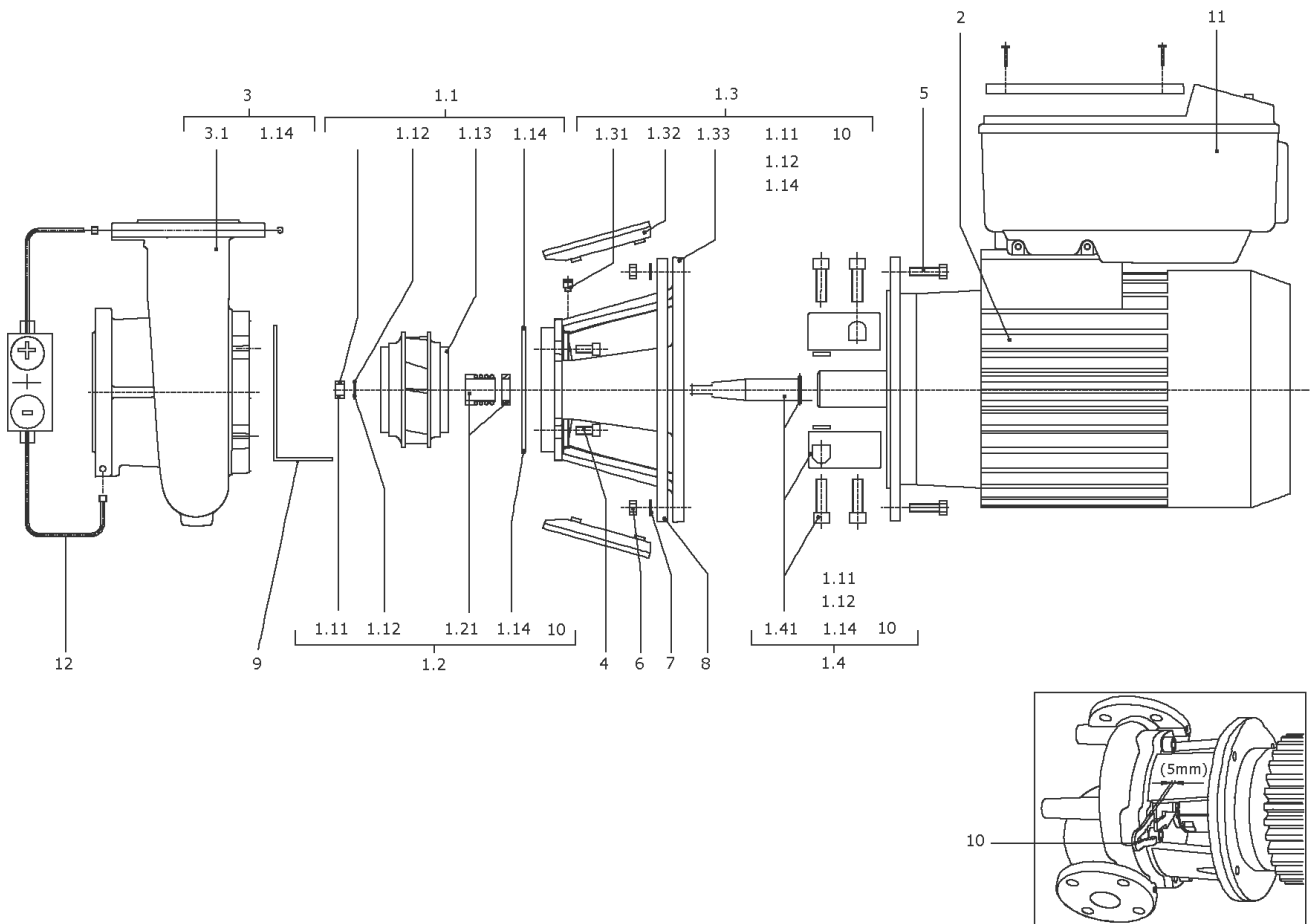
Item	Description	Quantity
3	MOTOR B35 5,5/4/132/300E SM IE2 WILO	1





**MOTOR B35 5,5/4/132/300E SM IE2 WILO**

Item	Article no.	Description	Quantity
2.1	2112830	SCREW M8X65 ISO4762 8.8 (4 PIECES)	1
Note: Please give the data from type plate of the motor			
2.2	2111403	V-RING V40-A SM.VP.	1
Note: Please give the data from type plate of the motor			
2.3	2112832	SPRING WASHER SN60098-56 6208 SM.VP.	1
Note: Please give the data from type plate of the motor			
2.4	2111405	BALL BEARING 6308/2ZJC3 SM.VP.	1
Note: Please give the data from type plate of the motor			
2.5	2111401	BEARING INSERT BG132 D.E.SM.VP.	1
Note: Please give the data from type plate of the motor			
2.6	2112834	NUT M8-8 DIN6923(4 PIECES)	1
Note: Please give the data from type plate of the motor			
2.7	2111409	BEARING INSERT BG132 N.D.E.SM.VP.	1
Note: Please give the data from type plate of the motor			
2.8	2112834	NUT M8-8 DIN6923(4 PIECES)	1
Note: Please give the data from type plate of the motor			
2.9	2111366	BALL BEARING 6208/2ZJC3 SM.VP.	1
Note: Please give the data from type plate of the motor			
2.10	2111403	V-RING V40-A SM.VP.	1
Note: Please give the data from type plate of the motor			
2.11	2111407	END SHIELD N.D.E.BG132 SM.VP.	1
Note: Please give the data from type plate of the motor			
2.12	2112836	SCREW M8X40 ISO4017 8.8 (4 PIECES)	1
Note: Please give the data from type plate of the motor			
2.13	2138769	FAN WHEEL 1PC3 BG132 D.230 SM.VP.	1
Note: Please give the data from type plate of the motor			
2.14	2111411	FAN COVER 1PC3 BG132/300 SM.VP.	1
Note: Please give the data from type plate of the motor			
2.15	2138774	MOTOR FOOT 1LE1 BG132 SM.KIT	1
Note: Please give the data from type plate of the motor			



**BL-E80/250-7,5/4-R1-IE2-X1 (2126149)**

Item	Article no.	Description	Quantity
1.1	2051379	IMPELLER D.100/252/24(BL)KIT	1
1.11	2027187	> NUT M12 DIN-EN24032 A2 VP.	1
1.12	2027190	> WASHER A13 DIN125-T2 A2 VP.	1
1.13		> IMPELLER 100/252/242/24 GG BALANCED	1
1.14	2051680	> O-RING ID.276,7x5,29 7EP1197-W534 VP.	1
	2042862	> WASHER S12 V2A VP.	1
1.2	2026902	MECHANICAL SEAL MG12/24-G60 AQ1EGG KIT	1
1.11	2027187	> NUT M12 DIN-EN24032 A2 VP.	1
1.12	2027190	> WASHER A13 DIN125-T2 A2 VP.	1
1.14	2037527	> O-RING 148,82x3,53 EPDM 70SR.VP.	1
1.14	2043160	> O-Ring 177,39x3,53 ISO3601B EPDM VP.	1
1.14	2042864	> O-RING ID.224x3,55 7EP1197-W534 VP.	1
1.14	2051680	> O-RING ID.276,7x5,29 7EP1197-W534 VP.	1
	2042862	> WASHER S12 V2A VP.	1
1.21		> MECHANICAL SEAL MG12/24-G60 AQ1EGG	1
10	2027202	> TOOL D.18/24/32 VP.	1
1.3	2051334	LANTERN P330X120-F265 KIT	1
1.11	2027187	> NUT M12 DIN-EN24032 A2 VP.	1
1.12	2027190	> WASHER A13 DIN125-T2 A2 VP.	1
1.14	2051680	> O-RING ID.276,7x5,29 7EP1197-W534 VP.	1
	2042862	> WASHER S12 V2A VP.	1
1.31	2027201	> BLOWGUN R1/8" VP.	1
1.32	2048845	> COUPLING GUARD P270-F265 PA66 (2 PIECES)	1
1.33		> LANTERN P330X120-F265 GG KTL WILO	1
10	2027202	> TOOL D.18/24/32 VP.	1
1.4	2042735	COUPLING/SHAFT D.24/38X166 KIT	1
1.11	2027187	> NUT M12 DIN-EN24032 A2 VP.	1
1.12	2027190	> WASHER A13 DIN125-T2 A2 VP.	1
1.14	2042864	> O-RING ID.224x3,55 7EP1197-W534 VP.	1
1.14	2051680	> O-RING ID.276,7x5,29 7EP1197-W534 VP.	1
	2042862	> WASHER S12 V2A VP.	1
1.41		> COUPLING 24/38+SHAFT 24X166 BG132 ZN KIT	1
10	2027202	> TOOL D.18/24/32 VP.	1
2	2135938	MOTOR B35 7,5/4/132/300E-IE2-SM.(+TOOL)	1

**BL-E80/250-7,5/4-R1-IE2-X1 (2126149)**

Item	Article no.	Description	Quantity
		SPARE PARTS MOTOR B35 7,5/4/132/300E-IE2	1
3	2051368	PUMP HOUSING BL80/270 PN16 KIT	1
1.14	2051680	> O-RING ID.276,7x5,29 7EP1197-W534 VP.	1
3.1		> PUMP HOUSING BL80/270 PN16 CPL.WILO	1
4	2027193	SCREW M16X30 ISO4762 8.8 (4 PIECES)	1
5	2027195	SCREW M12X25 DIN912 8.8 (4 PIECES)	1
11	2135988	MODULE BL-E80/250-7,5/4-IE2 SM.KIT	1
		> MODULE BL-E80/250-7,5/4 WILO	1
	2111344	> MODULE COVER/GASKET TL5 KIT	1
	2120047	> CABLE CONNECTION M12x1,5/5 cpl.TL5 VP.	1
	2120048	> CABLE CONNECTION M16x1,5/5 cpl.TL5 VP.	1
	2120049	> CABLE CONNECTION M20x1,5/6 cpl.TL5 VP.	1
	2120050	> CABLE CONNECTION M25x1,5/8 cpl.TL5 VP.	1

**Motor-Typenschild / Motor type plate / Plaque identité moteur**

**Bei Ersatzteilbestellung Motorhersteller / Motordaten beachten!**  
**Consider motor manufacturers / motor data for order of spare parts!**  
**Pour les commandes de pièce détachée, indiquer le fabricant / les données du moteur!**

TEE

**TEE** ELECTRIC MOTORS  
 ARCELIK A.S. - TURKEY  
 2089004

CE IE2

3-Mot. **Q2E FS 60M2D90-F188** Icl F S1 Kg 13  
 N° 0001  
 04012011 IP 55 IM -

V Δ/A	Hz	min <sup>-1</sup>	kW	Cos φ	A	η
230 / 400	50	2885	1.1	0.83	4.2 / 2.4	IE2-79,6%
205 / 400	60	3480	1.27	0.83	4.0 / 2.3	

IEC 60034  
 VDE 0530

Load Efficiency  
 %80 79,1%  
 %75 79,1%

ATB

Motor-Nummer  
 motor number  
 numéro du moteur

**ATB** IE2 CE

3-Mot. AF 132S/2F - 11S + E 2 /0509 IE2-88,1%  
 S1 132S IMV1 224039411-1 522058X  
 IP 55 Th. Cl. 155(F) SCHWINGGROESSENSTUFE 8  
**KD\_NR.2064705**

kW	V	Hz	A	1/min	cos φ
7,5	Y/Δ690/400	50	7,9 / 13,7	2890	0,90
7,5	Δ460	60	11,8	3510	0,89

Made in Germany 50 kg EN 60034

SIEMENS

Motor-Nummer  
 motor number  
 numéro du moteur

**SIEMENS** 3-MOT. 1 LA9133-4KA61-Z  
 UC 1009/000001101

IE2 CE

82,1kg IMB3 132M IP55 Th.CL.155(F) AMB 40°C

50 Hz	400/690V Δ/Y	7,5 kW	7A	1455 / min	cos φ 0,84
60 Hz	460V Δ	7,5 kW	8,7A	1760 RPM	PF 0,82

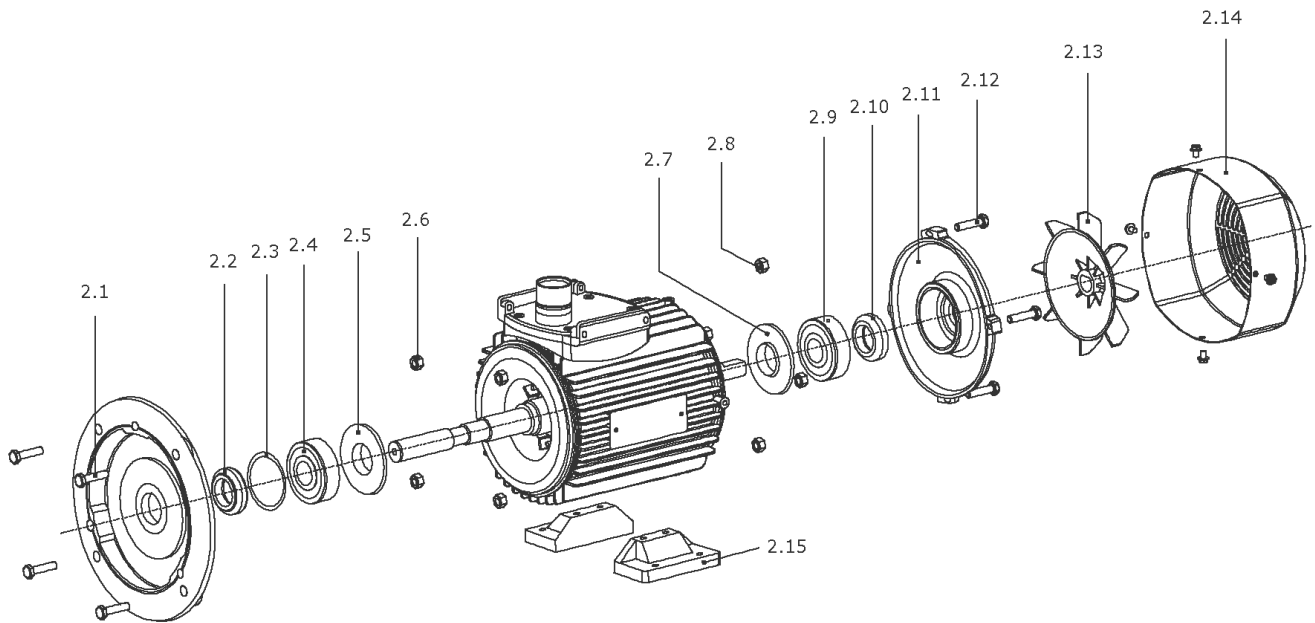
IE2 - 88,7%  
 IEC/EN 60034

IE2 - 90,5%

## SPARE PARTS MOTOR B35 7,5/4/132/300E-IE2



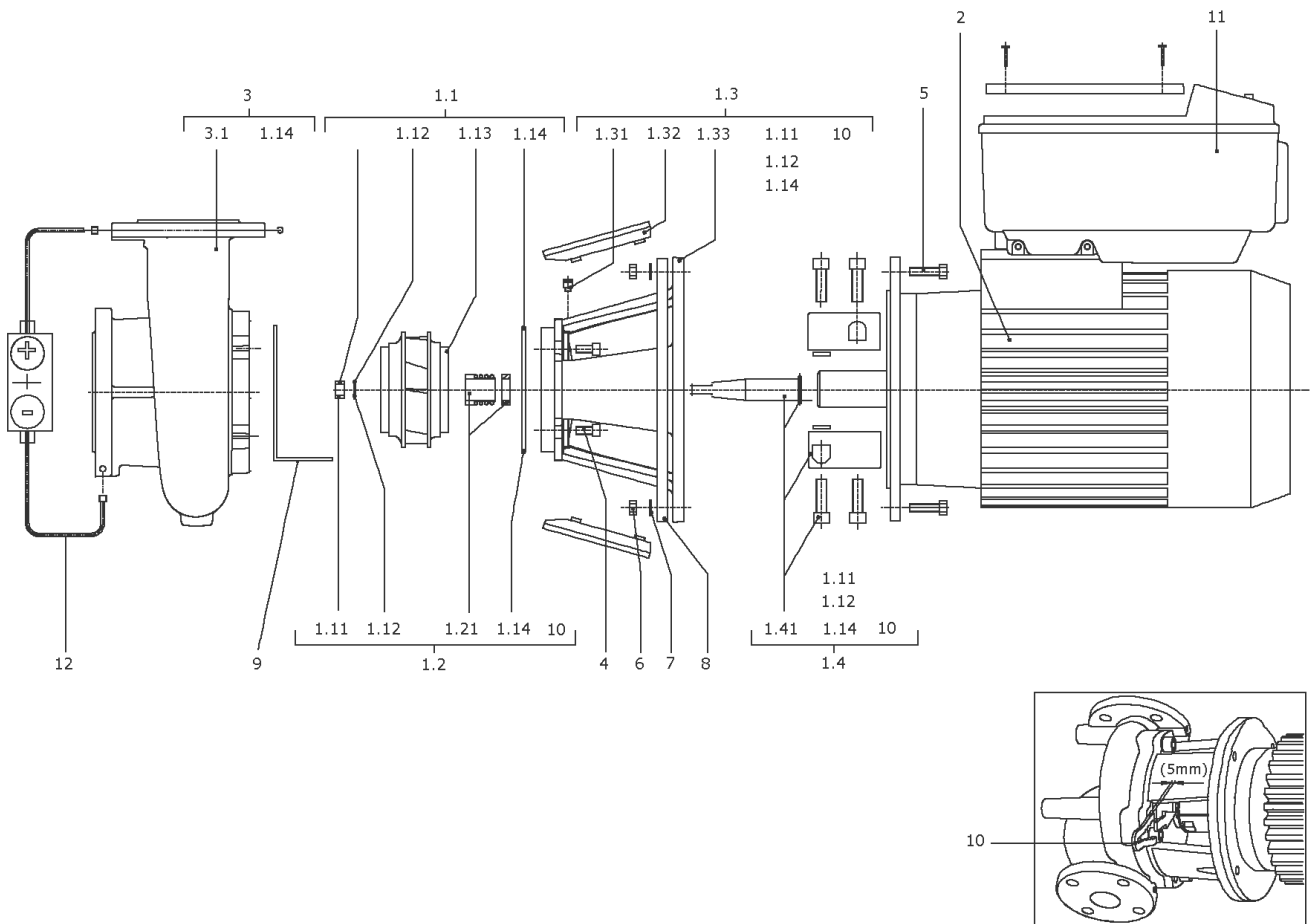
Item	Description	Quantity
3	MOTOR B35 7,5/4/132/300E SM IE2 WILO	1





**MOTOR B35 7,5/4/132/300E SM IE2 WILO**

Item	Article no.	Description	Quantity
2.1	2112830	SCREW M8X65 ISO4762 8.8 (4 PIECES)	1
Note: Please give the data from type plate of the motor			
2.2	2111403	V-RING V40-A SM.VP.	1
Note: Please give the data from type plate of the motor			
2.3	2112832	SPRING WASHER SN60098-56 6208 SM.VP.	1
Note: Please give the data from type plate of the motor			
2.4	2111405	BALL BEARING 6308/2ZJC3 SM.VP.	1
Note: Please give the data from type plate of the motor			
2.5	2111401	BEARING INSERT BG132 D.E.SM.VP.	1
Note: Please give the data from type plate of the motor			
2.6	2112834	NUT M8-8 DIN6923(4 PIECES)	1
Note: Please give the data from type plate of the motor			
2.7	2111409	BEARING INSERT BG132 N.D.E.SM.VP.	1
Note: Please give the data from type plate of the motor			
2.8	2112834	NUT M8-8 DIN6923(4 PIECES)	1
Note: Please give the data from type plate of the motor			
2.9	2111366	BALL BEARING 6208/2ZJC3 SM.VP.	1
Note: Please give the data from type plate of the motor			
2.10	2111403	V-RING V40-A SM.VP.	1
Note: Please give the data from type plate of the motor			
2.11	2111407	END SHIELD N.D.E.BG132 SM.VP.	1
Note: Please give the data from type plate of the motor			
2.12	2112836	SCREW M8X40 ISO4017 8.8 (4 PIECES)	1
Note: Please give the data from type plate of the motor			
2.13	2138769	FAN WHEEL 1PC3 BG132 D.230 SM.VP.	1
Note: Please give the data from type plate of the motor			
2.14	2111411	FAN COVER 1PC3 BG132/300 SM.VP.	1
Note: Please give the data from type plate of the motor			
2.15	2138774	MOTOR FOOT 1LE1 BG132 SM.KIT	1
Note: Please give the data from type plate of the motor			



**BL-E80/270-11/4-R1-IE2-X1 (2126150)**

Item	Article no.	Description	Quantity
1.1	2051378	IMPELLER D.100/272/32(BL)KIT	1
1.11	2027188	> NUT M16 DIN-EN24032 A4 VP.	1
1.12	2027191	> WASHER A17 DIN125 200HV A2	1
1.13		> IMPELLER 100/272/32 GG BALANCED	1
1.14	2051680	> O-RING ID.276,7x5,29 7EP1197-W534 VP.	1
	2042863	> CIRCLIP S16 V2A VP.	1
1.2	2026903	MECH.SEAL MG12/32-G60 AQ1EGG M16 KIT	1
1.11	2027188	> NUT M16 DIN-EN24032 A4 VP.	1
1.12	2027191	> WASHER A17 DIN125 200HV A2	1
1.14	2043160	> O-Ring 177,39x3,53 ISO3601B EPDM VP.	1
1.14	2042864	> O-RING ID.224x3,55 7EP1197-W534 VP.	1
1.14	2051680	> O-RING ID.276,7x5,29 7EP1197-W534 VP.	1
	2042863	> CIRCLIP S16 V2A VP.	1
1.21		> MECHANICAL SEAL MG12/32-G60 AQ1EGG	1
10	2027202	> TOOL D.18/24/32 VP.	1
1.3	2051332	LANTERN P330X120-F300 M16 KIT	1
1.11	2027188	> NUT M16 DIN-EN24032 A4 VP.	1
1.12	2027191	> WASHER A17 DIN125 200HV A2	1
1.14	2051680	> O-RING ID.276,7x5,29 7EP1197-W534 VP.	1
	2042863	> CIRCLIP S16 V2A VP.	1
1.31	2027201	> BLOWGUN R1/8" VP.	1
1.32	2048843	> COUPLING GUARD P270-F300/350 (2 PIECES)	1
1.33		> Lantern P330X120-F300 GG KTL WILO	1
10	2027202	> TOOL D.18/24/32 VP.	1
1.4	2051358	COUPLING/SHAFT 32/42X184 M16 KIT	1
1.11	2027188	> NUT M16 DIN-EN24032 A4 VP.	1
1.12	2027191	> WASHER A17 DIN125 200HV A2	1
1.14	2042864	> O-RING ID.224x3,55 7EP1197-W534 VP.	1
1.14	2051680	> O-RING ID.276,7x5,29 7EP1197-W534 VP.	1
	2042863	> CIRCLIP S16 V2A VP.	1
1.41		> COUPLING 32/42+SHAFT 32X184 BG160 ZN KIT	1
10	2027202	> TOOL D.18/24/32 VP.	1
2	2135939	MOTOR B35 11/4/160/350E-IE2-TEE(+TOOL)	1
		SPARE PARTS MOTOR B35 11/4/160/350E-IE2	1

**BL-E80/270-11/4-R1-IE2-X1 (2126150)**

Item	Article no.	Description	Quantity
3	2051368	PUMP HOUSING BL80/270 PN16 KIT	1
1.14	2051680	> O-RING ID.276,7x5,29 7EP1197-W534 VP.	1
3.1		> PUMP HOUSING BL80/270 PN16 CPL.WILO	1
4	2027193	SCREW M16X30 ISO4762 8.8 (4 PIECES)	1
5	2046467	Screw M16X35 ISO4017 8.8 (4 PIECES)	1
7	2029336	WASHER A17 DIN125 ST (4 PIECES)	1
11	2135989	MODULE BL-E80/270-11/4-IE2 TEE KIT	1
	2132102	> FAN SMALL TL6/7 FF KIT	1
		>> TL6/7FF module fan sm.cpl.	1
	2132096	>> FAN GRILL TL6/7 FF VP.	1
	2132097	> CABLE CONNECTION M12 TL6/7 FF VP.	1
	2132098	> CABLE CONNECTION M16 TL6/7 FF VP.	1
	2132099	> CABLE CONNECTION M20 TL6/7 FF VP.	1
	2132100	> CABLE CONNECTION SMALL M40 TL6/7 FF VP.	1
	2132104	> COVER SIDE TL6/7 FF CPL.VP.	1
	2132452	> MODULE COVER/BUTTON TL6/7 FF VP.	1

**Motor-Typenschild / Motor type plate / Plaque identité moteur**

**Bei Ersatzteilbestellung Motorhersteller / Motordaten beachten!**  
**Consider motor manufacturers / motor data for order of spare parts!**  
**Pour les commandes de pièce détachée, indiquer le fabricant / les données du moteur!**

TEE

**TEE** ELECTRIC MOTORS  
 ARCELIK A.S. - TURKEY  
 2089004

CE IE2

3-Mot. **Q2E FS 60M2D90-F188** Icl F S1 Kg 13  
 N° 0001  
 04012011 IP 55 IM -

V Δ/A	Hz	min <sup>-1</sup>	kW	Cos φ	A	η
230 / 400	50	2885	1.1	0.83	4.2 / 2.4	IE2-79,6%
230 / 400	60	3480	1.27	0.83	4.0 / 2.3	

IEC 60034  
 VDE 0530

Load Efficiency  
 %80 79,1%  
 %75 79,1%

ATB

Motor-Nummer  
 motor number  
 numéro du moteur

**ATB** IE2 CE

3-Mot. AF 132S/2F - 11S + E 2 /0509 IE2-88,1%  
 S1 132S IMV1 224039411-1 522058X  
 IP 55 Th. Cl. 155(F) SCHWINGGROESSENSTUFE 8  
**KD\_NR.2064705**

kW	V	Hz	A	1/min	cos φ
7,5	Y/Δ690/400	50	7,9 / 13,7	2890	0,90
7,5	Δ460	60	11,8	3510	0,89

Made in Germany 50 kg EN 60034

SIEMENS

Motor-Nummer  
 motor number  
 numéro du moteur

**SIEMENS** 3-MOT. 1 LA9133-4KA61-Z  
 UC 1009/000001101

IE2 CE

82,1kg IMB3 132M IP55 Th.CL.155(F) AMB 40°C

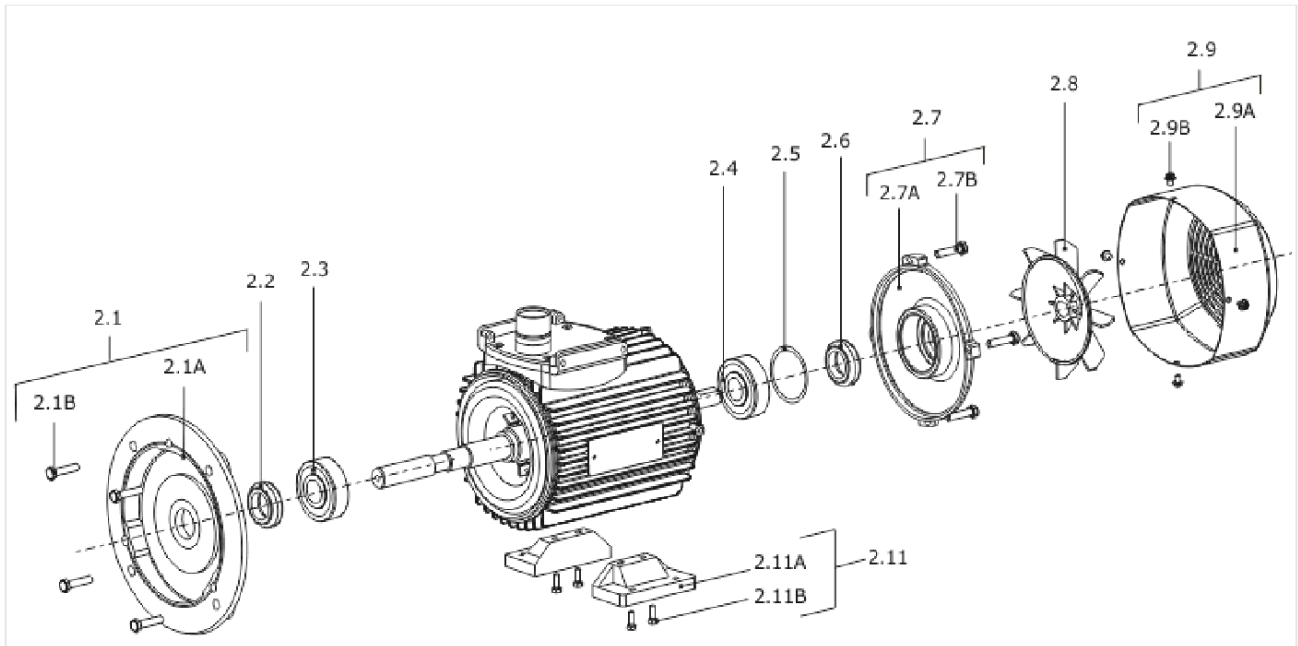
50 Hz	400/690V Δ/Y	7,5 kW	7A	1455 / min	cos φ 0,84
60 Hz	460V Δ	7,5 kW	8,7A	1760 RPM	PF 0,82

IE2 - 88,7%  
 IEC/EN 60034

IE2 - 90,5%

**SPARE PARTS MOTOR B35 11/4/160/350E-IE2**

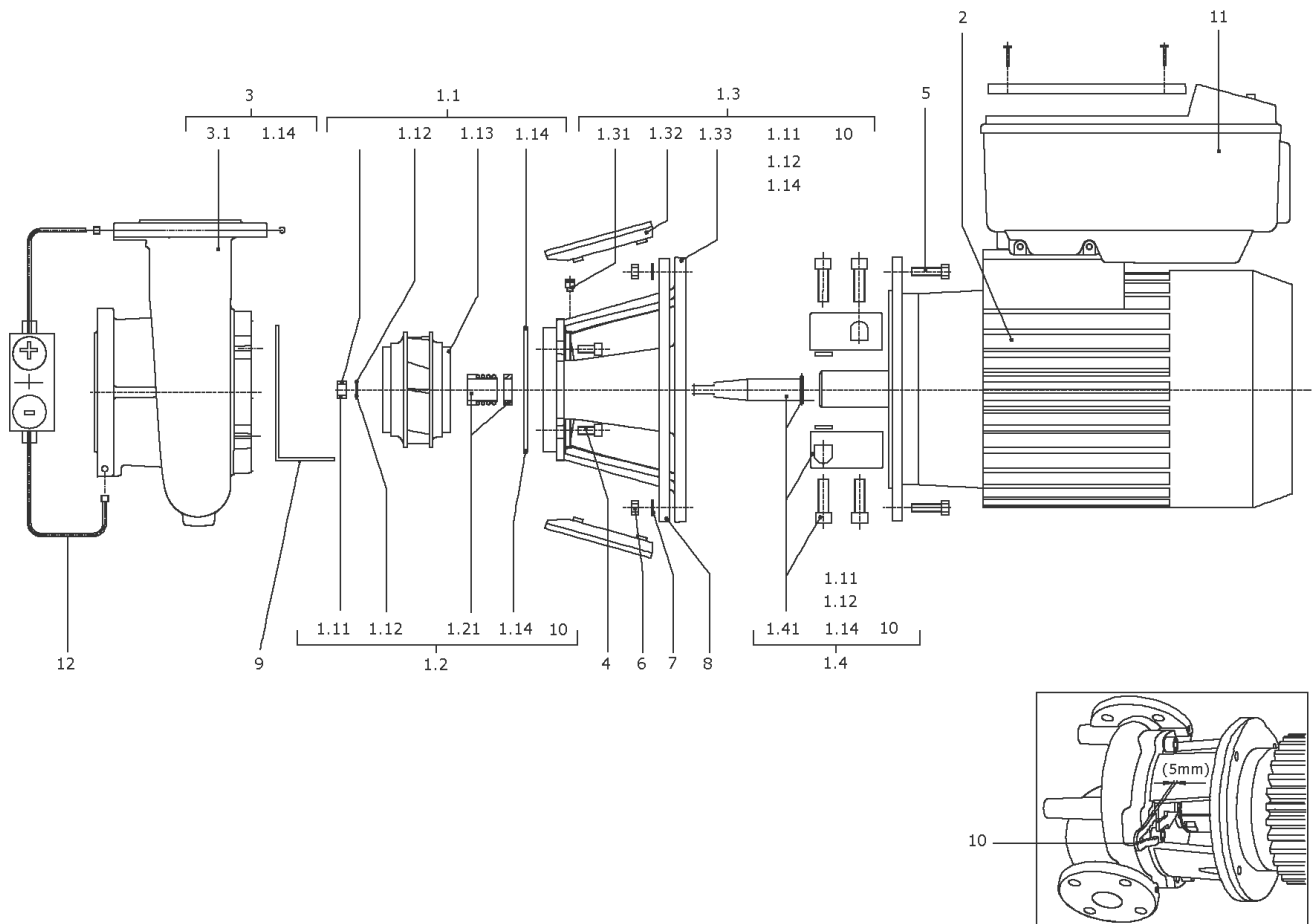
<b>Item</b>	<b>Description</b>	<b>Quantity</b>
1	MOTOR B35 11/4/160/350E TEE IE2 WILO	1



**MOTOR B35 11/4/160/350E TEE IE2 WILO**

Item	Article no.	Description	Quantity
2.1	2120052	END SHIELD BG160 D.E.TEE KIT	1
Note: Please give the data from type plate of the motor			
2.1A		> END SHIELD BG160 642400806 D.E.TEE	1
2.1B	2125338	> SCREW F.END SHIELD BG160 TEE(8 PIECES)	1
Note: Please give the data from type plate of the motor			
2.2	2096382	JOINT RING 45X72X10 TEE VP.	1
Note: Please give the data from type plate of the motor			
2.3	121084396	BALL BEARING 6309/2Z-C3 (HT) VP.	1
Note: Please give the data from type plate of the motor			
2.4	122065996	BALL BEARING 6209/2Z-C3 (HT) VP.	1
Note: Please give the data from type plate of the motor			
2.5	2125362	SPACER DISK BG160 TEE VP.	1
Note: Please give the data from type plate of the motor			
2.6	2096382	JOINT RING 45X72X10 TEE VP.	1
Note: Please give the data from type plate of the motor			
2.7	2125387	END SHIELD BG160 N.D.E.TEE KIT	1
Note: Please give the data from type plate of the motor			
2.7A		> END SHIELD BG160 643232001 N.D.E.TEE	1
2.7B	2125338	> SCREW F.END SHIELD BG160 TEE(8 PIECES)	1
Note: Please give the data from type plate of the motor			
2.8	2042826	FAN WHEEL BG160-200 TEE VP.	1
Note: Please give the data from type plate of the motor			
2.9	2125348	FAN COVER BG160 TEE KIT	1
Note: Please give the data from type plate of the motor			
2.9A		> FAN COVER BG160 644307201 TEE	1
2.9B	2116839	> SCREW BG90-112 TEE (4 PIECE)	1
Note: Please give the data from type plate of the motor			
2.11	2123904	MOTOR FOOT BG160 TEE KIT	1
Note: Please give the data from type plate of the motor			
2.11A		> MOTOR FOOT BG160 LEFT 643409001 TEE	1
2.11A		> MOTOR FOOT BG160 RIGHT 643408901 TEE	1
2.11B	2125331	> SCREW BG132/160 TEE (2 PIECES)	1
Note: Please give the data from type plate of the motor			





**BL-E100/200-5,5/4-R1-IE2-X1 (2126151)**

Item	Article no.	Description	Quantity
1.1	2051373	IMPELLER D.125/197/24(BL)KIT	1
1.11	2027187	> NUT M12 DIN-EN24032 A2 VP.	1
1.12	2027190	> WASHER A13 DIN125-T2 A2 VP.	1
1.13		> IMPELLER 125/197/187/24 GG BALANCED	1
1.14	2042864	> O-RING ID.224x3,55 7EP1197-W534 VP.	1
	2042862	> WASHER S12 V2A VP.	1
1.2	2026902	MECHANICAL SEAL MG12/24-G60 AQ1EGG KIT	1
1.11	2027187	> NUT M12 DIN-EN24032 A2 VP.	1
1.12	2027190	> WASHER A13 DIN125-T2 A2 VP.	1
1.14	2037527	> O-RING 148,82x3,53 EPDM 70SR.VP.	1
1.14	2043160	> O-Ring 177,39x3,53 ISO3601B EPDM VP.	1
1.14	2042864	> O-RING ID.224x3,55 7EP1197-W534 VP.	1
1.14	2051680	> O-RING ID.276,7x5,29 7EP1197-W534 VP.	1
	2042862	> WASHER S12 V2A VP.	1
1.21		> MECHANICAL SEAL MG12/24-G60 AQ1EGG	1
10	2027202	> TOOL D.18/24/32 VP.	1
1.3	2042721	LANTERN P270X122-F265 KTL KIT	1
1.11	2027187	> NUT M12 DIN-EN24032 A2 VP.	1
1.12	2027190	> WASHER A13 DIN125-T2 A2 VP.	1
1.14	2042864	> O-RING ID.224x3,55 7EP1197-W534 VP.	1
	2042862	> WASHER S12 V2A VP.	1
1.31	2027201	> BLOWGUN R1/8" VP.	1
1.32	2048845	> COUPLING GUARD P270-F265 PA66 (2 PIECES)	1
1.33		> LANTERN P270X122-F265 GG KTL WILO	1
10	2027202	> TOOL D.18/24/32 VP.	1
1.4	2048444	COUPLING/SHAFT D.24/38X153 KIT	1
1.11	2027187	> NUT M12 DIN-EN24032 A2 VP.	1
1.12	2027190	> WASHER A13 DIN125-T2 A2 VP.	1
1.14	2042864	> O-RING ID.224x3,55 7EP1197-W534 VP.	1
1.14	2051680	> O-RING ID.276,7x5,29 7EP1197-W534 VP.	1
	2042862	> WASHER S12 V2A VP.	1
1.41		> COUPLING 24/38+SHAFT 24X153 GR132 ZN KIT	1
10	2027202	> TOOL D.18/24/32 VP.	1
2	2135937	MOTOR B35 5,5/4/132/300E-IE2-SM.(+TOOL)	1

**BL-E100/200-5,5/4-R1-IE2-X1 (2126151)**

Item	Article no.	Description	Quantity
		SPARE PARTS MOTOR B35 5,5/4/132/300E-IE2	1
3	2051366	PUMP HOUSING BL100/220 PN16 KIT	1
1.14	2042864	> O-RING ID.224x3,55 7EP1197-W534 VP.	1
3.1		> PUMP HOUSING BL100/220 PN16 CPL.WILO	1
4	2027193	SCREW M16X30 ISO4762 8.8 (4 PIECES)	1
5	2027195	SCREW M12X25 DIN912 8.8 (4 PIECES)	1
11	2135990	MODULE BL-E100/200-5,5/4-IE2 SM.KIT	1
		> MODULE BL-E100/200-5,5/4 WILO	1
	2111344	> MODULE COVER/GASKET TL5 KIT	1
	2120047	> CABLE CONNECTION M12x1,5/5 cpl.TL5 VP.	1
	2120048	> CABLE CONNECTION M16x1,5/5 cpl.TL5 VP.	1
	2120049	> CABLE CONNECTION M20x1,5/6 cpl.TL5 VP.	1
	2120050	> CABLE CONNECTION M25x1,5/8 cpl.TL5 VP.	1

**Motor-Typenschild / Motor type plate / Plaque identité moteur**

**Bei Ersatzteilbestellung Motorhersteller / Motordaten beachten!**  
**Consider motor manufacturers / motor data for order of spare parts!**  
**Pour les commandes de pièce détachée, indiquer le fabricant / les données du moteur!**

TEE

**TEE** ELECTRIC MOTORS  
 ARCELIK A.S. - TURKEY  
 2089004

CE IE2

3-Mot. **Q2E FS 60M2D90-F188** Icl F S1 Kg 13  
 N° 0001  
 04012011 IP 55 IM -

V Δ/A	Hz	min <sup>-1</sup>	kW	Cos φ	A	η
230 / 400	50	2885	1.1	0.83	4.2 / 2.4	IE2-79,6%
205 / 400	60	3480	1.27	0.83	4.0 / 2.3	

IEC 60034  
 VDE 0530

Load Efficiency  
 %80 79,1%  
 %75 79,1%

ATB

Motor-Nummer  
 motor number  
 numéro du moteur

**ATB** IE2 CE

3-Mot. AF 132S/2F - 11S + E 2 /0509 IE2-88,1%  
 S1 132S IMV1 224039411-1 522058X  
 IP 55 Th. Cl. 155(F) SCHWINGGROESSENSTUFE 8  
**KD\_NR.2064705**

kW	V	Hz	A	1/min	cos φ
7,5	Y/Δ690/400	50	7,9 / 13,7	2890	0,90
7,5	Δ460	60	11,8	3510	0,89

Made in Germany 50 kg EN 60034

SIEMENS

Motor-Nummer  
 motor number  
 numéro du moteur

**SIEMENS** 3-MOT. 1 LA9133-4KA61-Z  
 UC 1009/000001101

IE2 CE

82,1kg IMB3 132M IP55 Th.CL.155(F) AMB 40°C

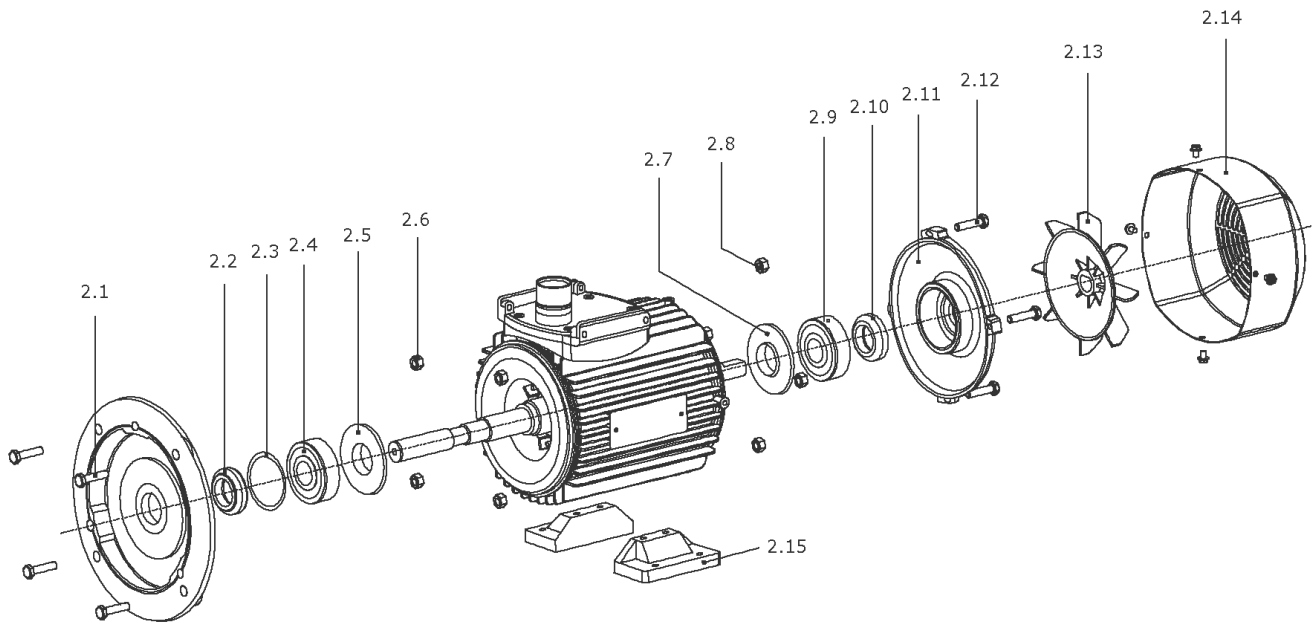
50 Hz	400/690V Δ/Y	60 Hz	460V Δ
7,5 kW	7A	7,5 kW	8,7A
cos φ 0,84	1455 / min	PF 0,82	1760 RPM

IE2 - 88,7% IE2 - 90,5%  
 IEC/EN 60034

**SPARE PARTS MOTOR B35 5,5/4/132/300E-IE2**

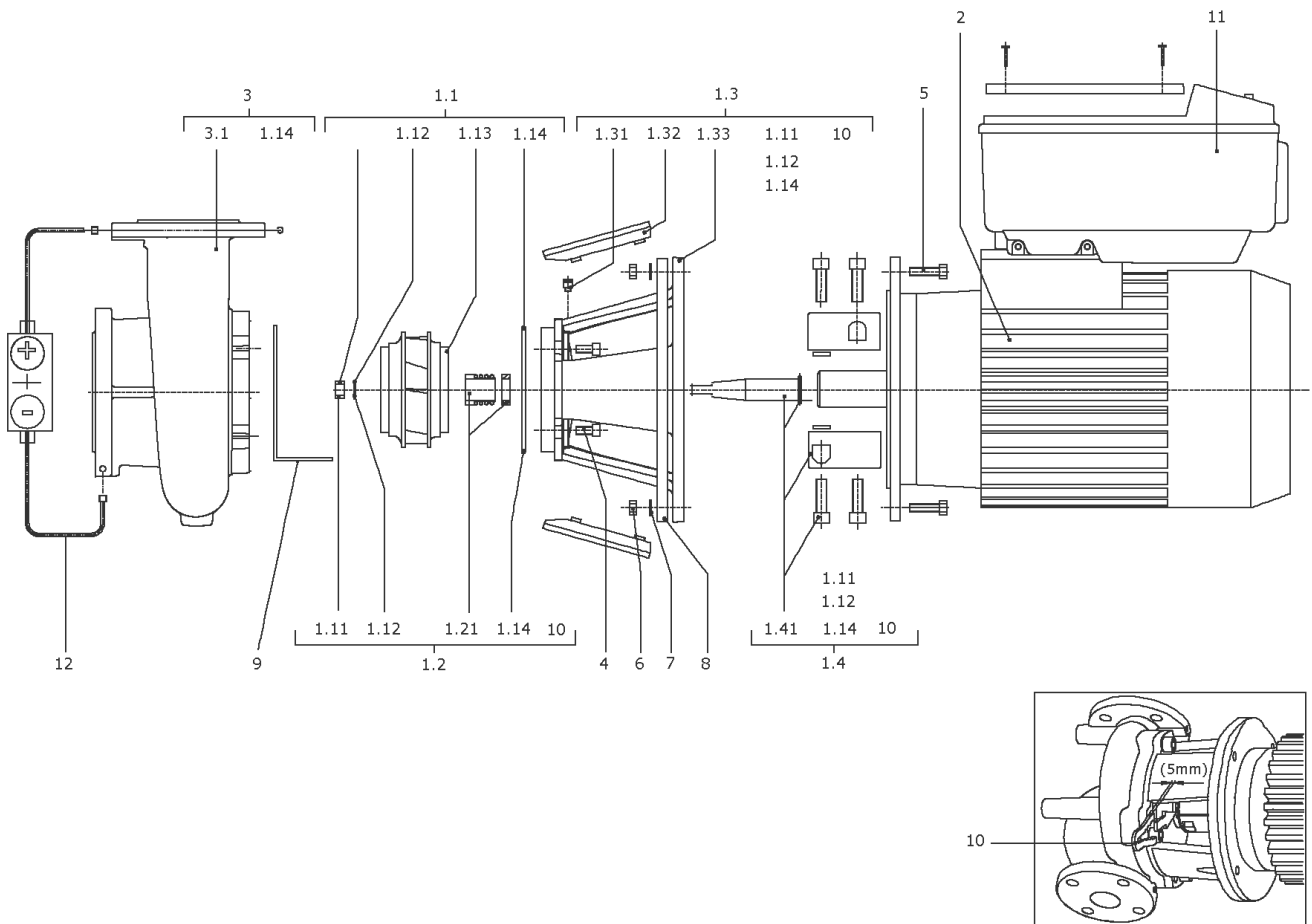


Item	Description	Quantity
3	MOTOR B35 5,5/4/132/300E SM IE2 WILO	1



**MOTOR B35 5,5/4/132/300E SM IE2 WILO**

Item	Article no.	Description	Quantity
2.1	2112830	SCREW M8X65 ISO4762 8.8 (4 PIECES)	1
Note: Please give the data from type plate of the motor			
2.2	2111403	V-RING V40-A SM.VP.	1
Note: Please give the data from type plate of the motor			
2.3	2112832	SPRING WASHER SN60098-56 6208 SM.VP.	1
Note: Please give the data from type plate of the motor			
2.4	2111405	BALL BEARING 6308/2ZJC3 SM.VP.	1
Note: Please give the data from type plate of the motor			
2.5	2111401	BEARING INSERT BG132 D.E.SM.VP.	1
Note: Please give the data from type plate of the motor			
2.6	2112834	NUT M8-8 DIN6923(4 PIECES)	1
Note: Please give the data from type plate of the motor			
2.7	2111409	BEARING INSERT BG132 N.D.E.SM.VP.	1
Note: Please give the data from type plate of the motor			
2.8	2112834	NUT M8-8 DIN6923(4 PIECES)	1
Note: Please give the data from type plate of the motor			
2.9	2111366	BALL BEARING 6208/2ZJC3 SM.VP.	1
Note: Please give the data from type plate of the motor			
2.10	2111403	V-RING V40-A SM.VP.	1
Note: Please give the data from type plate of the motor			
2.11	2111407	END SHIELD N.D.E.BG132 SM.VP.	1
Note: Please give the data from type plate of the motor			
2.12	2112836	SCREW M8X40 ISO4017 8.8 (4 PIECES)	1
Note: Please give the data from type plate of the motor			
2.13	2138769	FAN WHEEL 1PC3 BG132 D.230 SM.VP.	1
Note: Please give the data from type plate of the motor			
2.14	2111411	FAN COVER 1PC3 BG132/300 SM.VP.	1
Note: Please give the data from type plate of the motor			
2.15	2138774	MOTOR FOOT 1LE1 BG132 SM.KIT	1
Note: Please give the data from type plate of the motor			





**BL-E100/220-7,5/4-R1-IE2-X1 (2126152)**

Item	Article no.	Description	Quantity
1.1	2051372	IMPELLER D.125/216/24(BL)KIT	1
1.11	2027187	> NUT M12 DIN-EN24032 A2 VP.	1
1.12	2027190	> WASHER A13 DIN125-T2 A2 VP.	1
1.13		> IMPELLER 125/216/206/24 GG balanced	1
1.14	2042864	> O-RING ID.224x3,55 7EP1197-W534 VP.	1
	2042862	> WASHER S12 V2A VP.	1
1.2	2026902	MECHANICAL SEAL MG12/24-G60 AQ1EGG KIT	1
1.11	2027187	> NUT M12 DIN-EN24032 A2 VP.	1
1.12	2027190	> WASHER A13 DIN125-T2 A2 VP.	1
1.14	2037527	> O-RING 148,82x3,53 EPDM 70SR.VP.	1
1.14	2043160	> O-Ring 177,39x3,53 ISO3601B EPDM VP.	1
1.14	2042864	> O-RING ID.224x3,55 7EP1197-W534 VP.	1
1.14	2051680	> O-RING ID.276,7x5,29 7EP1197-W534 VP.	1
	2042862	> WASHER S12 V2A VP.	1
1.21		> MECHANICAL SEAL MG12/24-G60 AQ1EGG	1
10	2027202	> TOOL D.18/24/32 VP.	1
1.3	2042721	LANTERN P270X122-F265 KTL KIT	1
1.11	2027187	> NUT M12 DIN-EN24032 A2 VP.	1
1.12	2027190	> WASHER A13 DIN125-T2 A2 VP.	1
1.14	2042864	> O-RING ID.224x3,55 7EP1197-W534 VP.	1
	2042862	> WASHER S12 V2A VP.	1
1.31	2027201	> BLOWGUN R1/8" VP.	1
1.32	2048845	> COUPLING GUARD P270-F265 PA66 (2 PIECES)	1
1.33		> LANTERN P270X122-F265 GG KTL WILO	1
10	2027202	> TOOL D.18/24/32 VP.	1
1.4	2048444	COUPLING/SHAFT D.24/38X153 KIT	1
1.11	2027187	> NUT M12 DIN-EN24032 A2 VP.	1
1.12	2027190	> WASHER A13 DIN125-T2 A2 VP.	1
1.14	2042864	> O-RING ID.224x3,55 7EP1197-W534 VP.	1
1.14	2051680	> O-RING ID.276,7x5,29 7EP1197-W534 VP.	1
	2042862	> WASHER S12 V2A VP.	1
1.41		> COUPLING 24/38+SHAFT 24X153 GR132 ZN KIT	1
10	2027202	> TOOL D.18/24/32 VP.	1
2	2135938	MOTOR B35 7,5/4/132/300E-IE2-SM.(+TOOL)	1

**BL-E100/220-7,5/4-R1-IE2-X1 (2126152)**

Item	Article no.	Description	Quantity
		SPARE PARTS MOTOR B35 7,5/4/132/300E-IE2	1
3	2051366	PUMP HOUSING BL100/220 PN16 KIT	1
1.14	2042864	> O-RING ID.224x3,55 7EP1197-W534 VP.	1
3.1		> PUMP HOUSING BL100/220 PN16 CPL.WILO	1
4	2027193	SCREW M16X30 ISO4762 8.8 (4 PIECES)	1
5	2027195	SCREW M12X25 DIN912 8.8 (4 PIECES)	1
11	2135991	MODULE BL-E100/220-7,5/4-IE2 SM.KIT	1
		> MODULE BL-E100/220-7,5/4 WILO	1
	2111344	> MODULE COVER/GASKET TL5 KIT	1
	2120047	> CABLE CONNECTION M12x1,5/5 cpl.TL5 VP.	1
	2120048	> CABLE CONNECTION M16x1,5/5 cpl.TL5 VP.	1
	2120049	> CABLE CONNECTION M20x1,5/6 cpl.TL5 VP.	1
	2120050	> CABLE CONNECTION M25x1,5/8 cpl.TL5 VP.	1

### Motor-Typenschild / Motor type plate / Plaque identité moteur

**Bei Ersatzteilbestellung Motorhersteller / Motordaten beachten!**  
**Consider motor manufacturers / motor data for order of spare parts!**  
**Pour les commandes de pièce détachée, indiquer le fabricant / les données du moteur!**

TEE

**TEE** ELECTRIC MOTORS  
 ARCELIK A.S. - TURKEY  
 2089004

CE IE2

3-Mot. **Q2E FS 60M2D90-F188** Icl F S1 Kg **13**  
 N° 0001  
 04012011 IP **55** IM -

V Δ/A	Hz	min <sup>-1</sup>	kW	Cos φ	A	η
230 / 400	50	2885	1.1	0.83	4.2 / 2.4	IE2-79,6%
205 / 400	60	3480	1.27	0.83	4.0 / 2.3	

IEC 60034  
 VDE 0530

Load Efficiency  
 %80 79,1%  
 %75 79,1%

ATB

Motor-Nummer  
 motor number  
 numéro du moteur

**ATB** IE2 CE

3-Mot. AF 132S/2F - 11S + E 2 /0509 IE2-88,1%  
 S1 132S IMV1 224039411-1 522058X  
 IP 55 Th. Cl. 155(F) SCHWINGGROESSENSTUFE 8  
**KD\_NR.2064705**

kW	V	Hz	A	1/min	cos φ
7.5	Y/Δ690/400	50	7.9 / 13.7	2890	0.90
7.5	Δ460	60	11.8	3510	0.89

Made in Germany 50 kg EN 60034

SIEMENS

Motor-Nummer  
 motor number  
 numéro du moteur

**SIEMENS** 3-MOT. 1 LA9133-4KA61-Z  
 UC 1009/000001101

IE2 CE

82.1kg IMB3 132M IP55 Th.CL.155(F) AMB 40°C

50 Hz	400/690V Δ/Y	7A	1455 / min	7.5 kW	8.7A	1760 RPM
cos φ 0.84						

IE2 - 88,7%  
 IEC/EN 60034

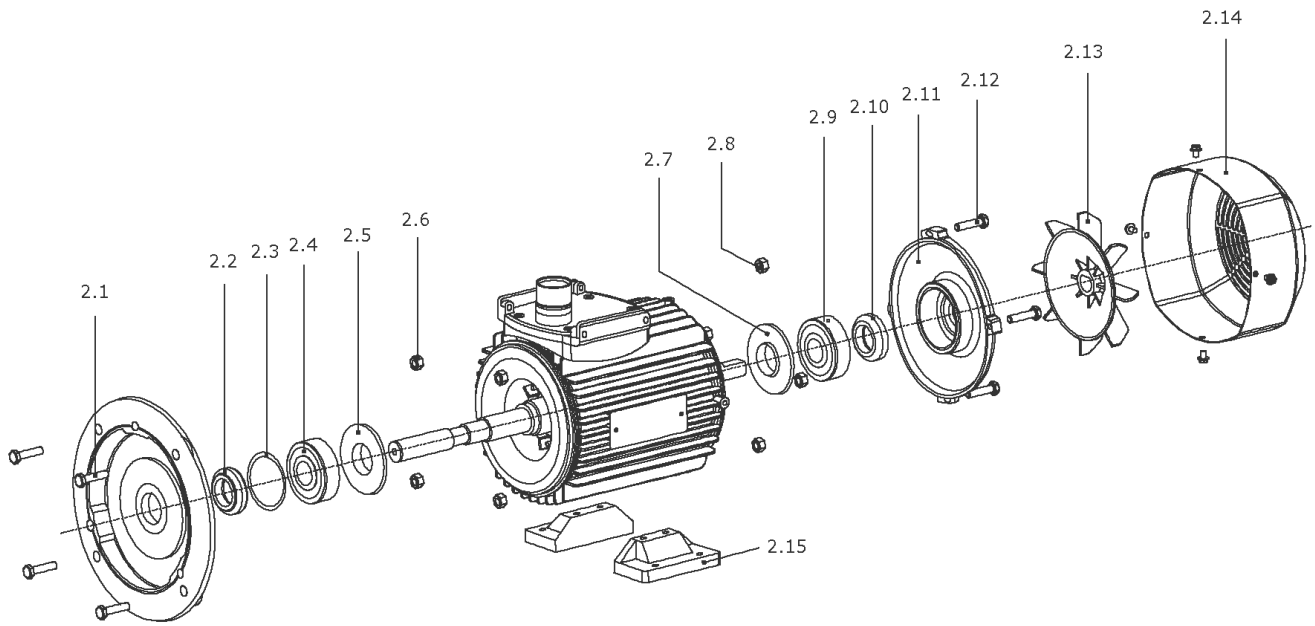
80 Hz 460V Δ  
 7.5 kW 8.7A  
 PF 0.82 1760 RPM

IE2 - 90,5%

## SPARE PARTS MOTOR B35 7,5/4/132/300E-IE2

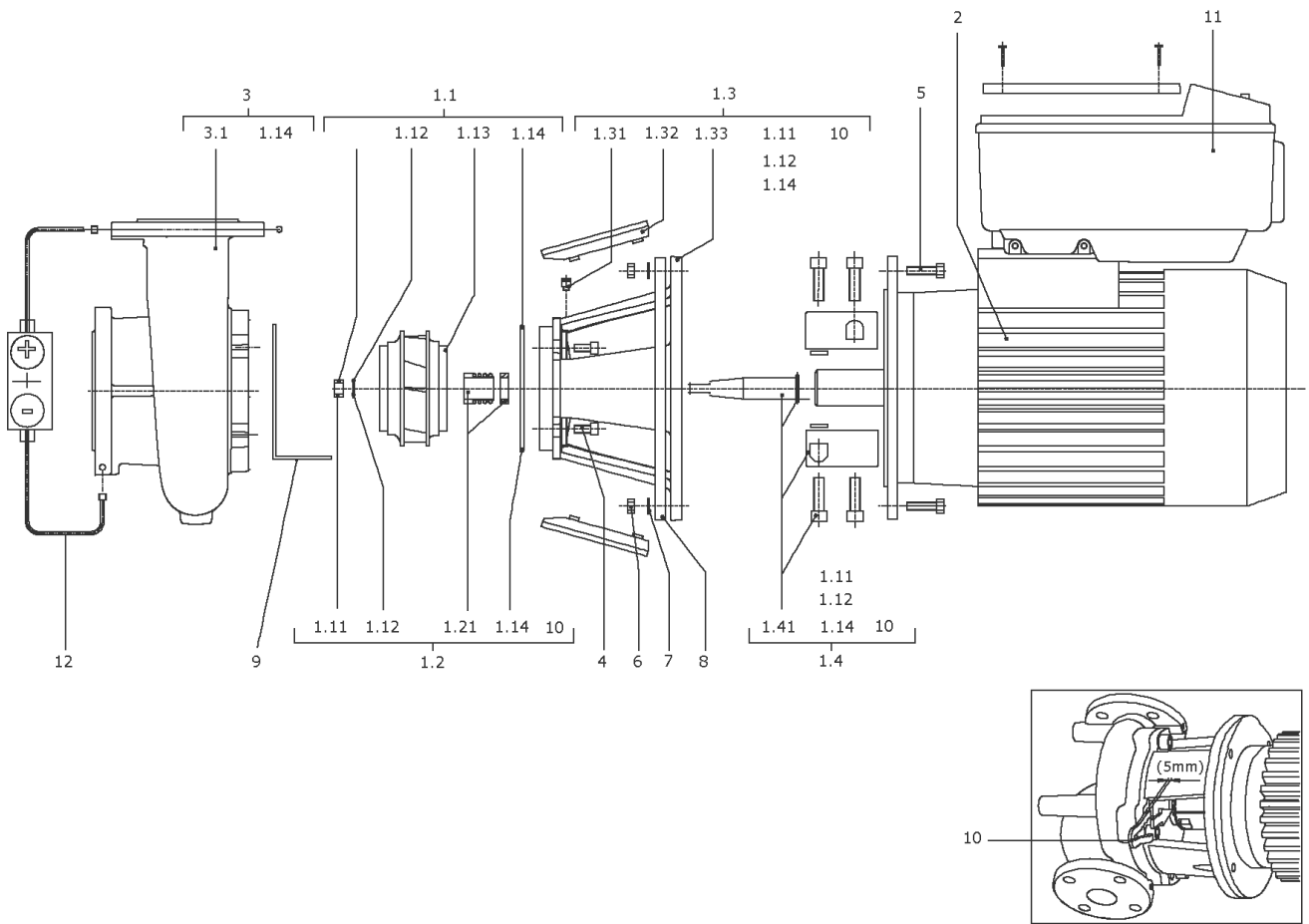


Item	Description	Quantity
3	MOTOR B35 7,5/4/132/300E SM IE2 WILO	1



**MOTOR B35 7,5/4/132/300E SM IE2 WILO**

Item	Article no.	Description	Quantity
2.1	2112830	SCREW M8X65 ISO4762 8.8 (4 PIECES)	1
Note: Please give the data from type plate of the motor			
2.2	2111403	V-RING V40-A SM.VP.	1
Note: Please give the data from type plate of the motor			
2.3	2112832	SPRING WASHER SN60098-56 6208 SM.VP.	1
Note: Please give the data from type plate of the motor			
2.4	2111405	BALL BEARING 6308/2ZJC3 SM.VP.	1
Note: Please give the data from type plate of the motor			
2.5	2111401	BEARING INSERT BG132 D.E.SM.VP.	1
Note: Please give the data from type plate of the motor			
2.6	2112834	NUT M8-8 DIN6923(4 PIECES)	1
Note: Please give the data from type plate of the motor			
2.7	2111409	BEARING INSERT BG132 N.D.E.SM.VP.	1
Note: Please give the data from type plate of the motor			
2.8	2112834	NUT M8-8 DIN6923(4 PIECES)	1
Note: Please give the data from type plate of the motor			
2.9	2111366	BALL BEARING 6208/2ZJC3 SM.VP.	1
Note: Please give the data from type plate of the motor			
2.10	2111403	V-RING V40-A SM.VP.	1
Note: Please give the data from type plate of the motor			
2.11	2111407	END SHIELD N.D.E.BG132 SM.VP.	1
Note: Please give the data from type plate of the motor			
2.12	2112836	SCREW M8X40 ISO4017 8.8 (4 PIECES)	1
Note: Please give the data from type plate of the motor			
2.13	2138769	FAN WHEEL 1PC3 BG132 D.230 SM.VP.	1
Note: Please give the data from type plate of the motor			
2.14	2111411	FAN COVER 1PC3 BG132/300 SM.VP.	1
Note: Please give the data from type plate of the motor			
2.15	2138774	MOTOR FOOT 1LE1 BG132 SM.KIT	1
Note: Please give the data from type plate of the motor			



**BL-E100/250-11/4-R1-IE2 (2126153)**

Item	Article no.	Description	Quantity
1.1	2123428	IMPELLER D.125/249/239/32 KIT	1
1.11	2027188	> NUT M16 DIN-EN24032 A4 VP.	1
1.12	2027191	> WASHER A17 DIN125 200HV A2	1
1.13		> IMPELLER 125/249/239/32 GG BALANCED	1
1.14	2051680	> O-RING ID.276,7x5,29 7EP1197-W534 VP.	1
	2042863	> CIRCLIP S16 V2A VP.	1
1.2	2026903	MECH.SEAL MG12/32-G60 AQ1EGG M16 KIT	1
1.11	2027188	> NUT M16 DIN-EN24032 A4 VP.	1
1.12	2027191	> WASHER A17 DIN125 200HV A2	1
1.14	2043160	> O-Ring 177,39x3,53 ISO3601B EPDM VP.	1
1.14	2042864	> O-RING ID.224x3,55 7EP1197-W534 VP.	1
1.14	2051680	> O-RING ID.276,7x5,29 7EP1197-W534 VP.	1
	2042863	> CIRCLIP S16 V2A VP.	1
1.21		> MECHANICAL SEAL MG12/32-G60 AQ1EGG	1
10	2027202	> TOOL D.18/24/32 VP.	1
1.3	2051335	LANTERN P330X130-F300 M16 KIT	1
1.11	2027188	> NUT M16 DIN-EN24032 A4 VP.	1
1.12	2027191	> WASHER A17 DIN125 200HV A2	1
1.14	2051680	> O-RING ID.276,7x5,29 7EP1197-W534 VP.	1
	2042863	> CIRCLIP S16 V2A VP.	1
1.31	2027201	> BLOWGUN R1/8" VP.	1
1.32	2048843	> COUPLING GUARD P270-F300/350 (2 PIECES)	1
1.33		> Lantern P330X130-F300 GG KTL.WILO	1
10	2027202	> TOOL D.18/24/32 VP.	1
1.4	2051358	COUPLING/SHAFT 32/42X184 M16 KIT	1
1.11	2027188	> NUT M16 DIN-EN24032 A4 VP.	1
1.12	2027191	> WASHER A17 DIN125 200HV A2	1
1.14	2042864	> O-RING ID.224x3,55 7EP1197-W534 VP.	1
1.14	2051680	> O-RING ID.276,7x5,29 7EP1197-W534 VP.	1
	2042863	> CIRCLIP S16 V2A VP.	1
1.41		> COUPLING 32/42+SHAFT 32X184 BG160 ZN KIT	1
10	2027202	> TOOL D.18/24/32 VP.	1
2	2135939	MOTOR B35 11/4/160/350E-IE2-TEE(+TOOL)	1
		SPARE PARTS MOTOR B35 11/4/160/350E-IE2	1



**BL-E100/250-11/4-R1-IE2 (2126153)**

Item	Article no.	Description	Quantity
3	2051370	PUMP HOUSING BL100/270 PN16 KIT	1
1.14	2051680	> O-RING ID.276,7x5,29 7EP1197-W534 VP.	1
3.1		> PUMP HOUSING BL100/270 PN16 CPL.WILO	1
4	2027193	SCREW M16X30 ISO4762 8.8 (4 PIECES)	1
5	2046467	Screw M16X35 ISO4017 8.8 (4 PIECES)	1
7	2029336	WASHER A17 DIN125 ST (4 PIECES)	1
11	2135992	MODULE BL-E100/250-11/4-IE2 TEE KIT	1
	2132102	> FAN SMALL TL6/7 FF KIT	1
		>> TL6/7FF module fan sm.cpl.	1
	2132096	>> FAN GRILL TL6/7 FF VP.	1
	2132097	> CABLE CONNECTION M12 TL6/7 FF VP.	1
	2132098	> CABLE CONNECTION M16 TL6/7 FF VP.	1
	2132099	> CABLE CONNECTION M20 TL6/7 FF VP.	1
	2132100	> CABLE CONNECTION SMALL M40 TL6/7 FF VP.	1
	2132104	> COVER SIDE TL6/7 FF CPL.VP.	1
	2132452	> MODULE COVER/BUTTON TL6/7 FF VP.	1

### Motor-Typenschild / Motor type plate / Plaque identité moteur

**Bei Ersatzteilbestellung Motorhersteller / Motordaten beachten!**  
**Consider motor manufacturers / motor data for order of spare parts!**  
**Pour les commandes de pièce détachée, indiquer le fabricant / les données du moteur!**

TEE

**TEE** ELECTRIC MOTORS  
 ARCELIK A.S. - TURKEY  
 2089004

CE IE2

3-Mot. **Q2E FS 60M2D90-F188** Icl F S1 Kg 13  
 N° 0001  
 04012011 IP 55 IM -

V Δ/A	Hz	min <sup>-1</sup>	kW	Cos φ	A	η
230 / 400	50	2885	1.1	0.83	4.2 / 2.4	IE2-79,6%
230 / 400	60	3480	1.27	0.83	4.0 / 2.3	

IEC 60034  
 VDE 0530

Load Efficiency  
 %80 79,1%  
 %75 79,1%

ATB

Motor-Nummer  
 motor number  
 numéro du moteur

**ATB** IE2 CE

3-Mot. AF 132S/2F - 11S + E 2 /0509 IE2-88,1%  
 S1 132S IMV1 224039411-1 522058X  
 IP 55 Th. Cl. 155(F) SCHWINGGROESSENSTUFE 8  
**KD\_NR.2064705**

kW	V	Hz	A	1/min	cos φ
7,5	Y/Δ690/400	50	7,9 / 13,7	2890	0,90
7,5	Δ460	60	11,8	3510	0,89

Made in Germany 50 kg EN 60034

SIEMENS

Motor-Nummer  
 motor number  
 numéro du moteur

**SIEMENS** 3-MOT. 1 LA9133-4KA61-Z  
 UC 1009/000001101

IE2 CE

82,1kg IMB3 132M IP55 Th.CL.155(F) AMB 40°C

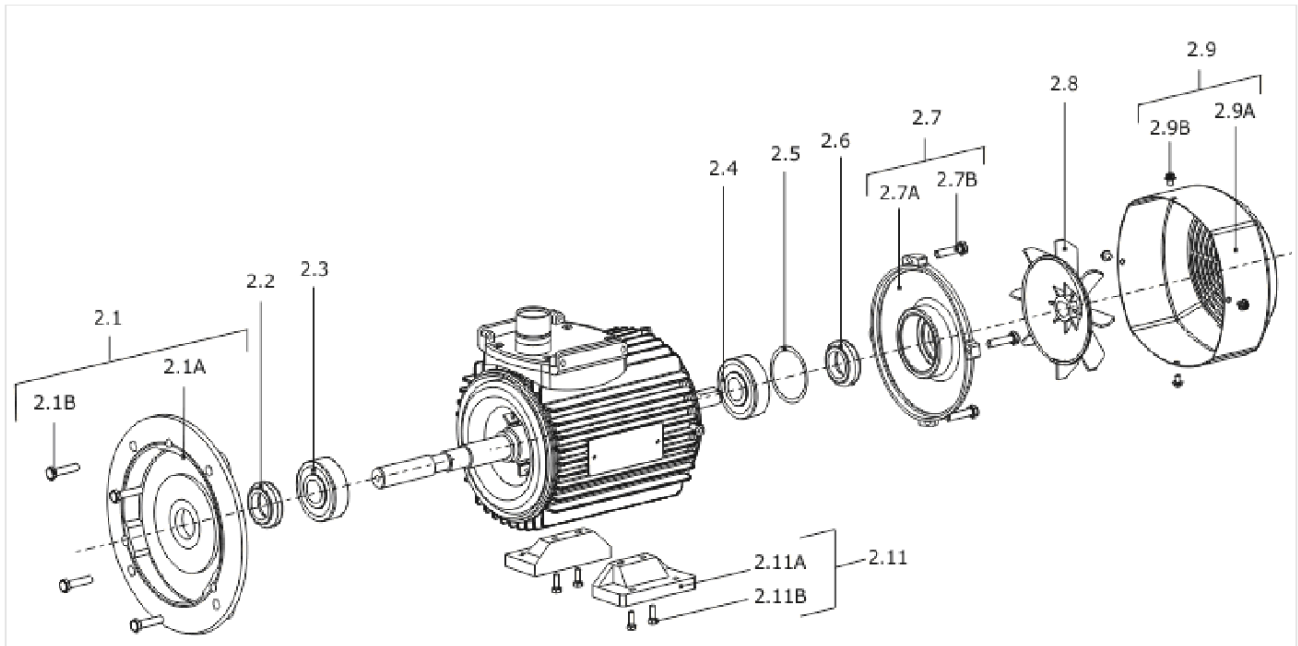
50 Hz	400/690V Δ/Y	7,5 kW	7A	1455 / min	cos φ 0,84
60 Hz	460V Δ	7,5 kW	8,7A <td>1760 RPM <td>PF 0,82 </td></td>	1760 RPM <td>PF 0,82 </td>	PF 0,82

IE2 - 88,7%  
 IEC/EN 60034

IE2 - 90,5%

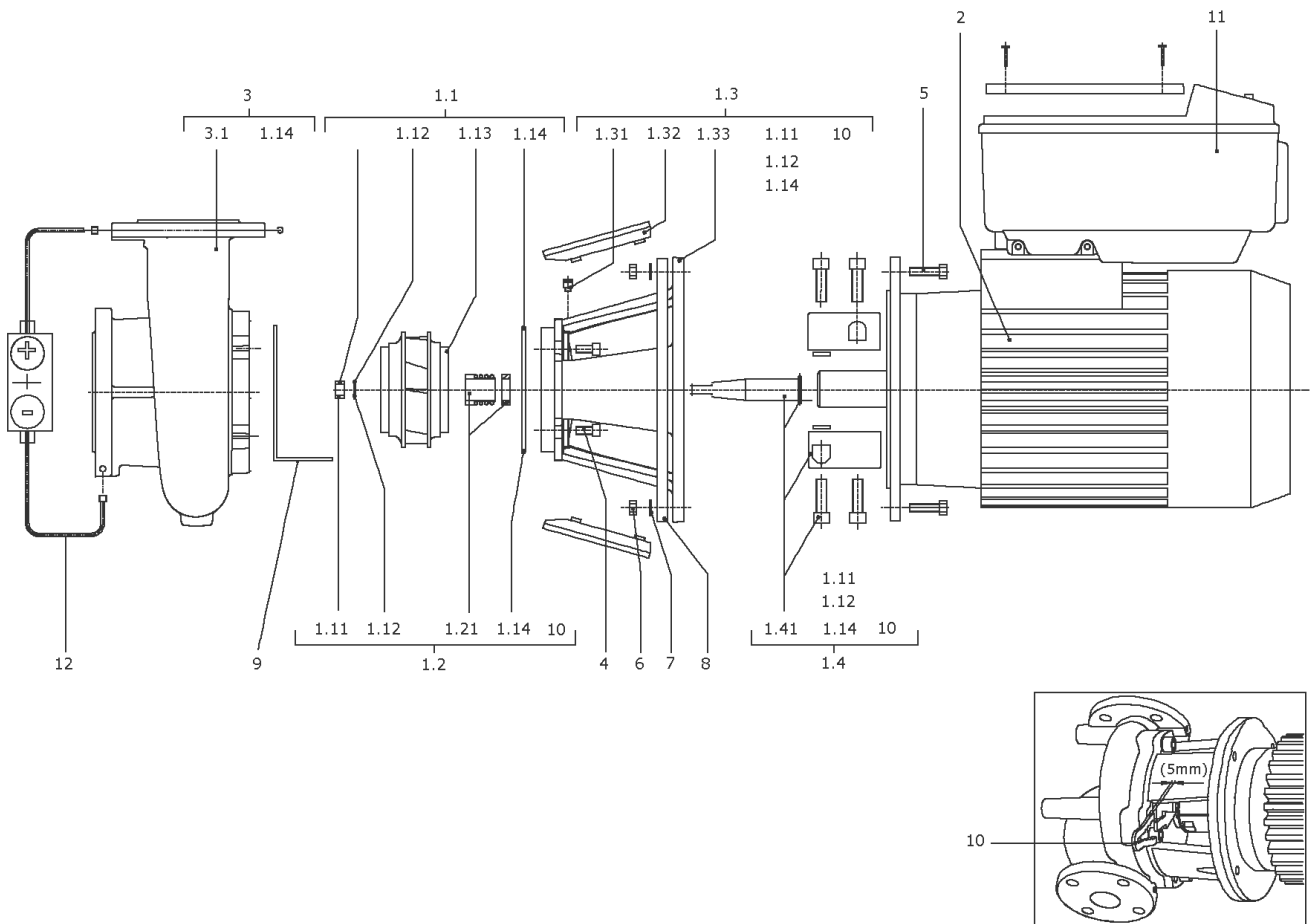
**SPARE PARTS MOTOR B35 11/4/160/350E-IE2**

<b>Item</b>	<b>Description</b>	<b>Quantity</b>
1	MOTOR B35 11/4/160/350E TEE IE2 WILO	1



**MOTOR B35 11/4/160/350E TEE IE2 WILO**

Item	Article no.	Description	Quantity
2.1	2120052	END SHIELD BG160 D.E.TEE KIT	1
Note: Please give the data from type plate of the motor			
2.1A		> END SHIELD BG160 642400806 D.E.TEE	1
2.1B	2125338	> SCREW F.END SHIELD BG160 TEE(8 PIECES)	1
Note: Please give the data from type plate of the motor			
2.2	2096382	JOINT RING 45X72X10 TEE VP.	1
Note: Please give the data from type plate of the motor			
2.3	121084396	BALL BEARING 6309/2Z-C3 (HT) VP.	1
Note: Please give the data from type plate of the motor			
2.4	122065996	BALL BEARING 6209/2Z-C3 (HT) VP.	1
Note: Please give the data from type plate of the motor			
2.5	2125362	SPACER DISK BG160 TEE VP.	1
Note: Please give the data from type plate of the motor			
2.6	2096382	JOINT RING 45X72X10 TEE VP.	1
Note: Please give the data from type plate of the motor			
2.7	2125387	END SHIELD BG160 N.D.E.TEE KIT	1
Note: Please give the data from type plate of the motor			
2.7A		> END SHIELD BG160 643232001 N.D.E.TEE	1
2.7B	2125338	> SCREW F.END SHIELD BG160 TEE(8 PIECES)	1
Note: Please give the data from type plate of the motor			
2.8	2042826	FAN WHEEL BG160-200 TEE VP.	1
Note: Please give the data from type plate of the motor			
2.9	2125348	FAN COVER BG160 TEE KIT	1
Note: Please give the data from type plate of the motor			
2.9A		> FAN COVER BG160 644307201 TEE	1
2.9B	2116839	> SCREW BG90-112 TEE (4 PIECE)	1
Note: Please give the data from type plate of the motor			
2.11	2123904	MOTOR FOOT BG160 TEE KIT	1
Note: Please give the data from type plate of the motor			
2.11A		> MOTOR FOOT BG160 LEFT 643409001 TEE	1
2.11A		> MOTOR FOOT BG160 RIGHT 643408901 TEE	1
2.11B	2125331	> SCREW BG132/160 TEE (2 PIECES)	1
Note: Please give the data from type plate of the motor			



**BL-E100/270-15/4-R1-IE2 (2126154)**

Item	Article no.	Description	Quantity
1.1	2123427	IMPELLER D.125/270/32 KIT	1
1.11	2027188	> NUT M16 DIN-EN24032 A4 VP.	1
1.12	2027191	> WASHER A17 DIN125 200HV A2	1
1.13		> IMPELLER 125/270/32 GG FINI.BALANCED	1
1.14	2051680	> O-RING ID.276,7x5,29 7EP1197-W534 VP.	1
	2042863	> CIRCLIP S16 V2A VP.	1
1.2	2026903	MECH.SEAL MG12/32-G60 AQ1EGG M16 KIT	1
1.11	2027188	> NUT M16 DIN-EN24032 A4 VP.	1
1.12	2027191	> WASHER A17 DIN125 200HV A2	1
1.14	2043160	> O-Ring 177,39x3,53 ISO3601B EPDM VP.	1
1.14	2042864	> O-RING ID.224x3,55 7EP1197-W534 VP.	1
1.14	2051680	> O-RING ID.276,7x5,29 7EP1197-W534 VP.	1
	2042863	> CIRCLIP S16 V2A VP.	1
1.21		> MECHANICAL SEAL MG12/32-G60 AQ1EGG	1
10	2027202	> TOOL D.18/24/32 VP.	1
1.3	2051335	LANTERN P330X130-F300 M16 KIT	1
1.11	2027188	> NUT M16 DIN-EN24032 A4 VP.	1
1.12	2027191	> WASHER A17 DIN125 200HV A2	1
1.14	2051680	> O-RING ID.276,7x5,29 7EP1197-W534 VP.	1
	2042863	> CIRCLIP S16 V2A VP.	1
1.31	2027201	> BLOWGUN R1/8" VP.	1
1.32	2048843	> COUPLING GUARD P270-F300/350 (2 PIECES)	1
1.33		> Lantern P330X130-F300 GG KTL.WILO	1
10	2027202	> TOOL D.18/24/32 VP.	1
1.4	2051358	COUPLING/SHAFT 32/42X184 M16 KIT	1
1.11	2027188	> NUT M16 DIN-EN24032 A4 VP.	1
1.12	2027191	> WASHER A17 DIN125 200HV A2	1
1.14	2042864	> O-RING ID.224x3,55 7EP1197-W534 VP.	1
1.14	2051680	> O-RING ID.276,7x5,29 7EP1197-W534 VP.	1
	2042863	> CIRCLIP S16 V2A VP.	1
1.41		> COUPLING 32/42+SHAFT 32X184 BG160 ZN KIT	1
10	2027202	> TOOL D.18/24/32 VP.	1
2	2135940	MOTOR B35 15/4/160/350E-IE2-TEE(+TOOL)	1
		SPARE PARTS MOTOR B35 15/4/160/350E-IE2	1

**BL-E100/270-15/4-R1-IE2 (2126154)**

Item	Article no.	Description	Quantity
3	2051370	PUMP HOUSING BL100/270 PN16 KIT	1
1.14	2051680	> O-RING ID.276,7x5,29 7EP1197-W534 VP.	1
3.1		> PUMP HOUSING BL100/270 PN16 CPL.WILO	1
4	2027193	SCREW M16X30 ISO4762 8.8 (4 PIECES)	1
5	2046467	Screw M16X35 ISO4017 8.8 (4 PIECES)	1
7	2029336	WASHER A17 DIN125 ST (4 PIECES)	1
11	2135993	MODULE BL-E100/270-15/4-IE2 TEE KIT	1
	2132102	> FAN SMALL TL6/7 FF KIT	1
		>> TL6/7FF module fan sm.cpl.	1
	2132096	>> FAN GRILL TL6/7 FF VP.	1
	2132097	> CABLE CONNECTION M12 TL6/7 FF VP.	1
	2132098	> CABLE CONNECTION M16 TL6/7 FF VP.	1
	2132099	> CABLE CONNECTION M20 TL6/7 FF VP.	1
	2132100	> CABLE CONNECTION SMALL M40 TL6/7 FF VP.	1
	2132104	> COVER SIDE TL6/7 FF CPL.VP.	1
	2132452	> MODULE COVER/BUTTON TL6/7 FF VP.	1



**Motor-Typenschild / Motor type plate / Plaque identité moteur**

**Bei Ersatzteilbestellung Motorhersteller / Motordaten beachten!**  
**Consider motor manufacturers / motor data for order of spare parts!**  
**Pour les commandes de pièce détachée, indiquer le fabricant / les données du moteur!**

TEE

**TEE ELECTRIC MOTORS**  
ARCELIK A.S. - TURKEY  
2089004

CE IE2

3-Mot. **Q2E FS 60M2D90-F188** Icl F S1 Kg 13  
 N° 0001  
 04012011 IP 55 IM -

V Δ/A	Hz	min <sup>-1</sup>	kW	Cos φ	A	η
230 / 400	50	2885	1.1	0.85	4.2 / 2.4	IE2-79,6%
230 / 400	60	3480	1.27	0.83	4.0 / 2.3	

IEC 60034  
VDE 0530

Load Efficiency  
%80 79,1%  
%75 79,1%

ATB

Motor-Nummer  
motor number  
numéro du moteur

**ATB IE2 CE**

3-Mot. AF 132S/2F - 11S + E 2 /0509 IE2-88,1%  
 S1 132S IMV1 224039411-1 522058X  
 IP 55 Th. Cl. 155(F) SCHWINGGROESSENSTUFE 8  
**KD\_NR.2064705**

kW	V	Hz	A	1/min	cos φ
7,5	Y/Δ690/400	50	7,9 / 13,7	2890	0,90
7,5	Δ460	60	11,8	3510	0,89

Made in Germany 50 kg EN 60034

SIEMENS

Motor-Nummer  
motor number  
numéro du moteur

**SIEMENS 3-MOT. 1 LA9133-4KA61-Z** CE  
 UC 1009/000001101

IEC/EN 60034

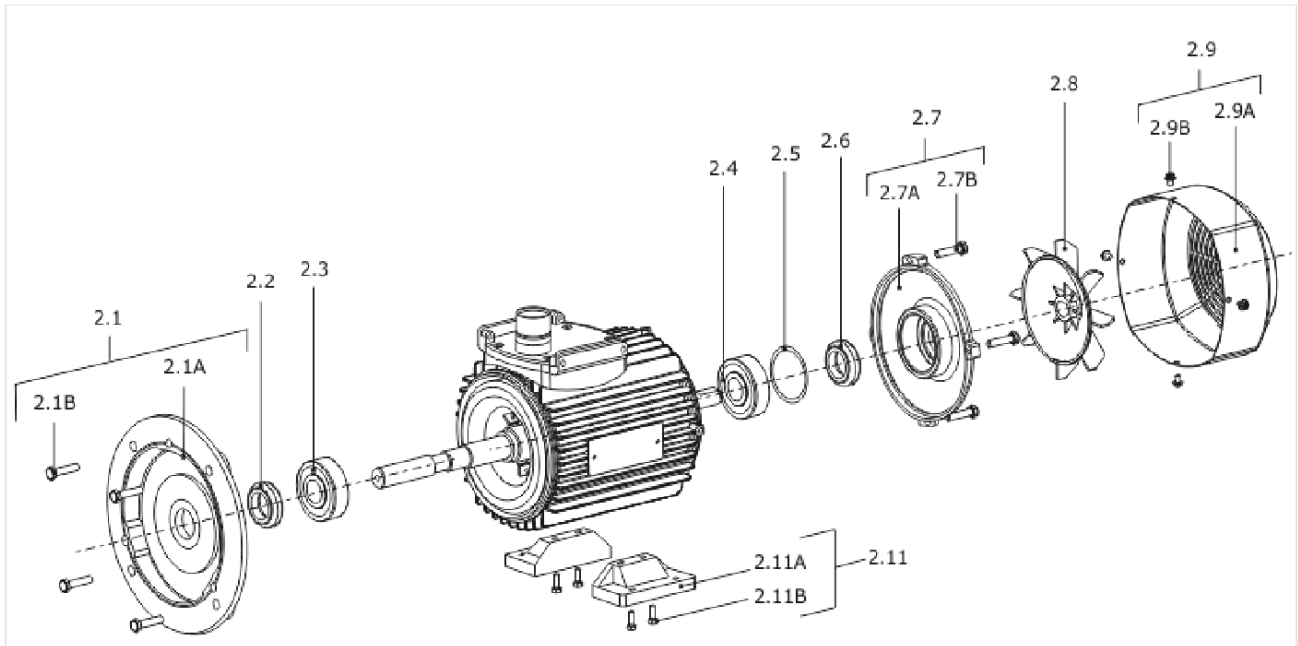
82,1kg IMB3 132M IP55 Th.CL.155(F) AMB 40°C

50 Hz	400/690V Δ/Y	80 Hz	460V Δ
7,5 kW	7A	7,5 kW	8,7A
cos φ 0,84	1455 / min	PF 0,82	1760 RPM

IE2 - 88,7% IE2 - 90,5%

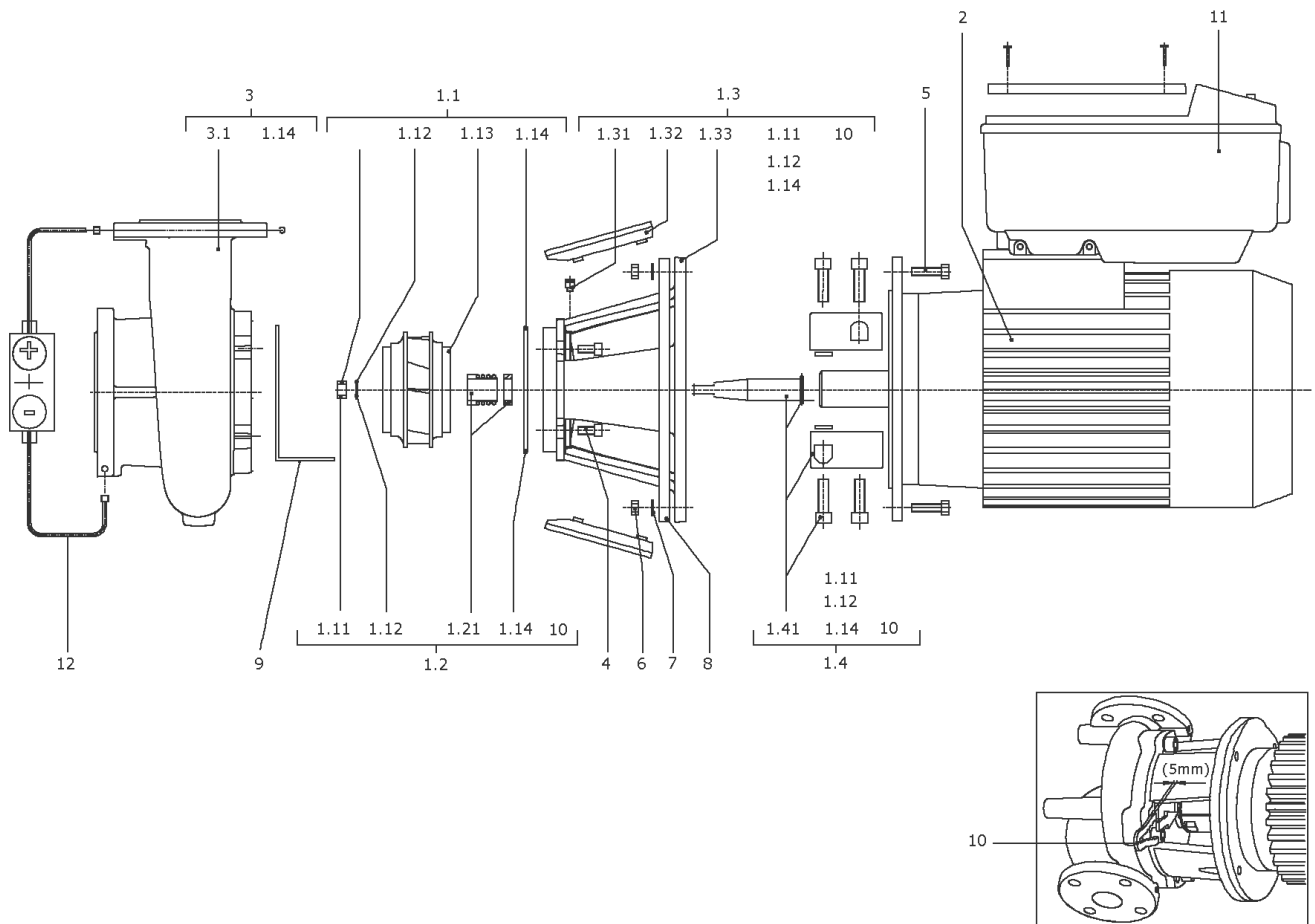
**SPARE PARTS MOTOR B35 15/4/160/350E-IE2**

<b>Item</b>	<b>Description</b>	<b>Quantity</b>
1	MOTOR B35 15/4/160/350E TEE IE2 WILO	1



**MOTOR B35 15/4/160/350E TEE IE2 WILO**

Item	Article no.	Description	Quantity
2.1	2120052	END SHIELD BG160 D.E.TEE KIT	1
Note: Please give the data from type plate of the motor			
2.1A		> END SHIELD BG160 642400806 D.E.TEE	1
2.1B	2125338	> SCREW F.END SHIELD BG160 TEE(8 PIECES)	1
Note: Please give the data from type plate of the motor			
2.2	2096382	JOINT RING 45X72X10 TEE VP.	1
Note: Please give the data from type plate of the motor			
2.3	121084396	BALL BEARING 6309/2Z-C3 (HT) VP.	1
Note: Please give the data from type plate of the motor			
2.4	122065996	BALL BEARING 6209/2Z-C3 (HT) VP.	1
Note: Please give the data from type plate of the motor			
2.5	2125362	SPACER DISK BG160 TEE VP.	1
Note: Please give the data from type plate of the motor			
2.6	2096382	JOINT RING 45X72X10 TEE VP.	1
Note: Please give the data from type plate of the motor			
2.7	2125387	END SHIELD BG160 N.D.E.TEE KIT	1
Note: Please give the data from type plate of the motor			
2.7A		> END SHIELD BG160 643232001 N.D.E.TEE	1
2.7B	2125338	> SCREW F.END SHIELD BG160 TEE(8 PIECES)	1
Note: Please give the data from type plate of the motor			
2.8	2042826	FAN WHEEL BG160-200 TEE VP.	1
Note: Please give the data from type plate of the motor			
2.9	2125348	FAN COVER BG160 TEE KIT	1
Note: Please give the data from type plate of the motor			
2.9A		> FAN COVER BG160 644307201 TEE	1
2.9B	2116839	> SCREW BG90-112 TEE (4 PIECE)	1
Note: Please give the data from type plate of the motor			
2.11	2123904	MOTOR FOOT BG160 TEE KIT	1
Note: Please give the data from type plate of the motor			
2.11A		> MOTOR FOOT BG160 LEFT 643409001 TEE	1
2.11A		> MOTOR FOOT BG160 RIGHT 643408901 TEE	1
2.11B	2125331	> SCREW BG132/160 TEE (2 PIECES)	1
Note: Please give the data from type plate of the motor			



**BL-E100/305-18,5/4-R1-IE2 (2126155)**

Item	Article no.	Description	Quantity
1.1	2135922	IMPELLER 125/340-302-149,6/38 GG KIT	1
1.11	2027188	> NUT M16 DIN-EN24032 A4 VP.	1
1.12	2147220	> Impeller washer D.42 V2A VP.	1
1.13		> IMPELLER 125/340-302-149,6/38 GG gewu	1
1.14	2052325	> O-RING ID.338X5,3 7EP1197-W534 VP.	1
	2042863	> CIRCLIP S16 V2A VP.	1
	2107599	> KEY B10X8X40 DIN6885 A2(2 PIECES)	1
1.2	2052335	MECHANICAL SEAL MG12/43-G60 AQ1EGG KIT	1
1.11	2027188	> NUT M16 DIN-EN24032 A4 VP.	1
1.12	2147220	> Impeller washer D.42 V2A VP.	1
1.14	2052325	> O-RING ID.338X5,3 7EP1197-W534 VP.	1
1.14	2051680	> O-RING ID.276,7x5,29 7EP1197-W534 VP.	1
1.21		> MECHANICAL SEAL MG12/43-G60 AQ1EGG	1
10	2054339	> TOOL D.42/55 VP.	1
	2042863	> CIRCLIP S16 V2A VP.	1
1.3	2052339	LANTERN P400X150-F300 KIT	1
1.11	2027188	> NUT M16 DIN-EN24032 A4 VP.	1
1.12	2147220	> Impeller washer D.42 V2A VP.	1
1.14	2052325	> O-RING ID.338X5,3 7EP1197-W534 VP.	1
1.31	2027201	> BLOWGUN R1/8" VP.	1
1.32	2048843	> COUPLING GUARD P270-F300/350 (2 PIECES)	1
1.33		> LANTERN P400X150-F300 GG KTL	1
10	2054339	> TOOL D.42/55 VP.	1
	2042863	> CIRCLIP S16 V2A VP.	1
1.4	2052342	COUPLING/SHAFT D.42/48X203 KIT	1
1.11	2027188	> NUT M16 DIN-EN24032 A4 VP.	1
1.12	2147220	> Impeller washer D.42 V2A VP.	1
1.14	2051680	> O-RING ID.276,7x5,29 7EP1197-W534 VP.	1
1.14	2052325	> O-RING ID.338X5,3 7EP1197-W534 VP.	1
1.41		> COUPLING 42/48+SHAFT 42X206 GR180 ZN KIT	1
10	2054339	> TOOL D.42/55 VP.	1
	2042863	> CIRCLIP S16 V2A VP.	1
	2107599	> KEY B10X8X40 DIN6885 A2(2 PIECES)	1
2	2135941	MOTOR B35 18,5/4/180/350E-IE2-TEE(+TOOL)	1

**BL-E100/305-18,5/4-R1-IE2 (2126155)**

Item	Article no.	Description	Quantity
		SPARE PARTS MOT.B35 18,5/4/180/350E-IE2	1
3	2135945	PUMP HOUSING B100/340-P400 PN16 KIT	1
1.14	2052325	> O-RING ID.338X5,3 7EP1197-W534 VP.	1
3.1		> PUMP HOUSING B100/340-P400 PN16 CPL.WILO	1
4	2052346	SCREW M20X35 ISO4762 8.8 (8 PIECES)	1
5	2046467	Screw M16X35 ISO4017 8.8 (4 PIECES)	1
7	2029336	WASHER A17 DIN125 ST (4 PIECES)	1
11	2135994	MODULE BL-E100/305-18,5/4-IE2 TEE KIT	1
	2132103	> FAN LARGE TL6/7 FF KIT	1
		>> TL6/7FF module fan large cpl.	1
	2132096	>> FAN GRILL TL6/7 FF VP.	1
	2132097	> CABLE CONNECTION M12 TL6/7 FF VP.	1
	2132098	> CABLE CONNECTION M16 TL6/7 FF VP.	1
	2132099	> CABLE CONNECTION M20 TL6/7 FF VP.	1
	2132101	> CABLE CONNECTION LARGE M40 TL6/7 FF VP.	1
	2132104	> COVER SIDE TL6/7 FF CPL.VP.	1
	2132452	> MODULE COVER/BUTTON TL6/7 FF VP.	1

### Motor-Typenschild / Motor type plate / Plaque identité moteur

**Bei Ersatzteilbestellung Motorhersteller / Motordaten beachten!**  
**Consider motor manufacturers / motor data for order of spare parts!**  
**Pour les commandes de pièce détachée, indiquer le fabricant / les données du moteur!**

TEE

**TEE ELECTRIC MOTORS**  
ARCELIK A.S. - TURKEY  
2089004

CE IE2

3-Mot. **Q2E FS 60M2D90-F188** Icl F S1 Kg 13  
 N° 0001  
 04012011 IP 55 IM -

V Δ/A	Hz	min <sup>-1</sup>	kW	Cos φ	A	η
230 / 400	50	2885	1.1	0.83	4.2 / 2.4	IE2-79,6%
230 / 400	60	3480	1.27	0.83	4.0 / 2.3	

IEC 60034  
VDE 0530

Load Efficiency  
%80 79,1%  
%75 79,1%

ATB

Motor-Nummer  
motor number  
numéro du moteur

**ATB IE2 CE**

3-Mot. AF 132S/2F - 11S + E 2 /0509 IE2-88,1%  
 S1 132S IMV1 224039411-1 522058X  
 IP 55 Th. Cl. 155(F) SCHWINGGROESSENSTUFE 8  
**KD\_NR.2064705**

kW	V	Hz	A	1/min	cos φ
7,5	Y/Δ690/400	50	7,9 / 13,7	2890	0,90
7,5	Δ460	60	11,8	3510	0,89

Made in Germany 50 kg EN 60034

SIEMENS

Motor-Nummer  
motor number  
numéro du moteur

**SIEMENS 3-MOT. 1 LA9133-4KA61-Z** CE

UC 1009/000001101

82,1kg IMB3 132M IP55 Th.CL.155(F) AMB 40°C

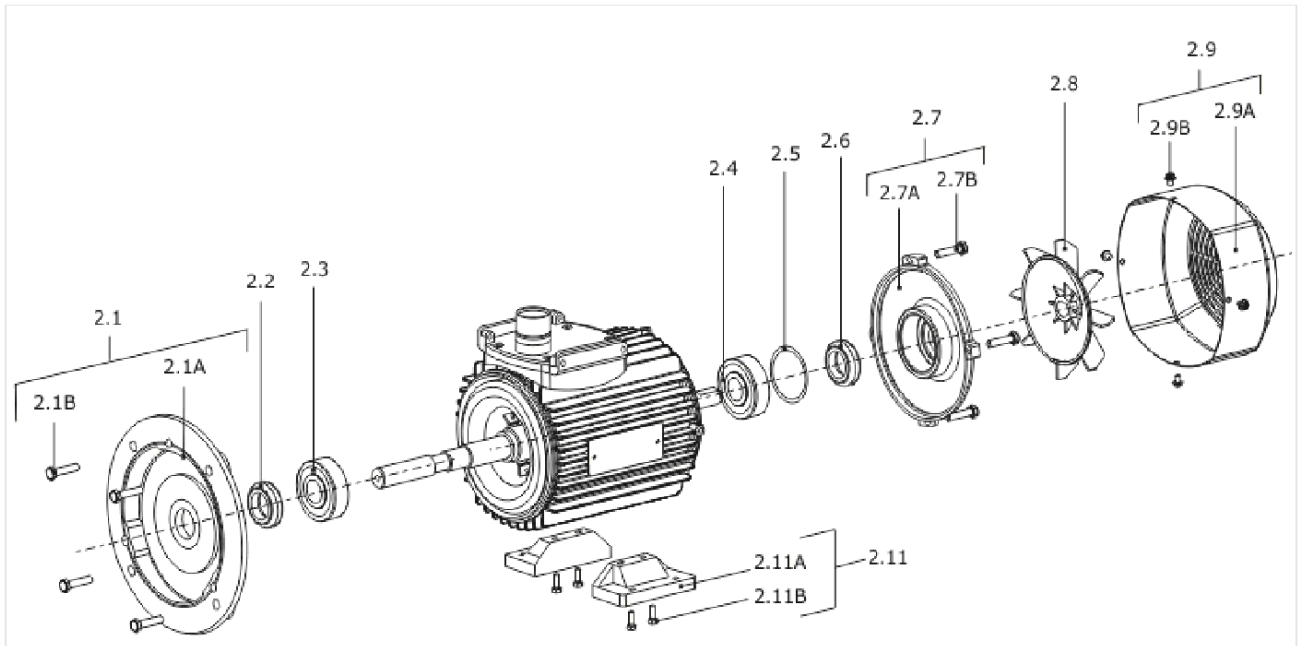
50 Hz	400/690V Δ/Y	80 Hz	460V Δ
7,5 kW	7A	7,5 kW	8,7A
cos φ 0,84	1455 / min	PF 0,82	1760 RPM

IE2 - 88,7% IE2 - 90,5%  
IEC/EN 60034



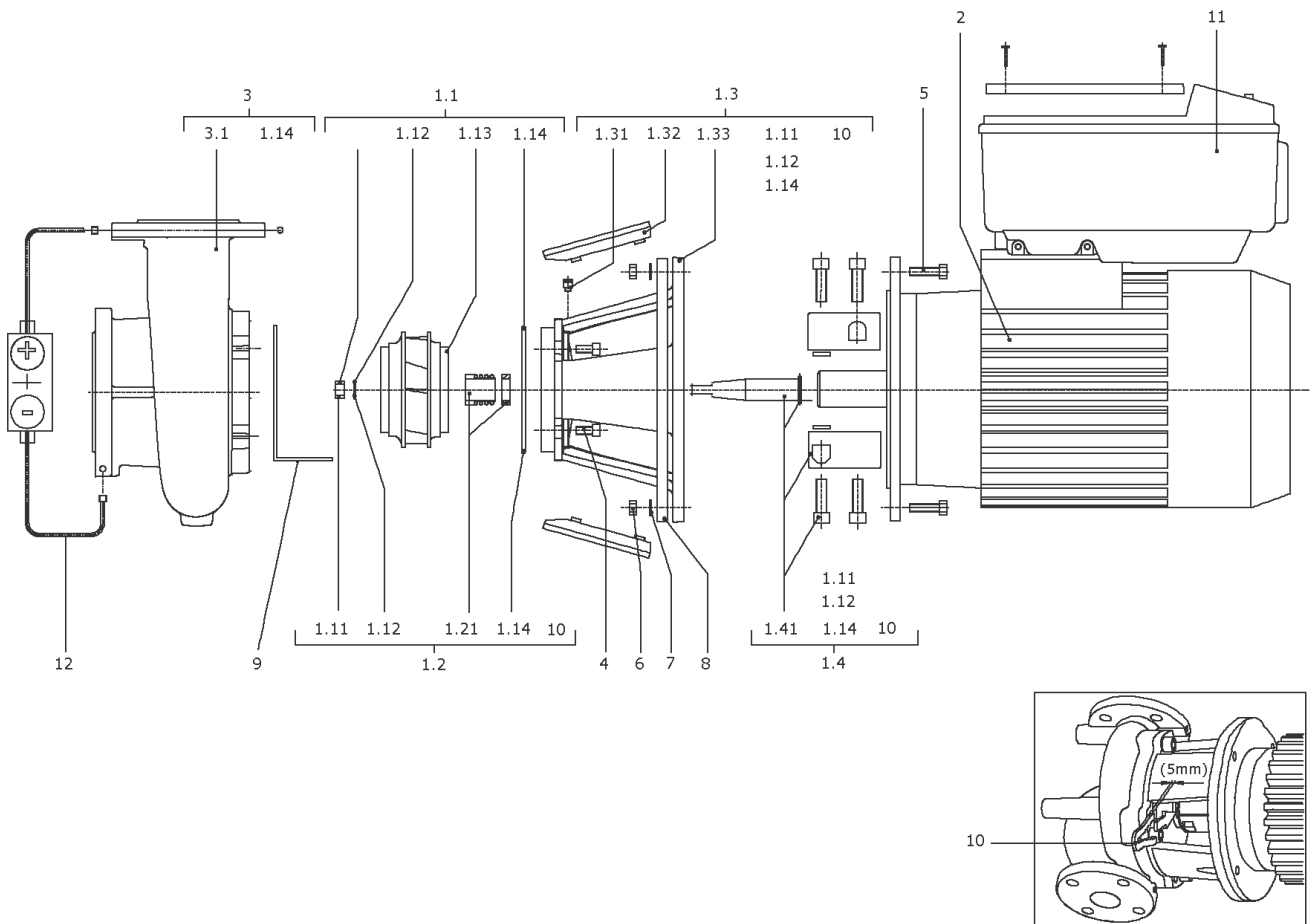
**SPARE PARTS MOT.B35 18,5/4/180/350E-IE2**

<b>Item</b>	<b>Description</b>	<b>Quantity</b>
1	MOTOR B35 18,5/4/180/350E TEE IE2 WILO	1



**MOTOR B35 18,5/4/180/350E TEE IE2 WILO**

Item	Article no.	Description	Quantity
2.1	2125392	END SHIELD BG180 D.E.TEE KIT	1
Note: Please give the data from type plate of the motor			
2.1A		> END SHIELD BG180 642310004 D.E.TEE	1
2.1B	2125356	> SCREW F.END SHIELD BG180 TEE (8 PIECES)	1
Note: Please give the data from type plate of the motor			
2.2	2096383	JOINT RING 50X80X10 TEE VP.	1
Note: Please give the data from type plate of the motor			
2.3	2044937	BALL BEARING 6310/2Z-C3 (HT) VP.	1
Note: Please give the data from type plate of the motor			
2.4	2044937	BALL BEARING 6310/2Z-C3 (HT) VP.	1
Note: Please give the data from type plate of the motor			
2.5	2125364	SPACER DISK BG180 TEE VP.	1
Note: Please give the data from type plate of the motor			
2.6	2096383	JOINT RING 50X80X10 TEE VP.	1
Note: Please give the data from type plate of the motor			
2.7	2042798	END SHIELD BGU180 N.D.E.TEE KIT	1
Note: Please give the data from type plate of the motor			
2.7A		> END SHIELD BG180 642205201 N.D.E.TEE	1
2.7B	2125340	> SCREW F.END SHIELD BG180 TEE (8 PIECES)	1
Note: Please give the data from type plate of the motor			
2.8	2042827	FAN WHEEL BG180 TEE VP.	1
Note: Please give the data from type plate of the motor			
2.9	2125350	FAN COVER BG180 METAL TEE KIT	1
Note: Please give the data from type plate of the motor			
2.9A		> FAN COVER BG180 METAL 644303201 TEE	1
2.9B	2125346	> SCREW F.FAN COVER BG180-225TEE(4 PIECES)	1
Note: Please give the data from type plate of the motor			
2.11	2064565	MOTOR FOOT BG180 TEE KIT	1
Note: Please give the data from type plate of the motor			
2.11A		> MOTOR FOOT BG180 RIGHT 644400101 TEE	1
2.11A		> MOTOR FOOT BG180 LEFT 644400201 TEE	1
2.11B	2125404	> SCREW BG160-180 TEE(2 PIECES)	1
Note: Please give the data from type plate of the motor			



**BL-E100/315-22/4-R1-IE2 (2126156)**

Item	Article no.	Description	Quantity
1.1	2135923	IMPELLER 125/340-318-149,6/38 GG KIT	1
1.11	2027188	> NUT M16 DIN-EN24032 A4 VP.	1
1.12	2147220	> Impeller washer D.42 V2A VP.	1
1.13		> IMPELLER 125/340-318-149,6/38 GG gewu	1
1.14	2052325	> O-RING ID.338X5,3 7EP1197-W534 VP.	1
	2042863	> CIRCLIP S16 V2A VP.	1
	2107599	> KEY B10X8X40 DIN6885 A2(2 PIECES)	1
1.2	2052335	MECHANICAL SEAL MG12/43-G60 AQ1EGG KIT	1
1.11	2027188	> NUT M16 DIN-EN24032 A4 VP.	1
1.12	2147220	> Impeller washer D.42 V2A VP.	1
1.14	2052325	> O-RING ID.338X5,3 7EP1197-W534 VP.	1
1.14	2051680	> O-RING ID.276,7x5,29 7EP1197-W534 VP.	1
1.21		> MECHANICAL SEAL MG12/43-G60 AQ1EGG	1
10	2054339	> TOOL D.42/55 VP.	1
	2042863	> CIRCLIP S16 V2A VP.	1
1.3	2052339	LANTERN P400X150-F300 KIT	1
1.11	2027188	> NUT M16 DIN-EN24032 A4 VP.	1
1.12	2147220	> Impeller washer D.42 V2A VP.	1
1.14	2052325	> O-RING ID.338X5,3 7EP1197-W534 VP.	1
1.31	2027201	> BLOWGUN R1/8" VP.	1
1.32	2048843	> COUPLING GUARD P270-F300/350 (2 PIECES)	1
1.33		> LANTERN P400X150-F300 GG KTL	1
10	2054339	> TOOL D.42/55 VP.	1
	2042863	> CIRCLIP S16 V2A VP.	1
1.4	2052342	COUPLING/SHAFT D.42/48X203 KIT	1
1.11	2027188	> NUT M16 DIN-EN24032 A4 VP.	1
1.12	2147220	> Impeller washer D.42 V2A VP.	1
1.14	2051680	> O-RING ID.276,7x5,29 7EP1197-W534 VP.	1
1.14	2052325	> O-RING ID.338X5,3 7EP1197-W534 VP.	1
1.41		> COUPLING 42/48+SHAFT 42X206 GR180 ZN KIT	1
10	2054339	> TOOL D.42/55 VP.	1
	2042863	> CIRCLIP S16 V2A VP.	1
	2107599	> KEY B10X8X40 DIN6885 A2(2 PIECES)	1
2	2135942	MOTOR B35 22/4/180/350E-IE2-TEE(+TOOL)	1

**BL-E100/315-22/4-R1-IE2 (2126156)**

Item	Article no.	Description	Quantity
		SPARE PARTS MOTOR B35 22/4/180/350E-IE2	1
3	2135945	PUMP HOUSING B100/340-P400 PN16 KIT	1
1.14	2052325	> O-RING ID.338X5,3 7EP1197-W534 VP.	1
3.1		> PUMP HOUSING B100/340-P400 PN16 CPL.WILO	1
4	2052346	SCREW M20X35 ISO4762 8.8 (8 PIECES)	1
5	2046467	Screw M16X35 ISO4017 8.8 (4 PIECES)	1
7	2029336	WASHER A17 DIN125 ST (4 PIECES)	1
11	2135995	MODULE BL-E100/315-22/4-IE2 TEE KIT	1
	2132103	> FAN LARGE TL6/7 FF KIT	1
		>> TL6/7FF module fan large cpl.	1
	2132096	>> FAN GRILL TL6/7 FF VP.	1
	2132097	> CABLE CONNECTION M12 TL6/7 FF VP.	1
	2132098	> CABLE CONNECTION M16 TL6/7 FF VP.	1
	2132099	> CABLE CONNECTION M20 TL6/7 FF VP.	1
	2132101	> CABLE CONNECTION LARGE M40 TL6/7 FF VP.	1
	2132104	> COVER SIDE TL6/7 FF CPL.VP.	1
	2132452	> MODULE COVER/BUTTON TL6/7 FF VP.	1

**Motor-Typenschild / Motor type plate / Plaque identité moteur**

**Bei Ersatzteilbestellung Motorhersteller / Motordaten beachten!**  
**Consider motor manufacturers / motor data for order of spare parts!**  
**Pour les commandes de pièce détachée, indiquer le fabricant / les données du moteur!**

TEE

**TEE** ELECTRIC MOTORS  
 ARCELIK A.S. - TURKEY  
 2089004

CE IE2

3-Mot. **Q2E FS 60M2D90-F188** Icl F S1 Kg 13  
 N° 0001  
 04012011 IP 55 IM -

V Δ/A	Hz	min <sup>-1</sup>	kW	Cos φ	A	η
230 / 400	50	2885	1.1	0.85	4.2 / 2.4	IE2-79,6%
205 / 400	60	3480	1.27	0.83	4.0 / 2.3	

IEC 60034  
 VDE 0530

Load Efficiency  
 %80 79,1%  
 %75 79,1%

ATB

Motor-Nummer  
 motor number  
 numéro du moteur

**ATB** IE2 CE

3-Mot. AF 132S/2F - 11S + E 2 /0509 IE2-88,1%  
 S1 132S IMV1 224039411-1 522058X  
 IP 55 Th. Cl. 155(F) SCHWINGGROESSENSTUFE 8  
**KD\_NR.2064705**

kW	V	Hz	A	1/min	cos φ
7,5	Y/Δ690/400	50	7,9 / 13,7	2890	0,90
7,5	Δ460	60	11,8	3510	0,89

Made in Germany 50 kg EN 60034

SIEMENS

Motor-Nummer  
 motor number  
 numéro du moteur

**SIEMENS** 3-MOT. 1 LA9133-4KA61-Z  
 UC 1009/000001101

IE2 CE

82,1kg IMB3 132M IP55 Th.CL.155(F) AMB 40°C

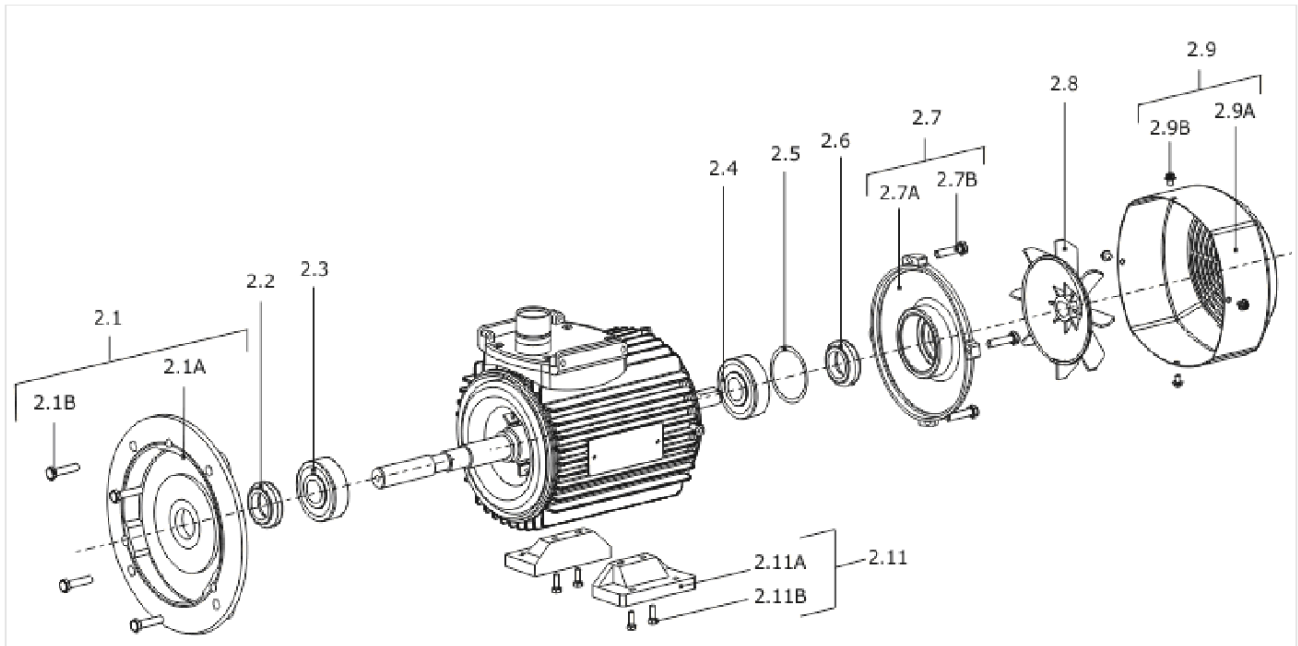
50 Hz	400/690V Δ/Y	80 Hz	460V Δ
7,5 kW	7A	7,5 kW	8,7A
cos φ 0,84	1455 / min	PF 0,82	1760 RPM

IE2 - 88,7% IE2 - 90,5%  
 IEC/EN 60034

**SPARE PARTS MOTOR B35 22/4/180/350E-IE2**

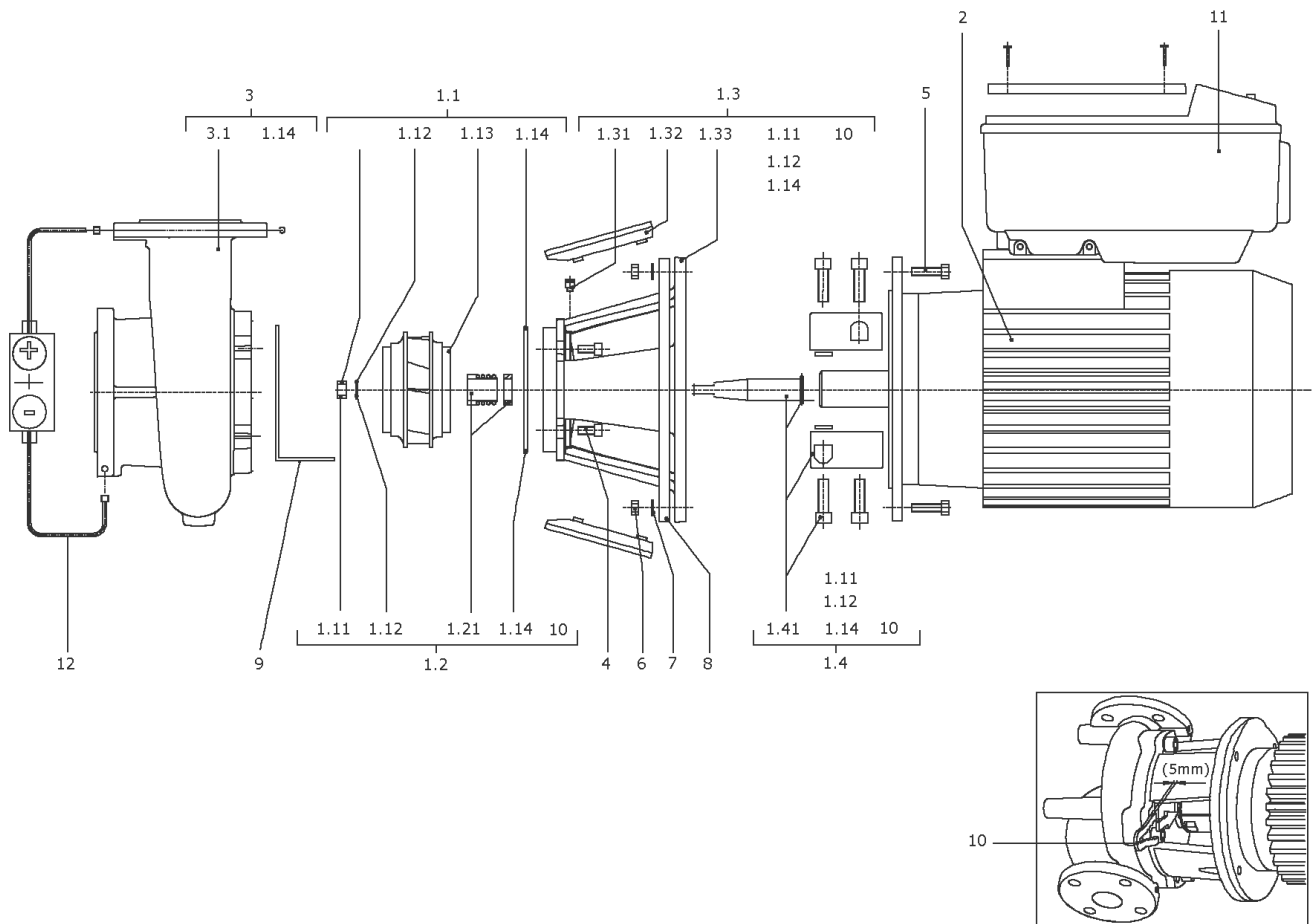
<b>Item</b>	<b>Description</b>	<b>Quantity</b>
1	MOTOR B35 22/4/180/350E TEE IE2 WILO	1





**MOTOR B35 22/4/180/350E TEE IE2 WILO**

Item	Article no.	Description	Quantity
2.1	2125392	END SHIELD BG180 D.E.TEE KIT	1
Note: Please give the data from type plate of the motor			
2.1A		> END SHIELD BG180 642310004 D.E.TEE	1
2.1B	2125356	> SCREW F.END SHIELD BG180 TEE (8 PIECES)	1
Note: Please give the data from type plate of the motor			
2.2	2096383	JOINT RING 50X80X10 TEE VP.	1
Note: Please give the data from type plate of the motor			
2.3	2044937	BALL BEARING 6310/2Z-C3 (HT) VP.	1
Note: Please give the data from type plate of the motor			
2.4	2044937	BALL BEARING 6310/2Z-C3 (HT) VP.	1
Note: Please give the data from type plate of the motor			
2.5	2125364	SPACER DISK BG180 TEE VP.	1
Note: Please give the data from type plate of the motor			
2.6	2096383	JOINT RING 50X80X10 TEE VP.	1
Note: Please give the data from type plate of the motor			
2.7	2042798	END SHIELD BGU180 N.D.E.TEE KIT	1
Note: Please give the data from type plate of the motor			
2.7A		> END SHIELD BG180 642205201 N.D.E.TEE	1
2.7B	2125340	> SCREW F.END SHIELD BG180 TEE (8 PIECES)	1
Note: Please give the data from type plate of the motor			
2.8	2042827	FAN WHEEL BG180 TEE VP.	1
Note: Please give the data from type plate of the motor			
2.9	2125350	FAN COVER BG180 METAL TEE KIT	1
Note: Please give the data from type plate of the motor			
2.9A		> FAN COVER BG180 METAL 644303201 TEE	1
2.9B	2125346	> SCREW F.FAN COVER BG180-225TEE(4 PIECES)	1
Note: Please give the data from type plate of the motor			
2.11	2064565	MOTOR FOOT BG180 TEE KIT	1
Note: Please give the data from type plate of the motor			
2.11A		> MOTOR FOOT BG180 RIGHT 644400101 TEE	1
2.11A		> MOTOR FOOT BG180 LEFT 644400201 TEE	1
2.11B	2125404	> SCREW BG160-180 TEE(2 PIECES)	1
Note: Please give the data from type plate of the motor			



**BL-E125/185-5,5/4-R1-IE2 (2126157)**

Item	Article no.	Description	Quantity
1.1	2135924	IMPELLER 150/220-189-139,6/24 GG KIT	1
1.11	2027187	> NUT M12 DIN-EN24032 A2 VP.	1
1.12	2027190	> WASHER A13 DIN125-T2 A2 VP.	1
1.13		> IMPELLER 150/220-189-139,6/24 GG balance	1
1.14	2042864	> O-RING ID.224x3,55 7EP1197-W534 VP.	1
	2042862	> WASHER S12 V2A VP.	1
1.2	2026902	MECHANICAL SEAL MG12/24-G60 AQ1EGG KIT	1
1.11	2027187	> NUT M12 DIN-EN24032 A2 VP.	1
1.12	2027190	> WASHER A13 DIN125-T2 A2 VP.	1
1.14	2037527	> O-RING 148,82x3,53 EPDM 70SR.VP.	1
1.14	2043160	> O-Ring 177,39x3,53 ISO3601B EPDM VP.	1
1.14	2042864	> O-RING ID.224x3,55 7EP1197-W534 VP.	1
1.14	2051680	> O-RING ID.276,7x5,29 7EP1197-W534 VP.	1
	2042862	> WASHER S12 V2A VP.	1
1.21		> MECHANICAL SEAL MG12/24-G60 AQ1EGG	1
10	2027202	> TOOL D.18/24/32 VP.	1
1.3	2051331	LANTERN P270X140-F265 KIT	1
1.11	2027187	> NUT M12 DIN-EN24032 A2 VP.	1
1.12	2027190	> WASHER A13 DIN125-T2 A2 VP.	1
1.14	2042864	> O-RING ID.224x3,55 7EP1197-W534 VP.	1
	2042862	> WASHER S12 V2A VP.	1
1.31	2027201	> BLOWGUN R1/8" VP.	1
1.32	2048845	> COUPLING GUARD P270-F265 PA66 (2 PIECES)	1
1.33		> LATERNE P270X140-F265 GG KTL WILO	1
10	2027202	> TOOL D.18/24/32 VP.	1
1.4	2042735	COUPLING/SHAFT D.24/38X166 KIT	1
1.11	2027187	> NUT M12 DIN-EN24032 A2 VP.	1
1.12	2027190	> WASHER A13 DIN125-T2 A2 VP.	1
1.14	2042864	> O-RING ID.224x3,55 7EP1197-W534 VP.	1
1.14	2051680	> O-RING ID.276,7x5,29 7EP1197-W534 VP.	1
	2042862	> WASHER S12 V2A VP.	1
1.41		> COUPLING 24/38+SHAFT 24X166 BG132 ZN KIT	1
10	2027202	> TOOL D.18/24/32 VP.	1
2	2135937	MOTOR B35 5,5/4/132/300E-IE2-SM.(+TOOL)	1

**BL-E125/185-5,5/4-R1-IE2 (2126157)**

Item	Article no.	Description	Quantity
		SPARE PARTS MOTOR B35 5,5/4/132/300E-IE2	1
3	2135946	PUMP HOUSING B125/220-P270 PN16 KIT	1
1.14	2042864	> O-RING ID.224x3,55 7EP1197-W534 VP.	1
3.1		> PUMP HOUSING B125/220-P270 PN16 CPL.WILO	1
4	2027193	SCREW M16X30 ISO4762 8.8 (4 PIECES)	1
5	2027195	SCREW M12X25 DIN912 8.8 (4 PIECES)	1
11	2135996	MODULE BL-E125/185-5,5/4-IE2 SM.KIT	1
		> MODULE BL-E125/185-5,5/4 WILO	1
	2111344	> MODULE COVER/GASKET TL5 KIT	1
	2120047	> CABLE CONNECTION M12x1,5/5 cpl.TL5 VP.	1
	2120048	> CABLE CONNECTION M16x1,5/5 cpl.TL5 VP.	1
	2120049	> CABLE CONNECTION M20x1,5/6 cpl.TL5 VP.	1
	2120050	> CABLE CONNECTION M25x1,5/8 cpl.TL5 VP.	1

**Motor-Typenschild / Motor type plate / Plaque identité moteur**

**Bei Ersatzteilbestellung Motorhersteller / Motordaten beachten!**  
**Consider motor manufacturers / motor data for order of spare parts!**  
**Pour les commandes de pièce détachée, indiquer le fabricant / les données du moteur!**

TEE

**TEE ELECTRIC MOTORS**  
ARCELIK A.S. - TURKEY  
2089004

CE IE2

3-Mot. **Q2E FS 60M2D90-F188** Icl F S1 Kg 13  
 N° 0001  
 04012011 IP 55 IM -

V Δ/A	Hz	min <sup>-1</sup>	kW	Cos φ	A	η
230 / 400	50	2885	1.1	0.83	4.2 / 2.4	IE2-79,6%
230 / 400	60	3480	1.27	0.83	4.0 / 2.3	

IEC 60034  
VDE 0530

Load Efficiency  
%80 79,1%  
%75 79,1%

ATB

Motor-Nummer  
motor number  
numéro du moteur

**ATB IE2 CE**

3-Mot. AF 132S/2F - 11S + E 2 /0509 IE2-88,1%  
 S1 132S IMV1 224039411-1 522058X  
 IP 55 Th. Cl. 155(F) SCHWINGGROESSENSTUFE 8  
**KD\_NR.2064705**

kW	V	Hz	A	1/min	cos φ
7,5	Y/Δ690/400	50	7,9 / 13,7	2890	0,90
7,5	Δ460	60	11,8	3510	0,89

Made in Germany 50 kg EN 60034

SIEMENS

Motor-Nummer  
motor number  
numéro du moteur

**SIEMENS 3-MOT. 1 LA9133-4KA61-Z** CE

UC 1009/000001101

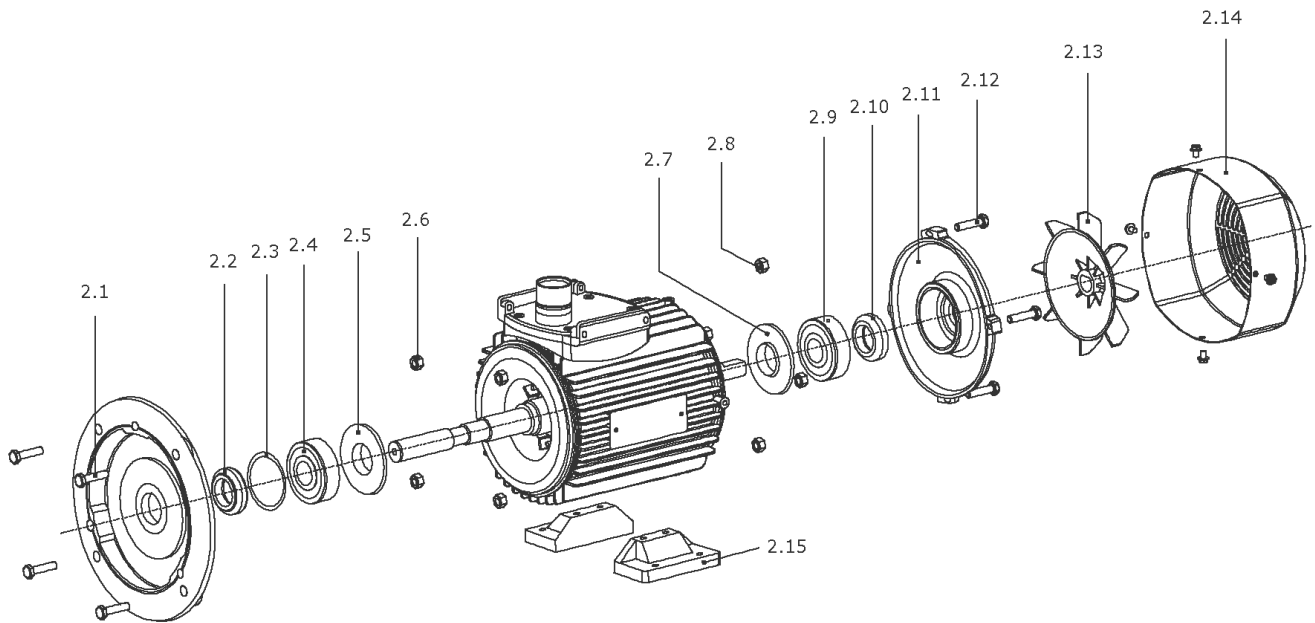
82,1kg IMB3 132M IP55 Th.CL.155(F) AMB 40°C

50 Hz	400/690V Δ/Y	7,5 kW	7A	1455 / min	cos φ 0,84
60 Hz	460V Δ	7,5 kW	8,7A	1760 RPM	PF 0,82

IE2 - 88,7%  
IE2 - 90,5%  
IEC/EN 60034

**SPARE PARTS MOTOR B35 5,5/4/132/300E-IE2**

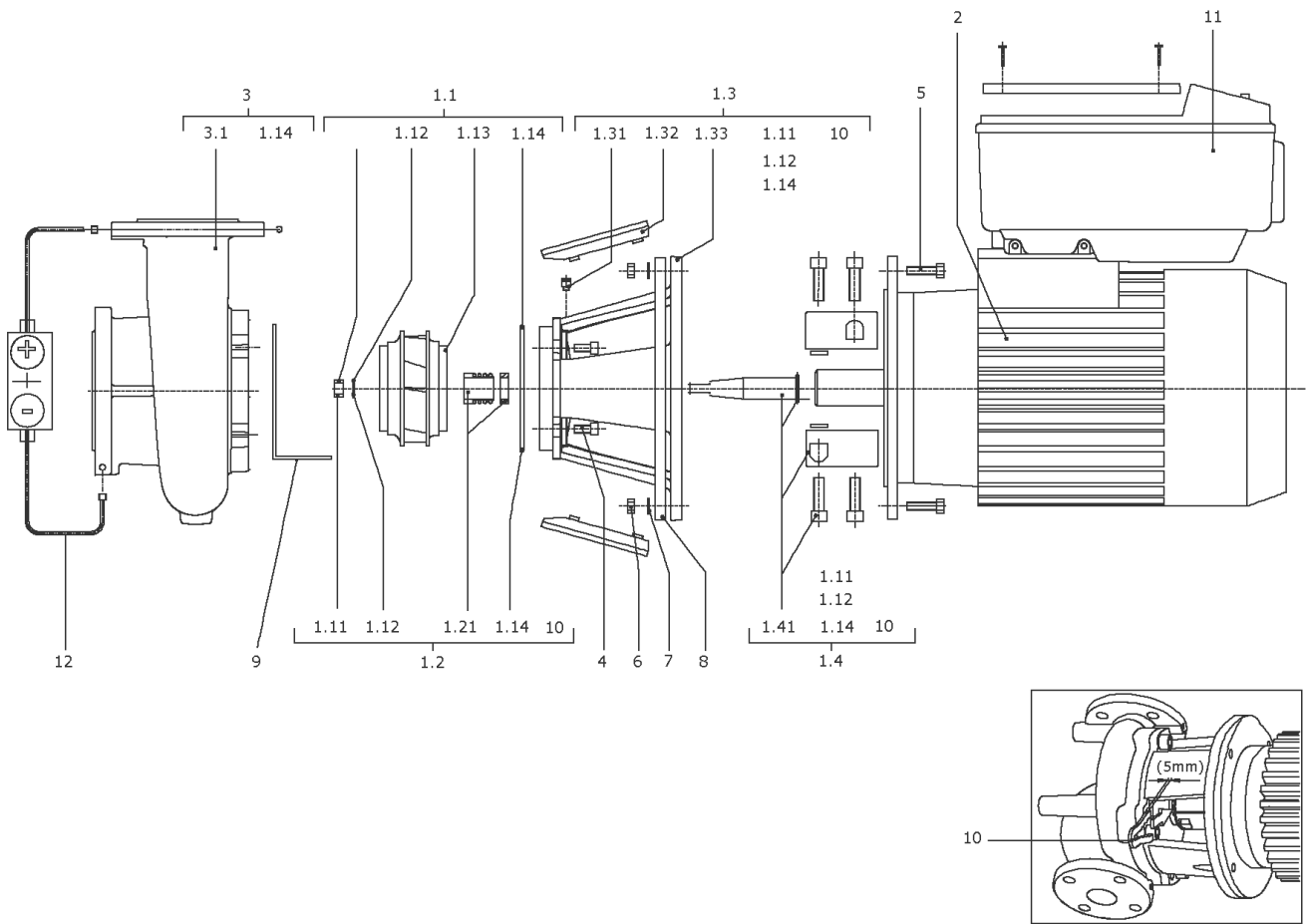
<b>Item</b>	<b>Description</b>	<b>Quantity</b>
3	MOTOR B35 5,5/4/132/300E SM IE2 WILO	1





**MOTOR B35 5,5/4/132/300E SM IE2 WILO**

Item	Article no.	Description	Quantity
2.1	2112830	SCREW M8X65 ISO4762 8.8 (4 PIECES)	1
Note: Please give the data from type plate of the motor			
2.2	2111403	V-RING V40-A SM.VP.	1
Note: Please give the data from type plate of the motor			
2.3	2112832	SPRING WASHER SN60098-56 6208 SM.VP.	1
Note: Please give the data from type plate of the motor			
2.4	2111405	BALL BEARING 6308/2ZJC3 SM.VP.	1
Note: Please give the data from type plate of the motor			
2.5	2111401	BEARING INSERT BG132 D.E.SM.VP.	1
Note: Please give the data from type plate of the motor			
2.6	2112834	NUT M8-8 DIN6923(4 PIECES)	1
Note: Please give the data from type plate of the motor			
2.7	2111409	BEARING INSERT BG132 N.D.E.SM.VP.	1
Note: Please give the data from type plate of the motor			
2.8	2112834	NUT M8-8 DIN6923(4 PIECES)	1
Note: Please give the data from type plate of the motor			
2.9	2111366	BALL BEARING 6208/2ZJC3 SM.VP.	1
Note: Please give the data from type plate of the motor			
2.10	2111403	V-RING V40-A SM.VP.	1
Note: Please give the data from type plate of the motor			
2.11	2111407	END SHIELD N.D.E.BG132 SM.VP.	1
Note: Please give the data from type plate of the motor			
2.12	2112836	SCREW M8X40 ISO4017 8.8 (4 PIECES)	1
Note: Please give the data from type plate of the motor			
2.13	2138769	FAN WHEEL 1PC3 BG132 D.230 SM.VP.	1
Note: Please give the data from type plate of the motor			
2.14	2111411	FAN COVER 1PC3 BG132/300 SM.VP.	1
Note: Please give the data from type plate of the motor			
2.15	2138774	MOTOR FOOT 1LE1 BG132 SM.KIT	1
Note: Please give the data from type plate of the motor			



**BL-E125/210-7,5/4-R1-IE2 (2126158)**

Item	Article no.	Description	Quantity
1.1	2135925	IMPELLER 150/220-204-139,6/24 GG KIT	1
1.11	2027187	> NUT M12 DIN-EN24032 A2 VP.	1
1.12	2027190	> WASHER A13 DIN125-T2 A2 VP.	1
1.13		> Impeller 150/220-204-139,6/24 GG balance	1
1.14	2042864	> O-RING ID.224x3,55 7EP1197-W534 VP.	1
	2042862	> WASHER S12 V2A VP.	1
1.2	2026902	MECHANICAL SEAL MG12/24-G60 AQ1EGG KIT	1
1.11	2027187	> NUT M12 DIN-EN24032 A2 VP.	1
1.12	2027190	> WASHER A13 DIN125-T2 A2 VP.	1
1.14	2037527	> O-RING 148,82x3,53 EPDM 70SR.VP.	1
1.14	2043160	> O-Ring 177,39x3,53 ISO3601B EPDM VP.	1
1.14	2042864	> O-RING ID.224x3,55 7EP1197-W534 VP.	1
1.14	2051680	> O-RING ID.276,7x5,29 7EP1197-W534 VP.	1
	2042862	> WASHER S12 V2A VP.	1
1.21		> MECHANICAL SEAL MG12/24-G60 AQ1EGG	1
10	2027202	> TOOL D.18/24/32 VP.	1
1.3	2051331	LANTERN P270X140-F265 KIT	1
1.11	2027187	> NUT M12 DIN-EN24032 A2 VP.	1
1.12	2027190	> WASHER A13 DIN125-T2 A2 VP.	1
1.14	2042864	> O-RING ID.224x3,55 7EP1197-W534 VP.	1
	2042862	> WASHER S12 V2A VP.	1
1.31	2027201	> BLOWGUN R1/8" VP.	1
1.32	2048845	> COUPLING GUARD P270-F265 PA66 (2 PIECES)	1
1.33		> LATERNE P270X140-F265 GG KTL WILO	1
10	2027202	> TOOL D.18/24/32 VP.	1
1.4	2042735	COUPLING/SHAFT D.24/38X166 KIT	1
1.11	2027187	> NUT M12 DIN-EN24032 A2 VP.	1
1.12	2027190	> WASHER A13 DIN125-T2 A2 VP.	1
1.14	2042864	> O-RING ID.224x3,55 7EP1197-W534 VP.	1
1.14	2051680	> O-RING ID.276,7x5,29 7EP1197-W534 VP.	1
	2042862	> WASHER S12 V2A VP.	1
1.41		> COUPLING 24/38+SHAFT 24X166 BG132 ZN KIT	1
10	2027202	> TOOL D.18/24/32 VP.	1
2	2135938	MOTOR B35 7,5/4/132/300E-IE2-SM.(+TOOL)	1

**BL-E125/210-7,5/4-R1-IE2 (2126158)**

Item	Article no.	Description	Quantity
		SPARE PARTS MOTOR B35 7,5/4/132/300E-IE2	1
3	2135946	PUMP HOUSING B125/220-P270 PN16 KIT	1
1.14	2042864	> O-RING ID.224x3,55 7EP1197-W534 VP.	1
3.1		> PUMP HOUSING B125/220-P270 PN16 CPL.WILO	1
4	2027193	SCREW M16X30 ISO4762 8.8 (4 PIECES)	1
5	2027195	SCREW M12X25 DIN912 8.8 (4 PIECES)	1
11	2135997	MODULE BL-E125/210-7,5/4-IE2 SM.KIT	1
		> MODULE BL-E125/210-7,5/4 WILO	1
	2111344	> MODULE COVER/GASKET TL5 KIT	1
	2120047	> CABLE CONNECTION M12x1,5/5 cpl.TL5 VP.	1
	2120048	> CABLE CONNECTION M16x1,5/5 cpl.TL5 VP.	1
	2120049	> CABLE CONNECTION M20x1,5/6 cpl.TL5 VP.	1
	2120050	> CABLE CONNECTION M25x1,5/8 cpl.TL5 VP.	1

### Motor-Typenschild / Motor type plate / Plaque identité moteur

**Bei Ersatzteilbestellung Motorhersteller / Motordaten beachten!**  
**Consider motor manufacturers / motor data for order of spare parts!**  
**Pour les commandes de pièce détachée, indiquer le fabricant / les données du moteur!**

TEE

**TEE** ELECTRIC MOTORS  
 ARCELIK A.S. - TURKEY  
 2089004

CE IE2

3-Mot. **Q2E FS 60M2D90-F188** Icl F S1 Kg 13  
 N° 0001  
 04012011 IP 55 IM -

V Δ/A	Hz	min <sup>-1</sup>	kW	Cos φ	A	η
230 / 400	50	2885	1.1	0.83	4.2 / 2.4	IE2-79,6%
230 / 400	60	3480	1.27	0.83	4.0 / 2.3	

IEC 60034  
 VDE 0530

Load Efficiency  
 %80 79,1%  
 %75 79,1%

ATB

Motor-Nummer  
 motor number  
 numéro du moteur

**ATB** IE2 CE

3-Mot. AF 132S/2F - 11S + E 2 /0509 IE2-88,1%  
 S1 132S IMV1 224039411-1 522058X  
 IP 55 Th. Cl. 155(F) SCHWINGGROESSENSTUFE 8  
**KD\_NR.2064705**

kW	V	Hz	A	1/min	cos φ
7.5	Y/Δ690/400	50	7.9 / 13.7	2890	0.90
7.5	Δ460	60	11.8	3510	0.89

Made in Germany 50 kg EN 60034

SIEMENS

Motor-Nummer  
 motor number  
 numéro du moteur

**SIEMENS** 3-MOT. 1 LA9133-4KA61-Z  
 UC 1009/000001101

IE2 CE

82.1kg IMB3 132M IP55 Th.CL.155(F) AMB 40°C

50 Hz	400/690V Δ/Y	7.5 kW	7A	1455 / min	cos φ 0,84
60 Hz	460V Δ	7.5 kW	8.7A	1760 RPM	PF 0,82

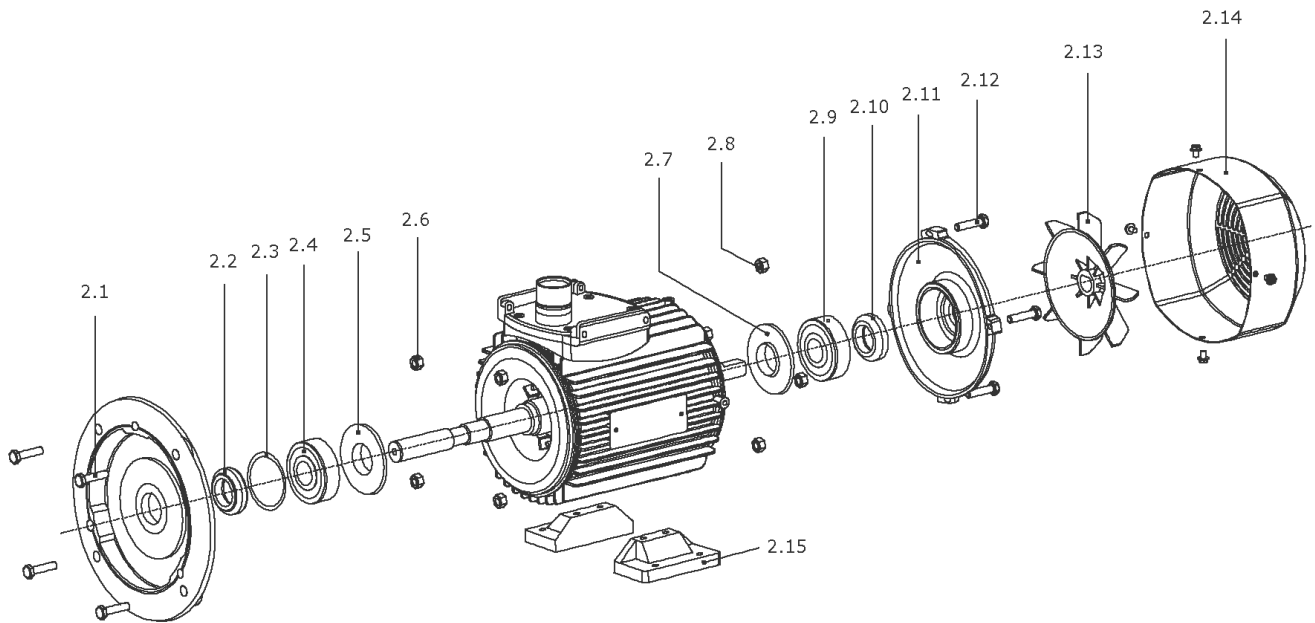
IE2 - 88,7%  
 IEC/EN 60034

IE2 - 90,5%

**SPARE PARTS MOTOR B35 7,5/4/132/300E-IE2**



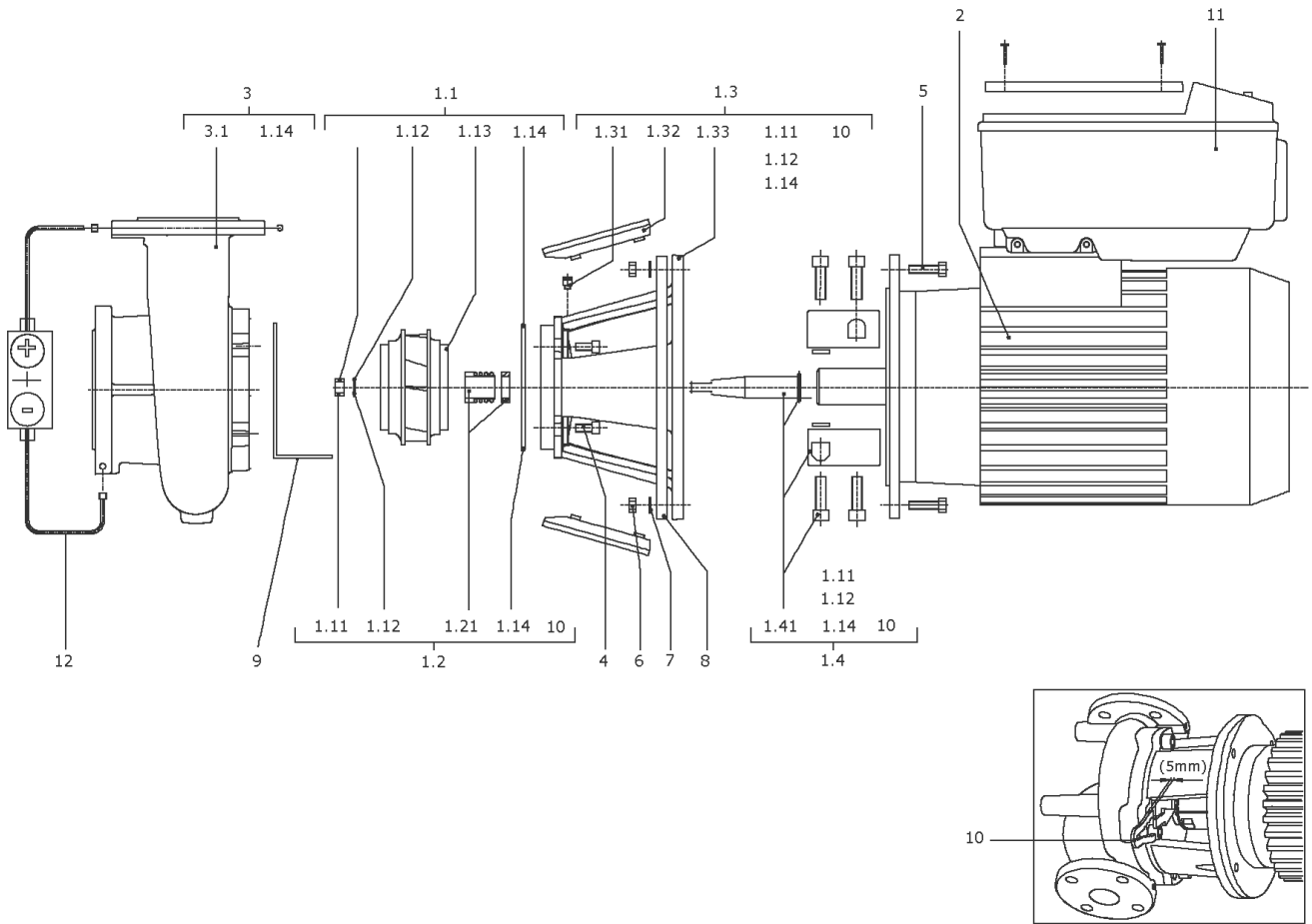
Item	Description	Quantity
3	MOTOR B35 7,5/4/132/300E SM IE2 WILO	1



**MOTOR B35 7,5/4/132/300E SM IE2 WILO**

Item	Article no.	Description	Quantity
2.1	2112830	SCREW M8X65 ISO4762 8.8 (4 PIECES)	1
Note: Please give the data from type plate of the motor			
2.2	2111403	V-RING V40-A SM.VP.	1
Note: Please give the data from type plate of the motor			
2.3	2112832	SPRING WASHER SN60098-56 6208 SM.VP.	1
Note: Please give the data from type plate of the motor			
2.4	2111405	BALL BEARING 6308/2ZJC3 SM.VP.	1
Note: Please give the data from type plate of the motor			
2.5	2111401	BEARING INSERT BG132 D.E.SM.VP.	1
Note: Please give the data from type plate of the motor			
2.6	2112834	NUT M8-8 DIN6923(4 PIECES)	1
Note: Please give the data from type plate of the motor			
2.7	2111409	BEARING INSERT BG132 N.D.E.SM.VP.	1
Note: Please give the data from type plate of the motor			
2.8	2112834	NUT M8-8 DIN6923(4 PIECES)	1
Note: Please give the data from type plate of the motor			
2.9	2111366	BALL BEARING 6208/2ZJC3 SM.VP.	1
Note: Please give the data from type plate of the motor			
2.10	2111403	V-RING V40-A SM.VP.	1
Note: Please give the data from type plate of the motor			
2.11	2111407	END SHIELD N.D.E.BG132 SM.VP.	1
Note: Please give the data from type plate of the motor			
2.12	2112836	SCREW M8X40 ISO4017 8.8 (4 PIECES)	1
Note: Please give the data from type plate of the motor			
2.13	2138769	FAN WHEEL 1PC3 BG132 D.230 SM.VP.	1
Note: Please give the data from type plate of the motor			
2.14	2111411	FAN COVER 1PC3 BG132/300 SM.VP.	1
Note: Please give the data from type plate of the motor			
2.15	2138774	MOTOR FOOT 1LE1 BG132 SM.KIT	1
Note: Please give the data from type plate of the motor			





**BL-E125/225-11/4-R1-IE2 (2126159)**

Item	Article no.	Description	Quantity
1.1	2135926	IMPELLER 150/220-225-139,6/32 GG KIT	1
1.11	2027188	> NUT M16 DIN-EN24032 A4 VP.	1
1.12	2027191	> WASHER A17 DIN125 200HV A2	1
1.13		> IMPELLER 150/220-225-139,6/32 GG balance	1
1.14	2042864	> O-RING ID.224x3,55 7EP1197-W534 VP.	1
	2042863	> CIRCLIP S16 V2A VP.	1
1.2	2026903	MECH.SEAL MG12/32-G60 AQ1EGG M16 KIT	1
1.11	2027188	> NUT M16 DIN-EN24032 A4 VP.	1
1.12	2027191	> WASHER A17 DIN125 200HV A2	1
1.14	2043160	> O-Ring 177,39x3,53 ISO3601B EPDM VP.	1
1.14	2042864	> O-RING ID.224x3,55 7EP1197-W534 VP.	1
1.14	2051680	> O-RING ID.276,7x5,29 7EP1197-W534 VP.	1
	2042863	> CIRCLIP S16 V2A VP.	1
1.21		> MECHANICAL SEAL MG12/32-G60 AQ1EGG	1
10	2027202	> TOOL D.18/24/32 VP.	1
1.3	2051330	LANTERN P270X140-F300 KIT	1
1.11	2027188	> NUT M16 DIN-EN24032 A4 VP.	1
1.12	2027191	> WASHER A17 DIN125 200HV A2	1
1.14	2042864	> O-RING ID.224x3,55 7EP1197-W534 VP.	1
	2042863	> CIRCLIP S16 V2A VP.	1
1.31	2027201	> BLOWGUN R1/8" VP.	1
1.32	2048843	> COUPLING GUARD P270-F300/350 (2 PIECES)	1
1.33		> Lantern P270X140-F300 GG KTL WILO	1
10	2027202	> TOOL D.18/24/32 VP.	1
1.4	2051358	COUPLING/SHAFT 32/42X184 M16 KIT	1
1.11	2027188	> NUT M16 DIN-EN24032 A4 VP.	1
1.12	2027191	> WASHER A17 DIN125 200HV A2	1
1.14	2042864	> O-RING ID.224x3,55 7EP1197-W534 VP.	1
1.14	2051680	> O-RING ID.276,7x5,29 7EP1197-W534 VP.	1
	2042863	> CIRCLIP S16 V2A VP.	1
1.41		> COUPLING 32/42+SHAFT 32X184 BG160 ZN KIT	1
10	2027202	> TOOL D.18/24/32 VP.	1
2	2135939	MOTOR B35 11/4/160/350E-IE2-TEE(+TOOL)	1
		SPARE PARTS MOTOR B35 11/4/160/350E-IE2	1

**BL-E125/225-11/4-R1-IE2 (2126159)**

Item	Article no.	Description	Quantity
3	2135946	PUMP HOUSING B125/220-P270 PN16 KIT	1
1.14	2042864	> O-RING ID.224x3,55 7EP1197-W534 VP.	1
3.1		> PUMP HOUSING B125/220-P270 PN16 CPL.WILO	1
4	2027193	SCREW M16X30 ISO4762 8.8 (4 PIECES)	1
5	2046467	Screw M16X35 ISO4017 8.8 (4 PIECES)	1
7	2029336	WASHER A17 DIN125 ST (4 PIECES)	1
11	2135998	MODULE BL-E125/225-11/4-IE2 TEE KIT	1
	2132102	> FAN SMALL TL6/7 FF KIT	1
		>> TL6/7FF module fan sm.cpl.	1
	2132096	>> FAN GRILL TL6/7 FF VP.	1
	2132097	> CABLE CONNECTION M12 TL6/7 FF VP.	1
	2132098	> CABLE CONNECTION M16 TL6/7 FF VP.	1
	2132099	> CABLE CONNECTION M20 TL6/7 FF VP.	1
	2132100	> CABLE CONNECTION SMALL M40 TL6/7 FF VP.	1
	2132104	> COVER SIDE TL6/7 FF CPL.VP.	1
	2132452	> MODULE COVER/BUTTON TL6/7 FF VP.	1

**Motor-Typenschild / Motor type plate / Plaque identité moteur**

**Bei Ersatzteilbestellung Motorhersteller / Motordaten beachten!**  
**Consider motor manufacturers / motor data for order of spare parts!**  
**Pour les commandes de pièce détachée, indiquer le fabricant / les données du moteur!**

TEE

**TEE ELECTRIC MOTORS**  
 ARCELIK A.S. - TURKEY  
 2089004

CE IE2

3-Mot. **Q2E FS 60M2D90-F188** Icl F S1 Kg 13  
 N° 0001  
 04012011 IP 55 IM -

V Δ/A	Hz	min <sup>-1</sup>	kW	Cos φ	A	η
230 / 400	50	2885	1.1	0.83	4.2 / 2.4	IE2-79,6%
230 / 400	60	3480	1.27	0.83	4.0 / 2.3	

IEC 60034 VDE 0530  
 Load Efficiency  
 %80 79,1%  
 %75 79,1%

ATB

Motor-Nummer  
 motor number  
 numéro du moteur

**ATB IE2 CE**

3-Mot. AF 132S/2F - 11S + E 2 /0509 IE2-88,1%  
 S1 132S IMV1 224039411-1 522058X  
 IP 55 Th. Cl. 155(F) SCHWINGGROESSENSTUFE 8  
**KD\_NR.2064705**

kW	V	Hz	A	1/min	cos φ
7,5	Y/Δ690/400	50	7,9 / 13,7	2890	0,90
7,5	Δ460	60	11,8	3510	0,89

Made in Germany 50 kg EN 60034

SIEMENS

Motor-Nummer  
 motor number  
 numéro du moteur

**SIEMENS 3-MOT. 1 LA9133-4KA61-Z** CE  
 UC 1009/000001101

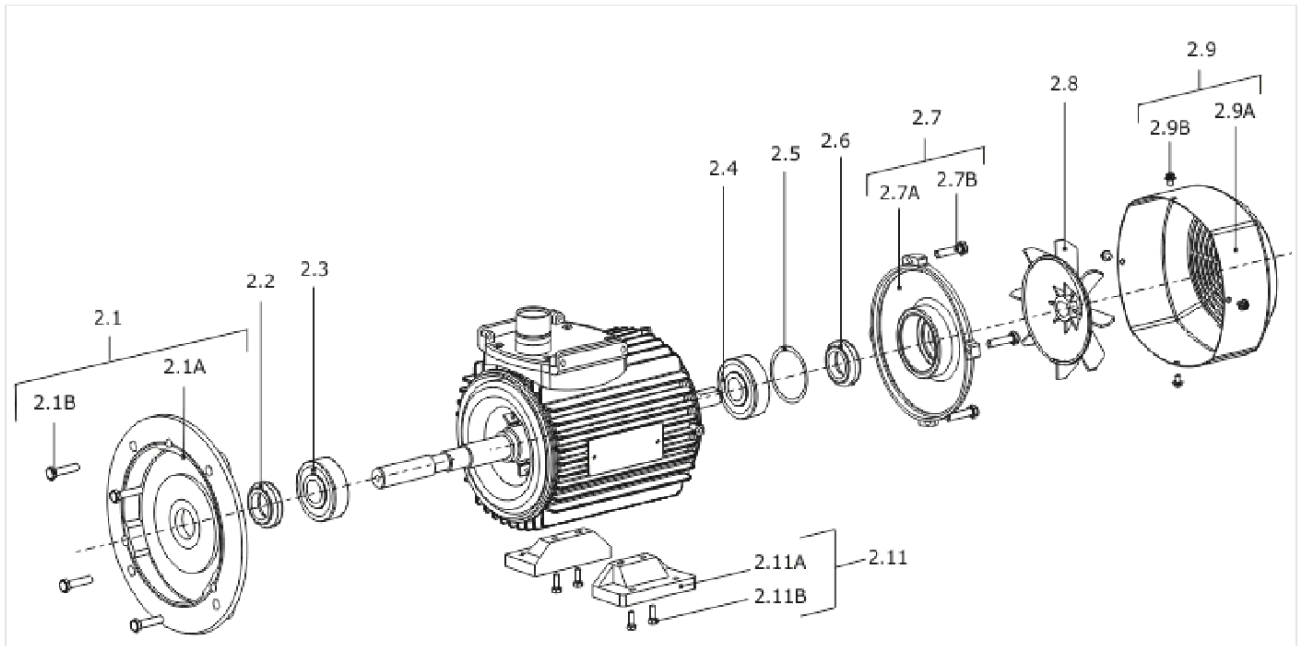
82,1kg IMB3 132M IP55 Th.CL.155(F) AMB 40°C

50 Hz	400/690V Δ / Y	60 Hz	460V Δ
7,5 kW	7A	7,5 kW	8,7A
cos φ 0,84	1455 / min	PF 0,82	1760 RPM

IE2 - 88,7% IE2 - 90,5%  
 IEC/EN 60034

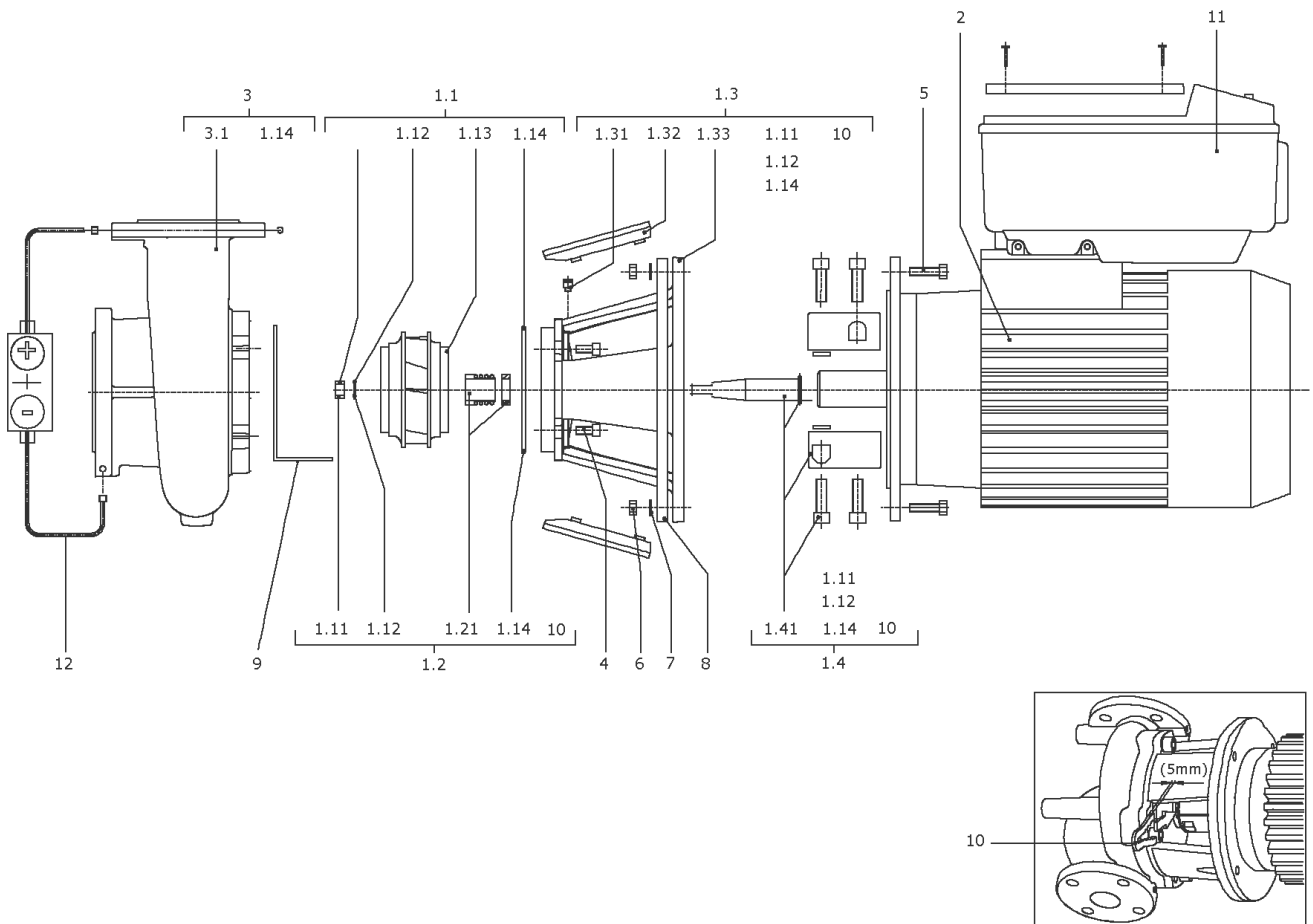
**SPARE PARTS MOTOR B35 11/4/160/350E-IE2**

<b>Item</b>	<b>Description</b>	<b>Quantity</b>
1	MOTOR B35 11/4/160/350E TEE IE2 WILO	1



**MOTOR B35 11/4/160/350E TEE IE2 WILO**

Item	Article no.	Description	Quantity
2.1	2120052	END SHIELD BG160 D.E.TEE KIT	1
Note: Please give the data from type plate of the motor			
2.1A		> END SHIELD BG160 642400806 D.E.TEE	1
2.1B	2125338	> SCREW F.END SHIELD BG160 TEE(8 PIECES)	1
Note: Please give the data from type plate of the motor			
2.2	2096382	JOINT RING 45X72X10 TEE VP.	1
Note: Please give the data from type plate of the motor			
2.3	121084396	BALL BEARING 6309/2Z-C3 (HT) VP.	1
Note: Please give the data from type plate of the motor			
2.4	122065996	BALL BEARING 6209/2Z-C3 (HT) VP.	1
Note: Please give the data from type plate of the motor			
2.5	2125362	SPACER DISK BG160 TEE VP.	1
Note: Please give the data from type plate of the motor			
2.6	2096382	JOINT RING 45X72X10 TEE VP.	1
Note: Please give the data from type plate of the motor			
2.7	2125387	END SHIELD BG160 N.D.E.TEE KIT	1
Note: Please give the data from type plate of the motor			
2.7A		> END SHIELD BG160 643232001 N.D.E.TEE	1
2.7B	2125338	> SCREW F.END SHIELD BG160 TEE(8 PIECES)	1
Note: Please give the data from type plate of the motor			
2.8	2042826	FAN WHEEL BG160-200 TEE VP.	1
Note: Please give the data from type plate of the motor			
2.9	2125348	FAN COVER BG160 TEE KIT	1
Note: Please give the data from type plate of the motor			
2.9A		> FAN COVER BG160 644307201 TEE	1
2.9B	2116839	> SCREW BG90-112 TEE (4 PIECE)	1
Note: Please give the data from type plate of the motor			
2.11	2123904	MOTOR FOOT BG160 TEE KIT	1
Note: Please give the data from type plate of the motor			
2.11A		> MOTOR FOOT BG160 LEFT 643409001 TEE	1
2.11A		> MOTOR FOOT BG160 RIGHT 643408901 TEE	1
2.11B	2125331	> SCREW BG132/160 TEE (2 PIECES)	1
Note: Please give the data from type plate of the motor			





**BL-E125/245-15/4-R1-IE2 (2126160)**

Item	Article no.	Description	Quantity
1.1	2140484	IMPELLER D.150/270-246-151,5/38 KIT	1
1.11	2027188	> NUT M16 DIN-EN24032 A4 VP.	1
1.12	2147220	> Impeller washer D.42 V2A VP.	1
1.13		> Impeller 150/270-246-151,5/38 GG GEWU	1
1.14	2051680	> O-RING ID.276,7x5,29 7EP1197-W534 VP.	1
		> CIRCLIP S16 V2A VP.	1
	2107599	> KEY B10X8X40 DIN6885 A2(2 PIECES)	1
1.2	2052335	MECHANICAL SEAL MG12/43-G60 AQ1EGG KIT	1
1.11	2027188	> NUT M16 DIN-EN24032 A4 VP.	1
1.12	2147220	> Impeller washer D.42 V2A VP.	1
1.14	2052325	> O-RING ID.338X5,3 7EP1197-W534 VP.	1
1.14	2051680	> O-RING ID.276,7x5,29 7EP1197-W534 VP.	1
1.21		> MECHANICAL SEAL MG12/43-G60 AQ1EGG	1
10	2054339	> TOOL D.42/55 VP.	1
	2042863	> CIRCLIP S16 V2A VP.	1
1.3	2052337	LANTERN P330X152-F300 KIT	1
1.11	2027188	> NUT M16 DIN-EN24032 A4 VP.	1
1.12	2147220	> Impeller washer D.42 V2A VP.	1
1.14	2051680	> O-RING ID.276,7x5,29 7EP1197-W534 VP.	1
1.31	2027201	> BLOWGUN R1/8" VP.	1
1.32	2048843	> COUPLING GUARD P270-F300/350 (2 PIECES)	1
1.33		> Lantern P330X152-F300 GG KTL WILO	1
10	2054339	> TOOL D.42/55 VP.	1
	2042863	> CIRCLIP S16 V2A VP.	1
1.4	2052343	COUPLING/SHAFT D.42/42X203 KIT	1
1.11	2027188	> NUT M16 DIN-EN24032 A4 VP.	1
1.12	2147220	> Impeller washer D.42 V2A VP.	1
1.14	2051680	> O-RING ID.276,7x5,29 7EP1197-W534 VP.	1
1.14	2052325	> O-RING ID.338X5,3 7EP1197-W534 VP.	1
1.41		> COUPLING 42/42+SHAFT 42X206 GR180 ZN KIT	1
10	2054339	> TOOL D.42/55 VP.	1
	2042863	> CIRCLIP S16 V2A VP.	1
	2107599	> KEY B10X8X40 DIN6885 A2(2 PIECES)	1
2	2135940	MOTOR B35 15/4/160/350E-IE2-TEE(+TOOL)	1

**BL-E125/245-15/4-R1-IE2 (2126160)**

Item	Article no.	Description	Quantity
		SPARE PARTS MOTOR B35 15/4/160/350E-IE2	1
3	2140482	PUMP HOUSING BL125/270-P330 PN16 KIT	1
1.14	2051680	> O-RING ID.276,7x5,29 7EP1197-W534 VP.	1
3.1		> PUMP HOUSING BL125/270-P330 PN16 WILO	1
4	2027193	SCREW M16X30 ISO4762 8.8 (4 PIECES)	1
5	2046467	Screw M16X35 ISO4017 8.8 (4 PIECES)	1
7	2029336	WASHER A17 DIN125 ST (4 PIECES)	1
11	2135999	MODULE BL-E125/245-15/4-IE2 TEE KIT	1
	2132102	> FAN SMALL TL6/7 FF KIT	1
		>> TL6/7FF module fan sm.cpl.	1
	2132096	>> FAN GRILL TL6/7 FF VP.	1
	2132097	> CABLE CONNECTION M12 TL6/7 FF VP.	1
	2132098	> CABLE CONNECTION M16 TL6/7 FF VP.	1
	2132099	> CABLE CONNECTION M20 TL6/7 FF VP.	1
	2132100	> CABLE CONNECTION SMALL M40 TL6/7 FF VP.	1
	2132104	> COVER SIDE TL6/7 FF CPL.VP.	1
	2132452	> MODULE COVER/BUTTON TL6/7 FF VP.	1

### Motor-Typenschild / Motor type plate / Plaque identité moteur

**Bei Ersatzteilbestellung Motorhersteller / Motordaten beachten!**  
**Consider motor manufacturers / motor data for order of spare parts!**  
**Pour les commandes de pièce détachée, indiquer le fabricant / les données du moteur!**

TEE

**TEE** ELECTRIC MOTORS  
 ARCELIK A.S. - TURKEY  
 2089004

CE IE2

3-Mot. **Q2E FS 60M2D90-F188** Icl F S1 Kg 13  
 N° 0001  
 04012011 IP 55 IM -

V Δ/A	Hz	min <sup>-1</sup>	kW	Cos φ	A	η
230 / 400	50	2885	1.1	0.83	4.2 / 2.4	IE2-79,6%
230 / 400	60	3480	1.27	0.83	4.0 / 2.3	

IEC 60034  
 VDE 0530

Load Efficiency  
 %80 79,1%  
 %75 79,1%

ATB

Motor-Nummer  
 motor number  
 numéro du moteur

**ATB** IE2 CE

3-Mot. AF 132S/2F - 11S + E 2 /0509 IE2-88,1%  
 S1 132S IMV1 224039411-1 522058X  
 IP 55 Th. Cl. 155(F) SCHWINGGROESSENSTUFE 8  
**KD\_NR.2064705**

kW	V	Hz	A	1/min	cos φ
7,5	Y/Δ690/400	50	7,9 / 13,7	2890	0,90
7,5	Δ460	60	11,8	3510	0,89

Made in Germany 50 kg EN 60034

SIEMENS

Motor-Nummer  
 motor number  
 numéro du moteur

**SIEMENS** 3-MOT. 1 LA9133-4KA61-Z  
 UC 1009/000001101

IE2 CE

82,1kg IMB3 132M IP55 Th.CL.155(F) AMB 40°C

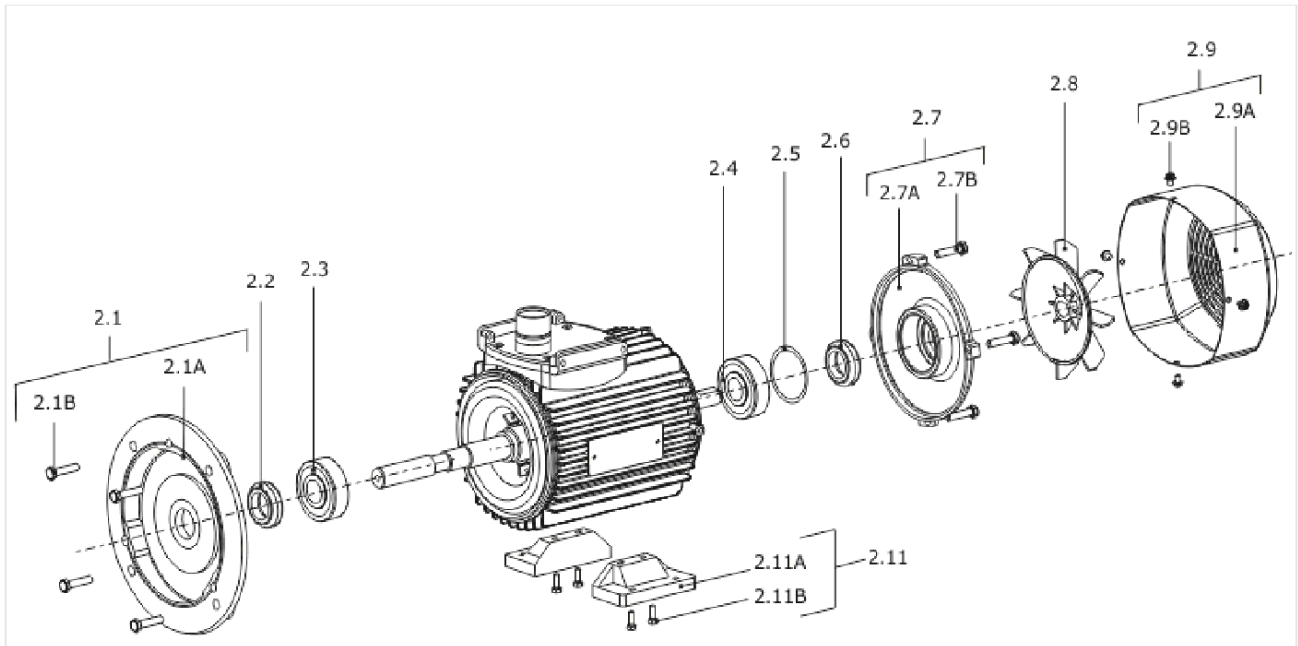
50 Hz	400/690V Δ/Y	7,5 kW	7A	1455 / min	cos φ 0,84
60 Hz	460V Δ	7,5 kW	8,7A	1760 RPM	PF 0,82

IE2 - 88,7%  
 IEC/EN 60034

IE2 - 90,5%

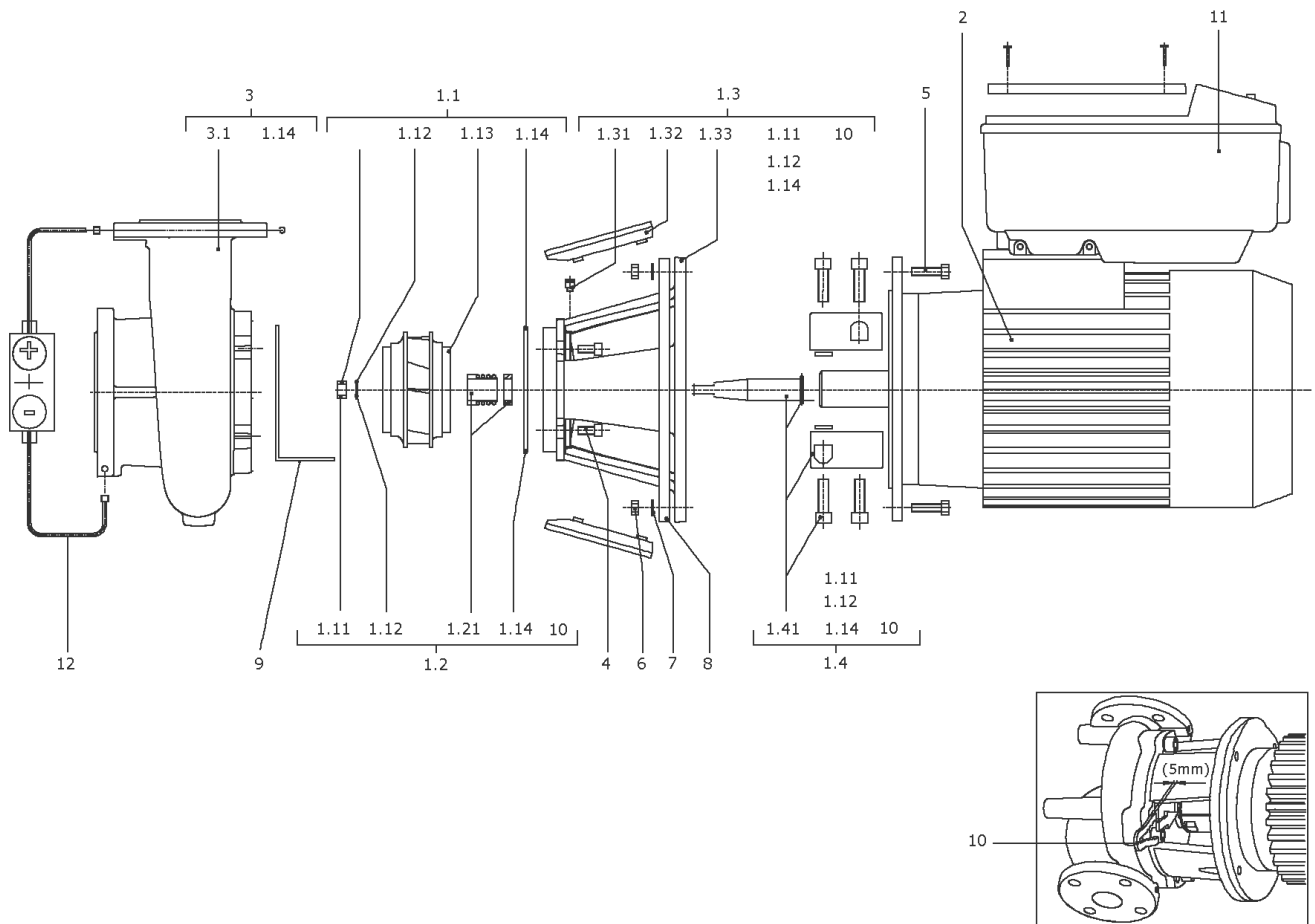
**SPARE PARTS MOTOR B35 15/4/160/350E-IE2**

<b>Item</b>	<b>Description</b>	<b>Quantity</b>
1	MOTOR B35 15/4/160/350E TEE IE2 WILO	1



**MOTOR B35 15/4/160/350E TEE IE2 WILO**

Item	Article no.	Description	Quantity
2.1	2120052	END SHIELD BG160 D.E.TEE KIT	1
Note: Please give the data from type plate of the motor			
2.1A		> END SHIELD BG160 642400806 D.E.TEE	1
2.1B	2125338	> SCREW F.END SHIELD BG160 TEE(8 PIECES)	1
Note: Please give the data from type plate of the motor			
2.2	2096382	JOINT RING 45X72X10 TEE VP.	1
Note: Please give the data from type plate of the motor			
2.3	121084396	BALL BEARING 6309/2Z-C3 (HT) VP.	1
Note: Please give the data from type plate of the motor			
2.4	122065996	BALL BEARING 6209/2Z-C3 (HT) VP.	1
Note: Please give the data from type plate of the motor			
2.5	2125362	SPACER DISK BG160 TEE VP.	1
Note: Please give the data from type plate of the motor			
2.6	2096382	JOINT RING 45X72X10 TEE VP.	1
Note: Please give the data from type plate of the motor			
2.7	2125387	END SHIELD BG160 N.D.E.TEE KIT	1
Note: Please give the data from type plate of the motor			
2.7A		> END SHIELD BG160 643232001 N.D.E.TEE	1
2.7B	2125338	> SCREW F.END SHIELD BG160 TEE(8 PIECES)	1
Note: Please give the data from type plate of the motor			
2.8	2042826	FAN WHEEL BG160-200 TEE VP.	1
Note: Please give the data from type plate of the motor			
2.9	2125348	FAN COVER BG160 TEE KIT	1
Note: Please give the data from type plate of the motor			
2.9A		> FAN COVER BG160 644307201 TEE	1
2.9B	2116839	> SCREW BG90-112 TEE (4 PIECE)	1
Note: Please give the data from type plate of the motor			
2.11	2123904	MOTOR FOOT BG160 TEE KIT	1
Note: Please give the data from type plate of the motor			
2.11A		> MOTOR FOOT BG160 LEFT 643409001 TEE	1
2.11A		> MOTOR FOOT BG160 RIGHT 643408901 TEE	1
2.11B	2125331	> SCREW BG132/160 TEE (2 PIECES)	1
Note: Please give the data from type plate of the motor			



**BL-E125/265-18,5/4-R1-IE2 (2126161)**

Item	Article no.	Description	Quantity
1.1	2140486	IMPELLER D.150/270-262-151,5/38 KIT	1
1.11	2027188	> NUT M16 DIN-EN24032 A4 VP.	1
1.12	2147220	> Impeller washer D.42 V2A VP.	1
1.13		> Impeller 150/270-262-151,5/38 GG GEWU	1
1.14	2051680	> O-RING ID.276,7x5,29 7EP1197-W534 VP.	1
	2042863	> CIRCLIP S16 V2A VP.	1
	2107599	> KEY B10X8X40 DIN6885 A2(2 PIECES)	1
1.2	2052335	MECHANICAL SEAL MG12/43-G60 AQ1EGG KIT	1
1.11	2027188	> NUT M16 DIN-EN24032 A4 VP.	1
1.12	2147220	> Impeller washer D.42 V2A VP.	1
1.14	2052325	> O-RING ID.338X5,3 7EP1197-W534 VP.	1
1.14	2051680	> O-RING ID.276,7x5,29 7EP1197-W534 VP.	1
1.21		> MECHANICAL SEAL MG12/43-G60 AQ1EGG	1
10	2054339	> TOOL D.42/55 VP.	1
	2042863	> CIRCLIP S16 V2A VP.	1
1.3	2052337	LANTERN P330X152-F300 KIT	1
1.11	2027188	> NUT M16 DIN-EN24032 A4 VP.	1
1.12	2147220	> Impeller washer D.42 V2A VP.	1
1.14	2051680	> O-RING ID.276,7x5,29 7EP1197-W534 VP.	1
1.31	2027201	> BLOWGUN R1/8" VP.	1
1.32	2048843	> COUPLING GUARD P270-F300/350 (2 PIECES)	1
1.33		> Lantern P330X152-F300 GG KTL WILO	1
10	2054339	> TOOL D.42/55 VP.	1
	2042863	> CIRCLIP S16 V2A VP.	1
1.4	2052342	COUPLING/SHAFT D.42/48X203 KIT	1
1.11	2027188	> NUT M16 DIN-EN24032 A4 VP.	1
1.12	2147220	> Impeller washer D.42 V2A VP.	1
1.14	2051680	> O-RING ID.276,7x5,29 7EP1197-W534 VP.	1
1.14	2052325	> O-RING ID.338X5,3 7EP1197-W534 VP.	1
1.41		> COUPLING 42/48+SHAFT 42X206 GR180 ZN KIT	1
10	2054339	> TOOL D.42/55 VP.	1
	2042863	> CIRCLIP S16 V2A VP.	1
	2107599	> KEY B10X8X40 DIN6885 A2(2 PIECES)	1
2	2135941	MOTOR B35 18,5/4/180/350E-IE2-TEE(+TOOL)	1



**BL-E125/265-18,5/4-R1-IE2 (2126161)**

Item	Article no.	Description	Quantity
		SPARE PARTS MOT.B35 18,5/4/180/350E-IE2	1
3	2140482	PUMP HOUSING BL125/270-P330 PN16 KIT	1
1.14	2051680	> O-RING ID.276,7x5,29 7EP1197-W534 VP.	1
3.1		> PUMP HOUSING BL125/270-P330 PN16 WILO	1
4	2027193	SCREW M16X30 ISO4762 8.8 (4 PIECES)	1
5	2046467	Screw M16X35 ISO4017 8.8 (4 PIECES)	1
7	2029336	WASHER A17 DIN125 ST (4 PIECES)	1
11	2136000	MODULE BL-E125/265-18,5/4-IE2 TEE KIT	1
	2132103	> FAN LARGE TL6/7 FF KIT	1
		>> TL6/7FF module fan large cpl.	1
	2132096	>> FAN GRILL TL6/7 FF VP.	1
	2132097	> CABLE CONNECTION M12 TL6/7 FF VP.	1
	2132098	> CABLE CONNECTION M16 TL6/7 FF VP.	1
	2132099	> CABLE CONNECTION M20 TL6/7 FF VP.	1
	2132101	> CABLE CONNECTION LARGE M40 TL6/7 FF VP.	1
	2132104	> COVER SIDE TL6/7 FF CPL.VP.	1
	2132452	> MODULE COVER/BUTTON TL6/7 FF VP.	1

### Motor-Typenschild / Motor type plate / Plaque identité moteur

**Bei Ersatzteilbestellung Motorhersteller / Motordaten beachten!**  
**Consider motor manufacturers / motor data for order of spare parts!**  
**Pour les commandes de pièce détachée, indiquer le fabricant / les données du moteur!**

TEE

**TEE ELECTRIC MOTORS**  
ARCELIK A.S. - TURKEY  
2089004

CE IE2

3-Mot. **Q2E FS 60M2D90-F188** Icl F S1 Kg 13  
 N° 0001  
 04012011 IP 55 IM -

V Δ/A	Hz	min <sup>-1</sup>	kW	Cos φ	A	η
230 / 400	50	2885	1.1	0.83	4.2 / 2.4	IE2-79,6%
230 / 400	60	3480	1.27	0.83	4.0 / 2.3	

IEC 60034  
VDE 0530

Load Efficiency  
%80 79,1%  
%75 79,1%

ATB

Motor-Nummer  
motor number  
numéro du moteur

**ATB IE2 CE**

3-Mot. AF 132S/2F - 11S + E 2 /0509 IE2-88,1%  
 S1 132S IMV1 224039411-1 522058X  
 IP 55 Th. Cl. 155(F) SCHWINGGROESSENSTUFE 8  
**KD\_NR.2064705**

kW	V	Hz	A	1/min	cos φ
7,5	Y/Δ690/400	50	7,9 / 13,7	2890	0,90
7,5	Δ460	60	11,8	3510	0,89

Made in Germany 50 kg EN 60034

SIEMENS

Motor-Nummer  
motor number  
numéro du moteur

**SIEMENS 3-MOT. 1 LA9133-4KA61-Z** CE

UC 1009/000001101

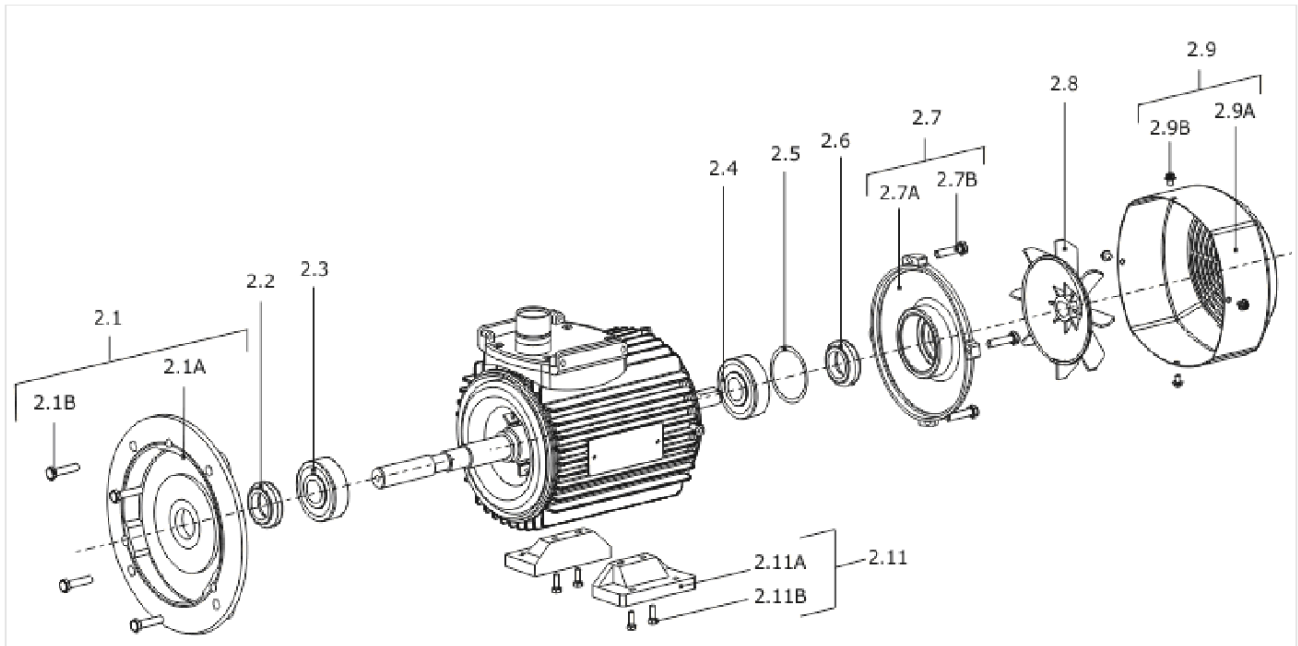
82,1kg IMB3 132M IP55 Th.CL.155(F) AMB 40°C

50 Hz	400/690V Δ/Y	80 Hz	460V Δ
7,5 kW	7A	7,5 kW	8,7A
cos φ 0,84	1455 / min	PF 0,82	1760 RPM

IE2 - 88,7% IE2 - 90,5%  
IEC/EN 60034

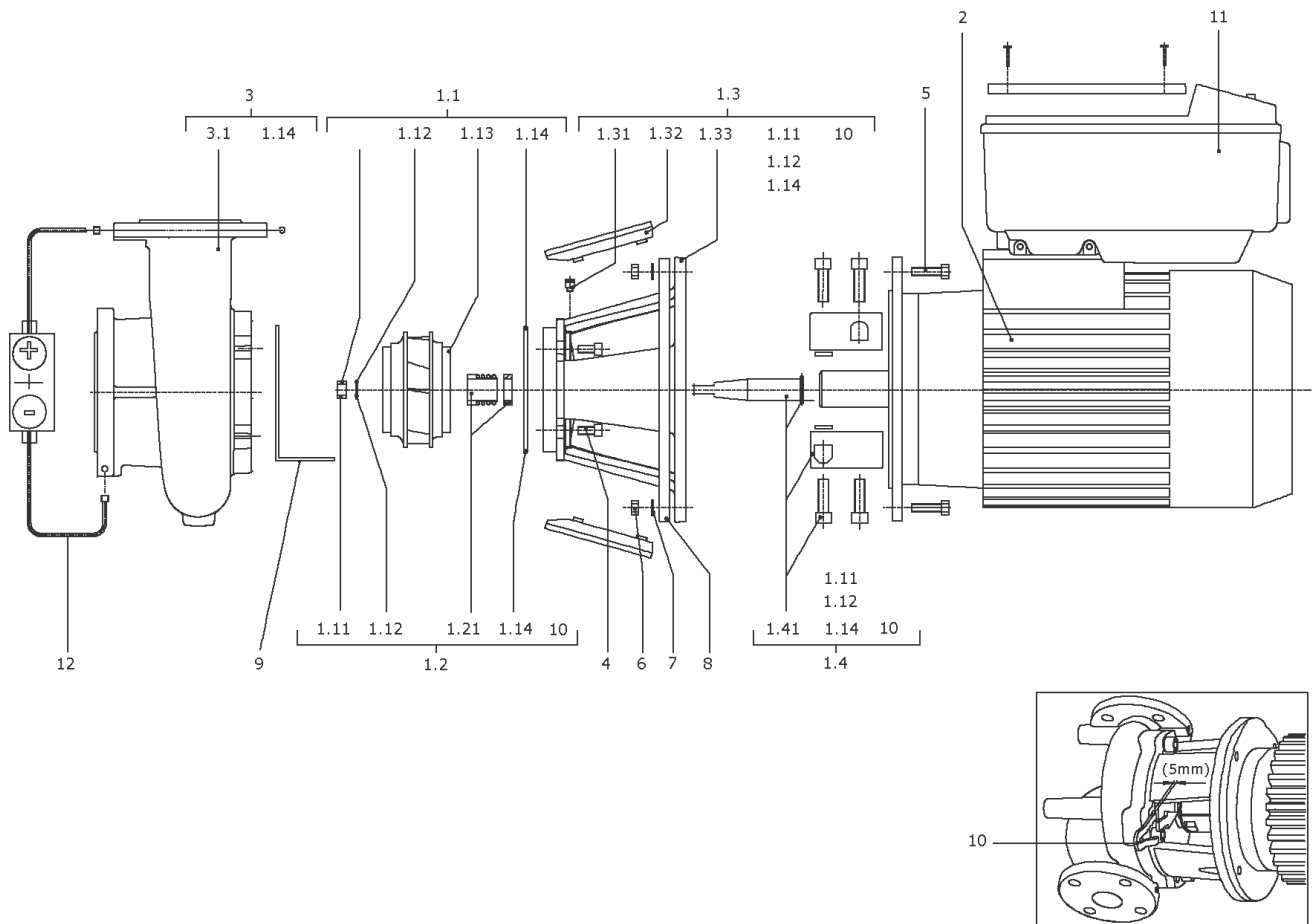
**SPARE PARTS MOT.B35 18,5/4/180/350E-IE2**

Item	Description	Quantity
1	MOTOR B35 18,5/4/180/350E TEE IE2 WILO	1



**MOTOR B35 18,5/4/180/350E TEE IE2 WILO**

Item	Article no.	Description	Quantity
2.1	2125392	END SHIELD BG180 D.E.TEE KIT	1
Note: Please give the data from type plate of the motor			
2.1A		> END SHIELD BG180 642310004 D.E.TEE	1
2.1B	2125356	> SCREW F.END SHIELD BG180 TEE (8 PIECES)	1
Note: Please give the data from type plate of the motor			
2.2	2096383	JOINT RING 50X80X10 TEE VP.	1
Note: Please give the data from type plate of the motor			
2.3	2044937	BALL BEARING 6310/2Z-C3 (HT) VP.	1
Note: Please give the data from type plate of the motor			
2.4	2044937	BALL BEARING 6310/2Z-C3 (HT) VP.	1
Note: Please give the data from type plate of the motor			
2.5	2125364	SPACER DISK BG180 TEE VP.	1
Note: Please give the data from type plate of the motor			
2.6	2096383	JOINT RING 50X80X10 TEE VP.	1
Note: Please give the data from type plate of the motor			
2.7	2042798	END SHIELD BGU180 N.D.E.TEE KIT	1
Note: Please give the data from type plate of the motor			
2.7A		> END SHIELD BG180 642205201 N.D.E.TEE	1
2.7B	2125340	> SCREW F.END SHIELD BG180 TEE (8 PIECES)	1
Note: Please give the data from type plate of the motor			
2.8	2042827	FAN WHEEL BG180 TEE VP.	1
Note: Please give the data from type plate of the motor			
2.9	2125350	FAN COVER BG180 METAL TEE KIT	1
Note: Please give the data from type plate of the motor			
2.9A		> FAN COVER BG180 METAL 644303201 TEE	1
2.9B	2125346	> SCREW F.FAN COVER BG180-225TEE(4 PIECES)	1
Note: Please give the data from type plate of the motor			
2.11	2064565	MOTOR FOOT BG180 TEE KIT	1
Note: Please give the data from type plate of the motor			
2.11A		> MOTOR FOOT BG180 RIGHT 644400101 TEE	1
2.11A		> MOTOR FOOT BG180 LEFT 644400201 TEE	1
2.11B	2125404	> SCREW BG160-180 TEE(2 PIECES)	1
Note: Please give the data from type plate of the motor			



**BL-E125/275-22/4-R1-IE2 (2126162)**

Item	Article no.	Description	Quantity
1.1	2140488	IMPELLER D.150/270-275-151,5/38 KIT	1
1.11	2027188	> NUT M16 DIN-EN24032 A4 VP.	1
1.12	2147220	> Impeller washer D.42 V2A VP.	1
1.13		> Impeller 150/270-275-151,5/38 GG GEWU	1
1.14	2051680	> O-RING ID.276,7x5,29 7EP1197-W534 VP.	1
	2042863	> CIRCLIP S16 V2A VP.	1
	2107599	> KEY B10X8X40 DIN6885 A2(2 PIECES)	1
1.2	2052335	MECHANICAL SEAL MG12/43-G60 AQ1EGG KIT	1
1.11	2027188	> NUT M16 DIN-EN24032 A4 VP.	1
1.12	2147220	> Impeller washer D.42 V2A VP.	1
1.14	2052325	> O-RING ID.338X5,3 7EP1197-W534 VP.	1
1.14	2051680	> O-RING ID.276,7x5,29 7EP1197-W534 VP.	1
1.21		> MECHANICAL SEAL MG12/43-G60 AQ1EGG	1
10	2054339	> TOOL D.42/55 VP.	1
	2042863	> CIRCLIP S16 V2A VP.	1
1.3	2052337	LANTERN P330X152-F300 KIT	1
1.11	2027188	> NUT M16 DIN-EN24032 A4 VP.	1
1.12	2147220	> Impeller washer D.42 V2A VP.	1
1.14	2051680	> O-RING ID.276,7x5,29 7EP1197-W534 VP.	1
1.31	2027201	> BLOWGUN R1/8" VP.	1
1.32	2048843	> COUPLING GUARD P270-F300/350 (2 PIECES)	1
1.33		> Lantern P330X152-F300 GG KTL WILO	1
10	2054339	> TOOL D.42/55 VP.	1
	2042863	> CIRCLIP S16 V2A VP.	1
1.4	2052342	COUPLING/SHAFT D.42/48X203 KIT	1
1.11	2027188	> NUT M16 DIN-EN24032 A4 VP.	1
1.12	2147220	> Impeller washer D.42 V2A VP.	1
1.14	2051680	> O-RING ID.276,7x5,29 7EP1197-W534 VP.	1
1.14	2052325	> O-RING ID.338X5,3 7EP1197-W534 VP.	1
1.41		> COUPLING 42/48+SHAFT 42X206 GR180 ZN KIT	1
10	2054339	> TOOL D.42/55 VP.	1
	2042863	> CIRCLIP S16 V2A VP.	1
	2107599	> KEY B10X8X40 DIN6885 A2(2 PIECES)	1
2	2135942	MOTOR B35 22/4/180/350E-IE2-TEE(+TOOL)	1

**BL-E125/275-22/4-R1-IE2 (2126162)**

Item	Article no.	Description	Quantity
		SPARE PARTS MOTOR B35 22/4/180/350E-IE2	1
3	2140482	PUMP HOUSING BL125/270-P330 PN16 KIT	1
1.14	2051680	> O-RING ID.276,7x5,29 7EP1197-W534 VP.	1
3.1		> PUMP HOUSING BL125/270-P330 PN16 WILO	1
4	2027193	SCREW M16X30 ISO4762 8.8 (4 PIECES)	1
5	2046467	Screw M16X35 ISO4017 8.8 (4 PIECES)	1
7	2029336	WASHER A17 DIN125 ST (4 PIECES)	1
11	2136001	MODULE BL-E125/275-22/4-IE2 TEE KIT	1
	2132103	> FAN LARGE TL6/7 FF KIT	1
		>> TL6/7FF module fan large cpl.	1
	2132096	>> FAN GRILL TL6/7 FF VP.	1
	2132097	> CABLE CONNECTION M12 TL6/7 FF VP.	1
	2132098	> CABLE CONNECTION M16 TL6/7 FF VP.	1
	2132099	> CABLE CONNECTION M20 TL6/7 FF VP.	1
	2132101	> CABLE CONNECTION LARGE M40 TL6/7 FF VP.	1
	2132104	> COVER SIDE TL6/7 FF CPL.VP.	1
	2132452	> MODULE COVER/BUTTON TL6/7 FF VP.	1



### Motor-Typenschild / Motor type plate / Plaque identité moteur

**Bei Ersatzteilbestellung Motorhersteller / Motordaten beachten!**  
**Consider motor manufacturers / motor data for order of spare parts!**  
**Pour les commandes de pièce détachée, indiquer le fabricant / les données du moteur!**

TEE

**TEE ELECTRIC MOTORS**  
ARCELIK A.S. - TURKEY  
2089004

CE IE2

3-Mot. **Q2E FS 60M2D90-F188** Icl F S1 Kg 13  
 N° 0001  
 04012011 IP 55 IM -

V Δ/A	Hz	min <sup>-1</sup>	kW	Cos φ	A	η
230 / 400	50	2885	1.1	0.83	4.2 / 2.4	IE2-79,6%
230 / 400	60	3480	1.27	0.83	4.0 / 2.3	

IEC 60034  
VDE 0530

Load Efficiency  
%80 79,1%  
%75 79,1%

ATB

Motor-Nummer  
motor number  
numéro du moteur

**ATB IE2 CE**

3-Mot. AF 132S/2F - 11S + E 2 /0509 IE2-88,1%  
 S1 132S IMV1 224039411-1 522058X  
 IP 55 Th. Cl. 155(F) SCHWINGGROESSENSTUFE 8  
**KD\_NR.2064705**

kW	V	Hz	A	1/min	cos φ
7,5	Y/Δ690/400	50	7,9 / 13,7	2890	0,90
7,5	Δ460	60	11,8	3510	0,89

Made in Germany 50 kg EN 60034

SIEMENS

Motor-Nummer  
motor number  
numéro du moteur

**SIEMENS 3-MOT. 1 LA9133-4KA61-Z** CE

UC 1009/000001101

82,1kg IMB3 132M IP55 Th.CL.155(F) AMB 40°C

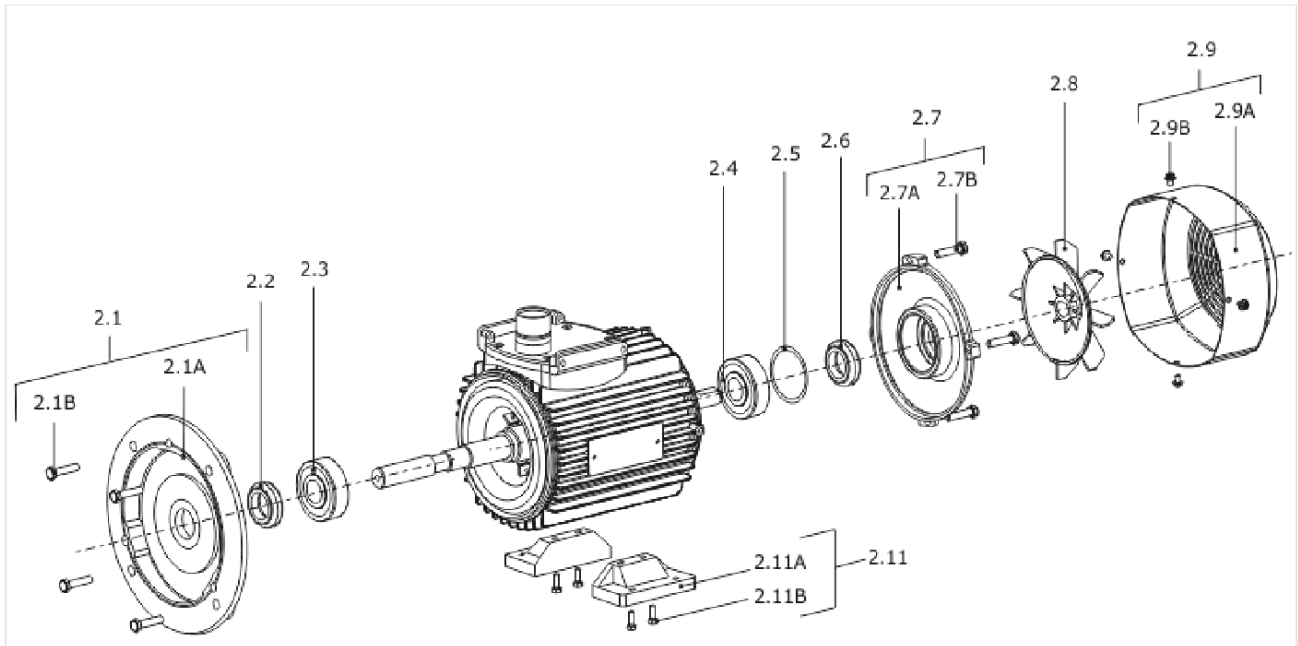
50 Hz	400/690V Δ/Y	7,5 kW	7A	1455 / min	cos φ 0,84	IE2 - 88,7%
60 Hz	460V Δ	7,5 kW	8,7A	1760 RPM	PF 0,82	IE2 - 90,5%

IEC/EN 60034

**SPARE PARTS MOTOR B35 22/4/180/350E-IE2**

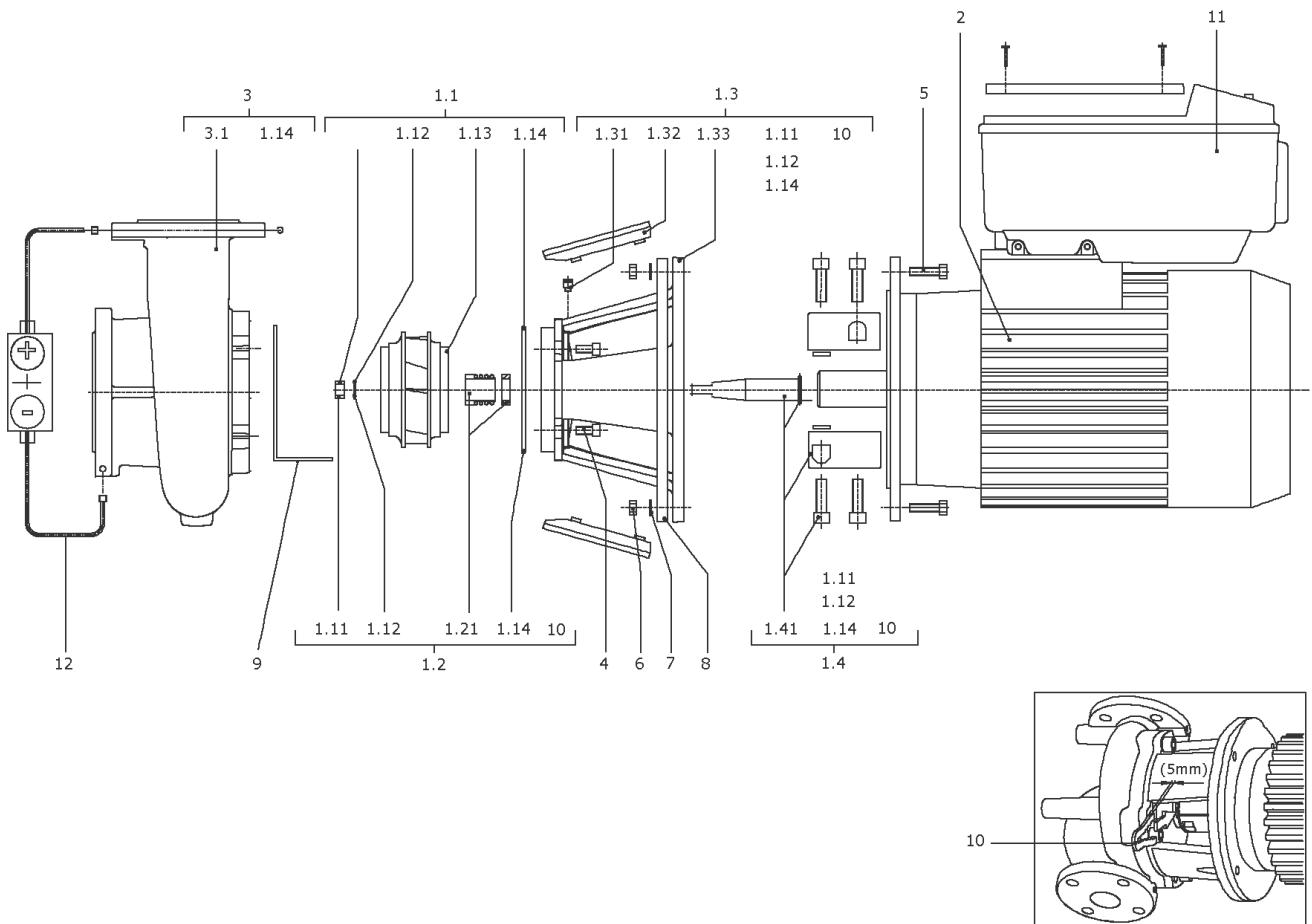


Item	Description	Quantity
1	MOTOR B35 22/4/180/350E TEE IE2 WILO	1



**MOTOR B35 22/4/180/350E TEE IE2 WILO**

Item	Article no.	Description	Quantity
2.1	2125392	END SHIELD BG180 D.E.TEE KIT	1
Note: Please give the data from type plate of the motor			
2.1A		> END SHIELD BG180 642310004 D.E.TEE	1
2.1B	2125356	> SCREW F.END SHIELD BG180 TEE (8 PIECES)	1
Note: Please give the data from type plate of the motor			
2.2	2096383	JOINT RING 50X80X10 TEE VP.	1
Note: Please give the data from type plate of the motor			
2.3	2044937	BALL BEARING 6310/2Z-C3 (HT) VP.	1
Note: Please give the data from type plate of the motor			
2.4	2044937	BALL BEARING 6310/2Z-C3 (HT) VP.	1
Note: Please give the data from type plate of the motor			
2.5	2125364	SPACER DISK BG180 TEE VP.	1
Note: Please give the data from type plate of the motor			
2.6	2096383	JOINT RING 50X80X10 TEE VP.	1
Note: Please give the data from type plate of the motor			
2.7	2042798	END SHIELD BGU180 N.D.E.TEE KIT	1
Note: Please give the data from type plate of the motor			
2.7A		> END SHIELD BG180 642205201 N.D.E.TEE	1
2.7B	2125340	> SCREW F.END SHIELD BG180 TEE (8 PIECES)	1
Note: Please give the data from type plate of the motor			
2.8	2042827	FAN WHEEL BG180 TEE VP.	1
Note: Please give the data from type plate of the motor			
2.9	2125350	FAN COVER BG180 METAL TEE KIT	1
Note: Please give the data from type plate of the motor			
2.9A		> FAN COVER BG180 METAL 644303201 TEE	1
2.9B	2125346	> SCREW F.FAN COVER BG180-225TEE(4 PIECES)	1
Note: Please give the data from type plate of the motor			
2.11	2064565	MOTOR FOOT BG180 TEE KIT	1
Note: Please give the data from type plate of the motor			
2.11A		> MOTOR FOOT BG180 RIGHT 644400101 TEE	1
2.11A		> MOTOR FOOT BG180 LEFT 644400201 TEE	1
2.11B	2125404	> SCREW BG160-180 TEE(2 PIECES)	1
Note: Please give the data from type plate of the motor			



**BL-E32/210-7,5/2-R1-IE2 (2144294)**

Item	Article no.	Description	Quantity
1.1	2153165	Impeller 40/220-209-71,7/24 GG KIT	1
1.11	2027187	> NUT M12 DIN-EN24032 A2 VP.	1
1.12	2027190	> WASHER A13 DIN125-T2 A2 VP.	1
1.13		> Impeller 40/220-209-71,7/24 GG BL gewu	1
1.14	2042864	> O-RING ID.224x3,55 7EP1197-W534 VP.	1
	2042862	> WASHER S12 V2A VP.	1
1.2	2026902	MECHANICAL SEAL MG12/24-G60 AQ1EGG KIT	1
1.11	2027187	> NUT M12 DIN-EN24032 A2 VP.	1
1.12	2027190	> WASHER A13 DIN125-T2 A2 VP.	1
1.14	2037527	> O-RING 148,82x3,53 EPDM 70SR.VP.	1
1.14	2043160	> O-Ring 177,39x3,53 ISO3601B EPDM VP.	1
1.14	2042864	> O-RING ID.224x3,55 7EP1197-W534 VP.	1
1.14	2051680	> O-RING ID.276,7x5,29 7EP1197-W534 VP.	1
	2042862	> WASHER S12 V2A VP.	1
1.21		> MECHANICAL SEAL MG12/24-G60 AQ1EGG	1
10	2027202	> TOOL D.18/24/32 VP.	1
1.3	2042712	LANTERN P270X72-F265 KTL KIT	1
1.11	2027187	> NUT M12 DIN-EN24032 A2 VP.	1
1.12	2027190	> WASHER A13 DIN125-T2 A2 VP.	1
1.14	2042864	> O-RING ID.224x3,55 7EP1197-W534 VP.	1
	2042862	> WASHER S12 V2A VP.	1
1.31	2027201	> BLOWGUN R1/8" VP.	1
1.32	2048845	> COUPLING GUARD P270-F265 PA66 (2 PIECES)	1
1.33		> LANTERN P270X72-F265 GG KTL WILO	1
10	2027202	> TOOL D.18/24/32 VP.	1
1.4	2043714	COUPLING/SHAFT D.24/38X140 KIT	1
1.11	2027187	> NUT M12 DIN-EN24032 A2 VP.	1
1.12	2027190	> WASHER A13 DIN125-T2 A2 VP.	1
1.14	2042864	> O-RING ID.224x3,55 7EP1197-W534 VP.	1
1.41		> COUPLING 24/38+SHAFT 24X140 BG132 ZN KIT	1
10	2027202	> TOOL D.18/24/32 VP.	1
2	2135931	MOTOR B35 7,5/2/132/300E-IE2-SM.(+TOOL)	1
		SPARE PARTS MOTOR B35 7,5/2/132/300E-IE2	1
3	2042759	PUMP HOUSING B32/230 PN16 KIT	1

**BL-E32/210-7,5/2-R1-IE2 (2144294)**

Item	Article no.	Description	Quantity
1.14	2042864	> O-RING ID.224x3,55 7EP1197-W534 VP.	1
3.1		> PUMP HOUSING BL32/230 PN16 CPL.WILO	1
4	2027193	SCREW M16X30 ISO4762 8.8 (4 PIECES)	1
5	2027195	SCREW M12X25 DIN912 8.8 (4 PIECES)	1
11	2168204	Module BL-E32/210-7,5/2-IE2 SM.KIT	1
		> Module BL-E32/210-7,5/2-IE2 SM.WILO	1
	2111344	> MODULE COVER/GASKET TL5 KIT	1
	2120047	> CABLE CONNECTION M12x1,5/5 cpl.TL5 VP.	1
	2120048	> CABLE CONNECTION M16x1,5/5 cpl.TL5 VP.	1
	2120049	> CABLE CONNECTION M20x1,5/6 cpl.TL5 VP.	1
	2120050	> CABLE CONNECTION M25x1,5/8 cpl.TL5 VP.	1

### Motor-Typenschild / Motor type plate / Plaque identité moteur

**Bei Ersatzteilbestellung Motorhersteller / Motordaten beachten!**  
**Consider motor manufacturers / motor data for order of spare parts!**  
**Pour les commandes de pièce détachée, indiquer le fabricant / les données du moteur!**

TEE

**TEE** ELECTRIC MOTORS  
 ARCELIK A.S. - TURKEY  
 2089004

CE IE2

3-Mot. **Q2E FS 60M2D90-F188** Icl F S1 Kg 13  
 N° 0001  
 04012011 IP 55 IM -

V Δ/A	Hz	min <sup>-1</sup>	kW	Cos φ	A	η
230 / 400	50	2885	1.1	0.83	4.2 / 2.4	IE2-79,6%
205 / 400	60	3480	1.27	0.83	4.0 / 2.3	

IEC 60034  
 VDE 0530

Load Efficiency  
 %80 79,1%  
 %75 79,1%

ATB

Motor-Nummer  
 motor number  
 numéro du moteur

**ATB** IE2 CE

3-Mot. AF 132S/2F - 11S + E 2 /0509 IE2-88,1%  
 S1 132S IMV1 224039411-1 522058X  
 IP 55 Th. Cl. 155(F) SCHWINGGROESSENSTUFE 8  
**KD\_NR.2064705**

kW	V	Hz	A	1/min	cos φ
7,5	Y/Δ690/400	50	7,9 / 13,7	2890	0,90
7,5	Δ460	60	11,8	3510	0,89

Made in Germany 50 kg EN 60034

SIEMENS

Motor-Nummer  
 motor number  
 numéro du moteur

**SIEMENS** 3-MOT. 1 LA9133-4KA61-Z  
 UC 1009/000001101

IE2 CE

82,1kg IMB3 132M IP55 Th.CL.155(F) AMB 40°C

50 Hz	400/690V Δ/Y	7,5 kW	7A	1455 / min	cos φ 0,84
60 Hz	460V Δ	7,5 kW	8,7A	1760 RPM	PF 0,82

IE2 - 88,7%  
 IEC/EN 60034

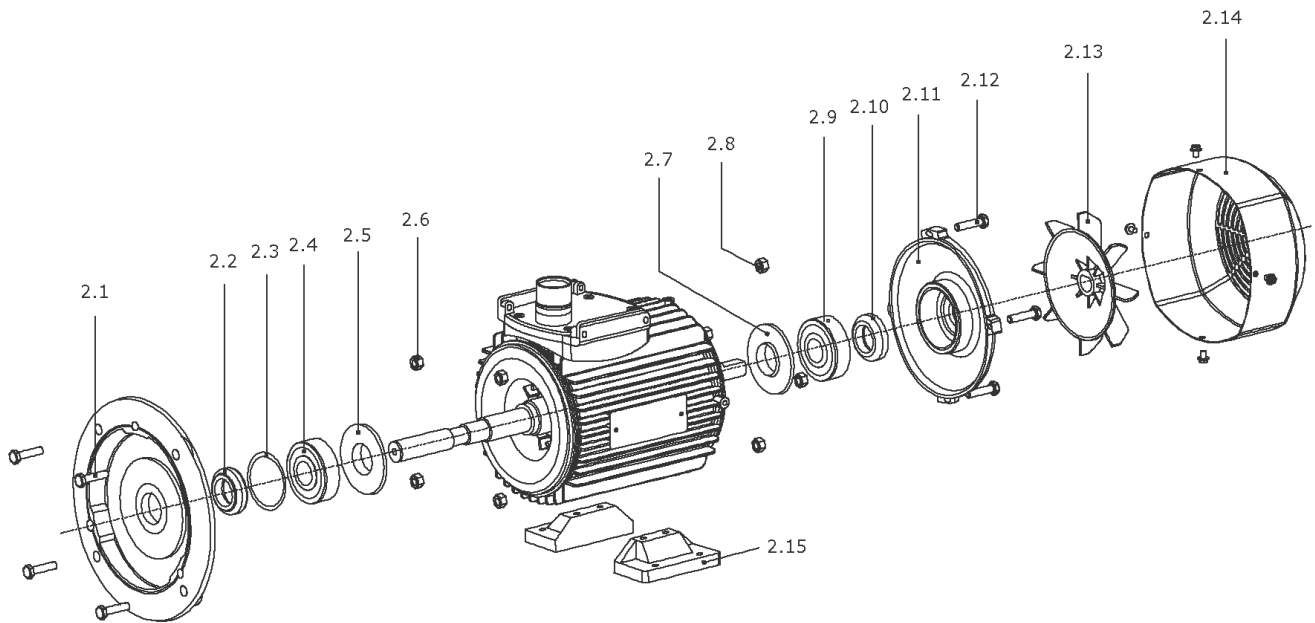
IE2 - 90,5%



**SPARE PARTS MOTOR B35 7,5/2/132/300E-IE2**

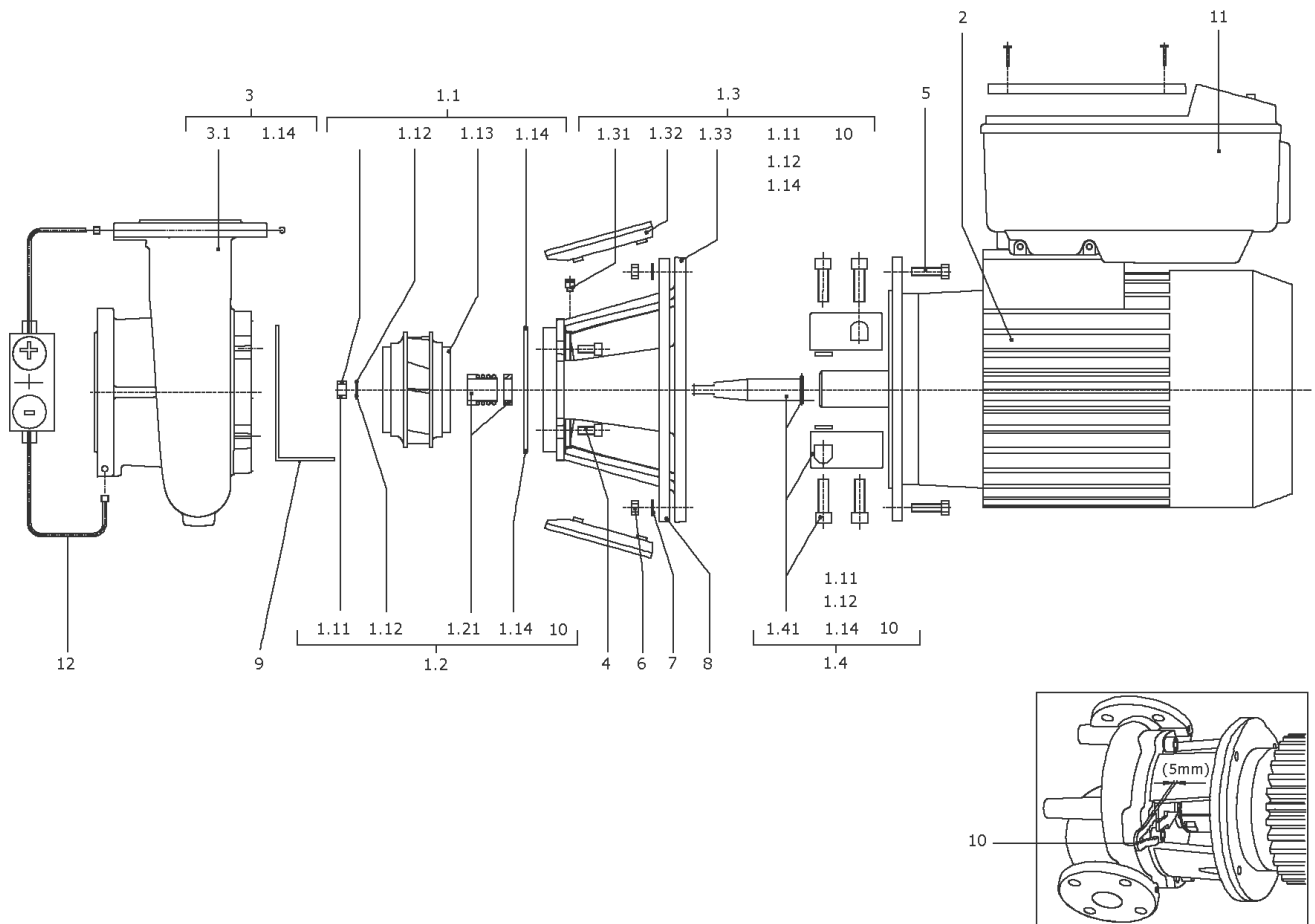


Item	Description	Quantity
3	MOTOR B35 7,5/2/132/300E SM IE2 WILO	1



**MOTOR B35 7,5/2/132/300E SM IE2 WILO**

Item	Article no.	Description	Quantity
2.1	2112830	SCREW M8X65 ISO4762 8.8 (4 PIECES)	1
Note: Please give the data from type plate of the motor			
2.2	2111403	V-RING V40-A SM.VP.	1
Note: Please give the data from type plate of the motor			
2.3	2112832	SPRING WASHER SN60098-56 6208 SM.VP.	1
Note: Please give the data from type plate of the motor			
2.4	2111405	BALL BEARING 6308/2ZJC3 SM.VP.	1
Note: Please give the data from type plate of the motor			
2.5	2111401	BEARING INSERT BG132 D.E.SM.VP.	1
Note: Please give the data from type plate of the motor			
2.6	2112834	NUT M8-8 DIN6923(4 PIECES)	1
Note: Please give the data from type plate of the motor			
2.7	2111409	BEARING INSERT BG132 N.D.E.SM.VP.	1
Note: Please give the data from type plate of the motor			
2.8	2112834	NUT M8-8 DIN6923(4 PIECES)	1
Note: Please give the data from type plate of the motor			
2.9	2111366	BALL BEARING 6208/2ZJC3 SM.VP.	1
Note: Please give the data from type plate of the motor			
2.10	2111403	V-RING V40-A SM.VP.	1
Note: Please give the data from type plate of the motor			
2.11	2111407	END SHIELD N.D.E.BG132 SM.VP.	1
Note: Please give the data from type plate of the motor			
2.12	2112836	SCREW M8X40 ISO4017 8.8 (4 PIECES)	1
Note: Please give the data from type plate of the motor			
2.13	2111413	FAN WHEEL 1PC3 BG132 D.150 SM.VP.	1
Note: Please give the data from type plate of the motor			
2.14	2111411	FAN COVER 1PC3 BG132/300 SM.VP.	1
Note: Please give the data from type plate of the motor			
2.15	2138774	MOTOR FOOT 1LE1 BG132 SM.KIT	1
Note: Please give the data from type plate of the motor			



**BL-E32/220-11/2-R1-IE2 (2144295)**

Item	Article no.	Description	Quantity
1.1	2153164	Impeller 40/220-222-71,7/24 GG KIT	1
1.11	2027187	> NUT M12 DIN-EN24032 A2 VP.	1
1.12	2027190	> WASHER A13 DIN125-T2 A2 VP.	1
1.13		> Impeller 40/220-222-71,7/24 GG BL gewu	1
1.14	2042864	> O-RING ID.224x3,55 7EP1197-W534 VP.	1
	2042862	> WASHER S12 V2A VP.	1
1.2	2026902	MECHANICAL SEAL MG12/24-G60 AQ1EGG KIT	1
1.11	2027187	> NUT M12 DIN-EN24032 A2 VP.	1
1.12	2027190	> WASHER A13 DIN125-T2 A2 VP.	1
1.14	2037527	> O-RING 148,82x3,53 EPDM 70SR.VP.	1
1.14	2043160	> O-Ring 177,39x3,53 ISO3601B EPDM VP.	1
1.14	2042864	> O-RING ID.224x3,55 7EP1197-W534 VP.	1
1.14	2051680	> O-RING ID.276,7x5,29 7EP1197-W534 VP.	1
	2042862	> WASHER S12 V2A VP.	1
1.21		> MECHANICAL SEAL MG12/24-G60 AQ1EGG	1
10	2027202	> TOOL D.18/24/32 VP.	1
1.3	2042713	LANTERN P270X72-F300 KTL KIT	1
1.11	2027187	> NUT M12 DIN-EN24032 A2 VP.	1
1.12	2027190	> WASHER A13 DIN125-T2 A2 VP.	1
1.14	2042864	> O-RING ID.224x3,55 7EP1197-W534 VP.	1
	2042862	> WASHER S12 V2A VP.	1
1.31	2027201	> BLOWGUN R1/8" VP.	1
1.32	2048843	> COUPLING GUARD P270-F300/350 (2 PIECES)	1
1.33		> Lantern P270X72-F300 GG KTL WILO	1
10	2027202	> TOOL D.18/24/32 VP.	1
1.4	2040988	COUPLING/SHAFT D.24/42X150 KIT	1
1.11	2027187	> NUT M12 DIN-EN24032 A2 VP.	1
1.12	2027190	> WASHER A13 DIN125-T2 A2 VP.	1
1.14	2042864	> O-RING ID.224x3,55 7EP1197-W534 VP.	1
1.41		> COUPLING 24/42+SHAFT 24X150 BG160 ZN KIT	1
10	2027202	> TOOL D.18/24/32 VP.	1
2	2135932	MOTOR B35 11/2/160/350E-IE2-TEE(+TOOL)	1
		SPARE PARTS MOTOR B35 11/2/160/350E-IE2	1
3	2042759	PUMP HOUSING B32/230 PN16 KIT	1

**BL-E32/220-11/2-R1-IE2 (2144295)**

Item	Article no.	Description	Quantity
1.14	2042864	> O-RING ID.224x3,55 7EP1197-W534 VP.	1
3.1		> PUMP HOUSING BL32/230 PN16 CPL.WILO	1
4	2027193	SCREW M16X30 ISO4762 8.8 (4 PIECES)	1
5	2046467	Screw M16X35 ISO4017 8.8 (4 PIECES)	1
7	2029336	WASHER A17 DIN125 ST (4 PIECES)	1
11	2168205	Module BL-E32/220-11/2-IE2 TEE KIT	1
	2132102	> FAN SMALL TL6/7 FF KIT	1
		>> TL6/7FF module fan sm.cpl.	1
	2132096	>> FAN GRILL TL6/7 FF VP.	1
	2132097	> CABLE CONNECTION M12 TL6/7 FF VP.	1
	2132098	> CABLE CONNECTION M16 TL6/7 FF VP.	1
	2132099	> CABLE CONNECTION M20 TL6/7 FF VP.	1
	2132100	> CABLE CONNECTION SMALL M40 TL6/7 FF VP.	1
	2132104	> COVER SIDE TL6/7 FF CPL.VP.	1
	2132452	> MODULE COVER/BUTTON TL6/7 FF VP.	1

### Motor-Typenschild / Motor type plate / Plaque identité moteur

**Bei Ersatzteilbestellung Motorhersteller / Motordaten beachten!**  
**Consider motor manufacturers / motor data for order of spare parts!**  
**Pour les commandes de pièce détachée, indiquer le fabricant / les données du moteur!**

TEE

**TEE** ELECTRIC MOTORS  
 ARCELIK A.S. - TURKEY  
 2089004

CE IE2

3-Mot. **Q2E FS 60M2D90-F188** Icl F S1 Kg **13**  
 N° 0001  
 04012011 IP **55** IM -

IEC 60034 VDE 0530

V Δ/A	Hz	min <sup>-1</sup>	kW	Cos φ	A	η
230 / 400	50	2885	1.1	0.83	4.2 / 2.4	IE2-79,6%
230 / 400	60	3480	1.27	0.83	4.0 / 2.3	

Load Efficiency  
 %80 79,1%  
 %75 79,1%

ATB

Motor-Nummer  
 motor number  
 numéro du moteur

**ATB** IE2 CE

3-Mot. AF 132S/2F - 11S + E 2 /0509 IE2-88,1%  
 S1 132S IMV1 224039411-1 522058X  
 IP 55 Th. Cl. 155(F) SCHWINGGROESSENSTUFE 8  
**KD\_NR.2064705**

kW	V	Hz	A	1/min	cos φ
7.5	Y/Δ690/400	50	7.9 / 13.7	2890	0.90
7.5	Δ460	60	11.8	3510	0.89

Made in Germany 50 kg EN 60034

SIEMENS

Motor-Nummer  
 motor number  
 numéro du moteur

**SIEMENS** 3-MOT. 1 LA9133-4KA61-Z  
 UC 1009/000001101

IEC 60034 CE

82.1kg IMB3 132M IP55 Th.CL.155(F) AMB 40°C

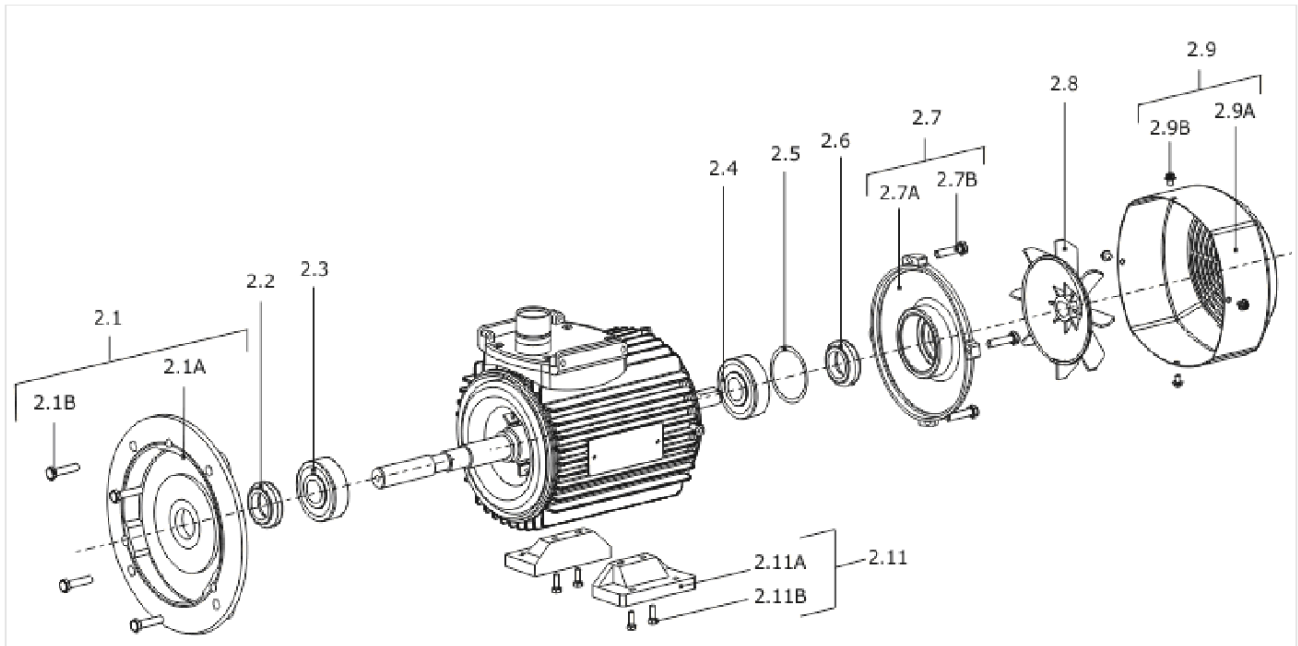
50 Hz	400/690V Δ/Y	80 Hz	460V Δ
7.5 kW	7A	7.5 kW	8.7A
cos φ 0.84	1455 / min	PF 0.82	1760 RPM

IE2 - 88,7% IE2 - 90,5%  
 IEC/EN 60034

**SPARE PARTS MOTOR B35 11/2/160/350E-IE2**

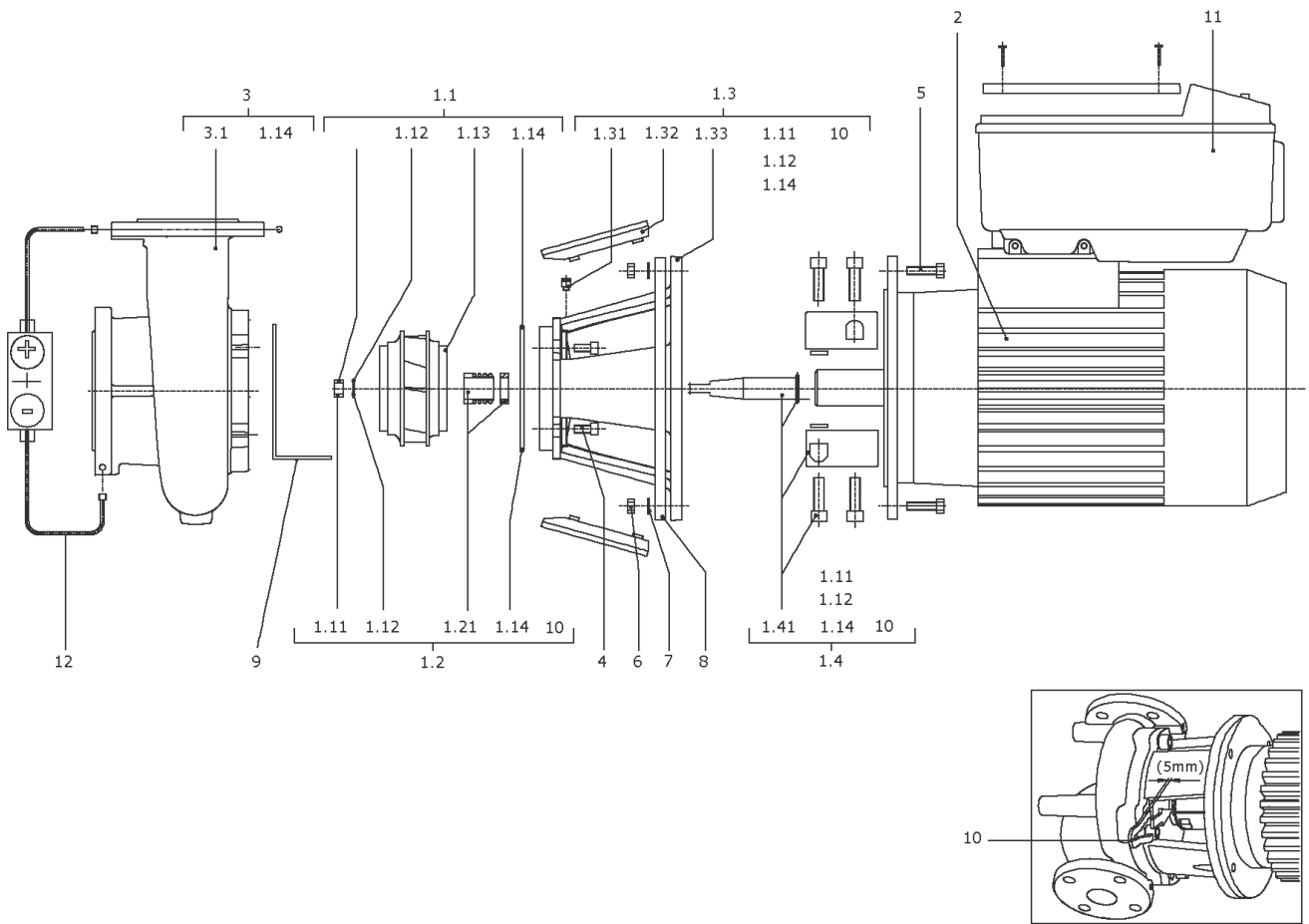
<b>Item</b>	<b>Description</b>	<b>Quantity</b>
1	MOTOR B35 11/2/160/350E TEE IE2 WILO	1





**MOTOR B35 11/2/160/350E TEE IE2 WILO**

Item	Article no.	Description	Quantity
2.1	2120052	END SHIELD BG160 D.E.TEE KIT	1
Note: Please give the data from type plate of the motor			
2.1A		> END SHIELD BG160 642400806 D.E.TEE	1
2.1B	2125338	> SCREW F.END SHIELD BG160 TEE(8 PIECES)	1
Note: Please give the data from type plate of the motor			
2.2	2096382	JOINT RING 45X72X10 TEE VP.	1
Note: Please give the data from type plate of the motor			
2.3	121084396	BALL BEARING 6309/2Z-C3 (HT) VP.	1
Note: Please give the data from type plate of the motor			
2.4	122065996	BALL BEARING 6209/2Z-C3 (HT) VP.	1
Note: Please give the data from type plate of the motor			
2.5	2125362	SPACER DISK BG160 TEE VP.	1
Note: Please give the data from type plate of the motor			
2.6	2096382	JOINT RING 45X72X10 TEE VP.	1
Note: Please give the data from type plate of the motor			
2.7	2125387	END SHIELD BG160 N.D.E.TEE KIT	1
Note: Please give the data from type plate of the motor			
2.7A		> END SHIELD BG160 643232001 N.D.E.TEE	1
2.7B	2125338	> SCREW F.END SHIELD BG160 TEE(8 PIECES)	1
Note: Please give the data from type plate of the motor			
2.8	2042825	FAN WHEEL BG132-225 TEE VP.	1
Note: Please give the data from type plate of the motor			
2.9	2125348	FAN COVER BG160 TEE KIT	1
Note: Please give the data from type plate of the motor			
2.9A		> FAN COVER BG160 644307201 TEE	1
2.9B	2116839	> SCREW BG90-112 TEE (4 PIECE)	1
Note: Please give the data from type plate of the motor			
2.11	2123904	MOTOR FOOT BG160 TEE KIT	1
Note: Please give the data from type plate of the motor			
2.11A		> MOTOR FOOT BG160 LEFT 643409001 TEE	1
2.11A		> MOTOR FOOT BG160 RIGHT 643408901 TEE	1
2.11B	2125331	> SCREW BG132/160 TEE (2 PIECES)	1
Note: Please give the data from type plate of the motor			



**BL-E50/200-15/2-R1-IE2 (2144296)**

Item	Article no.	Description	Quantity
1.1	2040849	IMPELLER D.65/194/24 KIT	1
1.11	2027188	> NUT M16 DIN-EN24032 A4 VP.	1
1.12	2027191	> WASHER A17 DIN125 200HV A2	1
1.13		> IMPELLER 65/194/184/32 GG BALANCED	1
1.14	2042864	> O-RING ID.224x3,55 7EP1197-W534 VP.	1
	2042863	> CIRCLIP S16 V2A VP.	1
1.2	2026903	MECH.SEAL MG12/32-G60 AQ1EGG M16 KIT	1
1.11	2027188	> NUT M16 DIN-EN24032 A4 VP.	1
1.12	2027191	> WASHER A17 DIN125 200HV A2	1
1.14	2043160	> O-Ring 177,39x3,53 ISO3601B EPDM VP.	1
1.14	2042864	> O-RING ID.224x3,55 7EP1197-W534 VP.	1
1.14	2051680	> O-RING ID.276,7x5,29 7EP1197-W534 VP.	1
	2042863	> CIRCLIP S16 V2A VP.	1
1.21		> MECHANICAL SEAL MG12/32-G60 AQ1EGG	1
10	2027202	> TOOL D.18/24/32 VP.	1
1.3	2042716	LANTERN P270X99-F300 KTL KIT	1
1.11	2027188	> NUT M16 DIN-EN24032 A4 VP.	1
1.12	2027191	> WASHER A17 DIN125 200HV A2	1
1.14	2042864	> O-RING ID.224x3,55 7EP1197-W534 VP.	1
	2042863	> CIRCLIP S16 V2A VP.	1
1.31	2027201	> BLOWGUN R1/8" VP.	1
1.32	2048843	> COUPLING GUARD P270-F300/350 (2 PIECES)	1
1.33		> Lantern P270X99-F300 GG KTL WILO	1
10	2027202	> TOOL D.18/24/32 VP.	1
1.4	2042727	COUPLING/SHAFT D.32/42X161 KIT	1
1.11	2027188	> NUT M16 DIN-EN24032 A4 VP.	1
1.12	2027191	> WASHER A17 DIN125 200HV A2	1
1.14	2042864	> O-RING ID.224x3,55 7EP1197-W534 VP.	1
1.14	2043160	> O-Ring 177,39x3,53 ISO3601B EPDM VP.	1
	2042863	> CIRCLIP S16 V2A VP.	1
1.41		> COUPLING 32/42+SHAFT 32X161 BG160 ZN KIT	1
10	2027202	> TOOL D.18/24/32 VP.	1
2	2135934	MOTOR B35 15/2/160/350E-IE2-TEE(+TOOL)	1
		SPARE PARTS MOTOR B35 15/2/160/350E-IE2	1

**BL-E50/200-15/2-R1-IE2 (2144296)**

Item	Article no.	Description	Quantity
3	2042761	PUMP HOUSING B50/230 PN16 KIT	1
1.14	2042864	> O-RING ID.224x3,55 7EP1197-W534 VP.	1
3.1		> PUMP HOUSING BL50/230 PN16 CPL.WILO	1
4	2027193	SCREW M16X30 ISO4762 8.8 (4 PIECES)	1
5	2046467	Screw M16X35 ISO4017 8.8 (4 PIECES)	1
7	2029336	WASHER A17 DIN125 ST (4 PIECES)	1
11	2168206	Module BL-E50/200-15/2-IE2 TEE KIT	1
	2132102	> FAN SMALL TL6/7 FF KIT	1
		>> TL6/7FF module fan sm.cpl.	1
	2132096	>> FAN GRILL TL6/7 FF VP.	1
	2132097	> CABLE CONNECTION M12 TL6/7 FF VP.	1
	2132098	> CABLE CONNECTION M16 TL6/7 FF VP.	1
	2132099	> CABLE CONNECTION M20 TL6/7 FF VP.	1
	2132100	> CABLE CONNECTION SMALL M40 TL6/7 FF VP.	1
	2132104	> COVER SIDE TL6/7 FF CPL.VP.	1
	2132452	> MODULE COVER/BUTTON TL6/7 FF VP.	1

### Motor-Typenschild / Motor type plate / Plaque identité moteur

**Bei Ersatzteilbestellung Motorhersteller / Motordaten beachten!**  
**Consider motor manufacturers / motor data for order of spare parts!**  
**Pour les commandes de pièce détachée, indiquer le fabricant / les données du moteur!**

TEE

**TEE ELECTRIC MOTORS**  
ARCELIK A.S. - TURKEY  
2089004

CE IE2

3-Mot. **Q2E FS 60M2D90-F188** Icl F S1 Kg 13  
 N° 0001  
 04012011 IP 55 IM -

V Δ/A	Hz	min <sup>-1</sup>	kW	Cos φ	A	η
230 / 400	50	2885	1.1	0.83	4.2 / 2.4	IE2-79,6%
230 / 400	60	3480	1.27	0.83	4.0 / 2.3	

IEC 60034  
VDE 0530

Load Efficiency  
%80 79,1%  
%75 79,1%

ATB

Motor-Nummer  
motor number  
numéro du moteur

**ATB IE2 CE**

3-Mot. AF 132S/2F - 11S + E 2 /0509 IE2-88,1%  
 S1 132S IMV1 224039411-1 522058X  
 IP 55 Th. Cl. 155(F) SCHWINGGROESSENSTUFE 8  
**KD\_NR.2064705**

kW	V	Hz	A	1/min	cos φ
7,5	Y/Δ690/400	50	7,9 / 13,7	2890	0,90
7,5	Δ460	60	11,8	3510	0,89

Made in Germany 50 kg EN 60034

SIEMENS

Motor-Nummer  
motor number  
numéro du moteur

**SIEMENS 3-MOT. 1 LA9133-4KA61-Z** CE

UC 1009/000001101

IEC/EN 60034

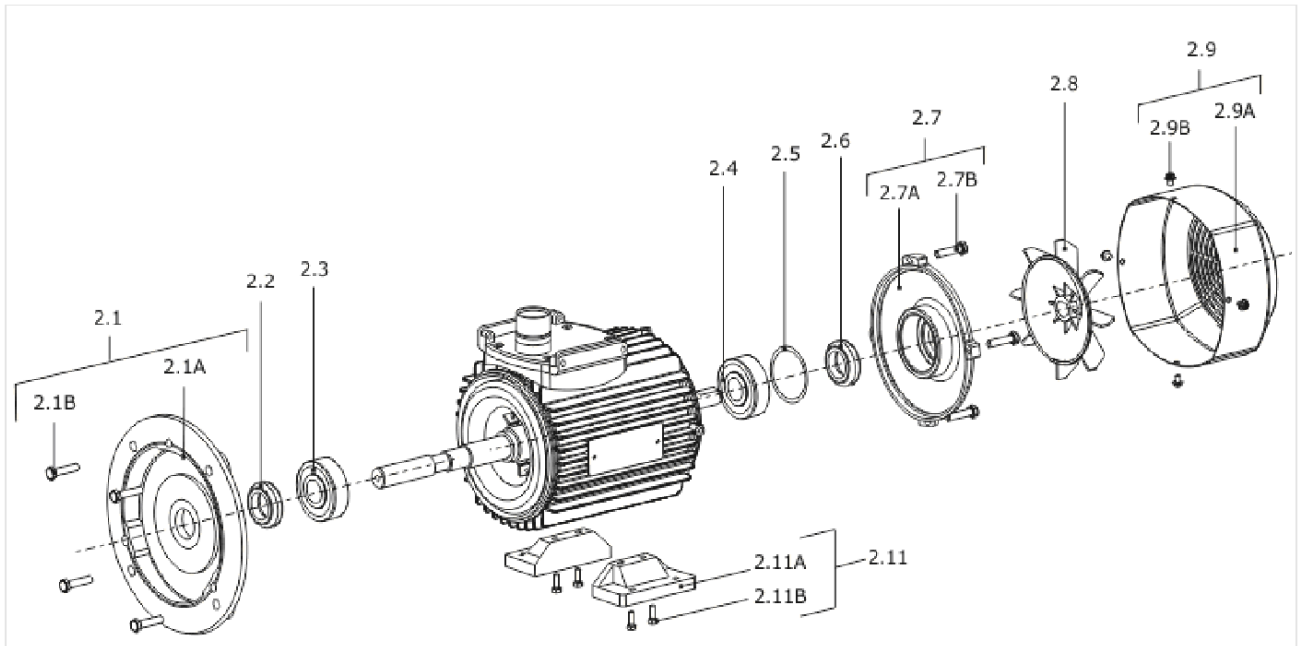
50 Hz 400/690V Δ/Y  
7,5 kW 7A  
cos φ 0,84 1455 / min

60 Hz 460V Δ  
7,5 kW 8,7A  
PF 0,82 1760 RPM

IE2 - 88,7%  
IE2 - 90,5%

**SPARE PARTS MOTOR B35 15/2/160/350E-IE2**

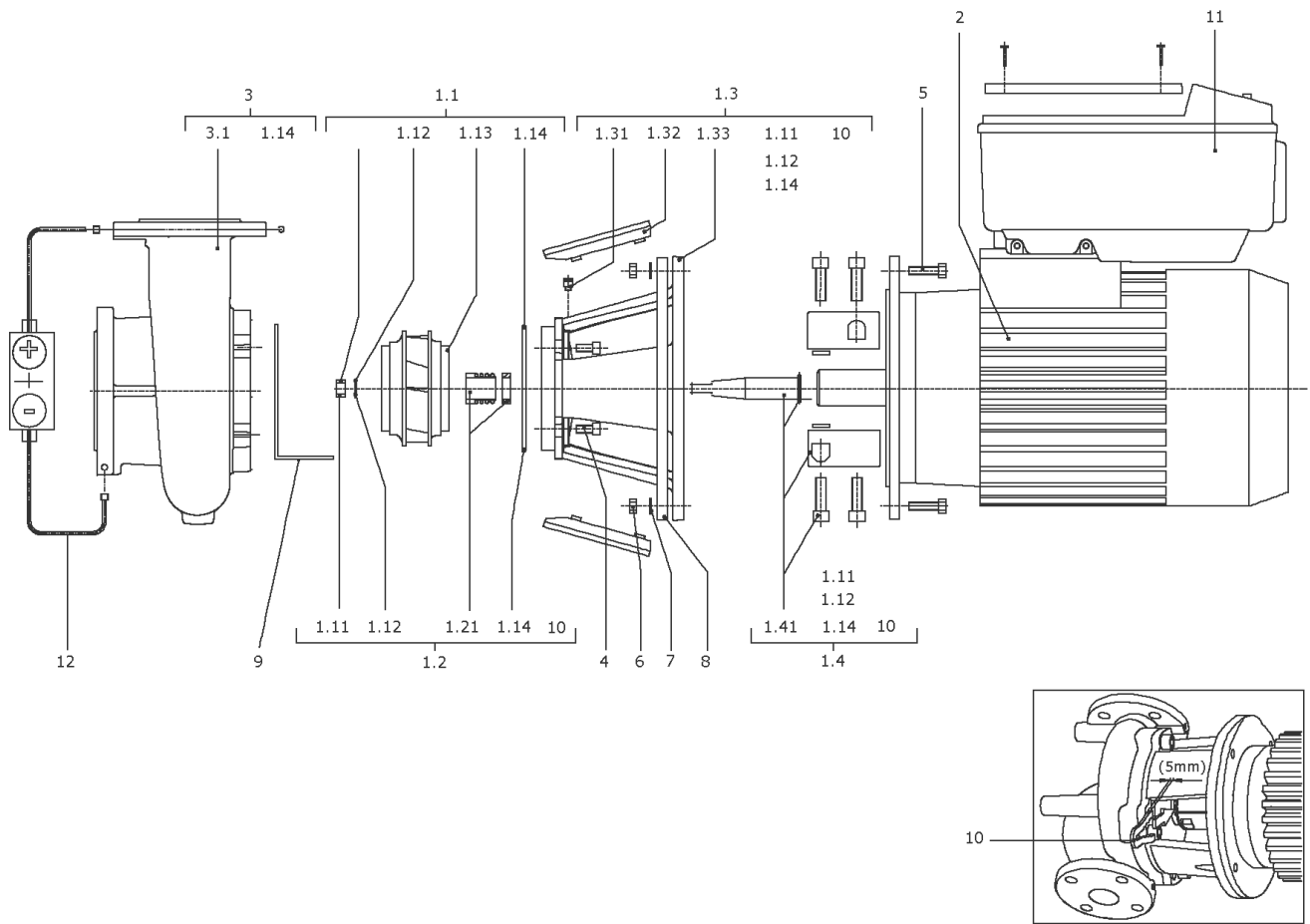
<b>Item</b>	<b>Description</b>	<b>Quantity</b>
1	MOTOR B35 15/2/160/350E TEE IE2 WILO	1





**MOTOR B35 15/2/160/350E TEE IE2 WILO**

Item	Article no.	Description	Quantity
2.1	2120052	END SHIELD BG160 D.E.TEE KIT	1
Note: Please give the data from type plate of the motor			
2.1A		> END SHIELD BG160 642400806 D.E.TEE	1
2.1B	2125338	> SCREW F.END SHIELD BG160 TEE(8 PIECES)	1
Note: Please give the data from type plate of the motor			
2.2	2096382	JOINT RING 45X72X10 TEE VP.	1
Note: Please give the data from type plate of the motor			
2.3	121084396	BALL BEARING 6309/2Z-C3 (HT) VP.	1
Note: Please give the data from type plate of the motor			
2.4	122065996	BALL BEARING 6209/2Z-C3 (HT) VP.	1
Note: Please give the data from type plate of the motor			
2.5	2125362	SPACER DISK BG160 TEE VP.	1
Note: Please give the data from type plate of the motor			
2.6	2096382	JOINT RING 45X72X10 TEE VP.	1
Note: Please give the data from type plate of the motor			
2.7	2125387	END SHIELD BG160 N.D.E.TEE KIT	1
Note: Please give the data from type plate of the motor			
2.7A		> END SHIELD BG160 643232001 N.D.E.TEE	1
2.7B	2125338	> SCREW F.END SHIELD BG160 TEE(8 PIECES)	1
Note: Please give the data from type plate of the motor			
2.8	2042825	FAN WHEEL BG132-225 TEE VP.	1
Note: Please give the data from type plate of the motor			
2.9	2125348	FAN COVER BG160 TEE KIT	1
Note: Please give the data from type plate of the motor			
2.9A		> FAN COVER BG160 644307201 TEE	1
2.9B	2116839	> SCREW BG90-112 TEE (4 PIECE)	1
Note: Please give the data from type plate of the motor			
2.11	2123904	MOTOR FOOT BG160 TEE KIT	1
Note: Please give the data from type plate of the motor			
2.11A		> MOTOR FOOT BG160 LEFT 643409001 TEE	1
2.11A		> MOTOR FOOT BG160 RIGHT 643408901 TEE	1
2.11B	2125331	> SCREW BG132/160 TEE (2 PIECES)	1
Note: Please give the data from type plate of the motor			



**BL-E50/210-18,5/2-R1-IE2 (2144297)**

Item	Article no.	Description	Quantity
1.1	2123487	IMPELLER D.65/204/194/32 KIT	1
1.11	2027188	> NUT M16 DIN-EN24032 A4 VP.	1
1.12	2027191	> WASHER A17 DIN125 200HV A2	1
1.13		> IMPELLER 65/204/194/32 GG BALANCED	1
1.14	2042864	> O-RING ID.224x3,55 7EP1197-W534 VP.	1
	2042862	> WASHER S12 V2A VP.	1
1.2	2026903	MECH.SEAL MG12/32-G60 AQ1EGG M16 KIT	1
1.11	2027188	> NUT M16 DIN-EN24032 A4 VP.	1
1.12	2027191	> WASHER A17 DIN125 200HV A2	1
1.14	2043160	> O-Ring 177,39x3,53 ISO3601B EPDM VP.	1
1.14	2042864	> O-RING ID.224x3,55 7EP1197-W534 VP.	1
1.14	2051680	> O-RING ID.276,7x5,29 7EP1197-W534 VP.	1
	2042863	> CIRCLIP S16 V2A VP.	1
1.21		> MECHANICAL SEAL MG12/32-G60 AQ1EGG	1
10	2027202	> TOOL D.18/24/32 VP.	1
1.3	2042716	LANTERN P270X99-F300 KTL KIT	1
1.11	2027188	> NUT M16 DIN-EN24032 A4 VP.	1
1.12	2027191	> WASHER A17 DIN125 200HV A2	1
1.14	2042864	> O-RING ID.224x3,55 7EP1197-W534 VP.	1
	2042863	> CIRCLIP S16 V2A VP.	1
1.31	2027201	> BLOWGUN R1/8" VP.	1
1.32	2048843	> COUPLING GUARD P270-F300/350 (2 PIECES)	1
1.33		> Lantern P270X99-F300 GG KTL WILO	1
10	2027202	> TOOL D.18/24/32 VP.	1
1.4	2042727	COUPLING/SHAFT D.32/42X161 KIT	1
1.11	2027188	> NUT M16 DIN-EN24032 A4 VP.	1
1.12	2027191	> WASHER A17 DIN125 200HV A2	1
1.14	2042864	> O-RING ID.224x3,55 7EP1197-W534 VP.	1
1.14	2043160	> O-Ring 177,39x3,53 ISO3601B EPDM VP.	1
	2042863	> CIRCLIP S16 V2A VP.	1
1.41		> COUPLING 32/42+SHAFT 32X161 BG160 ZN KIT	1
10	2027202	> TOOL D.18/24/32 VP.	1
2	2135935	MOTOR B35 18,5/2/160/350E-IE2-TEE(+TOOL)	1
		SPARE PARTS MOT.B35 18,5/2/160/350E-IE2	1

**BL-E50/210-18,5/2-R1-IE2 (2144297)**

Item	Article no.	Description	Quantity
3	2042761	PUMP HOUSING B50/230 PN16 KIT	1
1.14	2042864	> O-RING ID.224x3,55 7EP1197-W534 VP.	1
3.1		> PUMP HOUSING BL50/230 PN16 CPL.WILO	1
4	2027193	SCREW M16X30 ISO4762 8.8 (4 PIECES)	1
5	2046467	Screw M16X35 ISO4017 8.8 (4 PIECES)	1
7	2029336	WASHER A17 DIN125 ST (4 PIECES)	1
11	2168207	Module BL-E50/210-18,5/2-IE2 TEE KIT	1
	2132103	> FAN LARGE TL6/7 FF KIT	1
		>> TL6/7FF module fan large cpl.	1
	2132096	>> FAN GRILL TL6/7 FF VP.	1
	2132097	> CABLE CONNECTION M12 TL6/7 FF VP.	1
	2132098	> CABLE CONNECTION M16 TL6/7 FF VP.	1
	2132099	> CABLE CONNECTION M20 TL6/7 FF VP.	1
	2132101	> CABLE CONNECTION LARGE M40 TL6/7 FF VP.	1
	2132104	> COVER SIDE TL6/7 FF CPL.VP.	1
	2132452	> MODULE COVER/BUTTON TL6/7 FF VP.	1

### Motor-Typenschild / Motor type plate / Plaque identité moteur

**Bei Ersatzteilbestellung Motorhersteller / Motordaten beachten!**  
**Consider motor manufacturers / motor data for order of spare parts!**  
**Pour les commandes de pièce détachée, indiquer le fabricant / les données du moteur!**

TEE

**TEE ELECTRIC MOTORS**  
 ARCELIK A.S. - TURKEY  
 2089004

CE IE2

3-Mot. **Q2E FS 60M2D90-F188** Icl F S1 Kg 13  
 N° 0001  
 04012011 IP 55 IM -

V Δ/A	Hz	min <sup>-1</sup>	kW	Cos φ	A	η
230 / 400	50	2885	1.1	0.83	4.2 / 2.4	IE2-79,6%
230 / 400	60	3480	1.27	0.83	4.0 / 2.3	

IEC 60034  
 VDE 0530

Load Efficiency  
 %80 79,1%  
 %75 79,1%

ATB

Motor-Nummer  
 motor number  
 numéro du moteur

**ATB IE2 CE**

3-Mot. AF 132S/2F - 11S + E 2 /0509 IE2-88,1%  
 S1 132S IMV1 224039411-1 522058X  
 IP 55 Th. Cl. 155(F) SCHWINGGROESSENSTUFE 8  
**KD\_NR.2064705**

kW	V	Hz	A	1/min	cos φ
7.5	Y/Δ690/400	50	7.9 / 13.7	2890	0.90
7.5	Δ460	60	11.8	3510	0.89

Made in Germany 50 kg EN 60034

SIEMENS

Motor-Nummer  
 motor number  
 numéro du moteur

**SIEMENS 3-MOT. 1 LA9133-4KA61-Z** CE

UC 1009/000001101

82.1kg IMB3 132M IP55 Th.CL.155(F) AMB 40°C

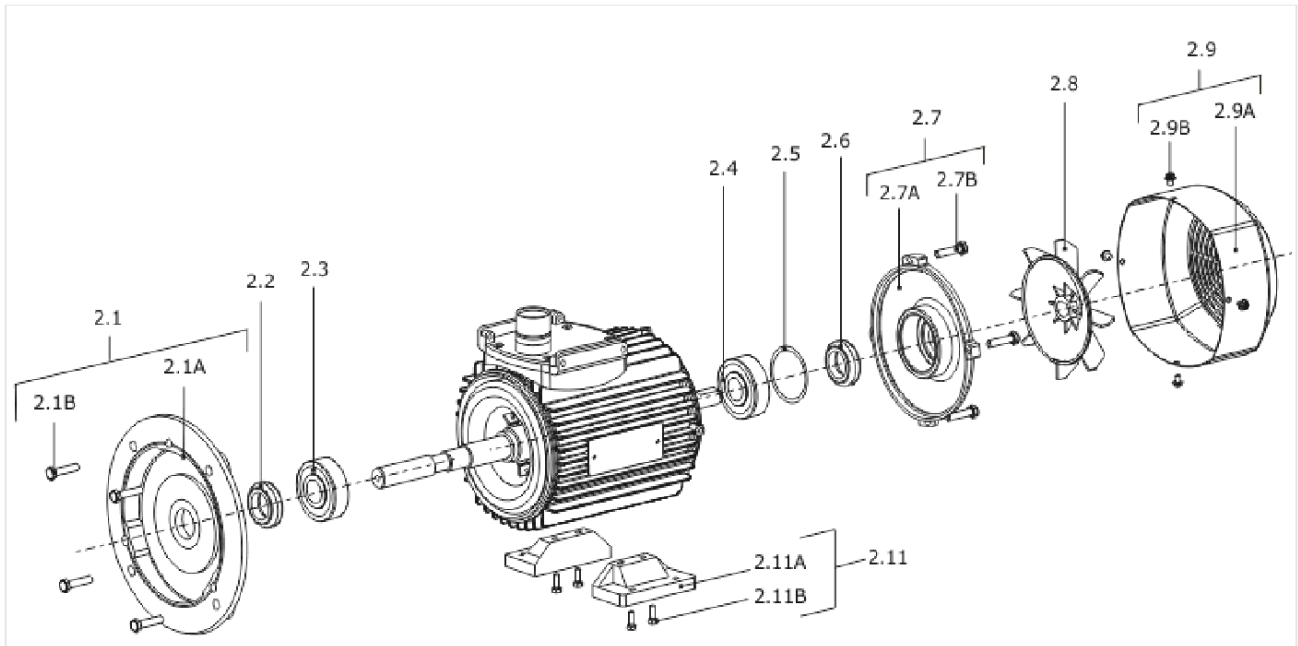
50 Hz	400/690V Δ/Y	7.5 kW	7A	1455 / min	cos φ 0.84
60 Hz	460V Δ	7.5 kW	8.7A	1760 RPM	PF 0.82

IE2 - 88,7%  
 IEC/EN 60034

IE2 - 90,5%

**SPARE PARTS MOT.B35 18,5/2/160/350E-IE2**

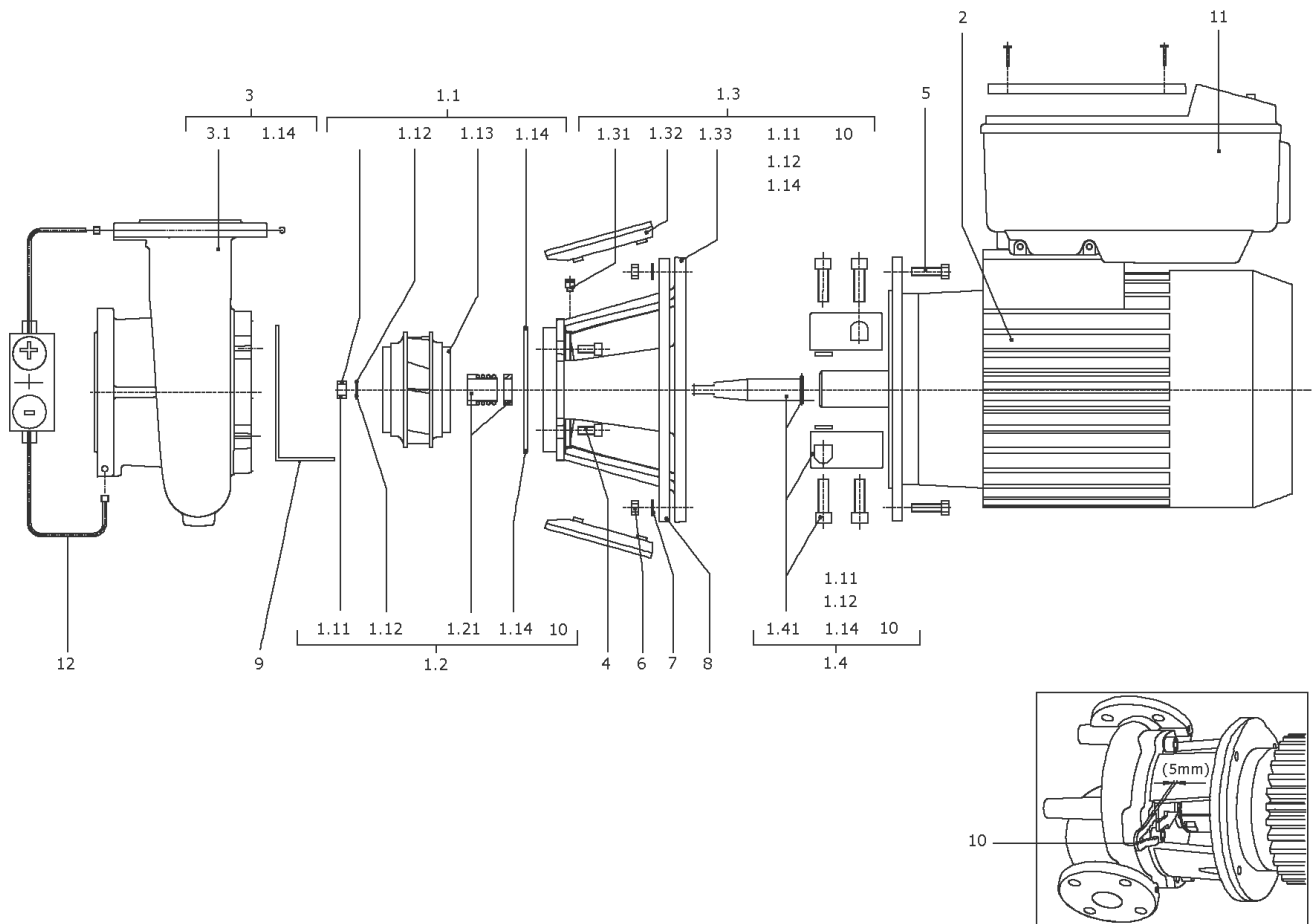
<b>Item</b>	<b>Description</b>	<b>Quantity</b>
1	MOTOR B35 18,5/2/160/350E TEE IE2 WILO	1



**MOTOR B35 18,5/2/160/350E TEE IE2 WILO**

Item	Article no.	Description	Quantity
2.1	2120052	END SHIELD BG160 D.E.TEE KIT	1
Note: Please give the data from type plate of the motor			
2.1A		> END SHIELD BG160 642400806 D.E.TEE	1
2.1B	2125338	> SCREW F.END SHIELD BG160 TEE(8 PIECES)	1
Note: Please give the data from type plate of the motor			
2.2	2096382	JOINT RING 45X72X10 TEE VP.	1
Note: Please give the data from type plate of the motor			
2.3	121084396	BALL BEARING 6309/2Z-C3 (HT) VP.	1
Note: Please give the data from type plate of the motor			
2.4	122065996	BALL BEARING 6209/2Z-C3 (HT) VP.	1
Note: Please give the data from type plate of the motor			
2.5	2125362	SPACER DISK BG160 TEE VP.	1
Note: Please give the data from type plate of the motor			
2.6	2096382	JOINT RING 45X72X10 TEE VP.	1
Note: Please give the data from type plate of the motor			
2.7	2125387	END SHIELD BG160 N.D.E.TEE KIT	1
Note: Please give the data from type plate of the motor			
2.7A		> END SHIELD BG160 643232001 N.D.E.TEE	1
2.7B	2125338	> SCREW F.END SHIELD BG160 TEE(8 PIECES)	1
Note: Please give the data from type plate of the motor			
2.8	2042825	FAN WHEEL BG132-225 TEE VP.	1
Note: Please give the data from type plate of the motor			
2.9	2125348	FAN COVER BG160 TEE KIT	1
Note: Please give the data from type plate of the motor			
2.9A		> FAN COVER BG160 644307201 TEE	1
2.9B	2116839	> SCREW BG90-112 TEE (4 PIECE)	1
Note: Please give the data from type plate of the motor			
2.11	2123904	MOTOR FOOT BG160 TEE KIT	1
Note: Please give the data from type plate of the motor			
2.11A		> MOTOR FOOT BG160 LEFT 643409001 TEE	1
2.11A		> MOTOR FOOT BG160 RIGHT 643408901 TEE	1
2.11B	2125331	> SCREW BG132/160 TEE (2 PIECES)	1
Note: Please give the data from type plate of the motor			





**BL-E50/220-22/2-R1-IE2 (2144298)**

Item	Article no.	Description	Quantity
1.1	2155775	Impeller 65/215/205/32 GG KIT	1
1.11	2027188	> NUT M16 DIN-EN24032 A4 VP.	1
1.12	2027191	> WASHER A17 DIN125 200HV A2	1
1.13		> IMPELLER 65/215/205/32 GG BALANCED	1
1.14	2042864	> O-RING ID.224x3,55 7EP1197-W534 VP.	1
	2042863	> CIRCLIP S16 V2A VP.	1
1.2	2026903	MECH.SEAL MG12/32-G60 AQ1EGG M16 KIT	1
1.11	2027188	> NUT M16 DIN-EN24032 A4 VP.	1
1.12	2027191	> WASHER A17 DIN125 200HV A2	1
1.14	2043160	> O-Ring 177,39x3,53 ISO3601B EPDM VP.	1
1.14	2042864	> O-RING ID.224x3,55 7EP1197-W534 VP.	1
1.14	2051680	> O-RING ID.276,7x5,29 7EP1197-W534 VP.	1
	2042863	> CIRCLIP S16 V2A VP.	1
1.21		> MECHANICAL SEAL MG12/32-G60 AQ1EGG	1
10	2027202	> TOOL D.18/24/32 VP.	1
1.3	2042716	LANTERN P270X99-F300 KTL KIT	1
1.11	2027188	> NUT M16 DIN-EN24032 A4 VP.	1
1.12	2027191	> WASHER A17 DIN125 200HV A2	1
1.14	2042864	> O-RING ID.224x3,55 7EP1197-W534 VP.	1
	2042863	> CIRCLIP S16 V2A VP.	1
1.31	2027201	> BLOWGUN R1/8" VP.	1
1.32	2048843	> COUPLING GUARD P270-F300/350 (2 PIECES)	1
1.33		> Lantern P270X99-F300 GG KTL WILO	1
10	2027202	> TOOL D.18/24/32 VP.	1
1.4	2042727	COUPLING/SHAFT D.32/42X161 KIT	1
1.11	2027188	> NUT M16 DIN-EN24032 A4 VP.	1
1.12	2027191	> WASHER A17 DIN125 200HV A2	1
1.14	2042864	> O-RING ID.224x3,55 7EP1197-W534 VP.	1
1.14	2043160	> O-Ring 177,39x3,53 ISO3601B EPDM VP.	1
	2042863	> CIRCLIP S16 V2A VP.	1
1.41		> COUPLING 32/42+SHAFT 32X161 BG160 ZN KIT	1
10	2027202	> TOOL D.18/24/32 VP.	1
2	2135936	MOTOR B35 22/2/160/350E-IE2-TEE(+TOOL)	1
		SPARE PARTS MOTOR B35 22/2/160/350E-IE2	1

**BL-E50/220-22/2-R1-IE2 (2144298)**

Item	Article no.	Description	Quantity
3	2042761	PUMP HOUSING B50/230 PN16 KIT	1
1.14	2042864	> O-RING ID.224x3,55 7EP1197-W534 VP.	1
3.1		> PUMP HOUSING BL50/230 PN16 CPL.WILO	1
4	2027193	SCREW M16X30 ISO4762 8.8 (4 PIECES)	1
5	2046467	Screw M16X35 ISO4017 8.8 (4 PIECES)	1
7	2029336	WASHER A17 DIN125 ST (4 PIECES)	1
11	2168208	Module BL-E50/220-22/2-IE2 TEE KIT	1
	2132103	> FAN LARGE TL6/7 FF KIT	1
		>> TL6/7FF module fan large cpl.	1
	2132096	>> FAN GRILL TL6/7 FF VP.	1
	2132097	> CABLE CONNECTION M12 TL6/7 FF VP.	1
	2132098	> CABLE CONNECTION M16 TL6/7 FF VP.	1
	2132099	> CABLE CONNECTION M20 TL6/7 FF VP.	1
	2132101	> CABLE CONNECTION LARGE M40 TL6/7 FF VP.	1
	2132104	> COVER SIDE TL6/7 FF CPL.VP.	1
	2132452	> MODULE COVER/BUTTON TL6/7 FF VP.	1

### Motor-Typenschild / Motor type plate / Plaque identité moteur

**Bei Ersatzteilbestellung Motorhersteller / Motordaten beachten!**  
**Consider motor manufacturers / motor data for order of spare parts!**  
**Pour les commandes de pièce détachée, indiquer le fabricant / les données du moteur!**

TEE

**TEE ELECTRIC MOTORS**  
ARCELIK A.S. - TURKEY  
2089004

CE IE2

3-Mot. **Q2E FS 60M2D90-F188** Icl F S1 Kg 13  
 N° 0001  
 04012011 IP 55 IM -

V Δ/A	Hz	min <sup>-1</sup>	kW	Cos φ	A	η
230 / 400	50	2885	1.1	0.83	4.2 / 2.4	IE2-79,6%
205 / 400	60	3480	1.27	0.83	4.0 / 2.3	

IEC 60034 VDE 0530  
 Load Efficiency  
 %80 79,1%  
 %75 79,1%

ATB

Motor-Nummer  
motor number  
numéro du moteur

**ATB IE2 CE**

3-Mot. AF 132S/2F - 11S + E 2 /0509 IE2-88,1%  
 S1 132S IMV1 224039411-1 522058X  
 IP 55 Th. Cl. 155(F) SCHWINGGROESSENSTUFE 8  
**KD\_NR.2064705**

kW	V	Hz	A	1/min	cos φ
7,5	Y/Δ690/400	50	7,9 / 13,7	2890	0,90
7,5	Δ460	60	11,8	3510	0,89

Made in Germany 50 kg EN 60034

SIEMENS

Motor-Nummer  
motor number  
numéro du moteur

**SIEMENS 3-MOT. 1 LA9133-4KA61-Z** CE

UC 1009/000001101

82,1kg IMB3 132M IP55 Th.CL.155(F) AMB 40°C

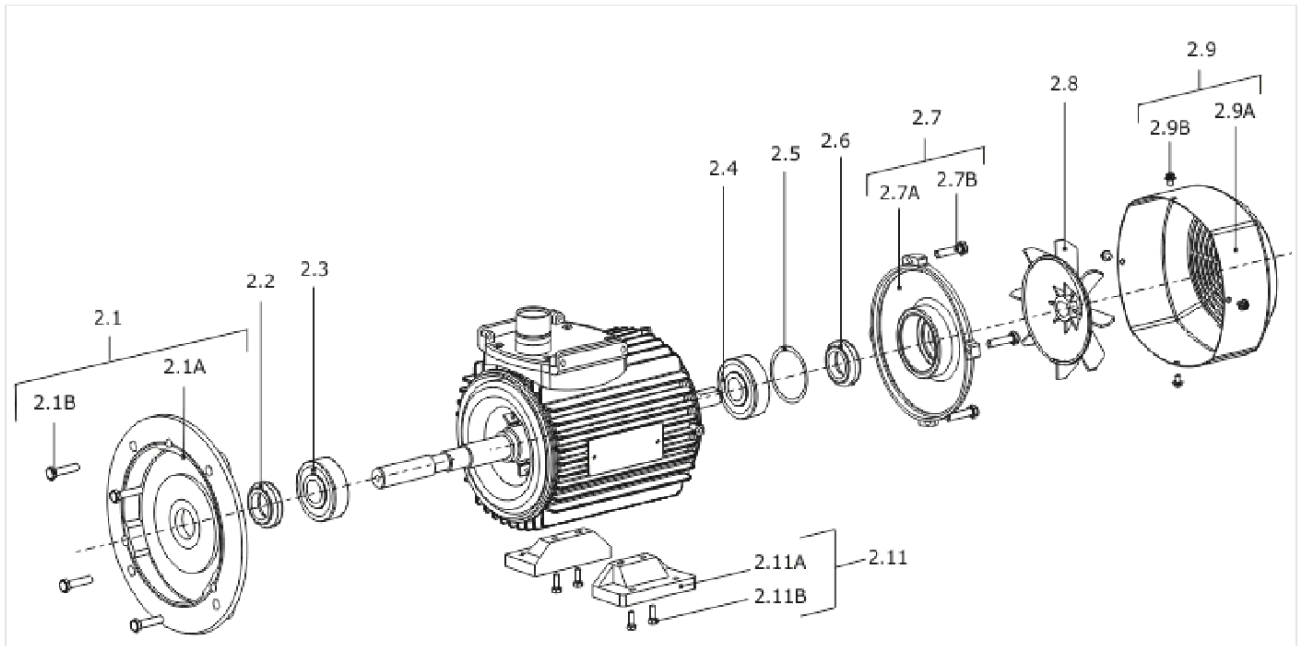
50 Hz	400/690V Δ/Y	80 Hz	460V Δ
7,5 kW	7A	7,5 kW	8,7A
cos φ 0,84	1455 / min	PF 0,82	1760 RPM

IE2 - 88,7% IE2 - 90,5%  
 IEC/EN 60034

**SPARE PARTS MOTOR B35 22/2/160/350E-IE2**

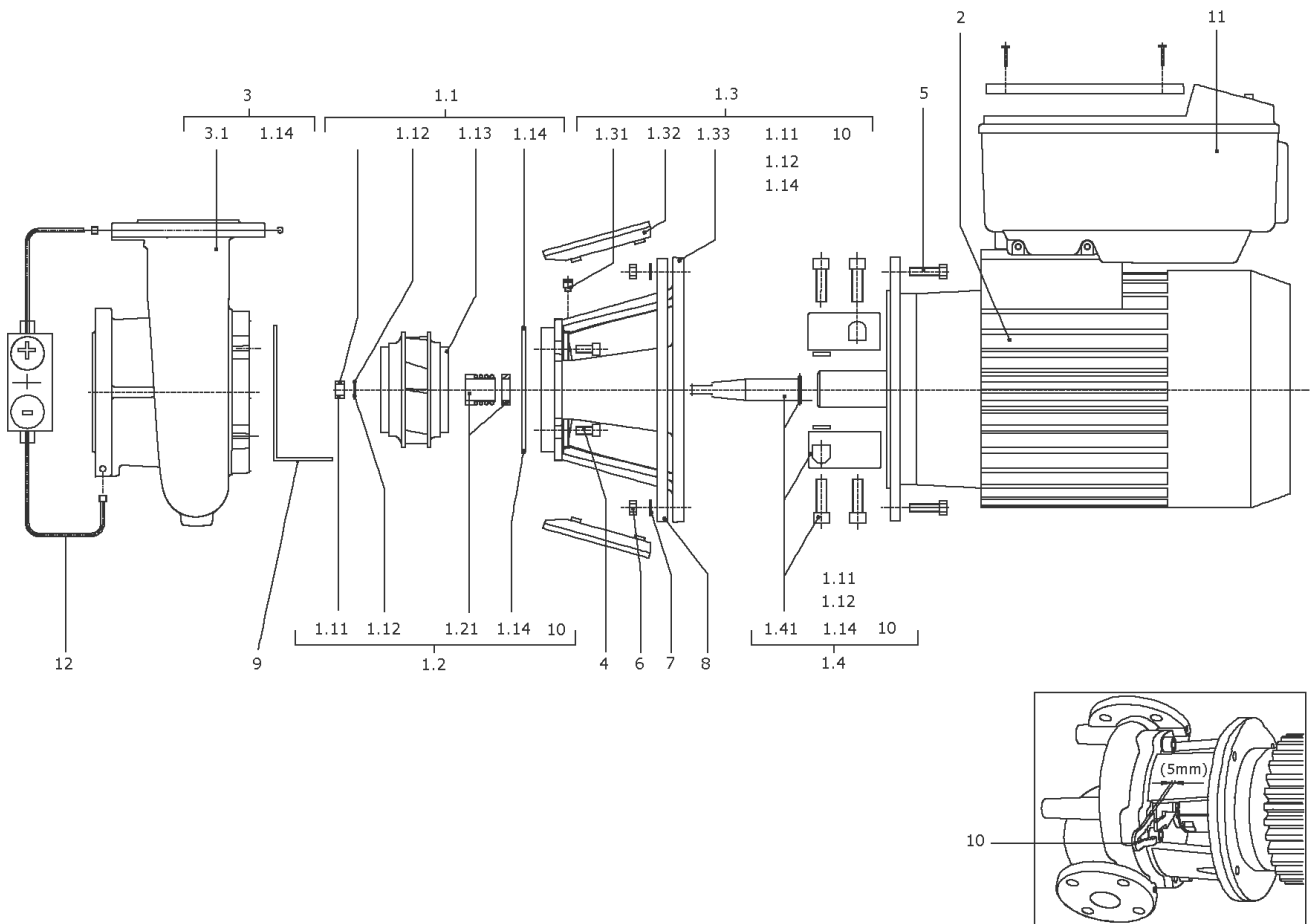


Item	Description	Quantity
1	MOTOR B35 22/2/160/350E TEE IE2 WILO	1



**MOTOR B35 22/2/160/350E TEE IE2 WILO**

Item	Article no.	Description	Quantity
2.1	2120052	END SHIELD BG160 D.E.TEE KIT	1
Note: Please give the data from type plate of the motor			
2.1A		> END SHIELD BG160 642400806 D.E.TEE	1
2.1B	2125338	> SCREW F.END SHIELD BG160 TEE(8 PIECES)	1
Note: Please give the data from type plate of the motor			
2.2	2096382	JOINT RING 45X72X10 TEE VP.	1
Note: Please give the data from type plate of the motor			
2.3	121084396	BALL BEARING 6309/2Z-C3 (HT) VP.	1
Note: Please give the data from type plate of the motor			
2.4	122065996	BALL BEARING 6209/2Z-C3 (HT) VP.	1
Note: Please give the data from type plate of the motor			
2.5	2125362	SPACER DISK BG160 TEE VP.	1
Note: Please give the data from type plate of the motor			
2.6	2096382	JOINT RING 45X72X10 TEE VP.	1
Note: Please give the data from type plate of the motor			
2.7	2125387	END SHIELD BG160 N.D.E.TEE KIT	1
Note: Please give the data from type plate of the motor			
2.7A		> END SHIELD BG160 643232001 N.D.E.TEE	1
2.7B	2125338	> SCREW F.END SHIELD BG160 TEE(8 PIECES)	1
Note: Please give the data from type plate of the motor			
2.8	2042825	FAN WHEEL BG132-225 TEE VP.	1
Note: Please give the data from type plate of the motor			
2.9	2125348	FAN COVER BG160 TEE KIT	1
Note: Please give the data from type plate of the motor			
2.9A		> FAN COVER BG160 644307201 TEE	1
2.9B	2116839	> SCREW BG90-112 TEE (4 PIECE)	1
Note: Please give the data from type plate of the motor			
2.11	2123904	MOTOR FOOT BG160 TEE KIT	1
Note: Please give the data from type plate of the motor			
2.11A		> MOTOR FOOT BG160 LEFT 643409001 TEE	1
2.11A		> MOTOR FOOT BG160 RIGHT 643408901 TEE	1
2.11B	2125331	> SCREW BG132/160 TEE (2 PIECES)	1
Note: Please give the data from type plate of the motor			





**BL-E80/220-5,5/4-R1-IE2 (2144299)**

Item	Article no.	Description	Quantity
1.1	2123420	IMPELLER D.100/221/24 KIT	1
1.11	2027187	> NUT M12 DIN-EN24032 A2 VP.	1
1.12	2027190	> WASHER A13 DIN125-T2 A2 VP.	1
1.13		> IMPELLER 100/221/24 GG BALANCED	1
1.14	2042864	> O-RING ID.224x3,55 7EP1197-W534 VP.	1
	2042862	> WASHER S12 V2A VP.	1
1.2	2026902	MECHANICAL SEAL MG12/24-G60 AQ1EGG KIT	1
1.11	2027187	> NUT M12 DIN-EN24032 A2 VP.	1
1.12	2027190	> WASHER A13 DIN125-T2 A2 VP.	1
1.14	2037527	> O-RING 148,82x3,53 EPDM 70SR.VP.	1
1.14	2043160	> O-Ring 177,39x3,53 ISO3601B EPDM VP.	1
1.14	2042864	> O-RING ID.224x3,55 7EP1197-W534 VP.	1
1.14	2051680	> O-RING ID.276,7x5,29 7EP1197-W534 VP.	1
	2042862	> WASHER S12 V2A VP.	1
1.21		> MECHANICAL SEAL MG12/24-G60 AQ1EGG	1
10	2027202	> TOOL D.18/24/32 VP.	1
1.3	2042721	LANTERN P270X122-F265 KTL KIT	1
1.11	2027187	> NUT M12 DIN-EN24032 A2 VP.	1
1.12	2027190	> WASHER A13 DIN125-T2 A2 VP.	1
1.14	2042864	> O-RING ID.224x3,55 7EP1197-W534 VP.	1
	2042862	> WASHER S12 V2A VP.	1
1.31	2027201	> BLOWGUN R1/8" VP.	1
1.32	2048845	> COUPLING GUARD P270-F265 PA66 (2 PIECES)	1
1.33		> LANTERN P270X122-F265 GG KTL WILO	1
10	2027202	> TOOL D.18/24/32 VP.	1
1.4	2048444	COUPLING/SHAFT D.24/38X153 KIT	1
1.11	2027187	> NUT M12 DIN-EN24032 A2 VP.	1
1.12	2027190	> WASHER A13 DIN125-T2 A2 VP.	1
1.14	2042864	> O-RING ID.224x3,55 7EP1197-W534 VP.	1
1.14	2051680	> O-RING ID.276,7x5,29 7EP1197-W534 VP.	1
	2042862	> WASHER S12 V2A VP.	1
1.41		> COUPLING 24/38+SHAFT 24X153 GR132 ZN KIT	1
10	2027202	> TOOL D.18/24/32 VP.	1
2	2135937	MOTOR B35 5,5/4/132/300E-IE2-SM.(+TOOL)	1

**BL-E80/220-5,5/4-R1-IE2 (2144299)**

Item	Article no.	Description	Quantity
		SPARE PARTS MOTOR B35 5,5/4/132/300E-IE2	1
3	2042763	PUMP HOUSING B80/230 PN16 KIT	1
1.14	2042864	> O-RING ID.224x3,55 7EP1197-W534 VP.	1
3.1		> PUMP HOUSING BL80/230 PN16 CPL.WILO	1
4	2027193	SCREW M16X30 ISO4762 8.8 (4 PIECES)	1
5	2027195	SCREW M12X25 DIN912 8.8 (4 PIECES)	1
11	2168136	Module BL-E80/220-5,5/4-IE2 SM.KIT	1
		> Module BL-E80/220-5,5/4-IE2 SM.WILO	1
	2111344	> MODULE COVER/GASKET TL5 KIT	1
	2120047	> CABLE CONNECTION M12x1,5/5 cpl.TL5 VP.	1
	2120048	> CABLE CONNECTION M16x1,5/5 cpl.TL5 VP.	1
	2120049	> CABLE CONNECTION M20x1,5/6 cpl.TL5 VP.	1
	2120050	> CABLE CONNECTION M25x1,5/8 cpl.TL5 VP.	1

**Motor-Typenschild / Motor type plate / Plaque identité moteur**

**Bei Ersatzteilbestellung Motorhersteller / Motordaten beachten!**  
**Consider motor manufacturers / motor data for order of spare parts!**  
**Pour les commandes de pièce détachée, indiquer le fabricant / les données du moteur!**

TEE

**TEE** ELECTRIC MOTORS  
 ARCELIK A.S. - TURKEY  
 2089004

CE IE2

3-Mot. **Q2E FS 60M2D90-F188** Icl F S1 Kg 13  
 N° 0001  
 04012011 IP 55 IM -

V Δ/A	Hz	min <sup>-1</sup>	kW	Cos φ	A	η
230 / 400	50	2885	1.1	0.83	4.2 / 2.4	IE2-79,6%
230 / 400	60	3480	1.27	0.83	4.0 / 2.3	

IEC 60034  
 VDE 0530

Load Efficiency  
 %80 79,1%  
 %75 79,1%

ATB

Motor-Nummer  
 motor number  
 numéro du moteur

**ATB** IE2 CE

3-Mot. AF 132S/2F - 11S + E 2 /0509 IE2-88,1%  
 S1 132S IMV1 224039411-1 522058X  
 IP 55 Th. Cl. 155(F) SCHWINGGROESSENSTUFE 8  
**KD\_NR.2064705**

kW	V	Hz	A	1/min	cos φ
7,5	Y/Δ690/400	50	7,9 / 13,7	2890	0,90
7,5	Δ460	60	11,8	3510	0,89

Made in Germany 50 kg EN 60034

SIEMENS

Motor-Nummer  
 motor number  
 numéro du moteur

**SIEMENS** 3-MOT. 1 LA9133-4KA61-Z  
 UC 1009/000001101

IE2 CE

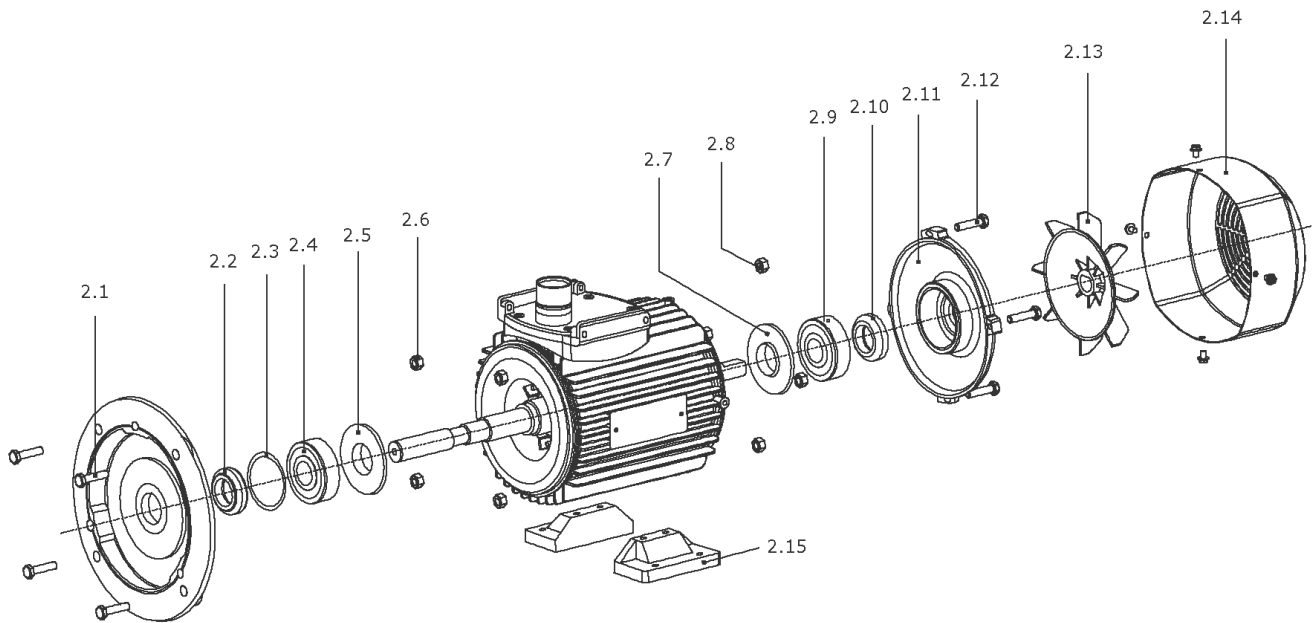
82,1kg IMB3 132M IP55 Th.CL.155(F) AMB 40°C

50 Hz	400/690V Δ/Y	60 Hz	460V Δ
7,5 kW	7A	7,5 kW	8,7A
cos φ 0,84	1455 / min	PF 0,82	1760 RPM

IE2 - 88,7% IE2 - 90,5%  
 IEC/EN 60034

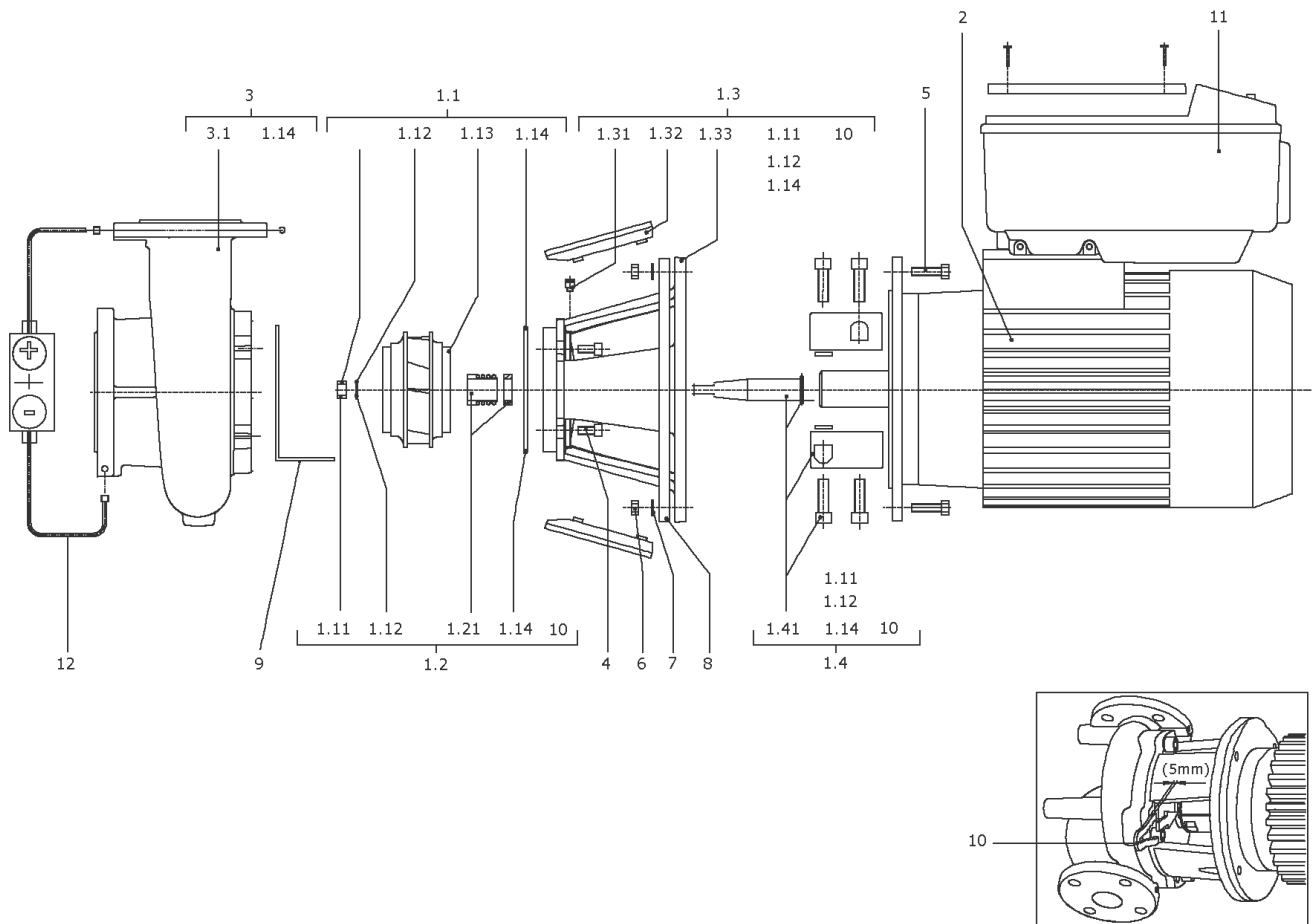
**SPARE PARTS MOTOR B35 5,5/4/132/300E-IE2**

Item	Description	Quantity
3	MOTOR B35 5,5/4/132/300E SM IE2 WILO	1



**MOTOR B35 5,5/4/132/300E SM IE2 WILO**

Item	Article no.	Description	Quantity
2.1	2112830	SCREW M8X65 ISO4762 8.8 (4 PIECES)	1
Note: Please give the data from type plate of the motor			
2.2	2111403	V-RING V40-A SM.VP.	1
Note: Please give the data from type plate of the motor			
2.3	2112832	SPRING WASHER SN60098-56 6208 SM.VP.	1
Note: Please give the data from type plate of the motor			
2.4	2111405	BALL BEARING 6308/2ZJC3 SM.VP.	1
Note: Please give the data from type plate of the motor			
2.5	2111401	BEARING INSERT BG132 D.E.SM.VP.	1
Note: Please give the data from type plate of the motor			
2.6	2112834	NUT M8-8 DIN6923(4 PIECES)	1
Note: Please give the data from type plate of the motor			
2.7	2111409	BEARING INSERT BG132 N.D.E.SM.VP.	1
Note: Please give the data from type plate of the motor			
2.8	2112834	NUT M8-8 DIN6923(4 PIECES)	1
Note: Please give the data from type plate of the motor			
2.9	2111366	BALL BEARING 6208/2ZJC3 SM.VP.	1
Note: Please give the data from type plate of the motor			
2.10	2111403	V-RING V40-A SM.VP.	1
Note: Please give the data from type plate of the motor			
2.11	2111407	END SHIELD N.D.E.BG132 SM.VP.	1
Note: Please give the data from type plate of the motor			
2.12	2112836	SCREW M8X40 ISO4017 8.8 (4 PIECES)	1
Note: Please give the data from type plate of the motor			
2.13	2138769	FAN WHEEL 1PC3 BG132 D.230 SM.VP.	1
Note: Please give the data from type plate of the motor			
2.14	2111411	FAN COVER 1PC3 BG132/300 SM.VP.	1
Note: Please give the data from type plate of the motor			
2.15	2138774	MOTOR FOOT 1LE1 BG132 SM.KIT	1
Note: Please give the data from type plate of the motor			



**BL-E80/250-7,5/4-R1-IE2 (2144300)**

Item	Article no.	Description	Quantity
1.1	2138788	IMPELLER D.100/250/24 GG KIT	1
1.11	2027187	> NUT M12 DIN-EN24032 A2 VP.	1
1.12	2027190	> WASHER A13 DIN125-T2 A2 VP.	1
1.13		> Impeller D.100/250/240/24 GG balanced	1
1.14	2051680	> O-RING ID.276,7x5,29 7EP1197-W534 VP.	1
	2042862	> WASHER S12 V2A VP.	1
1.2	2026902	MECHANICAL SEAL MG12/24-G60 AQ1EGG KIT	1
1.11	2027187	> NUT M12 DIN-EN24032 A2 VP.	1
1.12	2027190	> WASHER A13 DIN125-T2 A2 VP.	1
1.14	2037527	> O-RING 148,82x3,53 EPDM 70SR.VP.	1
1.14	2043160	> O-Ring 177,39x3,53 ISO3601B EPDM VP.	1
1.14	2042864	> O-RING ID.224x3,55 7EP1197-W534 VP.	1
1.14	2051680	> O-RING ID.276,7x5,29 7EP1197-W534 VP.	1
	2042862	> WASHER S12 V2A VP.	1
1.21		> MECHANICAL SEAL MG12/24-G60 AQ1EGG	1
10	2027202	> TOOL D.18/24/32 VP.	1
1.3	2051334	LANTERN P330X120-F265 KIT	1
1.11	2027187	> NUT M12 DIN-EN24032 A2 VP.	1
1.12	2027190	> WASHER A13 DIN125-T2 A2 VP.	1
1.14	2051680	> O-RING ID.276,7x5,29 7EP1197-W534 VP.	1
	2042862	> WASHER S12 V2A VP.	1
1.31	2027201	> BLOWGUN R1/8" VP.	1
1.32	2048845	> COUPLING GUARD P270-F265 PA66 (2 PIECES)	1
1.33		> LANTERN P330X120-F265 GG KTL WILO	1
10	2027202	> TOOL D.18/24/32 VP.	1
1.4	2042735	COUPLING/SHAFT D.24/38X166 KIT	1
1.11	2027187	> NUT M12 DIN-EN24032 A2 VP.	1
1.12	2027190	> WASHER A13 DIN125-T2 A2 VP.	1
1.14	2042864	> O-RING ID.224x3,55 7EP1197-W534 VP.	1
1.14	2051680	> O-RING ID.276,7x5,29 7EP1197-W534 VP.	1
	2042862	> WASHER S12 V2A VP.	1
1.41		> COUPLING 24/38+SHAFT 24X166 BG132 ZN KIT	1
10	2027202	> TOOL D.18/24/32 VP.	1
2	2135938	MOTOR B35 7,5/4/132/300E-IE2-SM.(+TOOL)	1



**BL-E80/250-7,5/4-R1-IE2 (2144300)**

Item	Article no.	Description	Quantity
		SPARE PARTS MOTOR B35 7,5/4/132/300E-IE2	1
3	2051368	PUMP HOUSING BL80/270 PN16 KIT	1
1.14	2051680	> O-RING ID.276,7x5,29 7EP1197-W534 VP.	1
3.1		> PUMP HOUSING BL80/270 PN16 CPL.WILO	1
4	2027193	SCREW M16X30 ISO4762 8.8 (4 PIECES)	1
5	2027195	SCREW M12X25 DIN912 8.8 (4 PIECES)	1
11	2168209	Module BL-E80/250-7,5/4-IE2 SM.KIT	1
		> MODULE BL-E80/250-7,5/4 WILO	1
	2111344	> MODULE COVER/GASKET TL5 KIT	1
	2120047	> CABLE CONNECTION M12x1,5/5 cpl.TL5 VP.	1
	2120048	> CABLE CONNECTION M16x1,5/5 cpl.TL5 VP.	1
	2120049	> CABLE CONNECTION M20x1,5/6 cpl.TL5 VP.	1
	2120050	> CABLE CONNECTION M25x1,5/8 cpl.TL5 VP.	1

**Motor-Typenschild / Motor type plate / Plaque identité moteur**

**Bei Ersatzteilbestellung Motorhersteller / Motordaten beachten!**  
**Consider motor manufacturers / motor data for order of spare parts!**  
**Pour les commandes de pièce détachée, indiquer le fabricant / les données du moteur!**

TEE

**TEE** ELECTRIC MOTORS  
 ARCELIK A.S. - TURKEY  
 2089004

CE IE2

3-Mot. **Q2E FS 60M2D90-F188** Icl F S1 Kg 13  
 N° 0001  
 04012011 IP 55 IM -

V Δ/A	Hz	min <sup>-1</sup>	kW	Cos φ	A	η
230 / 400	50	2885	1.1	0.83	4.2 / 2.4	IE2-79,6%
205 / 400	60	3480	1.27	0.83	4.0 / 2.3	

IEC 60034  
 VDE 0530

Load Efficiency  
 %80 79,1%  
 %75 79,1%

ATB

Motor-Nummer  
 motor number  
 numéro du moteur

**ATB** IE2 CE

3-Mot. AF 132S/2F - 11S + E 2 /0509 IE2-88,1%  
 S1 132S IMV1 224039411-1 522058X  
 IP 55 Th. Cl. 155(F) SCHWINGGROESSENSTUFE 8  
**KD\_NR.2064705**

kW	V	Hz	A	1/min	cos φ
7,5	Y/Δ690/400	50	7,9 / 13,7	2890	0,90
7,5	Δ460	60	11,8	3510	0,89

Made in Germany 50 kg EN 60034

SIEMENS

Motor-Nummer  
 motor number  
 numéro du moteur

**SIEMENS** 3-MOT. 1 LA9133-4KA61-Z  
 UC 1009/000001101

IE2 CE

82,1kg IMB3 132M IP55 Th.CL.155(F) AMB 40°C

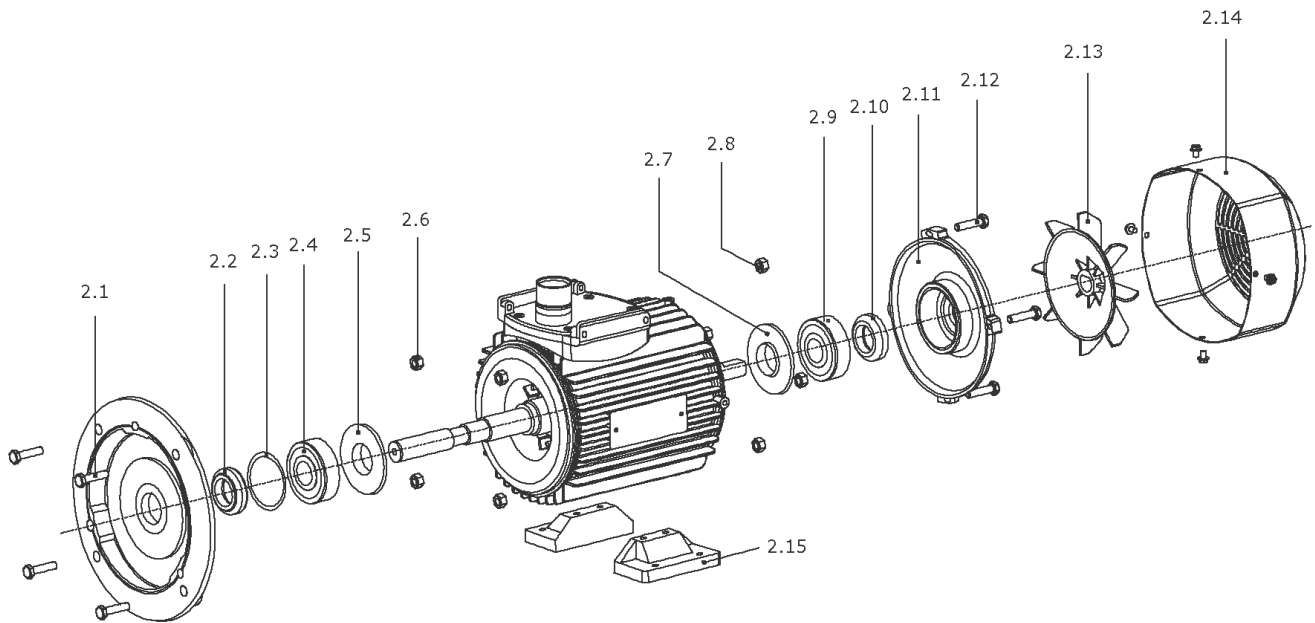
50 Hz	400/690V Δ/Y	60 Hz	460V Δ
7,5 kW	7A	7,5 kW	8,7A
cos φ 0,84	1455 / min	PF 0,82	1760 RPM

IE2 - 88,7% IE2 - 90,5%  
 IEC/EN 60034

**SPARE PARTS MOTOR B35 7,5/4/132/300E-IE2**

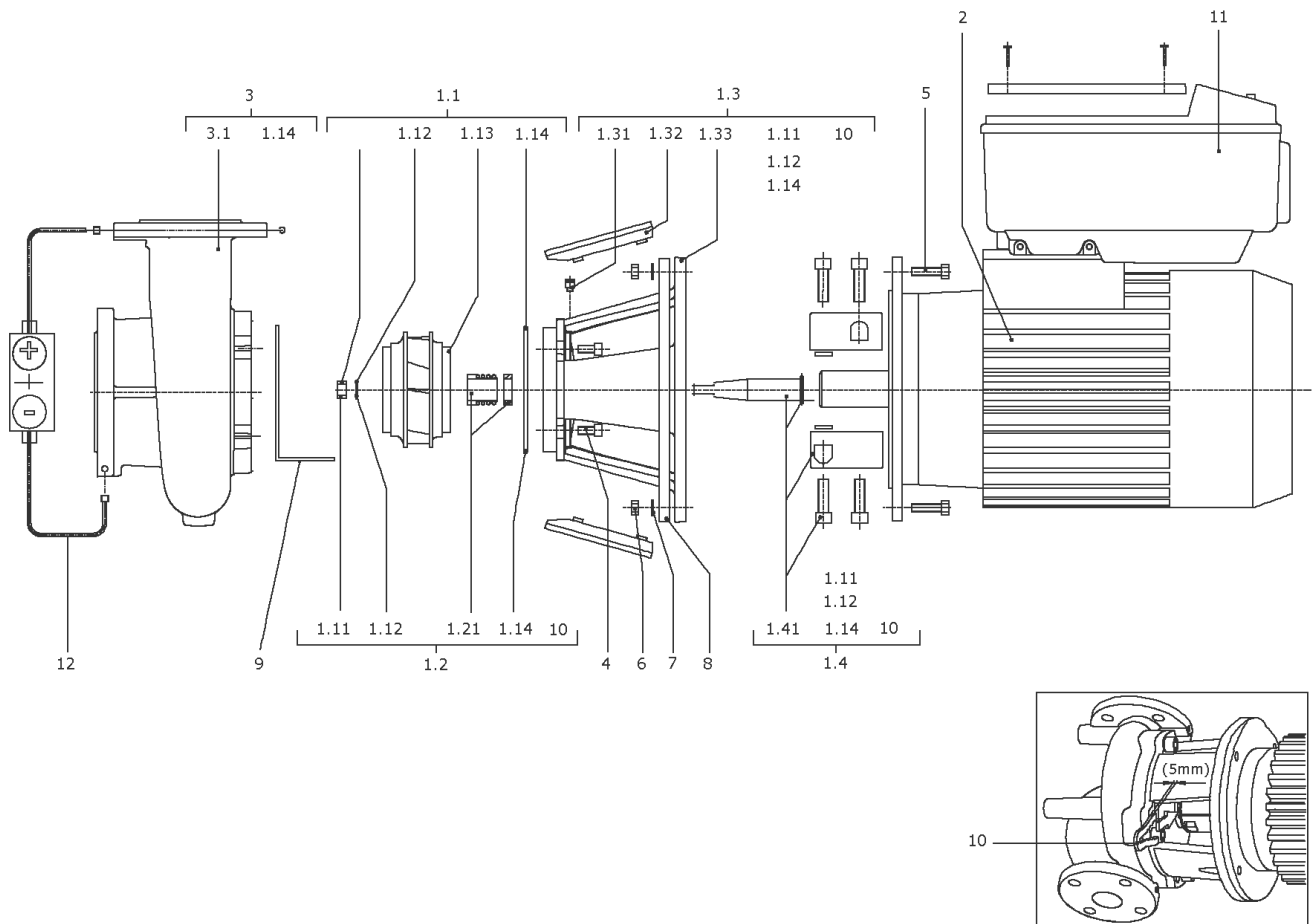


Item	Description	Quantity
3	MOTOR B35 7,5/4/132/300E SM IE2 WILO	1



**MOTOR B35 7,5/4/132/300E SM IE2 WILO**

Item	Article no.	Description	Quantity
2.1	2112830	SCREW M8X65 ISO4762 8.8 (4 PIECES)	1
Note: Please give the data from type plate of the motor			
2.2	2111403	V-RING V40-A SM.VP.	1
Note: Please give the data from type plate of the motor			
2.3	2112832	SPRING WASHER SN60098-56 6208 SM.VP.	1
Note: Please give the data from type plate of the motor			
2.4	2111405	BALL BEARING 6308/2ZJC3 SM.VP.	1
Note: Please give the data from type plate of the motor			
2.5	2111401	BEARING INSERT BG132 D.E.SM.VP.	1
Note: Please give the data from type plate of the motor			
2.6	2112834	NUT M8-8 DIN6923(4 PIECES)	1
Note: Please give the data from type plate of the motor			
2.7	2111409	BEARING INSERT BG132 N.D.E.SM.VP.	1
Note: Please give the data from type plate of the motor			
2.8	2112834	NUT M8-8 DIN6923(4 PIECES)	1
Note: Please give the data from type plate of the motor			
2.9	2111366	BALL BEARING 6208/2ZJC3 SM.VP.	1
Note: Please give the data from type plate of the motor			
2.10	2111403	V-RING V40-A SM.VP.	1
Note: Please give the data from type plate of the motor			
2.11	2111407	END SHIELD N.D.E.BG132 SM.VP.	1
Note: Please give the data from type plate of the motor			
2.12	2112836	SCREW M8X40 ISO4017 8.8 (4 PIECES)	1
Note: Please give the data from type plate of the motor			
2.13	2138769	FAN WHEEL 1PC3 BG132 D.230 SM.VP.	1
Note: Please give the data from type plate of the motor			
2.14	2111411	FAN COVER 1PC3 BG132/300 SM.VP.	1
Note: Please give the data from type plate of the motor			
2.15	2138774	MOTOR FOOT 1LE1 BG132 SM.KIT	1
Note: Please give the data from type plate of the motor			



**BL-E80/270-11/4-R1-IE2 (2144301)**

Item	Article no.	Description	Quantity
1.1	2051378	IMPELLER D.100/272/32(BL)KIT	1
1.11	2027188	> NUT M16 DIN-EN24032 A4 VP.	1
1.12	2027191	> WASHER A17 DIN125 200HV A2	1
1.13		> IMPELLER 100/272/32 GG BALANCED	1
1.14	2051680	> O-RING ID.276,7x5,29 7EP1197-W534 VP.	1
	2042863	> CIRCLIP S16 V2A VP.	1
1.2	2026903	MECH.SEAL MG12/32-G60 AQ1EGG M16 KIT	1
1.11	2027188	> NUT M16 DIN-EN24032 A4 VP.	1
1.12	2027191	> WASHER A17 DIN125 200HV A2	1
1.14	2043160	> O-Ring 177,39x3,53 ISO3601B EPDM VP.	1
1.14	2042864	> O-RING ID.224x3,55 7EP1197-W534 VP.	1
1.14	2051680	> O-RING ID.276,7x5,29 7EP1197-W534 VP.	1
	2042863	> CIRCLIP S16 V2A VP.	1
1.21		> MECHANICAL SEAL MG12/32-G60 AQ1EGG	1
10	2027202	> TOOL D.18/24/32 VP.	1
1.3	2051332	LANTERN P330X120-F300 M16 KIT	1
1.11	2027188	> NUT M16 DIN-EN24032 A4 VP.	1
1.12	2027191	> WASHER A17 DIN125 200HV A2	1
1.14	2051680	> O-RING ID.276,7x5,29 7EP1197-W534 VP.	1
	2042863	> CIRCLIP S16 V2A VP.	1
1.31	2027201	> BLOWGUN R1/8" VP.	1
1.32	2048843	> COUPLING GUARD P270-F300/350 (2 PIECES)	1
1.33		> Lantern P330X120-F300 GG KTL WILO	1
10	2027202	> TOOL D.18/24/32 VP.	1
1.4	2051358	COUPLING/SHAFT 32/42X184 M16 KIT	1
1.11	2027188	> NUT M16 DIN-EN24032 A4 VP.	1
1.12	2027191	> WASHER A17 DIN125 200HV A2	1
1.14	2042864	> O-RING ID.224x3,55 7EP1197-W534 VP.	1
1.14	2051680	> O-RING ID.276,7x5,29 7EP1197-W534 VP.	1
	2042863	> CIRCLIP S16 V2A VP.	1
1.41		> COUPLING 32/42+SHAFT 32X184 BG160 ZN KIT	1
10	2027202	> TOOL D.18/24/32 VP.	1
2	2135939	MOTOR B35 11/4/160/350E-IE2-TEE(+TOOL)	1
		SPARE PARTS MOTOR B35 11/4/160/350E-IE2	1

**BL-E80/270-11/4-R1-IE2 (2144301)**

Item	Article no.	Description	Quantity
3	2051368	PUMP HOUSING BL80/270 PN16 KIT	1
1.14	2051680	> O-RING ID.276,7x5,29 7EP1197-W534 VP.	1
3.1		> PUMP HOUSING BL80/270 PN16 CPL.WILO	1
4	2027193	SCREW M16X30 ISO4762 8.8 (4 PIECES)	1
5	2046467	Screw M16X35 ISO4017 8.8 (4 PIECES)	1
7	2029336	WASHER A17 DIN125 ST (4 PIECES)	1
11	2168210	Module BL-E80/270-11/4-IE2 TEE KIT	1
	2132102	> FAN SMALL TL6/7 FF KIT	1
		>> TL6/7FF module fan sm.cpl.	1
	2132096	>> FAN GRILL TL6/7 FF VP.	1
	2132097	> CABLE CONNECTION M12 TL6/7 FF VP.	1
	2132098	> CABLE CONNECTION M16 TL6/7 FF VP.	1
	2132099	> CABLE CONNECTION M20 TL6/7 FF VP.	1
	2132100	> CABLE CONNECTION SMALL M40 TL6/7 FF VP.	1
	2132104	> COVER SIDE TL6/7 FF CPL.VP.	1
	2132452	> MODULE COVER/BUTTON TL6/7 FF VP.	1



**Motor-Typenschild / Motor type plate / Plaque identité moteur**

**Bei Ersatzteilbestellung Motorhersteller / Motordaten beachten!**  
**Consider motor manufacturers / motor data for order of spare parts!**  
**Pour les commandes de pièce détachée, indiquer le fabricant / les données du moteur!**

TEE

**TEE ELECTRIC MOTORS**  
 ARCELIK A.S. - TURKEY  
 2089004

CE IE2

3-Mot. **Q2E FS 60M2D90-F188** Icl F S1 Kg 13  
 N° 0001  
 04012011 IP 55 IM -

V Δ/A	Hz	min <sup>-1</sup>	kW	Cos φ	A	η
230 / 400	50	2885	1.1	0.85	4.2 / 2.4	IE2-79,6%
230 / 400	60	3480	1.27	0.83	4.0 / 2.3	

IEC 60034 VDE 0530

Load Efficiency  
 %80 79,1%  
 %75 79,1%

ATB

Motor-Nummer  
 motor number  
 numéro du moteur

**ATB IE2 CE**

3-Mot. AF 132S/2F - 11S + E 2 /0509 IE2-88,1%  
 S1 132S IMV1 224039411-1 522058X  
 IP 55 Th. Cl. 155(F) SCHWINGGROESSENSTUFE 8  
**KD\_NR.2064705**

kW	V	Hz	A	1/min	cos φ
7,5	Y/Δ690/400	50	7,9 / 13,7	2890	0,90
7,5	Δ460	60	11,8	3510	0,89

Made in Germany 50 kg EN 60034

SIEMENS

Motor-Nummer  
 motor number  
 numéro du moteur

**SIEMENS 3-MOT. 1 LA9133-4KA61-Z** CE

UC 1009/000001101

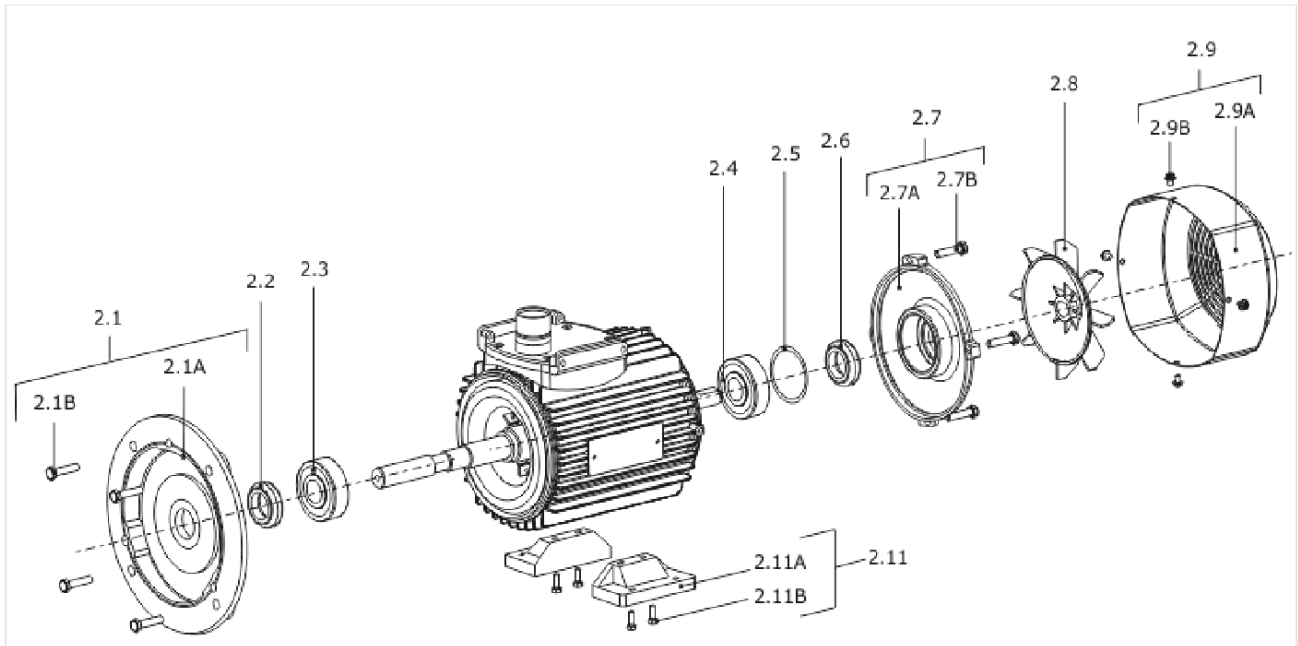
82,1kg IMB3 132M IP55 Th.CL.155(F) AMB 40°C

50 Hz	400/690V Δ/Y	80 Hz	460V Δ
7,5 kW	7A	7,5 kW	8,7A
cos φ 0,84	1455 / min	PF 0,82	1760 RPM

IE2 - 88,7% IE2 - 90,5%  
 IEC/EN 60034

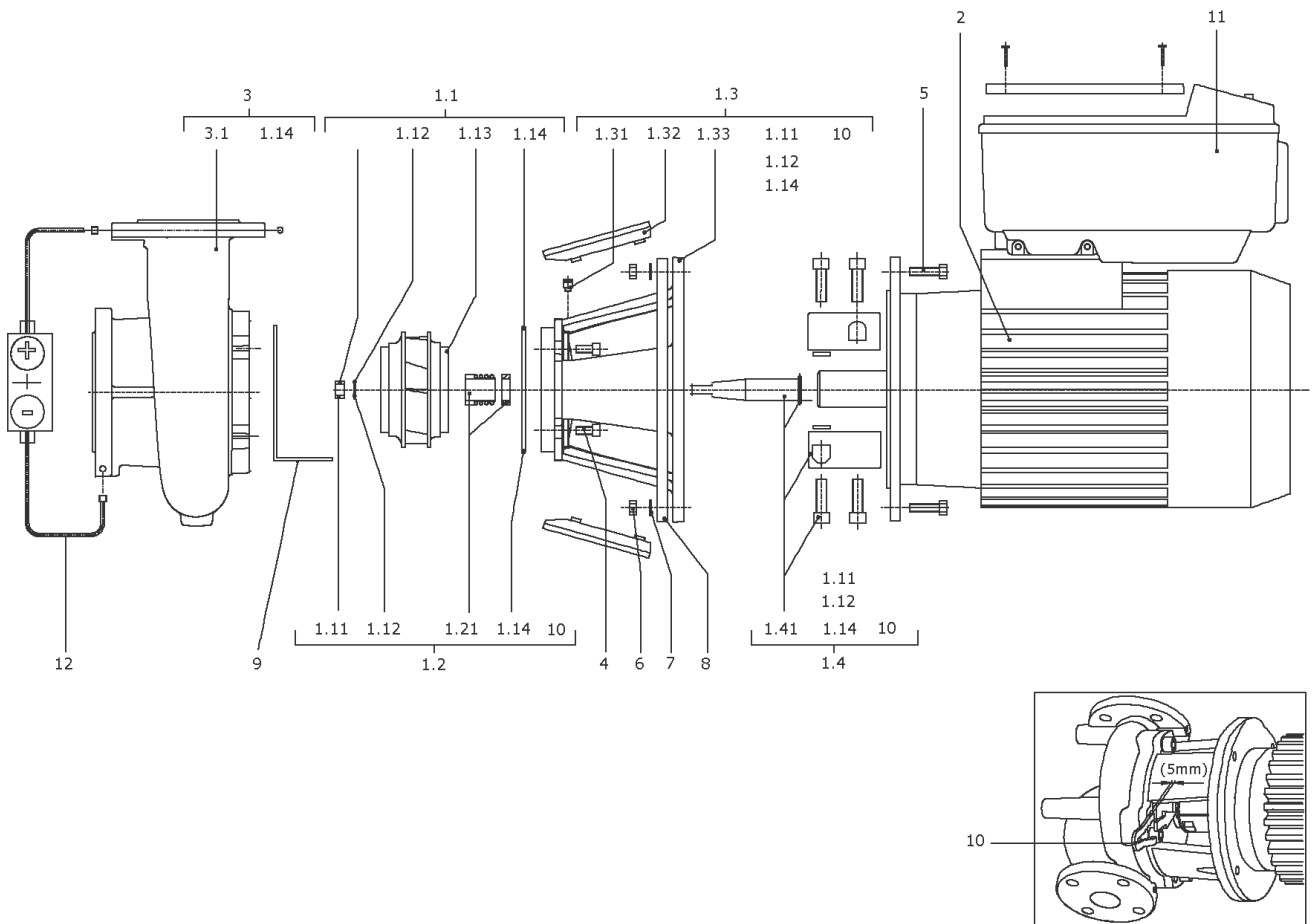
**SPARE PARTS MOTOR B35 11/4/160/350E-IE2**

<b>Item</b>	<b>Description</b>	<b>Quantity</b>
1	MOTOR B35 11/4/160/350E TEE IE2 WILO	1



**MOTOR B35 11/4/160/350E TEE IE2 WILO**

Item	Article no.	Description	Quantity
2.1	2120052	END SHIELD BG160 D.E.TEE KIT	1
Note: Please give the data from type plate of the motor			
2.1A		> END SHIELD BG160 642400806 D.E.TEE	1
2.1B	2125338	> SCREW F.END SHIELD BG160 TEE(8 PIECES)	1
Note: Please give the data from type plate of the motor			
2.2	2096382	JOINT RING 45X72X10 TEE VP.	1
Note: Please give the data from type plate of the motor			
2.3	121084396	BALL BEARING 6309/2Z-C3 (HT) VP.	1
Note: Please give the data from type plate of the motor			
2.4	122065996	BALL BEARING 6209/2Z-C3 (HT) VP.	1
Note: Please give the data from type plate of the motor			
2.5	2125362	SPACER DISK BG160 TEE VP.	1
Note: Please give the data from type plate of the motor			
2.6	2096382	JOINT RING 45X72X10 TEE VP.	1
Note: Please give the data from type plate of the motor			
2.7	2125387	END SHIELD BG160 N.D.E.TEE KIT	1
Note: Please give the data from type plate of the motor			
2.7A		> END SHIELD BG160 643232001 N.D.E.TEE	1
2.7B	2125338	> SCREW F.END SHIELD BG160 TEE(8 PIECES)	1
Note: Please give the data from type plate of the motor			
2.8	2042826	FAN WHEEL BG160-200 TEE VP.	1
Note: Please give the data from type plate of the motor			
2.9	2125348	FAN COVER BG160 TEE KIT	1
Note: Please give the data from type plate of the motor			
2.9A		> FAN COVER BG160 644307201 TEE	1
2.9B	2116839	> SCREW BG90-112 TEE (4 PIECE)	1
Note: Please give the data from type plate of the motor			
2.11	2123904	MOTOR FOOT BG160 TEE KIT	1
Note: Please give the data from type plate of the motor			
2.11A		> MOTOR FOOT BG160 LEFT 643409001 TEE	1
2.11A		> MOTOR FOOT BG160 RIGHT 643408901 TEE	1
2.11B	2125331	> SCREW BG132/160 TEE (2 PIECES)	1
Note: Please give the data from type plate of the motor			



**BL-E100/200-5,5/4-R1-IE2 (2144302)**

Item	Article no.	Description	Quantity
1.1	2051373	IMPELLER D.125/197/24(BL)KIT	1
1.11	2027187	> NUT M12 DIN-EN24032 A2 VP.	1
1.12	2027190	> WASHER A13 DIN125-T2 A2 VP.	1
1.13		> IMPELLER 125/197/187/24 GG BALANCED	1
1.14	2042864	> O-RING ID.224x3,55 7EP1197-W534 VP.	1
	2042862	> WASHER S12 V2A VP.	1
1.2	2026902	MECHANICAL SEAL MG12/24-G60 AQ1EGG KIT	1
1.11	2027187	> NUT M12 DIN-EN24032 A2 VP.	1
1.12	2027190	> WASHER A13 DIN125-T2 A2 VP.	1
1.14	2037527	> O-RING 148,82x3,53 EPDM 70SR.VP.	1
1.14	2043160	> O-Ring 177,39x3,53 ISO3601B EPDM VP.	1
1.14	2042864	> O-RING ID.224x3,55 7EP1197-W534 VP.	1
1.14	2051680	> O-RING ID.276,7x5,29 7EP1197-W534 VP.	1
	2042862	> WASHER S12 V2A VP.	1
1.21		> MECHANICAL SEAL MG12/24-G60 AQ1EGG	1
10	2027202	> TOOL D.18/24/32 VP.	1
1.3	2042721	LANTERN P270X122-F265 KTL KIT	1
1.11	2027187	> NUT M12 DIN-EN24032 A2 VP.	1
1.12	2027190	> WASHER A13 DIN125-T2 A2 VP.	1
1.14	2042864	> O-RING ID.224x3,55 7EP1197-W534 VP.	1
	2042862	> WASHER S12 V2A VP.	1
1.31	2027201	> BLOWGUN R1/8" VP.	1
1.32	2048845	> COUPLING GUARD P270-F265 PA66 (2 PIECES)	1
1.33		> LANTERN P270X122-F265 GG KTL WILO	1
10	2027202	> TOOL D.18/24/32 VP.	1
1.4	2048444	COUPLING/SHAFT D.24/38X153 KIT	1
1.11	2027187	> NUT M12 DIN-EN24032 A2 VP.	1
1.12	2027190	> WASHER A13 DIN125-T2 A2 VP.	1
1.14	2042864	> O-RING ID.224x3,55 7EP1197-W534 VP.	1
1.14	2051680	> O-RING ID.276,7x5,29 7EP1197-W534 VP.	1
	2042862	> WASHER S12 V2A VP.	1
1.41		> COUPLING 24/38+SHAFT 24X153 GR132 ZN KIT	1
10	2027202	> TOOL D.18/24/32 VP.	1
2	2135937	MOTOR B35 5,5/4/132/300E-IE2-SM.(+TOOL)	1

**BL-E100/200-5,5/4-R1-IE2 (2144302)**

Item	Article no.	Description	Quantity
		SPARE PARTS MOTOR B35 5,5/4/132/300E-IE2	1
3	2051366	PUMP HOUSING BL100/220 PN16 KIT	1
1.14	2042864	> O-RING ID.224x3,55 7EP1197-W534 VP.	1
3.1		> PUMP HOUSING BL100/220 PN16 CPL.WILO	1
4	2027193	SCREW M16X30 ISO4762 8.8 (4 PIECES)	1
5	2027195	SCREW M12X25 DIN912 8.8 (4 PIECES)	1
11	2168211	Module BL-E100/200-5,5/4-IE2 SM.KIT	1
		> Module BL-E100/200-5,5/4-IE2 SM.WILO	1
	2111344	> MODULE COVER/GASKET TL5 KIT	1
	2120047	> CABLE CONNECTION M12x1,5/5 cpl.TL5 VP.	1
	2120048	> CABLE CONNECTION M16x1,5/5 cpl.TL5 VP.	1
	2120049	> CABLE CONNECTION M20x1,5/6 cpl.TL5 VP.	1
	2120050	> CABLE CONNECTION M25x1,5/8 cpl.TL5 VP.	1

**Motor-Typenschild / Motor type plate / Plaque identité moteur**

**Bei Ersatzteilbestellung Motorhersteller / Motordaten beachten!**  
**Consider motor manufacturers / motor data for order of spare parts!**  
**Pour les commandes de pièce détachée, indiquer le fabricant / les données du moteur!**

TEE

**TEE** ELECTRIC MOTORS  
 ARCELIK A.S. - TURKEY  
 2089004

CE IE2

3-Mot. **Q2E FS 60M2D90-F188** Icl F S1 Kg 13  
 N° 0001  
 04012011 IP 55 IM -

V Δ/A	Hz	min <sup>-1</sup>	kW	Cos φ	A	η
230 / 400	50	2885	1.1	0.83	4.2 / 2.4	IE2-79,6%
230 / 400	60	3480	1.27	0.83	4.0 / 2.3	

IEC 60034  
 VDE 0530

Load Efficiency  
 %80 79,1%  
 %75 79,1%

ATB

Motor-Nummer  
 motor number  
 numéro du moteur

**ATB** IE2 CE

3-Mot. AF 132S/2F - 11S + E 2 /0509 IE2-88,1%  
 S1 132S IMV1 224039411-1 522058X  
 IP 55 Th. Cl. 155(F) SCHWINGGROESSENSTUFE 8  
**KD\_NR.2064705**

kW	V	Hz	A	1/min	cos φ
7,5	Y/Δ690/400	50	7,9 / 13,7	2890	0,90
7,5	Δ460	60	11,8	3510	0,89

Made in Germany 50 kg EN 60034

SIEMENS

Motor-Nummer  
 motor number  
 numéro du moteur

**SIEMENS** 3-MOT. 1 LA9133-4KA61-Z  
 UC 1009/000001101

IE2 CE

82,1kg IMB3 132M IP55 Th.CL.155(F) AMB 40°C

50 Hz	400/690V Δ/Y	60 Hz	460V Δ
7,5 kW	7A	7,5 kW	8,7A
cos φ 0,84	1455 / min	PF 0,82	1760 RPM

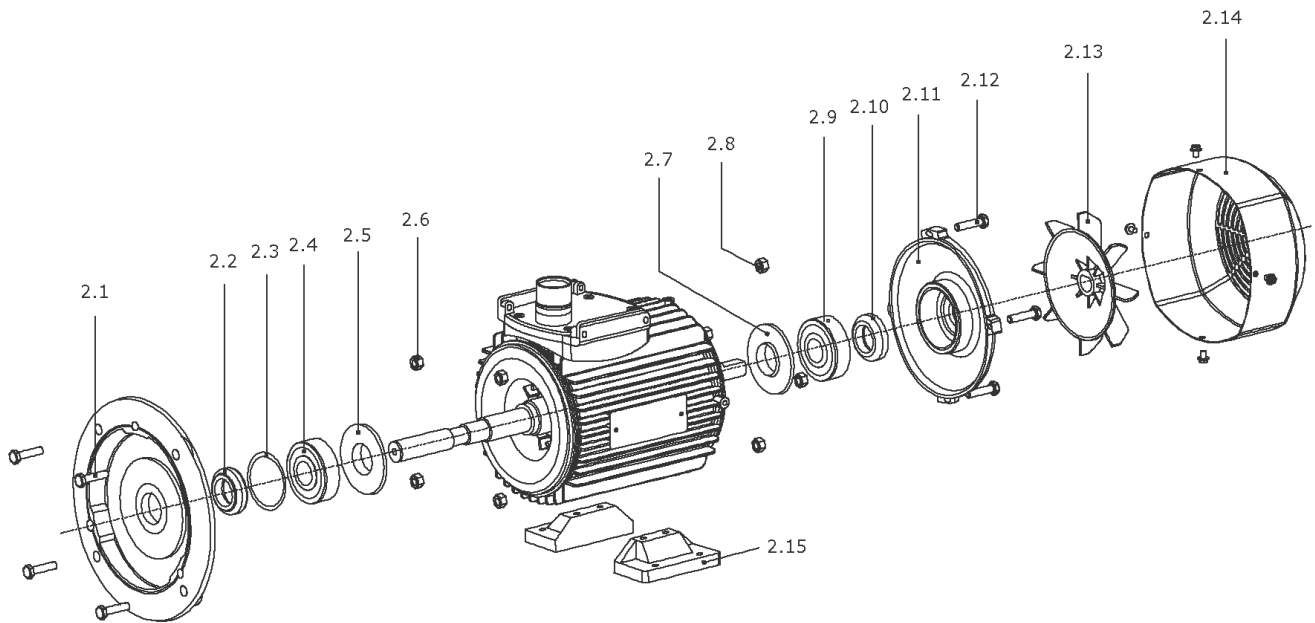
IE2 - 88,7% IE2 - 90,5%  
 IEC/EN 60034



**SPARE PARTS MOTOR B35 5,5/4/132/300E-IE2**

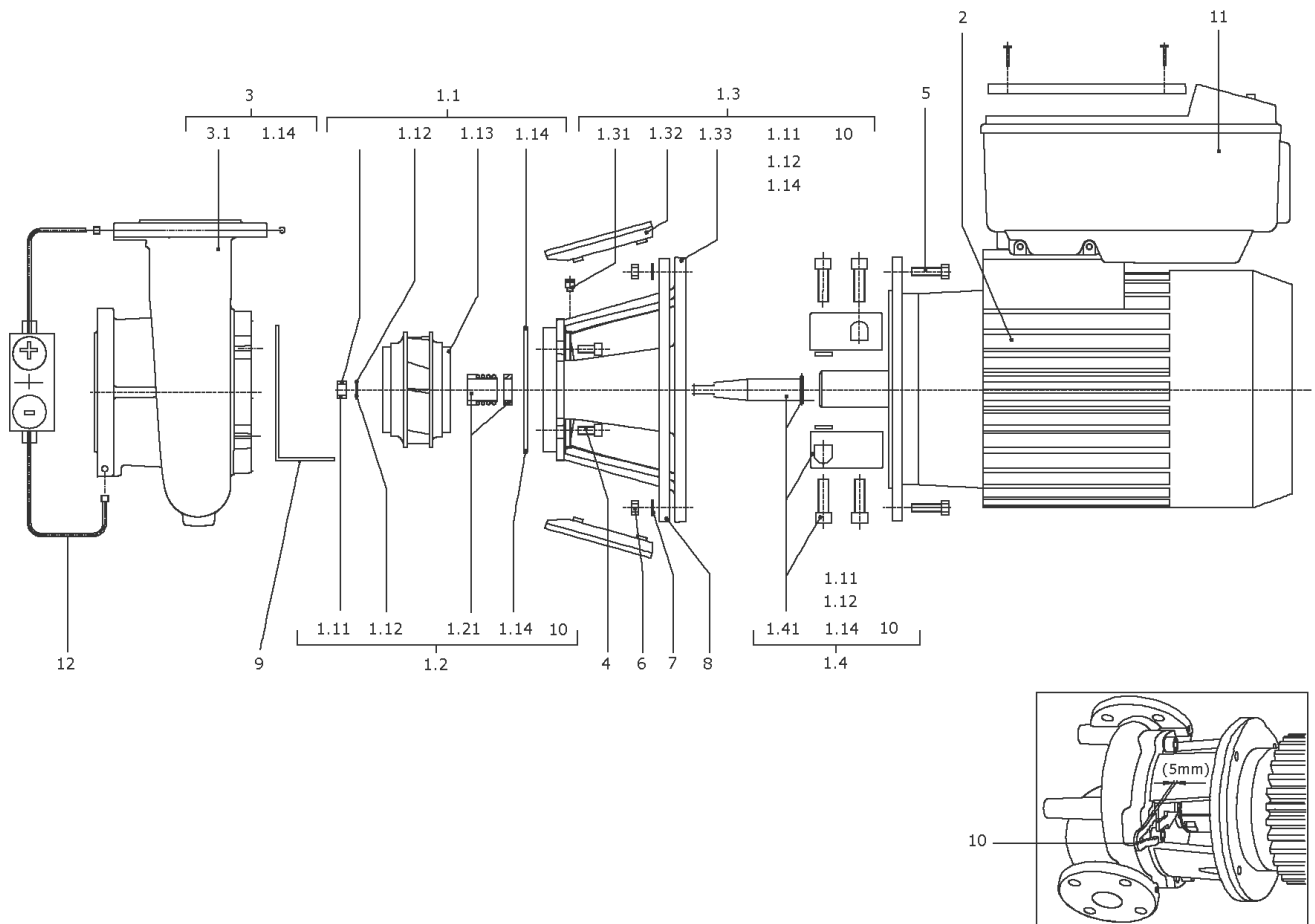


Item	Description	Quantity
3	MOTOR B35 5,5/4/132/300E SM IE2 WILO	1



**MOTOR B35 5,5/4/132/300E SM IE2 WILO**

Item	Article no.	Description	Quantity
2.1	2112830	SCREW M8X65 ISO4762 8.8 (4 PIECES)	1
Note: Please give the data from type plate of the motor			
2.2	2111403	V-RING V40-A SM.VP.	1
Note: Please give the data from type plate of the motor			
2.3	2112832	SPRING WASHER SN60098-56 6208 SM.VP.	1
Note: Please give the data from type plate of the motor			
2.4	2111405	BALL BEARING 6308/2ZJC3 SM.VP.	1
Note: Please give the data from type plate of the motor			
2.5	2111401	BEARING INSERT BG132 D.E.SM.VP.	1
Note: Please give the data from type plate of the motor			
2.6	2112834	NUT M8-8 DIN6923(4 PIECES)	1
Note: Please give the data from type plate of the motor			
2.7	2111409	BEARING INSERT BG132 N.D.E.SM.VP.	1
Note: Please give the data from type plate of the motor			
2.8	2112834	NUT M8-8 DIN6923(4 PIECES)	1
Note: Please give the data from type plate of the motor			
2.9	2111366	BALL BEARING 6208/2ZJC3 SM.VP.	1
Note: Please give the data from type plate of the motor			
2.10	2111403	V-RING V40-A SM.VP.	1
Note: Please give the data from type plate of the motor			
2.11	2111407	END SHIELD N.D.E.BG132 SM.VP.	1
Note: Please give the data from type plate of the motor			
2.12	2112836	SCREW M8X40 ISO4017 8.8 (4 PIECES)	1
Note: Please give the data from type plate of the motor			
2.13	2138769	FAN WHEEL 1PC3 BG132 D.230 SM.VP.	1
Note: Please give the data from type plate of the motor			
2.14	2111411	FAN COVER 1PC3 BG132/300 SM.VP.	1
Note: Please give the data from type plate of the motor			
2.15	2138774	MOTOR FOOT 1LE1 BG132 SM.KIT	1
Note: Please give the data from type plate of the motor			



**BL-E100/220-7,5/4-R1-IE2 (2144303)**

Item	Article no.	Description	Quantity
1.1	2051372	IMPELLER D.125/216/24(BL)KIT	1
1.11	2027187	> NUT M12 DIN-EN24032 A2 VP.	1
1.12	2027190	> WASHER A13 DIN125-T2 A2 VP.	1
1.13		> IMPELLER 125/216/206/24 GG balanced	1
1.14	2042864	> O-RING ID.224x3,55 7EP1197-W534 VP.	1
	2042862	> WASHER S12 V2A VP.	1
1.2	2026902	MECHANICAL SEAL MG12/24-G60 AQ1EGG KIT	1
1.11	2027187	> NUT M12 DIN-EN24032 A2 VP.	1
1.12	2027190	> WASHER A13 DIN125-T2 A2 VP.	1
1.14	2037527	> O-RING 148,82x3,53 EPDM 70SR.VP.	1
1.14	2043160	> O-Ring 177,39x3,53 ISO3601B EPDM VP.	1
1.14	2042864	> O-RING ID.224x3,55 7EP1197-W534 VP.	1
1.14	2051680	> O-RING ID.276,7x5,29 7EP1197-W534 VP.	1
	2042862	> WASHER S12 V2A VP.	1
1.21		> MECHANICAL SEAL MG12/24-G60 AQ1EGG	1
10	2027202	> TOOL D.18/24/32 VP.	1
1.3	2042721	LANTERN P270X122-F265 KTL KIT	1
1.11	2027187	> NUT M12 DIN-EN24032 A2 VP.	1
1.12	2027190	> WASHER A13 DIN125-T2 A2 VP.	1
1.14	2042864	> O-RING ID.224x3,55 7EP1197-W534 VP.	1
	2042862	> WASHER S12 V2A VP.	1
1.31	2027201	> BLOWGUN R1/8" VP.	1
1.32	2048845	> COUPLING GUARD P270-F265 PA66 (2 PIECES)	1
1.33		> LANTERN P270X122-F265 GG KTL WILO	1
10	2027202	> TOOL D.18/24/32 VP.	1
1.4	2048444	COUPLING/SHAFT D.24/38X153 KIT	1
1.11	2027187	> NUT M12 DIN-EN24032 A2 VP.	1
1.12	2027190	> WASHER A13 DIN125-T2 A2 VP.	1
1.14	2042864	> O-RING ID.224x3,55 7EP1197-W534 VP.	1
1.14	2051680	> O-RING ID.276,7x5,29 7EP1197-W534 VP.	1
	2042862	> WASHER S12 V2A VP.	1
1.41		> COUPLING 24/38+SHAFT 24X153 GR132 ZN KIT	1
10	2027202	> TOOL D.18/24/32 VP.	1
2	2135938	MOTOR B35 7,5/4/132/300E-IE2-SM.(+TOOL)	1

**BL-E100/220-7,5/4-R1-IE2 (2144303)**

Item	Article no.	Description	Quantity
		SPARE PARTS MOTOR B35 7,5/4/132/300E-IE2	1
3	2051366	PUMP HOUSING BL100/220 PN16 KIT	1
1.14	2042864	> O-RING ID.224x3,55 7EP1197-W534 VP.	1
3.1		> PUMP HOUSING BL100/220 PN16 CPL.WILO	1
4	2027193	SCREW M16X30 ISO4762 8.8 (4 PIECES)	1
5	2027195	SCREW M12X25 DIN912 8.8 (4 PIECES)	1
11	2168212	Module BL-E100/220-7,5/4-IE2 SM.KIT	1
		> Module BL-E100/220-7,5/4-IE2 SM.WILO	1
	2111344	> MODULE COVER/GASKET TL5 KIT	1
	2120047	> CABLE CONNECTION M12x1,5/5 cpl.TL5 VP.	1
	2120048	> CABLE CONNECTION M16x1,5/5 cpl.TL5 VP.	1
	2120049	> CABLE CONNECTION M20x1,5/6 cpl.TL5 VP.	1
	2120050	> CABLE CONNECTION M25x1,5/8 cpl.TL5 VP.	1

### Motor-Typenschild / Motor type plate / Plaque identité moteur

**Bei Ersatzteilbestellung Motorhersteller / Motordaten beachten!**  
**Consider motor manufacturers / motor data for order of spare parts!**  
**Pour les commandes de pièce détachée, indiquer le fabricant / les données du moteur!**

TEE

**TEE** ELECTRIC MOTORS  
 ARCELIK A.S. - TURKEY  
 2089004

CE IE2

3-Mot. **Q2E FS 60M2D90-F188** Icl F S1 Kg 13  
 N° 0001  
 04012011 IP 55 IM -

V Δ/A	Hz	min <sup>-1</sup>	kW	Cos φ	A	η
230 / 400	50	2885	1.1	0.83	4.2 / 2.4	IE2-79,6%
205 / 400	60	3480	1.27	0.83	4.0 / 2.3	

IEC 60034  
 VDE 0530

Load Efficiency  
 %80 79,1%  
 %75 79,1%

ATB

Motor-Nummer  
 motor number  
 numéro du moteur

**ATB** IE2 CE

3-Mot. AF 132S/2F - 11S + E 2 /0509 IE2-88,1%  
 S1 132S IMV1 224039411-1 522058X  
 IP 55 Th. Cl. 155(F) SCHWINGGROESSENSTUFE 8  
**KD\_NR.2064705**

kW	V	Hz	A	1/min	cos φ
7,5	Y/Δ690/400	50	7,9 / 13,7	2890	0,90
7,5	Δ460	60	11,8	3510	0,89

Made in Germany 50 kg EN 60034

SIEMENS

Motor-Nummer  
 motor number  
 numéro du moteur

**SIEMENS** 3-MOT. 1 LA9133-4KA61-Z  
 UC 1009/000001101

IE2 CE

82,1kg IMB3 132M IP55 Th.CL.155(F) AMB 40°C

50 Hz	400/690V Δ/Y	7,5 kW	7A	1455 / min	cos φ 0,84
60 Hz	460V Δ	7,5 kW	8,7A <td>1760 RPM <td>PF 0,82 </td></td>	1760 RPM <td>PF 0,82 </td>	PF 0,82

IE2 - 88,7%  
 IEC/EN 60034

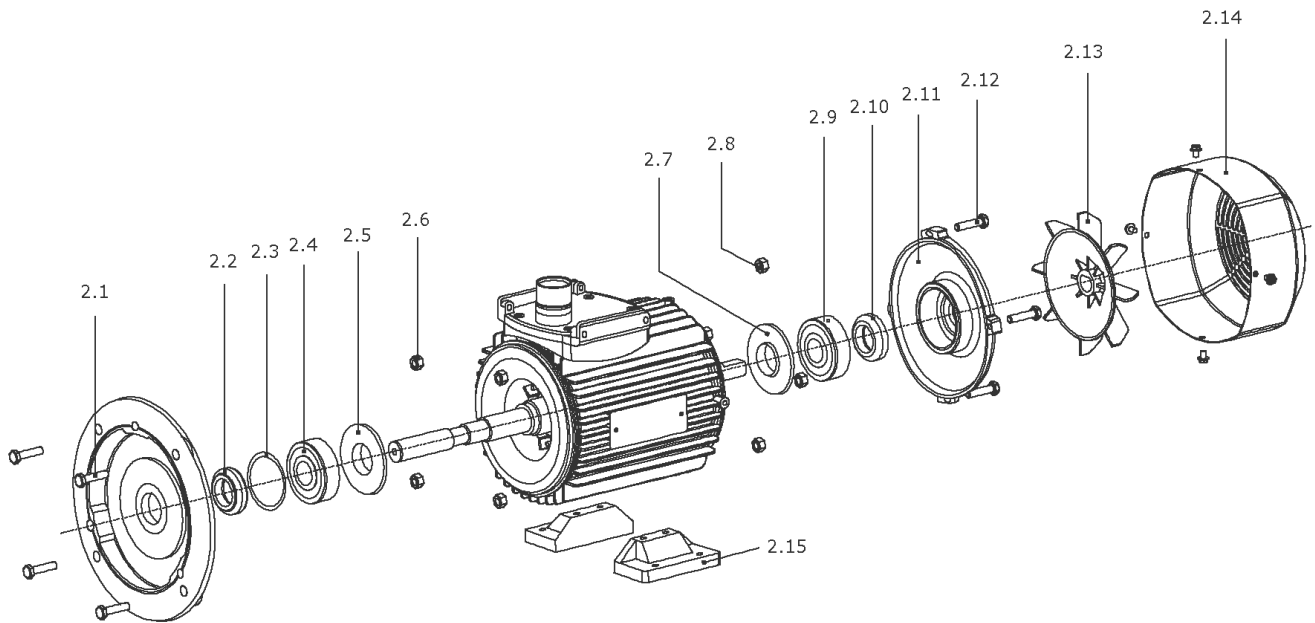
IE2 - 90,5%

**SPARE PARTS MOTOR B35 7,5/4/132/300E-IE2**



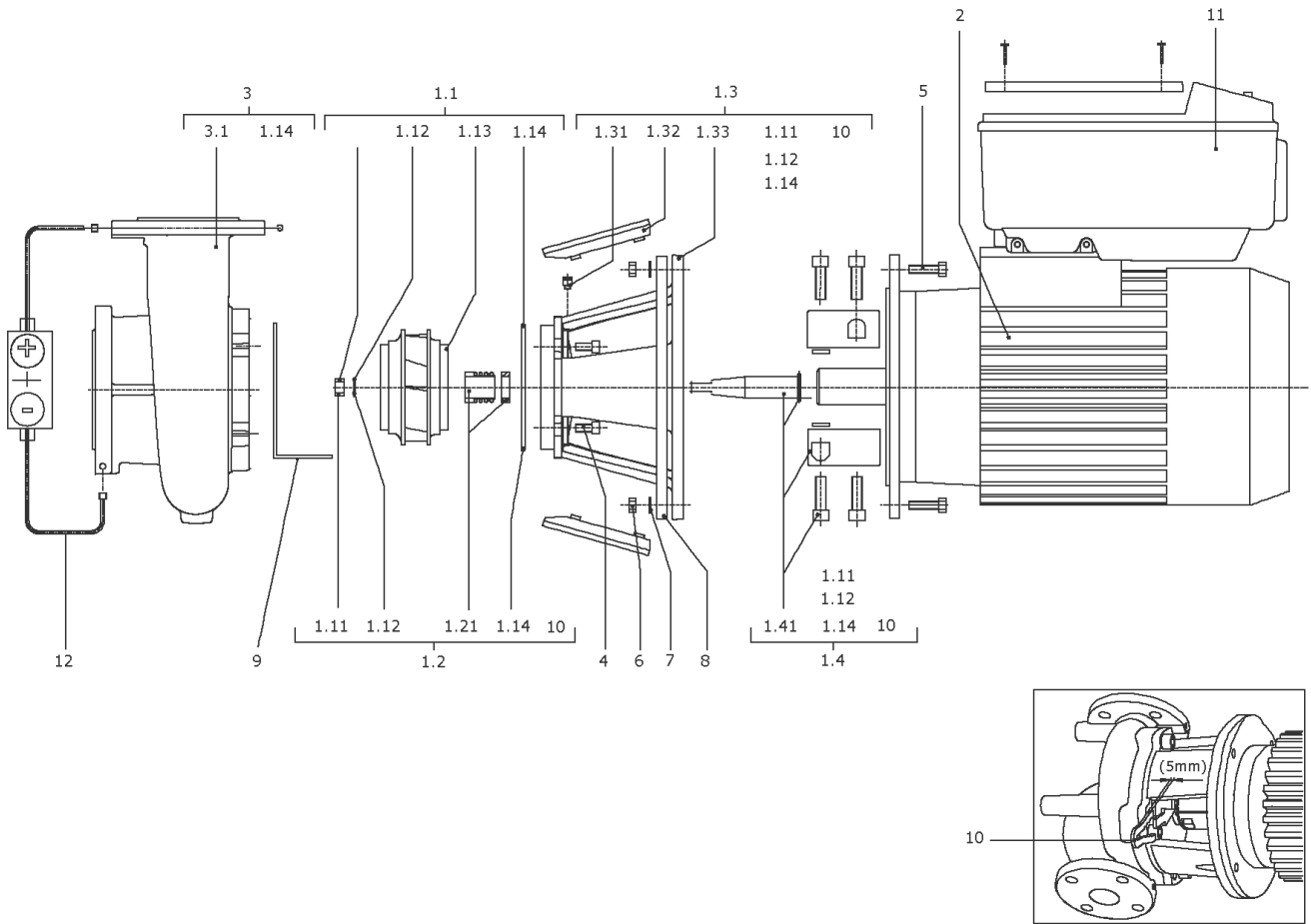
Item	Description	Quantity
3	MOTOR B35 7,5/4/132/300E SM IE2 WILO	1





**MOTOR B35 7,5/4/132/300E SM IE2 WILO**

Item	Article no.	Description	Quantity
2.1	2112830	SCREW M8X65 ISO4762 8.8 (4 PIECES)	1
Note: Please give the data from type plate of the motor			
2.2	2111403	V-RING V40-A SM.VP.	1
Note: Please give the data from type plate of the motor			
2.3	2112832	SPRING WASHER SN60098-56 6208 SM.VP.	1
Note: Please give the data from type plate of the motor			
2.4	2111405	BALL BEARING 6308/2ZJC3 SM.VP.	1
Note: Please give the data from type plate of the motor			
2.5	2111401	BEARING INSERT BG132 D.E.SM.VP.	1
Note: Please give the data from type plate of the motor			
2.6	2112834	NUT M8-8 DIN6923(4 PIECES)	1
Note: Please give the data from type plate of the motor			
2.7	2111409	BEARING INSERT BG132 N.D.E.SM.VP.	1
Note: Please give the data from type plate of the motor			
2.8	2112834	NUT M8-8 DIN6923(4 PIECES)	1
Note: Please give the data from type plate of the motor			
2.9	2111366	BALL BEARING 6208/2ZJC3 SM.VP.	1
Note: Please give the data from type plate of the motor			
2.10	2111403	V-RING V40-A SM.VP.	1
Note: Please give the data from type plate of the motor			
2.11	2111407	END SHIELD N.D.E.BG132 SM.VP.	1
Note: Please give the data from type plate of the motor			
2.12	2112836	SCREW M8X40 ISO4017 8.8 (4 PIECES)	1
Note: Please give the data from type plate of the motor			
2.13	2138769	FAN WHEEL 1PC3 BG132 D.230 SM.VP.	1
Note: Please give the data from type plate of the motor			
2.14	2111411	FAN COVER 1PC3 BG132/300 SM.VP.	1
Note: Please give the data from type plate of the motor			
2.15	2138774	MOTOR FOOT 1LE1 BG132 SM.KIT	1
Note: Please give the data from type plate of the motor			



**BL-E50/270-5,5/4-R1 (2159715)**

Item	Article no.	Description	Quantity
1.1	2123492	IMPELLER D.65/266/24 KIT	1
1.11	2027187	> NUT M12 DIN-EN24032 A2 VP.	1
1.12	2027190	> WASHER A13 DIN125-T2 A2 VP.	1
1.13		> IMPELLER 65/266/24 GG BALANCED	1
1.14	2051680	> O-RING ID.276,7x5,29 7EP1197-W534 VP.	1
	2042862	> WASHER S12 V2A VP.	1
1.2	2026902	MECHANICAL SEAL MG12/24-G60 AQ1EGG KIT	1
1.11	2027187	> NUT M12 DIN-EN24032 A2 VP.	1
1.12	2027190	> WASHER A13 DIN125-T2 A2 VP.	1
1.14	2037527	> O-RING 148,82x3,53 EPDM 70SR.VP.	1
1.14	2043160	> O-Ring 177,39x3,53 ISO3601B EPDM VP.	1
1.14	2042864	> O-RING ID.224x3,55 7EP1197-W534 VP.	1
1.14	2051680	> O-RING ID.276,7x5,29 7EP1197-W534 VP.	1
	2042862	> WASHER S12 V2A VP.	1
1.21		> MECHANICAL SEAL MG12/24-G60 AQ1EGG	1
10	2027202	> TOOL D.18/24/32 VP.	1
1.3	2050739	LANTERN P330X99-F265 KTL KIT	1
1.11	2027187	> NUT M12 DIN-EN24032 A2 VP.	1
1.12	2027190	> WASHER A13 DIN125-T2 A2 VP.	1
1.14	2051680	> O-RING ID.276,7x5,29 7EP1197-W534 VP.	1
	2042862	> WASHER S12 V2A VP.	1
1.31	2027201	> BLOWGUN R1/8" VP.	1
1.32	2048845	> COUPLING GUARD P270-F265 PA66 (2 PIECES)	1
1.33		> Lantern P330X99-F265 GG KTL WILO	1
10	2027202	> TOOL D.18/24/32 VP.	1
1.4	2048444	COUPLING/SHAFT D.24/38X153 KIT	1
1.11	2027187	> NUT M12 DIN-EN24032 A2 VP.	1
1.12	2027190	> WASHER A13 DIN125-T2 A2 VP.	1
1.14	2042864	> O-RING ID.224x3,55 7EP1197-W534 VP.	1
1.14	2051680	> O-RING ID.276,7x5,29 7EP1197-W534 VP.	1
	2042862	> WASHER S12 V2A VP.	1
1.41		> COUPLING 24/38+SHAFT 24X153 GR132 ZN KIT	1
10	2027202	> TOOL D.18/24/32 VP.	1
2	2169161	Motor B35 5,5/4/132/300E-IE4-ELEC(+Tool)	1

**BL-E50/270-5,5/4-R1 (2159715)**

Item	Article no.	Description	Quantity
		Spare parts motor B35 5,5/4/132 300E IE4	1
3	2050784	PUMP HOUSING B50/270 PN16 KIT	1
1.14	2051680	> O-RING ID.276,7x5,29 7EP1197-W534 VP.	1
3.1		> PUMP HOUSING BL50/270 PN16 KPL.WILO	1
4	2027193	SCREW M16X30 ISO4762 8.8 (4 PIECES)	1
5	2027195	SCREW M12X25 DIN912 8.8 (4 PIECES)	1
11	2192985	Module BL-E50/270-5,5/4-IE4 ELEC KIT	1
		> Module BL-E50/270-5,5/4-IE4 ELEC	1
	2111344	> MODULE COVER/GASKET TL5 KIT	1
	2120047	> CABLE CONNECTION M12x1,5/5 cpl.TL5 VP.	1
	2120048	> CABLE CONNECTION M16x1,5/5 cpl.TL5 VP.	1
	2120049	> CABLE CONNECTION M20x1,5/6 cpl.TL5 VP.	1
	2120050	> CABLE CONNECTION M25x1,5/8 cpl.TL5 VP.	1

Motor-Typenschild / Motor type plate / Plaque identité moteur

Bei Ersatzteilbestellung Motor-Nummer angeben!

Indicate motor number for order of spare parts!

Pour une commande de pièces détachées, donner le numéro du moteur!

ELEC

Motor-Nummer  
motor number  
numéro du moteur

<b>3~Induction Motor</b>					
Made by WILLO Group					
<b>3511218</b>	<b>W132240-4-V1NPE</b>		<b>0902.001</b>		
Class F	S1	IP55	69kg	EN60034	
50Hz	5.5kW	SF=L1S	60Hz	6.45kW	
YΔ 400/690V	10,6/6,13A	Y 440-480V	10,9/10,35A		
Cosφ =0.81	1470min <sup>-1</sup>	Cosφ =0.81	1770min <sup>-1</sup>		
IE4-91.9%	91,9%	91,1%	IE4-92.4%	92,4%	91,8%

WEG

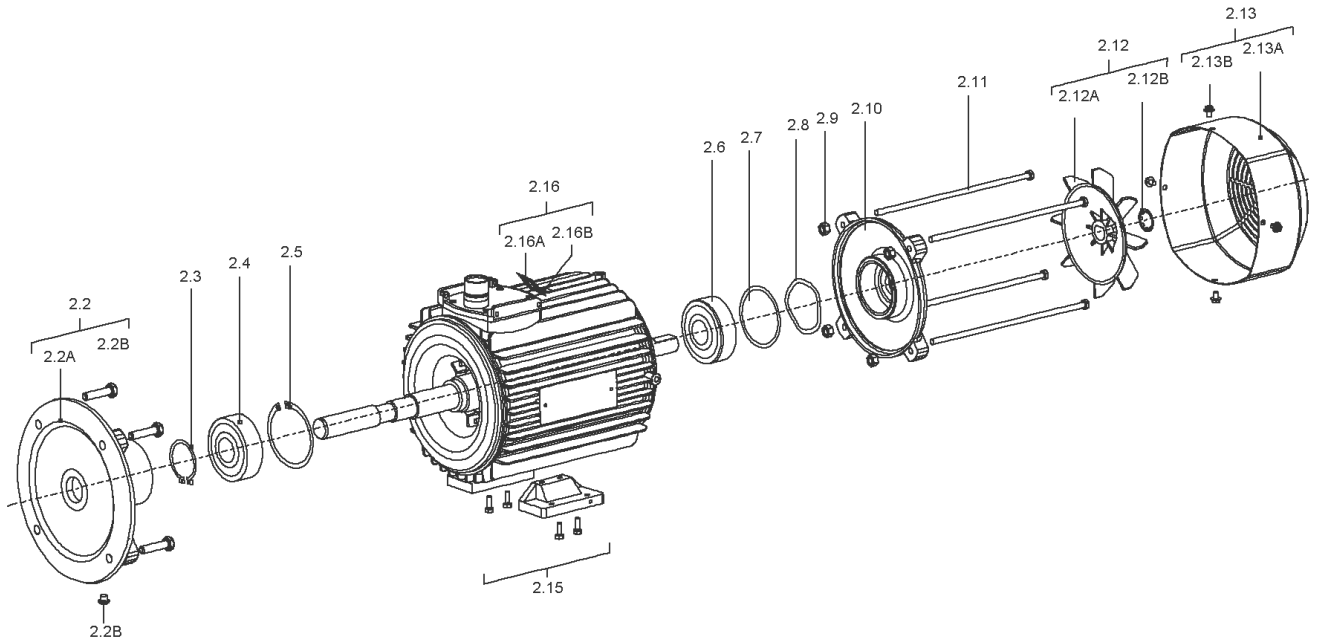
3~ AL180M/L-04		2015/12	1030615079		
AMB 40°C					
IP55	INS CL.F	Δ T 80 K	S1	SF 1.0	
V	Hz	kW	RPM	A	PF
400 / -			1480	29,5 / -	0,78
- / -					
- / -					
- / -					
400	IE4	93,9 (100%)	92,5 (75%)	90,8 (50%)	
- / -		- (100%)	- (75%)	- (50%)	
- A		- (100%)	- (75%)	- (50%)	
NEMA	Eff	- %	- HP	- V	- Hz
- A	PF	DES	CODE	SF	
		6311-ZZ-C3	MOBIL POLYREX EM		162 kg
		6211-ZZ-C3			
MOD.TE01A0X1A0000301180					
IEC 60034					

VIBRATION LEVEL A
ACCORDING IEC 60034-14
BALANCED WITH NO KEY
WILO PART NO: <b>2151697</b>

Motor-Nummer  
motor number  
numéro du moteur

## Spare parts motor B35 5,5/4/132 300E IE4

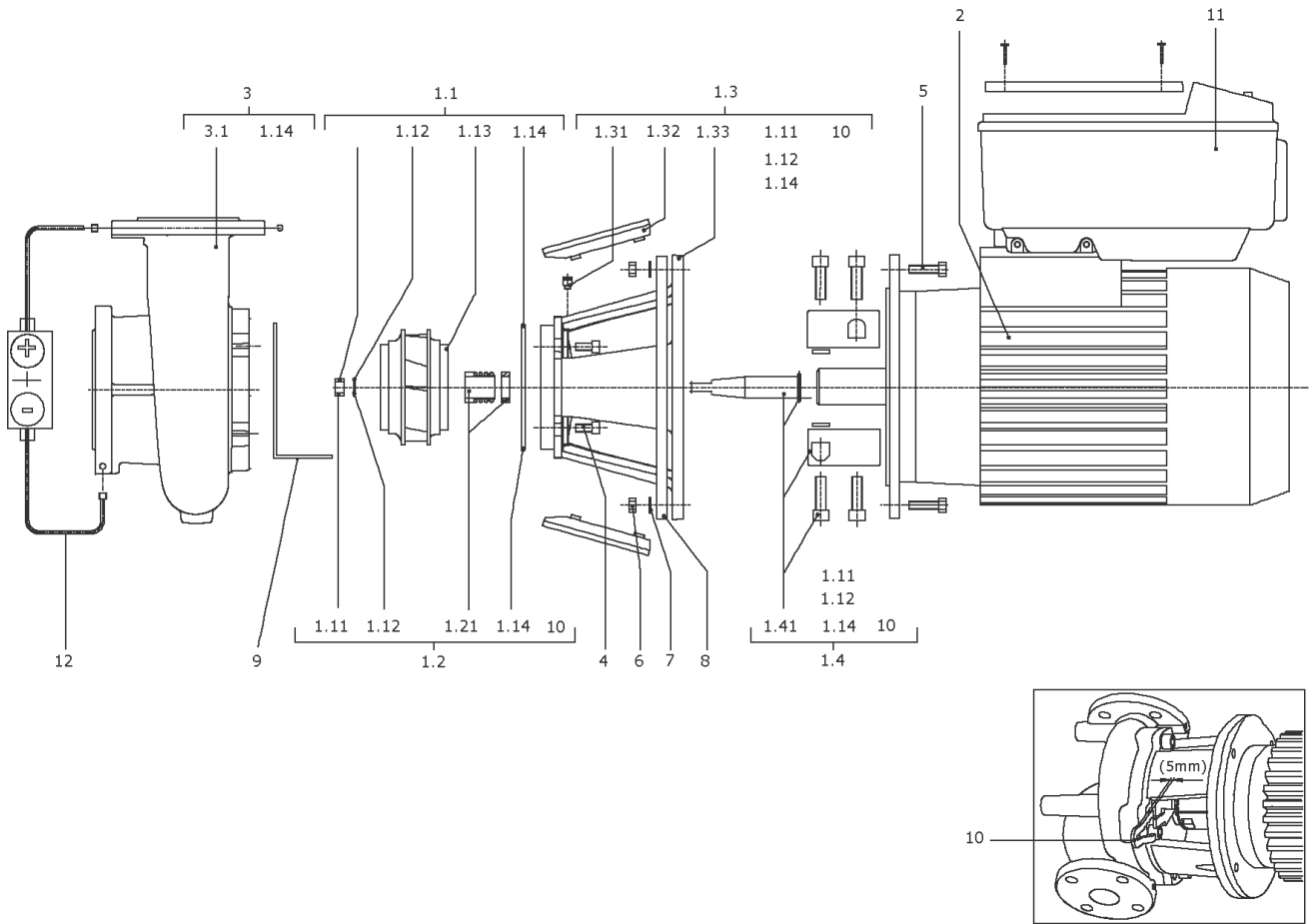
Item	Description	Quantity
ELEC	Motor B35 5,5/4/132/300E ELEC IE4 WILO	1





**Motor B35 5,5/4/132/300E ELEC IE4 WILO**

Item	Article no.	Description	Quantity
2.2	2175903	End shield BG132 FF265 D.E.ELEC KIT	1
Note: Please give the data from type plate of the motor			
2.2A		> Flange IEC132 V1 FF265 D.E.	1
2.2B	2111309	> CONDENSATE HOLE GASKET D5 VP.	1
2.3	3504026	Stop Ring D40 GB894.1	1
Note: Please give the data from type plate of the motor			
2.4	121266690	BALL BEARING 6308/2Z-C3 (HT) VP.	1
Note: Please give the data from type plate of the motor			
2.5	2192954	Circlip D90 GB893.1 VP.	1
Note: Please give the data from type plate of the motor			
2.6	2153173	Ball bearing 6206/VV-C3 VP.	1
Note: Please give the data from type plate of the motor			
2.8	2132469	SPRING RING D.62 JB/T7590 VP.	1
2.9	2178926	Nut M8 (4 Pieces)	1
Note: Please give the data from type plate of the motor			
2.10	2178921	End shield BG132 N.D.E.ELEC VP.	1
Note: Please give the data from type plate of the motor			
2.11	2178925	Inner hexagon screws M8x50 (4 Pieces)	1
2.12	2178922	Fan IEC 230X20X17 KIT	1
Note: Please give the data from type plate of the motor			
2.12A		> FAN 230x20x17 GP2200 G/F20%	1
2.12B	2118396	> Tooth lock washer D.19,8x0,4 VP.	1
2.13	2178928	Fan hood BG132 ELEC KIT	1
Note: Please give the data from type plate of the motor			
2.13A		> FAN COVER IEC132 KTL ST14 T0.8 H103	1
2.13B	2178923	> Screw M5X8 GB/T3098.1 6.8(4 Pieces)	1
2.15	2192955	Motor foot cpl.BG132 ELEC KIT	1
2.16	2178924	Air guider IEC 132 Motor KIT	1
Note: Please give the data from type plate of the motor			
2.16A		> AIR GUIDER IEC 132 MOTOR	1
2.16B		> SCREW M8X16 TORX HEX 6.8 GB/T70	1



**BL-E65/240-5,5/4-R1 (2159719)**

Item	Article no.	Description	Quantity
1.1	2135920	IMPELLER 80/270-239-119,6/24 GG KIT	1
1.11	2027187	> NUT M12 DIN-EN24032 A2 VP.	1
1.12	2027190	> WASHER A13 DIN125-T2 A2 VP.	1
1.13		> IMPELLER 80/270-239-119,6/24 GG BAL.	1
1.14	2051680	> O-RING ID.276,7x5,29 7EP1197-W534 VP.	1
	2042862	> WASHER S12 V2A VP.	1
1.2	2026902	MECHANICAL SEAL MG12/24-G60 AQ1EGG KIT	1
1.11	2027187	> NUT M12 DIN-EN24032 A2 VP.	1
1.12	2027190	> WASHER A13 DIN125-T2 A2 VP.	1
1.14	2037527	> O-RING 148,82x3,53 EPDM 70SR.VP.	1
1.14	2043160	> O-Ring 177,39x3,53 ISO3601B EPDM VP.	1
1.14	2042864	> O-RING ID.224x3,55 7EP1197-W534 VP.	1
1.14	2051680	> O-RING ID.276,7x5,29 7EP1197-W534 VP.	1
	2042862	> WASHER S12 V2A VP.	1
1.21		> MECHANICAL SEAL MG12/24-G60 AQ1EGG	1
10	2027202	> TOOL D.18/24/32 VP.	1
1.3	2051334	LANTERN P330X120-F265 KIT	1
1.11	2027187	> NUT M12 DIN-EN24032 A2 VP.	1
1.12	2027190	> WASHER A13 DIN125-T2 A2 VP.	1
1.14	2051680	> O-RING ID.276,7x5,29 7EP1197-W534 VP.	1
	2042862	> WASHER S12 V2A VP.	1
1.31	2027201	> BLOWGUN R1/8" VP.	1
1.32	2048845	> COUPLING GUARD P270-F265 PA66 (2 PIECES)	1
1.33		> LANTERN P330X120-F265 GG KTL WILO	1
10	2027202	> TOOL D.18/24/32 VP.	1
1.4	2048444	COUPLING/SHAFT D.24/38X153 KIT	1
1.11	2027187	> NUT M12 DIN-EN24032 A2 VP.	1
1.12	2027190	> WASHER A13 DIN125-T2 A2 VP.	1
1.14	2042864	> O-RING ID.224x3,55 7EP1197-W534 VP.	1
1.14	2051680	> O-RING ID.276,7x5,29 7EP1197-W534 VP.	1
	2042862	> WASHER S12 V2A VP.	1
1.41		> COUPLING 24/38+SHAFT 24X153 GR132 ZN KIT	1
10	2027202	> TOOL D.18/24/32 VP.	1
2	2169161	Motor B35 5,5/4/132/300E-IE4-ELEC(+Tool)	1

**BL-E65/240-5,5/4-R1 (2159719)**

Item	Article no.	Description	Quantity
		Spare parts motor B35 5,5/4/132 300E IE4	1
3	2135944	PUMP HOUSING B65/270-P330 PN16 KIT	1
1.14	2051680	> O-RING ID.276,7x5,29 7EP1197-W534 VP.	1
3.1		> PUMP HOUSING B65/270-P330 PN16 CPL.WILO	1
4	2027193	SCREW M16X30 ISO4762 8.8 (4 PIECES)	1
5	2027195	SCREW M12X25 DIN912 8.8 (4 PIECES)	1
11	2192986	Module BL-E65/240-5,5/4-IE4 ELEC KIT	1
		> Module BL-E65/240-5,5/4-IE4 ELEC	1
	2111344	> MODULE COVER/GASKET TL5 KIT	1
	2120047	> CABLE CONNECTION M12x1,5/5 cpl.TL5 VP.	1
	2120048	> CABLE CONNECTION M16x1,5/5 cpl.TL5 VP.	1
	2120049	> CABLE CONNECTION M20x1,5/6 cpl.TL5 VP.	1
	2120050	> CABLE CONNECTION M25x1,5/8 cpl.TL5 VP.	1

Motor-Typenschild / Motor type plate / Plaque identité moteur

Bei Ersatzteilbestellung Motor-Nummer angeben!

Indicate motor number for order of spare parts!

Pour une commande de pièces détachées, donner le numéro du moteur!

ELEC

Motor-Nummer  
motor number  
numéro du moteur

<b>3~Induction Motor</b>					
Made by WILLO Group					
<b>3511218</b>	W132240-4-V1NPE		0902.001		
Class F	S1	IP55	69kg	EN60034	
50Hz	5.5kW	SF=1.15	60Hz	6.45kW	
YΔ 400/690V	10,6/6,13A	Y 440-480V	10,9/10,35A		
Cosφ =0.81	1470min <sup>-1</sup>	Cosφ =0.81	1770min <sup>-1</sup>		
IE4-91.9%	91,9%	91,1%	IE4-92.4%	92,4%	91,8%

WEG

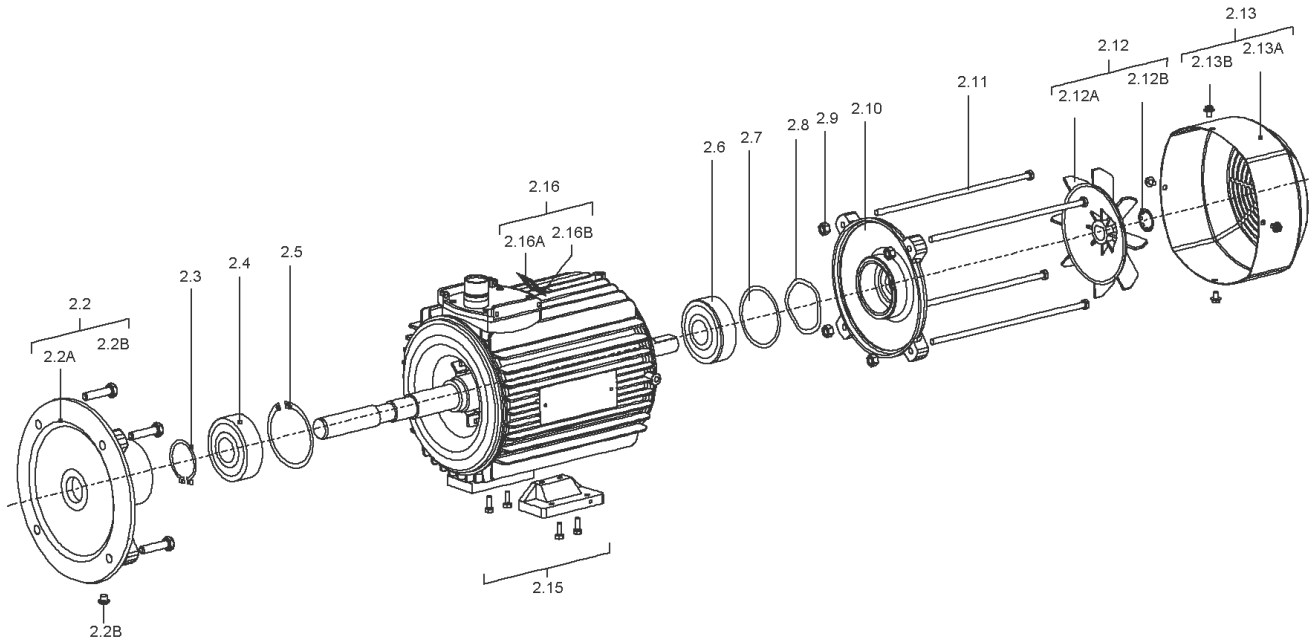
3~ AL180M/L-04		2015/12		1030615079	
AMB 40°C					
IP55	INS CL.F	Δ T 80 K	S1	SF 1.0	
V	Hz	kW	RPM	A	PF
400 / -			1480	29,5 / -	0,78
- / -					
- / -					
- / -					
400	IE4	93,9 (100%)	92,5 (75%)	90,8 (50%)	
- / -		- (100%)	- (75%)	- (50%)	
- A		- (100%)	- (75%)	- (50%)	
NEMA	Eff	- %	- HP	- V	- Hz
- A	PF	DES	CODE	SF	
				162 kg	
← 6311-ZZ-C3 MOBIL POLYREX EM → 6211-ZZ-C3					
MOD.TE01A0X1A0000301180					
IEC 60034					

VIBRATION LEVEL A
ACCORDING IEC 60034-14
BALANCED WITH NO KEY
WILO PART NO: <b>2151697</b>

Motor-Nummer  
motor number  
numéro du moteur

## Spare parts motor B35 5,5/4/132 300E IE4

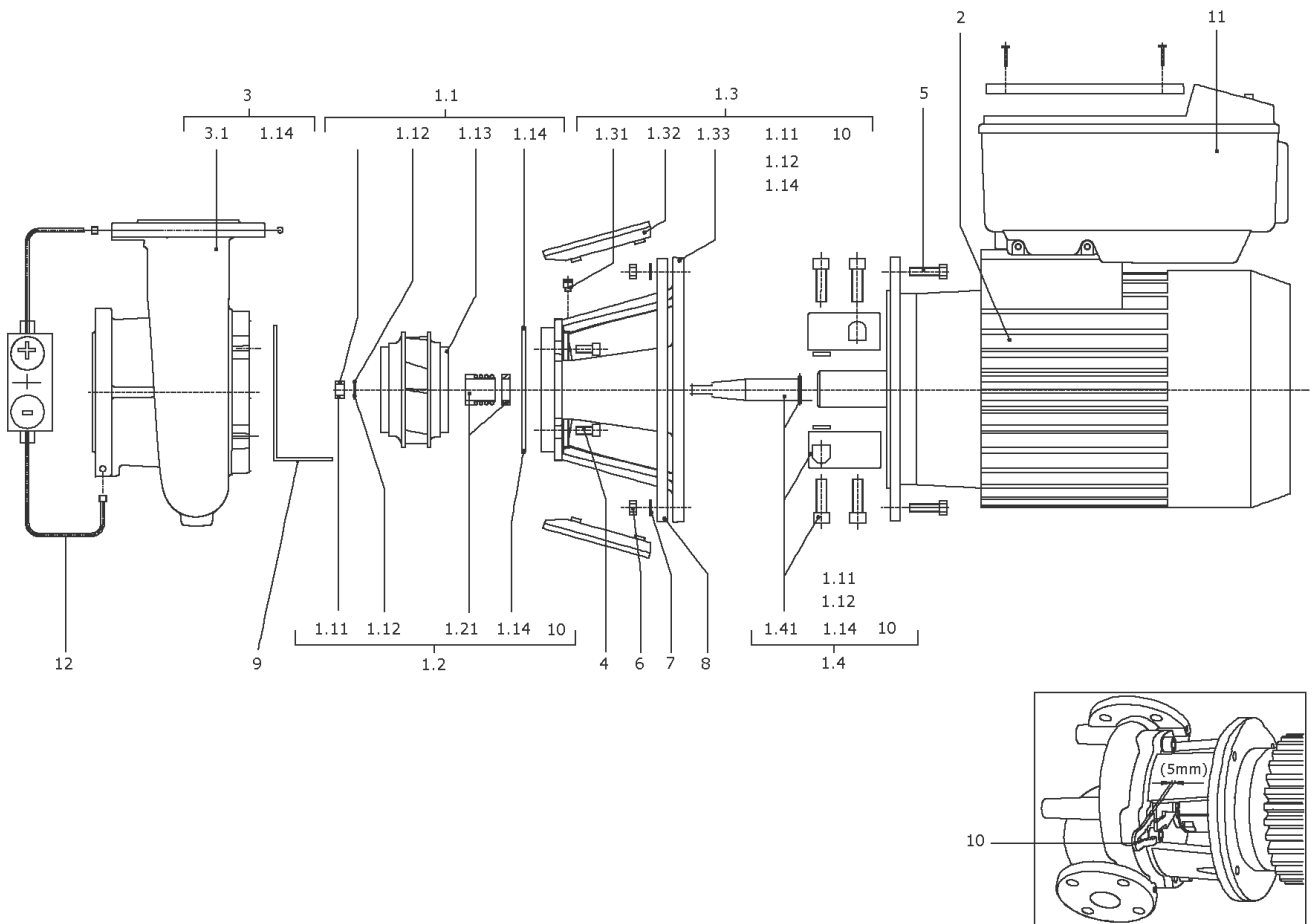
Item	Description	Quantity
ELEC	Motor B35 5,5/4/132/300E ELEC IE4 WILO	1



**Motor B35 5,5/4/132/300E ELEC IE4 WILO**

Item	Article no.	Description	Quantity
2.2	2175903	End shield BG132 FF265 D.E.ELEC KIT	1
Note: Please give the data from type plate of the motor			
2.2A		> Flange IEC132 V1 FF265 D.E.	1
2.2B	2111309	> CONDENSATE HOLE GASKET D5 VP.	1
2.3	3504026	Stop Ring D40 GB894.1	1
Note: Please give the data from type plate of the motor			
2.4	121266690	BALL BEARING 6308/2Z-C3 (HT) VP.	1
Note: Please give the data from type plate of the motor			
2.5	2192954	Circlip D90 GB893.1 VP.	1
Note: Please give the data from type plate of the motor			
2.6	2153173	Ball bearing 6206/VV-C3 VP.	1
Note: Please give the data from type plate of the motor			
2.8	2132469	SPRING RING D.62 JB/T7590 VP.	1
2.9	2178926	Nut M8 (4 Pieces)	1
Note: Please give the data from type plate of the motor			
2.10	2178921	End shield BG132 N.D.E.ELEC VP.	1
Note: Please give the data from type plate of the motor			
2.11	2178925	Inner hexagon screws M8x50 (4 Pieces)	1
2.12	2178922	Fan IEC 230X20X17 KIT	1
Note: Please give the data from type plate of the motor			
2.12A		> FAN 230x20x17 GP2200 G/F20%	1
2.12B	2118396	> Tooth lock washer D.19,8x0,4 VP.	1
2.13	2178928	Fan hood BG132 ELEC KIT	1
Note: Please give the data from type plate of the motor			
2.13A		> FAN COVER IEC132 KTL ST14 T0.8 H103	1
2.13B	2178923	> Screw M5X8 GB/T3098.1 6.8(4 Pieces)	1
2.15	2192955	Motor foot cpl.BG132 ELEC KIT	1
2.16	2178924	Air guider IEC 132 Motor KIT	1
Note: Please give the data from type plate of the motor			
2.16A		> AIR GUIDER IEC 132 MOTOR	1
2.16B		> SCREW M8X16 TORX HEX 6.8 GB/T70	1





**BL-E65/265-7,5/4-R1 (2159720)**

Item	Article no.	Description	Quantity
1.1	2135921	IMPELLER 80/270-265-119,6/24 GG KIT	1
1.11	2027187	> NUT M12 DIN-EN24032 A2 VP.	1
1.12	2027190	> WASHER A13 DIN125-T2 A2 VP.	1
1.13		> IMPELLER 80/270-265-119,6/24 GG GEW	1
1.14	2051680	> O-RING ID.276,7x5,29 7EP1197-W534 VP.	1
	2042862	> WASHER S12 V2A VP.	1
1.2	2026902	MECHANICAL SEAL MG12/24-G60 AQ1EGG KIT	1
1.11	2027187	> NUT M12 DIN-EN24032 A2 VP.	1
1.12	2027190	> WASHER A13 DIN125-T2 A2 VP.	1
1.14	2037527	> O-RING 148,82x3,53 EPDM 70SR.VP.	1
1.14	2043160	> O-Ring 177,39x3,53 ISO3601B EPDM VP.	1
1.14	2042864	> O-RING ID.224x3,55 7EP1197-W534 VP.	1
1.14	2051680	> O-RING ID.276,7x5,29 7EP1197-W534 VP.	1
	2042862	> WASHER S12 V2A VP.	1
1.21		> MECHANICAL SEAL MG12/24-G60 AQ1EGG	1
10	2027202	> TOOL D.18/24/32 VP.	1
1.3	2051334	LANTERN P330X120-F265 KIT	1
1.11	2027187	> NUT M12 DIN-EN24032 A2 VP.	1
1.12	2027190	> WASHER A13 DIN125-T2 A2 VP.	1
1.14	2051680	> O-RING ID.276,7x5,29 7EP1197-W534 VP.	1
	2042862	> WASHER S12 V2A VP.	1
1.31	2027201	> BLOWGUN R1/8" VP.	1
1.32	2048845	> COUPLING GUARD P270-F265 PA66 (2 PIECES)	1
1.33		> LANTERN P330X120-F265 GG KTL WILO	1
10	2027202	> TOOL D.18/24/32 VP.	1
1.4	2048444	COUPLING/SHAFT D.24/38X153 KIT	1
1.11	2027187	> NUT M12 DIN-EN24032 A2 VP.	1
1.12	2027190	> WASHER A13 DIN125-T2 A2 VP.	1
1.14	2042864	> O-RING ID.224x3,55 7EP1197-W534 VP.	1
1.14	2051680	> O-RING ID.276,7x5,29 7EP1197-W534 VP.	1
	2042862	> WASHER S12 V2A VP.	1
1.41		> COUPLING 24/38+SHAFT 24X153 GR132 ZN KIT	1
10	2027202	> TOOL D.18/24/32 VP.	1
2	2169163	Motor B35 7,5/4/132/300E-IE4-ELEC(+Tool)	1

**BL-E65/265-7,5/4-R1 (2159720)**

Item	Article no.	Description	Quantity
		Spare parts motor B35 7,5/4/132/300E IE4	1
3	2135944	PUMP HOUSING B65/270-P330 PN16 KIT	1
1.14	2051680	> O-RING ID.276,7x5,29 7EP1197-W534 VP.	1
3.1		> PUMP HOUSING B65/270-P330 PN16 CPL.WILO	1
4	2027193	SCREW M16X30 ISO4762 8.8 (4 PIECES)	1
5	2027195	SCREW M12X25 DIN912 8.8 (4 PIECES)	1
11	2192987	Module BL-E65/265-7,5/4-IE4 ELEC KIT	1
		> Module BL-E65/265-7,5/4-IE4 ELEC	1
	2111344	> MODULE COVER/GASKET TL5 KIT	1
	2120047	> CABLE CONNECTION M12x1,5/5 cpl.TL5 VP.	1
	2120048	> CABLE CONNECTION M16x1,5/5 cpl.TL5 VP.	1
	2120049	> CABLE CONNECTION M20x1,5/6 cpl.TL5 VP.	1
	2120050	> CABLE CONNECTION M25x1,5/8 cpl.TL5 VP.	1

Motor-Typenschild / Motor type plate / Plaque identité moteur

Bei Ersatzteilbestellung Motor-Nummer angeben!

Indicate motor number for order of spare parts!

Pour une commande de pièces détachées, donner le numéro du moteur!

ELEC

Motor-Nummer  
motor number  
numéro du moteur

<b>3~Induction Motor</b>					
Made by WILLO Group					
<b>3511218</b>	<b>W132240-4-V1NPE</b>		<b>0902.001</b>		
Class F	S1	IP55	69kg	EN60034	
50Hz	5.5kW	SF=L1S	60Hz	6.45kW	
YΔ 400/690V	10,6/6,13A	Y 440-480V	10,9/10,35A		
Cosφ =0.81	1470min <sup>-1</sup>	Cosφ =0.81	1770min <sup>-1</sup>		
IE4-91.9%	91,9%	91,1%	IE4-92.4%	92,4%	91,8%

WEG

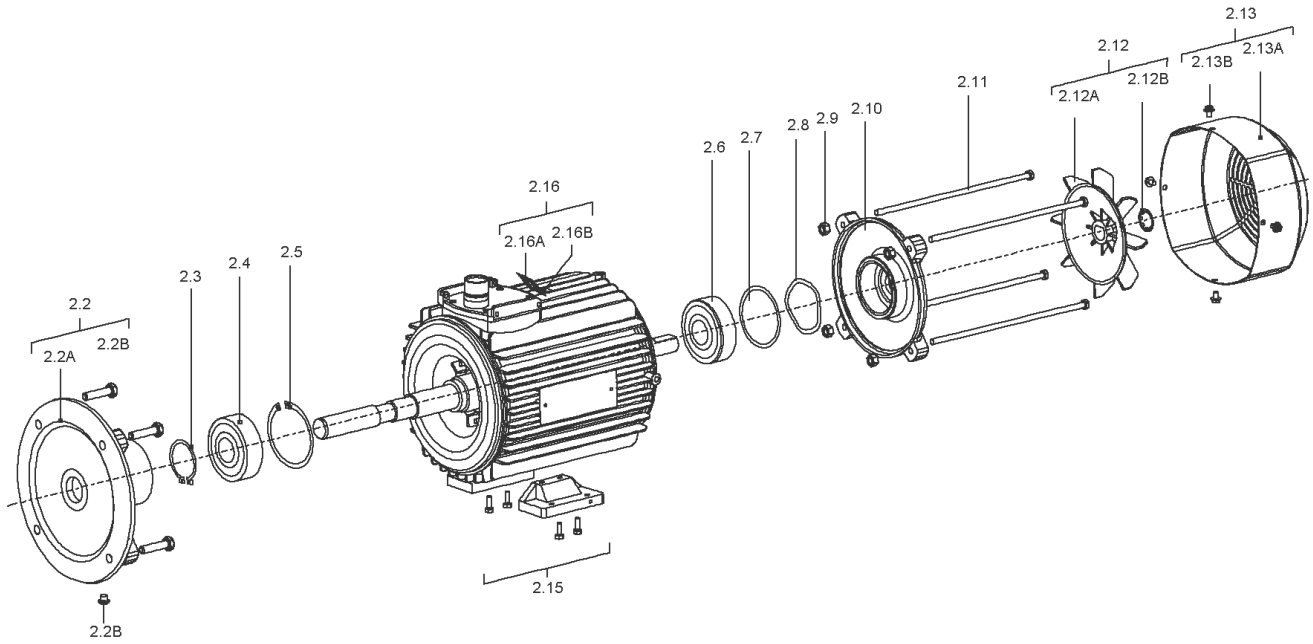
3~ AL180M/L-04		2015/12	1030615079		
AMB 40°C					
IP55	INS CL.F	Δ T 80 K	S1	SF 1.0	
V	Hz	kW	RPM	A	PF
400 / -			1480	29,5 / -	0,78
- / -					
- / -					
- / -					
400	IE4	93,9 (100%)	92,5 (75%)	90,8 (50%)	
- / -		- (100%)	- (75%)	- (50%)	
- A		- (100%)	- (75%)	- (50%)	
NEMA	Eff	- %	- HP	- V	- Hz
- A	PF	DES	CODE	SF	-
		6311-ZZ-C3	MOBIL POLYREX EM		162 kg
		6211-ZZ-C3			
MOD.TE01A0X1A0000301180					
IEC 60034					

VIBRATION LEVEL A
ACCORDING IEC 60034-14
BALANCED WITH NO KEY
WILO PART NO: <b>2151697</b>

Motor-Nummer  
motor number  
numéro du moteur

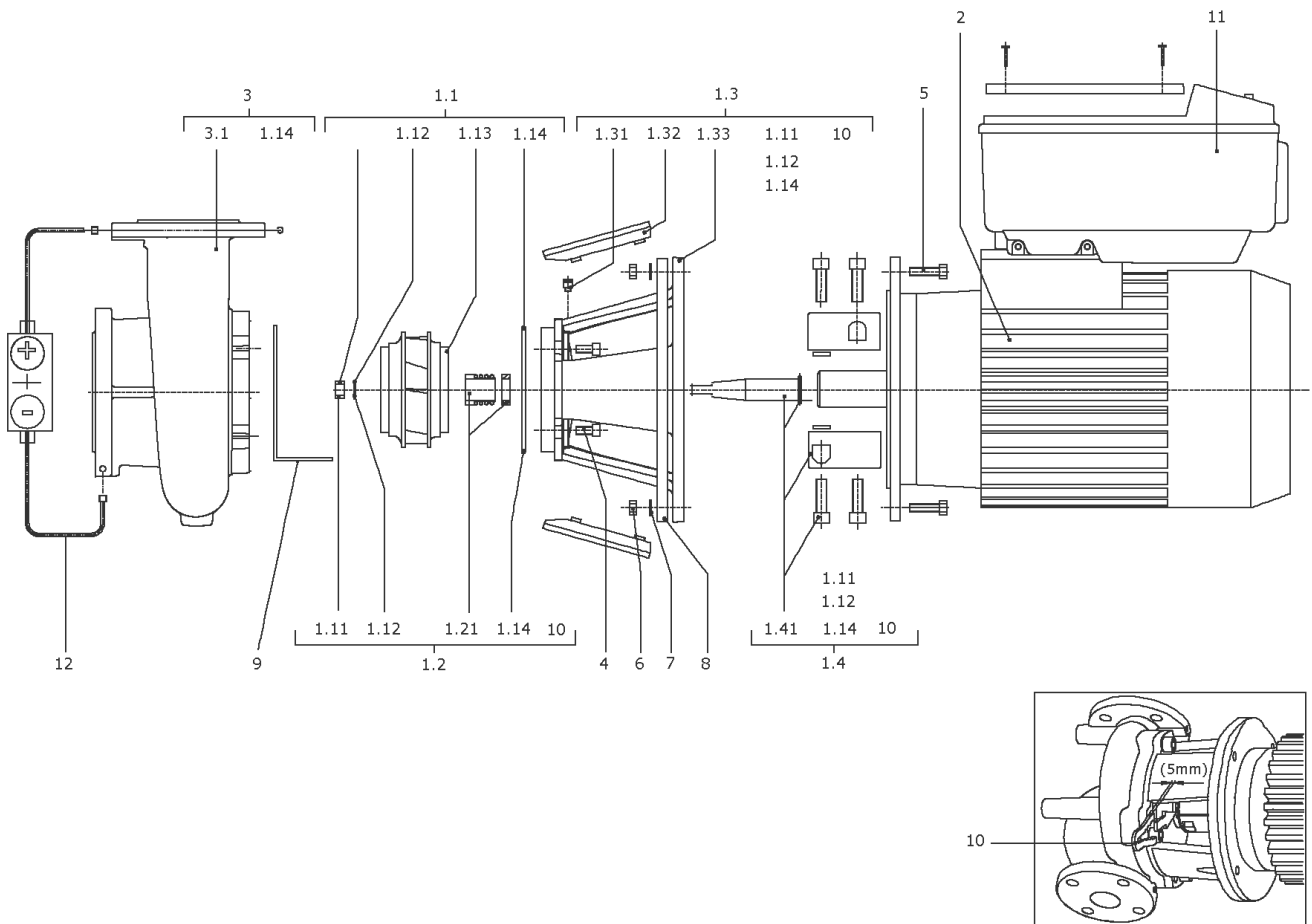
## Spare parts motor B35 7,5/4/132/300E IE4

Item	Description	Quantity
ELEC	Moteur B35 7,5/4/132/300E ELEC IE4 WILO	1



**Moteur B35 7,5/4/132/300E ELEC IE4 WILO**

Item	Article no.	Description	Quantity
2.2	2175903	End shield BG132 FF265 D.E.ELEC KIT	1
Note: Please give the data from type plate of the motor			
2.2A		> Flange IEC132 V1 FF265 D.E.	1
2.2B	2111309	> CONDENSATE HOLE GASKET D5 VP.	1
2.3	2178920	Circlip D40 GB894.1 VP.	1
Note: Please give the data from type plate of the motor			
2.4	121266690	BALL BEARING 6308/2Z-C3 (HT) VP.	1
Note: Please give the data from type plate of the motor			
2.5	2192954	Circlip D90 GB893.1 VP.	1
Note: Please give the data from type plate of the motor			
2.6	2153173	Ball bearing 6206/VV-C3 VP.	1
Note: Please give the data from type plate of the motor			
2.8	2132469	SPRING RING D.62 JB/T7590 VP.	1
2.9	2178926	Nut M8 (4 Pieces)	1
Note: Please give the data from type plate of the motor			
2.10	2178921	End shield BG132 N.D.E.ELEC VP.	1
Note: Please give the data from type plate of the motor			
2.11	2178925	Inner hexagon screws M8x50 (4 Pieces)	1
2.12	2188089	Fan IEC 230X20X17 H52 KIT	1
Note: Please give the data from type plate of the motor			
2.12A		> FAN 230X20X17 GP2200 G/F20% H52	1
2.12B	2118396	> Tooth lock washer D.19,8x0,4 VP.	1
2.13	2188090	Fan hood BG132L ELEC KIT	1
Note: Please give the data from type plate of the motor			
2.13A		> FAN COVER IEC132 KTL ST14 T1.0 H123	1
2.13B	2178923	> Screw M5X8 GB/T3098.1 6.8(4 Pieces)	1
2.15	2192955	Motor foot cpl.BG132 ELEC KIT	1
2.16	2178924	Air guider IEC 132 Motor KIT	1
Note: Please give the data from type plate of the motor			
2.16A		> AIR GUIDER IEC 132 MOTOR	1
2.16B		> SCREW M8X16 TORX HEX 6.8 GB/T70	1





**BL-E80/220-5,5/4-R1 (2159721)**

Item	Article no.	Description	Quantity
1.1	2123420	IMPELLER D.100/221/24 KIT	1
1.11	2027187	> NUT M12 DIN-EN24032 A2 VP.	1
1.12	2027190	> WASHER A13 DIN125-T2 A2 VP.	1
1.13		> IMPELLER 100/221/24 GG BALANCED	1
1.14	2042864	> O-RING ID.224x3,55 7EP1197-W534 VP.	1
	2042862	> WASHER S12 V2A VP.	1
1.2	2026902	MECHANICAL SEAL MG12/24-G60 AQ1EGG KIT	1
1.11	2027187	> NUT M12 DIN-EN24032 A2 VP.	1
1.12	2027190	> WASHER A13 DIN125-T2 A2 VP.	1
1.14	2037527	> O-RING 148,82x3,53 EPDM 70SR.VP.	1
1.14	2043160	> O-Ring 177,39x3,53 ISO3601B EPDM VP.	1
1.14	2042864	> O-RING ID.224x3,55 7EP1197-W534 VP.	1
1.14	2051680	> O-RING ID.276,7x5,29 7EP1197-W534 VP.	1
	2042862	> WASHER S12 V2A VP.	1
1.21		> MECHANICAL SEAL MG12/24-G60 AQ1EGG	1
10	2027202	> TOOL D.18/24/32 VP.	1
1.3	2042721	LANTERN P270X122-F265 KTL KIT	1
1.11	2027187	> NUT M12 DIN-EN24032 A2 VP.	1
1.12	2027190	> WASHER A13 DIN125-T2 A2 VP.	1
1.14	2042864	> O-RING ID.224x3,55 7EP1197-W534 VP.	1
	2042862	> WASHER S12 V2A VP.	1
1.31	2027201	> BLOWGUN R1/8" VP.	1
1.32	2048845	> COUPLING GUARD P270-F265 PA66 (2 PIECES)	1
1.33		> LANTERN P270X122-F265 GG KTL WILO	1
10	2027202	> TOOL D.18/24/32 VP.	1
1.4	2048444	COUPLING/SHAFT D.24/38X153 KIT	1
1.11	2027187	> NUT M12 DIN-EN24032 A2 VP.	1
1.12	2027190	> WASHER A13 DIN125-T2 A2 VP.	1
1.14	2042864	> O-RING ID.224x3,55 7EP1197-W534 VP.	1
1.14	2051680	> O-RING ID.276,7x5,29 7EP1197-W534 VP.	1
	2042862	> WASHER S12 V2A VP.	1
1.41		> COUPLING 24/38+SHAFT 24X153 GR132 ZN KIT	1
10	2027202	> TOOL D.18/24/32 VP.	1
2	2169161	Motor B35 5,5/4/132/300E-IE4-ELEC(+Tool)	1

**BL-E80/220-5,5/4-R1 (2159721)**

Item	Article no.	Description	Quantity
		Spare parts motor B35 5,5/4/132 300E IE4	1
3	2042763	PUMP HOUSING B80/230 PN16 KIT	1
1.14	2042864	> O-RING ID.224x3,55 7EP1197-W534 VP.	1
3.1		> PUMP HOUSING BL80/230 PN16 CPL.WILO	1
4	2027193	SCREW M16X30 ISO4762 8.8 (4 PIECES)	1
5	2027195	SCREW M12X25 DIN912 8.8 (4 PIECES)	1
11	2192988	Module BL-E80/220-5,5/4-IE4 ELEC KIT	1
		> Module BL-E80/220-5,5/4-IE4 ELEC	1
	2111344	> MODULE COVER/GASKET TL5 KIT	1
	2120047	> CABLE CONNECTION M12x1,5/5 cpl.TL5 VP.	1
	2120048	> CABLE CONNECTION M16x1,5/5 cpl.TL5 VP.	1
	2120049	> CABLE CONNECTION M20x1,5/6 cpl.TL5 VP.	1
	2120050	> CABLE CONNECTION M25x1,5/8 cpl.TL5 VP.	1

**Motor-Typenschild / Motor type plate / Plaque identité moteur**

**Bei Ersatzteilbestellung Motor-Nummer angeben!**

**Indicate motor number for order of spare parts!**

**Pour une commande de pièces détachées, donner le numéro du moteur!**

ELEC

Motor-Nummer  
motor number  
numéro du moteur

<b>3~Induction Motor</b>						
Made by WILLO Group						
<b>3511218</b>	<b>W132240-4-V1NPE</b>		<b>0902.001</b>			
Class F	S1	IP55	69kg	EN60034		
50Hz	5.5kW	SF=1.15	60Hz	6.45kW		
YΔ 400/690V	10,6/6,13A		Y 440-480V	10,9/10,35A		
Cosφ =0.81	1470min <sup>-1</sup>		Cosφ =0.81	1770min <sup>-1</sup>		
IE4-91.9%	91,9%	91,1%	IE4-92.4%	92,4%	91,8%	

WEG

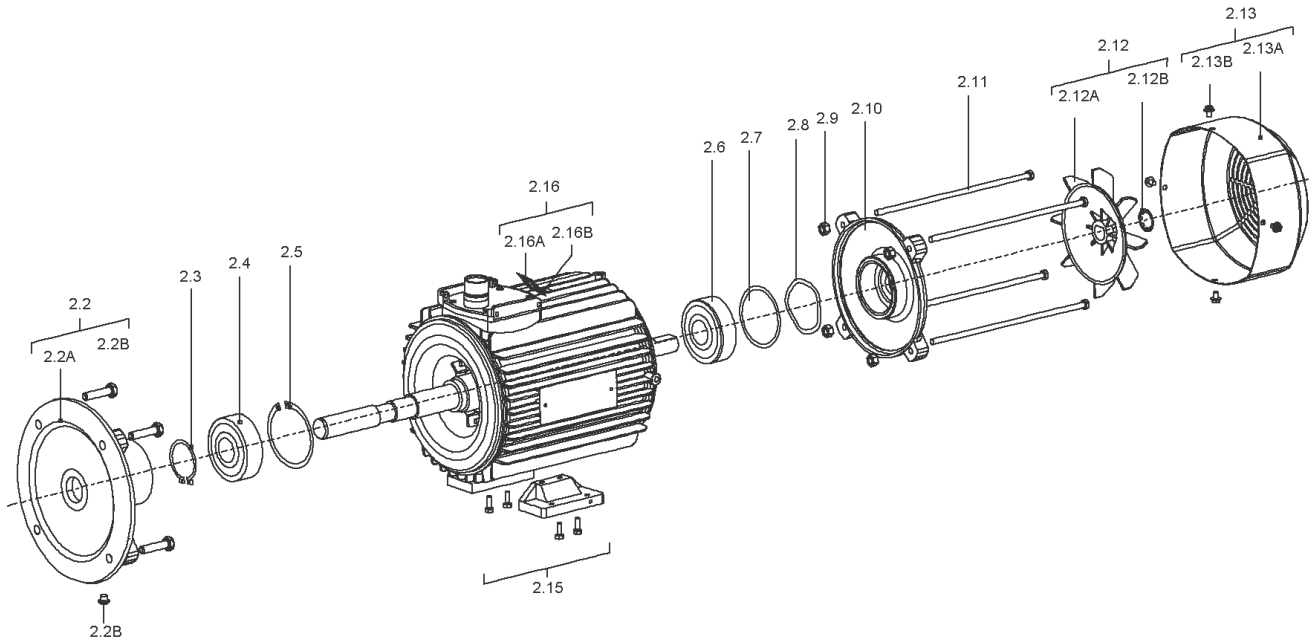
		3~ AL180M/L-04		2015/12		1030615079	
AMB 40°C							
IP55		INS CL.F		Δ T 80 K		S1 SF 1.0	
V	Hz	kW	RPM	A	PF		
400 / -			1480	29,5 / -	0,78		
- / -							
- / -							
- / -							
400	IE4	93,9 (100%)	92,5 (75%)	90,8 (50%)			
- / -		- (100%)	- (75%)	- (50%)			
- A		- (100%)	- (75%)	- (50%)			
NEMA	Eff	- %	- HP	- V	- Hz	- RPM	
- A	PF	DES	CODE	-	SF	-	
		6311-ZZ-C3		MOBIL POLYREX EM		162 kg	
		6211-ZZ-C3					
MOD.TE01A0X1A0000301180							
IEC 60034							

VIBRATION LEVEL A
ACCORDING IEC 60034-14
BALANCED WITH NO KEY
WILO PART NO: <b>2151697</b>

Motor-Nummer  
motor number  
numéro du moteur

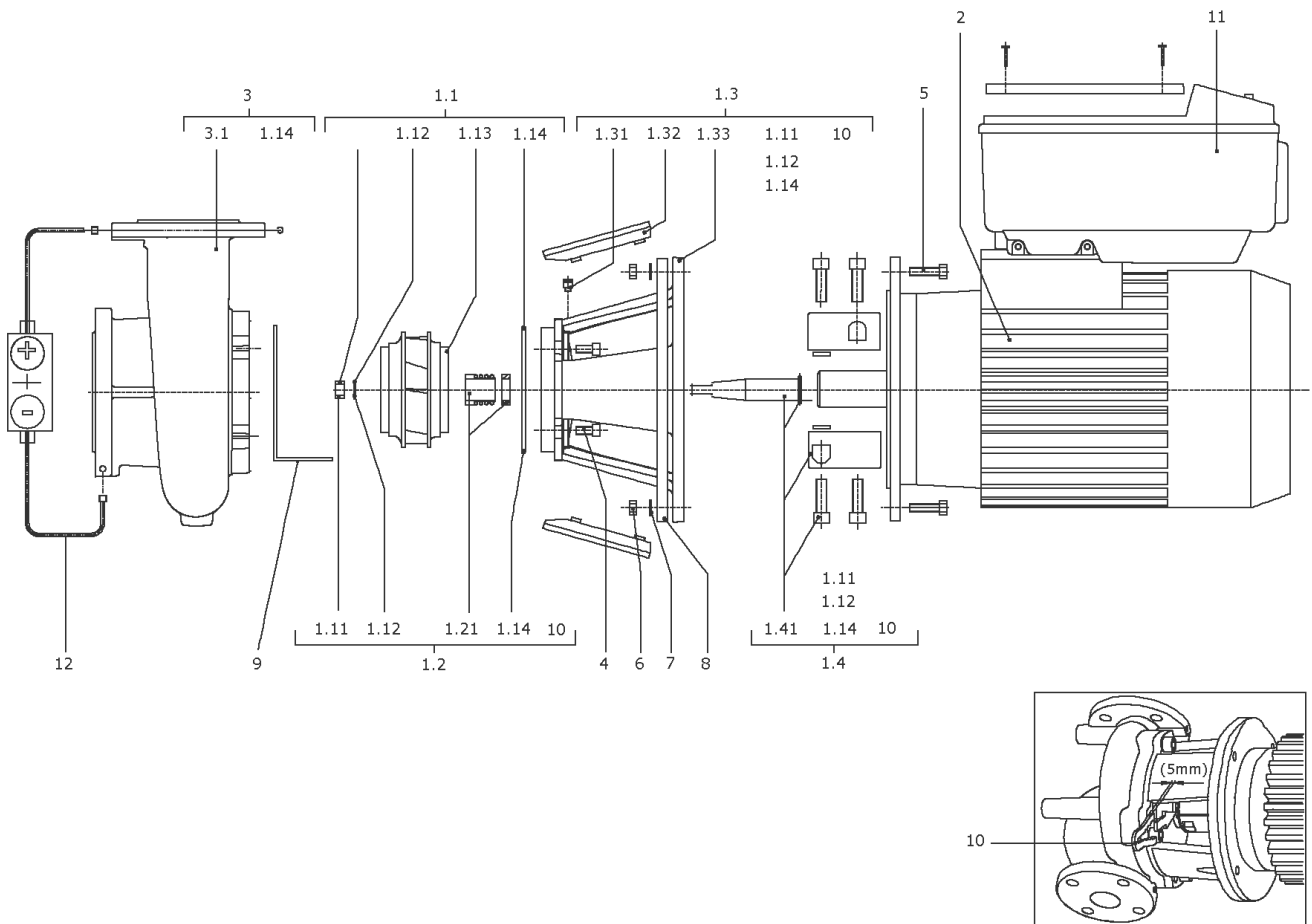
## Spare parts motor B35 5,5/4/132 300E IE4

Item	Description	Quantity
ELEC	Motor B35 5,5/4/132/300E ELEC IE4 WILO	1



**Motor B35 5,5/4/132/300E ELEC IE4 WILO**

Item	Article no.	Description	Quantity
2.2	2175903	End shield BG132 FF265 D.E.ELEC KIT	1
Note: Please give the data from type plate of the motor			
2.2A		> Flange IEC132 V1 FF265 D.E.	1
2.2B	2111309	> CONDENSATE HOLE GASKET D5 VP.	1
2.3	3504026	Stop Ring D40 GB894.1	1
Note: Please give the data from type plate of the motor			
2.4	121266690	BALL BEARING 6308/2Z-C3 (HT) VP.	1
Note: Please give the data from type plate of the motor			
2.5	2192954	Circlip D90 GB893.1 VP.	1
Note: Please give the data from type plate of the motor			
2.6	2153173	Ball bearing 6206/VV-C3 VP.	1
Note: Please give the data from type plate of the motor			
2.8	2132469	SPRING RING D.62 JB/T7590 VP.	1
2.9	2178926	Nut M8 (4 Pieces)	1
Note: Please give the data from type plate of the motor			
2.10	2178921	End shield BG132 N.D.E.ELEC VP.	1
Note: Please give the data from type plate of the motor			
2.11	2178925	Inner hexagon screws M8x50 (4 Pieces)	1
2.12	2178922	Fan IEC 230X20X17 KIT	1
Note: Please give the data from type plate of the motor			
2.12A		> FAN 230x20x17 GP2200 G/F20%	1
2.12B	2118396	> Tooth lock washer D.19,8x0,4 VP.	1
2.13	2178928	Fan hood BG132 ELEC KIT	1
Note: Please give the data from type plate of the motor			
2.13A		> FAN COVER IEC132 KTL ST14 T0.8 H103	1
2.13B	2178923	> Screw M5X8 GB/T3098.1 6.8(4 Pieces)	1
2.15	2192955	Motor foot cpl.BG132 ELEC KIT	1
2.16	2178924	Air guider IEC 132 Motor KIT	1
Note: Please give the data from type plate of the motor			
2.16A		> AIR GUIDER IEC 132 MOTOR	1
2.16B		> SCREW M8X16 TORX HEX 6.8 GB/T70	1



**BL-E80/250-7,5/4-R1 (2159722)**

Item	Article no.	Description	Quantity
1.1	2138788	IMPELLER D.100/250/24 GG KIT	1
1.11	2027187	> NUT M12 DIN-EN24032 A2 VP.	1
1.12	2027190	> WASHER A13 DIN125-T2 A2 VP.	1
1.13		> Impeller D.100/250/240/24 GG balanced	1
1.14	2051680	> O-RING ID.276,7x5,29 7EP1197-W534 VP.	1
	2042862	> WASHER S12 V2A VP.	1
1.2	2026902	MECHANICAL SEAL MG12/24-G60 AQ1EGG KIT	1
1.11	2027187	> NUT M12 DIN-EN24032 A2 VP.	1
1.12	2027190	> WASHER A13 DIN125-T2 A2 VP.	1
1.14	2037527	> O-RING 148,82x3,53 EPDM 70SR.VP.	1
1.14	2043160	> O-Ring 177,39x3,53 ISO3601B EPDM VP.	1
1.14	2042864	> O-RING ID.224x3,55 7EP1197-W534 VP.	1
1.14	2051680	> O-RING ID.276,7x5,29 7EP1197-W534 VP.	1
	2042862	> WASHER S12 V2A VP.	1
1.21		> MECHANICAL SEAL MG12/24-G60 AQ1EGG	1
10	2027202	> TOOL D.18/24/32 VP.	1
1.3	2051334	LANTERN P330X120-F265 KIT	1
1.11	2027187	> NUT M12 DIN-EN24032 A2 VP.	1
1.12	2027190	> WASHER A13 DIN125-T2 A2 VP.	1
1.14	2051680	> O-RING ID.276,7x5,29 7EP1197-W534 VP.	1
	2042862	> WASHER S12 V2A VP.	1
1.31	2027201	> BLOWGUN R1/8" VP.	1
1.32	2048845	> COUPLING GUARD P270-F265 PA66 (2 PIECES)	1
1.33		> LANTERN P330X120-F265 GG KTL WILO	1
10	2027202	> TOOL D.18/24/32 VP.	1
1.4	2042735	COUPLING/SHAFT D.24/38X166 KIT	1
1.11	2027187	> NUT M12 DIN-EN24032 A2 VP.	1
1.12	2027190	> WASHER A13 DIN125-T2 A2 VP.	1
1.14	2042864	> O-RING ID.224x3,55 7EP1197-W534 VP.	1
1.14	2051680	> O-RING ID.276,7x5,29 7EP1197-W534 VP.	1
	2042862	> WASHER S12 V2A VP.	1
1.41		> COUPLING 24/38+SHAFT 24X166 BG132 ZN KIT	1
10	2027202	> TOOL D.18/24/32 VP.	1
2	2169163	Motor B35 7,5/4/132/300E-IE4-ELEC(+Tool)	1



**BL-E80/250-7,5/4-R1 (2159722)**

Item	Article no.	Description	Quantity
		Spare parts motor B35 7,5/4/132/300E IE4	1
3	2051368	PUMP HOUSING BL80/270 PN16 KIT	1
1.14	2051680	> O-RING ID.276,7x5,29 7EP1197-W534 VP.	1
3.1		> PUMP HOUSING BL80/270 PN16 CPL.WILO	1
4	2027193	SCREW M16X30 ISO4762 8.8 (4 PIECES)	1
5	2027195	SCREW M12X25 DIN912 8.8 (4 PIECES)	1
11	2192989	Module BL-E80/250-7,5/4-IE4 ELEC KIT	1
		> Module BL-E80/250-7,5/4-IE4 ELEC	1
	2111344	> MODULE COVER/GASKET TL5 KIT	1
	2120047	> CABLE CONNECTION M12x1,5/5 cpl.TL5 VP.	1
	2120048	> CABLE CONNECTION M16x1,5/5 cpl.TL5 VP.	1
	2120049	> CABLE CONNECTION M20x1,5/6 cpl.TL5 VP.	1
	2120050	> CABLE CONNECTION M25x1,5/8 cpl.TL5 VP.	1

Motor-Typenschild / Motor type plate / Plaque identité moteur

Bei Ersatzteilbestellung Motor-Nummer angeben!

Indicate motor number for order of spare parts!

Pour une commande de pièces détachées, donner le numéro du moteur!

ELEC

Motor-Nummer  
motor number  
numéro du moteur

<b>3~Induction Motor</b>					
Made by WILLO Group					
<b>3511218</b>	<b>W132240-4-V1NPE</b>		<b>0902.001</b>		
Class F	S1	IP55	69kg	EN60034	
50Hz	5.5kW	SF=L1S	60Hz	6.45kW	
YΔ 400/690V	10,6/6,13A	Y 440-480V	10,9/10,35A		
Cosφ =0.81	1470min <sup>-1</sup>	Cosφ =0.81	1770min <sup>-1</sup>		
IE4-91.9%	91,9%	91,1%	IE4-92.4%	92,4%	91,8%

WEG

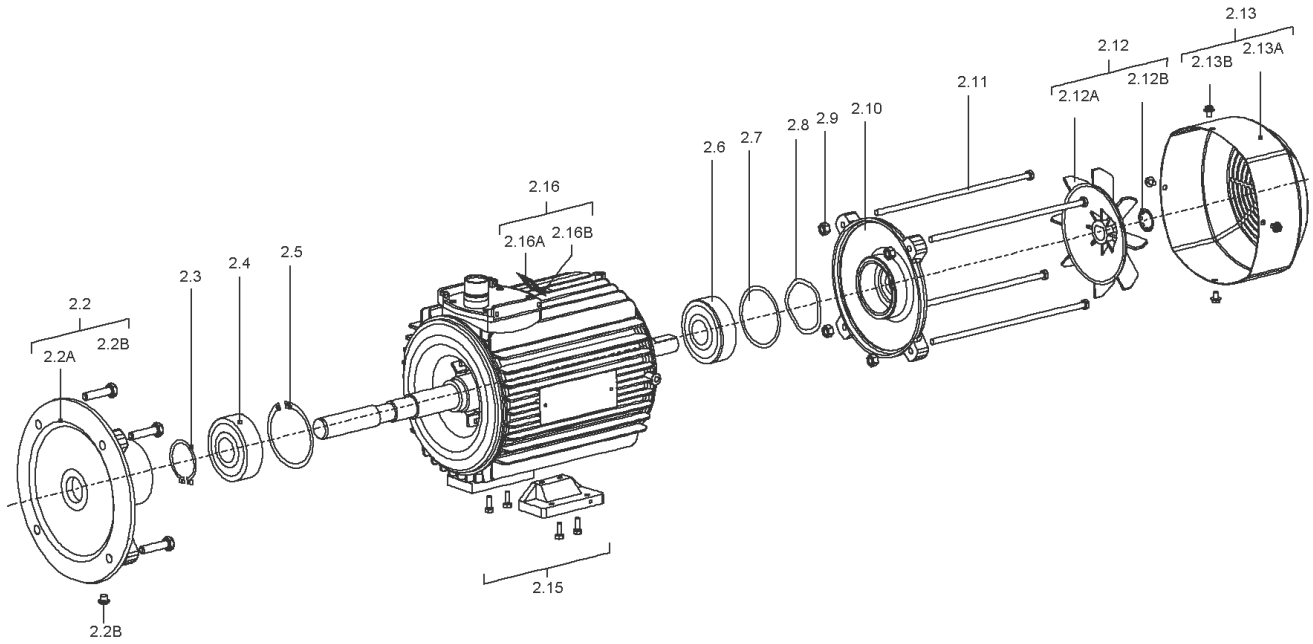
3~ AL180M/L-04		2015/12	1030615079		
AMB 40°C					
IP55	INS CL.F	Δ T 80 K	S1	SF 1.0	
V	Hz	kW	RPM	A	PF
400 / -			1480	29,5 / -	0,78
- / -					
- / -					
- / -					
400	IE4	93,9 (100%)	92,5 (75%)	90,8 (50%)	
- / -		- (100%)	- (75%)	- (50%)	
- A		- (100%)	- (75%)	- (50%)	
NEMA	Eff	- %	- HP	- V	- Hz
- A	PF	DES	CODE	SF	-
← 6311-ZZ-C3 MOBIL POLYREX EM					162 kg
→ 6211-ZZ-C3					
MOD.TE01A0X1A0000301180					
IEC 60034					

VIBRATION LEVEL A
ACCORDING IEC 60034-14
BALANCED WITH NO KEY
WILO PART NO: <b>2151697</b>

Motor-Nummer  
motor number  
numéro du moteur

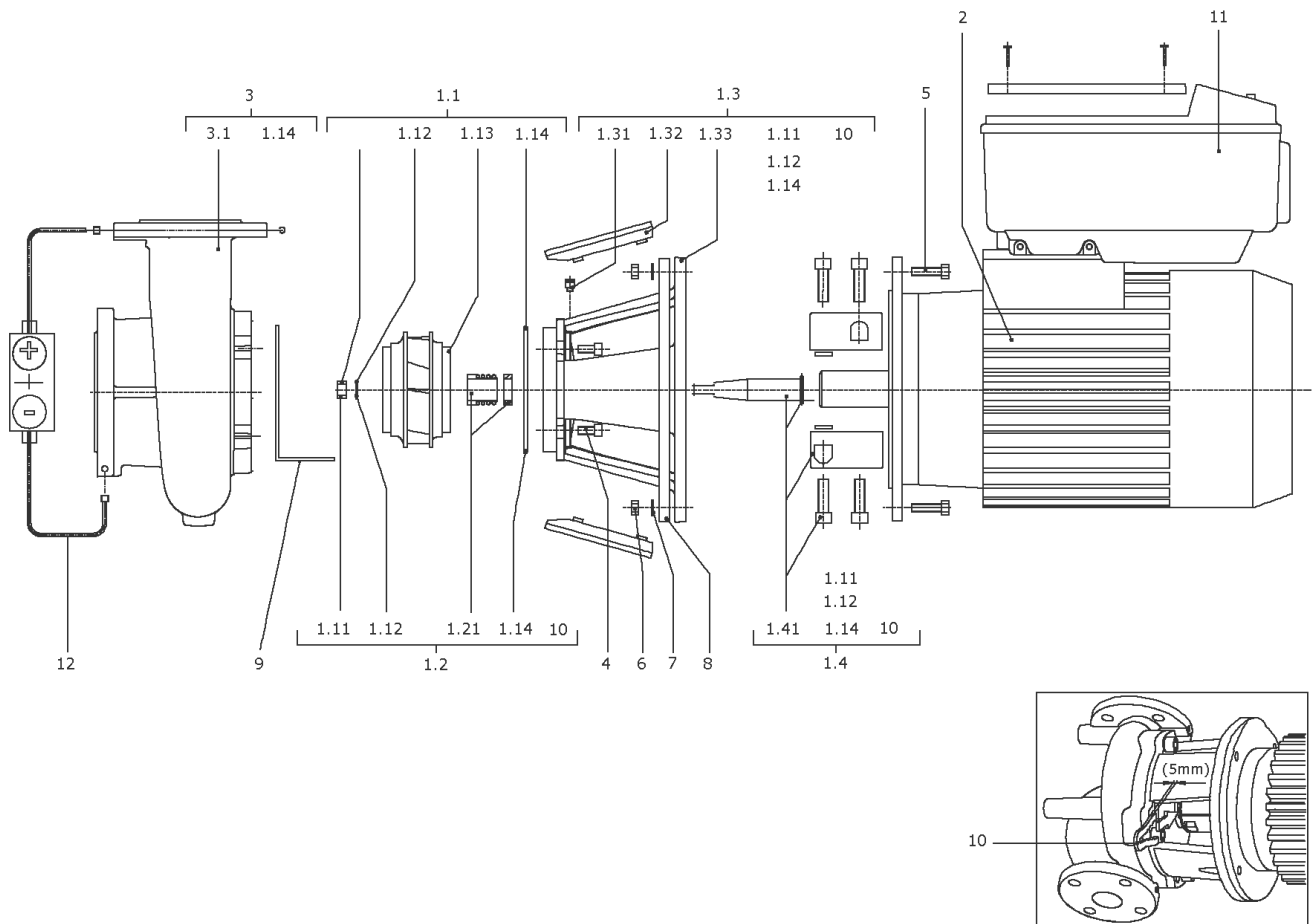
## Spare parts motor B35 7,5/4/132/300E IE4

Item	Description	Quantity
ELEC	Moteur B35 7,5/4/132/300E ELEC IE4 WILO	1



**Moteur B35 7,5/4/132/300E ELEC IE4 WILO**

Item	Article no.	Description	Quantity
2.2	2175903	End shield BG132 FF265 D.E.ELEC KIT	1
Note: Please give the data from type plate of the motor			
2.2A		> Flange IEC132 V1 FF265 D.E.	1
2.2B	2111309	> CONDENSATE HOLE GASKET D5 VP.	1
2.3	2178920	Circlip D40 GB894.1 VP.	1
Note: Please give the data from type plate of the motor			
2.4	121266690	BALL BEARING 6308/2Z-C3 (HT) VP.	1
Note: Please give the data from type plate of the motor			
2.5	2192954	Circlip D90 GB893.1 VP.	1
Note: Please give the data from type plate of the motor			
2.6	2153173	Ball bearing 6206/VV-C3 VP.	1
Note: Please give the data from type plate of the motor			
2.8	2132469	SPRING RING D.62 JB/T7590 VP.	1
2.9	2178926	Nut M8 (4 Pieces)	1
Note: Please give the data from type plate of the motor			
2.10	2178921	End shield BG132 N.D.E.ELEC VP.	1
Note: Please give the data from type plate of the motor			
2.11	2178925	Inner hexagon screws M8x50 (4 Pieces)	1
2.12	2188089	Fan IEC 230X20X17 H52 KIT	1
Note: Please give the data from type plate of the motor			
2.12A		> FAN 230X20X17 GP2200 G/F20% H52	1
2.12B	2118396	> Tooth lock washer D.19,8x0,4 VP.	1
2.13	2188090	Fan hood BG132L ELEC KIT	1
Note: Please give the data from type plate of the motor			
2.13A		> FAN COVER IEC132 KTL ST14 T1.0 H123	1
2.13B	2178923	> Screw M5X8 GB/T3098.1 6.8(4 Pieces)	1
2.15	2192955	Motor foot cpl.BG132 ELEC KIT	1
2.16	2178924	Air guider IEC 132 Motor KIT	1
Note: Please give the data from type plate of the motor			
2.16A		> AIR GUIDER IEC 132 MOTOR	1
2.16B		> SCREW M8X16 TORX HEX 6.8 GB/T70	1



**BL-E100/200-5,5/4-R1 (2159723)**

Item	Article no.	Description	Quantity
1.1	2051373	IMPELLER D.125/197/24(BL)KIT	1
1.11	2027187	> NUT M12 DIN-EN24032 A2 VP.	1
1.12	2027190	> WASHER A13 DIN125-T2 A2 VP.	1
1.13		> IMPELLER 125/197/187/24 GG BALANCED	1
1.14	2042864	> O-RING ID.224x3,55 7EP1197-W534 VP.	1
	2042862	> WASHER S12 V2A VP.	1
1.2	2026902	MECHANICAL SEAL MG12/24-G60 AQ1EGG KIT	1
1.11	2027187	> NUT M12 DIN-EN24032 A2 VP.	1
1.12	2027190	> WASHER A13 DIN125-T2 A2 VP.	1
1.14	2037527	> O-RING 148,82x3,53 EPDM 70SR.VP.	1
1.14	2043160	> O-Ring 177,39x3,53 ISO3601B EPDM VP.	1
1.14	2042864	> O-RING ID.224x3,55 7EP1197-W534 VP.	1
1.14	2051680	> O-RING ID.276,7x5,29 7EP1197-W534 VP.	1
	2042862	> WASHER S12 V2A VP.	1
1.21		> MECHANICAL SEAL MG12/24-G60 AQ1EGG	1
10	2027202	> TOOL D.18/24/32 VP.	1
1.3	2042721	LANTERN P270X122-F265 KTL KIT	1
1.11	2027187	> NUT M12 DIN-EN24032 A2 VP.	1
1.12	2027190	> WASHER A13 DIN125-T2 A2 VP.	1
1.14	2042864	> O-RING ID.224x3,55 7EP1197-W534 VP.	1
	2042862	> WASHER S12 V2A VP.	1
1.31	2027201	> BLOWGUN R1/8" VP.	1
1.32	2048845	> COUPLING GUARD P270-F265 PA66 (2 PIECES)	1
1.33		> LANTERN P270X122-F265 GG KTL WILO	1
10	2027202	> TOOL D.18/24/32 VP.	1
1.4	2048444	COUPLING/SHAFT D.24/38X153 KIT	1
1.11	2027187	> NUT M12 DIN-EN24032 A2 VP.	1
1.12	2027190	> WASHER A13 DIN125-T2 A2 VP.	1
1.14	2042864	> O-RING ID.224x3,55 7EP1197-W534 VP.	1
1.14	2051680	> O-RING ID.276,7x5,29 7EP1197-W534 VP.	1
	2042862	> WASHER S12 V2A VP.	1
1.41		> COUPLING 24/38+SHAFT 24X153 GR132 ZN KIT	1
10	2027202	> TOOL D.18/24/32 VP.	1
2	2169161	Motor B35 5,5/4/132/300E-IE4-ELEC(+Tool)	1

**BL-E100/200-5,5/4-R1 (2159723)**

Item	Article no.	Description	Quantity
		Spare parts motor B35 5,5/4/132 300E IE4	1
3	2051366	PUMP HOUSING BL100/220 PN16 KIT	1
1.14	2042864	> O-RING ID.224x3,55 7EP1197-W534 VP.	1
3.1		> PUMP HOUSING BL100/220 PN16 CPL.WILO	1
4	2027193	SCREW M16X30 ISO4762 8.8 (4 PIECES)	1
5	2027195	SCREW M12X25 DIN912 8.8 (4 PIECES)	1
11	2192990	Module BL-E100/200-5,5/4-IE4 ELEC KIT	1
		> Module BL-E100/200-5,5/4-IE4 ELEC	1
	2111344	> MODULE COVER/GASKET TL5 KIT	1
	2120047	> CABLE CONNECTION M12x1,5/5 cpl.TL5 VP.	1
	2120048	> CABLE CONNECTION M16x1,5/5 cpl.TL5 VP.	1
	2120049	> CABLE CONNECTION M20x1,5/6 cpl.TL5 VP.	1
	2120050	> CABLE CONNECTION M25x1,5/8 cpl.TL5 VP.	1



**Motor-Typenschild / Motor type plate / Plaque identité moteur**

**Bei Ersatzteilbestellung Motor-Nummer angeben!**

**Indicate motor number for order of spare parts!**

**Pour une commande de pièces détachées, donner le numéro du moteur!**

ELEC

Motor-Nummer  
motor number  
numéro du moteur

<b>3~Induction Motor</b>					
Made by WILLO Group					
<b>351f218</b>	<b>W132240-4-V1NPE</b>		<b>0902.001</b>		
Class F	S1	IP55	69kg	EN60034	
50Hz	5.5kW	SF=L1S	60Hz	6.45kW	
YΔ 400/690V	10,6/6,13A	Y 440-480V	10,9/10,35A		
Cosφ =0.81	1470min <sup>-1</sup>	Cosφ =0.81	1770min <sup>-1</sup>		
IE4-91.9%	91,9%	91,1%	IE4-92.4%	92,4%	91,8%

WEG

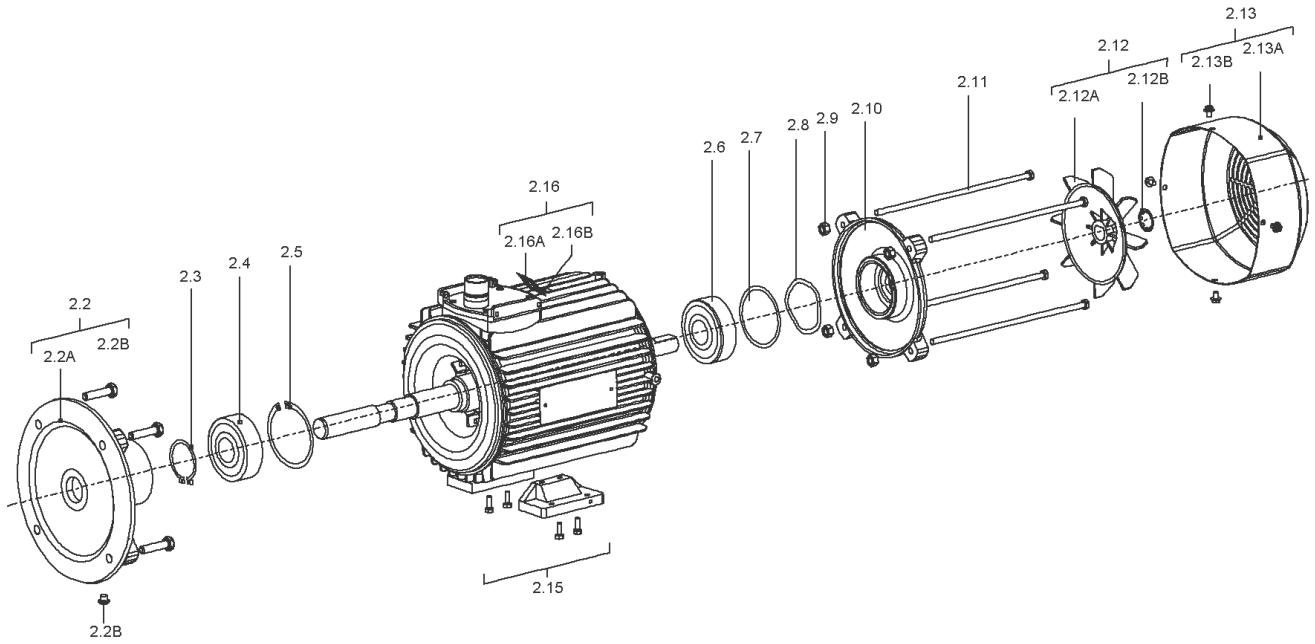
3~ AL180M/L-04		2015/12		1030615079	
AMB 40°C					
IP55	INS CL.F	Δ T 80 K	S1	SF 1.0	
V	Hz	kW	RPM	A	PF
400 / -			1480	29,5 / -	0,78
- / -					
- / -					
- / -					
400	IE4	93,9 (100%)	92,5 (75%)	90,8 (50%)	
- / -		- (100%)	- (75%)	- (50%)	
- A		- (100%)	- (75%)	- (50%)	
NEMA	Eff	- %	- HP	- V	- Hz
- A	PF	DES	CODE	SF	
		6311-ZZ-C3	MOBIL POLYREX EM		162 kg
		6211-ZZ-C3			
MOD.TE01A0X1A0000301180					
IEC 60034					

VIBRATION LEVEL A
ACCORDING IEC 60034-14
BALANCED WITH NO KEY
WILO PART NO: <b>2151697</b>

Motor-Nummer  
motor number  
numéro du moteur

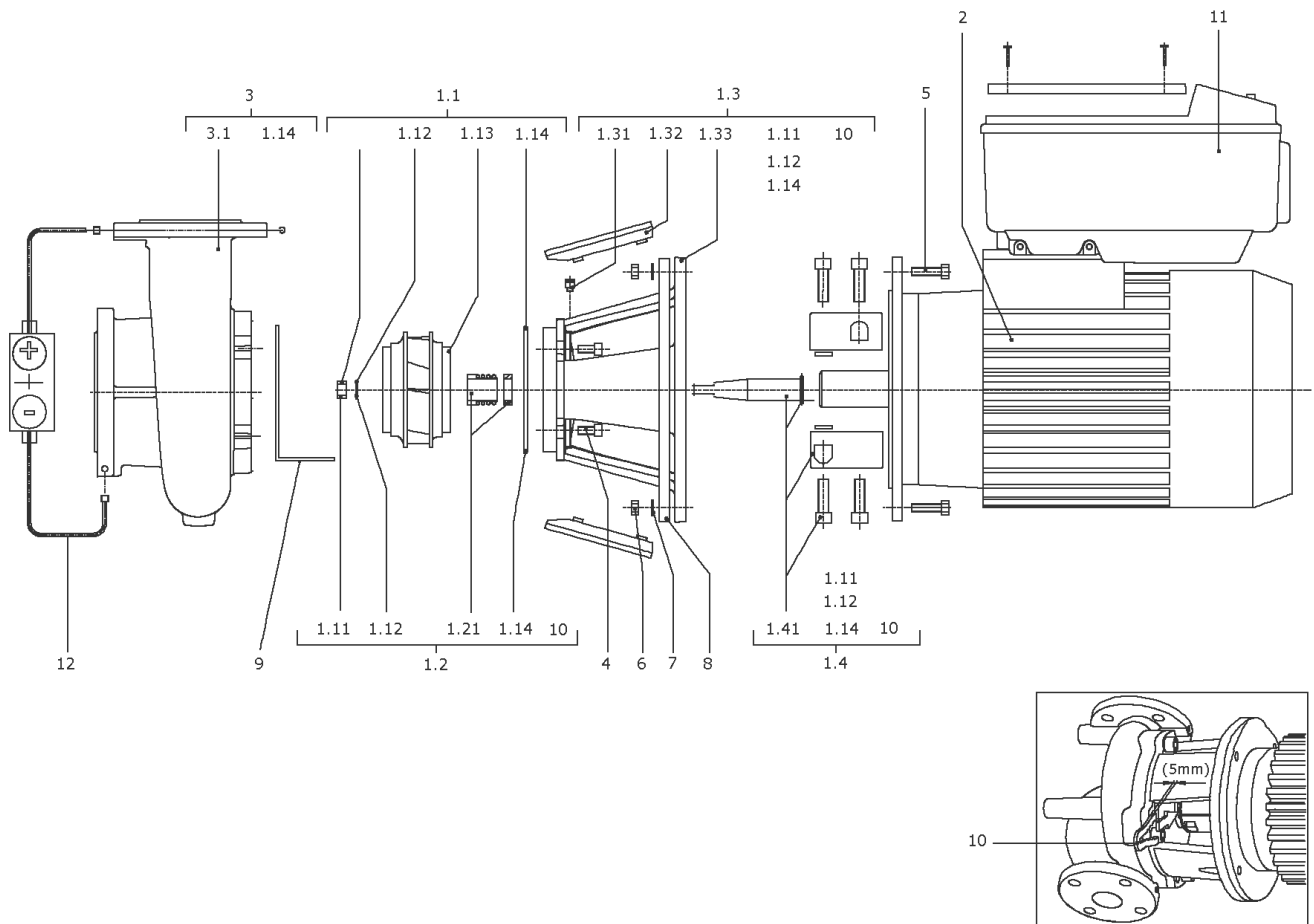
## Spare parts motor B35 5,5/4/132 300E IE4

Item	Description	Quantity
ELEC	Motor B35 5,5/4/132/300E ELEC IE4 WILO	1



**Motor B35 5,5/4/132/300E ELEC IE4 WILO**

Item	Article no.	Description	Quantity
2.2	2175903	End shield BG132 FF265 D.E.ELEC KIT	1
Note: Please give the data from type plate of the motor			
2.2A		> Flange IEC132 V1 FF265 D.E.	1
2.2B	2111309	> CONDENSATE HOLE GASKET D5 VP.	1
2.3	3504026	Stop Ring D40 GB894.1	1
Note: Please give the data from type plate of the motor			
2.4	121266690	BALL BEARING 6308/2Z-C3 (HT) VP.	1
Note: Please give the data from type plate of the motor			
2.5	2192954	Circlip D90 GB893.1 VP.	1
Note: Please give the data from type plate of the motor			
2.6	2153173	Ball bearing 6206/VV-C3 VP.	1
Note: Please give the data from type plate of the motor			
2.8	2132469	SPRING RING D.62 JB/T7590 VP.	1
2.9	2178926	Nut M8 (4 Pieces)	1
Note: Please give the data from type plate of the motor			
2.10	2178921	End shield BG132 N.D.E.ELEC VP.	1
Note: Please give the data from type plate of the motor			
2.11	2178925	Inner hexagon screws M8x50 (4 Pieces)	1
2.12	2178922	Fan IEC 230X20X17 KIT	1
Note: Please give the data from type plate of the motor			
2.12A		> FAN 230x20x17 GP2200 G/F20%	1
2.12B	2118396	> Tooth lock washer D.19,8x0,4 VP.	1
2.13	2178928	Fan hood BG132 ELEC KIT	1
Note: Please give the data from type plate of the motor			
2.13A		> FAN COVER IEC132 KTL ST14 T0.8 H103	1
2.13B	2178923	> Screw M5X8 GB/T3098.1 6.8(4 Pieces)	1
2.15	2192955	Motor foot cpl.BG132 ELEC KIT	1
2.16	2178924	Air guider IEC 132 Motor KIT	1
Note: Please give the data from type plate of the motor			
2.16A		> AIR GUIDER IEC 132 MOTOR	1
2.16B		> SCREW M8X16 TORX HEX 6.8 GB/T70	1



**BL-E100/220-7,5/4-R1 (2159724)**

Item	Article no.	Description	Quantity
1.1	2051372	IMPELLER D.125/216/24(BL)KIT	1
1.11	2027187	> NUT M12 DIN-EN24032 A2 VP.	1
1.12	2027190	> WASHER A13 DIN125-T2 A2 VP.	1
1.13		> IMPELLER 125/216/206/24 GG balanced	1
1.14	2042864	> O-RING ID.224x3,55 7EP1197-W534 VP.	1
	2042862	> WASHER S12 V2A VP.	1
1.2	2026902	MECHANICAL SEAL MG12/24-G60 AQ1EGG KIT	1
1.11	2027187	> NUT M12 DIN-EN24032 A2 VP.	1
1.12	2027190	> WASHER A13 DIN125-T2 A2 VP.	1
1.14	2037527	> O-RING 148,82x3,53 EPDM 70SR.VP.	1
1.14	2043160	> O-Ring 177,39x3,53 ISO3601B EPDM VP.	1
1.14	2042864	> O-RING ID.224x3,55 7EP1197-W534 VP.	1
1.14	2051680	> O-RING ID.276,7x5,29 7EP1197-W534 VP.	1
	2042862	> WASHER S12 V2A VP.	1
1.21		> MECHANICAL SEAL MG12/24-G60 AQ1EGG	1
10	2027202	> TOOL D.18/24/32 VP.	1
1.3	2042721	LANTERN P270X122-F265 KTL KIT	1
1.11	2027187	> NUT M12 DIN-EN24032 A2 VP.	1
1.12	2027190	> WASHER A13 DIN125-T2 A2 VP.	1
1.14	2042864	> O-RING ID.224x3,55 7EP1197-W534 VP.	1
	2042862	> WASHER S12 V2A VP.	1
1.31	2027201	> BLOWGUN R1/8" VP.	1
1.32	2048845	> COUPLING GUARD P270-F265 PA66 (2 PIECES)	1
1.33		> LANTERN P270X122-F265 GG KTL WILO	1
10	2027202	> TOOL D.18/24/32 VP.	1
1.4	2048444	COUPLING/SHAFT D.24/38X153 KIT	1
1.11	2027187	> NUT M12 DIN-EN24032 A2 VP.	1
1.12	2027190	> WASHER A13 DIN125-T2 A2 VP.	1
1.14	2042864	> O-RING ID.224x3,55 7EP1197-W534 VP.	1
1.14	2051680	> O-RING ID.276,7x5,29 7EP1197-W534 VP.	1
	2042862	> WASHER S12 V2A VP.	1
1.41		> COUPLING 24/38+SHAFT 24X153 GR132 ZN KIT	1
10	2027202	> TOOL D.18/24/32 VP.	1
2	2169163	Motor B35 7,5/4/132/300E-IE4-ELEC(+Tool)	1

**BL-E100/220-7,5/4-R1 (2159724)**

Item	Article no.	Description	Quantity
		Spare parts motor B35 7,5/4/132/300E IE4	1
3	2051366	PUMP HOUSING BL100/220 PN16 KIT	1
1.14	2042864	> O-RING ID.224x3,55 7EP1197-W534 VP.	1
3.1		> PUMP HOUSING BL100/220 PN16 CPL.WILO	1
4	2027193	SCREW M16X30 ISO4762 8.8 (4 PIECES)	1
5	2027195	SCREW M12X25 DIN912 8.8 (4 PIECES)	1
11	2192991	Module BL-E100/220-7,5/4-IE4 ELEC KIT	1
		> Module BL-E100/220-7,5/4-IE4 ELEC	1
	2111344	> MODULE COVER/GASKET TL5 KIT	1
	2120047	> CABLE CONNECTION M12x1,5/5 cpl.TL5 VP.	1
	2120048	> CABLE CONNECTION M16x1,5/5 cpl.TL5 VP.	1
	2120049	> CABLE CONNECTION M20x1,5/6 cpl.TL5 VP.	1
	2120050	> CABLE CONNECTION M25x1,5/8 cpl.TL5 VP.	1

Motor-Typenschild / Motor type plate / Plaque identité moteur

Bei Ersatzteilbestellung Motor-Nummer angeben!

Indicate motor number for order of spare parts!

Pour une commande de pièces détachées, donner le numéro du moteur!

ELEC

Motor-Nummer  
motor number  
numéro du moteur

<b>3~Induction Motor</b>					
Made by WILLO Group					
<b>351f218</b>	W132240-4-V1NPE		0902.001		
Class F	S1	IP55	69kg	EN60034	
50Hz	5.5kW	SF=L1S	60Hz	6.45kW	
YΔ 400/690V	10,6/6,13A	Y 440-480V	10,9/10,35A		
Cosφ =0.81	1470min <sup>-1</sup>	Cosφ =0.81	1770min <sup>-1</sup>		
IE4-91.9%	91,9%	91,1%	IE4-92.4%	92,4%	91,8%

WEG

3~ AL180M/L-04		2015/12		1030615079	
AMB 40°C					
IP55	INS CL.F	Δ T 80 K	S1	SF 1.0	
V	Hz	kW	RPM	A	PF
400 / -			1480	29,5 / -	0,78
- / -					
- / -					
- / -					
400	IE4	93,9 (100%)	92,5 (75%)	90,8 (50%)	
- / -		- (100%)	- (75%)	- (50%)	
- A		- (100%)	- (75%)	- (50%)	
NEMA	Eff	- %	- HP	- V	- Hz
- A	PF	DES	CODE	SF	
← 6311-ZZ-C3 MOBIL POLYREX EM → 6211-ZZ-C3					162 kg
MOD.TE01A0X1A0000301180					
IEC 60034					

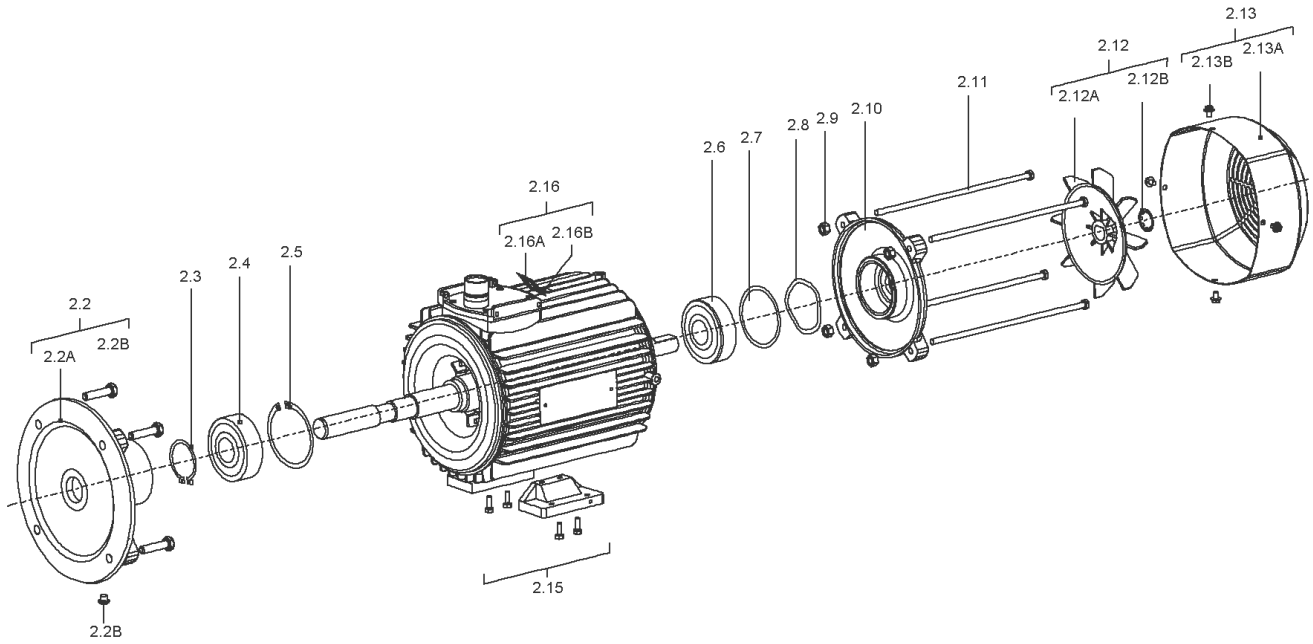
VIBRATION LEVEL A
ACCORDING IEC 60034-14
BALANCED WITH NO KEY
WILO PART NO: <b>2151697</b>

Motor-Nummer  
motor number  
numéro du moteur



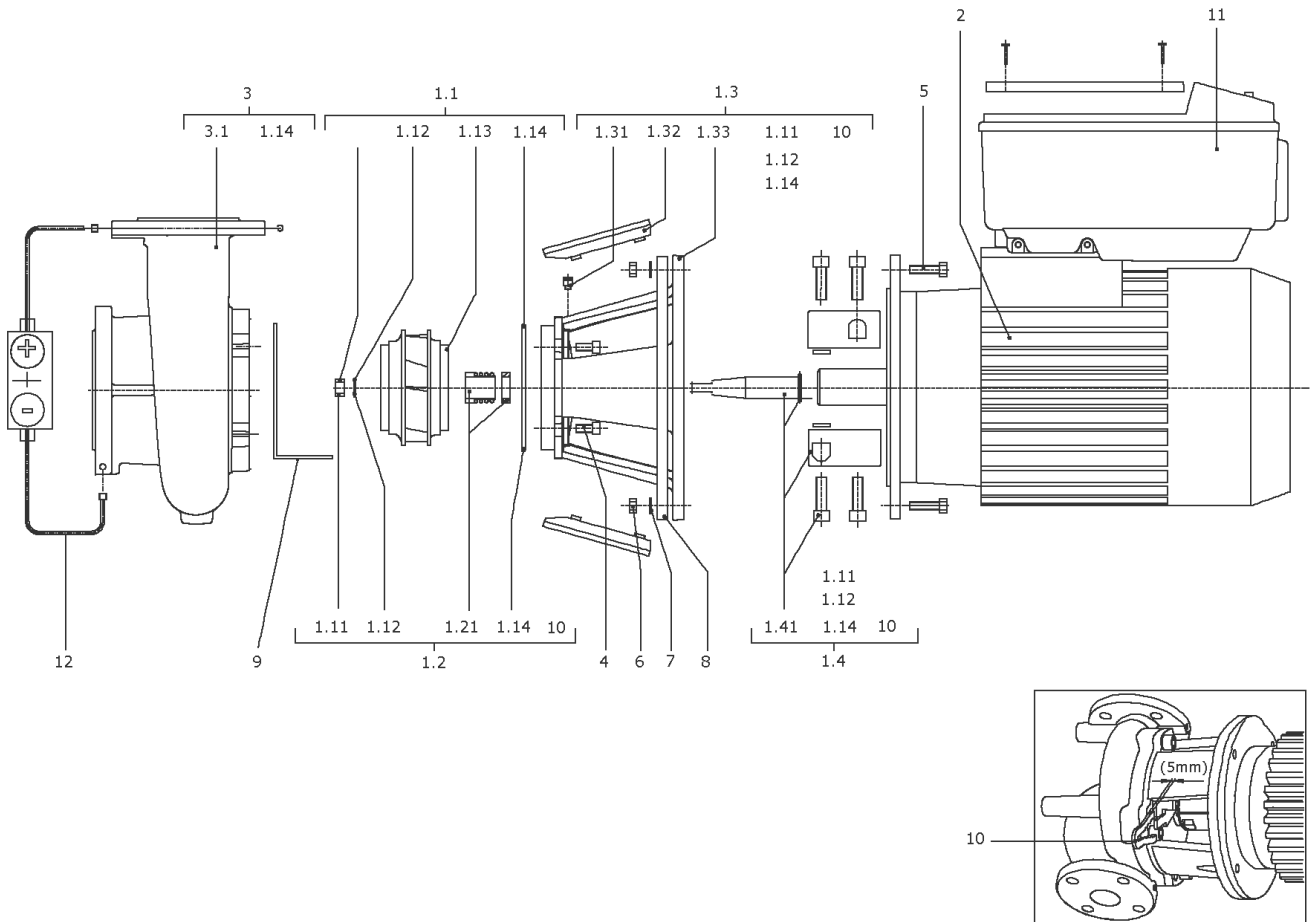
## Spare parts motor B35 7,5/4/132/300E IE4

Item	Description	Quantity
ELEC	Moteur B35 7,5/4/132/300E ELEC IE4 WILO	1



**Moteur B35 7,5/4/132/300E ELEC IE4 WILO**

Item	Article no.	Description	Quantity
2.2	2175903	End shield BG132 FF265 D.E.ELEC KIT	1
Note: Please give the data from type plate of the motor			
2.2A		> Flange IEC132 V1 FF265 D.E.	1
2.2B	2111309	> CONDENSATE HOLE GASKET D5 VP.	1
2.3	2178920	Circlip D40 GB894.1 VP.	1
Note: Please give the data from type plate of the motor			
2.4	121266690	BALL BEARING 6308/2Z-C3 (HT) VP.	1
Note: Please give the data from type plate of the motor			
2.5	2192954	Circlip D90 GB893.1 VP.	1
Note: Please give the data from type plate of the motor			
2.6	2153173	Ball bearing 6206/VV-C3 VP.	1
Note: Please give the data from type plate of the motor			
2.8	2132469	SPRING RING D.62 JB/T7590 VP.	1
2.9	2178926	Nut M8 (4 Pieces)	1
Note: Please give the data from type plate of the motor			
2.10	2178921	End shield BG132 N.D.E.ELEC VP.	1
Note: Please give the data from type plate of the motor			
2.11	2178925	Inner hexagon screws M8x50 (4 Pieces)	1
2.12	2188089	Fan IEC 230X20X17 H52 KIT	1
Note: Please give the data from type plate of the motor			
2.12A		> FAN 230X20X17 GP2200 G/F20% H52	1
2.12B	2118396	> Tooth lock washer D.19,8x0,4 VP.	1
2.13	2188090	Fan hood BG132L ELEC KIT	1
Note: Please give the data from type plate of the motor			
2.13A		> FAN COVER IEC132 KTL ST14 T1.0 H123	1
2.13B	2178923	> Screw M5X8 GB/T3098.1 6.8(4 Pieces)	1
2.15	2192955	Motor foot cpl.BG132 ELEC KIT	1
2.16	2178924	Air guider IEC 132 Motor KIT	1
Note: Please give the data from type plate of the motor			
2.16A		> AIR GUIDER IEC 132 MOTOR	1
2.16B		> SCREW M8X16 TORX HEX 6.8 GB/T70	1



**BL-E125/185-5,5/4-R1 (2159725)**

Item	Article no.	Description	Quantity
1.1	2135924	IMPELLER 150/220-189-139,6/24 GG KIT	1
1.11	2027187	> NUT M12 DIN-EN24032 A2 VP.	1
1.12	2027190	> WASHER A13 DIN125-T2 A2 VP.	1
1.13		> IMPELLER 150/220-189-139,6/24 GG balance	1
1.14	2042864	> O-RING ID.224x3,55 7EP1197-W534 VP.	1
	2042862	> WASHER S12 V2A VP.	1
1.2	2026902	MECHANICAL SEAL MG12/24-G60 AQ1EGG KIT	1
1.11	2027187	> NUT M12 DIN-EN24032 A2 VP.	1
1.12	2027190	> WASHER A13 DIN125-T2 A2 VP.	1
1.14	2037527	> O-RING 148,82x3,53 EPDM 70SR.VP.	1
1.14	2043160	> O-Ring 177,39x3,53 ISO3601B EPDM VP.	1
1.14	2042864	> O-RING ID.224x3,55 7EP1197-W534 VP.	1
1.14	2051680	> O-RING ID.276,7x5,29 7EP1197-W534 VP.	1
	2042862	> WASHER S12 V2A VP.	1
1.21		> MECHANICAL SEAL MG12/24-G60 AQ1EGG	1
10	2027202	> TOOL D.18/24/32 VP.	1
1.3	2051331	LANTERN P270X140-F265 KIT	1
1.11	2027187	> NUT M12 DIN-EN24032 A2 VP.	1
1.12	2027190	> WASHER A13 DIN125-T2 A2 VP.	1
1.14	2042864	> O-RING ID.224x3,55 7EP1197-W534 VP.	1
	2042862	> WASHER S12 V2A VP.	1
1.31	2027201	> BLOWGUN R1/8" VP.	1
1.32	2048845	> COUPLING GUARD P270-F265 PA66 (2 PIECES)	1
1.33		> LATERNE P270X140-F265 GG KTL WILO	1
10	2027202	> TOOL D.18/24/32 VP.	1
1.4	2042735	COUPLING/SHAFT D.24/38X166 KIT	1
1.11	2027187	> NUT M12 DIN-EN24032 A2 VP.	1
1.12	2027190	> WASHER A13 DIN125-T2 A2 VP.	1
1.14	2042864	> O-RING ID.224x3,55 7EP1197-W534 VP.	1
1.14	2051680	> O-RING ID.276,7x5,29 7EP1197-W534 VP.	1
	2042862	> WASHER S12 V2A VP.	1
1.41		> COUPLING 24/38+SHAFT 24X166 BG132 ZN KIT	1
10	2027202	> TOOL D.18/24/32 VP.	1
2	2169161	Motor B35 5,5/4/132/300E-IE4-ELEC(+Tool)	1

**BL-E125/185-5,5/4-R1 (2159725)**

Item	Article no.	Description	Quantity
		Spare parts motor B35 5,5/4/132 300E IE4	1
3	2135946	PUMP HOUSING B125/220-P270 PN16 KIT	1
1.14	2042864	> O-RING ID.224x3,55 7EP1197-W534 VP.	1
3.1		> PUMP HOUSING B125/220-P270 PN16 CPL.WILO	1
4	2027193	SCREW M16X30 ISO4762 8.8 (4 PIECES)	1
5	2027195	SCREW M12X25 DIN912 8.8 (4 PIECES)	1
11	2192992	Module BL-E125/185-5,5/4-IE4 ELEC KIT	1
		> Module BL-E125/185-5,5/4-IE4 ELEC	1
	2111344	> MODULE COVER/GASKET TL5 KIT	1
	2120047	> CABLE CONNECTION M12x1,5/5 cpl.TL5 VP.	1
	2120048	> CABLE CONNECTION M16x1,5/5 cpl.TL5 VP.	1
	2120049	> CABLE CONNECTION M20x1,5/6 cpl.TL5 VP.	1
	2120050	> CABLE CONNECTION M25x1,5/8 cpl.TL5 VP.	1

Motor-Typenschild / Motor type plate / Plaque identité moteur

Bei Ersatzteilbestellung Motor-Nummer angeben!

Indicate motor number for order of spare parts!

Pour une commande de pièces détachées, donner le numéro du moteur!

ELEC

Motor-Nummer  
motor number  
numéro du moteur

<b>3~Induction Motor</b>					
Made by WILLO Group					
<b>351f218</b>	<b>W132240-4-V1NPE</b>		<b>0902.001</b>		
Class F	S1	IP55	69kg	EN60034	
50Hz	5.5kW	SF=L1S	60Hz	6.45kW	
YΔ 400/690V	10,6/6,13A	Y 440-480V	10,9/10,35A		
Cosφ =0.81	1470min <sup>-1</sup>	Cosφ =0.81	1770min <sup>-1</sup>		
IE4-91.9%	91,9%	91,1%	IE4-92.4%	92,4%	91,8%

WEG

		3~ AL180M/L-04		2015/12		1030615079	
AMB 40°C							
IP55		INS CL.F		Δ T 80 K		S1 SF 1.0	
V	Hz	kW	RPM	A	PF		
400 / -			1480	29,5 / -	0,78		
- / -							
- / -							
- / -							
400	IE4	93,9 (100%)	92,5 (75%)	90,8 (50%)			
- / -		- (100%)	- (75%)	- (50%)			
- A		- (100%)	- (75%)	- (50%)			
NEMA	Eff	- %	- HP	- V	- Hz	- RPM	
- A	PF	DES	CODE	SF			
		6311-ZZ-C3		MOBIL POLYREX EM		162 kg	
		6211-ZZ-C3					
MOD.TE01A0X1A0000301180							
		IEC 60034					

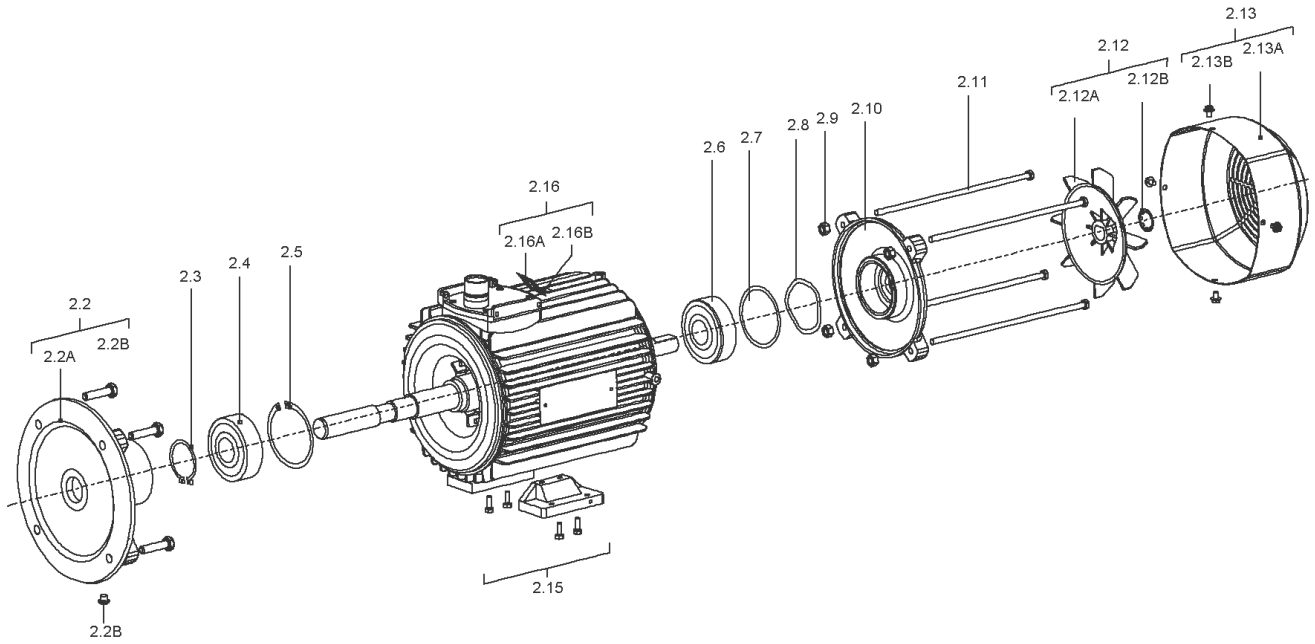
VIBRATION LEVEL A
ACCORDING IEC 60034-14
BALANCED WITH NO KEY
WILO PART NO: <b>2151697</b>

Motor-Nummer  
motor number  
numéro du moteur

## Spare parts motor B35 5,5/4/132 300E IE4

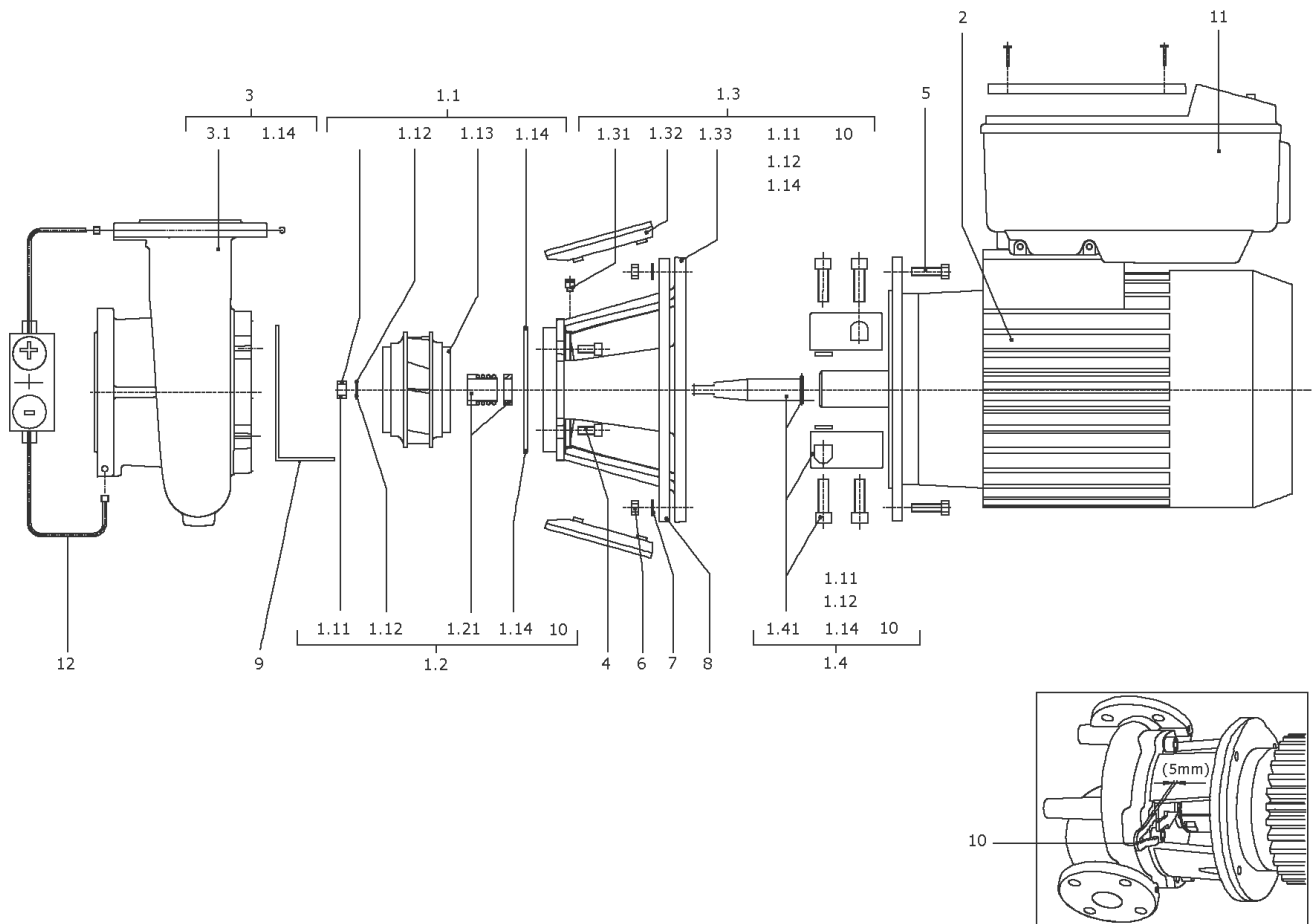
Item	Description	Quantity
ELEC	Motor B35 5,5/4/132/300E ELEC IE4 WILO	1





**Motor B35 5,5/4/132/300E ELEC IE4 WILO**

Item	Article no.	Description	Quantity
2.2	2175903	End shield BG132 FF265 D.E.ELEC KIT	1
Note: Please give the data from type plate of the motor			
2.2A		> Flange IEC132 V1 FF265 D.E.	1
2.2B	2111309	> CONDENSATE HOLE GASKET D5 VP.	1
2.3	3504026	Stop Ring D40 GB894.1	1
Note: Please give the data from type plate of the motor			
2.4	121266690	BALL BEARING 6308/2Z-C3 (HT) VP.	1
Note: Please give the data from type plate of the motor			
2.5	2192954	Circlip D90 GB893.1 VP.	1
Note: Please give the data from type plate of the motor			
2.6	2153173	Ball bearing 6206/VV-C3 VP.	1
Note: Please give the data from type plate of the motor			
2.8	2132469	SPRING RING D.62 JB/T7590 VP.	1
2.9	2178926	Nut M8 (4 Pieces)	1
Note: Please give the data from type plate of the motor			
2.10	2178921	End shield BG132 N.D.E.ELEC VP.	1
Note: Please give the data from type plate of the motor			
2.11	2178925	Inner hexagon screws M8x50 (4 Pieces)	1
2.12	2178922	Fan IEC 230X20X17 KIT	1
Note: Please give the data from type plate of the motor			
2.12A		> FAN 230x20x17 GP2200 G/F20%	1
2.12B	2118396	> Tooth lock washer D.19,8x0,4 VP.	1
2.13	2178928	Fan hood BG132 ELEC KIT	1
Note: Please give the data from type plate of the motor			
2.13A		> FAN COVER IEC132 KTL ST14 T0.8 H103	1
2.13B	2178923	> Screw M5X8 GB/T3098.1 6.8(4 Pieces)	1
2.15	2192955	Motor foot cpl.BG132 ELEC KIT	1
2.16	2178924	Air guider IEC 132 Motor KIT	1
Note: Please give the data from type plate of the motor			
2.16A		> AIR GUIDER IEC 132 MOTOR	1
2.16B		> SCREW M8X16 TORX HEX 6.8 GB/T70	1



**BL-E125/210-7,5/4-R1 (2159726)**

Item	Article no.	Description	Quantity
1.1	2135925	IMPELLER 150/220-204-139,6/24 GG KIT	1
1.11	2027187	> NUT M12 DIN-EN24032 A2 VP.	1
1.12	2027190	> WASHER A13 DIN125-T2 A2 VP.	1
1.13		> Impeller 150/220-204-139,6/24 GG balance	1
1.14	2042864	> O-RING ID.224x3,55 7EP1197-W534 VP.	1
	2042862	> WASHER S12 V2A VP.	1
1.2	2026902	MECHANICAL SEAL MG12/24-G60 AQ1EGG KIT	1
1.11	2027187	> NUT M12 DIN-EN24032 A2 VP.	1
1.12	2027190	> WASHER A13 DIN125-T2 A2 VP.	1
1.14	2037527	> O-RING 148,82x3,53 EPDM 70SR.VP.	1
1.14	2043160	> O-Ring 177,39x3,53 ISO3601B EPDM VP.	1
1.14	2042864	> O-RING ID.224x3,55 7EP1197-W534 VP.	1
1.14	2051680	> O-RING ID.276,7x5,29 7EP1197-W534 VP.	1
	2042862	> WASHER S12 V2A VP.	1
1.21		> MECHANICAL SEAL MG12/24-G60 AQ1EGG	1
10	2027202	> TOOL D.18/24/32 VP.	1
1.3	2051331	LANTERN P270X140-F265 KIT	1
1.11	2027187	> NUT M12 DIN-EN24032 A2 VP.	1
1.12	2027190	> WASHER A13 DIN125-T2 A2 VP.	1
1.14	2042864	> O-RING ID.224x3,55 7EP1197-W534 VP.	1
	2042862	> WASHER S12 V2A VP.	1
1.31	2027201	> BLOWGUN R1/8" VP.	1
1.32	2048845	> COUPLING GUARD P270-F265 PA66 (2 PIECES)	1
1.33		> LATERNE P270X140-F265 GG KTL WILO	1
10	2027202	> TOOL D.18/24/32 VP.	1
1.4	2042735	COUPLING/SHAFT D.24/38X166 KIT	1
1.11	2027187	> NUT M12 DIN-EN24032 A2 VP.	1
1.12	2027190	> WASHER A13 DIN125-T2 A2 VP.	1
1.14	2042864	> O-RING ID.224x3,55 7EP1197-W534 VP.	1
1.14	2051680	> O-RING ID.276,7x5,29 7EP1197-W534 VP.	1
	2042862	> WASHER S12 V2A VP.	1
1.41		> COUPLING 24/38+SHAFT 24X166 BG132 ZN KIT	1
10	2027202	> TOOL D.18/24/32 VP.	1
2	2169163	Motor B35 7,5/4/132/300E-IE4-ELEC(+Tool)	1

**BL-E125/210-7,5/4-R1 (2159726)**

Item	Article no.	Description	Quantity
		Spare parts motor B35 7,5/4/132/300E IE4	1
3	2135946	PUMP HOUSING B125/220-P270 PN16 KIT	1
1.14	2042864	> O-RING ID.224x3,55 7EP1197-W534 VP.	1
3.1		> PUMP HOUSING B125/220-P270 PN16 CPL.WILO	1
4	2027193	SCREW M16X30 ISO4762 8.8 (4 PIECES)	1
5	2027195	SCREW M12X25 DIN912 8.8 (4 PIECES)	1
11	2192993	Module BL-E125/210-7,5/4-IE4 ELEC KIT	1
		> Module BL-E125/210-7,5/4-IE4 ELEC	1
	2111344	> MODULE COVER/GASKET TL5 KIT	1
	2120047	> CABLE CONNECTION M12x1,5/5 cpl.TL5 VP.	1
	2120048	> CABLE CONNECTION M16x1,5/5 cpl.TL5 VP.	1
	2120049	> CABLE CONNECTION M20x1,5/6 cpl.TL5 VP.	1
	2120050	> CABLE CONNECTION M25x1,5/8 cpl.TL5 VP.	1

Motor-Typenschild / Motor type plate / Plaque identité moteur

Bei Ersatzteilbestellung Motor-Nummer angeben!

Indicate motor number for order of spare parts!

Pour une commande de pièces détachées, donner le numéro du moteur!

ELEC

Motor-Nummer  
motor number  
numéro du moteur

<b>3~Induction Motor</b>					
Made by WILLO Group					
<b>3511218</b>	W132240-4-V1NPE		0902.001		
Class F	S1	IP55	69kg	EN60034	
50Hz	5.5kW	SF=1.15	60Hz	6.45kW	
YΔ 400/690V	10,6/6,13A	Y 440-480V	10,9/10,35A		
Cosφ =0.81	1470min <sup>-1</sup>	Cosφ =0.81	1770min <sup>-1</sup>		
IE4-91.9%	91,9%	91,1%	IE4-92.4%	92,4%	91,8%

WEG

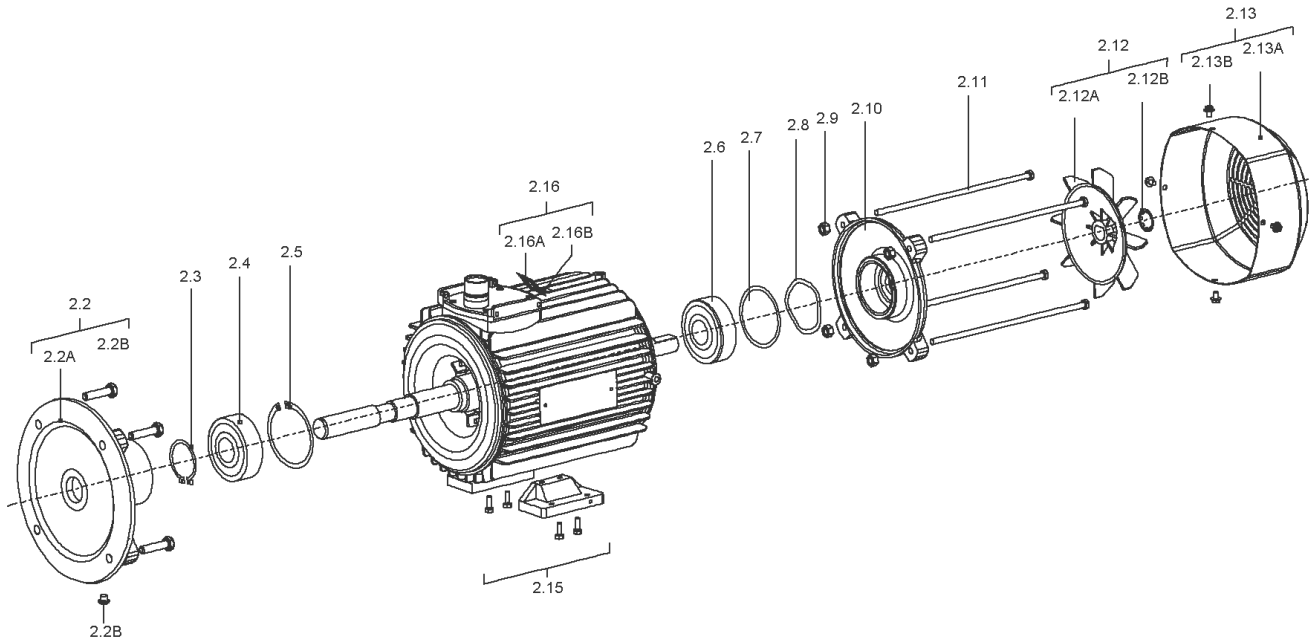
3~ AL180M/L-04		2015/12	1030615079		
AMB 40°C					
IP55	INS CL.F	Δ T 80 K	S1	SF 1.0	
V	Hz	kW	RPM	A	PF
400 / -			1480	29,5 / -	0,78
- / -					
- / -					
- / -					
400	IE4	93,9 (100%)	92,5 (75%)	90,8 (50%)	
- / -		- (100%)	- (75%)	- (50%)	
- A		- (100%)	- (75%)	- (50%)	
NEMA	Eff	- %	- HP	- V	- Hz
- A	PF	DES	CODE	SF	
← 6311-ZZ-C3 MOBIL POLYREX EM → 6211-ZZ-C3					162 kg
MOD.TE01A0X1A0000301180					
IEC 60034					

VIBRATION LEVEL A
ACCORDING IEC 60034-14
BALANCED WITH NO KEY
WILO PART NO: 2151697

Motor-Nummer  
motor number  
numéro du moteur

## Spare parts motor B35 7,5/4/132/300E IE4

Item	Description	Quantity
ELEC	Moteur B35 7,5/4/132/300E ELEC IE4 WILO	1





**Moteur B35 7,5/4/132/300E ELEC IE4 WILO**

Item	Article no.	Description	Quantity
2.2	2175903	End shield BG132 FF265 D.E.ELEC KIT	1
Note: Please give the data from type plate of the motor			
2.2A		> Flange IEC132 V1 FF265 D.E.	1
2.2B	2111309	> CONDENSATE HOLE GASKET D5 VP.	1
2.3	2178920	Circlip D40 GB894.1 VP.	1
Note: Please give the data from type plate of the motor			
2.4	121266690	BALL BEARING 6308/2Z-C3 (HT) VP.	1
Note: Please give the data from type plate of the motor			
2.5	2192954	Circlip D90 GB893.1 VP.	1
Note: Please give the data from type plate of the motor			
2.6	2153173	Ball bearing 6206/VV-C3 VP.	1
Note: Please give the data from type plate of the motor			
2.8	2132469	SPRING RING D.62 JB/T7590 VP.	1
2.9	2178926	Nut M8 (4 Pieces)	1
Note: Please give the data from type plate of the motor			
2.10	2178921	End shield BG132 N.D.E.ELEC VP.	1
Note: Please give the data from type plate of the motor			
2.11	2178925	Inner hexagon screws M8x50 (4 Pieces)	1
2.12	2188089	Fan IEC 230X20X17 H52 KIT	1
Note: Please give the data from type plate of the motor			
2.12A		> FAN 230X20X17 GP2200 G/F20% H52	1
2.12B	2118396	> Tooth lock washer D.19,8x0,4 VP.	1
2.13	2188090	Fan hood BG132L ELEC KIT	1
Note: Please give the data from type plate of the motor			
2.13A		> FAN COVER IEC132 KTL ST14 T1.0 H123	1
2.13B	2178923	> Screw M5X8 GB/T3098.1 6.8(4 Pieces)	1
2.15	2192955	Motor foot cpl.BG132 ELEC KIT	1
2.16	2178924	Air guider IEC 132 Motor KIT	1
Note: Please give the data from type plate of the motor			
2.16A		> AIR GUIDER IEC 132 MOTOR	1
2.16B		> SCREW M8X16 TORX HEX 6.8 GB/T70	1



**BL-E32/140-2,2/2-R1 (2159698)**

Item	Article no.	Description	Quantity
1.1	2123452	IMPELLER D.40/140/132/18 KIT	1
1.11	2027186	> NUT M10 DIN934 A2	1
1.12	2027189	> TENSIONING DISC DIN6796-10 V2A	1
1.13		> IMPELLER 40/140/132/18 GG BALANCED	1
1.14	2043160	> O-Ring 177,39x3,53 ISO3601B EPDM VP.	1
1.2	2026901	MECHANICAL SEAL MG12/18-G60 AQ1EGG KIT	1
1.11	2027186	> NUT M10 DIN934 A2	1
1.12	2027189	> TENSIONING DISC DIN6796-10 V2A	1
1.14	2037527	> O-RING 148,82x3,53 EPDM 70SR.VP.	1
1.14	2043160	> O-Ring 177,39x3,53 ISO3601B EPDM VP.	1
1.14	2042864	> O-RING ID.224x3,55 7EP1197-W534 VP.	1
1.21		> MECHANICAL SEAL MG12/18-G60 AQ1EGG	1
10	2027202	> TOOL D.18/24/32 VP.	1
1.3	2037197	LANTERN P228X73-F165 KIT	1
1.11	2027186	> NUT M10 DIN934 A2	1
1.12	2027189	> TENSIONING DISC DIN6796-10 V2A	1
1.14	2043160	> O-Ring 177,39x3,53 ISO3601B EPDM VP.	1
1.31	2027201	> BLOWGUN R1/8" VP.	1
1.32	2048839	> COUPLING GUARD F130-165 PA66 (2 PIECES)	1
1.33		> Lantern P228X73-F165 GG KTL WILO	1
10	2027202	> TOOL D.18/24/32 VP.	1
1.4	2029310	COUPLING/SHAFT 18/24x127 OR.177 KIT	1
1.11	2027186	> NUT M10 DIN934 A2	1
1.12	2027189	> TENSIONING DISC DIN6796-10 V2A	1
1.14	2043160	> O-Ring 177,39x3,53 ISO3601B EPDM VP.	1
1.41		> COUPLING 18/24+SHAFT 18X127 BG90 ZN KIT	1
10	2027202	> TOOL D.18/24/32 VP.	1
2	2169167	Motor V1 2,2/2/90/200E-IE4-ELEC(+Tool)	1
		Spare parts motor V1 2,2/2/90 200E IE4	1
3	2037170	PUMP HOUSING B32/170 PN16 KIT	1
1.14	2043160	> O-Ring 177,39x3,53 ISO3601B EPDM VP.	1
3.1		> PUMP HOUSING BL32/182 PN16 CPL.WILO	1
4	2027194	SCREW M16X30/X40 DIN912 8.8 (4 PIECES)	1
5	2037242	SCREW M10X25 ISO4762 8.8 (4 PIECES)	1

**BL-E32/140-2,2/2-R1 (2159698)**

Item	Article no.	Description	Quantity
7	2029336	WASHER A17 DIN125 ST (4 PIECES)	1
9	2027184	PUMP SUPPORT FOOT BL32-65 <4kW VP.	1
11	2192813	Module BL-E32/140-2,2/2-IE4 ELEC KIT	1
		> Module BL-E32/140-2,2/2-IE4 ELEC	1
	2054227	> MODULE COVER/GASKET TL3/4 KIT	1
		> SCREW M5X16 ISO4762 8.8 ZnNi	1
		> WASHER TOOTHED LOCK A5,3 DIN6797 FST ZN	1
	2061236	> O-RING ID.38X3 EPDM 70SR.A BUS.	1

Motor-Typenschild / Motor type plate / Plaque identité moteur

Bei Ersatzteilbestellung Motor-Nummer angeben!

Indicate motor number for order of spare parts!

Pour une commande de pièces détachées, donner le numéro du moteur!

ELEC

Motor-Nummer  
motor number  
numéro du moteur

<b>3~Induction Motor</b>						
Made by WILLO Group						
<b>3511218</b>	W132240-4-V1NPE		0902.001			
Class F	S1	IP55	69kg	EN60034		
50Hz	5.5kW	SF=L1S	60Hz	6.45kW		
YΔ 400/690V	10,6/6,13A	Y 440-480V	10,9/10,35A			
Cosφ =0.81	1470min <sup>-1</sup>	Cosφ =0.81	1770min <sup>-1</sup>			
IE4-91.9%	91,9%	91,1%	IE4-92.4%	92,4%	91,8%	

WEG

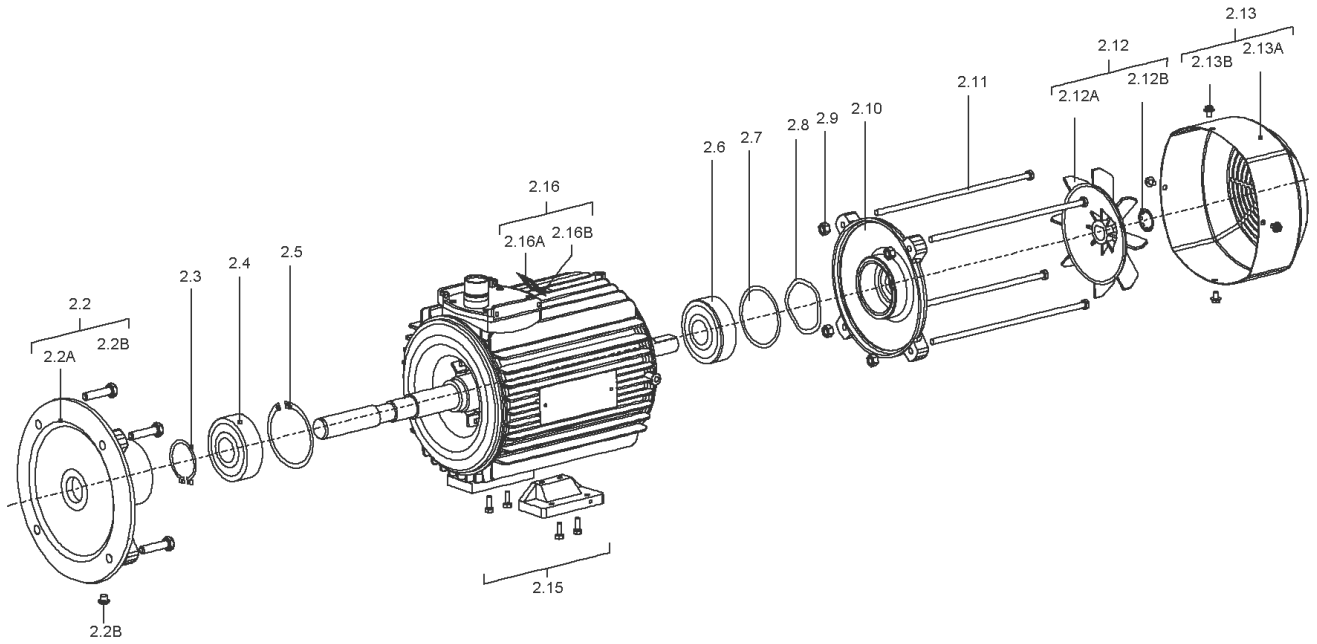
		3~ AL180M/L-04		2015/12		1030615079	
AMB 40°C							
IP55		INS CL.F		Δ T 80 K		S1 SF 1.0	
V	Hz	kW	RPM	A	PF		
400 / -			1480	29,5 / -	0,78		
- / -							
- / -							
- / -							
400	IE4	93,9 (100%)	92,5 (75%)	90,8 (50%)			
- / -		- (100%)	- (75%)	- (50%)			
- A		- (100%)	- (75%)	- (50%)			
NEMA	Eff	- %	- HP	- V	- Hz	- RPM	
- A	PF	DES	CODE	SF			
		6311-ZZ-C3		MOBIL POLYREX EM		162 kg	
		6211-ZZ-C3					
MOD.TE01A0X1A0000301180							
						IEC 60034	

VIBRATION LEVEL A	
ACCORDING IEC 60034-14	
BALANCED WITH NO KEY	
WILO PART NO: 2151697	

Motor-Nummer  
motor number  
numéro du moteur

## Spare parts motor V1 2,2/2/90 200E IE4

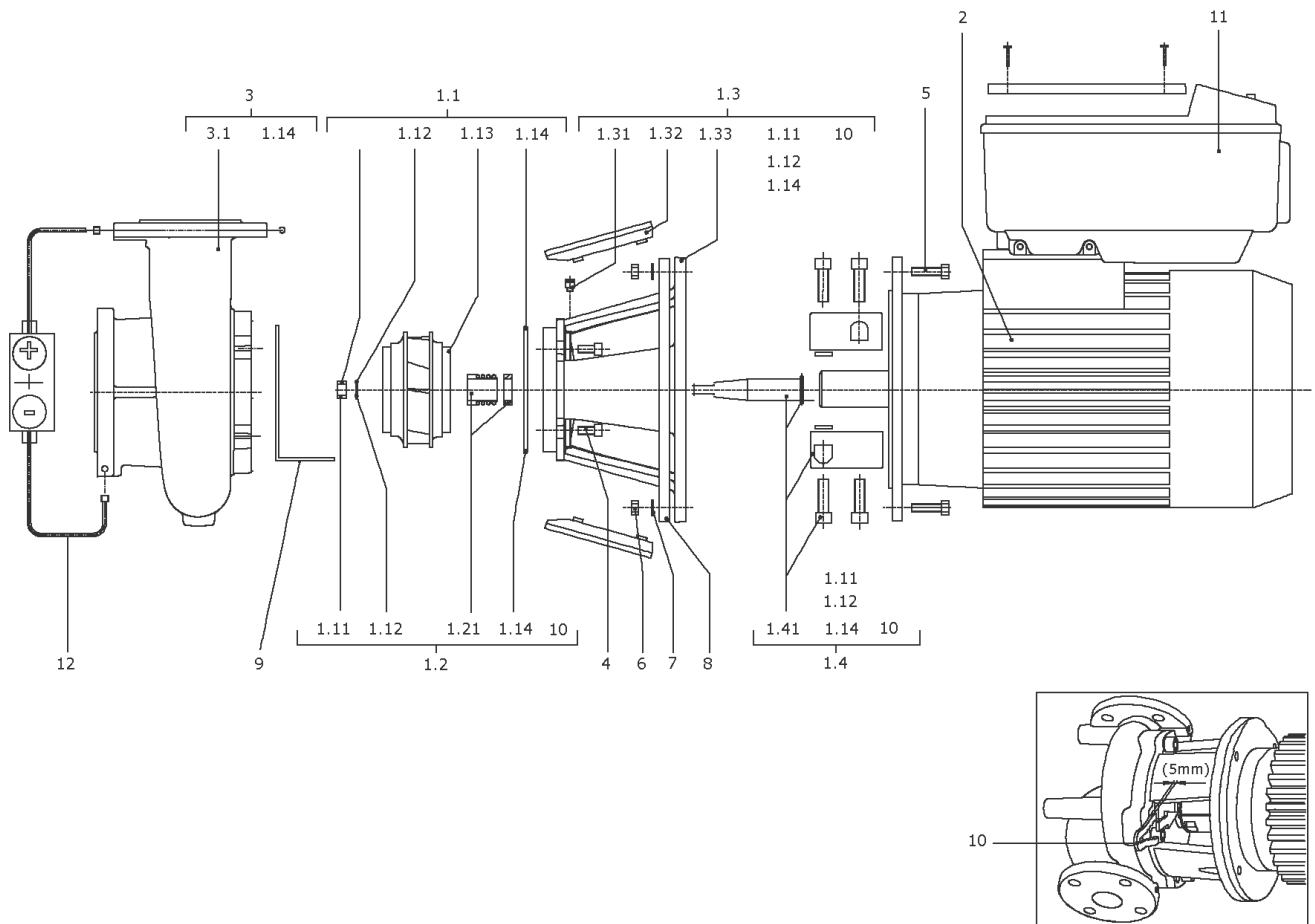
Item	Description	Quantity
ELEC	W090130-2-V1NPE 400V/50Hz 2.2kW IE4	1



**W090130-2-V1NPE 400V/50Hz 2.2kW IE4**

Item	Article no.	Description	Quantity
2.2	2127392	END SHIELD BG90 V1 D.E.ELEC KIT	1
Note: Please give the data from type plate of the motor			
2.1A		> Flange IEC90 V1	1
2.1B	2111309	> CONDENSATE HOLE GASKET D5 VP.	1
Note: Please give the data from type plate of the motor			
2.3	2111334	CIRCLIP D.30 GB894.1 VP.	1
Note: Please give the data from type plate of the motor			
2.4	2153170	Ball bearing 6306/VV-C3 VP.	1
Note: Please give the data from type plate of the motor			
2.5	2111337	CIRCLIP D.72 GB893.1 VP.	1
Note: Please give the data from type plate of the motor			
2.6	2153168	Ball bearing 6204/VV-C3 VP.	1
2.7	2164016	O-Ring ID47.2x3.53 EPDM VP.	1
2.8	2111339	SPRING RING D.47 JB/T7590 VP.	1
Note: Please give the data from type plate of the motor			
2.10	2157920	End shield BG90 N.D.E.ELEC KIT	1
Note: Please give the data from type plate of the motor			
		> Flange IEC90 NDS with slot reduce0.5	1
		> O-RING ID47.2*3.53 EPDM	1
2.11	2179081	Screw torx Plus / Hex.M5X231(4Pieces)	1
2.12	2107782	FAN WHEEL BG90 ELEC KIT	1
Note: Please give the data from type plate of the motor			
2.12A		> FAN 122.6X15X17 GP2200 G/F20%	1
2.12B	2111321	> STOP-RING D.14,8x0,4 VP.	1
Note: Please give the data from type plate of the motor			
2.13	2111322	FAN HOOD BG90 ELEC KIT	1
Note: Please give the data from type plate of the motor			
2.13A		> FAN COVER IEC90 KTL ST14 T0.8 H70	1
2.13B	2111323	> SCREW M4X6 (4 PIECES)	1
Note: Please give the data from type plate of the motor			





**BL-E32/150-3/2-R1 (2159699)**

Item	Article no.	Description	Quantity
1.1	2123451	IMPELLER D.40/148/140/18 KIT	1
1.11	2027186	> NUT M10 DIN934 A2	1
1.12	2027189	> TENSIONING DISC DIN6796-10 V2A	1
1.13		> IMPELLER 40/148/140/18 GG BALANCED	1
1.14	2043160	> O-Ring 177,39x3,53 ISO3601B EPDM VP.	1
1.2	2026901	MECHANICAL SEAL MG12/18-G60 AQ1EGG KIT	1
1.11	2027186	> NUT M10 DIN934 A2	1
1.12	2027189	> TENSIONING DISC DIN6796-10 V2A	1
1.14	2037527	> O-RING 148,82x3,53 EPDM 70SR.VP.	1
1.14	2043160	> O-Ring 177,39x3,53 ISO3601B EPDM VP.	1
1.14	2042864	> O-RING ID.224x3,55 7EP1197-W534 VP.	1
1.21		> MECHANICAL SEAL MG12/18-G60 AQ1EGG	1
10	2027202	> TOOL D.18/24/32 VP.	1
1.3	2037204	LANTERN P228X73-F215 KIT	1
1.11	2027186	> NUT M10 DIN934 A2	1
1.12	2027189	> TENSIONING DISC DIN6796-10 V2A	1
1.14	2043160	> O-Ring 177,39x3,53 ISO3601B EPDM VP.	1
1.31	2027201	> BLOWGUN R1/8" VP.	1
1.32	2048842	> COUPLING GUARD F215 PA66 (2 PIECES)	1
1.33		> Lantern P228X73-F215 GG KTL WILO	1
10	2027202	> TOOL D.18/24/32 VP.	1
1.4	2029314	COUPLING/SHAFT 18/28X134 KIT	1
1.11	2027186	> NUT M10 DIN934 A2	1
1.12	2027189	> TENSIONING DISC DIN6796-10 V2A	1
1.14	2043160	> O-Ring 177,39x3,53 ISO3601B EPDM VP.	1
1.41		> COUPLING 18/28+SHAFT 18X134 BG112 ZN KIT	1
10	2027202	> TOOL D.18/24/32 VP.	1
2	2169169	Motor V1 3/2/100/250E-IE4-ELEC(+Tool)	1
		Spare parts motor V1 3/2/100 250E IE4	1
3	2037170	PUMP HOUSING B32/170 PN16 KIT	1
1.14	2043160	> O-Ring 177,39x3,53 ISO3601B EPDM VP.	1
3.1		> PUMP HOUSING BL32/182 PN16 CPL.WILO	1
4	2027194	SCREW M16X30/X40 DIN912 8.8 (4 PIECES)	1
	2029336	WASHER A17 DIN125 ST (4 PIECES)	1

**BL-E32/150-3/2-R1 (2159699)**

Item	Article no.	Description	Quantity
5	2027195	SCREW M12X25 DIN912 8.8 (4 PIECES)	1
7	2029335	WASHER A13 DIN125 ST (4 PIECES)	1
9	2027184	PUMP SUPPORT FOOT BL32-65 <4kW VP.	1
11	2192814	Module BL-E32/150-3/2-IE4 ELEC KIT	1
		> Module BL-E32/150-3/2-IE4 ELEC	1
	2054227	> MODULE COVER/GASKET TL3/4 KIT	1
		> SCREW M5X16 ISO4762 8.8 ZnNi	1
		> WASHER TOOTHED LOCK A5,3 DIN6797 FST ZN	1
	2061236	> O-RING ID.38X3 EPDM 70SR.A BUS.	1

Motor-Typenschild / Motor type plate / Plaque identité moteur

Bei Ersatzteilbestellung Motor-Nummer angeben!

Indicate motor number for order of spare parts!

Pour une commande de pièces détachées, donner le numéro du moteur!

ELEC

Motor-Nummer  
motor number  
numéro du moteur

<b>3~Induction Motor</b>					
Made by WILLO Group					
<b>3511218</b>	<b>W132240-4-V1NPE</b>		<b>0902.001</b>		
Class F	S1	IP55	69kg	EN60034	
50Hz	5.5kW	SF=L1S	60Hz	6.45kW	
YΔ 400/690V	10,6/6,13A	Y 440-480V	10,9/10,35A		
Cosφ =0.81	1470min <sup>-1</sup>	Cosφ =0.81	1770min <sup>-1</sup>		
IE4-91.9%	91,9%	91,1%	IE4-92.4%	92,4%	91,8%

WEG

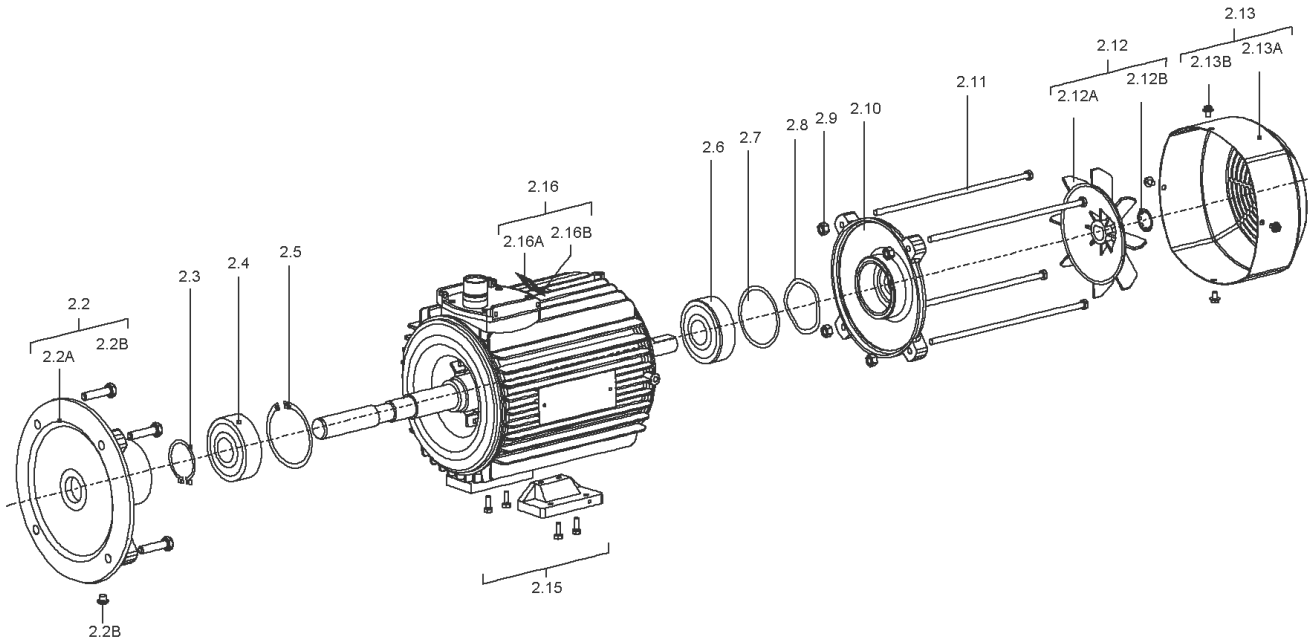
3~ AL180M/L-04		2015/12	1030615079		
AMB 40°C					
IP55	INS CL.F	Δ T 80 K	S1	SF 1.0	
V	Hz	kW	RPM	A	PF
400 / -			1480	29,5 / -	0,78
- / -					
- / -					
- / -					
400	IE4	93,9 (100%)	92,5 (75%)	90,8 (50%)	
- / -		- (100%)	- (75%)	- (50%)	
- A		- (100%)	- (75%)	- (50%)	
NEMA	Eff	- %	- HP	- V	- Hz
- A	PF	DES	CODE	SF	
		6311-ZZ-C3 MOBIL POLYREX EM			162 kg
		6211-ZZ-C3			
MOD.TE01A0X1A0000301180					
IEC 60034					

VIBRATION LEVEL A
ACCORDING IEC 60034-14
BALANCED WITH NO KEY
WILO PART NO: <b>2151697</b>

Motor-Nummer  
motor number  
numéro du moteur

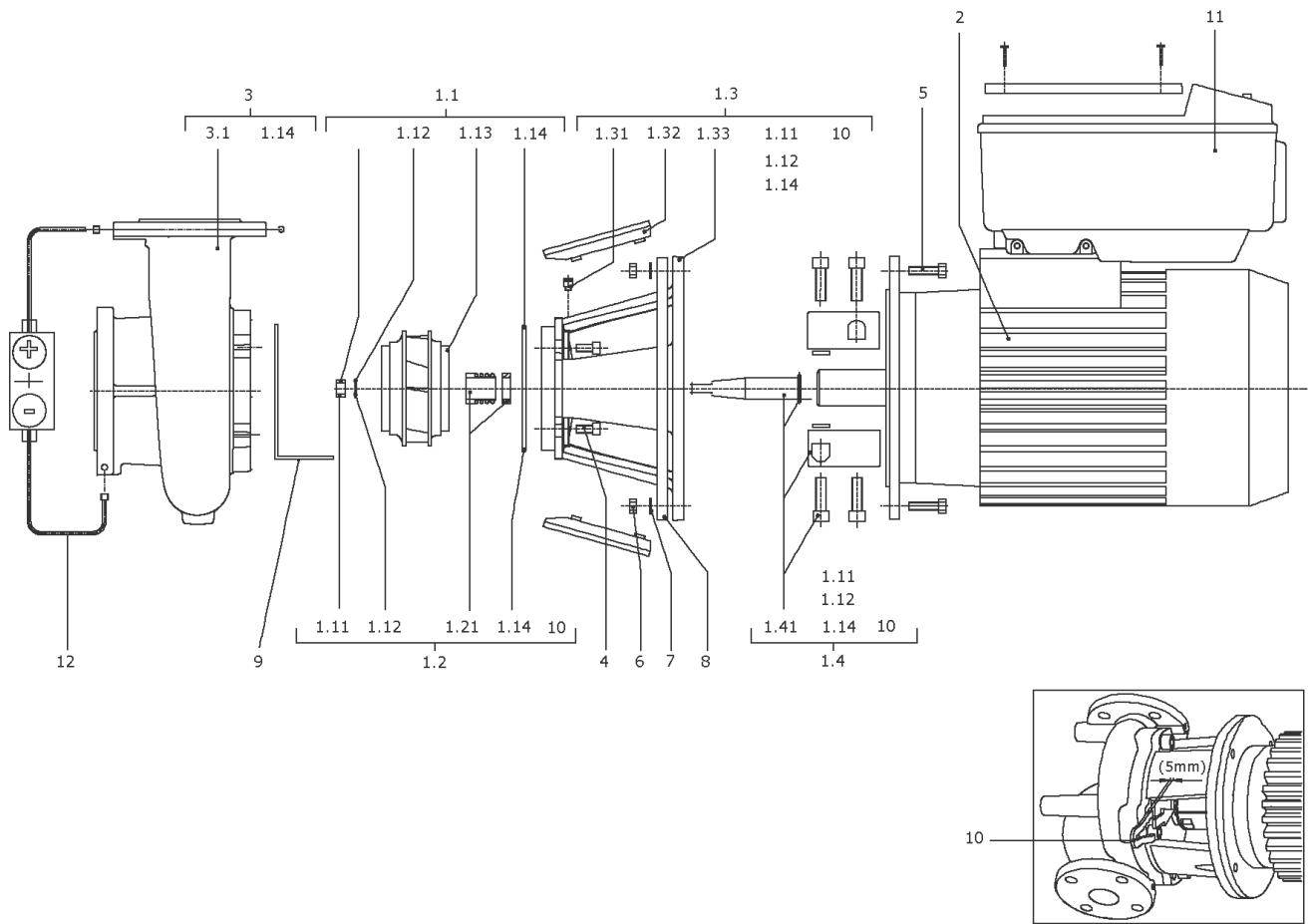
## Spare parts motor V1 3/2/100 250E IE4

Item	Description	Quantity
ELEC	W100130-2-V1NPE 400V/50Hz 3kW IE4	1



**W100130-2-V1NPE 400V/50Hz 3kW IE4**

Item	Article no.	Description	Quantity
2.2	2127393	END SHIELD BG100 V1 D.E.ELEC KIT	1
Note: Please give the data from type plate of the motor			
2.1A		> FLANGE IEC100 V1	1
2.1B	2111309	> CONDENSATE HOLE GASKET D5 VP.	1
Note: Please give the data from type plate of the motor			
2.3	2118388	CIRCLIP D.35 GB894.1 VP.	1
Note: Please give the data from type plate of the motor			
2.4	2153172	Ball bearing 6307/VV-C3 VP.	1
Note: Please give the data from type plate of the motor			
2.5	2118390	CIRCLIP D.80 GB893.1 VP.	1
Note: Please give the data from type plate of the motor			
2.6	2153171	Ball bearing 6205/VV-C3 VP.	1
2.7	2164094	O-Ring ID52.4x3.53 EPDM VP.	1
2.8	2164076	Circlip D52 JB/T7590 VP.	1
Note: Please give the data from type plate of the motor			
2.10	2164074	End shield BG100 N.D.E.ELEC KIT	1
Note: Please give the data from type plate of the motor			
		> FLANGE IEC100 NDS with slot	1
		> O-RING ID52.4*3.53 EPDM	1
2.11	2179082	Screw Torx Plus / Hexagon M6X258(4Pieces	1
2.12	2179083	Fan wheel BG100 ELEC KIT	1
Note: Please give the data from type plate of the motor			
2.12A		> FAN 150X20X17 GP2200 G/F20%	1
2.12B	2118396	> Tooth lock washer D.19,8x0,4 VP.	1
Note: Please give the data from type plate of the motor			
2.13	2118397	FAN HOOD BG100 ELEC KIT	1
Note: Please give the data from type plate of the motor			
2.13A		> FAN COVER IEC100 KTL ST14 T0.8 H86	1
2.13B	2111323	> SCREW M4X6 (4 PIECES)	1
Note: Please give the data from type plate of the motor			
2.16	2179086	Air guider BG100 Motor KIT	1
2.16A		> AIR GUIDER IEC100 MOTOR	1
2.16B		> Screw Tapping M5X14 trox pan	1





**BL-E32/160-4/2-R1 (2159700)**

Item	Article no.	Description	Quantity
1.1	2048406	IMPELLER D.40/160/18 KIT	1
1.11	2027186	> NUT M10 DIN934 A2	1
1.12	2027189	> TENSIONING DISC DIN6796-10 V2A	1
1.13		> IMPELLER 40/160/152/18 GG BALANCED	1
1.14	2043160	> O-Ring 177,39x3,53 ISO3601B EPDM VP.	1
1.2	2026901	MECHANICAL SEAL MG12/18-G60 AQ1EGG KIT	1
1.11	2027186	> NUT M10 DIN934 A2	1
1.12	2027189	> TENSIONING DISC DIN6796-10 V2A	1
1.14	2037527	> O-RING 148,82x3,53 EPDM 70SR.VP.	1
1.14	2043160	> O-Ring 177,39x3,53 ISO3601B EPDM VP.	1
1.14	2042864	> O-RING ID.224x3,55 7EP1197-W534 VP.	1
1.21		> MECHANICAL SEAL MG12/18-G60 AQ1EGG	1
10	2027202	> TOOL D.18/24/32 VP.	1
1.3	2037204	LANTERN P228X73-F215 KIT	1
1.11	2027186	> NUT M10 DIN934 A2	1
1.12	2027189	> TENSIONING DISC DIN6796-10 V2A	1
1.14	2043160	> O-Ring 177,39x3,53 ISO3601B EPDM VP.	1
1.31	2027201	> BLOWGUN R1/8" VP.	1
1.32	2048842	> COUPLING GUARD F215 PA66 (2 PIECES)	1
1.33		> Lantern P228X73-F215 GG KTL WILO	1
10	2027202	> TOOL D.18/24/32 VP.	1
1.4	2029314	COUPLING/SHAFT 18/28X134 KIT	1
1.11	2027186	> NUT M10 DIN934 A2	1
1.12	2027189	> TENSIONING DISC DIN6796-10 V2A	1
1.14	2043160	> O-Ring 177,39x3,53 ISO3601B EPDM VP.	1
1.41		> COUPLING 18/28+SHAFT 18X134 BG112 ZN KIT	1
10	2027202	> TOOL D.18/24/32 VP.	1
2	2169171	Motor V1 4/2/112/250E-IE4-ELEC(+Tool)	1
		Spare parts motor V1 4/2/112 250E IE4	1
3	2037170	PUMP HOUSING B32/170 PN16 KIT	1
1.14	2043160	> O-Ring 177,39x3,53 ISO3601B EPDM VP.	1
3.1		> PUMP HOUSING BL32/182 PN16 CPL.WILO	1
4	2027194	SCREW M16X30/X40 DIN912 8.8 (4 PIECES)	1
	2029336	WASHER A17 DIN125 ST (4 PIECES)	1

**BL-E32/160-4/2-R1 (2159700)**

Item	Article no.	Description	Quantity
5	2027195	SCREW M12X25 DIN912 8.8 (4 PIECES)	1
7	2029335	WASHER A13 DIN125 ST (4 PIECES)	1
9	2027184	PUMP SUPPORT FOOT BL32-65 <4kW VP.	1
11	2192815	Module BL-E32/160-4/2-IE4 ELEC KIT	1
		> Module BL-E32/160-4/2-IE4 ELEC	1
	2054227	> MODULE COVER/GASKET TL3/4 KIT	1
		> SCREW M5X16 ISO4762 8.8 ZnNi	1
		> WASHER TOOTHED LOCK A5,3 DIN6797 FST ZN	1
	2061236	> O-RING ID.38X3 EPDM 70SR.A BUS.	1

Motor-Typenschild / Motor type plate / Plaque identité moteur

Bei Ersatzteilbestellung Motor-Nummer angeben!

Indicate motor number for order of spare parts!

Pour une commande de pièces détachées, donner le numéro du moteur!

ELEC

Motor-Nummer  
motor number  
numéro du moteur

<b>3~Induction Motor</b>					
Made by WILLO Group					
<b>351f218</b>	W132240-4-V1NPE		0902.001		
Class F	S1	IP55	69kg	EN60034	
50Hz	5.5kW	SF=L1S	60Hz	6.45kW	
YΔ 400/690V	10,6/6,13A	Y 440-480V	10,9/10,35A		
Cosφ =0.81	1470min <sup>-1</sup>	Cosφ =0.81	1770min <sup>-1</sup>		
IE4-91.9%	91,9%	91,1%	IE4-92.4%	92,4%	91,8%

WEG

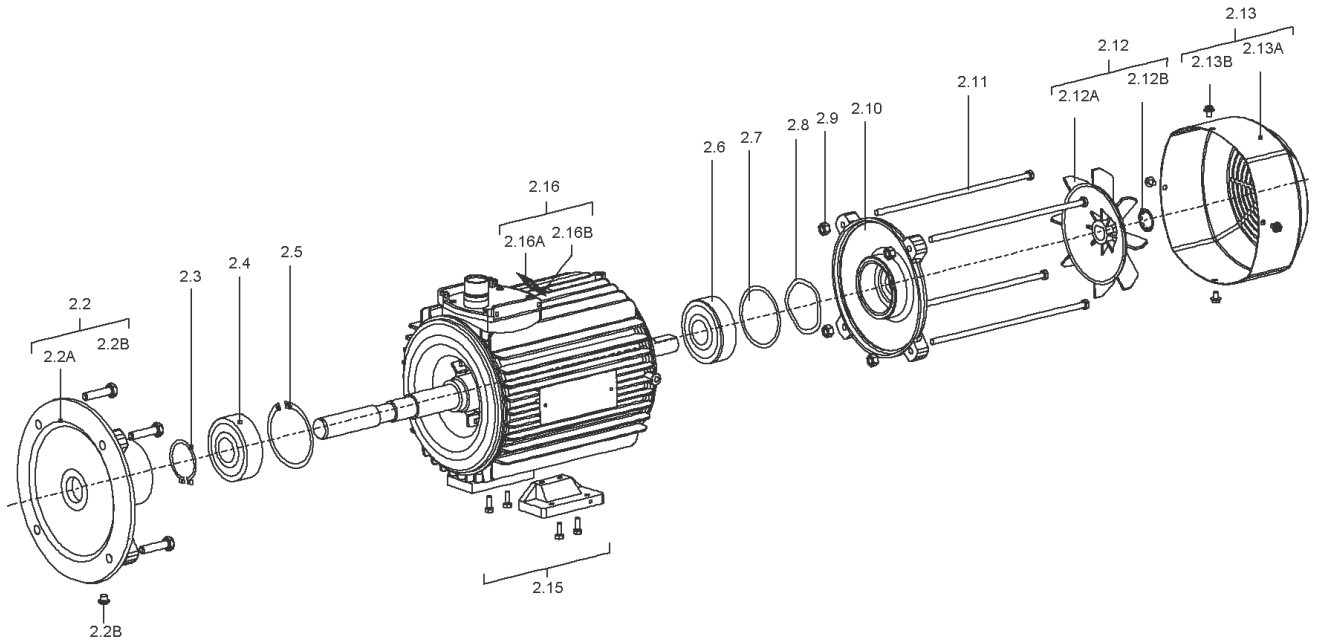
3~ AL180M/L-04		2015/12	1030615079		
AMB 40°C					
IP55	INS CL.F	Δ T 80 K	S1	SF 1.0	
V	Hz	kW	RPM	A	PF
400 / -			1480	29,5 / -	0,78
- / -					
- / -					
- / -					
400	IE4	93,9 (100%)	92,5 (75%)	90,8 (50%)	
- / -		- (100%)	- (75%)	- (50%)	
- A		- (100%)	- (75%)	- (50%)	
NEMA	Eff	- %	- HP	- V	- Hz
- A	PF	DES	CODE	SF	
← 6311-ZZ-C3 MOBIL POLYREX EM					162 kg
→ 6211-ZZ-C3					
MOD.TE01A0X1A0000301180					
IEC 60034					

VIBRATION LEVEL A
ACCORDING IEC 60034-14
BALANCED WITH NO KEY
WILO PART NO: 2151697

Motor-Nummer  
motor number  
numéro du moteur

## Spare parts motor V1 4/2/112 250E IE4

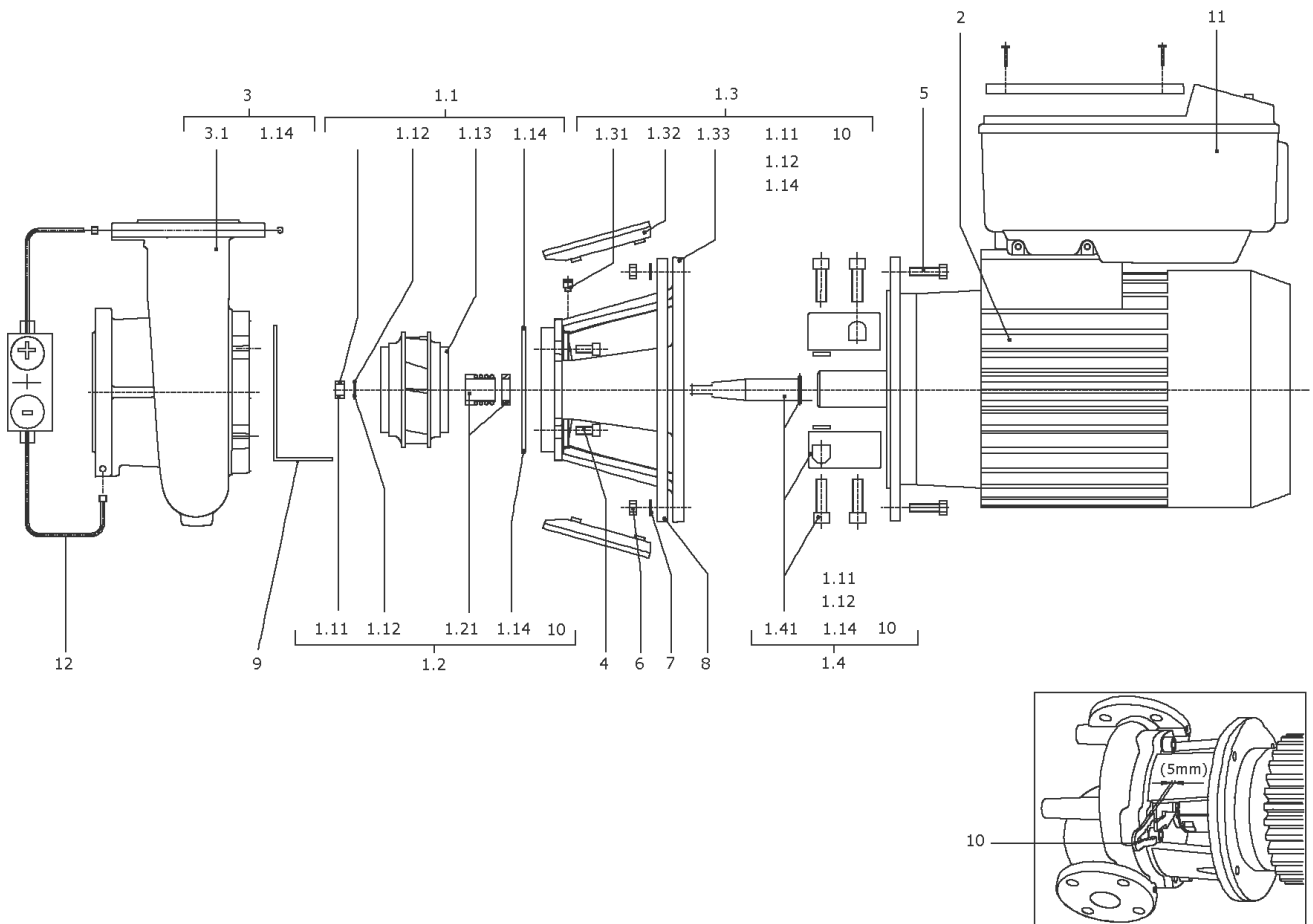
Item	Description	Quantity
ELEC	W112140-2-V1NPE 400V/50Hz 4kW IE4	1



**W112140-2-V1NPE 400V/50Hz 4kW IE4**

Item	Article no.	Description	Quantity
2.2	2192953	End shield BG112 V1 D.E.ELEC KIT	1
Note: Please give the data from type plate of the motor			
2.1A		> FLANGE IEC112 V1	1
2.1B	2111309	> CONDENSATE HOLE GASKET D5 VP.	1
Note: Please give the data from type plate of the motor			
2.3	2118388	CIRCLIP D.35 GB894.1 VP.	1
Note: Please give the data from type plate of the motor			
2.4	2153172	Ball bearing 6307/VV-C3 VP.	1
Note: Please give the data from type plate of the motor			
2.5	2118390	CIRCLIP D.80 GB893.1 VP.	1
Note: Please give the data from type plate of the motor			
2.6	2153173	Ball bearing 6206/VV-C3 VP.	1
2.7	2164027	O-Ring ID62.4x3.53 EPDM VP.	1
2.8	2132469	SPRING RING D.62 JB/T7590 VP.	1
Note: Please give the data from type plate of the motor			
2.10	2164025	End shield BG112 N.D.E.ELEC KIT	1
Note: Please give the data from type plate of the motor			
		> FLANGE IEC112 NDS with slot	1
		> O-RING ID62.4*3.53 EPDM	1
2.11	2132473	SCREW M8X263,5 6.8 (4 PIECES)	1
2.12	2175742	Fan BG112 ELEC KIT	1
Note: Please give the data from type plate of the motor			
2.12A		> FAN 174X20X17 GP2200 G/F20%	1
2.12B	2118396	> Tooth lock washer D.19,8x0,4 VP.	1
Note: Please give the data from type plate of the motor			
2.13	2168255	Fan hood BG112 ELEC KIT	1
Note: Please give the data from type plate of the motor			
2.13A		> FAN COVER IEC112 KTL ST14 T1.0 H86	1
2.13B	2111323	> SCREW M4X6 (4 PIECES)	1
Note: Please give the data from type plate of the motor			
2.16	2179084	Air guider BG 112 Motor KIT	1
2.16A		> AIR GUIDER IEC 112 MOTOR	1
2.16B		> SCREW M8X16 TORX HEX 6.8 GB/T70	1

BL-E32/170-5,5/2-R1 (2159701)



**BL-E32/170-5,5/2-R1 (2159701)**

Item	Article no.	Description	Quantity
1.1	2037282	IMPELLER D.40/171/18 KIT	1
1.11	2027186	> NUT M10 DIN934 A2	1
1.12	2027189	> TENSIONING DISC DIN6796-10 V2A	1
1.13		> IMPELLER 40/171/18 GG BALANCED	1
1.14	2043160	> O-Ring 177,39x3,53 ISO3601B EPDM VP.	1
1.2	2026901	MECHANICAL SEAL MG12/18-G60 AQ1EGG KIT	1
1.11	2027186	> NUT M10 DIN934 A2	1
1.12	2027189	> TENSIONING DISC DIN6796-10 V2A	1
1.14	2037527	> O-RING 148,82x3,53 EPDM 70SR.VP.	1
1.14	2043160	> O-Ring 177,39x3,53 ISO3601B EPDM VP.	1
1.14	2042864	> O-RING ID.224x3,55 7EP1197-W534 VP.	1
1.21		> MECHANICAL SEAL MG12/18-G60 AQ1EGG	1
10	2027202	> TOOL D.18/24/32 VP.	1
1.3	2037201	LANTERN P228X73-F265 KIT	1
1.11	2027186	> NUT M10 DIN934 A2	1
1.12	2027189	> TENSIONING DISC DIN6796-10 V2A	1
1.14	2043160	> O-Ring 177,39x3,53 ISO3601B EPDM VP.	1
1.31	2027201	> BLOWGUN R1/8" VP.	1
1.32	2048838	> COUPLING GUARD F265 PA66 AD.(4 PIECES)	1
1.33		> LANTERN P228X73-F265 GG KTL RDES WILO	1
10	2027202	> TOOL D.18/24/32 VP.	1
1.4	2029311	COUPLING/SHAFT 18/38x126 KIT	1
1.11	2027186	> NUT M10 DIN934 A2	1
1.12	2027189	> TENSIONING DISC DIN6796-10 V2A	1
1.14	2043160	> O-Ring 177,39x3,53 ISO3601B EPDM VP.	1
1.41		> COUPLING 18/38+SHAFT 18X126 BG132 ZN KIT	1
10	2027202	> TOOL D.18/24/32 VP.	1
2	2179386	Motor B35 5,5/2/132/300E-IE4-ELEC(+Tool)	1
		Spare parts motor B35 5,5/2/132 300E IE4	1
3	2037170	PUMP HOUSING B32/170 PN16 KIT	1
1.14	2043160	> O-Ring 177,39x3,53 ISO3601B EPDM VP.	1
3.1		> PUMP HOUSING BL32/182 PN16 CPL.WILO	1
4	2027193	SCREW M16X30 ISO4762 8.8 (4 PIECES)	1
5	2027199	Screw M12X65 ISO4014 8.8 (4STÜCK)	1



**BL-E32/170-5,5/2-R1 (2159701)**

Item	Article no.	Description	Quantity
6	2029305	NUT M12 DIN-EN24032 8 (4 PIECES)	1
7	2029335	WASHER A13 DIN125 ST (4 PIECES)	1
8	2027185	Adapter ring BG132 VP.	1
11	2192816	Module BL-E32/170-5,5/2-IE4 ELEC KIT	1
		> Module BL-E32/170-5,5/2-IE4 ELEC	1
	2111344	> MODULE COVER/GASKET TL5 KIT	1
	2120047	> CABLE CONNECTION M12x1,5/5 cpl.TL5 VP.	1
	2120048	> CABLE CONNECTION M16x1,5/5 cpl.TL5 VP.	1
	2120049	> CABLE CONNECTION M20x1,5/6 cpl.TL5 VP.	1
	2120050	> CABLE CONNECTION M25x1,5/8 cpl.TL5 VP.	1

Motor-Typenschild / Motor type plate / Plaque identité moteur

Bei Ersatzteilbestellung Motor-Nummer angeben!

Indicate motor number for order of spare parts!

Pour une commande de pièces détachées, donner le numéro du moteur!

ELEC

Motor-Nummer  
motor number  
numéro du moteur

<b>3~Induction Motor</b>					
Made by WILLO Group					
<b>351f218</b>	<b>W132240-4-V1NPE</b>		<b>0902.001</b>		
Class F	S1	IP55	69kg	EN60034	
50Hz	5.5kW	SF=L1S	60Hz	6.45kW	
YΔ 400/690V	10,6/6,13A	Y 440-480V	10,9/10,35A		
Cosφ =0.81	1470min <sup>-1</sup>	Cosφ =0.81	1770min <sup>-1</sup>		
IE4-91.9%	91,9%	91,1%	IE4-92.4%	92,4%	91,8%

WEG

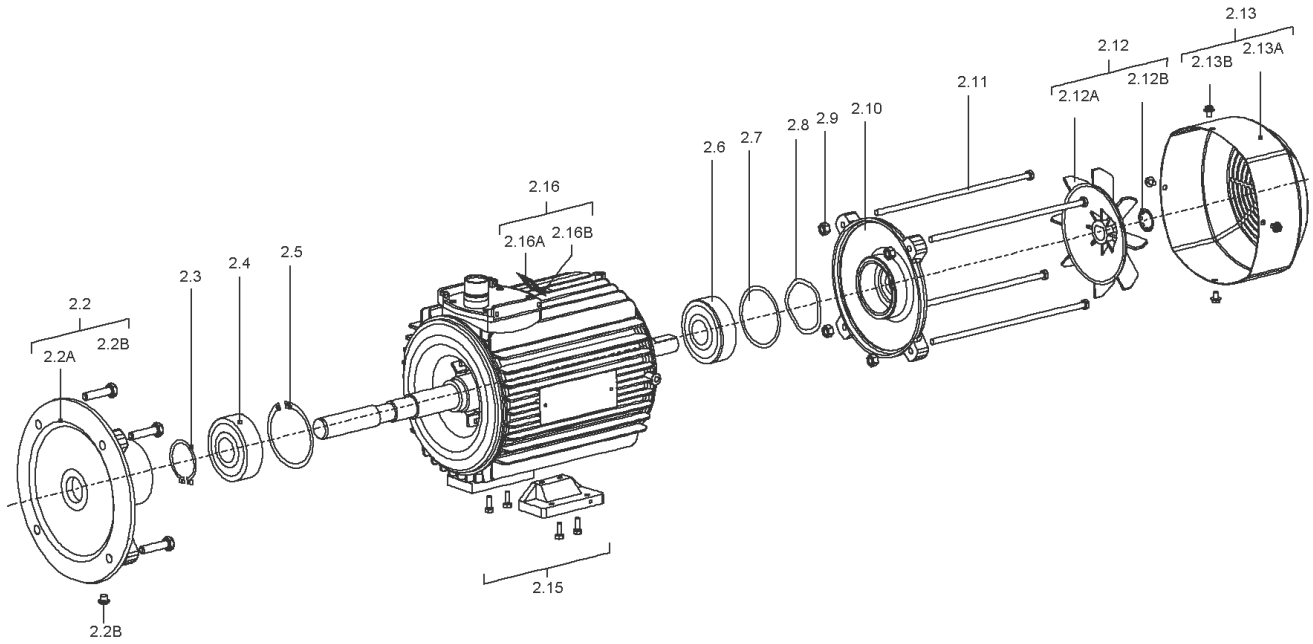
3~ AL180M/L-04		2015/12	1030615079		
AMB 40°C					
IP55	INS CL.F	Δ T 80 K	S1	SF 1.0	
V	Hz	kW	RPM	A	PF
400 / -			1480	29,5 / -	0,78
- / -					
- / -					
- / -					
400	IE4	93,9 (100%)	92,5 (75%)	90,8 (50%)	
- / -		- (100%)	- (75%)	- (50%)	
- A		- (100%)	- (75%)	- (50%)	
NEMA	Eff	- %	- HP	- V	- Hz
- A	PF	DES	CODE	SF	
		6311-ZZ-C3	MOBIL POLYREX EM		162 kg
		6211-ZZ-C3			
MOD.TE01A0X1A0000301180					
IEC 60034					

VIBRATION LEVEL A
ACCORDING IEC 60034-14
BALANCED WITH NO KEY
WILO PART NO: <b>2151697</b>

Motor-Nummer  
motor number  
numéro du moteur

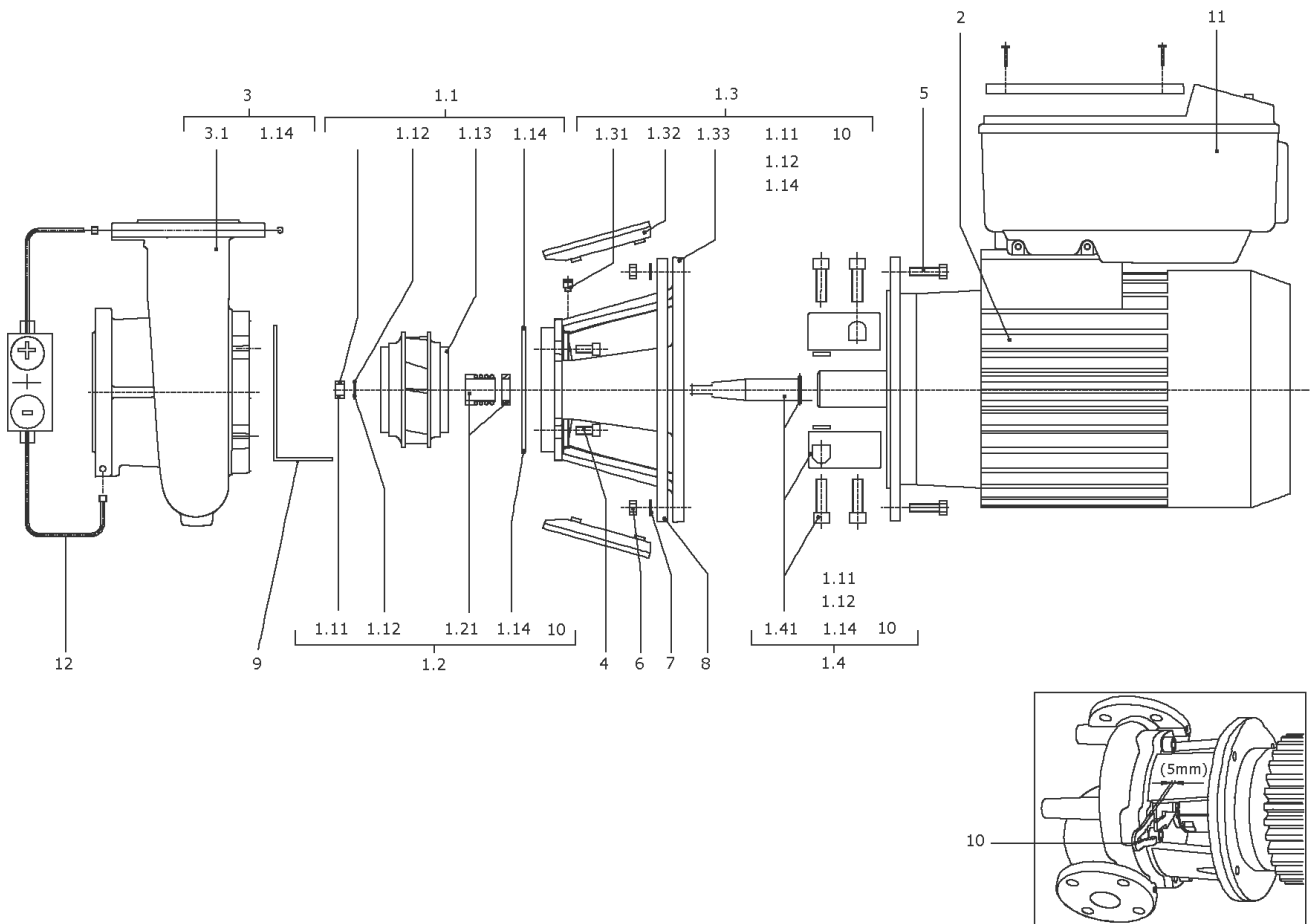
## Spare parts motor B35 5,5/2/132 300E IE4

Item	Description	Quantity
ELEC	Motor B35 5,5/2/132 300E IE4 ELEC WILO	1



**Motor B35 5,5/2/132 300E IE4 ELEC WILO**

Item	Article no.	Description	Quantity
2.2	2175903	End shield BG132 FF265 D.E.ELEC KIT	1
Note: Please give the data from type plate of the motor			
2.2A		> Flange IEC132 V1 FF265 D.E.	1
2.2B	2111309	> CONDENSATE HOLE GASKET D5 VP.	1
2.3	2178920	Circlip D40 GB894.1 VP.	1
Note: Please give the data from type plate of the motor			
2.4	121266690	BALL BEARING 6308/2Z-C3 (HT) VP.	1
Note: Please give the data from type plate of the motor			
2.5	2178920	Circlip D40 GB894.1 VP.	1
Note: Please give the data from type plate of the motor			
2.6	2153173	Ball bearing 6206/VV-C3 VP.	1
2.8	2132469	SPRING RING D.62 JB/T7590 VP.	1
Note: Please give the data from type plate of the motor			
2.10	2178921	End shield BG132 N.D.E.ELEC VP.	1
Note: Please give the data from type plate of the motor			
2.11	2178989	Srews Torx Plus M8x335 (4 Pieces)	1
2.12	2175742	Fan BG112 ELEC KIT	1
Note: Please give the data from type plate of the motor			
2.12A		> FAN 174X20X17 GP2200 G/F20%	1
2.12B	2118396	> Tooth lock washer D.19,8x0,4 VP.	1
Note: Please give the data from type plate of the motor			
2.13	2178928	Fan hood BG132 ELEC KIT	1
Note: Please give the data from type plate of the motor			
2.13A		> FAN COVER IEC132 KTL ST14 T0.8 H103	1
2.13B	2178923	> Screw M5X8 GB/T3098.1 6.8(4 Pieces)	1
2.15	2192955	Motor foot cpl.BG132 ELEC KIT	1
2.16	2178924	Air guider IEC 132 Motor KIT	1
Note: Please give the data from type plate of the motor			
2.16A		> AIR GUIDER IEC 132 MOTOR	1
2.16B		> SCREW M8X16 TORX HEX 6.8 GB/T70	1



**BL-E32/210-7,5/2-R1 (2159702)**

Item	Article no.	Description	Quantity
1.1	2153165	Impeller 40/220-209-71,7/24 GG KIT	1
1.11	2027187	> NUT M12 DIN-EN24032 A2 VP.	1
1.12	2027190	> WASHER A13 DIN125-T2 A2 VP.	1
1.13		> Impeller 40/220-209-71,7/24 GG BL gewu	1
1.14	2042864	> O-RING ID.224x3,55 7EP1197-W534 VP.	1
	2042862	> WASHER S12 V2A VP.	1
1.2	2026902	MECHANICAL SEAL MG12/24-G60 AQ1EGG KIT	1
1.11	2027187	> NUT M12 DIN-EN24032 A2 VP.	1
1.12	2027190	> WASHER A13 DIN125-T2 A2 VP.	1
1.14	2037527	> O-RING 148,82x3,53 EPDM 70SR.VP.	1
1.14	2043160	> O-Ring 177,39x3,53 ISO3601B EPDM VP.	1
1.14	2042864	> O-RING ID.224x3,55 7EP1197-W534 VP.	1
1.14	2051680	> O-RING ID.276,7x5,29 7EP1197-W534 VP.	1
	2042862	> WASHER S12 V2A VP.	1
1.21		> MECHANICAL SEAL MG12/24-G60 AQ1EGG	1
10	2027202	> TOOL D.18/24/32 VP.	1
1.3	2042712	LANTERN P270X72-F265 KTL KIT	1
1.11	2027187	> NUT M12 DIN-EN24032 A2 VP.	1
1.12	2027190	> WASHER A13 DIN125-T2 A2 VP.	1
1.14	2042864	> O-RING ID.224x3,55 7EP1197-W534 VP.	1
	2042862	> WASHER S12 V2A VP.	1
1.31	2027201	> BLOWGUN R1/8" VP.	1
1.32	2048845	> COUPLING GUARD P270-F265 PA66 (2 PIECES)	1
1.33		> LANTERN P270X72-F265 GG KTL WILO	1
10	2027202	> TOOL D.18/24/32 VP.	1
1.4	2043714	COUPLING/SHAFT D.24/38X140 KIT	1
1.11	2027187	> NUT M12 DIN-EN24032 A2 VP.	1
1.12	2027190	> WASHER A13 DIN125-T2 A2 VP.	1
1.14	2042864	> O-RING ID.224x3,55 7EP1197-W534 VP.	1
1.41		> COUPLING 24/38+SHAFT 24X140 BG132 ZN KIT	1
10	2027202	> TOOL D.18/24/32 VP.	1
2	2168709	Motor B35 7,5/2/132/300E-IE4-ELEC(+Tool)	1
		Spare parts motor B35 7,5/2/132 300E IE4	1
3	2042759	PUMP HOUSING B32/230 PN16 KIT	1

**BL-E32/210-7,5/2-R1 (2159702)**

Item	Article no.	Description	Quantity
1.14	2042864	> O-RING ID.224x3,55 7EP1197-W534 VP.	1
3.1		> PUMP HOUSING BL32/230 PN16 CPL.WILO	1
4	2027193	SCREW M16X30 ISO4762 8.8 (4 PIECES)	1
5	2027195	SCREW M12X25 DIN912 8.8 (4 PIECES)	1
11	2192817	Module BL-E32/210-7,5/2-IE4 ELEC KIT	1
		> Module BL-E32/210-7,5/2-IE4 ELEC	1
	2111344	> MODULE COVER/GASKET TL5 KIT	1
	2120047	> CABLE CONNECTION M12x1,5/5 cpl.TL5 VP.	1
	2120048	> CABLE CONNECTION M16x1,5/5 cpl.TL5 VP.	1
	2120049	> CABLE CONNECTION M20x1,5/6 cpl.TL5 VP.	1
	2120050	> CABLE CONNECTION M25x1,5/8 cpl.TL5 VP.	1



Motor-Typenschild / Motor type plate / Plaque identité moteur

Bei Ersatzteilbestellung Motor-Nummer angeben!

Indicate motor number for order of spare parts!

Pour une commande de pièces détachées, donner le numéro du moteur!

ELEC

Motor-Nummer  
motor number  
numéro du moteur

<b>3~Induction Motor</b>					
Made by WILLO Group					
<b>351f218</b>	W132240-4-V1NPE		0902.001		
Class F	S1	IP55	69kg	EN60034	
50Hz	5.5kW	SF=1.15	60Hz	6.45kW	
YΔ 400/690V	10,6/6,13A	Y 440-480V	10,9/10,35A		
Cosφ =0.81	1470min <sup>-1</sup>	Cosφ =0.81	1770min <sup>-1</sup>		
IE4-91.9%	91,9%	91,1%	IE4-92.4%	92,4%	91,8%

WEG

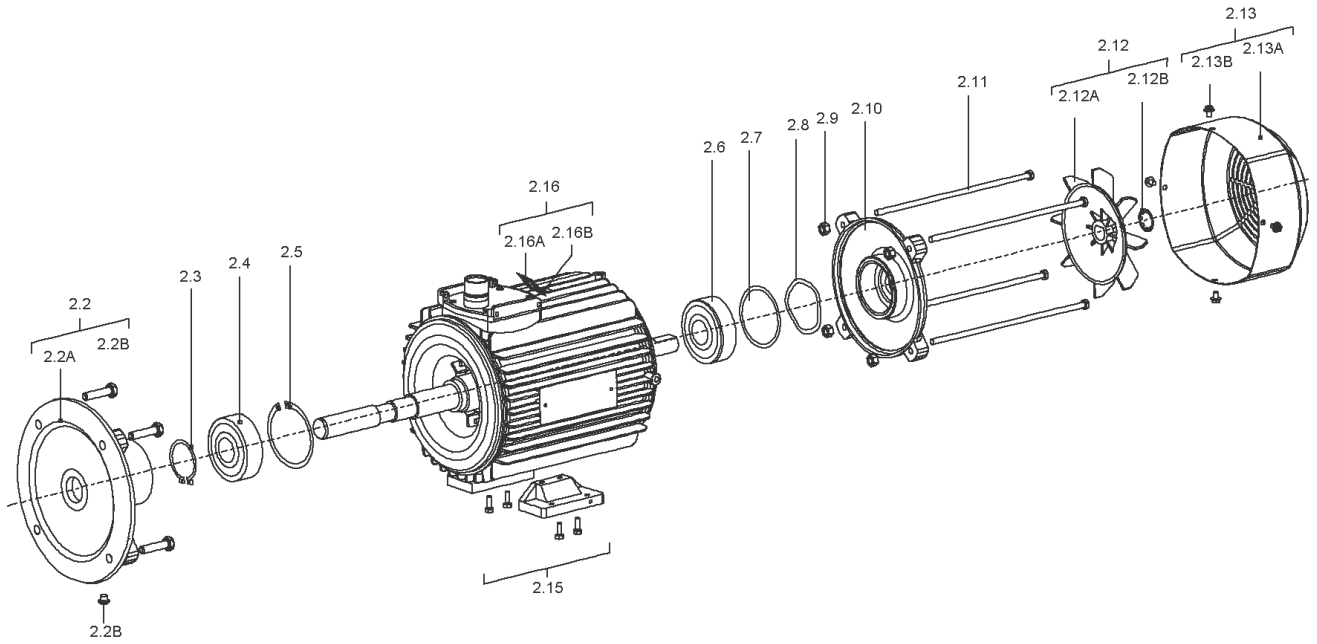
3~ AL180M/L-04		2015/12		1030615079	
AMB 40°C					
IP55	INS CL.F	Δ T 80 K	S1	SF 1.0	
V	Hz	kW	RPM	A	PF
400 / -			1480	29,5 / -	0,78
- / -					
- / -					
- / -					
400	IE4	93,9 (100%)	92,5 (75%)	90,8 (50%)	
- / -		- (100%)	- (75%)	- (50%)	
- A		- (100%)	- (75%)	- (50%)	
NEMA	Eff	- %	- HP	- V	- Hz
- A	PF	DES	CODE	SF	
				162 kg	
6311-ZZ-C3 MOBIL POLYREX EM					
6211-ZZ-C3					
MOD.TE01A0X1A0000301180					
IEC 60034					

VIBRATION LEVEL A
ACCORDING IEC 60034-14
BALANCED WITH NO KEY
WILO PART NO: 2151697

Motor-Nummer  
motor number  
numéro du moteur

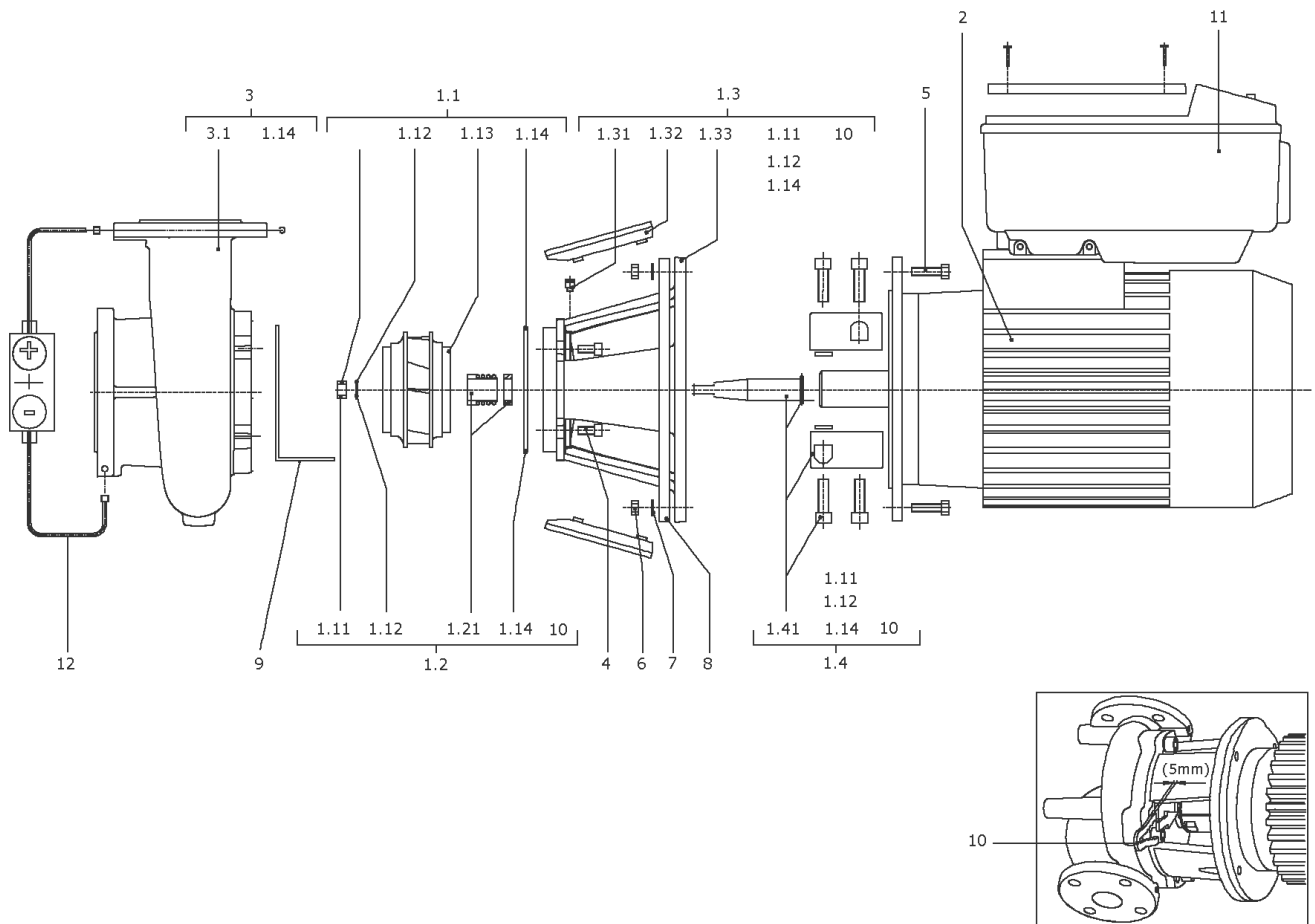
## Spare parts motor B35 7,5/2/132 300E IE4

Item	Description	Quantity
ELEC	Motor B35 7,5/2/132/300E IE4 ELEC WILO	1



**Motor B35 7,5/2/132/300E IE4 ELEC WILO**

Item	Article no.	Description	Quantity
2.2	2175903	End shield BG132 FF265 D.E.ELEC KIT	1
Note: Please give the data from type plate of the motor			
2.2A		> Flange IEC132 V1 FF265 D.E.	1
2.2B	2111309	> CONDENSATE HOLE GASKET D5 VP.	1
2.3	2178920	Circlip D40 GB894.1 VP.	1
Note: Please give the data from type plate of the motor			
2.4	121266690	BALL BEARING 6308/2Z-C3 (HT) VP.	1
Note: Please give the data from type plate of the motor			
2.5	2192954	Circlip D90 GB893.1 VP.	1
Note: Please give the data from type plate of the motor			
2.6	2153173	Ball bearing 6206/VV-C3 VP.	1
Note: Please give the data from type plate of the motor			
2.8	2132469	SPRING RING D.62 JB/T7590 VP.	1
2.10	2178921	End shield BG132 N.D.E.ELEC VP.	1
Note: Please give the data from type plate of the motor			
2.11	2178989	Srews Torx Plus M8x335 (4 Pieces)	1
Note: Please give the data from type plate of the motor			
2.12	2175742	Fan BG112 ELEC KIT	1
Note: Please give the data from type plate of the motor			
2.12A		> FAN 174X20X17 GP2200 G/F20%	1
2.12B	2118396	> Tooth lock washer D.19,8x0,4 VP.	1
Note: Please give the data from type plate of the motor			
2.13	2178928	Fan hood BG132 ELEC KIT	1
Note: Please give the data from type plate of the motor			
2.13A		> FAN COVER IEC132 KTL ST14 T0.8 H103	1
2.13B	2178923	> Screw M5X8 GB/T3098.1 6.8(4 Pieces)	1
2.15	2192955	Motor foot cpl.BG132 ELEC KIT	1
2.16	2178924	Air guider IEC 132 Motor KIT	1
Note: Please give the data from type plate of the motor			
2.16A		> AIR GUIDER IEC 132 MOTOR	1
2.16B		> SCREW M8X16 TORX HEX 6.8 GB/T70	1



**BL-E40/110-1,5/2-R1 (2159703)**

Item	Article no.	Description	Quantity
1.1	2123473	IMPELLER D.50/103/18 KIT	1
1.11	2027186	> NUT M10 DIN934 A2	1
1.12	2027189	> TENSIONING DISC DIN6796-10 V2A	1
1.13		> IMPELLER 50/103/18 GG BALANCED	1
1.14	2037527	> O-RING 148,82x3,53 EPDM 70SR.VP.	1
1.2	2026901	MECHANICAL SEAL MG12/18-G60 AQ1EGG KIT	1
1.11	2027186	> NUT M10 DIN934 A2	1
1.12	2027189	> TENSIONING DISC DIN6796-10 V2A	1
1.14	2037527	> O-RING 148,82x3,53 EPDM 70SR.VP.	1
1.14	2043160	> O-Ring 177,39x3,53 ISO3601B EPDM VP.	1
1.14	2042864	> O-RING ID.224x3,55 7EP1197-W534 VP.	1
1.21		> MECHANICAL SEAL MG12/18-G60 AQ1EGG	1
10	2027202	> TOOL D.18/24/32 VP.	1
1.3	2037200	LANTERN P190X85,2-F165 KIT	1
1.11	2027186	> NUT M10 DIN934 A2	1
1.12	2027189	> TENSIONING DISC DIN6796-10 V2A	1
1.14	2037527	> O-RING 148,82x3,53 EPDM 70SR.VP.	1
1.31	2027201	> BLOWGUN R1/8" VP.	1
1.32	2048839	> COUPLING GUARD F130-165 PA66 (2 PIECES)	1
1.33		> Lantern P190X85,2-F165 GG KTL WILO	1
10	2027202	> TOOL D.18/24/32 VP.	1
1.4	2042722	COUPLING/SHAFT D.18/24X127 KIT	1
1.11	2027186	> NUT M10 DIN934 A2	1
1.12	2027189	> TENSIONING DISC DIN6796-10 V2A	1
1.14	2037527	> O-RING 148,82x3,53 EPDM 70SR.VP.	1
1.14	2042864	> O-RING ID.224x3,55 7EP1197-W534 VP.	1
1.41		> COUPLING 18/24+SHAFT 18X127 BG90 ZN KIT	1
10	2027202	> TOOL D.18/24/32 VP.	1
2	2169165	Motor V1 1,5/2/90/200E-IE4-ELEC(+Tool)	1
		Spare parts motor V1 1,5/2/90 200E IE4	1
3	2037172	PUMP HOUSING B40/145 PN16 KIT	1
1.14	2037527	> O-RING 148,82x3,53 EPDM 70SR.VP.	1
3.1		> PUMP HOUSING BL40/145 PN16 CPL.WILO	1
4	2027194	SCREW M16X30/X40 DIN912 8.8 (4 PIECES)	1

**BL-E40/110-1,5/2-R1 (2159703)**

Item	Article no.	Description	Quantity
5	2037242	SCREW M10X25 ISO4762 8.8 (4 PIECES)	1
7	2029336	WASHER A17 DIN125 ST (4 PIECES)	1
9	2037241	MOTOR FOOT BG71-112/P190	1
11	2192818	Module BL-E40/110-1,5/2-IE4 ELEC KIT	1
		> Module BL-E40/110-1,5/2-IE4 ELEC	1
	2054227	> MODULE COVER/GASKET TL3/4 KIT	1
		> SCREW M5X16 ISO4762 8.8 ZnNi	1
		> WASHER TOOTHED LOCK A5,3 DIN6797 FST ZN	1
	2061236	> O-RING ID.38X3 EPDM 70SR.A BUS.	1

Motor-Typenschild / Motor type plate / Plaque identité moteur

Bei Ersatzteilbestellung Motor-Nummer angeben!

Indicate motor number for order of spare parts!

Pour une commande de pièces détachées, donner le numéro du moteur!

ELEC

Motor-Nummer  
motor number  
numéro du moteur

<b>3~Induction Motor</b>					
Made by WILLO Group					
<b>3511218</b>	<b>W132240-4-V1NPE</b>		<b>0902.001</b>		
Class F	S1	IP55	69kg	EN60034	
50Hz	5.5kW	SF=L1S	60Hz	6.45kW	
YΔ 400/690V	10,6/6,13A	Y 440-480V	10,9/10,35A		
Cosφ =0.81	1470min <sup>-1</sup>	Cosφ =0.81	1770min <sup>-1</sup>		
IE4-91.9%	91,9%	91,1%	IE4-92.4%	92,4%	91,8%

WEG

3~ AL180M/L-04		2015/12	1030615079		
AMB 40°C					
IP55	INS CL.F	Δ T 80 K	S1	SF 1.0	
V	Hz	kW	RPM	A	PF
400 / -			1480	29,5 / -	0,78
- / -					
- / -					
- / -					
400	IE4	93,9 (100%)	92,5 (75%)	90,8 (50%)	
- / -		- (100%)	- (75%)	- (50%)	
- A		- (100%)	- (75%)	- (50%)	
NEMA	Eff	- %	- HP	- V	- Hz
- A	PF	DES	CODE	SF	
		6311-ZZ-C3	MOBIL POLYREX EM		162 kg
		6211-ZZ-C3			
MOD.TE01A0X1A0000301180					
IEC 60034					

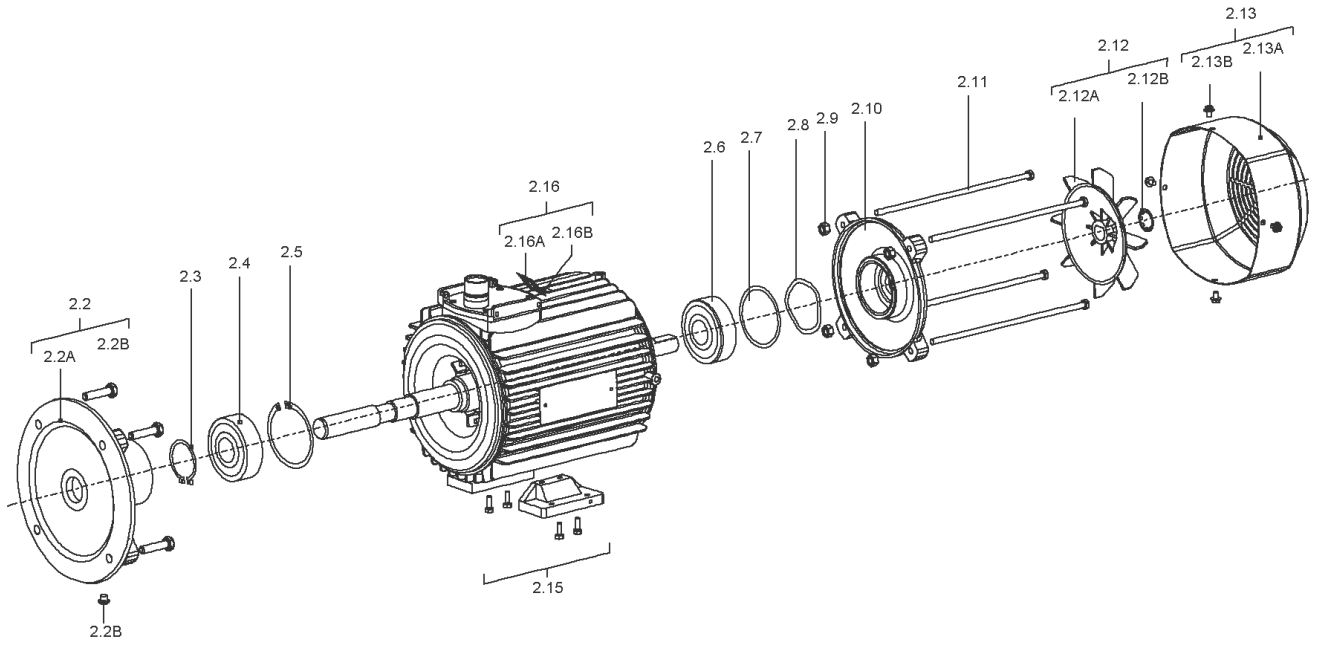
VIBRATION LEVEL A
ACCORDING IEC 60034-14
BALANCED WITH NO KEY
WILO PART NO: <b>2151697</b>

Motor-Nummer  
motor number  
numéro du moteur



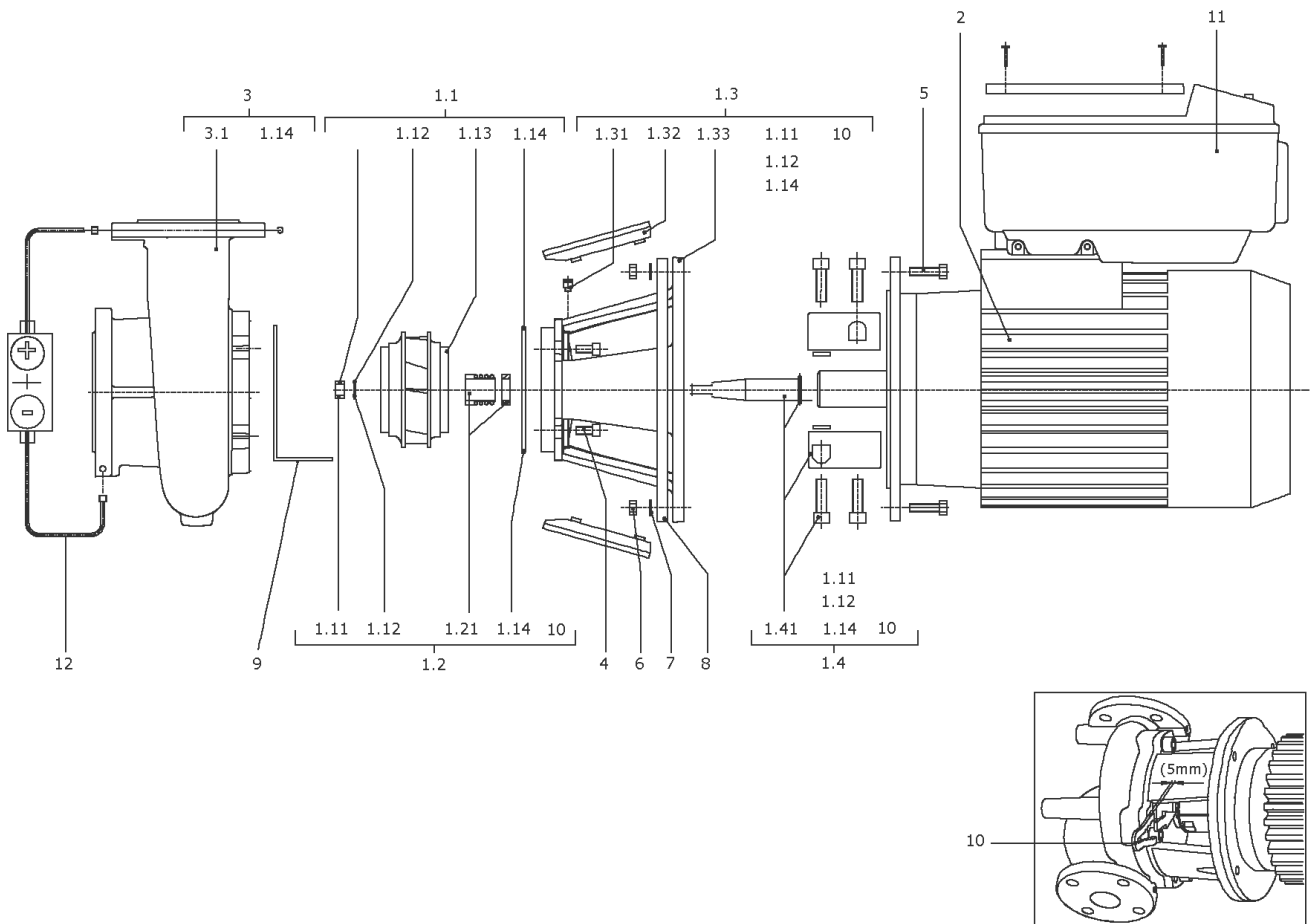
## Spare parts motor V1 1,5/2/90 200E IE4

Item	Description	Quantity
ELEC	W090095-2-V1NPE 400V/50Hz 1.5kW IE4	1



**W090095-2-V1NPE 400V/50Hz 1.5kW IE4**

Item	Article no.	Description	Quantity
2.2	2127392	END SHIELD BG90 V1 D.E.ELEC KIT	1
Note: Please give the data from type plate of the motor			
2.1A		> Flange IEC90 V1	1
2.1B	2111309	> CONDENSATE HOLE GASKET D5 VP.	1
Note: Please give the data from type plate of the motor			
2.3	2111334	CIRCLIP D.30 GB894.1 VP.	1
Note: Please give the data from type plate of the motor			
2.4	2153170	Ball bearing 6306/VV-C3 VP.	1
Note: Please give the data from type plate of the motor			
2.5	2111337	CIRCLIP D.72 GB893.1 VP.	1
Note: Please give the data from type plate of the motor			
2.6	2153168	Ball bearing 6204/VV-C3 VP.	1
2.7	2164016	O-Ring ID47.2x3.53 EPDM VP.	1
2.8	2111339	SPRING RING D.47 JB/T7590 VP.	1
Note: Please give the data from type plate of the motor			
2.10	2157920	End shield BG90 N.D.E.ELEC KIT	1
Note: Please give the data from type plate of the motor			
		> Flange IEC90 NDS with slot reduce0.5	1
		> O-RING ID47.2*3.53 EPDM	1
2.11	2111320	SCREW M5X211 6.8 (4 PIECES)	1
2.12	2107782	FAN WHEEL BG90 ELEC KIT	1
Note: Please give the data from type plate of the motor			
2.12A		> FAN 122.6X15X17 GP2200 G/F20%	1
2.12B	2111321	> STOP-RING D.14,8x0,4 VP.	1
Note: Please give the data from type plate of the motor			
2.13	2111322	FAN HOOD BG90 ELEC KIT	1
Note: Please give the data from type plate of the motor			
2.13A		> FAN COVER IEC90 KTL ST14 T0.8 H70	1
2.13B	2111323	> SCREW M4X6 (4 PIECES)	1
Note: Please give the data from type plate of the motor			



**BL-E40/120-2,2/2-R1 (2159704)**

Item	Article no.	Description	Quantity
1.1	2123472	IMPELLER D.50/113/18 KIT	1
1.11	2027186	> NUT M10 DIN934 A2	1
1.12	2027189	> TENSIONING DISC DIN6796-10 V2A	1
1.13		> IMPELLER 50/113/18 GG BALANCED	1
1.14	2037527	> O-RING 148,82x3,53 EPDM 70SR.VP.	1
1.2	2026901	MECHANICAL SEAL MG12/18-G60 AQ1EGG KIT	1
1.11	2027186	> NUT M10 DIN934 A2	1
1.12	2027189	> TENSIONING DISC DIN6796-10 V2A	1
1.14	2037527	> O-RING 148,82x3,53 EPDM 70SR.VP.	1
1.14	2043160	> O-Ring 177,39x3,53 ISO3601B EPDM VP.	1
1.14	2042864	> O-RING ID.224x3,55 7EP1197-W534 VP.	1
1.21		> MECHANICAL SEAL MG12/18-G60 AQ1EGG	1
10	2027202	> TOOL D.18/24/32 VP.	1
1.3	2037200	LANTERN P190X85,2-F165 KIT	1
1.11	2027186	> NUT M10 DIN934 A2	1
1.12	2027189	> TENSIONING DISC DIN6796-10 V2A	1
1.14	2037527	> O-RING 148,82x3,53 EPDM 70SR.VP.	1
1.31	2027201	> BLOWGUN R1/8" VP.	1
1.32	2048839	> COUPLING GUARD F130-165 PA66 (2 PIECES)	1
1.33		> Lantern P190X85,2-F165 GG KTL WILO	1
10	2027202	> TOOL D.18/24/32 VP.	1
1.4	2042722	COUPLING/SHAFT D.18/24X127 KIT	1
1.11	2027186	> NUT M10 DIN934 A2	1
1.12	2027189	> TENSIONING DISC DIN6796-10 V2A	1
1.14	2037527	> O-RING 148,82x3,53 EPDM 70SR.VP.	1
1.14	2042864	> O-RING ID.224x3,55 7EP1197-W534 VP.	1
1.41		> COUPLING 18/24+SHAFT 18X127 BG90 ZN KIT	1
10	2027202	> TOOL D.18/24/32 VP.	1
2	2169167	Motor V1 2,2/2/90/200E-IE4-ELEC(+Tool)	1
		Spare parts motor V1 2,2/2/90 200E IE4	1
3	2037172	PUMP HOUSING B40/145 PN16 KIT	1
1.14	2037527	> O-RING 148,82x3,53 EPDM 70SR.VP.	1
3.1		> PUMP HOUSING BL40/145 PN16 CPL.WILO	1
4	2027194	SCREW M16X30/X40 DIN912 8.8 (4 PIECES)	1

**BL-E40/120-2,2/2-R1 (2159704)**

Item	Article no.	Description	Quantity
5	2037242	SCREW M10X25 ISO4762 8.8 (4 PIECES)	1
7	2029336	WASHER A17 DIN125 ST (4 PIECES)	1
9	2037241	MOTOR FOOT BG71-112/P190	1
11	2192819	Module BL-E40/120-2,2/2-IE4 ELEC KIT	1
		> Module BL-E40/120-2,2/2-IE4 ELEC	1
	2054227	> MODULE COVER/GASKET TL3/4 KIT	1
		> SCREW M5X16 ISO4762 8.8 ZnNi	1
		> WASHER TOOTHED LOCK A5,3 DIN6797 FST ZN	1
	2061236	> O-RING ID.38X3 EPDM 70SR.A BUS.	1

Motor-Typenschild / Motor type plate / Plaque identité moteur

Bei Ersatzteilbestellung Motor-Nummer angeben!

Indicate motor number for order of spare parts!

Pour une commande de pièces détachées, donner le numéro du moteur!

ELEC

Motor-Nummer  
motor number  
numéro du moteur

<b>3~Induction Motor</b>					
Made by WILLO Group					
<b>3511218</b>	<b>W132240-4-V1NPE</b>		<b>0902.001</b>		
Class F	S1	IP55	69kg	EN60034	
50Hz	5.5kW	SF=L1S	60Hz	6.45kW	
YΔ 400/690V	10,6/6,13A	Y 440-480V	10,9/10,35A		
Cosφ =0.81	1470min <sup>-1</sup>	Cosφ =0.81	1770min <sup>-1</sup>		
IE4-91.9%	91,9%	91,1%	IE4-92.4%	92,4%	91,8%

WEG

3~ AL180M/L-04		2015/12	1030615079		
AMB 40°C					
IP55	INS CL.F	Δ T 80 K	S1	SF 1.0	
V	Hz	kW	RPM	A	PF
400 / -			1480	29,5 / -	0,78
- / -					
- / -					
- / -					
400	IE4	93,9 (100%)	92,5 (75%)	90,8 (50%)	
- / -		- (100%)	- (75%)	- (50%)	
- A		- (100%)	- (75%)	- (50%)	
NEMA	Eff	- %	- HP	- V	- Hz
- A	PF	DES	CODE	SF	
← 6311-ZZ-C3 MOBIL POLYREX EM					162 kg
→ 6211-ZZ-C3					
MOD.TE01A0X1A0000301180					
IEC 60034					

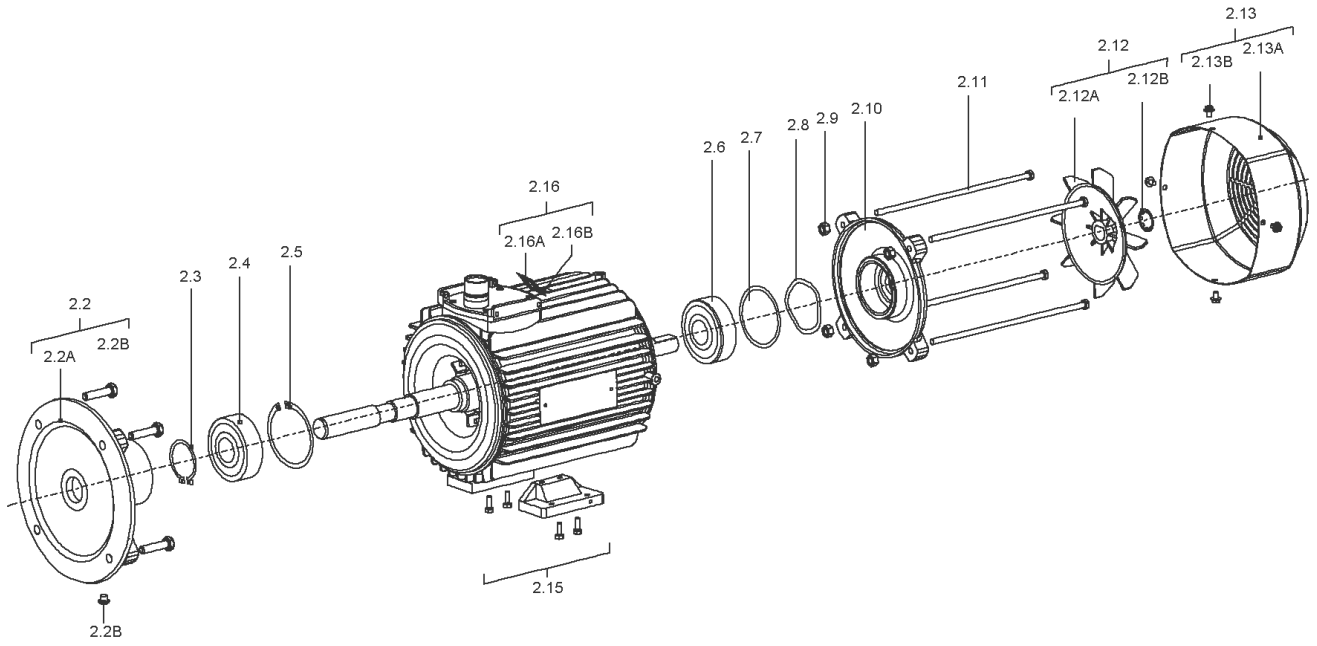
VIBRATION LEVEL A
ACCORDING IEC 60034-14
BALANCED WITH NO KEY
WILO PART NO: <b>2151697</b>

Motor-Nummer  
motor number  
numéro du moteur

## Spare parts motor V1 2,2/2/90 200E IE4

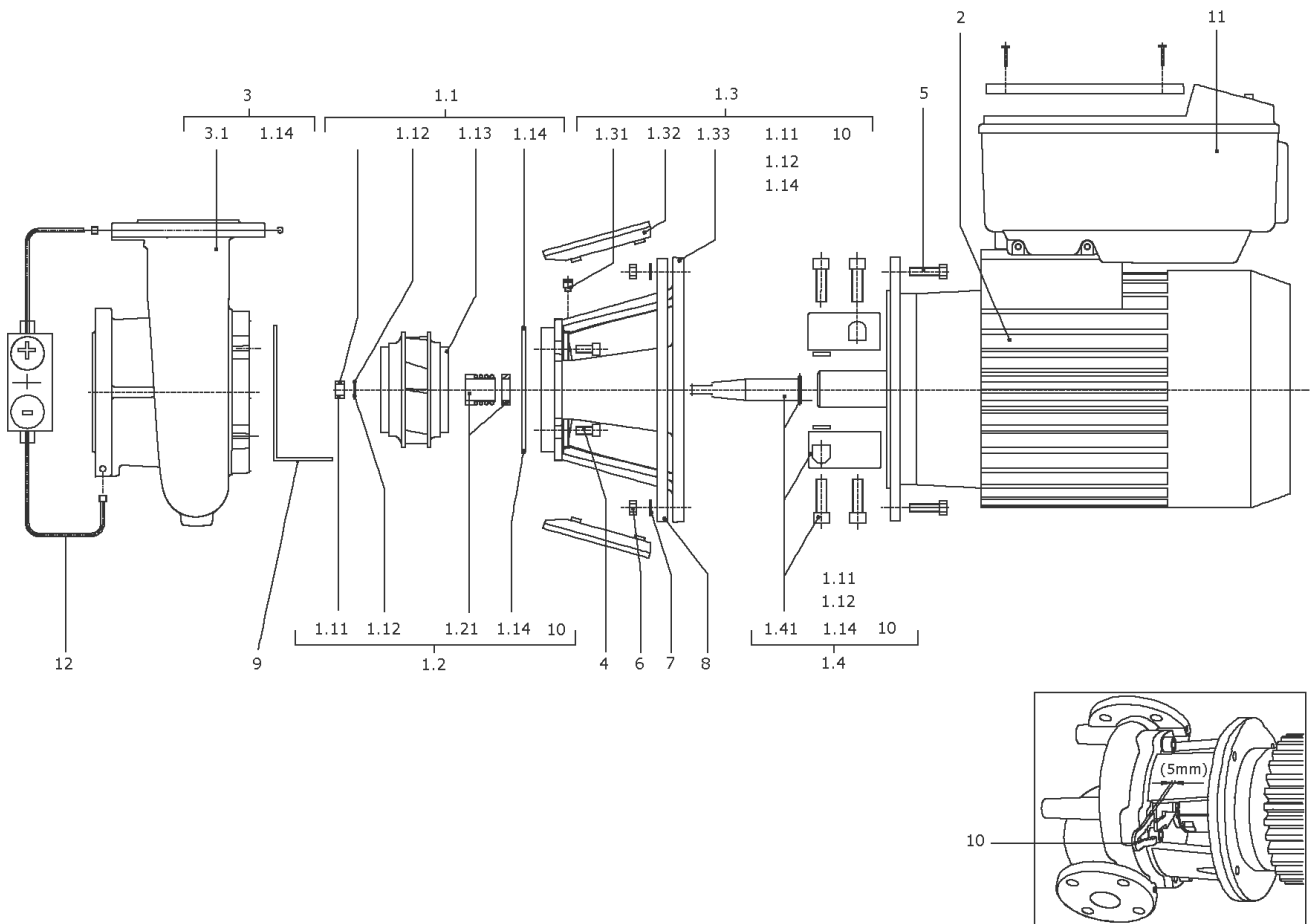
Item	Description	Quantity
ELEC	W090130-2-V1NPE 400V/50Hz 2.2kW IE4	1





**W090130-2-V1NPE 400V/50Hz 2.2kW IE4**

Item	Article no.	Description	Quantity
2.2	2127392	END SHIELD BG90 V1 D.E.ELEC KIT	1
Note: Please give the data from type plate of the motor			
2.1A		> Flange IEC90 V1	1
2.1B	2111309	> CONDENSATE HOLE GASKET D5 VP.	1
Note: Please give the data from type plate of the motor			
2.3	2111334	CIRCLIP D.30 GB894.1 VP.	1
Note: Please give the data from type plate of the motor			
2.4	2153170	Ball bearing 6306/VV-C3 VP.	1
Note: Please give the data from type plate of the motor			
2.5	2111337	CIRCLIP D.72 GB893.1 VP.	1
Note: Please give the data from type plate of the motor			
2.6	2153168	Ball bearing 6204/VV-C3 VP.	1
2.7	2164016	O-Ring ID47.2x3.53 EPDM VP.	1
2.8	2111339	SPRING RING D.47 JB/T7590 VP.	1
Note: Please give the data from type plate of the motor			
2.10	2157920	End shield BG90 N.D.E.ELEC KIT	1
Note: Please give the data from type plate of the motor			
		> Flange IEC90 NDS with slot reduce0.5	1
		> O-RING ID47.2*3.53 EPDM	1
2.11	2179081	Screw torx Plus / Hex.M5X231(4Pieces)	1
2.12	2107782	FAN WHEEL BG90 ELEC KIT	1
Note: Please give the data from type plate of the motor			
2.12A		> FAN 122.6X15X17 GP2200 G/F20%	1
2.12B	2111321	> STOP-RING D.14,8x0,4 VP.	1
Note: Please give the data from type plate of the motor			
2.13	2111322	FAN HOOD BG90 ELEC KIT	1
Note: Please give the data from type plate of the motor			
2.13A		> FAN COVER IEC90 KTL ST14 T0.8 H70	1
2.13B	2111323	> SCREW M4X6 (4 PIECES)	1
Note: Please give the data from type plate of the motor			



**BL-E40/130-3/2-R1 (2159705)**

Item	Article no.	Description	Quantity
1.1	2123470	IMPELLER D.50/125/18 KIT	1
1.11	2027186	> NUT M10 DIN934 A2	1
1.12	2027189	> TENSIONING DISC DIN6796-10 V2A	1
1.13		> IMPELLER 50/125/18 GG BALANCED	1
1.14	2037527	> O-RING 148,82x3,53 EPDM 70SR.VP.	1
1.2	2026901	MECHANICAL SEAL MG12/18-G60 AQ1EGG KIT	1
1.11	2027186	> NUT M10 DIN934 A2	1
1.12	2027189	> TENSIONING DISC DIN6796-10 V2A	1
1.14	2037527	> O-RING 148,82x3,53 EPDM 70SR.VP.	1
1.14	2043160	> O-Ring 177,39x3,53 ISO3601B EPDM VP.	1
1.14	2042864	> O-RING ID.224x3,55 7EP1197-W534 VP.	1
1.21		> MECHANICAL SEAL MG12/18-G60 AQ1EGG	1
10	2027202	> TOOL D.18/24/32 VP.	1
1.3	2037206	LANTERN P190X85,2-F215 KIT	1
1.11	2027186	> NUT M10 DIN934 A2	1
1.12	2027189	> TENSIONING DISC DIN6796-10 V2A	1
1.14	2037527	> O-RING 148,82x3,53 EPDM 70SR.VP.	1
1.31	2027201	> BLOWGUN R1/8" VP.	1
1.32	2048842	> COUPLING GUARD F215 PA66 (2 PIECES)	1
1.33		> Lantern P190X85,2-F215 GG KTL WILO	1
10	2027202	> TOOL D.18/24/32 VP.	1
1.4	2027235	COUPLING/SHAFT 18/28x133 KIT	1
1.11	2027186	> NUT M10 DIN934 A2	1
1.12	2027189	> TENSIONING DISC DIN6796-10 V2A	1
1.14	2037527	> O-RING 148,82x3,53 EPDM 70SR.VP.	1
1.41		> COUPLING 18/28+SHAFT 18X133 GR112 ZN KIT	1
10	2027202	> TOOL D.18/24/32 VP.	1
2	2169169	Motor V1 3/2/100/250E-IE4-ELEC(+Tool)	1
		Spare parts motor V1 3/2/100 250E IE4	1
3	2037172	PUMP HOUSING B40/145 PN16 KIT	1
1.14	2037527	> O-RING 148,82x3,53 EPDM 70SR.VP.	1
3.1		> PUMP HOUSING BL40/145 PN16 CPL.WILO	1
4	2027194	SCREW M16X30/X40 DIN912 8.8 (4 PIECES)	1
	2029336	WASHER A17 DIN125 ST (4 PIECES)	1

**BL-E40/130-3/2-R1 (2159705)**

Item	Article no.	Description	Quantity
5	2027195	SCREW M12X25 DIN912 8.8 (4 PIECES)	1
7	2029335	WASHER A13 DIN125 ST (4 PIECES)	1
9	2037241	MOTOR FOOT BG71-112/P190	1
11	2192820	Module BL-E40/130-3/2-IE4 ELEC KIT	1
		> Module BL-E40/130-3/2-IE4 ELEC	1
	2054227	> MODULE COVER/GASKET TL3/4 KIT	1
		> SCREW M5X16 ISO4762 8.8 ZnNi	1
		> WASHER TOOTHED LOCK A5,3 DIN6797 FST ZN	1
	2061236	> O-RING ID.38X3 EPDM 70SR.A BUS.	1

Motor-Typenschild / Motor type plate / Plaque identité moteur

Bei Ersatzteilbestellung Motor-Nummer angeben!

Indicate motor number for order of spare parts!

Pour une commande de pièces détachées, donner le numéro du moteur!

ELEC

Motor-Nummer  
motor number  
numéro du moteur

<b>3~Induction Motor</b>					
Made by WILLO Group					
<b>351f218</b>	<b>W132240-4-V1NPE</b>		<b>0902.001</b>		
Class F	S1	IP55	69kg	EN60034	
50Hz	5.5kW	SF=1.15	60Hz	6.45kW	
YΔ 400/690V	10,6/6,13A	Y 440-480V	10,9/10,35A		
Cosφ =0.81	1470min <sup>-1</sup>	Cosφ =0.81	1770min <sup>-1</sup>		
IE4-91.9%	91,9%	91,1%	IE4-92.4%	92,4%	91,8%

WEG

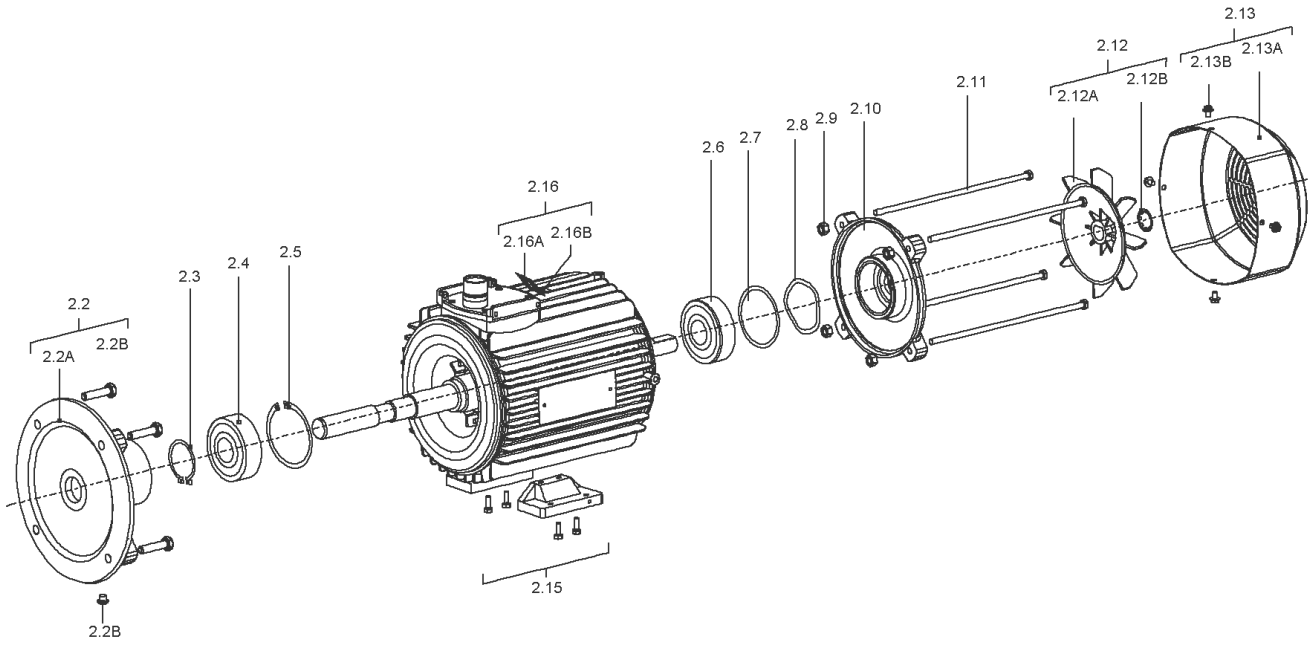
		3~ AL180M/L-04		2015/12		1030615079	
AMB 40°C							
IP55		INS CL.F		Δ T 80 K		S1 SF 1.0	
V	Hz	kW	RPM	A	PF		
400 / -			1480	29,5 / -	0,78		
- / -							
- / -							
- / -							
400	IE4	93,9 (100%)	92,5 (75%)	90,8 (50%)			
- / -		- (100%)	- (75%)	- (50%)			
- A		- (100%)	- (75%)	- (50%)			
NEMA	Eff	- %	- HP	- V	- Hz	- RPM	
- A	PF	DES	CODE	SF			
		6311-ZZ-C3		MOBIL POLYREX EM		162 kg	
		6211-ZZ-C3					
MOD.TE01A0X1A0000301180							
		IEC 60034					

VIBRATION LEVEL A
ACCORDING IEC 60034-14
BALANCED WITH NO KEY
WILO PART NO: <b>2151697</b>

Motor-Nummer  
motor number  
numéro du moteur

## Spare parts motor V1 3/2/100 250E IE4

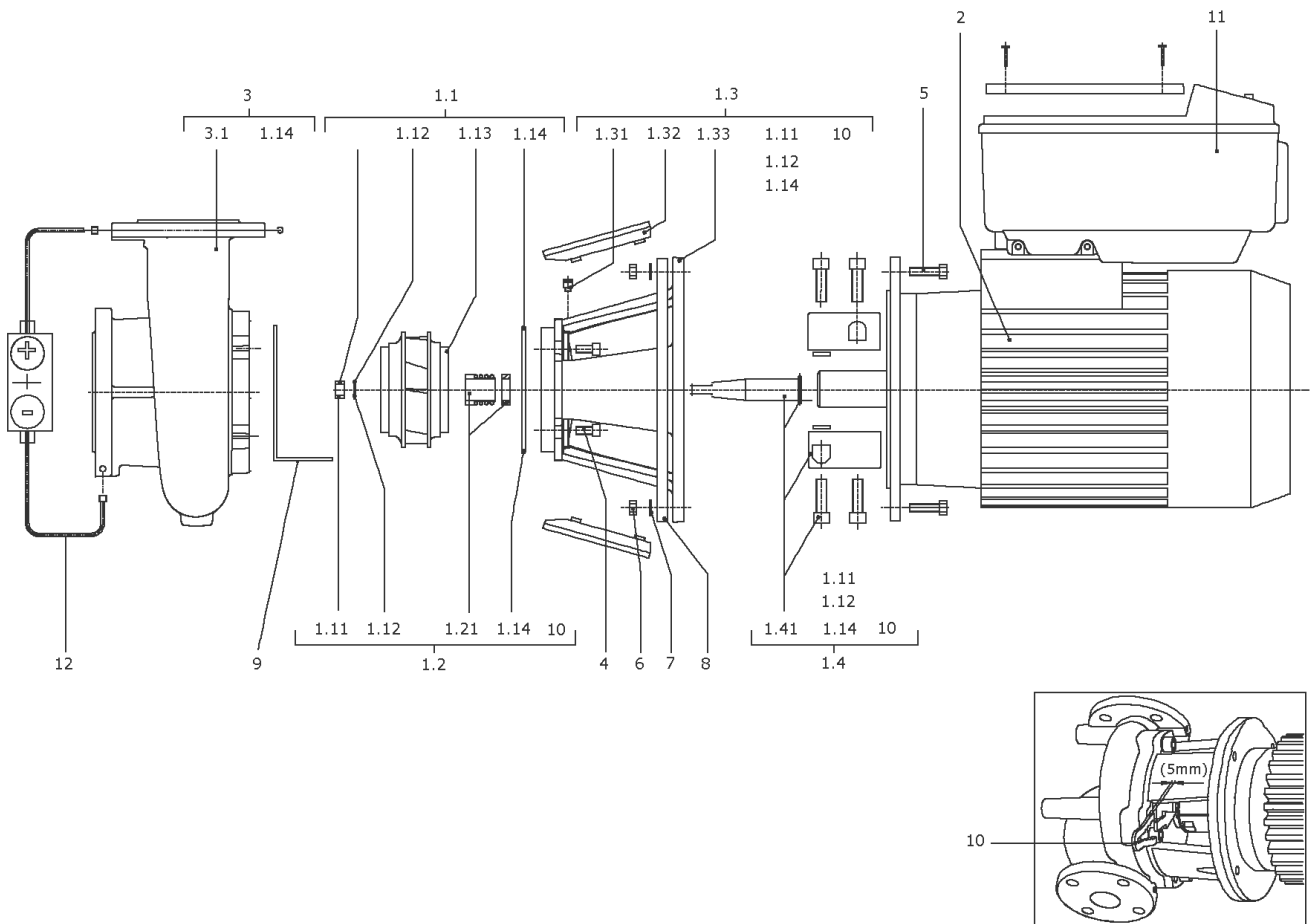
Item	Description	Quantity
ELEC	W100130-2-V1NPE 400V/50Hz 3kW IE4	1





**W100130-2-V1NPE 400V/50Hz 3kW IE4**

Item	Article no.	Description	Quantity
2.2	2127393	END SHIELD BG100 V1 D.E.ELEC KIT	1
Note: Please give the data from type plate of the motor			
2.1A		> FLANGE IEC100 V1	1
2.1B	2111309	> CONDENSATE HOLE GASKET D5 VP.	1
Note: Please give the data from type plate of the motor			
2.3	2118388	CIRCLIP D.35 GB894.1 VP.	1
Note: Please give the data from type plate of the motor			
2.4	2153172	Ball bearing 6307/VV-C3 VP.	1
Note: Please give the data from type plate of the motor			
2.5	2118390	CIRCLIP D.80 GB893.1 VP.	1
Note: Please give the data from type plate of the motor			
2.6	2153171	Ball bearing 6205/VV-C3 VP.	1
2.7	2164094	O-Ring ID52.4x3.53 EPDM VP.	1
2.8	2164076	Circlip D52 JB/T7590 VP.	1
Note: Please give the data from type plate of the motor			
2.10	2164074	End shield BG100 N.D.E.ELEC KIT	1
Note: Please give the data from type plate of the motor			
		> FLANGE IEC100 NDS with slot	1
		> O-RING ID52.4*3.53 EPDM	1
2.11	2179082	Screw Torx Plus / Hexagon M6X258(4Pieces	1
2.12	2179083	Fan wheel BG100 ELEC KIT	1
Note: Please give the data from type plate of the motor			
2.12A		> FAN 150X20X17 GP2200 G/F20%	1
2.12B	2118396	> Tooth lock washer D.19,8x0,4 VP.	1
Note: Please give the data from type plate of the motor			
2.13	2118397	FAN HOOD BG100 ELEC KIT	1
Note: Please give the data from type plate of the motor			
2.13A		> FAN COVER IEC100 KTL ST14 T0.8 H86	1
2.13B	2111323	> SCREW M4X6 (4 PIECES)	1
Note: Please give the data from type plate of the motor			
2.16	2179086	Air guider BG100 Motor KIT	1
2.16A		> AIR GUIDER IEC100 MOTOR	1
2.16B		> Screw Tapping M5X14 trox pan	1



**BL-E40/140-4/2-R1 (2159706)**

Item	Article no.	Description	Quantity
1.1	2123469	IMPELLER D.50/136/18 KIT	1
1.11	2027186	> NUT M10 DIN934 A2	1
1.12	2027189	> TENSIONING DISC DIN6796-10 V2A	1
1.13		> IMPELLER 50/136/18 GG BALANCED	1
1.14	2037527	> O-RING 148,82x3,53 EPDM 70SR.VP.	1
1.2	2026901	MECHANICAL SEAL MG12/18-G60 AQ1EGG KIT	1
1.11	2027186	> NUT M10 DIN934 A2	1
1.12	2027189	> TENSIONING DISC DIN6796-10 V2A	1
1.14	2037527	> O-RING 148,82x3,53 EPDM 70SR.VP.	1
1.14	2043160	> O-Ring 177,39x3,53 ISO3601B EPDM VP.	1
1.14	2042864	> O-RING ID.224x3,55 7EP1197-W534 VP.	1
1.21		> MECHANICAL SEAL MG12/18-G60 AQ1EGG	1
10	2027202	> TOOL D.18/24/32 VP.	1
1.3	2037206	LANTERN P190X85,2-F215 KIT	1
1.11	2027186	> NUT M10 DIN934 A2	1
1.12	2027189	> TENSIONING DISC DIN6796-10 V2A	1
1.14	2037527	> O-RING 148,82x3,53 EPDM 70SR.VP.	1
1.31	2027201	> BLOWGUN R1/8" VP.	1
1.32	2048842	> COUPLING GUARD F215 PA66 (2 PIECES)	1
1.33		> Lantern P190X85,2-F215 GG KTL WILO	1
10	2027202	> TOOL D.18/24/32 VP.	1
1.4	2027235	COUPLING/SHAFT 18/28x133 KIT	1
1.11	2027186	> NUT M10 DIN934 A2	1
1.12	2027189	> TENSIONING DISC DIN6796-10 V2A	1
1.14	2037527	> O-RING 148,82x3,53 EPDM 70SR.VP.	1
1.41		> COUPLING 18/28+SHAFT 18X133 GR112 ZN KIT	1
10	2027202	> TOOL D.18/24/32 VP.	1
2	2169171	Motor V1 4/2/112/250E-IE4-ELEC(+Tool)	1
		Spare parts motor V1 4/2/112 250E IE4	1
3	2037172	PUMP HOUSING B40/145 PN16 KIT	1
1.14	2037527	> O-RING 148,82x3,53 EPDM 70SR.VP.	1
3.1		> PUMP HOUSING BL40/145 PN16 CPL.WILO	1
4	2027194	SCREW M16X30/X40 DIN912 8.8 (4 PIECES)	1
5	2027195	SCREW M12X25 DIN912 8.8 (4 PIECES)	1

**BL-E40/140-4/2-R1 (2159706)**

Item	Article no.	Description	Quantity
7	2029335	WASHER A13 DIN125 ST (4 PIECES)	1
9	2037241	MOTOR FOOT BG71-112/P190	1
11	2192821	Module BL-E40/140-4/2-IE4 ELEC KIT	1
		> Module BL-E40/140-4/2-IE4 ELEC	1
	2054227	> MODULE COVER/GASKET TL3/4 KIT	1
		> SCREW M5X16 ISO4762 8.8 ZnNi	1
		> WASHER TOOTHED LOCK A5,3 DIN6797 FST ZN	1
	2061236	> O-RING ID.38X3 EPDM 70SR.A BUS.	1
	2029336	WASHER A17 DIN125 ST (4 PIECES)	1

Motor-Typenschild / Motor type plate / Plaque identité moteur

Bei Ersatzteilbestellung Motor-Nummer angeben!

Indicate motor number for order of spare parts!

Pour une commande de pièces détachées, donner le numéro du moteur!

ELEC

Motor-Nummer  
motor number  
numéro du moteur

<b>3~Induction Motor</b>					
Made by WILLO Group					
<b>3511218</b>	<b>W132240-4-V1NPE</b>		<b>0902.001</b>		
Class F	S1	IP55	69kg	EN60034	
50Hz	5.5kW	SF=L1S	60Hz	6.45kW	
YΔ 400/690V	10,6/6,13A	Y 440-480V	10,9/10,35A		
Cosφ =0.81	1470min <sup>-1</sup>	Cosφ =0.81	1770min <sup>-1</sup>		
IE4-91.9%	91,9%	91,1%	IE4-92.4%	92,4%	91,8%

WEG

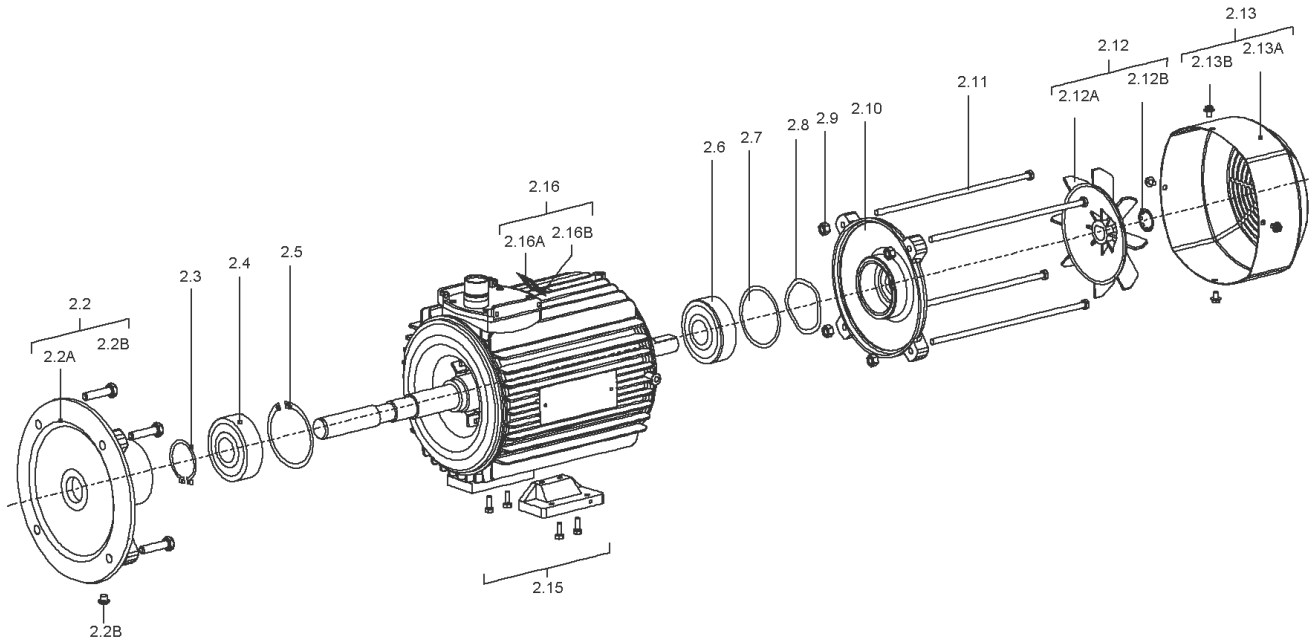
3~ AL180M/L-04		2015/12		1030615079	
AMB 40°C					
IP55	INS CL.F	Δ T 80 K	S1	SF 1.0	
V	Hz	kW	RPM	A	PF
400 / -			1480	29,5 / -	0,78
- / -					
- / -					
- / -					
400	IE4	93,9 (100%)	92,5 (75%)	90,8 (50%)	
- / -		- (100%)	- (75%)	- (50%)	
- A		- (100%)	- (75%)	- (50%)	
NEMA	Eff	- %	- HP	- V	- Hz
- A	PF	DES	CODE	SF	
		6311-ZZ-C3		MOBIL POLYREX EM	
		6211-ZZ-C3		162 kg	
MOD.TE01A0X1A0000301180					
IEC 60034					

VIBRATION LEVEL A
ACCORDING IEC 60034-14
BALANCED WITH NO KEY
WILO PART NO: <b>2151697</b>

Motor-Nummer  
motor number  
numéro du moteur

## Spare parts motor V1 4/2/112 250E IE4

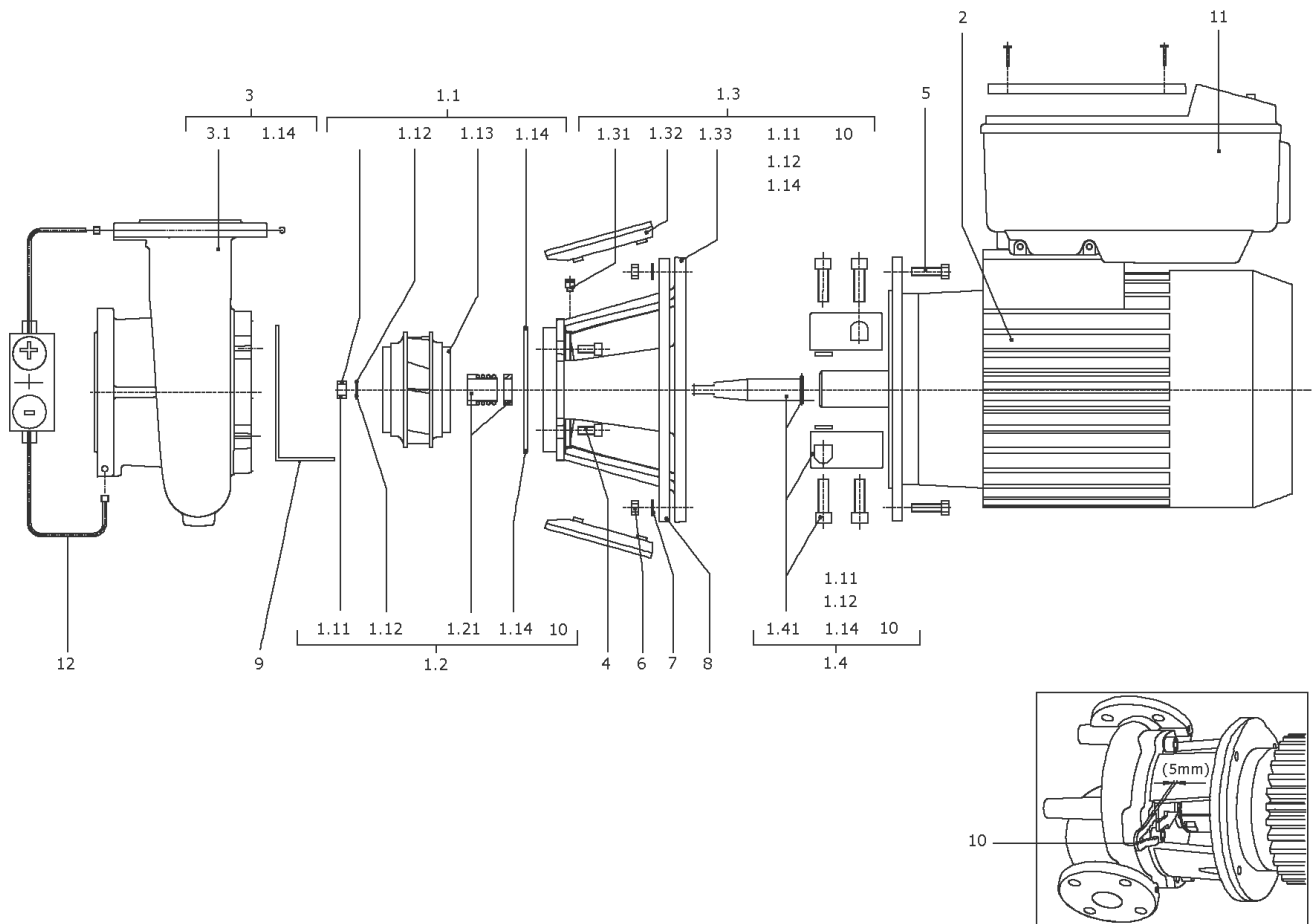
Item	Description	Quantity
ELEC	W112140-2-V1NPE 400V/50Hz 4kW IE4	1



**W112140-2-V1NPE 400V/50Hz 4kW IE4**

Item	Article no.	Description	Quantity
2.2	2192953	End shield BG112 V1 D.E.ELEC KIT	1
Note: Please give the data from type plate of the motor			
2.1A		> FLANGE IEC112 V1	1
2.1B	2111309	> CONDENSATE HOLE GASKET D5 VP.	1
Note: Please give the data from type plate of the motor			
2.3	2118388	CIRCLIP D.35 GB894.1 VP.	1
Note: Please give the data from type plate of the motor			
2.4	2153172	Ball bearing 6307/VV-C3 VP.	1
Note: Please give the data from type plate of the motor			
2.5	2118390	CIRCLIP D.80 GB893.1 VP.	1
Note: Please give the data from type plate of the motor			
2.6	2153173	Ball bearing 6206/VV-C3 VP.	1
2.7	2164027	O-Ring ID62.4x3.53 EPDM VP.	1
2.8	2132469	SPRING RING D.62 JB/T7590 VP.	1
Note: Please give the data from type plate of the motor			
2.10	2164025	End shield BG112 N.D.E.ELEC KIT	1
Note: Please give the data from type plate of the motor			
		> FLANGE IEC112 NDS with slot	1
		> O-RING ID62.4*3.53 EPDM	1
2.11	2132473	SCREW M8X263,5 6.8 (4 PIECES)	1
2.12	2175742	Fan BG112 ELEC KIT	1
Note: Please give the data from type plate of the motor			
2.12A		> FAN 174X20X17 GP2200 G/F20%	1
2.12B	2118396	> Tooth lock washer D.19,8x0,4 VP.	1
Note: Please give the data from type plate of the motor			
2.13	2168255	Fan hood BG112 ELEC KIT	1
Note: Please give the data from type plate of the motor			
2.13A		> FAN COVER IEC112 KTL ST14 T1.0 H86	1
2.13B	2111323	> SCREW M4X6 (4 PIECES)	1
Note: Please give the data from type plate of the motor			
2.16	2179084	Air guider BG 112 Motor KIT	1
2.16A		> AIR GUIDER IEC 112 MOTOR	1
2.16B		> SCREW M8X16 TORX HEX 6.8 GB/T70	1





**BL-E40/160-5,5/2-R1 (2159707)**

Item	Article no.	Description	Quantity
1.1	2037308	IMPELLER D.50/159/24 KIT	1
1.11	2027187	> NUT M12 DIN-EN24032 A2 VP.	1
1.12	2027190	> WASHER A13 DIN125-T2 A2 VP.	1
1.13		> IMPELLER 50/159/149/24 GG BALANCED	1
1.14	2043160	> O-Ring 177,39x3,53 ISO3601B EPDM VP.	1
	2042862	> WASHER S12 V2A VP.	1
1.2	2026902	MECHANICAL SEAL MG12/24-G60 AQ1EGG KIT	1
1.11	2027187	> NUT M12 DIN-EN24032 A2 VP.	1
1.12	2027190	> WASHER A13 DIN125-T2 A2 VP.	1
1.14	2037527	> O-RING 148,82x3,53 EPDM 70SR.VP.	1
1.14	2043160	> O-Ring 177,39x3,53 ISO3601B EPDM VP.	1
1.14	2042864	> O-RING ID.224x3,55 7EP1197-W534 VP.	1
1.14	2051680	> O-RING ID.276,7x5,29 7EP1197-W534 VP.	1
	2042862	> WASHER S12 V2A VP.	1
1.21		> MECHANICAL SEAL MG12/24-G60 AQ1EGG	1
10	2027202	> TOOL D.18/24/32 VP.	1
1.3	2027010	LANTERN P228X85,2-F265 KIT	1
1.11	2027187	> NUT M12 DIN-EN24032 A2 VP.	1
1.12	2027190	> WASHER A13 DIN125-T2 A2 VP.	1
1.14	2043160	> O-Ring 177,39x3,53 ISO3601B EPDM VP.	1
	2042862	> WASHER S12 V2A VP.	1
1.31	2027201	> BLOWGUN R1/8" VP.	1
1.32	2048838	> COUPLING GUARD F265 PA66 AD.(4 PIECES)	1
1.33		> LANTERN P228X85,2-F265 GG KTL RDES WILO	1
10	2027202	> TOOL D.18/24/32 VP.	1
1.4	2026928	COUPLING/SHAFT 24/38x142 OR.177 KIT	1
1.11	2027187	> NUT M12 DIN-EN24032 A2 VP.	1
1.12	2027190	> WASHER A13 DIN125-T2 A2 VP.	1
1.14	2043160	> O-Ring 177,39x3,53 ISO3601B EPDM VP.	1
	2042862	> WASHER S12 V2A VP.	1
1.41		> COUPLING 24/38+SHAFT 24X142 BG132 ZN KIT	1
10	2027202	> TOOL D.18/24/32 VP.	1
2	2179386	Motor B35 5,5/2/132/300E-IE4-ELEC(+Tool)	1
		Spare parts motor B35 5,5/2/132 300E IE4	1

**BL-E40/160-5,5/2-R1 (2159707)**

Item	Article no.	Description	Quantity
3	2026870	PUMP HOUSING B40/170 PN16 KIT	1
1.14	2043160	> O-Ring 177,39x3,53 ISO3601B EPDM VP.	1
3.1		> PUMP HOUSING BL40/182 PN16 CPL.WILO	1
4	2027193	SCREW M16X30 ISO4762 8.8 (4 PIECES)	1
5	2027199	Screw M12X65 ISO4014 8.8 (4STÜCK)	1
6	2029305	NUT M12 DIN-EN24032 8 (4 PIECES)	1
7	2029335	WASHER A13 DIN125 ST (4 PIECES)	1
8	2027185	Adapter ring BG132 VP.	1
11	2192822	Module BL-E40/160-5,5/2-IE4 ELEC KIT	1
		> Module BL-E40/160-5,5/2-IE4 ELEC	1
	2111344	> MODULE COVER/GASKET TL5 KIT	1
	2120047	> CABLE CONNECTION M12x1,5/5 cpl.TL5 VP.	1
	2120048	> CABLE CONNECTION M16x1,5/5 cpl.TL5 VP.	1
	2120049	> CABLE CONNECTION M20x1,5/6 cpl.TL5 VP.	1
	2120050	> CABLE CONNECTION M25x1,5/8 cpl.TL5 VP.	1

Motor-Typenschild / Motor type plate / Plaque identité moteur

Bei Ersatzteilbestellung Motor-Nummer angeben!

Indicate motor number for order of spare parts!

Pour une commande de pièces détachées, donner le numéro du moteur!

ELEC

Motor-Nummer  
motor number  
numéro du moteur

<b>3~Induction Motor</b>					
Made by WILLO Group					
<b>3511218</b>	<b>W132240-4-V1NPE</b>		<b>0902.001</b>		
Class F	S1	IP55	69kg	EN60034	
50Hz	5.5kW	SF=L1S	60Hz	6.45kW	
YΔ 400/690V	10,6/6,13A	Y 440-480V	10,9/10,35A		
Cosφ =0.81	1470min <sup>-1</sup>	Cosφ =0.81	1770min <sup>-1</sup>		
IE4-91.9%	91,9%	91,1%	IE4-92.4%	92,4%	91,8%

WEG

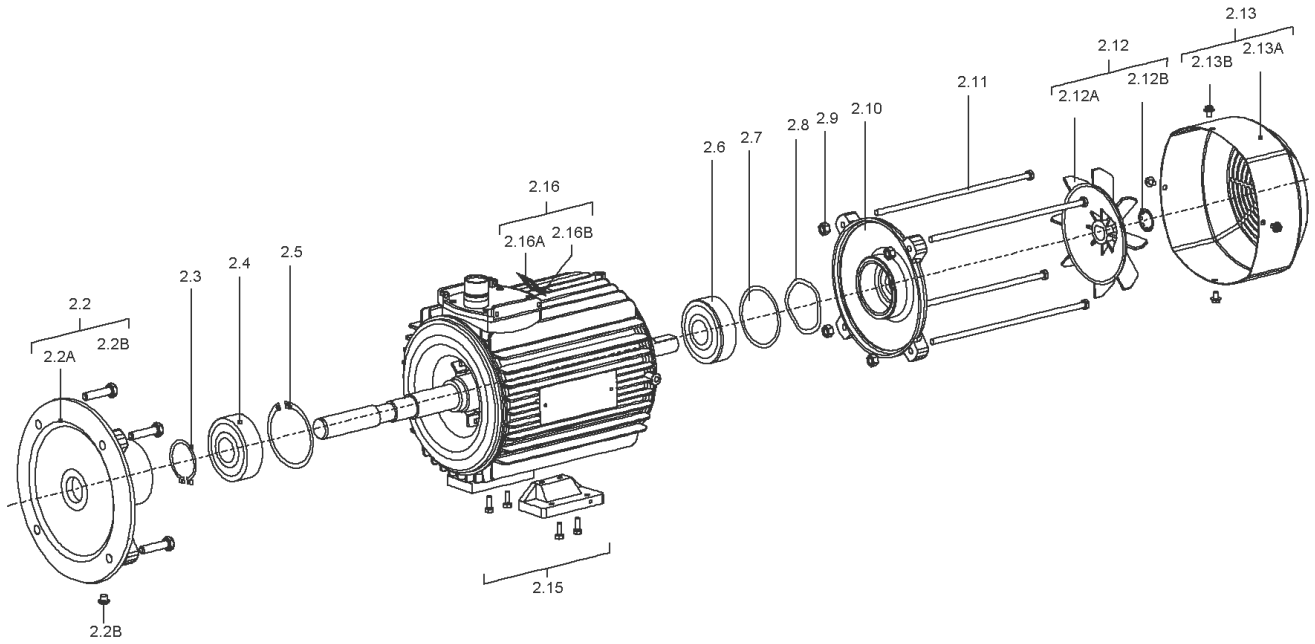
3~ AL180M/L-04		2015/12	1030615079		
AMB 40°C					
IP55	INS CL.F	Δ T 80 K	S1	SF 1.0	
V	Hz	kW	RPM	A	PF
400 / -			1480	29,5 / -	0,78
- / -					
- / -					
- / -					
400	IE4	93,9 (100%)	92,5 (75%)	90,8 (50%)	
- / -		- (100%)	- (75%)	- (50%)	
- A		- (100%)	- (75%)	- (50%)	
NEMA	Eff	- %	- HP	- V	- Hz
- A	PF	DES	CODE	SF	
		6311-ZZ-C3	MOBIL POLYREX EM		162 kg
		6211-ZZ-C3			
MOD.TE01A0X1A0000301180					
IEC 60034					

VIBRATION LEVEL A
ACCORDING IEC 60034-14
BALANCED WITH NO KEY
WILO PART NO: <b>2151697</b>

Motor-Nummer  
motor number  
numéro du moteur

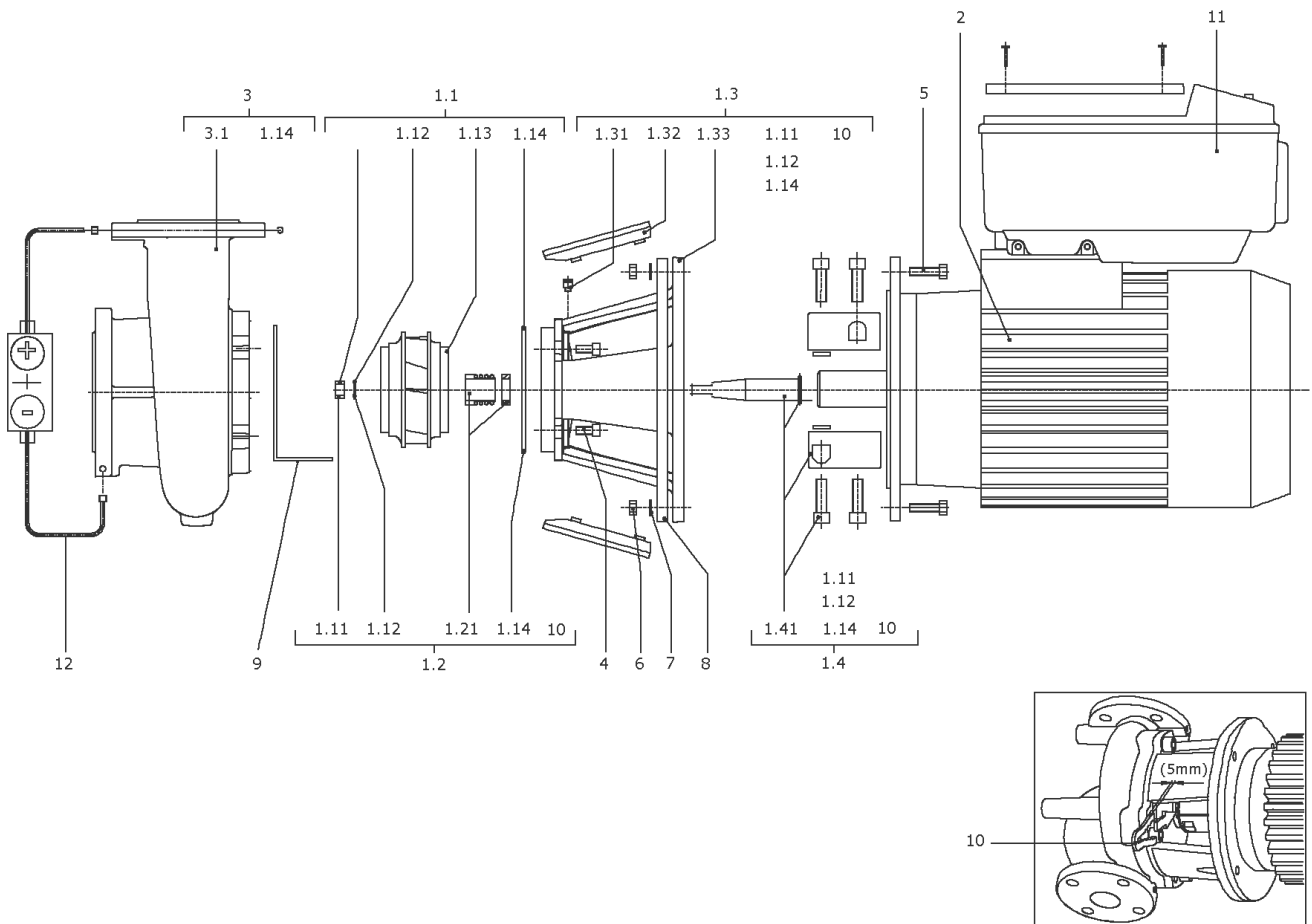
## Spare parts motor B35 5,5/2/132 300E IE4

Item	Description	Quantity
ELEC	Motor B35 5,5/2/132 300E IE4 ELEC WILO	1



**Motor B35 5,5/2/132 300E IE4 ELEC WILO**

Item	Article no.	Description	Quantity
2.2	2175903	End shield BG132 FF265 D.E.ELEC KIT	1
Note: Please give the data from type plate of the motor			
2.2A		> Flange IEC132 V1 FF265 D.E.	1
2.2B	2111309	> CONDENSATE HOLE GASKET D5 VP.	1
2.3	2178920	Circlip D40 GB894.1 VP.	1
Note: Please give the data from type plate of the motor			
2.4	121266690	BALL BEARING 6308/2Z-C3 (HT) VP.	1
Note: Please give the data from type plate of the motor			
2.5	2178920	Circlip D40 GB894.1 VP.	1
Note: Please give the data from type plate of the motor			
2.6	2153173	Ball bearing 6206/VV-C3 VP.	1
2.8	2132469	SPRING RING D.62 JB/T7590 VP.	1
Note: Please give the data from type plate of the motor			
2.10	2178921	End shield BG132 N.D.E.ELEC VP.	1
Note: Please give the data from type plate of the motor			
2.11	2178989	Srews Torx Plus M8x335 (4 Pieces)	1
2.12	2175742	Fan BG112 ELEC KIT	1
Note: Please give the data from type plate of the motor			
2.12A		> FAN 174X20X17 GP2200 G/F20%	1
2.12B	2118396	> Tooth lock washer D.19,8x0,4 VP.	1
Note: Please give the data from type plate of the motor			
2.13	2178928	Fan hood BG132 ELEC KIT	1
Note: Please give the data from type plate of the motor			
2.13A		> FAN COVER IEC132 KTL ST14 T0.8 H103	1
2.13B	2178923	> Screw M5X8 GB/T3098.1 6.8(4 Pieces)	1
2.15	2192955	Motor foot cpl.BG132 ELEC KIT	1
2.16	2178924	Air guider IEC 132 Motor KIT	1
Note: Please give the data from type plate of the motor			
2.16A		> AIR GUIDER IEC 132 MOTOR	1
2.16B		> SCREW M8X16 TORX HEX 6.8 GB/T70	1





**BL-E40/170-7,5/2-R1 (2159708)**

Item	Article no.	Description	Quantity
1.1	2123519	IMPELLER D.50/169/159/24 KIT	1
1.11	2027187	> NUT M12 DIN-EN24032 A2 VP.	1
1.12	2027190	> WASHER A13 DIN125-T2 A2 VP.	1
1.13		> IMPELLER 50/169/159/24 GG BALANCED	1
1.14	2043160	> O-Ring 177,39x3,53 ISO3601B EPDM VP.	1
	2042862	> WASHER S12 V2A VP.	1
1.2	2026902	MECHANICAL SEAL MG12/24-G60 AQ1EGG KIT	1
1.11	2027187	> NUT M12 DIN-EN24032 A2 VP.	1
1.12	2027190	> WASHER A13 DIN125-T2 A2 VP.	1
1.14	2037527	> O-RING 148,82x3,53 EPDM 70SR.VP.	1
1.14	2043160	> O-Ring 177,39x3,53 ISO3601B EPDM VP.	1
1.14	2042864	> O-RING ID.224x3,55 7EP1197-W534 VP.	1
1.14	2051680	> O-RING ID.276,7x5,29 7EP1197-W534 VP.	1
	2042862	> WASHER S12 V2A VP.	1
1.21		> MECHANICAL SEAL MG12/24-G60 AQ1EGG	1
10	2027202	> TOOL D.18/24/32 VP.	1
1.3	2027010	LANTERN P228X85,2-F265 KIT	1
1.11	2027187	> NUT M12 DIN-EN24032 A2 VP.	1
1.12	2027190	> WASHER A13 DIN125-T2 A2 VP.	1
1.14	2043160	> O-Ring 177,39x3,53 ISO3601B EPDM VP.	1
	2042862	> WASHER S12 V2A VP.	1
1.31	2027201	> BLOWGUN R1/8" VP.	1
1.32	2048838	> COUPLING GUARD F265 PA66 AD.(4 PIECES)	1
1.33		> LANTERN P228X85,2-F265 GG KTL RDES WILO	1
10	2027202	> TOOL D.18/24/32 VP.	1
1.4	2026928	COUPLING/SHAFT 24/38x142 OR.177 KIT	1
1.11	2027187	> NUT M12 DIN-EN24032 A2 VP.	1
1.12	2027190	> WASHER A13 DIN125-T2 A2 VP.	1
1.14	2043160	> O-Ring 177,39x3,53 ISO3601B EPDM VP.	1
	2042862	> WASHER S12 V2A VP.	1
1.41		> COUPLING 24/38+SHAFT 24X142 BG132 ZN KIT	1
10	2027202	> TOOL D.18/24/32 VP.	1
2	2168709	Motor B35 7,5/2/132/300E-IE4-ELEC(+Tool)	1
		Spare parts motor B35 7,5/2/132 300E IE4	1

**BL-E40/170-7,5/2-R1 (2159708)**

Item	Article no.	Description	Quantity
3	2026870	PUMP HOUSING B40/170 PN16 KIT	1
1.14	2043160	> O-Ring 177,39x3,53 ISO3601B EPDM VP.	1
3.1		> PUMP HOUSING BL40/182 PN16 CPL.WILO	1
4	2027193	SCREW M16X30 ISO4762 8.8 (4 PIECES)	1
5	2027199	Screw M12X65 ISO4014 8.8 (4STÜCK)	1
6	2029305	NUT M12 DIN-EN24032 8 (4 PIECES)	1
7	2029335	WASHER A13 DIN125 ST (4 PIECES)	1
8	2027185	Adapter ring BG132 VP.	1
11	2192823	Module BL-E40/170-7,5/2-IE4 ELEC KIT	1
		> Module BL-E40/170-7,5/2-IE4 ELEC	1
	2111344	> MODULE COVER/GASKET TL5 KIT	1
	2120047	> CABLE CONNECTION M12x1,5/5 cpl.TL5 VP.	1
	2120048	> CABLE CONNECTION M16x1,5/5 cpl.TL5 VP.	1
	2120049	> CABLE CONNECTION M20x1,5/6 cpl.TL5 VP.	1
	2120050	> CABLE CONNECTION M25x1,5/8 cpl.TL5 VP.	1

**Motor-Typenschild / Motor type plate / Plaque identité moteur**

**Bei Ersatzteilbestellung Motor-Nummer angeben!**

**Indicate motor number for order of spare parts!**

**Pour une commande de pièces détachées, donner le numéro du moteur!**

ELEC

Motor-Nummer  
motor number  
numéro du moteur

<b>3~Induction Motor</b>					
Made by WILLO Group					
<b>3511218</b>	<b>W132240-4-V1NPE</b>		<b>0902.001</b>		
Class F	S1	IP55	69kg	EN60034	
50Hz	5.5kW	SF=L1S	60Hz	6.45kW	
YΔ 400/690V	10,6/6,13A	Y 440-480V	10,9/10,35A		
Cosφ =0.81	1470min <sup>-1</sup>	Cosφ =0.81	1770min <sup>-1</sup>		
IE4-91.9%	91,9%	91,1%	IE4-92.4%	92,4%	91,8%

WEG

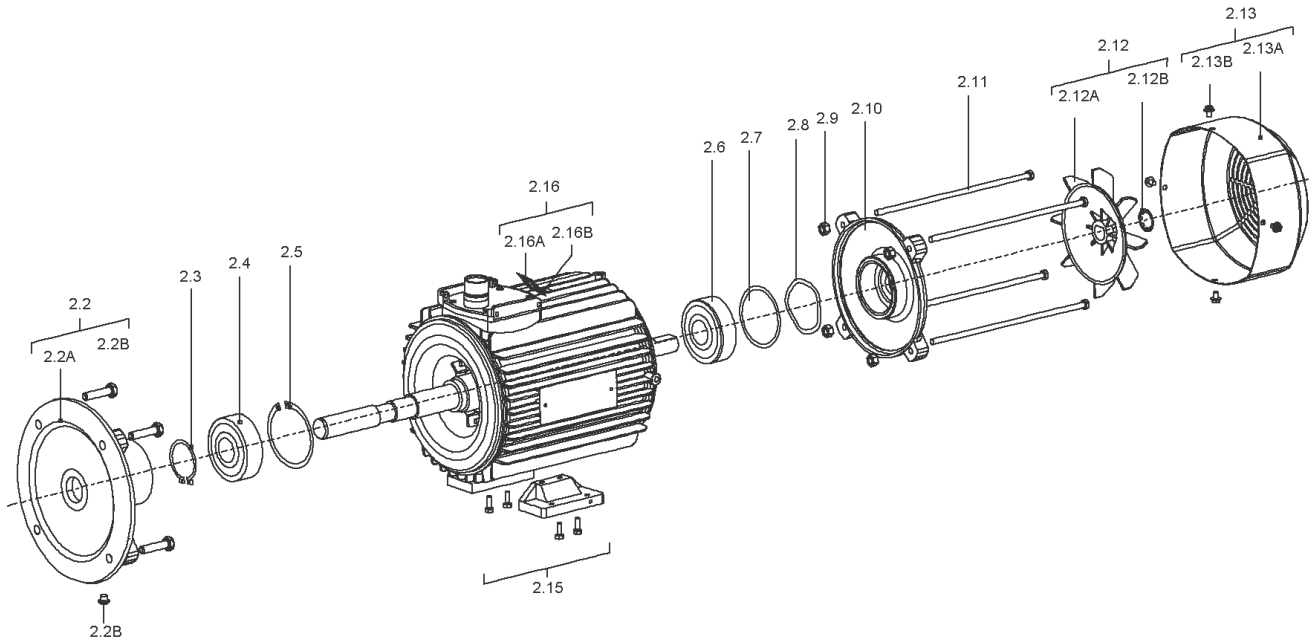
3~ AL180M/L-04		2015/12	1030615079		
AMB 40°C					
IP55	INS CL.F	Δ T 80 K	S1	SF 1.0	
V	Hz	kW	RPM	A	PF
400 / -			1480	29,5 / -	0,78
- / -					
- / -					
- / -					
400	IE4	93,9 (100%)	92,5 (75%)	90,8 (50%)	
- / -		- (100%)	- (75%)	- (50%)	
- A		- (100%)	- (75%)	- (50%)	
NEMA	Eff	- %	- HP	- V	- Hz
- A	PF	DES	CODE	SF	
		6311-ZZ-C3	MOBIL POLYREX EM		162 kg
		6211-ZZ-C3			
MOD.TE01A0X1A0000301180					
IEC 60034					

VIBRATION LEVEL A
ACCORDING IEC 60034-14
BALANCED WITH NO KEY
WILO PART NO: <b>2151697</b>

Motor-Nummer  
motor number  
numéro du moteur

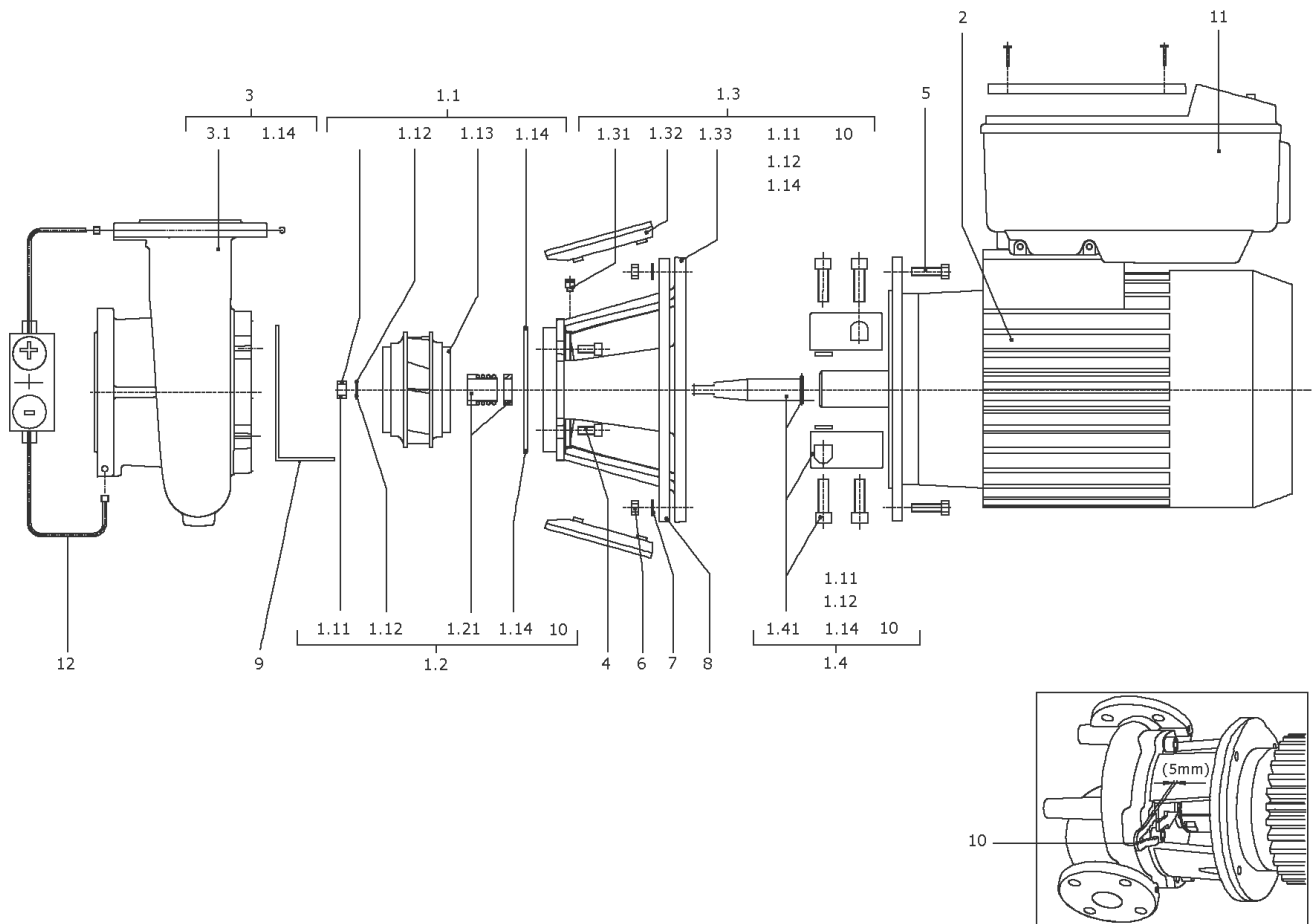
## Spare parts motor B35 7,5/2/132 300E IE4

Item	Description	Quantity
ELEC	Motor B35 7,5/2/132/300E IE4 ELEC WILO	1



**Motor B35 7,5/2/132/300E IE4 ELEC WILO**

Item	Article no.	Description	Quantity
2.2	2175903	End shield BG132 FF265 D.E.ELEC KIT	1
Note: Please give the data from type plate of the motor			
2.2A		> Flange IEC132 V1 FF265 D.E.	1
2.2B	2111309	> CONDENSATE HOLE GASKET D5 VP.	1
2.3	2178920	Circlip D40 GB894.1 VP.	1
Note: Please give the data from type plate of the motor			
2.4	121266690	BALL BEARING 6308/2Z-C3 (HT) VP.	1
Note: Please give the data from type plate of the motor			
2.5	2192954	Circlip D90 GB893.1 VP.	1
Note: Please give the data from type plate of the motor			
2.6	2153173	Ball bearing 6206/VV-C3 VP.	1
Note: Please give the data from type plate of the motor			
2.8	2132469	SPRING RING D.62 JB/T7590 VP.	1
2.10	2178921	End shield BG132 N.D.E.ELEC VP.	1
Note: Please give the data from type plate of the motor			
2.11	2178989	Srews Torx Plus M8x335 (4 Pieces)	1
Note: Please give the data from type plate of the motor			
2.12	2175742	Fan BG112 ELEC KIT	1
Note: Please give the data from type plate of the motor			
2.12A		> FAN 174X20X17 GP2200 G/F20%	1
2.12B	2118396	> Tooth lock washer D.19,8x0,4 VP.	1
Note: Please give the data from type plate of the motor			
2.13	2178928	Fan hood BG132 ELEC KIT	1
Note: Please give the data from type plate of the motor			
2.13A		> FAN COVER IEC132 KTL ST14 T0.8 H103	1
2.13B	2178923	> Screw M5X8 GB/T3098.1 6.8(4 Pieces)	1
2.15	2192955	Motor foot cpl.BG132 ELEC KIT	1
2.16	2178924	Air guider IEC 132 Motor KIT	1
Note: Please give the data from type plate of the motor			
2.16A		> AIR GUIDER IEC 132 MOTOR	1
2.16B		> SCREW M8X16 TORX HEX 6.8 GB/T70	1



**BL-E40/180-7,5/2-R1 (2159709)**

Item	Article no.	Description	Quantity
1.1	2116685	IMPELLER 50/183/173/24 KIT	1
1.11	2027187	> NUT M12 DIN-EN24032 A2 VP.	1
1.12	2027190	> WASHER A13 DIN125-T2 A2 VP.	1
1.13		> IMPELLER 50/183/173/24 GG BALANCED	1
1.14	2042864	> O-RING ID.224x3,55 7EP1197-W534 VP.	1
	2042862	> WASHER S12 V2A VP.	1
1.2	2026902	MECHANICAL SEAL MG12/24-G60 AQ1EGG KIT	1
1.11	2027187	> NUT M12 DIN-EN24032 A2 VP.	1
1.12	2027190	> WASHER A13 DIN125-T2 A2 VP.	1
1.14	2037527	> O-RING 148,82x3,53 EPDM 70SR.VP.	1
1.14	2043160	> O-Ring 177,39x3,53 ISO3601B EPDM VP.	1
1.14	2042864	> O-RING ID.224x3,55 7EP1197-W534 VP.	1
1.14	2051680	> O-RING ID.276,7x5,29 7EP1197-W534 VP.	1
	2042862	> WASHER S12 V2A VP.	1
1.21		> MECHANICAL SEAL MG12/24-G60 AQ1EGG	1
10	2027202	> TOOL D.18/24/32 VP.	1
1.3	2042712	LANTERN P270X72-F265 KTL KIT	1
1.11	2027187	> NUT M12 DIN-EN24032 A2 VP.	1
1.12	2027190	> WASHER A13 DIN125-T2 A2 VP.	1
1.14	2042864	> O-RING ID.224x3,55 7EP1197-W534 VP.	1
	2042862	> WASHER S12 V2A VP.	1
1.31	2027201	> BLOWGUN R1/8" VP.	1
1.32	2048845	> COUPLING GUARD P270-F265 PA66 (2 PIECES)	1
1.33		> LANTERN P270X72-F265 GG KTL WILO	1
10	2027202	> TOOL D.18/24/32 VP.	1
1.4	2042723	COUPLING/SHAFT D.24/38X145 KIT	1
1.11	2027187	> NUT M12 DIN-EN24032 A2 VP.	1
1.12	2027190	> WASHER A13 DIN125-T2 A2 VP.	1
1.14	2042864	> O-RING ID.224x3,55 7EP1197-W534 VP.	1
	2042862	> WASHER S12 V2A VP.	1
1.41		> COUPLING 24/38+SHAFT 24X145 BG132 ZN KIT	1
10	2027202	> TOOL D.18/24/32 VP.	1
2	2168709	Motor B35 7,5/2/132/300E-IE4-ELEC(+Tool)	1
		Spare parts motor B35 7,5/2/132 300E IE4	1



**BL-E40/180-7,5/2-R1 (2159709)**

Item	Article no.	Description	Quantity
3	2042760	PUMP HOUSING B40/230 PN16 KIT	1
1.14	2042864	> O-RING ID.224x3,55 7EP1197-W534 VP.	1
3.1		> PUMP HOUSING BL40/230 PN16 CPL.WILO	1
4	2027193	SCREW M16X30 ISO4762 8.8 (4 PIECES)	1
5	2027195	SCREW M12X25 DIN912 8.8 (4 PIECES)	1
11	2192824	Module BL-E40/180-7,5/2-IE4 ELEC KIT	1
		> Module BL-E40/180-7,5/2-IE4 ELEC	1
	2111344	> MODULE COVER/GASKET TL5 KIT	1
	2120047	> CABLE CONNECTION M12x1,5/5 cpl.TL5 VP.	1
	2120048	> CABLE CONNECTION M16x1,5/5 cpl.TL5 VP.	1
	2120049	> CABLE CONNECTION M20x1,5/6 cpl.TL5 VP.	1
	2120050	> CABLE CONNECTION M25x1,5/8 cpl.TL5 VP.	1

Motor-Typenschild / Motor type plate / Plaque identité moteur

Bei Ersatzteilbestellung Motor-Nummer angeben!

Indicate motor number for order of spare parts!

Pour une commande de pièces détachées, donner le numéro du moteur!

ELEC

Motor-Nummer  
motor number  
numéro du moteur

<b>3~Induction Motor</b>					
Made by WILLO Group					
<b>3511218</b>	<b>W132240-4-V1NPE</b>		<b>0902.001</b>		
Class F	S1	IP55	69kg	EN60034	
50Hz	5.5kW	SF=1.15	60Hz	6.45kW	
YΔ 400/690V	10,6/6,13A	Y 440-480V	10,9/10,35A		
Cosφ =0.81	1470min <sup>-1</sup>	Cosφ =0.81	1770min <sup>-1</sup>		
IE4-91.9%	91,9%	91,1%	IE4-92.4%	92,4%	91,8%

WEG

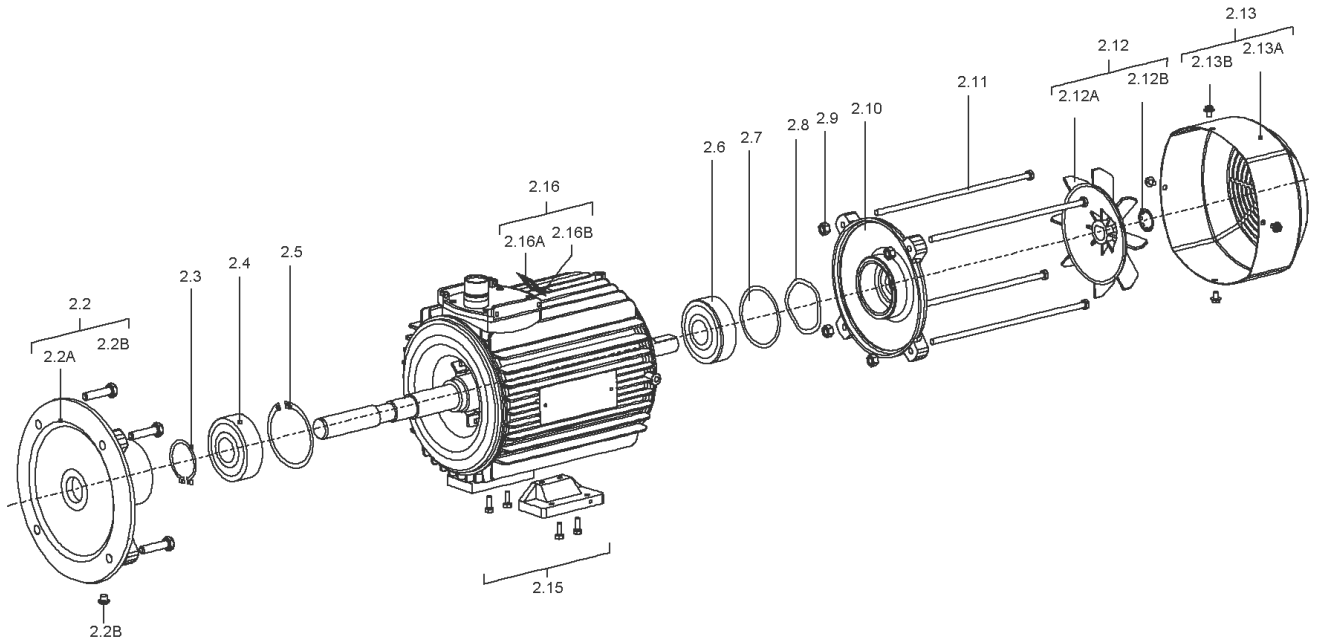
		3~ AL180M/L-04		2015/12		1030615079	
AMB 40°C							
IP55		INS CL.F		Δ T 80 K		S1 SF 1.0	
V	Hz	kW	RPM	A	PF		
400 / -	- / -	- / -	1480	29,5 / -	0,78		
- / -	- / -	- / -	- / -	- / -	- / -		
- / -	- / -	- / -	- / -	- / -	- / -		
400	IE4	93,9 (100%)	92,5 (75%)	90,8 (50%)			
- / -	-	(100%)	- (75%)	- (50%)			
- A	-	(100%)	- (75%)	- (50%)			
NEMA	Eff	- %	- HP	- V	- Hz	- RPM	
- A	PF	DES	CODE	SF			
		6311-ZZ-C3 MOBIL POLYREX EM				162 kg	
		6211-ZZ-C3					
MOD.TE01A0X1A0000301180							
		IEC 60034					

VIBRATION LEVEL A
ACCORDING IEC 60034-14
BALANCED WITH NO KEY
WILO PART NO: <b>2151697</b>

Motor-Nummer  
motor number  
numéro du moteur

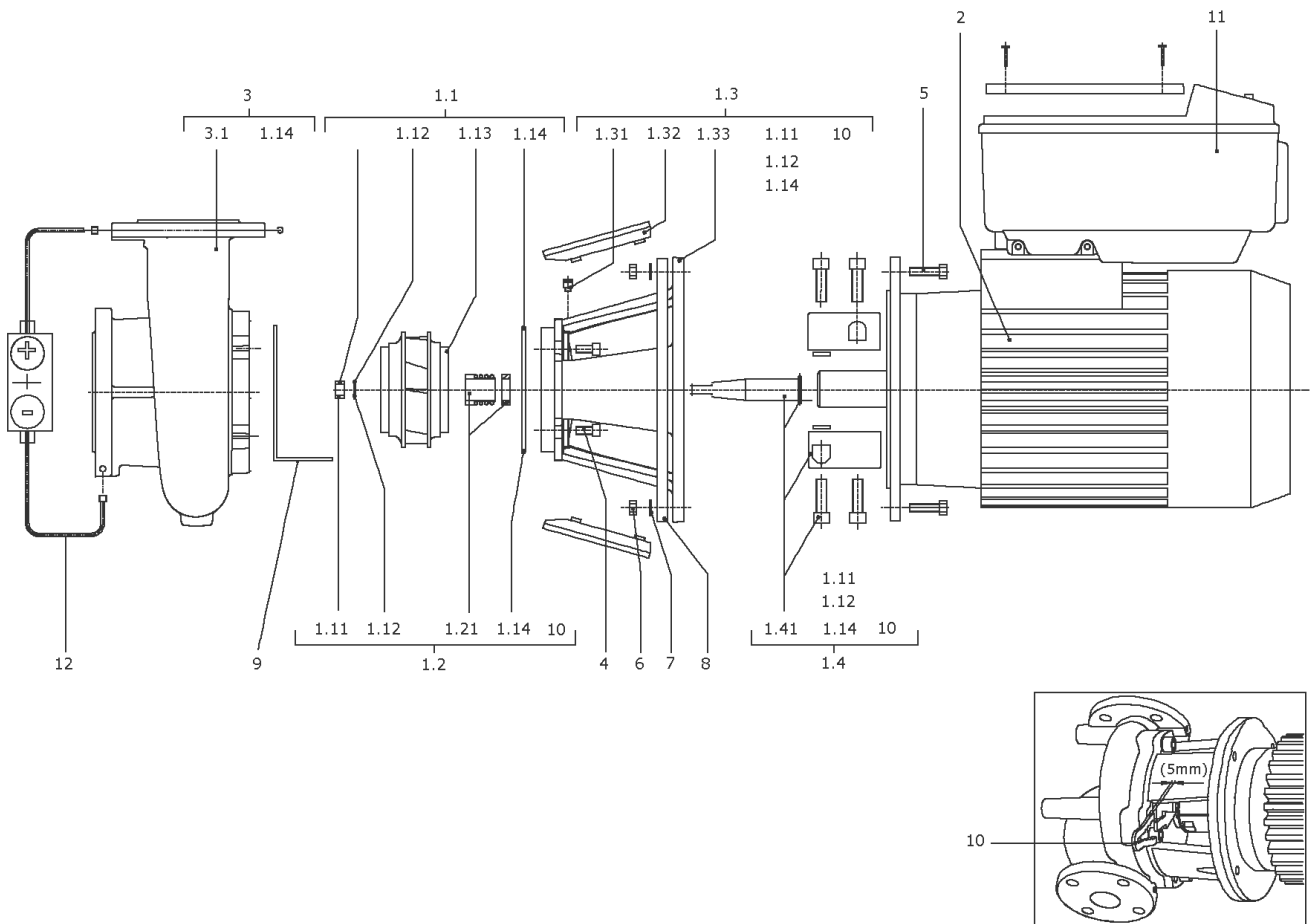
## Spare parts motor B35 7,5/2/132 300E IE4

Item	Description	Quantity
ELEC	Motor B35 7,5/2/132/300E IE4 ELEC WILO	1



**Motor B35 7,5/2/132/300E IE4 ELEC WILO**

Item	Article no.	Description	Quantity
2.2	2175903	End shield BG132 FF265 D.E.ELEC KIT	1
Note: Please give the data from type plate of the motor			
2.2A		> Flange IEC132 V1 FF265 D.E.	1
2.2B	2111309	> CONDENSATE HOLE GASKET D5 VP.	1
2.3	2178920	Circlip D40 GB894.1 VP.	1
Note: Please give the data from type plate of the motor			
2.4	121266690	BALL BEARING 6308/2Z-C3 (HT) VP.	1
Note: Please give the data from type plate of the motor			
2.5	2192954	Circlip D90 GB893.1 VP.	1
Note: Please give the data from type plate of the motor			
2.6	2153173	Ball bearing 6206/VV-C3 VP.	1
Note: Please give the data from type plate of the motor			
2.8	2132469	SPRING RING D.62 JB/T7590 VP.	1
2.10	2178921	End shield BG132 N.D.E.ELEC VP.	1
Note: Please give the data from type plate of the motor			
2.11	2178989	Srews Torx Plus M8x335 (4 Pieces)	1
Note: Please give the data from type plate of the motor			
2.12	2175742	Fan BG112 ELEC KIT	1
Note: Please give the data from type plate of the motor			
2.12A		> FAN 174X20X17 GP2200 G/F20%	1
2.12B	2118396	> Tooth lock washer D.19,8x0,4 VP.	1
Note: Please give the data from type plate of the motor			
2.13	2178928	Fan hood BG132 ELEC KIT	1
Note: Please give the data from type plate of the motor			
2.13A		> FAN COVER IEC132 KTL ST14 T0.8 H103	1
2.13B	2178923	> Screw M5X8 GB/T3098.1 6.8(4 Pieces)	1
2.15	2192955	Motor foot cpl.BG132 ELEC KIT	1
2.16	2178924	Air guider IEC 132 Motor KIT	1
Note: Please give the data from type plate of the motor			
2.16A		> AIR GUIDER IEC 132 MOTOR	1
2.16B		> SCREW M8X16 TORX HEX 6.8 GB/T70	1



**BL-E50/110-3/2-R1 (2159710)**

Item	Article no.	Description	Quantity
1.1	2123483	IMPELLER D.65/104/94/18 KIT	1
1.11	2027186	> NUT M10 DIN934 A2	1
1.12	2027189	> TENSIONING DISC DIN6796-10 V2A	1
1.13		> IMPELLER 65/104/94/18 GG BALANCED	1
1.14	2037527	> O-RING 148,82x3,53 EPDM 70SR.VP.	1
1.2	2026901	MECHANICAL SEAL MG12/18-G60 AQ1EGG KIT	1
1.11	2027186	> NUT M10 DIN934 A2	1
1.12	2027189	> TENSIONING DISC DIN6796-10 V2A	1
1.14	2037527	> O-RING 148,82x3,53 EPDM 70SR.VP.	1
1.14	2043160	> O-Ring 177,39x3,53 ISO3601B EPDM VP.	1
1.14	2042864	> O-RING ID.224x3,55 7EP1197-W534 VP.	1
1.21		> MECHANICAL SEAL MG12/18-G60 AQ1EGG	1
10	2027202	> TOOL D.18/24/32 VP.	1
1.3	2037206	LANTERN P190X85,2-F215 KIT	1
1.11	2027186	> NUT M10 DIN934 A2	1
1.12	2027189	> TENSIONING DISC DIN6796-10 V2A	1
1.14	2037527	> O-RING 148,82x3,53 EPDM 70SR.VP.	1
1.31	2027201	> BLOWGUN R1/8" VP.	1
1.32	2048842	> COUPLING GUARD F215 PA66 (2 PIECES)	1
1.33		> Lantern P190X85,2-F215 GG KTL WILO	1
10	2027202	> TOOL D.18/24/32 VP.	1
1.4	2029312	COUPLING/SHAFT 18/28X142 OR.148 KIT	1
1.11	2027186	> NUT M10 DIN934 A2	1
1.12	2027189	> TENSIONING DISC DIN6796-10 V2A	1
1.14	2037527	> O-RING 148,82x3,53 EPDM 70SR.VP.	1
1.41		> COUPLING 18/28+SHAFT 18X142 BG112 ZN KIT	1
10	2027202	> TOOL D.18/24/32 VP.	1
2	2169169	Motor V1 3/2/100/250E-IE4-ELEC(+Tool)	1
		Spare parts motor V1 3/2/100 250E IE4	1
3	2037176	PUMP HOUSING B50/140 PN16 KIT	1
1.14	2037527	> O-RING 148,82x3,53 EPDM 70SR.VP.	1
3.1		> PUMP HOUSING BL50/145 PN16 CPL.WILO	1
4	2027194	SCREW M16X30/X40 DIN912 8.8 (4 PIECES)	1
	2029336	WASHER A17 DIN125 ST (4 PIECES)	1

**BL-E50/110-3/2-R1 (2159710)**

Item	Article no.	Description	Quantity
5	2027195	SCREW M12X25 DIN912 8.8 (4 PIECES)	1
7	2029335	WASHER A13 DIN125 ST (4 PIECES)	1
9	2037241	MOTOR FOOT BG71-112/P190	1
11	2192825	Module BL-E50/110-3/2-IE4 ELEC KIT	1
7.1		> Module BL-E50/110-3/2-IE4 ELEC	1
7.2	2054227	> MODULE COVER/GASKET TL3/4 KIT	1
7.3		> SCREW M5X16 ISO4762 8.8 ZnNi	1
7.4		> WASHER TOOTHED LOCK A5,3 DIN6797 FST ZN	1
	2061236	> O-RING ID.38X3 EPDM 70SR.A BUS.	1



Motor-Typenschild / Motor type plate / Plaque identité moteur

Bei Ersatzteilbestellung Motor-Nummer angeben!

Indicate motor number for order of spare parts!

Pour une commande de pièces détachées, donner le numéro du moteur!

ELEC

Motor-Nummer  
motor number  
numéro du moteur

<b>3~Induction Motor</b>					
Made by WILLO Group					
<b>351f218</b>	<b>W132240-4-V1NPE</b>		<b>0902.001</b>		
Class F	S1	IP55	69kg	EN60034	
50Hz	5.5kW	SF=L1S	60Hz	6.45kW	
YΔ 400/690V	10,6/6,13A	Y 440-480V	10,9/10,35A		
Cosφ =0.81	1470min <sup>-1</sup>	Cosφ =0.81	1770min <sup>-1</sup>		
IE4-91.9%	91,9%	91,1%	IE4-92.4%	92,4%	91,8%

WEG

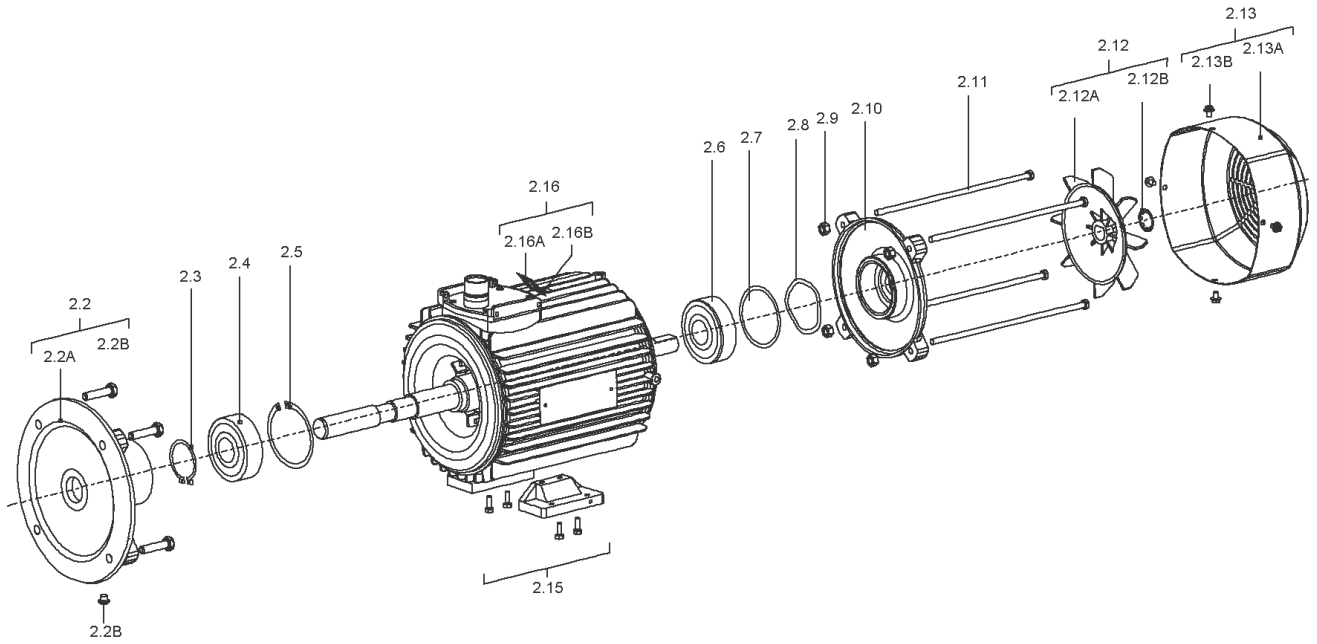
3~ AL180M/L-04		2015/12		1030615079	
AMB 40°C					
IP55	INS CL.F	Δ T 80 K	S1	SF 1.0	
V	Hz	kW	RPM	A	PF
400 / -			1480	29,5 / -	0,78
- / -					
- / -					
- / -					
400	IE4	93,9 (100%)	92,5 (75%)	90,8 (50%)	
- / -		- (100%)	- (75%)	- (50%)	
- A		- (100%)	- (75%)	- (50%)	
NEMA	Eff	- %	- HP	- V	- Hz
- A	PF	DES	CODE	SF	
		6311-ZZ-C3	MOBIL POLYREX EM		162 kg
		6211-ZZ-C3			
MOD.TE01A0X1A0000301180					
IEC 60034					

VIBRATION LEVEL A
ACCORDING IEC 60034-14
BALANCED WITH NO KEY
WILO PART NO: <b>2151697</b>

Motor-Nummer  
motor number  
numéro du moteur

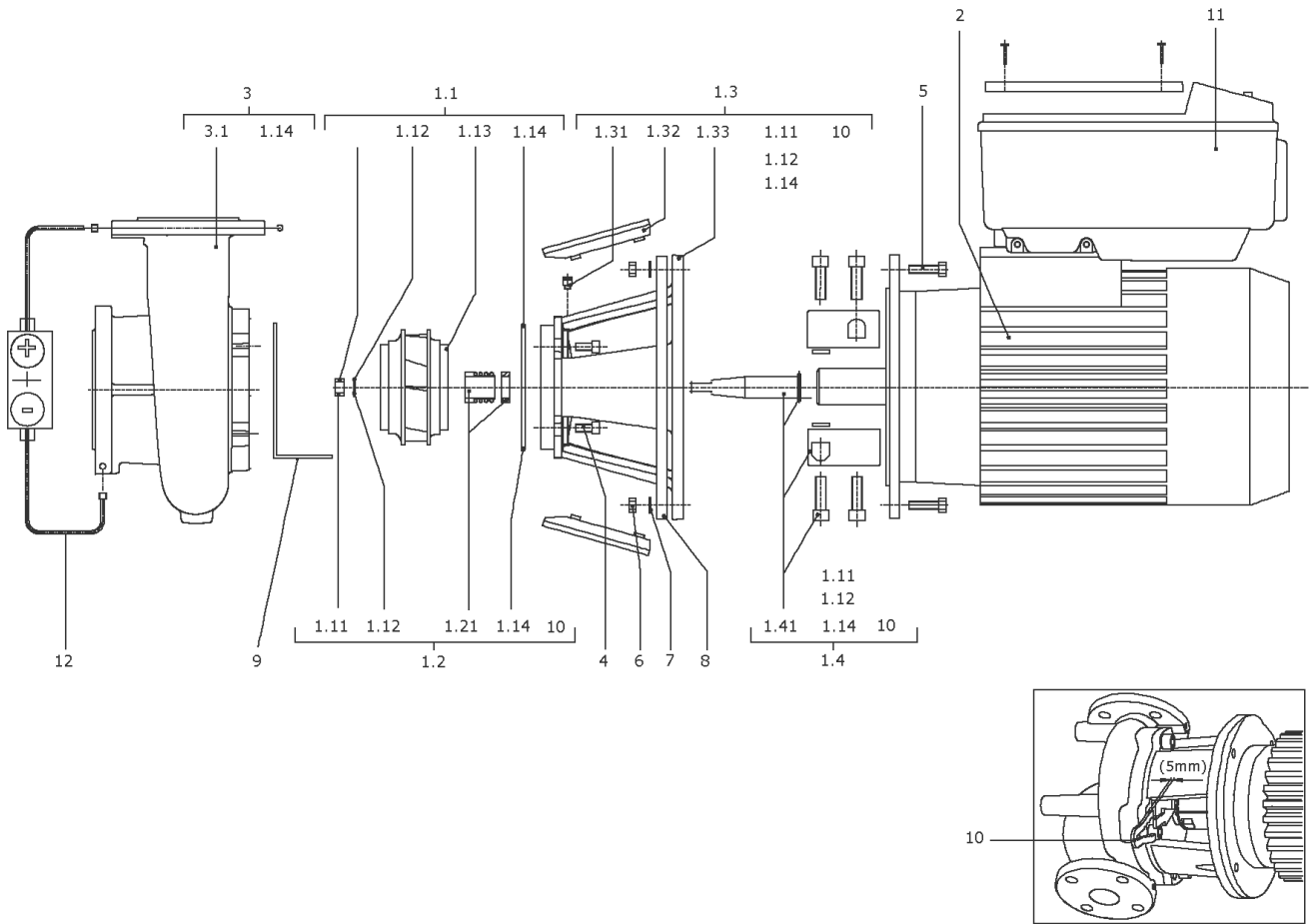
## Spare parts motor V1 3/2/100 250E IE4

Item	Description	Quantity
ELEC	W100130-2-V1NPE 400V/50Hz 3kW IE4	1



**W100130-2-V1NPE 400V/50Hz 3kW IE4**

Item	Article no.	Description	Quantity
2.2	2127393	END SHIELD BG100 V1 D.E.ELEC KIT	1
Note: Please give the data from type plate of the motor			
2.1A		> FLANGE IEC100 V1	1
2.1B	2111309	> CONDENSATE HOLE GASKET D5 VP.	1
Note: Please give the data from type plate of the motor			
2.3	2118388	CIRCLIP D.35 GB894.1 VP.	1
Note: Please give the data from type plate of the motor			
2.4	2153172	Ball bearing 6307/VV-C3 VP.	1
Note: Please give the data from type plate of the motor			
2.5	2118390	CIRCLIP D.80 GB893.1 VP.	1
Note: Please give the data from type plate of the motor			
2.6	2153171	Ball bearing 6205/VV-C3 VP.	1
2.7	2164094	O-Ring ID52.4x3.53 EPDM VP.	1
2.8	2164076	Circlip D52 JB/T7590 VP.	1
Note: Please give the data from type plate of the motor			
2.10	2164074	End shield BG100 N.D.E.ELEC KIT	1
Note: Please give the data from type plate of the motor			
		> FLANGE IEC100 NDS with slot	1
		> O-RING ID52.4*3.53 EPDM	1
2.11	2179082	Screw Torx Plus / Hexagon M6X258(4Pieces	1
2.12	2179083	Fan wheel BG100 ELEC KIT	1
Note: Please give the data from type plate of the motor			
2.12A		> FAN 150X20X17 GP2200 G/F20%	1
2.12B	2118396	> Tooth lock washer D.19,8x0,4 VP.	1
Note: Please give the data from type plate of the motor			
2.13	2118397	FAN HOOD BG100 ELEC KIT	1
Note: Please give the data from type plate of the motor			
2.13A		> FAN COVER IEC100 KTL ST14 T0.8 H86	1
2.13B	2111323	> SCREW M4X6 (4 PIECES)	1
Note: Please give the data from type plate of the motor			
2.16	2179086	Air guider BG100 Motor KIT	1
2.16A		> AIR GUIDER IEC100 MOTOR	1
2.16B		> Screw Tapping M5X14 trox pan	1



**BL-E50/120-4/2-R1 (2159711)**

Item	Article no.	Description	Quantity
1.1	2123482	IMPELLER D.65/114/104/18 KIT	1
1.11	2027186	> NUT M10 DIN934 A2	1
1.12	2027189	> TENSIONING DISC DIN6796-10 V2A	1
1.13		> IMPELLER 65/114/104/18 GG BALANCED	1
1.14	2037527	> O-RING 148,82x3,53 EPDM 70SR.VP.	1
1.2	2026901	MECHANICAL SEAL MG12/18-G60 AQ1EGG KIT	1
1.11	2027186	> NUT M10 DIN934 A2	1
1.12	2027189	> TENSIONING DISC DIN6796-10 V2A	1
1.14	2037527	> O-RING 148,82x3,53 EPDM 70SR.VP.	1
1.14	2043160	> O-Ring 177,39x3,53 ISO3601B EPDM VP.	1
1.14	2042864	> O-RING ID.224x3,55 7EP1197-W534 VP.	1
1.21		> MECHANICAL SEAL MG12/18-G60 AQ1EGG	1
10	2027202	> TOOL D.18/24/32 VP.	1
1.3	2037206	LANTERN P190X85,2-F215 KIT	1
1.11	2027186	> NUT M10 DIN934 A2	1
1.12	2027189	> TENSIONING DISC DIN6796-10 V2A	1
1.14	2037527	> O-RING 148,82x3,53 EPDM 70SR.VP.	1
1.31	2027201	> BLOWGUN R1/8" VP.	1
1.32	2048842	> COUPLING GUARD F215 PA66 (2 PIECES)	1
1.33		> Lantern P190X85,2-F215 GG KTL WILO	1
10	2027202	> TOOL D.18/24/32 VP.	1
1.4	2029312	COUPLING/SHAFT 18/28X142 OR.148 KIT	1
1.11	2027186	> NUT M10 DIN934 A2	1
1.12	2027189	> TENSIONING DISC DIN6796-10 V2A	1
1.14	2037527	> O-RING 148,82x3,53 EPDM 70SR.VP.	1
1.41		> COUPLING 18/28+SHAFT 18X142 BG112 ZN KIT	1
10	2027202	> TOOL D.18/24/32 VP.	1
2	2169171	Motor V1 4/2/112/250E-IE4-ELEC(+Tool)	1
		Spare parts motor V1 4/2/112 250E IE4	1
3	2037176	PUMP HOUSING B50/140 PN16 KIT	1
1.14	2037527	> O-RING 148,82x3,53 EPDM 70SR.VP.	1
3.1		> PUMP HOUSING BL50/145 PN16 CPL.WILO	1
4	2027194	SCREW M16X30/X40 DIN912 8.8 (4 PIECES)	1
5	2027195	SCREW M12X25 DIN912 8.8 (4 PIECES)	1

**BL-E50/120-4/2-R1 (2159711)**

Item	Article no.	Description	Quantity
7	2029335	WASHER A13 DIN125 ST (4 PIECES)	1
9	2037241	MOTOR FOOT BG71-112/P190	1
11	2192826	Module BL-E50/120-4/2-IE4 ELEC KIT	1
		> Module BL-E50/120-4/2-IE4 ELEC	1
	2054227	> MODULE COVER/GASKET TL3/4 KIT	1
		> SCREW M5X16 ISO4762 8.8 ZnNi	1
		> WASHER TOOTHED LOCK A5,3 DIN6797 FST ZN	1
	2061236	> O-RING ID.38X3 EPDM 70SR.A BUS.	1
	2029336	WASHER A17 DIN125 ST (4 PIECES)	1

Motor-Typenschild / Motor type plate / Plaque identité moteur

Bei Ersatzteilbestellung Motor-Nummer angeben!

Indicate motor number for order of spare parts!

Pour une commande de pièces détachées, donner le numéro du moteur!

ELEC

Motor-Nummer  
motor number  
numéro du moteur

<b>3~Induction Motor</b>					
Made by WILLO Group					
<b>3511218</b>	W132240-4-V1NPE		0902.001		
Class F	S1	IP55	69kg	EN60034	
50Hz	5.5kW	SF=L1S	60Hz	6.45kW	
YΔ 400/690V	10,6/6,13A	Y 440-480V	10,9/10,35A		
Cosφ =0.81	1470min <sup>-1</sup>	Cosφ =0.81	1770min <sup>-1</sup>		
IE4-91.9%	91,9%	91,1%	IE4-92.4%	92,4%	91,8%

WEG

3~ AL180M/L-04		2015/12		1030615079	
AMB 40°C					
IP55	INS CL.F	Δ T 80 K	S1	SF 1.0	
V	Hz	kW	RPM	A	PF
400 / -			1480	29,5 / -	0,78
- / -					
- / -					
- / -					
400	IE4	93,9 (100%)	92,5 (75%)	90,8 (50%)	
- / -		- (100%)	- (75%)	- (50%)	
- A		- (100%)	- (75%)	- (50%)	
NEMA	Eff	- %	- HP	- V	- Hz
- A	PF	DES	CODE	SF	
				162 kg	
6311-ZZ-C3 MOBIL POLYREX EM					
6211-ZZ-C3					
MOD.TE01A0X1A0000301180					
IEC 60034					

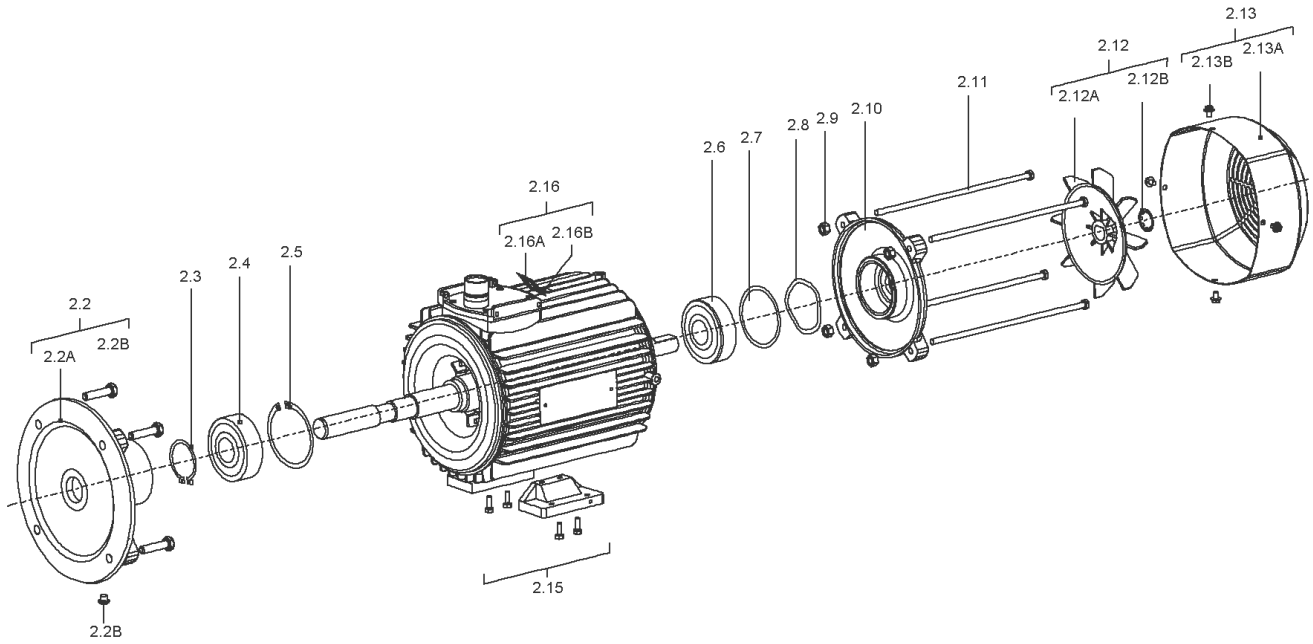
VIBRATION LEVEL A
ACCORDING IEC 60034-14
BALANCED WITH NO KEY
WILO PART NO: 2151697

Motor-Nummer  
motor number  
numéro du moteur



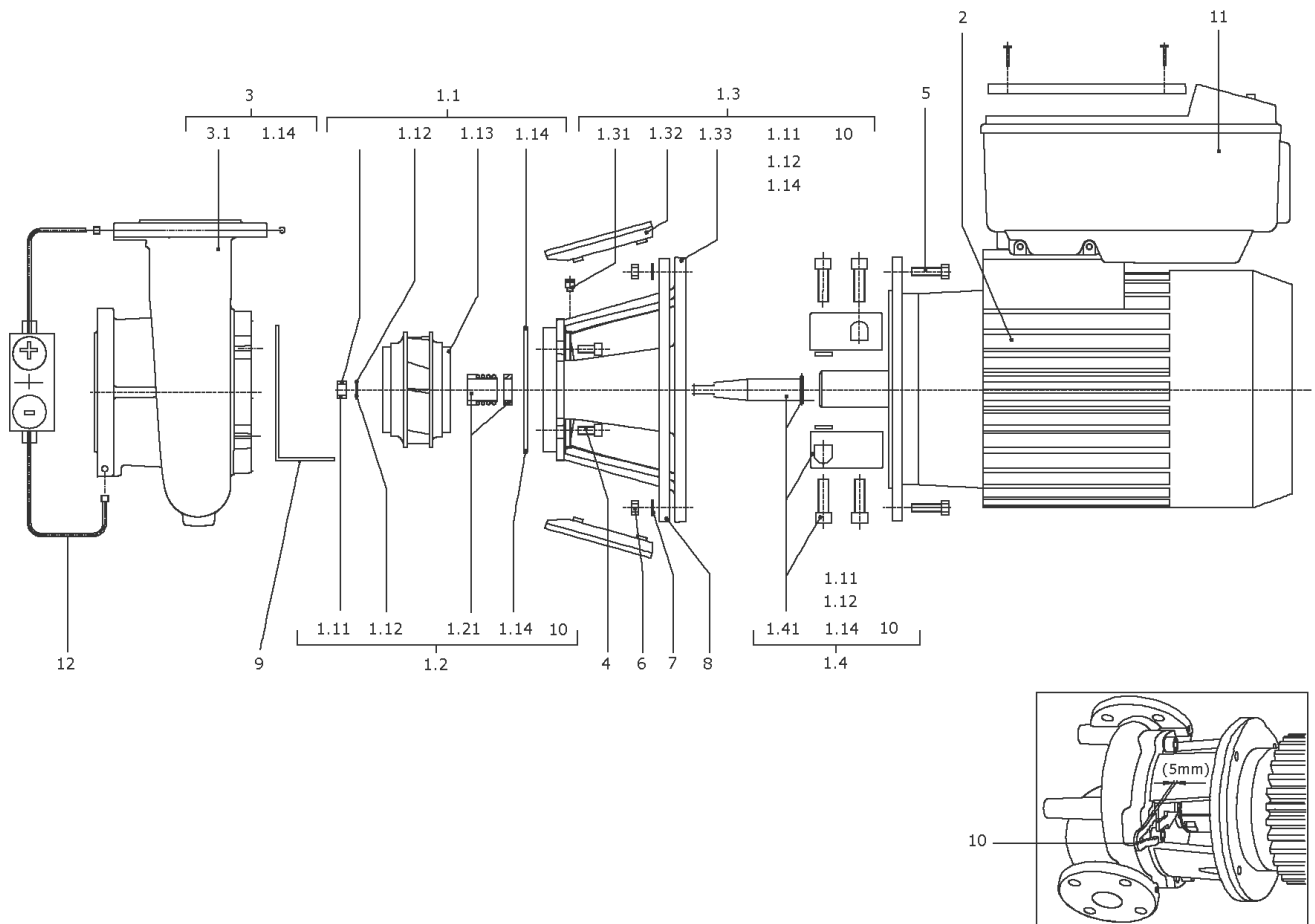
## Spare parts motor V1 4/2/112 250E IE4

Item	Description	Quantity
ELEC	W112140-2-V1NPE 400V/50Hz 4kW IE4	1



**W112140-2-V1NPE 400V/50Hz 4kW IE4**

Item	Article no.	Description	Quantity
2.2	2192953	End shield BG112 V1 D.E.ELEC KIT	1
Note: Please give the data from type plate of the motor			
2.1A		> FLANGE IEC112 V1	1
2.1B	2111309	> CONDENSATE HOLE GASKET D5 VP.	1
Note: Please give the data from type plate of the motor			
2.3	2118388	CIRCLIP D.35 GB894.1 VP.	1
Note: Please give the data from type plate of the motor			
2.4	2153172	Ball bearing 6307/VV-C3 VP.	1
Note: Please give the data from type plate of the motor			
2.5	2118390	CIRCLIP D.80 GB893.1 VP.	1
Note: Please give the data from type plate of the motor			
2.6	2153173	Ball bearing 6206/VV-C3 VP.	1
2.7	2164027	O-Ring ID62.4x3.53 EPDM VP.	1
2.8	2132469	SPRING RING D.62 JB/T7590 VP.	1
Note: Please give the data from type plate of the motor			
2.10	2164025	End shield BG112 N.D.E.ELEC KIT	1
Note: Please give the data from type plate of the motor			
		> FLANGE IEC112 NDS with slot	1
		> O-RING ID62.4*3.53 EPDM	1
2.11	2132473	SCREW M8X263,5 6.8 (4 PIECES)	1
2.12	2175742	Fan BG112 ELEC KIT	1
Note: Please give the data from type plate of the motor			
2.12A		> FAN 174X20X17 GP2200 G/F20%	1
2.12B	2118396	> Tooth lock washer D.19,8x0,4 VP.	1
Note: Please give the data from type plate of the motor			
2.13	2168255	Fan hood BG112 ELEC KIT	1
Note: Please give the data from type plate of the motor			
2.13A		> FAN COVER IEC112 KTL ST14 T1.0 H86	1
2.13B	2111323	> SCREW M4X6 (4 PIECES)	1
Note: Please give the data from type plate of the motor			
2.16	2179084	Air guider BG 112 Motor KIT	1
2.16A		> AIR GUIDER IEC 112 MOTOR	1
2.16B		> SCREW M8X16 TORX HEX 6.8 GB/T70	1



**BL-E50/130-5,5/2-R1 (2159712)**

Item	Article no.	Description	Quantity
1.1	2123485	IMPELLER D.65/124/24 KIT	1
1.11	2027187	> NUT M12 DIN-EN24032 A2 VP.	1
1.12	2027190	> WASHER A13 DIN125-T2 A2 VP.	1
1.13		> IMPELLER 65/124/24 GG BALANCED	1
1.14	2037527	> O-RING 148,82x3,53 EPDM 70SR.VP.	1
	2042862	> WASHER S12 V2A VP.	1
1.2	2026902	MECHANICAL SEAL MG12/24-G60 AQ1EGG KIT	1
1.11	2027187	> NUT M12 DIN-EN24032 A2 VP.	1
1.12	2027190	> WASHER A13 DIN125-T2 A2 VP.	1
1.14	2037527	> O-RING 148,82x3,53 EPDM 70SR.VP.	1
1.14	2043160	> O-Ring 177,39x3,53 ISO3601B EPDM VP.	1
1.14	2042864	> O-RING ID.224x3,55 7EP1197-W534 VP.	1
1.14	2051680	> O-RING ID.276,7x5,29 7EP1197-W534 VP.	1
	2042862	> WASHER S12 V2A VP.	1
1.21		> MECHANICAL SEAL MG12/24-G60 AQ1EGG	1
10	2027202	> TOOL D.18/24/32 VP.	1
1.3	2037203	LANTERN P190X85,2-F265 KIT	1
1.11	2027187	> NUT M12 DIN-EN24032 A2 VP.	1
1.12	2027190	> WASHER A13 DIN125-T2 A2 VP.	1
1.14	2037527	> O-RING 148,82x3,53 EPDM 70SR.VP.	1
	2042862	> WASHER S12 V2A VP.	1
1.31	2027201	> BLOWGUN R1/8" VP.	1
1.32	2048834	> COUPLING GUARD F265 PA66 (4 PIECES)	1
1.33		> LANTERN P190X85,2-F265 GG KTL WILO	1
10	2027202	> TOOL D.18/24/32 VP.	1
1.4	2027227	COUPLING/SHAFT 24/38x142 OR.148 KIT	1
1.11	2027187	> NUT M12 DIN-EN24032 A2 VP.	1
1.12	2027190	> WASHER A13 DIN125-T2 A2 VP.	1
1.14	2037527	> O-RING 148,82x3,53 EPDM 70SR.VP.	1
	2042862	> WASHER S12 V2A VP.	1
1.41		> COUPLING 24/38+SHAFT 24X142 BG132 ZN KIT	1
10	2027202	> TOOL D.18/24/32 VP.	1
2	2179386	Motor B35 5,5/2/132/300E-IE4-ELEC(+Tool)	1
		Spare parts motor B35 5,5/2/132 300E IE4	1

**BL-E50/130-5,5/2-R1 (2159712)**

Item	Article no.	Description	Quantity
3	2037176	PUMP HOUSING B50/140 PN16 KIT	1
1.14	2037527	> O-RING 148,82x3,53 EPDM 70SR.VP.	1
3.1		> PUMP HOUSING BL50/145 PN16 CPL.WILO	1
4	2027193	SCREW M16X30 ISO4762 8.8 (4 PIECES)	1
5	2037244	Screw M12X55 ISO4014 8.8 (4STÜCK)	1
6	2029305	NUT M12 DIN-EN24032 8 (4 PIECES)	1
7	2029335	WASHER A13 DIN125 ST (4 PIECES)	1
11	2192827	Module BL-E50/130-5,5/2-IE4 ELEC KIT	1
		> Module BL-E50/130-5,5/2-IE4 ELEC	1
	2111344	> MODULE COVER/GASKET TL5 KIT	1
	2120047	> CABLE CONNECTION M12x1,5/5 cpl.TL5 VP.	1
	2120048	> CABLE CONNECTION M16x1,5/5 cpl.TL5 VP.	1
	2120049	> CABLE CONNECTION M20x1,5/6 cpl.TL5 VP.	1
	2120050	> CABLE CONNECTION M25x1,5/8 cpl.TL5 VP.	1

Motor-Typenschild / Motor type plate / Plaque identité moteur

Bei Ersatzteilbestellung Motor-Nummer angeben!

Indicate motor number for order of spare parts!

Pour une commande de pièces détachées, donner le numéro du moteur!

ELEC

Motor-Nummer  
motor number  
numéro du moteur

<b>3~Induction Motor</b>					
Made by WILLO Group					
<b>351f218</b>	<b>W132240-4-V1NPE</b>		<b>0902.001</b>		
Class F	S1	IP55	69kg	EN60034	
50Hz	5.5kW	SF=L1S	60Hz	6.45kW	
YΔ 400/690V	10,6/6,13A	Y 440-480V	10,9/10,35A		
Cosφ =0.81	1470min <sup>-1</sup>	Cosφ =0.81	1770min <sup>-1</sup>		
IE4-91.9%	91,9%	91,1%	IE4-92.4%	92,4%	91,8%

WEG

3~ AL180M/L-04		2015/12	1030615079		
AMB 40°C					
IP55	INS CL.F	Δ T 80 K	S1	SF 1.0	
V	Hz	kW	RPM	A	PF
400 / -			1480	29,5 / -	0,78
- / -					
- / -					
- / -					
400	IE4	93,9 (100%)	92,5 (75%)	90,8 (50%)	
- / -		- (100%)	- (75%)	- (50%)	
- A		- (100%)	- (75%)	- (50%)	
NEMA	Eff	- %	- HP	- V	- Hz
- A	PF	DES	CODE	SF	
← 6311-ZZ-C3 MOBIL POLYREX EM					162 kg
→ 6211-ZZ-C3					
MOD.TE01A0X1A0000301180					
IEC 60034					

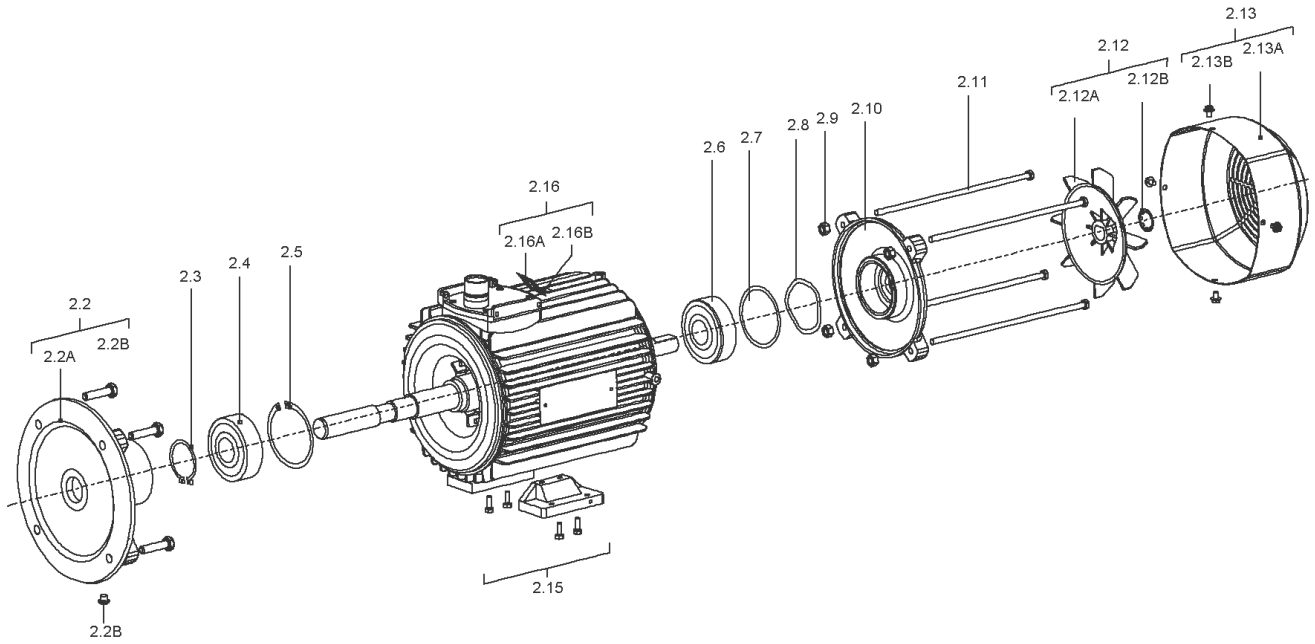
VIBRATION LEVEL A
ACCORDING IEC 60034-14
BALANCED WITH NO KEY
WILO PART NO: <b>2151697</b>

Motor-Nummer  
motor number  
numéro du moteur

## Spare parts motor B35 5,5/2/132 300E IE4

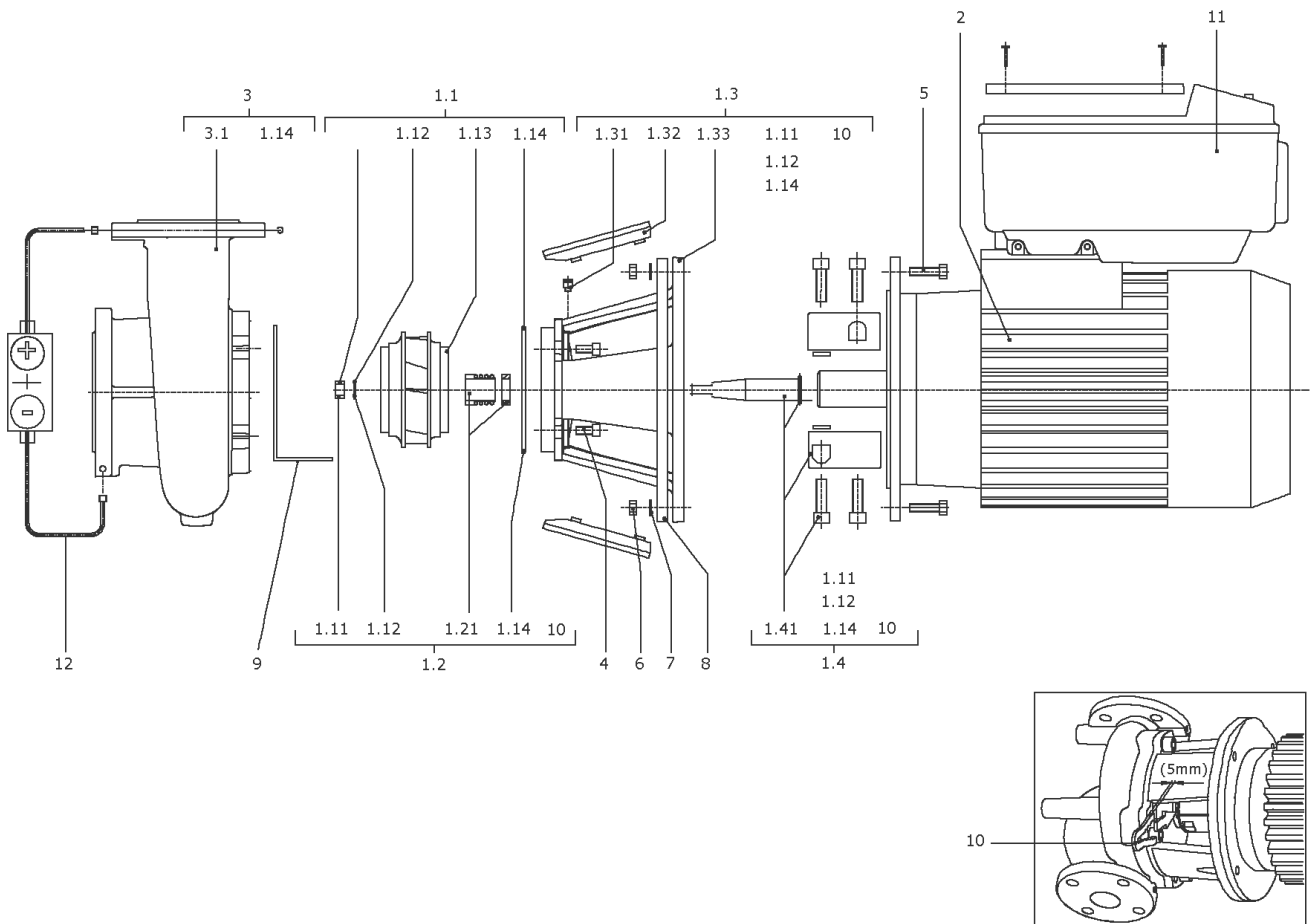
Item	Description	Quantity
ELEC	Motor B35 5,5/2/132 300E IE4 ELEC WILO	1





**Motor B35 5,5/2/132 300E IE4 ELEC WILO**

Item	Article no.	Description	Quantity
2.2	2175903	End shield BG132 FF265 D.E.ELEC KIT	1
Note: Please give the data from type plate of the motor			
2.2A		> Flange IEC132 V1 FF265 D.E.	1
2.2B	2111309	> CONDENSATE HOLE GASKET D5 VP.	1
2.3	2178920	Circlip D40 GB894.1 VP.	1
Note: Please give the data from type plate of the motor			
2.4	121266690	BALL BEARING 6308/2Z-C3 (HT) VP.	1
Note: Please give the data from type plate of the motor			
2.5	2178920	Circlip D40 GB894.1 VP.	1
Note: Please give the data from type plate of the motor			
2.6	2153173	Ball bearing 6206/VV-C3 VP.	1
2.8	2132469	SPRING RING D.62 JB/T7590 VP.	1
Note: Please give the data from type plate of the motor			
2.10	2178921	End shield BG132 N.D.E.ELEC VP.	1
Note: Please give the data from type plate of the motor			
2.11	2178989	Srews Torx Plus M8x335 (4 Pieces)	1
2.12	2175742	Fan BG112 ELEC KIT	1
Note: Please give the data from type plate of the motor			
2.12A		> FAN 174X20X17 GP2200 G/F20%	1
2.12B	2118396	> Tooth lock washer D.19,8x0,4 VP.	1
Note: Please give the data from type plate of the motor			
2.13	2178928	Fan hood BG132 ELEC KIT	1
Note: Please give the data from type plate of the motor			
2.13A		> FAN COVER IEC132 KTL ST14 T0.8 H103	1
2.13B	2178923	> Screw M5X8 GB/T3098.1 6.8(4 Pieces)	1
2.15	2192955	Motor foot cpl.BG132 ELEC KIT	1
2.16	2178924	Air guider IEC 132 Motor KIT	1
Note: Please give the data from type plate of the motor			
2.16A		> AIR GUIDER IEC 132 MOTOR	1
2.16B		> SCREW M8X16 TORX HEX 6.8 GB/T70	1



**BL-E50/140-7,5/2-R1 (2159713)**

Item	Article no.	Description	Quantity
1.1	2123484	IMPELLER D.65/134/24 KIT	1
1.11	2027187	> NUT M12 DIN-EN24032 A2 VP.	1
1.12	2027190	> WASHER A13 DIN125-T2 A2 VP.	1
1.13		> IMPELLER 65/134/24 GG BALANCED	1
1.14	2037527	> O-RING 148,82x3,53 EPDM 70SR.VP.	1
	2042862	> WASHER S12 V2A VP.	1
1.2	2026902	MECHANICAL SEAL MG12/24-G60 AQ1EGG KIT	1
1.11	2027187	> NUT M12 DIN-EN24032 A2 VP.	1
1.12	2027190	> WASHER A13 DIN125-T2 A2 VP.	1
1.14	2037527	> O-RING 148,82x3,53 EPDM 70SR.VP.	1
1.14	2043160	> O-Ring 177,39x3,53 ISO3601B EPDM VP.	1
1.14	2042864	> O-RING ID.224x3,55 7EP1197-W534 VP.	1
1.14	2051680	> O-RING ID.276,7x5,29 7EP1197-W534 VP.	1
	2042862	> WASHER S12 V2A VP.	1
1.21		> MECHANICAL SEAL MG12/24-G60 AQ1EGG	1
10	2027202	> TOOL D.18/24/32 VP.	1
1.3	2037203	LANTERN P190X85,2-F265 KIT	1
1.11	2027187	> NUT M12 DIN-EN24032 A2 VP.	1
1.12	2027190	> WASHER A13 DIN125-T2 A2 VP.	1
1.14	2037527	> O-RING 148,82x3,53 EPDM 70SR.VP.	1
	2042862	> WASHER S12 V2A VP.	1
1.31	2027201	> BLOWGUN R1/8" VP.	1
1.32	2048834	> COUPLING GUARD F265 PA66 (4 PIECES)	1
1.33		> LANTERN P190X85,2-F265 GG KTL WILO	1
10	2027202	> TOOL D.18/24/32 VP.	1
1.4	2027227	COUPLING/SHAFT 24/38x142 OR.148 KIT	1
1.11	2027187	> NUT M12 DIN-EN24032 A2 VP.	1
1.12	2027190	> WASHER A13 DIN125-T2 A2 VP.	1
1.14	2037527	> O-RING 148,82x3,53 EPDM 70SR.VP.	1
	2042862	> WASHER S12 V2A VP.	1
1.41		> COUPLING 24/38+SHAFT 24X142 BG132 ZN KIT	1
10	2027202	> TOOL D.18/24/32 VP.	1
2	2168709	Motor B35 7,5/2/132/300E-IE4-ELEC(+Tool)	1
		Spare parts motor B35 7,5/2/132 300E IE4	1

**BL-E50/140-7,5/2-R1 (2159713)**

Item	Article no.	Description	Quantity
3	2037176	PUMP HOUSING B50/140 PN16 KIT	1
1.14	2037527	> O-RING 148,82x3,53 EPDM 70SR.VP.	1
3.1		> PUMP HOUSING BL50/145 PN16 CPL.WILO	1
4	2027193	SCREW M16X30 ISO4762 8.8 (4 PIECES)	1
5	2037244	Screw M12X55 ISO4014 8.8 (4STÜCK)	1
6	2029305	NUT M12 DIN-EN24032 8 (4 PIECES)	1
7	2029335	WASHER A13 DIN125 ST (4 PIECES)	1
11	2192828	Module BL-E50/140-7,5/2-IE4 ELEC KIT	1
		> Module BL-E50/140-7,5/2-IE4 ELEC	1
	2111344	> MODULE COVER/GASKET TL5 KIT	1
	2120047	> CABLE CONNECTION M12x1,5/5 cpl.TL5 VP.	1
	2120048	> CABLE CONNECTION M16x1,5/5 cpl.TL5 VP.	1
	2120049	> CABLE CONNECTION M20x1,5/6 cpl.TL5 VP.	1
	2120050	> CABLE CONNECTION M25x1,5/8 cpl.TL5 VP.	1

Motor-Typenschild / Motor type plate / Plaque identité moteur

Bei Ersatzteilbestellung Motor-Nummer angeben!

Indicate motor number for order of spare parts!

Pour une commande de pièces détachées, donner le numéro du moteur!

ELEC

Motor-Nummer  
motor number  
numéro du moteur

<b>3~Induction Motor</b>					
Made by WILLO Group					
<b>3511218</b>	<b>W132240-4-V1NPE</b>		<b>0902.001</b>		
Class F	S1	IP55	69kg	EN60034	
50Hz	5.5kW	SF=1.15	60Hz	6.45kW	
YΔ 400/690V	10,6/6,13A	Y 440-480V	10,9/10,35A		
Cosφ =0.81	1470min <sup>-1</sup>	Cosφ =0.81	1770min <sup>-1</sup>		
IE4-91.9%	91,9%	91,1%	IE4-92.4%	92,4%	91,8%

WEG

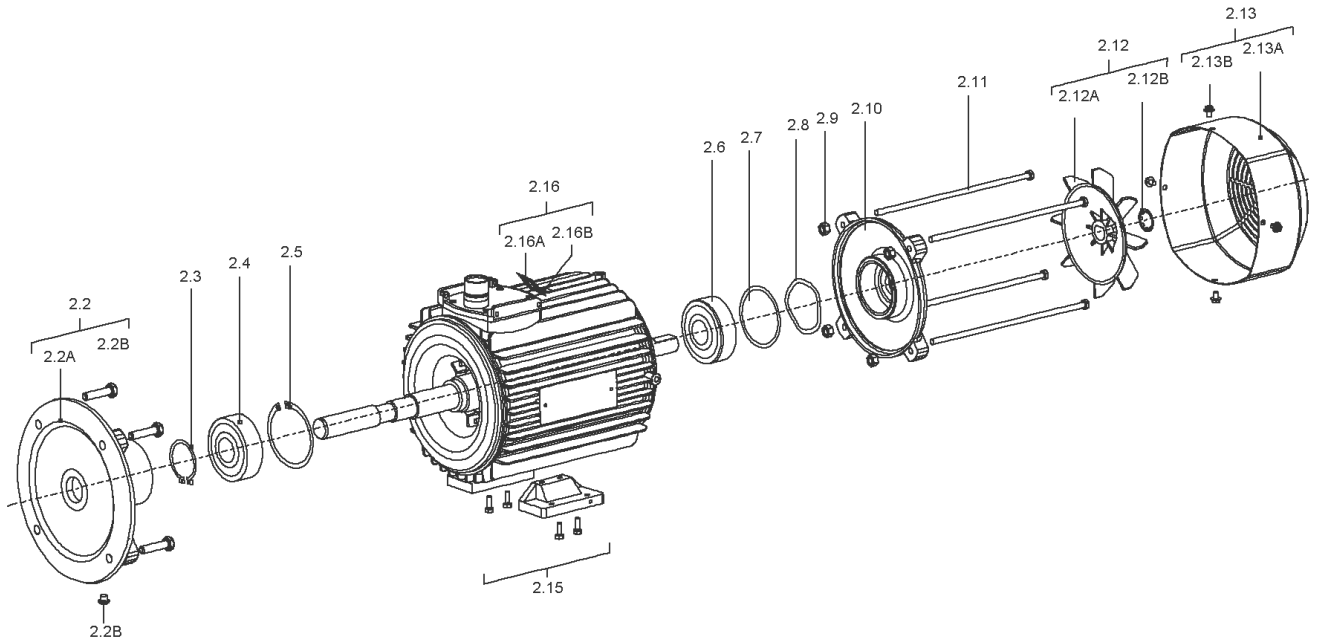
3~ AL180M/L-04		2015/12	1030615079		
AMB 40°C					
IP55	INS CL.F	Δ T 80 K	S1	SF 1.0	
V	Hz	kW	RPM	A	PF
400 / -			1480	29,5 / -	0,78
- / -					
- / -					
- / -					
400	IE4	93,9 (100%)	92,5 (75%)	90,8 (50%)	
- / -		- (100%)	- (75%)	- (50%)	
- A		- (100%)	- (75%)	- (50%)	
NEMA	Eff	- %	- HP	- V	- Hz
- A	PF	DES	CODE	SF	
		6311-ZZ-C3	MOBIL POLYREX EM		162 kg
		6211-ZZ-C3			
MOD.TE01A0X1A0000301180					
IEC 60034					

VIBRATION LEVEL A
ACCORDING IEC 60034-14
BALANCED WITH NO KEY
WILO PART NO: <b>2151697</b>

Motor-Nummer  
motor number  
numéro du moteur

## Spare parts motor B35 7,5/2/132 300E IE4

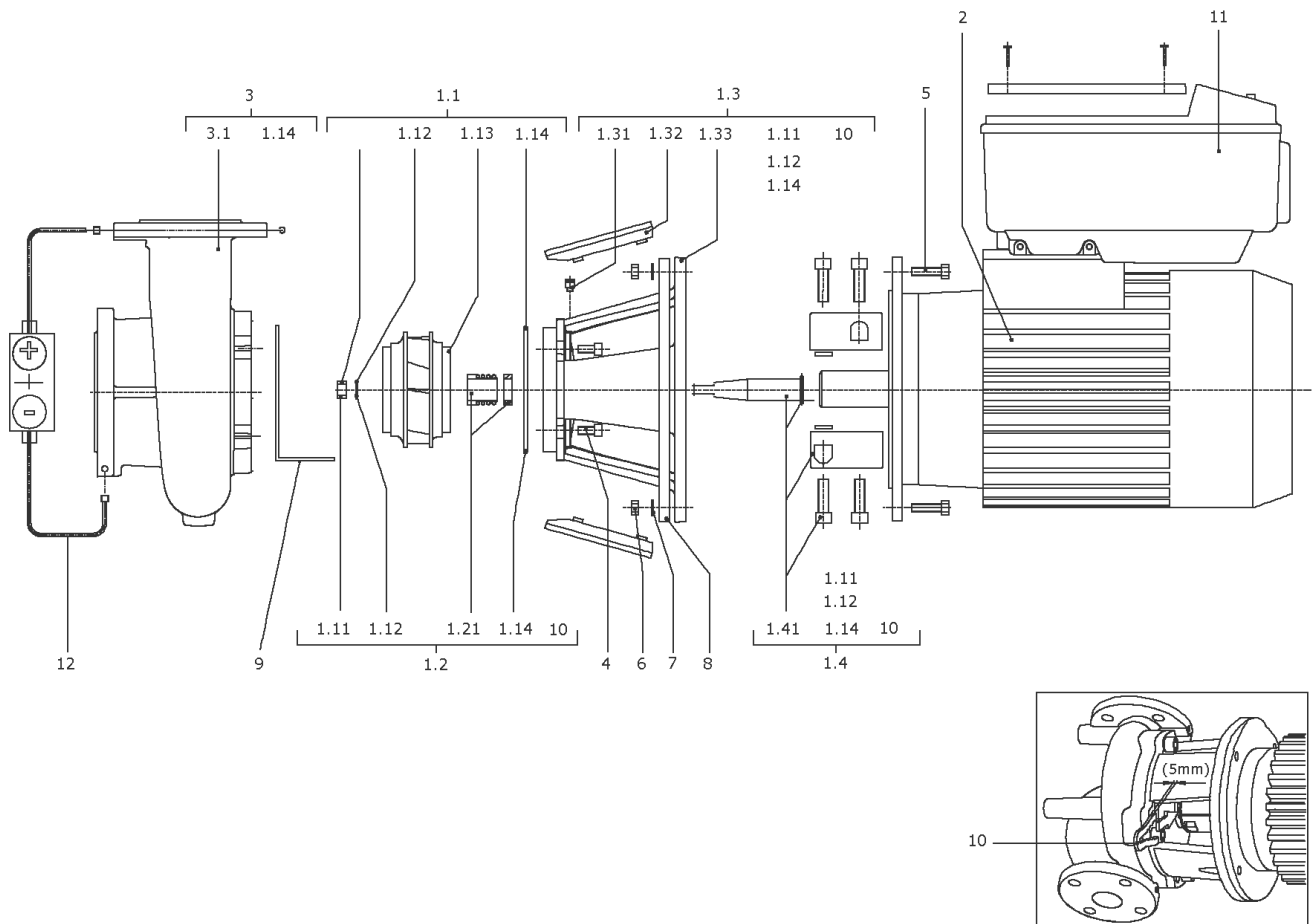
Item	Description	Quantity
ELEC	Motor B35 7,5/2/132/300E IE4 ELEC WILO	1





**Motor B35 7,5/2/132/300E IE4 ELEC WILO**

Item	Article no.	Description	Quantity
2.2	2175903	End shield BG132 FF265 D.E.ELEC KIT	1
Note: Please give the data from type plate of the motor			
2.2A		> Flange IEC132 V1 FF265 D.E.	1
2.2B	2111309	> CONDENSATE HOLE GASKET D5 VP.	1
2.3	2178920	Circlip D40 GB894.1 VP.	1
Note: Please give the data from type plate of the motor			
2.4	121266690	BALL BEARING 6308/2Z-C3 (HT) VP.	1
Note: Please give the data from type plate of the motor			
2.5	2192954	Circlip D90 GB893.1 VP.	1
Note: Please give the data from type plate of the motor			
2.6	2153173	Ball bearing 6206/VV-C3 VP.	1
Note: Please give the data from type plate of the motor			
2.8	2132469	SPRING RING D.62 JB/T7590 VP.	1
2.10	2178921	End shield BG132 N.D.E.ELEC VP.	1
Note: Please give the data from type plate of the motor			
2.11	2178989	Srews Torx Plus M8x335 (4 Pieces)	1
Note: Please give the data from type plate of the motor			
2.12	2175742	Fan BG112 ELEC KIT	1
Note: Please give the data from type plate of the motor			
2.12A		> FAN 174X20X17 GP2200 G/F20%	1
2.12B	2118396	> Tooth lock washer D.19,8x0,4 VP.	1
Note: Please give the data from type plate of the motor			
2.13	2178928	Fan hood BG132 ELEC KIT	1
Note: Please give the data from type plate of the motor			
2.13A		> FAN COVER IEC132 KTL ST14 T0.8 H103	1
2.13B	2178923	> Screw M5X8 GB/T3098.1 6.8(4 Pieces)	1
2.15	2192955	Motor foot cpl.BG132 ELEC KIT	1
2.16	2178924	Air guider IEC 132 Motor KIT	1
Note: Please give the data from type plate of the motor			
2.16A		> AIR GUIDER IEC 132 MOTOR	1
2.16B		> SCREW M8X16 TORX HEX 6.8 GB/T70	1



**BL-E50/150-7,5/2-R1 (2159714)**

Item	Article no.	Description	Quantity
1.1	2037292	IMPELLER D.65/152/24 KIT	1
1.11	2027187	> NUT M12 DIN-EN24032 A2 VP.	1
1.12	2027190	> WASHER A13 DIN125-T2 A2 VP.	1
1.13		> IMPELLER 65/152/142/24 GG BALANCED	1
1.14	2043160	> O-Ring 177,39x3,53 ISO3601B EPDM VP.	1
	2042862	> WASHER S12 V2A VP.	1
1.2	2026902	MECHANICAL SEAL MG12/24-G60 AQ1EGG KIT	1
1.11	2027187	> NUT M12 DIN-EN24032 A2 VP.	1
1.12	2027190	> WASHER A13 DIN125-T2 A2 VP.	1
1.14	2037527	> O-RING 148,82x3,53 EPDM 70SR.VP.	1
1.14	2043160	> O-Ring 177,39x3,53 ISO3601B EPDM VP.	1
1.14	2042864	> O-RING ID.224x3,55 7EP1197-W534 VP.	1
1.14	2051680	> O-RING ID.276,7x5,29 7EP1197-W534 VP.	1
	2042862	> WASHER S12 V2A VP.	1
1.21		> MECHANICAL SEAL MG12/24-G60 AQ1EGG	1
10	2027202	> TOOL D.18/24/32 VP.	1
1.3	2027010	LANTERN P228X85,2-F265 KIT	1
1.11	2027187	> NUT M12 DIN-EN24032 A2 VP.	1
1.12	2027190	> WASHER A13 DIN125-T2 A2 VP.	1
1.14	2043160	> O-Ring 177,39x3,53 ISO3601B EPDM VP.	1
	2042862	> WASHER S12 V2A VP.	1
1.31	2027201	> BLOWGUN R1/8" VP.	1
1.32	2048838	> COUPLING GUARD F265 PA66 AD.(4 PIECES)	1
1.33		> LANTERN P228X85,2-F265 GG KTL RDES WILO	1
10	2027202	> TOOL D.18/24/32 VP.	1
1.4	2026928	COUPLING/SHAFT 24/38x142 OR.177 KIT	1
1.11	2027187	> NUT M12 DIN-EN24032 A2 VP.	1
1.12	2027190	> WASHER A13 DIN125-T2 A2 VP.	1
1.14	2043160	> O-Ring 177,39x3,53 ISO3601B EPDM VP.	1
	2042862	> WASHER S12 V2A VP.	1
1.41		> COUPLING 24/38+SHAFT 24X142 BG132 ZN KIT	1
10	2027202	> TOOL D.18/24/32 VP.	1
2	2168709	Motor B35 7,5/2/132/300E-IE4-ELEC(+Tool)	1
		Spare parts motor B35 7,5/2/132 300E IE4	1

**BL-E50/150-7,5/2-R1 (2159714)**

Item	Article no.	Description	Quantity
3	2026871	PUMP HOUSING B50/170 PN16 KIT	1
1.14	2043160	> O-Ring 177,39x3,53 ISO3601B EPDM VP.	1
3.1		> PUMP HOUSING BL50/182 PN16 CPL.WILO	1
4	2027193	SCREW M16X30 ISO4762 8.8 (4 PIECES)	1
5	2027199	Screw M12X65 ISO4014 8.8 (4STÜCK)	1
6	2029305	NUT M12 DIN-EN24032 8 (4 PIECES)	1
7	2029335	WASHER A13 DIN125 ST (4 PIECES)	1
8	2027185	Adapter ring BG132 VP.	1
11	2192829	Module BL-E50/150-7,5/2-IE4 ELEC KIT	1
		> Module BL-E50/150-7,5/2-IE4 ELEC	1
	2111344	> MODULE COVER/GASKET TL5 KIT	1
	2120047	> CABLE CONNECTION M12x1,5/5 cpl.TL5 VP.	1
	2120048	> CABLE CONNECTION M16x1,5/5 cpl.TL5 VP.	1
	2120049	> CABLE CONNECTION M20x1,5/6 cpl.TL5 VP.	1
	2120050	> CABLE CONNECTION M25x1,5/8 cpl.TL5 VP.	1

**Motor-Typenschild / Motor type plate / Plaque identité moteur**

**Bei Ersatzteilbestellung Motor-Nummer angeben!**

**Indicate motor number for order of spare parts!**

**Pour une commande de pièces détachées, donner le numéro du moteur!**

ELEC

Motor-Nummer  
motor number  
numéro du moteur

<b>3~Induction Motor</b>					
Made by WILLO Group					
<b>351f218</b>	<b>W132240-4-V1NPE</b>		<b>0902.001</b>		
Class F	S1	IP55	69kg	EN60034	
50Hz	5.5kW	SF=L1S	60Hz	6.45kW	
YΔ 400/690V	10,6/6,13A	Y 440-480V	10,9/10,35A		
Cosφ =0.81	1470min <sup>-1</sup>	Cosφ =0.81	1770min <sup>-1</sup>		
IE4-91.9%	91,9%	91,1%	IE4-92.4%	92,4%	91,8%

WEG

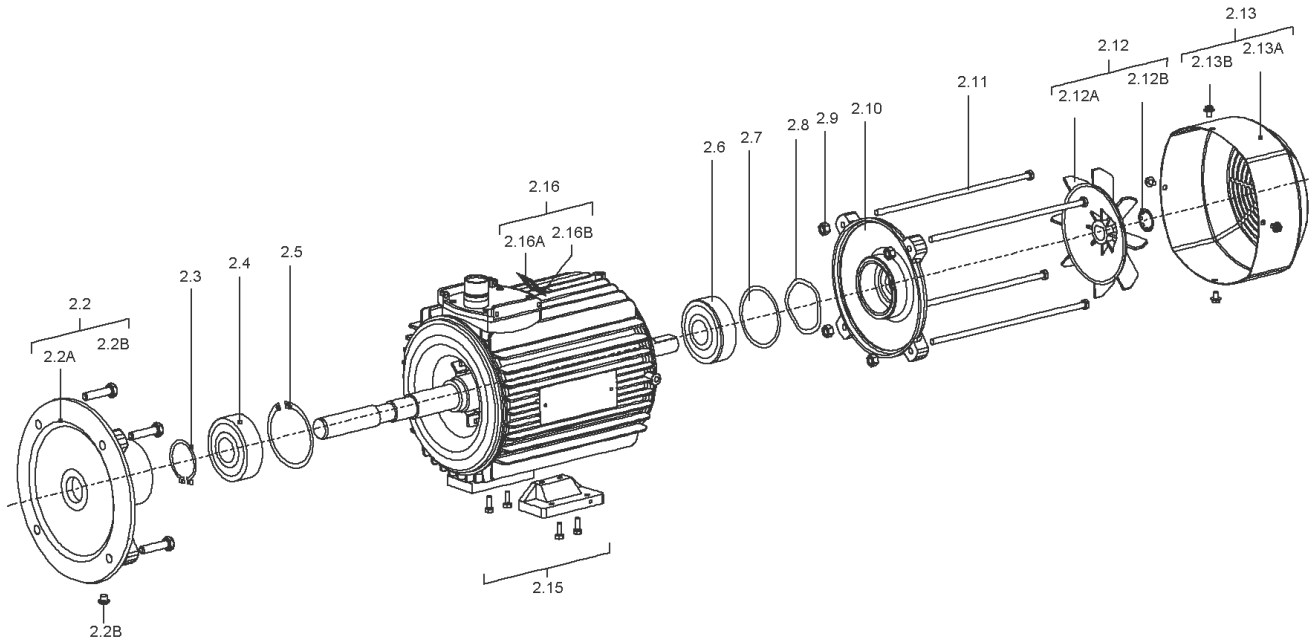
3~ AL180M/L-04		2015/12	1030615079		
AMB 40°C					
IP55	INS CL.F	Δ T 80 K	S1	SF 1.0	
V	Hz	kW	RPM	A	PF
400 / -			1480	29,5 / -	0,78
- / -					
- / -					
- / -					
400	IE4	93,9 (100%)	92,5 (75%)	90,8 (50%)	
- / -		- (100%)	- (75%)	- (50%)	
- A		- (100%)	- (75%)	- (50%)	
NEMA	Eff	- %	- HP	- V	- Hz
- A	PF	DES	CODE	SF	
		6311-ZZ-C3	MOBIL POLYREX EM		162 kg
		6211-ZZ-C3			
MOD.TE01A0X1A0000301180					
IEC 60034					

VIBRATION LEVEL A
ACCORDING IEC 60034-14
BALANCED WITH NO KEY
WILO PART NO: <b>2151697</b>

Motor-Nummer  
motor number  
numéro du moteur

## Spare parts motor B35 7,5/2/132 300E IE4

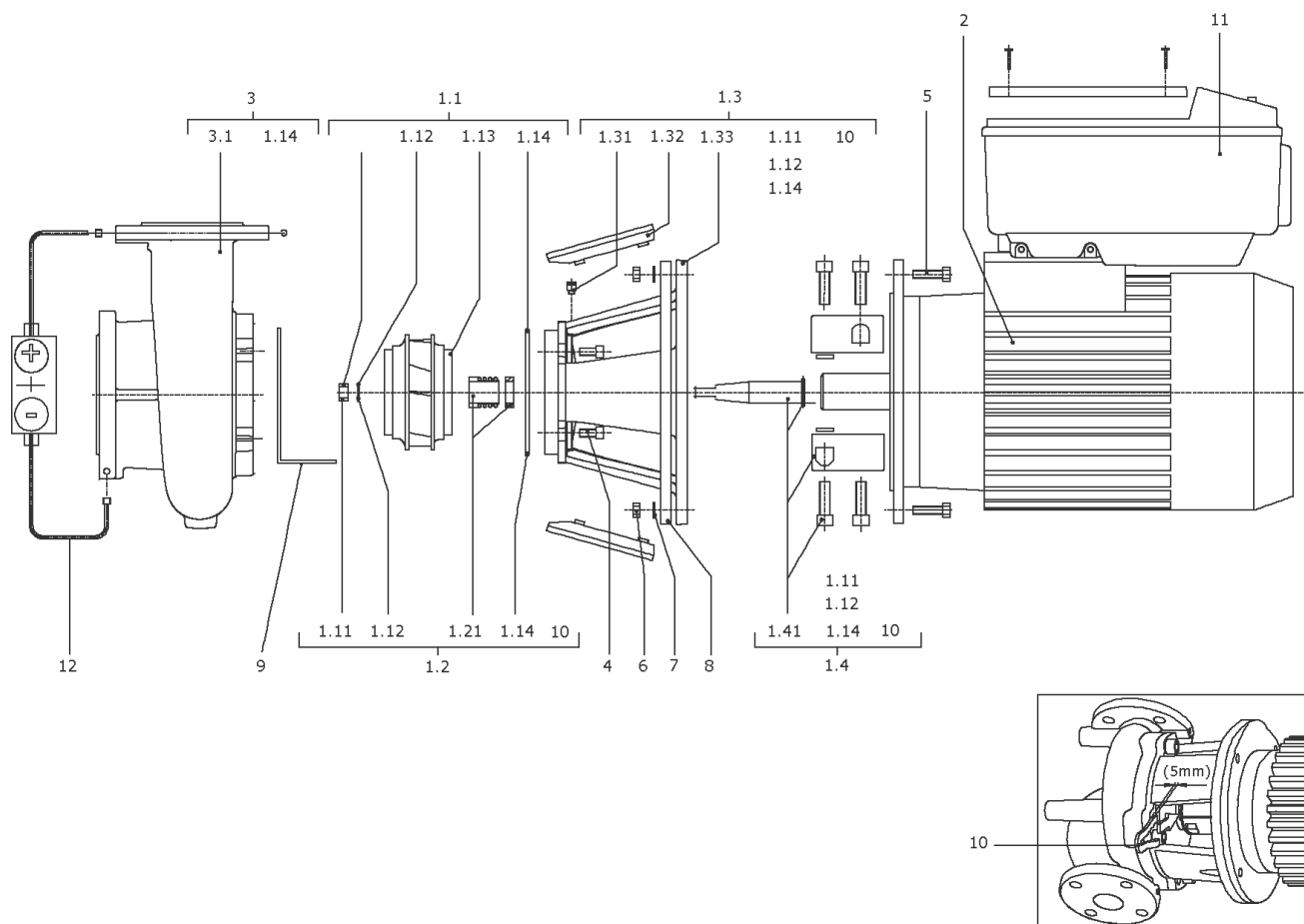
Item	Description	Quantity
ELEC	Motor B35 7,5/2/132/300E IE4 ELEC WILO	1



**Motor B35 7,5/2/132/300E IE4 ELEC WILO**

Item	Article no.	Description	Quantity
2.2	2175903	End shield BG132 FF265 D.E.ELEC KIT	1
Note: Please give the data from type plate of the motor			
2.2A		> Flange IEC132 V1 FF265 D.E.	1
2.2B	2111309	> CONDENSATE HOLE GASKET D5 VP.	1
2.3	2178920	Circlip D40 GB894.1 VP.	1
Note: Please give the data from type plate of the motor			
2.4	121266690	BALL BEARING 6308/2Z-C3 (HT) VP.	1
Note: Please give the data from type plate of the motor			
2.5	2192954	Circlip D90 GB893.1 VP.	1
Note: Please give the data from type plate of the motor			
2.6	2153173	Ball bearing 6206/VV-C3 VP.	1
Note: Please give the data from type plate of the motor			
2.8	2132469	SPRING RING D.62 JB/T7590 VP.	1
2.10	2178921	End shield BG132 N.D.E.ELEC VP.	1
Note: Please give the data from type plate of the motor			
2.11	2178989	Srews Torx Plus M8x335 (4 Pieces)	1
Note: Please give the data from type plate of the motor			
2.12	2175742	Fan BG112 ELEC KIT	1
Note: Please give the data from type plate of the motor			
2.12A		> FAN 174X20X17 GP2200 G/F20%	1
2.12B	2118396	> Tooth lock washer D.19,8x0,4 VP.	1
Note: Please give the data from type plate of the motor			
2.13	2178928	Fan hood BG132 ELEC KIT	1
Note: Please give the data from type plate of the motor			
2.13A		> FAN COVER IEC132 KTL ST14 T0.8 H103	1
2.13B	2178923	> Screw M5X8 GB/T3098.1 6.8(4 Pieces)	1
2.15	2192955	Motor foot cpl.BG132 ELEC KIT	1
2.16	2178924	Air guider IEC 132 Motor KIT	1
Note: Please give the data from type plate of the motor			
2.16A		> AIR GUIDER IEC 132 MOTOR	1
2.16B		> SCREW M8X16 TORX HEX 6.8 GB/T70	1





**BL-E65/120-4/2-R1 (2159716)**

Item	Article no.	Description	Quantity
1.1	2048413	IMPELLER D.80/114/18 KIT	1
1.11	2027186	> NUT M10 DIN934 A2	1
1.12	2027189	> TENSIONING DISC DIN6796-10 V2A	1
1.13		> IMPELLER 80/114/18 GG BALANCED	1
1.14	2037527	> O-RING 148,82x3,53 EPDM 70SR.VP.	1
1.2	2026901	MECHANICAL SEAL MG12/18-G60 AQ1EGG KIT	1
1.11	2027186	> NUT M10 DIN934 A2	1
1.12	2027189	> TENSIONING DISC DIN6796-10 V2A	1
1.14	2037527	> O-RING 148,82x3,53 EPDM 70SR.VP.	1
1.14	2043160	> O-Ring 177,39x3,53 ISO3601B EPDM VP.	1
1.14	2042864	> O-RING ID.224x3,55 7EP1197-W534 VP.	1
1.21		> MECHANICAL SEAL MG12/18-G60 AQ1EGG	1
10	2027202	> TOOL D.18/24/32 VP.	1
1.3	2037206	LANTERN P190X85,2-F215 KIT	1
1.11	2027186	> NUT M10 DIN934 A2	1
1.12	2027189	> TENSIONING DISC DIN6796-10 V2A	1
1.14	2037527	> O-RING 148,82x3,53 EPDM 70SR.VP.	1
1.31	2027201	> BLOWGUN R1/8" VP.	1
1.32	2048842	> COUPLING GUARD F215 PA66 (2 PIECES)	1
1.33		> Lantern P190X85,2-F215 GG KTL WILO	1
10	2027202	> TOOL D.18/24/32 VP.	1
1.4	2029312	COUPLING/SHAFT 18/28X142 OR.148 KIT	1
1.11	2027186	> NUT M10 DIN934 A2	1
1.12	2027189	> TENSIONING DISC DIN6796-10 V2A	1
1.14	2037527	> O-RING 148,82x3,53 EPDM 70SR.VP.	1
1.41		> COUPLING 18/28+SHAFT 18X142 BG112 ZN KIT	1
10	2027202	> TOOL D.18/24/32 VP.	1
2	2169171	Motor V1 4/2/112/250E-IE4-ELEC(+Tool)	1
		Spare parts motor V1 4/2/112 250E IE4	1
3	2037178	PUMP HOUSING B65/140 PN16 KIT	1
1.14	2037527	> O-RING 148,82x3,53 EPDM 70SR.VP.	1
3.1		> PUMP HOUSING BL65/145 PN16 CPL.WILO	1
4	2027194	SCREW M16X30/X40 DIN912 8.8 (4 PIECES)	1
5	2027195	SCREW M12X25 DIN912 8.8 (4 PIECES)	1

**BL-E65/120-4/2-R1 (2159716)**

Item	Article no.	Description	Quantity
7	2029335	WASHER A13 DIN125 ST (4 PIECES)	1
9	2037241	MOTOR FOOT BG71-112/P190	1
11	2192830	Module BL-E65/120-4/2-IE4 ELEC KIT	1
		> Module BL-E65/120-4/2-IE4 ELEC	1
	2054227	> MODULE COVER/GASKET TL3/4 KIT	1
		> SCREW M5X16 ISO4762 8.8 ZnNi	1
		> WASHER TOOTHED LOCK A5,3 DIN6797 FST ZN	1
	2061236	> O-RING ID.38X3 EPDM 70SR.A BUS.	1
	2029336	WASHER A17 DIN125 ST (4 PIECES)	1

Motor-Typenschild / Motor type plate / Plaque identité moteur

Bei Ersatzteilbestellung Motor-Nummer angeben!

Indicate motor number for order of spare parts!

Pour une commande de pièces détachées, donner le numéro du moteur!

ELEC

Motor-Nummer  
motor number  
numéro du moteur

<b>3~Induction Motor</b>					
Made by WILLO Group					
<b>3511218</b>	<b>W132240-4-V1NPE</b>		<b>0902.001</b>		
Class F	S1	IP55	69kg	EN60034	
50Hz	5.5kW	SF=L1S	60Hz	6.45kW	
YΔ 400/690V	10,6/6,13A	Y 440-480V	10,9/10,35A		
Cosφ =0.81	1470min <sup>-1</sup>	Cosφ =0.81	1770min <sup>-1</sup>		
IE4-91.9%	91,9%	91,1%	IE4-92.4%	92,4%	91,8%

WEG

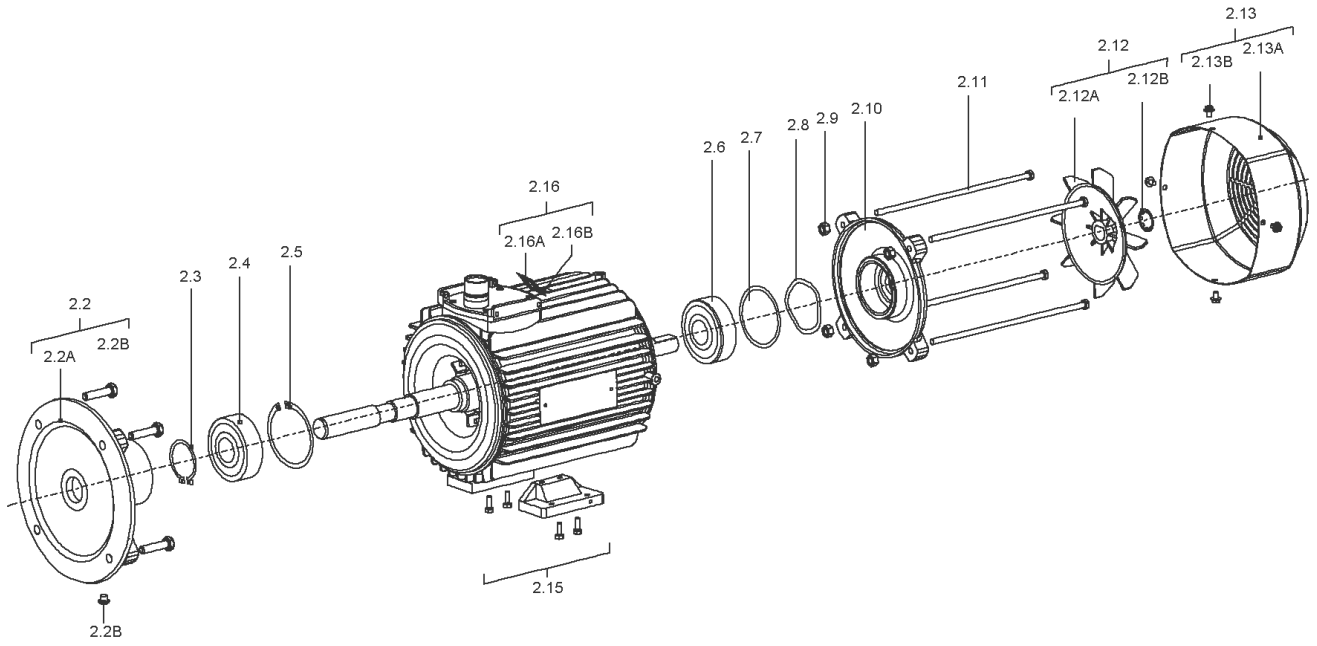
3~ AL180M/L-04		2015/12		1030615079	
AMB 40°C					
IP55	INS CL.F	Δ T 80 K	S1	SF 1.0	
V	Hz	kW	RPM	A	PF
400 / -			1480	29,5 / -	0,78
- / -					
- / -					
- / -					
400	IE4	93,9 (100%)	92,5 (75%)	90,8 (50%)	
- / -		- (100%)	- (75%)	- (50%)	
- A		- (100%)	- (75%)	- (50%)	
NEMA	Eff	- %	- HP	- V	- Hz
- A	PF	DES	CODE	SF	
				162 kg	
6311-ZZ-C3 MOBIL POLYREX EM					
6211-ZZ-C3					
MOD.TE01A0X1A0000301180					
IEC 60034					

VIBRATION LEVEL A
ACCORDING IEC 60034-14
BALANCED WITH NO KEY
WILO PART NO: <b>2151697</b>

Motor-Nummer  
motor number  
numéro du moteur

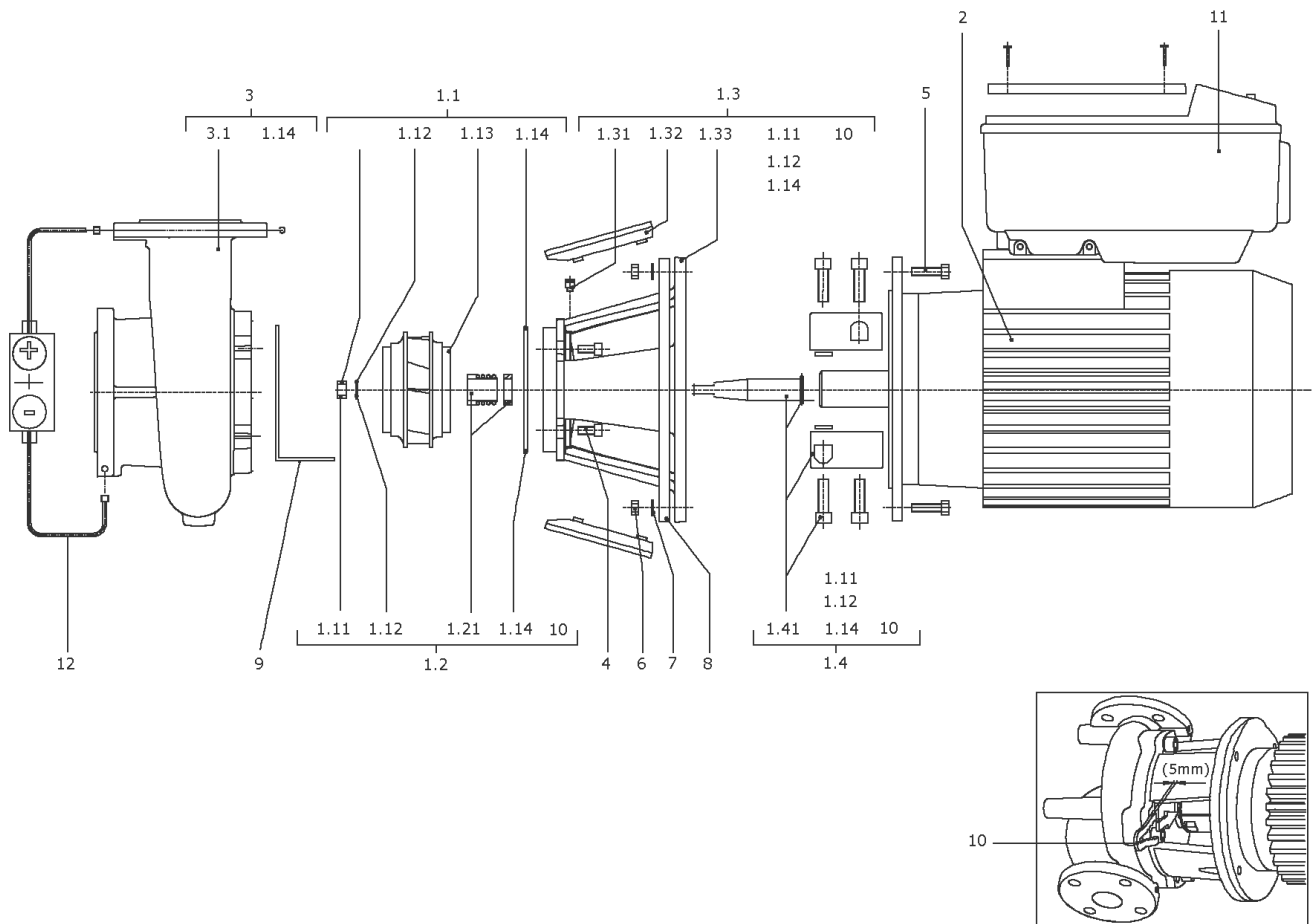
## Spare parts motor V1 4/2/112 250E IE4

Item	Description	Quantity
ELEC	W112140-2-V1NPE 400V/50Hz 4kW IE4	1



**W112140-2-V1NPE 400V/50Hz 4kW IE4**

Item	Article no.	Description	Quantity
2.2	2192953	End shield BG112 V1 D.E.ELEC KIT	1
Note: Please give the data from type plate of the motor			
2.1A		> FLANGE IEC112 V1	1
2.1B	2111309	> CONDENSATE HOLE GASKET D5 VP.	1
Note: Please give the data from type plate of the motor			
2.3	2118388	CIRCLIP D.35 GB894.1 VP.	1
Note: Please give the data from type plate of the motor			
2.4	2153172	Ball bearing 6307/VV-C3 VP.	1
Note: Please give the data from type plate of the motor			
2.5	2118390	CIRCLIP D.80 GB893.1 VP.	1
Note: Please give the data from type plate of the motor			
2.6	2153173	Ball bearing 6206/VV-C3 VP.	1
2.7	2164027	O-Ring ID62.4x3.53 EPDM VP.	1
2.8	2132469	SPRING RING D.62 JB/T7590 VP.	1
Note: Please give the data from type plate of the motor			
2.10	2164025	End shield BG112 N.D.E.ELEC KIT	1
Note: Please give the data from type plate of the motor			
		> FLANGE IEC112 NDS with slot	1
		> O-RING ID62.4*3.53 EPDM	1
2.11	2132473	SCREW M8X263,5 6.8 (4 PIECES)	1
2.12	2175742	Fan BG112 ELEC KIT	1
Note: Please give the data from type plate of the motor			
2.12A		> FAN 174X20X17 GP2200 G/F20%	1
2.12B	2118396	> Tooth lock washer D.19,8x0,4 VP.	1
Note: Please give the data from type plate of the motor			
2.13	2168255	Fan hood BG112 ELEC KIT	1
Note: Please give the data from type plate of the motor			
2.13A		> FAN COVER IEC112 KTL ST14 T1.0 H86	1
2.13B	2111323	> SCREW M4X6 (4 PIECES)	1
Note: Please give the data from type plate of the motor			
2.16	2179084	Air guider BG 112 Motor KIT	1
2.16A		> AIR GUIDER IEC 112 MOTOR	1
2.16B		> SCREW M8X16 TORX HEX 6.8 GB/T70	1





**BL-E65/130-5,5/2-R1 (2159717)**

Item	Article no.	Description	Quantity
1.1	2037891	IMPELLER D.80/122/24 KIT	1
1.11	2027187	> NUT M12 DIN-EN24032 A2 VP.	1
1.12	2027190	> WASHER A13 DIN125-T2 A2 VP.	1
1.13		> IMPELLER 80/122/24 GG BALANCED	1
1.14	2037527	> O-RING 148,82x3,53 EPDM 70SR.VP.	1
	2042862	> WASHER S12 V2A VP.	1
1.2	2026902	MECHANICAL SEAL MG12/24-G60 AQ1EGG KIT	1
1.11	2027187	> NUT M12 DIN-EN24032 A2 VP.	1
1.12	2027190	> WASHER A13 DIN125-T2 A2 VP.	1
1.14	2037527	> O-RING 148,82x3,53 EPDM 70SR.VP.	1
1.14	2043160	> O-Ring 177,39x3,53 ISO3601B EPDM VP.	1
1.14	2042864	> O-RING ID.224x3,55 7EP1197-W534 VP.	1
1.14	2051680	> O-RING ID.276,7x5,29 7EP1197-W534 VP.	1
	2042862	> WASHER S12 V2A VP.	1
1.21		> MECHANICAL SEAL MG12/24-G60 AQ1EGG	1
10	2027202	> TOOL D.18/24/32 VP.	1
1.3	2037203	LANTERN P190X85,2-F265 KIT	1
1.11	2027187	> NUT M12 DIN-EN24032 A2 VP.	1
1.12	2027190	> WASHER A13 DIN125-T2 A2 VP.	1
1.14	2037527	> O-RING 148,82x3,53 EPDM 70SR.VP.	1
	2042862	> WASHER S12 V2A VP.	1
1.31	2027201	> BLOWGUN R1/8" VP.	1
1.32	2048834	> COUPLING GUARD F265 PA66 (4 PIECES)	1
1.33		> LANTERN P190X85,2-F265 GG KTL WILO	1
10	2027202	> TOOL D.18/24/32 VP.	1
1.4	2027227	COUPLING/SHAFT 24/38x142 OR.148 KIT	1
1.11	2027187	> NUT M12 DIN-EN24032 A2 VP.	1
1.12	2027190	> WASHER A13 DIN125-T2 A2 VP.	1
1.14	2037527	> O-RING 148,82x3,53 EPDM 70SR.VP.	1
	2042862	> WASHER S12 V2A VP.	1
1.41		> COUPLING 24/38+SHAFT 24X142 BG132 ZN KIT	1
10	2027202	> TOOL D.18/24/32 VP.	1
2	2179386	Motor B35 5,5/2/132/300E-IE4-ELEC(+Tool)	1
		Spare parts motor B35 5,5/2/132 300E IE4	1

**BL-E65/130-5,5/2-R1 (2159717)**

Item	Article no.	Description	Quantity
3	2037178	PUMP HOUSING B65/140 PN16 KIT	1
1.14	2037527	> O-RING 148,82x3,53 EPDM 70SR.VP.	1
3.1		> PUMP HOUSING BL65/145 PN16 CPL.WILO	1
4	2027193	SCREW M16X30 ISO4762 8.8 (4 PIECES)	1
5	2037244	Screw M12X55 ISO4014 8.8 (4STÜCK)	1
6	2029305	NUT M12 DIN-EN24032 8 (4 PIECES)	1
7	2029335	WASHER A13 DIN125 ST (4 PIECES)	1
11	2187939	Module BL-E65/130-5,5/2-IE4 ELEC KIT	1

Motor-Typenschild / Motor type plate / Plaque identité moteur

Bei Ersatzteilbestellung Motor-Nummer angeben!

Indicate motor number for order of spare parts!

Pour une commande de pièces détachées, donner le numéro du moteur!

ELEC

Motor-Nummer  
motor number  
numéro du moteur

<b>3~Induction Motor</b>					
Made by WILLO Group					
<b>3511218</b>	<b>W132240-4-V1NPE</b>		<b>0902.001</b>		
Class F	S1	IP55	69kg	EN60034	
50Hz	5.5kW	SF=1.15	60Hz	6.45kW	
YΔ 400/690V	10,6/6,13A	Y 440-480V	10,9/10,35A		
Cosφ =0.81	1470min <sup>-1</sup>	Cosφ =0.81	1770min <sup>-1</sup>		
IE4-91.9%	91,9%	91,1%	IE4-92.4%	92,4%	91,8%

WEG

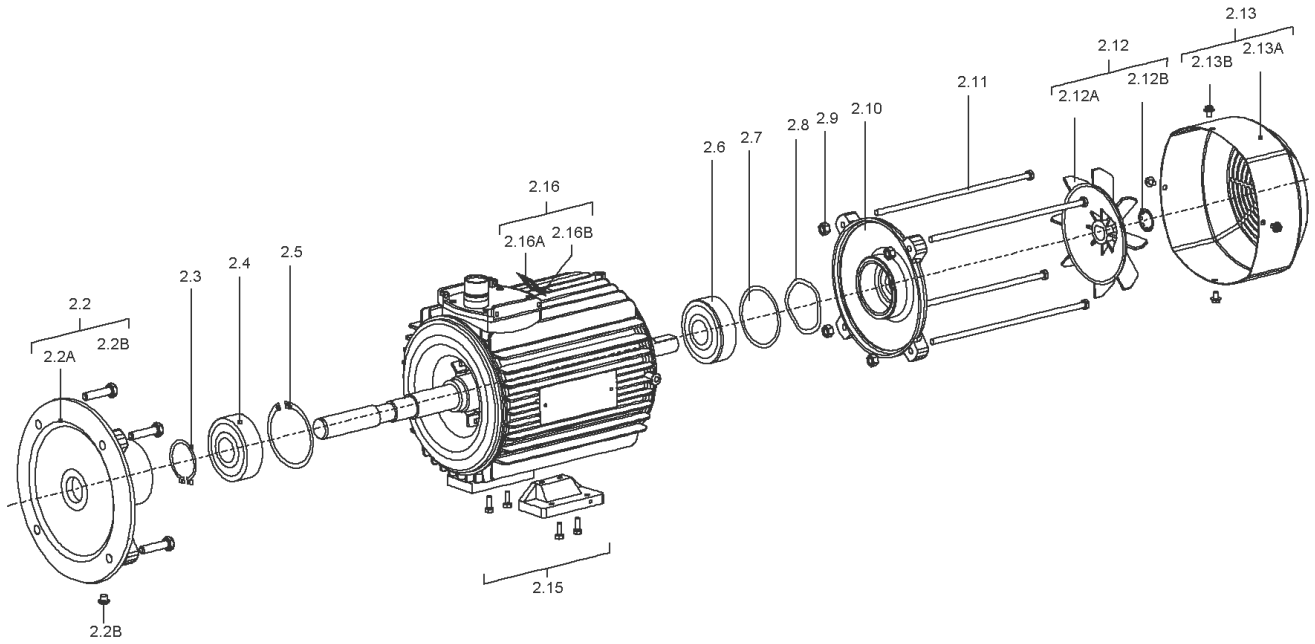
3~ AL180M/L-04		2015/12	1030615079		
AMB 40°C					
IP55	INS CL.F	Δ T 80 K	S1	SF 1.0	
V	Hz	kW	RPM	A	PF
400 / -			1480	29,5 / -	0,78
- / -					
- / -					
- / -					
400	IE4	93,9 (100%)	92,5 (75%)	90,8 (50%)	
- / -		- (100%)	- (75%)	- (50%)	
- A		- (100%)	- (75%)	- (50%)	
NEMA	Eff	- %	- HP	- V	- Hz
- A	PF	DES	CODE	SF	
		6311-ZZ-C3	MOBIL POLYREX EM		162 kg
		6211-ZZ-C3			
MOD.TE01A0X1A0000301180					
IEC 60034					

VIBRATION LEVEL A
ACCORDING IEC 60034-14
BALANCED WITH NO KEY
WILO PART NO: <b>2151697</b>

Motor-Nummer  
motor number  
numéro du moteur

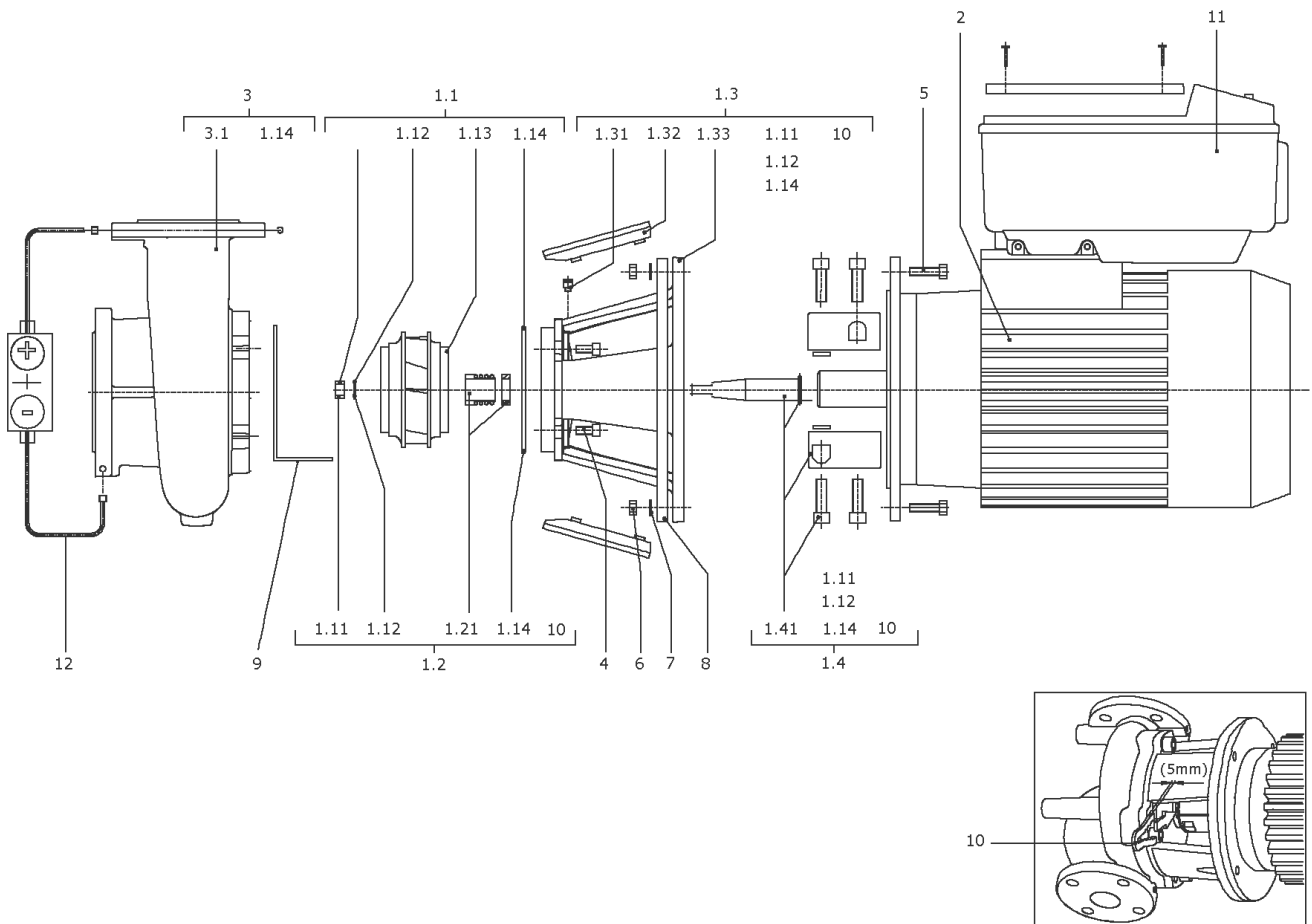
## Spare parts motor B35 5,5/2/132 300E IE4

Item	Description	Quantity
ELEC	Motor B35 5,5/2/132 300E IE4 ELEC WILO	1



**Motor B35 5,5/2/132 300E IE4 ELEC WILO**

Item	Article no.	Description	Quantity
2.2	2175903	End shield BG132 FF265 D.E.ELEC KIT	1
Note: Please give the data from type plate of the motor			
2.2A		> Flange IEC132 V1 FF265 D.E.	1
2.2B	2111309	> CONDENSATE HOLE GASKET D5 VP.	1
2.3	2178920	Circlip D40 GB894.1 VP.	1
Note: Please give the data from type plate of the motor			
2.4	121266690	BALL BEARING 6308/2Z-C3 (HT) VP.	1
Note: Please give the data from type plate of the motor			
2.5	2178920	Circlip D40 GB894.1 VP.	1
Note: Please give the data from type plate of the motor			
2.6	2153173	Ball bearing 6206/VV-C3 VP.	1
2.8	2132469	SPRING RING D.62 JB/T7590 VP.	1
Note: Please give the data from type plate of the motor			
2.10	2178921	End shield BG132 N.D.E.ELEC VP.	1
Note: Please give the data from type plate of the motor			
2.11	2178989	Srews Torx Plus M8x335 (4 Pieces)	1
2.12	2175742	Fan BG112 ELEC KIT	1
Note: Please give the data from type plate of the motor			
2.12A		> FAN 174X20X17 GP2200 G/F20%	1
2.12B	2118396	> Tooth lock washer D.19,8x0,4 VP.	1
Note: Please give the data from type plate of the motor			
2.13	2178928	Fan hood BG132 ELEC KIT	1
Note: Please give the data from type plate of the motor			
2.13A		> FAN COVER IEC132 KTL ST14 T0.8 H103	1
2.13B	2178923	> Screw M5X8 GB/T3098.1 6.8(4 Pieces)	1
2.15	2192955	Motor foot cpl.BG132 ELEC KIT	1
2.16	2178924	Air guider IEC 132 Motor KIT	1
Note: Please give the data from type plate of the motor			
2.16A		> AIR GUIDER IEC 132 MOTOR	1
2.16B		> SCREW M8X16 TORX HEX 6.8 GB/T70	1



**BL-E65/140-7,5/2-R1 (2159718)**

Item	Article no.	Description	Quantity
1.1	2037295	IMPELLER D.80/134/24 KIT	1
1.11	2027187	> NUT M12 DIN-EN24032 A2 VP.	1
1.12	2027190	> WASHER A13 DIN125-T2 A2 VP.	1
1.13		> IMPELLER 80/134/24 GG BALANCED	1
1.14	2037527	> O-RING 148,82x3,53 EPDM 70SR.VP.	1
	2042862	> WASHER S12 V2A VP.	1
1.2	2026902	MECHANICAL SEAL MG12/24-G60 AQ1EGG KIT	1
1.11	2027187	> NUT M12 DIN-EN24032 A2 VP.	1
1.12	2027190	> WASHER A13 DIN125-T2 A2 VP.	1
1.14	2037527	> O-RING 148,82x3,53 EPDM 70SR.VP.	1
1.14	2043160	> O-Ring 177,39x3,53 ISO3601B EPDM VP.	1
1.14	2042864	> O-RING ID.224x3,55 7EP1197-W534 VP.	1
1.14	2051680	> O-RING ID.276,7x5,29 7EP1197-W534 VP.	1
	2042862	> WASHER S12 V2A VP.	1
1.21		> MECHANICAL SEAL MG12/24-G60 AQ1EGG	1
10	2027202	> TOOL D.18/24/32 VP.	1
1.3	2037203	LANTERN P190X85,2-F265 KIT	1
1.11	2027187	> NUT M12 DIN-EN24032 A2 VP.	1
1.12	2027190	> WASHER A13 DIN125-T2 A2 VP.	1
1.14	2037527	> O-RING 148,82x3,53 EPDM 70SR.VP.	1
	2042862	> WASHER S12 V2A VP.	1
1.31	2027201	> BLOWGUN R1/8" VP.	1
1.32	2048834	> COUPLING GUARD F265 PA66 (4 PIECES)	1
1.33		> LANTERN P190X85,2-F265 GG KTL WILO	1
10	2027202	> TOOL D.18/24/32 VP.	1
1.4	2027227	COUPLING/SHAFT 24/38x142 OR.148 KIT	1
1.11	2027187	> NUT M12 DIN-EN24032 A2 VP.	1
1.12	2027190	> WASHER A13 DIN125-T2 A2 VP.	1
1.14	2037527	> O-RING 148,82x3,53 EPDM 70SR.VP.	1
	2042862	> WASHER S12 V2A VP.	1
1.41		> COUPLING 24/38+SHAFT 24X142 BG132 ZN KIT	1
10	2027202	> TOOL D.18/24/32 VP.	1
2	2168709	Motor B35 7,5/2/132/300E-IE4-ELEC(+Tool)	1
		Spare parts motor B35 7,5/2/132 300E IE4	1



**BL-E65/140-7,5/2-R1 (2159718)**

Item	Article no.	Description	Quantity
3	2037178	PUMP HOUSING B65/140 PN16 KIT	1
1.14	2037527	> O-RING 148,82x3,53 EPDM 70SR.VP.	1
3.1		> PUMP HOUSING BL65/145 PN16 CPL.WILO	1
4	2027193	SCREW M16X30 ISO4762 8.8 (4 PIECES)	1
5	2037244	Screw M12X55 ISO4014 8.8 (4STÜCK)	1
6	2029305	NUT M12 DIN-EN24032 8 (4 PIECES)	1
7	2029335	WASHER A13 DIN125 ST (4 PIECES)	1
11	2192831	Module BL-E65/140-7,5/2-IE4 ELEC KIT	1
		> Module BL-E65/140-7,5/2-IE4 ELEC	1
	2111344	> MODULE COVER/GASKET TL5 KIT	1
	2120047	> CABLE CONNECTION M12x1,5/5 cpl.TL5 VP.	1
	2120048	> CABLE CONNECTION M16x1,5/5 cpl.TL5 VP.	1
	2120049	> CABLE CONNECTION M20x1,5/6 cpl.TL5 VP.	1
	2120050	> CABLE CONNECTION M25x1,5/8 cpl.TL5 VP.	1

**Motor-Typenschild / Motor type plate / Plaque identité moteur**

**Bei Ersatzteilbestellung Motor-Nummer angeben!**

**Indicate motor number for order of spare parts!**

**Pour une commande de pièces détachées, donner le numéro du moteur!**

ELEC

Motor-Nummer  
motor number  
numéro du moteur

<b>3~Induction Motor</b>					
Made by WILLO Group					
<b>351f218</b>	<b>W132240-4-V1NPE</b>		<b>0902.001</b>		
Class F	S1	IP55	69kg	EN60034	
50Hz	5.5kW	SF=L1S	60Hz	6.45kW	
YΔ 400/690V	10,6/6,13A	Y 440-480V	10,9/10,35A		
Cosφ =0.81	1470min <sup>-1</sup>	Cosφ =0.81	1770min <sup>-1</sup>		
IE4-91.9%	91,9%	91,1%	IE4-92.4%	92,4%	91,8%

WEG

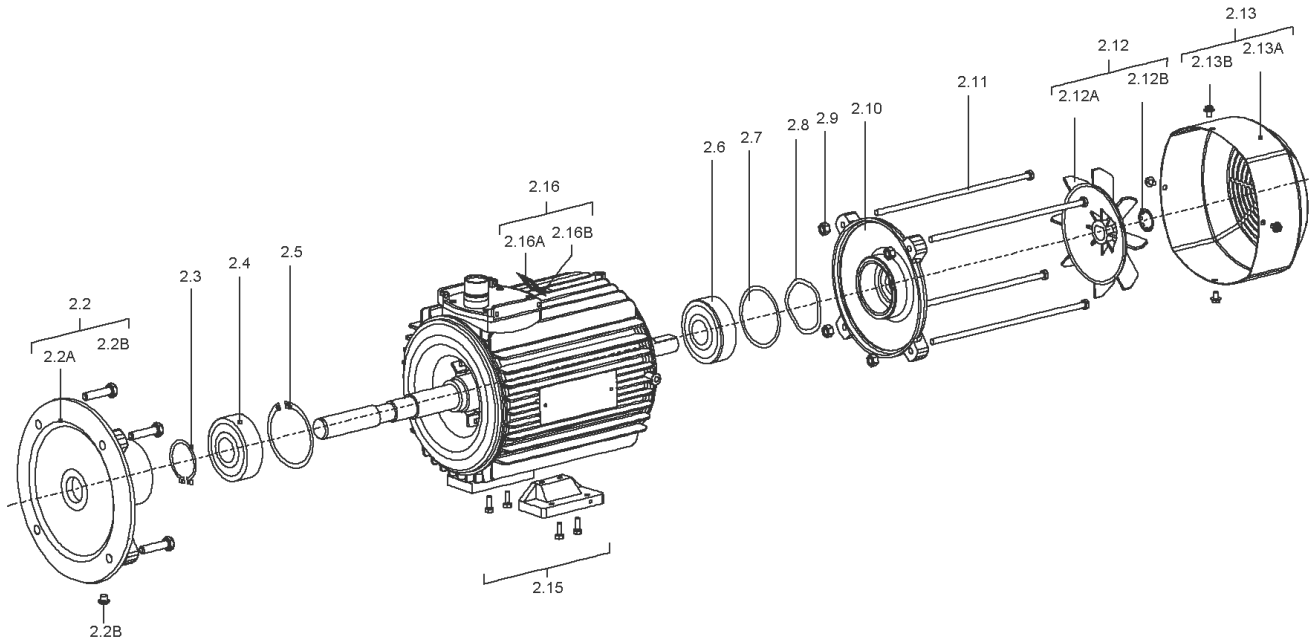
3~ AL180M/L-04		2015/12		1030615079	
AMB 40°C					
IP55	INS CL.F	Δ T 80 K	S1	SF 1.0	
V	Hz	kW	RPM	A	PF
400 / -			1480	29,5 / -	0,78
- / -					
- / -					
- / -					
400	IE4	93,9 (100%)	92,5 (75%)	90,8 (50%)	
- / -		- (100%)	- (75%)	- (50%)	
- A		- (100%)	- (75%)	- (50%)	
NEMA	Eff	- %	- HP	- V	- Hz
- A	PF	DES	CODE	SF	
		6311-ZZ-C3	MOBIL POLYREX EM		162 kg
		6211-ZZ-C3			
MOD.TE01A0X1A0000301180					
IEC 60034					

VIBRATION LEVEL A
ACCORDING IEC 60034-14
BALANCED WITH NO KEY
WILO PART NO: <b>2151697</b>

Motor-Nummer  
motor number  
numéro du moteur

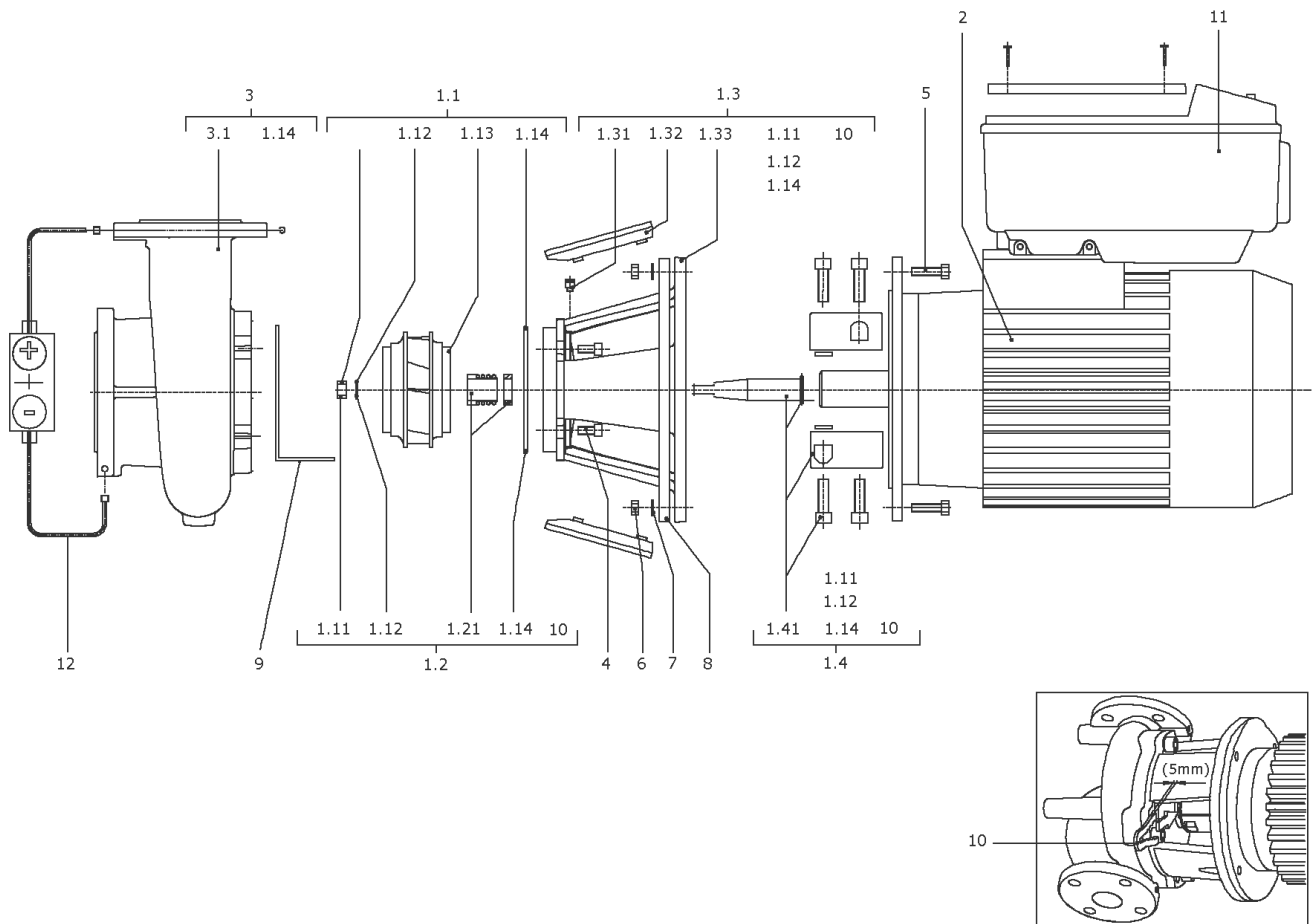
## Spare parts motor B35 7,5/2/132 300E IE4

Item	Description	Quantity
ELEC	Motor B35 7,5/2/132/300E IE4 ELEC WILO	1



**Motor B35 7,5/2/132/300E IE4 ELEC WILO**

Item	Article no.	Description	Quantity
2.2	2175903	End shield BG132 FF265 D.E.ELEC KIT	1
Note: Please give the data from type plate of the motor			
2.2A		> Flange IEC132 V1 FF265 D.E.	1
2.2B	2111309	> CONDENSATE HOLE GASKET D5 VP.	1
2.3	2178920	Circlip D40 GB894.1 VP.	1
Note: Please give the data from type plate of the motor			
2.4	121266690	BALL BEARING 6308/2Z-C3 (HT) VP.	1
Note: Please give the data from type plate of the motor			
2.5	2192954	Circlip D90 GB893.1 VP.	1
Note: Please give the data from type plate of the motor			
2.6	2153173	Ball bearing 6206/VV-C3 VP.	1
Note: Please give the data from type plate of the motor			
2.8	2132469	SPRING RING D.62 JB/T7590 VP.	1
2.10	2178921	End shield BG132 N.D.E.ELEC VP.	1
Note: Please give the data from type plate of the motor			
2.11	2178989	Srews Torx Plus M8x335 (4 Pieces)	1
Note: Please give the data from type plate of the motor			
2.12	2175742	Fan BG112 ELEC KIT	1
Note: Please give the data from type plate of the motor			
2.12A		> FAN 174X20X17 GP2200 G/F20%	1
2.12B	2118396	> Tooth lock washer D.19,8x0,4 VP.	1
Note: Please give the data from type plate of the motor			
2.13	2178928	Fan hood BG132 ELEC KIT	1
Note: Please give the data from type plate of the motor			
2.13A		> FAN COVER IEC132 KTL ST14 T0.8 H103	1
2.13B	2178923	> Screw M5X8 GB/T3098.1 6.8(4 Pieces)	1
2.15	2192955	Motor foot cpl.BG132 ELEC KIT	1
2.16	2178924	Air guider IEC 132 Motor KIT	1
Note: Please give the data from type plate of the motor			
2.16A		> AIR GUIDER IEC 132 MOTOR	1
2.16B		> SCREW M8X16 TORX HEX 6.8 GB/T70	1



**BL-E32/140-2,2/2 (2191367)**

Item	Article no.	Description	Quantity
1.1	2123452	IMPELLER D.40/140/132/18 KIT	1
1.11	2027186	> NUT M10 DIN934 A2	1
1.12	2027189	> TENSIONING DISC DIN6796-10 V2A	1
1.13		> IMPELLER 40/140/132/18 GG BALANCED	1
1.14	2043160	> O-Ring 177,39x3,53 ISO3601B EPDM VP.	1
1.2	2026901	MECHANICAL SEAL MG12/18-G60 AQ1EGG KIT	1
1.11	2027186	> NUT M10 DIN934 A2	1
1.12	2027189	> TENSIONING DISC DIN6796-10 V2A	1
1.14	2037527	> O-RING 148,82x3,53 EPDM 70SR.VP.	1
1.14	2043160	> O-Ring 177,39x3,53 ISO3601B EPDM VP.	1
1.14	2042864	> O-RING ID.224x3,55 7EP1197-W534 VP.	1
1.21		> MECHANICAL SEAL MG12/18-G60 AQ1EGG	1
10	2027202	> TOOL D.18/24/32 VP.	1
1.3	2037197	LANTERN P228X73-F165 KIT	1
1.11	2027186	> NUT M10 DIN934 A2	1
1.12	2027189	> TENSIONING DISC DIN6796-10 V2A	1
1.14	2043160	> O-Ring 177,39x3,53 ISO3601B EPDM VP.	1
1.31	2027201	> BLOWGUN R1/8" VP.	1
1.32	2048839	> COUPLING GUARD F130-165 PA66 (2 PIECES)	1
1.33		> Lantern P228X73-F165 GG KTL WILO	1
10	2027202	> TOOL D.18/24/32 VP.	1
1.4	2029310	COUPLING/SHAFT 18/24x127 OR.177 KIT	1
1.11	2027186	> NUT M10 DIN934 A2	1
1.12	2027189	> TENSIONING DISC DIN6796-10 V2A	1
1.14	2043160	> O-Ring 177,39x3,53 ISO3601B EPDM VP.	1
1.41		> COUPLING 18/24+SHAFT 18X127 BG90 ZN KIT	1
10	2027202	> TOOL D.18/24/32 VP.	1
2	2169167	Motor V1 2,2/2/90/200E-IE4-ELEC(+Tool)	1
		Spare parts motor V1 2,2/2/90 200E IE4	1
3	2037170	PUMP HOUSING B32/170 PN16 KIT	1
1.14	2043160	> O-Ring 177,39x3,53 ISO3601B EPDM VP.	1
3.1		> PUMP HOUSING BL32/182 PN16 CPL.WILO	1
4	2027194	SCREW M16X30/X40 DIN912 8.8 (4 PIECES)	1
5	2037242	SCREW M10X25 ISO4762 8.8 (4 PIECES)	1

**BL-E32/140-2,2/2 (2191367)**

Item	Article no.	Description	Quantity
7	2029336	WASHER A17 DIN125 ST (4 PIECES)	1
9	2027184	PUMP SUPPORT FOOT BL32-65 <4kW VP.	1
11	2191599	Module BL-E32/140-2,2/2-IE4 ELEC KIT	1
		> MODULE TL3 Flex IE4 SW4.0.30	1
	2054227	> MODULE COVER/GASKET TL3/4 KIT	1
		> SCREW M5X16 ISO4762 8.8 ZnNi	1
		> WASHER TOOTHED LOCK A5,3 DIN6797 FST ZN	1
	2061236	> O-RING ID.38X3 EPDM 70SR.A BUS.	1
12	2137270	DPS40-9(0-10V) KIT	1
	2106115	> DIFFERENTIAL PRESSURE SENSOR 40 KIT	1
		>> DPS40 spiral TZ.3mm Volt 2G	1
	2196657	>> Cable DPS 3x0,34x650 short bared 2G VP.	1
Note: from/ab/de 01.10.2013			
	2106125	> Connection sensor 90GD.coil KIT	1
		>> CAPILLARY COIL 1000	2
		>> Fixation ring pipe union R1/8" 90GD.Ni	1
		>> HANDLE DDG M16	1
		>> Screw M4x10 EE DIN7500 ZN	2
	2168862	>> Nut/Ferrule M6 D.3MM MS Ni (2 Pieces)	1
	2168860	>> Nut/Ferrule M8 D.5MM MS Ni (2 Pieces)	1



Motor-Typenschild / Motor type plate / Plaque identité moteur

Bei Ersatzteilbestellung Motor-Nummer angeben!

Indicate motor number for order of spare parts!

Pour une commande de pièces détachées, donner le numéro du moteur!

ELEC

Motor-Nummer  
motor number  
numéro du moteur

<b>3~Induction Motor</b>					
Made by WILLO Group					
<b>3511218</b>	<b>W132240-4-V1NPE</b>		<b>0902.001</b>		
Class F	S1	IP55	69kg	EN60034	
50Hz	5.5kW	SF=L1S	60Hz	6.45kW	
YΔ 400/690V	10,6/6,13A	Y 440-480V	10,9/10,35A		
Cosφ =0.81	1470min <sup>-1</sup>	Cosφ =0.81	1770min <sup>-1</sup>		
IE4-91.9%	91,9%	91,1%	IE4-92.4%	92,4%	91,8%

WEG

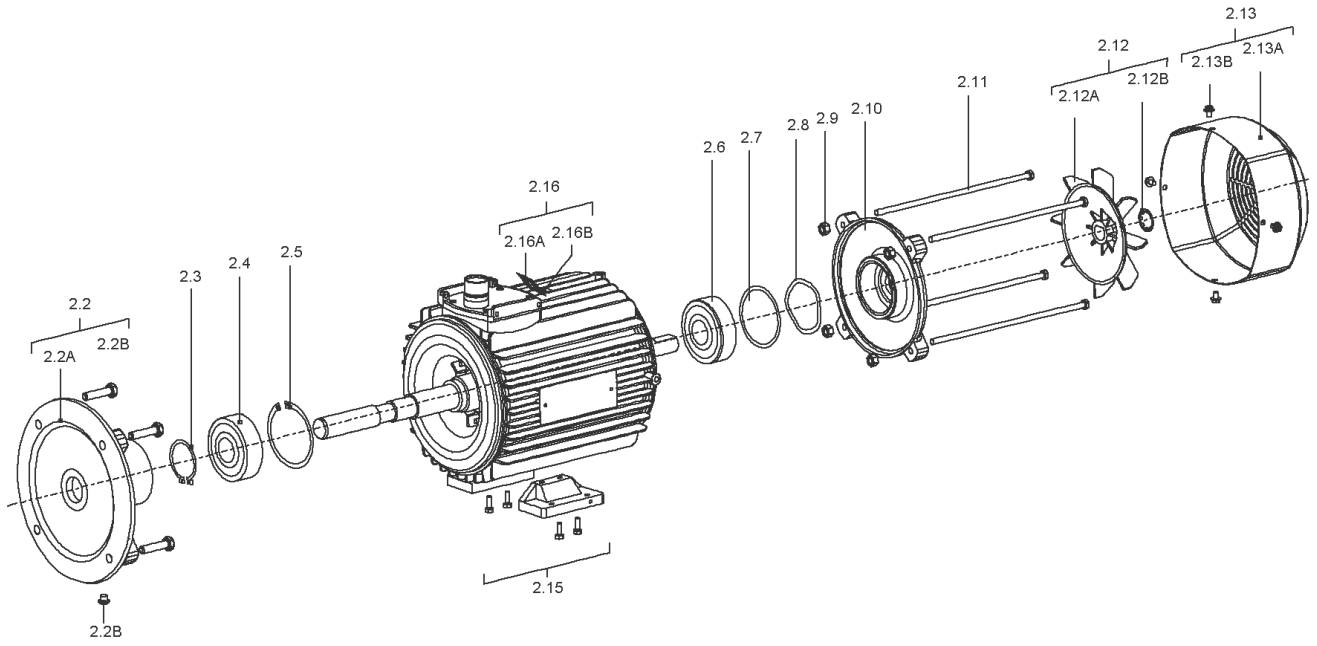
		3~ AL180M/L-04		2015/12		1030615079	
AMB 40°C							
IP55		INS CL.F		Δ T 80 K		S1 SF 1.0	
V	Hz	kW	RPM	A	PF		
400 / -	- / -	- / -	1480	29,5 / -	0,78		
- / -	- / -	- / -	- / -	- / -	- / -		
- / -	- / -	- / -	- / -	- / -	- / -		
400	IE4	93,9 (100%)	92,5 (75%)	90,8 (50%)			
- / -	-	(100%)	- (75%)	- (50%)			
- A	-	(100%)	- (75%)	- (50%)			
NEMA	Eff	- %	- HP	- V	- Hz	- RPM	
- A	PF	DES	CODE	SF			
		6311-ZZ-C3 MOBIL POLYREX EM				162 kg	
		6211-ZZ-C3					
MOD.TE01A0X1A0000301180							
		IEC 60034					

VIBRATION LEVEL A
ACCORDING IEC 60034-14
BALANCED WITH NO KEY
WILO PART NO: <b>2151697</b>

Motor-Nummer  
motor number  
numéro du moteur

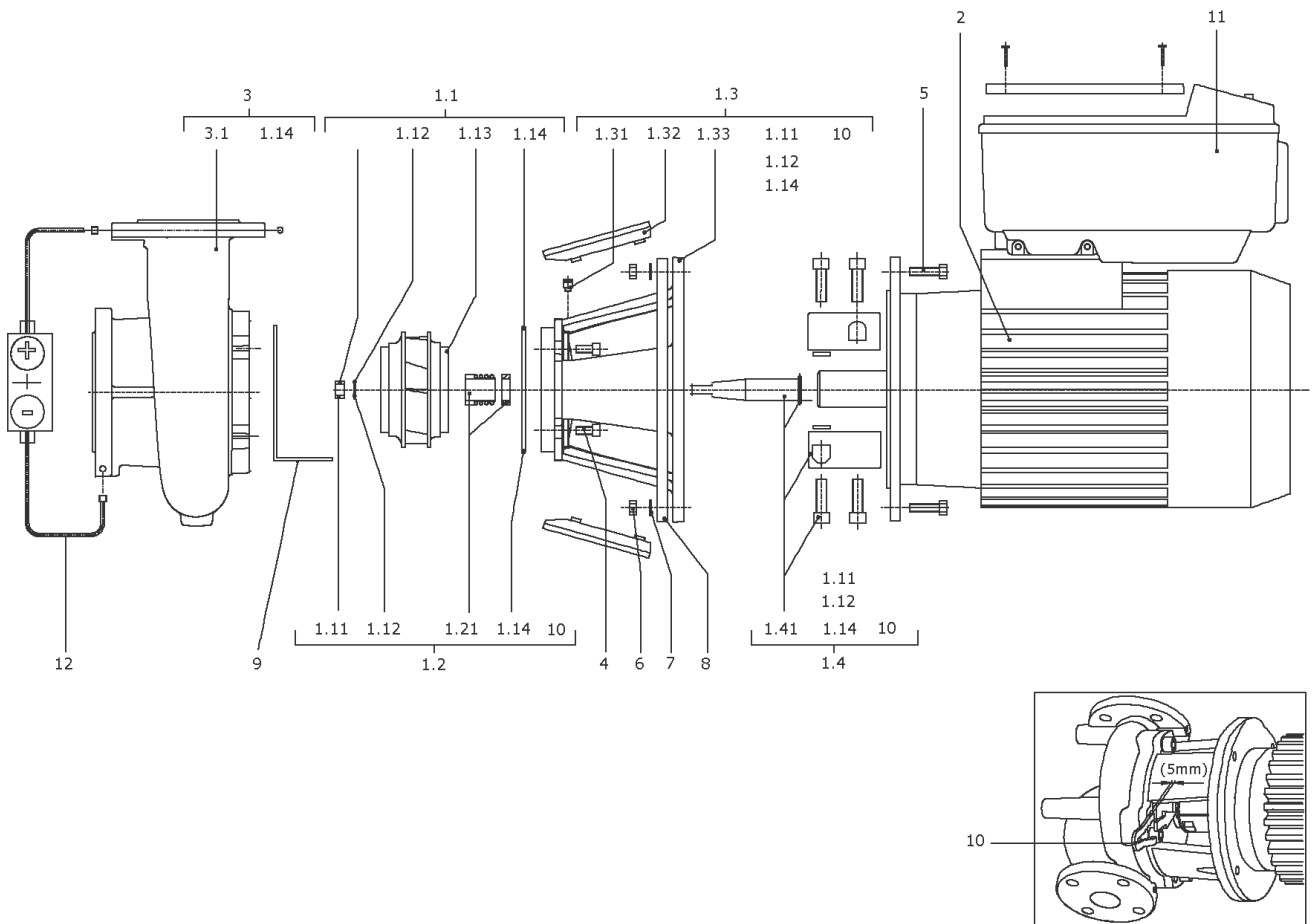
## Spare parts motor V1 2,2/2/90 200E IE4

Item	Description	Quantity
ELEC	W090130-2-V1NPE 400V/50Hz 2.2kW IE4	1



**W090130-2-V1NPE 400V/50Hz 2.2kW IE4**

Item	Article no.	Description	Quantity
2.2	2127392	END SHIELD BG90 V1 D.E.ELEC KIT	1
Note: Please give the data from type plate of the motor			
2.1A		> Flange IEC90 V1	1
2.1B	2111309	> CONDENSATE HOLE GASKET D5 VP.	1
Note: Please give the data from type plate of the motor			
2.3	2111334	CIRCLIP D.30 GB894.1 VP.	1
Note: Please give the data from type plate of the motor			
2.4	2153170	Ball bearing 6306/VV-C3 VP.	1
Note: Please give the data from type plate of the motor			
2.5	2111337	CIRCLIP D.72 GB893.1 VP.	1
Note: Please give the data from type plate of the motor			
2.6	2153168	Ball bearing 6204/VV-C3 VP.	1
2.7	2164016	O-Ring ID47.2x3.53 EPDM VP.	1
2.8	2111339	SPRING RING D.47 JB/T7590 VP.	1
Note: Please give the data from type plate of the motor			
2.10	2157920	End shield BG90 N.D.E.ELEC KIT	1
Note: Please give the data from type plate of the motor			
		> Flange IEC90 NDS with slot reduce0.5	1
		> O-RING ID47.2*3.53 EPDM	1
2.11	2179081	Screw torx Plus / Hex.M5X231(4Pieces)	1
2.12	2107782	FAN WHEEL BG90 ELEC KIT	1
Note: Please give the data from type plate of the motor			
2.12A		> FAN 122.6X15X17 GP2200 G/F20%	1
2.12B	2111321	> STOP-RING D.14,8x0,4 VP.	1
Note: Please give the data from type plate of the motor			
2.13	2111322	FAN HOOD BG90 ELEC KIT	1
Note: Please give the data from type plate of the motor			
2.13A		> FAN COVER IEC90 KTL ST14 T0.8 H70	1
2.13B	2111323	> SCREW M4X6 (4 PIECES)	1
Note: Please give the data from type plate of the motor			



**BL-E32/150-3/2 (2191368)**

Item	Article no.	Description	Quantity
1.1	2123451	IMPELLER D.40/148/140/18 KIT	1
1.11	2027186	> NUT M10 DIN934 A2	1
1.12	2027189	> TENSIONING DISC DIN6796-10 V2A	1
1.13		> IMPELLER 40/148/140/18 GG BALANCED	1
1.14	2043160	> O-Ring 177,39x3,53 ISO3601B EPDM VP.	1
1.2	2026901	MECHANICAL SEAL MG12/18-G60 AQ1EGG KIT	1
1.11	2027186	> NUT M10 DIN934 A2	1
1.12	2027189	> TENSIONING DISC DIN6796-10 V2A	1
1.14	2037527	> O-RING 148,82x3,53 EPDM 70SR.VP.	1
1.14	2043160	> O-Ring 177,39x3,53 ISO3601B EPDM VP.	1
1.14	2042864	> O-RING ID.224x3,55 7EP1197-W534 VP.	1
1.21		> MECHANICAL SEAL MG12/18-G60 AQ1EGG	1
10	2027202	> TOOL D.18/24/32 VP.	1
1.3	2037204	LANTERN P228X73-F215 KIT	1
1.11	2027186	> NUT M10 DIN934 A2	1
1.12	2027189	> TENSIONING DISC DIN6796-10 V2A	1
1.14	2043160	> O-Ring 177,39x3,53 ISO3601B EPDM VP.	1
1.31	2027201	> BLOWGUN R1/8" VP.	1
1.32	2048842	> COUPLING GUARD F215 PA66 (2 PIECES)	1
1.33		> Lantern P228X73-F215 GG KTL WILO	1
10	2027202	> TOOL D.18/24/32 VP.	1
1.4	2029314	COUPLING/SHAFT 18/28X134 KIT	1
1.11	2027186	> NUT M10 DIN934 A2	1
1.12	2027189	> TENSIONING DISC DIN6796-10 V2A	1
1.14	2043160	> O-Ring 177,39x3,53 ISO3601B EPDM VP.	1
1.41		> COUPLING 18/28+SHAFT 18X134 BG112 ZN KIT	1
10	2027202	> TOOL D.18/24/32 VP.	1
2	2169169	Motor V1 3/2/100/250E-IE4-ELEC(+Tool)	1
		Spare parts motor V1 3/2/100 250E IE4	1
3	2037170	PUMP HOUSING B32/170 PN16 KIT	1
1.14	2043160	> O-Ring 177,39x3,53 ISO3601B EPDM VP.	1
3.1		> PUMP HOUSING BL32/182 PN16 CPL.WILO	1
4	2027194	SCREW M16X30/X40 DIN912 8.8 (4 PIECES)	1
	2029336	WASHER A17 DIN125 ST (4 PIECES)	1

**BL-E32/150-3/2 (2191368)**

Item	Article no.	Description	Quantity
5	2027195	SCREW M12X25 DIN912 8.8 (4 PIECES)	1
7	2029335	WASHER A13 DIN125 ST (4 PIECES)	1
9	2027184	PUMP SUPPORT FOOT BL32-65 <4kW VP.	1
11	2191600	Module BL-E32/150-3/2-IE4 ELEC KIT	1
		> MODULE TL4 Flex IE4 SW4.0.30	1
	2054227	> MODULE COVER/GASKET TL3/4 KIT	1
		> SCREW M5X16 ISO4762 8.8 ZnNi	1
		> WASHER TOOTHED LOCK A5,3 DIN6797 FST ZN	1
	2061236	> O-RING ID.38X3 EPDM 70SR.A BUS.	1
12	2137270	DPS40-9(0-10V) KIT	1
	2106115	> DIFFERENTIAL PRESSURE SENSOR 40 KIT	1
		>> DPS40 spiral TZ.3mm Volt 2G	1
	2196657	>> Cable DPS 3x0,34x650 short bared 2G VP.	1
Note: from/ab/de 01.10.2013			
	2106125	> Connection sensor 90GD.coil KIT	1
		>> CAPILLARY COIL 1000	2
		>> Fixation ring pipe union R1/8" 90GD.Ni	1
		>> HANDLE DDG M16	1
		>> Screw M4x10 EE DIN7500 ZN	2
	2168862	>> Nut/Ferrule M6 D.3MM MS Ni (2 Pieces)	1
	2168860	>> Nut/Ferrule M8 D.5MM MS Ni (2 Pieces)	1

Motor-Typenschild / Motor type plate / Plaque identité moteur

Bei Ersatzteilbestellung Motor-Nummer angeben!

Indicate motor number for order of spare parts!

Pour une commande de pièces détachées, donner le numéro du moteur!

ELEC

Motor-Nummer  
motor number  
numéro du moteur

<b>3~Induction Motor</b>					
Made by WILLO Group					
<b>3511218</b>	<b>W132240-4-V1NPE</b>		<b>0902.001</b>		
Class F	S1	IP55	69kg	EN60034	
50Hz	5.5kW	SF=L1S	60Hz	6.45kW	
YΔ 400/690V	10,6/6,13A	Y 440-480V	10,9/10,35A		
Cosφ =0.81	1470min <sup>-1</sup>	Cosφ =0.81	1770min <sup>-1</sup>		
IE4-91.9%	91,9%	91,1%	IE4-92.4%	92,4%	91,8%

WEG

3~ AL180M/L-04		2015/12		1030615079	
AMB 40°C					
IP55	INS CL.F	Δ T 80 K	S1	SF 1.0	
V	Hz	kW	RPM	A	PF
400 / -			1480	29,5 / -	0,78
- / -					
- / -					
- / -					
400	IE4	93,9 (100%)	92,5 (75%)	90,8 (50%)	
- / -		- (100%)	- (75%)	- (50%)	
- A		- (100%)	- (75%)	- (50%)	
NEMA	Eff	- %	- HP	- V	- Hz
- A	PF	DES	CODE	SF	
				162 kg	
6311-ZZ-C3 MOBIL POLYREX EM					
6211-ZZ-C3					
MOD.TE01A0X1A0000301180					
IEC 60034					

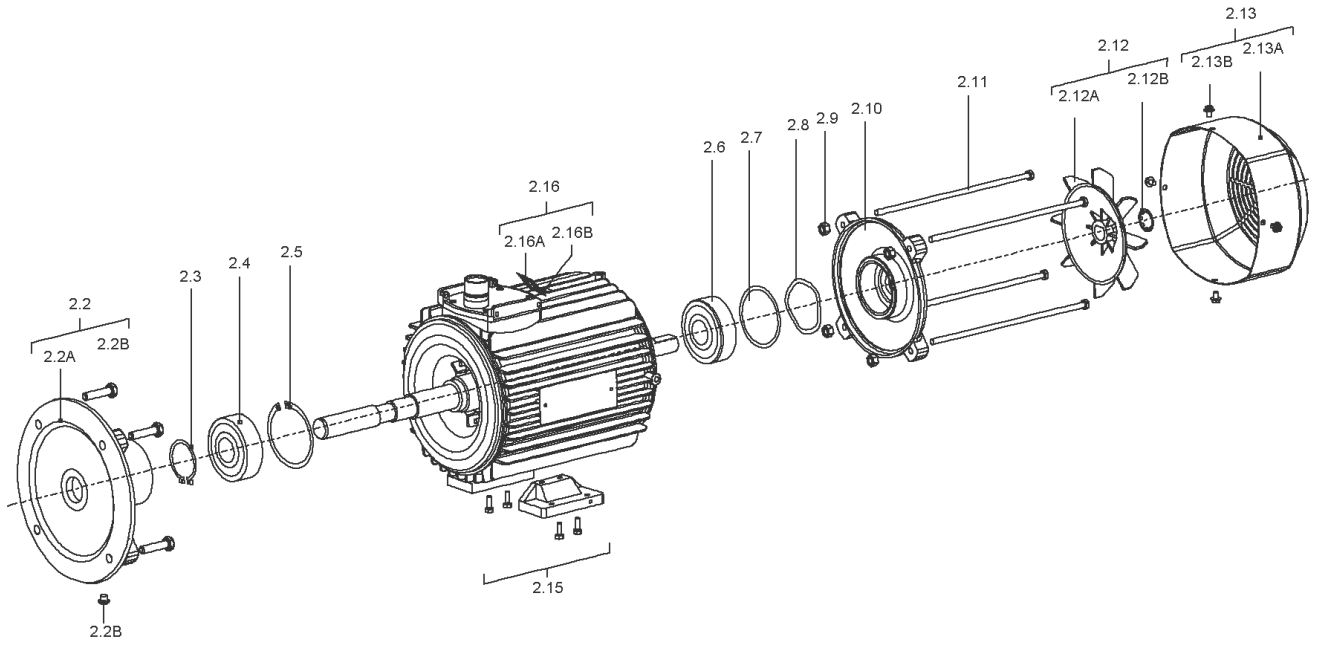
VIBRATION LEVEL A
ACCORDING IEC 60034-14
BALANCED WITH NO KEY
WILO PART NO: <b>2151697</b>

Motor-Nummer  
motor number  
numéro du moteur



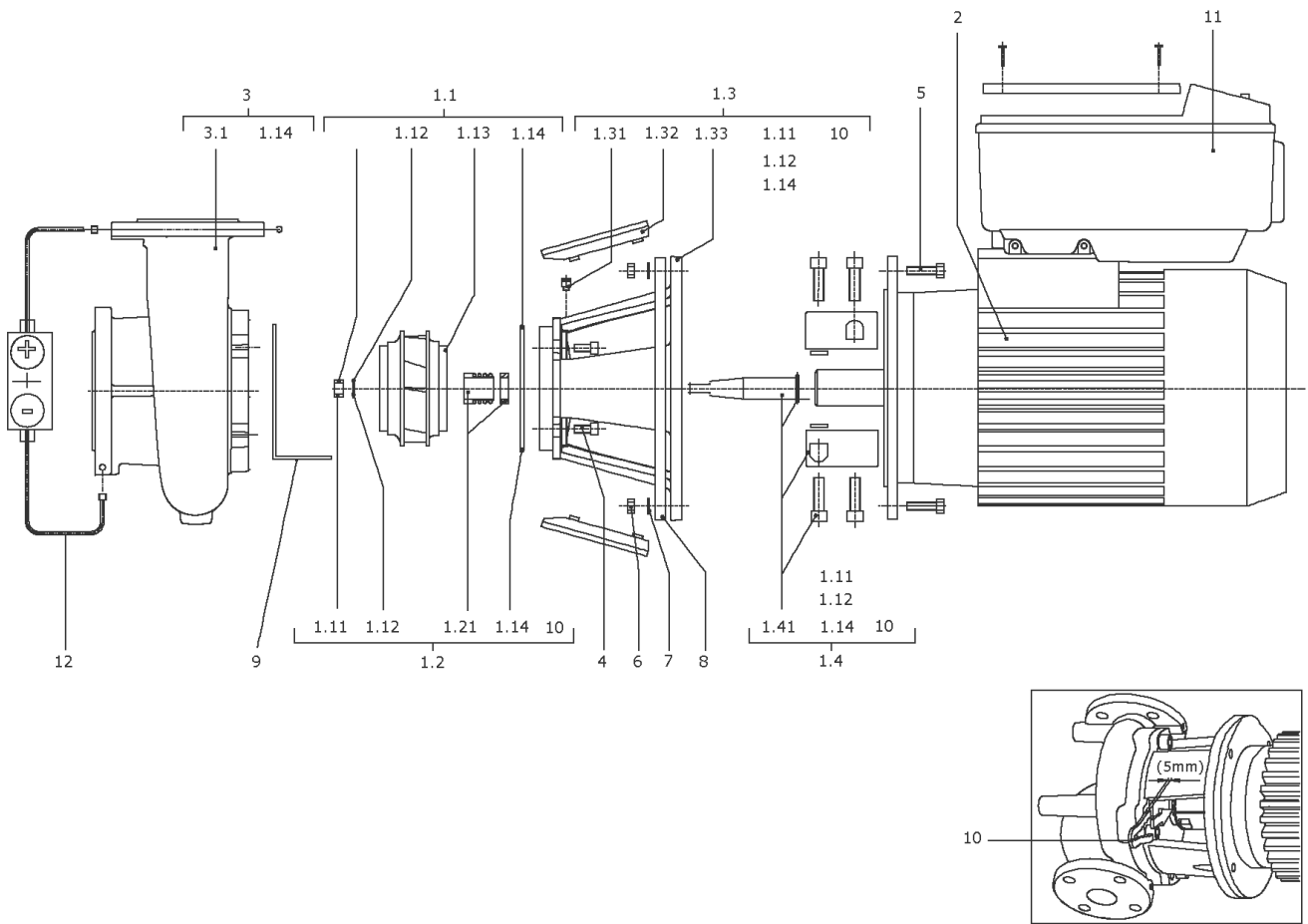
## Spare parts motor V1 3/2/100 250E IE4

Item	Description	Quantity
ELEC	W100130-2-V1NPE 400V/50Hz 3kW IE4	1



**W100130-2-V1NPE 400V/50Hz 3kW IE4**

Item	Article no.	Description	Quantity
2.2	2127393	END SHIELD BG100 V1 D.E.ELEC KIT	1
Note: Please give the data from type plate of the motor			
2.1A		> FLANGE IEC100 V1	1
2.1B	2111309	> CONDENSATE HOLE GASKET D5 VP.	1
Note: Please give the data from type plate of the motor			
2.3	2118388	CIRCLIP D.35 GB894.1 VP.	1
Note: Please give the data from type plate of the motor			
2.4	2153172	Ball bearing 6307/VV-C3 VP.	1
Note: Please give the data from type plate of the motor			
2.5	2118390	CIRCLIP D.80 GB893.1 VP.	1
Note: Please give the data from type plate of the motor			
2.6	2153171	Ball bearing 6205/VV-C3 VP.	1
2.7	2164094	O-Ring ID52.4x3.53 EPDM VP.	1
2.8	2164076	Circlip D52 JB/T7590 VP.	1
Note: Please give the data from type plate of the motor			
2.10	2164074	End shield BG100 N.D.E.ELEC KIT	1
Note: Please give the data from type plate of the motor			
		> FLANGE IEC100 NDS with slot	1
		> O-RING ID52.4*3.53 EPDM	1
2.11	2179082	Screw Torx Plus / Hexagon M6X258(4Pieces	1
2.12	2179083	Fan wheel BG100 ELEC KIT	1
Note: Please give the data from type plate of the motor			
2.12A		> FAN 150X20X17 GP2200 G/F20%	1
2.12B	2118396	> Tooth lock washer D.19,8x0,4 VP.	1
Note: Please give the data from type plate of the motor			
2.13	2118397	FAN HOOD BG100 ELEC KIT	1
Note: Please give the data from type plate of the motor			
2.13A		> FAN COVER IEC100 KTL ST14 T0.8 H86	1
2.13B	2111323	> SCREW M4X6 (4 PIECES)	1
Note: Please give the data from type plate of the motor			
2.16	2179086	Air guider BG100 Motor KIT	1
2.16A		> AIR GUIDER IEC100 MOTOR	1
2.16B		> Screw Tapping M5X14 trox pan	1



**BL-E32/160-4/2 (2191369)**

Item	Article no.	Description	Quantity
1.1	2048406	IMPELLER D.40/160/18 KIT	1
1.11	2027186	> NUT M10 DIN934 A2	1
1.12	2027189	> TENSIONING DISC DIN6796-10 V2A	1
1.13		> IMPELLER 40/160/152/18 GG BALANCED	1
1.14	2043160	> O-Ring 177,39x3,53 ISO3601B EPDM VP.	1
1.2	2026901	MECHANICAL SEAL MG12/18-G60 AQ1EGG KIT	1
1.11	2027186	> NUT M10 DIN934 A2	1
1.12	2027189	> TENSIONING DISC DIN6796-10 V2A	1
1.14	2037527	> O-RING 148,82x3,53 EPDM 70SR.VP.	1
1.14	2043160	> O-Ring 177,39x3,53 ISO3601B EPDM VP.	1
1.14	2042864	> O-RING ID.224x3,55 7EP1197-W534 VP.	1
1.21		> MECHANICAL SEAL MG12/18-G60 AQ1EGG	1
10	2027202	> TOOL D.18/24/32 VP.	1
1.3	2037204	LANTERN P228X73-F215 KIT	1
1.11	2027186	> NUT M10 DIN934 A2	1
1.12	2027189	> TENSIONING DISC DIN6796-10 V2A	1
1.14	2043160	> O-Ring 177,39x3,53 ISO3601B EPDM VP.	1
1.31	2027201	> BLOWGUN R1/8" VP.	1
1.32	2048842	> COUPLING GUARD F215 PA66 (2 PIECES)	1
1.33		> Lantern P228X73-F215 GG KTL WILO	1
10	2027202	> TOOL D.18/24/32 VP.	1
1.4	2029314	COUPLING/SHAFT 18/28X134 KIT	1
1.11	2027186	> NUT M10 DIN934 A2	1
1.12	2027189	> TENSIONING DISC DIN6796-10 V2A	1
1.14	2043160	> O-Ring 177,39x3,53 ISO3601B EPDM VP.	1
1.41		> COUPLING 18/28+SHAFT 18X134 BG112 ZN KIT	1
10	2027202	> TOOL D.18/24/32 VP.	1
2	2169171	Motor V1 4/2/112/250E-IE4-ELEC(+Tool)	1
		Spare parts motor V1 4/2/112 250E IE4	1
3	2037170	PUMP HOUSING B32/170 PN16 KIT	1
1.14	2043160	> O-Ring 177,39x3,53 ISO3601B EPDM VP.	1
3.1		> PUMP HOUSING BL32/182 PN16 CPL.WILO	1
4	2027194	SCREW M16X30/X40 DIN912 8.8 (4 PIECES)	1
	2029336	WASHER A17 DIN125 ST (4 PIECES)	1

**BL-E32/160-4/2 (2191369)**

Item	Article no.	Description	Quantity
5	2027195	SCREW M12X25 DIN912 8.8 (4 PIECES)	1
7	2029335	WASHER A13 DIN125 ST (4 PIECES)	1
9	2027184	PUMP SUPPORT FOOT BL32-65 <4kW VP.	1
11	2191601	Module BL-E32/160-4/2-IE4 ELEC KIT	1
		> MODULE TL4 Flex IE4 SW4.0.30	1
	2054227	> MODULE COVER/GASKET TL3/4 KIT	1
		> SCREW M5X16 ISO4762 8.8 ZnNi	1
		> WASHER TOOTHED LOCK A5,3 DIN6797 FST ZN	1
	2061236	> O-RING ID.38X3 EPDM 70SR.A BUS.	1
12	2137270	DPS40-9(0-10V) KIT	1
	2106115	> DIFFERENTIAL PRESSURE SENSOR 40 KIT	1
		>> DPS40 spiral TZ.3mm Volt 2G	1
	2196657	>> Cable DPS 3x0,34x650 short bared 2G VP.	1
Note: from/ab/de 01.10.2013			
	2106125	> Connection sensor 90GD.coil KIT	1
		>> CAPILLARY COIL 1000	2
		>> Fixation ring pipe union R1/8" 90GD.Ni	1
		>> HANDLE DDG M16	1
		>> Screw M4x10 EE DIN7500 ZN	2
	2168862	>> Nut/Ferrule M6 D.3MM MS Ni (2 Pieces)	1
	2168860	>> Nut/Ferrule M8 D.5MM MS Ni (2 Pieces)	1

Motor-Typenschild / Motor type plate / Plaque identité moteur

Bei Ersatzteilbestellung Motor-Nummer angeben!

Indicate motor number for order of spare parts!

Pour une commande de pièces détachées, donner le numéro du moteur!

ELEC

Motor-Nummer  
motor number  
numéro du moteur

<b>3~Induction Motor</b>					
Made by WILLO Group					
<b>3511218</b>	<b>W132240-4-V1NPE</b>		<b>0902.001</b>		
Class F	S1	IP55	69kg	EN60034	
50Hz	5.5kW	SF=1.15	60Hz	6.45kW	
YΔ 400/690V	10,6/6,13A	Y 440-480V	10,9/10,35A		
Cosφ =0.81	1470min <sup>-1</sup>	Cosφ =0.81	1770min <sup>-1</sup>		
IE4-91.9%	91,9%	91,1%	IE4-92.4%	92,4%	91,8%

WEG

		3~ AL180M/L-04		2015/12		1030615079	
AMB 40°C							
IP55		INS CL.F		Δ T 80 K		S1 SF 1.0	
V	Hz	kW	RPM	A	PF		
400 / -	- / -	- / -	1480	29,5 / -	0,78		
- / -	- / -	- / -	- / -	- / -	- / -		
- / -	- / -	- / -	- / -	- / -	- / -		
400	IE4	93,9 (100%)	92,5 (75%)	90,8 (50%)			
- / -	-	(100%)	- (75%)	- (50%)			
- A	-	(100%)	- (75%)	- (50%)			
NEMA	Eff	- %	- HP	- V	- Hz	- RPM	
- A	PF	DES	CODE	-	SF	-	
		6311-ZZ-C3		MOBIL POLYREX EM		162 kg	
		6211-ZZ-C3					
MOD.TE01A0X1A0000301180							
		IEC 60034					

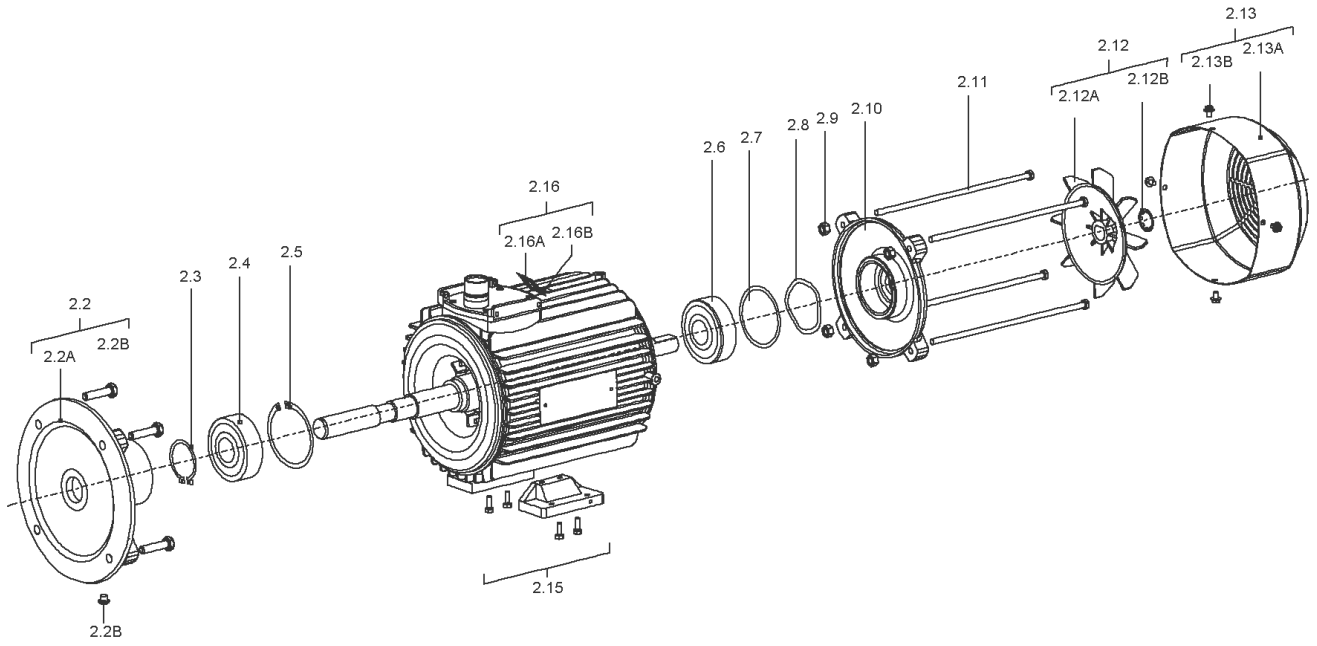
VIBRATION LEVEL A
ACCORDING IEC 60034-14
BALANCED WITH NO KEY
WILO PART NO: <b>2151697</b>

Motor-Nummer  
motor number  
numéro du moteur

## Spare parts motor V1 4/2/112 250E IE4

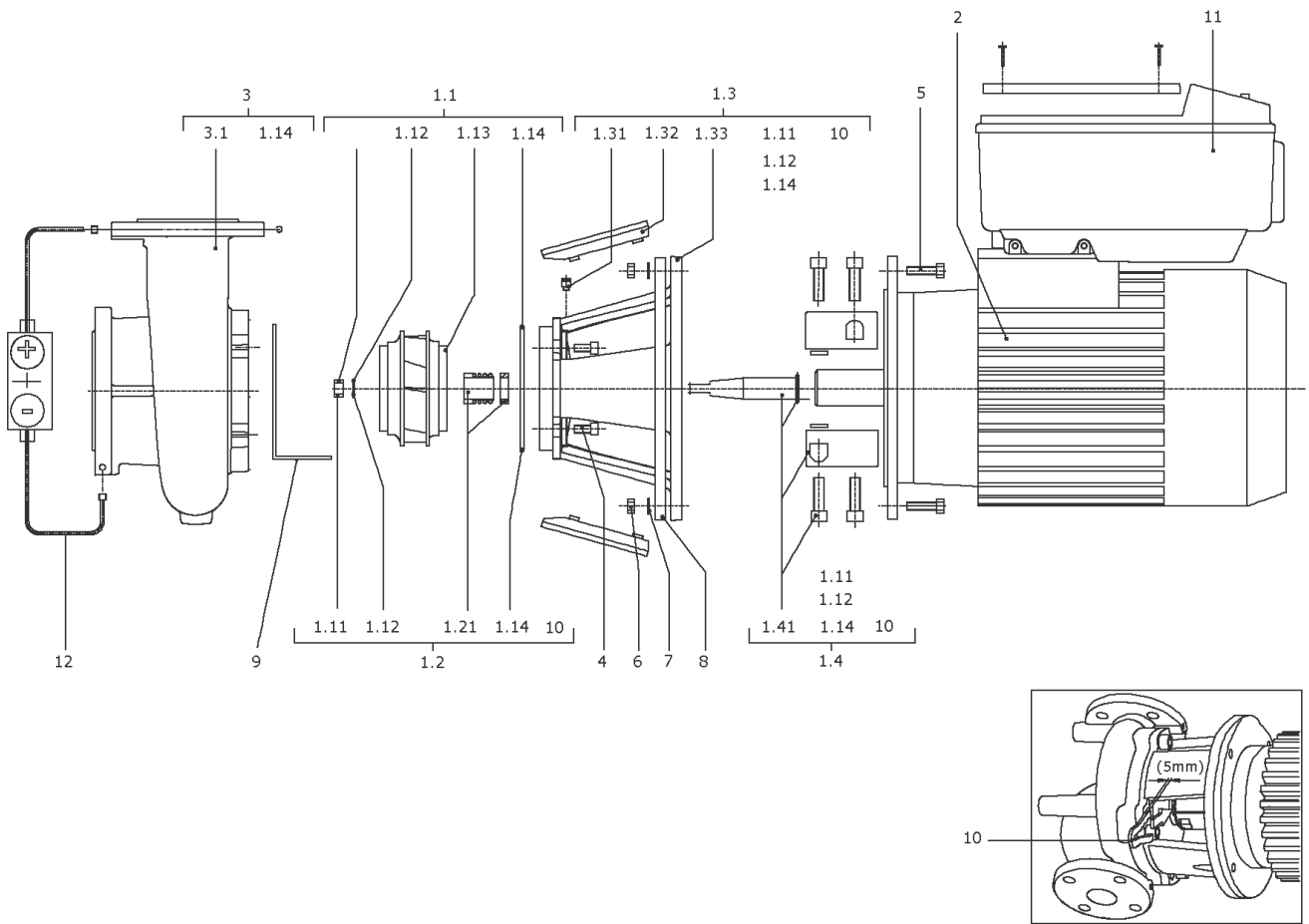
Item	Description	Quantity
ELEC	W112140-2-V1NPE 400V/50Hz 4kW IE4	1





**W112140-2-V1NPE 400V/50Hz 4kW IE4**

Item	Article no.	Description	Quantity
2.2	2192953	End shield BG112 V1 D.E.ELEC KIT	1
Note: Please give the data from type plate of the motor			
2.1A		> FLANGE IEC112 V1	1
2.1B	2111309	> CONDENSATE HOLE GASKET D5 VP.	1
Note: Please give the data from type plate of the motor			
2.3	2118388	CIRCLIP D.35 GB894.1 VP.	1
Note: Please give the data from type plate of the motor			
2.4	2153172	Ball bearing 6307/VV-C3 VP.	1
Note: Please give the data from type plate of the motor			
2.5	2118390	CIRCLIP D.80 GB893.1 VP.	1
Note: Please give the data from type plate of the motor			
2.6	2153173	Ball bearing 6206/VV-C3 VP.	1
2.7	2164027	O-Ring ID62.4x3.53 EPDM VP.	1
2.8	2132469	SPRING RING D.62 JB/T7590 VP.	1
Note: Please give the data from type plate of the motor			
2.10	2164025	End shield BG112 N.D.E.ELEC KIT	1
Note: Please give the data from type plate of the motor			
		> FLANGE IEC112 NDS with slot	1
		> O-RING ID62.4*3.53 EPDM	1
2.11	2132473	SCREW M8X263,5 6.8 (4 PIECES)	1
2.12	2175742	Fan BG112 ELEC KIT	1
Note: Please give the data from type plate of the motor			
2.12A		> FAN 174X20X17 GP2200 G/F20%	1
2.12B	2118396	> Tooth lock washer D.19,8x0,4 VP.	1
Note: Please give the data from type plate of the motor			
2.13	2168255	Fan hood BG112 ELEC KIT	1
Note: Please give the data from type plate of the motor			
2.13A		> FAN COVER IEC112 KTL ST14 T1.0 H86	1
2.13B	2111323	> SCREW M4X6 (4 PIECES)	1
Note: Please give the data from type plate of the motor			
2.16	2179084	Air guider BG 112 Motor KIT	1
2.16A		> AIR GUIDER IEC 112 MOTOR	1
2.16B		> SCREW M8X16 TORX HEX 6.8 GB/T70	1



**BL-E32/170-5,5/2 (2191370)**

Item	Article no.	Description	Quantity
1.1	2037282	IMPELLER D.40/171/18 KIT	1
1.11	2027186	> NUT M10 DIN934 A2	1
1.12	2027189	> TENSIONING DISC DIN6796-10 V2A	1
1.13		> IMPELLER 40/171/18 GG BALANCED	1
1.14	2043160	> O-Ring 177,39x3,53 ISO3601B EPDM VP.	1
1.2	2026901	MECHANICAL SEAL MG12/18-G60 AQ1EGG KIT	1
1.11	2027186	> NUT M10 DIN934 A2	1
1.12	2027189	> TENSIONING DISC DIN6796-10 V2A	1
1.14	2037527	> O-RING 148,82x3,53 EPDM 70SR.VP.	1
1.14	2043160	> O-Ring 177,39x3,53 ISO3601B EPDM VP.	1
1.14	2042864	> O-RING ID.224x3,55 7EP1197-W534 VP.	1
1.21		> MECHANICAL SEAL MG12/18-G60 AQ1EGG	1
10	2027202	> TOOL D.18/24/32 VP.	1
1.3	2037201	LANTERN P228X73-F265 KIT	1
1.11	2027186	> NUT M10 DIN934 A2	1
1.12	2027189	> TENSIONING DISC DIN6796-10 V2A	1
1.14	2043160	> O-Ring 177,39x3,53 ISO3601B EPDM VP.	1
1.31	2027201	> BLOWGUN R1/8" VP.	1
1.32	2048838	> COUPLING GUARD F265 PA66 AD.(4 PIECES)	1
1.33		> LANTERN P228X73-F265 GG KTL RDES WILO	1
10	2027202	> TOOL D.18/24/32 VP.	1
1.4	2029311	COUPLING/SHAFT 18/38x126 KIT	1
1.11	2027186	> NUT M10 DIN934 A2	1
1.12	2027189	> TENSIONING DISC DIN6796-10 V2A	1
1.14	2043160	> O-Ring 177,39x3,53 ISO3601B EPDM VP.	1
1.41		> COUPLING 18/38+SHAFT 18X126 BG132 ZN KIT	1
10	2027202	> TOOL D.18/24/32 VP.	1
2	2179386	Motor B35 5,5/2/132/300E-IE4-ELEC(+Tool)	1
		Spare parts motor B35 5,5/2/132 300E IE4	1
3	2037170	PUMP HOUSING B32/170 PN16 KIT	1
1.14	2043160	> O-Ring 177,39x3,53 ISO3601B EPDM VP.	1
3.1		> PUMP HOUSING BL32/182 PN16 CPL.WILO	1
4	2027193	SCREW M16X30 ISO4762 8.8 (4 PIECES)	1
5	2027199	Screw M12X65 ISO4014 8.8 (4STÜCK)	1

**BL-E32/170-5,5/2 (2191370)**

Item	Article no.	Description	Quantity
6	2029305	NUT M12 DIN-EN24032 8 (4 PIECES)	1
7	2029335	WASHER A13 DIN125 ST (4 PIECES)	1
8	2027185	Adapter ring BG132 VP.	1
11	2191602	Module BL-E32/170-5,5/2-IE4 ELEC KIT	1
		> Module TL5 Flex SW4.0.21	1
	2111344	> MODULE COVER/GASKET TL5 KIT	1
	2120047	> CABLE CONNECTION M12x1,5/5 cpl.TL5 VP.	1
	2120048	> CABLE CONNECTION M16x1,5/5 cpl.TL5 VP.	1
	2120049	> CABLE CONNECTION M20x1,5/6 cpl.TL5 VP.	1
	2120050	> CABLE CONNECTION M25x1,5/8 cpl.TL5 VP.	1
12	2137273	DPS60-5(0-10V) KIT	1
	2116737	> DIFFERENTIAL PRESSURE SENSOR 60 LGX.KIT	1
		>> DPS60 spiral TZ.3mm Volt 2G	1
	2164077	>> Cable DPS 3x0,34x650 LG.bared 2G VP.	1
Note: from/ab/de 01.10.2013			
	2106125	> Connection sensor 90GD.coil KIT	1
		>> CAPILLARY COIL 1000	2
		>> Fixation ring pipe union R1/8" 90GD.Ni	1
		>> HANDLE DDG M16	1
		>> Screw M4x10 EE DIN7500 ZN	2
	2168862	>> Nut/Ferrule M6 D.3MM MS Ni (2 Pieces)	1
	2168860	>> Nut/Ferrule M8 D.5MM MS Ni (2 Pieces)	1

Motor-Typenschild / Motor type plate / Plaque identité moteur

Bei Ersatzteilbestellung Motor-Nummer angeben!

Indicate motor number for order of spare parts!

Pour une commande de pièces détachées, donner le numéro du moteur!

ELEC

Motor-Nummer  
motor number  
numéro du moteur

<b>3~Induction Motor</b>					
Made by WILLO Group					
<b>351f218</b>	W132240-4-V1NPE		0902.001		
Class F	S1	IP55	69kg	EN60034	
50Hz	5.5kW	SF=1.15	60Hz	6.45kW	
YΔ 400/690V	10,6/6,13A	Y 440-480V	10,9/10,35A		
Cosφ =0.81	1470min <sup>-1</sup>	Cosφ =0.81	1770min <sup>-1</sup>		
IE4-91.9%	91,9%	91,1%	IE4-92.4%	92,4%	91,8%

WEG

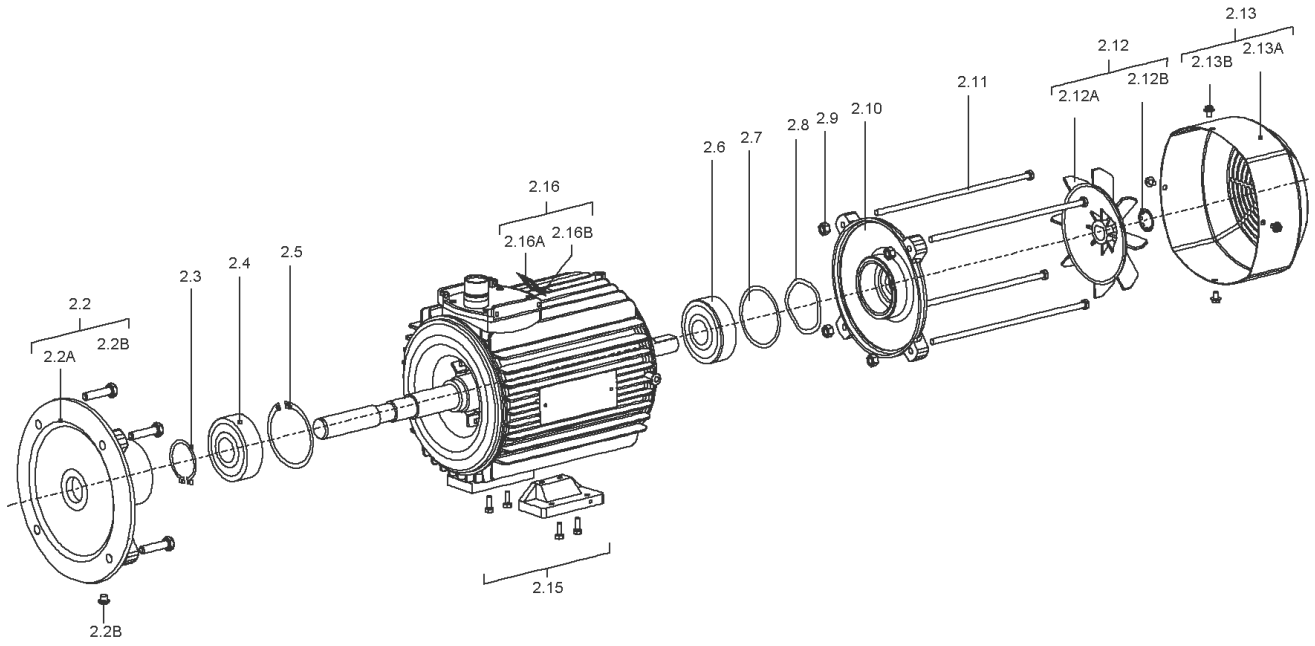
3~ AL180M/L-04		2015/12		1030615079	
AMB 40°C					
IP55	INS CL.F	Δ T 80 K	S1	SF 1.0	
V	Hz	kW	RPM	A	PF
400 / -			1480	29,5 / -	0,78
- / -					
- / -					
- / -					
400	IE4	93,9 (100%)	92,5 (75%)	90,8 (50%)	
- / -		- (100%)	- (75%)	- (50%)	
- A		- (100%)	- (75%)	- (50%)	
NEMA	Eff	- %	- HP	- V	- Hz
- A	PF	DES	CODE	SF	
				162 kg	
6311-ZZ-C3 MOBIL POLYREX EM					
6211-ZZ-C3					
MOD.TE01A0X1A0000301180					
IEC 60034					

VIBRATION LEVEL A
ACCORDING IEC 60034-14
BALANCED WITH NO KEY
WILO PART NO: <b>2151697</b>

Motor-Nummer  
motor number  
numéro du moteur

## Spare parts motor B35 5,5/2/132 300E IE4

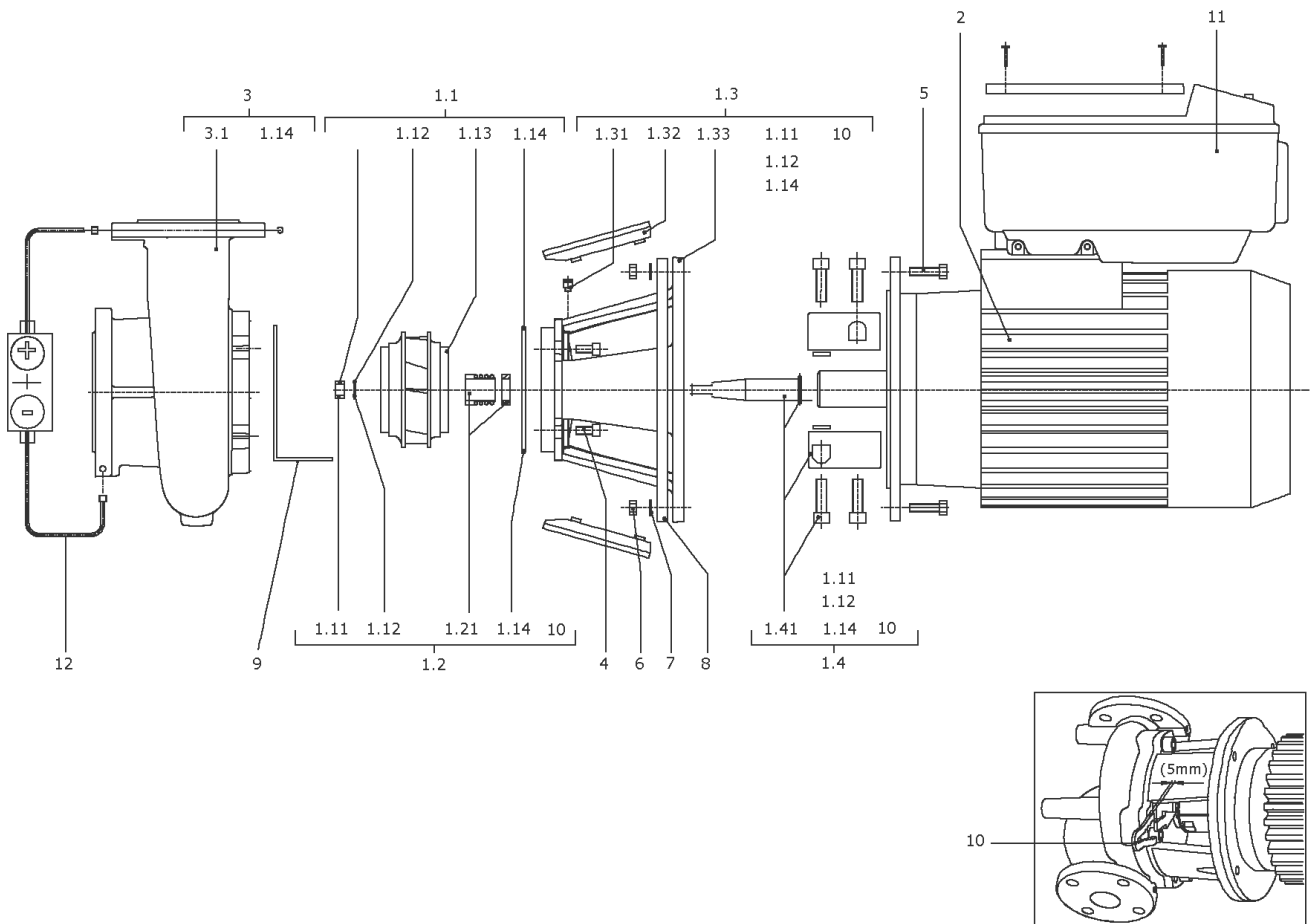
Item	Description	Quantity
ELEC	Motor B35 5,5/2/132 300E IE4 ELEC WILO	1





**Motor B35 5,5/2/132 300E IE4 ELEC WILO**

Item	Article no.	Description	Quantity
2.2	2175903	End shield BG132 FF265 D.E.ELEC KIT	1
Note: Please give the data from type plate of the motor			
2.2A		> Flange IEC132 V1 FF265 D.E.	1
2.2B	2111309	> CONDENSATE HOLE GASKET D5 VP.	1
2.3	2178920	Circlip D40 GB894.1 VP.	1
Note: Please give the data from type plate of the motor			
2.4	121266690	BALL BEARING 6308/2Z-C3 (HT) VP.	1
Note: Please give the data from type plate of the motor			
2.5	2178920	Circlip D40 GB894.1 VP.	1
Note: Please give the data from type plate of the motor			
2.6	2153173	Ball bearing 6206/VV-C3 VP.	1
2.8	2132469	SPRING RING D.62 JB/T7590 VP.	1
Note: Please give the data from type plate of the motor			
2.10	2178921	End shield BG132 N.D.E.ELEC VP.	1
Note: Please give the data from type plate of the motor			
2.11	2178989	Srews Torx Plus M8x335 (4 Pieces)	1
2.12	2175742	Fan BG112 ELEC KIT	1
Note: Please give the data from type plate of the motor			
2.12A		> FAN 174X20X17 GP2200 G/F20%	1
2.12B	2118396	> Tooth lock washer D.19,8x0,4 VP.	1
Note: Please give the data from type plate of the motor			
2.13	2178928	Fan hood BG132 ELEC KIT	1
Note: Please give the data from type plate of the motor			
2.13A		> FAN COVER IEC132 KTL ST14 T0.8 H103	1
2.13B	2178923	> Screw M5X8 GB/T3098.1 6.8(4 Pieces)	1
2.15	2192955	Motor foot cpl.BG132 ELEC KIT	1
2.16	2178924	Air guider IEC 132 Motor KIT	1
Note: Please give the data from type plate of the motor			
2.16A		> AIR GUIDER IEC 132 MOTOR	1
2.16B		> SCREW M8X16 TORX HEX 6.8 GB/T70	1



**BL-E32/210-7,5/2 (2191371)**

Item	Article no.	Description	Quantity
1.1	2153165	Impeller 40/220-209-71,7/24 GG KIT	1
1.11	2027187	> NUT M12 DIN-EN24032 A2 VP.	1
1.12	2027190	> WASHER A13 DIN125-T2 A2 VP.	1
1.13		> Impeller 40/220-209-71,7/24 GG BL gewu	1
1.14	2042864	> O-RING ID.224x3,55 7EP1197-W534 VP.	1
	2042862	> WASHER S12 V2A VP.	1
1.2	2026902	MECHANICAL SEAL MG12/24-G60 AQ1EGG KIT	1
1.11	2027187	> NUT M12 DIN-EN24032 A2 VP.	1
1.12	2027190	> WASHER A13 DIN125-T2 A2 VP.	1
1.14	2037527	> O-RING 148,82x3,53 EPDM 70SR.VP.	1
1.14	2043160	> O-Ring 177,39x3,53 ISO3601B EPDM VP.	1
1.14	2042864	> O-RING ID.224x3,55 7EP1197-W534 VP.	1
1.14	2051680	> O-RING ID.276,7x5,29 7EP1197-W534 VP.	1
	2042862	> WASHER S12 V2A VP.	1
1.21		> MECHANICAL SEAL MG12/24-G60 AQ1EGG	1
10	2027202	> TOOL D.18/24/32 VP.	1
1.3	2042712	LANTERN P270X72-F265 KTL KIT	1
1.11	2027187	> NUT M12 DIN-EN24032 A2 VP.	1
1.12	2027190	> WASHER A13 DIN125-T2 A2 VP.	1
1.14	2042864	> O-RING ID.224x3,55 7EP1197-W534 VP.	1
	2042862	> WASHER S12 V2A VP.	1
1.31	2027201	> BLOWGUN R1/8" VP.	1
1.32	2048845	> COUPLING GUARD P270-F265 PA66 (2 PIECES)	1
1.33		> LANTERN P270X72-F265 GG KTL WILO	1
10	2027202	> TOOL D.18/24/32 VP.	1
1.4	2043714	COUPLING/SHAFT D.24/38X140 KIT	1
1.11	2027187	> NUT M12 DIN-EN24032 A2 VP.	1
1.12	2027190	> WASHER A13 DIN125-T2 A2 VP.	1
1.14	2042864	> O-RING ID.224x3,55 7EP1197-W534 VP.	1
1.41		> COUPLING 24/38+SHAFT 24X140 BG132 ZN KIT	1
10	2027202	> TOOL D.18/24/32 VP.	1
2	2168709	Motor B35 7,5/2/132/300E-IE4-ELEC(+Tool)	1
		Spare parts motor B35 7,5/2/132 300E IE4	1
3	2042759	PUMP HOUSING B32/230 PN16 KIT	1

**BL-E32/210-7,5/2 (2191371)**

Item	Article no.	Description	Quantity
1.14	2042864	> O-RING ID.224x3,55 7EP1197-W534 VP.	1
3.1		> PUMP HOUSING BL32/230 PN16 CPL.WILO	1
4	2027193	SCREW M16X30 ISO4762 8.8 (4 PIECES)	1
5	2027195	SCREW M12X25 DIN912 8.8 (4 PIECES)	1
11	2191603	Module BL-E32/210-7,5/2-IE4 ELEC KIT	1
		> Module TL5 Flex SW4.0.21	1
	2111344	> MODULE COVER/GASKET TL5 KIT	1
	2120047	> CABLE CONNECTION M12x1,5/5 cpl.TL5 VP.	1
	2120048	> CABLE CONNECTION M16x1,5/5 cpl.TL5 VP.	1
	2120049	> CABLE CONNECTION M20x1,5/6 cpl.TL5 VP.	1
	2120050	> CABLE CONNECTION M25x1,5/8 cpl.TL5 VP.	1
12	2137276	DPS100-3(0-10V) KIT	1
	2196641	> Differential pressure sensor 100 LG.KIT	1
		>> DPS100 spiral TZ.3mm Volt 2G	1
	2164077	>> Cable DPS 3x0,34x650 LG.bared 2G VP.	1
Note: from/ab/de 01.10.2013			
	2106125	> Connection sensor 90GD.coil KIT	1
		>> CAPILLARY COIL 1000	2
		>> Fixation ring pipe union R1/8" 90GD.Ni	1
		>> HANDLE DDG M16	1
		>> Screw M4x10 EE DIN7500 ZN	2
	2168862	>> Nut/Ferrule M6 D.3MM MS Ni (2 Pieces)	1
	2168860	>> Nut/Ferrule M8 D.5MM MS Ni (2 Pieces)	1

Motor-Typenschild / Motor type plate / Plaque identité moteur

Bei Ersatzteilbestellung Motor-Nummer angeben!

Indicate motor number for order of spare parts!

Pour une commande de pièces détachées, donner le numéro du moteur!

ELEC

Motor-Nummer  
motor number  
numéro du moteur

<b>3~Induction Motor</b>					
Made by WILLO Group					
<b>3511218</b>	<b>W132240-4-V1NPE</b>		<b>0902.001</b>		
Class F	S1	IP55	69kg	EN60034	
50Hz	5.5kW	SF=L1S	60Hz	6.45kW	
YΔ 400/690V	10,6/6,13A	Y 440-480V	10,9/10,35A		
Cosφ =0.81	1470min <sup>-1</sup>	Cosφ =0.81	1770min <sup>-1</sup>		
IE4-91.9%	91,9%	91,1%	IE4-92.4%	92,4%	91,8%

WEG

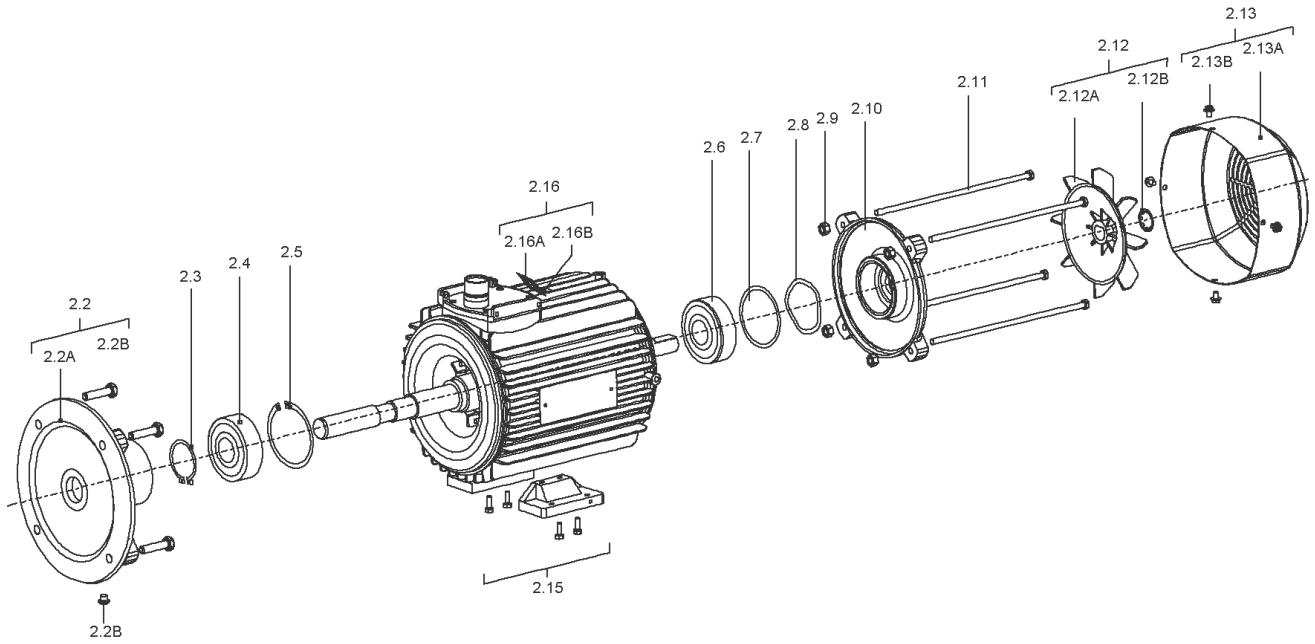
3~ AL180M/L-04		2015/12	1030615079		
AMB 40°C					
IP55	INS CL.F	Δ T 80 K	S1	SF 1.0	
V	Hz	kW	RPM	A	PF
400 / -			1480	29,5 / -	0,78
- / -					
- / -					
- / -					
400	IE4	93,9 (100%)	92,5 (75%)	90,8 (50%)	
- / -		- (100%)	- (75%)	- (50%)	
- A		- (100%)	- (75%)	- (50%)	
NEMA	Eff	- %	- HP	- V	- Hz
- A	PF	DES	CODE	SF	
		6311-ZZ-C3	MOBIL POLYREX EM		162 kg
		6211-ZZ-C3			
MOD.TE01A0X1A0000301180					
IEC 60034					

VIBRATION LEVEL A
ACCORDING IEC 60034-14
BALANCED WITH NO KEY
WILO PART NO: <b>2151697</b>

Motor-Nummer  
motor number  
numéro du moteur

## Spare parts motor B35 7,5/2/132 300E IE4

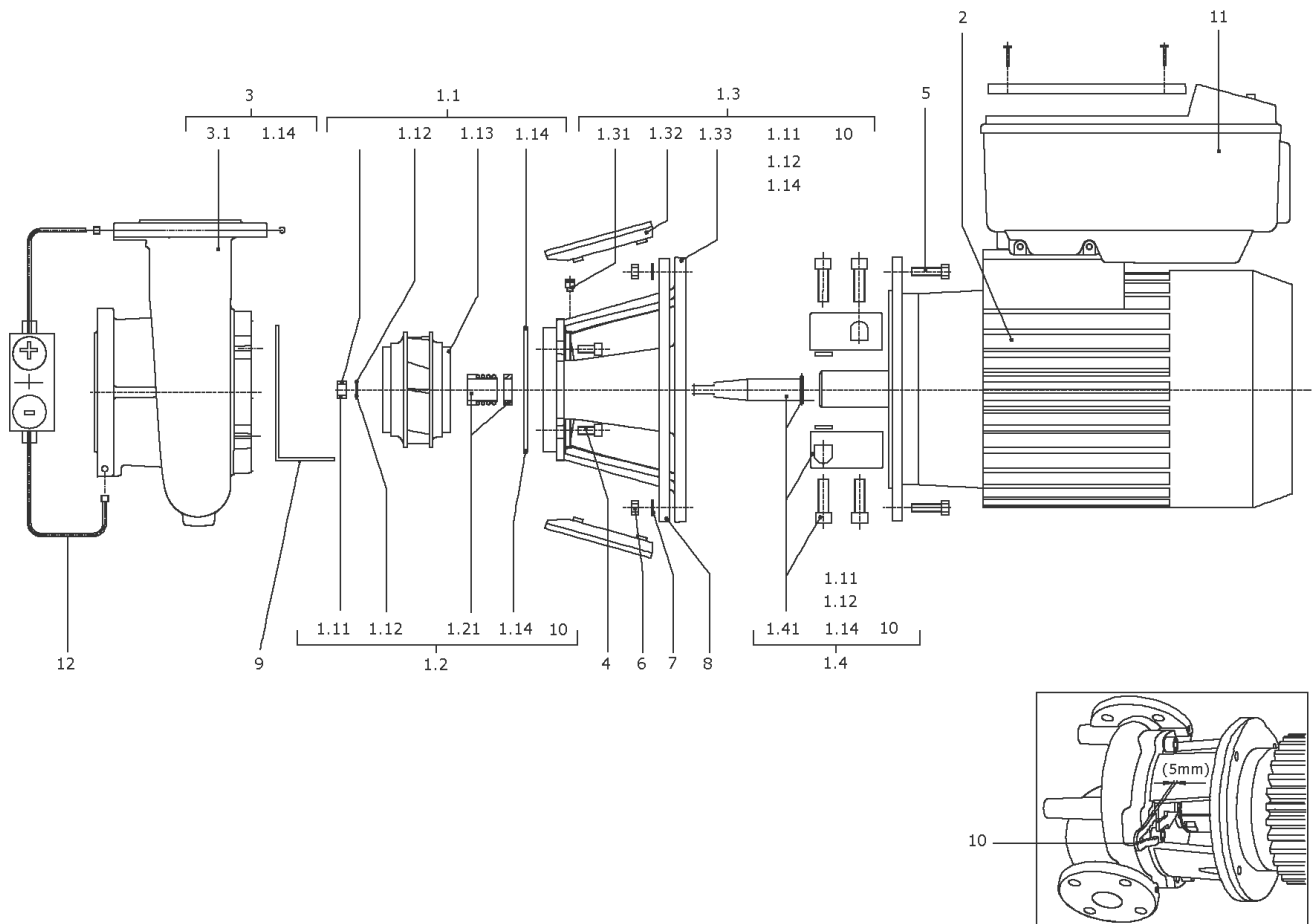
Item	Description	Quantity
ELEC	Motor B35 7,5/2/132/300E IE4 ELEC WILO	1



**Motor B35 7,5/2/132/300E IE4 ELEC WILO**

Item	Article no.	Description	Quantity
2.2	2175903	End shield BG132 FF265 D.E.ELEC KIT	1
Note: Please give the data from type plate of the motor			
2.2A		> Flange IEC132 V1 FF265 D.E.	1
2.2B	2111309	> CONDENSATE HOLE GASKET D5 VP.	1
2.3	2178920	Circlip D40 GB894.1 VP.	1
Note: Please give the data from type plate of the motor			
2.4	121266690	BALL BEARING 6308/2Z-C3 (HT) VP.	1
Note: Please give the data from type plate of the motor			
2.5	2192954	Circlip D90 GB893.1 VP.	1
Note: Please give the data from type plate of the motor			
2.6	2153173	Ball bearing 6206/VV-C3 VP.	1
Note: Please give the data from type plate of the motor			
2.8	2132469	SPRING RING D.62 JB/T7590 VP.	1
2.10	2178921	End shield BG132 N.D.E.ELEC VP.	1
Note: Please give the data from type plate of the motor			
2.11	2178989	Srews Torx Plus M8x335 (4 Pieces)	1
Note: Please give the data from type plate of the motor			
2.12	2175742	Fan BG112 ELEC KIT	1
Note: Please give the data from type plate of the motor			
2.12A		> FAN 174X20X17 GP2200 G/F20%	1
2.12B	2118396	> Tooth lock washer D.19,8x0,4 VP.	1
Note: Please give the data from type plate of the motor			
2.13	2178928	Fan hood BG132 ELEC KIT	1
Note: Please give the data from type plate of the motor			
2.13A		> FAN COVER IEC132 KTL ST14 T0.8 H103	1
2.13B	2178923	> Screw M5X8 GB/T3098.1 6.8(4 Pieces)	1
2.15	2192955	Motor foot cpl.BG132 ELEC KIT	1
2.16	2178924	Air guider IEC 132 Motor KIT	1
Note: Please give the data from type plate of the motor			
2.16A		> AIR GUIDER IEC 132 MOTOR	1
2.16B		> SCREW M8X16 TORX HEX 6.8 GB/T70	1





**BL-E40/110-1,5/2 (2191372)**

Item	Article no.	Description	Quantity
1.1	2123473	IMPELLER D.50/103/18 KIT	1
1.11	2027186	> NUT M10 DIN934 A2	1
1.12	2027189	> TENSIONING DISC DIN6796-10 V2A	1
1.13		> IMPELLER 50/103/18 GG BALANCED	1
1.14	2037527	> O-RING 148,82x3,53 EPDM 70SR.VP.	1
1.2	2026901	MECHANICAL SEAL MG12/18-G60 AQ1EGG KIT	1
1.11	2027186	> NUT M10 DIN934 A2	1
1.12	2027189	> TENSIONING DISC DIN6796-10 V2A	1
1.14	2037527	> O-RING 148,82x3,53 EPDM 70SR.VP.	1
1.14	2043160	> O-Ring 177,39x3,53 ISO3601B EPDM VP.	1
1.14	2042864	> O-RING ID.224x3,55 7EP1197-W534 VP.	1
1.21		> MECHANICAL SEAL MG12/18-G60 AQ1EGG	1
10	2027202	> TOOL D.18/24/32 VP.	1
1.3	2037200	LANTERN P190X85,2-F165 KIT	1
1.11	2027186	> NUT M10 DIN934 A2	1
1.12	2027189	> TENSIONING DISC DIN6796-10 V2A	1
1.14	2037527	> O-RING 148,82x3,53 EPDM 70SR.VP.	1
1.31	2027201	> BLOWGUN R1/8" VP.	1
1.32	2048839	> COUPLING GUARD F130-165 PA66 (2 PIECES)	1
1.33		> Lantern P190X85,2-F165 GG KTL WILO	1
10	2027202	> TOOL D.18/24/32 VP.	1
1.4	2042722	COUPLING/SHAFT D.18/24X127 KIT	1
1.11	2027186	> NUT M10 DIN934 A2	1
1.12	2027189	> TENSIONING DISC DIN6796-10 V2A	1
1.14	2037527	> O-RING 148,82x3,53 EPDM 70SR.VP.	1
1.14	2042864	> O-RING ID.224x3,55 7EP1197-W534 VP.	1
1.41		> COUPLING 18/24+SHAFT 18X127 BG90 ZN KIT	1
10	2027202	> TOOL D.18/24/32 VP.	1
2	2169165	Motor V1 1,5/2/90/200E-IE4-ELEC(+Tool)	1
		Spare parts motor V1 1,5/2/90 200E IE4	1
3	2037172	PUMP HOUSING B40/145 PN16 KIT	1
1.14	2037527	> O-RING 148,82x3,53 EPDM 70SR.VP.	1
3.1		> PUMP HOUSING BL40/145 PN16 CPL.WILO	1
4	2027194	SCREW M16X30/X40 DIN912 8.8 (4 PIECES)	1

**BL-E40/110-1,5/2 (2191372)**

Item	Article no.	Description	Quantity
5	2037242	SCREW M10X25 ISO4762 8.8 (4 PIECES)	1
7	2029336	WASHER A17 DIN125 ST (4 PIECES)	1
9	2037241	MOTOR FOOT BG71-112/P190	1
11	2191604	Module BL-E40/110-1,5/2-IE4 ELEC KIT	1
		> MODULE TL3 Flex IE4 SW4.0.30	1
	2054227	> MODULE COVER/GASKET TL3/4 KIT	1
		> SCREW M5X16 ISO4762 8.8 ZnNi	1
		> WASHER TOOTHED LOCK A5,3 DIN6797 FST ZN	1
	2061236	> O-RING ID.38X3 EPDM 70SR.A BUS.	1
12	2137267	DPS20-10(0-10V) KIT	1
	2106113	> DIFFERENTIAL PRESSURE SENSOR 20 KIT	1
		>> DPS20 spiral TZ.3mm Volt 2G	1
	2196657	>> Cable DPS 3x0,34x650 short bared 2G VP.	1
Note: from/ab/de 01.10.2013			
	2106125	> Connection sensor 90GD.coil KIT	1
		>> CAPILLARY COIL 1000	2
		>> Fixation ring pipe union R1/8" 90GD.Ni	1
		>> HANDLE DDG M16	1
		>> Screw M4x10 EE DIN7500 ZN	2
	2168862	>> Nut/Ferrule M6 D.3MM MS Ni (2 Pieces)	1
	2168860	>> Nut/Ferrule M8 D.5MM MS Ni (2 Pieces)	1

Motor-Typenschild / Motor type plate / Plaque identité moteur

Bei Ersatzteilbestellung Motor-Nummer angeben!

Indicate motor number for order of spare parts!

Pour une commande de pièces détachées, donner le numéro du moteur!

ELEC

Motor-Nummer  
motor number  
numéro du moteur

<b>3~Induction Motor</b>					
Made by WILLO Group					
<b>3511218</b>	<b>W132240-4-V1NPE</b>		<b>0902.001</b>		
Class F	S1	IP55	69kg	EN60034	
50Hz	5.5kW	SF=L1S	60Hz	6.45kW	
YΔ 400/690V	10,6/6,13A	Y 440-480V	10,9/10,35A		
Cosφ =0.81	1470min <sup>-1</sup>	Cosφ =0.81	1770min <sup>-1</sup>		
IE4-91.9%	91,9%	91,1%	IE4-92.4%	92,4%	91,8%

WEG

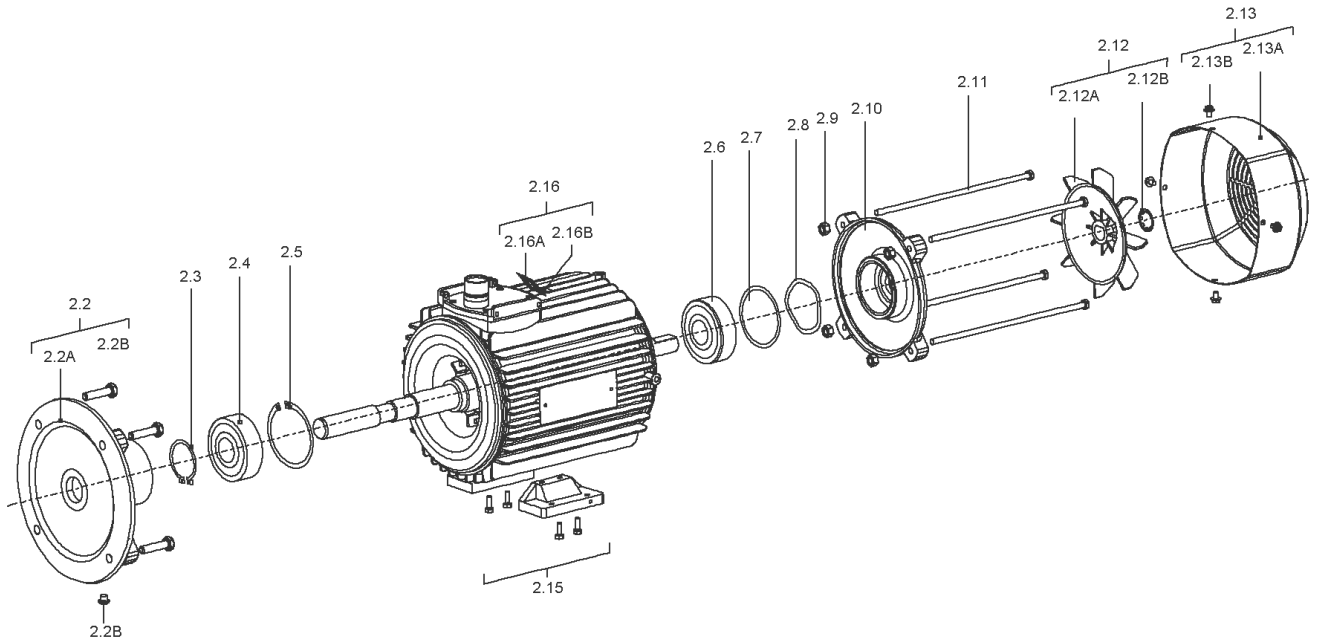
		3~ AL180M/L-04		2015/12		1030615079	
AMB 40°C							
IP55		INS CL.F		Δ T 80 K		S1 SF 1.0	
V	Hz	kW	RPM	A	PF		
400 / -			1480	29,5 / -	0,78		
- / -							
- / -							
- / -							
400	IE4	93,9 (100%)	92,5 (75%)	90,8 (50%)			
- / -		- (100%)	- (75%)	- (50%)			
- A		- (100%)	- (75%)	- (50%)			
NEMA	Eff	- %	- HP	- V	- Hz	- RPM	
- A	PF	DES	CODE	SF			
		6311-ZZ-C3		MOBIL POLYREX EM		162 kg	
		6211-ZZ-C3					
MOD.TE01A0X1A0000301180							
		IEC 60034					

VIBRATION LEVEL A
ACCORDING IEC 60034-14
BALANCED WITH NO KEY
WILO PART NO: <b>2151697</b>

Motor-Nummer  
motor number  
numéro du moteur

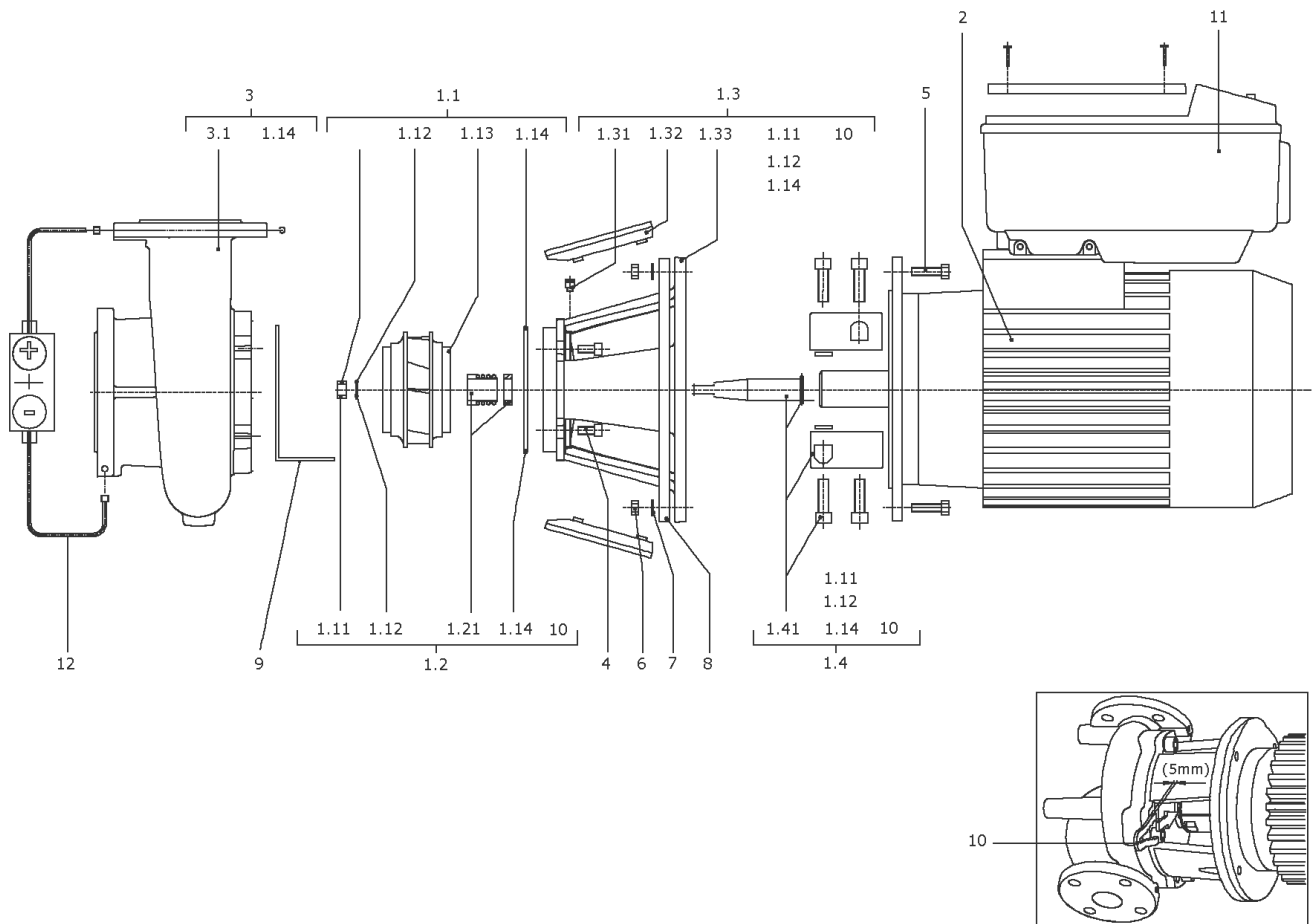
## Spare parts motor V1 1,5/2/90 200E IE4

Item	Description	Quantity
ELEC	W090095-2-V1NPE 400V/50Hz 1.5kW IE4	1



**W090095-2-V1NPE 400V/50Hz 1.5kW IE4**

Item	Article no.	Description	Quantity
2.2	2127392	END SHIELD BG90 V1 D.E.ELEC KIT	1
Note: Please give the data from type plate of the motor			
2.1A		> Flange IEC90 V1	1
2.1B	2111309	> CONDENSATE HOLE GASKET D5 VP.	1
Note: Please give the data from type plate of the motor			
2.3	2111334	CIRCLIP D.30 GB894.1 VP.	1
Note: Please give the data from type plate of the motor			
2.4	2153170	Ball bearing 6306/VV-C3 VP.	1
Note: Please give the data from type plate of the motor			
2.5	2111337	CIRCLIP D.72 GB893.1 VP.	1
Note: Please give the data from type plate of the motor			
2.6	2153168	Ball bearing 6204/VV-C3 VP.	1
2.7	2164016	O-Ring ID47.2x3.53 EPDM VP.	1
2.8	2111339	SPRING RING D.47 JB/T7590 VP.	1
Note: Please give the data from type plate of the motor			
2.10	2157920	End shield BG90 N.D.E.ELEC KIT	1
Note: Please give the data from type plate of the motor			
		> Flange IEC90 NDS with slot reduce0.5	1
		> O-RING ID47.2*3.53 EPDM	1
2.11	2111320	SCREW M5X211 6.8 (4 PIECES)	1
2.12	2107782	FAN WHEEL BG90 ELEC KIT	1
Note: Please give the data from type plate of the motor			
2.12A		> FAN 122.6X15X17 GP2200 G/F20%	1
2.12B	2111321	> STOP-RING D.14,8x0,4 VP.	1
Note: Please give the data from type plate of the motor			
2.13	2111322	FAN HOOD BG90 ELEC KIT	1
Note: Please give the data from type plate of the motor			
2.13A		> FAN COVER IEC90 KTL ST14 T0.8 H70	1
2.13B	2111323	> SCREW M4X6 (4 PIECES)	1
Note: Please give the data from type plate of the motor			





**BL-E40/120-2,2/2 (2191373)**

Item	Article no.	Description	Quantity
1.1	2123472	IMPELLER D.50/113/18 KIT	1
1.11	2027186	> NUT M10 DIN934 A2	1
1.12	2027189	> TENSIONING DISC DIN6796-10 V2A	1
1.13		> IMPELLER 50/113/18 GG BALANCED	1
1.14	2037527	> O-RING 148,82x3,53 EPDM 70SR.VP.	1
1.2	2026901	MECHANICAL SEAL MG12/18-G60 AQ1EGG KIT	1
1.11	2027186	> NUT M10 DIN934 A2	1
1.12	2027189	> TENSIONING DISC DIN6796-10 V2A	1
1.14	2037527	> O-RING 148,82x3,53 EPDM 70SR.VP.	1
1.14	2043160	> O-Ring 177,39x3,53 ISO3601B EPDM VP.	1
1.14	2042864	> O-RING ID.224x3,55 7EP1197-W534 VP.	1
1.21		> MECHANICAL SEAL MG12/18-G60 AQ1EGG	1
10	2027202	> TOOL D.18/24/32 VP.	1
1.3	2037200	LANTERN P190X85,2-F165 KIT	1
1.11	2027186	> NUT M10 DIN934 A2	1
1.12	2027189	> TENSIONING DISC DIN6796-10 V2A	1
1.14	2037527	> O-RING 148,82x3,53 EPDM 70SR.VP.	1
1.31	2027201	> BLOWGUN R1/8" VP.	1
1.32	2048839	> COUPLING GUARD F130-165 PA66 (2 PIECES)	1
1.33		> Lantern P190X85,2-F165 GG KTL WILO	1
10	2027202	> TOOL D.18/24/32 VP.	1
1.4	2042722	COUPLING/SHAFT D.18/24X127 KIT	1
1.11	2027186	> NUT M10 DIN934 A2	1
1.12	2027189	> TENSIONING DISC DIN6796-10 V2A	1
1.14	2037527	> O-RING 148,82x3,53 EPDM 70SR.VP.	1
1.14	2042864	> O-RING ID.224x3,55 7EP1197-W534 VP.	1
1.41		> COUPLING 18/24+SHAFT 18X127 BG90 ZN KIT	1
10	2027202	> TOOL D.18/24/32 VP.	1
2	2169167	Motor V1 2,2/2/90/200E-IE4-ELEC(+Tool)	1
		Spare parts motor V1 2,2/2/90 200E IE4	1
3	2037172	PUMP HOUSING B40/145 PN16 KIT	1
1.14	2037527	> O-RING 148,82x3,53 EPDM 70SR.VP.	1
3.1		> PUMP HOUSING BL40/145 PN16 CPL.WILO	1
4	2027194	SCREW M16X30/X40 DIN912 8.8 (4 PIECES)	1

**BL-E40/120-2,2/2 (2191373)**

Item	Article no.	Description	Quantity
5	2037242	SCREW M10X25 ISO4762 8.8 (4 PIECES)	1
7	2029336	WASHER A17 DIN125 ST (4 PIECES)	1
9	2037241	MOTOR FOOT BG71-112/P190	1
11	2191605	Module BL-E40/120-2,2/2-IE4 ELEC KIT	1
		> MODULE TL3 Flex IE4 SW4.0.30	1
	2054227	> MODULE COVER/GASKET TL3/4 KIT	1
		> SCREW M5X16 ISO4762 8.8 ZnNi	1
		> WASHER TOOTHED LOCK A5,3 DIN6797 FST ZN	1
	2061236	> O-RING ID.38X3 EPDM 70SR.A BUS.	1
12	2137267	DPS20-10(0-10V) KIT	1
	2106113	> DIFFERENTIAL PRESSURE SENSOR 20 KIT	1
		>> DPS20 spiral TZ.3mm Volt 2G	1
	2196657	>> Cable DPS 3x0,34x650 short bared 2G VP.	1
Note: from/ab/de 01.10.2013			
	2106125	> Connection sensor 90GD.coil KIT	1
		>> CAPILLARY COIL 1000	2
		>> Fixation ring pipe union R1/8" 90GD.Ni	1
		>> HANDLE DDG M16	1
		>> Screw M4x10 EE DIN7500 ZN	2
	2168862	>> Nut/Ferrule M6 D.3MM MS Ni (2 Pieces)	1
	2168860	>> Nut/Ferrule M8 D.5MM MS Ni (2 Pieces)	1

Motor-Typenschild / Motor type plate / Plaque identité moteur

Bei Ersatzteilbestellung Motor-Nummer angeben!

Indicate motor number for order of spare parts!

Pour une commande de pièces détachées, donner le numéro du moteur!

ELEC

Motor-Nummer  
motor number  
numéro du moteur

<b>3~Induction Motor</b>							
Made by WILLO Group							
<b>3511218</b>	W132240-4-V1NPE		0902.001				
Class F	S1	IP55	69kg	EN60034			
50Hz	5.5kW	SF=L1S	60Hz	6.45kW			
YΔ 400/690V	10,6/6,13A	Y 440-480V	10,9/10,35A				
Cosφ =0.81	1470min <sup>-1</sup>	Cosφ =0.81	1770min <sup>-1</sup>				
IE4-91.9%	91,9%	91,1%	IE4-92.4%	92,4%	91,8%		

WEG

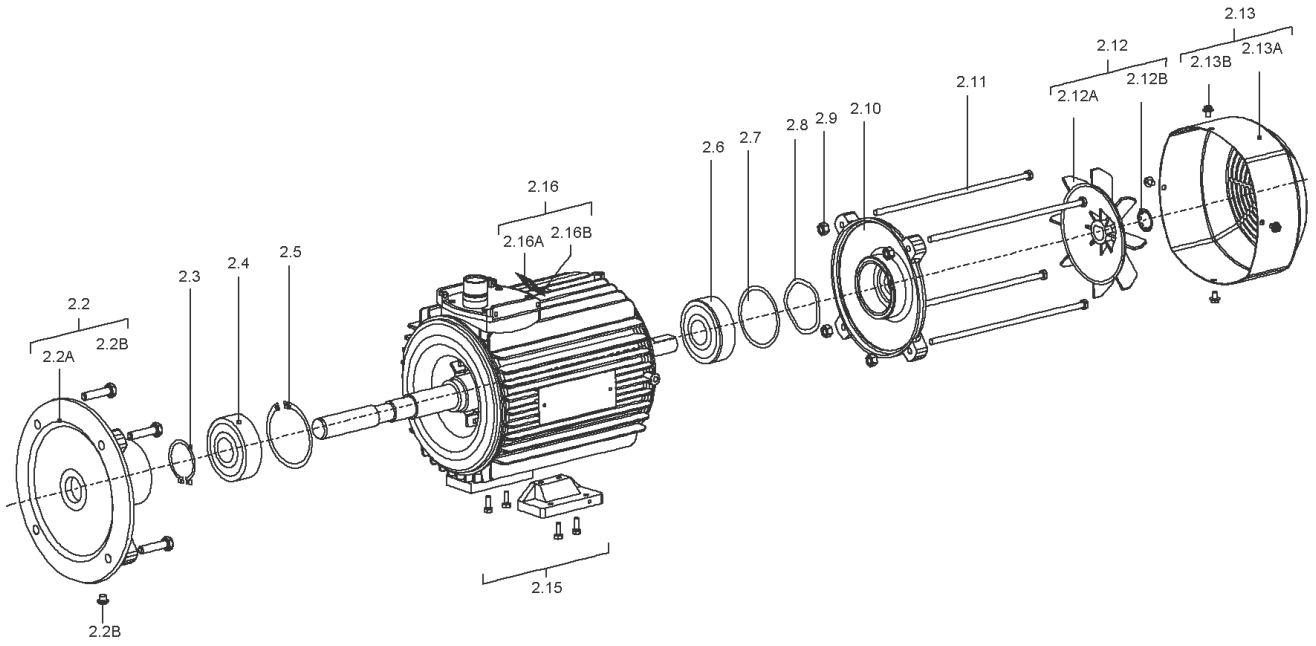
		3~ AL180M/L-04		2015/12		1030615079	
AMB 40°C							
IP55		INS CL.F		Δ T 80 K		S1 SF 1.0	
V	Hz	kW	RPM	A	PF		
400 / -	- / -	- / -	1480	29,5 / -	0,78		
- / -	- / -	- / -	- / -	- / -	- / -		
- / -	- / -	- / -	- / -	- / -	- / -		
400	IE4	93,9 (100%)	92,5 (75%)	90,8 (50%)			
- / -	-	(100%)	- (75%)	- (50%)			
- A	-	(100%)	- (75%)	- (50%)			
NEMA	Eff	- %	- HP	- V	- Hz	- RPM	
- A	PF	DES	CODE	SF			
		6311-ZZ-C3		MOBIL POLYREX EM		162 kg	
		6211-ZZ-C3					
MOD.TE01A0X1A0000301180							
		IEC 60034					

VIBRATION LEVEL A	
ACCORDING IEC 60034-14	
BALANCED WITH NO KEY	
WILO PART NO: 2151697	

Motor-Nummer  
motor number  
numéro du moteur

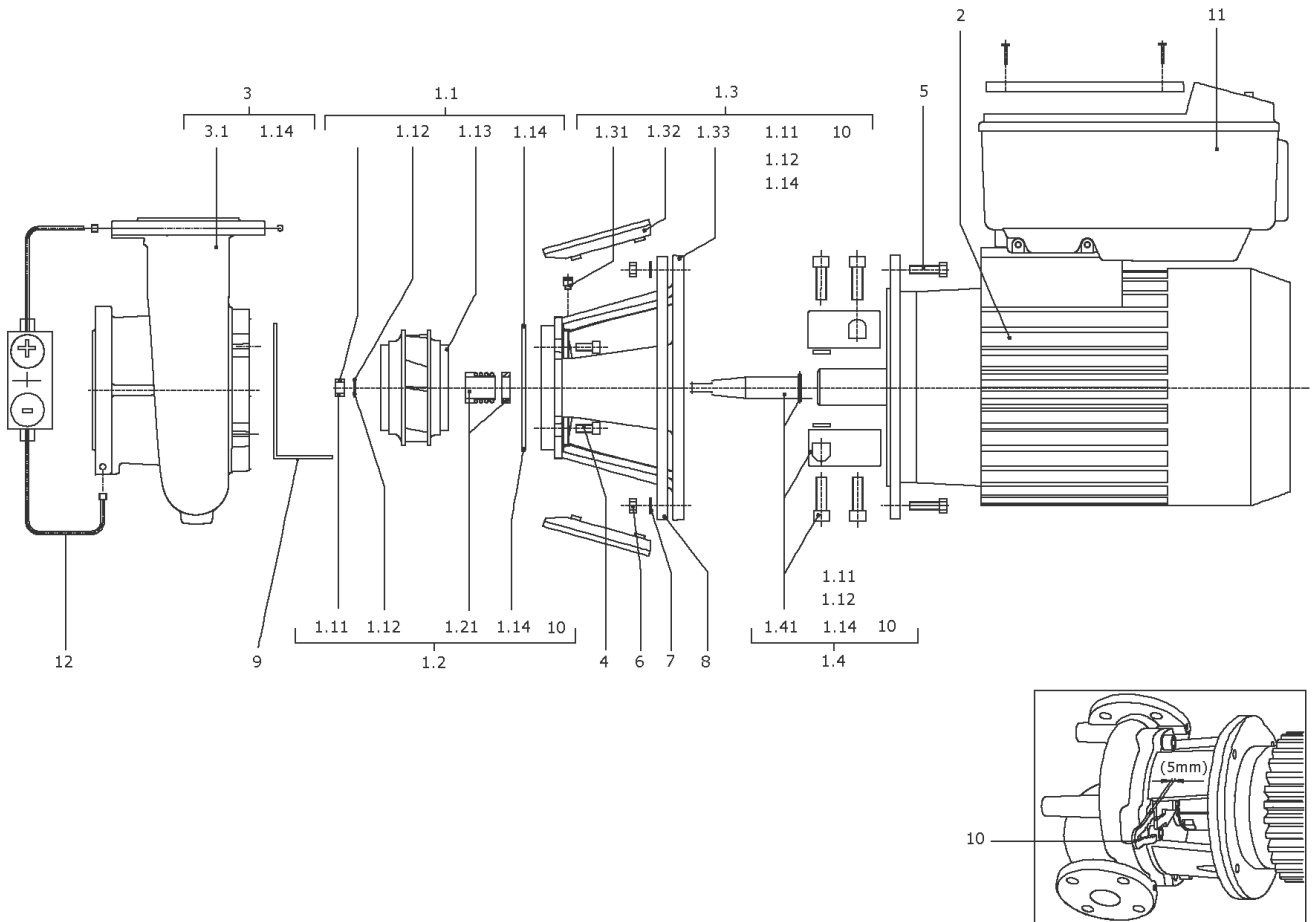
## Spare parts motor V1 2,2/2/90 200E IE4

Item	Description	Quantity
ELEC	W090130-2-V1NPE 400V/50Hz 2.2kW IE4	1



**W090130-2-V1NPE 400V/50Hz 2.2kW IE4**

Item	Article no.	Description	Quantity
2.2	2127392	END SHIELD BG90 V1 D.E.ELEC KIT	1
Note: Please give the data from type plate of the motor			
2.1A		> Flange IEC90 V1	1
2.1B	2111309	> CONDENSATE HOLE GASKET D5 VP.	1
Note: Please give the data from type plate of the motor			
2.3	2111334	CIRCLIP D.30 GB894.1 VP.	1
Note: Please give the data from type plate of the motor			
2.4	2153170	Ball bearing 6306/VV-C3 VP.	1
Note: Please give the data from type plate of the motor			
2.5	2111337	CIRCLIP D.72 GB893.1 VP.	1
Note: Please give the data from type plate of the motor			
2.6	2153168	Ball bearing 6204/VV-C3 VP.	1
2.7	2164016	O-Ring ID47.2x3.53 EPDM VP.	1
2.8	2111339	SPRING RING D.47 JB/T7590 VP.	1
Note: Please give the data from type plate of the motor			
2.10	2157920	End shield BG90 N.D.E.ELEC KIT	1
Note: Please give the data from type plate of the motor			
		> Flange IEC90 NDS with slot reduce0.5	1
		> O-RING ID47.2*3.53 EPDM	1
2.11	2179081	Screw torx Plus / Hex.M5X231(4Pieces)	1
2.12	2107782	FAN WHEEL BG90 ELEC KIT	1
Note: Please give the data from type plate of the motor			
2.12A		> FAN 122.6X15X17 GP2200 G/F20%	1
2.12B	2111321	> STOP-RING D.14,8x0,4 VP.	1
Note: Please give the data from type plate of the motor			
2.13	2111322	FAN HOOD BG90 ELEC KIT	1
Note: Please give the data from type plate of the motor			
2.13A		> FAN COVER IEC90 KTL ST14 T0.8 H70	1
2.13B	2111323	> SCREW M4X6 (4 PIECES)	1
Note: Please give the data from type plate of the motor			



**BL-E40/130-3/2 (2191374)**

Item	Article no.	Description	Quantity
1.1	2123470	IMPELLER D.50/125/18 KIT	1
1.11	2027186	> NUT M10 DIN934 A2	1
1.12	2027189	> TENSIONING DISC DIN6796-10 V2A	1
1.13		> IMPELLER 50/125/18 GG BALANCED	1
1.14	2037527	> O-RING 148,82x3,53 EPDM 70SR.VP.	1
1.2	2026901	MECHANICAL SEAL MG12/18-G60 AQ1EGG KIT	1
1.11	2027186	> NUT M10 DIN934 A2	1
1.12	2027189	> TENSIONING DISC DIN6796-10 V2A	1
1.14	2037527	> O-RING 148,82x3,53 EPDM 70SR.VP.	1
1.14	2043160	> O-Ring 177,39x3,53 ISO3601B EPDM VP.	1
1.14	2042864	> O-RING ID.224x3,55 7EP1197-W534 VP.	1
1.21		> MECHANICAL SEAL MG12/18-G60 AQ1EGG	1
10	2027202	> TOOL D.18/24/32 VP.	1
1.3	2037206	LANTERN P190X85,2-F215 KIT	1
1.11	2027186	> NUT M10 DIN934 A2	1
1.12	2027189	> TENSIONING DISC DIN6796-10 V2A	1
1.14	2037527	> O-RING 148,82x3,53 EPDM 70SR.VP.	1
1.31	2027201	> BLOWGUN R1/8" VP.	1
1.32	2048842	> COUPLING GUARD F215 PA66 (2 PIECES)	1
1.33		> Lantern P190X85,2-F215 GG KTL WILO	1
10	2027202	> TOOL D.18/24/32 VP.	1
1.4	2027235	COUPLING/SHAFT 18/28x133 KIT	1
1.11	2027186	> NUT M10 DIN934 A2	1
1.12	2027189	> TENSIONING DISC DIN6796-10 V2A	1
1.14	2037527	> O-RING 148,82x3,53 EPDM 70SR.VP.	1
1.41		> COUPLING 18/28+SHAFT 18X133 GR112 ZN KIT	1
10	2027202	> TOOL D.18/24/32 VP.	1
2	2169169	Motor V1 3/2/100/250E-IE4-ELEC(+Tool)	1
		Spare parts motor V1 3/2/100 250E IE4	1
3	2037172	PUMP HOUSING B40/145 PN16 KIT	1
1.14	2037527	> O-RING 148,82x3,53 EPDM 70SR.VP.	1
3.1		> PUMP HOUSING BL40/145 PN16 CPL.WILO	1
4	2027194	SCREW M16X30/X40 DIN912 8.8 (4 PIECES)	1
	2029336	WASHER A17 DIN125 ST (4 PIECES)	1



**BL-E40/130-3/2 (2191374)**

Item	Article no.	Description	Quantity
5	2027195	SCREW M12X25 DIN912 8.8 (4 PIECES)	1
7	2029335	WASHER A13 DIN125 ST (4 PIECES)	1
9	2037241	MOTOR FOOT BG71-112/P190	1
11	2191606	Module BL-E40/130-3/2-IE4 ELEC KIT	1
		> MODULE TL4 Flex IE4 SW4.0.30	1
	2054227	> MODULE COVER/GASKET TL3/4 KIT	1
		> SCREW M5X16 ISO4762 8.8 ZnNi	1
		> WASHER TOOTHED LOCK A5,3 DIN6797 FST ZN	1
	2061236	> O-RING ID.38X3 EPDM 70SR.A BUS.	1
12	2137270	DPS40-9(0-10V) KIT	1
	2106115	> DIFFERENTIAL PRESSURE SENSOR 40 KIT	1
		>> DPS40 spiral TZ.3mm Volt 2G	1
	2196657	>> Cable DPS 3x0,34x650 short bared 2G VP.	1
Note: from/ab/de 01.10.2013			
	2106125	> Connection sensor 90GD.coil KIT	1
		>> CAPILLARY COIL 1000	2
		>> Fixation ring pipe union R1/8" 90GD.Ni	1
		>> HANDLE DDG M16	1
		>> Screw M4x10 EE DIN7500 ZN	2
	2168862	>> Nut/Ferrule M6 D.3MM MS Ni (2 Pieces)	1
	2168860	>> Nut/Ferrule M8 D.5MM MS Ni (2 Pieces)	1

# Spare parts motor V1 3/2/100 250E IE4

## Motor-Typenschild / Motor type plate / Plaque identité moteur

**Bei Ersatzteilbestellung Motor-Nummer angeben!**

**Indicate motor number for order of spare parts!**

**Pour une commande de pièces détachées, donner le numéro du moteur!**

ELEC

Motor-Nummer  
motor number  
numéro du moteur

<b>3~Induction Motor</b>						
Made by WILLO Group						
<b>3511218</b>	<b>W132240-4-V1NPE</b>		<b>0902.001</b>			
Class F	S1	IP55	69kg	EN60034		
50Hz	5.5kW	SF=L1S	60Hz	6.45kW		
YΔ 400/690V	10,6/6,13A		Y 440-480V	10,9/10,35A		
Cosφ =0.81	1470min <sup>-1</sup>		Cosφ =0.81	1770min <sup>-1</sup>		
IE4-91.9%	91,9%	91,1%	IE4-92.4%	92,4%	91,8%	

WEG

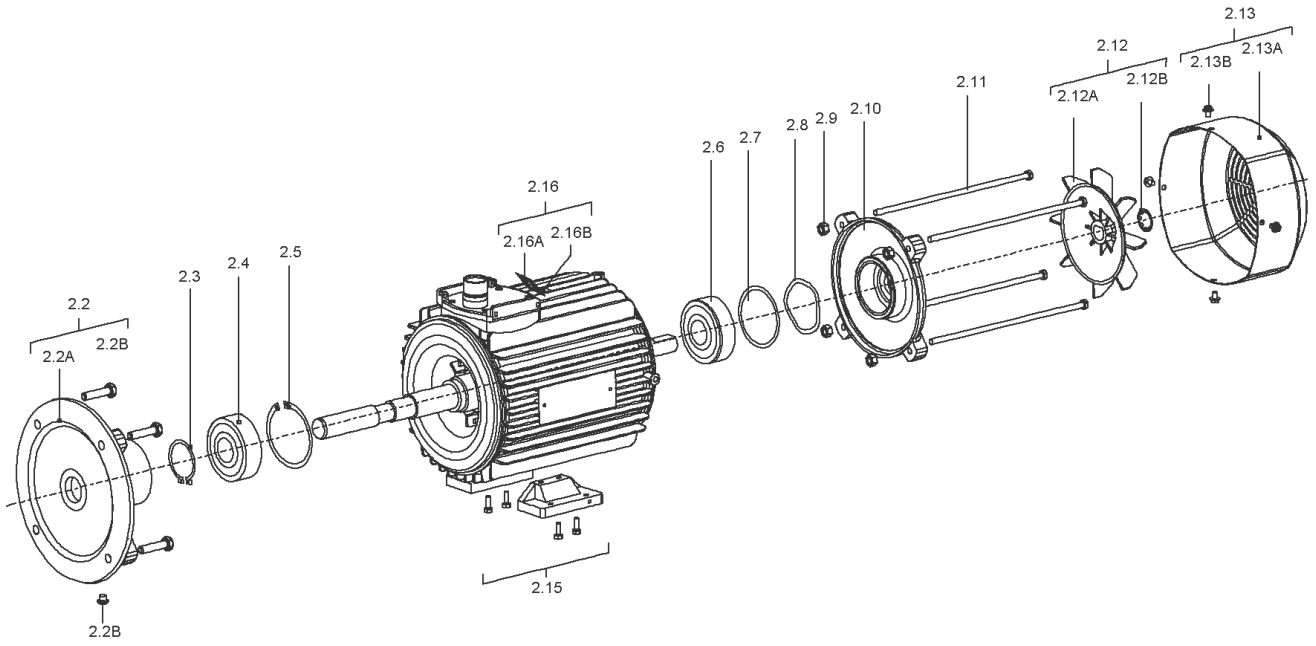
		3~ AL180M/L-04		2015/12		1030615079	
AMB 40°C							
IP55		INS CL.F		Δ T 80 K		S1 SF 1.0	
V	Hz	kW	RPM	A	PF		
400 / -			1480	29,5 / -	0,78		
- / -							
- / -							
- / -							
400	IE4	93,9 (100%)	92,5 (75%)	90,8 (50%)			
- / -		- (100%)	- (75%)	- (50%)			
- A		- (100%)	- (75%)	- (50%)			
NEMA	Eff	- %	- HP	- V	- Hz	- RPM	
- A	PF	DES	CODE	-	SF	-	
		6311-ZZ-C3		MOBIL POLYREX EM		162 kg	
		6211-ZZ-C3					
MOD.TE01A0X1A0000301180							
		IEC 60034					

VIBRATION LEVEL A
ACCORDING IEC 60034-14
BALANCED WITH NO KEY
WILO PART NO: <b>2151697</b>

Motor-Nummer  
motor number  
numéro du moteur

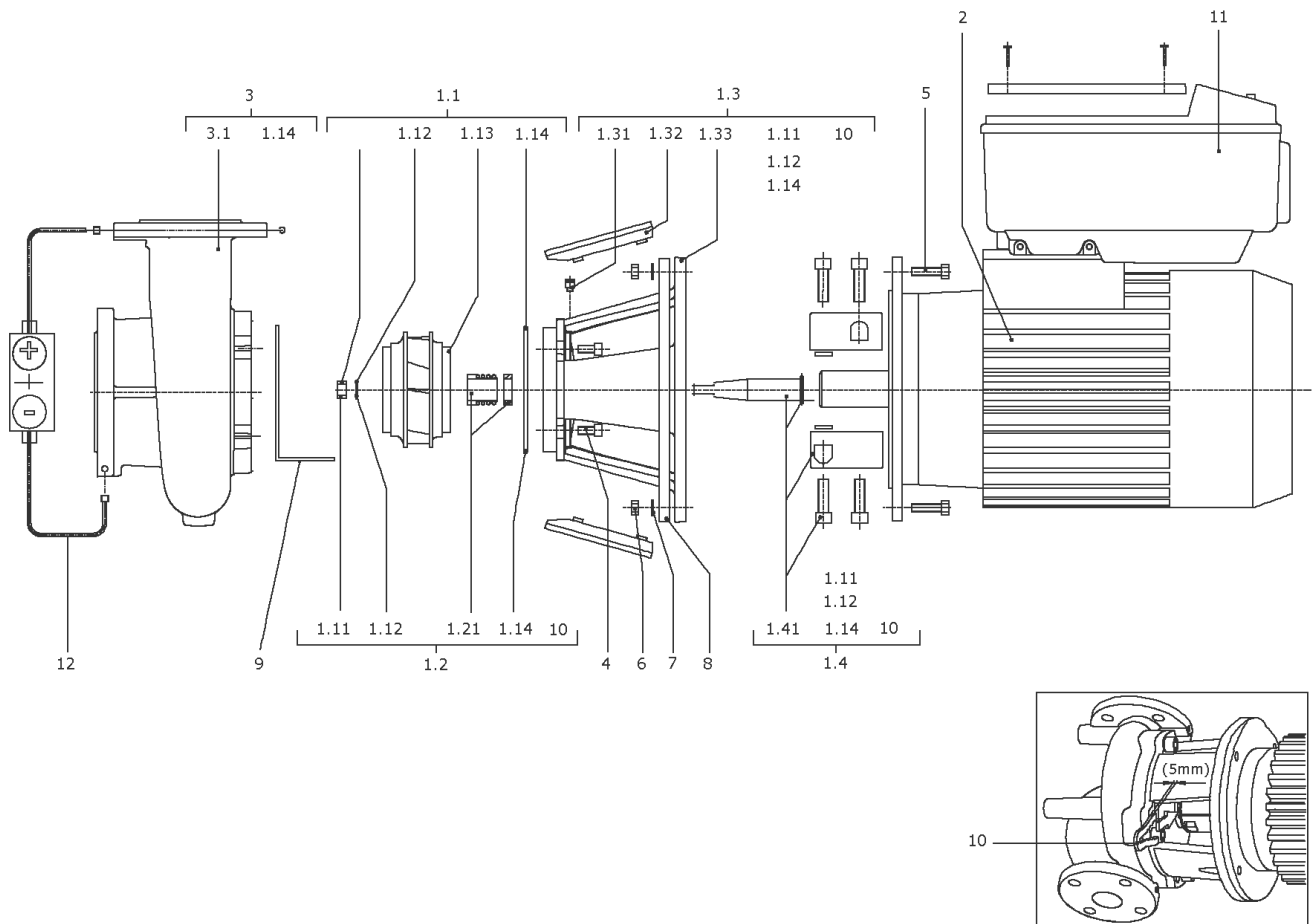
## Spare parts motor V1 3/2/100 250E IE4

Item	Description	Quantity
ELEC	W100130-2-V1NPE 400V/50Hz 3kW IE4	1



**W100130-2-V1NPE 400V/50Hz 3kW IE4**

Item	Article no.	Description	Quantity
2.2	2127393	END SHIELD BG100 V1 D.E.ELEC KIT	1
Note: Please give the data from type plate of the motor			
2.1A		> FLANGE IEC100 V1	1
2.1B	2111309	> CONDENSATE HOLE GASKET D5 VP.	1
Note: Please give the data from type plate of the motor			
2.3	2118388	CIRCLIP D.35 GB894.1 VP.	1
Note: Please give the data from type plate of the motor			
2.4	2153172	Ball bearing 6307/VV-C3 VP.	1
Note: Please give the data from type plate of the motor			
2.5	2118390	CIRCLIP D.80 GB893.1 VP.	1
Note: Please give the data from type plate of the motor			
2.6	2153171	Ball bearing 6205/VV-C3 VP.	1
2.7	2164094	O-Ring ID52.4x3.53 EPDM VP.	1
2.8	2164076	Circlip D52 JB/T7590 VP.	1
Note: Please give the data from type plate of the motor			
2.10	2164074	End shield BG100 N.D.E.ELEC KIT	1
Note: Please give the data from type plate of the motor			
		> FLANGE IEC100 NDS with slot	1
		> O-RING ID52.4*3.53 EPDM	1
2.11	2179082	Screw Torx Plus / Hexagon M6X258(4Pieces	1
2.12	2179083	Fan wheel BG100 ELEC KIT	1
Note: Please give the data from type plate of the motor			
2.12A		> FAN 150X20X17 GP2200 G/F20%	1
2.12B	2118396	> Tooth lock washer D.19,8x0,4 VP.	1
Note: Please give the data from type plate of the motor			
2.13	2118397	FAN HOOD BG100 ELEC KIT	1
Note: Please give the data from type plate of the motor			
2.13A		> FAN COVER IEC100 KTL ST14 T0.8 H86	1
2.13B	2111323	> SCREW M4X6 (4 PIECES)	1
Note: Please give the data from type plate of the motor			
2.16	2179086	Air guider BG100 Motor KIT	1
2.16A		> AIR GUIDER IEC100 MOTOR	1
2.16B		> Screw Tapping M5X14 trox pan	1



**BL-E40/140-4/2 (2191375)**

Item	Article no.	Description	Quantity
1.1	2123469	IMPELLER D.50/136/18 KIT	1
1.11	2027186	> NUT M10 DIN934 A2	1
1.12	2027189	> TENSIONING DISC DIN6796-10 V2A	1
1.13		> IMPELLER 50/136/18 GG BALANCED	1
1.14	2037527	> O-RING 148,82x3,53 EPDM 70SR.VP.	1
1.2	2026901	MECHANICAL SEAL MG12/18-G60 AQ1EGG KIT	1
1.11	2027186	> NUT M10 DIN934 A2	1
1.12	2027189	> TENSIONING DISC DIN6796-10 V2A	1
1.14	2037527	> O-RING 148,82x3,53 EPDM 70SR.VP.	1
1.14	2043160	> O-Ring 177,39x3,53 ISO3601B EPDM VP.	1
1.14	2042864	> O-RING ID.224x3,55 7EP1197-W534 VP.	1
1.21		> MECHANICAL SEAL MG12/18-G60 AQ1EGG	1
10	2027202	> TOOL D.18/24/32 VP.	1
1.3	2037206	LANTERN P190X85,2-F215 KIT	1
1.11	2027186	> NUT M10 DIN934 A2	1
1.12	2027189	> TENSIONING DISC DIN6796-10 V2A	1
1.14	2037527	> O-RING 148,82x3,53 EPDM 70SR.VP.	1
1.31	2027201	> BLOWGUN R1/8" VP.	1
1.32	2048842	> COUPLING GUARD F215 PA66 (2 PIECES)	1
1.33		> Lantern P190X85,2-F215 GG KTL WILO	1
10	2027202	> TOOL D.18/24/32 VP.	1
1.4	2027235	COUPLING/SHAFT 18/28x133 KIT	1
1.11	2027186	> NUT M10 DIN934 A2	1
1.12	2027189	> TENSIONING DISC DIN6796-10 V2A	1
1.14	2037527	> O-RING 148,82x3,53 EPDM 70SR.VP.	1
1.41		> COUPLING 18/28+SHAFT 18X133 GR112 ZN KIT	1
10	2027202	> TOOL D.18/24/32 VP.	1
2	2169171	Motor V1 4/2/112/250E-IE4-ELEC(+Tool)	1
		Spare parts motor V1 4/2/112 250E IE4	1
3	2037172	PUMP HOUSING B40/145 PN16 KIT	1
1.14	2037527	> O-RING 148,82x3,53 EPDM 70SR.VP.	1
3.1		> PUMP HOUSING BL40/145 PN16 CPL.WILO	1
4	2027194	SCREW M16X30/X40 DIN912 8.8 (4 PIECES)	1
	2029336	WASHER A17 DIN125 ST (4 PIECES)	1

**BL-E40/140-4/2 (2191375)**

Item	Article no.	Description	Quantity
5	2027195	SCREW M12X25 DIN912 8.8 (4 PIECES)	1
7	2029335	WASHER A13 DIN125 ST (4 PIECES)	1
9	2037241	MOTOR FOOT BG71-112/P190	1
11	2191607	Module BL-E40/140-4/2-IE4 ELEC KIT	1
		> MODULE TL4 Flex IE4 SW4.0.30	1
	2054227	> MODULE COVER/GASKET TL3/4 KIT	1
		> SCREW M5X16 ISO4762 8.8 ZnNi	1
		> WASHER TOOTHED LOCK A5,3 DIN6797 FST ZN	1
	2061236	> O-RING ID.38X3 EPDM 70SR.A BUS.	1
12	2137270	DPS40-9(0-10V) KIT	1
	2106115	> DIFFERENTIAL PRESSURE SENSOR 40 KIT	1
		>> DPS40 spiral TZ.3mm Volt 2G	1
	2196657	>> Cable DPS 3x0,34x650 short bared 2G VP.	1
Note: from/ab/de 01.10.2013			
	2106125	> Connection sensor 90GD.coil KIT	1
		>> CAPILLARY COIL 1000	2
		>> Fixation ring pipe union R1/8" 90GD.Ni	1
		>> HANDLE DDG M16	1
		>> Screw M4x10 EE DIN7500 ZN	2
	2168862	>> Nut/Ferrule M6 D.3MM MS Ni (2 Pieces)	1
	2168860	>> Nut/Ferrule M8 D.5MM MS Ni (2 Pieces)	1



Motor-Typenschild / Motor type plate / Plaque identité moteur

Bei Ersatzteilbestellung Motor-Nummer angeben!

Indicate motor number for order of spare parts!

Pour une commande de pièces détachées, donner le numéro du moteur!

ELEC

Motor-Nummer  
motor number  
numéro du moteur

<b>3~Induction Motor</b>					
Made by WILLO Group					
<b>3511218</b>	<b>W132240-4-V1NPE</b>		<b>0902.001</b>		
Class F	S1	IP55	69kg	EN60034	
50Hz	5.5kW	SF=L1S	60Hz	6.45kW	
YΔ 400/690V	10,6/6,13A	Y 440-480V	10,9/10,35A		
Cosφ =0.81	1470min <sup>-1</sup>	Cosφ =0.81	1770min <sup>-1</sup>		
IE4-91.9%	91,9%	91,1%	IE4-92.4%	92,4%	91,8%

WEG

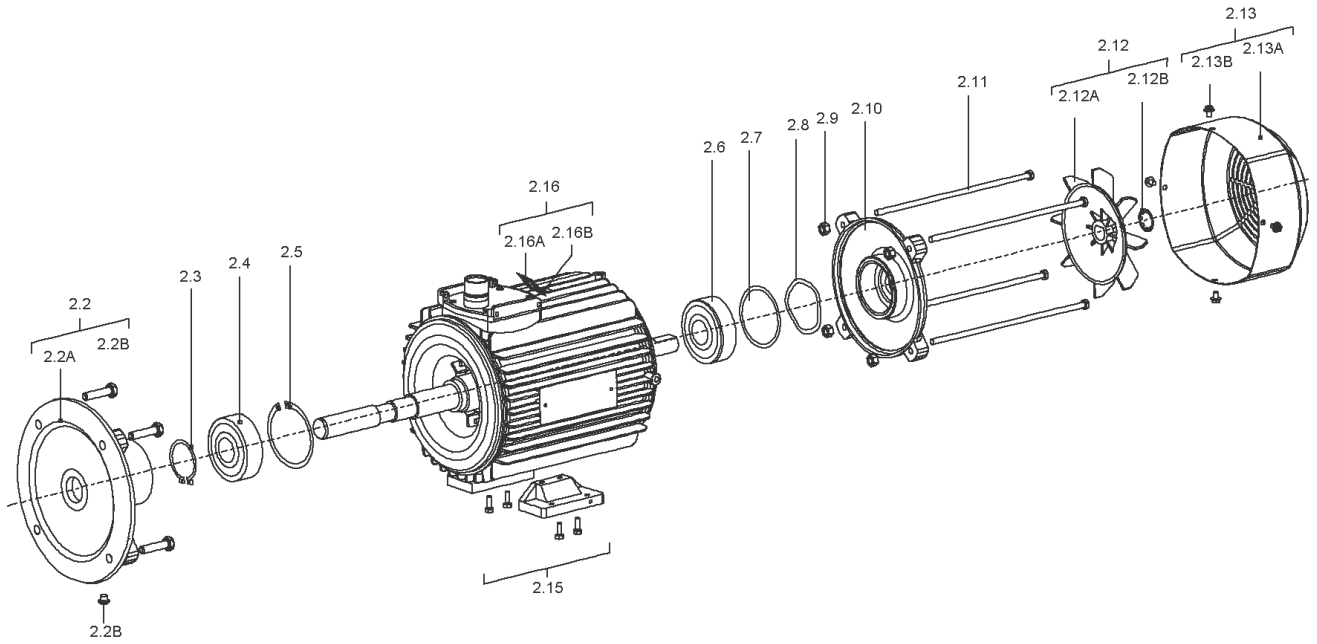
3~ AL180M/L-04		2015/12	1030615079		
AMB 40°C					
IP55	INS CL.F	Δ T 80 K	S1	SF 1.0	
V	Hz	kW	RPM	A	PF
400 / -			1480	29,5 / -	0,78
- / -					
- / -					
- / -					
400	IE4	93,9 (100%)	92,5 (75%)	90,8 (50%)	
- / -		- (100%)	- (75%)	- (50%)	
- A		- (100%)	- (75%)	- (50%)	
NEMA	Eff	- %	- HP	- V	- Hz
- A	PF	DES	CODE	SF	
				MOBIL POLYREX EM 162 kg	
← 6311-ZZ-C3				→ 6211-ZZ-C3	
MOD.TE01A0X1A0000301180					
IEC 60034					

VIBRATION LEVEL A
ACCORDING IEC 60034-14
BALANCED WITH NO KEY
WILO PART NO: <b>2151697</b>

Motor-Nummer  
motor number  
numéro du moteur

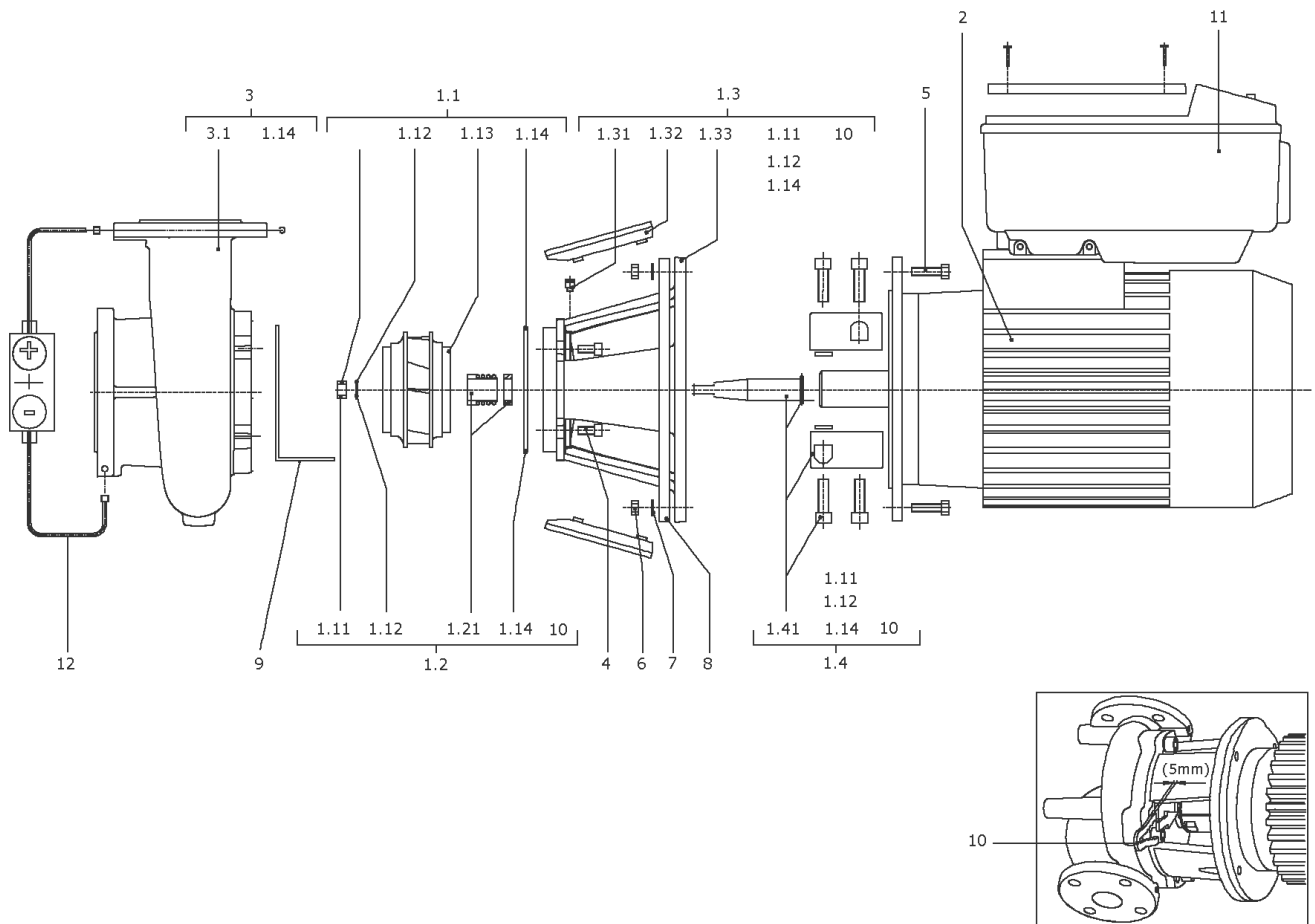
## Spare parts motor V1 4/2/112 250E IE4

Item	Description	Quantity
ELEC	W112140-2-V1NPE 400V/50Hz 4kW IE4	1



**W112140-2-V1NPE 400V/50Hz 4kW IE4**

Item	Article no.	Description	Quantity
2.2	2192953	End shield BG112 V1 D.E.ELEC KIT	1
Note: Please give the data from type plate of the motor			
2.1A		> FLANGE IEC112 V1	1
2.1B	2111309	> CONDENSATE HOLE GASKET D5 VP.	1
Note: Please give the data from type plate of the motor			
2.3	2118388	CIRCLIP D.35 GB894.1 VP.	1
Note: Please give the data from type plate of the motor			
2.4	2153172	Ball bearing 6307/VV-C3 VP.	1
Note: Please give the data from type plate of the motor			
2.5	2118390	CIRCLIP D.80 GB893.1 VP.	1
Note: Please give the data from type plate of the motor			
2.6	2153173	Ball bearing 6206/VV-C3 VP.	1
2.7	2164027	O-Ring ID62.4x3.53 EPDM VP.	1
2.8	2132469	SPRING RING D.62 JB/T7590 VP.	1
Note: Please give the data from type plate of the motor			
2.10	2164025	End shield BG112 N.D.E.ELEC KIT	1
Note: Please give the data from type plate of the motor			
		> FLANGE IEC112 NDS with slot	1
		> O-RING ID62.4*3.53 EPDM	1
2.11	2132473	SCREW M8X263,5 6.8 (4 PIECES)	1
2.12	2175742	Fan BG112 ELEC KIT	1
Note: Please give the data from type plate of the motor			
2.12A		> FAN 174X20X17 GP2200 G/F20%	1
2.12B	2118396	> Tooth lock washer D.19,8x0,4 VP.	1
Note: Please give the data from type plate of the motor			
2.13	2168255	Fan hood BG112 ELEC KIT	1
Note: Please give the data from type plate of the motor			
2.13A		> FAN COVER IEC112 KTL ST14 T1.0 H86	1
2.13B	2111323	> SCREW M4X6 (4 PIECES)	1
Note: Please give the data from type plate of the motor			
2.16	2179084	Air guider BG 112 Motor KIT	1
2.16A		> AIR GUIDER IEC 112 MOTOR	1
2.16B		> SCREW M8X16 TORX HEX 6.8 GB/T70	1



**BL-E40/160-5,5/2 (2191376)**

Item	Article no.	Description	Quantity
1.1	2037308	IMPELLER D.50/159/24 KIT	1
1.11	2027187	> NUT M12 DIN-EN24032 A2 VP.	1
1.12	2027190	> WASHER A13 DIN125-T2 A2 VP.	1
1.13		> IMPELLER 50/159/149/24 GG BALANCED	1
1.14	2043160	> O-Ring 177,39x3,53 ISO3601B EPDM VP.	1
	2042862	> WASHER S12 V2A VP.	1
1.2	2026902	MECHANICAL SEAL MG12/24-G60 AQ1EGG KIT	1
1.11	2027187	> NUT M12 DIN-EN24032 A2 VP.	1
1.12	2027190	> WASHER A13 DIN125-T2 A2 VP.	1
1.14	2037527	> O-RING 148,82x3,53 EPDM 70SR.VP.	1
1.14	2043160	> O-Ring 177,39x3,53 ISO3601B EPDM VP.	1
1.14	2042864	> O-RING ID.224x3,55 7EP1197-W534 VP.	1
1.14	2051680	> O-RING ID.276,7x5,29 7EP1197-W534 VP.	1
	2042862	> WASHER S12 V2A VP.	1
1.21		> MECHANICAL SEAL MG12/24-G60 AQ1EGG	1
10	2027202	> TOOL D.18/24/32 VP.	1
1.3	2027010	LANTERN P228X85,2-F265 KIT	1
1.11	2027187	> NUT M12 DIN-EN24032 A2 VP.	1
1.12	2027190	> WASHER A13 DIN125-T2 A2 VP.	1
1.14	2043160	> O-Ring 177,39x3,53 ISO3601B EPDM VP.	1
	2042862	> WASHER S12 V2A VP.	1
1.31	2027201	> BLOWGUN R1/8" VP.	1
1.32	2048838	> COUPLING GUARD F265 PA66 AD.(4 PIECES)	1
1.33		> LANTERN P228X85,2-F265 GG KTL RDES WILO	1
10	2027202	> TOOL D.18/24/32 VP.	1
1.4	2026928	COUPLING/SHAFT 24/38x142 OR.177 KIT	1
1.11	2027187	> NUT M12 DIN-EN24032 A2 VP.	1
1.12	2027190	> WASHER A13 DIN125-T2 A2 VP.	1
1.14	2043160	> O-Ring 177,39x3,53 ISO3601B EPDM VP.	1
	2042862	> WASHER S12 V2A VP.	1
1.41		> COUPLING 24/38+SHAFT 24X142 BG132 ZN KIT	1
10	2027202	> TOOL D.18/24/32 VP.	1
2	2179386	Motor B35 5,5/2/132/300E-IE4-ELEC(+Tool)	1
		Spare parts motor B35 5,5/2/132 300E IE4	1

**BL-E40/160-5,5/2 (2191376)**

Item	Article no.	Description	Quantity
3	2026870	PUMP HOUSING B40/170 PN16 KIT	1
1.14	2043160	> O-Ring 177,39x3,53 ISO3601B EPDM VP.	1
3.1		> PUMP HOUSING BL40/182 PN16 CPL.WILO	1
4	2027193	SCREW M16X30 ISO4762 8.8 (4 PIECES)	1
5	2027199	Screw M12X65 ISO4014 8.8 (4STÜCK)	1
6	2029305	NUT M12 DIN-EN24032 8 (4 PIECES)	1
7	2029335	WASHER A13 DIN125 ST (4 PIECES)	1
8	2027185	Adapter ring BG132 VP.	1
11	2191608	Module BL-E40/160-5,5/2-IE4 ELEC KIT	1
		> Module TL5 Flex SW4.0.21	1
	2111344	> MODULE COVER/GASKET TL5 KIT	1
	2120047	> CABLE CONNECTION M12x1,5/5 cpl.TL5 VP.	1
	2120048	> CABLE CONNECTION M16x1,5/5 cpl.TL5 VP.	1
	2120049	> CABLE CONNECTION M20x1,5/6 cpl.TL5 VP.	1
	2120050	> CABLE CONNECTION M25x1,5/8 cpl.TL5 VP.	1
12	2137271	DPS40-10(0-10V) KIT	1
	2106117	> DIFFERENT.PRESSURE SENSOR 40 LGX.KIT	1
		>> DPS40 spiral TZ.3mm Volt 2G	1
	2164077	>> Cable DPS 3x0,34x650 LG.bared 2G VP.	1
Note: from/ab/de 01.10.2013			
	2106125	> Connection sensor 90GD.coil KIT	1
		>> CAPILLARY COIL 1000	2
		>> Fixation ring pipe union R1/8" 90GD.Ni	1
		>> HANDLE DDG M16	1
		>> Screw M4x10 EE DIN7500 ZN	2
	2168862	>> Nut/Ferrule M6 D.3MM MS Ni (2 Pieces)	1
	2168860	>> Nut/Ferrule M8 D.5MM MS Ni (2 Pieces)	1

Motor-Typenschild / Motor type plate / Plaque identité moteur

Bei Ersatzteilbestellung Motor-Nummer angeben!

Indicate motor number for order of spare parts!

Pour une commande de pièces détachées, donner le numéro du moteur!

ELEC

Motor-Nummer  
motor number  
numéro du moteur

<b>3~Induction Motor</b>					
Made by WILLO Group					
<b>351f218</b>	W132240-4-V1NPE		0902.001		
Class F	S1	IP55	69kg	EN60034	
50Hz	5.5kW	SF=L1S	60Hz	6.45kW	
YΔ 400/690V	10,6/6,13A	Y 440-480V	10,9/10,35A		
Cosφ =0.81	1470min <sup>-1</sup>	Cosφ =0.81	1770min <sup>-1</sup>		
IE4-91.9%	91,9%	91,1%	IE4-92.4%	92,4%	91,8%

WEG

3~ AL180M/L-04		2015/12		1030615079	
AMB 40°C					
IP55	INS CL.F	Δ T 80 K	S1	SF 1.0	
V	Hz	kW	RPM	A	PF
400 / -			1480	29,5 / -	0,78
- / -					
- / -					
- / -					
400	IE4	93,9 (100%)	92,5 (75%)	90,8 (50%)	
- / -		- (100%)	- (75%)	- (50%)	
- A		- (100%)	- (75%)	- (50%)	
NEMA	Eff	- %	- HP	- V	- Hz
- A	PF	DES	CODE	SF	
				162 kg	
MOD.TE01A0X1A0000301180					
IEC 60034					

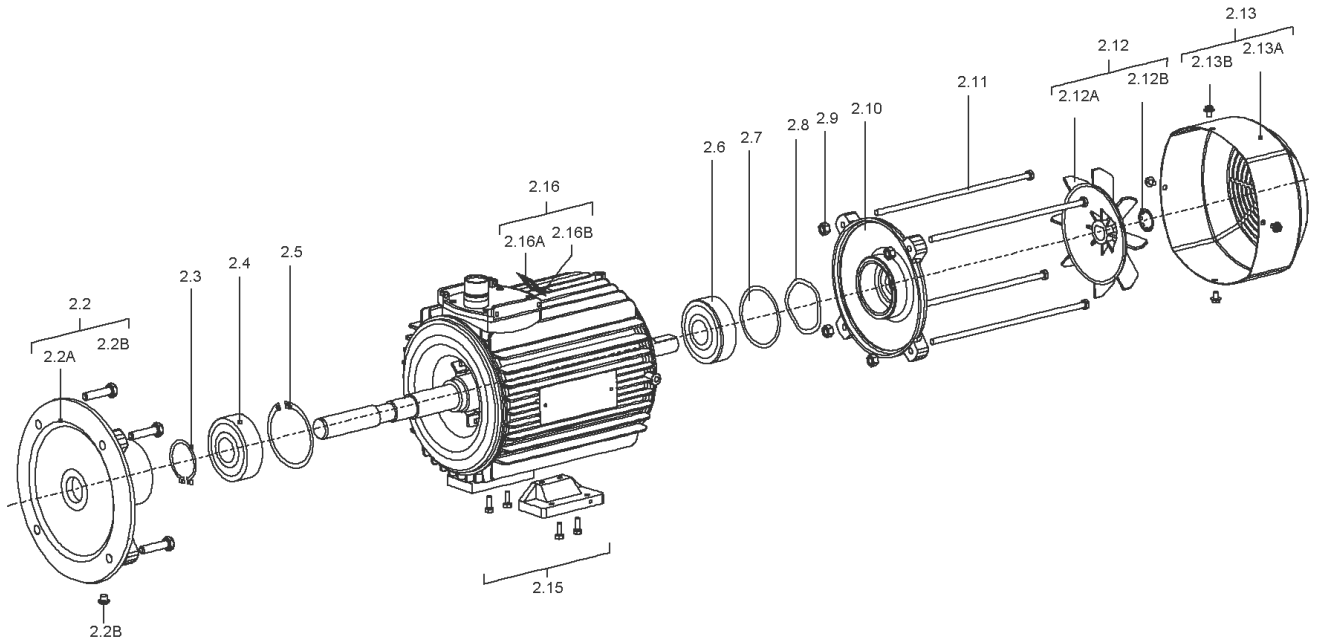
VIBRATION LEVEL A
ACCORDING IEC 60034-14
BALANCED WITH NO KEY
WILO PART NO: <b>2151697</b>

Motor-Nummer  
motor number  
numéro du moteur



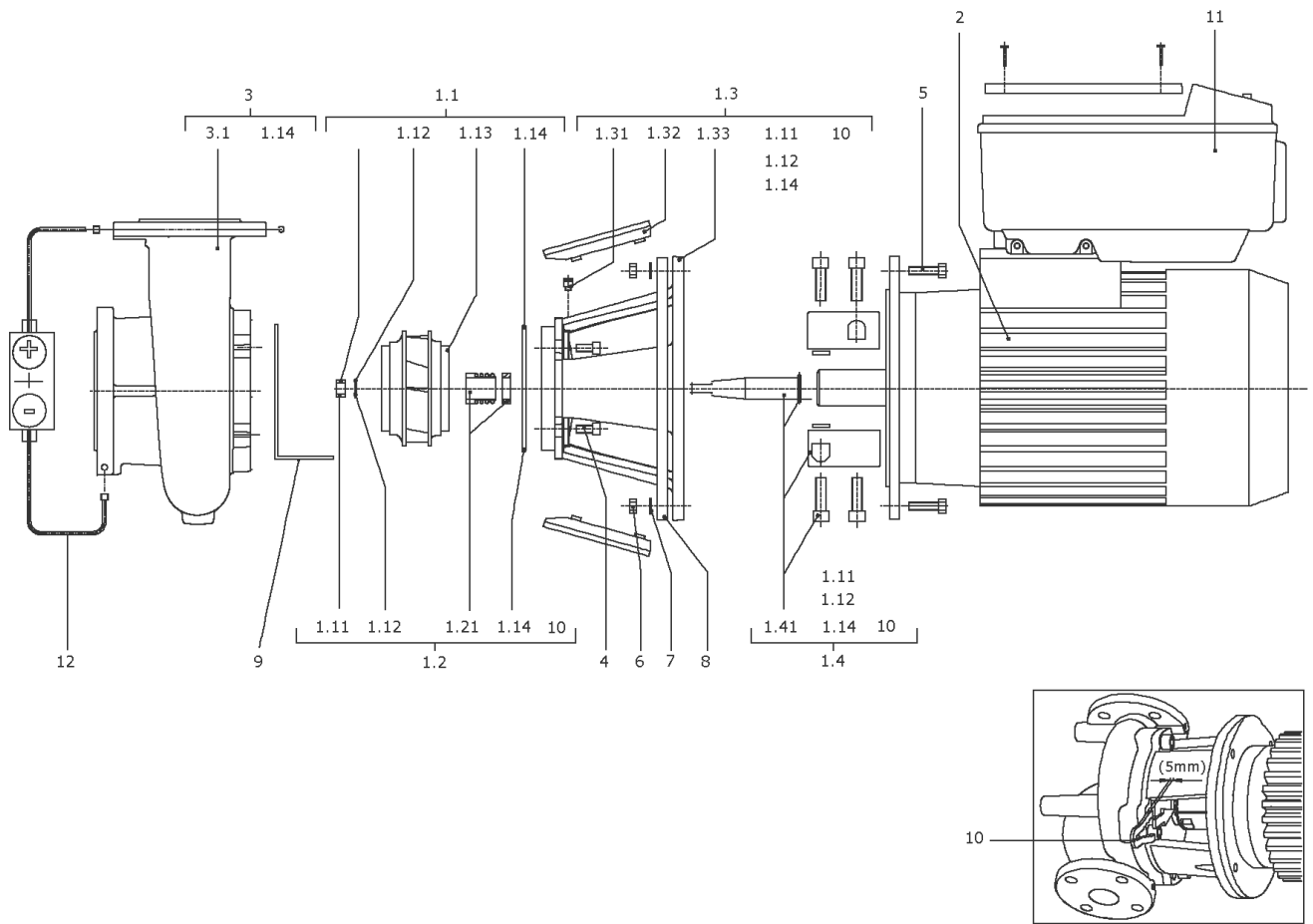
## Spare parts motor B35 5,5/2/132 300E IE4

Item	Description	Quantity
ELEC	Motor B35 5,5/2/132 300E IE4 ELEC WILO	1



**Motor B35 5,5/2/132 300E IE4 ELEC WILO**

Item	Article no.	Description	Quantity
2.2	2175903	End shield BG132 FF265 D.E.ELEC KIT	1
Note: Please give the data from type plate of the motor			
2.2A		> Flange IEC132 V1 FF265 D.E.	1
2.2B	2111309	> CONDENSATE HOLE GASKET D5 VP.	1
2.3	2178920	Circlip D40 GB894.1 VP.	1
Note: Please give the data from type plate of the motor			
2.4	121266690	BALL BEARING 6308/2Z-C3 (HT) VP.	1
Note: Please give the data from type plate of the motor			
2.5	2178920	Circlip D40 GB894.1 VP.	1
Note: Please give the data from type plate of the motor			
2.6	2153173	Ball bearing 6206/VV-C3 VP.	1
2.8	2132469	SPRING RING D.62 JB/T7590 VP.	1
Note: Please give the data from type plate of the motor			
2.10	2178921	End shield BG132 N.D.E.ELEC VP.	1
Note: Please give the data from type plate of the motor			
2.11	2178989	Srews Torx Plus M8x335 (4 Pieces)	1
2.12	2175742	Fan BG112 ELEC KIT	1
Note: Please give the data from type plate of the motor			
2.12A		> FAN 174X20X17 GP2200 G/F20%	1
2.12B	2118396	> Tooth lock washer D.19,8x0,4 VP.	1
Note: Please give the data from type plate of the motor			
2.13	2178928	Fan hood BG132 ELEC KIT	1
Note: Please give the data from type plate of the motor			
2.13A		> FAN COVER IEC132 KTL ST14 T0.8 H103	1
2.13B	2178923	> Screw M5X8 GB/T3098.1 6.8(4 Pieces)	1
2.15	2192955	Motor foot cpl.BG132 ELEC KIT	1
2.16	2178924	Air guider IEC 132 Motor KIT	1
Note: Please give the data from type plate of the motor			
2.16A		> AIR GUIDER IEC 132 MOTOR	1
2.16B		> SCREW M8X16 TORX HEX 6.8 GB/T70	1



Item	Article no.	Description	Quantity
1.1	2123519	IMPELLER D.50/169/159/24 KIT	1
1.11	2027187	> NUT M12 DIN-EN24032 A2 VP.	1
1.12	2027190	> WASHER A13 DIN125-T2 A2 VP.	1
1.13		> IMPELLER 50/169/159/24 GG BALANCED	1
1.14	2043160	> O-Ring 177,39x3,53 ISO3601B EPDM VP.	1
	2042862	> WASHER S12 V2A VP.	1
1.2	2026902	MECHANICAL SEAL MG12/24-G60 AQ1EGG KIT	1
1.11	2027187	> NUT M12 DIN-EN24032 A2 VP.	1
1.12	2027190	> WASHER A13 DIN125-T2 A2 VP.	1
1.14	2037527	> O-RING 148,82x3,53 EPDM 70SR.VP.	1
1.14	2043160	> O-Ring 177,39x3,53 ISO3601B EPDM VP.	1
1.14	2042864	> O-RING ID.224x3,55 7EP1197-W534 VP.	1
1.14	2051680	> O-RING ID.276,7x5,29 7EP1197-W534 VP.	1
	2042862	> WASHER S12 V2A VP.	1
1.21		> MECHANICAL SEAL MG12/24-G60 AQ1EGG	1
10	2027202	> TOOL D.18/24/32 VP.	1
1.3	2027010	LANTERN P228X85,2-F265 KIT	1
1.11	2027187	> NUT M12 DIN-EN24032 A2 VP.	1
1.12	2027190	> WASHER A13 DIN125-T2 A2 VP.	1
1.14	2043160	> O-Ring 177,39x3,53 ISO3601B EPDM VP.	1
	2042862	> WASHER S12 V2A VP.	1
1.31	2027201	> BLOWGUN R1/8" VP.	1
1.32	2048838	> COUPLING GUARD F265 PA66 AD.(4 PIECES)	1
1.33		> LANTERN P228X85,2-F265 GG KTL RDES WILO	1
10	2027202	> TOOL D.18/24/32 VP.	1
1.4	2026928	COUPLING/SHAFT 24/38x142 OR.177 KIT	1
1.11	2027187	> NUT M12 DIN-EN24032 A2 VP.	1
1.12	2027190	> WASHER A13 DIN125-T2 A2 VP.	1
1.14	2043160	> O-Ring 177,39x3,53 ISO3601B EPDM VP.	1
	2042862	> WASHER S12 V2A VP.	1
1.41		> COUPLING 24/38+SHAFT 24X142 BG132 ZN KIT	1
10	2027202	> TOOL D.18/24/32 VP.	1
2	2168709	Motor B35 7,5/2/132/300E-IE4-ELEC(+Tool)	1
		Spare parts motor B35 7,5/2/132 300E IE4	1

**BL-E40/170-7,5/2 (2191377)**

Item	Article no.	Description	Quantity
3	2026870	PUMP HOUSING B40/170 PN16 KIT	1
1.14	2043160	> O-Ring 177,39x3,53 ISO3601B EPDM VP.	1
3.1		> PUMP HOUSING BL40/182 PN16 CPL.WILO	1
4	2027193	SCREW M16X30 ISO4762 8.8 (4 PIECES)	1
5	2027199	Screw M12X65 ISO4014 8.8 (4STÜCK)	1
6	2029305	NUT M12 DIN-EN24032 8 (4 PIECES)	1
7	2029335	WASHER A13 DIN125 ST (4 PIECES)	1
8	2027185	Adapter ring BG132 VP.	1
11	2191609	Module BL-E40/170-7,5/2-IE4 ELEC KIT	1
		> Module TL5 Flex SW4.0.21	1
	2111344	> MODULE COVER/GASKET TL5 KIT	1
	2120047	> CABLE CONNECTION M12x1,5/5 cpl.TL5 VP.	1
	2120048	> CABLE CONNECTION M16x1,5/5 cpl.TL5 VP.	1
	2120049	> CABLE CONNECTION M20x1,5/6 cpl.TL5 VP.	1
	2120050	> CABLE CONNECTION M25x1,5/8 cpl.TL5 VP.	1
12	2137273	DPS60-5(0-10V) KIT	1
	2116737	> DIFFERENTIAL PRESSURE SENSOR 60 LGX.KIT	1
		>> DPS60 spiral TZ.3mm Volt 2G	1
	2164077	>> Cable DPS 3x0,34x650 LG.bared 2G VP.	1
Note: from/ab/de 01.10.2013			
	2106125	> Connection sensor 90GD.coil KIT	1
		>> CAPILLARY COIL 1000	2
		>> Fixation ring pipe union R1/8" 90GD.Ni	1
		>> HANDLE DDG M16	1
		>> Screw M4x10 EE DIN7500 ZN	2
	2168862	>> Nut/Ferrule M6 D.3MM MS Ni (2 Pieces)	1
	2168860	>> Nut/Ferrule M8 D.5MM MS Ni (2 Pieces)	1

Motor-Typenschild / Motor type plate / Plaque identité moteur

Bei Ersatzteilbestellung Motor-Nummer angeben!

Indicate motor number for order of spare parts!

Pour une commande de pièces détachées, donner le numéro du moteur!

ELEC

Motor-Nummer  
motor number  
numéro du moteur

<b>3~Induction Motor</b>					
Made by WILLO Group					
<b>351f218</b>	<b>W132240-4-V1NPE</b>		<b>0902.001</b>		
Class F	S1	IP55	69kg	EN60034	
50Hz	5.5kW	SF=L1S	60Hz	6.45kW	
YΔ 400/690V	10,6/6,13A	Y 440-480V	10,9/10,35A		
Cosφ =0.81	1470min <sup>-1</sup>	Cosφ =0.81	1770min <sup>-1</sup>		
IE4-91.9%	91,9%	91,1%	IE4-92.4%	92,4%	91,8%

WEG

3~ AL180M/L-04		2015/12	1030615079		
AMB 40°C					
IP55	INS CL.F	Δ T 80 K	S1	SF 1.0	
V	Hz	kW	RPM	A	PF
400 / -			1480	29,5 / -	0,78
- / -					
- / -					
- / -					
400	IE4	93,9 (100%)	92,5 (75%)	90,8 (50%)	
- / -		- (100%)	- (75%)	- (50%)	
- A		- (100%)	- (75%)	- (50%)	
 Δ L1 L1 L1					
NEMA	Eff	- %	- HP	- V	- Hz
- A	PF	DES	CODE	SF	-
← 6311-ZZ-C3 MOBIL POLYREX EM				162 kg	
→ 6211-ZZ-C3		MOD.TE01A0X1A0000301180			
IEC 60034					

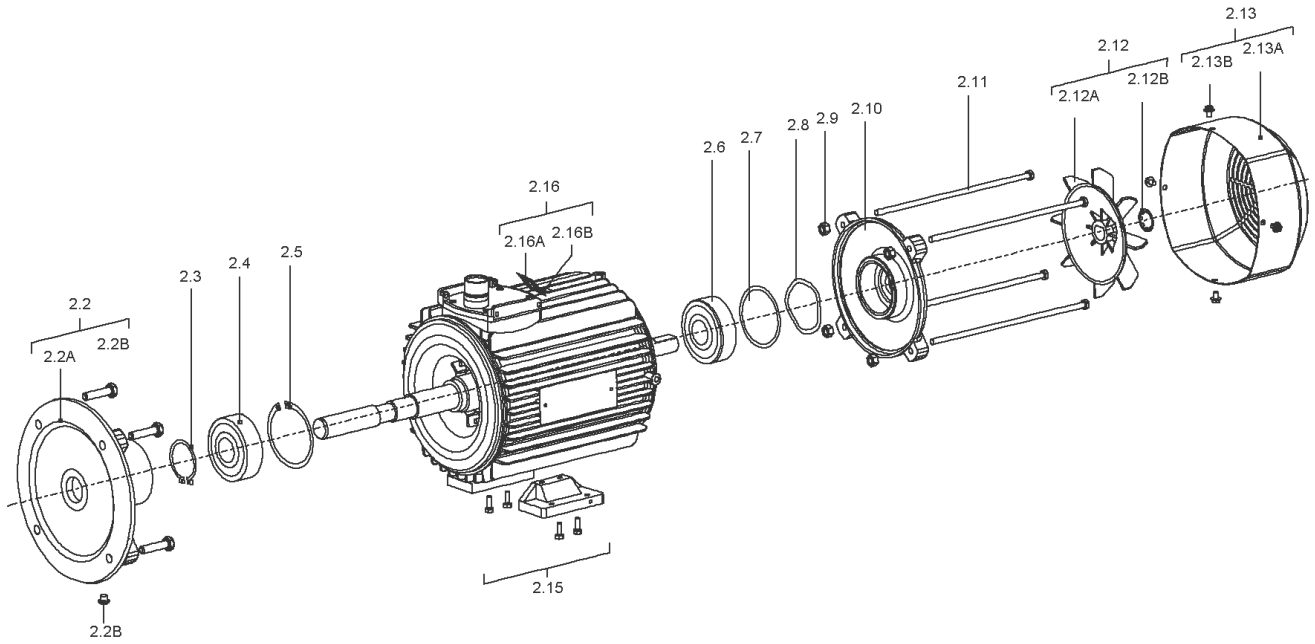
VIBRATION LEVEL A
ACCORDING IEC 60034-14
BALANCED WITH NO KEY
WILO PART NO: <b>2151697</b>

Motor-Nummer  
motor number  
numéro du moteur

## Spare parts motor B35 7,5/2/132 300E IE4

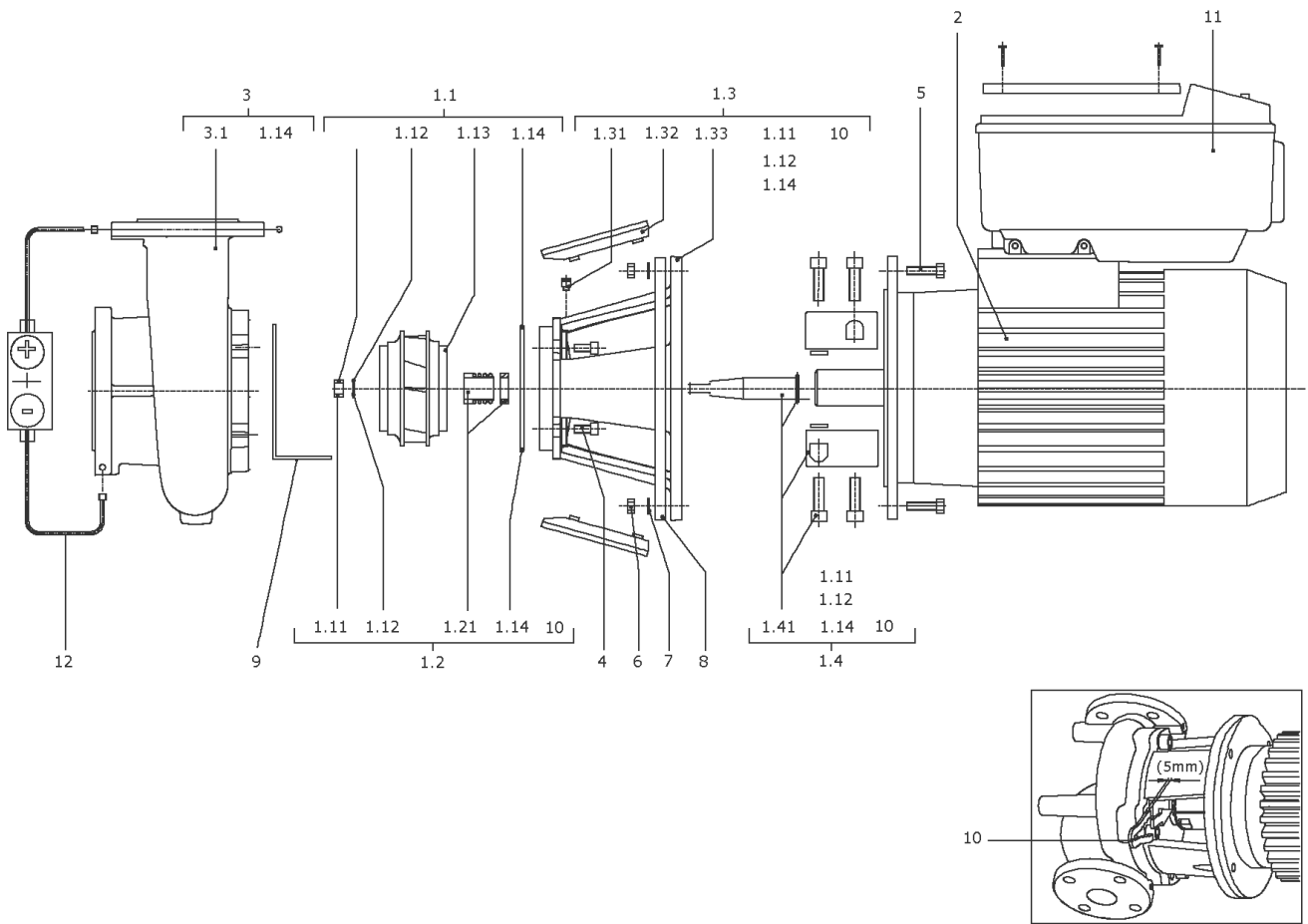
Item	Description	Quantity
ELEC	Motor B35 7,5/2/132/300E IE4 ELEC WILO	1





**Motor B35 7,5/2/132/300E IE4 ELEC WILO**

Item	Article no.	Description	Quantity
2.2	2175903	End shield BG132 FF265 D.E.ELEC KIT	1
Note: Please give the data from type plate of the motor			
2.2A		> Flange IEC132 V1 FF265 D.E.	1
2.2B	2111309	> CONDENSATE HOLE GASKET D5 VP.	1
2.3	2178920	Circlip D40 GB894.1 VP.	1
Note: Please give the data from type plate of the motor			
2.4	121266690	BALL BEARING 6308/2Z-C3 (HT) VP.	1
Note: Please give the data from type plate of the motor			
2.5	2192954	Circlip D90 GB893.1 VP.	1
Note: Please give the data from type plate of the motor			
2.6	2153173	Ball bearing 6206/VV-C3 VP.	1
Note: Please give the data from type plate of the motor			
2.8	2132469	SPRING RING D.62 JB/T7590 VP.	1
2.10	2178921	End shield BG132 N.D.E.ELEC VP.	1
Note: Please give the data from type plate of the motor			
2.11	2178989	Srews Torx Plus M8x335 (4 Pieces)	1
Note: Please give the data from type plate of the motor			
2.12	2175742	Fan BG112 ELEC KIT	1
Note: Please give the data from type plate of the motor			
2.12A		> FAN 174X20X17 GP2200 G/F20%	1
2.12B	2118396	> Tooth lock washer D.19,8x0,4 VP.	1
Note: Please give the data from type plate of the motor			
2.13	2178928	Fan hood BG132 ELEC KIT	1
Note: Please give the data from type plate of the motor			
2.13A		> FAN COVER IEC132 KTL ST14 T0.8 H103	1
2.13B	2178923	> Screw M5X8 GB/T3098.1 6.8(4 Pieces)	1
2.15	2192955	Motor foot cpl.BG132 ELEC KIT	1
2.16	2178924	Air guider IEC 132 Motor KIT	1
Note: Please give the data from type plate of the motor			
2.16A		> AIR GUIDER IEC 132 MOTOR	1
2.16B		> SCREW M8X16 TORX HEX 6.8 GB/T70	1



**BL-E40/180-7,5/2 (2191378)**

Item	Article no.	Description	Quantity
1.1	2116685	IMPELLER 50/183/173/24 KIT	1
1.11	2027187	> NUT M12 DIN-EN24032 A2 VP.	1
1.12	2027190	> WASHER A13 DIN125-T2 A2 VP.	1
1.13		> IMPELLER 50/183/173/24 GG BALANCED	1
1.14	2042864	> O-RING ID.224x3,55 7EP1197-W534 VP.	1
	2042862	> WASHER S12 V2A VP.	1
1.2	2026902	MECHANICAL SEAL MG12/24-G60 AQ1EGG KIT	1
1.11	2027187	> NUT M12 DIN-EN24032 A2 VP.	1
1.12	2027190	> WASHER A13 DIN125-T2 A2 VP.	1
1.14	2037527	> O-RING 148,82x3,53 EPDM 70SR.VP.	1
1.14	2043160	> O-Ring 177,39x3,53 ISO3601B EPDM VP.	1
1.14	2042864	> O-RING ID.224x3,55 7EP1197-W534 VP.	1
1.14	2051680	> O-RING ID.276,7x5,29 7EP1197-W534 VP.	1
	2042862	> WASHER S12 V2A VP.	1
1.21		> MECHANICAL SEAL MG12/24-G60 AQ1EGG	1
10	2027202	> TOOL D.18/24/32 VP.	1
1.3	2042712	LANTERN P270X72-F265 KTL KIT	1
1.11	2027187	> NUT M12 DIN-EN24032 A2 VP.	1
1.12	2027190	> WASHER A13 DIN125-T2 A2 VP.	1
1.14	2042864	> O-RING ID.224x3,55 7EP1197-W534 VP.	1
	2042862	> WASHER S12 V2A VP.	1
1.31	2027201	> BLOWGUN R1/8" VP.	1
1.32	2048845	> COUPLING GUARD P270-F265 PA66 (2 PIECES)	1
1.33		> LANTERN P270X72-F265 GG KTL WILO	1
10	2027202	> TOOL D.18/24/32 VP.	1
1.4	2042723	COUPLING/SHAFT D.24/38X145 KIT	1
1.11	2027187	> NUT M12 DIN-EN24032 A2 VP.	1
1.12	2027190	> WASHER A13 DIN125-T2 A2 VP.	1
1.14	2042864	> O-RING ID.224x3,55 7EP1197-W534 VP.	1
	2042862	> WASHER S12 V2A VP.	1
1.41		> COUPLING 24/38+SHAFT 24X145 BG132 ZN KIT	1
10	2027202	> TOOL D.18/24/32 VP.	1
2	2168709	Motor B35 7,5/2/132/300E-IE4-ELEC(+Tool)	1
		Spare parts motor B35 7,5/2/132 300E IE4	1

**BL-E40/180-7,5/2 (2191378)**

Item	Article no.	Description	Quantity
3	2042760	PUMP HOUSING B40/230 PN16 KIT	1
1.14	2042864	> O-RING ID.224x3,55 7EP1197-W534 VP.	1
3.1		> PUMP HOUSING BL40/230 PN16 CPL.WILO	1
4	2027193	SCREW M16X30 ISO4762 8.8 (4 PIECES)	1
5	2027195	SCREW M12X25 DIN912 8.8 (4 PIECES)	1
11	2191610	Module BL-E40/180-7,5/2-IE4 ELEC KIT	1
		> Module TL5 Flex SW4.0.21	1
	2111344	> MODULE COVER/GASKET TL5 KIT	1
	2120047	> CABLE CONNECTION M12x1,5/5 cpl.TL5 VP.	1
	2120048	> CABLE CONNECTION M16x1,5/5 cpl.TL5 VP.	1
	2120049	> CABLE CONNECTION M20x1,5/6 cpl.TL5 VP.	1
	2120050	> CABLE CONNECTION M25x1,5/8 cpl.TL5 VP.	1
12	2137273	DPS60-5(0-10V) KIT	1
	2116737	> DIFFERENTIAL PRESSURE SENSOR 60 LGX.KIT	1
		>> DPS60 spiral TZ.3mm Volt 2G	1
	2164077	>> Cable DPS 3x0,34x650 LG.bared 2G VP.	1
Note: from/ab/de 01.10.2013			
	2106125	> Connection sensor 90GD.coil KIT	1
		>> CAPILLARY COIL 1000	2
		>> Fixation ring pipe union R1/8" 90GD.Ni	1
		>> HANDLE DDG M16	1
		>> Screw M4x10 EE DIN7500 ZN	2
	2168862	>> Nut/Ferrule M6 D.3MM MS Ni (2 Pieces)	1
	2168860	>> Nut/Ferrule M8 D.5MM MS Ni (2 Pieces)	1

Motor-Typenschild / Motor type plate / Plaque identité moteur

Bei Ersatzteilbestellung Motor-Nummer angeben!

Indicate motor number for order of spare parts!

Pour une commande de pièces détachées, donner le numéro du moteur!

ELEC

Motor-Nummer  
motor number  
numéro du moteur

<b>3~Induction Motor</b>					
Made by WILLO Group					
<b>3511218</b>	<b>W132240-4-V1NPE</b>		<b>0902.001</b>		
Class F	S1	IP55	69kg	EN60034	
50Hz	5.5kW	SF=L1S	60Hz	6.45kW	
YΔ 400/690V	10,6/6,13A	Y 440-480V	10,9/10,35A		
Cosφ =0.81	1470min <sup>-1</sup>	Cosφ =0.81	1770min <sup>-1</sup>		
IE4-91.9%	91,9%	91,1%	IE4-92.4%	92,4%	91,8%

WEG

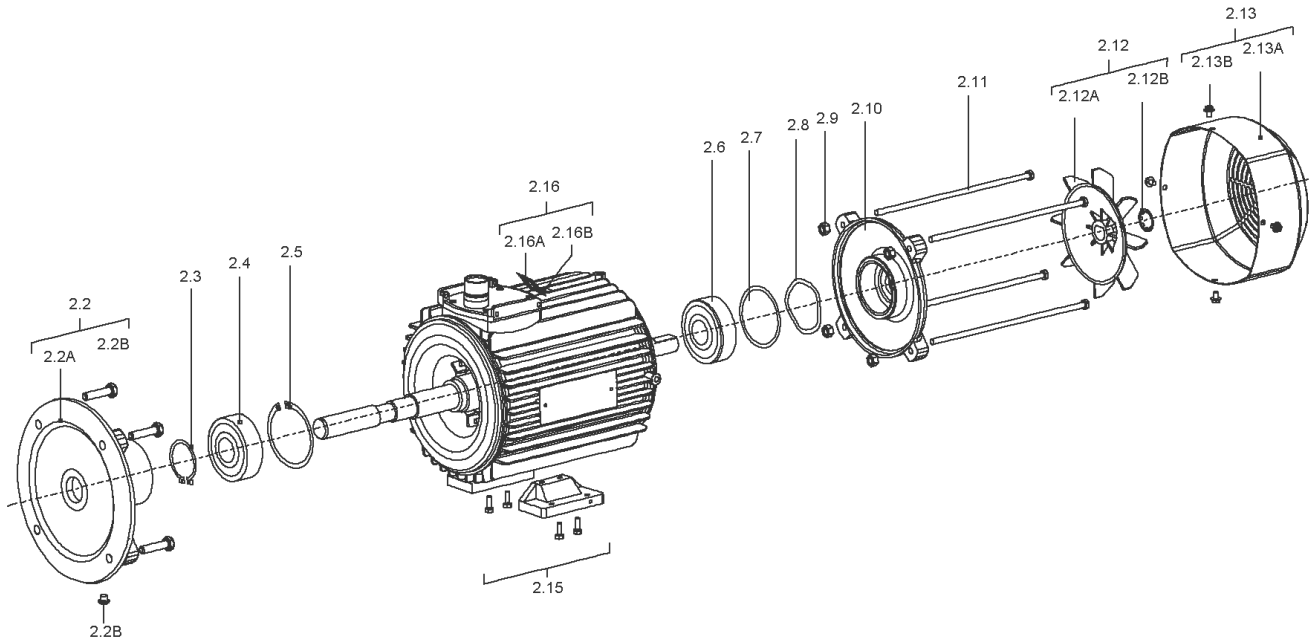
3~ AL180M/L-04		2015/12		1030615079	
AMB 40°C					
IP55	INS CL.F	Δ T 80 K	S1	SF 1.0	
V	Hz	kW	RPM	A	PF
400 / -			1480	29,5 / -	0,78
- / -					
- / -					
- / -					
400	IE4	93,9 (100%)	92,5 (75%)	90,8 (50%)	
- / -		- (100%)	- (75%)	- (50%)	
- A		- (100%)	- (75%)	- (50%)	
 Δ L1 L1 L1					
NEMA	Eff	- %	- HP	- V	- Hz
- A	PF	DES	CODE	SF	
← 6311-ZZ-C3 MOBIL POLYREX EM				162 kg	
→ 6211-ZZ-C3		MOD.TE01A0X1A0000301180			
		IEC 60034			

VIBRATION LEVEL A
ACCORDING IEC 60034-14
BALANCED WITH NO KEY
WILO PART NO: <b>2151697</b>

Motor-Nummer  
motor number  
numéro du moteur

## Spare parts motor B35 7,5/2/132 300E IE4

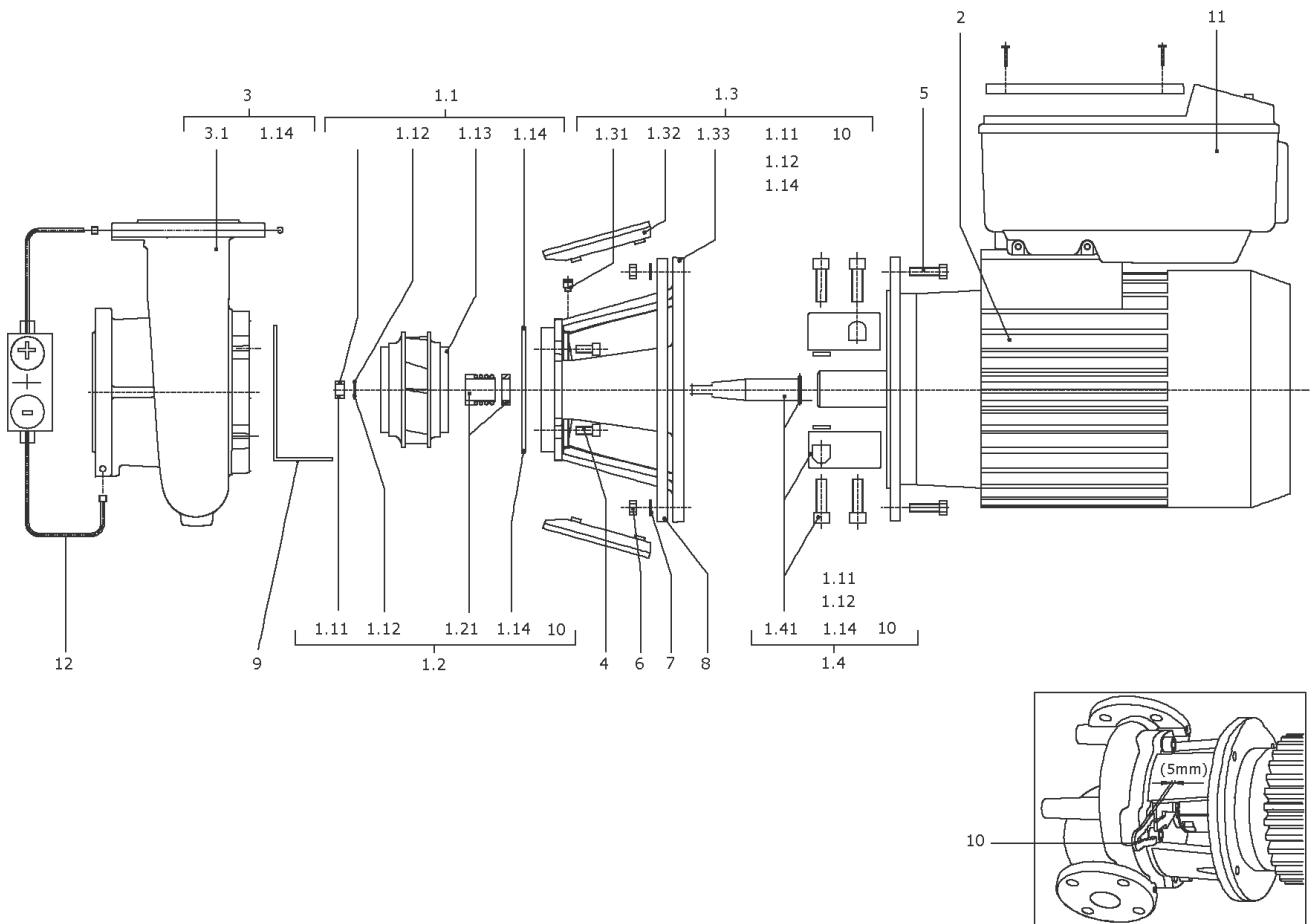
Item	Description	Quantity
ELEC	Motor B35 7,5/2/132/300E IE4 ELEC WILO	1





**Motor B35 7,5/2/132/300E IE4 ELEC WILO**

Item	Article no.	Description	Quantity
2.2	2175903	End shield BG132 FF265 D.E.ELEC KIT	1
Note: Please give the data from type plate of the motor			
2.2A		> Flange IEC132 V1 FF265 D.E.	1
2.2B	2111309	> CONDENSATE HOLE GASKET D5 VP.	1
2.3	2178920	Circlip D40 GB894.1 VP.	1
Note: Please give the data from type plate of the motor			
2.4	121266690	BALL BEARING 6308/2Z-C3 (HT) VP.	1
Note: Please give the data from type plate of the motor			
2.5	2192954	Circlip D90 GB893.1 VP.	1
Note: Please give the data from type plate of the motor			
2.6	2153173	Ball bearing 6206/VV-C3 VP.	1
Note: Please give the data from type plate of the motor			
2.8	2132469	SPRING RING D.62 JB/T7590 VP.	1
2.10	2178921	End shield BG132 N.D.E.ELEC VP.	1
Note: Please give the data from type plate of the motor			
2.11	2178989	Srews Torx Plus M8x335 (4 Pieces)	1
Note: Please give the data from type plate of the motor			
2.12	2175742	Fan BG112 ELEC KIT	1
Note: Please give the data from type plate of the motor			
2.12A		> FAN 174X20X17 GP2200 G/F20%	1
2.12B	2118396	> Tooth lock washer D.19,8x0,4 VP.	1
Note: Please give the data from type plate of the motor			
2.13	2178928	Fan hood BG132 ELEC KIT	1
Note: Please give the data from type plate of the motor			
2.13A		> FAN COVER IEC132 KTL ST14 T0.8 H103	1
2.13B	2178923	> Screw M5X8 GB/T3098.1 6.8(4 Pieces)	1
2.15	2192955	Motor foot cpl.BG132 ELEC KIT	1
2.16	2178924	Air guider IEC 132 Motor KIT	1
Note: Please give the data from type plate of the motor			
2.16A		> AIR GUIDER IEC 132 MOTOR	1
2.16B		> SCREW M8X16 TORX HEX 6.8 GB/T70	1



**BL-E50/110-3/2 (2191379)**

Item	Article no.	Description	Quantity
1.1	2123483	IMPELLER D.65/104/94/18 KIT	1
1.11	2027186	> NUT M10 DIN934 A2	1
1.12	2027189	> TENSIONING DISC DIN6796-10 V2A	1
1.13		> IMPELLER 65/104/94/18 GG BALANCED	1
1.14	2037527	> O-RING 148,82x3,53 EPDM 70SR.VP.	1
1.2	2026901	MECHANICAL SEAL MG12/18-G60 AQ1EGG KIT	1
1.11	2027186	> NUT M10 DIN934 A2	1
1.12	2027189	> TENSIONING DISC DIN6796-10 V2A	1
1.14	2037527	> O-RING 148,82x3,53 EPDM 70SR.VP.	1
1.14	2043160	> O-Ring 177,39x3,53 ISO3601B EPDM VP.	1
1.14	2042864	> O-RING ID.224x3,55 7EP1197-W534 VP.	1
1.21		> MECHANICAL SEAL MG12/18-G60 AQ1EGG	1
10	2027202	> TOOL D.18/24/32 VP.	1
1.3	2037206	LANTERN P190X85,2-F215 KIT	1
1.11	2027186	> NUT M10 DIN934 A2	1
1.12	2027189	> TENSIONING DISC DIN6796-10 V2A	1
1.14	2037527	> O-RING 148,82x3,53 EPDM 70SR.VP.	1
1.31	2027201	> BLOWGUN R1/8" VP.	1
1.32	2048842	> COUPLING GUARD F215 PA66 (2 PIECES)	1
1.33		> Lantern P190X85,2-F215 GG KTL WILO	1
10	2027202	> TOOL D.18/24/32 VP.	1
1.4	2029312	COUPLING/SHAFT 18/28X142 OR.148 KIT	1
1.11	2027186	> NUT M10 DIN934 A2	1
1.12	2027189	> TENSIONING DISC DIN6796-10 V2A	1
1.14	2037527	> O-RING 148,82x3,53 EPDM 70SR.VP.	1
1.41		> COUPLING 18/28+SHAFT 18X142 BG112 ZN KIT	1
10	2027202	> TOOL D.18/24/32 VP.	1
2	2169169	Motor V1 3/2/100/250E-IE4-ELEC(+Tool)	1
		Spare parts motor V1 3/2/100 250E IE4	1
3	2037176	PUMP HOUSING B50/140 PN16 KIT	1
1.14	2037527	> O-RING 148,82x3,53 EPDM 70SR.VP.	1
3.1		> PUMP HOUSING BL50/145 PN16 CPL.WILO	1
4	2027194	SCREW M16X30/X40 DIN912 8.8 (4 PIECES)	1
	2029336	WASHER A17 DIN125 ST (4 PIECES)	1

**BL-E50/110-3/2 (2191379)**

Item	Article no.	Description	Quantity
5	2027195	SCREW M12X25 DIN912 8.8 (4 PIECES)	1
7	2029335	WASHER A13 DIN125 ST (4 PIECES)	1
9	2037241	MOTOR FOOT BG71-112/P190	1
11	2191611	Module BL-E50/110-3/2-IE4 ELEC KIT	1
		> MODULE TL4 Flex IE4 SW4.0.30	1
	2054227	> MODULE COVER/GASKET TL3/4 KIT	1
		> SCREW M5X16 ISO4762 8.8 ZnNi	1
		> WASHER TOOTHED LOCK A5,3 DIN6797 FST ZN	1
	2061236	> O-RING ID.38X3 EPDM 70SR.A BUS.	1
12	2137267	DPS20-10(0-10V) KIT	1
	2106113	> DIFFERENTIAL PRESSURE SENSOR 20 KIT	1
		>> DPS20 spiral TZ.3mm Volt 2G	1
	2196657	>> Cable DPS 3x0,34x650 short bared 2G VP.	1
Note: from/ab/de 01.10.2013			
	2106125	> Connection sensor 90GD.coil KIT	1
		>> CAPILLARY COIL 1000	2
		>> Fixation ring pipe union R1/8" 90GD.Ni	1
		>> HANDLE DDG M16	1
		>> Screw M4x10 EE DIN7500 ZN	2
	2168862	>> Nut/Ferrule M6 D.3MM MS Ni (2 Pieces)	1
	2168860	>> Nut/Ferrule M8 D.5MM MS Ni (2 Pieces)	1

# Spare parts motor V1 3/2/100 250E IE4

## Motor-Typenschild / Motor type plate / Plaque identité moteur

**Bei Ersatzteilbestellung Motor-Nummer angeben!**

**Indicate motor number for order of spare parts!**

**Pour une commande de pièces détachées, donner le numéro du moteur!**

ELEC

Motor-Nummer  
motor number  
numéro du moteur

<b>3~Induction Motor</b>						
Made by WILLO Group						
<b>3511218</b>	<b>W132240-4-V1NPE</b>		<b>0902.001</b>			
Class F	S1	IP55	69kg	EN60034		
50Hz	5.5kW	SF=L1S	60Hz	6.45kW		
YΔ 400/690V	10,6/6,13A	Y 440-480V	10,9/10,35A			
Cosφ =0.81	1470min <sup>-1</sup>	Cosφ =0.81	1770min <sup>-1</sup>			
IE4-91.9%	91,9%	91,1%	IE4-92.4%	92,4%	91,8%	

WEG

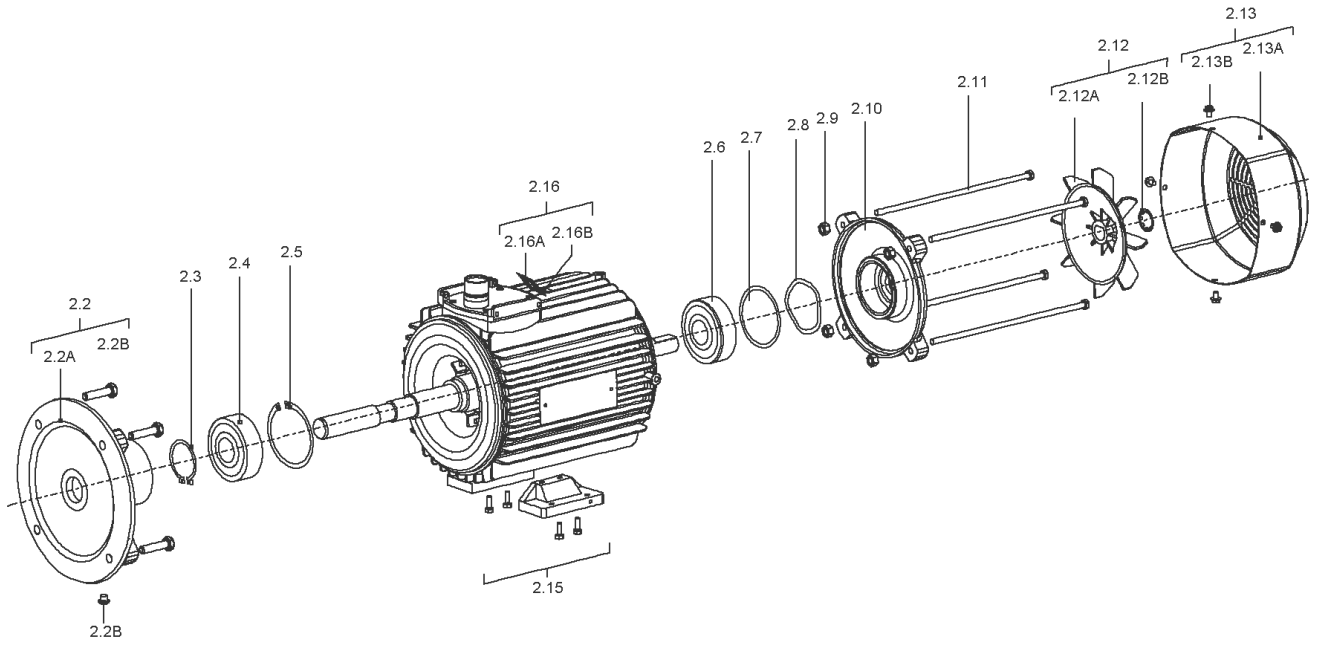
		3~ AL180M/L-04		2015/12	1030615079	
AMB 40°C						
IP55	INS CL.F	Δ T 80 K	S1	SF 1.0		
V	Hz	kW	RPM	A	PF	
400 / -			1480	29,5 / -	0,78	
- / -						
- / -						
- / -						
400	IE4	93,9 (100%)	92,5 (75%)	90,8 (50%)		
- / -		- (100%)	- (75%)	- (50%)		
- A		- (100%)	- (75%)	- (50%)		
NEMA	Eff	- %	- HP	- V	- Hz	- RPM
- A	PF	DES	CODE	SF		
		6311-ZZ-C3	MOBIL POLYREX EM		162 kg	
		6211-ZZ-C3				
MOD.TE01A0X1A0000301180						
IEC 60034						

VIBRATION LEVEL A	
ACCORDING IEC 60034-14	
BALANCED WITH NO KEY	
WILO PART NO: 2151697	

Motor-Nummer  
motor number  
numéro du moteur

**Spare parts motor V1 3/2/100 250E IE4**

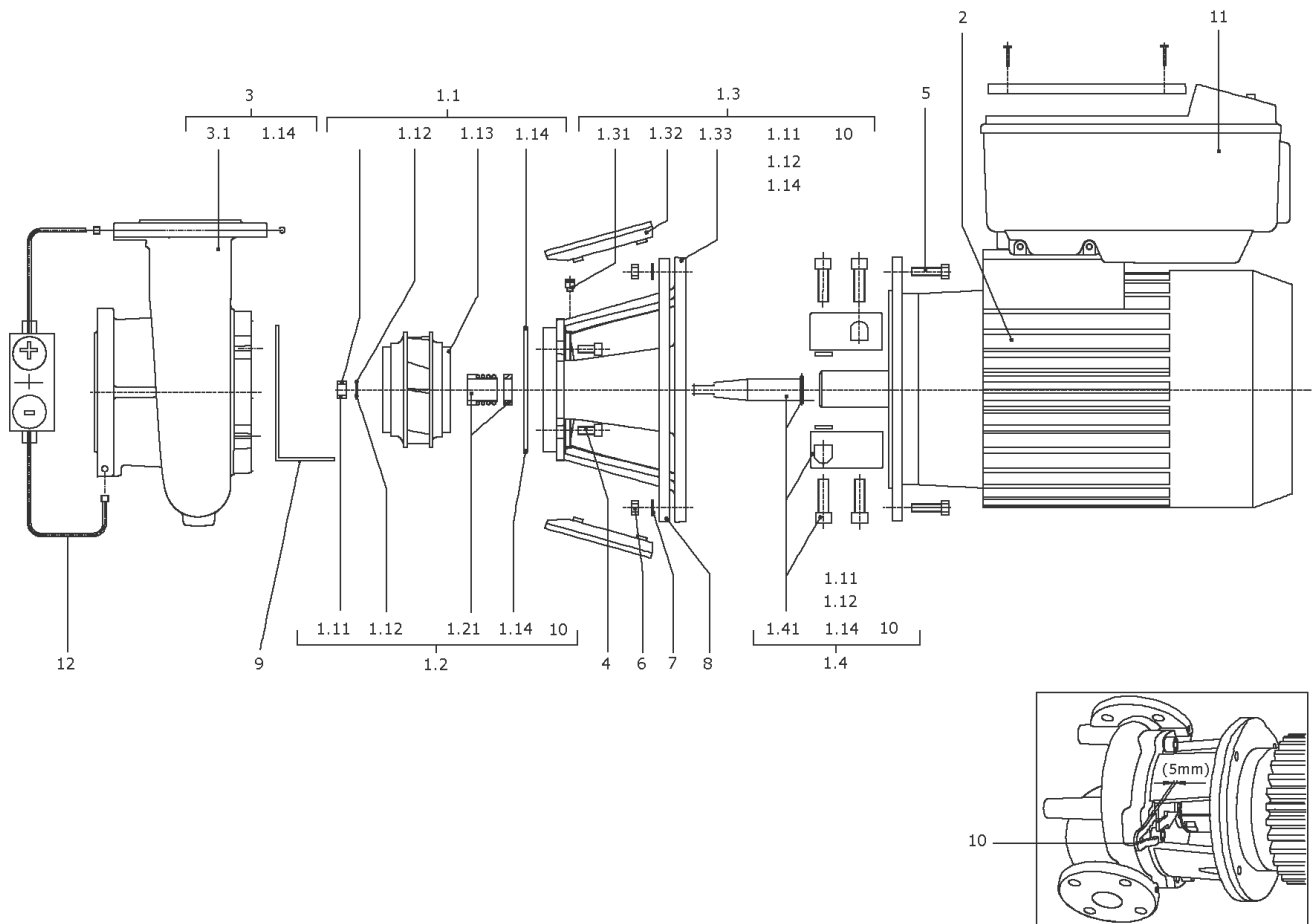
<b>Item</b>	<b>Description</b>	<b>Quantity</b>
ELEC	W100130-2-V1NPE 400V/50Hz 3kW IE4	1



**W100130-2-V1NPE 400V/50Hz 3kW IE4**

Item	Article no.	Description	Quantity
2.2	2127393	END SHIELD BG100 V1 D.E.ELEC KIT	1
Note: Please give the data from type plate of the motor			
2.1A		> FLANGE IEC100 V1	1
2.1B	2111309	> CONDENSATE HOLE GASKET D5 VP.	1
Note: Please give the data from type plate of the motor			
2.3	2118388	CIRCLIP D.35 GB894.1 VP.	1
Note: Please give the data from type plate of the motor			
2.4	2153172	Ball bearing 6307/VV-C3 VP.	1
Note: Please give the data from type plate of the motor			
2.5	2118390	CIRCLIP D.80 GB893.1 VP.	1
Note: Please give the data from type plate of the motor			
2.6	2153171	Ball bearing 6205/VV-C3 VP.	1
2.7	2164094	O-Ring ID52.4x3.53 EPDM VP.	1
2.8	2164076	Circlip D52 JB/T7590 VP.	1
Note: Please give the data from type plate of the motor			
2.10	2164074	End shield BG100 N.D.E.ELEC KIT	1
Note: Please give the data from type plate of the motor			
		> FLANGE IEC100 NDS with slot	1
		> O-RING ID52.4*3.53 EPDM	1
2.11	2179082	Screw Torx Plus / Hexagon M6X258(4Pieces	1
2.12	2179083	Fan wheel BG100 ELEC KIT	1
Note: Please give the data from type plate of the motor			
2.12A		> FAN 150X20X17 GP2200 G/F20%	1
2.12B	2118396	> Tooth lock washer D.19,8x0,4 VP.	1
Note: Please give the data from type plate of the motor			
2.13	2118397	FAN HOOD BG100 ELEC KIT	1
Note: Please give the data from type plate of the motor			
2.13A		> FAN COVER IEC100 KTL ST14 T0.8 H86	1
2.13B	2111323	> SCREW M4X6 (4 PIECES)	1
Note: Please give the data from type plate of the motor			
2.16	2179086	Air guider BG100 Motor KIT	1
2.16A		> AIR GUIDER IEC100 MOTOR	1
2.16B		> Screw Tapping M5X14 trox pan	1





**BL-E50/120-4/2 (2191380)**

Item	Article no.	Description	Quantity
1.1	2123482	IMPELLER D.65/114/104/18 KIT	1
1.11	2027186	> NUT M10 DIN934 A2	1
1.12	2027189	> TENSIONING DISC DIN6796-10 V2A	1
1.13		> IMPELLER 65/114/104/18 GG BALANCED	1
1.14	2037527	> O-RING 148,82x3,53 EPDM 70SR.VP.	1
1.2	2026901	MECHANICAL SEAL MG12/18-G60 AQ1EGG KIT	1
1.11	2027186	> NUT M10 DIN934 A2	1
1.12	2027189	> TENSIONING DISC DIN6796-10 V2A	1
1.14	2037527	> O-RING 148,82x3,53 EPDM 70SR.VP.	1
1.14	2043160	> O-Ring 177,39x3,53 ISO3601B EPDM VP.	1
1.14	2042864	> O-RING ID.224x3,55 7EP1197-W534 VP.	1
1.21		> MECHANICAL SEAL MG12/18-G60 AQ1EGG	1
10	2027202	> TOOL D.18/24/32 VP.	1
1.3	2037206	LANTERN P190X85,2-F215 KIT	1
1.11	2027186	> NUT M10 DIN934 A2	1
1.12	2027189	> TENSIONING DISC DIN6796-10 V2A	1
1.14	2037527	> O-RING 148,82x3,53 EPDM 70SR.VP.	1
1.31	2027201	> BLOWGUN R1/8" VP.	1
1.32	2048842	> COUPLING GUARD F215 PA66 (2 PIECES)	1
1.33		> Lantern P190X85,2-F215 GG KTL WILO	1
10	2027202	> TOOL D.18/24/32 VP.	1
1.4	2029312	COUPLING/SHAFT 18/28X142 OR.148 KIT	1
1.11	2027186	> NUT M10 DIN934 A2	1
1.12	2027189	> TENSIONING DISC DIN6796-10 V2A	1
1.14	2037527	> O-RING 148,82x3,53 EPDM 70SR.VP.	1
1.41		> COUPLING 18/28+SHAFT 18X142 BG112 ZN KIT	1
10	2027202	> TOOL D.18/24/32 VP.	1
2	2169171	Motor V1 4/2/112/250E-IE4-ELEC(+Tool)	1
		Spare parts motor V1 4/2/112 250E IE4	1
3	2037176	PUMP HOUSING B50/140 PN16 KIT	1
1.14	2037527	> O-RING 148,82x3,53 EPDM 70SR.VP.	1
3.1		> PUMP HOUSING BL50/145 PN16 CPL.WILO	1
4	2027194	SCREW M16X30/X40 DIN912 8.8 (4 PIECES)	1
	2029336	WASHER A17 DIN125 ST (4 PIECES)	1

**BL-E50/120-4/2 (2191380)**

Item	Article no.	Description	Quantity
5	2027195	SCREW M12X25 DIN912 8.8 (4 PIECES)	1
7	2029335	WASHER A13 DIN125 ST (4 PIECES)	1
9	2037241	MOTOR FOOT BG71-112/P190	1
11	2191612	Module BL-E50/120-4/2-IE4 ELEC KIT	1
		> MODULE TL4 Flex IE4 SW4.0.30	1
	2054227	> MODULE COVER/GASKET TL3/4 KIT	1
		> SCREW M5X16 ISO4762 8.8 ZnNi	1
		> WASHER TOOTHED LOCK A5,3 DIN6797 FST ZN	1
	2061236	> O-RING ID.38X3 EPDM 70SR.A BUS.	1
12	2137267	DPS20-10(0-10V) KIT	1
	2106113	> DIFFERENTIAL PRESSURE SENSOR 20 KIT	1
		>> DPS20 spiral TZ.3mm Volt 2G	1
	2196657	>> Cable DPS 3x0,34x650 short bared 2G VP.	1
Note: from/ab/de 01.10.2013			
	2106125	> Connection sensor 90GD.coil KIT	1
		>> CAPILLARY COIL 1000	2
		>> Fixation ring pipe union R1/8" 90GD.Ni	1
		>> HANDLE DDG M16	1
		>> Screw M4x10 EE DIN7500 ZN	2
	2168862	>> Nut/Ferrule M6 D.3MM MS Ni (2 Pieces)	1
	2168860	>> Nut/Ferrule M8 D.5MM MS Ni (2 Pieces)	1

Motor-Typenschild / Motor type plate / Plaque identité moteur

Bei Ersatzteilbestellung Motor-Nummer angeben!

Indicate motor number for order of spare parts!

Pour une commande de pièces détachées, donner le numéro du moteur!

ELEC

Motor-Nummer  
motor number  
numéro du moteur

<b>3~Induction Motor</b>					
Made by WILLO Group					
<b>3511218</b>	<b>W132240-4-V1NPE</b>		<b>0902.001</b>		
Class F	S1	IP55	69kg	EN60034	
50Hz	5.5kW	SF=L1S	60Hz	6.45kW	
YΔ 400/690V	10,6/6,13A	Y 440-480V	10,9/10,35A		
Cosφ =0.81	1470min <sup>-1</sup>	Cosφ =0.81	1770min <sup>-1</sup>		
IE4-91.9%	91,9%	91,1%	IE4-92.4%	92,4%	91,8%

WEG

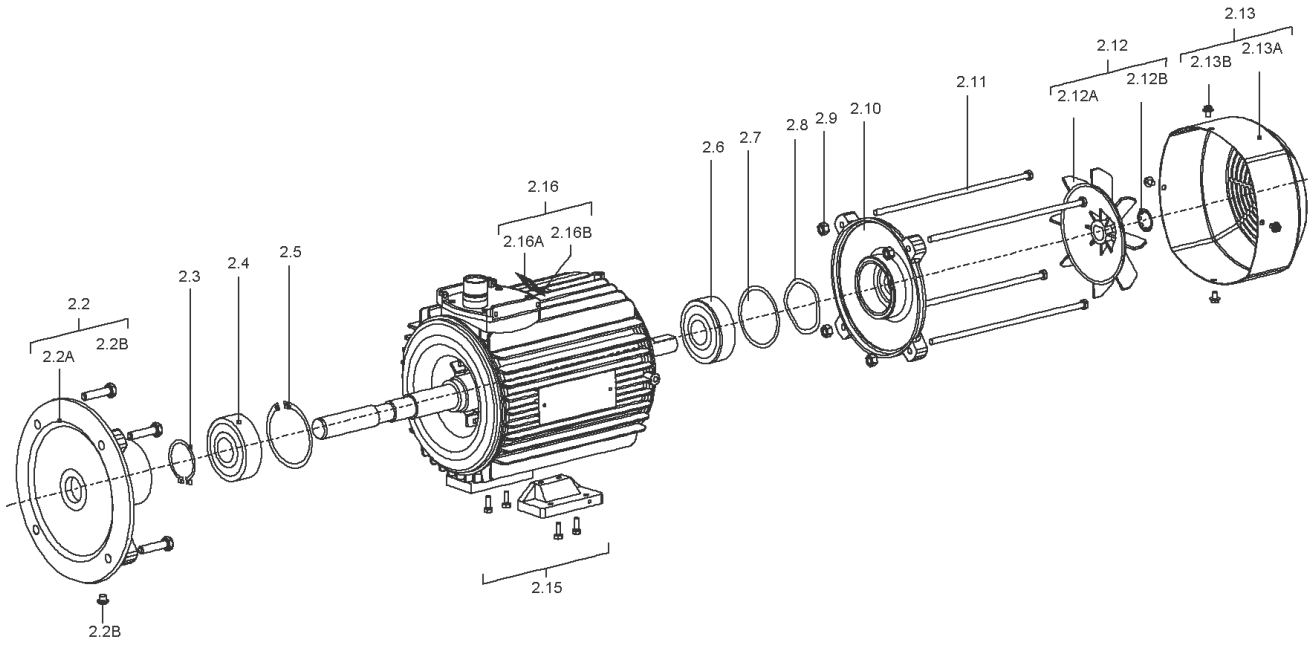
3~ AL180M/L-04		2015/12		1030615079	
AMB 40°C					
IP55	INS CL.F	Δ T 80 K	S1	SF 1.0	
V	Hz	kW	RPM	A	PF
400 / -			1480	29,5 / -	0,78
- / -					
- / -					
- / -					
400	IE4	93,9 (100%)	92,5 (75%)	90,8 (50%)	
- / -		- (100%)	- (75%)	- (50%)	
- A		- (100%)	- (75%)	- (50%)	
NEMA	Eff	- %	- HP	- V	- Hz
- A	PF	DES	CODE	SF	
		6311-ZZ-C3	MOBIL POLYREX EM		162 kg
		6211-ZZ-C3			
MOD.TE01A0X1A0000301180					
IEC 60034					

VIBRATION LEVEL A
ACCORDING IEC 60034-14
BALANCED WITH NO KEY
WILO PART NO: <b>2151697</b>

Motor-Nummer  
motor number  
numéro du moteur

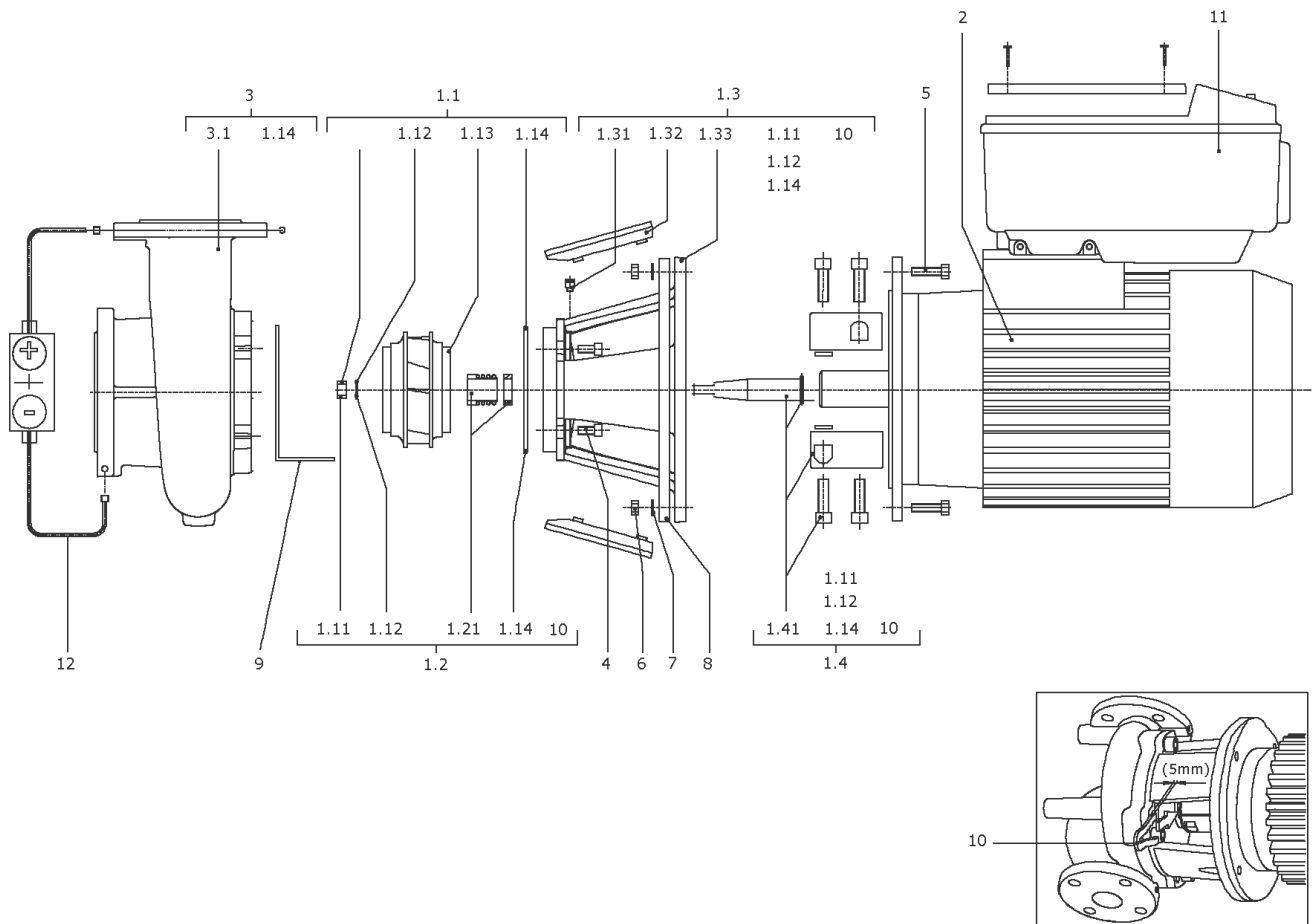
## Spare parts motor V1 4/2/112 250E IE4

Item	Description	Quantity
ELEC	W112140-2-V1NPE 400V/50Hz 4kW IE4	1



**W112140-2-V1NPE 400V/50Hz 4kW IE4**

Item	Article no.	Description	Quantity
2.2	2192953	End shield BG112 V1 D.E.ELEC KIT	1
Note: Please give the data from type plate of the motor			
2.1A		> FLANGE IEC112 V1	1
2.1B	2111309	> CONDENSATE HOLE GASKET D5 VP.	1
Note: Please give the data from type plate of the motor			
2.3	2118388	CIRCLIP D.35 GB894.1 VP.	1
Note: Please give the data from type plate of the motor			
2.4	2153172	Ball bearing 6307/VV-C3 VP.	1
Note: Please give the data from type plate of the motor			
2.5	2118390	CIRCLIP D.80 GB893.1 VP.	1
Note: Please give the data from type plate of the motor			
2.6	2153173	Ball bearing 6206/VV-C3 VP.	1
2.7	2164027	O-Ring ID62.4x3.53 EPDM VP.	1
2.8	2132469	SPRING RING D.62 JB/T7590 VP.	1
Note: Please give the data from type plate of the motor			
2.10	2164025	End shield BG112 N.D.E.ELEC KIT	1
Note: Please give the data from type plate of the motor			
		> FLANGE IEC112 NDS with slot	1
		> O-RING ID62.4*3.53 EPDM	1
2.11	2132473	SCREW M8X263,5 6.8 (4 PIECES)	1
2.12	2175742	Fan BG112 ELEC KIT	1
Note: Please give the data from type plate of the motor			
2.12A		> FAN 174X20X17 GP2200 G/F20%	1
2.12B	2118396	> Tooth lock washer D.19,8x0,4 VP.	1
Note: Please give the data from type plate of the motor			
2.13	2168255	Fan hood BG112 ELEC KIT	1
Note: Please give the data from type plate of the motor			
2.13A		> FAN COVER IEC112 KTL ST14 T1.0 H86	1
2.13B	2111323	> SCREW M4X6 (4 PIECES)	1
Note: Please give the data from type plate of the motor			
2.16	2179084	Air guider BG 112 Motor KIT	1
2.16A		> AIR GUIDER IEC 112 MOTOR	1
2.16B		> SCREW M8X16 TORX HEX 6.8 GB/T70	1





**BL-E50/130-5,5/2 (2191381)**

Item	Article no.	Description	Quantity
1.1	2123485	IMPELLER D.65/124/24 KIT	1
1.11	2027187	> NUT M12 DIN-EN24032 A2 VP.	1
1.12	2027190	> WASHER A13 DIN125-T2 A2 VP.	1
1.13		> IMPELLER 65/124/24 GG BALANCED	1
1.14	2037527	> O-RING 148,82x3,53 EPDM 70SR.VP.	1
	2042862	> WASHER S12 V2A VP.	1
1.2	2026902	MECHANICAL SEAL MG12/24-G60 AQ1EGG KIT	1
1.11	2027187	> NUT M12 DIN-EN24032 A2 VP.	1
1.12	2027190	> WASHER A13 DIN125-T2 A2 VP.	1
1.14	2037527	> O-RING 148,82x3,53 EPDM 70SR.VP.	1
1.14	2043160	> O-Ring 177,39x3,53 ISO3601B EPDM VP.	1
1.14	2042864	> O-RING ID.224x3,55 7EP1197-W534 VP.	1
1.14	2051680	> O-RING ID.276,7x5,29 7EP1197-W534 VP.	1
	2042862	> WASHER S12 V2A VP.	1
1.21		> MECHANICAL SEAL MG12/24-G60 AQ1EGG	1
10	2027202	> TOOL D.18/24/32 VP.	1
1.3	2037203	LANTERN P190X85,2-F265 KIT	1
1.11	2027187	> NUT M12 DIN-EN24032 A2 VP.	1
1.12	2027190	> WASHER A13 DIN125-T2 A2 VP.	1
1.14	2037527	> O-RING 148,82x3,53 EPDM 70SR.VP.	1
	2042862	> WASHER S12 V2A VP.	1
1.31	2027201	> BLOWGUN R1/8" VP.	1
1.32	2048834	> COUPLING GUARD F265 PA66 (4 PIECES)	1
1.33		> LANTERN P190X85,2-F265 GG KTL WILO	1
10	2027202	> TOOL D.18/24/32 VP.	1
1.4	2027227	COUPLING/SHAFT 24/38x142 OR.148 KIT	1
1.11	2027187	> NUT M12 DIN-EN24032 A2 VP.	1
1.12	2027190	> WASHER A13 DIN125-T2 A2 VP.	1
1.14	2037527	> O-RING 148,82x3,53 EPDM 70SR.VP.	1
	2042862	> WASHER S12 V2A VP.	1
1.41		> COUPLING 24/38+SHAFT 24X142 BG132 ZN KIT	1
10	2027202	> TOOL D.18/24/32 VP.	1
2	2179386	Motor B35 5,5/2/132/300E-IE4-ELEC(+Tool)	1
		Spare parts motor B35 5,5/2/132 300E IE4	1

**BL-E50/130-5,5/2 (2191381)**

Item	Article no.	Description	Quantity
3	2037176	PUMP HOUSING B50/140 PN16 KIT	1
1.14	2037527	> O-RING 148,82x3,53 EPDM 70SR.VP.	1
3.1		> PUMP HOUSING BL50/145 PN16 CPL.WILO	1
4	2027193	SCREW M16X30 ISO4762 8.8 (4 PIECES)	1
5	2037244	Screw M12X55 ISO4014 8.8 (4STÜCK)	1
6	2029305	NUT M12 DIN-EN24032 8 (4 PIECES)	1
7	2029335	WASHER A13 DIN125 ST (4 PIECES)	1
11	2191613	Module BL-E50/130-5,5/2-IE4 ELEC KIT	1
		> Module TL5 Flex SW4.0.21	1
	2111344	> MODULE COVER/GASKET TL5 KIT	1
	2120047	> CABLE CONNECTION M12x1,5/5 cpl.TL5 VP.	1
	2120048	> CABLE CONNECTION M16x1,5/5 cpl.TL5 VP.	1
	2120049	> CABLE CONNECTION M20x1,5/6 cpl.TL5 VP.	1
	2120050	> CABLE CONNECTION M25x1,5/8 cpl.TL5 VP.	1
12	2137271	DPS40-10(0-10V) KIT	1
	2106117	> DIFFERENT.PRESSURE SENSOR 40 LGX.KIT	1
		>> DPS40 spiral TZ.3mm Volt 2G	1
	2164077	>> Cable DPS 3x0,34x650 LG.bared 2G VP.	1
Note: from/ab/de 01.10.2013			
	2106125	> Connection sensor 90GD.coil KIT	1
		>> CAPILLARY COIL 1000	2
		>> Fixation ring pipe union R1/8" 90GD.Ni	1
		>> HANDLE DDG M16	1
		>> Screw M4x10 EE DIN7500 ZN	2
	2168862	>> Nut/Ferrule M6 D.3MM MS Ni (2 Pieces)	1
	2168860	>> Nut/Ferrule M8 D.5MM MS Ni (2 Pieces)	1

Motor-Typenschild / Motor type plate / Plaque identité moteur

Bei Ersatzteilbestellung Motor-Nummer angeben!

Indicate motor number for order of spare parts!

Pour une commande de pièces détachées, donner le numéro du moteur!

ELEC

Motor-Nummer  
motor number  
numéro du moteur

<b>3~Induction Motor</b>					
Made by WILLO Group					
<b>3511218</b>	<b>W132240-4-V1NPE</b>		<b>0902.001</b>		
Class F	S1	IP55	69kg	EN60034	
50Hz	5.5kW	SF=L1S	60Hz	6.45kW	
YΔ 400/690V	10,6/6,13A	Y 440-480V	10,9/10,35A		
Cosφ =0.81	1470min <sup>-1</sup>	Cosφ =0.81	1770min <sup>-1</sup>		
IE4-91.9%	91,9%	91,1%	IE4-92.4%	92,4%	91,8%

WEG

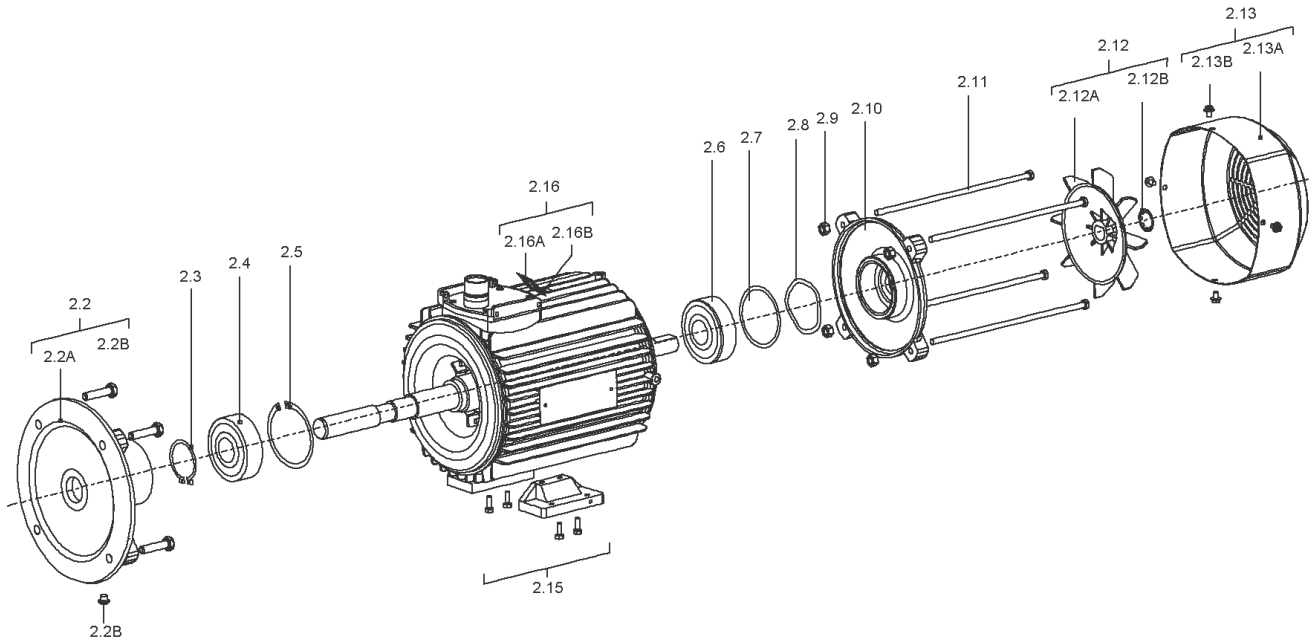
		3~ AL180M/L-04		2015/12		1030615079	
AMB 40°C							
IP55		INS CL.F		Δ T 80 K		S1 SF 1.0	
V	Hz	kW	RPM	A	PF		
400 / -			1480	29,5 / -	0,78		
- / -							
- / -							
- / -							
400	IE4	93,9 (100%)	92,5 (75%)	90,8 (50%)			
- / -		- (100%)	- (75%)	- (50%)			
- A		- (100%)	- (75%)	- (50%)			
NEMA	Eff	- %	- HP	- V	- Hz	- RPM	
- A	PF	DES	CODE	SF			
		6311-ZZ-C3 MOBIL POLYREX EM				162 kg	
		6211-ZZ-C3					
MOD.TE01A0X1A0000301180							
		IEC 60034					

VIBRATION LEVEL A
ACCORDING IEC 60034-14
BALANCED WITH NO KEY
WILO PART NO: <b>2151697</b>

Motor-Nummer  
motor number  
numéro du moteur

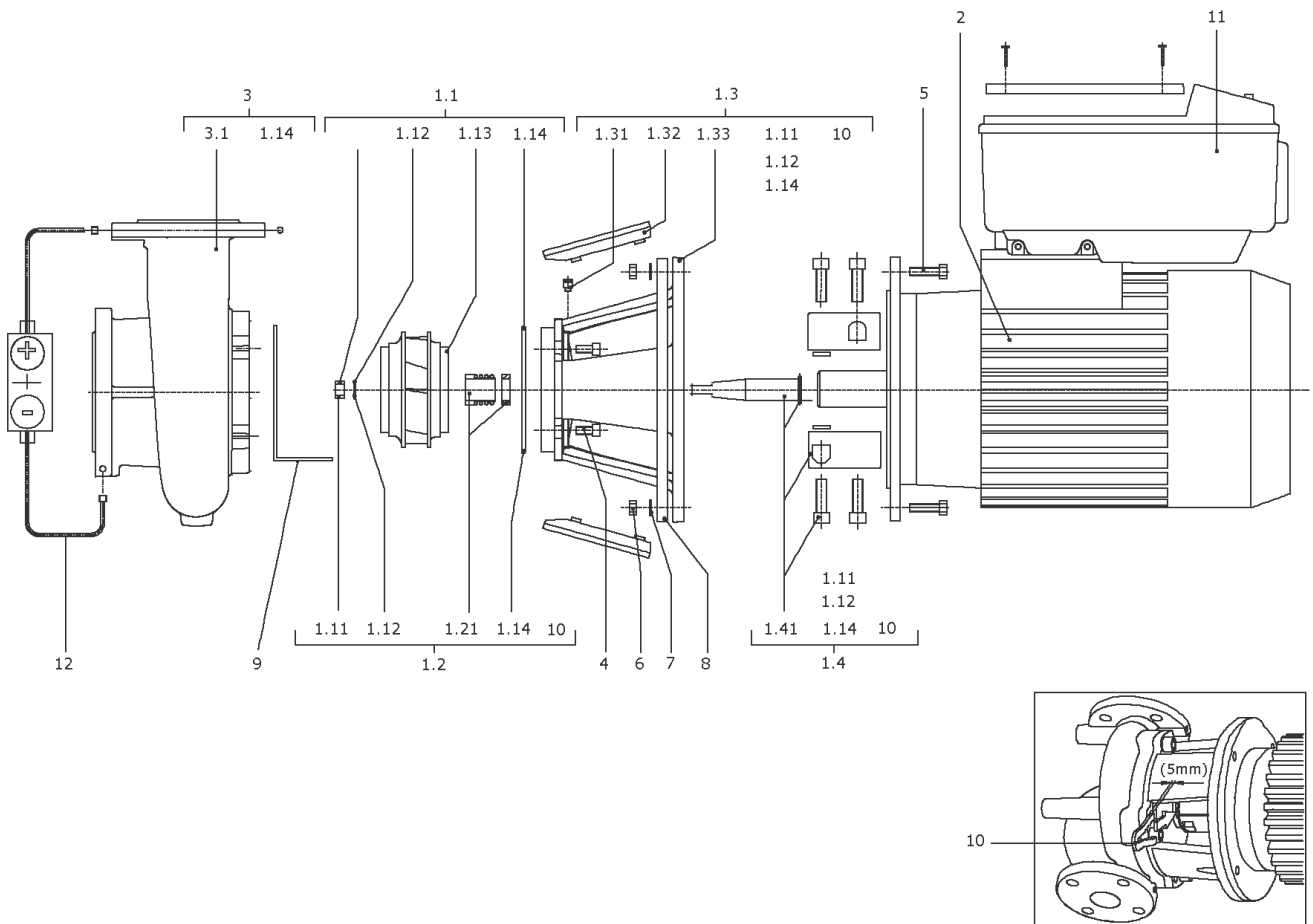
## Spare parts motor B35 5,5/2/132 300E IE4

Item	Description	Quantity
ELEC	Motor B35 5,5/2/132 300E IE4 ELEC WILO	1



**Motor B35 5,5/2/132 300E IE4 ELEC WILO**

Item	Article no.	Description	Quantity
2.2	2175903	End shield BG132 FF265 D.E.ELEC KIT	1
Note: Please give the data from type plate of the motor			
2.2A		> Flange IEC132 V1 FF265 D.E.	1
2.2B	2111309	> CONDENSATE HOLE GASKET D5 VP.	1
2.3	2178920	Circlip D40 GB894.1 VP.	1
Note: Please give the data from type plate of the motor			
2.4	121266690	BALL BEARING 6308/2Z-C3 (HT) VP.	1
Note: Please give the data from type plate of the motor			
2.5	2178920	Circlip D40 GB894.1 VP.	1
Note: Please give the data from type plate of the motor			
2.6	2153173	Ball bearing 6206/VV-C3 VP.	1
2.8	2132469	SPRING RING D.62 JB/T7590 VP.	1
Note: Please give the data from type plate of the motor			
2.10	2178921	End shield BG132 N.D.E.ELEC VP.	1
Note: Please give the data from type plate of the motor			
2.11	2178989	Srews Torx Plus M8x335 (4 Pieces)	1
2.12	2175742	Fan BG112 ELEC KIT	1
Note: Please give the data from type plate of the motor			
2.12A		> FAN 174X20X17 GP2200 G/F20%	1
2.12B	2118396	> Tooth lock washer D.19,8x0,4 VP.	1
Note: Please give the data from type plate of the motor			
2.13	2178928	Fan hood BG132 ELEC KIT	1
Note: Please give the data from type plate of the motor			
2.13A		> FAN COVER IEC132 KTL ST14 T0.8 H103	1
2.13B	2178923	> Screw M5X8 GB/T3098.1 6.8(4 Pieces)	1
2.15	2192955	Motor foot cpl.BG132 ELEC KIT	1
2.16	2178924	Air guider IEC 132 Motor KIT	1
Note: Please give the data from type plate of the motor			
2.16A		> AIR GUIDER IEC 132 MOTOR	1
2.16B		> SCREW M8X16 TORX HEX 6.8 GB/T70	1



**BL-E50/140-7,5/2 (2191382)**

Item	Article no.	Description	Quantity
1.1	2123484	IMPELLER D.65/134/24 KIT	1
1.11	2027187	> NUT M12 DIN-EN24032 A2 VP.	1
1.12	2027190	> WASHER A13 DIN125-T2 A2 VP.	1
1.13		> IMPELLER 65/134/24 GG BALANCED	1
1.14	2037527	> O-RING 148,82x3,53 EPDM 70SR.VP.	1
	2042862	> WASHER S12 V2A VP.	1
1.2	2026902	MECHANICAL SEAL MG12/24-G60 AQ1EGG KIT	1
1.11	2027187	> NUT M12 DIN-EN24032 A2 VP.	1
1.12	2027190	> WASHER A13 DIN125-T2 A2 VP.	1
1.14	2037527	> O-RING 148,82x3,53 EPDM 70SR.VP.	1
1.14	2043160	> O-Ring 177,39x3,53 ISO3601B EPDM VP.	1
1.14	2042864	> O-RING ID.224x3,55 7EP1197-W534 VP.	1
1.14	2051680	> O-RING ID.276,7x5,29 7EP1197-W534 VP.	1
	2042862	> WASHER S12 V2A VP.	1
1.21		> MECHANICAL SEAL MG12/24-G60 AQ1EGG	1
10	2027202	> TOOL D.18/24/32 VP.	1
1.3	2037203	LANTERN P190X85,2-F265 KIT	1
1.11	2027187	> NUT M12 DIN-EN24032 A2 VP.	1
1.12	2027190	> WASHER A13 DIN125-T2 A2 VP.	1
1.14	2037527	> O-RING 148,82x3,53 EPDM 70SR.VP.	1
	2042862	> WASHER S12 V2A VP.	1
1.31	2027201	> BLOWGUN R1/8" VP.	1
1.32	2048834	> COUPLING GUARD F265 PA66 (4 PIECES)	1
1.33		> LANTERN P190X85,2-F265 GG KTL WILO	1
10	2027202	> TOOL D.18/24/32 VP.	1
1.4	2027227	COUPLING/SHAFT 24/38x142 OR.148 KIT	1
1.11	2027187	> NUT M12 DIN-EN24032 A2 VP.	1
1.12	2027190	> WASHER A13 DIN125-T2 A2 VP.	1
1.14	2037527	> O-RING 148,82x3,53 EPDM 70SR.VP.	1
	2042862	> WASHER S12 V2A VP.	1
1.41		> COUPLING 24/38+SHAFT 24X142 BG132 ZN KIT	1
10	2027202	> TOOL D.18/24/32 VP.	1
2	2168709	Motor B35 7,5/2/132/300E-IE4-ELEC(+Tool)	1
		Spare parts motor B35 7,5/2/132 300E IE4	1



**BL-E50/140-7,5/2 (2191382)**

Item	Article no.	Description	Quantity
3	2037176	PUMP HOUSING B50/140 PN16 KIT	1
1.14	2037527	> O-RING 148,82x3,53 EPDM 70SR.VP.	1
3.1		> PUMP HOUSING BL50/145 PN16 CPL.WILO	1
4	2027193	SCREW M16X30 ISO4762 8.8 (4 PIECES)	1
5	2037244	Screw M12X55 ISO4014 8.8 (4STÜCK)	1
6	2029305	NUT M12 DIN-EN24032 8 (4 PIECES)	1
7	2029335	WASHER A13 DIN125 ST (4 PIECES)	1
11	2191614	Module BL-E50/140-7,5/2-IE4 ELEC KIT	1
		> Module TL5 Flex SW4.0.21	1
	2111344	> MODULE COVER/GASKET TL5 KIT	1
	2120047	> CABLE CONNECTION M12x1,5/5 cpl.TL5 VP.	1
	2120048	> CABLE CONNECTION M16x1,5/5 cpl.TL5 VP.	1
	2120049	> CABLE CONNECTION M20x1,5/6 cpl.TL5 VP.	1
	2120050	> CABLE CONNECTION M25x1,5/8 cpl.TL5 VP.	1
12	2137271	DPS40-10(0-10V) KIT	1
	2106117	> DIFFERENT.PRESSURE SENSOR 40 LGX.KIT	1
		>> DPS40 spiral TZ.3mm Volt 2G	1
	2164077	>> Cable DPS 3x0,34x650 LG.bared 2G VP.	1
Note: from/ab/de 01.10.2013			
	2106125	> Connection sensor 90GD.coil KIT	1
		>> CAPILLARY COIL 1000	2
		>> Fixation ring pipe union R1/8" 90GD.Ni	1
		>> HANDLE DDG M16	1
		>> Screw M4x10 EE DIN7500 ZN	2
	2168862	>> Nut/Ferrule M6 D.3MM MS Ni (2 Pieces)	1
	2168860	>> Nut/Ferrule M8 D.5MM MS Ni (2 Pieces)	1

Motor-Typenschild / Motor type plate / Plaque identité moteur

Bei Ersatzteilbestellung Motor-Nummer angeben!

Indicate motor number for order of spare parts!

Pour une commande de pièces détachées, donner le numéro du moteur!

ELEC

Motor-Nummer  
motor number  
numéro du moteur

<b>3~Induction Motor</b>					
Made by WILLO Group					
<b>3511218</b>	<b>W132240-4-V1NPE</b>		<b>0902.001</b>		
Class F	S1	IP55	69kg	EN60034	
50Hz	5.5kW	SF=1.15	60Hz	6.45kW	
YΔ 400/690V	10,6/6,13A	Y 440-480V	10,9/10,35A		
Cosφ =0.81	1470min <sup>-1</sup>	Cosφ =0.81	1770min <sup>-1</sup>		
IE4-91.9%	91,9%	91,1%	IE4-92.4%	92,4%	91,8%

WEG

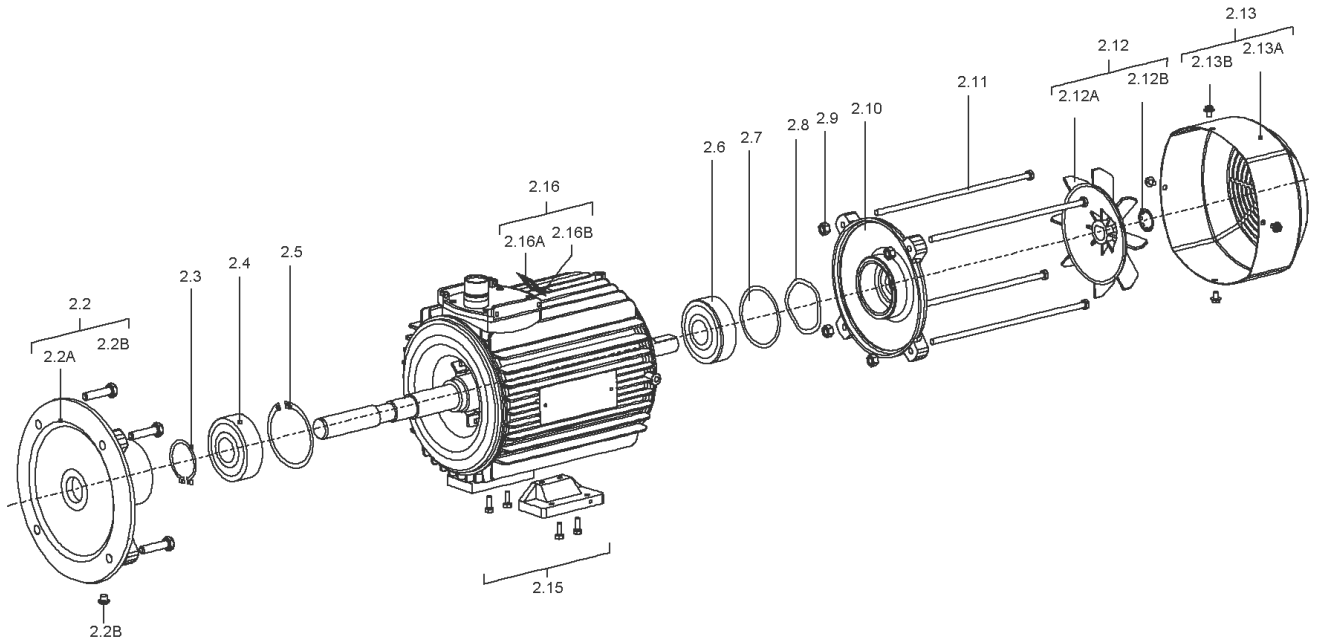
		3~ AL180M/L-04		2015/12		1030615079	
AMB 40°C							
IP55		INS CL.F		Δ T 80 K		S1 SF 1.0	
V	Hz	kW	RPM	A	PF		
400 / -			1480	29,5 / -	0,78		
- / -							
- / -							
- / -							
400	IE4	93,9 (100%)	92,5 (75%)	90,8 (50%)			
- / -		- (100%)	- (75%)	- (50%)			
- A		- (100%)	- (75%)	- (50%)			
NEMA	Eff	- %	- HP	- V	- Hz	- RPM	
- A	PF	DES	CODE	SF			
		6311-ZZ-C3		MOBIL POLYREX EM		162 kg	
		6211-ZZ-C3					
MOD.TE01A0X1A0000301180							
		IEC 60034					

VIBRATION LEVEL A
ACCORDING IEC 60034-14
BALANCED WITH NO KEY
WILO PART NO: <b>2151697</b>

Motor-Nummer  
motor number  
numéro du moteur

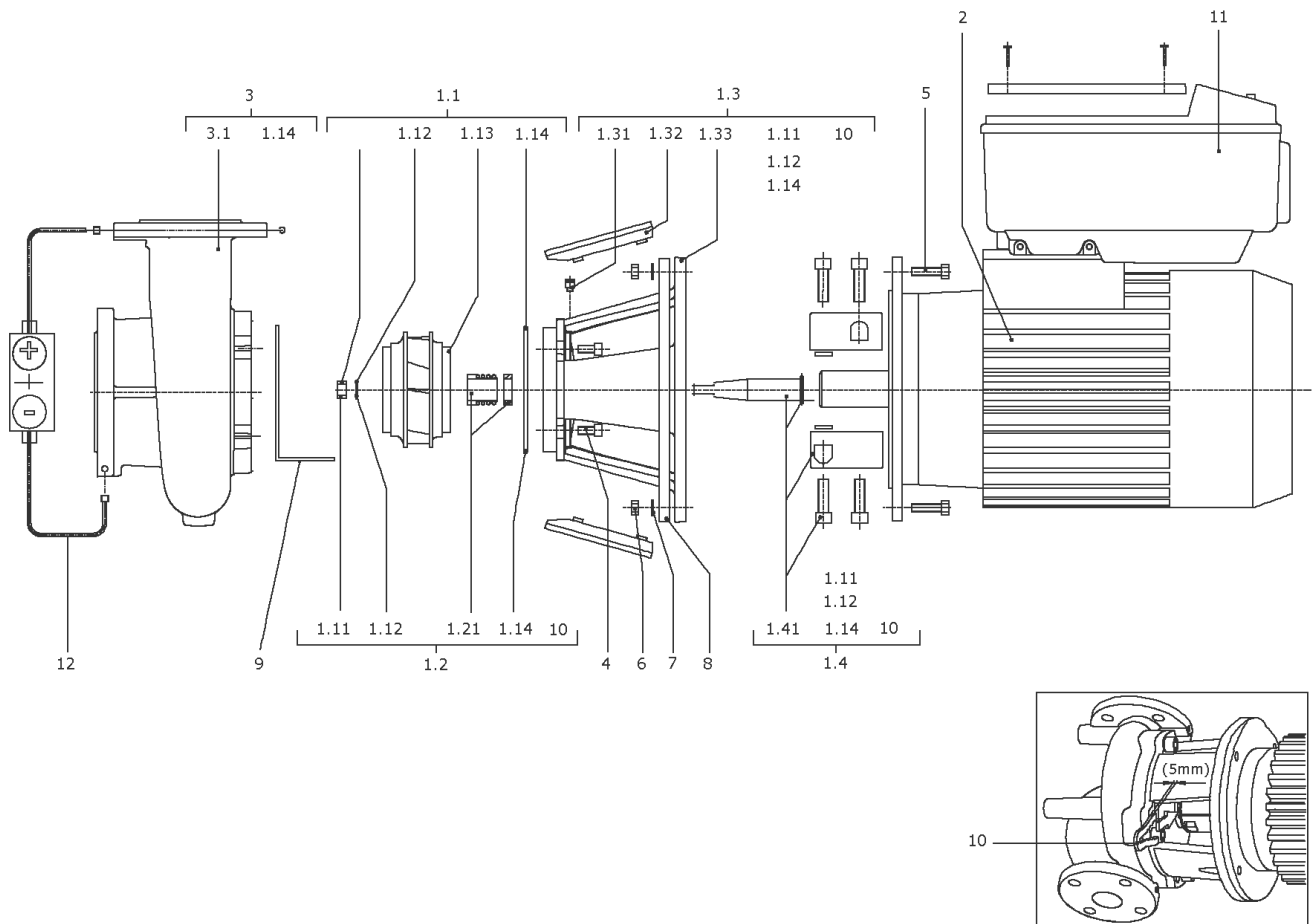
## Spare parts motor B35 7,5/2/132 300E IE4

Item	Description	Quantity
ELEC	Motor B35 7,5/2/132/300E IE4 ELEC WILO	1



**Motor B35 7,5/2/132/300E IE4 ELEC WILO**

Item	Article no.	Description	Quantity
2.2	2175903	End shield BG132 FF265 D.E.ELEC KIT	1
Note: Please give the data from type plate of the motor			
2.2A		> Flange IEC132 V1 FF265 D.E.	1
2.2B	2111309	> CONDENSATE HOLE GASKET D5 VP.	1
2.3	2178920	Circlip D40 GB894.1 VP.	1
Note: Please give the data from type plate of the motor			
2.4	121266690	BALL BEARING 6308/2Z-C3 (HT) VP.	1
Note: Please give the data from type plate of the motor			
2.5	2192954	Circlip D90 GB893.1 VP.	1
Note: Please give the data from type plate of the motor			
2.6	2153173	Ball bearing 6206/VV-C3 VP.	1
Note: Please give the data from type plate of the motor			
2.8	2132469	SPRING RING D.62 JB/T7590 VP.	1
2.10	2178921	End shield BG132 N.D.E.ELEC VP.	1
Note: Please give the data from type plate of the motor			
2.11	2178989	Srews Torx Plus M8x335 (4 Pieces)	1
Note: Please give the data from type plate of the motor			
2.12	2175742	Fan BG112 ELEC KIT	1
Note: Please give the data from type plate of the motor			
2.12A		> FAN 174X20X17 GP2200 G/F20%	1
2.12B	2118396	> Tooth lock washer D.19,8x0,4 VP.	1
Note: Please give the data from type plate of the motor			
2.13	2178928	Fan hood BG132 ELEC KIT	1
Note: Please give the data from type plate of the motor			
2.13A		> FAN COVER IEC132 KTL ST14 T0.8 H103	1
2.13B	2178923	> Screw M5X8 GB/T3098.1 6.8(4 Pieces)	1
2.15	2192955	Motor foot cpl.BG132 ELEC KIT	1
2.16	2178924	Air guider IEC 132 Motor KIT	1
Note: Please give the data from type plate of the motor			
2.16A		> AIR GUIDER IEC 132 MOTOR	1
2.16B		> SCREW M8X16 TORX HEX 6.8 GB/T70	1



**BL-E50/150-7,5/2 (2191383)**

Item	Article no.	Description	Quantity
1.1	2037292	IMPELLER D.65/152/24 KIT	1
1.11	2027187	> NUT M12 DIN-EN24032 A2 VP.	1
1.12	2027190	> WASHER A13 DIN125-T2 A2 VP.	1
1.13		> IMPELLER 65/152/142/24 GG BALANCED	1
1.14	2043160	> O-Ring 177,39x3,53 ISO3601B EPDM VP.	1
	2042862	> WASHER S12 V2A VP.	1
1.2	2026902	MECHANICAL SEAL MG12/24-G60 AQ1EGG KIT	1
1.11	2027187	> NUT M12 DIN-EN24032 A2 VP.	1
1.12	2027190	> WASHER A13 DIN125-T2 A2 VP.	1
1.14	2037527	> O-RING 148,82x3,53 EPDM 70SR.VP.	1
1.14	2043160	> O-Ring 177,39x3,53 ISO3601B EPDM VP.	1
1.14	2042864	> O-RING ID.224x3,55 7EP1197-W534 VP.	1
1.14	2051680	> O-RING ID.276,7x5,29 7EP1197-W534 VP.	1
	2042862	> WASHER S12 V2A VP.	1
1.21		> MECHANICAL SEAL MG12/24-G60 AQ1EGG	1
10	2027202	> TOOL D.18/24/32 VP.	1
1.3	2027010	LANTERN P228X85,2-F265 KIT	1
1.11	2027187	> NUT M12 DIN-EN24032 A2 VP.	1
1.12	2027190	> WASHER A13 DIN125-T2 A2 VP.	1
1.14	2043160	> O-Ring 177,39x3,53 ISO3601B EPDM VP.	1
	2042862	> WASHER S12 V2A VP.	1
1.31	2027201	> BLOWGUN R1/8" VP.	1
1.32	2048838	> COUPLING GUARD F265 PA66 AD.(4 PIECES)	1
1.33		> LANTERN P228X85,2-F265 GG KTL RDES WILO	1
10	2027202	> TOOL D.18/24/32 VP.	1
1.4	2026928	COUPLING/SHAFT 24/38x142 OR.177 KIT	1
1.11	2027187	> NUT M12 DIN-EN24032 A2 VP.	1
1.12	2027190	> WASHER A13 DIN125-T2 A2 VP.	1
1.14	2043160	> O-Ring 177,39x3,53 ISO3601B EPDM VP.	1
	2042862	> WASHER S12 V2A VP.	1
1.41		> COUPLING 24/38+SHAFT 24X142 BG132 ZN KIT	1
10	2027202	> TOOL D.18/24/32 VP.	1
2	2168709	Motor B35 7,5/2/132/300E-IE4-ELEC(+Tool)	1
		Spare parts motor B35 7,5/2/132 300E IE4	1

**BL-E50/150-7,5/2 (2191383)**

Item	Article no.	Description	Quantity
3	2026871	PUMP HOUSING B50/170 PN16 KIT	1
1.14	2043160	> O-Ring 177,39x3,53 ISO3601B EPDM VP.	1
3.1		> PUMP HOUSING BL50/182 PN16 CPL.WILO	1
4	2027193	SCREW M16X30 ISO4762 8.8 (4 PIECES)	1
5	2027199	Screw M12X65 ISO4014 8.8 (4STÜCK)	1
6	2029305	NUT M12 DIN-EN24032 8 (4 PIECES)	1
7	2029335	WASHER A13 DIN125 ST (4 PIECES)	1
8	2027185	Adapter ring BG132 VP.	1
11	2191615	Module BL-E50/150-7,5/2-IE4 ELEC KIT	1
		> Module TL5 Flex SW4.0.21	1
	2111344	> MODULE COVER/GASKET TL5 KIT	1
	2120047	> CABLE CONNECTION M12x1,5/5 cpl.TL5 VP.	1
	2120048	> CABLE CONNECTION M16x1,5/5 cpl.TL5 VP.	1
	2120049	> CABLE CONNECTION M20x1,5/6 cpl.TL5 VP.	1
	2120050	> CABLE CONNECTION M25x1,5/8 cpl.TL5 VP.	1
12	2137271	DPS40-10(0-10V) KIT	1
	2106117	> DIFFERENT.PRESSURE SENSOR 40 LGX.KIT	1
		>> DPS40 spiral TZ.3mm Volt 2G	1
	2164077	>> Cable DPS 3x0,34x650 LG.bared 2G VP.	1
Note: from/ab/de 01.10.2013			
	2106125	> Connection sensor 90GD.coil KIT	1
		>> CAPILLARY COIL 1000	2
		>> Fixation ring pipe union R1/8" 90GD.Ni	1
		>> HANDLE DDG M16	1
		>> Screw M4x10 EE DIN7500 ZN	2
	2168862	>> Nut/Ferrule M6 D.3MM MS Ni (2 Pieces)	1
	2168860	>> Nut/Ferrule M8 D.5MM MS Ni (2 Pieces)	1



**Motor-Typenschild / Motor type plate / Plaque identité moteur**

**Bei Ersatzteilbestellung Motor-Nummer angeben!**

**Indicate motor number for order of spare parts!**

**Pour une commande de pièces détachées, donner le numéro du moteur!**

ELEC

Motor-Nummer  
motor number  
numéro du moteur

<b>3~Induction Motor</b>					
Made by WILLO Group					
<b>3511218</b>	<b>W132240-4-V1NPE</b>		<b>0902.001</b>		
Class F	S1	IP55	69kg	EN60034	
50Hz	5.5kW	SF=1.15	60Hz	6.45kW	
YΔ 400/690V	10,6/6,13A	Y 440-480V	10,9/10,35A		
Cosφ =0.81	1470min <sup>-1</sup>	Cosφ =0.81	1770min <sup>-1</sup>		
IE4-91.9%	91,9%	91,1%	IE4-92.4%	92,4%	91,8%

WEG

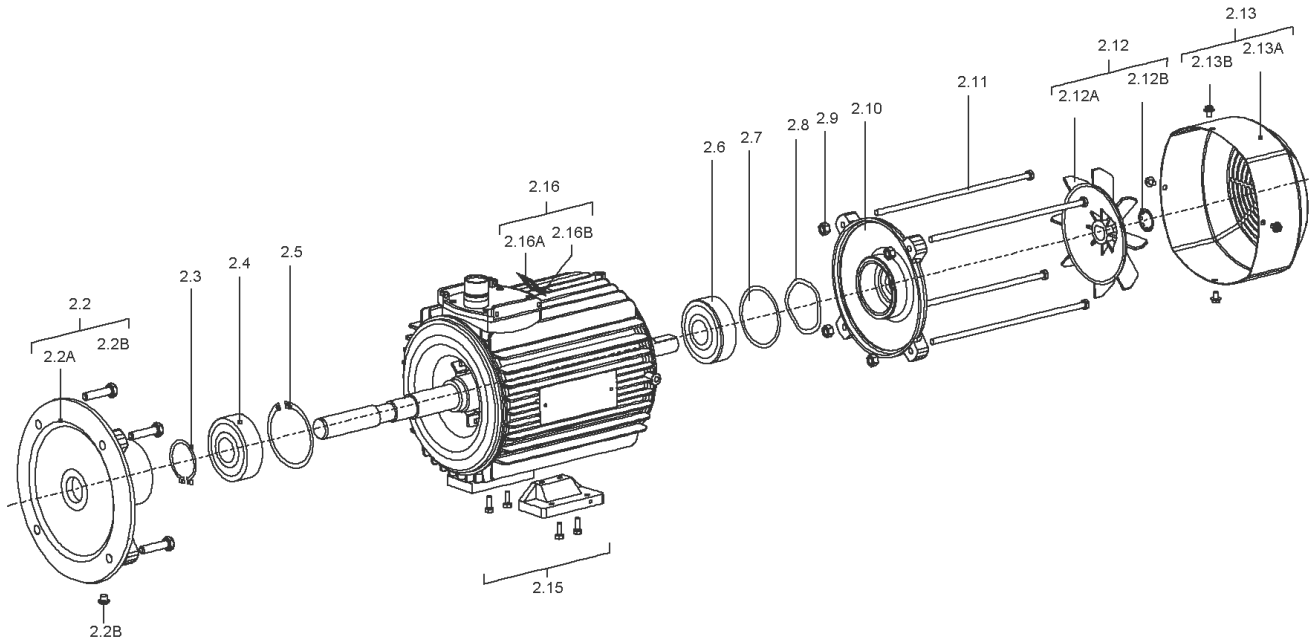
3~ AL180M/L-04		2015/12		1030615079	
AMB 40°C					
IP55	INS CL.F	Δ T 80 K	S1	SF 1.0	
V	Hz	kW	RPM	A	PF
400 / -			1480	29,5 / -	0,78
- / -					
- / -					
- / -					
400	IE4	93,9 (100%)	92,5 (75%)	90,8 (50%)	
- / -		- (100%)	- (75%)	- (50%)	
- A		- (100%)	- (75%)	- (50%)	
NEMA	Eff	- %	- HP	- V	- Hz
- A	PF	DES	CODE	SF	
		6311-ZZ-C3	MOBIL POLYREX EM		162 kg
		6211-ZZ-C3			
MOD.TE01A0X1A0000301180					
IEC 60034					

VIBRATION LEVEL A
ACCORDING IEC 60034-14
BALANCED WITH NO KEY
WILO PART NO: <b>2151697</b>

Motor-Nummer  
motor number  
numéro du moteur

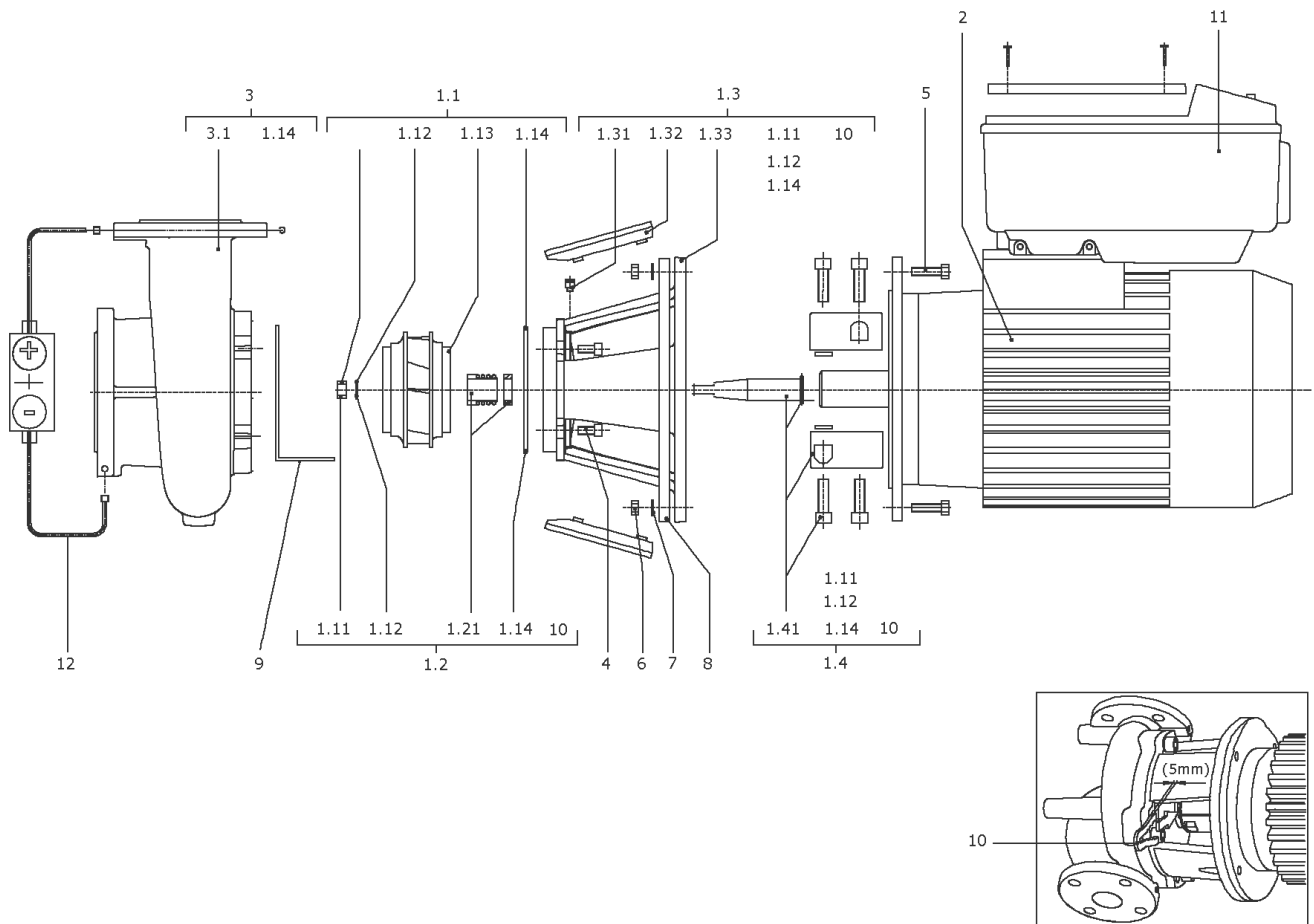
## Spare parts motor B35 7,5/2/132 300E IE4

Item	Description	Quantity
ELEC	Motor B35 7,5/2/132/300E IE4 ELEC WILO	1



**Motor B35 7,5/2/132/300E IE4 ELEC WILO**

Item	Article no.	Description	Quantity
2.2	2175903	End shield BG132 FF265 D.E.ELEC KIT	1
Note: Please give the data from type plate of the motor			
2.2A		> Flange IEC132 V1 FF265 D.E.	1
2.2B	2111309	> CONDENSATE HOLE GASKET D5 VP.	1
2.3	2178920	Circlip D40 GB894.1 VP.	1
Note: Please give the data from type plate of the motor			
2.4	121266690	BALL BEARING 6308/2Z-C3 (HT) VP.	1
Note: Please give the data from type plate of the motor			
2.5	2192954	Circlip D90 GB893.1 VP.	1
Note: Please give the data from type plate of the motor			
2.6	2153173	Ball bearing 6206/VV-C3 VP.	1
Note: Please give the data from type plate of the motor			
2.8	2132469	SPRING RING D.62 JB/T7590 VP.	1
2.10	2178921	End shield BG132 N.D.E.ELEC VP.	1
Note: Please give the data from type plate of the motor			
2.11	2178989	Srews Torx Plus M8x335 (4 Pieces)	1
Note: Please give the data from type plate of the motor			
2.12	2175742	Fan BG112 ELEC KIT	1
Note: Please give the data from type plate of the motor			
2.12A		> FAN 174X20X17 GP2200 G/F20%	1
2.12B	2118396	> Tooth lock washer D.19,8x0,4 VP.	1
Note: Please give the data from type plate of the motor			
2.13	2178928	Fan hood BG132 ELEC KIT	1
Note: Please give the data from type plate of the motor			
2.13A		> FAN COVER IEC132 KTL ST14 T0.8 H103	1
2.13B	2178923	> Screw M5X8 GB/T3098.1 6.8(4 Pieces)	1
2.15	2192955	Motor foot cpl.BG132 ELEC KIT	1
2.16	2178924	Air guider IEC 132 Motor KIT	1
Note: Please give the data from type plate of the motor			
2.16A		> AIR GUIDER IEC 132 MOTOR	1
2.16B		> SCREW M8X16 TORX HEX 6.8 GB/T70	1



**BL-E50/270-5,5/4 (2191384)**

Item	Article no.	Description	Quantity
1.1	2123492	IMPELLER D.65/266/24 KIT	1
1.11	2027187	> NUT M12 DIN-EN24032 A2 VP.	1
1.12	2027190	> WASHER A13 DIN125-T2 A2 VP.	1
1.13		> IMPELLER 65/266/24 GG BALANCED	1
1.14	2051680	> O-RING ID.276,7x5,29 7EP1197-W534 VP.	1
	2042862	> WASHER S12 V2A VP.	1
1.2	2026902	MECHANICAL SEAL MG12/24-G60 AQ1EGG KIT	1
1.11	2027187	> NUT M12 DIN-EN24032 A2 VP.	1
1.12	2027190	> WASHER A13 DIN125-T2 A2 VP.	1
1.14	2037527	> O-RING 148,82x3,53 EPDM 70SR.VP.	1
1.14	2043160	> O-Ring 177,39x3,53 ISO3601B EPDM VP.	1
1.14	2042864	> O-RING ID.224x3,55 7EP1197-W534 VP.	1
1.14	2051680	> O-RING ID.276,7x5,29 7EP1197-W534 VP.	1
	2042862	> WASHER S12 V2A VP.	1
1.21		> MECHANICAL SEAL MG12/24-G60 AQ1EGG	1
10	2027202	> TOOL D.18/24/32 VP.	1
1.3	2050739	LANTERN P330X99-F265 KTL KIT	1
1.11	2027187	> NUT M12 DIN-EN24032 A2 VP.	1
1.12	2027190	> WASHER A13 DIN125-T2 A2 VP.	1
1.14	2051680	> O-RING ID.276,7x5,29 7EP1197-W534 VP.	1
	2042862	> WASHER S12 V2A VP.	1
1.31	2027201	> BLOWGUN R1/8" VP.	1
1.32	2048845	> COUPLING GUARD P270-F265 PA66 (2 PIECES)	1
1.33		> Lantern P330X99-F265 GG KTL WILO	1
10	2027202	> TOOL D.18/24/32 VP.	1
1.4	2048444	COUPLING/SHAFT D.24/38X153 KIT	1
1.11	2027187	> NUT M12 DIN-EN24032 A2 VP.	1
1.12	2027190	> WASHER A13 DIN125-T2 A2 VP.	1
1.14	2042864	> O-RING ID.224x3,55 7EP1197-W534 VP.	1
1.14	2051680	> O-RING ID.276,7x5,29 7EP1197-W534 VP.	1
	2042862	> WASHER S12 V2A VP.	1
1.41		> COUPLING 24/38+SHAFT 24X153 GR132 ZN KIT	1
10	2027202	> TOOL D.18/24/32 VP.	1
2	2169161	Motor B35 5,5/4/132/300E-IE4-ELEC(+Tool)	1

**BL-E50/270-5,5/4 (2191384)**

Item	Article no.	Description	Quantity
		Spare parts motor B35 5,5/4/132 300E IE4	1
3	2050784	PUMP HOUSING B50/270 PN16 KIT	1
1.14	2051680	> O-RING ID.276,7x5,29 7EP1197-W534 VP.	1
3.1		> PUMP HOUSING BL50/270 PN16 KPL.WILO	1
4	2027193	SCREW M16X30 ISO4762 8.8 (4 PIECES)	1
5	2027195	SCREW M12X25 DIN912 8.8 (4 PIECES)	1
11	2191616	Module BL-E50/270-5,5/4-IE4 ELEC KIT	1
		> Module TL5 4Pol. SW4.0.21	1
	2111344	> MODULE COVER/GASKET TL5 KIT	1
	2120047	> CABLE CONNECTION M12x1,5/5 cpl.TL5 VP.	1
	2120048	> CABLE CONNECTION M16x1,5/5 cpl.TL5 VP.	1
	2120049	> CABLE CONNECTION M20x1,5/6 cpl.TL5 VP.	1
	2120050	> CABLE CONNECTION M25x1,5/8 cpl.TL5 VP.	1
12	2137271	DPS40-10(0-10V) KIT	1
	2106117	> DIFFERENT.PRESSURE SENSOR 40 LGX.KIT	1
		>> DPS40 spiral TZ.3mm Volt 2G	1
	2164077	>> Cable DPS 3x0,34x650 LG.bared 2G VP.	1
Note: from/ab/de 01.10.2013			
	2106125	> Connection sensor 90GD.coil KIT	1
		>> CAPILLARY COIL 1000	2
		>> Fixation ring pipe union R1/8" 90GD.Ni	1
		>> HANDLE DDG M16	1
		>> Screw M4x10 EE DIN7500 ZN	2
	2168862	>> Nut/Ferrule M6 D.3MM MS Ni (2 Pieces)	1
	2168860	>> Nut/Ferrule M8 D.5MM MS Ni (2 Pieces)	1

Motor-Typenschild / Motor type plate / Plaque identité moteur

Bei Ersatzteilbestellung Motor-Nummer angeben!

Indicate motor number for order of spare parts!

Pour une commande de pièces détachées, donner le numéro du moteur!

ELEC

Motor-Nummer  
motor number  
numéro du moteur

<b>3~Induction Motor</b>					
Made by WILLO Group					
<b>3511218</b>	<b>W132240-4-V1NPE</b>		<b>0902.001</b>		
Class F	S1	IP55	69kg	EN60034	
50Hz	5.5kW	SF=L1S	60Hz	6.45kW	
YΔ 400/690V	10,6/6,13A	Y 440-480V	10,9/10,35A		
Cosφ =0.81	1470min <sup>-1</sup>	Cosφ =0.81	1770min <sup>-1</sup>		
IE4-91.9%	91,9%	91,1%	IE4-92.4%	92,4%	91,8%

WEG

		3~ AL180M/L-04		2015/12		1030615079	
AMB 40°C							
IP55		INS CL.F		Δ T 80 K		S1 SF 1.0	
V	Hz	kW	RPM	A	PF		
400 / -			1480	29,5 / -	0,78		
- / -							
- / -							
- / -							
400	IE4	93,9 (100%)	92,5 (75%)	90,8 (50%)			
- / -		- (100%)	- (75%)	- (50%)			
- A		- (100%)	- (75%)	- (50%)			
NEMA	Eff	- %	- HP	- V	- Hz	- RPM	
- A	PF	DES	CODE	SF			
		6311-ZZ-C3		MOBIL POLYREX EM		162 kg	
		6211-ZZ-C3					
MOD.TE01A0X1A0000301180							
		IEC 60034					

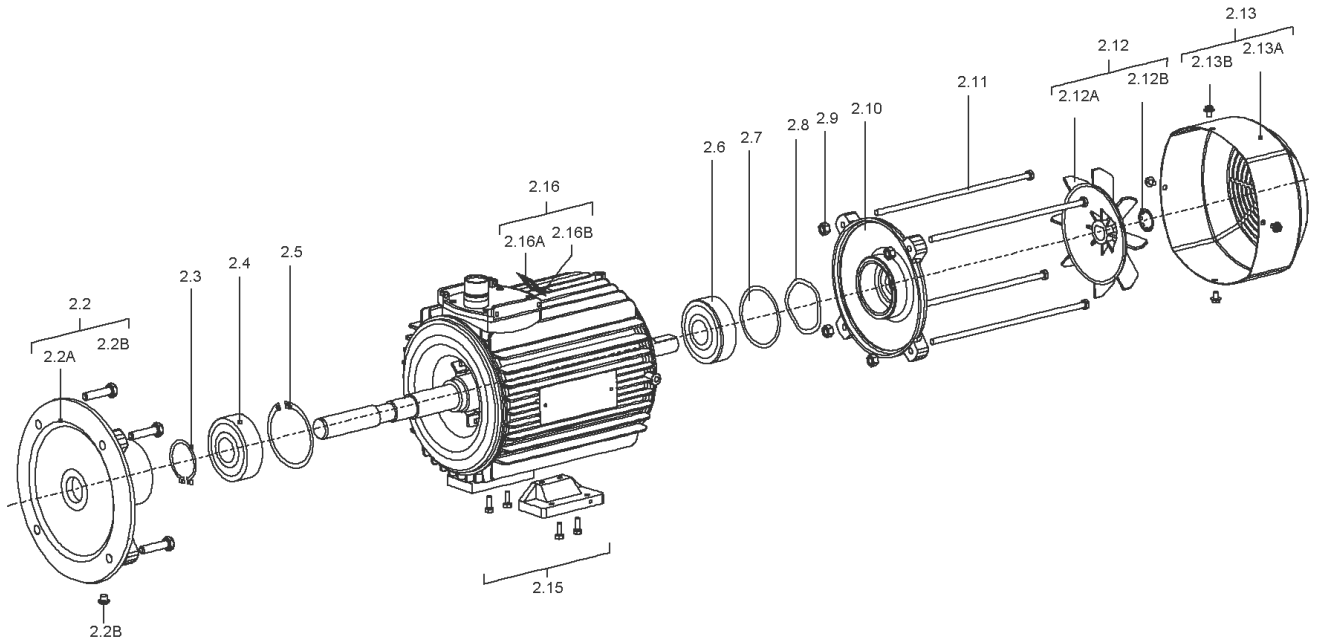
VIBRATION LEVEL A
ACCORDING IEC 60034-14
BALANCED WITH NO KEY
WILO PART NO: <b>2151697</b>

Motor-Nummer  
motor number  
numéro du moteur



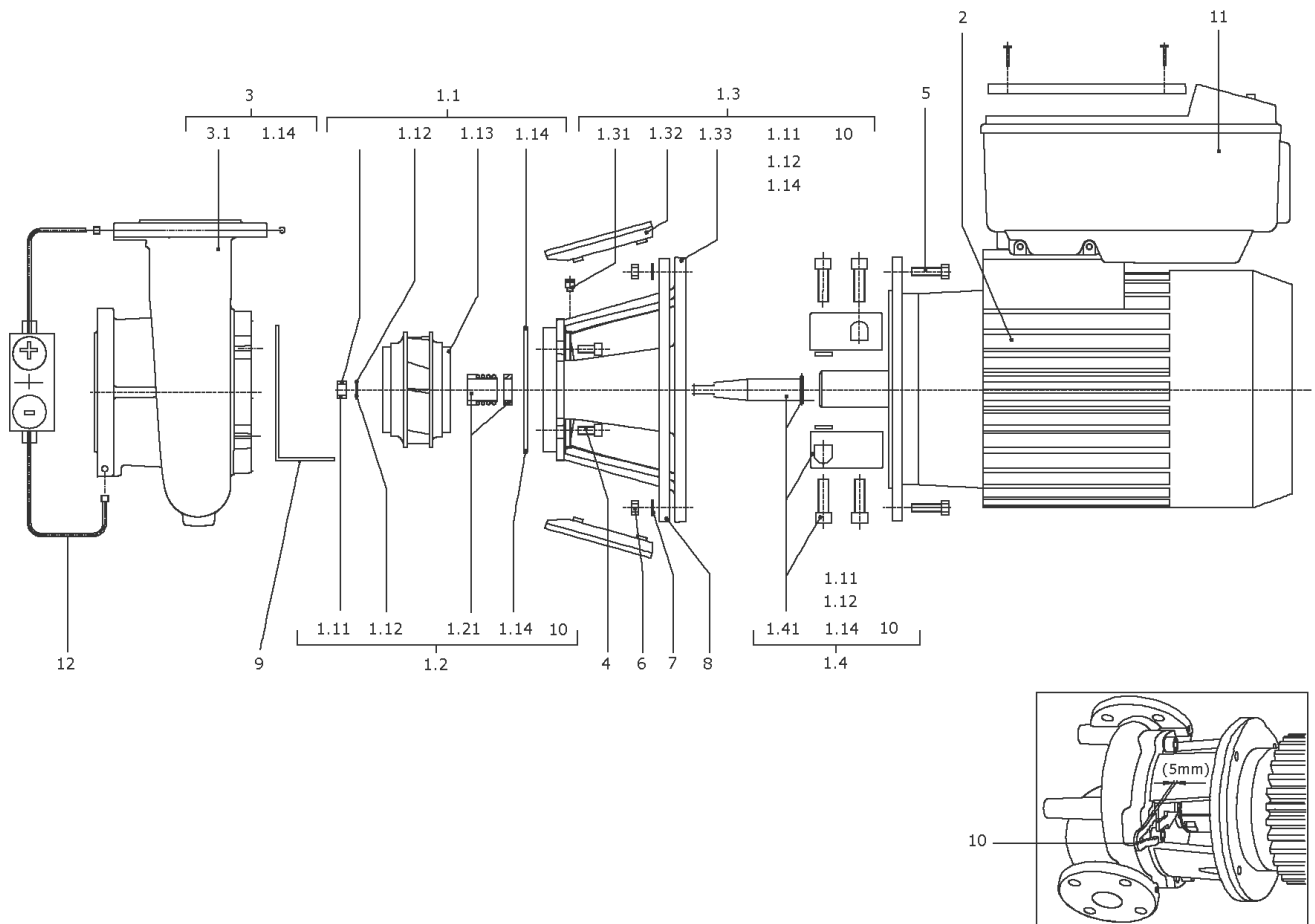
## Spare parts motor B35 5,5/4/132 300E IE4

Item	Description	Quantity
ELEC	Motor B35 5,5/4/132/300E ELEC IE4 WILO	1



**Motor B35 5,5/4/132/300E ELEC IE4 WILO**

Item	Article no.	Description	Quantity
2.2	2175903	End shield BG132 FF265 D.E.ELEC KIT	1
Note: Please give the data from type plate of the motor			
2.2A		> Flange IEC132 V1 FF265 D.E.	1
2.2B	2111309	> CONDENSATE HOLE GASKET D5 VP.	1
2.3	3504026	Stop Ring D40 GB894.1	1
Note: Please give the data from type plate of the motor			
2.4	121266690	BALL BEARING 6308/2Z-C3 (HT) VP.	1
Note: Please give the data from type plate of the motor			
2.5	2192954	Circlip D90 GB893.1 VP.	1
Note: Please give the data from type plate of the motor			
2.6	2153173	Ball bearing 6206/VV-C3 VP.	1
Note: Please give the data from type plate of the motor			
2.8	2132469	SPRING RING D.62 JB/T7590 VP.	1
2.9	2178926	Nut M8 (4 Pieces)	1
Note: Please give the data from type plate of the motor			
2.10	2178921	End shield BG132 N.D.E.ELEC VP.	1
Note: Please give the data from type plate of the motor			
2.11	2178925	Inner hexagon screws M8x50 (4 Pieces)	1
2.12	2178922	Fan IEC 230X20X17 KIT	1
Note: Please give the data from type plate of the motor			
2.12A		> FAN 230x20x17 GP2200 G/F20%	1
2.12B	2118396	> Tooth lock washer D.19,8x0,4 VP.	1
2.13	2178928	Fan hood BG132 ELEC KIT	1
Note: Please give the data from type plate of the motor			
2.13A		> FAN COVER IEC132 KTL ST14 T0.8 H103	1
2.13B	2178923	> Screw M5X8 GB/T3098.1 6.8(4 Pieces)	1
2.15	2192955	Motor foot cpl.BG132 ELEC KIT	1
2.16	2178924	Air guider IEC 132 Motor KIT	1
Note: Please give the data from type plate of the motor			
2.16A		> AIR GUIDER IEC 132 MOTOR	1
2.16B		> SCREW M8X16 TORX HEX 6.8 GB/T70	1



**BL-E65/120-4/2 (2191385)**

Item	Article no.	Description	Quantity
1.1	2048413	IMPELLER D.80/114/18 KIT	1
1.11	2027186	> NUT M10 DIN934 A2	1
1.12	2027189	> TENSIONING DISC DIN6796-10 V2A	1
1.13		> IMPELLER 80/114/18 GG BALANCED	1
1.14	2037527	> O-RING 148,82x3,53 EPDM 70SR.VP.	1
1.2	2026901	MECHANICAL SEAL MG12/18-G60 AQ1EGG KIT	1
1.11	2027186	> NUT M10 DIN934 A2	1
1.12	2027189	> TENSIONING DISC DIN6796-10 V2A	1
1.14	2037527	> O-RING 148,82x3,53 EPDM 70SR.VP.	1
1.14	2043160	> O-Ring 177,39x3,53 ISO3601B EPDM VP.	1
1.14	2042864	> O-RING ID.224x3,55 7EP1197-W534 VP.	1
1.21		> MECHANICAL SEAL MG12/18-G60 AQ1EGG	1
10	2027202	> TOOL D.18/24/32 VP.	1
1.3	2037206	LANTERN P190X85,2-F215 KIT	1
1.11	2027186	> NUT M10 DIN934 A2	1
1.12	2027189	> TENSIONING DISC DIN6796-10 V2A	1
1.14	2037527	> O-RING 148,82x3,53 EPDM 70SR.VP.	1
1.31	2027201	> BLOWGUN R1/8" VP.	1
1.32	2048842	> COUPLING GUARD F215 PA66 (2 PIECES)	1
1.33		> Lantern P190X85,2-F215 GG KTL WILO	1
10	2027202	> TOOL D.18/24/32 VP.	1
1.4	2029312	COUPLING/SHAFT 18/28X142 OR.148 KIT	1
1.11	2027186	> NUT M10 DIN934 A2	1
1.12	2027189	> TENSIONING DISC DIN6796-10 V2A	1
1.14	2037527	> O-RING 148,82x3,53 EPDM 70SR.VP.	1
1.41		> COUPLING 18/28+SHAFT 18X142 BG112 ZN KIT	1
10	2027202	> TOOL D.18/24/32 VP.	1
2	2169171	Motor V1 4/2/112/250E-IE4-ELEC(+Tool)	1
		Spare parts motor V1 4/2/112 250E IE4	1
3	2037178	PUMP HOUSING B65/140 PN16 KIT	1
1.14	2037527	> O-RING 148,82x3,53 EPDM 70SR.VP.	1
3.1		> PUMP HOUSING BL65/145 PN16 CPL.WILO	1
4	2027194	SCREW M16X30/X40 DIN912 8.8 (4 PIECES)	1
	2029336	WASHER A17 DIN125 ST (4 PIECES)	1

**BL-E65/120-4/2 (2191385)**

Item	Article no.	Description	Quantity
5	2027195	SCREW M12X25 DIN912 8.8 (4 PIECES)	1
7	2029335	WASHER A13 DIN125 ST (4 PIECES)	1
9	2037241	MOTOR FOOT BG71-112/P190	1
11	2191617	Module BL-E65/120-4/2-IE4 ELEC KIT	1
		> MODULE TL4 Flex IE4 SW4.0.30	1
	2054227	> MODULE COVER/GASKET TL3/4 KIT	1
		> SCREW M5X16 ISO4762 8.8 ZnNi	1
		> WASHER TOOTHED LOCK A5,3 DIN6797 FST ZN	1
	2061236	> O-RING ID.38X3 EPDM 70SR.A BUS.	1
12	2137267	DPS20-10(0-10V) KIT	1
	2106113	> DIFFERENTIAL PRESSURE SENSOR 20 KIT	1
		>> DPS20 spiral TZ.3mm Volt 2G	1
	2196657	>> Cable DPS 3x0,34x650 short bared 2G VP.	1
Note: from/ab/de 01.10.2013			
	2106125	> Connection sensor 90GD.coil KIT	1
		>> CAPILLARY COIL 1000	2
		>> Fixation ring pipe union R1/8" 90GD.Ni	1
		>> HANDLE DDG M16	1
		>> Screw M4x10 EE DIN7500 ZN	2
	2168862	>> Nut/Ferrule M6 D.3MM MS Ni (2 Pieces)	1
	2168860	>> Nut/Ferrule M8 D.5MM MS Ni (2 Pieces)	1

# Spare parts motor V1 4/2/112 250E IE4

## Motor-Typenschild / Motor type plate / Plaque identité moteur

**Bei Ersatzteilbestellung Motor-Nummer angeben!**

**Indicate motor number for order of spare parts!**

**Pour une commande de pièces détachées, donner le numéro du moteur!**

ELEC

Motor-Nummer  
motor number  
numéro du moteur

<b>3~Induction Motor</b>					
Made by WILLO Group					
<b>3511218</b>	<b>W132240-4-V1NPE</b>		<b>0902.001</b>		
Class F	S1	IP55	69kg	EN60034	
50Hz	5.5kW	SF=L1S	60Hz	6.45kW	
YΔ 400/690V	10,6/6,13A	Y 440-480V	10,9/10,35A		
Cosφ =0.81	1470min <sup>-1</sup>	Cosφ =0.81	1770min <sup>-1</sup>		
IE4-91.9%	91,9%	91,1%	IE4-92.4%	92,4%	91,8%

WEG

3~ AL180M/L-04		2015/12	1030615079		
AMB 40°C					
IP55	INS CL.F	Δ T 80 K	S1	SF 1.0	
V	Hz	kW	RPM	A	PF
400 / -			1480	29,5 / -	0,78
- / -					
- / -					
- / -					
400	IE4	93,9 (100%)	92,5 (75%)	90,8 (50%)	
- / -		- (100%)	- (75%)	- (50%)	
- A		- (100%)	- (75%)	- (50%)	
NEMA	Eff	- %	- HP	- V	- Hz
- A	PF	DES	CODE	SF	
← 6311-ZZ-C3 MOBIL POLYREX EM					162 kg
→ 6211-ZZ-C3					
MOD.TE01A0X1A0000301180					
IEC 60034					

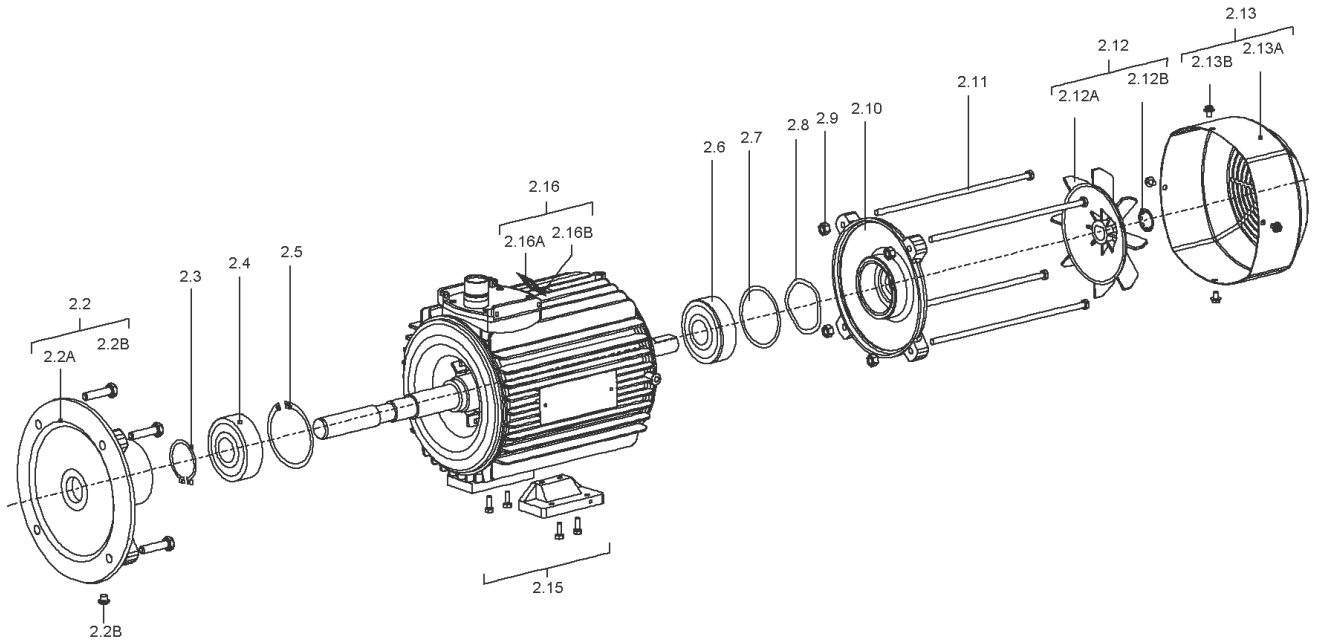
VIBRATION LEVEL A
ACCORDING IEC 60034-14
BALANCED WITH NO KEY
WILO PART NO: <b>2151697</b>

Motor-Nummer  
motor number  
numéro du moteur

## Spare parts motor V1 4/2/112 250E IE4

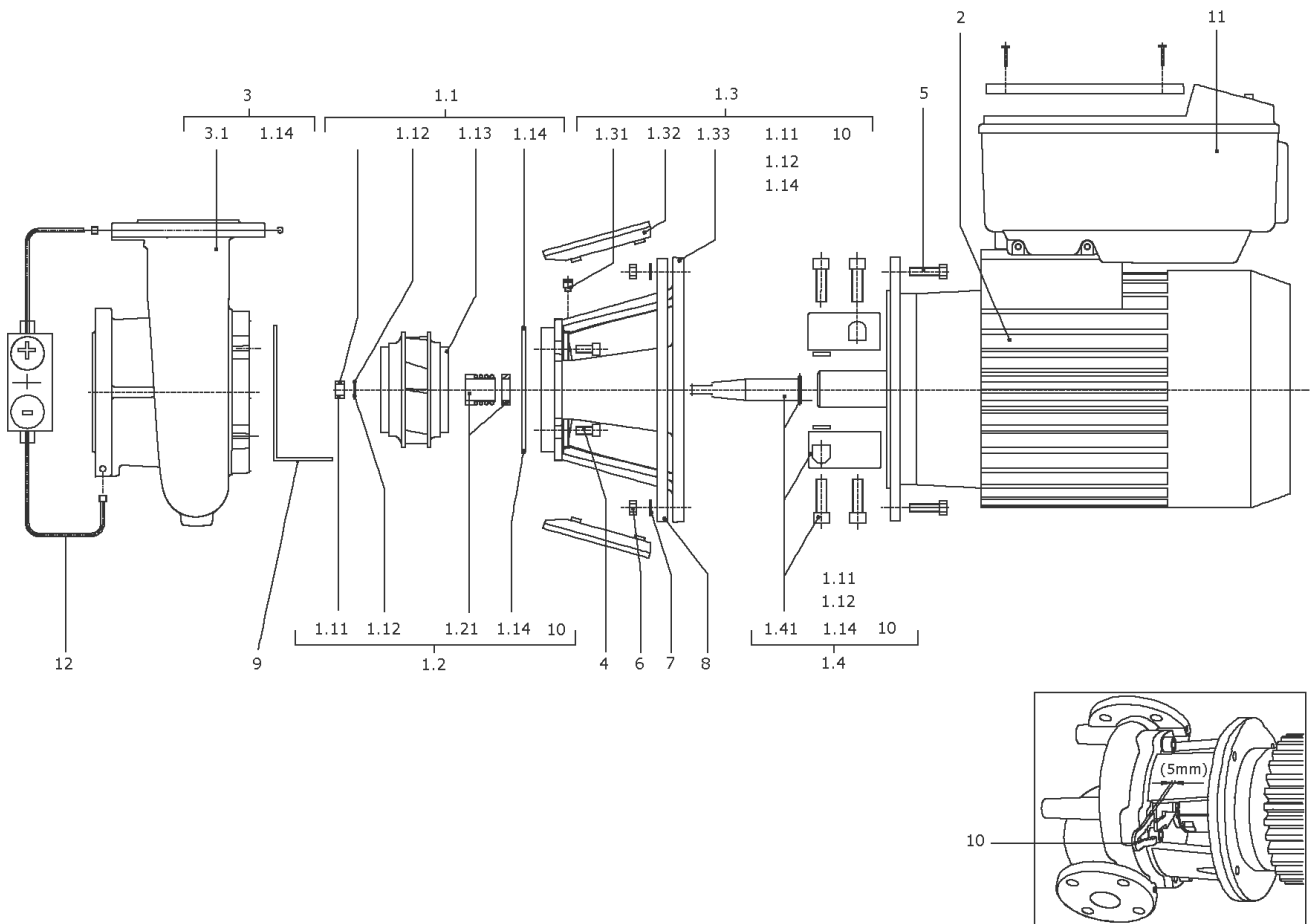
Item	Description	Quantity
ELEC	W112140-2-V1NPE 400V/50Hz 4kW IE4	1





**W112140-2-V1NPE 400V/50Hz 4kW IE4**

Item	Article no.	Description	Quantity
2.2	2192953	End shield BG112 V1 D.E.ELEC KIT	1
Note: Please give the data from type plate of the motor			
2.1A		> FLANGE IEC112 V1	1
2.1B	2111309	> CONDENSATE HOLE GASKET D5 VP.	1
Note: Please give the data from type plate of the motor			
2.3	2118388	CIRCLIP D.35 GB894.1 VP.	1
Note: Please give the data from type plate of the motor			
2.4	2153172	Ball bearing 6307/VV-C3 VP.	1
Note: Please give the data from type plate of the motor			
2.5	2118390	CIRCLIP D.80 GB893.1 VP.	1
Note: Please give the data from type plate of the motor			
2.6	2153173	Ball bearing 6206/VV-C3 VP.	1
2.7	2164027	O-Ring ID62.4x3.53 EPDM VP.	1
2.8	2132469	SPRING RING D.62 JB/T7590 VP.	1
Note: Please give the data from type plate of the motor			
2.10	2164025	End shield BG112 N.D.E.ELEC KIT	1
Note: Please give the data from type plate of the motor			
		> FLANGE IEC112 NDS with slot	1
		> O-RING ID62.4*3.53 EPDM	1
2.11	2132473	SCREW M8X263,5 6.8 (4 PIECES)	1
2.12	2175742	Fan BG112 ELEC KIT	1
Note: Please give the data from type plate of the motor			
2.12A		> FAN 174X20X17 GP2200 G/F20%	1
2.12B	2118396	> Tooth lock washer D.19,8x0,4 VP.	1
Note: Please give the data from type plate of the motor			
2.13	2168255	Fan hood BG112 ELEC KIT	1
Note: Please give the data from type plate of the motor			
2.13A		> FAN COVER IEC112 KTL ST14 T1.0 H86	1
2.13B	2111323	> SCREW M4X6 (4 PIECES)	1
Note: Please give the data from type plate of the motor			
2.16	2179084	Air guider BG 112 Motor KIT	1
2.16A		> AIR GUIDER IEC 112 MOTOR	1
2.16B		> SCREW M8X16 TORX HEX 6.8 GB/T70	1



Item	Article no.	Description	Quantity
1.1	2037891	IMPELLER D.80/122/24 KIT	1
1.11	2027187	> NUT M12 DIN-EN24032 A2 VP.	1
1.12	2027190	> WASHER A13 DIN125-T2 A2 VP.	1
1.13		> IMPELLER 80/122/24 GG BALANCED	1
1.14	2037527	> O-RING 148,82x3,53 EPDM 70SR.VP.	1
	2042862	> WASHER S12 V2A VP.	1
1.2	2026902	MECHANICAL SEAL MG12/24-G60 AQ1EGG KIT	1
1.11	2027187	> NUT M12 DIN-EN24032 A2 VP.	1
1.12	2027190	> WASHER A13 DIN125-T2 A2 VP.	1
1.14	2037527	> O-RING 148,82x3,53 EPDM 70SR.VP.	1
1.14	2043160	> O-Ring 177,39x3,53 ISO3601B EPDM VP.	1
1.14	2042864	> O-RING ID.224x3,55 7EP1197-W534 VP.	1
1.14	2051680	> O-RING ID.276,7x5,29 7EP1197-W534 VP.	1
	2042862	> WASHER S12 V2A VP.	1
1.21		> MECHANICAL SEAL MG12/24-G60 AQ1EGG	1
10	2027202	> TOOL D.18/24/32 VP.	1
1.3	2037203	LANTERN P190X85,2-F265 KIT	1
1.11	2027187	> NUT M12 DIN-EN24032 A2 VP.	1
1.12	2027190	> WASHER A13 DIN125-T2 A2 VP.	1
1.14	2037527	> O-RING 148,82x3,53 EPDM 70SR.VP.	1
	2042862	> WASHER S12 V2A VP.	1
1.31	2027201	> BLOWGUN R1/8" VP.	1
1.32	2048834	> COUPLING GUARD F265 PA66 (4 PIECES)	1
1.33		> LANTERN P190X85,2-F265 GG KTL WILO	1
10	2027202	> TOOL D.18/24/32 VP.	1
1.4	2027227	COUPLING/SHAFT 24/38x142 OR.148 KIT	1
1.11	2027187	> NUT M12 DIN-EN24032 A2 VP.	1
1.12	2027190	> WASHER A13 DIN125-T2 A2 VP.	1
1.14	2037527	> O-RING 148,82x3,53 EPDM 70SR.VP.	1
	2042862	> WASHER S12 V2A VP.	1
1.41		> COUPLING 24/38+SHAFT 24X142 BG132 ZN KIT	1
10	2027202	> TOOL D.18/24/32 VP.	1
2	2179386	Motor B35 5,5/2/132/300E-IE4-ELEC(+Tool)	1
		Spare parts motor B35 5,5/2/132 300E IE4	1

**BL-E65/130-5,5/2 (2191386)**

Item	Article no.	Description	Quantity
3	2037178	PUMP HOUSING B65/140 PN16 KIT	1
1.14	2037527	> O-RING 148,82x3,53 EPDM 70SR.VP.	1
3.1		> PUMP HOUSING BL65/145 PN16 CPL.WILO	1
4	2027193	SCREW M16X30 ISO4762 8.8 (4 PIECES)	1
5	2037244	Screw M12X55 ISO4014 8.8 (4STÜCK)	1
6	2029305	NUT M12 DIN-EN24032 8 (4 PIECES)	1
7	2029335	WASHER A13 DIN125 ST (4 PIECES)	1
11	2191618	Module BL-E65/130-5,5/2-IE4 ELEC KIT	1
		> Module TL5 Flex SW4.0.21	1
	2111344	> MODULE COVER/GASKET TL5 KIT	1
	2120047	> CABLE CONNECTION M12x1,5/5 cpl.TL5 VP.	1
	2120048	> CABLE CONNECTION M16x1,5/5 cpl.TL5 VP.	1
	2120049	> CABLE CONNECTION M20x1,5/6 cpl.TL5 VP.	1
	2120050	> CABLE CONNECTION M25x1,5/8 cpl.TL5 VP.	1
12	2137268	DPS20-11(0-10V) KIT	1
	2116736	> DIFFERENTIAL PRESSURE SENSOR 20 LGX.KIT	1
		>> DPS20 spiral TZ.3mm Volt 2G	1
	2164077	>> Cable DPS 3x0,34x650 LG.bared 2G VP.	1
Note: from/ab/de 01.10.2013			
	2106125	> Connection sensor 90GD.coil KIT	1
		>> CAPILLARY COIL 1000	2
		>> Fixation ring pipe union R1/8" 90GD.Ni	1
		>> HANDLE DDG M16	1
		>> Screw M4x10 EE DIN7500 ZN	2
	2168862	>> Nut/Ferrule M6 D.3MM MS Ni (2 Pieces)	1
	2168860	>> Nut/Ferrule M8 D.5MM MS Ni (2 Pieces)	1

Motor-Typenschild / Motor type plate / Plaque identité moteur

Bei Ersatzteilbestellung Motor-Nummer angeben!

Indicate motor number for order of spare parts!

Pour une commande de pièces détachées, donner le numéro du moteur!

ELEC

Motor-Nummer  
motor number  
numéro du moteur

<b>3~Induction Motor</b>					
Made by WILLO Group					
<b>3511218</b>	<b>W132240-4-V1NPE</b>		<b>0902.001</b>		
Class F	S1	IP55	69kg	EN60034	
50Hz	5.5kW	SF=L1S	60Hz	6.45kW	
YΔ 400/690V	10,6/6,13A	Y 440-480V	10,9/10,35A		
Cosφ =0.81	1470min <sup>-1</sup>	Cosφ =0.81	1770min <sup>-1</sup>		
IE4-91.9%	91,9%	91,1%	IE4-92.4%	92,4%	91,8%

WEG

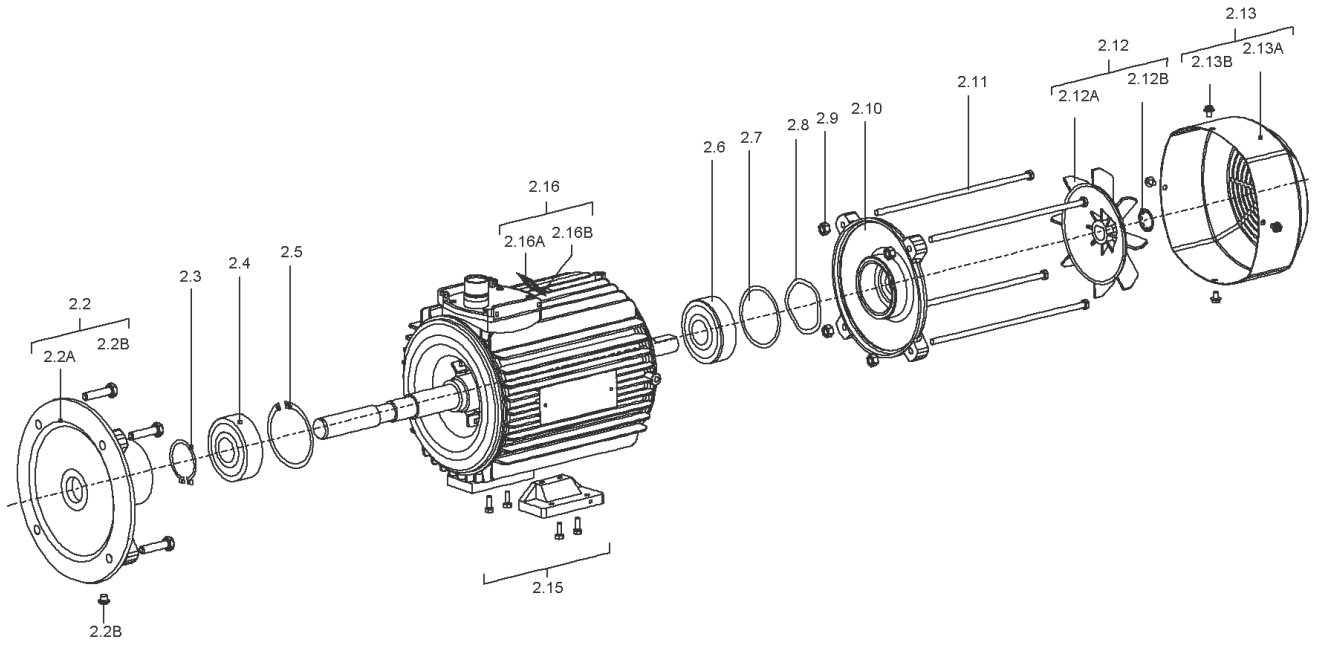
3~ AL180M/L-04		2015/12		1030615079	
AMB 40°C					
IP55	INS CL.F	Δ T 80 K	S1	SF 1.0	
V	Hz	kW	RPM	A	PF
400 / -			1480	29,5 / -	0,78
- / -					
- / -					
- / -					
400	IE4	93,9 (100%)	92,5 (75%)	90,8 (50%)	
- / -		- (100%)	- (75%)	- (50%)	
- A		- (100%)	- (75%)	- (50%)	
NEMA	Eff	- %	- HP	- V	- Hz
- A	PF	DES	CODE	SF	
← 6311-ZZ-C3 MOBIL POLYREX EM					162 kg
→ 6211-ZZ-C3					
MOD.TE01A0X1A0000301180					
IEC 60034					

VIBRATION LEVEL A
ACCORDING IEC 60034-14
BALANCED WITH NO KEY
WILO PART NO: <b>2151697</b>

Motor-Nummer  
motor number  
numéro du moteur

## Spare parts motor B35 5,5/2/132 300E IE4

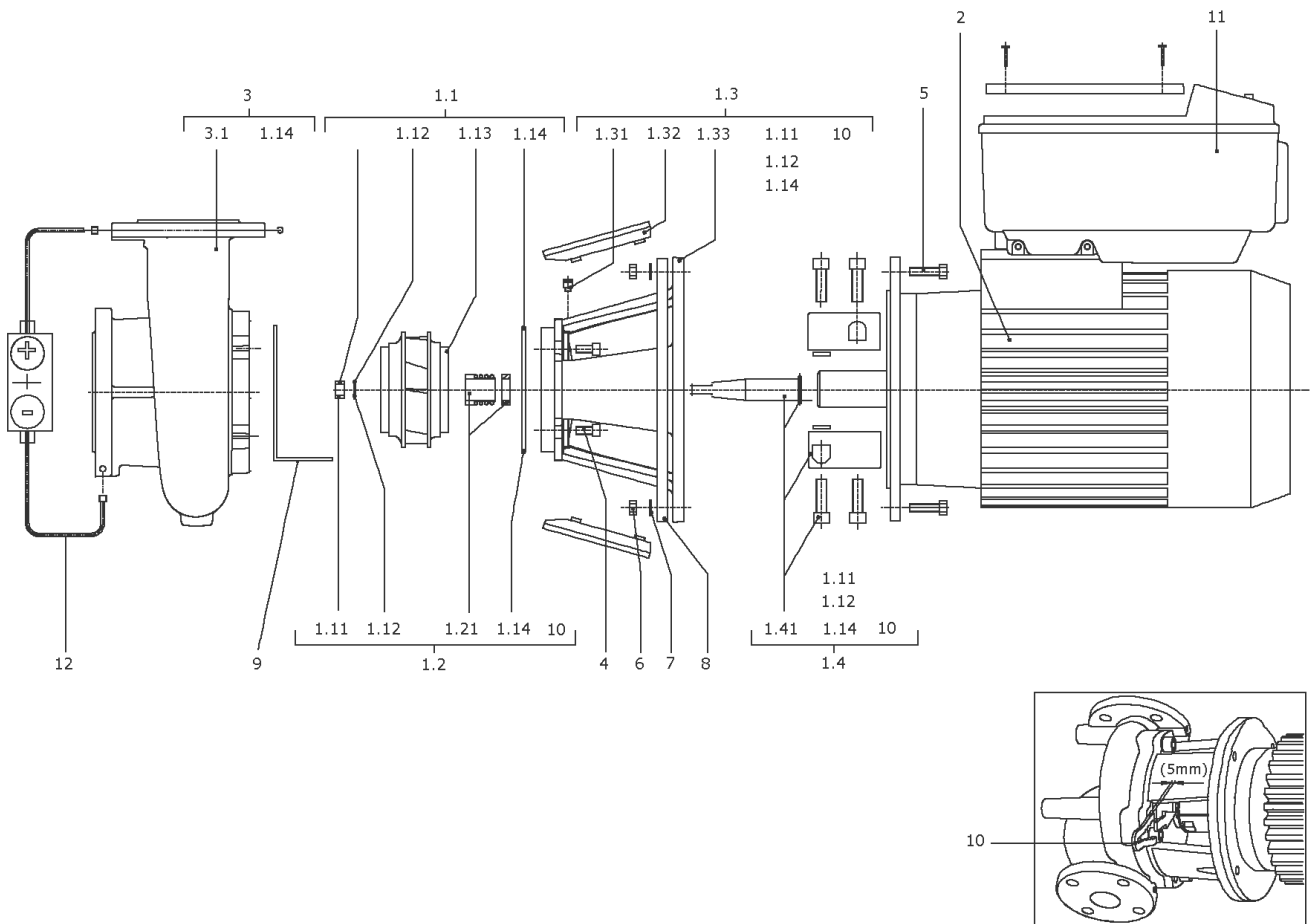
Item	Description	Quantity
ELEC	Motor B35 5,5/2/132 300E IE4 ELEC WILO	1





**Motor B35 5,5/2/132 300E IE4 ELEC WILO**

Item	Article no.	Description	Quantity
2.2	2175903	End shield BG132 FF265 D.E.ELEC KIT	1
Note: Please give the data from type plate of the motor			
2.2A		> Flange IEC132 V1 FF265 D.E.	1
2.2B	2111309	> CONDENSATE HOLE GASKET D5 VP.	1
2.3	2178920	Circlip D40 GB894.1 VP.	1
Note: Please give the data from type plate of the motor			
2.4	121266690	BALL BEARING 6308/2Z-C3 (HT) VP.	1
Note: Please give the data from type plate of the motor			
2.5	2178920	Circlip D40 GB894.1 VP.	1
Note: Please give the data from type plate of the motor			
2.6	2153173	Ball bearing 6206/VV-C3 VP.	1
2.8	2132469	SPRING RING D.62 JB/T7590 VP.	1
Note: Please give the data from type plate of the motor			
2.10	2178921	End shield BG132 N.D.E.ELEC VP.	1
Note: Please give the data from type plate of the motor			
2.11	2178989	Srews Torx Plus M8x335 (4 Pieces)	1
2.12	2175742	Fan BG112 ELEC KIT	1
Note: Please give the data from type plate of the motor			
2.12A		> FAN 174X20X17 GP2200 G/F20%	1
2.12B	2118396	> Tooth lock washer D.19,8x0,4 VP.	1
Note: Please give the data from type plate of the motor			
2.13	2178928	Fan hood BG132 ELEC KIT	1
Note: Please give the data from type plate of the motor			
2.13A		> FAN COVER IEC132 KTL ST14 T0.8 H103	1
2.13B	2178923	> Screw M5X8 GB/T3098.1 6.8(4 Pieces)	1
2.15	2192955	Motor foot cpl.BG132 ELEC KIT	1
2.16	2178924	Air guider IEC 132 Motor KIT	1
Note: Please give the data from type plate of the motor			
2.16A		> AIR GUIDER IEC 132 MOTOR	1
2.16B		> SCREW M8X16 TORX HEX 6.8 GB/T70	1



Item	Article no.	Description	Quantity
1.1	2037295	IMPELLER D.80/134/24 KIT	1
1.11	2027187	> NUT M12 DIN-EN24032 A2 VP.	1
1.12	2027190	> WASHER A13 DIN125-T2 A2 VP.	1
1.13		> IMPELLER 80/134/24 GG BALANCED	1
1.14	2037527	> O-RING 148,82x3,53 EPDM 70SR.VP.	1
	2042862	> WASHER S12 V2A VP.	1
1.2	2026902	MECHANICAL SEAL MG12/24-G60 AQ1EGG KIT	1
1.11	2027187	> NUT M12 DIN-EN24032 A2 VP.	1
1.12	2027190	> WASHER A13 DIN125-T2 A2 VP.	1
1.14	2037527	> O-RING 148,82x3,53 EPDM 70SR.VP.	1
1.14	2043160	> O-Ring 177,39x3,53 ISO3601B EPDM VP.	1
1.14	2042864	> O-RING ID.224x3,55 7EP1197-W534 VP.	1
1.14	2051680	> O-RING ID.276,7x5,29 7EP1197-W534 VP.	1
	2042862	> WASHER S12 V2A VP.	1
1.21		> MECHANICAL SEAL MG12/24-G60 AQ1EGG	1
10	2027202	> TOOL D.18/24/32 VP.	1
1.3	2037203	LANTERN P190X85,2-F265 KIT	1
1.11	2027187	> NUT M12 DIN-EN24032 A2 VP.	1
1.12	2027190	> WASHER A13 DIN125-T2 A2 VP.	1
1.14	2037527	> O-RING 148,82x3,53 EPDM 70SR.VP.	1
	2042862	> WASHER S12 V2A VP.	1
1.31	2027201	> BLOWGUN R1/8" VP.	1
1.32	2048834	> COUPLING GUARD F265 PA66 (4 PIECES)	1
1.33		> LANTERN P190X85,2-F265 GG KTL WILO	1
10	2027202	> TOOL D.18/24/32 VP.	1
1.4	2027227	COUPLING/SHAFT 24/38x142 OR.148 KIT	1
1.11	2027187	> NUT M12 DIN-EN24032 A2 VP.	1
1.12	2027190	> WASHER A13 DIN125-T2 A2 VP.	1
1.14	2037527	> O-RING 148,82x3,53 EPDM 70SR.VP.	1
	2042862	> WASHER S12 V2A VP.	1
1.41		> COUPLING 24/38+SHAFT 24X142 BG132 ZN KIT	1
10	2027202	> TOOL D.18/24/32 VP.	1
2	2168709	Motor B35 7,5/2/132/300E-IE4-ELEC(+Tool)	1
		Spare parts motor B35 7,5/2/132 300E IE4	1

**BL-E65/140-7,5/2 (2191387)**

Item	Article no.	Description	Quantity
3	2037178	PUMP HOUSING B65/140 PN16 KIT	1
1.14	2037527	> O-RING 148,82x3,53 EPDM 70SR.VP.	1
3.1		> PUMP HOUSING BL65/145 PN16 CPL.WILO	1
4	2027193	SCREW M16X30 ISO4762 8.8 (4 PIECES)	1
5	2037244	Screw M12X55 ISO4014 8.8 (4STÜCK)	1
6	2029305	NUT M12 DIN-EN24032 8 (4 PIECES)	1
7	2029335	WASHER A13 DIN125 ST (4 PIECES)	1
11	2191619	Module BL-E65/140-7,5/2-IE4 ELEC KIT	1
		> Module TL5 Flex SW4.0.21	1
	2111344	> MODULE COVER/GASKET TL5 KIT	1
	2120047	> CABLE CONNECTION M12x1,5/5 cpl.TL5 VP.	1
	2120048	> CABLE CONNECTION M16x1,5/5 cpl.TL5 VP.	1
	2120049	> CABLE CONNECTION M20x1,5/6 cpl.TL5 VP.	1
	2120050	> CABLE CONNECTION M25x1,5/8 cpl.TL5 VP.	1
12	2137271	DPS40-10(0-10V) KIT	1
	2106117	> DIFFERENT.PRESSURE SENSOR 40 LGX.KIT	1
		>> DPS40 spiral TZ.3mm Volt 2G	1
	2164077	>> Cable DPS 3x0,34x650 LG.bared 2G VP.	1
Note: from/ab/de 01.10.2013			
	2106125	> Connection sensor 90GD.coil KIT	1
		>> CAPILLARY COIL 1000	2
		>> Fixation ring pipe union R1/8" 90GD.Ni	1
		>> HANDLE DDG M16	1
		>> Screw M4x10 EE DIN7500 ZN	2
	2168862	>> Nut/Ferrule M6 D.3MM MS Ni (2 Pieces)	1
	2168860	>> Nut/Ferrule M8 D.5MM MS Ni (2 Pieces)	1

Motor-Typenschild / Motor type plate / Plaque identité moteur

Bei Ersatzteilbestellung Motor-Nummer angeben!

Indicate motor number for order of spare parts!

Pour une commande de pièces détachées, donner le numéro du moteur!

ELEC

Motor-Nummer  
motor number  
numéro du moteur

<b>3~Induction Motor</b>					
Made by WILLO Group					
<b>3511218</b>	<b>W132240-4-V1NPE</b>		<b>0902.001</b>		
Class F	S1	IP55	69kg	EN60034	
50Hz	5.5kW	SF=1.15	60Hz	6.45kW	
YΔ 400/690V	10,6/6,13A	Y 440-480V	10,9/10,35A		
Cosφ =0.81	1470min <sup>-1</sup>	Cosφ =0.81	1770min <sup>-1</sup>		
IE4-91.9%	91,9%	91,1%	IE4-92.4%	92,4%	91,8%

WEG

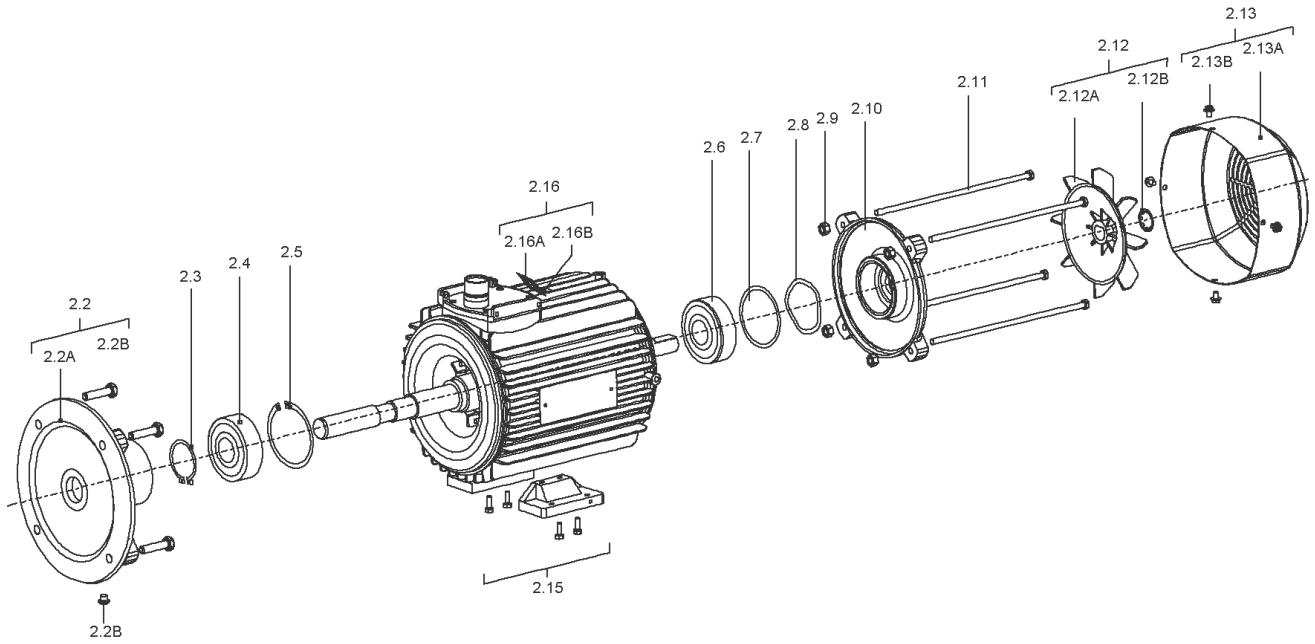
3~ AL180M/L-04		2015/12	1030615079		
AMB 40°C					
IP55	INS CL.F	Δ T 80 K	S1	SF 1.0	
V	Hz	kW	RPM	A	PF
400 / -			1480	29,5 / -	0,78
- / -					
- / -					
- / -					
400	IE4	93,9 (100%)	92,5 (75%)	90,8 (50%)	
- / -		- (100%)	- (75%)	- (50%)	
- A		- (100%)	- (75%)	- (50%)	
NEMA	Eff	- %	- HP	- V	- Hz
- A	PF	DES	CODE	SF	-
		6311-ZZ-C3	MOBIL POLYREX EM		162 kg
		6211-ZZ-C3			
MOD.TE01A0X1A0000301180					
IEC 60034					

VIBRATION LEVEL A
ACCORDING IEC 60034-14
BALANCED WITH NO KEY
WILO PART NO: <b>2151697</b>

Motor-Nummer  
motor number  
numéro du moteur

## Spare parts motor B35 7,5/2/132 300E IE4

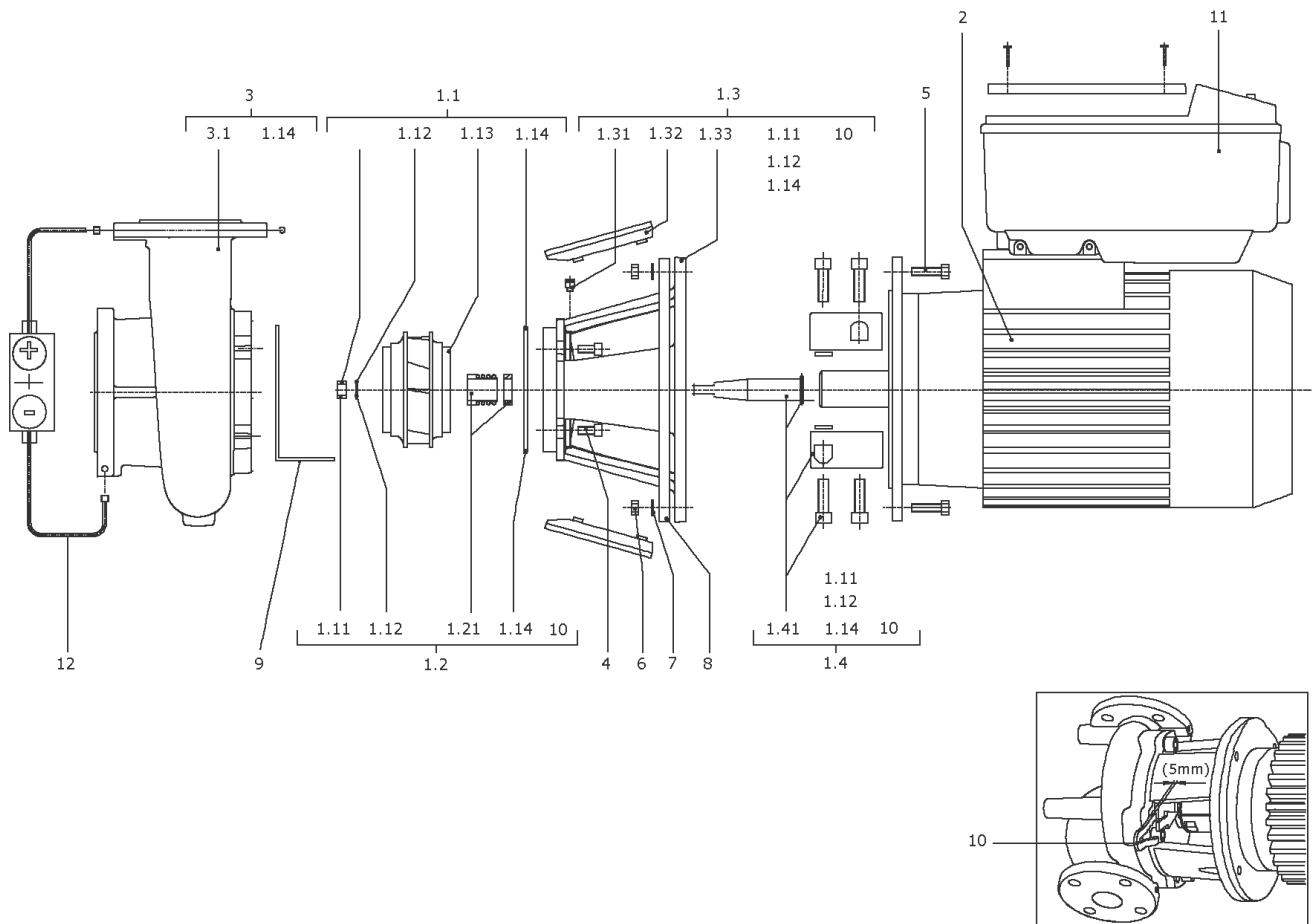
Item	Description	Quantity
ELEC	Motor B35 7,5/2/132/300E IE4 ELEC WILO	1



**Motor B35 7,5/2/132/300E IE4 ELEC WILO**

Item	Article no.	Description	Quantity
2.2	2175903	End shield BG132 FF265 D.E.ELEC KIT	1
Note: Please give the data from type plate of the motor			
2.2A		> Flange IEC132 V1 FF265 D.E.	1
2.2B	2111309	> CONDENSATE HOLE GASKET D5 VP.	1
2.3	2178920	Circlip D40 GB894.1 VP.	1
Note: Please give the data from type plate of the motor			
2.4	121266690	BALL BEARING 6308/2Z-C3 (HT) VP.	1
Note: Please give the data from type plate of the motor			
2.5	2192954	Circlip D90 GB893.1 VP.	1
Note: Please give the data from type plate of the motor			
2.6	2153173	Ball bearing 6206/VV-C3 VP.	1
Note: Please give the data from type plate of the motor			
2.8	2132469	SPRING RING D.62 JB/T7590 VP.	1
2.10	2178921	End shield BG132 N.D.E.ELEC VP.	1
Note: Please give the data from type plate of the motor			
2.11	2178989	Srews Torx Plus M8x335 (4 Pieces)	1
Note: Please give the data from type plate of the motor			
2.12	2175742	Fan BG112 ELEC KIT	1
Note: Please give the data from type plate of the motor			
2.12A		> FAN 174X20X17 GP2200 G/F20%	1
2.12B	2118396	> Tooth lock washer D.19,8x0,4 VP.	1
Note: Please give the data from type plate of the motor			
2.13	2178928	Fan hood BG132 ELEC KIT	1
Note: Please give the data from type plate of the motor			
2.13A		> FAN COVER IEC132 KTL ST14 T0.8 H103	1
2.13B	2178923	> Screw M5X8 GB/T3098.1 6.8(4 Pieces)	1
2.15	2192955	Motor foot cpl.BG132 ELEC KIT	1
2.16	2178924	Air guider IEC 132 Motor KIT	1
Note: Please give the data from type plate of the motor			
2.16A		> AIR GUIDER IEC 132 MOTOR	1
2.16B		> SCREW M8X16 TORX HEX 6.8 GB/T70	1





Item	Article no.	Description	Quantity
1.1	2135920	IMPELLER 80/270-239-119,6/24 GG KIT	1
1.11	2027187	> NUT M12 DIN-EN24032 A2 VP.	1
1.12	2027190	> WASHER A13 DIN125-T2 A2 VP.	1
1.13		> IMPELLER 80/270-239-119,6/24 GG BAL.	1
1.14	2051680	> O-RING ID.276,7x5,29 7EP1197-W534 VP.	1
	2042862	> WASHER S12 V2A VP.	1
1.2	2026902	MECHANICAL SEAL MG12/24-G60 AQ1EGG KIT	1
1.11	2027187	> NUT M12 DIN-EN24032 A2 VP.	1
1.12	2027190	> WASHER A13 DIN125-T2 A2 VP.	1
1.14	2037527	> O-RING 148,82x3,53 EPDM 70SR.VP.	1
1.14	2043160	> O-Ring 177,39x3,53 ISO3601B EPDM VP.	1
1.14	2042864	> O-RING ID.224x3,55 7EP1197-W534 VP.	1
1.14	2051680	> O-RING ID.276,7x5,29 7EP1197-W534 VP.	1
	2042862	> WASHER S12 V2A VP.	1
1.21		> MECHANICAL SEAL MG12/24-G60 AQ1EGG	1
10	2027202	> TOOL D.18/24/32 VP.	1
1.3	2051334	LANTERN P330X120-F265 KIT	1
1.11	2027187	> NUT M12 DIN-EN24032 A2 VP.	1
1.12	2027190	> WASHER A13 DIN125-T2 A2 VP.	1
1.14	2051680	> O-RING ID.276,7x5,29 7EP1197-W534 VP.	1
	2042862	> WASHER S12 V2A VP.	1
1.31	2027201	> BLOWGUN R1/8" VP.	1
1.32	2048845	> COUPLING GUARD P270-F265 PA66 (2 PIECES)	1
1.33		> LANTERN P330X120-F265 GG KTL WILO	1
10	2027202	> TOOL D.18/24/32 VP.	1
1.4	2048444	COUPLING/SHAFT D.24/38X153 KIT	1
1.11	2027187	> NUT M12 DIN-EN24032 A2 VP.	1
1.12	2027190	> WASHER A13 DIN125-T2 A2 VP.	1
1.14	2042864	> O-RING ID.224x3,55 7EP1197-W534 VP.	1
1.14	2051680	> O-RING ID.276,7x5,29 7EP1197-W534 VP.	1
	2042862	> WASHER S12 V2A VP.	1
1.41		> COUPLING 24/38+SHAFT 24X153 GR132 ZN KIT	1
10	2027202	> TOOL D.18/24/32 VP.	1
2	2169161	Motor B35 5,5/4/132/300E-IE4-ELEC(+Tool)	1

**BL-E65/240-5,5/4 (2191388)**

Item	Article no.	Description	Quantity
		Spare parts motor B35 5,5/4/132 300E IE4	1
3	2135944	PUMP HOUSING B65/270-P330 PN16 KIT	1
1.14	2051680	> O-RING ID.276,7x5,29 7EP1197-W534 VP.	1
3.1		> PUMP HOUSING B65/270-P330 PN16 CPL.WILO	1
4	2027193	SCREW M16X30 ISO4762 8.8 (4 PIECES)	1
5	2027195	SCREW M12X25 DIN912 8.8 (4 PIECES)	1
11	2191620	Module BL-E65/240-5,5/4-IE4 ELEC KIT	1
		> Module TL5 4Pol. SW4.0.21	1
	2111344	> MODULE COVER/GASKET TL5 KIT	1
	2120047	> CABLE CONNECTION M12x1,5/5 cpl.TL5 VP.	1
	2120048	> CABLE CONNECTION M16x1,5/5 cpl.TL5 VP.	1
	2120049	> CABLE CONNECTION M20x1,5/6 cpl.TL5 VP.	1
	2120050	> CABLE CONNECTION M25x1,5/8 cpl.TL5 VP.	1
12	2137271	DPS40-10(0-10V) KIT	1
	2106117	> DIFFERENT.PRESSURE SENSOR 40 LGX.KIT	1
		>> DPS40 spiral TZ.3mm Volt 2G	1
	2164077	>> Cable DPS 3x0,34x650 LG.bared 2G VP.	1
Note: from/ab/de 01.10.2013			
	2106125	> Connection sensor 90GD.coil KIT	1
		>> CAPILLARY COIL 1000	2
		>> Fixation ring pipe union R1/8" 90GD.Ni	1
		>> HANDLE DDG M16	1
		>> Screw M4x10 EE DIN7500 ZN	2
	2168862	>> Nut/Ferrule M6 D.3MM MS Ni (2 Pieces)	1
	2168860	>> Nut/Ferrule M8 D.5MM MS Ni (2 Pieces)	1

Motor-Typenschild / Motor type plate / Plaque identité moteur

Bei Ersatzteilbestellung Motor-Nummer angeben!

Indicate motor number for order of spare parts!

Pour une commande de pièces détachées, donner le numéro du moteur!

ELEC

Motor-Nummer  
motor number  
numéro du moteur

<b>3~Induction Motor</b>					
Made by WILLO Group					
<b>351f218</b>	<b>W132240-4-V1NPE</b>		<b>0902.001</b>		
Class F	S1	IP55	69kg	EN60034	
50Hz	5.5kW	SF=L1S	60Hz	6.45kW	
YΔ 400/690V	10,6/6,13A	Y 440-480V	10,9/10,35A		
Cosφ =0.81	1470min <sup>-1</sup>	Cosφ =0.81	1770min <sup>-1</sup>		
IE4-91.9%	91,9%	91,1%	IE4-92.4%	92,4%	91,8%

WEG

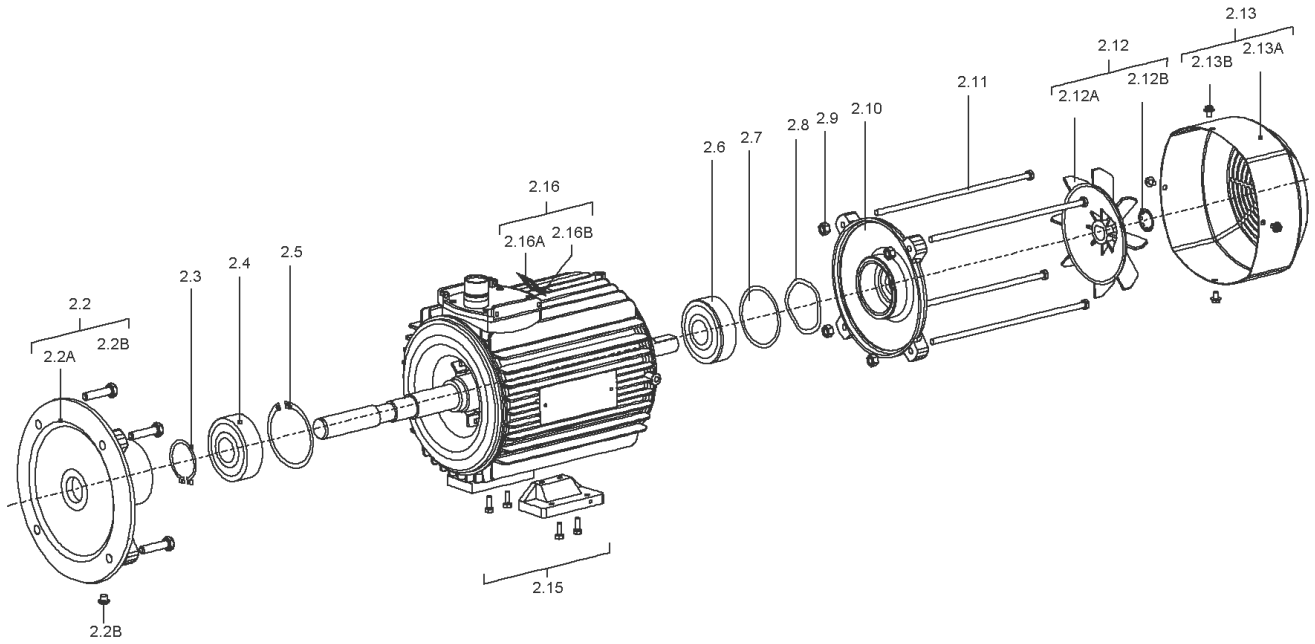
3~ AL180M/L-04		2015/12	1030615079		
AMB 40°C					
IP55	INS CL.F	Δ T 80 K	S1	SF 1.0	
V	Hz	kW	RPM	A	PF
400 / -			1480	29,5 / -	0,78
- / -					
- / -					
- / -					
400	IE4	93,9 (100%)	92,5 (75%)	90,8 (50%)	
- / -		- (100%)	- (75%)	- (50%)	
- A		- (100%)	- (75%)	- (50%)	
NEMA	Eff	- %	- HP	- V	- Hz
- A	PF	DES	CODE	SF	-
		6311-ZZ-C3	MOBIL POLYREX EM		162 kg
		6211-ZZ-C3			
MOD.TE01A0X1A0000301180					
IEC 60034					

VIBRATION LEVEL A
ACCORDING IEC 60034-14
BALANCED WITH NO KEY
WILO PART NO: <b>2151697</b>

Motor-Nummer  
motor number  
numéro du moteur

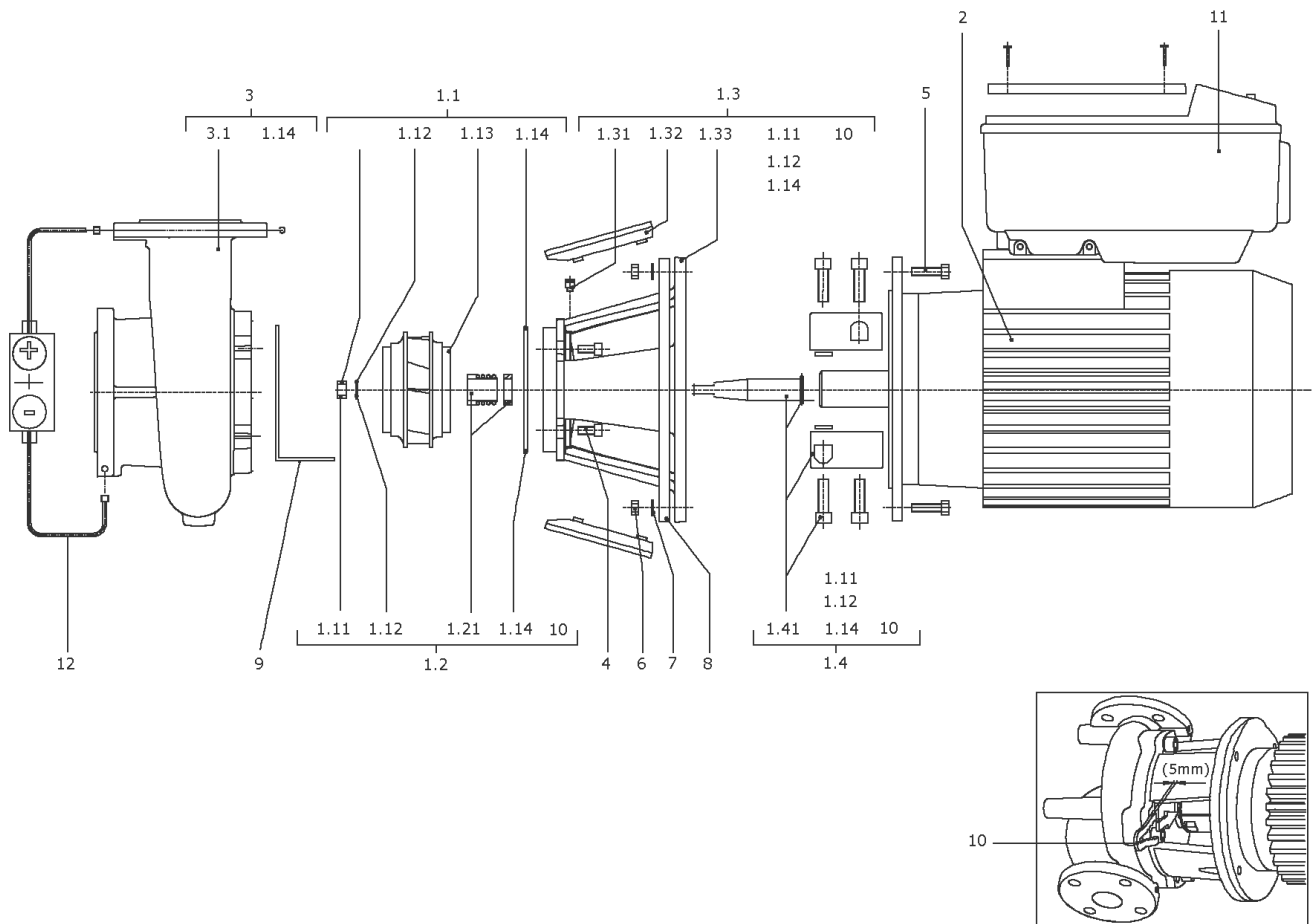
## Spare parts motor B35 5,5/4/132 300E IE4

Item	Description	Quantity
ELEC	Motor B35 5,5/4/132/300E ELEC IE4 WILO	1



**Motor B35 5,5/4/132/300E ELEC IE4 WILO**

Item	Article no.	Description	Quantity
2.2	2175903	End shield BG132 FF265 D.E.ELEC KIT	1
Note: Please give the data from type plate of the motor			
2.2A		> Flange IEC132 V1 FF265 D.E.	1
2.2B	2111309	> CONDENSATE HOLE GASKET D5 VP.	1
2.3	3504026	Stop Ring D40 GB894.1	1
Note: Please give the data from type plate of the motor			
2.4	121266690	BALL BEARING 6308/2Z-C3 (HT) VP.	1
Note: Please give the data from type plate of the motor			
2.5	2192954	Circlip D90 GB893.1 VP.	1
Note: Please give the data from type plate of the motor			
2.6	2153173	Ball bearing 6206/VV-C3 VP.	1
Note: Please give the data from type plate of the motor			
2.8	2132469	SPRING RING D.62 JB/T7590 VP.	1
2.9	2178926	Nut M8 (4 Pieces)	1
Note: Please give the data from type plate of the motor			
2.10	2178921	End shield BG132 N.D.E.ELEC VP.	1
Note: Please give the data from type plate of the motor			
2.11	2178925	Inner hexagon screws M8x50 (4 Pieces)	1
2.12	2178922	Fan IEC 230X20X17 KIT	1
Note: Please give the data from type plate of the motor			
2.12A		> FAN 230x20x17 GP2200 G/F20%	1
2.12B	2118396	> Tooth lock washer D.19,8x0,4 VP.	1
2.13	2178928	Fan hood BG132 ELEC KIT	1
Note: Please give the data from type plate of the motor			
2.13A		> FAN COVER IEC132 KTL ST14 T0.8 H103	1
2.13B	2178923	> Screw M5X8 GB/T3098.1 6.8(4 Pieces)	1
2.15	2192955	Motor foot cpl.BG132 ELEC KIT	1
2.16	2178924	Air guider IEC 132 Motor KIT	1
Note: Please give the data from type plate of the motor			
2.16A		> AIR GUIDER IEC 132 MOTOR	1
2.16B		> SCREW M8X16 TORX HEX 6.8 GB/T70	1





Item	Article no.	Description	Quantity
1.1	2135921	IMPELLER 80/270-265-119,6/24 GG KIT	1
1.11	2027187	> NUT M12 DIN-EN24032 A2 VP.	1
1.12	2027190	> WASHER A13 DIN125-T2 A2 VP.	1
1.13		> IMPELLER 80/270-265-119,6/24 GG GEW	1
1.14	2051680	> O-RING ID.276,7x5,29 7EP1197-W534 VP.	1
	2042862	> WASHER S12 V2A VP.	1
1.2	2026902	MECHANICAL SEAL MG12/24-G60 AQ1EGG KIT	1
1.11	2027187	> NUT M12 DIN-EN24032 A2 VP.	1
1.12	2027190	> WASHER A13 DIN125-T2 A2 VP.	1
1.14	2037527	> O-RING 148,82x3,53 EPDM 70SR.VP.	1
1.14	2043160	> O-Ring 177,39x3,53 ISO3601B EPDM VP.	1
1.14	2042864	> O-RING ID.224x3,55 7EP1197-W534 VP.	1
1.14	2051680	> O-RING ID.276,7x5,29 7EP1197-W534 VP.	1
	2042862	> WASHER S12 V2A VP.	1
1.21		> MECHANICAL SEAL MG12/24-G60 AQ1EGG	1
10	2027202	> TOOL D.18/24/32 VP.	1
1.3	2051334	LANTERN P330X120-F265 KIT	1
1.11	2027187	> NUT M12 DIN-EN24032 A2 VP.	1
1.12	2027190	> WASHER A13 DIN125-T2 A2 VP.	1
1.14	2051680	> O-RING ID.276,7x5,29 7EP1197-W534 VP.	1
	2042862	> WASHER S12 V2A VP.	1
1.31	2027201	> BLOWGUN R1/8" VP.	1
1.32	2048845	> COUPLING GUARD P270-F265 PA66 (2 PIECES)	1
1.33		> LANTERN P330X120-F265 GG KTL WILO	1
10	2027202	> TOOL D.18/24/32 VP.	1
1.4	2048444	COUPLING/SHAFT D.24/38X153 KIT	1
1.11	2027187	> NUT M12 DIN-EN24032 A2 VP.	1
1.12	2027190	> WASHER A13 DIN125-T2 A2 VP.	1
1.14	2042864	> O-RING ID.224x3,55 7EP1197-W534 VP.	1
1.14	2051680	> O-RING ID.276,7x5,29 7EP1197-W534 VP.	1
	2042862	> WASHER S12 V2A VP.	1
1.41		> COUPLING 24/38+SHAFT 24X153 GR132 ZN KIT	1
10	2027202	> TOOL D.18/24/32 VP.	1
2	2169163	Motor B35 7,5/4/132/300E-IE4-ELEC(+Tool)	1

**BL-E65/265-7,5/4 (2191389)**

Item	Article no.	Description	Quantity
		Spare parts motor B35 7,5/4/132/300E IE4	1
3	2135944	PUMP HOUSING B65/270-P330 PN16 KIT	1
1.14	2051680	> O-RING ID.276,7x5,29 7EP1197-W534 VP.	1
3.1		> PUMP HOUSING B65/270-P330 PN16 CPL.WILO	1
4	2027193	SCREW M16X30 ISO4762 8.8 (4 PIECES)	1
5	2027195	SCREW M12X25 DIN912 8.8 (4 PIECES)	1
11	2191621	Module BL-E65/265-7,5/4-IE4 ELEC KIT	1
		> Module TL5 4Pol. SW4.0.21	1
	2111344	> MODULE COVER/GASKET TL5 KIT	1
	2120047	> CABLE CONNECTION M12x1,5/5 cpl.TL5 VP.	1
	2120048	> CABLE CONNECTION M16x1,5/5 cpl.TL5 VP.	1
	2120049	> CABLE CONNECTION M20x1,5/6 cpl.TL5 VP.	1
	2120050	> CABLE CONNECTION M25x1,5/8 cpl.TL5 VP.	1
12	2137271	DPS40-10(0-10V) KIT	1
	2106117	> DIFFERENT.PRESSURE SENSOR 40 LGX.KIT	1
		>> DPS40 spiral TZ.3mm Volt 2G	1
	2164077	>> Cable DPS 3x0,34x650 LG.bared 2G VP.	1
Note: from/ab/de 01.10.2013			
	2106125	> Connection sensor 90GD.coil KIT	1
		>> CAPILLARY COIL 1000	2
		>> Fixation ring pipe union R1/8" 90GD.Ni	1
		>> HANDLE DDG M16	1
		>> Screw M4x10 EE DIN7500 ZN	2
	2168862	>> Nut/Ferrule M6 D.3MM MS Ni (2 Pieces)	1
	2168860	>> Nut/Ferrule M8 D.5MM MS Ni (2 Pieces)	1

Motor-Typenschild / Motor type plate / Plaque identité moteur

Bei Ersatzteilbestellung Motor-Nummer angeben!

Indicate motor number for order of spare parts!

Pour une commande de pièces détachées, donner le numéro du moteur!

ELEC

Motor-Nummer  
motor number  
numéro du moteur

<b>3~Induction Motor</b>					
Made by WILLO Group					
<b>351f218</b>	<b>W132240-4-V1NPE</b>		<b>0902.001</b>		
Class F	S1	IP55	69kg	EN60034	
50Hz	5.5kW	SF=L1S	60Hz	6.45kW	
YΔ 400/690V	10,6/6,13A	Y 440-480V	10,9/10,35A		
Cosφ =0.81	1470min <sup>-1</sup>	Cosφ =0.81	1770min <sup>-1</sup>		
IE4-91.9%	91,9%	91,1%	IE4-92.4%	92,4%	91,8%

WEG

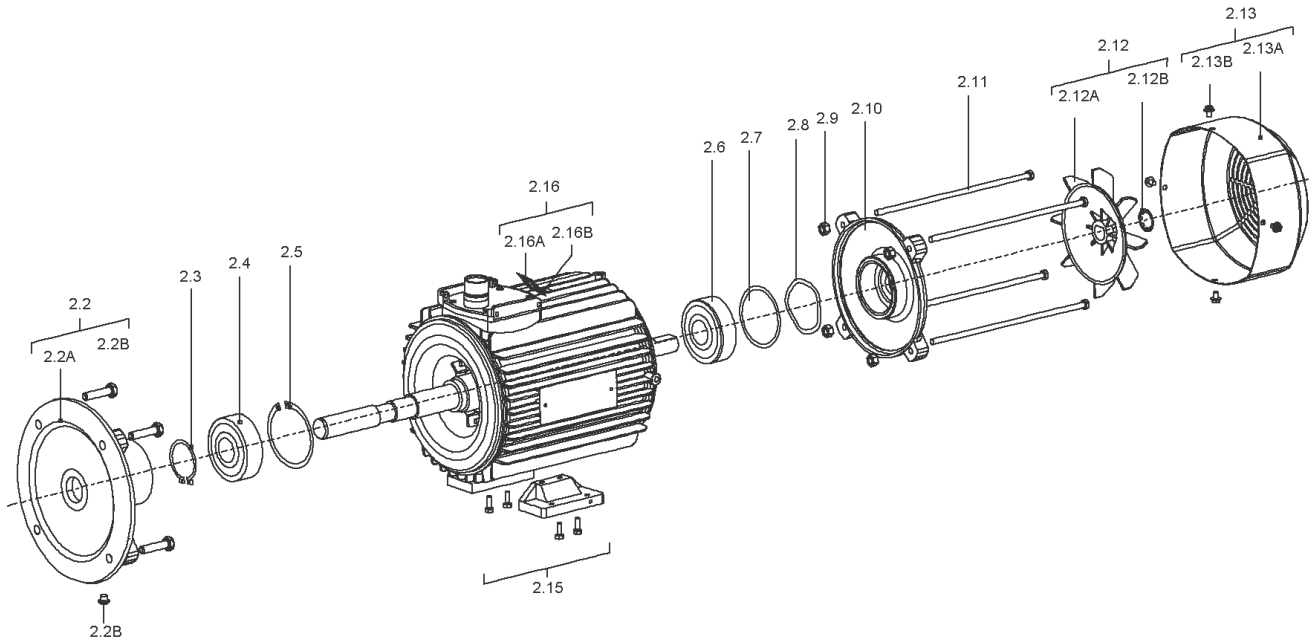
3~ AL180M/L-04		2015/12	1030615079		
AMB 40°C					
IP55	INS CL.F	Δ T 80 K	S1	SF 1.0	
V	Hz	kW	RPM	A	PF
400 / -			1480	29,5 / -	0,78
- / -					
- / -					
- / -					
400	IE4	93,9 (100%)	92,5 (75%)	90,8 (50%)	
- / -		- (100%)	- (75%)	- (50%)	
- A		- (100%)	- (75%)	- (50%)	
NEMA	Eff	- %	- HP	- V	- Hz
- A	PF	DES	CODE	SF	
← 6311-ZZ-C3 MOBIL POLYREX EM → 6211-ZZ-C3				162 kg	
MOD.TE01A0X1A0000301180					
IEC 60034					

VIBRATION LEVEL A
ACCORDING IEC 60034-14
BALANCED WITH NO KEY
WILO PART NO: <b>2151697</b>

Motor-Nummer  
motor number  
numéro du moteur

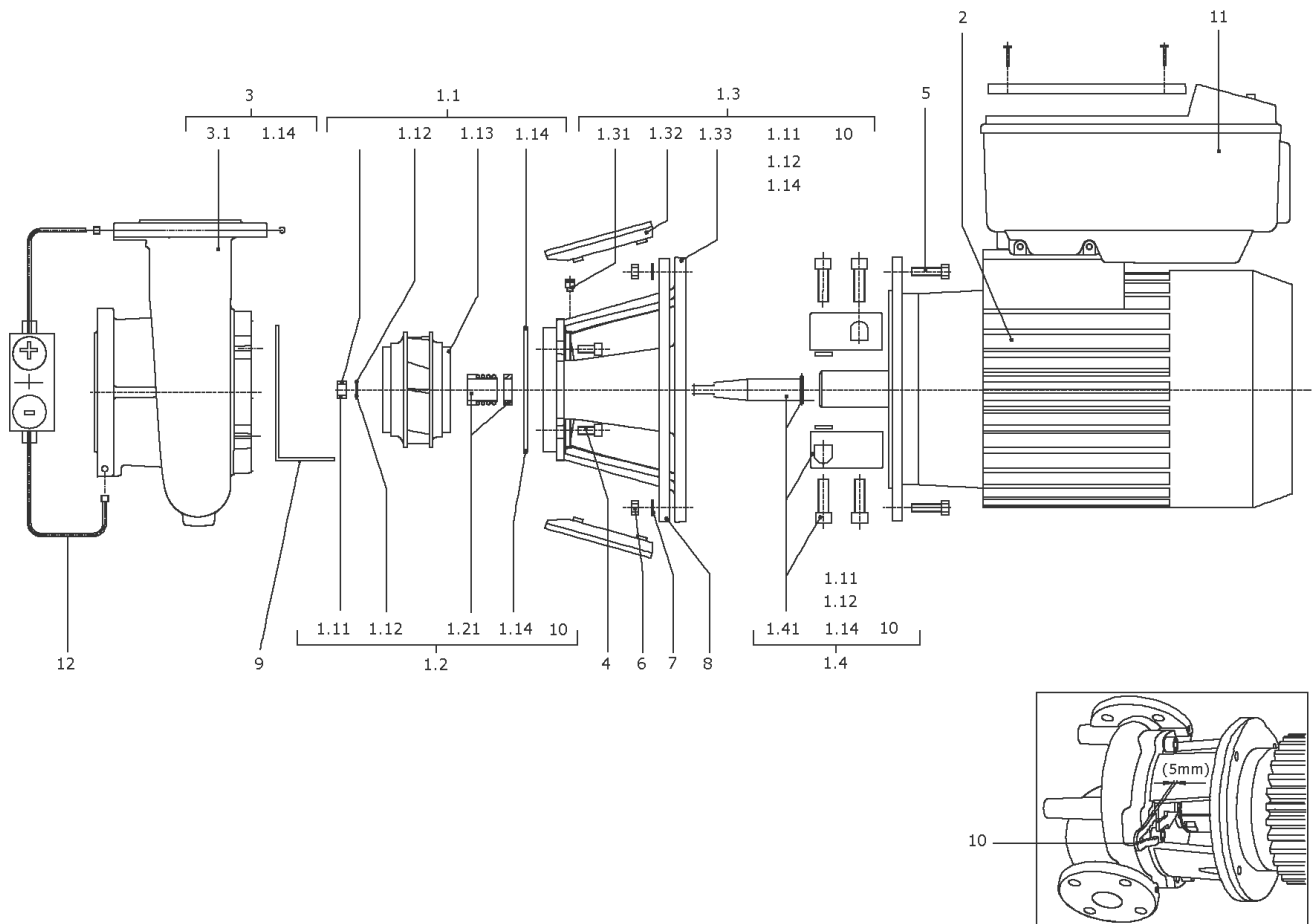
## Spare parts motor B35 7,5/4/132/300E IE4

Item	Description	Quantity
ELEC	Moteur B35 7,5/4/132/300E ELEC IE4 WILO	1



**Moteur B35 7,5/4/132/300E ELEC IE4 WILO**

Item	Article no.	Description	Quantity
2.2	2175903	End shield BG132 FF265 D.E.ELEC KIT	1
Note: Please give the data from type plate of the motor			
2.2A		> Flange IEC132 V1 FF265 D.E.	1
2.2B	2111309	> CONDENSATE HOLE GASKET D5 VP.	1
2.3	2178920	Circlip D40 GB894.1 VP.	1
Note: Please give the data from type plate of the motor			
2.4	121266690	BALL BEARING 6308/2Z-C3 (HT) VP.	1
Note: Please give the data from type plate of the motor			
2.5	2192954	Circlip D90 GB893.1 VP.	1
Note: Please give the data from type plate of the motor			
2.6	2153173	Ball bearing 6206/VV-C3 VP.	1
Note: Please give the data from type plate of the motor			
2.8	2132469	SPRING RING D.62 JB/T7590 VP.	1
2.9	2178926	Nut M8 (4 Pieces)	1
Note: Please give the data from type plate of the motor			
2.10	2178921	End shield BG132 N.D.E.ELEC VP.	1
Note: Please give the data from type plate of the motor			
2.11	2178925	Inner hexagon screws M8x50 (4 Pieces)	1
2.12	2188089	Fan IEC 230X20X17 H52 KIT	1
Note: Please give the data from type plate of the motor			
2.12A		> FAN 230X20X17 GP2200 G/F20% H52	1
2.12B	2118396	> Tooth lock washer D.19,8x0,4 VP.	1
2.13	2188090	Fan hood BG132L ELEC KIT	1
Note: Please give the data from type plate of the motor			
2.13A		> FAN COVER IEC132 KTL ST14 T1.0 H123	1
2.13B	2178923	> Screw M5X8 GB/T3098.1 6.8(4 Pieces)	1
2.15	2192955	Motor foot cpl.BG132 ELEC KIT	1
2.16	2178924	Air guider IEC 132 Motor KIT	1
Note: Please give the data from type plate of the motor			
2.16A		> AIR GUIDER IEC 132 MOTOR	1
2.16B		> SCREW M8X16 TORX HEX 6.8 GB/T70	1



**BL-E80/220-5,5/4 (2191390)**

Item	Article no.	Description	Quantity
1.1	2123420	IMPELLER D.100/221/24 KIT	1
1.11	2027187	> NUT M12 DIN-EN24032 A2 VP.	1
1.12	2027190	> WASHER A13 DIN125-T2 A2 VP.	1
1.13		> IMPELLER 100/221/24 GG BALANCED	1
1.14	2042864	> O-RING ID.224x3,55 7EP1197-W534 VP.	1
	2042862	> WASHER S12 V2A VP.	1
1.2	2026902	MECHANICAL SEAL MG12/24-G60 AQ1EGG KIT	1
1.11	2027187	> NUT M12 DIN-EN24032 A2 VP.	1
1.12	2027190	> WASHER A13 DIN125-T2 A2 VP.	1
1.14	2037527	> O-RING 148,82x3,53 EPDM 70SR.VP.	1
1.14	2043160	> O-Ring 177,39x3,53 ISO3601B EPDM VP.	1
1.14	2042864	> O-RING ID.224x3,55 7EP1197-W534 VP.	1
1.14	2051680	> O-RING ID.276,7x5,29 7EP1197-W534 VP.	1
	2042862	> WASHER S12 V2A VP.	1
1.21		> MECHANICAL SEAL MG12/24-G60 AQ1EGG	1
10	2027202	> TOOL D.18/24/32 VP.	1
1.3	2042721	LANTERN P270X122-F265 KTL KIT	1
1.11	2027187	> NUT M12 DIN-EN24032 A2 VP.	1
1.12	2027190	> WASHER A13 DIN125-T2 A2 VP.	1
1.14	2042864	> O-RING ID.224x3,55 7EP1197-W534 VP.	1
	2042862	> WASHER S12 V2A VP.	1
1.31	2027201	> BLOWGUN R1/8" VP.	1
1.32	2048845	> COUPLING GUARD P270-F265 PA66 (2 PIECES)	1
1.33		> LANTERN P270X122-F265 GG KTL WILO	1
10	2027202	> TOOL D.18/24/32 VP.	1
1.4	2048444	COUPLING/SHAFT D.24/38X153 KIT	1
1.11	2027187	> NUT M12 DIN-EN24032 A2 VP.	1
1.12	2027190	> WASHER A13 DIN125-T2 A2 VP.	1
1.14	2042864	> O-RING ID.224x3,55 7EP1197-W534 VP.	1
1.14	2051680	> O-RING ID.276,7x5,29 7EP1197-W534 VP.	1
	2042862	> WASHER S12 V2A VP.	1
1.41		> COUPLING 24/38+SHAFT 24X153 GR132 ZN KIT	1
10	2027202	> TOOL D.18/24/32 VP.	1
2	2169161	Motor B35 5,5/4/132/300E-IE4-ELEC(+Tool)	1



**BL-E80/220-5,5/4 (2191390)**

Item	Article no.	Description	Quantity
		Spare parts motor B35 5,5/4/132 300E IE4	1
3	2042763	PUMP HOUSING B80/230 PN16 KIT	1
1.14	2042864	> O-RING ID.224x3,55 7EP1197-W534 VP.	1
3.1		> PUMP HOUSING BL80/230 PN16 CPL.WILO	1
4	2027193	SCREW M16X30 ISO4762 8.8 (4 PIECES)	1
5	2027195	SCREW M12X25 DIN912 8.8 (4 PIECES)	1
11	2191622	Module BL-E80/220-5,5/4-IE4 ELEC KIT	1
		> Module TL5 4Pol. SW4.0.21	1
	2111344	> MODULE COVER/GASKET TL5 KIT	1
	2120047	> CABLE CONNECTION M12x1,5/5 cpl.TL5 VP.	1
	2120048	> CABLE CONNECTION M16x1,5/5 cpl.TL5 VP.	1
	2120049	> CABLE CONNECTION M20x1,5/6 cpl.TL5 VP.	1
	2120050	> CABLE CONNECTION M25x1,5/8 cpl.TL5 VP.	1
12	2137268	DPS20-11(0-10V) KIT	1
	2116736	> DIFFERENTIAL PRESSURE SENSOR 20 LGX.KIT	1
		>> DPS20 spiral TZ.3mm Volt 2G	1
	2164077	>> Cable DPS 3x0,34x650 LG.bared 2G VP.	1
Note: from/ab/de 01.10.2013			
	2106125	> Connection sensor 90GD.coil KIT	1
		>> CAPILLARY COIL 1000	2
		>> Fixation ring pipe union R1/8" 90GD.Ni	1
		>> HANDLE DDG M16	1
		>> Screw M4x10 EE DIN7500 ZN	2
	2168862	>> Nut/Ferrule M6 D.3MM MS Ni (2 Pieces)	1
	2168860	>> Nut/Ferrule M8 D.5MM MS Ni (2 Pieces)	1

Motor-Typenschild / Motor type plate / Plaque identité moteur

Bei Ersatzteilbestellung Motor-Nummer angeben!

Indicate motor number for order of spare parts!

Pour une commande de pièces détachées, donner le numéro du moteur!

ELEC

Motor-Nummer  
motor number  
numéro du moteur

<b>3~Induction Motor</b>					
Made by WILLO Group					
<b>351f218</b>	<b>W132240-4-V1NPE</b>		<b>0902.001</b>		
Class F	S1	IP55	69kg	EN60034	
50Hz	5.5kW	SF=L1S	60Hz	6.45kW	
YΔ 400/690V	10,6/6,13A	Y 440-480V	10,9/10,35A		
Cosφ =0.81	1470min <sup>-1</sup>	Cosφ =0.81	1770min <sup>-1</sup>		
IE4-91.9%	91,9%	91,1%	IE4-92.4%	92,4%	91,8%

WEG

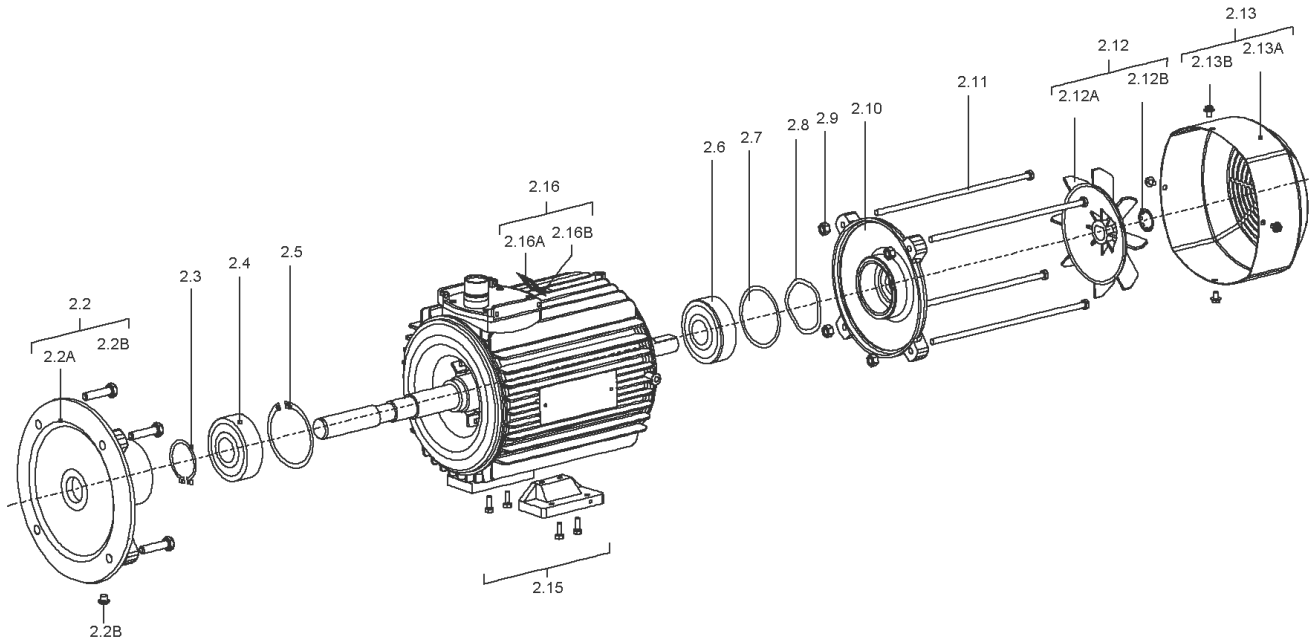
3~ AL180M/L-04		2015/12		1030615079	
AMB 40°C					
IP55	INS CL.F	Δ T 80 K	S1	SF 1.0	
V	Hz	kW	RPM	A	PF
400 / -			1480	29,5 / -	0,78
- / -					
- / -					
- / -					
400	IE4	93,9 (100%)	92,5 (75%)	90,8 (50%)	
- / -		- (100%)	- (75%)	- (50%)	
- A		- (100%)	- (75%)	- (50%)	
NEMA	Eff	- %	- HP	- V	- Hz
- A	PF	DES	CODE	SF	-
		6311-ZZ-C3	MOBIL POLYREX EM		162 kg
		6211-ZZ-C3			
MOD.TE01A0X1A0000301180					
IEC 60034					

VIBRATION LEVEL A
ACCORDING IEC 60034-14
BALANCED WITH NO KEY
WILO PART NO: <b>2151697</b>

Motor-Nummer  
motor number  
numéro du moteur

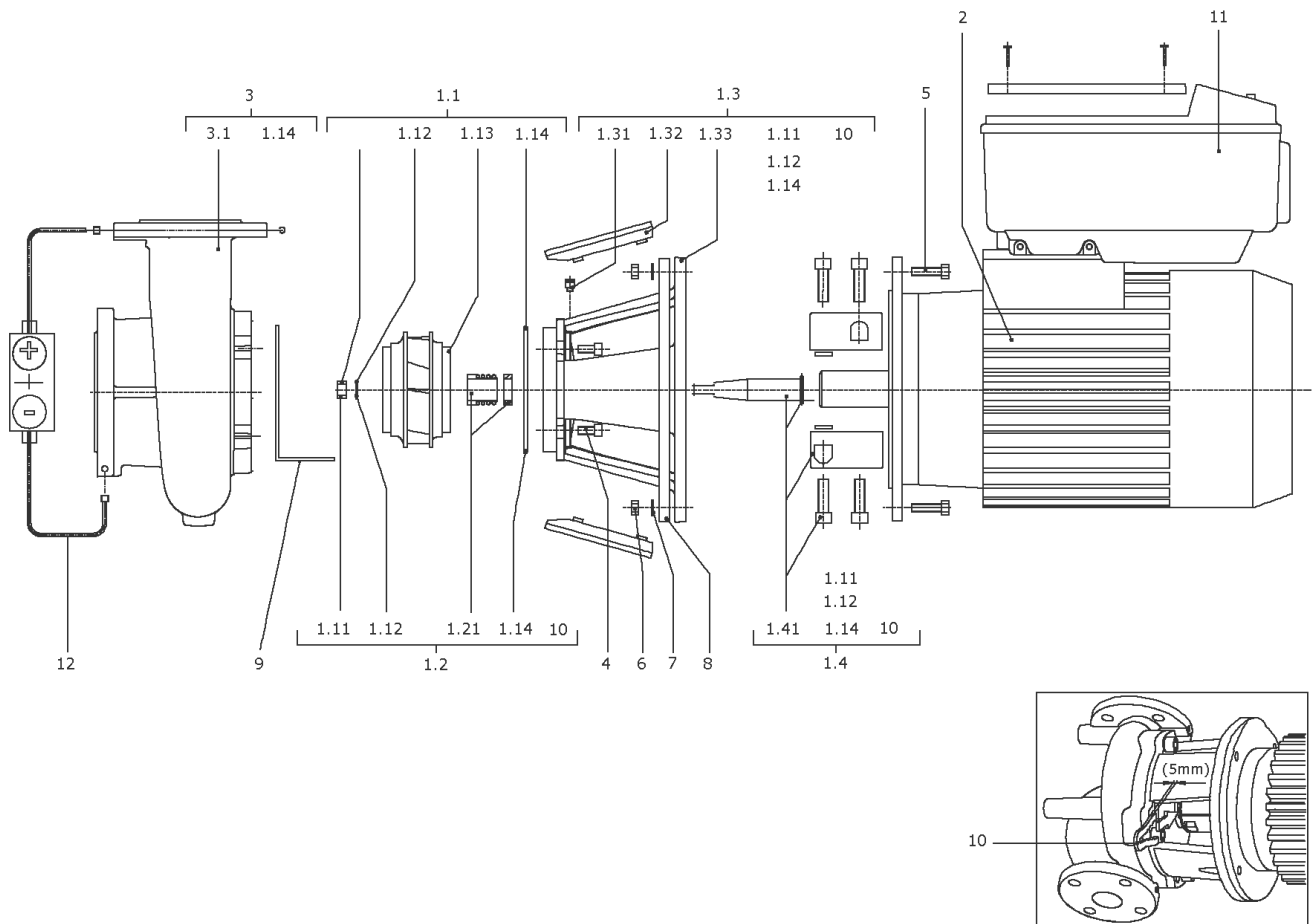
## Spare parts motor B35 5,5/4/132 300E IE4

Item	Description	Quantity
ELEC	Motor B35 5,5/4/132/300E ELEC IE4 WILO	1



**Motor B35 5,5/4/132/300E ELEC IE4 WILO**

Item	Article no.	Description	Quantity
2.2	2175903	End shield BG132 FF265 D.E.ELEC KIT	1
Note: Please give the data from type plate of the motor			
2.2A		> Flange IEC132 V1 FF265 D.E.	1
2.2B	2111309	> CONDENSATE HOLE GASKET D5 VP.	1
2.3	3504026	Stop Ring D40 GB894.1	1
Note: Please give the data from type plate of the motor			
2.4	121266690	BALL BEARING 6308/2Z-C3 (HT) VP.	1
Note: Please give the data from type plate of the motor			
2.5	2192954	Circlip D90 GB893.1 VP.	1
Note: Please give the data from type plate of the motor			
2.6	2153173	Ball bearing 6206/VV-C3 VP.	1
Note: Please give the data from type plate of the motor			
2.8	2132469	SPRING RING D.62 JB/T7590 VP.	1
2.9	2178926	Nut M8 (4 Pieces)	1
Note: Please give the data from type plate of the motor			
2.10	2178921	End shield BG132 N.D.E.ELEC VP.	1
Note: Please give the data from type plate of the motor			
2.11	2178925	Inner hexagon screws M8x50 (4 Pieces)	1
2.12	2178922	Fan IEC 230X20X17 KIT	1
Note: Please give the data from type plate of the motor			
2.12A		> FAN 230x20x17 GP2200 G/F20%	1
2.12B	2118396	> Tooth lock washer D.19,8x0,4 VP.	1
2.13	2178928	Fan hood BG132 ELEC KIT	1
Note: Please give the data from type plate of the motor			
2.13A		> FAN COVER IEC132 KTL ST14 T0.8 H103	1
2.13B	2178923	> Screw M5X8 GB/T3098.1 6.8(4 Pieces)	1
2.15	2192955	Motor foot cpl.BG132 ELEC KIT	1
2.16	2178924	Air guider IEC 132 Motor KIT	1
Note: Please give the data from type plate of the motor			
2.16A		> AIR GUIDER IEC 132 MOTOR	1
2.16B		> SCREW M8X16 TORX HEX 6.8 GB/T70	1



**BL-E80/250-7,5/4 (2191391)**

Item	Article no.	Description	Quantity
1.1	2138788	IMPELLER D.100/250/24 GG KIT	1
1.11	2027187	> NUT M12 DIN-EN24032 A2 VP.	1
1.12	2027190	> WASHER A13 DIN125-T2 A2 VP.	1
1.13		> Impeller D.100/250/240/24 GG balanced	1
1.14	2051680	> O-RING ID.276,7x5,29 7EP1197-W534 VP.	1
	2042862	> WASHER S12 V2A VP.	1
1.2	2026902	MECHANICAL SEAL MG12/24-G60 AQ1EGG KIT	1
1.11	2027187	> NUT M12 DIN-EN24032 A2 VP.	1
1.12	2027190	> WASHER A13 DIN125-T2 A2 VP.	1
1.14	2037527	> O-RING 148,82x3,53 EPDM 70SR.VP.	1
1.14	2043160	> O-Ring 177,39x3,53 ISO3601B EPDM VP.	1
1.14	2042864	> O-RING ID.224x3,55 7EP1197-W534 VP.	1
1.14	2051680	> O-RING ID.276,7x5,29 7EP1197-W534 VP.	1
	2042862	> WASHER S12 V2A VP.	1
1.21		> MECHANICAL SEAL MG12/24-G60 AQ1EGG	1
10	2027202	> TOOL D.18/24/32 VP.	1
1.3	2051334	LANTERN P330X120-F265 KIT	1
1.11	2027187	> NUT M12 DIN-EN24032 A2 VP.	1
1.12	2027190	> WASHER A13 DIN125-T2 A2 VP.	1
1.14	2051680	> O-RING ID.276,7x5,29 7EP1197-W534 VP.	1
	2042862	> WASHER S12 V2A VP.	1
1.31	2027201	> BLOWGUN R1/8" VP.	1
1.32	2048845	> COUPLING GUARD P270-F265 PA66 (2 PIECES)	1
1.33		> LANTERN P330X120-F265 GG KTL WILO	1
10	2027202	> TOOL D.18/24/32 VP.	1
1.4	2042735	COUPLING/SHAFT D.24/38X166 KIT	1
1.11	2027187	> NUT M12 DIN-EN24032 A2 VP.	1
1.12	2027190	> WASHER A13 DIN125-T2 A2 VP.	1
1.14	2042864	> O-RING ID.224x3,55 7EP1197-W534 VP.	1
1.14	2051680	> O-RING ID.276,7x5,29 7EP1197-W534 VP.	1
	2042862	> WASHER S12 V2A VP.	1
1.41		> COUPLING 24/38+SHAFT 24X166 BG132 ZN KIT	1
10	2027202	> TOOL D.18/24/32 VP.	1
2	2169163	Motor B35 7,5/4/132/300E-IE4-ELEC(+Tool)	1

**BL-E80/250-7,5/4 (2191391)**

Item	Article no.	Description	Quantity
		Spare parts motor B35 7,5/4/132/300E IE4	1
3	2051368	PUMP HOUSING BL80/270 PN16 KIT	1
1.14	2051680	> O-RING ID.276,7x5,29 7EP1197-W534 VP.	1
3.1		> PUMP HOUSING BL80/270 PN16 CPL.WILO	1
4	2027193	SCREW M16X30 ISO4762 8.8 (4 PIECES)	1
5	2027195	SCREW M12X25 DIN912 8.8 (4 PIECES)	1
11	2191623	Module BL-E80/250-7,5/4-IE4 ELEC KIT	1
		> Module TL5 4Pol. SW4.0.21	1
	2111344	> MODULE COVER/GASKET TL5 KIT	1
	2120047	> CABLE CONNECTION M12x1,5/5 cpl.TL5 VP.	1
	2120048	> CABLE CONNECTION M16x1,5/5 cpl.TL5 VP.	1
	2120049	> CABLE CONNECTION M20x1,5/6 cpl.TL5 VP.	1
	2120050	> CABLE CONNECTION M25x1,5/8 cpl.TL5 VP.	1
12	2137268	DPS20-11(0-10V) KIT	1
	2116736	> DIFFERENTIAL PRESSURE SENSOR 20 LGX.KIT	1
		>> DPS20 spiral TZ.3mm Volt 2G	1
	2164077	>> Cable DPS 3x0,34x650 LG.bared 2G VP.	1
Note: from/ab/de 01.10.2013			
	2106125	> Connection sensor 90GD.coil KIT	1
		>> CAPILLARY COIL 1000	2
		>> Fixation ring pipe union R1/8" 90GD.Ni	1
		>> HANDLE DDG M16	1
		>> Screw M4x10 EE DIN7500 ZN	2
	2168862	>> Nut/Ferrule M6 D.3MM MS Ni (2 Pieces)	1
	2168860	>> Nut/Ferrule M8 D.5MM MS Ni (2 Pieces)	1



Motor-Typenschild / Motor type plate / Plaque identité moteur

Bei Ersatzteilbestellung Motor-Nummer angeben!

Indicate motor number for order of spare parts!

Pour une commande de pièces détachées, donner le numéro du moteur!

ELEC

Motor-Nummer  
motor number  
numéro du moteur

<b>3~Induction Motor</b>					
Made by WILLO Group					
<b>351f218</b>	W132240-4-V1NPE		0902.001		
Class F	S1	IP55	69kg	EN60034	
50Hz	5.5kW	SF=L1S	60Hz	6.45kW	
YΔ 400/690V	10,6/6,13A	Y 440-480V	10,9/10,35A		
Cosφ =0.81	1470min <sup>-1</sup>	Cosφ =0.81	1770min <sup>-1</sup>		
IE4-91.9%	91,9%	91,1%	IE4-92.4%	92,4%	91,8%

WEG

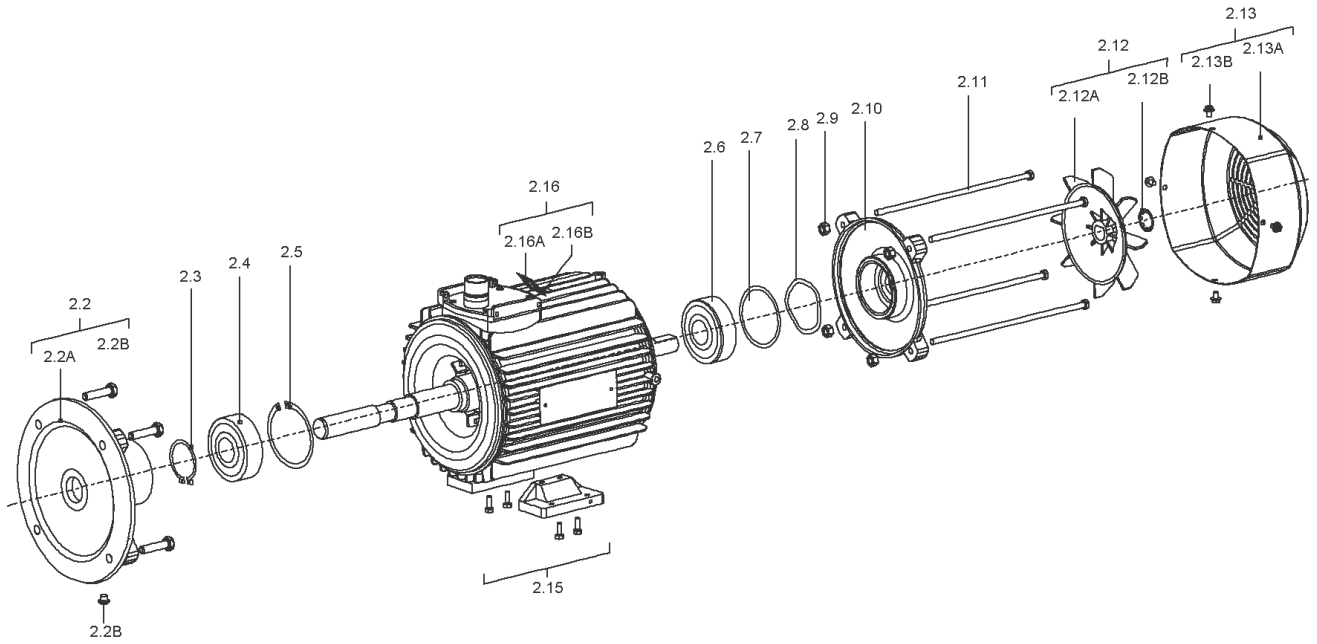
3~ AL180M/L-04		2015/12		1030615079	
AMB 40°C					
IP55	INS CL.F	Δ T 80 K	S1	SF 1.0	
V	Hz	kW	RPM	A	PF
400 / -			1480	29,5 / -	0,78
- / -					
- / -					
- / -					
400	IE4	93,9 (100%)	92,5 (75%)	90,8 (50%)	
- / -		- (100%)	- (75%)	- (50%)	
- A		- (100%)	- (75%)	- (50%)	
NEMA	Eff	- %	- HP	- V	- Hz
- A	PF	DES	CODE	SF	-
← 6311-ZZ-C3 MOBIL POLYREX EM				162 kg	
→ 6211-ZZ-C3				MOD.TE01A0X1A0000301180	
IEC 60034					

VIBRATION LEVEL A
ACCORDING IEC 60034-14
BALANCED WITH NO KEY
WILO PART NO: <b>2151697</b>

Motor-Nummer  
motor number  
numéro du moteur

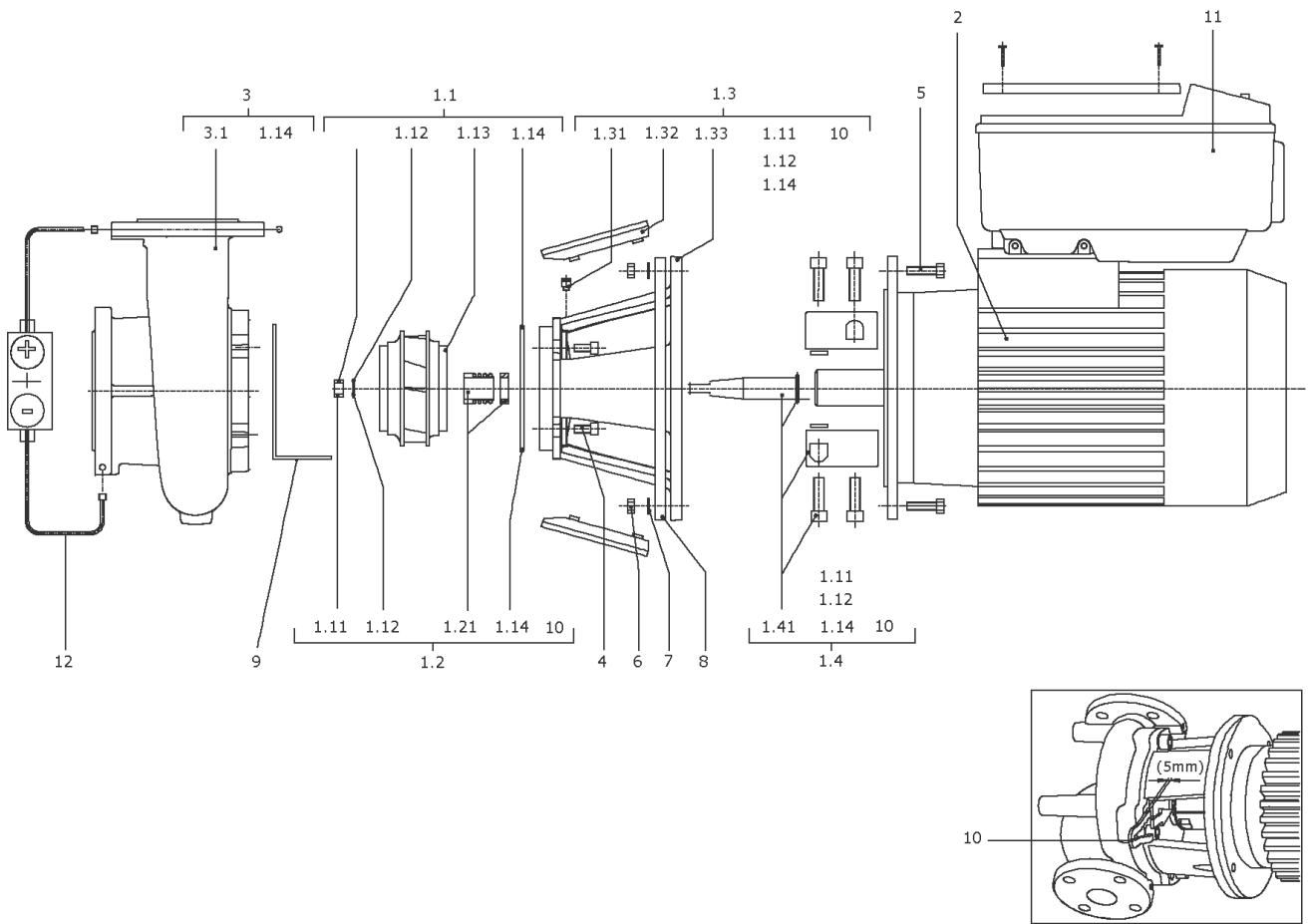
## Spare parts motor B35 7,5/4/132/300E IE4

Item	Description	Quantity
ELEC	Moteur B35 7,5/4/132/300E ELEC IE4 WILO	1



**Moteur B35 7,5/4/132/300E ELEC IE4 WILO**

Item	Article no.	Description	Quantity
2.2	2175903	End shield BG132 FF265 D.E.ELEC KIT	1
Note: Please give the data from type plate of the motor			
2.2A		> Flange IEC132 V1 FF265 D.E.	1
2.2B	2111309	> CONDENSATE HOLE GASKET D5 VP.	1
2.3	2178920	Circlip D40 GB894.1 VP.	1
Note: Please give the data from type plate of the motor			
2.4	121266690	BALL BEARING 6308/2Z-C3 (HT) VP.	1
Note: Please give the data from type plate of the motor			
2.5	2192954	Circlip D90 GB893.1 VP.	1
Note: Please give the data from type plate of the motor			
2.6	2153173	Ball bearing 6206/VV-C3 VP.	1
Note: Please give the data from type plate of the motor			
2.8	2132469	SPRING RING D.62 JB/T7590 VP.	1
2.9	2178926	Nut M8 (4 Pieces)	1
Note: Please give the data from type plate of the motor			
2.10	2178921	End shield BG132 N.D.E.ELEC VP.	1
Note: Please give the data from type plate of the motor			
2.11	2178925	Inner hexagon screws M8x50 (4 Pieces)	1
2.12	2188089	Fan IEC 230X20X17 H52 KIT	1
Note: Please give the data from type plate of the motor			
2.12A		> FAN 230X20X17 GP2200 G/F20% H52	1
2.12B	2118396	> Tooth lock washer D.19,8x0,4 VP.	1
2.13	2188090	Fan hood BG132L ELEC KIT	1
Note: Please give the data from type plate of the motor			
2.13A		> FAN COVER IEC132 KTL ST14 T1.0 H123	1
2.13B	2178923	> Screw M5X8 GB/T3098.1 6.8(4 Pieces)	1
2.15	2192955	Motor foot cpl.BG132 ELEC KIT	1
2.16	2178924	Air guider IEC 132 Motor KIT	1
Note: Please give the data from type plate of the motor			
2.16A		> AIR GUIDER IEC 132 MOTOR	1
2.16B		> SCREW M8X16 TORX HEX 6.8 GB/T70	1



Item	Article no.	Description	Quantity
1.1	2051373	IMPELLER D.125/197/24(BL)KIT	1
1.11	2027187	> NUT M12 DIN-EN24032 A2 VP.	1
1.12	2027190	> WASHER A13 DIN125-T2 A2 VP.	1
1.13		> IMPELLER 125/197/187/24 GG BALANCED	1
1.14	2042864	> O-RING ID.224x3,55 7EP1197-W534 VP.	1
	2042862	> WASHER S12 V2A VP.	1
1.2	2026902	MECHANICAL SEAL MG12/24-G60 AQ1EGG KIT	1
1.11	2027187	> NUT M12 DIN-EN24032 A2 VP.	1
1.12	2027190	> WASHER A13 DIN125-T2 A2 VP.	1
1.14	2037527	> O-RING 148,82x3,53 EPDM 70SR.VP.	1
1.14	2043160	> O-Ring 177,39x3,53 ISO3601B EPDM VP.	1
1.14	2042864	> O-RING ID.224x3,55 7EP1197-W534 VP.	1
1.14	2051680	> O-RING ID.276,7x5,29 7EP1197-W534 VP.	1
	2042862	> WASHER S12 V2A VP.	1
1.21		> MECHANICAL SEAL MG12/24-G60 AQ1EGG	1
10	2027202	> TOOL D.18/24/32 VP.	1
1.3	2042721	LANTERN P270X122-F265 KTL KIT	1
1.11	2027187	> NUT M12 DIN-EN24032 A2 VP.	1
1.12	2027190	> WASHER A13 DIN125-T2 A2 VP.	1
1.14	2042864	> O-RING ID.224x3,55 7EP1197-W534 VP.	1
	2042862	> WASHER S12 V2A VP.	1
1.31	2027201	> BLOWGUN R1/8" VP.	1
1.32	2048845	> COUPLING GUARD P270-F265 PA66 (2 PIECES)	1
1.33		> LANTERN P270X122-F265 GG KTL WILO	1
10	2027202	> TOOL D.18/24/32 VP.	1
1.4	2048444	COUPLING/SHAFT D.24/38X153 KIT	1
1.11	2027187	> NUT M12 DIN-EN24032 A2 VP.	1
1.12	2027190	> WASHER A13 DIN125-T2 A2 VP.	1
1.14	2042864	> O-RING ID.224x3,55 7EP1197-W534 VP.	1
1.14	2051680	> O-RING ID.276,7x5,29 7EP1197-W534 VP.	1
	2042862	> WASHER S12 V2A VP.	1
1.41		> COUPLING 24/38+SHAFT 24X153 GR132 ZN KIT	1
10	2027202	> TOOL D.18/24/32 VP.	1
2	2169161	Motor B35 5,5/4/132/300E-IE4-ELEC(+Tool)	1

**BL-E100/200-5,5/4 (2191392)**

Item	Article no.	Description	Quantity
		Spare parts motor B35 5,5/4/132 300E IE4	1
3	2051366	PUMP HOUSING BL100/220 PN16 KIT	1
1.14	2042864	> O-RING ID.224x3,55 7EP1197-W534 VP.	1
3.1		> PUMP HOUSING BL100/220 PN16 CPL.WILO	1
4	2027193	SCREW M16X30 ISO4762 8.8 (4 PIECES)	1
5	2027195	SCREW M12X25 DIN912 8.8 (4 PIECES)	1
11	2191624	Module BL-E100/200-5,5/4-IE4 ELEC KIT	1
		> Module TL5 4Pol. SW4.0.21	1
	2111344	> MODULE COVER/GASKET TL5 KIT	1
	2120047	> CABLE CONNECTION M12x1,5/5 cpl.TL5 VP.	1
	2120048	> CABLE CONNECTION M16x1,5/5 cpl.TL5 VP.	1
	2120049	> CABLE CONNECTION M20x1,5/6 cpl.TL5 VP.	1
	2120050	> CABLE CONNECTION M25x1,5/8 cpl.TL5 VP.	1
12	2137268	DPS20-11(0-10V) KIT	1
	2116736	> DIFFERENTIAL PRESSURE SENSOR 20 LGX.KIT	1
		>> DPS20 spiral TZ.3mm Volt 2G	1
	2164077	>> Cable DPS 3x0,34x650 LG.bared 2G VP.	1
Note: from/ab/de 01.10.2013			
	2106125	> Connection sensor 90GD.coil KIT	1
		>> CAPILLARY COIL 1000	2
		>> Fixation ring pipe union R1/8" 90GD.Ni	1
		>> HANDLE DDG M16	1
		>> Screw M4x10 EE DIN7500 ZN	2
	2168862	>> Nut/Ferrule M6 D.3MM MS Ni (2 Pieces)	1
	2168860	>> Nut/Ferrule M8 D.5MM MS Ni (2 Pieces)	1

Motor-Typenschild / Motor type plate / Plaque identité moteur

Bei Ersatzteilbestellung Motor-Nummer angeben!

Indicate motor number for order of spare parts!

Pour une commande de pièces détachées, donner le numéro du moteur!

ELEC

Motor-Nummer  
motor number  
numéro du moteur

<b>3~Induction Motor</b>					
Made by WILLO Group					
<b>3511218</b>	<b>W132240-4-V1NPE</b>		<b>0902.001</b>		
Class F	S1	IP55	69kg	EN60034	
50Hz	5.5kW	SF=L1S	60Hz	6.45kW	
YΔ 400/690V	10,6/6,13A	Y 440-480V	10,9/10,35A		
Cosφ =0.81	1470min <sup>-1</sup>	Cosφ =0.81	1770min <sup>-1</sup>		
IE4-91.9%	91,9%	91,1%	IE4-92.4%	92,4%	91,8%

WEG

3~ AL180M/L-04		2015/12		1030615079	
AMB 40°C					
IP55	INS CL.F	Δ T 80 K	S1	SF 1.0	
V	Hz	kW	RPM	A	PF
400 / -			1480	29,5 / -	0,78
- / -					
- / -					
- / -					
400	IE4	93,9 (100%)	92,5 (75%)	90,8 (50%)	
- / -		- (100%)	- (75%)	- (50%)	
- A		- (100%)	- (75%)	- (50%)	
NEMA	Eff	- %	- HP	- V	- Hz
- A	PF	DES	CODE	SF	
← 6311-ZZ-C3 MOBIL POLYREX EM					162 kg
→ 6211-ZZ-C3					
MOD.TE01A0X1A0000301180					
IEC 60034					

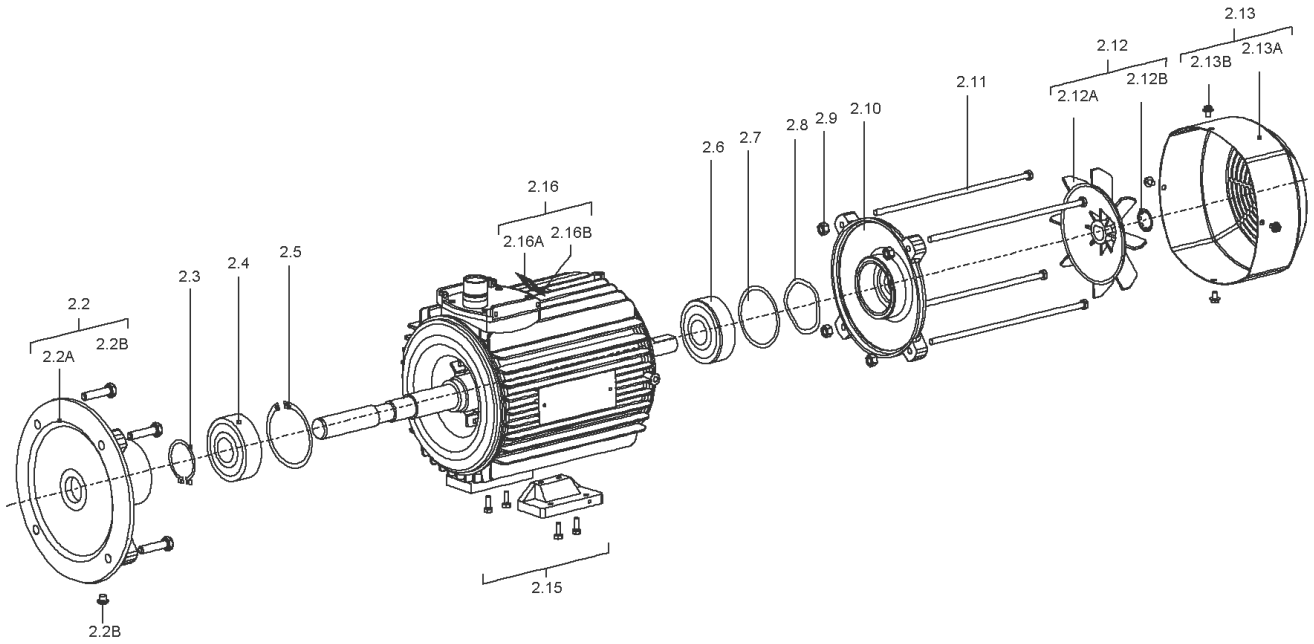
VIBRATION LEVEL A
ACCORDING IEC 60034-14
BALANCED WITH NO KEY
WILO PART NO: <b>2151697</b>

Motor-Nummer  
motor number  
numéro du moteur



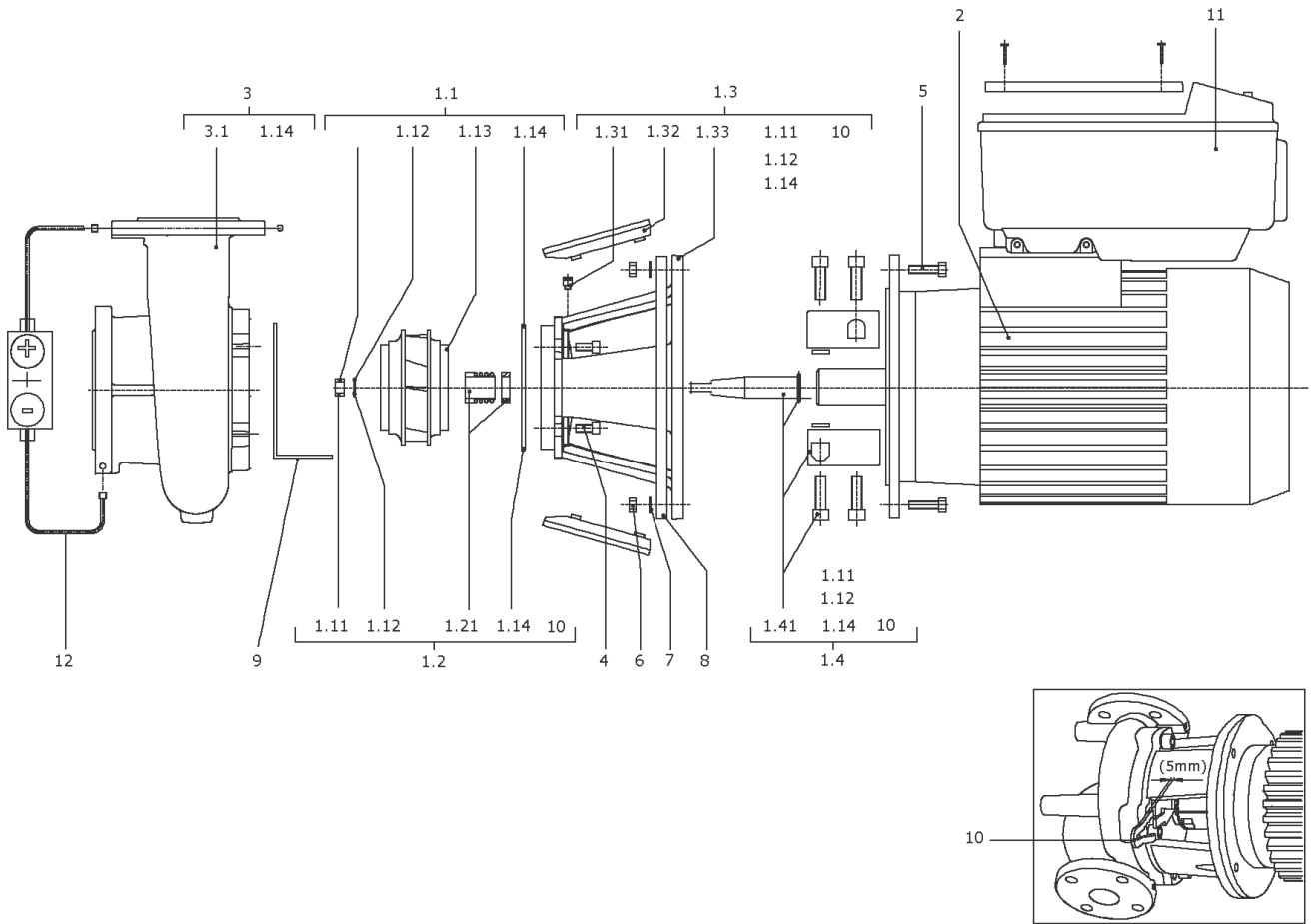
## Spare parts motor B35 5,5/4/132 300E IE4

Item	Description	Quantity
ELEC	Motor B35 5,5/4/132/300E ELEC IE4 WILO	1



**Motor B35 5,5/4/132/300E ELEC IE4 WILO**

Item	Article no.	Description	Quantity
2.2	2175903	End shield BG132 FF265 D.E.ELEC KIT	1
Note: Please give the data from type plate of the motor			
2.2A		> Flange IEC132 V1 FF265 D.E.	1
2.2B	2111309	> CONDENSATE HOLE GASKET D5 VP.	1
2.3	3504026	Stop Ring D40 GB894.1	1
Note: Please give the data from type plate of the motor			
2.4	121266690	BALL BEARING 6308/2Z-C3 (HT) VP.	1
Note: Please give the data from type plate of the motor			
2.5	2192954	Circlip D90 GB893.1 VP.	1
Note: Please give the data from type plate of the motor			
2.6	2153173	Ball bearing 6206/VV-C3 VP.	1
Note: Please give the data from type plate of the motor			
2.8	2132469	SPRING RING D.62 JB/T7590 VP.	1
2.9	2178926	Nut M8 (4 Pieces)	1
Note: Please give the data from type plate of the motor			
2.10	2178921	End shield BG132 N.D.E.ELEC VP.	1
Note: Please give the data from type plate of the motor			
2.11	2178925	Inner hexagon screws M8x50 (4 Pieces)	1
2.12	2178922	Fan IEC 230X20X17 KIT	1
Note: Please give the data from type plate of the motor			
2.12A		> FAN 230x20x17 GP2200 G/F20%	1
2.12B	2118396	> Tooth lock washer D.19,8x0,4 VP.	1
2.13	2178928	Fan hood BG132 ELEC KIT	1
Note: Please give the data from type plate of the motor			
2.13A		> FAN COVER IEC132 KTL ST14 T0.8 H103	1
2.13B	2178923	> Screw M5X8 GB/T3098.1 6.8(4 Pieces)	1
2.15	2192955	Motor foot cpl.BG132 ELEC KIT	1
2.16	2178924	Air guider IEC 132 Motor KIT	1
Note: Please give the data from type plate of the motor			
2.16A		> AIR GUIDER IEC 132 MOTOR	1
2.16B		> SCREW M8X16 TORX HEX 6.8 GB/T70	1



**BL-E100/220-7,5/4 (2191393)**

Item	Article no.	Description	Quantity
1.1	2051372	IMPELLER D.125/216/24(BL)KIT	1
1.11	2027187	> NUT M12 DIN-EN24032 A2 VP.	1
1.12	2027190	> WASHER A13 DIN125-T2 A2 VP.	1
1.13		> IMPELLER 125/216/206/24 GG balanced	1
1.14	2042864	> O-RING ID.224x3,55 7EP1197-W534 VP.	1
	2042862	> WASHER S12 V2A VP.	1
1.2	2026902	MECHANICAL SEAL MG12/24-G60 AQ1EGG KIT	1
1.11	2027187	> NUT M12 DIN-EN24032 A2 VP.	1
1.12	2027190	> WASHER A13 DIN125-T2 A2 VP.	1
1.14	2037527	> O-RING 148,82x3,53 EPDM 70SR.VP.	1
1.14	2043160	> O-Ring 177,39x3,53 ISO3601B EPDM VP.	1
1.14	2042864	> O-RING ID.224x3,55 7EP1197-W534 VP.	1
1.14	2051680	> O-RING ID.276,7x5,29 7EP1197-W534 VP.	1
	2042862	> WASHER S12 V2A VP.	1
1.21		> MECHANICAL SEAL MG12/24-G60 AQ1EGG	1
10	2027202	> TOOL D.18/24/32 VP.	1
1.3	2042721	LANTERN P270X122-F265 KTL KIT	1
1.11	2027187	> NUT M12 DIN-EN24032 A2 VP.	1
1.12	2027190	> WASHER A13 DIN125-T2 A2 VP.	1
1.14	2042864	> O-RING ID.224x3,55 7EP1197-W534 VP.	1
	2042862	> WASHER S12 V2A VP.	1
1.31	2027201	> BLOWGUN R1/8" VP.	1
1.32	2048845	> COUPLING GUARD P270-F265 PA66 (2 PIECES)	1
1.33		> LANTERN P270X122-F265 GG KTL WILO	1
10	2027202	> TOOL D.18/24/32 VP.	1
1.4	2048444	COUPLING/SHAFT D.24/38X153 KIT	1
1.11	2027187	> NUT M12 DIN-EN24032 A2 VP.	1
1.12	2027190	> WASHER A13 DIN125-T2 A2 VP.	1
1.14	2042864	> O-RING ID.224x3,55 7EP1197-W534 VP.	1
1.14	2051680	> O-RING ID.276,7x5,29 7EP1197-W534 VP.	1
	2042862	> WASHER S12 V2A VP.	1
1.41		> COUPLING 24/38+SHAFT 24X153 GR132 ZN KIT	1
10	2027202	> TOOL D.18/24/32 VP.	1
2	2169163	Motor B35 7,5/4/132/300E-IE4-ELEC(+Tool)	1

**BL-E100/220-7,5/4 (2191393)**

Item	Article no.	Description	Quantity
		Spare parts motor B35 7,5/4/132/300E IE4	1
3	2051366	PUMP HOUSING BL100/220 PN16 KIT	1
1.14	2042864	> O-RING ID.224x3,55 7EP1197-W534 VP.	1
3.1		> PUMP HOUSING BL100/220 PN16 CPL.WILO	1
4	2027193	SCREW M16X30 ISO4762 8.8 (4 PIECES)	1
5	2027195	SCREW M12X25 DIN912 8.8 (4 PIECES)	1
11	2191625	Module BL-E100/220-7,5/4-IE4 ELEC KIT	1
		> Module TL5 4Pol. SW4.0.21	1
	2111344	> MODULE COVER/GASKET TL5 KIT	1
	2120047	> CABLE CONNECTION M12x1,5/5 cpl.TL5 VP.	1
	2120048	> CABLE CONNECTION M16x1,5/5 cpl.TL5 VP.	1
	2120049	> CABLE CONNECTION M20x1,5/6 cpl.TL5 VP.	1
	2120050	> CABLE CONNECTION M25x1,5/8 cpl.TL5 VP.	1
12	2137268	DPS20-11(0-10V) KIT	1
	2116736	> DIFFERENTIAL PRESSURE SENSOR 20 LGX.KIT	1
		>> DPS20 spiral TZ.3mm Volt 2G	1
	2164077	>> Cable DPS 3x0,34x650 LG.bared 2G VP.	1
Note: from/ab/de 01.10.2013			
	2106125	> Connection sensor 90GD.coil KIT	1
		>> CAPILLARY COIL 1000	2
		>> Fixation ring pipe union R1/8" 90GD.Ni	1
		>> HANDLE DDG M16	1
		>> Screw M4x10 EE DIN7500 ZN	2
	2168862	>> Nut/Ferrule M6 D.3MM MS Ni (2 Pieces)	1
	2168860	>> Nut/Ferrule M8 D.5MM MS Ni (2 Pieces)	1

Motor-Typenschild / Motor type plate / Plaque identité moteur

Bei Ersatzteilbestellung Motor-Nummer angeben!

Indicate motor number for order of spare parts!

Pour une commande de pièces détachées, donner le numéro du moteur!

ELEC

Motor-Nummer  
motor number  
numéro du moteur

<b>3~Induction Motor</b>					
Made by WILLO Group					
<b>3511218</b>	<b>W132240-4-V1NPE</b>		<b>0902.001</b>		
Class F	S1	IP55	69kg	EN60034	
50Hz	5.5kW	SF=L1S	60Hz	6.45kW	
YΔ 400/690V	10,6/6,13A	Y 440-480V	10,9/10,35A		
Cosφ =0.81	1470min <sup>-1</sup>	Cosφ =0.81	1770min <sup>-1</sup>		
IE4-91.9%	91,9%	91,1%	IE4-92.4%	92,4%	91,8%

WEG

3~ AL180M/L-04		2015/12		1030615079	
AMB 40°C					
IP55	INS CL.F	Δ T 80 K	S1	SF 1.0	
V	Hz	kW	RPM	A	PF
400 / -			1480	29,5 / -	0,78
- / -					
- / -					
- / -					
400	IE4	93,9 (100%)	92,5 (75%)	90,8 (50%)	
- / -		- (100%)	- (75%)	- (50%)	
- A		- (100%)	- (75%)	- (50%)	
NEMA	Eff	- %	- HP	- V	- Hz
- A	PF	DES	CODE	SF	
		6311-ZZ-C3 MOBIL POLYREX EM		162 kg	
		6211-ZZ-C3			
MOD.TE01A0X1A0000301180					
IEC 60034					

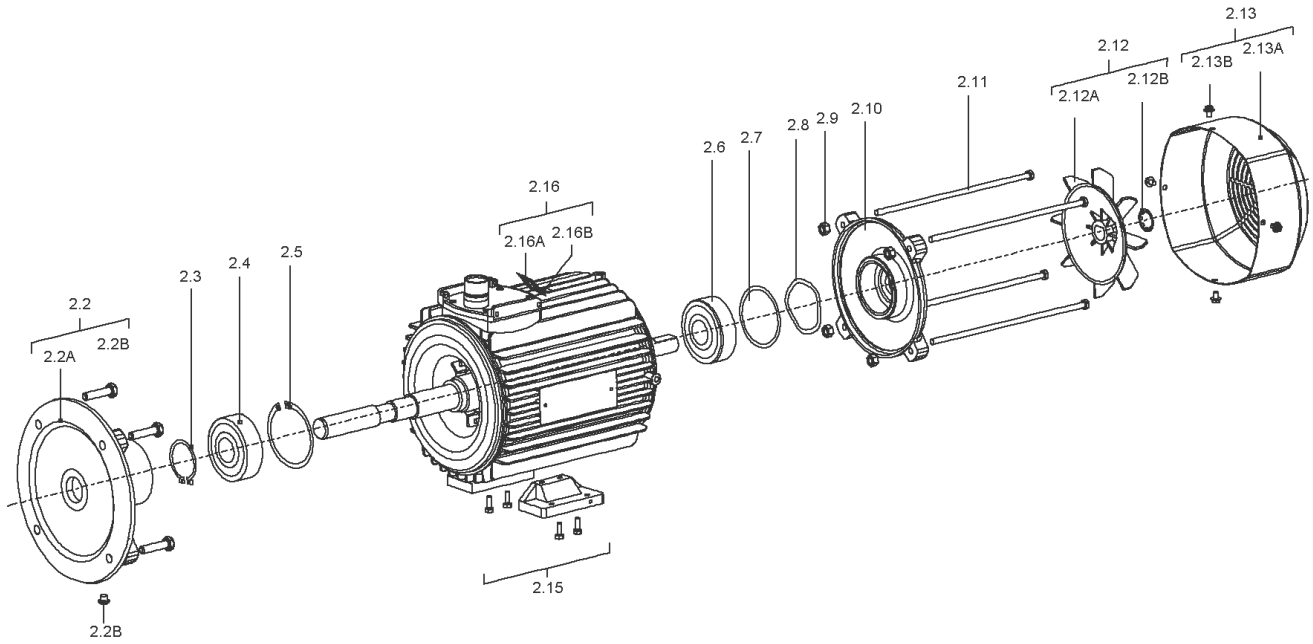
VIBRATION LEVEL A
ACCORDING IEC 60034-14
BALANCED WITH NO KEY
WILO PART NO: 2151697

Motor-Nummer  
motor number  
numéro du moteur

## Spare parts motor B35 7,5/4/132/300E IE4

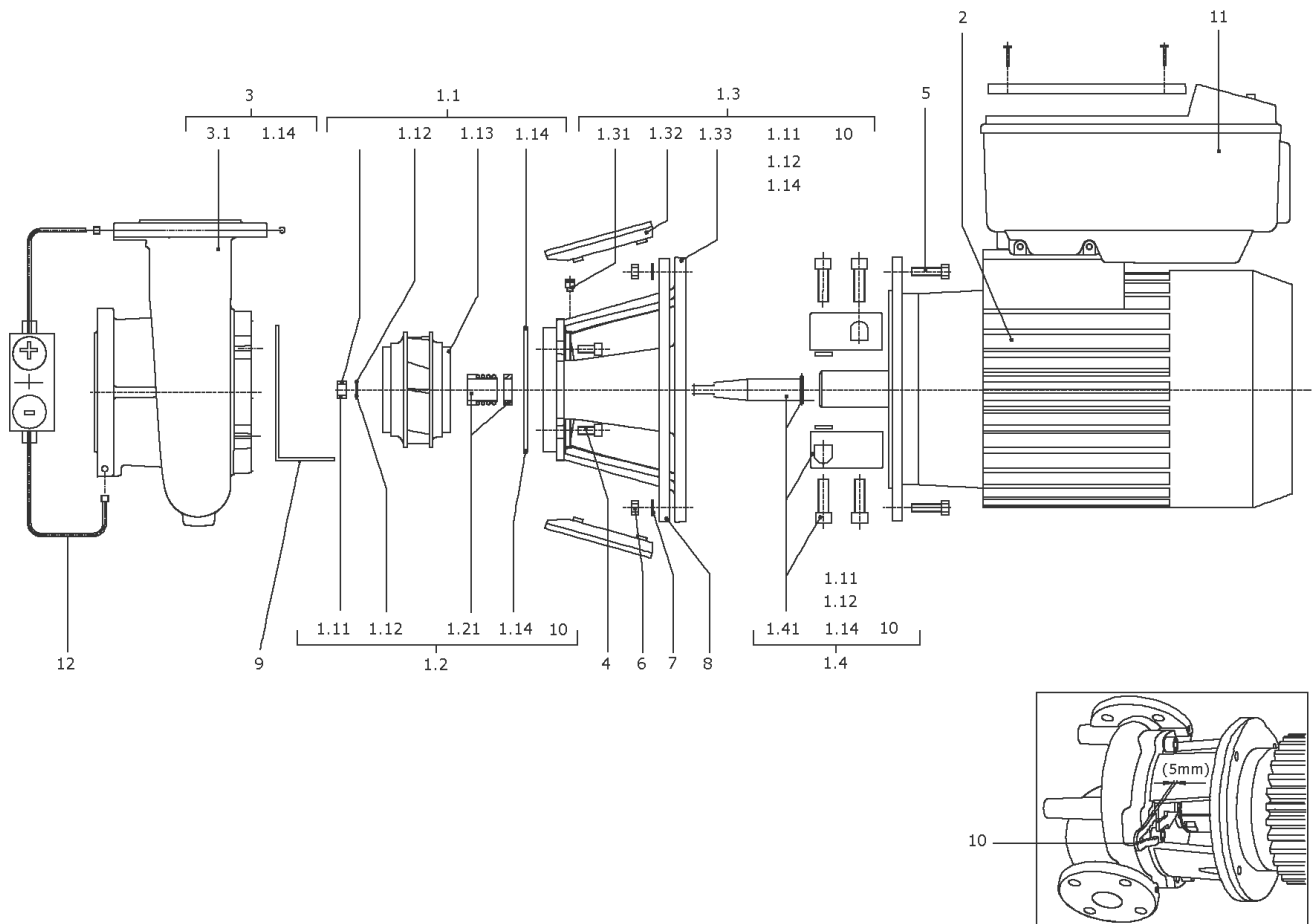
Item	Description	Quantity
ELEC	Moteur B35 7,5/4/132/300E ELEC IE4 WILO	1





**Moteur B35 7,5/4/132/300E ELEC IE4 WILO**

Item	Article no.	Description	Quantity
2.2	2175903	End shield BG132 FF265 D.E.ELEC KIT	1
Note: Please give the data from type plate of the motor			
2.2A		> Flange IEC132 V1 FF265 D.E.	1
2.2B	2111309	> CONDENSATE HOLE GASKET D5 VP.	1
2.3	2178920	Circlip D40 GB894.1 VP.	1
Note: Please give the data from type plate of the motor			
2.4	121266690	BALL BEARING 6308/2Z-C3 (HT) VP.	1
Note: Please give the data from type plate of the motor			
2.5	2192954	Circlip D90 GB893.1 VP.	1
Note: Please give the data from type plate of the motor			
2.6	2153173	Ball bearing 6206/VV-C3 VP.	1
Note: Please give the data from type plate of the motor			
2.8	2132469	SPRING RING D.62 JB/T7590 VP.	1
2.9	2178926	Nut M8 (4 Pieces)	1
Note: Please give the data from type plate of the motor			
2.10	2178921	End shield BG132 N.D.E.ELEC VP.	1
Note: Please give the data from type plate of the motor			
2.11	2178925	Inner hexagon screws M8x50 (4 Pieces)	1
2.12	2188089	Fan IEC 230X20X17 H52 KIT	1
Note: Please give the data from type plate of the motor			
2.12A		> FAN 230X20X17 GP2200 G/F20% H52	1
2.12B	2118396	> Tooth lock washer D.19,8x0,4 VP.	1
2.13	2188090	Fan hood BG132L ELEC KIT	1
Note: Please give the data from type plate of the motor			
2.13A		> FAN COVER IEC132 KTL ST14 T1.0 H123	1
2.13B	2178923	> Screw M5X8 GB/T3098.1 6.8(4 Pieces)	1
2.15	2192955	Motor foot cpl.BG132 ELEC KIT	1
2.16	2178924	Air guider IEC 132 Motor KIT	1
Note: Please give the data from type plate of the motor			
2.16A		> AIR GUIDER IEC 132 MOTOR	1
2.16B		> SCREW M8X16 TORX HEX 6.8 GB/T70	1



Item	Article no.	Description	Quantity
1.1	2135924	IMPELLER 150/220-189-139,6/24 GG KIT	1
1.11	2027187	> NUT M12 DIN-EN24032 A2 VP.	1
1.12	2027190	> WASHER A13 DIN125-T2 A2 VP.	1
1.13		> IMPELLER 150/220-189-139,6/24 GG balance	1
1.14	2042864	> O-RING ID.224x3,55 7EP1197-W534 VP.	1
	2042862	> WASHER S12 V2A VP.	1
1.2	2026902	MECHANICAL SEAL MG12/24-G60 AQ1EGG KIT	1
1.11	2027187	> NUT M12 DIN-EN24032 A2 VP.	1
1.12	2027190	> WASHER A13 DIN125-T2 A2 VP.	1
1.14	2037527	> O-RING 148,82x3,53 EPDM 70SR.VP.	1
1.14	2043160	> O-Ring 177,39x3,53 ISO3601B EPDM VP.	1
1.14	2042864	> O-RING ID.224x3,55 7EP1197-W534 VP.	1
1.14	2051680	> O-RING ID.276,7x5,29 7EP1197-W534 VP.	1
	2042862	> WASHER S12 V2A VP.	1
1.21		> MECHANICAL SEAL MG12/24-G60 AQ1EGG	1
10	2027202	> TOOL D.18/24/32 VP.	1
1.3	2051331	LANTERN P270X140-F265 KIT	1
1.11	2027187	> NUT M12 DIN-EN24032 A2 VP.	1
1.12	2027190	> WASHER A13 DIN125-T2 A2 VP.	1
1.14	2042864	> O-RING ID.224x3,55 7EP1197-W534 VP.	1
	2042862	> WASHER S12 V2A VP.	1
1.31	2027201	> BLOWGUN R1/8" VP.	1
1.32	2048845	> COUPLING GUARD P270-F265 PA66 (2 PIECES)	1
1.33		> LATERNE P270X140-F265 GG KTL WILO	1
10	2027202	> TOOL D.18/24/32 VP.	1
1.4	2042735	COUPLING/SHAFT D.24/38X166 KIT	1
1.11	2027187	> NUT M12 DIN-EN24032 A2 VP.	1
1.12	2027190	> WASHER A13 DIN125-T2 A2 VP.	1
1.14	2042864	> O-RING ID.224x3,55 7EP1197-W534 VP.	1
1.14	2051680	> O-RING ID.276,7x5,29 7EP1197-W534 VP.	1
	2042862	> WASHER S12 V2A VP.	1
1.41		> COUPLING 24/38+SHAFT 24X166 BG132 ZN KIT	1
10	2027202	> TOOL D.18/24/32 VP.	1
2	2169161	Motor B35 5,5/4/132/300E-IE4-ELEC(+Tool)	1

**BL-E125/185-5,5/4 (2191394)**

Item	Article no.	Description	Quantity
		Spare parts motor B35 5,5/4/132 300E IE4	1
3	2135946	PUMP HOUSING B125/220-P270 PN16 KIT	1
1.14	2042864	> O-RING ID.224x3,55 7EP1197-W534 VP.	1
3.1		> PUMP HOUSING B125/220-P270 PN16 CPL.WILO	1
4	2027193	SCREW M16X30 ISO4762 8.8 (4 PIECES)	1
5	2027195	SCREW M12X25 DIN912 8.8 (4 PIECES)	1
11	2191626	Module BL-E125/185-5,5/4-IE4 ELEC KIT	1
		> Module TL5 4Pol. SW4.0.21	1
	2111344	> MODULE COVER/GASKET TL5 KIT	1
	2120047	> CABLE CONNECTION M12x1,5/5 cpl.TL5 VP.	1
	2120048	> CABLE CONNECTION M16x1,5/5 cpl.TL5 VP.	1
	2120049	> CABLE CONNECTION M20x1,5/6 cpl.TL5 VP.	1
	2120050	> CABLE CONNECTION M25x1,5/8 cpl.TL5 VP.	1
12	2137268	DPS20-11(0-10V) KIT	1
	2116736	> DIFFERENTIAL PRESSURE SENSOR 20 LGX.KIT	1
		>> DPS20 spiral TZ.3mm Volt 2G	1
	2164077	>> Cable DPS 3x0,34x650 LG.bared 2G VP.	1
Note: from/ab/de 01.10.2013			
	2106125	> Connection sensor 90GD.coil KIT	1
		>> CAPILLARY COIL 1000	2
		>> Fixation ring pipe union R1/8" 90GD.Ni	1
		>> HANDLE DDG M16	1
		>> Screw M4x10 EE DIN7500 ZN	2
	2168862	>> Nut/Ferrule M6 D.3MM MS Ni (2 Pieces)	1
	2168860	>> Nut/Ferrule M8 D.5MM MS Ni (2 Pieces)	1

Motor-Typenschild / Motor type plate / Plaque identité moteur

Bei Ersatzteilbestellung Motor-Nummer angeben!

Indicate motor number for order of spare parts!

Pour une commande de pièces détachées, donner le numéro du moteur!

ELEC

Motor-Nummer  
motor number  
numéro du moteur

<b>3~Induction Motor</b>					
Made by WILLO Group					
<b>3511218</b>	<b>W132240-4-V1NPE</b>		<b>0902.001</b>		
Class F	S1	IP55	69kg	EN60034	
50Hz	5.5kW	SF=L1S	60Hz	6.45kW	
YΔ 400/690V	10,6/6,13A	Y 440-480V	10,9/10,35A		
Cosφ =0.81	1470min <sup>-1</sup>	Cosφ =0.81	1770min <sup>-1</sup>		
IE4-91.9%	91,9%	91,1%	IE4-92.4%	92,4%	91,8%

WEG

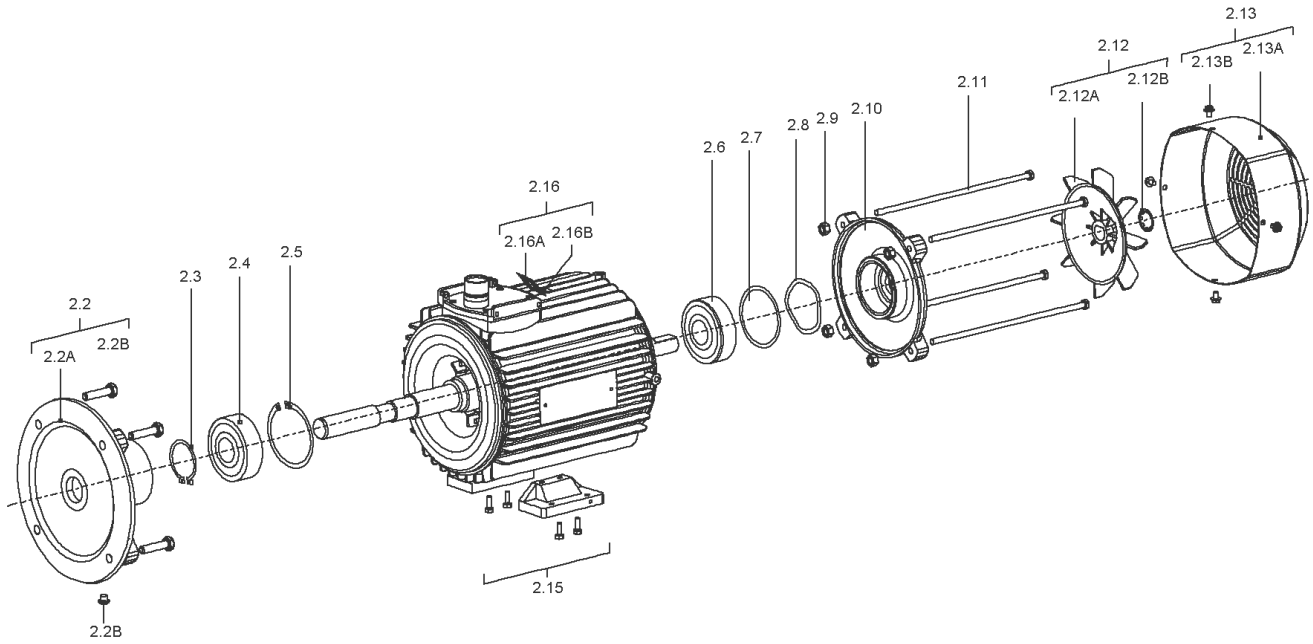
3~ AL180M/L-04		2015/12	1030615079		
AMB 40°C					
IP55	INS CL.F	Δ T 80 K	S1	SF 1.0	
V	Hz	kW	RPM	A	PF
400 / -			1480	29,5 / -	0,78
- / -					
- / -					
- / -					
400	IE4	93,9 (100%)	92,5 (75%)	90,8 (50%)	
- / -		- (100%)	- (75%)	- (50%)	
- A		- (100%)	- (75%)	- (50%)	
NEMA	Eff	- %	- HP	- V	- Hz
- A	PF	DES	CODE	SF	
		6311-ZZ-C3	MOBIL POLYREX EM		162 kg
		6211-ZZ-C3			
MOD.TE01A0X1A0000301180					
IEC 60034					

VIBRATION LEVEL A
ACCORDING IEC 60034-14
BALANCED WITH NO KEY
WILO PART NO: <b>2151697</b>

Motor-Nummer  
motor number  
numéro du moteur

## Spare parts motor B35 5,5/4/132 300E IE4

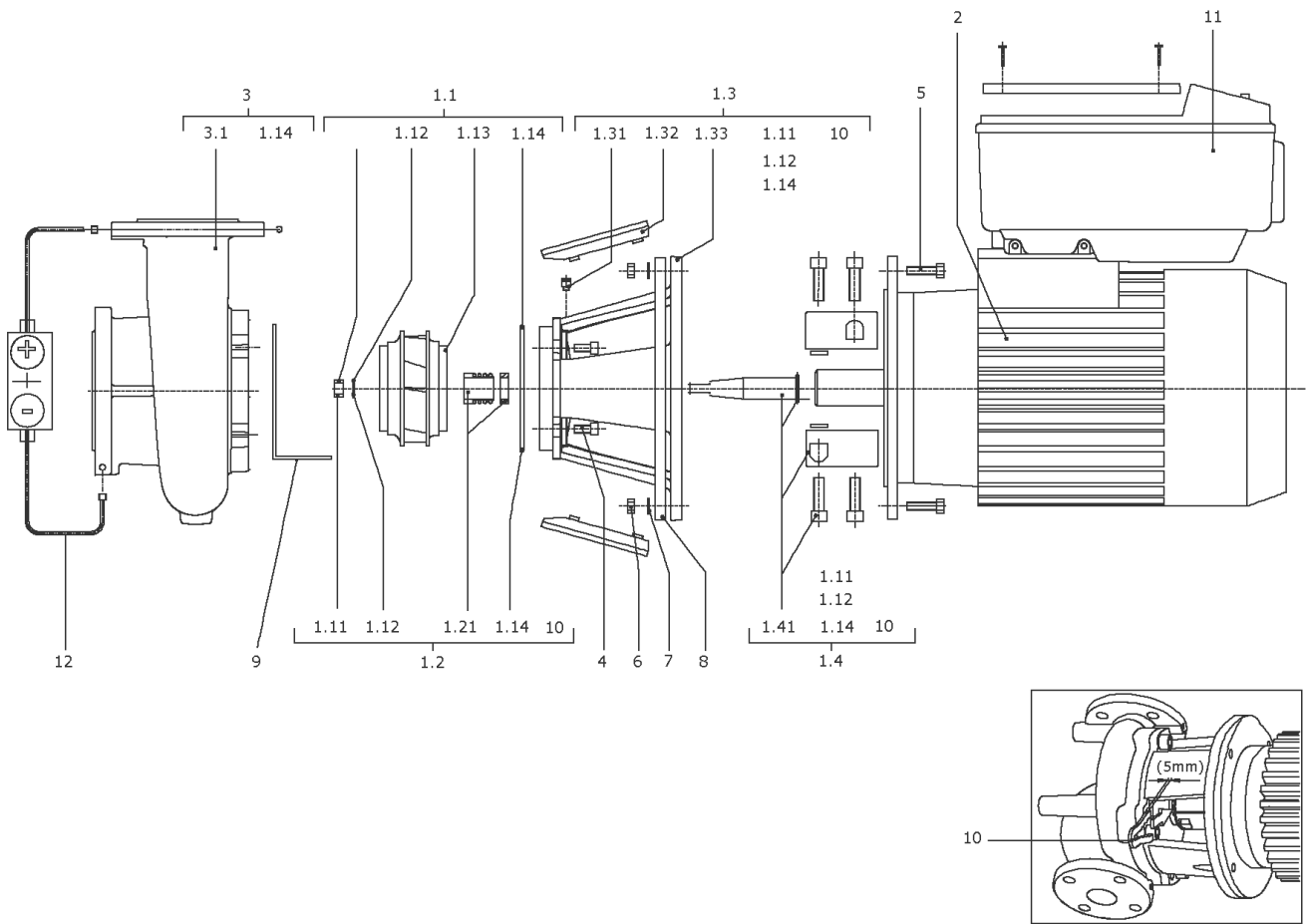
Item	Description	Quantity
ELEC	Motor B35 5,5/4/132/300E ELEC IE4 WILO	1





**Motor B35 5,5/4/132/300E ELEC IE4 WILO**

Item	Article no.	Description	Quantity
2.2	2175903	End shield BG132 FF265 D.E.ELEC KIT	1
Note: Please give the data from type plate of the motor			
2.2A		> Flange IEC132 V1 FF265 D.E.	1
2.2B	2111309	> CONDENSATE HOLE GASKET D5 VP.	1
2.3	3504026	Stop Ring D40 GB894.1	1
Note: Please give the data from type plate of the motor			
2.4	121266690	BALL BEARING 6308/2Z-C3 (HT) VP.	1
Note: Please give the data from type plate of the motor			
2.5	2192954	Circlip D90 GB893.1 VP.	1
Note: Please give the data from type plate of the motor			
2.6	2153173	Ball bearing 6206/VV-C3 VP.	1
Note: Please give the data from type plate of the motor			
2.8	2132469	SPRING RING D.62 JB/T7590 VP.	1
2.9	2178926	Nut M8 (4 Pieces)	1
Note: Please give the data from type plate of the motor			
2.10	2178921	End shield BG132 N.D.E.ELEC VP.	1
Note: Please give the data from type plate of the motor			
2.11	2178925	Inner hexagon screws M8x50 (4 Pieces)	1
2.12	2178922	Fan IEC 230X20X17 KIT	1
Note: Please give the data from type plate of the motor			
2.12A		> FAN 230x20x17 GP2200 G/F20%	1
2.12B	2118396	> Tooth lock washer D.19,8x0,4 VP.	1
2.13	2178928	Fan hood BG132 ELEC KIT	1
Note: Please give the data from type plate of the motor			
2.13A		> FAN COVER IEC132 KTL ST14 T0.8 H103	1
2.13B	2178923	> Screw M5X8 GB/T3098.1 6.8(4 Pieces)	1
2.15	2192955	Motor foot cpl.BG132 ELEC KIT	1
2.16	2178924	Air guider IEC 132 Motor KIT	1
Note: Please give the data from type plate of the motor			
2.16A		> AIR GUIDER IEC 132 MOTOR	1
2.16B		> SCREW M8X16 TORX HEX 6.8 GB/T70	1



Item	Article no.	Description	Quantity
1.1	2135925	IMPELLER 150/220-204-139,6/24 GG KIT	1
1.11	2027187	> NUT M12 DIN-EN24032 A2 VP.	1
1.12	2027190	> WASHER A13 DIN125-T2 A2 VP.	1
1.13		> Impeller 150/220-204-139,6/24 GG balance	1
1.14	2042864	> O-RING ID.224x3,55 7EP1197-W534 VP.	1
	2042862	> WASHER S12 V2A VP.	1
1.2	2026902	MECHANICAL SEAL MG12/24-G60 AQ1EGG KIT	1
1.11	2027187	> NUT M12 DIN-EN24032 A2 VP.	1
1.12	2027190	> WASHER A13 DIN125-T2 A2 VP.	1
1.14	2037527	> O-RING 148,82x3,53 EPDM 70SR.VP.	1
1.14	2043160	> O-Ring 177,39x3,53 ISO3601B EPDM VP.	1
1.14	2042864	> O-RING ID.224x3,55 7EP1197-W534 VP.	1
1.14	2051680	> O-RING ID.276,7x5,29 7EP1197-W534 VP.	1
	2042862	> WASHER S12 V2A VP.	1
1.21		> MECHANICAL SEAL MG12/24-G60 AQ1EGG	1
10	2027202	> TOOL D.18/24/32 VP.	1
1.3	2051331	LANTERN P270X140-F265 KIT	1
1.11	2027187	> NUT M12 DIN-EN24032 A2 VP.	1
1.12	2027190	> WASHER A13 DIN125-T2 A2 VP.	1
1.14	2042864	> O-RING ID.224x3,55 7EP1197-W534 VP.	1
	2042862	> WASHER S12 V2A VP.	1
1.31	2027201	> BLOWGUN R1/8" VP.	1
1.32	2048845	> COUPLING GUARD P270-F265 PA66 (2 PIECES)	1
1.33		> LATERNE P270X140-F265 GG KTL WILO	1
10	2027202	> TOOL D.18/24/32 VP.	1
1.4	2042735	COUPLING/SHAFT D.24/38X166 KIT	1
1.11	2027187	> NUT M12 DIN-EN24032 A2 VP.	1
1.12	2027190	> WASHER A13 DIN125-T2 A2 VP.	1
1.14	2042864	> O-RING ID.224x3,55 7EP1197-W534 VP.	1
1.14	2051680	> O-RING ID.276,7x5,29 7EP1197-W534 VP.	1
	2042862	> WASHER S12 V2A VP.	1
1.41		> COUPLING 24/38+SHAFT 24X166 BG132 ZN KIT	1
10	2027202	> TOOL D.18/24/32 VP.	1
2	2169163	Motor B35 7,5/4/132/300E-IE4-ELEC(+Tool)	1

**BL-E125/210-7,5/4 (2191395)**

Item	Article no.	Description	Quantity
		Spare parts motor B35 7,5/4/132/300E IE4	1
3	2135946	PUMP HOUSING B125/220-P270 PN16 KIT	1
1.14	2042864	> O-RING ID.224x3,55 7EP1197-W534 VP.	1
3.1		> PUMP HOUSING B125/220-P270 PN16 CPL.WILO	1
4	2027193	SCREW M16X30 ISO4762 8.8 (4 PIECES)	1
5	2027195	SCREW M12X25 DIN912 8.8 (4 PIECES)	1
11	2191627	Module BL-E125/210-7,5/4-IE4 ELEC KIT	1
		> Module TL5 4Pol. SW4.0.21	1
	2111344	> MODULE COVER/GASKET TL5 KIT	1
	2120047	> CABLE CONNECTION M12x1,5/5 cpl.TL5 VP.	1
	2120048	> CABLE CONNECTION M16x1,5/5 cpl.TL5 VP.	1
	2120049	> CABLE CONNECTION M20x1,5/6 cpl.TL5 VP.	1
	2120050	> CABLE CONNECTION M25x1,5/8 cpl.TL5 VP.	1
12	2137268	DPS20-11(0-10V) KIT	1
	2116736	> DIFFERENTIAL PRESSURE SENSOR 20 LGX.KIT	1
		>> DPS20 spiral TZ.3mm Volt 2G	1
	2164077	>> Cable DPS 3x0,34x650 LG.bared 2G VP.	1
Note: from/ab/de 01.10.2013			
	2106125	> Connection sensor 90GD.coil KIT	1
		>> CAPILLARY COIL 1000	2
		>> Fixation ring pipe union R1/8" 90GD.Ni	1
		>> HANDLE DDG M16	1
		>> Screw M4x10 EE DIN7500 ZN	2
	2168862	>> Nut/Ferrule M6 D.3MM MS Ni (2 Pieces)	1
	2168860	>> Nut/Ferrule M8 D.5MM MS Ni (2 Pieces)	1

Motor-Typenschild / Motor type plate / Plaque identité moteur

Bei Ersatzteilbestellung Motor-Nummer angeben!

Indicate motor number for order of spare parts!

Pour une commande de pièces détachées, donner le numéro du moteur!

ELEC

Motor-Nummer  
motor number  
numéro du moteur

<b>3~Induction Motor</b>					
Made by WILLO Group					
<b>351f218</b>	<b>W132240-4-V1NPE</b>		<b>0902.001</b>		
Class F	S1	IP55	69kg	EN60034	
50Hz	5.5kW	SF=L1S	60Hz	6.45kW	
YΔ 400/690V	10,6/6,13A	Y 440-480V	10,9/10,35A		
Cosφ =0.81	1470min <sup>-1</sup>	Cosφ =0.81	1770min <sup>-1</sup>		
IE4-91.9%	91,9%	91,1%	IE4-92.4%	92,4%	91,8%

WEG

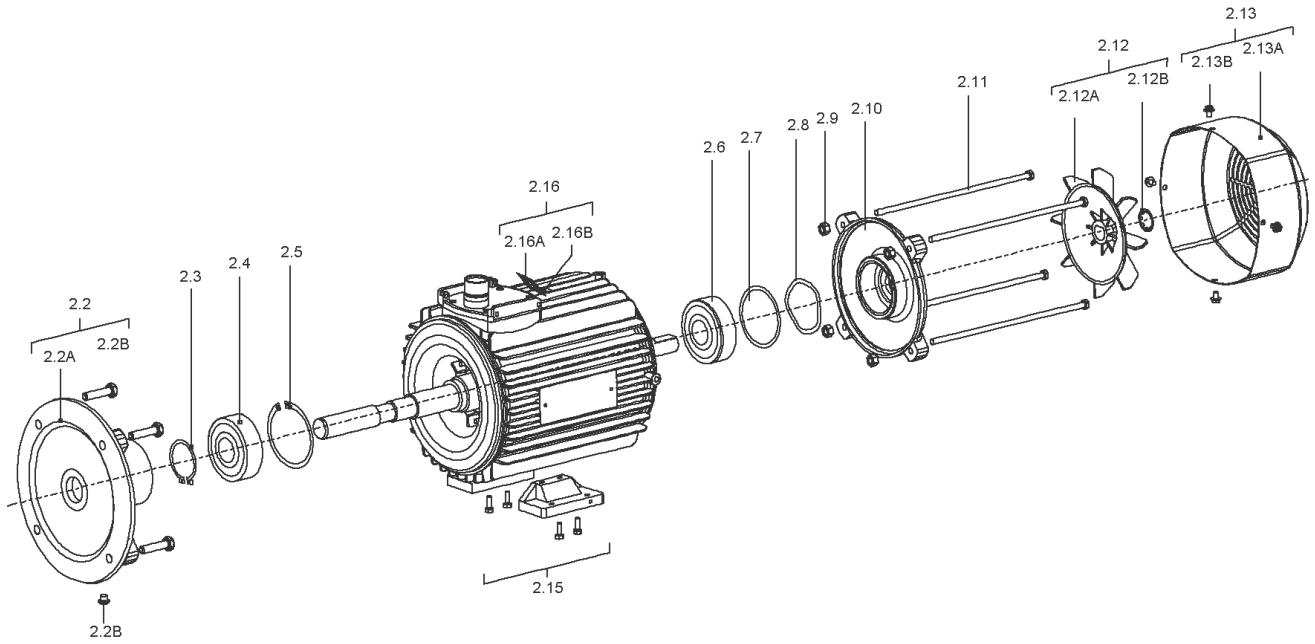
3~ AL180M/L-04		2015/12	1030615079		
AMB 40°C					
IP55	INS CL.F	Δ T 80 K	S1	SF 1.0	
V	Hz	kW	RPM	A	PF
400 / -			1480	29,5 / -	0,78
- / -					
- / -					
- / -					
400	IE4	93,9 (100%)	92,5 (75%)	90,8 (50%)	
- / -		- (100%)	- (75%)	- (50%)	
- A		- (100%)	- (75%)	- (50%)	
NEMA	Eff	- %	- HP	- V	- Hz
- A	PF	DES	CODE	SF	-
		6311-ZZ-C3	MOBIL POLYREX EM		162 kg
		6211-ZZ-C3			
MOD.TE01A0X1A0000301180					
IEC 60034					

VIBRATION LEVEL A
ACCORDING IEC 60034-14
BALANCED WITH NO KEY
WILO PART NO: <b>2151697</b>

Motor-Nummer  
motor number  
numéro du moteur

## Spare parts motor B35 7,5/4/132/300E IE4

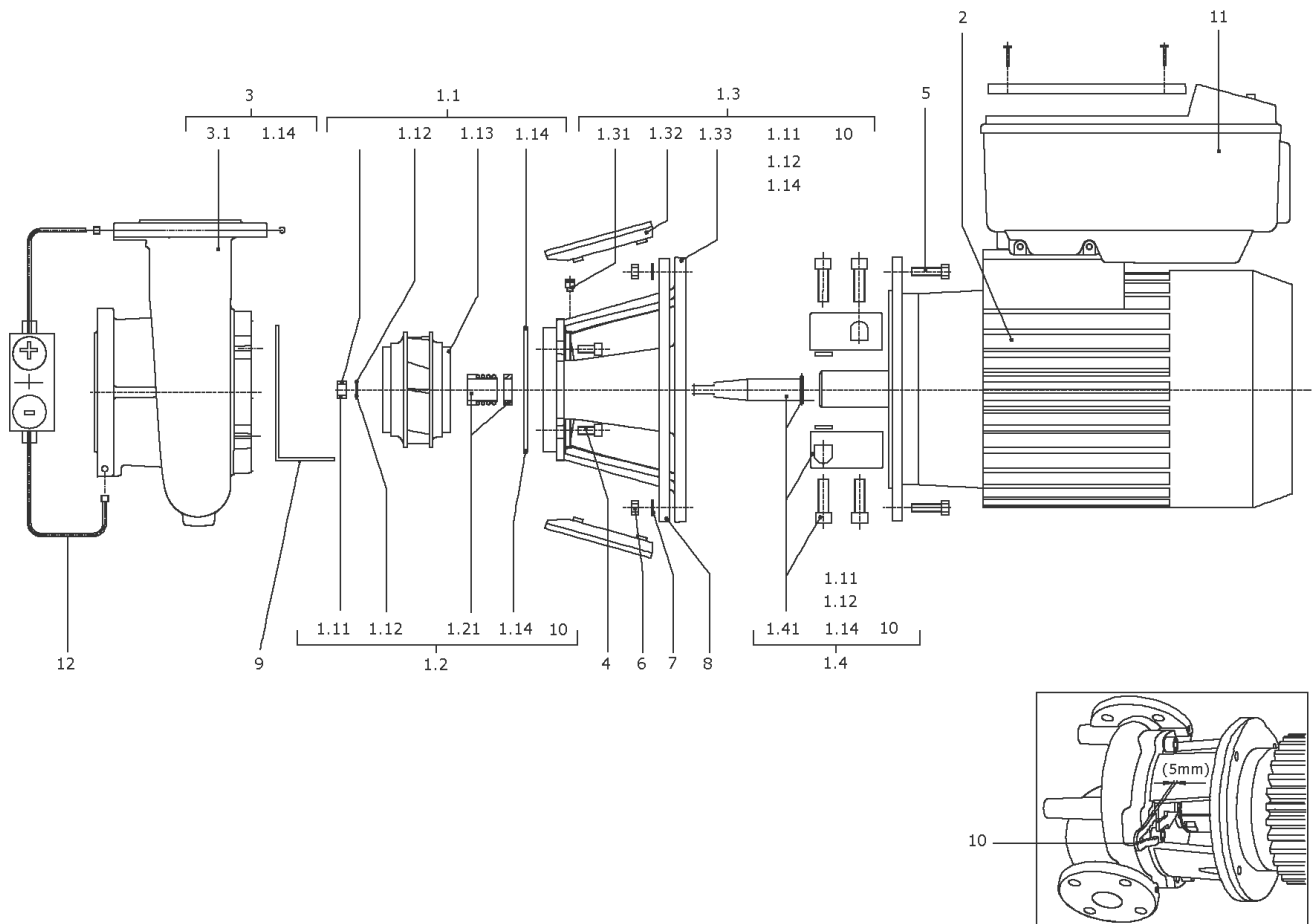
Item	Description	Quantity
ELEC	Moteur B35 7,5/4/132/300E ELEC IE4 WILO	1



**Moteur B35 7,5/4/132/300E ELEC IE4 WILO**

Item	Article no.	Description	Quantity
2.2	2175903	End shield BG132 FF265 D.E.ELEC KIT	1
Note: Please give the data from type plate of the motor			
2.2A		> Flange IEC132 V1 FF265 D.E.	1
2.2B	2111309	> CONDENSATE HOLE GASKET D5 VP.	1
2.3	2178920	Circlip D40 GB894.1 VP.	1
Note: Please give the data from type plate of the motor			
2.4	121266690	BALL BEARING 6308/2Z-C3 (HT) VP.	1
Note: Please give the data from type plate of the motor			
2.5	2192954	Circlip D90 GB893.1 VP.	1
Note: Please give the data from type plate of the motor			
2.6	2153173	Ball bearing 6206/VV-C3 VP.	1
Note: Please give the data from type plate of the motor			
2.8	2132469	SPRING RING D.62 JB/T7590 VP.	1
2.9	2178926	Nut M8 (4 Pieces)	1
Note: Please give the data from type plate of the motor			
2.10	2178921	End shield BG132 N.D.E.ELEC VP.	1
Note: Please give the data from type plate of the motor			
2.11	2178925	Inner hexagon screws M8x50 (4 Pieces)	1
2.12	2188089	Fan IEC 230X20X17 H52 KIT	1
Note: Please give the data from type plate of the motor			
2.12A		> FAN 230X20X17 GP2200 G/F20% H52	1
2.12B	2118396	> Tooth lock washer D.19,8x0,4 VP.	1
2.13	2188090	Fan hood BG132L ELEC KIT	1
Note: Please give the data from type plate of the motor			
2.13A		> FAN COVER IEC132 KTL ST14 T1.0 H123	1
2.13B	2178923	> Screw M5X8 GB/T3098.1 6.8(4 Pieces)	1
2.15	2192955	Motor foot cpl.BG132 ELEC KIT	1
2.16	2178924	Air guider IEC 132 Motor KIT	1
Note: Please give the data from type plate of the motor			
2.16A		> AIR GUIDER IEC 132 MOTOR	1
2.16B		> SCREW M8X16 TORX HEX 6.8 GB/T70	1





**BL-E32/140-2,2/2-R1 (2191425)**

Item	Article no.	Description	Quantity
1.1	2123452	IMPELLER D.40/140/132/18 KIT	1
1.11	2027186	> NUT M10 DIN934 A2	1
1.12	2027189	> TENSIONING DISC DIN6796-10 V2A	1
1.13		> IMPELLER 40/140/132/18 GG BALANCED	1
1.14	2043160	> O-Ring 177,39x3,53 ISO3601B EPDM VP.	1
1.2	2026901	MECHANICAL SEAL MG12/18-G60 AQ1EGG KIT	1
1.11	2027186	> NUT M10 DIN934 A2	1
1.12	2027189	> TENSIONING DISC DIN6796-10 V2A	1
1.14	2037527	> O-RING 148,82x3,53 EPDM 70SR.VP.	1
1.14	2043160	> O-Ring 177,39x3,53 ISO3601B EPDM VP.	1
1.14	2042864	> O-RING ID.224x3,55 7EP1197-W534 VP.	1
1.21		> MECHANICAL SEAL MG12/18-G60 AQ1EGG	1
10	2027202	> TOOL D.18/24/32 VP.	1
1.3	2037197	LANTERN P228X73-F165 KIT	1
1.11	2027186	> NUT M10 DIN934 A2	1
1.12	2027189	> TENSIONING DISC DIN6796-10 V2A	1
1.14	2043160	> O-Ring 177,39x3,53 ISO3601B EPDM VP.	1
1.31	2027201	> BLOWGUN R1/8" VP.	1
1.32	2048839	> COUPLING GUARD F130-165 PA66 (2 PIECES)	1
1.33		> Lantern P228X73-F165 GG KTL WILO	1
10	2027202	> TOOL D.18/24/32 VP.	1
1.4	2029310	COUPLING/SHAFT 18/24x127 OR.177 KIT	1
1.11	2027186	> NUT M10 DIN934 A2	1
1.12	2027189	> TENSIONING DISC DIN6796-10 V2A	1
1.14	2043160	> O-Ring 177,39x3,53 ISO3601B EPDM VP.	1
1.41		> COUPLING 18/24+SHAFT 18X127 BG90 ZN KIT	1
10	2027202	> TOOL D.18/24/32 VP.	1
2	2169167	Motor V1 2,2/2/90/200E-IE4-ELEC(+Tool)	1
		Spare parts motor V1 2,2/2/90 200E IE4	1
3	2037170	PUMP HOUSING B32/170 PN16 KIT	1
1.14	2043160	> O-Ring 177,39x3,53 ISO3601B EPDM VP.	1
3.1		> PUMP HOUSING BL32/182 PN16 CPL.WILO	1
4	2027194	SCREW M16X30/X40 DIN912 8.8 (4 PIECES)	1
5	2037242	SCREW M10X25 ISO4762 8.8 (4 PIECES)	1

**BL-E32/140-2,2/2-R1 (2191425)**

Item	Article no.	Description	Quantity
7	2029336	WASHER A17 DIN125 ST (4 PIECES)	1
9	2027184	PUMP SUPPORT FOOT BL32-65 <4kW VP.	1
11	2191599	Module BL-E32/140-2,2/2-IE4 ELEC KIT	1
		> MODULE TL3 Flex IE4 SW4.0.30	1
	2054227	> MODULE COVER/GASKET TL3/4 KIT	1
		> SCREW M5X16 ISO4762 8.8 ZnNi	1
		> WASHER TOOTHED LOCK A5,3 DIN6797 FST ZN	1
	2061236	> O-RING ID.38X3 EPDM 70SR.A BUS.	1

Motor-Typenschild / Motor type plate / Plaque identité moteur

Bei Ersatzteilbestellung Motor-Nummer angeben!

Indicate motor number for order of spare parts!

Pour une commande de pièces détachées, donner le numéro du moteur!

ELEC

Motor-Nummer  
motor number  
numéro du moteur

<b>3~Induction Motor</b>					
Made by WILLO Group					
<b>3511218</b>	<b>W132240-4-V1NPE</b>		<b>0902.001</b>		
Class F	S1	IP55	69kg	EN60034	
50Hz	5.5kW	SF=L1S	60Hz	6.45kW	
YΔ 400/690V	10,6/6,13A	Y 440-480V	10,9/10,35A		
Cosφ =0.81	1470min <sup>-1</sup>	Cosφ =0.81	1770min <sup>-1</sup>		
IE4-91.9%	91,9%	91,1%	IE4-92.4%	92,4%	91,8%

WEG

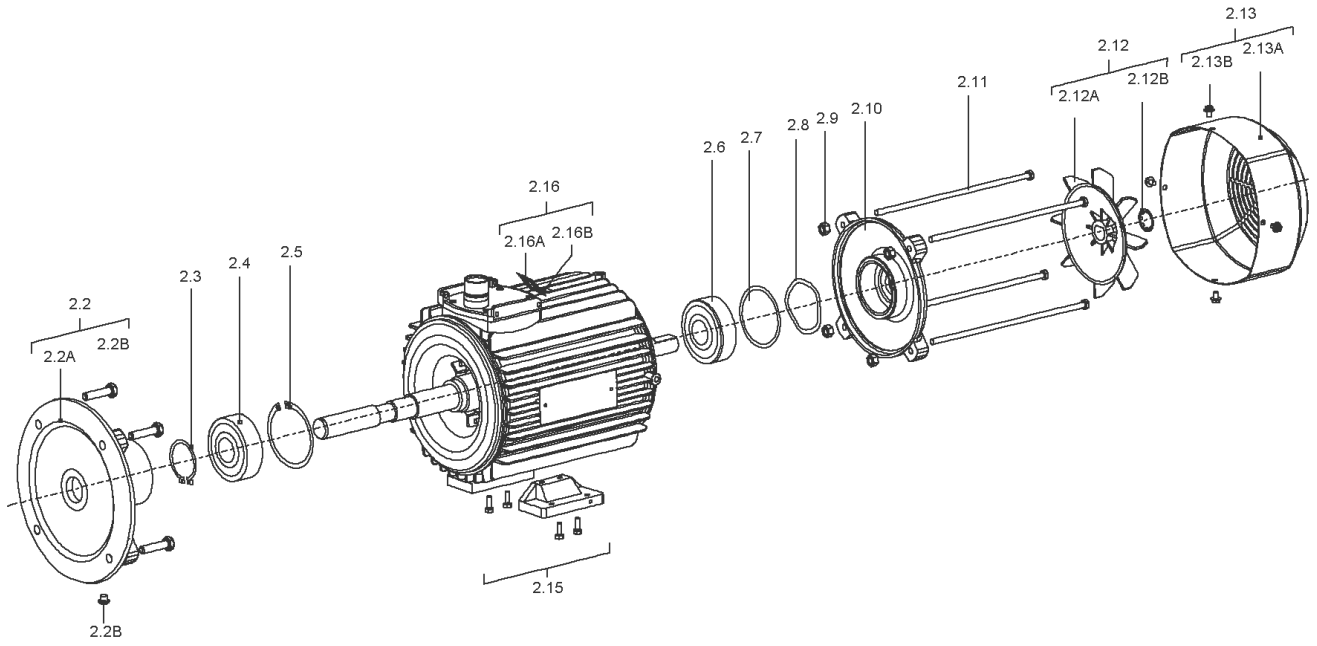
		3~ AL180M/L-04		2015/12		1030615079	
AMB 40°C							
IP55		INS CL.F		Δ T 80 K		S1 SF 1.0	
V	Hz	kW	RPM	A	PF		
400 / -			1480	29,5 / -	0,78		
- / -							
- / -							
- / -							
400	IE4	93,9 (100%)	92,5 (75%)	90,8 (50%)			
- / -		- (100%)	- (75%)	- (50%)			
- A		- (100%)	- (75%)	- (50%)			
NEMA	Eff	- %	- HP	- V	- Hz	- RPM	
- A	PF	DES	CODE	SF			
		6311-ZZ-C3		MOBIL POLYREX EM		162 kg	
		6211-ZZ-C3					
MOD.TE01A0X1A0000301180							
		IEC 60034					

VIBRATION LEVEL A
ACCORDING IEC 60034-14
BALANCED WITH NO KEY
WILO PART NO: <b>2151697</b>

Motor-Nummer  
motor number  
numéro du moteur

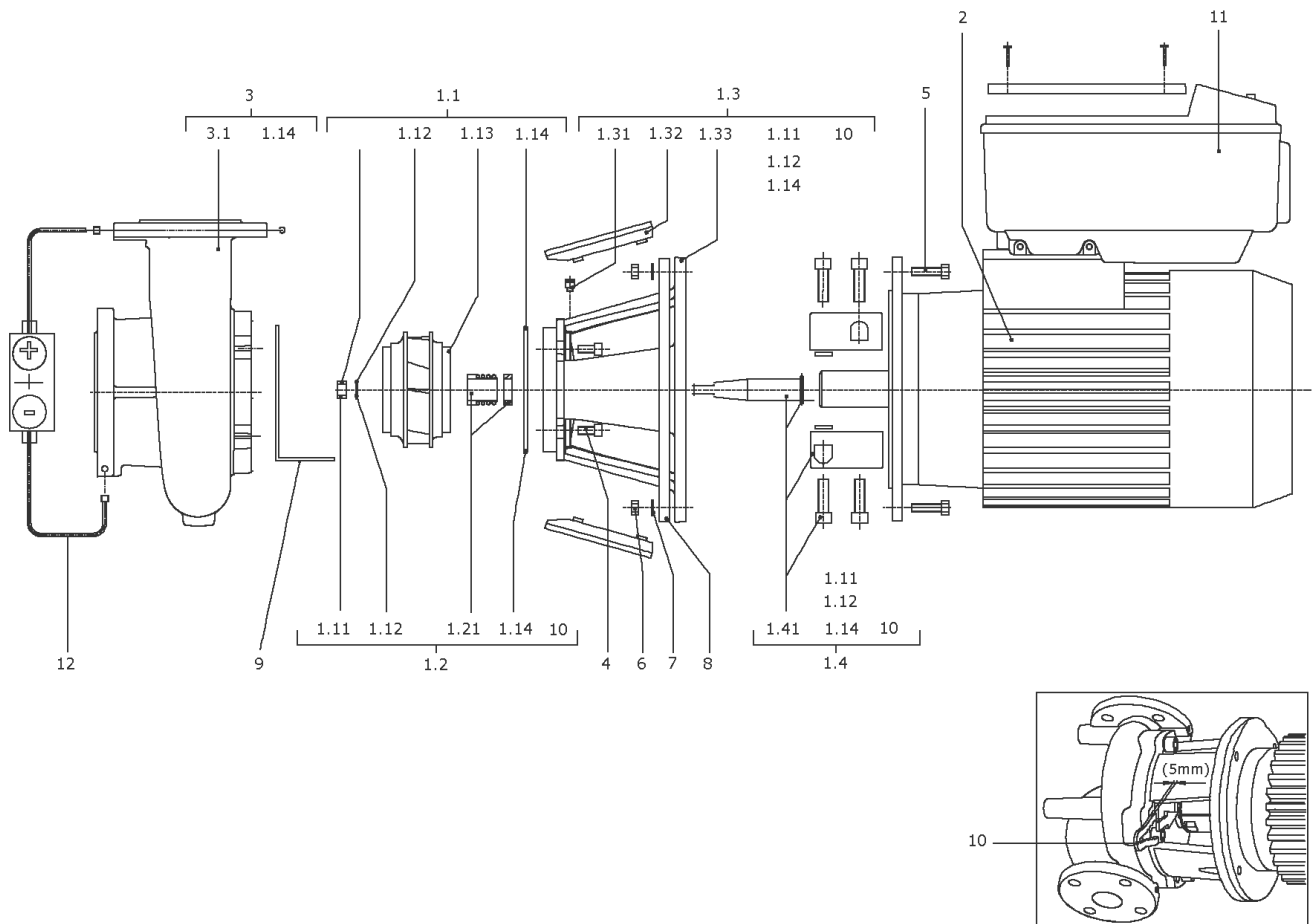
## Spare parts motor V1 2,2/2/90 200E IE4

Item	Description	Quantity
ELEC	W090130-2-V1NPE 400V/50Hz 2.2kW IE4	1



**W090130-2-V1NPE 400V/50Hz 2.2kW IE4**

Item	Article no.	Description	Quantity
2.2	2127392	END SHIELD BG90 V1 D.E.ELEC KIT	1
Note: Please give the data from type plate of the motor			
2.1A		> Flange IEC90 V1	1
2.1B	2111309	> CONDENSATE HOLE GASKET D5 VP.	1
Note: Please give the data from type plate of the motor			
2.3	2111334	CIRCLIP D.30 GB894.1 VP.	1
Note: Please give the data from type plate of the motor			
2.4	2153170	Ball bearing 6306/VV-C3 VP.	1
Note: Please give the data from type plate of the motor			
2.5	2111337	CIRCLIP D.72 GB893.1 VP.	1
Note: Please give the data from type plate of the motor			
2.6	2153168	Ball bearing 6204/VV-C3 VP.	1
2.7	2164016	O-Ring ID47.2x3.53 EPDM VP.	1
2.8	2111339	SPRING RING D.47 JB/T7590 VP.	1
Note: Please give the data from type plate of the motor			
2.10	2157920	End shield BG90 N.D.E.ELEC KIT	1
Note: Please give the data from type plate of the motor			
		> Flange IEC90 NDS with slot reduce0.5	1
		> O-RING ID47.2*3.53 EPDM	1
2.11	2179081	Screw torx Plus / Hex.M5X231(4Pieces)	1
2.12	2107782	FAN WHEEL BG90 ELEC KIT	1
Note: Please give the data from type plate of the motor			
2.12A		> FAN 122.6X15X17 GP2200 G/F20%	1
2.12B	2111321	> STOP-RING D.14,8x0,4 VP.	1
Note: Please give the data from type plate of the motor			
2.13	2111322	FAN HOOD BG90 ELEC KIT	1
Note: Please give the data from type plate of the motor			
2.13A		> FAN COVER IEC90 KTL ST14 T0.8 H70	1
2.13B	2111323	> SCREW M4X6 (4 PIECES)	1
Note: Please give the data from type plate of the motor			





**BL-E32/150-3/2-R1 (2191426)**

Item	Article no.	Description	Quantity
1.1	2123451	IMPELLER D.40/148/140/18 KIT	1
1.11	2027186	> NUT M10 DIN934 A2	1
1.12	2027189	> TENSIONING DISC DIN6796-10 V2A	1
1.13		> IMPELLER 40/148/140/18 GG BALANCED	1
1.14	2043160	> O-Ring 177,39x3,53 ISO3601B EPDM VP.	1
1.2	2026901	MECHANICAL SEAL MG12/18-G60 AQ1EGG KIT	1
1.11	2027186	> NUT M10 DIN934 A2	1
1.12	2027189	> TENSIONING DISC DIN6796-10 V2A	1
1.14	2037527	> O-RING 148,82x3,53 EPDM 70SR.VP.	1
1.14	2043160	> O-Ring 177,39x3,53 ISO3601B EPDM VP.	1
1.14	2042864	> O-RING ID.224x3,55 7EP1197-W534 VP.	1
1.21		> MECHANICAL SEAL MG12/18-G60 AQ1EGG	1
10	2027202	> TOOL D.18/24/32 VP.	1
1.3	2037204	LANTERN P228X73-F215 KIT	1
1.11	2027186	> NUT M10 DIN934 A2	1
1.12	2027189	> TENSIONING DISC DIN6796-10 V2A	1
1.14	2043160	> O-Ring 177,39x3,53 ISO3601B EPDM VP.	1
1.31	2027201	> BLOWGUN R1/8" VP.	1
1.32	2048842	> COUPLING GUARD F215 PA66 (2 PIECES)	1
1.33		> Lantern P228X73-F215 GG KTL WILO	1
10	2027202	> TOOL D.18/24/32 VP.	1
1.4	2029314	COUPLING/SHAFT 18/28X134 KIT	1
1.11	2027186	> NUT M10 DIN934 A2	1
1.12	2027189	> TENSIONING DISC DIN6796-10 V2A	1
1.14	2043160	> O-Ring 177,39x3,53 ISO3601B EPDM VP.	1
1.41		> COUPLING 18/28+SHAFT 18X134 BG112 ZN KIT	1
10	2027202	> TOOL D.18/24/32 VP.	1
2	2169169	Motor V1 3/2/100/250E-IE4-ELEC(+Tool)	1
		Spare parts motor V1 3/2/100 250E IE4	1
3	2037170	PUMP HOUSING B32/170 PN16 KIT	1
1.14	2043160	> O-Ring 177,39x3,53 ISO3601B EPDM VP.	1
3.1		> PUMP HOUSING BL32/182 PN16 CPL.WILO	1
4	2027194	SCREW M16X30/X40 DIN912 8.8 (4 PIECES)	1
	2029336	WASHER A17 DIN125 ST (4 PIECES)	1

**BL-E32/150-3/2-R1 (2191426)**

Item	Article no.	Description	Quantity
5	2027195	SCREW M12X25 DIN912 8.8 (4 PIECES)	1
7	2029335	WASHER A13 DIN125 ST (4 PIECES)	1
9	2027184	PUMP SUPPORT FOOT BL32-65 <4kW VP.	1
11	2191600	Module BL-E32/150-3/2-IE4 ELEC KIT	1
		> MODULE TL4 Flex IE4 SW4.0.30	1
	2054227	> MODULE COVER/GASKET TL3/4 KIT	1
		> SCREW M5X16 ISO4762 8.8 ZnNi	1
		> WASHER TOOTHED LOCK A5,3 DIN6797 FST ZN	1
	2061236	> O-RING ID.38X3 EPDM 70SR.A BUS.	1

Motor-Typenschild / Motor type plate / Plaque identité moteur

Bei Ersatzteilbestellung Motor-Nummer angeben!

Indicate motor number for order of spare parts!

Pour une commande de pièces détachées, donner le numéro du moteur!

ELEC

Motor-Nummer  
motor number  
numéro du moteur

<b>3~Induction Motor</b>					
Made by WILLO Group					
<b>3511218</b>	<b>W132240-4-V1NPE</b>		<b>0902.001</b>		
Class F	S1	IP55	69kg	EN60034	
50Hz	5.5kW	SF=L1S	60Hz	6.45kW	
YΔ 400/690V	10,6/6,13A	Y 440-480V	10,9/10,35A		
Cosφ =0.81	1470min <sup>-1</sup>	Cosφ =0.81	1770min <sup>-1</sup>		
IE4-91.9%	91,9%	91,1%	IE4-92.4%	92,4%	91,8%

WEG

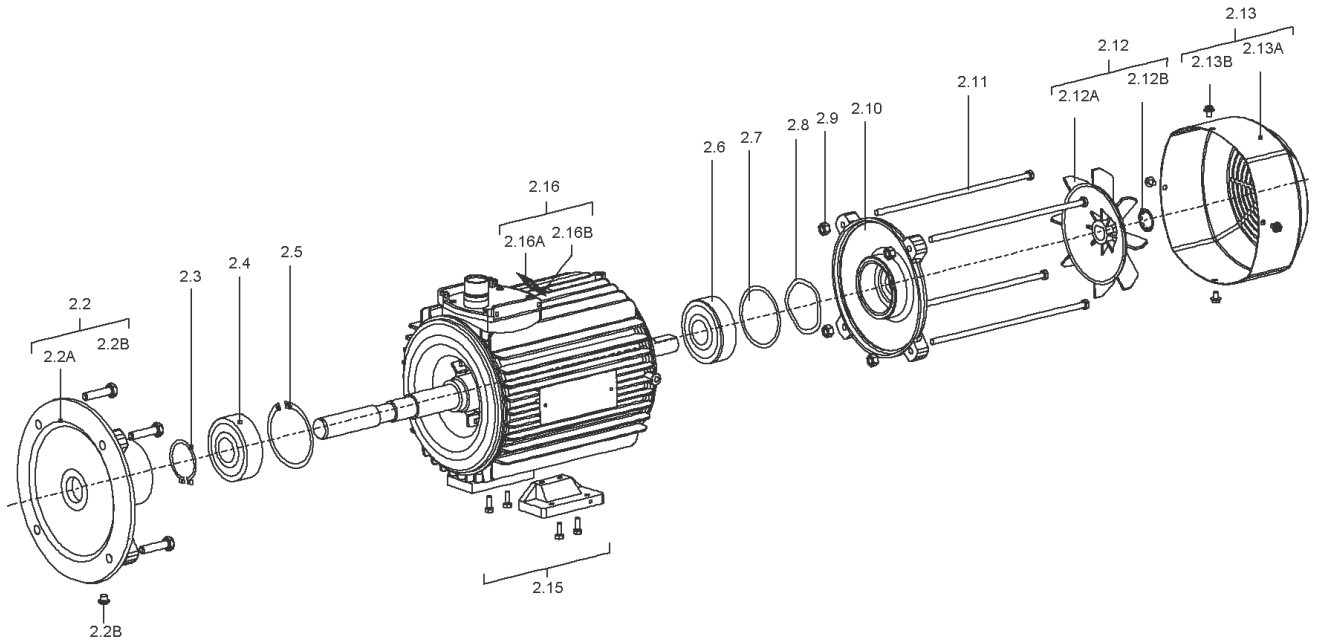
3~ AL180M/L-04		2015/12	1030615079		
AMB 40°C					
IP55	INS CL.F	Δ T 80 K	S1	SF 1.0	
V	Hz	kW	RPM	A	PF
400 / -			1480	29,5 / -	0,78
- / -					
- / -					
- / -					
400	IE4	93,9 (100%)	92,5 (75%)	90,8 (50%)	
- / -		- (100%)	- (75%)	- (50%)	
- A		- (100%)	- (75%)	- (50%)	
NEMA	Eff	- %	- HP	- V	- Hz
- A	PF	DES	CODE	SF	
		6311-ZZ-C3	MOBIL POLYREX EM		162 kg
		6211-ZZ-C3			
MOD.TE01A0X1A0000301180					
IEC 60034					

VIBRATION LEVEL A
ACCORDING IEC 60034-14
BALANCED WITH NO KEY
WILO PART NO: <b>2151697</b>

Motor-Nummer  
motor number  
numéro du moteur

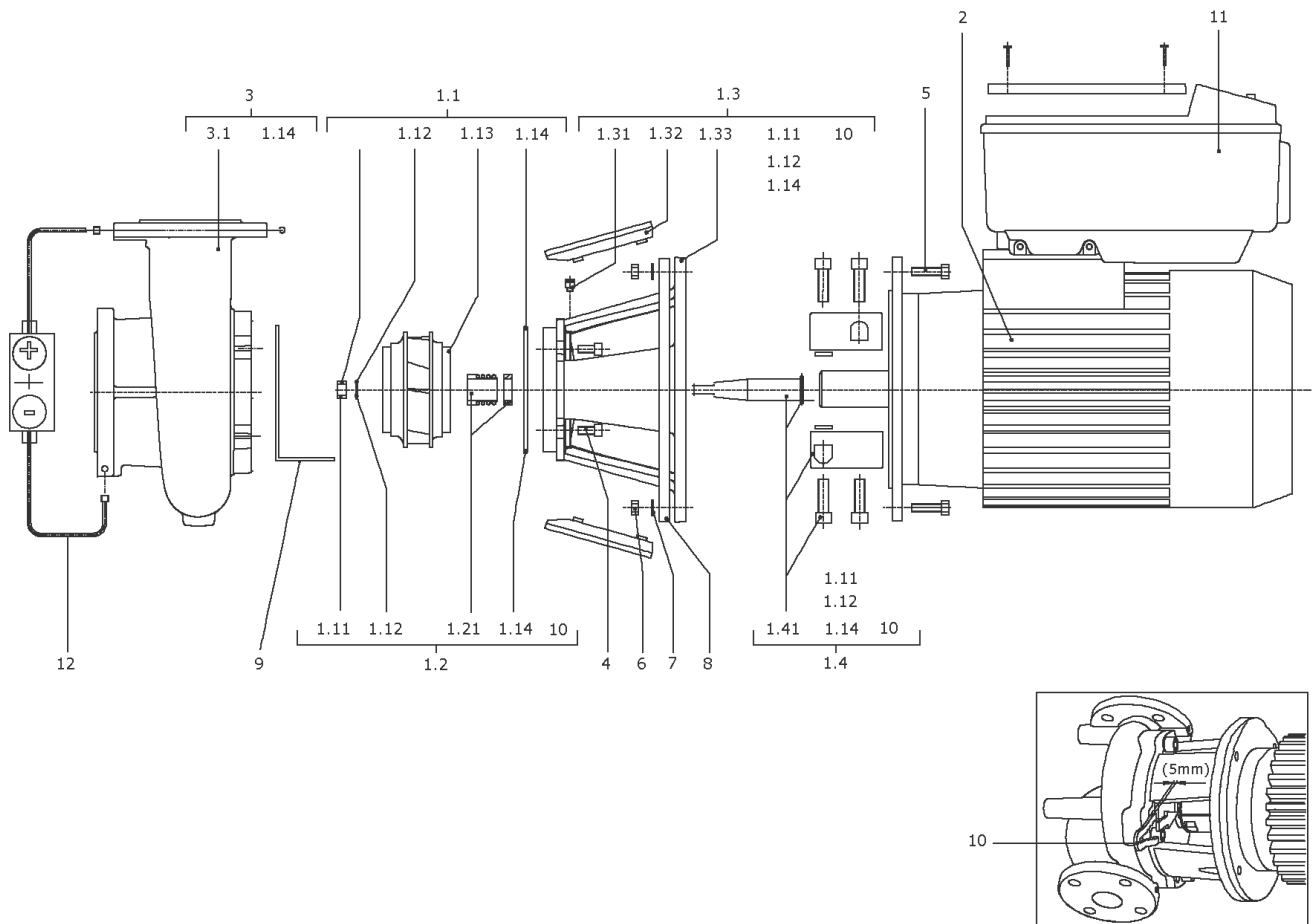
## Spare parts motor V1 3/2/100 250E IE4

Item	Description	Quantity
ELEC	W100130-2-V1NPE 400V/50Hz 3kW IE4	1



**W100130-2-V1NPE 400V/50Hz 3kW IE4**

Item	Article no.	Description	Quantity
2.2	2127393	END SHIELD BG100 V1 D.E.ELEC KIT	1
Note: Please give the data from type plate of the motor			
2.1A		> FLANGE IEC100 V1	1
2.1B	2111309	> CONDENSATE HOLE GASKET D5 VP.	1
Note: Please give the data from type plate of the motor			
2.3	2118388	CIRCLIP D.35 GB894.1 VP.	1
Note: Please give the data from type plate of the motor			
2.4	2153172	Ball bearing 6307/VV-C3 VP.	1
Note: Please give the data from type plate of the motor			
2.5	2118390	CIRCLIP D.80 GB893.1 VP.	1
Note: Please give the data from type plate of the motor			
2.6	2153171	Ball bearing 6205/VV-C3 VP.	1
2.7	2164094	O-Ring ID52.4x3.53 EPDM VP.	1
2.8	2164076	Circlip D52 JB/T7590 VP.	1
Note: Please give the data from type plate of the motor			
2.10	2164074	End shield BG100 N.D.E.ELEC KIT	1
Note: Please give the data from type plate of the motor			
		> FLANGE IEC100 NDS with slot	1
		> O-RING ID52.4*3.53 EPDM	1
2.11	2179082	Screw Torx Plus / Hexagon M6X258(4Pieces	1
2.12	2179083	Fan wheel BG100 ELEC KIT	1
Note: Please give the data from type plate of the motor			
2.12A		> FAN 150X20X17 GP2200 G/F20%	1
2.12B	2118396	> Tooth lock washer D.19,8x0,4 VP.	1
Note: Please give the data from type plate of the motor			
2.13	2118397	FAN HOOD BG100 ELEC KIT	1
Note: Please give the data from type plate of the motor			
2.13A		> FAN COVER IEC100 KTL ST14 T0.8 H86	1
2.13B	2111323	> SCREW M4X6 (4 PIECES)	1
Note: Please give the data from type plate of the motor			
2.16	2179086	Air guider BG100 Motor KIT	1
2.16A		> AIR GUIDER IEC100 MOTOR	1
2.16B		> Screw Tapping M5X14 trox pan	1



**BL-E32/160-4/2-R1 (2191427)**

Item	Article no.	Description	Quantity
1.1	2048406	IMPELLER D.40/160/18 KIT	1
1.11	2027186	> NUT M10 DIN934 A2	1
1.12	2027189	> TENSIONING DISC DIN6796-10 V2A	1
1.13		> IMPELLER 40/160/152/18 GG BALANCED	1
1.14	2043160	> O-Ring 177,39x3,53 ISO3601B EPDM VP.	1
1.2	2026901	MECHANICAL SEAL MG12/18-G60 AQ1EGG KIT	1
1.11	2027186	> NUT M10 DIN934 A2	1
1.12	2027189	> TENSIONING DISC DIN6796-10 V2A	1
1.14	2037527	> O-RING 148,82x3,53 EPDM 70SR.VP.	1
1.14	2043160	> O-Ring 177,39x3,53 ISO3601B EPDM VP.	1
1.14	2042864	> O-RING ID.224x3,55 7EP1197-W534 VP.	1
1.21		> MECHANICAL SEAL MG12/18-G60 AQ1EGG	1
10	2027202	> TOOL D.18/24/32 VP.	1
1.3	2037204	LANTERN P228X73-F215 KIT	1
1.11	2027186	> NUT M10 DIN934 A2	1
1.12	2027189	> TENSIONING DISC DIN6796-10 V2A	1
1.14	2043160	> O-Ring 177,39x3,53 ISO3601B EPDM VP.	1
1.31	2027201	> BLOWGUN R1/8" VP.	1
1.32	2048842	> COUPLING GUARD F215 PA66 (2 PIECES)	1
1.33		> Lantern P228X73-F215 GG KTL WILO	1
10	2027202	> TOOL D.18/24/32 VP.	1
1.4	2029314	COUPLING/SHAFT 18/28X134 KIT	1
1.11	2027186	> NUT M10 DIN934 A2	1
1.12	2027189	> TENSIONING DISC DIN6796-10 V2A	1
1.14	2043160	> O-Ring 177,39x3,53 ISO3601B EPDM VP.	1
1.41		> COUPLING 18/28+SHAFT 18X134 BG112 ZN KIT	1
10	2027202	> TOOL D.18/24/32 VP.	1
2	2169171	Motor V1 4/2/112/250E-IE4-ELEC(+Tool)	1
		Spare parts motor V1 4/2/112 250E IE4	1
3	2037170	PUMP HOUSING B32/170 PN16 KIT	1
1.14	2043160	> O-Ring 177,39x3,53 ISO3601B EPDM VP.	1
3.1		> PUMP HOUSING BL32/182 PN16 CPL.WILO	1
4	2027194	SCREW M16X30/X40 DIN912 8.8 (4 PIECES)	1
	2029336	WASHER A17 DIN125 ST (4 PIECES)	1



**BL-E32/160-4/2-R1 (2191427)**

Item	Article no.	Description	Quantity
5	2027195	SCREW M12X25 DIN912 8.8 (4 PIECES)	1
7	2029335	WASHER A13 DIN125 ST (4 PIECES)	1
9	2027184	PUMP SUPPORT FOOT BL32-65 <4kW VP.	1
11	2191601	Module BL-E32/160-4/2-IE4 ELEC KIT	1
		> MODULE TL4 Flex IE4 SW4.0.30	1
	2054227	> MODULE COVER/GASKET TL3/4 KIT	1
		> SCREW M5X16 ISO4762 8.8 ZnNi	1
		> WASHER TOOTHED LOCK A5,3 DIN6797 FST ZN	1
	2061236	> O-RING ID.38X3 EPDM 70SR.A BUS.	1

Motor-Typenschild / Motor type plate / Plaque identité moteur

Bei Ersatzteilbestellung Motor-Nummer angeben!

Indicate motor number for order of spare parts!

Pour une commande de pièces détachées, donner le numéro du moteur!

ELEC

Motor-Nummer  
motor number  
numéro du moteur

<b>3~Induction Motor</b>					
Made by WILLO Group					
<b>3511218</b>	<b>W132240-4-V1NPE</b>		<b>0902.001</b>		
Class F	S1	IP55	69kg	EN60034	
50Hz	5.5kW	SF=L1S	60Hz	6.45kW	
YΔ 400/690V	10,6/6,13A	Y 440-480V	10,9/10,35A		
Cosφ =0.81	1470min <sup>-1</sup>	Cosφ =0.81	1770min <sup>-1</sup>		
IE4-91.9%	91,9%	91,1%	IE4-92.4%	92,4%	91,8%

WEG

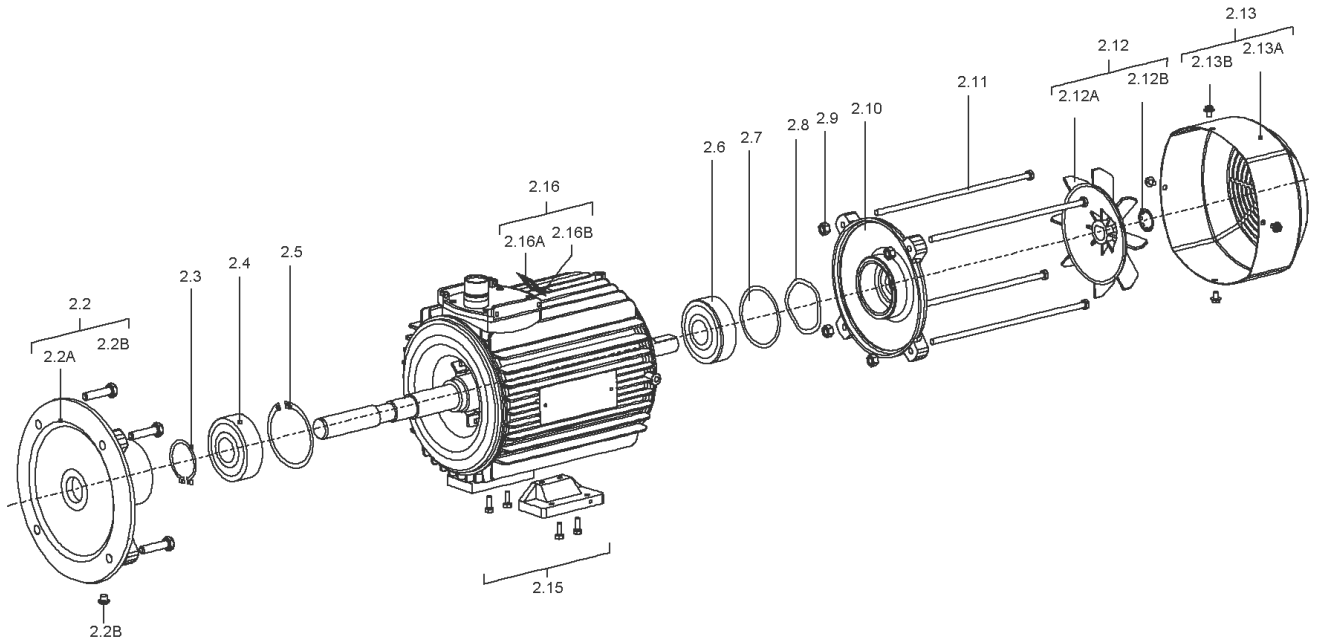
3~ AL180M/L-04		2015/12		1030615079	
AMB 40°C					
IP55	INS CL.F	Δ T 80 K	S1	SF 1.0	
V	Hz	kW	RPM	A	PF
400 / -			1480	29,5 / -	0,78
- / -					
- / -					
- / -					
400	IE4	93,9 (100%)	92,5 (75%)	90,8 (50%)	
- / -		- (100%)	- (75%)	- (50%)	
- A		- (100%)	- (75%)	- (50%)	
NEMA	Eff	- %	- HP	- V	- Hz
- A	PF	DES	CODE	SF	
		6311-ZZ-C3	MOBIL POLYREX EM		162 kg
		6211-ZZ-C3			
MOD.TE01A0X1A0000301180					
IEC 60034					

VIBRATION LEVEL A
ACCORDING IEC 60034-14
BALANCED WITH NO KEY
WILO PART NO: <b>2151697</b>

Motor-Nummer  
motor number  
numéro du moteur

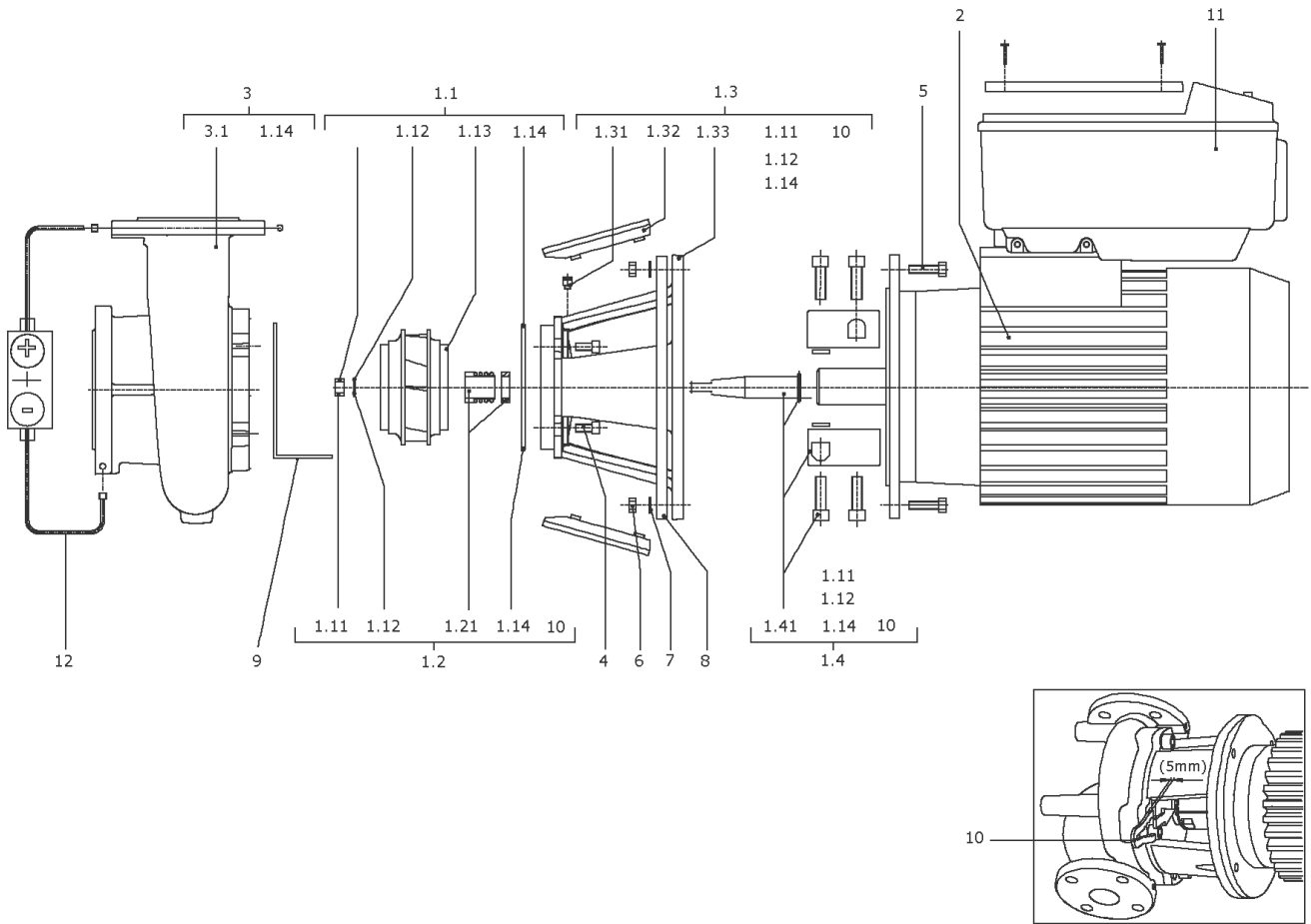
## Spare parts motor V1 4/2/112 250E IE4

Item	Description	Quantity
ELEC	W112140-2-V1NPE 400V/50Hz 4kW IE4	1



**W112140-2-V1NPE 400V/50Hz 4kW IE4**

Item	Article no.	Description	Quantity
2.2	2192953	End shield BG112 V1 D.E.ELEC KIT	1
Note: Please give the data from type plate of the motor			
2.1A		> FLANGE IEC112 V1	1
2.1B	2111309	> CONDENSATE HOLE GASKET D5 VP.	1
Note: Please give the data from type plate of the motor			
2.3	2118388	CIRCLIP D.35 GB894.1 VP.	1
Note: Please give the data from type plate of the motor			
2.4	2153172	Ball bearing 6307/VV-C3 VP.	1
Note: Please give the data from type plate of the motor			
2.5	2118390	CIRCLIP D.80 GB893.1 VP.	1
Note: Please give the data from type plate of the motor			
2.6	2153173	Ball bearing 6206/VV-C3 VP.	1
2.7	2164027	O-Ring ID62.4x3.53 EPDM VP.	1
2.8	2132469	SPRING RING D.62 JB/T7590 VP.	1
Note: Please give the data from type plate of the motor			
2.10	2164025	End shield BG112 N.D.E.ELEC KIT	1
Note: Please give the data from type plate of the motor			
		> FLANGE IEC112 NDS with slot	1
		> O-RING ID62.4*3.53 EPDM	1
2.11	2132473	SCREW M8X263,5 6.8 (4 PIECES)	1
2.12	2175742	Fan BG112 ELEC KIT	1
Note: Please give the data from type plate of the motor			
2.12A		> FAN 174X20X17 GP2200 G/F20%	1
2.12B	2118396	> Tooth lock washer D.19,8x0,4 VP.	1
Note: Please give the data from type plate of the motor			
2.13	2168255	Fan hood BG112 ELEC KIT	1
Note: Please give the data from type plate of the motor			
2.13A		> FAN COVER IEC112 KTL ST14 T1.0 H86	1
2.13B	2111323	> SCREW M4X6 (4 PIECES)	1
Note: Please give the data from type plate of the motor			
2.16	2179084	Air guider BG 112 Motor KIT	1
2.16A		> AIR GUIDER IEC 112 MOTOR	1
2.16B		> SCREW M8X16 TORX HEX 6.8 GB/T70	1



**BL-E32/170-5,5/2-R1 (2191428)**

Item	Article no.	Description	Quantity
1.1	2037282	IMPELLER D.40/171/18 KIT	1
1.11	2027186	> NUT M10 DIN934 A2	1
1.12	2027189	> TENSIONING DISC DIN6796-10 V2A	1
1.13		> IMPELLER 40/171/18 GG BALANCED	1
1.14	2043160	> O-Ring 177,39x3,53 ISO3601B EPDM VP.	1
1.2	2026901	MECHANICAL SEAL MG12/18-G60 AQ1EGG KIT	1
1.11	2027186	> NUT M10 DIN934 A2	1
1.12	2027189	> TENSIONING DISC DIN6796-10 V2A	1
1.14	2037527	> O-RING 148,82x3,53 EPDM 70SR.VP.	1
1.14	2043160	> O-Ring 177,39x3,53 ISO3601B EPDM VP.	1
1.14	2042864	> O-RING ID.224x3,55 7EP1197-W534 VP.	1
1.21		> MECHANICAL SEAL MG12/18-G60 AQ1EGG	1
10	2027202	> TOOL D.18/24/32 VP.	1
1.3	2037201	LANTERN P228X73-F265 KIT	1
1.11	2027186	> NUT M10 DIN934 A2	1
1.12	2027189	> TENSIONING DISC DIN6796-10 V2A	1
1.14	2043160	> O-Ring 177,39x3,53 ISO3601B EPDM VP.	1
1.31	2027201	> BLOWGUN R1/8" VP.	1
1.32	2048838	> COUPLING GUARD F265 PA66 AD.(4 PIECES)	1
1.33		> LANTERN P228X73-F265 GG KTL RDES WILO	1
10	2027202	> TOOL D.18/24/32 VP.	1
1.4	2029311	COUPLING/SHAFT 18/38x126 KIT	1
1.11	2027186	> NUT M10 DIN934 A2	1
1.12	2027189	> TENSIONING DISC DIN6796-10 V2A	1
1.14	2043160	> O-Ring 177,39x3,53 ISO3601B EPDM VP.	1
1.41		> COUPLING 18/38+SHAFT 18X126 BG132 ZN KIT	1
10	2027202	> TOOL D.18/24/32 VP.	1
2	2179386	Motor B35 5,5/2/132/300E-IE4-ELEC(+Tool)	1
		Spare parts motor B35 5,5/2/132 300E IE4	1
3	2037170	PUMP HOUSING B32/170 PN16 KIT	1
1.14	2043160	> O-Ring 177,39x3,53 ISO3601B EPDM VP.	1
3.1		> PUMP HOUSING BL32/182 PN16 CPL.WILO	1
4	2027193	SCREW M16X30 ISO4762 8.8 (4 PIECES)	1
5	2027199	Screw M12X65 ISO4014 8.8 (4STÜCK)	1

**BL-E32/170-5,5/2-R1 (2191428)**

Item	Article no.	Description	Quantity
6	2029305	NUT M12 DIN-EN24032 8 (4 PIECES)	1
7	2029335	WASHER A13 DIN125 ST (4 PIECES)	1
8	2027185	Adapter ring BG132 VP.	1
11	2191602	Module BL-E32/170-5,5/2-IE4 ELEC KIT	1
		> Module TL5 Flex SW4.0.21	1
	2111344	> MODULE COVER/GASKET TL5 KIT	1
	2120047	> CABLE CONNECTION M12x1,5/5 cpl.TL5 VP.	1
	2120048	> CABLE CONNECTION M16x1,5/5 cpl.TL5 VP.	1
	2120049	> CABLE CONNECTION M20x1,5/6 cpl.TL5 VP.	1
	2120050	> CABLE CONNECTION M25x1,5/8 cpl.TL5 VP.	1



**Motor-Typenschild / Motor type plate / Plaque identité moteur**

**Bei Ersatzteilbestellung Motor-Nummer angeben!**

**Indicate motor number for order of spare parts!**

**Pour une commande de pièces détachées, donner le numéro du moteur!**

ELEC

Motor-Nummer  
motor number  
numéro du moteur

<b>3~Induction Motor</b>							
Made by WILLO Group							
<b>3511218</b>	<b>W132240-4-V1NPE</b>		<b>0902.001</b>				
Class F	S1	IP55	69kg	EN60034			
50Hz	5.5kW	SF=L1S	60Hz	6.45kW			
YΔ 400/690V	10,6/6,13A	Y 440-480V	10,9/10,35A				
Cosφ =0.81	1470min <sup>-1</sup>	Cosφ =0.81	1770min <sup>-1</sup>				
IE4-91.9%	91,9%	91,1%	IE4-92.4%	92,4%	91,8%		

WEG

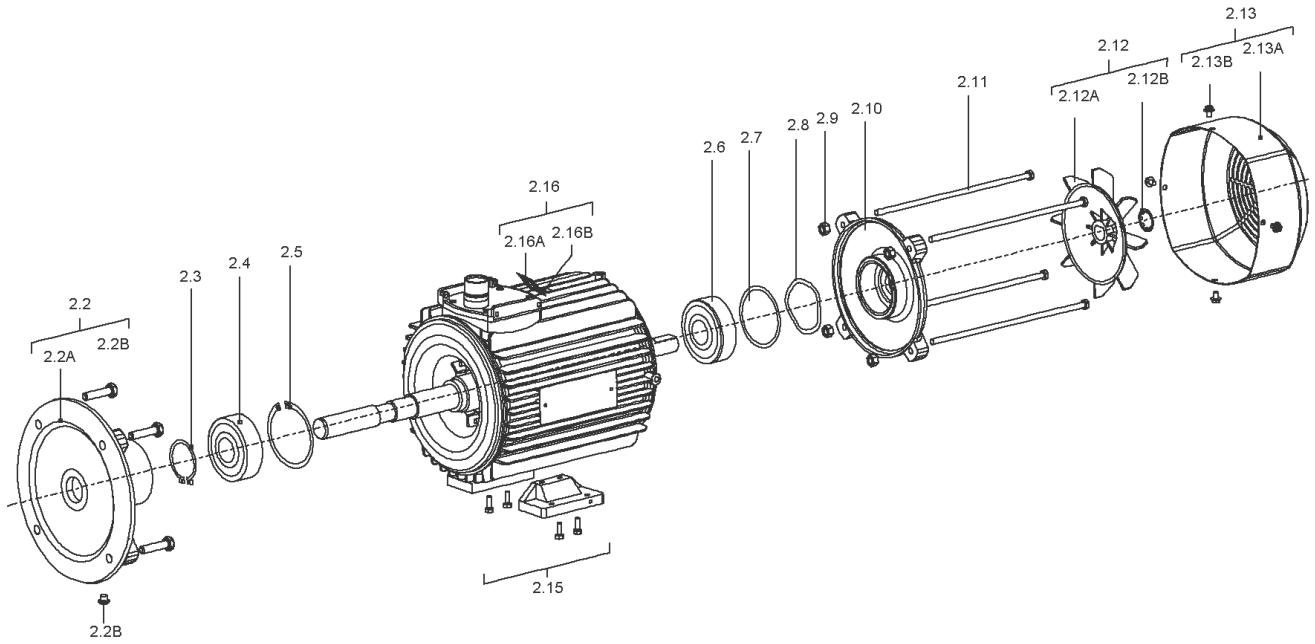
		3~ AL180M/L-04		2015/12		1030615079	
AMB 40°C							
IP55		INS CL.F		Δ T 80 K		S1 SF 1.0	
V	Hz	kW	RPM	A	PF		
400 / -			1480	29,5 / -	0,78		
- / -							
- / -							
- / -							
400	IE4	93,9 (100%)	92,5 (75%)	90,8 (50%)			
- / -		- (100%)	- (75%)	- (50%)			
- A		- (100%)	- (75%)	- (50%)			
NEMA	Eff	- %	- HP	- V	- Hz	- RPM	
- A	PF	DES	CODE	SF			
		6311-ZZ-C3		MOBIL POLYREX EM		162 kg	
		6211-ZZ-C3					
MOD.TE01A0X1A0000301180							
		IEC 60034					

VIBRATION LEVEL A	
ACCORDING IEC 60034-14	
BALANCED WITH NO KEY	
WILO PART NO: <b>2151697</b>	

Motor-Nummer  
motor number  
numéro du moteur

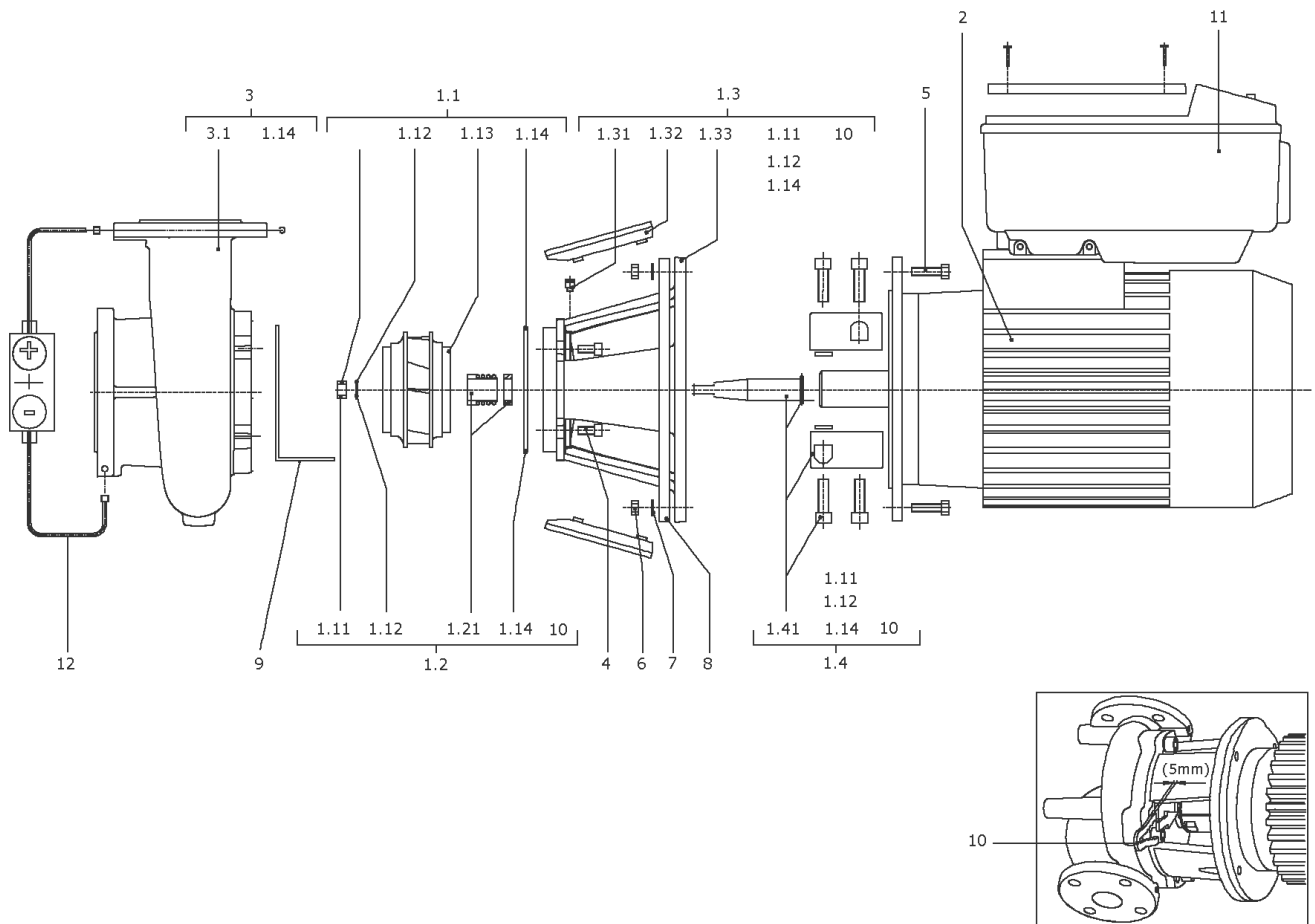
## Spare parts motor B35 5,5/2/132 300E IE4

Item	Description	Quantity
ELEC	Motor B35 5,5/2/132 300E IE4 ELEC WILO	1



**Motor B35 5,5/2/132 300E IE4 ELEC WILO**

Item	Article no.	Description	Quantity
2.2	2175903	End shield BG132 FF265 D.E.ELEC KIT	1
Note: Please give the data from type plate of the motor			
2.2A		> Flange IEC132 V1 FF265 D.E.	1
2.2B	2111309	> CONDENSATE HOLE GASKET D5 VP.	1
2.3	2178920	Circlip D40 GB894.1 VP.	1
Note: Please give the data from type plate of the motor			
2.4	121266690	BALL BEARING 6308/2Z-C3 (HT) VP.	1
Note: Please give the data from type plate of the motor			
2.5	2178920	Circlip D40 GB894.1 VP.	1
Note: Please give the data from type plate of the motor			
2.6	2153173	Ball bearing 6206/VV-C3 VP.	1
2.8	2132469	SPRING RING D.62 JB/T7590 VP.	1
Note: Please give the data from type plate of the motor			
2.10	2178921	End shield BG132 N.D.E.ELEC VP.	1
Note: Please give the data from type plate of the motor			
2.11	2178989	Srews Torx Plus M8x335 (4 Pieces)	1
2.12	2175742	Fan BG112 ELEC KIT	1
Note: Please give the data from type plate of the motor			
2.12A		> FAN 174X20X17 GP2200 G/F20%	1
2.12B	2118396	> Tooth lock washer D.19,8x0,4 VP.	1
Note: Please give the data from type plate of the motor			
2.13	2178928	Fan hood BG132 ELEC KIT	1
Note: Please give the data from type plate of the motor			
2.13A		> FAN COVER IEC132 KTL ST14 T0.8 H103	1
2.13B	2178923	> Screw M5X8 GB/T3098.1 6.8(4 Pieces)	1
2.15	2192955	Motor foot cpl.BG132 ELEC KIT	1
2.16	2178924	Air guider IEC 132 Motor KIT	1
Note: Please give the data from type plate of the motor			
2.16A		> AIR GUIDER IEC 132 MOTOR	1
2.16B		> SCREW M8X16 TORX HEX 6.8 GB/T70	1



**BL-E32/210-7,5/2-R1 (2191429)**

Item	Article no.	Description	Quantity
1.1	2153165	Impeller 40/220-209-71,7/24 GG KIT	1
1.11	2027187	> NUT M12 DIN-EN24032 A2 VP.	1
1.12	2027190	> WASHER A13 DIN125-T2 A2 VP.	1
1.13		> Impeller 40/220-209-71,7/24 GG BL gewu	1
1.14	2042864	> O-RING ID.224x3,55 7EP1197-W534 VP.	1
	2042862	> WASHER S12 V2A VP.	1
1.2	2026902	MECHANICAL SEAL MG12/24-G60 AQ1EGG KIT	1
1.11	2027187	> NUT M12 DIN-EN24032 A2 VP.	1
1.12	2027190	> WASHER A13 DIN125-T2 A2 VP.	1
1.14	2037527	> O-RING 148,82x3,53 EPDM 70SR.VP.	1
1.14	2043160	> O-Ring 177,39x3,53 ISO3601B EPDM VP.	1
1.14	2042864	> O-RING ID.224x3,55 7EP1197-W534 VP.	1
1.14	2051680	> O-RING ID.276,7x5,29 7EP1197-W534 VP.	1
	2042862	> WASHER S12 V2A VP.	1
1.21		> MECHANICAL SEAL MG12/24-G60 AQ1EGG	1
10	2027202	> TOOL D.18/24/32 VP.	1
1.3	2042712	LANTERN P270X72-F265 KTL KIT	1
1.11	2027187	> NUT M12 DIN-EN24032 A2 VP.	1
1.12	2027190	> WASHER A13 DIN125-T2 A2 VP.	1
1.14	2042864	> O-RING ID.224x3,55 7EP1197-W534 VP.	1
	2042862	> WASHER S12 V2A VP.	1
1.31	2027201	> BLOWGUN R1/8" VP.	1
1.32	2048845	> COUPLING GUARD P270-F265 PA66 (2 PIECES)	1
1.33		> LANTERN P270X72-F265 GG KTL WILO	1
10	2027202	> TOOL D.18/24/32 VP.	1
1.4	2043714	COUPLING/SHAFT D.24/38X140 KIT	1
1.11	2027187	> NUT M12 DIN-EN24032 A2 VP.	1
1.12	2027190	> WASHER A13 DIN125-T2 A2 VP.	1
1.14	2042864	> O-RING ID.224x3,55 7EP1197-W534 VP.	1
1.41		> COUPLING 24/38+SHAFT 24X140 BG132 ZN KIT	1
10	2027202	> TOOL D.18/24/32 VP.	1
2	2168709	Motor B35 7,5/2/132/300E-IE4-ELEC(+Tool)	1
		Spare parts motor B35 7,5/2/132 300E IE4	1
3	2042759	PUMP HOUSING B32/230 PN16 KIT	1

**BL-E32/210-7,5/2-R1 (2191429)**

Item	Article no.	Description	Quantity
1.14	2042864	> O-RING ID.224x3,55 7EP1197-W534 VP.	1
3.1		> PUMP HOUSING BL32/230 PN16 CPL.WILO	1
4	2027193	SCREW M16X30 ISO4762 8.8 (4 PIECES)	1
5	2027195	SCREW M12X25 DIN912 8.8 (4 PIECES)	1
11	2191603	Module BL-E32/210-7,5/2-IE4 ELEC KIT	1
		> Module TL5 Flex SW4.0.21	1
	2111344	> MODULE COVER/GASKET TL5 KIT	1
	2120047	> CABLE CONNECTION M12x1,5/5 cpl.TL5 VP.	1
	2120048	> CABLE CONNECTION M16x1,5/5 cpl.TL5 VP.	1
	2120049	> CABLE CONNECTION M20x1,5/6 cpl.TL5 VP.	1
	2120050	> CABLE CONNECTION M25x1,5/8 cpl.TL5 VP.	1

Motor-Typenschild / Motor type plate / Plaque identité moteur

Bei Ersatzteilbestellung Motor-Nummer angeben!

Indicate motor number for order of spare parts!

Pour une commande de pièces détachées, donner le numéro du moteur!

ELEC

Motor-Nummer  
motor number  
numéro du moteur

<b>3~Induction Motor</b>					
Made by WILLO Group					
<b>3511218</b>	<b>W132240-4-V1NPE</b>		<b>0902.001</b>		
Class F	S1	IP55	69kg	EN60034	
50Hz	5.5kW	SF=1.15	60Hz	6.45kW	
YΔ 400/690V	10,6/6,13A	Y 440-480V	10,9/10,35A		
Cosφ =0.81	1470min <sup>-1</sup>	Cosφ =0.81	1770min <sup>-1</sup>		
IE4-91.9%	91,9%	91,1%	IE4-92.4%	92,4%	91,8%

WEG

3~ AL180M/L-04		2015/12		1030615079	
AMB 40°C					
IP55	INS CL.F	Δ T 80 K	S1	SF 1.0	
V	Hz	kW	RPM	A	PF
400 / -			1480	29,5 / -	0,78
- / -					
- / -					
- / -					
400	IE4	93,9 (100%)	92,5 (75%)	90,8 (50%)	
- / -		- (100%)	- (75%)	- (50%)	
- A		- (100%)	- (75%)	- (50%)	
 Δ L1 L1 L1					
NEMA	Eff	- %	- HP	- V	- Hz
- A	PF	DES	CODE	SF	
← 6311-ZZ-C3 MOBIL POLYREX EM				162 kg	
→ 6211-ZZ-C3		MOD.TE01A0X1A0000301180			
		IEC 60034			

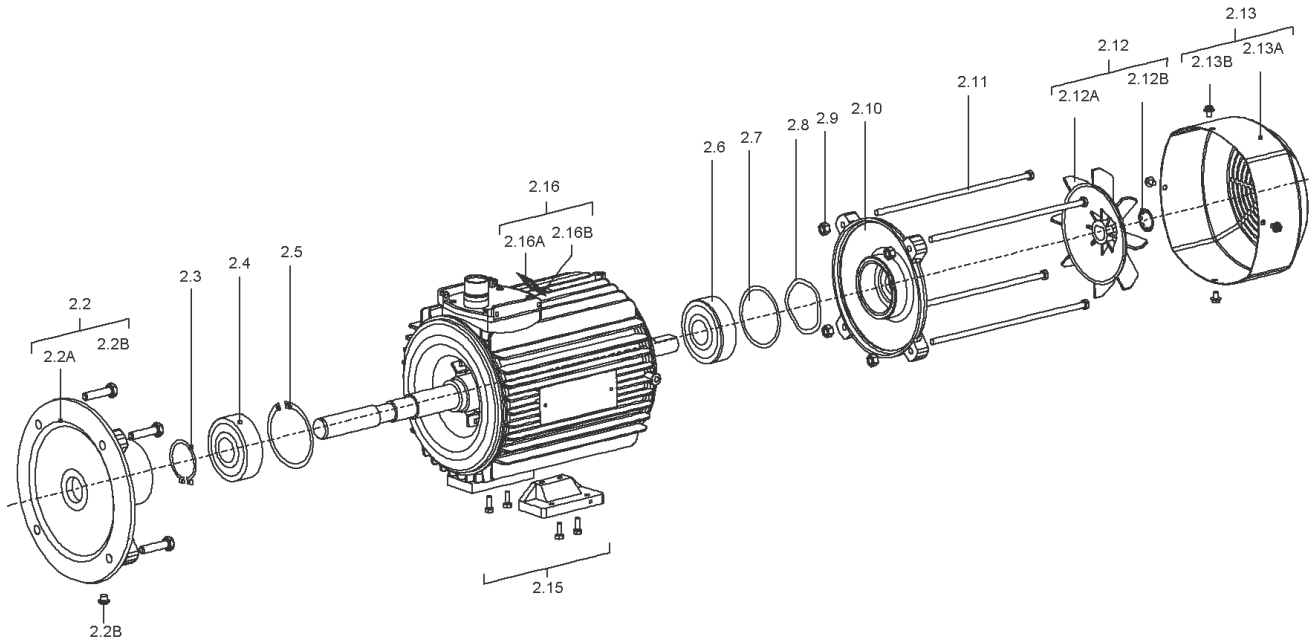
VIBRATION LEVEL A
ACCORDING IEC 60034-14
BALANCED WITH NO KEY
WILO PART NO: <b>2151697</b>

Motor-Nummer  
motor number  
numéro du moteur



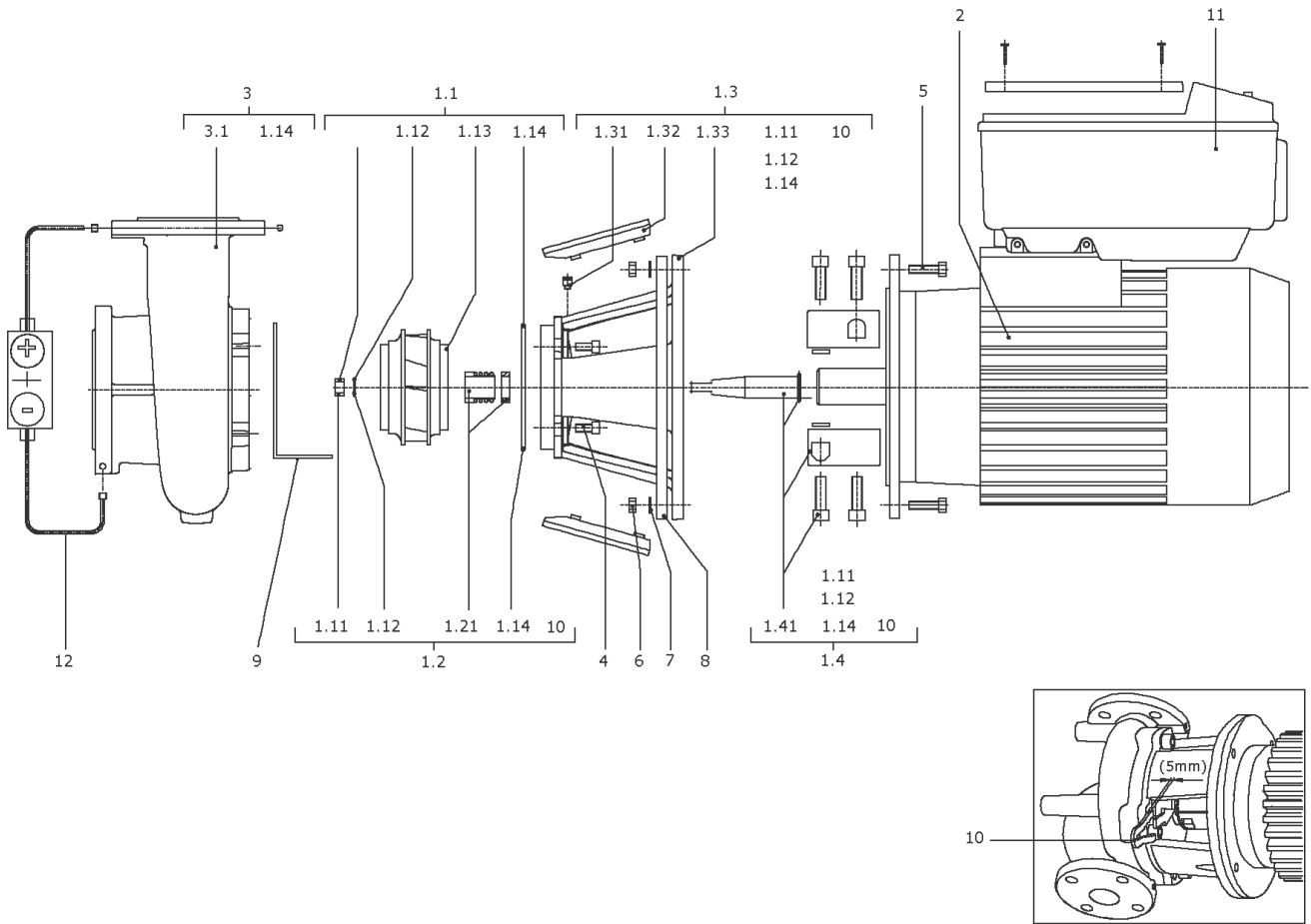
## Spare parts motor B35 7,5/2/132 300E IE4

Item	Description	Quantity
ELEC	Motor B35 7,5/2/132/300E IE4 ELEC WILO	1



**Motor B35 7,5/2/132/300E IE4 ELEC WILO**

Item	Article no.	Description	Quantity
2.2	2175903	End shield BG132 FF265 D.E.ELEC KIT	1
Note: Please give the data from type plate of the motor			
2.2A		> Flange IEC132 V1 FF265 D.E.	1
2.2B	2111309	> CONDENSATE HOLE GASKET D5 VP.	1
2.3	2178920	Circlip D40 GB894.1 VP.	1
Note: Please give the data from type plate of the motor			
2.4	121266690	BALL BEARING 6308/2Z-C3 (HT) VP.	1
Note: Please give the data from type plate of the motor			
2.5	2192954	Circlip D90 GB893.1 VP.	1
Note: Please give the data from type plate of the motor			
2.6	2153173	Ball bearing 6206/VV-C3 VP.	1
Note: Please give the data from type plate of the motor			
2.8	2132469	SPRING RING D.62 JB/T7590 VP.	1
2.10	2178921	End shield BG132 N.D.E.ELEC VP.	1
Note: Please give the data from type plate of the motor			
2.11	2178989	Srews Torx Plus M8x335 (4 Pieces)	1
Note: Please give the data from type plate of the motor			
2.12	2175742	Fan BG112 ELEC KIT	1
Note: Please give the data from type plate of the motor			
2.12A		> FAN 174X20X17 GP2200 G/F20%	1
2.12B	2118396	> Tooth lock washer D.19,8x0,4 VP.	1
Note: Please give the data from type plate of the motor			
2.13	2178928	Fan hood BG132 ELEC KIT	1
Note: Please give the data from type plate of the motor			
2.13A		> FAN COVER IEC132 KTL ST14 T0.8 H103	1
2.13B	2178923	> Screw M5X8 GB/T3098.1 6.8(4 Pieces)	1
2.15	2192955	Motor foot cpl.BG132 ELEC KIT	1
2.16	2178924	Air guider IEC 132 Motor KIT	1
Note: Please give the data from type plate of the motor			
2.16A		> AIR GUIDER IEC 132 MOTOR	1
2.16B		> SCREW M8X16 TORX HEX 6.8 GB/T70	1



**BL-E40/110-1,5/2-R1 (2191430)**

Item	Article no.	Description	Quantity
1.1	2123473	IMPELLER D.50/103/18 KIT	1
1.11	2027186	> NUT M10 DIN934 A2	1
1.12	2027189	> TENSIONING DISC DIN6796-10 V2A	1
1.13		> IMPELLER 50/103/18 GG BALANCED	1
1.14	2037527	> O-RING 148,82x3,53 EPDM 70SR.VP.	1
1.2	2026901	MECHANICAL SEAL MG12/18-G60 AQ1EGG KIT	1
1.11	2027186	> NUT M10 DIN934 A2	1
1.12	2027189	> TENSIONING DISC DIN6796-10 V2A	1
1.14	2037527	> O-RING 148,82x3,53 EPDM 70SR.VP.	1
1.14	2043160	> O-Ring 177,39x3,53 ISO3601B EPDM VP.	1
1.14	2042864	> O-RING ID.224x3,55 7EP1197-W534 VP.	1
1.21		> MECHANICAL SEAL MG12/18-G60 AQ1EGG	1
10	2027202	> TOOL D.18/24/32 VP.	1
1.3	2037200	LANTERN P190X85,2-F165 KIT	1
1.11	2027186	> NUT M10 DIN934 A2	1
1.12	2027189	> TENSIONING DISC DIN6796-10 V2A	1
1.14	2037527	> O-RING 148,82x3,53 EPDM 70SR.VP.	1
1.31	2027201	> BLOWGUN R1/8" VP.	1
1.32	2048839	> COUPLING GUARD F130-165 PA66 (2 PIECES)	1
1.33		> Lantern P190X85,2-F165 GG KTL WILO	1
10	2027202	> TOOL D.18/24/32 VP.	1
1.4	2042722	COUPLING/SHAFT D.18/24X127 KIT	1
1.11	2027186	> NUT M10 DIN934 A2	1
1.12	2027189	> TENSIONING DISC DIN6796-10 V2A	1
1.14	2037527	> O-RING 148,82x3,53 EPDM 70SR.VP.	1
1.14	2042864	> O-RING ID.224x3,55 7EP1197-W534 VP.	1
1.41		> COUPLING 18/24+SHAFT 18X127 BG90 ZN KIT	1
10	2027202	> TOOL D.18/24/32 VP.	1
2	2169165	Motor V1 1,5/2/90/200E-IE4-ELEC(+Tool)	1
		Spare parts motor V1 1,5/2/90 200E IE4	1
3	2037172	PUMP HOUSING B40/145 PN16 KIT	1
1.14	2037527	> O-RING 148,82x3,53 EPDM 70SR.VP.	1
3.1		> PUMP HOUSING BL40/145 PN16 CPL.WILO	1
4	2027194	SCREW M16X30/X40 DIN912 8.8 (4 PIECES)	1

**BL-E40/110-1,5/2-R1 (2191430)**

Item	Article no.	Description	Quantity
5	2037242	SCREW M10X25 ISO4762 8.8 (4 PIECES)	1
7	2029336	WASHER A17 DIN125 ST (4 PIECES)	1
9	2037241	MOTOR FOOT BG71-112/P190	1
11	2191604	Module BL-E40/110-1,5/2-IE4 ELEC KIT	1
		> MODULE TL3 Flex IE4 SW4.0.30	1
	2054227	> MODULE COVER/GASKET TL3/4 KIT	1
		> SCREW M5X16 ISO4762 8.8 ZnNi	1
		> WASHER TOOTHED LOCK A5,3 DIN6797 FST ZN	1
	2061236	> O-RING ID.38X3 EPDM 70SR.A BUS.	1

Motor-Typenschild / Motor type plate / Plaque identité moteur

Bei Ersatzteilbestellung Motor-Nummer angeben!

Indicate motor number for order of spare parts!

Pour une commande de pièces détachées, donner le numéro du moteur!

ELEC

Motor-Nummer  
motor number  
numéro du moteur

<b>3~Induction Motor</b>					
Made by WILLO Group					
<b>3511218</b>	<b>W132240-4-V1NPE</b>		<b>0902.001</b>		
Class F	S1	IP55	69kg	EN60034	
50Hz	5.5kW	SF=L1S	60Hz	6.45kW	
YΔ 400/690V	10,6/6,13A	Y 440-480V	10,9/10,35A		
Cosφ =0.81	1470min <sup>-1</sup>	Cosφ =0.81	1770min <sup>-1</sup>		
IE4-91.9%	91,9%	91,1%	IE4-92.4%	92,4%	91,8%

WEG

3~ AL180M/L-04		2015/12		1030615079	
AMB 40°C					
IP55	INS CL.F	Δ T 80 K	S1	SF 1.0	
V	Hz	kW	RPM	A	PF
400 / -			1480	29,5 / -	0,78
- / -					
- / -					
- / -					
400	IE4	93,9 (100%)	92,5 (75%)	90,8 (50%)	
- / -		- (100%)	- (75%)	- (50%)	
- A		- (100%)	- (75%)	- (50%)	
NEMA Eff - % - HP - V - Hz - RPM - A PF DES - CODE - SF -					
← 6311-ZZ-C3 MOBIL POLYREX EM		162 kg			
→ 6211-ZZ-C3		MOD.TE01A0X1A0000301180			
IEC 60034					

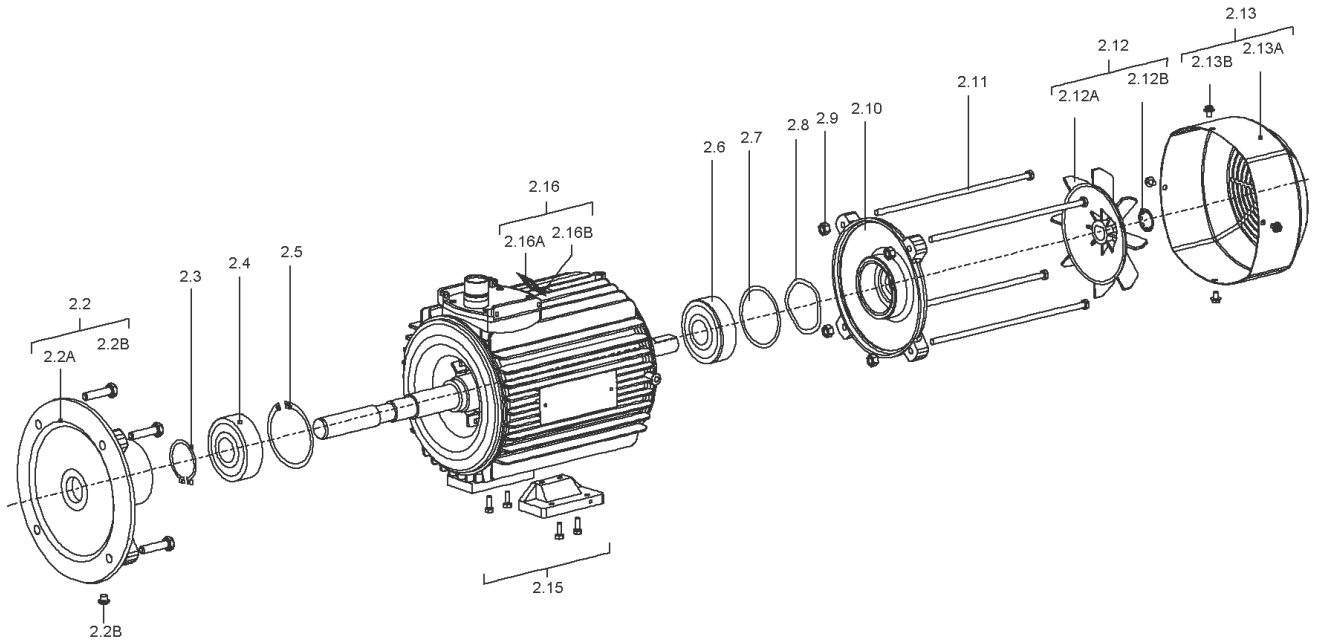
VIBRATION LEVEL A
ACCORDING IEC 60034-14
BALANCED WITH NO KEY
WILO PART NO: <b>2151697</b>

Motor-Nummer  
motor number  
numéro du moteur

## Spare parts motor V1 1,5/2/90 200E IE4

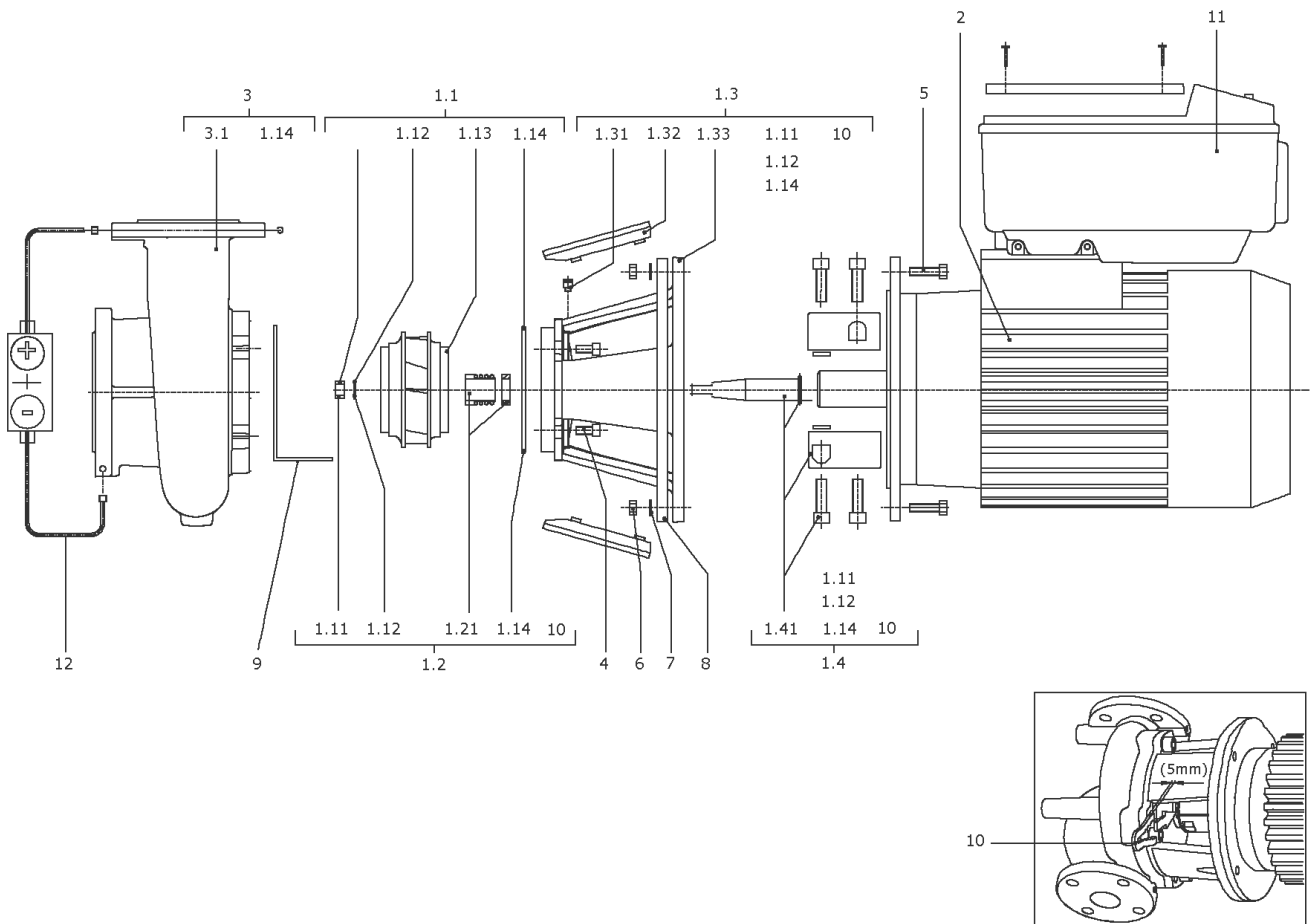
Item	Description	Quantity
ELEC	W090095-2-V1NPE 400V/50Hz 1.5kW IE4	1





**W090095-2-V1NPE 400V/50Hz 1.5kW IE4**

Item	Article no.	Description	Quantity
2.2	2127392	END SHIELD BG90 V1 D.E.ELEC KIT	1
Note: Please give the data from type plate of the motor			
2.1A		> Flange IEC90 V1	1
2.1B	2111309	> CONDENSATE HOLE GASKET D5 VP.	1
Note: Please give the data from type plate of the motor			
2.3	2111334	CIRCLIP D.30 GB894.1 VP.	1
Note: Please give the data from type plate of the motor			
2.4	2153170	Ball bearing 6306/VV-C3 VP.	1
Note: Please give the data from type plate of the motor			
2.5	2111337	CIRCLIP D.72 GB893.1 VP.	1
Note: Please give the data from type plate of the motor			
2.6	2153168	Ball bearing 6204/VV-C3 VP.	1
2.7	2164016	O-Ring ID47.2x3.53 EPDM VP.	1
2.8	2111339	SPRING RING D.47 JB/T7590 VP.	1
Note: Please give the data from type plate of the motor			
2.10	2157920	End shield BG90 N.D.E.ELEC KIT	1
Note: Please give the data from type plate of the motor			
		> Flange IEC90 NDS with slot reduce0.5	1
		> O-RING ID47.2*3.53 EPDM	1
2.11	2111320	SCREW M5X211 6.8 (4 PIECES)	1
2.12	2107782	FAN WHEEL BG90 ELEC KIT	1
Note: Please give the data from type plate of the motor			
2.12A		> FAN 122.6X15X17 GP2200 G/F20%	1
2.12B	2111321	> STOP-RING D.14,8x0,4 VP.	1
Note: Please give the data from type plate of the motor			
2.13	2111322	FAN HOOD BG90 ELEC KIT	1
Note: Please give the data from type plate of the motor			
2.13A		> FAN COVER IEC90 KTL ST14 T0.8 H70	1
2.13B	2111323	> SCREW M4X6 (4 PIECES)	1
Note: Please give the data from type plate of the motor			



**BL-E40/120-2,2/2-R1 (2191431)**

Item	Article no.	Description	Quantity
1.1	2123472	IMPELLER D.50/113/18 KIT	1
1.11	2027186	> NUT M10 DIN934 A2	1
1.12	2027189	> TENSIONING DISC DIN6796-10 V2A	1
1.13		> IMPELLER 50/113/18 GG BALANCED	1
1.14	2037527	> O-RING 148,82x3,53 EPDM 70SR.VP.	1
1.2	2026901	MECHANICAL SEAL MG12/18-G60 AQ1EGG KIT	1
1.11	2027186	> NUT M10 DIN934 A2	1
1.12	2027189	> TENSIONING DISC DIN6796-10 V2A	1
1.14	2037527	> O-RING 148,82x3,53 EPDM 70SR.VP.	1
1.14	2043160	> O-Ring 177,39x3,53 ISO3601B EPDM VP.	1
1.14	2042864	> O-RING ID.224x3,55 7EP1197-W534 VP.	1
1.21		> MECHANICAL SEAL MG12/18-G60 AQ1EGG	1
10	2027202	> TOOL D.18/24/32 VP.	1
1.3	2037200	LANTERN P190X85,2-F165 KIT	1
1.11	2027186	> NUT M10 DIN934 A2	1
1.12	2027189	> TENSIONING DISC DIN6796-10 V2A	1
1.14	2037527	> O-RING 148,82x3,53 EPDM 70SR.VP.	1
1.31	2027201	> BLOWGUN R1/8" VP.	1
1.32	2048839	> COUPLING GUARD F130-165 PA66 (2 PIECES)	1
1.33		> Lantern P190X85,2-F165 GG KTL WILO	1
10	2027202	> TOOL D.18/24/32 VP.	1
1.4	2042722	COUPLING/SHAFT D.18/24X127 KIT	1
1.11	2027186	> NUT M10 DIN934 A2	1
1.12	2027189	> TENSIONING DISC DIN6796-10 V2A	1
1.14	2037527	> O-RING 148,82x3,53 EPDM 70SR.VP.	1
1.14	2042864	> O-RING ID.224x3,55 7EP1197-W534 VP.	1
1.41		> COUPLING 18/24+SHAFT 18X127 BG90 ZN KIT	1
10	2027202	> TOOL D.18/24/32 VP.	1
2	2169167	Motor V1 2,2/2/90/200E-IE4-ELEC(+Tool)	1
		Spare parts motor V1 2,2/2/90 200E IE4	1
3	2037172	PUMP HOUSING B40/145 PN16 KIT	1
1.14	2037527	> O-RING 148,82x3,53 EPDM 70SR.VP.	1
3.1		> PUMP HOUSING BL40/145 PN16 CPL.WILO	1
4	2027194	SCREW M16X30/X40 DIN912 8.8 (4 PIECES)	1

**BL-E40/120-2,2/2-R1 (2191431)**

Item	Article no.	Description	Quantity
5	2037242	SCREW M10X25 ISO4762 8.8 (4 PIECES)	1
7	2029336	WASHER A17 DIN125 ST (4 PIECES)	1
9	2037241	MOTOR FOOT BG71-112/P190	1
11	2191605	Module BL-E40/120-2,2/2-IE4 ELEC KIT	1
		> MODULE TL3 Flex IE4 SW4.0.30	1
	2054227	> MODULE COVER/GASKET TL3/4 KIT	1
		> SCREW M5X16 ISO4762 8.8 ZnNi	1
		> WASHER TOOTHED LOCK A5,3 DIN6797 FST ZN	1
	2061236	> O-RING ID.38X3 EPDM 70SR.A BUS.	1

Motor-Typenschild / Motor type plate / Plaque identité moteur

Bei Ersatzteilbestellung Motor-Nummer angeben!

Indicate motor number for order of spare parts!

Pour une commande de pièces détachées, donner le numéro du moteur!

ELEC

Motor-Nummer  
motor number  
numéro du moteur

<b>3~Induction Motor</b>					
Made by WILLO Group					
<b>3511218</b>	<b>W132240-4-V1NPE</b>		<b>0902.001</b>		
Class F	S1	IP55	69kg	EN60034	
50Hz	5.5kW	SF=L1S	60Hz	6.45kW	
YΔ 400/690V	10,6/6,13A	Y 440-480V	10,9/10,35A		
Cosφ =0.81	1470min <sup>-1</sup>	Cosφ =0.81	1770min <sup>-1</sup>		
IE4-91.9%	91,9%	91,1%	IE4-92.4%	92,4%	91,8%

WEG

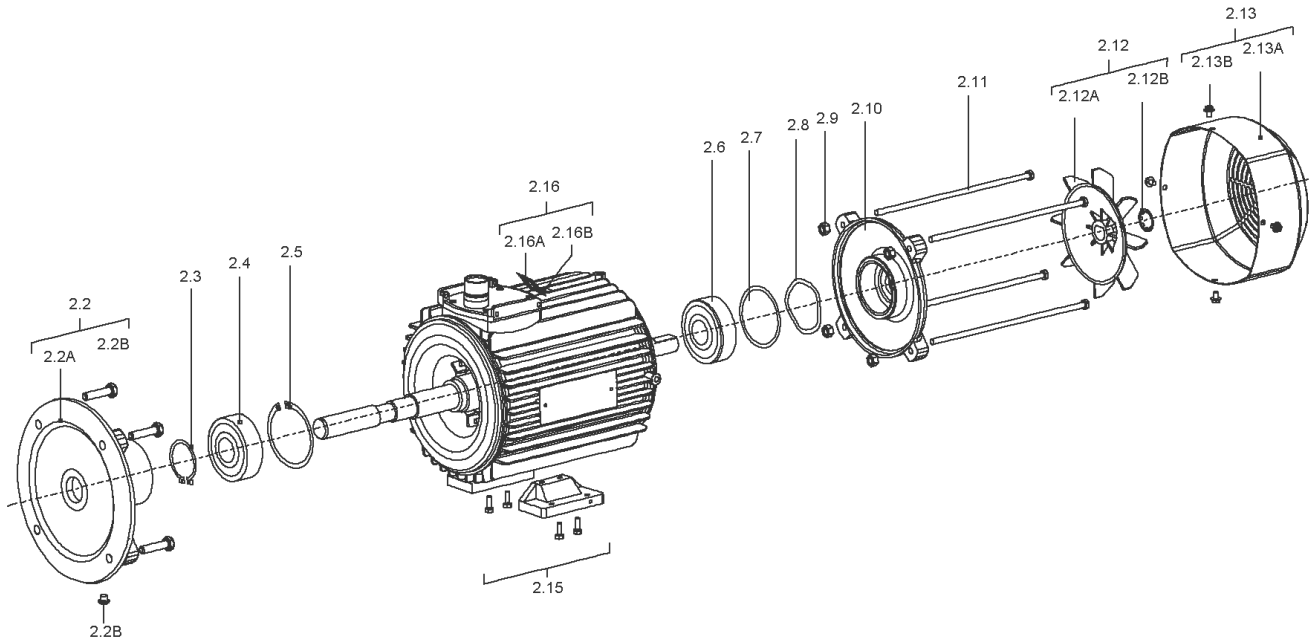
		3~ AL180M/L-04		2015/12		1030615079	
AMB 40°C							
IP55		INS CL.F		Δ T 80 K		S1 SF 1.0	
V	Hz	kW	RPM	A	PF		
400 / -	- / -	- / -	1480	29,5 / -	0,78		
- / -	- / -	- / -	- / -	- / -	- / -		
- / -	- / -	- / -	- / -	- / -	- / -		
400	IE4	93,9 (100%)	92,5 (75%)	90,8 (50%)			
- / -	-	(100%)	- (75%)	- (50%)			
- A	-	(100%)	- (75%)	- (50%)			
NEMA	Eff	- %	- HP	- V	- Hz	- RPM	
- A	PF	DES	CODE	SF			
		6311-ZZ-C3		MOBIL POLYREX EM		162 kg	
		6211-ZZ-C3					
MOD.TE01A0X1A0000301180							
		IEC 60034					

VIBRATION LEVEL A
ACCORDING IEC 60034-14
BALANCED WITH NO KEY
WILO PART NO: <b>2151697</b>

Motor-Nummer  
motor number  
numéro du moteur

## Spare parts motor V1 2,2/2/90 200E IE4

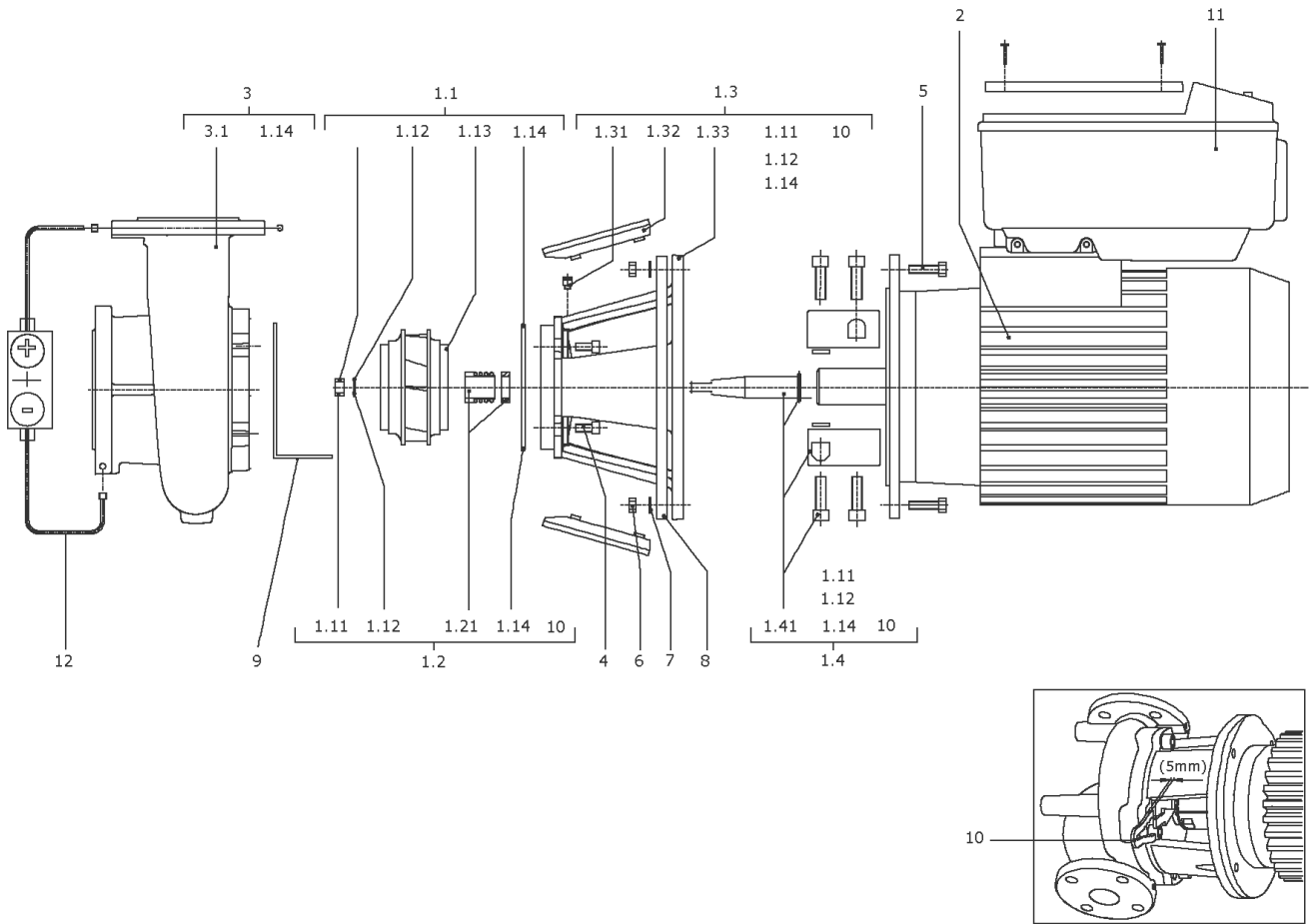
Item	Description	Quantity
ELEC	W090130-2-V1NPE 400V/50Hz 2.2kW IE4	1





**W090130-2-V1NPE 400V/50Hz 2.2kW IE4**

Item	Article no.	Description	Quantity
2.2	2127392	END SHIELD BG90 V1 D.E.ELEC KIT	1
Note: Please give the data from type plate of the motor			
2.1A		> Flange IEC90 V1	1
2.1B	2111309	> CONDENSATE HOLE GASKET D5 VP.	1
Note: Please give the data from type plate of the motor			
2.3	2111334	CIRCLIP D.30 GB894.1 VP.	1
Note: Please give the data from type plate of the motor			
2.4	2153170	Ball bearing 6306/VV-C3 VP.	1
Note: Please give the data from type plate of the motor			
2.5	2111337	CIRCLIP D.72 GB893.1 VP.	1
Note: Please give the data from type plate of the motor			
2.6	2153168	Ball bearing 6204/VV-C3 VP.	1
2.7	2164016	O-Ring ID47.2x3.53 EPDM VP.	1
2.8	2111339	SPRING RING D.47 JB/T7590 VP.	1
Note: Please give the data from type plate of the motor			
2.10	2157920	End shield BG90 N.D.E.ELEC KIT	1
Note: Please give the data from type plate of the motor			
		> Flange IEC90 NDS with slot reduce0.5	1
		> O-RING ID47.2*3.53 EPDM	1
2.11	2179081	Screw torx Plus / Hex.M5X231(4Pieces)	1
2.12	2107782	FAN WHEEL BG90 ELEC KIT	1
Note: Please give the data from type plate of the motor			
2.12A		> FAN 122.6X15X17 GP2200 G/F20%	1
2.12B	2111321	> STOP-RING D.14,8x0,4 VP.	1
Note: Please give the data from type plate of the motor			
2.13	2111322	FAN HOOD BG90 ELEC KIT	1
Note: Please give the data from type plate of the motor			
2.13A		> FAN COVER IEC90 KTL ST14 T0.8 H70	1
2.13B	2111323	> SCREW M4X6 (4 PIECES)	1
Note: Please give the data from type plate of the motor			



**BL-E40/130-3/2-R1 (2191432)**

Item	Article no.	Description	Quantity
1.1	2123470	IMPELLER D.50/125/18 KIT	1
1.11	2027186	> NUT M10 DIN934 A2	1
1.12	2027189	> TENSIONING DISC DIN6796-10 V2A	1
1.13		> IMPELLER 50/125/18 GG BALANCED	1
1.14	2037527	> O-RING 148,82x3,53 EPDM 70SR.VP.	1
1.2	2026901	MECHANICAL SEAL MG12/18-G60 AQ1EGG KIT	1
1.11	2027186	> NUT M10 DIN934 A2	1
1.12	2027189	> TENSIONING DISC DIN6796-10 V2A	1
1.14	2037527	> O-RING 148,82x3,53 EPDM 70SR.VP.	1
1.14	2043160	> O-Ring 177,39x3,53 ISO3601B EPDM VP.	1
1.14	2042864	> O-RING ID.224x3,55 7EP1197-W534 VP.	1
1.21		> MECHANICAL SEAL MG12/18-G60 AQ1EGG	1
10	2027202	> TOOL D.18/24/32 VP.	1
1.3	2037206	LANTERN P190X85,2-F215 KIT	1
1.11	2027186	> NUT M10 DIN934 A2	1
1.12	2027189	> TENSIONING DISC DIN6796-10 V2A	1
1.14	2037527	> O-RING 148,82x3,53 EPDM 70SR.VP.	1
1.31	2027201	> BLOWGUN R1/8" VP.	1
1.32	2048842	> COUPLING GUARD F215 PA66 (2 PIECES)	1
1.33		> Lantern P190X85,2-F215 GG KTL WILO	1
10	2027202	> TOOL D.18/24/32 VP.	1
1.4	2027235	COUPLING/SHAFT 18/28x133 KIT	1
1.11	2027186	> NUT M10 DIN934 A2	1
1.12	2027189	> TENSIONING DISC DIN6796-10 V2A	1
1.14	2037527	> O-RING 148,82x3,53 EPDM 70SR.VP.	1
1.41		> COUPLING 18/28+SHAFT 18X133 GR112 ZN KIT	1
10	2027202	> TOOL D.18/24/32 VP.	1
2	2169169	Motor V1 3/2/100/250E-IE4-ELEC(+Tool)	1
		Spare parts motor V1 3/2/100 250E IE4	1
3	2037172	PUMP HOUSING B40/145 PN16 KIT	1
1.14	2037527	> O-RING 148,82x3,53 EPDM 70SR.VP.	1
3.1		> PUMP HOUSING BL40/145 PN16 CPL.WILO	1
4	2027194	SCREW M16X30/X40 DIN912 8.8 (4 PIECES)	1
	2029336	WASHER A17 DIN125 ST (4 PIECES)	1

**BL-E40/130-3/2-R1 (2191432)**

Item	Article no.	Description	Quantity
5	2027195	SCREW M12X25 DIN912 8.8 (4 PIECES)	1
7	2029335	WASHER A13 DIN125 ST (4 PIECES)	1
9	2037241	MOTOR FOOT BG71-112/P190	1
11	2191606	Module BL-E40/130-3/2-IE4 ELEC KIT	1
		> MODULE TL4 Flex IE4 SW4.0.30	1
	2054227	> MODULE COVER/GASKET TL3/4 KIT	1
		> SCREW M5X16 ISO4762 8.8 ZnNi	1
		> WASHER TOOTHED LOCK A5,3 DIN6797 FST ZN	1
	2061236	> O-RING ID.38X3 EPDM 70SR.A BUS.	1

Motor-Typenschild / Motor type plate / Plaque identité moteur

Bei Ersatzteilbestellung Motor-Nummer angeben!

Indicate motor number for order of spare parts!

Pour une commande de pièces détachées, donner le numéro du moteur!

ELEC

Motor-Nummer  
motor number  
numéro du moteur

<b>3~Induction Motor</b>					
Made by WILLO Group					
<b>351f218</b>	<b>W132240-4-V1NPE</b>		<b>0902.001</b>		
Class F	S1	IP55	69kg	EN60034	
50Hz	5.5kW	SF=L1S	60Hz	6.45kW	
YΔ 400/690V	10,6/6,13A	Y 440-480V	10,9/10,35A		
Cosφ =0.81	1470min <sup>-1</sup>	Cosφ =0.81	1770min <sup>-1</sup>		
IE4-91.9%	91,9%	91,1%	IE4-92.4%	92,4%	91,8%

WEG

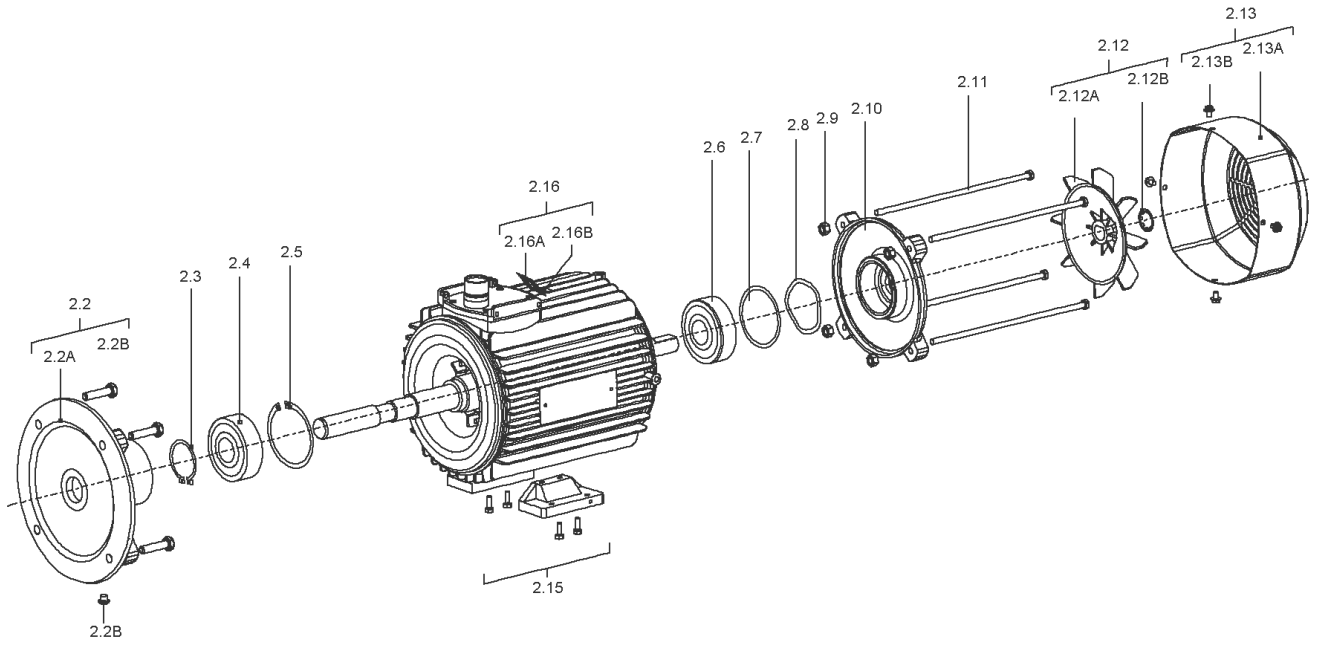
		3~ AL180M/L-04		2015/12		1030615079	
AMB 40°C							
IP55		INS CL.F		Δ T 80 K		S1 SF 1.0	
V	Hz	kW	RPM	A	PF		
400 / -			1480	29,5 / -	0,78		
- / -							
- / -							
- / -							
400	IE4	93,9 (100%)	92,5 (75%)	90,8 (50%)			
- / -		- (100%)	- (75%)	- (50%)			
- A		- (100%)	- (75%)	- (50%)			
NEMA	Eff	- %	- HP	- V	- Hz	- RPM	
- A	PF	DES	CODE	SF			
		6311-ZZ-C3		MOBIL POLYREX EM		162 kg	
		6211-ZZ-C3					
MOD.TE01A0X1A0000301180							
		IEC 60034					

VIBRATION LEVEL A
ACCORDING IEC 60034-14
BALANCED WITH NO KEY
WILO PART NO: <b>2151697</b>

Motor-Nummer  
motor number  
numéro du moteur

## Spare parts motor V1 3/2/100 250E IE4

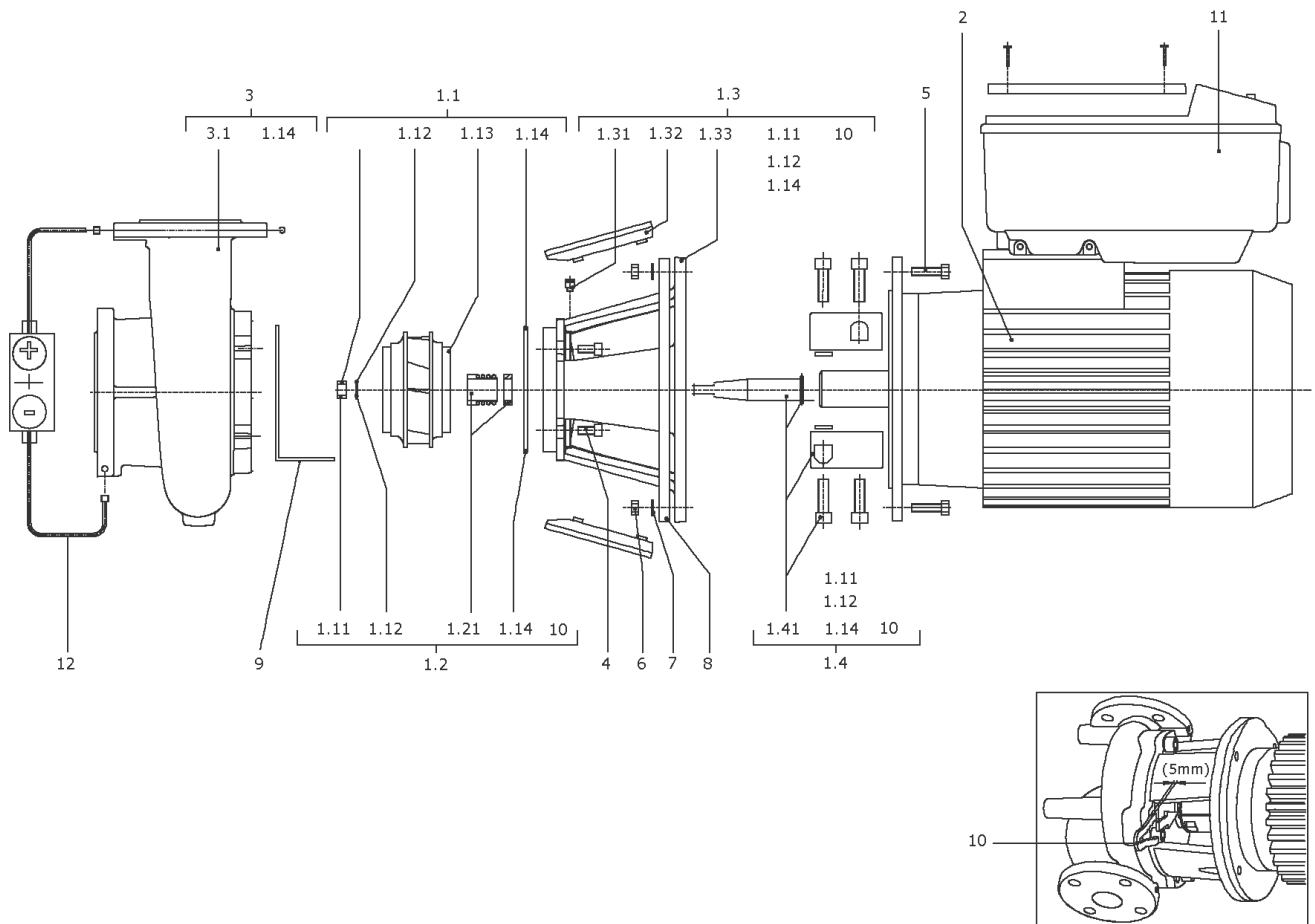
Item	Description	Quantity
ELEC	W100130-2-V1NPE 400V/50Hz 3kW IE4	1



**W100130-2-V1NPE 400V/50Hz 3kW IE4**

Item	Article no.	Description	Quantity
2.2	2127393	END SHIELD BG100 V1 D.E.ELEC KIT	1
Note: Please give the data from type plate of the motor			
2.1A		> FLANGE IEC100 V1	1
2.1B	2111309	> CONDENSATE HOLE GASKET D5 VP.	1
Note: Please give the data from type plate of the motor			
2.3	2118388	CIRCLIP D.35 GB894.1 VP.	1
Note: Please give the data from type plate of the motor			
2.4	2153172	Ball bearing 6307/VV-C3 VP.	1
Note: Please give the data from type plate of the motor			
2.5	2118390	CIRCLIP D.80 GB893.1 VP.	1
Note: Please give the data from type plate of the motor			
2.6	2153171	Ball bearing 6205/VV-C3 VP.	1
2.7	2164094	O-Ring ID52.4x3.53 EPDM VP.	1
2.8	2164076	Circlip D52 JB/T7590 VP.	1
Note: Please give the data from type plate of the motor			
2.10	2164074	End shield BG100 N.D.E.ELEC KIT	1
Note: Please give the data from type plate of the motor			
		> FLANGE IEC100 NDS with slot	1
		> O-RING ID52.4*3.53 EPDM	1
2.11	2179082	Screw Torx Plus / Hexagon M6X258(4Pieces	1
2.12	2179083	Fan wheel BG100 ELEC KIT	1
Note: Please give the data from type plate of the motor			
2.12A		> FAN 150X20X17 GP2200 G/F20%	1
2.12B	2118396	> Tooth lock washer D.19,8x0,4 VP.	1
Note: Please give the data from type plate of the motor			
2.13	2118397	FAN HOOD BG100 ELEC KIT	1
Note: Please give the data from type plate of the motor			
2.13A		> FAN COVER IEC100 KTL ST14 T0.8 H86	1
2.13B	2111323	> SCREW M4X6 (4 PIECES)	1
Note: Please give the data from type plate of the motor			
2.16	2179086	Air guider BG100 Motor KIT	1
2.16A		> AIR GUIDER IEC100 MOTOR	1
2.16B		> Screw Tapping M5X14 trox pan	1





**BL-E40/140-4/2-R1 (2191433)**

Item	Article no.	Description	Quantity
1.1	2123469	IMPELLER D.50/136/18 KIT	1
1.11	2027186	> NUT M10 DIN934 A2	1
1.12	2027189	> TENSIONING DISC DIN6796-10 V2A	1
1.13		> IMPELLER 50/136/18 GG BALANCED	1
1.14	2037527	> O-RING 148,82x3,53 EPDM 70SR.VP.	1
1.2	2026901	MECHANICAL SEAL MG12/18-G60 AQ1EGG KIT	1
1.11	2027186	> NUT M10 DIN934 A2	1
1.12	2027189	> TENSIONING DISC DIN6796-10 V2A	1
1.14	2037527	> O-RING 148,82x3,53 EPDM 70SR.VP.	1
1.14	2043160	> O-Ring 177,39x3,53 ISO3601B EPDM VP.	1
1.14	2042864	> O-RING ID.224x3,55 7EP1197-W534 VP.	1
1.21		> MECHANICAL SEAL MG12/18-G60 AQ1EGG	1
10	2027202	> TOOL D.18/24/32 VP.	1
1.3	2037206	LANTERN P190X85,2-F215 KIT	1
1.11	2027186	> NUT M10 DIN934 A2	1
1.12	2027189	> TENSIONING DISC DIN6796-10 V2A	1
1.14	2037527	> O-RING 148,82x3,53 EPDM 70SR.VP.	1
1.31	2027201	> BLOWGUN R1/8" VP.	1
1.32	2048842	> COUPLING GUARD F215 PA66 (2 PIECES)	1
1.33		> Lantern P190X85,2-F215 GG KTL WILO	1
10	2027202	> TOOL D.18/24/32 VP.	1
1.4	2027235	COUPLING/SHAFT 18/28x133 KIT	1
1.11	2027186	> NUT M10 DIN934 A2	1
1.12	2027189	> TENSIONING DISC DIN6796-10 V2A	1
1.14	2037527	> O-RING 148,82x3,53 EPDM 70SR.VP.	1
1.41		> COUPLING 18/28+SHAFT 18X133 GR112 ZN KIT	1
10	2027202	> TOOL D.18/24/32 VP.	1
2	2169171	Motor V1 4/2/112/250E-IE4-ELEC(+Tool)	1
		Spare parts motor V1 4/2/112 250E IE4	1
3	2037172	PUMP HOUSING B40/145 PN16 KIT	1
1.14	2037527	> O-RING 148,82x3,53 EPDM 70SR.VP.	1
3.1		> PUMP HOUSING BL40/145 PN16 CPL.WILO	1
4	2027194	SCREW M16X30/X40 DIN912 8.8 (4 PIECES)	1
	2029336	WASHER A17 DIN125 ST (4 PIECES)	1

**BL-E40/140-4/2-R1 (2191433)**

Item	Article no.	Description	Quantity
5	2027195	SCREW M12X25 DIN912 8.8 (4 PIECES)	1
7	2029335	WASHER A13 DIN125 ST (4 PIECES)	1
9	2037241	MOTOR FOOT BG71-112/P190	1
11	2191607	Module BL-E40/140-4/2-IE4 ELEC KIT	1
		> MODULE TL4 Flex IE4 SW4.0.30	1
	2054227	> MODULE COVER/GASKET TL3/4 KIT	1
		> SCREW M5X16 ISO4762 8.8 ZnNi	1
		> WASHER TOOTHED LOCK A5,3 DIN6797 FST ZN	1
	2061236	> O-RING ID.38X3 EPDM 70SR.A BUS.	1

Motor-Typenschild / Motor type plate / Plaque identité moteur

Bei Ersatzteilbestellung Motor-Nummer angeben!

Indicate motor number for order of spare parts!

Pour une commande de pièces détachées, donner le numéro du moteur!

ELEC

Motor-Nummer  
motor number  
numéro du moteur

<b>3~Induction Motor</b>					
Made by WILLO Group					
<b>3511218</b>	<b>W132240-4-V1NPE</b>		<b>0902.001</b>		
Class F	S1	IP55	69kg	EN60034	
50Hz	5.5kW	SF=L1S	60Hz	6.45kW	
YΔ 400/690V	10,6/6,13A	Y 440-480V	10,9/10,35A		
Cosφ =0.81	1470min <sup>-1</sup>	Cosφ =0.81	1770min <sup>-1</sup>		
IE4-91.9%	91,9%	91,1%	IE4-92.4%	92,4%	91,8%

WEG

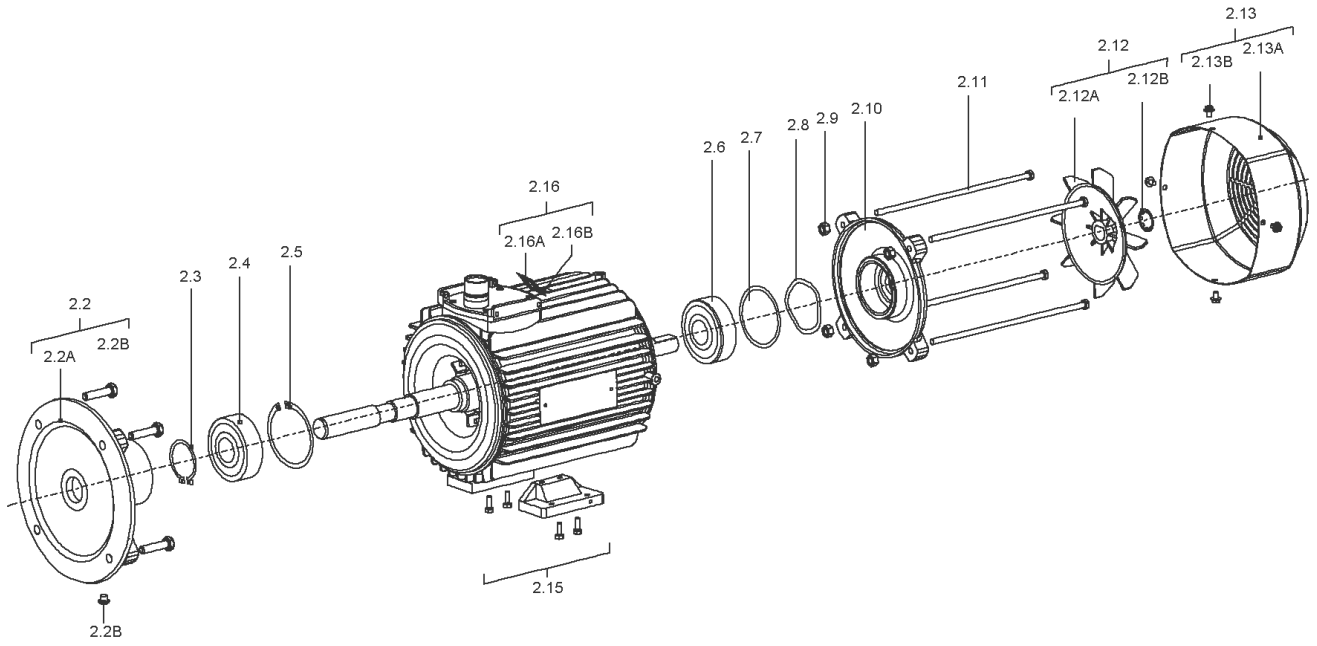
3~ AL180M/L-04		2015/12		1030615079	
AMB 40°C					
IP55	INS CL.F	Δ T 80 K	S1	SF 1.0	
V	Hz	kW	RPM	A	PF
400 / -			1480	29,5 / -	0,78
- / -					
- / -					
- / -					
400	IE4	93,9 (100%)	92,5 (75%)	90,8 (50%)	
- / -		- (100%)	- (75%)	- (50%)	
- A		- (100%)	- (75%)	- (50%)	
NEMA	Eff	- %	- HP	- V	- Hz
- A	PF	DES	CODE	SF	-
← 6311-ZZ-C3 MOBIL POLYREX EM					162 kg
→ 6211-ZZ-C3					
MOD.TE01A0X1A0000301180					
IEC 60034					

VIBRATION LEVEL A
ACCORDING IEC 60034-14
BALANCED WITH NO KEY
WILO PART NO: <b>2151697</b>

Motor-Nummer  
motor number  
numéro du moteur

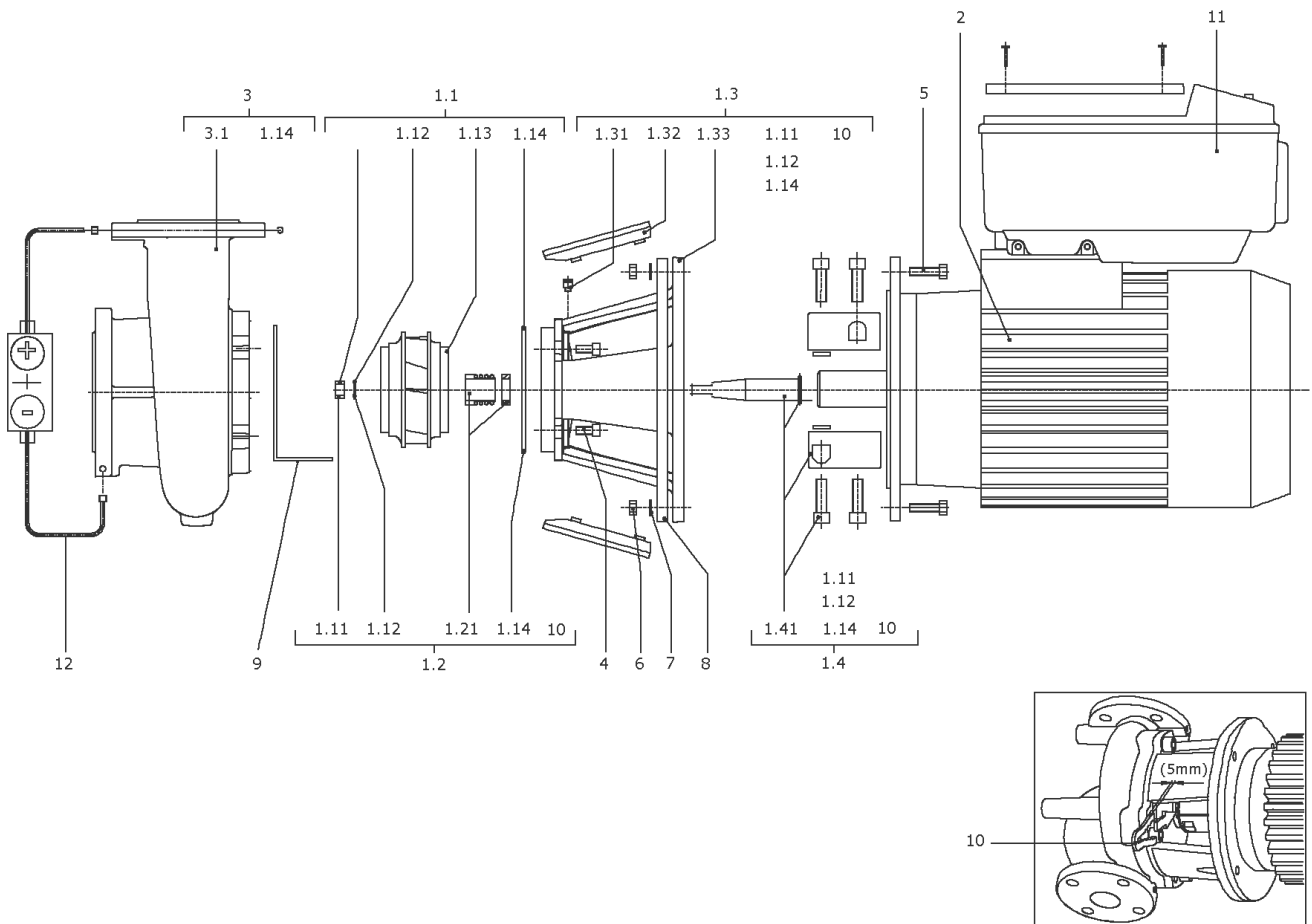
## Spare parts motor V1 4/2/112 250E IE4

Item	Description	Quantity
ELEC	W112140-2-V1NPE 400V/50Hz 4kW IE4	1



**W112140-2-V1NPE 400V/50Hz 4kW IE4**

Item	Article no.	Description	Quantity
2.2	2192953	End shield BG112 V1 D.E.ELEC KIT	1
Note: Please give the data from type plate of the motor			
2.1A		> FLANGE IEC112 V1	1
2.1B	2111309	> CONDENSATE HOLE GASKET D5 VP.	1
Note: Please give the data from type plate of the motor			
2.3	2118388	CIRCLIP D.35 GB894.1 VP.	1
Note: Please give the data from type plate of the motor			
2.4	2153172	Ball bearing 6307/VV-C3 VP.	1
Note: Please give the data from type plate of the motor			
2.5	2118390	CIRCLIP D.80 GB893.1 VP.	1
Note: Please give the data from type plate of the motor			
2.6	2153173	Ball bearing 6206/VV-C3 VP.	1
2.7	2164027	O-Ring ID62.4x3.53 EPDM VP.	1
2.8	2132469	SPRING RING D.62 JB/T7590 VP.	1
Note: Please give the data from type plate of the motor			
2.10	2164025	End shield BG112 N.D.E.ELEC KIT	1
Note: Please give the data from type plate of the motor			
		> FLANGE IEC112 NDS with slot	1
		> O-RING ID62.4*3.53 EPDM	1
2.11	2132473	SCREW M8X263,5 6.8 (4 PIECES)	1
2.12	2175742	Fan BG112 ELEC KIT	1
Note: Please give the data from type plate of the motor			
2.12A		> FAN 174X20X17 GP2200 G/F20%	1
2.12B	2118396	> Tooth lock washer D.19,8x0,4 VP.	1
Note: Please give the data from type plate of the motor			
2.13	2168255	Fan hood BG112 ELEC KIT	1
Note: Please give the data from type plate of the motor			
2.13A		> FAN COVER IEC112 KTL ST14 T1.0 H86	1
2.13B	2111323	> SCREW M4X6 (4 PIECES)	1
Note: Please give the data from type plate of the motor			
2.16	2179084	Air guider BG 112 Motor KIT	1
2.16A		> AIR GUIDER IEC 112 MOTOR	1
2.16B		> SCREW M8X16 TORX HEX 6.8 GB/T70	1





**BL-E40/160-5,5/2-R1 (2191434)**

Item	Article no.	Description	Quantity
1.1	2037308	IMPELLER D.50/159/24 KIT	1
1.11	2027187	> NUT M12 DIN-EN24032 A2 VP.	1
1.12	2027190	> WASHER A13 DIN125-T2 A2 VP.	1
1.13		> IMPELLER 50/159/149/24 GG BALANCED	1
1.14	2043160	> O-Ring 177,39x3,53 ISO3601B EPDM VP.	1
	2042862	> WASHER S12 V2A VP.	1
1.2	2026902	MECHANICAL SEAL MG12/24-G60 AQ1EGG KIT	1
1.11	2027187	> NUT M12 DIN-EN24032 A2 VP.	1
1.12	2027190	> WASHER A13 DIN125-T2 A2 VP.	1
1.14	2037527	> O-RING 148,82x3,53 EPDM 70SR.VP.	1
1.14	2043160	> O-Ring 177,39x3,53 ISO3601B EPDM VP.	1
1.14	2042864	> O-RING ID.224x3,55 7EP1197-W534 VP.	1
1.14	2051680	> O-RING ID.276,7x5,29 7EP1197-W534 VP.	1
	2042862	> WASHER S12 V2A VP.	1
1.21		> MECHANICAL SEAL MG12/24-G60 AQ1EGG	1
10	2027202	> TOOL D.18/24/32 VP.	1
1.3	2027010	LANTERN P228X85,2-F265 KIT	1
1.11	2027187	> NUT M12 DIN-EN24032 A2 VP.	1
1.12	2027190	> WASHER A13 DIN125-T2 A2 VP.	1
1.14	2043160	> O-Ring 177,39x3,53 ISO3601B EPDM VP.	1
	2042862	> WASHER S12 V2A VP.	1
1.31	2027201	> BLOWGUN R1/8" VP.	1
1.32	2048838	> COUPLING GUARD F265 PA66 AD.(4 PIECES)	1
1.33		> LANTERN P228X85,2-F265 GG KTL RDES WILO	1
10	2027202	> TOOL D.18/24/32 VP.	1
1.4	2026928	COUPLING/SHAFT 24/38x142 OR.177 KIT	1
1.11	2027187	> NUT M12 DIN-EN24032 A2 VP.	1
1.12	2027190	> WASHER A13 DIN125-T2 A2 VP.	1
1.14	2043160	> O-Ring 177,39x3,53 ISO3601B EPDM VP.	1
	2042862	> WASHER S12 V2A VP.	1
1.41		> COUPLING 24/38+SHAFT 24X142 BG132 ZN KIT	1
10	2027202	> TOOL D.18/24/32 VP.	1
2	2179386	Motor B35 5,5/2/132/300E-IE4-ELEC(+Tool)	1
		Spare parts motor B35 5,5/2/132 300E IE4	1

**BL-E40/160-5,5/2-R1 (2191434)**

Item	Article no.	Description	Quantity
3	2026870	PUMP HOUSING B40/170 PN16 KIT	1
1.14	2043160	> O-Ring 177,39x3,53 ISO3601B EPDM VP.	1
3.1		> PUMP HOUSING BL40/182 PN16 CPL.WILO	1
4	2027193	SCREW M16X30 ISO4762 8.8 (4 PIECES)	1
5	2027199	Screw M12X65 ISO4014 8.8 (4STÜCK)	1
6	2029305	NUT M12 DIN-EN24032 8 (4 PIECES)	1
7	2029335	WASHER A13 DIN125 ST (4 PIECES)	1
8	2027185	Adapter ring BG132 VP.	1
11	2191608	Module BL-E40/160-5,5/2-IE4 ELEC KIT	1
		> Module TL5 Flex SW4.0.21	1
	2111344	> MODULE COVER/GASKET TL5 KIT	1
	2120047	> CABLE CONNECTION M12x1,5/5 cpl.TL5 VP.	1
	2120048	> CABLE CONNECTION M16x1,5/5 cpl.TL5 VP.	1
	2120049	> CABLE CONNECTION M20x1,5/6 cpl.TL5 VP.	1
	2120050	> CABLE CONNECTION M25x1,5/8 cpl.TL5 VP.	1

Motor-Typenschild / Motor type plate / Plaque identité moteur

Bei Ersatzteilbestellung Motor-Nummer angeben!

Indicate motor number for order of spare parts!

Pour une commande de pièces détachées, donner le numéro du moteur!

ELEC

Motor-Nummer  
motor number  
numéro du moteur

<b>3~Induction Motor</b>					
Made by WILLO Group					
<b>3511218</b>	<b>W132240-4-V1NPE</b>		<b>0902.001</b>		
Class F	S1	IP55	69kg	EN60034	
50Hz	5.5kW	SF=L1S	60Hz	6.45kW	
YΔ 400/690V	10,6/6,13A	Y 440-480V	10,9/10,35A		
Cosφ =0.81	1470min <sup>-1</sup>	Cosφ =0.81	1770min <sup>-1</sup>		
IE4-91.9%	91,9%	91,1%	IE4-92.4%	92,4%	91,8%

WEG

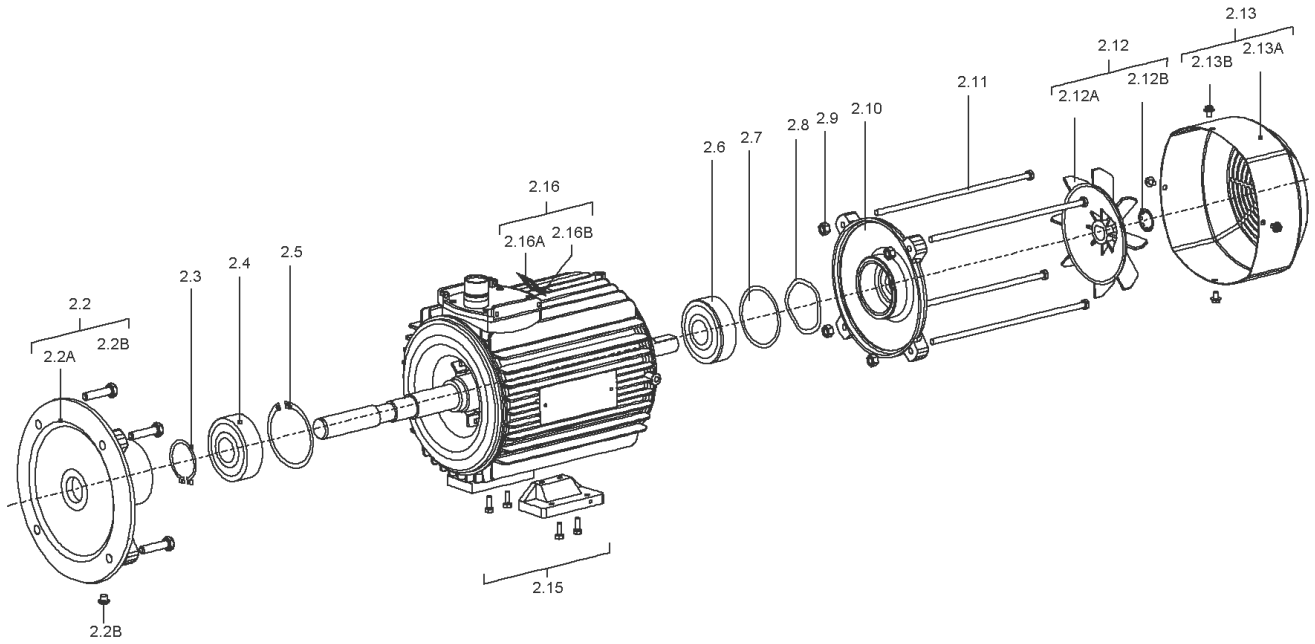
3~ AL180M/L-04		2015/12	1030615079		
AMB 40°C					
IP55	INS CL.F	Δ T 80 K	S1	SF 1.0	
V	Hz	kW	RPM	A	PF
400 / -			1480	29,5 / -	0,78
- / -					
- / -					
- / -					
400	IE4	93,9 (100%)	92,5 (75%)	90,8 (50%)	
- / -		- (100%)	- (75%)	- (50%)	
- A		- (100%)	- (75%)	- (50%)	
NEMA	Eff	- %	- HP	- V	- Hz
- A	PF	DES	CODE	SF	
				162 kg	
6311-ZZ-C3 MOBIL POLYREX EM					
6211-ZZ-C3					
MOD.TE01A0X1A0000301180					
IEC 60034					

VIBRATION LEVEL A
ACCORDING IEC 60034-14
BALANCED WITH NO KEY
WILO PART NO: <b>2151697</b>

Motor-Nummer  
motor number  
numéro du moteur

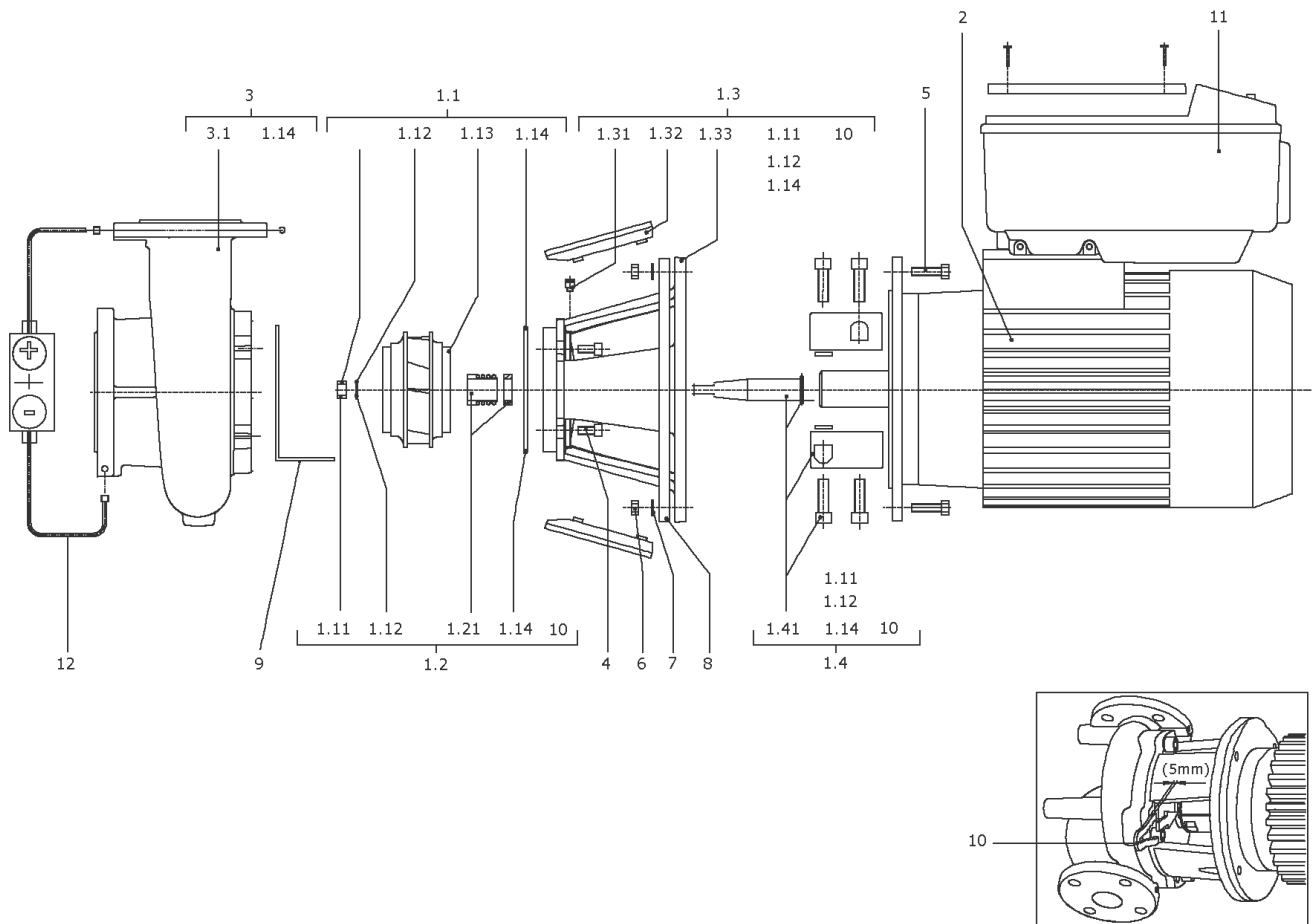
## Spare parts motor B35 5,5/2/132 300E IE4

Item	Description	Quantity
ELEC	Motor B35 5,5/2/132 300E IE4 ELEC WILO	1



**Motor B35 5,5/2/132 300E IE4 ELEC WILO**

Item	Article no.	Description	Quantity
2.2	2175903	End shield BG132 FF265 D.E.ELEC KIT	1
Note: Please give the data from type plate of the motor			
2.2A		> Flange IEC132 V1 FF265 D.E.	1
2.2B	2111309	> CONDENSATE HOLE GASKET D5 VP.	1
2.3	2178920	Circlip D40 GB894.1 VP.	1
Note: Please give the data from type plate of the motor			
2.4	121266690	BALL BEARING 6308/2Z-C3 (HT) VP.	1
Note: Please give the data from type plate of the motor			
2.5	2178920	Circlip D40 GB894.1 VP.	1
Note: Please give the data from type plate of the motor			
2.6	2153173	Ball bearing 6206/VV-C3 VP.	1
2.8	2132469	SPRING RING D.62 JB/T7590 VP.	1
Note: Please give the data from type plate of the motor			
2.10	2178921	End shield BG132 N.D.E.ELEC VP.	1
Note: Please give the data from type plate of the motor			
2.11	2178989	Srews Torx Plus M8x335 (4 Pieces)	1
2.12	2175742	Fan BG112 ELEC KIT	1
Note: Please give the data from type plate of the motor			
2.12A		> FAN 174X20X17 GP2200 G/F20%	1
2.12B	2118396	> Tooth lock washer D.19,8x0,4 VP.	1
Note: Please give the data from type plate of the motor			
2.13	2178928	Fan hood BG132 ELEC KIT	1
Note: Please give the data from type plate of the motor			
2.13A		> FAN COVER IEC132 KTL ST14 T0.8 H103	1
2.13B	2178923	> Screw M5X8 GB/T3098.1 6.8(4 Pieces)	1
2.15	2192955	Motor foot cpl.BG132 ELEC KIT	1
2.16	2178924	Air guider IEC 132 Motor KIT	1
Note: Please give the data from type plate of the motor			
2.16A		> AIR GUIDER IEC 132 MOTOR	1
2.16B		> SCREW M8X16 TORX HEX 6.8 GB/T70	1



**BL-E40/170-7,5/2-R1 (2191435)**

Item	Article no.	Description	Quantity
1.1	2123519	IMPELLER D.50/169/159/24 KIT	1
1.11	2027187	> NUT M12 DIN-EN24032 A2 VP.	1
1.12	2027190	> WASHER A13 DIN125-T2 A2 VP.	1
1.13		> IMPELLER 50/169/159/24 GG BALANCED	1
1.14	2043160	> O-Ring 177,39x3,53 ISO3601B EPDM VP.	1
	2042862	> WASHER S12 V2A VP.	1
1.2	2026902	MECHANICAL SEAL MG12/24-G60 AQ1EGG KIT	1
1.11	2027187	> NUT M12 DIN-EN24032 A2 VP.	1
1.12	2027190	> WASHER A13 DIN125-T2 A2 VP.	1
1.14	2037527	> O-RING 148,82x3,53 EPDM 70SR.VP.	1
1.14	2043160	> O-Ring 177,39x3,53 ISO3601B EPDM VP.	1
1.14	2042864	> O-RING ID.224x3,55 7EP1197-W534 VP.	1
1.14	2051680	> O-RING ID.276,7x5,29 7EP1197-W534 VP.	1
	2042862	> WASHER S12 V2A VP.	1
1.21		> MECHANICAL SEAL MG12/24-G60 AQ1EGG	1
10	2027202	> TOOL D.18/24/32 VP.	1
1.3	2027010	LANTERN P228X85,2-F265 KIT	1
1.11	2027187	> NUT M12 DIN-EN24032 A2 VP.	1
1.12	2027190	> WASHER A13 DIN125-T2 A2 VP.	1
1.14	2043160	> O-Ring 177,39x3,53 ISO3601B EPDM VP.	1
	2042862	> WASHER S12 V2A VP.	1
1.31	2027201	> BLOWGUN R1/8" VP.	1
1.32	2048838	> COUPLING GUARD F265 PA66 AD.(4 PIECES)	1
1.33		> LANTERN P228X85,2-F265 GG KTL RDES WILO	1
10	2027202	> TOOL D.18/24/32 VP.	1
1.4	2026928	COUPLING/SHAFT 24/38x142 OR.177 KIT	1
1.11	2027187	> NUT M12 DIN-EN24032 A2 VP.	1
1.12	2027190	> WASHER A13 DIN125-T2 A2 VP.	1
1.14	2043160	> O-Ring 177,39x3,53 ISO3601B EPDM VP.	1
	2042862	> WASHER S12 V2A VP.	1
1.41		> COUPLING 24/38+SHAFT 24X142 BG132 ZN KIT	1
10	2027202	> TOOL D.18/24/32 VP.	1
2	2168709	Motor B35 7,5/2/132/300E-IE4-ELEC(+Tool)	1
		Spare parts motor B35 7,5/2/132 300E IE4	1



**BL-E40/170-7,5/2-R1 (2191435)**

Item	Article no.	Description	Quantity
3	2026870	PUMP HOUSING B40/170 PN16 KIT	1
1.14	2043160	> O-Ring 177,39x3,53 ISO3601B EPDM VP.	1
3.1		> PUMP HOUSING BL40/182 PN16 CPL.WILO	1
4	2027193	SCREW M16X30 ISO4762 8.8 (4 PIECES)	1
5	2027199	Screw M12X65 ISO4014 8.8 (4STÜCK)	1
6	2029305	NUT M12 DIN-EN24032 8 (4 PIECES)	1
7	2029335	WASHER A13 DIN125 ST (4 PIECES)	1
8	2027185	Adapter ring BG132 VP.	1
11	2191609	Module BL-E40/170-7,5/2-IE4 ELEC KIT	1
		> Module TL5 Flex SW4.0.21	1
	2111344	> MODULE COVER/GASKET TL5 KIT	1
	2120047	> CABLE CONNECTION M12x1,5/5 cpl.TL5 VP.	1
	2120048	> CABLE CONNECTION M16x1,5/5 cpl.TL5 VP.	1
	2120049	> CABLE CONNECTION M20x1,5/6 cpl.TL5 VP.	1
	2120050	> CABLE CONNECTION M25x1,5/8 cpl.TL5 VP.	1

Motor-Typenschild / Motor type plate / Plaque identité moteur

Bei Ersatzteilbestellung Motor-Nummer angeben!

Indicate motor number for order of spare parts!

Pour une commande de pièces détachées, donner le numéro du moteur!

ELEC

Motor-Nummer  
motor number  
numéro du moteur

<b>3~Induction Motor</b>					
Made by WILLO Group					
<b>3511218</b>	<b>W132240-4-V1NPE</b>		<b>0902.001</b>		
Class F	S1	IP55	69kg	EN60034	
50Hz	5.5kW	SF=1.15	60Hz	6.45kW	
YΔ 400/690V	10,6/6,13A	Y 440-480V	10,9/10,35A		
Cosφ =0.81	1470min <sup>-1</sup>	Cosφ =0.81	1770min <sup>-1</sup>		
IE4-91.9%	91,9%	91,1%	IE4-92.4%	92,4%	91,8%

WEG

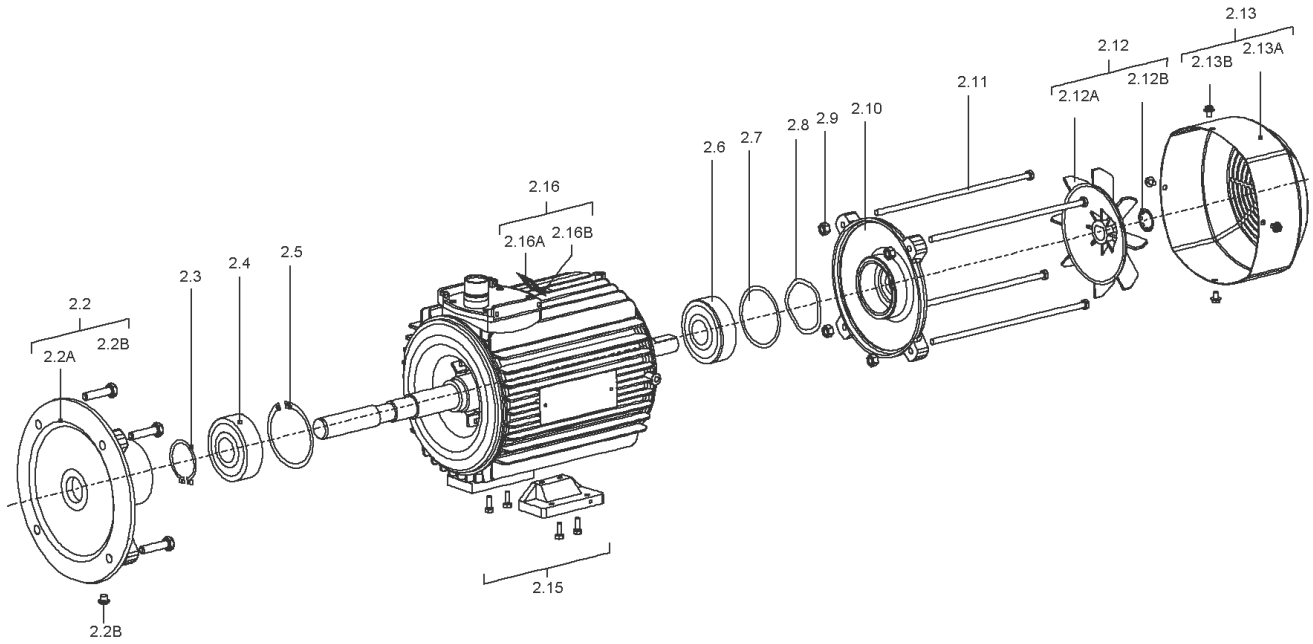
3~ AL180M/L-04		2015/12	1030615079		
AMB 40°C					
IP55	INS CL.F	Δ T 80 K	S1	SF 1.0	
V	Hz	kW	RPM	A	PF
400 / -			1480	29,5 / -	0,78
- / -					
- / -					
- / -					
400	IE4	93,9 (100%)	92,5 (75%)	90,8 (50%)	
- / -		- (100%)	- (75%)	- (50%)	
- A		- (100%)	- (75%)	- (50%)	
NEMA	Eff	- %	- HP	- V	- Hz
- A	PF	DES	CODE	SF	
		6311-ZZ-C3	MOBIL POLYREX EM		162 kg
		6211-ZZ-C3			
MOD.TE01A0X1A0000301180					
IEC 60034					

VIBRATION LEVEL A
ACCORDING IEC 60034-14
BALANCED WITH NO KEY
WILO PART NO: <b>2151697</b>

Motor-Nummer  
motor number  
numéro du moteur

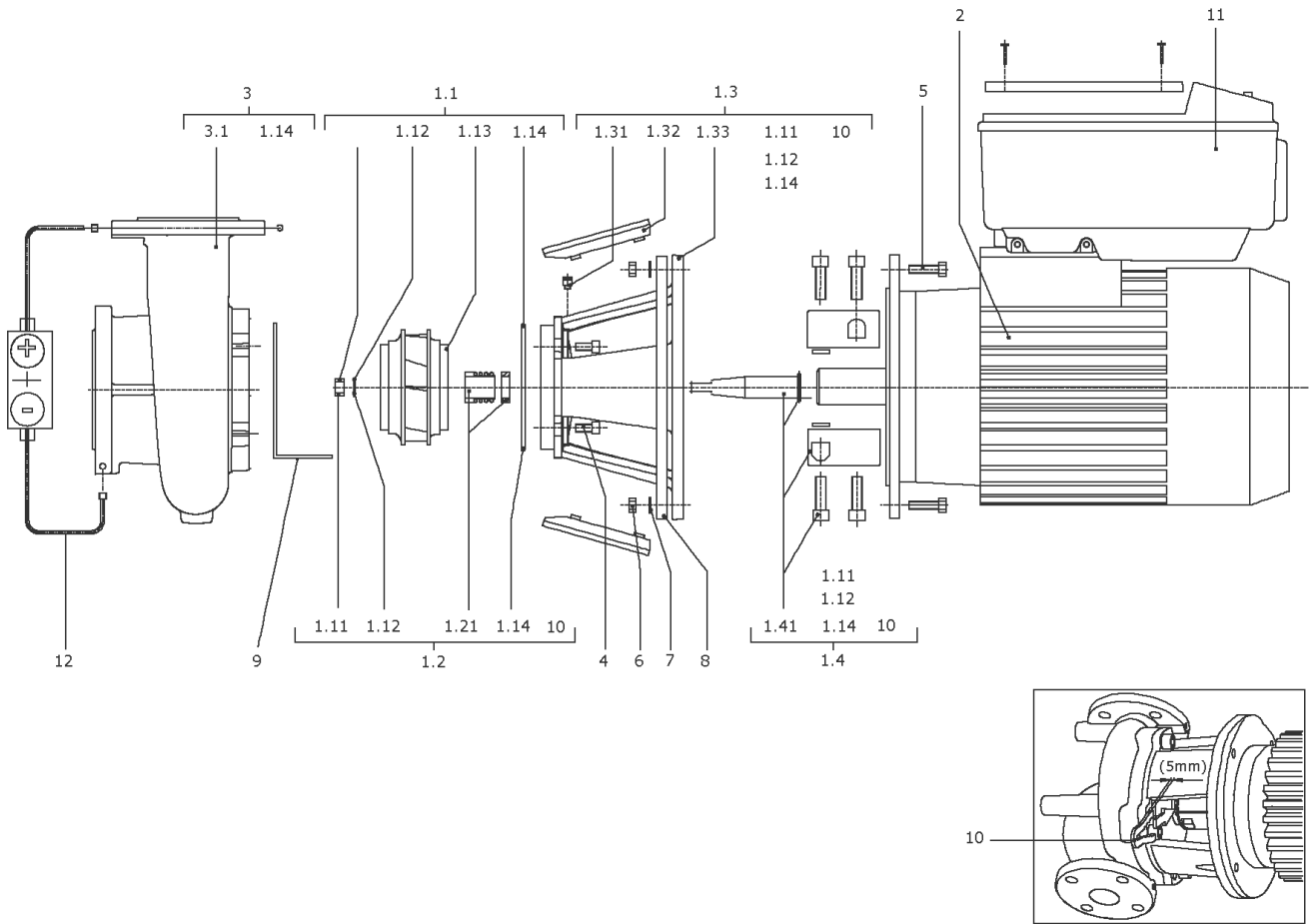
## Spare parts motor B35 7,5/2/132 300E IE4

Item	Description	Quantity
ELEC	Motor B35 7,5/2/132/300E IE4 ELEC WILO	1



**Motor B35 7,5/2/132/300E IE4 ELEC WILO**

Item	Article no.	Description	Quantity
2.2	2175903	End shield BG132 FF265 D.E.ELEC KIT	1
Note: Please give the data from type plate of the motor			
2.2A		> Flange IEC132 V1 FF265 D.E.	1
2.2B	2111309	> CONDENSATE HOLE GASKET D5 VP.	1
2.3	2178920	Circlip D40 GB894.1 VP.	1
Note: Please give the data from type plate of the motor			
2.4	121266690	BALL BEARING 6308/2Z-C3 (HT) VP.	1
Note: Please give the data from type plate of the motor			
2.5	2192954	Circlip D90 GB893.1 VP.	1
Note: Please give the data from type plate of the motor			
2.6	2153173	Ball bearing 6206/VV-C3 VP.	1
Note: Please give the data from type plate of the motor			
2.8	2132469	SPRING RING D.62 JB/T7590 VP.	1
2.10	2178921	End shield BG132 N.D.E.ELEC VP.	1
Note: Please give the data from type plate of the motor			
2.11	2178989	Srews Torx Plus M8x335 (4 Pieces)	1
Note: Please give the data from type plate of the motor			
2.12	2175742	Fan BG112 ELEC KIT	1
Note: Please give the data from type plate of the motor			
2.12A		> FAN 174X20X17 GP2200 G/F20%	1
2.12B	2118396	> Tooth lock washer D.19,8x0,4 VP.	1
Note: Please give the data from type plate of the motor			
2.13	2178928	Fan hood BG132 ELEC KIT	1
Note: Please give the data from type plate of the motor			
2.13A		> FAN COVER IEC132 KTL ST14 T0.8 H103	1
2.13B	2178923	> Screw M5X8 GB/T3098.1 6.8(4 Pieces)	1
2.15	2192955	Motor foot cpl.BG132 ELEC KIT	1
2.16	2178924	Air guider IEC 132 Motor KIT	1
Note: Please give the data from type plate of the motor			
2.16A		> AIR GUIDER IEC 132 MOTOR	1
2.16B		> SCREW M8X16 TORX HEX 6.8 GB/T70	1



**BL-E40/180-7,5/2-R1 (2191436)**

Item	Article no.	Description	Quantity
1.1	2116685	IMPELLER 50/183/173/24 KIT	1
1.11	2027187	> NUT M12 DIN-EN24032 A2 VP.	1
1.12	2027190	> WASHER A13 DIN125-T2 A2 VP.	1
1.13		> IMPELLER 50/183/173/24 GG BALANCED	1
1.14	2042864	> O-RING ID.224x3,55 7EP1197-W534 VP.	1
	2042862	> WASHER S12 V2A VP.	1
1.2	2026902	MECHANICAL SEAL MG12/24-G60 AQ1EGG KIT	1
1.11	2027187	> NUT M12 DIN-EN24032 A2 VP.	1
1.12	2027190	> WASHER A13 DIN125-T2 A2 VP.	1
1.14	2037527	> O-RING 148,82x3,53 EPDM 70SR.VP.	1
1.14	2043160	> O-Ring 177,39x3,53 ISO3601B EPDM VP.	1
1.14	2042864	> O-RING ID.224x3,55 7EP1197-W534 VP.	1
1.14	2051680	> O-RING ID.276,7x5,29 7EP1197-W534 VP.	1
	2042862	> WASHER S12 V2A VP.	1
1.21		> MECHANICAL SEAL MG12/24-G60 AQ1EGG	1
10	2027202	> TOOL D.18/24/32 VP.	1
1.3	2042712	LANTERN P270X72-F265 KTL KIT	1
1.11	2027187	> NUT M12 DIN-EN24032 A2 VP.	1
1.12	2027190	> WASHER A13 DIN125-T2 A2 VP.	1
1.14	2042864	> O-RING ID.224x3,55 7EP1197-W534 VP.	1
	2042862	> WASHER S12 V2A VP.	1
1.31	2027201	> BLOWGUN R1/8" VP.	1
1.32	2048845	> COUPLING GUARD P270-F265 PA66 (2 PIECES)	1
1.33		> LANTERN P270X72-F265 GG KTL WILO	1
10	2027202	> TOOL D.18/24/32 VP.	1
1.4	2042723	COUPLING/SHAFT D.24/38X145 KIT	1
1.11	2027187	> NUT M12 DIN-EN24032 A2 VP.	1
1.12	2027190	> WASHER A13 DIN125-T2 A2 VP.	1
1.14	2042864	> O-RING ID.224x3,55 7EP1197-W534 VP.	1
	2042862	> WASHER S12 V2A VP.	1
1.41		> COUPLING 24/38+SHAFT 24X145 BG132 ZN KIT	1
10	2027202	> TOOL D.18/24/32 VP.	1
2	2168709	Motor B35 7,5/2/132/300E-IE4-ELEC(+Tool)	1
		Spare parts motor B35 7,5/2/132 300E IE4	1

**BL-E40/180-7,5/2-R1 (2191436)**

Item	Article no.	Description	Quantity
3	2042760	PUMP HOUSING B40/230 PN16 KIT	1
1.14	2042864	> O-RING ID.224x3,55 7EP1197-W534 VP.	1
3.1		> PUMP HOUSING BL40/230 PN16 CPL.WILO	1
4	2027193	SCREW M16X30 ISO4762 8.8 (4 PIECES)	1
5	2027195	SCREW M12X25 DIN912 8.8 (4 PIECES)	1
11	2191610	Module BL-E40/180-7,5/2-IE4 ELEC KIT	1
		> Module TL5 Flex SW4.0.21	1
	2111344	> MODULE COVER/GASKET TL5 KIT	1
	2120047	> CABLE CONNECTION M12x1,5/5 cpl.TL5 VP.	1
	2120048	> CABLE CONNECTION M16x1,5/5 cpl.TL5 VP.	1
	2120049	> CABLE CONNECTION M20x1,5/6 cpl.TL5 VP.	1
	2120050	> CABLE CONNECTION M25x1,5/8 cpl.TL5 VP.	1



Motor-Typenschild / Motor type plate / Plaque identité moteur

Bei Ersatzteilbestellung Motor-Nummer angeben!

Indicate motor number for order of spare parts!

Pour une commande de pièces détachées, donner le numéro du moteur!

ELEC

Motor-Nummer  
motor number  
numéro du moteur

<b>3~Induction Motor</b>					
Made by WILLO Group					
<b>3511218</b>	<b>W132240-4-V1NPE</b>		<b>0902.001</b>		
Class F	S1	IP55	69kg	EN60034	
50Hz	5.5kW	SF=L1S	60Hz	6.45kW	
YΔ 400/690V	10,6/6,13A	Y 440-480V	10,9/10,35A		
Cosφ =0.81	1470min <sup>-1</sup>	Cosφ =0.81	1770min <sup>-1</sup>		
IE4-91.9%	91,9%	91,1%	IE4-92.4%	92,4%	91,8%

WEG

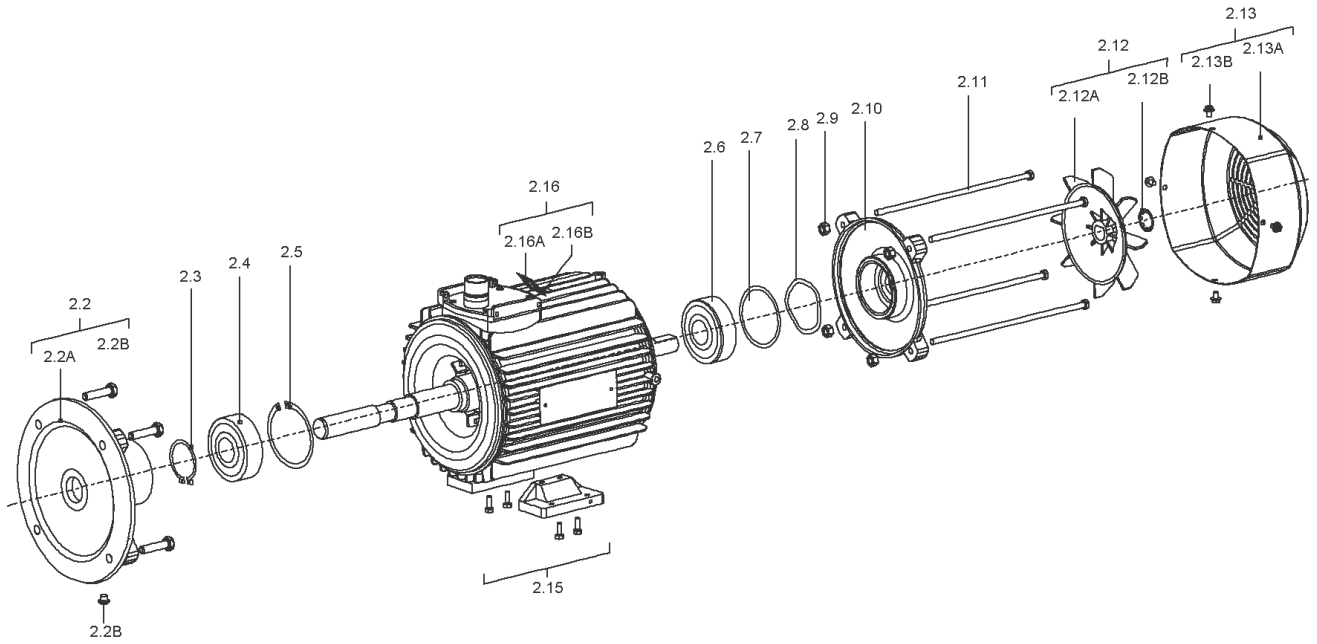
3~ AL180M/L-04		2015/12	1030615079		
AMB 40°C					
IP55	INS CL.F	Δ T 80 K	S1	SF 1.0	
V	Hz	kW	RPM	A	PF
400 / -			1480	29,5 / -	0,78
- / -					
- / -					
- / -					
400	IE4	93,9 (100%)	92,5 (75%)	90,8 (50%)	
- / -		- (100%)	- (75%)	- (50%)	
- A		- (100%)	- (75%)	- (50%)	
NEMA	Eff	- %	- HP	- V	- Hz
- A	PF	DES	CODE	SF	
		6311-ZZ-C3	MOBIL POLYREX EM		162 kg
		6211-ZZ-C3			
MOD.TE01A0X1A0000301180					
IEC 60034					

VIBRATION LEVEL A
ACCORDING IEC 60034-14
BALANCED WITH NO KEY
WILO PART NO: <b>2151697</b>

Motor-Nummer  
motor number  
numéro du moteur

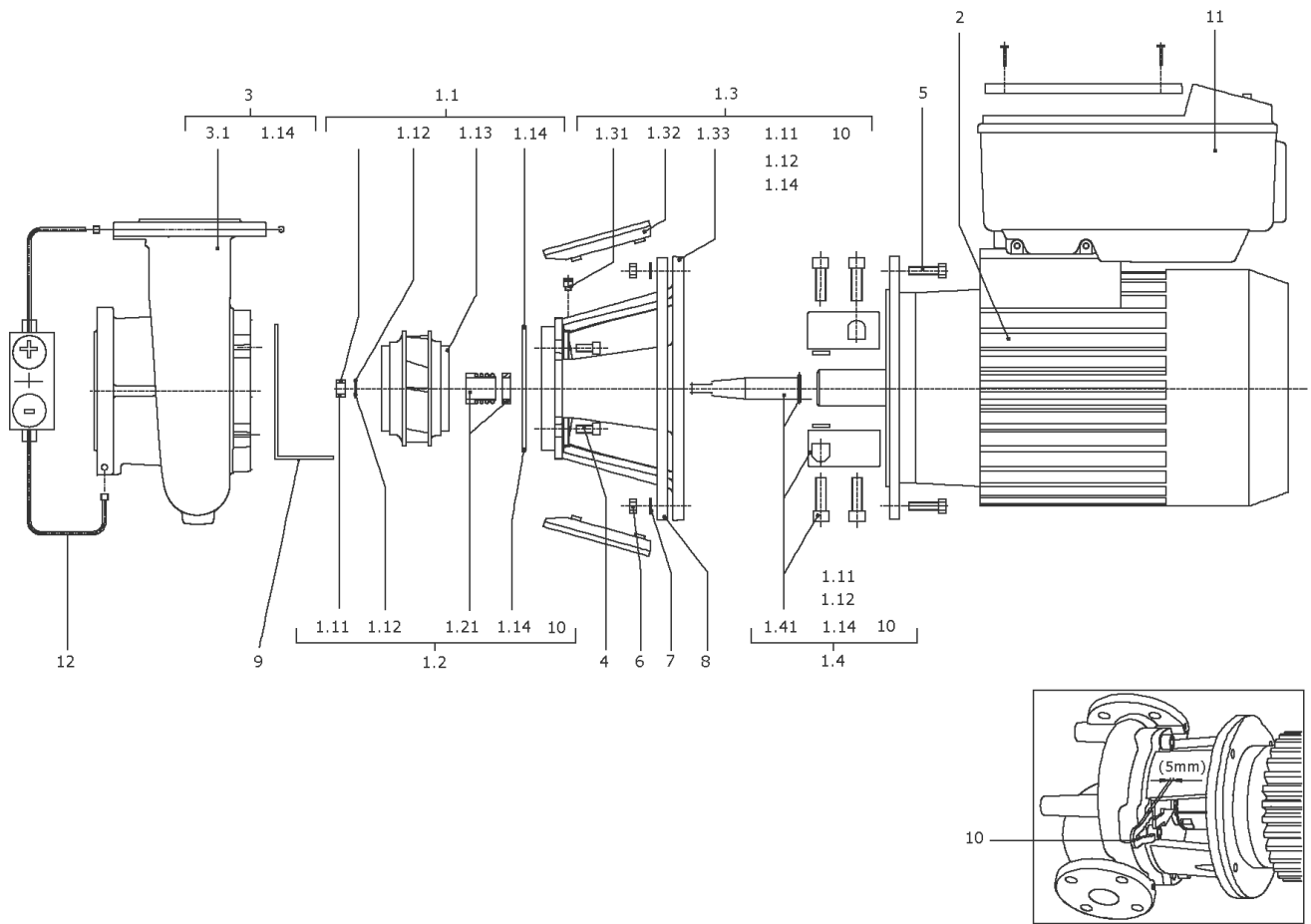
## Spare parts motor B35 7,5/2/132 300E IE4

Item	Description	Quantity
ELEC	Motor B35 7,5/2/132/300E IE4 ELEC WILO	1



**Motor B35 7,5/2/132/300E IE4 ELEC WILO**

Item	Article no.	Description	Quantity
2.2	2175903	End shield BG132 FF265 D.E.ELEC KIT	1
Note: Please give the data from type plate of the motor			
2.2A		> Flange IEC132 V1 FF265 D.E.	1
2.2B	2111309	> CONDENSATE HOLE GASKET D5 VP.	1
2.3	2178920	Circlip D40 GB894.1 VP.	1
Note: Please give the data from type plate of the motor			
2.4	121266690	BALL BEARING 6308/2Z-C3 (HT) VP.	1
Note: Please give the data from type plate of the motor			
2.5	2192954	Circlip D90 GB893.1 VP.	1
Note: Please give the data from type plate of the motor			
2.6	2153173	Ball bearing 6206/VV-C3 VP.	1
Note: Please give the data from type plate of the motor			
2.8	2132469	SPRING RING D.62 JB/T7590 VP.	1
2.10	2178921	End shield BG132 N.D.E.ELEC VP.	1
Note: Please give the data from type plate of the motor			
2.11	2178989	Srews Torx Plus M8x335 (4 Pieces)	1
Note: Please give the data from type plate of the motor			
2.12	2175742	Fan BG112 ELEC KIT	1
Note: Please give the data from type plate of the motor			
2.12A		> FAN 174X20X17 GP2200 G/F20%	1
2.12B	2118396	> Tooth lock washer D.19,8x0,4 VP.	1
Note: Please give the data from type plate of the motor			
2.13	2178928	Fan hood BG132 ELEC KIT	1
Note: Please give the data from type plate of the motor			
2.13A		> FAN COVER IEC132 KTL ST14 T0.8 H103	1
2.13B	2178923	> Screw M5X8 GB/T3098.1 6.8(4 Pieces)	1
2.15	2192955	Motor foot cpl.BG132 ELEC KIT	1
2.16	2178924	Air guider IEC 132 Motor KIT	1
Note: Please give the data from type plate of the motor			
2.16A		> AIR GUIDER IEC 132 MOTOR	1
2.16B		> SCREW M8X16 TORX HEX 6.8 GB/T70	1



**BL-E50/110-3/2-R1 (2191437)**

Item	Article no.	Description	Quantity
1.1	2123483	IMPELLER D.65/104/94/18 KIT	1
1.11	2027186	> NUT M10 DIN934 A2	1
1.12	2027189	> TENSIONING DISC DIN6796-10 V2A	1
1.13		> IMPELLER 65/104/94/18 GG BALANCED	1
1.14	2037527	> O-RING 148,82x3,53 EPDM 70SR.VP.	1
1.2	2026901	MECHANICAL SEAL MG12/18-G60 AQ1EGG KIT	1
1.11	2027186	> NUT M10 DIN934 A2	1
1.12	2027189	> TENSIONING DISC DIN6796-10 V2A	1
1.14	2037527	> O-RING 148,82x3,53 EPDM 70SR.VP.	1
1.14	2043160	> O-Ring 177,39x3,53 ISO3601B EPDM VP.	1
1.14	2042864	> O-RING ID.224x3,55 7EP1197-W534 VP.	1
1.21		> MECHANICAL SEAL MG12/18-G60 AQ1EGG	1
10	2027202	> TOOL D.18/24/32 VP.	1
1.3	2037206	LANTERN P190X85,2-F215 KIT	1
1.11	2027186	> NUT M10 DIN934 A2	1
1.12	2027189	> TENSIONING DISC DIN6796-10 V2A	1
1.14	2037527	> O-RING 148,82x3,53 EPDM 70SR.VP.	1
1.31	2027201	> BLOWGUN R1/8" VP.	1
1.32	2048842	> COUPLING GUARD F215 PA66 (2 PIECES)	1
1.33		> Lantern P190X85,2-F215 GG KTL WILO	1
10	2027202	> TOOL D.18/24/32 VP.	1
1.4	2029312	COUPLING/SHAFT 18/28X142 OR.148 KIT	1
1.11	2027186	> NUT M10 DIN934 A2	1
1.12	2027189	> TENSIONING DISC DIN6796-10 V2A	1
1.14	2037527	> O-RING 148,82x3,53 EPDM 70SR.VP.	1
1.41		> COUPLING 18/28+SHAFT 18X142 BG112 ZN KIT	1
10	2027202	> TOOL D.18/24/32 VP.	1
2	2169169	Motor V1 3/2/100/250E-IE4-ELEC(+Tool)	1
		Spare parts motor V1 3/2/100 250E IE4	1
3	2037176	PUMP HOUSING B50/140 PN16 KIT	1
1.14	2037527	> O-RING 148,82x3,53 EPDM 70SR.VP.	1
3.1		> PUMP HOUSING BL50/145 PN16 CPL.WILO	1
4	2027194	SCREW M16X30/X40 DIN912 8.8 (4 PIECES)	1
	2029336	WASHER A17 DIN125 ST (4 PIECES)	1

**BL-E50/110-3/2-R1 (2191437)**

Item	Article no.	Description	Quantity
5	2027195	SCREW M12X25 DIN912 8.8 (4 PIECES)	1
7	2029335	WASHER A13 DIN125 ST (4 PIECES)	1
9	2037241	MOTOR FOOT BG71-112/P190	1
11	2191611	Module BL-E50/110-3/2-IE4 ELEC KIT	1
		> MODULE TL4 Flex IE4 SW4.0.30	1
	2054227	> MODULE COVER/GASKET TL3/4 KIT	1
		> SCREW M5X16 ISO4762 8.8 ZnNi	1
		> WASHER TOOTHED LOCK A5,3 DIN6797 FST ZN	1
	2061236	> O-RING ID.38X3 EPDM 70SR.A BUS.	1

Motor-Typenschild / Motor type plate / Plaque identité moteur

Bei Ersatzteilbestellung Motor-Nummer angeben!

Indicate motor number for order of spare parts!

Pour une commande de pièces détachées, donner le numéro du moteur!

ELEC

Motor-Nummer  
motor number  
numéro du moteur

<b>3~Induction Motor</b>					
Made by WILLO Group					
<b>3511218</b>	<b>W132240-4-V1NPE</b>		<b>0902.001</b>		
Class F	S1	IP55	69kg	EN60034	
50Hz	5.5kW	SF=L1S	60Hz	6.45kW	
YΔ 400/690V	10,6/6,13A	Y 440-480V	10,9/10,35A		
Cosφ =0.81	1470min <sup>-1</sup>	Cosφ =0.81	1770min <sup>-1</sup>		
IE4-91.9%	91,9%	91,1%	IE4-92.4%	92,4%	91,8%

WEG

3~ AL180M/L-04		2015/12		1030615079	
AMB 40°C					
IP55	INS CL.F	Δ T 80 K	S1	SF 1.0	
V	Hz	kW	RPM	A	PF
400 / -			1480	29,5 / -	0,78
- / -					
- / -					
- / -					
400	IE4	93,9 (100%)	92,5 (75%)	90,8 (50%)	
- / -		- (100%)	- (75%)	- (50%)	
- A		- (100%)	- (75%)	- (50%)	
NEMA	Eff	- %	- HP	- V	- Hz
- A	PF	DES	CODE	SF	
				162 kg	
6311-ZZ-C3 MOBIL POLYREX EM					
6211-ZZ-C3					
MOD.TE01A0X1A0000301180					
IEC 60034					

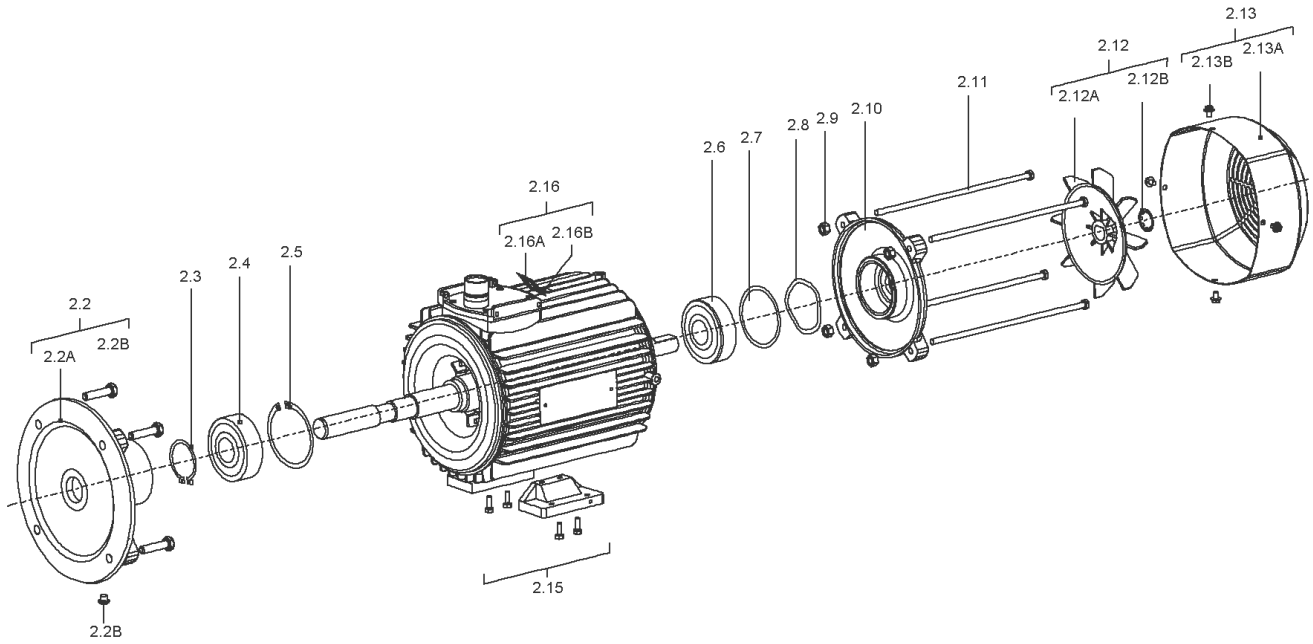
VIBRATION LEVEL A
ACCORDING IEC 60034-14
BALANCED WITH NO KEY
WILO PART NO: <b>2151697</b>

Motor-Nummer  
motor number  
numéro du moteur



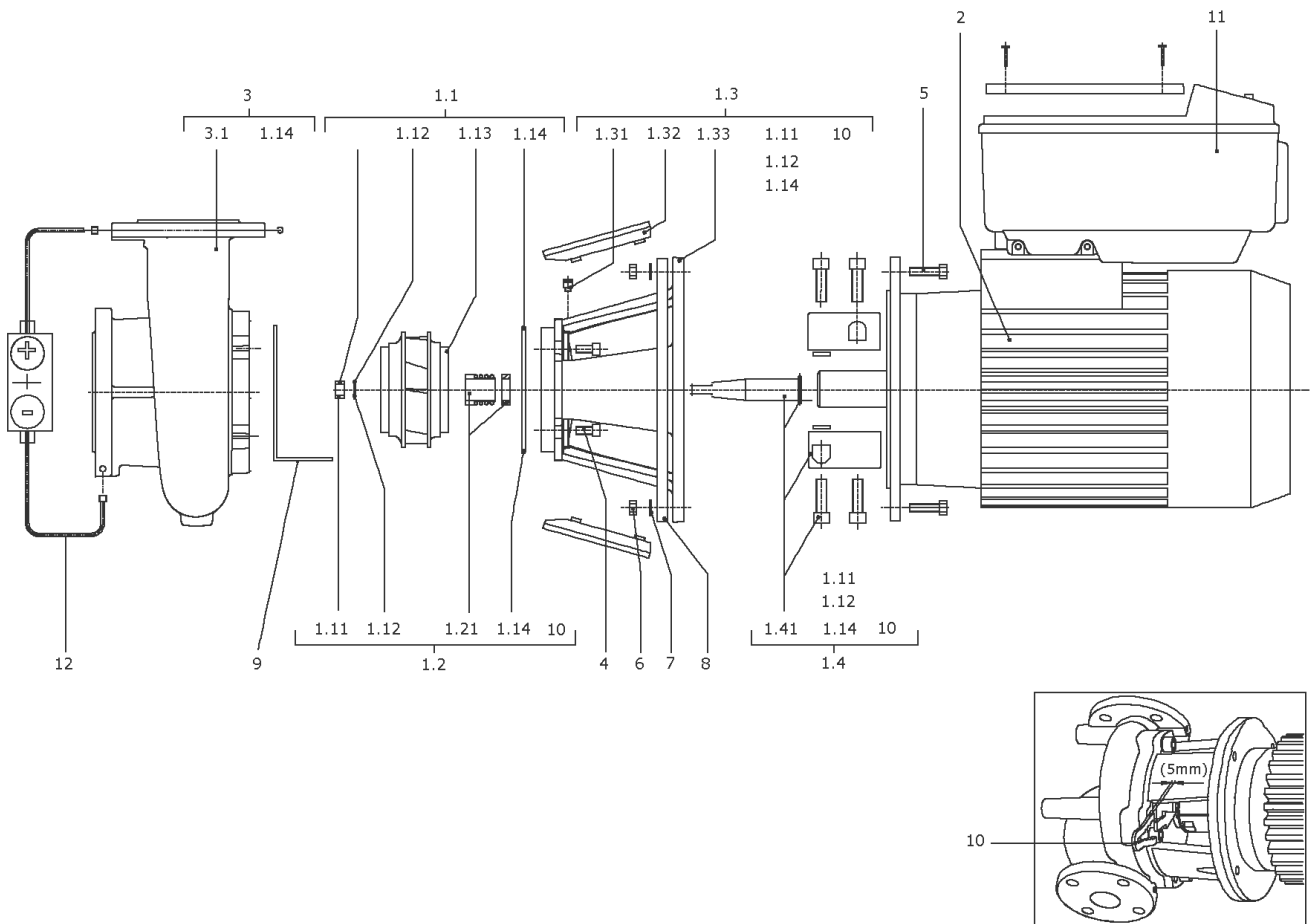
## Spare parts motor V1 3/2/100 250E IE4

Item	Description	Quantity
ELEC	W100130-2-V1NPE 400V/50Hz 3kW IE4	1



**W100130-2-V1NPE 400V/50Hz 3kW IE4**

Item	Article no.	Description	Quantity
2.2	2127393	END SHIELD BG100 V1 D.E.ELEC KIT	1
Note: Please give the data from type plate of the motor			
2.1A		> FLANGE IEC100 V1	1
2.1B	2111309	> CONDENSATE HOLE GASKET D5 VP.	1
Note: Please give the data from type plate of the motor			
2.3	2118388	CIRCLIP D.35 GB894.1 VP.	1
Note: Please give the data from type plate of the motor			
2.4	2153172	Ball bearing 6307/VV-C3 VP.	1
Note: Please give the data from type plate of the motor			
2.5	2118390	CIRCLIP D.80 GB893.1 VP.	1
Note: Please give the data from type plate of the motor			
2.6	2153171	Ball bearing 6205/VV-C3 VP.	1
2.7	2164094	O-Ring ID52.4x3.53 EPDM VP.	1
2.8	2164076	Circlip D52 JB/T7590 VP.	1
Note: Please give the data from type plate of the motor			
2.10	2164074	End shield BG100 N.D.E.ELEC KIT	1
Note: Please give the data from type plate of the motor			
		> FLANGE IEC100 NDS with slot	1
		> O-RING ID52.4*3.53 EPDM	1
2.11	2179082	Screw Torx Plus / Hexagon M6X258(4Pieces	1
2.12	2179083	Fan wheel BG100 ELEC KIT	1
Note: Please give the data from type plate of the motor			
2.12A		> FAN 150X20X17 GP2200 G/F20%	1
2.12B	2118396	> Tooth lock washer D.19,8x0,4 VP.	1
Note: Please give the data from type plate of the motor			
2.13	2118397	FAN HOOD BG100 ELEC KIT	1
Note: Please give the data from type plate of the motor			
2.13A		> FAN COVER IEC100 KTL ST14 T0.8 H86	1
2.13B	2111323	> SCREW M4X6 (4 PIECES)	1
Note: Please give the data from type plate of the motor			
2.16	2179086	Air guider BG100 Motor KIT	1
2.16A		> AIR GUIDER IEC100 MOTOR	1
2.16B		> Screw Tapping M5X14 trox pan	1



**BL-E50/120-4/2-R1 (2191438)**

Item	Article no.	Description	Quantity
1.1	2123482	IMPELLER D.65/114/104/18 KIT	1
1.11	2027186	> NUT M10 DIN934 A2	1
1.12	2027189	> TENSIONING DISC DIN6796-10 V2A	1
1.13		> IMPELLER 65/114/104/18 GG BALANCED	1
1.14	2037527	> O-RING 148,82x3,53 EPDM 70SR.VP.	1
1.2	2026901	MECHANICAL SEAL MG12/18-G60 AQ1EGG KIT	1
1.11	2027186	> NUT M10 DIN934 A2	1
1.12	2027189	> TENSIONING DISC DIN6796-10 V2A	1
1.14	2037527	> O-RING 148,82x3,53 EPDM 70SR.VP.	1
1.14	2043160	> O-Ring 177,39x3,53 ISO3601B EPDM VP.	1
1.14	2042864	> O-RING ID.224x3,55 7EP1197-W534 VP.	1
1.21		> MECHANICAL SEAL MG12/18-G60 AQ1EGG	1
10	2027202	> TOOL D.18/24/32 VP.	1
1.3	2037206	LANTERN P190X85,2-F215 KIT	1
1.11	2027186	> NUT M10 DIN934 A2	1
1.12	2027189	> TENSIONING DISC DIN6796-10 V2A	1
1.14	2037527	> O-RING 148,82x3,53 EPDM 70SR.VP.	1
1.31	2027201	> BLOWGUN R1/8" VP.	1
1.32	2048842	> COUPLING GUARD F215 PA66 (2 PIECES)	1
1.33		> Lantern P190X85,2-F215 GG KTL WILO	1
10	2027202	> TOOL D.18/24/32 VP.	1
1.4	2029312	COUPLING/SHAFT 18/28X142 OR.148 KIT	1
1.11	2027186	> NUT M10 DIN934 A2	1
1.12	2027189	> TENSIONING DISC DIN6796-10 V2A	1
1.14	2037527	> O-RING 148,82x3,53 EPDM 70SR.VP.	1
1.41		> COUPLING 18/28+SHAFT 18X142 BG112 ZN KIT	1
10	2027202	> TOOL D.18/24/32 VP.	1
2	2169171	Motor V1 4/2/112/250E-IE4-ELEC(+Tool)	1
		Spare parts motor V1 4/2/112 250E IE4	1
3	2037176	PUMP HOUSING B50/140 PN16 KIT	1
1.14	2037527	> O-RING 148,82x3,53 EPDM 70SR.VP.	1
3.1		> PUMP HOUSING BL50/145 PN16 CPL.WILO	1
4	2027194	SCREW M16X30/X40 DIN912 8.8 (4 PIECES)	1
	2029336	WASHER A17 DIN125 ST (4 PIECES)	1

**BL-E50/120-4/2-R1 (2191438)**

Item	Article no.	Description	Quantity
5	2027195	SCREW M12X25 DIN912 8.8 (4 PIECES)	1
7	2029335	WASHER A13 DIN125 ST (4 PIECES)	1
9	2037241	MOTOR FOOT BG71-112/P190	1
11	2191612	Module BL-E50/120-4/2-IE4 ELEC KIT	1
		> MODULE TL4 Flex IE4 SW4.0.30	1
	2054227	> MODULE COVER/GASKET TL3/4 KIT	1
		> SCREW M5X16 ISO4762 8.8 ZnNi	1
		> WASHER TOOTHED LOCK A5,3 DIN6797 FST ZN	1
	2061236	> O-RING ID.38X3 EPDM 70SR.A BUS.	1

Motor-Typenschild / Motor type plate / Plaque identité moteur

Bei Ersatzteilbestellung Motor-Nummer angeben!

Indicate motor number for order of spare parts!

Pour une commande de pièces détachées, donner le numéro du moteur!

ELEC

Motor-Nummer  
motor number  
numéro du moteur

<b>3~Induction Motor</b>					
Made by WILLO Group					
<b>3511218</b>	<b>W132240-4-V1NPE</b>		<b>0902.001</b>		
Class F	S1	IP55	69kg	EN60034	
50Hz	5.5kW	SF=L1S	60Hz	6.45kW	
YΔ 400/690V	10,6/6,13A	Y 440-480V	10,9/10,35A		
Cosφ =0.81	1470min <sup>-1</sup>	Cosφ =0.81	1770min <sup>-1</sup>		
IE4-91.9%	91,9%	91,1%	IE4-92.4%	92,4%	91,8%

WEG

3~ AL180M/L-04		2015/12	1030615079		
AMB 40°C					
IP55	INS CL.F	Δ T 80 K	S1	SF 1.0	
V	Hz	kW	RPM	A	PF
400 / -			1480	29,5 / -	0,78
- / -					
- / -					
- / -					
400	IE4	93,9 (100%)	92,5 (75%)	90,8 (50%)	
- / -		- (100%)	- (75%)	- (50%)	
- A		- (100%)	- (75%)	- (50%)	
NEMA	Eff	- %	- HP	- V	- Hz
- A	PF	DES	CODE	SF	
		6311-ZZ-C3	MOBIL POLYREX EM		162 kg
		6211-ZZ-C3			
MOD.TE01A0X1A0000301180					
IEC 60034					

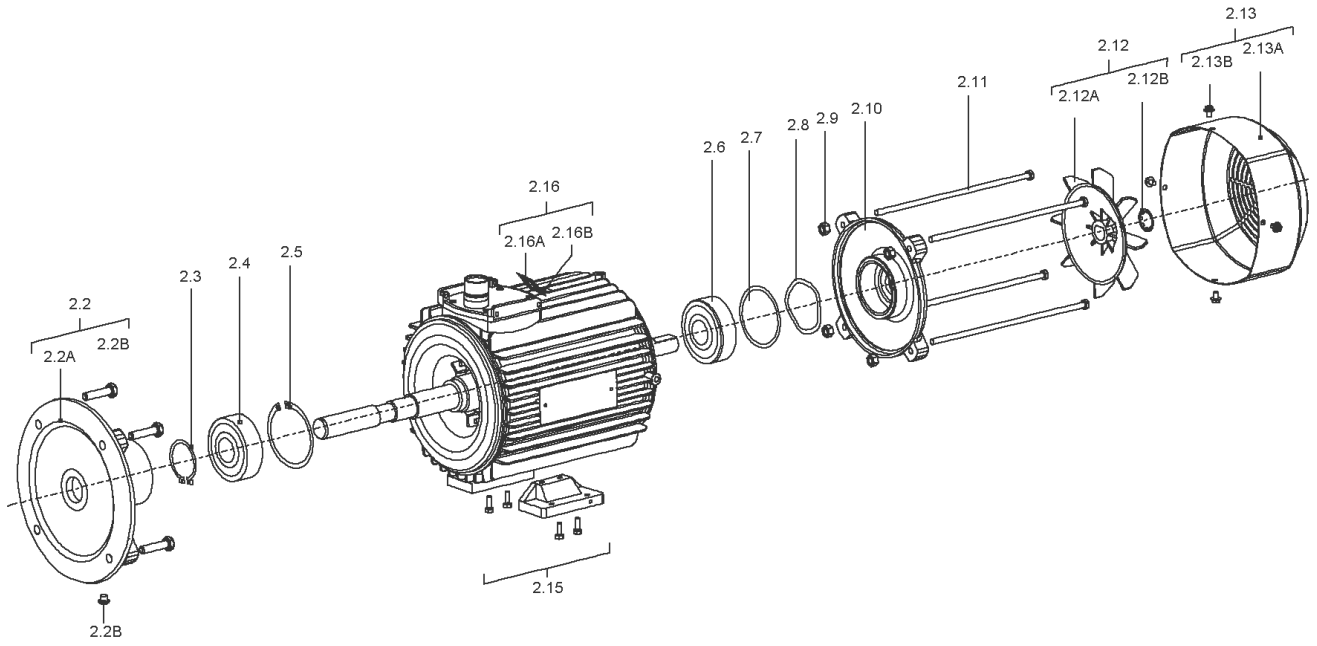
VIBRATION LEVEL A
ACCORDING IEC 60034-14
BALANCED WITH NO KEY
WILO PART NO: <b>2151697</b>

Motor-Nummer  
motor number  
numéro du moteur

## Spare parts motor V1 4/2/112 250E IE4

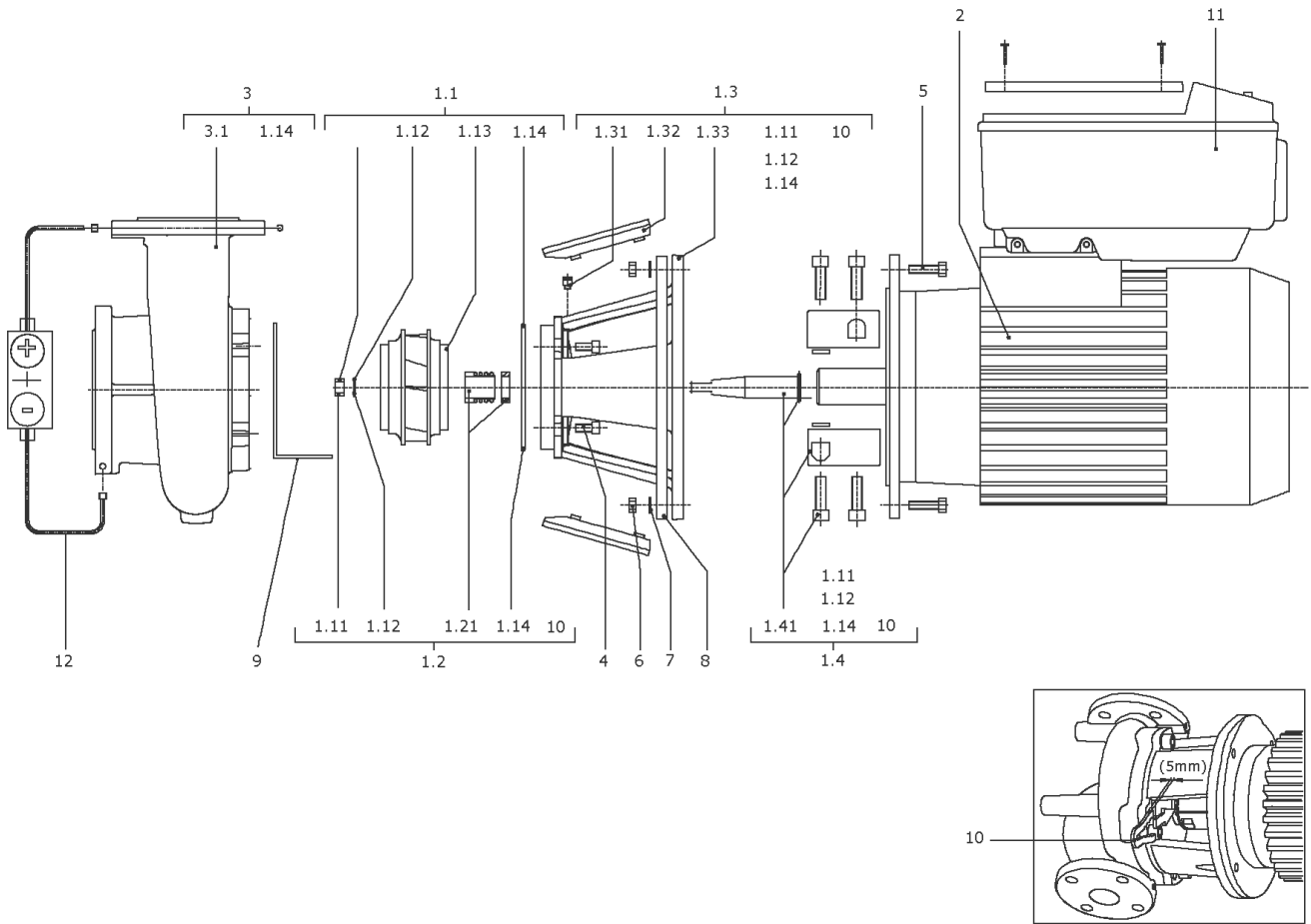
Item	Description	Quantity
ELEC	W112140-2-V1NPE 400V/50Hz 4kW IE4	1





**W112140-2-V1NPE 400V/50Hz 4kW IE4**

Item	Article no.	Description	Quantity
2.2	2192953	End shield BG112 V1 D.E.ELEC KIT	1
Note: Please give the data from type plate of the motor			
2.1A		> FLANGE IEC112 V1	1
2.1B	2111309	> CONDENSATE HOLE GASKET D5 VP.	1
Note: Please give the data from type plate of the motor			
2.3	2118388	CIRCLIP D.35 GB894.1 VP.	1
Note: Please give the data from type plate of the motor			
2.4	2153172	Ball bearing 6307/VV-C3 VP.	1
Note: Please give the data from type plate of the motor			
2.5	2118390	CIRCLIP D.80 GB893.1 VP.	1
Note: Please give the data from type plate of the motor			
2.6	2153173	Ball bearing 6206/VV-C3 VP.	1
2.7	2164027	O-Ring ID62.4x3.53 EPDM VP.	1
2.8	2132469	SPRING RING D.62 JB/T7590 VP.	1
Note: Please give the data from type plate of the motor			
2.10	2164025	End shield BG112 N.D.E.ELEC KIT	1
Note: Please give the data from type plate of the motor			
		> FLANGE IEC112 NDS with slot	1
		> O-RING ID62.4*3.53 EPDM	1
2.11	2132473	SCREW M8X263,5 6.8 (4 PIECES)	1
2.12	2175742	Fan BG112 ELEC KIT	1
Note: Please give the data from type plate of the motor			
2.12A		> FAN 174X20X17 GP2200 G/F20%	1
2.12B	2118396	> Tooth lock washer D.19,8x0,4 VP.	1
Note: Please give the data from type plate of the motor			
2.13	2168255	Fan hood BG112 ELEC KIT	1
Note: Please give the data from type plate of the motor			
2.13A		> FAN COVER IEC112 KTL ST14 T1.0 H86	1
2.13B	2111323	> SCREW M4X6 (4 PIECES)	1
Note: Please give the data from type plate of the motor			
2.16	2179084	Air guider BG 112 Motor KIT	1
2.16A		> AIR GUIDER IEC 112 MOTOR	1
2.16B		> SCREW M8X16 TORX HEX 6.8 GB/T70	1



**BL-E50/130-5,5/2-R1 (2191439)**

Item	Article no.	Description	Quantity
1.1	2123485	IMPELLER D.65/124/24 KIT	1
1.11	2027187	> NUT M12 DIN-EN24032 A2 VP.	1
1.12	2027190	> WASHER A13 DIN125-T2 A2 VP.	1
1.13		> IMPELLER 65/124/24 GG BALANCED	1
1.14	2037527	> O-RING 148,82x3,53 EPDM 70SR.VP.	1
	2042862	> WASHER S12 V2A VP.	1
1.2	2026902	MECHANICAL SEAL MG12/24-G60 AQ1EGG KIT	1
1.11	2027187	> NUT M12 DIN-EN24032 A2 VP.	1
1.12	2027190	> WASHER A13 DIN125-T2 A2 VP.	1
1.14	2037527	> O-RING 148,82x3,53 EPDM 70SR.VP.	1
1.14	2043160	> O-Ring 177,39x3,53 ISO3601B EPDM VP.	1
1.14	2042864	> O-RING ID.224x3,55 7EP1197-W534 VP.	1
1.14	2051680	> O-RING ID.276,7x5,29 7EP1197-W534 VP.	1
	2042862	> WASHER S12 V2A VP.	1
1.21		> MECHANICAL SEAL MG12/24-G60 AQ1EGG	1
10	2027202	> TOOL D.18/24/32 VP.	1
1.3	2037203	LANTERN P190X85,2-F265 KIT	1
1.11	2027187	> NUT M12 DIN-EN24032 A2 VP.	1
1.12	2027190	> WASHER A13 DIN125-T2 A2 VP.	1
1.14	2037527	> O-RING 148,82x3,53 EPDM 70SR.VP.	1
	2042862	> WASHER S12 V2A VP.	1
1.31	2027201	> BLOWGUN R1/8" VP.	1
1.32	2048834	> COUPLING GUARD F265 PA66 (4 PIECES)	1
1.33		> LANTERN P190X85,2-F265 GG KTL WILO	1
10	2027202	> TOOL D.18/24/32 VP.	1
1.4	2027227	COUPLING/SHAFT 24/38x142 OR.148 KIT	1
1.11	2027187	> NUT M12 DIN-EN24032 A2 VP.	1
1.12	2027190	> WASHER A13 DIN125-T2 A2 VP.	1
1.14	2037527	> O-RING 148,82x3,53 EPDM 70SR.VP.	1
	2042862	> WASHER S12 V2A VP.	1
1.41		> COUPLING 24/38+SHAFT 24X142 BG132 ZN KIT	1
10	2027202	> TOOL D.18/24/32 VP.	1
2	2179386	Motor B35 5,5/2/132/300E-IE4-ELEC(+Tool)	1
		Spare parts motor B35 5,5/2/132 300E IE4	1

**BL-E50/130-5,5/2-R1 (2191439)**

Item	Article no.	Description	Quantity
3	2037176	PUMP HOUSING B50/140 PN16 KIT	1
1.14	2037527	> O-RING 148,82x3,53 EPDM 70SR.VP.	1
3.1		> PUMP HOUSING BL50/145 PN16 CPL.WILO	1
4	2027193	SCREW M16X30 ISO4762 8.8 (4 PIECES)	1
5	2037244	Screw M12X55 ISO4014 8.8 (4STÜCK)	1
6	2029305	NUT M12 DIN-EN24032 8 (4 PIECES)	1
7	2029335	WASHER A13 DIN125 ST (4 PIECES)	1
11	2191613	Module BL-E50/130-5,5/2-IE4 ELEC KIT	1
		> Module TL5 Flex SW4.0.21	1
	2111344	> MODULE COVER/GASKET TL5 KIT	1
	2120047	> CABLE CONNECTION M12x1,5/5 cpl.TL5 VP.	1
	2120048	> CABLE CONNECTION M16x1,5/5 cpl.TL5 VP.	1
	2120049	> CABLE CONNECTION M20x1,5/6 cpl.TL5 VP.	1
	2120050	> CABLE CONNECTION M25x1,5/8 cpl.TL5 VP.	1

Motor-Typenschild / Motor type plate / Plaque identité moteur

Bei Ersatzteilbestellung Motor-Nummer angeben!

Indicate motor number for order of spare parts!

Pour une commande de pièces détachées, donner le numéro du moteur!

ELEC

Motor-Nummer  
motor number  
numéro du moteur

<b>3~Induction Motor</b>					
Made by WILLO Group					
<b>3511218</b>	<b>W132240-4-V1NPE</b>		<b>0902.001</b>		
Class F	S1	IP55	69kg	EN60034	
50Hz	5.5kW	SF=1.15	60Hz	6.45kW	
YΔ 400/690V	10,6/6,13A	Y 440-480V	10,9/10,35A		
Cosφ =0.81	1470min <sup>-1</sup>	Cosφ =0.81	1770min <sup>-1</sup>		
IE4-91.9%	91,9%	91,1%	IE4-92.4%	92,4%	91,8%

WEG

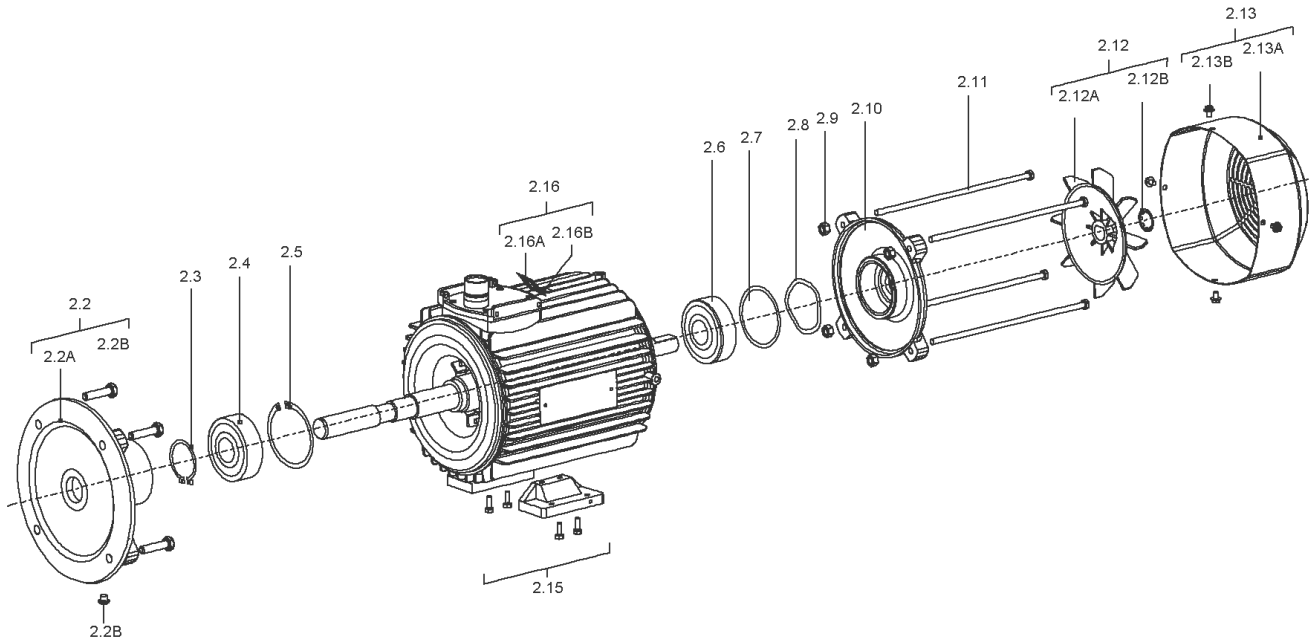
3~ AL180M/L-04		2015/12	1030615079		
AMB 40°C					
IP55	INS CL.F	Δ T 80 K	S1	SF 1.0	
V	Hz	kW	RPM	A	PF
400 / -			1480	29,5 / -	0,78
- / -					
- / -					
- / -					
400	IE4	93,9 (100%)	92,5 (75%)	90,8 (50%)	
- / -		- (100%)	- (75%)	- (50%)	
- A		- (100%)	- (75%)	- (50%)	
NEMA	Eff	- %	- HP	- V	- Hz
- A	PF	DES	CODE	SF	
		6311-ZZ-C3	MOBIL POLYREX EM		162 kg
		6211-ZZ-C3			
MOD.TE01A0X1A0000301180					
IEC 60034					

VIBRATION LEVEL A
ACCORDING IEC 60034-14
BALANCED WITH NO KEY
WILO PART NO: <b>2151697</b>

Motor-Nummer  
motor number  
numéro du moteur

## Spare parts motor B35 5,5/2/132 300E IE4

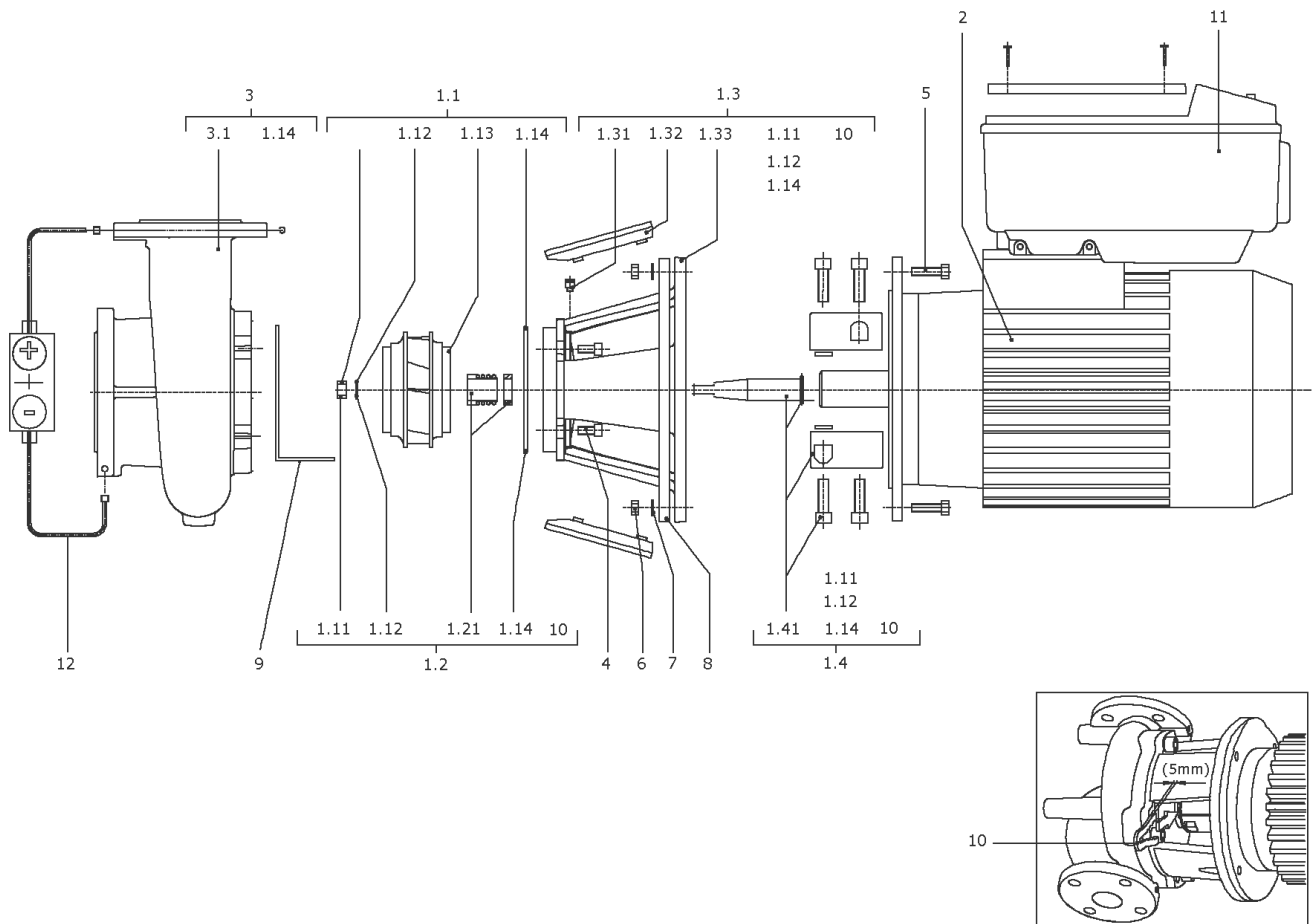
Item	Description	Quantity
ELEC	Motor B35 5,5/2/132 300E IE4 ELEC WILO	1





**Motor B35 5,5/2/132 300E IE4 ELEC WILO**

Item	Article no.	Description	Quantity
2.2	2175903	End shield BG132 FF265 D.E.ELEC KIT	1
Note: Please give the data from type plate of the motor			
2.2A		> Flange IEC132 V1 FF265 D.E.	1
2.2B	2111309	> CONDENSATE HOLE GASKET D5 VP.	1
2.3	2178920	Circlip D40 GB894.1 VP.	1
Note: Please give the data from type plate of the motor			
2.4	121266690	BALL BEARING 6308/2Z-C3 (HT) VP.	1
Note: Please give the data from type plate of the motor			
2.5	2178920	Circlip D40 GB894.1 VP.	1
Note: Please give the data from type plate of the motor			
2.6	2153173	Ball bearing 6206/VV-C3 VP.	1
2.8	2132469	SPRING RING D.62 JB/T7590 VP.	1
Note: Please give the data from type plate of the motor			
2.10	2178921	End shield BG132 N.D.E.ELEC VP.	1
Note: Please give the data from type plate of the motor			
2.11	2178989	Srews Torx Plus M8x335 (4 Pieces)	1
2.12	2175742	Fan BG112 ELEC KIT	1
Note: Please give the data from type plate of the motor			
2.12A		> FAN 174X20X17 GP2200 G/F20%	1
2.12B	2118396	> Tooth lock washer D.19,8x0,4 VP.	1
Note: Please give the data from type plate of the motor			
2.13	2178928	Fan hood BG132 ELEC KIT	1
Note: Please give the data from type plate of the motor			
2.13A		> FAN COVER IEC132 KTL ST14 T0.8 H103	1
2.13B	2178923	> Screw M5X8 GB/T3098.1 6.8(4 Pieces)	1
2.15	2192955	Motor foot cpl.BG132 ELEC KIT	1
2.16	2178924	Air guider IEC 132 Motor KIT	1
Note: Please give the data from type plate of the motor			
2.16A		> AIR GUIDER IEC 132 MOTOR	1
2.16B		> SCREW M8X16 TORX HEX 6.8 GB/T70	1



**BL-E50/140-7,5/2-R1 (2191440)**

Item	Article no.	Description	Quantity
1.1	2123484	IMPELLER D.65/134/24 KIT	1
1.11	2027187	> NUT M12 DIN-EN24032 A2 VP.	1
1.12	2027190	> WASHER A13 DIN125-T2 A2 VP.	1
1.13		> IMPELLER 65/134/24 GG BALANCED	1
1.14	2037527	> O-RING 148,82x3,53 EPDM 70SR.VP.	1
	2042862	> WASHER S12 V2A VP.	1
1.2	2026902	MECHANICAL SEAL MG12/24-G60 AQ1EGG KIT	1
1.11	2027187	> NUT M12 DIN-EN24032 A2 VP.	1
1.12	2027190	> WASHER A13 DIN125-T2 A2 VP.	1
1.14	2037527	> O-RING 148,82x3,53 EPDM 70SR.VP.	1
1.14	2043160	> O-Ring 177,39x3,53 ISO3601B EPDM VP.	1
1.14	2042864	> O-RING ID.224x3,55 7EP1197-W534 VP.	1
1.14	2051680	> O-RING ID.276,7x5,29 7EP1197-W534 VP.	1
	2042862	> WASHER S12 V2A VP.	1
1.21		> MECHANICAL SEAL MG12/24-G60 AQ1EGG	1
10	2027202	> TOOL D.18/24/32 VP.	1
1.3	2037203	LANTERN P190X85,2-F265 KIT	1
1.11	2027187	> NUT M12 DIN-EN24032 A2 VP.	1
1.12	2027190	> WASHER A13 DIN125-T2 A2 VP.	1
1.14	2037527	> O-RING 148,82x3,53 EPDM 70SR.VP.	1
	2042862	> WASHER S12 V2A VP.	1
1.31	2027201	> BLOWGUN R1/8" VP.	1
1.32	2048834	> COUPLING GUARD F265 PA66 (4 PIECES)	1
1.33		> LANTERN P190X85,2-F265 GG KTL WILO	1
10	2027202	> TOOL D.18/24/32 VP.	1
1.4	2027227	COUPLING/SHAFT 24/38x142 OR.148 KIT	1
1.11	2027187	> NUT M12 DIN-EN24032 A2 VP.	1
1.12	2027190	> WASHER A13 DIN125-T2 A2 VP.	1
1.14	2037527	> O-RING 148,82x3,53 EPDM 70SR.VP.	1
	2042862	> WASHER S12 V2A VP.	1
1.41		> COUPLING 24/38+SHAFT 24X142 BG132 ZN KIT	1
10	2027202	> TOOL D.18/24/32 VP.	1
2	2168709	Motor B35 7,5/2/132/300E-IE4-ELEC(+Tool)	1
		Spare parts motor B35 7,5/2/132 300E IE4	1

**BL-E50/140-7,5/2-R1 (2191440)**

Item	Article no.	Description	Quantity
3	2037176	PUMP HOUSING B50/140 PN16 KIT	1
1.14	2037527	> O-RING 148,82x3,53 EPDM 70SR.VP.	1
3.1		> PUMP HOUSING BL50/145 PN16 CPL.WILO	1
4	2027193	SCREW M16X30 ISO4762 8.8 (4 PIECES)	1
5	2037244	Screw M12X55 ISO4014 8.8 (4STÜCK)	1
6	2029305	NUT M12 DIN-EN24032 8 (4 PIECES)	1
7	2029335	WASHER A13 DIN125 ST (4 PIECES)	1
11	2191614	Module BL-E50/140-7,5/2-IE4 ELEC KIT	1
		> Module TL5 Flex SW4.0.21	1
	2111344	> MODULE COVER/GASKET TL5 KIT	1
	2120047	> CABLE CONNECTION M12x1,5/5 cpl.TL5 VP.	1
	2120048	> CABLE CONNECTION M16x1,5/5 cpl.TL5 VP.	1
	2120049	> CABLE CONNECTION M20x1,5/6 cpl.TL5 VP.	1
	2120050	> CABLE CONNECTION M25x1,5/8 cpl.TL5 VP.	1

Motor-Typenschild / Motor type plate / Plaque identité moteur

Bei Ersatzteilbestellung Motor-Nummer angeben!

Indicate motor number for order of spare parts!

Pour une commande de pièces détachées, donner le numéro du moteur!

ELEC

Motor-Nummer  
motor number  
numéro du moteur

<b>3~Induction Motor</b>					
Made by WILLO Group					
<b>3511218</b>	<b>W132240-4-V1NPE</b>		<b>0902.001</b>		
Class F	S1	IP55	69kg	EN60034	
50Hz	5.5kW	SF=L1S	60Hz	6.45kW	
YΔ 400/690V	10,6/6,13A	Y 440-480V	10,9/10,35A		
Cosφ =0.81	1470min <sup>-1</sup>	Cosφ =0.81	1770min <sup>-1</sup>		
IE4-91.9%	91,9%	91,1%	IE4-92.4%	92,4%	91,8%

WEG

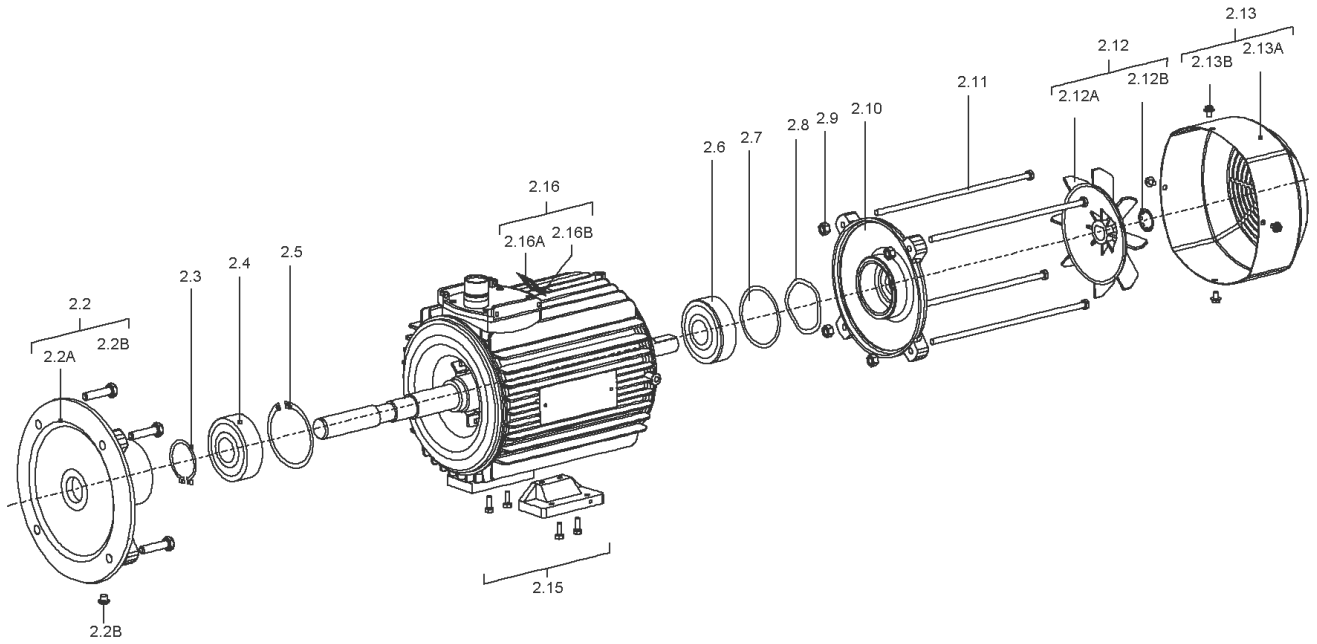
3~ AL180M/L-04		2015/12		1030615079	
AMB 40°C					
IP55	INS CL.F	Δ T 80 K	S1	SF 1.0	
V	Hz	kW	RPM	A	PF
400 / -			1480	29,5 / -	0,78
- / -					
- / -					
- / -					
400	IE4	93,9 (100%)	92,5 (75%)	90,8 (50%)	
- / -		- (100%)	- (75%)	- (50%)	
- A		- (100%)	- (75%)	- (50%)	
NEMA	Eff	- %	- HP	- V	- Hz
- A	PF	DES	CODE	SF	
				162 kg	
6311-ZZ-C3 MOBIL POLYREX EM					
6211-ZZ-C3					
MOD.TE01A0X1A0000301180					
IEC 60034					

VIBRATION LEVEL A
ACCORDING IEC 60034-14
BALANCED WITH NO KEY
WILO PART NO: <b>2151697</b>

Motor-Nummer  
motor number  
numéro du moteur

## Spare parts motor B35 7,5/2/132 300E IE4

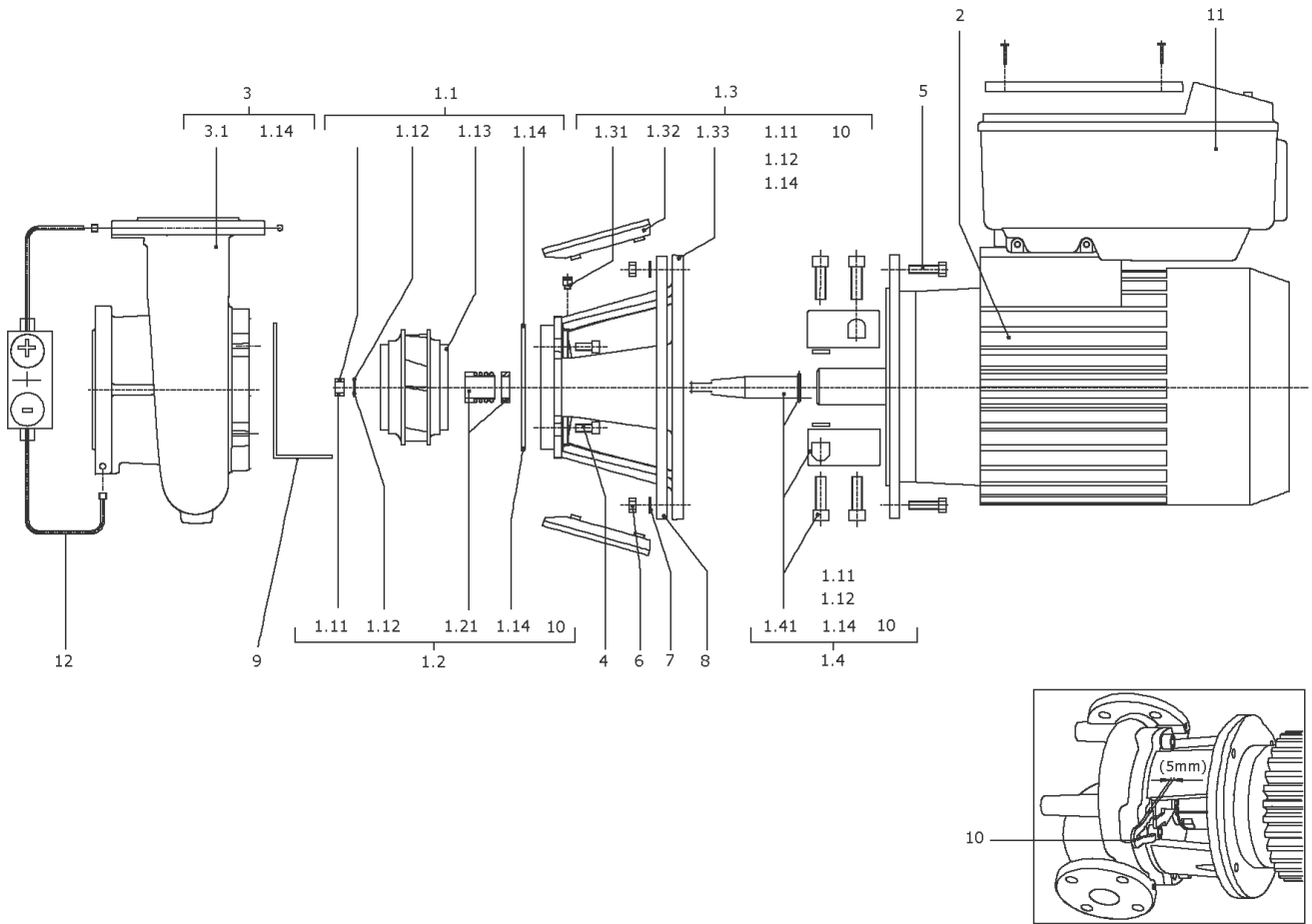
Item	Description	Quantity
ELEC	Motor B35 7,5/2/132/300E IE4 ELEC WILO	1



**Motor B35 7,5/2/132/300E IE4 ELEC WILO**

Item	Article no.	Description	Quantity
2.2	2175903	End shield BG132 FF265 D.E.ELEC KIT	1
Note: Please give the data from type plate of the motor			
2.2A		> Flange IEC132 V1 FF265 D.E.	1
2.2B	2111309	> CONDENSATE HOLE GASKET D5 VP.	1
2.3	2178920	Circlip D40 GB894.1 VP.	1
Note: Please give the data from type plate of the motor			
2.4	121266690	BALL BEARING 6308/2Z-C3 (HT) VP.	1
Note: Please give the data from type plate of the motor			
2.5	2192954	Circlip D90 GB893.1 VP.	1
Note: Please give the data from type plate of the motor			
2.6	2153173	Ball bearing 6206/VV-C3 VP.	1
Note: Please give the data from type plate of the motor			
2.8	2132469	SPRING RING D.62 JB/T7590 VP.	1
2.10	2178921	End shield BG132 N.D.E.ELEC VP.	1
Note: Please give the data from type plate of the motor			
2.11	2178989	Srews Torx Plus M8x335 (4 Pieces)	1
Note: Please give the data from type plate of the motor			
2.12	2175742	Fan BG112 ELEC KIT	1
Note: Please give the data from type plate of the motor			
2.12A		> FAN 174X20X17 GP2200 G/F20%	1
2.12B	2118396	> Tooth lock washer D.19,8x0,4 VP.	1
Note: Please give the data from type plate of the motor			
2.13	2178928	Fan hood BG132 ELEC KIT	1
Note: Please give the data from type plate of the motor			
2.13A		> FAN COVER IEC132 KTL ST14 T0.8 H103	1
2.13B	2178923	> Screw M5X8 GB/T3098.1 6.8(4 Pieces)	1
2.15	2192955	Motor foot cpl.BG132 ELEC KIT	1
2.16	2178924	Air guider IEC 132 Motor KIT	1
Note: Please give the data from type plate of the motor			
2.16A		> AIR GUIDER IEC 132 MOTOR	1
2.16B		> SCREW M8X16 TORX HEX 6.8 GB/T70	1





**BL-E50/150-7,5/2-R1 (2191441)**

Item	Article no.	Description	Quantity
1.1	2037292	IMPELLER D.65/152/24 KIT	1
1.11	2027187	> NUT M12 DIN-EN24032 A2 VP.	1
1.12	2027190	> WASHER A13 DIN125-T2 A2 VP.	1
1.13		> IMPELLER 65/152/142/24 GG BALANCED	1
1.14	2043160	> O-Ring 177,39x3,53 ISO3601B EPDM VP.	1
	2042862	> WASHER S12 V2A VP.	1
1.2	2026902	MECHANICAL SEAL MG12/24-G60 AQ1EGG KIT	1
1.11	2027187	> NUT M12 DIN-EN24032 A2 VP.	1
1.12	2027190	> WASHER A13 DIN125-T2 A2 VP.	1
1.14	2037527	> O-RING 148,82x3,53 EPDM 70SR.VP.	1
1.14	2043160	> O-Ring 177,39x3,53 ISO3601B EPDM VP.	1
1.14	2042864	> O-RING ID.224x3,55 7EP1197-W534 VP.	1
1.14	2051680	> O-RING ID.276,7x5,29 7EP1197-W534 VP.	1
	2042862	> WASHER S12 V2A VP.	1
1.21		> MECHANICAL SEAL MG12/24-G60 AQ1EGG	1
10	2027202	> TOOL D.18/24/32 VP.	1
1.3	2027010	LANTERN P228X85,2-F265 KIT	1
1.11	2027187	> NUT M12 DIN-EN24032 A2 VP.	1
1.12	2027190	> WASHER A13 DIN125-T2 A2 VP.	1
1.14	2043160	> O-Ring 177,39x3,53 ISO3601B EPDM VP.	1
	2042862	> WASHER S12 V2A VP.	1
1.31	2027201	> BLOWGUN R1/8" VP.	1
1.32	2048838	> COUPLING GUARD F265 PA66 AD.(4 PIECES)	1
1.33		> LANTERN P228X85,2-F265 GG KTL RDES WILO	1
10	2027202	> TOOL D.18/24/32 VP.	1
1.4	2026928	COUPLING/SHAFT 24/38x142 OR.177 KIT	1
1.11	2027187	> NUT M12 DIN-EN24032 A2 VP.	1
1.12	2027190	> WASHER A13 DIN125-T2 A2 VP.	1
1.14	2043160	> O-Ring 177,39x3,53 ISO3601B EPDM VP.	1
	2042862	> WASHER S12 V2A VP.	1
1.41		> COUPLING 24/38+SHAFT 24X142 BG132 ZN KIT	1
10	2027202	> TOOL D.18/24/32 VP.	1
2	2168709	Motor B35 7,5/2/132/300E-IE4-ELEC(+Tool)	1
		Spare parts motor B35 7,5/2/132 300E IE4	1

**BL-E50/150-7,5/2-R1 (2191441)**

Item	Article no.	Description	Quantity
3	2026871	PUMP HOUSING B50/170 PN16 KIT	1
1.14	2043160	> O-Ring 177,39x3,53 ISO3601B EPDM VP.	1
3.1		> PUMP HOUSING BL50/182 PN16 CPL.WILO	1
4	2027193	SCREW M16X30 ISO4762 8.8 (4 PIECES)	1
5	2027199	Screw M12X65 ISO4014 8.8 (4STÜCK)	1
6	2029305	NUT M12 DIN-EN24032 8 (4 PIECES)	1
7	2029335	WASHER A13 DIN125 ST (4 PIECES)	1
8	2027185	Adapter ring BG132 VP.	1
11	2191615	Module BL-E50/150-7,5/2-IE4 ELEC KIT	1
		> Module TL5 Flex SW4.0.21	1
	2111344	> MODULE COVER/GASKET TL5 KIT	1
	2120047	> CABLE CONNECTION M12x1,5/5 cpl.TL5 VP.	1
	2120048	> CABLE CONNECTION M16x1,5/5 cpl.TL5 VP.	1
	2120049	> CABLE CONNECTION M20x1,5/6 cpl.TL5 VP.	1
	2120050	> CABLE CONNECTION M25x1,5/8 cpl.TL5 VP.	1

**Motor-Typenschild / Motor type plate / Plaque identité moteur**

**Bei Ersatzteilbestellung Motor-Nummer angeben!**

**Indicate motor number for order of spare parts!**

**Pour une commande de pièces détachées, donner le numéro du moteur!**

ELEC

Motor-Nummer  
motor number  
numéro du moteur

<b>3~Induction Motor</b>					
Made by WILLO Group					
<b>3511218</b>	<b>W132240-4-V1NPE</b>		<b>0902.001</b>		
Class F	S1	IP55	69kg	EN60034	
50Hz	5.5kW	SF=L1S	60Hz	6.45kW	
YΔ 400/690V	10,6/6,13A	Y 440-480V	10,9/10,35A		
Cosφ =0.81	1470min <sup>-1</sup>	Cosφ =0.81	1770min <sup>-1</sup>		
IE4-91.9%	91,9%	91,1%	IE4-92.4%	92,4%	91,8%

WEG

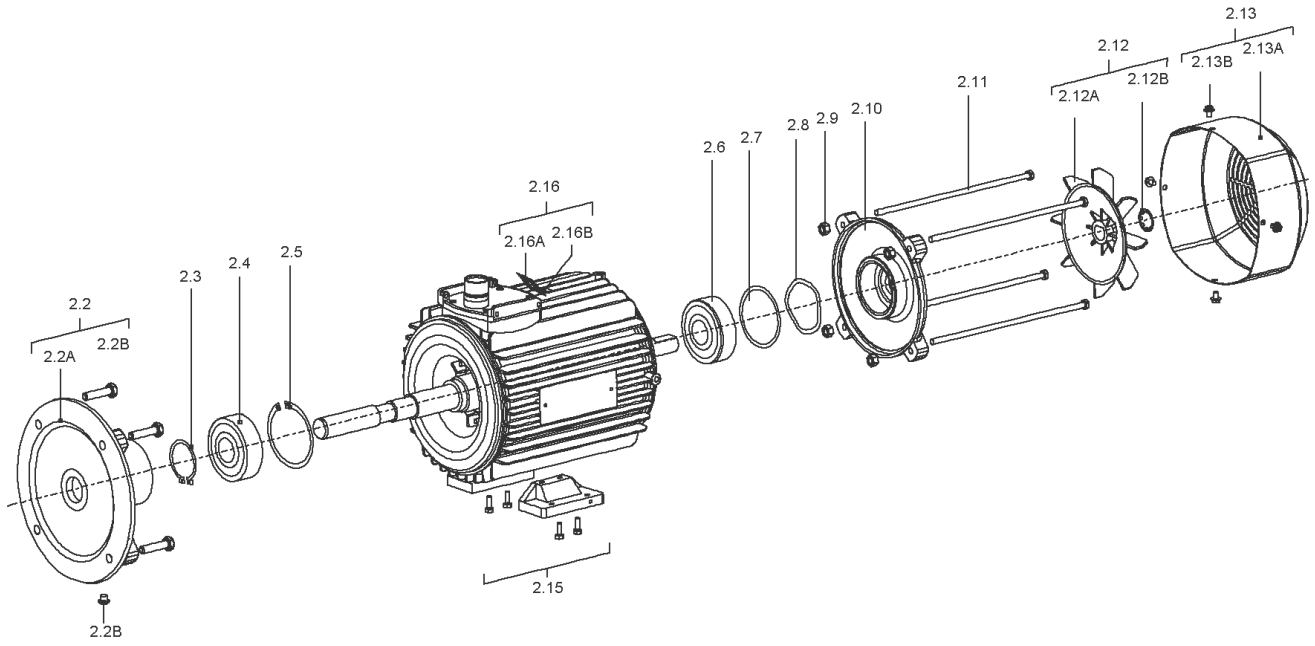
3~ AL180M/L-04		2015/12	1030615079		
AMB 40°C					
IP55	INS CL.F	Δ T 80 K	S1	SF 1.0	
V	Hz	kW	RPM	A	PF
400 / -			1480	29,5 / -	0,78
- / -					
- / -					
- / -					
400	IE4	93,9 (100%)	92,5 (75%)	90,8 (50%)	
- / -		- (100%)	- (75%)	- (50%)	
- A		- (100%)	- (75%)	- (50%)	
NEMA	Eff	- %	- HP	- V	- Hz
- A	PF	DES	CODE	SF	
		6311-ZZ-C3	MOBIL POLYREX EM		162 kg
		6211-ZZ-C3			
MOD.TE01A0X1A0000301180					
IEC 60034					

VIBRATION LEVEL A
ACCORDING IEC 60034-14
BALANCED WITH NO KEY
WILO PART NO: <b>2151697</b>

Motor-Nummer  
motor number  
numéro du moteur

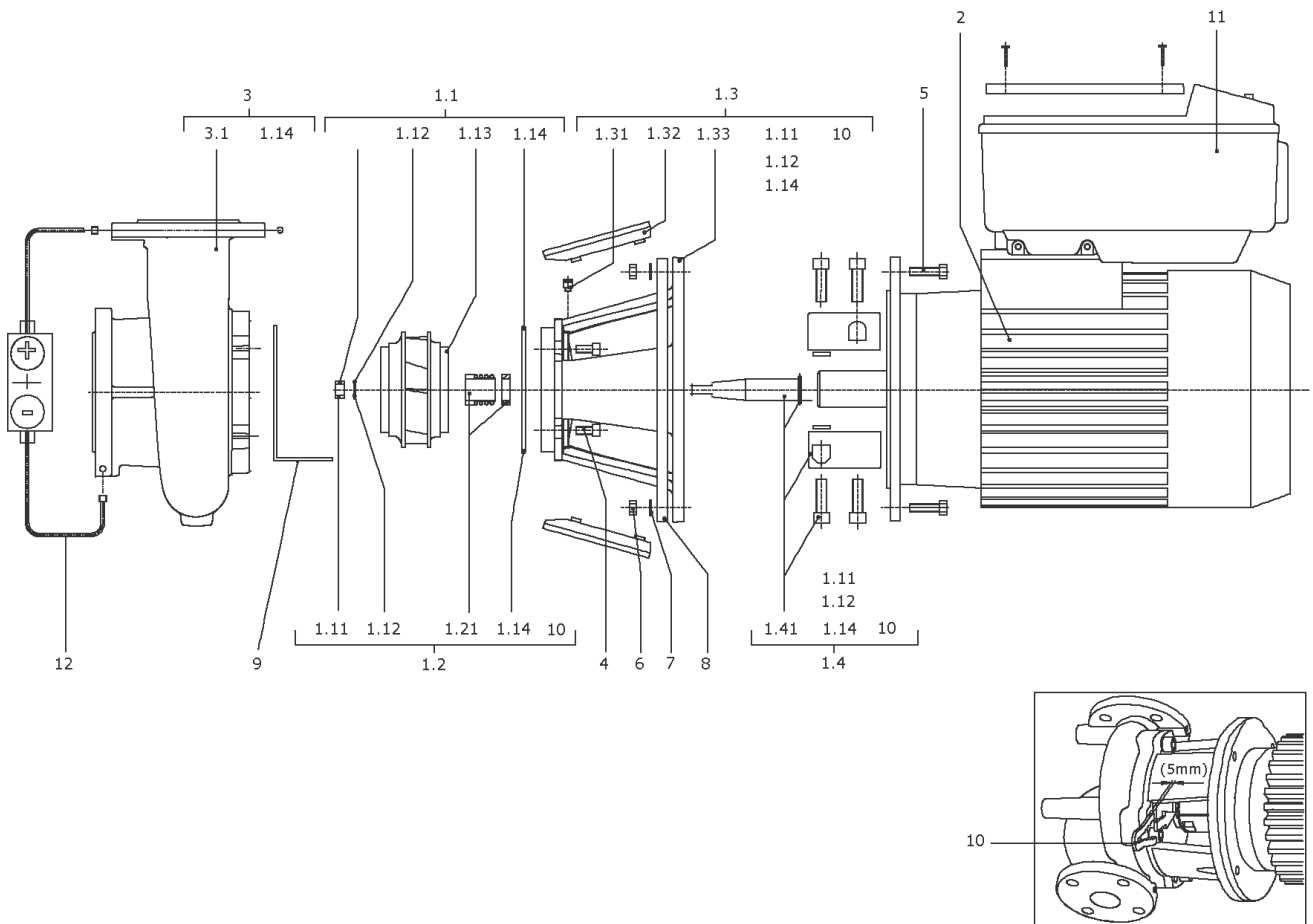
## Spare parts motor B35 7,5/2/132 300E IE4

Item	Description	Quantity
ELEC	Motor B35 7,5/2/132/300E IE4 ELEC WILO	1



**Motor B35 7,5/2/132/300E IE4 ELEC WILO**

Item	Article no.	Description	Quantity
2.2	2175903	End shield BG132 FF265 D.E.ELEC KIT	1
Note: Please give the data from type plate of the motor			
2.2A		> Flange IEC132 V1 FF265 D.E.	1
2.2B	2111309	> CONDENSATE HOLE GASKET D5 VP.	1
2.3	2178920	Circlip D40 GB894.1 VP.	1
Note: Please give the data from type plate of the motor			
2.4	121266690	BALL BEARING 6308/2Z-C3 (HT) VP.	1
Note: Please give the data from type plate of the motor			
2.5	2192954	Circlip D90 GB893.1 VP.	1
Note: Please give the data from type plate of the motor			
2.6	2153173	Ball bearing 6206/VV-C3 VP.	1
Note: Please give the data from type plate of the motor			
2.8	2132469	SPRING RING D.62 JB/T7590 VP.	1
2.10	2178921	End shield BG132 N.D.E.ELEC VP.	1
Note: Please give the data from type plate of the motor			
2.11	2178989	Srews Torx Plus M8x335 (4 Pieces)	1
Note: Please give the data from type plate of the motor			
2.12	2175742	Fan BG112 ELEC KIT	1
Note: Please give the data from type plate of the motor			
2.12A		> FAN 174X20X17 GP2200 G/F20%	1
2.12B	2118396	> Tooth lock washer D.19,8x0,4 VP.	1
Note: Please give the data from type plate of the motor			
2.13	2178928	Fan hood BG132 ELEC KIT	1
Note: Please give the data from type plate of the motor			
2.13A		> FAN COVER IEC132 KTL ST14 T0.8 H103	1
2.13B	2178923	> Screw M5X8 GB/T3098.1 6.8(4 Pieces)	1
2.15	2192955	Motor foot cpl.BG132 ELEC KIT	1
2.16	2178924	Air guider IEC 132 Motor KIT	1
Note: Please give the data from type plate of the motor			
2.16A		> AIR GUIDER IEC 132 MOTOR	1
2.16B		> SCREW M8X16 TORX HEX 6.8 GB/T70	1





**BL-E50/270-5,5/4-R1 (2191442)**

Item	Article no.	Description	Quantity
1.1	2123492	IMPELLER D.65/266/24 KIT	1
1.11	2027187	> NUT M12 DIN-EN24032 A2 VP.	1
1.12	2027190	> WASHER A13 DIN125-T2 A2 VP.	1
1.13		> IMPELLER 65/266/24 GG BALANCED	1
1.14	2051680	> O-RING ID.276,7x5,29 7EP1197-W534 VP.	1
	2042862	> WASHER S12 V2A VP.	1
1.2	2026902	MECHANICAL SEAL MG12/24-G60 AQ1EGG KIT	1
1.11	2027187	> NUT M12 DIN-EN24032 A2 VP.	1
1.12	2027190	> WASHER A13 DIN125-T2 A2 VP.	1
1.14	2037527	> O-RING 148,82x3,53 EPDM 70SR.VP.	1
1.14	2043160	> O-Ring 177,39x3,53 ISO3601B EPDM VP.	1
1.14	2042864	> O-RING ID.224x3,55 7EP1197-W534 VP.	1
1.14	2051680	> O-RING ID.276,7x5,29 7EP1197-W534 VP.	1
	2042862	> WASHER S12 V2A VP.	1
1.21		> MECHANICAL SEAL MG12/24-G60 AQ1EGG	1
10	2027202	> TOOL D.18/24/32 VP.	1
1.3	2050739	LANTERN P330X99-F265 KTL KIT	1
1.11	2027187	> NUT M12 DIN-EN24032 A2 VP.	1
1.12	2027190	> WASHER A13 DIN125-T2 A2 VP.	1
1.14	2051680	> O-RING ID.276,7x5,29 7EP1197-W534 VP.	1
	2042862	> WASHER S12 V2A VP.	1
1.31	2027201	> BLOWGUN R1/8" VP.	1
1.32	2048845	> COUPLING GUARD P270-F265 PA66 (2 PIECES)	1
1.33		> Lantern P330X99-F265 GG KTL WILO	1
10	2027202	> TOOL D.18/24/32 VP.	1
1.4	2048444	COUPLING/SHAFT D.24/38X153 KIT	1
1.11	2027187	> NUT M12 DIN-EN24032 A2 VP.	1
1.12	2027190	> WASHER A13 DIN125-T2 A2 VP.	1
1.14	2042864	> O-RING ID.224x3,55 7EP1197-W534 VP.	1
1.14	2051680	> O-RING ID.276,7x5,29 7EP1197-W534 VP.	1
	2042862	> WASHER S12 V2A VP.	1
1.41		> COUPLING 24/38+SHAFT 24X153 GR132 ZN KIT	1
10	2027202	> TOOL D.18/24/32 VP.	1
2	2169161	Motor B35 5,5/4/132/300E-IE4-ELEC(+Tool)	1

**BL-E50/270-5,5/4-R1 (2191442)**

Item	Article no.	Description	Quantity
		Spare parts motor B35 5,5/4/132 300E IE4	1
3	2050784	PUMP HOUSING B50/270 PN16 KIT	1
1.14	2051680	> O-RING ID.276,7x5,29 7EP1197-W534 VP.	1
3.1		> PUMP HOUSING BL50/270 PN16 KPL.WILO	1
4	2027193	SCREW M16X30 ISO4762 8.8 (4 PIECES)	1
5	2027195	SCREW M12X25 DIN912 8.8 (4 PIECES)	1
11	2191616	Module BL-E50/270-5,5/4-IE4 ELEC KIT	1
		> Module TL5 4Pol. SW4.0.21	1
	2111344	> MODULE COVER/GASKET TL5 KIT	1
	2120047	> CABLE CONNECTION M12x1,5/5 cpl.TL5 VP.	1
	2120048	> CABLE CONNECTION M16x1,5/5 cpl.TL5 VP.	1
	2120049	> CABLE CONNECTION M20x1,5/6 cpl.TL5 VP.	1
	2120050	> CABLE CONNECTION M25x1,5/8 cpl.TL5 VP.	1

**Motor-Typenschild / Motor type plate / Plaque identité moteur**

**Bei Ersatzteilbestellung Motor-Nummer angeben!**

**Indicate motor number for order of spare parts!**

**Pour une commande de pièces détachées, donner le numéro du moteur!**

ELEC

Motor-Nummer  
motor number  
numéro du moteur

<b>3~Induction Motor</b>					
Made by WILLO Group					
<b>351f218</b>	<b>W132240-4-V1NPE</b>		<b>0902.001</b>		
Class F	S1	IP55	69kg	EN60034	
50Hz	5.5kW	SF=L1S	60Hz	6.45kW	
YΔ 400/690V	10,6/6,13A	Y 440-480V	10,9/10,35A		
Cosφ =0.81	1470min <sup>-1</sup>	Cosφ =0.81	1770min <sup>-1</sup>		
IE4-91.9%	91,9%	91,1%	IE4-92.4%	92,4%	91,8%

WEG

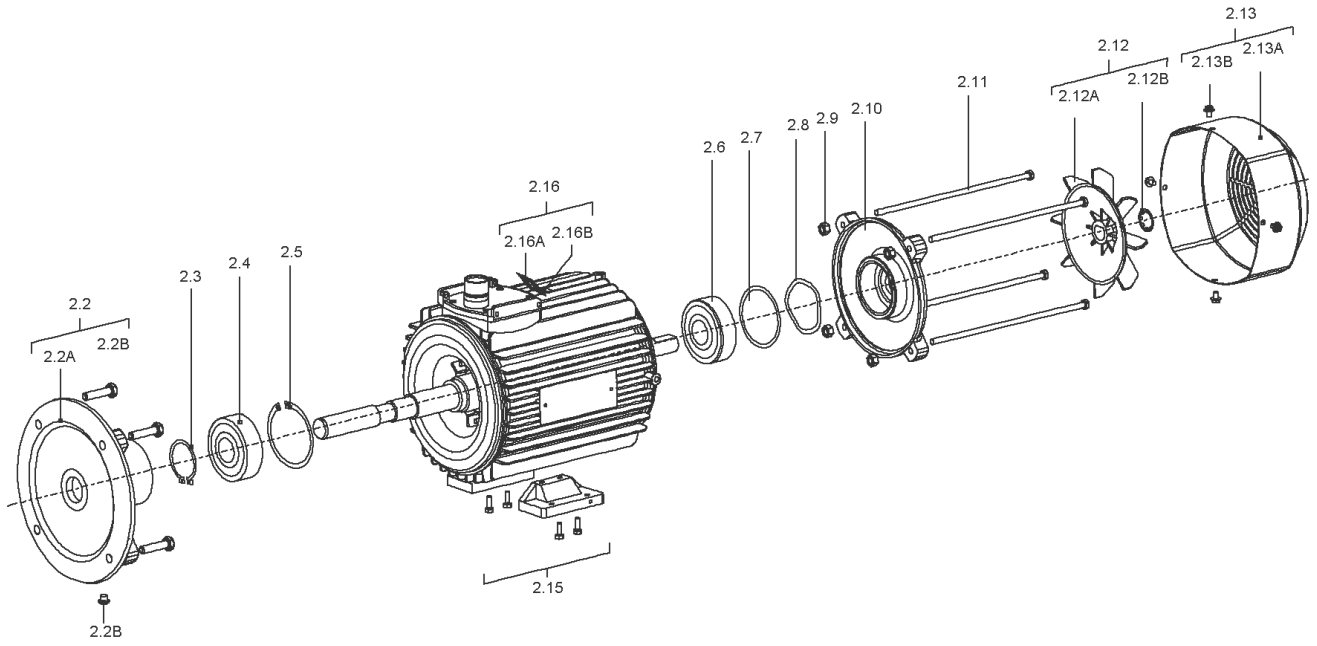
3~ AL180M/L-04		2015/12		1030615079	
AMB 40°C					
IP55	INS CL.F	Δ T 80 K	S1	SF 1.0	
V	Hz	kW	RPM	A	PF
400 / -			1480	29,5 / -	0,78
- / -					
- / -					
- / -					
400	IE4	93,9 (100%)	92,5 (75%)	90,8 (50%)	
- / -		- (100%)	- (75%)	- (50%)	
- A		- (100%)	- (75%)	- (50%)	
NEMA	Eff	- %	- HP	- V	- Hz
- A	PF	DES	CODE	SF	
		6311-ZZ-C3	MOBIL POLYREX EM		162 kg
		6211-ZZ-C3			
MOD.TE01A0X1A0000301180					
IEC 60034					

VIBRATION LEVEL A
ACCORDING IEC 60034-14
BALANCED WITH NO KEY
WILO PART NO: <b>2151697</b>

Motor-Nummer  
motor number  
numéro du moteur

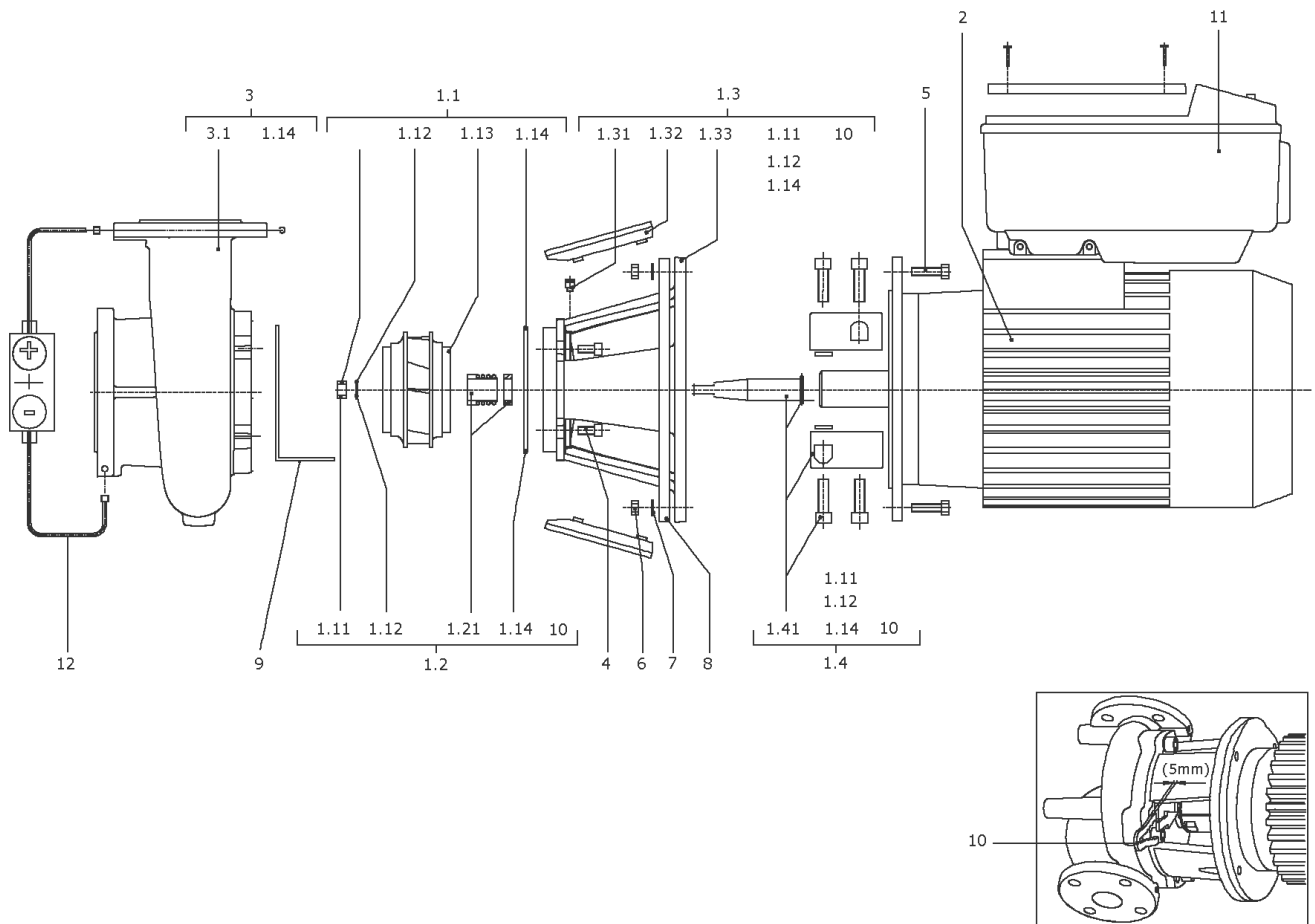
## Spare parts motor B35 5,5/4/132 300E IE4

Item	Description	Quantity
ELEC	Motor B35 5,5/4/132/300E ELEC IE4 WILO	1



**Motor B35 5,5/4/132/300E ELEC IE4 WILO**

Item	Article no.	Description	Quantity
2.2	2175903	End shield BG132 FF265 D.E.ELEC KIT	1
Note: Please give the data from type plate of the motor			
2.2A		> Flange IEC132 V1 FF265 D.E.	1
2.2B	2111309	> CONDENSATE HOLE GASKET D5 VP.	1
2.3	3504026	Stop Ring D40 GB894.1	1
Note: Please give the data from type plate of the motor			
2.4	121266690	BALL BEARING 6308/2Z-C3 (HT) VP.	1
Note: Please give the data from type plate of the motor			
2.5	2192954	Circlip D90 GB893.1 VP.	1
Note: Please give the data from type plate of the motor			
2.6	2153173	Ball bearing 6206/VV-C3 VP.	1
Note: Please give the data from type plate of the motor			
2.8	2132469	SPRING RING D.62 JB/T7590 VP.	1
2.9	2178926	Nut M8 (4 Pieces)	1
Note: Please give the data from type plate of the motor			
2.10	2178921	End shield BG132 N.D.E.ELEC VP.	1
Note: Please give the data from type plate of the motor			
2.11	2178925	Inner hexagon screws M8x50 (4 Pieces)	1
2.12	2178922	Fan IEC 230X20X17 KIT	1
Note: Please give the data from type plate of the motor			
2.12A		> FAN 230x20x17 GP2200 G/F20%	1
2.12B	2118396	> Tooth lock washer D.19,8x0,4 VP.	1
2.13	2178928	Fan hood BG132 ELEC KIT	1
Note: Please give the data from type plate of the motor			
2.13A		> FAN COVER IEC132 KTL ST14 T0.8 H103	1
2.13B	2178923	> Screw M5X8 GB/T3098.1 6.8(4 Pieces)	1
2.15	2192955	Motor foot cpl.BG132 ELEC KIT	1
2.16	2178924	Air guider IEC 132 Motor KIT	1
Note: Please give the data from type plate of the motor			
2.16A		> AIR GUIDER IEC 132 MOTOR	1
2.16B		> SCREW M8X16 TORX HEX 6.8 GB/T70	1



**BL-E65/120-4/2-R1 (2191443)**

Item	Article no.	Description	Quantity
1.1	2048413	IMPELLER D.80/114/18 KIT	1
1.11	2027186	> NUT M10 DIN934 A2	1
1.12	2027189	> TENSIONING DISC DIN6796-10 V2A	1
1.13		> IMPELLER 80/114/18 GG BALANCED	1
1.14	2037527	> O-RING 148,82x3,53 EPDM 70SR.VP.	1
1.2	2026901	MECHANICAL SEAL MG12/18-G60 AQ1EGG KIT	1
1.11	2027186	> NUT M10 DIN934 A2	1
1.12	2027189	> TENSIONING DISC DIN6796-10 V2A	1
1.14	2037527	> O-RING 148,82x3,53 EPDM 70SR.VP.	1
1.14	2043160	> O-Ring 177,39x3,53 ISO3601B EPDM VP.	1
1.14	2042864	> O-RING ID.224x3,55 7EP1197-W534 VP.	1
1.21		> MECHANICAL SEAL MG12/18-G60 AQ1EGG	1
10	2027202	> TOOL D.18/24/32 VP.	1
1.3	2037206	LANTERN P190X85,2-F215 KIT	1
1.11	2027186	> NUT M10 DIN934 A2	1
1.12	2027189	> TENSIONING DISC DIN6796-10 V2A	1
1.14	2037527	> O-RING 148,82x3,53 EPDM 70SR.VP.	1
1.31	2027201	> BLOWGUN R1/8" VP.	1
1.32	2048842	> COUPLING GUARD F215 PA66 (2 PIECES)	1
1.33		> Lantern P190X85,2-F215 GG KTL WILO	1
10	2027202	> TOOL D.18/24/32 VP.	1
1.4	2029312	COUPLING/SHAFT 18/28X142 OR.148 KIT	1
1.11	2027186	> NUT M10 DIN934 A2	1
1.12	2027189	> TENSIONING DISC DIN6796-10 V2A	1
1.14	2037527	> O-RING 148,82x3,53 EPDM 70SR.VP.	1
1.41		> COUPLING 18/28+SHAFT 18X142 BG112 ZN KIT	1
10	2027202	> TOOL D.18/24/32 VP.	1
2	2169171	Motor V1 4/2/112/250E-IE4-ELEC(+Tool)	1
		Spare parts motor V1 4/2/112 250E IE4	1
3	2037178	PUMP HOUSING B65/140 PN16 KIT	1
1.14	2037527	> O-RING 148,82x3,53 EPDM 70SR.VP.	1
3.1		> PUMP HOUSING BL65/145 PN16 CPL.WILO	1
4	2027194	SCREW M16X30/X40 DIN912 8.8 (4 PIECES)	1
	2029336	WASHER A17 DIN125 ST (4 PIECES)	1



**BL-E65/120-4/2-R1 (2191443)**

Item	Article no.	Description	Quantity
5	2027195	SCREW M12X25 DIN912 8.8 (4 PIECES)	1
7	2029335	WASHER A13 DIN125 ST (4 PIECES)	1
9	2037241	MOTOR FOOT BG71-112/P190	1
11	2191617	Module BL-E65/120-4/2-IE4 ELEC KIT	1
		> MODULE TL4 Flex IE4 SW4.0.30	1
	2054227	> MODULE COVER/GASKET TL3/4 KIT	1
		> SCREW M5X16 ISO4762 8.8 ZnNi	1
		> WASHER TOOTHED LOCK A5,3 DIN6797 FST ZN	1
	2061236	> O-RING ID.38X3 EPDM 70SR.A BUS.	1

Motor-Typenschild / Motor type plate / Plaque identité moteur

Bei Ersatzteilbestellung Motor-Nummer angeben!

Indicate motor number for order of spare parts!

Pour une commande de pièces détachées, donner le numéro du moteur!

ELEC

Motor-Nummer  
motor number  
numéro du moteur

<b>3~Induction Motor</b>					
Made by WILLO Group					
<b>3511218</b>	W132240-4-V1NPE		0902.001		
Class F	S1	IP55	69kg	EN60034	
50Hz	5.5kW	SF=L1S	60Hz	6.45kW	
YΔ 400/690V	10,6/6,13A	Y 440-480V	10,9/10,35A		
Cosφ =0.81	1470min <sup>-1</sup>	Cosφ =0.81	1770min <sup>-1</sup>		
IE4-91.9%	91,9%	91,1%	IE4-92.4%	92,4%	91,8%

WEG

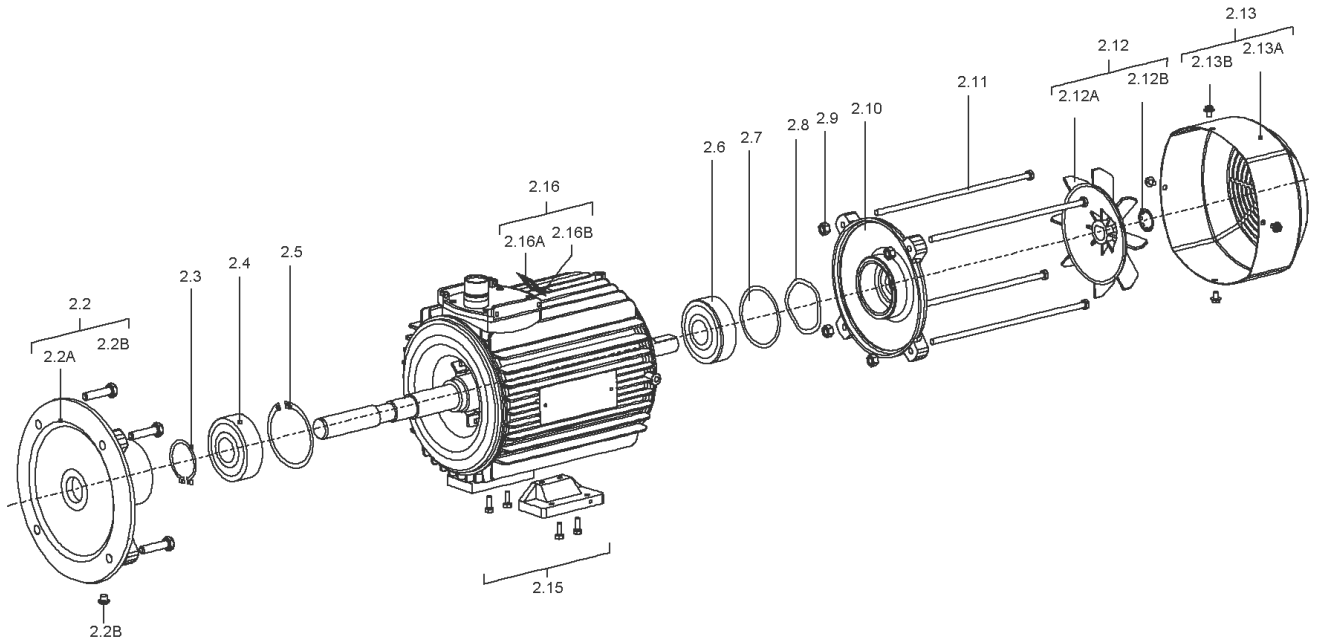
3~ AL180M/L-04		2015/12	1030615079		
AMB 40°C					
IP55	INS CL.F	Δ T 80 K	S1	SF 1.0	
V	Hz	kW	RPM	A	PF
400 / -			1480	29,5 / -	0,78
- / -					
- / -					
- / -					
400	IE4	93,9 (100%)	92,5 (75%)	90,8 (50%)	
- / -		- (100%)	- (75%)	- (50%)	
- A		- (100%)	- (75%)	- (50%)	
NEMA	Eff	- %	- HP	- V	- Hz
- A	PF	DES	CODE	SF	
← 6311-ZZ-C3 MOBIL POLYREX EM					162 kg
→ 6211-ZZ-C3					
MOD.TE01A0X1A0000301180					
IEC 60034					

VIBRATION LEVEL A
ACCORDING IEC 60034-14
BALANCED WITH NO KEY
WILO PART NO: <b>2151697</b>

Motor-Nummer  
motor number  
numéro du moteur

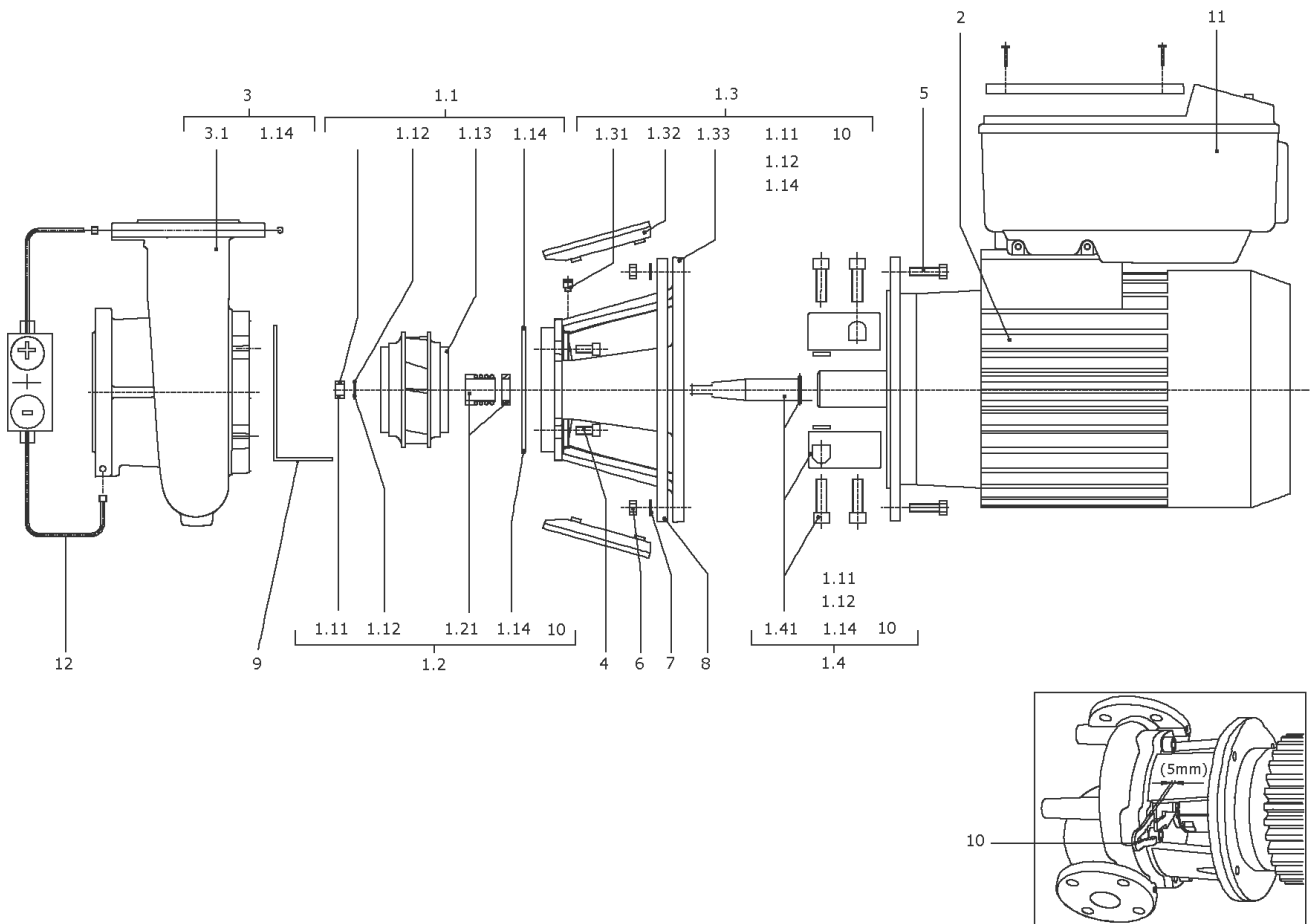
## Spare parts motor V1 4/2/112 250E IE4

Item	Description	Quantity
ELEC	W112140-2-V1NPE 400V/50Hz 4kW IE4	1



**W112140-2-V1NPE 400V/50Hz 4kW IE4**

Item	Article no.	Description	Quantity
2.2	2192953	End shield BG112 V1 D.E.ELEC KIT	1
Note: Please give the data from type plate of the motor			
2.1A		> FLANGE IEC112 V1	1
2.1B	2111309	> CONDENSATE HOLE GASKET D5 VP.	1
Note: Please give the data from type plate of the motor			
2.3	2118388	CIRCLIP D.35 GB894.1 VP.	1
Note: Please give the data from type plate of the motor			
2.4	2153172	Ball bearing 6307/VV-C3 VP.	1
Note: Please give the data from type plate of the motor			
2.5	2118390	CIRCLIP D.80 GB893.1 VP.	1
Note: Please give the data from type plate of the motor			
2.6	2153173	Ball bearing 6206/VV-C3 VP.	1
2.7	2164027	O-Ring ID62.4x3.53 EPDM VP.	1
2.8	2132469	SPRING RING D.62 JB/T7590 VP.	1
Note: Please give the data from type plate of the motor			
2.10	2164025	End shield BG112 N.D.E.ELEC KIT	1
Note: Please give the data from type plate of the motor			
		> FLANGE IEC112 NDS with slot	1
		> O-RING ID62.4*3.53 EPDM	1
2.11	2132473	SCREW M8X263,5 6.8 (4 PIECES)	1
2.12	2175742	Fan BG112 ELEC KIT	1
Note: Please give the data from type plate of the motor			
2.12A		> FAN 174X20X17 GP2200 G/F20%	1
2.12B	2118396	> Tooth lock washer D.19,8x0,4 VP.	1
Note: Please give the data from type plate of the motor			
2.13	2168255	Fan hood BG112 ELEC KIT	1
Note: Please give the data from type plate of the motor			
2.13A		> FAN COVER IEC112 KTL ST14 T1.0 H86	1
2.13B	2111323	> SCREW M4X6 (4 PIECES)	1
Note: Please give the data from type plate of the motor			
2.16	2179084	Air guider BG 112 Motor KIT	1
2.16A		> AIR GUIDER IEC 112 MOTOR	1
2.16B		> SCREW M8X16 TORX HEX 6.8 GB/T70	1



**BL-E65/130-5,5/2-R1 (2191444)**

Item	Article no.	Description	Quantity
1.1	2037891	IMPELLER D.80/122/24 KIT	1
1.11	2027187	> NUT M12 DIN-EN24032 A2 VP.	1
1.12	2027190	> WASHER A13 DIN125-T2 A2 VP.	1
1.13		> IMPELLER 80/122/24 GG BALANCED	1
1.14	2037527	> O-RING 148,82x3,53 EPDM 70SR.VP.	1
	2042862	> WASHER S12 V2A VP.	1
1.2	2026902	MECHANICAL SEAL MG12/24-G60 AQ1EGG KIT	1
1.11	2027187	> NUT M12 DIN-EN24032 A2 VP.	1
1.12	2027190	> WASHER A13 DIN125-T2 A2 VP.	1
1.14	2037527	> O-RING 148,82x3,53 EPDM 70SR.VP.	1
1.14	2043160	> O-Ring 177,39x3,53 ISO3601B EPDM VP.	1
1.14	2042864	> O-RING ID.224x3,55 7EP1197-W534 VP.	1
1.14	2051680	> O-RING ID.276,7x5,29 7EP1197-W534 VP.	1
	2042862	> WASHER S12 V2A VP.	1
1.21		> MECHANICAL SEAL MG12/24-G60 AQ1EGG	1
10	2027202	> TOOL D.18/24/32 VP.	1
1.3	2037203	LANTERN P190X85,2-F265 KIT	1
1.11	2027187	> NUT M12 DIN-EN24032 A2 VP.	1
1.12	2027190	> WASHER A13 DIN125-T2 A2 VP.	1
1.14	2037527	> O-RING 148,82x3,53 EPDM 70SR.VP.	1
	2042862	> WASHER S12 V2A VP.	1
1.31	2027201	> BLOWGUN R1/8" VP.	1
1.32	2048834	> COUPLING GUARD F265 PA66 (4 PIECES)	1
1.33		> LANTERN P190X85,2-F265 GG KTL WILO	1
10	2027202	> TOOL D.18/24/32 VP.	1
1.4	2027227	COUPLING/SHAFT 24/38x142 OR.148 KIT	1
1.11	2027187	> NUT M12 DIN-EN24032 A2 VP.	1
1.12	2027190	> WASHER A13 DIN125-T2 A2 VP.	1
1.14	2037527	> O-RING 148,82x3,53 EPDM 70SR.VP.	1
	2042862	> WASHER S12 V2A VP.	1
1.41		> COUPLING 24/38+SHAFT 24X142 BG132 ZN KIT	1
10	2027202	> TOOL D.18/24/32 VP.	1
2	2179386	Motor B35 5,5/2/132/300E-IE4-ELEC(+Tool)	1
		Spare parts motor B35 5,5/2/132 300E IE4	1

**BL-E65/130-5,5/2-R1 (2191444)**

Item	Article no.	Description	Quantity
3	2037178	PUMP HOUSING B65/140 PN16 KIT	1
1.14	2037527	> O-RING 148,82x3,53 EPDM 70SR.VP.	1
3.1		> PUMP HOUSING BL65/145 PN16 CPL.WILO	1
4	2027193	SCREW M16X30 ISO4762 8.8 (4 PIECES)	1
5	2037244	Screw M12X55 ISO4014 8.8 (4STÜCK)	1
6	2029305	NUT M12 DIN-EN24032 8 (4 PIECES)	1
7	2029335	WASHER A13 DIN125 ST (4 PIECES)	1
11	2191618	Module BL-E65/130-5,5/2-IE4 ELEC KIT	1
		> Module TL5 Flex SW4.0.21	1
	2111344	> MODULE COVER/GASKET TL5 KIT	1
	2120047	> CABLE CONNECTION M12x1,5/5 cpl.TL5 VP.	1
	2120048	> CABLE CONNECTION M16x1,5/5 cpl.TL5 VP.	1
	2120049	> CABLE CONNECTION M20x1,5/6 cpl.TL5 VP.	1
	2120050	> CABLE CONNECTION M25x1,5/8 cpl.TL5 VP.	1



**Motor-Typenschild / Motor type plate / Plaque identité moteur**

**Bei Ersatzteilbestellung Motor-Nummer angeben!**

**Indicate motor number for order of spare parts!**

**Pour une commande de pièces détachées, donner le numéro du moteur!**

ELEC

Motor-Nummer  
motor number  
numéro du moteur

<b>3~Induction Motor</b>					
Made by WILLO Group					
<b>351f218</b>	<b>W132240-4-V1NPE</b>		<b>0902.001</b>		
Class F	S1	IP55	69kg	EN60034	
50Hz	5.5kW	SF=L1S	60Hz	6.45kW	
YΔ 400/690V	10,6/6,13A	Y 440-480V	10,9/10,35A		
Cosφ =0.81	1470min <sup>-1</sup>	Cosφ =0.81	1770min <sup>-1</sup>		
IE4-91.9%	91,9%	91,1%	IE4-92.4%	92,4%	91,8%

WEG

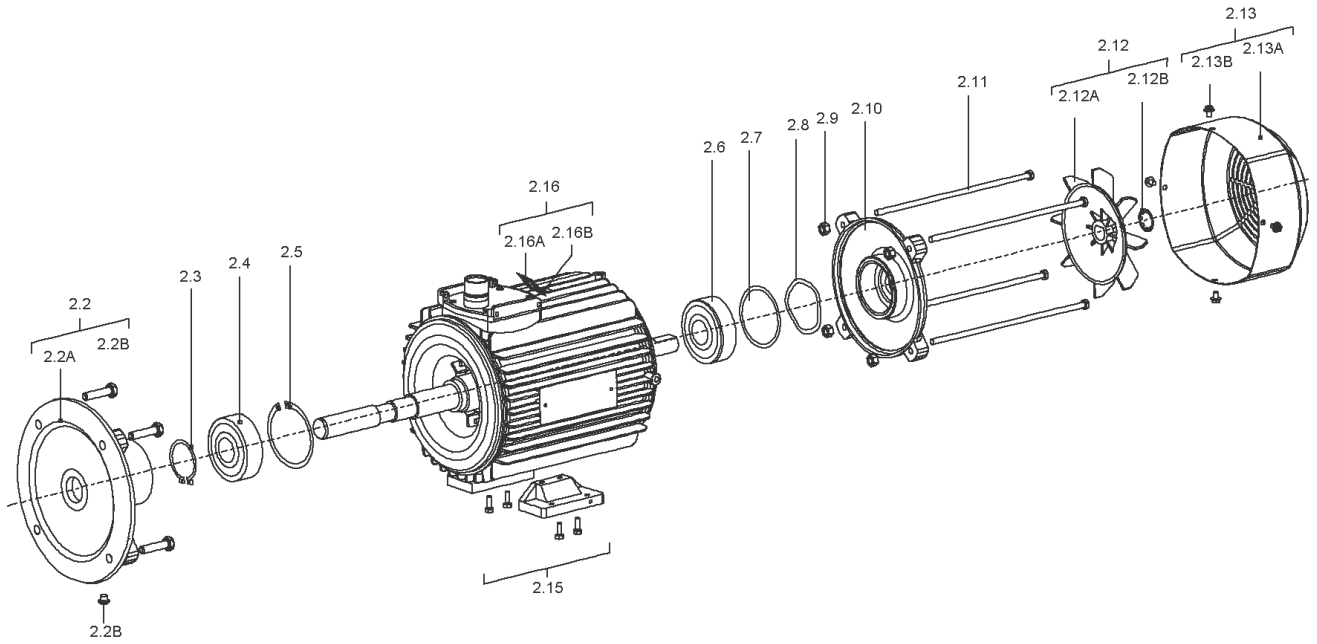
3~ AL180M/L-04		2015/12		1030615079	
AMB 40°C					
IP55	INS CL.F	Δ T 80 K	S1	SF 1.0	
V	Hz	kW	RPM	A	PF
400 / -			1480	29,5 / -	0,78
- / -					
- / -					
- / -					
400	IE4	93,9 (100%)	92,5 (75%)	90,8 (50%)	
- / -		- (100%)	- (75%)	- (50%)	
- A		- (100%)	- (75%)	- (50%)	
NEMA	Eff	- %	- HP	- V	- Hz
- A	PF	DES	CODE	SF	
		6311-ZZ-C3	MOBIL POLYREX EM		162 kg
		6211-ZZ-C3			
MOD.TE01A0X1A0000301180					
IEC 60034					

VIBRATION LEVEL A
ACCORDING IEC 60034-14
BALANCED WITH NO KEY
WILO PART NO: <b>2151697</b>

Motor-Nummer  
motor number  
numéro du moteur

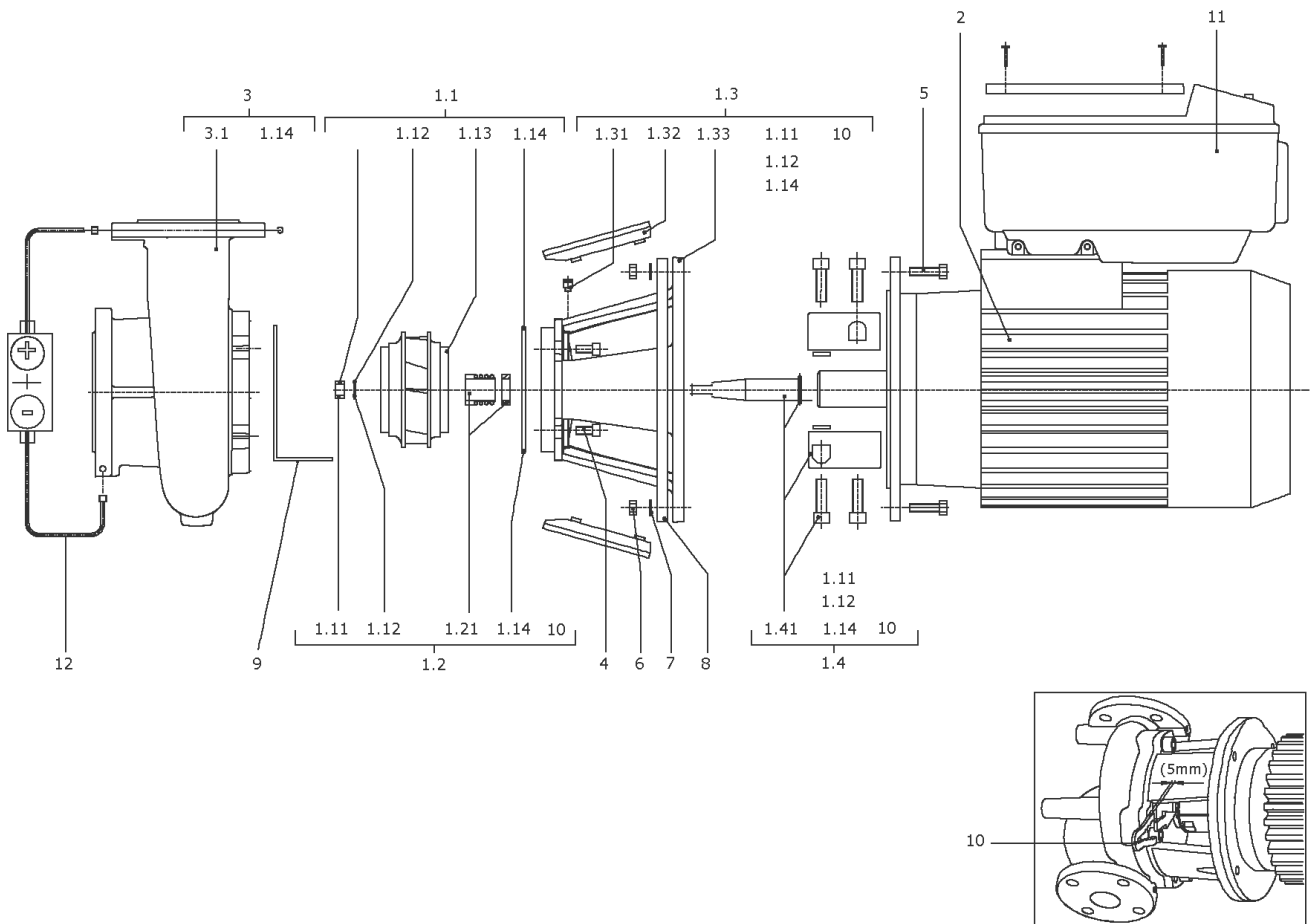
## Spare parts motor B35 5,5/2/132 300E IE4

Item	Description	Quantity
ELEC	Motor B35 5,5/2/132 300E IE4 ELEC WILO	1



**Motor B35 5,5/2/132 300E IE4 ELEC WILO**

Item	Article no.	Description	Quantity
2.2	2175903	End shield BG132 FF265 D.E.ELEC KIT	1
Note: Please give the data from type plate of the motor			
2.2A		> Flange IEC132 V1 FF265 D.E.	1
2.2B	2111309	> CONDENSATE HOLE GASKET D5 VP.	1
2.3	2178920	Circlip D40 GB894.1 VP.	1
Note: Please give the data from type plate of the motor			
2.4	121266690	BALL BEARING 6308/2Z-C3 (HT) VP.	1
Note: Please give the data from type plate of the motor			
2.5	2178920	Circlip D40 GB894.1 VP.	1
Note: Please give the data from type plate of the motor			
2.6	2153173	Ball bearing 6206/VV-C3 VP.	1
2.8	2132469	SPRING RING D.62 JB/T7590 VP.	1
Note: Please give the data from type plate of the motor			
2.10	2178921	End shield BG132 N.D.E.ELEC VP.	1
Note: Please give the data from type plate of the motor			
2.11	2178989	Srews Torx Plus M8x335 (4 Pieces)	1
2.12	2175742	Fan BG112 ELEC KIT	1
Note: Please give the data from type plate of the motor			
2.12A		> FAN 174X20X17 GP2200 G/F20%	1
2.12B	2118396	> Tooth lock washer D.19,8x0,4 VP.	1
Note: Please give the data from type plate of the motor			
2.13	2178928	Fan hood BG132 ELEC KIT	1
Note: Please give the data from type plate of the motor			
2.13A		> FAN COVER IEC132 KTL ST14 T0.8 H103	1
2.13B	2178923	> Screw M5X8 GB/T3098.1 6.8(4 Pieces)	1
2.15	2192955	Motor foot cpl.BG132 ELEC KIT	1
2.16	2178924	Air guider IEC 132 Motor KIT	1
Note: Please give the data from type plate of the motor			
2.16A		> AIR GUIDER IEC 132 MOTOR	1
2.16B		> SCREW M8X16 TORX HEX 6.8 GB/T70	1



**BL-E65/140-7,5/2-R1 (2191445)**

Item	Article no.	Description	Quantity
1.1	2037295	IMPELLER D.80/134/24 KIT	1
1.11	2027187	> NUT M12 DIN-EN24032 A2 VP.	1
1.12	2027190	> WASHER A13 DIN125-T2 A2 VP.	1
1.13		> IMPELLER 80/134/24 GG BALANCED	1
1.14	2037527	> O-RING 148,82x3,53 EPDM 70SR.VP.	1
	2042862	> WASHER S12 V2A VP.	1
1.2	2026902	MECHANICAL SEAL MG12/24-G60 AQ1EGG KIT	1
1.11	2027187	> NUT M12 DIN-EN24032 A2 VP.	1
1.12	2027190	> WASHER A13 DIN125-T2 A2 VP.	1
1.14	2037527	> O-RING 148,82x3,53 EPDM 70SR.VP.	1
1.14	2043160	> O-Ring 177,39x3,53 ISO3601B EPDM VP.	1
1.14	2042864	> O-RING ID.224x3,55 7EP1197-W534 VP.	1
1.14	2051680	> O-RING ID.276,7x5,29 7EP1197-W534 VP.	1
	2042862	> WASHER S12 V2A VP.	1
1.21		> MECHANICAL SEAL MG12/24-G60 AQ1EGG	1
10	2027202	> TOOL D.18/24/32 VP.	1
1.3	2037203	LANTERN P190X85,2-F265 KIT	1
1.11	2027187	> NUT M12 DIN-EN24032 A2 VP.	1
1.12	2027190	> WASHER A13 DIN125-T2 A2 VP.	1
1.14	2037527	> O-RING 148,82x3,53 EPDM 70SR.VP.	1
	2042862	> WASHER S12 V2A VP.	1
1.31	2027201	> BLOWGUN R1/8" VP.	1
1.32	2048834	> COUPLING GUARD F265 PA66 (4 PIECES)	1
1.33		> LANTERN P190X85,2-F265 GG KTL WILO	1
10	2027202	> TOOL D.18/24/32 VP.	1
1.4	2027227	COUPLING/SHAFT 24/38x142 OR.148 KIT	1
1.11	2027187	> NUT M12 DIN-EN24032 A2 VP.	1
1.12	2027190	> WASHER A13 DIN125-T2 A2 VP.	1
1.14	2037527	> O-RING 148,82x3,53 EPDM 70SR.VP.	1
	2042862	> WASHER S12 V2A VP.	1
1.41		> COUPLING 24/38+SHAFT 24X142 BG132 ZN KIT	1
10	2027202	> TOOL D.18/24/32 VP.	1
2	2168709	Motor B35 7,5/2/132/300E-IE4-ELEC(+Tool)	1
		Spare parts motor B35 7,5/2/132 300E IE4	1

**BL-E65/140-7,5/2-R1 (2191445)**

Item	Article no.	Description	Quantity
3	2037178	PUMP HOUSING B65/140 PN16 KIT	1
1.14	2037527	> O-RING 148,82x3,53 EPDM 70SR.VP.	1
3.1		> PUMP HOUSING BL65/145 PN16 CPL.WILO	1
4	2027193	SCREW M16X30 ISO4762 8.8 (4 PIECES)	1
5	2037244	Screw M12X55 ISO4014 8.8 (4STÜCK)	1
6	2029305	NUT M12 DIN-EN24032 8 (4 PIECES)	1
7	2029335	WASHER A13 DIN125 ST (4 PIECES)	1
11	2191619	Module BL-E65/140-7,5/2-IE4 ELEC KIT	1
		> Module TL5 Flex SW4.0.21	1
	2111344	> MODULE COVER/GASKET TL5 KIT	1
	2120047	> CABLE CONNECTION M12x1,5/5 cpl.TL5 VP.	1
	2120048	> CABLE CONNECTION M16x1,5/5 cpl.TL5 VP.	1
	2120049	> CABLE CONNECTION M20x1,5/6 cpl.TL5 VP.	1
	2120050	> CABLE CONNECTION M25x1,5/8 cpl.TL5 VP.	1

**Motor-Typenschild / Motor type plate / Plaque identité moteur**

**Bei Ersatzteilbestellung Motor-Nummer angeben!**

**Indicate motor number for order of spare parts!**

**Pour une commande de pièces détachées, donner le numéro du moteur!**

ELEC

Motor-Nummer  
motor number  
numéro du moteur

<b>3~Induction Motor</b>					
Made by WILLO Group					
<b>351f218</b>	<b>W132240-4-V1NPE</b>		<b>0902.001</b>		
Class F	S1	IP55	69kg	EN60034	
50Hz	5.5kW	SF=1.15	60Hz	6.45kW	
YΔ 400/690V	10,6/6,13A	Y 440-480V	10,9/10,35A		
Cosφ =0.81	1470min <sup>-1</sup>	Cosφ =0.81	1770min <sup>-1</sup>		
IE4-91.9%	91,9%	91,1%	IE4-92.4%	92,4%	91,8%

WEG

		3~ AL180M/L-04		2015/12		1030615079	
AMB 40°C							
IP55		INS CL.F		Δ T 80 K		S1 SF 1.0	
V	Hz	kW	RPM	A	PF		
400 / -			1480	29,5 / -	0,78		
- / -							
- / -							
- / -							
400	IE4	93,9 (100%)	92,5 (75%)	90,8 (50%)			
- / -		- (100%)	- (75%)	- (50%)			
- A		- (100%)	- (75%)	- (50%)			
NEMA	Eff	- %	- HP	- V	- Hz	- RPM	
- A	PF	DES	CODE	SF			
		6311-ZZ-C3		MOBIL POLYREX EM		162 kg	
		6211-ZZ-C3					
MOD.TE01A0X1A0000301180							
		IEC 60034					

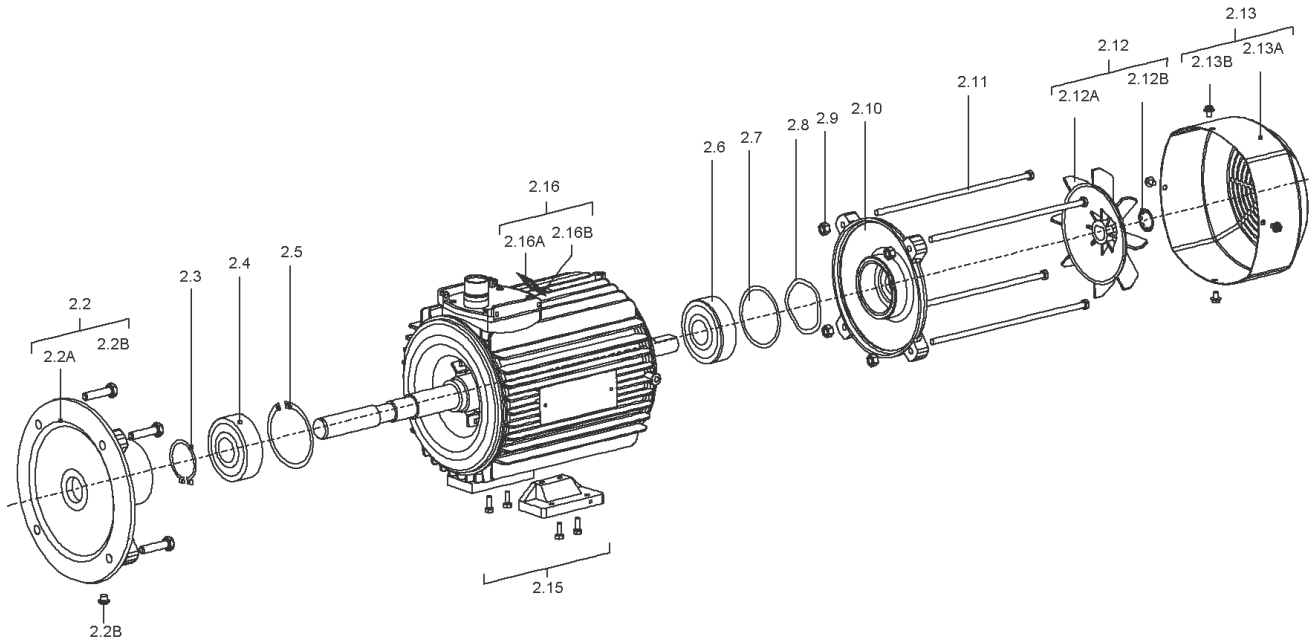
VIBRATION LEVEL A
ACCORDING IEC 60034-14
BALANCED WITH NO KEY
WILO PART NO: <b>2151697</b>

Motor-Nummer  
motor number  
numéro du moteur



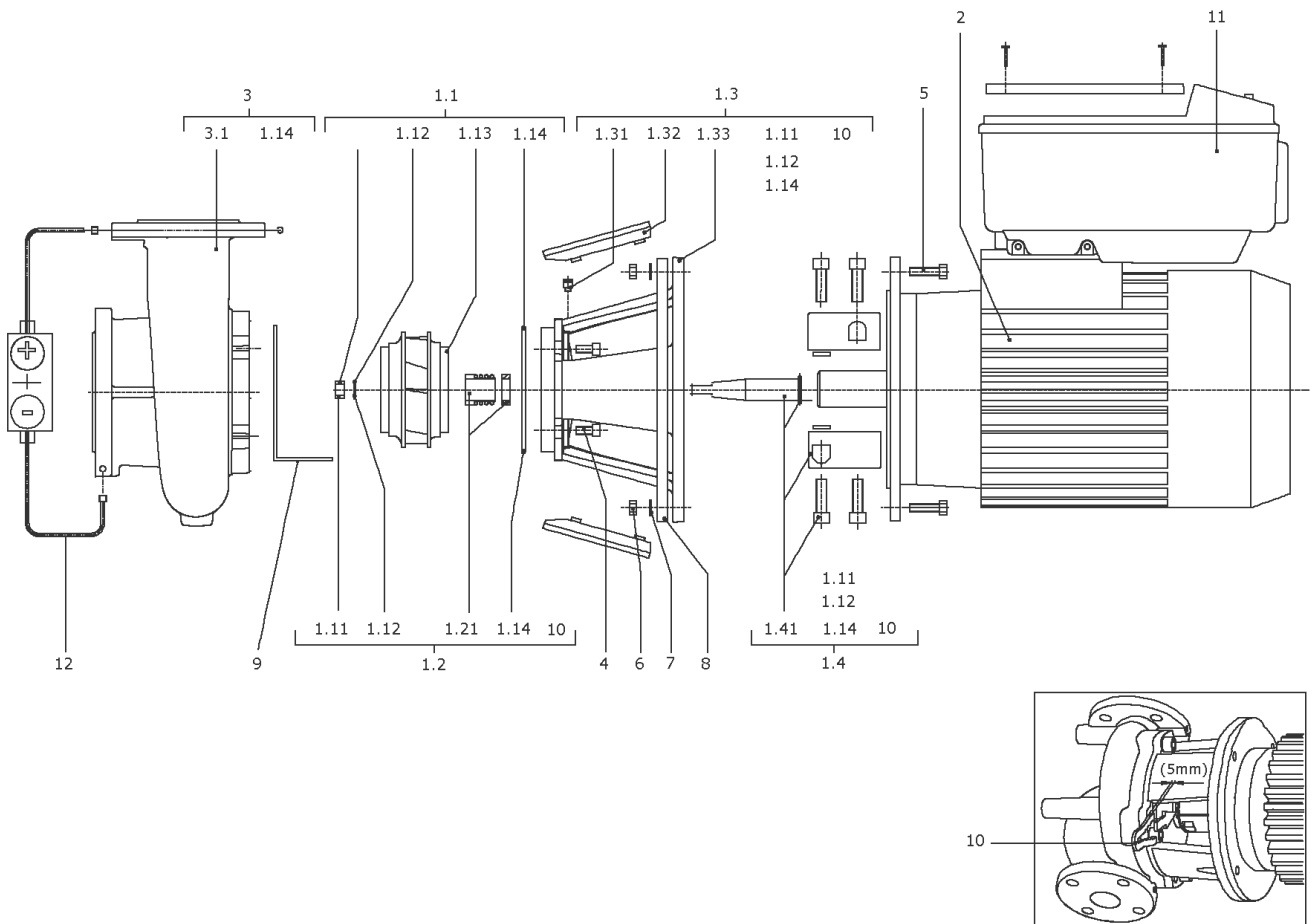
## Spare parts motor B35 7,5/2/132 300E IE4

Item	Description	Quantity
ELEC	Motor B35 7,5/2/132/300E IE4 ELEC WILO	1



**Motor B35 7,5/2/132/300E IE4 ELEC WILO**

Item	Article no.	Description	Quantity
2.2	2175903	End shield BG132 FF265 D.E.ELEC KIT	1
Note: Please give the data from type plate of the motor			
2.2A		> Flange IEC132 V1 FF265 D.E.	1
2.2B	2111309	> CONDENSATE HOLE GASKET D5 VP.	1
2.3	2178920	Circlip D40 GB894.1 VP.	1
Note: Please give the data from type plate of the motor			
2.4	121266690	BALL BEARING 6308/2Z-C3 (HT) VP.	1
Note: Please give the data from type plate of the motor			
2.5	2192954	Circlip D90 GB893.1 VP.	1
Note: Please give the data from type plate of the motor			
2.6	2153173	Ball bearing 6206/VV-C3 VP.	1
Note: Please give the data from type plate of the motor			
2.8	2132469	SPRING RING D.62 JB/T7590 VP.	1
2.10	2178921	End shield BG132 N.D.E.ELEC VP.	1
Note: Please give the data from type plate of the motor			
2.11	2178989	Srews Torx Plus M8x335 (4 Pieces)	1
Note: Please give the data from type plate of the motor			
2.12	2175742	Fan BG112 ELEC KIT	1
Note: Please give the data from type plate of the motor			
2.12A		> FAN 174X20X17 GP2200 G/F20%	1
2.12B	2118396	> Tooth lock washer D.19,8x0,4 VP.	1
Note: Please give the data from type plate of the motor			
2.13	2178928	Fan hood BG132 ELEC KIT	1
Note: Please give the data from type plate of the motor			
2.13A		> FAN COVER IEC132 KTL ST14 T0.8 H103	1
2.13B	2178923	> Screw M5X8 GB/T3098.1 6.8(4 Pieces)	1
2.15	2192955	Motor foot cpl.BG132 ELEC KIT	1
2.16	2178924	Air guider IEC 132 Motor KIT	1
Note: Please give the data from type plate of the motor			
2.16A		> AIR GUIDER IEC 132 MOTOR	1
2.16B		> SCREW M8X16 TORX HEX 6.8 GB/T70	1



**BL-E65/240-5,5/4-R1 (2191446)**

Item	Article no.	Description	Quantity
1.1	2135920	IMPELLER 80/270-239-119,6/24 GG KIT	1
1.11	2027187	> NUT M12 DIN-EN24032 A2 VP.	1
1.12	2027190	> WASHER A13 DIN125-T2 A2 VP.	1
1.13		> IMPELLER 80/270-239-119,6/24 GG BAL.	1
1.14	2051680	> O-RING ID.276,7x5,29 7EP1197-W534 VP.	1
	2042862	> WASHER S12 V2A VP.	1
1.2	2026902	MECHANICAL SEAL MG12/24-G60 AQ1EGG KIT	1
1.11	2027187	> NUT M12 DIN-EN24032 A2 VP.	1
1.12	2027190	> WASHER A13 DIN125-T2 A2 VP.	1
1.14	2037527	> O-RING 148,82x3,53 EPDM 70SR.VP.	1
1.14	2043160	> O-Ring 177,39x3,53 ISO3601B EPDM VP.	1
1.14	2042864	> O-RING ID.224x3,55 7EP1197-W534 VP.	1
1.14	2051680	> O-RING ID.276,7x5,29 7EP1197-W534 VP.	1
	2042862	> WASHER S12 V2A VP.	1
1.21		> MECHANICAL SEAL MG12/24-G60 AQ1EGG	1
10	2027202	> TOOL D.18/24/32 VP.	1
1.3	2051334	LANTERN P330X120-F265 KIT	1
1.11	2027187	> NUT M12 DIN-EN24032 A2 VP.	1
1.12	2027190	> WASHER A13 DIN125-T2 A2 VP.	1
1.14	2051680	> O-RING ID.276,7x5,29 7EP1197-W534 VP.	1
	2042862	> WASHER S12 V2A VP.	1
1.31	2027201	> BLOWGUN R1/8" VP.	1
1.32	2048845	> COUPLING GUARD P270-F265 PA66 (2 PIECES)	1
1.33		> LANTERN P330X120-F265 GG KTL WILO	1
10	2027202	> TOOL D.18/24/32 VP.	1
1.4	2048444	COUPLING/SHAFT D.24/38X153 KIT	1
1.11	2027187	> NUT M12 DIN-EN24032 A2 VP.	1
1.12	2027190	> WASHER A13 DIN125-T2 A2 VP.	1
1.14	2042864	> O-RING ID.224x3,55 7EP1197-W534 VP.	1
1.14	2051680	> O-RING ID.276,7x5,29 7EP1197-W534 VP.	1
	2042862	> WASHER S12 V2A VP.	1
1.41		> COUPLING 24/38+SHAFT 24X153 GR132 ZN KIT	1
10	2027202	> TOOL D.18/24/32 VP.	1
2	2169161	Motor B35 5,5/4/132/300E-IE4-ELEC(+Tool)	1

**BL-E65/240-5,5/4-R1 (2191446)**

Item	Article no.	Description	Quantity
		Spare parts motor B35 5,5/4/132 300E IE4	1
3	2135944	PUMP HOUSING B65/270-P330 PN16 KIT	1
1.14	2051680	> O-RING ID.276,7x5,29 7EP1197-W534 VP.	1
3.1		> PUMP HOUSING B65/270-P330 PN16 CPL.WILO	1
4	2027193	SCREW M16X30 ISO4762 8.8 (4 PIECES)	1
5	2027195	SCREW M12X25 DIN912 8.8 (4 PIECES)	1
11	2191620	Module BL-E65/240-5,5/4-IE4 ELEC KIT	1
		> Module TL5 4Pol. SW4.0.21	1
	2111344	> MODULE COVER/GASKET TL5 KIT	1
	2120047	> CABLE CONNECTION M12x1,5/5 cpl.TL5 VP.	1
	2120048	> CABLE CONNECTION M16x1,5/5 cpl.TL5 VP.	1
	2120049	> CABLE CONNECTION M20x1,5/6 cpl.TL5 VP.	1
	2120050	> CABLE CONNECTION M25x1,5/8 cpl.TL5 VP.	1

Motor-Typenschild / Motor type plate / Plaque identité moteur

Bei Ersatzteilbestellung Motor-Nummer angeben!

Indicate motor number for order of spare parts!

Pour une commande de pièces détachées, donner le numéro du moteur!

ELEC

Motor-Nummer  
motor number  
numéro du moteur

<b>3~Induction Motor</b>					
Made by WILLO Group					
<b>3511218</b>	<b>W132240-4-V1NPE</b>		<b>0902.001</b>		
Class F	S1	IP55	69kg	EN60034	
50Hz	5.5kW	SF=L1S	60Hz	6.45kW	
YΔ 400/690V	10,6/6,13A	Y 440-480V	10,9/10,35A		
Cosφ =0.81	1470min <sup>-1</sup>	Cosφ =0.81	1770min <sup>-1</sup>		
IE4-91.9%	91,9%	91,1%	IE4-92.4%	92,4%	91,8%

WEG

3~ AL180M/L-04		2015/12	1030615079		
AMB 40°C					
IP55	INS CL.F	Δ T 80 K	S1	SF 1.0	
V	Hz	kW	RPM	A	PF
400 / -			1480	29,5 / -	0,78
- / -					
- / -					
- / -					
400	IE4	93,9 (100%)	92,5 (75%)	90,8 (50%)	
- / -		- (100%)	- (75%)	- (50%)	
- A		- (100%)	- (75%)	- (50%)	
NEMA	Eff	- %	- HP	- V	- Hz
- A	PF	DES	CODE	SF	
		6311-ZZ-C3	MOBIL POLYREX EM		162 kg
		6211-ZZ-C3			
MOD.TE01A0X1A0000301180					
IEC 60034					

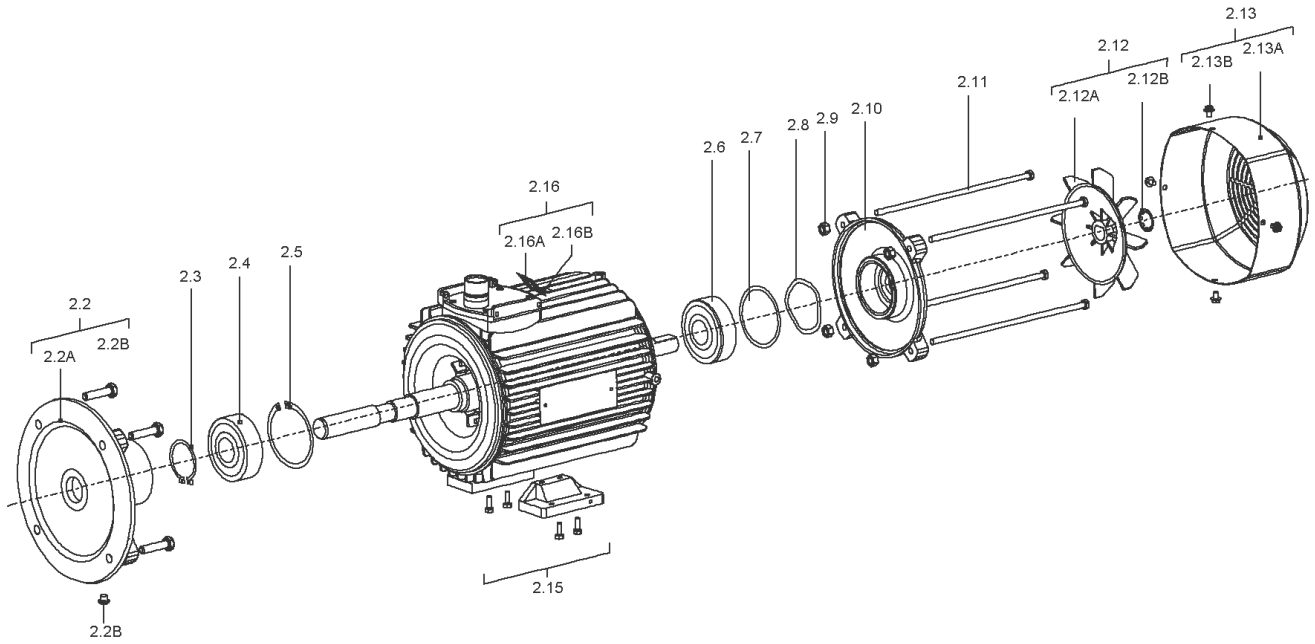
VIBRATION LEVEL A
ACCORDING IEC 60034-14
BALANCED WITH NO KEY
WILO PART NO: <b>2151697</b>

Motor-Nummer  
motor number  
numéro du moteur

## Spare parts motor B35 5,5/4/132 300E IE4

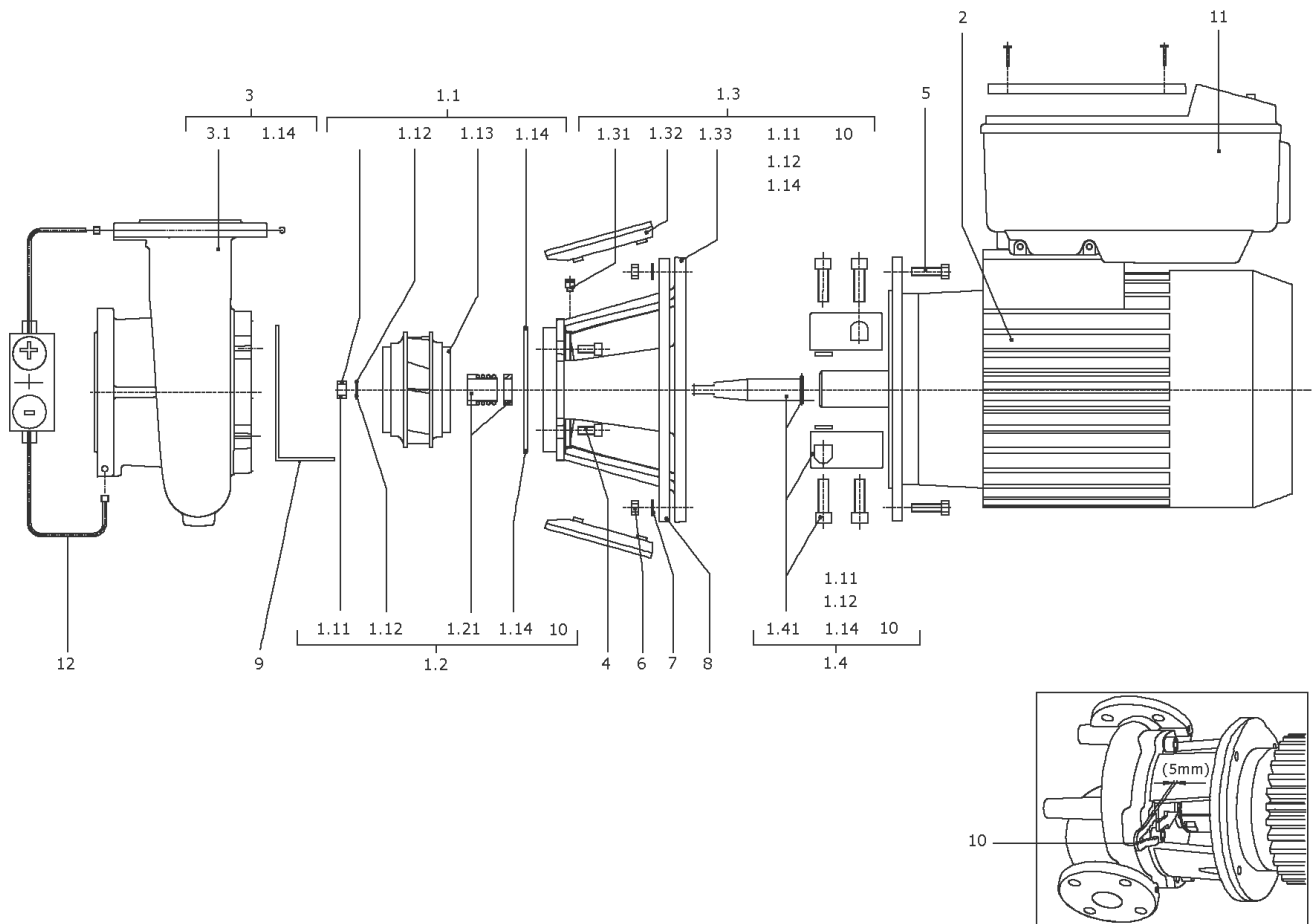
Item	Description	Quantity
ELEC	Motor B35 5,5/4/132/300E ELEC IE4 WILO	1





**Motor B35 5,5/4/132/300E ELEC IE4 WILO**

Item	Article no.	Description	Quantity
2.2	2175903	End shield BG132 FF265 D.E.ELEC KIT	1
Note: Please give the data from type plate of the motor			
2.2A		> Flange IEC132 V1 FF265 D.E.	1
2.2B	2111309	> CONDENSATE HOLE GASKET D5 VP.	1
2.3	3504026	Stop Ring D40 GB894.1	1
Note: Please give the data from type plate of the motor			
2.4	121266690	BALL BEARING 6308/2Z-C3 (HT) VP.	1
Note: Please give the data from type plate of the motor			
2.5	2192954	Circlip D90 GB893.1 VP.	1
Note: Please give the data from type plate of the motor			
2.6	2153173	Ball bearing 6206/VV-C3 VP.	1
Note: Please give the data from type plate of the motor			
2.8	2132469	SPRING RING D.62 JB/T7590 VP.	1
2.9	2178926	Nut M8 (4 Pieces)	1
Note: Please give the data from type plate of the motor			
2.10	2178921	End shield BG132 N.D.E.ELEC VP.	1
Note: Please give the data from type plate of the motor			
2.11	2178925	Inner hexagon screws M8x50 (4 Pieces)	1
2.12	2178922	Fan IEC 230X20X17 KIT	1
Note: Please give the data from type plate of the motor			
2.12A		> FAN 230x20x17 GP2200 G/F20%	1
2.12B	2118396	> Tooth lock washer D.19,8x0,4 VP.	1
2.13	2178928	Fan hood BG132 ELEC KIT	1
Note: Please give the data from type plate of the motor			
2.13A		> FAN COVER IEC132 KTL ST14 T0.8 H103	1
2.13B	2178923	> Screw M5X8 GB/T3098.1 6.8(4 Pieces)	1
2.15	2192955	Motor foot cpl.BG132 ELEC KIT	1
2.16	2178924	Air guider IEC 132 Motor KIT	1
Note: Please give the data from type plate of the motor			
2.16A		> AIR GUIDER IEC 132 MOTOR	1
2.16B		> SCREW M8X16 TORX HEX 6.8 GB/T70	1



**BL-E65/265-7,5/4-R1 (2191447)**

Item	Article no.	Description	Quantity
1.1	2135921	IMPELLER 80/270-265-119,6/24 GG KIT	1
1.11	2027187	> NUT M12 DIN-EN24032 A2 VP.	1
1.12	2027190	> WASHER A13 DIN125-T2 A2 VP.	1
1.13		> IMPELLER 80/270-265-119,6/24 GG GEW	1
1.14	2051680	> O-RING ID.276,7x5,29 7EP1197-W534 VP.	1
	2042862	> WASHER S12 V2A VP.	1
1.2	2026902	MECHANICAL SEAL MG12/24-G60 AQ1EGG KIT	1
1.11	2027187	> NUT M12 DIN-EN24032 A2 VP.	1
1.12	2027190	> WASHER A13 DIN125-T2 A2 VP.	1
1.14	2037527	> O-RING 148,82x3,53 EPDM 70SR.VP.	1
1.14	2043160	> O-Ring 177,39x3,53 ISO3601B EPDM VP.	1
1.14	2042864	> O-RING ID.224x3,55 7EP1197-W534 VP.	1
1.14	2051680	> O-RING ID.276,7x5,29 7EP1197-W534 VP.	1
	2042862	> WASHER S12 V2A VP.	1
1.21		> MECHANICAL SEAL MG12/24-G60 AQ1EGG	1
10	2027202	> TOOL D.18/24/32 VP.	1
1.3	2051334	LANTERN P330X120-F265 KIT	1
1.11	2027187	> NUT M12 DIN-EN24032 A2 VP.	1
1.12	2027190	> WASHER A13 DIN125-T2 A2 VP.	1
1.14	2051680	> O-RING ID.276,7x5,29 7EP1197-W534 VP.	1
	2042862	> WASHER S12 V2A VP.	1
1.31	2027201	> BLOWGUN R1/8" VP.	1
1.32	2048845	> COUPLING GUARD P270-F265 PA66 (2 PIECES)	1
1.33		> LANTERN P330X120-F265 GG KTL WILO	1
10	2027202	> TOOL D.18/24/32 VP.	1
1.4	2048444	COUPLING/SHAFT D.24/38X153 KIT	1
1.11	2027187	> NUT M12 DIN-EN24032 A2 VP.	1
1.12	2027190	> WASHER A13 DIN125-T2 A2 VP.	1
1.14	2042864	> O-RING ID.224x3,55 7EP1197-W534 VP.	1
1.14	2051680	> O-RING ID.276,7x5,29 7EP1197-W534 VP.	1
	2042862	> WASHER S12 V2A VP.	1
1.41		> COUPLING 24/38+SHAFT 24X153 GR132 ZN KIT	1
10	2027202	> TOOL D.18/24/32 VP.	1
2	2169163	Motor B35 7,5/4/132/300E-IE4-ELEC(+Tool)	1

**BL-E65/265-7,5/4-R1 (2191447)**

Item	Article no.	Description	Quantity
		Spare parts motor B35 7,5/4/132/300E IE4	1
3	2135944	PUMP HOUSING B65/270-P330 PN16 KIT	1
1.14	2051680	> O-RING ID.276,7x5,29 7EP1197-W534 VP.	1
3.1		> PUMP HOUSING B65/270-P330 PN16 CPL.WILO	1
4	2027193	SCREW M16X30 ISO4762 8.8 (4 PIECES)	1
5	2027195	SCREW M12X25 DIN912 8.8 (4 PIECES)	1
11	2191621	Module BL-E65/265-7,5/4-IE4 ELEC KIT	1
		> Module TL5 4Pol. SW4.0.21	1
	2111344	> MODULE COVER/GASKET TL5 KIT	1
	2120047	> CABLE CONNECTION M12x1,5/5 cpl.TL5 VP.	1
	2120048	> CABLE CONNECTION M16x1,5/5 cpl.TL5 VP.	1
	2120049	> CABLE CONNECTION M20x1,5/6 cpl.TL5 VP.	1
	2120050	> CABLE CONNECTION M25x1,5/8 cpl.TL5 VP.	1

Motor-Typenschild / Motor type plate / Plaque identité moteur

Bei Ersatzteilbestellung Motor-Nummer angeben!

Indicate motor number for order of spare parts!

Pour une commande de pièces détachées, donner le numéro du moteur!

ELEC

Motor-Nummer  
motor number  
numéro du moteur

<b>3~Induction Motor</b>					
Made by WILLO Group					
<b>351f218</b>	W132240-4-V1NPE		0902.001		
Class F	S1	IP55	69kg	EN60034	
50Hz	5.5kW	SF=L1S	60Hz	6.45kW	
YΔ 400/690V	10,6/6,13A	Y 440-480V	10,9/10,35A		
Cosφ =0.81	1470min <sup>-1</sup>	Cosφ =0.81	1770min <sup>-1</sup>		
IE4-91.9%	91,9%	91,1%	IE4-92.4%	92,4%	91,8%

WEG

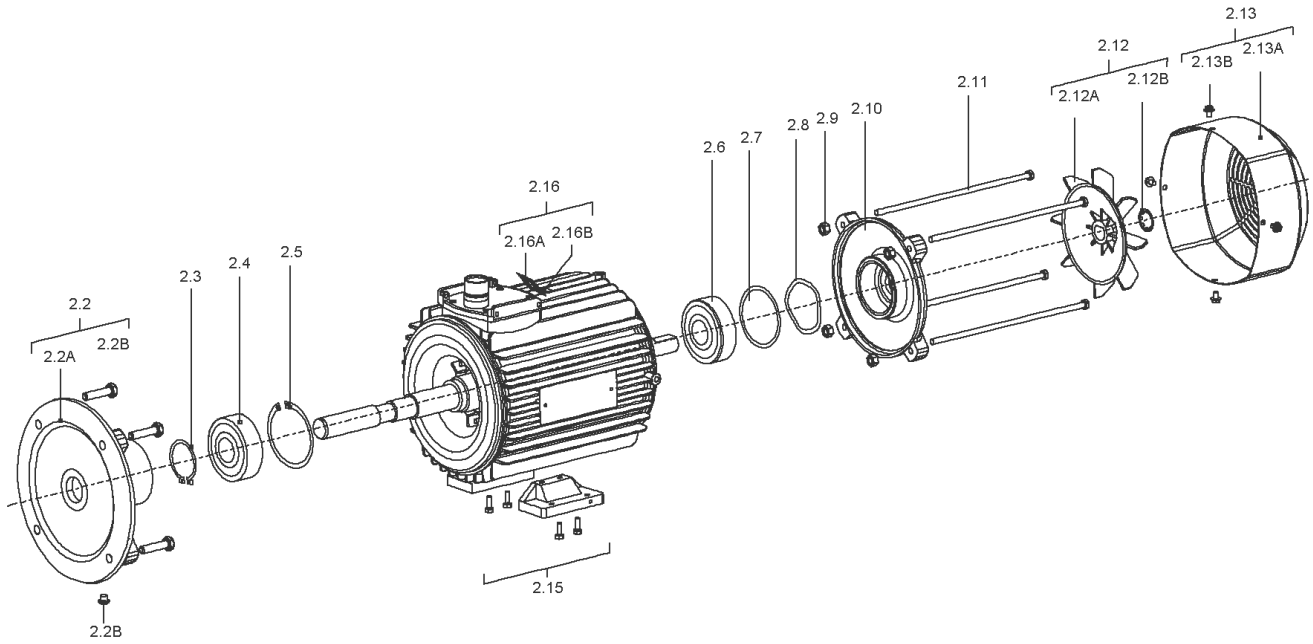
3~ AL180M/L-04		2015/12		1030615079	
AMB 40°C					
IP55	INS CL.F	Δ T 80 K	S1	SF 1.0	
V	Hz	kW	RPM	A	PF
400 / -			1480	29,5 / -	0,78
- / -					
- / -					
- / -					
400	IE4	93,9 (100%)	92,5 (75%)	90,8 (50%)	
- / -		- (100%)	- (75%)	- (50%)	
- A		- (100%)	- (75%)	- (50%)	
 Δ L1 L1 L1					
NEMA	Eff	- %	- HP	- V	- Hz
- A	PF	DES	CODE	SF	
← 6311-ZZ-C3 MOBIL POLYREX EM				162 kg	
→ 6211-ZZ-C3		MOD.TE01AOX1A0000301180			
IEC 60034					

VIBRATION LEVEL A
ACCORDING IEC 60034-14
BALANCED WITH NO KEY
WILO PART NO: <b>2151697</b>

Motor-Nummer  
motor number  
numéro du moteur

## Spare parts motor B35 7,5/4/132/300E IE4

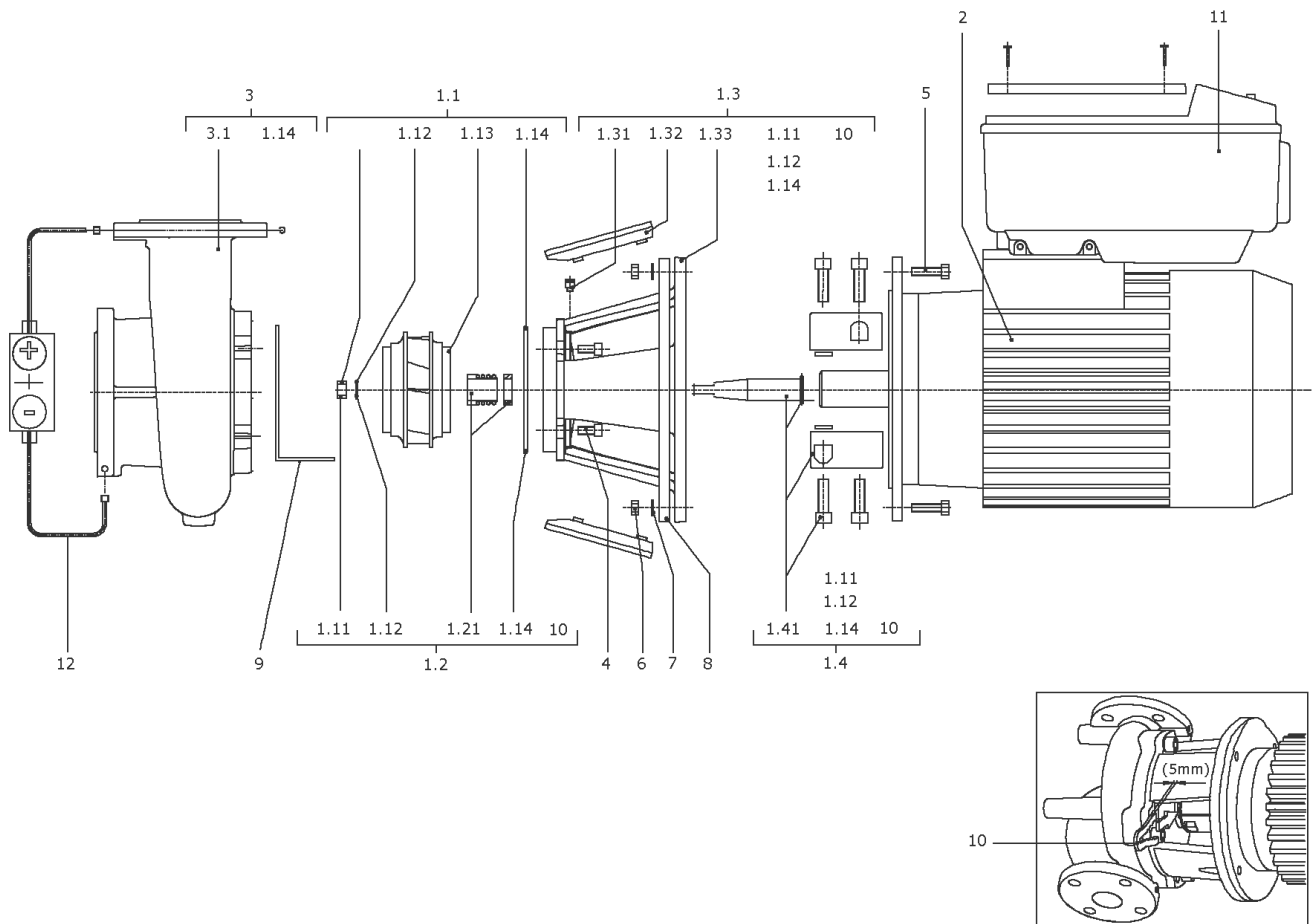
Item	Description	Quantity
ELEC	Moteur B35 7,5/4/132/300E ELEC IE4 WILO	1





**Moteur B35 7,5/4/132/300E ELEC IE4 WILO**

Item	Article no.	Description	Quantity
2.2	2175903	End shield BG132 FF265 D.E.ELEC KIT	1
Note: Please give the data from type plate of the motor			
2.2A		> Flange IEC132 V1 FF265 D.E.	1
2.2B	2111309	> CONDENSATE HOLE GASKET D5 VP.	1
2.3	2178920	Circlip D40 GB894.1 VP.	1
Note: Please give the data from type plate of the motor			
2.4	121266690	BALL BEARING 6308/2Z-C3 (HT) VP.	1
Note: Please give the data from type plate of the motor			
2.5	2192954	Circlip D90 GB893.1 VP.	1
Note: Please give the data from type plate of the motor			
2.6	2153173	Ball bearing 6206/VV-C3 VP.	1
Note: Please give the data from type plate of the motor			
2.8	2132469	SPRING RING D.62 JB/T7590 VP.	1
2.9	2178926	Nut M8 (4 Pieces)	1
Note: Please give the data from type plate of the motor			
2.10	2178921	End shield BG132 N.D.E.ELEC VP.	1
Note: Please give the data from type plate of the motor			
2.11	2178925	Inner hexagon screws M8x50 (4 Pieces)	1
2.12	2188089	Fan IEC 230X20X17 H52 KIT	1
Note: Please give the data from type plate of the motor			
2.12A		> FAN 230X20X17 GP2200 G/F20% H52	1
2.12B	2118396	> Tooth lock washer D.19,8x0,4 VP.	1
2.13	2188090	Fan hood BG132L ELEC KIT	1
Note: Please give the data from type plate of the motor			
2.13A		> FAN COVER IEC132 KTL ST14 T1.0 H123	1
2.13B	2178923	> Screw M5X8 GB/T3098.1 6.8(4 Pieces)	1
2.15	2192955	Motor foot cpl.BG132 ELEC KIT	1
2.16	2178924	Air guider IEC 132 Motor KIT	1
Note: Please give the data from type plate of the motor			
2.16A		> AIR GUIDER IEC 132 MOTOR	1
2.16B		> SCREW M8X16 TORX HEX 6.8 GB/T70	1



**BL-E80/220-5,5/4-R1 (2191448)**

Item	Article no.	Description	Quantity
1.1	2123420	IMPELLER D.100/221/24 KIT	1
1.11	2027187	> NUT M12 DIN-EN24032 A2 VP.	1
1.12	2027190	> WASHER A13 DIN125-T2 A2 VP.	1
1.13		> IMPELLER 100/221/24 GG BALANCED	1
1.14	2042864	> O-RING ID.224x3,55 7EP1197-W534 VP.	1
	2042862	> WASHER S12 V2A VP.	1
1.2	2026902	MECHANICAL SEAL MG12/24-G60 AQ1EGG KIT	1
1.11	2027187	> NUT M12 DIN-EN24032 A2 VP.	1
1.12	2027190	> WASHER A13 DIN125-T2 A2 VP.	1
1.14	2037527	> O-RING 148,82x3,53 EPDM 70SR.VP.	1
1.14	2043160	> O-Ring 177,39x3,53 ISO3601B EPDM VP.	1
1.14	2042864	> O-RING ID.224x3,55 7EP1197-W534 VP.	1
1.14	2051680	> O-RING ID.276,7x5,29 7EP1197-W534 VP.	1
	2042862	> WASHER S12 V2A VP.	1
1.21		> MECHANICAL SEAL MG12/24-G60 AQ1EGG	1
10	2027202	> TOOL D.18/24/32 VP.	1
1.3	2042721	LANTERN P270X122-F265 KTL KIT	1
1.11	2027187	> NUT M12 DIN-EN24032 A2 VP.	1
1.12	2027190	> WASHER A13 DIN125-T2 A2 VP.	1
1.14	2042864	> O-RING ID.224x3,55 7EP1197-W534 VP.	1
	2042862	> WASHER S12 V2A VP.	1
1.31	2027201	> BLOWGUN R1/8" VP.	1
1.32	2048845	> COUPLING GUARD P270-F265 PA66 (2 PIECES)	1
1.33		> LANTERN P270X122-F265 GG KTL WILO	1
10	2027202	> TOOL D.18/24/32 VP.	1
1.4	2048444	COUPLING/SHAFT D.24/38X153 KIT	1
1.11	2027187	> NUT M12 DIN-EN24032 A2 VP.	1
1.12	2027190	> WASHER A13 DIN125-T2 A2 VP.	1
1.14	2042864	> O-RING ID.224x3,55 7EP1197-W534 VP.	1
1.14	2051680	> O-RING ID.276,7x5,29 7EP1197-W534 VP.	1
	2042862	> WASHER S12 V2A VP.	1
1.41		> COUPLING 24/38+SHAFT 24X153 GR132 ZN KIT	1
10	2027202	> TOOL D.18/24/32 VP.	1
2	2169161	Motor B35 5,5/4/132/300E-IE4-ELEC(+Tool)	1

**BL-E80/220-5,5/4-R1 (2191448)**

Item	Article no.	Description	Quantity
		Spare parts motor B35 5,5/4/132 300E IE4	1
3	2042763	PUMP HOUSING B80/230 PN16 KIT	1
1.14	2042864	> O-RING ID.224x3,55 7EP1197-W534 VP.	1
3.1		> PUMP HOUSING BL80/230 PN16 CPL.WILO	1
4	2027193	SCREW M16X30 ISO4762 8.8 (4 PIECES)	1
5	2027195	SCREW M12X25 DIN912 8.8 (4 PIECES)	1
11	2191622	Module BL-E80/220-5,5/4-IE4 ELEC KIT	1
		> Module TL5 4Pol. SW4.0.21	1
	2111344	> MODULE COVER/GASKET TL5 KIT	1
	2120047	> CABLE CONNECTION M12x1,5/5 cpl.TL5 VP.	1
	2120048	> CABLE CONNECTION M16x1,5/5 cpl.TL5 VP.	1
	2120049	> CABLE CONNECTION M20x1,5/6 cpl.TL5 VP.	1
	2120050	> CABLE CONNECTION M25x1,5/8 cpl.TL5 VP.	1

Motor-Typenschild / Motor type plate / Plaque identité moteur

Bei Ersatzteilbestellung Motor-Nummer angeben!

Indicate motor number for order of spare parts!

Pour une commande de pièces détachées, donner le numéro du moteur!

ELEC

Motor-Nummer  
motor number  
numéro du moteur

<b>3~Induction Motor</b>					
Made by WILLO Group					
<b>351f218</b>	<b>W132240-4-V1NPE</b>		<b>0902.001</b>		
Class F	S1	IP55	69kg	EN60034	
50Hz	5.5kW	SF=L1S	60Hz	6.45kW	
YΔ 400/690V	10,6/6,13A	Y 440-480V	10,9/10,35A		
Cosφ =0.81	1470min <sup>-1</sup>	Cosφ =0.81	1770min <sup>-1</sup>		
IE4-91.9%	91,9%	91,1%	IE4-92.4%	92,4%	91,8%

WEG

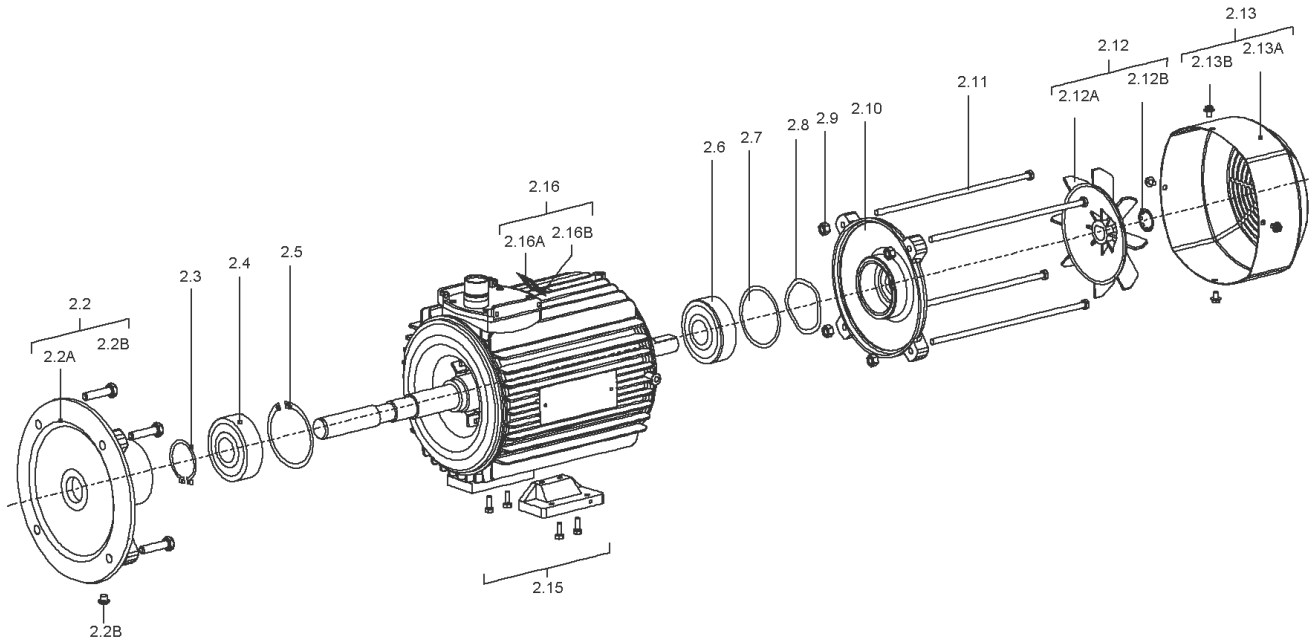
		3~ AL180M/L-04		2015/12		1030615079	
AMB 40°C							
IP55		INS CL.F		Δ T 80 K		S1 SF 1.0	
V	Hz	kW	RPM	A	PF		
400 / -			1480	29,5 / -	0,78		
- / -							
- / -							
- / -							
400	IE4	93,9 (100%)	92,5 (75%)	90,8 (50%)			
- / -		- (100%)	- (75%)	- (50%)			
- A		- (100%)	- (75%)	- (50%)			
NEMA	Eff	- %	- HP	- V	- Hz	- RPM	
- A	PF	DES	CODE	SF			
		6311-ZZ-C3 MOBIL POLYREX EM				162 kg	
		6211-ZZ-C3					
MOD.TE01A0X1A0000301180							
		IEC 60034					

VIBRATION LEVEL A
ACCORDING IEC 60034-14
BALANCED WITH NO KEY
WILO PART NO: <b>2151697</b>

Motor-Nummer  
motor number  
numéro du moteur

## Spare parts motor B35 5,5/4/132 300E IE4

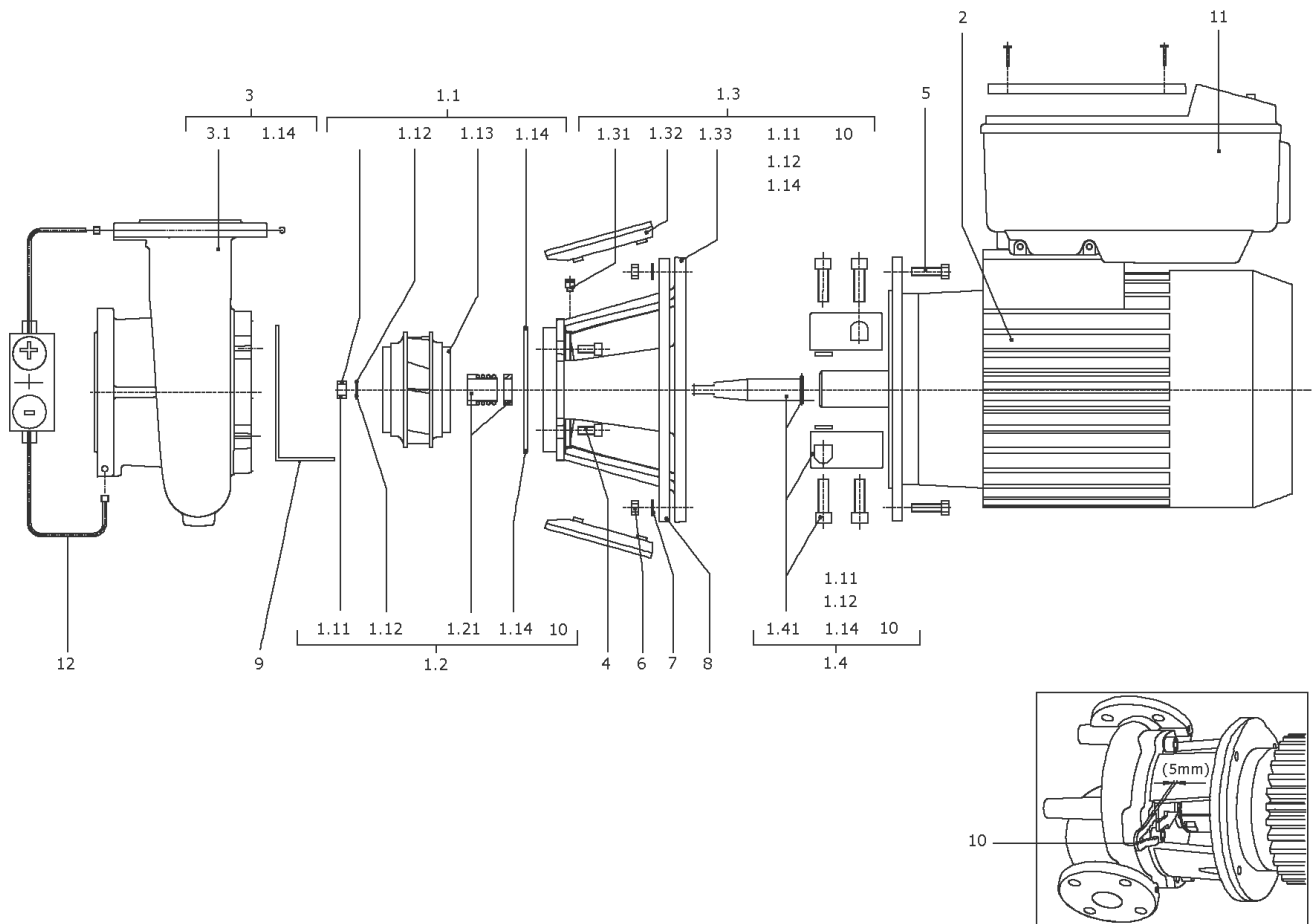
Item	Description	Quantity
ELEC	Motor B35 5,5/4/132/300E ELEC IE4 WILO	1



**Motor B35 5,5/4/132/300E ELEC IE4 WILO**

Item	Article no.	Description	Quantity
2.2	2175903	End shield BG132 FF265 D.E.ELEC KIT	1
Note: Please give the data from type plate of the motor			
2.2A		> Flange IEC132 V1 FF265 D.E.	1
2.2B	2111309	> CONDENSATE HOLE GASKET D5 VP.	1
2.3	3504026	Stop Ring D40 GB894.1	1
Note: Please give the data from type plate of the motor			
2.4	121266690	BALL BEARING 6308/2Z-C3 (HT) VP.	1
Note: Please give the data from type plate of the motor			
2.5	2192954	Circlip D90 GB893.1 VP.	1
Note: Please give the data from type plate of the motor			
2.6	2153173	Ball bearing 6206/VV-C3 VP.	1
Note: Please give the data from type plate of the motor			
2.8	2132469	SPRING RING D.62 JB/T7590 VP.	1
2.9	2178926	Nut M8 (4 Pieces)	1
Note: Please give the data from type plate of the motor			
2.10	2178921	End shield BG132 N.D.E.ELEC VP.	1
Note: Please give the data from type plate of the motor			
2.11	2178925	Inner hexagon screws M8x50 (4 Pieces)	1
2.12	2178922	Fan IEC 230X20X17 KIT	1
Note: Please give the data from type plate of the motor			
2.12A		> FAN 230x20x17 GP2200 G/F20%	1
2.12B	2118396	> Tooth lock washer D.19,8x0,4 VP.	1
2.13	2178928	Fan hood BG132 ELEC KIT	1
Note: Please give the data from type plate of the motor			
2.13A		> FAN COVER IEC132 KTL ST14 T0.8 H103	1
2.13B	2178923	> Screw M5X8 GB/T3098.1 6.8(4 Pieces)	1
2.15	2192955	Motor foot cpl.BG132 ELEC KIT	1
2.16	2178924	Air guider IEC 132 Motor KIT	1
Note: Please give the data from type plate of the motor			
2.16A		> AIR GUIDER IEC 132 MOTOR	1
2.16B		> SCREW M8X16 TORX HEX 6.8 GB/T70	1





**BL-E80/250-7,5/4-R1 (2191449)**

Item	Article no.	Description	Quantity
1.1	2138788	IMPELLER D.100/250/24 GG KIT	1
1.11	2027187	> NUT M12 DIN-EN24032 A2 VP.	1
1.12	2027190	> WASHER A13 DIN125-T2 A2 VP.	1
1.13		> Impeller D.100/250/240/24 GG balanced	1
1.14	2051680	> O-RING ID.276,7x5,29 7EP1197-W534 VP.	1
	2042862	> WASHER S12 V2A VP.	1
1.2	2026902	MECHANICAL SEAL MG12/24-G60 AQ1EGG KIT	1
1.11	2027187	> NUT M12 DIN-EN24032 A2 VP.	1
1.12	2027190	> WASHER A13 DIN125-T2 A2 VP.	1
1.14	2037527	> O-RING 148,82x3,53 EPDM 70SR.VP.	1
1.14	2043160	> O-Ring 177,39x3,53 ISO3601B EPDM VP.	1
1.14	2042864	> O-RING ID.224x3,55 7EP1197-W534 VP.	1
1.14	2051680	> O-RING ID.276,7x5,29 7EP1197-W534 VP.	1
	2042862	> WASHER S12 V2A VP.	1
1.21		> MECHANICAL SEAL MG12/24-G60 AQ1EGG	1
10	2027202	> TOOL D.18/24/32 VP.	1
1.3	2051334	LANTERN P330X120-F265 KIT	1
1.11	2027187	> NUT M12 DIN-EN24032 A2 VP.	1
1.12	2027190	> WASHER A13 DIN125-T2 A2 VP.	1
1.14	2051680	> O-RING ID.276,7x5,29 7EP1197-W534 VP.	1
	2042862	> WASHER S12 V2A VP.	1
1.31	2027201	> BLOWGUN R1/8" VP.	1
1.32	2048845	> COUPLING GUARD P270-F265 PA66 (2 PIECES)	1
1.33		> LANTERN P330X120-F265 GG KTL WILO	1
10	2027202	> TOOL D.18/24/32 VP.	1
1.4	2042735	COUPLING/SHAFT D.24/38X166 KIT	1
1.11	2027187	> NUT M12 DIN-EN24032 A2 VP.	1
1.12	2027190	> WASHER A13 DIN125-T2 A2 VP.	1
1.14	2042864	> O-RING ID.224x3,55 7EP1197-W534 VP.	1
1.14	2051680	> O-RING ID.276,7x5,29 7EP1197-W534 VP.	1
	2042862	> WASHER S12 V2A VP.	1
1.41		> COUPLING 24/38+SHAFT 24X166 BG132 ZN KIT	1
10	2027202	> TOOL D.18/24/32 VP.	1
2	2169163	Motor B35 7,5/4/132/300E-IE4-ELEC(+Tool)	1

**BL-E80/250-7,5/4-R1 (2191449)**

Item	Article no.	Description	Quantity
		Spare parts motor B35 7,5/4/132/300E IE4	1
3	2051368	PUMP HOUSING BL80/270 PN16 KIT	1
1.14	2051680	> O-RING ID.276,7x5,29 7EP1197-W534 VP.	1
3.1		> PUMP HOUSING BL80/270 PN16 CPL.WILO	1
4	2027193	SCREW M16X30 ISO4762 8.8 (4 PIECES)	1
5	2027195	SCREW M12X25 DIN912 8.8 (4 PIECES)	1
11	2191623	Module BL-E80/250-7,5/4-IE4 ELEC KIT	1
		> Module TL5 4Pol. SW4.0.21	1
	2111344	> MODULE COVER/GASKET TL5 KIT	1
	2120047	> CABLE CONNECTION M12x1,5/5 cpl.TL5 VP.	1
	2120048	> CABLE CONNECTION M16x1,5/5 cpl.TL5 VP.	1
	2120049	> CABLE CONNECTION M20x1,5/6 cpl.TL5 VP.	1
	2120050	> CABLE CONNECTION M25x1,5/8 cpl.TL5 VP.	1

Motor-Typenschild / Motor type plate / Plaque identité moteur

Bei Ersatzteilbestellung Motor-Nummer angeben!

Indicate motor number for order of spare parts!

Pour une commande de pièces détachées, donner le numéro du moteur!

ELEC

Motor-Nummer  
motor number  
numéro du moteur

<b>3~Induction Motor</b>					
Made by WILLO Group					
<b>3511218</b>	<b>W132240-4-V1NPE</b>		<b>0902.001</b>		
Class F	S1	IP55	69kg	EN60034	
50Hz	5.5kW	SF=1.15	60Hz	6.45kW	
YΔ 400/690V	10,6/6,13A	Y 440-480V	10,9/10,35A		
Cosφ =0.81	1470min <sup>-1</sup>	Cosφ =0.81	1770min <sup>-1</sup>		
IE4-91.9%	91,9%	91,1%	IE4-92.4%	92,4%	91,8%

WEG

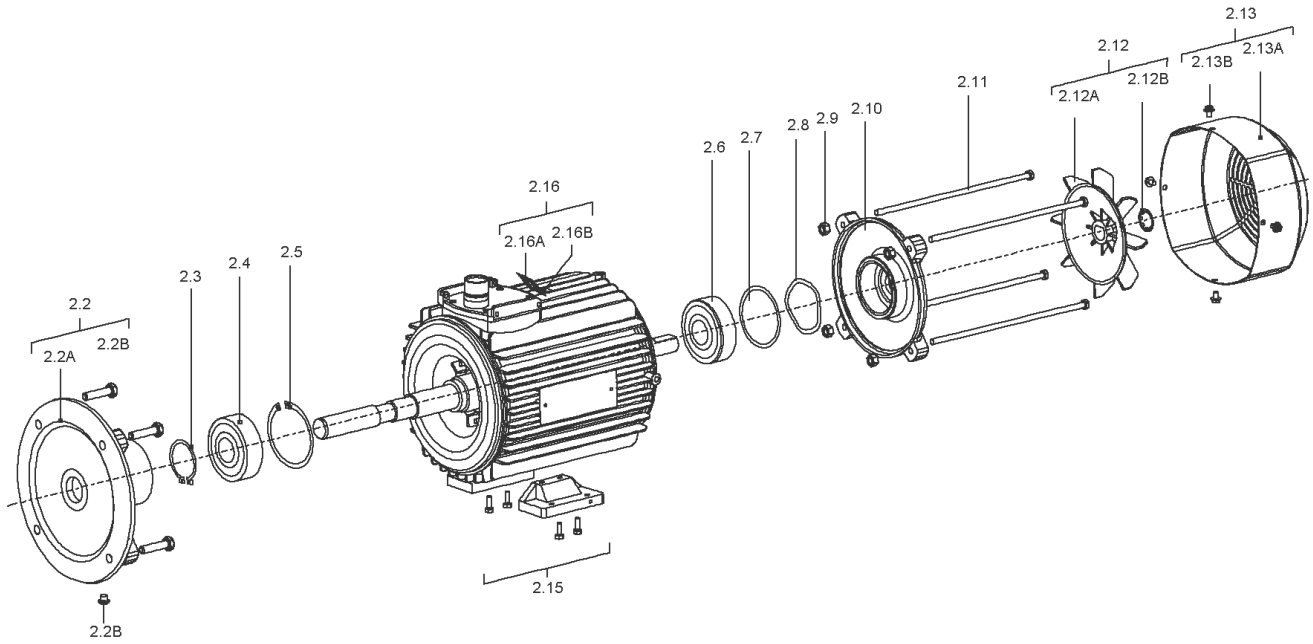
		3~ AL180M/L-04		2015/12		1030615079	
AMB 40°C							
IP55		INS CL.F		Δ T 80 K		S1 SF 1.0	
V	Hz	kW	RPM	A	PF		
400 / -			1480	29,5 / -	0,78		
- / -							
- / -							
- / -							
400	IE4	93,9 (100%)	92,5 (75%)	90,8 (50%)			
- / -		- (100%)	- (75%)	- (50%)			
- A		- (100%)	- (75%)	- (50%)			
NEMA	Eff	- %	- HP	- V	- Hz	- RPM	
- A	PF	DES	CODE	SF			
		6311-ZZ-C3		MOBIL POLYREX EM		162 kg	
		6211-ZZ-C3					
MOD.TE01A0X1A0000301180							
		IEC 60034					

VIBRATION LEVEL A
ACCORDING IEC 60034-14
BALANCED WITH NO KEY
WILO PART NO: <b>2151697</b>

Motor-Nummer  
motor number  
numéro du moteur

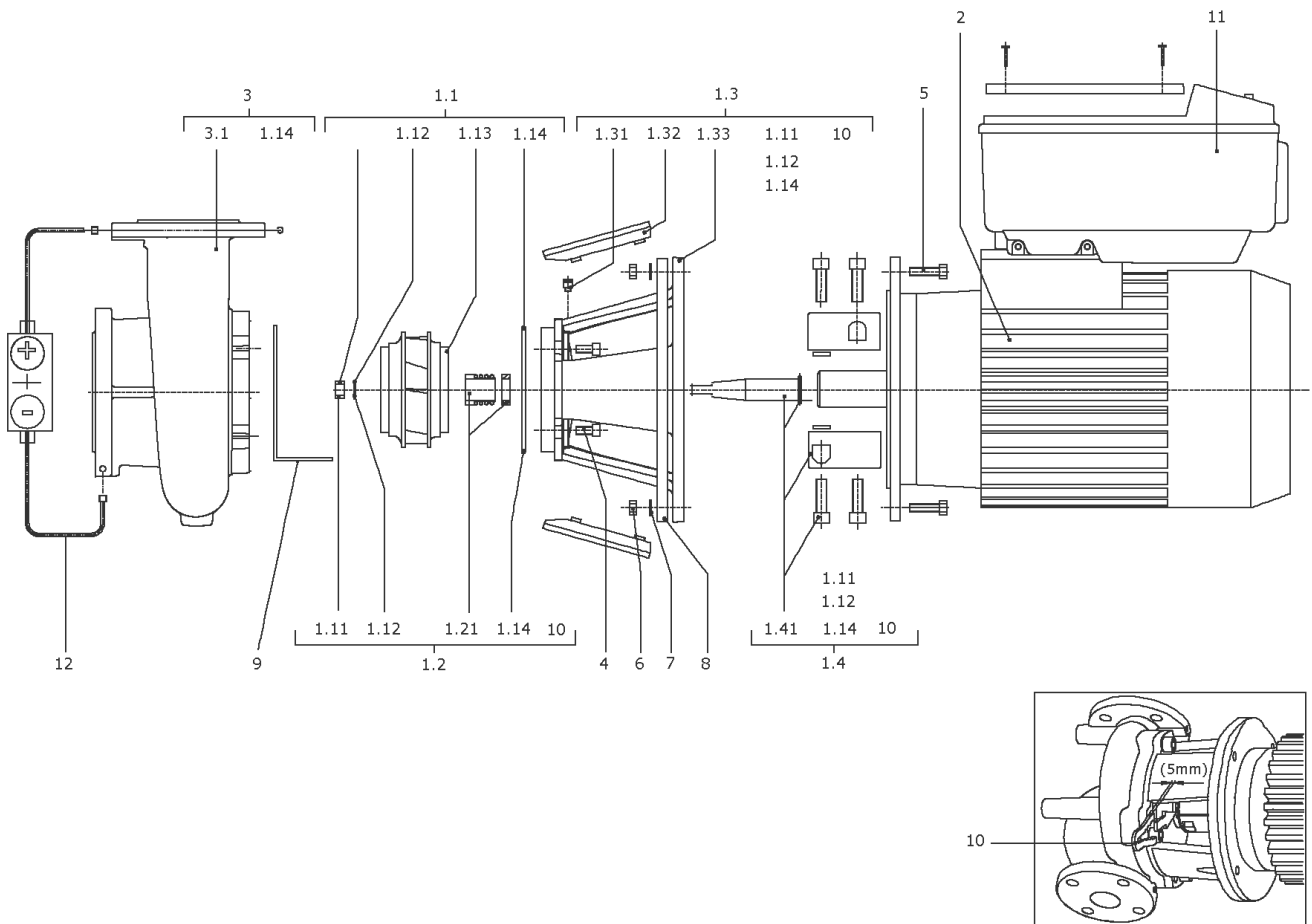
## Spare parts motor B35 7,5/4/132/300E IE4

Item	Description	Quantity
ELEC	Moteur B35 7,5/4/132/300E ELEC IE4 WILO	1



**Moteur B35 7,5/4/132/300E ELEC IE4 WILO**

Item	Article no.	Description	Quantity
2.2	2175903	End shield BG132 FF265 D.E.ELEC KIT	1
Note: Please give the data from type plate of the motor			
2.2A		> Flange IEC132 V1 FF265 D.E.	1
2.2B	2111309	> CONDENSATE HOLE GASKET D5 VP.	1
2.3	2178920	Circlip D40 GB894.1 VP.	1
Note: Please give the data from type plate of the motor			
2.4	121266690	BALL BEARING 6308/2Z-C3 (HT) VP.	1
Note: Please give the data from type plate of the motor			
2.5	2192954	Circlip D90 GB893.1 VP.	1
Note: Please give the data from type plate of the motor			
2.6	2153173	Ball bearing 6206/VV-C3 VP.	1
Note: Please give the data from type plate of the motor			
2.8	2132469	SPRING RING D.62 JB/T7590 VP.	1
2.9	2178926	Nut M8 (4 Pieces)	1
Note: Please give the data from type plate of the motor			
2.10	2178921	End shield BG132 N.D.E.ELEC VP.	1
Note: Please give the data from type plate of the motor			
2.11	2178925	Inner hexagon screws M8x50 (4 Pieces)	1
2.12	2188089	Fan IEC 230X20X17 H52 KIT	1
Note: Please give the data from type plate of the motor			
2.12A		> FAN 230X20X17 GP2200 G/F20% H52	1
2.12B	2118396	> Tooth lock washer D.19,8x0,4 VP.	1
2.13	2188090	Fan hood BG132L ELEC KIT	1
Note: Please give the data from type plate of the motor			
2.13A		> FAN COVER IEC132 KTL ST14 T1.0 H123	1
2.13B	2178923	> Screw M5X8 GB/T3098.1 6.8(4 Pieces)	1
2.15	2192955	Motor foot cpl.BG132 ELEC KIT	1
2.16	2178924	Air guider IEC 132 Motor KIT	1
Note: Please give the data from type plate of the motor			
2.16A		> AIR GUIDER IEC 132 MOTOR	1
2.16B		> SCREW M8X16 TORX HEX 6.8 GB/T70	1





**BL-E100/200-5,5/4-R1 (2191450)**

Item	Article no.	Description	Quantity
1.1	2051373	IMPELLER D.125/197/24(BL)KIT	1
1.11	2027187	> NUT M12 DIN-EN24032 A2 VP.	1
1.12	2027190	> WASHER A13 DIN125-T2 A2 VP.	1
1.13		> IMPELLER 125/197/187/24 GG BALANCED	1
1.14	2042864	> O-RING ID.224x3,55 7EP1197-W534 VP.	1
	2042862	> WASHER S12 V2A VP.	1
1.2	2026902	MECHANICAL SEAL MG12/24-G60 AQ1EGG KIT	1
1.11	2027187	> NUT M12 DIN-EN24032 A2 VP.	1
1.12	2027190	> WASHER A13 DIN125-T2 A2 VP.	1
1.14	2037527	> O-RING 148,82x3,53 EPDM 70SR.VP.	1
1.14	2043160	> O-Ring 177,39x3,53 ISO3601B EPDM VP.	1
1.14	2042864	> O-RING ID.224x3,55 7EP1197-W534 VP.	1
1.14	2051680	> O-RING ID.276,7x5,29 7EP1197-W534 VP.	1
	2042862	> WASHER S12 V2A VP.	1
1.21		> MECHANICAL SEAL MG12/24-G60 AQ1EGG	1
10	2027202	> TOOL D.18/24/32 VP.	1
1.3	2042721	LANTERN P270X122-F265 KTL KIT	1
1.11	2027187	> NUT M12 DIN-EN24032 A2 VP.	1
1.12	2027190	> WASHER A13 DIN125-T2 A2 VP.	1
1.14	2042864	> O-RING ID.224x3,55 7EP1197-W534 VP.	1
	2042862	> WASHER S12 V2A VP.	1
1.31	2027201	> BLOWGUN R1/8" VP.	1
1.32	2048845	> COUPLING GUARD P270-F265 PA66 (2 PIECES)	1
1.33		> LANTERN P270X122-F265 GG KTL WILO	1
10	2027202	> TOOL D.18/24/32 VP.	1
1.4	2048444	COUPLING/SHAFT D.24/38X153 KIT	1
1.11	2027187	> NUT M12 DIN-EN24032 A2 VP.	1
1.12	2027190	> WASHER A13 DIN125-T2 A2 VP.	1
1.14	2042864	> O-RING ID.224x3,55 7EP1197-W534 VP.	1
1.14	2051680	> O-RING ID.276,7x5,29 7EP1197-W534 VP.	1
	2042862	> WASHER S12 V2A VP.	1
1.41		> COUPLING 24/38+SHAFT 24X153 GR132 ZN KIT	1
10	2027202	> TOOL D.18/24/32 VP.	1
2	2169161	Motor B35 5,5/4/132/300E-IE4-ELEC(+Tool)	1

**BL-E100/200-5,5/4-R1 (2191450)**

Item	Article no.	Description	Quantity
		Spare parts motor B35 5,5/4/132 300E IE4	1
3	2051366	PUMP HOUSING BL100/220 PN16 KIT	1
1.14	2042864	> O-RING ID.224x3,55 7EP1197-W534 VP.	1
3.1		> PUMP HOUSING BL100/220 PN16 CPL.WILO	1
4	2027193	SCREW M16X30 ISO4762 8.8 (4 PIECES)	1
5	2027195	SCREW M12X25 DIN912 8.8 (4 PIECES)	1
11	2191624	Module BL-E100/200-5,5/4-IE4 ELEC KIT	1
		> Module TL5 4Pol. SW4.0.21	1
	2111344	> MODULE COVER/GASKET TL5 KIT	1
	2120047	> CABLE CONNECTION M12x1,5/5 cpl.TL5 VP.	1
	2120048	> CABLE CONNECTION M16x1,5/5 cpl.TL5 VP.	1
	2120049	> CABLE CONNECTION M20x1,5/6 cpl.TL5 VP.	1
	2120050	> CABLE CONNECTION M25x1,5/8 cpl.TL5 VP.	1

Motor-Typenschild / Motor type plate / Plaque identité moteur

Bei Ersatzteilbestellung Motor-Nummer angeben!

Indicate motor number for order of spare parts!

Pour une commande de pièces détachées, donner le numéro du moteur!

ELEC

Motor-Nummer  
motor number  
numéro du moteur

<b>3~Induction Motor</b>						
Made by WILLO Group						
<b>3511218</b>	W132240-4-V1NPE		0902.001			
Class F	S1	IP55	69kg	EN60034		
50Hz	5.5kW	SF=L1S	60Hz	6.45kW		
YΔ 400/690V	10,6/6,13A	Y 440-480V	10,9/10,35A			
Cosφ =0.81	1470min <sup>-1</sup>	Cosφ =0.81	1770min <sup>-1</sup>			
IE4-91.9%	91,9%	91,1%	IE4-92.4%	92,4%	91,8%	

WEG

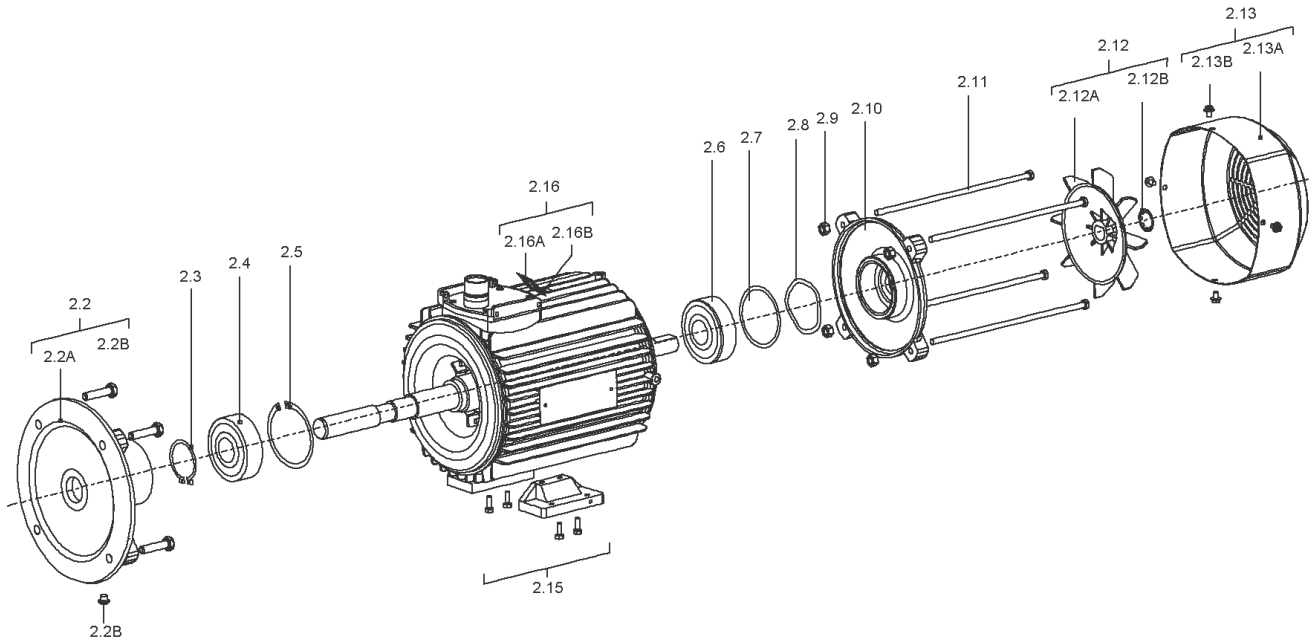
		3~ AL180M/L-04		2015/12		1030615079	
AMB 40°C							
IP55		INS CL.F		Δ T 80 K		S1 SF 1.0	
V	Hz	kW	RPM	A	PF		
400 / -			1480	29,5 / -	0,78		
- / -							
- / -							
- / -							
400	IE4	93,9 (100%)	92,5 (75%)	90,8 (50%)			
- / -		- (100%)	- (75%)	- (50%)			
- A		- (100%)	- (75%)	- (50%)			
NEMA	Eff	- %	- HP	- V	- Hz	- RPM	
- A	PF	DES	CODE	SF			
		6311-ZZ-C3		MOBIL POLYREX EM		162 kg	
		6211-ZZ-C3					
MOD.TE01A0X1A0000301180							
		IEC 60034					

VIBRATION LEVEL A	
ACCORDING IEC 60034-14	
BALANCED WITH NO KEY	
WILO PART NO: 2151697	

Motor-Nummer  
motor number  
numéro du moteur

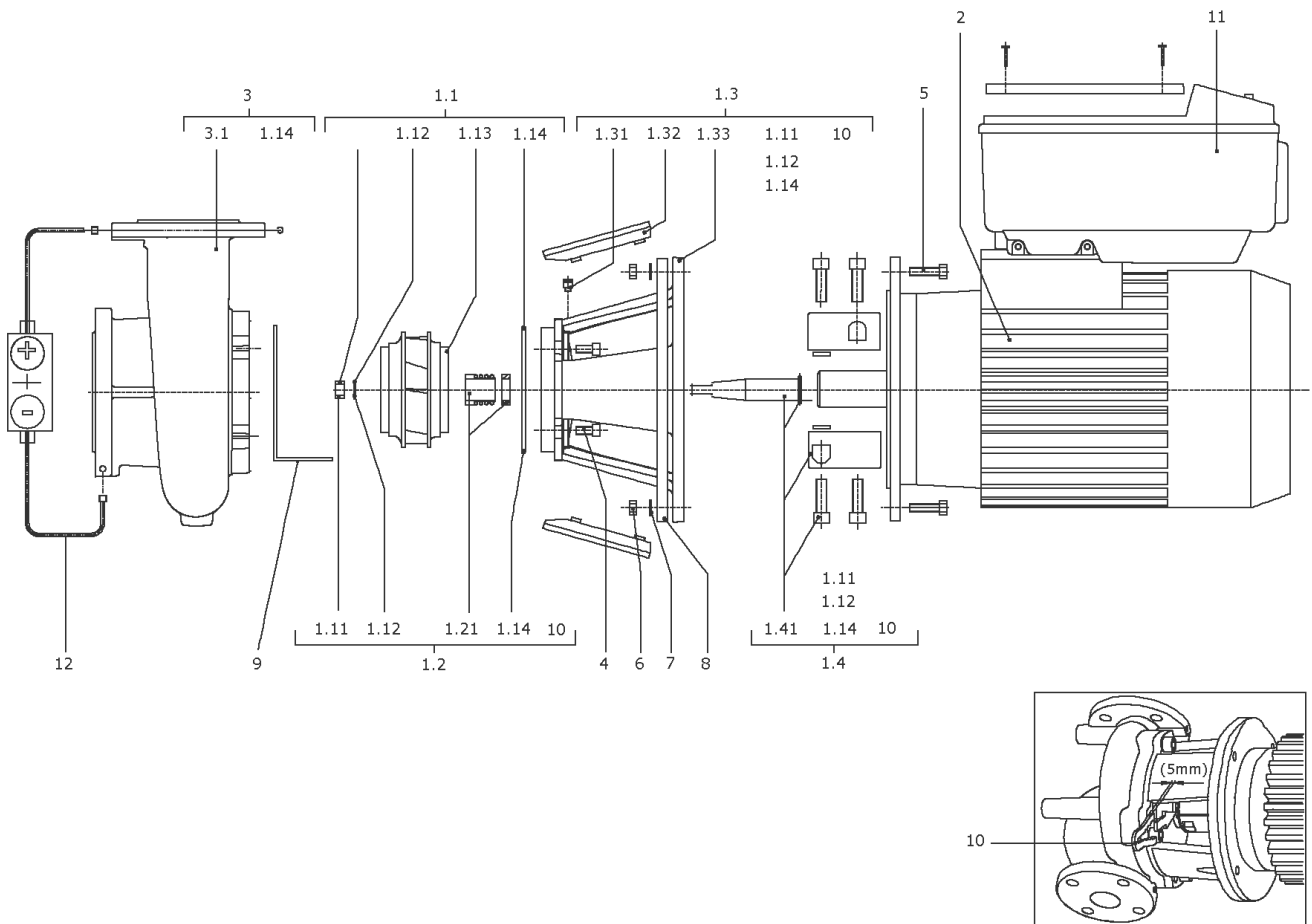
## Spare parts motor B35 5,5/4/132 300E IE4

Item	Description	Quantity
ELEC	Motor B35 5,5/4/132/300E ELEC IE4 WILO	1



**Motor B35 5,5/4/132/300E ELEC IE4 WILO**

Item	Article no.	Description	Quantity
2.2	2175903	End shield BG132 FF265 D.E.ELEC KIT	1
Note: Please give the data from type plate of the motor			
2.2A		> Flange IEC132 V1 FF265 D.E.	1
2.2B	2111309	> CONDENSATE HOLE GASKET D5 VP.	1
2.3	3504026	Stop Ring D40 GB894.1	1
Note: Please give the data from type plate of the motor			
2.4	121266690	BALL BEARING 6308/2Z-C3 (HT) VP.	1
Note: Please give the data from type plate of the motor			
2.5	2192954	Circlip D90 GB893.1 VP.	1
Note: Please give the data from type plate of the motor			
2.6	2153173	Ball bearing 6206/VV-C3 VP.	1
Note: Please give the data from type plate of the motor			
2.8	2132469	SPRING RING D.62 JB/T7590 VP.	1
2.9	2178926	Nut M8 (4 Pieces)	1
Note: Please give the data from type plate of the motor			
2.10	2178921	End shield BG132 N.D.E.ELEC VP.	1
Note: Please give the data from type plate of the motor			
2.11	2178925	Inner hexagon screws M8x50 (4 Pieces)	1
2.12	2178922	Fan IEC 230X20X17 KIT	1
Note: Please give the data from type plate of the motor			
2.12A		> FAN 230x20x17 GP2200 G/F20%	1
2.12B	2118396	> Tooth lock washer D.19,8x0,4 VP.	1
2.13	2178928	Fan hood BG132 ELEC KIT	1
Note: Please give the data from type plate of the motor			
2.13A		> FAN COVER IEC132 KTL ST14 T0.8 H103	1
2.13B	2178923	> Screw M5X8 GB/T3098.1 6.8(4 Pieces)	1
2.15	2192955	Motor foot cpl.BG132 ELEC KIT	1
2.16	2178924	Air guider IEC 132 Motor KIT	1
Note: Please give the data from type plate of the motor			
2.16A		> AIR GUIDER IEC 132 MOTOR	1
2.16B		> SCREW M8X16 TORX HEX 6.8 GB/T70	1



**BL-E100/220-7,5/4-R1 (2191451)**

Item	Article no.	Description	Quantity
1.1	2051372	IMPELLER D.125/216/24(BL)KIT	1
1.11	2027187	> NUT M12 DIN-EN24032 A2 VP.	1
1.12	2027190	> WASHER A13 DIN125-T2 A2 VP.	1
1.13		> IMPELLER 125/216/206/24 GG balanced	1
1.14	2042864	> O-RING ID.224x3,55 7EP1197-W534 VP.	1
	2042862	> WASHER S12 V2A VP.	1
1.2	2026902	MECHANICAL SEAL MG12/24-G60 AQ1EGG KIT	1
1.11	2027187	> NUT M12 DIN-EN24032 A2 VP.	1
1.12	2027190	> WASHER A13 DIN125-T2 A2 VP.	1
1.14	2037527	> O-RING 148,82x3,53 EPDM 70SR.VP.	1
1.14	2043160	> O-Ring 177,39x3,53 ISO3601B EPDM VP.	1
1.14	2042864	> O-RING ID.224x3,55 7EP1197-W534 VP.	1
1.14	2051680	> O-RING ID.276,7x5,29 7EP1197-W534 VP.	1
	2042862	> WASHER S12 V2A VP.	1
1.21		> MECHANICAL SEAL MG12/24-G60 AQ1EGG	1
10	2027202	> TOOL D.18/24/32 VP.	1
1.3	2042721	LANTERN P270X122-F265 KTL KIT	1
1.11	2027187	> NUT M12 DIN-EN24032 A2 VP.	1
1.12	2027190	> WASHER A13 DIN125-T2 A2 VP.	1
1.14	2042864	> O-RING ID.224x3,55 7EP1197-W534 VP.	1
	2042862	> WASHER S12 V2A VP.	1
1.31	2027201	> BLOWGUN R1/8" VP.	1
1.32	2048845	> COUPLING GUARD P270-F265 PA66 (2 PIECES)	1
1.33		> LANTERN P270X122-F265 GG KTL WILO	1
10	2027202	> TOOL D.18/24/32 VP.	1
1.4	2048444	COUPLING/SHAFT D.24/38X153 KIT	1
1.11	2027187	> NUT M12 DIN-EN24032 A2 VP.	1
1.12	2027190	> WASHER A13 DIN125-T2 A2 VP.	1
1.14	2042864	> O-RING ID.224x3,55 7EP1197-W534 VP.	1
1.14	2051680	> O-RING ID.276,7x5,29 7EP1197-W534 VP.	1
	2042862	> WASHER S12 V2A VP.	1
1.41		> COUPLING 24/38+SHAFT 24X153 GR132 ZN KIT	1
10	2027202	> TOOL D.18/24/32 VP.	1
2	2169163	Motor B35 7,5/4/132/300E-IE4-ELEC(+Tool)	1



**BL-E100/220-7,5/4-R1 (2191451)**

Item	Article no.	Description	Quantity
		Spare parts motor B35 7,5/4/132/300E IE4	1
3	2051366	PUMP HOUSING BL100/220 PN16 KIT	1
1.14	2042864	> O-RING ID.224x3,55 7EP1197-W534 VP.	1
3.1		> PUMP HOUSING BL100/220 PN16 CPL.WILO	1
4	2027193	SCREW M16X30 ISO4762 8.8 (4 PIECES)	1
5	2027195	SCREW M12X25 DIN912 8.8 (4 PIECES)	1
11	2191625	Module BL-E100/220-7,5/4-IE4 ELEC KIT	1
		> Module TL5 4Pol. SW4.0.21	1
	2111344	> MODULE COVER/GASKET TL5 KIT	1
	2120047	> CABLE CONNECTION M12x1,5/5 cpl.TL5 VP.	1
	2120048	> CABLE CONNECTION M16x1,5/5 cpl.TL5 VP.	1
	2120049	> CABLE CONNECTION M20x1,5/6 cpl.TL5 VP.	1
	2120050	> CABLE CONNECTION M25x1,5/8 cpl.TL5 VP.	1

Motor-Typenschild / Motor type plate / Plaque identité moteur

Bei Ersatzteilbestellung Motor-Nummer angeben!

Indicate motor number for order of spare parts!

Pour une commande de pièces détachées, donner le numéro du moteur!

ELEC

Motor-Nummer  
motor number  
numéro du moteur

<b>3~Induction Motor</b>					
Made by WILLO Group					
<b>3511218</b>	<b>W132240-4-V1NPE</b>		<b>0902.001</b>		
Class F	S1	IP55	69kg	EN60034	
50Hz	5.5kW	SF=L1S	60Hz	6.45kW	
YΔ 400/690V	10,6/6,13A	Y 440-480V	10,9/10,35A		
Cosφ =0.81	1470min <sup>-1</sup>	Cosφ =0.81	1770min <sup>-1</sup>		
IE4-91.9%	91,9%	91,1%	IE4-92.4%	92,4%	91,8%

WEG

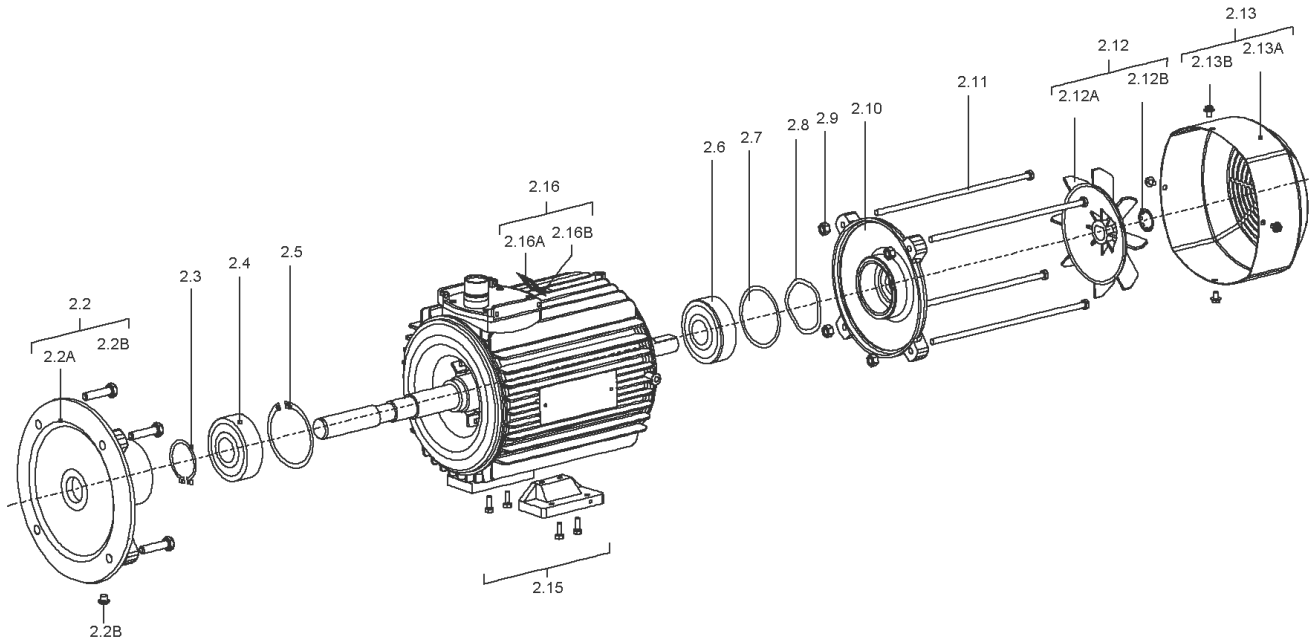
		3~ AL180M/L-04		2015/12		1030615079	
AMB 40°C							
IP55		INS CL.F		Δ T 80 K		S1 SF 1.0	
V	Hz	kW	RPM	A	PF		
400 / -	- / -	- / -	1480	29,5 / -	0,78		
- / -	- / -	- / -	- / -	- / -	- / -		
- / -	- / -	- / -	- / -	- / -	- / -		
400	IE4	93,9 (100%)	92,5 (75%)	90,8 (50%)			
- / -	-	(100%)	- (75%)	- (50%)			
- A	-	(100%)	- (75%)	- (50%)			
NEMA	Eff	- %	- HP	- V	- Hz	- RPM	
- A	PF	DES	CODE	SF			
		6311-ZZ-C3		MOBIL POLYREX EM		162 kg	
		6211-ZZ-C3					
MOD.TE01A0X1A0000301180							
		IEC 60034					

VIBRATION LEVEL A
ACCORDING IEC 60034-14
BALANCED WITH NO KEY
WILO PART NO: <b>2151697</b>

Motor-Nummer  
motor number  
numéro du moteur

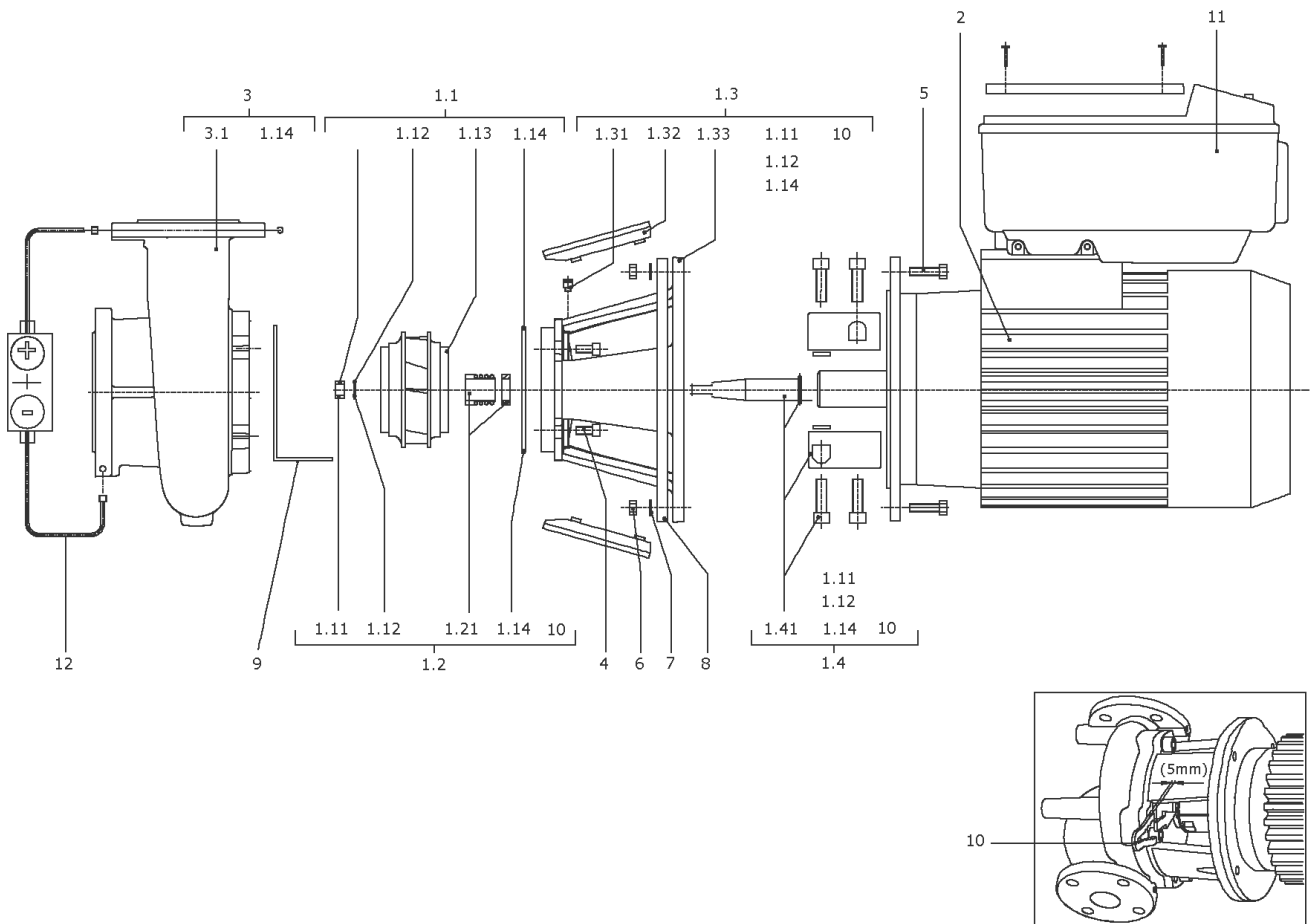
## Spare parts motor B35 7,5/4/132/300E IE4

Item	Description	Quantity
ELEC	Moteur B35 7,5/4/132/300E ELEC IE4 WILO	1



**Moteur B35 7,5/4/132/300E ELEC IE4 WILO**

Item	Article no.	Description	Quantity
2.2	2175903	End shield BG132 FF265 D.E.ELEC KIT	1
Note: Please give the data from type plate of the motor			
2.2A		> Flange IEC132 V1 FF265 D.E.	1
2.2B	2111309	> CONDENSATE HOLE GASKET D5 VP.	1
2.3	2178920	Circlip D40 GB894.1 VP.	1
Note: Please give the data from type plate of the motor			
2.4	121266690	BALL BEARING 6308/2Z-C3 (HT) VP.	1
Note: Please give the data from type plate of the motor			
2.5	2192954	Circlip D90 GB893.1 VP.	1
Note: Please give the data from type plate of the motor			
2.6	2153173	Ball bearing 6206/VV-C3 VP.	1
Note: Please give the data from type plate of the motor			
2.8	2132469	SPRING RING D.62 JB/T7590 VP.	1
2.9	2178926	Nut M8 (4 Pieces)	1
Note: Please give the data from type plate of the motor			
2.10	2178921	End shield BG132 N.D.E.ELEC VP.	1
Note: Please give the data from type plate of the motor			
2.11	2178925	Inner hexagon screws M8x50 (4 Pieces)	1
2.12	2188089	Fan IEC 230X20X17 H52 KIT	1
Note: Please give the data from type plate of the motor			
2.12A		> FAN 230X20X17 GP2200 G/F20% H52	1
2.12B	2118396	> Tooth lock washer D.19,8x0,4 VP.	1
2.13	2188090	Fan hood BG132L ELEC KIT	1
Note: Please give the data from type plate of the motor			
2.13A		> FAN COVER IEC132 KTL ST14 T1.0 H123	1
2.13B	2178923	> Screw M5X8 GB/T3098.1 6.8(4 Pieces)	1
2.15	2192955	Motor foot cpl.BG132 ELEC KIT	1
2.16	2178924	Air guider IEC 132 Motor KIT	1
Note: Please give the data from type plate of the motor			
2.16A		> AIR GUIDER IEC 132 MOTOR	1
2.16B		> SCREW M8X16 TORX HEX 6.8 GB/T70	1



**BL-E125/185-5,5/4-R1 (2191452)**

Item	Article no.	Description	Quantity
1.1	2135924	IMPELLER 150/220-189-139,6/24 GG KIT	1
1.11	2027187	> NUT M12 DIN-EN24032 A2 VP.	1
1.12	2027190	> WASHER A13 DIN125-T2 A2 VP.	1
1.13		> IMPELLER 150/220-189-139,6/24 GG balance	1
1.14	2042864	> O-RING ID.224x3,55 7EP1197-W534 VP.	1
	2042862	> WASHER S12 V2A VP.	1
1.2	2026902	MECHANICAL SEAL MG12/24-G60 AQ1EGG KIT	1
1.11	2027187	> NUT M12 DIN-EN24032 A2 VP.	1
1.12	2027190	> WASHER A13 DIN125-T2 A2 VP.	1
1.14	2037527	> O-RING 148,82x3,53 EPDM 70SR.VP.	1
1.14	2043160	> O-Ring 177,39x3,53 ISO3601B EPDM VP.	1
1.14	2042864	> O-RING ID.224x3,55 7EP1197-W534 VP.	1
1.14	2051680	> O-RING ID.276,7x5,29 7EP1197-W534 VP.	1
	2042862	> WASHER S12 V2A VP.	1
1.21		> MECHANICAL SEAL MG12/24-G60 AQ1EGG	1
10	2027202	> TOOL D.18/24/32 VP.	1
1.3	2051331	LANTERN P270X140-F265 KIT	1
1.11	2027187	> NUT M12 DIN-EN24032 A2 VP.	1
1.12	2027190	> WASHER A13 DIN125-T2 A2 VP.	1
1.14	2042864	> O-RING ID.224x3,55 7EP1197-W534 VP.	1
	2042862	> WASHER S12 V2A VP.	1
1.31	2027201	> BLOWGUN R1/8" VP.	1
1.32	2048845	> COUPLING GUARD P270-F265 PA66 (2 PIECES)	1
1.33		> LATERNE P270X140-F265 GG KTL WILO	1
10	2027202	> TOOL D.18/24/32 VP.	1
1.4	2042735	COUPLING/SHAFT D.24/38X166 KIT	1
1.11	2027187	> NUT M12 DIN-EN24032 A2 VP.	1
1.12	2027190	> WASHER A13 DIN125-T2 A2 VP.	1
1.14	2042864	> O-RING ID.224x3,55 7EP1197-W534 VP.	1
1.14	2051680	> O-RING ID.276,7x5,29 7EP1197-W534 VP.	1
	2042862	> WASHER S12 V2A VP.	1
1.41		> COUPLING 24/38+SHAFT 24X166 BG132 ZN KIT	1
10	2027202	> TOOL D.18/24/32 VP.	1
2	2169161	Motor B35 5,5/4/132/300E-IE4-ELEC(+Tool)	1

**BL-E125/185-5,5/4-R1 (2191452)**

Item	Article no.	Description	Quantity
		Spare parts motor B35 5,5/4/132 300E IE4	1
3	2135946	PUMP HOUSING B125/220-P270 PN16 KIT	1
1.14	2042864	> O-RING ID.224x3,55 7EP1197-W534 VP.	1
3.1		> PUMP HOUSING B125/220-P270 PN16 CPL.WILO	1
4	2027193	SCREW M16X30 ISO4762 8.8 (4 PIECES)	1
5	2027195	SCREW M12X25 DIN912 8.8 (4 PIECES)	1
11	2191626	Module BL-E125/185-5,5/4-IE4 ELEC KIT	1
		> Module TL5 4Pol. SW4.0.21	1
	2111344	> MODULE COVER/GASKET TL5 KIT	1
	2120047	> CABLE CONNECTION M12x1,5/5 cpl.TL5 VP.	1
	2120048	> CABLE CONNECTION M16x1,5/5 cpl.TL5 VP.	1
	2120049	> CABLE CONNECTION M20x1,5/6 cpl.TL5 VP.	1
	2120050	> CABLE CONNECTION M25x1,5/8 cpl.TL5 VP.	1



Motor-Typenschild / Motor type plate / Plaque identité moteur

Bei Ersatzteilbestellung Motor-Nummer angeben!

Indicate motor number for order of spare parts!

Pour une commande de pièces détachées, donner le numéro du moteur!

ELEC

Motor-Nummer  
motor number  
numéro du moteur

<b>3~Induction Motor</b>					
Made by WILLO Group					
<b>351f218</b>	<b>W132240-4-V1NPE</b>		<b>0902.001</b>		
Class F	S1	IP55	69kg	EN60034	
50Hz	5.5kW	SF=1.15	60Hz	6.45kW	
YΔ 400/690V	10,6/6,13A	Y 440-480V	10,9/10,35A		
Cosφ =0.81	1470min <sup>-1</sup>	Cosφ =0.81	1770min <sup>-1</sup>		
IE4-91.9%	91,9%	91,1%	IE4-92.4%	92,4%	91,8%

WEG

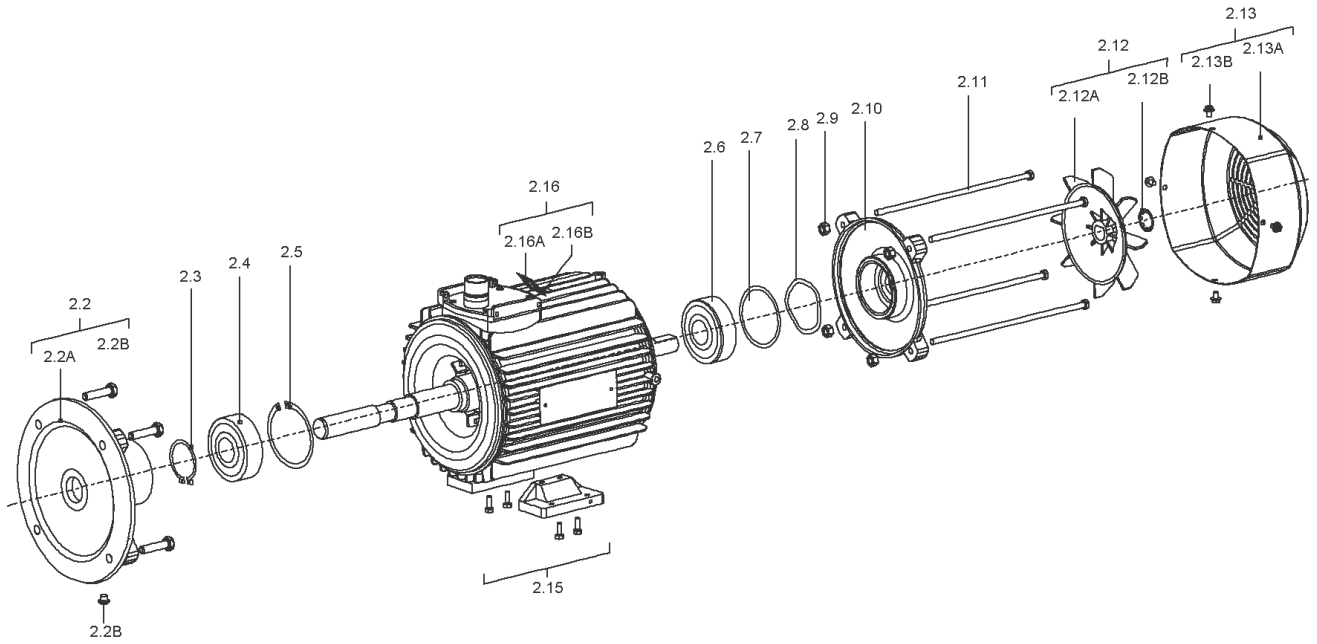
3~ AL180M/L-04		2015/12		1030615079	
AMB 40°C					
IP55	INS CL.F	Δ T 80 K	S1	SF 1.0	
V	Hz	kW	RPM	A	PF
400 / -			1480	29,5 / -	0,78
- / -					
- / -					
- / -					
400	IE4	93,9 (100%)	92,5 (75%)	90,8 (50%)	
- / -		- (100%)	- (75%)	- (50%)	
- A		- (100%)	- (75%)	- (50%)	
 Δ L1 L1 L1					
NEMA	Eff	- %	- HP	- V	- Hz
- A	PF	DES	CODE	SF	-
← 6311-ZZ-C3 MOBIL POLYREX EM				162 kg	
→ 6211-ZZ-C3		MOD.TE01A0X1A0000301180			
IEC 60034					

VIBRATION LEVEL A
ACCORDING IEC 60034-14
BALANCED WITH NO KEY
WILO PART NO: <b>2151697</b>

Motor-Nummer  
motor number  
numéro du moteur

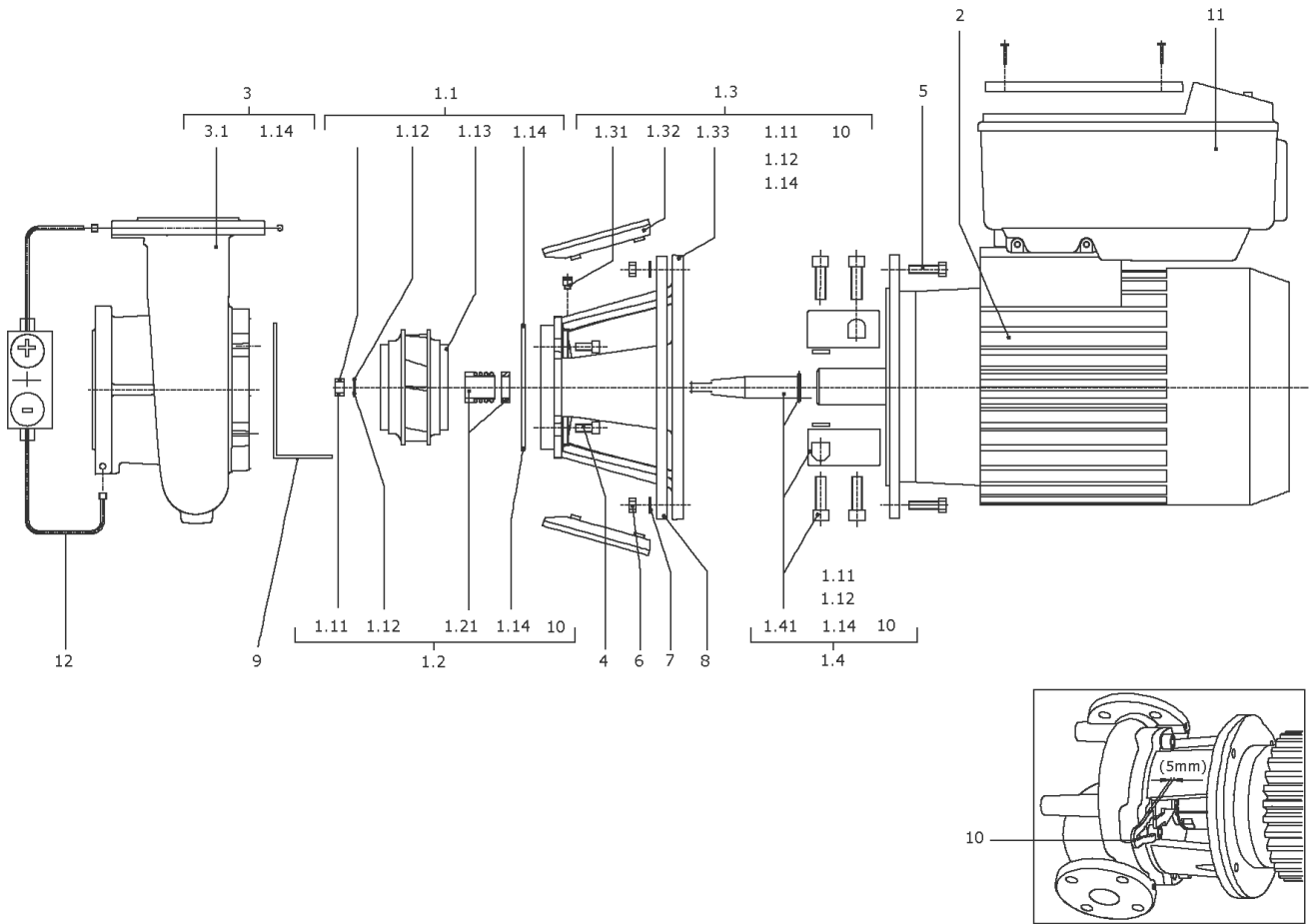
## Spare parts motor B35 5,5/4/132 300E IE4

Item	Description	Quantity
ELEC	Motor B35 5,5/4/132/300E ELEC IE4 WILO	1



**Motor B35 5,5/4/132/300E ELEC IE4 WILO**

Item	Article no.	Description	Quantity
2.2	2175903	End shield BG132 FF265 D.E.ELEC KIT	1
Note: Please give the data from type plate of the motor			
2.2A		> Flange IEC132 V1 FF265 D.E.	1
2.2B	2111309	> CONDENSATE HOLE GASKET D5 VP.	1
2.3	3504026	Stop Ring D40 GB894.1	1
Note: Please give the data from type plate of the motor			
2.4	121266690	BALL BEARING 6308/2Z-C3 (HT) VP.	1
Note: Please give the data from type plate of the motor			
2.5	2192954	Circlip D90 GB893.1 VP.	1
Note: Please give the data from type plate of the motor			
2.6	2153173	Ball bearing 6206/VV-C3 VP.	1
Note: Please give the data from type plate of the motor			
2.8	2132469	SPRING RING D.62 JB/T7590 VP.	1
2.9	2178926	Nut M8 (4 Pieces)	1
Note: Please give the data from type plate of the motor			
2.10	2178921	End shield BG132 N.D.E.ELEC VP.	1
Note: Please give the data from type plate of the motor			
2.11	2178925	Inner hexagon screws M8x50 (4 Pieces)	1
2.12	2178922	Fan IEC 230X20X17 KIT	1
Note: Please give the data from type plate of the motor			
2.12A		> FAN 230x20x17 GP2200 G/F20%	1
2.12B	2118396	> Tooth lock washer D.19,8x0,4 VP.	1
2.13	2178928	Fan hood BG132 ELEC KIT	1
Note: Please give the data from type plate of the motor			
2.13A		> FAN COVER IEC132 KTL ST14 T0.8 H103	1
2.13B	2178923	> Screw M5X8 GB/T3098.1 6.8(4 Pieces)	1
2.15	2192955	Motor foot cpl.BG132 ELEC KIT	1
2.16	2178924	Air guider IEC 132 Motor KIT	1
Note: Please give the data from type plate of the motor			
2.16A		> AIR GUIDER IEC 132 MOTOR	1
2.16B		> SCREW M8X16 TORX HEX 6.8 GB/T70	1



**BL-E125/210-7,5/4-R1 (2191453)**

Item	Article no.	Description	Quantity
1.1	2135925	IMPELLER 150/220-204-139,6/24 GG KIT	1
1.11	2027187	> NUT M12 DIN-EN24032 A2 VP.	1
1.12	2027190	> WASHER A13 DIN125-T2 A2 VP.	1
1.13		> Impeller 150/220-204-139,6/24 GG balance	1
1.14	2042864	> O-RING ID.224x3,55 7EP1197-W534 VP.	1
	2042862	> WASHER S12 V2A VP.	1
1.2	2026902	MECHANICAL SEAL MG12/24-G60 AQ1EGG KIT	1
1.11	2027187	> NUT M12 DIN-EN24032 A2 VP.	1
1.12	2027190	> WASHER A13 DIN125-T2 A2 VP.	1
1.14	2037527	> O-RING 148,82x3,53 EPDM 70SR.VP.	1
1.14	2043160	> O-Ring 177,39x3,53 ISO3601B EPDM VP.	1
1.14	2042864	> O-RING ID.224x3,55 7EP1197-W534 VP.	1
1.14	2051680	> O-RING ID.276,7x5,29 7EP1197-W534 VP.	1
	2042862	> WASHER S12 V2A VP.	1
1.21		> MECHANICAL SEAL MG12/24-G60 AQ1EGG	1
10	2027202	> TOOL D.18/24/32 VP.	1
1.3	2051331	LANTERN P270X140-F265 KIT	1
1.11	2027187	> NUT M12 DIN-EN24032 A2 VP.	1
1.12	2027190	> WASHER A13 DIN125-T2 A2 VP.	1
1.14	2042864	> O-RING ID.224x3,55 7EP1197-W534 VP.	1
	2042862	> WASHER S12 V2A VP.	1
1.31	2027201	> BLOWGUN R1/8" VP.	1
1.32	2048845	> COUPLING GUARD P270-F265 PA66 (2 PIECES)	1
1.33		> LATERNE P270X140-F265 GG KTL WILO	1
10	2027202	> TOOL D.18/24/32 VP.	1
1.4	2042735	COUPLING/SHAFT D.24/38X166 KIT	1
1.11	2027187	> NUT M12 DIN-EN24032 A2 VP.	1
1.12	2027190	> WASHER A13 DIN125-T2 A2 VP.	1
1.14	2042864	> O-RING ID.224x3,55 7EP1197-W534 VP.	1
1.14	2051680	> O-RING ID.276,7x5,29 7EP1197-W534 VP.	1
	2042862	> WASHER S12 V2A VP.	1
1.41		> COUPLING 24/38+SHAFT 24X166 BG132 ZN KIT	1
10	2027202	> TOOL D.18/24/32 VP.	1
2	2169163	Motor B35 7,5/4/132/300E-IE4-ELEC(+Tool)	1

**BL-E125/210-7,5/4-R1 (2191453)**

Item	Article no.	Description	Quantity
		Spare parts motor B35 7,5/4/132/300E IE4	1
3	2135946	PUMP HOUSING B125/220-P270 PN16 KIT	1
1.14	2042864	> O-RING ID.224x3,55 7EP1197-W534 VP.	1
3.1		> PUMP HOUSING B125/220-P270 PN16 CPL.WILO	1
4	2027193	SCREW M16X30 ISO4762 8.8 (4 PIECES)	1
5	2027195	SCREW M12X25 DIN912 8.8 (4 PIECES)	1
11	2191627	Module BL-E125/210-7,5/4-IE4 ELEC KIT	1
		> Module TL5 4Pol. SW4.0.21	1
	2111344	> MODULE COVER/GASKET TL5 KIT	1
	2120047	> CABLE CONNECTION M12x1,5/5 cpl.TL5 VP.	1
	2120048	> CABLE CONNECTION M16x1,5/5 cpl.TL5 VP.	1
	2120049	> CABLE CONNECTION M20x1,5/6 cpl.TL5 VP.	1
	2120050	> CABLE CONNECTION M25x1,5/8 cpl.TL5 VP.	1

Motor-Typenschild / Motor type plate / Plaque identité moteur

Bei Ersatzteilbestellung Motor-Nummer angeben!

Indicate motor number for order of spare parts!

Pour une commande de pièces détachées, donner le numéro du moteur!

ELEC

Motor-Nummer  
motor number  
numéro du moteur

<b>3~Induction Motor</b>					
Made by WILLO Group					
<b>351f218</b>	<b>W132240-4-V1NPE</b>		<b>0902.001</b>		
Class F	S1	IP55	69kg	EN60034	
50Hz	5.5kW	SF=L1S	60Hz	6.45kW	
YΔ 400/690V	10,6/6,13A	Y 440-480V	10,9/10,35A		
Cosφ =0.81	1470min <sup>-1</sup>	Cosφ =0.81	1770min <sup>-1</sup>		
IE4-91.9%	91,9%	91,1%	IE4-92.4%	92,4%	91,8%

WEG

3~ AL180M/L-04		2015/12		1030615079	
AMB 40°C					
IP55	INS CL.F	Δ T 80 K	S1	SF 1.0	
V	Hz	kW	RPM	A	PF
400 / -			1480	29,5 / -	0,78
- / -					
- / -					
- / -					
400	IE4	93,9 (100%)	92,5 (75%)	90,8 (50%)	
- / -		- (100%)	- (75%)	- (50%)	
- A		- (100%)	- (75%)	- (50%)	
NEMA	Eff	- %	- HP	- V	- Hz
- A	PF	DES	CODE	SF	
		6311-ZZ-C3	MOBIL POLYREX EM		162 kg
		6211-ZZ-C3			
MOD.TE01A0X1A0000301180					
IEC 60034					

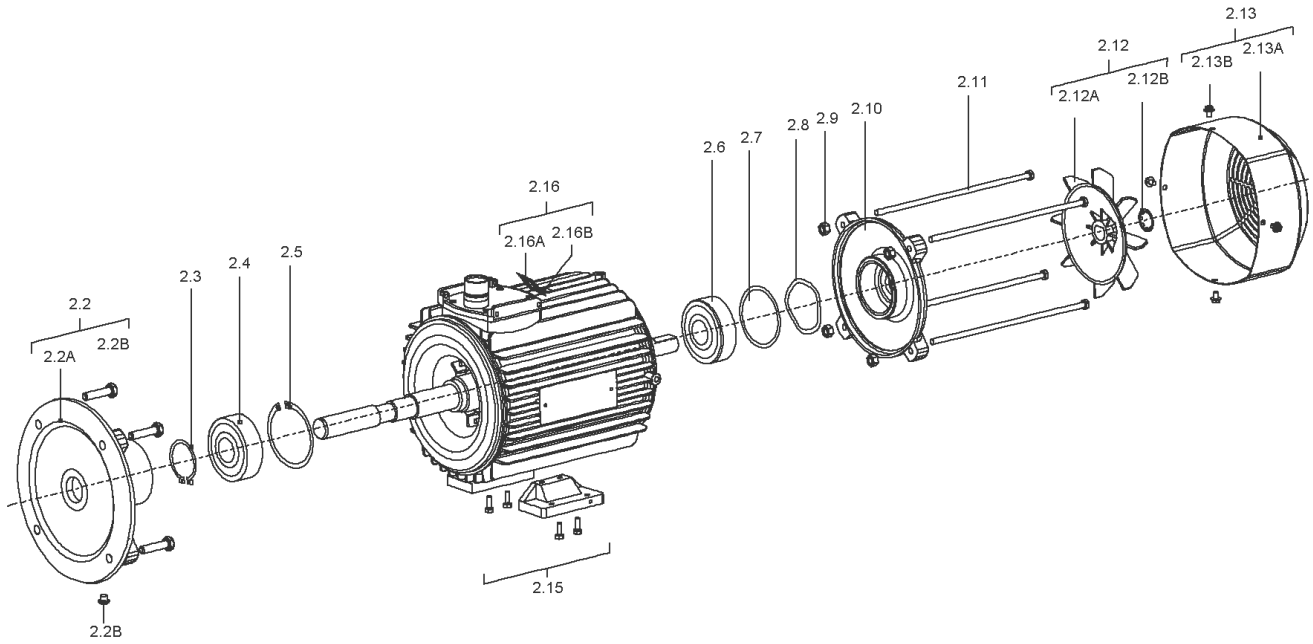
VIBRATION LEVEL A
ACCORDING IEC 60034-14
BALANCED WITH NO KEY
WILO PART NO: <b>2151697</b>

Motor-Nummer  
motor number  
numéro du moteur



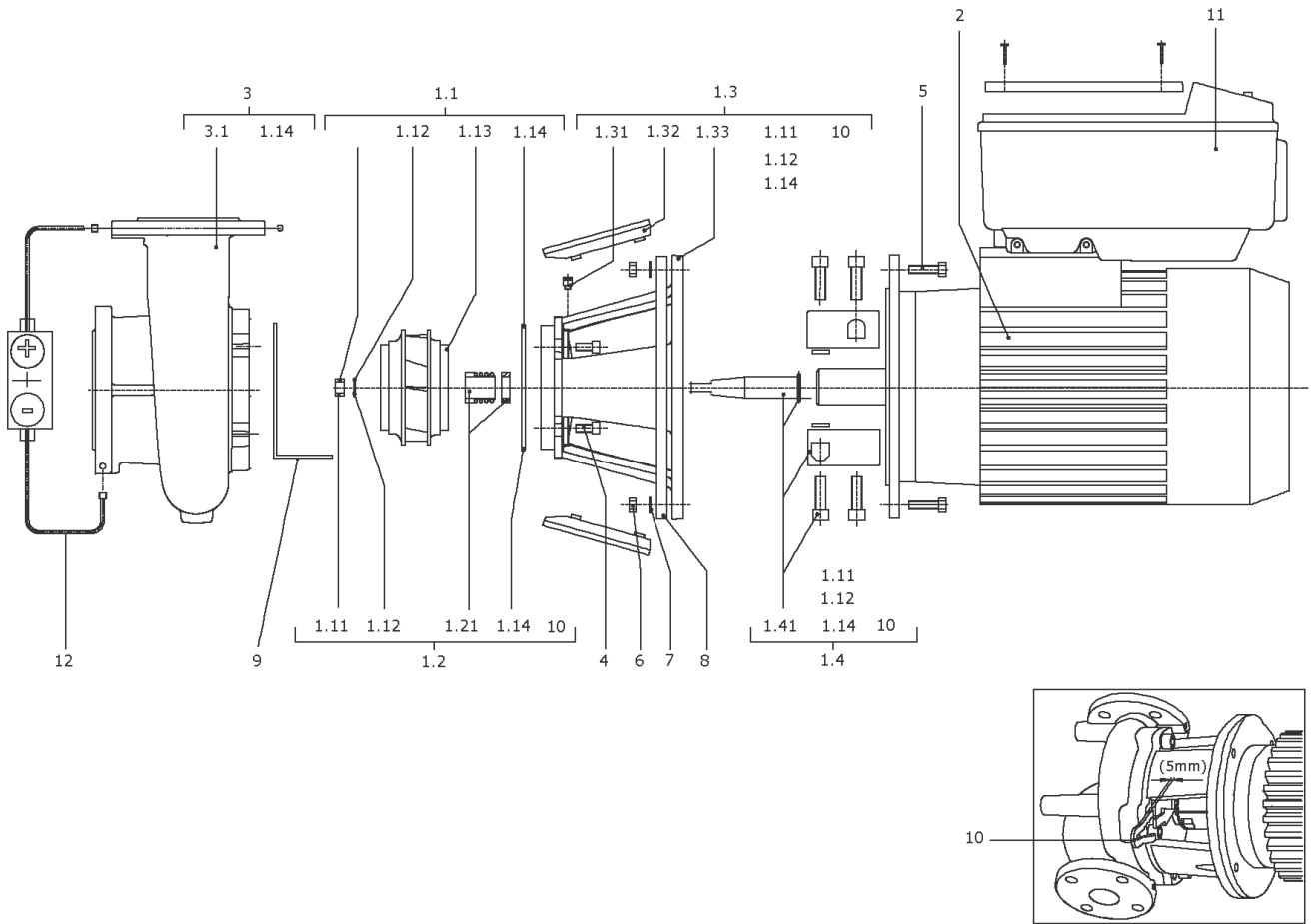
## Spare parts motor B35 7,5/4/132/300E IE4

Item	Description	Quantity
ELEC	Moteur B35 7,5/4/132/300E ELEC IE4 WILO	1



**Moteur B35 7,5/4/132/300E ELEC IE4 WILO**

Item	Article no.	Description	Quantity
2.2	2175903	End shield BG132 FF265 D.E.ELEC KIT	1
Note: Please give the data from type plate of the motor			
2.2A		> Flange IEC132 V1 FF265 D.E.	1
2.2B	2111309	> CONDENSATE HOLE GASKET D5 VP.	1
2.3	2178920	Circlip D40 GB894.1 VP.	1
Note: Please give the data from type plate of the motor			
2.4	121266690	BALL BEARING 6308/2Z-C3 (HT) VP.	1
Note: Please give the data from type plate of the motor			
2.5	2192954	Circlip D90 GB893.1 VP.	1
Note: Please give the data from type plate of the motor			
2.6	2153173	Ball bearing 6206/VV-C3 VP.	1
Note: Please give the data from type plate of the motor			
2.8	2132469	SPRING RING D.62 JB/T7590 VP.	1
2.9	2178926	Nut M8 (4 Pieces)	1
Note: Please give the data from type plate of the motor			
2.10	2178921	End shield BG132 N.D.E.ELEC VP.	1
Note: Please give the data from type plate of the motor			
2.11	2178925	Inner hexagon screws M8x50 (4 Pieces)	1
2.12	2188089	Fan IEC 230X20X17 H52 KIT	1
Note: Please give the data from type plate of the motor			
2.12A		> FAN 230X20X17 GP2200 G/F20% H52	1
2.12B	2118396	> Tooth lock washer D.19,8x0,4 VP.	1
2.13	2188090	Fan hood BG132L ELEC KIT	1
Note: Please give the data from type plate of the motor			
2.13A		> FAN COVER IEC132 KTL ST14 T1.0 H123	1
2.13B	2178923	> Screw M5X8 GB/T3098.1 6.8(4 Pieces)	1
2.15	2192955	Motor foot cpl.BG132 ELEC KIT	1
2.16	2178924	Air guider IEC 132 Motor KIT	1
Note: Please give the data from type plate of the motor			
2.16A		> AIR GUIDER IEC 132 MOTOR	1
2.16B		> SCREW M8X16 TORX HEX 6.8 GB/T70	1



Item	Article no.	Description	Quantity
1.1	2153164	Impeller 40/220-222-71,7/24 GG KIT	1
1.11	2027187	> NUT M12 DIN-EN24032 A2 VP.	1
1.12	2027190	> WASHER A13 DIN125-T2 A2 VP.	1
1.13		> Impeller 40/220-222-71,7/24 GG BL gewu	1
1.14	2042864	> O-RING ID.224x3,55 7EP1197-W534 VP.	1
	2042862	> WASHER S12 V2A VP.	1
1.2	2026902	MECHANICAL SEAL MG12/24-G60 AQ1EGG KIT	1
1.11	2027187	> NUT M12 DIN-EN24032 A2 VP.	1
1.12	2027190	> WASHER A13 DIN125-T2 A2 VP.	1
1.14	2037527	> O-RING 148,82x3,53 EPDM 70SR.VP.	1
1.14	2043160	> O-Ring 177,39x3,53 ISO3601B EPDM VP.	1
1.14	2042864	> O-RING ID.224x3,55 7EP1197-W534 VP.	1
1.14	2051680	> O-RING ID.276,7x5,29 7EP1197-W534 VP.	1
	2042862	> WASHER S12 V2A VP.	1
1.21		> MECHANICAL SEAL MG12/24-G60 AQ1EGG	1
10	2027202	> TOOL D.18/24/32 VP.	1
1.3	2042713	LANTERN P270X72-F300 KTL KIT	1
1.11	2027187	> NUT M12 DIN-EN24032 A2 VP.	1
1.12	2027190	> WASHER A13 DIN125-T2 A2 VP.	1
1.14	2042864	> O-RING ID.224x3,55 7EP1197-W534 VP.	1
	2042862	> WASHER S12 V2A VP.	1
1.31	2027201	> BLOWGUN R1/8" VP.	1
1.32	2048843	> COUPLING GUARD P270-F300/350 (2 PIECES)	1
1.33		> Lantern P270X72-F300 GG KTL WILO	1
10	2027202	> TOOL D.18/24/32 VP.	1
1.4	2040988	COUPLING/SHAFT D.24/42X150 KIT	1
1.11	2027187	> NUT M12 DIN-EN24032 A2 VP.	1
1.12	2027190	> WASHER A13 DIN125-T2 A2 VP.	1
1.14	2042864	> O-RING ID.224x3,55 7EP1197-W534 VP.	1
1.41		> COUPLING 24/42+SHAFT 24X150 BG160 ZN KIT	1
10	2027202	> TOOL D.18/24/32 VP.	1
2	2160157	Motor B35 11/2/160/350E-IE4-WEG(+Tool)	1
		Spare parts motor B35 11/2/160/350E-IE4	1
3	2042759	PUMP HOUSING B32/230 PN16 KIT	1

**BL-E32/220-11/2-R1 (2154298)**

Item	Article no.	Description	Quantity
1.14	2042864	> O-RING ID.224x3,55 7EP1197-W534 VP.	1
3.1		> PUMP HOUSING BL32/230 PN16 CPL.WILO	1
4	2027193	SCREW M16X30 ISO4762 8.8 (4 PIECES)	1
5	2046467	Screw M16X35 ISO4017 8.8 (4 PIECES)	1
7	2029336	WASHER A17 DIN125 ST (4 PIECES)	1
11	2190935	Module BL-E32/220-11/2-IE4 WEG KIT	1
	2132102	> FAN SMALL TL6/7 FF KIT	1
		>> TL6/7FF module fan sm.cpl.	1
	2132096	>> FAN GRILL TL6/7 FF VP.	1
	2132097	> CABLE CONNECTION M12 TL6/7 FF VP.	1
	2132098	> CABLE CONNECTION M16 TL6/7 FF VP.	1
	2132099	> CABLE CONNECTION M20 TL6/7 FF VP.	1
	2132100	> CABLE CONNECTION SMALL M40 TL6/7 FF VP.	1
	2132104	> COVER SIDE TL6/7 FF CPL.VP.	1
	2132452	> MODULE COVER/BUTTON TL6/7 FF VP.	1

Motor-Typenschild / Motor type plate / Plaque identité moteur

Bei Ersatzteilbestellung Motor-Nummer angeben!

Indicate motor number for order of spare parts!

Pour une commande de pièces détachées, donner le numéro du moteur!

ELEC

Motor-Nummer  
motor number  
numéro du moteur

<b>3~Induction Motor</b>					
Made by WILLO Group					
<b>3511218</b>	<b>W132240-4-V1NPE</b>		<b>0902.001</b>		
Class F	S1	IP55	69kg	EN60034	
50Hz	5.5kW	SF=L1S	60Hz	6.45kW	
YΔ 400/690V	10,6/6,13A	Y 440-480V	10,9/10,35A		
Cosφ =0.81	1470min <sup>-1</sup>	Cosφ =0.81	1770min <sup>-1</sup>		
IE4-91.9%	91,9%	91,1%	IE4-92.4%	92,4%	91,8%

WEG

		3~ AL180M/L-04		2015/12		1030615079	
AMB 40°C							
IP55		INS CL.F		Δ T 80 K		S1 SF 1.0	
V	Hz	kW	RPM	A	PF		
400 / -			1480	29,5 / -	0,78		
- / -							
- / -							
- / -							
400	IE4	93,9 (100%)	92,5 (75%)	90,8 (50%)			
- / -		- (100%)	- (75%)	- (50%)			
- A		- (100%)	- (75%)	- (50%)			
NEMA	Eff	- %	- HP	- V	- Hz	- RPM	
- A	PF	DES	CODE	SF			
		6311-ZZ-C3		MOBIL POLYREX EM		162 kg	
		6211-ZZ-C3					
MOD.TE01A0X1A0000301180							
		IEC 60034					

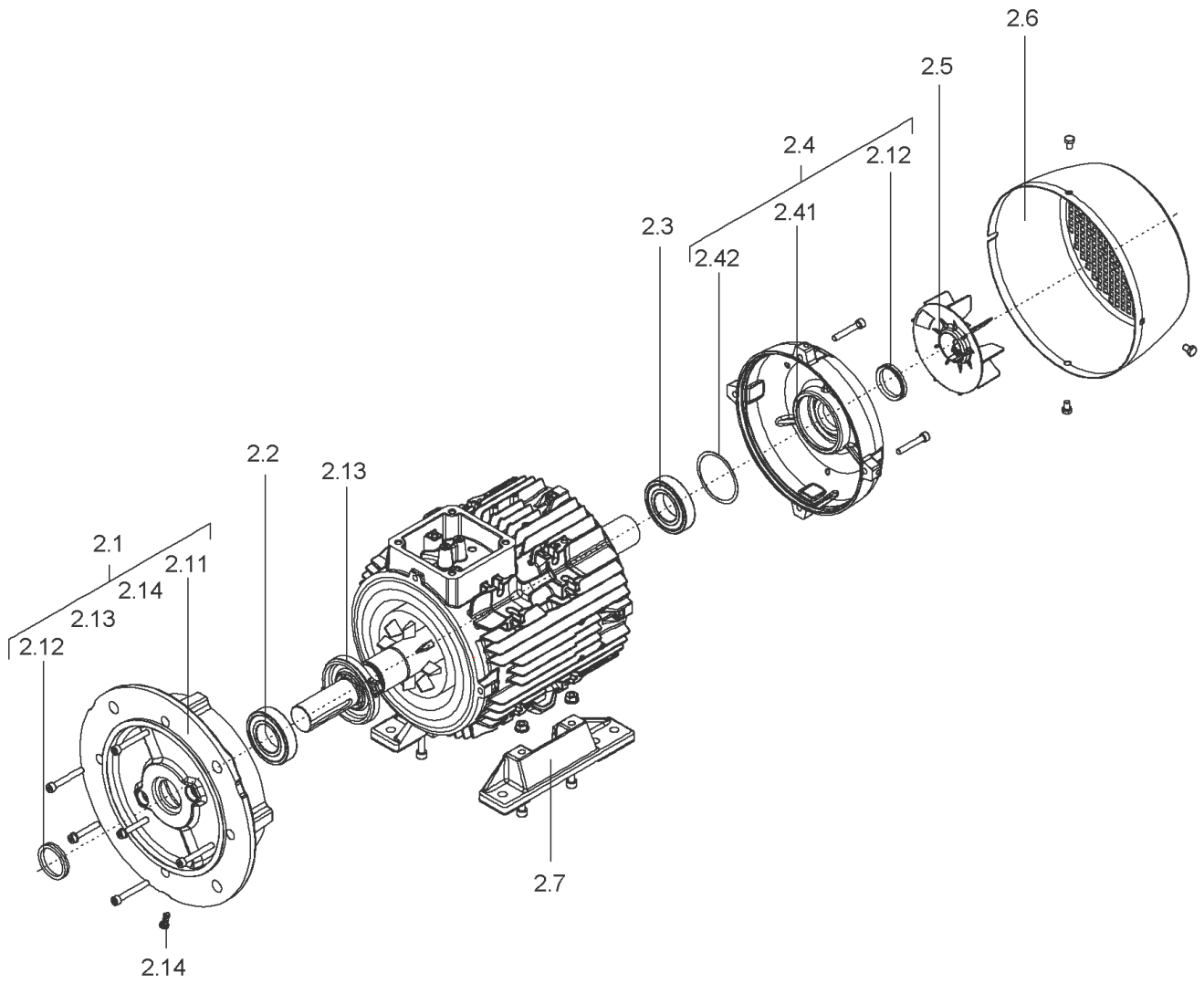
VIBRATION LEVEL A
ACCORDING IEC 60034-14
BALANCED WITH NO KEY
WILO PART NO: <b>2151697</b>

Motor-Nummer  
motor number  
numéro du moteur

## Spare parts motor B35 11/2/160/350E-IE4

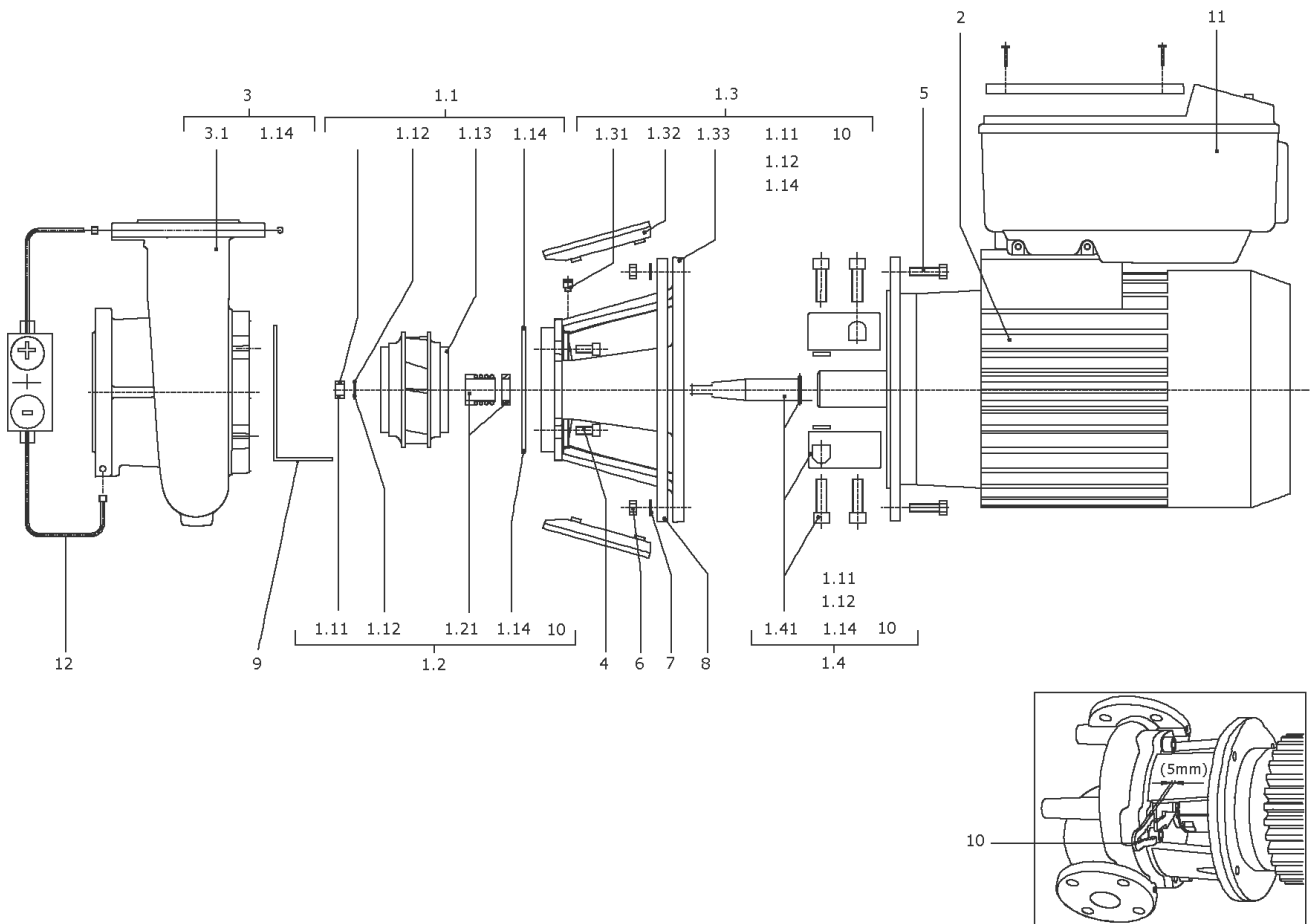
Item	Description	Quantity
WEG	Motor B35 11/2/160/350E WEG IE4 WILO	1





**Motor B35 11/2/160/350E WEG IE4 WILO**

Item	Article no.	Description	Quantity
2.1	2175843	Flange FF-300 BG160M/L WEG KIT	1
Note: Please give the data from type plate of the motor			
2.11		> Flange FF-300 BG160M/L 13679340 WEG	1
2.12	2192901	> V-Ring BG160M/L WEG VP.	1
2.13		> Bearing cover	1
2.14		> Venting screw	1
2.2	121084396	BALL BEARING 6309/2Z-C3 (HT) VP.	1
Note: Please give the data from type plate of the motor			
2.3	122065996	BALL BEARING 6209/2Z-C3 (HT) VP.	1
Note: Please give the data from type plate of the motor			
2.4	2175845	End shield BG160M/L N.D.E.WEG KIT	1
Note: Please give the data from type plate of the motor			
2.12	2192901	> V-Ring BG160M/L WEG VP.	1
4.41		> End shield BG160M/L D.E.13680821 WEG	1
4.42		> Spring washer	1
2.5	2175847	Fan BG160M/L WEG VP.	1
Note: Please give the data from type plate of the motor			
2.6	2175846	Fan cover BG160M/L WEG VP.	1
Note: Please give the data from type plate of the motor			
2.7	2192892	Motor foot 160 M/L WEG VP.	1
Note: Please give the data from type plate of the motor			



**BL-E40/210-11/2-R1 (2154299)**

Item	Article no.	Description	Quantity
1.1	2123477	IMPELLER D.50/200/190/24 KIT	1
1.11	2027187	> NUT M12 DIN-EN24032 A2 VP.	1
1.12	2027190	> WASHER A13 DIN125-T2 A2 VP.	1
1.13		> IMPELLER 50/200/190/24 GG BALANCED	1
1.14	2042864	> O-RING ID.224x3,55 7EP1197-W534 VP.	1
	2042862	> WASHER S12 V2A VP.	1
1.2	2026902	MECHANICAL SEAL MG12/24-G60 AQ1EGG KIT	1
1.11	2027187	> NUT M12 DIN-EN24032 A2 VP.	1
1.12	2027190	> WASHER A13 DIN125-T2 A2 VP.	1
1.14	2037527	> O-RING 148,82x3,53 EPDM 70SR.VP.	1
1.14	2043160	> O-Ring 177,39x3,53 ISO3601B EPDM VP.	1
1.14	2042864	> O-RING ID.224x3,55 7EP1197-W534 VP.	1
1.14	2051680	> O-RING ID.276,7x5,29 7EP1197-W534 VP.	1
	2042862	> WASHER S12 V2A VP.	1
1.21		> MECHANICAL SEAL MG12/24-G60 AQ1EGG	1
10	2027202	> TOOL D.18/24/32 VP.	1
1.3	2042713	LANTERN P270X72-F300 KTL KIT	1
1.11	2027187	> NUT M12 DIN-EN24032 A2 VP.	1
1.12	2027190	> WASHER A13 DIN125-T2 A2 VP.	1
1.14	2042864	> O-RING ID.224x3,55 7EP1197-W534 VP.	1
	2042862	> WASHER S12 V2A VP.	1
1.31	2027201	> BLOWGUN R1/8" VP.	1
1.32	2048843	> COUPLING GUARD P270-F300/350 (2 PIECES)	1
1.33		> Lantern P270X72-F300 GG KTL WILO	1
10	2027202	> TOOL D.18/24/32 VP.	1
1.4	2042724	COUPLING/SHAFT D.24/42X155 KIT	1
1.11	2027187	> NUT M12 DIN-EN24032 A2 VP.	1
1.12	2027190	> WASHER A13 DIN125-T2 A2 VP.	1
1.14	2042864	> O-RING ID.224x3,55 7EP1197-W534 VP.	1
	2042862	> WASHER S12 V2A VP.	1
1.41		> COUPLING 24/42+SHAFT 24X155 BG160 ZN KIT	1
10	2027202	> TOOL D.18/24/32 VP.	1
2	2160157	Motor B35 11/2/160/350E-IE4-WEG(+Tool)	1
		Spare parts motor B35 11/2/160/350E-IE4	1

**BL-E40/210-11/2-R1 (2154299)**

Item	Article no.	Description	Quantity
3	2042760	PUMP HOUSING B40/230 PN16 KIT	1
1.14	2042864	> O-RING ID.224x3,55 7EP1197-W534 VP.	1
3.1		> PUMP HOUSING BL40/230 PN16 CPL.WILO	1
4	2027193	SCREW M16X30 ISO4762 8.8 (4 PIECES)	1
5	2046467	Screw M16X35 ISO4017 8.8 (4 PIECES)	1
7	2029336	WASHER A17 DIN125 ST (4 PIECES)	1
11	2190936	Module BL-E40/210-11/2-IE4 WEG KIT	1
	2132102	> FAN SMALL TL6/7 FF KIT	1
		>> TL6/7FF module fan sm.cpl.	1
	2132096	>> FAN GRILL TL6/7 FF VP.	1
	2132097	> CABLE CONNECTION M12 TL6/7 FF VP.	1
	2132098	> CABLE CONNECTION M16 TL6/7 FF VP.	1
	2132099	> CABLE CONNECTION M20 TL6/7 FF VP.	1
	2132100	> CABLE CONNECTION SMALL M40 TL6/7 FF VP.	1
	2132104	> COVER SIDE TL6/7 FF CPL.VP.	1
	2132452	> MODULE COVER/BUTTON TL6/7 FF VP.	1

Motor-Typenschild / Motor type plate / Plaque identité moteur

Bei Ersatzteilbestellung Motor-Nummer angeben!

Indicate motor number for order of spare parts!

Pour une commande de pièces détachées, donner le numéro du moteur!

ELEC

Motor-Nummer  
motor number  
numéro du moteur

<b>3~Induction Motor</b>					
Made by WILLO Group					
<b>3511218</b>	<b>W132240-4-V1NPE</b>		<b>0902.001</b>		
Class F	S1	IP55	69kg	EN60034	
50Hz	5.5kW	SF=L1S	60Hz	6.45kW	
YΔ 400/690V	10,6/6,13A	Y 440-480V	10,9/10,35A		
Cosφ =0.81	1470min <sup>-1</sup>	Cosφ =0.81	1770min <sup>-1</sup>		
IE4-91.9%	91,9%	91,1%	IE4-92.4%	92,4%	91,8%

WEG

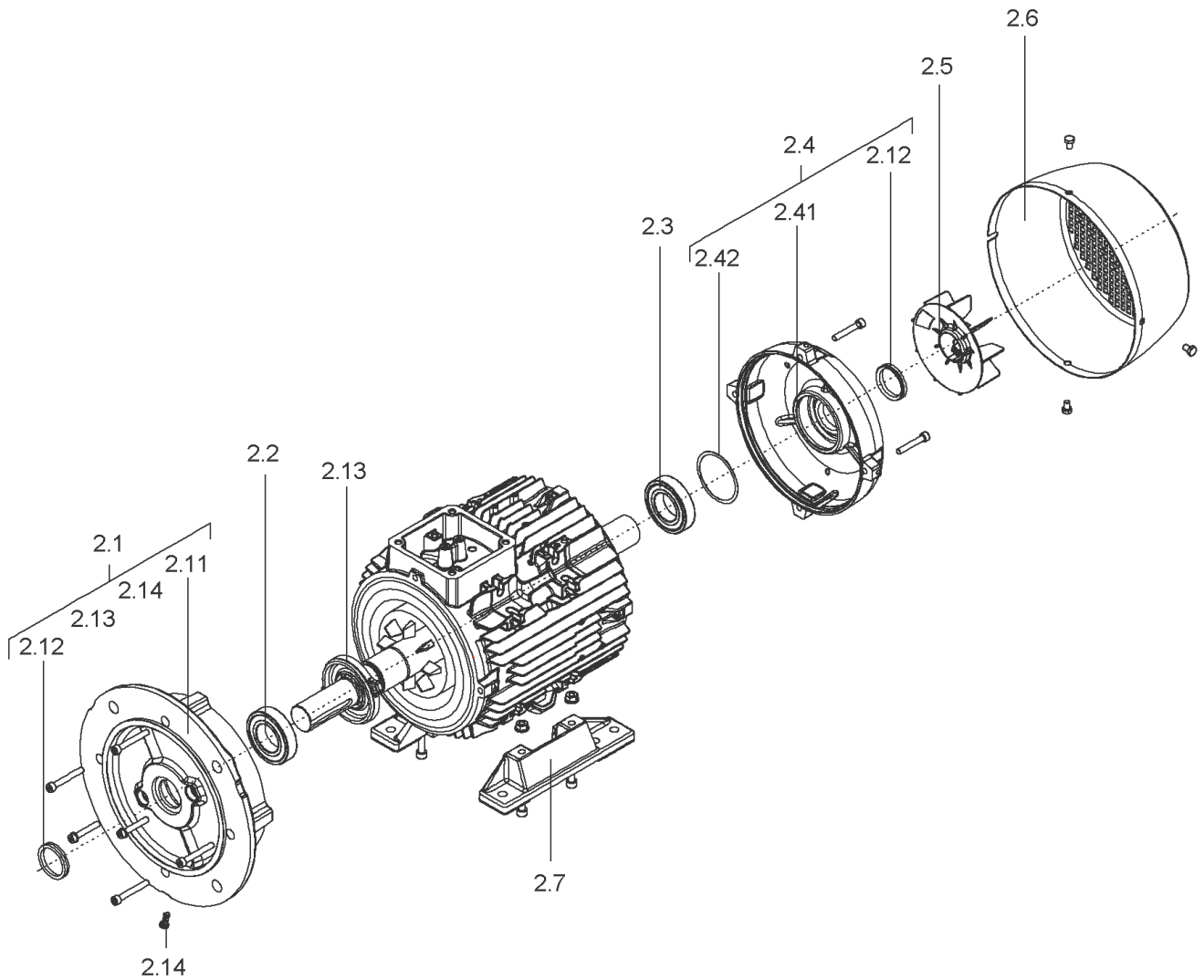
		3~ AL180M/L-04		2015/12		1030615079	
AMB 40°C							
IP55		INS CL.F		Δ T 80 K		S1 SF 1.0	
V	Hz	kW	RPM	A	PF		
400 / -			1480	29,5 / -	0,78		
- / -							
- / -							
- / -							
400	IE4	93,9 (100%)	92,5 (75%)	90,8 (50%)			
- / -		- (100%)	- (75%)	- (50%)			
- A		- (100%)	- (75%)	- (50%)			
NEMA	Eff	- %	- HP	- V	- Hz	- RPM	
- A	PF	DES	CODE	SF			
		6311-ZZ-C3 MOBIL POLYREX EM				162 kg	
		6211-ZZ-C3					
MOD.TE01A0X1A0000301180							
		IEC 60034					

VIBRATION LEVEL A
ACCORDING IEC 60034-14
BALANCED WITH NO KEY
WILO PART NO: <b>2151697</b>

Motor-Nummer  
motor number  
numéro du moteur

## Spare parts motor B35 11/2/160/350E-IE4

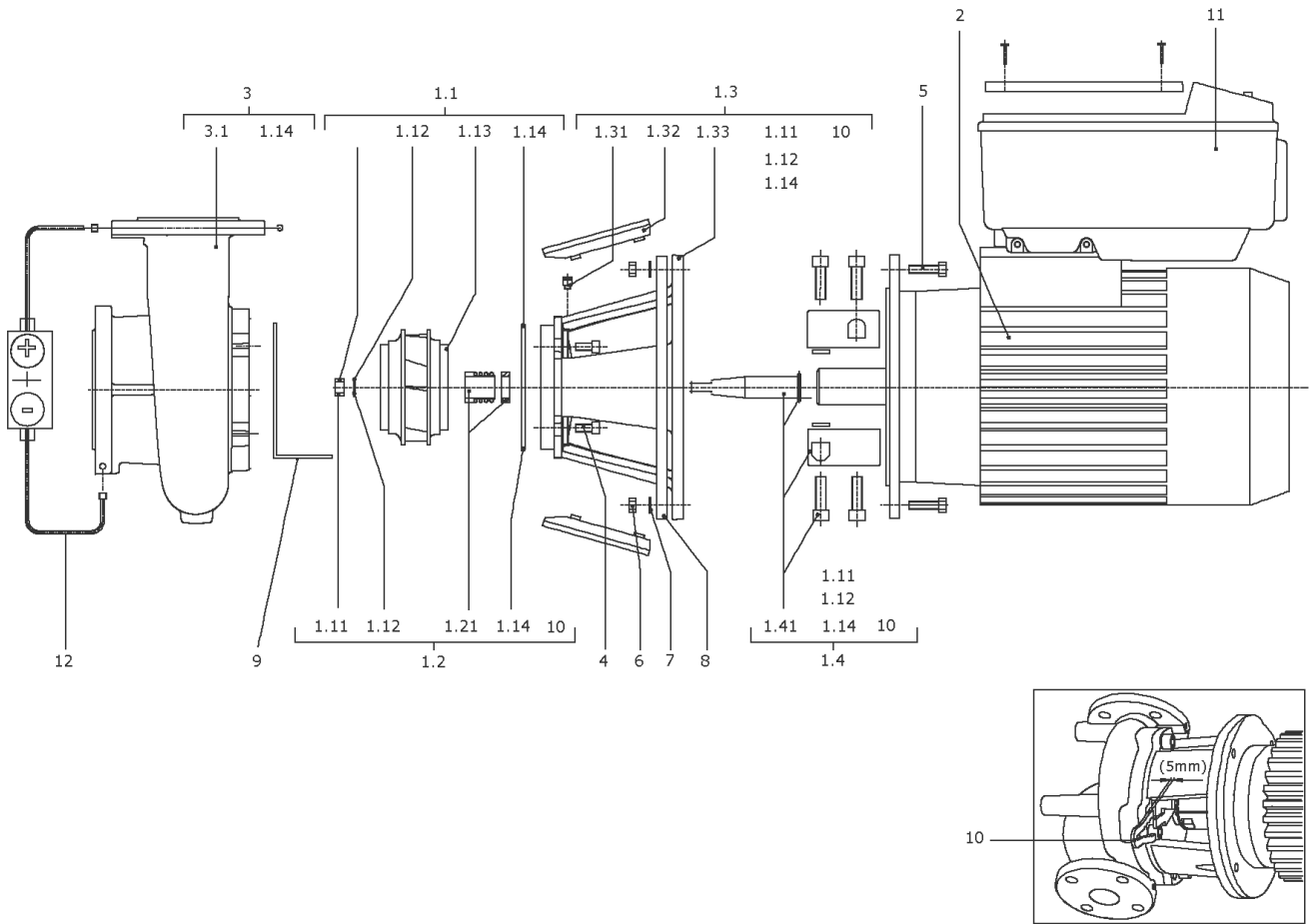
Item	Description	Quantity
WEG	Motor B35 11/2/160/350E WEG IE4 WILO	1





**Motor B35 11/2/160/350E WEG IE4 WILO**

Item	Article no.	Description	Quantity
2.1	2175843	Flange FF-300 BG160M/L WEG KIT	1
Note: Please give the data from type plate of the motor			
2.11		> Flange FF-300 BG160M/L 13679340 WEG	1
2.12	2192901	> V-Ring BG160M/L WEG VP.	1
2.13		> Bearing cover	1
2.14		> Venting screw	1
2.2	121084396	BALL BEARING 6309/2Z-C3 (HT) VP.	1
Note: Please give the data from type plate of the motor			
2.3	122065996	BALL BEARING 6209/2Z-C3 (HT) VP.	1
Note: Please give the data from type plate of the motor			
2.4	2175845	End shield BG160M/L N.D.E.WEG KIT	1
Note: Please give the data from type plate of the motor			
2.12	2192901	> V-Ring BG160M/L WEG VP.	1
4.41		> End shield BG160M/L D.E.13680821 WEG	1
4.42		> Spring washer	1
2.5	2175847	Fan BG160M/L WEG VP.	1
Note: Please give the data from type plate of the motor			
2.6	2175846	Fan cover BG160M/L WEG VP.	1
Note: Please give the data from type plate of the motor			
2.7	2192892	Motor foot 160 M/L WEG VP.	1
Note: Please give the data from type plate of the motor			



**BL-E40/220-15/2-R1 (2154300)**

Item	Article no.	Description	Quantity
1.1	2123476	IMPELLER D.50/209/24 KIT	1
1.11	2027187	> NUT M12 DIN-EN24032 A2 VP.	1
1.12	2027190	> WASHER A13 DIN125-T2 A2 VP.	1
1.13		> IMPELLER 50/209/24 GG BALANCED	1
1.14	2042864	> O-RING ID.224x3,55 7EP1197-W534 VP.	1
	2042862	> WASHER S12 V2A VP.	1
1.2	2026902	MECHANICAL SEAL MG12/24-G60 AQ1EGG KIT	1
1.11	2027187	> NUT M12 DIN-EN24032 A2 VP.	1
1.12	2027190	> WASHER A13 DIN125-T2 A2 VP.	1
1.14	2037527	> O-RING 148,82x3,53 EPDM 70SR.VP.	1
1.14	2043160	> O-Ring 177,39x3,53 ISO3601B EPDM VP.	1
1.14	2042864	> O-RING ID.224x3,55 7EP1197-W534 VP.	1
1.14	2051680	> O-RING ID.276,7x5,29 7EP1197-W534 VP.	1
	2042862	> WASHER S12 V2A VP.	1
1.21		> MECHANICAL SEAL MG12/24-G60 AQ1EGG	1
10	2027202	> TOOL D.18/24/32 VP.	1
1.3	2042713	LANTERN P270X72-F300 KTL KIT	1
1.11	2027187	> NUT M12 DIN-EN24032 A2 VP.	1
1.12	2027190	> WASHER A13 DIN125-T2 A2 VP.	1
1.14	2042864	> O-RING ID.224x3,55 7EP1197-W534 VP.	1
	2042862	> WASHER S12 V2A VP.	1
1.31	2027201	> BLOWGUN R1/8" VP.	1
1.32	2048843	> COUPLING GUARD P270-F300/350 (2 PIECES)	1
1.33		> Lantern P270X72-F300 GG KTL WILO	1
10	2027202	> TOOL D.18/24/32 VP.	1
1.4	2042724	COUPLING/SHAFT D.24/42X155 KIT	1
1.11	2027187	> NUT M12 DIN-EN24032 A2 VP.	1
1.12	2027190	> WASHER A13 DIN125-T2 A2 VP.	1
1.14	2042864	> O-RING ID.224x3,55 7EP1197-W534 VP.	1
	2042862	> WASHER S12 V2A VP.	1
1.41		> COUPLING 24/42+SHAFT 24X155 BG160 ZN KIT	1
10	2027202	> TOOL D.18/24/32 VP.	1
2	2160158	Motor B35 15/2/160/350E-IE4-WEG(+Tool)	1
		Spare parts motor B35 15/2/160/350E-IE4	1

**BL-E40/220-15/2-R1 (2154300)**

Item	Article no.	Description	Quantity
3	2042760	PUMP HOUSING B40/230 PN16 KIT	1
1.14	2042864	> O-RING ID.224x3,55 7EP1197-W534 VP.	1
3.1		> PUMP HOUSING BL40/230 PN16 CPL.WILO	1
4	2027193	SCREW M16X30 ISO4762 8.8 (4 PIECES)	1
5	2046467	Screw M16X35 ISO4017 8.8 (4 PIECES)	1
7	2029336	WASHER A17 DIN125 ST (4 PIECES)	1
11	2190937	Module BL-E40/220-15/2-IE4 WEG KIT	1
	2132102	> FAN SMALL TL6/7 FF KIT	1
		>> TL6/7FF module fan sm.cpl.	1
	2132096	>> FAN GRILL TL6/7 FF VP.	1
	2132097	> CABLE CONNECTION M12 TL6/7 FF VP.	1
	2132098	> CABLE CONNECTION M16 TL6/7 FF VP.	1
	2132099	> CABLE CONNECTION M20 TL6/7 FF VP.	1
	2132100	> CABLE CONNECTION SMALL M40 TL6/7 FF VP.	1
	2132104	> COVER SIDE TL6/7 FF CPL.VP.	1
	2132452	> MODULE COVER/BUTTON TL6/7 FF VP.	1

Motor-Typenschild / Motor type plate / Plaque identité moteur

Bei Ersatzteilbestellung Motor-Nummer angeben!

Indicate motor number for order of spare parts!

Pour une commande de pièces détachées, donner le numéro du moteur!

ELEC

Motor-Nummer  
motor number  
numéro du moteur

<b>3~Induction Motor</b>					
Made by WILLO Group					
<b>3511218</b>	<b>W132240-4-V1NPE</b>		<b>0902.001</b>		
Class F	S1	IP55	69kg	EN60034	
50Hz	5.5kW	SF=1.15	60Hz	6.45kW	
YΔ 400/690V	10,6/6,13A	Y 440-480V	10,9/10,35A		
Cosφ =0.81	1470min <sup>-1</sup>	Cosφ =0.81	1770min <sup>-1</sup>		
IE4-91.9%	91,9%	91,1%	IE4-92.4%	92,4%	91,8%

WEG

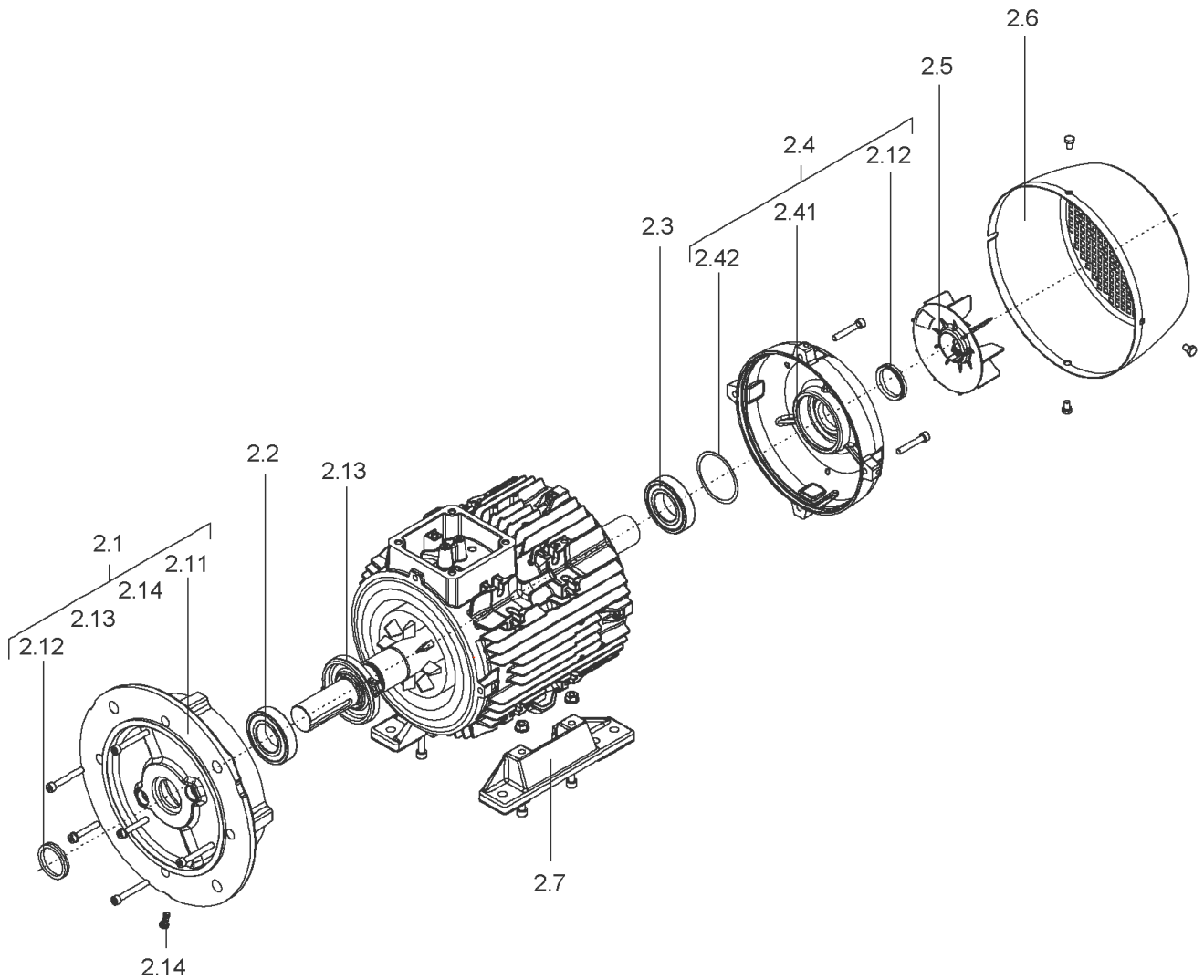
		3~ AL180M/L-04		2015/12		1030615079	
AMB 40°C							
IP55		INS CL.F		Δ T 80 K		S1 SF 1.0	
V	Hz	kW	RPM	A	PF		
400 / -	- / -	- / -	1480	29,5 / -	0,78		
- / -	- / -	- / -	- / -	- / -	- / -		
- / -	- / -	- / -	- / -	- / -	- / -		
400	IE4	93,9 (100%)	92,5 (75%)	90,8 (50%)			
- / -	-	(100%)	- (75%)	- (50%)			
- A	-	(100%)	- (75%)	- (50%)			
NEMA	Eff	- %	- HP	- V	- Hz	- RPM	
- A	PF	DES	CODE	SF			
		6311-ZZ-C3 MOBIL POLYREX EM				162 kg	
		6211-ZZ-C3					
MOD.TE01A0X1A0000301180							
		IEC 60034					

VIBRATION LEVEL A
ACCORDING IEC 60034-14
BALANCED WITH NO KEY
WILO PART NO: <b>2151697</b>

Motor-Nummer  
motor number  
numéro du moteur

## Spare parts motor B35 15/2/160/350E-IE4

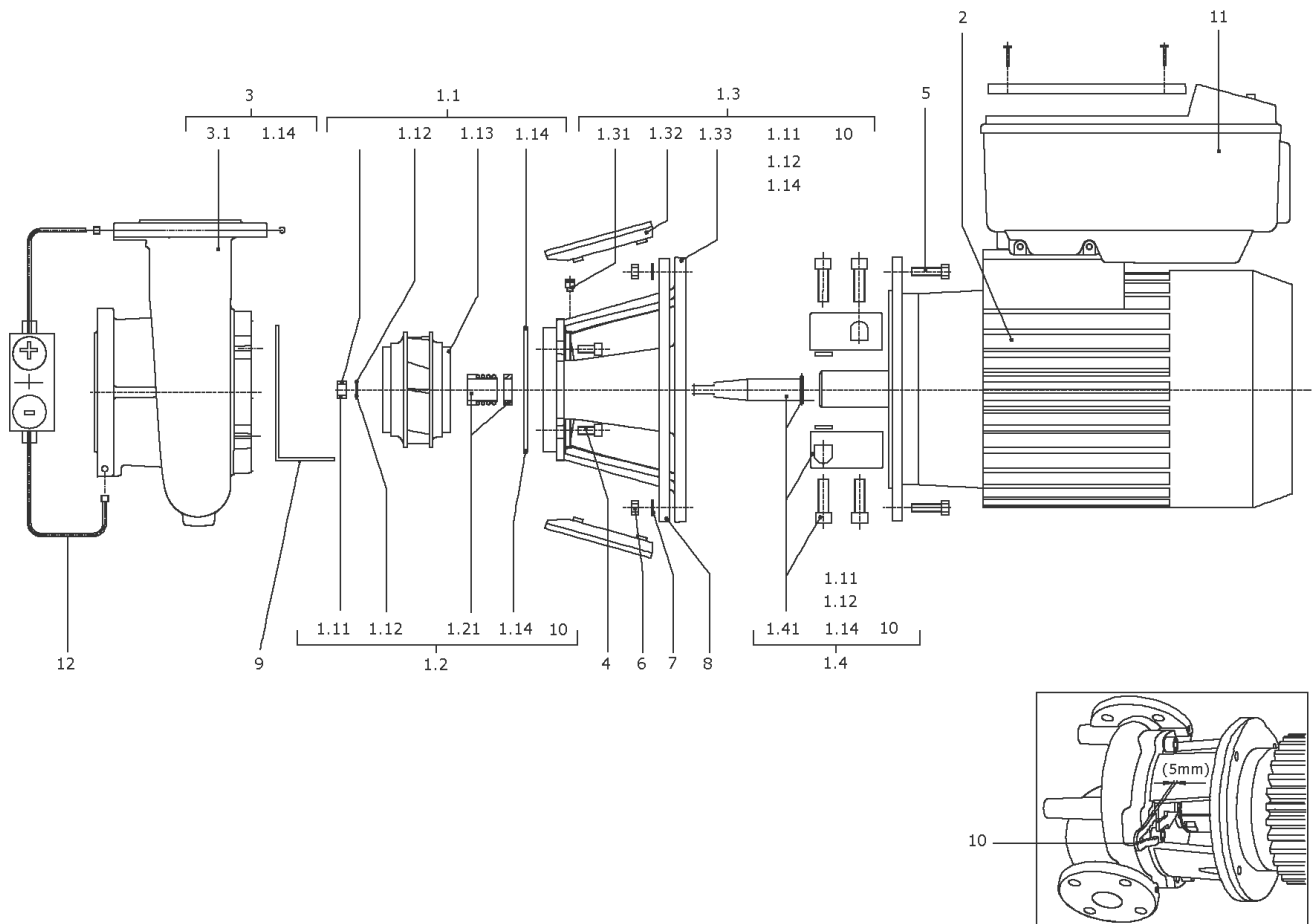
Item	Description	Quantity
WEG	Motor B35 15/2/160/350E WEG IE4 WILO	1



**Motor B35 15/2/160/350E WEG IE4 WILO**

Item	Article no.	Description	Quantity
2.1	2175843	Flange FF-300 BG160M/L WEG KIT	1
Note: Please give the data from type plate of the motor			
2.11		> Flange FF-300 BG160M/L 13679340 WEG	1
2.12	2192901	> V-Ring BG160M/L WEG VP.	1
2.13		> Bearing cover	1
2.14		> Venting screw	1
2.2	121084396	BALL BEARING 6309/2Z-C3 (HT) VP.	1
Note: Please give the data from type plate of the motor			
2.3	122065996	BALL BEARING 6209/2Z-C3 (HT) VP.	1
Note: Please give the data from type plate of the motor			
2.4	2175845	End shield BG160M/L N.D.E.WEG KIT	1
Note: Please give the data from type plate of the motor			
2.12	2192901	> V-Ring BG160M/L WEG VP.	1
4.41		> End shield BG160M/L D.E.13680821 WEG	1
4.42		> Spring washer	1
2.5	2175847	Fan BG160M/L WEG VP.	1
Note: Please give the data from type plate of the motor			
2.6	2175846	Fan cover BG160M/L WEG VP.	1
Note: Please give the data from type plate of the motor			
2.7	2192892	Motor foot 160 M/L WEG VP.	1
Note: Please give the data from type plate of the motor			





**BL-E40/230-18,5/2-R1 (2154301)**

Item	Article no.	Description	Quantity
1.1	2135918	IMPELLER 50/270-225-98,6/32 GG KIT	1
1.11	2027188	> NUT M16 DIN-EN24032 A4 VP.	1
1.12	2027191	> WASHER A17 DIN125 200HV A2	1
1.13		> IMPELLER 50/270-225-98,6/32 GG BAL.	1
1.14	2051680	> O-RING ID.276,7x5,29 7EP1197-W534 VP.	1
	2042863	> CIRCLIP S16 V2A VP.	1
1.2	2026903	MECH.SEAL MG12/32-G60 AQ1EGG M16 KIT	1
1.11	2027188	> NUT M16 DIN-EN24032 A4 VP.	1
1.12	2027191	> WASHER A17 DIN125 200HV A2	1
1.14	2043160	> O-Ring 177,39x3,53 ISO3601B EPDM VP.	1
1.14	2042864	> O-RING ID.224x3,55 7EP1197-W534 VP.	1
1.14	2051680	> O-RING ID.276,7x5,29 7EP1197-W534 VP.	1
	2042863	> CIRCLIP S16 V2A VP.	1
1.21		> MECHANICAL SEAL MG12/32-G60 AQ1EGG	1
10	2027202	> TOOL D.18/24/32 VP.	1
1.3	2050741	LANTERN P330X99-F300 KTL KIT	1
1.11	2027188	> NUT M16 DIN-EN24032 A4 VP.	1
1.12	2027191	> WASHER A17 DIN125 200HV A2	1
1.14	2051680	> O-RING ID.276,7x5,29 7EP1197-W534 VP.	1
	2042863	> CIRCLIP S16 V2A VP.	1
1.31	2027201	> BLOWGUN R1/8" VP.	1
1.32	2048843	> COUPLING GUARD P270-F300/350 (2 PIECES)	1
1.33		> Lantern P330X99-F300 GG KTL WILO	1
10	2027202	> TOOL D.18/24/32 VP.	1
1.4	2047072	Coupling/shaft D.32/48X184 KIT	1
1.11	2027188	> NUT M16 DIN-EN24032 A4 VP.	1
1.12	2027191	> WASHER A17 DIN125 200HV A2	1
1.14	2051680	> O-RING ID.276,7x5,29 7EP1197-W534 VP.	1
	2042863	> CIRCLIP S16 V2A VP.	1
1.41		> COUPLING 32/48+SHAFT 32X184 BG160 ZN KIT	1
10	2027202	> TOOL D.18/24/32 VP.	1
2	2160159	Motor B35 18,5/2/180/350E-IE4-WEG(+Tool)	1
		Spare parts mot.B35 18,5/2/160/350E-IE4	1
3	2135943	PUMP HOUSING B40/270-P330 PN16 KIT	1

**BL-E40/230-18,5/2-R1 (2154301)**

Item	Article no.	Description	Quantity
1.14	2051680	> O-RING ID.276,7x5,29 7EP1197-W534 VP.	1
3.1		> PUMP HOUSING B40/270-P330 PN16 CPL.WILO	1
4	2027193	SCREW M16X30 ISO4762 8.8 (4 PIECES)	1
5	2046467	Screw M16X35 ISO4017 8.8 (4 PIECES)	1
7	2029336	WASHER A17 DIN125 ST (4 PIECES)	1
11	2190938	Module BL-E40/230-18,5/2-IE4 WEG KIT	1
	2132103	> FAN LARGE TL6/7 FF KIT	1
		>> TL6/7FF module fan large cpl.	1
	2132096	>> FAN GRILL TL6/7 FF VP.	1
	2132097	> CABLE CONNECTION M12 TL6/7 FF VP.	1
	2132098	> CABLE CONNECTION M16 TL6/7 FF VP.	1
	2132099	> CABLE CONNECTION M20 TL6/7 FF VP.	1
	2132100	> CABLE CONNECTION SMALL M40 TL6/7 FF VP.	1
	2132104	> COVER SIDE TL6/7 FF CPL.VP.	1
	2132452	> MODULE COVER/BUTTON TL6/7 FF VP.	1

Motor-Typenschild / Motor type plate / Plaque identité moteur

Bei Ersatzteilbestellung Motor-Nummer angeben!

Indicate motor number for order of spare parts!

Pour une commande de pièces détachées, donner le numéro du moteur!

ELEC

Motor-Nummer  
motor number  
numéro du moteur

<b>3~Induction Motor</b>						
Made by WILLO Group						
<b>3511218</b>	W132240-4-V1NPE		0902.001			
Class F	S1	IP55	69kg	EN60034		
50Hz	5.5kW	SF=L1S	60Hz	6.45kW		
YΔ 400/690V	10,6/6,13A	Y 440-480V	10,9/10,35A			
Cosφ =0.81	1470min <sup>-1</sup>	Cosφ =0.81	1770min <sup>-1</sup>			
IE4-91.9%	91,9%	91,1%	IE4-92.4%	92,4%	91,8%	

WEG

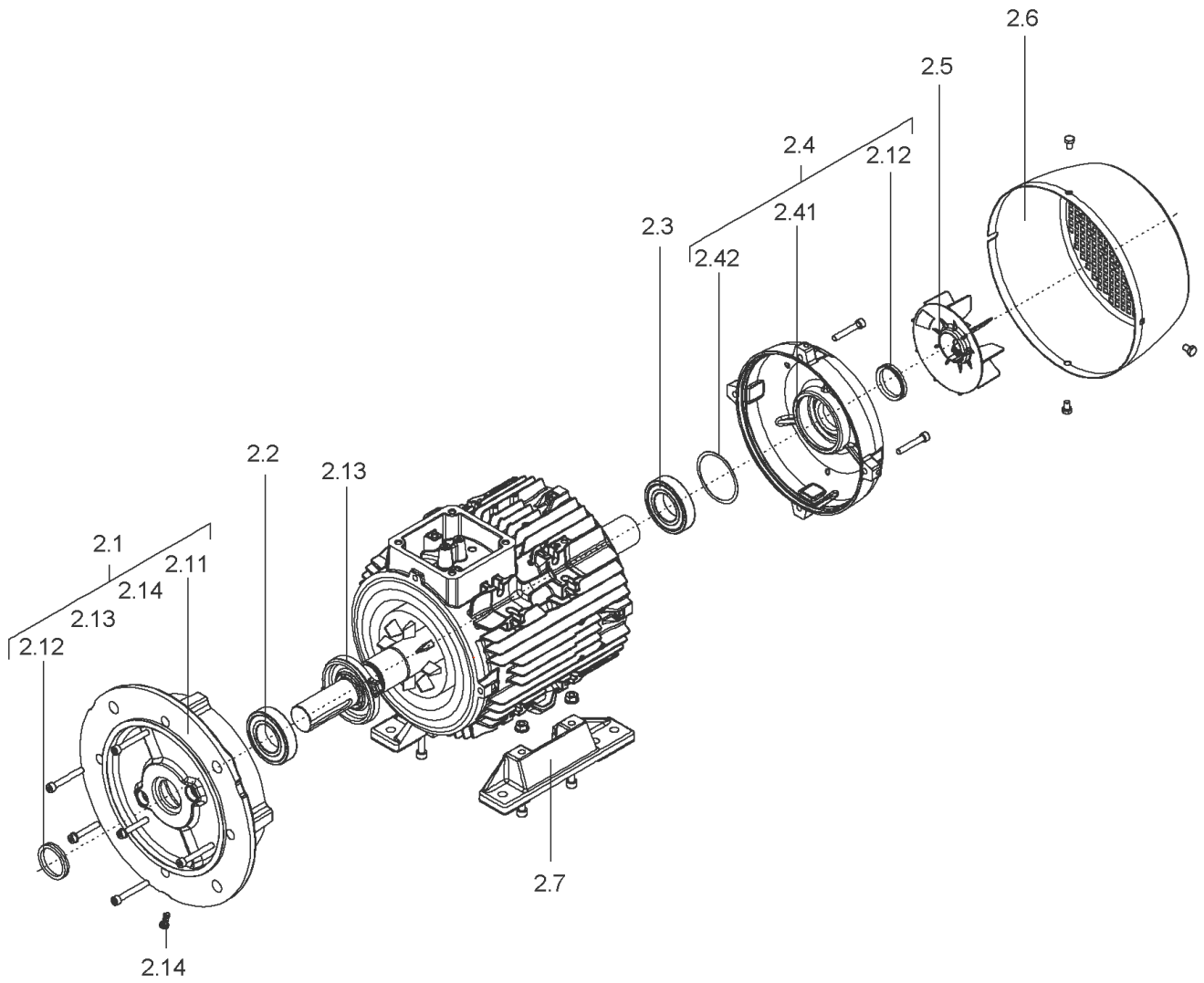
		3~ AL180M/L-04		2015/12		1030615079	
AMB 40°C							
IP55		INS CL.F		Δ T 80 K		S1 SF 1.0	
V	Hz	kW	RPM	A	PF		
400 / -	- / -	- / -	1480	29,5 / -	0,78		
- / -	- / -	- / -	- / -	- / -	- / -		
- / -	- / -	- / -	- / -	- / -	- / -		
400	IE4	93,9 (100%)	92,5 (75%)	90,8 (50%)			
- / -	-	(100%)	- (75%)	- (50%)			
- A	-	(100%)	- (75%)	- (50%)			
NEMA	Eff	- %	- HP	- V	- Hz	- RPM	
- A	PF	DES	CODE	SF			
		6311-ZZ-C3 MOBIL POLYREX EM				162 kg	
		6211-ZZ-C3					
MOD.TE01A0X1A0000301180							
		IEC 60034					

VIBRATION LEVEL A	
ACCORDING IEC 60034-14	
BALANCED WITH NO KEY	
WILO PART NO: 2151697	

Motor-Nummer  
motor number  
numéro du moteur

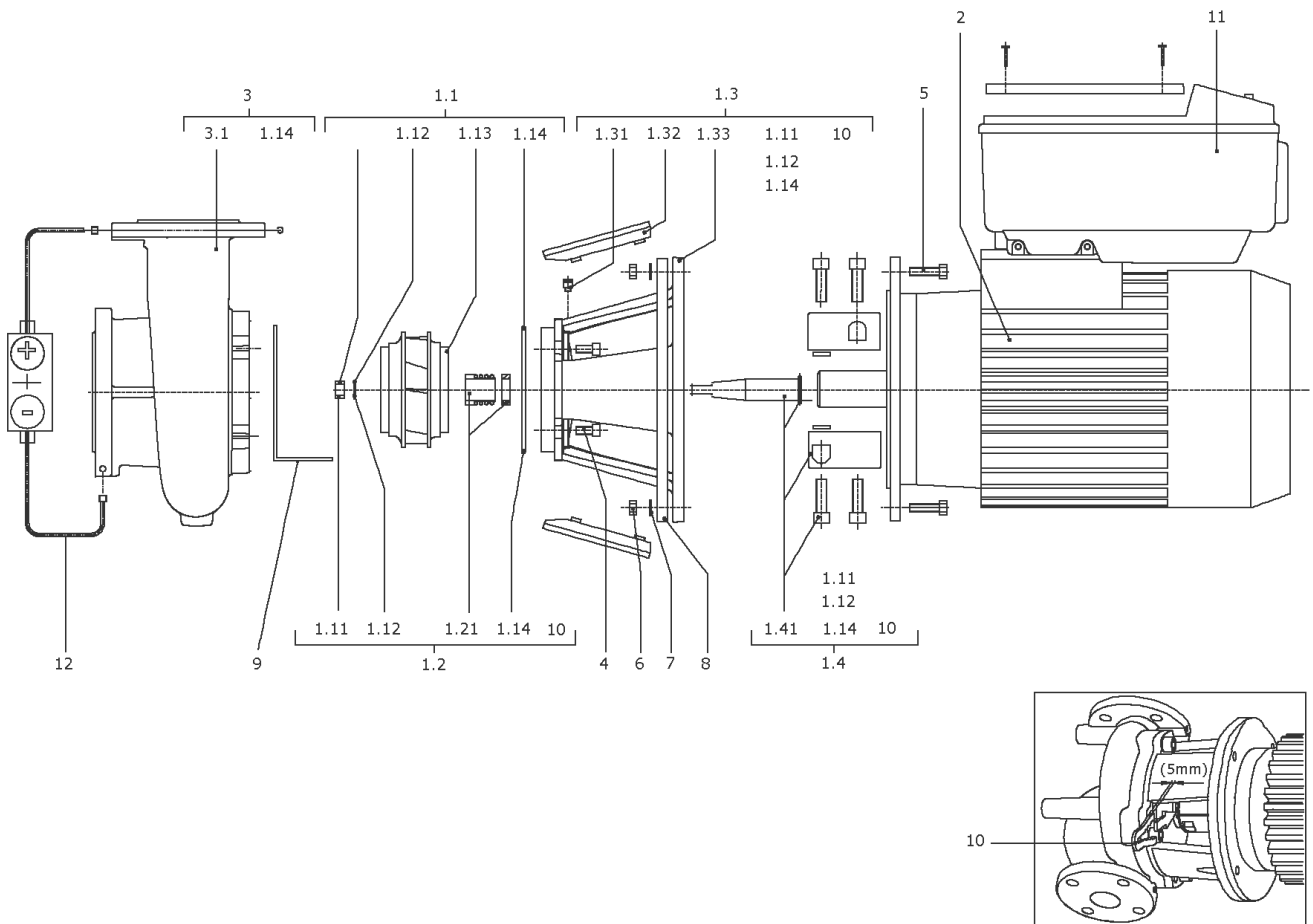
**Spare parts mot.B35 18,5/2/160/350E-IE4**

<b>Item</b>	<b>Description</b>	<b>Quantity</b>
WEG	Motor B35 18,5/2/180/350E WEG IE4 WILO	1



**Motor B35 18,5/2/180/350E WEG IE4 WILO**

Item	Article no.	Description	Quantity
2.1	2175848	Flange FF-300 BG180M/L WEG KIT	1
Note: Please give the data from type plate of the motor			
2.11		> Flange FF-300 BG180M/L 13680826 WEG	1
2.12	2192904	> V-Ring BG180M/L WEG VP.	1
2.13		> Bearing cover	1
2.14		> Venting screw	1
2.2	121083792	BALL BEARING 6311/2Z-C3 (HT) VP.	1
Note: Please give the data from type plate of the motor			
2.3	2175875	Ball bearing 6211/2Z-C3(HT)VP.	1
Note: Please give the data from type plate of the motor			
2.4	2175850	End shield BG180M/L D.E.WEG KIT	1
Note: Please give the data from type plate of the motor			
2.12	2192904	> V-Ring BG180M/L WEG VP.	1
4.41		> End shield BG180M/L D.E.13680913 WEG	1
4.42		> Spring washer	1
2.5	2175852	Fan BG180M/L WEG VP.	1
Note: Please give the data from type plate of the motor			
2.6	2175851	Fan cover BG160M/L WEG VP.	1
Note: Please give the data from type plate of the motor			
2.7	2192895	Motor foot 180 M/L WEG VP.	1





**BL-E40/240-22/2-R1 (2154302)**

Item	Article no.	Description	Quantity
1.1	2190917	Impeller 50/270-238-98,6/32 GG KIT	1
1.11	2027188	> NUT M16 DIN-EN24032 A4 VP.	1
1.12	2027191	> WASHER A17 DIN125 200HV A2	1
1.13		> IMPELLER 50/270-238-98,6/32 GG BAL.	1
1.14	2051680	> O-RING ID.276,7x5,29 7EP1197-W534 VP.	1
	2042863	> CIRCLIP S16 V2A VP.	1
1.2	2026903	MECH.SEAL MG12/32-G60 AQ1EGG M16 KIT	1
1.11	2027188	> NUT M16 DIN-EN24032 A4 VP.	1
1.12	2027191	> WASHER A17 DIN125 200HV A2	1
1.14	2043160	> O-Ring 177,39x3,53 ISO3601B EPDM VP.	1
1.14	2042864	> O-RING ID.224x3,55 7EP1197-W534 VP.	1
1.14	2051680	> O-RING ID.276,7x5,29 7EP1197-W534 VP.	1
	2042863	> CIRCLIP S16 V2A VP.	1
1.21		> MECHANICAL SEAL MG12/32-G60 AQ1EGG	1
10	2027202	> TOOL D.18/24/32 VP.	1
1.3	2050741	LANTERN P330X99-F300 KTL KIT	1
1.11	2027188	> NUT M16 DIN-EN24032 A4 VP.	1
1.12	2027191	> WASHER A17 DIN125 200HV A2	1
1.14	2051680	> O-RING ID.276,7x5,29 7EP1197-W534 VP.	1
	2042863	> CIRCLIP S16 V2A VP.	1
1.31	2027201	> BLOWGUN R1/8" VP.	1
1.32	2048843	> COUPLING GUARD P270-F300/350 (2 PIECES)	1
1.33		> Lantern P330X99-F300 GG KTL WILO	1
10	2027202	> TOOL D.18/24/32 VP.	1
1.4	2047072	Coupling/shaft D.32/48X184 KIT	1
1.11	2027188	> NUT M16 DIN-EN24032 A4 VP.	1
1.12	2027191	> WASHER A17 DIN125 200HV A2	1
1.14	2051680	> O-RING ID.276,7x5,29 7EP1197-W534 VP.	1
	2042863	> CIRCLIP S16 V2A VP.	1
1.41		> COUPLING 32/48+SHAFT 32X184 BG160 ZN KIT	1
10	2027202	> TOOL D.18/24/32 VP.	1
2	2160160	Motor B35 22/2/180/350E-IE4-WEG(+Tool)	1
		Spare parts motor B35 22/2/160/350E-IE4	1
3	2135943	PUMP HOUSING B40/270-P330 PN16 KIT	1

**BL-E40/240-22/2-R1 (2154302)**

Item	Article no.	Description	Quantity
1.14	2051680	> O-RING ID.276,7x5,29 7EP1197-W534 VP.	1
3.1		> PUMP HOUSING B40/270-P330 PN16 CPL.WILO	1
4	2027193	SCREW M16X30 ISO4762 8.8 (4 PIECES)	1
5	2046467	Screw M16X35 ISO4017 8.8 (4 PIECES)	1
7	2029336	WASHER A17 DIN125 ST (4 PIECES)	1
11	2190939	Module BL-E40/240-22/2-IE4 WEG KIT	1
	2132103	> FAN LARGE TL6/7 FF KIT	1
		>> TL6/7FF module fan large cpl.	1
	2132096	>> FAN GRILL TL6/7 FF VP.	1
	2132097	> CABLE CONNECTION M12 TL6/7 FF VP.	1
	2132098	> CABLE CONNECTION M16 TL6/7 FF VP.	1
	2132099	> CABLE CONNECTION M20 TL6/7 FF VP.	1
	2132100	> CABLE CONNECTION SMALL M40 TL6/7 FF VP.	1
	2132104	> COVER SIDE TL6/7 FF CPL.VP.	1
	2132452	> MODULE COVER/BUTTON TL6/7 FF VP.	1

Motor-Typenschild / Motor type plate / Plaque identité moteur

Bei Ersatzteilbestellung Motor-Nummer angeben!

Indicate motor number for order of spare parts!

Pour une commande de pièces détachées, donner le numéro du moteur!

ELEC

Motor-Nummer  
motor number  
numéro du moteur

<b>3~Induction Motor</b>					
Made by WILLO Group					
<b>351f218</b>	<b>W132240-4-V1NPE</b>		<b>0902.001</b>		
Class F	S1	IP55	69kg	EN60034	
50Hz	5.5kW	SF=L1S	60Hz	6.45kW	
YΔ 400/690V	10,6/6,13A	Y 440-480V	10,9/10,35A		
Cosφ =0.81	1470min <sup>-1</sup>	Cosφ =0.81	1770min <sup>-1</sup>		
IE4-91.9%	91,9%	91,1%	IE4-92.4%	92,4%	91,8%

WEG

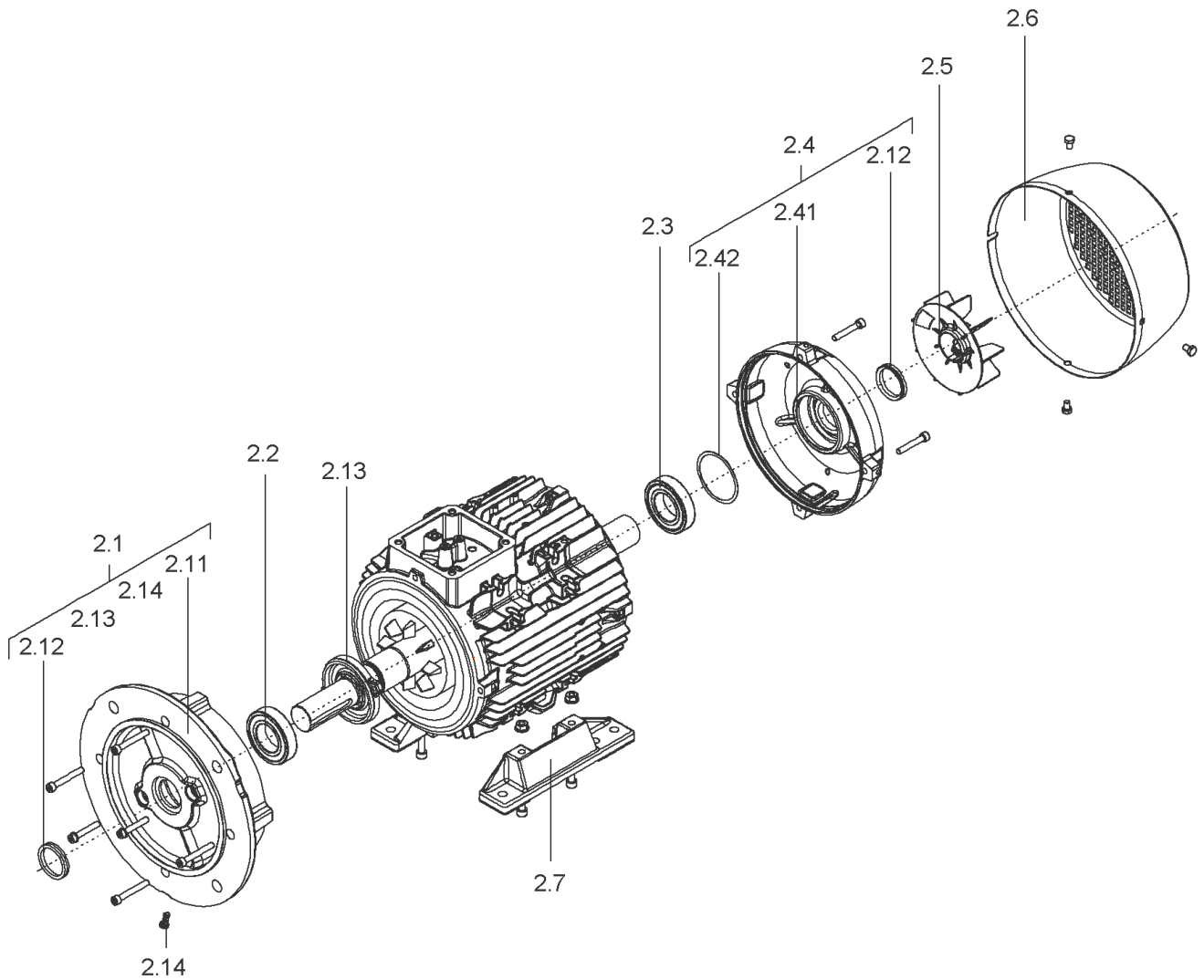
		3~ AL180M/L-04		2015/12		1030615079	
AMB 40°C							
IP55		INS CL.F		Δ T 80 K		S1 SF 1.0	
V	Hz	kW	RPM	A	PF		
400 / -			1480	29,5 / -	0,78		
- / -							
- / -							
- / -							
400	IE4	93,9 (100%)	92,5 (75%)	90,8 (50%)			
- / -		- (100%)	- (75%)	- (50%)			
- A		- (100%)	- (75%)	- (50%)			
NEMA	Eff	- %	- HP	- V	- Hz	- RPM	
- A	PF	DES	CODE	-	SF	-	
		6311-ZZ-C3		MOBIL POLYREX EM		162 kg	
		6211-ZZ-C3					
MOD.TE01A0X1A0000301180							
		IEC 60034					

VIBRATION LEVEL A
ACCORDING IEC 60034-14
BALANCED WITH NO KEY
WILO PART NO: <b>2151697</b>

Motor-Nummer  
motor number  
numéro du moteur

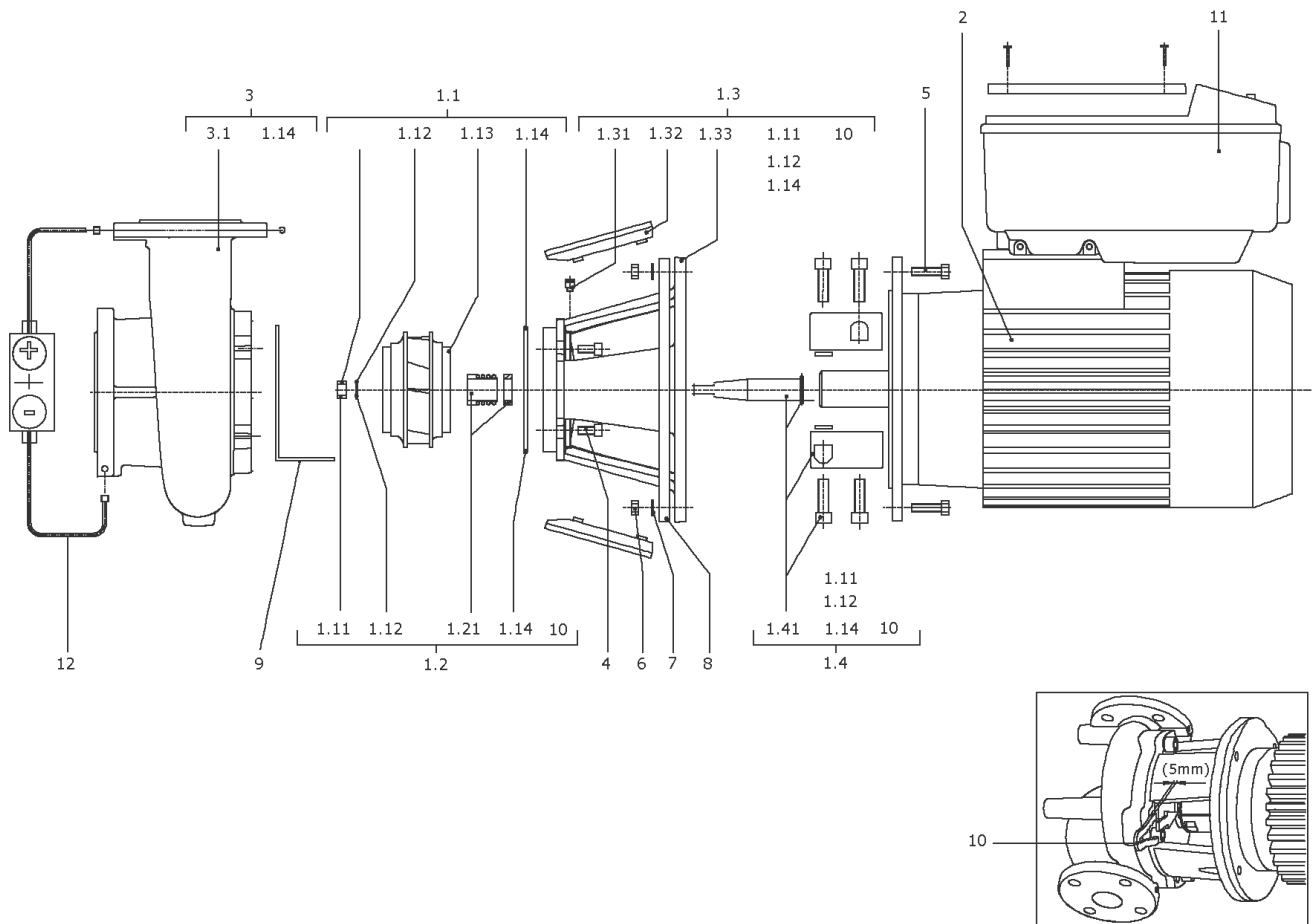
## Spare parts motor B35 22/2/160/350E-IE4

Item	Description	Quantity
WEG	Motor B35 22/2/180/350E WEG IE4 WILO	1



**Motor B35 22/2/180/350E WEG IE4 WILO**

Item	Article no.	Description	Quantity
2.1	2175848	Flange FF-300 BG180M/L WEG KIT	1
Note: Please give the data from type plate of the motor			
2.11		> Flange FF-300 BG180M/L 13680826 WEG	1
2.12	2192904	> V-Ring BG180M/L WEG VP.	1
2.13		> Bearing cover	1
2.14		> Venting screw	1
2.2	121083792	BALL BEARING 6311/2Z-C3 (HT) VP.	1
Note: Please give the data from type plate of the motor			
2.3	2175875	Ball bearing 6211/2Z-C3(HT)VP.	1
Note: Please give the data from type plate of the motor			
2.4	2175850	End shield BG180M/L D.E.WEG KIT	1
Note: Please give the data from type plate of the motor			
2.12	2192904	> V-Ring BG180M/L WEG VP.	1
4.41		> End shield BG180M/L D.E.13680913 WEG	1
4.42		> Spring washer	1
2.5	2175852	Fan BG180M/L WEG VP.	1
Note: Please give the data from type plate of the motor			
2.6	2175851	Fan cover BG160M/L WEG VP.	1
Note: Please give the data from type plate of the motor			
2.7	2192895	Motor foot 180 M/L WEG VP.	1



**BL-E50/170-11/2-R1 (2154303)**

Item	Article no.	Description	Quantity
1.1	2122509	IMPELLER D.65/171/161/24 KIT	1
1.11	2027187	> NUT M12 DIN-EN24032 A2 VP.	1
1.12	2027190	> WASHER A13 DIN125-T2 A2 VP.	1
1.13		> IMPELLER 65/171/161/24 GG BALANCED	1
1.14	2043160	> O-Ring 177,39x3,53 ISO3601B EPDM VP.	1
	2042862	> WASHER S12 V2A VP.	1
1.2	2026902	MECHANICAL SEAL MG12/24-G60 AQ1EGG KIT	1
1.11	2027187	> NUT M12 DIN-EN24032 A2 VP.	1
1.12	2027190	> WASHER A13 DIN125-T2 A2 VP.	1
1.14	2037527	> O-RING 148,82x3,53 EPDM 70SR.VP.	1
1.14	2043160	> O-Ring 177,39x3,53 ISO3601B EPDM VP.	1
1.14	2042864	> O-RING ID.224x3,55 7EP1197-W534 VP.	1
1.14	2051680	> O-RING ID.276,7x5,29 7EP1197-W534 VP.	1
	2042862	> WASHER S12 V2A VP.	1
1.21		> MECHANICAL SEAL MG12/24-G60 AQ1EGG	1
10	2027202	> TOOL D.18/24/32 VP.	1
1.3	2026914	LANTERN P228X85,2-F300 KIT	1
1.11	2027187	> NUT M12 DIN-EN24032 A2 VP.	1
1.12	2027190	> WASHER A13 DIN125-T2 A2 VP.	1
1.14	2043160	> O-Ring 177,39x3,53 ISO3601B EPDM VP.	1
	2042862	> WASHER S12 V2A VP.	1
1.31	2027201	> BLOWGUN R1/8" VP.	1
1.32	2048841	> COUPLING GUARD F300-350 PA66 (4 PIECES)	1
1.33		> Lantern P228X85,2-F300 GG WILO	1
10	2027202	> TOOL D.18/24/32 VP.	1
1.4	2026932	COUPLING/SHAFT 24/42x160 KIT	1
1.11	2027187	> NUT M12 DIN-EN24032 A2 VP.	1
1.12	2027190	> WASHER A13 DIN125-T2 A2 VP.	1
1.14	2043160	> O-Ring 177,39x3,53 ISO3601B EPDM VP.	1
	2042862	> WASHER S12 V2A VP.	1
1.41		> COUPLING 24/42+SHAFT 24X160 BG160 ZN KIT	1
10	2027202	> TOOL D.18/24/32 VP.	1
2	2160157	Motor B35 11/2/160/350E-IE4-WEG(+Tool)	1
		Spare parts motor B35 11/2/160/350E-IE4	1



**BL-E50/170-11/2-R1 (2154303)**

Item	Article no.	Description	Quantity
3	2026871	PUMP HOUSING B50/170 PN16 KIT	1
1.14	2043160	> O-Ring 177,39x3,53 ISO3601B EPDM VP.	1
3.1		> PUMP HOUSING BL50/182 PN16 CPL.WILO	1
4	2027193	SCREW M16X30 ISO4762 8.8 (4 PIECES)	1
5	2027197	SCREW M16X60 ISO4014 8.8 (4PIECES)	1
6	2029304	NUT M16 DIN-EN24032 8 (4 PIECES)	1
7	2029336	WASHER A17 DIN125 ST (4 PIECES)	1
11	2190940	Module BL-E50/170-11/2-IE4 WEG KIT	1
	2132102	> FAN SMALL TL6/7 FF KIT	1
		>> TL6/7FF module fan sm.cpl.	1
	2132096	>> FAN GRILL TL6/7 FF VP.	1
	2132097	> CABLE CONNECTION M12 TL6/7 FF VP.	1
	2132098	> CABLE CONNECTION M16 TL6/7 FF VP.	1
	2132099	> CABLE CONNECTION M20 TL6/7 FF VP.	1
	2132100	> CABLE CONNECTION SMALL M40 TL6/7 FF VP.	1
	2132104	> COVER SIDE TL6/7 FF CPL.VP.	1
	2132452	> MODULE COVER/BUTTON TL6/7 FF VP.	1

Motor-Typenschild / Motor type plate / Plaque identité moteur

Bei Ersatzteilbestellung Motor-Nummer angeben!

Indicate motor number for order of spare parts!

Pour une commande de pièces détachées, donner le numéro du moteur!

ELEC

Motor-Nummer  
motor number  
numéro du moteur

<b>3~Induction Motor</b>						
Made by WILLO Group						
<b>3511218</b>	W132240-4-V1NPE		0902.001			
Class F	S1	IP55	69kg	EN60034		
50Hz	5.5kW	SF=1.15	60Hz	6.45kW		
YΔ 400/690V	10,6/6,13A		Y 440-480V	10,9/10,35A		
Cosφ =0.81	1470min <sup>-1</sup>		Cosφ =0.81	1770min <sup>-1</sup>		
IE4-91.9%	91,9%	91,1%	IE4-92.4%	92,4%	91,8%	

WEG

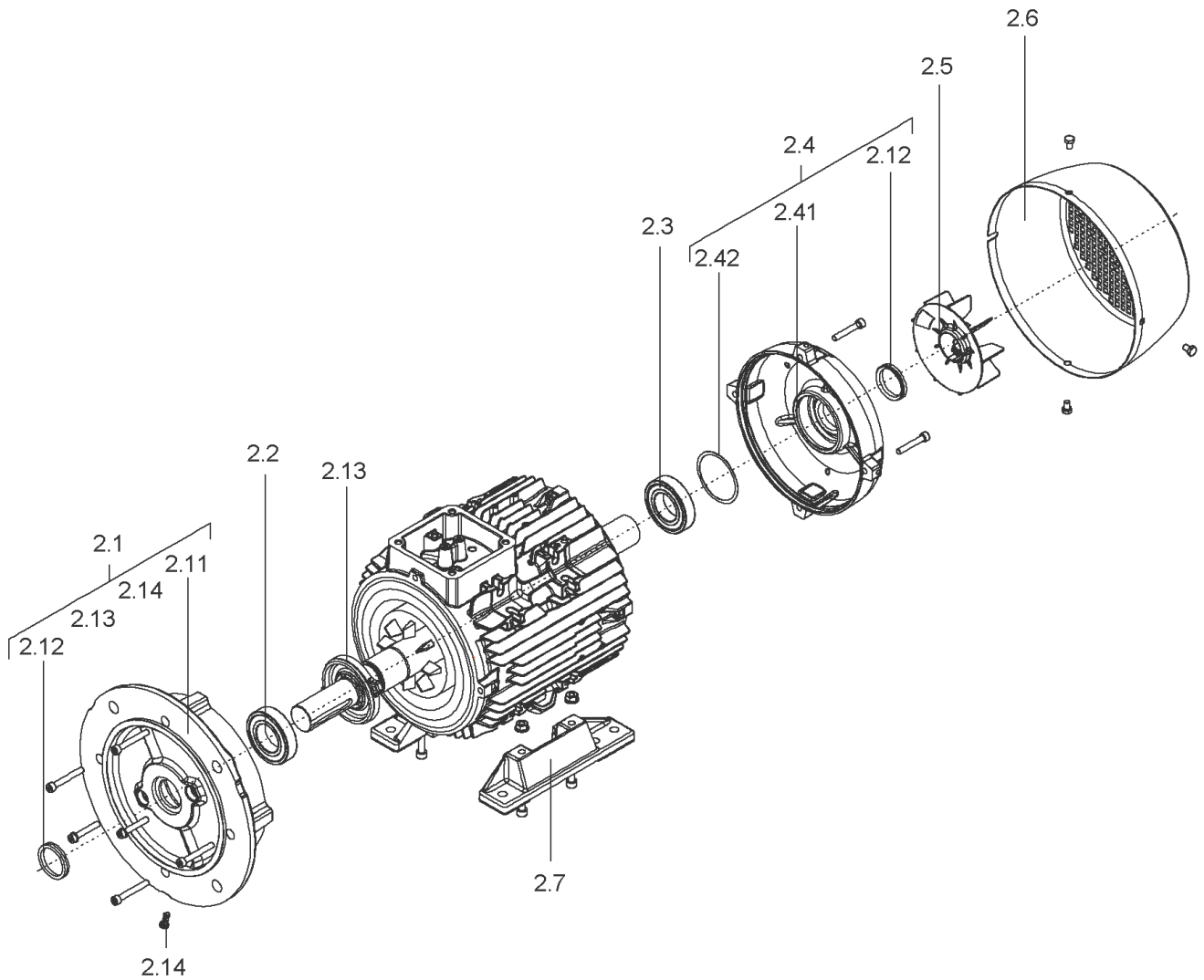
		3~ AL180M/L-04		2015/12		1030615079	
AMB 40°C							
IP55		INS CL.F		Δ T 80 K		S1 SF 1.0	
V	Hz	kW	RPM	A	PF		
400 / -			1480	29,5 / -	0,78		
- / -							
- / -							
- / -							
400	IE4	93,9 (100%)	92,5 (75%)	90,8 (50%)			
- / -		- (100%)	- (75%)	- (50%)			
- A		- (100%)	- (75%)	- (50%)			
NEMA	Eff	- %	- HP	- V	- Hz	- RPM	
- A	PF	DES	CODE	-	SF	-	
		6311-ZZ-C3		MOBIL POLYREX EM		162 kg	
		6211-ZZ-C3					
MOD.TE01A0X1A0000301180							
						IEC 60034	

VIBRATION LEVEL A	
ACCORDING IEC 60034-14	
BALANCED WITH NO KEY	
WILO PART NO: 2151697	

Motor-Nummer  
motor number  
numéro du moteur

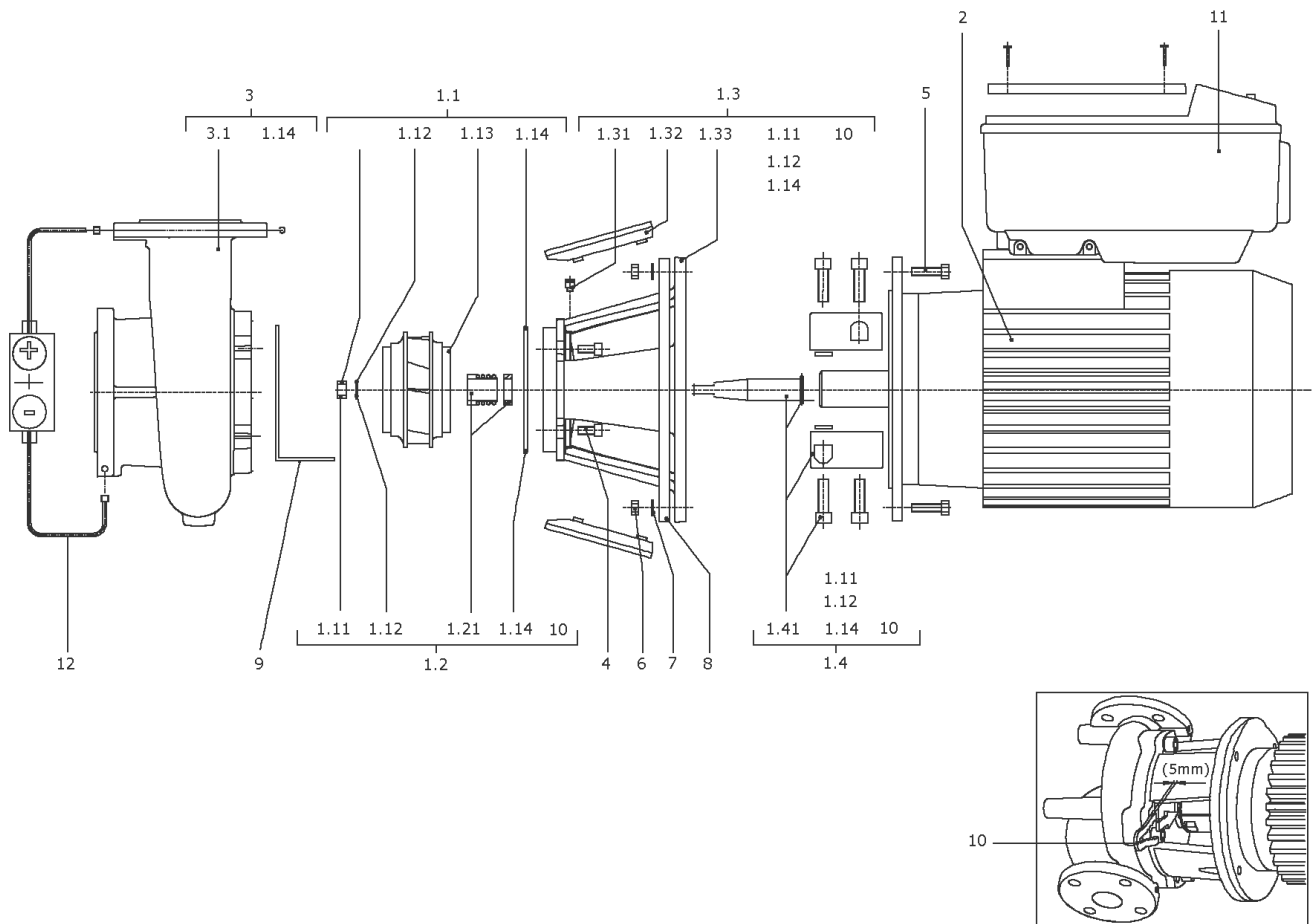
## Spare parts motor B35 11/2/160/350E-IE4

Item	Description	Quantity
WEG	Motor B35 11/2/160/350E WEG IE4 WILO	1



**Motor B35 11/2/160/350E WEG IE4 WILO**

Item	Article no.	Description	Quantity
2.1	2175843	Flange FF-300 BG160M/L WEG KIT	1
Note: Please give the data from type plate of the motor			
2.11		> Flange FF-300 BG160M/L 13679340 WEG	1
2.12	2192901	> V-Ring BG160M/L WEG VP.	1
2.13		> Bearing cover	1
2.14		> Venting screw	1
2.2	121084396	BALL BEARING 6309/2Z-C3 (HT) VP.	1
Note: Please give the data from type plate of the motor			
2.3	122065996	BALL BEARING 6209/2Z-C3 (HT) VP.	1
Note: Please give the data from type plate of the motor			
2.4	2175845	End shield BG160M/L N.D.E.WEG KIT	1
Note: Please give the data from type plate of the motor			
2.12	2192901	> V-Ring BG160M/L WEG VP.	1
4.41		> End shield BG160M/L D.E.13680821 WEG	1
4.42		> Spring washer	1
2.5	2175847	Fan BG160M/L WEG VP.	1
Note: Please give the data from type plate of the motor			
2.6	2175846	Fan cover BG160M/L WEG VP.	1
Note: Please give the data from type plate of the motor			
2.7	2192892	Motor foot 160 M/L WEG VP.	1
Note: Please give the data from type plate of the motor			



**BL-E50/200-15/2-R1 (2154304)**

Item	Article no.	Description	Quantity
1.1	2040849	IMPELLER D.65/194/24 KIT	1
1.11	2027188	> NUT M16 DIN-EN24032 A4 VP.	1
1.12	2027191	> WASHER A17 DIN125 200HV A2	1
1.13		> IMPELLER 65/194/184/32 GG BALANCED	1
1.14	2042864	> O-RING ID.224x3,55 7EP1197-W534 VP.	1
	2042863	> CIRCLIP S16 V2A VP.	1
1.2	2026903	MECH.SEAL MG12/32-G60 AQ1EGG M16 KIT	1
1.11	2027188	> NUT M16 DIN-EN24032 A4 VP.	1
1.12	2027191	> WASHER A17 DIN125 200HV A2	1
1.14	2043160	> O-Ring 177,39x3,53 ISO3601B EPDM VP.	1
1.14	2042864	> O-RING ID.224x3,55 7EP1197-W534 VP.	1
1.14	2051680	> O-RING ID.276,7x5,29 7EP1197-W534 VP.	1
	2042863	> CIRCLIP S16 V2A VP.	1
1.21		> MECHANICAL SEAL MG12/32-G60 AQ1EGG	1
10	2027202	> TOOL D.18/24/32 VP.	1
1.3	2042716	LANTERN P270X99-F300 KTL KIT	1
1.11	2027188	> NUT M16 DIN-EN24032 A4 VP.	1
1.12	2027191	> WASHER A17 DIN125 200HV A2	1
1.14	2042864	> O-RING ID.224x3,55 7EP1197-W534 VP.	1
	2042863	> CIRCLIP S16 V2A VP.	1
1.31	2027201	> BLOWGUN R1/8" VP.	1
1.32	2048843	> COUPLING GUARD P270-F300/350 (2 PIECES)	1
1.33		> Lantern P270X99-F300 GG KTL WILO	1
10	2027202	> TOOL D.18/24/32 VP.	1
1.4	2042727	COUPLING/SHAFT D.32/42X161 KIT	1
1.11	2027188	> NUT M16 DIN-EN24032 A4 VP.	1
1.12	2027191	> WASHER A17 DIN125 200HV A2	1
1.14	2042864	> O-RING ID.224x3,55 7EP1197-W534 VP.	1
1.14	2043160	> O-Ring 177,39x3,53 ISO3601B EPDM VP.	1
	2042863	> CIRCLIP S16 V2A VP.	1
1.41		> COUPLING 32/42+SHAFT 32X161 BG160 ZN KIT	1
10	2027202	> TOOL D.18/24/32 VP.	1
2	2160158	Motor B35 15/2/160/350E-IE4-WEG(+Tool)	1
		Spare parts motor B35 15/2/160/350E-IE4	1

**BL-E50/200-15/2-R1 (2154304)**

Item	Article no.	Description	Quantity
3	2042761	PUMP HOUSING B50/230 PN16 KIT	1
1.14	2042864	> O-RING ID.224x3,55 7EP1197-W534 VP.	1
3.1		> PUMP HOUSING BL50/230 PN16 CPL.WILO	1
4	2027193	SCREW M16X30 ISO4762 8.8 (4 PIECES)	1
5	2046467	Screw M16X35 ISO4017 8.8 (4 PIECES)	1
7	2029336	WASHER A17 DIN125 ST (4 PIECES)	1
11	2190941	Module BL-E50/200-15/2-IE4 WEG KIT	1
	2132102	> FAN SMALL TL6/7 FF KIT	1
		>> TL6/7FF module fan sm.cpl.	1
	2132096	>> FAN GRILL TL6/7 FF VP.	1
	2132097	> CABLE CONNECTION M12 TL6/7 FF VP.	1
	2132098	> CABLE CONNECTION M16 TL6/7 FF VP.	1
	2132099	> CABLE CONNECTION M20 TL6/7 FF VP.	1
	2132100	> CABLE CONNECTION SMALL M40 TL6/7 FF VP.	1
	2132104	> COVER SIDE TL6/7 FF CPL.VP.	1
	2132452	> MODULE COVER/BUTTON TL6/7 FF VP.	1



Motor-Typenschild / Motor type plate / Plaque identité moteur

Bei Ersatzteilbestellung Motor-Nummer angeben!

Indicate motor number for order of spare parts!

Pour une commande de pièces détachées, donner le numéro du moteur!

ELEC

Motor-Nummer  
motor number  
numéro du moteur

<b>3~Induction Motor</b>					
Made by WILLO Group					
<b>3511218</b>	<b>W132240-4-V1NPE</b>		<b>0902.001</b>		
Class F	S1	IP55	69kg	EN60034	
50Hz	5.5kW	SF=L1S	60Hz	6.45kW	
YΔ 400/690V	10,6/6,13A	Y 440-480V	10,9/10,35A		
Cosφ =0.81	1470min <sup>-1</sup>	Cosφ =0.81	1770min <sup>-1</sup>		
IE4-91.9%	91,9%	91,1%	IE4-92.4%	92,4%	91,8%

WEG

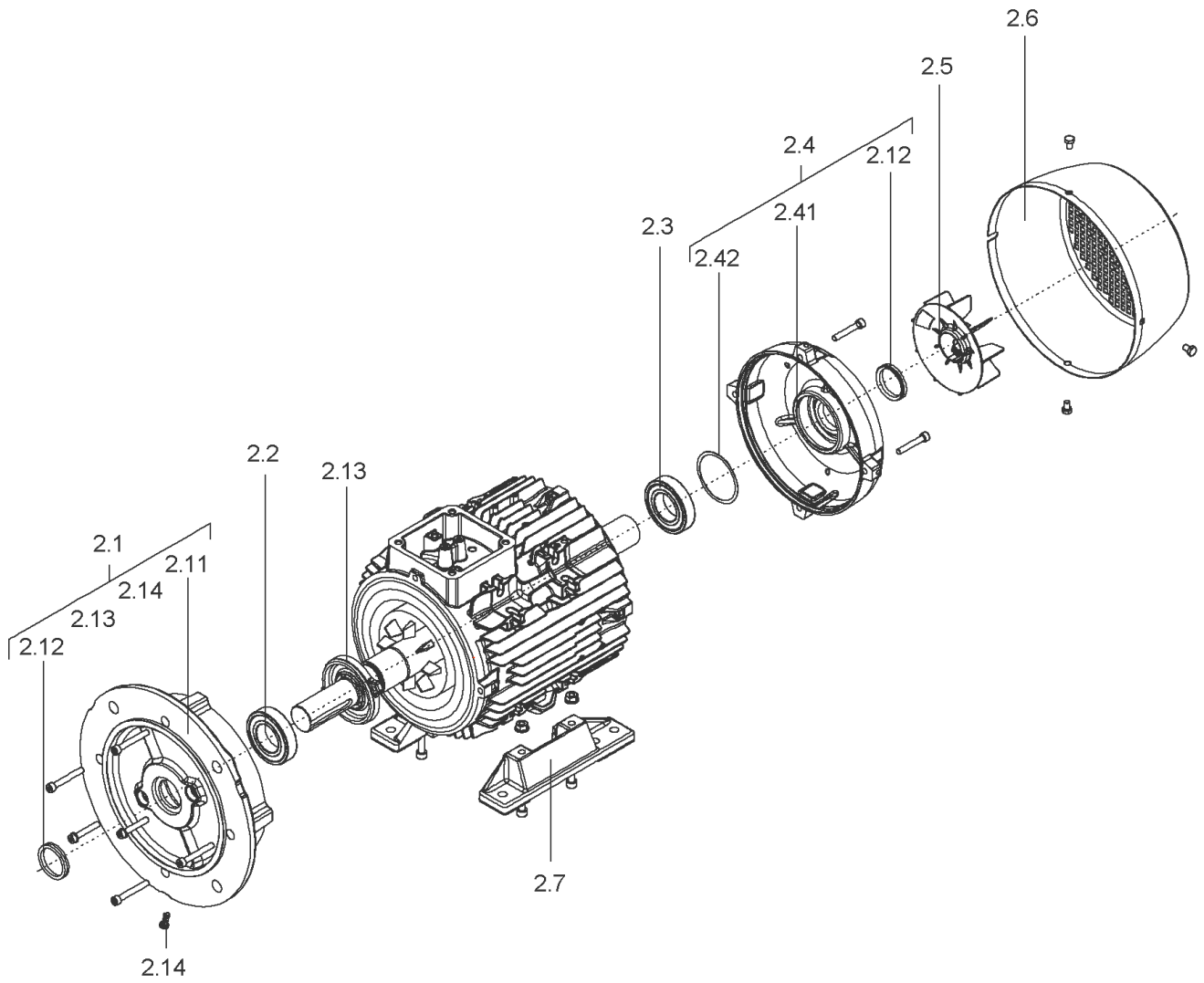
3~ AL180M/L-04		2015/12	1030615079		
AMB 40°C					
IP55	INS CL.F	Δ T 80 K	S1	SF 1.0	
V	Hz	kW	RPM	A	PF
400 / -			1480	29,5 / -	0,78
- / -					
- / -					
- / -					
400	IE4	93,9 (100%)	92,5 (75%)	90,8 (50%)	
- / -		- (100%)	- (75%)	- (50%)	
- A		- (100%)	- (75%)	- (50%)	
NEMA	Eff	- %	- HP	- V	- Hz
- A	PF	DES	CODE	SF	
		6311-ZZ-C3	MOBIL POLYREX EM		162 kg
		6211-ZZ-C3			
MOD.TE01A0X1A0000301180					
IEC 60034					

VIBRATION LEVEL A
ACCORDING IEC 60034-14
BALANCED WITH NO KEY
WILO PART NO: <b>2151697</b>

Motor-Nummer  
motor number  
numéro du moteur

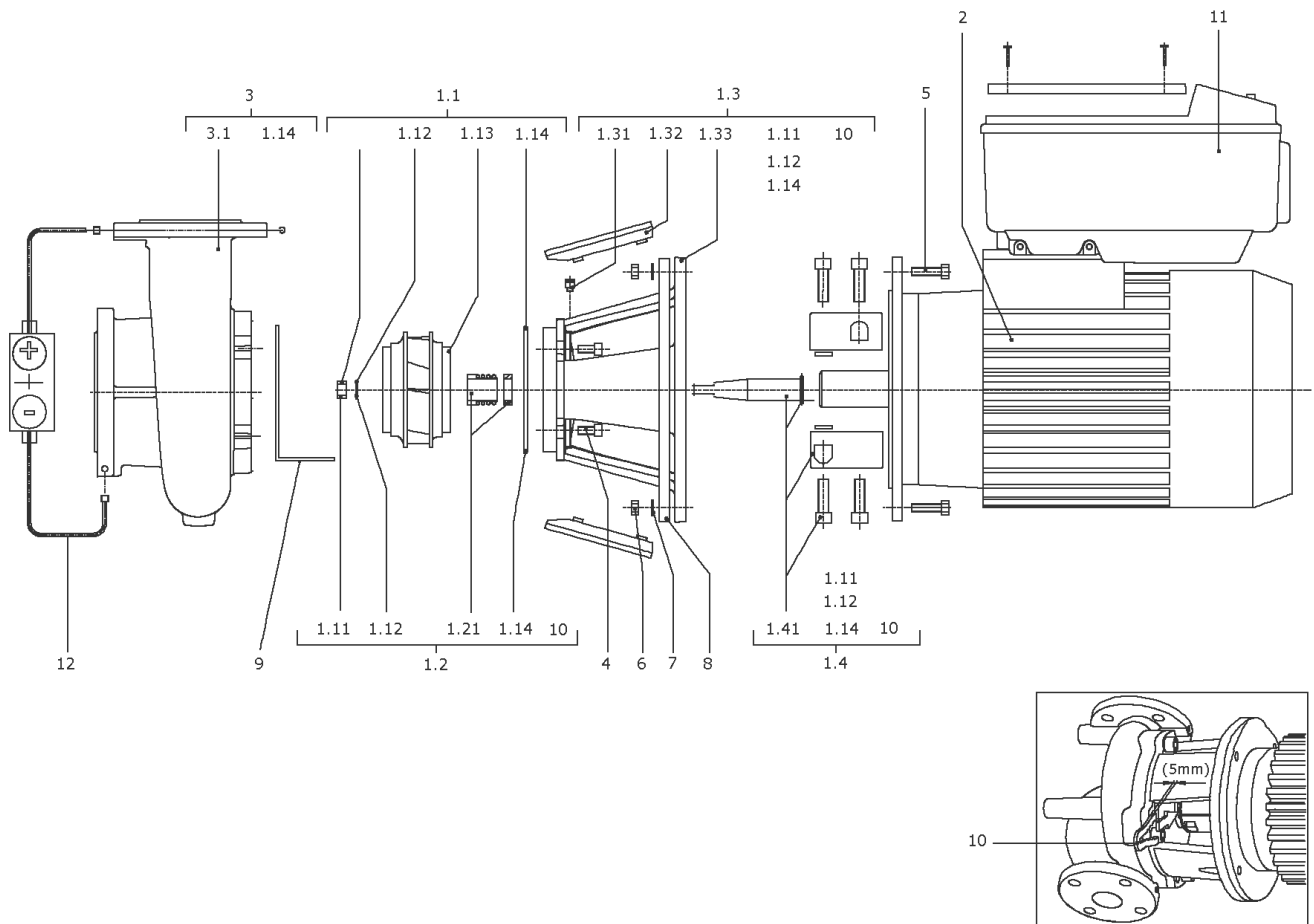
## Spare parts motor B35 15/2/160/350E-IE4

Item	Description	Quantity
WEG	Motor B35 15/2/160/350E WEG IE4 WILO	1



**Motor B35 15/2/160/350E WEG IE4 WILO**

Item	Article no.	Description	Quantity
2.1	2175843	Flange FF-300 BG160M/L WEG KIT	1
Note: Please give the data from type plate of the motor			
2.11		> Flange FF-300 BG160M/L 13679340 WEG	1
2.12	2192901	> V-Ring BG160M/L WEG VP.	1
2.13		> Bearing cover	1
2.14		> Venting screw	1
2.2	121084396	BALL BEARING 6309/2Z-C3 (HT) VP.	1
Note: Please give the data from type plate of the motor			
2.3	122065996	BALL BEARING 6209/2Z-C3 (HT) VP.	1
Note: Please give the data from type plate of the motor			
2.4	2175845	End shield BG160M/L N.D.E.WEG KIT	1
Note: Please give the data from type plate of the motor			
2.12	2192901	> V-Ring BG160M/L WEG VP.	1
4.41		> End shield BG160M/L D.E.13680821 WEG	1
4.42		> Spring washer	1
2.5	2175847	Fan BG160M/L WEG VP.	1
Note: Please give the data from type plate of the motor			
2.6	2175846	Fan cover BG160M/L WEG VP.	1
Note: Please give the data from type plate of the motor			
2.7	2192892	Motor foot 160 M/L WEG VP.	1
Note: Please give the data from type plate of the motor			



**BL-E50/210-18,5/2-R1 (2154305)**

Item	Article no.	Description	Quantity
1.1	2123487	IMPELLER D.65/204/194/32 KIT	1
1.11	2027188	> NUT M16 DIN-EN24032 A4 VP.	1
1.12	2027191	> WASHER A17 DIN125 200HV A2	1
1.13		> IMPELLER 65/204/194/32 GG BALANCED	1
1.14	2042864	> O-RING ID.224x3,55 7EP1197-W534 VP.	1
	2042862	> WASHER S12 V2A VP.	1
1.2	2026903	MECH.SEAL MG12/32-G60 AQ1EGG M16 KIT	1
1.11	2027188	> NUT M16 DIN-EN24032 A4 VP.	1
1.12	2027191	> WASHER A17 DIN125 200HV A2	1
1.14	2043160	> O-Ring 177,39x3,53 ISO3601B EPDM VP.	1
1.14	2042864	> O-RING ID.224x3,55 7EP1197-W534 VP.	1
1.14	2051680	> O-RING ID.276,7x5,29 7EP1197-W534 VP.	1
	2042863	> CIRCLIP S16 V2A VP.	1
1.21		> MECHANICAL SEAL MG12/32-G60 AQ1EGG	1
10	2027202	> TOOL D.18/24/32 VP.	1
1.3	2042716	LANTERN P270X99-F300 KTL KIT	1
1.11	2027188	> NUT M16 DIN-EN24032 A4 VP.	1
1.12	2027191	> WASHER A17 DIN125 200HV A2	1
1.14	2042864	> O-RING ID.224x3,55 7EP1197-W534 VP.	1
	2042863	> CIRCLIP S16 V2A VP.	1
1.31	2027201	> BLOWGUN R1/8" VP.	1
1.32	2048843	> COUPLING GUARD P270-F300/350 (2 PIECES)	1
1.33		> Lantern P270X99-F300 GG KTL WILO	1
10	2027202	> TOOL D.18/24/32 VP.	1
1.4	2042728	COUPLING/SHAFT D.32/48X161 KIT	1
1.11	2027188	> NUT M16 DIN-EN24032 A4 VP.	1
1.12	2027191	> WASHER A17 DIN125 200HV A2	1
1.14	2042864	> O-RING ID.224x3,55 7EP1197-W534 VP.	1
	2042863	> CIRCLIP S16 V2A VP.	1
1.41		> COUPLING 32/48+SHAFT 32X161 BG180 ZN KIT	1
10	2027202	> TOOL D.18/24/32 VP.	1
2	2160159	Motor B35 18,5/2/180/350E-IE4-WEG(+Tool)	1
		Spare parts mot.B35 18,5/2/160/350E-IE4	1
3	2042761	PUMP HOUSING B50/230 PN16 KIT	1

**BL-E50/210-18,5/2-R1 (2154305)**

Item	Article no.	Description	Quantity
1.14	2042864	> O-RING ID.224x3,55 7EP1197-W534 VP.	1
3.1		> PUMP HOUSING BL50/230 PN16 CPL.WILO	1
4	2027193	SCREW M16X30 ISO4762 8.8 (4 PIECES)	1
5	2046467	Screw M16X35 ISO4017 8.8 (4 PIECES)	1
7	2029336	WASHER A17 DIN125 ST (4 PIECES)	1
11	2190942	Module BL-E50/210-18,5/2-IE4 WEG KIT	1
	2132103	> FAN LARGE TL6/7 FF KIT	1
		>> TL6/7FF module fan large cpl.	1
	2132096	>> FAN GRILL TL6/7 FF VP.	1
	2132097	> CABLE CONNECTION M12 TL6/7 FF VP.	1
	2132098	> CABLE CONNECTION M16 TL6/7 FF VP.	1
	2132099	> CABLE CONNECTION M20 TL6/7 FF VP.	1
	2132100	> CABLE CONNECTION SMALL M40 TL6/7 FF VP.	1
	2132104	> COVER SIDE TL6/7 FF CPL.VP.	1
	2132452	> MODULE COVER/BUTTON TL6/7 FF VP.	1

Motor-Typenschild / Motor type plate / Plaque identité moteur

Bei Ersatzteilbestellung Motor-Nummer angeben!

Indicate motor number for order of spare parts!

Pour une commande de pièces détachées, donner le numéro du moteur!

ELEC

Motor-Nummer  
motor number  
numéro du moteur

<b>3~Induction Motor</b>					
Made by WILLO Group					
<b>351f218</b>	W132240-4-V1NPE		0902.001		
Class F	S1	IP55	69kg	EN60034	
50Hz	5.5kW	SF=L1S	60Hz	6.45kW	
YΔ 400/690V	10,6/6,13A	Y 440-480V	10,9/10,35A		
Cosφ =0.81	1470min <sup>-1</sup>	Cosφ =0.81	1770min <sup>-1</sup>		
IE4-91.9%	91,9%	91,1%	IE4-92.4%	92,4%	91,8%

WEG

3~ AL180M/L-04		2015/12	1030615079		
AMB 40°C					
IP55	INS CL.F	Δ T 80 K	S1	SF 1.0	
V	Hz	kW	RPM	A	PF
400 / -			1480	29,5 / -	0,78
- / -					
- / -					
- / -					
400	IE4	93,9 (100%)	92,5 (75%)	90,8 (50%)	
- / -		- (100%)	- (75%)	- (50%)	
- A		- (100%)	- (75%)	- (50%)	
NEMA	Eff	- %	- HP	- V	- Hz
- A	PF	DES	CODE	SF	
← 6311-ZZ-C3 MOBIL POLYREX EM					162 kg
→ 6211-ZZ-C3					
MOD.TE01A0X1A0000301180					
IEC 60034					

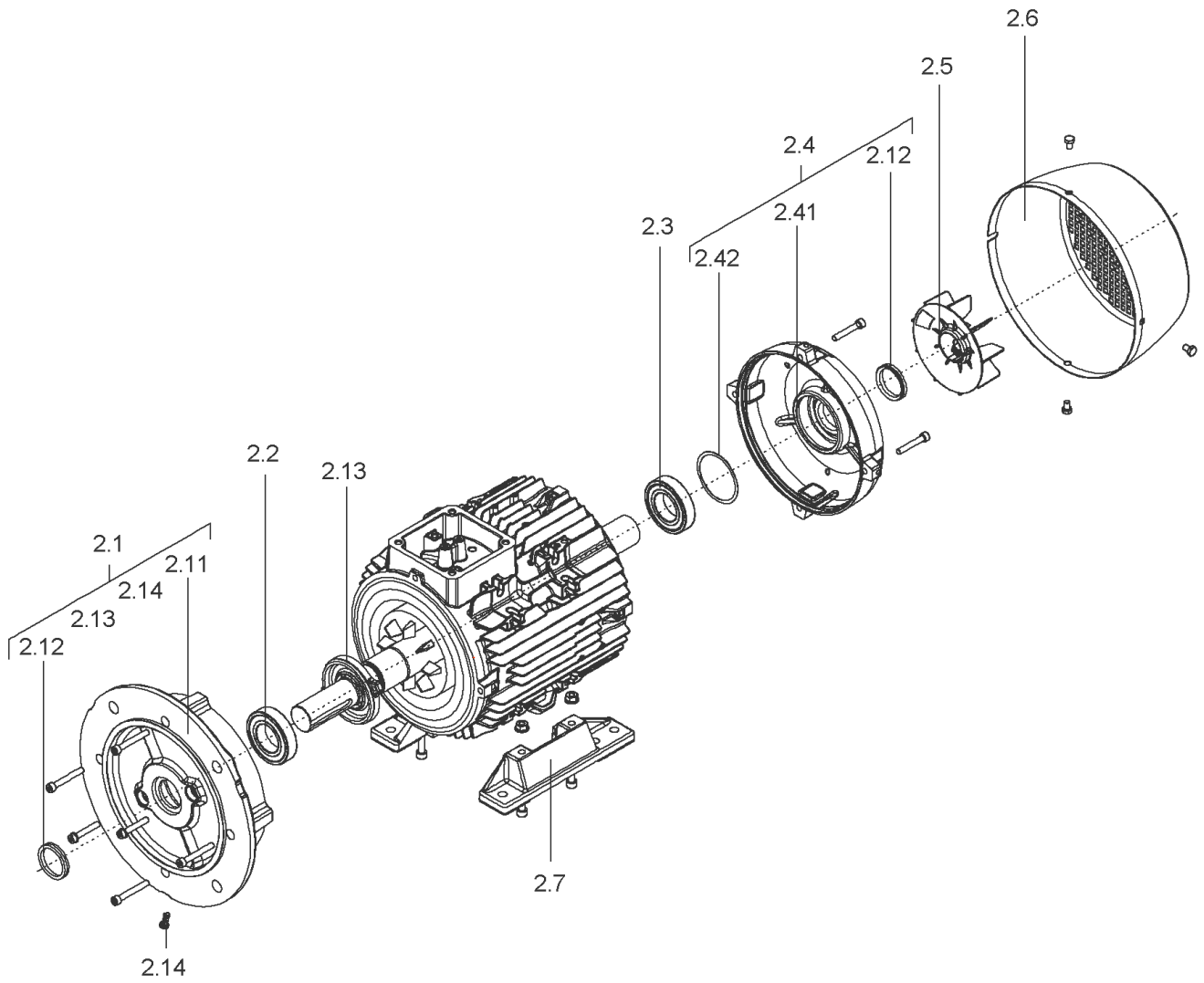
VIBRATION LEVEL A
ACCORDING IEC 60034-14
BALANCED WITH NO KEY
WILO PART NO: <b>2151697</b>

Motor-Nummer  
motor number  
numéro du moteur



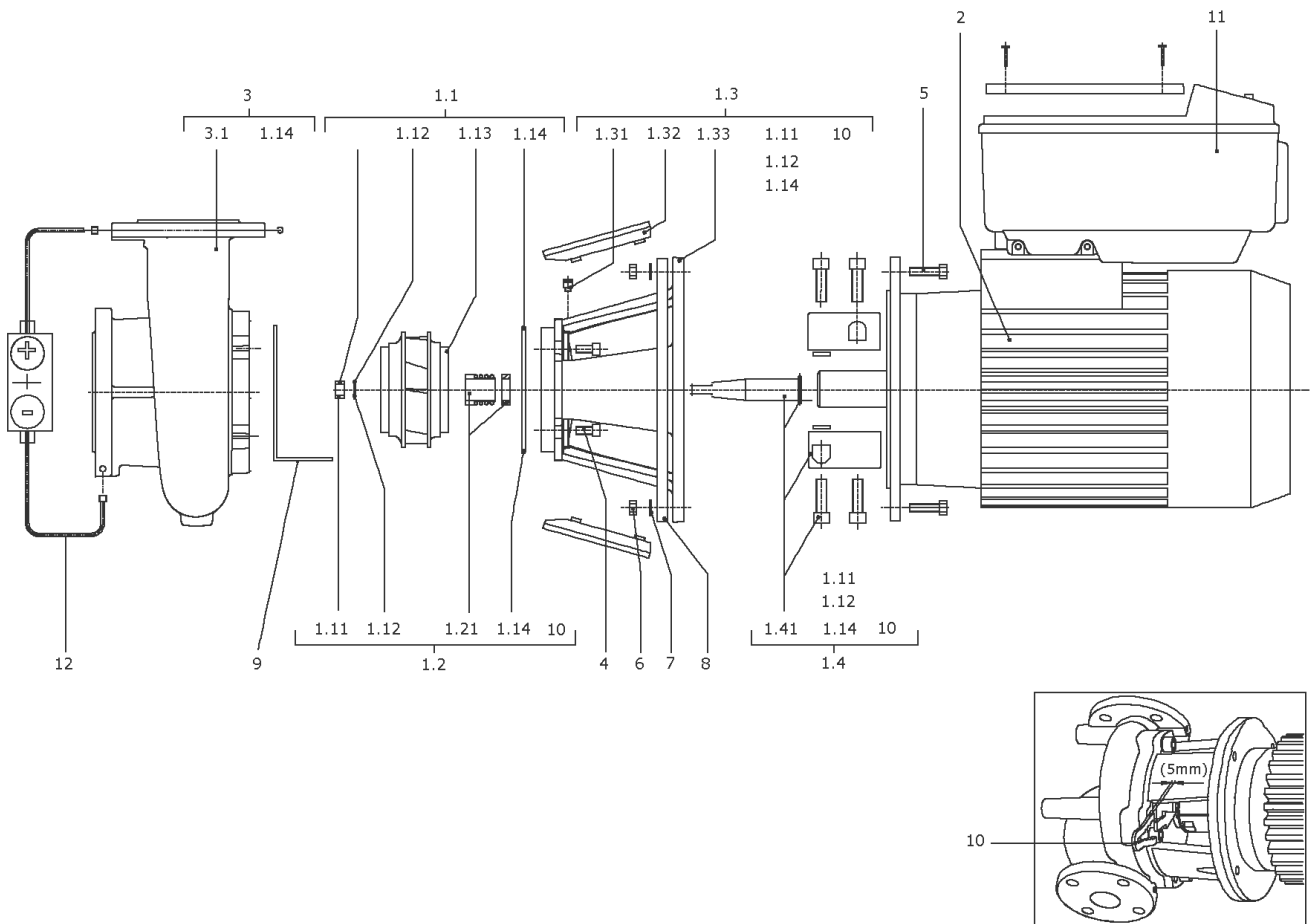
**Spare parts mot.B35 18,5/2/160/350E-IE4**

Item	Description	Quantity
WEG	Motor B35 18,5/2/180/350E WEG IE4 WILO	1



**Motor B35 18,5/2/180/350E WEG IE4 WILO**

Item	Article no.	Description	Quantity
2.1	2175848	Flange FF-300 BG180M/L WEG KIT	1
Note: Please give the data from type plate of the motor			
2.11		> Flange FF-300 BG180M/L 13680826 WEG	1
2.12	2192904	> V-Ring BG180M/L WEG VP.	1
2.13		> Bearing cover	1
2.14		> Venting screw	1
2.2	121083792	BALL BEARING 6311/2Z-C3 (HT) VP.	1
Note: Please give the data from type plate of the motor			
2.3	2175875	Ball bearing 6211/2Z-C3(HT)VP.	1
Note: Please give the data from type plate of the motor			
2.4	2175850	End shield BG180M/L D.E.WEG KIT	1
Note: Please give the data from type plate of the motor			
2.12	2192904	> V-Ring BG180M/L WEG VP.	1
4.41		> End shield BG180M/L D.E.13680913 WEG	1
4.42		> Spring washer	1
2.5	2175852	Fan BG180M/L WEG VP.	1
Note: Please give the data from type plate of the motor			
2.6	2175851	Fan cover BG160M/L WEG VP.	1
Note: Please give the data from type plate of the motor			
2.7	2192895	Motor foot 180 M/L WEG VP.	1



**BL-E50/220-22/2-R1 (2154306)**

Item	Article no.	Description	Quantity
1.1	2157910	Impeller 65/213/203/32 GG KIT	1
1.11	2027188	> NUT M16 DIN-EN24032 A4 VP.	1
1.12	2027191	> WASHER A17 DIN125 200HV A2	1
1.13		> Impeller 65/213/203/32 GG gewu	1
1.14	2042864	> O-RING ID.224x3,55 7EP1197-W534 VP.	1
	2042863	> CIRCLIP S16 V2A VP.	1
1.2	2026903	MECH.SEAL MG12/32-G60 AQ1EGG M16 KIT	1
1.11	2027188	> NUT M16 DIN-EN24032 A4 VP.	1
1.12	2027191	> WASHER A17 DIN125 200HV A2	1
1.14	2043160	> O-Ring 177,39x3,53 ISO3601B EPDM VP.	1
1.14	2042864	> O-RING ID.224x3,55 7EP1197-W534 VP.	1
1.14	2051680	> O-RING ID.276,7x5,29 7EP1197-W534 VP.	1
	2042863	> CIRCLIP S16 V2A VP.	1
1.21		> MECHANICAL SEAL MG12/32-G60 AQ1EGG	1
10	2027202	> TOOL D.18/24/32 VP.	1
1.3	2042716	LANTERN P270X99-F300 KTL KIT	1
1.11	2027188	> NUT M16 DIN-EN24032 A4 VP.	1
1.12	2027191	> WASHER A17 DIN125 200HV A2	1
1.14	2042864	> O-RING ID.224x3,55 7EP1197-W534 VP.	1
	2042863	> CIRCLIP S16 V2A VP.	1
1.31	2027201	> BLOWGUN R1/8" VP.	1
1.32	2048843	> COUPLING GUARD P270-F300/350 (2 PIECES)	1
1.33		> Lantern P270X99-F300 GG KTL WILO	1
10	2027202	> TOOL D.18/24/32 VP.	1
1.4	2042728	COUPLING/SHAFT D.32/48X161 KIT	1
1.11	2027188	> NUT M16 DIN-EN24032 A4 VP.	1
1.12	2027191	> WASHER A17 DIN125 200HV A2	1
1.14	2042864	> O-RING ID.224x3,55 7EP1197-W534 VP.	1
	2042863	> CIRCLIP S16 V2A VP.	1
1.41		> COUPLING 32/48+SHAFT 32X161 BG180 ZN KIT	1
10	2027202	> TOOL D.18/24/32 VP.	1
2	2160160	Motor B35 22/2/180/350E-IE4-WEG(+Tool)	1
		Spare parts motor B35 22/2/160/350E-IE4	1
3	2042761	PUMP HOUSING B50/230 PN16 KIT	1

**BL-E50/220-22/2-R1 (2154306)**

Item	Article no.	Description	Quantity
1.14	2042864	> O-RING ID.224x3,55 7EP1197-W534 VP.	1
3.1		> PUMP HOUSING BL50/230 PN16 CPL.WILO	1
4	2027193	SCREW M16X30 ISO4762 8.8 (4 PIECES)	1
5	2046467	Screw M16X35 ISO4017 8.8 (4 PIECES)	1
7	2029336	WASHER A17 DIN125 ST (4 PIECES)	1
11	2190943	Module BL-E50/220-22/2-IE4 WEG KIT	1
	2132103	> FAN LARGE TL6/7 FF KIT	1
		>> TL6/7FF module fan large cpl.	1
	2132096	>> FAN GRILL TL6/7 FF VP.	1
	2132097	> CABLE CONNECTION M12 TL6/7 FF VP.	1
	2132098	> CABLE CONNECTION M16 TL6/7 FF VP.	1
	2132099	> CABLE CONNECTION M20 TL6/7 FF VP.	1
	2132100	> CABLE CONNECTION SMALL M40 TL6/7 FF VP.	1
	2132104	> COVER SIDE TL6/7 FF CPL.VP.	1
	2132452	> MODULE COVER/BUTTON TL6/7 FF VP.	1

Motor-Typenschild / Motor type plate / Plaque identité moteur

Bei Ersatzteilbestellung Motor-Nummer angeben!

Indicate motor number for order of spare parts!

Pour une commande de pièces détachées, donner le numéro du moteur!

ELEC

Motor-Nummer  
motor number  
numéro du moteur

<b>3~Induction Motor</b>					
Made by WILLO Group					
<b>351f218</b>	W132240-4-V1NPE		0902.001		
Class F	S1	IP55	69kg	EN60034	
50Hz	5.5kW	SF=1.15	60Hz	6.45kW	
YΔ 400/690V	10,6/6,13A	Y 440-480V	10,9/10,35A		
Cosφ =0.81	1470min <sup>-1</sup>	Cosφ =0.81	1770min <sup>-1</sup>		
IE4-91.9%	91,9%	91,1%	IE4-92.4%	92,4%	91,8%

WEG

3~ AL180M/L-04		2015/12		1030615079	
AMB 40°C					
IP55	INS CL.F	Δ T 80 K	S1	SF 1.0	
V	Hz	kW	RPM	A	PF
400 / -			1480	29,5 / -	0,78
- / -					
- / -					
- / -					
400	IE4	93,9 (100%)	92,5 (75%)	90,8 (50%)	
- / -		- (100%)	- (75%)	- (50%)	
- A		- (100%)	- (75%)	- (50%)	
NEMA	Eff	- %	- HP	- V	- Hz
- A	PF	DES	CODE	SF	
		6311-ZZ-C3	MOBIL POLYREX EM		162 kg
		6211-ZZ-C3			
MOD.TE01A0X1A0000301180					
IEC 60034					

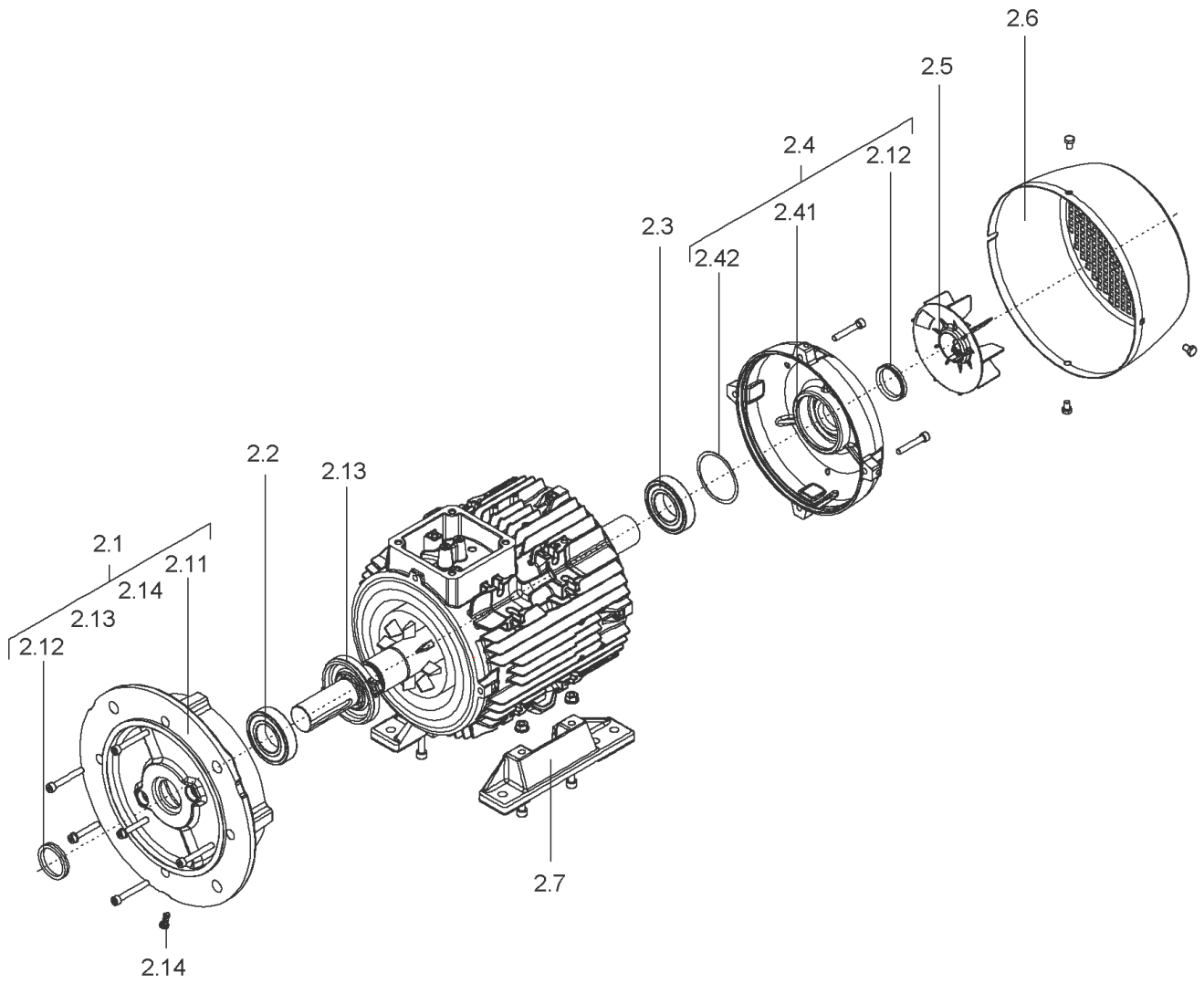
VIBRATION LEVEL A
ACCORDING IEC 60034-14
BALANCED WITH NO KEY
WILO PART NO: 2151697

Motor-Nummer  
motor number  
numéro du moteur

## Spare parts motor B35 22/2/160/350E-IE4

Item	Description	Quantity
WEG	Motor B35 22/2/180/350E WEG IE4 WILO	1





**Motor B35 22/2/180/350E WEG IE4 WILO**

Item	Article no.	Description	Quantity
2.1	2175848	Flange FF-300 BG180M/L WEG KIT	1
Note: Please give the data from type plate of the motor			
2.11		> Flange FF-300 BG180M/L 13680826 WEG	1
2.12	2192904	> V-Ring BG180M/L WEG VP.	1
2.13		> Bearing cover	1
2.14		> Venting screw	1
2.2	121083792	BALL BEARING 6311/2Z-C3 (HT) VP.	1
Note: Please give the data from type plate of the motor			
2.3	2175875	Ball bearing 6211/2Z-C3(HT)VP.	1
Note: Please give the data from type plate of the motor			
2.4	2175850	End shield BG180M/L D.E.WEG KIT	1
Note: Please give the data from type plate of the motor			
2.12	2192904	> V-Ring BG180M/L WEG VP.	1
4.41		> End shield BG180M/L D.E.13680913 WEG	1
4.42		> Spring washer	1
2.5	2175852	Fan BG180M/L WEG VP.	1
Note: Please give the data from type plate of the motor			
2.6	2175851	Fan cover BG160M/L WEG VP.	1
Note: Please give the data from type plate of the motor			
2.7	2192895	Motor foot 180 M/L WEG VP.	1



**BL-E65/160-11/2-R1 (2154307)**

Item	Article no.	Description	Quantity
1.1	2123525	IMPELLER D.80/153/143/24 KIT	1
1.11	2027187	> NUT M12 DIN-EN24032 A2 VP.	1
1.12	2027190	> WASHER A13 DIN125-T2 A2 VP.	1
1.13		> IMPELLER 80/153/143/24 GG BALANCED	1
1.14	2043160	> O-Ring 177,39x3,53 ISO3601B EPDM VP.	1
	2042862	> WASHER S12 V2A VP.	1
1.2	2026902	MECHANICAL SEAL MG12/24-G60 AQ1EGG KIT	1
1.11	2027187	> NUT M12 DIN-EN24032 A2 VP.	1
1.12	2027190	> WASHER A13 DIN125-T2 A2 VP.	1
1.14	2037527	> O-RING 148,82x3,53 EPDM 70SR.VP.	1
1.14	2043160	> O-Ring 177,39x3,53 ISO3601B EPDM VP.	1
1.14	2042864	> O-RING ID.224x3,55 7EP1197-W534 VP.	1
1.14	2051680	> O-RING ID.276,7x5,29 7EP1197-W534 VP.	1
	2042862	> WASHER S12 V2A VP.	1
1.21		> MECHANICAL SEAL MG12/24-G60 AQ1EGG	1
10	2027202	> TOOL D.18/24/32 VP.	1
1.3	2026917	LANTERN P228X115-F300 KIT	1
1.11	2027187	> NUT M12 DIN-EN24032 A2 VP.	1
1.12	2027190	> WASHER A13 DIN125-T2 A2 VP.	1
1.14	2043160	> O-Ring 177,39x3,53 ISO3601B EPDM VP.	1
	2042862	> WASHER S12 V2A VP.	1
1.31	2027201	> BLOWGUN R1/8" VP.	1
1.32	2048841	> COUPLING GUARD F300-350 PA66 (4 PIECES)	1
1.33		> Lantern P228X115-F300 WE.24 GG WILO	1
10	2027202	> TOOL D.18/24/32 VP.	1
1.4	2026932	COUPLING/SHAFT 24/42x160 KIT	1
1.11	2027187	> NUT M12 DIN-EN24032 A2 VP.	1
1.12	2027190	> WASHER A13 DIN125-T2 A2 VP.	1
1.14	2043160	> O-Ring 177,39x3,53 ISO3601B EPDM VP.	1
	2042862	> WASHER S12 V2A VP.	1
1.41		> COUPLING 24/42+SHAFT 24X160 BG160 ZN KIT	1
10	2027202	> TOOL D.18/24/32 VP.	1
2	2160157	Motor B35 11/2/160/350E-IE4-WEG(+Tool)	1
		Spare parts motor B35 11/2/160/350E-IE4	1

**BL-E65/160-11/2-R1 (2154307)**

Item	Article no.	Description	Quantity
3	2026872	PUMP HOUSING B65/170 PN16 KIT	1
1.14	2043160	> O-Ring 177,39x3,53 ISO3601B EPDM VP.	1
3.1		> PUMP HOUSING BL65/182 PN16 CPL.WILO	1
4	2027193	SCREW M16X30 ISO4762 8.8 (4 PIECES)	1
5	2027197	SCREW M16X60 ISO4014 8.8 (4PIECES)	1
6	2029304	NUT M16 DIN-EN24032 8 (4 PIECES)	1
7	2029336	WASHER A17 DIN125 ST (4 PIECES)	1
11	2179154	Module BL-E65/160-11/2-IE4 WEG KIT	1
	2132102	> FAN SMALL TL6/7 FF KIT	1
		>> TL6/7FF module fan sm.cpl.	1
	2132096	>> FAN GRILL TL6/7 FF VP.	1
	2132097	> CABLE CONNECTION M12 TL6/7 FF VP.	1
	2132098	> CABLE CONNECTION M16 TL6/7 FF VP.	1
	2132099	> CABLE CONNECTION M20 TL6/7 FF VP.	1
	2132100	> CABLE CONNECTION SMALL M40 TL6/7 FF VP.	1
	2132104	> COVER SIDE TL6/7 FF CPL.VP.	1
	2132452	> MODULE COVER/BUTTON TL6/7 FF VP.	1

Motor-Typenschild / Motor type plate / Plaque identité moteur

Bei Ersatzteilbestellung Motor-Nummer angeben!

Indicate motor number for order of spare parts!

Pour une commande de pièces détachées, donner le numéro du moteur!

ELEC

Motor-Nummer  
motor number  
numéro du moteur

<b>3~Induction Motor</b>					
Made by WILLO Group					
<b>3511218</b>	W132240-4-V1NPE		0902.001		
Class F	S1	IP55	69kg	EN60034	
50Hz	5.5kW	SF=L1S	60Hz	6.45kW	
YΔ 400/690V	10,6/6,13A	Y 440-480V	10,9/10,35A		
Cosφ =0.81	1470min <sup>-1</sup>	Cosφ =0.81	1770min <sup>-1</sup>		
IE4-91.9%	91,9%	91,1%	IE4-92.4%	92,4%	91,8%

WEG

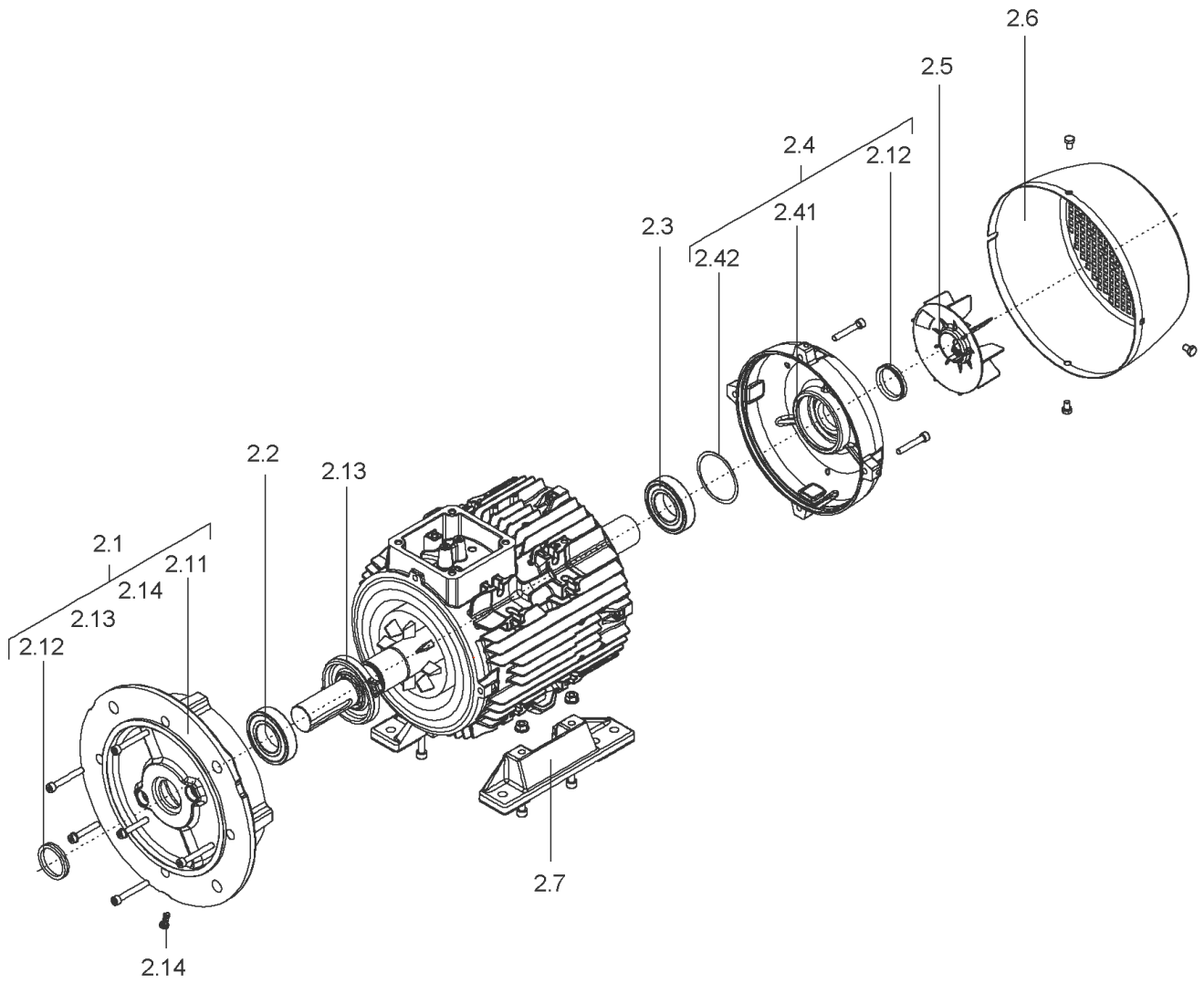
3~ AL180M/L-04		2015/12		1030615079	
AMB 40°C					
IP55	INS CL.F	Δ T 80 K	S1	SF 1.0	
V	Hz	kW	RPM	A	PF
400 / -			1480	29,5 / -	0,78
- / -					
- / -					
- / -					
400	IE4	93,9 (100%)	92,5 (75%)	90,8 (50%)	
- / -		- (100%)	- (75%)	- (50%)	
- A		- (100%)	- (75%)	- (50%)	
NEMA	Eff	- %	- HP	- V	- Hz
- A	PF	DES	CODE	SF	
					162 kg
MOD.TE01A0X1A0000301180					
IEC 60034					

VIBRATION LEVEL A
ACCORDING IEC 60034-14
BALANCED WITH NO KEY
WILO PART NO: <b>2151697</b>

Motor-Nummer  
motor number  
numéro du moteur

## Spare parts motor B35 11/2/160/350E-IE4

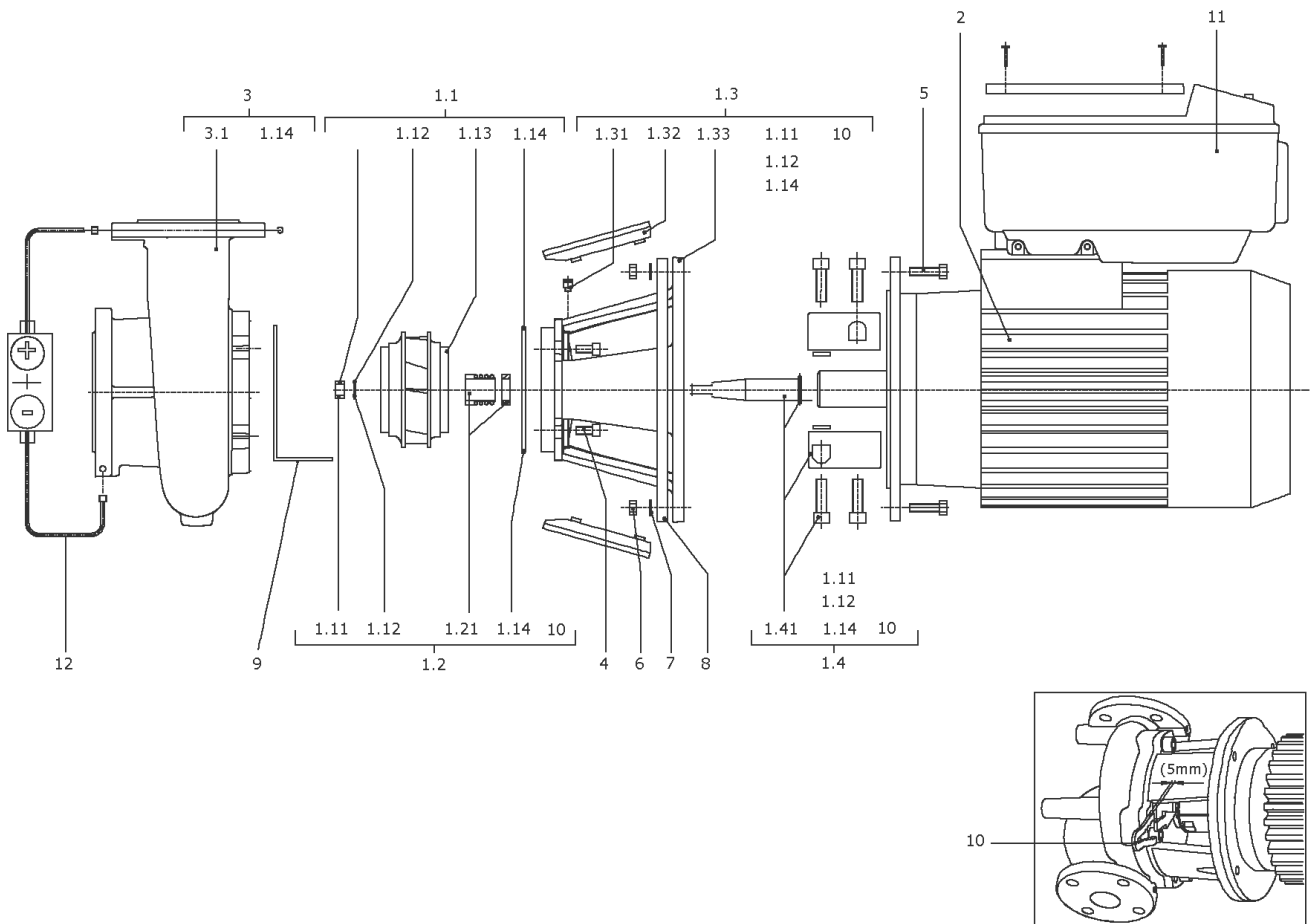
Item	Description	Quantity
WEG	Motor B35 11/2/160/350E WEG IE4 WILO	1





**Motor B35 11/2/160/350E WEG IE4 WILO**

Item	Article no.	Description	Quantity
2.1	2175843	Flange FF-300 BG160M/L WEG KIT	1
Note: Please give the data from type plate of the motor			
2.11		> Flange FF-300 BG160M/L 13679340 WEG	1
2.12	2192901	> V-Ring BG160M/L WEG VP.	1
2.13		> Bearing cover	1
2.14		> Venting screw	1
2.2	121084396	BALL BEARING 6309/2Z-C3 (HT) VP.	1
Note: Please give the data from type plate of the motor			
2.3	122065996	BALL BEARING 6209/2Z-C3 (HT) VP.	1
Note: Please give the data from type plate of the motor			
2.4	2175845	End shield BG160M/L N.D.E.WEG KIT	1
Note: Please give the data from type plate of the motor			
2.12	2192901	> V-Ring BG160M/L WEG VP.	1
4.41		> End shield BG160M/L D.E.13680821 WEG	1
4.42		> Spring washer	1
2.5	2175847	Fan BG160M/L WEG VP.	1
Note: Please give the data from type plate of the motor			
2.6	2175846	Fan cover BG160M/L WEG VP.	1
Note: Please give the data from type plate of the motor			
2.7	2192892	Motor foot 160 M/L WEG VP.	1
Note: Please give the data from type plate of the motor			



**BL-E65/170-15/2-R1 (2154308)**

Item	Article no.	Description	Quantity
1.1	2123523	IMPELLER D.80/170/24 KIT	1
1.11	2027187	> NUT M12 DIN-EN24032 A2 VP.	1
1.12	2027190	> WASHER A13 DIN125-T2 A2 VP.	1
1.13		> IMPELLER 80/170/24 GG BALANCED	1
1.14	2043160	> O-Ring 177,39x3,53 ISO3601B EPDM VP.	1
	2042862	> WASHER S12 V2A VP.	1
1.2	2026902	MECHANICAL SEAL MG12/24-G60 AQ1EGG KIT	1
1.11	2027187	> NUT M12 DIN-EN24032 A2 VP.	1
1.12	2027190	> WASHER A13 DIN125-T2 A2 VP.	1
1.14	2037527	> O-RING 148,82x3,53 EPDM 70SR.VP.	1
1.14	2043160	> O-Ring 177,39x3,53 ISO3601B EPDM VP.	1
1.14	2042864	> O-RING ID.224x3,55 7EP1197-W534 VP.	1
1.14	2051680	> O-RING ID.276,7x5,29 7EP1197-W534 VP.	1
	2042862	> WASHER S12 V2A VP.	1
1.21		> MECHANICAL SEAL MG12/24-G60 AQ1EGG	1
10	2027202	> TOOL D.18/24/32 VP.	1
1.3	2026917	LANTERN P228X115-F300 KIT	1
1.11	2027187	> NUT M12 DIN-EN24032 A2 VP.	1
1.12	2027190	> WASHER A13 DIN125-T2 A2 VP.	1
1.14	2043160	> O-Ring 177,39x3,53 ISO3601B EPDM VP.	1
	2042862	> WASHER S12 V2A VP.	1
1.31	2027201	> BLOWGUN R1/8" VP.	1
1.32	2048841	> COUPLING GUARD F300-350 PA66 (4 PIECES)	1
1.33		> Lantern P228X115-F300 WE.24 GG WILO	1
10	2027202	> TOOL D.18/24/32 VP.	1
1.4	2026932	COUPLING/SHAFT 24/42x160 KIT	1
1.11	2027187	> NUT M12 DIN-EN24032 A2 VP.	1
1.12	2027190	> WASHER A13 DIN125-T2 A2 VP.	1
1.14	2043160	> O-Ring 177,39x3,53 ISO3601B EPDM VP.	1
	2042862	> WASHER S12 V2A VP.	1
1.41		> COUPLING 24/42+SHAFT 24X160 BG160 ZN KIT	1
10	2027202	> TOOL D.18/24/32 VP.	1
2	2160158	Motor B35 15/2/160/350E-IE4-WEG(+Tool)	1
		Spare parts motor B35 15/2/160/350E-IE4	1

**BL-E65/170-15/2-R1 (2154308)**

Item	Article no.	Description	Quantity
3	2026872	PUMP HOUSING B65/170 PN16 KIT	1
1.14	2043160	> O-Ring 177,39x3,53 ISO3601B EPDM VP.	1
3.1		> PUMP HOUSING BL65/182 PN16 CPL.WILO	1
4	2027193	SCREW M16X30 ISO4762 8.8 (4 PIECES)	1
5	2027197	SCREW M16X60 ISO4014 8.8 (4PIECES)	1
6	2029304	NUT M16 DIN-EN24032 8 (4 PIECES)	1
7	2029336	WASHER A17 DIN125 ST (4 PIECES)	1
11	2190944	Module BL-E65/170-15/2-IE4 WEG KIT	1
	2132102	> FAN SMALL TL6/7 FF KIT	1
		>> TL6/7FF module fan sm.cpl.	1
	2132096	>> FAN GRILL TL6/7 FF VP.	1
	2132097	> CABLE CONNECTION M12 TL6/7 FF VP.	1
	2132098	> CABLE CONNECTION M16 TL6/7 FF VP.	1
	2132099	> CABLE CONNECTION M20 TL6/7 FF VP.	1
	2132100	> CABLE CONNECTION SMALL M40 TL6/7 FF VP.	1
	2132104	> COVER SIDE TL6/7 FF CPL.VP.	1
	2132452	> MODULE COVER/BUTTON TL6/7 FF VP.	1

Motor-Typenschild / Motor type plate / Plaque identité moteur

Bei Ersatzteilbestellung Motor-Nummer angeben!

Indicate motor number for order of spare parts!

Pour une commande de pièces détachées, donner le numéro du moteur!

ELEC

Motor-Nummer  
motor number  
numéro du moteur

<b>3~Induction Motor</b>					
Made by WILLO Group					
<b>3511218</b>	<b>W132240-4-V1NPE</b>		<b>0902.001</b>		
Class F	S1	IP55	69kg	EN60034	
50Hz	5.5kW	SF=L1S	60Hz	6.45kW	
YΔ 400/690V	10,6/6,13A	Y 440-480V	10,9/10,35A		
Cosφ =0.81	1470min <sup>-1</sup>	Cosφ =0.81	1770min <sup>-1</sup>		
IE4-91.9%	91,9%	91,1%	IE4-92.4%	92,4%	91,8%

WEG

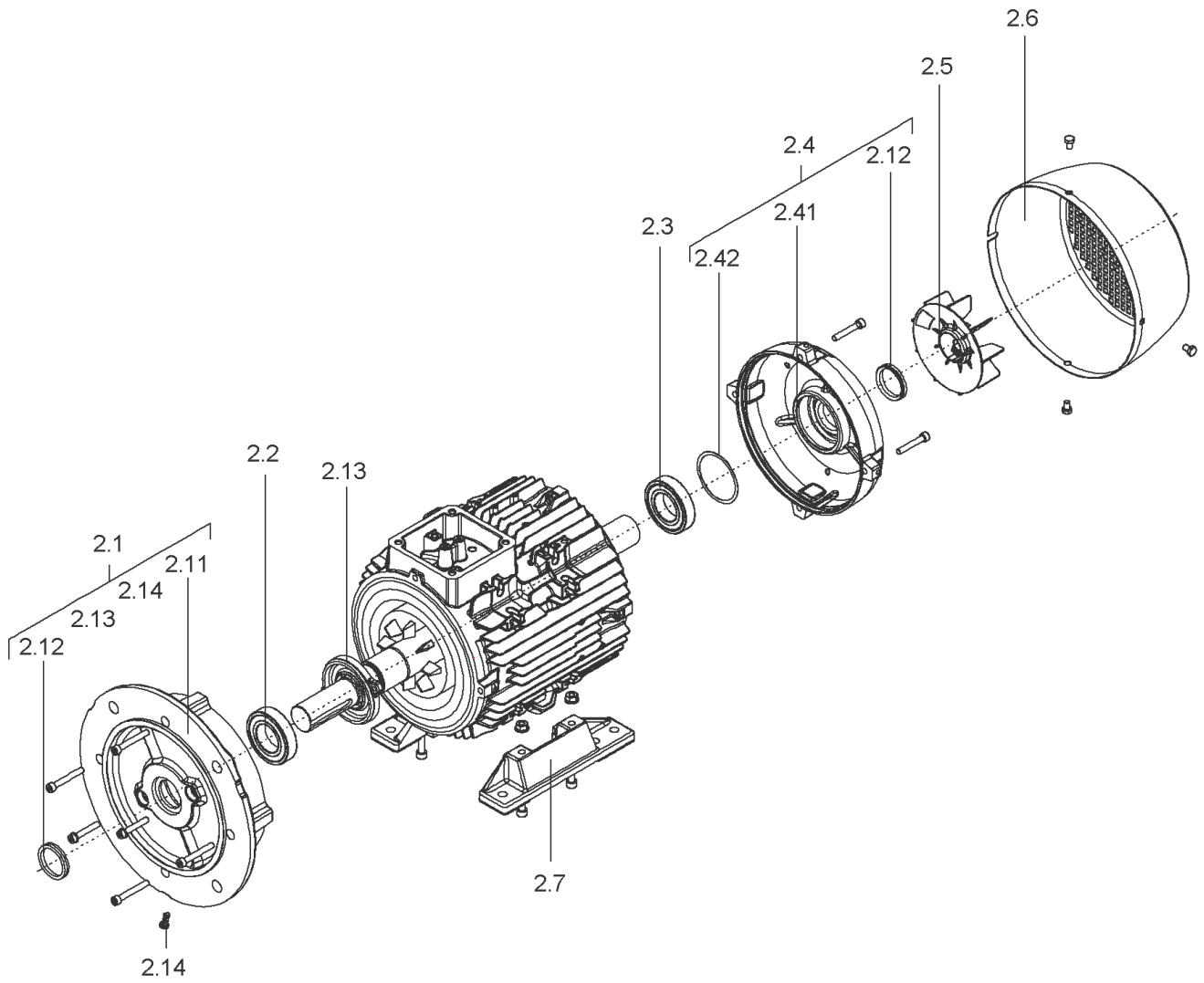
3~ AL180M/L-04		2015/12	1030615079		
AMB 40°C					
IP55	INS CL.F	Δ T 80 K	S1	SF 1.0	
V	Hz	kW	RPM	A	PF
400 / -			1480	29,5 / -	0,78
- / -					
- / -					
- / -					
400	IE4	93,9 (100%)	92,5 (75%)	90,8 (50%)	
- / -		- (100%)	- (75%)	- (50%)	
- A		- (100%)	- (75%)	- (50%)	
NEMA	Eff	- %	- HP	- V	- Hz
- A	PF	DES	CODE	SF	
		6311-ZZ-C3	MOBIL POLYREX EM		162 kg
		6211-ZZ-C3			
MOD.TE01A0X1A0000301180					
IEC 60034					

VIBRATION LEVEL A
ACCORDING IEC 60034-14
BALANCED WITH NO KEY
WILO PART NO: <b>2151697</b>

Motor-Nummer  
motor number  
numéro du moteur

## Spare parts motor B35 15/2/160/350E-IE4

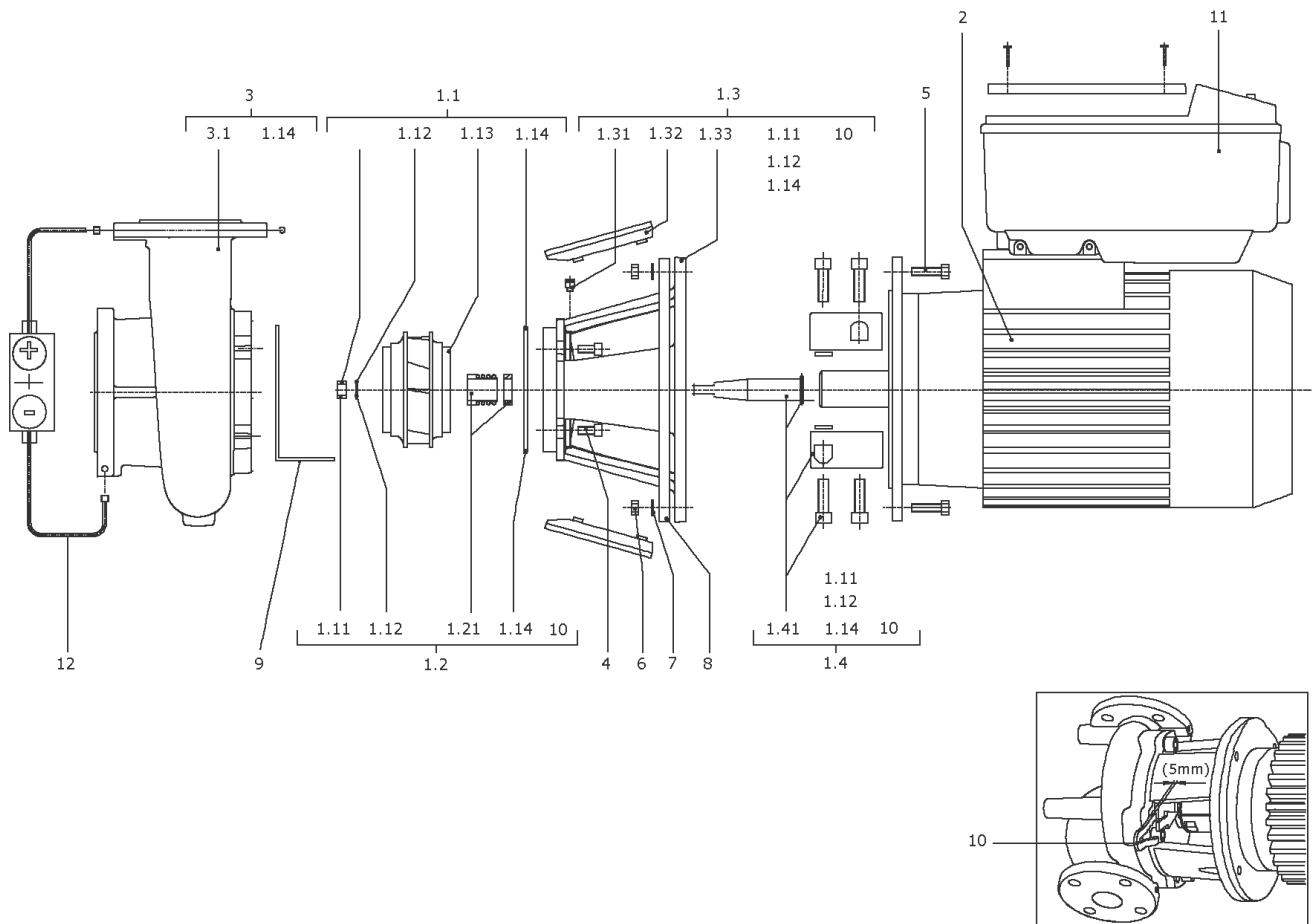
Item	Description	Quantity
WEG	Motor B35 15/2/160/350E WEG IE4 WILO	1



**Motor B35 15/2/160/350E WEG IE4 WILO**

Item	Article no.	Description	Quantity
2.1	2175843	Flange FF-300 BG160M/L WEG KIT	1
Note: Please give the data from type plate of the motor			
2.11		> Flange FF-300 BG160M/L 13679340 WEG	1
2.12	2192901	> V-Ring BG160M/L WEG VP.	1
2.13		> Bearing cover	1
2.14		> Venting screw	1
2.2	121084396	BALL BEARING 6309/2Z-C3 (HT) VP.	1
Note: Please give the data from type plate of the motor			
2.3	122065996	BALL BEARING 6209/2Z-C3 (HT) VP.	1
Note: Please give the data from type plate of the motor			
2.4	2175845	End shield BG160M/L N.D.E.WEG KIT	1
Note: Please give the data from type plate of the motor			
2.12	2192901	> V-Ring BG160M/L WEG VP.	1
4.41		> End shield BG160M/L D.E.13680821 WEG	1
4.42		> Spring washer	1
2.5	2175847	Fan BG160M/L WEG VP.	1
Note: Please give the data from type plate of the motor			
2.6	2175846	Fan cover BG160M/L WEG VP.	1
Note: Please give the data from type plate of the motor			
2.7	2192892	Motor foot 160 M/L WEG VP.	1
Note: Please give the data from type plate of the motor			





**BL-E65/190-18,5/2-R1 (2154309)**

Item	Article no.	Description	Quantity
1.1	2123507	IMPELLER D.80/198/188/32 KIT	1
1.11	2027188	> NUT M16 DIN-EN24032 A4 VP.	1
1.12	2027191	> WASHER A17 DIN125 200HV A2	1
1.13		> IMPELLER 80/198/188/32 GG BALANCED	1
1.14	2042864	> O-RING ID.224x3,55 7EP1197-W534 VP.	1
	2042863	> CIRCLIP S16 V2A VP.	1
1.2	2026903	MECH.SEAL MG12/32-G60 AQ1EGG M16 KIT	1
1.11	2027188	> NUT M16 DIN-EN24032 A4 VP.	1
1.12	2027191	> WASHER A17 DIN125 200HV A2	1
1.14	2043160	> O-Ring 177,39x3,53 ISO3601B EPDM VP.	1
1.14	2042864	> O-RING ID.224x3,55 7EP1197-W534 VP.	1
1.14	2051680	> O-RING ID.276,7x5,29 7EP1197-W534 VP.	1
	2042863	> CIRCLIP S16 V2A VP.	1
1.21		> MECHANICAL SEAL MG12/32-G60 AQ1EGG	1
10	2027202	> TOOL D.18/24/32 VP.	1
1.3	2042716	LANTERN P270X99-F300 KTL KIT	1
1.11	2027188	> NUT M16 DIN-EN24032 A4 VP.	1
1.12	2027191	> WASHER A17 DIN125 200HV A2	1
1.14	2042864	> O-RING ID.224x3,55 7EP1197-W534 VP.	1
	2042863	> CIRCLIP S16 V2A VP.	1
1.31	2027201	> BLOWGUN R1/8" VP.	1
1.32	2048843	> COUPLING GUARD P270-F300/350 (2 PIECES)	1
1.33		> Lantern P270X99-F300 GG KTL WILO	1
10	2027202	> TOOL D.18/24/32 VP.	1
1.4	2042731	COUPLING/SHAFT D.32/48X176 KIT	1
1.11	2027188	> NUT M16 DIN-EN24032 A4 VP.	1
1.12	2027191	> WASHER A17 DIN125 200HV A2	1
1.14	2042864	> O-RING ID.224x3,55 7EP1197-W534 VP.	1
1.14	2051680	> O-RING ID.276,7x5,29 7EP1197-W534 VP.	1
	2042863	> CIRCLIP S16 V2A VP.	1
1.41		> COUPLING 32/48+SHAFT 32X176 BG180 ZN KIT	1
10	2027202	> TOOL D.18/24/32 VP.	1
2	2160159	Motor B35 18,5/2/180/350E-IE4-WEG(+Tool)	1
		Spare parts mot.B35 18,5/2/160/350E-IE4	1

**BL-E65/190-18,5/2-R1 (2154309)**

Item	Article no.	Description	Quantity
3	2026872	PUMP HOUSING B65/170 PN16 KIT	1
1.14	2043160	> O-Ring 177,39x3,53 ISO3601B EPDM VP.	1
3.1		> PUMP HOUSING BL65/182 PN16 CPL.WILO	1
4	2027193	SCREW M16X30 ISO4762 8.8 (4 PIECES)	1
5	2046467	Screw M16X35 ISO4017 8.8 (4 PIECES)	1
7	2029336	WASHER A17 DIN125 ST (4 PIECES)	1
11	2190945	Module BL-E65/190-18,5/2-IE4 WEG KIT	1
	2132103	> FAN LARGE TL6/7 FF KIT	1
		>> TL6/7FF module fan large cpl.	1
	2132096	>> FAN GRILL TL6/7 FF VP.	1
	2132097	> CABLE CONNECTION M12 TL6/7 FF VP.	1
	2132098	> CABLE CONNECTION M16 TL6/7 FF VP.	1
	2132099	> CABLE CONNECTION M20 TL6/7 FF VP.	1
	2132100	> CABLE CONNECTION SMALL M40 TL6/7 FF VP.	1
	2132104	> COVER SIDE TL6/7 FF CPL.VP.	1
	2132452	> MODULE COVER/BUTTON TL6/7 FF VP.	1

Motor-Typenschild / Motor type plate / Plaque identité moteur

Bei Ersatzteilbestellung Motor-Nummer angeben!

Indicate motor number for order of spare parts!

Pour une commande de pièces détachées, donner le numéro du moteur!

ELEC

Motor-Nummer  
motor number  
numéro du moteur

<b>3~Induction Motor</b>						
Made by WILLO Group						
<b>3511218</b>	W132240-4-V1NPE		0902.001			
Class F	S1	IP55	69kg	EN60034		
50Hz	5.5kW	SF=L1S	60Hz	6.45kW		
YΔ 400/690V	10,6/6,13A		Y 440-480V	10,9/10,35A		
Cosφ =0.81	1470min <sup>-1</sup>		Cosφ =0.81	1770min <sup>-1</sup>		
IE4-91.9%	91,9%	91,1%	IE4-92.4%	92,4%	91,8%	

WEG

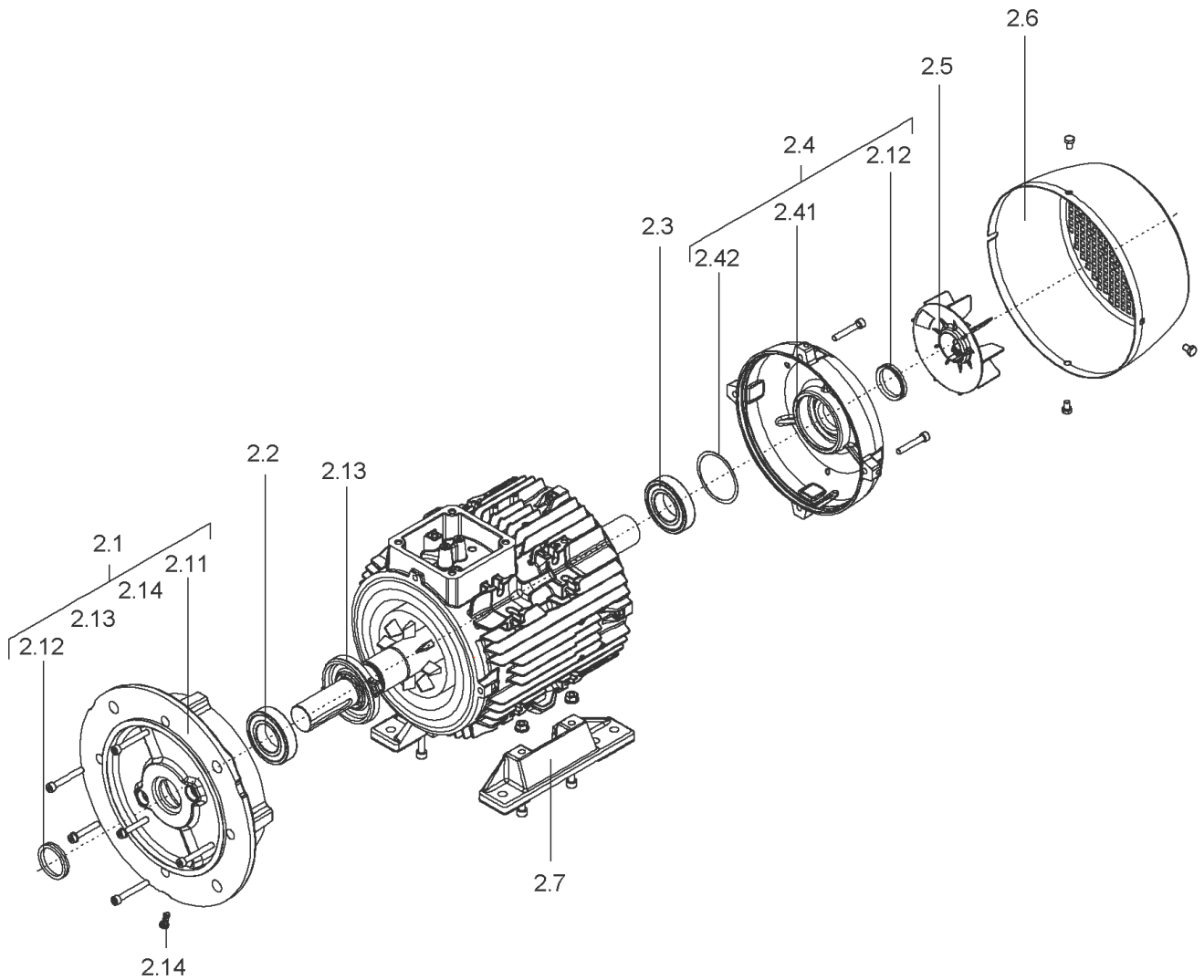
		3~ AL180M/L-04		2015/12		1030615079	
AMB 40°C							
IP55		INS CL.F		Δ T 80 K		S1 SF 1.0	
V	Hz	kW	RPM	A	PF		
400 / -			1480	29,5 / -	0,78		
- / -							
- / -							
- / -							
400	IE4	93,9 (100%)	92,5 (75%)	90,8 (50%)			
- / -		- (100%)	- (75%)	- (50%)			
- A		- (100%)	- (75%)	- (50%)			
NEMA	Eff	- %	- HP	- V	- Hz	- RPM	
- A	PF	DES	CODE	-	SF	-	
		6311-ZZ-C3 MOBIL POLYREX EM				162 kg	
		6211-ZZ-C3					
MOD.TE01A0X1A0000301180							
		IEC 60034					

VIBRATION LEVEL A	
ACCORDING IEC 60034-14	
BALANCED WITH NO KEY	
WILO PART NO: 2151697	

Motor-Nummer  
motor number  
numéro du moteur

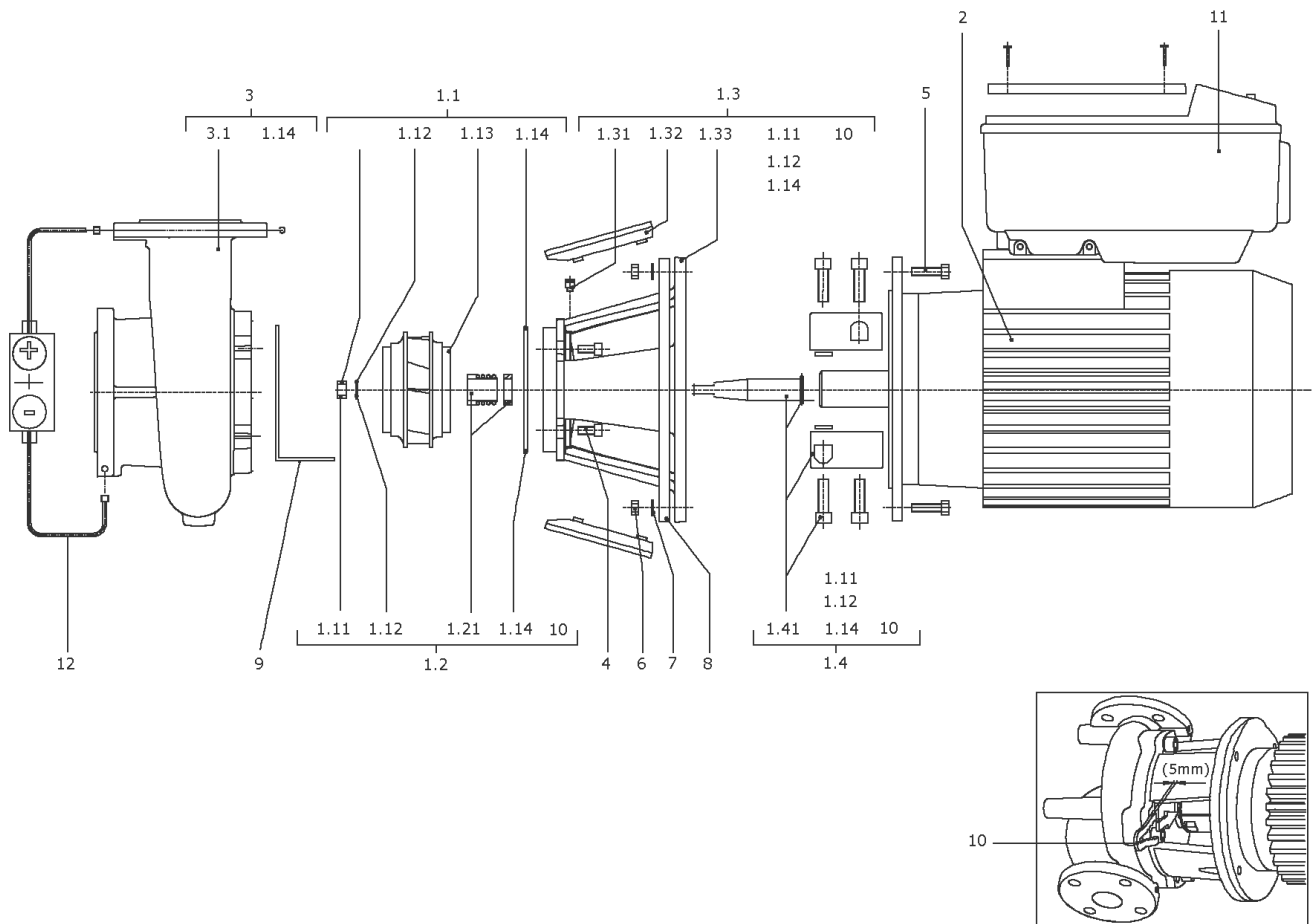
**Spare parts mot.B35 18,5/2/160/350E-IE4**

<b>Item</b>	<b>Description</b>	<b>Quantity</b>
WEG	Motor B35 18,5/2/180/350E WEG IE4 WILO	1



**Motor B35 18,5/2/180/350E WEG IE4 WILO**

Item	Article no.	Description	Quantity
2.1	2175848	Flange FF-300 BG180M/L WEG KIT	1
Note: Please give the data from type plate of the motor			
2.11		> Flange FF-300 BG180M/L 13680826 WEG	1
2.12	2192904	> V-Ring BG180M/L WEG VP.	1
2.13		> Bearing cover	1
2.14		> Venting screw	1
2.2	121083792	BALL BEARING 6311/2Z-C3 (HT) VP.	1
Note: Please give the data from type plate of the motor			
2.3	2175875	Ball bearing 6211/2Z-C3(HT)VP.	1
Note: Please give the data from type plate of the motor			
2.4	2175850	End shield BG180M/L D.E.WEG KIT	1
Note: Please give the data from type plate of the motor			
2.12	2192904	> V-Ring BG180M/L WEG VP.	1
4.41		> End shield BG180M/L D.E.13680913 WEG	1
4.42		> Spring washer	1
2.5	2175852	Fan BG180M/L WEG VP.	1
Note: Please give the data from type plate of the motor			
2.6	2175851	Fan cover BG160M/L WEG VP.	1
Note: Please give the data from type plate of the motor			
2.7	2192895	Motor foot 180 M/L WEG VP.	1





**BL-E65/210-22/2-R1 (2154310)**

Item	Article no.	Description	Quantity
1.1	2123506	IMPELLER D.80/207/197/32 KIT	1
1.11	2027188	> NUT M16 DIN-EN24032 A4 VP.	1
1.12	2027191	> WASHER A17 DIN125 200HV A2	1
1.13		> IMPELLER 80/207/197/32 GG BALANCED	1
1.14	2042864	> O-RING ID.224x3,55 7EP1197-W534 VP.	1
	2042863	> CIRCLIP S16 V2A VP.	1
1.2	2026903	MECH.SEAL MG12/32-G60 AQ1EGG M16 KIT	1
1.11	2027188	> NUT M16 DIN-EN24032 A4 VP.	1
1.12	2027191	> WASHER A17 DIN125 200HV A2	1
1.14	2043160	> O-Ring 177,39x3,53 ISO3601B EPDM VP.	1
1.14	2042864	> O-RING ID.224x3,55 7EP1197-W534 VP.	1
1.14	2051680	> O-RING ID.276,7x5,29 7EP1197-W534 VP.	1
	2042863	> CIRCLIP S16 V2A VP.	1
1.21		> MECHANICAL SEAL MG12/32-G60 AQ1EGG	1
10	2027202	> TOOL D.18/24/32 VP.	1
1.3	2042716	LANTERN P270X99-F300 KTL KIT	1
1.11	2027188	> NUT M16 DIN-EN24032 A4 VP.	1
1.12	2027191	> WASHER A17 DIN125 200HV A2	1
1.14	2042864	> O-RING ID.224x3,55 7EP1197-W534 VP.	1
	2042863	> CIRCLIP S16 V2A VP.	1
1.31	2027201	> BLOWGUN R1/8" VP.	1
1.32	2048843	> COUPLING GUARD P270-F300/350 (2 PIECES)	1
1.33		> Lantern P270X99-F300 GG KTL WILO	1
10	2027202	> TOOL D.18/24/32 VP.	1
1.4	2042731	COUPLING/SHAFT D.32/48X176 KIT	1
1.11	2027188	> NUT M16 DIN-EN24032 A4 VP.	1
1.12	2027191	> WASHER A17 DIN125 200HV A2	1
1.14	2042864	> O-RING ID.224x3,55 7EP1197-W534 VP.	1
1.14	2051680	> O-RING ID.276,7x5,29 7EP1197-W534 VP.	1
	2042863	> CIRCLIP S16 V2A VP.	1
1.41		> COUPLING 32/48+SHAFT 32X176 BG180 ZN KIT	1
10	2027202	> TOOL D.18/24/32 VP.	1
2	2160160	Motor B35 22/2/180/350E-IE4-WEG(+Tool)	1
		Spare parts motor B35 22/2/160/350E-IE4	1

**BL-E65/210-22/2-R1 (2154310)**

Item	Article no.	Description	Quantity
3	2026872	PUMP HOUSING B65/170 PN16 KIT	1
1.14	2043160	> O-Ring 177,39x3,53 ISO3601B EPDM VP.	1
3.1		> PUMP HOUSING BL65/182 PN16 CPL.WILO	1
4	2027193	SCREW M16X30 ISO4762 8.8 (4 PIECES)	1
5	2046467	Screw M16X35 ISO4017 8.8 (4 PIECES)	1
7	2029336	WASHER A17 DIN125 ST (4 PIECES)	1
11	2175881	Module BL-E65/210-22/2-IE4 WEG KIT	1
	2132103	> FAN LARGE TL6/7 FF KIT	1
		>> TL6/7FF module fan large cpl.	1
	2132096	>> FAN GRILL TL6/7 FF VP.	1
	2132097	> CABLE CONNECTION M12 TL6/7 FF VP.	1
	2132098	> CABLE CONNECTION M16 TL6/7 FF VP.	1
	2132099	> CABLE CONNECTION M20 TL6/7 FF VP.	1
	2132100	> CABLE CONNECTION SMALL M40 TL6/7 FF VP.	1
	2132104	> COVER SIDE TL6/7 FF CPL.VP.	1
	2132452	> MODULE COVER/BUTTON TL6/7 FF VP.	1

Motor-Typenschild / Motor type plate / Plaque identité moteur

Bei Ersatzteilbestellung Motor-Nummer angeben!

Indicate motor number for order of spare parts!

Pour une commande de pièces détachées, donner le numéro du moteur!

ELEC

Motor-Nummer  
motor number  
numéro du moteur

<b>3~Induction Motor</b>					
Made by WILLO Group					
<b>3511218</b>	<b>W132240-4-V1NPE</b>		<b>0902.001</b>		
Class F	S1	IP55	69kg	EN60034	
50Hz	5.5kW	SF=1.15	60Hz	6.45kW	
YΔ 400/690V	10,6/6,13A	Y 440-480V	10,9/10,35A		
Cosφ =0.81	1470min <sup>-1</sup>	Cosφ =0.81	1770min <sup>-1</sup>		
IE4-91.9%	91,9%	91,1%	IE4-92.4%	92,4%	91,8%

WEG

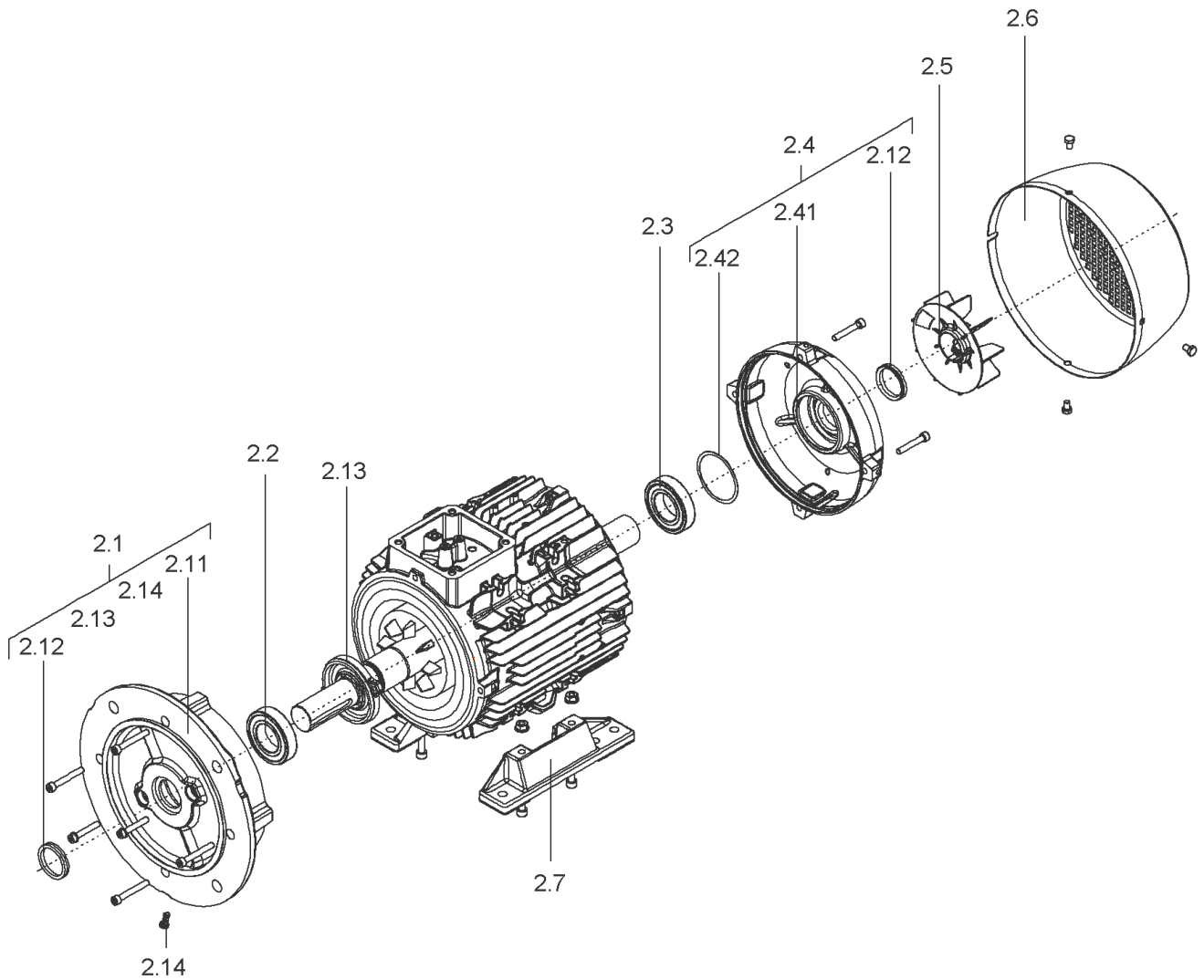
3~ AL180M/L-04		2015/12	1030615079		
AMB 40°C					
IP55	INS CL.F	Δ T 80 K	S1	SF 1.0	
V	Hz	kW	RPM	A	PF
400 / -			1480	29,5 / -	0,78
- / -					
- / -					
- / -					
400	IE4	93,9 (100%)	92,5 (75%)	90,8 (50%)	
- / -		- (100%)	- (75%)	- (50%)	
- A		- (100%)	- (75%)	- (50%)	
NEMA	Eff	- %	- HP	- V	- Hz
- A	PF	DES	CODE	SF	
		6311-ZZ-C3	MOBIL POLYREX EM		162 kg
		6211-ZZ-C3			
MOD.TE01A0X1A0000301180					
IEC 60034					

VIBRATION LEVEL A
ACCORDING IEC 60034-14
BALANCED WITH NO KEY
WILO PART NO: <b>2151697</b>

Motor-Nummer  
motor number  
numéro du moteur

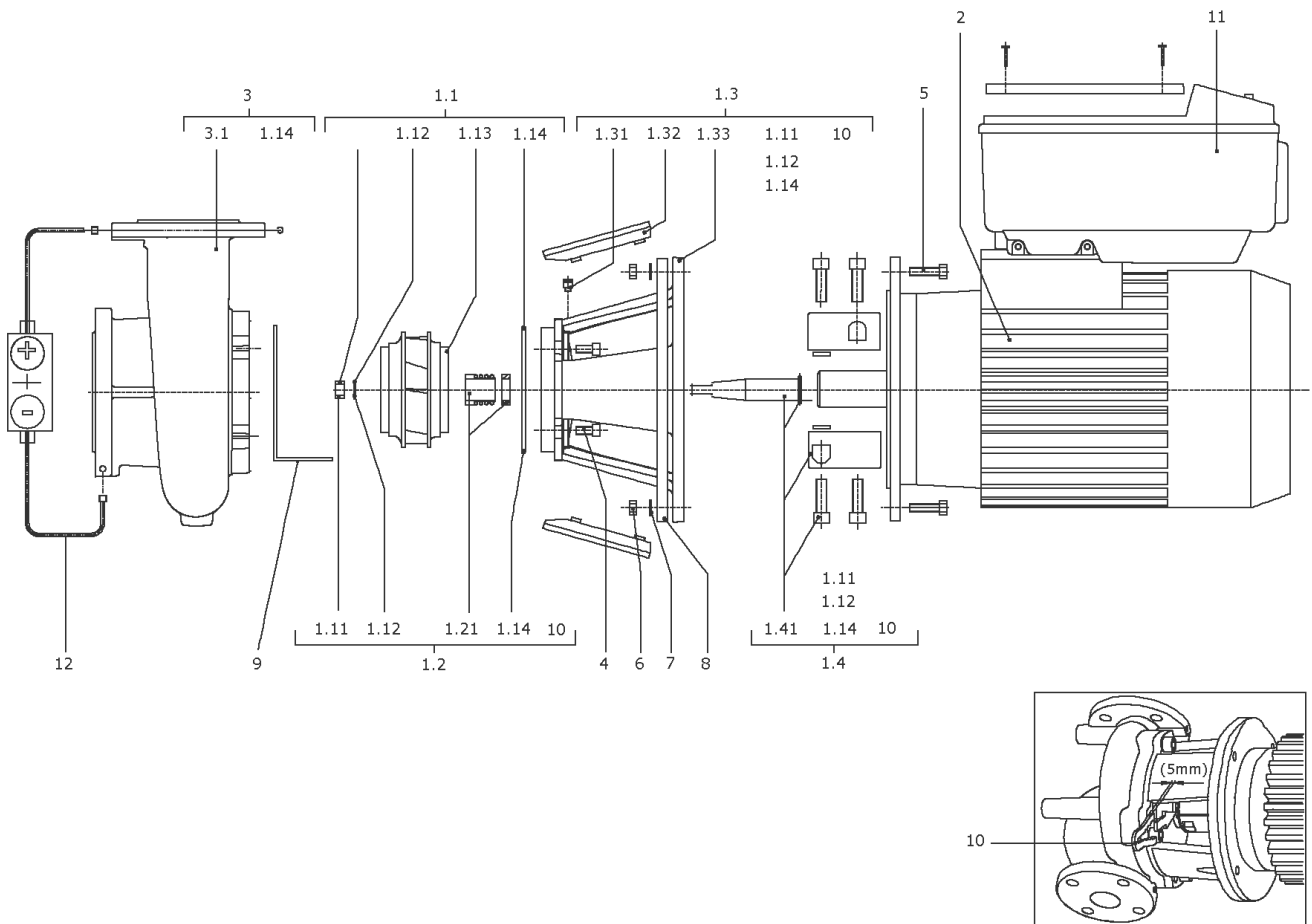
## Spare parts motor B35 22/2/160/350E-IE4

Item	Description	Quantity
WEG	Motor B35 22/2/180/350E WEG IE4 WILO	1



**Motor B35 22/2/180/350E WEG IE4 WILO**

Item	Article no.	Description	Quantity
2.1	2175848	Flange FF-300 BG180M/L WEG KIT	1
Note: Please give the data from type plate of the motor			
2.11		> Flange FF-300 BG180M/L 13680826 WEG	1
2.12	2192904	> V-Ring BG180M/L WEG VP.	1
2.13		> Bearing cover	1
2.14		> Venting screw	1
2.2	121083792	BALL BEARING 6311/2Z-C3 (HT) VP.	1
Note: Please give the data from type plate of the motor			
2.3	2175875	Ball bearing 6211/2Z-C3(HT)VP.	1
Note: Please give the data from type plate of the motor			
2.4	2175850	End shield BG180M/L D.E.WEG KIT	1
Note: Please give the data from type plate of the motor			
2.12	2192904	> V-Ring BG180M/L WEG VP.	1
4.41		> End shield BG180M/L D.E.13680913 WEG	1
4.42		> Spring washer	1
2.5	2175852	Fan BG180M/L WEG VP.	1
Note: Please give the data from type plate of the motor			
2.6	2175851	Fan cover BG160M/L WEG VP.	1
Note: Please give the data from type plate of the motor			
2.7	2192895	Motor foot 180 M/L WEG VP.	1



**BL-E80/145-11/2-R1 (2154311)**

Item	Article no.	Description	Quantity
1.1	2122501	IMPELLER D.100/141/5°/32 KIT	1
1.11	2027188	> NUT M16 DIN-EN24032 A4 VP.	1
1.12	2027191	> WASHER A17 DIN125 200HV A2	1
1.13		> IMPELLER 100/141/5°/32 GG BALANCED	1
1.14	2043160	> O-Ring 177,39x3,53 ISO3601B EPDM VP.	1
	2042863	> CIRCLIP S16 V2A VP.	1
1.2	2026903	MECH.SEAL MG12/32-G60 AQ1EGG M16 KIT	1
1.11	2027188	> NUT M16 DIN-EN24032 A4 VP.	1
1.12	2027191	> WASHER A17 DIN125 200HV A2	1
1.14	2043160	> O-Ring 177,39x3,53 ISO3601B EPDM VP.	1
1.14	2042864	> O-RING ID.224x3,55 7EP1197-W534 VP.	1
1.14	2051680	> O-RING ID.276,7x5,29 7EP1197-W534 VP.	1
	2042863	> CIRCLIP S16 V2A VP.	1
1.21		> MECHANICAL SEAL MG12/32-G60 AQ1EGG	1
10	2027202	> TOOL D.18/24/32 VP.	1
1.3	2026922	LANTERN P228X115-F300 KIT	1
1.11	2027188	> NUT M16 DIN-EN24032 A4 VP.	1
1.12	2027191	> WASHER A17 DIN125 200HV A2	1
1.14	2043160	> O-Ring 177,39x3,53 ISO3601B EPDM VP.	1
	2042863	> CIRCLIP S16 V2A VP.	1
1.31	2027201	> BLOWGUN R1/8" VP.	1
1.32	2048841	> COUPLING GUARD F300-350 PA66 (4 PIECES)	1
1.33		> Lantern P228X115-F300 GG KTL WILO	1
10	2027202	> TOOL D.18/24/32 VP.	1
1.4	2029313	COUPLING/SHAFT D.32/42X176 OR.177 KIT	1
1.11	2027188	> NUT M16 DIN-EN24032 A4 VP.	1
1.12	2027191	> WASHER A17 DIN125 200HV A2	1
1.14	2043160	> O-Ring 177,39x3,53 ISO3601B EPDM VP.	1
	2042863	> CIRCLIP S16 V2A VP.	1
1.41		> COUPLING 32/42+SHAFT 32X176 BG160 ZN KIT	1
10	2027202	> TOOL D.18/24/32 VP.	1
2	2160157	Motor B35 11/2/160/350E-IE4-WEG(+Tool)	1
		Spare parts motor B35 11/2/160/350E-IE4	1
3	2026873	PUMP HOUSING B80/182 PN16 KIT	1



**BL-E80/145-11/2-R1 (2154311)**

Item	Article no.	Description	Quantity
1.14	2043160	> O-Ring 177,39x3,53 ISO3601B EPDM VP.	1
3.1		> PUMP HOUSING BL80/182 PN16 CPL.WILO	1
4	2027193	SCREW M16X30 ISO4762 8.8 (4 PIECES)	1
5	2027197	SCREW M16X60 ISO4014 8.8 (4PIECES)	1
6	2029304	NUT M16 DIN-EN24032 8 (4 PIECES)	1
7	2029336	WASHER A17 DIN125 ST (4 PIECES)	1
11	2190946	Module BL-E80/145-11/2-IE4 WEG KIT	1
	2132102	> FAN SMALL TL6/7 FF KIT	1
		>> TL6/7FF module fan sm.cpl.	1
	2132096	>> FAN GRILL TL6/7 FF VP.	1
	2132097	> CABLE CONNECTION M12 TL6/7 FF VP.	1
	2132098	> CABLE CONNECTION M16 TL6/7 FF VP.	1
	2132099	> CABLE CONNECTION M20 TL6/7 FF VP.	1
	2132100	> CABLE CONNECTION SMALL M40 TL6/7 FF VP.	1
	2132104	> COVER SIDE TL6/7 FF CPL.VP.	1
	2132452	> MODULE COVER/BUTTON TL6/7 FF VP.	1

Motor-Typenschild / Motor type plate / Plaque identité moteur

Bei Ersatzteilbestellung Motor-Nummer angeben!

Indicate motor number for order of spare parts!

Pour une commande de pièces détachées, donner le numéro du moteur!

ELEC

Motor-Nummer  
motor number  
numéro du moteur

<b>3~Induction Motor</b>						
Made by WILLO Group						
<b>3511218</b>	W132240-4-V1NPE		0902.001			
Class F	S1	IP55	69kg	EN60034		
50Hz	5.5kW	SF=L1S	60Hz	6.45kW		
YΔ 400/690V	10,6/6,13A	Y 440-480V	10,9/10,35A			
Cosφ =0.81	1470min <sup>-1</sup>	Cosφ =0.81	1770min <sup>-1</sup>			
IE4-91.9%	91,9%	91,1%	IE4-92.4%	92,4%	91,8%	

WEG

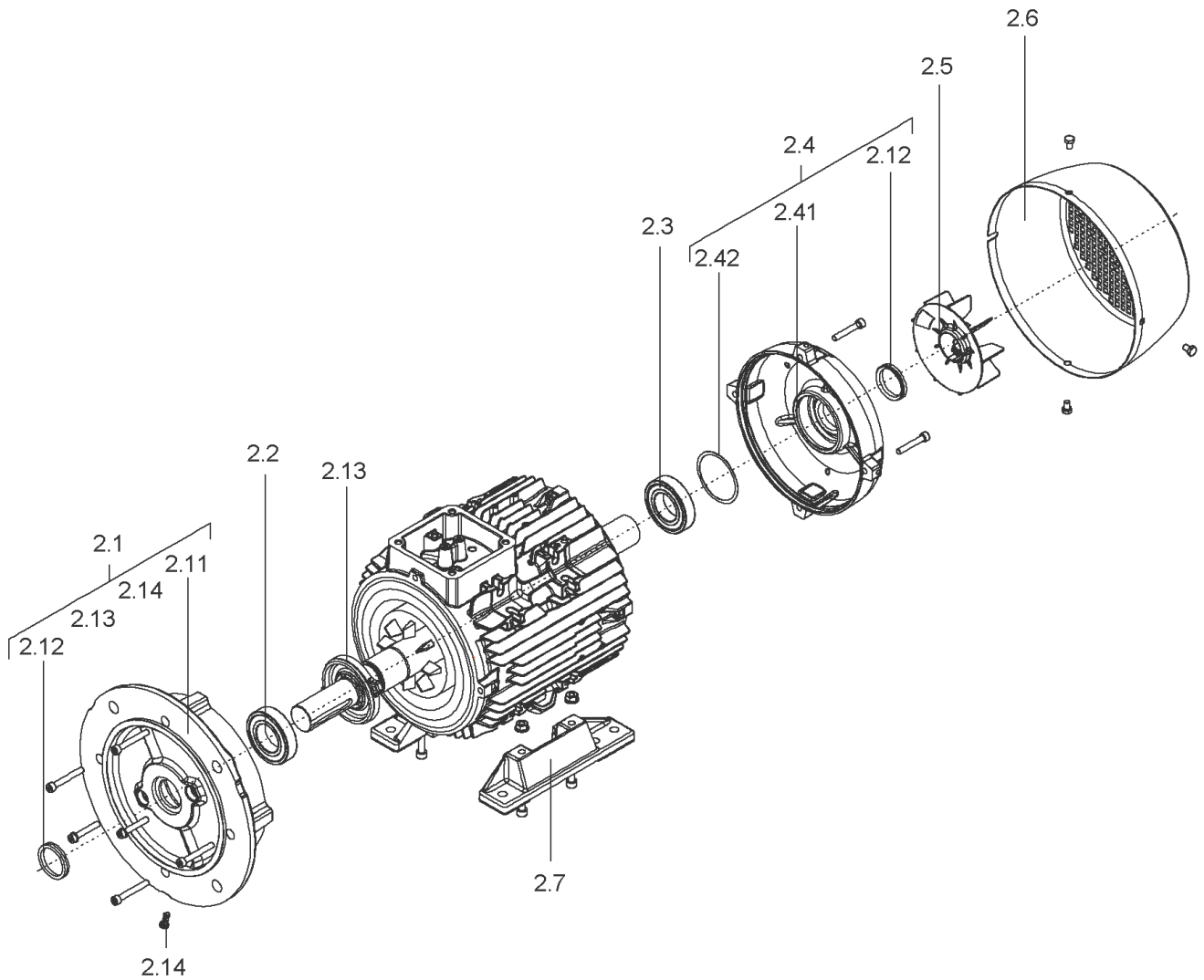
		3~ AL180M/L-04		2015/12		1030615079	
AMB 40°C							
IP55		INS CL.F		Δ T 80 K		S1 SF 1.0	
V	Hz	kW	RPM	A	PF		
400 / -			1480	29,5 / -	0,78		
- / -							
- / -							
- / -							
400	IE4	93,9 (100%)	92,5 (75%)	90,8 (50%)			
- / -		- (100%)	- (75%)	- (50%)			
- A		- (100%)	- (75%)	- (50%)			
NEMA	Eff	- %	- HP	- V	- Hz	- RPM	
- A	PF	DES	CODE	SF			
		6311-ZZ-C3		MOBIL POLYREX EM		162 kg	
		6211-ZZ-C3					
MOD.TE01A0X1A0000301180							
						IEC 60034	

VIBRATION LEVEL A	
ACCORDING IEC 60034-14	
BALANCED WITH NO KEY	
WILO PART NO: 2151697	

Motor-Nummer  
motor number  
numéro du moteur

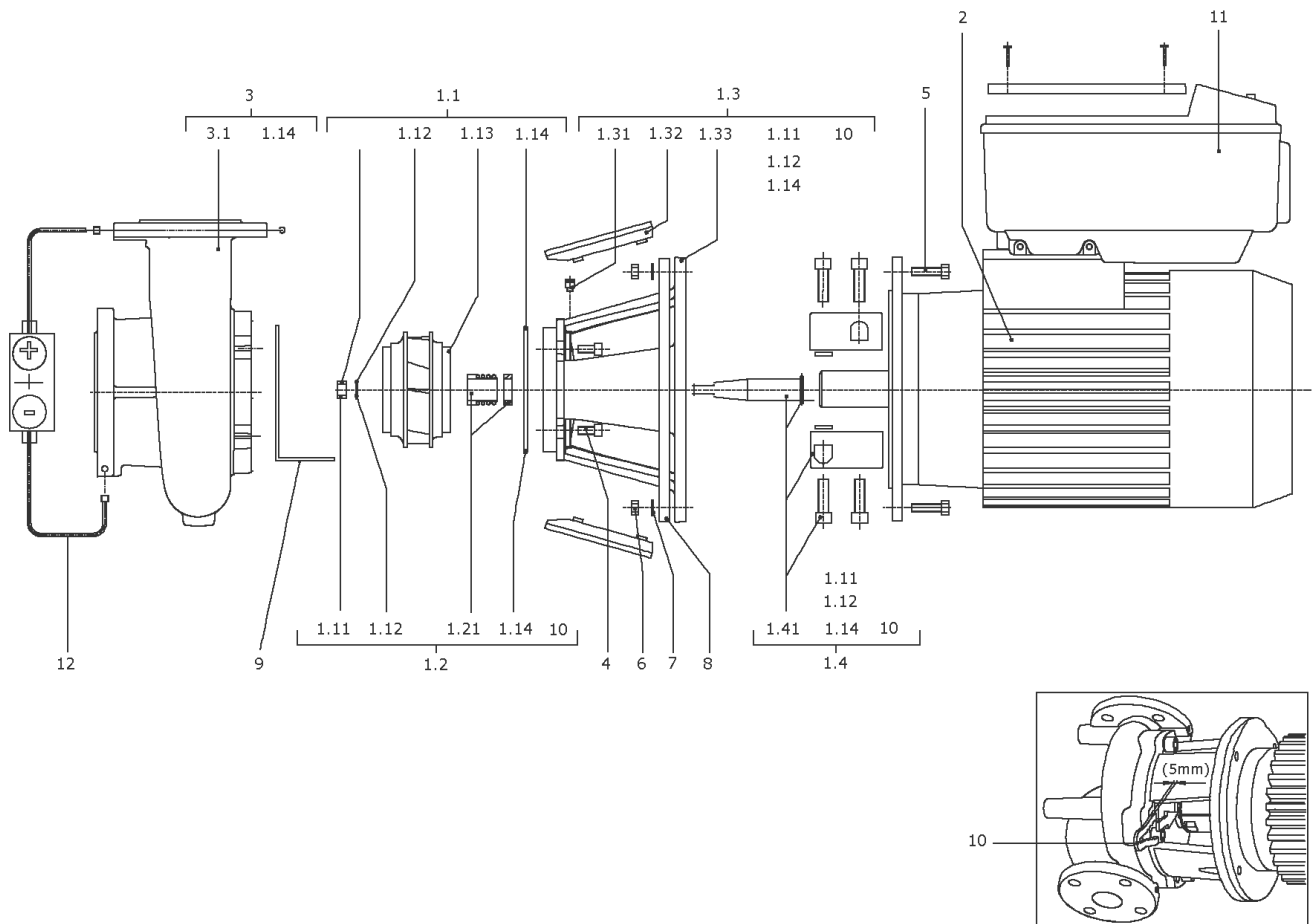
## Spare parts motor B35 11/2/160/350E-IE4

Item	Description	Quantity
WEG	Motor B35 11/2/160/350E WEG IE4 WILO	1



**Motor B35 11/2/160/350E WEG IE4 WILO**

Item	Article no.	Description	Quantity
2.1	2175843	Flange FF-300 BG160M/L WEG KIT	1
Note: Please give the data from type plate of the motor			
2.11		> Flange FF-300 BG160M/L 13679340 WEG	1
2.12	2192901	> V-Ring BG160M/L WEG VP.	1
2.13		> Bearing cover	1
2.14		> Venting screw	1
2.2	121084396	BALL BEARING 6309/2Z-C3 (HT) VP.	1
Note: Please give the data from type plate of the motor			
2.3	122065996	BALL BEARING 6209/2Z-C3 (HT) VP.	1
Note: Please give the data from type plate of the motor			
2.4	2175845	End shield BG160M/L N.D.E.WEG KIT	1
Note: Please give the data from type plate of the motor			
2.12	2192901	> V-Ring BG160M/L WEG VP.	1
4.41		> End shield BG160M/L D.E.13680821 WEG	1
4.42		> Spring washer	1
2.5	2175847	Fan BG160M/L WEG VP.	1
Note: Please give the data from type plate of the motor			
2.6	2175846	Fan cover BG160M/L WEG VP.	1
Note: Please give the data from type plate of the motor			
2.7	2192892	Motor foot 160 M/L WEG VP.	1
Note: Please give the data from type plate of the motor			



**BL-E80/150-15/2-R1 (2154312)**

Item	Article no.	Description	Quantity
1.1	2122500	IMPELLER D.100/149/32 KIT	1
1.11	2027188	> NUT M16 DIN-EN24032 A4 VP.	1
1.12	2027191	> WASHER A17 DIN125 200HV A2	1
1.13		> IMPELLER 100/149/32 GG BALANCED	1
1.14	2043160	> O-Ring 177,39x3,53 ISO3601B EPDM VP.	1
	2042863	> CIRCLIP S16 V2A VP.	1
1.2	2026903	MECH.SEAL MG12/32-G60 AQ1EGG M16 KIT	1
1.11	2027188	> NUT M16 DIN-EN24032 A4 VP.	1
1.12	2027191	> WASHER A17 DIN125 200HV A2	1
1.14	2043160	> O-Ring 177,39x3,53 ISO3601B EPDM VP.	1
1.14	2042864	> O-RING ID.224x3,55 7EP1197-W534 VP.	1
1.14	2051680	> O-RING ID.276,7x5,29 7EP1197-W534 VP.	1
	2042863	> CIRCLIP S16 V2A VP.	1
1.21		> MECHANICAL SEAL MG12/32-G60 AQ1EGG	1
10	2027202	> TOOL D.18/24/32 VP.	1
1.3	2026922	LANTERN P228X115-F300 KIT	1
1.11	2027188	> NUT M16 DIN-EN24032 A4 VP.	1
1.12	2027191	> WASHER A17 DIN125 200HV A2	1
1.14	2043160	> O-Ring 177,39x3,53 ISO3601B EPDM VP.	1
	2042863	> CIRCLIP S16 V2A VP.	1
1.31	2027201	> BLOWGUN R1/8" VP.	1
1.32	2048841	> COUPLING GUARD F300-350 PA66 (4 PIECES)	1
1.33		> Lantern P228X115-F300 GG KTL WILO	1
10	2027202	> TOOL D.18/24/32 VP.	1
1.4	2029313	COUPLING/SHAFT D.32/42X176 OR.177 KIT	1
1.11	2027188	> NUT M16 DIN-EN24032 A4 VP.	1
1.12	2027191	> WASHER A17 DIN125 200HV A2	1
1.14	2043160	> O-Ring 177,39x3,53 ISO3601B EPDM VP.	1
	2042863	> CIRCLIP S16 V2A VP.	1
1.41		> COUPLING 32/42+SHAFT 32X176 BG160 ZN KIT	1
10	2027202	> TOOL D.18/24/32 VP.	1
2	2160158	Motor B35 15/2/160/350E-IE4-WEG(+Tool)	1
		Spare parts motor B35 15/2/160/350E-IE4	1
3	2026873	PUMP HOUSING B80/182 PN16 KIT	1

**BL-E80/150-15/2-R1 (2154312)**

Item	Article no.	Description	Quantity
1.14	2043160	> O-Ring 177,39x3,53 ISO3601B EPDM VP.	1
3.1		> PUMP HOUSING BL80/182 PN16 CPL.WILO	1
4	2027193	SCREW M16X30 ISO4762 8.8 (4 PIECES)	1
5	2027197	SCREW M16X60 ISO4014 8.8 (4PIECES)	1
6	2029304	NUT M16 DIN-EN24032 8 (4 PIECES)	1
7	2029336	WASHER A17 DIN125 ST (4 PIECES)	1
11	2190947	Module BL-E80/150-15/2-IE4 WEG KIT	1
	2132102	> FAN SMALL TL6/7 FF KIT	1
		>> TL6/7FF module fan sm.cpl.	1
	2132096	>> FAN GRILL TL6/7 FF VP.	1
	2132097	> CABLE CONNECTION M12 TL6/7 FF VP.	1
	2132098	> CABLE CONNECTION M16 TL6/7 FF VP.	1
	2132099	> CABLE CONNECTION M20 TL6/7 FF VP.	1
	2132100	> CABLE CONNECTION SMALL M40 TL6/7 FF VP.	1
	2132104	> COVER SIDE TL6/7 FF CPL.VP.	1
	2132452	> MODULE COVER/BUTTON TL6/7 FF VP.	1



Motor-Typenschild / Motor type plate / Plaque identité moteur

Bei Ersatzteilbestellung Motor-Nummer angeben!

Indicate motor number for order of spare parts!

Pour une commande de pièces détachées, donner le numéro du moteur!

ELEC

Motor-Nummer  
motor number  
numéro du moteur

<b>3~Induction Motor</b>					
Made by WILLO Group					
<b>3511218</b>	<b>W132240-4-V1NPE</b>		<b>0902.001</b>		
Class F	S1	IP55	69kg	EN60034	
50Hz	5.5kW	SF=L1S	60Hz	6.45kW	
YΔ 400/690V	10,6/6,13A	Y 440-480V	10,9/10,35A		
Cosφ =0.81	1470min <sup>-1</sup>	Cosφ =0.81	1770min <sup>-1</sup>		
IE4-91.9%	91,9%	91,1%	IE4-92.4%	92,4%	91,8%

WEG

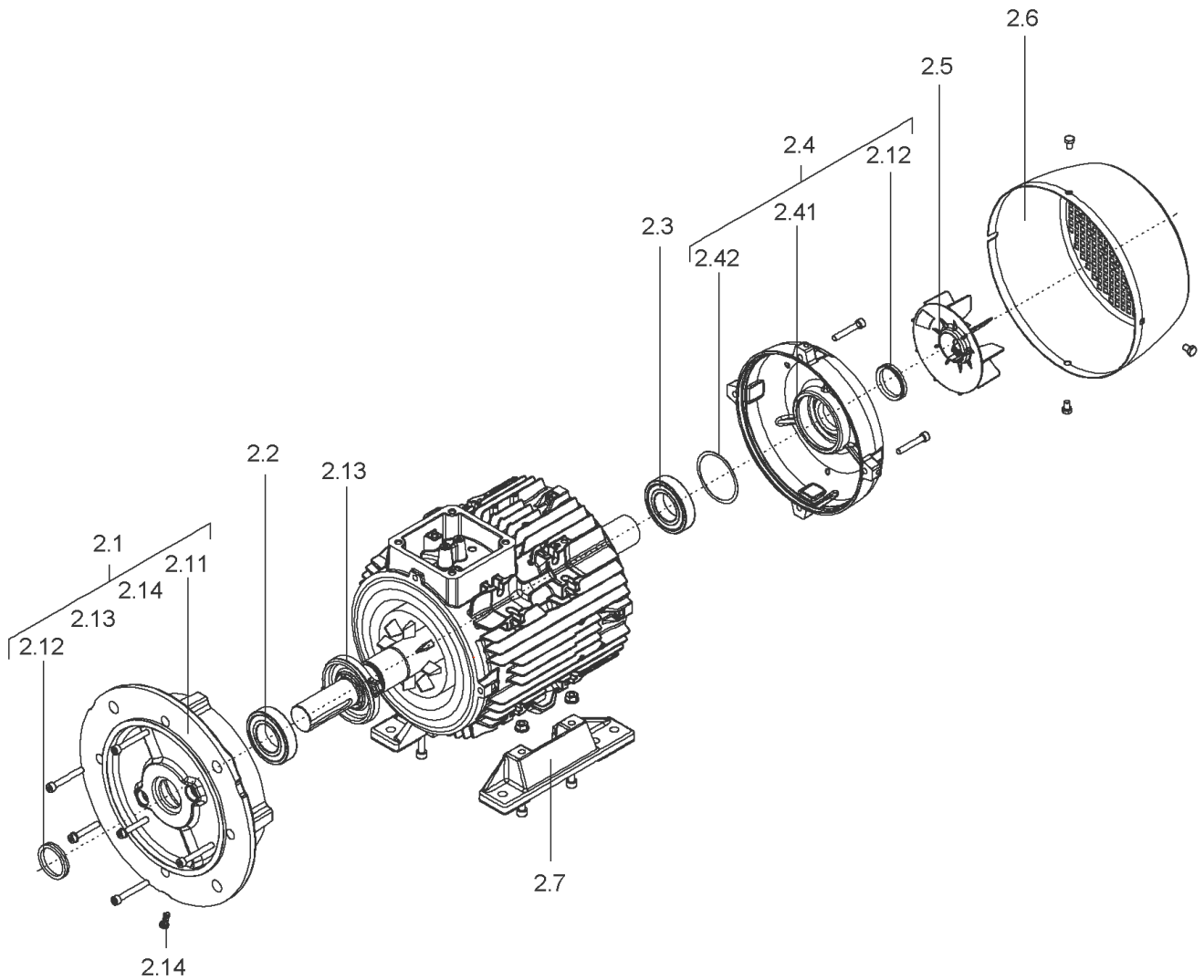
		3~ AL180M/L-04		2015/12		1030615079	
AMB 40°C							
IP55		INS CL.F		Δ T 80 K		S1 SF 1.0	
V	Hz	kW	RPM	A	PF		
400 / -	- / -	- / -	1480	29,5 / -	0,78		
- / -	- / -	- / -	- / -	- / -	- / -		
- / -	- / -	- / -	- / -	- / -	- / -		
400	IE4	93,9 (100%)	92,5 (75%)	90,8 (50%)			
- / -	-	(100%)	- (75%)	- (50%)			
- A	-	(100%)	- (75%)	- (50%)			
NEMA	Eff	- %	- HP	- V	- Hz	- RPM	
- A	PF	DES	CODE	SF			
		6311-ZZ-C3		MOBIL POLYREX EM		162 kg	
		6211-ZZ-C3					
MOD.TE01A0X1A0000301180							
		IEC 60034					

VIBRATION LEVEL A
ACCORDING IEC 60034-14
BALANCED WITH NO KEY
WILO PART NO: <b>2151697</b>

Motor-Nummer  
motor number  
numéro du moteur

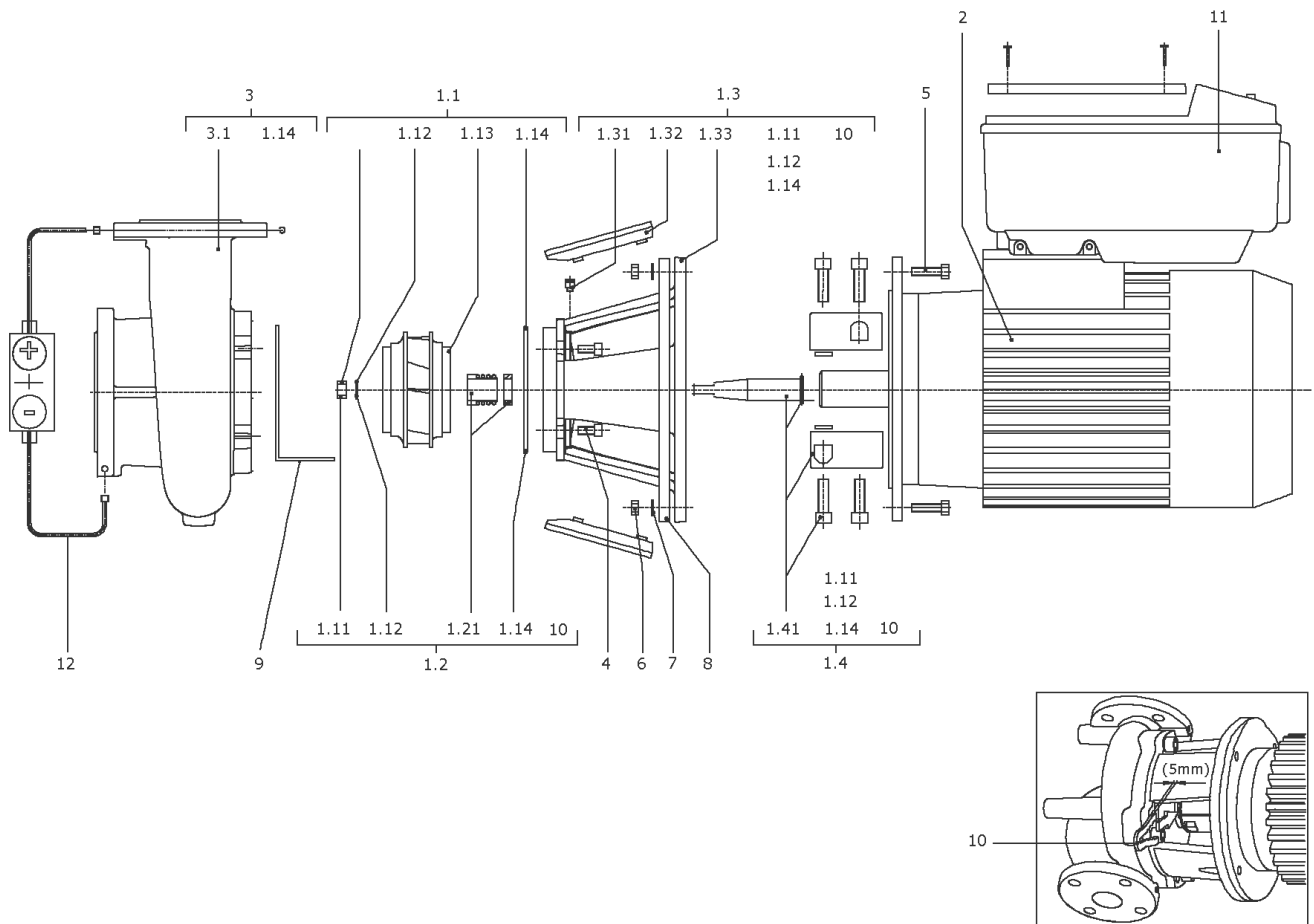
## Spare parts motor B35 15/2/160/350E-IE4

Item	Description	Quantity
WEG	Motor B35 15/2/160/350E WEG IE4 WILO	1



**Motor B35 15/2/160/350E WEG IE4 WILO**

Item	Article no.	Description	Quantity
2.1	2175843	Flange FF-300 BG160M/L WEG KIT	1
Note: Please give the data from type plate of the motor			
2.11		> Flange FF-300 BG160M/L 13679340 WEG	1
2.12	2192901	> V-Ring BG160M/L WEG VP.	1
2.13		> Bearing cover	1
2.14		> Venting screw	1
2.2	121084396	BALL BEARING 6309/2Z-C3 (HT) VP.	1
Note: Please give the data from type plate of the motor			
2.3	122065996	BALL BEARING 6209/2Z-C3 (HT) VP.	1
Note: Please give the data from type plate of the motor			
2.4	2175845	End shield BG160M/L N.D.E.WEG KIT	1
Note: Please give the data from type plate of the motor			
2.12	2192901	> V-Ring BG160M/L WEG VP.	1
4.41		> End shield BG160M/L D.E.13680821 WEG	1
4.42		> Spring washer	1
2.5	2175847	Fan BG160M/L WEG VP.	1
Note: Please give the data from type plate of the motor			
2.6	2175846	Fan cover BG160M/L WEG VP.	1
Note: Please give the data from type plate of the motor			
2.7	2192892	Motor foot 160 M/L WEG VP.	1
Note: Please give the data from type plate of the motor			



**BL-E80/160-18,5/2-R1-IE4 (2154313)**

Item	Article no.	Description	Quantity
1.1	2190915	Impeller 100/153/32 GG KIT	1
1.11	2027188	> NUT M16 DIN-EN24032 A4 VP.	1
1.12	2027191	> WASHER A17 DIN125 200HV A2	1
1.13		> IMPELLER 100/153/32 GG BALANCED	1
1.14	2043160	> O-Ring 177,39x3,53 ISO3601B EPDM VP.	1
	2042863	> CIRCLIP S16 V2A VP.	1
1.2	2026903	MECH.SEAL MG12/32-G60 AQ1EGG M16 KIT	1
1.11	2027188	> NUT M16 DIN-EN24032 A4 VP.	1
1.12	2027191	> WASHER A17 DIN125 200HV A2	1
1.14	2043160	> O-Ring 177,39x3,53 ISO3601B EPDM VP.	1
1.14	2042864	> O-RING ID.224x3,55 7EP1197-W534 VP.	1
1.14	2051680	> O-RING ID.276,7x5,29 7EP1197-W534 VP.	1
	2042863	> CIRCLIP S16 V2A VP.	1
1.21		> MECHANICAL SEAL MG12/32-G60 AQ1EGG	1
10	2027202	> TOOL D.18/24/32 VP.	1
1.3	2026922	LANTERN P228X115-F300 KIT	1
1.11	2027188	> NUT M16 DIN-EN24032 A4 VP.	1
1.12	2027191	> WASHER A17 DIN125 200HV A2	1
1.14	2043160	> O-Ring 177,39x3,53 ISO3601B EPDM VP.	1
	2042863	> CIRCLIP S16 V2A VP.	1
1.31	2027201	> BLOWGUN R1/8" VP.	1
1.32	2048841	> COUPLING GUARD F300-350 PA66 (4 PIECES)	1
1.33		> Lantern P228X115-F300 GG KTL WILO	1
10	2027202	> TOOL D.18/24/32 VP.	1
1.4	2029315	COUPLING/SHAFT D.32/48x176 OR.177 KIT	1
1.11	2027188	> NUT M16 DIN-EN24032 A4 VP.	1
1.12	2027191	> WASHER A17 DIN125 200HV A2	1
1.14	2043160	> O-Ring 177,39x3,53 ISO3601B EPDM VP.	1
	2042863	> CIRCLIP S16 V2A VP.	1
1.41		> COUPLING 32/48+SHAFT 32X176 BG180 ZN KIT	1
10	2027202	> TOOL D.18/24/32 VP.	1
2	2160159	Motor B35 18,5/2/180/350E-IE4-WEG(+Tool)	1
		Spare parts mot.B35 18,5/2/160/350E-IE4	1
3	2026873	PUMP HOUSING B80/182 PN16 KIT	1

**BL-E80/160-18,5/2-R1-IE4 (2154313)**

Item	Article no.	Description	Quantity
1.14	2043160	> O-Ring 177,39x3,53 ISO3601B EPDM VP.	1
3.1		> PUMP HOUSING BL80/182 PN16 CPL.WILO	1
4	2027193	SCREW M16X30 ISO4762 8.8 (4 PIECES)	1
5	2027197	SCREW M16X60 ISO4014 8.8 (4PIECES)	1
6	2029304	NUT M16 DIN-EN24032 8 (4 PIECES)	1
7	2029336	WASHER A17 DIN125 ST (4 PIECES)	1
11	2190955	Module BL-E80/160-18,5/2-IE4 WEG KIT	1
	2132103	> FAN LARGE TL6/7 FF KIT	1
		>> TL6/7FF module fan large cpl.	1
	2132096	>> FAN GRILL TL6/7 FF VP.	1
	2132097	> CABLE CONNECTION M12 TL6/7 FF VP.	1
	2132098	> CABLE CONNECTION M16 TL6/7 FF VP.	1
	2132099	> CABLE CONNECTION M20 TL6/7 FF VP.	1
	2132100	> CABLE CONNECTION SMALL M40 TL6/7 FF VP.	1
	2132104	> COVER SIDE TL6/7 FF CPL.VP.	1
	2132452	> MODULE COVER/BUTTON TL6/7 FF VP.	1

Motor-Typenschild / Motor type plate / Plaque identité moteur

Bei Ersatzteilbestellung Motor-Nummer angeben!

Indicate motor number for order of spare parts!

Pour une commande de pièces détachées, donner le numéro du moteur!

ELEC

Motor-Nummer  
motor number  
numéro du moteur

<b>3~Induction Motor</b>							
Made by WILLO Group							
<b>351f218</b>	W132240-4-V1NPE			0902.001			
Class F	S1	IP55	69kg	EN60034			
50Hz	5.5kW	SF=L1S	60Hz	6.45kW			
YΔ 400/690V	10,6/6,13A	Y 440-480V	10,9/10,35A				
Cosφ =0.81	1470min <sup>-1</sup>	Cosφ =0.81	1770min <sup>-1</sup>				
IE4-91.9%	91,9%	91,1%	IE4-92.4%	92,4%	91,8%		

WEG

		3~ AL180M/L-04		2015/12		1030615079	
AMB 40°C							
IP55		INS CL.F		Δ T 80 K		S1 SF 1.0	
V	Hz	kW	RPM	A	PF		
400 / -			1480	29,5 / -	0,78		
- / -							
- / -							
- / -							
400	IE4	93,9 (100%)	92,5 (75%)	90,8 (50%)			
- / -		- (100%)	- (75%)	- (50%)			
- A		- (100%)	- (75%)	- (50%)			
NEMA	Eff	- %	- HP	- V	- Hz	- RPM	
- A	PF	DES	CODE	-	SF	-	
		6311-ZZ-C3		MOBIL POLYREX EM		162 kg	
		6211-ZZ-C3					
MOD.TE01A0X1A0000301180							
		IEC 60034					

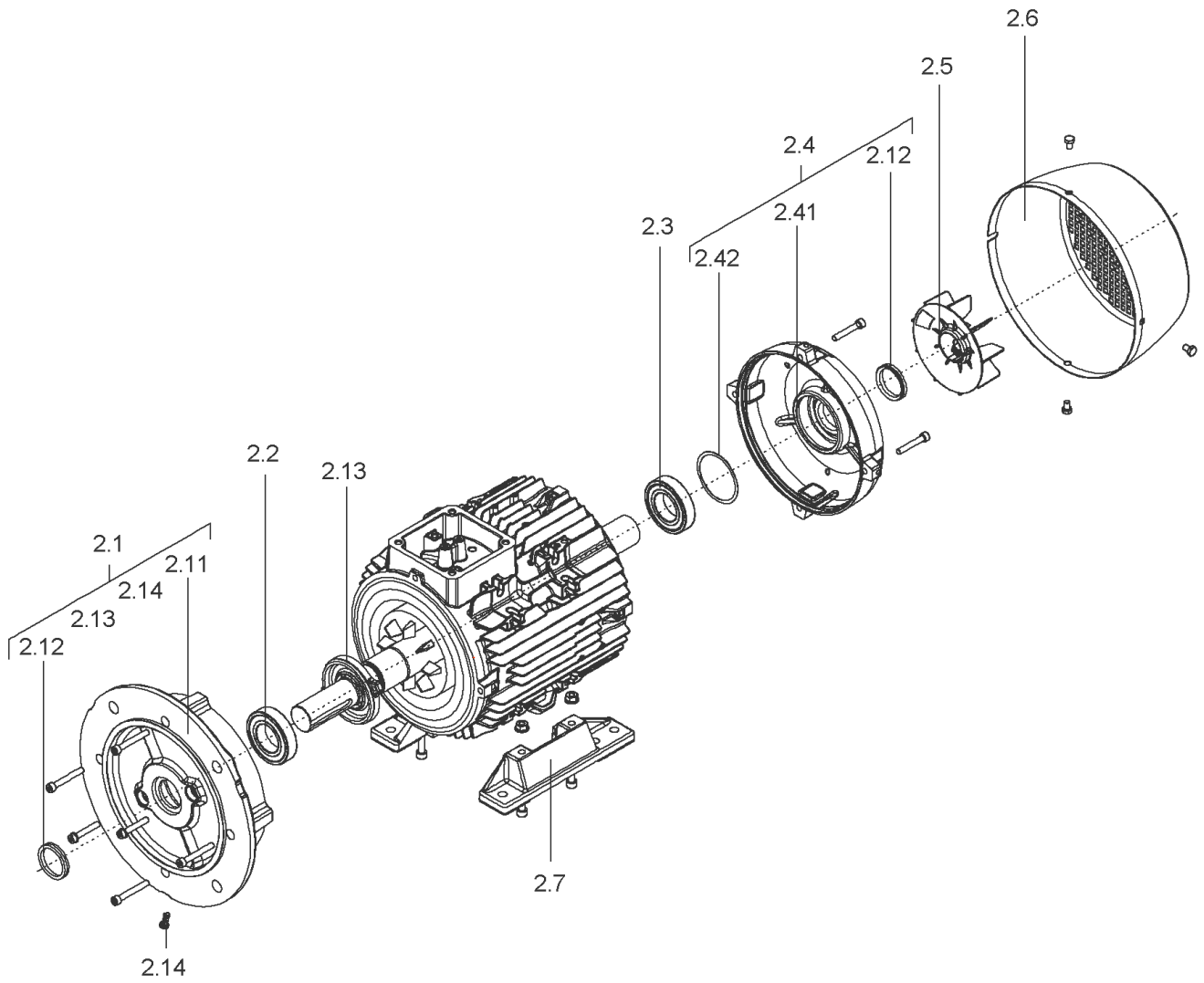
VIBRATION LEVEL A	
ACCORDING IEC 60034-14	
BALANCED WITH NO KEY	
WILO PART NO: 2151697	

Motor-Nummer  
motor number  
numéro du moteur



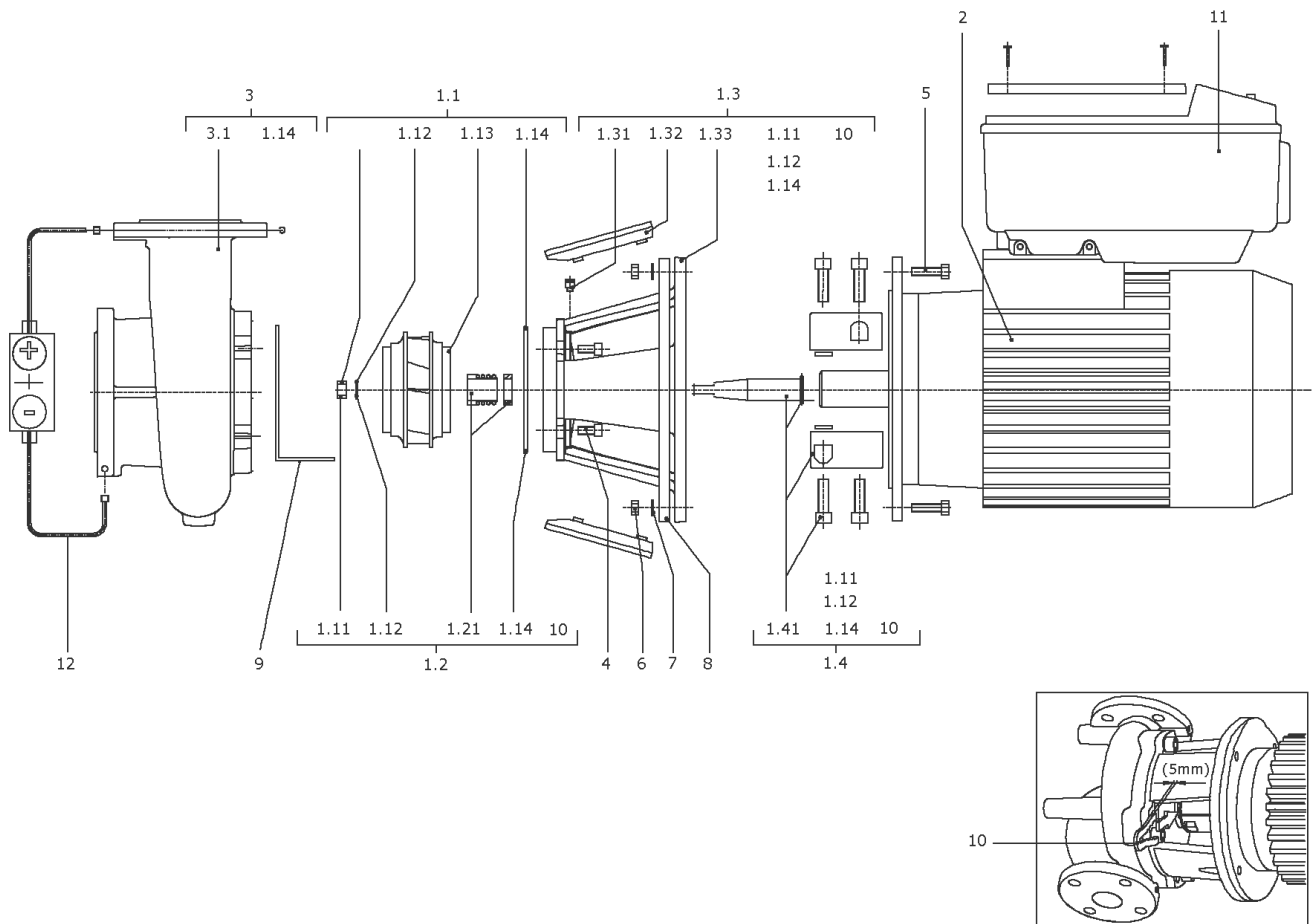
**Spare parts mot.B35 18,5/2/160/350E-IE4**

Item	Description	Quantity
WEG	Motor B35 18,5/2/180/350E WEG IE4 WILO	1



**Motor B35 18,5/2/180/350E WEG IE4 WILO**

Item	Article no.	Description	Quantity
2.1	2175848	Flange FF-300 BG180M/L WEG KIT	1
Note: Please give the data from type plate of the motor			
2.11		> Flange FF-300 BG180M/L 13680826 WEG	1
2.12	2192904	> V-Ring BG180M/L WEG VP.	1
2.13		> Bearing cover	1
2.14		> Venting screw	1
2.2	121083792	BALL BEARING 6311/2Z-C3 (HT) VP.	1
Note: Please give the data from type plate of the motor			
2.3	2175875	Ball bearing 6211/2Z-C3(HT)VP.	1
Note: Please give the data from type plate of the motor			
2.4	2175850	End shield BG180M/L D.E.WEG KIT	1
Note: Please give the data from type plate of the motor			
2.12	2192904	> V-Ring BG180M/L WEG VP.	1
4.41		> End shield BG180M/L D.E.13680913 WEG	1
4.42		> Spring washer	1
2.5	2175852	Fan BG180M/L WEG VP.	1
Note: Please give the data from type plate of the motor			
2.6	2175851	Fan cover BG160M/L WEG VP.	1
Note: Please give the data from type plate of the motor			
2.7	2192895	Motor foot 180 M/L WEG VP.	1



**BL-E80/165-22/2-R1 (2154314)**

Item	Article no.	Description	Quantity
1.1	2190918	Impeller D.100/161/32 GG KIT	1
1.11	2027188	> NUT M16 DIN-EN24032 A4 VP.	1
1.12	2027191	> WASHER A17 DIN125 200HV A2	1
1.13		> IMPELLER 100/161/32 GG BALANCED	1
1.14	2043160	> O-Ring 177,39x3,53 ISO3601B EPDM VP.	1
	2042863	> CIRCLIP S16 V2A VP.	1
1.2	2026903	MECH.SEAL MG12/32-G60 AQ1EGG M16 KIT	1
1.11	2027188	> NUT M16 DIN-EN24032 A4 VP.	1
1.12	2027191	> WASHER A17 DIN125 200HV A2	1
1.14	2043160	> O-Ring 177,39x3,53 ISO3601B EPDM VP.	1
1.14	2042864	> O-RING ID.224x3,55 7EP1197-W534 VP.	1
1.14	2051680	> O-RING ID.276,7x5,29 7EP1197-W534 VP.	1
	2042863	> CIRCLIP S16 V2A VP.	1
1.21		> MECHANICAL SEAL MG12/32-G60 AQ1EGG	1
10	2027202	> TOOL D.18/24/32 VP.	1
1.3	2026922	LANTERN P228X115-F300 KIT	1
1.11	2027188	> NUT M16 DIN-EN24032 A4 VP.	1
1.12	2027191	> WASHER A17 DIN125 200HV A2	1
1.14	2043160	> O-Ring 177,39x3,53 ISO3601B EPDM VP.	1
	2042863	> CIRCLIP S16 V2A VP.	1
1.31	2027201	> BLOWGUN R1/8" VP.	1
1.32	2048841	> COUPLING GUARD F300-350 PA66 (4 PIECES)	1
1.33		> Lantern P228X115-F300 GG KTL WILO	1
10	2027202	> TOOL D.18/24/32 VP.	1
1.4	2029315	COUPLING/SHAFT D.32/48x176 OR.177 KIT	1
1.11	2027188	> NUT M16 DIN-EN24032 A4 VP.	1
1.12	2027191	> WASHER A17 DIN125 200HV A2	1
1.14	2043160	> O-Ring 177,39x3,53 ISO3601B EPDM VP.	1
	2042863	> CIRCLIP S16 V2A VP.	1
1.41		> COUPLING 32/48+SHAFT 32X176 BG180 ZN KIT	1
10	2027202	> TOOL D.18/24/32 VP.	1
2	2160160	Motor B35 22/2/180/350E-IE4-WEG(+Tool)	1
		Spare parts motor B35 22/2/160/350E-IE4	1
3	2026873	PUMP HOUSING B80/182 PN16 KIT	1

**BL-E80/165-22/2-R1 (2154314)**

Item	Article no.	Description	Quantity
1.14	2043160	> O-Ring 177,39x3,53 ISO3601B EPDM VP.	1
3.1		> PUMP HOUSING BL80/182 PN16 CPL.WILO	1
4	2027193	SCREW M16X30 ISO4762 8.8 (4 PIECES)	1
5	2027197	SCREW M16X60 ISO4014 8.8 (4PIECES)	1
6	2029304	NUT M16 DIN-EN24032 8 (4 PIECES)	1
7	2029336	WASHER A17 DIN125 ST (4 PIECES)	1
11	2190954	Module BL-E80/165-22/2-IE4 WEG KIT	1
	2132103	> FAN LARGE TL6/7 FF KIT	1
		>> TL6/7FF module fan large cpl.	1
	2132096	>> FAN GRILL TL6/7 FF VP.	1
	2132097	> CABLE CONNECTION M12 TL6/7 FF VP.	1
	2132098	> CABLE CONNECTION M16 TL6/7 FF VP.	1
	2132099	> CABLE CONNECTION M20 TL6/7 FF VP.	1
	2132100	> CABLE CONNECTION SMALL M40 TL6/7 FF VP.	1
	2132104	> COVER SIDE TL6/7 FF CPL.VP.	1
	2132452	> MODULE COVER/BUTTON TL6/7 FF VP.	1

Motor-Typenschild / Motor type plate / Plaque identité moteur

Bei Ersatzteilbestellung Motor-Nummer angeben!

Indicate motor number for order of spare parts!

Pour une commande de pièces détachées, donner le numéro du moteur!

ELEC

Motor-Nummer  
motor number  
numéro du moteur

<b>3~Induction Motor</b>							
Made by WILLO Group							
<b>351f218</b>	W132240-4-V1NPE			0902.001			
Class F	S1	IP55	69kg	EN60034			
50Hz	5.5kW	SF=L1S	60Hz	6.45kW			
YΔ 400/690V	10,6/6,13A	Y 440-480V	10,9/10,35A				
Cosφ =0.81	1470min <sup>-1</sup>	Cosφ =0.81	1770min <sup>-1</sup>				
IE4-91.9%	91,9%	91,1%	IE4-92.4%	92,4%	91,8%		

WEG

		3~ AL180M/L-04		2015/12		1030615079	
AMB 40°C							
IP55		INS CL.F		Δ T 80 K		S1 SF 1.0	
V	Hz	kW	RPM	A	PF		
400 / -			1480	29,5 / -	0,78		
- / -							
- / -							
- / -							
400	IE4	93,9 (100%)	92,5 (75%)	90,8 (50%)			
- / -		- (100%)	- (75%)	- (50%)			
- A		- (100%)	- (75%)	- (50%)			
NEMA	Eff	- %	- HP	- V	- Hz	- RPM	
- A	PF	DES	CODE	SF			
		6311-ZZ-C3 MOBIL POLYREX EM				162 kg	
		6211-ZZ-C3					
MOD.TE01A0X1A0000301180							
		IEC 60034					

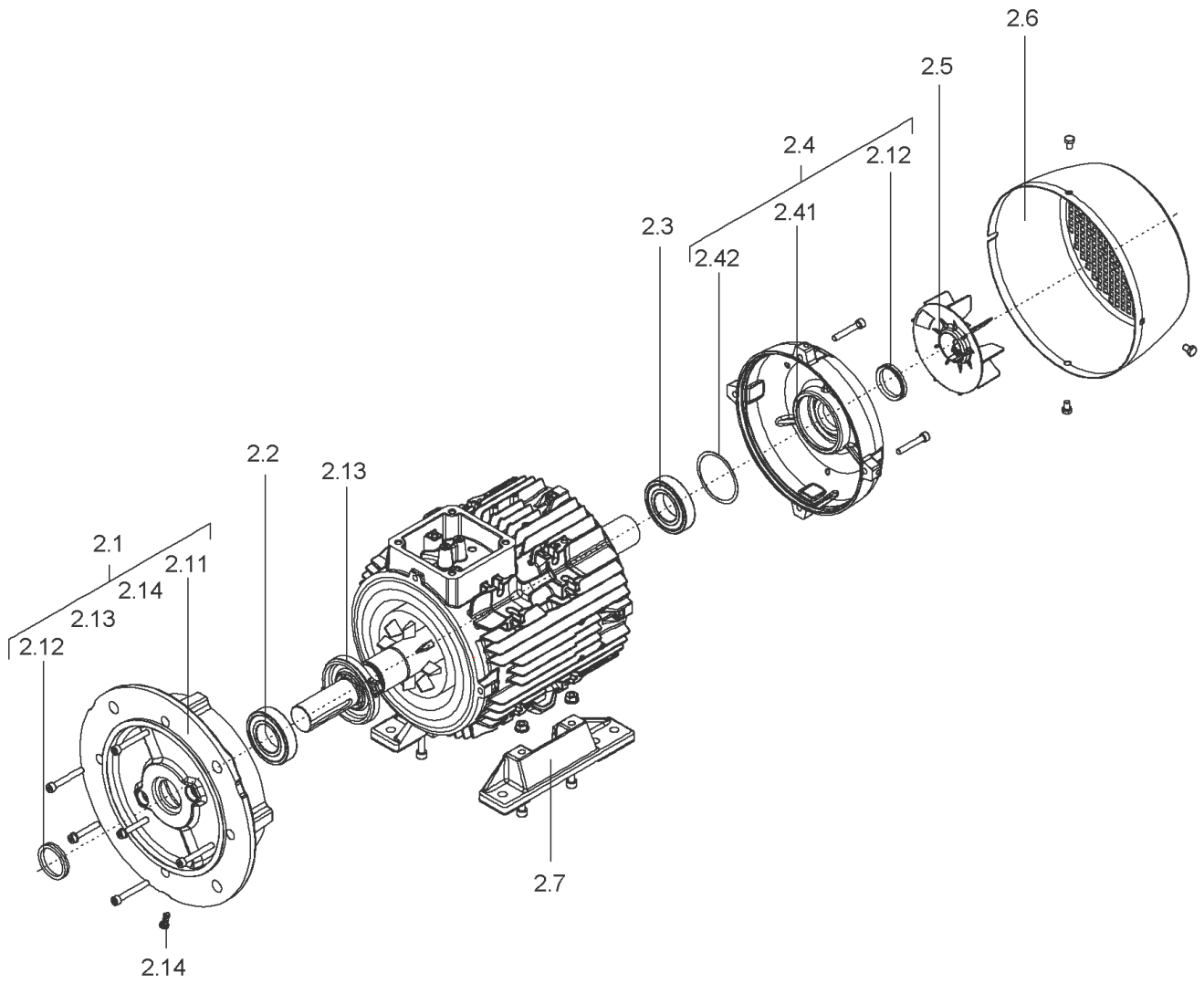
VIBRATION LEVEL A	
ACCORDING IEC 60034-14	
BALANCED WITH NO KEY	
WILO PART NO: 2151697	

Motor-Nummer  
motor number  
numéro du moteur

## Spare parts motor B35 22/2/160/350E-IE4

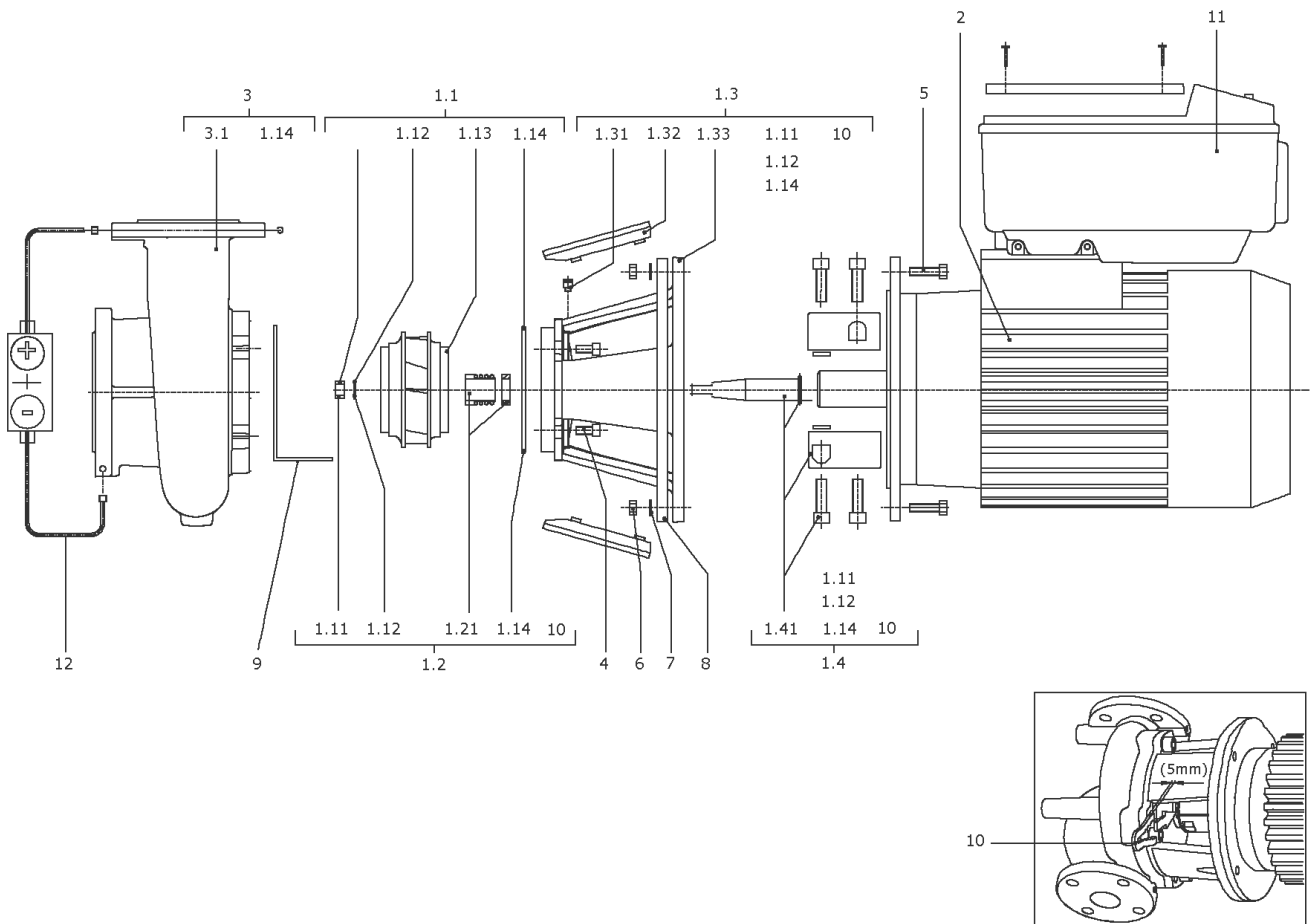
Item	Description	Quantity
WEG	Motor B35 22/2/180/350E WEG IE4 WILO	1





**Motor B35 22/2/180/350E WEG IE4 WILO**

Item	Article no.	Description	Quantity
2.1	2175848	Flange FF-300 BG180M/L WEG KIT	1
Note: Please give the data from type plate of the motor			
2.11		> Flange FF-300 BG180M/L 13680826 WEG	1
2.12	2192904	> V-Ring BG180M/L WEG VP.	1
2.13		> Bearing cover	1
2.14		> Venting screw	1
2.2	121083792	BALL BEARING 6311/2Z-C3 (HT) VP.	1
Note: Please give the data from type plate of the motor			
2.3	2175875	Ball bearing 6211/2Z-C3(HT)VP.	1
Note: Please give the data from type plate of the motor			
2.4	2175850	End shield BG180M/L D.E.WEG KIT	1
Note: Please give the data from type plate of the motor			
2.12	2192904	> V-Ring BG180M/L WEG VP.	1
4.41		> End shield BG180M/L D.E.13680913 WEG	1
4.42		> Spring washer	1
2.5	2175852	Fan BG180M/L WEG VP.	1
Note: Please give the data from type plate of the motor			
2.6	2175851	Fan cover BG160M/L WEG VP.	1
Note: Please give the data from type plate of the motor			
2.7	2192895	Motor foot 180 M/L WEG VP.	1



**BL-E80/270-11/4-R1 (2154315)**

Item	Article no.	Description	Quantity
1.1	2051378	IMPELLER D.100/272/32(BL)KIT	1
1.11	2027188	> NUT M16 DIN-EN24032 A4 VP.	1
1.12	2027191	> WASHER A17 DIN125 200HV A2	1
1.13		> IMPELLER 100/272/32 GG BALANCED	1
1.14	2051680	> O-RING ID.276,7x5,29 7EP1197-W534 VP.	1
	2042863	> CIRCLIP S16 V2A VP.	1
1.2	2026903	MECH.SEAL MG12/32-G60 AQ1EGG M16 KIT	1
1.11	2027188	> NUT M16 DIN-EN24032 A4 VP.	1
1.12	2027191	> WASHER A17 DIN125 200HV A2	1
1.14	2043160	> O-Ring 177,39x3,53 ISO3601B EPDM VP.	1
1.14	2042864	> O-RING ID.224x3,55 7EP1197-W534 VP.	1
1.14	2051680	> O-RING ID.276,7x5,29 7EP1197-W534 VP.	1
	2042863	> CIRCLIP S16 V2A VP.	1
1.21		> MECHANICAL SEAL MG12/32-G60 AQ1EGG	1
10	2027202	> TOOL D.18/24/32 VP.	1
1.3	2051332	LANTERN P330X120-F300 M16 KIT	1
1.11	2027188	> NUT M16 DIN-EN24032 A4 VP.	1
1.12	2027191	> WASHER A17 DIN125 200HV A2	1
1.14	2051680	> O-RING ID.276,7x5,29 7EP1197-W534 VP.	1
	2042863	> CIRCLIP S16 V2A VP.	1
1.31	2027201	> BLOWGUN R1/8" VP.	1
1.32	2048843	> COUPLING GUARD P270-F300/350 (2 PIECES)	1
1.33		> Lantern P330X120-F300 GG KTL WILO	1
10	2027202	> TOOL D.18/24/32 VP.	1
1.4	2042731	COUPLING/SHAFT D.32/48X176 KIT	1
1.11	2027188	> NUT M16 DIN-EN24032 A4 VP.	1
1.12	2027191	> WASHER A17 DIN125 200HV A2	1
1.14	2042864	> O-RING ID.224x3,55 7EP1197-W534 VP.	1
1.14	2051680	> O-RING ID.276,7x5,29 7EP1197-W534 VP.	1
	2042863	> CIRCLIP S16 V2A VP.	1
1.41		> COUPLING 32/48+SHAFT 32X176 BG180 ZN KIT	1
10	2027202	> TOOL D.18/24/32 VP.	1
2	2160161	Motor B35 11/4/180/350E-IE4-WEG(+Tool)	1
		Spare parts motor B35 11/4/160/350E-IE4	1

**BL-E80/270-11/4-R1 (2154315)**

Item	Article no.	Description	Quantity
3	2051368	PUMP HOUSING BL80/270 PN16 KIT	1
1.14	2051680	> O-RING ID.276,7x5,29 7EP1197-W534 VP.	1
3.1		> PUMP HOUSING BL80/270 PN16 CPL.WILO	1
4	2027193	SCREW M16X30 ISO4762 8.8 (4 PIECES)	1
5	2046467	Screw M16X35 ISO4017 8.8 (4 PIECES)	1
7	2029336	WASHER A17 DIN125 ST (4 PIECES)	1
11	2190956	Module BL-E80/270-11/4-IE4 WEG KIT	1
	2132102	> FAN SMALL TL6/7 FF KIT	1
		>> TL6/7FF module fan sm.cpl.	1
	2132096	>> FAN GRILL TL6/7 FF VP.	1
	2132097	> CABLE CONNECTION M12 TL6/7 FF VP.	1
	2132098	> CABLE CONNECTION M16 TL6/7 FF VP.	1
	2132099	> CABLE CONNECTION M20 TL6/7 FF VP.	1
	2132100	> CABLE CONNECTION SMALL M40 TL6/7 FF VP.	1
	2132104	> COVER SIDE TL6/7 FF CPL.VP.	1
	2132452	> MODULE COVER/BUTTON TL6/7 FF VP.	1

Motor-Typenschild / Motor type plate / Plaque identité moteur

Bei Ersatzteilbestellung Motor-Nummer angeben!

Indicate motor number for order of spare parts!

Pour une commande de pièces détachées, donner le numéro du moteur!

ELEC

Motor-Nummer  
motor number  
numéro du moteur

<b>3~Induction Motor</b>					
Made by WILLO Group					
<b>3511218</b>	<b>W132240-4-V1NPE</b>		<b>0902.001</b>		
Class F	S1	IP55	69kg	EN60034	
50Hz	5.5kW	SF=1.15	60Hz	6.45kW	
YΔ 400/690V	10,6/6,13A	Y 440-480V	10,9/10,35A		
Cosφ =0.81	1470min <sup>-1</sup>	Cosφ =0.81	1770min <sup>-1</sup>		
IE4-91.9%	91,9%	91,1%	IE4-92.4%	92,4%	91,8%

WEG

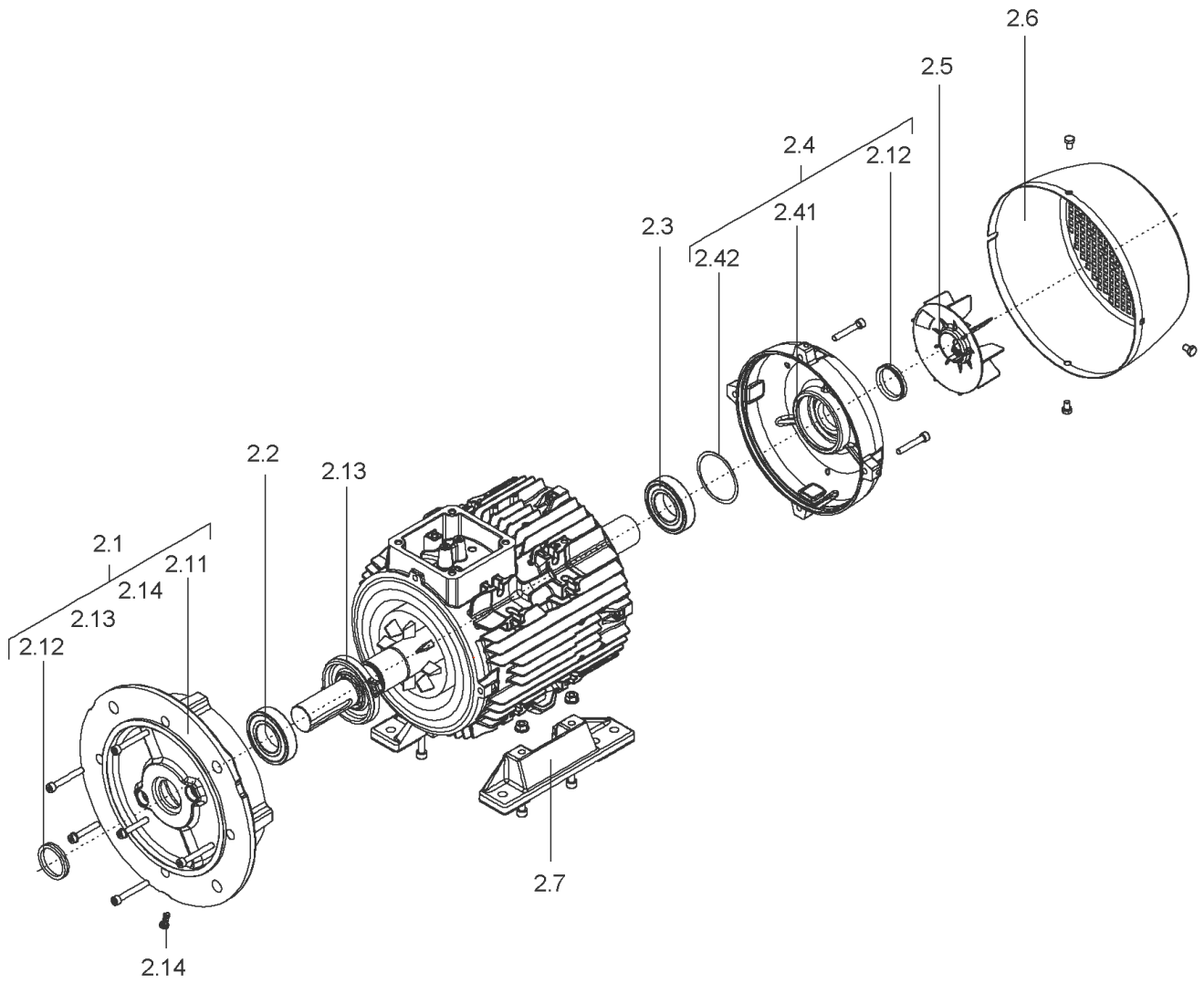
3~ AL180M/L-04		2015/12	1030615079		
AMB 40°C					
IP55	INS CL.F	Δ T 80 K	S1	SF 1.0	
V	Hz	kW	RPM	A	PF
400 / -			1480	29,5 / -	0,78
- / -					
- / -					
- / -					
400	IE4	93,9 (100%)	92,5 (75%)	90,8 (50%)	
- / -		- (100%)	- (75%)	- (50%)	
- A		- (100%)	- (75%)	- (50%)	
NEMA	Eff	- %	- HP	- V	- Hz
- A	PF	DES	CODE	SF	-
		6311-ZZ-C3	MOBIL POLYREX EM		162 kg
		6211-ZZ-C3			
MOD.TE01A0X1A0000301180					
IEC 60034					

VIBRATION LEVEL A
ACCORDING IEC 60034-14
BALANCED WITH NO KEY
WILO PART NO: <b>2151697</b>

Motor-Nummer  
motor number  
numéro du moteur

## Spare parts motor B35 11/4/160/350E-IE4

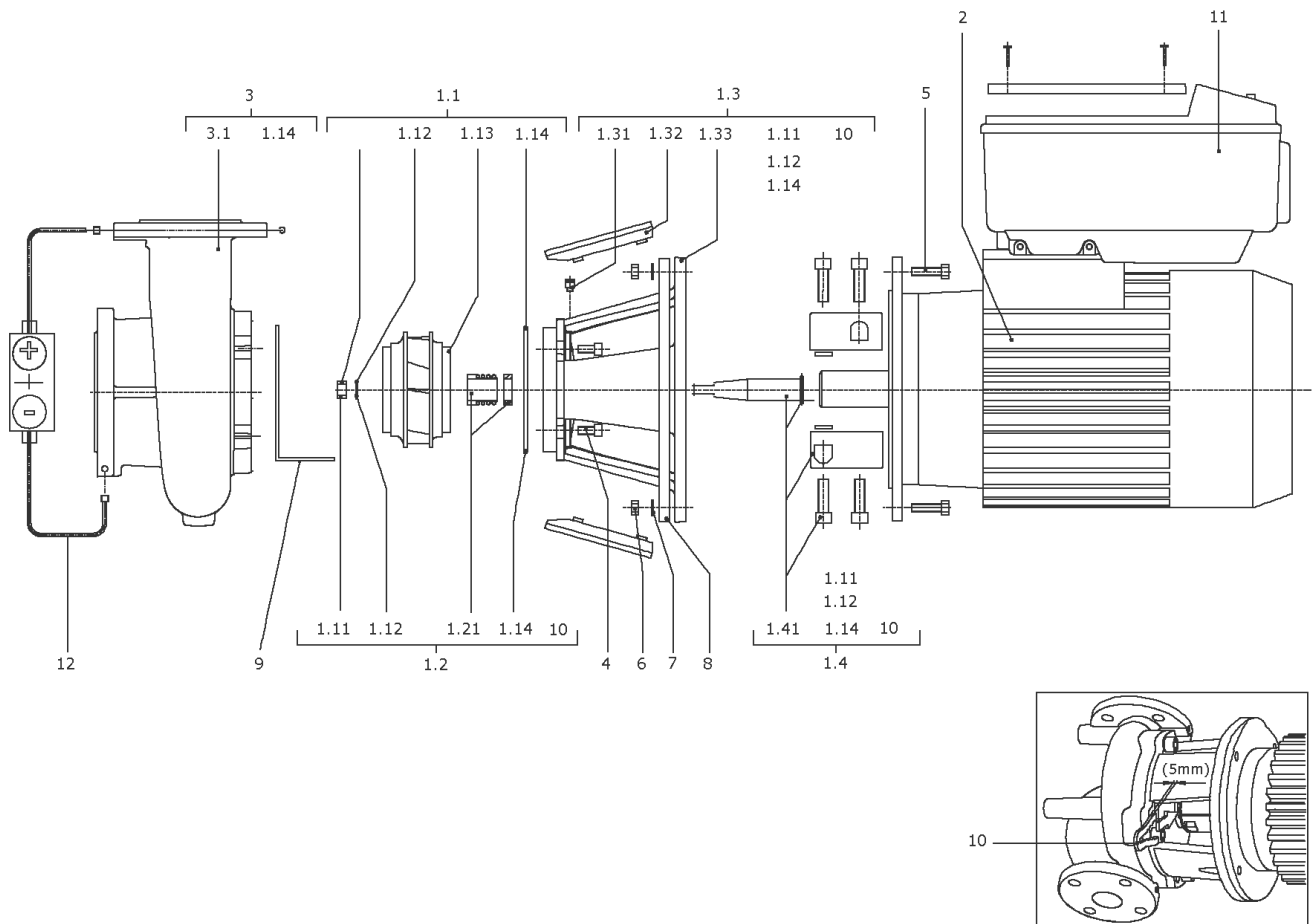
Item	Description	Quantity
WEG	Motor B35 11/4/180/350E WEG IE4 WILO	1





**Motor B35 11/4/180/350E WEG IE4 WILO**

Item	Article no.	Description	Quantity
2.1	2175848	Flange FF-300 BG180M/L WEG KIT	1
Note: Please give the data from type plate of the motor			
2.11		> Flange FF-300 BG180M/L 13680826 WEG	1
2.12	2192904	> V-Ring BG180M/L WEG VP.	1
2.13		> Bearing cover	1
2.14		> Venting screw	1
2.2	121083792	BALL BEARING 6311/2Z-C3 (HT) VP.	1
Note: Please give the data from type plate of the motor			
2.3	2175875	Ball bearing 6211/2Z-C3(HT)VP.	1
Note: Please give the data from type plate of the motor			
2.4	2175850	End shield BG180M/L D.E.WEG KIT	1
Note: Please give the data from type plate of the motor			
2.12	2192904	> V-Ring BG180M/L WEG VP.	1
4.41		> End shield BG180M/L D.E.13680913 WEG	1
4.42		> Spring washer	1
2.5	2175852	Fan BG180M/L WEG VP.	1
Note: Please give the data from type plate of the motor			
2.6	2175851	Fan cover BG160M/L WEG VP.	1
Note: Please give the data from type plate of the motor			
2.7	2192895	Motor foot 180 M/L WEG VP.	1



**BL-E100/250-11/4-R1 (2154316)**

Item	Article no.	Description	Quantity
1.1	2123428	IMPELLER D.125/249/239/32 KIT	1
1.11	2027188	> NUT M16 DIN-EN24032 A4 VP.	1
1.12	2027191	> WASHER A17 DIN125 200HV A2	1
1.13		> IMPELLER 125/249/239/32 GG BALANCED	1
1.14	2051680	> O-RING ID.276,7x5,29 7EP1197-W534 VP.	1
	2042863	> CIRCLIP S16 V2A VP.	1
1.2	2026903	MECH.SEAL MG12/32-G60 AQ1EGG M16 KIT	1
1.11	2027188	> NUT M16 DIN-EN24032 A4 VP.	1
1.12	2027191	> WASHER A17 DIN125 200HV A2	1
1.14	2043160	> O-Ring 177,39x3,53 ISO3601B EPDM VP.	1
1.14	2042864	> O-RING ID.224x3,55 7EP1197-W534 VP.	1
1.14	2051680	> O-RING ID.276,7x5,29 7EP1197-W534 VP.	1
	2042863	> CIRCLIP S16 V2A VP.	1
1.21		> MECHANICAL SEAL MG12/32-G60 AQ1EGG	1
10	2027202	> TOOL D.18/24/32 VP.	1
1.3	2051335	LANTERN P330X130-F300 M16 KIT	1
1.11	2027188	> NUT M16 DIN-EN24032 A4 VP.	1
1.12	2027191	> WASHER A17 DIN125 200HV A2	1
1.14	2051680	> O-RING ID.276,7x5,29 7EP1197-W534 VP.	1
	2042863	> CIRCLIP S16 V2A VP.	1
1.31	2027201	> BLOWGUN R1/8" VP.	1
1.32	2048843	> COUPLING GUARD P270-F300/350 (2 PIECES)	1
1.33		> Lantern P330X130-F300 GG KTL.WILO	1
10	2027202	> TOOL D.18/24/32 VP.	1
1.4	2047072	Coupling/shaft D.32/48X184 KIT	1
1.11	2027188	> NUT M16 DIN-EN24032 A4 VP.	1
1.12	2027191	> WASHER A17 DIN125 200HV A2	1
1.14	2051680	> O-RING ID.276,7x5,29 7EP1197-W534 VP.	1
	2042863	> CIRCLIP S16 V2A VP.	1
1.41		> COUPLING 32/48+SHAFT 32X184 BG160 ZN KIT	1
10	2027202	> TOOL D.18/24/32 VP.	1
2	2160161	Motor B35 11/4/180/350E-IE4-WEG(+Tool)	1
		Spare parts motor B35 11/4/160/350E-IE4	1
3	2051370	PUMP HOUSING BL100/270 PN16 KIT	1

**BL-E100/250-11/4-R1 (2154316)**

Item	Article no.	Description	Quantity
1.14	2051680	> O-RING ID.276,7x5,29 7EP1197-W534 VP.	1
3.1		> PUMP HOUSING BL100/270 PN16 CPL.WILO	1
4	2027193	SCREW M16X30 ISO4762 8.8 (4 PIECES)	1
5	2046467	Screw M16X35 ISO4017 8.8 (4 PIECES)	1
7	2029336	WASHER A17 DIN125 ST (4 PIECES)	1
11	2190957	Module BL-E100/250-11/4-IE4 WEG KIT	1
	2132102	> FAN SMALL TL6/7 FF KIT	1
		>> TL6/7FF module fan sm.cpl.	1
	2132096	>> FAN GRILL TL6/7 FF VP.	1
	2132097	> CABLE CONNECTION M12 TL6/7 FF VP.	1
	2132098	> CABLE CONNECTION M16 TL6/7 FF VP.	1
	2132099	> CABLE CONNECTION M20 TL6/7 FF VP.	1
	2132100	> CABLE CONNECTION SMALL M40 TL6/7 FF VP.	1
	2132104	> COVER SIDE TL6/7 FF CPL.VP.	1
	2132452	> MODULE COVER/BUTTON TL6/7 FF VP.	1

Motor-Typenschild / Motor type plate / Plaque identité moteur

Bei Ersatzteilbestellung Motor-Nummer angeben!

Indicate motor number for order of spare parts!

Pour une commande de pièces détachées, donner le numéro du moteur!

ELEC

Motor-Nummer  
motor number  
numéro du moteur

<b>3~Induction Motor</b>					
Made by WILLO Group					
<b>3511218</b>	<b>W132240-4-V1NPE</b>		<b>0902.001</b>		
Class F	S1	IP55	69kg	EN60034	
50Hz	5.5kW	SF=L1S	60Hz	6.45kW	
YΔ 400/690V	10,6/6,13A	Y 440-480V	10,9/10,35A		
Cosφ =0.81	1470min <sup>-1</sup>	Cosφ =0.81	1770min <sup>-1</sup>		
IE4-91.9%	91,9%	91,1%	IE4-92.4%	92,4%	91,8%

WEG

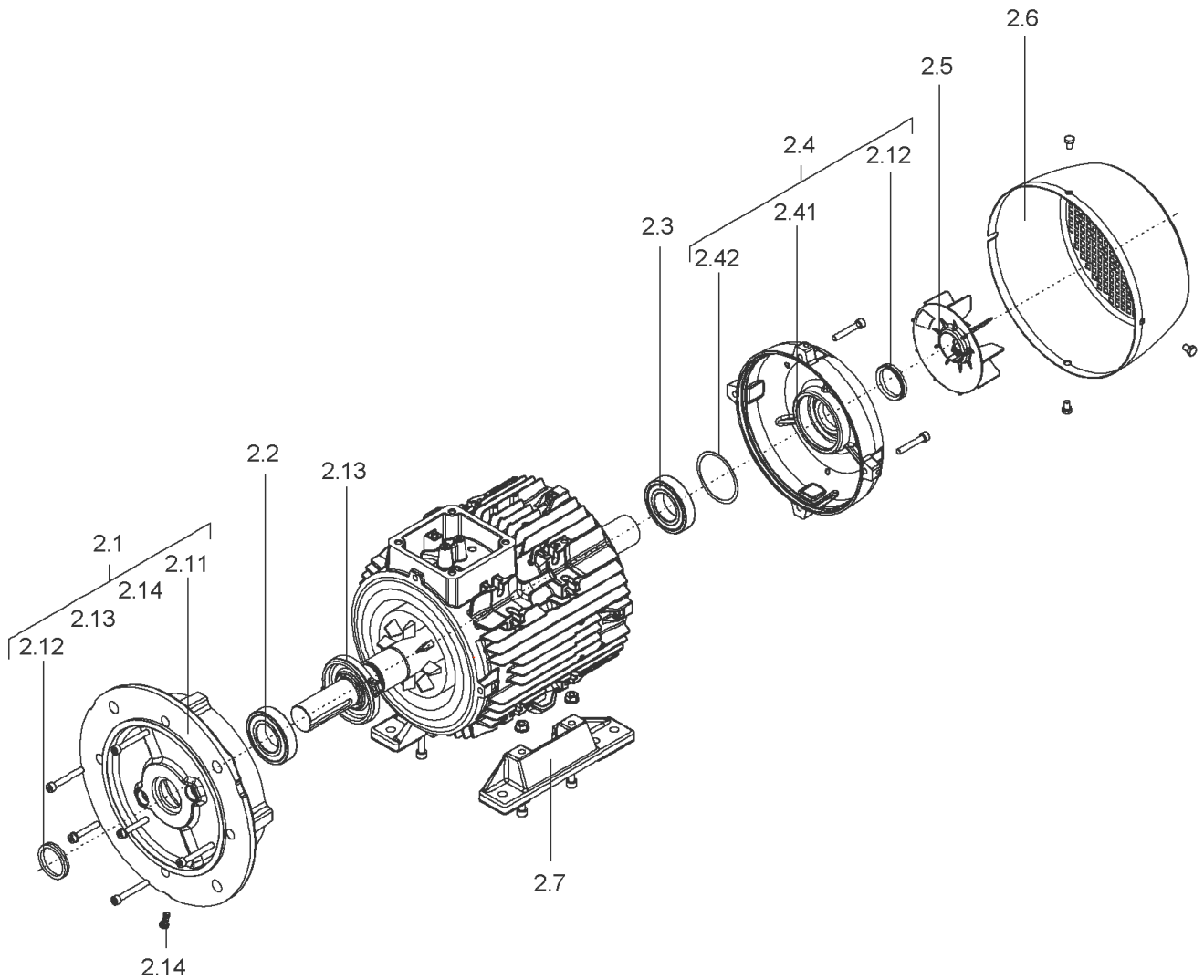
3~ AL180M/L-04		2015/12		1030615079	
AMB 40°C					
IP55	INS CL.F	Δ T 80 K	S1	SF 1.0	
V	Hz	kW	RPM	A	PF
400 / -			1480	29,5 / -	0,78
- / -					
- / -					
- / -					
400	IE4	93,9 (100%)	92,5 (75%)	90,8 (50%)	
- / -		- (100%)	- (75%)	- (50%)	
- A		- (100%)	- (75%)	- (50%)	
NEMA	Eff	- %	- HP	- V	- Hz
- A	PF	DES	CODE	SF	
← 6311-ZZ-C3 MOBIL POLYREX EM				162 kg	
→ 6211-ZZ-C3				MOD.TE01A0X1A0000301180	
IEC 60034					

VIBRATION LEVEL A
ACCORDING IEC 60034-14
BALANCED WITH NO KEY
WILO PART NO: <b>2151697</b>

Motor-Nummer  
motor number  
numéro du moteur

**Spare parts motor B35 11/4/160/350E-IE4**

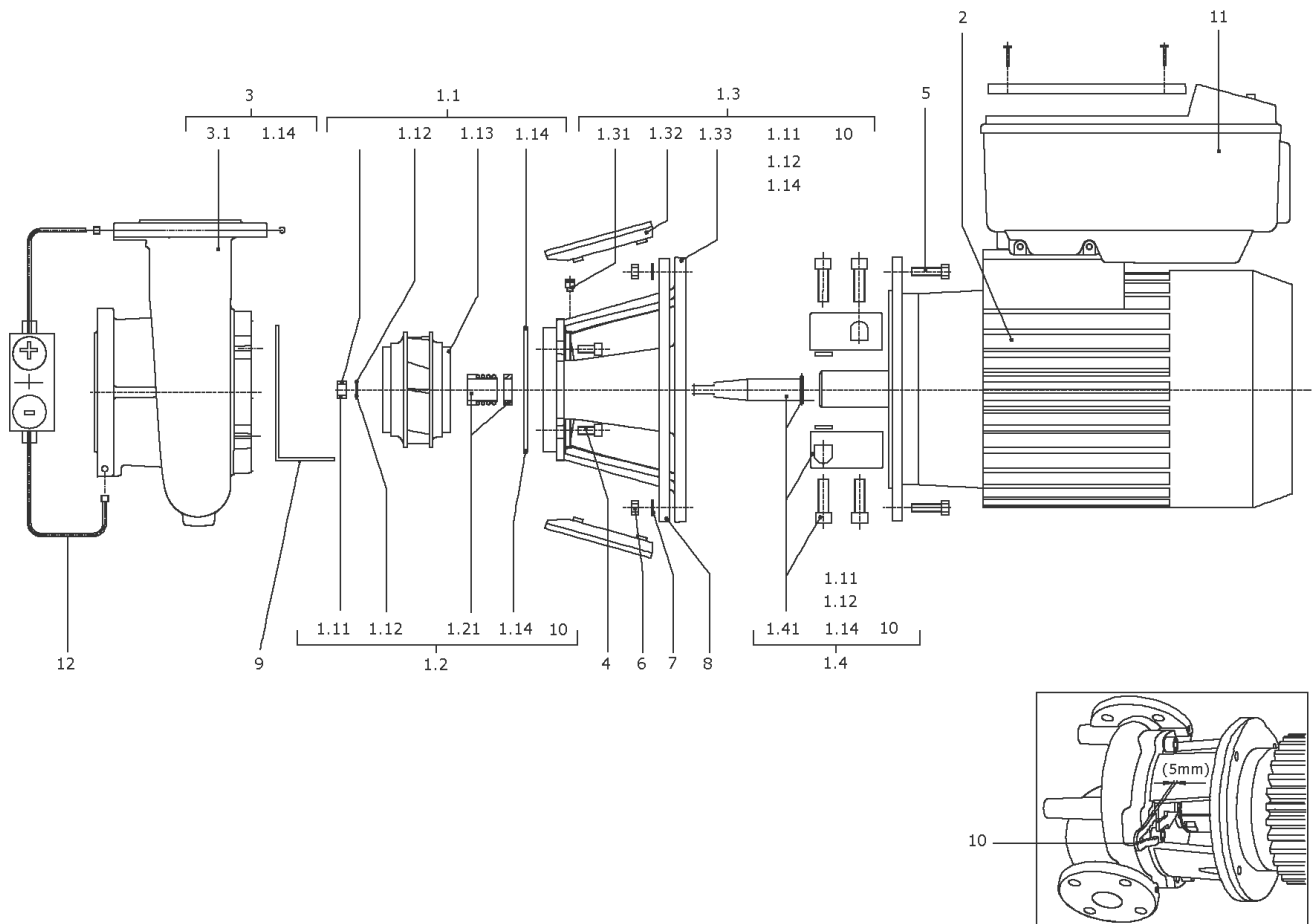
<b>Item</b>	<b>Description</b>	<b>Quantity</b>
WEG	Motor B35 11/4/180/350E WEG IE4 WILO	1



**Motor B35 11/4/180/350E WEG IE4 WILO**

Item	Article no.	Description	Quantity
2.1	2175848	Flange FF-300 BG180M/L WEG KIT	1
Note: Please give the data from type plate of the motor			
2.11		> Flange FF-300 BG180M/L 13680826 WEG	1
2.12	2192904	> V-Ring BG180M/L WEG VP.	1
2.13		> Bearing cover	1
2.14		> Venting screw	1
2.2	121083792	BALL BEARING 6311/2Z-C3 (HT) VP.	1
Note: Please give the data from type plate of the motor			
2.3	2175875	Ball bearing 6211/2Z-C3(HT)VP.	1
Note: Please give the data from type plate of the motor			
2.4	2175850	End shield BG180M/L D.E.WEG KIT	1
Note: Please give the data from type plate of the motor			
2.12	2192904	> V-Ring BG180M/L WEG VP.	1
4.41		> End shield BG180M/L D.E.13680913 WEG	1
4.42		> Spring washer	1
2.5	2175852	Fan BG180M/L WEG VP.	1
Note: Please give the data from type plate of the motor			
2.6	2175851	Fan cover BG160M/L WEG VP.	1
Note: Please give the data from type plate of the motor			
2.7	2192895	Motor foot 180 M/L WEG VP.	1





**BL-E100/270-15/4-R1 (2154317)**

Item	Article no.	Description	Quantity
1.1	2123427	IMPELLER D.125/270/32 KIT	1
1.11	2027188	> NUT M16 DIN-EN24032 A4 VP.	1
1.12	2027191	> WASHER A17 DIN125 200HV A2	1
1.13		> IMPELLER 125/270/32 GG FINI.BALANCED	1
1.14	2051680	> O-RING ID.276,7x5,29 7EP1197-W534 VP.	1
	2042863	> CIRCLIP S16 V2A VP.	1
1.2	2026903	MECH.SEAL MG12/32-G60 AQ1EGG M16 KIT	1
1.11	2027188	> NUT M16 DIN-EN24032 A4 VP.	1
1.12	2027191	> WASHER A17 DIN125 200HV A2	1
1.14	2043160	> O-Ring 177,39x3,53 ISO3601B EPDM VP.	1
1.14	2042864	> O-RING ID.224x3,55 7EP1197-W534 VP.	1
1.14	2051680	> O-RING ID.276,7x5,29 7EP1197-W534 VP.	1
	2042863	> CIRCLIP S16 V2A VP.	1
1.21		> MECHANICAL SEAL MG12/32-G60 AQ1EGG	1
10	2027202	> TOOL D.18/24/32 VP.	1
1.3	2051335	LANTERN P330X130-F300 M16 KIT	1
1.11	2027188	> NUT M16 DIN-EN24032 A4 VP.	1
1.12	2027191	> WASHER A17 DIN125 200HV A2	1
1.14	2051680	> O-RING ID.276,7x5,29 7EP1197-W534 VP.	1
	2042863	> CIRCLIP S16 V2A VP.	1
1.31	2027201	> BLOWGUN R1/8" VP.	1
1.32	2048843	> COUPLING GUARD P270-F300/350 (2 PIECES)	1
1.33		> Lantern P330X130-F300 GG KTL.WILO	1
10	2027202	> TOOL D.18/24/32 VP.	1
1.4	2047072	Coupling/shaft D.32/48X184 KIT	1
1.11	2027188	> NUT M16 DIN-EN24032 A4 VP.	1
1.12	2027191	> WASHER A17 DIN125 200HV A2	1
1.14	2051680	> O-RING ID.276,7x5,29 7EP1197-W534 VP.	1
	2042863	> CIRCLIP S16 V2A VP.	1
1.41		> COUPLING 32/48+SHAFT 32X184 BG160 ZN KIT	1
10	2027202	> TOOL D.18/24/32 VP.	1
2	2160162	Motor B35 15/4/180/350E-IE4-WEG(+Tool)	1
		Spare parts motor B35 15/4/160/350E-IE4	1
3	2051370	PUMP HOUSING BL100/270 PN16 KIT	1

**BL-E100/270-15/4-R1 (2154317)**

Item	Article no.	Description	Quantity
1.14	2051680	> O-RING ID.276,7x5,29 7EP1197-W534 VP.	1
3.1		> PUMP HOUSING BL100/270 PN16 CPL.WILO	1
4	2027193	SCREW M16X30 ISO4762 8.8 (4 PIECES)	1
5	2046467	Screw M16X35 ISO4017 8.8 (4 PIECES)	1
7	2029336	WASHER A17 DIN125 ST (4 PIECES)	1
11	2190958	Module BL-E100/270-15/4-IE4 WEG KIT	1
	2132102	> FAN SMALL TL6/7 FF KIT	1
		>> TL6/7FF module fan sm.cpl.	1
	2132096	>> FAN GRILL TL6/7 FF VP.	1
	2132097	> CABLE CONNECTION M12 TL6/7 FF VP.	1
	2132098	> CABLE CONNECTION M16 TL6/7 FF VP.	1
	2132099	> CABLE CONNECTION M20 TL6/7 FF VP.	1
	2132100	> CABLE CONNECTION SMALL M40 TL6/7 FF VP.	1
	2132104	> COVER SIDE TL6/7 FF CPL.VP.	1
	2132452	> MODULE COVER/BUTTON TL6/7 FF VP.	1

Motor-Typenschild / Motor type plate / Plaque identité moteur

Bei Ersatzteilbestellung Motor-Nummer angeben!

Indicate motor number for order of spare parts!

Pour une commande de pièces détachées, donner le numéro du moteur!

ELEC

Motor-Nummer  
motor number  
numéro du moteur

<b>3~Induction Motor</b>						
Made by WILLO Group						
<b>351f218</b>	W132240-4-V1NPE		0902.001			
Class F	S1	IP55	69kg	EN60034		
50Hz	5.5kW	SF=L1S	60Hz	6.45kW		
YΔ 400/690V	10,6/6,13A	Y 440-480V	10,9/10,35A			
Cosφ =0.81	1470min <sup>-1</sup>	Cosφ =0.81	1770min <sup>-1</sup>			
IE4-91.9%	91,9%	91,1%	IE4-92.4%	92,4%	91,8%	

WEG

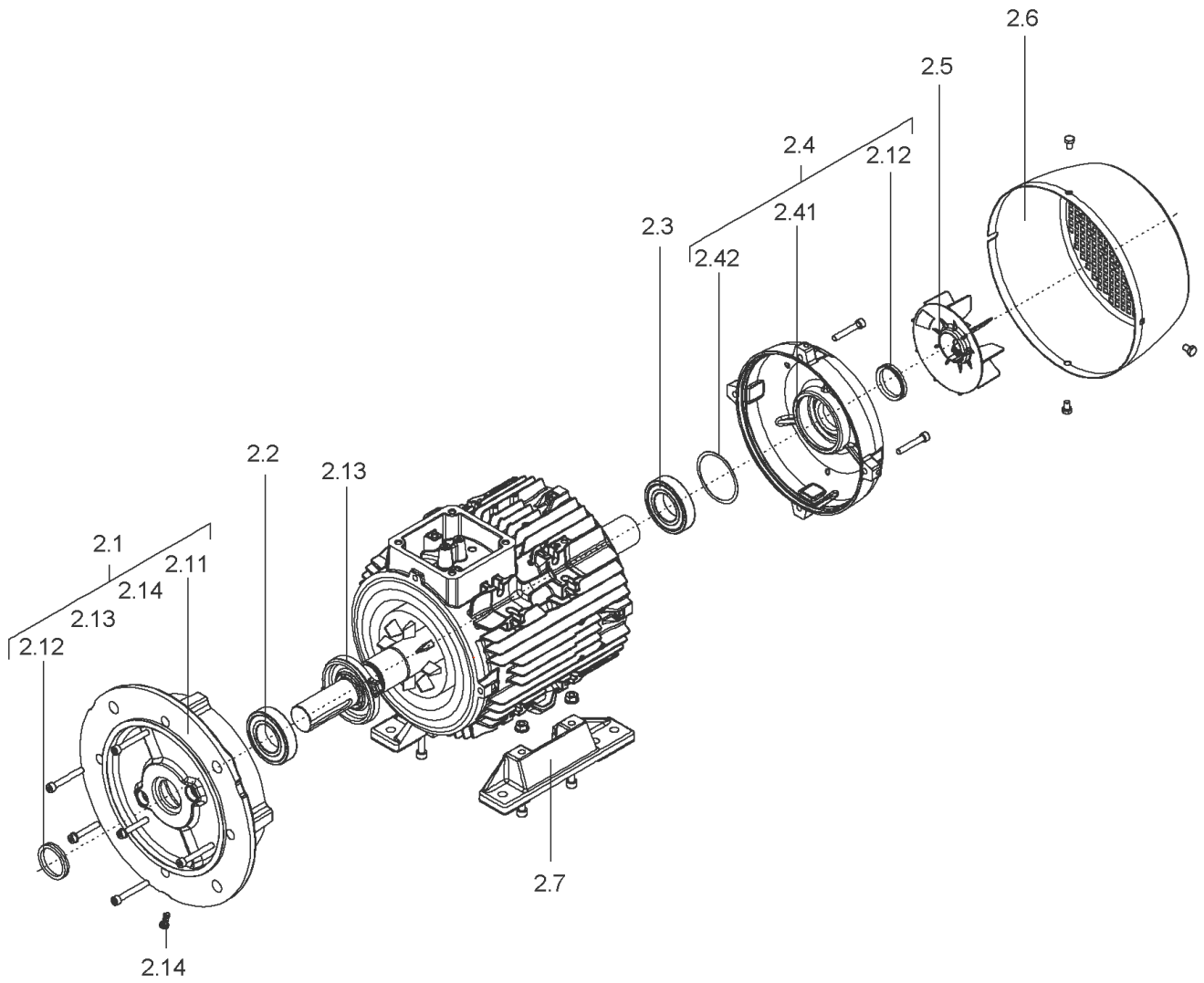
		3~ AL180M/L-04		2015/12		1030615079	
AMB 40°C							
IP55		INS CL.F		Δ T 80 K		S1 SF 1.0	
V	Hz	kW	RPM	A	PF		
400 / -			1480	29,5 / -	0,78		
- / -							
- / -							
- / -							
400	IE4	93,9 (100%)	92,5 (75%)	90,8 (50%)			
- / -		- (100%)	- (75%)	- (50%)			
- A		- (100%)	- (75%)	- (50%)			
NEMA	Eff	- %	- HP	- V	- Hz	- RPM	
- A	PF	DES	CODE	SF			
		6311-ZZ-C3		MOBIL POLYREX EM		162 kg	
		6211-ZZ-C3					
MOD.TE01A0X1A0000301180							
		IEC 60034					

VIBRATION LEVEL A	
ACCORDING IEC 60034-14	
BALANCED WITH NO KEY	
WILO PART NO: 2151697	

Motor-Nummer  
motor number  
numéro du moteur

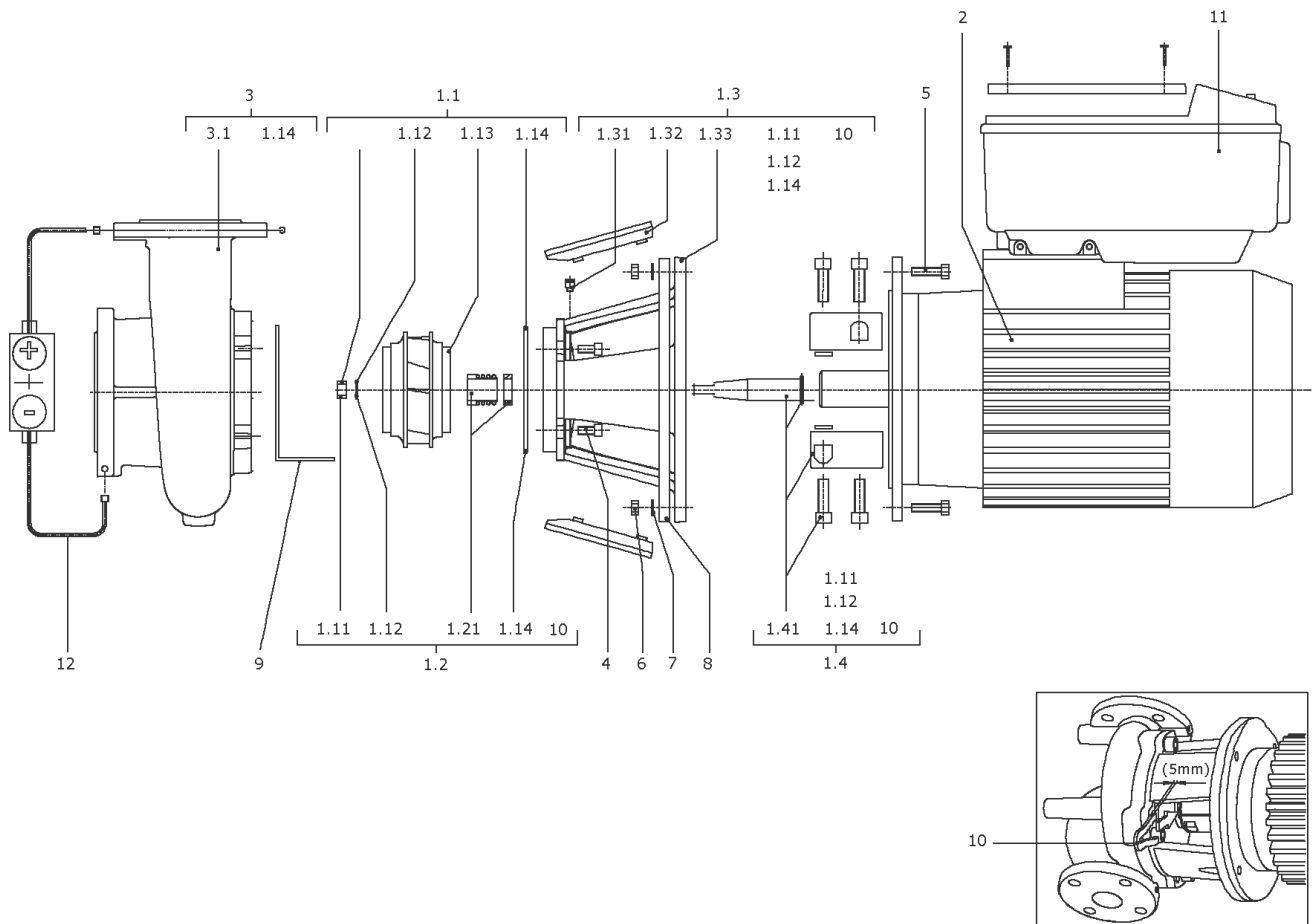
## Spare parts motor B35 15/4/160/350E-IE4

Item	Description	Quantity
WEG	Motor B35 15/4/180/350E WEG IE4 WILO	1



**Motor B35 15/4/180/350E WEG IE4 WILO**

Item	Article no.	Description	Quantity
2.1	2175848	Flange FF-300 BG180M/L WEG KIT	1
Note: Please give the data from type plate of the motor			
2.11		> Flange FF-300 BG180M/L 13680826 WEG	1
2.12	2192904	> V-Ring BG180M/L WEG VP.	1
2.13		> Bearing cover	1
2.14		> Venting screw	1
2.2	121083792	BALL BEARING 6311/2Z-C3 (HT) VP.	1
Note: Please give the data from type plate of the motor			
2.3	2175875	Ball bearing 6211/2Z-C3(HT)VP.	1
Note: Please give the data from type plate of the motor			
2.4	2175850	End shield BG180M/L D.E.WEG KIT	1
Note: Please give the data from type plate of the motor			
2.12	2192904	> V-Ring BG180M/L WEG VP.	1
4.41		> End shield BG180M/L D.E.13680913 WEG	1
4.42		> Spring washer	1
2.5	2175852	Fan BG180M/L WEG VP.	1
Note: Please give the data from type plate of the motor			
2.6	2175851	Fan cover BG160M/L WEG VP.	1
Note: Please give the data from type plate of the motor			
2.7	2192895	Motor foot 180 M/L WEG VP.	1





**BL-E100/305-18,5/4-R1 (2154318)**

Item	Article no.	Description	Quantity
1.1	2135922	IMPELLER 125/340-302-149,6/38 GG KIT	1
1.11	2027188	> NUT M16 DIN-EN24032 A4 VP.	1
1.12	2147220	> Impeller washer D.42 V2A VP.	1
1.13		> IMPELLER 125/340-302-149,6/38 GG gewu	1
1.14	2052325	> O-RING ID.338X5,3 7EP1197-W534 VP.	1
	2042863	> CIRCLIP S16 V2A VP.	1
	2107599	> KEY B10X8X40 DIN6885 A2(2 PIECES)	1
1.2	2052335	MECHANICAL SEAL MG12/43-G60 AQ1EGG KIT	1
1.11	2027188	> NUT M16 DIN-EN24032 A4 VP.	1
1.12	2147220	> Impeller washer D.42 V2A VP.	1
1.14	2052325	> O-RING ID.338X5,3 7EP1197-W534 VP.	1
1.14	2051680	> O-RING ID.276,7x5,29 7EP1197-W534 VP.	1
1.21		> MECHANICAL SEAL MG12/43-G60 AQ1EGG	1
10	2054339	> TOOL D.42/55 VP.	1
	2042863	> CIRCLIP S16 V2A VP.	1
1.3	2052338	LANTERN P400X150-F350 KIT	1
1.11	2027188	> NUT M16 DIN-EN24032 A4 VP.	1
1.12	2147220	> Impeller washer D.42 V2A VP.	1
1.12	2147229	> Impeller-washer D.55 V2A VP.	1
1.14	2052325	> O-RING ID.338X5,3 7EP1197-W534 VP.	1
1.31	2027201	> BLOWGUN R1/8" VP.	1
1.32	2048843	> COUPLING GUARD P270-F300/350 (2 PIECES)	1
1.33		> Lantern P400X150-F350 GG KTL WILO	1
10	2054339	> TOOL D.42/55 VP.	1
	2042863	> CIRCLIP S16 V2A VP.	1
1.4	2147230	Coupling/shaft D.42/55X203 KIT	1
1.11	2027188	> NUT M16 DIN-EN24032 A4 VP.	1
1.12	2147220	> Impeller washer D.42 V2A VP.	1
1.14	2052325	> O-RING ID.338X5,3 7EP1197-W534 VP.	1
1.14	2051680	> O-RING ID.276,7x5,29 7EP1197-W534 VP.	1
1.41		> COUPLING 42/55+SHAFT 42X206 GR180 ZN KIT	1
10	2054339	> TOOL D.42/55 VP.	1
	2107599	> KEY B10X8X40 DIN6885 A2(2 PIECES)	1
	2042863	> CIRCLIP S16 V2A VP.	1

**BL-E100/305-18,5/4-R1 (2154318)**

Item	Article no.	Description	Quantity
2	2160163	Motor B35 18,5/4/200/400E-IE4-WEG(+Tool)	1
		Spare parts mot.B35 18,5/4/180/350E-IE4	1
3	2135945	PUMP HOUSING B100/340-P400 PN16 KIT	1
1.14	2052325	> O-RING ID.338X5,3 7EP1197-W534 VP.	1
3.1		> PUMP HOUSING B100/340-P400 PN16 CPL.WILO	1
4	2052346	SCREW M20X35 ISO4762 8.8 (8 PIECES)	1
5	2046467	Screw M16X35 ISO4017 8.8 (4 PIECES)	1
7	2029336	WASHER A17 DIN125 ST (4 PIECES)	1
11	2190959	Module BL-E100/305-18,5/4-IE4 WEG KIT	1
	2132103	> FAN LARGE TL6/7 FF KIT	1
		>> TL6/7FF module fan large cpl.	1
	2132096	>> FAN GRILL TL6/7 FF VP.	1
	2132097	> CABLE CONNECTION M12 TL6/7 FF VP.	1
	2132098	> CABLE CONNECTION M16 TL6/7 FF VP.	1
	2132099	> CABLE CONNECTION M20 TL6/7 FF VP.	1
	2132100	> CABLE CONNECTION SMALL M40 TL6/7 FF VP.	1
	2132104	> COVER SIDE TL6/7 FF CPL.VP.	1
	2132452	> MODULE COVER/BUTTON TL6/7 FF VP.	1

Motor-Typenschild / Motor type plate / Plaque identité moteur

Bei Ersatzteilbestellung Motor-Nummer angeben!

Indicate motor number for order of spare parts!

Pour une commande de pièces détachées, donner le numéro du moteur!

ELEC

Motor-Nummer  
motor number  
numéro du moteur

<b>3~Induction Motor</b>					
Made by WILLO Group					
<b>351f218</b>	<b>W132240-4-V1NPE</b>		<b>0902.001</b>		
Class F	S1	IP55	69kg	EN60034	
50Hz	5.5kW	SF=L1S	60Hz	6.45kW	
YΔ 400/690V	10,6/6,13A	Y 440-480V	10,9/10,35A		
Cosφ =0.81	1470min <sup>-1</sup>	Cosφ =0.81	1770min <sup>-1</sup>		
IE4-91.9%	91,9%	91,1%	IE4-92.4%	92,4%	91,8%

WEG

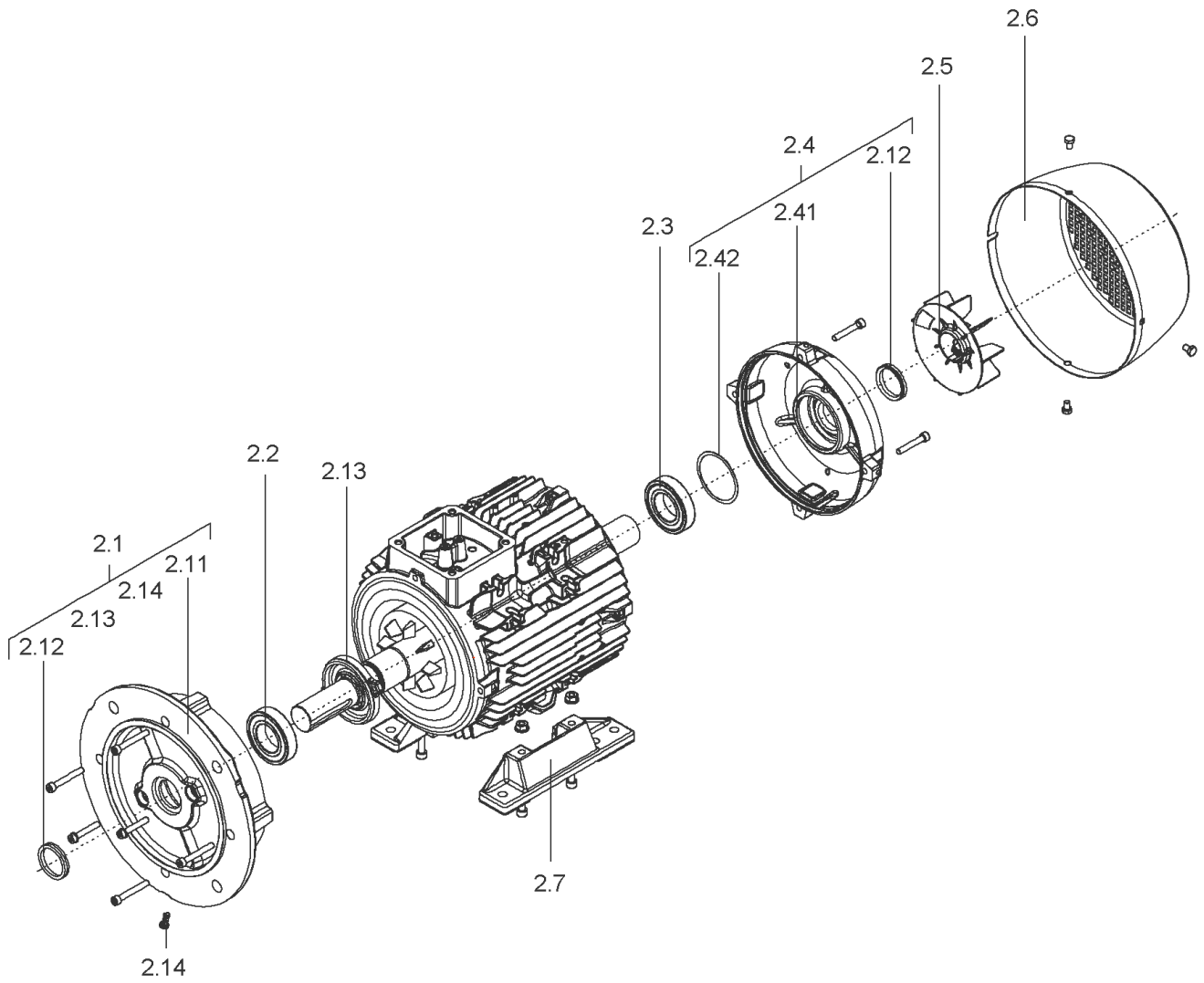
3~ AL180M/L-04		2015/12	1030615079		
AMB 40°C					
IP55	INS CL.F	Δ T 80 K	S1	SF 1.0	
V	Hz	kW	RPM	A	PF
400 / -			1480	29,5 / -	0,78
- / -					
- / -					
- / -					
400	IE4	93,9 (100%)	92,5 (75%)	90,8 (50%)	
- / -		- (100%)	- (75%)	- (50%)	
- A		- (100%)	- (75%)	- (50%)	
NEMA	Eff	- %	- HP	- V	- Hz
- A	PF	DES	CODE	SF	
		6311-ZZ-C3	MOBIL POLYREX EM		162 kg
		6211-ZZ-C3			
MOD.TE01A0X1A0000301180					
IEC 60034					

VIBRATION LEVEL A
ACCORDING IEC 60034-14
BALANCED WITH NO KEY
WILO PART NO: <b>2151697</b>

Motor-Nummer  
motor number  
numéro du moteur

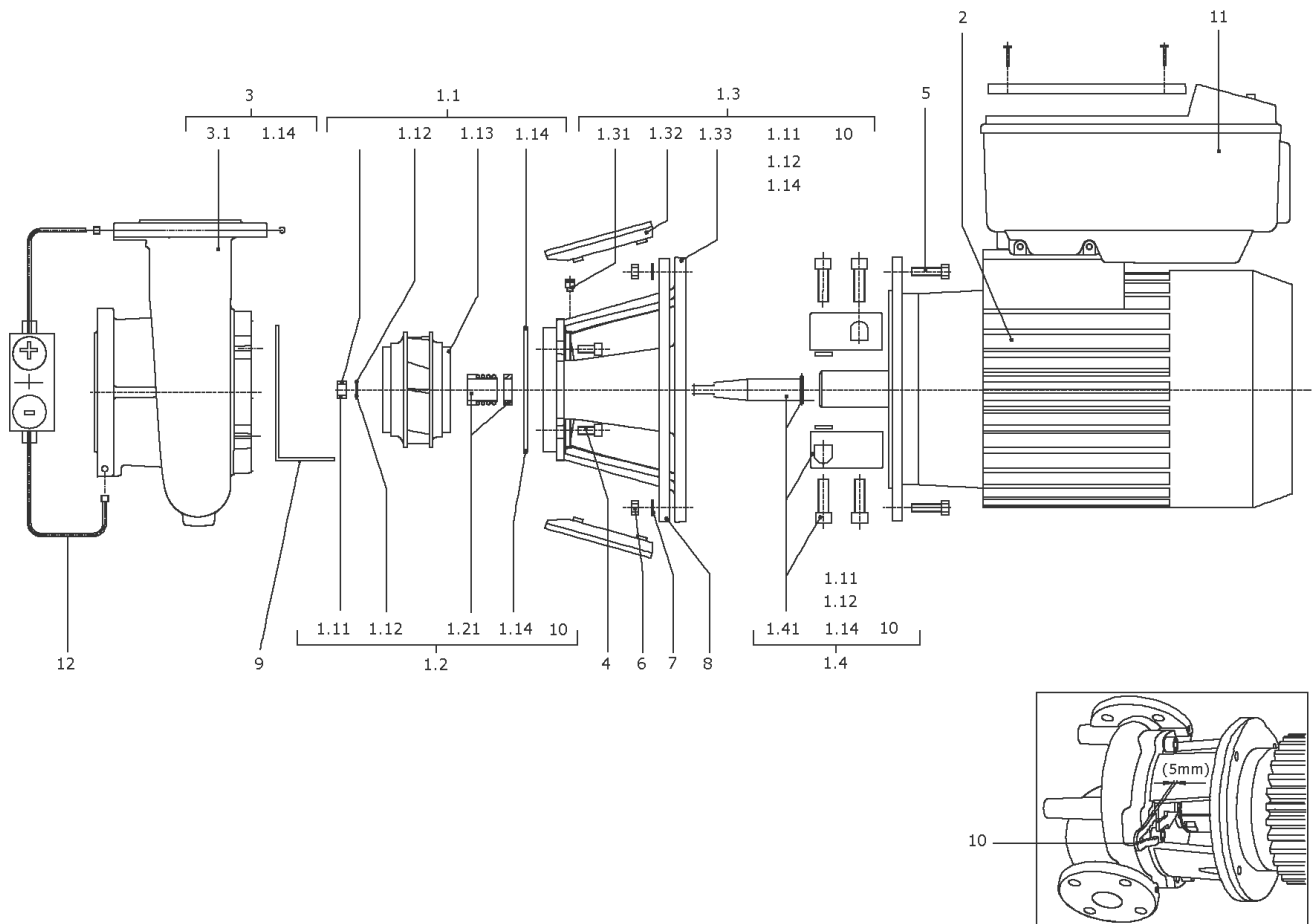
**Spare parts mot.B35 18,5/4/180/350E-IE4**

<b>Item</b>	<b>Description</b>	<b>Quantity</b>
WEG	Motor B35 18,5/4/200/400E WEG IE4 WILO	1



**Motor B35 18,5/4/200/400E WEG IE4 WILO**

Item	Article no.	Description	Quantity
2.1	2175853	Flange FF-350 BG200M/L WEG KIT	1
Note: Please give the data from type plate of the motor			
2.11		> Flange FF-350 BG200M/L 13682656 WEG	1
2.12	2192907	> V-Ring BG200M/L WEG VP.	1
2.13		> Bearing cover	1
2.14		> Venting screw	1
2.2	121083895	BALL BEARING 6312/2Z-C3 (HT) VP.	1
Note: Please give the data from type plate of the motor			
2.3	121084591	BALL BEARING 6212/2Z-C3 (HT) VP.	1
Note: Please give the data from type plate of the motor			
2.4	2175855	End shield BG200M/L D.E.WEG KIT	1
Note: Please give the data from type plate of the motor			
2.12	2192907	> V-Ring BG200M/L WEG VP.	1
4.41		> End shield BG200M/L D.E.13682698 WEG	1
4.42		> Spring washer	1
2.5	2175857	Fan BG200M/L WEG VP.	1
Note: Please give the data from type plate of the motor			
2.6	2175856	Fan cover BG200M/L WEG VP.	1
Note: Please give the data from type plate of the motor			
	2192898	Motor foot 200 M/L WEG VP.	1



Item	Article no.	Description	Quantity
1.1	2135923	IMPELLER 125/340-318-149,6/38 GG KIT	1
1.11	2027188	> NUT M16 DIN-EN24032 A4 VP.	1
1.12	2147220	> Impeller washer D.42 V2A VP.	1
1.13		> IMPELLER 125/340-318-149,6/38 GG gewu	1
1.14	2052325	> O-RING ID.338X5,3 7EP1197-W534 VP.	1
	2042863	> CIRCLIP S16 V2A VP.	1
	2107599	> KEY B10X8X40 DIN6885 A2(2 PIECES)	1
1.2	2052335	MECHANICAL SEAL MG12/43-G60 AQ1EGG KIT	1
1.11	2027188	> NUT M16 DIN-EN24032 A4 VP.	1
1.12	2147220	> Impeller washer D.42 V2A VP.	1
1.14	2052325	> O-RING ID.338X5,3 7EP1197-W534 VP.	1
1.14	2051680	> O-RING ID.276,7x5,29 7EP1197-W534 VP.	1
1.21		> MECHANICAL SEAL MG12/43-G60 AQ1EGG	1
10	2054339	> TOOL D.42/55 VP.	1
	2042863	> CIRCLIP S16 V2A VP.	1
1.3	2052338	LANTERN P400X150-F350 KIT	1
1.11	2027188	> NUT M16 DIN-EN24032 A4 VP.	1
1.12	2147220	> Impeller washer D.42 V2A VP.	1
1.12	2147229	> Impeller-washer D.55 V2A VP.	1
1.14	2052325	> O-RING ID.338X5,3 7EP1197-W534 VP.	1
1.31	2027201	> BLOWGUN R1/8" VP.	1
1.32	2048843	> COUPLING GUARD P270-F300/350 (2 PIECES)	1
1.33		> Lantern P400X150-F350 GG KTL WILO	1
10	2054339	> TOOL D.42/55 VP.	1
	2042863	> CIRCLIP S16 V2A VP.	1
1.4	2147230	Coupling/shaft D.42/55X203 KIT	1
1.11	2027188	> NUT M16 DIN-EN24032 A4 VP.	1
1.12	2147220	> Impeller washer D.42 V2A VP.	1
1.14	2052325	> O-RING ID.338X5,3 7EP1197-W534 VP.	1
1.14	2051680	> O-RING ID.276,7x5,29 7EP1197-W534 VP.	1
1.41		> COUPLING 42/55+SHAFT 42X206 GR180 ZN KIT	1
10	2054339	> TOOL D.42/55 VP.	1
	2107599	> KEY B10X8X40 DIN6885 A2(2 PIECES)	1
	2042863	> CIRCLIP S16 V2A VP.	1



**BL-E100/315-22/4-R1 (2154319)**

Item	Article no.	Description	Quantity
2	2160164	Motor B35 22/4/200/400E-IE4-WEG(+Tool)	1
		Spare parts motor B35 22/4/200/400E-IE4	1
3	2135945	PUMP HOUSING B100/340-P400 PN16 KIT	1
1.14	2052325	> O-RING ID.338X5,3 7EP1197-W534 VP.	1
3.1		> PUMP HOUSING B100/340-P400 PN16 CPL.WILO	1
4	2052346	SCREW M20X35 ISO4762 8.8 (8 PIECES)	1
5	2046467	Screw M16X35 ISO4017 8.8 (4 PIECES)	1
7	2029336	WASHER A17 DIN125 ST (4 PIECES)	1
11	2190960	Module BL-E100/315-22/4-IE4 WEG KIT	1
	2132103	> FAN LARGE TL6/7 FF KIT	1
		>> TL6/7FF module fan large cpl.	1
	2132096	>> FAN GRILL TL6/7 FF VP.	1
	2132097	> CABLE CONNECTION M12 TL6/7 FF VP.	1
	2132098	> CABLE CONNECTION M16 TL6/7 FF VP.	1
	2132099	> CABLE CONNECTION M20 TL6/7 FF VP.	1
	2132100	> CABLE CONNECTION SMALL M40 TL6/7 FF VP.	1
	2132104	> COVER SIDE TL6/7 FF CPL.VP.	1
	2132452	> MODULE COVER/BUTTON TL6/7 FF VP.	1

Motor-Typenschild / Motor type plate / Plaque identité moteur

Bei Ersatzteilbestellung Motor-Nummer angeben!

Indicate motor number for order of spare parts!

Pour une commande de pièces détachées, donner le numéro du moteur!

ELEC

Motor-Nummer  
motor number  
numéro du moteur

<b>3~Induction Motor</b>					
Made by WILLO Group					
<b>3511218</b>	<b>W132240-4-V1NPE</b>		<b>0902.001</b>		
Class F	S1	IP55	69kg	EN60034	
50Hz	5.5kW	SF=L1S	60Hz	6.45kW	
YΔ 400/690V	10,6/6,13A	Y 440-480V	10,9/10,35A		
Cosφ =0.81	1470min <sup>-1</sup>	Cosφ =0.81	1770min <sup>-1</sup>		
IE4-91.9%	91,9%	91,1%	IE4-92.4%	92,4%	91,8%

WEG

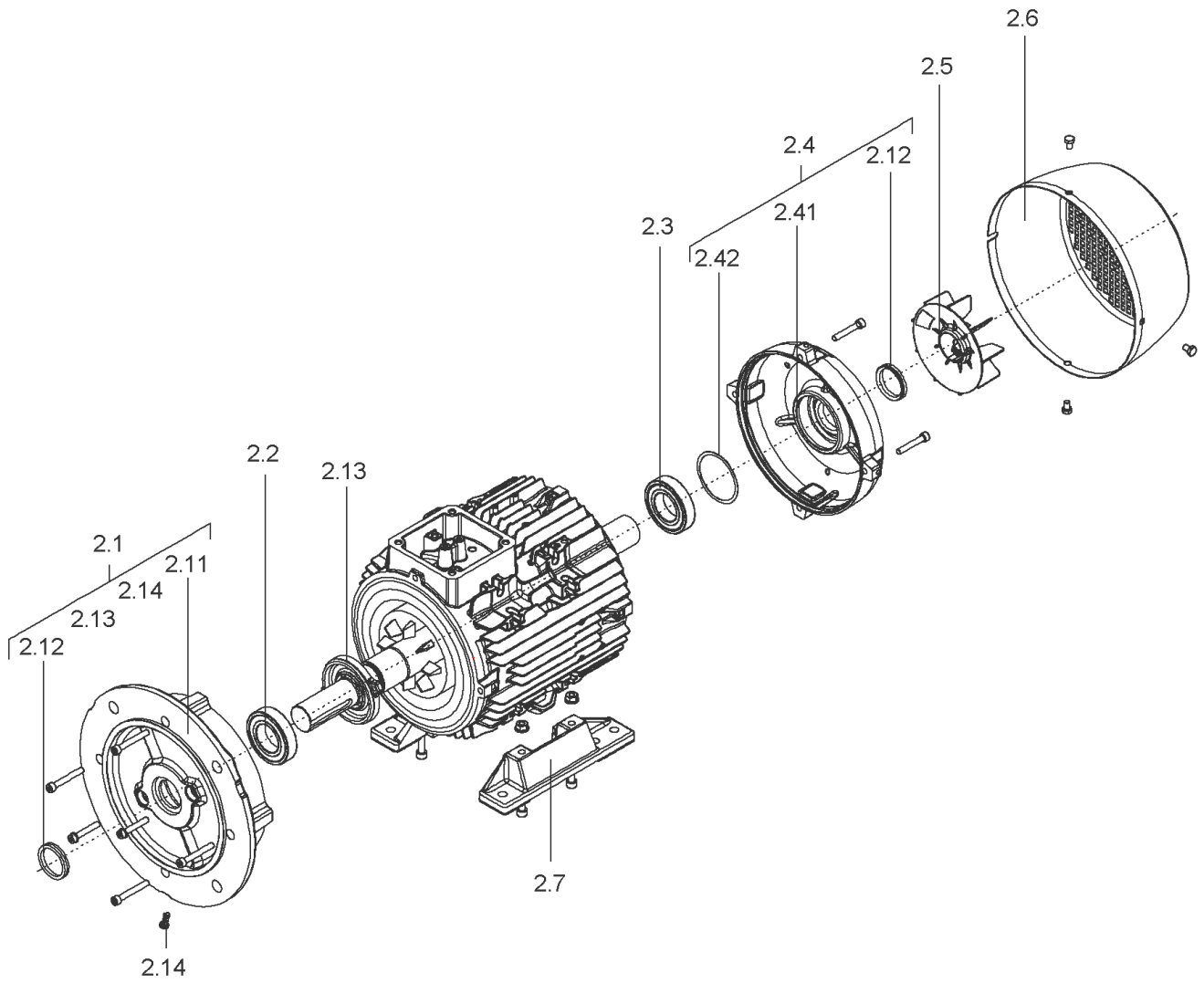
		3~ AL180M/L-04		2015/12		1030615079	
AMB 40°C							
IP55		INS CL.F		Δ T 80 K		S1 SF 1.0	
V	Hz	kW	RPM	A	PF		
400 / -			1480	29,5 / -	0,78		
- / -							
- / -							
- / -							
400	IE4	93,9 (100%)	92,5 (75%)	90,8 (50%)			
- / -		- (100%)	- (75%)	- (50%)			
- A		- (100%)	- (75%)	- (50%)			
NEMA	Eff	- %	- HP	- V	- Hz	- RPM	
- A	PF	DES	CODE	SF			
		6311-ZZ-C3		MOBIL POLYREX EM		162 kg	
		6211-ZZ-C3					
MOD.TE01A0X1A0000301180							
		IEC 60034					

VIBRATION LEVEL A
ACCORDING IEC 60034-14
BALANCED WITH NO KEY
WILO PART NO: <b>2151697</b>

Motor-Nummer  
motor number  
numéro du moteur

## Spare parts motor B35 22/4/200/400E-IE4

Item	Description	Quantity
WEG	Motor B35 22/4/200/400E WEG IE4 WILO	1



**Motor B35 22/4/200/400E WEG IE4 WILO**

Item	Article no.	Description	Quantity
2.1	2175853	Flange FF-350 BG200M/L WEG KIT	1
Note: Please give the data from type plate of the motor			
2.11		> Flange FF-350 BG200M/L 13682656 WEG	1
2.12	2192907	> V-Ring BG200M/L WEG VP.	1
2.13		> Bearing cover	1
2.14		> Venting screw	1
2.2	121083895	BALL BEARING 6312/2Z-C3 (HT) VP.	1
Note: Please give the data from type plate of the motor			
2.3	121084591	BALL BEARING 6212/2Z-C3 (HT) VP.	1
Note: Please give the data from type plate of the motor			
2.4	2175855	End shield BG200M/L D.E.WEG KIT	1
Note: Please give the data from type plate of the motor			
2.12	2192907	> V-Ring BG200M/L WEG VP.	1
4.41		> End shield BG200M/L D.E.13682698 WEG	1
4.42		> Spring washer	1
2.5	2175857	Fan BG200M/L WEG VP.	1
Note: Please give the data from type plate of the motor			
2.6	2175856	Fan cover BG200M/L WEG VP.	1
Note: Please give the data from type plate of the motor			
	2192898	Motor foot 200 M/L WEG VP.	1



**BL-E125/225-11/4-R1 (2154320)**

Item	Article no.	Description	Quantity
1.1	2135926	IMPELLER 150/220-225-139,6/32 GG KIT	1
1.11	2027188	> NUT M16 DIN-EN24032 A4 VP.	1
1.12	2027191	> WASHER A17 DIN125 200HV A2	1
1.13		> IMPELLER 150/220-225-139,6/32 GG balance	1
1.14	2042864	> O-RING ID.224x3,55 7EP1197-W534 VP.	1
	2042863	> CIRCLIP S16 V2A VP.	1
1.2	2026903	MECH.SEAL MG12/32-G60 AQ1EGG M16 KIT	1
1.11	2027188	> NUT M16 DIN-EN24032 A4 VP.	1
1.12	2027191	> WASHER A17 DIN125 200HV A2	1
1.14	2043160	> O-Ring 177,39x3,53 ISO3601B EPDM VP.	1
1.14	2042864	> O-RING ID.224x3,55 7EP1197-W534 VP.	1
1.14	2051680	> O-RING ID.276,7x5,29 7EP1197-W534 VP.	1
	2042863	> CIRCLIP S16 V2A VP.	1
1.21		> MECHANICAL SEAL MG12/32-G60 AQ1EGG	1
10	2027202	> TOOL D.18/24/32 VP.	1
1.3	2051330	LANTERN P270X140-F300 KIT	1
1.11	2027188	> NUT M16 DIN-EN24032 A4 VP.	1
1.12	2027191	> WASHER A17 DIN125 200HV A2	1
1.14	2042864	> O-RING ID.224x3,55 7EP1197-W534 VP.	1
	2042863	> CIRCLIP S16 V2A VP.	1
1.31	2027201	> BLOWGUN R1/8" VP.	1
1.32	2048843	> COUPLING GUARD P270-F300/350 (2 PIECES)	1
1.33		> Lantern P270X140-F300 GG KTL WILO	1
10	2027202	> TOOL D.18/24/32 VP.	1
1.4	2047072	Coupling/shaft D.32/48X184 KIT	1
1.11	2027188	> NUT M16 DIN-EN24032 A4 VP.	1
1.12	2027191	> WASHER A17 DIN125 200HV A2	1
1.14	2051680	> O-RING ID.276,7x5,29 7EP1197-W534 VP.	1
	2042863	> CIRCLIP S16 V2A VP.	1
1.41		> COUPLING 32/48+SHAFT 32X184 BG160 ZN KIT	1
10	2027202	> TOOL D.18/24/32 VP.	1
2	2160161	Motor B35 11/4/180/350E-IE4-WEG(+Tool)	1
		Spare parts motor B35 11/4/160/350E-IE4	1
3	2135946	PUMP HOUSING B125/220-P270 PN16 KIT	1

**BL-E125/225-11/4-R1 (2154320)**

Item	Article no.	Description	Quantity
1.14	2042864	> O-RING ID.224x3,55 7EP1197-W534 VP.	1
3.1		> PUMP HOUSING B125/220-P270 PN16 CPL.WILO	1
4	2027193	SCREW M16X30 ISO4762 8.8 (4 PIECES)	1
5	2046467	Screw M16X35 ISO4017 8.8 (4 PIECES)	1
7	2029336	WASHER A17 DIN125 ST (4 PIECES)	1
11	2190961	Module BL-E125/225-11/4-IE4 WEG KIT	1
	2132102	> FAN SMALL TL6/7 FF KIT	1
		>> TL6/7FF module fan sm.cpl.	1
	2132096	>> FAN GRILL TL6/7 FF VP.	1
	2132097	> CABLE CONNECTION M12 TL6/7 FF VP.	1
	2132098	> CABLE CONNECTION M16 TL6/7 FF VP.	1
	2132099	> CABLE CONNECTION M20 TL6/7 FF VP.	1
	2132100	> CABLE CONNECTION SMALL M40 TL6/7 FF VP.	1
	2132104	> COVER SIDE TL6/7 FF CPL.VP.	1
	2132452	> MODULE COVER/BUTTON TL6/7 FF VP.	1



Motor-Typenschild / Motor type plate / Plaque identité moteur

Bei Ersatzteilbestellung Motor-Nummer angeben!

Indicate motor number for order of spare parts!

Pour une commande de pièces détachées, donner le numéro du moteur!

ELEC

Motor-Nummer  
motor number  
numéro du moteur

<b>3~Induction Motor</b>					
Made by WILLO Group					
<b>3511218</b>	<b>W132240-4-V1NPE</b>		<b>0902.001</b>		
Class F	S1	IP55	69kg	EN60034	
50Hz	5.5kW	SF=L1S	60Hz	6.45kW	
YΔ 400/690V	10,6/6,13A	Y 440-480V	10,9/10,35A		
Cosφ =0.81	1470min <sup>-1</sup>	Cosφ =0.81	1770min <sup>-1</sup>		
IE4-91.9%	91,9%	91,1%	IE4-92.4%	92,4%	91,8%

WEG

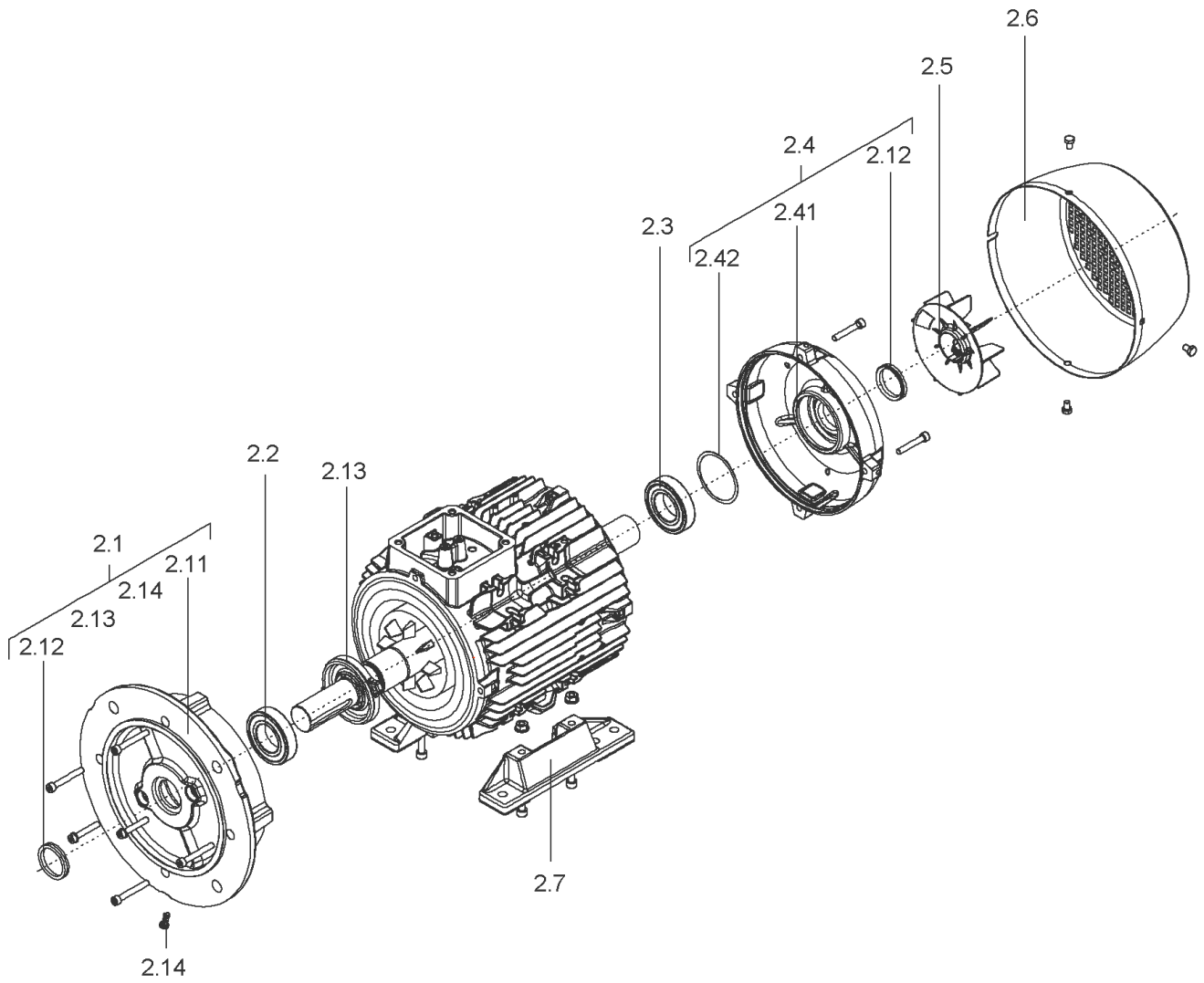
3~ AL180M/L-04		2015/12		1030615079	
AMB 40°C					
IP55	INS CL.F	Δ T 80 K	S1	SF 1.0	
V	Hz	kW	RPM	A	PF
400 / -			1480	29,5 / -	0,78
- / -					
- / -					
- / -					
400	IE4	93,9 (100%)	92,5 (75%)	90,8 (50%)	
- / -		- (100%)	- (75%)	- (50%)	
- A		- (100%)	- (75%)	- (50%)	
NEMA	Eff	- %	- HP	- V	- Hz
- A	PF	DES	CODE	SF	
		6311-ZZ-C3	MOBIL POLYREX EM		162 kg
		6211-ZZ-C3			
MOD.TE01A0X1A0000301180					
IEC 60034					

VIBRATION LEVEL A
ACCORDING IEC 60034-14
BALANCED WITH NO KEY
WILO PART NO: <b>2151697</b>

Motor-Nummer  
motor number  
numéro du moteur

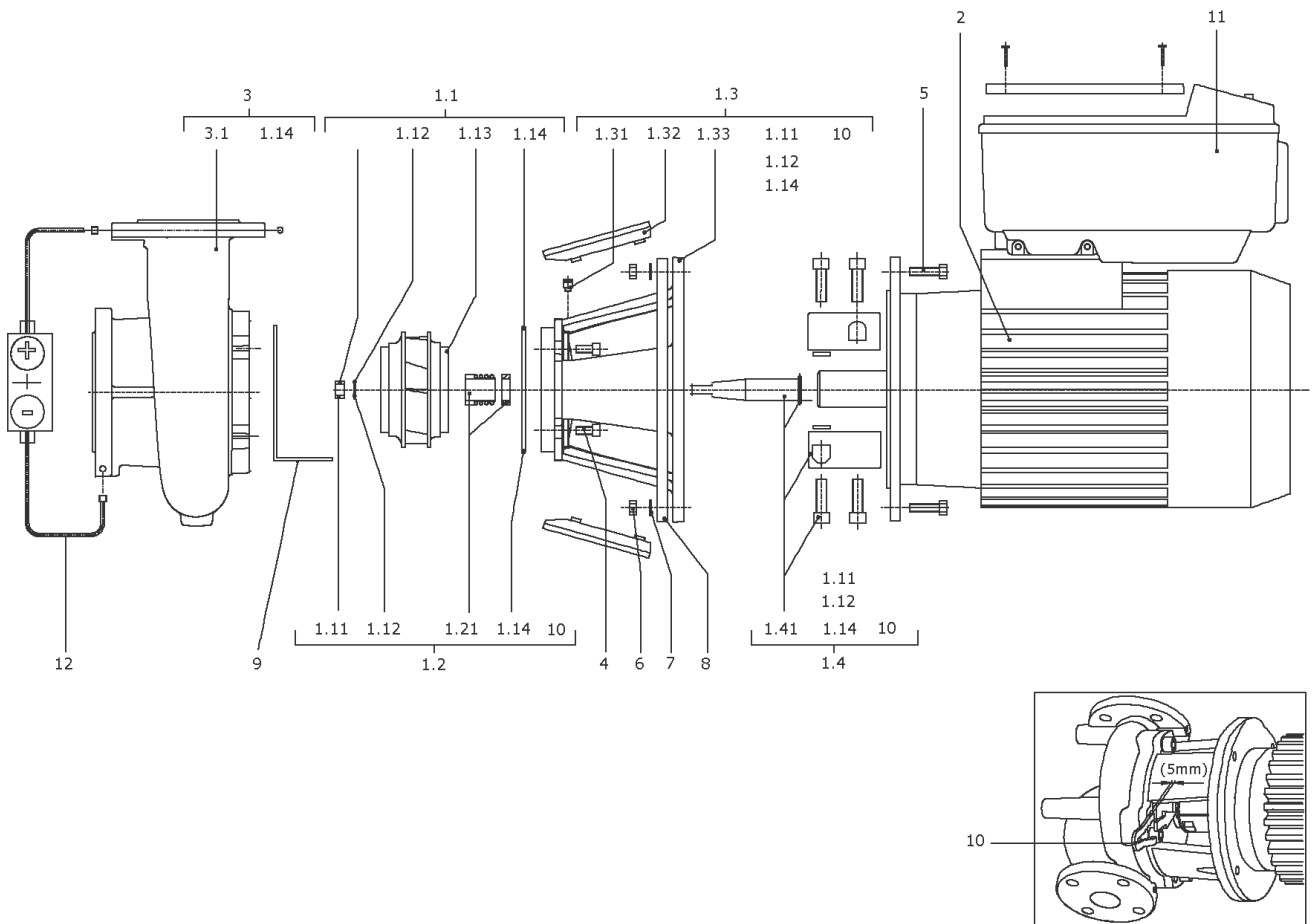
## Spare parts motor B35 11/4/160/350E-IE4

Item	Description	Quantity
WEG	Motor B35 11/4/180/350E WEG IE4 WILO	1



**Motor B35 11/4/180/350E WEG IE4 WILO**

Item	Article no.	Description	Quantity
2.1	2175848	Flange FF-300 BG180M/L WEG KIT	1
Note: Please give the data from type plate of the motor			
2.11		> Flange FF-300 BG180M/L 13680826 WEG	1
2.12	2192904	> V-Ring BG180M/L WEG VP.	1
2.13		> Bearing cover	1
2.14		> Venting screw	1
2.2	121083792	BALL BEARING 6311/2Z-C3 (HT) VP.	1
Note: Please give the data from type plate of the motor			
2.3	2175875	Ball bearing 6211/2Z-C3(HT)VP.	1
Note: Please give the data from type plate of the motor			
2.4	2175850	End shield BG180M/L D.E.WEG KIT	1
Note: Please give the data from type plate of the motor			
2.12	2192904	> V-Ring BG180M/L WEG VP.	1
4.41		> End shield BG180M/L D.E.13680913 WEG	1
4.42		> Spring washer	1
2.5	2175852	Fan BG180M/L WEG VP.	1
Note: Please give the data from type plate of the motor			
2.6	2175851	Fan cover BG160M/L WEG VP.	1
Note: Please give the data from type plate of the motor			
2.7	2192895	Motor foot 180 M/L WEG VP.	1



Item	Article no.	Description	Quantity
1.1	2140484	IMPELLER D.150/270-246-151,5/38 KIT	1
1.11	2027188	> NUT M16 DIN-EN24032 A4 VP.	1
1.12	2147220	> Impeller washer D.42 V2A VP.	1
1.13		> Impeller 150/270-246-151,5/38 GG GEWU	1
1.14	2051680	> O-RING ID.276,7x5,29 7EP1197-W534 VP.	1
		> CIRCLIP S16 V2A VP.	1
	2107599	> KEY B10X8X40 DIN6885 A2(2 PIECES)	1
1.2	2052335	MECHANICAL SEAL MG12/43-G60 AQ1EGG KIT	1
1.11	2027188	> NUT M16 DIN-EN24032 A4 VP.	1
1.12	2147220	> Impeller washer D.42 V2A VP.	1
1.14	2052325	> O-RING ID.338X5,3 7EP1197-W534 VP.	1
1.14	2051680	> O-RING ID.276,7x5,29 7EP1197-W534 VP.	1
1.21		> MECHANICAL SEAL MG12/43-G60 AQ1EGG	1
10	2054339	> TOOL D.42/55 VP.	1
	2042863	> CIRCLIP S16 V2A VP.	1
1.3	2052337	LANTERN P330X152-F300 KIT	1
1.11	2027188	> NUT M16 DIN-EN24032 A4 VP.	1
1.12	2147220	> Impeller washer D.42 V2A VP.	1
1.14	2051680	> O-RING ID.276,7x5,29 7EP1197-W534 VP.	1
1.31	2027201	> BLOWGUN R1/8" VP.	1
1.32	2048843	> COUPLING GUARD P270-F300/350 (2 PIECES)	1
1.33		> Lantern P330X152-F300 GG KTL WILO	1
10	2054339	> TOOL D.42/55 VP.	1
	2042863	> CIRCLIP S16 V2A VP.	1
1.4	2052342	COUPLING/SHAFT D.42/48X203 KIT	1
1.11	2027188	> NUT M16 DIN-EN24032 A4 VP.	1
1.12	2147220	> Impeller washer D.42 V2A VP.	1
1.14	2051680	> O-RING ID.276,7x5,29 7EP1197-W534 VP.	1
1.14	2052325	> O-RING ID.338X5,3 7EP1197-W534 VP.	1
1.41		> COUPLING 42/48+SHAFT 42X206 GR180 ZN KIT	1
10	2054339	> TOOL D.42/55 VP.	1
	2042863	> CIRCLIP S16 V2A VP.	1
	2107599	> KEY B10X8X40 DIN6885 A2(2 PIECES)	1
2	2160162	Motor B35 15/4/180/350E-IE4-WEG(+Tool)	1

**BL-E125/245-15/4-R1 (2154321)**

Item	Article no.	Description	Quantity
		Spare parts motor B35 15/4/160/350E-IE4	1
3	2140482	PUMP HOUSING BL125/270-P330 PN16 KIT	1
1.14	2051680	> O-RING ID.276,7x5,29 7EP1197-W534 VP.	1
3.1		> PUMP HOUSING BL125/270-P330 PN16 WILO	1
4	2027193	SCREW M16X30 ISO4762 8.8 (4 PIECES)	1
5	2046467	Screw M16X35 ISO4017 8.8 (4 PIECES)	1
7	2029336	WASHER A17 DIN125 ST (4 PIECES)	1
11	2190962	Module BL-E125/245-15/4-IE4 WEG KIT	1
	2132102	> FAN SMALL TL6/7 FF KIT	1
		>> TL6/7FF module fan sm.cpl.	1
	2132096	>> FAN GRILL TL6/7 FF VP.	1
	2132097	> CABLE CONNECTION M12 TL6/7 FF VP.	1
	2132098	> CABLE CONNECTION M16 TL6/7 FF VP.	1
	2132099	> CABLE CONNECTION M20 TL6/7 FF VP.	1
	2132100	> CABLE CONNECTION SMALL M40 TL6/7 FF VP.	1
	2132104	> COVER SIDE TL6/7 FF CPL.VP.	1
	2132452	> MODULE COVER/BUTTON TL6/7 FF VP.	1

Motor-Typenschild / Motor type plate / Plaque identité moteur

Bei Ersatzteilbestellung Motor-Nummer angeben!

Indicate motor number for order of spare parts!

Pour une commande de pièces détachées, donner le numéro du moteur!

ELEC

Motor-Nummer  
motor number  
numéro du moteur

<b>3~Induction Motor</b>						
Made by WILLO Group						
<b>3511218</b>	W132240-4-V1NPE		0902.001			
Class F	S1	IP55	69kg	EN60034		
50Hz	5.5kW	SF=L1S	60Hz	6.45kW		
YΔ 400/690V	10,6/6,13A	Y 440-480V	10,9/10,35A			
Cosφ =0.81	1470min <sup>-1</sup>	Cosφ =0.81	1770min <sup>-1</sup>			
IE4-91.9%	91,9%	91,1%	IE4-92.4%	92,4%	91,8%	

WEG

		3~ AL180M/L-04		2015/12		1030615079	
AMB 40°C							
IP55		INS CL.F		Δ T 80 K		S1 SF 1.0	
V	Hz	kW	RPM	A	PF		
400 / -	- / -	- / -	1480	29,5 / -	0,78		
- / -	- / -	- / -	- / -	- / -	- / -		
- / -	- / -	- / -	- / -	- / -	- / -		
400	IE4	93,9 (100%)	92,5 (75%)	90,8 (50%)			
- / -	-	(100%)	- (75%)	- (50%)			
- A	-	(100%)	- (75%)	- (50%)			
NEMA	Eff	- %	- HP	- V	- Hz	- RPM	
- A	PF	DES	CODE	SF			
		6311-ZZ-C3		MOBIL POLYREX EM		162 kg	
		6211-ZZ-C3					
MOD.TE01A0X1A0000301180							
		IEC 60034					

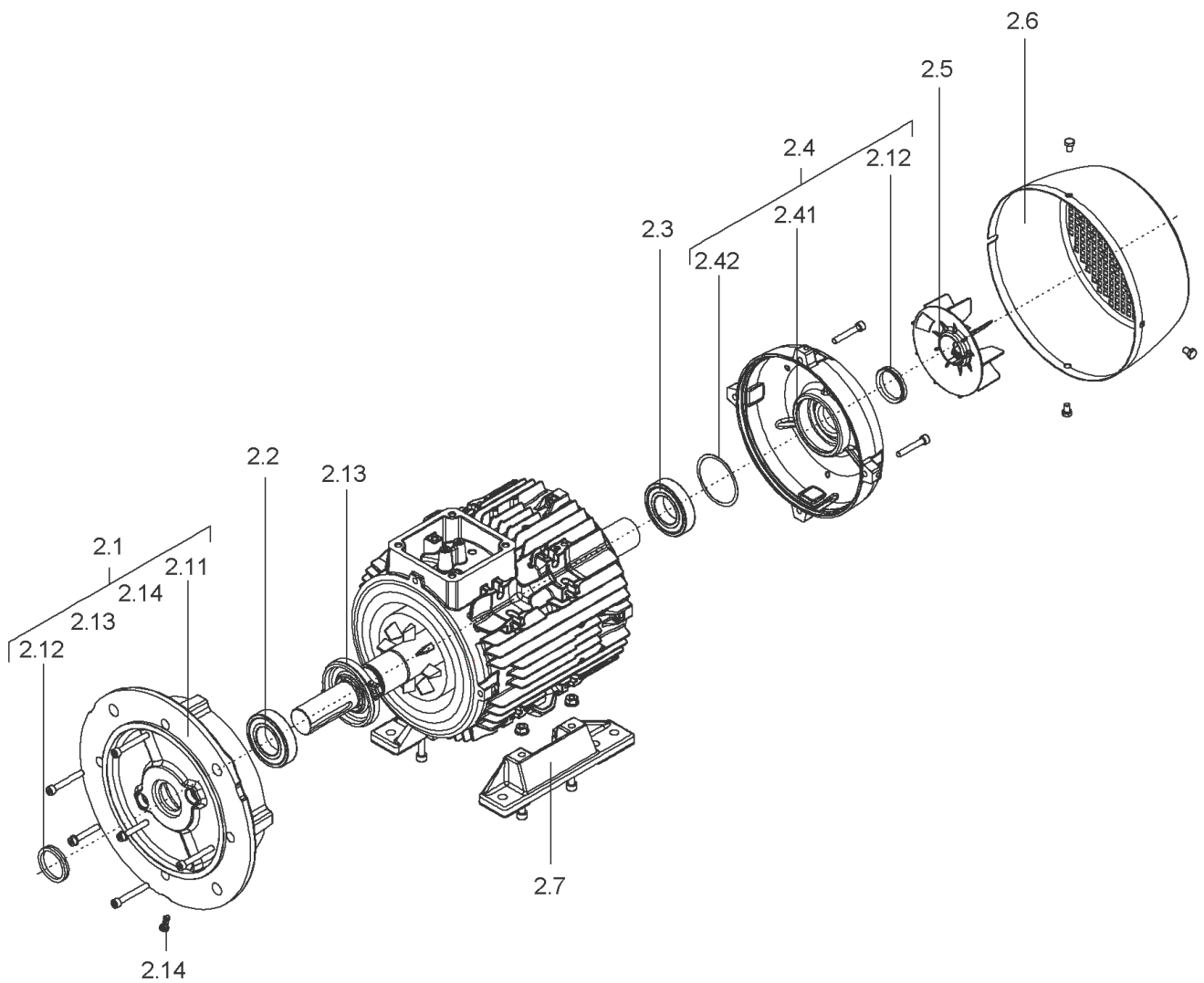
VIBRATION LEVEL A	
ACCORDING IEC 60034-14	
BALANCED WITH NO KEY	
WILO PART NO: 2151697	

Motor-Nummer  
motor number  
numéro du moteur



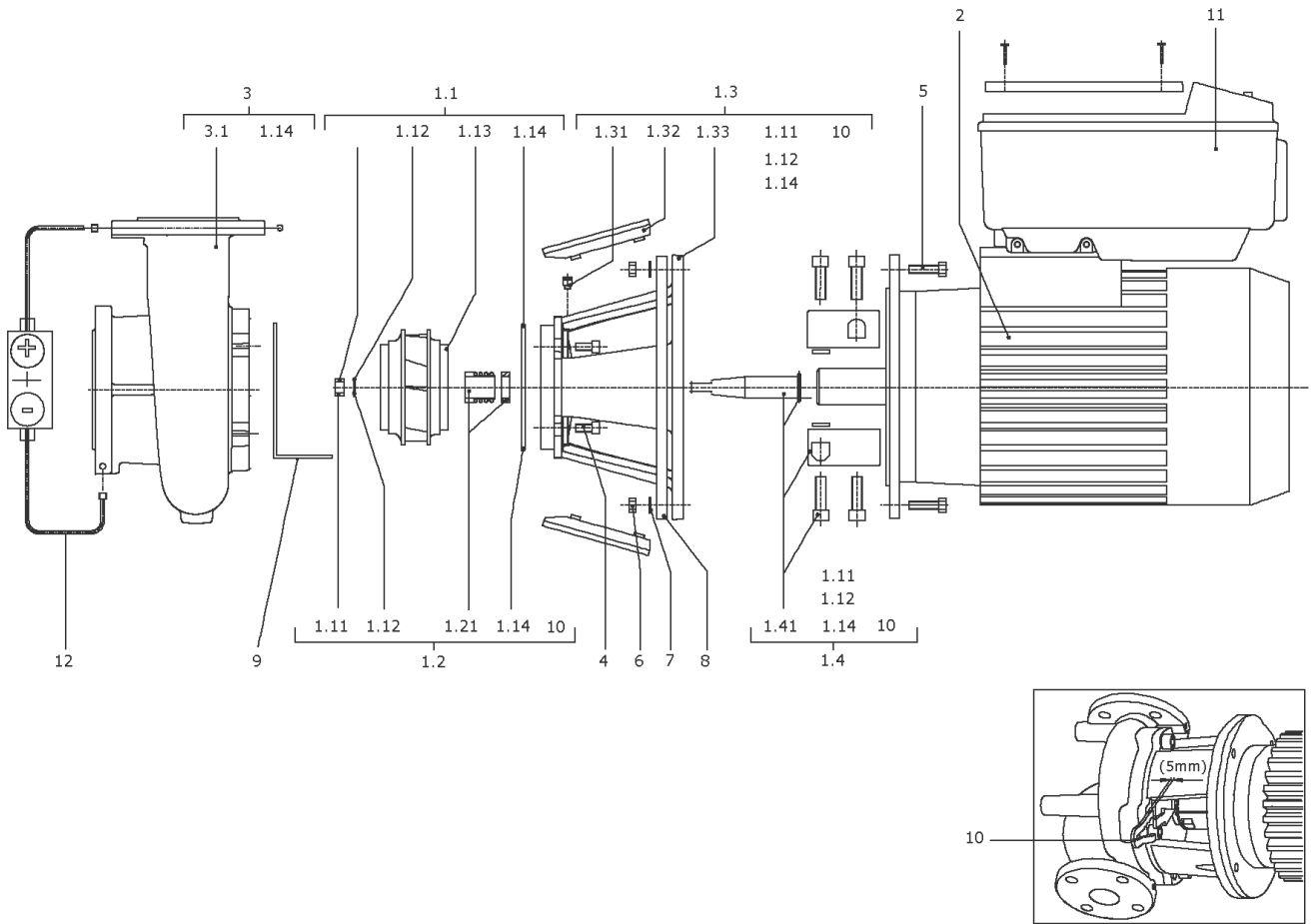
**Spare parts motor B35 15/4/160/350E-IE4**

Item	Description	Quantity
WEG	Motor B35 15/4/180/350E WEG IE4 WILO	1



**Motor B35 15/4/180/350E WEG IE4 WILO**

Item	Article no.	Description	Quantity
2.1	2175848	Flange FF-300 BG180M/L WEG KIT	1
Note: Please give the data from type plate of the motor			
2.11		> Flange FF-300 BG180M/L 13680826 WEG	1
2.12	2192904	> V-Ring BG180M/L WEG VP.	1
2.13		> Bearing cover	1
2.14		> Venting screw	1
2.2	121083792	BALL BEARING 6311/2Z-C3 (HT) VP.	1
Note: Please give the data from type plate of the motor			
2.3	2175875	Ball bearing 6211/2Z-C3(HT)VP.	1
Note: Please give the data from type plate of the motor			
2.4	2175850	End shield BG180M/L D.E.WEG KIT	1
Note: Please give the data from type plate of the motor			
2.12	2192904	> V-Ring BG180M/L WEG VP.	1
4.41		> End shield BG180M/L D.E.13680913 WEG	1
4.42		> Spring washer	1
2.5	2175852	Fan BG180M/L WEG VP.	1
Note: Please give the data from type plate of the motor			
2.6	2175851	Fan cover BG160M/L WEG VP.	1
Note: Please give the data from type plate of the motor			
2.7	2192895	Motor foot 180 M/L WEG VP.	1



**BL-E125/265-18,5/4-R1 (2154322)**

Item	Article no.	Description	Quantity
1.1	2140486	IMPELLER D.150/270-262-151,5/38 KIT	1
1.11	2027188	> NUT M16 DIN-EN24032 A4 VP.	1
1.12	2147220	> Impeller washer D.42 V2A VP.	1
1.13		> Impeller 150/270-262-151,5/38 GG GEWU	1
1.14	2051680	> O-RING ID.276,7x5,29 7EP1197-W534 VP.	1
	2042863	> CIRCLIP S16 V2A VP.	1
	2107599	> KEY B10X8X40 DIN6885 A2(2 PIECES)	1
1.2	2052335	MECHANICAL SEAL MG12/43-G60 AQ1EGG KIT	1
1.11	2027188	> NUT M16 DIN-EN24032 A4 VP.	1
1.12	2147220	> Impeller washer D.42 V2A VP.	1
1.14	2052325	> O-RING ID.338X5,3 7EP1197-W534 VP.	1
1.14	2051680	> O-RING ID.276,7x5,29 7EP1197-W534 VP.	1
1.21		> MECHANICAL SEAL MG12/43-G60 AQ1EGG	1
10	2054339	> TOOL D.42/55 VP.	1
	2042863	> CIRCLIP S16 V2A VP.	1
1.3	2168805	Lantern P330X152-F350 GG25 KIT	1
1.11	2027188	> NUT M16 DIN-EN24032 A4 VP.	1
1.12	2147220	> Impeller washer D.42 V2A VP.	1
1.14	2051680	> O-RING ID.276,7x5,29 7EP1197-W534 VP.	1
1.31	2027201	> BLOWGUN R1/8" VP.	1
1.32	2048843	> COUPLING GUARD P270-F300/350 (2 PIECES)	1
1.33		> Lanterne P330X152-F350 GG25 KTL WILO	1
10	2054339	> TOOL D.42/55 VP.	1
	2042863	> CIRCLIP S16 V2A VP.	1
1.4	2052344	COUPLING/SHAFT D.42/55X203 KIT	1
1.11	2027188	> NUT M16 DIN-EN24032 A4 VP.	1
1.12	2147229	> Impeller-washer D.55 V2A VP.	1
1.14	2052325	> O-RING ID.338X5,3 7EP1197-W534 VP.	1
1.14	2051680	> O-RING ID.276,7x5,29 7EP1197-W534 VP.	1
1.41		> COUPLING 42/55+SHAFT 42X206 GR180 ZN KIT	1
10	2054339	> TOOL D.42/55 VP.	1
	2042863	> CIRCLIP S16 V2A VP.	1
	2107599	> KEY B10X8X40 DIN6885 A2(2 PIECES)	1
2	2160163	Motor B35 18,5/4/200/400E-IE4-WEG(+Tool)	1

**BL-E125/265-18,5/4-R1 (2154322)**

Item	Article no.	Description	Quantity
		Spare parts mot.B35 18,5/4/180/350E-IE4	1
3	2140482	PUMP HOUSING BL125/270-P330 PN16 KIT	1
1.14	2051680	> O-RING ID.276,7x5,29 7EP1197-W534 VP.	1
3.1		> PUMP HOUSING BL125/270-P330 PN16 WILO	1
4	2027193	SCREW M16X30 ISO4762 8.8 (4 PIECES)	1
5	2046467	Screw M16X35 ISO4017 8.8 (4 PIECES)	1
7	2029336	WASHER A17 DIN125 ST (4 PIECES)	1
11	2190963	Module BL-E125/265-18,5/4-IE4 WEG KIT	1
	2132103	> FAN LARGE TL6/7 FF KIT	1
		>> TL6/7FF module fan large cpl.	1
	2132096	>> FAN GRILL TL6/7 FF VP.	1
	2132097	> CABLE CONNECTION M12 TL6/7 FF VP.	1
	2132098	> CABLE CONNECTION M16 TL6/7 FF VP.	1
	2132099	> CABLE CONNECTION M20 TL6/7 FF VP.	1
	2132100	> CABLE CONNECTION SMALL M40 TL6/7 FF VP.	1
	2132104	> COVER SIDE TL6/7 FF CPL.VP.	1
	2132452	> MODULE COVER/BUTTON TL6/7 FF VP.	1

Motor-Typenschild / Motor type plate / Plaque identité moteur

Bei Ersatzteilbestellung Motor-Nummer angeben!

Indicate motor number for order of spare parts!

Pour une commande de pièces détachées, donner le numéro du moteur!

ELEC

Motor-Nummer  
motor number  
numéro du moteur

<b>3~Induction Motor</b>						
Made by WILLO Group						
<b>3511218</b>	W132240-4-V1NPE		0902.001			
Class F	S1	IP55	69kg	EN60034		
50Hz	5.5kW	SF=L1S	60Hz	6.45kW		
YΔ 400/690V	10,6/6,13A		Y 440-480V	10,9/10,35A		
Cosφ =0.81	1470min <sup>-1</sup>		Cosφ =0.81	1770min <sup>-1</sup>		
IE4-91.9%	91,9%	91,1%	IE4-92.4%	92,4%	91,8%	

WEG

		3~ AL180M/L-04		2015/12	1030615079
AMB 40°C					
IP55	INS CL.F	Δ T 80 K	S1	SF 1.0	
V	Hz	kW	RPM	A	PF
400 / -			1480	29,5 / -	0,78
- / -					
- / -					
- / -					
400	IE4	93,9 (100%)	92,5 (75%)	90,8 (50%)	
- / -		- (100%)	- (75%)	- (50%)	
- A		- (100%)	- (75%)	- (50%)	
NEMA	Eff	- %	- HP	- V	- Hz
- A	PF	DES	CODE	SF	
		6311-ZZ-C3	MOBIL POLYREX EM		162 kg
		6211-ZZ-C3			
MOD.TE01A0X1A0000301180					
				IEC 60034	

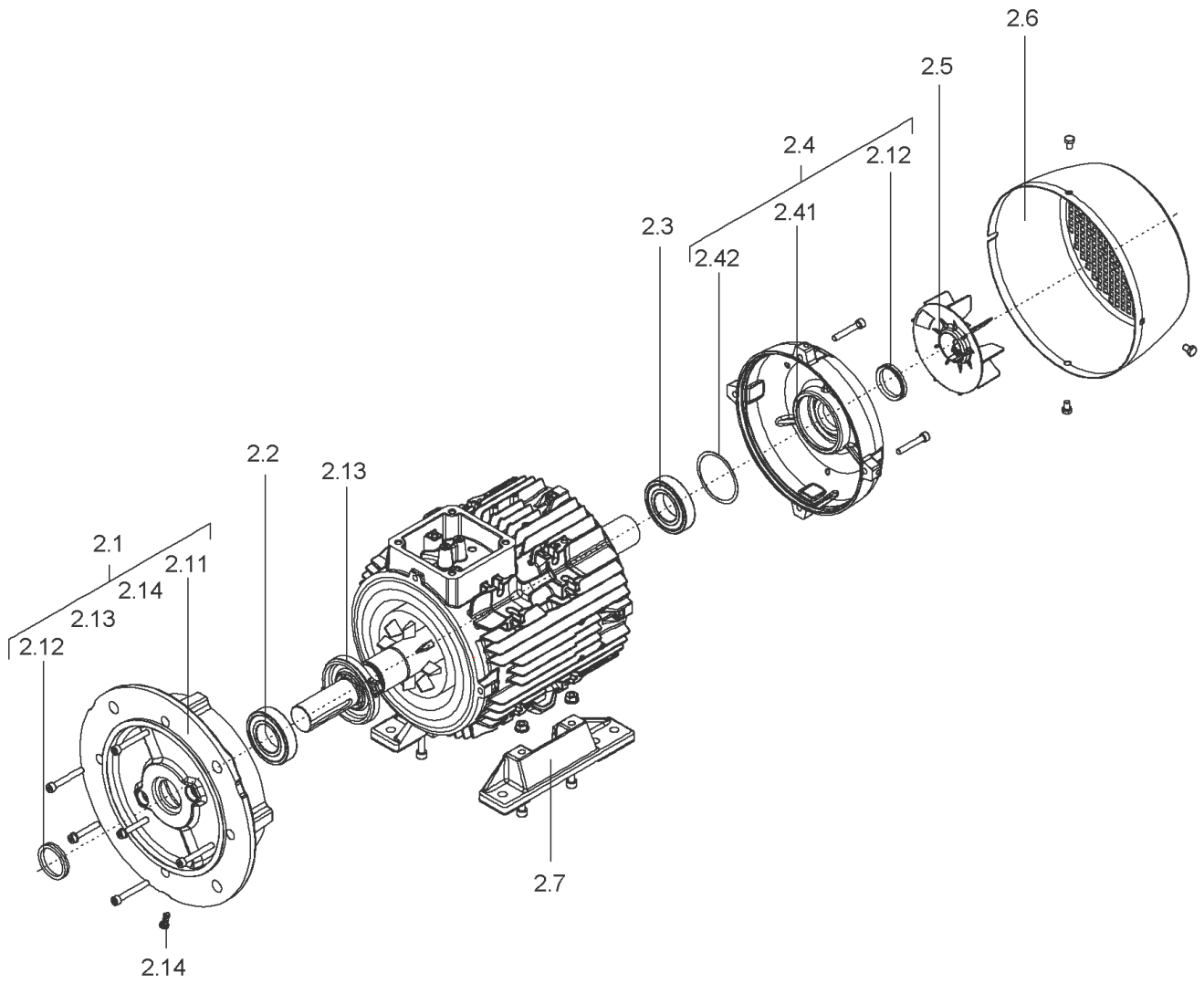
VIBRATION LEVEL A
ACCORDING IEC 60034-14
BALANCED WITH NO KEY
WILO PART NO: 2151697

Motor-Nummer  
motor number  
numéro du moteur

**Spare parts mot.B35 18,5/4/180/350E-IE4**

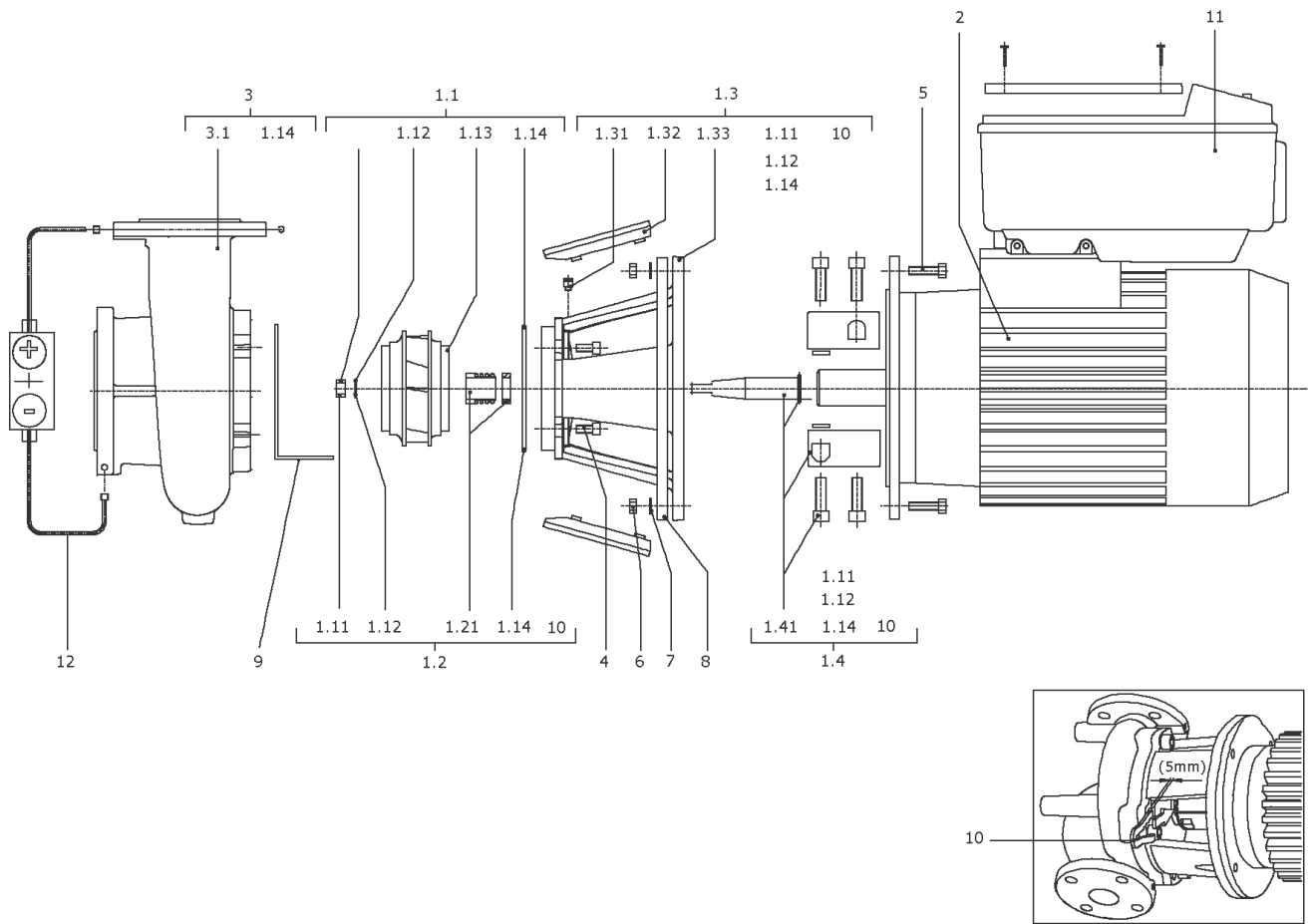
<b>Item</b>	<b>Description</b>	<b>Quantity</b>
WEG	Motor B35 18,5/4/200/400E WEG IE4 WILO	1





**Motor B35 18,5/4/200/400E WEG IE4 WILO**

Item	Article no.	Description	Quantity
2.1	2175853	Flange FF-350 BG200M/L WEG KIT	1
Note: Please give the data from type plate of the motor			
2.11		> Flange FF-350 BG200M/L 13682656 WEG	1
2.12	2192907	> V-Ring BG200M/L WEG VP.	1
2.13		> Bearing cover	1
2.14		> Venting screw	1
2.2	121083895	BALL BEARING 6312/2Z-C3 (HT) VP.	1
Note: Please give the data from type plate of the motor			
2.3	121084591	BALL BEARING 6212/2Z-C3 (HT) VP.	1
Note: Please give the data from type plate of the motor			
2.4	2175855	End shield BG200M/L D.E.WEG KIT	1
Note: Please give the data from type plate of the motor			
2.12	2192907	> V-Ring BG200M/L WEG VP.	1
4.41		> End shield BG200M/L D.E.13682698 WEG	1
4.42		> Spring washer	1
2.5	2175857	Fan BG200M/L WEG VP.	1
Note: Please give the data from type plate of the motor			
2.6	2175856	Fan cover BG200M/L WEG VP.	1
Note: Please give the data from type plate of the motor			
	2192898	Motor foot 200 M/L WEG VP.	1



Item	Article no.	Description	Quantity
1.1	2140488	IMPELLER D.150/270-275-151,5/38 KIT	1
1.11	2027188	> NUT M16 DIN-EN24032 A4 VP.	1
1.12	2147220	> Impeller washer D.42 V2A VP.	1
1.13		> Impeller 150/270-275-151,5/38 GG GEWU	1
1.14	2051680	> O-RING ID.276,7x5,29 7EP1197-W534 VP.	1
	2042863	> CIRCLIP S16 V2A VP.	1
	2107599	> KEY B10X8X40 DIN6885 A2(2 PIECES)	1
1.2	2052335	MECHANICAL SEAL MG12/43-G60 AQ1EGG KIT	1
1.11	2027188	> NUT M16 DIN-EN24032 A4 VP.	1
1.12	2147220	> Impeller washer D.42 V2A VP.	1
1.14	2052325	> O-RING ID.338X5,3 7EP1197-W534 VP.	1
1.14	2051680	> O-RING ID.276,7x5,29 7EP1197-W534 VP.	1
1.21		> MECHANICAL SEAL MG12/43-G60 AQ1EGG	1
10	2054339	> TOOL D.42/55 VP.	1
	2042863	> CIRCLIP S16 V2A VP.	1
1.3	2168805	Lantern P330X152-F350 GG25 KIT	1
1.11	2027188	> NUT M16 DIN-EN24032 A4 VP.	1
1.12	2147220	> Impeller washer D.42 V2A VP.	1
1.14	2051680	> O-RING ID.276,7x5,29 7EP1197-W534 VP.	1
1.31	2027201	> BLOWGUN R1/8" VP.	1
1.32	2048843	> COUPLING GUARD P270-F300/350 (2 PIECES)	1
1.33		> Lanterne P330X152-F350 GG25 KTL WILO	1
10	2054339	> TOOL D.42/55 VP.	1
	2042863	> CIRCLIP S16 V2A VP.	1
1.4	2052344	COUPLING/SHAFT D.42/55X203 KIT	1
1.11	2027188	> NUT M16 DIN-EN24032 A4 VP.	1
1.12	2147229	> Impeller-washer D.55 V2A VP.	1
1.14	2052325	> O-RING ID.338X5,3 7EP1197-W534 VP.	1
1.14	2051680	> O-RING ID.276,7x5,29 7EP1197-W534 VP.	1
1.41		> COUPLING 42/55+SHAFT 42X206 GR180 ZN KIT	1
10	2054339	> TOOL D.42/55 VP.	1
	2042863	> CIRCLIP S16 V2A VP.	1
	2107599	> KEY B10X8X40 DIN6885 A2(2 PIECES)	1
2	2160164	Motor B35 22/4/200/400E-IE4-WEG(+Tool)	1

**BL-E125/275-22/4-R1 (2154323)**

Item	Article no.	Description	Quantity
		Spare parts motor B35 22/4/200/400E-IE4	1
3	2140482	PUMP HOUSING BL125/270-P330 PN16 KIT	1
1.14	2051680	> O-RING ID.276,7x5,29 7EP1197-W534 VP.	1
3.1		> PUMP HOUSING BL125/270-P330 PN16 WILO	1
4	2027193	SCREW M16X30 ISO4762 8.8 (4 PIECES)	1
5	2046467	Screw M16X35 ISO4017 8.8 (4 PIECES)	1
7	2029336	WASHER A17 DIN125 ST (4 PIECES)	1
11	2190964	Module BL-E125/275-22/4-IE4 WEG KIT	1
	2132103	> FAN LARGE TL6/7 FF KIT	1
		>> TL6/7FF module fan large cpl.	1
	2132096	>> FAN GRILL TL6/7 FF VP.	1
	2132097	> CABLE CONNECTION M12 TL6/7 FF VP.	1
	2132098	> CABLE CONNECTION M16 TL6/7 FF VP.	1
	2132099	> CABLE CONNECTION M20 TL6/7 FF VP.	1
	2132100	> CABLE CONNECTION SMALL M40 TL6/7 FF VP.	1
	2132104	> COVER SIDE TL6/7 FF CPL.VP.	1
	2132452	> MODULE COVER/BUTTON TL6/7 FF VP.	1

Motor-Typenschild / Motor type plate / Plaque identité moteur

Bei Ersatzteilbestellung Motor-Nummer angeben!

Indicate motor number for order of spare parts!

Pour une commande de pièces détachées, donner le numéro du moteur!

ELEC

Motor-Nummer  
motor number  
numéro du moteur

<b>3~Induction Motor</b>					
Made by WILLO Group					
<b>351f218</b>	W132240-4-V1NPE		0902.001		
Class F	S1	IP55	69kg	EN60034	
50Hz	5.5kW	SF=L1S	60Hz	6.45kW	
YΔ 400/690V	10,6/6,13A	Y 440-480V	10,9/10,35A		
Cosφ =0.81	1470min <sup>-1</sup>	Cosφ =0.81	1770min <sup>-1</sup>		
IE4-91.9%	91,9%	91,1%	IE4-92.4%	92,4%	91,8%

WEG

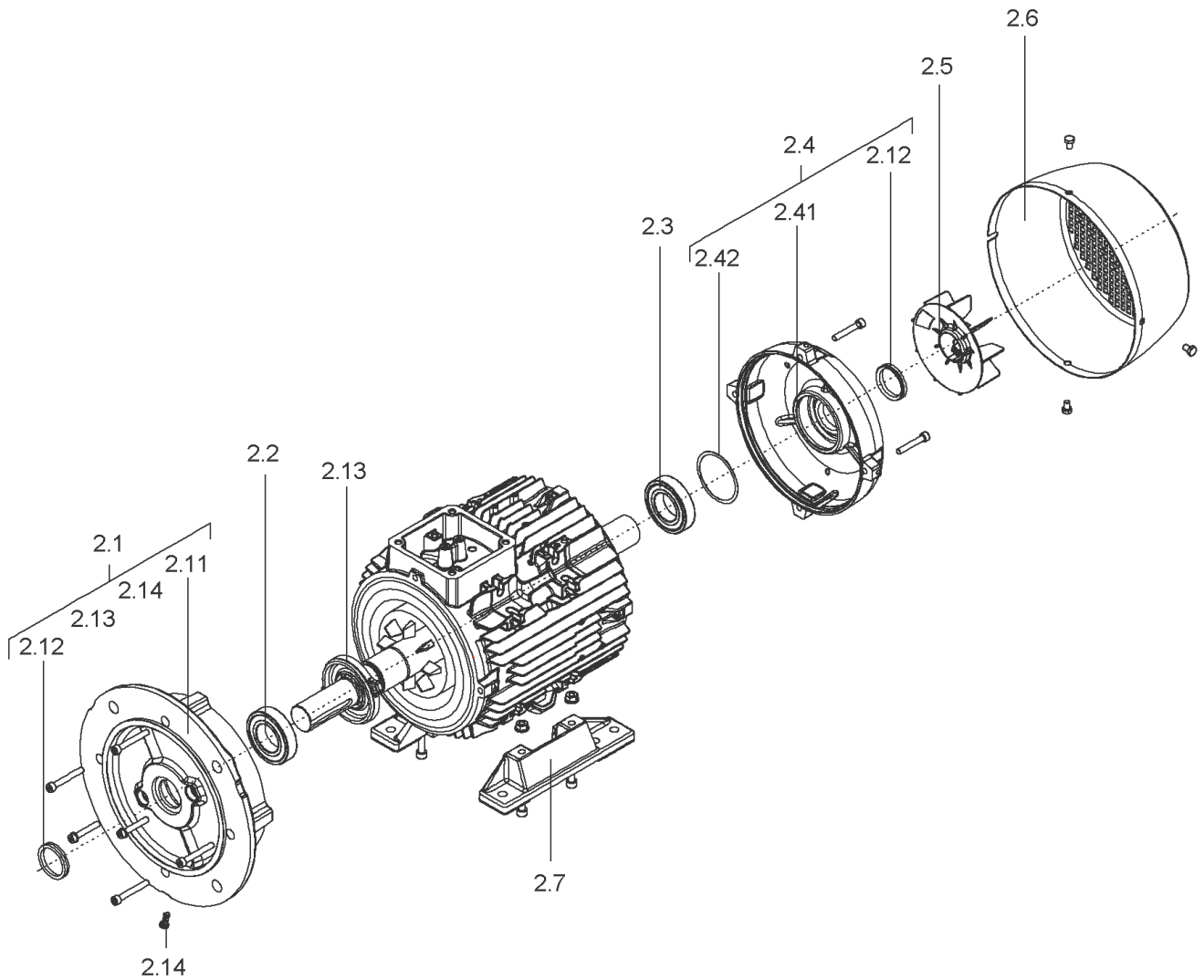
3~ AL180M/L-04		2015/12	1030615079		
AMB 40°C					
IP55	INS CL.F	Δ T 80 K	S1	SF 1.0	
V	Hz	kW	RPM	A	PF
400 / -			1480	29,5 / -	0,78
- / -					
- / -					
- / -					
400	IE4	93,9 (100%)	92,5 (75%)	90,8 (50%)	
- / -		- (100%)	- (75%)	- (50%)	
- A		- (100%)	- (75%)	- (50%)	
NEMA	Eff	- %	- HP	- V	- Hz
- A	PF	DES	CODE	SF	
					162 kg
6311-ZZ-C3 MOBIL POLYREX EM 6211-ZZ-C3					
MOD.TE01A0X1A0000301180					
IEC 60034					

VIBRATION LEVEL A
ACCORDING IEC 60034-14
BALANCED WITH NO KEY
WILO PART NO: 2151697

Motor-Nummer  
motor number  
numéro du moteur

## Spare parts motor B35 22/4/200/400E-IE4

Item	Description	Quantity
WEG	Motor B35 22/4/200/400E WEG IE4 WILO	1





**Motor B35 22/4/200/400E WEG IE4 WILO**

Item	Article no.	Description	Quantity
2.1	2175853	Flange FF-350 BG200M/L WEG KIT	1
Note: Please give the data from type plate of the motor			
2.11		> Flange FF-350 BG200M/L 13682656 WEG	1
2.12	2192907	> V-Ring BG200M/L WEG VP.	1
2.13		> Bearing cover	1
2.14		> Venting screw	1
2.2	121083895	BALL BEARING 6312/2Z-C3 (HT) VP.	1
Note: Please give the data from type plate of the motor			
2.3	121084591	BALL BEARING 6212/2Z-C3 (HT) VP.	1
Note: Please give the data from type plate of the motor			
2.4	2175855	End shield BG200M/L D.E.WEG KIT	1
Note: Please give the data from type plate of the motor			
2.12	2192907	> V-Ring BG200M/L WEG VP.	1
4.41		> End shield BG200M/L D.E.13682698 WEG	1
4.42		> Spring washer	1
2.5	2175857	Fan BG200M/L WEG VP.	1
Note: Please give the data from type plate of the motor			
2.6	2175856	Fan cover BG200M/L WEG VP.	1
Note: Please give the data from type plate of the motor			
	2192898	Motor foot 200 M/L WEG VP.	1