

COMPLI

108/2 ME	108/2 M	120/2 M		
300 E				
400 E	400			
508/2 ME	508/2 M	520/2 M		
510/4 BW	515/4 BW	525/4 BW	525/2 BW	535/2 BW
1008/2 ME	1008/2 M	1020/2 M	1010/4 BWE	
1010/4 BW	1015/4 BW	1025/4 BW	1025/2 BW	1035/2 BW
1210/4 BW	1215/4 BW	1225/4 BW	1225/2 BW	1235/2 BW

EN Instruction Manual



PolyPump Ltd

Providing your pumping solutions

sales@polypump.co.uk

01296 488 294



You have purchased a product made by Pentair Jung Pumpen and with it, therefore, also excellent quality and service. Secure this service by carrying out the installation works in accordance with the instructions, so that our product can perform its task to your complete satisfaction. Please remember that damage caused by incorrect installation or handling will adversely affect the guarantee. Therefore please adhere to the instructions in this manual!

This appliance can be used by children aged 8 years or over and by persons with limited physical, sensory or intellectual capabilities, or with limited experience and knowledge, provided that they are supervised or have been instructed in the safe use of the appliance and are aware of the dangers involved. Children must not be allowed to play with the appliance. Cleaning and user maintenance must not be carried out by children unless they are supervised.

Damage prevention in case of failure

Like any other electrical device, this product may fail due to a lack of mains voltage or a technical defect.

If damage (including consequential damage) can occur as a result of product failure, the following precautions can be taken at your discretion:

- Installation of a water level dependent (under circumstances, mains-independent) alarm system, so that the alarm can be heard before damage occurs.
- Inspection of the collecting tank/chamber for tightness up to the top edge before – or at the latest, during – installation or operation of the product.
- Installation of backflow protection for drainage units that can be damaged by wastewater leakage upon product failure.
- Installation of a further product that can compensate in case of failure of the other product (e.g. duplex unit).
- Installation of an emergency power generator.

As these precautions serve to prevent or minimise consequential damage upon product failure, they are to be strictly observed as the manufacturer's guideline – in line with the standard DIN EN specifications as state of the art – when using the product (Higher Regional Court Frankfurt/Main, Ref.: 2 U 205/11, 06/15/2012).

SAFETY INSTRUCTIONS

This instruction manual contains essential information that must be observed during installation, operation and servicing. It is therefore important that the installer and the responsible technician/operator read this instruction manual before the equipment is installed and put into operation. The manual must always be available at the location where the pump or the plant is installed.

Failure to observe the safety instructions can lead to the loss of all indemnity.

In this instruction manual, safety information is distinctly labelled with particular symbols. Disregarding this information can be dangerous.



General danger to people



Warning of electrical voltage

NOTICE! Danger to equipment and operation

Qualification and training of personnel

All personnel involved with the operation, servicing, inspection and installation of the equipment must be suitably qualified for this work and must have studied the instruction manual in depth to ensure that they are sufficiently conversant with its contents. The supervision, competence and areas of responsibility of the personnel must be precisely regulated by the operator. If the personnel do not have the necessary skills, they must be instructed and trained accordingly.

Safety-conscious working

The safety instructions in this instruction manual, the existing national regulations regarding accident prevention, and any internal working, operating and safety regulations must be adhered to.

Safety instructions for the operator/user

All legal regulations, local directives and safety regulations must be adhered to.

The possibility of danger due to electrical energy must be prevented.

Leakages of dangerous (e.g. explosive, toxic, hot) substances must be discharged such that no danger to people or the environment occurs. Legal regulations must be observed.

Safety instructions for installation, inspection and maintenance works

As a basic principle, works may only be carried out to the equipment when it is shut down. Pumps or plant that convey harmful substances must be decontaminated.

All safety and protection components must be re-fitted and/or made operational immediately after the works have been completed. Their effectiveness must be checked before restarting, taking into account the current regulations and stipulations.

Unauthorised modifications, manufacture of spare parts

The equipment may only be modified or altered in agreement with the manufacturer. The use of original spare parts and accessories approved by the manufacturer is important for safety reasons. The use of other parts can result in liability for consequential damage being rescinded.

Unauthorised operating methods

The operational safety of the supplied equipment is only guaranteed if the equipment is used for its intended purpose. The limiting values given in the "Technical Data" section may not be exceeded under any circumstances.

Instructions regarding accident prevention

Before commencing servicing or maintenance works, cordon off the working area and check that the lifting gear is in perfect condition.

Never work alone. Always wear a hard hat, safety glasses and safety shoes and, if necessary, a suitable safety belt.

Before carrying out welding works or using electrical devices, check to ensure there is no danger of explosion.

People working in wastewater systems must be vaccinated against the pathogens that may be found there. For the sake of your health, be sure to pay meticulous attention to cleanliness wherever you are working.

Make sure that there are no toxic gases in the working area.

Observe the health and safety at work regulations and make

sure that a first-aid kit is to hand.

In some cases, the pump and the pumping medium may be hot and could cause burns.

For installations in areas subject to explosion hazards, special regulations apply!

AREAS OF APPLICATION

The ready to connect compli sewage lifting stations are LGA certified and are suitable for the disposal of wastewater from toilets and urinals, and domestic wastewater containing the usual impurities.

The tanks can withstand submersion to a depth of not more than 2 m of water and a submersion period of up to 7 days.

The control unit cannot withstand submersion, but is splash-proof in accordance with IP 44.

If installed in compliance with the regulations and used properly, then this control unit meets the protective requirements of the EMC Directive 2014/30/EU and is suitable for domestic use and connection to a power supply from the grid. When connected to an industrial mains within an industrial operation with power supply provided by a company-own high-voltage transformer, insufficient immunity to interference has to be expected.

When using the pumps, the relevant national laws, regulations and stipulations must be adhered to, for example:

- Sewage disposal units for building and ground drainage systems (e.g. EN 12050 and 12056 in Europe)
- Installation of low voltage systems (e.g. VDE 0100 in Germany)
- Safety and working materials (e.g., BetrSichV and BGR 500 in Germany)
- Safety in wastewater systems (e.g., GUV-V C5, GUV-R 104 and GUV-R 126 in Germany)
- Electrical systems and operating resources (e.g., GUV-V A3 in Germany)
- Explosion protection EN 60079-0, EN 60079-1, EN 60079-14, EN 60079-17 and EN 1127-1

Scope of supply

- Tank with pump(s) and clamp flange for inlet
- Reducer DN 150 / DN 100 for compli 500 and 1000
- Slip-on socket pipe for ventilation pipe (compli 1200 flexible connection with hose clamps)
- Connection flange for pressure pipe
- Flexible connection with hose clamps for the pressure pipe
- Plug-in seal(s) for the diaphragm hand pump or additional DN 50 inlet
- Fixing materials for tank
- Non-return valve for the pressure pipe (compli 300, 500, 1000 and 1200)
- Controls (not compli 300)

Mode of operation: intermittent operation S3; see "Technical Data"

INSTALLATION

The pump must be installed so that it is buoyancy-proof and free-standing. At least 60 cm free working space must be provided around and above the parts that require access for operation or maintenance.

Ventilation: The ventilation pipe must be vented above roof level.
Inlet: A wastewater sluice valve must be installed in the inlet at the front of the tank.

Pressure pipe: A further wastewater sluice valve must be installed behind the non-return valve in the pressure pipe. If the non-return valve is not included in the scope of delivery of the pumping unit, then an EN certified swing-type check valve must be fitted.

The pressure pipe must be laid in a loop above the local backup level.

A pump sump must be provided to facilitate the disposal of water from the pump installation area.

NOTICE! All bolts that are used for fixing individual components to the tank should be tightened with a torque of no more than 6 Nm.

Installing the tank

Close the sluice valve in the inlet (accessory) to prevent any leakage of water during the installation work.

compli 300. Select the DN 100 inlet you wish to use and open this inlet at the side or at the top at the markings using a 102 Ø hole saw or a jigsaw. Then deburr the edges. Fix the enclosed clamp flange loosely to the inlet with the hexagon screws.

Take the brackets that are used to fix the unit in place and screw them to the tank. Then take the unit with the clamp flange and push it onto the inlet pipe as far as it will go.

Mark the positions of the wall plugs on the floor, then drill the holes and push in the wall plugs.

Now the clamp flange can be tightened and the unit can be anchored to the floor using the wood screws and shims.

All other compli units must be slid onto the inlet pipe, together with the clamp flange, as far as possible and then aligned.

If a DN 150 side inlet is used, the inlet must first be opened at the marked position using a hole saw, Ø 152, and then deburred. The standard inlet must then be closed using a closure kit (accessory) and the switch-on level must be reset.

In the case of compli 500 and 1000, the inlet can be reduced from DN 150 to DN 100 if the enclosed reducer is first of all fitted to the clamp flange.

Tighten the hexagon screws on the clamp flange.

Mark the positions of the holes for fixing the tank to the floor, then drill the holes.

Insert the wood screw, together with the washer and wall plug, into the drill hole in the tank and tighten it.

NOTICE! Ensure that the tank does not become deformed due to overtightening the screws, otherwise this could result in leakage.

The tanks for compli 1200 units are additionally fixed with two brackets at the sides.

Installing the ventilation

Connect the ventilation pipe to the top right of the tank using the DN 70 slip-on socket pipe and vent it above roof level.

For compli 1200, cut off the top right Ø 78 mm pipe connection at the marking and deburr it. After this, connect the ventilation pipe with the DN 70 flexible connector and vent it above roof level.

Installing the pressure pipe

Fit the following to the discharge flange:

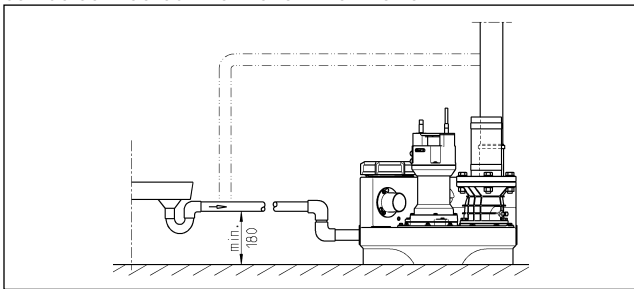
1. Non-return valve (if not included in scope of supply)
2. Stop valve (accessory)
3. Connection flange and
4. connect the pressure pipe with the flexible connector and loop it over the local backup level.

Emergency drainage connection, DN 50, vertical

This inlet is used to connect a diaphragm hand pump. Open the pipe connection at the marking using a hole saw. Then deburr the edges. Put the plug-in seal, 58/50, into place. Push the inlet pipe, with an external diameter of 50 mm, into the tank through the plug-in seal. The distance from the bottom of the tank must be at least 50 mm. Fix the diaphragm hand pump to the wall in an easily accessible position. Connect it to the pushed-in pipe and then connect the pressure pipe to the diaphragm hand pump. Here, too, the pressure pipe must be looped over the local backup level.

Additional inlet, DN 50, horizontal

Using a hole saw, open the additional inlet by cutting along the pre-cut groove. Deburr the edges. Put the plug-in seal, 58/50, into place. Push the inlet pipe, with an external diameter of 50 mm, into the tank through the plug-in seal. **NOTICE!** The pipes that connect to the low-level inlets on the side of the unit must be fitted with a bend, as close to the unit as possible. The pipe invert of this bend must be at a height of at least 180 mm above the floor on which the unit is fixed. Air pockets in the connecting pipe can cause run-off problems and the water could back-up. To prevent back-ups, the inlet pipe must be vented at its highest point. The ventilation pipe can be connected into the tank ventilation.



ELECTRICAL CONNECTION

NOTICE! Only qualified electricians may carry out electrical works to the pump or the controls.

WARNING!

Before carrying out any works: disconnect the pump and the controls from the mains and take steps to ensure that they cannot be energized again.

NOTICE! Never put the mains plug in water! If water gets into the plug, this can cause malfunctions and damage. The standards applicable in each case (e.g. EN), the country-specific regulations (e.g. VDE in Germany), and the regulations of the local supply network operator must be observed. Observe the operating voltage (see the type plate)!

The units have a level controller that switches the pump on and off depending on the level of the water. An integrated alarm system beeps if there is a malfunction, even if this is only temporary.

If the pump overheats, the motor cuts out due to the winding thermostat. After the thermostat has switched off the system, pull out the mains plug before remedying the fault, since the device can switch itself on again automatically if the power is still connected. A direct malfunction message is not generated.

Alternating current (AC) units

Only connect the pump to electrical sockets that have been installed properly in a dry room, above the backup level, in accordance with the regulations, and are fitted with at least a 16 A (delay) fuse.

Three-phase current units

For the electrical connection of the sewage disposal unit, a five pole CEE power socket is required. This must be located in a dry room above the backup level (3/N/PE~230/400 V).

NOTICE! Only slow-blow fuses or automatic fuses with C characteristics are to be used as pre-fuses for the pump.

Installing the control unit (not compli 300)

Only operate the control unit in dry rooms above the backup level, and keep the housing closed at all times. The control unit must be easily accessible to enable it to be checked at any time. High humidity and condensation can destroy the controls!

Switching levels

The switch-on and switch-off points have been factory set for the standard inlet height for the various units.

If you select a different inlet height, then you must redefine the switch-on point (not compli 300) as otherwise backpressure may occur in the inlet.

The other switching points for the alarm (+2 cm) and, in the case of duplex units, peak load (+4 cm) are then reset automatically by the control unit.

Redefining the switch-on level (not compli 300)

Shut down the system temporarily and set the Manual-0-Automatic switch to "0". The switch-on point can be adjusted via the "analogue evaluator K1" module on the right-hand side in the control unit. Remove the transparent cover of the module temporarily.

On the analogue evaluator there are three LEDs, labelled P1, P2 and P3.

- P1 = Diagnosis function
- P2 on = Water level higher than switching off height but still lower than switching on height
- P3 on = Water level has reached switching on level

Fill the collection chamber with water up to the bottom edge of the inlet opening. Only P2 should be lit. If P3 is also lit, a readjustment must be made.

Turn the small adjusting screw beneath P1, giving it one or two full turns clockwise. Then take the float switch, submerge it below the switch-off point in the chamber and allow it to float up again. If P3 is still lit, give the adjusting screw another full turn clockwise and submerge the float switch again.

Repeat this procedure until P3 is no longer lit, then turn the adjusting screw carefully back in the anticlockwise direction until the exact point where P3 lights up again. The switch-on point has then been set.

Alarm system

Malfunction messages are given both optically as well as acoustically. The standard mains-dependent alarm system reports motor faults in the pump (red LED, not AD 00 or compli 300). At the same time a built-in acoustic alarm sounds. This acoustic signal can only be turned off by remedying the fault or by totally deactivating it.

If an acoustic signal would be inappropriate at the installation site in question, an alarm signal can be relayed via the potential-free contact (terminals 40 and 41) on the circuit board (in

the plug in the case of compli 300). The potential-free contact of the centralised alarm can be loaded with a maximum of 5 A / 250 VAC. The contact opens after the fault has been remedied.

Battery pack for alarm system (not compli 300)

The alarm device is mains-dependent in its standard version, i.e. it is not possible to trigger a high-water alarm in the event of a power failure. To enable the alarm device to work even if there is a power failure, a rechargeable battery pack must be used. Open the transparent cover. Connect the battery pack to the connection clip, and use the existing cable ties to attach it to the intended position (G1) on the PCB. The battery pack can supply the alarm system with power for about 1 hour in case of permanent alarm.

After return of the mains voltage, the battery pack is charged again automatically. An empty battery is ready for operation within approx. 24 hours. It is fully charged after about 100 hours.

Check the function of the battery pack at regular intervals! To do so, disconnect the unit from the mains and trigger a high-water alarm. The volume of the acoustic signal must not become significantly quieter over a period of several minutes. The service life is about 5 years. Note the insertion date on the battery pack and after five years the battery pack should be replaced as a precautionary measure.

CAUTION!

Only use the 9V-NiMH battery supplied by the manufacturer! If dry-cell batteries or Lithium batteries are used there is a danger of explosion!

Time meter

An optional time meter can be fitted in the control unit (not compli 300). To do so, shorten the connections of the time meter to approx. 8 mm and insert them into the four sockets at location BSZ on the printed circuit board. If there is no time meter indication after switching on the unit again, rotate the time meter through 180°.

Shutting down the internal alarm buzzer

Not compli 300. Remove the sealed jumper (BRX/BRX1). To prevent the jumper from getting lost, attach it to a pin of the two-pole pin connector.

External alarm buzzer (accessory)

Open the transparent cover on the control unit.

An additional separate acoustic 12 VDC signal transmitter with a current consumption of not more than 30 mA can be connected to terminals "S+" and "S-". The internal alarm buzzer can either be switched on or off.

In the case of compli 300, a mains-independent alarm device can be fitted as an accessory. There is a mounting base on the tank for this purpose.

In the case of duplex units: External 230V~ flashing light or warning light (accessory)

Connect a 230V~ lamp (1 A max.) to terminals N and 41. Lay an insulated wire bridge from terminal U- to terminal 40. The electric circuit is protected by F1.

Set Jumper BRX2 as follows: Flashing light without BRX2 (Continuous ==) Warning light with BRX2 (Flashing (—|—|—))

OPERATION

Test run and functional check

1. Open the maintenance cover of the tank.
2. Open the shut-off valves in the inlet and the pressure pipe.
3. Connect the unit to the power supply and observe the indication for the rotating field direction.
4. Fill the tank up to the switch-on level.
5. The pump will now switch on and empty the tank. Observe the pumping process through the maintenance opening.
6. Lift the float of the level controller slowly by hand until it is above the switch-on point and hold it there until the alarm is triggered.
7. Then close the maintenance opening with the cover and seal.
8. Check to ensure that the tank, fittings and pipes are water-tight, by carrying out several switching runs.

Automatic operation

Automatic operation is the normal operating mode of the unit. The rocker switch must be set to "Automatic". The integrated level controller switches the pump on and off depending on the water level in the tank. A green LED lights up when the pump is operating (in the case of compli 300 when it is ready for operation).

NOTICE! If unusually large quantities of wastewater flow into the unit (e.g. when a pool is drained), partially close the shut-off valve at the inlet until the unit can operate normally again, switching on and off, (not pumping continuously, since this could overheat the pump motor).

Manual operation

Set the rocker switch to "Hand". The pump will now operate permanently and independently of the wastewater level. The pumping out operation should therefore be observed through the maintenance opening.

Shutting down

Set the rocker switch to "0". This shuts down the pump. The alarm system remains ready for operation.

DANGER!

Do not use the position "0" of the selector switch for repair and maintenance work on the control and pump, but always unplug the unit from the mains.

Inspection

To maintain operational reliability, carry out a visual inspection of the unit, including the pipe connections, once a month.

MAINTENANCE

Maintenance and inspection of this product must be carried out in accordance with EN 12056-4. To ensure continued reliability of service, we recommend that you take out a service contract.

NOTICE! The maintenance of the sewage lifting station and maintenance measures are carried out by specialists at intervals of 3 months in commercial premises, multi-family homes in 6 months or 12 months in family homes.

⚠ WARNING!

Before carrying out any works: disconnect the pump and the controls from the mains and take steps to ensure that they cannot be energized again.

⚠ WARNING!

Check the cable for mechanical or chemical damage. Damaged or kinked cables must be replaced by the manufacturer. We recommend that the following works be included in the service:

1. Check the connection points for watertightness and inspect the areas surrounding the unit and the fittings.
2. Operate the shut-off valves and check that they move easily. Adjust and grease them if necessary.
3. Open and clean the swing-type check valve; check the seat and ball (valve)
4. Clean the pump and the pipes where they connect to the unit; check the impeller and the bearings.

⚠ CAUTION!

5. Worn impellers can have sharp edges.
6. Oil check. If necessary top up or change oil (if oil chamber available).
7. Clean the inside of the tank (as necessary, or if especially required); remove any grease, for example.
8. Check the condition of the collecting tank.
9. Flush the system through with water once every 2 years.
10. Inspect the electrical section of the unit. The control unit itself is maintenance-free, but if a rechargeable battery is fitted, then it should be checked regularly to ensure that it is in good working order. To do so, unplug the unit from the mains and lift the float of the level controller slowly by hand and hold it there until the alarm is triggered. In addition, clean the float if necessary.

When all the servicing tasks have been performed, carry out a test run and then put the unit back into operation. The service must be documented, giving details of the important data and of all the tasks carried out.

Oil check

(Only applies for units 08/2, 25/2 and 35/2). First of all, unscrew the hexagon screws or Allen screws around the pump and lift the pump and impeller off the tank. The drain plug is labelled "Öl". In order to check the mechanical seal, the oil, including any residue, must be drained from the oil reservoir and collected in a clean measuring container.

- If the oil is contaminated with water (milky), an oil change must be carried out. Check again after a further 300 operating hours, but at the very latest after 6 months!
- However, if the oil is contaminated with both water and pollutants, then not only the oil must be replaced, but the mechanical seal as well.

For monitoring the oil reservoir, it is also possible to retrofit the electrode of our "DKG" seal leak detector in place of the "DKG" sealing screw.

Changing the oil

(Only applies for units 08/2, 25/2 and 35/2). To ensure operational liability, the first oil change should be carried out after 300 operating hours, with further oil changes carried out after every 1000 operating hours.

If the number of operating hours is very low, an oil change should still be carried out at least once a year.

If wastewater with strongly abrasive constituents is being

pumped, the oil changes should be carried out at correspondingly shorter intervals.

Use HLP hydraulic mineral oil, viscosity class 22 to 46, e.g. Mobil DTE 22, DTE 24, DTE 25, to replace the oil in the oil reservoir. The quantity of oil required is 380 cm³ for the MultiCut pumps UC 08/2 M and UC 25/2 M, and 1000 ml for the MultiFree pumps UC 25/2 BW and 35/2 BW.

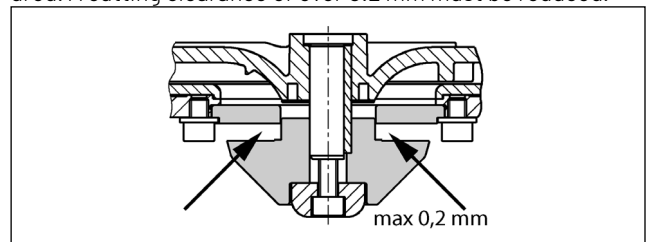
NOTICE! The oil reservoir may only be filled with the specified quantity of oil. Overfilling will result in the pump being rendered inoperable.

Checking the cutting clearance

Only for pumps with cutting system. The housing screws for the pump, and the connecting and fixing screws of the installation must be checked to ensure they are fixed securely. They should be tightened if necessary.

If the pump performance decreases, or if increasingly loud noises can be heard during operation, or if the cutting performance decreases (the pump tends to become blocked), the impeller and cutting system must be checked for wear by an expert and replaced if necessary.

Using a suitable tool, e.g. feeler gauge, the cutting clearance between the cutting rotor and the cutting plate can be measured. A cutting clearance of over 0.2 mm must be reduced.



Adjustment of the cutting clearance

1. Block the cutting rotor with a piece of wood and unscrew the central hexagon socket screw.
 2. Take off the compression piece, the cutting rotor and an adjusting washer and then attach the compression piece and the cutting rotor again.
 3. Block the cutting rotor and tighten again with the hexagon socket screw (tightening torque 8 Nm).
 4. Check the freedom of movement of the cutting rotor and the cutting clearance again (max. 0.2 mm).
- If the cutting clearance is still too big, a further adjusting washer must be removed. Steps 1-4 must be repeated.



QUICK TIPS FOR REMEDYING FAULTS

The unit isn't working

- Check the mains voltage, the fuse and the ground fault circuit interrupter. Replace defective fuses only with fuses with the same nominal value! If the fuse triggers again, call a qualified electrician or our customer support service.
- The internal 2 A glass tube fuse (delay) for the 230/12V control transformer, the motor contactor and the 230V AC power supply are faulty. Replace defective fuses only with fuses with the same nominal value!
- If the mains cable is damaged, it may only be replaced by the manufacturer.
- If the float switch is obstructed, close the inlet shut-off valve, open the maintenance cover and clear the blockage.

If the alarm is triggered and the unit does not work:

- The thermostat in the motor windings may have switched off the system because the pump is obstructed. In this case, close the shut-off valve at the inlet, drain the tank, pull out the mains plug, remove the pump module, and clear the blockage.

Decreased pumping performance

- Check that the shut-off valve in the pressure pipe is fully open.
- If the pressure pipe is blocked, flush water through the pressure pipe to clear it.
- If the non-return valve is blocked, empty the pressure pipe and clean the non-return valve.
- If the ventilation system is blocked, clean the ventilation hose that leads from the pump tank and check the drilled holes.
- If the unit works normally when it starts pumping, but becomes very loud towards the end, then a qualified electrician must redefine the switch-off point in the control unit.

Indicator "Drehfeld falsch" (Wrong rotating field) lights up

- Mains phase sequence is wrong or phase is absent - thus lower or absent pump delivery. The mains connection must be corrected by a qualified electrician only.

Indicator "Störung Pumpe" (Pump failure) lights up (not compli 300)

- The pump is protected by an integrated circuit breaker which switches off the pump if it overloads or if there is an electric motor fault. After this has been triggered, the control unit has to be opened by a qualified electrician in order to press the reset button.

Indicator "Hochwasser" (High water) lights up (not compli 300)

- Water level in the tank too high because of low pump flow rate or excessive inflow. Remove any obstructions in the pump or pressure pipe and/or eliminate the excessive inflow.

LED P1 on the analogue evaluator is permanently lit up (not compli 300)

- There is a fault in the level monitoring. Call our customer support service.
- There is no water left in the tank. Fill with a small amount of water.
- Note: If the LED lights up briefly after the pumping operation, this is not a sign of a malfunction.

Pump "snores" and does not switch itself off (not compli 300)

- The switch-off point of the unit is too low.

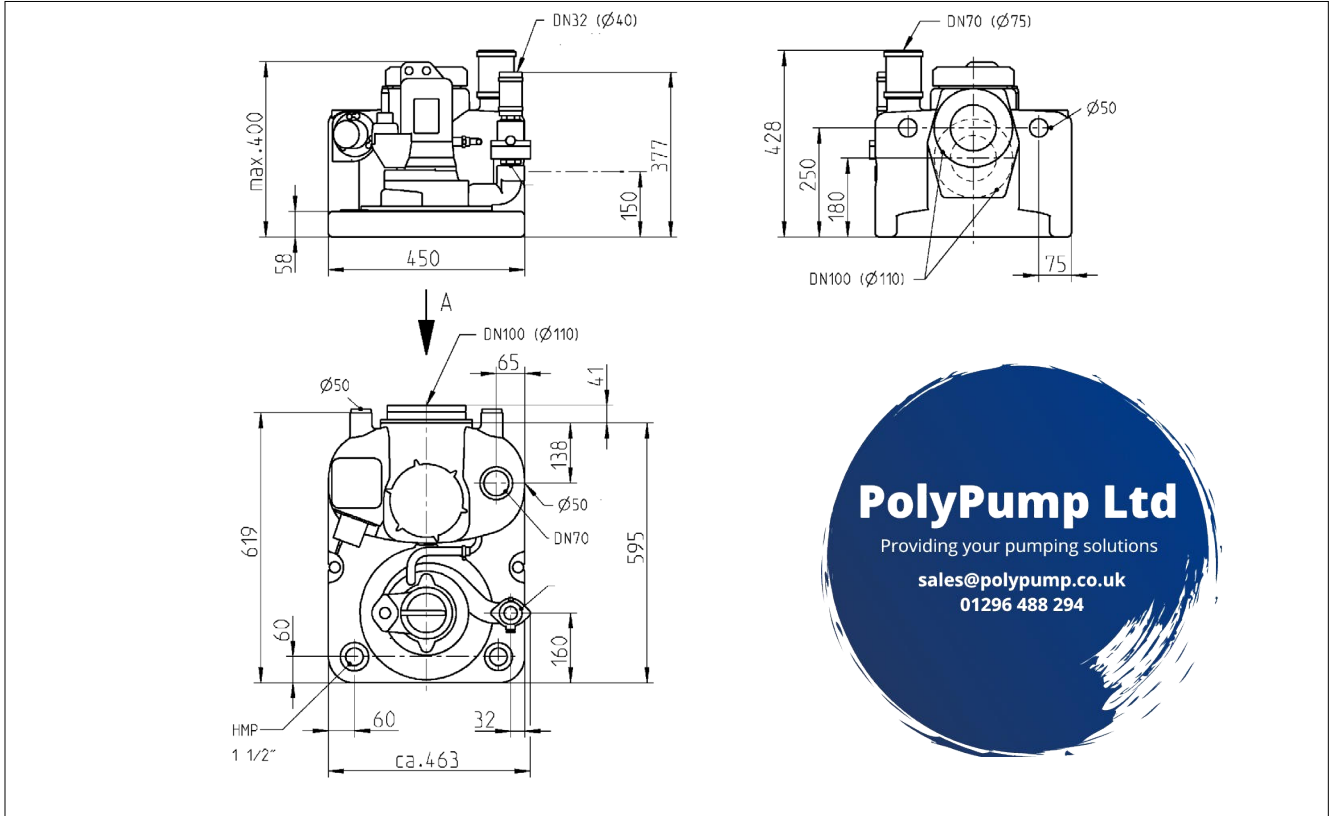
Unscrew the three fixing screws on the level monitoring at the front of the collecting tank. By carefully rotating it to the right the switch-off point can be set to a higher level. Retighten the screws. The switch-off level is reached during pumping when the LED2 goes off.

NOTICE! It may also be necessary to re-adjust the switch-on level (please refer to the section "Redefining the switch-on level").

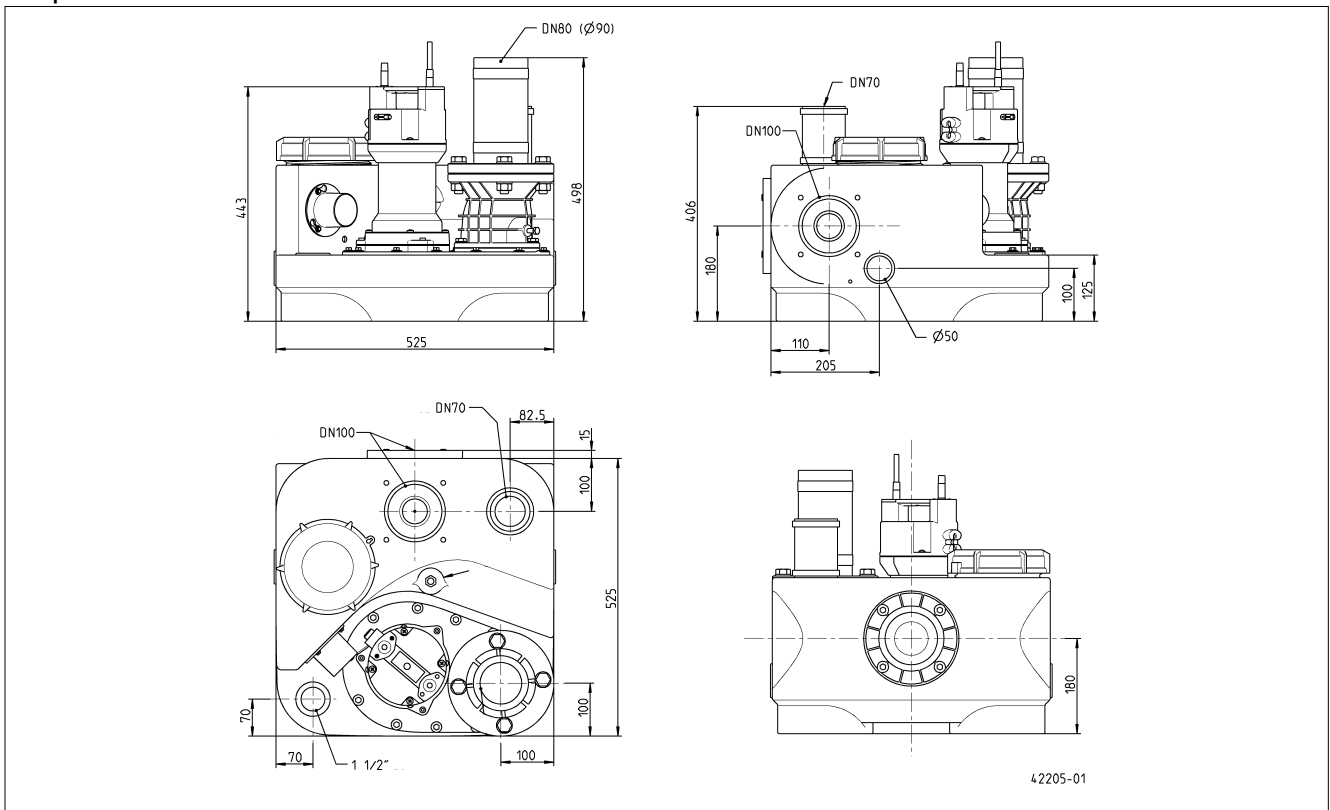


Technical data

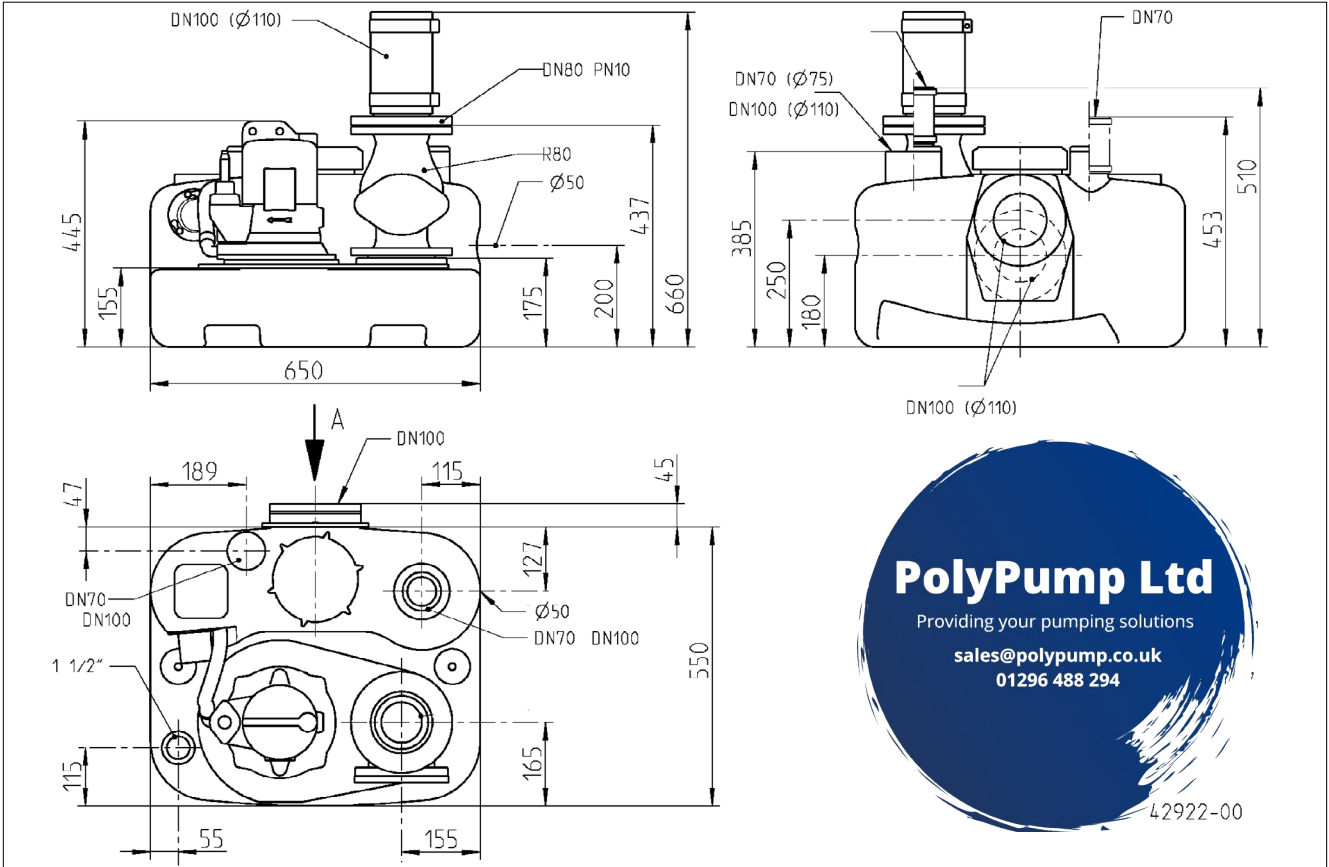
compli 100



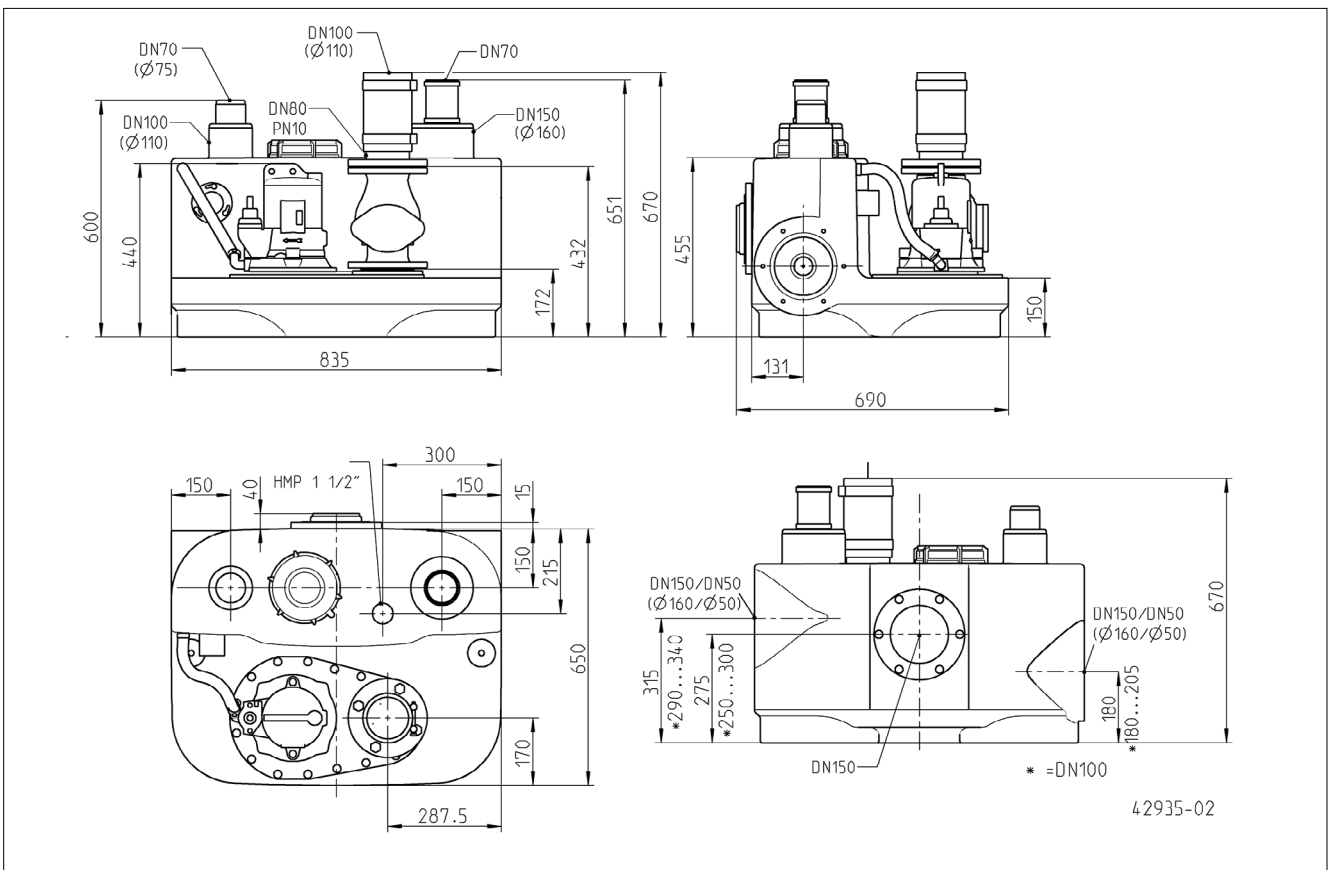
compli 300



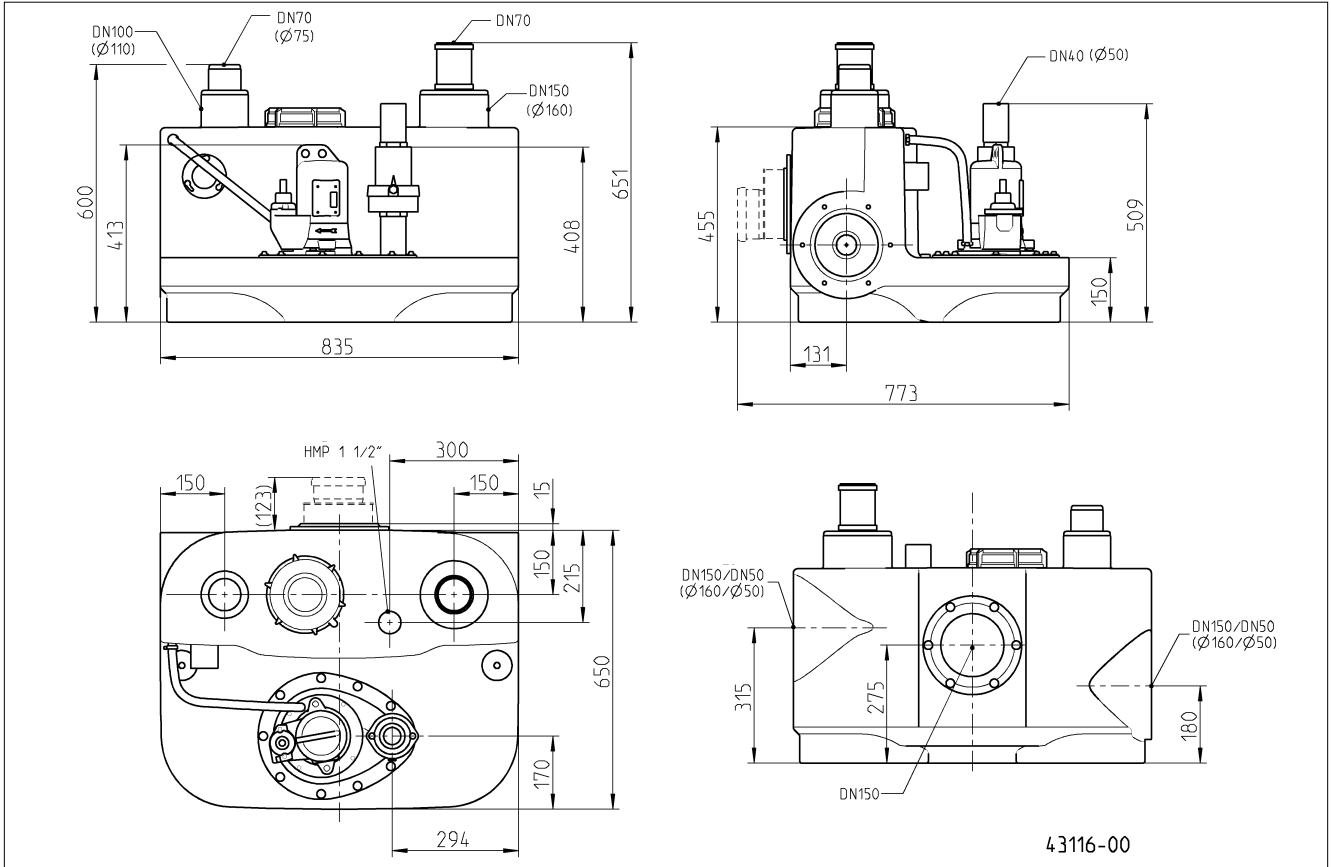
compli 400



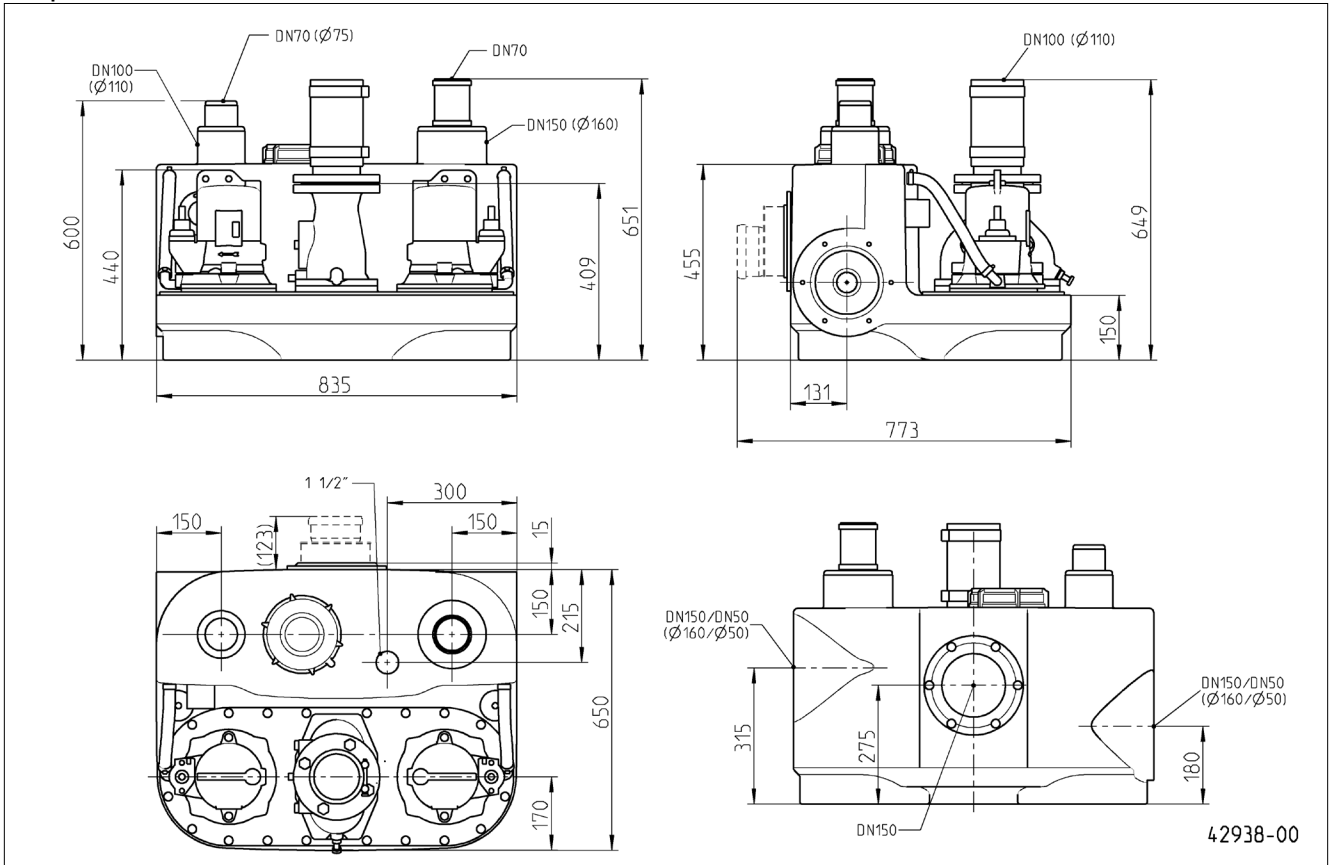
compli 500



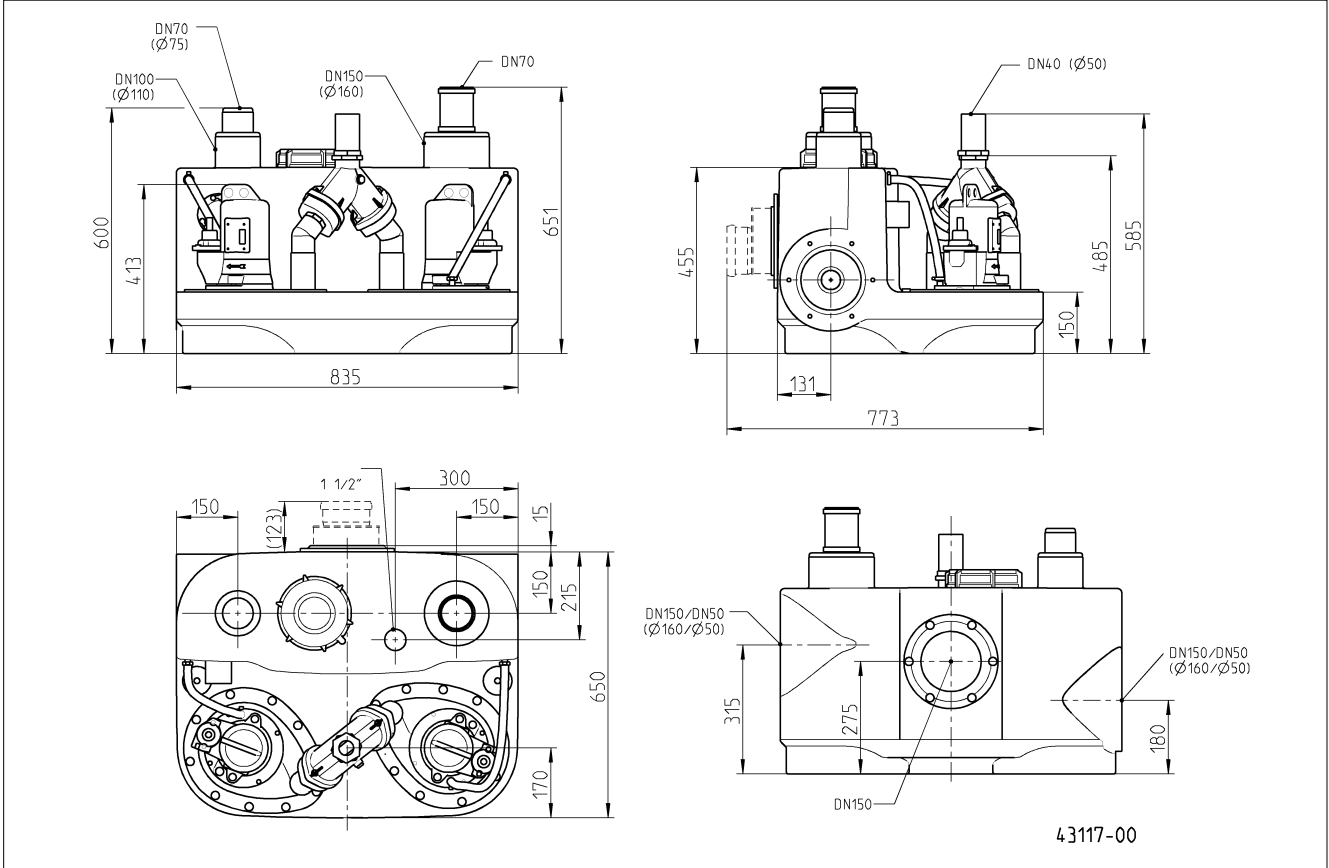
compli 500 M



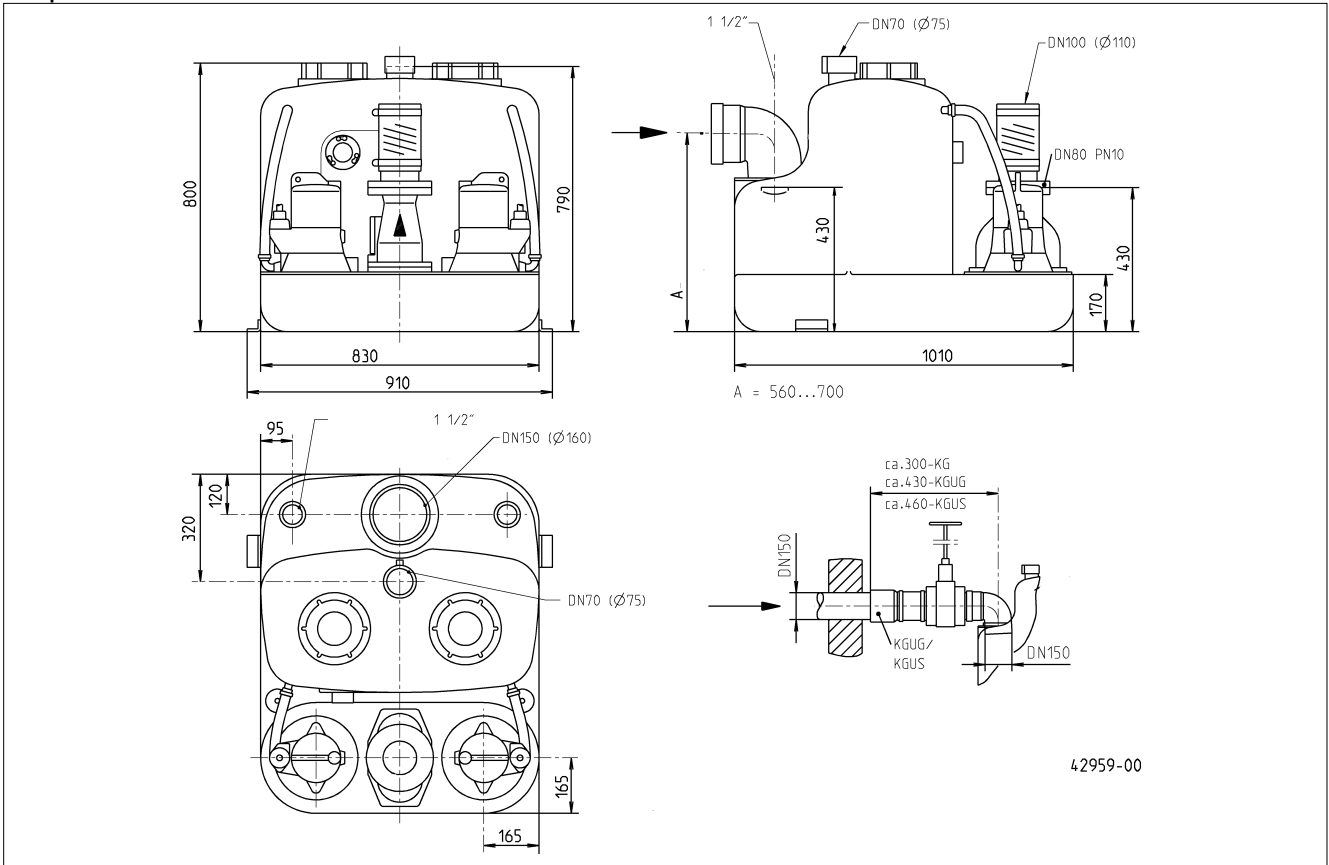
compli 1000

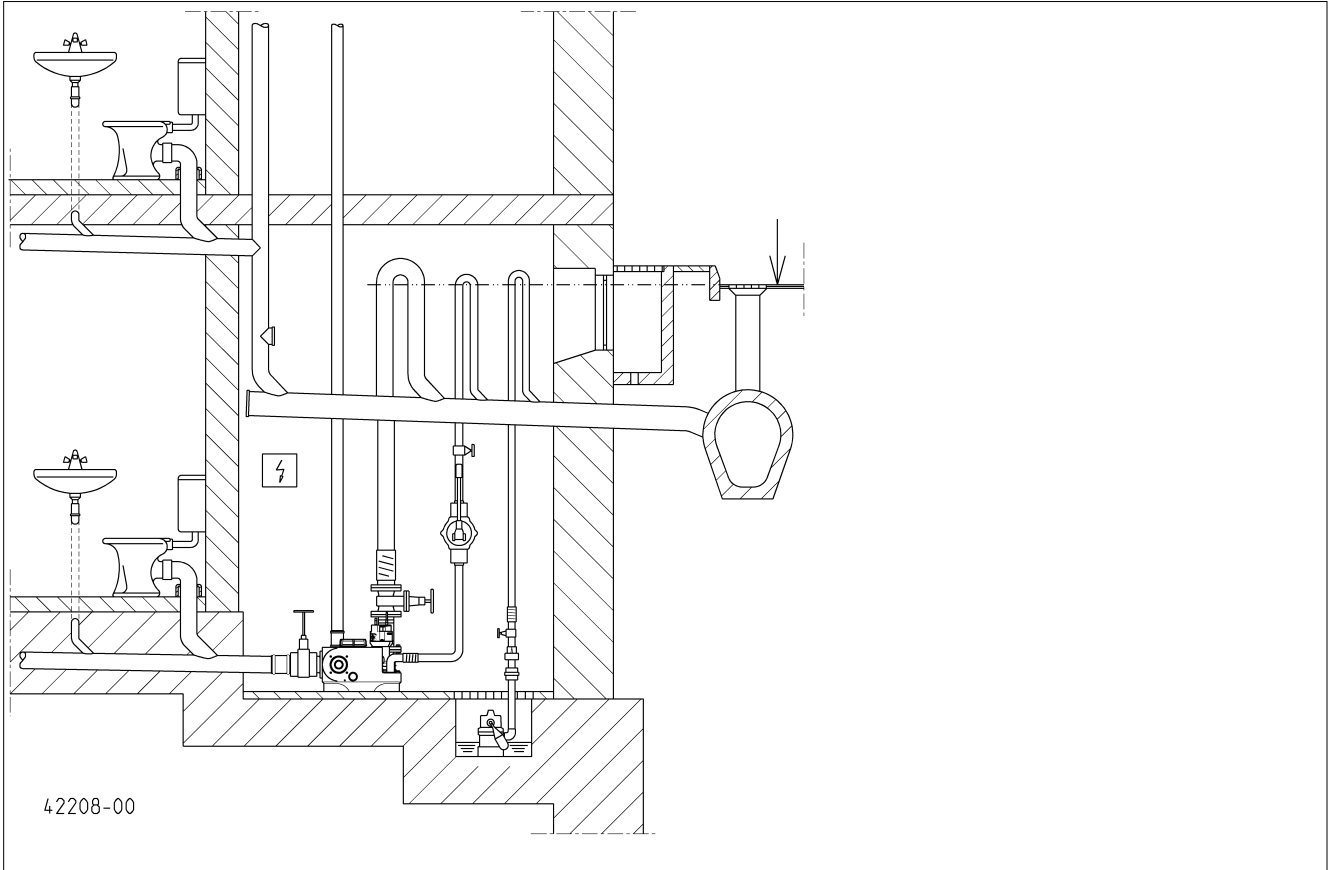


compli 1000 M



compli 1200



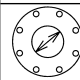


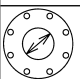
PolyPump Ltd

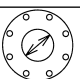
Providing your pumping solutions

sales@polypump.co.uk

01296 488 294

		... 300 E	... 400 E	... 1010 BWE	... 400
	[kg]	29	55	118	56
	PN 10	DN 80	DN 80	DN 80	DN 80
	[mm]	50	70	70	70
	S3*	10 %	25 %	25 %	30 %
P1	[kW]	1,37	1,55	1,55	1,25
P2	[kW]	0,98	1,10	1,10	0,87
U	[V]	1/N/PE ~230	1/N/PE ~230	1/N/PE ~230	3/N/PE ~400
f	[Hz]	50	50	50	50
I	[A]	6,0	7,1	7,1	2,2
n	[min ⁻¹]	2700	1428	1428	1390
			AD 69 ECP	BD 610 ECP	AD 00 P

		... 510/4 BW	... 515/4 BW	... 525/4 BW	... 525/2 BW	... 535/2 BW
		... 1010/4 BW	... 1015/4 BW	... 1025/4 BW	... 1025/2 BW	... 1035/2 BW
		... 1210/4 BW	... 1215/4 BW	... 1225/4 BW	... 1225/2 BW	... 1235/2 BW
	[kg]	79/128/145	79/128/145	79/128/145	86/125/149	89/132/158
	PN 10	DN 80	DN 80	DN 80	DN 80	DN 80
	[mm]	70	70	70	70	70
	S3*	45 %	30 %	15 %	25 %	25 %
P1	[kW]	1,3	2,2	3,0	3,3	4,8
P2	[kW]	1,0	1,7	2,2	2,6	4,0
U	[V]	3/N/PE ~400	3/N/PE ~400	3/N/PE ~400	3/N/PE ~400	3/N/PE ~400
f	[Hz]	50	50	50	50	50
I	[A]	2,8	3,9	5,1	5,4	7,8
n	[min ⁻¹]	1451	1405	1363	2807	2857
		AD 25 P / BD 25 P	AD 25 P / BD 25 P	AD 46 P / BD 46 P	AD 46 P / BD 46 P	AD 610 P / BD 610 P

		... 108/2 ME	... 108/2 M	... 120/2 M
		... 508/2 ME	... 508/2 M	... 520/2 M
		... 1008/2 ME	... 1008/2 M	... 1020/2 M
	[kg]	42/50/77	41/49/75	43/51/79
	PN 10	DN 32/40/40	DN 32/40/40	DN 32/40/40
	[mm]	7	7	7
	S3*	10 %	35 %	25 %
P1	[kW]	1,70	1,65	2,30
P2	[kW]	1,14	1,24	1,85
U	[V]	1/N/PE ~230	3/N/PE ~400	3/N/PE ~400
f	[Hz]	50	50	50
I	[A]	7,5	2,8	3,9
n	[min ⁻¹]	2584	2674	2860
		AD 08/2 MEP	AD 00 P / BD 00 P	AD 46 P / BD 46 P

* Example for 40%: 4 min. operation and 6 min. rest (Cycle duration 10 min.);
 Esempio: 40%: 4 min. di funzionamento + 6 min. di pausa (durata del ciclo 10 min.)
 Příklad 40%: 4 min. provoz a 6 min. přestávka (trvání pracovního cyklu 10 min.)
 4 perc üzem és 6 perc szünet (ciklusidő 10 perc)

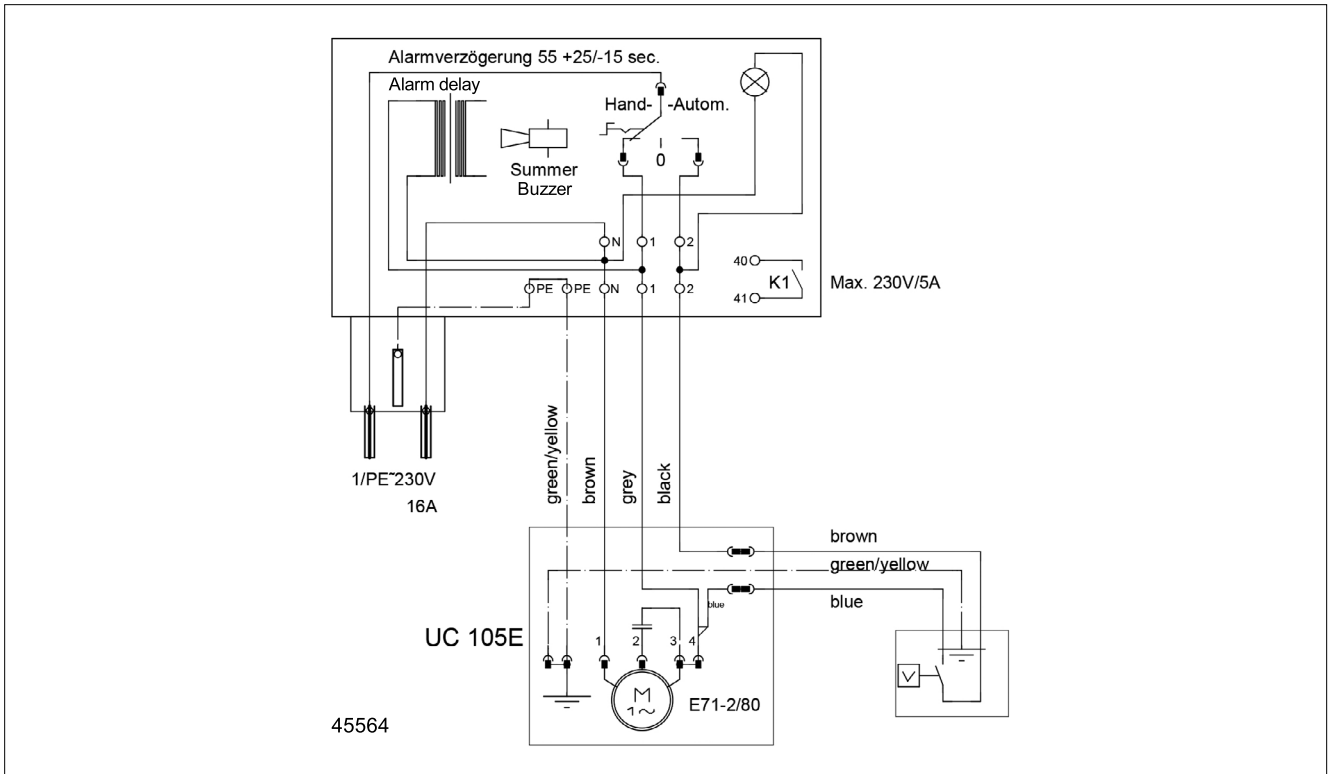
Exemple: 40% = 4 min de service et 6 min de pause (Durée du jeu 10 min)
 Przykładowo 40%: 4 min pracy i 6 min przerwy (Czas cyklu 10 min);
 Příklad 40%: 4 min prevádzka a 6 min prestávka (doba trvania cyklu 10 min);
 Exemplu 40%: 4 min funcționare și 6 min pauză (timp aproximativ 10 min)

Performance

H [m]	1	2	3	4	5	6	7	8	9	10	11	12	13	14	15	16	17	
compli 300 E	30	29	28	24	22	19	15											
compli 400 E	48	40	33	27	20	13												
compli 1010 BWE	52	44	37	29	22	13												
compli 400	48	40	33	27	20	13												
... 10/4 BW	52	44	37	29	22	13												
... 15/4 BW	69	62	56	49	42	36	27	19										
... 25/4 BW					56	49	42	32	22	13								
... 25/2 BW	69	64	58	52	47	42	37	33	28	23	20	14	8	1				
... 35/2 BW	85	80	75	71	66	62	57	54	50	47	44	39	36	33	30	26	21	
... 08/2 ME		17		16		14		12		9		7		4				
... 08/2 M		17		16		14		12		9		7		4				
... 20/2 M								16		14		12		10			8	

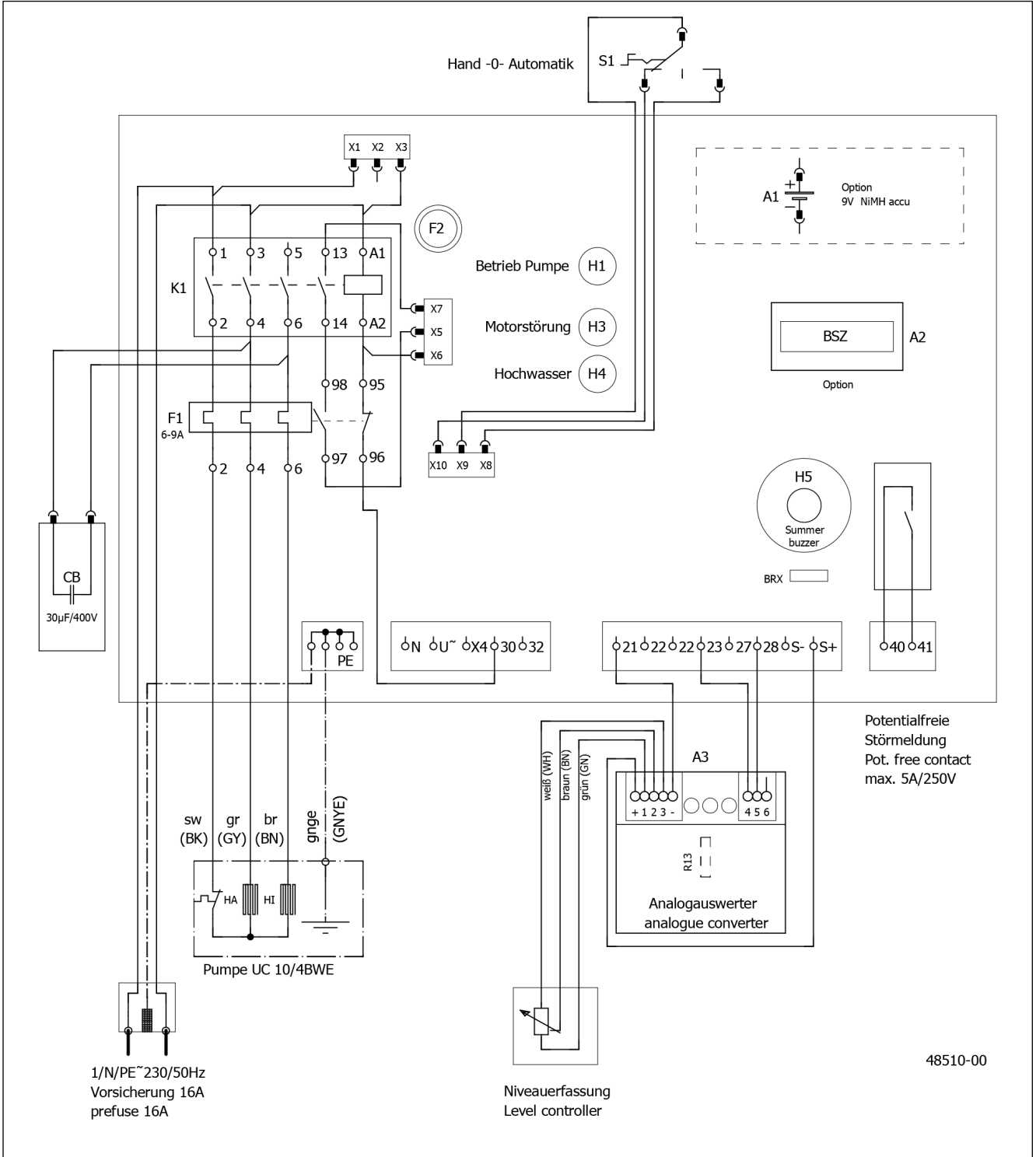


compli 300

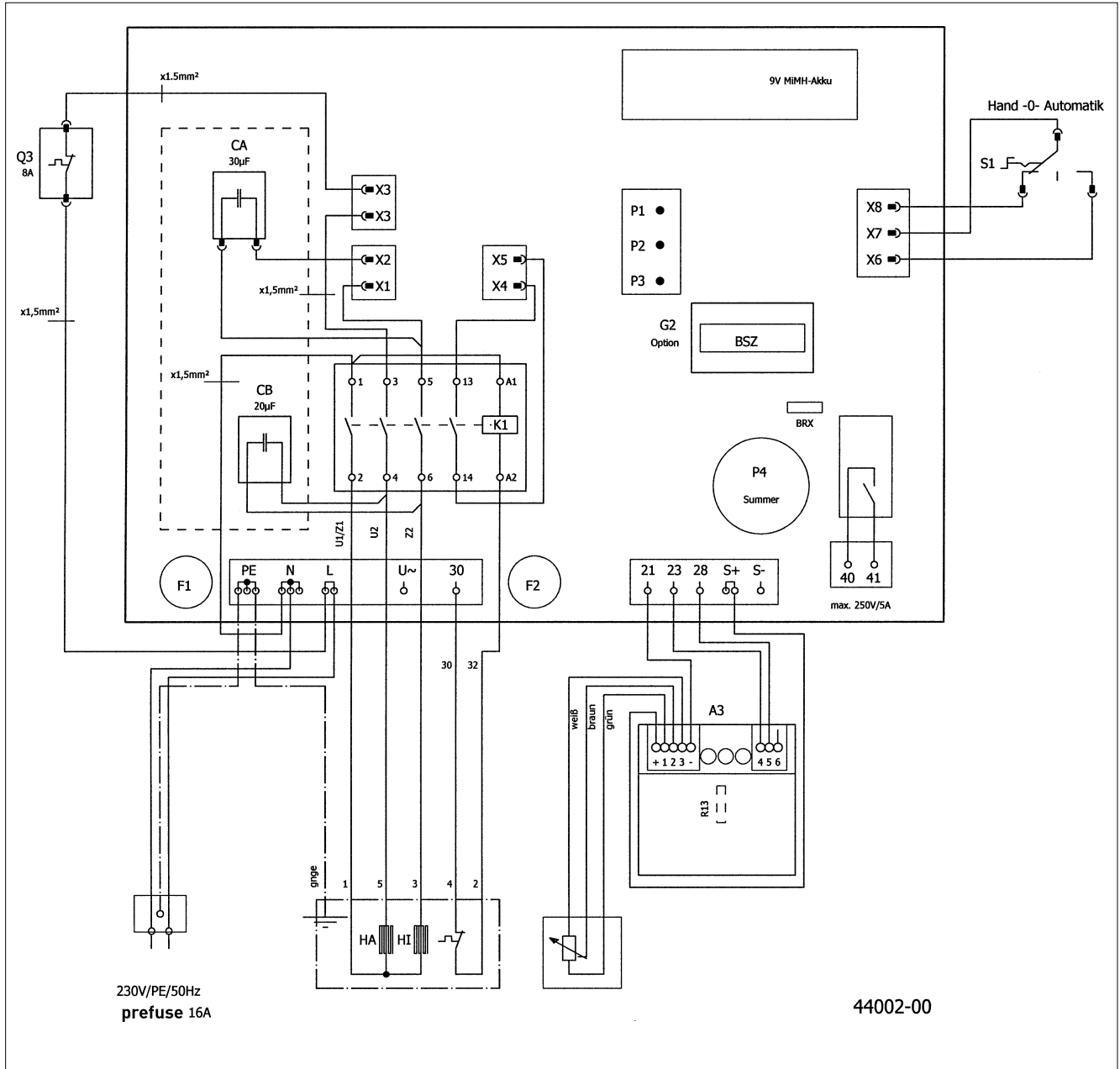


AD 69 ECP

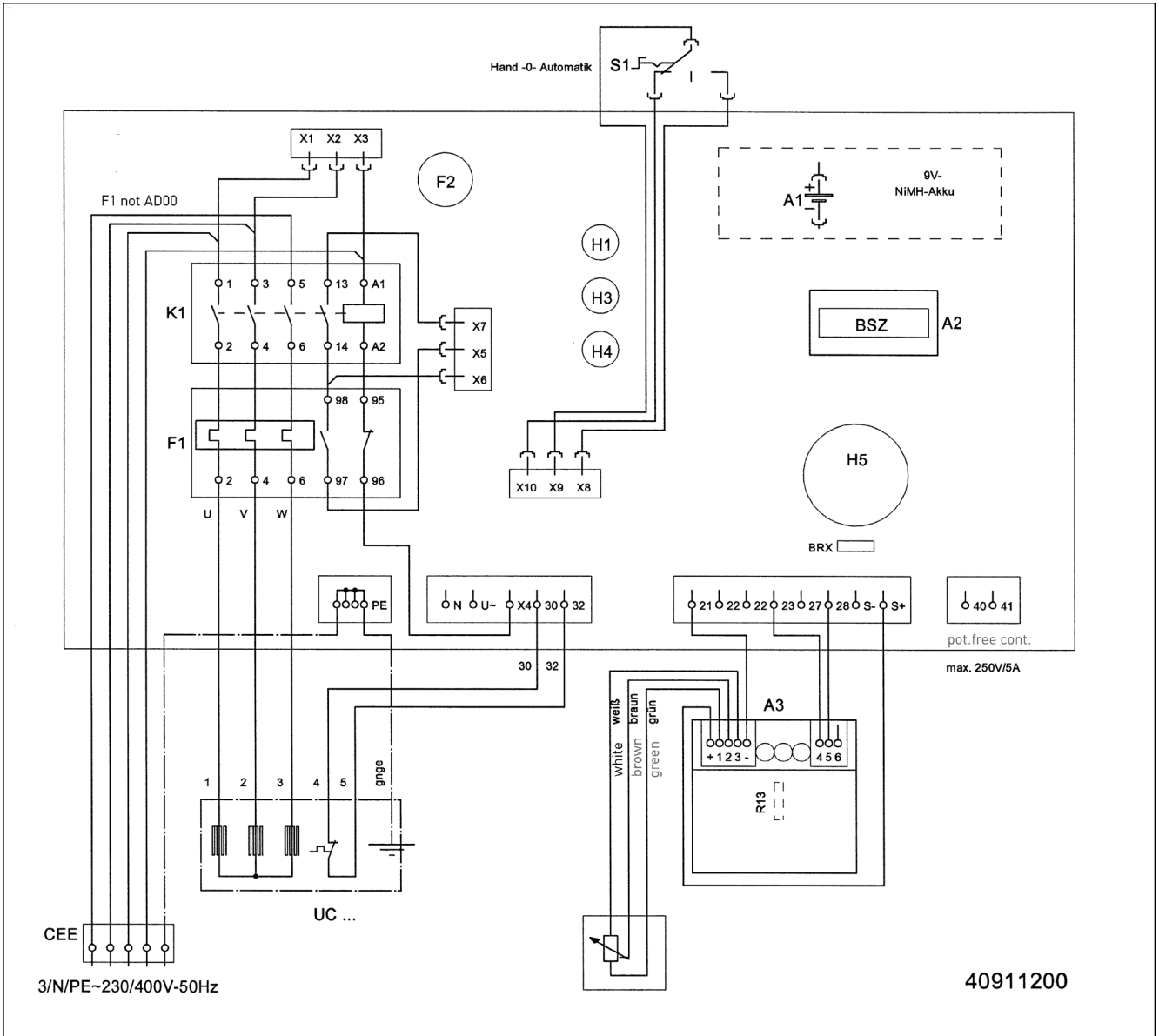
Single unit



AD 08/2 MEP
Single unit

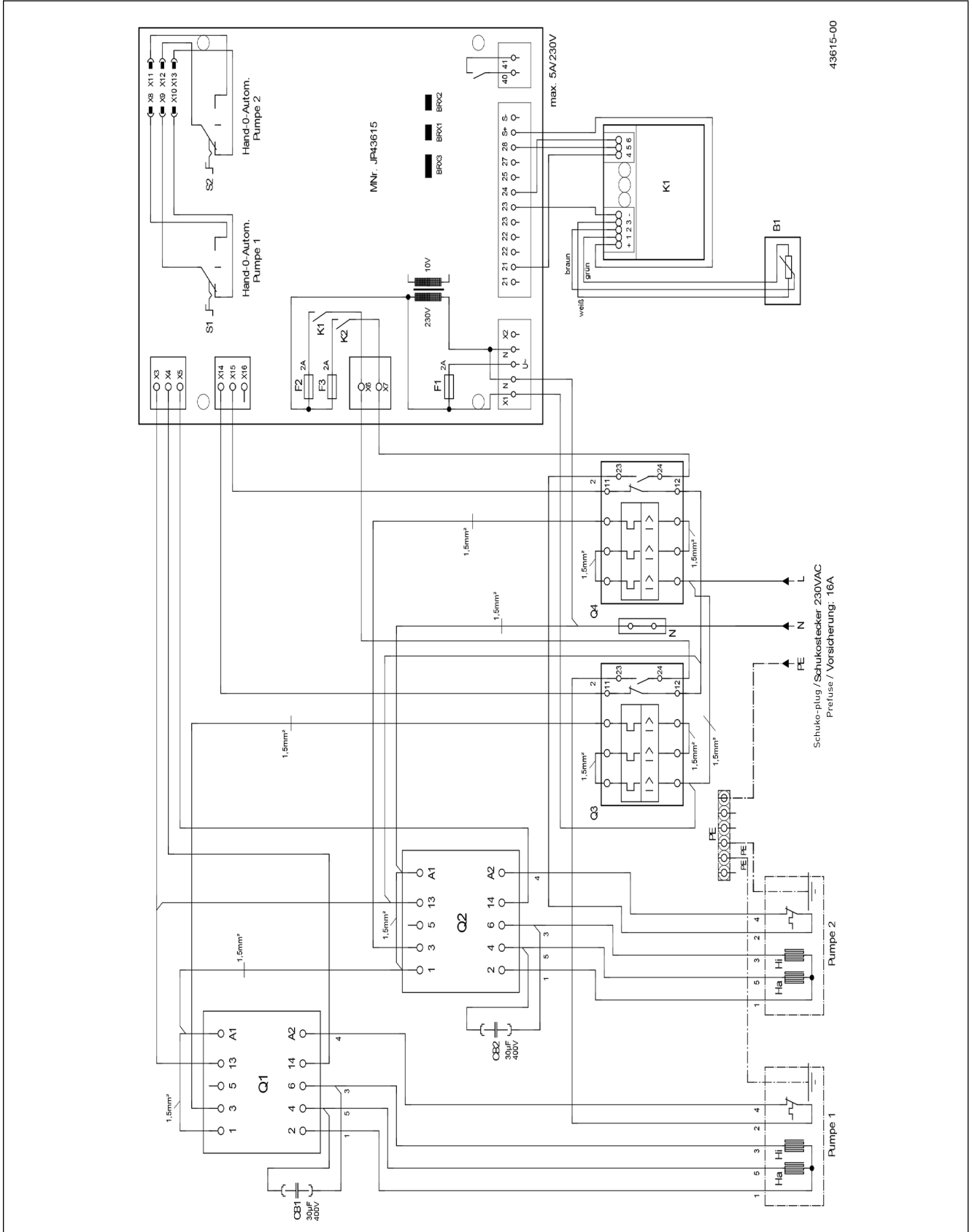


AD ... P
Single unit

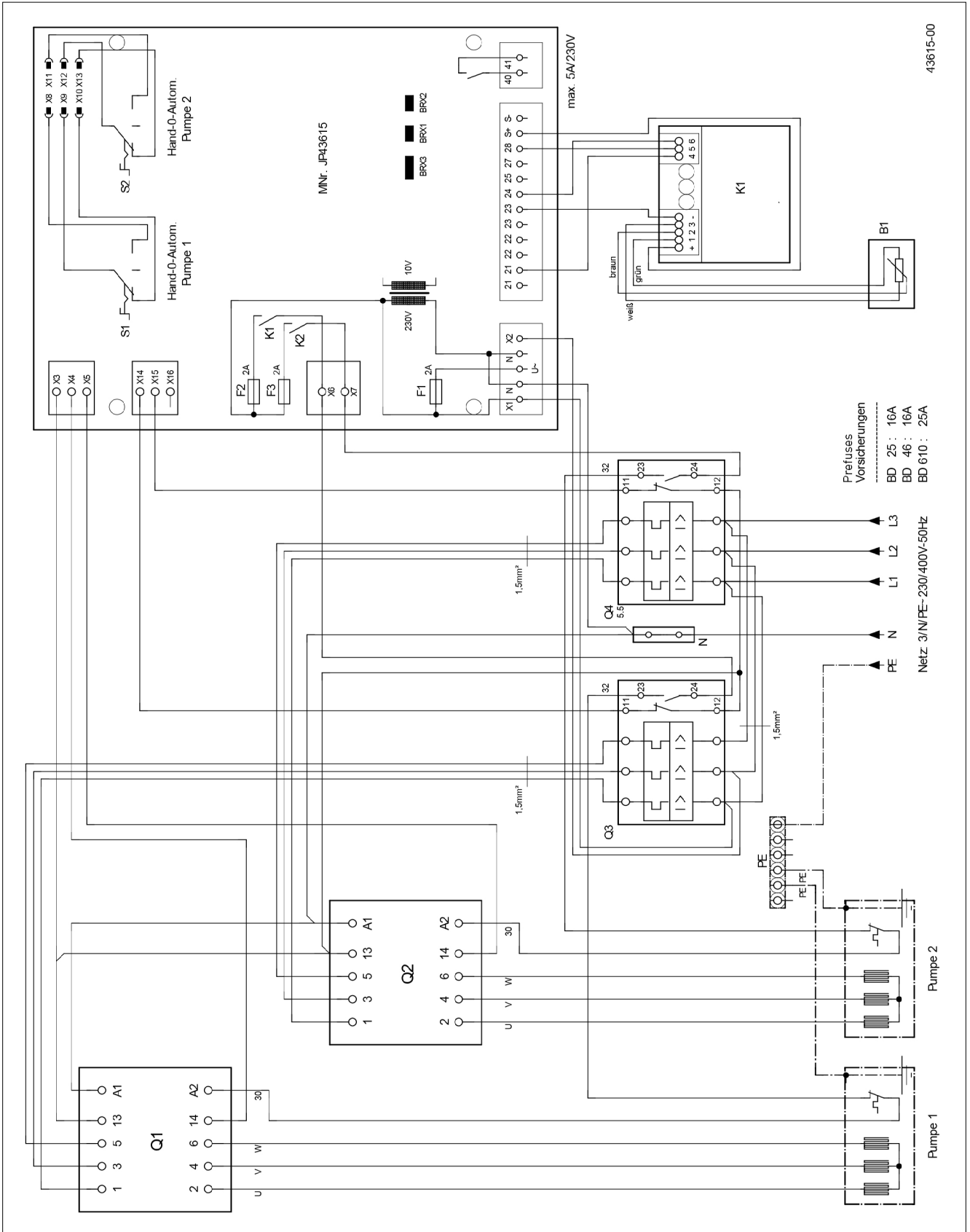



BD 610 ECP - compli 1008/2 ME


Duplex unit




BD ... P
Duplex unit



 0197 JUNG PUMPEN GmbH - Industriestr. 4-6 33803 Steinhausen, Germany 13 452.12.1509 - 453.12.1509	EN 12050-1:2001 Station de relevage pour effluents contenant des matières fécales	compli 108/2 ME (JP09347/5) compli 108/2 M (JP09346/5) compli 120/2 M (JP09877/5) compli 300 E (JP09496/0)	compli 400 E (JP09770/5) compli 400 (JP00637/9) compli 400 E (JP09324/5) compli 400 (JP09322/9)	compli 510/4 BW (JP09191/1) compli 525/2 BW (JP09194/1) compli 515/4 BW (JP09192/1) compli 535/2 BW (JP09195/1) compli 525/4 BW (JP09193/1) compli 508/2 ME (JP43128/0) compli 508/2 M (JP43129/0) compli 520/2 M (JP43130/0)	compli 1010/4 BWE (JP09273/2) compli 1025/2 BW (JP09461/1) compli 1010/4 BW (JP09829/5) compli 1035/2 BW (JP09462/1) compli 1015/4 BW (JP09830/5) compli 1008/2 ME (JP43131/0) compli 1025/4 BW (JP09831/5) compli 1008/2 M (JP43132/0) compli 1020/2 M (JP43133/0)	compli 1210/4 BW (JP09168/2) compli 1225/2 BW (JP09171/2) compli 1215/4 BW (JP09169/2) compli 1235/2 BW (JP09172/2) compli 1225/4 BW (JP09170/2)	Collecte et relevage automatique des eaux usées exemptes de matières fécales et des eaux usées contenant des matières fécales au-dessus du niveau de refoulement.
		RÉACTION AU FEU ÉTANCHÉITÉ À L'EAU, ÉTANCHÉITÉ À L'AIR - Étanchéité à l'eau - Étanchéité aux odeurs EFFICACITÉ (PERFORMANCE DE RELEVAGE) - Refoulement de matières solides - Raccords de tuyaux - Dimensions minimales des conduites d'aération - Débit minimum - Passage libre minimal de l'installation - Volume utile minimal RÉSISTANCE MÉCANIQUE - Capacité de charge et stabilité structurelle du collecteur pour une utilisation à l'extérieur des bâtiments - Stabilité structurelle du collecteur pour une utilisation à l'intérieur des bâtiments NIVEAU SONORE RÉSISTANCE - de la stabilité structurelle - de la performance de relevage - de la résistance mécanique SUBSTANCES DANGEREUSES	NPD satisfaisant satisfaisant satisfaisant satisfaisant satisfaisant satisfaisant satisfaisant satisfaisant NPD satisfaisant ≤ 70 dB(A) satisfaisant satisfaisant satisfaisant NPD				

 0197 JUNG PUMPEN GmbH - Industriestr. 4-6 33803 Steinhausen, Germany 13 452.12.1509 - 453.12.1509	EN 12050-1:2001 Lifting plant for wastewater containing faecal matter	compli 108/2 ME (JP09347/5) compli 108/2 M (JP09346/5) compli 120/2 M (JP09877/5) compli 300 E (JP09496/0)	compli 400 E (JP09770/5) compli 400 (JP00637/9) compli 400 E (JP09324/5) compli 400 (JP09322/9)	compli 510/4 BW (JP09191/1) compli 525/2 BW (JP09194/1) compli 515/4 BW (JP09192/1) compli 535/2 BW (JP09195/1) compli 525/4 BW (JP09193/1) compli 508/2 ME (JP43128/0) compli 508/2 M (JP43129/0) compli 520/2 M (JP43130/0)	compli 1010/4 BWE (JP09273/2) compli 1025/2 BW (JP09461/1) compli 1010/4 BW (JP09829/5) compli 1035/2 BW (JP09462/1) compli 1015/4 BW (JP09830/5) compli 1008/2 ME (JP43131/0) compli 1025/4 BW (JP09831/5) compli 1008/2 M (JP43132/0) compli 1020/2 M (JP43133/0)	compli 1210/4 BW (JP09168/2) compli 1225/2 BW (JP09171/2) compli 1215/4 BW (JP09169/2) compli 1235/2 BW (JP09172/2) compli 1225/4 BW (JP09170/2)	Collection and automatic lifting of wastewater without sewage and wastewater containing faecal matters above the backflow level
		RÉACTION TO FIRE WATERTIGHTNESS, AIRTIGHTNESS - Water tightness - Odour tightness EFFECTIVENESS (LIFTING EFFECTIVENESS) - Pumping of solids - Pipe connections - Minimum dimensions of ventilating pipes system - Minimum flow velocity - Minimum free passage of the plant - Minimum useful volume MECHANICAL RESISTANCE - Load bearing capacity and structural stability of collection tank for use outside buildings - Structural stability of collection tank for use inside buildings NOISE LEVEL DURABILITY - of structural stability - of lifting effectiveness - of mechanical resistance DANGEROUS SUBSTANCES	NPD Pass Pass Pass Pass Pass Pass Pass NPD Pass ≤ 70 dB(A) Pass Pass Pass NPD				

 0197 JUNG PUMPEN GmbH - Industriestr. 4-6 33803 Steinhausen, Germany 13 452.12.1509 - 453.12.1509	EN 12050-1:2001 Fäkalienhebeanlage	compli 108/2 ME (JP09347/5) compli 108/2 M (JP09346/5) compli 120/2 M (JP09877/5) compli 300 E (JP09496/0)	compli 400 E (JP09770/5) compli 400 (JP00637/9) compli 400 E (JP09324/5) compli 400 (JP09322/9)	compli 510/4 BW (JP09191/1) compli 525/2 BW (JP09194/1) compli 515/4 BW (JP09192/1) compli 535/2 BW (JP09195/1) compli 525/4 BW (JP09193/1) compli 508/2 ME (JP43128/0) compli 508/2 M (JP43129/0) compli 520/2 M (JP43130/0)	compli 1010/4 BWE (JP09273/2) compli 1025/2 BW (JP09461/1) compli 1010/4 BW (JP09829/5) compli 1035/2 BW (JP09462/1) compli 1015/4 BW (JP09830/5) compli 1008/2 ME (JP43131/0) compli 1025/4 BW (JP09831/5) compli 1008/2 M (JP43132/0) compli 1020/2 M (JP43133/0)	compli 1210/4 BW (JP09168/2) compli 1225/2 BW (JP09171/2) compli 1215/4 BW (JP09169/2) compli 1235/2 BW (JP09172/2) compli 1225/4 BW (JP09170/2)	Sammeln und automatisches Heben von fäkalienfreiem und fäkalienhaltigem Abwasser über die Rückstauebene
		BRANDVERHALTEN WASSERDICHTHEIT, LUFTDICHTHEIT - Wasserdichtheit - Geruchsdichtheit WIRKSAMKEIT (HEBEWIRKUNG) - Förderung von Feststoffen - Rohranschlüsse - Mindestmaße von Lüftungsleitungen - Mindestfließgeschwindigkeit - Freier Mindestdurchgang der Anlage - Mindestnutzsvolumen MECHANISCHE FESTIGKEIT - Tragfähigkeit und strukturelle Stabilität des Sammelbehälters für die Verwendung außerhalb von Gebäuden - Strukturelle Stabilität des Sammelbehälters für die Verwendung innerhalb von Gebäuden GERÄUSCHPEGEL DAUERHAFTIGKEIT - der Wasserdichtheit und Luftdichtheit - der Hebewirkung - der mechanischen Festigkeit GEFÄHRLICHE SUBSTANZEN	NPD Bestanden Bestanden Bestanden Bestanden Bestanden Bestanden NPD Bestanden ≤ 70 dB(A) Bestanden Bestanden Bestanden NPD				



0197

JUNG PUMPEN GmbH - Industriestr. 4-6 33803 Steinhagen, Germany
13
452.12.1509 - 453.12.1509

EN 12050-1:2001 Instalacja przepompowni fekalii

compilii 108/2 ME (JP09347/5) compilii 120/2 M (JP09877/5) compilii 300 E (JP09496/0)	compilii 108/2 M (JP09346/5)
compilii 400 E (JP09770/5) compilii 400 E (JP09324/5)	compilii 400 (JP00637/9) compilii 400 (JP09322/9)
compilii 510/4 BW (JP09191/1) compilii 515/4 BW (JP09192/1) compilii 525/4 BW (JP09193/1) compilii 508/2 M (JP43129/0)	compilii 525/2 BW (JP09194/1) compilii 535/2 BW (JP09195/1) compilii 508/2 ME (JP43128/0) compilii 520/2 M (JP43130/0)
compilii 1010/4 BWE (JP09273/2) compilii 1010/4 BW (JP09829/5) compilii 1015/4 BW (JP09830/5) compilii 1025/4 BW (JP09831/5) compilii 1020/2 M (JP43133/0)	compilii 1025/2 BW (JP09461/1) compilii 1035/2 BW (JP09462/1) compilii 1008/2 ME (JP43131/0) compilii 1008/2 M (JP43132/0)
compilii 1210/4 BW (JP09168/2) compilii 1215/4 BW (JP09169/2) compilii 1225/4 BW (JP09170/2)	compilii 1225/2 BW (JP09171/2) compilii 1235/2 BW (JP09172/2)

Zbieranie i automatyczne przepompowywanie ścieków bez fekalii i ścieków fekalnych powyżej poziomu cofki

WŁAŚCIWOŚCI OGÓLNE	NPD
SZCZELNOŚĆ WODNA I POWIETRZNA - Szczelność wodna - Szczelność zapachowa	Pozytywne Pozytywne
SPRAWNOŚĆ DZIAŁANIA (SKUTECZNOŚĆ TŁOCZENIA) - Tłoczenie substancji stałych - Przyłącza rurowe - Wymiary minimalne przewodów wentylacyjnych - Minimalna prędkość przepływu - Minimalna, swobodna przepustowość instalacji - Minimalna objętość użytkowa	Pozytywne Pozytywne Pozytywne Pozytywne Pozytywne Pozytywne
WYTRZYMAŁOŚĆ MECHANICZNA - Nośność i stabilność konstrukcyjna zbiornika podczas stosowania poza budynkami - Nośność i stabilność konstrukcyjna zbiornika podczas stosowania w budynkach	NPD Pozytywne
POZIOMY HAŁASU	≤ 70 dBA
TRWAŁOŚĆ I WYTRZYMAŁOŚĆ - stabilność konstrukcyjna - skuteczność tłoczenia - wytrzymałość mechaniczna	Pozytywne Pozytywne Pozytywne
SUBSTANCJE NIEBIEZPIECZNE	NPD



0197

JUNG PUMPEN GmbH - Industriestr. 4-6 33803 Steinhagen, Germany
13
452.12.1509 - 453.12.1509

EN 12050-1:2001 Stazione di sollevamento per acque reflue contenenti materiale fecale

compilii 108/2 ME (JP09347/5) compilii 120/2 M (JP09877/5) compilii 300 E (JP09496/0)	compilii 108/2 M (JP09346/5)
compilii 400 E (JP09770/5) compilii 400 E (JP09324/5)	compilii 400 (JP00637/9) compilii 400 (JP09322/9)
compilii 510/4 BW (JP09191/1) compilii 515/4 BW (JP09192/1) compilii 525/4 BW (JP09193/1) compilii 508/2 M (JP43129/0)	compilii 525/2 BW (JP09194/1) compilii 535/2 BW (JP09195/1) compilii 508/2 ME (JP43128/0) compilii 520/2 M (JP43130/0)
compilii 1010/4 BWE (JP09273/2) compilii 1010/4 BW (JP09829/5) compilii 1015/4 BW (JP09830/5) compilii 1025/4 BW (JP09831/5) compilii 1020/2 M (JP43133/0)	compilii 1025/2 BW (JP09461/1) compilii 1035/2 BW (JP09462/1) compilii 1008/2 ME (JP43131/0) compilii 1008/2 M (JP43132/0)
compilii 1210/4 BW (JP09168/2) compilii 1215/4 BW (JP09169/2) compilii 1225/4 BW (JP09170/2)	compilii 1225/2 BW (JP09171/2) compilii 1235/2 BW (JP09172/2)

Raccolta e sollevamento automatico di acque reflue prive di sostanze fecali e di acque reflue contenenti sostanze fecali al di sopra del livello di ristagno

INFIAMMABILITÀ	NPD
IMPERMEABILITÀ, ERMETICITÀ ALLARIA - Impermeabilità - Ermeticità agli odori	Superata Superata
EFFICACIA (CAPACITÀ DI SOLLEVAMENTO) - Pompaggio di materiali solidi - Collegamenti al tubo - Misure minime delle linee di ventilazione - Velocità di scorrimento minima - Passaggio libero minimo dell'impianto - Volume utile minimo	Superata Superata Superata Superata Superata Superata
RESISTENZA MECCANICA - Capacità di carico e stabilità strutturale del serbatoio di raccolta per luso ai di fuori degli edifici - Stabilità strutturale del serbatoio di raccolta per luso all'interno degli edifici.	NPD Superata
SOGLIA DI RUMOROSITÀ	≤ 70 dBA
DUREVOLEZZA - della stabilità strutturale - della capacità di sollevamento - della resistenza meccanica	Superata Superata Superata
SOSTANZE PERICOLOSE	NPD



0197







JUNG PUMPEN GmbH - Industriestr. 4-6 33803 Steinhagen, Germany
13
452.12.1509 - 453.12.1509

EN 12050-1:2001 Fecaliënpompinstallatie

compilii 108/2 ME (JP09347/5) compilii 120/2 M (JP09877/5) compilii 300 E (JP09496/0)	compilii 108/2 M (JP09346/5)
compilii 400 E (JP09770/5) compilii 400 E (JP09324/5)	compilii 400 (JP00637/9) compilii 400 (JP09322/9)
compilii 510/4 BW (JP09191/1) compilii 515/4 BW (JP09192/1) compilii 525/4 BW (JP09193/1) compilii 508/2 M (JP43129/0)	compilii 525/2 BW (JP09194/1) compilii 535/2 BW (JP09195/1) compilii 508/2 ME (JP43128/0) compilii 520/2 M (JP43130/0)
compilii 1010/4 BWE (JP09273/2) compilii 1010/4 BW (JP09829/5) compilii 1015/4 BW (JP09830/5) compilii 1025/4 BW (JP09831/5) compilii 1020/2 M (JP43133/0)	compilii 1025/2 BW (JP09461/1) compilii 1035/2 BW (JP09462/1) compilii 1008/2 ME (JP43131/0) compilii 1008/2 M (JP43132/0)
compilii 1210/4 BW (JP09168/2) compilii 1215/4 BW (JP09169/2) compilii 1225/4 BW (JP09170/2)	compilii 1225/2 BW (JP09171/2) compilii 1235/2 BW (JP09172/2)

Verzamelen en automatisch pompen van afvalwater zonder fecaliën en afvalwater met fecaliën boven het terugstuwniveau

BRANDEDRAG	NPD
WATERDICHTHEID, LUCHTDICHTHEID - Waterdichtheid - Geurdichtheid	succesvol succesvol
RENDERING (POMPWERKING) - Transport van vaste stoffen - Buisaansluitingen - Minimum afmeting van verluchtingsleidingen - Minimum doorstromingsnelheid - Minimum vrije doorgang van de installatie - Minimum nuttig volume	succesvol succesvol succesvol succesvol succesvol succesvol
MECHANISCHE VASTHEID - Draagkracht en structurele stabiliteit van de verzamelaar container voor het gebruik buiten gebouwen - Structurele stabiliteit van de verzamelcontainer voor het gebruik binnenin gebouwen	NPD succesvol
GELUIDSNIVEAU	≤ 70 dBA
DUURZAAMHEID - van de structurele stabiliteit - van de pompwerking - van de mechanische vastheid	succesvol succesvol succesvol
GEVAARLIJKE STOFFEN	NPD

 0197 JUNG PUMPEN GmbH - Industriestr. 4-6 33803 Steinhagen, Germany 13 452.12.1509 - 453.12.1509	EN 12050-1:2001 Čerpací stanice odpadních vod s fekáliemi	compli 108/2 ME (JP09347/5) compli 120/2 M (JP09877/5) compli 300 E (JP09496/0)	compli 108/2 M (JP09346/5)
		compli 400 E (JP09770/5) compli 400 E (JP09324/5) compli 510/4 BW (JP09191/1) compli 515/4 BW (JP09192/1) compli 525/4 BW (JP09193/1) compli 508/2 M (JP43129/0) compli 1010/4 BWE (JP09273/2) compli 1010/4 BW (JP09829/5) compli 1015/4 BW (JP09830/5) compli 1025/4 BW (JP09831/5) compli 1020/2 M (JP43133/0)	compli 400 (JP00637/9) compli 400 (JP09322/9) compli 525/2 BW (JP09194/1) compli 535/2 BW (JP09195/1) compli 508/2 ME (JP43128/0) compli 520/2 M (JP43130/0) compli 1025/2 BW (JP09461/1) compli 1035/2 BW (JP09462/1) compli 1008/2 ME (JP43131/0) compli 1008/2 M (JP43132/0)
Sběr a automatické čerpání odpadních vod bez fekálií a odpadních vod s fekáliemi nad úroveň zpětného vzduchu		compli 1210/4 BW (JP09168/2) compli 1215/4 BW (JP09169/2) compli 1225/4 BW (JP09170/2)	
 0197 JUNG PUMPEN GmbH - Industriestr. 4-6 33803 Steinhagen, Germany 13 452.12.1509 - 453.12.1509	EN 12050-1:2001 Čerpacie stanice odpadových vod s obsahom fekálnych splaškov	compli 108/2 ME (JP09347/5) compli 120/2 M (JP09877/5) compli 300 E (JP09496/0)	compli 108/2 M (JP09346/5)
		compli 400 E (JP09770/5) compli 400 E (JP09324/5) compli 510/4 BW (JP09191/1) compli 515/4 BW (JP09192/1) compli 525/4 BW (JP09193/1) compli 508/2 M (JP43129/0) compli 1010/4 BWE (JP09273/2) compli 1010/4 BW (JP09829/5) compli 1015/4 BW (JP09830/5) compli 1025/4 BW (JP09831/5) compli 1020/2 M (JP43133/0)	compli 400 (JP00637/9) compli 400 (JP09322/9) compli 525/2 BW (JP09194/1) compli 535/2 BW (JP09195/1) compli 508/2 ME (JP43128/0) compli 520/2 M (JP43130/0) compli 1025/2 BW (JP09461/1) compli 1035/2 BW (JP09462/1) compli 1008/2 ME (JP43131/0) compli 1008/2 M (JP43132/0)
Zber a automatické čerpanie odpadových vôd bez fekálnych a odpadových vôd s obsahom fekálnych splaškov prostredníctvom úrovne vzdušia		compli 1210/4 BW (JP09168/2) compli 1215/4 BW (JP09169/2) compli 1225/4 BW (JP09170/2)	
 0197 JUNG PUMPEN GmbH - Industriestr. 4-6 33803 Steinhagen, Germany 13 452.12.1509 - 453.12.1509	EN 12050-1:2001 Fekálietartalmú szennyvizek áttemelői	compli 108/2 ME (JP09347/5) compli 120/2 M (JP09877/5) compli 300 E (JP09496/0)	compli 108/2 M (JP09346/5)
		compli 400 E (JP09770/5) compli 400 E (JP09324/5) compli 510/4 BW (JP09191/1) compli 515/4 BW (JP09192/1) compli 525/4 BW (JP09193/1) compli 508/2 M (JP43129/0) compli 1010/4 BWE (JP09273/2) compli 1010/4 BW (JP09829/5) compli 1015/4 BW (JP09830/5) compli 1025/4 BW (JP09831/5) compli 1020/2 M (JP43133/0)	compli 400 (JP00637/9) compli 400 (JP09322/9) compli 525/2 BW (JP09194/1) compli 535/2 BW (JP09195/1) compli 508/2 ME (JP43128/0) compli 520/2 M (JP43130/0) compli 1025/2 BW (JP09461/1) compli 1035/2 BW (JP09462/1) compli 1008/2 ME (JP43131/0) compli 1008/2 M (JP43132/0)
Fekália mentes szennyvíz és fekália tartalmú szennyvíz gyűjtése és emelése a visszatartódási szint felett		compli 1210/4 BW (JP09168/2) compli 1215/4 BW (JP09169/2) compli 1225/4 BW (JP09170/2)	
 0197 JUNG PUMPEN GmbH - Industriestr. 4-6 33803 Steinhagen, Germany 13 452.12.1509 - 453.12.1509	EN 12050-1:2001 Fekálietartalmú szennyvizek áttemelői	compli 108/2 ME (JP09347/5) compli 120/2 M (JP09877/5) compli 300 E (JP09496/0)	compli 108/2 M (JP09346/5)
		compli 400 E (JP09770/5) compli 400 E (JP09324/5) compli 510/4 BW (JP09191/1) compli 515/4 BW (JP09192/1) compli 525/4 BW (JP09193/1) compli 508/2 M (JP43129/0) compli 1010/4 BWE (JP09273/2) compli 1010/4 BW (JP09829/5) compli 1015/4 BW (JP09830/5) compli 1025/4 BW (JP09831/5) compli 1020/2 M (JP43133/0)	compli 400 (JP00637/9) compli 400 (JP09322/9) compli 525/2 BW (JP09194/1) compli 535/2 BW (JP09195/1) compli 508/2 ME (JP43128/0) compli 520/2 M (JP43130/0) compli 1025/2 BW (JP09461/1) compli 1035/2 BW (JP09462/1) compli 1008/2 ME (JP43131/0) compli 1008/2 M (JP43132/0)
Fekália mentes szennyvíz és fekália tartalmú szennyvíz gyűjtése és emelése a visszatartódási szint felett		compli 1210/4 BW (JP09168/2) compli 1215/4 BW (JP09169/2) compli 1225/4 BW (JP09170/2)	
 0197 JUNG PUMPEN GmbH - Industriestr. 4-6 33803 Steinhagen, Germany 13 452.12.1509 - 453.12.1509	EN 12050-1:2001 Čerpacie stanice odpadových vod s obsahom fekálnych splaškov	compli 108/2 ME (JP09347/5) compli 120/2 M (JP09877/5) compli 300 E (JP09496/0)	compli 108/2 M (JP09346/5)
		compli 400 E (JP09770/5) compli 400 E (JP09324/5) compli 510/4 BW (JP09191/1) compli 515/4 BW (JP09192/1) compli 525/4 BW (JP09193/1) compli 508/2 M (JP43129/0) compli 1010/4 BWE (JP09273/2) compli 1010/4 BW (JP09829/5) compli 1015/4 BW (JP09830/5) compli 1025/4 BW (JP09831/5) compli 1020/2 M (JP43133/0)	compli 400 (JP00637/9) compli 400 (JP09322/9) compli 525/2 BW (JP09194/1) compli 535/2 BW (JP09195/1) compli 508/2 ME (JP43128/0) compli 520/2 M (JP43130/0) compli 1025/2 BW (JP09461/1) compli 1035/2 BW (JP09462/1) compli 1008/2 ME (JP43131/0) compli 1008/2 M (JP43132/0)
Zber a automatické čerpanie odpadových vôd bez fekálnych a odpadových vôd s obsahom fekálnych splaškov prostredníctvom úrovne vzdušia		compli 1210/4 BW (JP09168/2) compli 1215/4 BW (JP09169/2) compli 1225/4 BW (JP09170/2)	
 0197 JUNG PUMPEN GmbH - Industriestr. 4-6 33803 Steinhagen, Germany 13 452.12.1509 - 453.12.1509	EN 12050-1:2001 Fekálietartalmú szennyvizek áttemelői	compli 108/2 ME (JP09347/5) compli 120/2 M (JP09877/5) compli 300 E (JP09496/0)	compli 108/2 M (JP09346/5)
		compli 400 E (JP09770/5) compli 400 E (JP09324/5) compli 510/4 BW (JP09191/1) compli 515/4 BW (JP09192/1) compli 525/4 BW (JP09193/1) compli 508/2 M (JP43129/0) compli 1010/4 BWE (JP09273/2) compli 1010/4 BW (JP09829/5) compli 1015/4 BW (JP09830/5) compli 1025/4 BW (JP09831/5) compli 1020/2 M (JP43133/0)	compli 400 (JP00637/9) compli 400 (JP09322/9) compli 525/2 BW (JP09194/1) compli 535/2 BW (JP09195/1) compli 508/2 ME (JP43128/0) compli 520/2 M (JP43130/0) compli 1025/2 BW (JP09461/1) compli 1035/2 BW (JP09462/1) compli 1008/2 ME (JP43131/0) compli 1008/2 M (JP43132/0)
Fekália mentes szennyvíz és fekália tartalmú szennyvíz gyűjtése és emelése a visszatartódási szint felett		compli 1210/4 BW (JP09168/2) compli 1215/4 BW (JP09169/2) compli 1225/4 BW (JP09170/2)	



0197

JUNG PUMPEN GmbH – Industriest. 4-6 33803 Steinhagen, Germany
13
452.12.1509 – 453.12.1509

EN 12050-1:2001
Stație de pompare ape uzate cu materii fecale

compili 108/2 ME (JP09347/5)	compili 108/2 M (JP09346/5)
compili 120/2 M (JP09877/5)	
compili 300 E (JP09496/0)	
compili 400 E (JP09770/5)	compili 400 (JP00637/9)
compili 400 E (JP09324/5)	compili 400 (JP09322/9)
compili 510/4 BW (JP09191/1)	compili 525/2 BW (JP09194/1)
compili 515/4 BW (JP09192/1)	compili 535/2 BW (JP09195/1)
compili 525/4 BW (JP09193/1)	compili 508/2 ME (JP43128/0)
compili 508/2 M (JP43129/0)	compili 520/2 M (JP43130/0)
compili 1010/4 BWE (JP09273/2)	compili 1025/2 BW (JP09461/1)
compili 1010/4 BW (JP09829/5)	compili 1035/2 BW (JP09462/1)
compili 1015/4 BW (JP09830/5)	compili 1008/2 ME (JP43131/0)
compili 1025/4 BW (JP09831/5)	compili 1008/2 M (JP43132/0)
compili 1020/2 M (JP43133/0)	
compili 1210/4 BW (JP09168/2)	compili 1225/2 BW (JP09171/2)
compili 1215/4 BW (JP09169/2)	compili 1235/2 BW (JP09172/2)
compili 1225/4 BW (JP09170/2)	

Colectarea și pomparea automată de ape uzate fără materii fecale și ape uzate cu materii fecale deasupra nivelului maxim posibil al apelor uzate din sistemul de canalizare

COMPORIMENTUL ÎN CAZ DE INCENDIU	NPD
IMPERMEABILITATE LA APĂ, ETANȘEITATE LA AER	Reușit
- Impermeabilitate la apă	Reușit
- Etanșeitate la mirosuri	
EFICACITATE (EFICIENȚĂ DE POMPARE)	Reușit
- Transportul de materiale solide	Reușit
- Racorduri țevă	Reușit
- Dimensiuni minime ale conductelor de ventilație	Reușit
- Viteza de curgere minimă	Reușit
- Trecerea minimă liberă a instalației	Reușit
- Capacitate utilizabilă minimă	Reușit
REZISTENȚA MECANICĂ	Reușit
- Capacitatea portantă și stabilitatea structurală a rezervorului colector pentru utilizarea în afara clădirilor	NPD
- Stabilitatea structurală a rezervorului colector pentru utilizarea în interiorul clădirilor	Reușit
NIVEL DE ZGOMOT	≤ 70 dB(A)
DURABILITATEA	
- Stabilitatea structurală	Reușit
- Eficiență de pompare	Reușit
- Rezistența mecanică	Reușit
SUBSTANȚE PERICULOASE	NPD



PolyPump Ltd

Providing your pumping solutions

sales@polypump.co.uk

01296 488 294

EU-Konformitätserklärung
EU-Prohlášení o shodě
EU-Overensstemmelseserklæring
EU-Declaration of Conformity
EU-Vaatumustenmukaisuusvakuutus

EU-Déclaration de Conformité
EU-Megfelelőségi nyilatkozat
EU-Dichiarazione di conformità
EU-Conformiteitsverklaring
EU-Deklaracja zgodności

EU-Declarație de conformitate
EU-Vyhlašení o zhode
EU-Försäkran om överensstämmelse

DE - Richtlinien - Harmonisierte Normen
CS - Směrnice - Harmonizované normy
DA - Direktiv - Harmoniseret standard
EN - Directives - Harmonised standards
FI - Direktiivi - Yhdenmukaistettu standardi

FR - Directives - Normes harmonisées
HU - Irányelve - Harmonizált szabványok
IT - Direttive - Norme armonizzate
NL - Richtlijnen - Geharmoniseerde normen
PL - Dyrektywy - Normy zharmonizowane

RO - Directivă - Norme coroborate
SK - Smernice - Harmonizované normy
SV - Direktiv - Harmoniserade normer

- 2006/42/EG (MD) EN 809:1998/AC:2010, EN ISO 12100:2010, EN 60335-1:2012/A11:2014
- 2011/65/EU (RoHS)
- 2014/30/EU (EMC) EN 55014-1:2006/A2:2011, EN 55014-2:1997/A2:2008, EN 61000-3-2:2014, EN 61000-3-3:2013
- 2014/34/EU (ATEX) EN 1127-1:2011

JUNG PUMPEN GmbH - Industriestr. 4-6 - 33803 Steinhagen - Germany - www.jung-pumpen.de

DE - Wir erklären in alleiniger Verantwortung, dass das Produkt den aufgeführten Richtlinien entspricht.
CS - Prohlašujeme na svou výlučnou odpovědnost, že výrobek odpovídá jmenovaným směrnicím.
DA - Vi erklærer under ansvar at produktet i overensstemmelse med de retningslinjer
EN - We hereby declare, under our sole responsibility, that the product is in accordance with the specified Directives.
FI - Me vakuutamme omalla vastuullamme, että tuote täyttää ohjeita.
FR - Nous déclarons sous notre propre responsabilité que le produit répond aux directives.
HU - Kizárólagos felelősségünk tudatában kijelentjük, hogy ez a termék megfelel az Európai Unió fentnevezett irányelveinek.
IT - Noi dichiariamo sotto la nostra esclusiva responsabilità che il prodotto è conforme alle direttive citate
NL - Wij verklaren geheel onder eigen verantwoordelijkheid dat het product voldoet aan de gestelde richtlijnen.
PL - Z pełną odpowiedzialnością oświadczamy, że produkt odpowiada postanowieniom wymienionych dyrektyw.
RO - Declaram pe proprie răspundere că produsul corespunde normelor prevăzute de directivele mai sus menționate.
SK - Na výlučnú zodpovednosť vyhlasujeme, že výrobok spĺňa požiadavky uvedených smerníc.
SV - Vi försäkrar att produkten på vårt ansvar är utförd enligt gällande riktlinjer.

compli 300 E (JP09496/0)

compli 510/4 BW (JP09191/1)

compli 108/2 ME (JP09347/5)

compli 400 E (JP09770/5)

compli 515/4 BW (JP09192/1)

compli 108/2 M (JP09346/5)

compli 400 E (JP09324/5)

compli 525/4 BW (JP09193/1)

compli 120/2 M (JP09877/5)

compli 400 (JP00637/9)

compli 525/2 BW (JP09194/1)

compli 508/2 ME (JP43128/0)

compli 400 (JP09322/9)

compli 535/2 BW (JP09195/1)

compli 508/2 M (JP43129/0)

compli 520/2 M (JP43130/0)



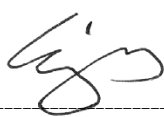
DE - Weitere normative Dokumente CS - Jinými normativními dokumenty DA - Andre normative dokumenter EN - Other normative documents FI - Muiden normien FR - Autres documents normatifs HU - Egyéb szabályozó dokumentumokban leírtaknak IT - Altri documenti normativi NL - Verdere normatieve documenten PL - Innymi dokumentami normatywnymi RO - Alte acte normative SK - Iným záväzným dokumentom SV - Vidare normerande dokument


EN 50274:2002/AC:2009,
EN 60335-2-41:2003/A2:2010,
TRBS 2153, CLC/TR 50404

DE - Bevollmächtigter für technische Dokumentation CS - Oprávněná osoba pro technickou dokumentaci DA - Autoriseret person for teknisk dokumentation EN - Authorized person for technical documentation FI - Valtuutettu henkilö tekninen dokumentaatio FR - Personne autorisée à la documentation technique HU - Hivatalos személyi műszaki dokumentáció IT - Persona abilitata per la documentazione tecnica NL - Bevoegd persoon voor technische documentatie PL - Pełnomocnik ds. dokumentacji technicznej RO - Persoană autorizată pentru documentație tehnică SK - Oprávněná osoba pre technickú dokumentáciu SV - Auktoriserad person för teknisk dokumentation

JUNG PUMPEN - Stefan Sirges - Industriestr. 4-6 - 33803 Steinhagen

Steinhagen, 20-09-2018


Stefan Sirges, General Manager


i.V. Rüdiger Rokohl, Sales Manager

EU-Konformitätserklärung
EU-Prohlášení o shodě
EU-Overensstemmelseserklæring
EU-Declaration of Conformity
EU-Vaatumustenmukaisuusvakuutus

EU-Déclaration de Conformité
EU-Megfelelőségi nyilatkozat
EU-Dichiarazione di conformità
EU-Conformiteitsverklaring
EU-Deklaracja zgodności

EU-Declarație de conformitate
EU-Vyhlasenie o zhode
EU-Försäkran om överensstämmelse

DE - Richtlinien - Harmonisierte Normen
CS - Směrnice - Harmonizované normy
DA - Direktiv - Harmoniseret standard
EN - Directives - Harmonised standards
FI - Direktiivi - Yhdenmukaistettu standardi

FR - Directives - Normes harmonisées
HU - Irányelve - Harmonizált szabványok
IT - Direttive - Norme armonizzate
NL - Richtlijnen - Geharmoniseerde normen
PL - Dyrektywy - Normy zharmonizowane

RO - Directivă - Norme coroborate
SK - Smernice - Harmonizované normy
SV - Direktiv - Harmoniserade normer

- 2006/42/EG (MD) EN 809:1998/AC:2010, EN ISO 12100:2010, EN 60335-1:2012/A11:2014
- 2011/65/EU (RoHS)
- 2014/30/EU (EMC) EN 55014-1:2006/A2:2011, EN 55014-2:1997/A2:2008, EN 61000-3-2:2014, EN 61000-3-3:2013
- 2014/34/EU (ATEX) EN 1127-1:2011

JUNG PUMPEN GmbH - Industriestr. 4-6 - 33803 Steinhagen - Germany - www.jung-pumpen.de

DE - Wir erklären in alleiniger Verantwortung, dass das Produkt den aufgeführten Richtlinien entspricht.
CS - Prohlašujeme na svou výlučnou odpovědnost, že výrobek odpovídá jmenovaným směrnícím.
DA - Vi erklærer under ansvar at produktet i overensstemmelse med de retningslinjer
EN - We hereby declare, under our sole responsibility, that the product is in accordance with the specified Directives.
FI - Me vakuutamme omalla vastuullamme, että tuote täyttää ohjeita.
FR - Nous déclarons sous notre propre responsabilité que le produit répond aux directives.
HU - Kizárólagos felelősségünk tudatában kijelentjük, hogy ez a termék megfelel az Európai Unió fentnevezett irányelveinek.
IT - Noi dichiariamo sotto la nostra esclusiva responsabilità che il prodotto è conforme alle direttive citate
NL - Wij verklaren geheel onder eigen verantwoordelijkheid dat het product voldoet aan de gestelde richtlijnen.
PL - Z pełną odpowiedzialnością oświadczamy, że produkt odpowiada postanowieniom wymienionych dyrektyw.
RO - Declaram pe proprie răspundere că produsul corespunde normelor prevăzute de directivele mai sus menționate.
SK - Na výlučnú zodpovednosť vyhlasujeme, že výrobok spĺňa požiadavky uvedených smerníc.
SV - Vi försäkrar att produkten på vårt ansvar är utförd enligt gällande riktlinjer.



compli 1010/4 BWE (JP09273/2)	compli 1210/4 BW (JP09168/2)	compli 1575/4 B6 (JP09185/1)	compli 2575/4 C5 (JP09189/1)
compli 1010/4 BW (JP09829/5)	compli 1215/4 BW (JP09169/2)	compli 1535/2 B2 (JP45933)	compli 2575/4 B6 (JP09190/1)
compli 1015/4 BW (JP09830/5)	compli 1225/4 BW (JP09170/2)	compli 1555/2 B2 (JP45934)	compli 2535/2 B2 (JP45936)
compli 1025/4 BW (JP09831/5)	compli 1225/2 BW (JP09171/2)	compli 1575/2 B5 (JP45141/1)	compli 2555/2 B2 (JP45937)
compli 1025/2 BW (JP09461/1)	compli 1235/2 BW (JP09172/2)	compli 15100/2 B5 (JP45142/1)	compli 2575/2 B5 (JP45938)
compli 1035/2 BW (JP09462/1)	compli 1525/4 C1 (JP09181/1)	compli 15200/2 B6 (JP45935)	compli 25100/2 B5 (JP45939)
compli 1008/2 ME (JP43131)	compli 1535/4 C1 (JP09182/1)	compli 2525/4 C1 (JP09186/1)	compli 25200/2 B6 (JP45940)
compli 1008/2 M (JP43132)	compli 1555/4 C5 (JP09183/1)	compli 2535/4 C1 (JP09187/1)	
compli 1020/2 M (JP43133)	compli 1575/4 C5 (JP09184/1)	compli 2555/4 C5 (JP09188/1)	

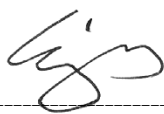
DE - Weitere normative Dokumente CS - Jinými normativními dokumenty DA - Andre normative dokumenter EN - Other normative documents FI - Muiden normien FR - Autres documents normatifs HU - Egyéb szabályozó dokumentumokban leírtaknak IT - Altri documenti normativi NL - Verdere normatieve documenten PL - Innymi dokumentami normatywnymi RO - Alte acte normative SK - Iným záväzným dokumentom SV - Vidare normerande dokument

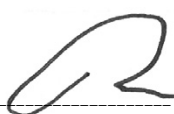
EN 50274:2002/AC:2009,
EN 60335-2-41:2003/A2:2010,
TRBS 2153, CLC/TR 50404

DE - Bevollmächtigter für technische Dokumentation CS - Oprávněná osoba pro technickou dokumentaci DA - Autoriseret person for teknisk dokumentation EN - Authorized person for technical documentation FI - Valtuutettu henkilö tekninen dokumentaatio FR - Personne autorisée à la documentation technique HU - Hivatalos személy műszaki dokumentáció IT - Persona abilitata per la documentazione tecnica NL - Bevoegd persoon voor technische documentatie PL - Pełnomocnik ds. dokumentacji technicznej RO - Persoană autorizată pentru documentație tehnică SK - Oprávněná osoba pre technickú dokumentáciu SV - Auktoriserad person för teknisk dokumentation

JUNG PUMPEN - Stefan Sirges - Industriestr. 4-6 - 33803 Steinhagen

Steinhagen, 20-09-2018


Stefan Sirges, General Manager


i.V. Rüdiger Rokohl, Sales Manager

COMPLI 300 E



Spare parts



①	Motoreinheit	Motor unit	JP47288
②	Elast. Verbindung	Elastic connector	JP42792
③	Flansch	Flange	JP42793
④	Rückschlagventil	Reflux valve	JP42794
⑤	Gummiklappe	Valve flap	JP46841
⑥	Basisplatte	Basis plate	JP42797
⑦	Dichtband	Sealing tape	JP47966
⑧	Überschiebmuffe	Collar	JP47287
⑨	Wartungsdeckel	Service lid	JP42798
⑩	Klemmflansch	Clamping flange	JP42795
⑪	Pumpenlüftung	Pump ventilation	JP42799
⑫	Steckdichtung	Plug in seal	JP45099
⑬	Behälter	Tank	JP44749
⑭	Auftriebssicherung	Anti floating	JP42796
⑮	Schraubensatz	Screw set	JP42800
⑯	Dichtungssatz	Seal set	JP42801

MOTOR COMPLI 300 E

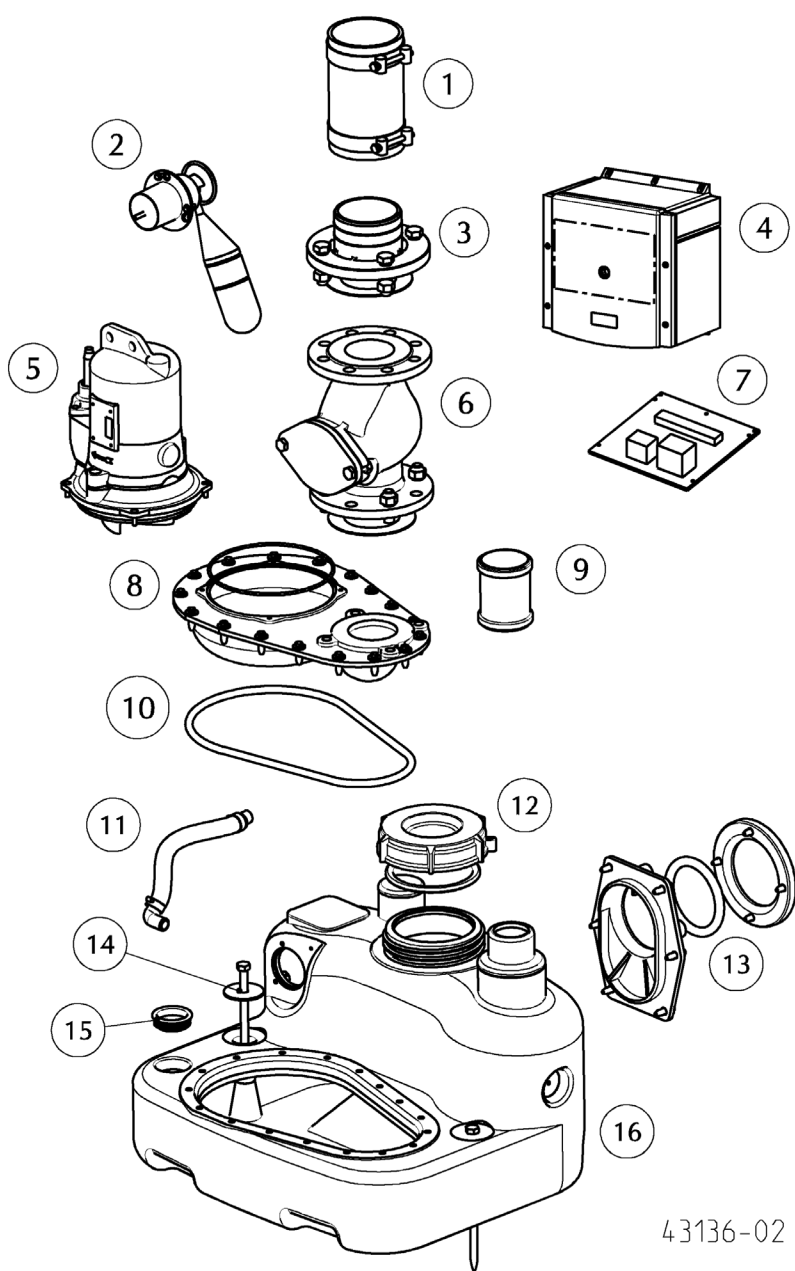


①	Steuerung	Control unit	JP42802
②	Leitung	Cable	JP50330
③	Niveauschaltung	Level control unit	JP50331
④	Kondensator	Capacitor	JP46016
⑤	Haube	Top Cover	JP46019
⑥	Schwimmer	Float	JP42771
⑦	Rotorwelle	Rotor shaft	JP47289
⑧	Lagersatz	Bearing set	JP46042
⑨	Motorabdichtung	Motor seals	JP46728
⑩	Stator + Gehäuse	Stator + Housing	JP46029
⑪	Dichtungssatz	Seal set	JP42810
⑫	Schraubensatz	Screw set	JP42809
⑬	Lauftrad	Impeller	JP46053
⑭	Lagerschild	Bearing housing	JP42806

COMPLI 400



Spare parts

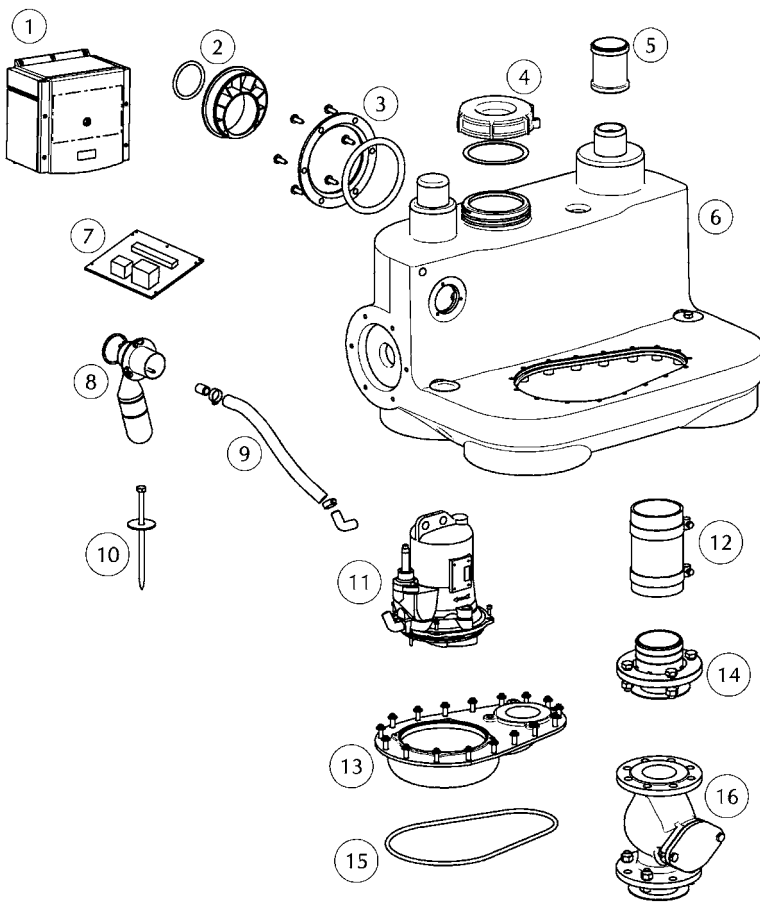


①	Elast. Verbindung	Elastic connector	JP43705
②	Niveauerfassung	Level control	JP43712
③	Flansch	Flange	JP43706
④	Steuerung	Control unit	
	compl 400		JP46810
	compl 400 E		JP48526
⑤	Pumpe	Pump	
	compl 400		JP46753
	compl 400 E		JP46754
⑥	Rückschlagklappe	Reflux valve	JP43707
⑦	Steuerungsplatine	Control board	
	compl 400		JP46846
	compl 400 E		JP48527
⑧	Basisplatte	Base plate	JP43711
⑨	Überschiebmuffe	Collar	JP47287
⑩	Dichtband	Sealing tape	JP47966
⑪	Pumpenlüftung	Pump ventilation	JP43710
⑫	Wartungsdeckel	Service lid	JP42798
⑬	Klemmflansch	Clamping flange	JP43708
⑭	Auftriebssicherung	Anti floating	JP43709
⑮	Steckdichtung	Plug in seal	JP45099
⑯	Behälter	Tank	JP44859

43136-02

COMPLI 500

Spare parts

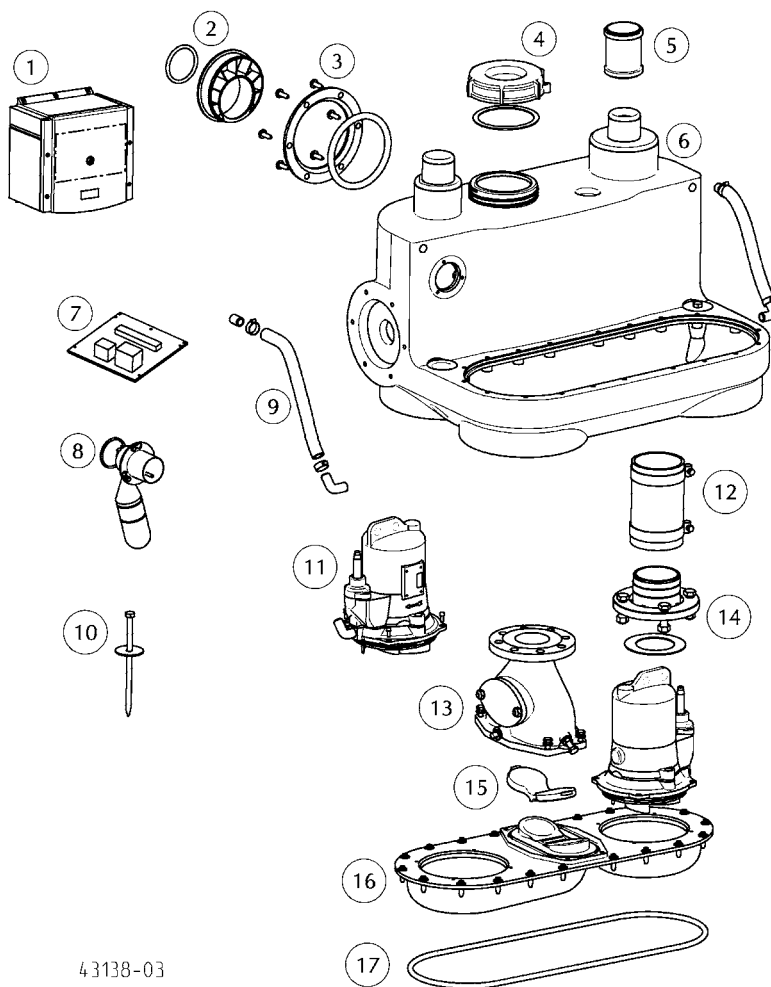


43137-04

① Steuerung	Control unit	
510/4, 515/4		JP45788
525/2, 525/4		JP45789
535/2		JP45790
② DN150 / DN100	DN 150 / DN100	JP48871
③ Klemmflansch	Clamping flange	JP43713
④ Wartungsdeckel	Service lid	JP42798
⑤ Überschiebmuffe	Collar	JP47287
⑥ Behälter	Tank	JP44860
⑦ Steuerungsplatine	Control board	
510/4, 515/4		JP46839
525/2, 525/4		JP47717
535/2		JP47303
⑧ Niveauerfassung	Level control	JP43712
⑨ Pumpenlüftung	Pump ventilation	JP43710
⑩ Auftriebssicherung	Anti floating	JP43709
⑪ Pumpe	Pump	
510/4		JP45778
515/4		JP45779
525/4		JP45780
525/2		JP48826
535/2		JP48827
⑫ Elast. Verbindung	Elastic connector	JP43705
⑬ Basisplatte	Base plate	JP43711
⑭ Flansch	Flange	JP43706
⑮ Dichtband	Sealing tape	JP47966
⑯ Rückschlagklappe	Reflux valve	JP43707



COMPLI 1000



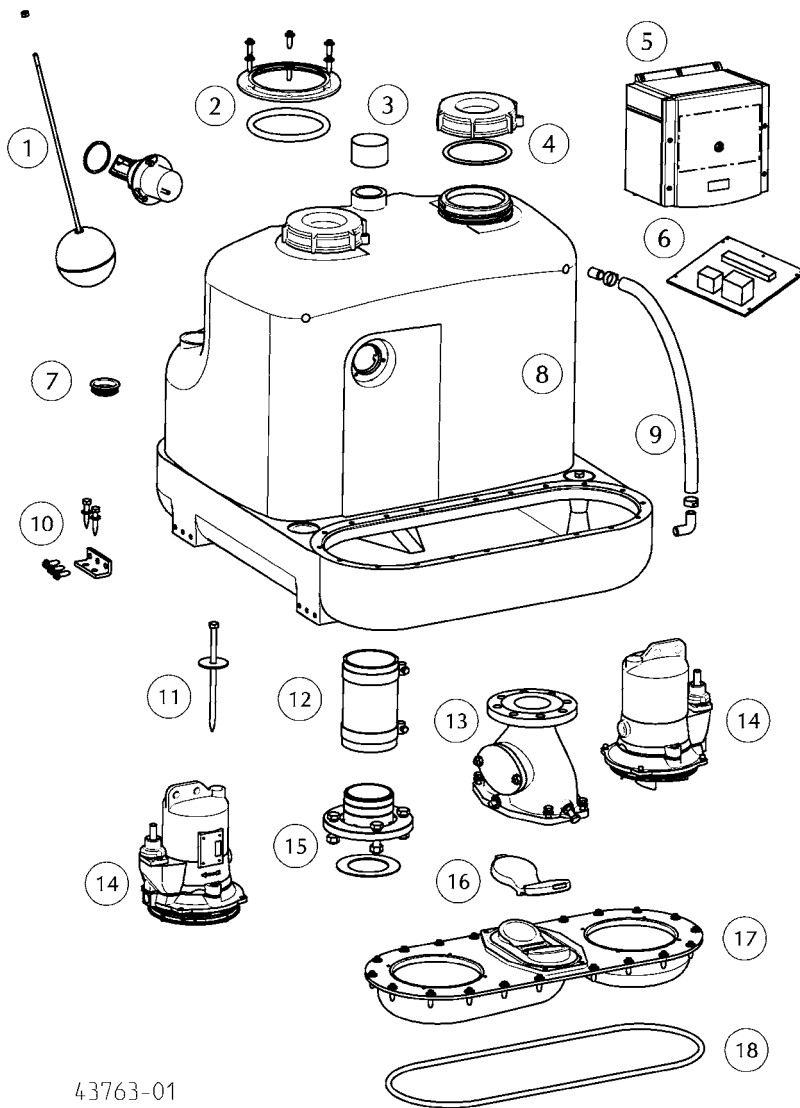
4 3138-03

① Steuerung	Control unit	
1010/4 BWE		JP47285
1010/4, 1015/4		JP47286
1025/4, 1025/2		JP45786
1035/2		JP45787
② DN 150 / DN 100	DN150 / DN 100	JP48871
③ Klemmflansch	Clamping flange	JP43713
④ Wartungsdeckel	Service lid	JP42798
⑤ Überschiebmuffe	Collar	JP47287
⑥ Behälter	Tank	JP44861
⑦ Steuerungsplatine	Control board	JP47304
⑧ Niveauerfassung	Level control	
4 m Leitung	4 m cable	JP43712
15 m Leitung	15 m cable	JP48227
⑨ Pumpenlüftung	Pump ventilation	JP43710
⑩ Auftriebssicherung	Anti floating	JP43709
⑪ Pumpe	Pump	
1010/4 BWE, 4 m		JP46754
1010/4 BWE, 15 m		JP48684
1010/4		JP45778
1015/4		JP45779
1025/4		JP45780
1025/2		JP48826
1035/2		JP48827
⑫ Elast. Verbindung	Elastic connector	JP43705
⑬ Gehäuse Klappe	Housing valve	JP46813
⑭ Flansch	Flange	JP43706
⑮ Doppelklappe	Duplex flap	JP46812
⑯ Basisplatte	Base plate	JP43714
⑰ Dichtband	Sealing tape	JP47966



COMPLI 1200

Spare parts

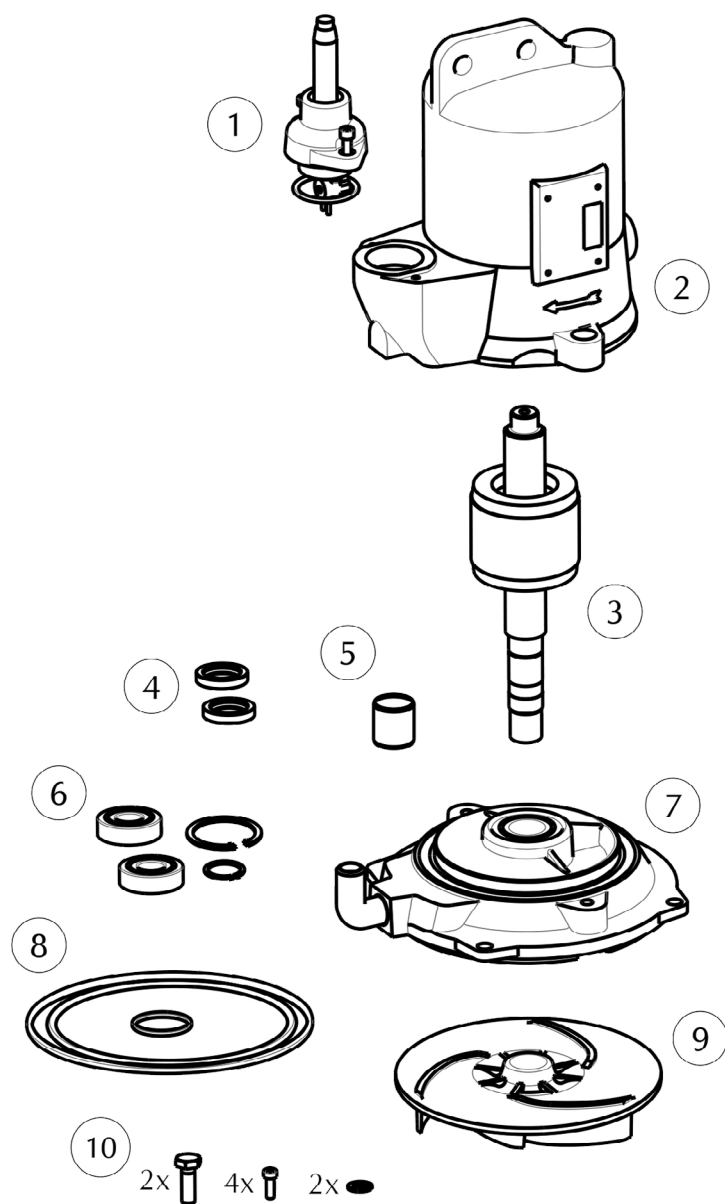


43763-01

①	Niveauerfassung	Level control	JP47306
②	Klemmflansch	Clamping flange	JP43713
③	Überschiebmuffe	Collar	JP46814
④	Wartungsdeckel	Service lid	JP42798
⑤	Steuerung	Control unit	
	1210/4, 1215/4		JP47286
	1225/4, 1225/2		JP45786
	1235/2		JP45787
⑥	Steuerungsplatine	Control board	JP47304
⑦	Steckdichtung	Plug in seal	JP45099
⑧	Behälter	Tank	JP44862
⑨	Pumpenlüftung	Pump ventilation	JP43710
⑩	Auftriebssicherung	Anti floating	JP43716
⑪	Auftriebssicherung	Anti floating	JP43709
⑫	Elast. Verbindung	Elastic connector	JP43705
⑬	Gehäuse Klappe	Housing valve	JP46813
⑭	Pumpe	Pump	
	1210/4		JP45778
	1215/4		JP45779
	1225/4		JP45780
	1225/2		JP48826
	1235/2		JP48827
⑮	Flansch	Flange	JP43706
⑯	Doppelklappe	Duplex flap	JP46812
⑰	Basisplatte	Base plate	JP43714
⑱	Dichtband	Sealing tape	JP47966



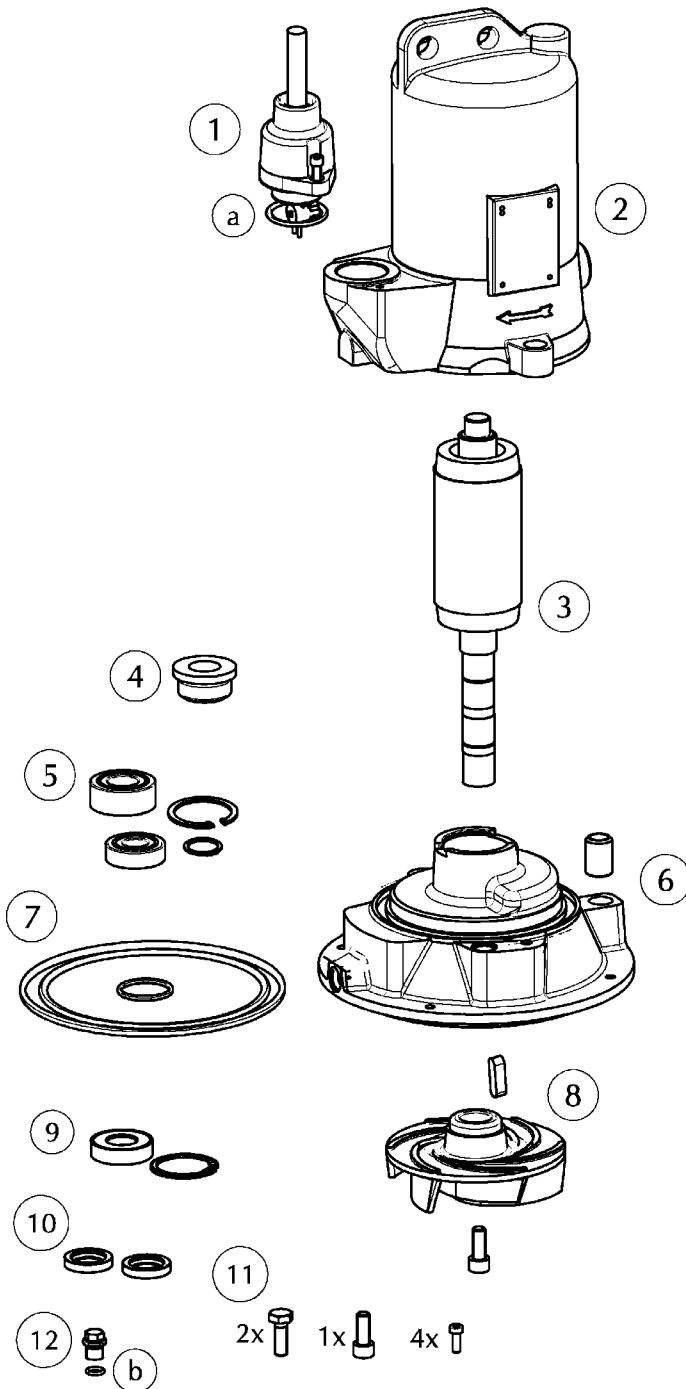
UC 10/4 - 15/4 - 25/4



①	Leitung	Cable	
	10/4, 15/4, 25/4		JP43717
	1010/4 BWE, 4 m		JP43721
	1010/4 BWE, 15 m		JP48685
②	Stator + Gehäuse	Stator + Housing	
	10/4, 15/4, 25/4		JP47042
	1010/4 BWE		JP43722
③	Rotorwelle	Rotor shaft	
	10/4, 15/4, 25/4		JP45791
	1010/4 BWE		JP46801
④	Motorabdichtung	Motor seals	JP46806
⑤	Lauf radbefestigung	Impeller fixation	
	10/4, 15/4, 25/4		JP46802
	1010/4 BWE		JP46803
⑥	Lagersatz	Bearing set	JP46724
⑦	Lagerschild	Bearing housing	JP43720
⑧	Dichtungssatz	Seal set	JP46807
⑨	Lauf rad	Impeller	
	1010/4 BWE		JP47290
	10/4		JP45793
	15/4		JP45794
	25/4		JP45795
⑩	Schraubensatz	Screw set	JP47291



UC 25/2 - 35/2

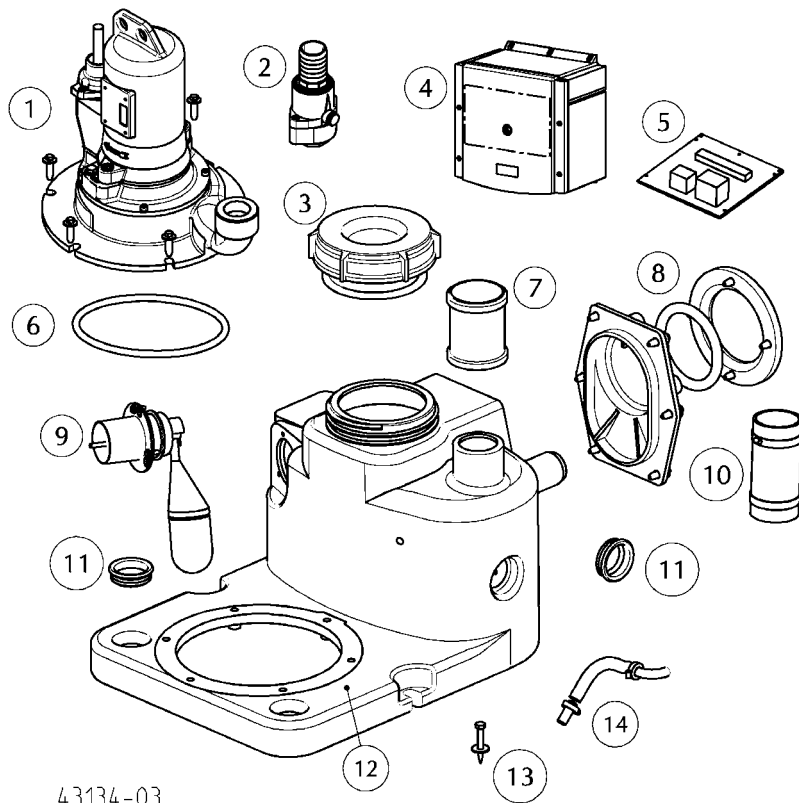


①	Leitung	Cable	JP43717
②	Stator + Gehäuse	Stator + Housing	
	25/2		JP44008
	35/2		JP46211
③	Rotorwelle	Rotor shaft	
	25/2		JP48339
	35/2		JP48340
④	Gleitringdichtung	Mechanical seal	JP46567
⑤	Lagersatz	Bearing set	JP46214
⑥	Lagerschild	Bearing housing	JP43726
⑦	Dichtungssatz	Seal set	JP46807
⑧	LaufRad	Impeller	
	25/2		JP48359
	35/2		JP48360
⑨	Wellenabdeckung	Shaft cover	JP47043
⑩	Motorabdichtung	Motor seals	JP46806
⑪	Schraubensatz	Screw set	JP47291
⑫	Ölschraube	Oil screw	JP46046

a	10x O-Ring 38x3,5	JP48109
c	10x O-Ring 10x2,5	JP48088

COMPLI 100 M

Spare parts

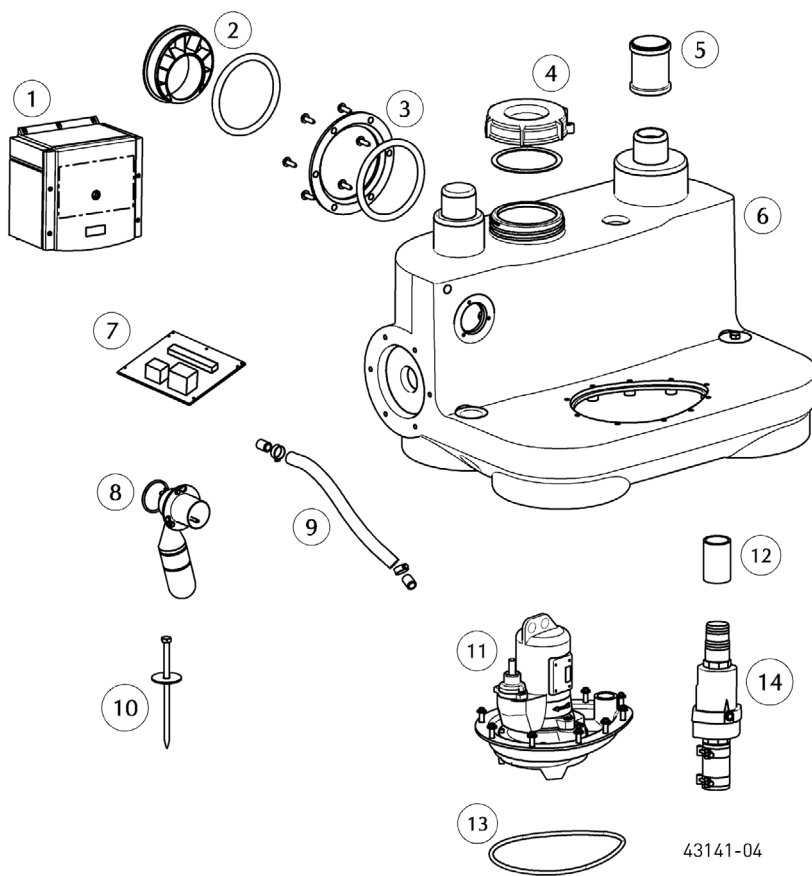


43134-03

①	Pumpe	Pump	
	08/2 ME		JP46821
	08/2 M		JP46822
	20/2 M		JP46824
②	Rückschlagklappe	Reflux valve	JP48139
③	Wartungsdeckel	Service lid	JP42798
④	Steuerung	Control unit	
	08/2 ME		JP46825
	08/2 M		JP46810
	20/2 M		JP45789
⑤	Steuerungsplatine	Control board	
	08/2 ME		JP47693
	08/2 M		JP46846
	20/2 M		JP47717
⑥	Rundschnur	Round cord	JP47968
⑦	Überschiebmuffe	Collar	JP47287
⑧	Klemmflansch	Clamping flange	JP43708
⑨	Niveauerfassung	Level control	JP43734
⑩	Elast. Verbindung	Elastic connector	JP43731
⑪	Steckdichtung	Plug in seal	JP45099
⑫	Behälter	Tank	JP46820
⑬	Auftriebssicherung	Anti floating	JP43733
⑭	Pumpenlüftung	Pump ventilation	JP43732



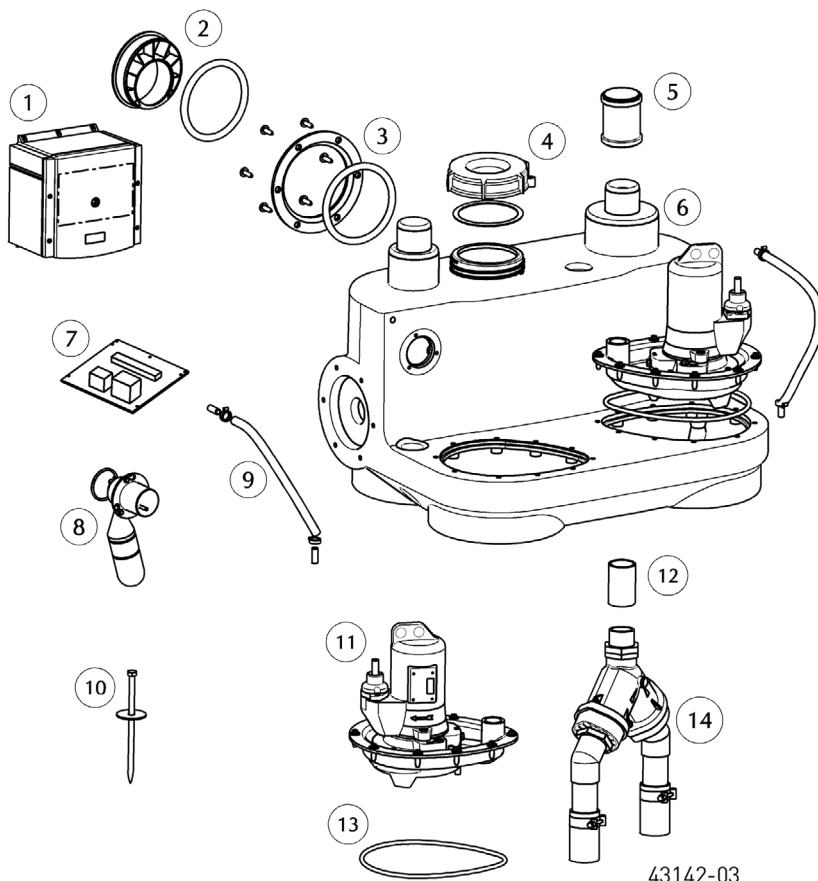
COMPLI 500 M



① Steuerung	Control unit	
08/2 ME		JP46825
08/2 M		JP46810
20/2 M		JP45789
② DN 150 / DN 100	DN 150 / DN 100	JP48871
③ Klemmflansch	Clamping flange	JP43713
④ Wartungsdeckel	Service lid	JP42798
⑤ Überschiebmuffe	Collar	JP47287
⑥ Behälter	Tank	JP46832
⑦ Steuerungsplatine	Control board	
08/2 ME		JP47693
08/2 M		JP46846
20/2 M		JP47717
⑧ Niveauerfassung	Level control	JP43712
⑨ Pumpenlüftung	Pump ventilation	JP43732
⑩ Auftriebssicherung	Anti floating	JP43709
⑪ Pumpe	Pump	
08/2 ME		JP46833
08/2 M		JP46834
20/2 M		JP46835
⑫ Elast. Verbindung	Elastic connector	JP43735
⑬ Rundschnur	Round cord	JP47967
⑭ Rückschlagklappe	Check valve	JP48138



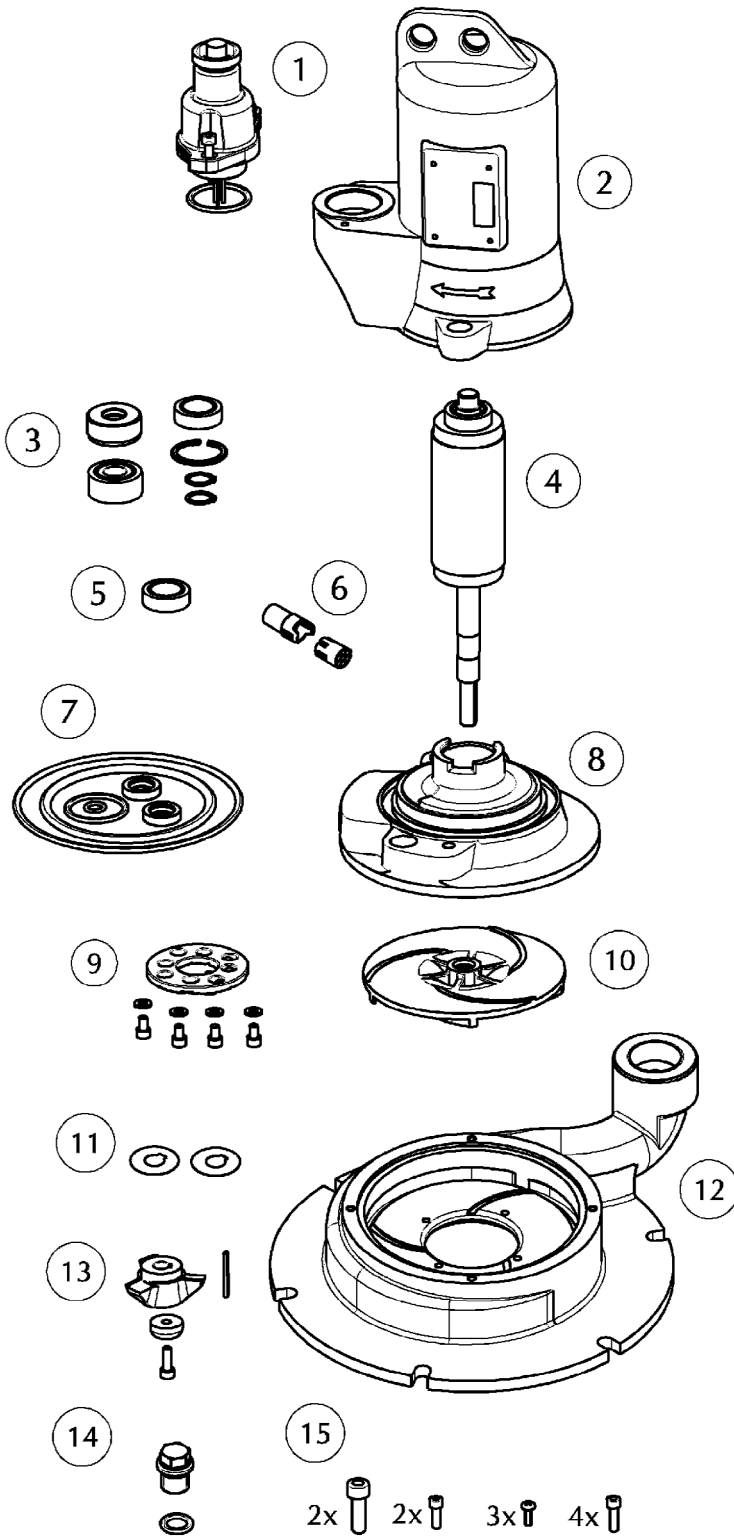
COMPLI 1000 M



①	Steuerung	Control unit	
	08/2 ME		JP48626
	08/2 M		JP45786
	20/2 M		JP45786
②	DN 150 / DN 100	DN 150 / DN 100	JP48871
③	Klemmflansch	Clamping flange	JP43713
④	Wartungsdeckel	Service lid	JP42798
⑤	Überschiebmuffe	Collar	JP47287
⑥	Behälter	Tank	JP46836
⑦	Steuerungsplatine	Control board	JP47304
⑧	Niveauerfassung	Level control	JP43712
⑨	Pumpenlüftung	Pump ventilation	JP43732
⑩	Auftriebssicherung	Anti floating	JP43709
⑪	Pumpe	Pump	
	08/2 ME		JP46833
	08/2 M		JP46834
	20/2 M		JP46835
⑫	Elast. Verbindung	Elastic connector	JP43735
⑬	Rundschnur	Round cord	JP47967
⑭	Rückschlagklappe	Check valve	JP46837



UC 08/2 M - 20/2 M



① Leitung	Cable	JP43717
② Stator + Gehäuse	Stator + Housing	
08/2 ME		JP43736
08/2 M		JP43737
20/2 M		JP43738
③ Lagersatz	Bearing set	JP45585
④ Rotorwelle	Rotor shaft	
08/2 ME		JP47391
08/2 M		JP46561
20/2 M		JP46562
⑤ Gleitringdichtung	Mechanical seal	JP46043
⑥ Coni Stecker	Coni plug	JP46572
⑦ Dichtungssatz	Seal set	JP45628
⑧ Lagerkammer	Bearing housing	JP43739
⑨ Schneidplatte	Cutter plate	JP45470
⑩ Laufrad	Impeller	
08/2 M		JP45467
20/2 M		JP45468
⑪ Pass-Scheiben	Shim rings	JP46559
⑫ Pumpengehäuse	Pump casing	
100		JP47309
500, 1000		JP47390
⑬ Schneidrotor	Cutter	JP45472
⑭ Ölschraube	Oil screw	JP46046
⑮ Schraubensatz	Screw set	JP46563

PolyPump Ltd

Providing your pumping solutions

sales@polypump.co.uk

01296 488 294

