



Helix V6

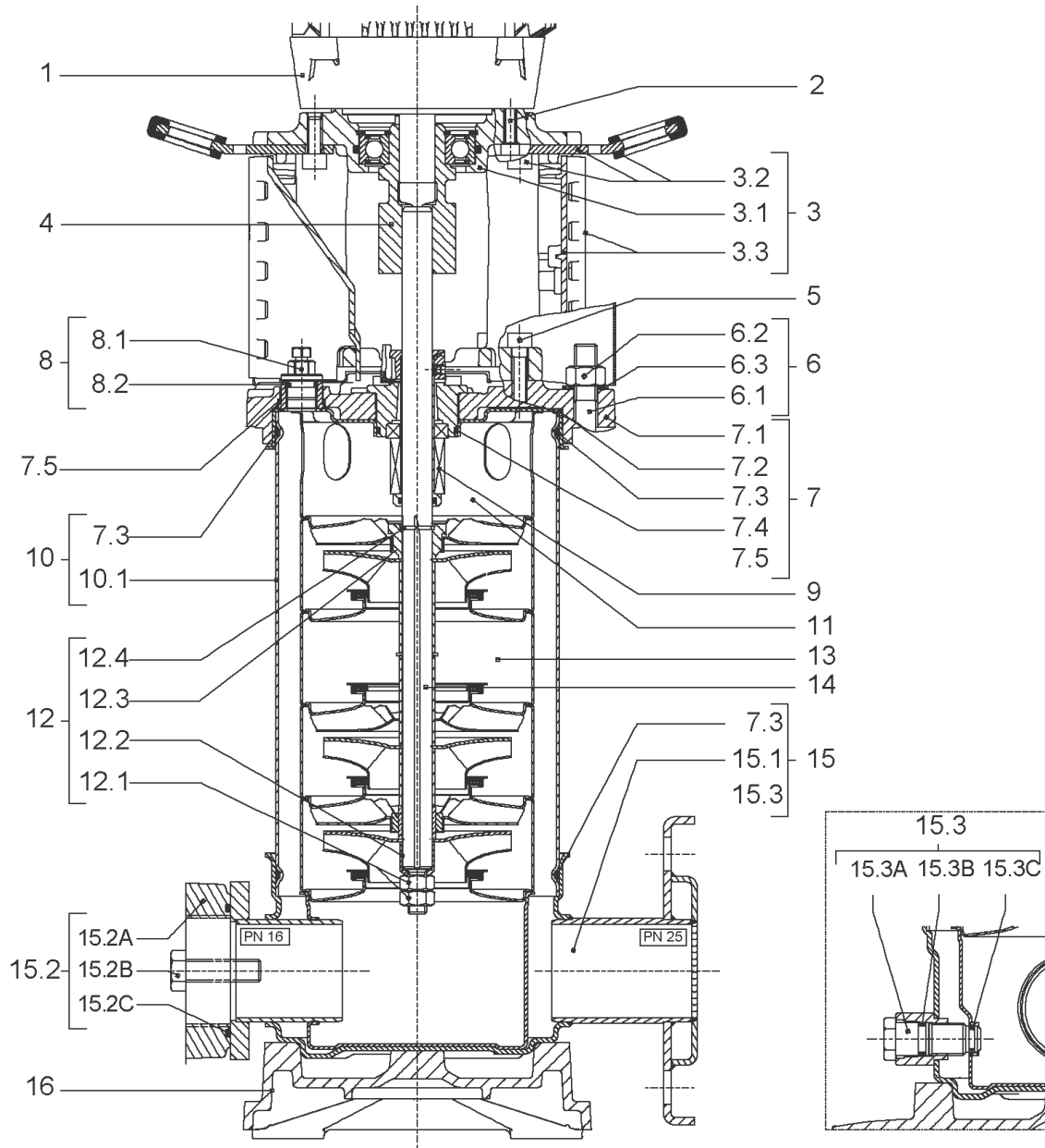
Article no.	Description
4156030	HELIX V601-1/16/E/KS/400-50
4156062	HELIX V601-2/25/V/KS/400-50
4156031	HELIX V602-1/16/E/KS/400-50
4201400	HELIX V602-1/16/E/S/400-50
4162713	HELIX V602-1/16/E/S/400-50
4192425	HELIX V602-1/16/E/S/460-60
4156063	HELIX V602-2/25/V/KS/400-50
4156032	HELIX V603-1/16/E/KS/400-50
4201402	HELIX V603-1/16/E/S/400-50
4162714	HELIX V603-1/16/E/S/400-50
4192426	HELIX V603-1/16/E/S/460-60
4156064	HELIX V603-2/25/V/KS/400-50
4156033	HELIX V604-1/16/E/KS/400-50
4162715	HELIX V604-1/16/E/S/400-50
4201405	HELIX V604-1/16/E/S/400-50
4192427	HELIX V604-1/16/E/S/460-60
4156065	HELIX V604-2/25/V/KS/400-50
4156034	HELIX V605-1/16/E/KS/400-50
4201408	HELIX V605-1/16/E/S/400-50
4162716	HELIX V605-1/16/E/S/400-50
4192428	HELIX V605-1/16/E/S/460-60
4156066	HELIX V605-2/25/V/KS/400-50
4156035	HELIX V606-1/16/E/KS/400-50
4201411	HELIX V606-1/16/E/S/400-50
4162717	HELIX V606-1/16/E/S/400-50
4192429	HELIX V606-1/16/E/S/460-60
4156067	HELIX V606-2/25/V/KS/400-50
4156036	HELIX V607-1/16/E/KS/400-50
4201414	HELIX V607-1/16/E/S/400-50
4162718	HELIX V607-1/16/E/S/400-50
4192430	HELIX V607-1/16/E/S/460-60
4156037	HELIX V607-1/25/E/KS/400-50
4199904	HELIX V607-2/25/V/K/400-50
4156068	HELIX V607-2/25/V/KS/400-50

Helix V6

Article no.	Description
4156038	HELIX V608-1/16/E/KS/400-50
4162719	HELIX V608-1/16/E/S/400-50
4201417	HELIX V608-1/16/E/S/400-50
4192431	HELIX V608-1/16/E/S/460-60
4156039	HELIX V608-1/25/E/KS/400-50
4156069	HELIX V608-2/25/V/KS/400-50
4156040	HELIX V609-1/16/E/KS/400-50
4201420	HELIX V609-1/16/E/S/400-50
4162720	HELIX V609-1/16/E/S/400-50
4192432	HELIX V609-1/16/E/S/460-60
4156041	HELIX V609-1/25/E/KS/400-50
4156070	HELIX V609-2/25/V/KS/400-50
4156042	HELIX V610-1/16/E/KS/400-50
4162721	HELIX V610-1/16/E/S/400-50
4201423	HELIX V610-1/16/E/S/400-50
4156043	HELIX V610-1/25/E/KS/400-50
4156071	HELIX V610-2/25/V/KS/400-50
4156044	HELIX V611-1/16/E/KS/400-50
4162722	HELIX V611-1/16/E/S/400-50
4201426	HELIX V611-1/16/E/S/400-50
4156045	HELIX V611-1/25/E/KS/400-50
4156072	HELIX V611-2/25/V/KS/400-50
4156046	HELIX V612-1/16/E/KS/400-50
4201428	HELIX V612-1/16/E/S/400-50
4162723	HELIX V612-1/16/E/S/400-50
4156047	HELIX V612-1/25/E/KS/400-50
4156073	HELIX V612-2/25/V/KS/400-50
4156048	HELIX V613-1/16/E/KS/400-50
4162724	HELIX V613-1/16/E/S/400-50
4201430	HELIX V613-1/16/E/S/400-50
4156049	HELIX V613-1/25/E/KS/400-50
4156074	HELIX V613-2/25/V/KS/400-50
4156050	HELIX V614-1/16/E/KS/400-50
4162725	HELIX V614-1/16/E/S/400-50

Helix V6

Article no.	Description
4201432	HELIX V614-1/16/E/S/400-50
4156051	HELIX V614-1/25/E/KS/400-50
4156075	HELIX V614-2/25/V/KS/400-50
4156052	HELIX V615-1/16/E/KS/400-50
4201434	HELIX V615-1/16/E/S/400-50
4162726	HELIX V615-1/16/E/S/400-50
4156053	HELIX V615-1/25/E/KS/400-50
4156076	HELIX V615-2/25/V/KS/400-50
4156054	HELIX V616-1/16/E/KS/400-50
4201436	HELIX V616-1/16/E/S/400-50
4162727	HELIX V616-1/16/E/S/400-50
4156055	HELIX V616-1/25/E/KS/400-50
4156077	HELIX V616-2/25/V/KS/400-50
4156056	HELIX V618-1/25/E/KS/400-50
4156078	HELIX V618-2/25/V/KS/400-50
4156057	HELIX V620-1/25/E/KS/400-50
4156079	HELIX V620-2/25/V/KS/400-50
4156058	HELIX V621-1/25/E/KS/400-50
4156080	HELIX V621-2/25/V/KS/400-50
4156059	HELIX V623-1/25/E/KS/400-50
4156081	HELIX V623-2/25/V/KS/400-50
4175102	HELIX V623-3/30/E/KS/400-50
4156060	HELIX V625-1/25/E/KS/400-50
4175103	HELIX V625-3/30/E/KS/400-50
4156061	HELIX V627-1/25/E/KS/400-50
4156083	HELIX V627-2/25/V/KS/400-50
4175099	HELIX V628-3/30/E/KS/400-50
4175100	HELIX V630-3/30/E/KS/400-50
4175101	HELIX V633-3/30/E/KS/400-50



HELIX V601-1/16/E/KS/400-50 (4156030)

Item	Article no.	Description	Quantity
1	4169946	MOTOR 0,37/2/71 3~230/400V 50HZ IE2 VP.	1
		SPARE PARTS MOTOR:ON REQUEST	1
2	4159702	SCREW M6X30 (4 PIECES)	1
3	4171323	LANTERN FT85 HELIX KIT	1
3.1		> LANTERN FT85 M+6" GJL MACHINING+CATA	1
3.2	2127604	> EYELET CPL.FT HELIX(2 PIECES)	1
3.3	4159692	> COUPLING PROTECTOR FT HELIX KIT	1
4	4171328	COUPLING FT 85 KIT	1
5	4159707	SCREW M8X30 (4 PIECES)	1
6	4177803	STUD BOLT M12X263 KIT	1
6.1		> TIE BOLT M12-263x18x30-1.4057	1
6.2	2094647	> NUT M12 M12 ISO4032 VP.	1
6.3	2123557	> WASHER CS-12.4-24-1.6-NFE25 (4 PIECES)	1
7	4159685	END SHIELD HELIX EPDM KIT	1
7.1		> END SHIELD M+6" GJL250 MACHINING+CATA	1
7.2	2127607	> STATIONARY RING HOLDER 6" HELIX 1.4301 V	1
7.3	4176513	> O-RING FOR PUMP JACKET VP.	1
7.4	2127603	> O-RING ID.37,6x2,4 EPDM VP.	1
7.5	2127602	> O-RING ID.21,35x2 EPDM VP.	1
8	4159686	FILING/PURGING PLUG HELIX EPDM KIT	1
9	4159696	CARTRIDGE HELIX6-10-16 O/E KIT	1
10	4177804	HOUSING PIPES D.152X134 1.4301 KIT	1
7.3	4176513	> O-RING FOR PUMP JACKET VP.	1
10.1		> HOUSING-PIPE Ø152-M+1001/02-304	1
11	4177962	CENTERING STAGE HELIX V6 1.4307 VP.	1
12	4174082	SHAFTS EQUIPMENT HELIX 601KIT	1
12.1		> NUT-H-M10-A4.70	1
12.2		> SERRATED LOCK WASHER M+6M3-316L	1
12.3		> STOP COLLAR OF IMPELLER first stage	1
12.4		> STOP-RUSH-1/2-D16xd2-M+316	1
13		HYDRAULIC HELIX V 601 1.4307	1
14	4177807	SHAFT D.16X255 1.4301 VP.	1
15	4217897	PUMP HOUSING HELIX DN32 PN16 1.4301 KIT	1
7.3	4176513	> O-RING FOR PUMP JACKET VP.	1

HELIX V601-1/16/E/KS/400-50 (4156030)

Item	Article no.	Description	Quantity
15.1		> BLASTING PPE HOUSING V-PN16-DN32-5"-304	1
15.2	4217891	> COUNTER FLANGE-G1"1/4-PN16-GJL KIT	1
15.3	4171321	> PRIMING/DRAIN PLUG EPDM HELIX KIT	1
16	4177964	BASEPLATE HELIX V2/4/6 PN16 VP.	1

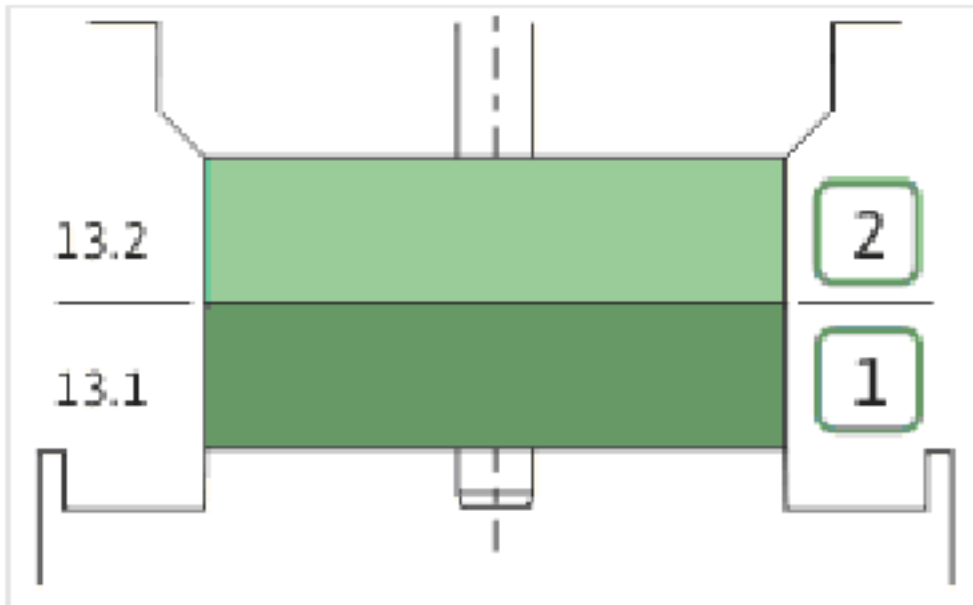
COUPLING FT 85 KIT (4171328)

Item	Article no.	Description	Quantity
4.1		COUPLING-M+ Ø16XØ14-FT85-MACHINED	1
4.2	4177802	BALL BEARING 6205C3-ZZ HTVP.	1
4.3	4208923	CIRCLIP D25X1.2 VP.	1
4.4	4212716	SCREW M6X20 KIT (4PIECES)	1
4.5	4233124	CIRCLIP-FOR-BORES-D52x2 VP.	1
4.6	4234244	O-RING 52X2 VP.	1

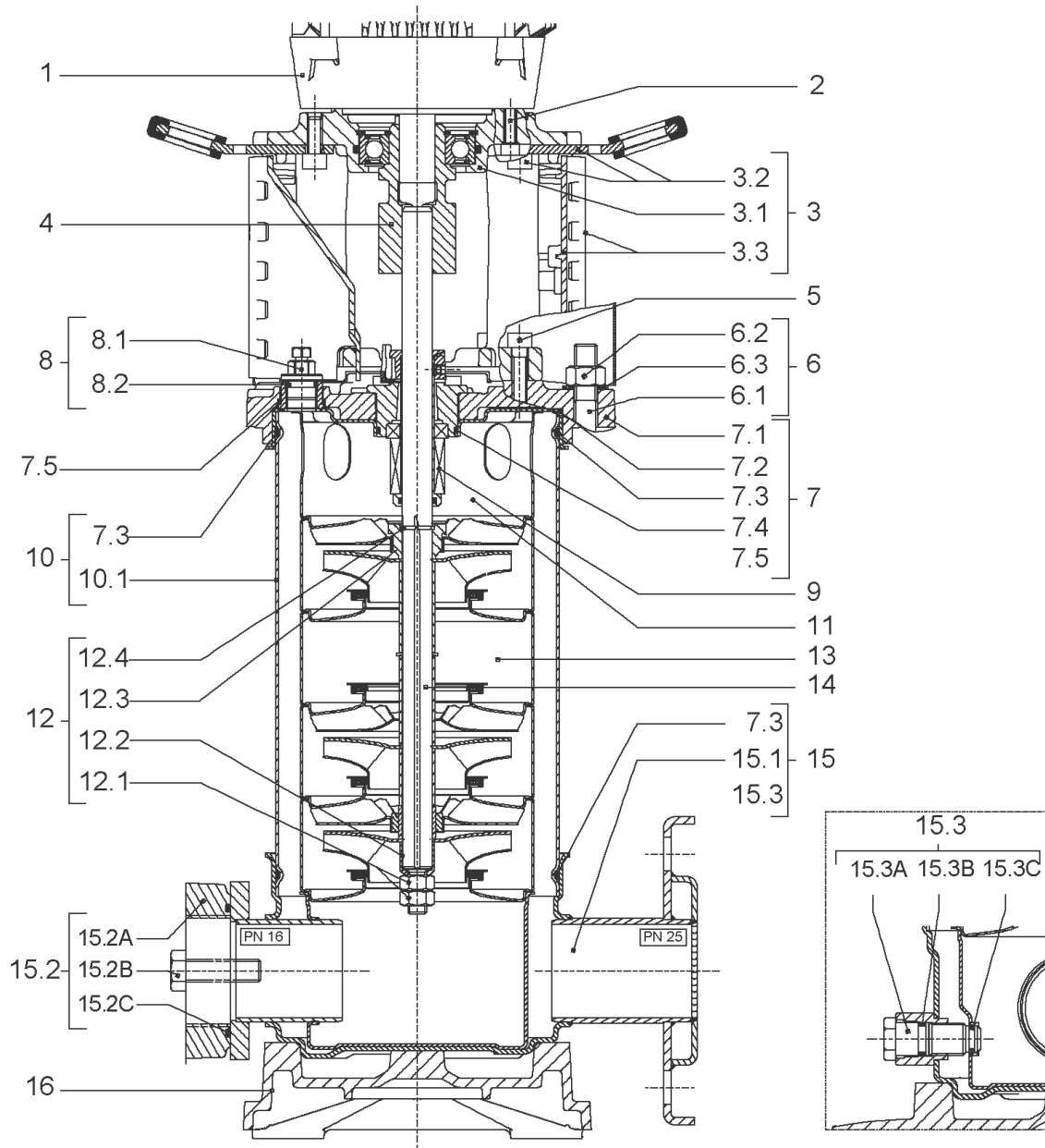


CARTRIDGE HELIX6-10-16 O/E KIT (4159696)

Item	Article no.	Description	Quantity
9.1	4159697	SEAL-KIT-HELIX6-10-16 O/E	1
7.3	4176513	> O-RING FOR PUMP JACKET VP.	1
7.4	2127603	> O-RING ID.37,6x2,4 EPDM VP.	1
9.1A	2130966	> MECH.SEAL HELIX2-4-6-10-16 O/E VP.	1
9.1B	2130967	> O-RING D.16X2,5 EPDM VP.	1
9.1C	4176519	> O-RING Ø16xØ1.25 VP.	1
9.2	2130961	SHAFT SLEEVE D.18/16X72,2 1.4404 VP.	1
9.3	2130962	RING HOLDER D.18 G606/G6 1.4301 VP.	1
9.4	4176520	SCREW CH M5x5 A4-70 (3PIECES)	1
9.5	2130963	DRIVE RING D.29/18x12,4 MACH.VP.	1
9.6	2130964	TOOL M.S.CART.HELIX VP.	1
9.7	2130965	SCREW CHC M5X12 ISO4762 A2.70(4 PIECES)	1



Item	Article no.	Description	Quantity
13.1	4174084	STAGE HELIX 6 1.4301 KIT	1
		> MACH.STG-CASING-WOGV-WNR-M+6-304	1
		> IMPELLER-M+6-304	1
13.2	4174083	STAGE BEARING HELIX 6 1.4301 KIT	1
		> MACH.BEARING-STG-CASING-WNR-M+6-304	1
		> SHAFT-SLEEVE-D16xD20x18-CW	1
		> STOP COLLAR OF IMPELLER first stage	1

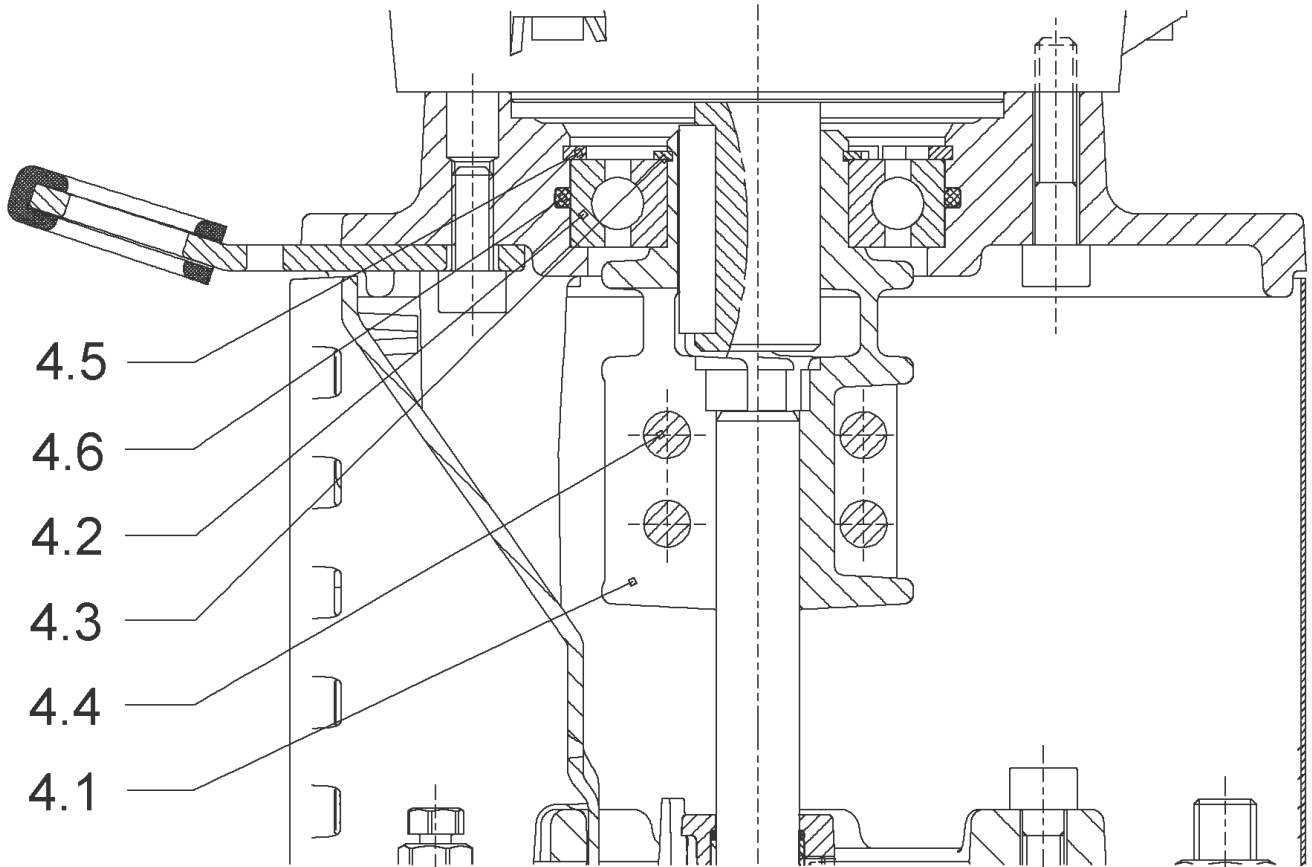


HELIX V602-1/16/E/KS/400-50 (4156031)

Item	Article no.	Description	Quantity
1	4169939	MO.0,55/2/71 3~400V 50HZ 460V 60HZ IE2VP	1
		SPARE PARTS MOTOR:ON REQUEST	1
2	4159702	SCREW M6X30 (4 PIECES)	1
3	4171323	LANTERN FT85 HELIX KIT	1
3.1		> LANTERN FT85 M+6" GJL MACHINING+CATA	1
3.2	2127604	> EYELET CPL.FT HELIX(2 PIECES)	1
3.3	4159692	> COUPLING PROTECTOR FT HELIX KIT	1
4	4171328	COUPLING FT 85 KIT	1
5	4159707	SCREW M8X30 (4 PIECES)	1
6	4177803	STUD BOLT M12X263 KIT	1
6.1		> TIE BOLT M12-263x18x30-1.4057	1
6.2	2094647	> NUT M12 M12 ISO4032 VP.	1
6.3	2123557	> WASHER CS-12.4-24-1.6-NFE25 (4 PIECES)	1
7	4159685	END SHIELD HELIX EPDM KIT	1
7.1		> END SHIELD M+6" GJL250 MACHINING+CATA	1
7.2	2127607	> STATIONARY RING HOLDER 6" HELIX 1.4301 V	1
7.3	4176513	> O-RING FOR PUMP JACKET VP.	1
7.4	2127603	> O-RING ID.37,6x2,4 EPDM VP.	1
7.5	2127602	> O-RING ID.21,35x2 EPDM VP.	1
8	4159686	FILING/PURGING PLUG HELIX EPDM KIT	1
9	4159696	CARTRIDGE HELIX6-10-16 O/E KIT	1
10	4177804	HOUSING PIPES D.152X134 1.4301 KIT	1
7.3	4176513	> O-RING FOR PUMP JACKET VP.	1
10.1		> HOUSING-PIPE Ø152-M+1001/02-304	1
11	4174087	CENTERING STAGE-RETURN HELIX6 1.4301VP.	1
12	4174085	SHAFTS EQUIPMENT HELIX V6 BI BLOC KIT	1
12.1		> NUT-H-M10-A4.70	1
12.2		> SERRATED LOCK WASHER M+6M3-316L	1
12.3		> STOP COLLAR OF IMPELLER L17,9-Ø16-316L	1
12.4		> STOP-RUSH-1/2-D16xd2-M+316	1
13		HYDRAULIC HELIX V 602 1.4307	1
14	4177807	SHAFT D.16X255 1.4301 VP.	1
15	4217897	PUMP HOUSING HELIX DN32 PN16 1.4301 KIT	1
7.3	4176513	> O-RING FOR PUMP JACKET VP.	1

HELIX V602-1/16/E/KS/400-50 (4156031)

Item	Article no.	Description	Quantity
15.1		> BLASTING PPE HOUSING V-PN16-DN32-5"-304	1
15.2	4217891	> COUNTER FLANGE-G1"1/4-PN16-GJL KIT	1
15.3	4171321	> PRIMING/DRAIN PLUG EPDM HELIX KIT	1
16	4177964	BASEPLATE HELIX V2/4/6 PN16 VP.	1



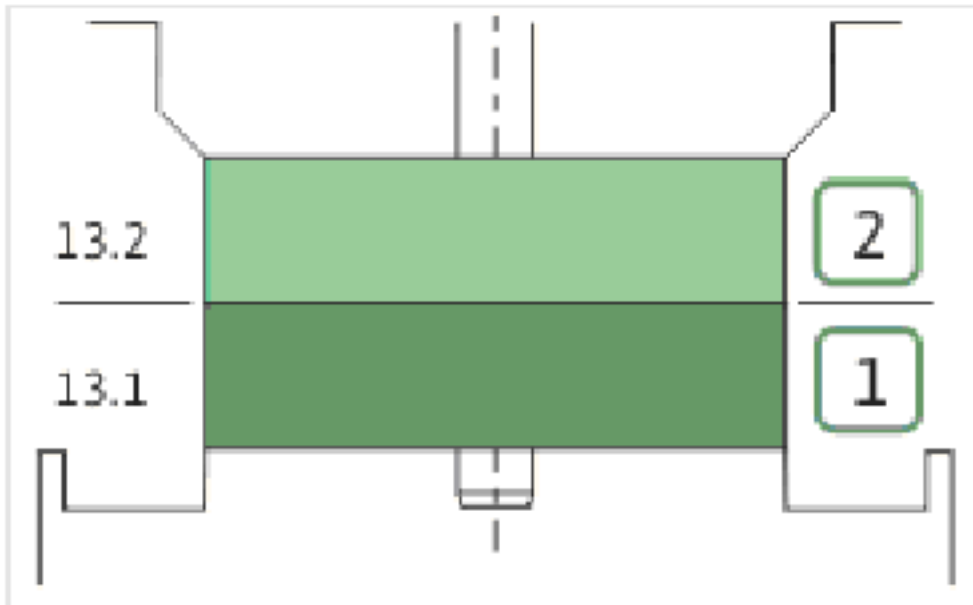
COUPLING FT 85 KIT (4171328)

Item	Article no.	Description	Quantity
4.1		COUPLING-M+ Ø16XØ14-FT85-MACHINED	1
4.2	4177802	BALL BEARING 6205C3-ZZ HTVP.	1
4.3	4208923	CIRCLIP D25X1.2 VP.	1
4.4	4212716	SCREW M6X20 KIT (4PIECES)	1
4.5	4233124	CIRCLIP-FOR-BORES-D52x2 VP.	1
4.6	4234244	O-RING 52X2 VP.	1

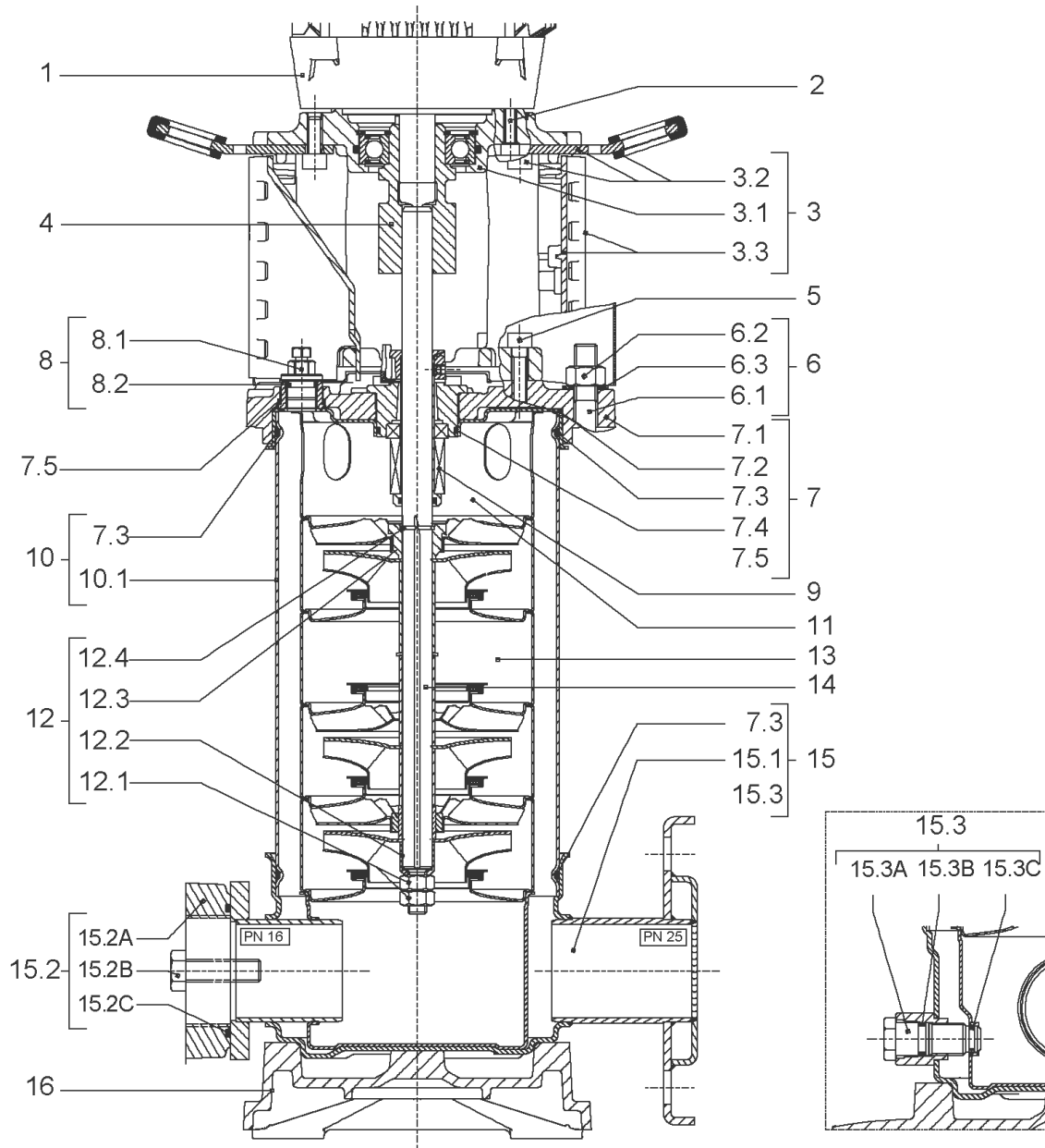


CARTRIDGE HELIX6-10-16 O/E KIT (4159696)

Item	Article no.	Description	Quantity
9.1	4159697	SEAL-KIT-HELIX6-10-16 O/E	1
7.3	4176513	> O-RING FOR PUMP JACKET VP.	1
7.4	2127603	> O-RING ID.37,6x2,4 EPDM VP.	1
9.1A	2130966	> MECH.SEAL HELIX2-4-6-10-16 O/E VP.	1
9.1B	2130967	> O-RING D.16X2,5 EPDM VP.	1
9.1C	4176519	> O-RING Ø16xØ1.25 VP.	1
9.2	2130961	SHAFT SLEEVE D.18/16X72,2 1.4404 VP.	1
9.3	2130962	RING HOLDER D.18 G606/G6 1.4301 VP.	1
9.4	4176520	SCREW CH M5x5 A4-70 (3PIECES)	1
9.5	2130963	DRIVE RING D.29/18x12,4 MACH.VP.	1
9.6	2130964	TOOL M.S.CART.HELIX VP.	1
9.7	2130965	SCREW CHC M5X12 ISO4762 A2.70(4 PIECES)	1



Item	Article no.	Description	Quantity
13.1	4174084	STAGE HELIX 6 1.4301 KIT	1
		> MACH.STG-CASING-WOGV-WNR-M+6-304	1
		> IMPELLER-M+6-304	1
13.2	4174089	INTERMEDIATE STAGE HELIX 6 1.4301 KIT	1
		> MACH.BEARING-STG-CASING-WNR-M+6-304	1
		> IMPELLER-M+6-304	1
		> SHAFT SLEEVE-SPACER-Ø19,35x18,465-304	1
		> SHAFT-SLEEVE-D16xD20x18-CW	1

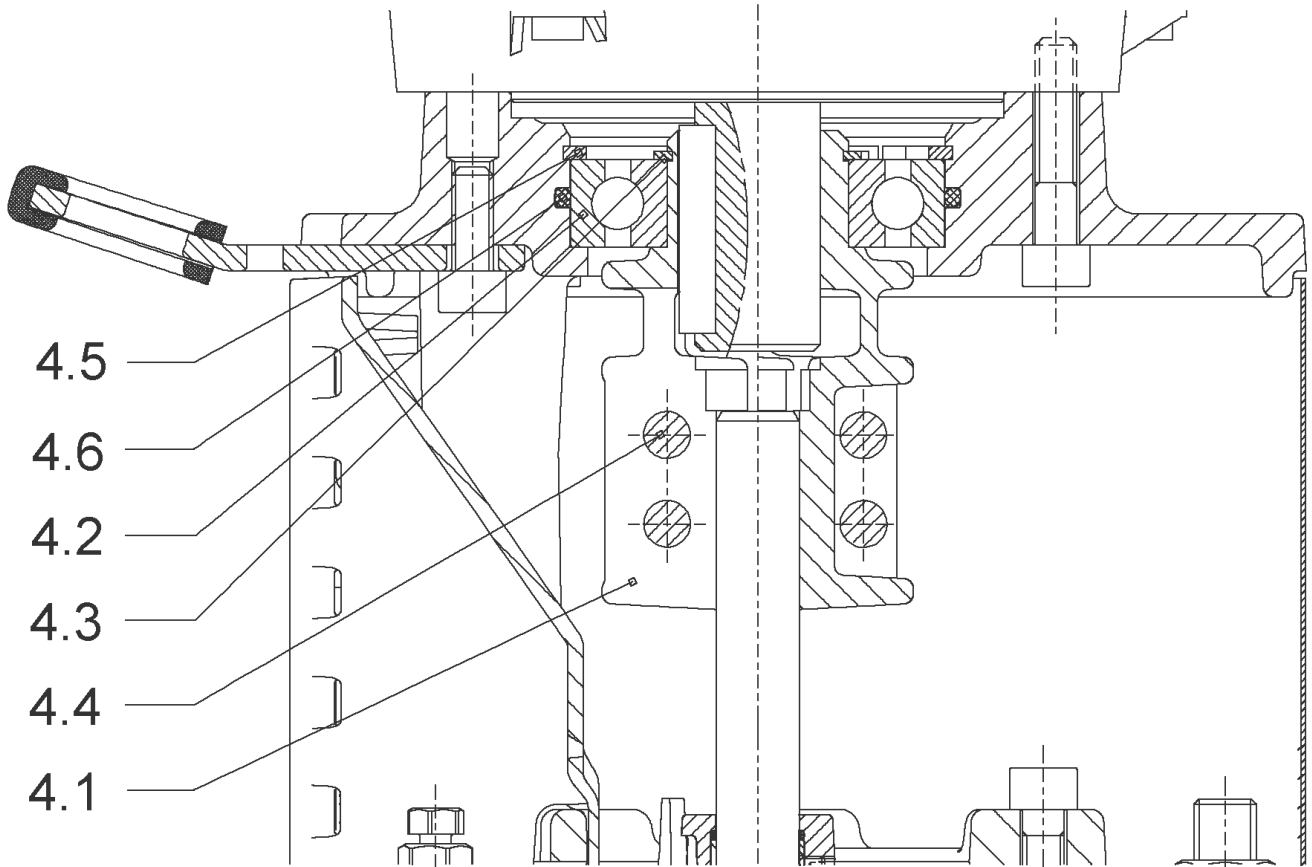


HELIX V603-1/16/E/KS/400-50 (4156032)

Item	Article no.	Description	Quantity
1	4169939	MO.0,55/2/71 3~400V 50HZ 460V 60HZ IE2VP	1
		SPARE PARTS MOTOR:ON REQUEST	1
2	4159702	SCREW M6X30 (4 PIECES)	1
3	4171323	LANTERN FT85 HELIX KIT	1
3.1		> LANTERN FT85 M+6" GJL MACHINING+CATA	1
3.2	2127604	> EYELET CPL.FT HELIX(2 PIECES)	1
3.3	4159692	> COUPLING PROTECTOR FT HELIX KIT	1
4	4171328	COUPLING FT 85 KIT	1
5	4159707	SCREW M8X30 (4 PIECES)	1
6	4177812	STUD BOLT M12X300KIT	1
6.1		> TIE BOLT M12-300x18x30-1.4057	1
6.2	2094647	> NUT M12 M12 ISO4032 VP.	1
6.3	2123557	> WASHER CS-12.4-24-1.6-NFE25 (4 PIECES)	1
7	4159685	END SHIELD HELIX EPDM KIT	1
7.1		> END SHIELD M+6" GJL250 MACHINING+CATA	1
7.2	2127607	> STATIONARY RING HOLDER 6" HELIX 1.4301 V	1
7.3	4176513	> O-RING FOR PUMP JACKET VP.	1
7.4	2127603	> O-RING ID.37,6x2,4 EPDM VP.	1
7.5	2127602	> O-RING ID.21,35x2 EPDM VP.	1
8	4159686	FILING/PURGING PLUG HELIX EPDM KIT	1
9	4159696	CARTRIDGE HELIX6-10-16 O/E KIT	1
10	4177813	HOUSING PIPE D.152x172 1.4301 KIT	1
7.3	4176513	> O-RING FOR PUMP JACKET VP.	1
10.1		> HOUSING-PIPE Ø152-M+1003-304	1
11	4174087	CENTERING STAGE-RETURN HELIX6 1.4301VP.	1
12	4174085	SHAFTS EQUIPMENT HELIX V6 BI BLOC KIT	1
12.1		> NUT-H-M10-A4.70	1
12.2		> SERRATED LOCK WASHER M+6M3-316L	1
12.3		> STOP COLLAR OF IMPELLER L17,9-Ø16-316L	1
12.4		> STOP-RUSH-1/2-D16xd2-M+316	1
13		HYDRAULIC HELIX V 603 1.4307	1
14	4177815	SHAFT D.16X292,5 1.4301 VP.	1
15	4217897	PUMP HOUSING HELIX DN32 PN16 1.4301 KIT	1
7.3	4176513	> O-RING FOR PUMP JACKET VP.	1

HELIX V603-1/16/E/KS/400-50 (4156032)

Item	Article no.	Description	Quantity
15.1		> BLASTING PPE HOUSING V-PN16-DN32-5"-304	1
15.2	4217891	> COUNTER FLANGE-G1"1/4-PN16-GJL KIT	1
15.3	4171321	> PRIMING/DRAIN PLUG EPDM HELIX KIT	1
16	4177964	BASEPLATE HELIX V2/4/6 PN16 VP.	1



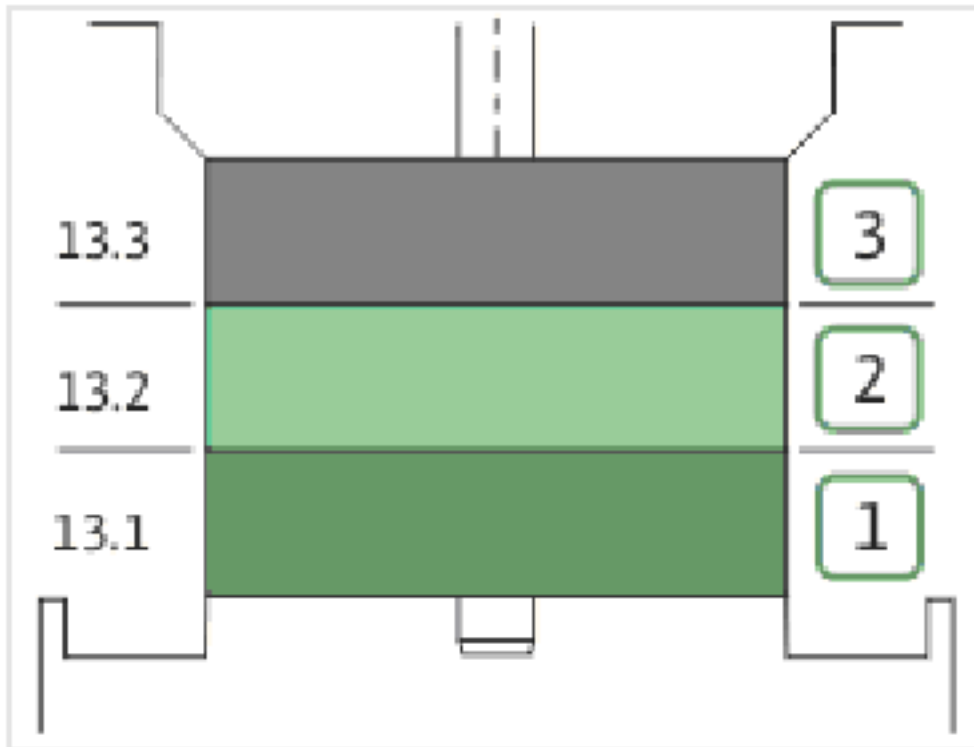
COUPLING FT 85 KIT (4171328)

Item	Article no.	Description	Quantity
4.1		COUPLING-M+ Ø16XØ14-FT85-MACHINED	1
4.2	4177802	BALL BEARING 6205C3-ZZ HTVP.	1
4.3	4208923	CIRCLIP D25X1.2 VP.	1
4.4	4212716	SCREW M6X20 KIT (4PIECES)	1
4.5	4233124	CIRCLIP-FOR-BORES-D52x2 VP.	1
4.6	4234244	O-RING 52X2 VP.	1



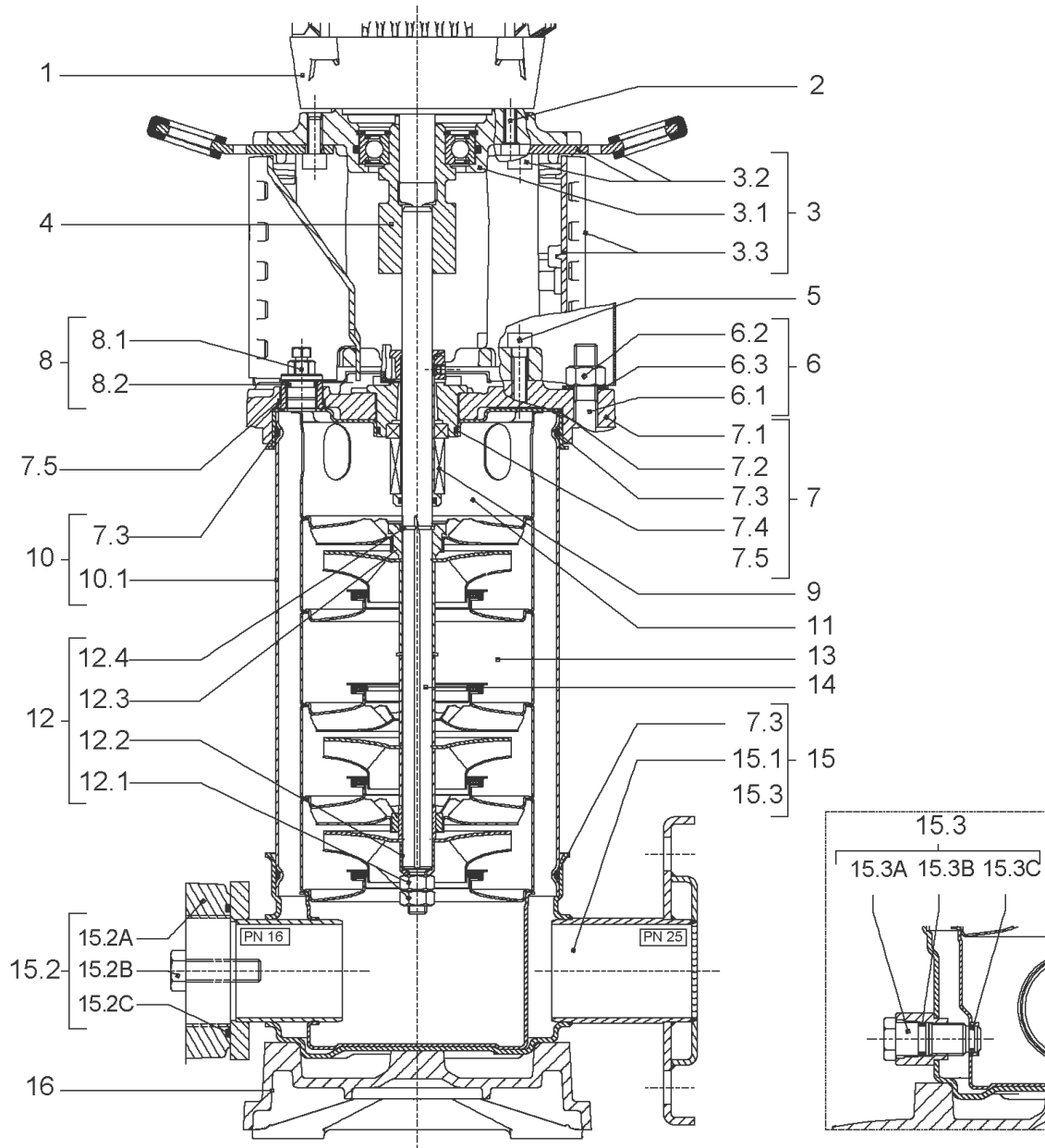
CARTRIDGE HELIX6-10-16 O/E KIT (4159696)

Item	Article no.	Description	Quantity
9.1	4159697	SEAL-KIT-HELIX6-10-16 O/E	1
7.3	4176513	> O-RING FOR PUMP JACKET VP.	1
7.4	2127603	> O-RING ID.37,6x2,4 EPDM VP.	1
9.1A	2130966	> MECH.SEAL HELIX2-4-6-10-16 O/E VP.	1
9.1B	2130967	> O-RING D.16X2,5 EPDM VP.	1
9.1C	4176519	> O-RING Ø16xØ1.25 VP.	1
9.2	2130961	SHAFT SLEEVE D.18/16X72,2 1.4404 VP.	1
9.3	2130962	RING HOLDER D.18 G606/G6 1.4301 VP.	1
9.4	4176520	SCREW CH M5x5 A4-70 (3PIECES)	1
9.5	2130963	DRIVE RING D.29/18x12,4 MACH.VP.	1
9.6	2130964	TOOL M.S.CART.HELIX VP.	1
9.7	2130965	SCREW CHC M5X12 ISO4762 A2.70(4 PIECES)	1



HYDRAULIC HELIX V 603 1.4307

Item	Article no.	Description	Quantity
13.1	4174084	STAGE HELIX 6 1.4301 KIT	1
		> MACH.STG-CASING-WOGV-WNR-M+6-304	1
		> IMPELLER-M+6-304	1
13.2	4174089	INTERMEDIATE STAGE HELIX 6 1.4301 KIT	1
		> MACH.BEARING-STG-CASING-WNR-M+6-304	1
		> IMPELLER-M+6-304	1
		> SHAFT SLEEVE-SPACER-Ø19,35x18,465-304	1
		> SHAFT-SLEEVE-D16xD20x18-CW	1
13.3	4174090	INTERMEDIATE STAGE HELIX 6 1.4301 KIT	1
		> MACH.STD-STG-CASING-WGV+NR-M+6-304	1
		> IMPELLER-M+6-304	1
		> IMPELLER SPACER Ø16,05X19,45-L36,465-304	1



HELIX V604-1/16/E/KS/400-50 (4156033)

Item	Article no.	Description	Quantity
1	4169940	MOTOR 0,75/2/80 3~230/400V 50HZ IE3 VP.	1
		SPARE PARTS MOTOR:ON REQUEST	1
2	4159702	SCREW M6X30 (4 PIECES)	1
3	4172788	LANTERN FT100 HELIX KIT	1
3.1		> LANTERN FT100 M+6" GJL MACHINING+CATA	1
3.2	2127604	> EYELET CPL.FT HELIX(2 PIECES)	1
3.3	4159692	> COUPLING PROTECTOR FT HELIX KIT	1
4	4159708	COUPLING D.16XD.19 FT100 HELIX KIT	1
5	4159707	SCREW M8X30 (4 PIECES)	1
6	2127553	STUD BOLT M12X341 KIT	1
7	4159685	END SHIELD HELIX EPDM KIT	1
7.1		> END SHIELD M+6" GJL250 MACHINING+CATA	1
7.2	2127607	> STATIONARY RING HOLDER 6" HELIX 1.4301 V	1
7.3	4176513	> O-RING FOR PUMP JACKET VP.	1
7.4	2127603	> O-RING ID.37,6x2,4 EPDM VP.	1
7.5	2127602	> O-RING ID.21,35x2 EPDM VP.	1
8	4159686	FILING/PURGING PLUG HELIX EPDM KIT	1
9	4159696	CARTRIDGE HELIX6-10-16 O/E KIT	1
10	2127575	HOUSING PIPE D.152x210 1.4301 KIT	1
11	4174087	CENTERING STAGE-RETURN HELIX6 1.4301VP.	1
12	4174085	SHAFTS EQUIPMENT HELIX V6 BI BLOC KIT	1
12.1		> NUT-H-M10-A4.70	1
12.2		> SERRATED LOCK WASHER M+6M3-316L	1
12.3		> STOP COLLAR OF IMPELLER L17,9-Ø16-316L	1
12.4		> STOP-RUSH-1/2-D16xd2-M+316	1
13		HYDRAULIC HELIX V 604 1.4307	1
14	2127564	SHAFT D.16X330 1.4301 VP.	1
15	4217897	PUMP HOUSING HELIX DN32 PN16 1.4301 KIT	1
7.3	4176513	> O-RING FOR PUMP JACKET VP.	1
15.1		> BLASTING PPE HOUSING V-PN16-DN32-5"-304	1
15.2	4217891	> COUNTER FLANGE-G1"1/4-PN16-GJL KIT	1
15.3	4171321	> PRIMING/DRAIN PLUG EPDM HELIX KIT	1
16	4177964	BASEPLATE HELIX V2/4/6 PN16 VP.	1



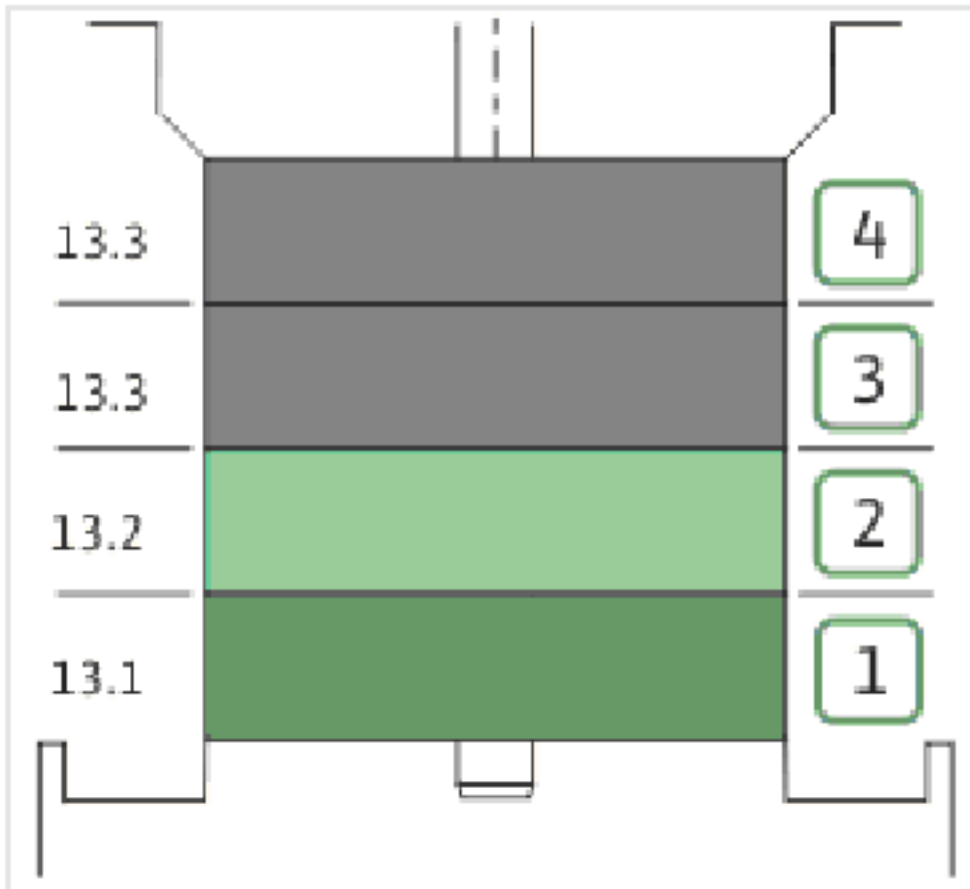
COUPLING D.16XD.19 FT100 HELIX KIT (4159708)

Item	Article no.	Description	Quantity
4.1		COUPLING M+ Ø16XØ19 FT100 MACHINED	1
4.2	2130977	BALL BEARING 6206/ZZ-C3(HT)VP.	1
4.3	4234249	CIRCLIP-FOR-SHAFT-D30x1.5 VP.	1
4.4	4212716	SCREW M6X20 KIT (4PIECES)	1
4.5	4234250	CIRCLIP-D62x2 VP.	1
4.6	4234245	O-RING 63X3 VP.	1
		CONTACT-WASHER-6ETR-6,1x12,2x1,8-STEEL	1



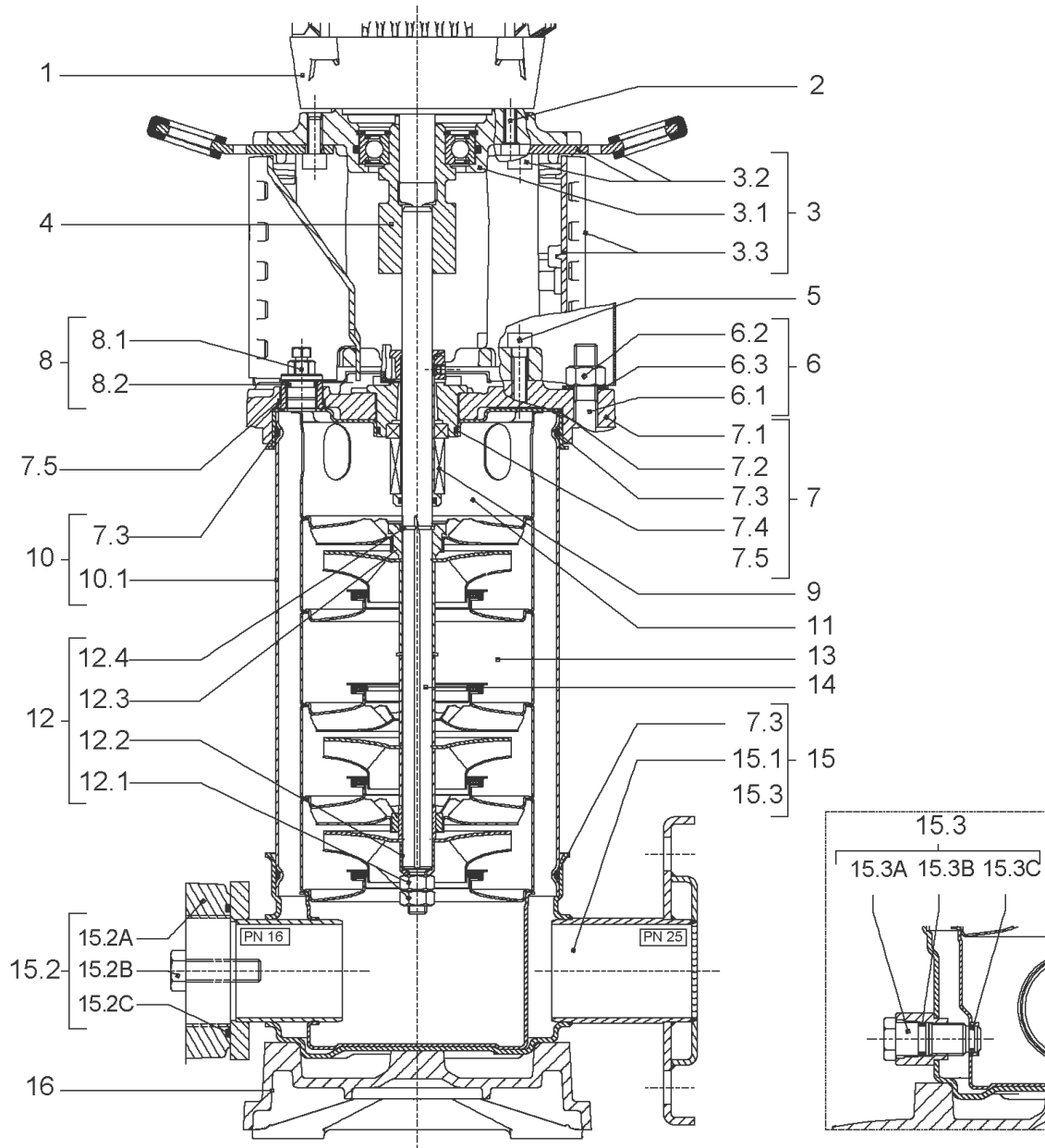
CARTRIDGE HELIX6-10-16 O/E KIT (4159696)

Item	Article no.	Description	Quantity
9.1	4159697	SEAL-KIT-HELIX6-10-16 O/E	1
7.3	4176513	> O-RING FOR PUMP JACKET VP.	1
7.4	2127603	> O-RING ID.37,6x2,4 EPDM VP.	1
9.1A	2130966	> MECH.SEAL HELIX2-4-6-10-16 O/E VP.	1
9.1B	2130967	> O-RING D.16X2,5 EPDM VP.	1
9.1C	4176519	> O-RING Ø16xØ1.25 VP.	1
9.2	2130961	SHAFT SLEEVE D.18/16X72,2 1.4404 VP.	1
9.3	2130962	RING HOLDER D.18 G606/G6 1.4301 VP.	1
9.4	4176520	SCREW CH M5x5 A4-70 (3PIECES)	1
9.5	2130963	DRIVE RING D.29/18x12,4 MACH.VP.	1
9.6	2130964	TOOL M.S.CART.HELIX VP.	1
9.7	2130965	SCREW CHC M5X12 ISO4762 A2.70(4 PIECES)	1



HYDRAULIC HELIX V 604 1.4307

Item	Article no.	Description	Quantity
13.1	4174084	STAGE HELIX 6 1.4301 KIT	1
		> MACH.STG-CASING-WOGV-WNR-M+6-304	1
		> IMPELLER-M+6-304	1
13.2	4174089	INTERMEDIATE STAGE HELIX 6 1.4301 KIT	1
		> MACH.BEARING-STG-CASING-WNR-M+6-304	1
		> IMPELLER-M+6-304	1
		> SHAFT SLEEVE-SPACER-Ø19,35x18,465-304	1
		> SHAFT-SLEEVE-D16xD20x18-CW	1
13.3	4174090	INTERMEDIATE STAGE HELIX 6 1.4301 KIT	1
		> MACH.STD-STG-CASING-WGV+NR-M+6-304	1
		> IMPELLER-M+6-304	1
		> IMPELLER SPACER Ø16,05X19,45-L36,465-304	1



HELIX V605-1/16/E/KS/400-50 (4156034)

Item	Article no.	Description	Quantity
1	4169941	MOTOR 1,1/2/80 3~230/400V 50HZ IE3 VP.	1
		SPARE PARTS MOTOR:ON REQUEST	1
2	4159702	SCREW M6X30 (4 PIECES)	1
3	4172788	LANTERN FT100 HELIX KIT	1
3.1		> LANTERN FT100 M+6" GJL MACHINING+CATA	1
3.2	2127604	> EYELET CPL.FT HELIX(2 PIECES)	1
3.3	4159692	> COUPLING PROTECTOR FT HELIX KIT	1
4	4159708	COUPLING D.16XD.19 FT100 HELIX KIT	1
5	4159707	SCREW M8X30 (4 PIECES)	1
6	2018576	STUD BOLT M12X377 KIT	1
6.1		> TIE BOLT M12-377x18x30-1.4057	1
6.2	2094647	> NUT M12 M12 ISO4032 VP.	1
6.3	2123557	> WASHER CS-12.4-24-1.6-NFE25 (4 PIECES)	1
7	4159685	END SHIELD HELIX EPDM KIT	1
7.1		> END SHIELD M+6" GJL250 MACHINING+CATA	1
7.2	2127607	> STATIONARY RING HOLDER 6" HELIX 1.4301 V	1
7.3	4176513	> O-RING FOR PUMP JACKET VP.	1
7.4	2127603	> O-RING ID.37,6x2,4 EPDM VP.	1
7.5	2127602	> O-RING ID.21,35x2 EPDM VP.	1
8	4159686	FILING/PURGING PLUG HELIX EPDM KIT	1
9	4159696	CARTRIDGE HELIX6-10-16 O/E KIT	1
10	4176518	HOUSING PIPES D.152X247 1.4301 KIT	1
7.3	4176513	> O-RING FOR PUMP JACKET VP.	1
10.1		> HOUSING-PIPE Ø152-M+1005-304	1
11	4174087	CENTERING STAGE-RETURN HELIX6 1.4301VP.	1
12	4174085	SHAFTS EQUIPMENT HELIX V6 BI BLOC KIT	1
12.1		> NUT-H-M10-A4.70	1
12.2		> SERRATED LOCK WASHER M+6M3-316L	1
12.3		> STOP COLLAR OF IMPELLER L17,9-Ø16-316L	1
12.4		> STOP-RUSH-1/2-D16xd2-M+316	1
13		HYDRAULIC HELIX V 605 1.4307	1
14	4176515	SHAFT D.16 X367,5 1. 4301 VP.	1
15	4217897	PUMP HOUSING HELIX DN32 PN16 1.4301 KIT	1
7.3	4176513	> O-RING FOR PUMP JACKET VP.	1

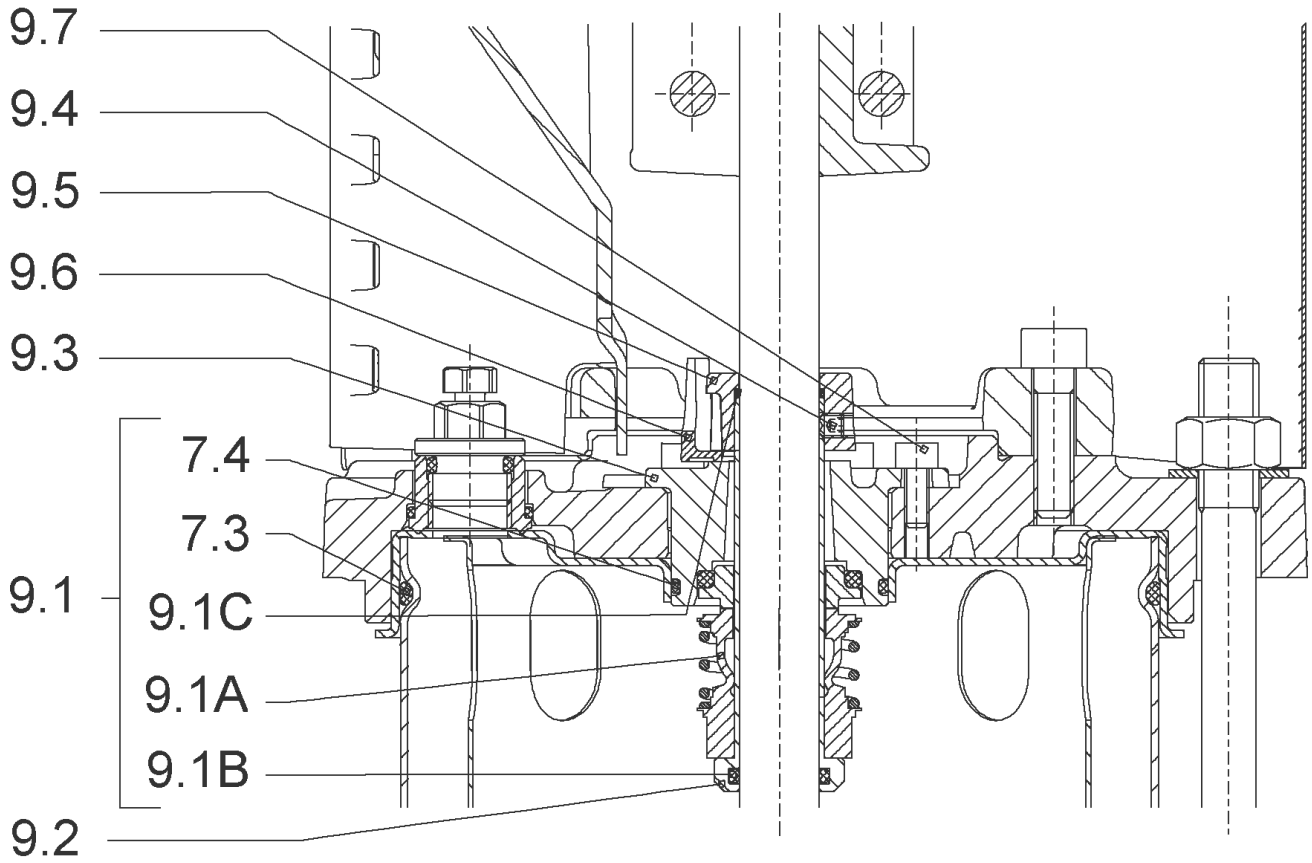
HELIX V605-1/16/E/KS/400-50 (4156034)

Item	Article no.	Description	Quantity
15.1		> BLASTING PPE HOUSING V-PN16-DN32-5"-304	1
15.2	4217891	> COUNTER FLANGE-G1"1/4-PN16-GJL KIT	1
15.3	4171321	> PRIMING/DRAIN PLUG EPDM HELIX KIT	1
16	4177964	BASEPLATE HELIX V2/4/6 PN16 VP.	1



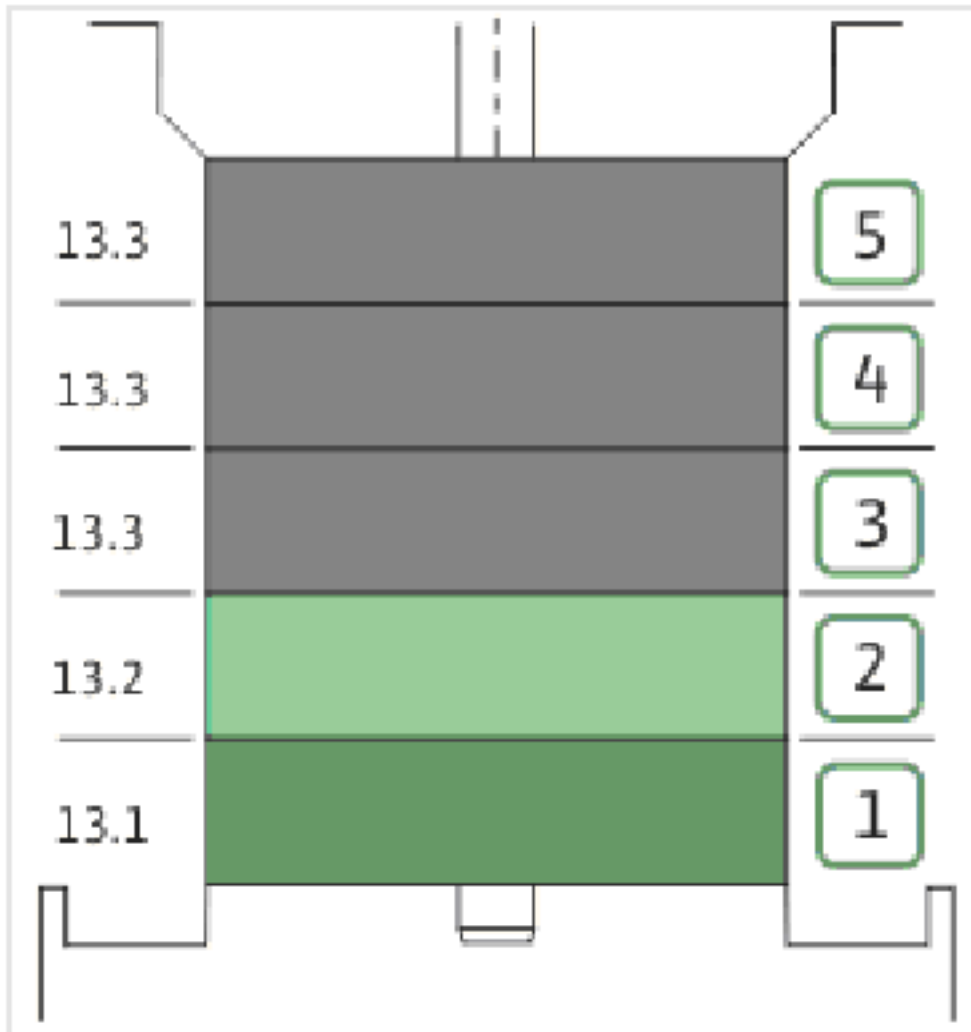
COUPLING D.16XD.19 FT100 HELIX KIT (4159708)

Item	Article no.	Description	Quantity
4.1		COUPLING M+ Ø16XØ19 FT100 MACHINED	1
4.2	2130977	BALL BEARING 6206/ZZ-C3(HT)VP.	1
4.3	4234249	CIRCLIP-FOR-SHAFT-D30x1.5 VP.	1
4.4	4212716	SCREW M6X20 KIT (4PIECES)	1
4.5	4234250	CIRCLIP-D62x2 VP.	1
4.6	4234245	O-RING 63X3 VP.	1
		CONTACT-WASHER-6ETR-6,1x12,2x1,8-STEEL	1



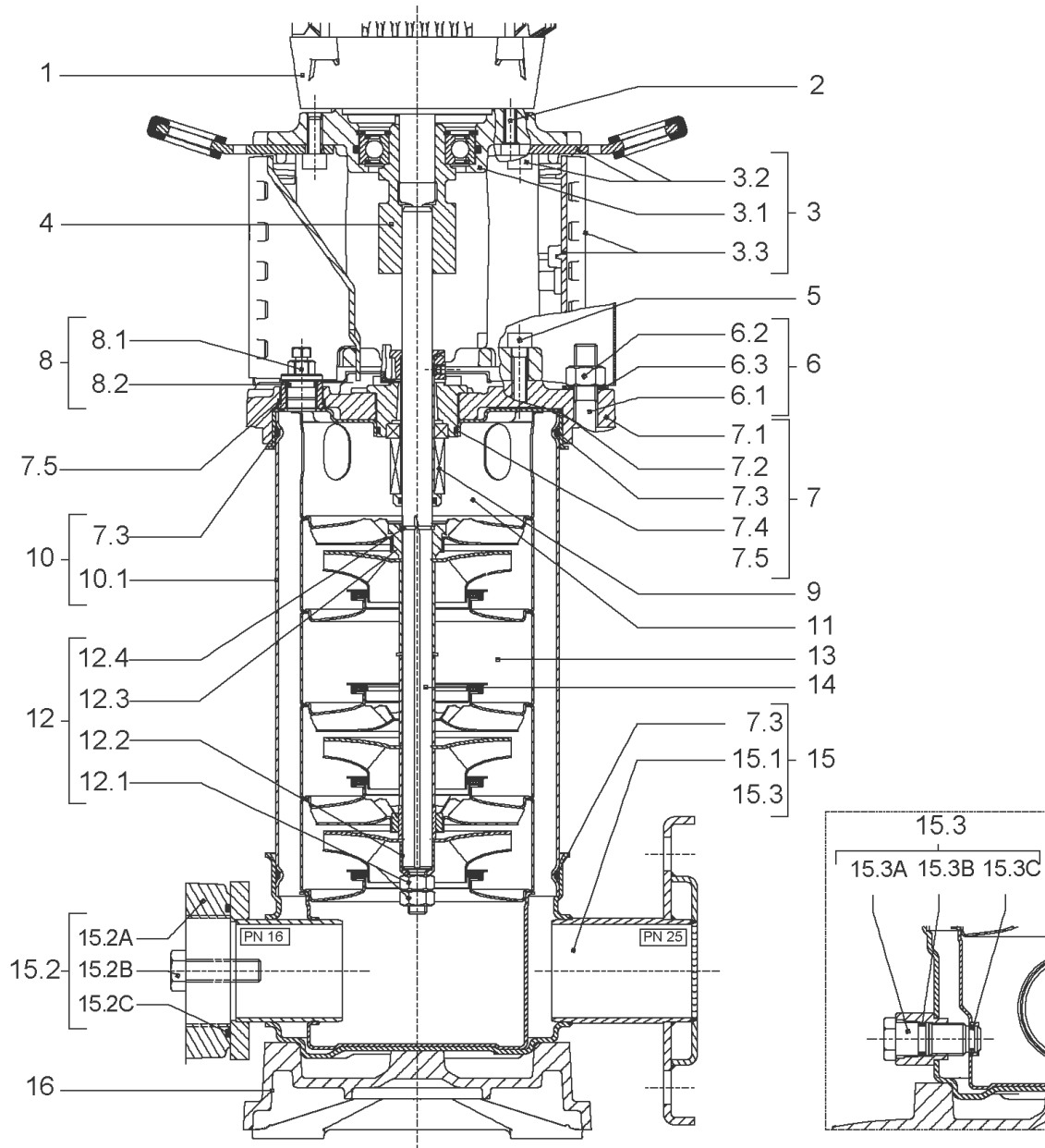
CARTRIDGE HELIX6-10-16 O/E KIT (4159696)

Item	Article no.	Description	Quantity
9.1	4159697	SEAL-KIT-HELIX6-10-16 O/E	1
7.3	4176513	> O-RING FOR PUMP JACKET VP.	1
7.4	2127603	> O-RING ID.37,6x2,4 EPDM VP.	1
9.1A	2130966	> MECH.SEAL HELIX2-4-6-10-16 O/E VP.	1
9.1B	2130967	> O-RING D.16X2,5 EPDM VP.	1
9.1C	4176519	> O-RING Ø16xØ1.25 VP.	1
9.2	2130961	SHAFT SLEEVE D.18/16X72,2 1.4404 VP.	1
9.3	2130962	RING HOLDER D.18 G606/G6 1.4301 VP.	1
9.4	4176520	SCREW CH M5x5 A4-70 (3PIECES)	1
9.5	2130963	DRIVE RING D.29/18x12,4 MACH.VP.	1
9.6	2130964	TOOL M.S.CART.HELIX VP.	1
9.7	2130965	SCREW CHC M5X12 ISO4762 A2.70(4 PIECES)	1



HYDRAULIC HELIX V 605 1.4307

Item	Article no.	Description	Quantity
13.1	4174084	STAGE HELIX 6 1.4301 KIT	1
		> MACH.STG-CASING-WOGV-WNR-M+6-304	1
		> IMPELLER-M+6-304	1
13.2	4174089	INTERMEDIATE STAGE HELIX 6 1.4301 KIT	1
		> MACH.BEARING-STG-CASING-WNR-M+6-304	1
		> IMPELLER-M+6-304	1
		> SHAFT SLEEVE-SPACER-Ø19,35x18,465-304	1
		> SHAFT-SLEEVE-D16xD20x18-CW	1
13.3	4174090	INTERMEDIATE STAGE HELIX 6 1.4301 KIT	1
		> MACH.STD-STG-CASING-WGV+NR-M+6-304	1
		> IMPELLER-M+6-304	1
		> IMPELLER SPACER Ø16,05X19,45-L36,465-304	1

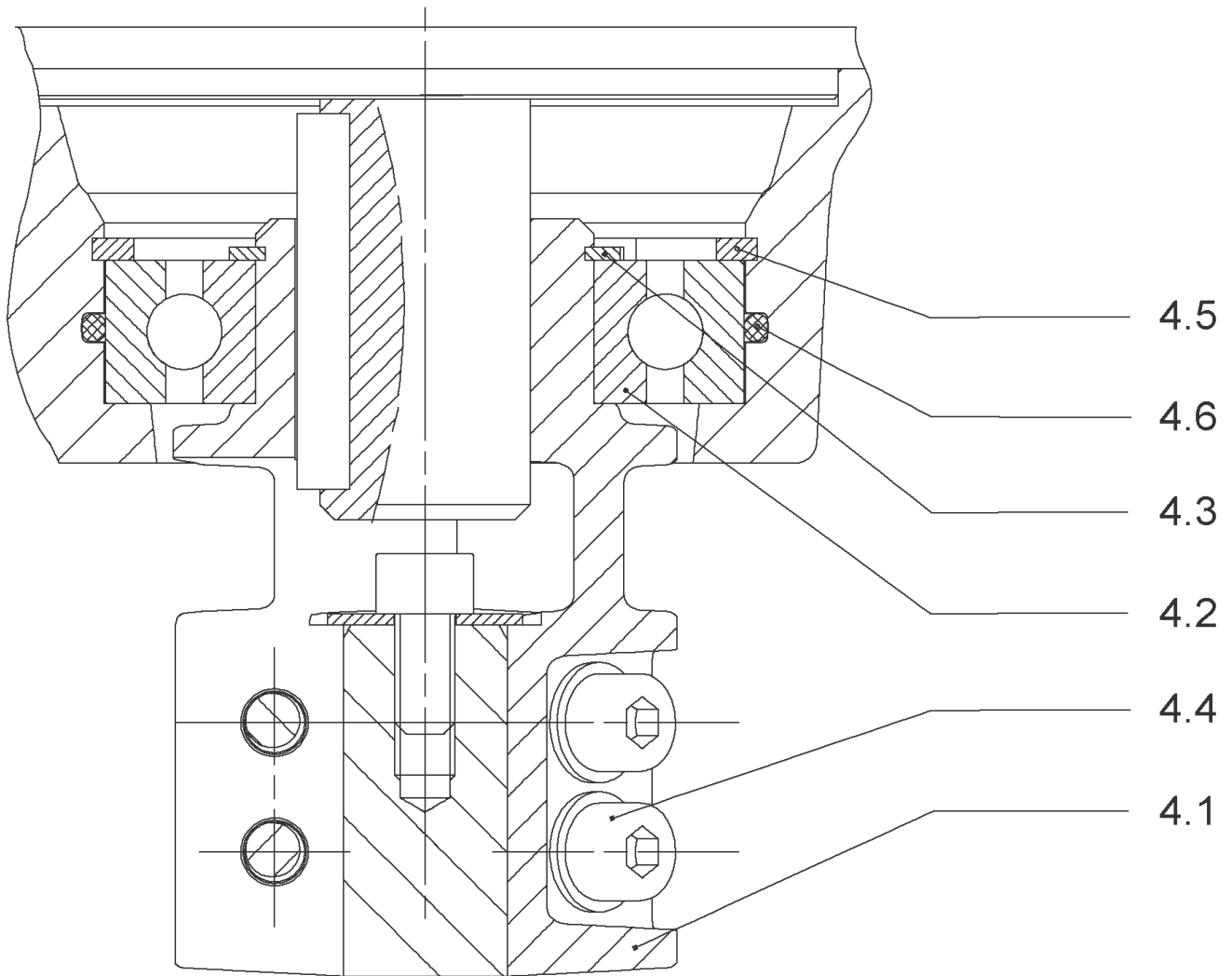


HELIX V606-1/16/E/KS/400-50 (4156035)

Item	Article no.	Description	Quantity
1	4169941	MOTOR 1,1/2/80 3~230/400V 50HZ IE3 VP.	1
		SPARE PARTS MOTOR:ON REQUEST	1
2	4159702	SCREW M6X30 (4 PIECES)	1
3	4172788	LANTERN FT100 HELIX KIT	1
3.1		> LANTERN FT100 M+6" GJL MACHINING+CATA	1
3.2	2127604	> EYELET CPL.FT HELIX(2 PIECES)	1
3.3	4159692	> COUPLING PROTECTOR FT HELIX KIT	1
4	4159708	COUPLING D.16XD.19 FT100 HELIX KIT	1
5	4159707	SCREW M8X30 (4 PIECES)	1
6	4177822	STUD BOLT M12X413 KIT	1
6.1		> TIE BOLT M12-413x18x30-1.4057	1
6.2	2094647	> NUT M12 M12 ISO4032 VP.	1
6.3	2123557	> WASHER CS-12.4-24-1.6-NFE25 (4 PIECES)	1
7	4159685	END SHIELD HELIX EPDM KIT	1
7.1		> END SHIELD M+6" GJL250 MACHINING+CATA	1
7.2	2127607	> STATIONARY RING HOLDER 6" HELIX 1.4301 V	1
7.3	4176513	> O-RING FOR PUMP JACKET VP.	1
7.4	2127603	> O-RING ID.37,6x2,4 EPDM VP.	1
7.5	2127602	> O-RING ID.21,35x2 EPDM VP.	1
8	4159686	FILING/PURGING PLUG HELIX EPDM KIT	1
9	4159696	CARTRIDGE HELIX6-10-16 O/E KIT	1
10	4177823	HOUSING PIPES D.152X285 1.4301 KIT	1
7.3	4176513	> O-RING FOR PUMP JACKET VP.	1
10.1		> HOUSING-PIPE Ø152-M+1006-304	1
11	4174087	CENTERING STAGE-RETURN HELIX6 1.4301VP.	1
12	4174085	SHAFTS EQUIPMENT HELIX V6 BI BLOC KIT	1
12.1		> NUT-H-M10-A4.70	1
12.2		> SERRATED LOCK WASHER M+6M3-316L	1
12.3		> STOP COLLAR OF IMPELLER L17,9-Ø16-316L	1
12.4		> STOP-RUSH-1/2-D16xd2-M+316	1
13		HYDRAULIC HELIX V 606 1.4307	1
14	4177825	SHAFT D.16X405 1.4301 VP.	1
15	4217897	PUMP HOUSING HELIX DN32 PN16 1.4301 KIT	1
7.3	4176513	> O-RING FOR PUMP JACKET VP.	1

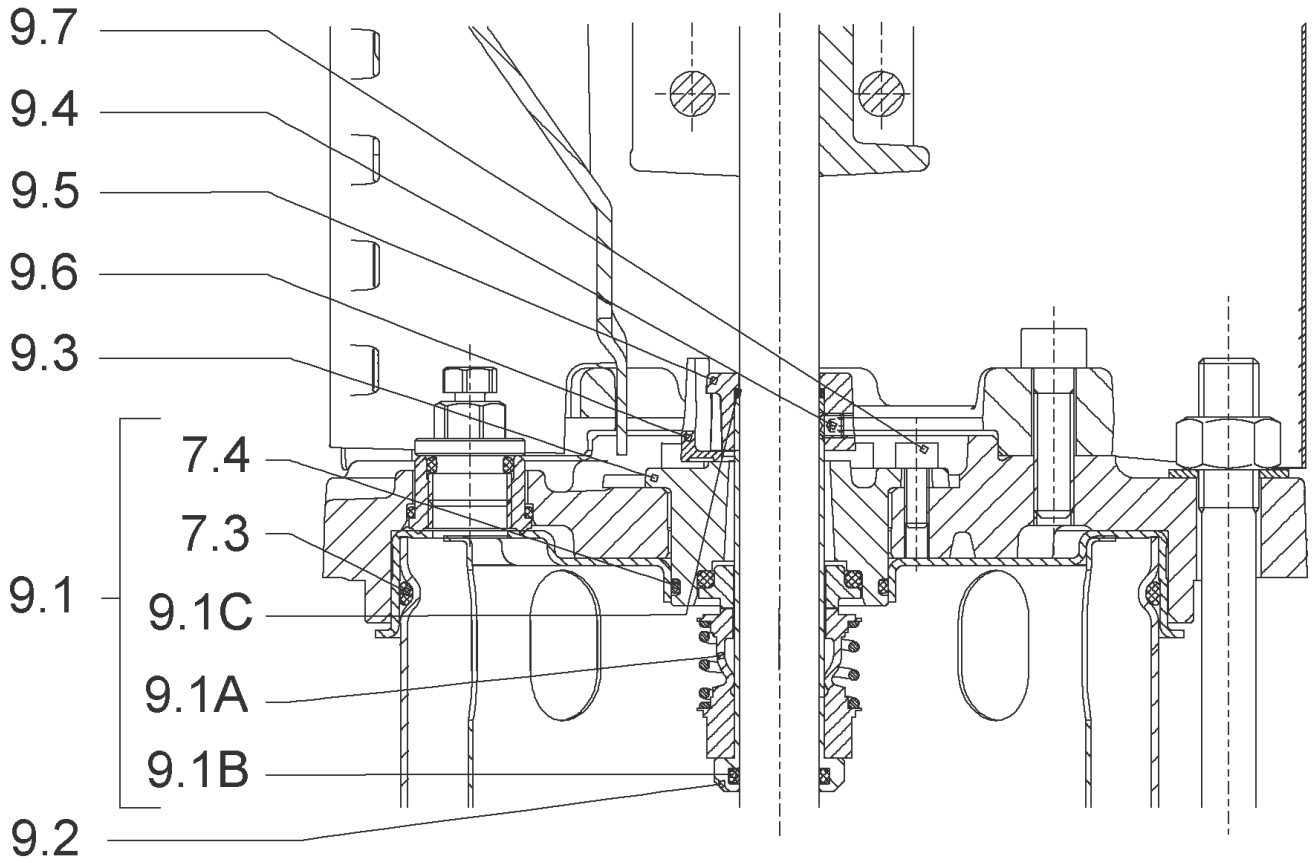
HELIX V606-1/16/E/KS/400-50 (4156035)

Item	Article no.	Description	Quantity
15.1		> BLASTING PPE HOUSING V-PN16-DN32-5"-304	1
15.2	4217891	> COUNTER FLANGE-G1"1/4-PN16-GJL KIT	1
15.3	4171321	> PRIMING/DRAIN PLUG EPDM HELIX KIT	1
16	4177964	BASEPLATE HELIX V2/4/6 PN16 VP.	1



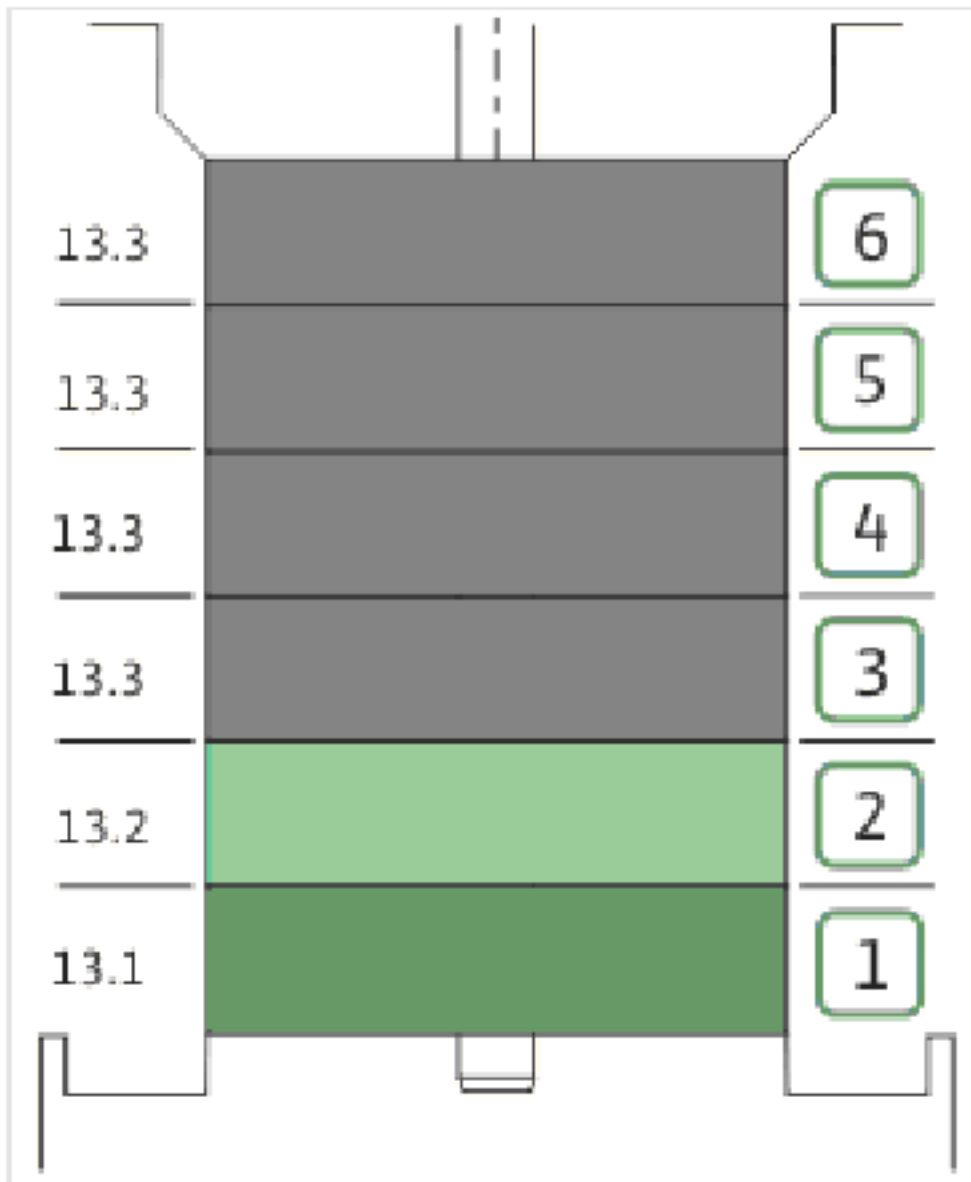
COUPLING D.16XD.19 FT100 HELIX KIT (4159708)

Item	Article no.	Description	Quantity
4.1		COUPLING M+ Ø16XØ19 FT100 MACHINED	1
4.2	2130977	BALL BEARING 6206/ZZ-C3(HT)VP.	1
4.3	4234249	CIRCLIP-FOR-SHAFT-D30x1.5 VP.	1
4.4	4212716	SCREW M6X20 KIT (4PIECES)	1
4.5	4234250	CIRCLIP-D62x2 VP.	1
4.6	4234245	O-RING 63X3 VP.	1
		CONTACT-WASHER-6ETR-6,1x12,2x1,8-STEEL	1



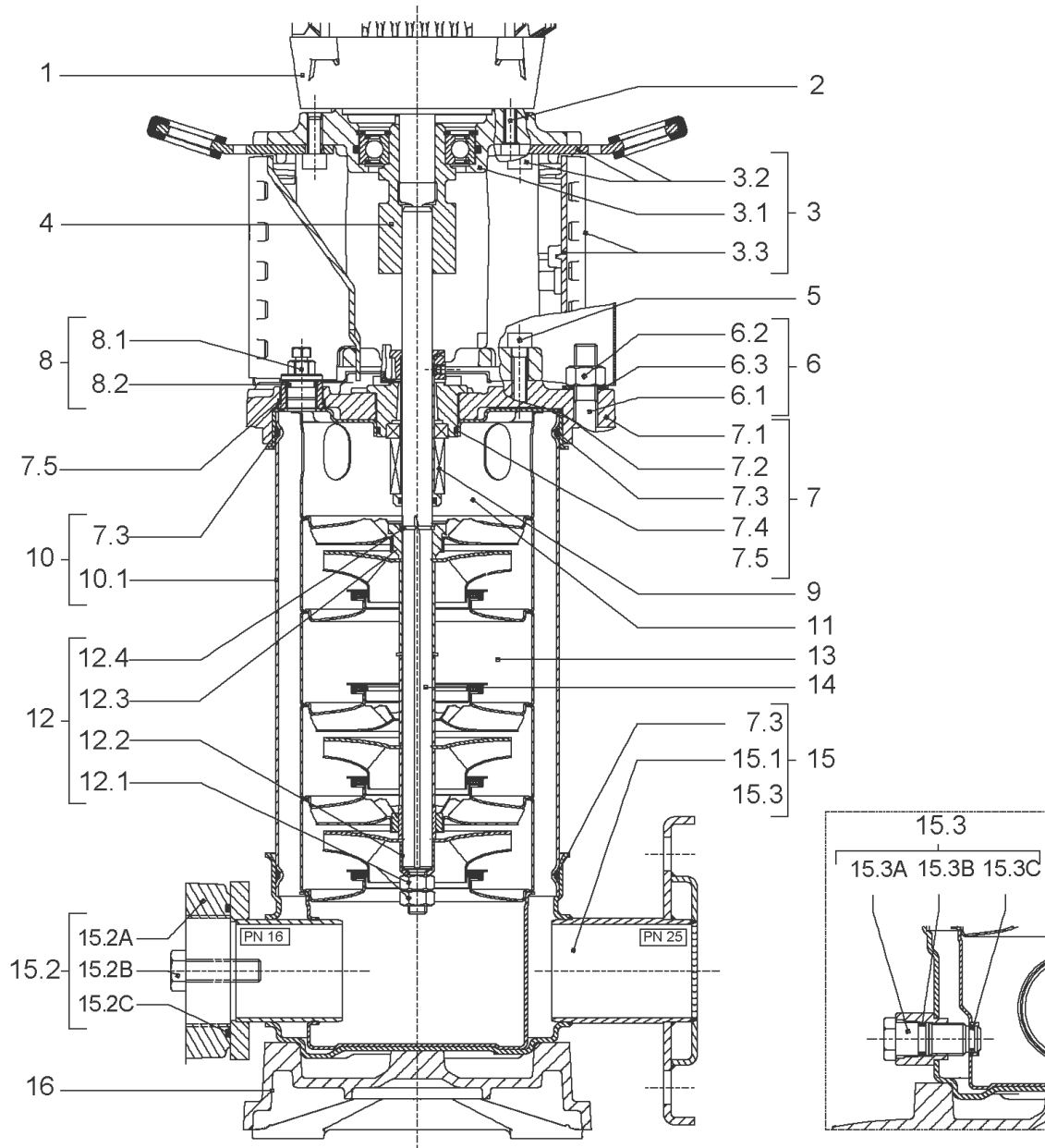
CARTRIDGE HELIX6-10-16 O/E KIT (4159696)

Item	Article no.	Description	Quantity
9.1	4159697	SEAL-KIT-HELIX6-10-16 O/E	1
7.3	4176513	> O-RING FOR PUMP JACKET VP.	1
7.4	2127603	> O-RING ID.37,6x2,4 EPDM VP.	1
9.1A	2130966	> MECH.SEAL HELIX2-4-6-10-16 O/E VP.	1
9.1B	2130967	> O-RING D.16X2,5 EPDM VP.	1
9.1C	4176519	> O-RING Ø16xØ1.25 VP.	1
9.2	2130961	SHAFT SLEEVE D.18/16X72,2 1.4404 VP.	1
9.3	2130962	RING HOLDER D.18 G606/G6 1.4301 VP.	1
9.4	4176520	SCREW CH M5x5 A4-70 (3PIECES)	1
9.5	2130963	DRIVE RING D.29/18x12,4 MACH.VP.	1
9.6	2130964	TOOL M.S.CART.HELIX VP.	1
9.7	2130965	SCREW CHC M5X12 ISO4762 A2.70(4 PIECES)	1



HYDRAULIC HELIX V 606 1.4307

Item	Article no.	Description	Quantity
13.1	4174084	STAGE HELIX 6 1.4301 KIT	1
		> MACH.STG-CASING-WOGV-WNR-M+6-304	1
		> IMPELLER-M+6-304	1
13.2	4174089	INTERMEDIATE STAGE HELIX 6 1.4301 KIT	1
		> MACH.BEARING-STG-CASING-WNR-M+6-304	1
		> IMPELLER-M+6-304	1
		> SHAFT SLEEVE-SPACER-Ø19,35x18,465-304	1
		> SHAFT-SLEEVE-D16xD20x18-CW	1
13.3	4174090	INTERMEDIATE STAGE HELIX 6 1.4301 KIT	1
		> MACH.STD-STG-CASING-WGV+NR-M+6-304	1
		> IMPELLER-M+6-304	1
		> IMPELLER SPACER Ø16,05X19,45-L36,465-304	1

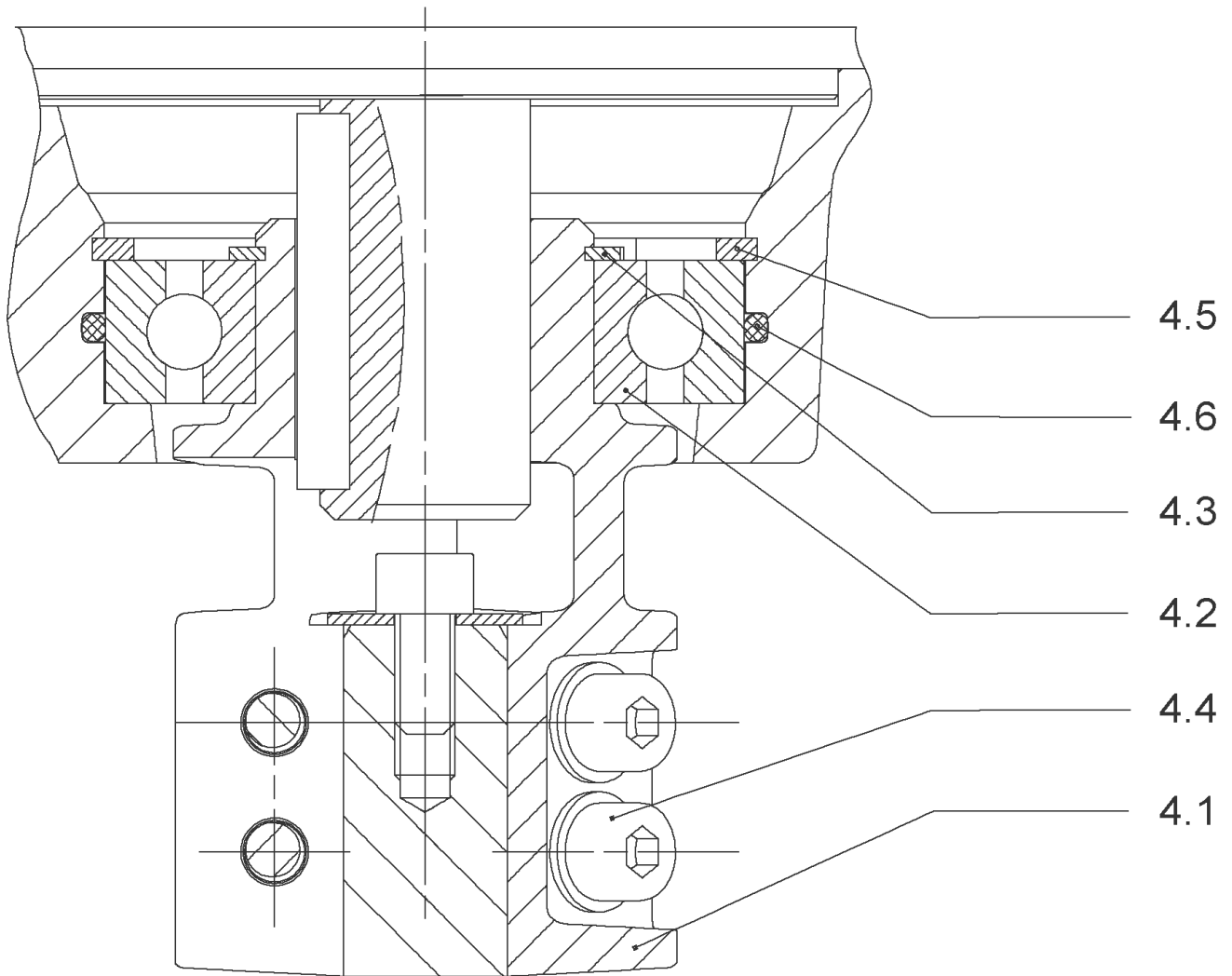


HELIX V607-1/16/E/KS/400-50 (4156036)

Item	Article no.	Description	Quantity
1	4169942	MO.1,5/2 3~230/400(440)V 50(60)HZ IE3 VP	1
		SPARE PARTS MOTOR:ON REQUEST	1
2	4159703	SCREW M8X40 (4 PIECES)	1
3	4159690	LANTERN FT115 HELIX KIT	1
3.1		> LANTERN FT115 M+6" GJL MACHINING+CATA	1
3.2	2127604	> EYELET CPL.FT HELIX(2 PIECES)	1
3.3	4159692	> COUPLING PROTECTOR FT HELIX KIT	1
4	4159709	COUPLING D.16xD.24 FT115 HELIX KIT	1
5	4159707	SCREW M8X30 (4 PIECES)	1
6	4177806	STUD BOLT M12X450KIT	1
6.1		> TIE BOLT M12-450x18x30-1.4057	1
6.2	2094647	> NUT M12 M12 ISO4032 VP.	1
6.3	2123557	> WASHER CS-12.4-24-1.6-NFE25 (4 PIECES)	1
7	4159685	END SHIELD HELIX EPDM KIT	1
7.1		> END SHIELD M+6" GJL250 MACHINING+CATA	1
7.2	2127607	> STATIONARY RING HOLDER 6" HELIX 1.4301 V	1
7.3	4176513	> O-RING FOR PUMP JACKET VP.	1
7.4	2127603	> O-RING ID.37,6x2,4 EPDM VP.	1
7.5	2127602	> O-RING ID.21,35x2 EPDM VP.	1
8	4159686	FILING/PURGING PLUG HELIX EPDM KIT	1
9	4159696	CARTRIDGE HELIX6-10-16 O/E KIT	1
10	4172794	HOUSING PIPES D.152X322 1.4301 KIT	1
7.3	4176513	> O-RING FOR PUMP JACKET VP.	1
10.1		> HOUSING-PIPE Ø152-M+1007-304	1
11	4174087	CENTERING STAGE-RETURN HELIX6 1.4301VP.	1
12	4174085	SHAFTS EQUIPMENT HELIX V6 BI BLOC KIT	1
12.1		> NUT-H-M10-A4.70	1
12.2		> SERRATED LOCK WASHER M+6M3-316L	1
12.3		> STOP COLLAR OF IMPELLER L17,9-Ø16-316L	1
12.4		> STOP-RUSH-1/2-D16xd2-M+316	1
13		HYDRAULIC HELIX V 607 1.4307	1
14	4171324	SHAFT D.16X442,5 1.4301 VP.	1
15	4217897	PUMP HOUSING HELIX DN32 PN16 1.4301 KIT	1
7.3	4176513	> O-RING FOR PUMP JACKET VP.	1

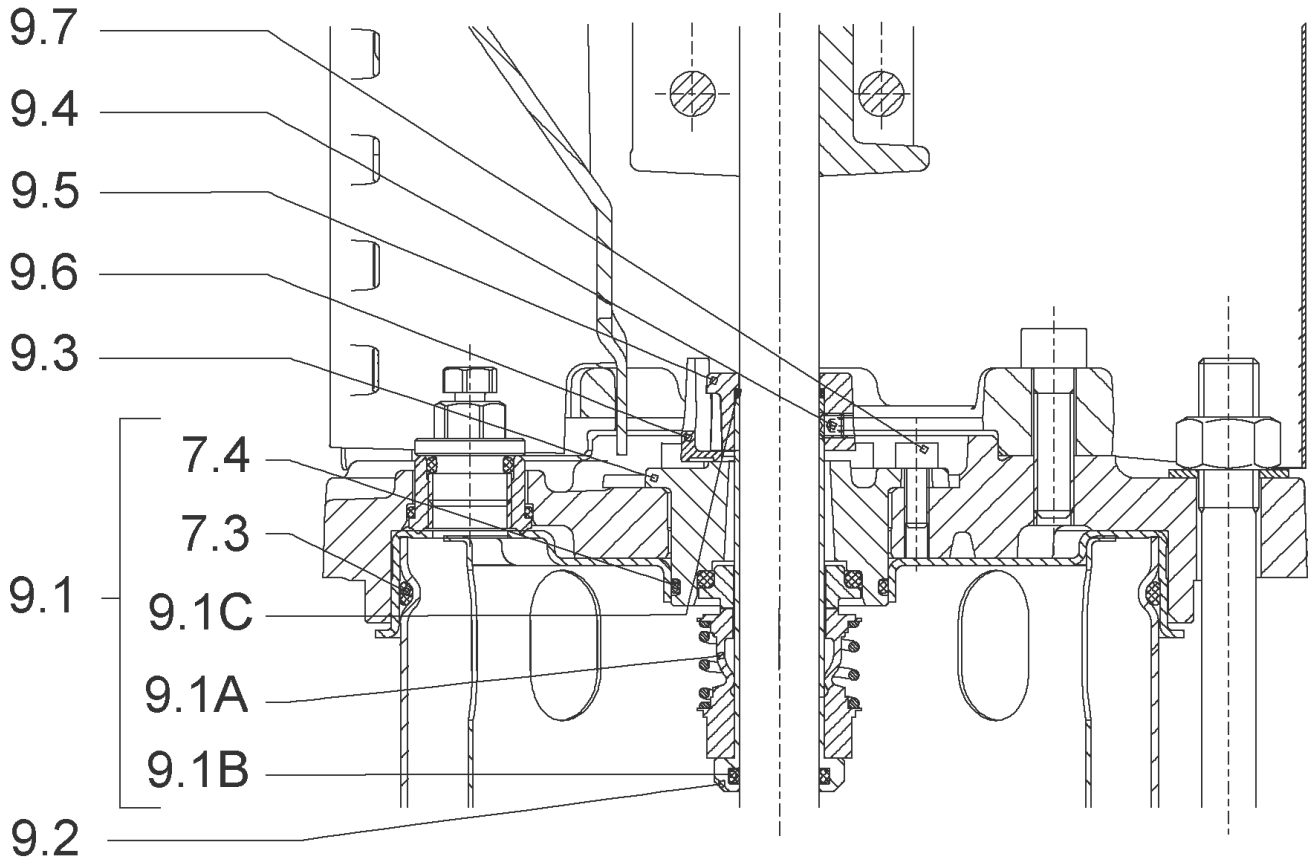
HELIX V607-1/16/E/KS/400-50 (4156036)

Item	Article no.	Description	Quantity
15.1		> BLASTING PPE HOUSING V-PN16-DN32-5"-304	1
15.2	4217891	> COUNTER FLANGE-G1"1/4-PN16-GJL KIT	1
15.3	4171321	> PRIMING/DRAIN PLUG EPDM HELIX KIT	1
16	4177964	BASEPLATE HELIX V2/4/6 PN16 VP.	1



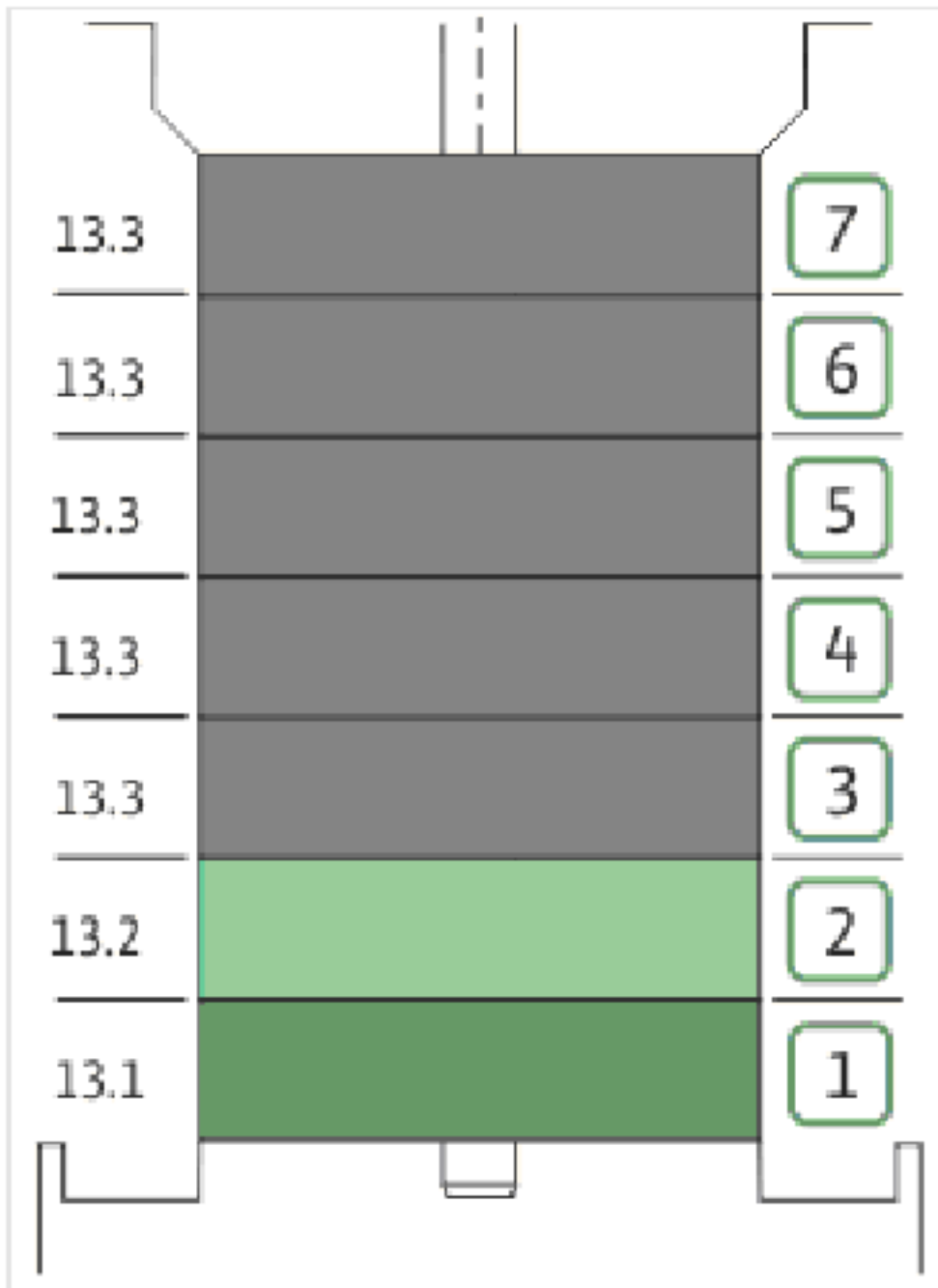
COUPLING D.16xD.24 FT115 HELIX KIT (4159709)

Item	Article no.	Description	Quantity
4.1		COUPLING M+ Ø16XØ24 FT115 MACHINED	1
4.2	2131023	BALL BEARING 6207/ZZ-C3(HT)VP.	1
4.3	4234254	CIRCLIP-FOR-SHAFT-D35x1.5 VP.	1
4.4	4157726	SCREW KIT M8X30 (4 PIECES)	1
4.5	4234251	CIRCLIP-D72x2.5 VP.	1
4.6	4234246	O-RING 72X3 VP.	1
		NOMEL CONTACT WASHER 8x16x1,4 STEEL ZC	1



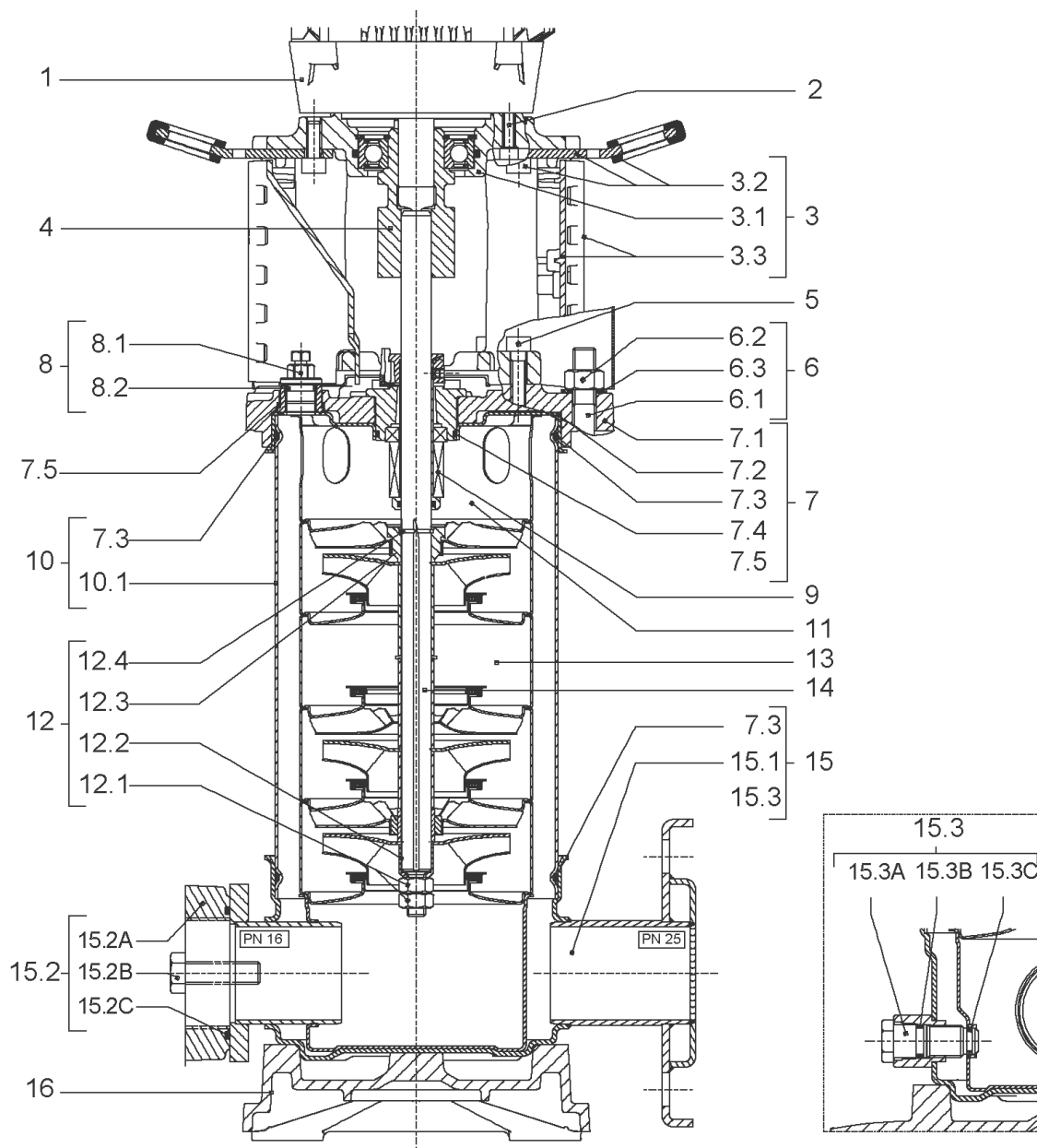
CARTRIDGE HELIX6-10-16 O/E KIT (4159696)

Item	Article no.	Description	Quantity
9.1	4159697	SEAL-KIT-HELIX6-10-16 O/E	1
7.3	4176513	> O-RING FOR PUMP JACKET VP.	1
7.4	2127603	> O-RING ID.37,6x2,4 EPDM VP.	1
9.1A	2130966	> MECH.SEAL HELIX2-4-6-10-16 O/E VP.	1
9.1B	2130967	> O-RING D.16X2,5 EPDM VP.	1
9.1C	4176519	> O-RING Ø16xØ1.25 VP.	1
9.2	2130961	SHAFT SLEEVE D.18/16X72,2 1.4404 VP.	1
9.3	2130962	RING HOLDER D.18 G606/G6 1.4301 VP.	1
9.4	4176520	SCREW CH M5x5 A4-70 (3PIECES)	1
9.5	2130963	DRIVE RING D.29/18x12,4 MACH.VP.	1
9.6	2130964	TOOL M.S.CART.HELIX VP.	1
9.7	2130965	SCREW CHC M5X12 ISO4762 A2.70(4 PIECES)	1



HYDRAULIC HELIX V 607 1.4307

Item	Article no.	Description	Quantity
13.1	4174084	STAGE HELIX 6 1.4301 KIT	1
		> MACH.STG-CASING-WOGV-WNR-M+6-304	1
		> IMPELLER-M+6-304	1
13.2	4174089	INTERMEDIATE STAGE HELIX 6 1.4301 KIT	1
		> MACH.BEARING-STG-CASING-WNR-M+6-304	1
		> IMPELLER-M+6-304	1
		> SHAFT SLEEVE-SPACER-Ø19,35x18,465-304	1
		> SHAFT-SLEEVE-D16xD20x18-CW	1
13.3	4174090	INTERMEDIATE STAGE HELIX 6 1.4301 KIT	1
		> MACH.STD-STG-CASING-WGV+NR-M+6-304	1
		> IMPELLER-M+6-304	1
		> IMPELLER SPACER Ø16,05X19,45-L36,465-304	1



HELIX V607-1/25/E/KS/400-50 (4156037)

Item	Article no.	Description	Quantity
1	4169942	MO.1,5/2 3~230/400(440)V 50(60)HZ IE3 VP	1
		SPARE PARTS MOTOR:ON REQUEST	1
2	4159703	SCREW M8X40 (4 PIECES)	1
3	4159690	LANTERN FT115 HELIX KIT	1
3.1		> LANTERN FT115 M+6" GJL MACHINING+CATA	1
3.2	2127604	> EYELET CPL.FT HELIX(2 PIECES)	1
3.3	4159692	> COUPLING PROTECTOR FT HELIX KIT	1
4	4159709	COUPLING D.16xD.24 FT115 HELIX KIT	1
5	4159707	SCREW M8X30 (4 PIECES)	1
6	4177806	STUD BOLT M12X450KIT	1
6.1		> TIE BOLT M12-450x18x30-1.4057	1
6.2	2094647	> NUT M12 M12 ISO4032 VP.	1
6.3	2123557	> WASHER CS-12.4-24-1.6-NFE25 (4 PIECES)	1
7	4159685	END SHIELD HELIX EPDM KIT	1
7.1		> END SHIELD M+6" GJL250 MACHINING+CATA	1
7.2	2127607	> STATIONARY RING HOLDER 6" HELIX 1.4301 V	1
7.3	4176513	> O-RING FOR PUMP JACKET VP.	1
7.4	2127603	> O-RING ID.37,6x2,4 EPDM VP.	1
7.5	2127602	> O-RING ID.21,35x2 EPDM VP.	1
8	4159686	FILING/PURGING PLUG HELIX EPDM KIT	1
9	4159698	CARTRIDGE HELIX6-10-16 F/E KIT	1
10	4172794	HOUSING PIPES D.152X322 1.4301 KIT	1
7.3	4176513	> O-RING FOR PUMP JACKET VP.	1
10.1		> HOUSING-PIPE Ø152-M+1007-304	1
11	4174087	CENTERING STAGE-RETURN HELIX6 1.4301VP.	1
12	4174085	SHAFTS EQUIPMENT HELIX V6 BI BLOC KIT	1
12.1		> NUT-H-M10-A4.70	1
12.2		> SERRATED LOCK WASHER M+6M3-316L	1
12.3		> STOP COLLAR OF IMPELLER L17,9-Ø16-316L	1
12.4		> STOP-RUSH-1/2-D16xd2-M+316	1
13		HYDRAULIC HELIX V 607 1.4307	1
14	4171324	SHAFT D.16X442,5 1.4301 VP.	1
15	4174081	PUMP HOUSING HELIX DN32 PN25 1.4301 KIT	1
7.3	4176513	> O-RING FOR PUMP JACKET VP.	1

HELIX V607-1/25/E/KS/400-50 (4156037)

Item	Article no.	Description	Quantity
15.1		> BLASTING PPE HOUSING V-PN25-DN32-5"-304	1
15.3	4171321	> PRIMING/DRAIN PLUG EPDM HELIX KIT	1
16	4177970	BASEPLATE HELIX V2/4/6 PN25 VP.	1



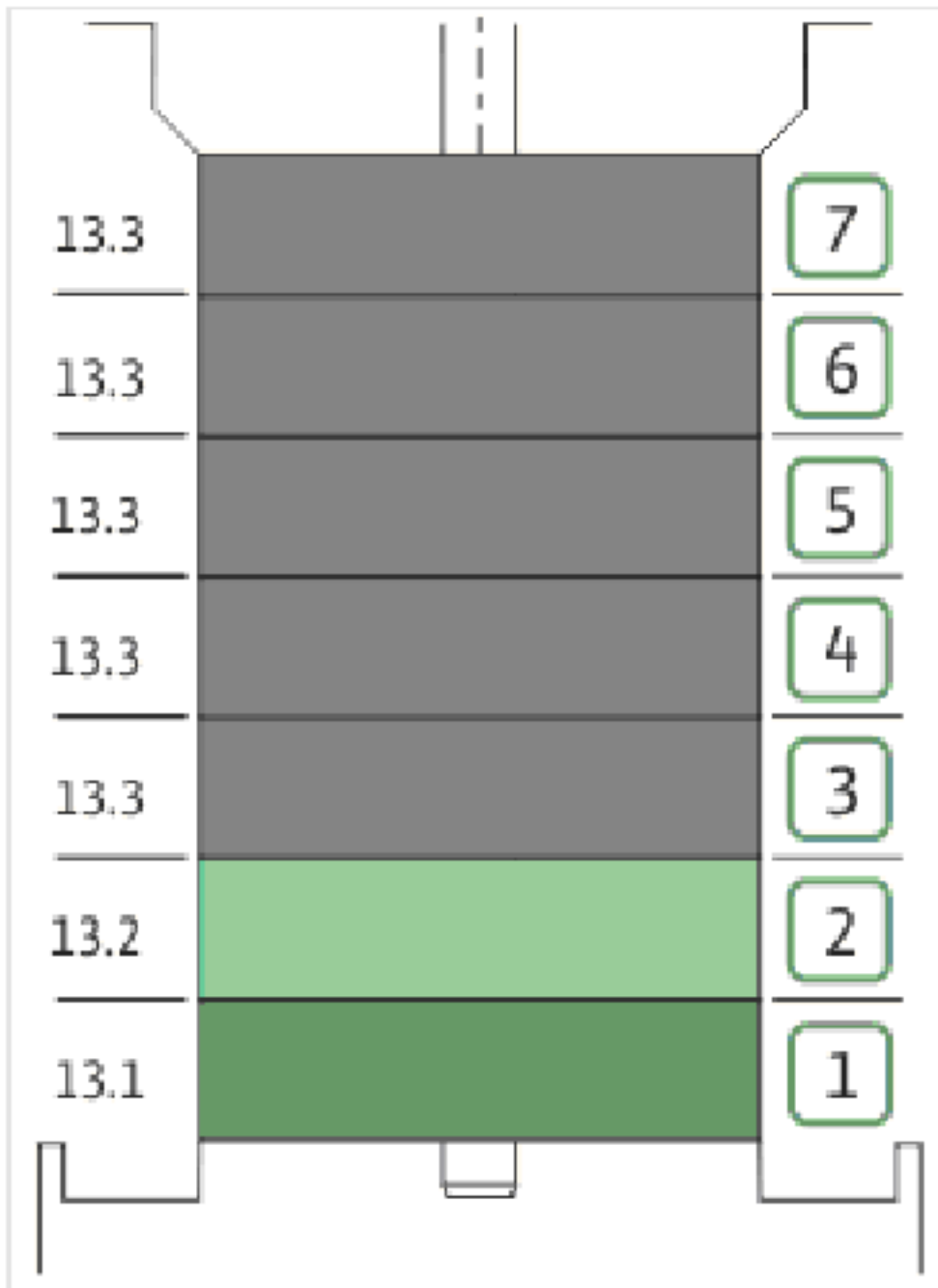
COUPLING D.16xD.24 FT115 HELIX KIT (4159709)

Item	Article no.	Description	Quantity
4.1		COUPLING M+ Ø16XØ24 FT115 MACHINED	1
4.2	2131023	BALL BEARING 6207/ZZ-C3(HT)VP.	1
4.3	4234254	CIRCLIP-FOR-SHAFT-D35x1.5 VP.	1
4.4	4157726	SCREW KIT M8X30 (4 PIECES)	1
4.5	4234251	CIRCLIP-D72x2.5 VP.	1
4.6	4234246	O-RING 72X3 VP.	1
		NOMEL CONTACT WASHER 8x16x1,4 STEEL ZC	1



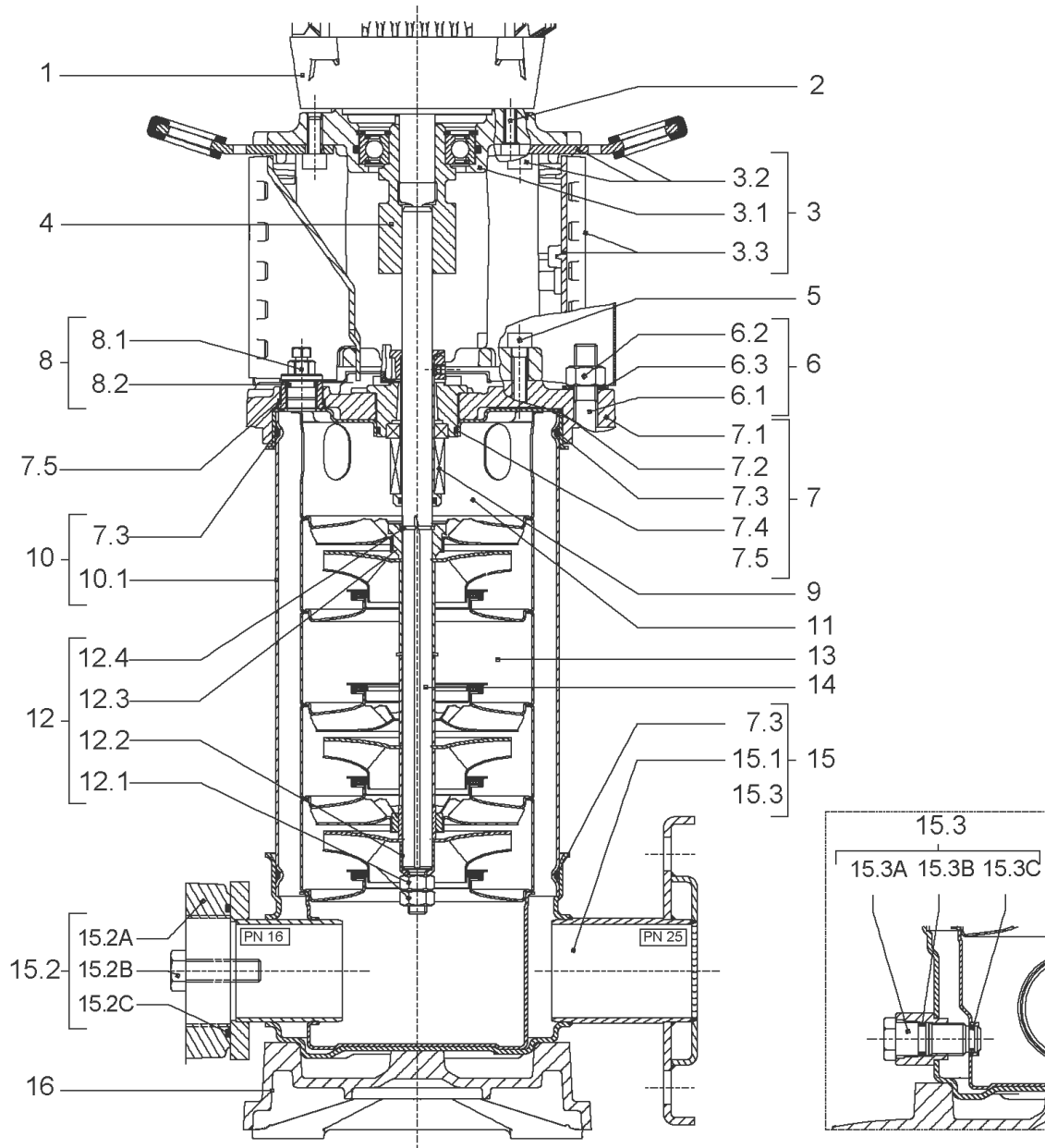
CARTRIDGE HELIX6-10-16 F/E KIT (4159698)

Item	Article no.	Description	Quantity
9.1	4159699	SEAL-KIT-HELIX6-10-16 F/E	1
7.3	4176513	> O-RING FOR PUMP JACKET VP.	1
7.4	2127603	> O-RING ID.37,6x2,4 EPDM VP.	1
9.1A	4176521	> MECH.SEAL HELIX2-4-6-10-16 F/E VP.	1
9.1B	2130967	> O-RING D.16X2,5 EPDM VP.	1
9.1C	4176519	> O-RING Ø16xØ1.25 VP.	1
9.2	2130961	SHAFT SLEEVE D.18/16X72,2 1.4404 VP.	1
9.3	2130962	RING HOLDER D.18 G606/G6 1.4301 VP.	1
9.4	4176520	SCREW CH M5x5 A4-70 (3PIECES)	1
9.5	2130963	DRIVE RING D.29/18x12,4 MACH.VP.	1
9.6	2130964	TOOL M.S.CART.HELIX VP.	1
9.7	2130965	SCREW CHC M5X12 ISO4762 A2.70(4 PIECES)	1



HYDRAULIC HELIX V 607 1.4307

Item	Article no.	Description	Quantity
13.1	4174084	STAGE HELIX 6 1.4301 KIT	1
		> MACH.STG-CASING-WOGV-WNR-M+6-304	1
		> IMPELLER-M+6-304	1
13.2	4174089	INTERMEDIATE STAGE HELIX 6 1.4301 KIT	1
		> MACH.BEARING-STG-CASING-WNR-M+6-304	1
		> IMPELLER-M+6-304	1
		> SHAFT SLEEVE-SPACER-Ø19,35x18,465-304	1
		> SHAFT-SLEEVE-D16xD20x18-CW	1
13.3	4174090	INTERMEDIATE STAGE HELIX 6 1.4301 KIT	1
		> MACH.STD-STG-CASING-WGV+NR-M+6-304	1
		> IMPELLER-M+6-304	1
		> IMPELLER SPACER Ø16,05X19,45-L36,465-304	1



HELIX V608-1/16/E/KS/400-50 (4156038)

Item	Article no.	Description	Quantity
1	4169942	MO.1,5/2 3~230/400(440)V 50(60)HZ IE3 VP	1
		SPARE PARTS MOTOR:ON REQUEST	1
2	4159703	SCREW M8X40 (4 PIECES)	1
3	4159690	LANTERN FT115 HELIX KIT	1
3.1		> LANTERN FT115 M+6" GJL MACHINING+CATA	1
3.2	2127604	> EYELET CPL.FT HELIX(2 PIECES)	1
3.3	4159692	> COUPLING PROTECTOR FT HELIX KIT	1
4	4159709	COUPLING D.16xD.24 FT115 HELIX KIT	1
5	4159707	SCREW M8X30 (4 PIECES)	1
6	2127555	STUD BOLT M12X485 KIT	1
7	4159685	END SHIELD HELIX EPDM KIT	1
7.1		> END SHIELD M+6" GJL250 MACHINING+CATA	1
7.2	2127607	> STATIONARY RING HOLDER 6" HELIX 1.4301 V	1
7.3	4176513	> O-RING FOR PUMP JACKET VP.	1
7.4	2127603	> O-RING ID.37,6x2,4 EPDM VP.	1
7.5	2127602	> O-RING ID.21,35x2 EPDM VP.	1
8	4159686	FILING/PURGING PLUG HELIX EPDM KIT	1
9	4159696	CARTRIDGE HELIX6-10-16 O/E KIT	1
10	2127578	HOUSING PIPE D.152x360 1.4307 KIT	1
7.3	4176513	> O-RING FOR PUMP JACKET VP.	1
10.1		> HOUSING-PIPE Ø152-M+1008/1606-304	1
11	4174087	CENTERING STAGE-RETURN HELIX6 1.4301VP.	1
12	4174085	SHAFTS EQUIPMENT HELIX V6 BI BLOC KIT	1
12.1		> NUT-H-M10-A4.70	1
12.2		> SERRATED LOCK WASHER M+6M3-316L	1
12.3		> STOP COLLAR OF IMPELLER L17,9-Ø16-316L	1
12.4		> STOP-RUSH-1/2-D16xd2-M+316	1
13		HYDRAULIC HELIX V 608 1.4307	1
14	2127397	SHAFT D.16X480 1.4301 VP.	1
15	4217897	PUMP HOUSING HELIX DN32 PN16 1.4301 KIT	1
7.3	4176513	> O-RING FOR PUMP JACKET VP.	1
15.1		> BLASTING PPE HOUSING V-PN16-DN32-5"-304	1
15.2	4217891	> COUNTER FLANGE-G1"1/4-PN16-GJL KIT	1
15.3	4171321	> PRIMING/DRAIN PLUG EPDM HELIX KIT	1

HELIX V608-1/16/E/KS/400-50 (4156038)

Item	Article no.	Description	Quantity
16	4177964	BASEPLATE HELIX V2/4/6 PN16 VP.	1



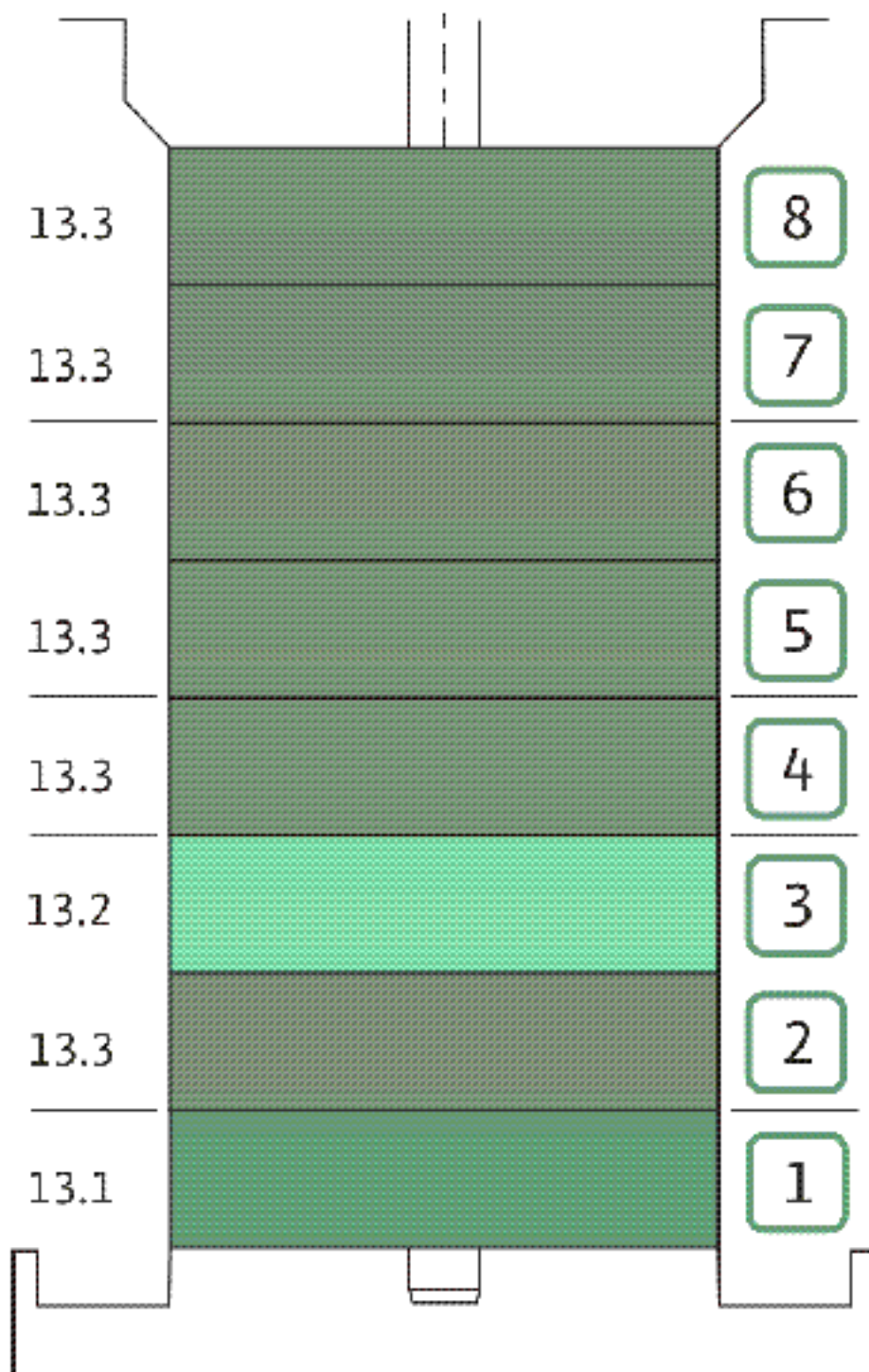
COUPLING D.16xD.24 FT115 HELIX KIT (4159709)

Item	Article no.	Description	Quantity
4.1		COUPLING M+ Ø16XØ24 FT115 MACHINED	1
4.2	2131023	BALL BEARING 6207/ZZ-C3(HT)VP.	1
4.3	4234254	CIRCLIP-FOR-SHAFT-D35x1.5 VP.	1
4.4	4157726	SCREW KIT M8X30 (4 PIECES)	1
4.5	4234251	CIRCLIP-D72x2.5 VP.	1
4.6	4234246	O-RING 72X3 VP.	1
		NOMEL CONTACT WASHER 8x16x1,4 STEEL ZC	1



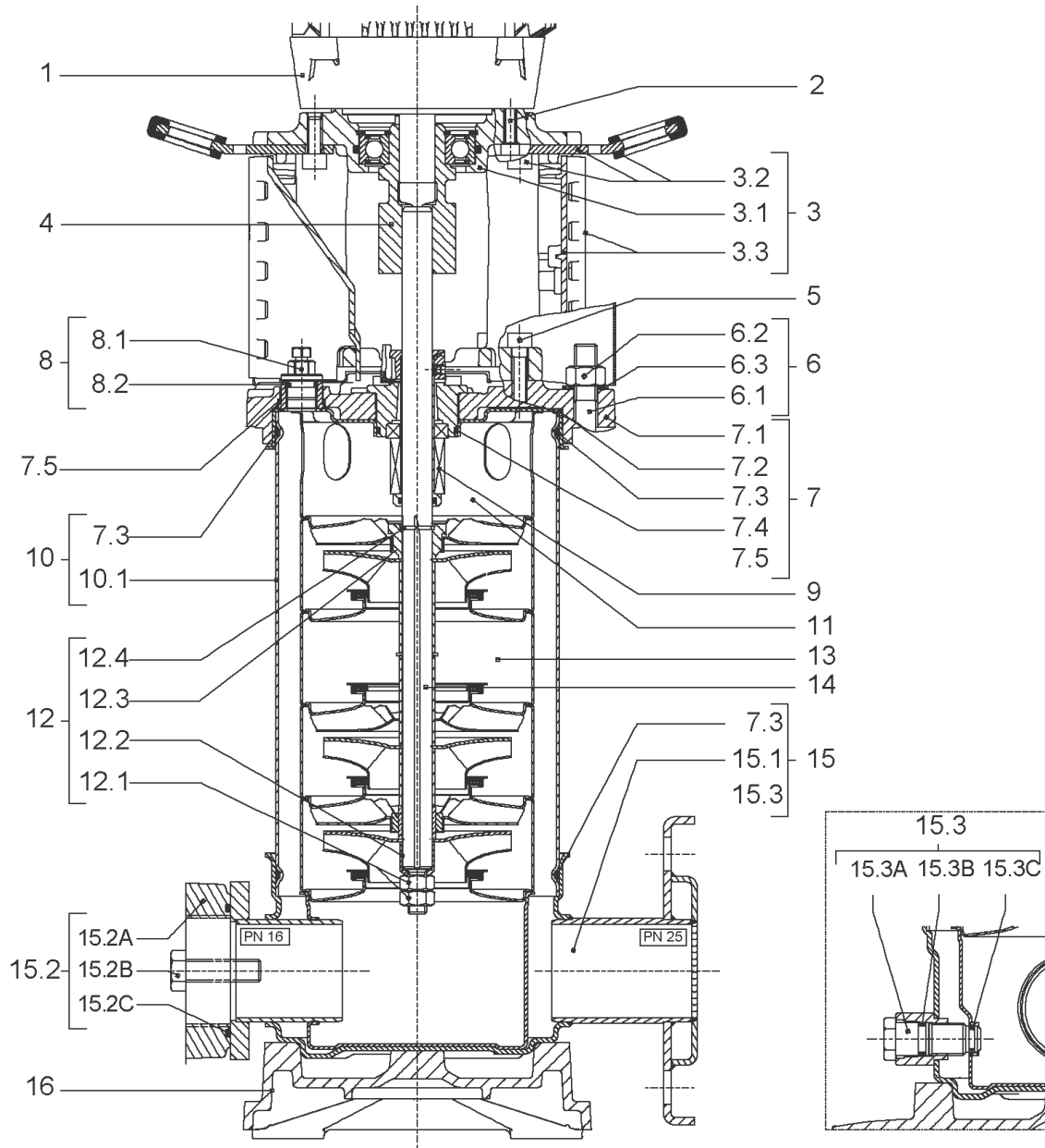
CARTRIDGE HELIX6-10-16 O/E KIT (4159696)

Item	Article no.	Description	Quantity
9.1	4159697	SEAL-KIT-HELIX6-10-16 O/E	1
7.3	4176513	> O-RING FOR PUMP JACKET VP.	1
7.4	2127603	> O-RING ID.37,6x2,4 EPDM VP.	1
9.1A	2130966	> MECH.SEAL HELIX2-4-6-10-16 O/E VP.	1
9.1B	2130967	> O-RING D.16X2,5 EPDM VP.	1
9.1C	4176519	> O-RING Ø16xØ1.25 VP.	1
9.2	2130961	SHAFT SLEEVE D.18/16X72,2 1.4404 VP.	1
9.3	2130962	RING HOLDER D.18 G606/G6 1.4301 VP.	1
9.4	4176520	SCREW CH M5x5 A4-70 (3PIECES)	1
9.5	2130963	DRIVE RING D.29/18x12,4 MACH.VP.	1
9.6	2130964	TOOL M.S.CART.HELIX VP.	1
9.7	2130965	SCREW CHC M5X12 ISO4762 A2.70(4 PIECES)	1



HYDRAULIC HELIX V 608 1.4307

Item	Article no.	Description	Quantity
13.1	4174084	STAGE HELIX 6 1.4301 KIT	1
		> MACH.STG-CASING-WOGV-WNR-M+6-304	1
		> IMPELLER-M+6-304	1
13.2	4174089	INTERMEDIATE STAGE HELIX 6 1.4301 KIT	1
		> MACH.BEARING-STG-CASING-WNR-M+6-304	1
		> IMPELLER-M+6-304	1
		> SHAFT SLEEVE-SPACER-Ø19,35x18,465-304	1
		> SHAFT-SLEEVE-D16xD20x18-CW	1
13.3	4174090	INTERMEDIATE STAGE HELIX 6 1.4301 KIT	1
		> MACH.STD-STG-CASING-WGV+NR-M+6-304	1
		> IMPELLER-M+6-304	1
		> IMPELLER SPACER Ø16,05X19,45-L36,465-304	1



HELIX V608-1/25/E/KS/400-50 (4156039)

Item	Article no.	Description	Quantity
1	4169942	MO.1,5/2 3~230/400(440)V 50(60)HZ IE3 VP	1
		SPARE PARTS MOTOR:ON REQUEST	1
2	4159703	SCREW M8X40 (4 PIECES)	1
3	4159690	LANTERN FT115 HELIX KIT	1
3.1		> LANTERN FT115 M+6" GJL MACHINING+CATA	1
3.2	2127604	> EYELET CPL.FT HELIX(2 PIECES)	1
3.3	4159692	> COUPLING PROTECTOR FT HELIX KIT	1
4	4159709	COUPLING D.16xD.24 FT115 HELIX KIT	1
5	4159707	SCREW M8X30 (4 PIECES)	1
6	2127555	STUD BOLT M12X485 KIT	1
7	4159685	END SHIELD HELIX EPDM KIT	1
7.1		> END SHIELD M+6" GJL250 MACHINING+CATA	1
7.2	2127607	> STATIONARY RING HOLDER 6" HELIX 1.4301 V	1
7.3	4176513	> O-RING FOR PUMP JACKET VP.	1
7.4	2127603	> O-RING ID.37,6x2,4 EPDM VP.	1
7.5	2127602	> O-RING ID.21,35x2 EPDM VP.	1
8	4159686	FILING/PURGING PLUG HELIX EPDM KIT	1
9	4159698	CARTRIDGE HELIX6-10-16 F/E KIT	1
10	2127578	HOUSING PIPE D.152x360 1.4307 KIT	1
7.3	4176513	> O-RING FOR PUMP JACKET VP.	1
10.1		> HOUSING-PIPE Ø152-M+1008/1606-304	1
11	4174087	CENTERING STAGE-RETURN HELIX6 1.4301VP.	1
12	4174085	SHAFTS EQUIPMENT HELIX V6 BI BLOC KIT	1
12.1		> NUT-H-M10-A4.70	1
12.2		> SERRATED LOCK WASHER M+6M3-316L	1
12.3		> STOP COLLAR OF IMPELLER L17,9-Ø16-316L	1
12.4		> STOP-RUSH-1/2-D16xd2-M+316	1
13		HYDRAULIC HELIX V 608 1.4307	1
14	2127397	SHAFT D.16X480 1.4301 VP.	1
15	4174081	PUMP HOUSING HELIX DN32 PN25 1.4301 KIT	1
7.3	4176513	> O-RING FOR PUMP JACKET VP.	1
15.1		> BLASTING PPE HOUSING V-PN25-DN32-5"-304	1
15.3	4171321	> PRIMING/DRAIN PLUG EPDM HELIX KIT	1
16	4177970	BASEPLATE HELIX V2/4/6 PN25 VP.	1



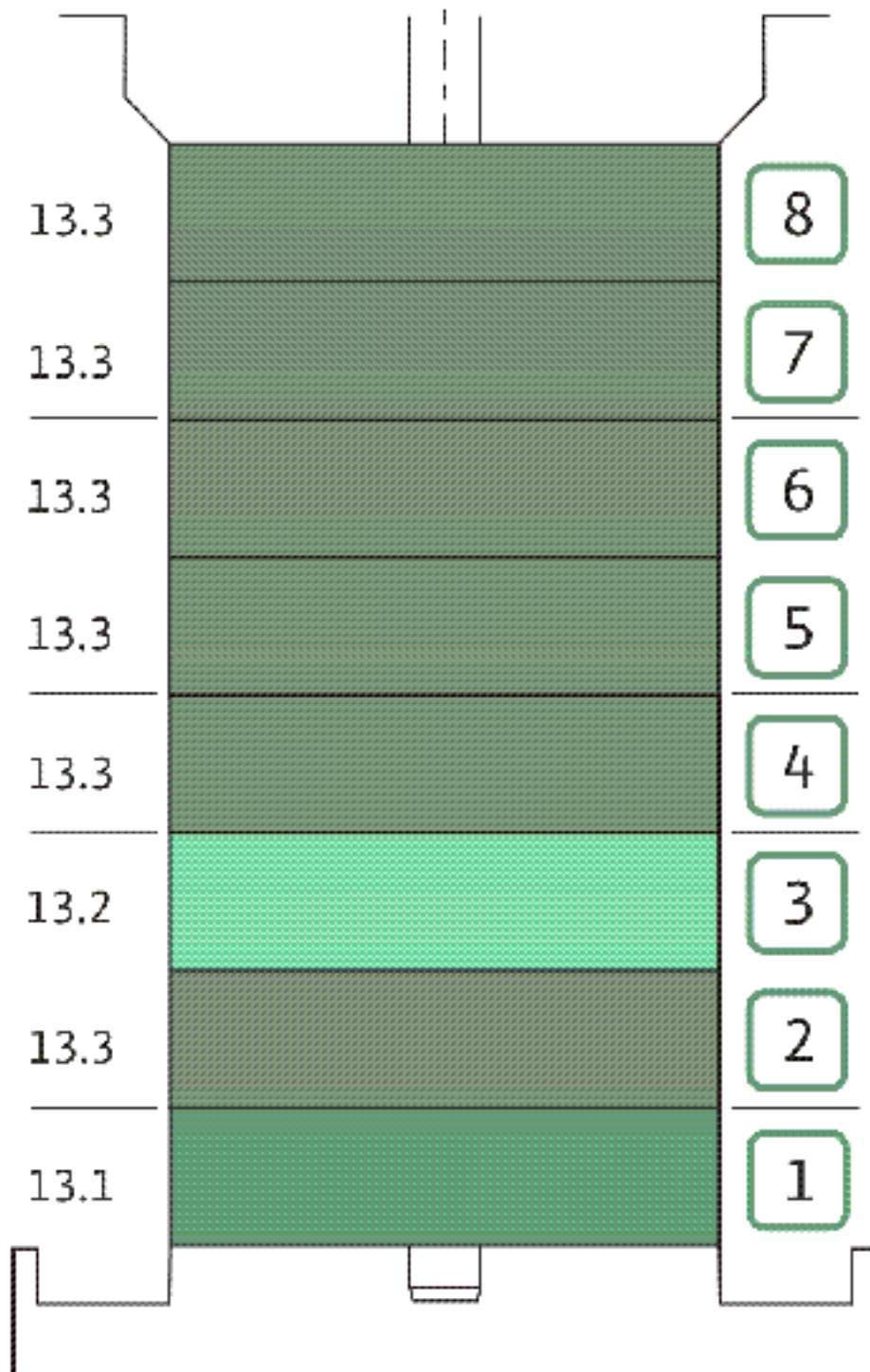
COUPLING D.16xD.24 FT115 HELIX KIT (4159709)

Item	Article no.	Description	Quantity
4.1		COUPLING M+ Ø16XØ24 FT115 MACHINED	1
4.2	2131023	BALL BEARING 6207/ZZ-C3(HT)VP.	1
4.3	4234254	CIRCLIP-FOR-SHAFT-D35x1.5 VP.	1
4.4	4157726	SCREW KIT M8X30 (4 PIECES)	1
4.5	4234251	CIRCLIP-D72x2.5 VP.	1
4.6	4234246	O-RING 72X3 VP.	1
		NOMEL CONTACT WASHER 8x16x1,4 STEEL ZC	1



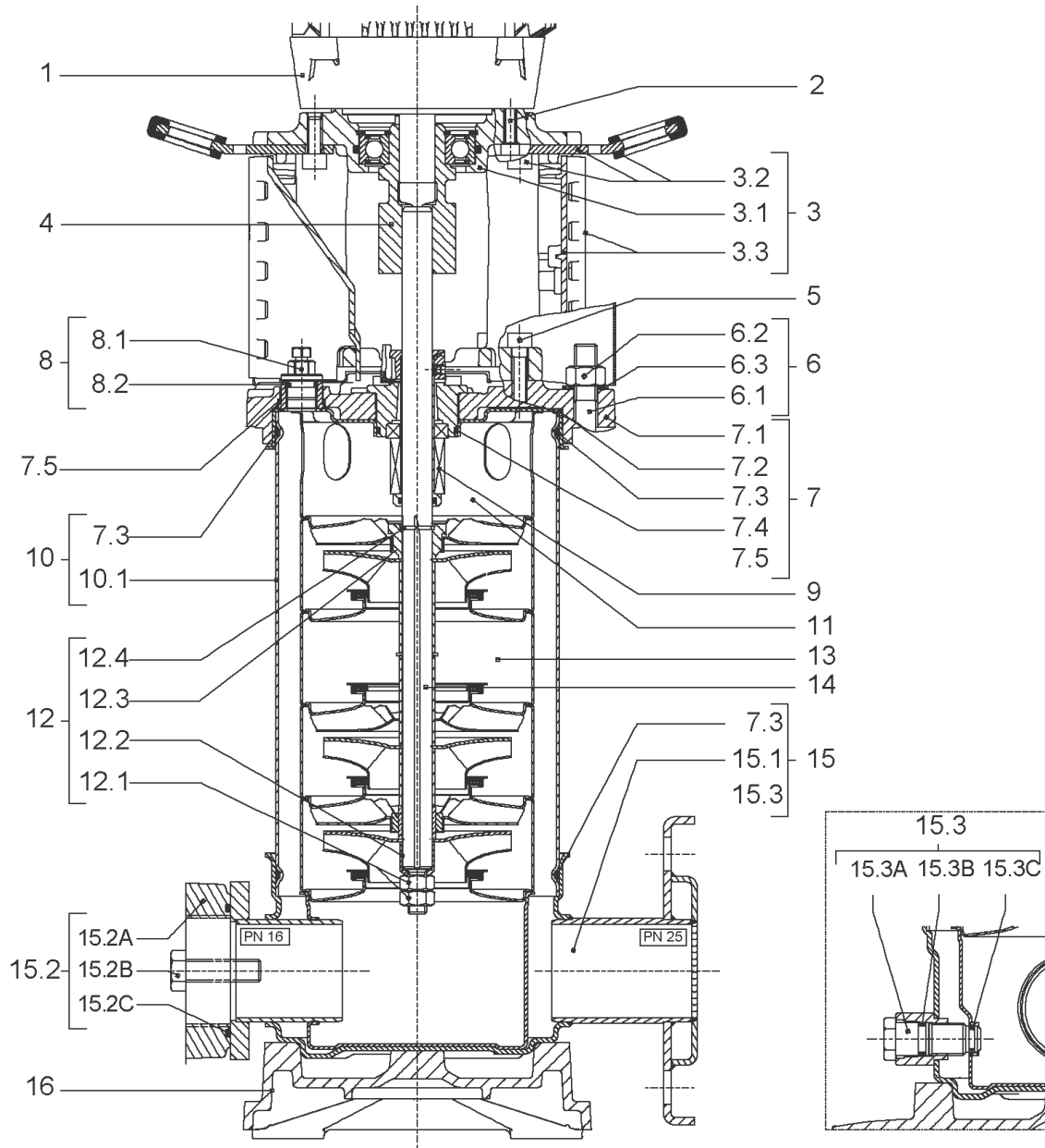
CARTRIDGE HELIX6-10-16 F/E KIT (4159698)

Item	Article no.	Description	Quantity
9.1	4159699	SEAL-KIT-HELIX6-10-16 F/E	1
7.3	4176513	> O-RING FOR PUMP JACKET VP.	1
7.4	2127603	> O-RING ID.37,6x2,4 EPDM VP.	1
9.1A	4176521	> MECH.SEAL HELIX2-4-6-10-16 F/E VP.	1
9.1B	2130967	> O-RING D.16X2,5 EPDM VP.	1
9.1C	4176519	> O-RING Ø16xØ1.25 VP.	1
9.2	2130961	SHAFT SLEEVE D.18/16X72,2 1.4404 VP.	1
9.3	2130962	RING HOLDER D.18 G606/G6 1.4301 VP.	1
9.4	4176520	SCREW CH M5x5 A4-70 (3PIECES)	1
9.5	2130963	DRIVE RING D.29/18x12,4 MACH.VP.	1
9.6	2130964	TOOL M.S.CART.HELIX VP.	1
9.7	2130965	SCREW CHC M5X12 ISO4762 A2.70(4 PIECES)	1



HYDRAULIC HELIX V 608 1.4307

Item	Article no.	Description	Quantity
13.1	4174084	STAGE HELIX 6 1.4301 KIT	1
		> MACH.STG-CASING-WOGV-WNR-M+6-304	1
		> IMPELLER-M+6-304	1
13.2	4174089	INTERMEDIATE STAGE HELIX 6 1.4301 KIT	1
		> MACH.BEARING-STG-CASING-WNR-M+6-304	1
		> IMPELLER-M+6-304	1
		> SHAFT SLEEVE-SPACER-Ø19,35x18,465-304	1
		> SHAFT-SLEEVE-D16xD20x18-CW	1
13.3	4174090	INTERMEDIATE STAGE HELIX 6 1.4301 KIT	1
		> MACH.STD-STG-CASING-WGV+NR-M+6-304	1
		> IMPELLER-M+6-304	1
		> IMPELLER SPACER Ø16,05X19,45-L36,465-304	1



HELIX V609-1/16/E/KS/400-50 (4156040)

Item	Article no.	Description	Quantity
1	4169943	MOTOR 2,2/2/90 3~230/400V 50HZ IE3 VP.	1
		SPARE PARTS MOTOR:ON REQUEST	1
2	4159703	SCREW M8X40 (4 PIECES)	1
3	4159690	LANTERN FT115 HELIX KIT	1
3.1		> LANTERN FT115 M+6" GJL MACHINING+CATA	1
3.2	2127604	> EYELET CPL.FT HELIX(2 PIECES)	1
3.3	4159692	> COUPLING PROTECTOR FT HELIX KIT	1
4	4159709	COUPLING D.16xD.24 FT115 HELIX KIT	1
5	4159707	SCREW M8X30 (4 PIECES)	1
6	4177832	STUD BOLT M12X527KIT	1
6.1		> TIE BOLT M12-527x18x30-1.4057	1
6.2	2094647	> NUT M12 M12 ISO4032 VP.	1
6.3	2123557	> WASHER CS-12.4-24-1.6-NFE25 (4 PIECES)	1
7	4159685	END SHIELD HELIX EPDM KIT	1
7.1		> END SHIELD M+6" GJL250 MACHINING+CATA	1
7.2	2127607	> STATIONARY RING HOLDER 6" HELIX 1.4301 V	1
7.3	4176513	> O-RING FOR PUMP JACKET VP.	1
7.4	2127603	> O-RING ID.37,6x2,4 EPDM VP.	1
7.5	2127602	> O-RING ID.21,35x2 EPDM VP.	1
8	4159686	FILING/PURGING PLUG HELIX EPDM KIT	1
9	4159696	CARTRIDGE HELIX6-10-16 O/E KIT	1
10	4177833	HOUSING PIPES D.152X397 1.4301 KIT	1
7.3	4176513	> O-RING FOR PUMP JACKET VP.	1
10.1		> HOUSING-PIPE Ø152-M+1009-304	1
11	4174087	CENTERING STAGE-RETURN HELIX6 1.4301VP.	1
12	4174085	SHAFTS EQUIPMENT HELIX V6 BI BLOC KIT	1
12.1		> NUT-H-M10-A4.70	1
12.2		> SERRATED LOCK WASHER M+6M3-316L	1
12.3		> STOP COLLAR OF IMPELLER L17,9-Ø16-316L	1
12.4		> STOP-RUSH-1/2-D16xd2-M+316	1
13		HYDRAULIC HELIX V 609 1.4307	1
14	4177837	SHAFTS D.16X517,5 1.4301 VP.	1
15	4217897	PUMP HOUSING HELIX DN32 PN16 1.4301 KIT	1
7.3	4176513	> O-RING FOR PUMP JACKET VP.	1

HELIX V609-1/16/E/KS/400-50 (4156040)

Item	Article no.	Description	Quantity
15.1		> BLASTING PPE HOUSING V-PN16-DN32-5"-304	1
15.2	4217891	> COUNTER FLANGE-G1"1/4-PN16-GJL KIT	1
15.3	4171321	> PRIMING/DRAIN PLUG EPDM HELIX KIT	1
16	4177964	BASEPLATE HELIX V2/4/6 PN16 VP.	1



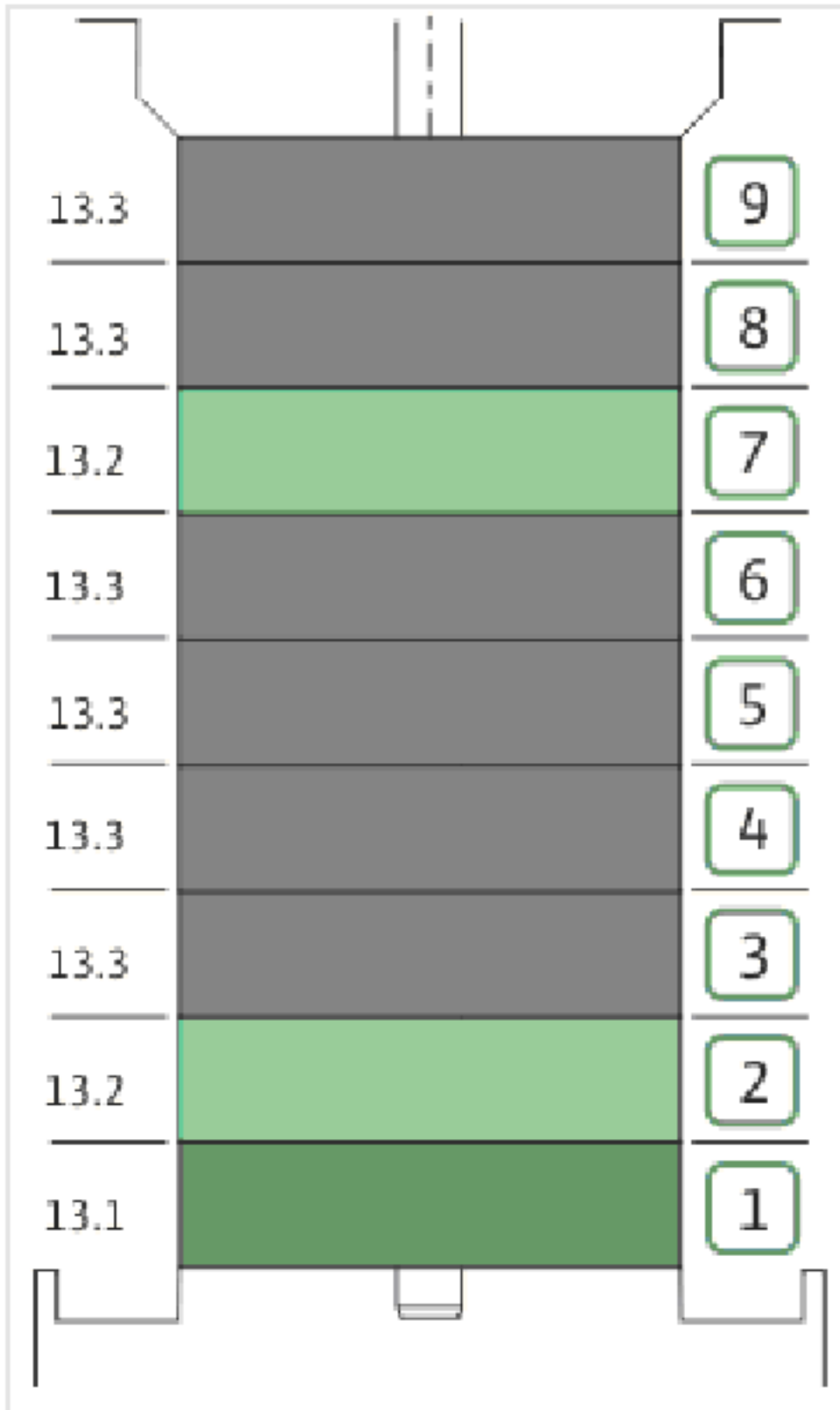
COUPLING D.16xD.24 FT115 HELIX KIT (4159709)

Item	Article no.	Description	Quantity
4.1		COUPLING M+ Ø16XØ24 FT115 MACHINED	1
4.2	2131023	BALL BEARING 6207/ZZ-C3(HT)VP.	1
4.3	4234254	CIRCLIP-FOR-SHAFT-D35x1.5 VP.	1
4.4	4157726	SCREW KIT M8X30 (4 PIECES)	1
4.5	4234251	CIRCLIP-D72x2.5 VP.	1
4.6	4234246	O-RING 72X3 VP.	1
		NOMEL CONTACT WASHER 8x16x1,4 STEEL ZC	1



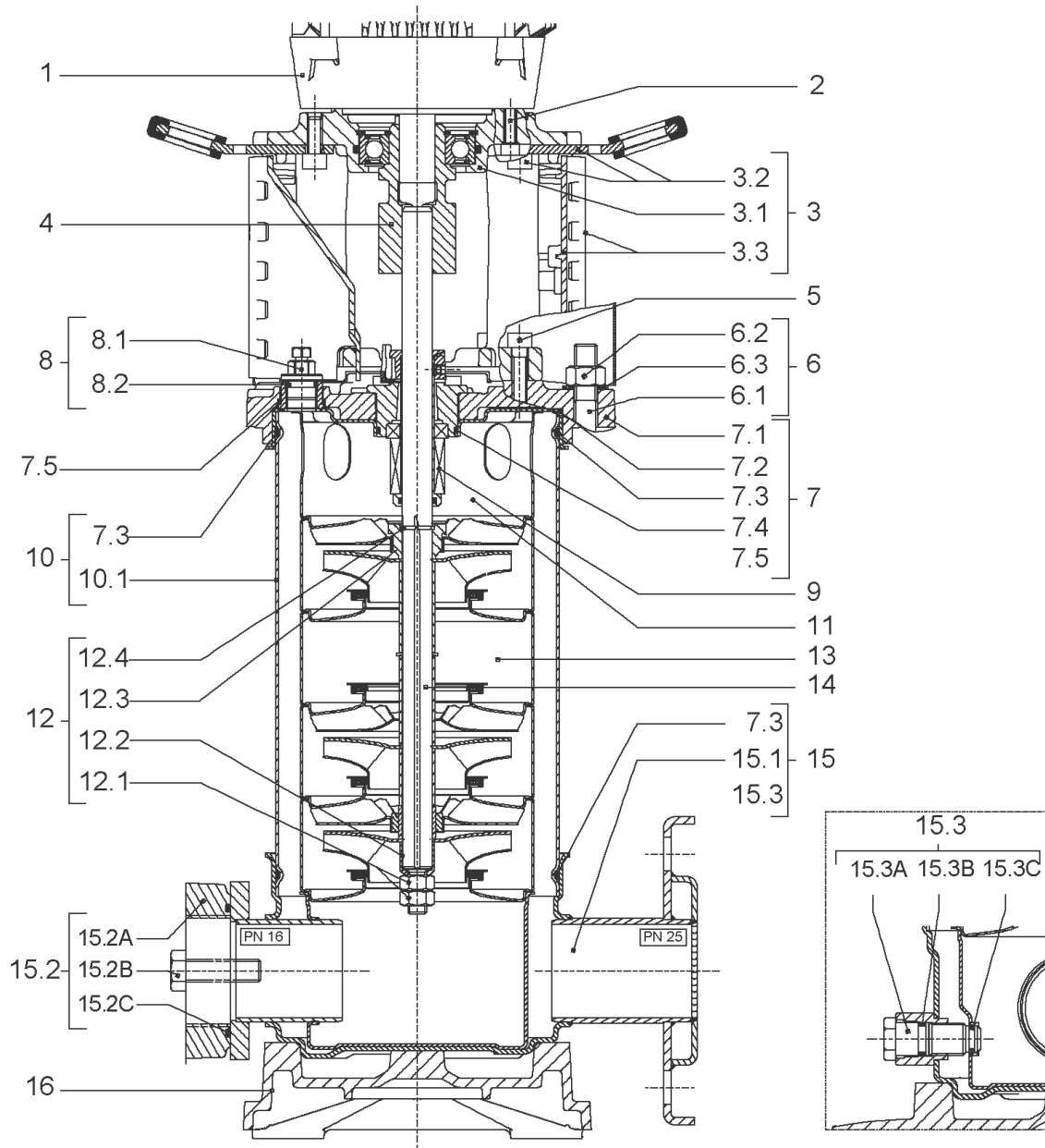
CARTRIDGE HELIX6-10-16 O/E KIT (4159696)

Item	Article no.	Description	Quantity
9.1	4159697	SEAL-KIT-HELIX6-10-16 O/E	1
7.3	4176513	> O-RING FOR PUMP JACKET VP.	1
7.4	2127603	> O-RING ID.37,6x2,4 EPDM VP.	1
9.1A	2130966	> MECH.SEAL HELIX2-4-6-10-16 O/E VP.	1
9.1B	2130967	> O-RING D.16X2,5 EPDM VP.	1
9.1C	4176519	> O-RING Ø16xØ1.25 VP.	1
9.2	2130961	SHAFT SLEEVE D.18/16X72,2 1.4404 VP.	1
9.3	2130962	RING HOLDER D.18 G606/G6 1.4301 VP.	1
9.4	4176520	SCREW CH M5x5 A4-70 (3PIECES)	1
9.5	2130963	DRIVE RING D.29/18x12,4 MACH.VP.	1
9.6	2130964	TOOL M.S.CART.HELIX VP.	1
9.7	2130965	SCREW CHC M5X12 ISO4762 A2.70(4 PIECES)	1



HYDRAULIC HELIX V 609 1.4307

Item	Article no.	Description	Quantity
13.1	4174084	STAGE HELIX 6 1.4301 KIT	1
		> MACH.STG-CASING-WOGV-WNR-M+6-304	1
		> IMPELLER-M+6-304	1
13.2	4174089	INTERMEDIATE STAGE HELIX 6 1.4301 KIT	1
		> MACH.BEARING-STG-CASING-WNR-M+6-304	1
		> IMPELLER-M+6-304	1
		> SHAFT SLEEVE-SPACER-Ø19,35x18,465-304	1
		> SHAFT-SLEEVE-D16xD20x18-CW	1
13.3	4174090	INTERMEDIATE STAGE HELIX 6 1.4301 KIT	1
		> MACH.STD-STG-CASING-WGV+NR-M+6-304	1
		> IMPELLER-M+6-304	1
		> IMPELLER SPACER Ø16,05X19,45-L36,465-304	1



HELIX V609-1/25/E/KS/400-50 (4156041)

Item	Article no.	Description	Quantity
1	4169943	MOTOR 2,2/2/90 3~230/400V 50HZ IE3 VP.	1
		SPARE PARTS MOTOR:ON REQUEST	1
2	4159703	SCREW M8X40 (4 PIECES)	1
3	4159690	LANTERN FT115 HELIX KIT	1
3.1		> LANTERN FT115 M+6" GJL MACHINING+CATA	1
3.2	2127604	> EYELET CPL.FT HELIX(2 PIECES)	1
3.3	4159692	> COUPLING PROTECTOR FT HELIX KIT	1
4	4159709	COUPLING D.16xD.24 FT115 HELIX KIT	1
5	4159707	SCREW M8X30 (4 PIECES)	1
6	4177832	STUD BOLT M12X527KIT	1
6.1		> TIE BOLT M12-527x18x30-1.4057	1
6.2	2094647	> NUT M12 M12 ISO4032 VP.	1
6.3	2123557	> WASHER CS-12.4-24-1.6-NFE25 (4 PIECES)	1
7	4159685	END SHIELD HELIX EPDM KIT	1
7.1		> END SHIELD M+6" GJL250 MACHINING+CATA	1
7.2	2127607	> STATIONARY RING HOLDER 6" HELIX 1.4301 V	1
7.3	4176513	> O-RING FOR PUMP JACKET VP.	1
7.4	2127603	> O-RING ID.37,6x2,4 EPDM VP.	1
7.5	2127602	> O-RING ID.21,35x2 EPDM VP.	1
8	4159686	FILING/PURGING PLUG HELIX EPDM KIT	1
9	4159698	CARTRIDGE HELIX6-10-16 F/E KIT	1
10	4177833	HOUSING PIPES D.152X397 1.4301 KIT	1
7.3	4176513	> O-RING FOR PUMP JACKET VP.	1
10.1		> HOUSING-PIPE Ø152-M+1009-304	1
11	4174087	CENTERING STAGE-RETURN HELIX6 1.4301VP.	1
12	4174085	SHAFTS EQUIPMENT HELIX V6 BI BLOC KIT	1
12.1		> NUT-H-M10-A4.70	1
12.2		> SERRATED LOCK WASHER M+6M3-316L	1
12.3		> STOP COLLAR OF IMPELLER L17,9-Ø16-316L	1
12.4		> STOP-RUSH-1/2-D16xd2-M+316	1
13		HYDRAULIC HELIX V 609 1.4307	1
14	4177837	SHAFTS D.16X517,5 1.4301 VP.	1
15	4174081	PUMP HOUSING HELIX DN32 PN25 1.4301 KIT	1
7.3	4176513	> O-RING FOR PUMP JACKET VP.	1

HELIX V609-1/25/E/KS/400-50 (4156041)

Item	Article no.	Description	Quantity
15.1		> BLASTING PPE HOUSING V-PN25-DN32-5"-304	1
15.3	4171321	> PRIMING/DRAIN PLUG EPDM HELIX KIT	1
16	4177970	BASEPLATE HELIX V2/4/6 PN25 VP.	1



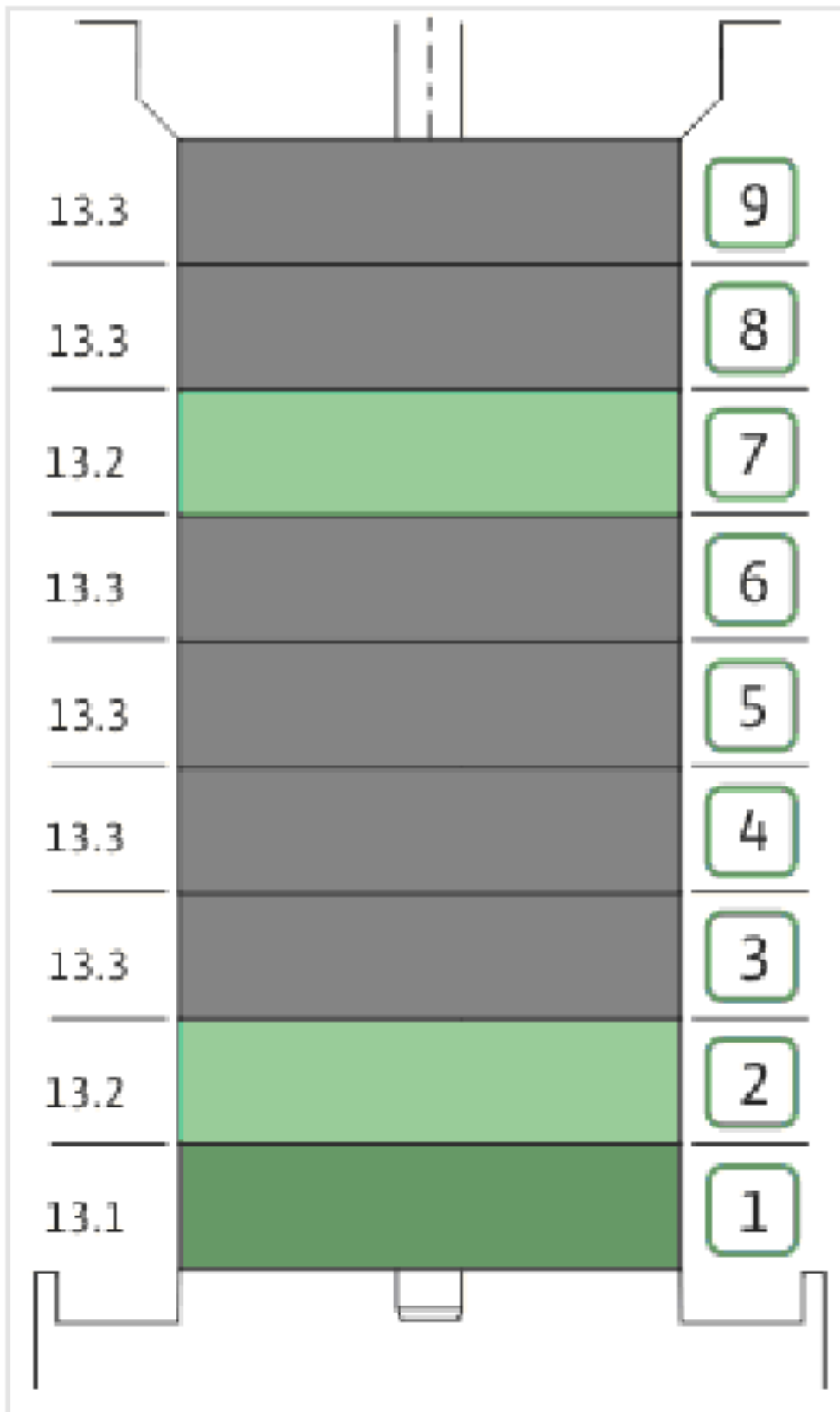
COUPLING D.16xD.24 FT115 HELIX KIT (4159709)

Item	Article no.	Description	Quantity
4.1		COUPLING M+ Ø16XØ24 FT115 MACHINED	1
4.2	2131023	BALL BEARING 6207/ZZ-C3(HT)VP.	1
4.3	4234254	CIRCLIP-FOR-SHAFT-D35x1.5 VP.	1
4.4	4157726	SCREW KIT M8X30 (4 PIECES)	1
4.5	4234251	CIRCLIP-D72x2.5 VP.	1
4.6	4234246	O-RING 72X3 VP.	1
		NOMEL CONTACT WASHER 8x16x1,4 STEEL ZC	1



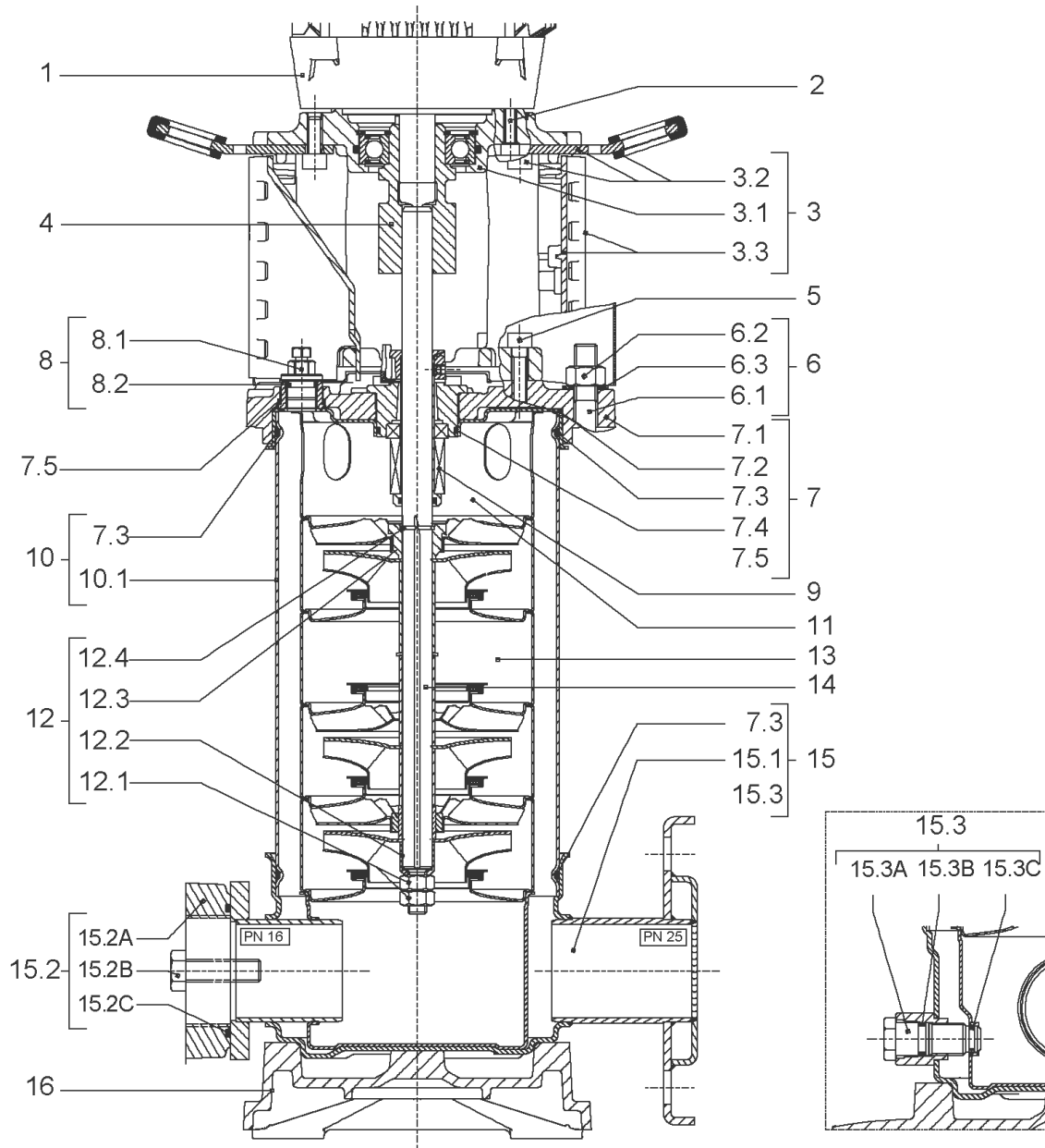
CARTRIDGE HELIX6-10-16 F/E KIT (4159698)

Item	Article no.	Description	Quantity
9.1	4159699	SEAL-KIT-HELIX6-10-16 F/E	1
7.3	4176513	> O-RING FOR PUMP JACKET VP.	1
7.4	2127603	> O-RING ID.37,6x2,4 EPDM VP.	1
9.1A	4176521	> MECH.SEAL HELIX2-4-6-10-16 F/E VP.	1
9.1B	2130967	> O-RING D.16X2,5 EPDM VP.	1
9.1C	4176519	> O-RING Ø16xØ1.25 VP.	1
9.2	2130961	SHAFT SLEEVE D.18/16X72,2 1.4404 VP.	1
9.3	2130962	RING HOLDER D.18 G606/G6 1.4301 VP.	1
9.4	4176520	SCREW CH M5x5 A4-70 (3PIECES)	1
9.5	2130963	DRIVE RING D.29/18x12,4 MACH.VP.	1
9.6	2130964	TOOL M.S.CART.HELIX VP.	1
9.7	2130965	SCREW CHC M5X12 ISO4762 A2.70(4 PIECES)	1



HYDRAULIC HELIX V 609 1.4307

Item	Article no.	Description	Quantity
13.1	4174084	STAGE HELIX 6 1.4301 KIT	1
		> MACH.STG-CASING-WOGV-WNR-M+6-304	1
		> IMPELLER-M+6-304	1
13.2	4174089	INTERMEDIATE STAGE HELIX 6 1.4301 KIT	1
		> MACH.BEARING-STG-CASING-WNR-M+6-304	1
		> IMPELLER-M+6-304	1
		> SHAFT SLEEVE-SPACER-Ø19,35x18,465-304	1
		> SHAFT-SLEEVE-D16xD20x18-CW	1
13.3	4174090	INTERMEDIATE STAGE HELIX 6 1.4301 KIT	1
		> MACH.STD-STG-CASING-WGV+NR-M+6-304	1
		> IMPELLER-M+6-304	1
		> IMPELLER SPACER Ø16,05X19,45-L36,465-304	1



HELIX V610-1/16/E/KS/400-50 (4156042)

Item	Article no.	Description	Quantity
1	4169943	MOTOR 2,2/2/90 3~230/400V 50HZ IE3 VP.	1
		SPARE PARTS MOTOR:ON REQUEST	1
2	4159703	SCREW M8X40 (4 PIECES)	1
3	4159690	LANTERN FT115 HELIX KIT	1
3.1		> LANTERN FT115 M+6" GJL MACHINING+CATA	1
3.2	2127604	> EYELET CPL.FT HELIX(2 PIECES)	1
3.3	4159692	> COUPLING PROTECTOR FT HELIX KIT	1
4	4159709	COUPLING D.16xD.24 FT115 HELIX KIT	1
5	4159707	SCREW M8X30 (4 PIECES)	1
6	4177849	STUD BOLT M12X563KIT	1
6.1		> TIE BOLT M12-563x18x30-1.4057	1
6.2	2094647	> NUT M12 M12 ISO4032 VP.	1
6.3	2123557	> WASHER CS-12.4-24-1.6-NFE25 (4 PIECES)	1
7	4159685	END SHIELD HELIX EPDM KIT	1
7.1		> END SHIELD M+6" GJL250 MACHINING+CATA	1
7.2	2127607	> STATIONARY RING HOLDER 6" HELIX 1.4301 V	1
7.3	4176513	> O-RING FOR PUMP JACKET VP.	1
7.4	2127603	> O-RING ID.37,6x2,4 EPDM VP.	1
7.5	2127602	> O-RING ID.21,35x2 EPDM VP.	1
8	4159686	FILING/PURGING PLUG HELIX EPDM KIT	1
9	4159696	CARTRIDGE HELIX6-10-16 O/E KIT	1
10	4177839	HOUSING PIPES D.152X435 1.4301 KIT	1
7.3	4176513	> O-RING FOR PUMP JACKET VP.	1
10.1		> HOUSING-PIPE Ø152-M+1010-304	1
11	4174087	CENTERING STAGE-RETURN HELIX6 1.4301VP.	1
12	4174085	SHAFTS EQUIPMENT HELIX V6 BI BLOC KIT	1
12.1		> NUT-H-M10-A4.70	1
12.2		> SERRATED LOCK WASHER M+6M3-316L	1
12.3		> STOP COLLAR OF IMPELLER L17,9-Ø16-316L	1
12.4		> STOP-RUSH-1/2-D16xd2-M+316	1
13		HYDRAULIC HELIX V 610 1.4307	1
14	4177841	SHAFT D.16X555 1.4301 VP.	1
15	4217897	PUMP HOUSING HELIX DN32 PN16 1.4301 KIT	1
7.3	4176513	> O-RING FOR PUMP JACKET VP.	1

HELIX V610-1/16/E/KS/400-50 (4156042)

Item	Article no.	Description	Quantity
15.1		> BLASTING PPE HOUSING V-PN16-DN32-5"-304	1
15.2	4217891	> COUNTER FLANGE-G1"1/4-PN16-GJL KIT	1
15.3	4171321	> PRIMING/DRAIN PLUG EPDM HELIX KIT	1
16	4177964	BASEPLATE HELIX V2/4/6 PN16 VP.	1



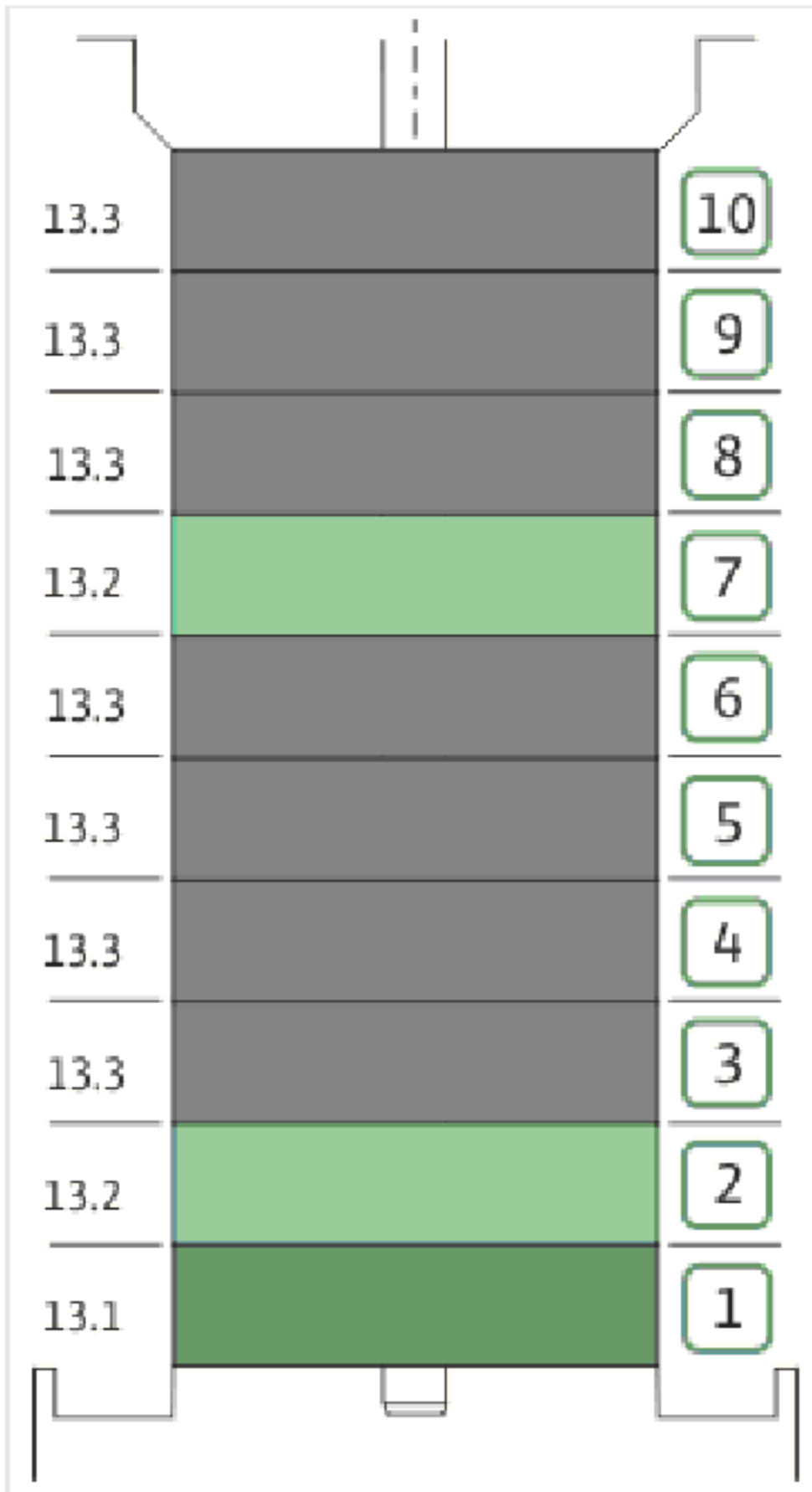
COUPLING D.16xD.24 FT115 HELIX KIT (4159709)

Item	Article no.	Description	Quantity
4.1		COUPLING M+ Ø16XØ24 FT115 MACHINED	1
4.2	2131023	BALL BEARING 6207/ZZ-C3(HT)VP.	1
4.3	4234254	CIRCLIP-FOR-SHAFT-D35x1.5 VP.	1
4.4	4157726	SCREW KIT M8X30 (4 PIECES)	1
4.5	4234251	CIRCLIP-D72x2.5 VP.	1
4.6	4234246	O-RING 72X3 VP.	1
		NOMEL CONTACT WASHER 8x16x1,4 STEEL ZC	1



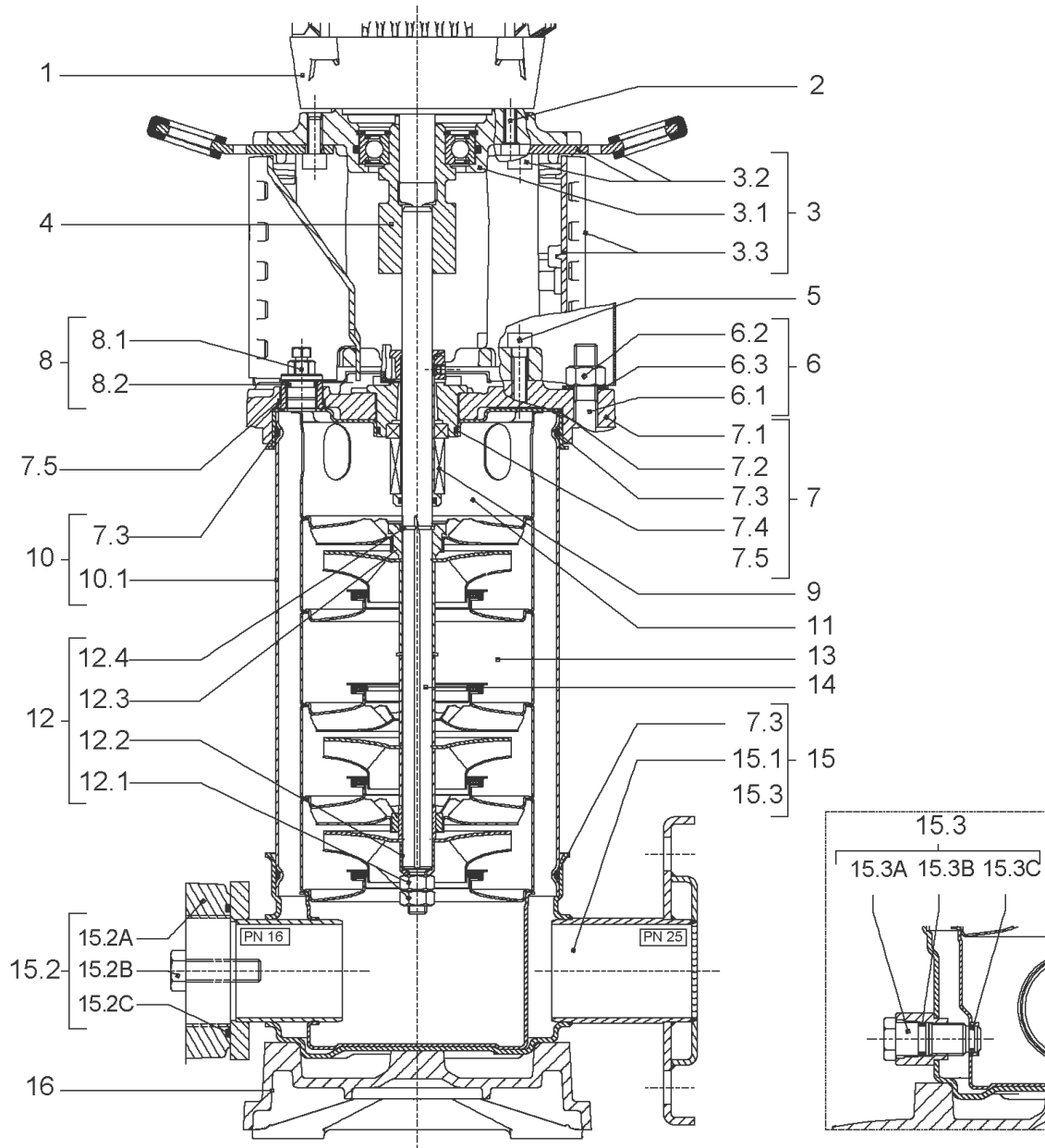
CARTRIDGE HELIX6-10-16 O/E KIT (4159696)

Item	Article no.	Description	Quantity
9.1	4159697	SEAL-KIT-HELIX6-10-16 O/E	1
7.3	4176513	> O-RING FOR PUMP JACKET VP.	1
7.4	2127603	> O-RING ID.37,6x2,4 EPDM VP.	1
9.1A	2130966	> MECH.SEAL HELIX2-4-6-10-16 O/E VP.	1
9.1B	2130967	> O-RING D.16X2,5 EPDM VP.	1
9.1C	4176519	> O-RING Ø16xØ1.25 VP.	1
9.2	2130961	SHAFT SLEEVE D.18/16X72,2 1.4404 VP.	1
9.3	2130962	RING HOLDER D.18 G606/G6 1.4301 VP.	1
9.4	4176520	SCREW CH M5x5 A4-70 (3PIECES)	1
9.5	2130963	DRIVE RING D.29/18x12,4 MACH.VP.	1
9.6	2130964	TOOL M.S.CART.HELIX VP.	1
9.7	2130965	SCREW CHC M5X12 ISO4762 A2.70(4 PIECES)	1



HYDRAULIC HELIX V 610 1.4307

Item	Article no.	Description	Quantity
13.1	4174084	STAGE HELIX 6 1.4301 KIT	1
		> MACH.STG-CASING-WOGV-WNR-M+6-304	1
		> IMPELLER-M+6-304	1
13.2	4174089	INTERMEDIATE STAGE HELIX 6 1.4301 KIT	1
		> MACH.BEARING-STG-CASING-WNR-M+6-304	1
		> IMPELLER-M+6-304	1
		> SHAFT SLEEVE-SPACER-Ø19,35x18,465-304	1
		> SHAFT-SLEEVE-D16xD20x18-CW	1
13.3	4174090	INTERMEDIATE STAGE HELIX 6 1.4301 KIT	1
		> MACH.STD-STG-CASING-WGV+NR-M+6-304	1
		> IMPELLER-M+6-304	1
		> IMPELLER SPACER Ø16,05X19,45-L36,465-304	1

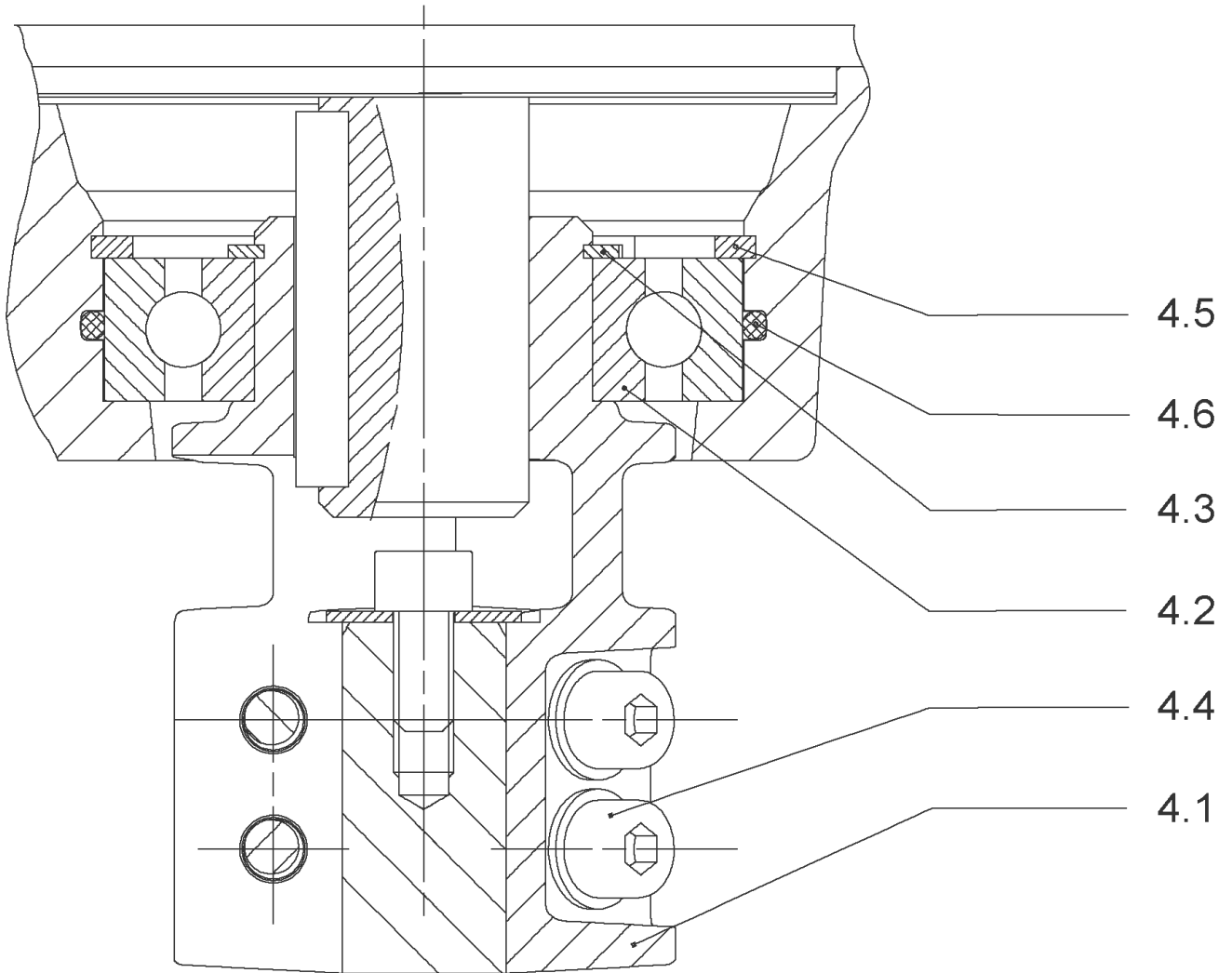


HELIX V610-1/25/E/KS/400-50 (4156043)

Item	Article no.	Description	Quantity
1	4169943	MOTOR 2,2/2/90 3~230/400V 50HZ IE3 VP.	1
		SPARE PARTS MOTOR:ON REQUEST	1
2	4159703	SCREW M8X40 (4 PIECES)	1
3	4159690	LANTERN FT115 HELIX KIT	1
3.1		> LANTERN FT115 M+6" GJL MACHINING+CATA	1
3.2	2127604	> EYELET CPL.FT HELIX(2 PIECES)	1
3.3	4159692	> COUPLING PROTECTOR FT HELIX KIT	1
4	4159709	COUPLING D.16xD.24 FT115 HELIX KIT	1
5	4159707	SCREW M8X30 (4 PIECES)	1
6	4177849	STUD BOLT M12X563KIT	1
6.1		> TIE BOLT M12-563x18x30-1.4057	1
6.2	2094647	> NUT M12 M12 ISO4032 VP.	1
6.3	2123557	> WASHER CS-12.4-24-1.6-NFE25 (4 PIECES)	1
7	4159685	END SHIELD HELIX EPDM KIT	1
7.1		> END SHIELD M+6" GJL250 MACHINING+CATA	1
7.2	2127607	> STATIONARY RING HOLDER 6" HELIX 1.4301 V	1
7.3	4176513	> O-RING FOR PUMP JACKET VP.	1
7.4	2127603	> O-RING ID.37,6x2,4 EPDM VP.	1
7.5	2127602	> O-RING ID.21,35x2 EPDM VP.	1
8	4159686	FILING/PURGING PLUG HELIX EPDM KIT	1
9	4159698	CARTRIDGE HELIX6-10-16 F/E KIT	1
10	4177839	HOUSING PIPES D.152X435 1.4301 KIT	1
7.3	4176513	> O-RING FOR PUMP JACKET VP.	1
10.1		> HOUSING-PIPE Ø152-M+1010-304	1
11	4174087	CENTERING STAGE-RETURN HELIX6 1.4301VP.	1
12	4174085	SHAFTS EQUIPMENT HELIX V6 BI BLOC KIT	1
12.1		> NUT-H-M10-A4.70	1
12.2		> SERRATED LOCK WASHER M+6M3-316L	1
12.3		> STOP COLLAR OF IMPELLER L17,9-Ø16-316L	1
12.4		> STOP-RUSH-1/2-D16xd2-M+316	1
13		HYDRAULIC HELIX V 610 1.4307	1
14	4177841	SHAFT D.16X555 1.4301 VP.	1
15	4174081	PUMP HOUSING HELIX DN32 PN25 1.4301 KIT	1
7.3	4176513	> O-RING FOR PUMP JACKET VP.	1

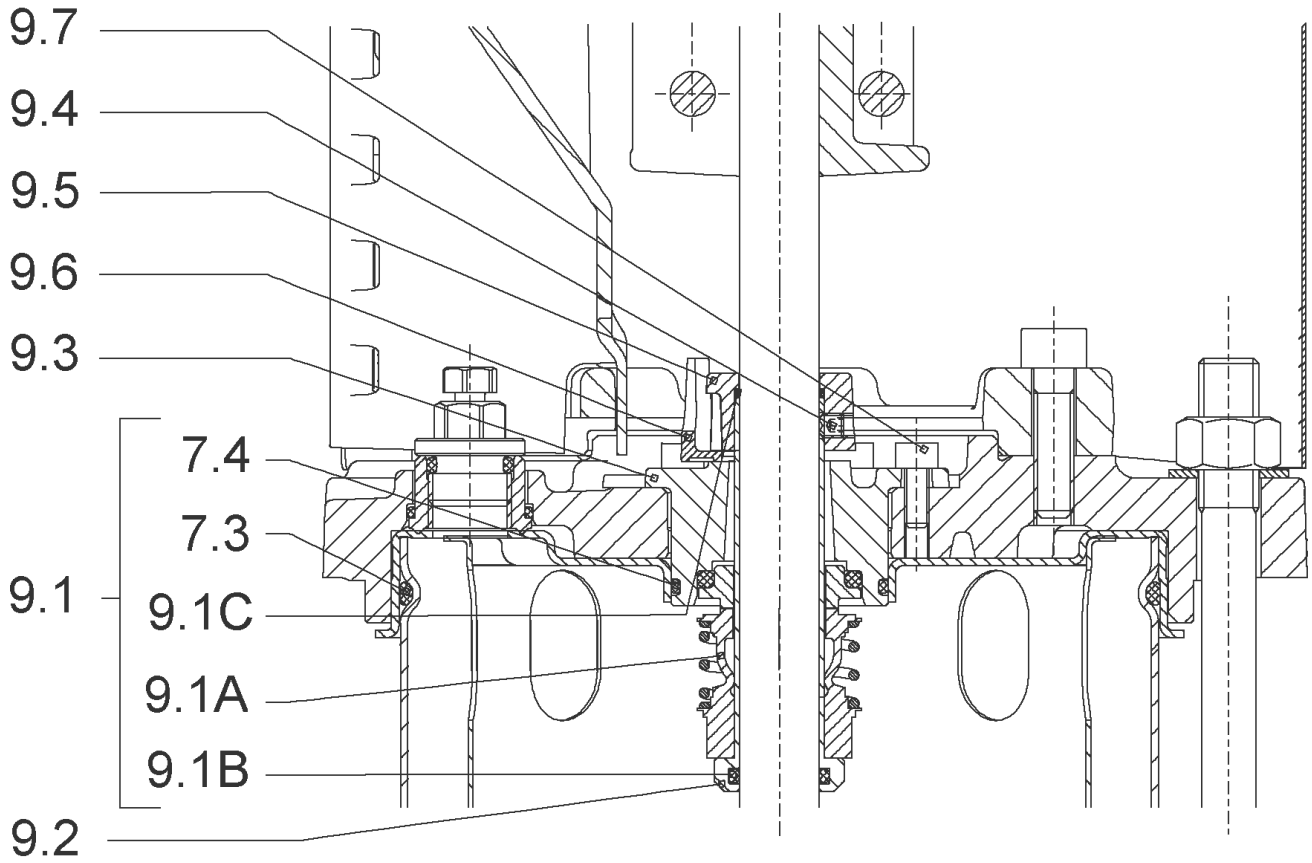
HELIX V610-1/25/E/KS/400-50 (4156043)

Item	Article no.	Description	Quantity
15.1		> BLASTING PPE HOUSING V-PN25-DN32-5"-304	1
15.3	4171321	> PRIMING/DRAIN PLUG EPDM HELIX KIT	1
16	4177970	BASEPLATE HELIX V2/4/6 PN25 VP.	1



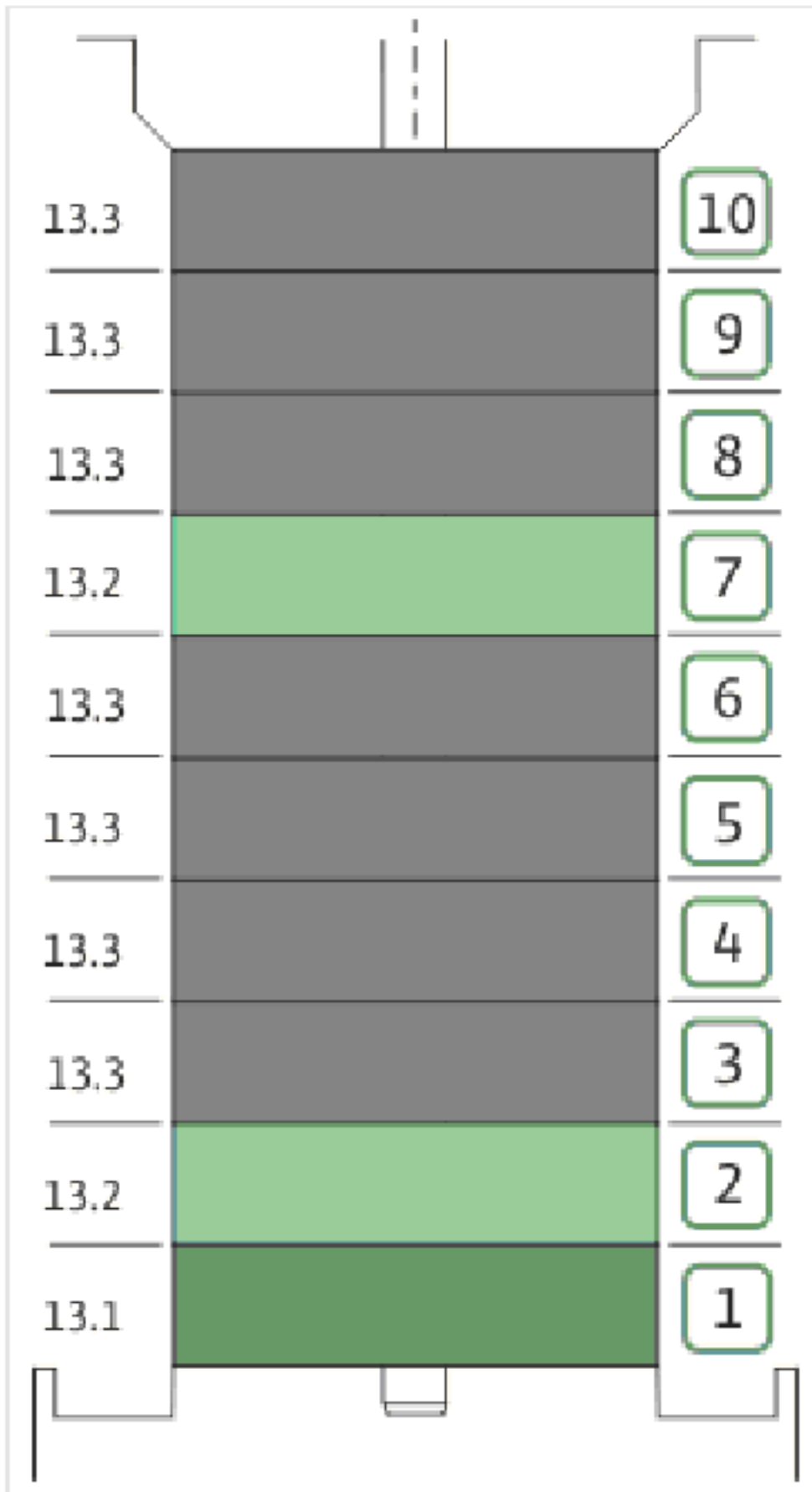
COUPLING D.16xD.24 FT115 HELIX KIT (4159709)

Item	Article no.	Description	Quantity
4.1		COUPLING M+ Ø16XØ24 FT115 MACHINED	1
4.2	2131023	BALL BEARING 6207/ZZ-C3(HT)VP.	1
4.3	4234254	CIRCLIP-FOR-SHAFT-D35x1.5 VP.	1
4.4	4157726	SCREW KIT M8X30 (4 PIECES)	1
4.5	4234251	CIRCLIP-D72x2.5 VP.	1
4.6	4234246	O-RING 72X3 VP.	1
		NOMEL CONTACT WASHER 8x16x1,4 STEEL ZC	1



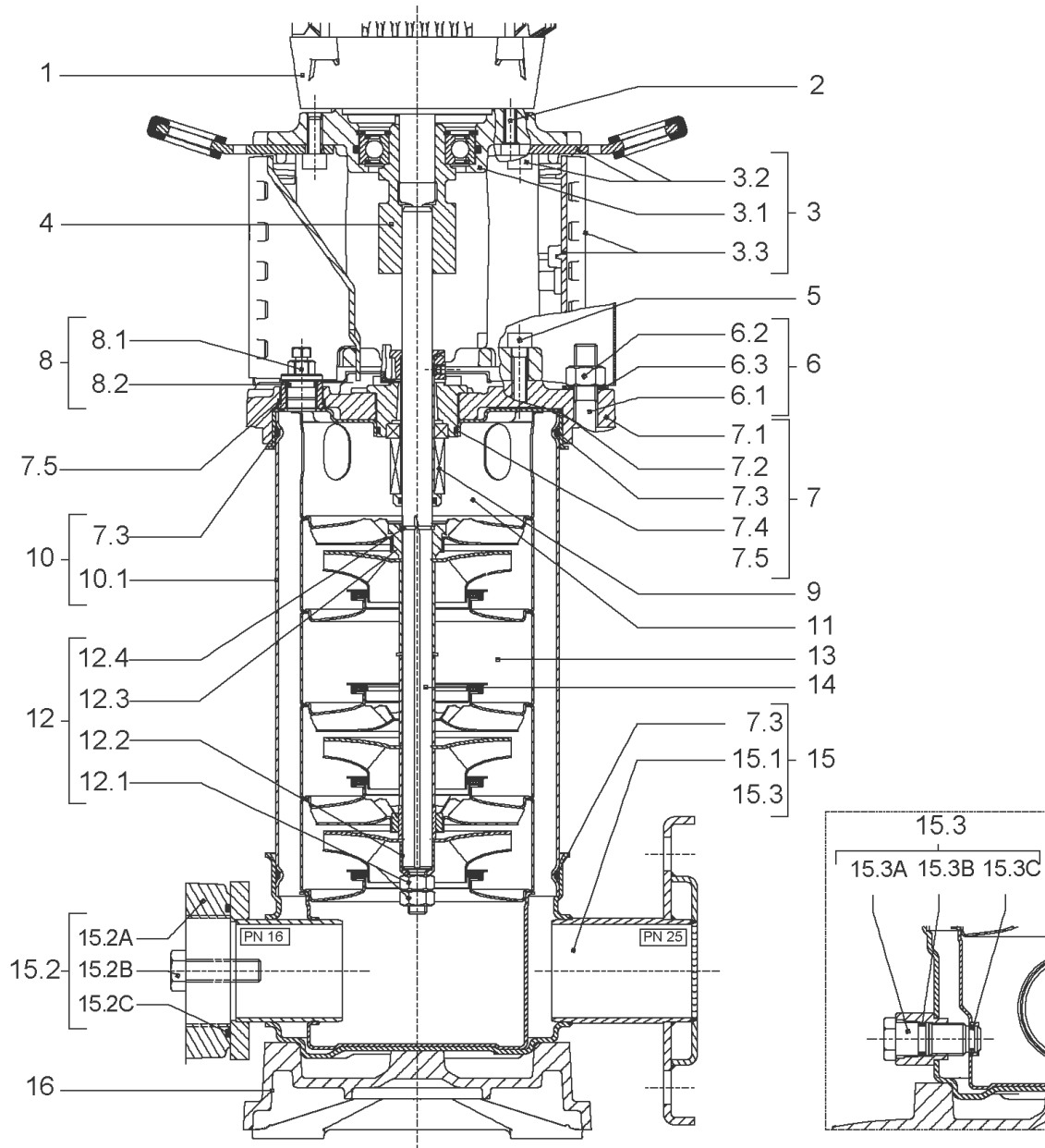
CARTRIDGE HELIX6-10-16 F/E KIT (4159698)

Item	Article no.	Description	Quantity
9.1	4159699	SEAL-KIT-HELIX6-10-16 F/E	1
7.3	4176513	> O-RING FOR PUMP JACKET VP.	1
7.4	2127603	> O-RING ID.37,6x2,4 EPDM VP.	1
9.1A	4176521	> MECH.SEAL HELIX2-4-6-10-16 F/E VP.	1
9.1B	2130967	> O-RING D.16X2,5 EPDM VP.	1
9.1C	4176519	> O-RING Ø16xØ1.25 VP.	1
9.2	2130961	SHAFT SLEEVE D.18/16X72,2 1.4404 VP.	1
9.3	2130962	RING HOLDER D.18 G606/G6 1.4301 VP.	1
9.4	4176520	SCREW CH M5x5 A4-70 (3PIECES)	1
9.5	2130963	DRIVE RING D.29/18x12,4 MACH.VP.	1
9.6	2130964	TOOL M.S.CART.HELIX VP.	1
9.7	2130965	SCREW CHC M5X12 ISO4762 A2.70(4 PIECES)	1



HYDRAULIC HELIX V 610 1.4307

Item	Article no.	Description	Quantity
13.1	4174084	STAGE HELIX 6 1.4301 KIT	1
		> MACH.STG-CASING-WOGV-WNR-M+6-304	1
		> IMPELLER-M+6-304	1
13.2	4174089	INTERMEDIATE STAGE HELIX 6 1.4301 KIT	1
		> MACH.BEARING-STG-CASING-WNR-M+6-304	1
		> IMPELLER-M+6-304	1
		> SHAFT SLEEVE-SPACER-Ø19,35x18,465-304	1
		> SHAFT-SLEEVE-D16xD20x18-CW	1
13.3	4174090	INTERMEDIATE STAGE HELIX 6 1.4301 KIT	1
		> MACH.STD-STG-CASING-WGV+NR-M+6-304	1
		> IMPELLER-M+6-304	1
		> IMPELLER SPACER Ø16,05X19,45-L36,465-304	1



HELIX V611-1/16/E/KS/400-50 (4156044)

Item	Article no.	Description	Quantity
1	4169943	MOTOR 2,2/2/90 3~230/400V 50HZ IE3 VP.	1
		SPARE PARTS MOTOR:ON REQUEST	1
2	4159703	SCREW M8X40 (4 PIECES)	1
3	4159690	LANTERN FT115 HELIX KIT	1
3.1		> LANTERN FT115 M+6" GJL MACHINING+CATA	1
3.2	2127604	> EYELET CPL.FT HELIX(2 PIECES)	1
3.3	4159692	> COUPLING PROTECTOR FT HELIX KIT	1
4	4159709	COUPLING D.16xD.24 FT115 HELIX KIT	1
5	4159707	SCREW M8X30 (4 PIECES)	1
6	4177842	STUD BOLT M12X638KIT	1
6.1		> TIE BOLT M12-638x18x30-1.4057	1
6.2	2094647	> NUT M12 M12 ISO4032 VP.	1
6.3	2123557	> WASHER CS-12.4-24-1.6-NFE25 (4 PIECES)	1
7	4159685	END SHIELD HELIX EPDM KIT	1
7.1		> END SHIELD M+6" GJL250 MACHINING+CATA	1
7.2	2127607	> STATIONARY RING HOLDER 6" HELIX 1.4301 V	1
7.3	4176513	> O-RING FOR PUMP JACKET VP.	1
7.4	2127603	> O-RING ID.37,6x2,4 EPDM VP.	1
7.5	2127602	> O-RING ID.21,35x2 EPDM VP.	1
8	4159686	FILING/PURGING PLUG HELIX EPDM KIT	1
9	4159696	CARTRIDGE HELIX6-10-16 O/E KIT	1
10	4177843	HOUSING PIPES D.152X510 1.4307 KIT	1
7.3	4176513	> O-RING FOR PUMP JACKET VP.	1
10.1		> HOUSING-PIPE Ø152-M+1012/1609-304	1
11	4174087	CENTERING STAGE-RETURN HELIX6 1.4301VP.	1
12	4174085	SHAFTS EQUIPMENT HELIX V6 BI BLOC KIT	1
12.1		> NUT-H-M10-A4.70	1
12.2		> SERRATED LOCK WASHER M+6M3-316L	1
12.3		> STOP COLLAR OF IMPELLER L17,9-Ø16-316L	1
12.4		> STOP-RUSH-1/2-D16xd2-M+316	1
13		HYDRAULIC HELIX V 611 1.4307	1
14	4177844	SHAFT D.16X630 1.4301 VP.	1
15	4217897	PUMP HOUSING HELIX DN32 PN16 1.4301 KIT	1
7.3	4176513	> O-RING FOR PUMP JACKET VP.	1

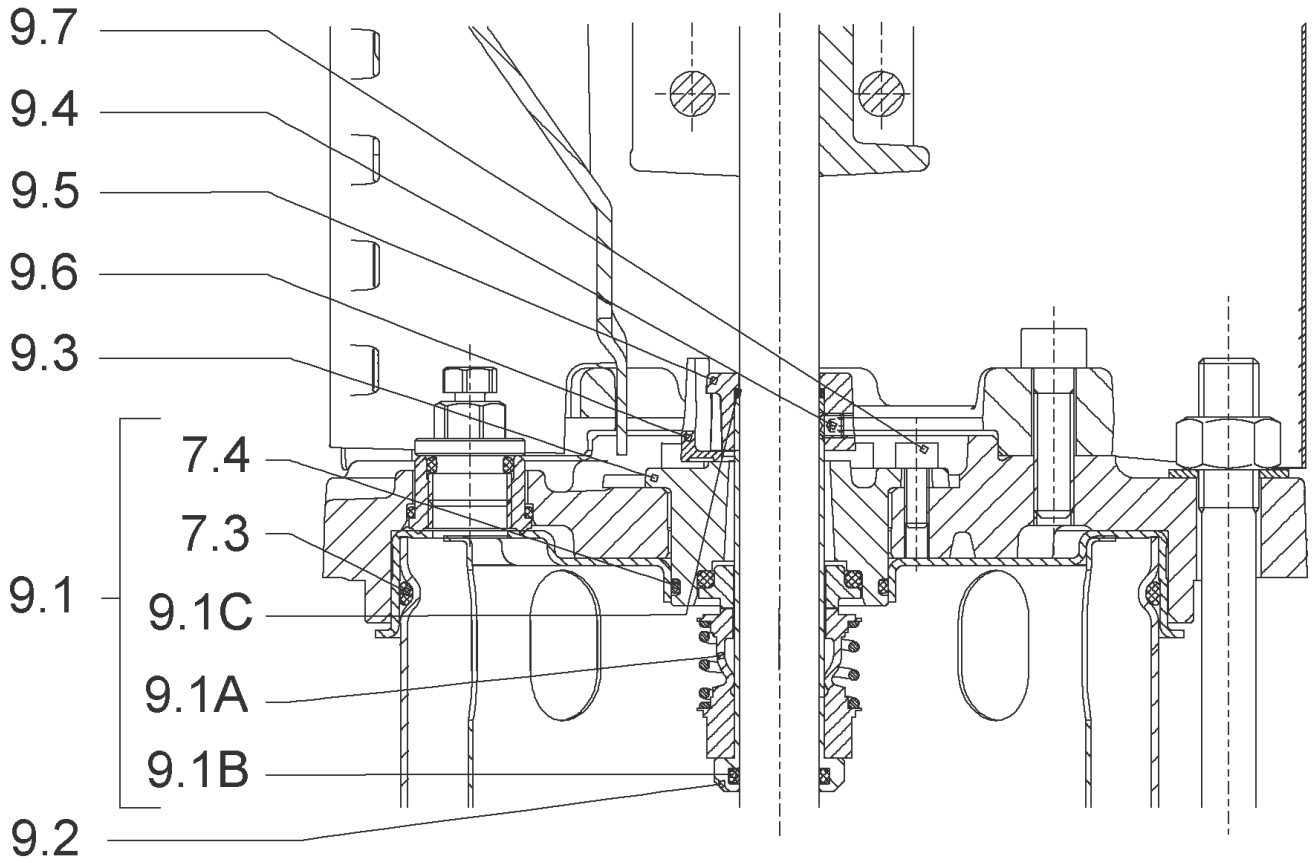
HELIX V611-1/16/E/KS/400-50 (4156044)

Item	Article no.	Description	Quantity
15.1		> BLASTING PPE HOUSING V-PN16-DN32-5"-304	1
15.2	4217891	> COUNTER FLANGE-G1"1/4-PN16-GJL KIT	1
15.3	4171321	> PRIMING/DRAIN PLUG EPDM HELIX KIT	1
16	4177964	BASEPLATE HELIX V2/4/6 PN16 VP.	1



COUPLING D.16xD.24 FT115 HELIX KIT (4159709)

Item	Article no.	Description	Quantity
4.1		COUPLING M+ Ø16XØ24 FT115 MACHINED	1
4.2	2131023	BALL BEARING 6207/ZZ-C3(HT)VP.	1
4.3	4234254	CIRCLIP-FOR-SHAFT-D35x1.5 VP.	1
4.4	4157726	SCREW KIT M8X30 (4 PIECES)	1
4.5	4234251	CIRCLIP-D72x2.5 VP.	1
4.6	4234246	O-RING 72X3 VP.	1
		NOMEL CONTACT WASHER 8x16x1,4 STEEL ZC	1



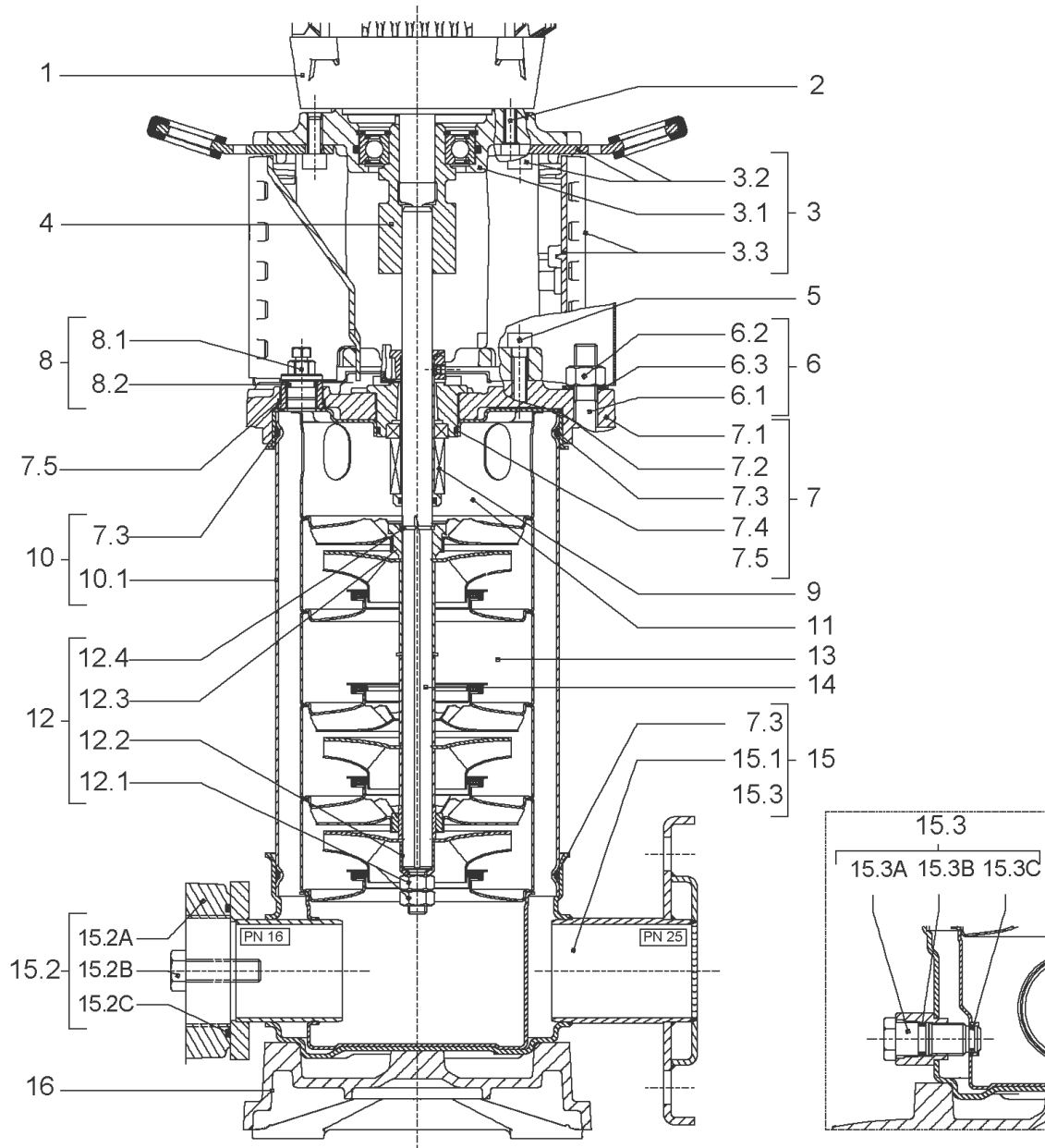
CARTRIDGE HELIX6-10-16 O/E KIT (4159696)

Item	Article no.	Description	Quantity
9.1	4159697	SEAL-KIT-HELIX6-10-16 O/E	1
7.3	4176513	> O-RING FOR PUMP JACKET VP.	1
7.4	2127603	> O-RING ID.37,6x2,4 EPDM VP.	1
9.1A	2130966	> MECH.SEAL HELIX2-4-6-10-16 O/E VP.	1
9.1B	2130967	> O-RING D.16X2,5 EPDM VP.	1
9.1C	4176519	> O-RING Ø16xØ1.25 VP.	1
9.2	2130961	SHAFT SLEEVE D.18/16X72,2 1.4404 VP.	1
9.3	2130962	RING HOLDER D.18 G606/G6 1.4301 VP.	1
9.4	4176520	SCREW CH M5x5 A4-70 (3PIECES)	1
9.5	2130963	DRIVE RING D.29/18x12,4 MACH.VP.	1
9.6	2130964	TOOL M.S.CART.HELIX VP.	1
9.7	2130965	SCREW CHC M5X12 ISO4762 A2.70(4 PIECES)	1



HYDRAULIC HELIX V 611 1.4307

Item	Article no.	Description	Quantity
13.1	4174084	STAGE HELIX 6 1.4301 KIT	1
		> MACH.STG-CASING-WOGV-WNR-M+6-304	1
		> IMPELLER-M+6-304	1
13.2	4174089	INTERMEDIATE STAGE HELIX 6 1.4301 KIT	1
		> MACH.BEARING-STG-CASING-WNR-M+6-304	1
		> IMPELLER-M+6-304	1
		> SHAFT SLEEVE-SPACER-Ø19,35x18,465-304	1
		> SHAFT-SLEEVE-D16xD20x18-CW	1
13.3	4174090	INTERMEDIATE STAGE HELIX 6 1.4301 KIT	1
		> MACH.STD-STG-CASING-WGV+NR-M+6-304	1
		> IMPELLER-M+6-304	1
		> IMPELLER SPACER Ø16,05X19,45-L36,465-304	1
13.4	4174092	EMPTY STAGE HELIX6 1.4301KIT	1
		> MACH.STD-STG-CASING-WGV+NR-M+6-304	1
		> FLAT WASHER-D16.1XD22X1.2-316L	1
		> IMPELLER SPACER Ø16,05X19,45-L36,465-304	1
13.5	4174091	STAGE HELIX 6 1.4301 KIT	1
		> MACH.STG-CASING-WOGV-WNR-M+6-304	1
		> IMPELLER-M+6-304	1
		> IMPELLER SPACER Ø16,05X19,45-L36,465-304	1



HELIX V611-1/25/E/KS/400-50 (4156045)

Item	Article no.	Description	Quantity
1	4169943	MOTOR 2,2/2/90 3~230/400V 50HZ IE3 VP.	1
		SPARE PARTS MOTOR:ON REQUEST	1
2	4159703	SCREW M8X40 (4 PIECES)	1
3	4159690	LANTERN FT115 HELIX KIT	1
3.1		> LANTERN FT115 M+6" GJL MACHINING+CATA	1
3.2	2127604	> EYELET CPL.FT HELIX(2 PIECES)	1
3.3	4159692	> COUPLING PROTECTOR FT HELIX KIT	1
4	4159709	COUPLING D.16xD.24 FT115 HELIX KIT	1
5	4159707	SCREW M8X30 (4 PIECES)	1
6	4177842	STUD BOLT M12X638KIT	1
6.1		> TIE BOLT M12-638x18x30-1.4057	1
6.2	2094647	> NUT M12 M12 ISO4032 VP.	1
6.3	2123557	> WASHER CS-12.4-24-1.6-NFE25 (4 PIECES)	1
7	4159685	END SHIELD HELIX EPDM KIT	1
7.1		> END SHIELD M+6" GJL250 MACHINING+CATA	1
7.2	2127607	> STATIONARY RING HOLDER 6" HELIX 1.4301 V	1
7.3	4176513	> O-RING FOR PUMP JACKET VP.	1
7.4	2127603	> O-RING ID.37,6x2,4 EPDM VP.	1
7.5	2127602	> O-RING ID.21,35x2 EPDM VP.	1
8	4159686	FILING/PURGING PLUG HELIX EPDM KIT	1
9	4159698	CARTRIDGE HELIX6-10-16 F/E KIT	1
10	4177843	HOUSING PIPES D.152X510 1.4307 KIT	1
7.3	4176513	> O-RING FOR PUMP JACKET VP.	1
10.1		> HOUSING-PIPE Ø152-M+1012/1609-304	1
11	4174087	CENTERING STAGE-RETURN HELIX6 1.4301VP.	1
12	4174085	SHAFTS EQUIPMENT HELIX V6 BI BLOC KIT	1
12.1		> NUT-H-M10-A4.70	1
12.2		> SERRATED LOCK WASHER M+6M3-316L	1
12.3		> STOP COLLAR OF IMPELLER L17,9-Ø16-316L	1
12.4		> STOP-RUSH-1/2-D16xd2-M+316	1
13		HYDRAULIC HELIX V 611 1.4307	1
14	4177844	SHAFT D.16X630 1.4301 VP.	1
15	4174081	PUMP HOUSING HELIX DN32 PN25 1.4301 KIT	1
7.3	4176513	> O-RING FOR PUMP JACKET VP.	1

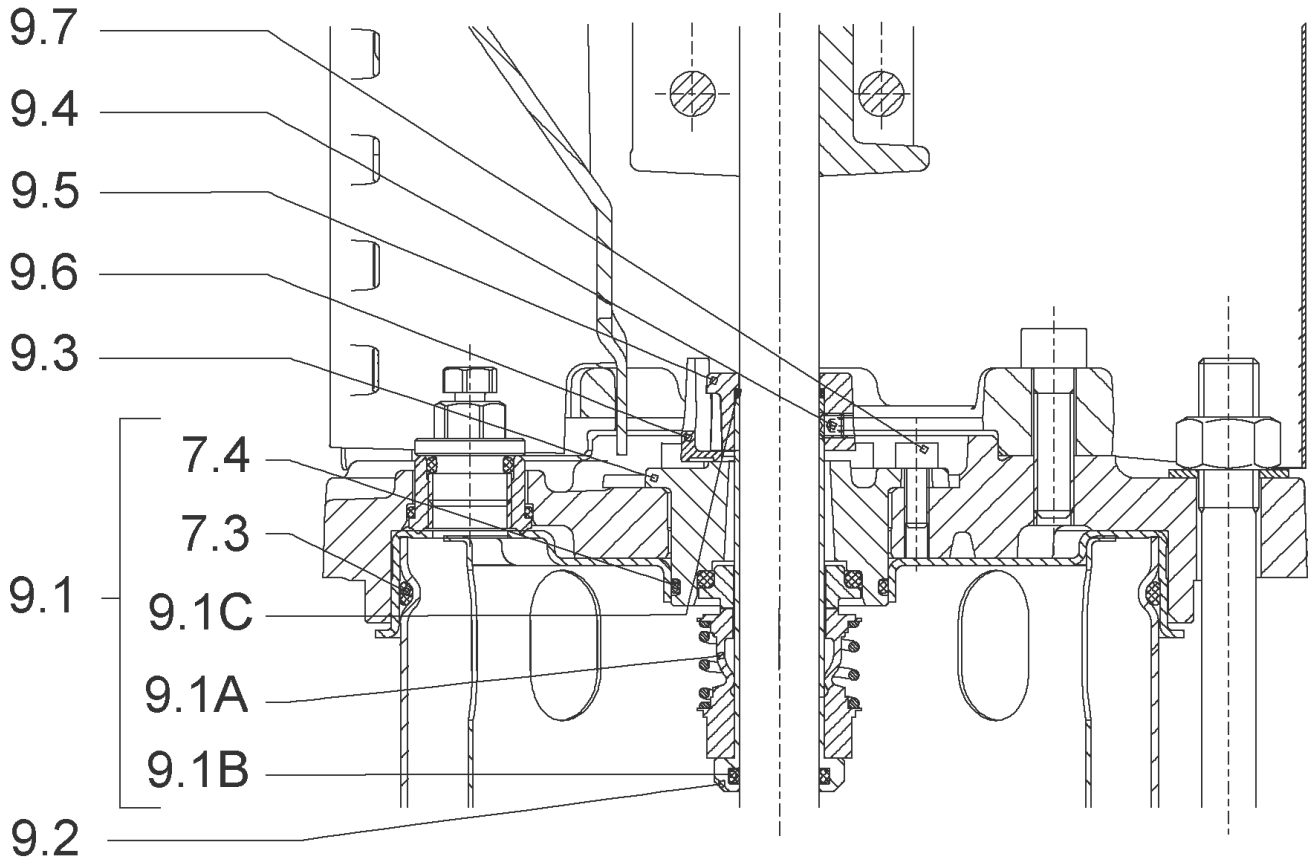
HELIX V611-1/25/E/KS/400-50 (4156045)

Item	Article no.	Description	Quantity
15.1		> BLASTING PPE HOUSING V-PN25-DN32-5"-304	1
15.3	4171321	> PRIMING/DRAIN PLUG EPDM HELIX KIT	1
16	4177970	BASEPLATE HELIX V2/4/6 PN25 VP.	1



COUPLING D.16xD.24 FT115 HELIX KIT (4159709)

Item	Article no.	Description	Quantity
4.1		COUPLING M+ Ø16XØ24 FT115 MACHINED	1
4.2	2131023	BALL BEARING 6207/ZZ-C3(HT)VP.	1
4.3	4234254	CIRCLIP-FOR-SHAFT-D35x1.5 VP.	1
4.4	4157726	SCREW KIT M8X30 (4 PIECES)	1
4.5	4234251	CIRCLIP-D72x2.5 VP.	1
4.6	4234246	O-RING 72X3 VP.	1
		NOMEL CONTACT WASHER 8x16x1,4 STEEL ZC	1



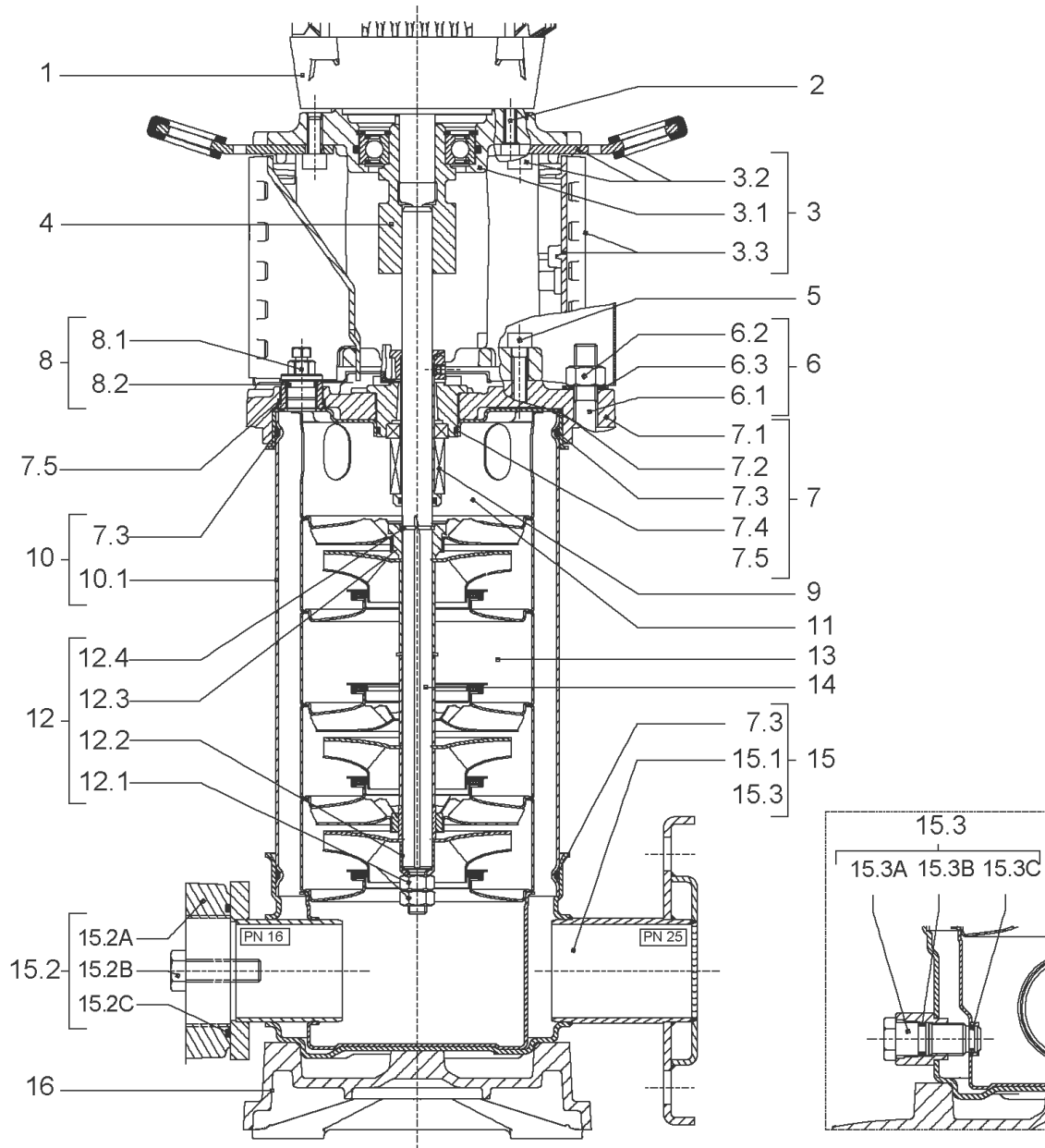
CARTRIDGE HELIX6-10-16 F/E KIT (4159698)

Item	Article no.	Description	Quantity
9.1	4159699	SEAL-KIT-HELIX6-10-16 F/E	1
7.3	4176513	> O-RING FOR PUMP JACKET VP.	1
7.4	2127603	> O-RING ID.37,6x2,4 EPDM VP.	1
9.1A	4176521	> MECH.SEAL HELIX2-4-6-10-16 F/E VP.	1
9.1B	2130967	> O-RING D.16X2,5 EPDM VP.	1
9.1C	4176519	> O-RING Ø16xØ1.25 VP.	1
9.2	2130961	SHAFT SLEEVE D.18/16X72,2 1.4404 VP.	1
9.3	2130962	RING HOLDER D.18 G606/G6 1.4301 VP.	1
9.4	4176520	SCREW CH M5x5 A4-70 (3PIECES)	1
9.5	2130963	DRIVE RING D.29/18x12,4 MACH.VP.	1
9.6	2130964	TOOL M.S.CART.HELIX VP.	1
9.7	2130965	SCREW CHC M5X12 ISO4762 A2.70(4 PIECES)	1



HYDRAULIC HELIX V 611 1.4307

Item	Article no.	Description	Quantity
13.1	4174084	STAGE HELIX 6 1.4301 KIT	1
		> MACH.STG-CASING-WOGV-WNR-M+6-304	1
		> IMPELLER-M+6-304	1
13.2	4174089	INTERMEDIATE STAGE HELIX 6 1.4301 KIT	1
		> MACH.BEARING-STG-CASING-WNR-M+6-304	1
		> IMPELLER-M+6-304	1
		> SHAFT SLEEVE-SPACER-Ø19,35x18,465-304	1
		> SHAFT-SLEEVE-D16xD20x18-CW	1
13.3	4174090	INTERMEDIATE STAGE HELIX 6 1.4301 KIT	1
		> MACH.STD-STG-CASING-WGV+NR-M+6-304	1
		> IMPELLER-M+6-304	1
		> IMPELLER SPACER Ø16,05X19,45-L36,465-304	1
13.4	4174092	EMPTY STAGE HELIX6 1.4301KIT	1
		> MACH.STD-STG-CASING-WGV+NR-M+6-304	1
		> FLAT WASHER-D16.1XD22X1.2-316L	1
		> IMPELLER SPACER Ø16,05X19,45-L36,465-304	1
13.5	4174091	STAGE HELIX 6 1.4301 KIT	1
		> MACH.STG-CASING-WOGV-WNR-M+6-304	1
		> IMPELLER-M+6-304	1
		> IMPELLER SPACER Ø16,05X19,45-L36,465-304	1

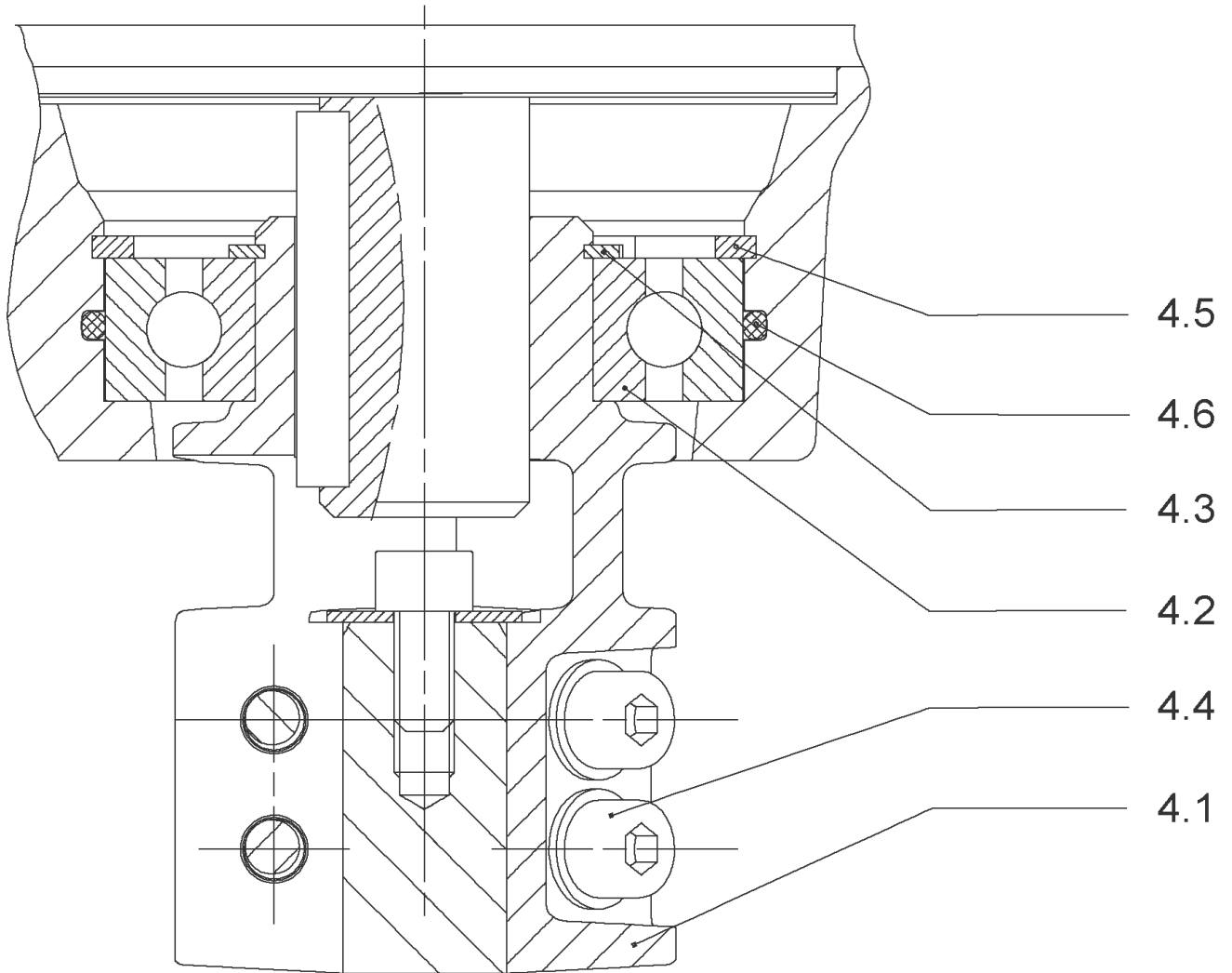


HELIX V612-1/16/E/KS/400-50 (4156046)

Item	Article no.	Description	Quantity
1	4169944	MOTOR 3/2/100 3~230/400V 50HZ IE3 VP.	1
		SPARE PARTS MOTOR:ON REQUEST	1
2	4206025	SCREW M8X45 (4 PIECES)	1
3	4171326	LANTERN FT130 HELIX KIT	1
3.1		> LANTERN FT130 M+6" GJL MACHINING+CATA	1
3.2	2127604	> EYELET CPL.FT HELIX(2 PIECES)	1
3.3	4159692	> COUPLING PROTECTOR FT HELIX KIT	1
4	4159710	COUPLING D.16XD.28 FT130 HELIX KIT	1
5	4159707	SCREW M8X30 (4 PIECES)	1
6	4177842	STUD BOLT M12X638KIT	1
6.1		> TIE BOLT M12-638x18x30-1.4057	1
6.2	2094647	> NUT M12 M12 ISO4032 VP.	1
6.3	2123557	> WASHER CS-12.4-24-1.6-NFE25 (4 PIECES)	1
7	4159685	END SHIELD HELIX EPDM KIT	1
7.1		> END SHIELD M+6" GJL250 MACHINING+CATA	1
7.2	2127607	> STATIONARY RING HOLDER 6" HELIX 1.4301 V	1
7.3	4176513	> O-RING FOR PUMP JACKET VP.	1
7.4	2127603	> O-RING ID.37,6x2,4 EPDM VP.	1
7.5	2127602	> O-RING ID.21,35x2 EPDM VP.	1
8	4159686	FILING/PURGING PLUG HELIX EPDM KIT	1
9	4159696	CARTRIDGE HELIX6-10-16 O/E KIT	1
10	4177843	HOUSING PIPES D.152X510 1.4307 KIT	1
7.3	4176513	> O-RING FOR PUMP JACKET VP.	1
10.1		> HOUSING-PIPE Ø152-M+1012/1609-304	1
11	4174087	CENTERING STAGE-RETURN HELIX6 1.4301VP.	1
12	4174085	SHAFTS EQUIPMENT HELIX V6 BI BLOC KIT	1
12.1		> NUT-H-M10-A4.70	1
12.2		> SERRATED LOCK WASHER M+6M3-316L	1
12.3		> STOP COLLAR OF IMPELLER L17,9-Ø16-316L	1
12.4		> STOP-RUSH-1/2-D16xd2-M+316	1
13		HYDRAULIC HELIX V 612 1.4307	1
14	4177844	SHAFT D.16X630 1.4301 VP.	1
15	4217897	PUMP HOUSING HELIX DN32 PN16 1.4301 KIT	1
7.3	4176513	> O-RING FOR PUMP JACKET VP.	1

HELIX V612-1/16/E/KS/400-50 (4156046)

Item	Article no.	Description	Quantity
15.1		> BLASTING PPE HOUSING V-PN16-DN32-5"-304	1
15.2	4217891	> COUNTER FLANGE-G1"1/4-PN16-GJL KIT	1
15.3	4171321	> PRIMING/DRAIN PLUG EPDM HELIX KIT	1
16	4177964	BASEPLATE HELIX V2/4/6 PN16 VP.	1



COUPLING D.16XD.28 FT130 HELIX KIT (4159710)

Item	Article no.	Description	Quantity
4.1		COUPLING M+ Ø16XØ28 FT130 MACHINED	1
4.2	2131022	BALL BEARING 6209/ZZ-C3(HT)VP.	1
4.3	4233930	CIRCLIP-FOR-BORES-D45x1,75 VP.	1
4.4	4157726	SCREW KIT M8X30 (4 PIECES)	1
4.5	4234252	CIRCLIPS 85X3 VP.	1
4.6	4234243	O-RING 85X3 VP.	1
		NOMEL CONTACT WASHER 8x16x1,4 STEEL ZC	1



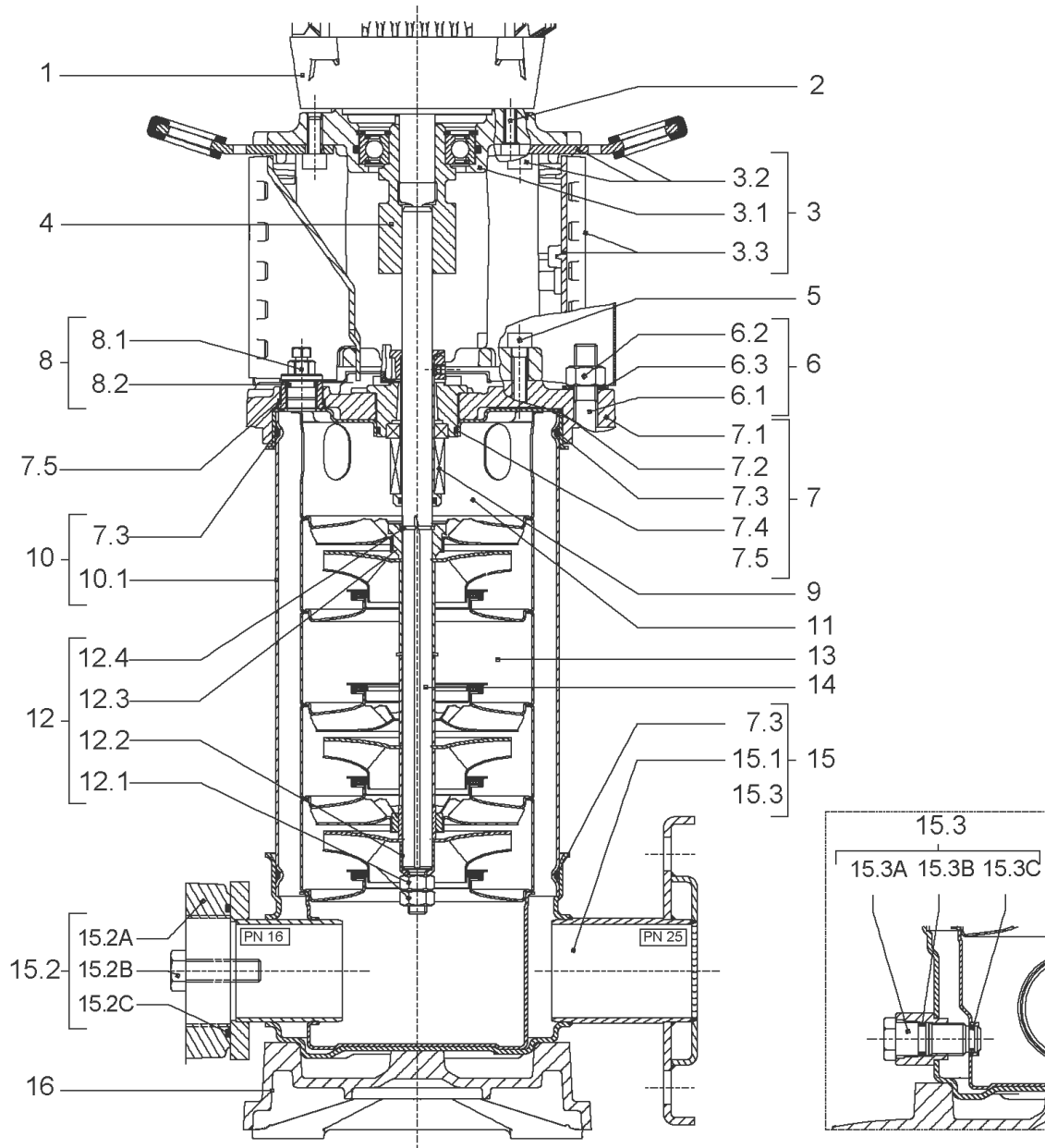
CARTRIDGE HELIX6-10-16 O/E KIT (4159696)

Item	Article no.	Description	Quantity
9.1	4159697	SEAL-KIT-HELIX6-10-16 O/E	1
7.3	4176513	> O-RING FOR PUMP JACKET VP.	1
7.4	2127603	> O-RING ID.37,6x2,4 EPDM VP.	1
9.1A	2130966	> MECH.SEAL HELIX2-4-6-10-16 O/E VP.	1
9.1B	2130967	> O-RING D.16X2,5 EPDM VP.	1
9.1C	4176519	> O-RING Ø16xØ1.25 VP.	1
9.2	2130961	SHAFT SLEEVE D.18/16X72,2 1.4404 VP.	1
9.3	2130962	RING HOLDER D.18 G606/G6 1.4301 VP.	1
9.4	4176520	SCREW CH M5x5 A4-70 (3PIECES)	1
9.5	2130963	DRIVE RING D.29/18x12,4 MACH.VP.	1
9.6	2130964	TOOL M.S.CART.HELIX VP.	1
9.7	2130965	SCREW CHC M5X12 ISO4762 A2.70(4 PIECES)	1



HYDRAULIC HELIX V 612 1.4307

Item	Article no.	Description	Quantity
13.1	4174084	STAGE HELIX 6 1.4301 KIT	1
		> MACH.STG-CASING-WOGV-WNR-M+6-304	1
		> IMPELLER-M+6-304	1
13.2	4174089	INTERMEDIATE STAGE HELIX 6 1.4301 KIT	1
		> MACH.BEARING-STG-CASING-WNR-M+6-304	1
		> IMPELLER-M+6-304	1
		> SHAFT SLEEVE-SPACER-Ø19,35x18,465-304	1
		> SHAFT-SLEEVE-D16xD20x18-CW	1
13.3	4174090	INTERMEDIATE STAGE HELIX 6 1.4301 KIT	1
		> MACH.STD-STG-CASING-WGV+NR-M+6-304	1
		> IMPELLER-M+6-304	1
		> IMPELLER SPACER Ø16,05X19,45-L36,465-304	1



HELIX V612-1/25/E/KS/400-50 (4156047)

Item	Article no.	Description	Quantity
1	4169944	MOTOR 3/2/100 3~230/400V 50HZ IE3 VP.	1
		SPARE PARTS MOTOR:ON REQUEST	1
2	4206025	SCREW M8X45 (4 PIECES)	1
3	4171326	LANTERN FT130 HELIX KIT	1
3.1		> LANTERN FT130 M+6" GJL MACHINING+CATA	1
3.2	2127604	> EYELET CPL.FT HELIX(2 PIECES)	1
3.3	4159692	> COUPLING PROTECTOR FT HELIX KIT	1
4	4159710	COUPLING D.16XD.28 FT130 HELIX KIT	1
5	4159707	SCREW M8X30 (4 PIECES)	1
6	4177842	STUD BOLT M12X638KIT	1
6.1		> TIE BOLT M12-638x18x30-1.4057	1
6.2	2094647	> NUT M12 M12 ISO4032 VP.	1
6.3	2123557	> WASHER CS-12.4-24-1.6-NFE25 (4 PIECES)	1
7	4159685	END SHIELD HELIX EPDM KIT	1
7.1		> END SHIELD M+6" GJL250 MACHINING+CATA	1
7.2	2127607	> STATIONARY RING HOLDER 6" HELIX 1.4301 V	1
7.3	4176513	> O-RING FOR PUMP JACKET VP.	1
7.4	2127603	> O-RING ID.37,6x2,4 EPDM VP.	1
7.5	2127602	> O-RING ID.21,35x2 EPDM VP.	1
8	4159686	FILING/PURGING PLUG HELIX EPDM KIT	1
9	4159698	CARTRIDGE HELIX6-10-16 F/E KIT	1
10	4177843	HOUSING PIPES D.152X510 1.4307 KIT	1
7.3	4176513	> O-RING FOR PUMP JACKET VP.	1
10.1		> HOUSING-PIPE Ø152-M+1012/1609-304	1
11	4174087	CENTERING STAGE-RETURN HELIX6 1.4301VP.	1
12	4174085	SHAFTS EQUIPMENT HELIX V6 BI BLOC KIT	1
12.1		> NUT-H-M10-A4.70	1
12.2		> SERRATED LOCK WASHER M+6M3-316L	1
12.3		> STOP COLLAR OF IMPELLER L17,9-Ø16-316L	1
12.4		> STOP-RUSH-1/2-D16xd2-M+316	1
13		HYDRAULIC HELIX V 612 1.4307	1
14	4177844	SHAFT D.16X630 1.4301 VP.	1
15	4174081	PUMP HOUSING HELIX DN32 PN25 1.4301 KIT	1
7.3	4176513	> O-RING FOR PUMP JACKET VP.	1

HELIX V612-1/25/E/KS/400-50 (4156047)

Item	Article no.	Description	Quantity
15.1		> BLASTING PPE HOUSING V-PN25-DN32-5"-304	1
15.3	4171321	> PRIMING/DRAIN PLUG EPDM HELIX KIT	1
16	4177970	BASEPLATE HELIX V2/4/6 PN25 VP.	1



COUPLING D.16XD.28 FT130 HELIX KIT (4159710)

Item	Article no.	Description	Quantity
4.1		COUPLING M+ Ø16XØ28 FT130 MACHINED	1
4.2	2131022	BALL BEARING 6209/ZZ-C3(HT)VP.	1
4.3	4233930	CIRCLIP-FOR-BORES-D45x1,75 VP.	1
4.4	4157726	SCREW KIT M8X30 (4 PIECES)	1
4.5	4234252	CIRCLIPS 85X3 VP.	1
4.6	4234243	O-RING 85X3 VP.	1
		NOMEL CONTACT WASHER 8x16x1,4 STEEL ZC	1



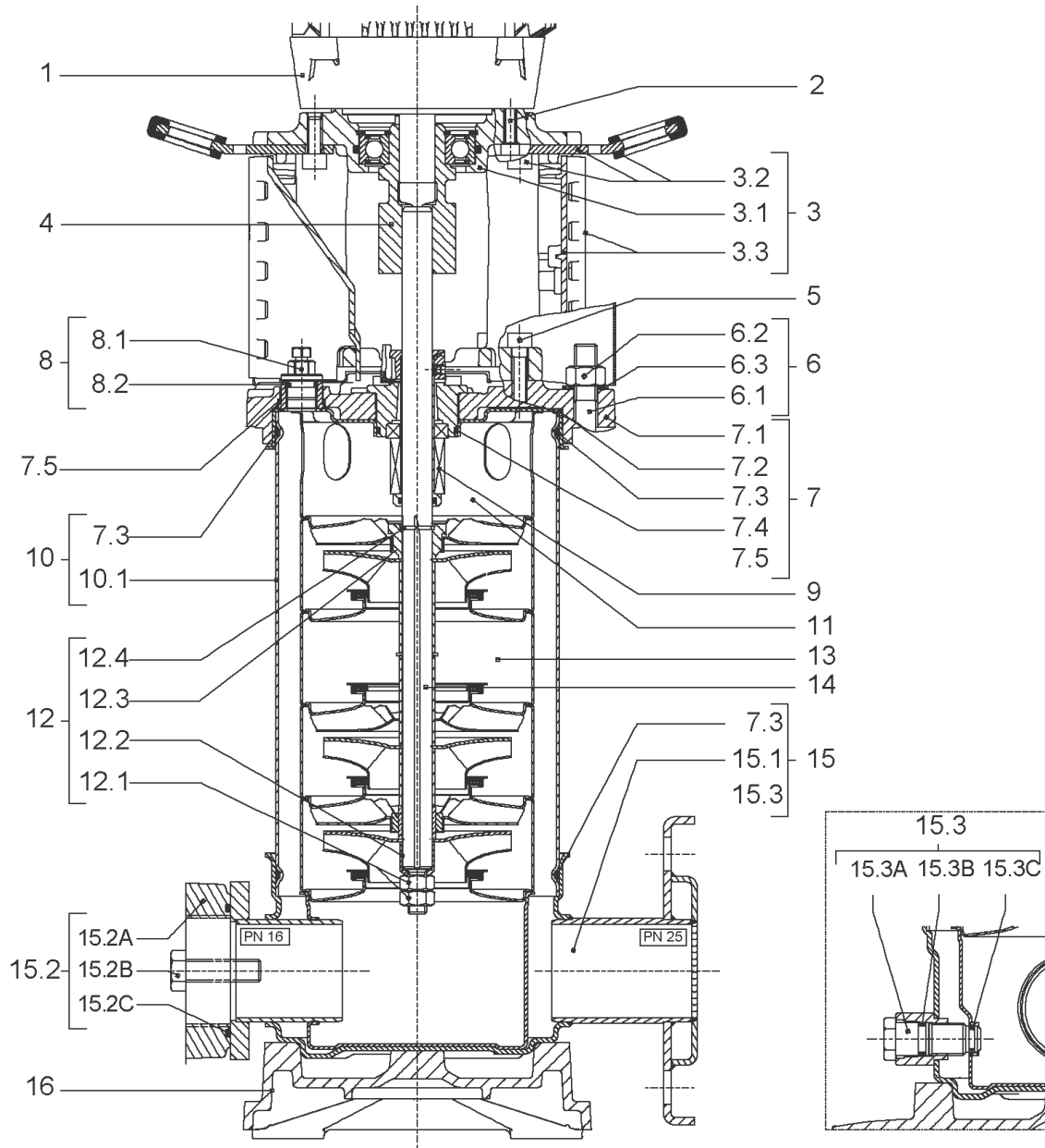
CARTRIDGE HELIX6-10-16 F/E KIT (4159698)

Item	Article no.	Description	Quantity
9.1	4159699	SEAL-KIT-HELIX6-10-16 F/E	1
7.3	4176513	> O-RING FOR PUMP JACKET VP.	1
7.4	2127603	> O-RING ID.37,6x2,4 EPDM VP.	1
9.1A	4176521	> MECH.SEAL HELIX2-4-6-10-16 F/E VP.	1
9.1B	2130967	> O-RING D.16X2,5 EPDM VP.	1
9.1C	4176519	> O-RING Ø16xØ1.25 VP.	1
9.2	2130961	SHAFT SLEEVE D.18/16X72,2 1.4404 VP.	1
9.3	2130962	RING HOLDER D.18 G606/G6 1.4301 VP.	1
9.4	4176520	SCREW CH M5x5 A4-70 (3PIECES)	1
9.5	2130963	DRIVE RING D.29/18x12,4 MACH.VP.	1
9.6	2130964	TOOL M.S.CART.HELIX VP.	1
9.7	2130965	SCREW CHC M5X12 ISO4762 A2.70(4 PIECES)	1



HYDRAULIC HELIX V 612 1.4307

Item	Article no.	Description	Quantity
13.1	4174084	STAGE HELIX 6 1.4301 KIT	1
		> MACH.STG-CASING-WOGV-WNR-M+6-304	1
		> IMPELLER-M+6-304	1
13.2	4174089	INTERMEDIATE STAGE HELIX 6 1.4301 KIT	1
		> MACH.BEARING-STG-CASING-WNR-M+6-304	1
		> IMPELLER-M+6-304	1
		> SHAFT SLEEVE-SPACER-Ø19,35x18,465-304	1
		> SHAFT-SLEEVE-D16xD20x18-CW	1
13.3	4174090	INTERMEDIATE STAGE HELIX 6 1.4301 KIT	1
		> MACH.STD-STG-CASING-WGV+NR-M+6-304	1
		> IMPELLER-M+6-304	1
		> IMPELLER SPACER Ø16,05X19,45-L36,465-304	1



HELIX V613-1/16/E/KS/400-50 (4156048)

Item	Article no.	Description	Quantity
1	4169944	MOTOR 3/2/100 3~230/400V 50HZ IE3 VP.	1
		SPARE PARTS MOTOR:ON REQUEST	1
2	4206025	SCREW M8X45 (4 PIECES)	1
3	4171326	LANTERN FT130 HELIX KIT	1
3.1		> LANTERN FT130 M+6" GJL MACHINING+CATA	1
3.2	2127604	> EYELET CPL.FT HELIX(2 PIECES)	1
3.3	4159692	> COUPLING PROTECTOR FT HELIX KIT	1
4	4159710	COUPLING D.16XD.28 FT130 HELIX KIT	1
5	4159707	SCREW M8X30 (4 PIECES)	1
6	4177848	STUD BOLT M12X713KIT	1
6.1		> TIE BOLT M12-713x18x30-1.4057	1
6.2	2094647	> NUT M12 M12 ISO4032 VP.	1
6.3	2123557	> WASHER CS-12.4-24-1.6-NFE25 (4 PIECES)	1
7	4159685	END SHIELD HELIX EPDM KIT	1
7.1		> END SHIELD M+6" GJL250 MACHINING+CATA	1
7.2	2127607	> STATIONARY RING HOLDER 6" HELIX 1.4301 V	1
7.3	4176513	> O-RING FOR PUMP JACKET VP.	1
7.4	2127603	> O-RING ID.37,6x2,4 EPDM VP.	1
7.5	2127602	> O-RING ID.21,35x2 EPDM VP.	1
8	4159686	FILING/PURGING PLUG HELIX EPDM KIT	1
9	4159696	CARTRIDGE HELIX6-10-16 O/E KIT	1
10	4177850	HOUSING PIPES D.152X585 1.4301 KIT	1
7.3	4176513	> O-RING FOR PUMP JACKET VP.	1
10.1		> HOUSING-PIPE Ø152-M+1013/14-304	1
11	4174087	CENTERING STAGE-RETURN HELIX6 1.4301VP.	1
12	4174085	SHAFTS EQUIPMENT HELIX V6 BI BLOC KIT	1
12.1		> NUT-H-M10-A4.70	1
12.2		> SERRATED LOCK WASHER M+6M3-316L	1
12.3		> STOP COLLAR OF IMPELLER L17,9-Ø16-316L	1
12.4		> STOP-RUSH-1/2-D16xd2-M+316	1
13		HYDRAULIC HELIX V 613 1.4307	1
14	4177851	SHAFT D.16X705 1.4301 VP.	1
15	4217897	PUMP HOUSING HELIX DN32 PN16 1.4301 KIT	1
7.3	4176513	> O-RING FOR PUMP JACKET VP.	1

HELIX V613-1/16/E/KS/400-50 (4156048)

Item	Article no.	Description	Quantity
15.1		> BLASTING PPE HOUSING V-PN16-DN32-5"-304	1
15.2	4217891	> COUNTER FLANGE-G1"1/4-PN16-GJL KIT	1
15.3	4171321	> PRIMING/DRAIN PLUG EPDM HELIX KIT	1
16	4177964	BASEPLATE HELIX V2/4/6 PN16 VP.	1



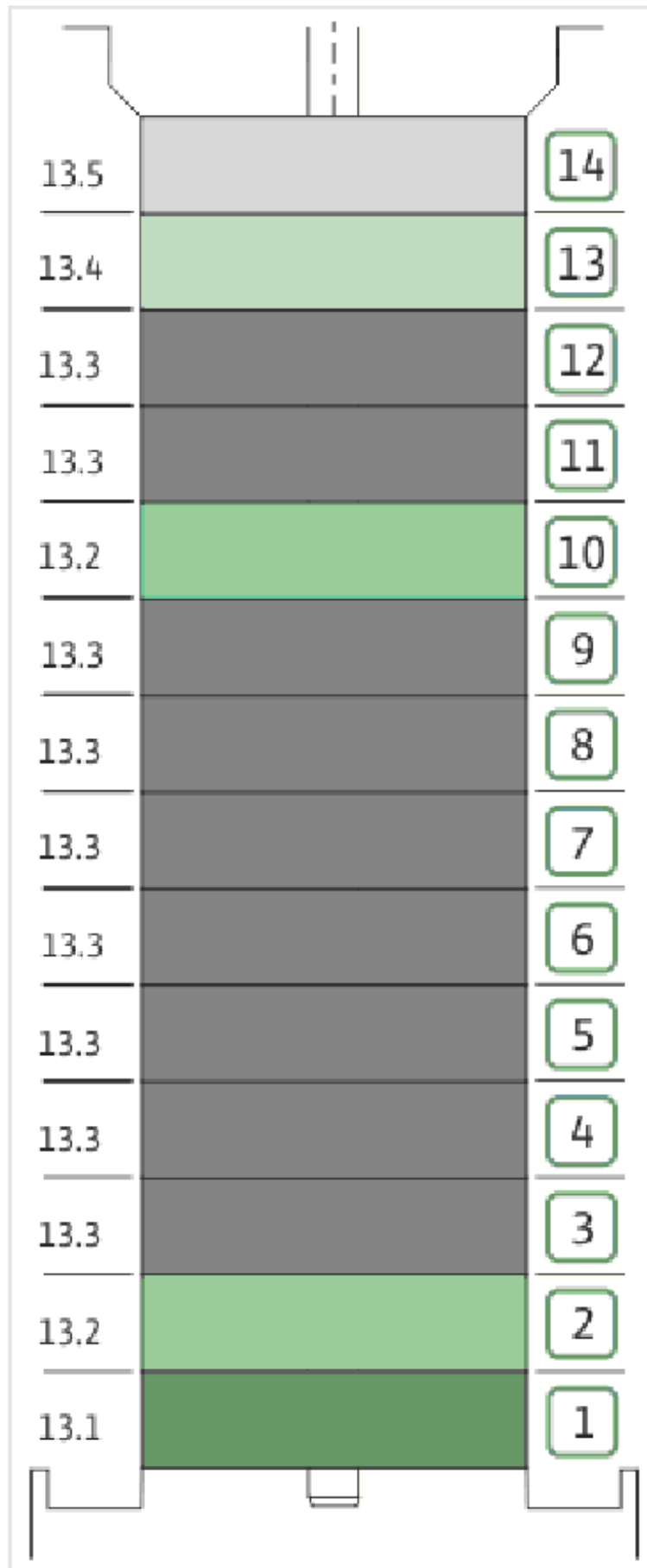
COUPLING D.16XD.28 FT130 HELIX KIT (4159710)

Item	Article no.	Description	Quantity
4.1		COUPLING M+ Ø16XØ28 FT130 MACHINED	1
4.2	2131022	BALL BEARING 6209/ZZ-C3(HT)VP.	1
4.3	4233930	CIRCLIP-FOR-BORES-D45x1,75 VP.	1
4.4	4157726	SCREW KIT M8X30 (4 PIECES)	1
4.5	4234252	CIRCLIPS 85X3 VP.	1
4.6	4234243	O-RING 85X3 VP.	1
		NOMEL CONTACT WASHER 8x16x1,4 STEEL ZC	1



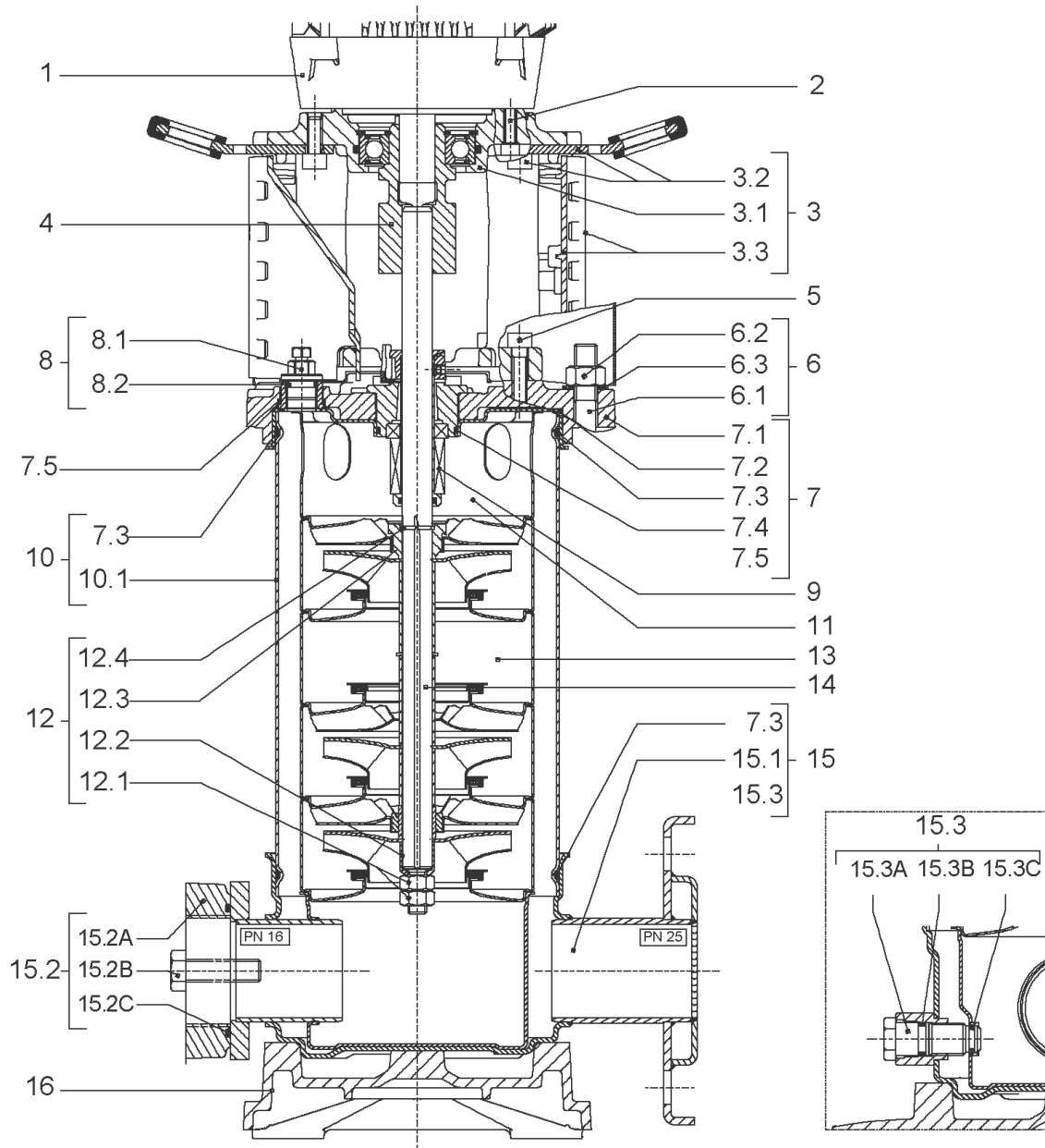
CARTRIDGE HELIX6-10-16 O/E KIT (4159696)

Item	Article no.	Description	Quantity
9.1	4159697	SEAL-KIT-HELIX6-10-16 O/E	1
7.3	4176513	> O-RING FOR PUMP JACKET VP.	1
7.4	2127603	> O-RING ID.37,6x2,4 EPDM VP.	1
9.1A	2130966	> MECH.SEAL HELIX2-4-6-10-16 O/E VP.	1
9.1B	2130967	> O-RING D.16X2,5 EPDM VP.	1
9.1C	4176519	> O-RING Ø16xØ1.25 VP.	1
9.2	2130961	SHAFT SLEEVE D.18/16X72,2 1.4404 VP.	1
9.3	2130962	RING HOLDER D.18 G606/G6 1.4301 VP.	1
9.4	4176520	SCREW CH M5x5 A4-70 (3PIECES)	1
9.5	2130963	DRIVE RING D.29/18x12,4 MACH.VP.	1
9.6	2130964	TOOL M.S.CART.HELIX VP.	1
9.7	2130965	SCREW CHC M5X12 ISO4762 A2.70(4 PIECES)	1



HYDRAULIC HELIX V 613 1.4307

Item	Article no.	Description	Quantity
13.1	4174084	STAGE HELIX 6 1.4301 KIT	1
		> MACH.STG-CASING-WOGV-WNR-M+6-304	1
		> IMPELLER-M+6-304	1
13.2	4174089	INTERMEDIATE STAGE HELIX 6 1.4301 KIT	1
		> MACH.BEARING-STG-CASING-WNR-M+6-304	1
		> IMPELLER-M+6-304	1
		> SHAFT SLEEVE-SPACER-Ø19,35x18,465-304	1
		> SHAFT-SLEEVE-D16xD20x18-CW	1
13.3	4174090	INTERMEDIATE STAGE HELIX 6 1.4301 KIT	1
		> MACH.STD-STG-CASING-WGV+NR-M+6-304	1
		> IMPELLER-M+6-304	1
		> IMPELLER SPACER Ø16,05X19,45-L36,465-304	1
13.4	4174092	EMPTY STAGE HELIX6 1.4301KIT	1
		> MACH.STD-STG-CASING-WGV+NR-M+6-304	1
		> FLAT WASHER-D16.1XD22X1.2-316L	1
		> IMPELLER SPACER Ø16,05X19,45-L36,465-304	1
13.5	4174091	STAGE HELIX 6 1.4301 KIT	1
		> MACH.STG-CASING-WOGV-WNR-M+6-304	1
		> IMPELLER-M+6-304	1
		> IMPELLER SPACER Ø16,05X19,45-L36,465-304	1



HELIX V613-1/25/E/KS/400-50 (4156049)

Item	Article no.	Description	Quantity
1	4169944	MOTOR 3/2/100 3~230/400V 50HZ IE3 VP.	1
		SPARE PARTS MOTOR:ON REQUEST	1
2	4206025	SCREW M8X45 (4 PIECES)	1
3	4171326	LANTERN FT130 HELIX KIT	1
3.1		> LANTERN FT130 M+6" GJL MACHINING+CATA	1
3.2	2127604	> EYELET CPL.FT HELIX(2 PIECES)	1
3.3	4159692	> COUPLING PROTECTOR FT HELIX KIT	1
4	4159710	COUPLING D.16XD.28 FT130 HELIX KIT	1
5	4159707	SCREW M8X30 (4 PIECES)	1
6	4177848	STUD BOLT M12X713KIT	1
6.1		> TIE BOLT M12-713x18x30-1.4057	1
6.2	2094647	> NUT M12 M12 ISO4032 VP.	1
6.3	2123557	> WASHER CS-12.4-24-1.6-NFE25 (4 PIECES)	1
7	4159685	END SHIELD HELIX EPDM KIT	1
7.1		> END SHIELD M+6" GJL250 MACHINING+CATA	1
7.2	2127607	> STATIONARY RING HOLDER 6" HELIX 1.4301 V	1
7.3	4176513	> O-RING FOR PUMP JACKET VP.	1
7.4	2127603	> O-RING ID.37,6x2,4 EPDM VP.	1
7.5	2127602	> O-RING ID.21,35x2 EPDM VP.	1
8	4159686	FILING/PURGING PLUG HELIX EPDM KIT	1
9	4159698	CARTRIDGE HELIX6-10-16 F/E KIT	1
10	4177850	HOUSING PIPES D.152X585 1.4301 KIT	1
7.3	4176513	> O-RING FOR PUMP JACKET VP.	1
10.1		> HOUSING-PIPE Ø152-M+1013/14-304	1
11	4174087	CENTERING STAGE-RETURN HELIX6 1.4301VP.	1
12	4174085	SHAFTS EQUIPMENT HELIX V6 BI BLOC KIT	1
12.1		> NUT-H-M10-A4.70	1
12.2		> SERRATED LOCK WASHER M+6M3-316L	1
12.3		> STOP COLLAR OF IMPELLER L17,9-Ø16-316L	1
12.4		> STOP-RUSH-1/2-D16xd2-M+316	1
13		HYDRAULIC HELIX V 613 1.4307	1
14	4177851	SHAFT D.16X705 1.4301 VP.	1
15	4174081	PUMP HOUSING HELIX DN32 PN25 1.4301 KIT	1
7.3	4176513	> O-RING FOR PUMP JACKET VP.	1

HELIX V613-1/25/E/KS/400-50 (4156049)

Item	Article no.	Description	Quantity
15.1		> BLASTING PPE HOUSING V-PN25-DN32-5"-304	1
15.3	4171321	> PRIMING/DRAIN PLUG EPDM HELIX KIT	1
16	4177970	BASEPLATE HELIX V2/4/6 PN25 VP.	1



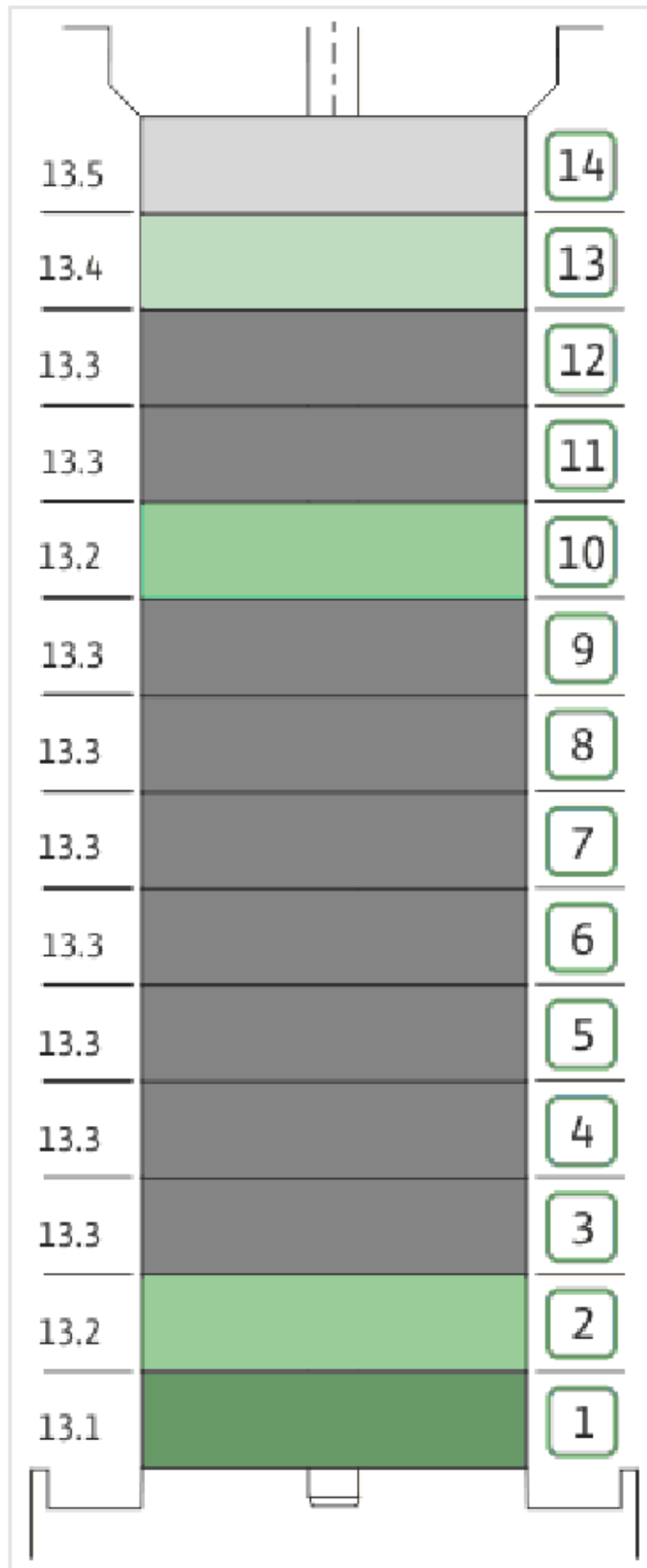
COUPLING D.16XD.28 FT130 HELIX KIT (4159710)

Item	Article no.	Description	Quantity
4.1		COUPLING M+ Ø16XØ28 FT130 MACHINED	1
4.2	2131022	BALL BEARING 6209/ZZ-C3(HT)VP.	1
4.3	4233930	CIRCLIP-FOR-BORES-D45x1,75 VP.	1
4.4	4157726	SCREW KIT M8X30 (4 PIECES)	1
4.5	4234252	CIRCLIPS 85X3 VP.	1
4.6	4234243	O-RING 85X3 VP.	1
		NOMEL CONTACT WASHER 8x16x1,4 STEEL ZC	1



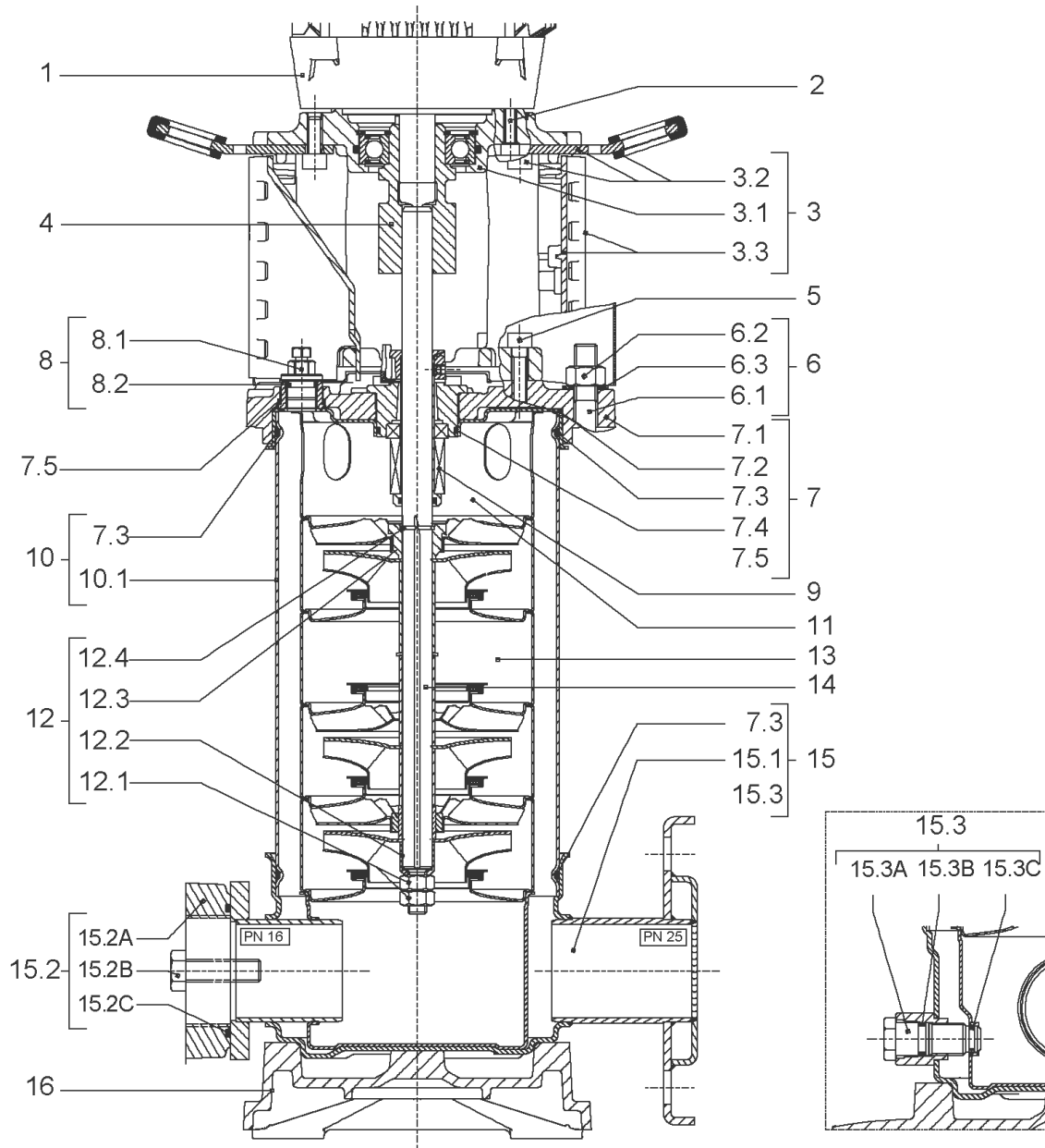
CARTRIDGE HELIX6-10-16 F/E KIT (4159698)

Item	Article no.	Description	Quantity
9.1	4159699	SEAL-KIT-HELIX6-10-16 F/E	1
7.3	4176513	> O-RING FOR PUMP JACKET VP.	1
7.4	2127603	> O-RING ID.37,6x2,4 EPDM VP.	1
9.1A	4176521	> MECH.SEAL HELIX2-4-6-10-16 F/E VP.	1
9.1B	2130967	> O-RING D.16X2,5 EPDM VP.	1
9.1C	4176519	> O-RING Ø16xØ1.25 VP.	1
9.2	2130961	SHAFT SLEEVE D.18/16X72,2 1.4404 VP.	1
9.3	2130962	RING HOLDER D.18 G606/G6 1.4301 VP.	1
9.4	4176520	SCREW CH M5x5 A4-70 (3PIECES)	1
9.5	2130963	DRIVE RING D.29/18x12,4 MACH.VP.	1
9.6	2130964	TOOL M.S.CART.HELIX VP.	1
9.7	2130965	SCREW CHC M5X12 ISO4762 A2.70(4 PIECES)	1



HYDRAULIC HELIX V 613 1.4307

Item	Article no.	Description	Quantity
13.1	4174084	STAGE HELIX 6 1.4301 KIT	1
		> MACH.STG-CASING-WOGV-WNR-M+6-304	1
		> IMPELLER-M+6-304	1
13.2	4174089	INTERMEDIATE STAGE HELIX 6 1.4301 KIT	1
		> MACH.BEARING-STG-CASING-WNR-M+6-304	1
		> IMPELLER-M+6-304	1
		> SHAFT SLEEVE-SPACER-Ø19,35x18,465-304	1
		> SHAFT-SLEEVE-D16xD20x18-CW	1
13.3	4174090	INTERMEDIATE STAGE HELIX 6 1.4301 KIT	1
		> MACH.STD-STG-CASING-WGV+NR-M+6-304	1
		> IMPELLER-M+6-304	1
		> IMPELLER SPACER Ø16,05X19,45-L36,465-304	1
13.4	4174092	EMPTY STAGE HELIX6 1.4301KIT	1
		> MACH.STD-STG-CASING-WGV+NR-M+6-304	1
		> FLAT WASHER-D16.1XD22X1.2-316L	1
		> IMPELLER SPACER Ø16,05X19,45-L36,465-304	1
13.5	4174091	STAGE HELIX 6 1.4301 KIT	1
		> MACH.STG-CASING-WOGV-WNR-M+6-304	1
		> IMPELLER-M+6-304	1
		> IMPELLER SPACER Ø16,05X19,45-L36,465-304	1

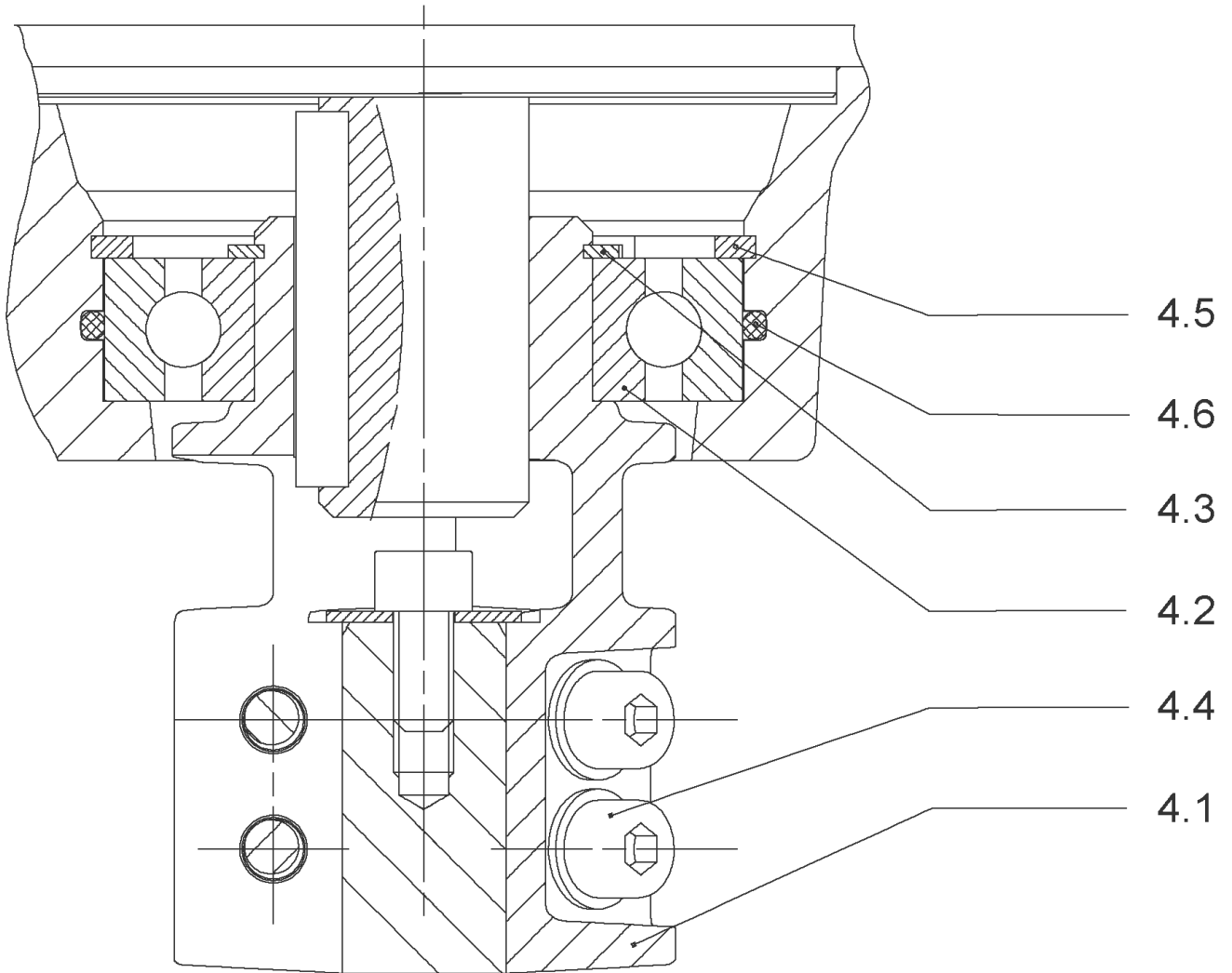


HELIX V614-1/16/E/KS/400-50 (4156050)

Item	Article no.	Description	Quantity
1	4169944	MOTOR 3/2/100 3~230/400V 50HZ IE3 VP.	1
		SPARE PARTS MOTOR:ON REQUEST	1
2	4206025	SCREW M8X45 (4 PIECES)	1
3	4171326	LANTERN FT130 HELIX KIT	1
3.1		> LANTERN FT130 M+6" GJL MACHINING+CATA	1
3.2	2127604	> EYELET CPL.FT HELIX(2 PIECES)	1
3.3	4159692	> COUPLING PROTECTOR FT HELIX KIT	1
4	4159710	COUPLING D.16XD.28 FT130 HELIX KIT	1
5	4159707	SCREW M8X30 (4 PIECES)	1
6	4177848	STUD BOLT M12X713KIT	1
6.1		> TIE BOLT M12-713x18x30-1.4057	1
6.2	2094647	> NUT M12 M12 ISO4032 VP.	1
6.3	2123557	> WASHER CS-12.4-24-1.6-NFE25 (4 PIECES)	1
7	4159685	END SHIELD HELIX EPDM KIT	1
7.1		> END SHIELD M+6" GJL250 MACHINING+CATA	1
7.2	2127607	> STATIONARY RING HOLDER 6" HELIX 1.4301 V	1
7.3	4176513	> O-RING FOR PUMP JACKET VP.	1
7.4	2127603	> O-RING ID.37,6x2,4 EPDM VP.	1
7.5	2127602	> O-RING ID.21,35x2 EPDM VP.	1
8	4159686	FILING/PURGING PLUG HELIX EPDM KIT	1
9	4159696	CARTRIDGE HELIX6-10-16 O/E KIT	1
10	4177850	HOUSING PIPES D.152X585 1.4301 KIT	1
7.3	4176513	> O-RING FOR PUMP JACKET VP.	1
10.1		> HOUSING-PIPE Ø152-M+1013/14-304	1
11	4174087	CENTERING STAGE-RETURN HELIX6 1.4301VP.	1
12	4174085	SHAFTS EQUIPMENT HELIX V6 BI BLOC KIT	1
12.1		> NUT-H-M10-A4.70	1
12.2		> SERRATED LOCK WASHER M+6M3-316L	1
12.3		> STOP COLLAR OF IMPELLER L17,9-Ø16-316L	1
12.4		> STOP-RUSH-1/2-D16xd2-M+316	1
13		HYDRAULIC HELIX V 614 1.4307	1
14	4177851	SHAFT D.16X705 1.4301 VP.	1
15	4217897	PUMP HOUSING HELIX DN32 PN16 1.4301 KIT	1
7.3	4176513	> O-RING FOR PUMP JACKET VP.	1

HELIX V614-1/16/E/KS/400-50 (4156050)

Item	Article no.	Description	Quantity
15.1		> BLASTING PPE HOUSING V-PN16-DN32-5"-304	1
15.2	4217891	> COUNTER FLANGE-G1"1/4-PN16-GJL KIT	1
15.3	4171321	> PRIMING/DRAIN PLUG EPDM HELIX KIT	1
16	4177964	BASEPLATE HELIX V2/4/6 PN16 VP.	1



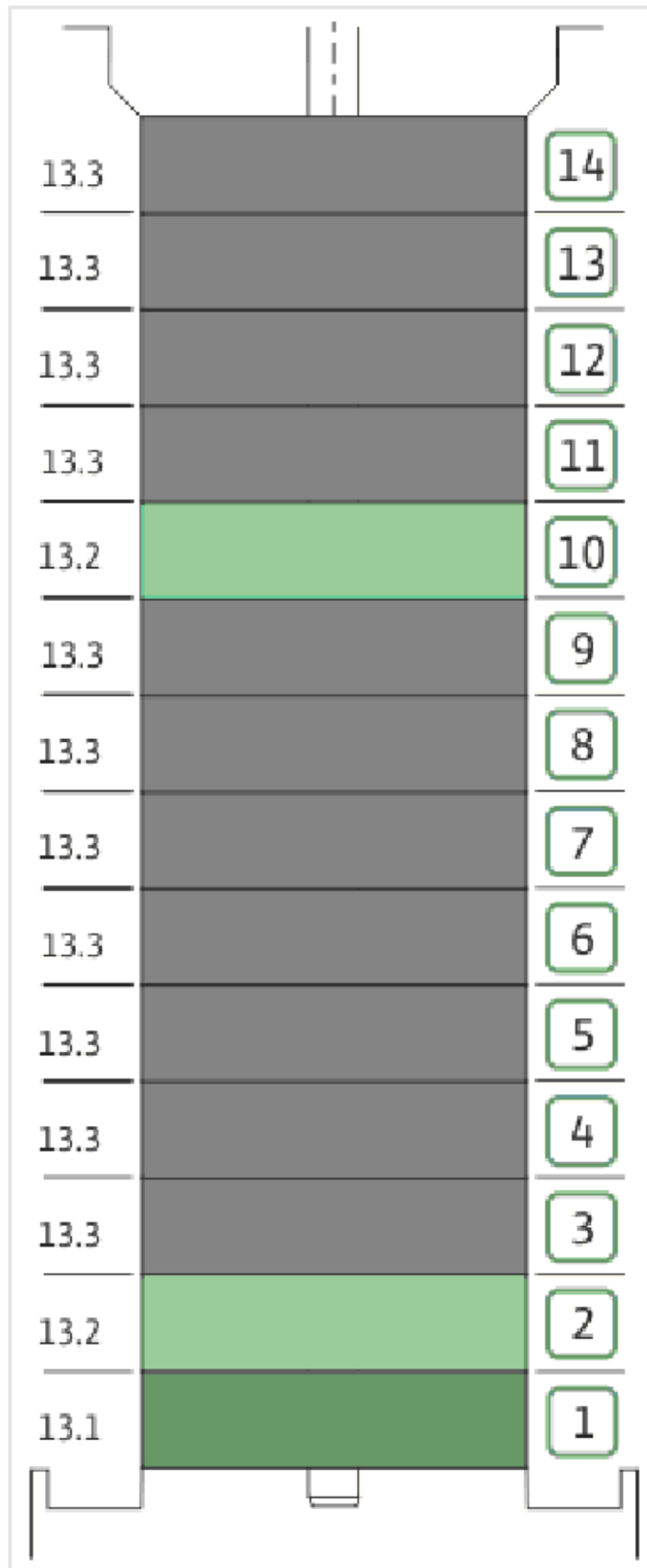
COUPLING D.16XD.28 FT130 HELIX KIT (4159710)

Item	Article no.	Description	Quantity
4.1		COUPLING M+ Ø16XØ28 FT130 MACHINED	1
4.2	2131022	BALL BEARING 6209/ZZ-C3(HT)VP.	1
4.3	4233930	CIRCLIP-FOR-BORES-D45x1,75 VP.	1
4.4	4157726	SCREW KIT M8X30 (4 PIECES)	1
4.5	4234252	CIRCLIPS 85X3 VP.	1
4.6	4234243	O-RING 85X3 VP.	1
		NOMEL CONTACT WASHER 8x16x1,4 STEEL ZC	1



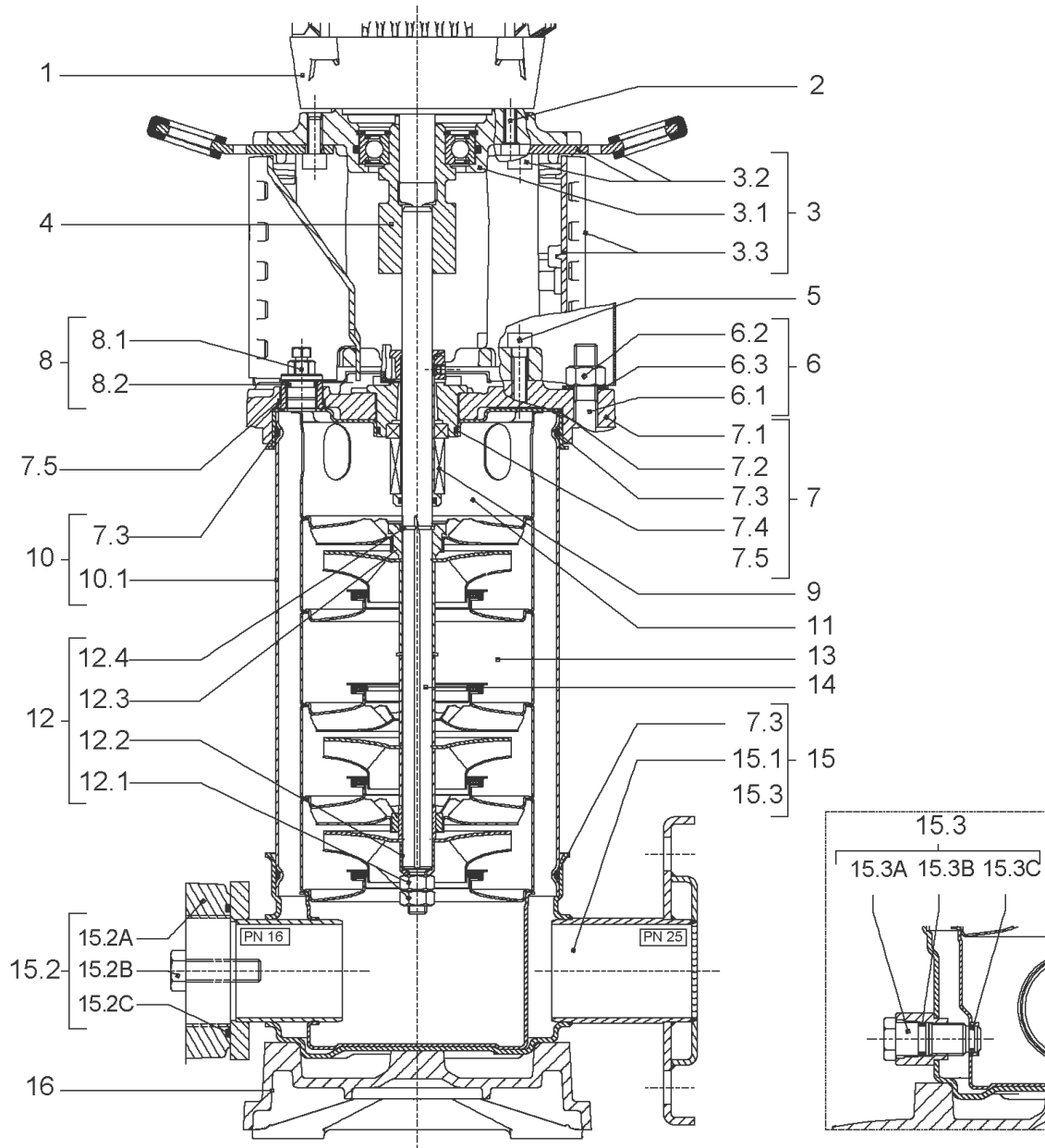
CARTRIDGE HELIX6-10-16 O/E KIT (4159696)

Item	Article no.	Description	Quantity
9.1	4159697	SEAL-KIT-HELIX6-10-16 O/E	1
7.3	4176513	> O-RING FOR PUMP JACKET VP.	1
7.4	2127603	> O-RING ID.37,6x2,4 EPDM VP.	1
9.1A	2130966	> MECH.SEAL HELIX2-4-6-10-16 O/E VP.	1
9.1B	2130967	> O-RING D.16X2,5 EPDM VP.	1
9.1C	4176519	> O-RING Ø16xØ1.25 VP.	1
9.2	2130961	SHAFT SLEEVE D.18/16X72,2 1.4404 VP.	1
9.3	2130962	RING HOLDER D.18 G606/G6 1.4301 VP.	1
9.4	4176520	SCREW CH M5x5 A4-70 (3PIECES)	1
9.5	2130963	DRIVE RING D.29/18x12,4 MACH.VP.	1
9.6	2130964	TOOL M.S.CART.HELIX VP.	1
9.7	2130965	SCREW CHC M5X12 ISO4762 A2.70(4 PIECES)	1



HYDRAULIC HELIX V 614 1.4307

Item	Article no.	Description	Quantity
13.1	4174084	STAGE HELIX 6 1.4301 KIT	1
		> MACH.STG-CASING-WOGV-WNR-M+6-304	1
		> IMPELLER-M+6-304	1
13.2	4174089	INTERMEDIATE STAGE HELIX 6 1.4301 KIT	1
		> MACH.BEARING-STG-CASING-WNR-M+6-304	1
		> IMPELLER-M+6-304	1
		> SHAFT SLEEVE-SPACER-Ø19,35x18,465-304	1
		> SHAFT-SLEEVE-D16xD20x18-CW	1
13.3	4174090	INTERMEDIATE STAGE HELIX 6 1.4301 KIT	1
		> MACH.STD-STG-CASING-WGV+NR-M+6-304	1
		> IMPELLER-M+6-304	1
		> IMPELLER SPACER Ø16,05X19,45-L36,465-304	1



HELIX V614-1/25/E/KS/400-50 (4156051)

Item	Article no.	Description	Quantity
1	4169944	MOTOR 3/2/100 3~230/400V 50HZ IE3 VP.	1
		SPARE PARTS MOTOR:ON REQUEST	1
2	4206025	SCREW M8X45 (4 PIECES)	1
3	4171326	LANTERN FT130 HELIX KIT	1
3.1		> LANTERN FT130 M+6" GJL MACHINING+CATA	1
3.2	2127604	> EYELET CPL.FT HELIX(2 PIECES)	1
3.3	4159692	> COUPLING PROTECTOR FT HELIX KIT	1
4	4159710	COUPLING D.16XD.28 FT130 HELIX KIT	1
5	4159707	SCREW M8X30 (4 PIECES)	1
6	4177848	STUD BOLT M12X713KIT	1
6.1		> TIE BOLT M12-713x18x30-1.4057	1
6.2	2094647	> NUT M12 M12 ISO4032 VP.	1
6.3	2123557	> WASHER CS-12.4-24-1.6-NFE25 (4 PIECES)	1
7	4159685	END SHIELD HELIX EPDM KIT	1
7.1		> END SHIELD M+6" GJL250 MACHINING+CATA	1
7.2	2127607	> STATIONARY RING HOLDER 6" HELIX 1.4301 V	1
7.3	4176513	> O-RING FOR PUMP JACKET VP.	1
7.4	2127603	> O-RING ID.37,6x2,4 EPDM VP.	1
7.5	2127602	> O-RING ID.21,35x2 EPDM VP.	1
8	4159686	FILING/PURGING PLUG HELIX EPDM KIT	1
9	4159698	CARTRIDGE HELIX6-10-16 F/E KIT	1
10	4177850	HOUSING PIPES D.152X585 1.4301 KIT	1
7.3	4176513	> O-RING FOR PUMP JACKET VP.	1
10.1		> HOUSING-PIPE Ø152-M+1013/14-304	1
11	4174087	CENTERING STAGE-RETURN HELIX6 1.4301VP.	1
12	4174085	SHAFTS EQUIPMENT HELIX V6 BI BLOC KIT	1
12.1		> NUT-H-M10-A4.70	1
12.2		> SERRATED LOCK WASHER M+6M3-316L	1
12.3		> STOP COLLAR OF IMPELLER L17,9-Ø16-316L	1
12.4		> STOP-RUSH-1/2-D16xd2-M+316	1
13		HYDRAULIC HELIX V 614 1.4307	1
14	4177851	SHAFT D.16X705 1.4301 VP.	1
15	4174081	PUMP HOUSING HELIX DN32 PN25 1.4301 KIT	1
7.3	4176513	> O-RING FOR PUMP JACKET VP.	1

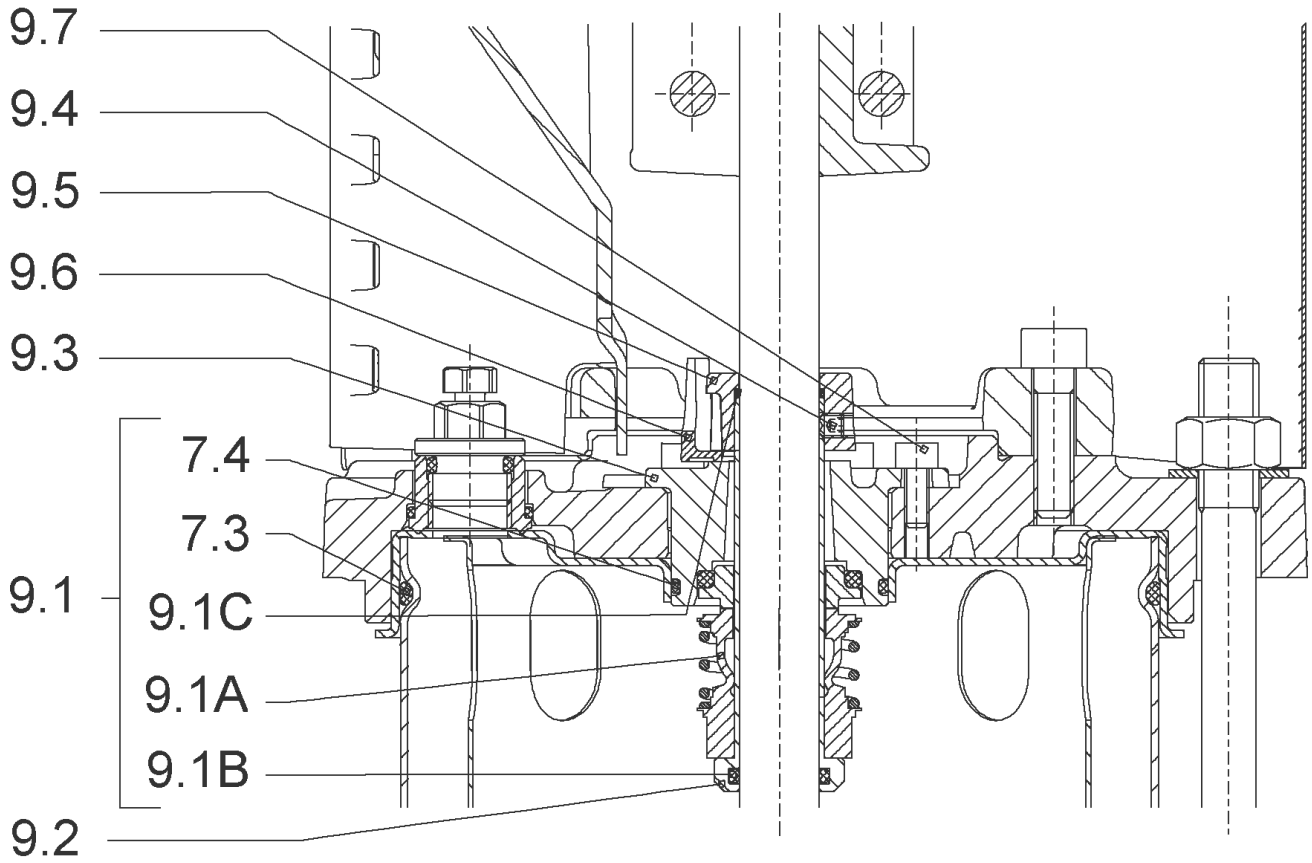
HELIX V614-1/25/E/KS/400-50 (4156051)

Item	Article no.	Description	Quantity
15.1		> BLASTING PPE HOUSING V-PN25-DN32-5"-304	1
15.3	4171321	> PRIMING/DRAIN PLUG EPDM HELIX KIT	1
16	4177970	BASEPLATE HELIX V2/4/6 PN25 VP.	1



COUPLING D.16XD.28 FT130 HELIX KIT (4159710)

Item	Article no.	Description	Quantity
4.1		COUPLING M+ Ø16XØ28 FT130 MACHINED	1
4.2	2131022	BALL BEARING 6209/ZZ-C3(HT)VP.	1
4.3	4233930	CIRCLIP-FOR-BORES-D45x1,75 VP.	1
4.4	4157726	SCREW KIT M8X30 (4 PIECES)	1
4.5	4234252	CIRCLIPS 85X3 VP.	1
4.6	4234243	O-RING 85X3 VP.	1
		NOMEL CONTACT WASHER 8x16x1,4 STEEL ZC	1



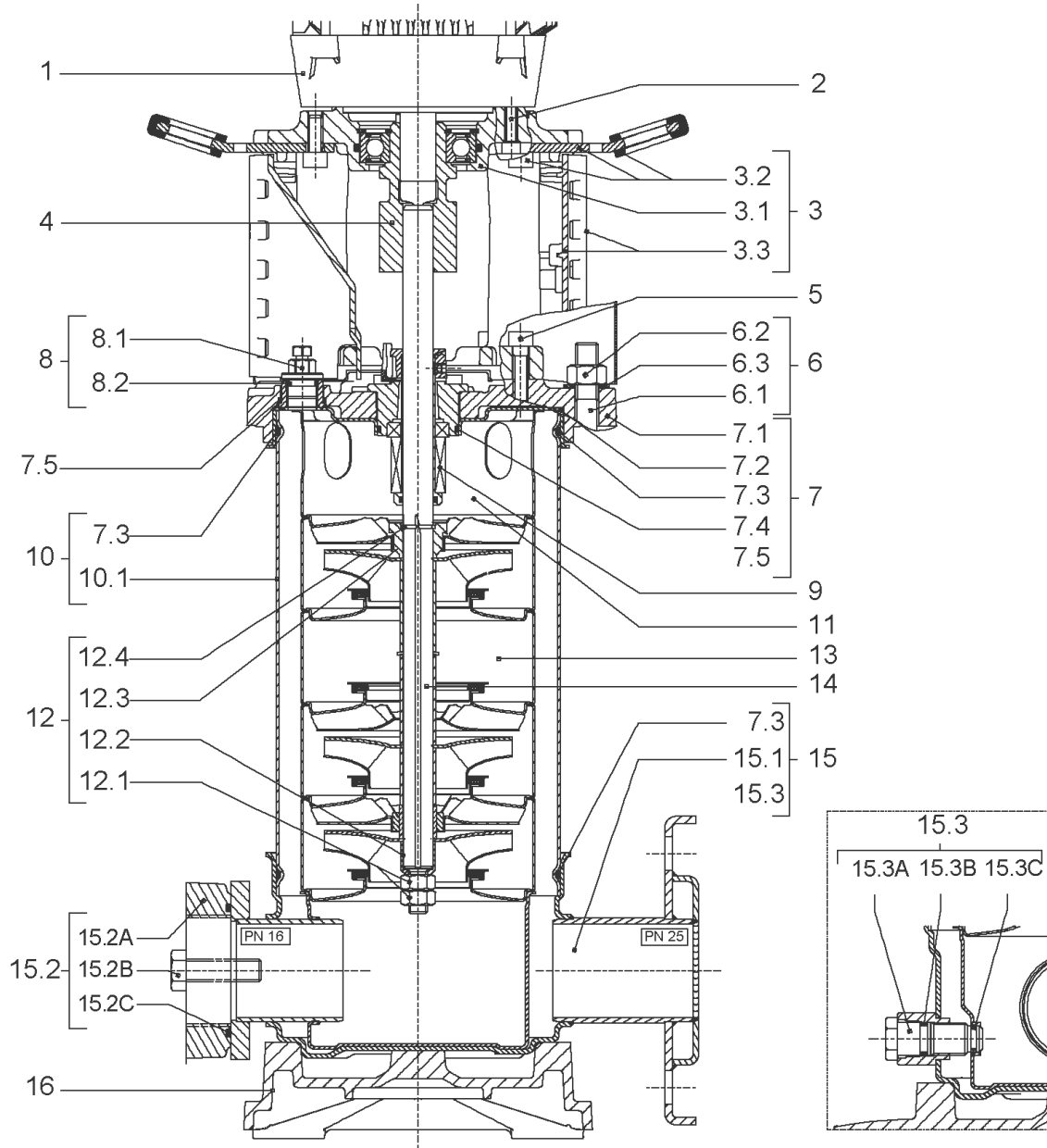
CARTRIDGE HELIX6-10-16 F/E KIT (4159698)

Item	Article no.	Description	Quantity
9.1	4159699	SEAL-KIT-HELIX6-10-16 F/E	1
7.3	4176513	> O-RING FOR PUMP JACKET VP.	1
7.4	2127603	> O-RING ID.37,6x2,4 EPDM VP.	1
9.1A	4176521	> MECH.SEAL HELIX2-4-6-10-16 F/E VP.	1
9.1B	2130967	> O-RING D.16X2,5 EPDM VP.	1
9.1C	4176519	> O-RING Ø16xØ1.25 VP.	1
9.2	2130961	SHAFT SLEEVE D.18/16X72,2 1.4404 VP.	1
9.3	2130962	RING HOLDER D.18 G606/G6 1.4301 VP.	1
9.4	4176520	SCREW CH M5x5 A4-70 (3PIECES)	1
9.5	2130963	DRIVE RING D.29/18x12,4 MACH.VP.	1
9.6	2130964	TOOL M.S.CART.HELIX VP.	1
9.7	2130965	SCREW CHC M5X12 ISO4762 A2.70(4 PIECES)	1



HYDRAULIC HELIX V 614 1.4307

Item	Article no.	Description	Quantity
13.1	4174084	STAGE HELIX 6 1.4301 KIT	1
		> MACH.STG-CASING-WOGV-WNR-M+6-304	1
		> IMPELLER-M+6-304	1
13.2	4174089	INTERMEDIATE STAGE HELIX 6 1.4301 KIT	1
		> MACH.BEARING-STG-CASING-WNR-M+6-304	1
		> IMPELLER-M+6-304	1
		> SHAFT SLEEVE-SPACER-Ø19,35x18,465-304	1
		> SHAFT-SLEEVE-D16xD20x18-CW	1
13.3	4174090	INTERMEDIATE STAGE HELIX 6 1.4301 KIT	1
		> MACH.STD-STG-CASING-WGV+NR-M+6-304	1
		> IMPELLER-M+6-304	1
		> IMPELLER SPACER Ø16,05X19,45-L36,465-304	1



HELIX V615-1/16/E/KS/400-50 (4156052)

Item	Article no.	Description	Quantity
1	4169944	MOTOR 3/2/100 3~230/400V 50HZ IE3 VP.	1
		SPARE PARTS MOTOR:ON REQUEST	1
2	4206025	SCREW M8X45 (4 PIECES)	1
3	4171326	LANTERN FT130 HELIX KIT	1
3.1		> LANTERN FT130 M+6" GJL MACHINING+CATA	1
3.2	2127604	> EYELET CPL.FT HELIX(2 PIECES)	1
3.3	4159692	> COUPLING PROTECTOR FT HELIX KIT	1
4	4159710	COUPLING D.16XD.28 FT130 HELIX KIT	1
5	4159707	SCREW M8X30 (4 PIECES)	1
6	4177852	STUD BOLT M12X788KIT	1
6.1		> TIE BOLT M12-788x18x30-1.4057	1
6.2	2094647	> NUT M12 M12 ISO4032 VP.	1
6.3	2123557	> WASHER CS-12.4-24-1.6-NFE25 (4 PIECES)	1
7	4159685	END SHIELD HELIX EPDM KIT	1
7.1		> END SHIELD M+6" GJL250 MACHINING+CATA	1
7.2	2127607	> STATIONARY RING HOLDER 6" HELIX 1.4301 V	1
7.3	4176513	> O-RING FOR PUMP JACKET VP.	1
7.4	2127603	> O-RING ID.37,6x2,4 EPDM VP.	1
7.5	2127602	> O-RING ID.21,35x2 EPDM VP.	1
8	4159686	FILING/PURGING PLUG HELIX EPDM KIT	1
9	4159696	CARTRIDGE HELIX6-10-16 O/E KIT	1
10	4177853	HOUSING PIPES D.152X660 1.4307 KIT	1
7.3	4176513	> O-RING FOR PUMP JACKET VP.	1
10.1		> HOUSING-PIPE Ø152-M+1016/1610-304	1
11	4174087	CENTERING STAGE-RETURN HELIX6 1.4301VP.	1
12	4174085	SHAFTS EQUIPMENT HELIX V6 BI BLOC KIT	1
12.1		> NUT-H-M10-A4.70	1
12.2		> SERRATED LOCK WASHER M+6M3-316L	1
12.3		> STOP COLLAR OF IMPELLER L17,9-Ø16-316L	1
12.4		> STOP-RUSH-1/2-D16xd2-M+316	1
13		HYDRAULIC HELIX V 615 1.4307	1
14	4177854	SHAFT D.16 X780 1.4301 VP.	1
15	4217897	PUMP HOUSING HELIX DN32 PN16 1.4301 KIT	1
7.3	4176513	> O-RING FOR PUMP JACKET VP.	1

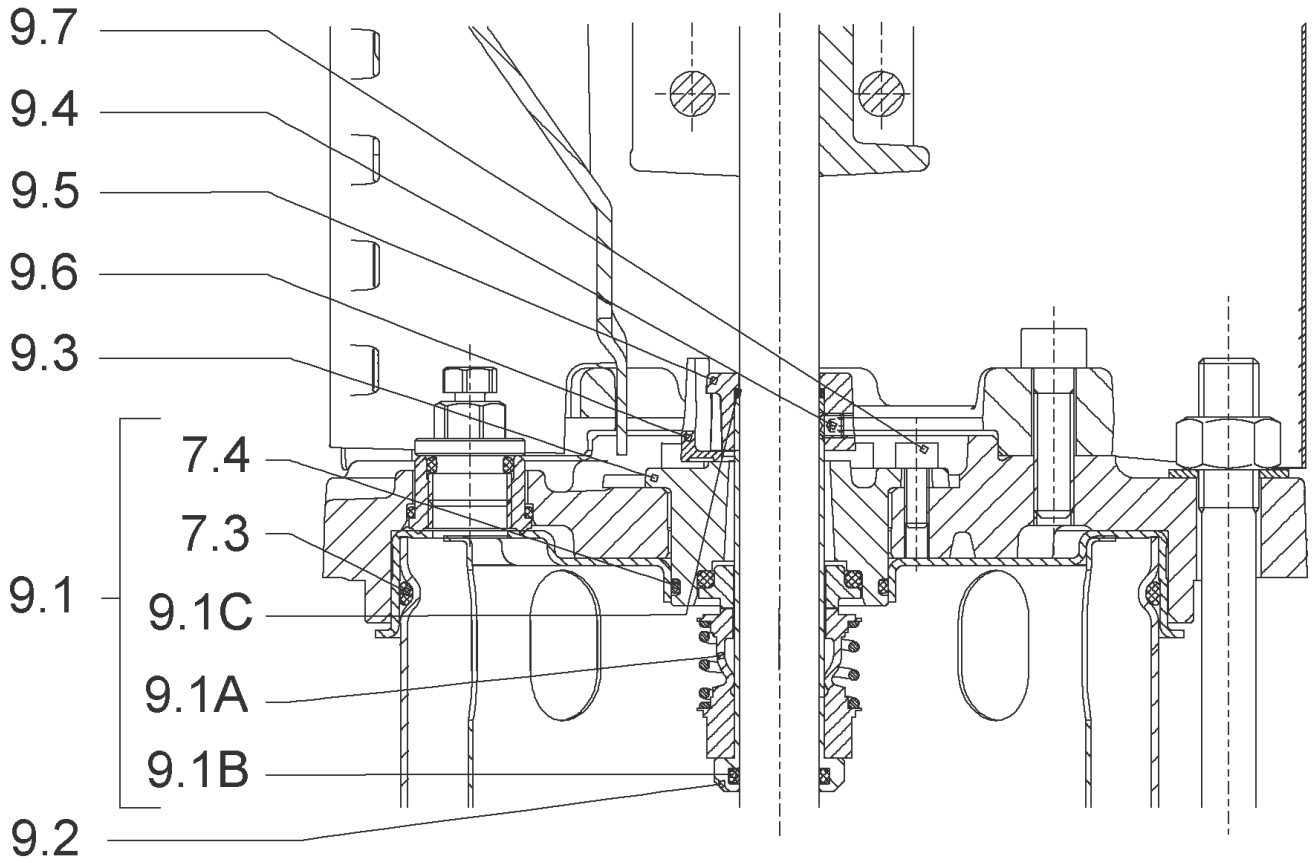
HELIX V615-1/16/E/KS/400-50 (4156052)

Item	Article no.	Description	Quantity
15.1		> BLASTING PPE HOUSING V-PN16-DN32-5"-304	1
15.2	4217891	> COUNTER FLANGE-G1"1/4-PN16-GJL KIT	1
15.3	4171321	> PRIMING/DRAIN PLUG EPDM HELIX KIT	1
16	4177964	BASEPLATE HELIX V2/4/6 PN16 VP.	1



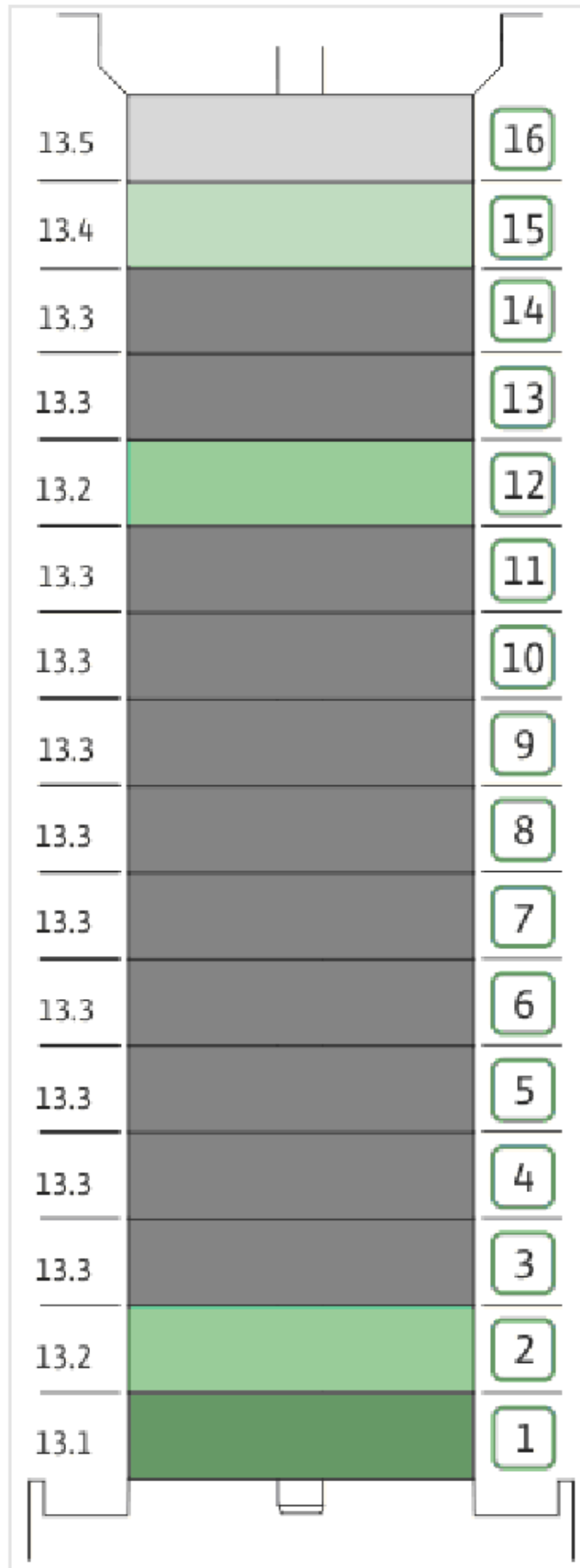
COUPLING D.16XD.28 FT130 HELIX KIT (4159710)

Item	Article no.	Description	Quantity
4.1		COUPLING M+ Ø16XØ28 FT130 MACHINED	1
4.2	2131022	BALL BEARING 6209/ZZ-C3(HT)VP.	1
4.3	4233930	CIRCLIP-FOR-BORES-D45x1,75 VP.	1
4.4	4157726	SCREW KIT M8X30 (4 PIECES)	1
4.5	4234252	CIRCLIPS 85X3 VP.	1
4.6	4234243	O-RING 85X3 VP.	1
		NOMEL CONTACT WASHER 8x16x1,4 STEEL ZC	1



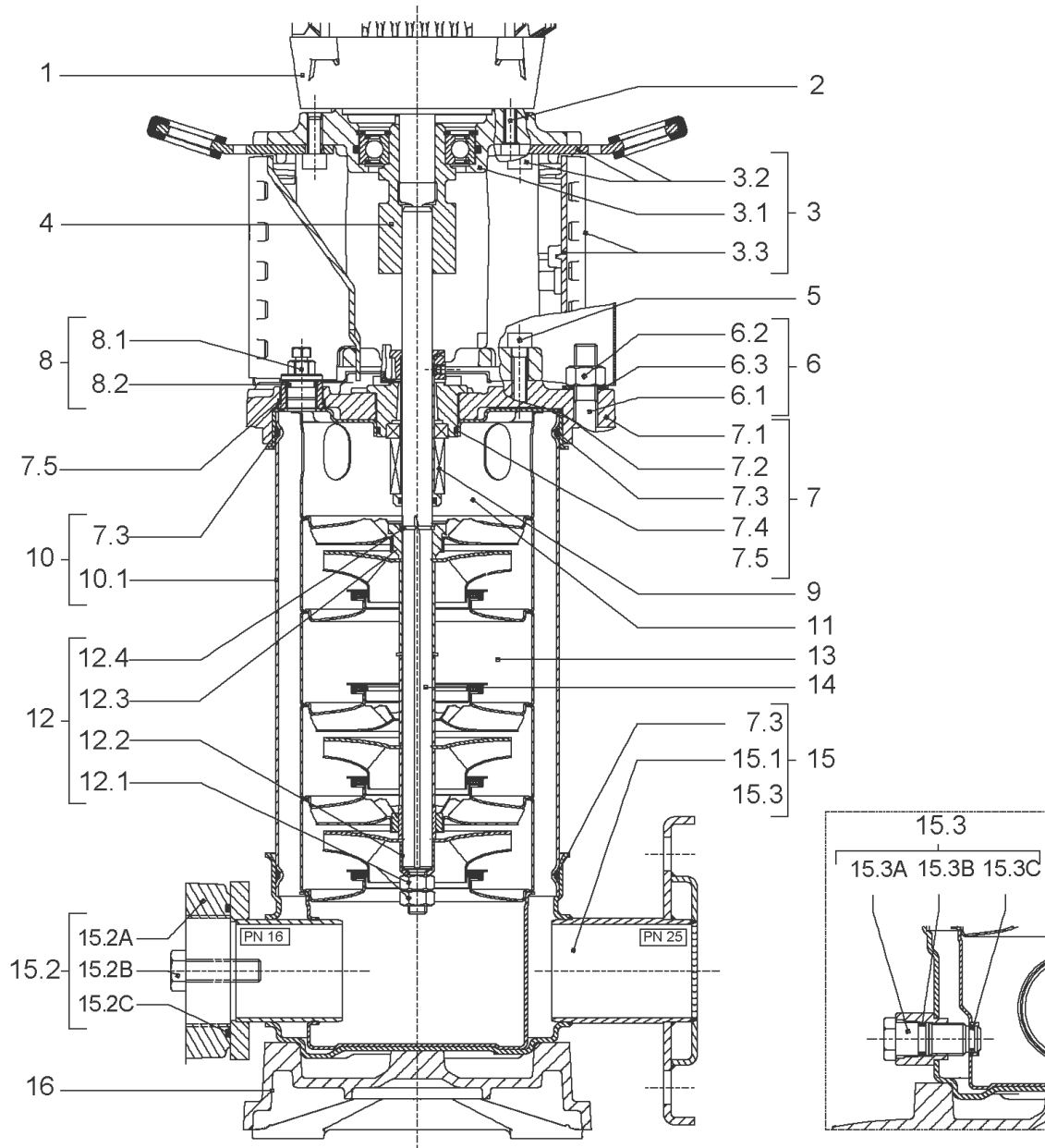
CARTRIDGE HELIX6-10-16 O/E KIT (4159696)

Item	Article no.	Description	Quantity
9.1	4159697	SEAL-KIT-HELIX6-10-16 O/E	1
7.3	4176513	> O-RING FOR PUMP JACKET VP.	1
7.4	2127603	> O-RING ID.37,6x2,4 EPDM VP.	1
9.1A	2130966	> MECH.SEAL HELIX2-4-6-10-16 O/E VP.	1
9.1B	2130967	> O-RING D.16X2,5 EPDM VP.	1
9.1C	4176519	> O-RING Ø16xØ1.25 VP.	1
9.2	2130961	SHAFT SLEEVE D.18/16X72,2 1.4404 VP.	1
9.3	2130962	RING HOLDER D.18 G606/G6 1.4301 VP.	1
9.4	4176520	SCREW CH M5x5 A4-70 (3PIECES)	1
9.5	2130963	DRIVE RING D.29/18x12,4 MACH.VP.	1
9.6	2130964	TOOL M.S.CART.HELIX VP.	1
9.7	2130965	SCREW CHC M5X12 ISO4762 A2.70(4 PIECES)	1



HYDRAULIC HELIX V 615 1.4307

Item	Article no.	Description	Quantity
13.1	4174084	STAGE HELIX 6 1.4301 KIT	1
		> MACH.STG-CASING-WOGV-WNR-M+6-304	1
		> IMPELLER-M+6-304	1
13.2	4174089	INTERMEDIATE STAGE HELIX 6 1.4301 KIT	1
		> MACH.BEARING-STG-CASING-WNR-M+6-304	1
		> IMPELLER-M+6-304	1
		> SHAFT SLEEVE-SPACER-Ø19,35x18,465-304	1
		> SHAFT-SLEEVE-D16xD20x18-CW	1
13.3	4174090	INTERMEDIATE STAGE HELIX 6 1.4301 KIT	1
		> MACH.STD-STG-CASING-WGV+NR-M+6-304	1
		> IMPELLER-M+6-304	1
		> IMPELLER SPACER Ø16,05X19,45-L36,465-304	1
13.4	4174092	EMPTY STAGE HELIX6 1.4301KIT	1
		> MACH.STD-STG-CASING-WGV+NR-M+6-304	1
		> FLAT WASHER-D16.1XD22X1.2-316L	1
		> IMPELLER SPACER Ø16,05X19,45-L36,465-304	1
13.5	4174091	STAGE HELIX 6 1.4301 KIT	1
		> MACH.STG-CASING-WOGV-WNR-M+6-304	1
		> IMPELLER-M+6-304	1
		> IMPELLER SPACER Ø16,05X19,45-L36,465-304	1



HELIX V615-1/25/E/KS/400-50 (4156053)

Item	Article no.	Description	Quantity
1	4169944	MOTOR 3/2/100 3~230/400V 50HZ IE3 VP.	1
		SPARE PARTS MOTOR:ON REQUEST	1
2	4206025	SCREW M8X45 (4 PIECES)	1
3	4171326	LANTERN FT130 HELIX KIT	1
3.1		> LANTERN FT130 M+6" GJL MACHINING+CATA	1
3.2	2127604	> EYELET CPL.FT HELIX(2 PIECES)	1
3.3	4159692	> COUPLING PROTECTOR FT HELIX KIT	1
4	4159710	COUPLING D.16XD.28 FT130 HELIX KIT	1
5	4159707	SCREW M8X30 (4 PIECES)	1
6	4177852	STUD BOLT M12X788KIT	1
6.1		> TIE BOLT M12-788x18x30-1.4057	1
6.2	2094647	> NUT M12 M12 ISO4032 VP.	1
6.3	2123557	> WASHER CS-12.4-24-1.6-NFE25 (4 PIECES)	1
7	4159685	END SHIELD HELIX EPDM KIT	1
7.1		> END SHIELD M+6" GJL250 MACHINING+CATA	1
7.2	2127607	> STATIONARY RING HOLDER 6" HELIX 1.4301 V	1
7.3	4176513	> O-RING FOR PUMP JACKET VP.	1
7.4	2127603	> O-RING ID.37,6x2,4 EPDM VP.	1
7.5	2127602	> O-RING ID.21,35x2 EPDM VP.	1
8	4159686	FILING/PURGING PLUG HELIX EPDM KIT	1
9	4159698	CARTRIDGE HELIX6-10-16 F/E KIT	1
10	4177853	HOUSING PIPES D.152X660 1.4307 KIT	1
7.3	4176513	> O-RING FOR PUMP JACKET VP.	1
10.1		> HOUSING-PIPE Ø152-M+1016/1610-304	1
11	4174087	CENTERING STAGE-RETURN HELIX6 1.4301VP.	1
12	4174085	SHAFTS EQUIPMENT HELIX V6 BI BLOC KIT	1
12.1		> NUT-H-M10-A4.70	1
12.2		> SERRATED LOCK WASHER M+6M3-316L	1
12.3		> STOP COLLAR OF IMPELLER L17,9-Ø16-316L	1
12.4		> STOP-RUSH-1/2-D16xd2-M+316	1
13		HYDRAULIC HELIX V 615 1.4307	1
14	4177854	SHAFT D.16 X780 1.4301 VP.	1
15	4174081	PUMP HOUSING HELIX DN32 PN25 1.4301 KIT	1
7.3	4176513	> O-RING FOR PUMP JACKET VP.	1

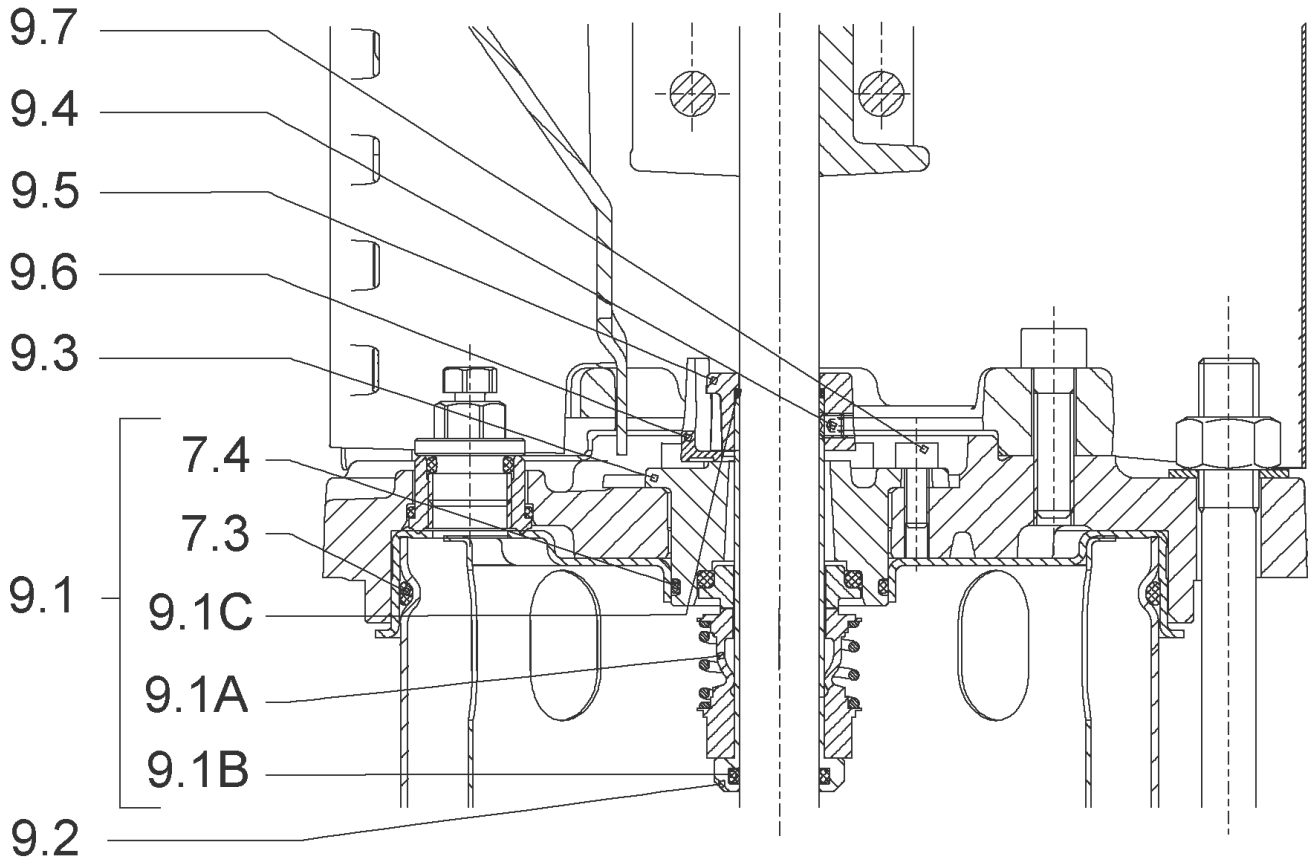
HELIX V615-1/25/E/KS/400-50 (4156053)

Item	Article no.	Description	Quantity
15.1		> BLASTING PPE HOUSING V-PN25-DN32-5"-304	1
15.3	4171321	> PRIMING/DRAIN PLUG EPDM HELIX KIT	1
16	4177970	BASEPLATE HELIX V2/4/6 PN25 VP.	1



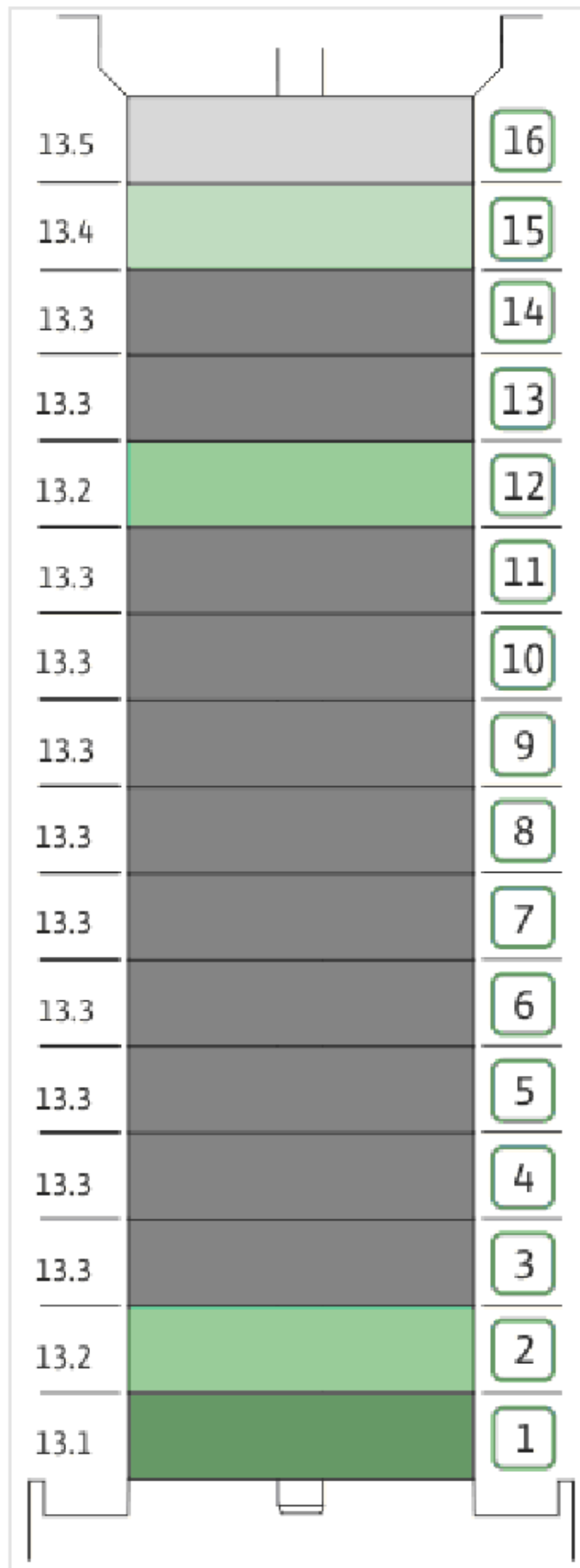
COUPLING D.16XD.28 FT130 HELIX KIT (4159710)

Item	Article no.	Description	Quantity
4.1		COUPLING M+ Ø16XØ28 FT130 MACHINED	1
4.2	2131022	BALL BEARING 6209/ZZ-C3(HT)VP.	1
4.3	4233930	CIRCLIP-FOR-BORES-D45x1,75 VP.	1
4.4	4157726	SCREW KIT M8X30 (4 PIECES)	1
4.5	4234252	CIRCLIPS 85X3 VP.	1
4.6	4234243	O-RING 85X3 VP.	1
		NOMEL CONTACT WASHER 8x16x1,4 STEEL ZC	1



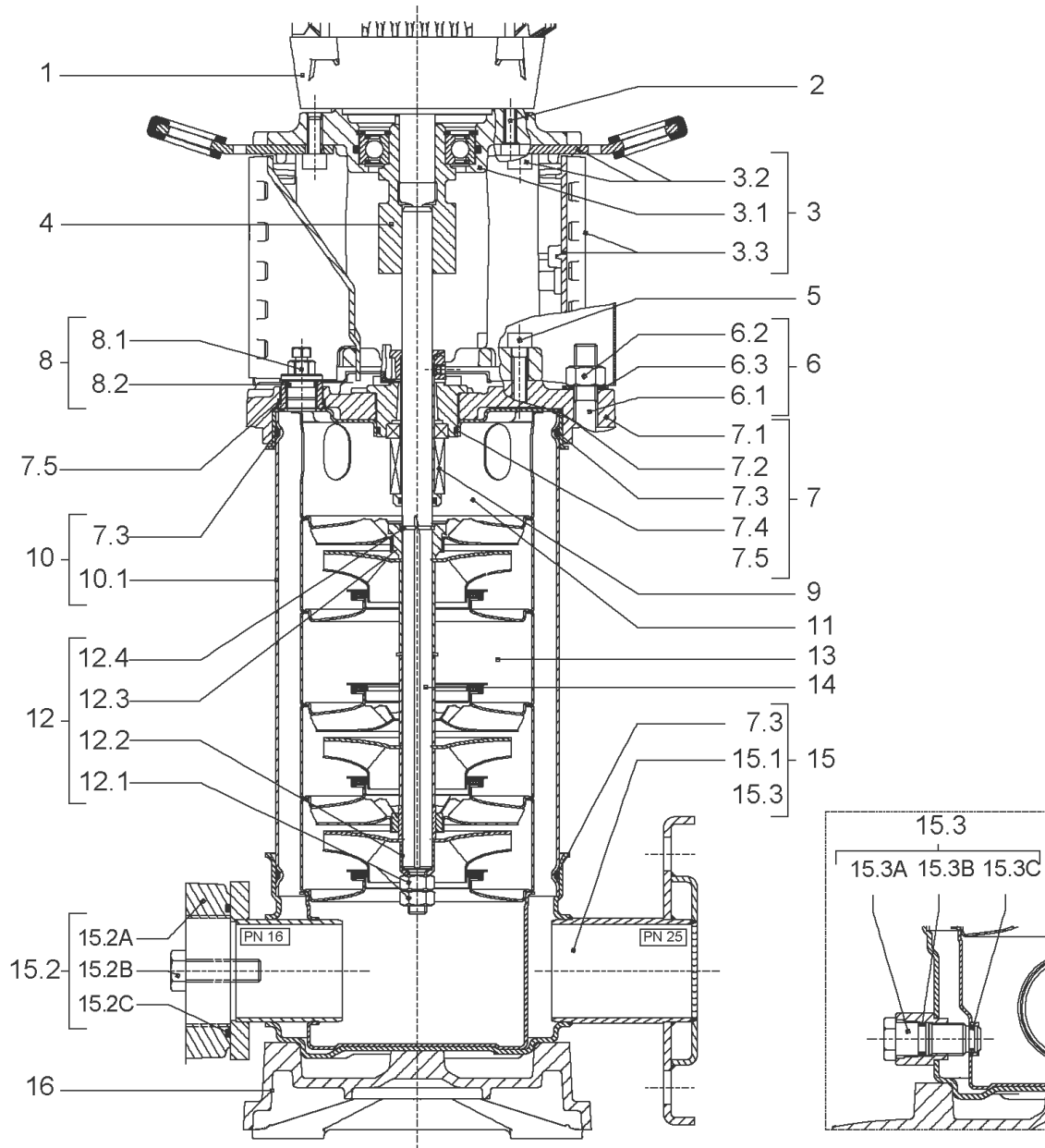
CARTRIDGE HELIX6-10-16 F/E KIT (4159698)

Item	Article no.	Description	Quantity
9.1	4159699	SEAL-KIT-HELIX6-10-16 F/E	1
7.3	4176513	> O-RING FOR PUMP JACKET VP.	1
7.4	2127603	> O-RING ID.37,6x2,4 EPDM VP.	1
9.1A	4176521	> MECH.SEAL HELIX2-4-6-10-16 F/E VP.	1
9.1B	2130967	> O-RING D.16X2,5 EPDM VP.	1
9.1C	4176519	> O-RING Ø16xØ1.25 VP.	1
9.2	2130961	SHAFT SLEEVE D.18/16X72,2 1.4404 VP.	1
9.3	2130962	RING HOLDER D.18 G606/G6 1.4301 VP.	1
9.4	4176520	SCREW CH M5x5 A4-70 (3PIECES)	1
9.5	2130963	DRIVE RING D.29/18x12,4 MACH.VP.	1
9.6	2130964	TOOL M.S.CART.HELIX VP.	1
9.7	2130965	SCREW CHC M5X12 ISO4762 A2.70(4 PIECES)	1



HYDRAULIC HELIX V 615 1.4307

Item	Article no.	Description	Quantity
13.1	4174084	STAGE HELIX 6 1.4301 KIT	1
		> MACH.STG-CASING-WOGV-WNR-M+6-304	1
		> IMPELLER-M+6-304	1
13.2	4174089	INTERMEDIATE STAGE HELIX 6 1.4301 KIT	1
		> MACH.BEARING-STG-CASING-WNR-M+6-304	1
		> IMPELLER-M+6-304	1
		> SHAFT SLEEVE-SPACER-Ø19,35x18,465-304	1
		> SHAFT-SLEEVE-D16xD20x18-CW	1
13.3	4174090	INTERMEDIATE STAGE HELIX 6 1.4301 KIT	1
		> MACH.STD-STG-CASING-WGV+NR-M+6-304	1
		> IMPELLER-M+6-304	1
		> IMPELLER SPACER Ø16,05X19,45-L36,465-304	1
13.4	4174092	EMPTY STAGE HELIX6 1.4301KIT	1
		> MACH.STD-STG-CASING-WGV+NR-M+6-304	1
		> FLAT WASHER-D16.1XD22X1.2-316L	1
		> IMPELLER SPACER Ø16,05X19,45-L36,465-304	1
13.5	4174091	STAGE HELIX 6 1.4301 KIT	1
		> MACH.STG-CASING-WOGV-WNR-M+6-304	1
		> IMPELLER-M+6-304	1
		> IMPELLER SPACER Ø16,05X19,45-L36,465-304	1



HELIX V616-1/16/E/KS/400-50 (4156054)

Item	Article no.	Description	Quantity
1	4169945	MO.4/2 3~230/400(460)V 50(60)HZ IE3 VP.	1
		SPARE PARTS MOTOR:ON REQUEST	1
2	4206025	SCREW M8X45 (4 PIECES)	1
3	4171326	LANTERN FT130 HELIX KIT	1
3.1		> LANTERN FT130 M+6" GJL MACHINING+CATA	1
3.2	2127604	> EYELET CPL.FT HELIX(2 PIECES)	1
3.3	4159692	> COUPLING PROTECTOR FT HELIX KIT	1
4	4159710	COUPLING D.16XD.28 FT130 HELIX KIT	1
5	4159707	SCREW M8X30 (4 PIECES)	1
6	4177852	STUD BOLT M12X788KIT	1
6.1		> TIE BOLT M12-788x18x30-1.4057	1
6.2	2094647	> NUT M12 M12 ISO4032 VP.	1
6.3	2123557	> WASHER CS-12.4-24-1.6-NFE25 (4 PIECES)	1
7	4159685	END SHIELD HELIX EPDM KIT	1
7.1		> END SHIELD M+6" GJL250 MACHINING+CATA	1
7.2	2127607	> STATIONARY RING HOLDER 6" HELIX 1.4301 V	1
7.3	4176513	> O-RING FOR PUMP JACKET VP.	1
7.4	2127603	> O-RING ID.37,6x2,4 EPDM VP.	1
7.5	2127602	> O-RING ID.21,35x2 EPDM VP.	1
8	4159686	FILING/PURGING PLUG HELIX EPDM KIT	1
9	4159696	CARTRIDGE HELIX6-10-16 O/E KIT	1
10	4177853	HOUSING PIPES D.152X660 1.4307 KIT	1
7.3	4176513	> O-RING FOR PUMP JACKET VP.	1
10.1		> HOUSING-PIPE Ø152-M+1016/1610-304	1
11	4174087	CENTERING STAGE-RETURN HELIX6 1.4301VP.	1
12	4174085	SHAFTS EQUIPMENT HELIX V6 BI BLOC KIT	1
12.1		> NUT-H-M10-A4.70	1
12.2		> SERRATED LOCK WASHER M+6M3-316L	1
12.3		> STOP COLLAR OF IMPELLER L17,9-Ø16-316L	1
12.4		> STOP-RUSH-1/2-D16xd2-M+316	1
13		HYDRAULIC HELIX V 616 1.4307	1
14	4177854	SHAFT D.16 X780 1.4301 VP.	1
15	4217897	PUMP HOUSING HELIX DN32 PN16 1.4301 KIT	1
7.3	4176513	> O-RING FOR PUMP JACKET VP.	1

HELIX V616-1/16/E/KS/400-50 (4156054)

Item	Article no.	Description	Quantity
15.1		> BLASTING PPE HOUSING V-PN16-DN32-5"-304	1
15.2	4217891	> COUNTER FLANGE-G1"1/4-PN16-GJL KIT	1
15.3	4171321	> PRIMING/DRAIN PLUG EPDM HELIX KIT	1
16	4177964	BASEPLATE HELIX V2/4/6 PN16 VP.	1



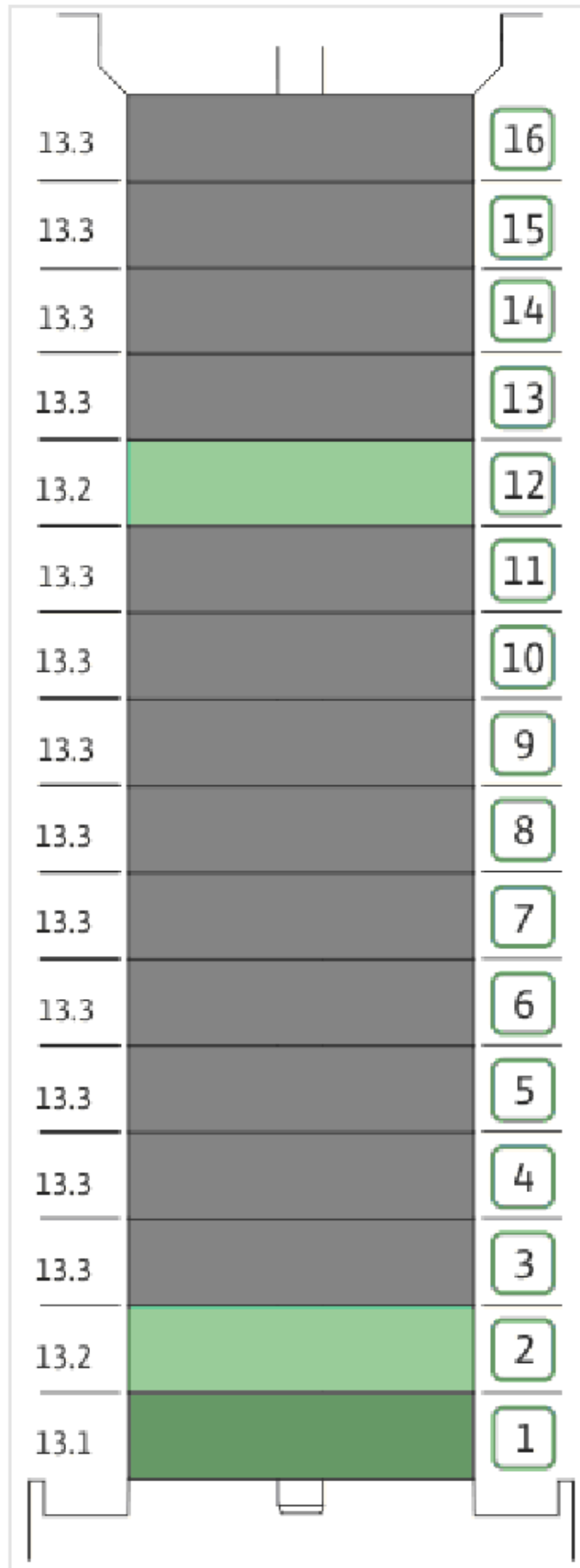
COUPLING D.16XD.28 FT130 HELIX KIT (4159710)

Item	Article no.	Description	Quantity
4.1		COUPLING M+ Ø16XØ28 FT130 MACHINED	1
4.2	2131022	BALL BEARING 6209/ZZ-C3(HT)VP.	1
4.3	4233930	CIRCLIP-FOR-BORES-D45x1,75 VP.	1
4.4	4157726	SCREW KIT M8X30 (4 PIECES)	1
4.5	4234252	CIRCLIPS 85X3 VP.	1
4.6	4234243	O-RING 85X3 VP.	1
		NOMEL CONTACT WASHER 8x16x1,4 STEEL ZC	1



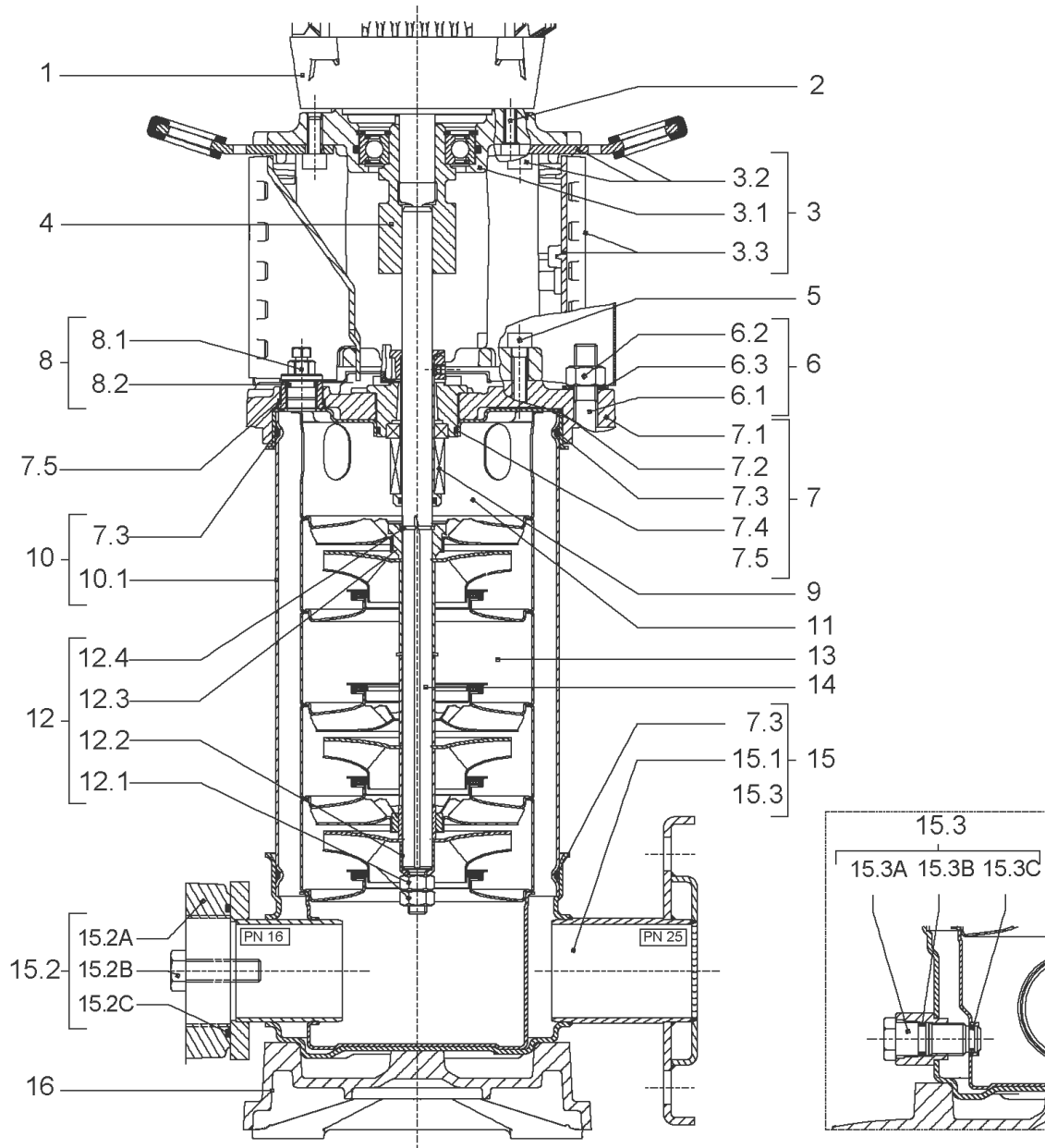
CARTRIDGE HELIX6-10-16 O/E KIT (4159696)

Item	Article no.	Description	Quantity
9.1	4159697	SEAL-KIT-HELIX6-10-16 O/E	1
7.3	4176513	> O-RING FOR PUMP JACKET VP.	1
7.4	2127603	> O-RING ID.37,6x2,4 EPDM VP.	1
9.1A	2130966	> MECH.SEAL HELIX2-4-6-10-16 O/E VP.	1
9.1B	2130967	> O-RING D.16X2,5 EPDM VP.	1
9.1C	4176519	> O-RING Ø16xØ1.25 VP.	1
9.2	2130961	SHAFT SLEEVE D.18/16X72,2 1.4404 VP.	1
9.3	2130962	RING HOLDER D.18 G606/G6 1.4301 VP.	1
9.4	4176520	SCREW CH M5x5 A4-70 (3PIECES)	1
9.5	2130963	DRIVE RING D.29/18x12,4 MACH.VP.	1
9.6	2130964	TOOL M.S.CART.HELIX VP.	1
9.7	2130965	SCREW CHC M5X12 ISO4762 A2.70(4 PIECES)	1



HYDRAULIC HELIX V 616 1.4307

Item	Article no.	Description	Quantity
13.1	4174084	STAGE HELIX 6 1.4301 KIT	1
		> MACH.STG-CASING-WOGV-WNR-M+6-304	1
		> IMPELLER-M+6-304	1
13.2	4174089	INTERMEDIATE STAGE HELIX 6 1.4301 KIT	1
		> MACH.BEARING-STG-CASING-WNR-M+6-304	1
		> IMPELLER-M+6-304	1
		> SHAFT SLEEVE-SPACER-Ø19,35x18,465-304	1
		> SHAFT-SLEEVE-D16xD20x18-CW	1
13.3	4174090	INTERMEDIATE STAGE HELIX 6 1.4301 KIT	1
		> MACH.STD-STG-CASING-WGV+NR-M+6-304	1
		> IMPELLER-M+6-304	1
		> IMPELLER SPACER Ø16,05X19,45-L36,465-304	1



HELIX V616-1/25/E/KS/400-50 (4156055)

Item	Article no.	Description	Quantity
1	4169945	MO.4/2 3~230/400(460)V 50(60)HZ IE3 VP.	1
		SPARE PARTS MOTOR:ON REQUEST	1
2	4206025	SCREW M8X45 (4 PIECES)	1
3	4171326	LANTERN FT130 HELIX KIT	1
3.1		> LANTERN FT130 M+6" GJL MACHINING+CATA	1
3.2	2127604	> EYELET CPL.FT HELIX(2 PIECES)	1
3.3	4159692	> COUPLING PROTECTOR FT HELIX KIT	1
4	4159710	COUPLING D.16XD.28 FT130 HELIX KIT	1
5	4159707	SCREW M8X30 (4 PIECES)	1
6	4177852	STUD BOLT M12X788KIT	1
6.1		> TIE BOLT M12-788x18x30-1.4057	1
6.2	2094647	> NUT M12 M12 ISO4032 VP.	1
6.3	2123557	> WASHER CS-12.4-24-1.6-NFE25 (4 PIECES)	1
7	4159685	END SHIELD HELIX EPDM KIT	1
7.1		> END SHIELD M+6" GJL250 MACHINING+CATA	1
7.2	2127607	> STATIONARY RING HOLDER 6" HELIX 1.4301 V	1
7.3	4176513	> O-RING FOR PUMP JACKET VP.	1
7.4	2127603	> O-RING ID.37,6x2,4 EPDM VP.	1
7.5	2127602	> O-RING ID.21,35x2 EPDM VP.	1
8	4159686	FILING/PURGING PLUG HELIX EPDM KIT	1
9	4159698	CARTRIDGE HELIX6-10-16 F/E KIT	1
10	4177853	HOUSING PIPES D.152X660 1.4307 KIT	1
7.3	4176513	> O-RING FOR PUMP JACKET VP.	1
10.1		> HOUSING-PIPE Ø152-M+1016/1610-304	1
11	4174087	CENTERING STAGE-RETURN HELIX6 1.4301VP.	1
12	4174085	SHAFTS EQUIPMENT HELIX V6 BI BLOC KIT	1
12.1		> NUT-H-M10-A4.70	1
12.2		> SERRATED LOCK WASHER M+6M3-316L	1
12.3		> STOP COLLAR OF IMPELLER L17,9-Ø16-316L	1
12.4		> STOP-RUSH-1/2-D16xd2-M+316	1
13		HYDRAULIC HELIX V 616 1.4307	1
14	4177854	SHAFT D.16 X780 1.4301 VP.	1
15	4174081	PUMP HOUSING HELIX DN32 PN25 1.4301 KIT	1
7.3	4176513	> O-RING FOR PUMP JACKET VP.	1

HELIX V616-1/25/E/KS/400-50 (4156055)

Item	Article no.	Description	Quantity
15.1		> BLASTING PPE HOUSING V-PN25-DN32-5"-304	1
15.3	4171321	> PRIMING/DRAIN PLUG EPDM HELIX KIT	1
16	4177970	BASEPLATE HELIX V2/4/6 PN25 VP.	1



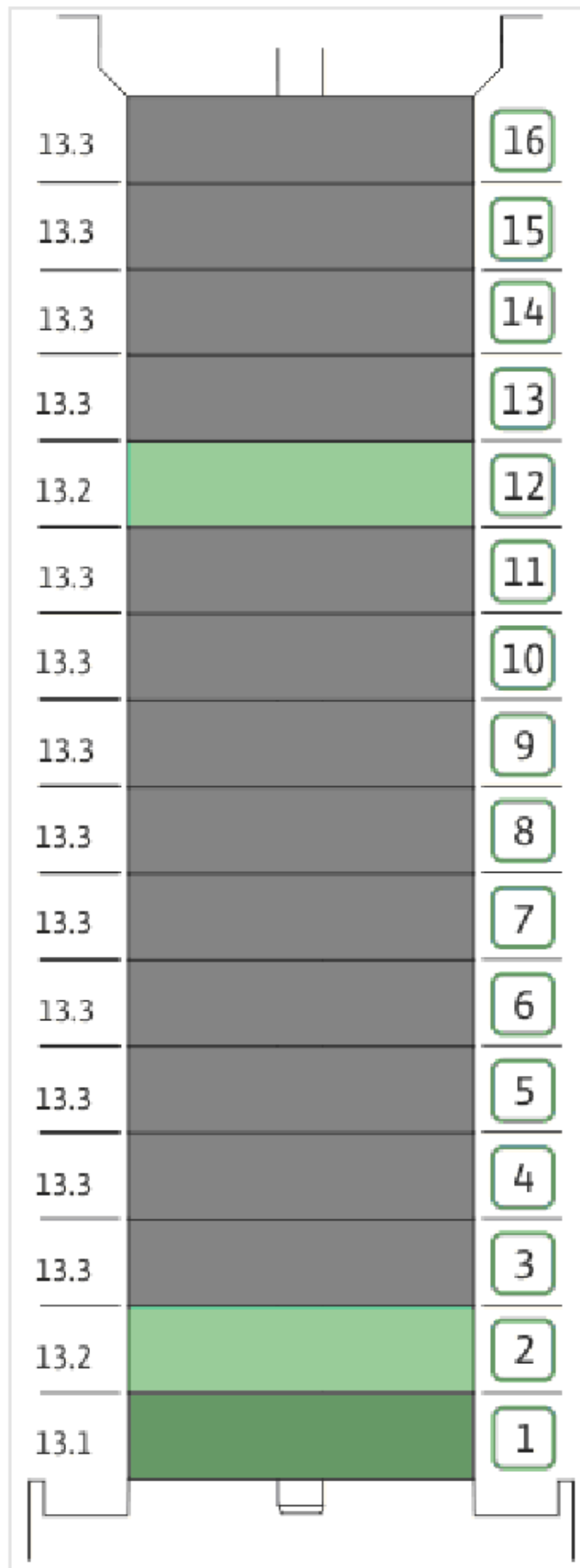
COUPLING D.16XD.28 FT130 HELIX KIT (4159710)

Item	Article no.	Description	Quantity
4.1		COUPLING M+ Ø16XØ28 FT130 MACHINED	1
4.2	2131022	BALL BEARING 6209/ZZ-C3(HT)VP.	1
4.3	4233930	CIRCLIP-FOR-BORES-D45x1,75 VP.	1
4.4	4157726	SCREW KIT M8X30 (4 PIECES)	1
4.5	4234252	CIRCLIPS 85X3 VP.	1
4.6	4234243	O-RING 85X3 VP.	1
		NOMEL CONTACT WASHER 8x16x1,4 STEEL ZC	1



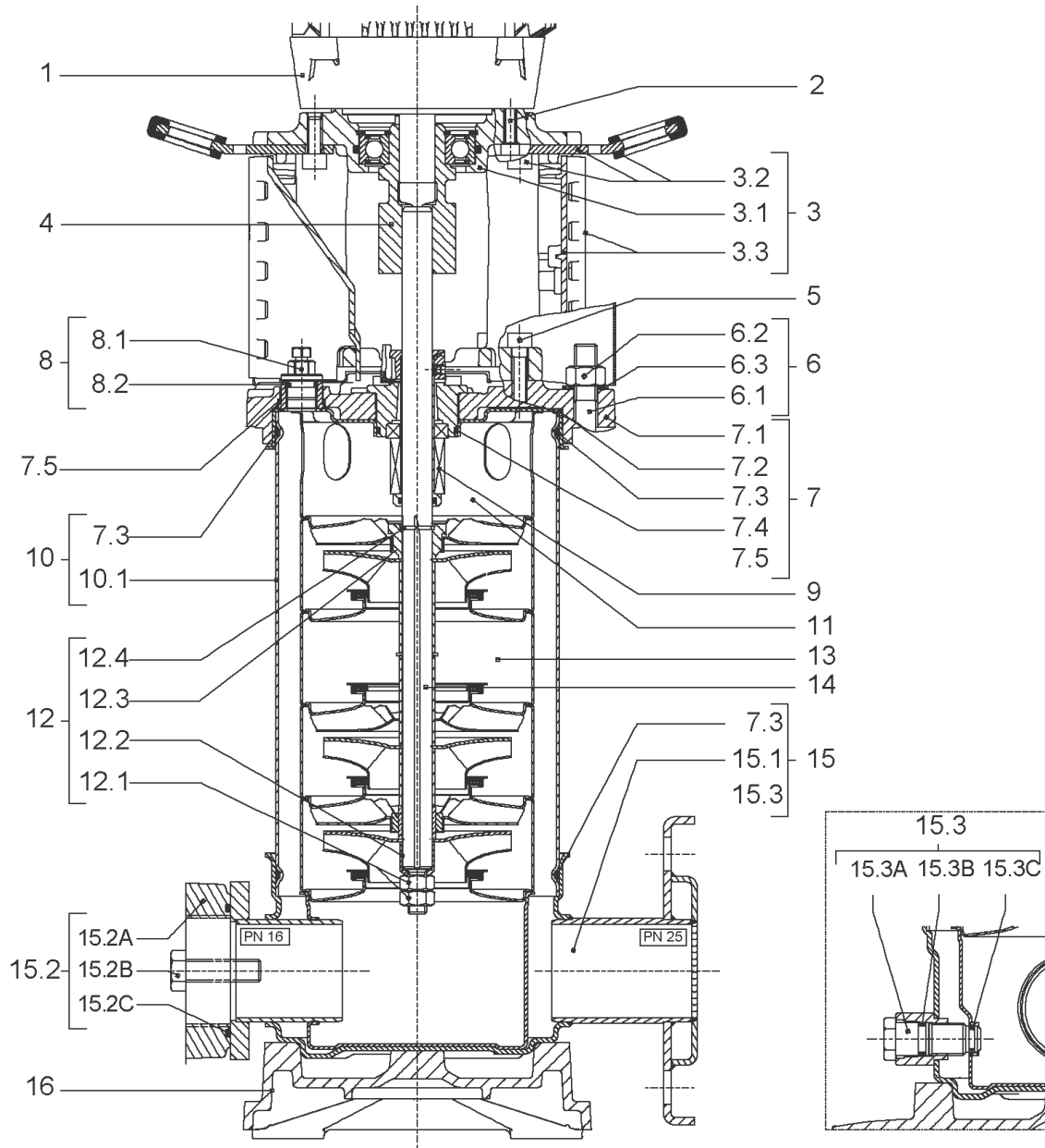
CARTRIDGE HELIX6-10-16 F/E KIT (4159698)

Item	Article no.	Description	Quantity
9.1	4159699	SEAL-KIT-HELIX6-10-16 F/E	1
7.3	4176513	> O-RING FOR PUMP JACKET VP.	1
7.4	2127603	> O-RING ID.37,6x2,4 EPDM VP.	1
9.1A	4176521	> MECH.SEAL HELIX2-4-6-10-16 F/E VP.	1
9.1B	2130967	> O-RING D.16X2,5 EPDM VP.	1
9.1C	4176519	> O-RING Ø16xØ1.25 VP.	1
9.2	2130961	SHAFT SLEEVE D.18/16X72,2 1.4404 VP.	1
9.3	2130962	RING HOLDER D.18 G606/G6 1.4301 VP.	1
9.4	4176520	SCREW CH M5x5 A4-70 (3PIECES)	1
9.5	2130963	DRIVE RING D.29/18x12,4 MACH.VP.	1
9.6	2130964	TOOL M.S.CART.HELIX VP.	1
9.7	2130965	SCREW CHC M5X12 ISO4762 A2.70(4 PIECES)	1



HYDRAULIC HELIX V 616 1.4307

Item	Article no.	Description	Quantity
13.1	4174084	STAGE HELIX 6 1.4301 KIT	1
		> MACH.STG-CASING-WOGV-WNR-M+6-304	1
		> IMPELLER-M+6-304	1
13.2	4174089	INTERMEDIATE STAGE HELIX 6 1.4301 KIT	1
		> MACH.BEARING-STG-CASING-WNR-M+6-304	1
		> IMPELLER-M+6-304	1
		> SHAFT SLEEVE-SPACER-Ø19,35x18,465-304	1
		> SHAFT-SLEEVE-D16xD20x18-CW	1
13.3	4174090	INTERMEDIATE STAGE HELIX 6 1.4301 KIT	1
		> MACH.STD-STG-CASING-WGV+NR-M+6-304	1
		> IMPELLER-M+6-304	1
		> IMPELLER SPACER Ø16,05X19,45-L36,465-304	1



HELIX V618-1/25/E/KS/400-50 (4156056)

Item	Article no.	Description	Quantity
1	4169945	MO.4/2 3~230/400(460)V 50(60)HZ IE3 VP.	1
		SPARE PARTS MOTOR:ON REQUEST	1
2	4206025	SCREW M8X45 (4 PIECES)	1
3	4171326	LANTERN FT130 HELIX KIT	1
3.1		> LANTERN FT130 M+6" GJL MACHINING+CATA	1
3.2	2127604	> EYELET CPL.FT HELIX(2 PIECES)	1
3.3	4159692	> COUPLING PROTECTOR FT HELIX KIT	1
4	4159710	COUPLING D.16XD.28 FT130 HELIX KIT	1
5	4159707	SCREW M8X30 (4 PIECES)	1
6	4177859	STUD BOLT M12X863KIT	1
6.1		> TIE BOLT M12-863x18x30-1.4057	1
6.2	2094647	> NUT M12 M12 ISO4032 VP.	1
6.3	2123557	> WASHER CS-12.4-24-1.6-NFE25 (4 PIECES)	1
7	4159685	END SHIELD HELIX EPDM KIT	1
7.1		> END SHIELD M+6" GJL250 MACHINING+CATA	1
7.2	2127607	> STATIONARY RING HOLDER 6" HELIX 1.4301 V	1
7.3	4176513	> O-RING FOR PUMP JACKET VP.	1
7.4	2127603	> O-RING ID.37,6x2,4 EPDM VP.	1
7.5	2127602	> O-RING ID.21,35x2 EPDM VP.	1
8	4159686	FILING/PURGING PLUG HELIX EPDM KIT	1
9	4159698	CARTRIDGE HELIX6-10-16 F/E KIT	1
10	4177860	HOUSING PIPES D.152X735 1.4301 KIT	1
7.3	4176513	> O-RING FOR PUMP JACKET VP.	1
10.1		> HOUSING-PIPE Ø152-M+1017/18-304	1
11	4174087	CENTERING STAGE-RETURN HELIX6 1.4301VP.	1
12	4174085	SHAFTS EQUIPMENT HELIX V6 BI BLOC KIT	1
12.1		> NUT-H-M10-A4.70	1
12.2		> SERRATED LOCK WASHER M+6M3-316L	1
12.3		> STOP COLLAR OF IMPELLER L17,9-Ø16-316L	1
12.4		> STOP-RUSH-1/2-D16xd2-M+316	1
13		HYDRAULIC HELIX V 618 1.4307	1
14	4177862	SHAFT D.16X855 1.4301 VP.	1
15	4174081	PUMP HOUSING HELIX DN32 PN25 1.4301 KIT	1
7.3	4176513	> O-RING FOR PUMP JACKET VP.	1

HELIX V618-1/25/E/KS/400-50 (4156056)

Item	Article no.	Description	Quantity
15.1		> BLASTING PPE HOUSING V-PN25-DN32-5"-304	1
15.3	4171321	> PRIMING/DRAIN PLUG EPDM HELIX KIT	1
16	4177970	BASEPLATE HELIX V2/4/6 PN25 VP.	1



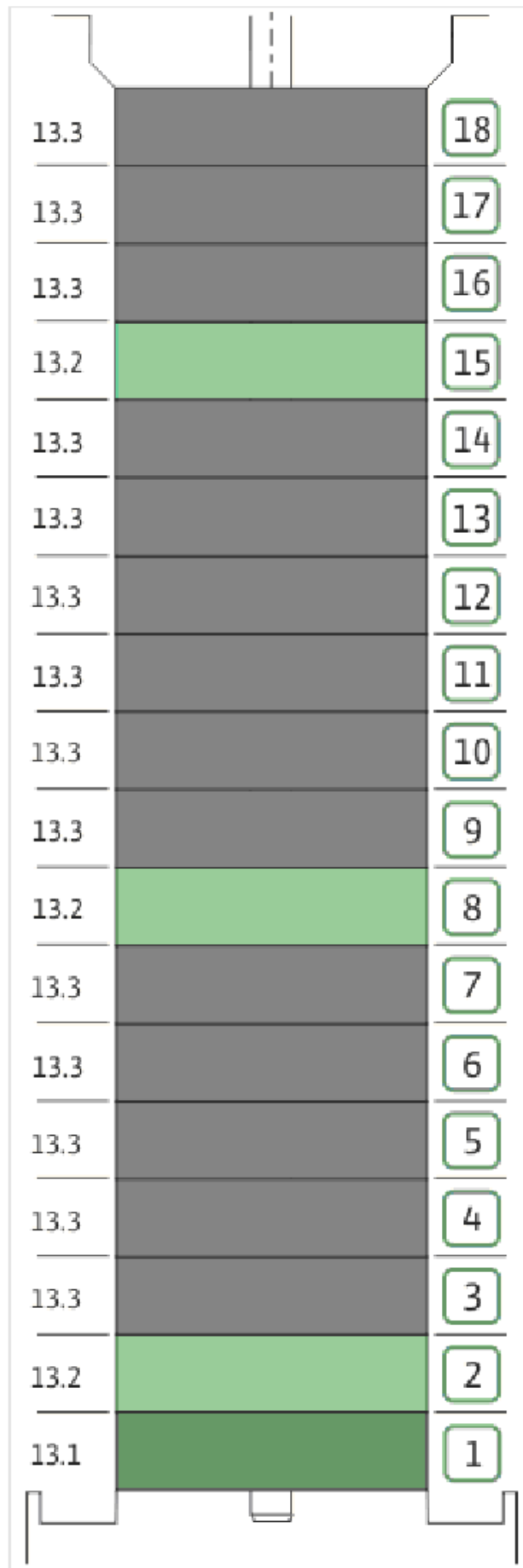
COUPLING D.16XD.28 FT130 HELIX KIT (4159710)

Item	Article no.	Description	Quantity
4.1		COUPLING M+ Ø16XØ28 FT130 MACHINED	1
4.2	2131022	BALL BEARING 6209/ZZ-C3(HT)VP.	1
4.3	4233930	CIRCLIP-FOR-BORES-D45x1,75 VP.	1
4.4	4157726	SCREW KIT M8X30 (4 PIECES)	1
4.5	4234252	CIRCLIPS 85X3 VP.	1
4.6	4234243	O-RING 85X3 VP.	1
		NOMEL CONTACT WASHER 8x16x1,4 STEEL ZC	1



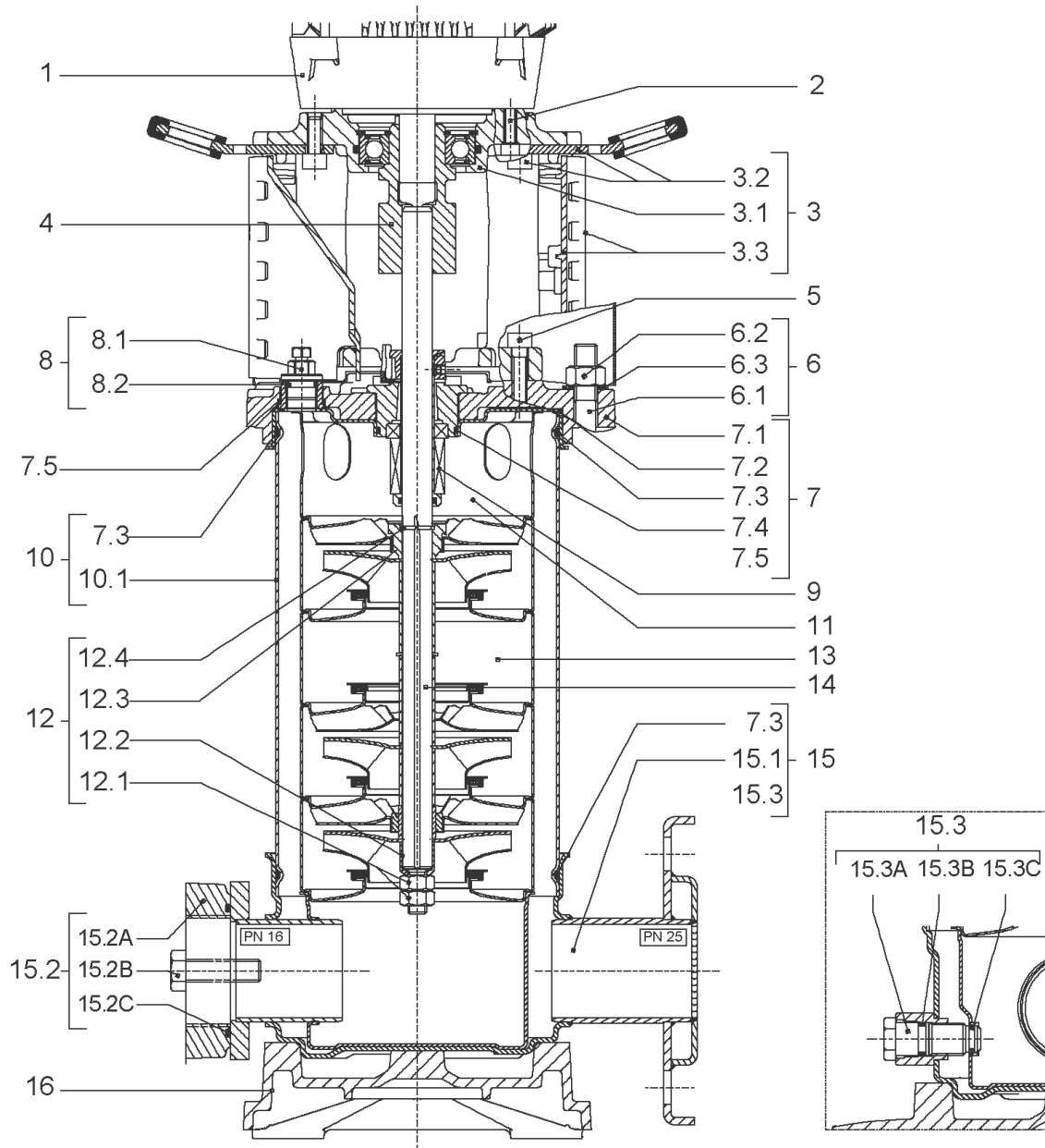
CARTRIDGE HELIX6-10-16 F/E KIT (4159698)

Item	Article no.	Description	Quantity
9.1	4159699	SEAL-KIT-HELIX6-10-16 F/E	1
7.3	4176513	> O-RING FOR PUMP JACKET VP.	1
7.4	2127603	> O-RING ID.37,6x2,4 EPDM VP.	1
9.1A	4176521	> MECH.SEAL HELIX2-4-6-10-16 F/E VP.	1
9.1B	2130967	> O-RING D.16X2,5 EPDM VP.	1
9.1C	4176519	> O-RING Ø16xØ1.25 VP.	1
9.2	2130961	SHAFT SLEEVE D.18/16X72,2 1.4404 VP.	1
9.3	2130962	RING HOLDER D.18 G606/G6 1.4301 VP.	1
9.4	4176520	SCREW CH M5x5 A4-70 (3PIECES)	1
9.5	2130963	DRIVE RING D.29/18x12,4 MACH.VP.	1
9.6	2130964	TOOL M.S.CART.HELIX VP.	1
9.7	2130965	SCREW CHC M5X12 ISO4762 A2.70(4 PIECES)	1



HYDRAULIC HELIX V 618 1.4307

Item	Article no.	Description	Quantity
13.1	4174084	STAGE HELIX 6 1.4301 KIT	1
		> MACH.STG-CASING-WOGV-WNR-M+6-304	1
		> IMPELLER-M+6-304	1
13.2	4174089	INTERMEDIATE STAGE HELIX 6 1.4301 KIT	1
		> MACH.BEARING-STG-CASING-WNR-M+6-304	1
		> IMPELLER-M+6-304	1
		> SHAFT SLEEVE-SPACER-Ø19,35x18,465-304	1
		> SHAFT-SLEEVE-D16xD20x18-CW	1
13.3	4174090	INTERMEDIATE STAGE HELIX 6 1.4301 KIT	1
		> MACH.STD-STG-CASING-WGV+NR-M+6-304	1
		> IMPELLER-M+6-304	1
		> IMPELLER SPACER Ø16,05X19,45-L36,465-304	1



HELIX V620-1/25/E/KS/400-50 (4156057)

Item	Article no.	Description	Quantity
1	4169945	MO.4/2 3~230/400(460)V 50(60)HZ IE3 VP.	1
		SPARE PARTS MOTOR:ON REQUEST	1
2	4206025	SCREW M8X45 (4 PIECES)	1
3	4171326	LANTERN FT130 HELIX KIT	1
3.1		> LANTERN FT130 M+6" GJL MACHINING+CATA	1
3.2	2127604	> EYELET CPL.FT HELIX(2 PIECES)	1
3.3	4159692	> COUPLING PROTECTOR FT HELIX KIT	1
4	4159710	COUPLING D.16XD.28 FT130 HELIX KIT	1
5	4159707	SCREW M8X30 (4 PIECES)	1
6	4177863	STUD BOLT M12X938 KIT	1
6.1		> TIE BOLT M12-938x18x30-1.4057	1
6.2	2094647	> NUT M12 M12 ISO4032 VP.	1
6.3	2123557	> WASHER CS-12.4-24-1.6-NFE25 (4 PIECES)	1
7	4159685	END SHIELD HELIX EPDM KIT	1
7.1		> END SHIELD M+6" GJL250 MACHINING+CATA	1
7.2	2127607	> STATIONARY RING HOLDER 6" HELIX 1.4301 V	1
7.3	4176513	> O-RING FOR PUMP JACKET VP.	1
7.4	2127603	> O-RING ID.37,6x2,4 EPDM VP.	1
7.5	2127602	> O-RING ID.21,35x2 EPDM VP.	1
8	4159686	FILING/PURGING PLUG HELIX EPDM KIT	1
9	4159698	CARTRIDGE HELIX6-10-16 F/E KIT	1
10	2127583	HOUSING PIPE D.152x810 1.4301 KIT	1
7.3	4176513	> O-RING FOR PUMP JACKET VP.	1
10.1		> HOUSING-PIPE Ø152-M+1020/1613-304	1
11	4174087	CENTERING STAGE-RETURN HELIX6 1.4301VP.	1
12	4174085	SHAFTS EQUIPMENT HELIX V6 BI BLOC KIT	1
12.1		> NUT-H-M10-A4.70	1
12.2		> SERRATED LOCK WASHER M+6M3-316L	1
12.3		> STOP COLLAR OF IMPELLER L17,9-Ø16-316L	1
12.4		> STOP-RUSH-1/2-D16xd2-M+316	1
13		HYDRAULIC HELIX V 620 1.4307	1
14	2127571	SHAFT D.16X930 1.4301 VP.	1
15	4174081	PUMP HOUSING HELIX DN32 PN25 1.4301 KIT	1
7.3	4176513	> O-RING FOR PUMP JACKET VP.	1

HELIX V620-1/25/E/KS/400-50 (4156057)

Item	Article no.	Description	Quantity
15.1		> BLASTING PPE HOUSING V-PN25-DN32-5"-304	1
15.3	4171321	> PRIMING/DRAIN PLUG EPDM HELIX KIT	1
16	4177970	BASEPLATE HELIX V2/4/6 PN25 VP.	1



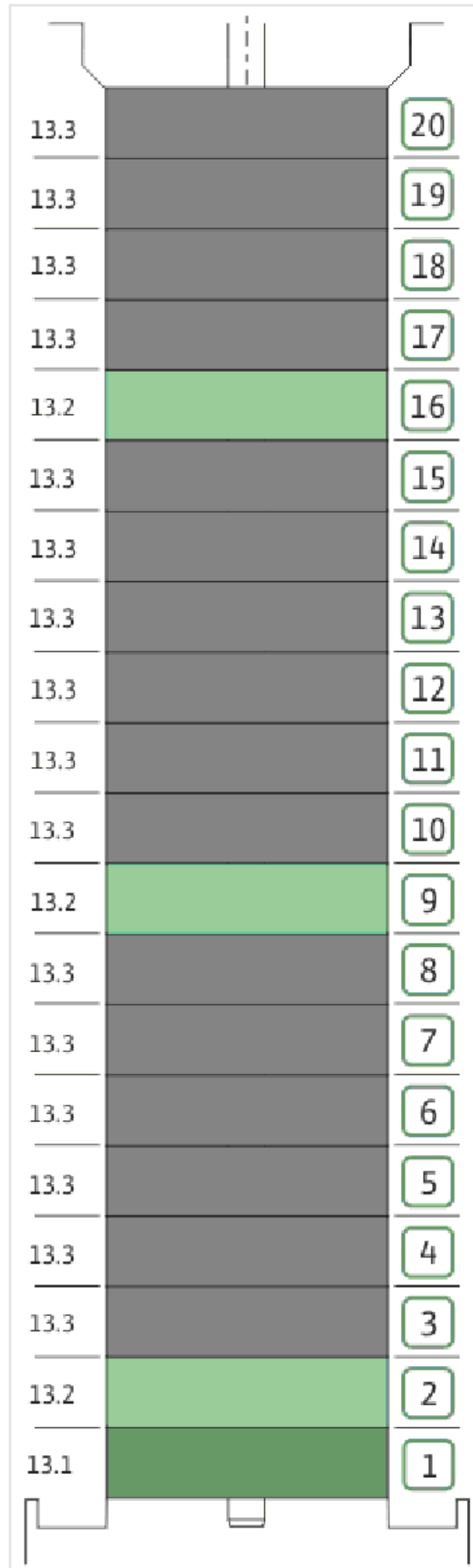
COUPLING D.16XD.28 FT130 HELIX KIT (4159710)

Item	Article no.	Description	Quantity
4.1		COUPLING M+ Ø16XØ28 FT130 MACHINED	1
4.2	2131022	BALL BEARING 6209/ZZ-C3(HT)VP.	1
4.3	4233930	CIRCLIP-FOR-BORES-D45x1,75 VP.	1
4.4	4157726	SCREW KIT M8X30 (4 PIECES)	1
4.5	4234252	CIRCLIPS 85X3 VP.	1
4.6	4234243	O-RING 85X3 VP.	1
		NOMEL CONTACT WASHER 8x16x1,4 STEEL ZC	1



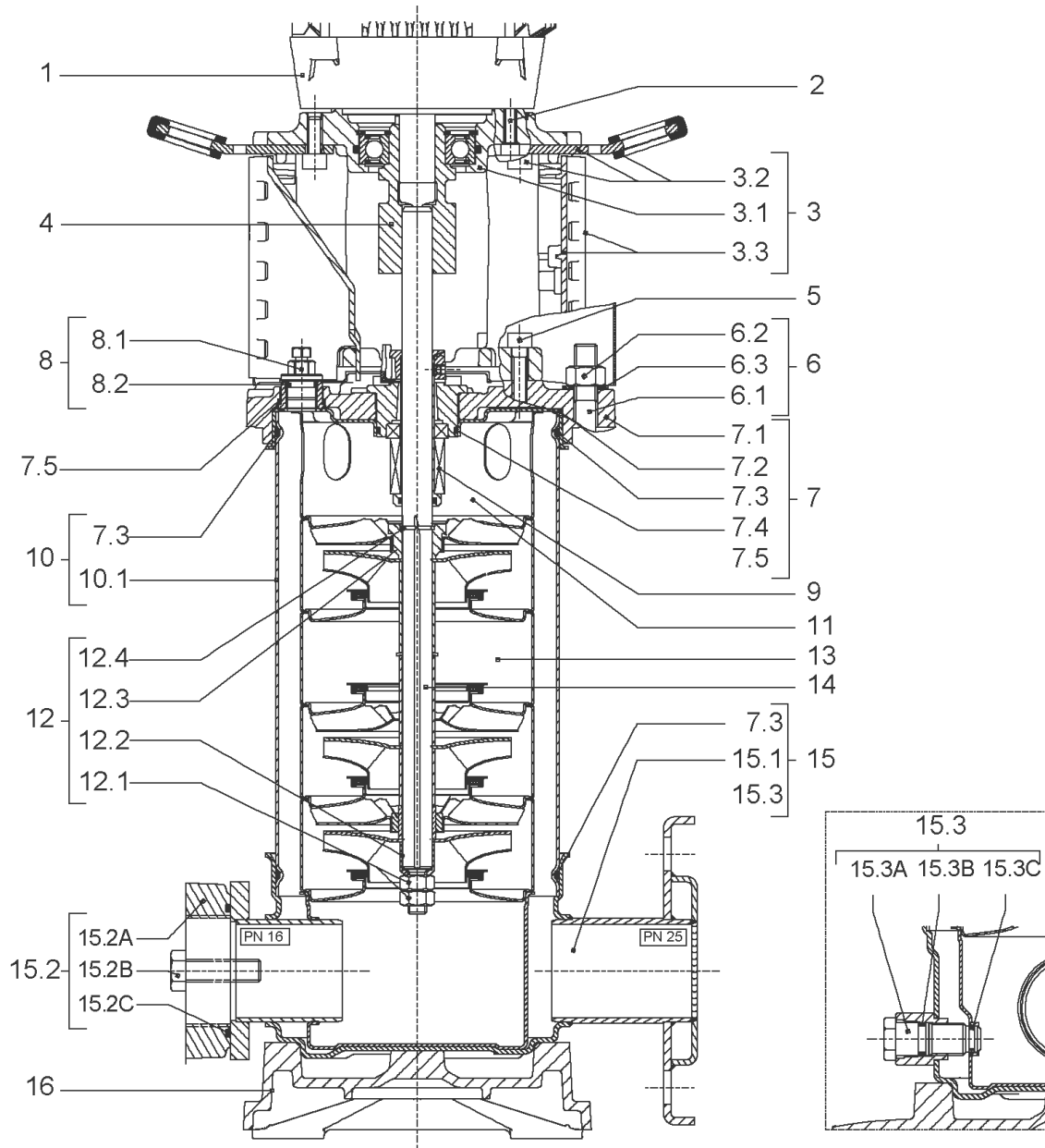
CARTRIDGE HELIX6-10-16 F/E KIT (4159698)

Item	Article no.	Description	Quantity
9.1	4159699	SEAL-KIT-HELIX6-10-16 F/E	1
7.3	4176513	> O-RING FOR PUMP JACKET VP.	1
7.4	2127603	> O-RING ID.37,6x2,4 EPDM VP.	1
9.1A	4176521	> MECH.SEAL HELIX2-4-6-10-16 F/E VP.	1
9.1B	2130967	> O-RING D.16X2,5 EPDM VP.	1
9.1C	4176519	> O-RING Ø16xØ1.25 VP.	1
9.2	2130961	SHAFT SLEEVE D.18/16X72,2 1.4404 VP.	1
9.3	2130962	RING HOLDER D.18 G606/G6 1.4301 VP.	1
9.4	4176520	SCREW CH M5x5 A4-70 (3PIECES)	1
9.5	2130963	DRIVE RING D.29/18x12,4 MACH.VP.	1
9.6	2130964	TOOL M.S.CART.HELIX VP.	1
9.7	2130965	SCREW CHC M5X12 ISO4762 A2.70(4 PIECES)	1



HYDRAULIC HELIX V 620 1.4307

Item	Article no.	Description	Quantity
13.1	4174084	STAGE HELIX 6 1.4301 KIT	1
		> MACH.STG-CASING-WOGV-WNR-M+6-304	1
		> IMPELLER-M+6-304	1
13.2	4174089	INTERMEDIATE STAGE HELIX 6 1.4301 KIT	1
		> MACH.BEARING-STG-CASING-WNR-M+6-304	1
		> IMPELLER-M+6-304	1
		> SHAFT SLEEVE-SPACER-Ø19,35x18,465-304	1
		> SHAFT-SLEEVE-D16xD20x18-CW	1
13.3	4174090	INTERMEDIATE STAGE HELIX 6 1.4301 KIT	1
		> MACH.STD-STG-CASING-WGV+NR-M+6-304	1
		> IMPELLER-M+6-304	1
		> IMPELLER SPACER Ø16,05X19,45-L36,465-304	1

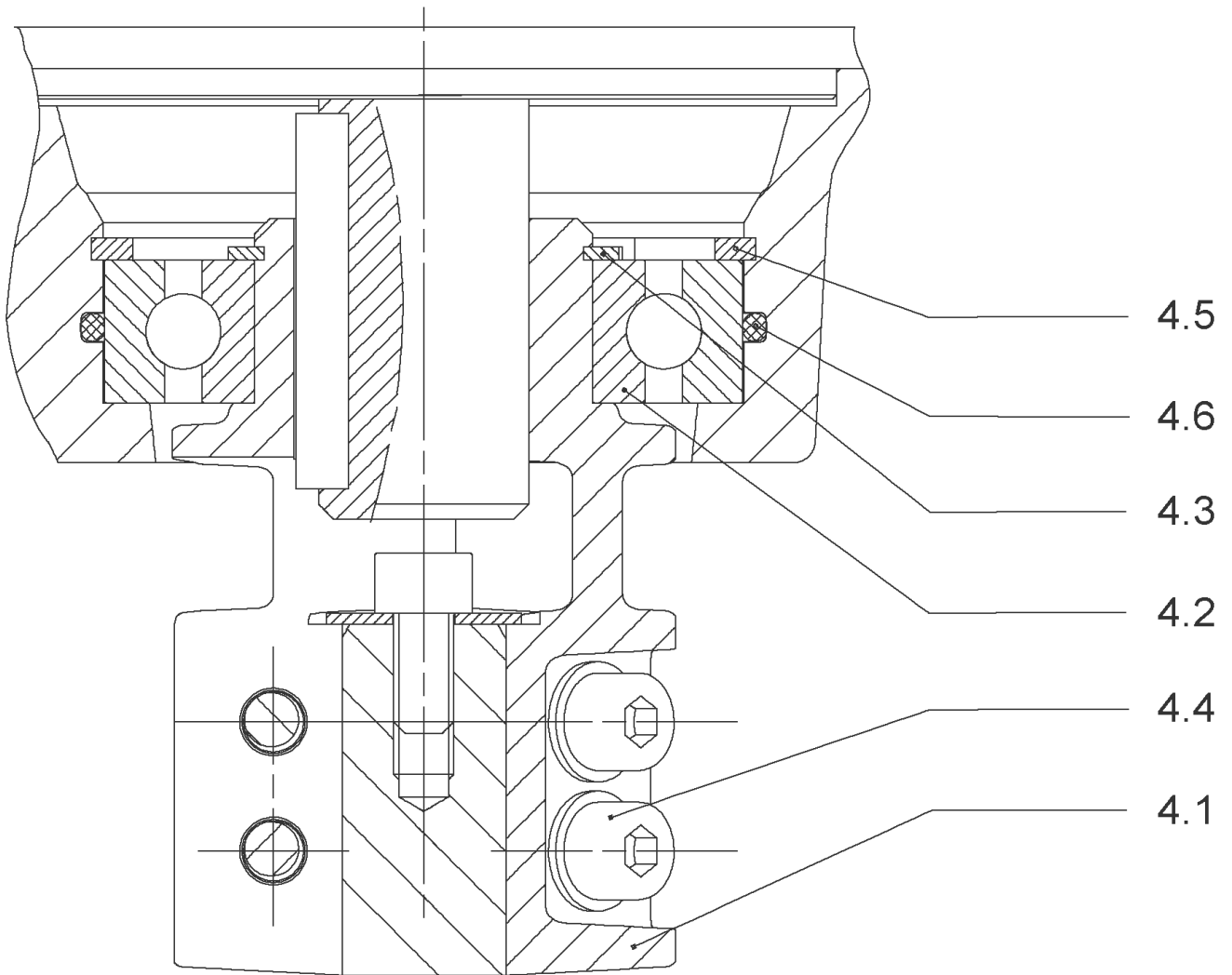


HELIX V621-1/25/E/KS/400-50 (4156058)

Item	Article no.	Description	Quantity
1	4169947	MO 5,5/2/112 3~400V50Hz 460V60Hz IE3 VP.	1
		SPARE PARTS MOTOR:ON REQUEST	1
2	4206025	SCREW M8X45 (4 PIECES)	1
3	4171326	LANTERN FT130 HELIX KIT	1
3.1		> LANTERN FT130 M+6" GJL MACHINING+CATA	1
3.2	2127604	> EYELET CPL.FT HELIX(2 PIECES)	1
3.3	4159692	> COUPLING PROTECTOR FT HELIX KIT	1
4	4159710	COUPLING D.16XD.28 FT130 HELIX KIT	1
5	4159707	SCREW M8X30 (4 PIECES)	1
6	4177865	STUD BOLT M12X1013 KIT	1
6.1		> TIE BOLT M12-1013x18x30-1.4057	1
6.2	2094647	> NUT M12 M12 ISO4032 VP.	1
6.3	2123557	> WASHER CS-12.4-24-1.6-NFE25 (4 PIECES)	1
7	4159685	END SHIELD HELIX EPDM KIT	1
7.1		> END SHIELD M+6" GJL250 MACHINING+CATA	1
7.2	2127607	> STATIONARY RING HOLDER 6" HELIX 1.4301 V	1
7.3	4176513	> O-RING FOR PUMP JACKET VP.	1
7.4	2127603	> O-RING ID.37,6x2,4 EPDM VP.	1
7.5	2127602	> O-RING ID.21,35x2 EPDM VP.	1
8	4159686	FILING/PURGING PLUG HELIX EPDM KIT	1
9	4159698	CARTRIDGE HELIX6-10-16 F/E KIT	1
10	4177873	HOUSING PIPE D.152x885,5 1.4301 KIT	1
7.3	4176513	> O-RING FOR PUMP JACKET VP.	1
10.1		> HOUSING-PIPE Ø152-M+1021/22-304	1
11	4174087	CENTERING STAGE-RETURN HELIX6 1.4301VP.	1
12	4174085	SHAFTS EQUIPMENT HELIX V6 BI BLOC KIT	1
12.1		> NUT-H-M10-A4.70	1
12.2		> SERRATED LOCK WASHER M+6M3-316L	1
12.3		> STOP COLLAR OF IMPELLER L17,9-Ø16-316L	1
12.4		> STOP-RUSH-1/2-D16xd2-M+316	1
13		HYDRAULIC HELIX V 621 1.4307	1
14	4177876	SHAFT D.16X1005 1.4301 VP.	1
15	4174081	PUMP HOUSING HELIX DN32 PN25 1.4301 KIT	1
7.3	4176513	> O-RING FOR PUMP JACKET VP.	1

HELIX V621-1/25/E/KS/400-50 (4156058)

Item	Article no.	Description	Quantity
15.1		> BLASTING PPE HOUSING V-PN25-DN32-5"-304	1
15.3	4171321	> PRIMING/DRAIN PLUG EPDM HELIX KIT	1
16	4177970	BASEPLATE HELIX V2/4/6 PN25 VP.	1



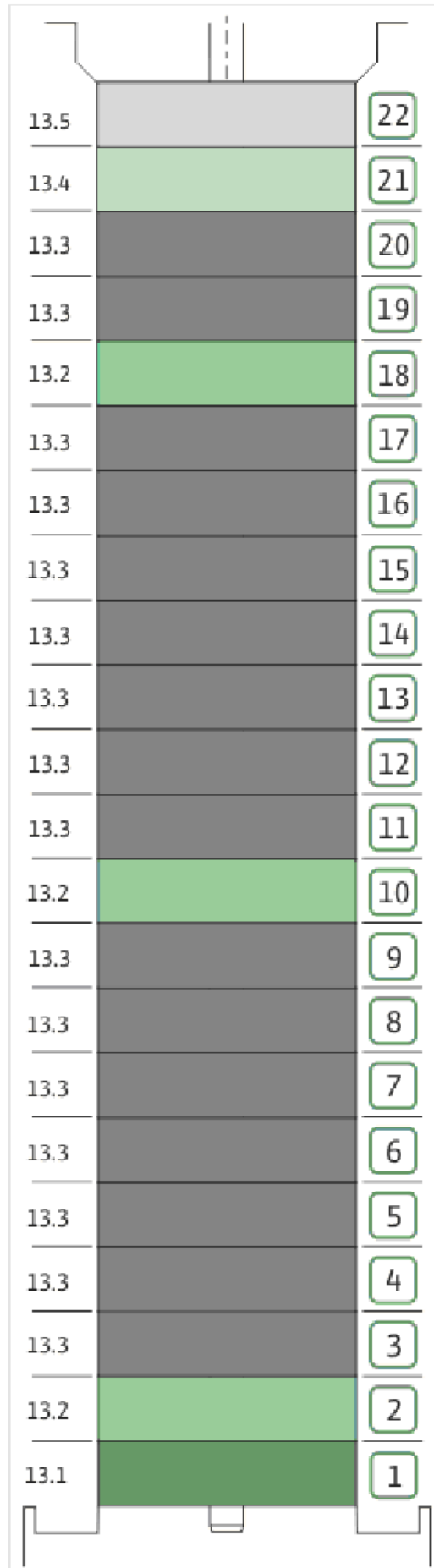
COUPLING D.16XD.28 FT130 HELIX KIT (4159710)

Item	Article no.	Description	Quantity
4.1		COUPLING M+ Ø16XØ28 FT130 MACHINED	1
4.2	2131022	BALL BEARING 6209/ZZ-C3(HT)VP.	1
4.3	4233930	CIRCLIP-FOR-BORES-D45x1,75 VP.	1
4.4	4157726	SCREW KIT M8X30 (4 PIECES)	1
4.5	4234252	CIRCLIPS 85X3 VP.	1
4.6	4234243	O-RING 85X3 VP.	1
		NOMEL CONTACT WASHER 8x16x1,4 STEEL ZC	1



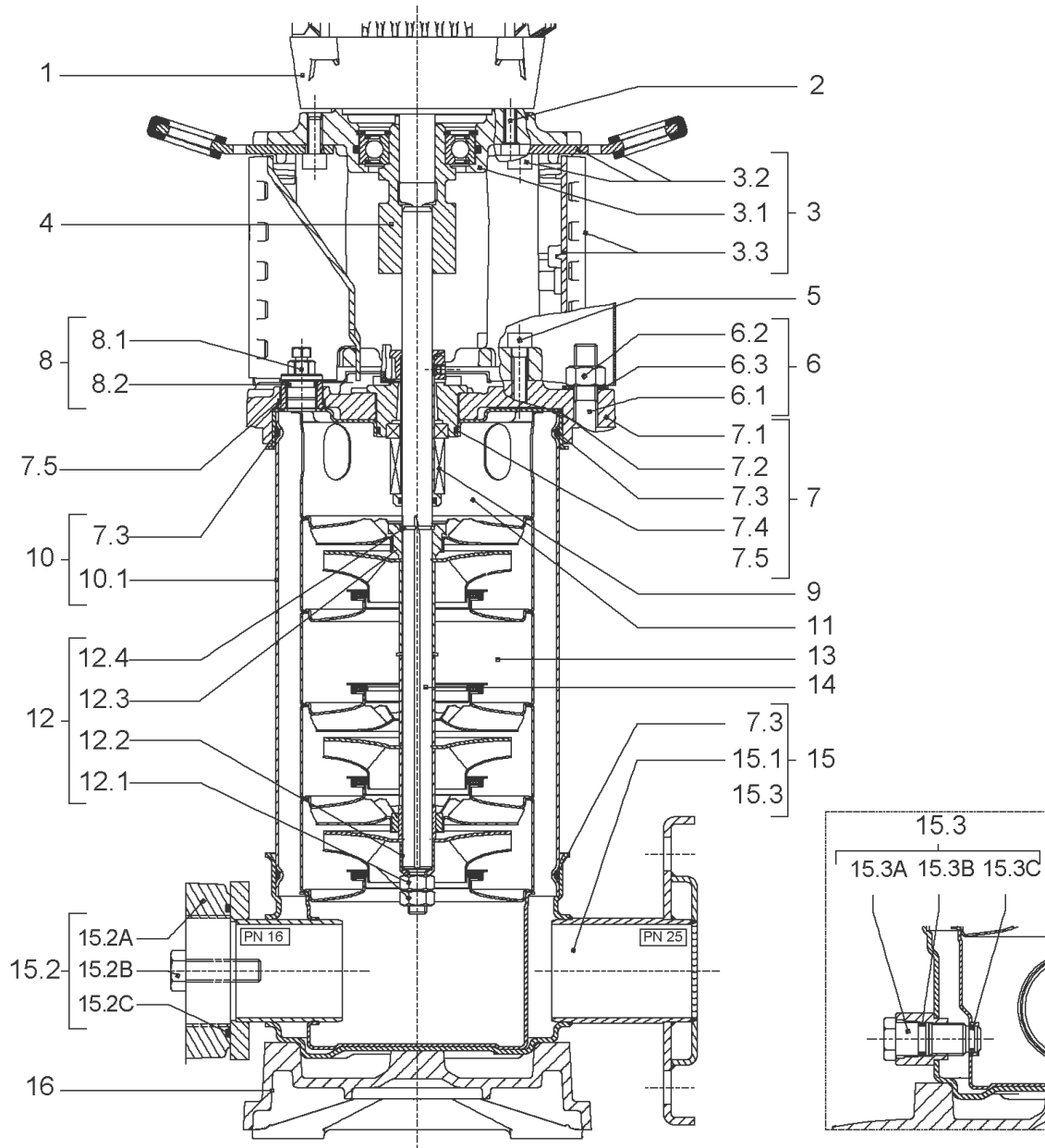
CARTRIDGE HELIX6-10-16 F/E KIT (4159698)

Item	Article no.	Description	Quantity
9.1	4159699	SEAL-KIT-HELIX6-10-16 F/E	1
7.3	4176513	> O-RING FOR PUMP JACKET VP.	1
7.4	2127603	> O-RING ID.37,6x2,4 EPDM VP.	1
9.1A	4176521	> MECH.SEAL HELIX2-4-6-10-16 F/E VP.	1
9.1B	2130967	> O-RING D.16X2,5 EPDM VP.	1
9.1C	4176519	> O-RING Ø16xØ1.25 VP.	1
9.2	2130961	SHAFT SLEEVE D.18/16X72,2 1.4404 VP.	1
9.3	2130962	RING HOLDER D.18 G606/G6 1.4301 VP.	1
9.4	4176520	SCREW CH M5x5 A4-70 (3PIECES)	1
9.5	2130963	DRIVE RING D.29/18x12,4 MACH.VP.	1
9.6	2130964	TOOL M.S.CART.HELIX VP.	1
9.7	2130965	SCREW CHC M5X12 ISO4762 A2.70(4 PIECES)	1



HYDRAULIC HELIX V 621 1.4307

Item	Article no.	Description	Quantity
13.1	4174084	STAGE HELIX 6 1.4301 KIT	1
		> MACH.STG-CASING-WOGV-WNR-M+6-304	1
		> IMPELLER-M+6-304	1
13.2	4174089	INTERMEDIATE STAGE HELIX 6 1.4301 KIT	1
		> MACH.BEARING-STG-CASING-WNR-M+6-304	1
		> IMPELLER-M+6-304	1
		> SHAFT SLEEVE-SPACER-Ø19,35x18,465-304	1
		> SHAFT-SLEEVE-D16xD20x18-CW	1
13.3	4174090	INTERMEDIATE STAGE HELIX 6 1.4301 KIT	1
		> MACH.STD-STG-CASING-WGV+NR-M+6-304	1
		> IMPELLER-M+6-304	1
		> IMPELLER SPACER Ø16,05X19,45-L36,465-304	1
13.4	4174092	EMPTY STAGE HELIX6 1.4301KIT	1
		> MACH.STD-STG-CASING-WGV+NR-M+6-304	1
		> FLAT WASHER-D16.1XD22X1.2-316L	1
		> IMPELLER SPACER Ø16,05X19,45-L36,465-304	1
13.5	4174091	STAGE HELIX 6 1.4301 KIT	1
		> MACH.STG-CASING-WOGV-WNR-M+6-304	1
		> IMPELLER-M+6-304	1
		> IMPELLER SPACER Ø16,05X19,45-L36,465-304	1



HELIX V623-1/25/E/KS/400-50 (4156059)

Item	Article no.	Description	Quantity
1	4169947	MO 5,5/2/112 3~400V50Hz 460V60Hz IE3 VP.	1
		SPARE PARTS MOTOR:ON REQUEST	1
2	4206025	SCREW M8X45 (4 PIECES)	1
3	4171326	LANTERN FT130 HELIX KIT	1
3.1		> LANTERN FT130 M+6" GJL MACHINING+CATA	1
3.2	2127604	> EYELET CPL.FT HELIX(2 PIECES)	1
3.3	4159692	> COUPLING PROTECTOR FT HELIX KIT	1
4	4159710	COUPLING D.16XD.28 FT130 HELIX KIT	1
5	4159707	SCREW M8X30 (4 PIECES)	1
6	4177880	STUD BOLT M12X1088 KIT	1
6.1		> TIE BOLT M12-1088x18x30-1.4057	1
6.2	2094647	> NUT M12 M12 ISO4032 VP.	1
6.3	2123557	> WASHER CS-12.4-24-1.6-NFE25 (4 PIECES)	1
7	4159685	END SHIELD HELIX EPDM KIT	1
7.1		> END SHIELD M+6" GJL250 MACHINING+CATA	1
7.2	2127607	> STATIONARY RING HOLDER 6" HELIX 1.4301 V	1
7.3	4176513	> O-RING FOR PUMP JACKET VP.	1
7.4	2127603	> O-RING ID.37,6x2,4 EPDM VP.	1
7.5	2127602	> O-RING ID.21,35x2 EPDM VP.	1
8	4159686	FILING/PURGING PLUG HELIX EPDM KIT	1
9	4159698	CARTRIDGE HELIX6-10-16 F/E KIT	1
10	4177874	HOUSING PIPE D.152x960 1.4307 KIT	1
7.3	4176513	> O-RING FOR PUMP JACKET VP.	1
10.1		> HOUSING-PIPE Ø152-M+1024/1616-304	1
11	4174087	CENTERING STAGE-RETURN HELIX6 1.4301VP.	1
12	4174085	SHAFTS EQUIPMENT HELIX V6 BI BLOC KIT	1
12.1		> NUT-H-M10-A4.70	1
12.2		> SERRATED LOCK WASHER M+6M3-316L	1
12.3		> STOP COLLAR OF IMPELLER L17,9-Ø16-316L	1
12.4		> STOP-RUSH-1/2-D16xd2-M+316	1
13		HYDRAULIC HELIX V 623 1.4307	1
14	4177883	SHAFT D.16X1080 1.4301 VP.	1
15	4174081	PUMP HOUSING HELIX DN32 PN25 1.4301 KIT	1
7.3	4176513	> O-RING FOR PUMP JACKET VP.	1

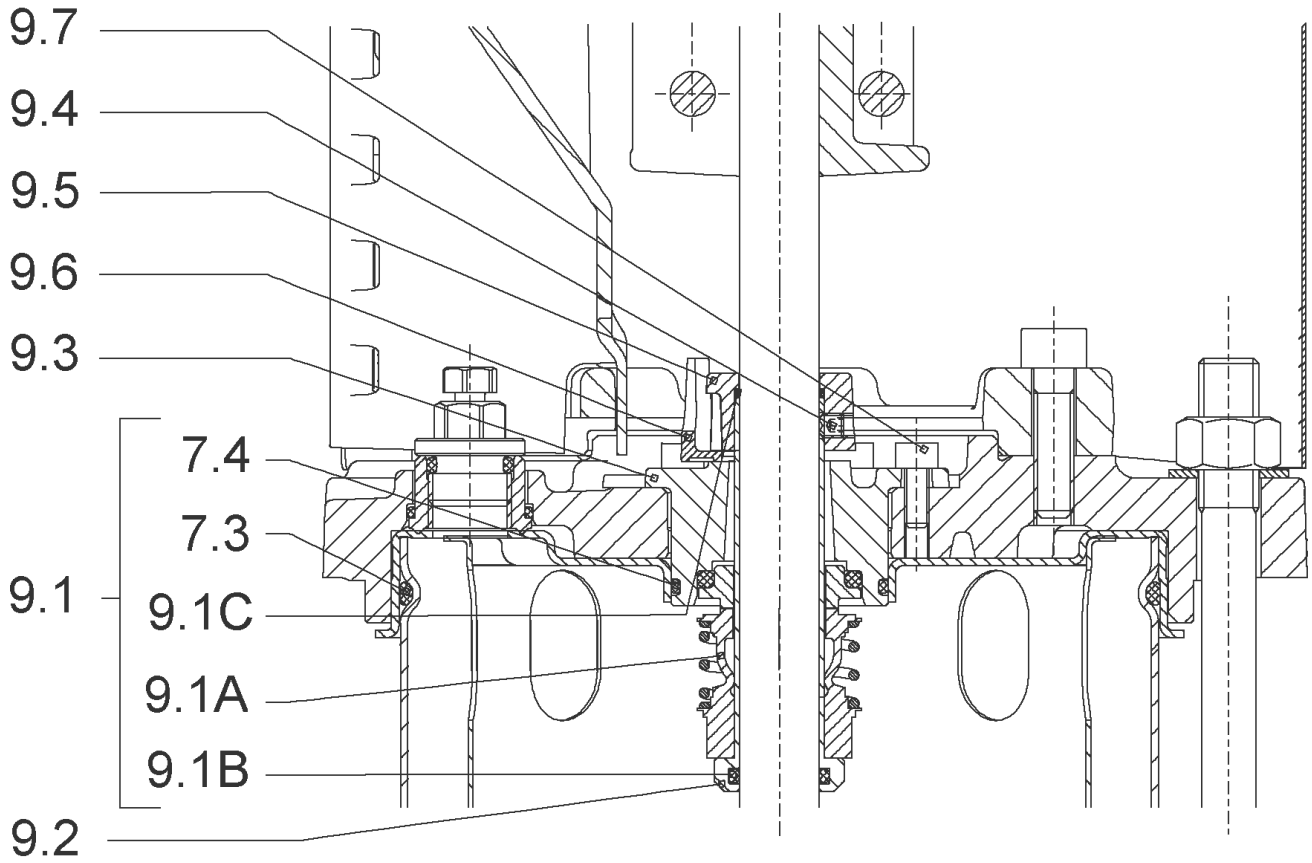
HELIX V623-1/25/E/KS/400-50 (4156059)

Item	Article no.	Description	Quantity
15.1		> BLASTING PPE HOUSING V-PN25-DN32-5"-304	1
15.3	4171321	> PRIMING/DRAIN PLUG EPDM HELIX KIT	1
16	4177970	BASEPLATE HELIX V2/4/6 PN25 VP.	1



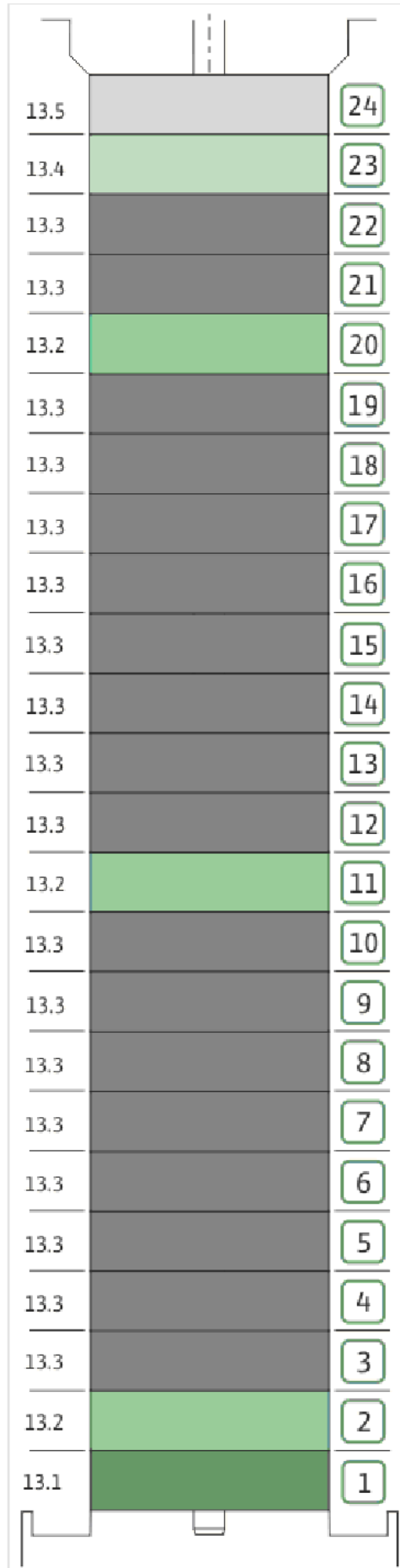
COUPLING D.16XD.28 FT130 HELIX KIT (4159710)

Item	Article no.	Description	Quantity
4.1		COUPLING M+ Ø16XØ28 FT130 MACHINED	1
4.2	2131022	BALL BEARING 6209/ZZ-C3(HT)VP.	1
4.3	4233930	CIRCLIP-FOR-BORES-D45x1,75 VP.	1
4.4	4157726	SCREW KIT M8X30 (4 PIECES)	1
4.5	4234252	CIRCLIPS 85X3 VP.	1
4.6	4234243	O-RING 85X3 VP.	1
		NOMEL CONTACT WASHER 8x16x1,4 STEEL ZC	1



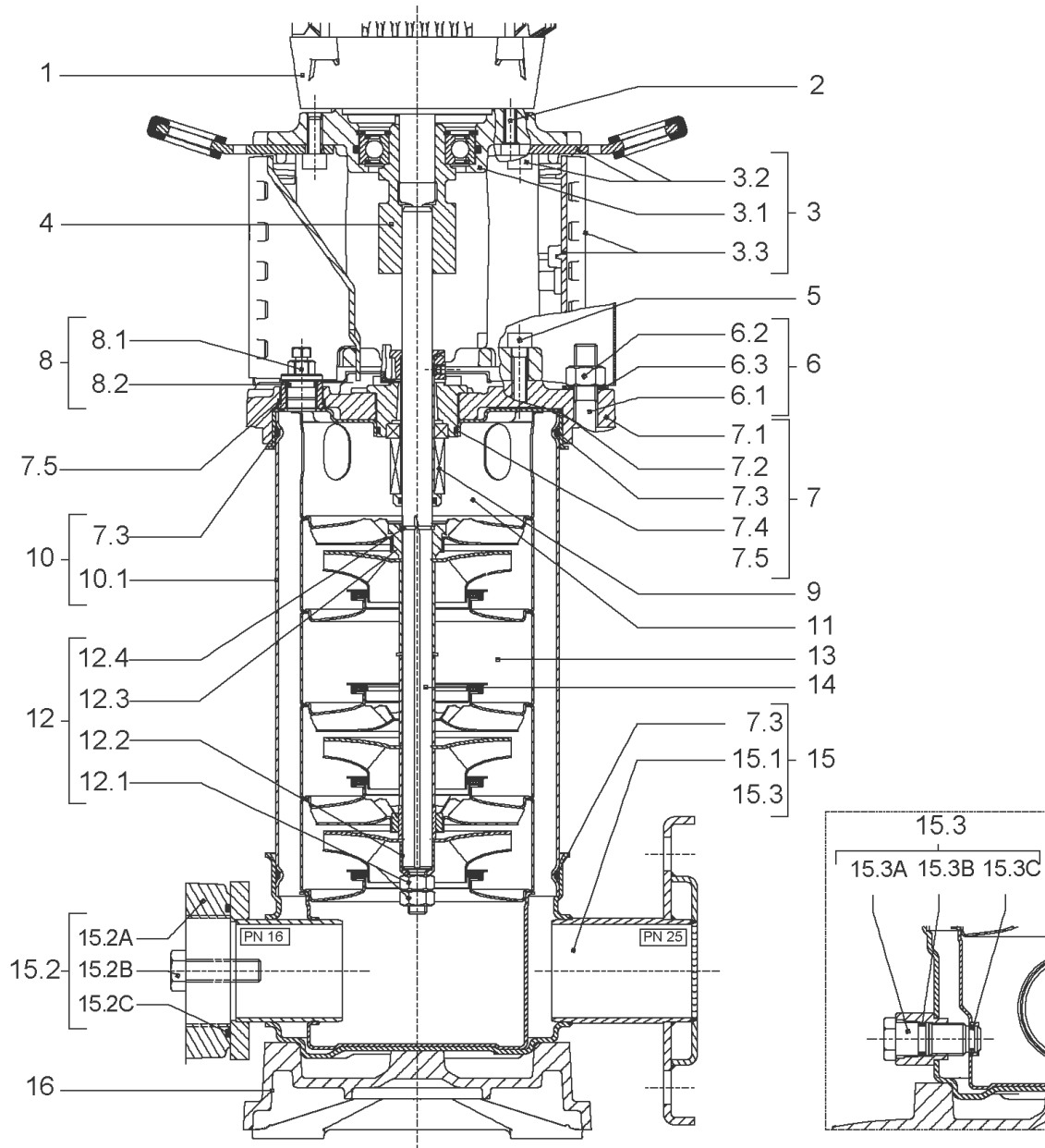
CARTRIDGE HELIX6-10-16 F/E KIT (4159698)

Item	Article no.	Description	Quantity
9.1	4159699	SEAL-KIT-HELIX6-10-16 F/E	1
7.3	4176513	> O-RING FOR PUMP JACKET VP.	1
7.4	2127603	> O-RING ID.37,6x2,4 EPDM VP.	1
9.1A	4176521	> MECH.SEAL HELIX2-4-6-10-16 F/E VP.	1
9.1B	2130967	> O-RING D.16X2,5 EPDM VP.	1
9.1C	4176519	> O-RING Ø16xØ1.25 VP.	1
9.2	2130961	SHAFT SLEEVE D.18/16X72,2 1.4404 VP.	1
9.3	2130962	RING HOLDER D.18 G606/G6 1.4301 VP.	1
9.4	4176520	SCREW CH M5x5 A4-70 (3PIECES)	1
9.5	2130963	DRIVE RING D.29/18x12,4 MACH.VP.	1
9.6	2130964	TOOL M.S.CART.HELIX VP.	1
9.7	2130965	SCREW CHC M5X12 ISO4762 A2.70(4 PIECES)	1



HYDRAULIC HELIX V 623 1.4307

Item	Article no.	Description	Quantity
13.1	4174084	STAGE HELIX 6 1.4301 KIT	1
		> MACH.STG-CASING-WOGV-WNR-M+6-304	1
		> IMPELLER-M+6-304	1
13.2	4174089	INTERMEDIATE STAGE HELIX 6 1.4301 KIT	1
		> MACH.BEARING-STG-CASING-WNR-M+6-304	1
		> IMPELLER-M+6-304	1
		> SHAFT SLEEVE-SPACER-Ø19,35x18,465-304	1
		> SHAFT-SLEEVE-D16xD20x18-CW	1
13.3	4174090	INTERMEDIATE STAGE HELIX 6 1.4301 KIT	1
		> MACH.STD-STG-CASING-WGV+NR-M+6-304	1
		> IMPELLER-M+6-304	1
		> IMPELLER SPACER Ø16,05X19,45-L36,465-304	1
13.4	4174092	EMPTY STAGE HELIX6 1.4301KIT	1
		> MACH.STD-STG-CASING-WGV+NR-M+6-304	1
		> FLAT WASHER-D16.1XD22X1.2-316L	1
		> IMPELLER SPACER Ø16,05X19,45-L36,465-304	1
13.5	4174091	STAGE HELIX 6 1.4301 KIT	1
		> MACH.STG-CASING-WOGV-WNR-M+6-304	1
		> IMPELLER-M+6-304	1
		> IMPELLER SPACER Ø16,05X19,45-L36,465-304	1



HELIX V625-1/25/E/KS/400-50 (4156060)

Item	Article no.	Description	Quantity
1	4169947	MO 5,5/2/112 3~400V50Hz 460V60Hz IE3 VP.	1
		SPARE PARTS MOTOR:ON REQUEST	1
2	4206025	SCREW M8X45 (4 PIECES)	1
3	4171326	LANTERN FT130 HELIX KIT	1
3.1		> LANTERN FT130 M+6" GJL MACHINING+CATA	1
3.2	2127604	> EYELET CPL.FT HELIX(2 PIECES)	1
3.3	4159692	> COUPLING PROTECTOR FT HELIX KIT	1
4	4159710	COUPLING D.16XD.28 FT130 HELIX KIT	1
5	4159707	SCREW M8X30 (4 PIECES)	1
6	4177985	STUD BOLT M12X1163 KIT	1
6.1		> TIE BOLT M12-1163x18x30-1.4057	1
6.2	2094647	> NUT M12 M12 ISO4032 VP.	1
6.3	2123557	> WASHER CS-12.4-24-1.6-NFE25 (4 PIECES)	1
7	4159685	END SHIELD HELIX EPDM KIT	1
7.1		> END SHIELD M+6" GJL250 MACHINING+CATA	1
7.2	2127607	> STATIONARY RING HOLDER 6" HELIX 1.4301 V	1
7.3	4176513	> O-RING FOR PUMP JACKET VP.	1
7.4	2127603	> O-RING ID.37,6x2,4 EPDM VP.	1
7.5	2127602	> O-RING ID.21,35x2 EPDM VP.	1
8	4159686	FILING/PURGING PLUG HELIX EPDM KIT	1
9	4159698	CARTRIDGE HELIX6-10-16 F/E KIT	1
10	4177986	HOUSING PIPE D.152x1035 304 KIT	1
7.3	4176513	> O-RING FOR PUMP JACKET VP.	1
10.1		> HOUSING-PIPE Ø152-M+625-304	1
11	4174087	CENTERING STAGE-RETURN HELIX6 1.4301VP.	1
12	4174085	SHAFTS EQUIPMENT HELIX V6 BI BLOC KIT	1
12.1		> NUT-H-M10-A4.70	1
12.2		> SERRATED LOCK WASHER M+6M3-316L	1
12.3		> STOP COLLAR OF IMPELLER L17,9-Ø16-316L	1
12.4		> STOP-RUSH-1/2-D16xd2-M+316	1
13		HYDRAULIC HELIX V 625 1.4307	1
14	4177987	SHAFT D.16X1155 1.4301 VP.	1
15	4174081	PUMP HOUSING HELIX DN32 PN25 1.4301 KIT	1
7.3	4176513	> O-RING FOR PUMP JACKET VP.	1

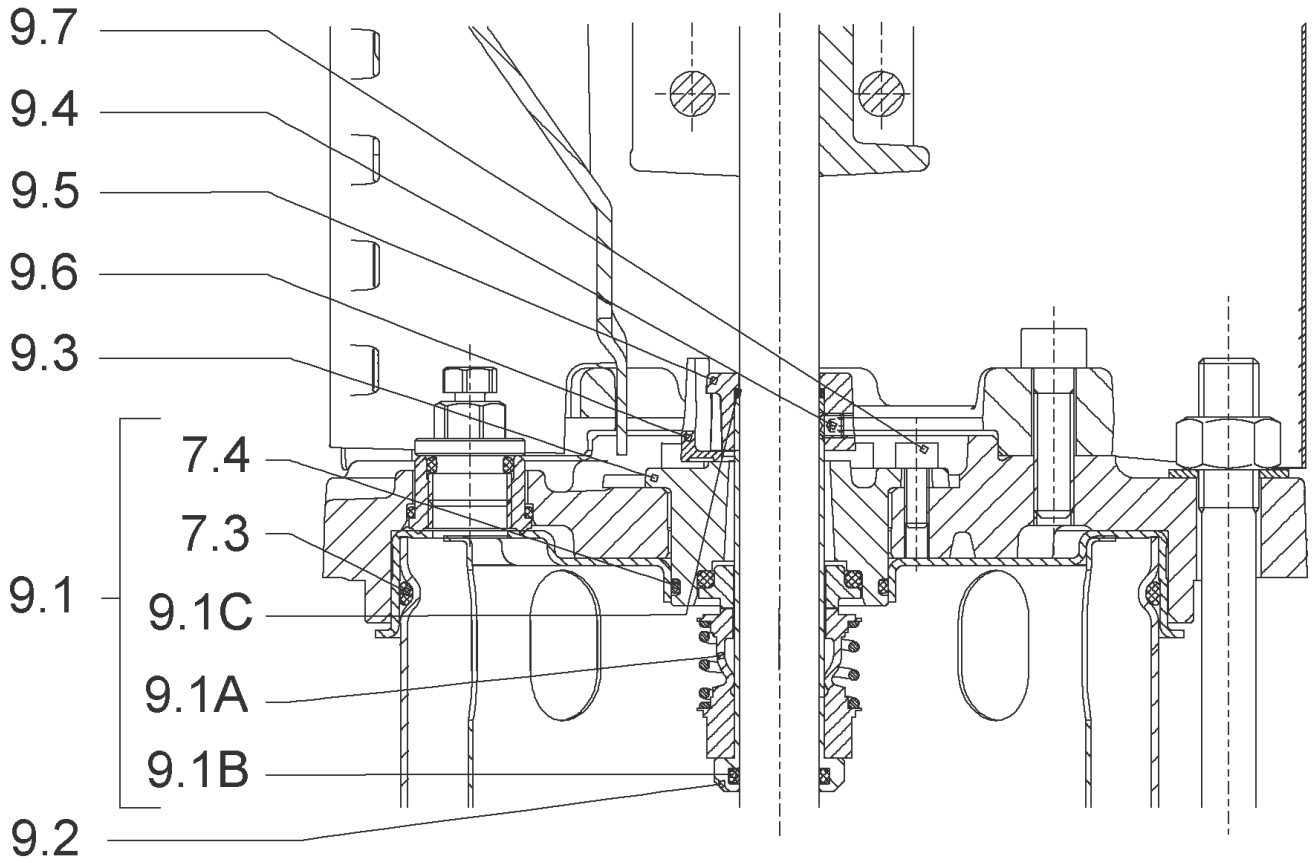
HELIX V625-1/25/E/KS/400-50 (4156060)

Item	Article no.	Description	Quantity
15.1		> BLASTING PPE HOUSING V-PN25-DN32-5"-304	1
15.3	4171321	> PRIMING/DRAIN PLUG EPDM HELIX KIT	1
16	4177970	BASEPLATE HELIX V2/4/6 PN25 VP.	1



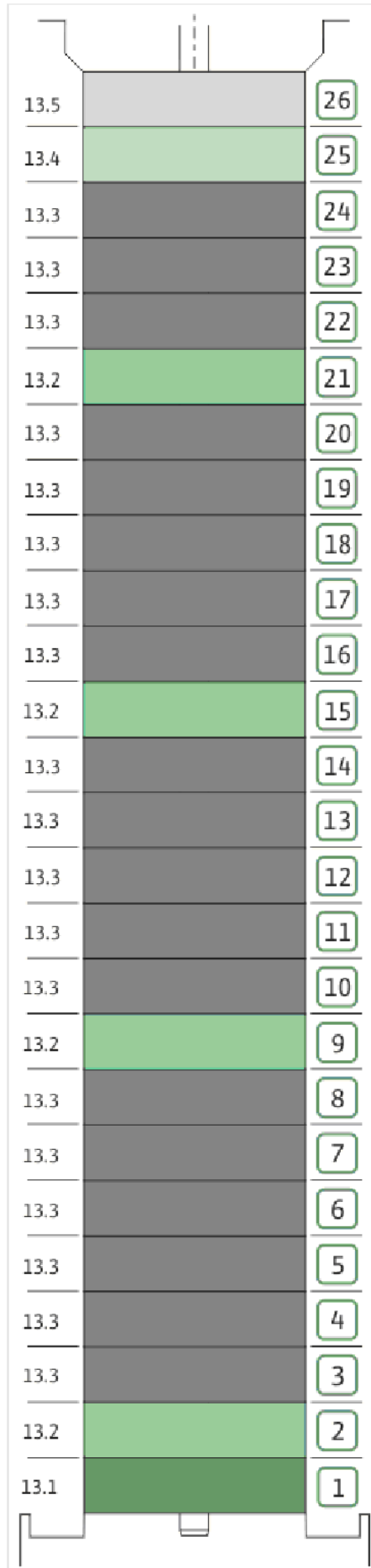
COUPLING D.16XD.28 FT130 HELIX KIT (4159710)

Item	Article no.	Description	Quantity
4.1		COUPLING M+ Ø16XØ28 FT130 MACHINED	1
4.2	2131022	BALL BEARING 6209/ZZ-C3(HT)VP.	1
4.3	4233930	CIRCLIP-FOR-BORES-D45x1,75 VP.	1
4.4	4157726	SCREW KIT M8X30 (4 PIECES)	1
4.5	4234252	CIRCLIPS 85X3 VP.	1
4.6	4234243	O-RING 85X3 VP.	1
		NOMEL CONTACT WASHER 8x16x1,4 STEEL ZC	1



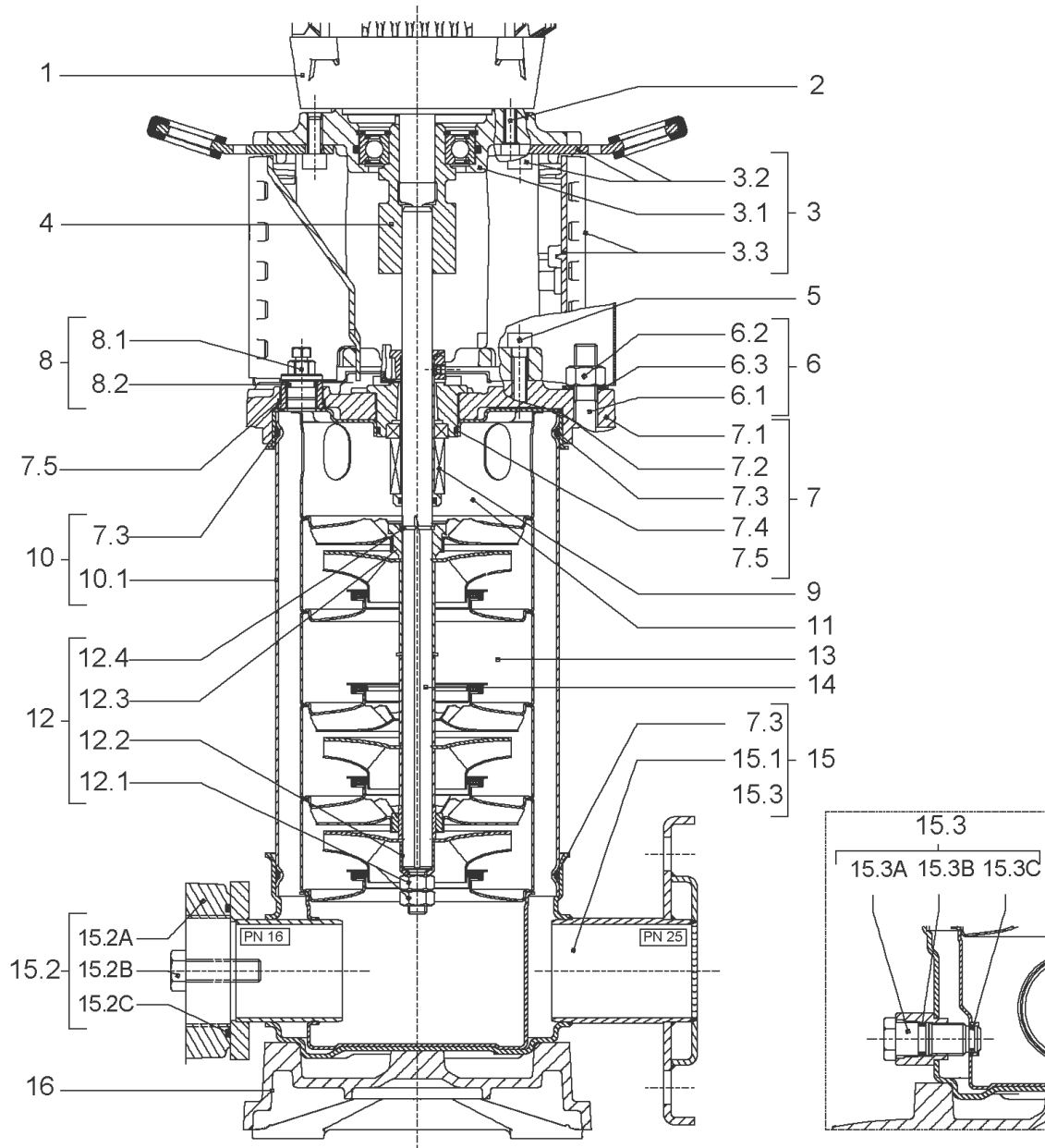
CARTRIDGE HELIX6-10-16 F/E KIT (4159698)

Item	Article no.	Description	Quantity
9.1	4159699	SEAL-KIT-HELIX6-10-16 F/E	1
7.3	4176513	> O-RING FOR PUMP JACKET VP.	1
7.4	2127603	> O-RING ID.37,6x2,4 EPDM VP.	1
9.1A	4176521	> MECH.SEAL HELIX2-4-6-10-16 F/E VP.	1
9.1B	2130967	> O-RING D.16X2,5 EPDM VP.	1
9.1C	4176519	> O-RING Ø16xØ1.25 VP.	1
9.2	2130961	SHAFT SLEEVE D.18/16X72,2 1.4404 VP.	1
9.3	2130962	RING HOLDER D.18 G606/G6 1.4301 VP.	1
9.4	4176520	SCREW CH M5x5 A4-70 (3PIECES)	1
9.5	2130963	DRIVE RING D.29/18x12,4 MACH.VP.	1
9.6	2130964	TOOL M.S.CART.HELIX VP.	1
9.7	2130965	SCREW CHC M5X12 ISO4762 A2.70(4 PIECES)	1



HYDRAULIC HELIX V 625 1.4307

Item	Article no.	Description	Quantity
13.1	4174084	STAGE HELIX 6 1.4301 KIT	1
		> MACH.STG-CASING-WOGV-WNR-M+6-304	1
		> IMPELLER-M+6-304	1
13.2	4174089	INTERMEDIATE STAGE HELIX 6 1.4301 KIT	1
		> MACH.BEARING-STG-CASING-WNR-M+6-304	1
		> IMPELLER-M+6-304	1
		> SHAFT SLEEVE-SPACER-Ø19,35x18,465-304	1
		> SHAFT-SLEEVE-D16xD20x18-CW	1
13.3	4174090	INTERMEDIATE STAGE HELIX 6 1.4301 KIT	1
		> MACH.STD-STG-CASING-WGV+NR-M+6-304	1
		> IMPELLER-M+6-304	1
		> IMPELLER SPACER Ø16,05X19,45-L36,465-304	1
13.4	4174092	EMPTY STAGE HELIX6 1.4301KIT	1
		> MACH.STD-STG-CASING-WGV+NR-M+6-304	1
		> FLAT WASHER-D16.1XD22X1.2-316L	1
		> IMPELLER SPACER Ø16,05X19,45-L36,465-304	1
13.5	4174091	STAGE HELIX 6 1.4301 KIT	1
		> MACH.STG-CASING-WOGV-WNR-M+6-304	1
		> IMPELLER-M+6-304	1
		> IMPELLER SPACER Ø16,05X19,45-L36,465-304	1



HELIX V627-1/25/E/KS/400-50 (4156061)

Item	Article no.	Description	Quantity
1	4169947	MO 5,5/2/112 3~400V50Hz 460V60Hz IE3 VP.	1
		SPARE PARTS MOTOR:ON REQUEST	1
2	4206025	SCREW M8X45 (4 PIECES)	1
3	4171326	LANTERN FT130 HELIX KIT	1
3.1		> LANTERN FT130 M+6" GJL MACHINING+CATA	1
3.2	2127604	> EYELET CPL.FT HELIX(2 PIECES)	1
3.3	4159692	> COUPLING PROTECTOR FT HELIX KIT	1
4	4159710	COUPLING D.16XD.28 FT130 HELIX KIT	1
5	4159707	SCREW M8X30 (4 PIECES)	1
6	2127562	STUD BOLT M12X1238 KIT	1
6.1		> TIE BOLT M12-1238x18x30-1.4057	1
6.2	2094647	> NUT M12 M12 ISO4032 VP.	1
6.3	2123557	> WASHER CS-12.4-24-1.6-NFE25 (4 PIECES)	1
7	4159685	END SHIELD HELIX EPDM KIT	1
7.1		> END SHIELD M+6" GJL250 MACHINING+CATA	1
7.2	2127607	> STATIONARY RING HOLDER 6" HELIX 1.4301 V	1
7.3	4176513	> O-RING FOR PUMP JACKET VP.	1
7.4	2127603	> O-RING ID.37,6x2,4 EPDM VP.	1
7.5	2127602	> O-RING ID.21,35x2 EPDM VP.	1
8	4159686	FILING/PURGING PLUG HELIX EPDM KIT	1
9	4159698	CARTRIDGE HELIX6-10-16 F/E KIT	1
10	2127585	HOUSING PIPE D.152x1110 1.4301 KIT	1
7.3	4176513	> O-RING FOR PUMP JACKET VP.	1
10.1		> HOUSING-PIPE Ø152-M+1619-304	1
11	4174087	CENTERING STAGE-RETURN HELIX6 1.4301VP.	1
12	4174085	SHAFTS EQUIPMENT HELIX V6 BI BLOC KIT	1
12.1		> NUT-H-M10-A4.70	1
12.2		> SERRATED LOCK WASHER M+6M3-316L	1
12.3		> STOP COLLAR OF IMPELLER L17,9-Ø16-316L	1
12.4		> STOP-RUSH-1/2-D16xd2-M+316	1
13		HYDRAULIC HELIX V 627 1.4307	1
14	2127573	SHAFT D.16X1230 1.4462 VP.	1
15	4174081	PUMP HOUSING HELIX DN32 PN25 1.4301 KIT	1
7.3	4176513	> O-RING FOR PUMP JACKET VP.	1

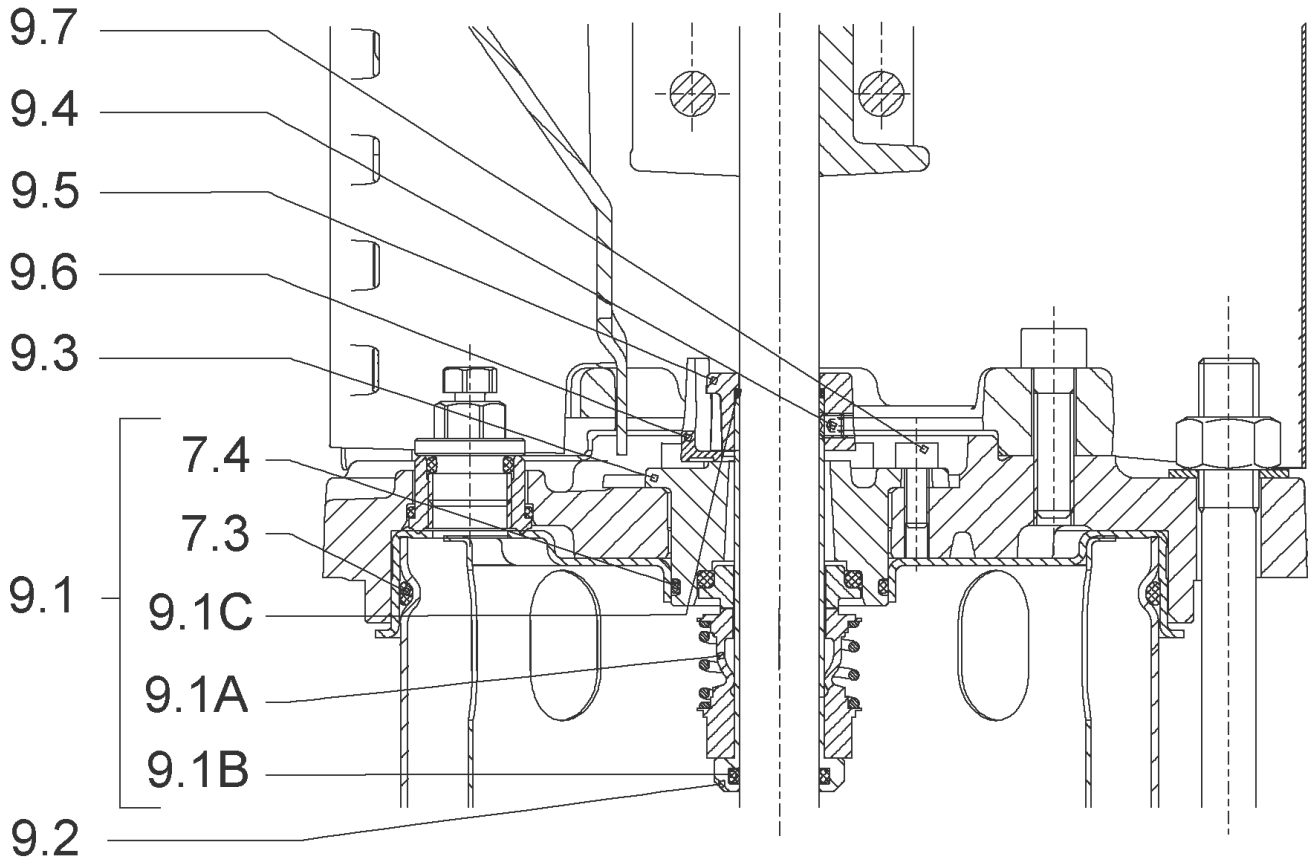
HELIX V627-1/25/E/KS/400-50 (4156061)

Item	Article no.	Description	Quantity
15.1		> BLASTING PPE HOUSING V-PN25-DN32-5"-304	1
15.3	4171321	> PRIMING/DRAIN PLUG EPDM HELIX KIT	1
16	4177970	BASEPLATE HELIX V2/4/6 PN25 VP.	1



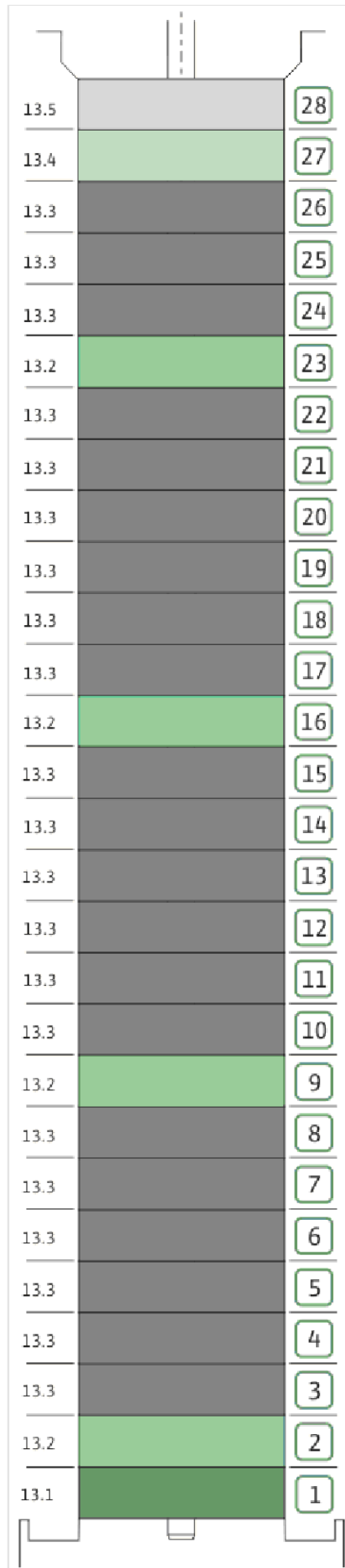
COUPLING D.16XD.28 FT130 HELIX KIT (4159710)

Item	Article no.	Description	Quantity
4.1		COUPLING M+ Ø16XØ28 FT130 MACHINED	1
4.2	2131022	BALL BEARING 6209/ZZ-C3(HT)VP.	1
4.3	4233930	CIRCLIP-FOR-BORES-D45x1,75 VP.	1
4.4	4157726	SCREW KIT M8X30 (4 PIECES)	1
4.5	4234252	CIRCLIPS 85X3 VP.	1
4.6	4234243	O-RING 85X3 VP.	1
		NOMEL CONTACT WASHER 8x16x1,4 STEEL ZC	1



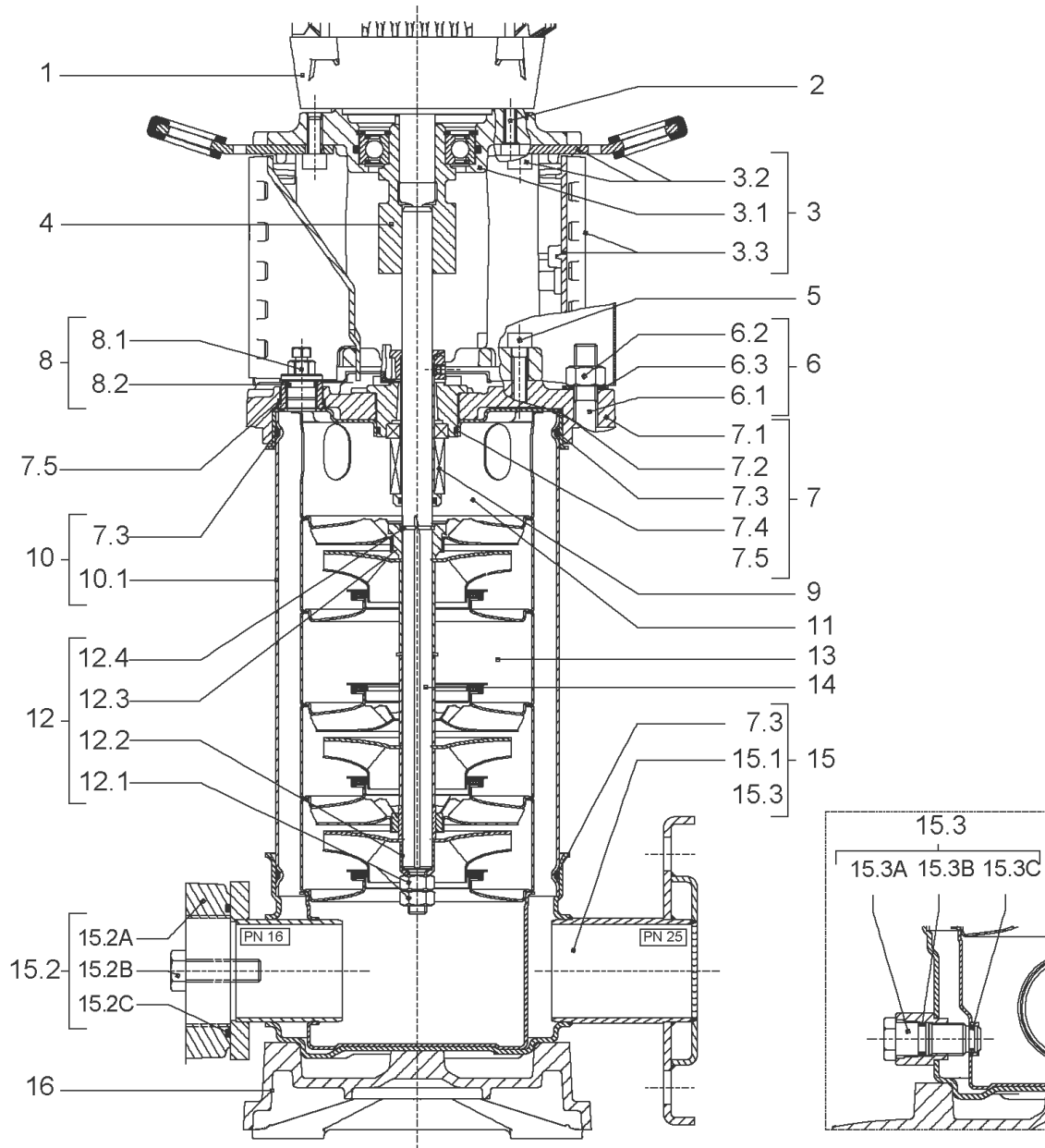
CARTRIDGE HELIX6-10-16 F/E KIT (4159698)

Item	Article no.	Description	Quantity
9.1	4159699	SEAL-KIT-HELIX6-10-16 F/E	1
7.3	4176513	> O-RING FOR PUMP JACKET VP.	1
7.4	2127603	> O-RING ID.37,6x2,4 EPDM VP.	1
9.1A	4176521	> MECH.SEAL HELIX2-4-6-10-16 F/E VP.	1
9.1B	2130967	> O-RING D.16X2,5 EPDM VP.	1
9.1C	4176519	> O-RING Ø16xØ1.25 VP.	1
9.2	2130961	SHAFT SLEEVE D.18/16X72,2 1.4404 VP.	1
9.3	2130962	RING HOLDER D.18 G606/G6 1.4301 VP.	1
9.4	4176520	SCREW CH M5x5 A4-70 (3PIECES)	1
9.5	2130963	DRIVE RING D.29/18x12,4 MACH.VP.	1
9.6	2130964	TOOL M.S.CART.HELIX VP.	1
9.7	2130965	SCREW CHC M5X12 ISO4762 A2.70(4 PIECES)	1



HYDRAULIC HELIX V 627 1.4307

Item	Article no.	Description	Quantity
13.1	4174084	STAGE HELIX 6 1.4301 KIT	1
		> MACH.STG-CASING-WOGV-WNR-M+6-304	1
		> IMPELLER-M+6-304	1
13.2	4174089	INTERMEDIATE STAGE HELIX 6 1.4301 KIT	1
		> MACH.BEARING-STG-CASING-WNR-M+6-304	1
		> IMPELLER-M+6-304	1
		> SHAFT SLEEVE-SPACER-Ø19,35x18,465-304	1
		> SHAFT-SLEEVE-D16xD20x18-CW	1
13.3	4174090	INTERMEDIATE STAGE HELIX 6 1.4301 KIT	1
		> MACH.STD-STG-CASING-WGV+NR-M+6-304	1
		> IMPELLER-M+6-304	1
		> IMPELLER SPACER Ø16,05X19,45-L36,465-304	1
13.4	4174092	EMPTY STAGE HELIX6 1.4301KIT	1
		> MACH.STD-STG-CASING-WGV+NR-M+6-304	1
		> FLAT WASHER-D16.1XD22X1.2-316L	1
		> IMPELLER SPACER Ø16,05X19,45-L36,465-304	1
13.5	4174091	STAGE HELIX 6 1.4301 KIT	1
		> MACH.STG-CASING-WOGV-WNR-M+6-304	1
		> IMPELLER-M+6-304	1
		> IMPELLER SPACER Ø16,05X19,45-L36,465-304	1

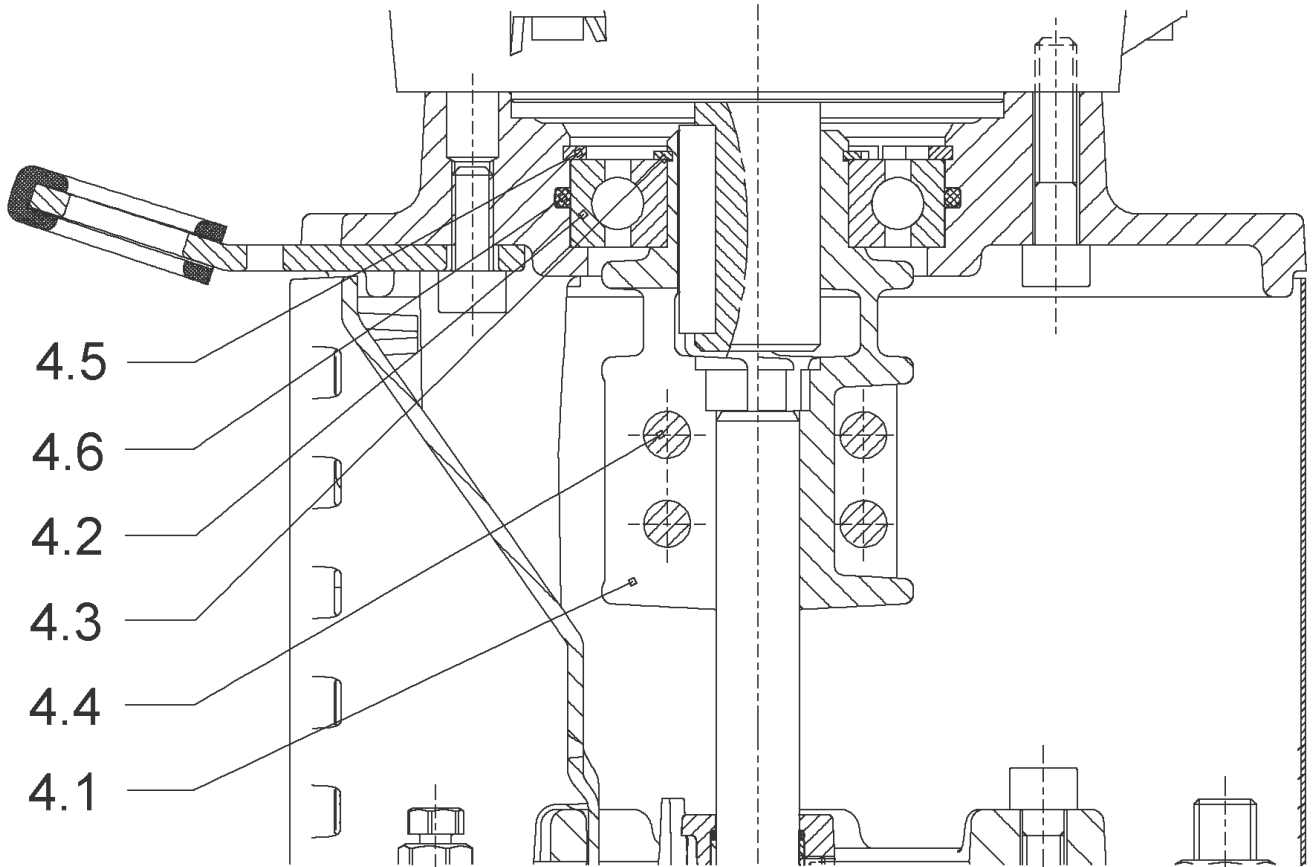


HELIX V601-2/25/V/KS/400-50 (4156062)

Item	Article no.	Description	Quantity
1	4169946	MOTOR 0,37/2/71 3~230/400V 50HZ IE2 VP.	1
		SPARE PARTS MOTOR:ON REQUEST	1
2	4159702	SCREW M6X30 (4 PIECES)	1
3	4171323	LANTERN FT85 HELIX KIT	1
3.1		> LANTERN FT85 M+6" GJL MACHINING+CATA	1
3.2	2127604	> EYELET CPL.FT HELIX(2 PIECES)	1
3.3	4159692	> COUPLING PROTECTOR FT HELIX KIT	1
4	4171328	COUPLING FT 85 KIT	1
5	4159707	SCREW M8X30 (4 PIECES)	1
6	4177803	STUD BOLT M12X263 KIT	1
6.1		> TIE BOLT M12-263x18x30-1.4057	1
6.2	2094647	> NUT M12 M12 ISO4032 VP.	1
6.3	2123557	> WASHER CS-12.4-24-1.6-NFE25 (4 PIECES)	1
7	4159783	END SHIELD HELIX FKM 1.4404 KIT	1
7.1		> END SHIELD M+6" GJL250 MACHINING+CATA	1
7.2	2131056	> STATIONARY RING HOLDER 6" HELIX 1.4404 V	1
7.3	4234237	> O-RING 139X3 VITON VP.	1
7.4	2131026	> O-RING ID.37,6X2,4 FKM VP.	1
7.5	2131057	> O-RING ID.21,35X2 FKM VP.	1
8	4159784	FILING/PURGING PLUG HELIX FKM KIT	1
9	4159700	CARTRIDGE HELIX6-10-16 F/V KIT	1
10	4177890	HOUSING PIPES D.152X134 1.4404 KIT	1
7.3	4234237	> O-RING 139X3 VITON VP.	1
10.1		> HOUSING-PIPE Ø152-M+1001/02-316L	1
11	4178528	CENTERING STAGE HELIX V6 1.4404 VP.	1
12	4174082	SHAFTS EQUIPMENT HELIX 601KIT	1
12.1		> NUT-H-M10-A4.70	1
12.2		> SERRATED LOCK WASHER M+6M3-316L	1
12.3		> STOP COLLAR OF IMPELLER first stage	1
12.4		> STOP-RUSH-1/2-D16xd2-M+316	1
13		HYDRAULIC HELIX V 601 316L	1
14	4177894	SHAFT D.16X255 1.4404 VP.	1
15	4174333	PUMP HOUSING HELIX DN32 PN25 1.4409 KIT	1
7.3	4177887	> O-RING ID.145,65X3,53 VITON VP.	1

HELIX V601-2/25/V/KS/400-50 (4156062)

Item	Article no.	Description	Quantity
15.1		> BLASTING PPE HOUSING V-PN25-DN32-5"-316L	1
15.3	4159781	> PRIMING/DRAIN PLUG HELIX 16 FKM KIT	1
16	4177970	BASEPLATE HELIX V2/4/6 PN25 VP.	1



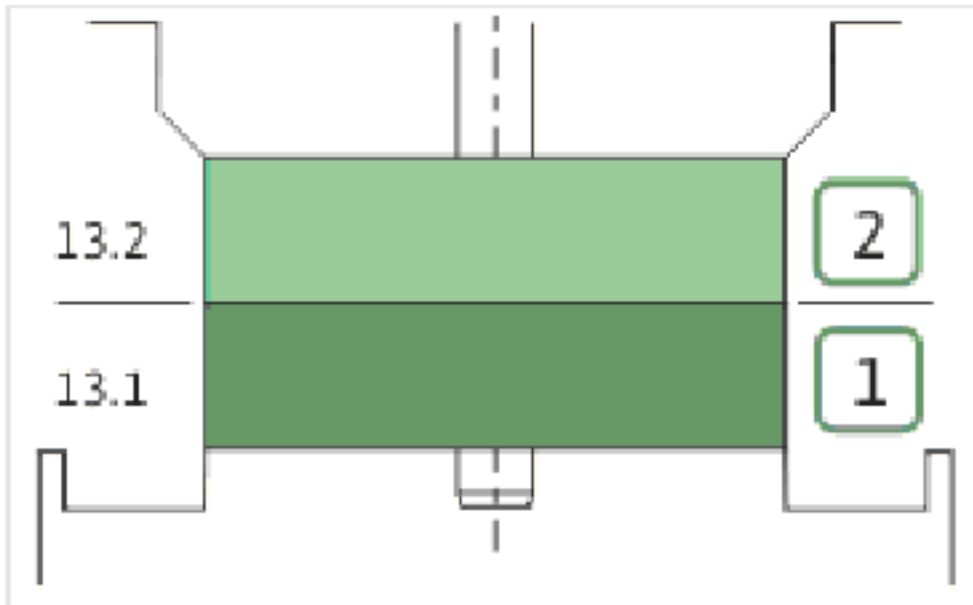
COUPLING FT 85 KIT (4171328)

Item	Article no.	Description	Quantity
4.1		COUPLING-M+ Ø16XØ14-FT85-MACHINED	1
4.2	4177802	BALL BEARING 6205C3-ZZ HTVP.	1
4.3	4208923	CIRCLIP D25X1.2 VP.	1
4.4	4212716	SCREW M6X20 KIT (4PIECES)	1
4.5	4233124	CIRCLIP-FOR-BORES-D52x2 VP.	1
4.6	4234244	O-RING 52X2 VP.	1



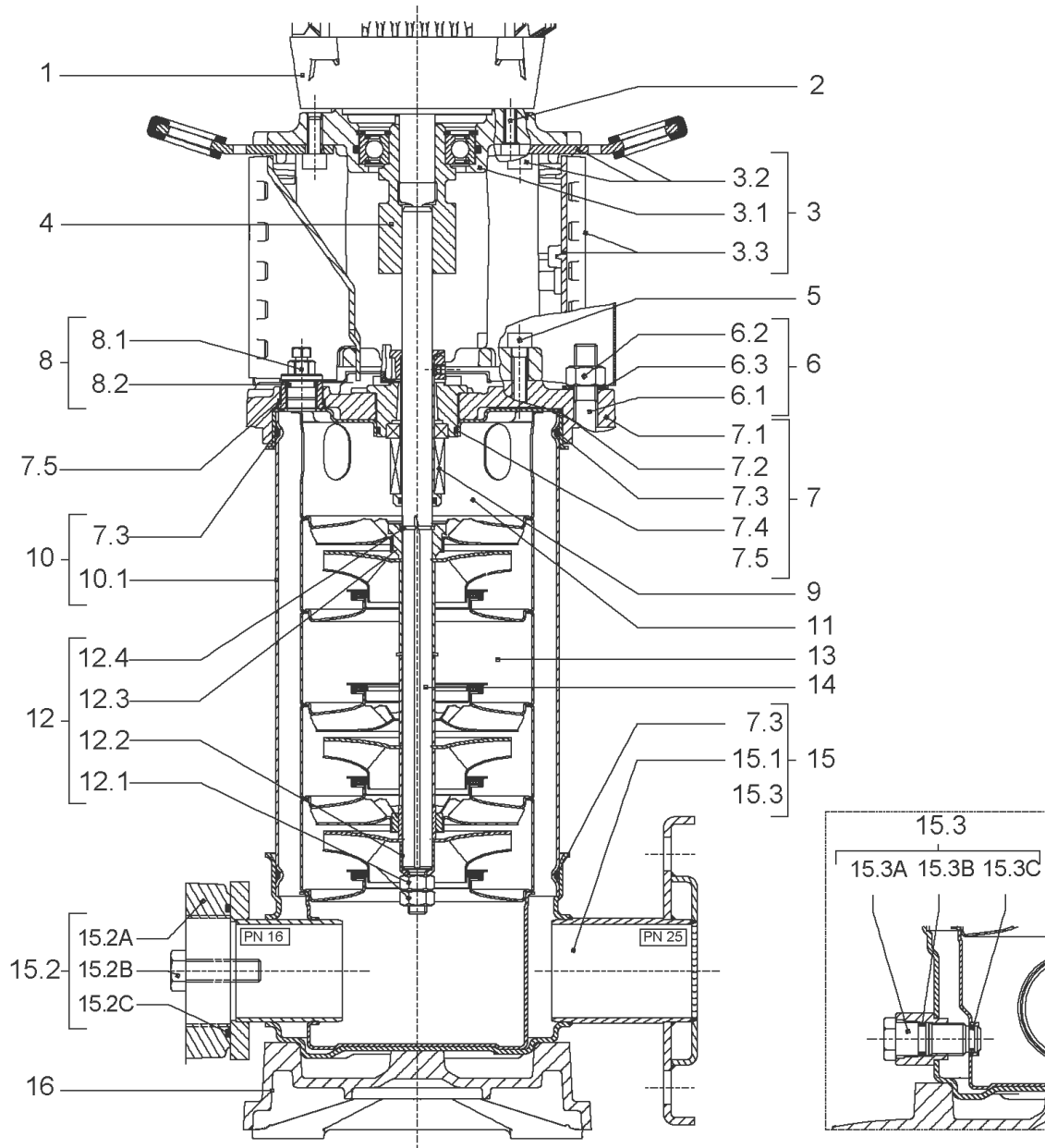
CARTRIDGE HELIX6-10-16 F/V KIT (4159700)

Item	Article no.	Description	Quantity
9.1	4159701	SEAL-KIT-HELIX6-10-16 F/V	1
7.3	4177887	> O-RING ID.145,65X3,53 VITON VP.	1
7.4	4177888	> O-RING ID.37.6xØ2.4 VITON VP.	1
9.1A	2131025	> MECH.SEAL HELIX2-4-6-10-16 F/V VP.	1
9.1B	2131027	> O-RING D.16XD.2,5 FKM VP.	1
9.1C	4177889	> O-RING ID.16x1.25 VITON VP.	1
9.2	2130961	SHAFT SLEEVE D.18/16X72,2 1.4404 VP.	1
9.3	2131024	RING HOLDER D.18 G606/G6 1.4404 VP.	1
9.4	4176520	SCREW CH M5x5 A4-70 (3PIECES)	1
9.5	2130963	DRIVE RING D.29/18x12,4 MACH.VP.	1
9.6	2130964	TOOL M.S.CART.HELIX VP.	1
9.7	2130965	SCREW CHC M5X12 ISO4762 A2.70(4 PIECES)	1



HYDRAULIC HELIX V 601 316L

Item	Article no.	Description	Quantity
13.1	4174336	STAGE HELIX6 1.4404 KIT	1
		> MACH.STG-CASING-WOGV-WNR-M+6-316	1
		> IMPELLER-M+6-316	1
13.2	4174335	STAGE BEARING HELIX 6 1.4404 KIT	1
		> MACH.BEARING-STG-CASING-WNR-M+6-316	1
		> SHAFT-SLEEVE-D16xD20x18-CW	1
		> STOP COLLAR OF IMPELLER first stage	1

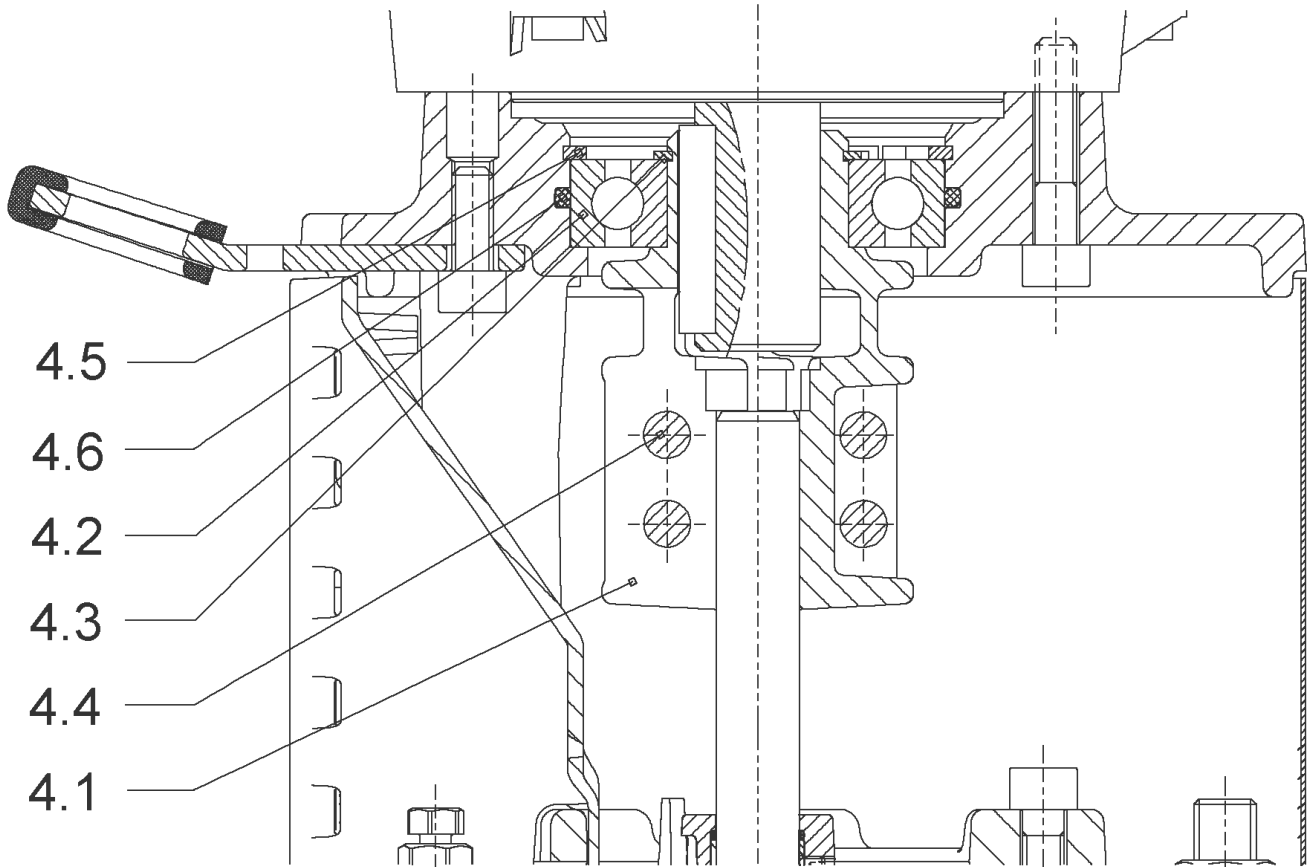


HELIX V602-2/25/V/KS/400-50 (4156063)

Item	Article no.	Description	Quantity
1	4169939	MO.0,55/2/71 3~400V 50HZ 460V 60HZ IE2VP	1
		SPARE PARTS MOTOR:ON REQUEST	1
2	4159702	SCREW M6X30 (4 PIECES)	1
3	4171323	LANTERN FT85 HELIX KIT	1
3.1		> LANTERN FT85 M+6" GJL MACHINING+CATA	1
3.2	2127604	> EYELET CPL.FT HELIX(2 PIECES)	1
3.3	4159692	> COUPLING PROTECTOR FT HELIX KIT	1
4	4171328	COUPLING FT 85 KIT	1
5	4159707	SCREW M8X30 (4 PIECES)	1
6	4177803	STUD BOLT M12X263 KIT	1
6.1		> TIE BOLT M12-263x18x30-1.4057	1
6.2	2094647	> NUT M12 M12 ISO4032 VP.	1
6.3	2123557	> WASHER CS-12.4-24-1.6-NFE25 (4 PIECES)	1
7	4159783	END SHIELD HELIX FKM 1.4404 KIT	1
7.1		> END SHIELD M+6" GJL250 MACHINING+CATA	1
7.2	2131056	> STATIONARY RING HOLDER 6" HELIX 1.4404 V	1
7.3	4234237	> O-RING 139X3 VITON VP.	1
7.4	2131026	> O-RING ID.37,6X2,4 FKM VP.	1
7.5	2131057	> O-RING ID.21,35X2 FKM VP.	1
8	4159784	FILING/PURGING PLUG HELIX FKM KIT	1
9	4159700	CARTRIDGE HELIX6-10-16 F/V KIT	1
10	4177890	HOUSING PIPES D.152X134 1.4404 KIT	1
7.3	4234237	> O-RING 139X3 VITON VP.	1
10.1		> HOUSING-PIPE Ø152-M+1001/02-316L	1
11	4174337	CENTERING STAGE-RETURN HELIX10 1.4404VP.	1
12	4174085	SHAFTS EQUIPMENT HELIX V6 BI BLOC KIT	1
12.1		> NUT-H-M10-A4.70	1
12.2		> SERRATED LOCK WASHER M+6M3-316L	1
12.3		> STOP COLLAR OF IMPELLER L17,9-Ø16-316L	1
12.4		> STOP-RUSH-1/2-D16xd2-M+316	1
13		HYDRAULIC HELIX V 602 316 L	1
14	4177894	SHAFT D.16X255 1.4404 VP.	1
15	4174333	PUMP HOUSING HELIX DN32 PN25 1.4409 KIT	1
7.3	4177887	> O-RING ID.145,65X3,53 VITON VP.	1

HELIX V602-2/25/V/KS/400-50 (4156063)

Item	Article no.	Description	Quantity
15.1		> BLASTING PPE HOUSING V-PN25-DN32-5"-316L	1
15.3	4159781	> PRIMING/DRAIN PLUG HELIX 16 FKM KIT	1
16	4177970	BASEPLATE HELIX V2/4/6 PN25 VP.	1



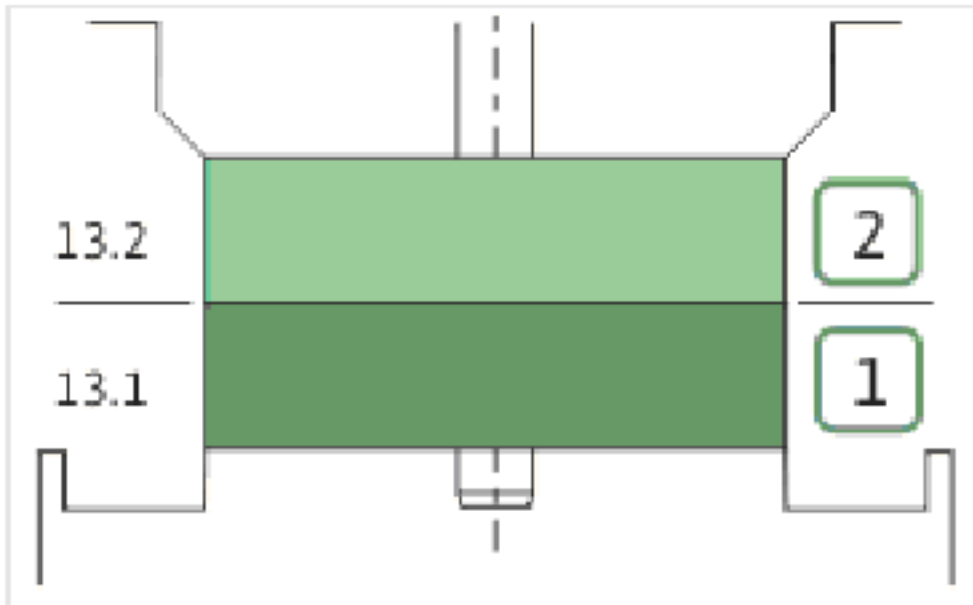
COUPLING FT 85 KIT (4171328)

Item	Article no.	Description	Quantity
4.1		COUPLING-M+ Ø16XØ14-FT85-MACHINED	1
4.2	4177802	BALL BEARING 6205C3-ZZ HTVP.	1
4.3	4208923	CIRCLIP D25X1.2 VP.	1
4.4	4212716	SCREW M6X20 KIT (4PIECES)	1
4.5	4233124	CIRCLIP-FOR-BORES-D52x2 VP.	1
4.6	4234244	O-RING 52X2 VP.	1



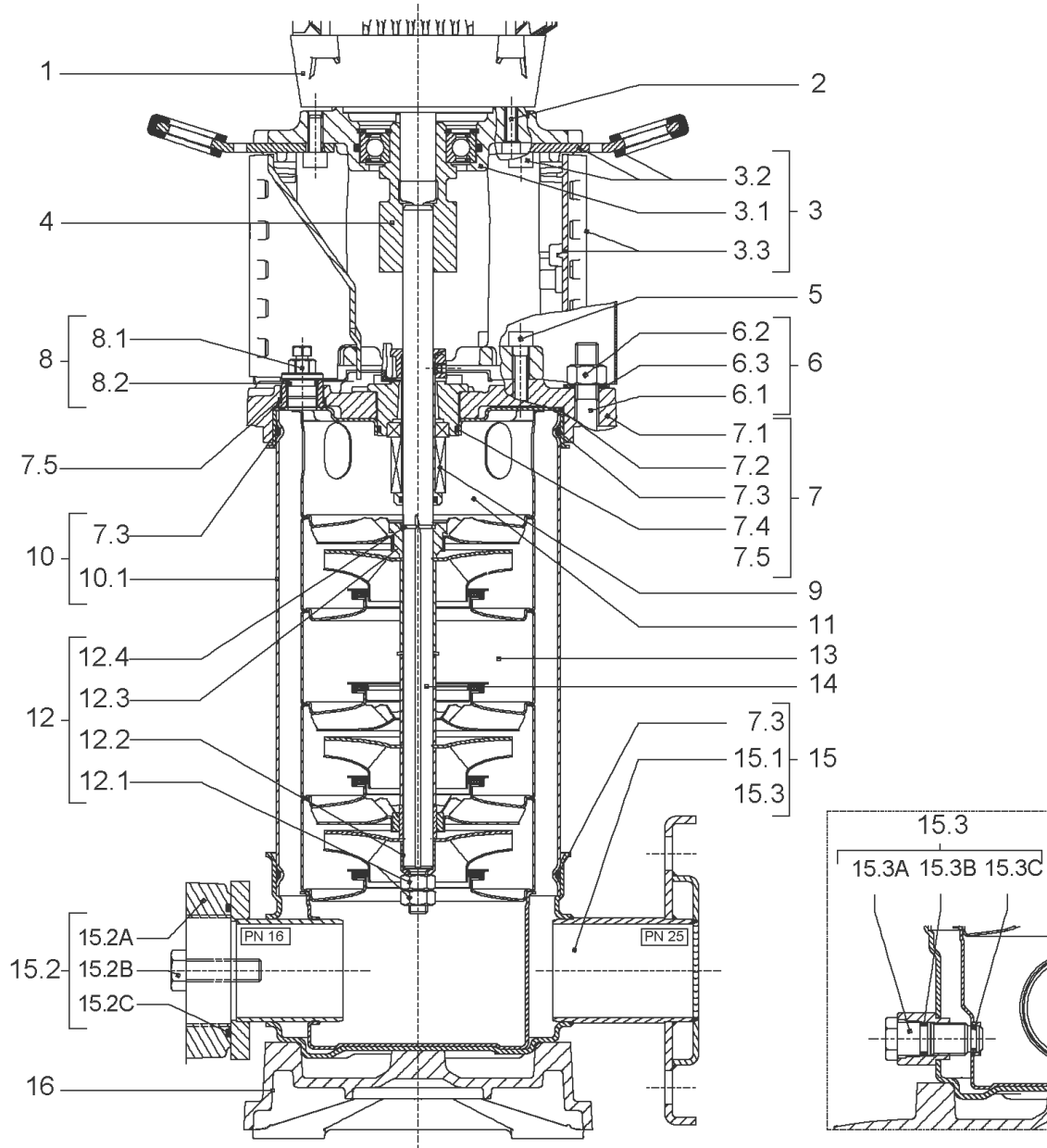
CARTRIDGE HELIX6-10-16 F/V KIT (4159700)

Item	Article no.	Description	Quantity
9.1	4159701	SEAL-KIT-HELIX6-10-16 F/V	1
7.3	4177887	> O-RING ID.145,65X3,53 VITON VP.	1
7.4	4177888	> O-RING ID.37.6xØ2.4 VITON VP.	1
9.1A	2131025	> MECH.SEAL HELIX2-4-6-10-16 F/V VP.	1
9.1B	2131027	> O-RING D.16XD.2,5 FKM VP.	1
9.1C	4177889	> O-RING ID.16x1.25 VITON VP.	1
9.2	2130961	SHAFT SLEEVE D.18/16X72,2 1.4404 VP.	1
9.3	2131024	RING HOLDER D.18 G606/G6 1.4404 VP.	1
9.4	4176520	SCREW CH M5x5 A4-70 (3PIECES)	1
9.5	2130963	DRIVE RING D.29/18x12,4 MACH.VP.	1
9.6	2130964	TOOL M.S.CART.HELIX VP.	1
9.7	2130965	SCREW CHC M5X12 ISO4762 A2.70(4 PIECES)	1



HYDRAULIC HELIX V 602 316 L

Item	Article no.	Description	Quantity
13.1	4174336	STAGE HELIX6 1.4404 KIT	1
		> MACH.STG-CASING-WOGV-WNR-M+6-316	1
		> IMPELLER-M+6-316	1
13.2	4174338	INTERMEDIATE STAGE HELIX 6 1.4404 KIT	1
		> MACH.BEARING-STG-CASING-WNR-M+6-316	1
		> IMPELLER-M+6-316	1
		> SHAFT SLEEVE-SPACER-Ø19,35x18,465-316	1
		> SHAFT-SLEEVE-D16xD20x18-CW	1

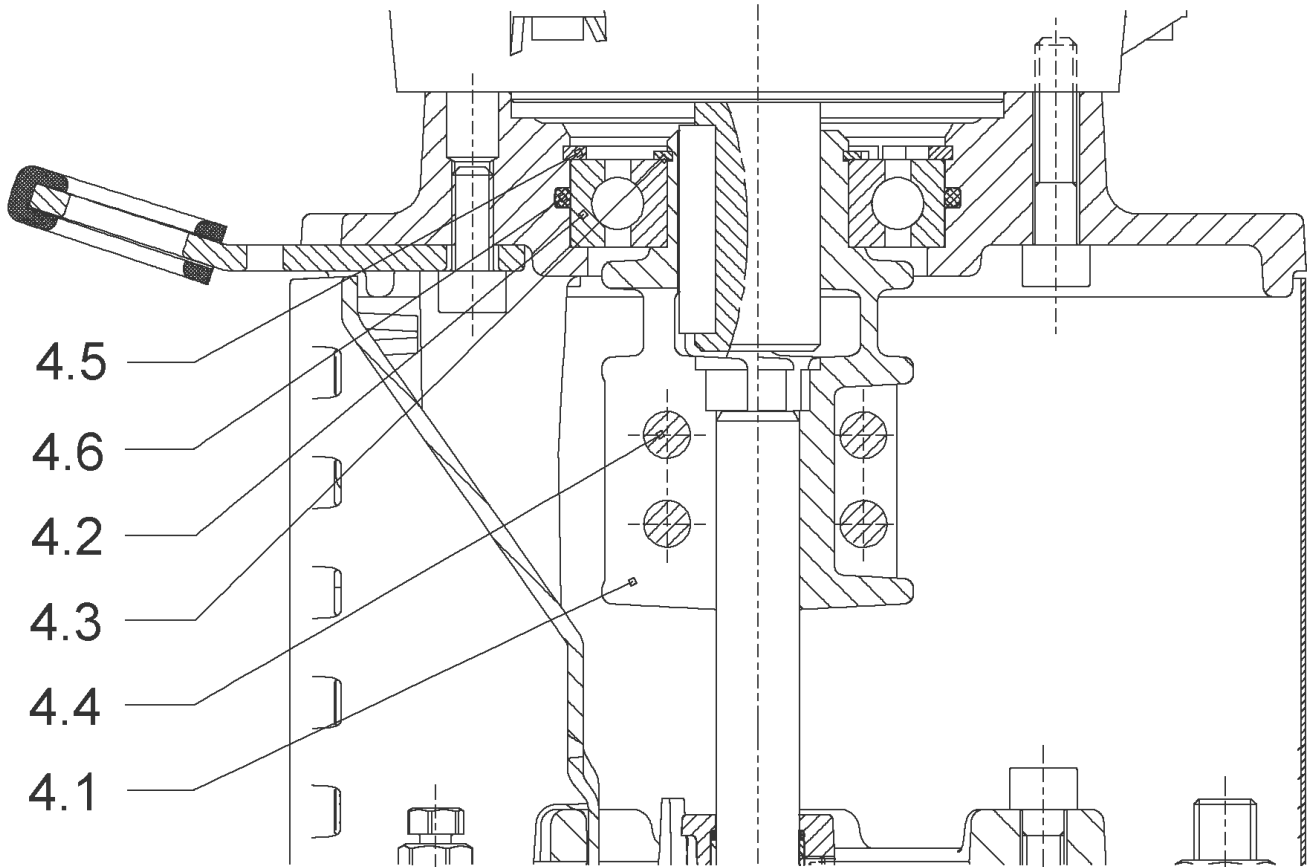


HELIX V603-2/25/V/KS/400-50 (4156064)

Item	Article no.	Description	Quantity
1	4169939	MO.0,55/2/71 3~400V 50HZ 460V 60HZ IE2VP	1
		SPARE PARTS MOTOR:ON REQUEST	1
2	4159702	SCREW M6X30 (4 PIECES)	1
3	4171323	LANTERN FT85 HELIX KIT	1
3.1		> LANTERN FT85 M+6" GJL MACHINING+CATA	1
3.2	2127604	> EYELET CPL.FT HELIX(2 PIECES)	1
3.3	4159692	> COUPLING PROTECTOR FT HELIX KIT	1
4	4171328	COUPLING FT 85 KIT	1
5	4159707	SCREW M8X30 (4 PIECES)	1
6	4177812	STUD BOLT M12X300KIT	1
6.1		> TIE BOLT M12-300x18x30-1.4057	1
6.2	2094647	> NUT M12 M12 ISO4032 VP.	1
6.3	2123557	> WASHER CS-12.4-24-1.6-NFE25 (4 PIECES)	1
7	4159783	END SHIELD HELIX FKM 1.4404 KIT	1
7.1		> END SHIELD M+6" GJL250 MACHINING+CATA	1
7.2	2131056	> STATIONARY RING HOLDER 6" HELIX 1.4404 V	1
7.3	4234237	> O-RING 139X3 VITON VP.	1
7.4	2131026	> O-RING ID.37,6X2,4 FKM VP.	1
7.5	2131057	> O-RING ID.21,35X2 FKM VP.	1
8	4159784	FILING/PURGING PLUG HELIX FKM KIT	1
9	4159700	CARTRIDGE HELIX6-10-16 F/V KIT	1
10	4177918	HOUSING PIPES D.152X172 1.4404 KIT	1
7.3	4234237	> O-RING 139X3 VITON VP.	1
10.1		> HOUSING-PIPE Ø152-M+1003-316L	1
11	4174337	CENTERING STAGE-RETURN HELIX10 1.4404VP.	1
12	4174085	SHAFTS EQUIPMENT HELIX V6 BI BLOC KIT	1
12.1		> NUT-H-M10-A4.70	1
12.2		> SERRATED LOCK WASHER M+6M3-316L	1
12.3		> STOP COLLAR OF IMPELLER L17,9-Ø16-316L	1
12.4		> STOP-RUSH-1/2-D16xd2-M+316	1
13		HYDRAULIC HELIX V 603 316 L	1
14	4177920	SHAFT D.16X292,5 1.4404 VP.	1
15	4174333	PUMP HOUSING HELIX DN32 PN25 1.4409 KIT	1
7.3	4177887	> O-RING ID.145,65X3,53 VITON VP.	1

HELIX V603-2/25/V/KS/400-50 (4156064)

Item	Article no.	Description	Quantity
15.1		> BLASTING PPE HOUSING V-PN25-DN32-5"-316L	1
15.3	4159781	> PRIMING/DRAIN PLUG HELIX 16 FKM KIT	1
16	4177970	BASEPLATE HELIX V2/4/6 PN25 VP.	1



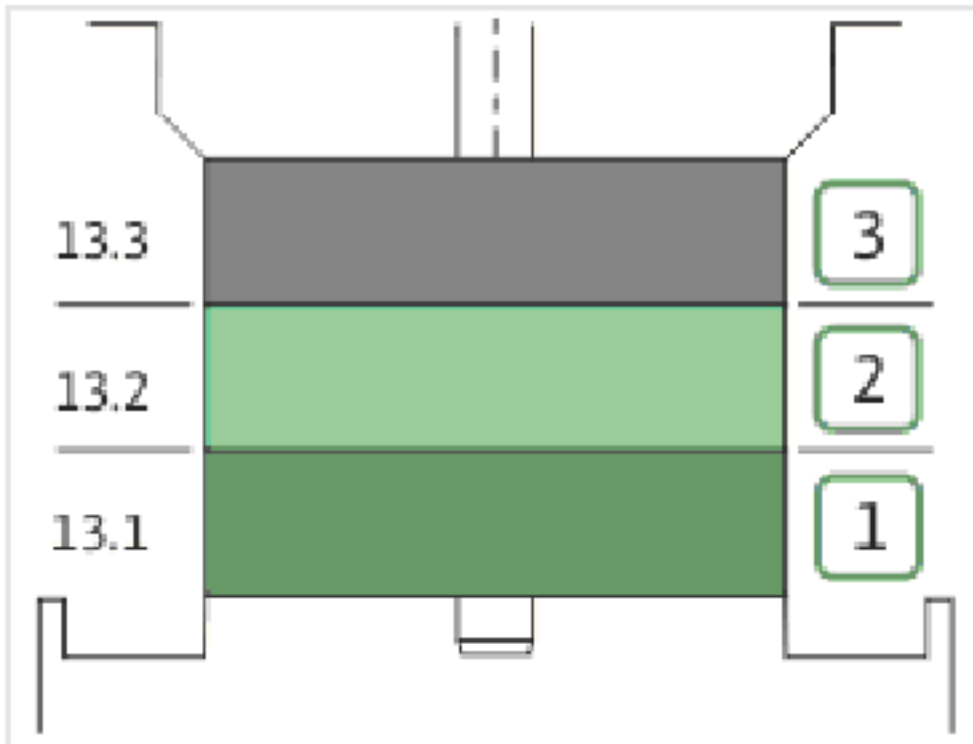
COUPLING FT 85 KIT (4171328)

Item	Article no.	Description	Quantity
4.1		COUPLING-M+ Ø16XØ14-FT85-MACHINED	1
4.2	4177802	BALL BEARING 6205C3-ZZ HTVP.	1
4.3	4208923	CIRCLIP D25X1.2 VP.	1
4.4	4212716	SCREW M6X20 KIT (4PIECES)	1
4.5	4233124	CIRCLIP-FOR-BORES-D52x2 VP.	1
4.6	4234244	O-RING 52X2 VP.	1



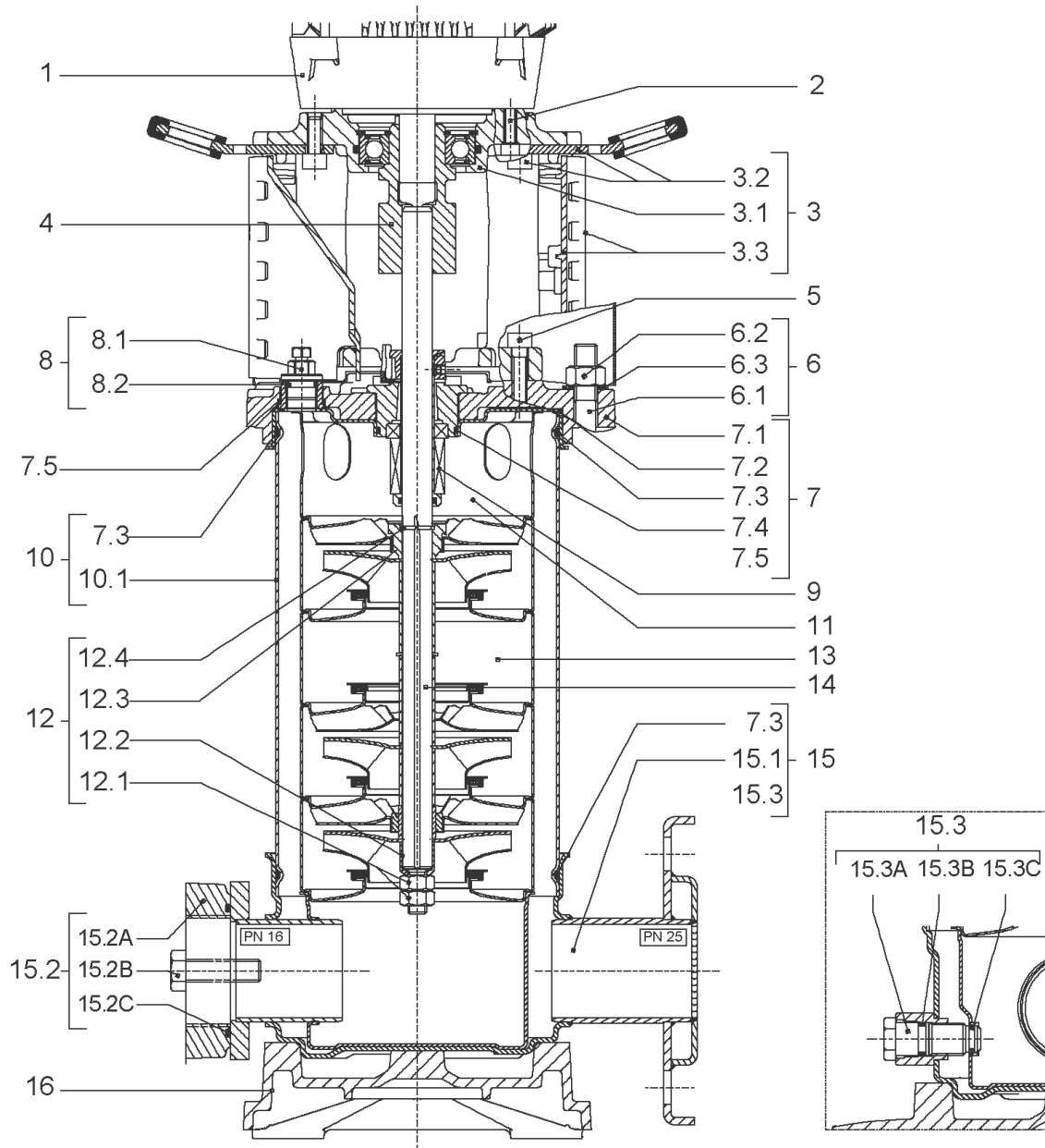
CARTRIDGE HELIX6-10-16 F/V KIT (4159700)

Item	Article no.	Description	Quantity
9.1	4159701	SEAL-KIT-HELIX6-10-16 F/V	1
7.3	4177887	> O-RING ID.145,65X3,53 VITON VP.	1
7.4	4177888	> O-RING ID.37.6xØ2.4 VITON VP.	1
9.1A	2131025	> MECH.SEAL HELIX2-4-6-10-16 F/V VP.	1
9.1B	2131027	> O-RING D.16XD.2,5 FKM VP.	1
9.1C	4177889	> O-RING ID.16x1.25 VITON VP.	1
9.2	2130961	SHAFT SLEEVE D.18/16X72,2 1.4404 VP.	1
9.3	2131024	RING HOLDER D.18 G606/G6 1.4404 VP.	1
9.4	4176520	SCREW CH M5x5 A4-70 (3PIECES)	1
9.5	2130963	DRIVE RING D.29/18x12,4 MACH.VP.	1
9.6	2130964	TOOL M.S.CART.HELIX VP.	1
9.7	2130965	SCREW CHC M5X12 ISO4762 A2.70(4 PIECES)	1



HYDRAULIC HELIX V 603 316 L

Item	Article no.	Description	Quantity
13.1	4174336	STAGE HELIX6 1.4404 KIT	1
		> MACH.STG-CASING-WOGV-WNR-M+6-316	1
		> IMPELLER-M+6-316	1
13.2	4174338	INTERMEDIATE STAGE HELIX 6 1.4404 KIT	1
		> MACH.BEARING-STG-CASING-WNR-M+6-316	1
		> IMPELLER-M+6-316	1
		> SHAFT SLEEVE-SPACER-Ø19,35x18,465-316	1
		> SHAFT-SLEEVE-D16xD20x18-CW	1
13.3	4174339	INTERMEDIATE STAGE HELIX 6 1.4404 KIT	1
		> MACH.STD-STG-CASING-WGV+NR-M+6-316	1
		> IMPELLER-M+6-316	1
		> IMPELLER SPACER Ø16,05X19,45-L36,465-316	1



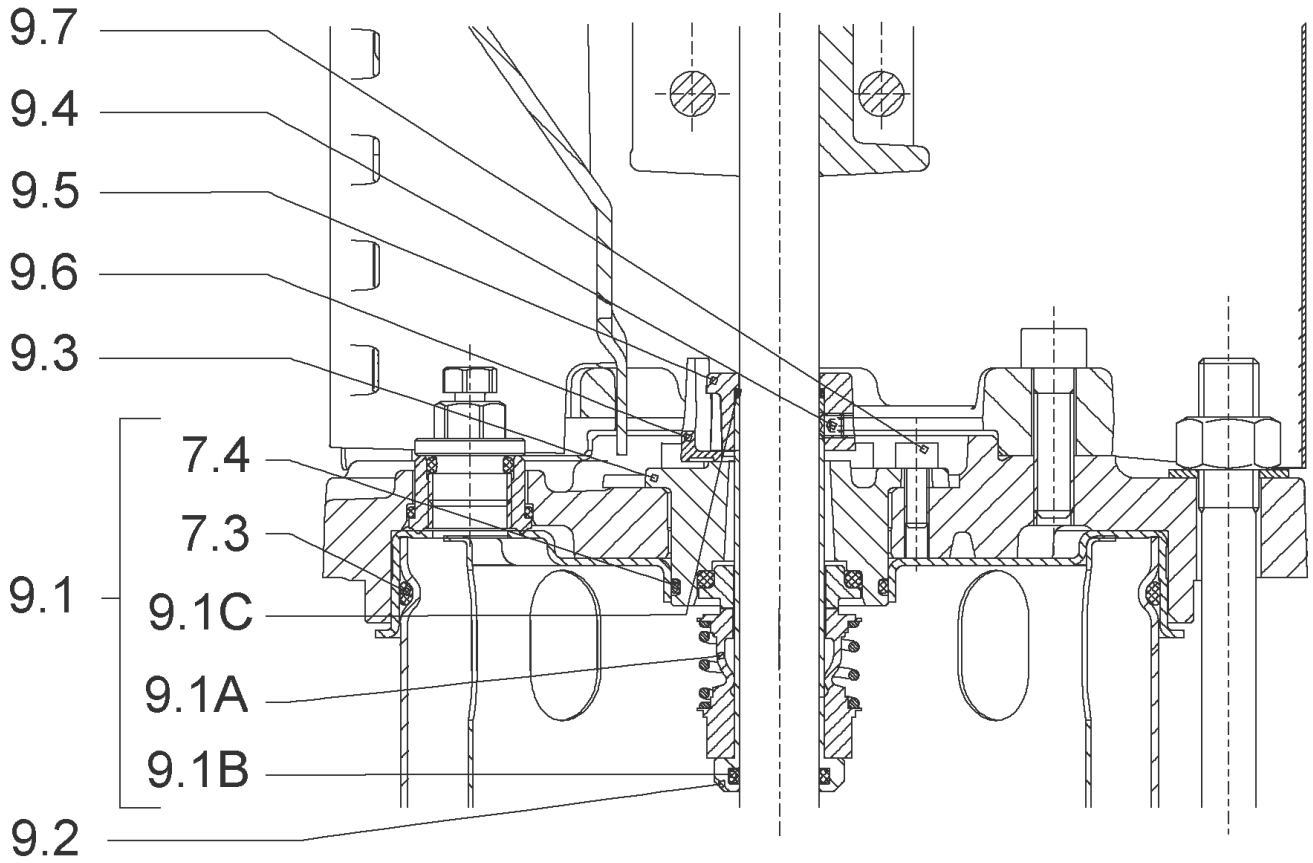
HELIX V604-2/25/V/KS/400-50 (4156065)

Item	Article no.	Description	Quantity
1	4169940	MOTOR 0,75/2/80 3~230/400V 50HZ IE3 VP.	1
		SPARE PARTS MOTOR:ON REQUEST	1
2	4159702	SCREW M6X30 (4 PIECES)	1
3	4172788	LANTERN FT100 HELIX KIT	1
3.1		> LANTERN FT100 M+6" GJL MACHINING+CATA	1
3.2	2127604	> EYELET CPL.FT HELIX(2 PIECES)	1
3.3	4159692	> COUPLING PROTECTOR FT HELIX KIT	1
4	4159708	COUPLING D.16XD.19 FT100 HELIX KIT	1
5	4159707	SCREW M8X30 (4 PIECES)	1
6	2127553	STUD BOLT M12X341 KIT	1
7	4159783	END SHIELD HELIX FKM 1.4404 KIT	1
7.1		> END SHIELD M+6" GJL250 MACHINING+CATA	1
7.2	2131056	> STATIONARY RING HOLDER 6" HELIX 1.4404 V	1
7.3	4234237	> O-RING 139X3 VITON VP.	1
7.4	2131026	> O-RING ID.37,6X2,4 FKM VP.	1
7.5	2131057	> O-RING ID.21,35X2 FKM VP.	1
8	4159784	FILING/PURGING PLUG HELIX FKM KIT	1
9	4159700	CARTRIDGE HELIX6-10-16 F/V KIT	1
10	4177921	HOUSING PIPES D.152X209 1.4404 KIT	1
7.3	4234237	> O-RING 139X3 VITON VP.	1
10.1		> HOUSING-PIPE Ø152-M+1004/1603-316L	1
11	4174337	CENTERING STAGE-RETURN HELIX10 1.4404VP.	1
12	4174085	SHAFTS EQUIPMENT HELIX V6 BI BLOC KIT	1
12.1		> NUT-H-M10-A4.70	1
12.2		> SERRATED LOCK WASHER M+6M3-316L	1
12.3		> STOP COLLAR OF IMPELLER L17,9-Ø16-316L	1
12.4		> STOP-RUSH-1/2-D16xd2-M+316	1
13		HYDRAULIC HELIX V 604 316 L	1
14	4177924	SHAFT D.16X330 1.4404 VP.	1
15	4174333	PUMP HOUSING HELIX DN32 PN25 1.4409 KIT	1
7.3	4177887	> O-RING ID.145,65X3,53 VITON VP.	1
15.1		> BLASTING PPE HOUSING V-PN25-DN32-5"-316L	1
15.3	4159781	> PRIMING/DRAIN PLUG HELIX 16 FKM KIT	1
16	4177970	BASEPLATE HELIX V2/4/6 PN25 VP.	1



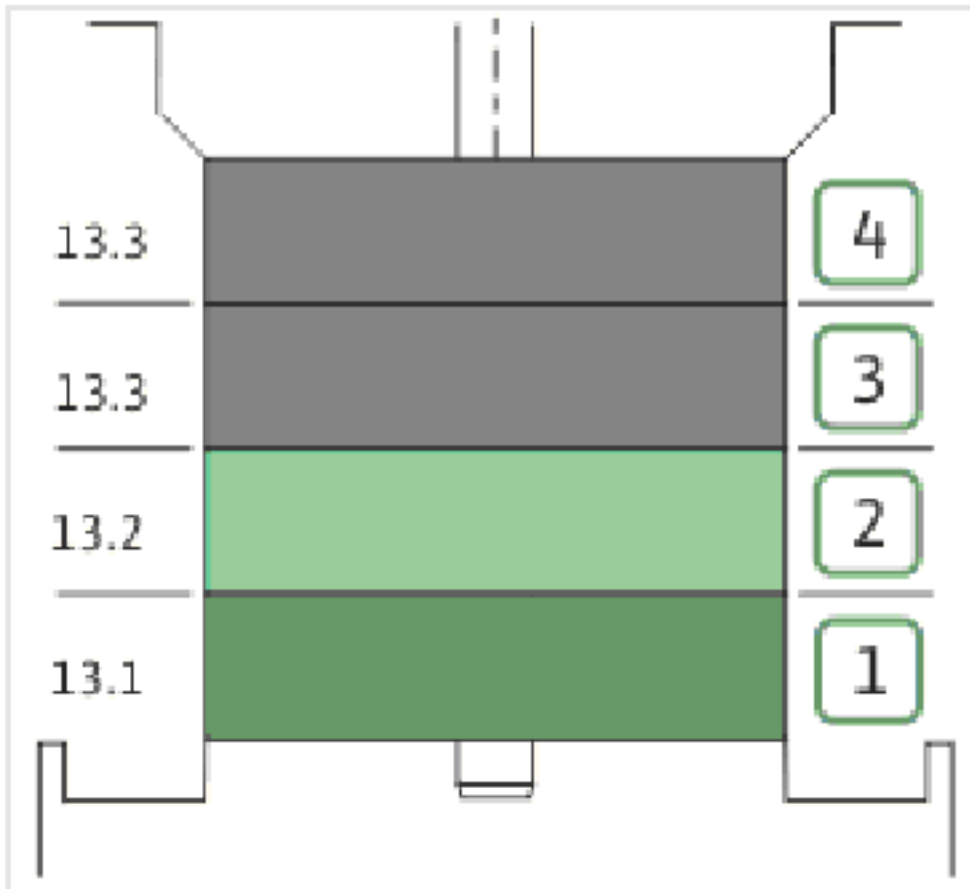
COUPLING D.16XD.19 FT100 HELIX KIT (4159708)

Item	Article no.	Description	Quantity
4.1		COUPLING M+ Ø16XØ19 FT100 MACHINED	1
4.2	2130977	BALL BEARING 6206/ZZ-C3(HT)VP.	1
4.3	4234249	CIRCLIP-FOR-SHAFT-D30x1.5 VP.	1
4.4	4212716	SCREW M6X20 KIT (4PIECES)	1
4.5	4234250	CIRCLIP-D62x2 VP.	1
4.6	4234245	O-RING 63X3 VP.	1
		CONTACT-WASHER-6ETR-6,1x12,2x1,8-STEEL	1



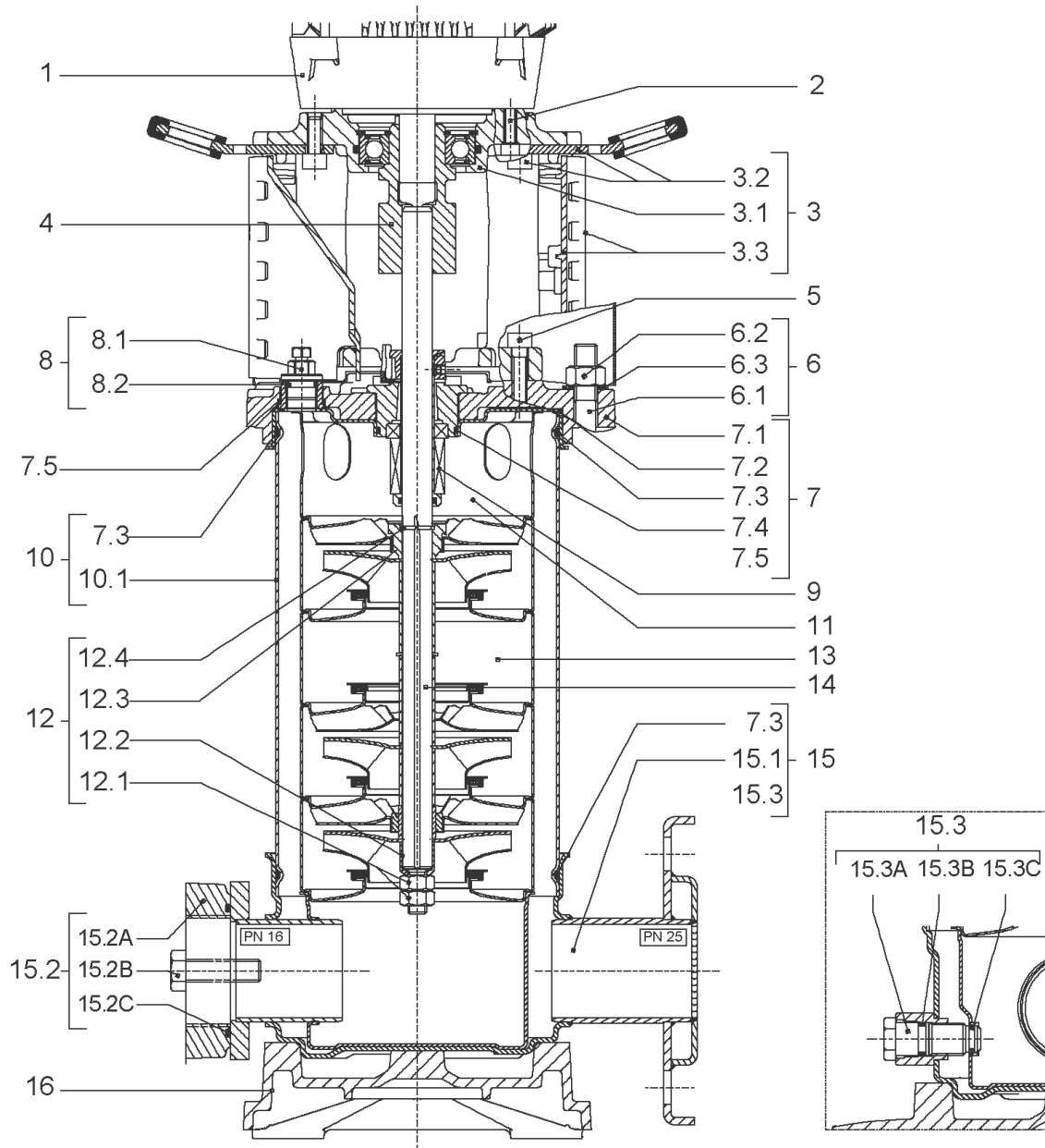
CARTRIDGE HELIX6-10-16 F/V KIT (4159700)

Item	Article no.	Description	Quantity
9.1	4159701	SEAL-KIT-HELIX6-10-16 F/V	1
7.3	4177887	> O-RING ID.145,65X3,53 VITON VP.	1
7.4	4177888	> O-RING ID.37.6xØ2.4 VITON VP.	1
9.1A	2131025	> MECH.SEAL HELIX2-4-6-10-16 F/V VP.	1
9.1B	2131027	> O-RING D.16XD.2,5 FKM VP.	1
9.1C	4177889	> O-RING ID.16x1.25 VITON VP.	1
9.2	2130961	SHAFT SLEEVE D.18/16X72,2 1.4404 VP.	1
9.3	2131024	RING HOLDER D.18 G606/G6 1.4404 VP.	1
9.4	4176520	SCREW CH M5x5 A4-70 (3PIECES)	1
9.5	2130963	DRIVE RING D.29/18x12,4 MACH.VP.	1
9.6	2130964	TOOL M.S.CART.HELIX VP.	1
9.7	2130965	SCREW CHC M5X12 ISO4762 A2.70(4 PIECES)	1



HYDRAULIC HELIX V 604 316 L

Item	Article no.	Description	Quantity
13.1	4174336	STAGE HELIX6 1.4404 KIT	1
		> MACH.STG-CASING-WOGV-WNR-M+6-316	1
		> IMPELLER-M+6-316	1
13.2	4174338	INTERMEDIATE STAGE HELIX 6 1.4404 KIT	1
		> MACH.BEARING-STG-CASING-WNR-M+6-316	1
		> IMPELLER-M+6-316	1
		> SHAFT SLEEVE-SPACER-Ø19,35x18,465-316	1
		> SHAFT-SLEEVE-D16xD20x18-CW	1
13.3	4174339	INTERMEDIATE STAGE HELIX 6 1.4404 KIT	1
		> MACH.STD-STG-CASING-WGV+NR-M+6-316	1
		> IMPELLER-M+6-316	1
		> IMPELLER SPACER Ø16,05X19,45-L36,465-316	1



HELIX V605-2/25/V/KS/400-50 (4156066)

Item	Article no.	Description	Quantity
1	4169941	MOTOR 1,1/2/80 3~230/400V 50HZ IE3 VP.	1
		SPARE PARTS MOTOR:ON REQUEST	1
2	4159702	SCREW M6X30 (4 PIECES)	1
3	4172788	LANTERN FT100 HELIX KIT	1
3.1		> LANTERN FT100 M+6" GJL MACHINING+CATA	1
3.2	2127604	> EYELET CPL.FT HELIX(2 PIECES)	1
3.3	4159692	> COUPLING PROTECTOR FT HELIX KIT	1
4	4159708	COUPLING D.16XD.19 FT100 HELIX KIT	1
5	4159707	SCREW M8X30 (4 PIECES)	1
6	2018576	STUD BOLT M12X377 KIT	1
6.1		> TIE BOLT M12-377x18x30-1.4057	1
6.2	2094647	> NUT M12 M12 ISO4032 VP.	1
6.3	2123557	> WASHER CS-12.4-24-1.6-NFE25 (4 PIECES)	1
7	4159783	END SHIELD HELIX FKM 1.4404 KIT	1
7.1		> END SHIELD M+6" GJL250 MACHINING+CATA	1
7.2	2131056	> STATIONARY RING HOLDER 6" HELIX 1.4404 V	1
7.3	4234237	> O-RING 139X3 VITON VP.	1
7.4	2131026	> O-RING ID.37,6X2,4 FKM VP.	1
7.5	2131057	> O-RING ID.21,35X2 FKM VP.	1
8	4159784	FILING/PURGING PLUG HELIX FKM KIT	1
9	4159700	CARTRIDGE HELIX6-10-16 F/V KIT	1
10	4177925	HOUSING PIPES D.152X247 1.4404 KIT	1
11	4174337	CENTERING STAGE-RETURN HELIX10 1.4404VP.	1
12	4174085	SHAFTS EQUIPMENT HELIX V6 BI BLOC KIT	1
12.1		> NUT-H-M10-A4.70	1
12.2		> SERRATED LOCK WASHER M+6M3-316L	1
12.3		> STOP COLLAR OF IMPELLER L17,9-Ø16-316L	1
12.4		> STOP-RUSH-1/2-D16xd2-M+316	1
13		HYDRAULIC HELIX V 605 316 L	1
14	4177926	SHAFT D.16X367,5 1.4404 VP.	1
15	4174333	PUMP HOUSING HELIX DN32 PN25 1.4409 KIT	1
7.3	4177887	> O-RING ID.145,65X3,53 VITON VP.	1
15.1		> BLASTING PPE HOUSING V-PN25-DN32-5"-316L	1
15.3	4159781	> PRIMING/DRAIN PLUG HELIX 16 FKM KIT	1

HELIX V605-2/25/V/KS/400-50 (4156066)

Item	Article no.	Description	Quantity
16	4177970	BASEPLATE HELIX V2/4/6 PN25 VP.	1



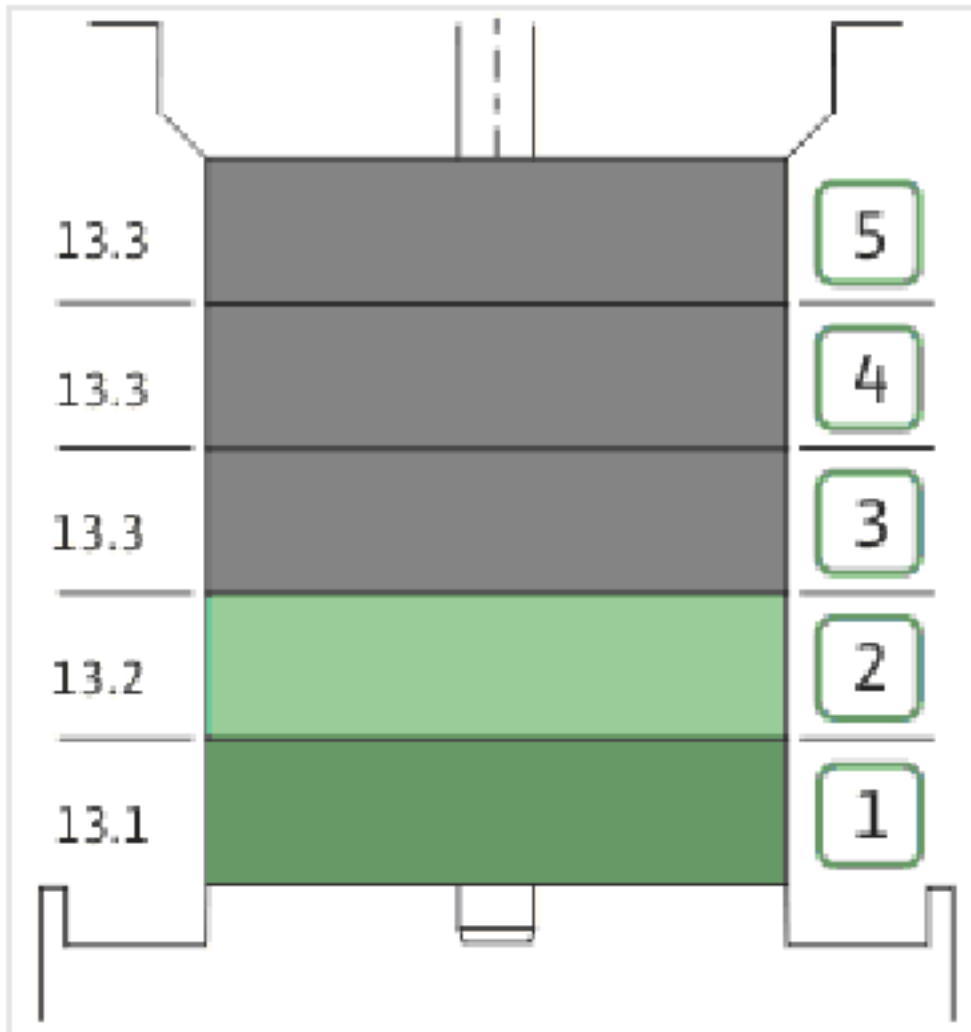
COUPLING D.16XD.19 FT100 HELIX KIT (4159708)

Item	Article no.	Description	Quantity
4.1		COUPLING M+ Ø16XØ19 FT100 MACHINED	1
4.2	2130977	BALL BEARING 6206/ZZ-C3(HT)VP.	1
4.3	4234249	CIRCLIP-FOR-SHAFT-D30x1.5 VP.	1
4.4	4212716	SCREW M6X20 KIT (4PIECES)	1
4.5	4234250	CIRCLIP-D62x2 VP.	1
4.6	4234245	O-RING 63X3 VP.	1
		CONTACT-WASHER-6ETR-6,1x12,2x1,8-STEEL	1



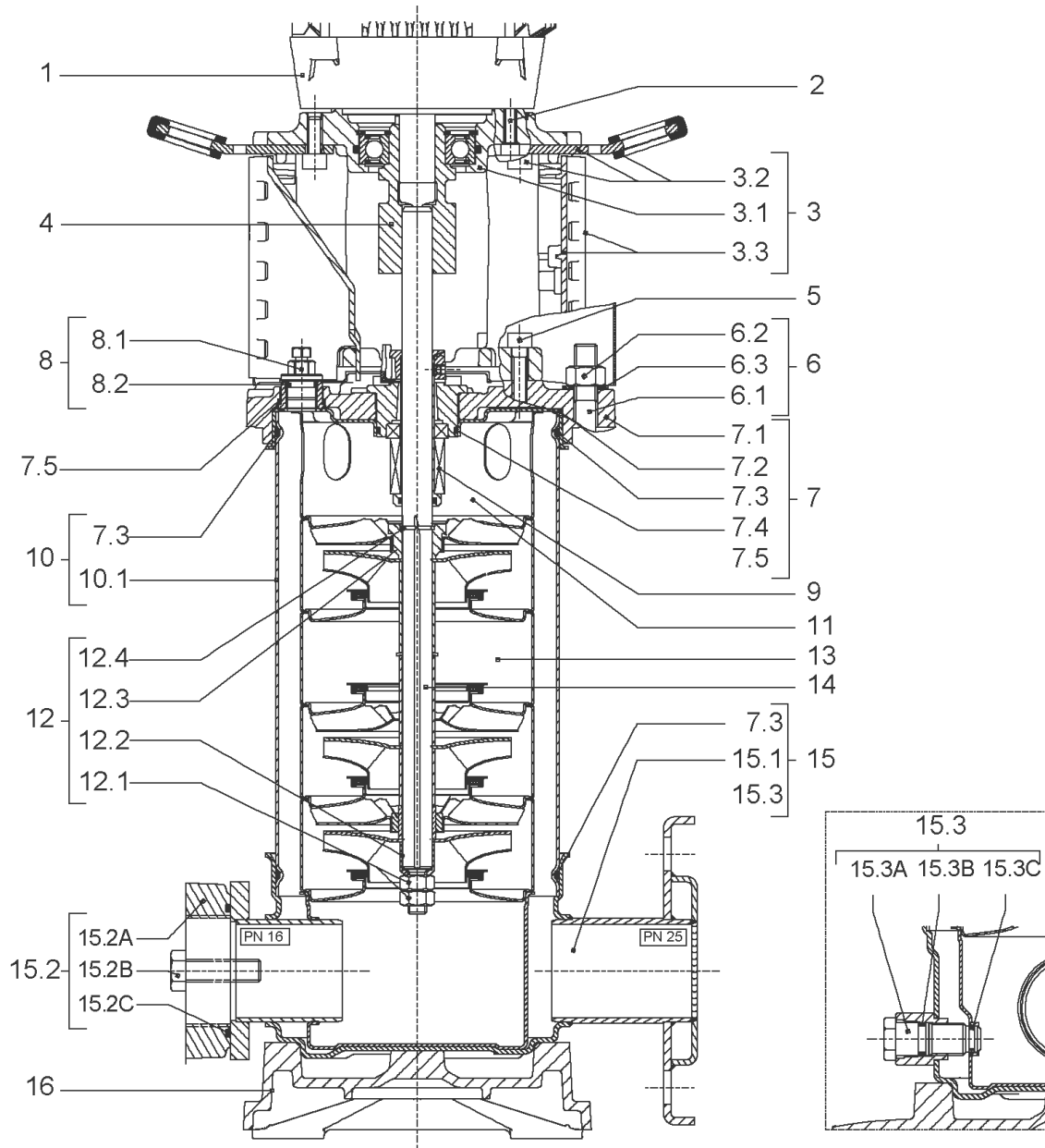
CARTRIDGE HELIX6-10-16 F/V KIT (4159700)

Item	Article no.	Description	Quantity
9.1	4159701	SEAL-KIT-HELIX6-10-16 F/V	1
7.3	4177887	> O-RING ID.145,65X3,53 VITON VP.	1
7.4	4177888	> O-RING ID.37.6xØ2.4 VITON VP.	1
9.1A	2131025	> MECH.SEAL HELIX2-4-6-10-16 F/V VP.	1
9.1B	2131027	> O-RING D.16XD.2,5 FKM VP.	1
9.1C	4177889	> O-RING ID.16x1.25 VITON VP.	1
9.2	2130961	SHAFT SLEEVE D.18/16X72,2 1.4404 VP.	1
9.3	2131024	RING HOLDER D.18 G606/G6 1.4404 VP.	1
9.4	4176520	SCREW CH M5x5 A4-70 (3PIECES)	1
9.5	2130963	DRIVE RING D.29/18x12,4 MACH.VP.	1
9.6	2130964	TOOL M.S.CART.HELIX VP.	1
9.7	2130965	SCREW CHC M5X12 ISO4762 A2.70(4 PIECES)	1



HYDRAULIC HELIX V 605 316 L

Item	Article no.	Description	Quantity
13.1	4174336	STAGE HELIX6 1.4404 KIT	1
		> MACH.STG-CASING-WOGV-WNR-M+6-316	1
		> IMPELLER-M+6-316	1
13.2	4174338	INTERMEDIATE STAGE HELIX 6 1.4404 KIT	1
		> MACH.BEARING-STG-CASING-WNR-M+6-316	1
		> IMPELLER-M+6-316	1
		> SHAFT SLEEVE-SPACER-Ø19,35x18,465-316	1
		> SHAFT-SLEEVE-D16xD20x18-CW	1
13.3	4174339	INTERMEDIATE STAGE HELIX 6 1.4404 KIT	1
		> MACH.STD-STG-CASING-WGV+NR-M+6-316	1
		> IMPELLER-M+6-316	1
		> IMPELLER SPACER Ø16,05X19,45-L36,465-316	1



HELIX V606-2/25/V/KS/400-50 (4156067)

Item	Article no.	Description	Quantity
1	4169941	MOTOR 1,1/2/80 3~230/400V 50HZ IE3 VP.	1
		SPARE PARTS MOTOR:ON REQUEST	1
2	4159702	SCREW M6X30 (4 PIECES)	1
3	4172788	LANTERN FT100 HELIX KIT	1
3.1		> LANTERN FT100 M+6" GJL MACHINING+CATA	1
3.2	2127604	> EYELET CPL.FT HELIX(2 PIECES)	1
3.3	4159692	> COUPLING PROTECTOR FT HELIX KIT	1
4	4159708	COUPLING D.16XD.19 FT100 HELIX KIT	1
5	4159707	SCREW M8X30 (4 PIECES)	1
6	4177822	STUD BOLT M12X413 KIT	1
6.1		> TIE BOLT M12-413x18x30-1.4057	1
6.2	2094647	> NUT M12 M12 ISO4032 VP.	1
6.3	2123557	> WASHER CS-12.4-24-1.6-NFE25 (4 PIECES)	1
7	4159783	END SHIELD HELIX FKM 1.4404 KIT	1
7.1		> END SHIELD M+6" GJL250 MACHINING+CATA	1
7.2	2131056	> STATIONARY RING HOLDER 6" HELIX 1.4404 V	1
7.3	4234237	> O-RING 139X3 VITON VP.	1
7.4	2131026	> O-RING ID.37,6X2,4 FKM VP.	1
7.5	2131057	> O-RING ID.21,35X2 FKM VP.	1
8	4159784	FILING/PURGING PLUG HELIX FKM KIT	1
9	4159700	CARTRIDGE HELIX6-10-16 F/V KIT	1
10	4172796	HOUSING PIPE D.152x285 1.4404 KIT	1
7.3	4234237	> O-RING 139X3 VITON VP.	1
10.1		> HOUSING-PIPE Ø152-M+1006-316L	1
11	4174337	CENTERING STAGE-RETURN HELIX10 1.4404VP.	1
12	4174085	SHAFTS EQUIPMENT HELIX V6 BI BLOC KIT	1
12.1		> NUT-H-M10-A4.70	1
12.2		> SERRATED LOCK WASHER M+6M3-316L	1
12.3		> STOP COLLAR OF IMPELLER L17,9-Ø16-316L	1
12.4		> STOP-RUSH-1/2-D16xd2-M+316	1
13		HYDRAULICHELIX V 606 316 L	1
14	4177922	SHAFT D.16X405 1.4404 VP.	1
		> MACH.BEARING-STG-CASING-WNR-M+10-316	1
		> IMPELLER-H1-M+10-316	1

HELIX V606-2/25/V/KS/400-50 (4156067)

Item	Article no.	Description	Quantity
		> SHAFT SLEEVE-SPACER-Ø19,35x18,465-316	1
		> SHAFT-SLEEVE-D16xD20x18-CW	1
15	4174333	PUMP HOUSING HELIX DN32 PN25 1.4409 KIT	1
7.3	4177887	> O-RING ID.145,65X3,53 VITON VP.	1
15.1		> BLASTING PPE HOUSING V-PN25-DN32-5"-316L	1
15.3	4159781	> PRIMING/DRAIN PLUG HELIX 16 FKM KIT	1
16	4177970	BASEPLATE HELIX V2/4/6 PN25 VP.	1



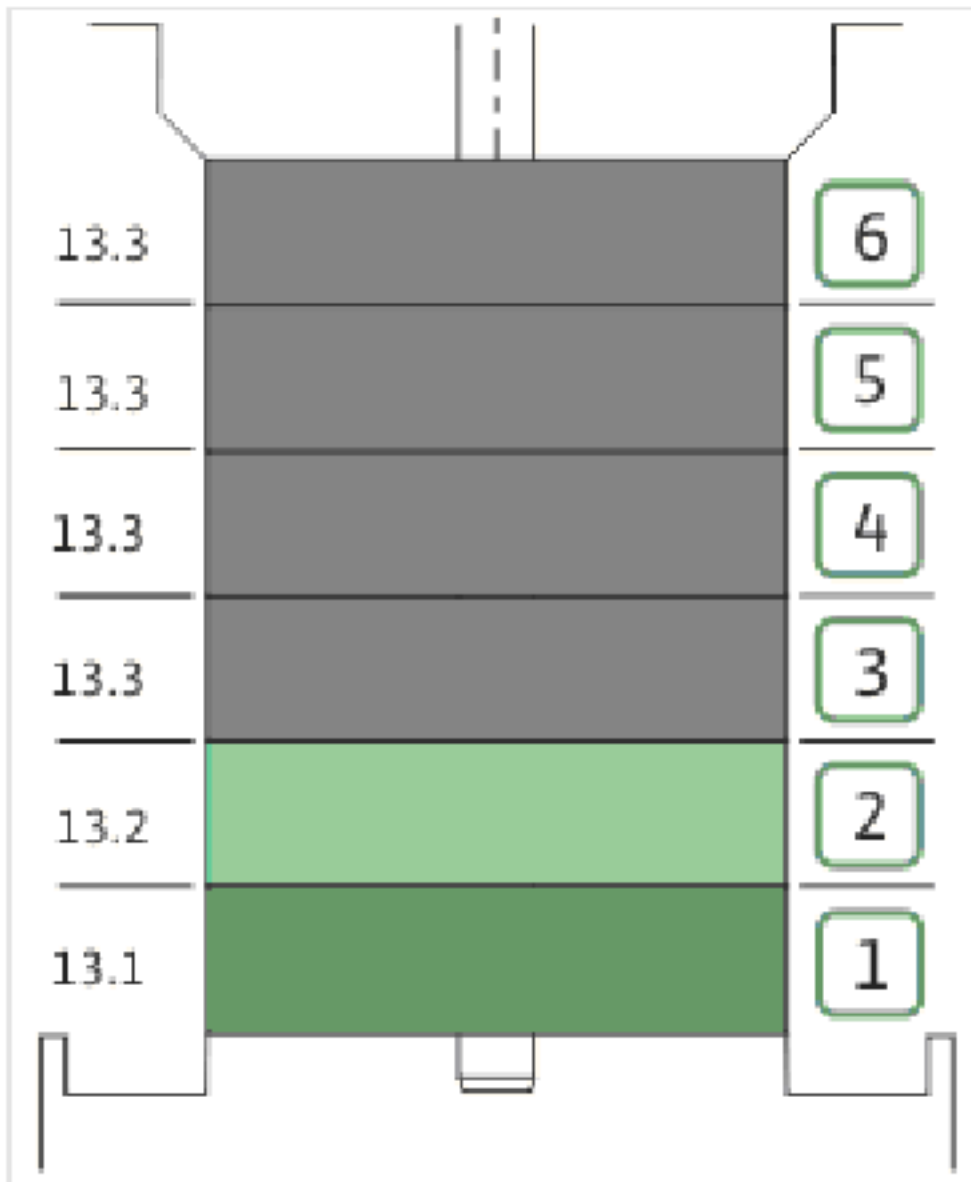
COUPLING D.16XD.19 FT100 HELIX KIT (4159708)

Item	Article no.	Description	Quantity
4.1		COUPLING M+ Ø16XØ19 FT100 MACHINED	1
4.2	2130977	BALL BEARING 6206/ZZ-C3(HT)VP.	1
4.3	4234249	CIRCLIP-FOR-SHAFT-D30x1.5 VP.	1
4.4	4212716	SCREW M6X20 KIT (4PIECES)	1
4.5	4234250	CIRCLIP-D62x2 VP.	1
4.6	4234245	O-RING 63X3 VP.	1
		CONTACT-WASHER-6ETR-6,1x12,2x1,8-STEEL	1

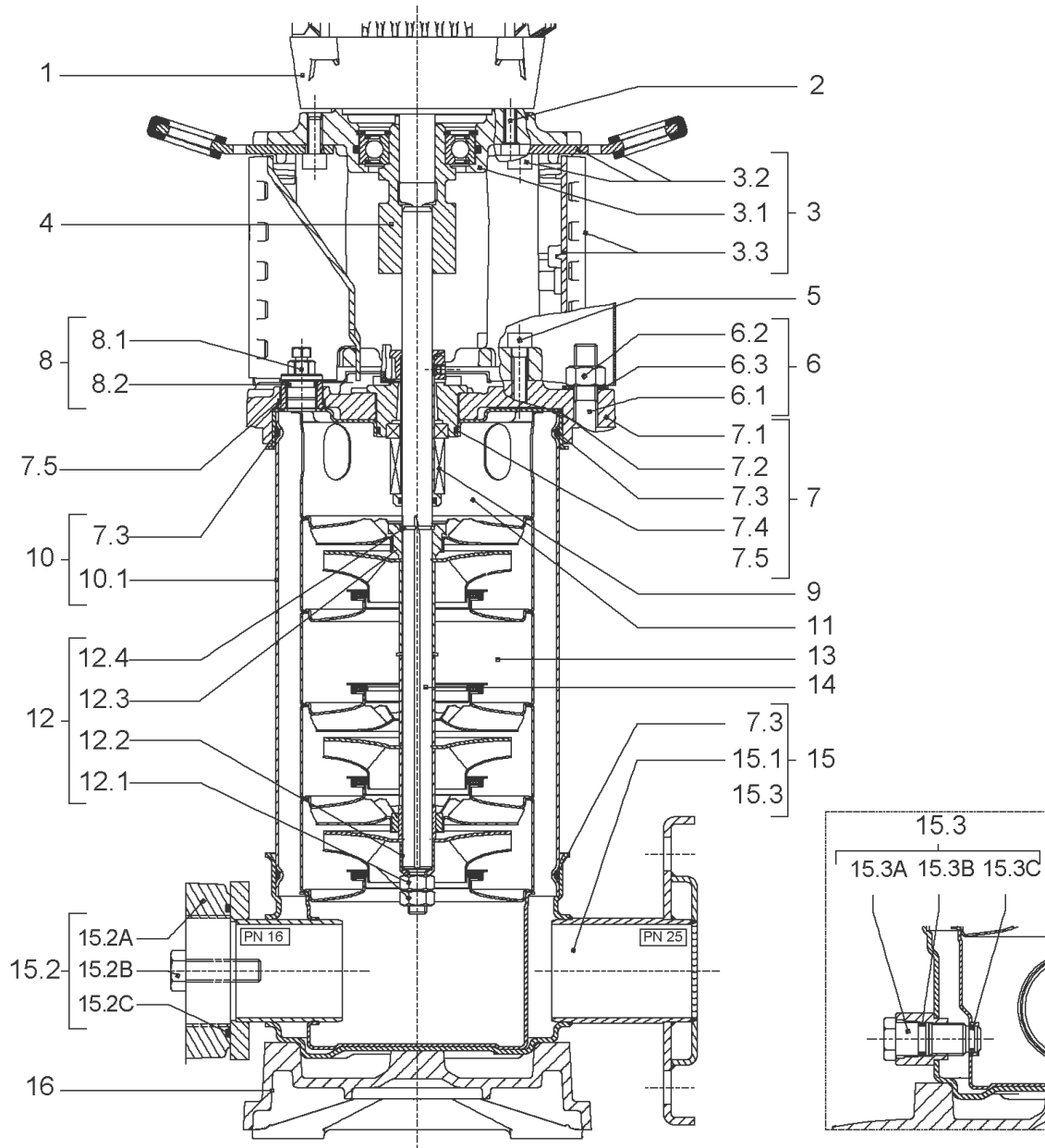


CARTRIDGE HELIX6-10-16 F/V KIT (4159700)

Item	Article no.	Description	Quantity
9.1	4159701	SEAL-KIT-HELIX6-10-16 F/V	1
7.3	4177887	> O-RING ID.145,65X3,53 VITON VP.	1
7.4	4177888	> O-RING ID.37.6xØ2.4 VITON VP.	1
9.1A	2131025	> MECH.SEAL HELIX2-4-6-10-16 F/V VP.	1
9.1B	2131027	> O-RING D.16XD.2,5 FKM VP.	1
9.1C	4177889	> O-RING ID.16x1.25 VITON VP.	1
9.2	2130961	SHAFT SLEEVE D.18/16X72,2 1.4404 VP.	1
9.3	2131024	RING HOLDER D.18 G606/G6 1.4404 VP.	1
9.4	4176520	SCREW CH M5x5 A4-70 (3PIECES)	1
9.5	2130963	DRIVE RING D.29/18x12,4 MACH.VP.	1
9.6	2130964	TOOL M.S.CART.HELIX VP.	1
9.7	2130965	SCREW CHC M5X12 ISO4762 A2.70(4 PIECES)	1



Item	Article no.	Description	Quantity
13.1	4174336	STAGE HELIX6 1.4404 KIT	1
		> MACH.STG-CASING-WOGV-WNR-M+6-316	1
		> IMPELLER-M+6-316	1
13.2	4174338	INTERMEDIATE STAGE HELIX 6 1.4404 KIT	1
		> MACH.BEARING-STG-CASING-WNR-M+6-316	1
		> IMPELLER-M+6-316	1
		> SHAFT SLEEVE-SPACER-Ø19,35x18,465-316	1
		> SHAFT-SLEEVE-D16xD20x18-CW	1
13.3	4174339	INTERMEDIATE STAGE HELIX 6 1.4404 KIT	1
		> MACH.STD-STG-CASING-WGV+NR-M+6-316	1
		> IMPELLER-M+6-316	1
		> IMPELLER SPACER Ø16,05X19,45-L36,465-316	1



HELIX V607-2/25/V/KS/400-50 (4156068)

Item	Article no.	Description	Quantity
1	4169942	MO.1,5/2 3~230/400(440)V 50(60)HZ IE3 VP	1
		SPARE PARTS MOTOR:ON REQUEST	1
2	4159703	SCREW M8X40 (4 PIECES)	1
3	4159690	LANTERN FT115 HELIX KIT	1
3.1		> LANTERN FT115 M+6" GJL MACHINING+CATA	1
3.2	2127604	> EYELET CPL.FT HELIX(2 PIECES)	1
3.3	4159692	> COUPLING PROTECTOR FT HELIX KIT	1
4	4159709	COUPLING D.16xD.24 FT115 HELIX KIT	1
5	4159707	SCREW M8X30 (4 PIECES)	1
6	4177806	STUD BOLT M12X450KIT	1
6.1		> TIE BOLT M12-450x18x30-1.4057	1
6.2	2094647	> NUT M12 M12 ISO4032 VP.	1
6.3	2123557	> WASHER CS-12.4-24-1.6-NFE25 (4 PIECES)	1
7	4159783	END SHIELD HELIX FKM 1.4404 KIT	1
7.1		> END SHIELD M+6" GJL250 MACHINING+CATA	1
7.2	2131056	> STATIONARY RING HOLDER 6" HELIX 1.4404 V	1
7.3	4234237	> O-RING 139X3 VITON VP.	1
7.4	2131026	> O-RING ID.37,6X2,4 FKM VP.	1
7.5	2131057	> O-RING ID.21,35X2 FKM VP.	1
8	4159784	FILING/PURGING PLUG HELIX FKM KIT	1
9	4159700	CARTRIDGE HELIX6-10-16 F/V KIT	1
10	4177929	HOUSING PIPES D.152X322 1.4404 KIT	1
7.3	4234237	> O-RING 139X3 VITON VP.	1
10.1		> HOUSING-PIPE Ø152-M+1007-316L	1
11	4174337	CENTERING STAGE-RETURN HELIX10 1.4404VP.	1
12	4174085	SHAFTS EQUIPMENT HELIX V6 BI BLOC KIT	1
12.1		> NUT-H-M10-A4.70	1
12.2		> SERRATED LOCK WASHER M+6M3-316L	1
12.3		> STOP COLLAR OF IMPELLER L17,9-Ø16-316L	1
12.4		> STOP-RUSH-1/2-D16xd2-M+316	1
13		HYDRAULIC HELIX V 607 316 L	1
14	4177930	SHAFT D.16X442,5 1.4404 VP.	1
15	4174333	PUMP HOUSING HELIX DN32 PN25 1.4409 KIT	1
7.3	4177887	> O-RING ID.145,65X3,53 VITON VP.	1

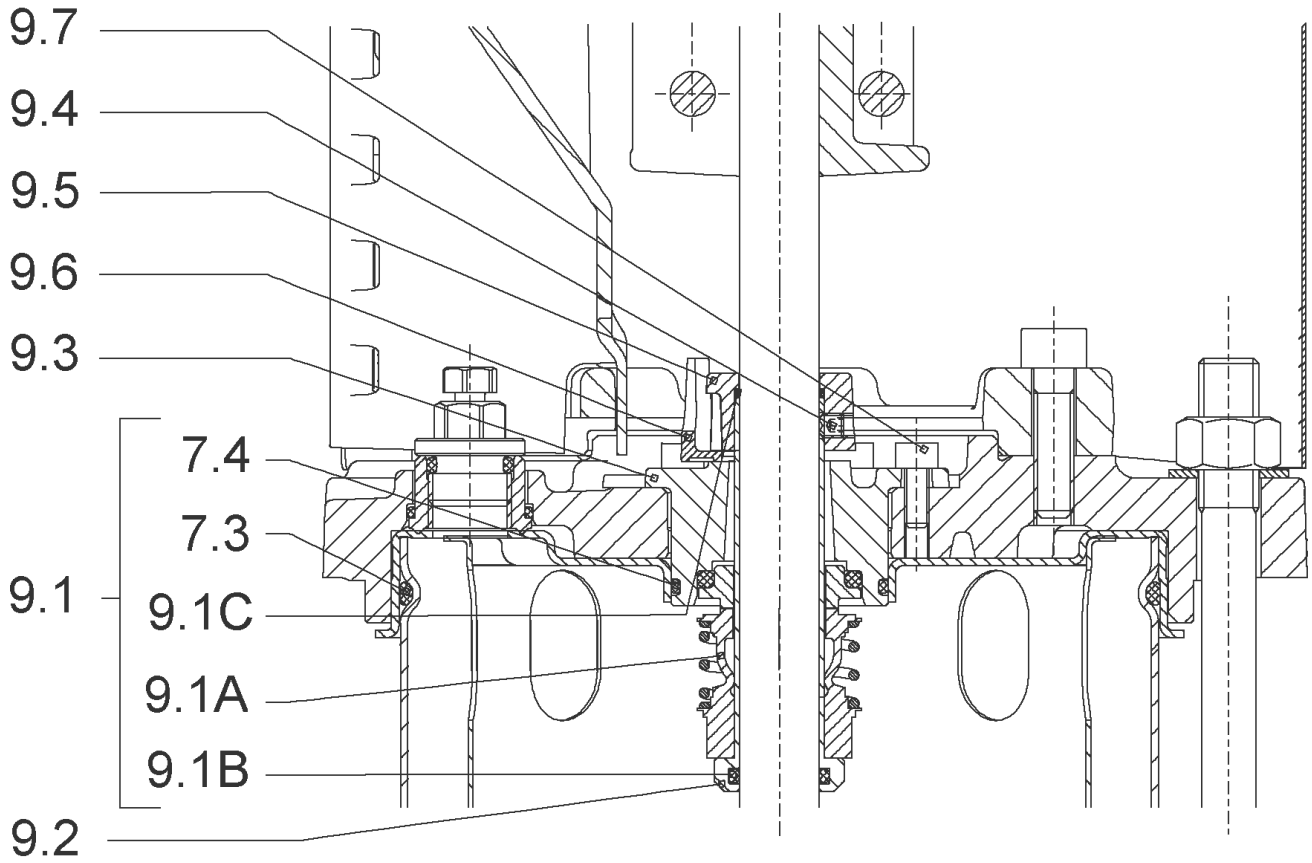
HELIX V607-2/25/V/KS/400-50 (4156068)

Item	Article no.	Description	Quantity
15.1		> BLASTING PPE HOUSING V-PN25-DN32-5"-316L	1
15.3	4159781	> PRIMING/DRAIN PLUG HELIX 16 FKM KIT	1
16	4177970	BASEPLATE HELIX V2/4/6 PN25 VP.	1



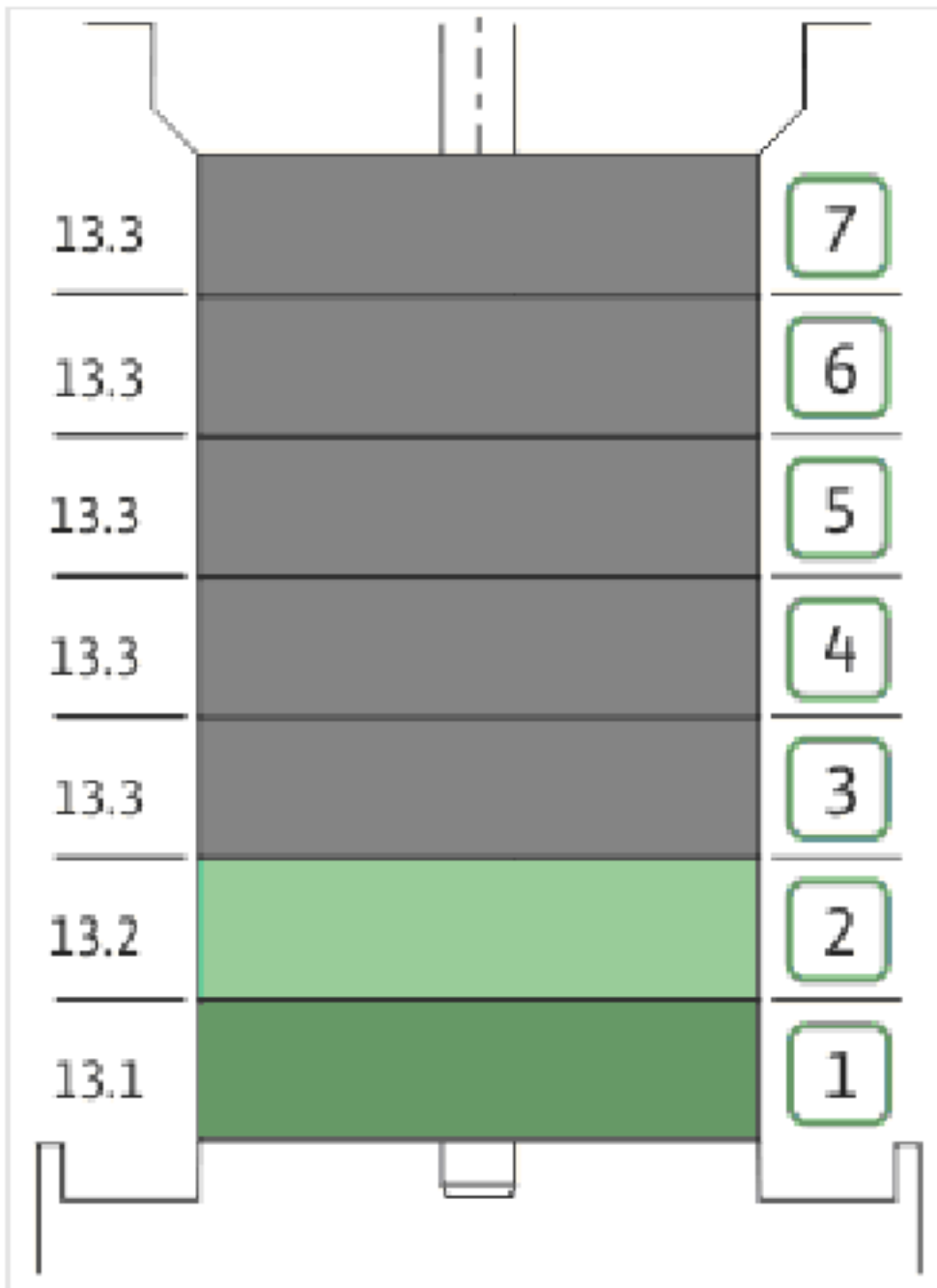
COUPLING D.16xD.24 FT115 HELIX KIT (4159709)

Item	Article no.	Description	Quantity
4.1		COUPLING M+ Ø16XØ24 FT115 MACHINED	1
4.2	2131023	BALL BEARING 6207/ZZ-C3(HT)VP.	1
4.3	4234254	CIRCLIP-FOR-SHAFT-D35x1.5 VP.	1
4.4	4157726	SCREW KIT M8X30 (4 PIECES)	1
4.5	4234251	CIRCLIP-D72x2.5 VP.	1
4.6	4234246	O-RING 72X3 VP.	1
		NOMEL CONTACT WASHER 8x16x1,4 STEEL ZC	1



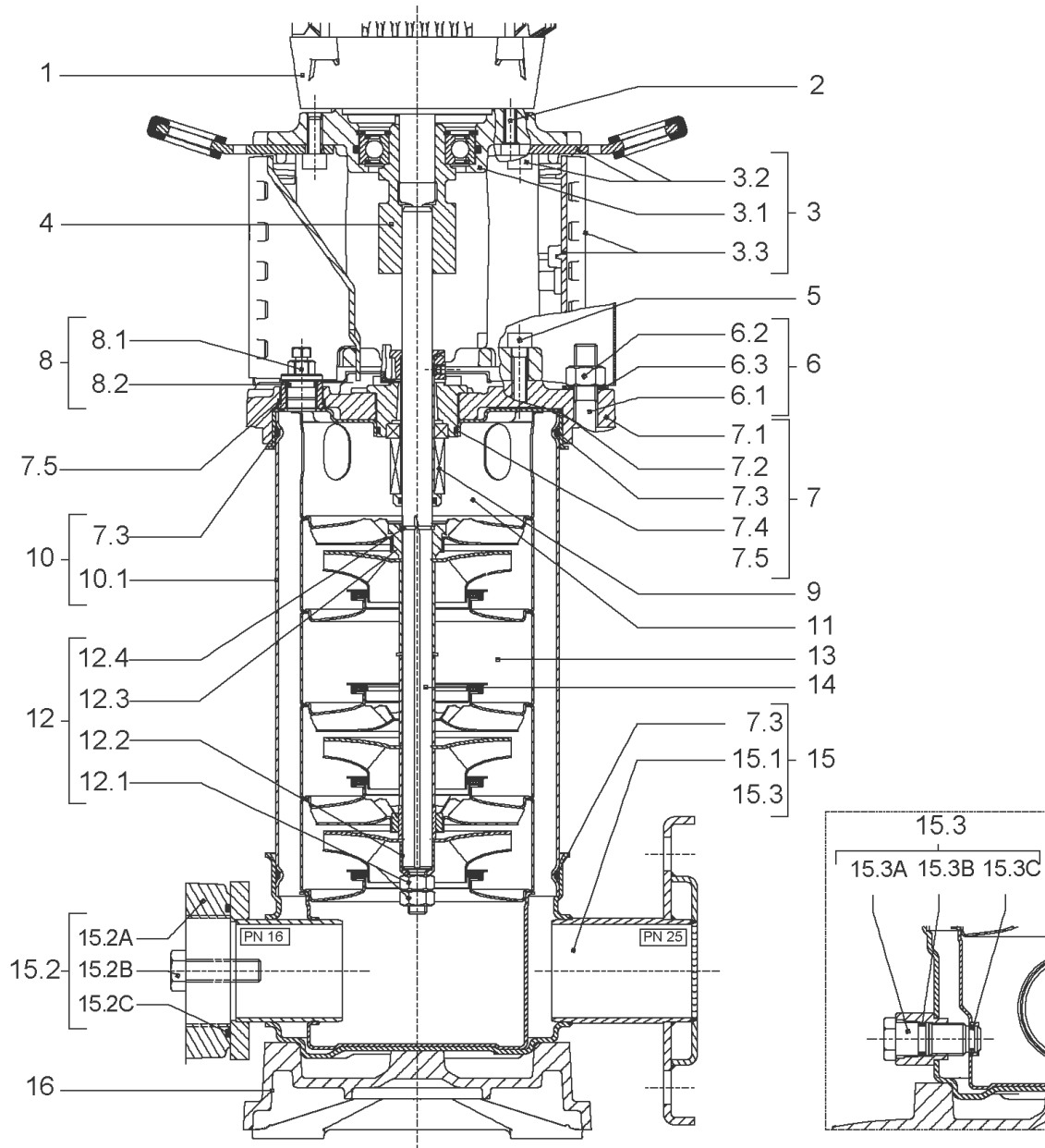
CARTRIDGE HELIX6-10-16 F/V KIT (4159700)

Item	Article no.	Description	Quantity
9.1	4159701	SEAL-KIT-HELIX6-10-16 F/V	1
7.3	4177887	> O-RING ID.145,65X3,53 VITON VP.	1
7.4	4177888	> O-RING ID.37.6xØ2.4 VITON VP.	1
9.1A	2131025	> MECH.SEAL HELIX2-4-6-10-16 F/V VP.	1
9.1B	2131027	> O-RING D.16XD.2,5 FKM VP.	1
9.1C	4177889	> O-RING ID.16x1.25 VITON VP.	1
9.2	2130961	SHAFT SLEEVE D.18/16X72,2 1.4404 VP.	1
9.3	2131024	RING HOLDER D.18 G606/G6 1.4404 VP.	1
9.4	4176520	SCREW CH M5x5 A4-70 (3PIECES)	1
9.5	2130963	DRIVE RING D.29/18x12,4 MACH.VP.	1
9.6	2130964	TOOL M.S.CART.HELIX VP.	1
9.7	2130965	SCREW CHC M5X12 ISO4762 A2.70(4 PIECES)	1



HYDRAULIC HELIX V 607 316 L

Item	Article no.	Description	Quantity
13.1	4174336	STAGE HELIX6 1.4404 KIT	1
		> MACH.STG-CASING-WOGV-WNR-M+6-316	1
		> IMPELLER-M+6-316	1
13.2	4174338	INTERMEDIATE STAGE HELIX 6 1.4404 KIT	1
		> MACH.BEARING-STG-CASING-WNR-M+6-316	1
		> IMPELLER-M+6-316	1
		> SHAFT SLEEVE-SPACER-Ø19,35x18,465-316	1
		> SHAFT-SLEEVE-D16xD20x18-CW	1
13.3	4174339	INTERMEDIATE STAGE HELIX 6 1.4404 KIT	1
		> MACH.STD-STG-CASING-WGV+NR-M+6-316	1
		> IMPELLER-M+6-316	1
		> IMPELLER SPACER Ø16,05X19,45-L36,465-316	1



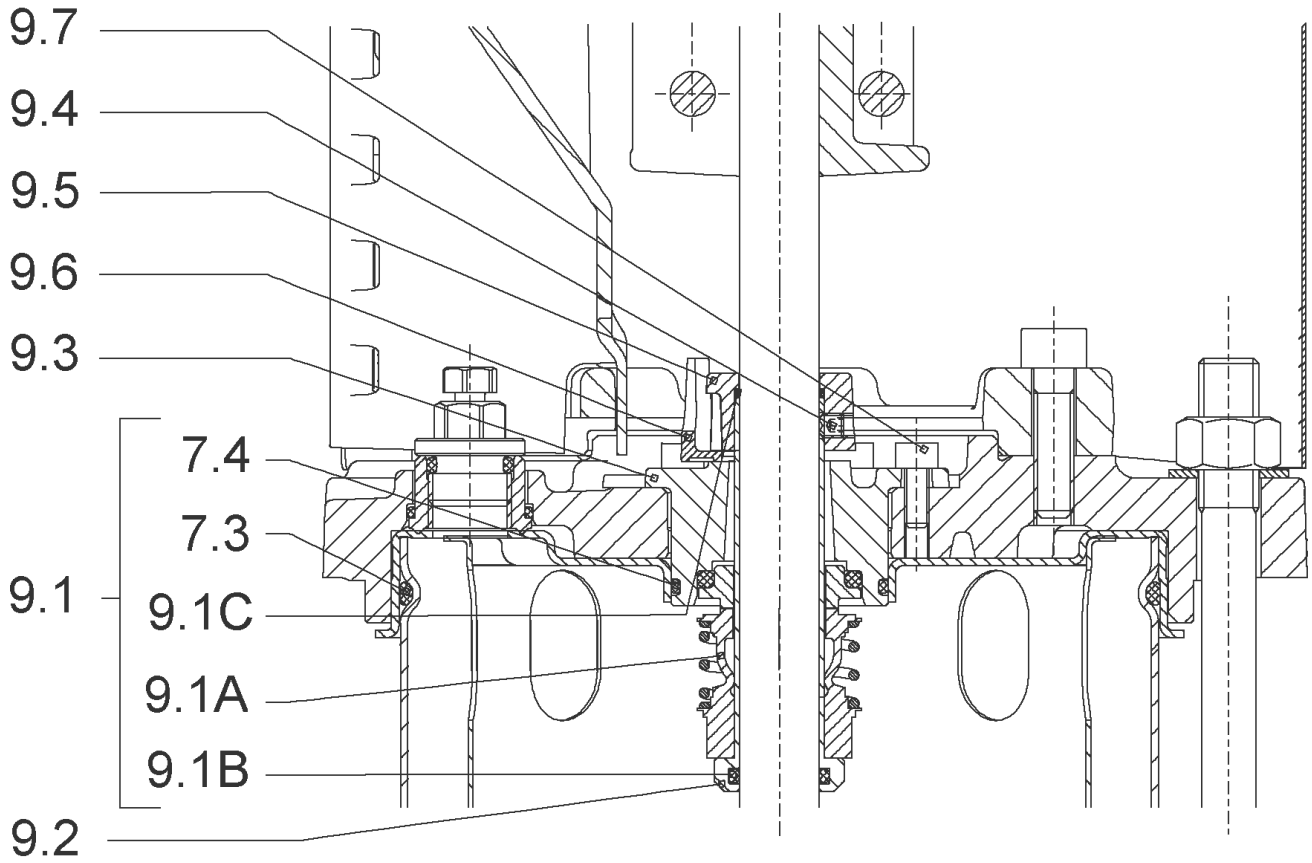
HELIX V608-2/25/V/KS/400-50 (4156069)

Item	Article no.	Description	Quantity
1	4169942	MO.1,5/2 3~230/400(440)V 50(60)HZ IE3 VP	1
		SPARE PARTS MOTOR:ON REQUEST	1
2	4159703	SCREW M8X40 (4 PIECES)	1
3	4159690	LANTERN FT115 HELIX KIT	1
3.1		> LANTERN FT115 M+6" GJL MACHINING+CATA	1
3.2	2127604	> EYELET CPL.FT HELIX(2 PIECES)	1
3.3	4159692	> COUPLING PROTECTOR FT HELIX KIT	1
4	4159709	COUPLING D.16xD.24 FT115 HELIX KIT	1
5	4159707	SCREW M8X30 (4 PIECES)	1
6	2127555	STUD BOLT M12X485 KIT	1
7	4159783	END SHIELD HELIX FKM 1.4404 KIT	1
7.1		> END SHIELD M+6" GJL250 MACHINING+CATA	1
7.2	2131056	> STATIONARY RING HOLDER 6" HELIX 1.4404 V	1
7.3	4234237	> O-RING 139X3 VITON VP.	1
7.4	2131026	> O-RING ID.37,6X2,4 FKM VP.	1
7.5	2131057	> O-RING ID.21,35X2 FKM VP.	1
8	4159784	FILING/PURGING PLUG HELIX FKM KIT	1
9	4159700	CARTRIDGE HELIX6-10-16 F/V KIT	1
10	4177932	HOUSING PIPES D.152X360 1.4404 KIT	1
7.3	4234237	> O-RING 139X3 VITON VP.	1
10.1		> HOUSING-PIPE Ø152-M+1008/1606-316L	1
11	4174337	CENTERING STAGE-RETURN HELIX10 1.4404VP.	1
12	4174085	SHAFTS EQUIPMENT HELIX V6 BI BLOC KIT	1
12.1		> NUT-H-M10-A4.70	1
12.2		> SERRATED LOCK WASHER M+6M3-316L	1
12.3		> STOP COLLAR OF IMPELLER L17,9-Ø16-316L	1
12.4		> STOP-RUSH-1/2-D16xd2-M+316	1
13		HYDRAULIC HELIX V 608 316 L	1
14	2131035	SHAFT D.16X480 1.4404 VP.	1
15	4174333	PUMP HOUSING HELIX DN32 PN25 1.4409 KIT	1
7.3	4177887	> O-RING ID.145,65X3,53 VITON VP.	1
15.1		> BLASTING PPE HOUSING V-PN25-DN32-5"-316L	1
15.3	4159781	> PRIMING/DRAIN PLUG HELIX 16 FKM KIT	1
16	4177970	BASEPLATE HELIX V2/4/6 PN25 VP.	1



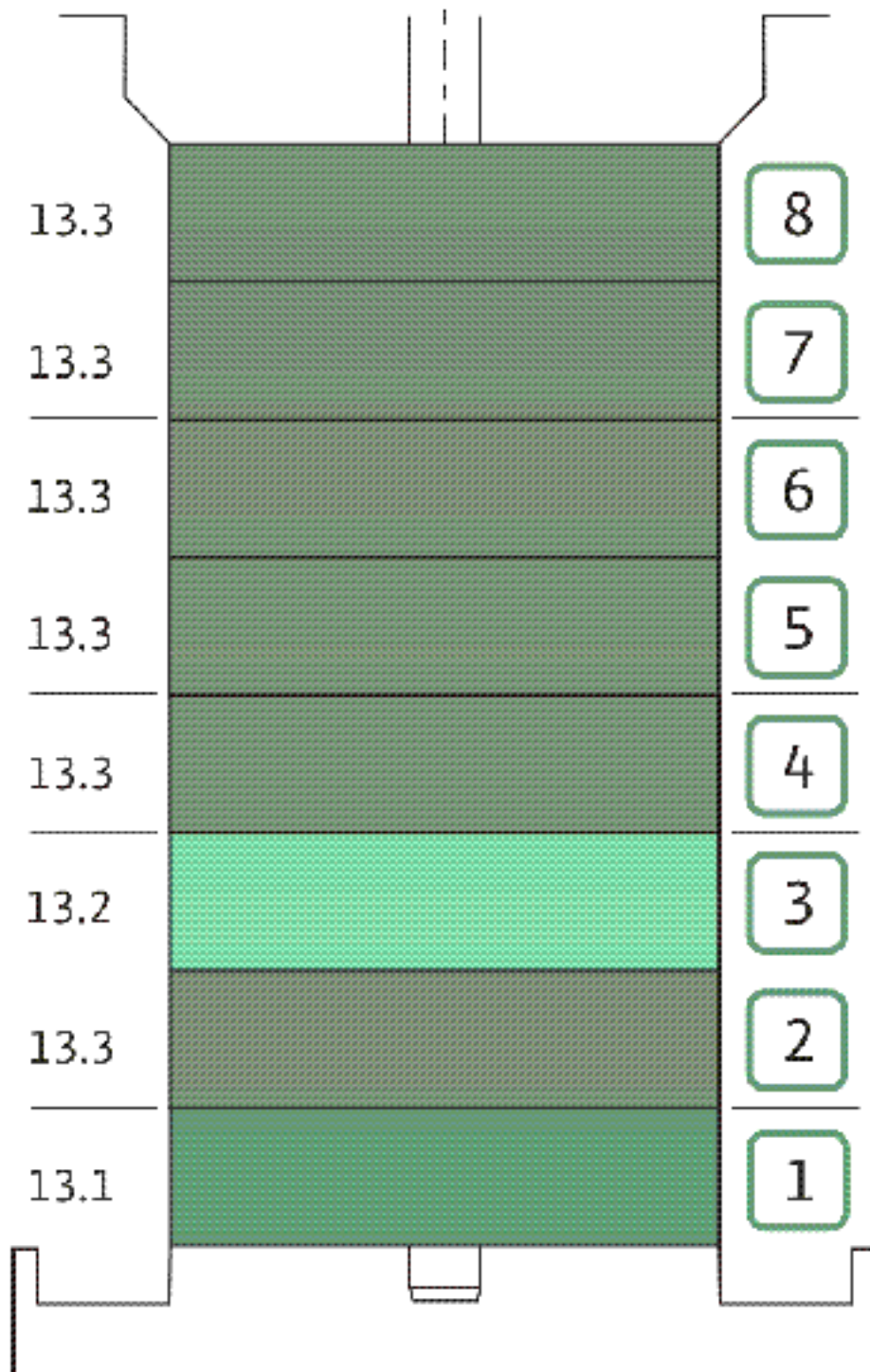
COUPLING D.16xD.24 FT115 HELIX KIT (4159709)

Item	Article no.	Description	Quantity
4.1		COUPLING M+ Ø16XØ24 FT115 MACHINED	1
4.2	2131023	BALL BEARING 6207/ZZ-C3(HT)VP.	1
4.3	4234254	CIRCLIP-FOR-SHAFT-D35x1.5 VP.	1
4.4	4157726	SCREW KIT M8X30 (4 PIECES)	1
4.5	4234251	CIRCLIP-D72x2.5 VP.	1
4.6	4234246	O-RING 72X3 VP.	1
		NOMEL CONTACT WASHER 8x16x1,4 STEEL ZC	1



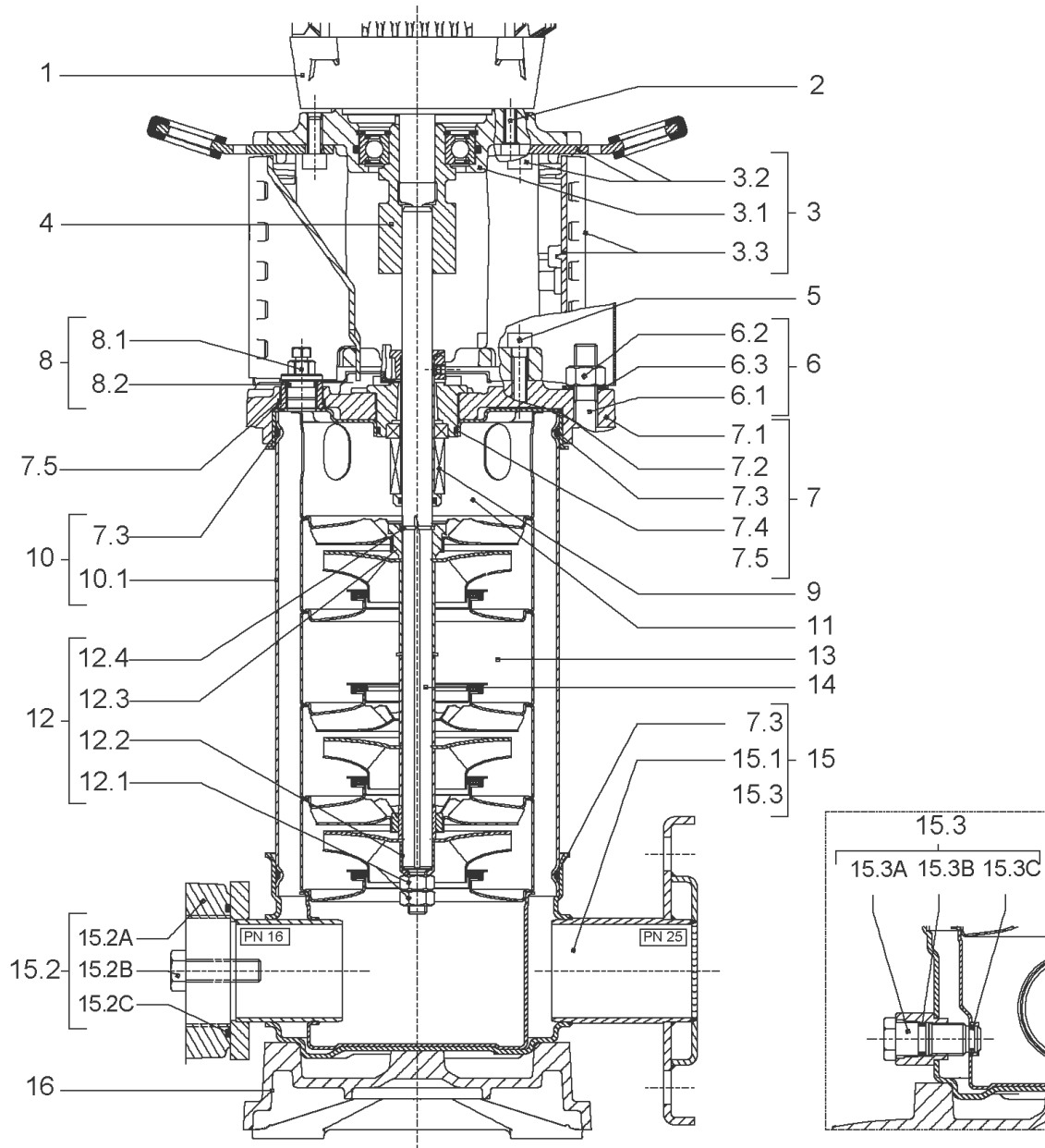
CARTRIDGE HELIX6-10-16 F/V KIT (4159700)

Item	Article no.	Description	Quantity
9.1	4159701	SEAL-KIT-HELIX6-10-16 F/V	1
7.3	4177887	> O-RING ID.145,65X3,53 VITON VP.	1
7.4	4177888	> O-RING ID.37.6xØ2.4 VITON VP.	1
9.1A	2131025	> MECH.SEAL HELIX2-4-6-10-16 F/V VP.	1
9.1B	2131027	> O-RING D.16XD.2,5 FKM VP.	1
9.1C	4177889	> O-RING ID.16x1.25 VITON VP.	1
9.2	2130961	SHAFT SLEEVE D.18/16X72,2 1.4404 VP.	1
9.3	2131024	RING HOLDER D.18 G606/G6 1.4404 VP.	1
9.4	4176520	SCREW CH M5x5 A4-70 (3PIECES)	1
9.5	2130963	DRIVE RING D.29/18x12,4 MACH.VP.	1
9.6	2130964	TOOL M.S.CART.HELIX VP.	1
9.7	2130965	SCREW CHC M5X12 ISO4762 A2.70(4 PIECES)	1



HYDRAULIC HELIX V 608 316 L

Item	Article no.	Description	Quantity
13.1	4174336	STAGE HELIX6 1.4404 KIT	1
		> MACH.STG-CASING-WOGV-WNR-M+6-316	1
		> IMPELLER-M+6-316	1
13.2	4174338	INTERMEDIATE STAGE HELIX 6 1.4404 KIT	1
		> MACH.BEARING-STG-CASING-WNR-M+6-316	1
		> IMPELLER-M+6-316	1
		> SHAFT SLEEVE-SPACER-Ø19,35x18,465-316	1
		> SHAFT-SLEEVE-D16xD20x18-CW	1
13.3	4174339	INTERMEDIATE STAGE HELIX 6 1.4404 KIT	1
		> MACH.STD-STG-CASING-WGV+NR-M+6-316	1
		> IMPELLER-M+6-316	1
		> IMPELLER SPACER Ø16,05X19,45-L36,465-316	1

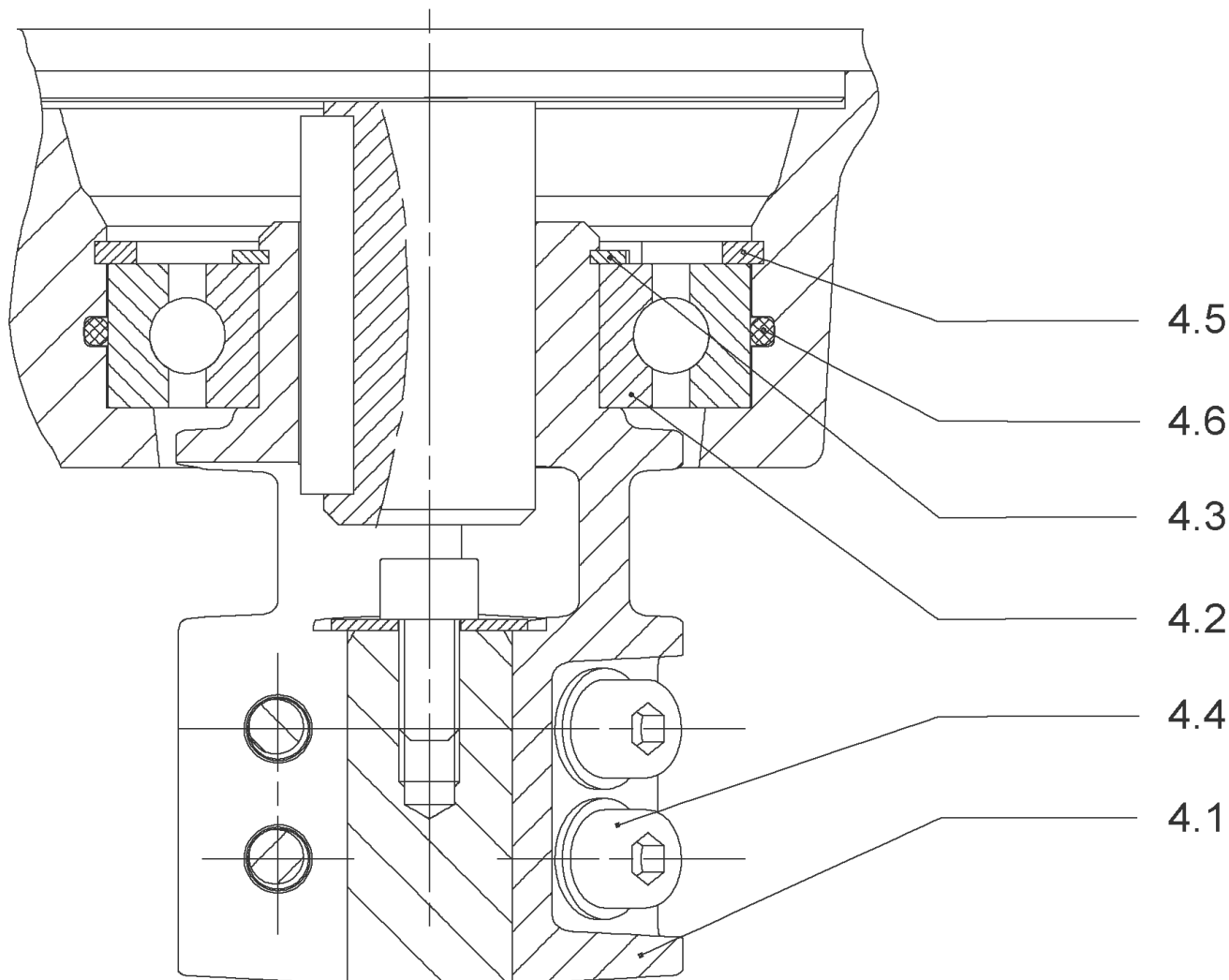


HELIX V609-2/25/V/KS/400-50 (4156070)

Item	Article no.	Description	Quantity
1	4169943	MOTOR 2,2/2/90 3~230/400V 50HZ IE3 VP.	1
		SPARE PARTS MOTOR:ON REQUEST	1
2	4159703	SCREW M8X40 (4 PIECES)	1
3	4159690	LANTERN FT115 HELIX KIT	1
3.1		> LANTERN FT115 M+6" GJL MACHINING+CATA	1
3.2	2127604	> EYELET CPL.FT HELIX(2 PIECES)	1
3.3	4159692	> COUPLING PROTECTOR FT HELIX KIT	1
4	4159709	COUPLING D.16xD.24 FT115 HELIX KIT	1
5	4159707	SCREW M8X30 (4 PIECES)	1
6	4177832	STUD BOLT M12X527KIT	1
6.1		> TIE BOLT M12-527x18x30-1.4057	1
6.2	2094647	> NUT M12 M12 ISO4032 VP.	1
6.3	2123557	> WASHER CS-12.4-24-1.6-NFE25 (4 PIECES)	1
7	4159783	END SHIELD HELIX FKM 1.4404 KIT	1
7.1		> END SHIELD M+6" GJL250 MACHINING+CATA	1
7.2	2131056	> STATIONARY RING HOLDER 6" HELIX 1.4404 V	1
7.3	4234237	> O-RING 139X3 VITON VP.	1
7.4	2131026	> O-RING ID.37,6X2,4 FKM VP.	1
7.5	2131057	> O-RING ID.21,35X2 FKM VP.	1
8	4159784	FILING/PURGING PLUG HELIX FKM KIT	1
9	4159700	CARTRIDGE HELIX6-10-16 F/V KIT	1
10	4177935	HOUSING PIPES D.152X397 1.4404 KIT	1
7.3	4234237	> O-RING 139X3 VITON VP.	1
10.1		> HOUSING-PIPE Ø152-M+1009-316L	1
11	4174337	CENTERING STAGE-RETURN HELIX10 1.4404VP.	1
12	4174085	SHAFTS EQUIPMENT HELIX V6 BI BLOC KIT	1
12.1		> NUT-H-M10-A4.70	1
12.2		> SERRATED LOCK WASHER M+6M3-316L	1
12.3		> STOP COLLAR OF IMPELLER L17,9-Ø16-316L	1
12.4		> STOP-RUSH-1/2-D16xd2-M+316	1
13		HYDRAULIC HELIX V 609 316 L	1
14	4177934	SHAFT D.16X517,5 1.4404 VP.	1
15	4174333	PUMP HOUSING HELIX DN32 PN25 1.4409 KIT	1
7.3	4177887	> O-RING ID.145,65X3,53 VITON VP.	1

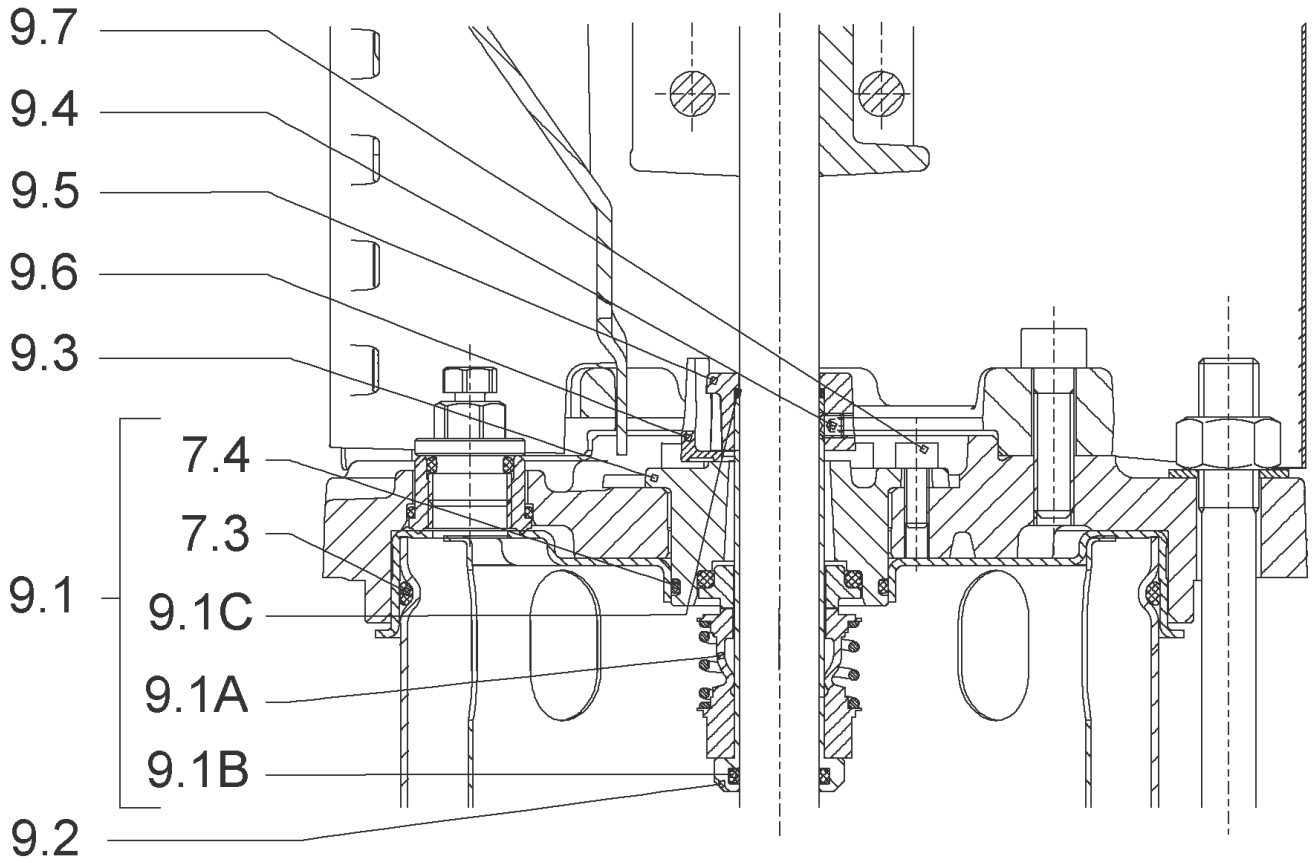
HELIX V609-2/25/V/KS/400-50 (4156070)

Item	Article no.	Description	Quantity
15.1		> BLASTING PPE HOUSING V-PN25-DN32-5"-316L	1
15.3	4159781	> PRIMING/DRAIN PLUG HELIX 16 FKM KIT	1
16	4177970	BASEPLATE HELIX V2/4/6 PN25 VP.	1



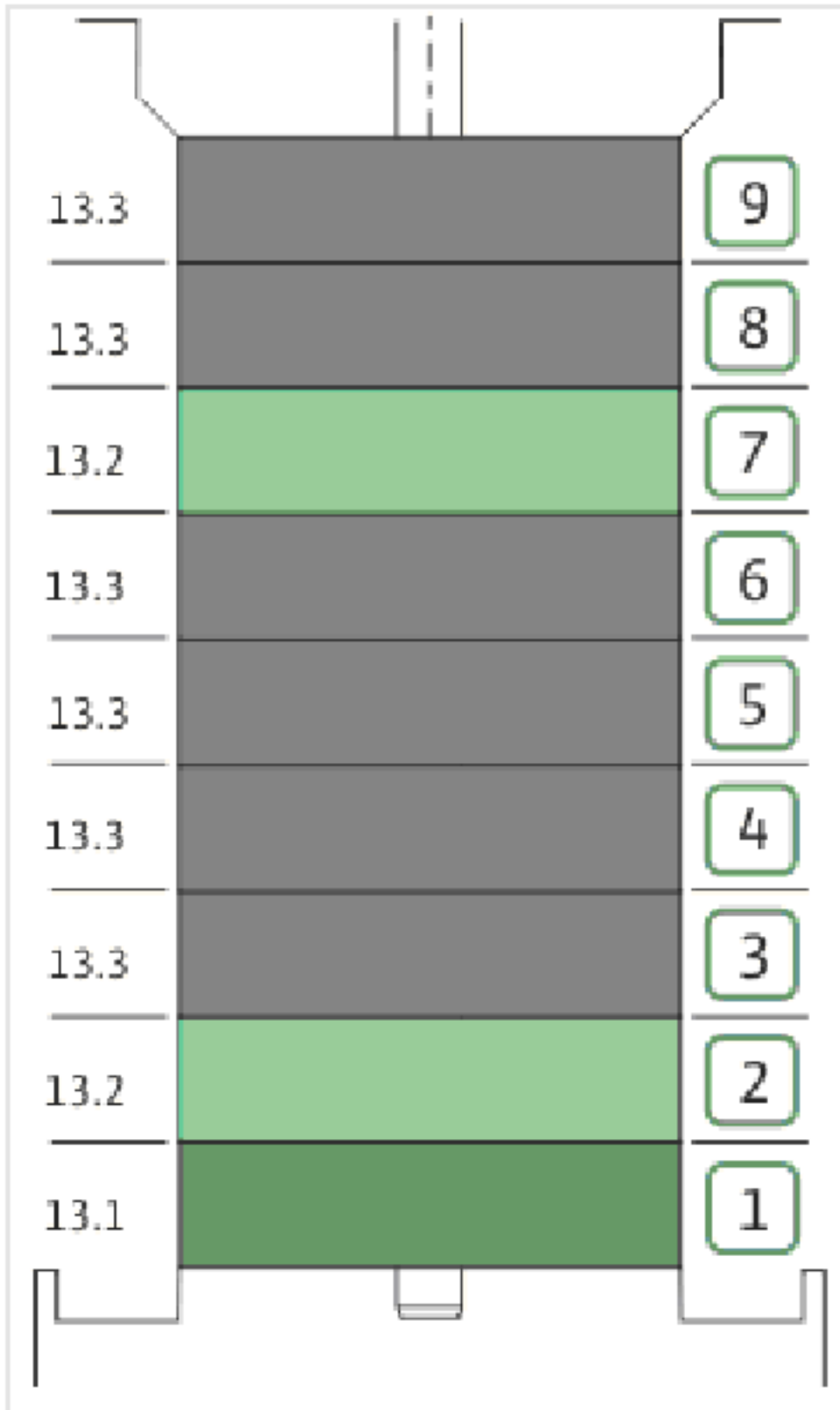
COUPLING D.16xD.24 FT115 HELIX KIT (4159709)

Item	Article no.	Description	Quantity
4.1		COUPLING M+ Ø16XØ24 FT115 MACHINED	1
4.2	2131023	BALL BEARING 6207/ZZ-C3(HT)VP.	1
4.3	4234254	CIRCLIP-FOR-SHAFT-D35x1.5 VP.	1
4.4	4157726	SCREW KIT M8X30 (4 PIECES)	1
4.5	4234251	CIRCLIP-D72x2.5 VP.	1
4.6	4234246	O-RING 72X3 VP.	1
		NOMEL CONTACT WASHER 8x16x1,4 STEEL ZC	1



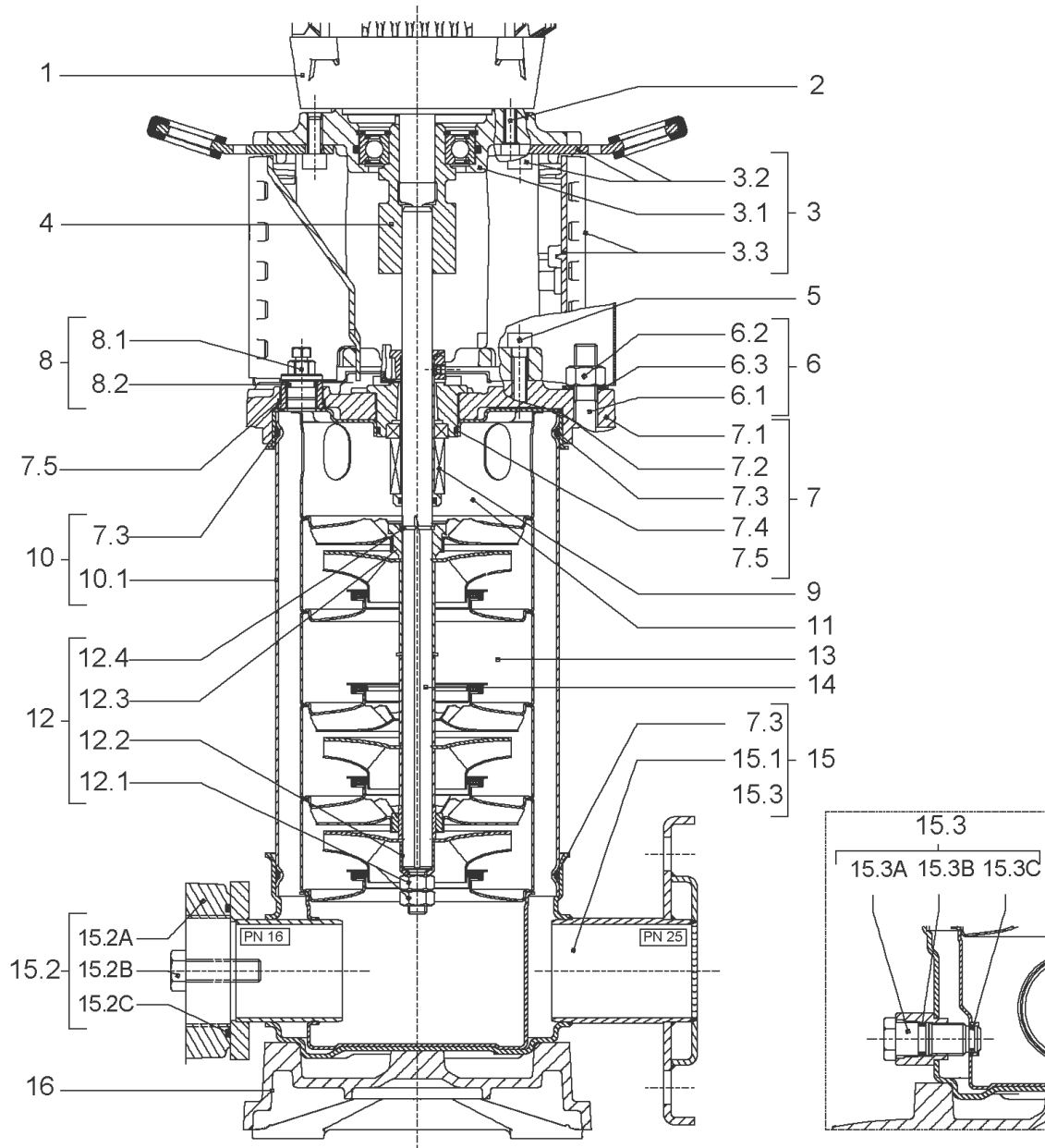
CARTRIDGE HELIX6-10-16 F/V KIT (4159700)

Item	Article no.	Description	Quantity
9.1	4159701	SEAL-KIT-HELIX6-10-16 F/V	1
7.3	4177887	> O-RING ID.145,65X3,53 VITON VP.	1
7.4	4177888	> O-RING ID.37.6xØ2.4 VITON VP.	1
9.1A	2131025	> MECH.SEAL HELIX2-4-6-10-16 F/V VP.	1
9.1B	2131027	> O-RING D.16XD.2,5 FKM VP.	1
9.1C	4177889	> O-RING ID.16x1.25 VITON VP.	1
9.2	2130961	SHAFT SLEEVE D.18/16X72,2 1.4404 VP.	1
9.3	2131024	RING HOLDER D.18 G606/G6 1.4404 VP.	1
9.4	4176520	SCREW CH M5x5 A4-70 (3PIECES)	1
9.5	2130963	DRIVE RING D.29/18x12,4 MACH.VP.	1
9.6	2130964	TOOL M.S.CART.HELIX VP.	1
9.7	2130965	SCREW CHC M5X12 ISO4762 A2.70(4 PIECES)	1



HYDRAULIC HELIX V 609 316 L

Item	Article no.	Description	Quantity
13.1	4174336	STAGE HELIX6 1.4404 KIT	1
		> MACH.STG-CASING-WOGV-WNR-M+6-316	1
		> IMPELLER-M+6-316	1
13.2	4174338	INTERMEDIATE STAGE HELIX 6 1.4404 KIT	1
		> MACH.BEARING-STG-CASING-WNR-M+6-316	1
		> IMPELLER-M+6-316	1
		> SHAFT SLEEVE-SPACER-Ø19,35x18,465-316	1
		> SHAFT-SLEEVE-D16xD20x18-CW	1
13.3	4174339	INTERMEDIATE STAGE HELIX 6 1.4404 KIT	1
		> MACH.STD-STG-CASING-WGV+NR-M+6-316	1
		> IMPELLER-M+6-316	1
		> IMPELLER SPACER Ø16,05X19,45-L36,465-316	1



HELIX V610-2/25/V/KS/400-50 (4156071)

Item	Article no.	Description	Quantity
1	4169943	MOTOR 2,2/2/90 3~230/400V 50HZ IE3 VP.	1
		SPARE PARTS MOTOR:ON REQUEST	1
2	4159703	SCREW M8X40 (4 PIECES)	1
3	4159690	LANTERN FT115 HELIX KIT	1
3.1		> LANTERN FT115 M+6" GJL MACHINING+CATA	1
3.2	2127604	> EYELET CPL.FT HELIX(2 PIECES)	1
3.3	4159692	> COUPLING PROTECTOR FT HELIX KIT	1
4	4159709	COUPLING D.16xD.24 FT115 HELIX KIT	1
5	4159707	SCREW M8X30 (4 PIECES)	1
6	4177849	STUD BOLT M12X563KIT	1
6.1		> TIE BOLT M12-563x18x30-1.4057	1
6.2	2094647	> NUT M12 M12 ISO4032 VP.	1
6.3	2123557	> WASHER CS-12.4-24-1.6-NFE25 (4 PIECES)	1
7	4159783	END SHIELD HELIX FKM 1.4404 KIT	1
7.1		> END SHIELD M+6" GJL250 MACHINING+CATA	1
7.2	2131056	> STATIONARY RING HOLDER 6" HELIX 1.4404 V	1
7.3	4234237	> O-RING 139X3 VITON VP.	1
7.4	2131026	> O-RING ID.37,6X2,4 FKM VP.	1
7.5	2131057	> O-RING ID.21,35X2 FKM VP.	1
8	4159784	FILING/PURGING PLUG HELIX FKM KIT	1
9	4159700	CARTRIDGE HELIX6-10-16 F/V KIT	1
10	4177938	HOUSING PIPES D.152X435 1.4404 KIT	1
7.3	4234237	> O-RING 139X3 VITON VP.	1
10.1		> HOUSING-PIPE Ø152-M+1010-316L	1
11	4174337	CENTERING STAGE-RETURN HELIX10 1.4404VP.	1
12	4174085	SHAFTS EQUIPMENT HELIX V6 BI BLOC KIT	1
12.1		> NUT-H-M10-A4.70	1
12.2		> SERRATED LOCK WASHER M+6M3-316L	1
12.3		> STOP COLLAR OF IMPELLER L17,9-Ø16-316L	1
12.4		> STOP-RUSH-1/2-D16xd2-M+316	1
13		HYDRAULIC HELIX V 610 316 L	1
14	4177937	SHAFT D.16X555 1.4404 VP.	1
15	4174333	PUMP HOUSING HELIX DN32 PN25 1.4409 KIT	1
7.3	4177887	> O-RING ID.145,65X3,53 VITON VP.	1

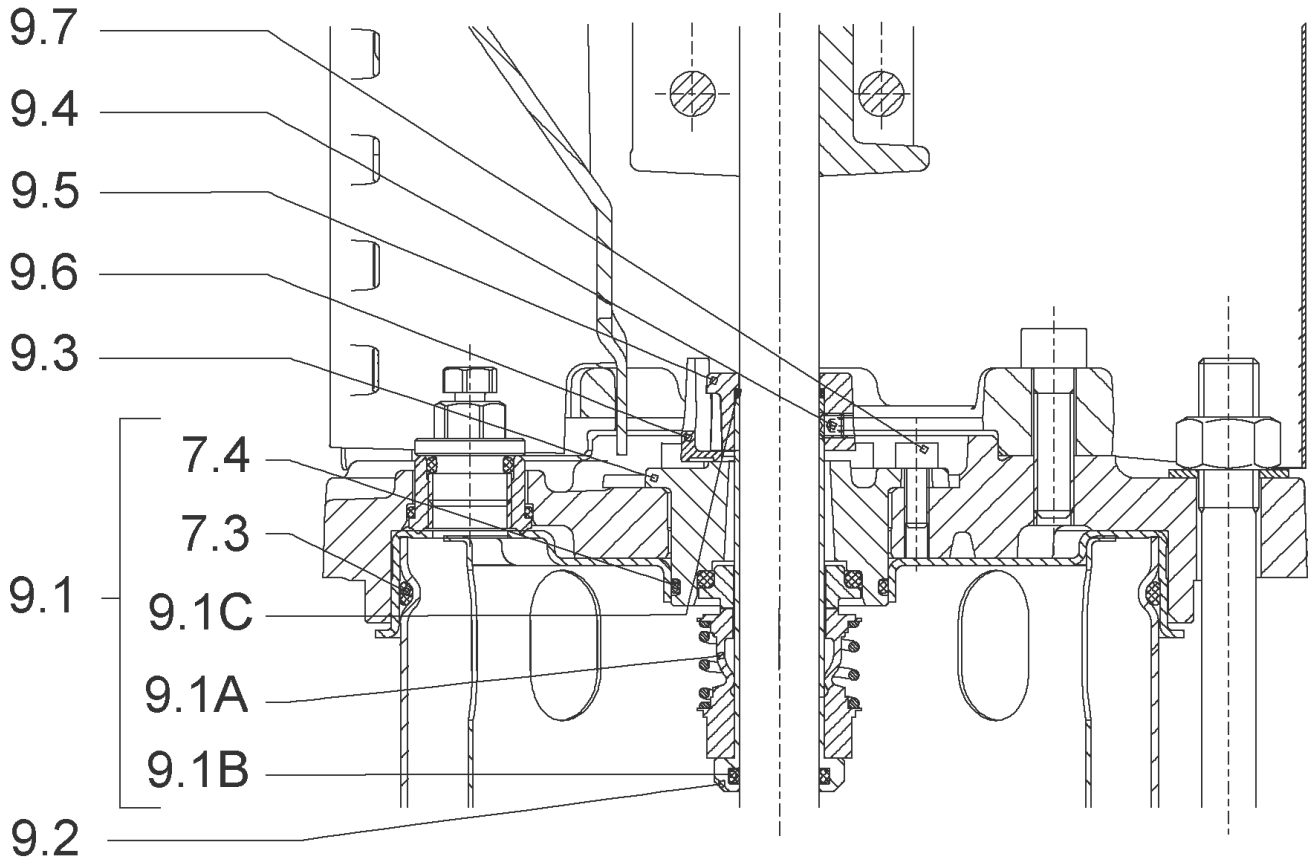
HELIX V610-2/25/V/KS/400-50 (4156071)

Item	Article no.	Description	Quantity
15.1		> BLASTING PPE HOUSING V-PN25-DN32-5"-316L	1
15.3	4159781	> PRIMING/DRAIN PLUG HELIX 16 FKM KIT	1
16	4177970	BASEPLATE HELIX V2/4/6 PN25 VP.	1



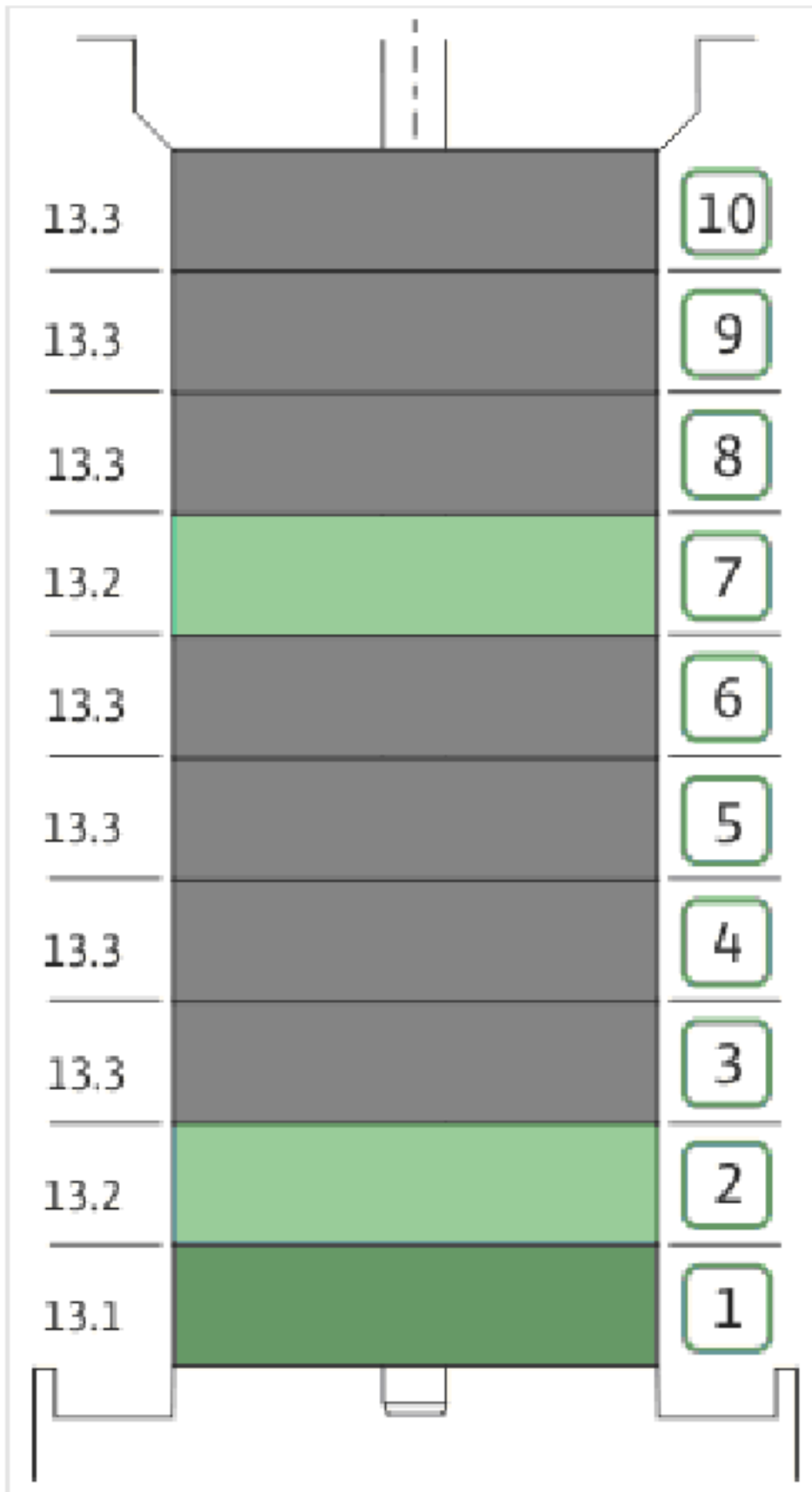
COUPLING D.16xD.24 FT115 HELIX KIT (4159709)

Item	Article no.	Description	Quantity
4.1		COUPLING M+ Ø16XØ24 FT115 MACHINED	1
4.2	2131023	BALL BEARING 6207/ZZ-C3(HT)VP.	1
4.3	4234254	CIRCLIP-FOR-SHAFT-D35x1.5 VP.	1
4.4	4157726	SCREW KIT M8X30 (4 PIECES)	1
4.5	4234251	CIRCLIP-D72x2.5 VP.	1
4.6	4234246	O-RING 72X3 VP.	1
		NOMEL CONTACT WASHER 8x16x1,4 STEEL ZC	1



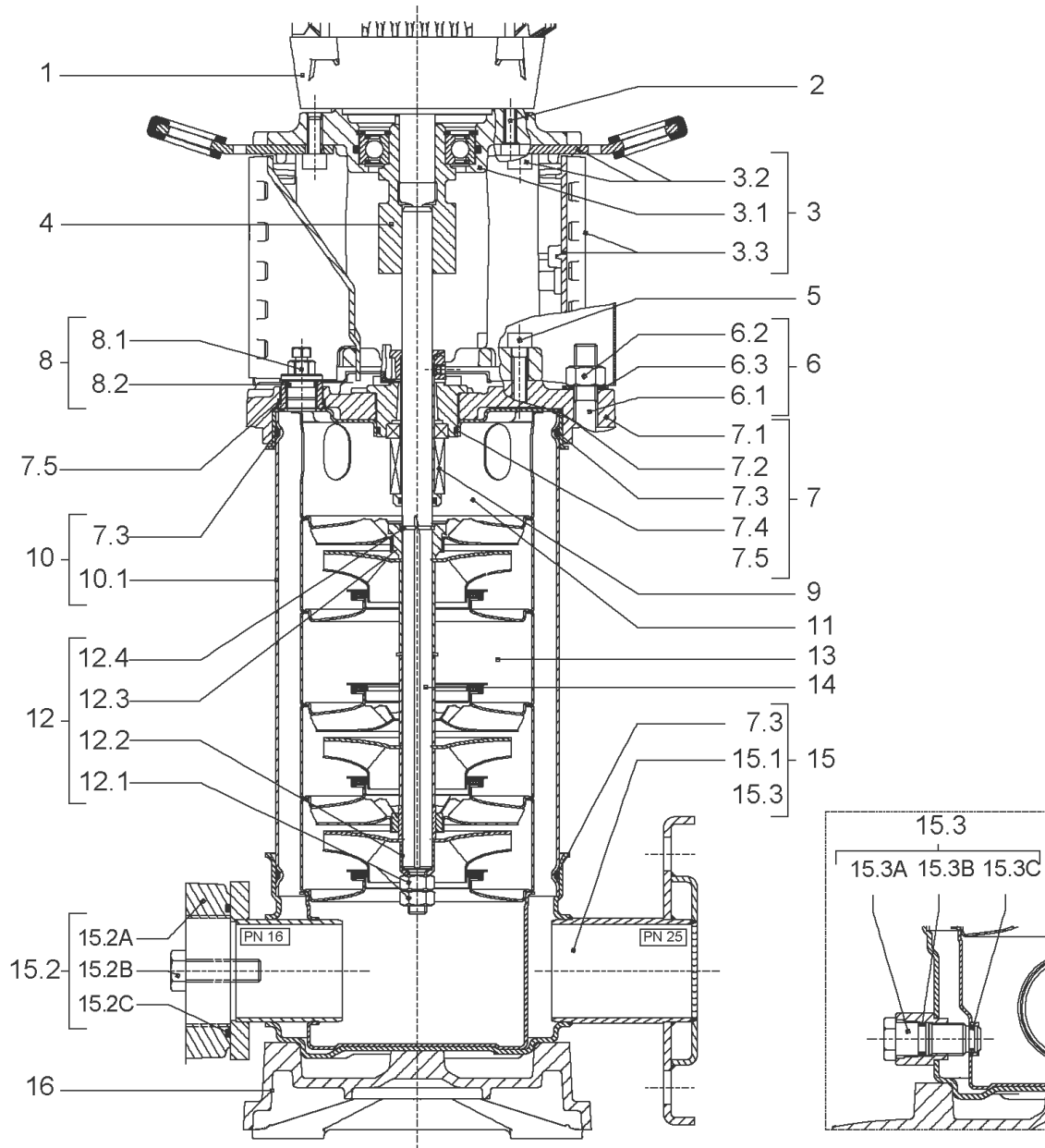
CARTRIDGE HELIX6-10-16 F/V KIT (4159700)

Item	Article no.	Description	Quantity
9.1	4159701	SEAL-KIT-HELIX6-10-16 F/V	1
7.3	4177887	> O-RING ID.145,65X3,53 VITON VP.	1
7.4	4177888	> O-RING ID.37.6xØ2.4 VITON VP.	1
9.1A	2131025	> MECH.SEAL HELIX2-4-6-10-16 F/V VP.	1
9.1B	2131027	> O-RING D.16XD.2,5 FKM VP.	1
9.1C	4177889	> O-RING ID.16x1.25 VITON VP.	1
9.2	2130961	SHAFT SLEEVE D.18/16X72,2 1.4404 VP.	1
9.3	2131024	RING HOLDER D.18 G606/G6 1.4404 VP.	1
9.4	4176520	SCREW CH M5x5 A4-70 (3PIECES)	1
9.5	2130963	DRIVE RING D.29/18x12,4 MACH.VP.	1
9.6	2130964	TOOL M.S.CART.HELIX VP.	1
9.7	2130965	SCREW CHC M5X12 ISO4762 A2.70(4 PIECES)	1



HYDRAULIC HELIX V 610 316 L

Item	Article no.	Description	Quantity
13.1	4174336	STAGE HELIX6 1.4404 KIT	1
		> MACH.STG-CASING-WOGV-WNR-M+6-316	1
		> IMPELLER-M+6-316	1
13.2	4174338	INTERMEDIATE STAGE HELIX 6 1.4404 KIT	1
		> MACH.BEARING-STG-CASING-WNR-M+6-316	1
		> IMPELLER-M+6-316	1
		> SHAFT SLEEVE-SPACER-Ø19,35x18,465-316	1
		> SHAFT-SLEEVE-D16xD20x18-CW	1
13.3	4174339	INTERMEDIATE STAGE HELIX 6 1.4404 KIT	1
		> MACH.STD-STG-CASING-WGV+NR-M+6-316	1
		> IMPELLER-M+6-316	1
		> IMPELLER SPACER Ø16,05X19,45-L36,465-316	1

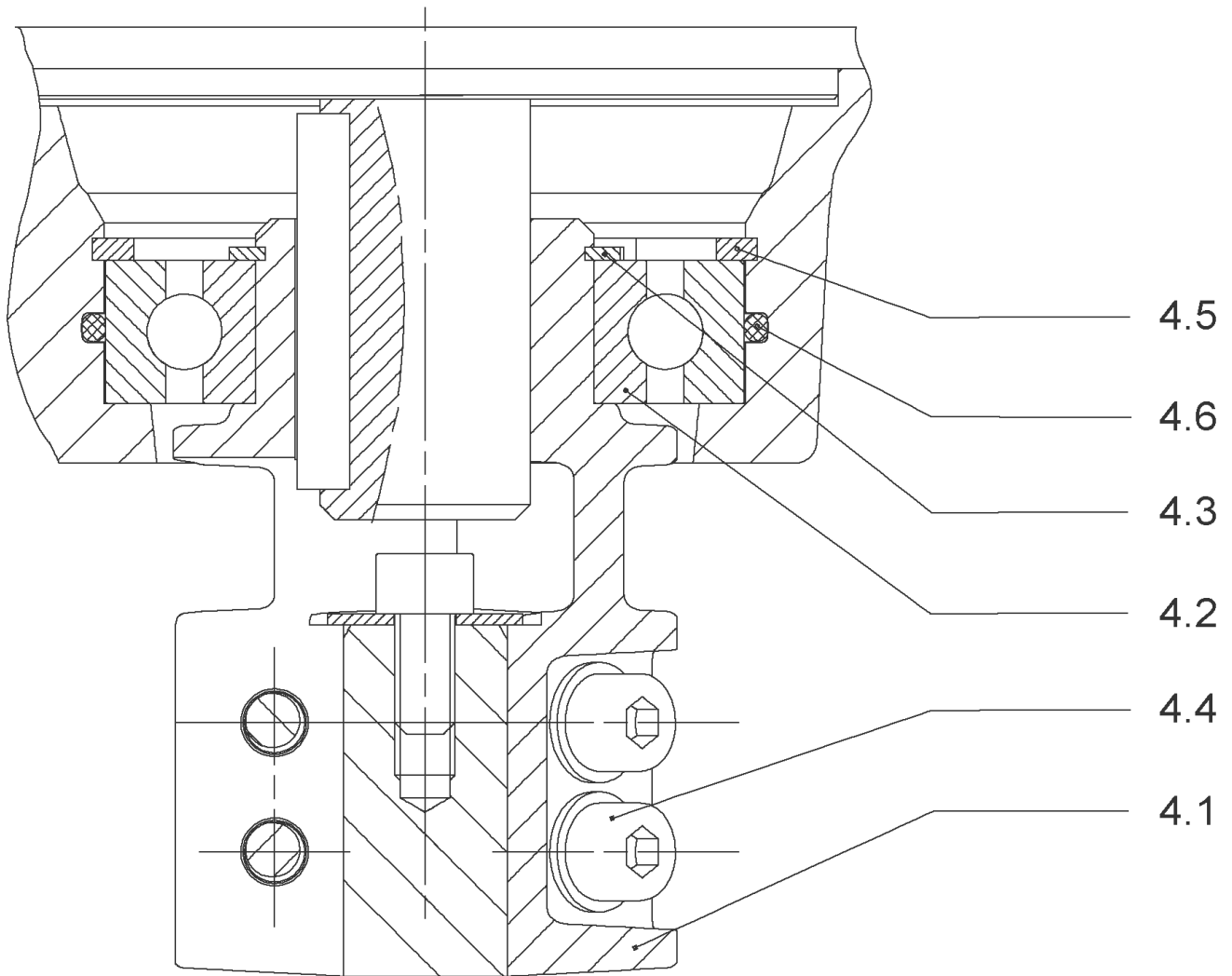


HELIX V611-2/25/V/KS/400-50 (4156072)

Item	Article no.	Description	Quantity
1	4169943	MOTOR 2,2/2/90 3~230/400V 50HZ IE3 VP.	1
		SPARE PARTS MOTOR:ON REQUEST	1
2	4159703	SCREW M8X40 (4 PIECES)	1
3	4159690	LANTERN FT115 HELIX KIT	1
3.1		> LANTERN FT115 M+6" GJL MACHINING+CATA	1
3.2	2127604	> EYELET CPL.FT HELIX(2 PIECES)	1
3.3	4159692	> COUPLING PROTECTOR FT HELIX KIT	1
4	4159709	COUPLING D.16xD.24 FT115 HELIX KIT	1
5	4159707	SCREW M8X30 (4 PIECES)	1
6	4177842	STUD BOLT M12X638KIT	1
6.1		> TIE BOLT M12-638x18x30-1.4057	1
6.2	2094647	> NUT M12 M12 ISO4032 VP.	1
6.3	2123557	> WASHER CS-12.4-24-1.6-NFE25 (4 PIECES)	1
7	4159783	END SHIELD HELIX FKM 1.4404 KIT	1
7.1		> END SHIELD M+6" GJL250 MACHINING+CATA	1
7.2	2131056	> STATIONARY RING HOLDER 6" HELIX 1.4404 V	1
7.3	4234237	> O-RING 139X3 VITON VP.	1
7.4	2131026	> O-RING ID.37,6X2,4 FKM VP.	1
7.5	2131057	> O-RING ID.21,35X2 FKM VP.	1
8	4159784	FILING/PURGING PLUG HELIX FKM KIT	1
9	4159700	CARTRIDGE HELIX6-10-16 F/V KIT	1
10	4177940	HOUSING-PIPE D.152X510 1.4404 KIT	1
7.3	4234237	> O-RING 139X3 VITON VP.	1
10.1		> HOUSING-PIPE Ø152-M+1012/1609-316L	1
11	4174337	CENTERING STAGE-RETURN HELIX10 1.4404VP.	1
12	4174085	SHAFTS EQUIPMENT HELIX V6 BI BLOC KIT	1
12.1		> NUT-H-M10-A4.70	1
12.2		> SERRATED LOCK WASHER M+6M3-316L	1
12.3		> STOP COLLAR OF IMPELLER L17,9-Ø16-316L	1
12.4		> STOP-RUSH-1/2-D16xd2-M+316	1
13		HYDRAULIC HELIX V 611 316 L	1
14	2131038	SHAFT D.16X630 1.4404 VP.	1
15	4174333	PUMP HOUSING HELIX DN32 PN25 1.4409 KIT	1
7.3	4177887	> O-RING ID.145,65X3,53 VITON VP.	1

HELIX V611-2/25/V/KS/400-50 (4156072)

Item	Article no.	Description	Quantity
15.1		> BLASTING PPE HOUSING V-PN25-DN32-5"-316L	1
15.3	4159781	> PRIMING/DRAIN PLUG HELIX 16 FKM KIT	1
16	4177970	BASEPLATE HELIX V2/4/6 PN25 VP.	1



COUPLING D.16xD.24 FT115 HELIX KIT (4159709)

Item	Article no.	Description	Quantity
4.1		COUPLING M+ Ø16XØ24 FT115 MACHINED	1
4.2	2131023	BALL BEARING 6207/ZZ-C3(HT)VP.	1
4.3	4234254	CIRCLIP-FOR-SHAFT-D35x1.5 VP.	1
4.4	4157726	SCREW KIT M8X30 (4 PIECES)	1
4.5	4234251	CIRCLIP-D72x2.5 VP.	1
4.6	4234246	O-RING 72X3 VP.	1
		NOMEL CONTACT WASHER 8x16x1,4 STEEL ZC	1



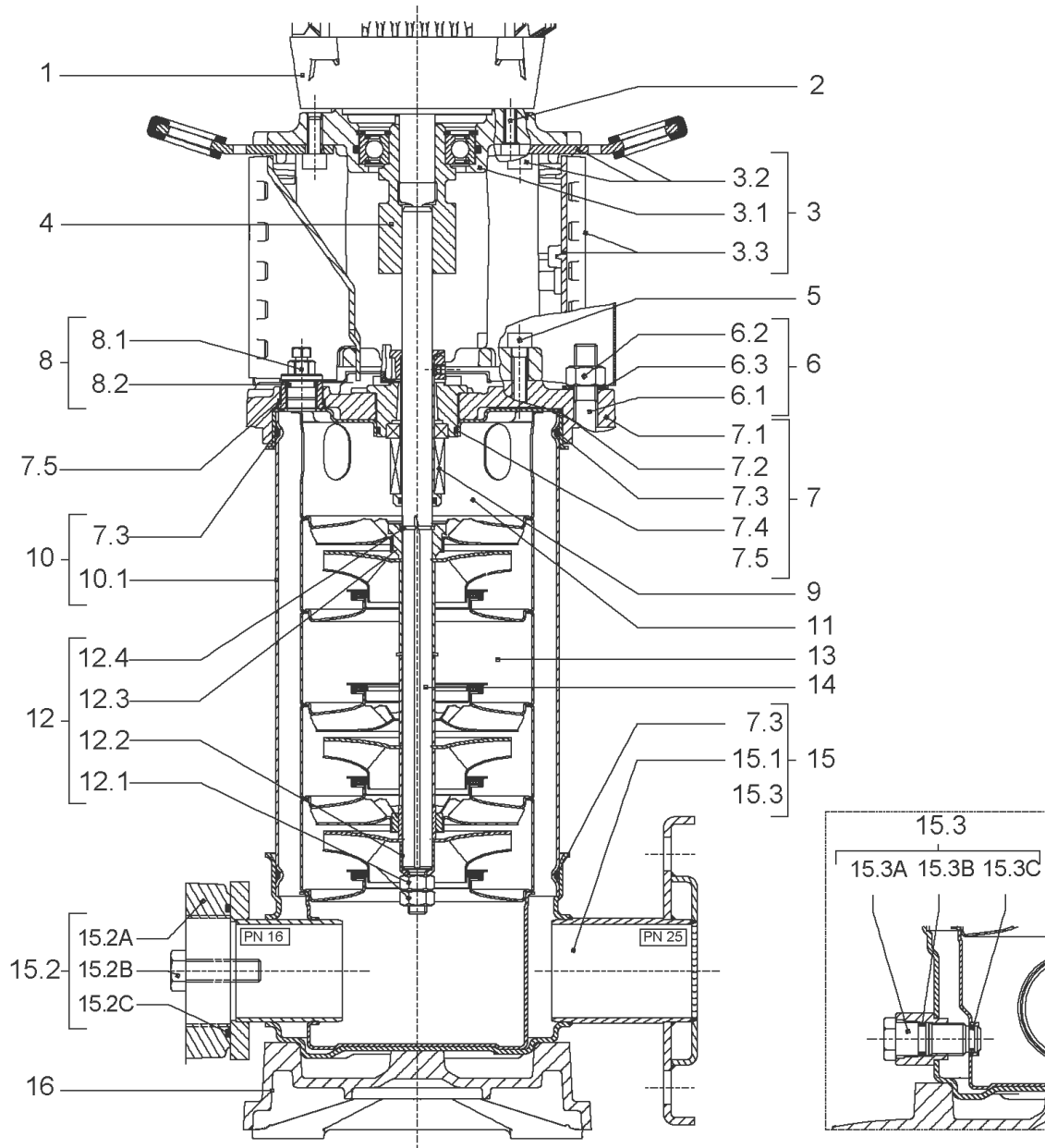
CARTRIDGE HELIX6-10-16 F/V KIT (4159700)

Item	Article no.	Description	Quantity
9.1	4159701	SEAL-KIT-HELIX6-10-16 F/V	1
7.3	4177887	> O-RING ID.145,65X3,53 VITON VP.	1
7.4	4177888	> O-RING ID.37.6xØ2.4 VITON VP.	1
9.1A	2131025	> MECH.SEAL HELIX2-4-6-10-16 F/V VP.	1
9.1B	2131027	> O-RING D.16XD.2,5 FKM VP.	1
9.1C	4177889	> O-RING ID.16x1.25 VITON VP.	1
9.2	2130961	SHAFT SLEEVE D.18/16X72,2 1.4404 VP.	1
9.3	2131024	RING HOLDER D.18 G606/G6 1.4404 VP.	1
9.4	4176520	SCREW CH M5x5 A4-70 (3PIECES)	1
9.5	2130963	DRIVE RING D.29/18x12,4 MACH.VP.	1
9.6	2130964	TOOL M.S.CART.HELIX VP.	1
9.7	2130965	SCREW CHC M5X12 ISO4762 A2.70(4 PIECES)	1



HYDRAULIC HELIX V 611 316 L

Item	Article no.	Description	Quantity
13.1	4174336	STAGE HELIX6 1.4404 KIT	1
		> MACH.STG-CASING-WOGV-WNR-M+6-316	1
		> IMPELLER-M+6-316	1
13.2	4174338	INTERMEDIATE STAGE HELIX 6 1.4404 KIT	1
		> MACH.BEARING-STG-CASING-WNR-M+6-316	1
		> IMPELLER-M+6-316	1
		> SHAFT SLEEVE-SPACER-Ø19,35x18,465-316	1
		> SHAFT-SLEEVE-D16xD20x18-CW	1
13.3	4174339	INTERMEDIATE STAGE HELIX 6 1.4404 KIT	1
		> MACH.STD-STG-CASING-WGV+NR-M+6-316	1
		> IMPELLER-M+6-316	1
		> IMPELLER SPACER Ø16,05X19,45-L36,465-316	1
13.4	4174341	EMPTY STAGE HELIX6 1.4404	1
		> MACH.STD-STG-CASING-WGV+NR-M+6-316	1
		> FLAT WASHER-D16.1XD22X1.2-316L	1
		> IMPELLER SPACER Ø16,05X19,45-L36,465-316	1
13.5	4174340	STAGE HELIX 6 1.4404 KIT	1
		> MACH.STG-CASING-WOGV-WNR-M+6-316	1
		> IMPELLER-M+6-316	1
		> IMPELLER SPACER Ø16,05X19,45-L36,465-316	1



HELIX V612-2/25/V/KS/400-50 (4156073)

Item	Article no.	Description	Quantity
1	4169944	MOTOR 3/2/100 3~230/400V 50HZ IE3 VP.	1
		SPARE PARTS MOTOR:ON REQUEST	1
2	4206025	SCREW M8X45 (4 PIECES)	1
3	4171326	LANTERN FT130 HELIX KIT	1
3.1		> LANTERN FT130 M+6" GJL MACHINING+CATA	1
3.2	2127604	> EYELET CPL.FT HELIX(2 PIECES)	1
3.3	4159692	> COUPLING PROTECTOR FT HELIX KIT	1
4	4159710	COUPLING D.16XD.28 FT130 HELIX KIT	1
5	4159707	SCREW M8X30 (4 PIECES)	1
6	4177842	STUD BOLT M12X638KIT	1
6.1		> TIE BOLT M12-638x18x30-1.4057	1
6.2	2094647	> NUT M12 M12 ISO4032 VP.	1
6.3	2123557	> WASHER CS-12.4-24-1.6-NFE25 (4 PIECES)	1
7	4159783	END SHIELD HELIX FKM 1.4404 KIT	1
7.1		> END SHIELD M+6" GJL250 MACHINING+CATA	1
7.2	2131056	> STATIONARY RING HOLDER 6" HELIX 1.4404 V	1
7.3	4234237	> O-RING 139X3 VITON VP.	1
7.4	2131026	> O-RING ID.37,6X2,4 FKM VP.	1
7.5	2131057	> O-RING ID.21,35X2 FKM VP.	1
8	4159784	FILING/PURGING PLUG HELIX FKM KIT	1
9	4159700	CARTRIDGE HELIX6-10-16 F/V KIT	1
10	4177940	HOUSING-PIPE D.152X510 1.4404 KIT	1
7.3	4234237	> O-RING 139X3 VITON VP.	1
10.1		> HOUSING-PIPE Ø152-M+1012/1609-316L	1
11	4174337	CENTERING STAGE-RETURN HELIX10 1.4404VP.	1
12	4174085	SHAFTS EQUIPMENT HELIX V6 BI BLOC KIT	1
12.1		> NUT-H-M10-A4.70	1
12.2		> SERRATED LOCK WASHER M+6M3-316L	1
12.3		> STOP COLLAR OF IMPELLER L17,9-Ø16-316L	1
12.4		> STOP-RUSH-1/2-D16xd2-M+316	1
13		HYDRAULIC HELIX V 612 316 L	1
14	2131038	SHAFT D.16X630 1.4404 VP.	1
15	4174333	PUMP HOUSING HELIX DN32 PN25 1.4409 KIT	1
7.3	4177887	> O-RING ID.145,65X3,53 VITON VP.	1

HELIX V612-2/25/V/KS/400-50 (4156073)

Item	Article no.	Description	Quantity
15.1		> BLASTING PPE HOUSING V-PN25-DN32-5"-316L	1
15.3	4159781	> PRIMING/DRAIN PLUG HELIX 16 FKM KIT	1
16	4177970	BASEPLATE HELIX V2/4/6 PN25 VP.	1



COUPLING D.16XD.28 FT130 HELIX KIT (4159710)

Item	Article no.	Description	Quantity
4.1		COUPLING M+ Ø16XØ28 FT130 MACHINED	1
4.2	2131022	BALL BEARING 6209/ZZ-C3(HT)VP.	1
4.3	4233930	CIRCLIP-FOR-BORES-D45x1,75 VP.	1
4.4	4157726	SCREW KIT M8X30 (4 PIECES)	1
4.5	4234252	CIRCLIPS 85X3 VP.	1
4.6	4234243	O-RING 85X3 VP.	1
		NOMEL CONTACT WASHER 8x16x1,4 STEEL ZC	1



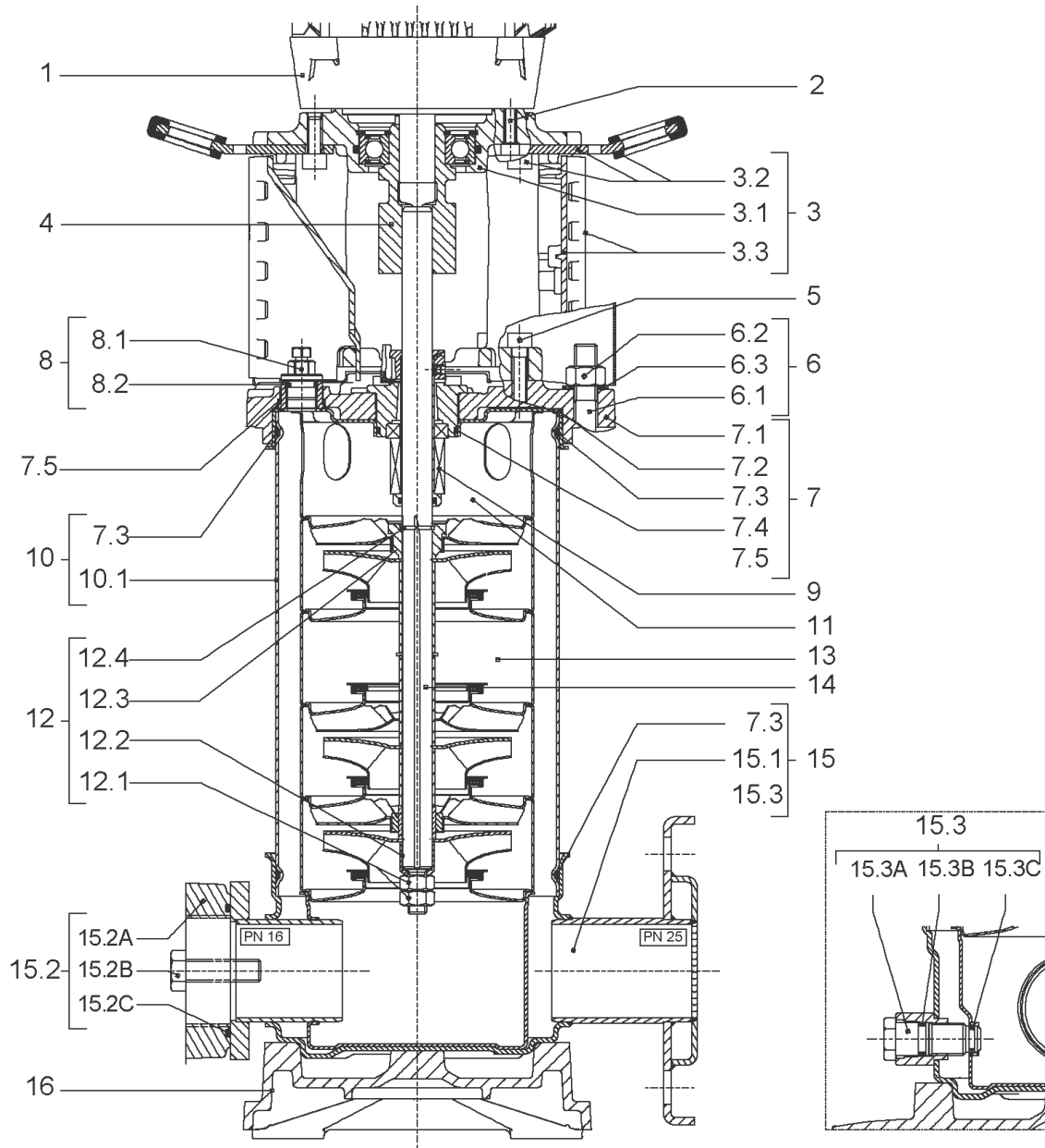
CARTRIDGE HELIX6-10-16 F/V KIT (4159700)

Item	Article no.	Description	Quantity
9.1	4159701	SEAL-KIT-HELIX6-10-16 F/V	1
7.3	4177887	> O-RING ID.145,65X3,53 VITON VP.	1
7.4	4177888	> O-RING ID.37.6xØ2.4 VITON VP.	1
9.1A	2131025	> MECH.SEAL HELIX2-4-6-10-16 F/V VP.	1
9.1B	2131027	> O-RING D.16XD.2,5 FKM VP.	1
9.1C	4177889	> O-RING ID.16x1.25 VITON VP.	1
9.2	2130961	SHAFT SLEEVE D.18/16X72,2 1.4404 VP.	1
9.3	2131024	RING HOLDER D.18 G606/G6 1.4404 VP.	1
9.4	4176520	SCREW CH M5x5 A4-70 (3PIECES)	1
9.5	2130963	DRIVE RING D.29/18x12,4 MACH.VP.	1
9.6	2130964	TOOL M.S.CART.HELIX VP.	1
9.7	2130965	SCREW CHC M5X12 ISO4762 A2.70(4 PIECES)	1



HYDRAULIC HELIX V 612 316 L

Item	Article no.	Description	Quantity
13.1	4174336	STAGE HELIX6 1.4404 KIT	1
		> MACH.STG-CASING-WOGV-WNR-M+6-316	1
		> IMPELLER-M+6-316	1
13.2	4174338	INTERMEDIATE STAGE HELIX 6 1.4404 KIT	1
		> MACH.BEARING-STG-CASING-WNR-M+6-316	1
		> IMPELLER-M+6-316	1
		> SHAFT SLEEVE-SPACER-Ø19,35x18,465-316	1
		> SHAFT-SLEEVE-D16xD20x18-CW	1
13.3	4174339	INTERMEDIATE STAGE HELIX 6 1.4404 KIT	1
		> MACH.STD-STG-CASING-WGV+NR-M+6-316	1
		> IMPELLER-M+6-316	1
		> IMPELLER SPACER Ø16,05X19,45-L36,465-316	1



HELIX V613-2/25/V/KS/400-50 (4156074)

Item	Article no.	Description	Quantity
1	4169944	MOTOR 3/2/100 3~230/400V 50HZ IE3 VP.	1
		SPARE PARTS MOTOR:ON REQUEST	1
2	4206025	SCREW M8X45 (4 PIECES)	1
3	4171326	LANTERN FT130 HELIX KIT	1
3.1		> LANTERN FT130 M+6" GJL MACHINING+CATA	1
3.2	2127604	> EYELET CPL.FT HELIX(2 PIECES)	1
3.3	4159692	> COUPLING PROTECTOR FT HELIX KIT	1
4	4159710	COUPLING D.16XD.28 FT130 HELIX KIT	1
5	4159707	SCREW M8X30 (4 PIECES)	1
6	4177848	STUD BOLT M12X713KIT	1
6.1		> TIE BOLT M12-713x18x30-1.4057	1
6.2	2094647	> NUT M12 M12 ISO4032 VP.	1
6.3	2123557	> WASHER CS-12.4-24-1.6-NFE25 (4 PIECES)	1
7	4159783	END SHIELD HELIX FKM 1.4404 KIT	1
7.1		> END SHIELD M+6" GJL250 MACHINING+CATA	1
7.2	2131056	> STATIONARY RING HOLDER 6" HELIX 1.4404 V	1
7.3	4234237	> O-RING 139X3 VITON VP.	1
7.4	2131026	> O-RING ID.37,6X2,4 FKM VP.	1
7.5	2131057	> O-RING ID.21,35X2 FKM VP.	1
8	4159784	FILING/PURGING PLUG HELIX FKM KIT	1
9	4159700	CARTRIDGE HELIX6-10-16 F/V KIT	1
10	4177943	HOUSING-PIPE D.152X585 1.4404 KIT	1
7.3	4234237	> O-RING 139X3 VITON VP.	1
10.1		> HOUSING-PIPE Ø152-M+1013/14-316L	1
11	4174337	CENTERING STAGE-RETURN HELIX10 1.4404VP.	1
12	4174085	SHAFTS EQUIPMENT HELIX V6 BI BLOC KIT	1
12.1		> NUT-H-M10-A4.70	1
12.2		> SERRATED LOCK WASHER M+6M3-316L	1
12.3		> STOP COLLAR OF IMPELLER L17,9-Ø16-316L	1
12.4		> STOP-RUSH-1/2-D16xd2-M+316	1
13		HYDRAULIC HELIX V 613 316 L	1
14	4177944	SHAFT D.16X705 1.4404 VP.	1
15	4174333	PUMP HOUSING HELIX DN32 PN25 1.4409 KIT	1
7.3	4177887	> O-RING ID.145,65X3,53 VITON VP.	1

HELIX V613-2/25/V/KS/400-50 (4156074)

Item	Article no.	Description	Quantity
15.1		> BLASTING PPE HOUSING V-PN25-DN32-5"-316L	1
15.3	4159781	> PRIMING/DRAIN PLUG HELIX 16 FKM KIT	1
16	4177970	BASEPLATE HELIX V2/4/6 PN25 VP.	1



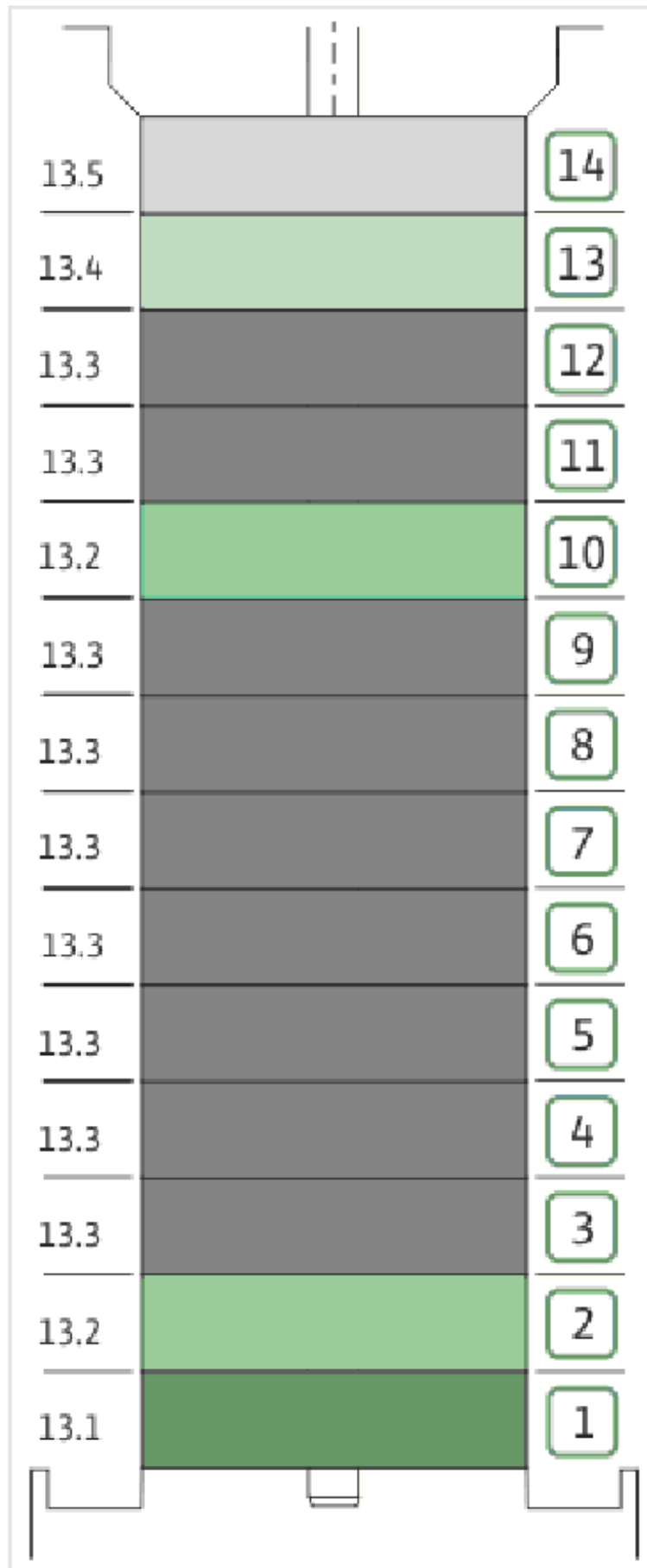
COUPLING D.16XD.28 FT130 HELIX KIT (4159710)

Item	Article no.	Description	Quantity
4.1		COUPLING M+ Ø16XØ28 FT130 MACHINED	1
4.2	2131022	BALL BEARING 6209/ZZ-C3(HT)VP.	1
4.3	4233930	CIRCLIP-FOR-BORES-D45x1,75 VP.	1
4.4	4157726	SCREW KIT M8X30 (4 PIECES)	1
4.5	4234252	CIRCLIPS 85X3 VP.	1
4.6	4234243	O-RING 85X3 VP.	1
		NOMEL CONTACT WASHER 8x16x1,4 STEEL ZC	1



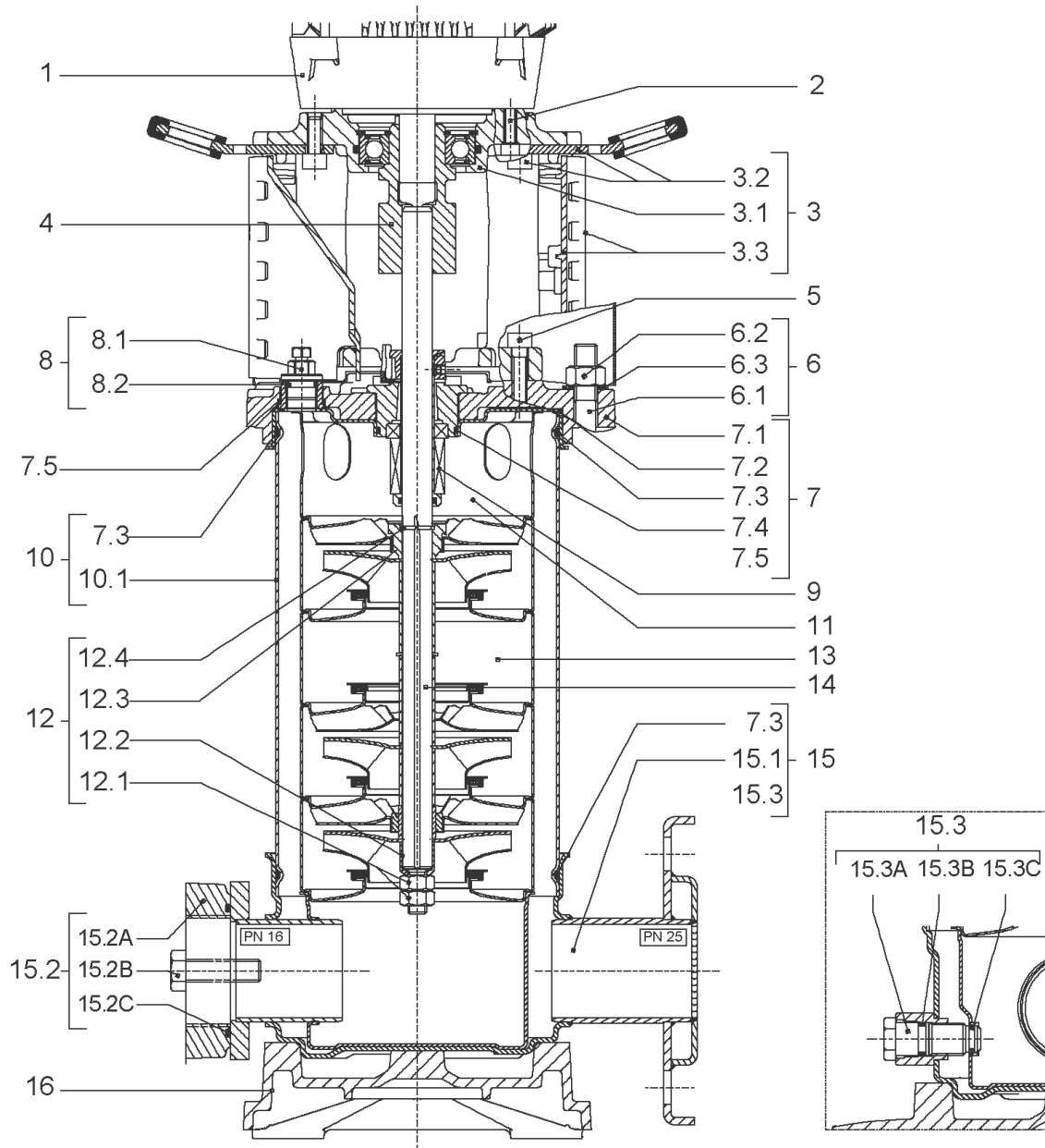
CARTRIDGE HELIX6-10-16 F/V KIT (4159700)

Item	Article no.	Description	Quantity
9.1	4159701	SEAL-KIT-HELIX6-10-16 F/V	1
7.3	4177887	> O-RING ID.145,65X3,53 VITON VP.	1
7.4	4177888	> O-RING ID.37.6xØ2.4 VITON VP.	1
9.1A	2131025	> MECH.SEAL HELIX2-4-6-10-16 F/V VP.	1
9.1B	2131027	> O-RING D.16XD.2,5 FKM VP.	1
9.1C	4177889	> O-RING ID.16x1.25 VITON VP.	1
9.2	2130961	SHAFT SLEEVE D.18/16X72,2 1.4404 VP.	1
9.3	2131024	RING HOLDER D.18 G606/G6 1.4404 VP.	1
9.4	4176520	SCREW CH M5x5 A4-70 (3PIECES)	1
9.5	2130963	DRIVE RING D.29/18x12,4 MACH.VP.	1
9.6	2130964	TOOL M.S.CART.HELIX VP.	1
9.7	2130965	SCREW CHC M5X12 ISO4762 A2.70(4 PIECES)	1



HYDRAULIC HELIX V 613 316 L

Item	Article no.	Description	Quantity
13.1	4174336	STAGE HELIX6 1.4404 KIT	1
		> MACH.STG-CASING-WOGV-WNR-M+6-316	1
		> IMPELLER-M+6-316	1
13.2	4174338	INTERMEDIATE STAGE HELIX 6 1.4404 KIT	1
		> MACH.BEARING-STG-CASING-WNR-M+6-316	1
		> IMPELLER-M+6-316	1
		> SHAFT SLEEVE-SPACER-Ø19,35x18,465-316	1
		> SHAFT-SLEEVE-D16xD20x18-CW	1
13.3	4174339	INTERMEDIATE STAGE HELIX 6 1.4404 KIT	1
		> MACH.STD-STG-CASING-WGV+NR-M+6-316	1
		> IMPELLER-M+6-316	1
		> IMPELLER SPACER Ø16,05X19,45-L36,465-316	1
13.4	4174341	EMPTY STAGE HELIX6 1.4404	1
		> MACH.STD-STG-CASING-WGV+NR-M+6-316	1
		> FLAT WASHER-D16.1XD22X1.2-316L	1
		> IMPELLER SPACER Ø16,05X19,45-L36,465-316	1
13.5	4174340	STAGE HELIX 6 1.4404 KIT	1
		> MACH.STG-CASING-WOGV-WNR-M+6-316	1
		> IMPELLER-M+6-316	1
		> IMPELLER SPACER Ø16,05X19,45-L36,465-316	1

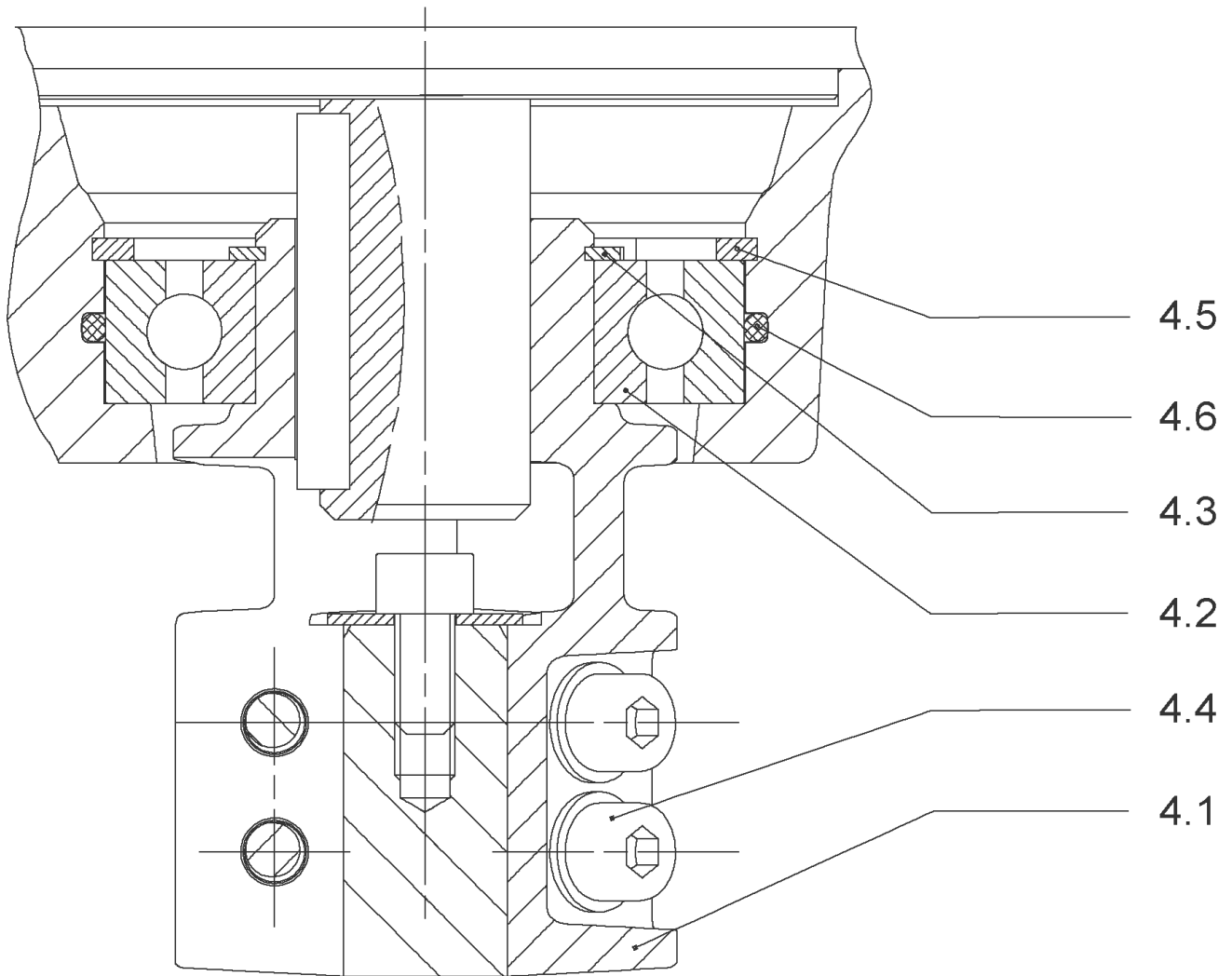


HELIX V614-2/25/V/KS/400-50 (4156075)

Item	Article no.	Description	Quantity
1	4169944	MOTOR 3/2/100 3~230/400V 50HZ IE3 VP.	1
		SPARE PARTS MOTOR:ON REQUEST	1
2	4206025	SCREW M8X45 (4 PIECES)	1
3	4171326	LANTERN FT130 HELIX KIT	1
3.1		> LANTERN FT130 M+6" GJL MACHINING+CATA	1
3.2	2127604	> EYELET CPL.FT HELIX(2 PIECES)	1
3.3	4159692	> COUPLING PROTECTOR FT HELIX KIT	1
4	4159710	COUPLING D.16XD.28 FT130 HELIX KIT	1
5	4159707	SCREW M8X30 (4 PIECES)	1
6	4177848	STUD BOLT M12X713KIT	1
6.1		> TIE BOLT M12-713x18x30-1.4057	1
6.2	2094647	> NUT M12 M12 ISO4032 VP.	1
6.3	2123557	> WASHER CS-12.4-24-1.6-NFE25 (4 PIECES)	1
7	4159783	END SHIELD HELIX FKM 1.4404 KIT	1
7.1		> END SHIELD M+6" GJL250 MACHINING+CATA	1
7.2	2131056	> STATIONARY RING HOLDER 6" HELIX 1.4404 V	1
7.3	4234237	> O-RING 139X3 VITON VP.	1
7.4	2131026	> O-RING ID.37,6X2,4 FKM VP.	1
7.5	2131057	> O-RING ID.21,35X2 FKM VP.	1
8	4159784	FILING/PURGING PLUG HELIX FKM KIT	1
9	4159700	CARTRIDGE HELIX6-10-16 F/V KIT	1
10	4177943	HOUSING-PIPE D.152X585 1.4404 KIT	1
7.3	4234237	> O-RING 139X3 VITON VP.	1
10.1		> HOUSING-PIPE Ø152-M+1013/14-316L	1
11	4174337	CENTERING STAGE-RETURN HELIX10 1.4404VP.	1
12	4174085	SHAFTS EQUIPMENT HELIX V6 BI BLOC KIT	1
12.1		> NUT-H-M10-A4.70	1
12.2		> SERRATED LOCK WASHER M+6M3-316L	1
12.3		> STOP COLLAR OF IMPELLER L17,9-Ø16-316L	1
12.4		> STOP-RUSH-1/2-D16xd2-M+316	1
13		HYDRAULIC HELIX V 614 316 L	1
14	4177944	SHAFT D.16X705 1.4404 VP.	1
15	4174333	PUMP HOUSING HELIX DN32 PN25 1.4409 KIT	1
7.3	4177887	> O-RING ID.145,65X3,53 VITON VP.	1

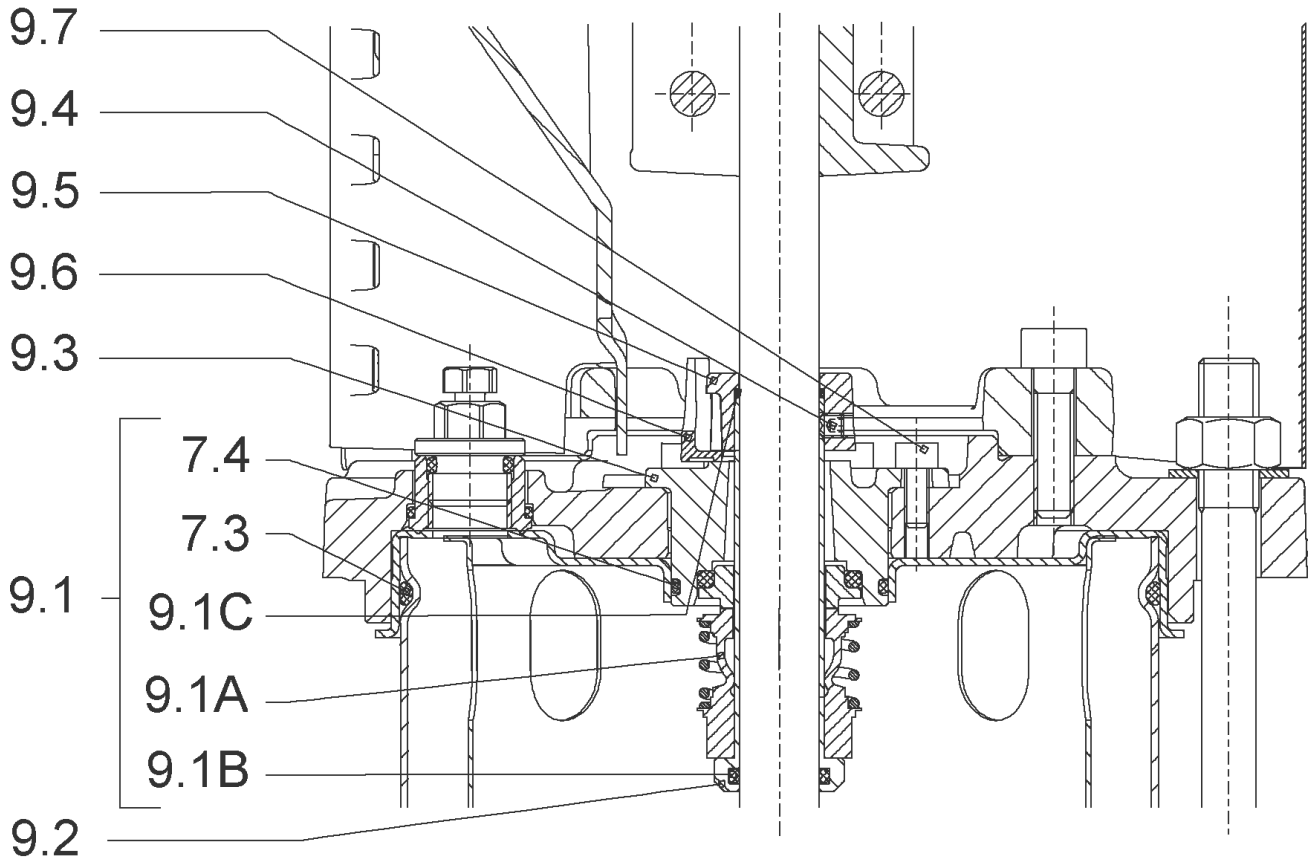
HELIX V614-2/25/V/KS/400-50 (4156075)

Item	Article no.	Description	Quantity
15.1		> BLASTING PPE HOUSING V-PN25-DN32-5"-316L	1
15.3	4159781	> PRIMING/DRAIN PLUG HELIX 16 FKM KIT	1
16	4177970	BASEPLATE HELIX V2/4/6 PN25 VP.	1



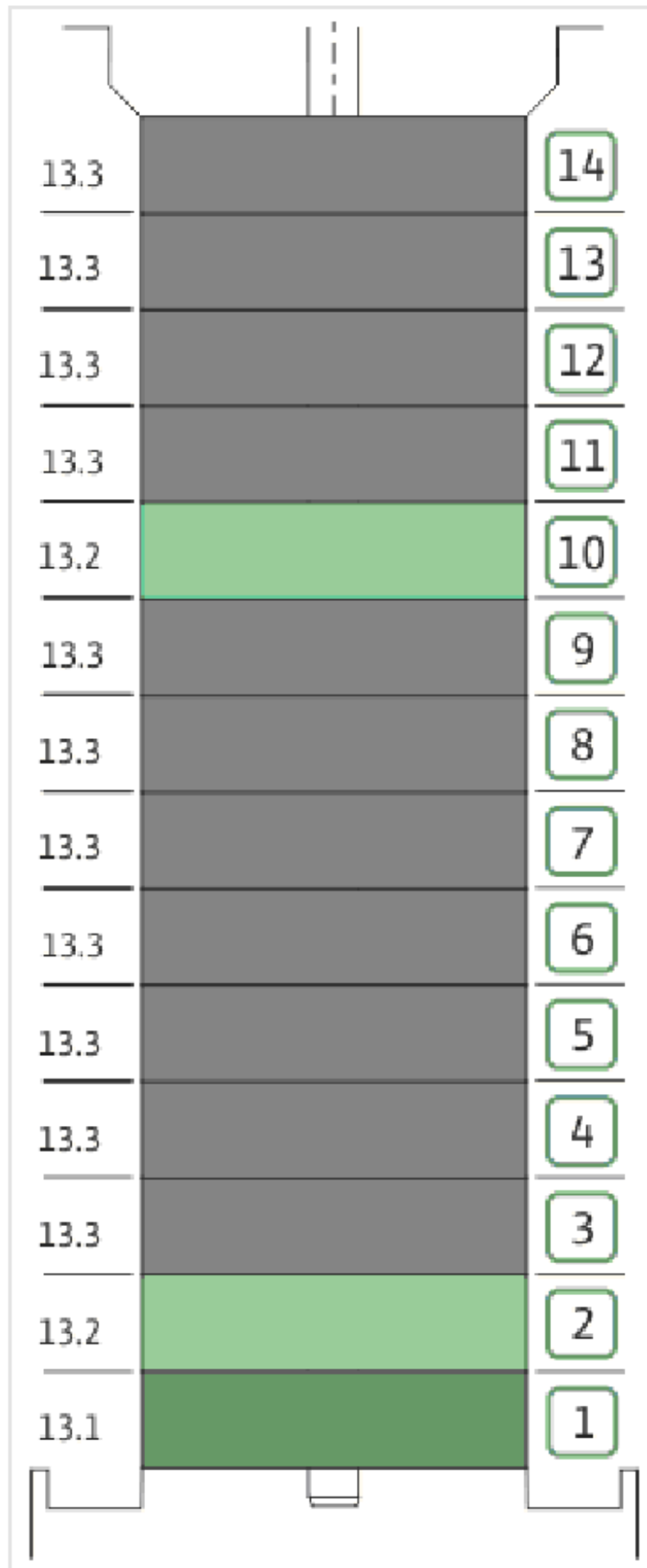
COUPLING D.16XD.28 FT130 HELIX KIT (4159710)

Item	Article no.	Description	Quantity
4.1		COUPLING M+ Ø16XØ28 FT130 MACHINED	1
4.2	2131022	BALL BEARING 6209/ZZ-C3(HT)VP.	1
4.3	4233930	CIRCLIP-FOR-BORES-D45x1,75 VP.	1
4.4	4157726	SCREW KIT M8X30 (4 PIECES)	1
4.5	4234252	CIRCLIPS 85X3 VP.	1
4.6	4234243	O-RING 85X3 VP.	1
		NOMEL CONTACT WASHER 8x16x1,4 STEEL ZC	1



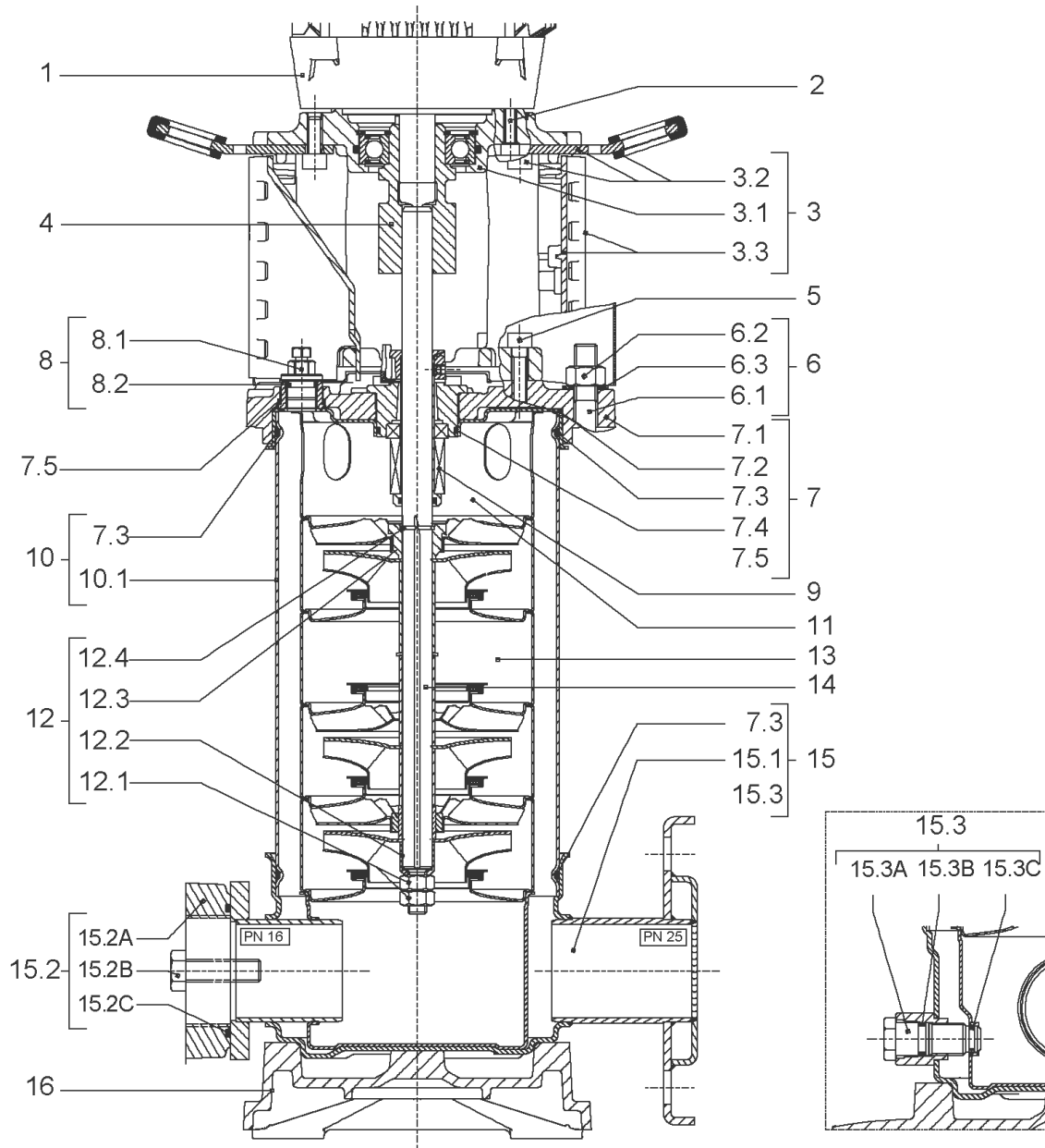
CARTRIDGE HELIX6-10-16 F/V KIT (4159700)

Item	Article no.	Description	Quantity
9.1	4159701	SEAL-KIT-HELIX6-10-16 F/V	1
7.3	4177887	> O-RING ID.145,65X3,53 VITON VP.	1
7.4	4177888	> O-RING ID.37.6xØ2.4 VITON VP.	1
9.1A	2131025	> MECH.SEAL HELIX2-4-6-10-16 F/V VP.	1
9.1B	2131027	> O-RING D.16XD.2,5 FKM VP.	1
9.1C	4177889	> O-RING ID.16x1.25 VITON VP.	1
9.2	2130961	SHAFT SLEEVE D.18/16X72,2 1.4404 VP.	1
9.3	2131024	RING HOLDER D.18 G606/G6 1.4404 VP.	1
9.4	4176520	SCREW CH M5x5 A4-70 (3PIECES)	1
9.5	2130963	DRIVE RING D.29/18x12,4 MACH.VP.	1
9.6	2130964	TOOL M.S.CART.HELIX VP.	1
9.7	2130965	SCREW CHC M5X12 ISO4762 A2.70(4 PIECES)	1



HYDRAULIC HELIX V 614 316 L

Item	Article no.	Description	Quantity
13.1	4174336	STAGE HELIX6 1.4404 KIT	1
		> MACH.STG-CASING-WOGV-WNR-M+6-316	1
		> IMPELLER-M+6-316	1
13.2	4174338	INTERMEDIATE STAGE HELIX 6 1.4404 KIT	1
		> MACH.BEARING-STG-CASING-WNR-M+6-316	1
		> IMPELLER-M+6-316	1
		> SHAFT SLEEVE-SPACER-Ø19,35x18,465-316	1
		> SHAFT-SLEEVE-D16xD20x18-CW	1
13.3	4174339	INTERMEDIATE STAGE HELIX 6 1.4404 KIT	1
		> MACH.STD-STG-CASING-WGV+NR-M+6-316	1
		> IMPELLER-M+6-316	1
		> IMPELLER SPACER Ø16,05X19,45-L36,465-316	1

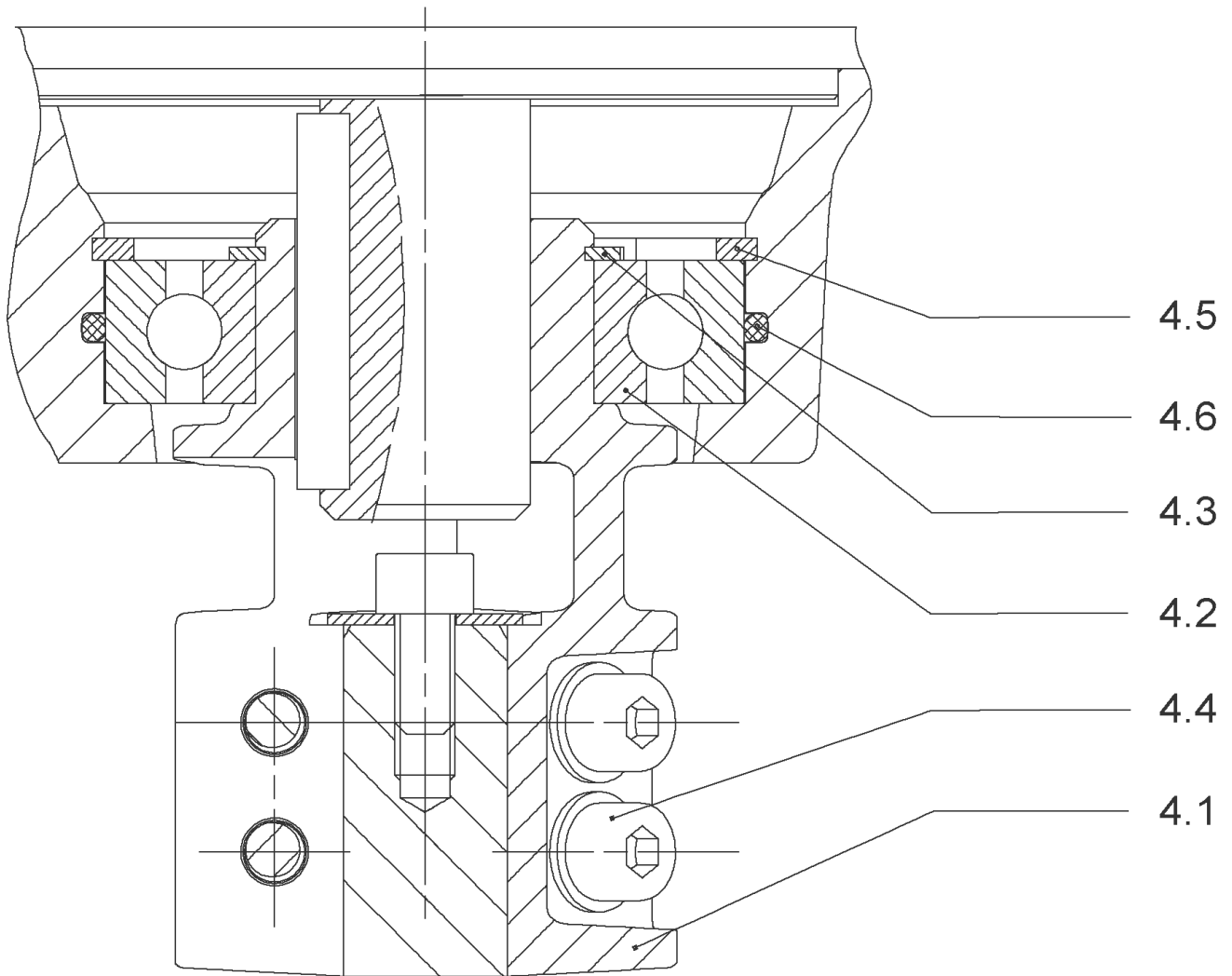


HELIX V615-2/25/V/KS/400-50 (4156076)

Item	Article no.	Description	Quantity
1	4169944	MOTOR 3/2/100 3~230/400V 50HZ IE3 VP.	1
		SPARE PARTS MOTOR:ON REQUEST	1
2	4206025	SCREW M8X45 (4 PIECES)	1
3	4171326	LANTERN FT130 HELIX KIT	1
3.1		> LANTERN FT130 M+6" GJL MACHINING+CATA	1
3.2	2127604	> EYELET CPL.FT HELIX(2 PIECES)	1
3.3	4159692	> COUPLING PROTECTOR FT HELIX KIT	1
4	4159710	COUPLING D.16XD.28 FT130 HELIX KIT	1
5	4159707	SCREW M8X30 (4 PIECES)	1
6	4177852	STUD BOLT M12X788KIT	1
6.1		> TIE BOLT M12-788x18x30-1.4057	1
6.2	2094647	> NUT M12 M12 ISO4032 VP.	1
6.3	2123557	> WASHER CS-12.4-24-1.6-NFE25 (4 PIECES)	1
7	4159783	END SHIELD HELIX FKM 1.4404 KIT	1
7.1		> END SHIELD M+6" GJL250 MACHINING+CATA	1
7.2	2131056	> STATIONARY RING HOLDER 6" HELIX 1.4404 V	1
7.3	4234237	> O-RING 139X3 VITON VP.	1
7.4	2131026	> O-RING ID.37,6X2,4 FKM VP.	1
7.5	2131057	> O-RING ID.21,35X2 FKM VP.	1
8	4159784	FILING/PURGING PLUG HELIX FKM KIT	1
9	4159700	CARTRIDGE HELIX6-10-16 F/V KIT	1
10	4177947	HOUSING-PIPE D.152X660 1.4404 KIT	1
7.3	4234237	> O-RING 139X3 VITON VP.	1
10.1		> HOUSING-PIPE Ø152-M+1016/1610-316L	1
11	4174337	CENTERING STAGE-RETURN HELIX10 1.4404VP.	1
12	4174085	SHAFTS EQUIPMENT HELIX V6 BI BLOC KIT	1
12.1		> NUT-H-M10-A4.70	1
12.2		> SERRATED LOCK WASHER M+6M3-316L	1
12.3		> STOP COLLAR OF IMPELLER L17,9-Ø16-316L	1
12.4		> STOP-RUSH-1/2-D16xd2-M+316	1
13		HYDRAULIC HELIX V 615 316 L	1
14	2131039	SHAFT D.16X780 1.4462 VP.	1
15	4174333	PUMP HOUSING HELIX DN32 PN25 1.4409 KIT	1
7.3	4177887	> O-RING ID.145,65X3,53 VITON VP.	1

HELIX V615-2/25/V/KS/400-50 (4156076)

Item	Article no.	Description	Quantity
15.1		> BLASTING PPE HOUSING V-PN25-DN32-5"-316L	1
15.3	4159781	> PRIMING/DRAIN PLUG HELIX 16 FKM KIT	1
16	4177970	BASEPLATE HELIX V2/4/6 PN25 VP.	1



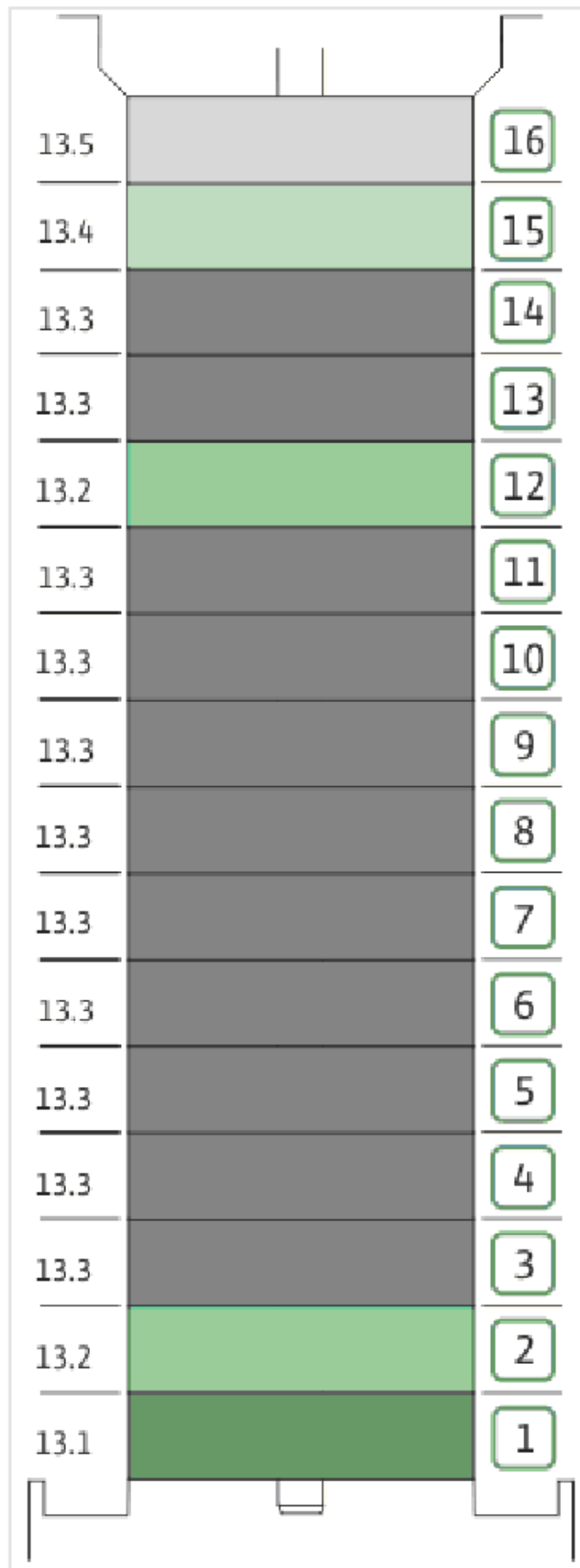
COUPLING D.16XD.28 FT130 HELIX KIT (4159710)

Item	Article no.	Description	Quantity
4.1		COUPLING M+ Ø16XØ28 FT130 MACHINED	1
4.2	2131022	BALL BEARING 6209/ZZ-C3(HT)VP.	1
4.3	4233930	CIRCLIP-FOR-BORES-D45x1,75 VP.	1
4.4	4157726	SCREW KIT M8X30 (4 PIECES)	1
4.5	4234252	CIRCLIPS 85X3 VP.	1
4.6	4234243	O-RING 85X3 VP.	1
		NOMEL CONTACT WASHER 8x16x1,4 STEEL ZC	1



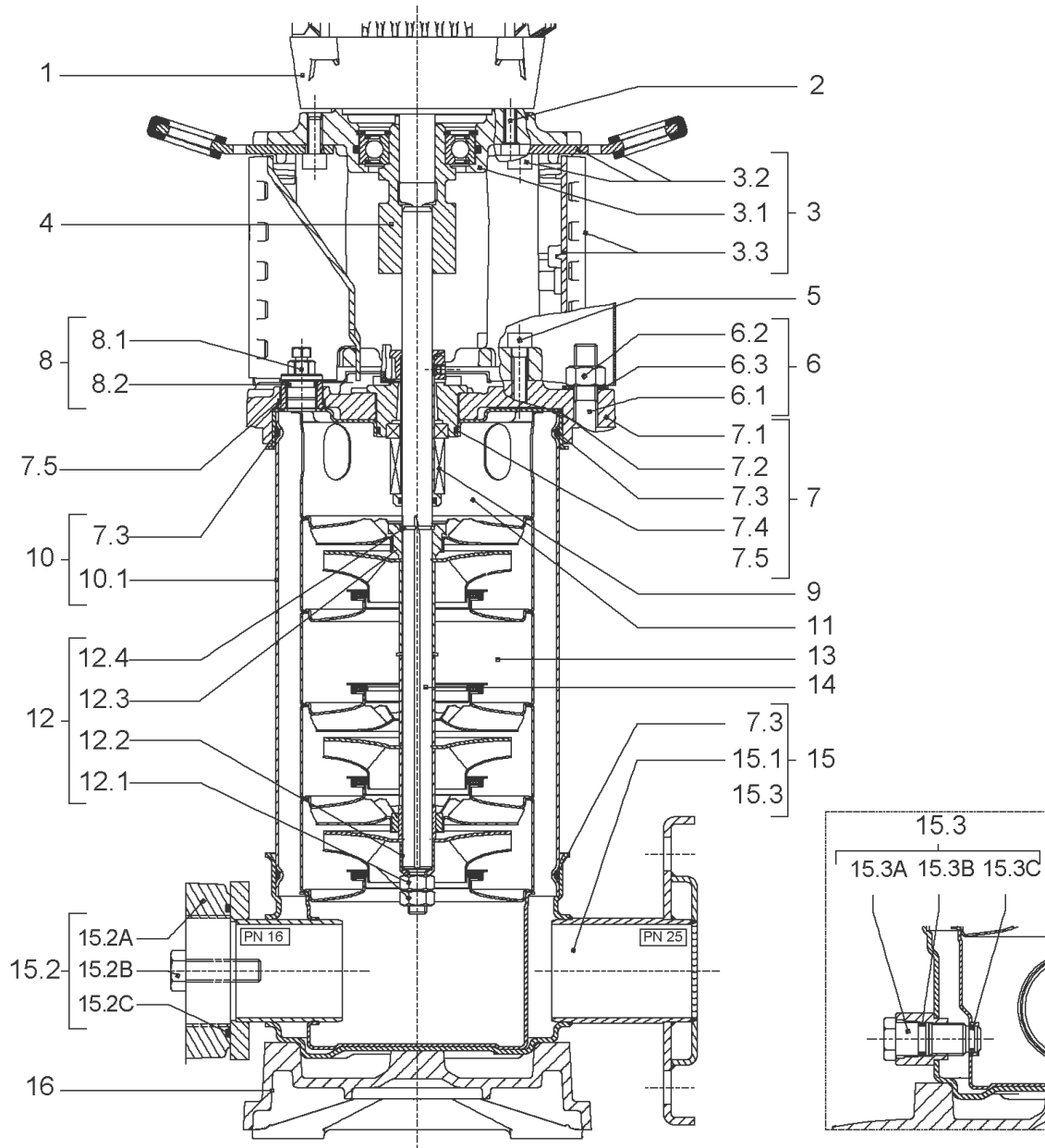
CARTRIDGE HELIX6-10-16 F/V KIT (4159700)

Item	Article no.	Description	Quantity
9.1	4159701	SEAL-KIT-HELIX6-10-16 F/V	1
7.3	4177887	> O-RING ID.145,65X3,53 VITON VP.	1
7.4	4177888	> O-RING ID.37.6xØ2.4 VITON VP.	1
9.1A	2131025	> MECH.SEAL HELIX2-4-6-10-16 F/V VP.	1
9.1B	2131027	> O-RING D.16XD.2,5 FKM VP.	1
9.1C	4177889	> O-RING ID.16x1.25 VITON VP.	1
9.2	2130961	SHAFT SLEEVE D.18/16X72,2 1.4404 VP.	1
9.3	2131024	RING HOLDER D.18 G606/G6 1.4404 VP.	1
9.4	4176520	SCREW CH M5x5 A4-70 (3PIECES)	1
9.5	2130963	DRIVE RING D.29/18x12,4 MACH.VP.	1
9.6	2130964	TOOL M.S.CART.HELIX VP.	1
9.7	2130965	SCREW CHC M5X12 ISO4762 A2.70(4 PIECES)	1



HYDRAULIC HELIX V 615 316 L

Item	Article no.	Description	Quantity
13.1	4174336	STAGE HELIX6 1.4404 KIT	1
		> MACH.STG-CASING-WOGV-WNR-M+6-316	1
		> IMPELLER-M+6-316	1
13.2	4174338	INTERMEDIATE STAGE HELIX 6 1.4404 KIT	1
		> MACH.BEARING-STG-CASING-WNR-M+6-316	1
		> IMPELLER-M+6-316	1
		> SHAFT SLEEVE-SPACER-Ø19,35x18,465-316	1
		> SHAFT-SLEEVE-D16xD20x18-CW	1
13.3	4174339	INTERMEDIATE STAGE HELIX 6 1.4404 KIT	1
		> MACH.STD-STG-CASING-WGV+NR-M+6-316	1
		> IMPELLER-M+6-316	1
		> IMPELLER SPACER Ø16,05X19,45-L36,465-316	1
13.4	4174341	EMPTY STAGE HELIX6 1.4404	1
		> MACH.STD-STG-CASING-WGV+NR-M+6-316	1
		> FLAT WASHER-D16.1XD22X1.2-316L	1
		> IMPELLER SPACER Ø16,05X19,45-L36,465-316	1
13.5	4174340	STAGE HELIX 6 1.4404 KIT	1
		> MACH.STG-CASING-WOGV-WNR-M+6-316	1
		> IMPELLER-M+6-316	1
		> IMPELLER SPACER Ø16,05X19,45-L36,465-316	1



HELIX V616-2/25/V/KS/400-50 (4156077)

Item	Article no.	Description	Quantity
1	4169945	MO.4/2 3~230/400(460)V 50(60)HZ IE3 VP.	1
		SPARE PARTS MOTOR:ON REQUEST	1
2	4206025	SCREW M8X45 (4 PIECES)	1
3	4171326	LANTERN FT130 HELIX KIT	1
3.1		> LANTERN FT130 M+6" GJL MACHINING+CATA	1
3.2	2127604	> EYELET CPL.FT HELIX(2 PIECES)	1
3.3	4159692	> COUPLING PROTECTOR FT HELIX KIT	1
4	4159710	COUPLING D.16XD.28 FT130 HELIX KIT	1
5	4159707	SCREW M8X30 (4 PIECES)	1
6	4177852	STUD BOLT M12X788KIT	1
6.1		> TIE BOLT M12-788x18x30-1.4057	1
6.2	2094647	> NUT M12 M12 ISO4032 VP.	1
6.3	2123557	> WASHER CS-12.4-24-1.6-NFE25 (4 PIECES)	1
7	4159783	END SHIELD HELIX FKM 1.4404 KIT	1
7.1		> END SHIELD M+6" GJL250 MACHINING+CATA	1
7.2	2131056	> STATIONARY RING HOLDER 6" HELIX 1.4404 V	1
7.3	4234237	> O-RING 139X3 VITON VP.	1
7.4	2131026	> O-RING ID.37,6X2,4 FKM VP.	1
7.5	2131057	> O-RING ID.21,35X2 FKM VP.	1
8	4159784	FILING/PURGING PLUG HELIX FKM KIT	1
9	4159700	CARTRIDGE HELIX6-10-16 F/V KIT	1
10	4177947	HOUSING-PIPE D.152X660 1.4404 KIT	1
7.3	4234237	> O-RING 139X3 VITON VP.	1
10.1		> HOUSING-PIPE Ø152-M+1016/1610-316L	1
11	4174337	CENTERING STAGE-RETURN HELIX10 1.4404VP.	1
12	4174085	SHAFTS EQUIPMENT HELIX V6 BI BLOC KIT	1
12.1		> NUT-H-M10-A4.70	1
12.2		> SERRATED LOCK WASHER M+6M3-316L	1
12.3		> STOP COLLAR OF IMPELLER L17,9-Ø16-316L	1
12.4		> STOP-RUSH-1/2-D16xd2-M+316	1
13		HYDRAULIC HELIX V 616 316 L	1
14	2131039	SHAFT D.16X780 1.4462 VP.	1
15	4174333	PUMP HOUSING HELIX DN32 PN25 1.4409 KIT	1
7.3	4177887	> O-RING ID.145,65X3,53 VITON VP.	1

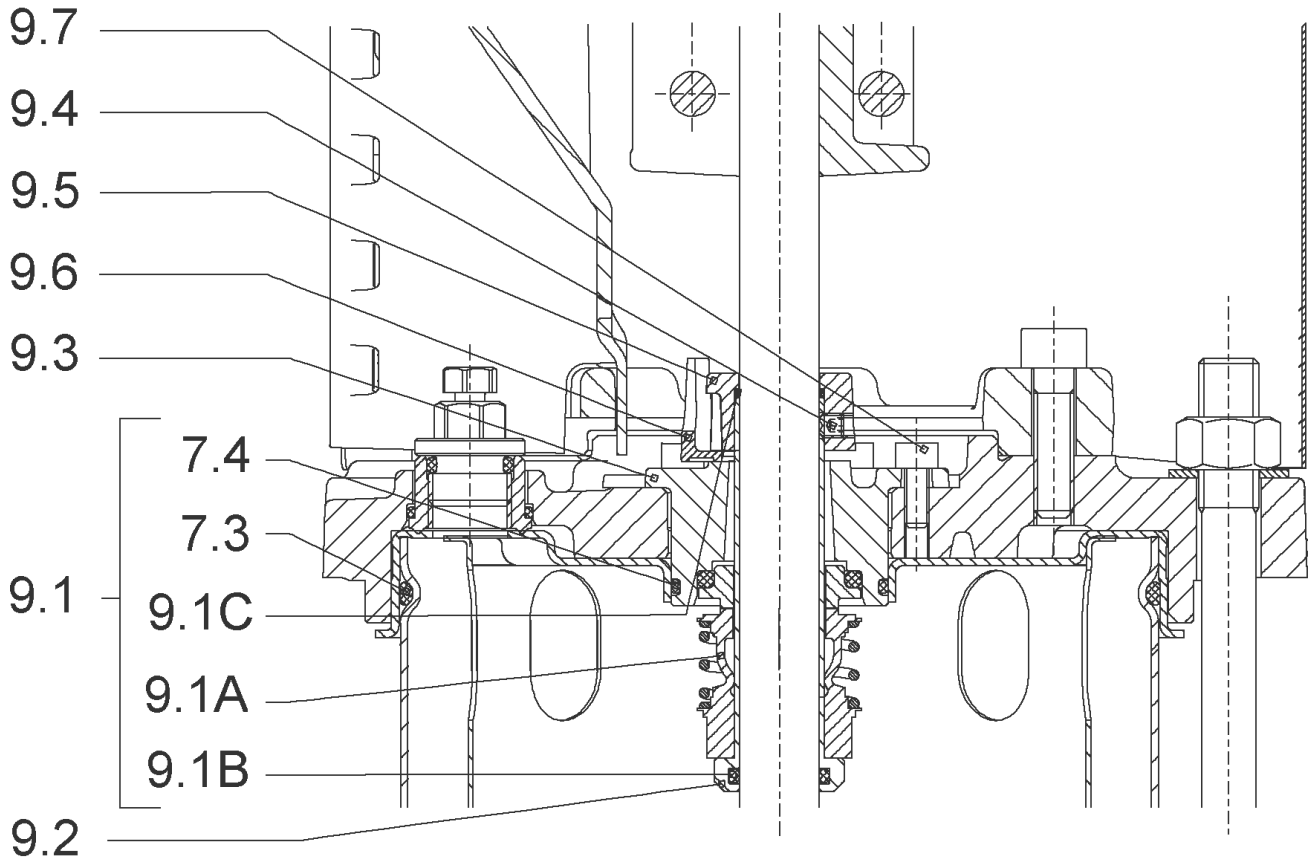
HELIX V616-2/25/V/KS/400-50 (4156077)

Item	Article no.	Description	Quantity
15.1		> BLASTING PPE HOUSING V-PN25-DN32-5"-316L	1
15.3	4159781	> PRIMING/DRAIN PLUG HELIX 16 FKM KIT	1
16	4177970	BASEPLATE HELIX V2/4/6 PN25 VP.	1



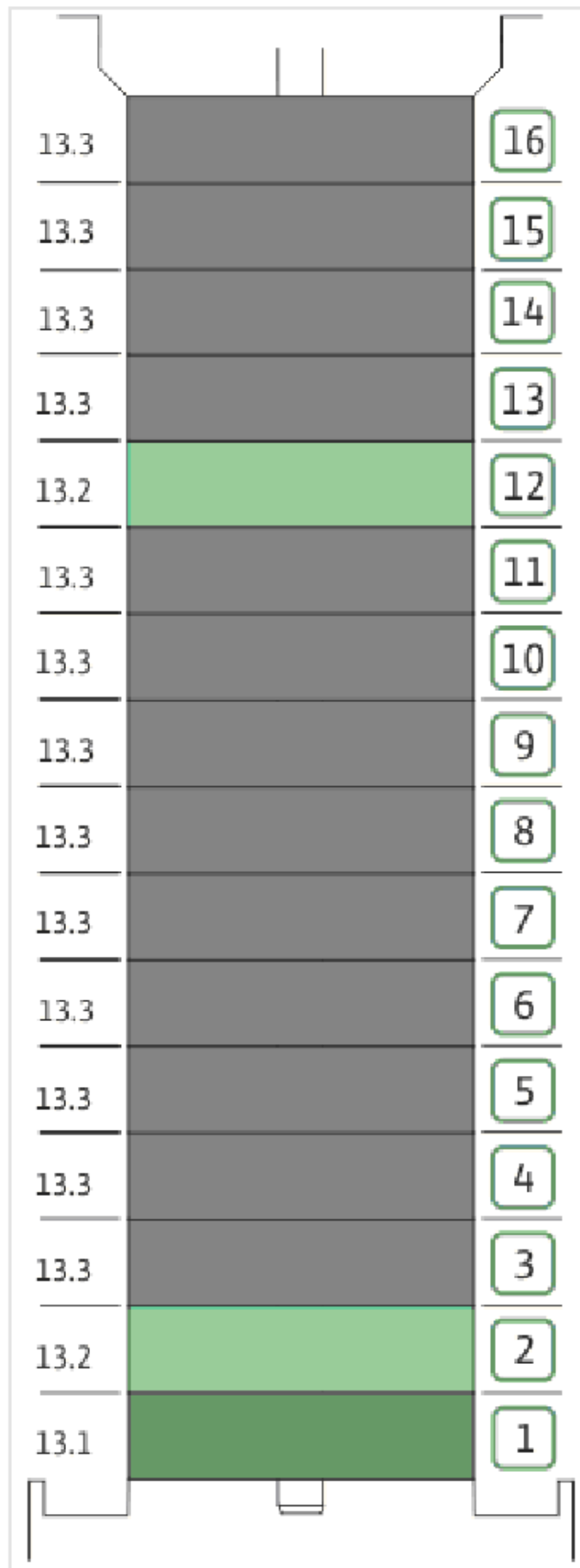
COUPLING D.16XD.28 FT130 HELIX KIT (4159710)

Item	Article no.	Description	Quantity
4.1		COUPLING M+ Ø16XØ28 FT130 MACHINED	1
4.2	2131022	BALL BEARING 6209/ZZ-C3(HT)VP.	1
4.3	4233930	CIRCLIP-FOR-BORES-D45x1,75 VP.	1
4.4	4157726	SCREW KIT M8X30 (4 PIECES)	1
4.5	4234252	CIRCLIPS 85X3 VP.	1
4.6	4234243	O-RING 85X3 VP.	1
		NOMEL CONTACT WASHER 8x16x1,4 STEEL ZC	1



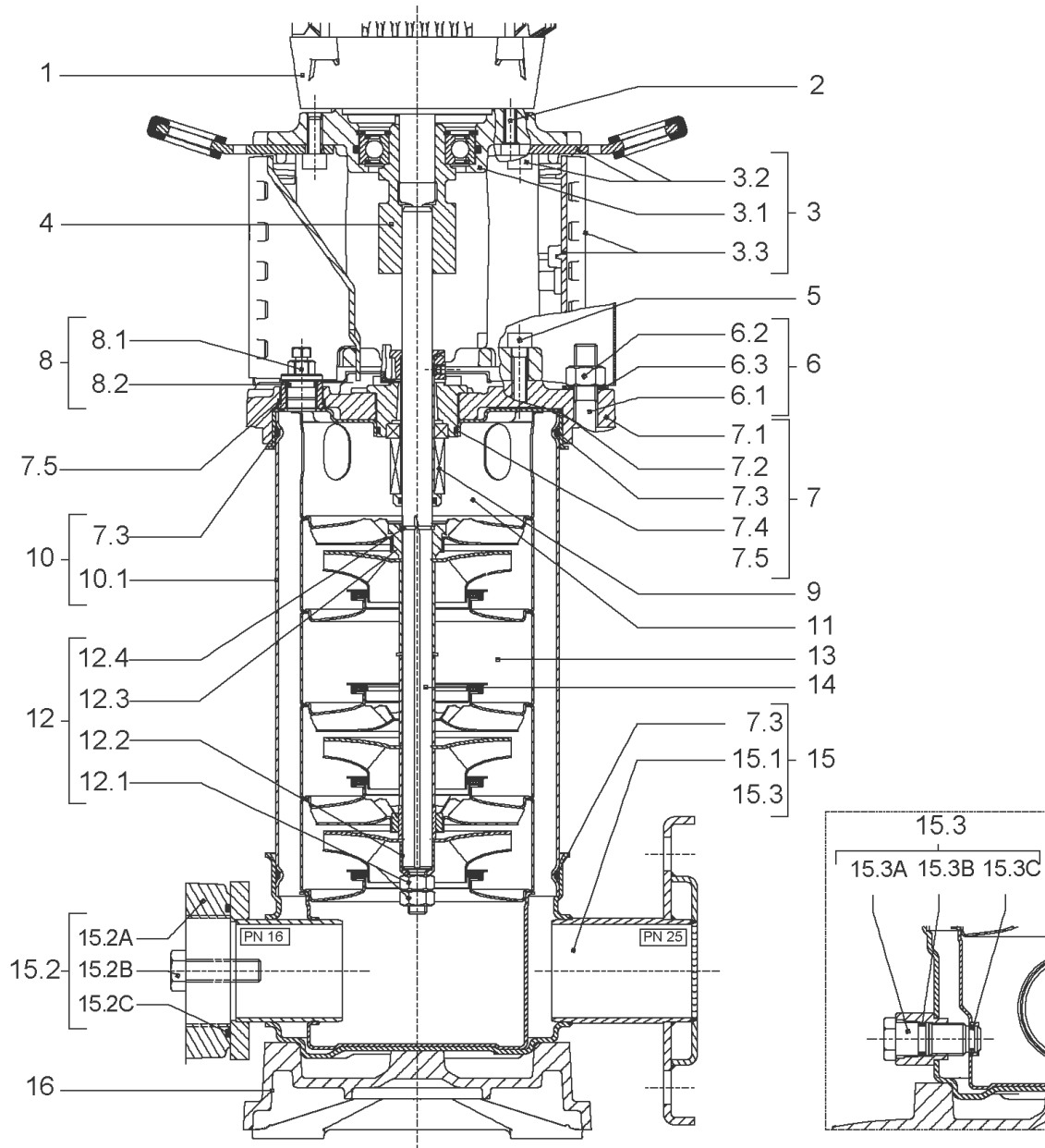
CARTRIDGE HELIX6-10-16 F/V KIT (4159700)

Item	Article no.	Description	Quantity
9.1	4159701	SEAL-KIT-HELIX6-10-16 F/V	1
7.3	4177887	> O-RING ID.145,65X3,53 VITON VP.	1
7.4	4177888	> O-RING ID.37.6xØ2.4 VITON VP.	1
9.1A	2131025	> MECH.SEAL HELIX2-4-6-10-16 F/V VP.	1
9.1B	2131027	> O-RING D.16XD.2,5 FKM VP.	1
9.1C	4177889	> O-RING ID.16x1.25 VITON VP.	1
9.2	2130961	SHAFT SLEEVE D.18/16X72,2 1.4404 VP.	1
9.3	2131024	RING HOLDER D.18 G606/G6 1.4404 VP.	1
9.4	4176520	SCREW CH M5x5 A4-70 (3PIECES)	1
9.5	2130963	DRIVE RING D.29/18x12,4 MACH.VP.	1
9.6	2130964	TOOL M.S.CART.HELIX VP.	1
9.7	2130965	SCREW CHC M5X12 ISO4762 A2.70(4 PIECES)	1



HYDRAULIC HELIX V 616 316 L

Item	Article no.	Description	Quantity
13.1	4174336	STAGE HELIX6 1.4404 KIT	1
		> MACH.STG-CASING-WOGV-WNR-M+6-316	1
		> IMPELLER-M+6-316	1
13.2	4174338	INTERMEDIATE STAGE HELIX 6 1.4404 KIT	1
		> MACH.BEARING-STG-CASING-WNR-M+6-316	1
		> IMPELLER-M+6-316	1
		> SHAFT SLEEVE-SPACER-Ø19,35x18,465-316	1
		> SHAFT-SLEEVE-D16xD20x18-CW	1
13.3	4174339	INTERMEDIATE STAGE HELIX 6 1.4404 KIT	1
		> MACH.STD-STG-CASING-WGV+NR-M+6-316	1
		> IMPELLER-M+6-316	1
		> IMPELLER SPACER Ø16,05X19,45-L36,465-316	1



HELIX V618-2/25/V/KS/400-50 (4156078)

Item	Article no.	Description	Quantity
1	4169945	MO.4/2 3~230/400(460)V 50(60)HZ IE3 VP.	1
		SPARE PARTS MOTOR:ON REQUEST	1
2	4206025	SCREW M8X45 (4 PIECES)	1
3	4171326	LANTERN FT130 HELIX KIT	1
3.1		> LANTERN FT130 M+6" GJL MACHINING+CATA	1
3.2	2127604	> EYELET CPL.FT HELIX(2 PIECES)	1
3.3	4159692	> COUPLING PROTECTOR FT HELIX KIT	1
4	4159710	COUPLING D.16XD.28 FT130 HELIX KIT	1
5	4159707	SCREW M8X30 (4 PIECES)	1
6	4177859	STUD BOLT M12X863KIT	1
6.1		> TIE BOLT M12-863x18x30-1.4057	1
6.2	2094647	> NUT M12 M12 ISO4032 VP.	1
6.3	2123557	> WASHER CS-12.4-24-1.6-NFE25 (4 PIECES)	1
7	4159783	END SHIELD HELIX FKM 1.4404 KIT	1
7.1		> END SHIELD M+6" GJL250 MACHINING+CATA	1
7.2	2131056	> STATIONARY RING HOLDER 6" HELIX 1.4404 V	1
7.3	4234237	> O-RING 139X3 VITON VP.	1
7.4	2131026	> O-RING ID.37,6X2,4 FKM VP.	1
7.5	2131057	> O-RING ID.21,35X2 FKM VP.	1
8	4159784	FILING/PURGING PLUG HELIX FKM KIT	1
9	4159700	CARTRIDGE HELIX6-10-16 F/V KIT	1
10	4177950	HOUSING-PIPE D.152X735 1.4404 KIT	1
7.3	4234237	> O-RING 139X3 VITON VP.	1
10.1		> HOUSING-PIPE Ø152-M+1017/18-316L	1
11	4174337	CENTERING STAGE-RETURN HELIX10 1.4404VP.	1
12	4174085	SHAFTS EQUIPMENT HELIX V6 BI BLOC KIT	1
12.1		> NUT-H-M10-A4.70	1
12.2		> SERRATED LOCK WASHER M+6M3-316L	1
12.3		> STOP COLLAR OF IMPELLER L17,9-Ø16-316L	1
12.4		> STOP-RUSH-1/2-D16xd2-M+316	1
13		HYDRAULIC HELIX V 618 316 L	1
14	4177949	SHAFT D.16X855 1.4404 VP.	1
15	4174333	PUMP HOUSING HELIX DN32 PN25 1.4409 KIT	1
7.3	4177887	> O-RING ID.145,65X3,53 VITON VP.	1

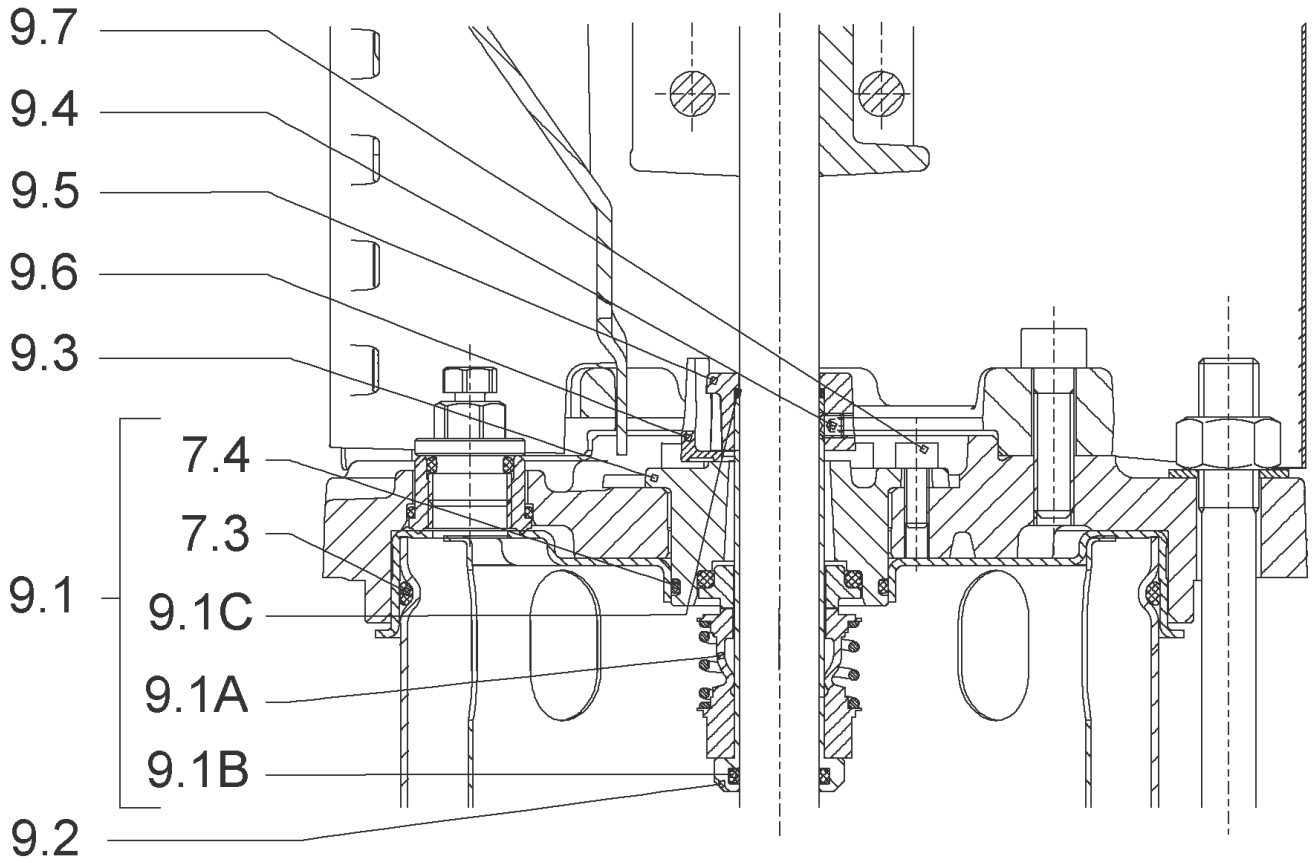
HELIX V618-2/25/V/KS/400-50 (4156078)

Item	Article no.	Description	Quantity
15.1		> BLASTING PPE HOUSING V-PN25-DN32-5"-316L	1
15.3	4159781	> PRIMING/DRAIN PLUG HELIX 16 FKM KIT	1
16	4177970	BASEPLATE HELIX V2/4/6 PN25 VP.	1



COUPLING D.16XD.28 FT130 HELIX KIT (4159710)

Item	Article no.	Description	Quantity
4.1		COUPLING M+ Ø16XØ28 FT130 MACHINED	1
4.2	2131022	BALL BEARING 6209/ZZ-C3(HT)VP.	1
4.3	4233930	CIRCLIP-FOR-BORES-D45x1,75 VP.	1
4.4	4157726	SCREW KIT M8X30 (4 PIECES)	1
4.5	4234252	CIRCLIPS 85X3 VP.	1
4.6	4234243	O-RING 85X3 VP.	1
		NOMEL CONTACT WASHER 8x16x1,4 STEEL ZC	1

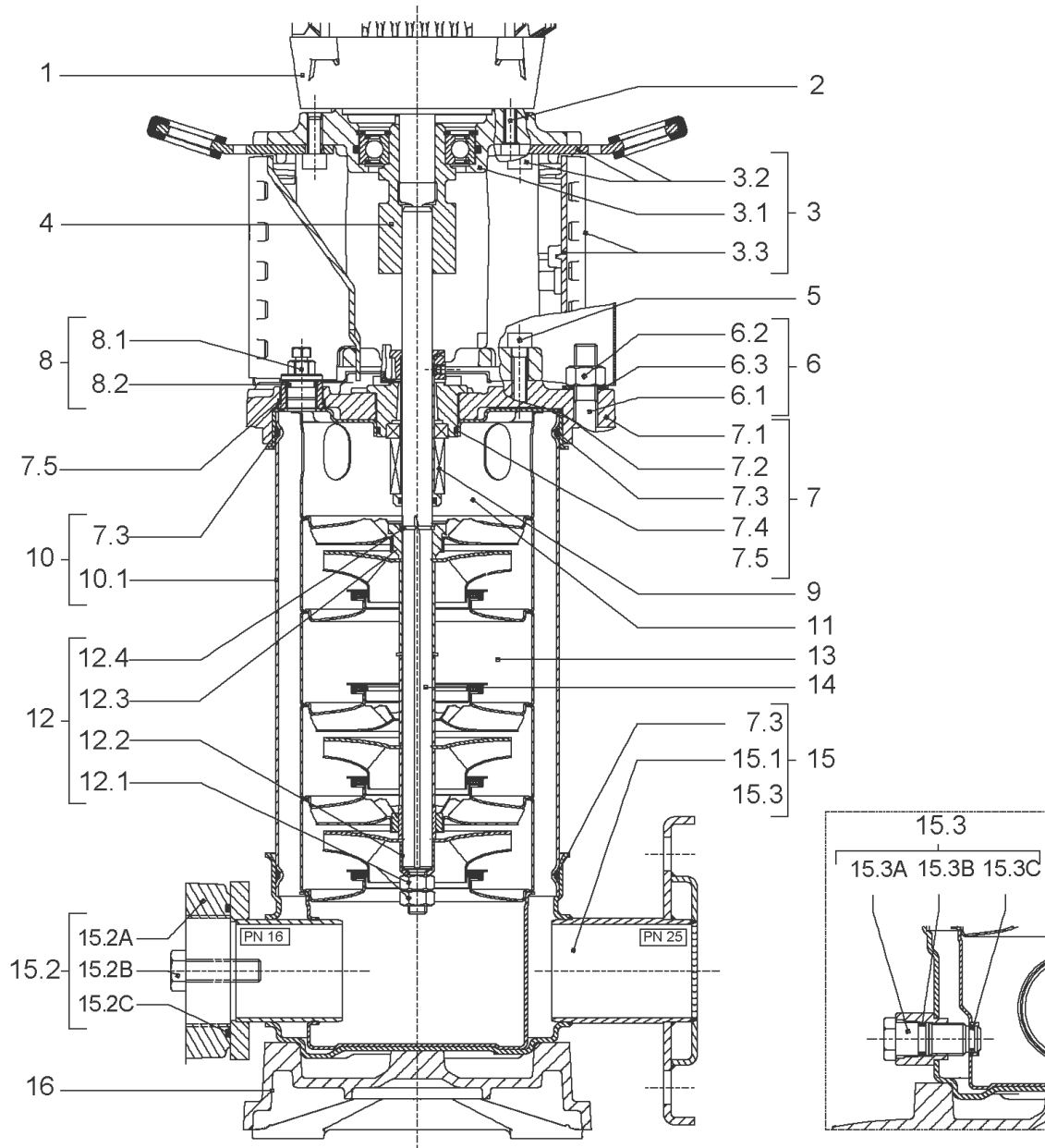


CARTRIDGE HELIX6-10-16 F/V KIT (4159700)

Item	Article no.	Description	Quantity
9.1	4159701	SEAL-KIT-HELIX6-10-16 F/V	1
7.3	4177887	> O-RING ID.145,65X3,53 VITON VP.	1
7.4	4177888	> O-RING ID.37.6xØ2.4 VITON VP.	1
9.1A	2131025	> MECH.SEAL HELIX2-4-6-10-16 F/V VP.	1
9.1B	2131027	> O-RING D.16XD.2,5 FKM VP.	1
9.1C	4177889	> O-RING ID.16x1.25 VITON VP.	1
9.2	2130961	SHAFT SLEEVE D.18/16X72,2 1.4404 VP.	1
9.3	2131024	RING HOLDER D.18 G606/G6 1.4404 VP.	1
9.4	4176520	SCREW CH M5x5 A4-70 (3PIECES)	1
9.5	2130963	DRIVE RING D.29/18x12,4 MACH.VP.	1
9.6	2130964	TOOL M.S.CART.HELIX VP.	1
9.7	2130965	SCREW CHC M5X12 ISO4762 A2.70(4 PIECES)	1

HYDRAULIC HELIX V 618 316 L

Item	Article no.	Description	Quantity
13.1	4174336	STAGE HELIX6 1.4404 KIT	1
		> MACH.STG-CASING-WOGV-WNR-M+6-316	1
		> IMPELLER-M+6-316	1
13.2	4174338	INTERMEDIATE STAGE HELIX 6 1.4404 KIT	1
		> MACH.BEARING-STG-CASING-WNR-M+6-316	1
		> IMPELLER-M+6-316	1
		> SHAFT SLEEVE-SPACER-Ø19,35x18,465-316	1
		> SHAFT-SLEEVE-D16xD20x18-CW	1
13.3	4174339	INTERMEDIATE STAGE HELIX 6 1.4404 KIT	1
		> MACH.STD-STG-CASING-WGV+NR-M+6-316	1
		> IMPELLER-M+6-316	1
		> IMPELLER SPACER Ø16,05X19,45-L36,465-316	1



HELIX V620-2/25/V/KS/400-50 (4156079)

Item	Article no.	Description	Quantity
1	4169945	MO.4/2 3~230/400(460)V 50(60)HZ IE3 VP.	1
		SPARE PARTS MOTOR:ON REQUEST	1
2	4206025	SCREW M8X45 (4 PIECES)	1
3	4171326	LANTERN FT130 HELIX KIT	1
3.1		> LANTERN FT130 M+6" GJL MACHINING+CATA	1
3.2	2127604	> EYELET CPL.FT HELIX(2 PIECES)	1
3.3	4159692	> COUPLING PROTECTOR FT HELIX KIT	1
4	4159710	COUPLING D.16XD.28 FT130 HELIX KIT	1
5	4159707	SCREW M8X30 (4 PIECES)	1
6	4177863	STUD BOLT M12X938 KIT	1
6.1		> TIE BOLT M12-938x18x30-1.4057	1
6.2	2094647	> NUT M12 M12 ISO4032 VP.	1
6.3	2123557	> WASHER CS-12.4-24-1.6-NFE25 (4 PIECES)	1
7	4159783	END SHIELD HELIX FKM 1.4404 KIT	1
7.1		> END SHIELD M+6" GJL250 MACHINING+CATA	1
7.2	2131056	> STATIONARY RING HOLDER 6" HELIX 1.4404 V	1
7.3	4234237	> O-RING 139X3 VITON VP.	1
7.4	2131026	> O-RING ID.37,6X2,4 FKM VP.	1
7.5	2131057	> O-RING ID.21,35X2 FKM VP.	1
8	4159784	FILING/PURGING PLUG HELIX FKM KIT	1
9	4159700	CARTRIDGE HELIX6-10-16 F/V KIT	1
10	4177953	HOUSING-PIPE D.152X810 1.4404 KIT	1
7.3	4234237	> O-RING 139X3 VITON VP.	1
10.1		> HOUSING-PIPE Ø152-M+1020/1613-316L	1
11	4174337	CENTERING STAGE-RETURN HELIX10 1.4404VP.	1
12	4174085	SHAFTS EQUIPMENT HELIX V6 BI BLOC KIT	1
12.1		> NUT-H-M10-A4.70	1
12.2		> SERRATED LOCK WASHER M+6M3-316L	1
12.3		> STOP COLLAR OF IMPELLER L17,9-Ø16-316L	1
12.4		> STOP-RUSH-1/2-D16xd2-M+316	1
13		HYDRAULIC HELIX V 620 316 L	1
14	4177952	SHAFT D.16X930 1.4462 VP.	1
15	4174333	PUMP HOUSING HELIX DN32 PN25 1.4409 KIT	1
7.3	4177887	> O-RING ID.145,65X3,53 VITON VP.	1

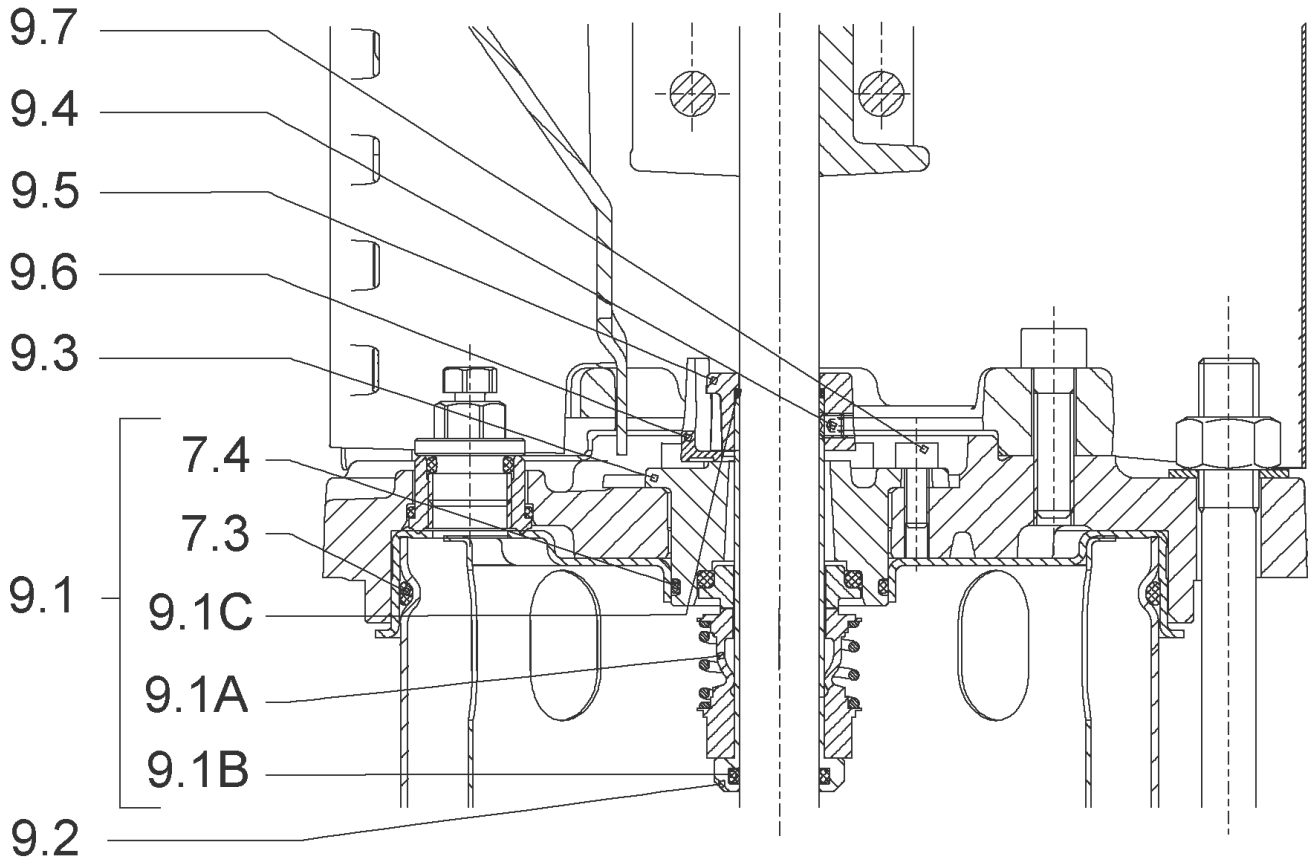
HELIX V620-2/25/V/KS/400-50 (4156079)

Item	Article no.	Description	Quantity
15.1		> BLASTING PPE HOUSING V-PN25-DN32-5"-316L	1
15.3	4159781	> PRIMING/DRAIN PLUG HELIX 16 FKM KIT	1
16	4177970	BASEPLATE HELIX V2/4/6 PN25 VP.	1



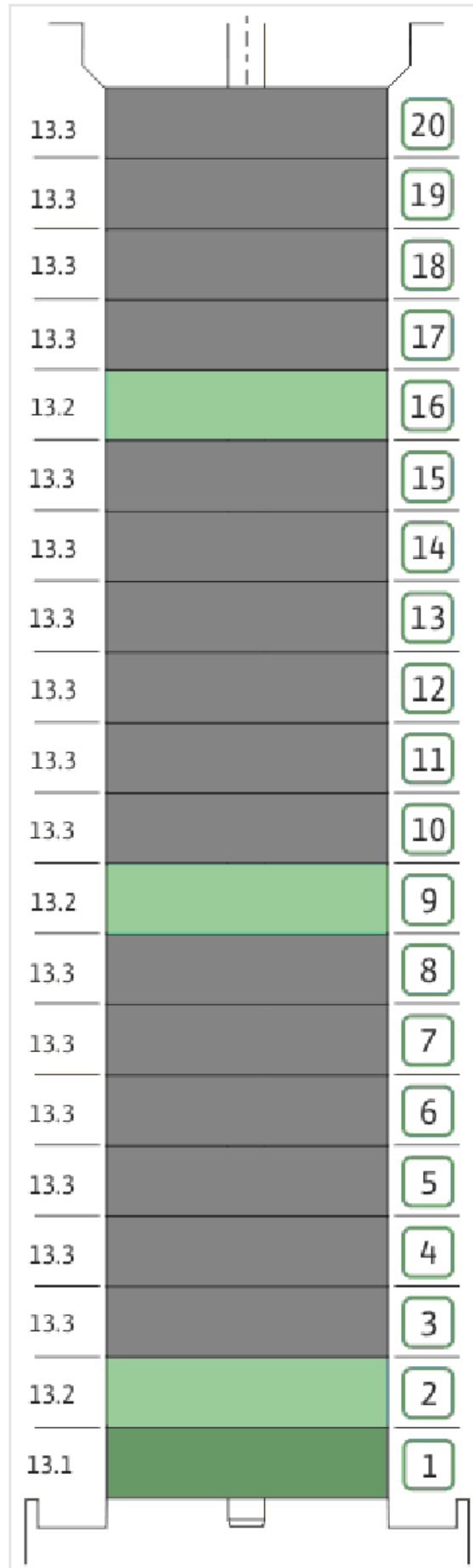
COUPLING D.16XD.28 FT130 HELIX KIT (4159710)

Item	Article no.	Description	Quantity
4.1		COUPLING M+ Ø16XØ28 FT130 MACHINED	1
4.2	2131022	BALL BEARING 6209/ZZ-C3(HT)VP.	1
4.3	4233930	CIRCLIP-FOR-BORES-D45x1,75 VP.	1
4.4	4157726	SCREW KIT M8X30 (4 PIECES)	1
4.5	4234252	CIRCLIPS 85X3 VP.	1
4.6	4234243	O-RING 85X3 VP.	1
		NOMEL CONTACT WASHER 8x16x1,4 STEEL ZC	1



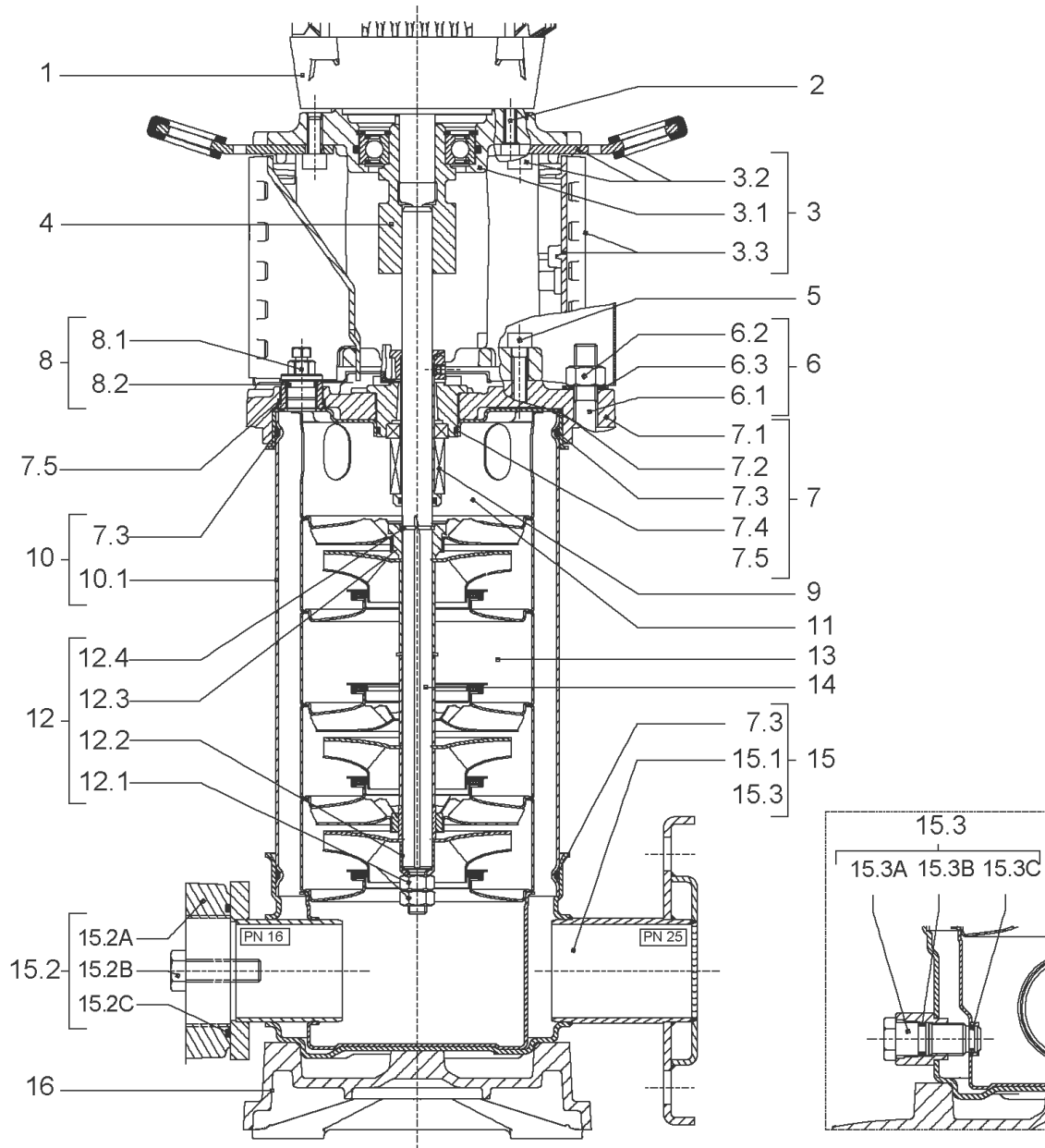
CARTRIDGE HELIX6-10-16 F/V KIT (4159700)

Item	Article no.	Description	Quantity
9.1	4159701	SEAL-KIT-HELIX6-10-16 F/V	1
7.3	4177887	> O-RING ID.145,65X3,53 VITON VP.	1
7.4	4177888	> O-RING ID.37.6xØ2.4 VITON VP.	1
9.1A	2131025	> MECH.SEAL HELIX2-4-6-10-16 F/V VP.	1
9.1B	2131027	> O-RING D.16XD.2,5 FKM VP.	1
9.1C	4177889	> O-RING ID.16x1.25 VITON VP.	1
9.2	2130961	SHAFT SLEEVE D.18/16X72,2 1.4404 VP.	1
9.3	2131024	RING HOLDER D.18 G606/G6 1.4404 VP.	1
9.4	4176520	SCREW CH M5x5 A4-70 (3PIECES)	1
9.5	2130963	DRIVE RING D.29/18x12,4 MACH.VP.	1
9.6	2130964	TOOL M.S.CART.HELIX VP.	1
9.7	2130965	SCREW CHC M5X12 ISO4762 A2.70(4 PIECES)	1



HYDRAULIC HELIX V 620 316 L

Item	Article no.	Description	Quantity
13.1	4174336	STAGE HELIX6 1.4404 KIT	1
		> MACH.STG-CASING-WOGV-WNR-M+6-316	1
		> IMPELLER-M+6-316	1
13.2	4174338	INTERMEDIATE STAGE HELIX 6 1.4404 KIT	1
		> MACH.BEARING-STG-CASING-WNR-M+6-316	1
		> IMPELLER-M+6-316	1
		> SHAFT SLEEVE-SPACER-Ø19,35x18,465-316	1
		> SHAFT-SLEEVE-D16xD20x18-CW	1
13.3	4174339	INTERMEDIATE STAGE HELIX 6 1.4404 KIT	1
		> MACH.STD-STG-CASING-WGV+NR-M+6-316	1
		> IMPELLER-M+6-316	1
		> IMPELLER SPACER Ø16,05X19,45-L36,465-316	1



HELIX V621-2/25/V/KS/400-50 (4156080)

Item	Article no.	Description	Quantity
1	4169947	MO 5,5/2/112 3~400V50Hz 460V60Hz IE3 VP.	1
		SPARE PARTS MOTOR:ON REQUEST	1
2	4206025	SCREW M8X45 (4 PIECES)	1
3	4171326	LANTERN FT130 HELIX KIT	1
3.1		> LANTERN FT130 M+6" GJL MACHINING+CATA	1
3.2	2127604	> EYELET CPL.FT HELIX(2 PIECES)	1
3.3	4159692	> COUPLING PROTECTOR FT HELIX KIT	1
4	4159710	COUPLING D.16XD.28 FT130 HELIX KIT	1
5	4159707	SCREW M8X30 (4 PIECES)	1
6	4177865	STUD BOLT M12X1013 KIT	1
6.1		> TIE BOLT M12-1013x18x30-1.4057	1
6.2	2094647	> NUT M12 M12 ISO4032 VP.	1
6.3	2123557	> WASHER CS-12.4-24-1.6-NFE25 (4 PIECES)	1
7	4159783	END SHIELD HELIX FKM 1.4404 KIT	1
7.1		> END SHIELD M+6" GJL250 MACHINING+CATA	1
7.2	2131056	> STATIONARY RING HOLDER 6" HELIX 1.4404 V	1
7.3	4234237	> O-RING 139X3 VITON VP.	1
7.4	2131026	> O-RING ID.37,6X2,4 FKM VP.	1
7.5	2131057	> O-RING ID.21,35X2 FKM VP.	1
8	4159784	FILING/PURGING PLUG HELIX FKM KIT	1
9	4159700	CARTRIDGE HELIX6-10-16 F/V KIT	1
10	4177955	HOUSING-PIPE D.152X885 1.4404 KIT	1
7.3	4234237	> O-RING 139X3 VITON VP.	1
10.1		> HOUSING-PIPE Ø152-M+1021/22-316L	1
11	4174337	CENTERING STAGE-RETURN HELIX10 1.4404VP.	1
12	4174085	SHAFTS EQUIPMENT HELIX V6 BI BLOC KIT	1
12.1		> NUT-H-M10-A4.70	1
12.2		> SERRATED LOCK WASHER M+6M3-316L	1
12.3		> STOP COLLAR OF IMPELLER L17,9-Ø16-316L	1
12.4		> STOP-RUSH-1/2-D16xd2-M+316	1
13		HYDRAULIC HELIX V 621 316 L	1
14	4177956	SHAFT D.16X1005 1.4404 VP.	1
15	4174333	PUMP HOUSING HELIX DN32 PN25 1.4409 KIT	1
7.3	4177887	> O-RING ID.145,65X3,53 VITON VP.	1

HELIX V621-2/25/V/KS/400-50 (4156080)

Item	Article no.	Description	Quantity
15.1		> BLASTING PPE HOUSING V-PN25-DN32-5"-316L	1
15.3	4159781	> PRIMING/DRAIN PLUG HELIX 16 FKM KIT	1
16	4177970	BASEPLATE HELIX V2/4/6 PN25 VP.	1



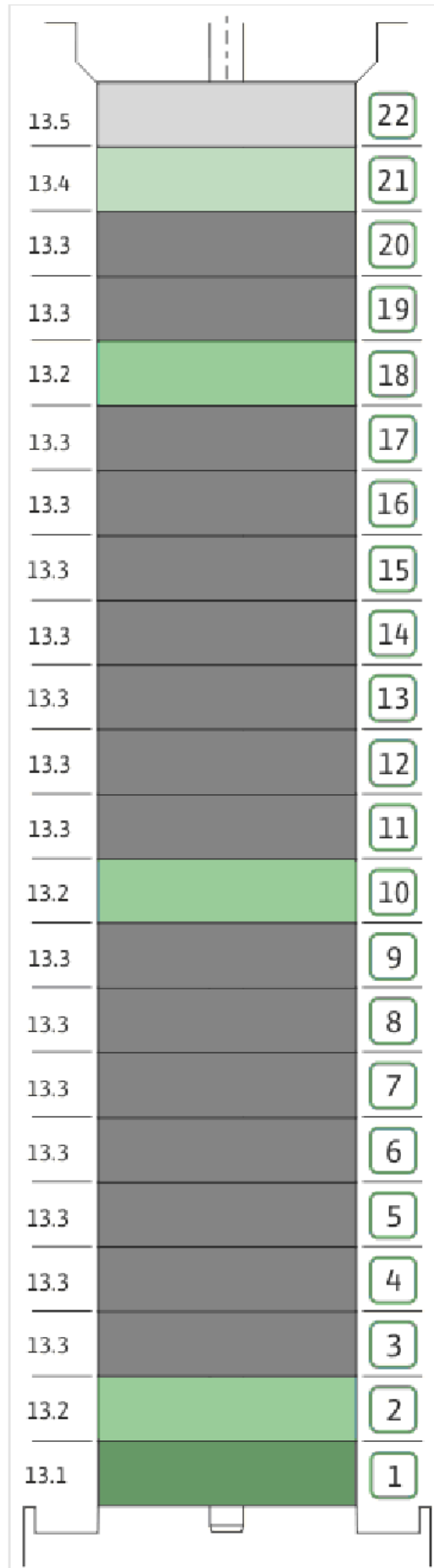
COUPLING D.16XD.28 FT130 HELIX KIT (4159710)

Item	Article no.	Description	Quantity
4.1		COUPLING M+ Ø16XØ28 FT130 MACHINED	1
4.2	2131022	BALL BEARING 6209/ZZ-C3(HT)VP.	1
4.3	4233930	CIRCLIP-FOR-BORES-D45x1,75 VP.	1
4.4	4157726	SCREW KIT M8X30 (4 PIECES)	1
4.5	4234252	CIRCLIPS 85X3 VP.	1
4.6	4234243	O-RING 85X3 VP.	1
		NOMEL CONTACT WASHER 8x16x1,4 STEEL ZC	1



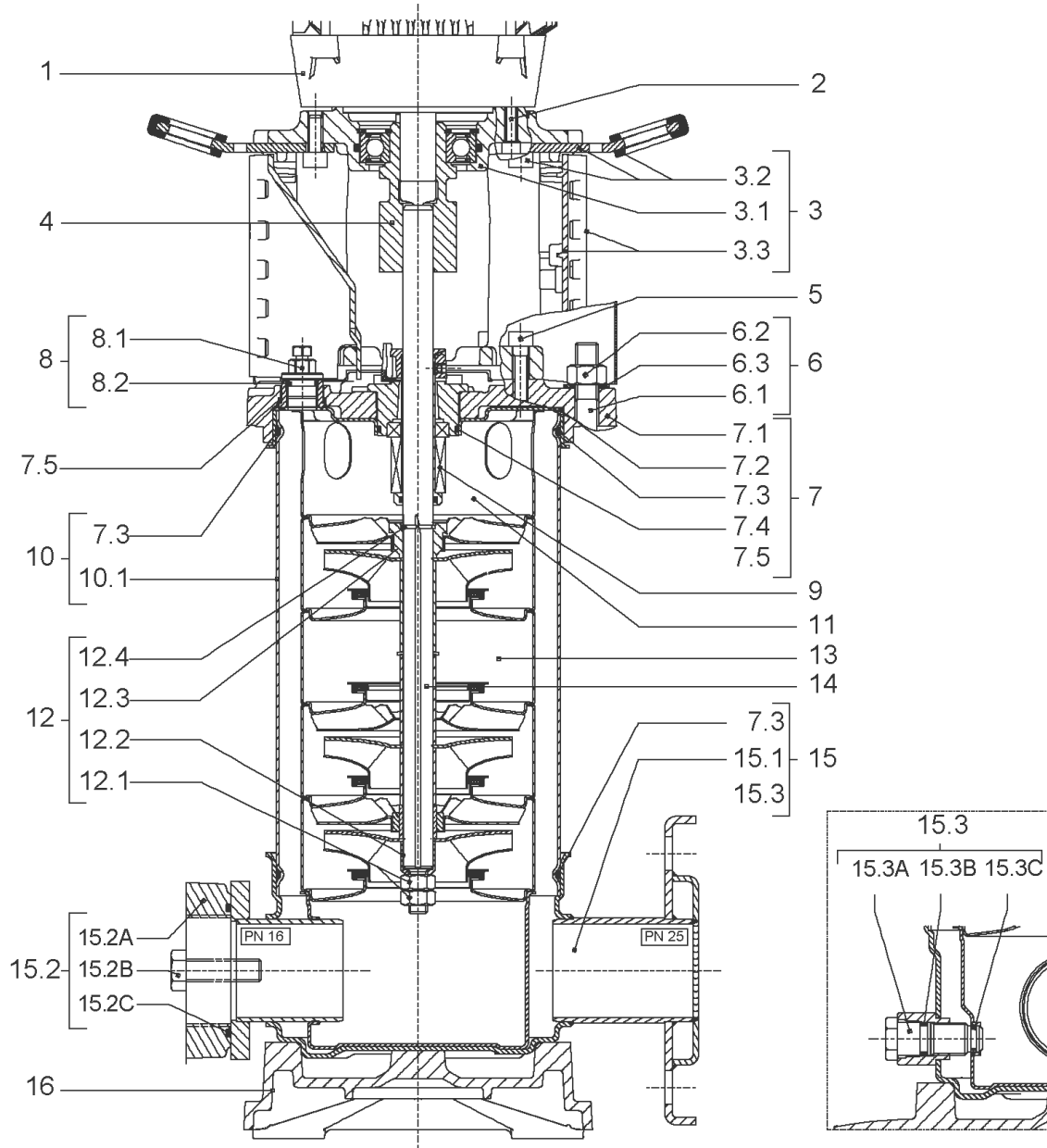
CARTRIDGE HELIX6-10-16 F/V KIT (4159700)

Item	Article no.	Description	Quantity
9.1	4159701	SEAL-KIT-HELIX6-10-16 F/V	1
7.3	4177887	> O-RING ID.145,65X3,53 VITON VP.	1
7.4	4177888	> O-RING ID.37.6xØ2.4 VITON VP.	1
9.1A	2131025	> MECH.SEAL HELIX2-4-6-10-16 F/V VP.	1
9.1B	2131027	> O-RING D.16XD.2,5 FKM VP.	1
9.1C	4177889	> O-RING ID.16x1.25 VITON VP.	1
9.2	2130961	SHAFT SLEEVE D.18/16X72,2 1.4404 VP.	1
9.3	2131024	RING HOLDER D.18 G606/G6 1.4404 VP.	1
9.4	4176520	SCREW CH M5x5 A4-70 (3PIECES)	1
9.5	2130963	DRIVE RING D.29/18x12,4 MACH.VP.	1
9.6	2130964	TOOL M.S.CART.HELIX VP.	1
9.7	2130965	SCREW CHC M5X12 ISO4762 A2.70(4 PIECES)	1



HYDRAULIC HELIX V 621 316 L

Item	Article no.	Description	Quantity
13.1	4174336	STAGE HELIX6 1.4404 KIT	1
		> MACH.STG-CASING-WOGV-WNR-M+6-316	1
		> IMPELLER-M+6-316	1
13.2	4174338	INTERMEDIATE STAGE HELIX 6 1.4404 KIT	1
		> MACH.BEARING-STG-CASING-WNR-M+6-316	1
		> IMPELLER-M+6-316	1
		> SHAFT SLEEVE-SPACER-Ø19,35x18,465-316	1
		> SHAFT-SLEEVE-D16xD20x18-CW	1
13.3	4174339	INTERMEDIATE STAGE HELIX 6 1.4404 KIT	1
		> MACH.STD-STG-CASING-WGV+NR-M+6-316	1
		> IMPELLER-M+6-316	1
		> IMPELLER SPACER Ø16,05X19,45-L36,465-316	1
13.4	4174341	EMPTY STAGE HELIX6 1.4404	1
		> MACH.STD-STG-CASING-WGV+NR-M+6-316	1
		> FLAT WASHER-D16.1XD22X1.2-316L	1
		> IMPELLER SPACER Ø16,05X19,45-L36,465-316	1
13.5	4174340	STAGE HELIX 6 1.4404 KIT	1
		> MACH.STG-CASING-WOGV-WNR-M+6-316	1
		> IMPELLER-M+6-316	1
		> IMPELLER SPACER Ø16,05X19,45-L36,465-316	1

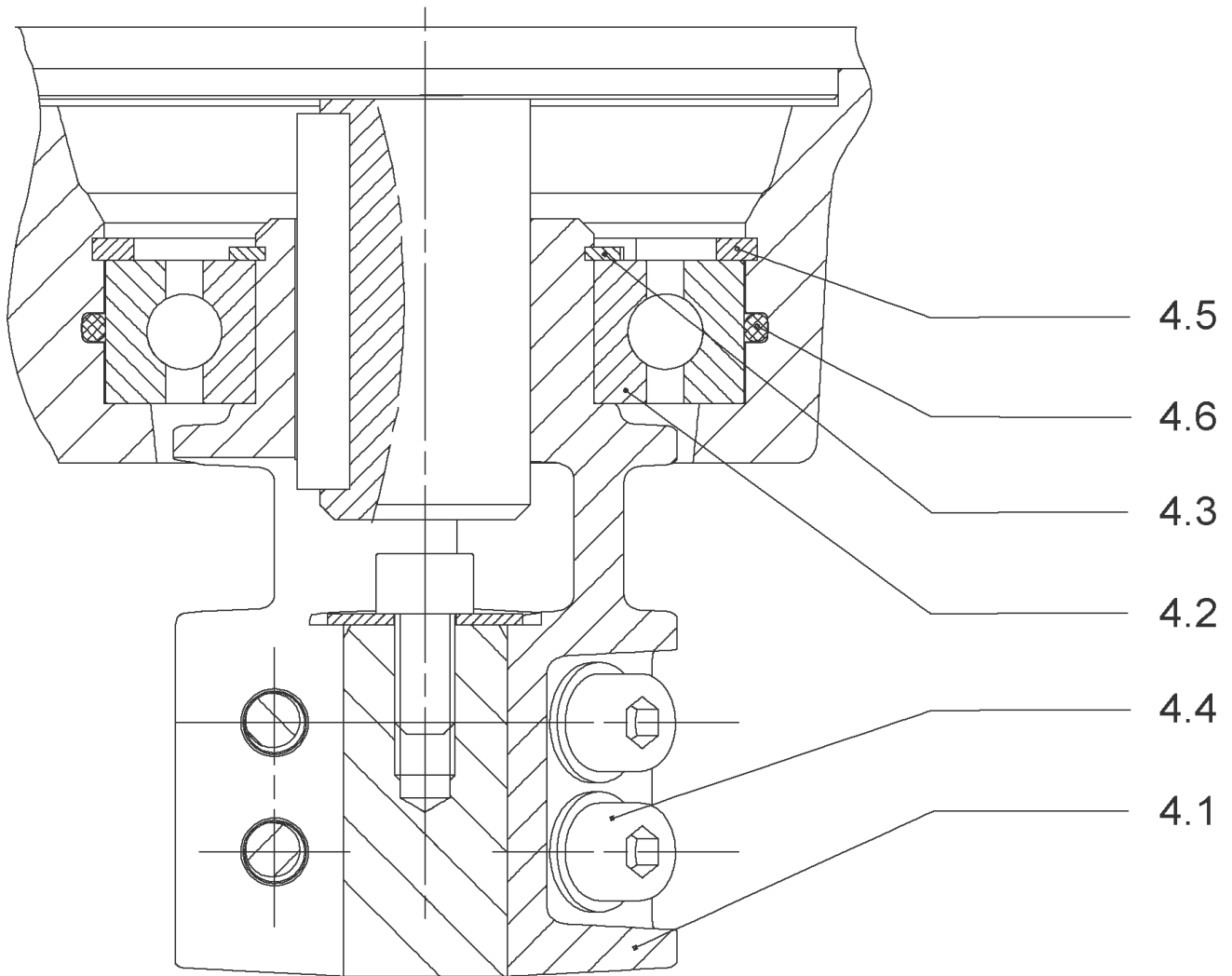


HELIX V623-2/25/V/KS/400-50 (4156081)

Item	Article no.	Description	Quantity
1	4169947	MO 5,5/2/112 3~400V50Hz 460V60Hz IE3 VP.	1
		SPARE PARTS MOTOR:ON REQUEST	1
2	4206025	SCREW M8X45 (4 PIECES)	1
3	4171326	LANTERN FT130 HELIX KIT	1
3.1		> LANTERN FT130 M+6" GJL MACHINING+CATA	1
3.2	2127604	> EYELET CPL.FT HELIX(2 PIECES)	1
3.3	4159692	> COUPLING PROTECTOR FT HELIX KIT	1
4	4159710	COUPLING D.16XD.28 FT130 HELIX KIT	1
5	4159707	SCREW M8X30 (4 PIECES)	1
6	4177880	STUD BOLT M12X1088 KIT	1
6.1		> TIE BOLT M12-1088x18x30-1.4057	1
6.2	2094647	> NUT M12 M12 ISO4032 VP.	1
6.3	2123557	> WASHER CS-12.4-24-1.6-NFE25 (4 PIECES)	1
7	4159783	END SHIELD HELIX FKM 1.4404 KIT	1
7.1		> END SHIELD M+6" GJL250 MACHINING+CATA	1
7.2	2131056	> STATIONARY RING HOLDER 6" HELIX 1.4404 V	1
7.3	4234237	> O-RING 139X3 VITON VP.	1
7.4	2131026	> O-RING ID.37,6X2,4 FKM VP.	1
7.5	2131057	> O-RING ID.21,35X2 FKM VP.	1
8	4159784	FILING/PURGING PLUG HELIX FKM KIT	1
9	4159700	CARTRIDGE HELIX6-10-16 F/V KIT	1
10	4177959	HOUSING-PIPE D.152X960 1.4404 KIT	1
7.3	4234237	> O-RING 139X3 VITON VP.	1
10.1		> HOUSING-PIPE Ø152-M+1024/1616-316L	1
11	4174337	CENTERING STAGE-RETURN HELIX10 1.4404VP.	1
12	4174085	SHAFTS EQUIPMENT HELIX V6 BI BLOC KIT	1
12.1		> NUT-H-M10-A4.70	1
12.2		> SERRATED LOCK WASHER M+6M3-316L	1
12.3		> STOP COLLAR OF IMPELLER L17,9-Ø16-316L	1
12.4		> STOP-RUSH-1/2-D16xd2-M+316	1
13		HYDRAULIC HELIX V 623 316 L	1
14	4177958	SHAFT D.16X1080 1.4404 VP.	1
15	4174333	PUMP HOUSING HELIX DN32 PN25 1.4409 KIT	1
7.3	4177887	> O-RING ID.145,65X3,53 VITON VP.	1

HELIX V623-2/25/V/KS/400-50 (4156081)

Item	Article no.	Description	Quantity
15.1		> BLASTING PPE HOUSING V-PN25-DN32-5"-316L	1
15.3	4159781	> PRIMING/DRAIN PLUG HELIX 16 FKM KIT	1
16	4177970	BASEPLATE HELIX V2/4/6 PN25 VP.	1



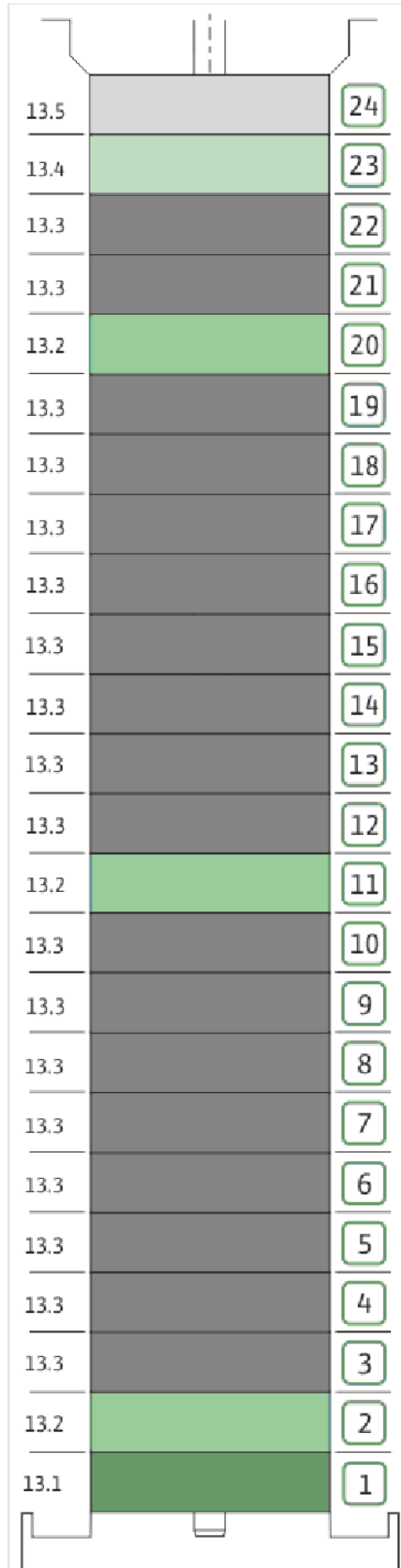
COUPLING D.16XD.28 FT130 HELIX KIT (4159710)

Item	Article no.	Description	Quantity
4.1		COUPLING M+ Ø16XØ28 FT130 MACHINED	1
4.2	2131022	BALL BEARING 6209/ZZ-C3(HT)VP.	1
4.3	4233930	CIRCLIP-FOR-BORES-D45x1,75 VP.	1
4.4	4157726	SCREW KIT M8X30 (4 PIECES)	1
4.5	4234252	CIRCLIPS 85X3 VP.	1
4.6	4234243	O-RING 85X3 VP.	1
		NOMEL CONTACT WASHER 8x16x1,4 STEEL ZC	1



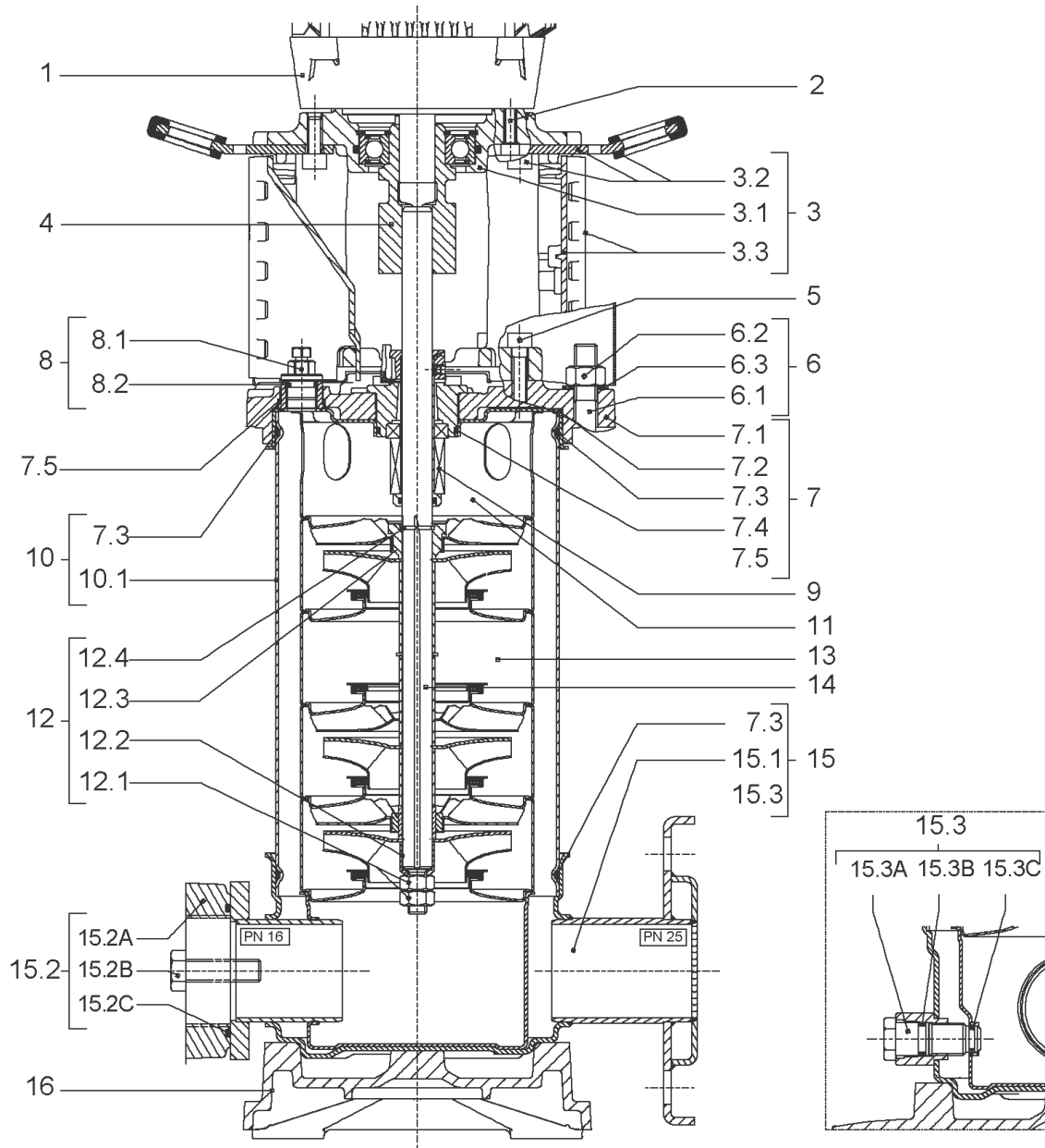
CARTRIDGE HELIX6-10-16 F/V KIT (4159700)

Item	Article no.	Description	Quantity
9.1	4159701	SEAL-KIT-HELIX6-10-16 F/V	1
7.3	4177887	> O-RING ID.145,65X3,53 VITON VP.	1
7.4	4177888	> O-RING ID.37.6xØ2.4 VITON VP.	1
9.1A	2131025	> MECH.SEAL HELIX2-4-6-10-16 F/V VP.	1
9.1B	2131027	> O-RING D.16XD.2,5 FKM VP.	1
9.1C	4177889	> O-RING ID.16x1.25 VITON VP.	1
9.2	2130961	SHAFT SLEEVE D.18/16X72,2 1.4404 VP.	1
9.3	2131024	RING HOLDER D.18 G606/G6 1.4404 VP.	1
9.4	4176520	SCREW CH M5x5 A4-70 (3PIECES)	1
9.5	2130963	DRIVE RING D.29/18x12,4 MACH.VP.	1
9.6	2130964	TOOL M.S.CART.HELIX VP.	1
9.7	2130965	SCREW CHC M5X12 ISO4762 A2.70(4 PIECES)	1



HYDRAULIC HELIX V 623 316 L

Item	Article no.	Description	Quantity
13.1	4174336	STAGE HELIX6 1.4404 KIT	1
		> MACH.STG-CASING-WOGV-WNR-M+6-316	1
		> IMPELLER-M+6-316	1
13.2	4174338	INTERMEDIATE STAGE HELIX 6 1.4404 KIT	1
		> MACH.BEARING-STG-CASING-WNR-M+6-316	1
		> IMPELLER-M+6-316	1
		> SHAFT SLEEVE-SPACER-Ø19,35x18,465-316	1
		> SHAFT-SLEEVE-D16xD20x18-CW	1
13.3	4174339	INTERMEDIATE STAGE HELIX 6 1.4404 KIT	1
		> MACH.STD-STG-CASING-WGV+NR-M+6-316	1
		> IMPELLER-M+6-316	1
		> IMPELLER SPACER Ø16,05X19,45-L36,465-316	1
13.4	4174341	EMPTY STAGE HELIX6 1.4404	1
		> MACH.STD-STG-CASING-WGV+NR-M+6-316	1
		> FLAT WASHER-D16.1XD22X1.2-316L	1
		> IMPELLER SPACER Ø16,05X19,45-L36,465-316	1
13.5	4174340	STAGE HELIX 6 1.4404 KIT	1
		> MACH.STG-CASING-WOGV-WNR-M+6-316	1
		> IMPELLER-M+6-316	1
		> IMPELLER SPACER Ø16,05X19,45-L36,465-316	1



HELIX V627-2/25/V/KS/400-50 (4156083)

Item	Article no.	Description	Quantity
1	4169947	MO 5,5/2/112 3~400V50Hz 460V60Hz IE3 VP.	1
		SPARE PARTS MOTOR:ON REQUEST	1
2	4206025	SCREW M8X45 (4 PIECES)	1
3	4171326	LANTERN FT130 HELIX KIT	1
3.1		> LANTERN FT130 M+6" GJL MACHINING+CATA	1
3.2	2127604	> EYELET CPL.FT HELIX(2 PIECES)	1
3.3	4159692	> COUPLING PROTECTOR FT HELIX KIT	1
4	4159710	COUPLING D.16XD.28 FT130 HELIX KIT	1
5	4159707	SCREW M8X30 (4 PIECES)	1
6	2127562	STUD BOLT M12X1238 KIT	1
6.1		> TIE BOLT M12-1238x18x30-1.4057	1
6.2	2094647	> NUT M12 M12 ISO4032 VP.	1
6.3	2123557	> WASHER CS-12.4-24-1.6-NFE25 (4 PIECES)	1
7	4159783	END SHIELD HELIX FKM 1.4404 KIT	1
7.1		> END SHIELD M+6" GJL250 MACHINING+CATA	1
7.2	2131056	> STATIONARY RING HOLDER 6" HELIX 1.4404 V	1
7.3	4234237	> O-RING 139X3 VITON VP.	1
7.4	2131026	> O-RING ID.37,6X2,4 FKM VP.	1
7.5	2131057	> O-RING ID.21,35X2 FKM VP.	1
8	4159784	FILING/PURGING PLUG HELIX FKM KIT	1
9	4159700	CARTRIDGE HELIX6-10-16 F/V KIT	1
10	4178552	HOUSING PIPES D.152X1110 1.4404 KIT	1
7.3	4234237	> O-RING 139X3 VITON VP.	1
10.1		> HOUSING-PIPE Ø152-M+1619-316L	1
11	4174337	CENTERING STAGE-RETURN HELIX10 1.4404VP.	1
12	4174085	SHAFTS EQUIPMENT HELIX V6 BI BLOC KIT	1
12.1		> NUT-H-M10-A4.70	1
12.2		> SERRATED LOCK WASHER M+6M3-316L	1
12.3		> STOP COLLAR OF IMPELLER L17,9-Ø16-316L	1
12.4		> STOP-RUSH-1/2-D16xd2-M+316	1
13		HYDRAULIC HELIX V 627 316 L	1
14	2127573	SHAFT D.16X1230 1.4462 VP.	1
15	4174333	PUMP HOUSING HELIX DN32 PN25 1.4409 KIT	1
7.3	4177887	> O-RING ID.145,65X3,53 VITON VP.	1

HELIX V627-2/25/V/KS/400-50 (4156083)

Item	Article no.	Description	Quantity
15.1		> BLASTING PPE HOUSING V-PN25-DN32-5"-316L	1
15.3	4159781	> PRIMING/DRAIN PLUG HELIX 16 FKM KIT	1
16	4177970	BASEPLATE HELIX V2/4/6 PN25 VP.	1



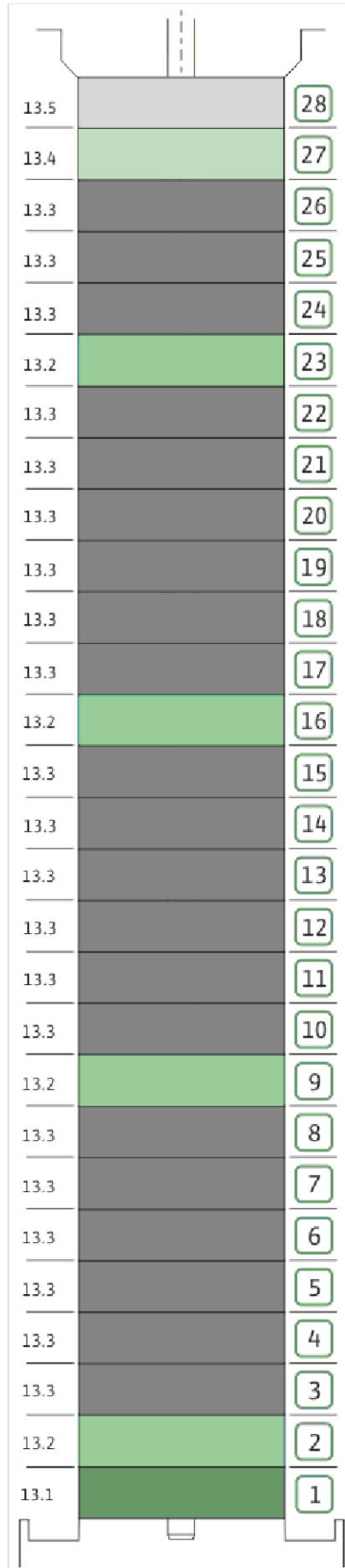
COUPLING D.16XD.28 FT130 HELIX KIT (4159710)

Item	Article no.	Description	Quantity
4.1		COUPLING M+ Ø16XØ28 FT130 MACHINED	1
4.2	2131022	BALL BEARING 6209/ZZ-C3(HT)VP.	1
4.3	4233930	CIRCLIP-FOR-BORES-D45x1,75 VP.	1
4.4	4157726	SCREW KIT M8X30 (4 PIECES)	1
4.5	4234252	CIRCLIPS 85X3 VP.	1
4.6	4234243	O-RING 85X3 VP.	1
		NOMEL CONTACT WASHER 8x16x1,4 STEEL ZC	1



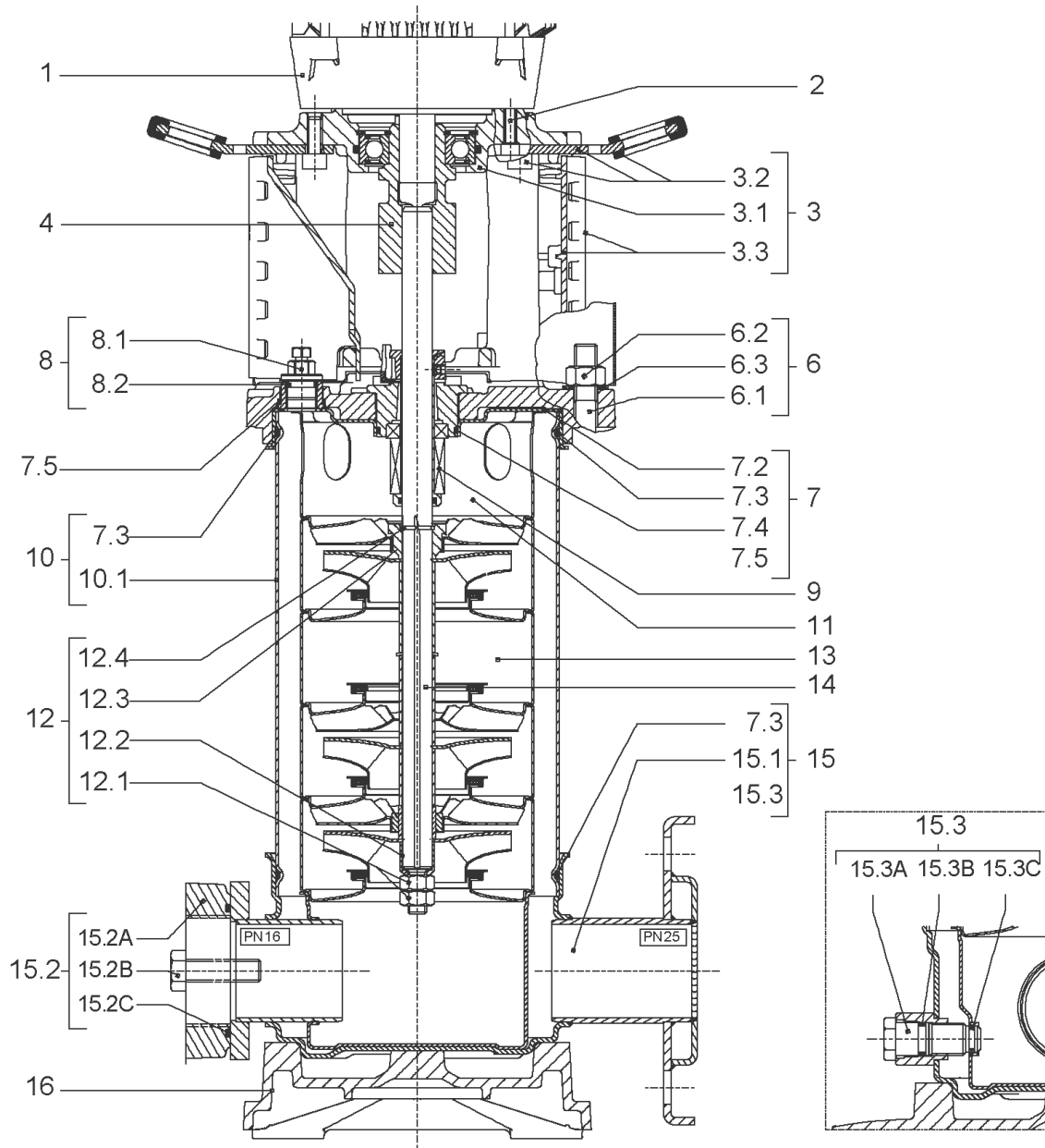
CARTRIDGE HELIX6-10-16 F/V KIT (4159700)

Item	Article no.	Description	Quantity
9.1	4159701	SEAL-KIT-HELIX6-10-16 F/V	1
7.3	4177887	> O-RING ID.145,65X3,53 VITON VP.	1
7.4	4177888	> O-RING ID.37.6xØ2.4 VITON VP.	1
9.1A	2131025	> MECH.SEAL HELIX2-4-6-10-16 F/V VP.	1
9.1B	2131027	> O-RING D.16XD.2,5 FKM VP.	1
9.1C	4177889	> O-RING ID.16x1.25 VITON VP.	1
9.2	2130961	SHAFT SLEEVE D.18/16X72,2 1.4404 VP.	1
9.3	2131024	RING HOLDER D.18 G606/G6 1.4404 VP.	1
9.4	4176520	SCREW CH M5x5 A4-70 (3PIECES)	1
9.5	2130963	DRIVE RING D.29/18x12,4 MACH.VP.	1
9.6	2130964	TOOL M.S.CART.HELIX VP.	1
9.7	2130965	SCREW CHC M5X12 ISO4762 A2.70(4 PIECES)	1



HYDRAULIC HELIX V 627 316 L

Item	Article no.	Description	Quantity
13.1	4174336	STAGE HELIX6 1.4404 KIT	1
		> MACH.STG-CASING-WOGV-WNR-M+6-316	1
		> IMPELLER-M+6-316	1
13.2	4174338	INTERMEDIATE STAGE HELIX 6 1.4404 KIT	1
		> MACH.BEARING-STG-CASING-WNR-M+6-316	1
		> IMPELLER-M+6-316	1
		> SHAFT SLEEVE-SPACER-Ø19,35x18,465-316	1
		> SHAFT-SLEEVE-D16xD20x18-CW	1
13.3	4174339	INTERMEDIATE STAGE HELIX 6 1.4404 KIT	1
		> MACH.STD-STG-CASING-WGV+NR-M+6-316	1
		> IMPELLER-M+6-316	1
		> IMPELLER SPACER Ø16,05X19,45-L36,465-316	1
13.4	4174341	EMPTY STAGE HELIX6 1.4404	1
		> MACH.STD-STG-CASING-WGV+NR-M+6-316	1
		> FLAT WASHER-D16.1XD22X1.2-316L	1
		> IMPELLER SPACER Ø16,05X19,45-L36,465-316	1
13.5	4174340	STAGE HELIX 6 1.4404 KIT	1
		> MACH.STG-CASING-WOGV-WNR-M+6-316	1
		> IMPELLER-M+6-316	1
		> IMPELLER SPACER Ø16,05X19,45-L36,465-316	1

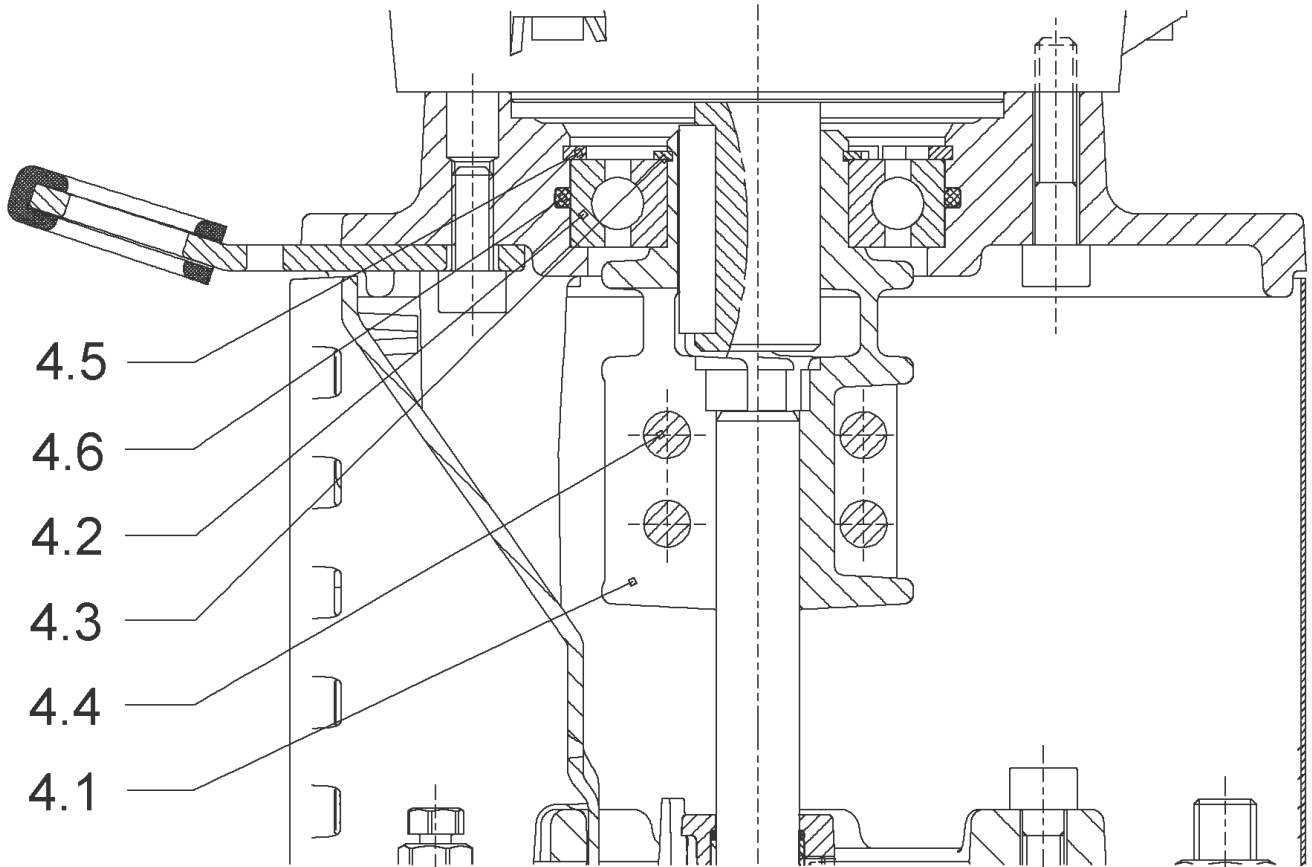


HELIX V602-1/16/E/S/400-50 (4162713)

Item	Article no.	Description	Quantity
1	4169939	MO.0,55/2/71 3~400V 50HZ 460V 60HZ IE2VP	1
		SPARE PARTS MOTOR:ON REQUEST	1
2	4159702	SCREW M6X30 (4 PIECES)	1
3	4171325	LANTERN MONOBLOC FT85 HELIX KIT	1
3.1		> M+5_6_LANTERN_ONE-PIECE_FT85_CATA	1
3.2	2127604	> EYELET CPL.FT HELIX(2 PIECES)	1
3.3	4159692	> COUPLING PROTECTOR FT HELIX KIT	1
4	4171328	COUPLING FT 85 KIT	1
6	4177803	STUD BOLT M12X263 KIT	1
6.1		> TIE BOLT M12-263x18x30-1.4057	1
6.2	2094647	> NUT M12 M12 ISO4032 VP.	1
6.3	2123557	> WASHER CS-12.4-24-1.6-NFE25 (4 PIECES)	1
7	4210143	STATIONARY RING HOLDER HELIX 6" EPDM	1
7.2	2127607	> STATIONARY RING HOLDER 6" HELIX 1.4301 V	1
7.3	4176513	> O-RING FOR PUMP JACKET VP.	1
7.4	2127603	> O-RING ID.37,6x2,4 EPDM VP.	1
7.5	2127602	> O-RING ID.21,35x2 EPDM VP.	1
8	4159686	FILING/PURGING PLUG HELIX EPDM KIT	1
9	4171327	SEAL-KIT-HELIX6-10-16 O/E KIT	1
10	4177804	HOUSING PIPES D.152X134 1.4301 KIT	1
7.3	4176513	> O-RING FOR PUMP JACKET VP.	1
10.1		> HOUSING-PIPE Ø152-M+1001/02-304	1
11	4174087	CENTERING STAGE-RETURN HELIX6 1.4301VP.	1
12	4174086	SHAFTS EQUIPMENT HELIX V6 MONOBLOC KIT	1
12.1		> NUT-H-M10-A4.70	1
12.2		> SERRATED LOCK WASHER M+6M3-316L	1
12.3		> IMPELLER STOP RING L33,2-304	1
12.4		> STOP-RUSH-1/2-D16xd2-M+316	1
13		HYDRAULIC HELIX V 602 1.4307	1
14	4177807	SHAFT D.16X255 1.4301 VP.	1
15	4217897	PUMP HOUSING HELIX DN32 PN16 1.4301 KIT	1
7.3	4176513	> O-RING FOR PUMP JACKET VP.	1
15.1		> BLASTING PPE HOUSING V-PN16-DN32-5"-304	1
15.2	4217891	> COUNTER FLANGE-G1"1/4-PN16-GJL KIT	1

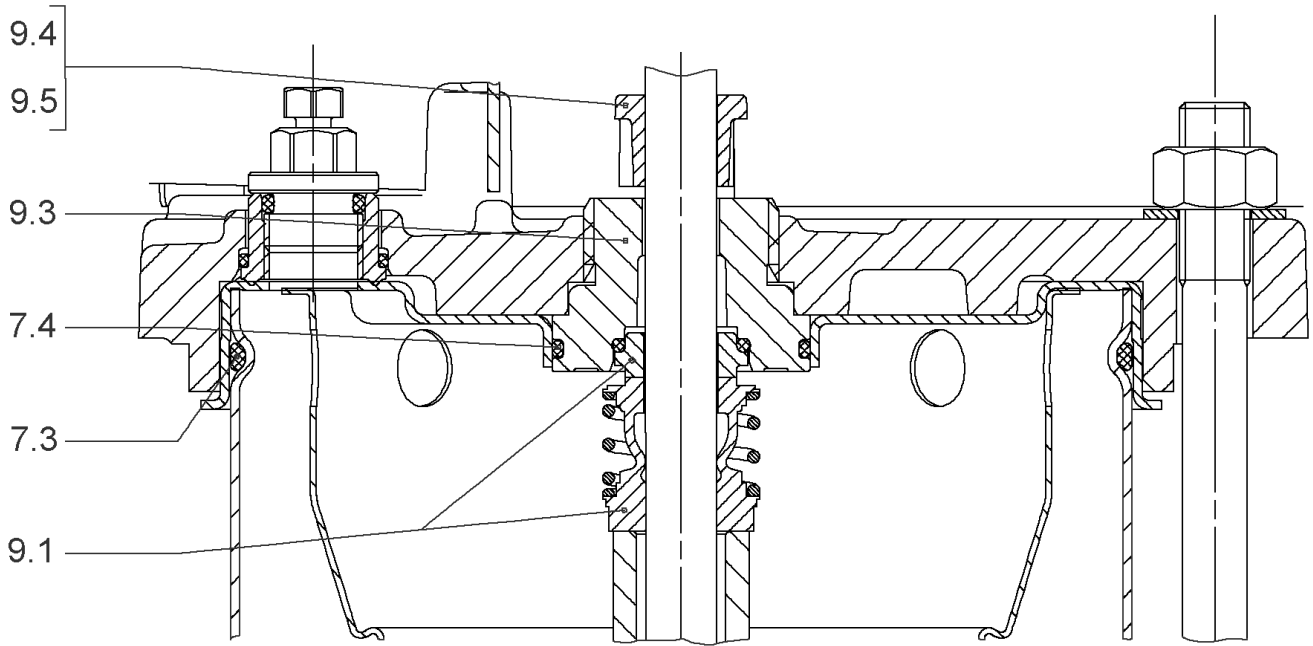
HELIX V602-1/16/E/S/400-50 (4162713)

Item	Article no.	Description	Quantity
15.3	4171321	> PRIMING/DRAIN PLUG EPDM HELIX KIT	1
16	4177964	BASEPLATE HELIX V2/4/6 PN16 VP.	1



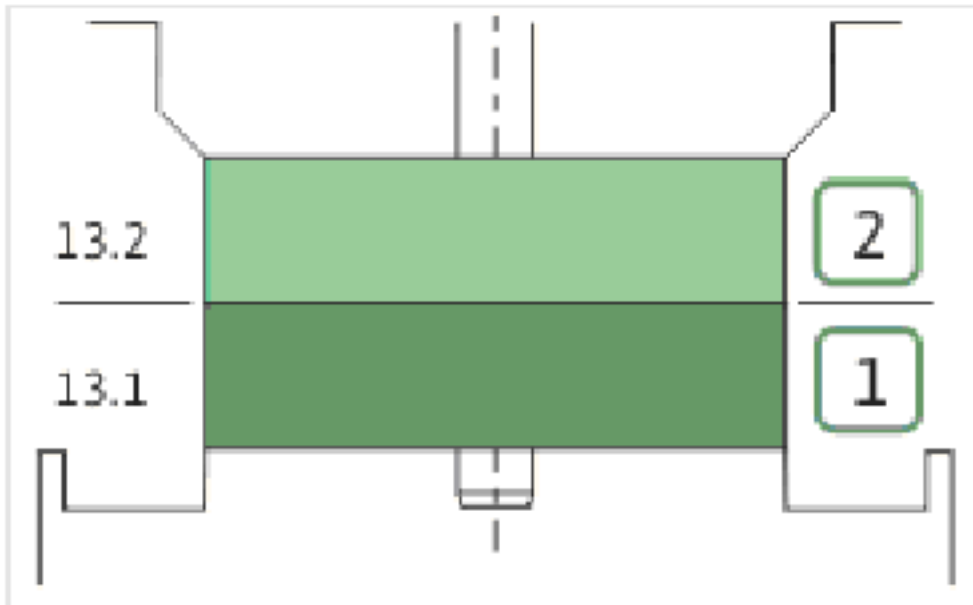
COUPLING FT 85 KIT (4171328)

Item	Article no.	Description	Quantity
4.1		COUPLING-M+ Ø16XØ14-FT85-MACHINED	1
4.2	4177802	BALL BEARING 6205C3-ZZ HTVP.	1
4.3	4208923	CIRCLIP D25X1.2 VP.	1
4.4	4212716	SCREW M6X20 KIT (4PIECES)	1
4.5	4233124	CIRCLIP-FOR-BORES-D52x2 VP.	1
4.6	4234244	O-RING 52X2 VP.	1

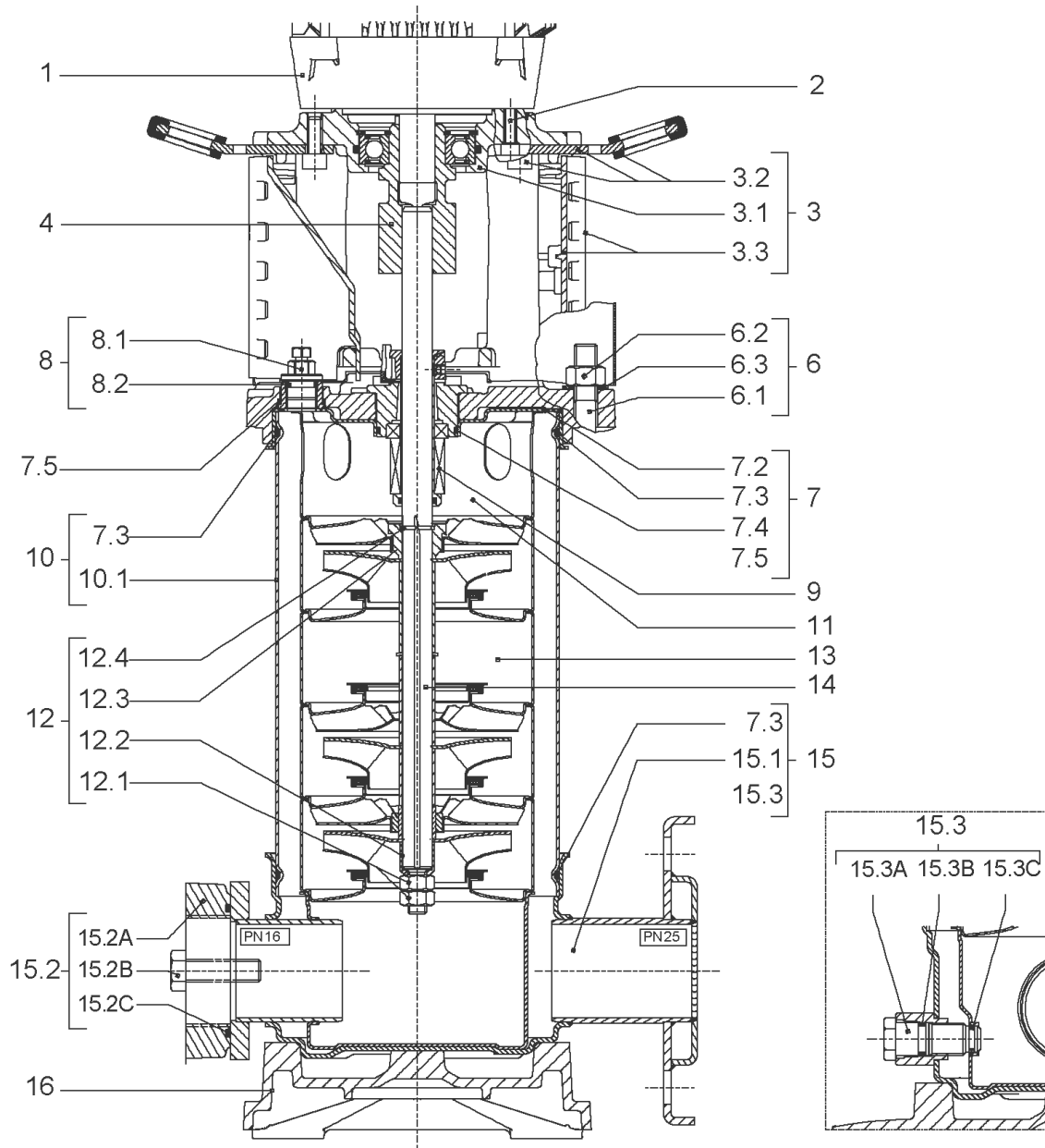


SEAL-KIT-HELIX6-10-16 O/E KIT (4171327)

Item	Article no.	Description	Quantity
7.3	4176513	O-RING FOR PUMP JACKET VP.	1
7.4	2127603	O-RING ID.37,6x2,4 EPDM VP.	1
9.1	4177801	MECH.SEAL HELIX6-10-16 O/E VP.	1
9.3	4177798	MACHINED RING HOLDER M+6" Ø16 304 VP.	1
9.5	4177799	MACHINED DRIVE RING Ø16 VP.	1
9.4	4176520	SCREW CH M5x5 A4-70 (3PIECES)	1



Item	Article no.	Description	Quantity
13.1	4174084	STAGE HELIX 6 1.4301 KIT	1
		> MACH.STG-CASING-WOGV-WNR-M+6-304	1
		> IMPELLER-M+6-304	1
13.2	4174089	INTERMEDIATE STAGE HELIX 6 1.4301 KIT	1
		> MACH.BEARING-STG-CASING-WNR-M+6-304	1
		> IMPELLER-M+6-304	1
		> SHAFT SLEEVE-SPACER-Ø19,35x18,465-304	1
		> SHAFT-SLEEVE-D16xD20x18-CW	1

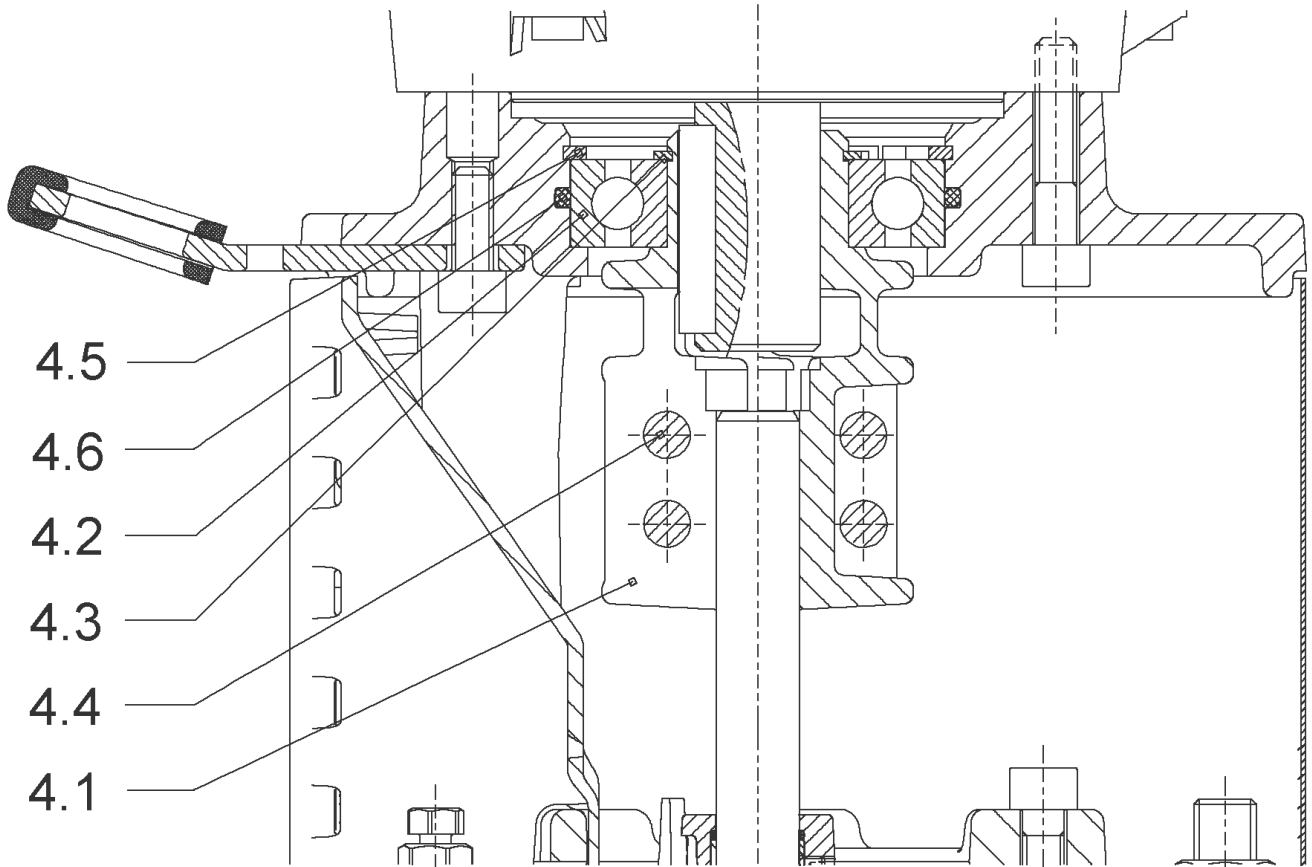


HELIX V603-1/16/E/S/400-50 (4162714)

Item	Article no.	Description	Quantity
1	4169939	MO.0,55/2/71 3~400V 50HZ 460V 60HZ IE2VP	1
		SPARE PARTS MOTOR:ON REQUEST	1
2	4159702	SCREW M6X30 (4 PIECES)	1
3	4171325	LANTERN MONOBLOC FT85 HELIX KIT	1
3.1		> M+5_6_LANTERN_ONE-PIECE_FT85_CATA	1
3.2	2127604	> EYELET CPL.FT HELIX(2 PIECES)	1
3.3	4159692	> COUPLING PROTECTOR FT HELIX KIT	1
4	4171328	COUPLING FT 85 KIT	1
6	4177812	STUD BOLT M12X300KIT	1
6.1		> TIE BOLT M12-300x18x30-1.4057	1
6.2	2094647	> NUT M12 M12 ISO4032 VP.	1
6.3	2123557	> WASHER CS-12.4-24-1.6-NFE25 (4 PIECES)	1
7	4210143	STATIONARY RING HOLDER HELIX 6" EPDM	1
7.2	2127607	> STATIONARY RING HOLDER 6" HELIX 1.4301 V	1
7.3	4176513	> O-RING FOR PUMP JACKET VP.	1
7.4	2127603	> O-RING ID.37,6x2,4 EPDM VP.	1
7.5	2127602	> O-RING ID.21,35x2 EPDM VP.	1
8	4159686	FILING/PURGING PLUG HELIX EPDM KIT	1
9	4171327	SEAL-KIT-HELIX6-10-16 O/E KIT	1
10	4177813	HOUSING PIPE D.152x172 1.4301 KIT	1
7.3	4176513	> O-RING FOR PUMP JACKET VP.	1
10.1		> HOUSING-PIPE Ø152-M+1003-304	1
11	4174087	CENTERING STAGE-RETURN HELIX6 1.4301VP.	1
12	4174086	SHAFTS EQUIPMENT HELIX V6 MONOBLOC KIT	1
12.1		> NUT-H-M10-A4.70	1
12.2		> SERRATED LOCK WASHER M+6M3-316L	1
12.3		> IMPELLER STOP RING L33,2-304	1
12.4		> STOP-RUSH-1/2-D16xd2-M+316	1
13		HYDRAULIC HELIX V 603 1.4307	1
14	4177815	SHAFT D.16X292,5 1.4301 VP.	1
15	4217897	PUMP HOUSING HELIX DN32 PN16 1.4301 KIT	1
7.3	4176513	> O-RING FOR PUMP JACKET VP.	1
15.1		> BLASTING PPE HOUSING V-PN16-DN32-5"-304	1
15.2	4217891	> COUNTER FLANGE-G1"1/4-PN16-GJL KIT	1

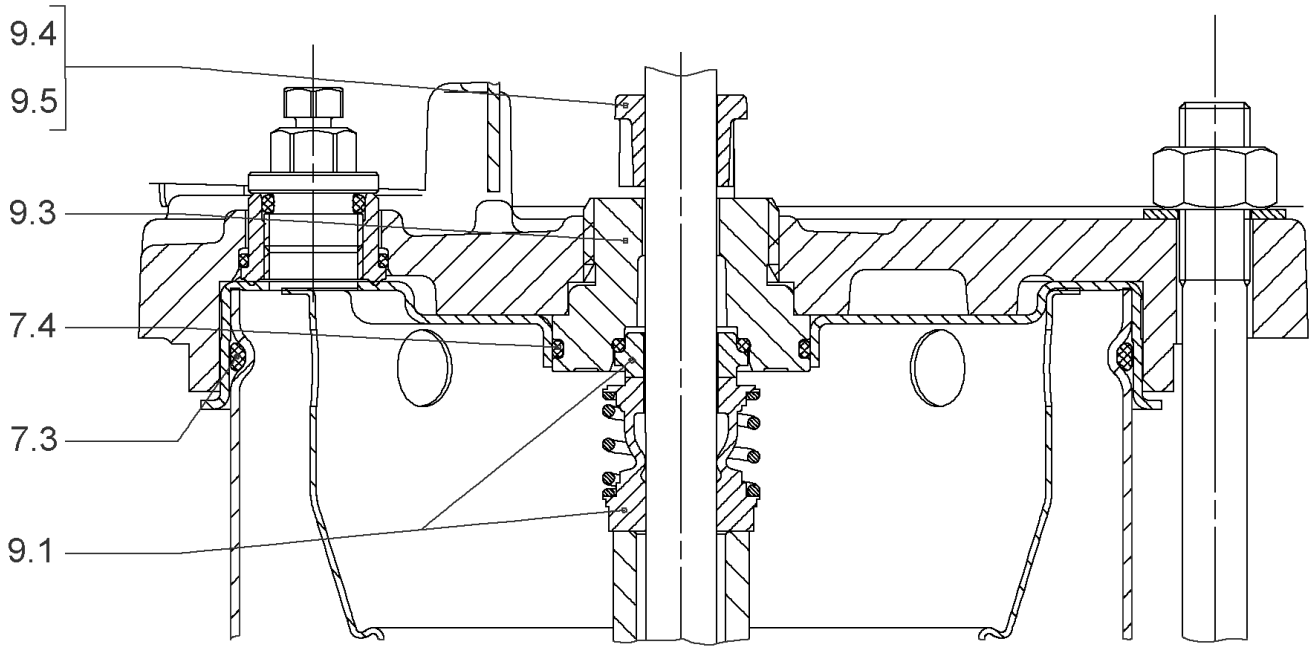
HELIX V603-1/16/E/S/400-50 (4162714)

Item	Article no.	Description	Quantity
15.3	4171321	> PRIMING/DRAIN PLUG EPDM HELIX KIT	1
16	4177964	BASEPLATE HELIX V2/4/6 PN16 VP.	1



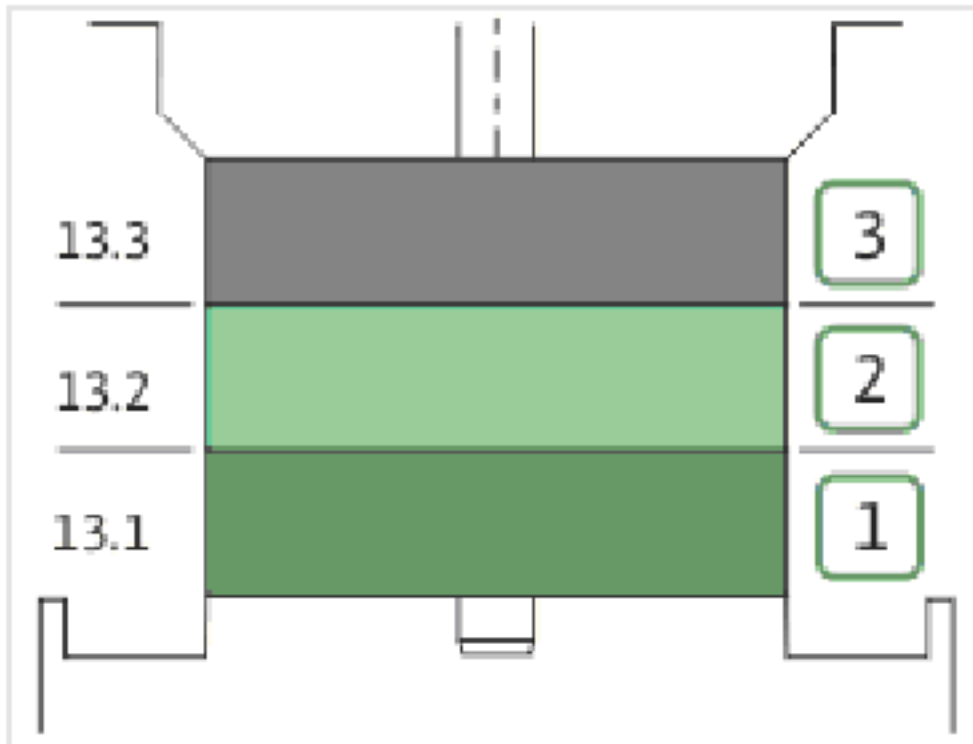
COUPLING FT 85 KIT (4171328)

Item	Article no.	Description	Quantity
4.1		COUPLING-M+ Ø16XØ14-FT85-MACHINED	1
4.2	4177802	BALL BEARING 6205C3-ZZ HTVP.	1
4.3	4208923	CIRCLIP D25X1.2 VP.	1
4.4	4212716	SCREW M6X20 KIT (4PIECES)	1
4.5	4233124	CIRCLIP-FOR-BORES-D52x2 VP.	1
4.6	4234244	O-RING 52X2 VP.	1



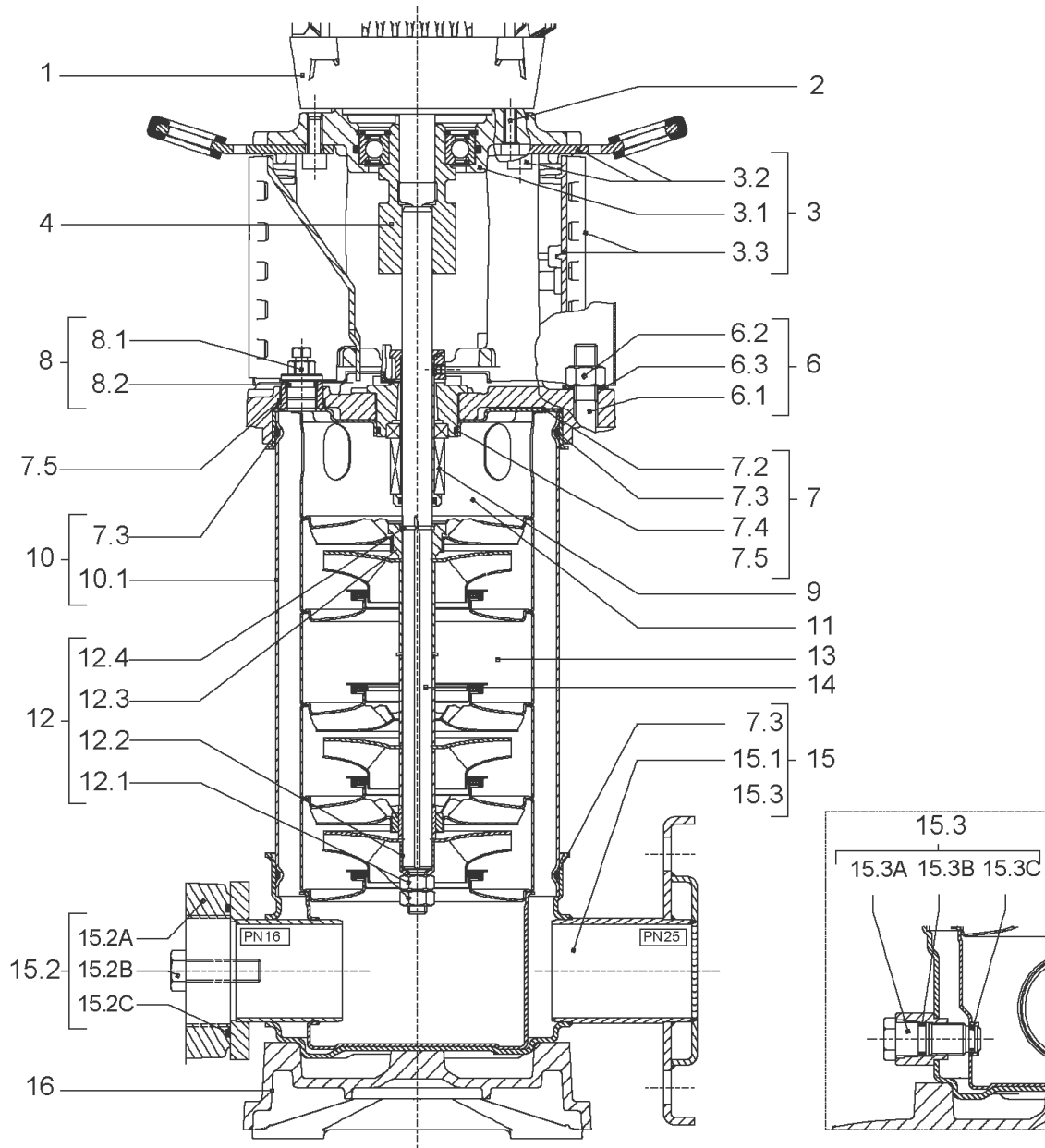
SEAL-KIT-HELIX6-10-16 O/E KIT (4171327)

Item	Article no.	Description	Quantity
7.3	4176513	O-RING FOR PUMP JACKET VP.	1
7.4	2127603	O-RING ID.37,6x2,4 EPDM VP.	1
9.1	4177801	MECH.SEAL HELIX6-10-16 O/E VP.	1
9.3	4177798	MACHINED RING HOLDER M+6" Ø16 304 VP.	1
9.5	4177799	MACHINED DRIVE RING Ø16 VP.	1
9.4	4176520	SCREW CH M5x5 A4-70 (3PIECES)	1



HYDRAULIC HELIX V 603 1.4307

Item	Article no.	Description	Quantity
13.1	4174084	STAGE HELIX 6 1.4301 KIT	1
		> MACH.STG-CASING-WOGV-WNR-M+6-304	1
		> IMPELLER-M+6-304	1
13.2	4174089	INTERMEDIATE STAGE HELIX 6 1.4301 KIT	1
		> MACH.BEARING-STG-CASING-WNR-M+6-304	1
		> IMPELLER-M+6-304	1
		> SHAFT SLEEVE-SPACER-Ø19,35x18,465-304	1
		> SHAFT-SLEEVE-D16xD20x18-CW	1
13.3	4174090	INTERMEDIATE STAGE HELIX 6 1.4301 KIT	1
		> MACH.STD-STG-CASING-WGV+NR-M+6-304	1
		> IMPELLER-M+6-304	1
		> IMPELLER SPACER Ø16,05X19,45-L36,465-304	1



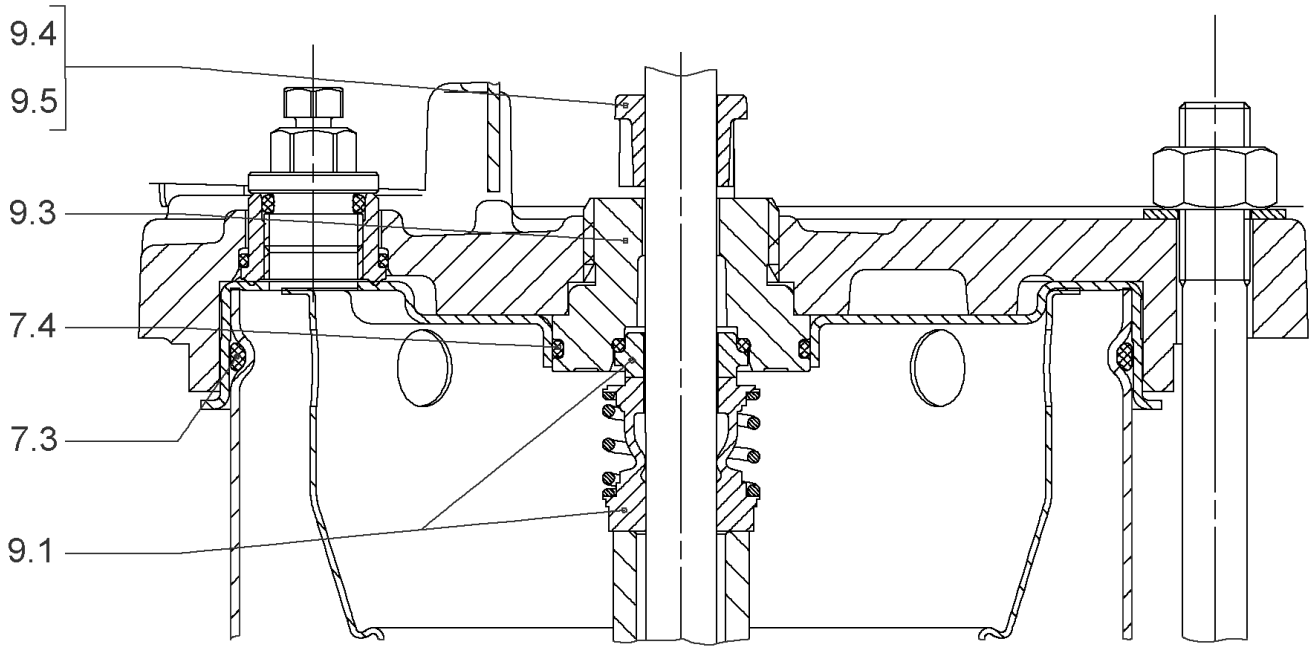
HELIX V604-1/16/E/S/400-50 (4162715)

Item	Article no.	Description	Quantity
1	4169940	MOTOR 0,75/2/80 3~230/400V 50HZ IE3 VP.	1
		SPARE PARTS MOTOR:ON REQUEST	1
2	4159702	SCREW M6X30 (4 PIECES)	1
3	4172790	EQUIPED LANTERN NEXIS FT 100 KIT	1
3.1		> M+5_6_LANTERN_ONE-PIECE_FT100_CATA	1
3.2	2127604	> EYELET CPL.FT HELIX(2 PIECES)	1
3.3	4159692	> COUPLING PROTECTOR FT HELIX KIT	1
4	4159708	COUPLING D.16XD.19 FT100 HELIX KIT	1
6	2127553	STUD BOLT M12X341 KIT	1
7	4210143	STATIONARY RING HOLDER HELIX 6" EPDM	1
7.2	2127607	> STATIONARY RING HOLDER 6" HELIX 1.4301 V	1
7.3	4176513	> O-RING FOR PUMP JACKET VP.	1
7.4	2127603	> O-RING ID.37,6x2,4 EPDM VP.	1
7.5	2127602	> O-RING ID.21,35x2 EPDM VP.	1
8	4159686	FILING/PURGING PLUG HELIX EPDM KIT	1
9	4171327	SEAL-KIT-HELIX6-10-16 O/E KIT	1
10	2127575	HOUSING PIPE D.152x210 1.4301 KIT	1
11	4174087	CENTERING STAGE-RETURN HELIX6 1.4301VP.	1
12	4174086	SHAFTS EQUIPMENT HELIX V6 MONOBLOC KIT	1
12.1		> NUT-H-M10-A4.70	1
12.2		> SERRATED LOCK WASHER M+6M3-316L	1
12.3		> IMPELLER STOP RING L33,2-304	1
12.4		> STOP-RUSH-1/2-D16xd2-M+316	1
13		HYDRAULIC HELIX V 604 1.4307	1
14	2127564	SHAFT D.16X330 1.4301 VP.	1
15	4217897	PUMP HOUSING HELIX DN32 PN16 1.4301 KIT	1
7.3	4176513	> O-RING FOR PUMP JACKET VP.	1
15.1		> BLASTING PPE HOUSING V-PN16-DN32-5"-304	1
15.2	4217891	> COUNTER FLANGE-G1"1/4-PN16-GJL KIT	1
15.3	4171321	> PRIMING/DRAIN PLUG EPDM HELIX KIT	1
16	4177964	BASEPLATE HELIX V2/4/6 PN16 VP.	1



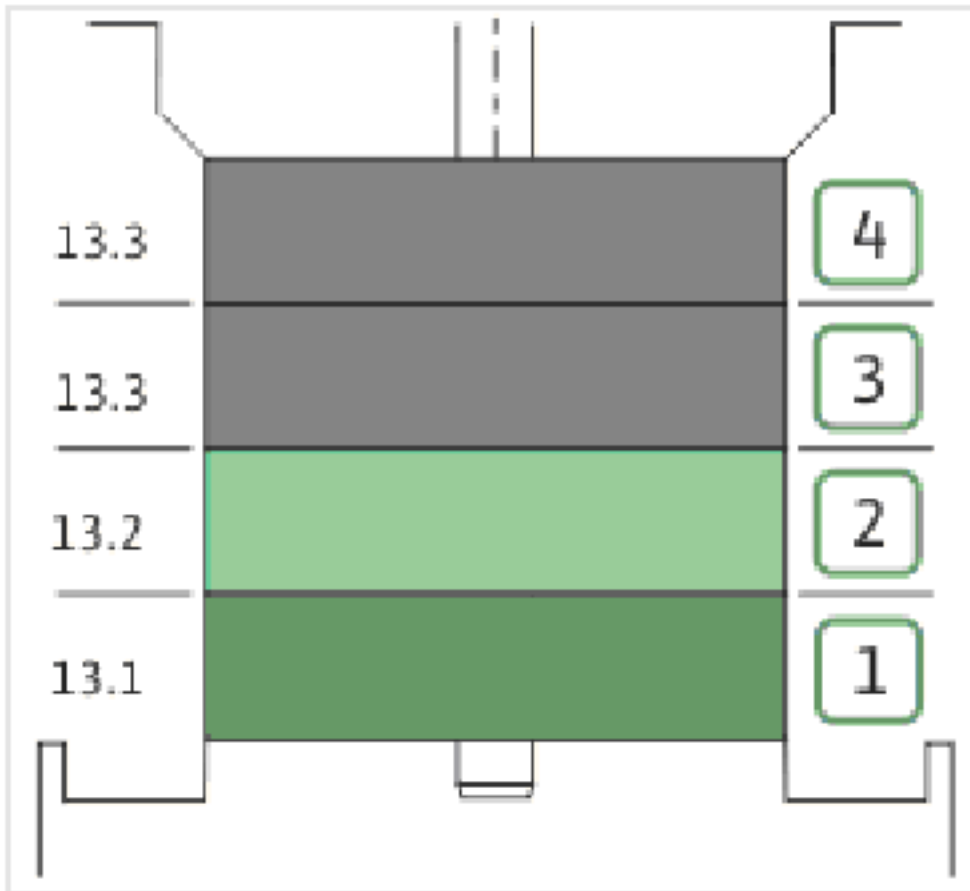
COUPLING D.16XD.19 FT100 HELIX KIT (4159708)

Item	Article no.	Description	Quantity
4.1		COUPLING M+ Ø16XØ19 FT100 MACHINED	1
4.2	2130977	BALL BEARING 6206/ZZ-C3(HT)VP.	1
4.3	4234249	CIRCLIP-FOR-SHAFT-D30x1.5 VP.	1
4.4	4212716	SCREW M6X20 KIT (4PIECES)	1
4.5	4234250	CIRCLIP-D62x2 VP.	1
4.6	4234245	O-RING 63X3 VP.	1
		CONTACT-WASHER-6ETR-6,1x12,2x1,8-STEEL	1



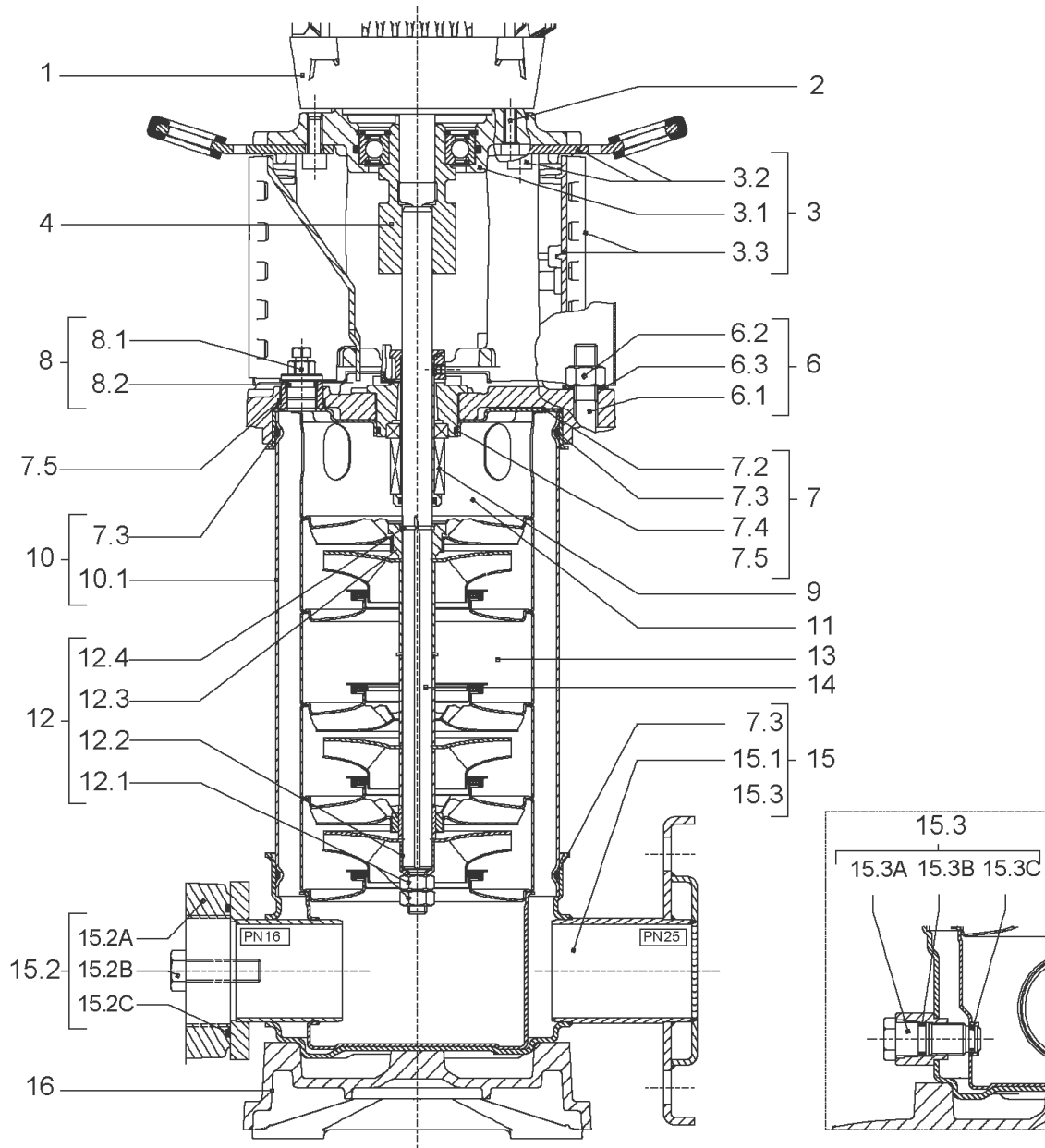
SEAL-KIT-HELIX6-10-16 O/E KIT (4171327)

Item	Article no.	Description	Quantity
7.3	4176513	O-RING FOR PUMP JACKET VP.	1
7.4	2127603	O-RING ID.37,6x2,4 EPDM VP.	1
9.1	4177801	MECH.SEAL HELIX6-10-16 O/E VP.	1
9.3	4177798	MACHINED RING HOLDER M+6" Ø16 304 VP.	1
9.5	4177799	MACHINED DRIVE RING Ø16 VP.	1
9.4	4176520	SCREW CH M5x5 A4-70 (3PIECES)	1



HYDRAULIC HELIX V 604 1.4307

Item	Article no.	Description	Quantity
13.1	4174084	STAGE HELIX 6 1.4301 KIT	1
		> MACH.STG-CASING-WOGV-WNR-M+6-304	1
		> IMPELLER-M+6-304	1
13.2	4174089	INTERMEDIATE STAGE HELIX 6 1.4301 KIT	1
		> MACH.BEARING-STG-CASING-WNR-M+6-304	1
		> IMPELLER-M+6-304	1
		> SHAFT SLEEVE-SPACER-Ø19,35x18,465-304	1
		> SHAFT-SLEEVE-D16xD20x18-CW	1
13.3	4174090	INTERMEDIATE STAGE HELIX 6 1.4301 KIT	1
		> MACH.STD-STG-CASING-WGV+NR-M+6-304	1
		> IMPELLER-M+6-304	1
		> IMPELLER SPACER Ø16,05X19,45-L36,465-304	1



HELIX V605-1/16/E/S/400-50 (4162716)

Item	Article no.	Description	Quantity
1	4169941	MOTOR 1,1/2/80 3~230/400V 50HZ IE3 VP.	1
		SPARE PARTS MOTOR:ON REQUEST	1
2	4159702	SCREW M6X30 (4 PIECES)	1
3	4172790	EQUIPED LANTERN NEXIS FT 100 KIT	1
3.1		> M+5_6_LANTERN_ONE-PIECE_FT100_CATA	1
3.2	2127604	> EYELET CPL.FT HELIX(2 PIECES)	1
3.3	4159692	> COUPLING PROTECTOR FT HELIX KIT	1
4	4159708	COUPLING D.16XD.19 FT100 HELIX KIT	1
6	2018576	STUD BOLT M12X377 KIT	1
6.1		> TIE BOLT M12-377x18x30-1.4057	1
6.2	2094647	> NUT M12 M12 ISO4032 VP.	1
6.3	2123557	> WASHER CS-12.4-24-1.6-NFE25 (4 PIECES)	1
7	4210143	STATIONARY RING HOLDER HELIX 6" EPDM	1
7.2	2127607	> STATIONARY RING HOLDER 6" HELIX 1.4301 V	1
7.3	4176513	> O-RING FOR PUMP JACKET VP.	1
7.4	2127603	> O-RING ID.37,6x2,4 EPDM VP.	1
7.5	2127602	> O-RING ID.21,35x2 EPDM VP.	1
8	4159686	FILING/PURGING PLUG HELIX EPDM KIT	1
9	4171327	SEAL-KIT-HELIX6-10-16 O/E KIT	1
10	4176518	HOUSING PIPES D.152X247 1.4301 KIT	1
7.3	4176513	> O-RING FOR PUMP JACKET VP.	1
10.1		> HOUSING-PIPE Ø152-M+1005-304	1
11	4174087	CENTERING STAGE-RETURN HELIX6 1.4301VP.	1
12	4174086	SHAFTS EQUIPMENT HELIX V6 MONOBLOC KIT	1
12.1		> NUT-H-M10-A4.70	1
12.2		> SERRATED LOCK WASHER M+6M3-316L	1
12.3		> IMPELLER STOP RING L33,2-304	1
12.4		> STOP-RUSH-1/2-D16xd2-M+316	1
13		HYDRAULIC HELIX V 605 1.4307	1
14	4176515	SHAFT D.16 X367,5 1. 4301 VP.	1
15	4217897	PUMP HOUSING HELIX DN32 PN16 1.4301 KIT	1
7.3	4176513	> O-RING FOR PUMP JACKET VP.	1
15.1		> BLASTING PPE HOUSING V-PN16-DN32-5"-304	1
15.2	4217891	> COUNTER FLANGE-G1"1/4-PN16-GJL KIT	1

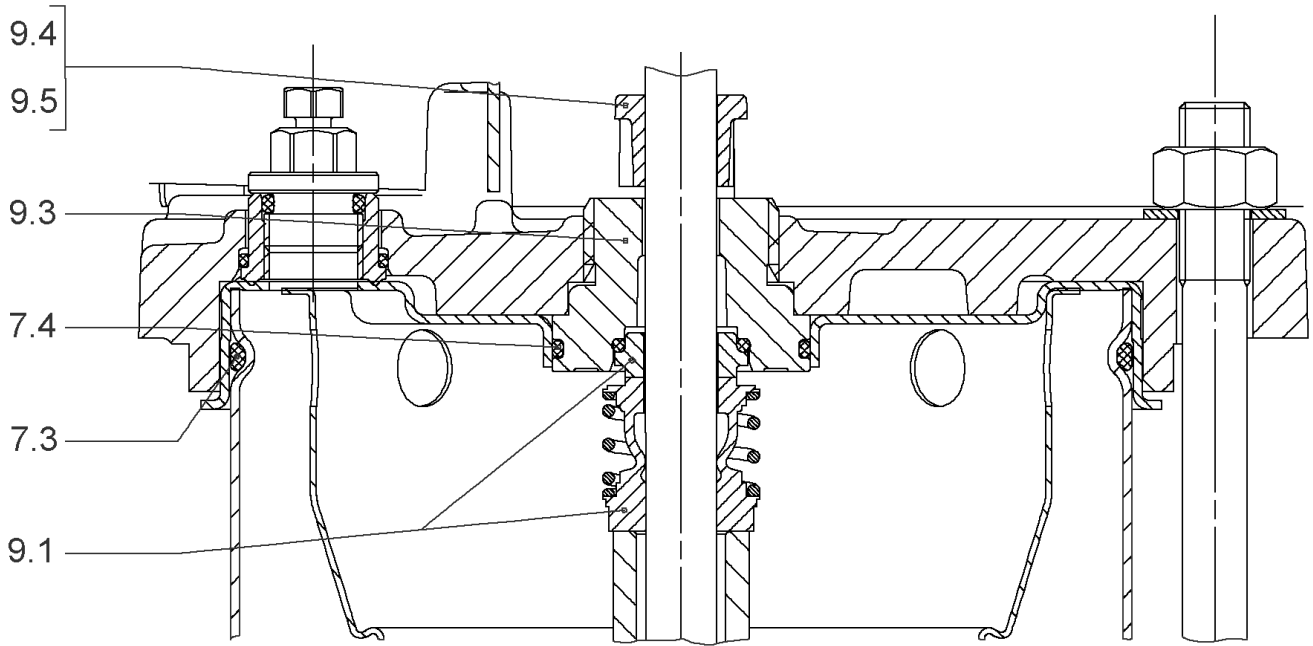
HELIX V605-1/16/E/S/400-50 (4162716)

Item	Article no.	Description	Quantity
15.3	4171321	> PRIMING/DRAIN PLUG EPDM HELIX KIT	1
16	4177964	BASEPLATE HELIX V2/4/6 PN16 VP.	1



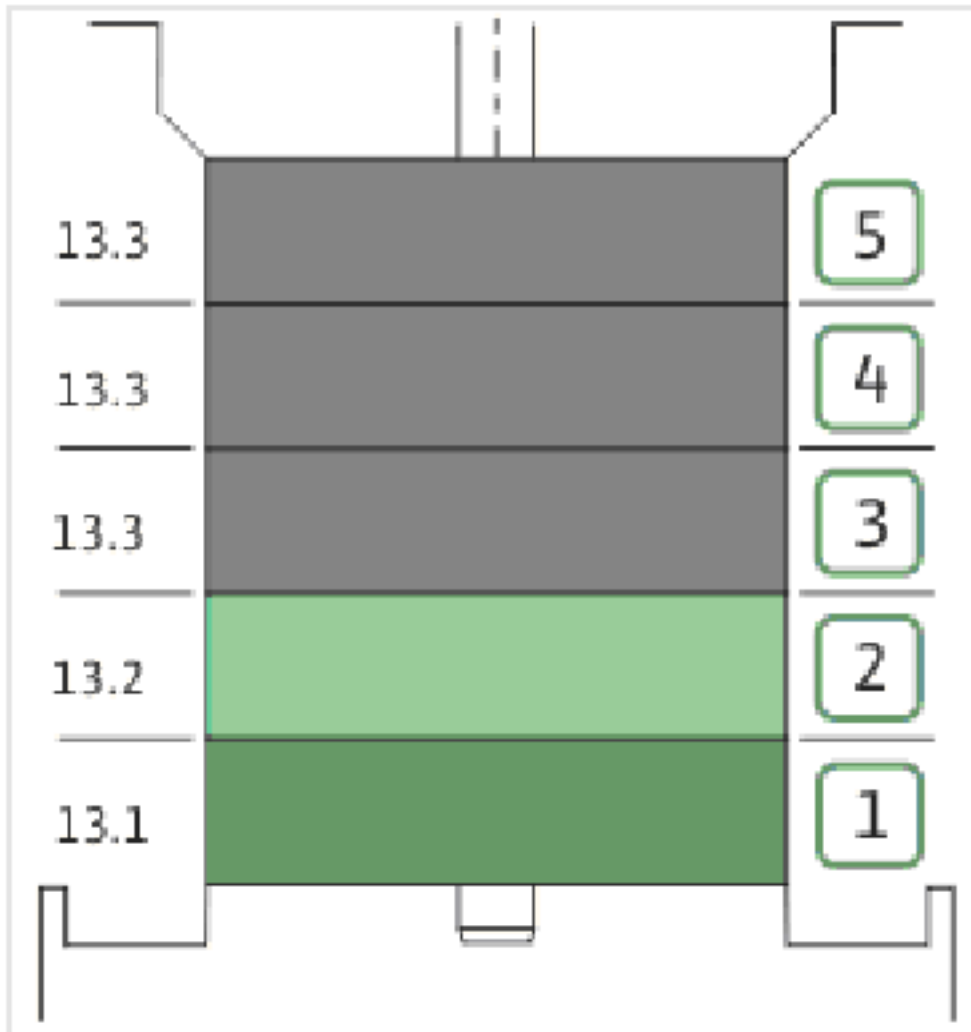
COUPLING D.16XD.19 FT100 HELIX KIT (4159708)

Item	Article no.	Description	Quantity
4.1		COUPLING M+ Ø16XØ19 FT100 MACHINED	1
4.2	2130977	BALL BEARING 6206/ZZ-C3(HT)VP.	1
4.3	4234249	CIRCLIP-FOR-SHAFT-D30x1.5 VP.	1
4.4	4212716	SCREW M6X20 KIT (4PIECES)	1
4.5	4234250	CIRCLIP-D62x2 VP.	1
4.6	4234245	O-RING 63X3 VP.	1
		CONTACT-WASHER-6ETR-6,1x12,2x1,8-STEEL	1



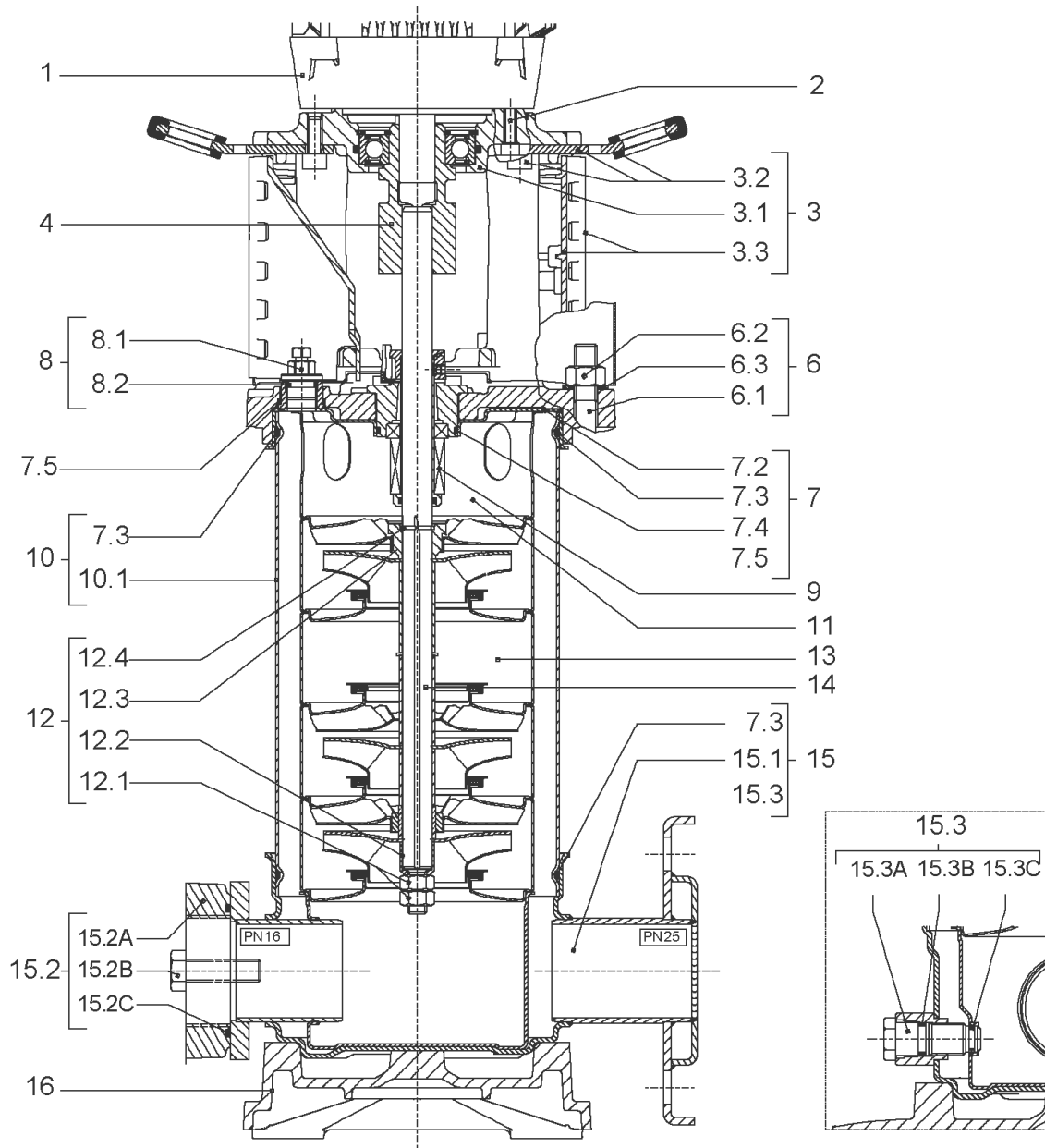
SEAL-KIT-HELIX6-10-16 O/E KIT (4171327)

Item	Article no.	Description	Quantity
7.3	4176513	O-RING FOR PUMP JACKET VP.	1
7.4	2127603	O-RING ID.37,6x2,4 EPDM VP.	1
9.1	4177801	MECH.SEAL HELIX6-10-16 O/E VP.	1
9.3	4177798	MACHINED RING HOLDER M+6" Ø16 304 VP.	1
9.5	4177799	MACHINED DRIVE RING Ø16 VP.	1
9.4	4176520	SCREW CH M5x5 A4-70 (3PIECES)	1



HYDRAULIC HELIX V 605 1.4307

Item	Article no.	Description	Quantity
13.1	4174084	STAGE HELIX 6 1.4301 KIT	1
		> MACH.STG-CASING-WOGV-WNR-M+6-304	1
		> IMPELLER-M+6-304	1
13.2	4174089	INTERMEDIATE STAGE HELIX 6 1.4301 KIT	1
		> MACH.BEARING-STG-CASING-WNR-M+6-304	1
		> IMPELLER-M+6-304	1
		> SHAFT SLEEVE-SPACER-Ø19,35x18,465-304	1
		> SHAFT-SLEEVE-D16xD20x18-CW	1
13.3	4174090	INTERMEDIATE STAGE HELIX 6 1.4301 KIT	1
		> MACH.STD-STG-CASING-WGV+NR-M+6-304	1
		> IMPELLER-M+6-304	1
		> IMPELLER SPACER Ø16,05X19,45-L36,465-304	1



HELIX V606-1/16/E/S/400-50 (4162717)

Item	Article no.	Description	Quantity
1	4169941	MOTOR 1,1/2/80 3~230/400V 50HZ IE3 VP.	1
		SPARE PARTS MOTOR:ON REQUEST	1
2	4159702	SCREW M6X30 (4 PIECES)	1
3	4172790	EQUIPED LANTERN NEXIS FT 100 KIT	1
3.1		> M+5_6_LANTERN_ONE-PIECE_FT100_CATA	1
3.2	2127604	> EYELET CPL.FT HELIX(2 PIECES)	1
3.3	4159692	> COUPLING PROTECTOR FT HELIX KIT	1
4	4159708	COUPLING D.16XD.19 FT100 HELIX KIT	1
6	4177822	STUD BOLT M12X413 KIT	1
6.1		> TIE BOLT M12-413x18x30-1.4057	1
6.2	2094647	> NUT M12 M12 ISO4032 VP.	1
6.3	2123557	> WASHER CS-12.4-24-1.6-NFE25 (4 PIECES)	1
7	4210143	STATIONARY RING HOLDER HELIX 6" EPDM	1
7.2	2127607	> STATIONARY RING HOLDER 6" HELIX 1.4301 V	1
7.3	4176513	> O-RING FOR PUMP JACKET VP.	1
7.4	2127603	> O-RING ID.37,6x2,4 EPDM VP.	1
7.5	2127602	> O-RING ID.21,35x2 EPDM VP.	1
8	4159686	FILING/PURGING PLUG HELIX EPDM KIT	1
9	4171327	SEAL-KIT-HELIX6-10-16 O/E KIT	1
10	4177823	HOUSING PIPES D.152X285 1.4301 KIT	1
7.3	4176513	> O-RING FOR PUMP JACKET VP.	1
10.1		> HOUSING-PIPE Ø152-M+1006-304	1
11	4174087	CENTERING STAGE-RETURN HELIX6 1.4301VP.	1
12	4174086	SHAFTS EQUIPMENT HELIX V6 MONOBLOC KIT	1
12.1		> NUT-H-M10-A4.70	1
12.2		> SERRATED LOCK WASHER M+6M3-316L	1
12.3		> IMPELLER STOP RING L33,2-304	1
12.4		> STOP-RUSH-1/2-D16xd2-M+316	1
13		HYDRAULIC HELIX V 606 1.4307	1
14	4177825	SHAFT D.16X405 1.4301 VP.	1
15	4217897	PUMP HOUSING HELIX DN32 PN16 1.4301 KIT	1
7.3	4176513	> O-RING FOR PUMP JACKET VP.	1
15.1		> BLASTING PPE HOUSING V-PN16-DN32-5"-304	1
15.2	4217891	> COUNTER FLANGE-G1"1/4-PN16-GJL KIT	1

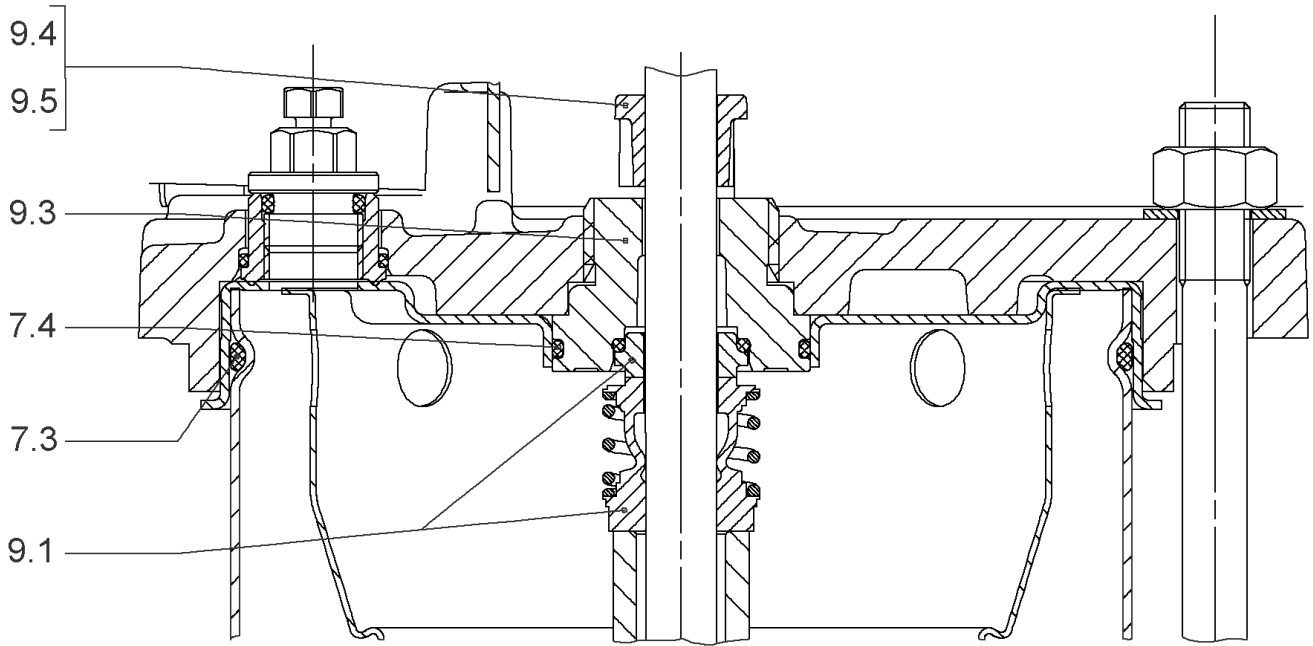
HELIX V606-1/16/E/S/400-50 (4162717)

Item	Article no.	Description	Quantity
15.3	4171321	> PRIMING/DRAIN PLUG EPDM HELIX KIT	1
16	4177964	BASEPLATE HELIX V2/4/6 PN16 VP.	1



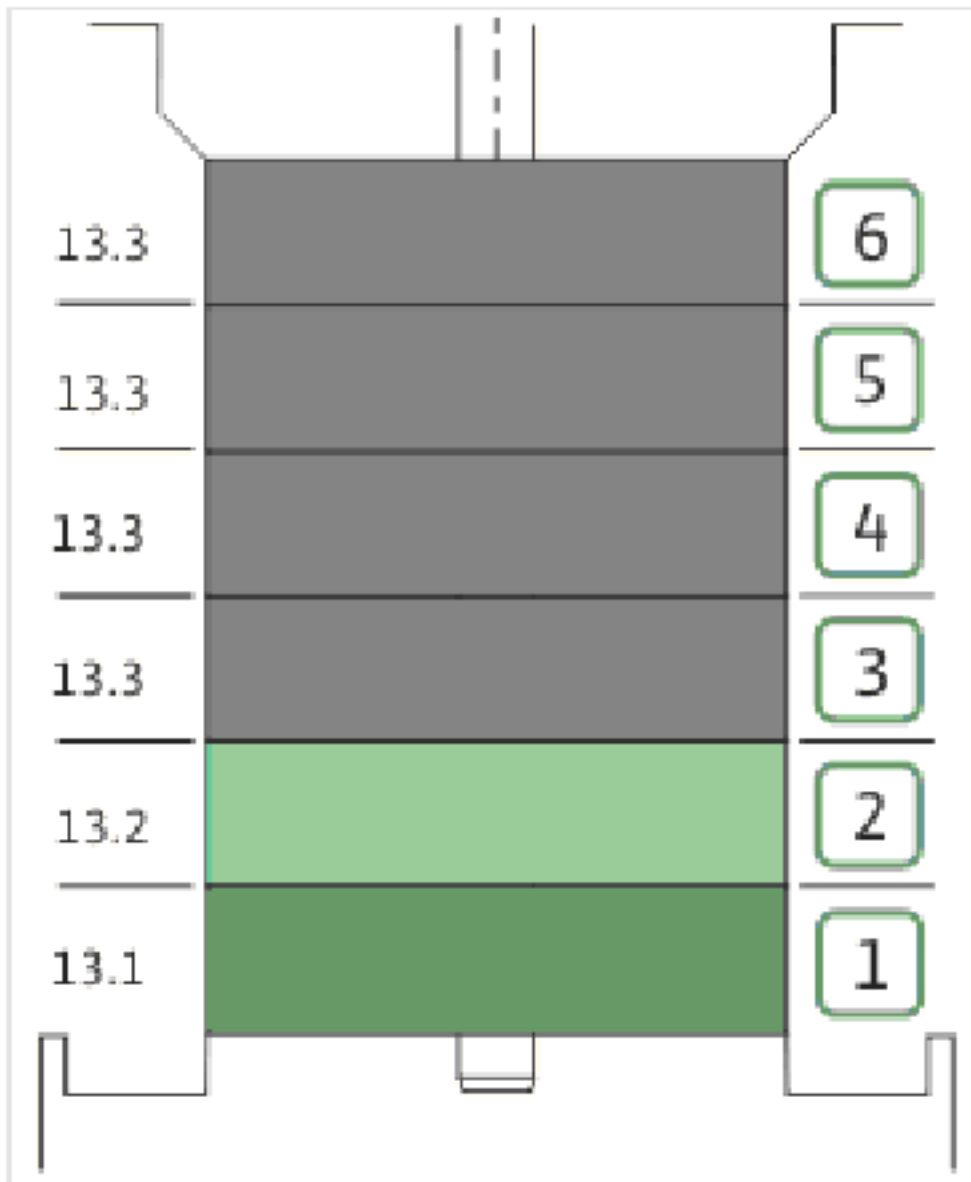
COUPLING D.16XD.19 FT100 HELIX KIT (4159708)

Item	Article no.	Description	Quantity
4.1		COUPLING M+ Ø16XØ19 FT100 MACHINED	1
4.2	2130977	BALL BEARING 6206/ZZ-C3(HT)VP.	1
4.3	4234249	CIRCLIP-FOR-SHAFT-D30x1.5 VP.	1
4.4	4212716	SCREW M6X20 KIT (4PIECES)	1
4.5	4234250	CIRCLIP-D62x2 VP.	1
4.6	4234245	O-RING 63X3 VP.	1
		CONTACT-WASHER-6ETR-6,1x12,2x1,8-STEEL	1



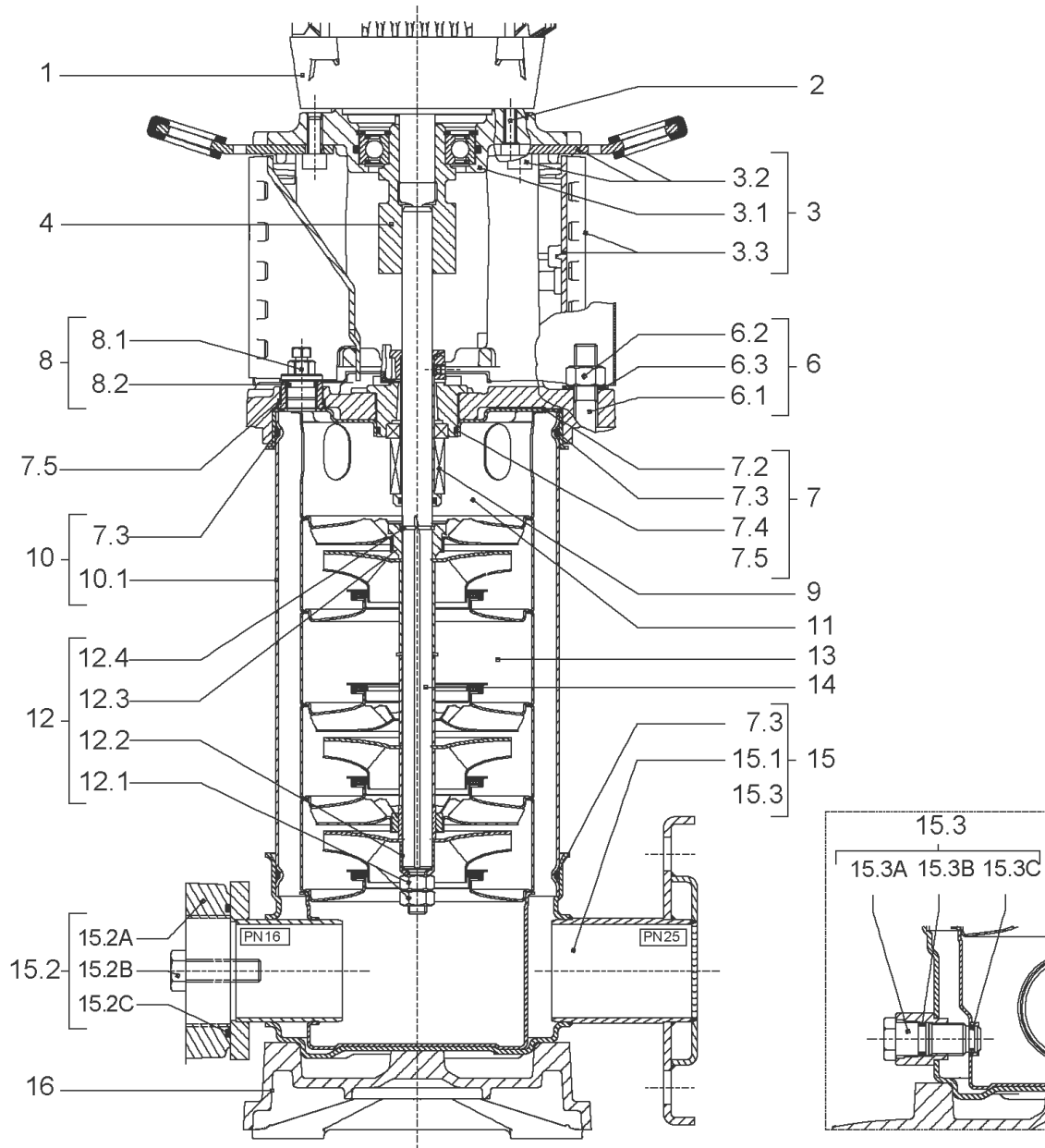
SEAL-KIT-HELIX6-10-16 O/E KIT (4171327)

Item	Article no.	Description	Quantity
7.3	4176513	O-RING FOR PUMP JACKET VP.	1
7.4	2127603	O-RING ID.37,6x2,4 EPDM VP.	1
9.1	4177801	MECH.SEAL HELIX6-10-16 O/E VP.	1
9.3	4177798	MACHINED RING HOLDER M+6" Ø16 304 VP.	1
9.5	4177799	MACHINED DRIVE RING Ø16 VP.	1
9.4	4176520	SCREW CH M5x5 A4-70 (3PIECES)	1



HYDRAULIC HELIX V 606 1.4307

Item	Article no.	Description	Quantity
13.1	4174084	STAGE HELIX 6 1.4301 KIT	1
		> MACH.STG-CASING-WOGV-WNR-M+6-304	1
		> IMPELLER-M+6-304	1
13.2	4174089	INTERMEDIATE STAGE HELIX 6 1.4301 KIT	1
		> MACH.BEARING-STG-CASING-WNR-M+6-304	1
		> IMPELLER-M+6-304	1
		> SHAFT SLEEVE-SPACER-Ø19,35x18,465-304	1
		> SHAFT-SLEEVE-D16xD20x18-CW	1
13.3	4174090	INTERMEDIATE STAGE HELIX 6 1.4301 KIT	1
		> MACH.STD-STG-CASING-WGV+NR-M+6-304	1
		> IMPELLER-M+6-304	1
		> IMPELLER SPACER Ø16,05X19,45-L36,465-304	1



HELIX V607-1/16/E/S/400-50 (4162718)

Item	Article no.	Description	Quantity
1	4169942	MO.1,5/2 3~230/400(440)V 50(60)HZ IE3 VP	1
		SPARE PARTS MOTOR:ON REQUEST	1
2	4159703	SCREW M8X40 (4 PIECES)	1
3	4172795	LANTERNE FT115 HELIX KIT	1
3.1		> M+5_6_LANTERN_ONE-PIECE_FT115_CATA	1
3.2	2127604	> EYELET CPL.FT HELIX(2 PIECES)	1
3.3	4159692	> COUPLING PROTECTOR FT HELIX KIT	1
4	4159709	COUPLING D.16xD.24 FT115 HELIX KIT	1
6	4177806	STUD BOLT M12X450KIT	1
6.1		> TIE BOLT M12-450x18x30-1.4057	1
6.2	2094647	> NUT M12 M12 ISO4032 VP.	1
6.3	2123557	> WASHER CS-12.4-24-1.6-NFE25 (4 PIECES)	1
7	4210143	STATIONARY RING HOLDER HELIX 6" EPDM	1
7.2	2127607	> STATIONARY RING HOLDER 6" HELIX 1.4301 V	1
7.3	4176513	> O-RING FOR PUMP JACKET VP.	1
7.4	2127603	> O-RING ID.37,6x2,4 EPDM VP.	1
7.5	2127602	> O-RING ID.21,35x2 EPDM VP.	1
8	4159686	FILING/PURGING PLUG HELIX EPDM KIT	1
9	4171327	SEAL-KIT-HELIX6-10-16 O/E KIT	1
10	4172794	HOUSING PIPES D.152X322 1.4301 KIT	1
7.3	4176513	> O-RING FOR PUMP JACKET VP.	1
10.1		> HOUSING-PIPE Ø152-M+1007-304	1
11	4174087	CENTERING STAGE-RETURN HELIX6 1.4301VP.	1
12	4174086	SHAFTS EQUIPMENT HELIX V6 MONOBLOC KIT	1
12.1		> NUT-H-M10-A4.70	1
12.2		> SERRATED LOCK WASHER M+6M3-316L	1
12.3		> IMPELLER STOP RING L33,2-304	1
12.4		> STOP-RUSH-1/2-D16xd2-M+316	1
13		HYDRAULIC HELIX V 607 1.4307	1
14	4171324	SHAFT D.16X442,5 1.4301 VP.	1
15	4217897	PUMP HOUSING HELIX DN32 PN16 1.4301 KIT	1
7.3	4176513	> O-RING FOR PUMP JACKET VP.	1
15.1		> BLASTING PPE HOUSING V-PN16-DN32-5"-304	1
15.2	4217891	> COUNTER FLANGE-G1"1/4-PN16-GJL KIT	1

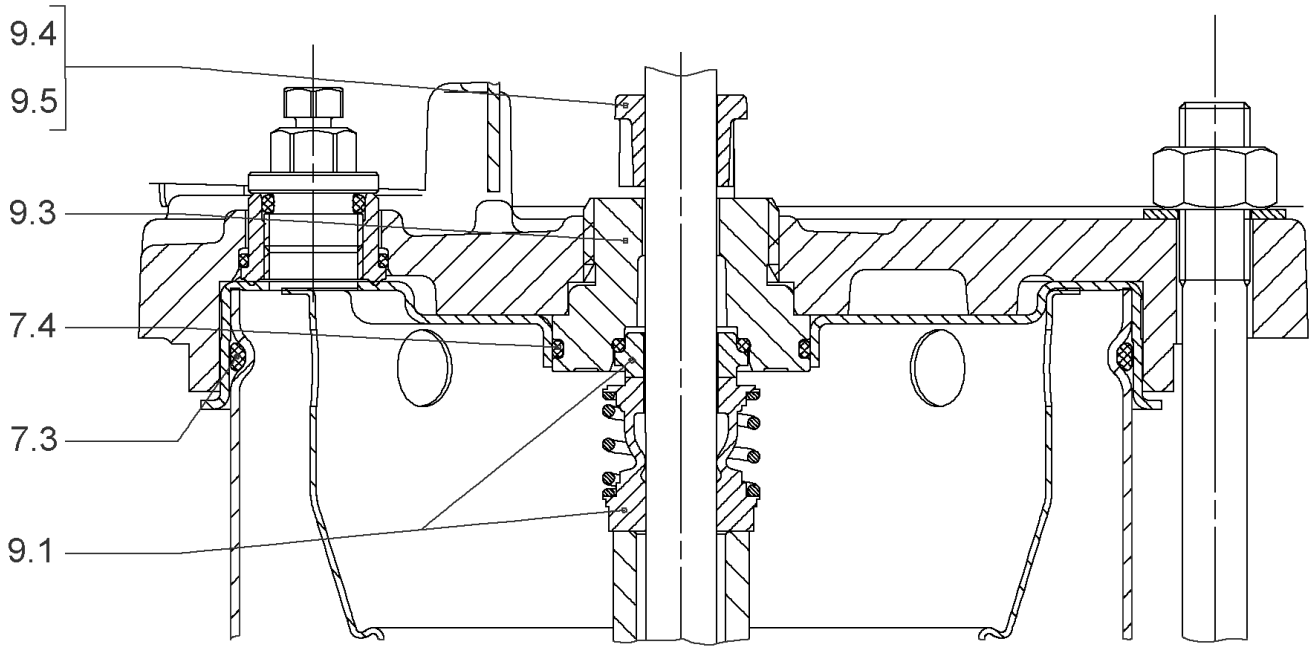
HELIX V607-1/16/E/S/400-50 (4162718)

Item	Article no.	Description	Quantity
15.3	4171321	> PRIMING/DRAIN PLUG EPDM HELIX KIT	1
16	4177964	BASEPLATE HELIX V2/4/6 PN16 VP.	1



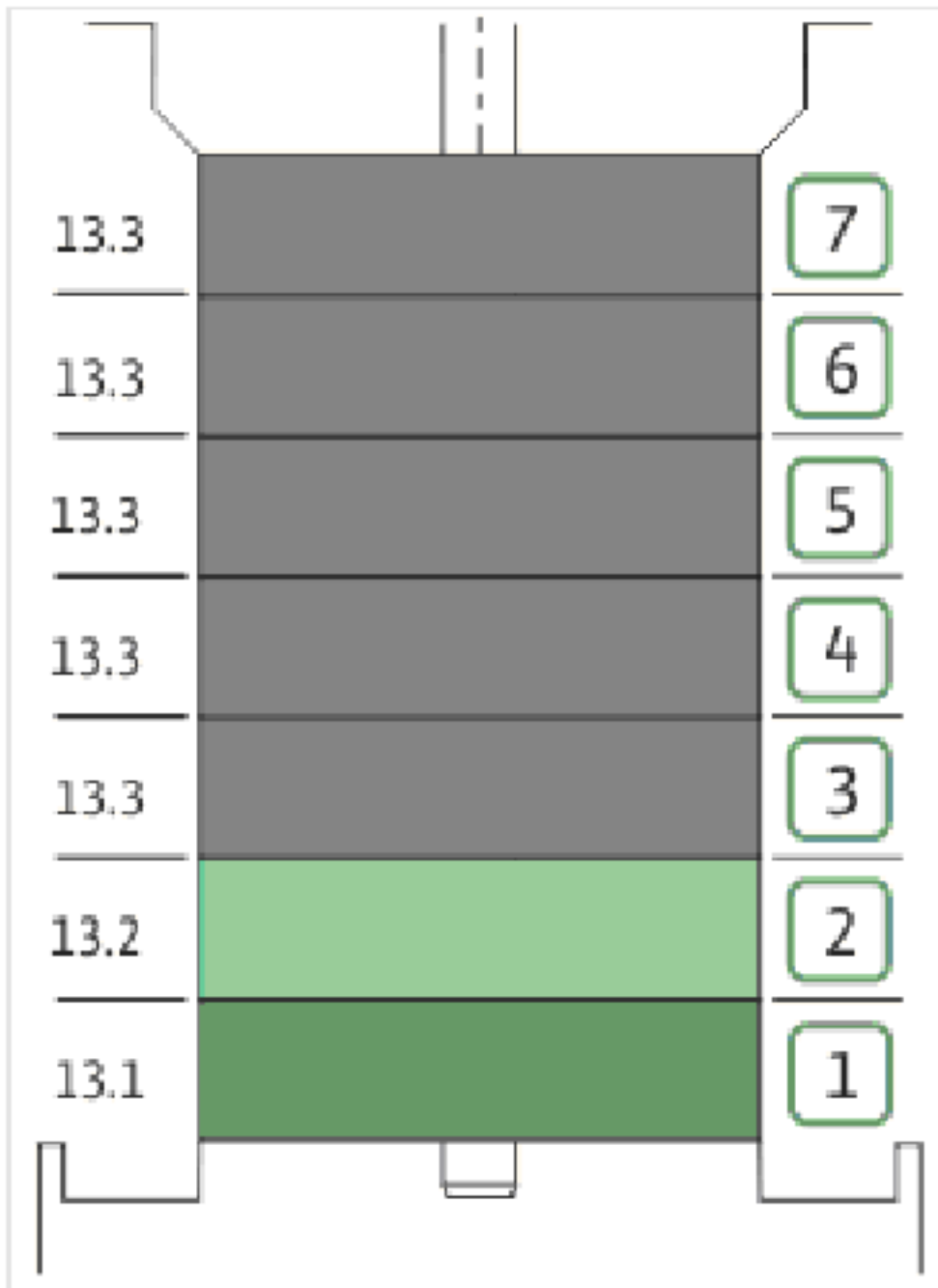
COUPLING D.16xD.24 FT115 HELIX KIT (4159709)

Item	Article no.	Description	Quantity
4.1		COUPLING M+ Ø16XØ24 FT115 MACHINED	1
4.2	2131023	BALL BEARING 6207/ZZ-C3(HT)VP.	1
4.3	4234254	CIRCLIP-FOR-SHAFT-D35x1.5 VP.	1
4.4	4157726	SCREW KIT M8X30 (4 PIECES)	1
4.5	4234251	CIRCLIP-D72x2.5 VP.	1
4.6	4234246	O-RING 72X3 VP.	1
		NOMEL CONTACT WASHER 8x16x1,4 STEEL ZC	1



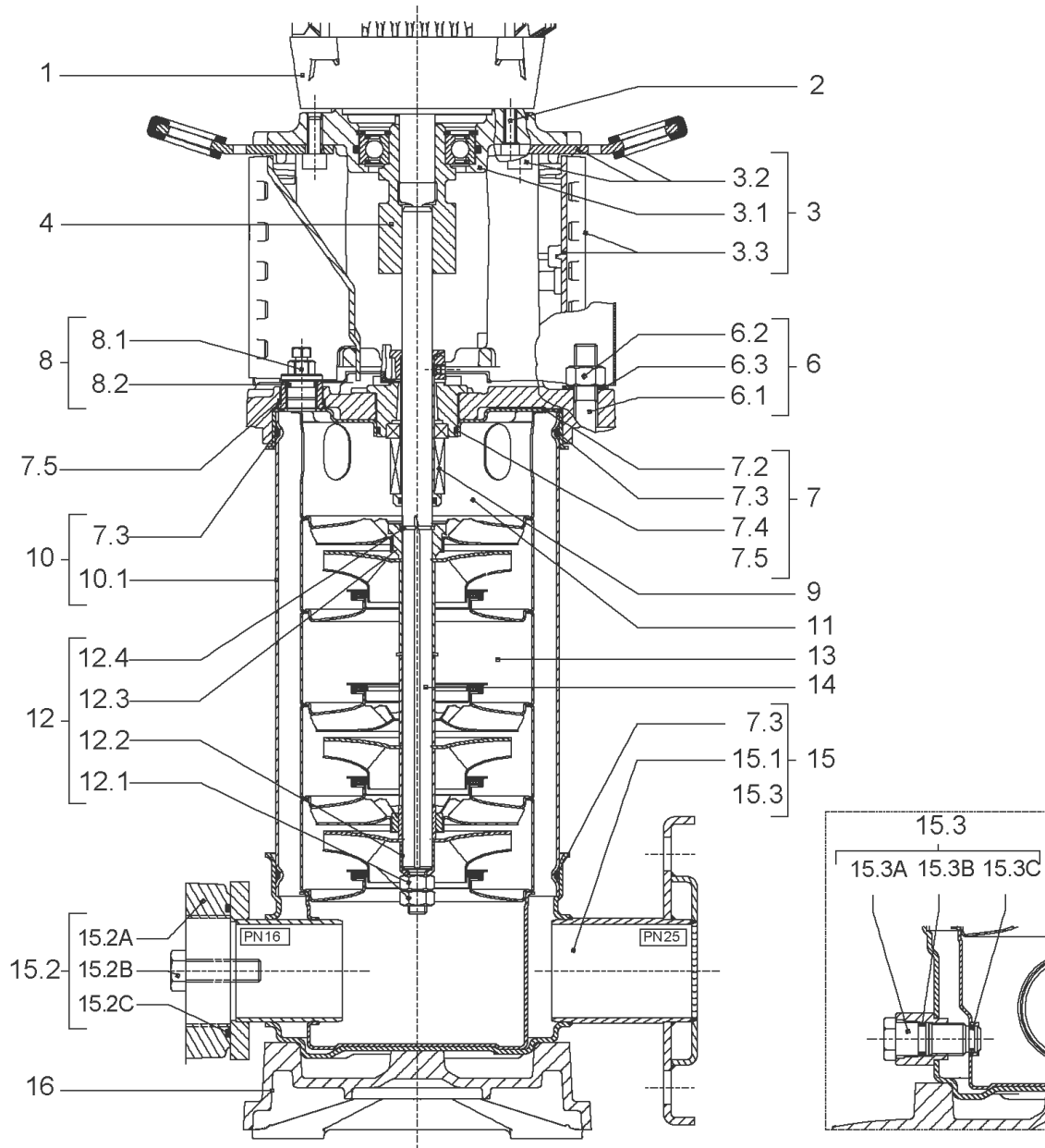
SEAL-KIT-HELIX6-10-16 O/E KIT (4171327)

Item	Article no.	Description	Quantity
7.3	4176513	O-RING FOR PUMP JACKET VP.	1
7.4	2127603	O-RING ID.37,6x2,4 EPDM VP.	1
9.1	4177801	MECH.SEAL HELIX6-10-16 O/E VP.	1
9.3	4177798	MACHINED RING HOLDER M+6" Ø16 304 VP.	1
9.5	4177799	MACHINED DRIVE RING Ø16 VP.	1
9.4	4176520	SCREW CH M5x5 A4-70 (3PIECES)	1



HYDRAULIC HELIX V 607 1.4307

Item	Article no.	Description	Quantity
13.1	4174084	STAGE HELIX 6 1.4301 KIT	1
		> MACH.STG-CASING-WOGV-WNR-M+6-304	1
		> IMPELLER-M+6-304	1
13.2	4174089	INTERMEDIATE STAGE HELIX 6 1.4301 KIT	1
		> MACH.BEARING-STG-CASING-WNR-M+6-304	1
		> IMPELLER-M+6-304	1
		> SHAFT SLEEVE-SPACER-Ø19,35x18,465-304	1
		> SHAFT-SLEEVE-D16xD20x18-CW	1
13.3	4174090	INTERMEDIATE STAGE HELIX 6 1.4301 KIT	1
		> MACH.STD-STG-CASING-WGV+NR-M+6-304	1
		> IMPELLER-M+6-304	1
		> IMPELLER SPACER Ø16,05X19,45-L36,465-304	1



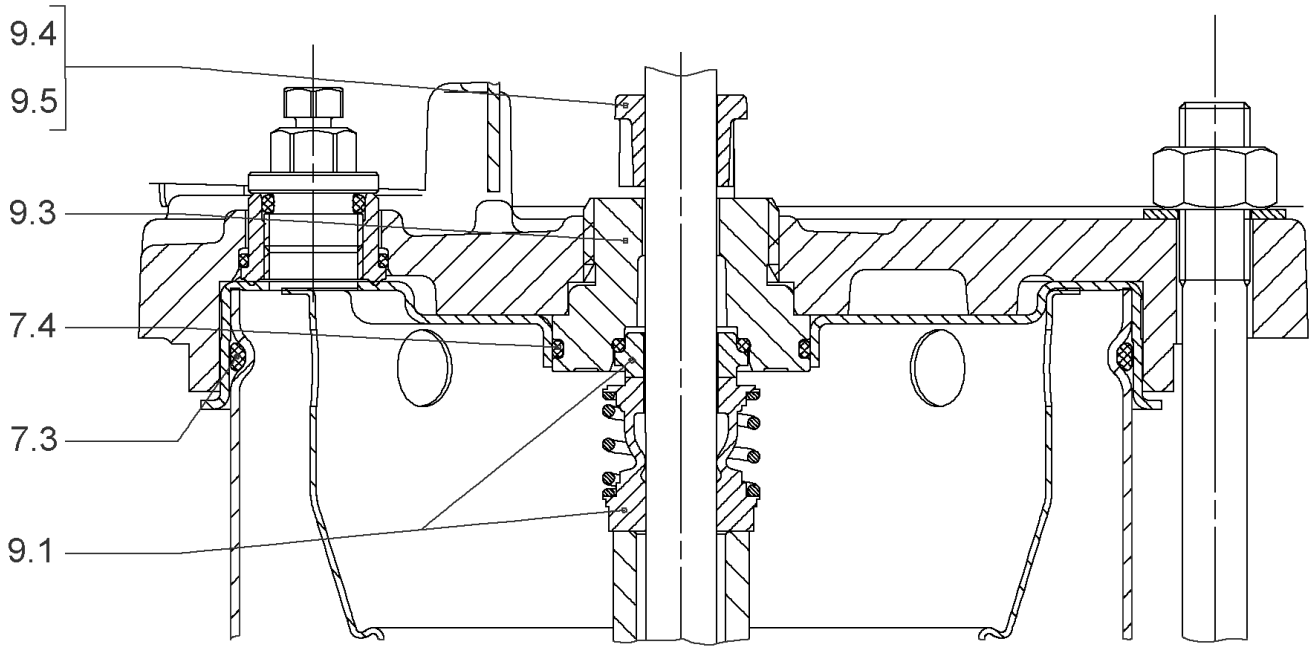
HELIX V608-1/16/E/S/400-50 (4162719)

Item	Article no.	Description	Quantity
1	4169942	MO.1,5/2 3~230/400(440)V 50(60)HZ IE3 VP	1
		SPARE PARTS MOTOR:ON REQUEST	1
2	4159703	SCREW M8X40 (4 PIECES)	1
3	4172795	LANTERNE FT115 HELIX KIT	1
3.1		> M+5_6_LANTERN_ONE-PIECE_FT115_CATA	1
3.2	2127604	> EYELET CPL.FT HELIX(2 PIECES)	1
3.3	4159692	> COUPLING PROTECTOR FT HELIX KIT	1
4	4159709	COUPLING D.16xD.24 FT115 HELIX KIT	1
6	2127555	STUD BOLT M12X485 KIT	1
7	4210143	STATIONARY RING HOLDER HELIX 6" EPDM	1
7.2	2127607	> STATIONARY RING HOLDER 6" HELIX 1.4301 V	1
7.3	4176513	> O-RING FOR PUMP JACKET VP.	1
7.4	2127603	> O-RING ID.37,6x2,4 EPDM VP.	1
7.5	2127602	> O-RING ID.21,35x2 EPDM VP.	1
8	4159686	FILING/PURGING PLUG HELIX EPDM KIT	1
9	4171327	SEAL-KIT-HELIX6-10-16 O/E KIT	1
10	2127578	HOUSING PIPE D.152x360 1.4307 KIT	1
7.3	4176513	> O-RING FOR PUMP JACKET VP.	1
10.1		> HOUSING-PIPE Ø152-M+1008/1606-304	1
11	4174087	CENTERING STAGE-RETURN HELIX6 1.4301VP.	1
12	4174086	SHAFTS EQUIPMENT HELIX V6 MONOBLOC KIT	1
12.1		> NUT-H-M10-A4.70	1
12.2		> SERRATED LOCK WASHER M+6M3-316L	1
12.3		> IMPELLER STOP RING L33,2-304	1
12.4		> STOP-RUSH-1/2-D16xd2-M+316	1
13		HYDRAULIC HELIX V 608 1.4307	1
14	2127397	SHAFT D.16X480 1.4301 VP.	1
15	4217897	PUMP HOUSING HELIX DN32 PN16 1.4301 KIT	1
7.3	4176513	> O-RING FOR PUMP JACKET VP.	1
15.1		> BLASTING PPE HOUSING V-PN16-DN32-5"-304	1
15.2	4217891	> COUNTER FLANGE-G1"1/4-PN16-GJL KIT	1
15.3	4171321	> PRIMING/DRAIN PLUG EPDM HELIX KIT	1
16	4177964	BASEPLATE HELIX V2/4/6 PN16 VP.	1



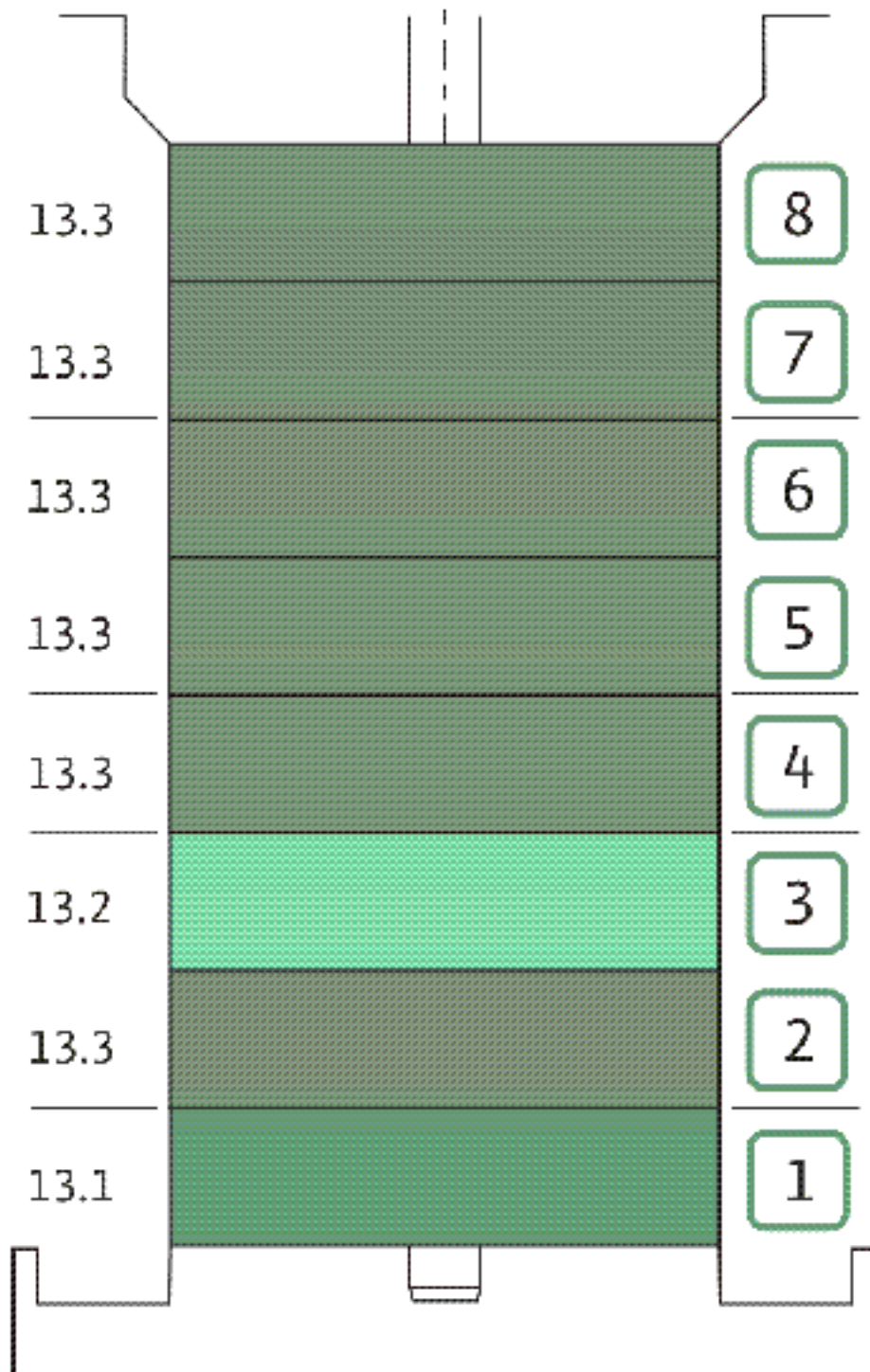
COUPLING D.16xD.24 FT115 HELIX KIT (4159709)

Item	Article no.	Description	Quantity
4.1		COUPLING M+ Ø16XØ24 FT115 MACHINED	1
4.2	2131023	BALL BEARING 6207/ZZ-C3(HT)VP.	1
4.3	4234254	CIRCLIP-FOR-SHAFT-D35x1.5 VP.	1
4.4	4157726	SCREW KIT M8X30 (4 PIECES)	1
4.5	4234251	CIRCLIP-D72x2.5 VP.	1
4.6	4234246	O-RING 72X3 VP.	1
		NOMEL CONTACT WASHER 8x16x1,4 STEEL ZC	1



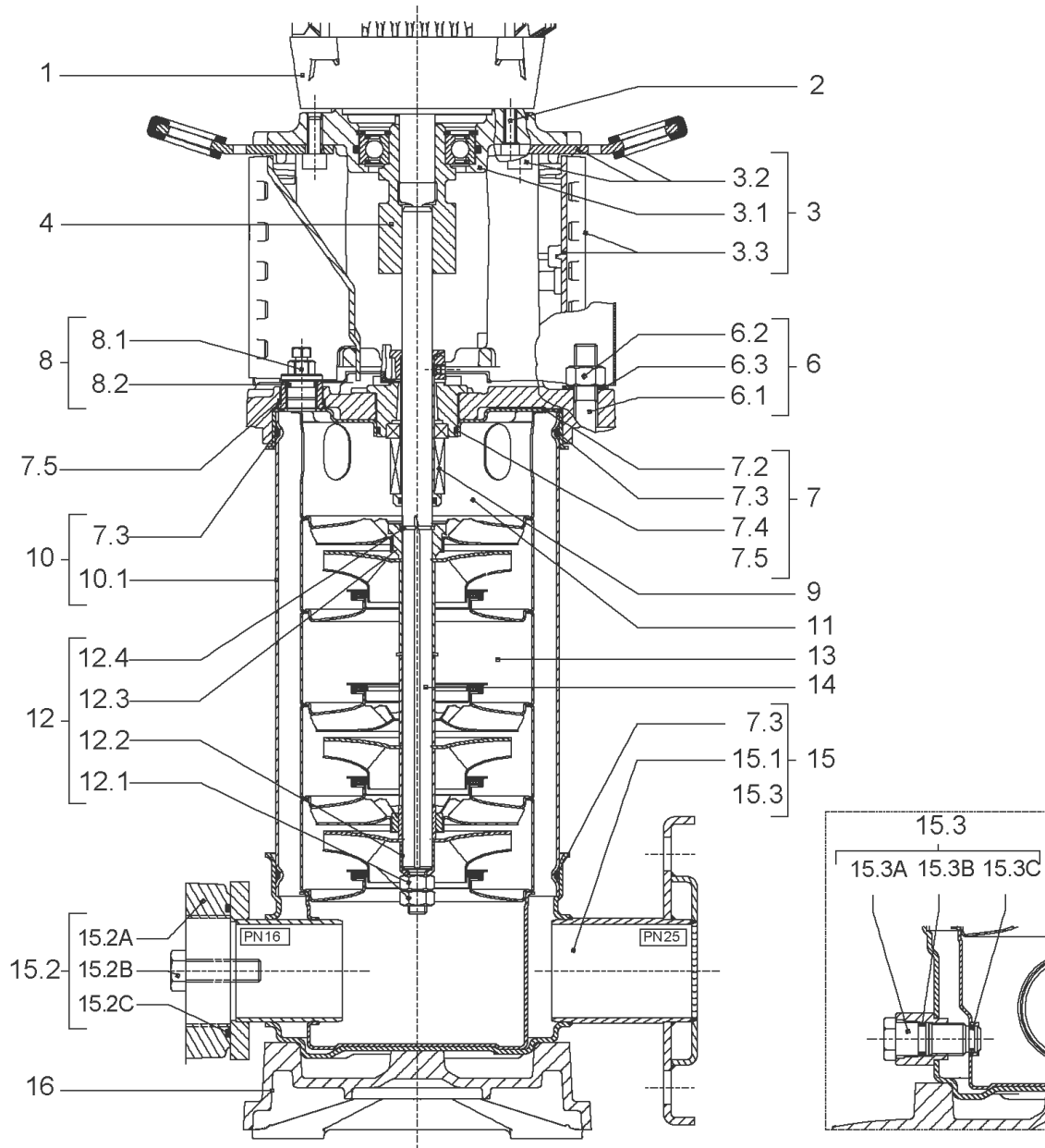
SEAL-KIT-HELIX6-10-16 O/E KIT (4171327)

Item	Article no.	Description	Quantity
7.3	4176513	O-RING FOR PUMP JACKET VP.	1
7.4	2127603	O-RING ID.37,6x2,4 EPDM VP.	1
9.1	4177801	MECH.SEAL HELIX6-10-16 O/E VP.	1
9.3	4177798	MACHINED RING HOLDER M+6" Ø16 304 VP.	1
9.5	4177799	MACHINED DRIVE RING Ø16 VP.	1
9.4	4176520	SCREW CH M5x5 A4-70 (3PIECES)	1



HYDRAULIC HELIX V 608 1.4307

Item	Article no.	Description	Quantity
13.1	4174084	STAGE HELIX 6 1.4301 KIT	1
		> MACH.STG-CASING-WOGV-WNR-M+6-304	1
		> IMPELLER-M+6-304	1
13.2	4174089	INTERMEDIATE STAGE HELIX 6 1.4301 KIT	1
		> MACH.BEARING-STG-CASING-WNR-M+6-304	1
		> IMPELLER-M+6-304	1
		> SHAFT SLEEVE-SPACER-Ø19,35x18,465-304	1
		> SHAFT-SLEEVE-D16xD20x18-CW	1
13.3	4174090	INTERMEDIATE STAGE HELIX 6 1.4301 KIT	1
		> MACH.STD-STG-CASING-WGV+NR-M+6-304	1
		> IMPELLER-M+6-304	1
		> IMPELLER SPACER Ø16,05X19,45-L36,465-304	1



HELIX V609-1/16/E/S/400-50 (4162720)

Item	Article no.	Description	Quantity
1	4169943	MOTOR 2,2/2/90 3~230/400V 50HZ IE3 VP.	1
		SPARE PARTS MOTOR:ON REQUEST	1
2	4159703	SCREW M8X40 (4 PIECES)	1
3	4172795	LANTERNE FT115 HELIX KIT	1
3.1		> M+5_6_LANTERN_ONE-PIECE_FT115_CATA	1
3.2	2127604	> EYELET CPL.FT HELIX(2 PIECES)	1
3.3	4159692	> COUPLING PROTECTOR FT HELIX KIT	1
4	4159709	COUPLING D.16xD.24 FT115 HELIX KIT	1
6	4177832	STUD BOLT M12X527KIT	1
6.1		> TIE BOLT M12-527x18x30-1.4057	1
6.2	2094647	> NUT M12 M12 ISO4032 VP.	1
6.3	2123557	> WASHER CS-12.4-24-1.6-NFE25 (4 PIECES)	1
7	4210143	STATIONARY RING HOLDER HELIX 6" EPDM	1
7.2	2127607	> STATIONARY RING HOLDER 6" HELIX 1.4301 V	1
7.3	4176513	> O-RING FOR PUMP JACKET VP.	1
7.4	2127603	> O-RING ID.37,6x2,4 EPDM VP.	1
7.5	2127602	> O-RING ID.21,35x2 EPDM VP.	1
8	4159686	FILING/PURGING PLUG HELIX EPDM KIT	1
9	4171327	SEAL-KIT-HELIX6-10-16 O/E KIT	1
10	4177833	HOUSING PIPES D.152X397 1.4301 KIT	1
7.3	4176513	> O-RING FOR PUMP JACKET VP.	1
10.1		> HOUSING-PIPE Ø152-M+1009-304	1
11	4174087	CENTERING STAGE-RETURN HELIX6 1.4301VP.	1
12	4174086	SHAFTS EQUIPMENT HELIX V6 MONOBLOC KIT	1
12.1		> NUT-H-M10-A4.70	1
12.2		> SERRATED LOCK WASHER M+6M3-316L	1
12.3		> IMPELLER STOP RING L33,2-304	1
12.4		> STOP-RUSH-1/2-D16xd2-M+316	1
13		HYDRAULIC HELIX V 609 1.4307	1
14	4177837	SHAFTS D.16X517,5 1.4301 VP.	1
15	4217897	PUMP HOUSING HELIX DN32 PN16 1.4301 KIT	1
7.3	4176513	> O-RING FOR PUMP JACKET VP.	1
15.1		> BLASTING PPE HOUSING V-PN16-DN32-5"-304	1
15.2	4217891	> COUNTER FLANGE-G1"1/4-PN16-GJL KIT	1

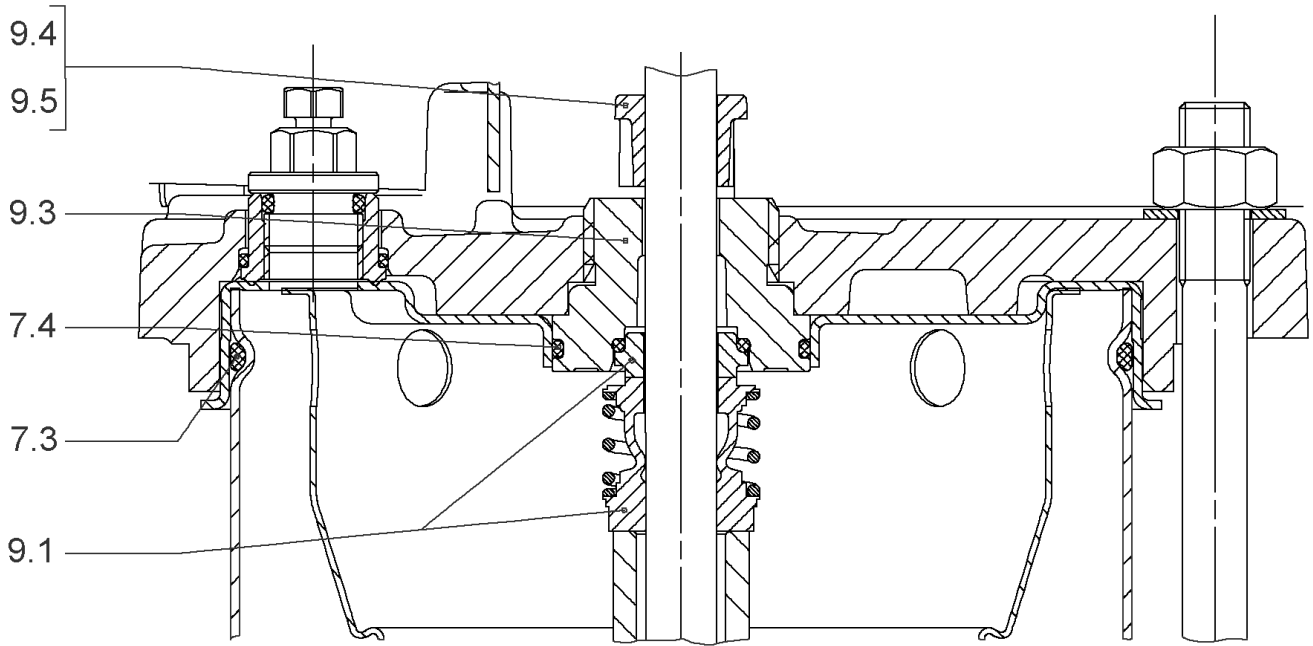
HELIX V609-1/16/E/S/400-50 (4162720)

Item	Article no.	Description	Quantity
15.3	4171321	> PRIMING/DRAIN PLUG EPDM HELIX KIT	1
16	4177964	BASEPLATE HELIX V2/4/6 PN16 VP.	1



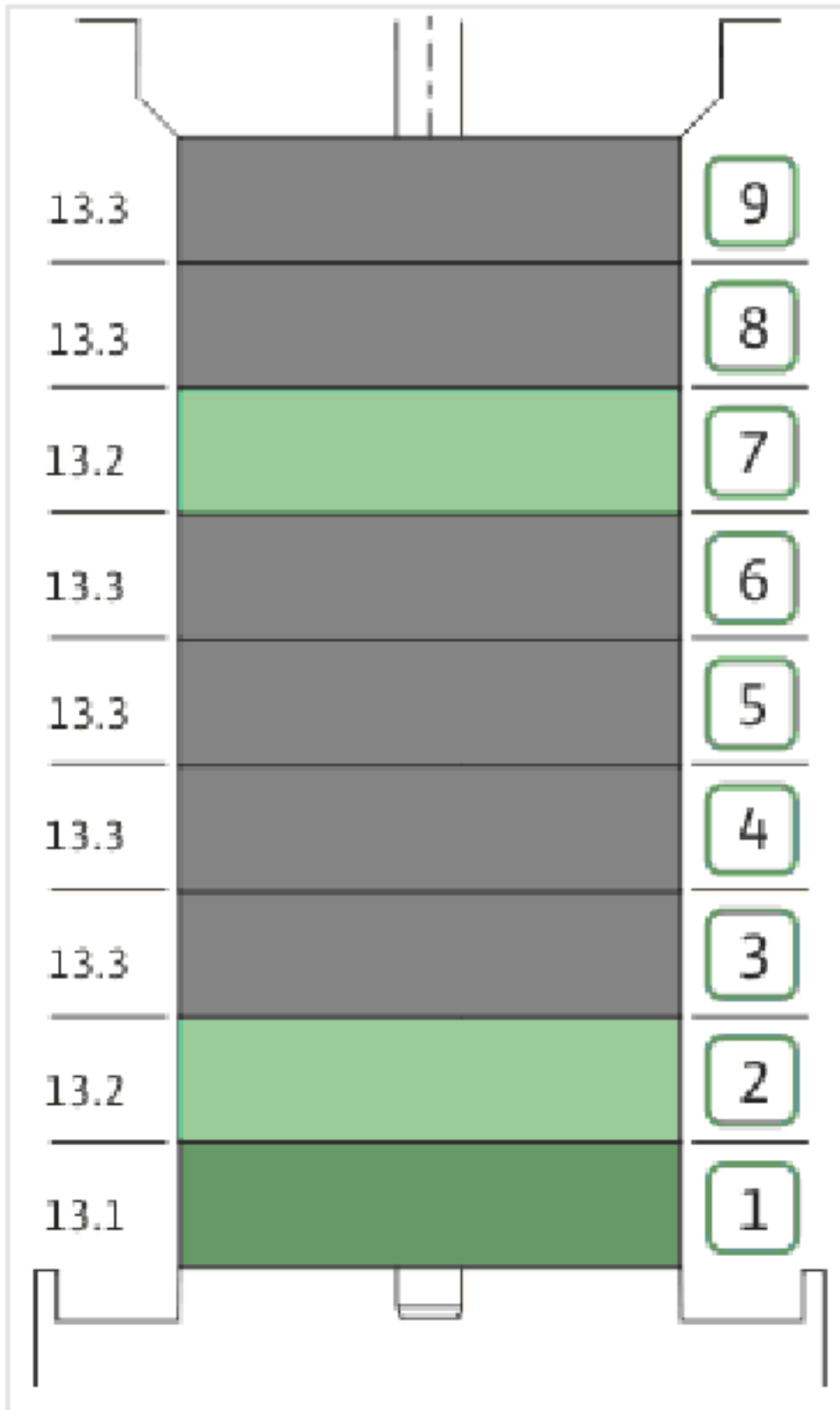
COUPLING D.16xD.24 FT115 HELIX KIT (4159709)

Item	Article no.	Description	Quantity
4.1		COUPLING M+ Ø16XØ24 FT115 MACHINED	1
4.2	2131023	BALL BEARING 6207/ZZ-C3(HT)VP.	1
4.3	4234254	CIRCLIP-FOR-SHAFT-D35x1.5 VP.	1
4.4	4157726	SCREW KIT M8X30 (4 PIECES)	1
4.5	4234251	CIRCLIP-D72x2.5 VP.	1
4.6	4234246	O-RING 72X3 VP.	1
		NOMEL CONTACT WASHER 8x16x1,4 STEEL ZC	1



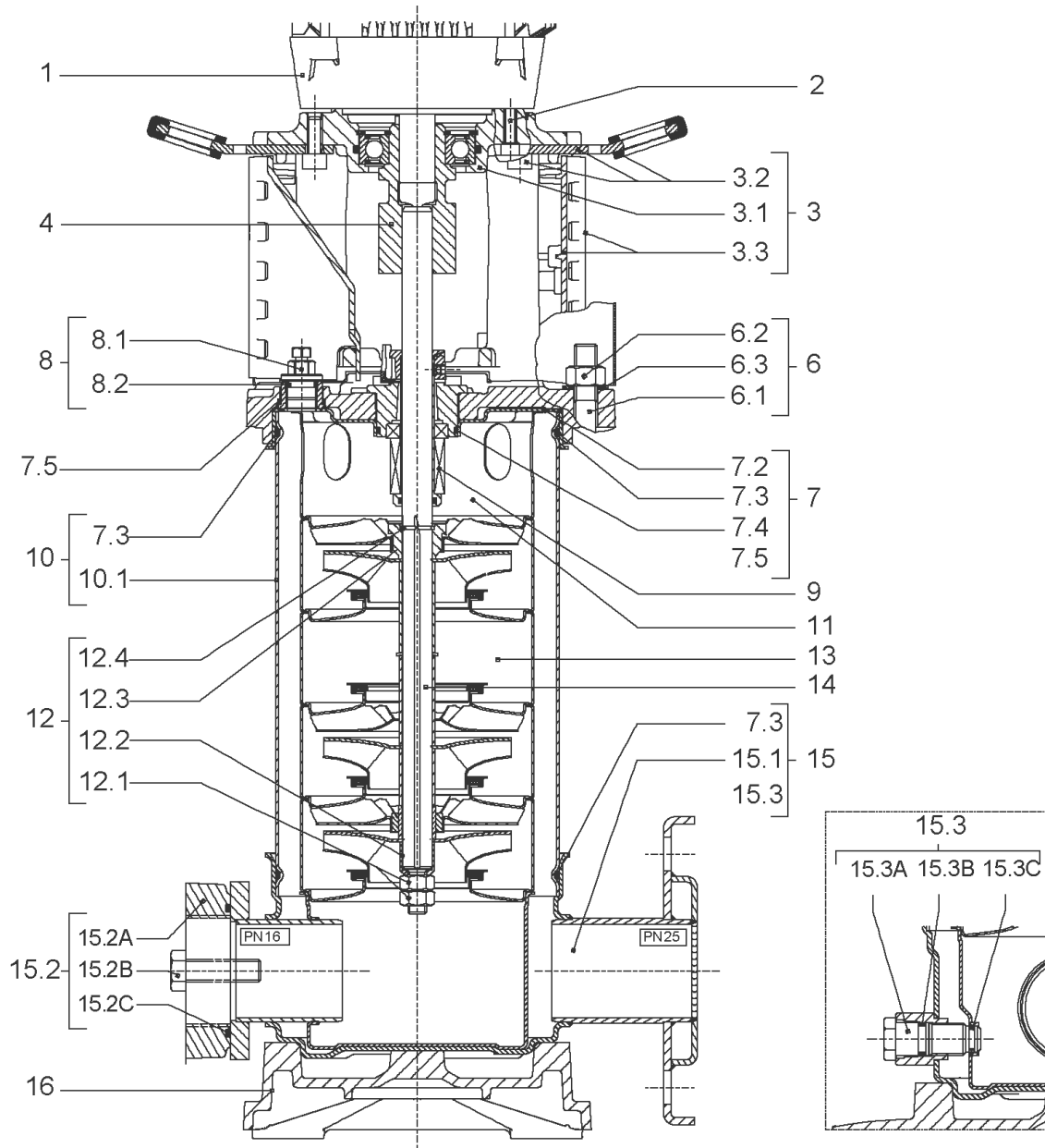
SEAL-KIT-HELIX6-10-16 O/E KIT (4171327)

Item	Article no.	Description	Quantity
7.3	4176513	O-RING FOR PUMP JACKET VP.	1
7.4	2127603	O-RING ID.37,6x2,4 EPDM VP.	1
9.1	4177801	MECH.SEAL HELIX6-10-16 O/E VP.	1
9.3	4177798	MACHINED RING HOLDER M+6" Ø16 304 VP.	1
9.5	4177799	MACHINED DRIVE RING Ø16 VP.	1
9.4	4176520	SCREW CH M5x5 A4-70 (3PIECES)	1



HYDRAULIC HELIX V 609 1.4307

Item	Article no.	Description	Quantity
13.1	4174084	STAGE HELIX 6 1.4301 KIT	1
		> MACH.STG-CASING-WOGV-WNR-M+6-304	1
		> IMPELLER-M+6-304	1
13.2	4174089	INTERMEDIATE STAGE HELIX 6 1.4301 KIT	1
		> MACH.BEARING-STG-CASING-WNR-M+6-304	1
		> IMPELLER-M+6-304	1
		> SHAFT SLEEVE-SPACER-Ø19,35x18,465-304	1
		> SHAFT-SLEEVE-D16xD20x18-CW	1
13.3	4174090	INTERMEDIATE STAGE HELIX 6 1.4301 KIT	1
		> MACH.STD-STG-CASING-WGV+NR-M+6-304	1
		> IMPELLER-M+6-304	1
		> IMPELLER SPACER Ø16,05X19,45-L36,465-304	1

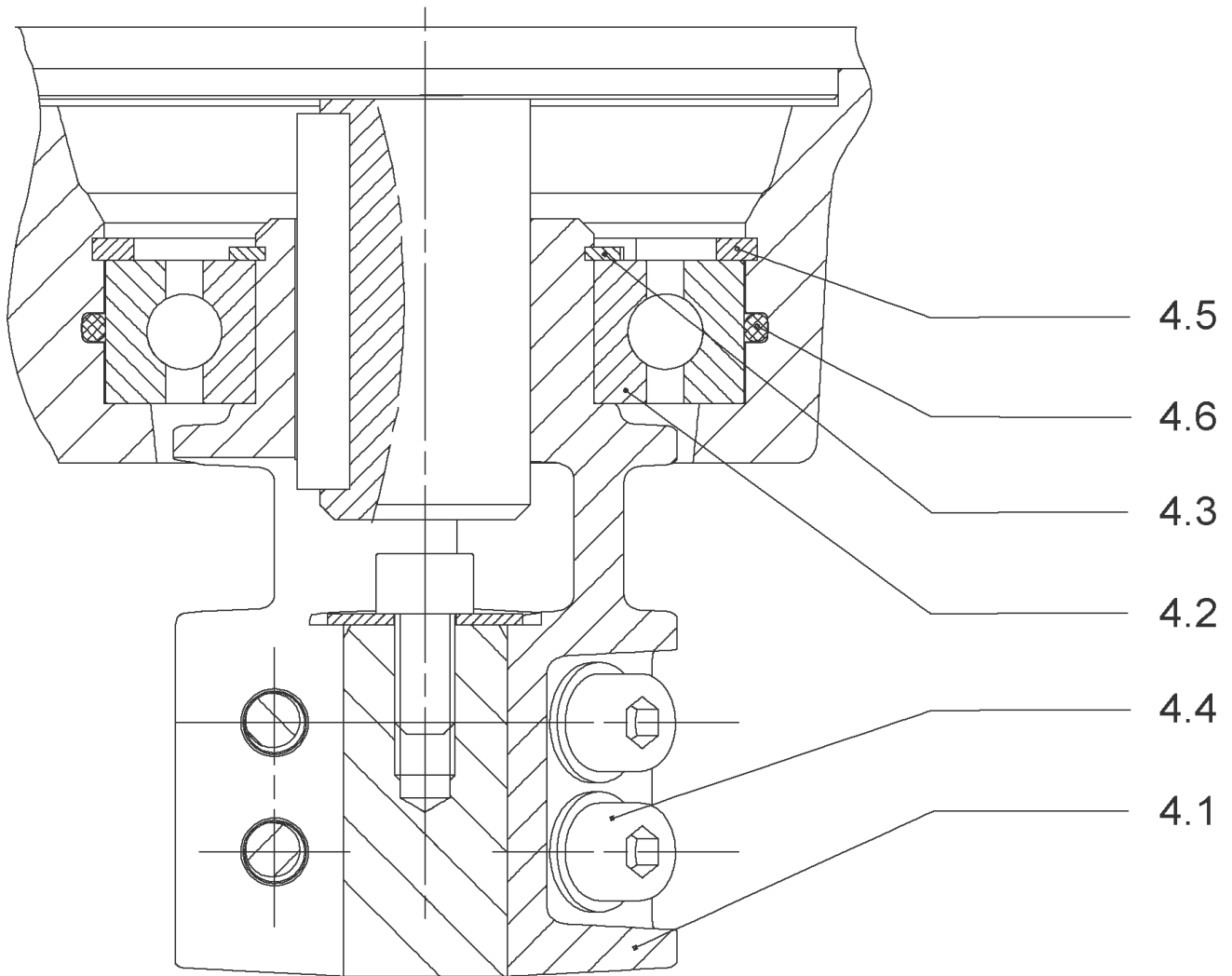


HELIX V610-1/16/E/S/400-50 (4162721)

Item	Article no.	Description	Quantity
1	4169943	MOTOR 2,2/2/90 3~230/400V 50HZ IE3 VP.	1
		SPARE PARTS MOTOR:ON REQUEST	1
2	4159703	SCREW M8X40 (4 PIECES)	1
3	4172795	LANTERNE FT115 HELIX KIT	1
3.1		> M+5_6_LANTERN_ONE-PIECE_FT115_CATA	1
3.2	2127604	> EYELET CPL.FT HELIX(2 PIECES)	1
3.3	4159692	> COUPLING PROTECTOR FT HELIX KIT	1
4	4159709	COUPLING D.16xD.24 FT115 HELIX KIT	1
6	4177849	STUD BOLT M12X563KIT	1
6.1		> TIE BOLT M12-563x18x30-1.4057	1
6.2	2094647	> NUT M12 M12 ISO4032 VP.	1
6.3	2123557	> WASHER CS-12.4-24-1.6-NFE25 (4 PIECES)	1
7	4210143	STATIONARY RING HOLDER HELIX 6" EPDM	1
7.2	2127607	> STATIONARY RING HOLDER 6" HELIX 1.4301 V	1
7.3	4176513	> O-RING FOR PUMP JACKET VP.	1
7.4	2127603	> O-RING ID.37,6x2,4 EPDM VP.	1
7.5	2127602	> O-RING ID.21,35x2 EPDM VP.	1
8	4159686	FILING/PURGING PLUG HELIX EPDM KIT	1
9	4171327	SEAL-KIT-HELIX6-10-16 O/E KIT	1
10	4177839	HOUSING PIPES D.152X435 1.4301 KIT	1
7.3	4176513	> O-RING FOR PUMP JACKET VP.	1
10.1		> HOUSING-PIPE Ø152-M+1010-304	1
11	4174087	CENTERING STAGE-RETURN HELIX6 1.4301VP.	1
12	4174086	SHAFTS EQUIPMENT HELIX V6 MONOBLOC KIT	1
12.1		> NUT-H-M10-A4.70	1
12.2		> SERRATED LOCK WASHER M+6M3-316L	1
12.3		> IMPELLER STOP RING L33,2-304	1
12.4		> STOP-RUSH-1/2-D16xd2-M+316	1
13		HYDRAULIC HELIX V 610 1.4307	1
14	4177841	SHAFT D.16X555 1.4301 VP.	1
15	4217897	PUMP HOUSING HELIX DN32 PN16 1.4301 KIT	1
7.3	4176513	> O-RING FOR PUMP JACKET VP.	1
15.1		> BLASTING PPE HOUSING V-PN16-DN32-5"-304	1
15.2	4217891	> COUNTER FLANGE-G1"1/4-PN16-GJL KIT	1

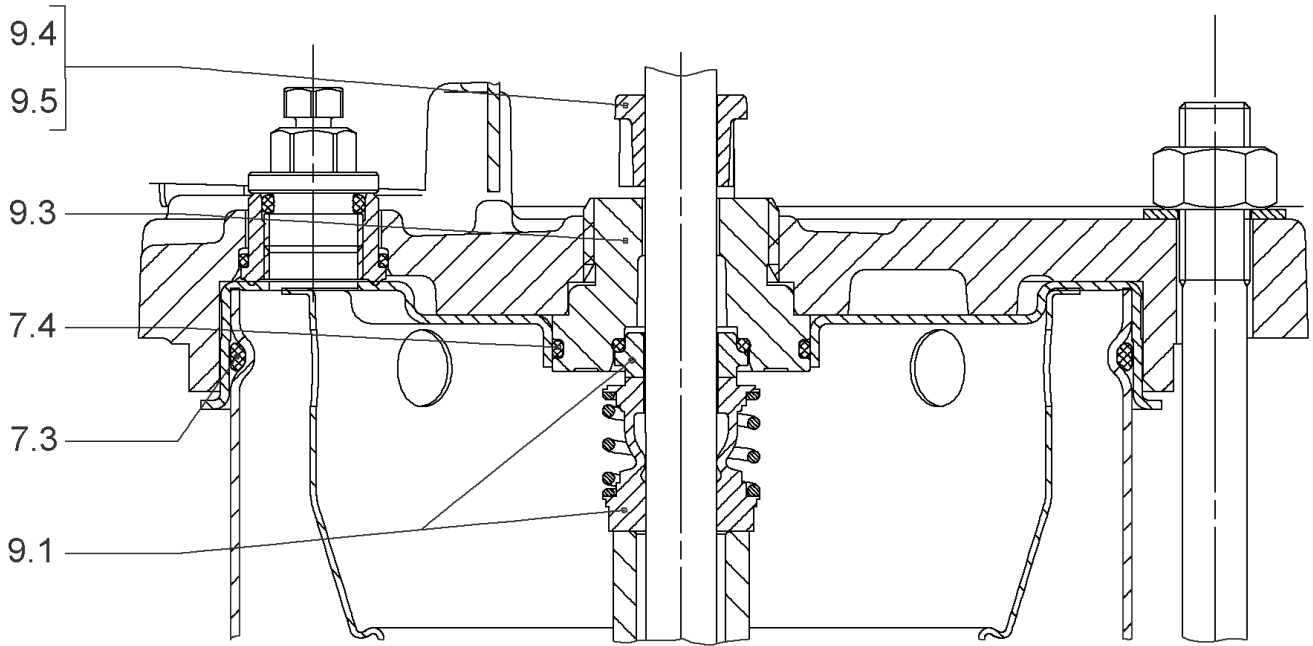
HELIX V610-1/16/E/S/400-50 (4162721)

Item	Article no.	Description	Quantity
15.3	4171321	> PRIMING/DRAIN PLUG EPDM HELIX KIT	1
16	4177964	BASEPLATE HELIX V2/4/6 PN16 VP.	1



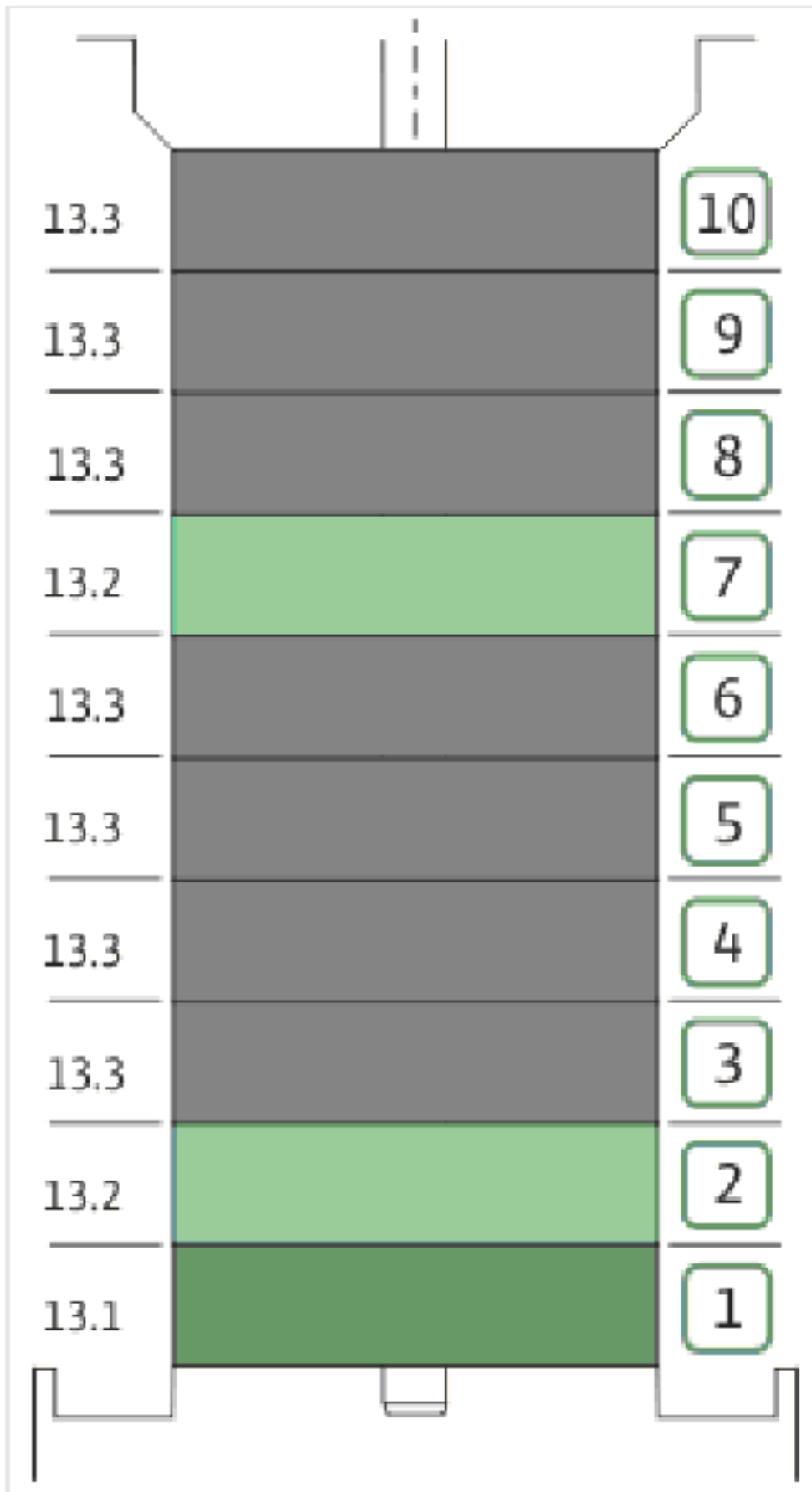
COUPLING D.16xD.24 FT115 HELIX KIT (4159709)

Item	Article no.	Description	Quantity
4.1		COUPLING M+ Ø16XØ24 FT115 MACHINED	1
4.2	2131023	BALL BEARING 6207/ZZ-C3(HT)VP.	1
4.3	4234254	CIRCLIP-FOR-SHAFT-D35x1.5 VP.	1
4.4	4157726	SCREW KIT M8X30 (4 PIECES)	1
4.5	4234251	CIRCLIP-D72x2.5 VP.	1
4.6	4234246	O-RING 72X3 VP.	1
		NOMEL CONTACT WASHER 8x16x1,4 STEEL ZC	1



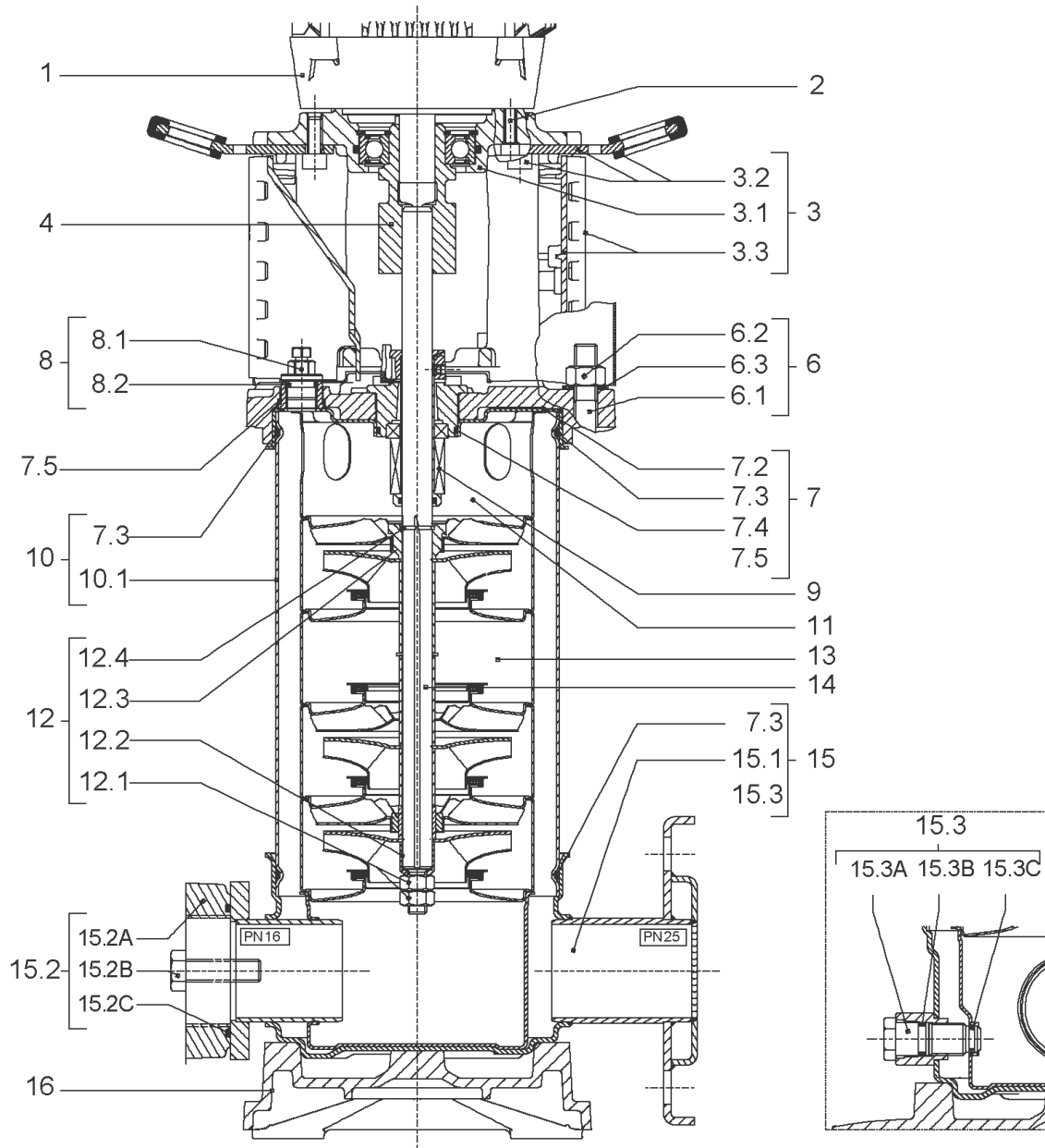
SEAL-KIT-HELIX6-10-16 O/E KIT (4171327)

Item	Article no.	Description	Quantity
7.3	4176513	O-RING FOR PUMP JACKET VP.	1
7.4	2127603	O-RING ID.37,6x2,4 EPDM VP.	1
9.1	4177801	MECH.SEAL HELIX6-10-16 O/E VP.	1
9.3	4177798	MACHINED RING HOLDER M+6" Ø16 304 VP.	1
9.5	4177799	MACHINED DRIVE RING Ø16 VP.	1
9.4	4176520	SCREW CH M5x5 A4-70 (3PIECES)	1



HYDRAULIC HELIX V 610 1.4307

Item	Article no.	Description	Quantity
13.1	4174084	STAGE HELIX 6 1.4301 KIT	1
		> MACH.STG-CASING-WOGV-WNR-M+6-304	1
		> IMPELLER-M+6-304	1
13.2	4174089	INTERMEDIATE STAGE HELIX 6 1.4301 KIT	1
		> MACH.BEARING-STG-CASING-WNR-M+6-304	1
		> IMPELLER-M+6-304	1
		> SHAFT SLEEVE-SPACER-Ø19,35x18,465-304	1
		> SHAFT-SLEEVE-D16xD20x18-CW	1
13.3	4174090	INTERMEDIATE STAGE HELIX 6 1.4301 KIT	1
		> MACH.STD-STG-CASING-WGV+NR-M+6-304	1
		> IMPELLER-M+6-304	1
		> IMPELLER SPACER Ø16,05X19,45-L36,465-304	1



HELIX V611-1/16/E/S/400-50 (4162722)

Item	Article no.	Description	Quantity
1	4169943	MOTOR 2,2/2/90 3~230/400V 50HZ IE3 VP.	1
		SPARE PARTS MOTOR:ON REQUEST	1
2	4159703	SCREW M8X40 (4 PIECES)	1
3	4172795	LANTERNE FT115 HELIX KIT	1
3.1		> M+5_6_LANTERN_ONE-PIECE_FT115_CATA	1
3.2	2127604	> EYELET CPL.FT HELIX(2 PIECES)	1
3.3	4159692	> COUPLING PROTECTOR FT HELIX KIT	1
4	4159709	COUPLING D.16xD.24 FT115 HELIX KIT	1
6	4177842	STUD BOLT M12X638KIT	1
6.1		> TIE BOLT M12-638x18x30-1.4057	1
6.2	2094647	> NUT M12 M12 ISO4032 VP.	1
6.3	2123557	> WASHER CS-12.4-24-1.6-NFE25 (4 PIECES)	1
7	4210143	STATIONARY RING HOLDER HELIX 6" EPDM	1
7.2	2127607	> STATIONARY RING HOLDER 6" HELIX 1.4301 V	1
7.3	4176513	> O-RING FOR PUMP JACKET VP.	1
7.4	2127603	> O-RING ID.37,6x2,4 EPDM VP.	1
7.5	2127602	> O-RING ID.21,35x2 EPDM VP.	1
8	4159686	FILING/PURGING PLUG HELIX EPDM KIT	1
9	4171327	SEAL-KIT-HELIX6-10-16 O/E KIT	1
10	4177843	HOUSING PIPES D.152X510 1.4307 KIT	1
7.3	4176513	> O-RING FOR PUMP JACKET VP.	1
10.1		> HOUSING-PIPE Ø152-M+1012/1609-304	1
11	4174087	CENTERING STAGE-RETURN HELIX6 1.4301VP.	1
12	4174086	SHAFTS EQUIPMENT HELIX V6 MONOBLOC KIT	1
12.1		> NUT-H-M10-A4.70	1
12.2		> SERRATED LOCK WASHER M+6M3-316L	1
12.3		> IMPELLER STOP RING L33,2-304	1
12.4		> STOP-RUSH-1/2-D16xd2-M+316	1
13		HYDRAULIC HELIX V 611 1.4307	1
14	4177844	SHAFT D.16X630 1.4301 VP.	1
15	4217897	PUMP HOUSING HELIX DN32 PN16 1.4301 KIT	1
7.3	4176513	> O-RING FOR PUMP JACKET VP.	1
15.1		> BLASTING PPE HOUSING V-PN16-DN32-5"-304	1
15.2	4217891	> COUNTER FLANGE-G1"1/4-PN16-GJL KIT	1

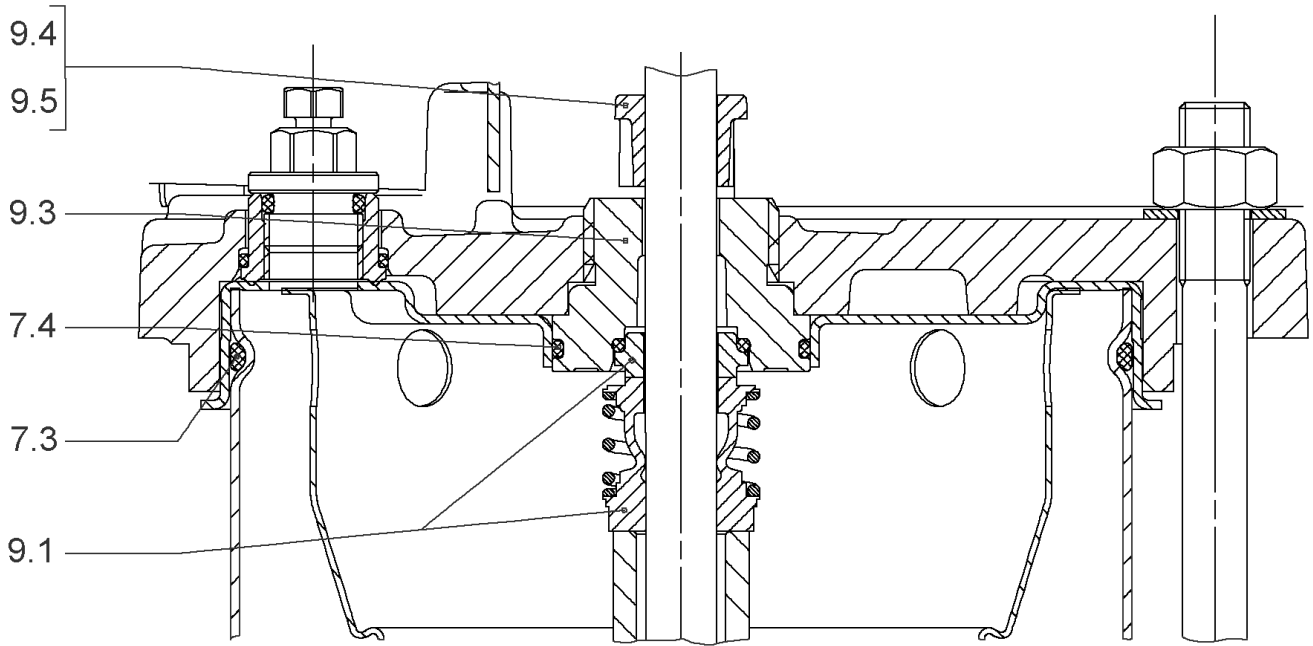
HELIX V611-1/16/E/S/400-50 (4162722)

Item	Article no.	Description	Quantity
15.3	4171321	> PRIMING/DRAIN PLUG EPDM HELIX KIT	1
16	4177964	BASEPLATE HELIX V2/4/6 PN16 VP.	1



COUPLING D.16xD.24 FT115 HELIX KIT (4159709)

Item	Article no.	Description	Quantity
4.1		COUPLING M+ Ø16XØ24 FT115 MACHINED	1
4.2	2131023	BALL BEARING 6207/ZZ-C3(HT)VP.	1
4.3	4234254	CIRCLIP-FOR-SHAFT-D35x1.5 VP.	1
4.4	4157726	SCREW KIT M8X30 (4 PIECES)	1
4.5	4234251	CIRCLIP-D72x2.5 VP.	1
4.6	4234246	O-RING 72X3 VP.	1
		NOMEL CONTACT WASHER 8x16x1,4 STEEL ZC	1



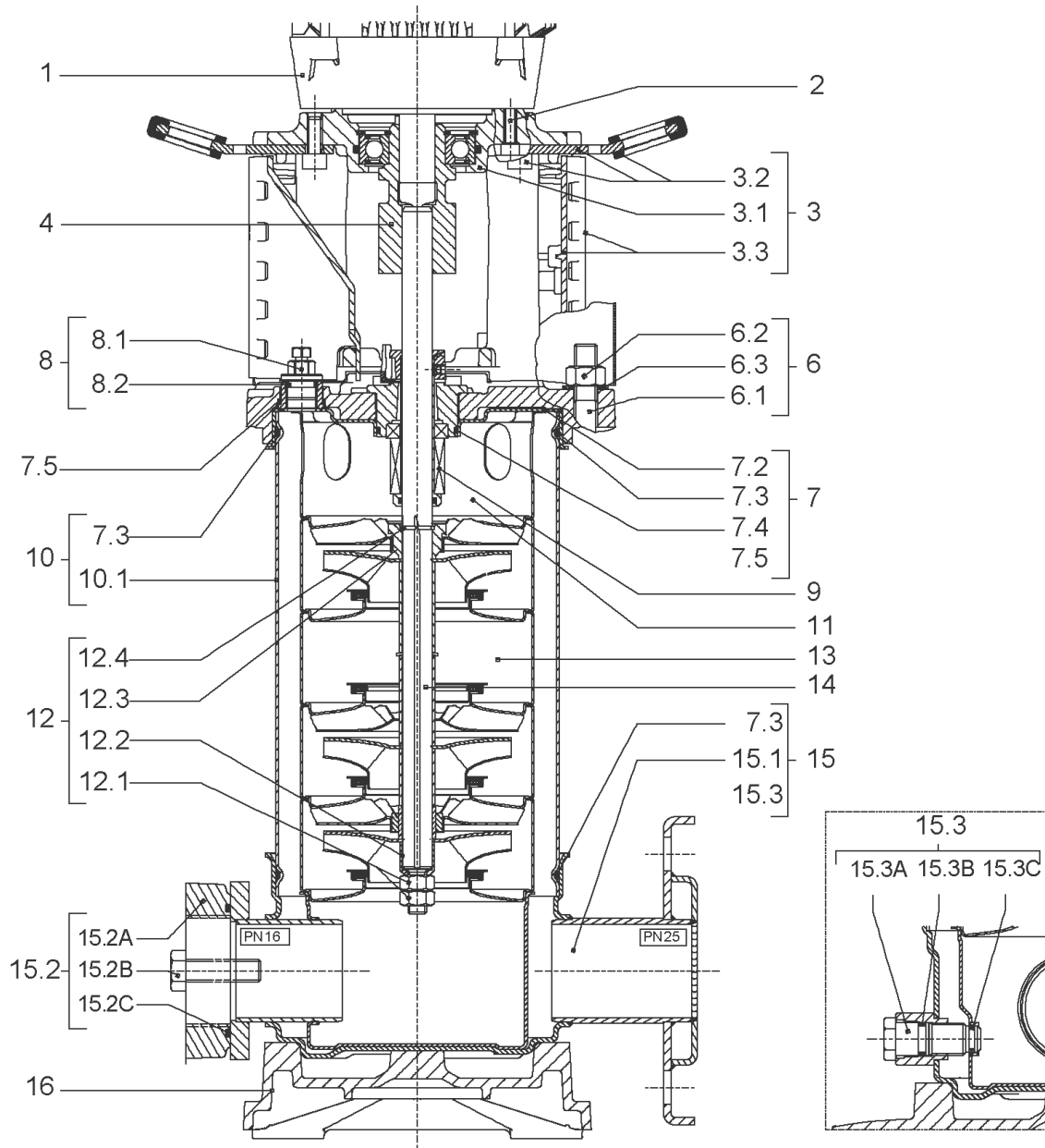
SEAL-KIT-HELIX6-10-16 O/E KIT (4171327)

Item	Article no.	Description	Quantity
7.3	4176513	O-RING FOR PUMP JACKET VP.	1
7.4	2127603	O-RING ID.37,6x2,4 EPDM VP.	1
9.1	4177801	MECH.SEAL HELIX6-10-16 O/E VP.	1
9.3	4177798	MACHINED RING HOLDER M+6" Ø16 304 VP.	1
9.5	4177799	MACHINED DRIVE RING Ø16 VP.	1
9.4	4176520	SCREW CH M5x5 A4-70 (3PIECES)	1



HYDRAULIC HELIX V 611 1.4307

Item	Article no.	Description	Quantity
13.1	4174084	STAGE HELIX 6 1.4301 KIT	1
		> MACH.STG-CASING-WOGV-WNR-M+6-304	1
		> IMPELLER-M+6-304	1
13.2	4174089	INTERMEDIATE STAGE HELIX 6 1.4301 KIT	1
		> MACH.BEARING-STG-CASING-WNR-M+6-304	1
		> IMPELLER-M+6-304	1
		> SHAFT SLEEVE-SPACER-Ø19,35x18,465-304	1
		> SHAFT-SLEEVE-D16xD20x18-CW	1
13.3	4174090	INTERMEDIATE STAGE HELIX 6 1.4301 KIT	1
		> MACH.STD-STG-CASING-WGV+NR-M+6-304	1
		> IMPELLER-M+6-304	1
		> IMPELLER SPACER Ø16,05X19,45-L36,465-304	1
13.4	4174092	EMPTY STAGE HELIX6 1.4301KIT	1
		> MACH.STD-STG-CASING-WGV+NR-M+6-304	1
		> FLAT WASHER-D16.1XD22X1.2-316L	1
		> IMPELLER SPACER Ø16,05X19,45-L36,465-304	1
13.5	4174091	STAGE HELIX 6 1.4301 KIT	1
		> MACH.STG-CASING-WOGV-WNR-M+6-304	1
		> IMPELLER-M+6-304	1
		> IMPELLER SPACER Ø16,05X19,45-L36,465-304	1



HELIX V612-1/16/E/S/400-50 (4162723)

Item	Article no.	Description	Quantity
1	4169944	MOTOR 3/2/100 3~230/400V 50HZ IE3 VP.	1
		SPARE PARTS MOTOR:ON REQUEST	1
2	4206025	SCREW M8X45 (4 PIECES)	1
3	4172789	LANTERN FT130 HELIX V10 KIT	1
3.1		> M+5_6_LANTERN_ONE-PIECE_FT130_CATA	1
3.2	2127604	> EYELET CPL.FT HELIX(2 PIECES)	1
3.3	4159692	> COUPLING PROTECTOR FT HELIX KIT	1
4	4159710	COUPLING D.16XD.28 FT130 HELIX KIT	1
6	4177842	STUD BOLT M12X638KIT	1
6.1		> TIE BOLT M12-638x18x30-1.4057	1
6.2	2094647	> NUT M12 M12 ISO4032 VP.	1
6.3	2123557	> WASHER CS-12.4-24-1.6-NFE25 (4 PIECES)	1
7	4210143	STATIONARY RING HOLDER HELIX 6" EPDM	1
7.2	2127607	> STATIONARY RING HOLDER 6" HELIX 1.4301 V	1
7.3	4176513	> O-RING FOR PUMP JACKET VP.	1
7.4	2127603	> O-RING ID.37,6x2,4 EPDM VP.	1
7.5	2127602	> O-RING ID.21,35x2 EPDM VP.	1
8	4159686	FILING/PURGING PLUG HELIX EPDM KIT	1
9	4171327	SEAL-KIT-HELIX6-10-16 O/E KIT	1
10	4177843	HOUSING PIPES D.152X510 1.4307 KIT	1
7.3	4176513	> O-RING FOR PUMP JACKET VP.	1
10.1		> HOUSING-PIPE Ø152-M+1012/1609-304	1
11	4174087	CENTERING STAGE-RETURN HELIX6 1.4301VP.	1
12	4174086	SHAFTS EQUIPMENT HELIX V6 MONOBLOC KIT	1
12.1		> NUT-H-M10-A4.70	1
12.2		> SERRATED LOCK WASHER M+6M3-316L	1
12.3		> IMPELLER STOP RING L33,2-304	1
12.4		> STOP-RUSH-1/2-D16xd2-M+316	1
13		HYDRAULIC HELIX V 612 1.4307	1
14	4177844	SHAFT D.16X630 1.4301 VP.	1
15	4217897	PUMP HOUSING HELIX DN32 PN16 1.4301 KIT	1
7.3	4176513	> O-RING FOR PUMP JACKET VP.	1
15.1		> BLASTING PPE HOUSING V-PN16-DN32-5"-304	1
15.2	4217891	> COUNTER FLANGE-G1"1/4-PN16-GJL KIT	1

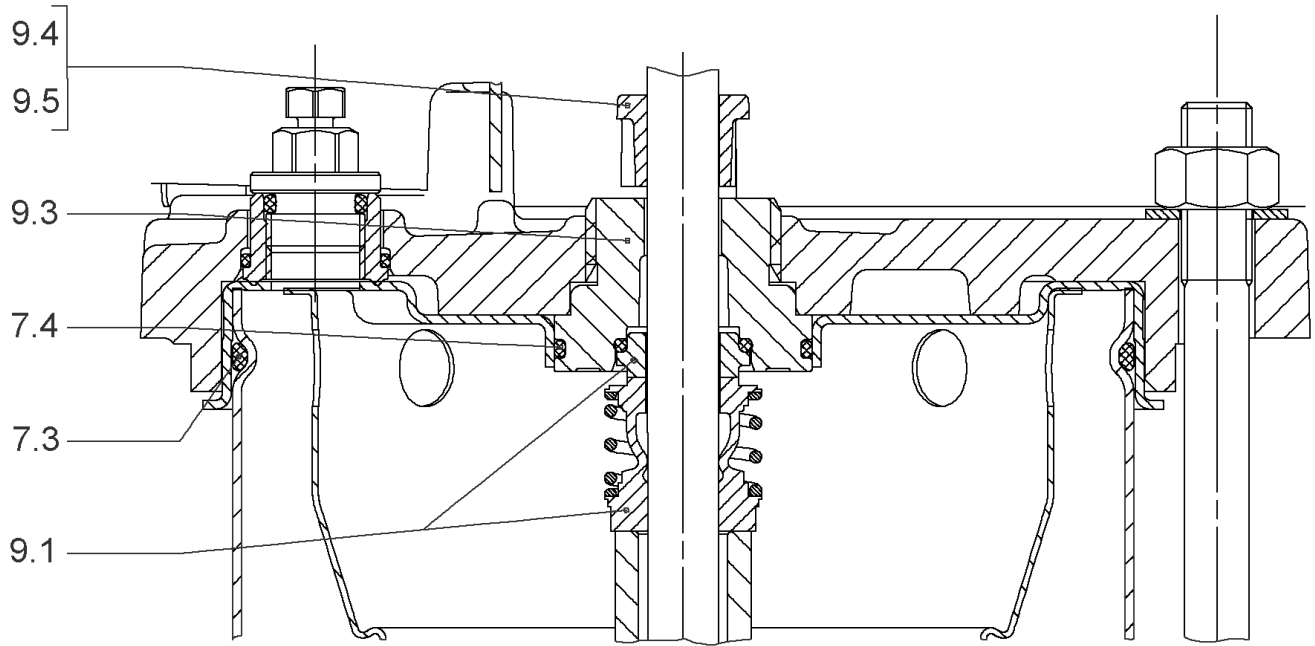
HELIX V612-1/16/E/S/400-50 (4162723)

Item	Article no.	Description	Quantity
15.3	4171321	> PRIMING/DRAIN PLUG EPDM HELIX KIT	1
16	4177964	BASEPLATE HELIX V2/4/6 PN16 VP.	1



COUPLING D.16XD.28 FT130 HELIX KIT (4159710)

Item	Article no.	Description	Quantity
4.1		COUPLING M+ Ø16XØ28 FT130 MACHINED	1
4.2	2131022	BALL BEARING 6209/ZZ-C3(HT)VP.	1
4.3	4233930	CIRCLIP-FOR-BORES-D45x1,75 VP.	1
4.4	4157726	SCREW KIT M8X30 (4 PIECES)	1
4.5	4234252	CIRCLIPS 85X3 VP.	1
4.6	4234243	O-RING 85X3 VP.	1
		NOMEL CONTACT WASHER 8x16x1,4 STEEL ZC	1



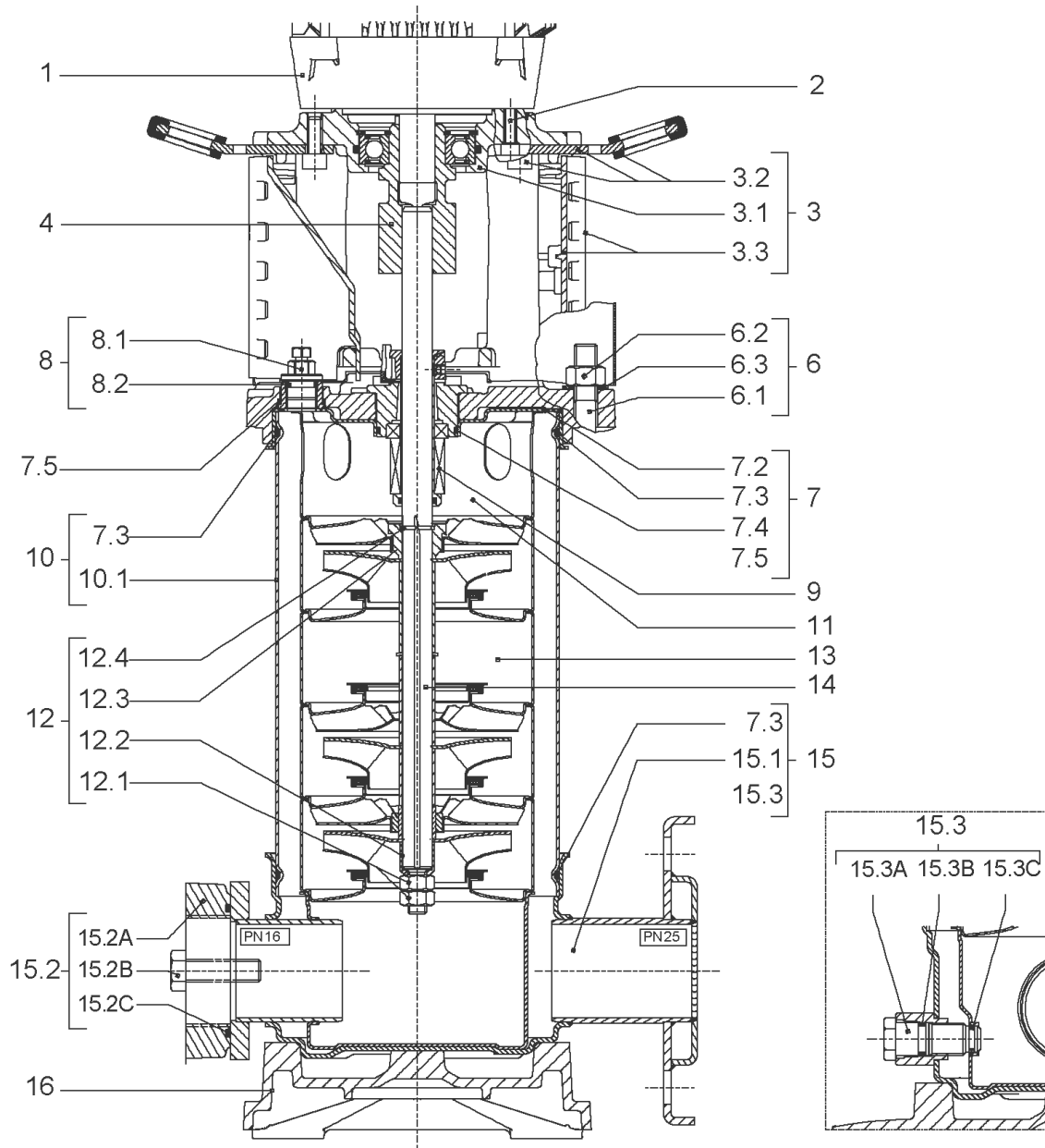
SEAL-KIT-HELIX6-10-16 O/E KIT (4171327)

Item	Article no.	Description	Quantity
7.3	4176513	O-RING FOR PUMP JACKET VP.	1
7.4	2127603	O-RING ID.37,6x2,4 EPDM VP.	1
9.1	4177801	MECH.SEAL HELIX6-10-16 O/E VP.	1
9.3	4177798	MACHINED RING HOLDER M+6" Ø16 304 VP.	1
9.5	4177799	MACHINED DRIVE RING Ø16 VP.	1
9.4	4176520	SCREW CH M5x5 A4-70 (3PIECES)	1



HYDRAULIC HELIX V 612 1.4307

Item	Article no.	Description	Quantity
13.1	4174084	STAGE HELIX 6 1.4301 KIT	1
		> MACH.STG-CASING-WOGV-WNR-M+6-304	1
		> IMPELLER-M+6-304	1
13.2	4174089	INTERMEDIATE STAGE HELIX 6 1.4301 KIT	1
		> MACH.BEARING-STG-CASING-WNR-M+6-304	1
		> IMPELLER-M+6-304	1
		> SHAFT SLEEVE-SPACER-Ø19,35x18,465-304	1
		> SHAFT-SLEEVE-D16xD20x18-CW	1
13.3	4174090	INTERMEDIATE STAGE HELIX 6 1.4301 KIT	1
		> MACH.STD-STG-CASING-WGV+NR-M+6-304	1
		> IMPELLER-M+6-304	1
		> IMPELLER SPACER Ø16,05X19,45-L36,465-304	1



HELIX V613-1/16/E/S/400-50 (4162724)

Item	Article no.	Description	Quantity
1	4169944	MOTOR 3/2/100 3~230/400V 50HZ IE3 VP.	1
		SPARE PARTS MOTOR:ON REQUEST	1
2	4206025	SCREW M8X45 (4 PIECES)	1
3	4172789	LANTERN FT130 HELIX V10 KIT	1
3.1		> M+5_6_LANTERN_ONE-PIECE_FT130_CATA	1
3.2	2127604	> EYELET CPL.FT HELIX(2 PIECES)	1
3.3	4159692	> COUPLING PROTECTOR FT HELIX KIT	1
4	4159710	COUPLING D.16XD.28 FT130 HELIX KIT	1
6	4177848	STUD BOLT M12X713KIT	1
6.1		> TIE BOLT M12-713x18x30-1.4057	1
6.2	2094647	> NUT M12 M12 ISO4032 VP.	1
6.3	2123557	> WASHER CS-12.4-24-1.6-NFE25 (4 PIECES)	1
7	4210143	STATIONARY RING HOLDER HELIX 6" EPDM	1
7.2	2127607	> STATIONARY RING HOLDER 6" HELIX 1.4301 V	1
7.3	4176513	> O-RING FOR PUMP JACKET VP.	1
7.4	2127603	> O-RING ID.37,6x2,4 EPDM VP.	1
7.5	2127602	> O-RING ID.21,35x2 EPDM VP.	1
8	4159686	FILING/PURGING PLUG HELIX EPDM KIT	1
9	4171327	SEAL-KIT-HELIX6-10-16 O/E KIT	1
10	4177850	HOUSING PIPES D.152X585 1.4301 KIT	1
7.3	4176513	> O-RING FOR PUMP JACKET VP.	1
10.1		> HOUSING-PIPE Ø152-M+1013/14-304	1
11	4174087	CENTERING STAGE-RETURN HELIX6 1.4301VP.	1
12	4174086	SHAFTS EQUIPMENT HELIX V6 MONOBLOC KIT	1
12.1		> NUT-H-M10-A4.70	1
12.2		> SERRATED LOCK WASHER M+6M3-316L	1
12.3		> IMPELLER STOP RING L33,2-304	1
12.4		> STOP-RUSH-1/2-D16xd2-M+316	1
13		HYDRAULIC HELIX V 613 1.4307	1
14	4177851	SHAFT D.16X705 1.4301 VP.	1
15	4217897	PUMP HOUSING HELIX DN32 PN16 1.4301 KIT	1
7.3	4176513	> O-RING FOR PUMP JACKET VP.	1
15.1		> BLASTING PPE HOUSING V-PN16-DN32-5"-304	1
15.2	4217891	> COUNTER FLANGE-G1"1/4-PN16-GJL KIT	1

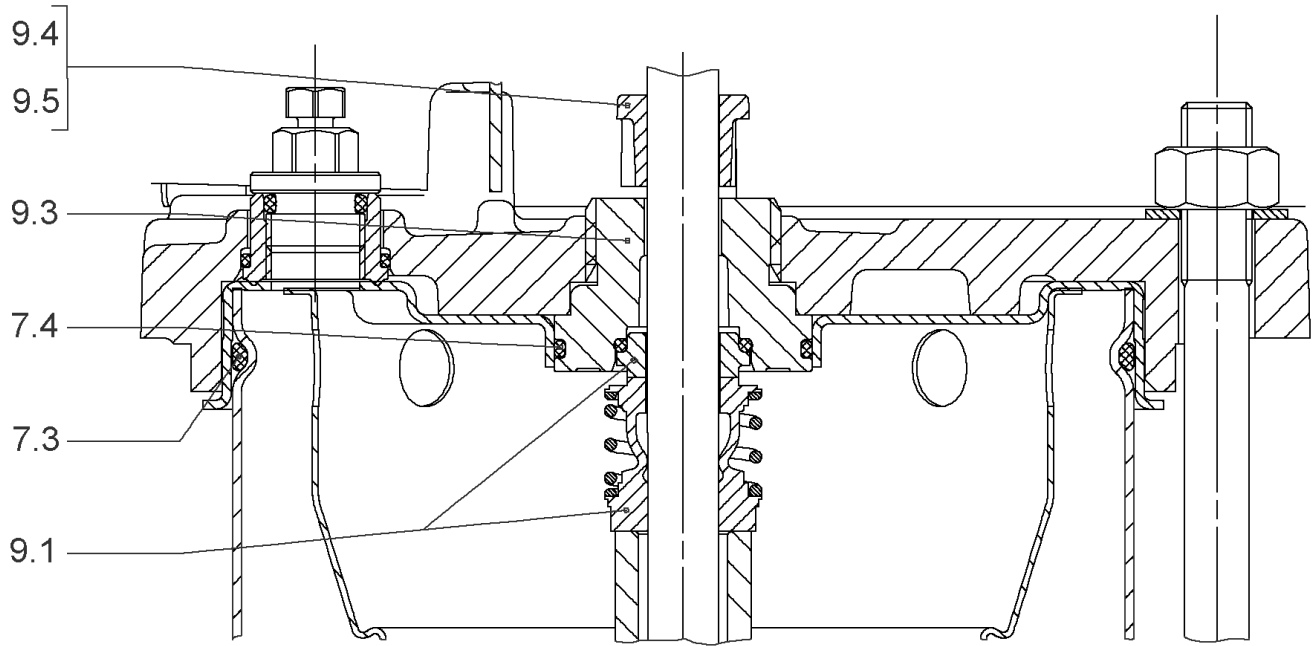
HELIX V613-1/16/E/S/400-50 (4162724)

Item	Article no.	Description	Quantity
15.3	4171321	> PRIMING/DRAIN PLUG EPDM HELIX KIT	1
16	4177964	BASEPLATE HELIX V2/4/6 PN16 VP.	1



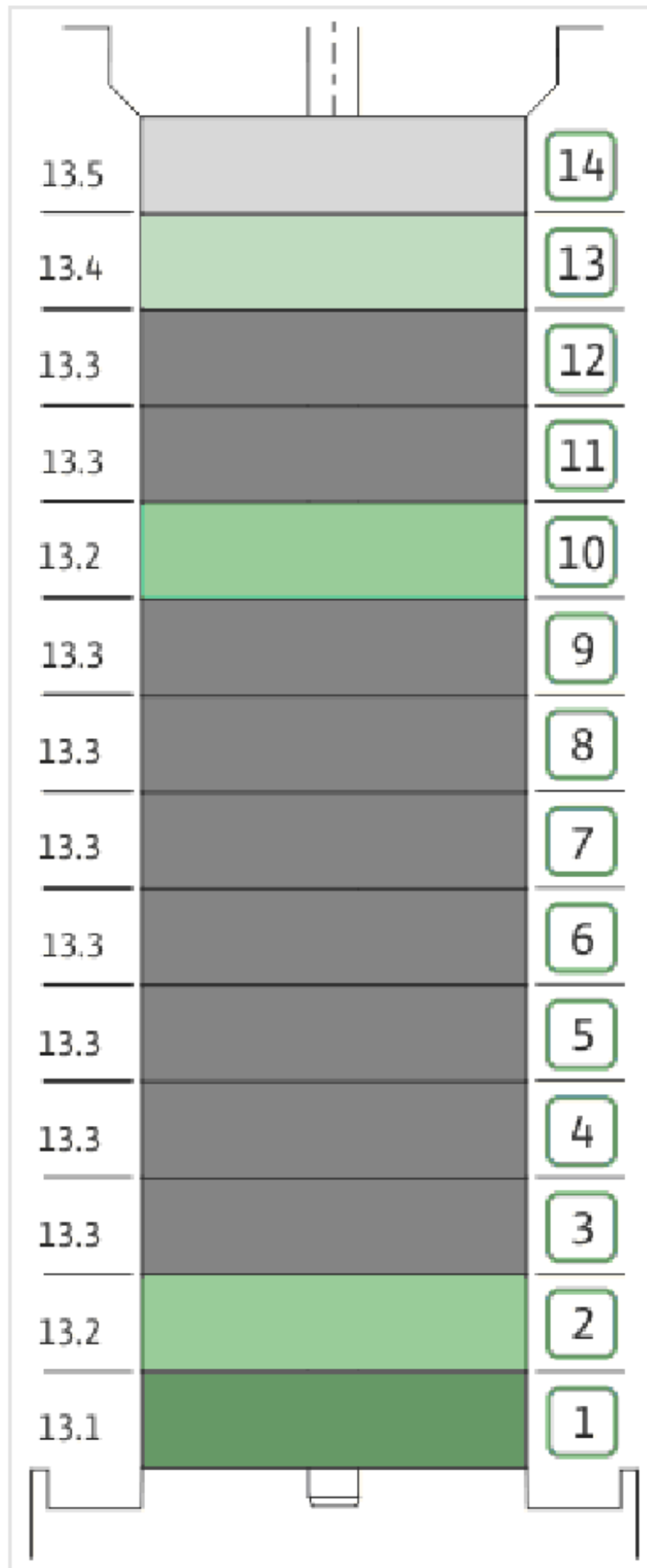
COUPLING D.16XD.28 FT130 HELIX KIT (4159710)

Item	Article no.	Description	Quantity
4.1		COUPLING M+ Ø16XØ28 FT130 MACHINED	1
4.2	2131022	BALL BEARING 6209/ZZ-C3(HT)VP.	1
4.3	4233930	CIRCLIP-FOR-BORES-D45x1,75 VP.	1
4.4	4157726	SCREW KIT M8X30 (4 PIECES)	1
4.5	4234252	CIRCLIPS 85X3 VP.	1
4.6	4234243	O-RING 85X3 VP.	1
		NOMEL CONTACT WASHER 8x16x1,4 STEEL ZC	1



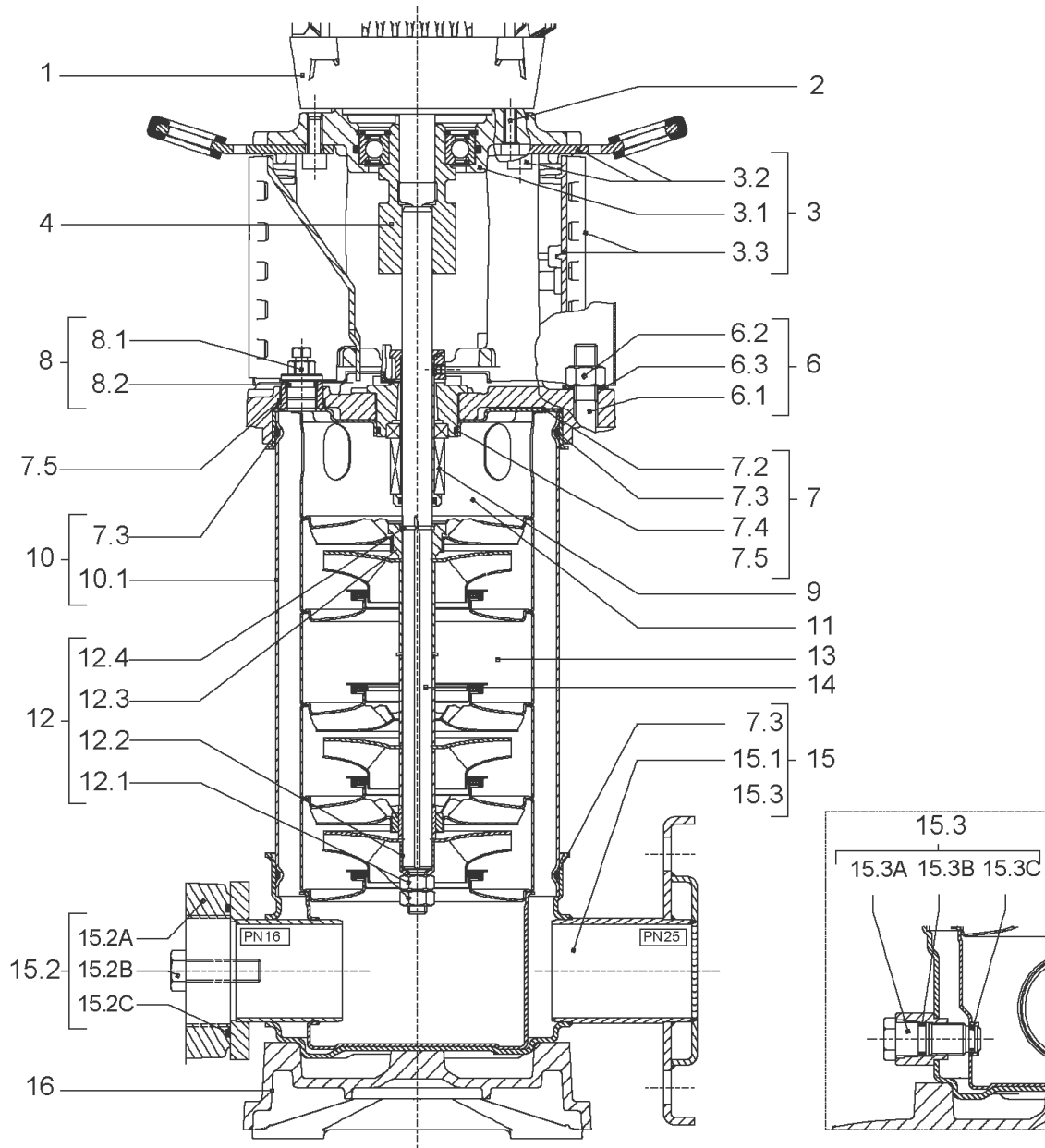
SEAL-KIT-HELIX6-10-16 O/E KIT (4171327)

Item	Article no.	Description	Quantity
7.3	4176513	O-RING FOR PUMP JACKET VP.	1
7.4	2127603	O-RING ID.37,6x2,4 EPDM VP.	1
9.1	4177801	MECH.SEAL HELIX6-10-16 O/E VP.	1
9.3	4177798	MACHINED RING HOLDER M+6" Ø16 304 VP.	1
9.5	4177799	MACHINED DRIVE RING Ø16 VP.	1
9.4	4176520	SCREW CH M5x5 A4-70 (3PIECES)	1



HYDRAULIC HELIX V 613 1.4307

Item	Article no.	Description	Quantity
13.1	4174084	STAGE HELIX 6 1.4301 KIT	1
		> MACH.STG-CASING-WOGV-WNR-M+6-304	1
		> IMPELLER-M+6-304	1
13.2	4174089	INTERMEDIATE STAGE HELIX 6 1.4301 KIT	1
		> MACH.BEARING-STG-CASING-WNR-M+6-304	1
		> IMPELLER-M+6-304	1
		> SHAFT SLEEVE-SPACER-Ø19,35x18,465-304	1
		> SHAFT-SLEEVE-D16xD20x18-CW	1
13.3	4174090	INTERMEDIATE STAGE HELIX 6 1.4301 KIT	1
		> MACH.STD-STG-CASING-WGV+NR-M+6-304	1
		> IMPELLER-M+6-304	1
		> IMPELLER SPACER Ø16,05X19,45-L36,465-304	1
13.4	4174092	EMPTY STAGE HELIX6 1.4301KIT	1
		> MACH.STD-STG-CASING-WGV+NR-M+6-304	1
		> FLAT WASHER-D16.1XD22X1.2-316L	1
		> IMPELLER SPACER Ø16,05X19,45-L36,465-304	1
13.5	4174091	STAGE HELIX 6 1.4301 KIT	1
		> MACH.STG-CASING-WOGV-WNR-M+6-304	1
		> IMPELLER-M+6-304	1
		> IMPELLER SPACER Ø16,05X19,45-L36,465-304	1



HELIX V614-1/16/E/S/400-50 (4162725)

Item	Article no.	Description	Quantity
1	4169944	MOTOR 3/2/100 3~230/400V 50HZ IE3 VP.	1
		SPARE PARTS MOTOR:ON REQUEST	1
2	4206025	SCREW M8X45 (4 PIECES)	1
3	4172789	LANTERN FT130 HELIX V10 KIT	1
3.1		> M+5_6_LANTERN_ONE-PIECE_FT130_CATA	1
3.2	2127604	> EYELET CPL.FT HELIX(2 PIECES)	1
3.3	4159692	> COUPLING PROTECTOR FT HELIX KIT	1
4	4159710	COUPLING D.16XD.28 FT130 HELIX KIT	1
6	4177848	STUD BOLT M12X713KIT	1
6.1		> TIE BOLT M12-713x18x30-1.4057	1
6.2	2094647	> NUT M12 M12 ISO4032 VP.	1
6.3	2123557	> WASHER CS-12.4-24-1.6-NFE25 (4 PIECES)	1
7	4210143	STATIONARY RING HOLDER HELIX 6" EPDM	1
7.2	2127607	> STATIONARY RING HOLDER 6" HELIX 1.4301 V	1
7.3	4176513	> O-RING FOR PUMP JACKET VP.	1
7.4	2127603	> O-RING ID.37,6x2,4 EPDM VP.	1
7.5	2127602	> O-RING ID.21,35x2 EPDM VP.	1
8	4159686	FILING/PURGING PLUG HELIX EPDM KIT	1
9	4171327	SEAL-KIT-HELIX6-10-16 O/E KIT	1
10	4177850	HOUSING PIPES D.152X585 1.4301 KIT	1
7.3	4176513	> O-RING FOR PUMP JACKET VP.	1
10.1		> HOUSING-PIPE Ø152-M+1013/14-304	1
11	4174087	CENTERING STAGE-RETURN HELIX6 1.4301VP.	1
12	4174086	SHAFTS EQUIPMENT HELIX V6 MONOBLOC KIT	1
12.1		> NUT-H-M10-A4.70	1
12.2		> SERRATED LOCK WASHER M+6M3-316L	1
12.3		> IMPELLER STOP RING L33,2-304	1
12.4		> STOP-RUSH-1/2-D16xd2-M+316	1
13		HYDRAULIC HELIX V 614 1.4307	1
14	4177851	SHAFT D.16X705 1.4301 VP.	1
15	4217897	PUMP HOUSING HELIX DN32 PN16 1.4301 KIT	1
7.3	4176513	> O-RING FOR PUMP JACKET VP.	1
15.1		> BLASTING PPE HOUSING V-PN16-DN32-5"-304	1
15.2	4217891	> COUNTER FLANGE-G1"1/4-PN16-GJL KIT	1

HELIX V614-1/16/E/S/400-50 (4162725)

Item	Article no.	Description	Quantity
15.3	4171321	> PRIMING/DRAIN PLUG EPDM HELIX KIT	1
16	4177964	BASEPLATE HELIX V2/4/6 PN16 VP.	1



COUPLING D.16XD.28 FT130 HELIX KIT (4159710)

Item	Article no.	Description	Quantity
4.1		COUPLING M+ Ø16XØ28 FT130 MACHINED	1
4.2	2131022	BALL BEARING 6209/ZZ-C3(HT)VP.	1
4.3	4233930	CIRCLIP-FOR-BORES-D45x1,75 VP.	1
4.4	4157726	SCREW KIT M8X30 (4 PIECES)	1
4.5	4234252	CIRCLIPS 85X3 VP.	1
4.6	4234243	O-RING 85X3 VP.	1
		NOMEL CONTACT WASHER 8x16x1,4 STEEL ZC	1

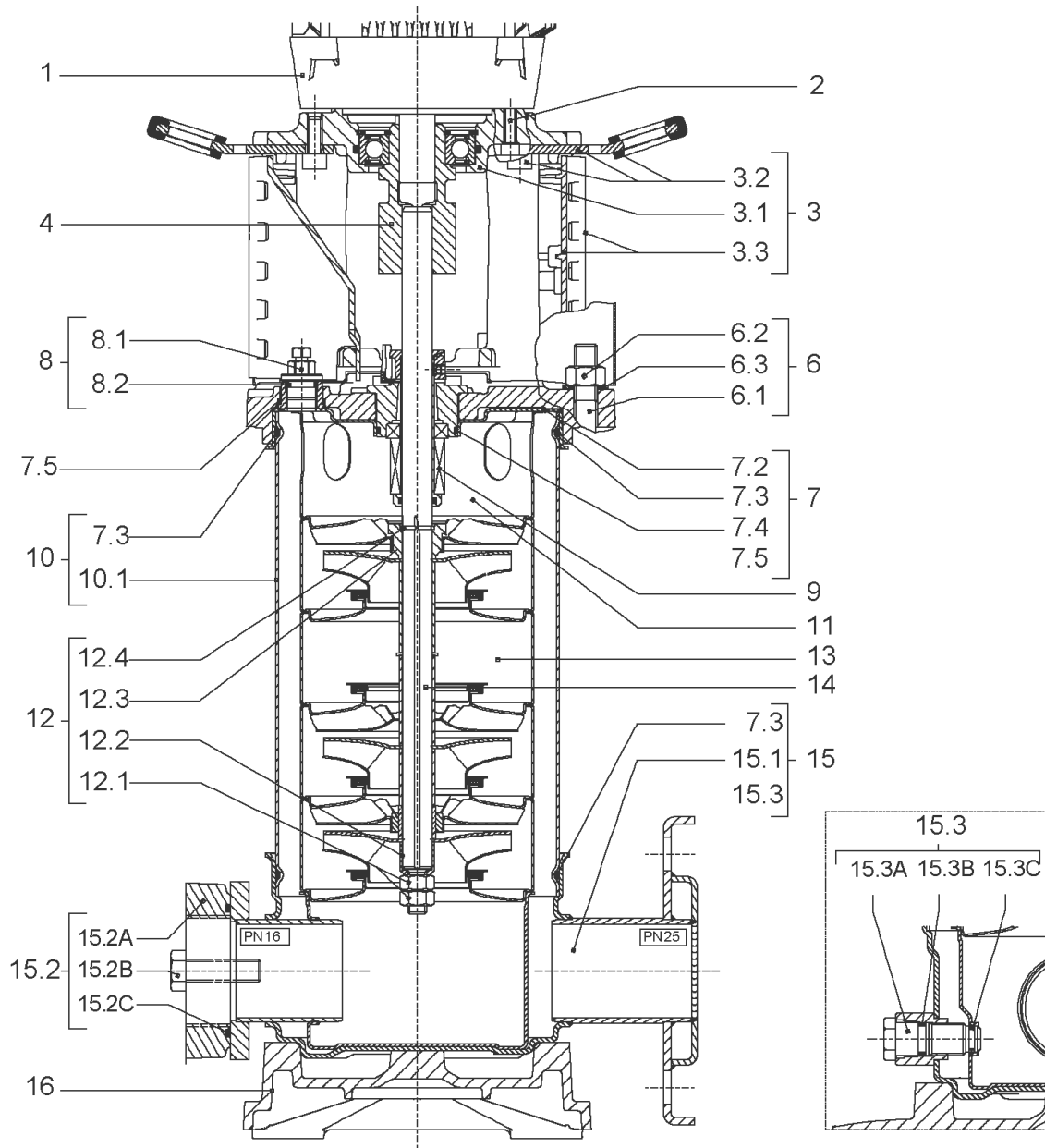
SEAL-KIT-HELIX6-10-16 O/E KIT (4171327)

Item	Article no.	Description	Quantity
7.3	4176513	O-RING FOR PUMP JACKET VP.	1
7.4	2127603	O-RING ID.37,6x2,4 EPDM VP.	1
9.1	4177801	MECH.SEAL HELIX6-10-16 O/E VP.	1
9.3	4177798	MACHINED RING HOLDER M+6" Ø16 304 VP.	1
9.5	4177799	MACHINED DRIVE RING Ø16 VP.	1
9.4	4176520	SCREW CH M5x5 A4-70 (3PIECES)	1



HYDRAULIC HELIX V 614 1.4307

Item	Article no.	Description	Quantity
13.1	4174084	STAGE HELIX 6 1.4301 KIT	1
		> MACH.STG-CASING-WOGV-WNR-M+6-304	1
		> IMPELLER-M+6-304	1
13.2	4174089	INTERMEDIATE STAGE HELIX 6 1.4301 KIT	1
		> MACH.BEARING-STG-CASING-WNR-M+6-304	1
		> IMPELLER-M+6-304	1
		> SHAFT SLEEVE-SPACER-Ø19,35x18,465-304	1
		> SHAFT-SLEEVE-D16xD20x18-CW	1
13.3	4174090	INTERMEDIATE STAGE HELIX 6 1.4301 KIT	1
		> MACH.STD-STG-CASING-WGV+NR-M+6-304	1
		> IMPELLER-M+6-304	1
		> IMPELLER SPACER Ø16,05X19,45-L36,465-304	1



HELIX V615-1/16/E/S/400-50 (4162726)

Item	Article no.	Description	Quantity
1	4169944	MOTOR 3/2/100 3~230/400V 50HZ IE3 VP.	1
		SPARE PARTS MOTOR:ON REQUEST	1
2	4206025	SCREW M8X45 (4 PIECES)	1
3	4172789	LANTERN FT130 HELIX V10 KIT	1
3.1		> M+5_6_LANTERN_ONE-PIECE_FT130_CATA	1
3.2	2127604	> EYELET CPL.FT HELIX(2 PIECES)	1
3.3	4159692	> COUPLING PROTECTOR FT HELIX KIT	1
4	4159710	COUPLING D.16XD.28 FT130 HELIX KIT	1
6	4177852	STUD BOLT M12X788KIT	1
6.1		> TIE BOLT M12-788x18x30-1.4057	1
6.2	2094647	> NUT M12 M12 ISO4032 VP.	1
6.3	2123557	> WASHER CS-12.4-24-1.6-NFE25 (4 PIECES)	1
7	4210143	STATIONARY RING HOLDER HELIX 6" EPDM	1
7.2	2127607	> STATIONARY RING HOLDER 6" HELIX 1.4301 V	1
7.3	4176513	> O-RING FOR PUMP JACKET VP.	1
7.4	2127603	> O-RING ID.37,6x2,4 EPDM VP.	1
7.5	2127602	> O-RING ID.21,35x2 EPDM VP.	1
8	4159686	FILING/PURGING PLUG HELIX EPDM KIT	1
9	4171327	SEAL-KIT-HELIX6-10-16 O/E KIT	1
10	4177853	HOUSING PIPES D.152X660 1.4307 KIT	1
7.3	4176513	> O-RING FOR PUMP JACKET VP.	1
10.1		> HOUSING-PIPE Ø152-M+1016/1610-304	1
11	4174087	CENTERING STAGE-RETURN HELIX6 1.4301VP.	1
12	4174086	SHAFTS EQUIPMENT HELIX V6 MONOBLOC KIT	1
12.1		> NUT-H-M10-A4.70	1
12.2		> SERRATED LOCK WASHER M+6M3-316L	1
12.3		> IMPELLER STOP RING L33,2-304	1
12.4		> STOP-RUSH-1/2-D16xd2-M+316	1
13		HYDRAULIC HELIX V 615 1.4307	1
14	4177854	SHAFT D.16 X780 1.4301 VP.	1
15	4217897	PUMP HOUSING HELIX DN32 PN16 1.4301 KIT	1
7.3	4176513	> O-RING FOR PUMP JACKET VP.	1
15.1		> BLASTING PPE HOUSING V-PN16-DN32-5"-304	1
15.2	4217891	> COUNTER FLANGE-G1"1/4-PN16-GJL KIT	1

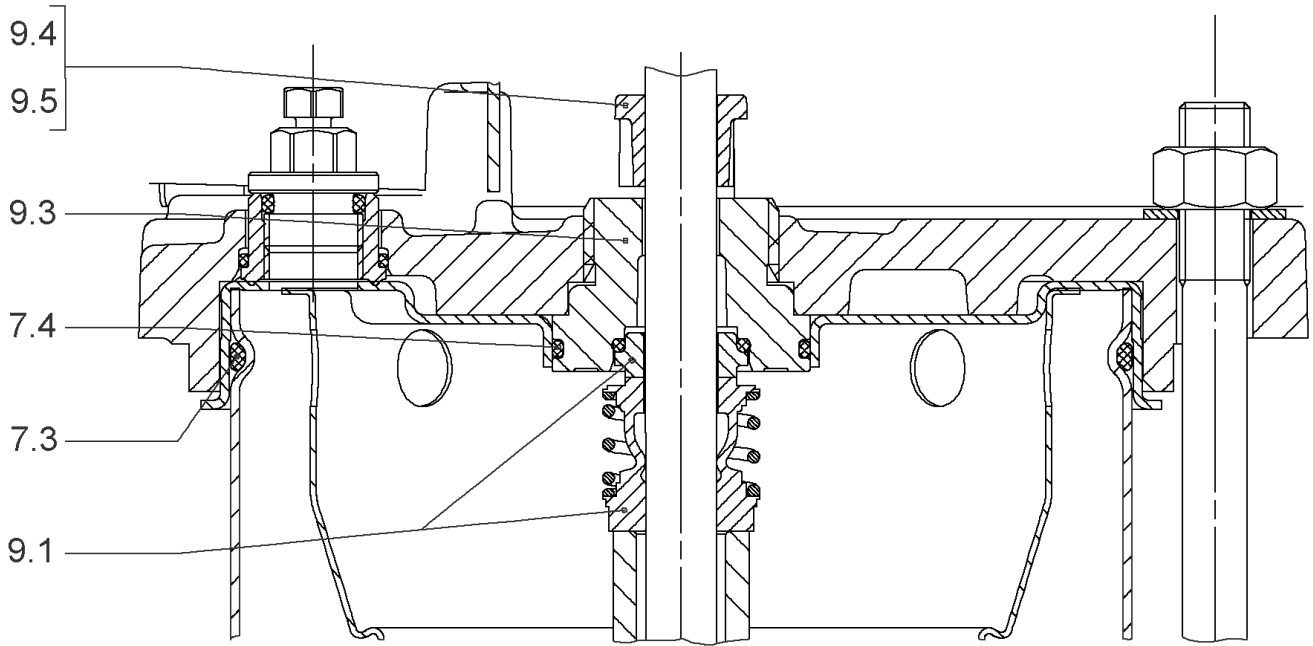
HELIX V615-1/16/E/S/400-50 (4162726)

Item	Article no.	Description	Quantity
15.3	4171321	> PRIMING/DRAIN PLUG EPDM HELIX KIT	1
16	4177964	BASEPLATE HELIX V2/4/6 PN16 VP.	1



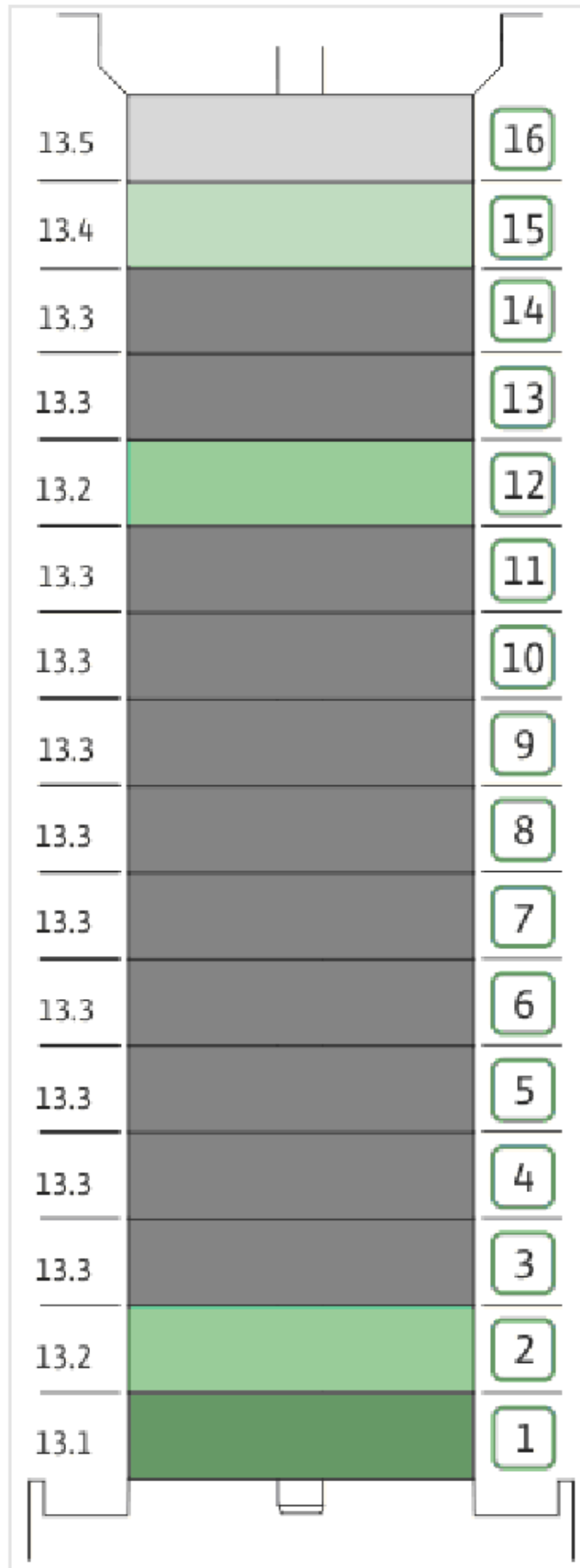
COUPLING D.16XD.28 FT130 HELIX KIT (4159710)

Item	Article no.	Description	Quantity
4.1		COUPLING M+ Ø16XØ28 FT130 MACHINED	1
4.2	2131022	BALL BEARING 6209/ZZ-C3(HT)VP.	1
4.3	4233930	CIRCLIP-FOR-BORES-D45x1,75 VP.	1
4.4	4157726	SCREW KIT M8X30 (4 PIECES)	1
4.5	4234252	CIRCLIPS 85X3 VP.	1
4.6	4234243	O-RING 85X3 VP.	1
		NOMEL CONTACT WASHER 8x16x1,4 STEEL ZC	1



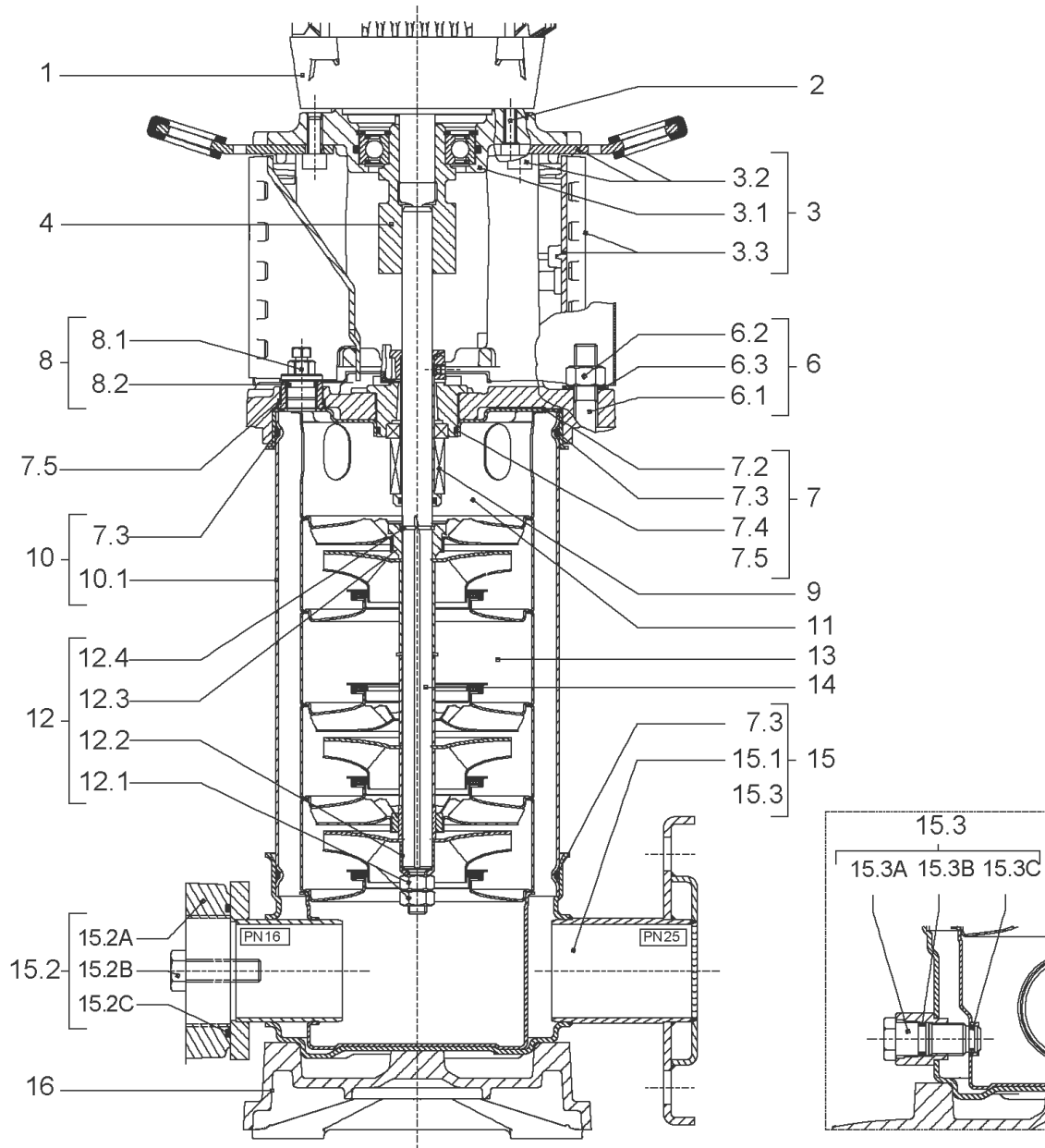
SEAL-KIT-HELIX6-10-16 O/E KIT (4171327)

Item	Article no.	Description	Quantity
7.3	4176513	O-RING FOR PUMP JACKET VP.	1
7.4	2127603	O-RING ID.37,6x2,4 EPDM VP.	1
9.1	4177801	MECH.SEAL HELIX6-10-16 O/E VP.	1
9.3	4177798	MACHINED RING HOLDER M+6" Ø16 304 VP.	1
9.5	4177799	MACHINED DRIVE RING Ø16 VP.	1
9.4	4176520	SCREW CH M5x5 A4-70 (3PIECES)	1



HYDRAULIC HELIX V 615 1.4307

Item	Article no.	Description	Quantity
13.1	4174084	STAGE HELIX 6 1.4301 KIT	1
		> MACH.STG-CASING-WOGV-WNR-M+6-304	1
		> IMPELLER-M+6-304	1
13.2	4174089	INTERMEDIATE STAGE HELIX 6 1.4301 KIT	1
		> MACH.BEARING-STG-CASING-WNR-M+6-304	1
		> IMPELLER-M+6-304	1
		> SHAFT SLEEVE-SPACER-Ø19,35x18,465-304	1
		> SHAFT-SLEEVE-D16xD20x18-CW	1
13.3	4174090	INTERMEDIATE STAGE HELIX 6 1.4301 KIT	1
		> MACH.STD-STG-CASING-WGV+NR-M+6-304	1
		> IMPELLER-M+6-304	1
		> IMPELLER SPACER Ø16,05X19,45-L36,465-304	1
13.4	4174092	EMPTY STAGE HELIX6 1.4301KIT	1
		> MACH.STD-STG-CASING-WGV+NR-M+6-304	1
		> FLAT WASHER-D16.1XD22X1.2-316L	1
		> IMPELLER SPACER Ø16,05X19,45-L36,465-304	1
13.5	4174091	STAGE HELIX 6 1.4301 KIT	1
		> MACH.STG-CASING-WOGV-WNR-M+6-304	1
		> IMPELLER-M+6-304	1
		> IMPELLER SPACER Ø16,05X19,45-L36,465-304	1



HELIX V616-1/16/E/S/400-50 (4162727)

Item	Article no.	Description	Quantity
1	4169945	MO.4/2 3~230/400(460)V 50(60)HZ IE3 VP.	1
		SPARE PARTS MOTOR:ON REQUEST	1
2	4206025	SCREW M8X45 (4 PIECES)	1
3	4172789	LANTERN FT130 HELIX V10 KIT	1
3.1		> M+5_6_LANTERN_ONE-PIECE_FT130_CATA	1
3.2	2127604	> EYELET CPL.FT HELIX(2 PIECES)	1
3.3	4159692	> COUPLING PROTECTOR FT HELIX KIT	1
4	4159710	COUPLING D.16XD.28 FT130 HELIX KIT	1
6	4177852	STUD BOLT M12X788KIT	1
6.1		> TIE BOLT M12-788x18x30-1.4057	1
6.2	2094647	> NUT M12 M12 ISO4032 VP.	1
6.3	2123557	> WASHER CS-12.4-24-1.6-NFE25 (4 PIECES)	1
7	4210143	STATIONARY RING HOLDER HELIX 6" EPDM	1
7.2	2127607	> STATIONARY RING HOLDER 6" HELIX 1.4301 V	1
7.3	4176513	> O-RING FOR PUMP JACKET VP.	1
7.4	2127603	> O-RING ID.37,6x2,4 EPDM VP.	1
7.5	2127602	> O-RING ID.21,35x2 EPDM VP.	1
8	4159686	FILING/PURGING PLUG HELIX EPDM KIT	1
9	4171327	SEAL-KIT-HELIX6-10-16 O/E KIT	1
10	4177853	HOUSING PIPES D.152X660 1.4307 KIT	1
7.3	4176513	> O-RING FOR PUMP JACKET VP.	1
10.1		> HOUSING-PIPE Ø152-M+1016/1610-304	1
11	4174087	CENTERING STAGE-RETURN HELIX6 1.4301VP.	1
12	4174086	SHAFTS EQUIPMENT HELIX V6 MONOBLOC KIT	1
12.1		> NUT-H-M10-A4.70	1
12.2		> SERRATED LOCK WASHER M+6M3-316L	1
12.3		> IMPELLER STOP RING L33,2-304	1
12.4		> STOP-RUSH-1/2-D16xd2-M+316	1
13		HYDRAULIC HELIX V 616 1.4307	1
14	4177854	SHAFT D.16 X780 1.4301 VP.	1
15	4217897	PUMP HOUSING HELIX DN32 PN16 1.4301 KIT	1
7.3	4176513	> O-RING FOR PUMP JACKET VP.	1
15.1		> BLASTING PPE HOUSING V-PN16-DN32-5"-304	1
15.2	4217891	> COUNTER FLANGE-G1"1/4-PN16-GJL KIT	1

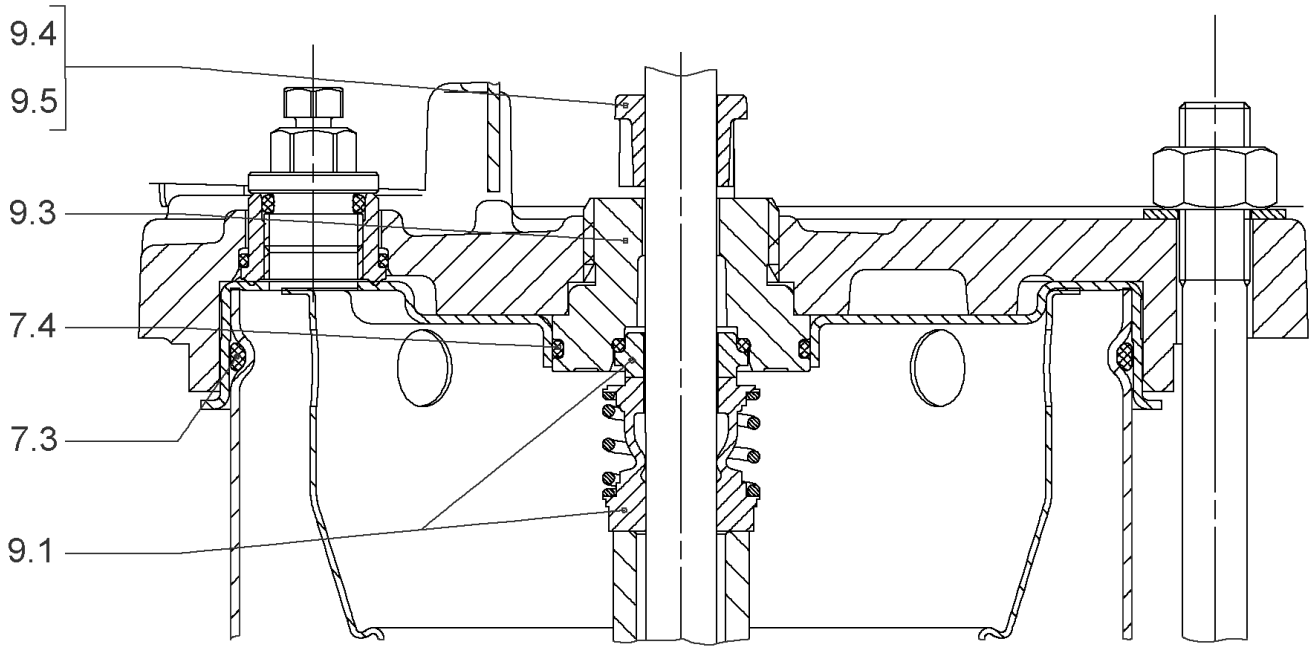
HELIX V616-1/16/E/S/400-50 (4162727)

Item	Article no.	Description	Quantity
15.3	4171321	> PRIMING/DRAIN PLUG EPDM HELIX KIT	1
16	4177964	BASEPLATE HELIX V2/4/6 PN16 VP.	1



COUPLING D.16XD.28 FT130 HELIX KIT (4159710)

Item	Article no.	Description	Quantity
4.1		COUPLING M+ Ø16XØ28 FT130 MACHINED	1
4.2	2131022	BALL BEARING 6209/ZZ-C3(HT)VP.	1
4.3	4233930	CIRCLIP-FOR-BORES-D45x1,75 VP.	1
4.4	4157726	SCREW KIT M8X30 (4 PIECES)	1
4.5	4234252	CIRCLIPS 85X3 VP.	1
4.6	4234243	O-RING 85X3 VP.	1
		NOMEL CONTACT WASHER 8x16x1,4 STEEL ZC	1



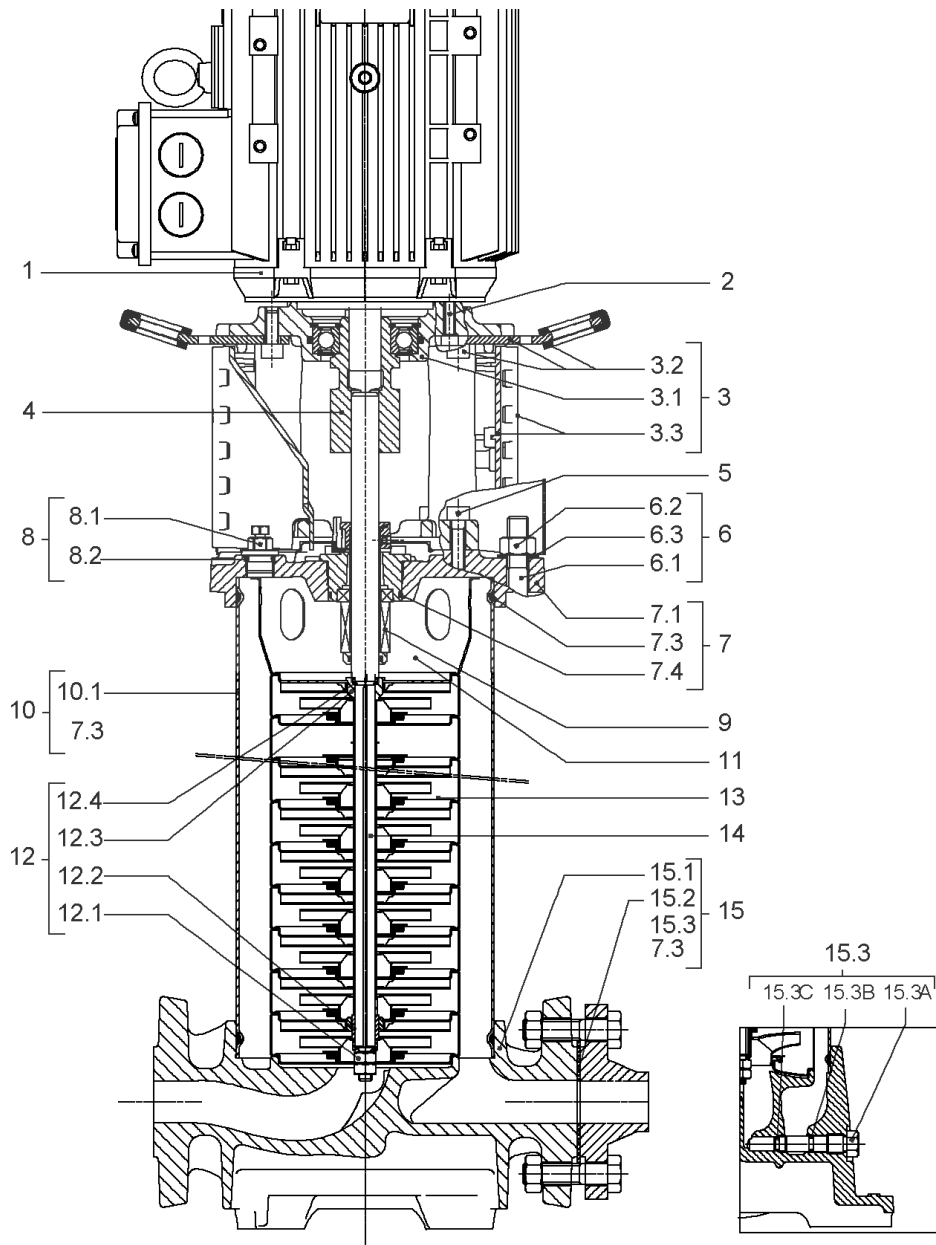
SEAL-KIT-HELIX6-10-16 O/E KIT (4171327)

Item	Article no.	Description	Quantity
7.3	4176513	O-RING FOR PUMP JACKET VP.	1
7.4	2127603	O-RING ID.37,6x2,4 EPDM VP.	1
9.1	4177801	MECH.SEAL HELIX6-10-16 O/E VP.	1
9.3	4177798	MACHINED RING HOLDER M+6" Ø16 304 VP.	1
9.5	4177799	MACHINED DRIVE RING Ø16 VP.	1
9.4	4176520	SCREW CH M5x5 A4-70 (3PIECES)	1



HYDRAULIC HELIX V 616 1.4307

Item	Article no.	Description	Quantity
13.1	4174084	STAGE HELIX 6 1.4301 KIT	1
		> MACH.STG-CASING-WOGV-WNR-M+6-304	1
		> IMPELLER-M+6-304	1
13.2	4174089	INTERMEDIATE STAGE HELIX 6 1.4301 KIT	1
		> MACH.BEARING-STG-CASING-WNR-M+6-304	1
		> IMPELLER-M+6-304	1
		> SHAFT SLEEVE-SPACER-Ø19,35x18,465-304	1
		> SHAFT-SLEEVE-D16xD20x18-CW	1
13.3	4174090	INTERMEDIATE STAGE HELIX 6 1.4301 KIT	1
		> MACH.STD-STG-CASING-WGV+NR-M+6-304	1
		> IMPELLER-M+6-304	1
		> IMPELLER SPACER Ø16,05X19,45-L36,465-304	1

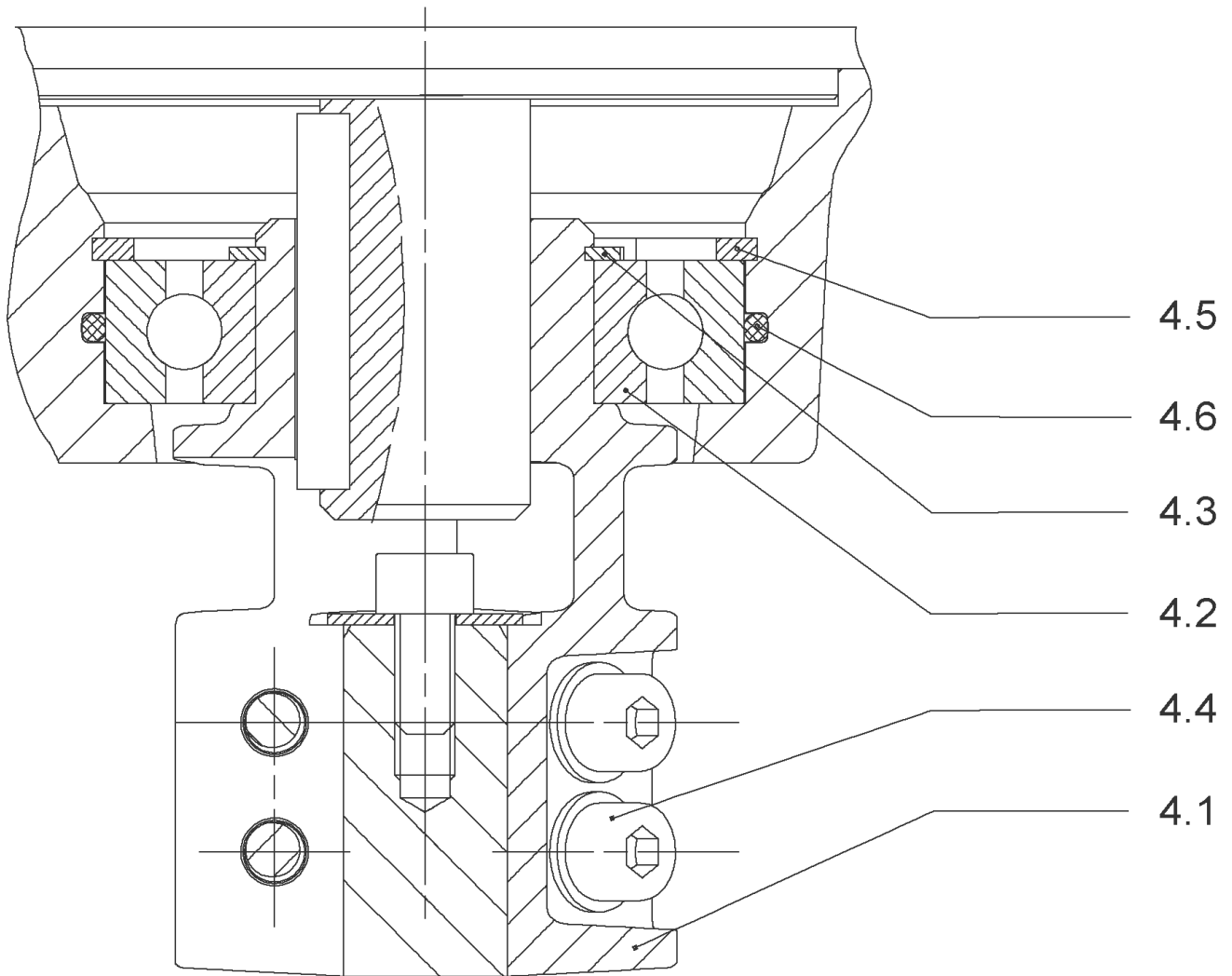


HELIX V628-3/30/E/KS/400-50 (4175099)

Item	Article no.	Description	Quantity
1	4169947	MO 5,5/2/112 3~400V50Hz 460V60Hz IE3 VP.	1
		SPARE PARTS MOTOR:ON REQUEST	1
2	4206025	SCREW M8X45 (4 PIECES)	1
3	4171326	LANTERN FT130 HELIX KIT	1
3.1		> LANTERN FT130 M+6" GJL MACHINING+CATA	1
3.2	2127604	> EYELET CPL.FT HELIX(2 PIECES)	1
3.3	4159692	> COUPLING PROTECTOR FT HELIX KIT	1
4	4159710	COUPLING D.16XD.28 FT130 HELIX KIT	1
5	4159707	SCREW M8X30 (4 PIECES)	1
6	4177990	STUD BOLT M12X1140 KIT	1
6.1		> TIE BOLT M12-1140x18x30-1.4057	1
6.2	2094647	> NUT M12 M12 ISO4032 VP.	1
6.3	2123557	> WASHER CS-12.4-24-1.6-NFE25 (4 PIECES)	1
7	4177867	END SHIELD PN30 HELIX EPDM KIT	1
7.1		> END SHIELD M+ JL VERSION 1 MACHINED+CATA	1
7.3	4176513	> O-RING FOR PUMP JACKET VP.	1
7.4	2127603	> O-RING ID.37,6x2,4 EPDM VP.	1
8	4159686	FILING/PURGING PLUG HELIX EPDM KIT	1
9	4177872	MECH.SEAL+CART. HELIX6-10-16 T/E KIT	1
10	2127585	HOUSING PIPE D.152x1110 1.4301 KIT	1
7.3	4176513	> O-RING FOR PUMP JACKET VP.	1
10.1		> HOUSING-PIPE Ø152-M+1619-304	1
11	4174087	CENTERING STAGE-RETURN HELIX6 1.4301VP.	1
12	4174085	SHAFTS EQUIPMENT HELIX V6 BI BLOC KIT	1
12.1		> NUT-H-M10-A4.70	1
12.2		> SERRATED LOCK WASHER M+6M3-316L	1
12.3		> STOP COLLAR OF IMPELLER L17,9-Ø16-316L	1
12.4		> STOP-RUSH-1/2-D16xd2-M+316	1
13		HYDRAULIC HELIX V 628 1.4307	1
14	2127573	SHAFT D.16X1230 1.4462 VP.	1
15	4208872	PUMP HOUSING HELIX V6 DN32 PN30 KIT	1
15.1		> MACH+CATA PUMP CASING M+5" DN32 PN25 GJL	1
15.2	4010031	> FLAT GASKET D.30/79	1
15.3	4177877	> PRIMING/DRAIN PLUG HELIX PN30 KIT	1

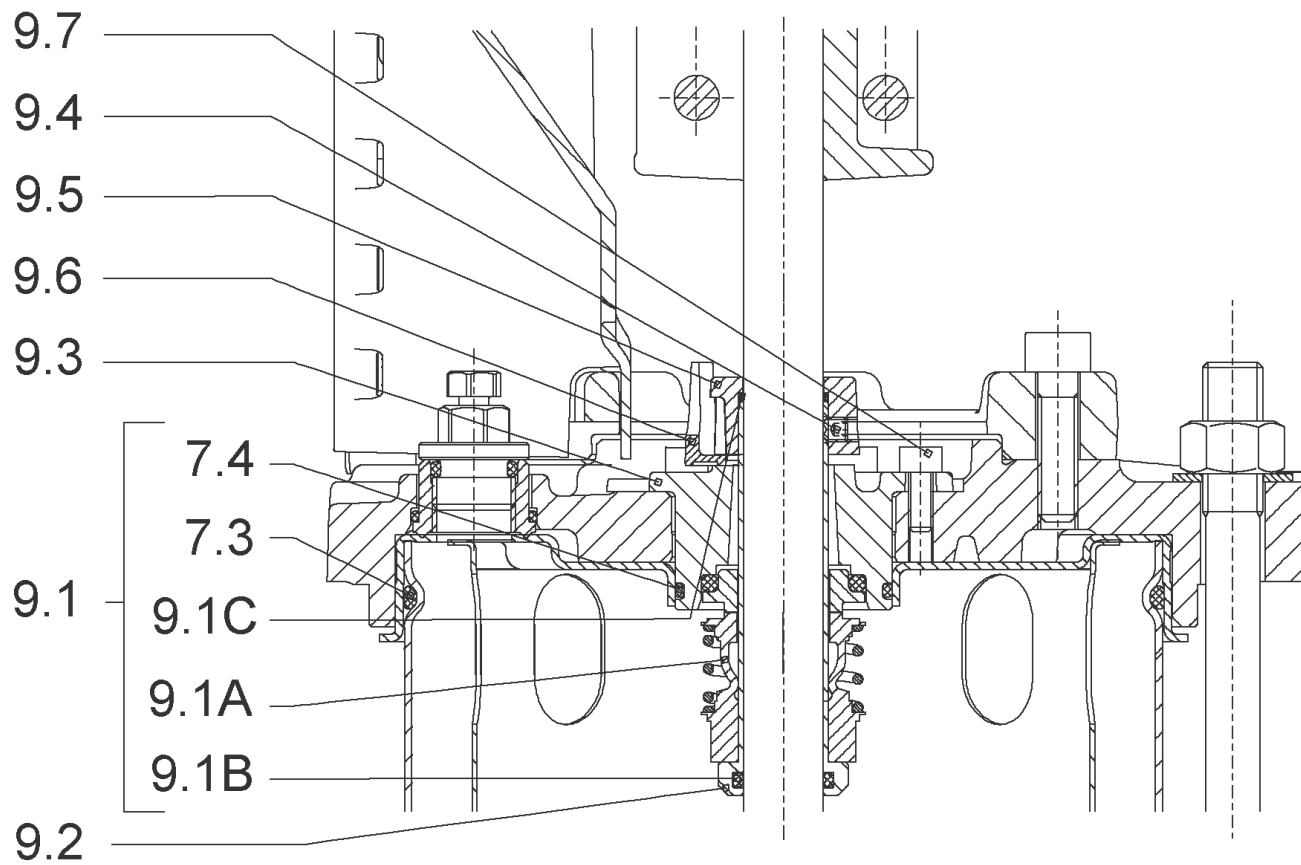
HELIX V628-3/30/E/KS/400-50 (4175099)

Item	Article no.	Description	Quantity
15.3A		>> PRIMING/DRAIN PLUG M+6" 304	1
15.3B	4233957	>> O-RING ID.9 EPDM VP.	1
15.3C		>> O-RING Ø8xØ2 EPDM KTW/WRC	1
7.3	4176513	> O-RING FOR PUMP JACKET VP.	1



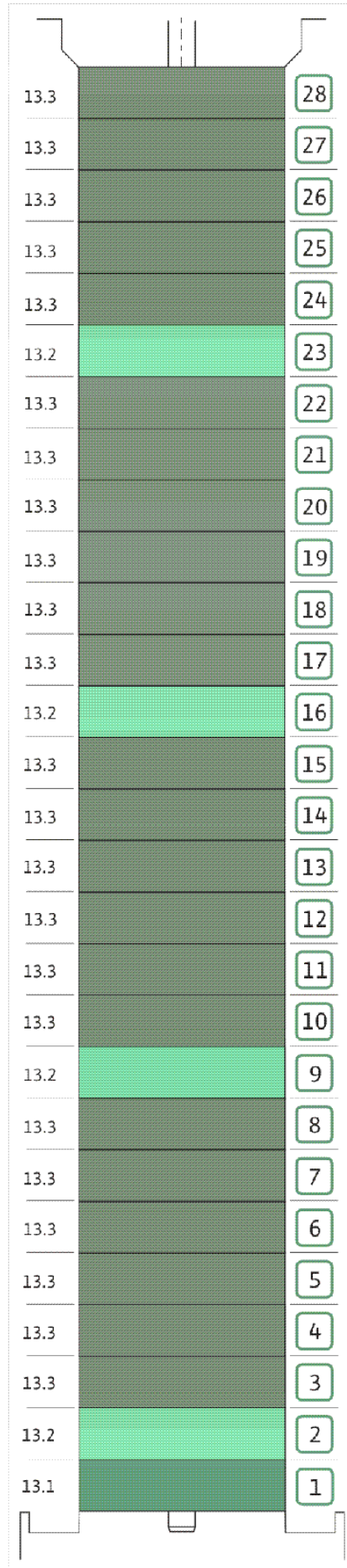
COUPLING D.16XD.28 FT130 HELIX KIT (4159710)

Item	Article no.	Description	Quantity
4.1		COUPLING M+ Ø16XØ28 FT130 MACHINED	1
4.2	2131022	BALL BEARING 6209/ZZ-C3(HT)VP.	1
4.3	4233930	CIRCLIP-FOR-BORES-D45x1,75 VP.	1
4.4	4157726	SCREW KIT M8X30 (4 PIECES)	1
4.5	4234252	CIRCLIPS 85X3 VP.	1
4.6	4234243	O-RING 85X3 VP.	1
		NOMEL CONTACT WASHER 8x16x1,4 STEEL ZC	1



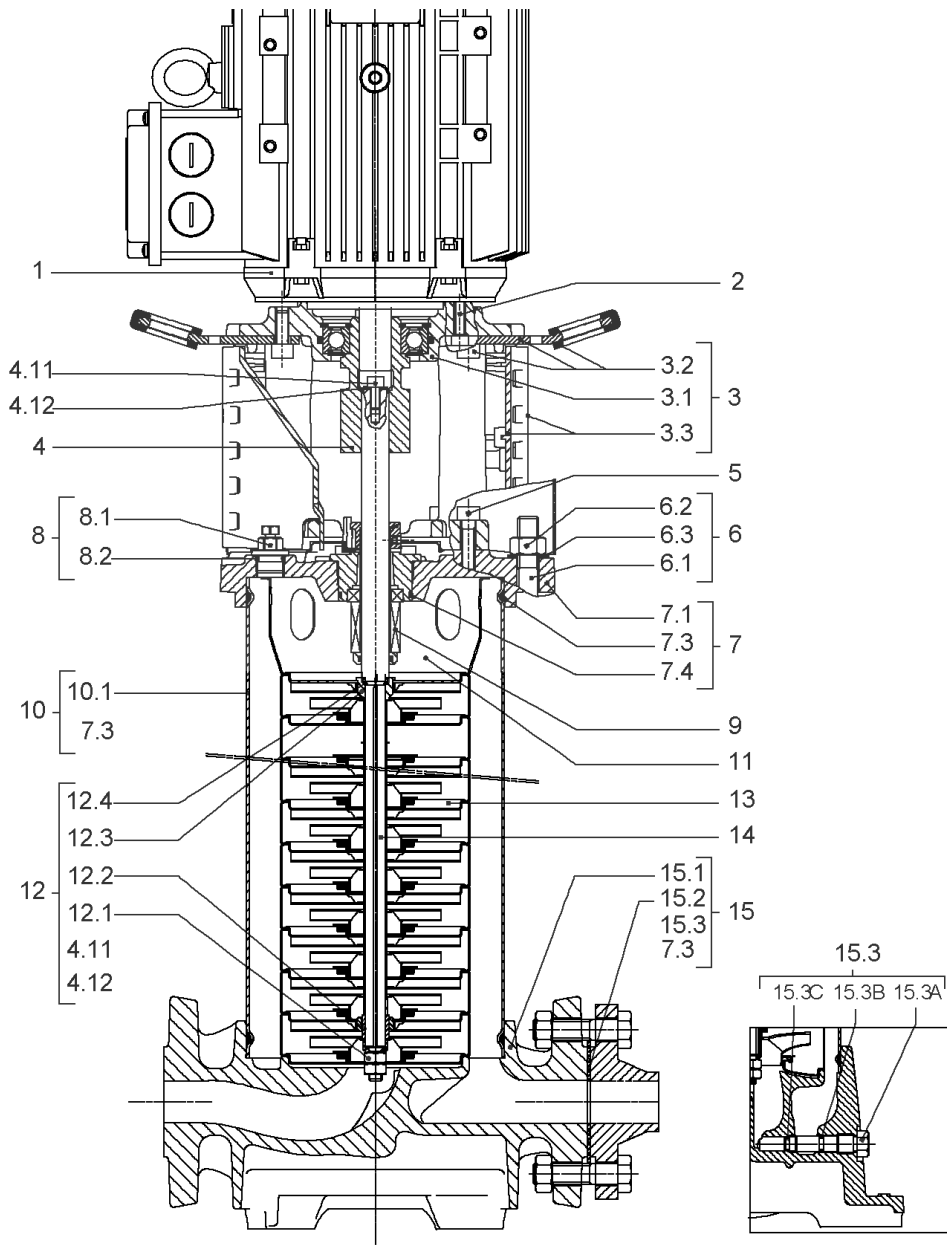
MECH.SEAL+CART. HELIX6-10-16 T/E KIT (4177872)

Item	Article no.	Description	Quantity
9.1	4177871	SEAL-KIT-HELIX6-10-16 T/E	1
7.3	4176513	> O-RING FOR PUMP JACKET VP.	1
7.4	2127603	> O-RING ID.37,6x2,4 EPDM VP.	1
9.1A	4177870	> MECH.SEAL HELIX2-4-6-10-16 T/E VP.	1
9.1B	2130967	> O-RING D.16X2,5 EPDM VP.	1
9.1C	4176519	> O-RING Ø16xØ1.25 VP.	1
9.2	4177869	SHAFT SLEEVE Ø16XØ18/22-G9-PN30 VP.	1
9.3	4177868	RING-HOLDER MS G9 316 VP.	1
9.4	4176520	SCREW CH M5x5 A4-70 (3PIECES)	1
9.5	2130963	DRIVE RING D.29/18x12,4 MACH.VP.	1
9.6	2130964	TOOL M.S.CART.HELIX VP.	1
9.7	2130965	SCREW CHC M5X12 ISO4762 A2.70(4 PIECES)	1



HYDRAULIC HELIX V 628 1.4307

Item	Article no.	Description	Quantity
13.1	4174084	STAGE HELIX 6 1.4301 KIT	1
		> MACH.STG-CASING-WOGV-WNR-M+6-304	1
		> IMPELLER-M+6-304	1
13.2	4174089	INTERMEDIATE STAGE HELIX 6 1.4301 KIT	1
		> MACH.BEARING-STG-CASING-WNR-M+6-304	1
		> IMPELLER-M+6-304	1
		> SHAFT SLEEVE-SPACER-Ø19,35x18,465-304	1
		> SHAFT-SLEEVE-D16xD20x18-CW	1
13.3	4174090	INTERMEDIATE STAGE HELIX 6 1.4301 KIT	1
		> MACH.STD-STG-CASING-WGV+NR-M+6-304	1
		> IMPELLER-M+6-304	1
		> IMPELLER SPACER Ø16,05X19,45-L36,465-304	1



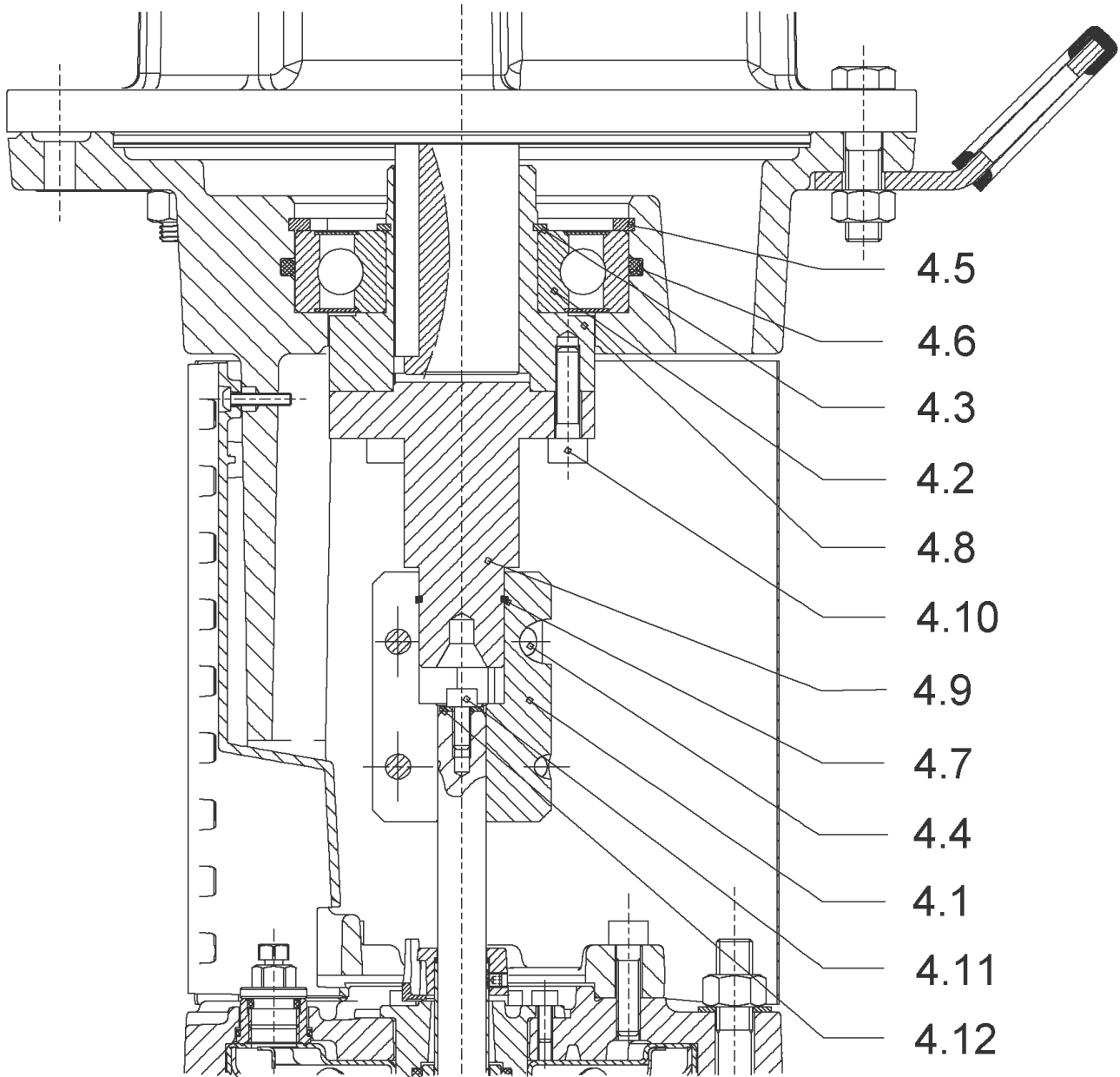
HELIX V630-3/30/E/KS/400-50 (4175100)

Item	Article no.	Description	Quantity
1	4195450	MOTOR 7,5/2/* 3~400V 50HZ IE3 VP.	1
		SPARE PARTS MOTOR:ON REQUEST	1
2	4174093	SCREW M12X50 (4 PIECES)	1
3	4159693	LANTERN FF265 HELIX KIT	1
3.1		> LANTERN FF265 M+6" GJL MACHINING+CATA	1
3.2	2127605	> EYELET CPL.FF265 HELIX(2 PIECES)	1
3.3	4159695	> COUPLING PROTECTOR FF HELIX KIT	1
4	4159711	COUPLING D.16XD.38 FF265 HELIX KIT	1
5	4159707	SCREW M8X30 (4 PIECES)	1
6	4208890	STUD BOLT HELIX M12X1215 KIT	1
6.1		> TIE BOLT M12-1215x18x30-1.4057	1
6.2	4204264	> NUT M12 M12 ISO4032 VP.	1
6.3	2123557	> WASHER CS-12.4-24-1.6-NFE25 (4 PIECES)	1
7	4177867	END SHIELD PN30 HELIX EPDM KIT	1
7.1		> END SHIELD M+ JL VERSION 1 MACHINED+CATA	1
7.3	4176513	> O-RING FOR PUMP JACKET VP.	1
7.4	2127603	> O-RING ID.37,6x2,4 EPDM VP.	1
8	4159686	FILING/PURGING PLUG HELIX EPDM KIT	1
9	4177872	MECH.SEAL+CART. HELIX6-10-16 T/E KIT	1
10	4208892	HOUSING PIPE D.152x1185 1.4307 KIT	1
7.3	4176513	> O-RING FOR PUMP JACKET VP.	1
10.1		> HOUSING-PIPE Ø152-M+630-304	1
11	4174087	CENTERING STAGE-RETURN HELIX6 1.4301VP.	1
12	4208894	SHAFTS EQUIPMENT HELIX V6 30B KIT	1
12.1		> NUT-H-M10-A4.70	1
12.2		> SERRATED LOCK WASHER M+6M3-316L	1
12.3		> STOP COLLAR OF IMPELLER L17,9-Ø16-316L	1
12.4		> STOP-RUSH-1/2-D16xd2-M+316	1
4.11	4102901	> SCREW CHC-M6X14-8.8-ISO4762-GEOMET500A	1
4.12	2130995	> SERRATED LOCK WASHER D.6,2XD.14,5X28 VP.	1
13		HYDRAULIC HELIX V 630 1.4307	1
14	4208898	SHAFT D.16X1305 1.4057 VP.	1
15	4208872	PUMP HOUSING HELIX V6 DN32 PN30 KIT	1
15.1		> MACH+CATA PUMP CASING M+5" DN32 PN25 GJL	1

HELIX V630-3/30/E/KS/400-50 (4175100)

Item	Article no.	Description	Quantity
15.2	4010031	> FLAT GASKET D.30/79	1
15.3	4177877	> PRIMING/DRAIN PLUG HELIX PN30 KIT	1
15.3A		>> PRIMING/DRAIN PLUG M+6" 304	1
15.3B	4233957	>> O-RING ID.9 EPDM VP.	1
15.3C		>> O-RING Ø8xØ2 EPDM KTW/WRC	1
7.3	4176513	> O-RING FOR PUMP JACKET VP.	1

COUPLING D.16XD.38 FF265 HELIX KIT (4159711)



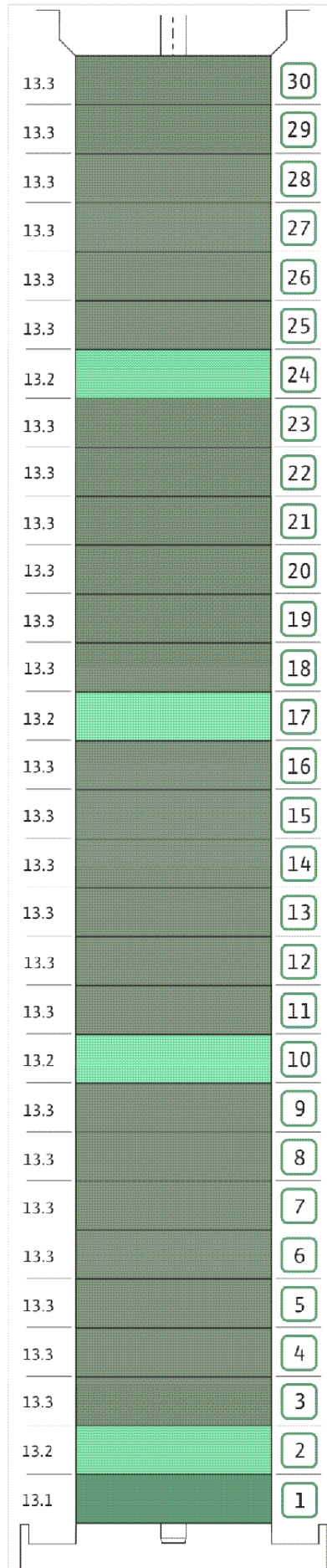
COUPLING D.16XD.38 FF265 HELIX KIT (4159711)

Item	Article no.	Description	Quantity
4.1	2131018	COUPLING 2 PARTS D.16XD.28XL.82,4 VP.	1
4.2	2131017	BALL BEARING 6310/ZZ-C4(HT)VP.	1
4.3	4234253	CIRCLIP-FOR-SHAFT-D50x2 VP.	1
4.4	4157726	SCREW KIT M8X30 (4 PIECES)	1
4.5	4234255	CIRCLIPS 110X4 VP.	1
4.6	4233944	O-RING ID.110 VP.	1
4.7	2131019	RETAINING RING D.26xD.2 DIN7993 VP.	1
4.10	4157726	SCREW KIT M8X30 (4 PIECES)	1
4.11	4102901	SCREW CHC-M6X14-8.8-ISO4762-GEOMET500A	1
4.12	2130995	SERRATED LOCK WASHER D.6,2XD.14,5X28 VP.	1
		NOMEL CONTACT WASHER 8x16x1,4 STEEL ZC	1
4.8	2131020	HUB D.38XD.50 VP.	1
4.9	2131021	SPACER D.28XD.45 VP.	1



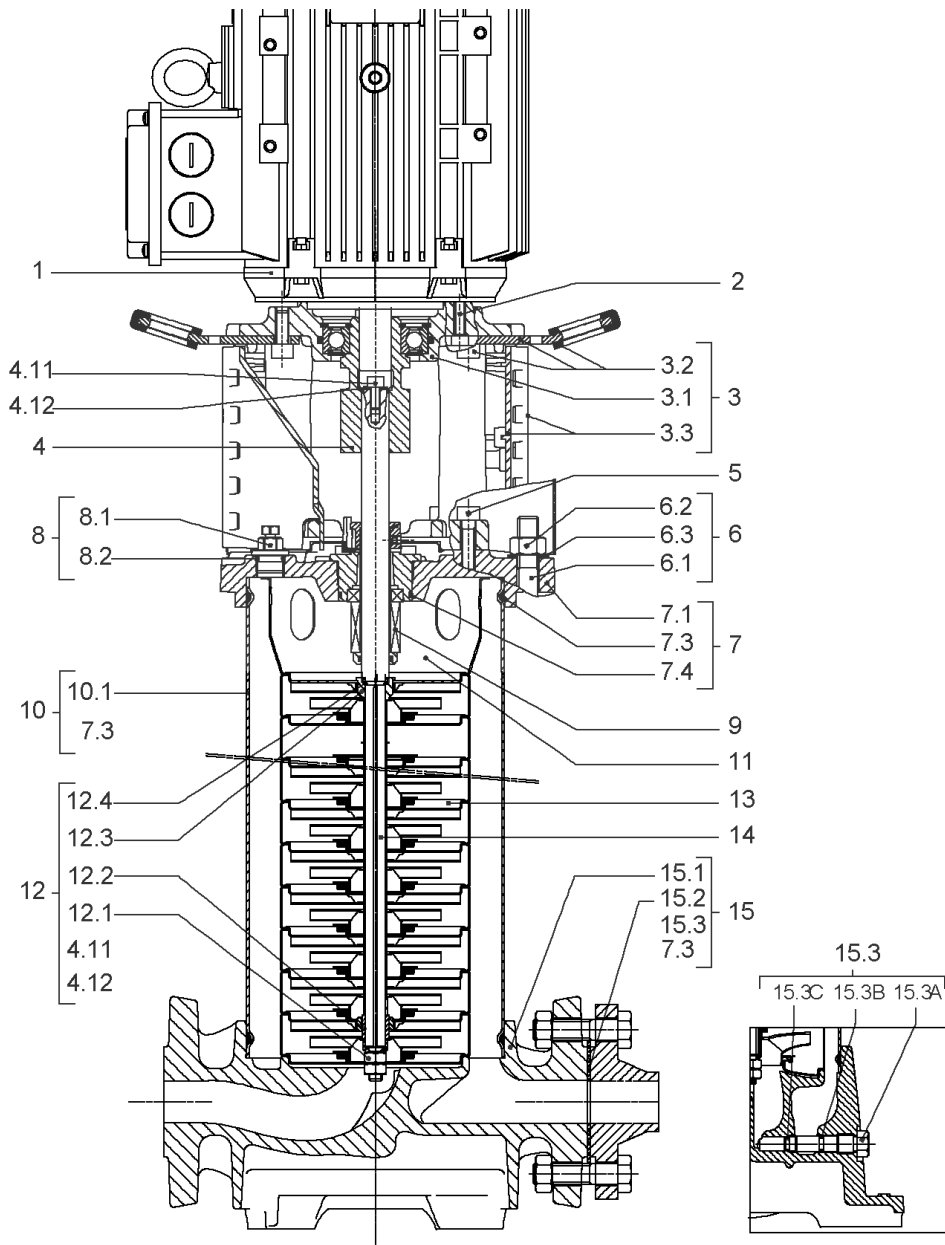
MECH.SEAL+CART. HELIX6-10-16 T/E KIT (4177872)

Item	Article no.	Description	Quantity
9.1	4177871	SEAL-KIT-HELIX6-10-16 T/E	1
7.3	4176513	> O-RING FOR PUMP JACKET VP.	1
7.4	2127603	> O-RING ID.37,6x2,4 EPDM VP.	1
9.1A	4177870	> MECH.SEAL HELIX2-4-6-10-16 T/E VP.	1
9.1B	2130967	> O-RING D.16X2,5 EPDM VP.	1
9.1C	4176519	> O-RING Ø16xØ1.25 VP.	1
9.2	4177869	SHAFT SLEEVE Ø16XØ18/22-G9-PN30 VP.	1
9.3	4177868	RING-HOLDER MS G9 316 VP.	1
9.4	4176520	SCREW CH M5x5 A4-70 (3PIECES)	1
9.5	2130963	DRIVE RING D.29/18x12,4 MACH.VP.	1
9.6	2130964	TOOL M.S.CART.HELIX VP.	1
9.7	2130965	SCREW CHC M5X12 ISO4762 A2.70(4 PIECES)	1



HYDRAULIC HELIX V 630 1.4307

Item	Article no.	Description	Quantity
13.1	4174084	STAGE HELIX 6 1.4301 KIT	1
		> MACH.STG-CASING-WOGV-WNR-M+6-304	1
		> IMPELLER-M+6-304	1
13.2	4174089	INTERMEDIATE STAGE HELIX 6 1.4301 KIT	1
		> MACH.BEARING-STG-CASING-WNR-M+6-304	1
		> IMPELLER-M+6-304	1
		> SHAFT SLEEVE-SPACER-Ø19,35x18,465-304	1
		> SHAFT-SLEEVE-D16xD20x18-CW	1
13.3	4174090	INTERMEDIATE STAGE HELIX 6 1.4301 KIT	1
		> MACH.STD-STG-CASING-WGV+NR-M+6-304	1
		> IMPELLER-M+6-304	1
		> IMPELLER SPACER Ø16,05X19,45-L36,465-304	1



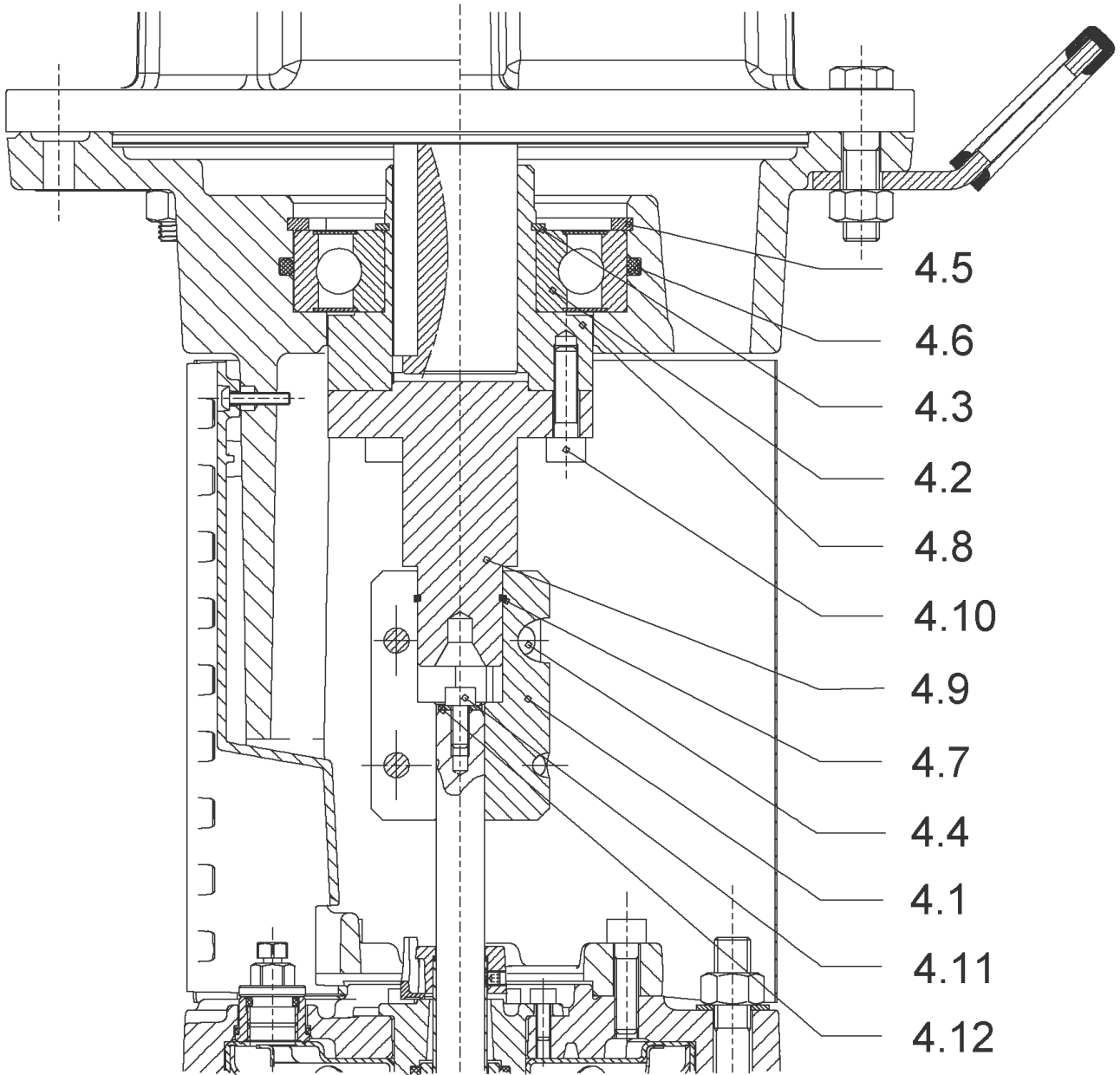
HELIX V633-3/30/E/KS/400-50 (4175101)

Item	Article no.	Description	Quantity
1	4195450	MOTOR 7,5/2/* 3~400V 50HZ IE3 VP.	1
		SPARE PARTS MOTOR:ON REQUEST	1
2	4174093	SCREW M12X50 (4 PIECES)	1
3	4159693	LANTERN FF265 HELIX KIT	1
3.1		> LANTERN FF265 M+6" GJL MACHINING+CATA	1
3.2	2127605	> EYELET CPL.FF265 HELIX(2 PIECES)	1
3.3	4159695	> COUPLING PROTECTOR FF HELIX KIT	1
4	4159711	COUPLING D.16XD.38 FF265 HELIX KIT	1
5	4159707	SCREW M8X30 (4 PIECES)	1
6	4208929	STUD BOLT HELIX M12X1327 KIT	1
6.1		> TIE BOLT M12-1327x18x30-1.4057	1
6.2	4204264	> NUT M12 M12 ISO4032 VP.	1
6.3	2123557	> WASHER CS-12.4-24-1.6-NFE25 (4 PIECES)	1
7	4177867	END SHIELD PN30 HELIX EPDM KIT	1
7.1		> END SHIELD M+ JL VERSION 1 MACHINED+CATA	1
7.3	4176513	> O-RING FOR PUMP JACKET VP.	1
7.4	2127603	> O-RING ID.37,6x2,4 EPDM VP.	1
8	4159686	FILING/PURGING PLUG HELIX EPDM KIT	1
9	4177872	MECH.SEAL+CART. HELIX6-10-16 T/E KIT	1
10	4208931	HOUSING PIPE HELIX D.152x1298 1.4307 KIT	1
7.3	4176513	> O-RING FOR PUMP JACKET VP.	1
10.1		> HOUSING-PIPE Ø152-M+633-304	1
11	4174087	CENTERING STAGE-RETURN HELIX6 1.4301VP.	1
12	4208894	SHAFTS EQUIPMENT HELIX V6 30B KIT	1
12.1		> NUT-H-M10-A4.70	1
12.2		> SERRATED LOCK WASHER M+6M3-316L	1
12.3		> STOP COLLAR OF IMPELLER L17,9-Ø16-316L	1
12.4		> STOP-RUSH-1/2-D16xd2-M+316	1
4.11	4102901	> SCREW CHC-M6X14-8.8-ISO4762-GEOMET500A	1
4.12	2130995	> SERRATED LOCK WASHER D.6,2XD.14,5X28 VP.	1
13		HYDRAULIC HELIX V 633 1.4307	1
14	4208935	SHAFT D.16X1417 1.4057 VP.	1
15	4208872	PUMP HOUSING HELIX V6 DN32 PN30 KIT	1
15.1		> MACH+CATA PUMP CASING M+5" DN32 PN25 GJL	1

HELIX V633-3/30/E/KS/400-50 (4175101)

Item	Article no.	Description	Quantity
15.2	4010031	> FLAT GASKET D.30/79	1
15.3	4177877	> PRIMING/DRAIN PLUG HELIX PN30 KIT	1
15.3A		>> PRIMING/DRAIN PLUG M+6" 304	1
15.3B	4233957	>> O-RING ID.9 EPDM VP.	1
15.3C		>> O-RING Ø8xØ2 EPDM KTW/WRC	1
7.3	4176513	> O-RING FOR PUMP JACKET VP.	1

COUPLING D.16XD.38 FF265 HELIX KIT (4159711)



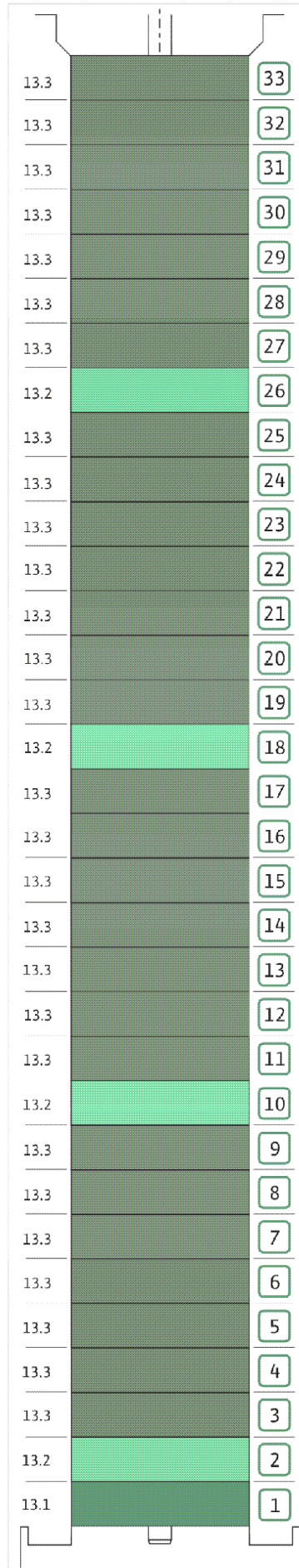
COUPLING D.16XD.38 FF265 HELIX KIT (4159711)

Item	Article no.	Description	Quantity
4.1	2131018	COUPLING 2 PARTS D.16XD.28XL.82,4 VP.	1
4.2	2131017	BALL BEARING 6310/ZZ-C4(HT)VP.	1
4.3	4234253	CIRCLIP-FOR-SHAFT-D50x2 VP.	1
4.4	4157726	SCREW KIT M8X30 (4 PIECES)	1
4.5	4234255	CIRCLIPS 110X4 VP.	1
4.6	4233944	O-RING ID.110 VP.	1
4.7	2131019	RETAINING RING D.26xD.2 DIN7993 VP.	1
4.10	4157726	SCREW KIT M8X30 (4 PIECES)	1
4.11	4102901	SCREW CHC-M6X14-8.8-ISO4762-GEOMET500A	1
4.12	2130995	SERRATED LOCK WASHER D.6,2XD.14,5X28 VP.	1
		NOMEL CONTACT WASHER 8x16x1,4 STEEL ZC	1
4.8	2131020	HUB D.38XD.50 VP.	1
4.9	2131021	SPACER D.28XD.45 VP.	1



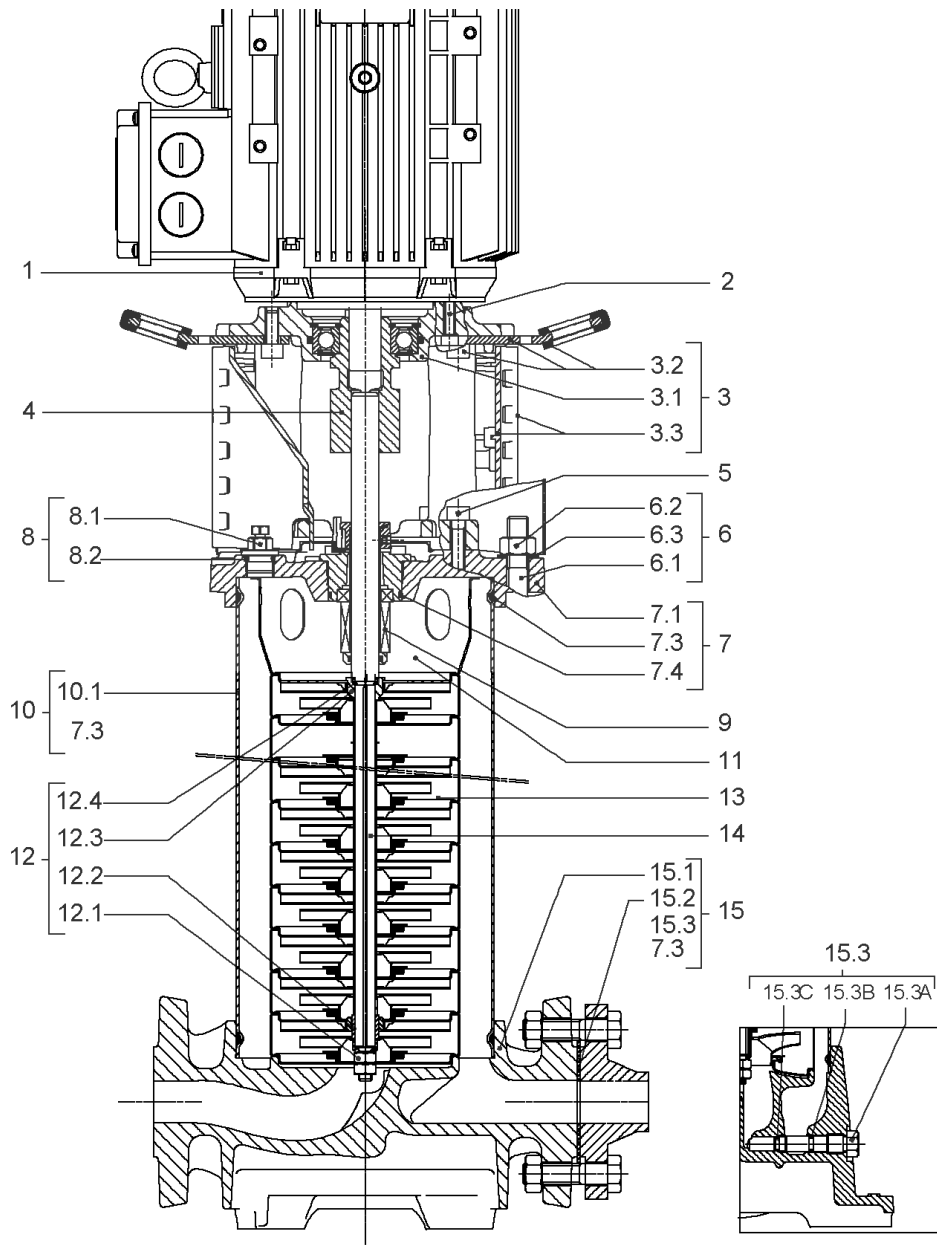
MECH.SEAL+CART. HELIX6-10-16 T/E KIT (4177872)

Item	Article no.	Description	Quantity
9.1	4177871	SEAL-KIT-HELIX6-10-16 T/E	1
7.3	4176513	> O-RING FOR PUMP JACKET VP.	1
7.4	2127603	> O-RING ID.37,6x2,4 EPDM VP.	1
9.1A	4177870	> MECH.SEAL HELIX2-4-6-10-16 T/E VP.	1
9.1B	2130967	> O-RING D.16X2,5 EPDM VP.	1
9.1C	4176519	> O-RING Ø16xØ1.25 VP.	1
9.2	4177869	SHAFT SLEEVE Ø16XØ18/22-G9-PN30 VP.	1
9.3	4177868	RING-HOLDER MS G9 316 VP.	1
9.4	4176520	SCREW CH M5x5 A4-70 (3PIECES)	1
9.5	2130963	DRIVE RING D.29/18x12,4 MACH.VP.	1
9.6	2130964	TOOL M.S.CART.HELIX VP.	1
9.7	2130965	SCREW CHC M5X12 ISO4762 A2.70(4 PIECES)	1



HYDRAULIC HELIX V 633 1.4307

Item	Article no.	Description	Quantity
13.1	4174084	STAGE HELIX 6 1.4301 KIT	1
		> MACH.STG-CASING-WOGV-WNR-M+6-304	1
		> IMPELLER-M+6-304	1
13.2	4174089	INTERMEDIATE STAGE HELIX 6 1.4301 KIT	1
		> MACH.BEARING-STG-CASING-WNR-M+6-304	1
		> IMPELLER-M+6-304	1
		> SHAFT SLEEVE-SPACER-Ø19,35x18,465-304	1
		> SHAFT-SLEEVE-D16xD20x18-CW	1
13.3	4174090	INTERMEDIATE STAGE HELIX 6 1.4301 KIT	1
		> MACH.STD-STG-CASING-WGV+NR-M+6-304	1
		> IMPELLER-M+6-304	1
		> IMPELLER SPACER Ø16,05X19,45-L36,465-304	1

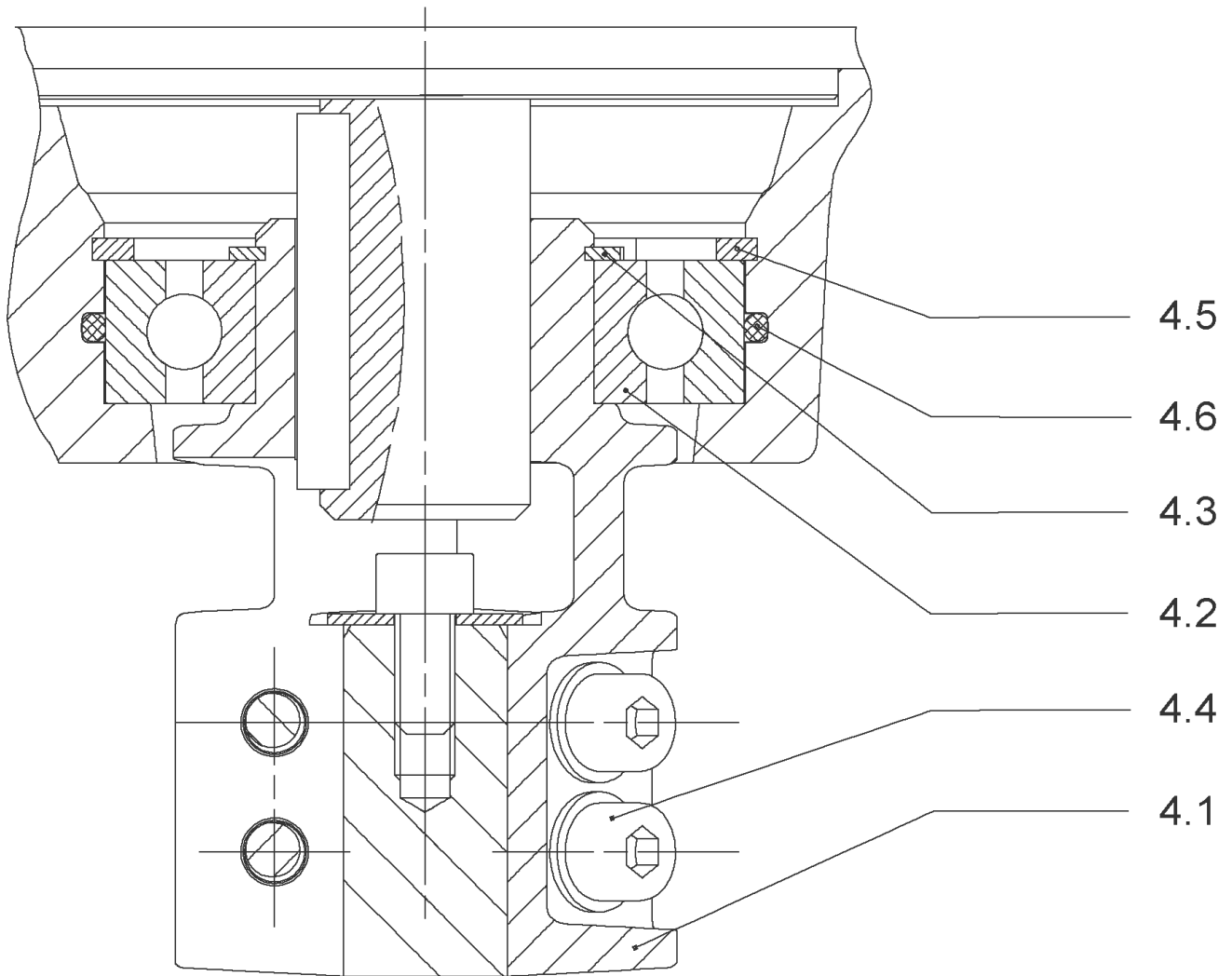


HELIX V623-3/30/E/KS/400-50 (4175102)

Item	Article no.	Description	Quantity
1	4169947	MO 5,5/2/112 3~400V50Hz 460V60Hz IE3 VP.	1
		SPARE PARTS MOTOR:ON REQUEST	1
2	4206025	SCREW M8X45 (4 PIECES)	1
3	4171326	LANTERN FT130 HELIX KIT	1
3.1		> LANTERN FT130 M+6" GJL MACHINING+CATA	1
3.2	2127604	> EYELET CPL.FT HELIX(2 PIECES)	1
3.3	4159692	> COUPLING PROTECTOR FT HELIX KIT	1
4	4159710	COUPLING D.16XD.28 FT130 HELIX KIT	1
5	4159707	SCREW M8X30 (4 PIECES)	1
6	4177881	STUD BOLT M12X990 KIT	1
6.1		> TIE BOLT M12-990x18x30-1.4057	1
6.2	2094647	> NUT M12 M12 ISO4032 VP.	1
6.3	2123557	> WASHER CS-12.4-24-1.6-NFE25 (4 PIECES)	1
7	4177867	END SHIELD PN30 HELIX EPDM KIT	1
7.1		> END SHIELD M+ JL VERSION 1 MACHINED+CATA	1
7.3	4176513	> O-RING FOR PUMP JACKET VP.	1
7.4	2127603	> O-RING ID.37,6x2,4 EPDM VP.	1
8	4159686	FILING/PURGING PLUG HELIX EPDM KIT	1
9	4177872	MECH.SEAL+CART. HELIX6-10-16 T/E KIT	1
10	4177874	HOUSING PIPE D.152x960 1.4307 KIT	1
7.3	4176513	> O-RING FOR PUMP JACKET VP.	1
10.1		> HOUSING-PIPE Ø152-M+1024/1616-304	1
11	4174087	CENTERING STAGE-RETURN HELIX6 1.4301VP.	1
12	4174085	SHAFTS EQUIPMENT HELIX V6 BI BLOC KIT	1
12.1		> NUT-H-M10-A4.70	1
12.2		> SERRATED LOCK WASHER M+6M3-316L	1
12.3		> STOP COLLAR OF IMPELLER L17,9-Ø16-316L	1
12.4		> STOP-RUSH-1/2-D16xd2-M+316	1
13		HYDRAULIC HELIX V 623 1.4307	1
14	4177883	SHAFT D.16X1080 1.4301 VP.	1
15	4208872	PUMP HOUSING HELIX V6 DN32 PN30 KIT	1
15.1		> MACH+CATA PUMP CASING M+5" DN32 PN25 GJL	1
15.2	4010031	> FLAT GASKET D.30/79	1
15.3	4177877	> PRIMING/DRAIN PLUG HELIX PN30 KIT	1

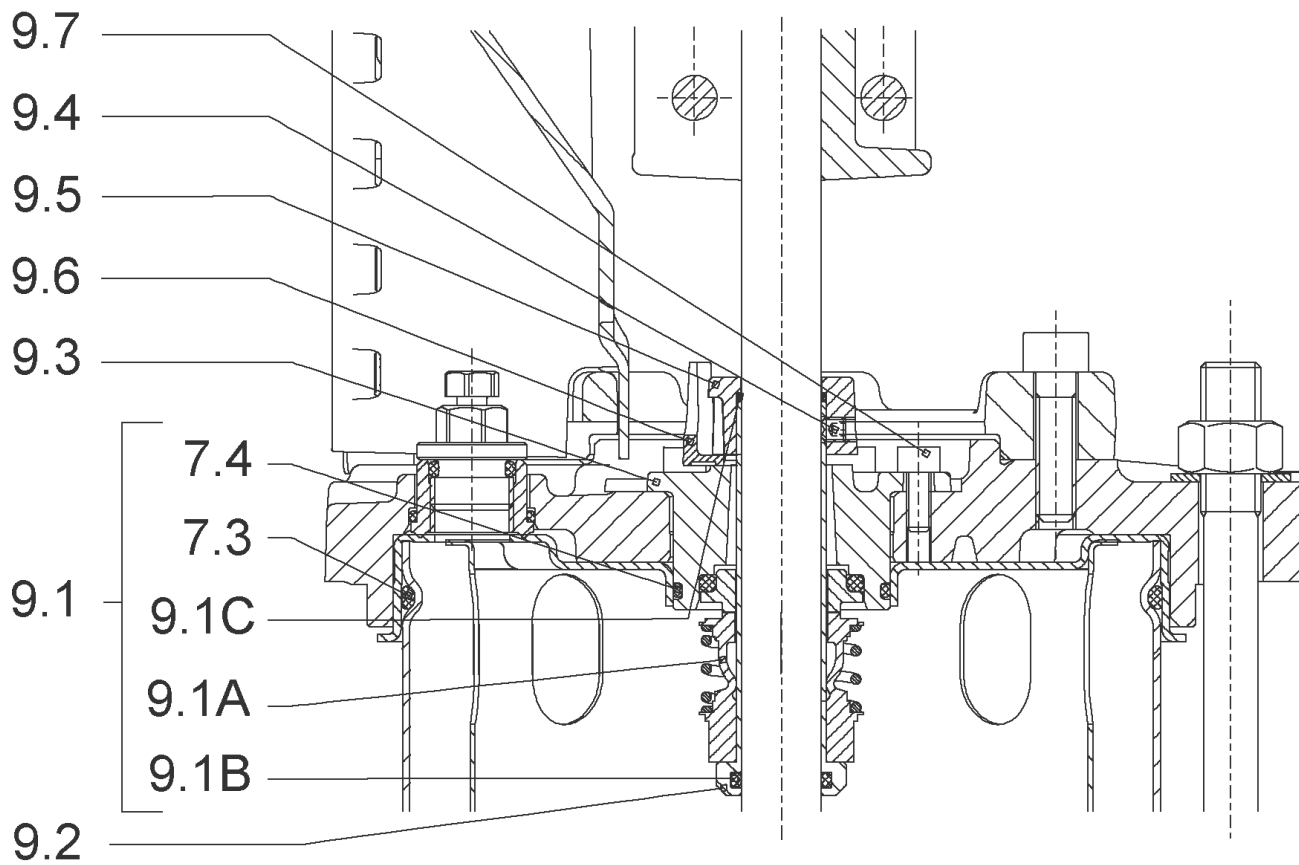
HELIX V623-3/30/E/KS/400-50 (4175102)

Item	Article no.	Description	Quantity
15.3A		>> PRIMING/DRAIN PLUG M+6" 304	1
15.3B	4233957	>> O-RING ID.9 EPDM VP.	1
15.3C		>> O-RING Ø8xØ2 EPDM KTW/WRC	1
7.3	4176513	> O-RING FOR PUMP JACKET VP.	1



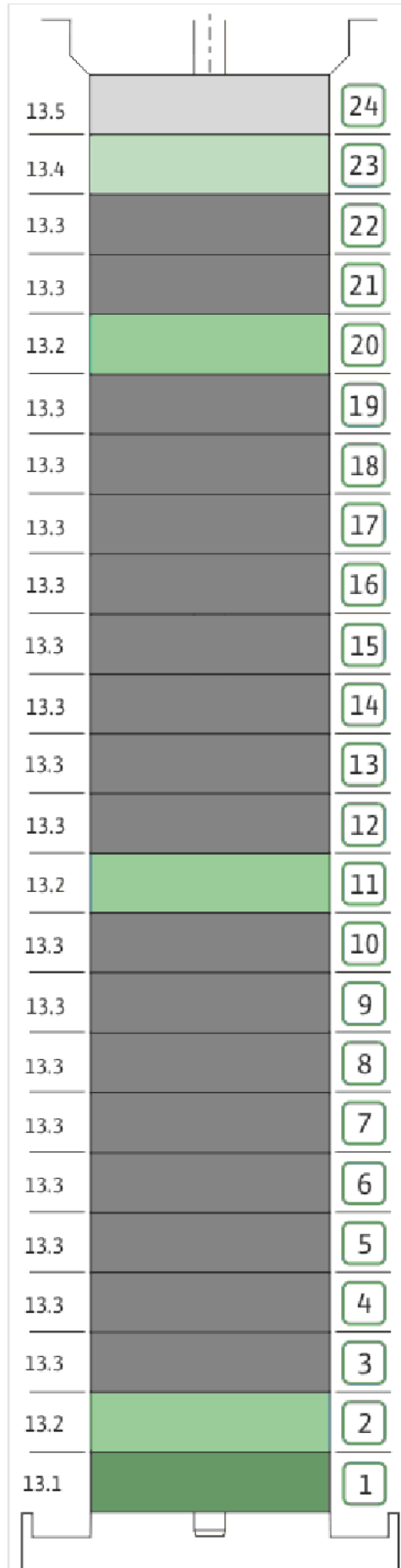
COUPLING D.16XD.28 FT130 HELIX KIT (4159710)

Item	Article no.	Description	Quantity
4.1		COUPLING M+ Ø16XØ28 FT130 MACHINED	1
4.2	2131022	BALL BEARING 6209/ZZ-C3(HT)VP.	1
4.3	4233930	CIRCLIP-FOR-BORES-D45x1,75 VP.	1
4.4	4157726	SCREW KIT M8X30 (4 PIECES)	1
4.5	4234252	CIRCLIPS 85X3 VP.	1
4.6	4234243	O-RING 85X3 VP.	1
		NOMEL CONTACT WASHER 8x16x1,4 STEEL ZC	1



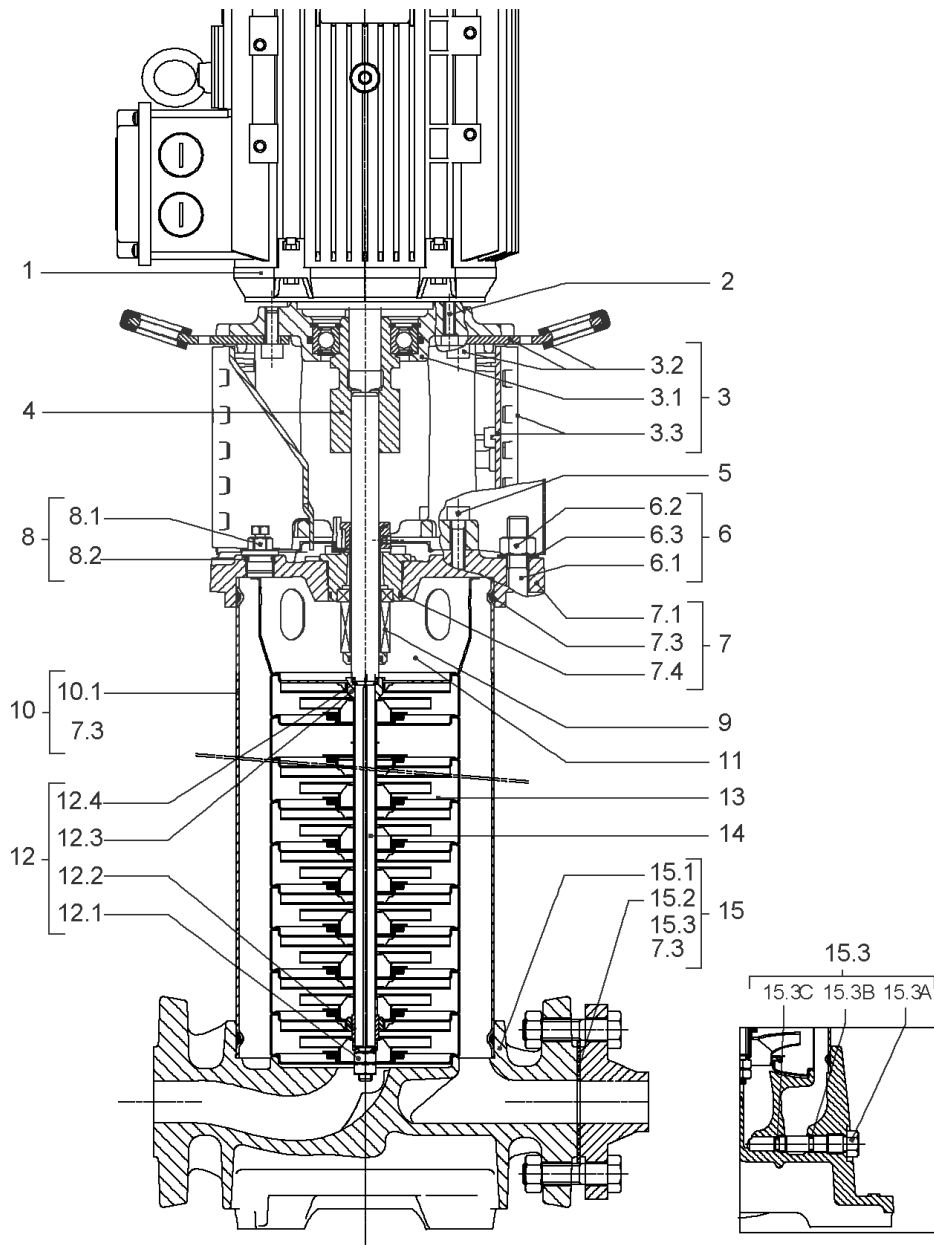
MECH.SEAL+CART. HELIX6-10-16 T/E KIT (4177872)

Item	Article no.	Description	Quantity
9.1	4177871	SEAL-KIT-HELIX6-10-16 T/E	1
7.3	4176513	> O-RING FOR PUMP JACKET VP.	1
7.4	2127603	> O-RING ID.37,6x2,4 EPDM VP.	1
9.1A	4177870	> MECH.SEAL HELIX2-4-6-10-16 T/E VP.	1
9.1B	2130967	> O-RING D.16X2,5 EPDM VP.	1
9.1C	4176519	> O-RING Ø16xØ1.25 VP.	1
9.2	4177869	SHAFT SLEEVE Ø16XØ18/22-G9-PN30 VP.	1
9.3	4177868	RING-HOLDER MS G9 316 VP.	1
9.4	4176520	SCREW CH M5x5 A4-70 (3PIECES)	1
9.5	2130963	DRIVE RING D.29/18x12,4 MACH.VP.	1
9.6	2130964	TOOL M.S.CART.HELIX VP.	1
9.7	2130965	SCREW CHC M5X12 ISO4762 A2.70(4 PIECES)	1



HYDRAULIC HELIX V 623 1.4307

Item	Article no.	Description	Quantity
13.1	4174084	STAGE HELIX 6 1.4301 KIT	1
		> MACH.STG-CASING-WOGV-WNR-M+6-304	1
		> IMPELLER-M+6-304	1
13.2	4174089	INTERMEDIATE STAGE HELIX 6 1.4301 KIT	1
		> MACH.BEARING-STG-CASING-WNR-M+6-304	1
		> IMPELLER-M+6-304	1
		> SHAFT SLEEVE-SPACER-Ø19,35x18,465-304	1
		> SHAFT-SLEEVE-D16xD20x18-CW	1
13.3	4174090	INTERMEDIATE STAGE HELIX 6 1.4301 KIT	1
		> MACH.STD-STG-CASING-WGV+NR-M+6-304	1
		> IMPELLER-M+6-304	1
		> IMPELLER SPACER Ø16,05X19,45-L36,465-304	1
13.4	4174092	EMPTY STAGE HELIX6 1.4301KIT	1
		> MACH.STD-STG-CASING-WGV+NR-M+6-304	1
		> FLAT WASHER-D16.1XD22X1.2-316L	1
		> IMPELLER SPACER Ø16,05X19,45-L36,465-304	1
13.5	4174091	STAGE HELIX 6 1.4301 KIT	1
		> MACH.STG-CASING-WOGV-WNR-M+6-304	1
		> IMPELLER-M+6-304	1
		> IMPELLER SPACER Ø16,05X19,45-L36,465-304	1



HELIX V625-3/30/E/KS/400-50 (4175103)

Item	Article no.	Description	Quantity
1	4169947	MO 5,5/2/112 3~400V50Hz 460V60Hz IE3 VP.	1
		SPARE PARTS MOTOR:ON REQUEST	1
2	4206025	SCREW M8X45 (4 PIECES)	1
3	4171326	LANTERN FT130 HELIX KIT	1
3.1		> LANTERN FT130 M+6" GJL MACHINING+CATA	1
3.2	2127604	> EYELET CPL.FT HELIX(2 PIECES)	1
3.3	4159692	> COUPLING PROTECTOR FT HELIX KIT	1
4	4159710	COUPLING D.16XD.28 FT130 HELIX KIT	1
5	4159707	SCREW M8X30 (4 PIECES)	1
6	4177993	STUD BOLT M12X1065 KIT	1
6.1		> TIE BOLT M12-1065x18x30-1.4057	1
6.2	2094647	> NUT M12 M12 ISO4032 VP.	1
6.3	2123557	> WASHER CS-12.4-24-1.6-NFE25 (4 PIECES)	1
7	4177867	END SHIELD PN30 HELIX EPDM KIT	1
7.1		> END SHIELD M+ JL VERSION 1 MACHINED+CATA	1
7.3	4176513	> O-RING FOR PUMP JACKET VP.	1
7.4	2127603	> O-RING ID.37,6x2,4 EPDM VP.	1
8	4159686	FILING/PURGING PLUG HELIX EPDM KIT	1
9	4177872	MECH.SEAL+CART. HELIX6-10-16 T/E KIT	1
10	4177986	HOUSING PIPE D.152x1035 304 KIT	1
7.3	4176513	> O-RING FOR PUMP JACKET VP.	1
10.1		> HOUSING-PIPE Ø152-M+625-304	1
11	4174087	CENTERING STAGE-RETURN HELIX6 1.4301VP.	1
12	4174085	SHAFTS EQUIPMENT HELIX V6 BI BLOC KIT	1
12.1		> NUT-H-M10-A4.70	1
12.2		> SERRATED LOCK WASHER M+6M3-316L	1
12.3		> STOP COLLAR OF IMPELLER L17,9-Ø16-316L	1
12.4		> STOP-RUSH-1/2-D16xd2-M+316	1
13		HYDRAULIC HELIX V 625 1.4307	1
14	4177987	SHAFT D.16X1155 1.4301 VP.	1
15	4208872	PUMP HOUSING HELIX V6 DN32 PN30 KIT	1
15.1		> MACH+CATA PUMP CASING M+5" DN32 PN25 GJL	1
15.2	4010031	> FLAT GASKET D.30/79	1
15.3	4177877	> PRIMING/DRAIN PLUG HELIX PN30 KIT	1

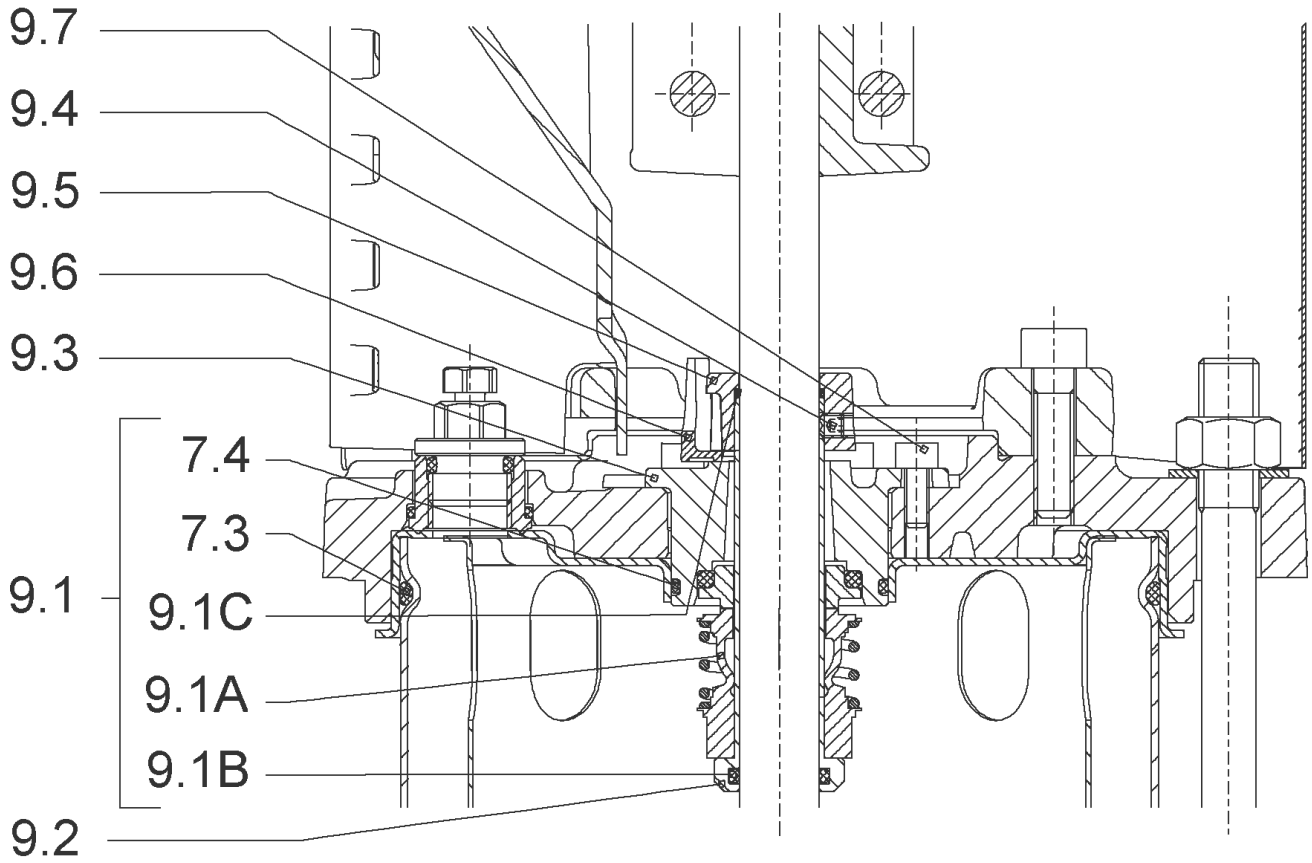
HELIX V625-3/30/E/KS/400-50 (4175103)

Item	Article no.	Description	Quantity
15.3A		>> PRIMING/DRAIN PLUG M+6" 304	1
15.3B	4233957	>> O-RING ID.9 EPDM VP.	1
15.3C		>> O-RING Ø8xØ2 EPDM KTW/WRC	1
7.3	4176513	> O-RING FOR PUMP JACKET VP.	1



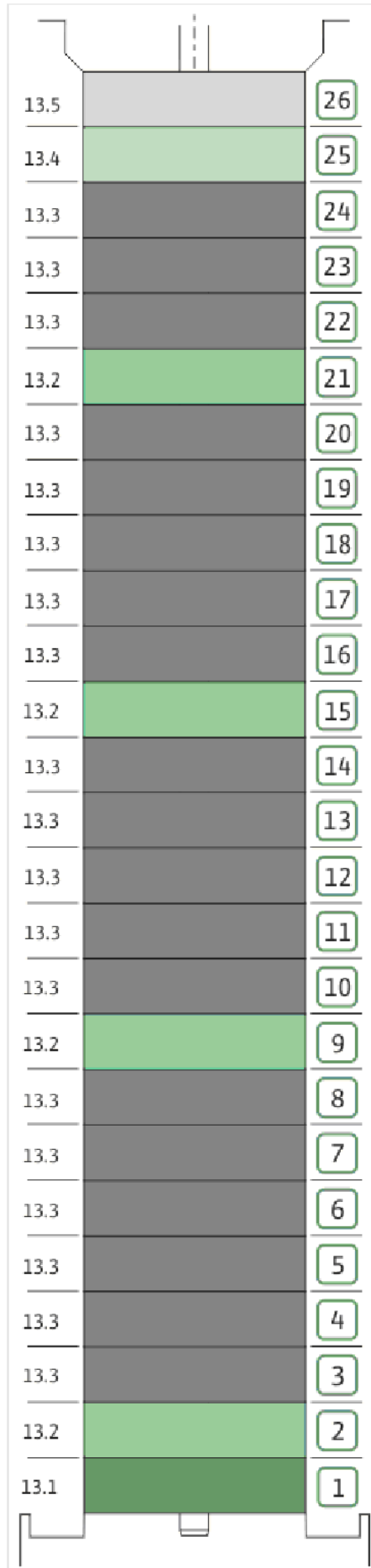
COUPLING D.16XD.28 FT130 HELIX KIT (4159710)

Item	Article no.	Description	Quantity
4.1		COUPLING M+ Ø16XØ28 FT130 MACHINED	1
4.2	2131022	BALL BEARING 6209/ZZ-C3(HT)VP.	1
4.3	4233930	CIRCLIP-FOR-BORES-D45x1,75 VP.	1
4.4	4157726	SCREW KIT M8X30 (4 PIECES)	1
4.5	4234252	CIRCLIPS 85X3 VP.	1
4.6	4234243	O-RING 85X3 VP.	1
		NOMEL CONTACT WASHER 8x16x1,4 STEEL ZC	1



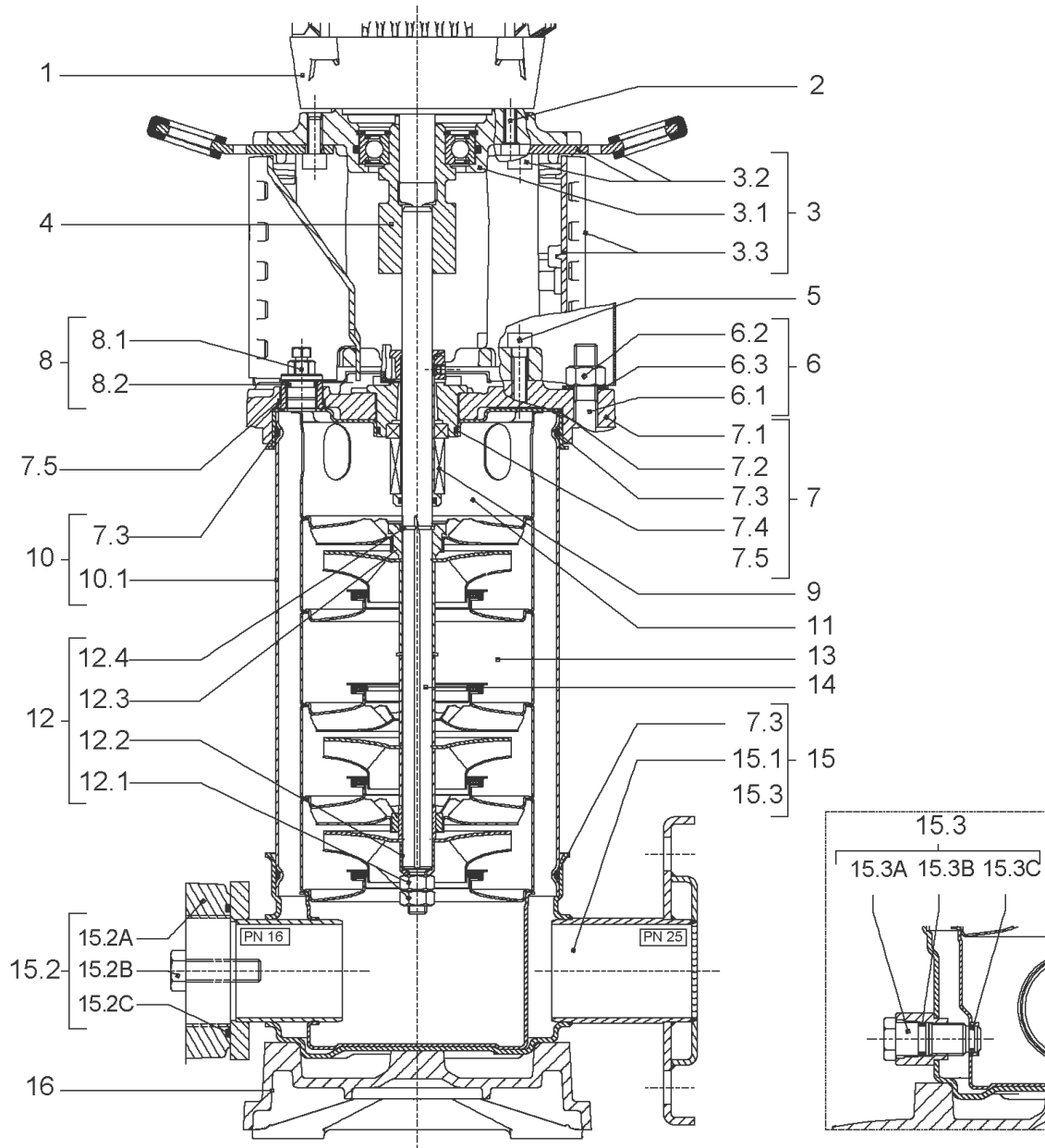
MECH.SEAL+CART. HELIX6-10-16 T/E KIT (4177872)

Item	Article no.	Description	Quantity
9.1	4177871	SEAL-KIT-HELIX6-10-16 T/E	1
7.3	4176513	> O-RING FOR PUMP JACKET VP.	1
7.4	2127603	> O-RING ID.37,6x2,4 EPDM VP.	1
9.1A	4177870	> MECH.SEAL HELIX2-4-6-10-16 T/E VP.	1
9.1B	2130967	> O-RING D.16X2,5 EPDM VP.	1
9.1C	4176519	> O-RING Ø16xØ1.25 VP.	1
9.2	4177869	SHAFT SLEEVE Ø16XØ18/22-G9-PN30 VP.	1
9.3	4177868	RING-HOLDER MS G9 316 VP.	1
9.4	4176520	SCREW CH M5x5 A4-70 (3PIECES)	1
9.5	2130963	DRIVE RING D.29/18x12,4 MACH.VP.	1
9.6	2130964	TOOL M.S.CART.HELIX VP.	1
9.7	2130965	SCREW CHC M5X12 ISO4762 A2.70(4 PIECES)	1



HYDRAULIC HELIX V 625 1.4307

Item	Article no.	Description	Quantity
13.1	4174084	STAGE HELIX 6 1.4301 KIT	1
		> MACH.STG-CASING-WOGV-WNR-M+6-304	1
		> IMPELLER-M+6-304	1
13.2	4174089	INTERMEDIATE STAGE HELIX 6 1.4301 KIT	1
		> MACH.BEARING-STG-CASING-WNR-M+6-304	1
		> IMPELLER-M+6-304	1
		> SHAFT SLEEVE-SPACER-Ø19,35x18,465-304	1
		> SHAFT-SLEEVE-D16xD20x18-CW	1
13.3	4174090	INTERMEDIATE STAGE HELIX 6 1.4301 KIT	1
		> MACH.STD-STG-CASING-WGV+NR-M+6-304	1
		> IMPELLER-M+6-304	1
		> IMPELLER SPACER Ø16,05X19,45-L36,465-304	1
13.4	4174092	EMPTY STAGE HELIX6 1.4301KIT	1
		> MACH.STD-STG-CASING-WGV+NR-M+6-304	1
		> FLAT WASHER-D16.1XD22X1.2-316L	1
		> IMPELLER SPACER Ø16,05X19,45-L36,465-304	1
13.5	4174091	STAGE HELIX 6 1.4301 KIT	1
		> MACH.STG-CASING-WOGV-WNR-M+6-304	1
		> IMPELLER-M+6-304	1
		> IMPELLER SPACER Ø16,05X19,45-L36,465-304	1



HELIX V607-2/25/V/K/400-50 (4199904)

Item	Article no.	Description	Quantity
1	4169942	MO.1,5/2 3~230/400(440)V 50(60)HZ IE3 VP	1
		SPARE PARTS MOTOR:ON REQUEST	1
2	4159703	SCREW M8X40 (4 PIECES)	1
3	4159690	LANTERN FT115 HELIX KIT	1
3.1		> LANTERN FT115 M+6" GJL MACHINING+CATA	1
3.2	2127604	> EYELET CPL.FT HELIX(2 PIECES)	1
3.3	4159692	> COUPLING PROTECTOR FT HELIX KIT	1
4	4159709	COUPLING D.16xD.24 FT115 HELIX KIT	1
5	4159707	SCREW M8X30 (4 PIECES)	1
6	4177806	STUD BOLT M12X450KIT	1
6.1		> TIE BOLT M12-450x18x30-1.4057	1
6.2	2094647	> NUT M12 M12 ISO4032 VP.	1
6.3	2123557	> WASHER CS-12.4-24-1.6-NFE25 (4 PIECES)	1
7	4159783	END SHIELD HELIX FKM 1.4404 KIT	1
7.1		> END SHIELD M+6" GJL250 MACHINING+CATA	1
7.2	2131056	> STATIONARY RING HOLDER 6" HELIX 1.4404 V	1
7.3	4234237	> O-RING 139X3 VITON VP.	1
7.4	2131026	> O-RING ID.37,6X2,4 FKM VP.	1
7.5	2131057	> O-RING ID.21,35X2 FKM VP.	1
8	4159784	FILING/PURGING PLUG HELIX FKM KIT	1
9	4159700	CARTRIDGE HELIX6-10-16 F/V KIT	1
10	4177929	HOUSING PIPES D.152X322 1.4404 KIT	1
7.3	4234237	> O-RING 139X3 VITON VP.	1
10.1		> HOUSING-PIPE Ø152-M+1007-316L	1
11	4174337	CENTERING STAGE-RETURN HELIX10 1.4404VP.	1
12	4174085	SHAFTS EQUIPMENT HELIX V6 BI BLOC KIT	1
12.1		> NUT-H-M10-A4.70	1
12.2		> SERRATED LOCK WASHER M+6M3-316L	1
12.3		> STOP COLLAR OF IMPELLER L17,9-Ø16-316L	1
12.4		> STOP-RUSH-1/2-D16xd2-M+316	1
13		HYDRAULIC HELIX V 607 316 L	1
14	4177930	SHAFT D.16X442,5 1.4404 VP.	1
15	4174333	PUMP HOUSING HELIX DN32 PN25 1.4409 KIT	1
7.3	4177887	> O-RING ID.145,65X3,53 VITON VP.	1

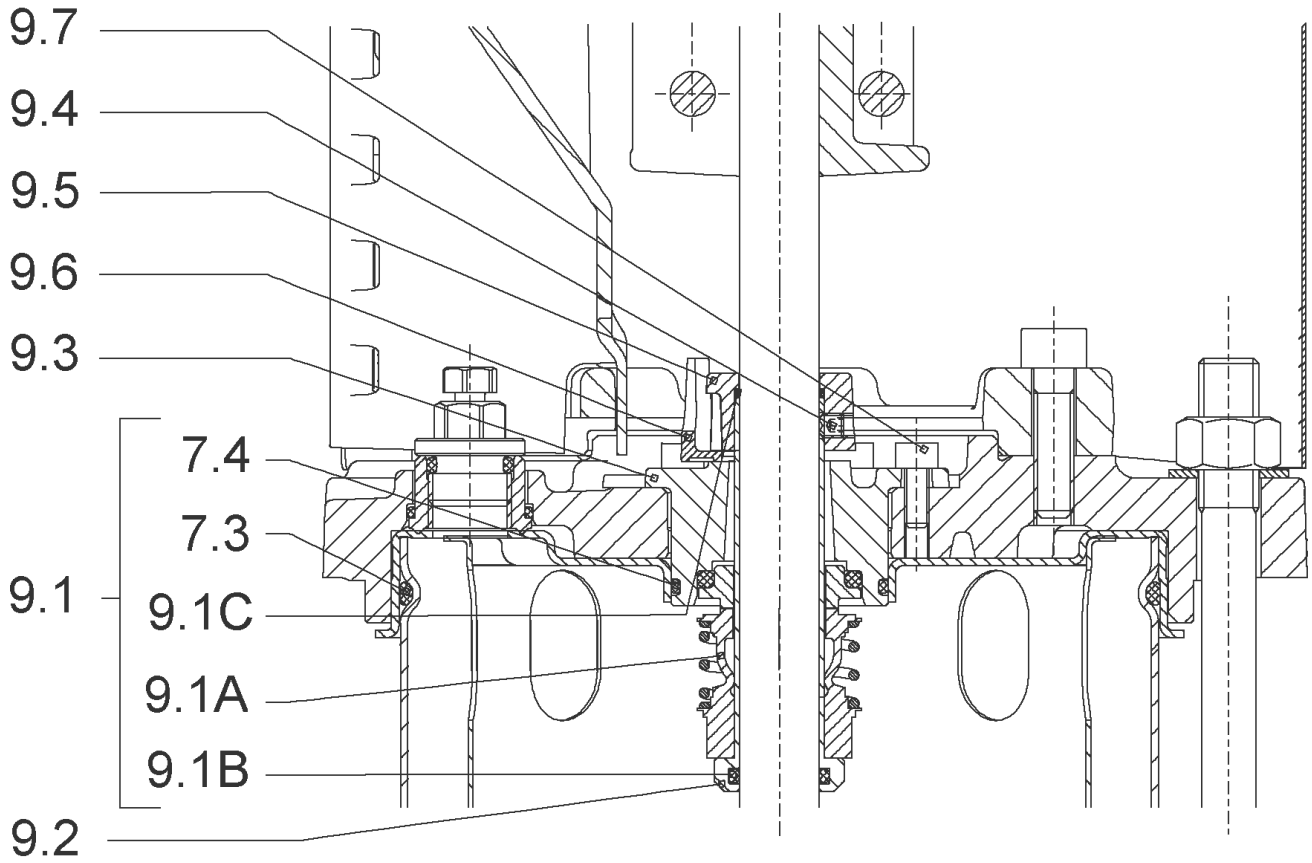
HELIX V607-2/25/V/K/400-50 (4199904)

Item	Article no.	Description	Quantity
15.1		> BLASTING PPE HOUSING V-PN25-DN32-5"-316L	1
15.3	4159781	> PRIMING/DRAIN PLUG HELIX 16 FKM KIT	1
16	4177970	BASEPLATE HELIX V2/4/6 PN25 VP.	1



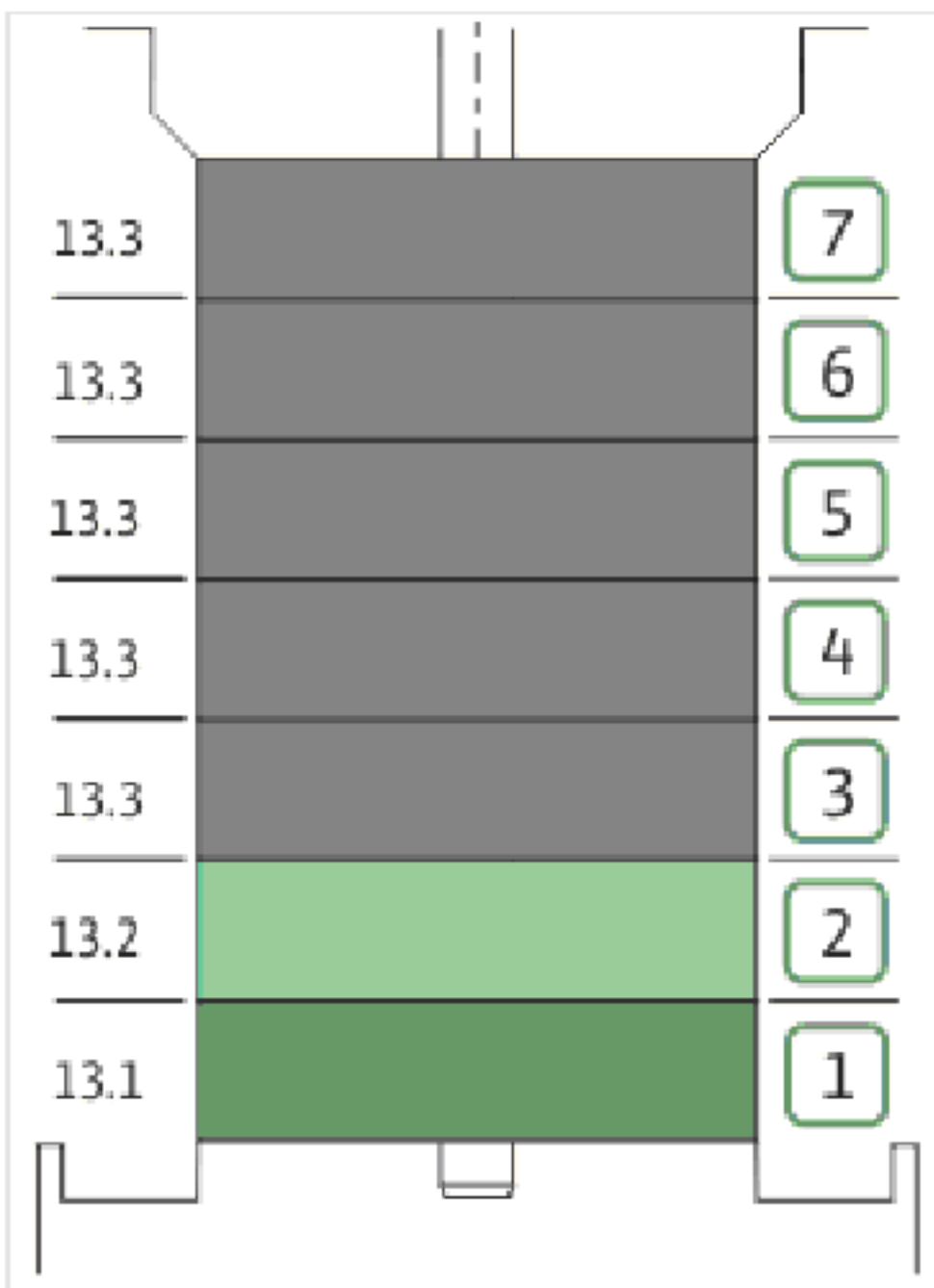
COUPLING D.16xD.24 FT115 HELIX KIT (4159709)

Item	Article no.	Description	Quantity
4.1		COUPLING M+ Ø16XØ24 FT115 MACHINED	1
4.2	2131023	BALL BEARING 6207/ZZ-C3(HT)VP.	1
4.3	4234254	CIRCLIP-FOR-SHAFT-D35x1.5 VP.	1
4.4	4157726	SCREW KIT M8X30 (4 PIECES)	1
4.5	4234251	CIRCLIP-D72x2.5 VP.	1
4.6	4234246	O-RING 72X3 VP.	1
		NOMEL CONTACT WASHER 8x16x1,4 STEEL ZC	1



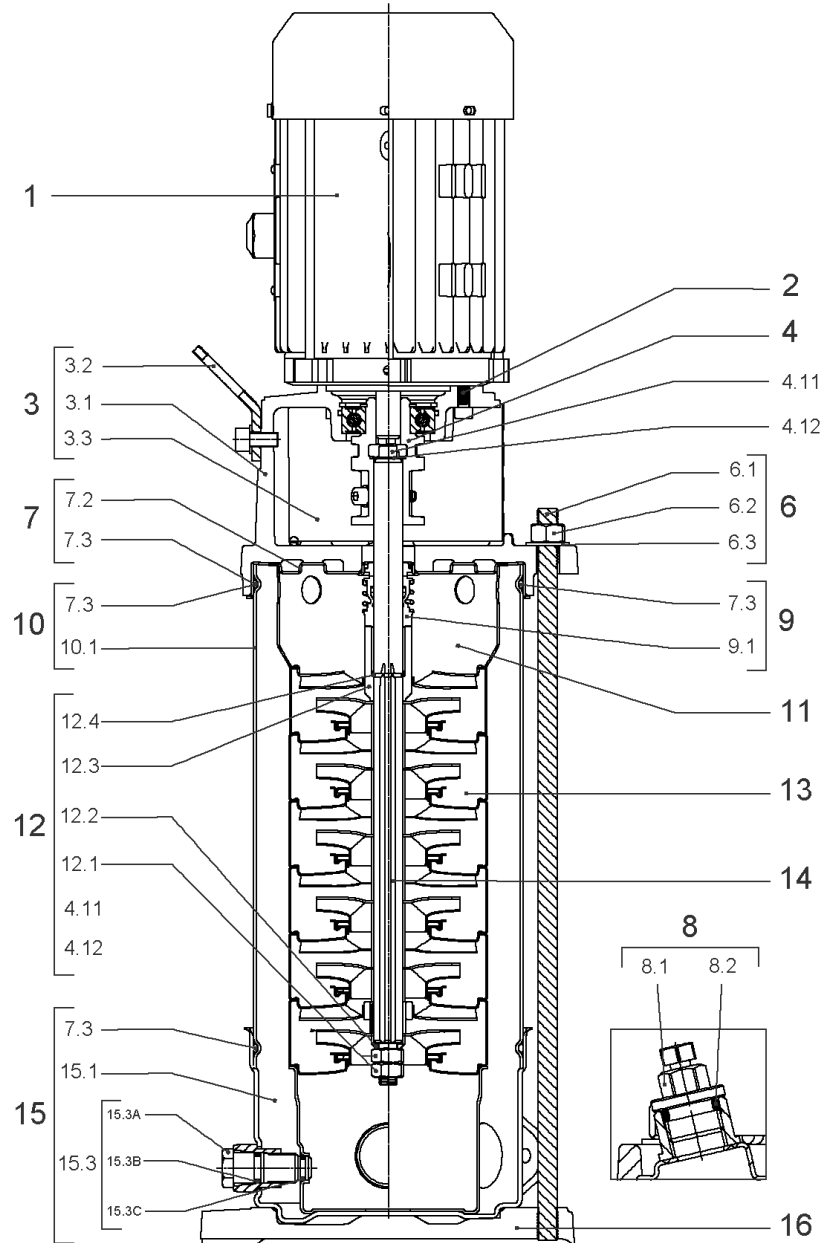
CARTRIDGE HELIX6-10-16 F/V KIT (4159700)

Item	Article no.	Description	Quantity
9.1	4159701	SEAL-KIT-HELIX6-10-16 F/V	1
7.3	4177887	> O-RING ID.145,65X3,53 VITON VP.	1
7.4	4177888	> O-RING ID.37.6xØ2.4 VITON VP.	1
9.1A	2131025	> MECH.SEAL HELIX2-4-6-10-16 F/V VP.	1
9.1B	2131027	> O-RING D.16XD.2,5 FKM VP.	1
9.1C	4177889	> O-RING ID.16x1.25 VITON VP.	1
9.2	2130961	SHAFT SLEEVE D.18/16X72,2 1.4404 VP.	1
9.3	2131024	RING HOLDER D.18 G606/G6 1.4404 VP.	1
9.4	4176520	SCREW CH M5x5 A4-70 (3PIECES)	1
9.5	2130963	DRIVE RING D.29/18x12,4 MACH.VP.	1
9.6	2130964	TOOL M.S.CART.HELIX VP.	1
9.7	2130965	SCREW CHC M5X12 ISO4762 A2.70(4 PIECES)	1



HYDRAULIC HELIX V 607 316 L

Item	Article no.	Description	Quantity
13.1	4174336	STAGE HELIX6 1.4404 KIT	1
		> MACH.STG-CASING-WOGV-WNR-M+6-316	1
		> IMPELLER-M+6-316	1
13.2	4174338	INTERMEDIATE STAGE HELIX 6 1.4404 KIT	1
		> MACH.BEARING-STG-CASING-WNR-M+6-316	1
		> IMPELLER-M+6-316	1
		> SHAFT SLEEVE-SPACER-Ø19,35x18,465-316	1
		> SHAFT-SLEEVE-D16xD20x18-CW	1
13.3	4174339	INTERMEDIATE STAGE HELIX 6 1.4404 KIT	1
		> MACH.STD-STG-CASING-WGV+NR-M+6-316	1
		> IMPELLER-M+6-316	1
		> IMPELLER SPACER Ø16,05X19,45-L36,465-316	1



HELIX V602-1/16/E/S/400-50 (4201400)

Item	Article no.	Description	Quantity
1	4169939	MO.0,55/2/71 3~400V 50HZ 460V 60HZ IE2VP	1
		SPARE PARTS MOTOR:ON REQUEST	1
2	4212716	SCREW M6X20 KIT (4PIECES)	1
3	4213715	LANTERN FT85 HELIX KIT	1
3.1		> LANT-MOT-VMI-ReDTC6"-FT85-MACHINED+CATA	1
3.2	4184852	> EYELET CPL.FT HELIX (2 PIECES)	1
3.3	4213713	> COUPLING PROTECTOR FT85/100 HELIX KIT	1
4	4214477	COUPLING HELIX D16 FT85 KIT	1
6	4177803	STUD BOLT M12X263 KIT	1
6.1		> TIE BOLT M12-263x18x30-1.4057	1
6.2	2094647	> NUT M12 M12 ISO4032 VP.	1
6.3	2123557	> WASHER CS-12.4-24-1.6-NFE25 (4 PIECES)	1
7	4214481	STATIONARY RING HOLDER HELIX D27 ReDTC	1
7.2	4214479	> STATIONARY RING HOLDER HELIX D27 VP.	1
7.3	4176513	> O-RING FOR PUMP JACKET VP.	1
8	4212724	FILING/PURGING PLUG HELIX ReDTC KIT	1
8.1		> FILLING PLUG MVI6"-304	1
8.2	4177800	> O-RING EPDM PLUG HELIX VP.	1
9	4214483	MECH.SEAL HELIX6-10-16 O/E ReDTC KIT	1
9.1	4177801	> MECH.SEAL HELIX6-10-16 O/E VP.	1
7.3	4176513	> O-RING FOR PUMP JACKET VP.	1
10	4177804	HOUSING PIPES D.152X134 1.4301 KIT	1
7.3	4176513	> O-RING FOR PUMP JACKET VP.	1
10.1		> HOUSING-PIPE Ø152-M+1001/02-304	1
11	4174087	CENTERING STAGE-RETURN HELIX6 1.4301VP.	1
12	4214486	SHAFT EQUIPMENT HELIX V6 ReDTC KIT	1
12.1		> NUT-H-M10-A4.70	1
12.2		> SERRATED LOCK WASHER M+6M3-316L	1
12.3		> 1/2-SNAP-RING-6/10M3-316L	1
12.4		> STOP-RUSH-1/2-D16xd2-M+316	1
4.11		> SCREW CHC-M6X14-8.8-ISO4762-GEOMET500A	1
4.12		> WASHER D.24 L6U ZINK	1
13		HYDRAULIC HELIX V 602 1.4307	1
14	4214488	SHAFT D.16X203 HELIX 1.4057 VP.	1

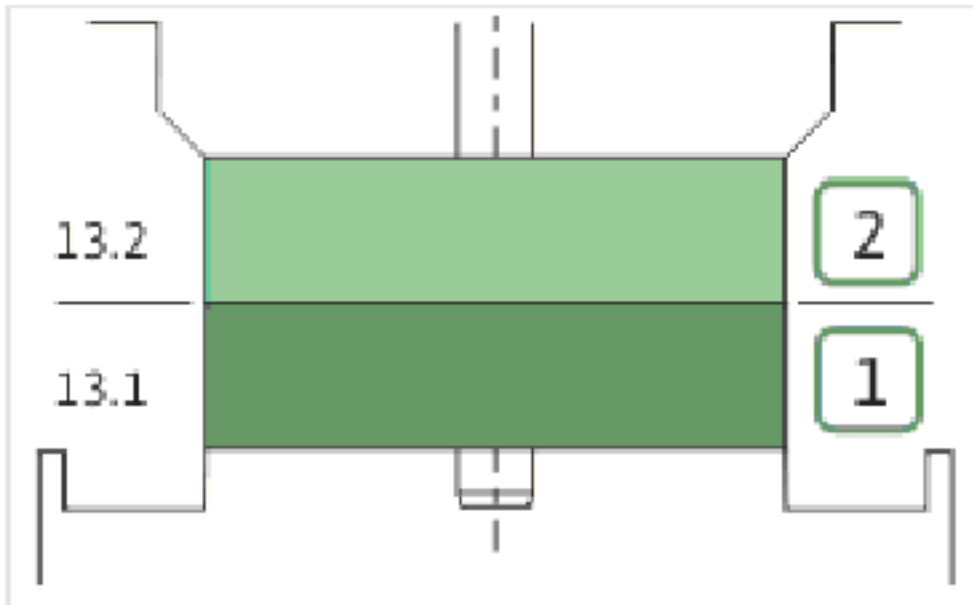
HELIX V602-1/16/E/S/400-50 (4201400)

Item	Article no.	Description	Quantity
15	4217897	PUMP HOUSING HELIX DN32 PN16 1.4301 KIT	1
7.3	4176513	> O-RING FOR PUMP JACKET VP.	1
15.1		> BLASTING PPE HOUSING V-PN16-DN32-5"-304	1
15.2	4217891	> COUNTER FLANGE-G1"1/4-PN16-GJL KIT	1
15.3	4171321	> PRIMING/DRAIN PLUG EPDM HELIX KIT	1
16	4177964	BASEPLATE HELIX V2/4/6 PN16 VP.	1

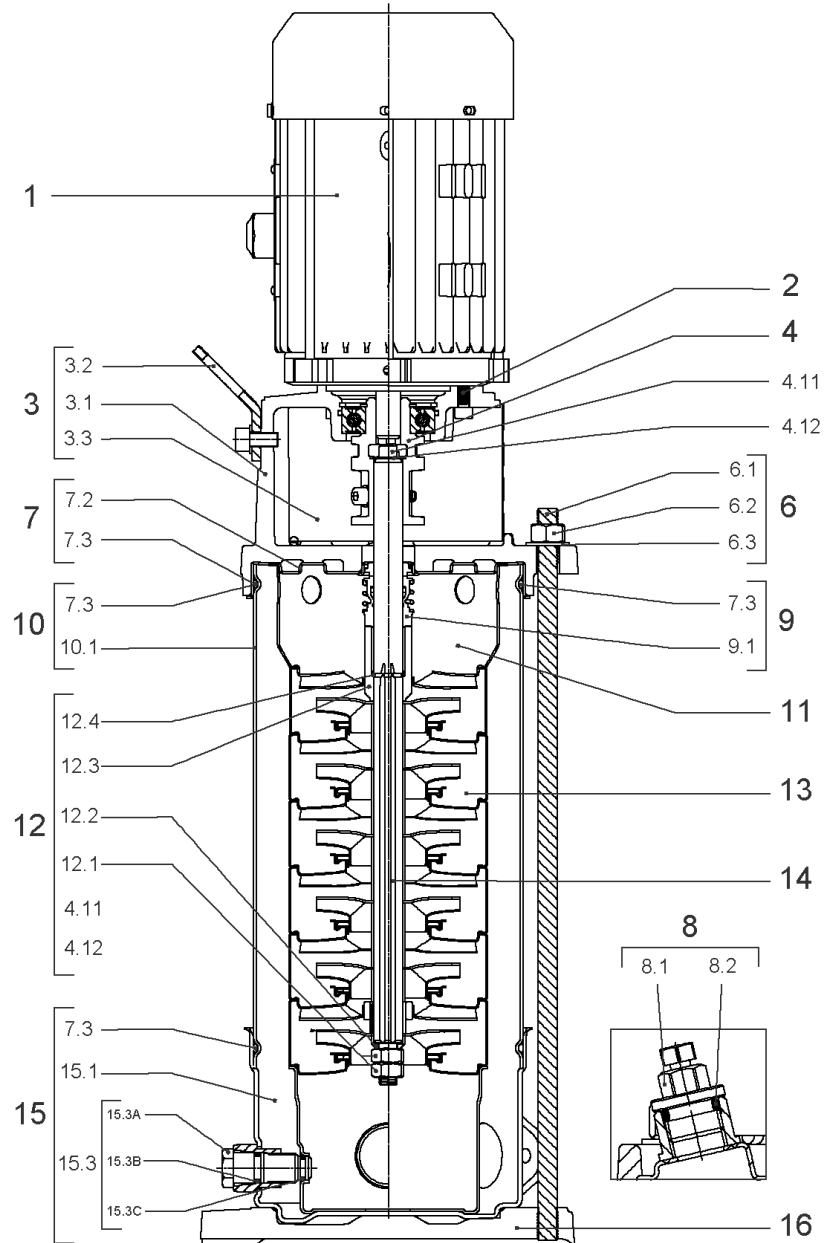


COUPLING HELIX D16 FT85 KIT (4214477)

Item	Article no.	Description	Quantity
4.1		COUPLING-VMI-Ø16xØ14-FT85-USINE	1
4.2	4177802	BALL BEARING 6205C3-ZZ HTVP.	1
4.3	4208923	CIRCLIP D25X1.2 VP.	1
4.4	4212716	SCREW M6X20 KIT (4PIECES)	1
4.5	4233124	CIRCLIP-FOR-BORES-D52x2 VP.	1
4.6	4234244	O-RING 52X2 VP.	1
		CONTACT-WASHER-6ETR-6,1x12,2x1,8-STEEL	1



Item	Article no.	Description	Quantity
13.1	4174084	STAGE HELIX 6 1.4301 KIT	1
		> MACH.STG-CASING-WOGV-WNR-M+6-304	1
		> IMPELLER-M+6-304	1
13.2	4174089	INTERMEDIATE STAGE HELIX 6 1.4301 KIT	1
		> MACH.BEARING-STG-CASING-WNR-M+6-304	1
		> IMPELLER-M+6-304	1
		> SHAFT SLEEVE-SPACER-Ø19,35x18,465-304	1
		> SHAFT-SLEEVE-D16xD20x18-CW	1



HELIX V603-1/16/E/S/400-50 (4201402)

Item	Article no.	Description	Quantity
1	4169939	MO.0,55/2/71 3~400V 50HZ 460V 60HZ IE2VP	1
		SPARE PARTS MOTOR:ON REQUEST	1
2	4212716	SCREW M6X20 KIT (4PIECES)	1
3	4213715	LANTERN FT85 HELIX KIT	1
3.1		> LANT-MOT-VMI-ReDTC6"-FT85-MACHINED+CATA	1
3.2	4184852	> EYELET CPL.FT HELIX (2 PIECES)	1
3.3	4213713	> COUPLING PROTECTOR FT85/100 HELIX KIT	1
4	4214477	COUPLING HELIX D16 FT85 KIT	1
6	4177812	STUD BOLT M12X300KIT	1
6.1		> TIE BOLT M12-300x18x30-1.4057	1
6.2	2094647	> NUT M12 M12 ISO4032 VP.	1
6.3	2123557	> WASHER CS-12.4-24-1.6-NFE25 (4 PIECES)	1
7	4214481	STATIONARY RING HOLDER HELIX D27 ReDTC	1
7.2	4214479	> STATIONARY RING HOLDER HELIX D27 VP.	1
7.3	4176513	> O-RING FOR PUMP JACKET VP.	1
8	4212724	FILING/PURGING PLUG HELIX ReDTC KIT	1
8.1		> FILLING PLUG MVI6"-304	1
8.2	4177800	> O-RING EPDM PLUG HELIX VP.	1
9	4214483	MECH.SEAL HELIX6-10-16 O/E ReDTC KIT	1
9.1	4177801	> MECH.SEAL HELIX6-10-16 O/E VP.	1
7.3	4176513	> O-RING FOR PUMP JACKET VP.	1
10	4177813	HOUSING PIPE D.152x172 1.4301 KIT	1
7.3	4176513	> O-RING FOR PUMP JACKET VP.	1
10.1		> HOUSING-PIPE Ø152-M+1003-304	1
11	4174087	CENTERING STAGE-RETURN HELIX6 1.4301VP.	1
12	4214486	SHAFT EQUIPMENT HELIX V6 ReDTC KIT	1
12.1		> NUT-H-M10-A4.70	1
12.2		> SERRATED LOCK WASHER M+6M3-316L	1
12.3		> 1/2-SNAP-RING-6/10M3-316L	1
12.4		> STOP-RUSH-1/2-D16xd2-M+316	1
4.11		> SCREW CHC-M6X14-8.8-ISO4762-GEOMET500A	1
4.12		> WASHER D.24 L6U ZINK	1
13		HYDRAULIC HELIX V 603 1.4307	1
14	4214493	SHAFT D.16X241 HELIX 1.4057 VP.	1

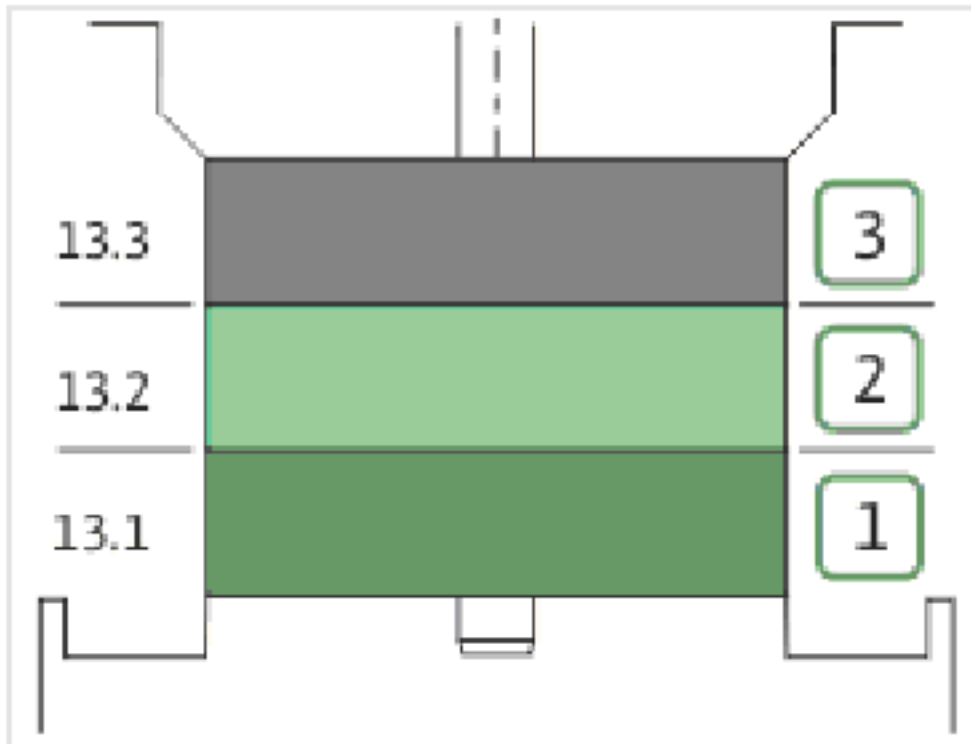
HELIX V603-1/16/E/S/400-50 (4201402)

Item	Article no.	Description	Quantity
15	4217897	PUMP HOUSING HELIX DN32 PN16 1.4301 KIT	1
7.3	4176513	> O-RING FOR PUMP JACKET VP.	1
15.1		> BLASTING PPE HOUSING V-PN16-DN32-5"-304	1
15.2	4217891	> COUNTER FLANGE-G1"1/4-PN16-GJL KIT	1
15.3	4171321	> PRIMING/DRAIN PLUG EPDM HELIX KIT	1
16	4177964	BASEPLATE HELIX V2/4/6 PN16 VP.	1



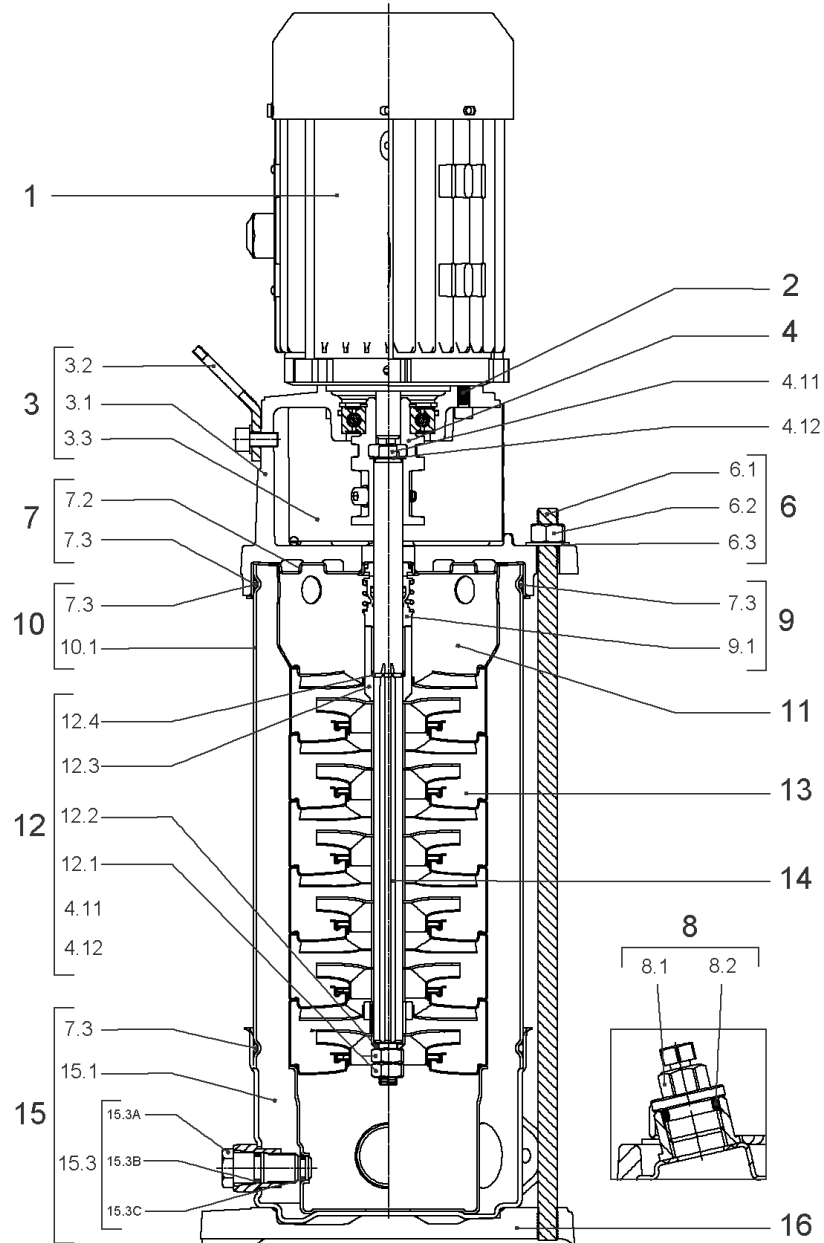
COUPLING HELIX D16 FT85 KIT (4214477)

Item	Article no.	Description	Quantity
4.1		COUPLING-VMI-Ø16xØ14-FT85-USINE	1
4.2	4177802	BALL BEARING 6205C3-ZZ HTVP.	1
4.3	4208923	CIRCLIP D25X1.2 VP.	1
4.4	4212716	SCREW M6X20 KIT (4PIECES)	1
4.5	4233124	CIRCLIP-FOR-BORES-D52x2 VP.	1
4.6	4234244	O-RING 52X2 VP.	1
		CONTACT-WASHER-6ETR-6,1x12,2x1,8-STEEL	1



HYDRAULIC HELIX V 603 1.4307

Item	Article no.	Description	Quantity
13.1	4174084	STAGE HELIX 6 1.4301 KIT	1
		> MACH.STG-CASING-WOGV-WNR-M+6-304	1
		> IMPELLER-M+6-304	1
13.2	4174089	INTERMEDIATE STAGE HELIX 6 1.4301 KIT	1
		> MACH.BEARING-STG-CASING-WNR-M+6-304	1
		> IMPELLER-M+6-304	1
		> SHAFT SLEEVE-SPACER-Ø19,35x18,465-304	1
		> SHAFT-SLEEVE-D16xD20x18-CW	1
13.3	4174090	INTERMEDIATE STAGE HELIX 6 1.4301 KIT	1
		> MACH.STD-STG-CASING-WGV+NR-M+6-304	1
		> IMPELLER-M+6-304	1
		> IMPELLER SPACER Ø16,05X19,45-L36,465-304	1

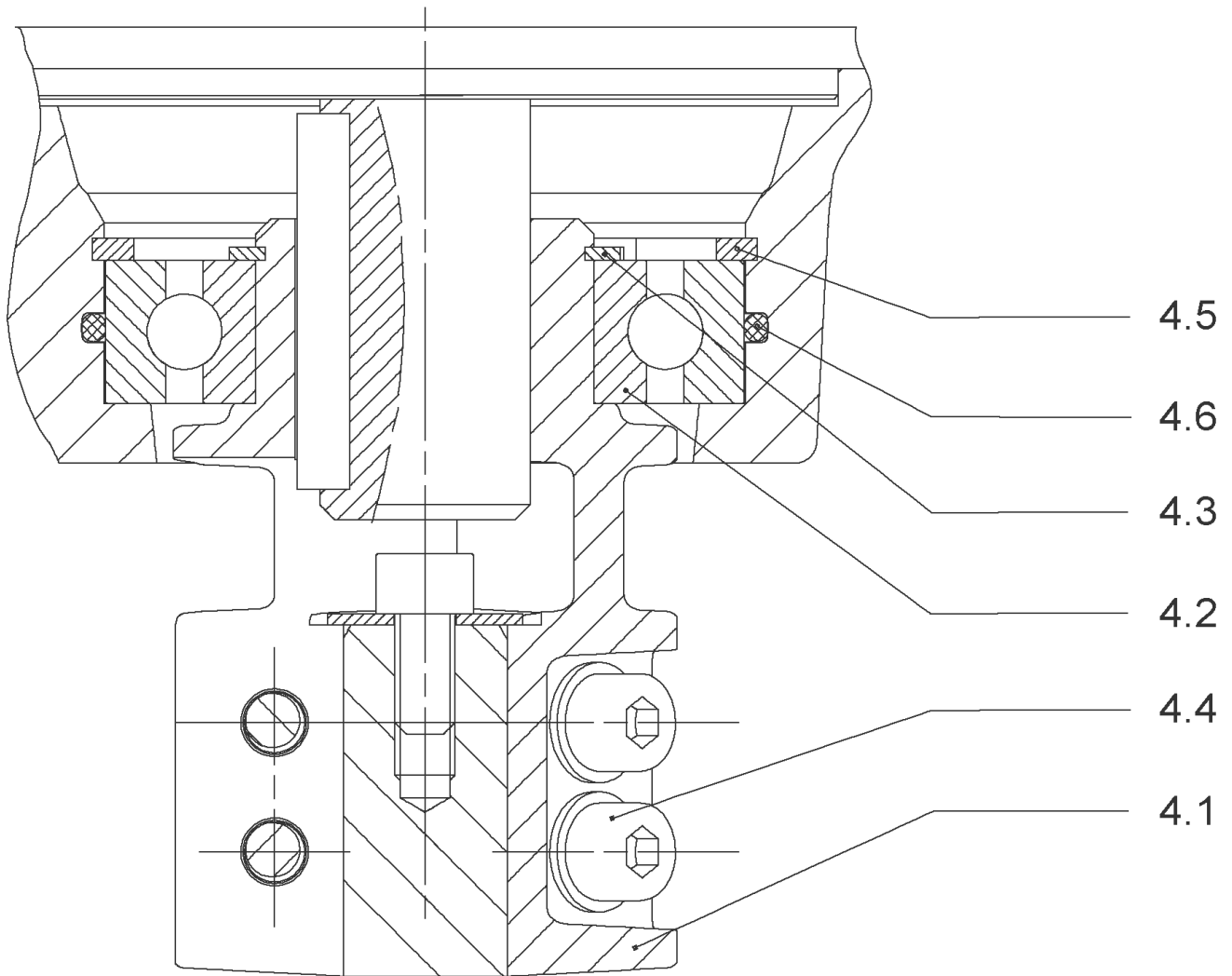


HELIX V604-1/16/E/S/400-50 (4201405)

Item	Article no.	Description	Quantity
1	4169940	MOTOR 0,75/2/80 3~230/400V 50HZ IE3 VP.	1
		SPARE PARTS MOTOR:ON REQUEST	1
2	4212716	SCREW M6X20 KIT (4PIECES)	1
3	4213752	LANTERN FT100 HELIX KIT	1
3.1		> LANT-MOT-VMI-ReDTC6"-FT100-MACHINED+CATA	1
3.2	4184852	> EYELET CPL.FT HELIX (2 PIECES)	1
3.3	4213713	> COUPLING PROTECTOR FT85/100 HELIX KIT	1
4	4159708	COUPLING D.16XD.19 FT100 HELIX KIT	1
6	4177817	STUD BOLT M12X341 KIT	1
6.1		> TIE BOLT M12-341x18x30-1.4057	1
6.2	2094647	> NUT M12 M12 ISO4032 VP.	1
6.3	2123557	> WASHER CS-12.4-24-1.6-NFE25 (4 PIECES)	1
7	4214481	STATIONARY RING HOLDER HELIX D27 ReDTC	1
7.2	4214479	> STATIONARY RING HOLDER HELIX D27 VP.	1
7.3	4176513	> O-RING FOR PUMP JACKET VP.	1
8	4212724	FILING/PURGING PLUG HELIX ReDTC KIT	1
8.1		> FILLING PLUG MVI6"-304	1
8.2	4177800	> O-RING EPDM PLUG HELIX VP.	1
9	4214483	MECH.SEAL HELIX6-10-16 O/E ReDTC KIT	1
9.1	4177801	> MECH.SEAL HELIX6-10-16 O/E VP.	1
7.3	4176513	> O-RING FOR PUMP JACKET VP.	1
10	4177818	HOUSING PIPES Ø152-M+1004-304 KIT	1
7.3	4176513	> O-RING FOR PUMP JACKET VP.	1
10.1		> HOUSING-PIPE Ø152-M+1004/1603-304	1
11	4174087	CENTERING STAGE-RETURN HELIX6 1.4301VP.	1
12	4214486	SHAFT EQUIPMENT HELIX V6 ReDTC KIT	1
12.1		> NUT-H-M10-A4.70	1
12.2		> SERRATED LOCK WASHER M+6M3-316L	1
12.3		> 1/2-SNAP-RING-6/10M3-316L	1
12.4		> STOP-RUSH-1/2-D16xd2-M+316	1
4.11		> SCREW CHC-M6X14-8.8-ISO4762-GEOMET500A	1
4.12		> WASHER D.24 L6U ZINK	1
13		HYDRAULIC HELIX V 604 1.4307	1
14	4214495	SHAFT D.16X278 HELIX 1.4057 VP.	1

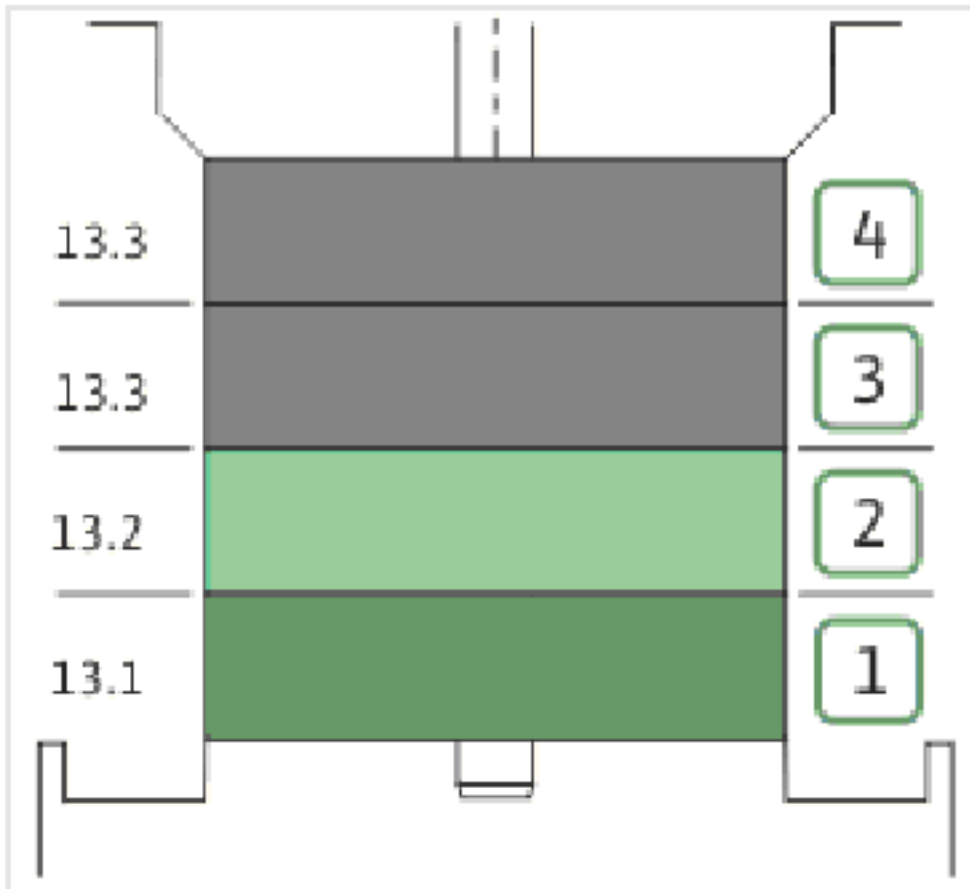
HELIX V604-1/16/E/S/400-50 (4201405)

Item	Article no.	Description	Quantity
15	4217897	PUMP HOUSING HELIX DN32 PN16 1.4301 KIT	1
7.3	4176513	> O-RING FOR PUMP JACKET VP.	1
15.1		> BLASTING PPE HOUSING V-PN16-DN32-5"-304	1
15.2	4217891	> COUNTER FLANGE-G1"1/4-PN16-GJL KIT	1
15.3	4171321	> PRIMING/DRAIN PLUG EPDM HELIX KIT	1
16	4177964	BASEPLATE HELIX V2/4/6 PN16 VP.	1



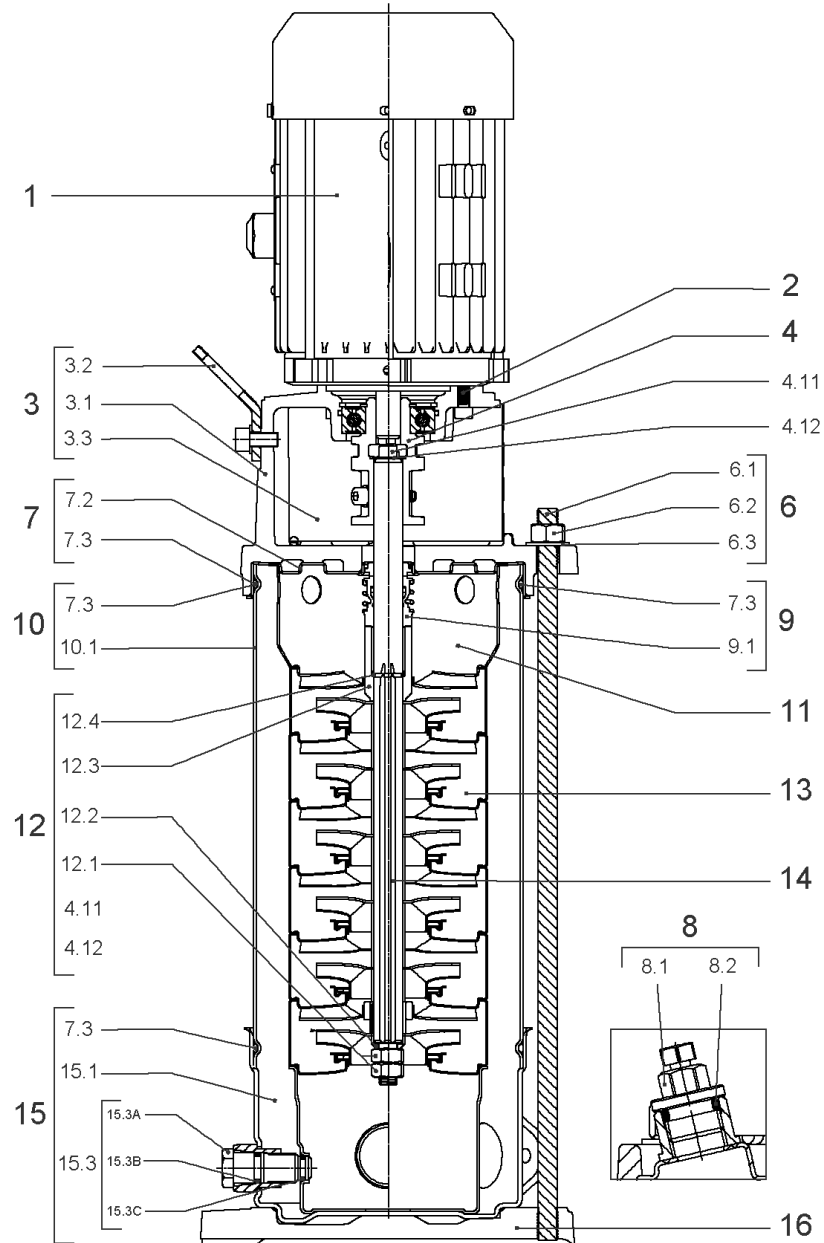
COUPLING D.16XD.19 FT100 HELIX KIT (4159708)

Item	Article no.	Description	Quantity
4.1		COUPLING M+ Ø16XØ19 FT100 MACHINED	1
4.2	2130977	BALL BEARING 6206/ZZ-C3(HT)VP.	1
4.3	4234249	CIRCLIP-FOR-SHAFT-D30x1.5 VP.	1
4.4	4212716	SCREW M6X20 KIT (4PIECES)	1
4.5	4234250	CIRCLIP-D62x2 VP.	1
4.6	4234245	O-RING 63X3 VP.	1
		CONTACT-WASHER-6ETR-6,1x12,2x1,8-STEEL	1



HYDRAULIC HELIX V 604 1.4307

Item	Article no.	Description	Quantity
13.1	4174084	STAGE HELIX 6 1.4301 KIT	1
		> MACH.STG-CASING-WOGV-WNR-M+6-304	1
		> IMPELLER-M+6-304	1
13.2	4174089	INTERMEDIATE STAGE HELIX 6 1.4301 KIT	1
		> MACH.BEARING-STG-CASING-WNR-M+6-304	1
		> IMPELLER-M+6-304	1
		> SHAFT SLEEVE-SPACER-Ø19,35x18,465-304	1
		> SHAFT-SLEEVE-D16xD20x18-CW	1
13.3	4174090	INTERMEDIATE STAGE HELIX 6 1.4301 KIT	1
		> MACH.STD-STG-CASING-WGV+NR-M+6-304	1
		> IMPELLER-M+6-304	1
		> IMPELLER SPACER Ø16,05X19,45-L36,465-304	1



HELIX V605-1/16/E/S/400-50 (4201408)

Item	Article no.	Description	Quantity
1	4169941	MOTOR 1,1/2/80 3~230/400V 50HZ IE3 VP.	1
		SPARE PARTS MOTOR:ON REQUEST	1
2	4212716	SCREW M6X20 KIT (4PIECES)	1
3	4213752	LANTERN FT100 HELIX KIT	1
3.1		> LANT-MOT-VMI-ReDTC6"-FT100-MACHINED+CATA	1
3.2	4184852	> EYELET CPL.FT HELIX (2 PIECES)	1
3.3	4213713	> COUPLING PROTECTOR FT85/100 HELIX KIT	1
4	4159708	COUPLING D.16XD.19 FT100 HELIX KIT	1
6	2018576	STUD BOLT M12X377 KIT	1
6.1		> TIE BOLT M12-377x18x30-1.4057	1
6.2	2094647	> NUT M12 M12 ISO4032 VP.	1
6.3	2123557	> WASHER CS-12.4-24-1.6-NFE25 (4 PIECES)	1
7	4214481	STATIONARY RING HOLDER HELIX D27 ReDTC	1
7.2	4214479	> STATIONARY RING HOLDER HELIX D27 VP.	1
7.3	4176513	> O-RING FOR PUMP JACKET VP.	1
8	4212724	FILING/PURGING PLUG HELIX ReDTC KIT	1
8.1		> FILLING PLUG MVI6"-304	1
8.2	4177800	> O-RING EPDM PLUG HELIX VP.	1
9	4214483	MECH.SEAL HELIX6-10-16 O/E ReDTC KIT	1
9.1	4177801	> MECH.SEAL HELIX6-10-16 O/E VP.	1
7.3	4176513	> O-RING FOR PUMP JACKET VP.	1
10	4176518	HOUSING PIPES D.152X247 1.4301 KIT	1
7.3	4176513	> O-RING FOR PUMP JACKET VP.	1
10.1		> HOUSING-PIPE Ø152-M+1005-304	1
11	4174087	CENTERING STAGE-RETURN HELIX6 1.4301VP.	1
12	4214486	SHAFT EQUIPMENT HELIX V6 ReDTC KIT	1
12.1		> NUT-H-M10-A4.70	1
12.2		> SERRATED LOCK WASHER M+6M3-316L	1
12.3		> 1/2-SNAP-RING-6/10M3-316L	1
12.4		> STOP-RUSH-1/2-D16xd2-M+316	1
4.11		> SCREW CHC-M6X14-8.8-ISO4762-GEOMET500A	1
4.12		> WASHER D.24 L6U ZINK	1
13		HYDRAULIC HELIX V 605 1.4307	1
14	4214498	SHAFT D.16X316 HELIX 1.4057 VP.	1

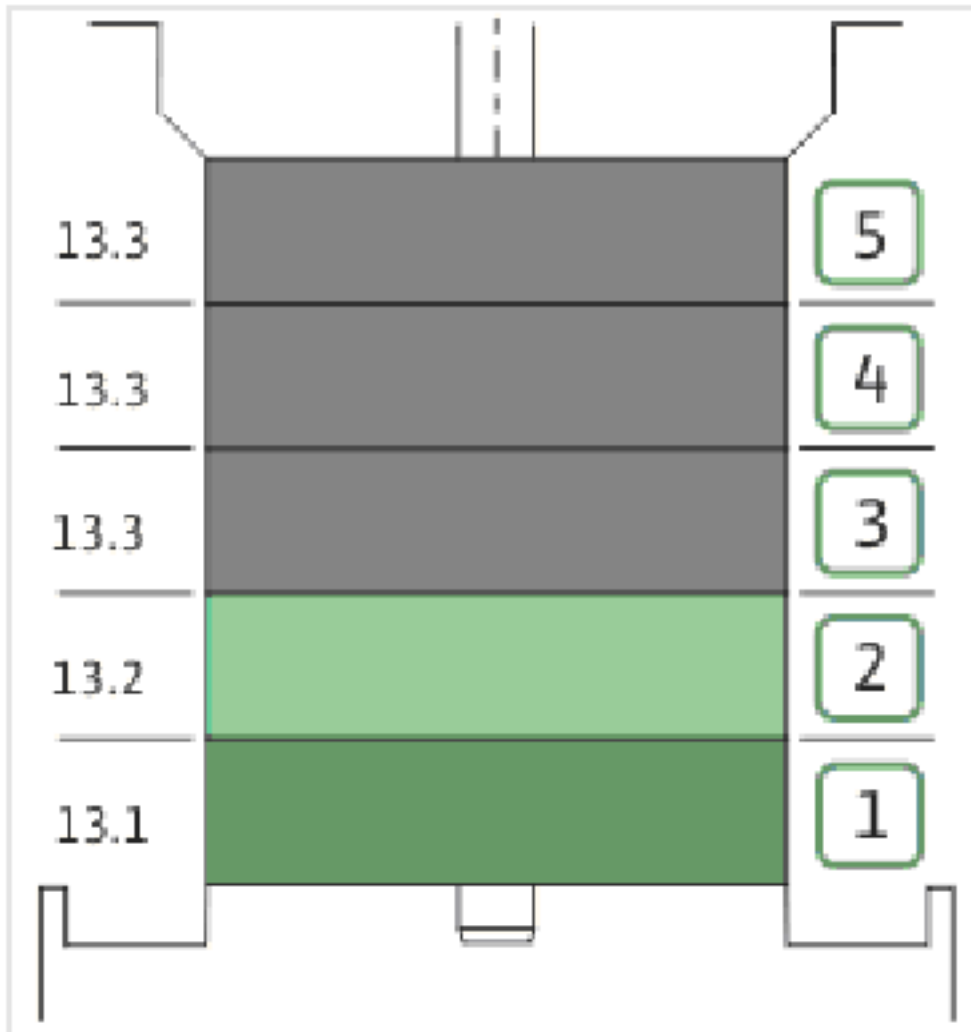
HELIX V605-1/16/E/S/400-50 (4201408)

Item	Article no.	Description	Quantity
15	4217897	PUMP HOUSING HELIX DN32 PN16 1.4301 KIT	1
7.3	4176513	> O-RING FOR PUMP JACKET VP.	1
15.1		> BLASTING PPE HOUSING V-PN16-DN32-5"-304	1
15.2	4217891	> COUNTER FLANGE-G1"1/4-PN16-GJL KIT	1
15.3	4171321	> PRIMING/DRAIN PLUG EPDM HELIX KIT	1
16	4177964	BASEPLATE HELIX V2/4/6 PN16 VP.	1



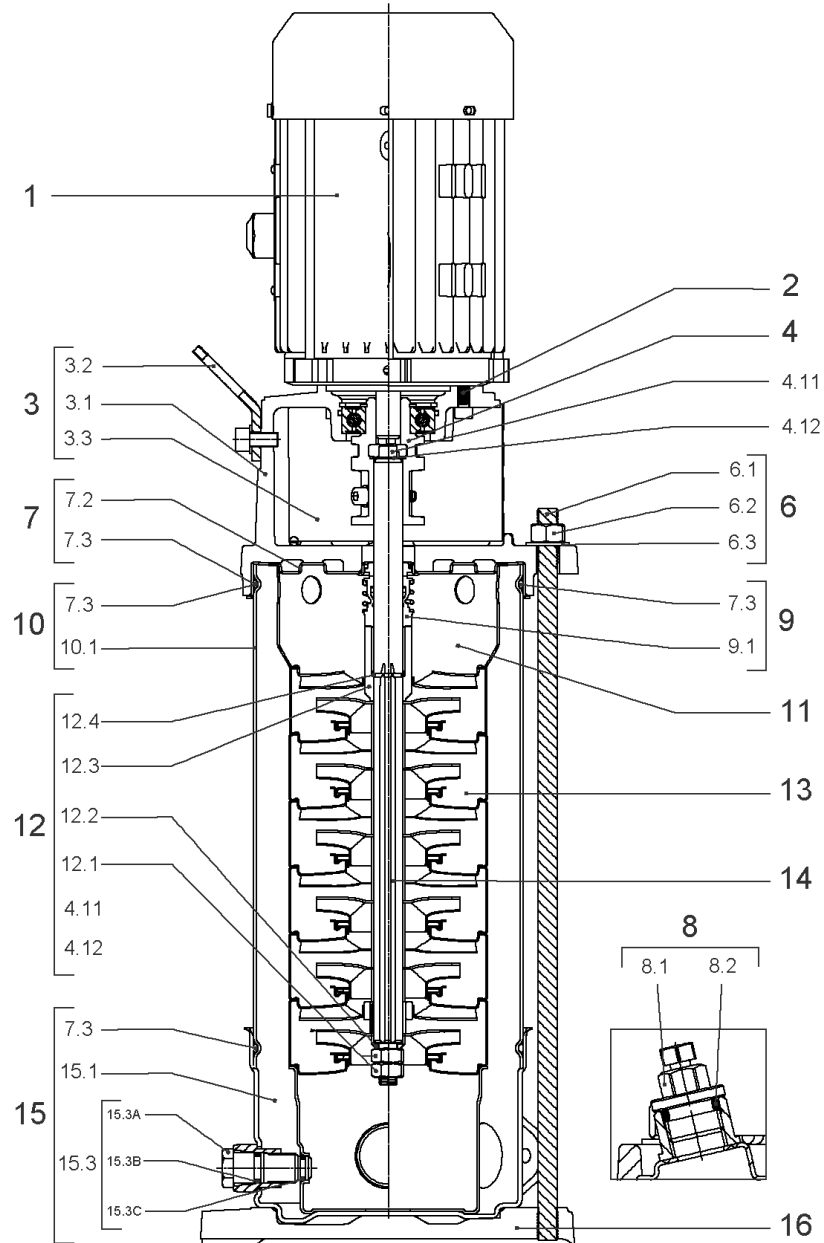
COUPLING D.16XD.19 FT100 HELIX KIT (4159708)

Item	Article no.	Description	Quantity
4.1		COUPLING M+ Ø16XØ19 FT100 MACHINED	1
4.2	2130977	BALL BEARING 6206/ZZ-C3(HT)VP.	1
4.3	4234249	CIRCLIP-FOR-SHAFT-D30x1.5 VP.	1
4.4	4212716	SCREW M6X20 KIT (4PIECES)	1
4.5	4234250	CIRCLIP-D62x2 VP.	1
4.6	4234245	O-RING 63X3 VP.	1
		CONTACT-WASHER-6ETR-6,1x12,2x1,8-STEEL	1



HYDRAULIC HELIX V 605 1.4307

Item	Article no.	Description	Quantity
13.1	4174084	STAGE HELIX 6 1.4301 KIT	1
		> MACH.STG-CASING-WOGV-WNR-M+6-304	1
		> IMPELLER-M+6-304	1
13.2	4174089	INTERMEDIATE STAGE HELIX 6 1.4301 KIT	1
		> MACH.BEARING-STG-CASING-WNR-M+6-304	1
		> IMPELLER-M+6-304	1
		> SHAFT SLEEVE-SPACER-Ø19,35x18,465-304	1
		> SHAFT-SLEEVE-D16xD20x18-CW	1
13.3	4174090	INTERMEDIATE STAGE HELIX 6 1.4301 KIT	1
		> MACH.STD-STG-CASING-WGV+NR-M+6-304	1
		> IMPELLER-M+6-304	1
		> IMPELLER SPACER Ø16,05X19,45-L36,465-304	1



HELIX V606-1/16/E/S/400-50 (4201411)

Item	Article no.	Description	Quantity
1	4169941	MOTOR 1,1/2/80 3~230/400V 50HZ IE3 VP.	1
		SPARE PARTS MOTOR:ON REQUEST	1
2	4212716	SCREW M6X20 KIT (4PIECES)	1
3	4213752	LANTERN FT100 HELIX KIT	1
3.1		> LANT-MOT-VMI-ReDTC6"-FT100-MACHINED+CATA	1
3.2	4184852	> EYELET CPL.FT HELIX (2 PIECES)	1
3.3	4213713	> COUPLING PROTECTOR FT85/100 HELIX KIT	1
4	4159708	COUPLING D.16XD.19 FT100 HELIX KIT	1
6	4177822	STUD BOLT M12X413 KIT	1
6.1		> TIE BOLT M12-413x18x30-1.4057	1
6.2	2094647	> NUT M12 M12 ISO4032 VP.	1
6.3	2123557	> WASHER CS-12.4-24-1.6-NFE25 (4 PIECES)	1
7	4214481	STATIONARY RING HOLDER HELIX D27 ReDTC	1
7.2	4214479	> STATIONARY RING HOLDER HELIX D27 VP.	1
7.3	4176513	> O-RING FOR PUMP JACKET VP.	1
8	4212724	FILING/PURGING PLUG HELIX ReDTC KIT	1
8.1		> FILLING PLUG MVI6"-304	1
8.2	4177800	> O-RING EPDM PLUG HELIX VP.	1
9	4214483	MECH.SEAL HELIX6-10-16 O/E ReDTC KIT	1
9.1	4177801	> MECH.SEAL HELIX6-10-16 O/E VP.	1
7.3	4176513	> O-RING FOR PUMP JACKET VP.	1
10	4177823	HOUSING PIPES D.152X285 1.4301 KIT	1
7.3	4176513	> O-RING FOR PUMP JACKET VP.	1
10.1		> HOUSING-PIPE Ø152-M+1006-304	1
11	4174087	CENTERING STAGE-RETURN HELIX6 1.4301VP.	1
12	4214486	SHAFT EQUIPMENT HELIX V6 ReDTC KIT	1
12.1		> NUT-H-M10-A4.70	1
12.2		> SERRATED LOCK WASHER M+6M3-316L	1
12.3		> 1/2-SNAP-RING-6/10M3-316L	1
12.4		> STOP-RUSH-1/2-D16xd2-M+316	1
4.11		> SCREW CHC-M6X14-8.8-ISO4762-GEOMET500A	1
4.12		> WASHER D.24 L6U ZINK	1
13		HYDRAULIC HELIX V 606 1.4307	1
14	4214500	SHAFT D.16X353 HELIX 1.4057 VP.	1

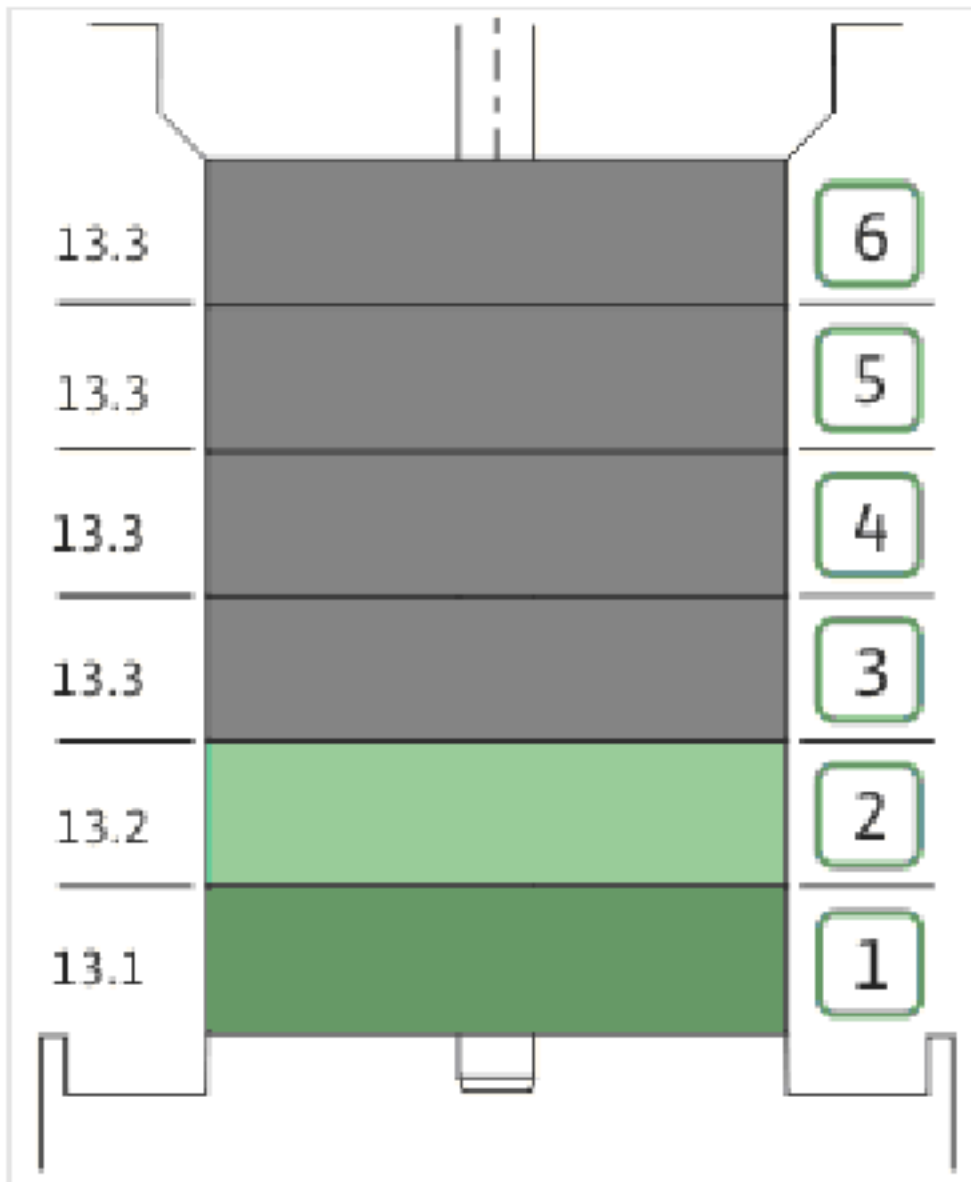
HELIX V606-1/16/E/S/400-50 (4201411)

Item	Article no.	Description	Quantity
15	4217897	PUMP HOUSING HELIX DN32 PN16 1.4301 KIT	1
7.3	4176513	> O-RING FOR PUMP JACKET VP.	1
15.1		> BLASTING PPE HOUSING V-PN16-DN32-5"-304	1
15.2	4217891	> COUNTER FLANGE-G1"1/4-PN16-GJL KIT	1
15.3	4171321	> PRIMING/DRAIN PLUG EPDM HELIX KIT	1
16	4177964	BASEPLATE HELIX V2/4/6 PN16 VP.	1



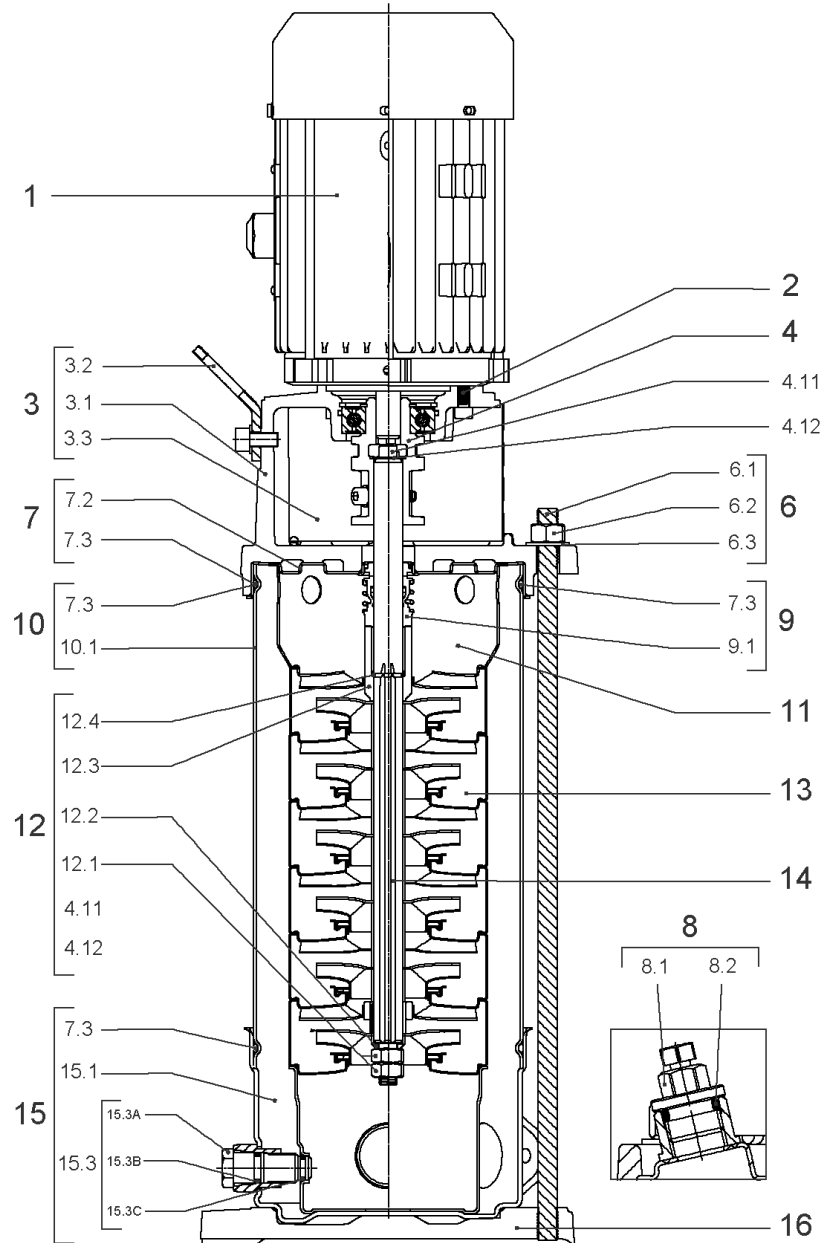
COUPLING D.16XD.19 FT100 HELIX KIT (4159708)

Item	Article no.	Description	Quantity
4.1		COUPLING M+ Ø16XØ19 FT100 MACHINED	1
4.2	2130977	BALL BEARING 6206/ZZ-C3(HT)VP.	1
4.3	4234249	CIRCLIP-FOR-SHAFT-D30x1.5 VP.	1
4.4	4212716	SCREW M6X20 KIT (4PIECES)	1
4.5	4234250	CIRCLIP-D62x2 VP.	1
4.6	4234245	O-RING 63X3 VP.	1
		CONTACT-WASHER-6ETR-6,1x12,2x1,8-STEEL	1



HYDRAULIC HELIX V 606 1.4307

Item	Article no.	Description	Quantity
13.1	4174084	STAGE HELIX 6 1.4301 KIT	1
		> MACH.STG-CASING-WOGV-WNR-M+6-304	1
		> IMPELLER-M+6-304	1
13.2	4174089	INTERMEDIATE STAGE HELIX 6 1.4301 KIT	1
		> MACH.BEARING-STG-CASING-WNR-M+6-304	1
		> IMPELLER-M+6-304	1
		> SHAFT SLEEVE-SPACER-Ø19,35x18,465-304	1
		> SHAFT-SLEEVE-D16xD20x18-CW	1
13.3	4174090	INTERMEDIATE STAGE HELIX 6 1.4301 KIT	1
		> MACH.STD-STG-CASING-WGV+NR-M+6-304	1
		> IMPELLER-M+6-304	1
		> IMPELLER SPACER Ø16,05X19,45-L36,465-304	1



HELIX V607-1/16/E/S/400-50 (4201414)

Item	Article no.	Description	Quantity
1	4169942	MO.1,5/2 3~230/400(440)V 50(60)HZ IE3 VP	1
		SPARE PARTS MOTOR:ON REQUEST	1
2	4159707	SCREW M8X30 (4 PIECES)	1
3	4213784	LANTERN FT115 HELIX KIT	1
3.1		> LANT-MOT-VMI-ReDTC6"-FT115-MACHINED+CATA	1
3.2	4184852	> EYELET CPL.FT HELIX (2 PIECES)	1
3.3	4213782	> COUPLING PROTECTOR FT115/130 HELIX KIT	1
4	4159709	COUPLING D.16xD.24 FT115 HELIX KIT	1
6	4177806	STUD BOLT M12X450KIT	1
6.1		> TIE BOLT M12-450x18x30-1.4057	1
6.2	2094647	> NUT M12 M12 ISO4032 VP.	1
6.3	2123557	> WASHER CS-12.4-24-1.6-NFE25 (4 PIECES)	1
7	4214481	STATIONARY RING HOLDER HELIX D27 ReDTC	1
7.2	4214479	> STATIONARY RING HOLDER HELIX D27 VP.	1
7.3	4176513	> O-RING FOR PUMP JACKET VP.	1
8	4212724	FILING/PURGING PLUG HELIX ReDTC KIT	1
8.1		> FILLING PLUG MVI6"-304	1
8.2	4177800	> O-RING EPDM PLUG HELIX VP.	1
9	4214483	MECH.SEAL HELIX6-10-16 O/E ReDTC KIT	1
9.1	4177801	> MECH.SEAL HELIX6-10-16 O/E VP.	1
7.3	4176513	> O-RING FOR PUMP JACKET VP.	1
10	4172794	HOUSING PIPES D.152X322 1.4301 KIT	1
7.3	4176513	> O-RING FOR PUMP JACKET VP.	1
10.1		> HOUSING-PIPE Ø152-M+1007-304	1
11	4174087	CENTERING STAGE-RETURN HELIX6 1.4301VP.	1
12	4214486	SHAFT EQUIPMENT HELIX V6 ReDTC KIT	1
12.1		> NUT-H-M10-A4.70	1
12.2		> SERRATED LOCK WASHER M+6M3-316L	1
12.3		> 1/2-SNAP-RING-6/10M3-316L	1
12.4		> STOP-RUSH-1/2-D16xd2-M+316	1
4.11		> SCREW CHC-M6X14-8.8-ISO4762-GEOMET500A	1
4.12		> WASHER D.24 L6U ZINK	1
13		HYDRAULIC HELIX V 607 1.4307	1
14	4214502	SHAFT D.16X391 HELIX 1.4057 VP.	1

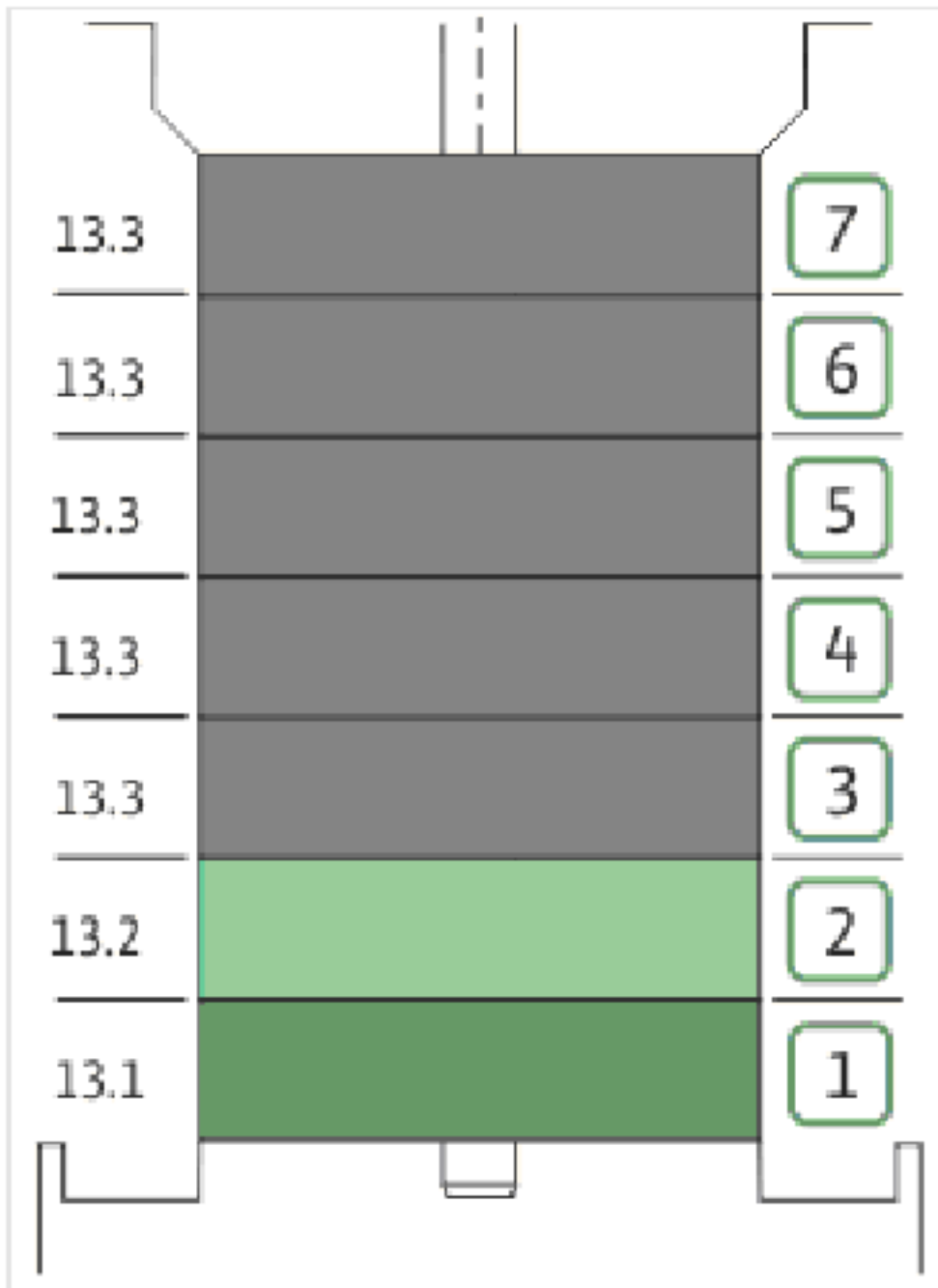
HELIX V607-1/16/E/S/400-50 (4201414)

Item	Article no.	Description	Quantity
15	4217897	PUMP HOUSING HELIX DN32 PN16 1.4301 KIT	1
7.3	4176513	> O-RING FOR PUMP JACKET VP.	1
15.1		> BLASTING PPE HOUSING V-PN16-DN32-5"-304	1
15.2	4217891	> COUNTER FLANGE-G1"1/4-PN16-GJL KIT	1
15.3	4171321	> PRIMING/DRAIN PLUG EPDM HELIX KIT	1
16	4177964	BASEPLATE HELIX V2/4/6 PN16 VP.	1



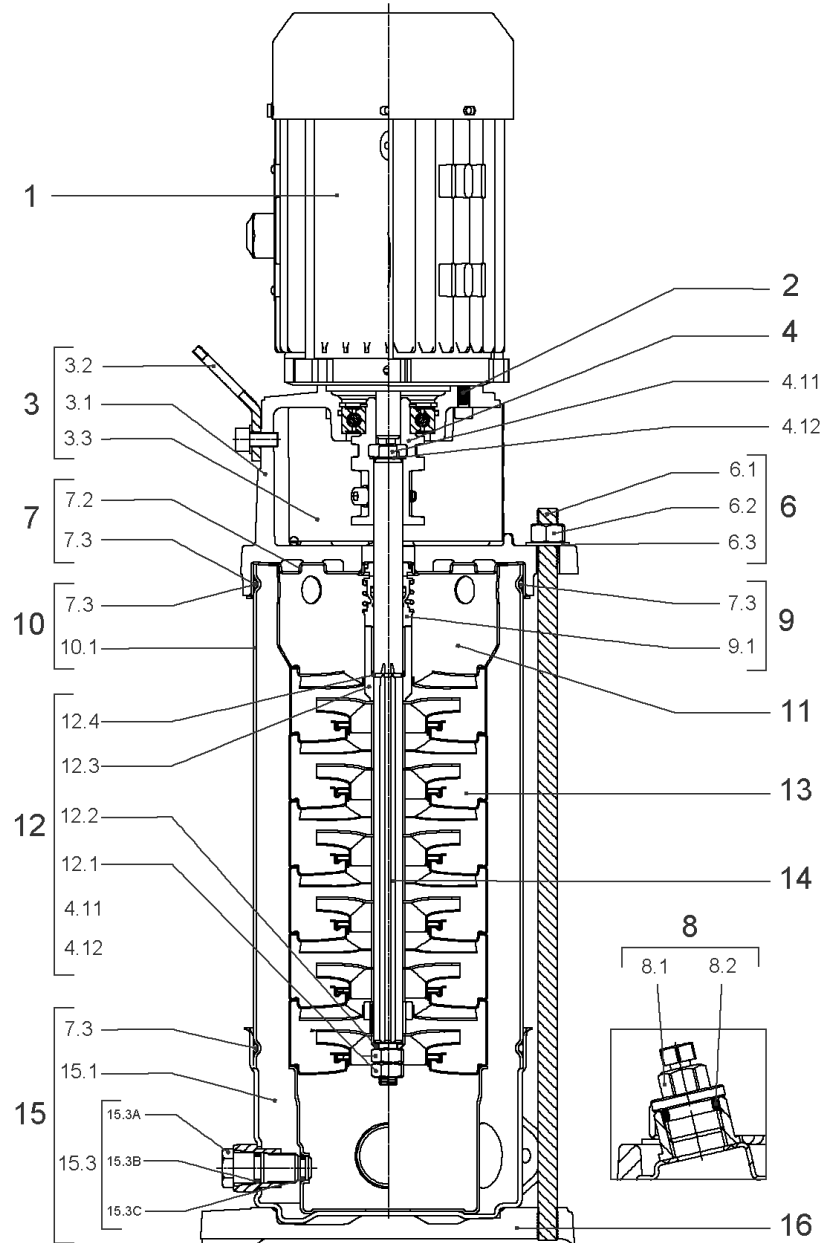
COUPLING D.16xD.24 FT115 HELIX KIT (4159709)

Item	Article no.	Description	Quantity
4.1		COUPLING M+ Ø16XØ24 FT115 MACHINED	1
4.2	2131023	BALL BEARING 6207/ZZ-C3(HT)VP.	1
4.3	4234254	CIRCLIP-FOR-SHAFT-D35x1.5 VP.	1
4.4	4157726	SCREW KIT M8X30 (4 PIECES)	1
4.5	4234251	CIRCLIP-D72x2.5 VP.	1
4.6	4234246	O-RING 72X3 VP.	1
		NOMEL CONTACT WASHER 8x16x1,4 STEEL ZC	1



HYDRAULIC HELIX V 607 1.4307

Item	Article no.	Description	Quantity
13.1	4174084	STAGE HELIX 6 1.4301 KIT	1
		> MACH.STG-CASING-WOGV-WNR-M+6-304	1
		> IMPELLER-M+6-304	1
13.2	4174089	INTERMEDIATE STAGE HELIX 6 1.4301 KIT	1
		> MACH.BEARING-STG-CASING-WNR-M+6-304	1
		> IMPELLER-M+6-304	1
		> SHAFT SLEEVE-SPACER-Ø19,35x18,465-304	1
		> SHAFT-SLEEVE-D16xD20x18-CW	1
13.3	4174090	INTERMEDIATE STAGE HELIX 6 1.4301 KIT	1
		> MACH.STD-STG-CASING-WGV+NR-M+6-304	1
		> IMPELLER-M+6-304	1
		> IMPELLER SPACER Ø16,05X19,45-L36,465-304	1



HELIX V608-1/16/E/S/400-50 (4201417)

Item	Article no.	Description	Quantity
1	4169942	MO.1,5/2 3~230/400(440)V 50(60)HZ IE3 VP	1
		SPARE PARTS MOTOR:ON REQUEST	1
2	4159707	SCREW M8X30 (4 PIECES)	1
3	4213784	LANTERN FT115 HELIX KIT	1
3.1		> LANT-MOT-VMI-ReDTC6"-FT115-MACHINED+CATA	1
3.2	4184852	> EYELET CPL.FT HELIX (2 PIECES)	1
3.3	4213782	> COUPLING PROTECTOR FT115/130 HELIX KIT	1
4	4159709	COUPLING D.16xD.24 FT115 HELIX KIT	1
6	4177821	STUD BOLT M12X485 KIT	1
6.1		> TIE BOLT M12-485x18x30-1.4057	1
6.2	2094647	> NUT M12 M12 ISO4032 VP.	1
6.3	2123557	> WASHER CS-12.4-24-1.6-NFE25 (4 PIECES)	1
7	4214481	STATIONARY RING HOLDER HELIX D27 ReDTC	1
7.2	4214479	> STATIONARY RING HOLDER HELIX D27 VP.	1
7.3	4176513	> O-RING FOR PUMP JACKET VP.	1
8	4212724	FILING/PURGING PLUG HELIX ReDTC KIT	1
8.1		> FILLING PLUG MVI6"-304	1
8.2	4177800	> O-RING EPDM PLUG HELIX VP.	1
9	4214483	MECH.SEAL HELIX6-10-16 O/E ReDTC KIT	1
9.1	4177801	> MECH.SEAL HELIX6-10-16 O/E VP.	1
7.3	4176513	> O-RING FOR PUMP JACKET VP.	1
10	2127578	HOUSING PIPE D.152x360 1.4307 KIT	1
7.3	4176513	> O-RING FOR PUMP JACKET VP.	1
10.1		> HOUSING-PIPE Ø152-M+1008/1606-304	1
11	4174087	CENTERING STAGE-RETURN HELIX6 1.4301VP.	1
12	4214486	SHAFT EQUIPMENT HELIX V6 ReDTC KIT	1
12.1		> NUT-H-M10-A4.70	1
12.2		> SERRATED LOCK WASHER M+6M3-316L	1
12.3		> 1/2-SNAP-RING-6/10M3-316L	1
12.4		> STOP-RUSH-1/2-D16xd2-M+316	1
4.11		> SCREW CHC-M6X14-8.8-ISO4762-GEOMET500A	1
4.12		> WASHER D.24 L6U ZINK	1
13		HYDRAULIC HELIX V 608 1.4307	1
14	4214504	SHAFT D.16X428 HELIX 1.4057 VP.	1

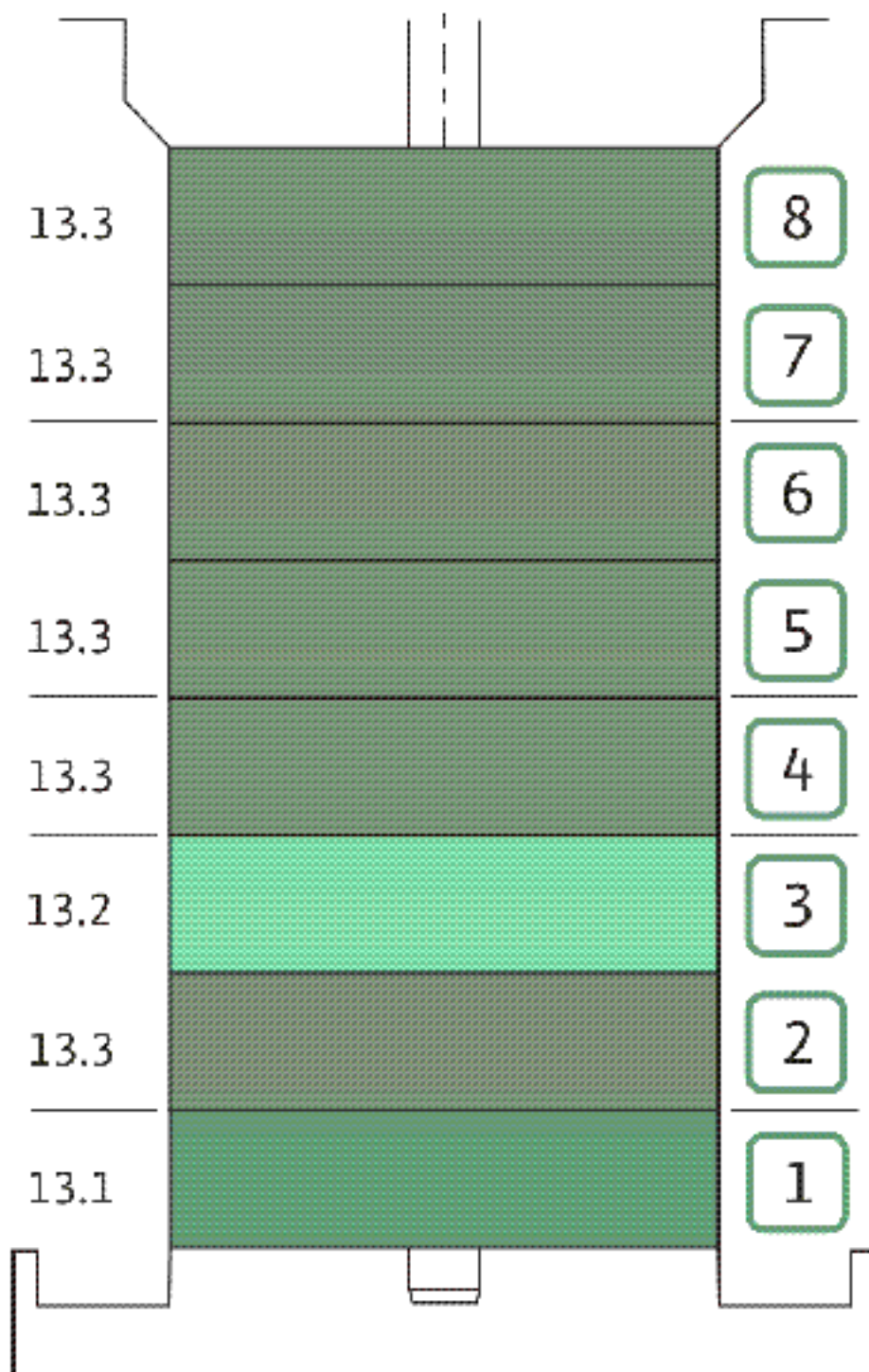
HELIX V608-1/16/E/S/400-50 (4201417)

Item	Article no.	Description	Quantity
15	4217897	PUMP HOUSING HELIX DN32 PN16 1.4301 KIT	1
7.3	4176513	> O-RING FOR PUMP JACKET VP.	1
15.1		> BLASTING PPE HOUSING V-PN16-DN32-5"-304	1
15.2	4217891	> COUNTER FLANGE-G1"1/4-PN16-GJL KIT	1
15.3	4171321	> PRIMING/DRAIN PLUG EPDM HELIX KIT	1
16	4177964	BASEPLATE HELIX V2/4/6 PN16 VP.	1



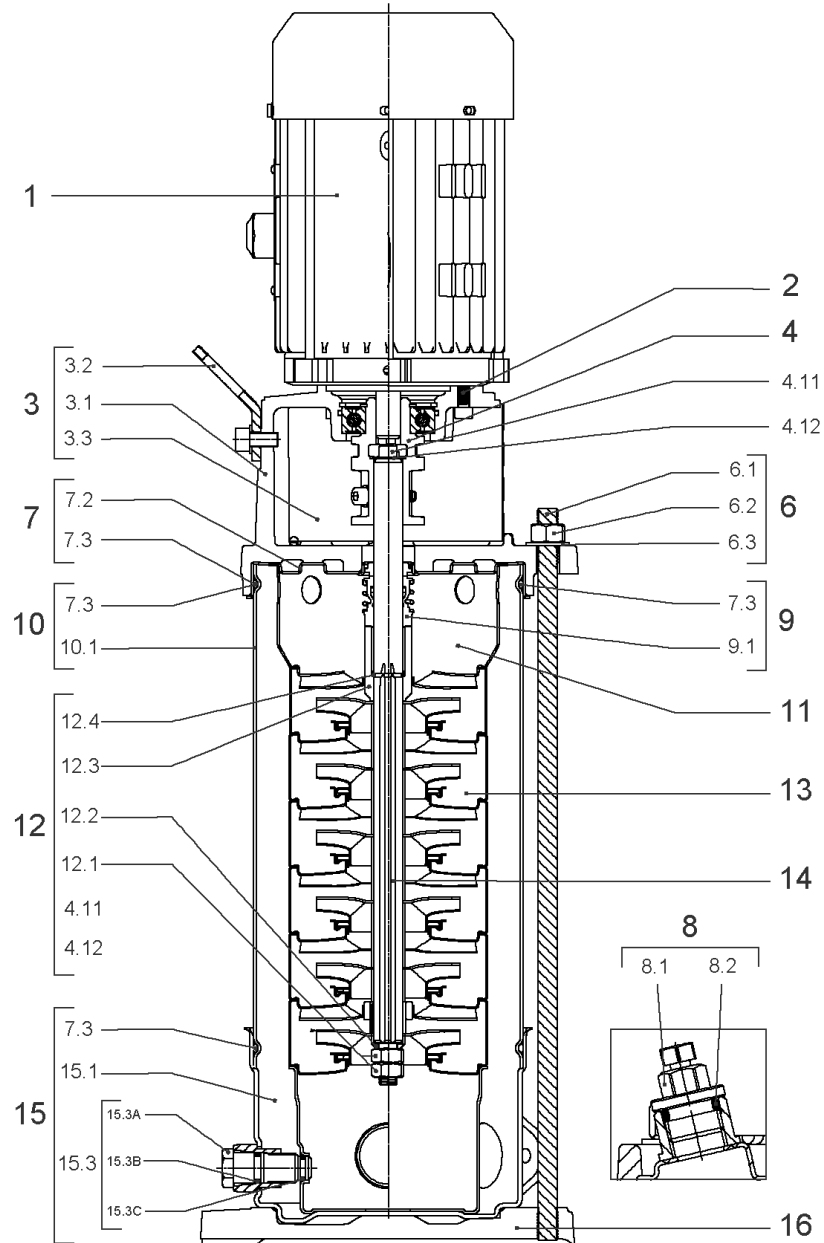
COUPLING D.16xD.24 FT115 HELIX KIT (4159709)

Item	Article no.	Description	Quantity
4.1		COUPLING M+ Ø16XØ24 FT115 MACHINED	1
4.2	2131023	BALL BEARING 6207/ZZ-C3(HT)VP.	1
4.3	4234254	CIRCLIP-FOR-SHAFT-D35x1.5 VP.	1
4.4	4157726	SCREW KIT M8X30 (4 PIECES)	1
4.5	4234251	CIRCLIP-D72x2.5 VP.	1
4.6	4234246	O-RING 72X3 VP.	1
		NOMEL CONTACT WASHER 8x16x1,4 STEEL ZC	1



HYDRAULIC HELIX V 608 1.4307

Item	Article no.	Description	Quantity
13.1	4174084	STAGE HELIX 6 1.4301 KIT	1
		> MACH.STG-CASING-WOGV-WNR-M+6-304	1
		> IMPELLER-M+6-304	1
13.2	4174089	INTERMEDIATE STAGE HELIX 6 1.4301 KIT	1
		> MACH.BEARING-STG-CASING-WNR-M+6-304	1
		> IMPELLER-M+6-304	1
		> SHAFT SLEEVE-SPACER-Ø19,35x18,465-304	1
		> SHAFT-SLEEVE-D16xD20x18-CW	1
13.3	4174090	INTERMEDIATE STAGE HELIX 6 1.4301 KIT	1
		> MACH.STD-STG-CASING-WGV+NR-M+6-304	1
		> IMPELLER-M+6-304	1
		> IMPELLER SPACER Ø16,05X19,45-L36,465-304	1



HELIX V609-1/16/E/S/400-50 (4201420)

Item	Article no.	Description	Quantity
1	4169943	MOTOR 2,2/2/90 3~230/400V 50HZ IE3 VP.	1
		SPARE PARTS MOTOR:ON REQUEST	1
2	4159707	SCREW M8X30 (4 PIECES)	1
3	4213784	LANTERN FT115 HELIX KIT	1
3.1		> LANT-MOT-VMI-ReDTC6"-FT115-MACHINED+CATA	1
3.2	4184852	> EYELET CPL.FT HELIX (2 PIECES)	1
3.3	4213782	> COUPLING PROTECTOR FT115/130 HELIX KIT	1
4	4159709	COUPLING D.16xD.24 FT115 HELIX KIT	1
6	4177832	STUD BOLT M12X527KIT	1
6.1		> TIE BOLT M12-527x18x30-1.4057	1
6.2	2094647	> NUT M12 M12 ISO4032 VP.	1
6.3	2123557	> WASHER CS-12.4-24-1.6-NFE25 (4 PIECES)	1
7	4214481	STATIONARY RING HOLDER HELIX D27 ReDTC	1
7.2	4214479	> STATIONARY RING HOLDER HELIX D27 VP.	1
7.3	4176513	> O-RING FOR PUMP JACKET VP.	1
8	4212724	FILING/PURGING PLUG HELIX ReDTC KIT	1
8.1		> FILLING PLUG MVI6"-304	1
8.2	4177800	> O-RING EPDM PLUG HELIX VP.	1
9	4214483	MECH.SEAL HELIX6-10-16 O/E ReDTC KIT	1
9.1	4177801	> MECH.SEAL HELIX6-10-16 O/E VP.	1
7.3	4176513	> O-RING FOR PUMP JACKET VP.	1
10	4177833	HOUSING PIPES D.152X397 1.4301 KIT	1
7.3	4176513	> O-RING FOR PUMP JACKET VP.	1
10.1		> HOUSING-PIPE Ø152-M+1009-304	1
11	4174087	CENTERING STAGE-RETURN HELIX6 1.4301VP.	1
12	4214486	SHAFT EQUIPMENT HELIX V6 ReDTC KIT	1
12.1		> NUT-H-M10-A4.70	1
12.2		> SERRATED LOCK WASHER M+6M3-316L	1
12.3		> 1/2-SNAP-RING-6/10M3-316L	1
12.4		> STOP-RUSH-1/2-D16xd2-M+316	1
4.11		> SCREW CHC-M6X14-8.8-ISO4762-GEOMET500A	1
4.12		> WASHER D.24 L6U ZINK	1
13		HYDRAULIC HELIX V 609 1.4307	1
14	4214506	SHAFT D.16X466 HELIX 1.4057 VP.	1

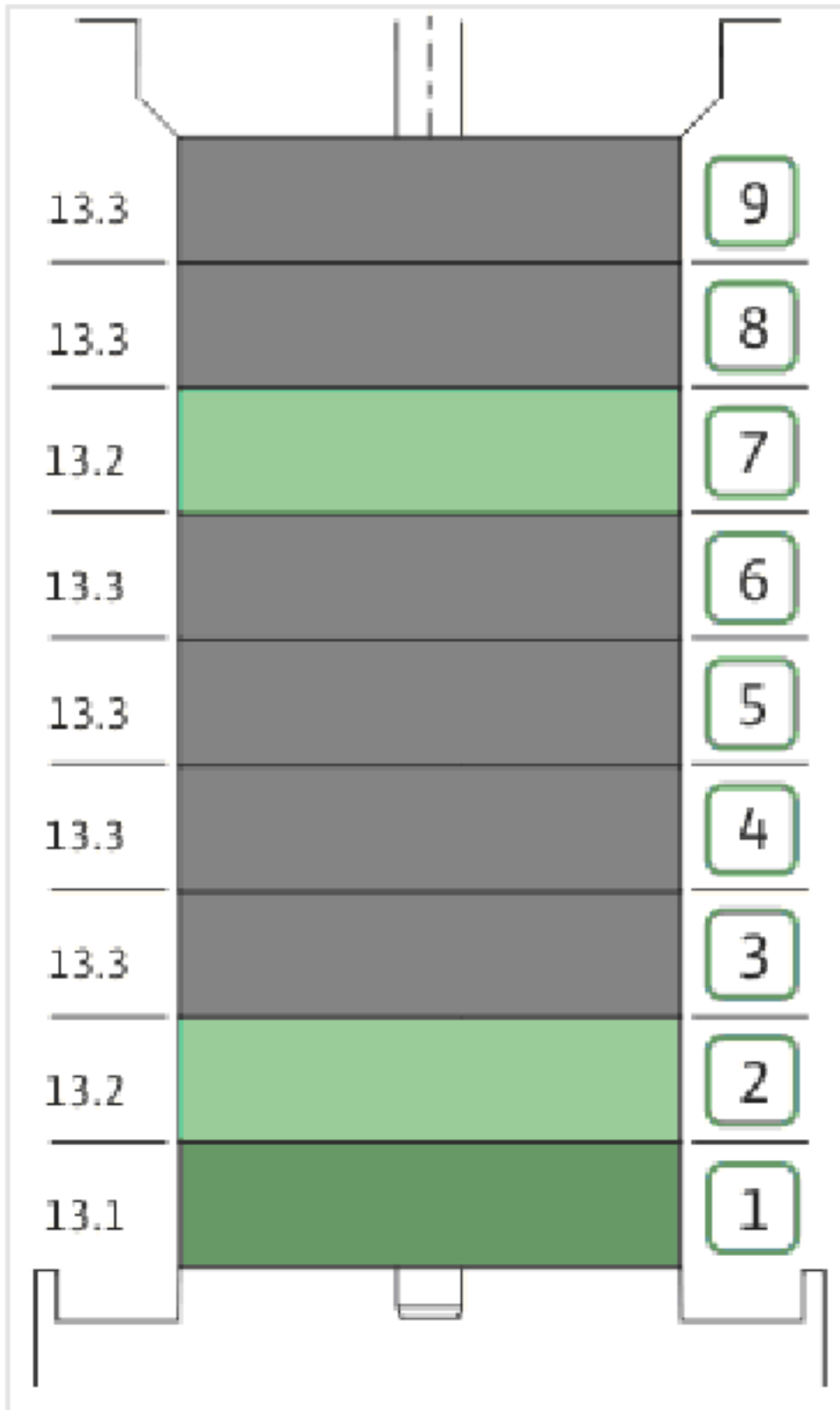
HELIX V609-1/16/E/S/400-50 (4201420)

Item	Article no.	Description	Quantity
15	4217897	PUMP HOUSING HELIX DN32 PN16 1.4301 KIT	1
7.3	4176513	> O-RING FOR PUMP JACKET VP.	1
15.1		> BLASTING PPE HOUSING V-PN16-DN32-5"-304	1
15.2	4217891	> COUNTER FLANGE-G1"1/4-PN16-GJL KIT	1
15.3	4171321	> PRIMING/DRAIN PLUG EPDM HELIX KIT	1
16	4177964	BASEPLATE HELIX V2/4/6 PN16 VP.	1



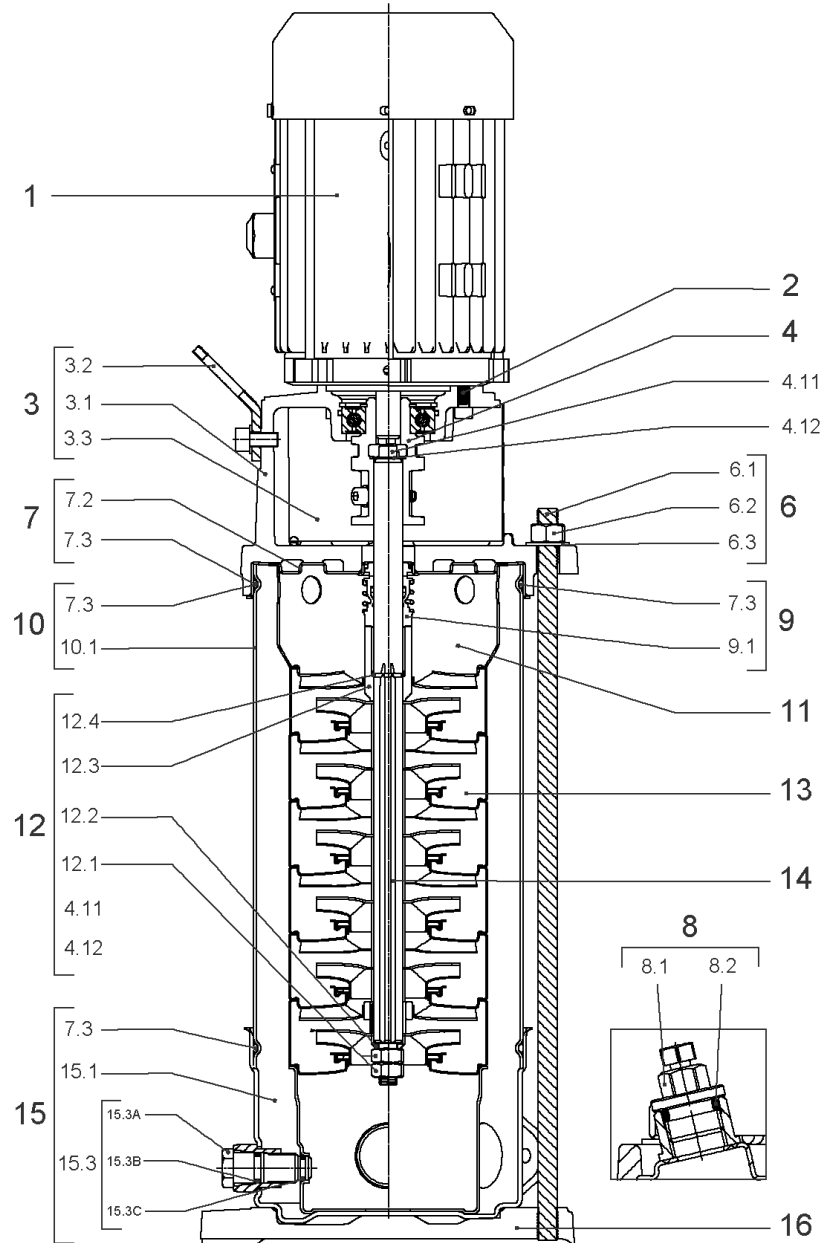
COUPLING D.16xD.24 FT115 HELIX KIT (4159709)

Item	Article no.	Description	Quantity
4.1		COUPLING M+ Ø16XØ24 FT115 MACHINED	1
4.2	2131023	BALL BEARING 6207/ZZ-C3(HT)VP.	1
4.3	4234254	CIRCLIP-FOR-SHAFT-D35x1.5 VP.	1
4.4	4157726	SCREW KIT M8X30 (4 PIECES)	1
4.5	4234251	CIRCLIP-D72x2.5 VP.	1
4.6	4234246	O-RING 72X3 VP.	1
		NOMEL CONTACT WASHER 8x16x1,4 STEEL ZC	1



HYDRAULIC HELIX V 609 1.4307

Item	Article no.	Description	Quantity
13.1	4174084	STAGE HELIX 6 1.4301 KIT	1
		> MACH.STG-CASING-WOGV-WNR-M+6-304	1
		> IMPELLER-M+6-304	1
13.2	4174089	INTERMEDIATE STAGE HELIX 6 1.4301 KIT	1
		> MACH.BEARING-STG-CASING-WNR-M+6-304	1
		> IMPELLER-M+6-304	1
		> SHAFT SLEEVE-SPACER-Ø19,35x18,465-304	1
		> SHAFT-SLEEVE-D16xD20x18-CW	1
13.3	4174090	INTERMEDIATE STAGE HELIX 6 1.4301 KIT	1
		> MACH.STD-STG-CASING-WGV+NR-M+6-304	1
		> IMPELLER-M+6-304	1
		> IMPELLER SPACER Ø16,05X19,45-L36,465-304	1



HELIX V610-1/16/E/S/400-50 (4201423)

Item	Article no.	Description	Quantity
1	4169943	MOTOR 2,2/2/90 3~230/400V 50HZ IE3 VP.	1
		SPARE PARTS MOTOR:ON REQUEST	1
2	4159707	SCREW M8X30 (4 PIECES)	1
3	4213784	LANTERN FT115 HELIX KIT	1
3.1		> LANT-MOT-VMI-ReDTC6"-FT115-MACHINED+CATA	1
3.2	4184852	> EYELET CPL.FT HELIX (2 PIECES)	1
3.3	4213782	> COUPLING PROTECTOR FT115/130 HELIX KIT	1
4	4159709	COUPLING D.16xD.24 FT115 HELIX KIT	1
6	4177849	STUD BOLT M12X563KIT	1
6.1		> TIE BOLT M12-563x18x30-1.4057	1
6.2	2094647	> NUT M12 M12 ISO4032 VP.	1
6.3	2123557	> WASHER CS-12.4-24-1.6-NFE25 (4 PIECES)	1
7	4214481	STATIONARY RING HOLDER HELIX D27 ReDTC	1
7.2	4214479	> STATIONARY RING HOLDER HELIX D27 VP.	1
7.3	4176513	> O-RING FOR PUMP JACKET VP.	1
8	4212724	FILING/PURGING PLUG HELIX ReDTC KIT	1
8.1		> FILLING PLUG MVI6"-304	1
8.2	4177800	> O-RING EPDM PLUG HELIX VP.	1
9	4214483	MECH.SEAL HELIX6-10-16 O/E ReDTC KIT	1
9.1	4177801	> MECH.SEAL HELIX6-10-16 O/E VP.	1
7.3	4176513	> O-RING FOR PUMP JACKET VP.	1
10	4177839	HOUSING PIPES D.152X435 1.4301 KIT	1
7.3	4176513	> O-RING FOR PUMP JACKET VP.	1
10.1		> HOUSING-PIPE Ø152-M+1010-304	1
11	4174087	CENTERING STAGE-RETURN HELIX6 1.4301VP.	1
12	4214486	SHAFT EQUIPMENT HELIX V6 ReDTC KIT	1
12.1		> NUT-H-M10-A4.70	1
12.2		> SERRATED LOCK WASHER M+6M3-316L	1
12.3		> 1/2-SNAP-RING-6/10M3-316L	1
12.4		> STOP-RUSH-1/2-D16xd2-M+316	1
4.11		> SCREW CHC-M6X14-8.8-ISO4762-GEOMET500A	1
4.12		> WASHER D.24 L6U ZINK	1
13		HYDRAULIC HELIX V 610 1.4307	1
14	4214508	SHAFT D.16X503 HELIX 1.4057 VP.	1

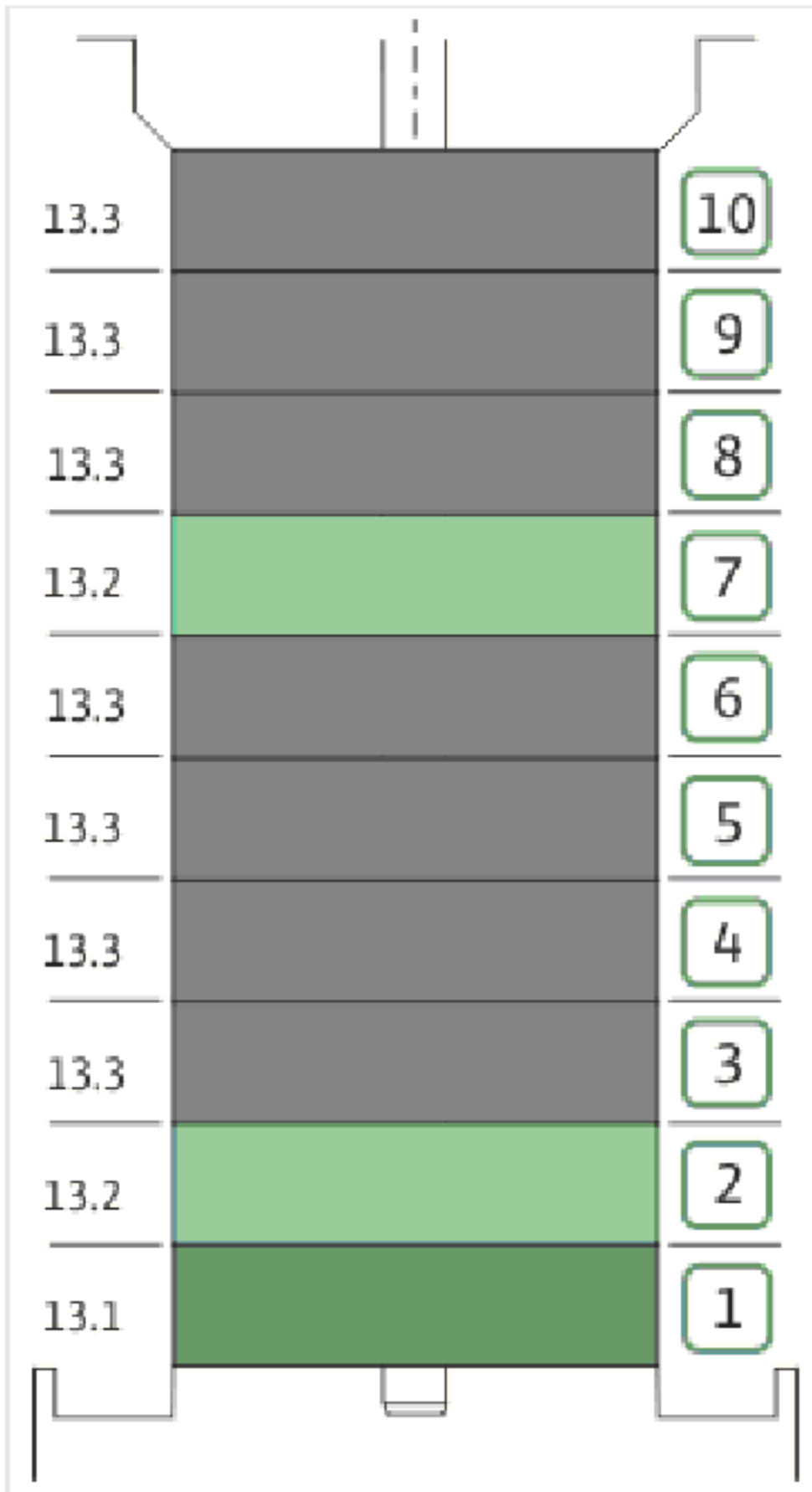
HELIX V610-1/16/E/S/400-50 (4201423)

Item	Article no.	Description	Quantity
15	4217897	PUMP HOUSING HELIX DN32 PN16 1.4301 KIT	1
7.3	4176513	> O-RING FOR PUMP JACKET VP.	1
15.1		> BLASTING PPE HOUSING V-PN16-DN32-5"-304	1
15.2	4217891	> COUNTER FLANGE-G1"1/4-PN16-GJL KIT	1
15.3	4171321	> PRIMING/DRAIN PLUG EPDM HELIX KIT	1
16	4177964	BASEPLATE HELIX V2/4/6 PN16 VP.	1



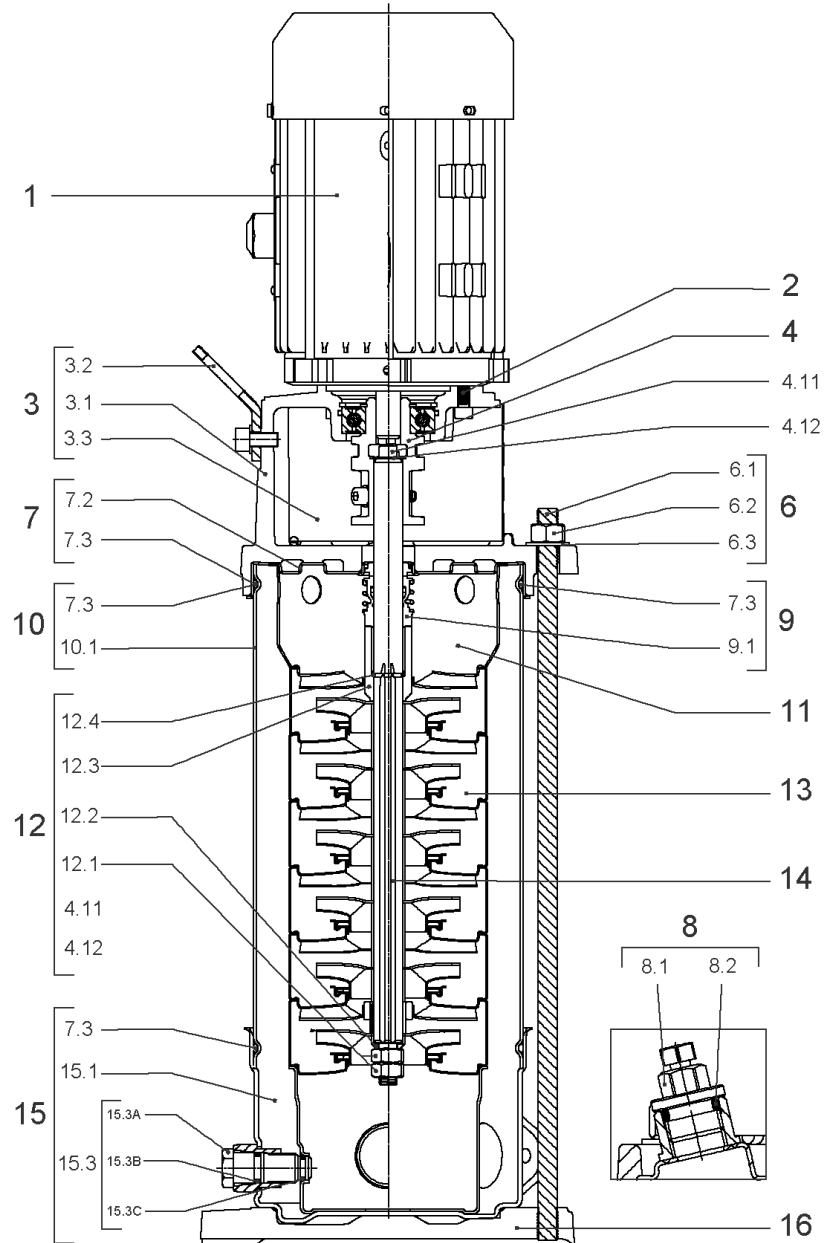
COUPLING D.16xD.24 FT115 HELIX KIT (4159709)

Item	Article no.	Description	Quantity
4.1		COUPLING M+ Ø16XØ24 FT115 MACHINED	1
4.2	2131023	BALL BEARING 6207/ZZ-C3(HT)VP.	1
4.3	4234254	CIRCLIP-FOR-SHAFT-D35x1.5 VP.	1
4.4	4157726	SCREW KIT M8X30 (4 PIECES)	1
4.5	4234251	CIRCLIP-D72x2.5 VP.	1
4.6	4234246	O-RING 72X3 VP.	1
		NOMEL CONTACT WASHER 8x16x1,4 STEEL ZC	1



HYDRAULIC HELIX V 610 1.4307

Item	Article no.	Description	Quantity
13.1	4174084	STAGE HELIX 6 1.4301 KIT	1
		> MACH.STG-CASING-WOGV-WNR-M+6-304	1
		> IMPELLER-M+6-304	1
13.2	4174089	INTERMEDIATE STAGE HELIX 6 1.4301 KIT	1
		> MACH.BEARING-STG-CASING-WNR-M+6-304	1
		> IMPELLER-M+6-304	1
		> SHAFT SLEEVE-SPACER-Ø19,35x18,465-304	1
		> SHAFT-SLEEVE-D16xD20x18-CW	1
13.3	4174090	INTERMEDIATE STAGE HELIX 6 1.4301 KIT	1
		> MACH.STD-STG-CASING-WGV+NR-M+6-304	1
		> IMPELLER-M+6-304	1
		> IMPELLER SPACER Ø16,05X19,45-L36,465-304	1



HELIX V611-1/16/E/S/400-50 (4201426)

Item	Article no.	Description	Quantity
1	4169943	MOTOR 2,2/2/90 3~230/400V 50HZ IE3 VP.	1
		SPARE PARTS MOTOR:ON REQUEST	1
2	4159707	SCREW M8X30 (4 PIECES)	1
3	4213784	LANTERN FT115 HELIX KIT	1
3.1		> LANT-MOT-VMI-ReDTC6"-FT115-MACHINED+CATA	1
3.2	4184852	> EYELET CPL.FT HELIX (2 PIECES)	1
3.3	4213782	> COUPLING PROTECTOR FT115/130 HELIX KIT	1
4	4159709	COUPLING D.16xD.24 FT115 HELIX KIT	1
6	4177842	STUD BOLT M12X638KIT	1
6.1		> TIE BOLT M12-638x18x30-1.4057	1
6.2	2094647	> NUT M12 M12 ISO4032 VP.	1
6.3	2123557	> WASHER CS-12.4-24-1.6-NFE25 (4 PIECES)	1
7	4214481	STATIONARY RING HOLDER HELIX D27 ReDTC	1
7.2	4214479	> STATIONARY RING HOLDER HELIX D27 VP.	1
7.3	4176513	> O-RING FOR PUMP JACKET VP.	1
8	4212724	FILING/PURGING PLUG HELIX ReDTC KIT	1
8.1		> FILLING PLUG MVI6"-304	1
8.2	4177800	> O-RING EPDM PLUG HELIX VP.	1
9	4214483	MECH.SEAL HELIX6-10-16 O/E ReDTC KIT	1
9.1	4177801	> MECH.SEAL HELIX6-10-16 O/E VP.	1
7.3	4176513	> O-RING FOR PUMP JACKET VP.	1
10	4177843	HOUSING PIPES D.152X510 1.4307 KIT	1
7.3	4176513	> O-RING FOR PUMP JACKET VP.	1
10.1		> HOUSING-PIPE Ø152-M+1012/1609-304	1
11	4174087	CENTERING STAGE-RETURN HELIX6 1.4301VP.	1
12	4214486	SHAFT EQUIPMENT HELIX V6 ReDTC KIT	1
12.1		> NUT-H-M10-A4.70	1
12.2		> SERRATED LOCK WASHER M+6M3-316L	1
12.3		> 1/2-SNAP-RING-6/10M3-316L	1
12.4		> STOP-RUSH-1/2-D16xd2-M+316	1
4.11		> SCREW CHC-M6X14-8.8-ISO4762-GEOMET500A	1
4.12		> WASHER D.24 L6U ZINK	1
13		HYDRAULIC HELIX V 611 1.4307	1
14	4214510	SHAFT D.16X578 HELIX 1.4057 VP.	1

HELIX V611-1/16/E/S/400-50 (4201426)

Item	Article no.	Description	Quantity
15	4217897	PUMP HOUSING HELIX DN32 PN16 1.4301 KIT	1
7.3	4176513	> O-RING FOR PUMP JACKET VP.	1
15.1		> BLASTING PPE HOUSING V-PN16-DN32-5"-304	1
15.2	4217891	> COUNTER FLANGE-G1"1/4-PN16-GJL KIT	1
15.3	4171321	> PRIMING/DRAIN PLUG EPDM HELIX KIT	1
16	4177964	BASEPLATE HELIX V2/4/6 PN16 VP.	1



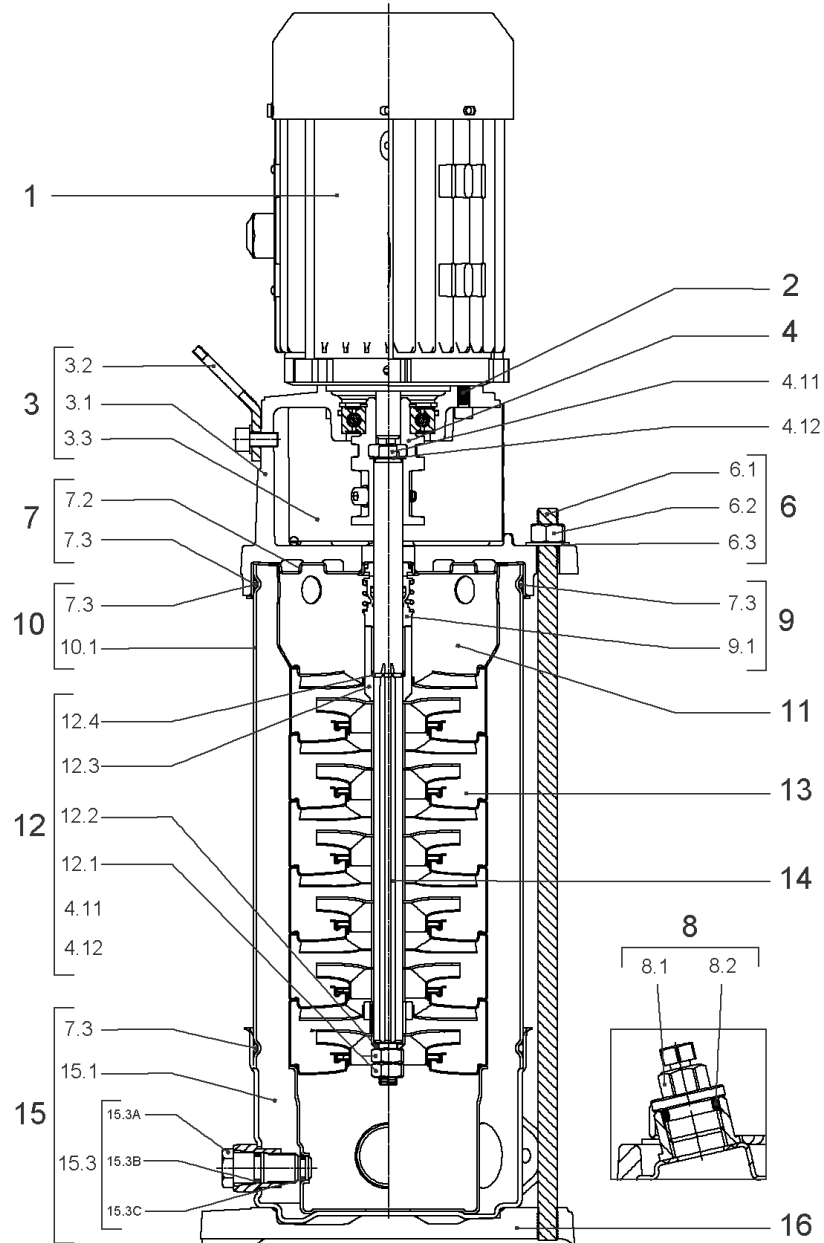
COUPLING D.16xD.24 FT115 HELIX KIT (4159709)

Item	Article no.	Description	Quantity
4.1		COUPLING M+ Ø16XØ24 FT115 MACHINED	1
4.2	2131023	BALL BEARING 6207/ZZ-C3(HT)VP.	1
4.3	4234254	CIRCLIP-FOR-SHAFT-D35x1.5 VP.	1
4.4	4157726	SCREW KIT M8X30 (4 PIECES)	1
4.5	4234251	CIRCLIP-D72x2.5 VP.	1
4.6	4234246	O-RING 72X3 VP.	1
		NOMEL CONTACT WASHER 8x16x1,4 STEEL ZC	1



HYDRAULIC HELIX V 611 1.4307

Item	Article no.	Description	Quantity
13.1	4174084	STAGE HELIX 6 1.4301 KIT	1
		> MACH.STG-CASING-WOGV-WNR-M+6-304	1
		> IMPELLER-M+6-304	1
13.2	4174089	INTERMEDIATE STAGE HELIX 6 1.4301 KIT	1
		> MACH.BEARING-STG-CASING-WNR-M+6-304	1
		> IMPELLER-M+6-304	1
		> SHAFT SLEEVE-SPACER-Ø19,35x18,465-304	1
		> SHAFT-SLEEVE-D16xD20x18-CW	1
13.3	4174090	INTERMEDIATE STAGE HELIX 6 1.4301 KIT	1
		> MACH.STD-STG-CASING-WGV+NR-M+6-304	1
		> IMPELLER-M+6-304	1
		> IMPELLER SPACER Ø16,05X19,45-L36,465-304	1
13.4	4174092	EMPTY STAGE HELIX6 1.4301KIT	1
		> MACH.STD-STG-CASING-WGV+NR-M+6-304	1
		> FLAT WASHER-D16.1XD22X1.2-316L	1
		> IMPELLER SPACER Ø16,05X19,45-L36,465-304	1
13.5	4174091	STAGE HELIX 6 1.4301 KIT	1
		> MACH.STG-CASING-WOGV-WNR-M+6-304	1
		> IMPELLER-M+6-304	1
		> IMPELLER SPACER Ø16,05X19,45-L36,465-304	1



HELIX V612-1/16/E/S/400-50 (4201428)

Item	Article no.	Description	Quantity
1	4169944	MOTOR 3/2/100 3~230/400V 50HZ IE3 VP.	1
		SPARE PARTS MOTOR:ON REQUEST	1
2	4159707	SCREW M8X30 (4 PIECES)	1
3	4214473	LANTERN FT130 HELIX KIT	1
3.1		> LANT-MOT-VMI-ReDTC6"-FT130-MACHINED+CATA	1
3.2	4184852	> EYELET CPL.FT HELIX (2 PIECES)	1
3.3	4213782	> COUPLING PROTECTOR FT115/130 HELIX KIT	1
4	4159710	COUPLING D.16XD.28 FT130 HELIX KIT	1
6	4177842	STUD BOLT M12X638KIT	1
6.1		> TIE BOLT M12-638x18x30-1.4057	1
6.2	2094647	> NUT M12 M12 ISO4032 VP.	1
6.3	2123557	> WASHER CS-12.4-24-1.6-NFE25 (4 PIECES)	1
7	4214481	STATIONARY RING HOLDER HELIX D27 ReDTC	1
7.2	4214479	> STATIONARY RING HOLDER HELIX D27 VP.	1
7.3	4176513	> O-RING FOR PUMP JACKET VP.	1
8	4212724	FILING/PURGING PLUG HELIX ReDTC KIT	1
8.1		> FILLING PLUG MVI6"-304	1
8.2	4177800	> O-RING EPDM PLUG HELIX VP.	1
9	4214483	MECH.SEAL HELIX6-10-16 O/E ReDTC KIT	1
9.1	4177801	> MECH.SEAL HELIX6-10-16 O/E VP.	1
7.3	4176513	> O-RING FOR PUMP JACKET VP.	1
10	4177843	HOUSING PIPES D.152X510 1.4307 KIT	1
7.3	4176513	> O-RING FOR PUMP JACKET VP.	1
10.1		> HOUSING-PIPE Ø152-M+1012/1609-304	1
11	4174087	CENTERING STAGE-RETURN HELIX6 1.4301VP.	1
12	4214486	SHAFT EQUIPMENT HELIX V6 ReDTC KIT	1
12.1		> NUT-H-M10-A4.70	1
12.2		> SERRATED LOCK WASHER M+6M3-316L	1
12.3		> 1/2-SNAP-RING-6/10M3-316L	1
12.4		> STOP-RUSH-1/2-D16xd2-M+316	1
4.11		> SCREW CHC-M6X14-8.8-ISO4762-GEOMET500A	1
4.12		> WASHER D.24 L6U ZINK	1
13		HYDRAULIC HELIX V 612 1.4307	1
14	4214510	SHAFT D.16X578 HELIX 1.4057 VP.	1

HELIX V612-1/16/E/S/400-50 (4201428)

Item	Article no.	Description	Quantity
15	4217897	PUMP HOUSING HELIX DN32 PN16 1.4301 KIT	1
7.3	4176513	> O-RING FOR PUMP JACKET VP.	1
15.1		> BLASTING PPE HOUSING V-PN16-DN32-5"-304	1
15.2	4217891	> COUNTER FLANGE-G1"1/4-PN16-GJL KIT	1
15.3	4171321	> PRIMING/DRAIN PLUG EPDM HELIX KIT	1
16	4177964	BASEPLATE HELIX V2/4/6 PN16 VP.	1



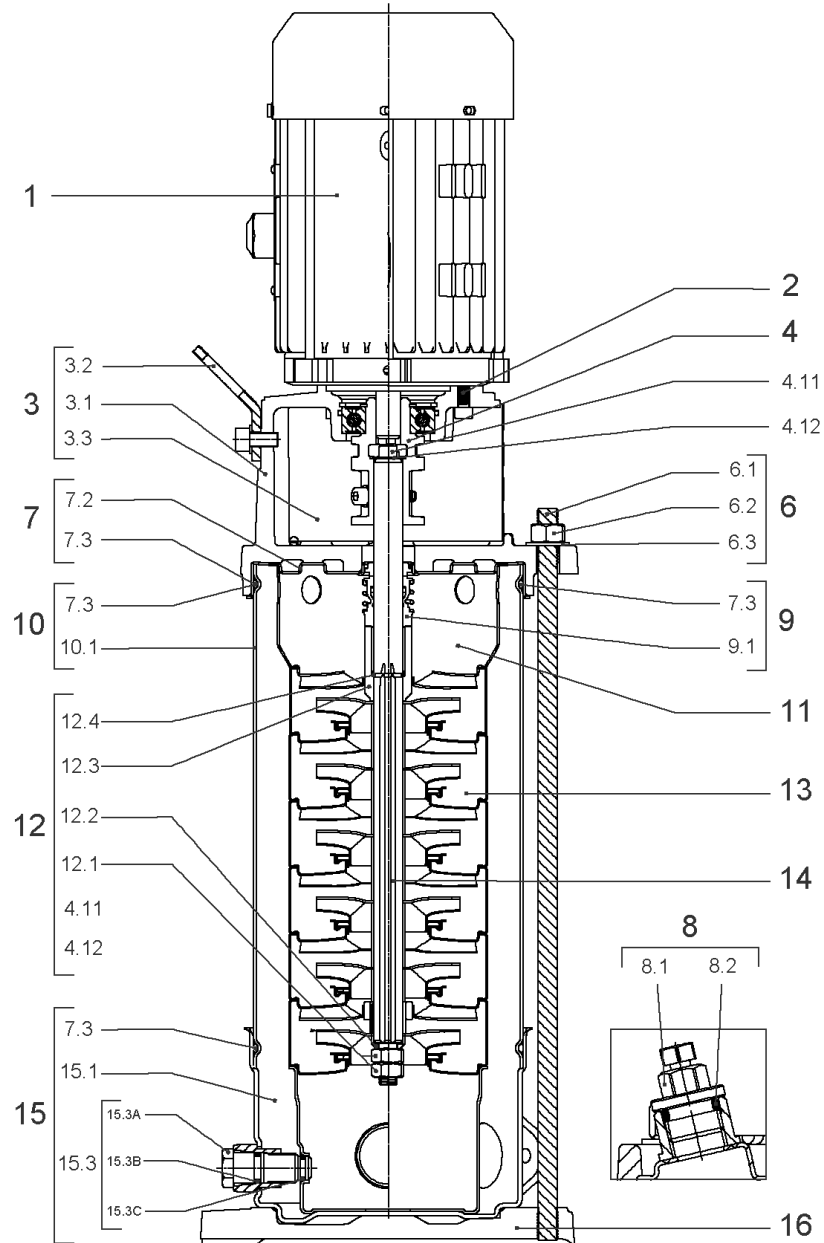
COUPLING D.16XD.28 FT130 HELIX KIT (4159710)

Item	Article no.	Description	Quantity
4.1		COUPLING M+ Ø16XØ28 FT130 MACHINED	1
4.2	2131022	BALL BEARING 6209/ZZ-C3(HT)VP.	1
4.3	4233930	CIRCLIP-FOR-BORES-D45x1,75 VP.	1
4.4	4157726	SCREW KIT M8X30 (4 PIECES)	1
4.5	4234252	CIRCLIPS 85X3 VP.	1
4.6	4234243	O-RING 85X3 VP.	1
		NOMEL CONTACT WASHER 8x16x1,4 STEEL ZC	1



HYDRAULIC HELIX V 612 1.4307

Item	Article no.	Description	Quantity
13.1	4174084	STAGE HELIX 6 1.4301 KIT	1
		> MACH.STG-CASING-WOGV-WNR-M+6-304	1
		> IMPELLER-M+6-304	1
13.2	4174089	INTERMEDIATE STAGE HELIX 6 1.4301 KIT	1
		> MACH.BEARING-STG-CASING-WNR-M+6-304	1
		> IMPELLER-M+6-304	1
		> SHAFT SLEEVE-SPACER-Ø19,35x18,465-304	1
		> SHAFT-SLEEVE-D16xD20x18-CW	1
13.3	4174090	INTERMEDIATE STAGE HELIX 6 1.4301 KIT	1
		> MACH.STD-STG-CASING-WGV+NR-M+6-304	1
		> IMPELLER-M+6-304	1
		> IMPELLER SPACER Ø16,05X19,45-L36,465-304	1



HELIX V613-1/16/E/S/400-50 (4201430)

Item	Article no.	Description	Quantity
1	4169944	MOTOR 3/2/100 3~230/400V 50HZ IE3 VP.	1
		SPARE PARTS MOTOR:ON REQUEST	1
2	4159707	SCREW M8X30 (4 PIECES)	1
3	4214473	LANTERN FT130 HELIX KIT	1
3.1		> LANT-MOT-VMI-ReDTC6"-FT130-MACHINED+CATA	1
3.2	4184852	> EYELET CPL.FT HELIX (2 PIECES)	1
3.3	4213782	> COUPLING PROTECTOR FT115/130 HELIX KIT	1
4	4159710	COUPLING D.16XD.28 FT130 HELIX KIT	1
6	4177848	STUD BOLT M12X713KIT	1
6.1		> TIE BOLT M12-713x18x30-1.4057	1
6.2	2094647	> NUT M12 M12 ISO4032 VP.	1
6.3	2123557	> WASHER CS-12.4-24-1.6-NFE25 (4 PIECES)	1
7	4214481	STATIONARY RING HOLDER HELIX D27 ReDTC	1
7.2	4214479	> STATIONARY RING HOLDER HELIX D27 VP.	1
7.3	4176513	> O-RING FOR PUMP JACKET VP.	1
8	4212724	FILING/PURGING PLUG HELIX ReDTC KIT	1
8.1		> FILLING PLUG MVI6"-304	1
8.2	4177800	> O-RING EPDM PLUG HELIX VP.	1
9	4214483	MECH.SEAL HELIX6-10-16 O/E ReDTC KIT	1
9.1	4177801	> MECH.SEAL HELIX6-10-16 O/E VP.	1
7.3	4176513	> O-RING FOR PUMP JACKET VP.	1
10	4177850	HOUSING PIPES D.152X585 1.4301 KIT	1
7.3	4176513	> O-RING FOR PUMP JACKET VP.	1
10.1		> HOUSING-PIPE Ø152-M+1013/14-304	1
11	4174087	CENTERING STAGE-RETURN HELIX6 1.4301VP.	1
12	4214486	SHAFT EQUIPMENT HELIX V6 ReDTC KIT	1
12.1		> NUT-H-M10-A4.70	1
12.2		> SERRATED LOCK WASHER M+6M3-316L	1
12.3		> 1/2-SNAP-RING-6/10M3-316L	1
12.4		> STOP-RUSH-1/2-D16xd2-M+316	1
4.11		> SCREW CHC-M6X14-8.8-ISO4762-GEOMET500A	1
4.12		> WASHER D.24 L6U ZINK	1
13		HYDRAULIC HELIX V 613 1.4307	1
14	4214512	SHAFT D.16X653 HELIX 1.4057 VP.	1

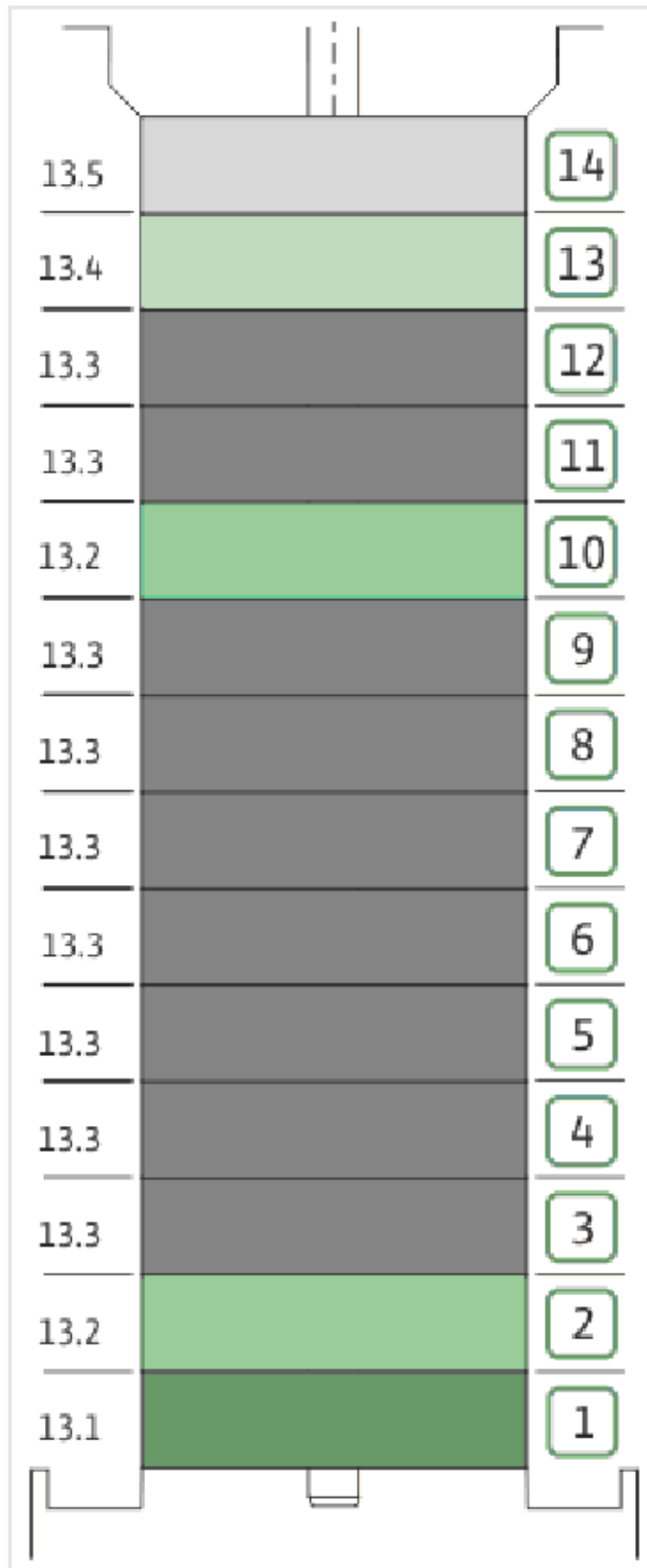
HELIX V613-1/16/E/S/400-50 (4201430)

Item	Article no.	Description	Quantity
15	4217897	PUMP HOUSING HELIX DN32 PN16 1.4301 KIT	1
7.3	4176513	> O-RING FOR PUMP JACKET VP.	1
15.1		> BLASTING PPE HOUSING V-PN16-DN32-5"-304	1
15.2	4217891	> COUNTER FLANGE-G1"1/4-PN16-GJL KIT	1
15.3	4171321	> PRIMING/DRAIN PLUG EPDM HELIX KIT	1
16	4177964	BASEPLATE HELIX V2/4/6 PN16 VP.	1



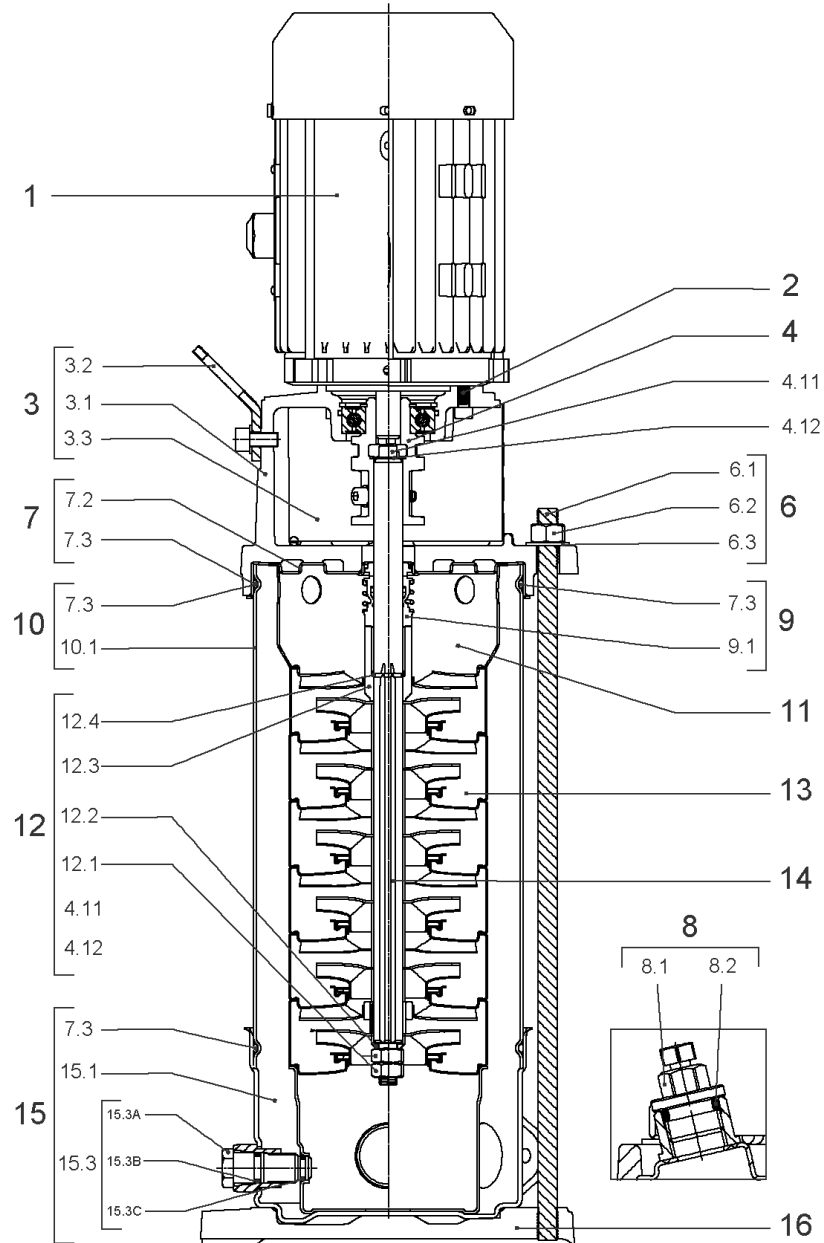
COUPLING D.16XD.28 FT130 HELIX KIT (4159710)

Item	Article no.	Description	Quantity
4.1		COUPLING M+ Ø16XØ28 FT130 MACHINED	1
4.2	2131022	BALL BEARING 6209/ZZ-C3(HT)VP.	1
4.3	4233930	CIRCLIP-FOR-BORES-D45x1,75 VP.	1
4.4	4157726	SCREW KIT M8X30 (4 PIECES)	1
4.5	4234252	CIRCLIPS 85X3 VP.	1
4.6	4234243	O-RING 85X3 VP.	1
		NOMEL CONTACT WASHER 8x16x1,4 STEEL ZC	1



HYDRAULIC HELIX V 613 1.4307

Item	Article no.	Description	Quantity
13.1	4174084	STAGE HELIX 6 1.4301 KIT	1
		> MACH.STG-CASING-WOGV-WNR-M+6-304	1
		> IMPELLER-M+6-304	1
13.2	4174089	INTERMEDIATE STAGE HELIX 6 1.4301 KIT	1
		> MACH.BEARING-STG-CASING-WNR-M+6-304	1
		> IMPELLER-M+6-304	1
		> SHAFT SLEEVE-SPACER-Ø19,35x18,465-304	1
		> SHAFT-SLEEVE-D16xD20x18-CW	1
13.3	4174090	INTERMEDIATE STAGE HELIX 6 1.4301 KIT	1
		> MACH.STD-STG-CASING-WGV+NR-M+6-304	1
		> IMPELLER-M+6-304	1
		> IMPELLER SPACER Ø16,05X19,45-L36,465-304	1
13.4	4174092	EMPTY STAGE HELIX6 1.4301KIT	1
		> MACH.STD-STG-CASING-WGV+NR-M+6-304	1
		> FLAT WASHER-D16.1XD22X1.2-316L	1
		> IMPELLER SPACER Ø16,05X19,45-L36,465-304	1
13.5	4174091	STAGE HELIX 6 1.4301 KIT	1
		> MACH.STG-CASING-WOGV-WNR-M+6-304	1
		> IMPELLER-M+6-304	1
		> IMPELLER SPACER Ø16,05X19,45-L36,465-304	1



HELIX V614-1/16/E/S/400-50 (4201432)

Item	Article no.	Description	Quantity
1	4169944	MOTOR 3/2/100 3~230/400V 50HZ IE3 VP.	1
		SPARE PARTS MOTOR:ON REQUEST	1
2	4159707	SCREW M8X30 (4 PIECES)	1
3	4214473	LANTERN FT130 HELIX KIT	1
3.1		> LANT-MOT-VMI-ReDTC6"-FT130-MACHINED+CATA	1
3.2	4184852	> EYELET CPL.FT HELIX (2 PIECES)	1
3.3	4213782	> COUPLING PROTECTOR FT115/130 HELIX KIT	1
4	4159710	COUPLING D.16XD.28 FT130 HELIX KIT	1
6	4177848	STUD BOLT M12X713KIT	1
6.1		> TIE BOLT M12-713x18x30-1.4057	1
6.2	2094647	> NUT M12 M12 ISO4032 VP.	1
6.3	2123557	> WASHER CS-12.4-24-1.6-NFE25 (4 PIECES)	1
7	4214481	STATIONARY RING HOLDER HELIX D27 ReDTC	1
7.2	4214479	> STATIONARY RING HOLDER HELIX D27 VP.	1
7.3	4176513	> O-RING FOR PUMP JACKET VP.	1
8	4212724	FILING/PURGING PLUG HELIX ReDTC KIT	1
8.1		> FILLING PLUG MVI6"-304	1
8.2	4177800	> O-RING EPDM PLUG HELIX VP.	1
9	4214483	MECH.SEAL HELIX6-10-16 O/E ReDTC KIT	1
9.1	4177801	> MECH.SEAL HELIX6-10-16 O/E VP.	1
7.3	4176513	> O-RING FOR PUMP JACKET VP.	1
10	4177850	HOUSING PIPES D.152X585 1.4301 KIT	1
7.3	4176513	> O-RING FOR PUMP JACKET VP.	1
10.1		> HOUSING-PIPE Ø152-M+1013/14-304	1
11	4174087	CENTERING STAGE-RETURN HELIX6 1.4301VP.	1
12	4214486	SHAFT EQUIPMENT HELIX V6 ReDTC KIT	1
12.1		> NUT-H-M10-A4.70	1
12.2		> SERRATED LOCK WASHER M+6M3-316L	1
12.3		> 1/2-SNAP-RING-6/10M3-316L	1
12.4		> STOP-RUSH-1/2-D16xd2-M+316	1
4.11		> SCREW CHC-M6X14-8.8-ISO4762-GEOMET500A	1
4.12		> WASHER D.24 L6U ZINK	1
13		HYDRAULIC HELIX V 614 1.4307	1
14	4214512	SHAFT D.16X653 HELIX 1.4057 VP.	1

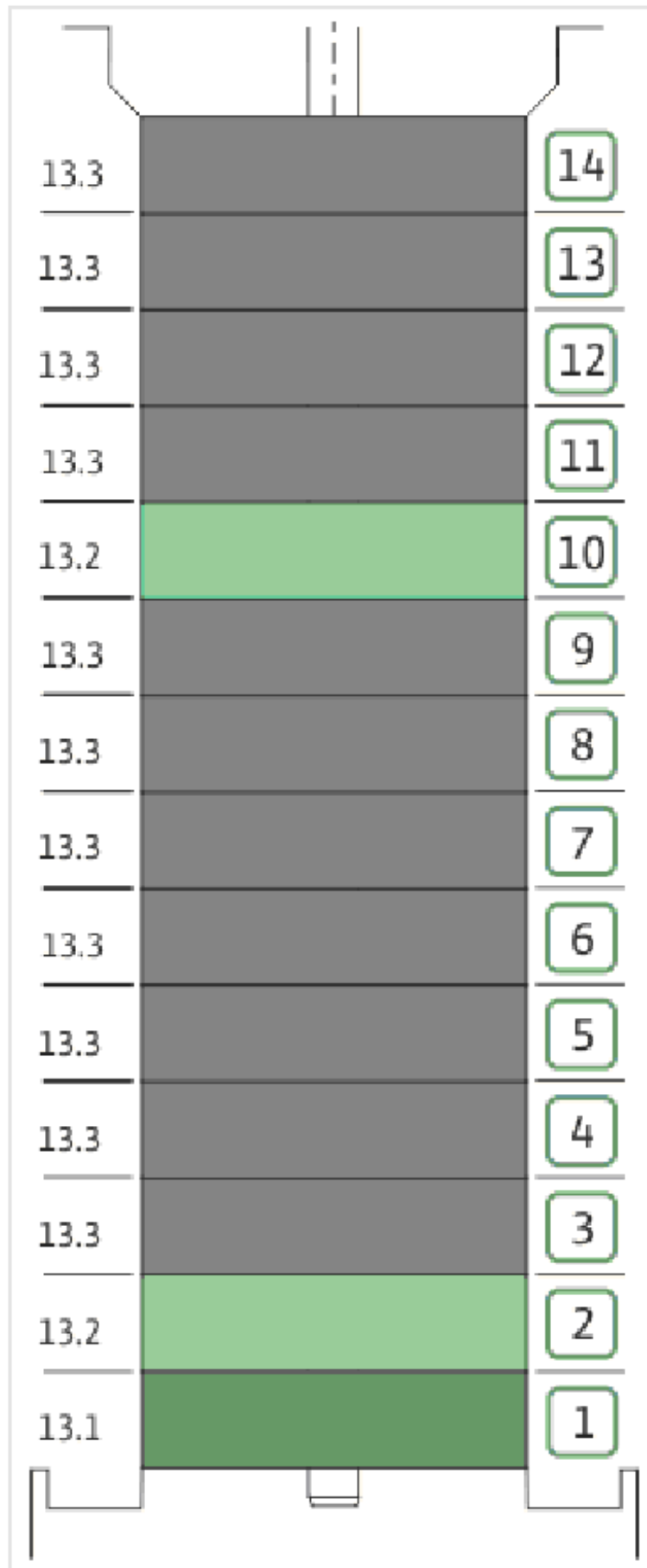
HELIX V614-1/16/E/S/400-50 (4201432)

Item	Article no.	Description	Quantity
15	4217897	PUMP HOUSING HELIX DN32 PN16 1.4301 KIT	1
7.3	4176513	> O-RING FOR PUMP JACKET VP.	1
15.1		> BLASTING PPE HOUSING V-PN16-DN32-5"-304	1
15.2	4217891	> COUNTER FLANGE-G1"1/4-PN16-GJL KIT	1
15.3	4171321	> PRIMING/DRAIN PLUG EPDM HELIX KIT	1
16	4177964	BASEPLATE HELIX V2/4/6 PN16 VP.	1



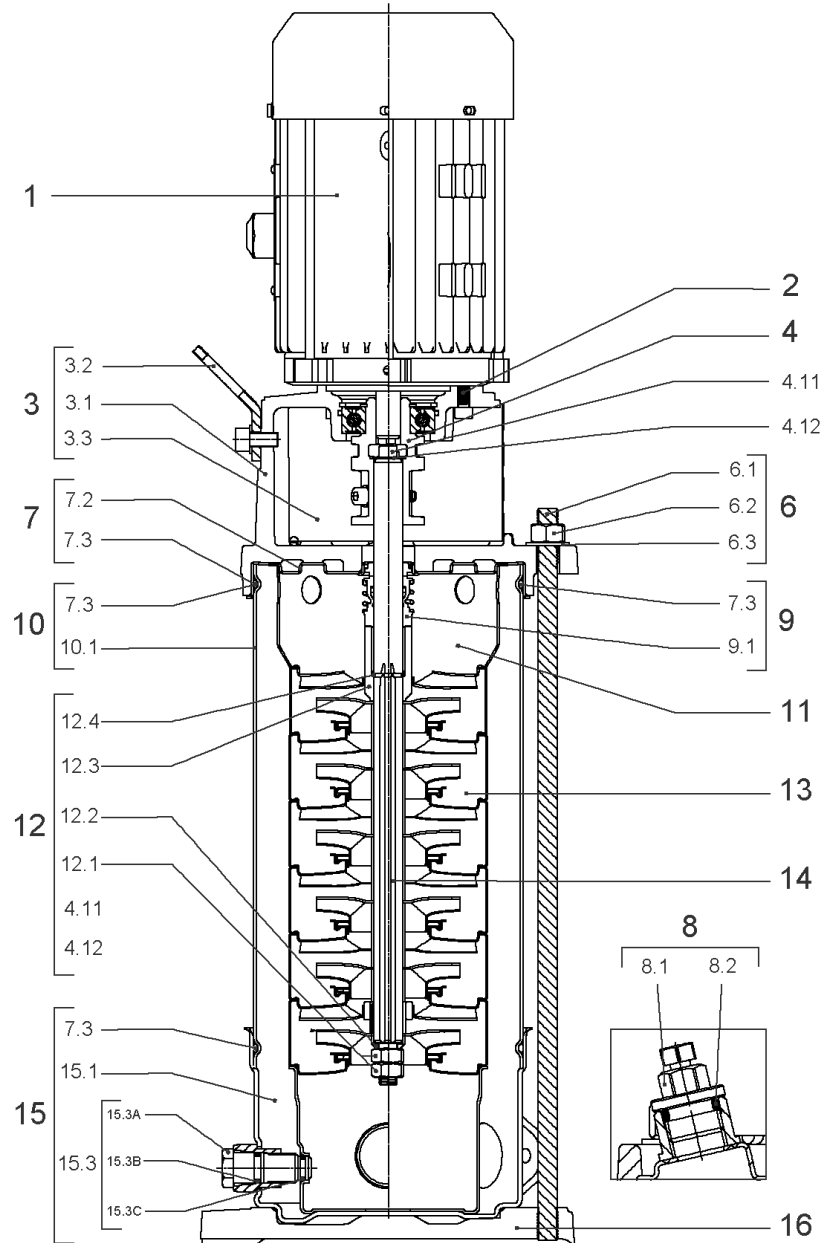
COUPLING D.16XD.28 FT130 HELIX KIT (4159710)

Item	Article no.	Description	Quantity
4.1		COUPLING M+ Ø16XØ28 FT130 MACHINED	1
4.2	2131022	BALL BEARING 6209/ZZ-C3(HT)VP.	1
4.3	4233930	CIRCLIP-FOR-BORES-D45x1,75 VP.	1
4.4	4157726	SCREW KIT M8X30 (4 PIECES)	1
4.5	4234252	CIRCLIPS 85X3 VP.	1
4.6	4234243	O-RING 85X3 VP.	1
		NOMEL CONTACT WASHER 8x16x1,4 STEEL ZC	1



HYDRAULIC HELIX V 614 1.4307

Item	Article no.	Description	Quantity
13.1	4174084	STAGE HELIX 6 1.4301 KIT	1
		> MACH.STG-CASING-WOGV-WNR-M+6-304	1
		> IMPELLER-M+6-304	1
13.2	4174089	INTERMEDIATE STAGE HELIX 6 1.4301 KIT	1
		> MACH.BEARING-STG-CASING-WNR-M+6-304	1
		> IMPELLER-M+6-304	1
		> SHAFT SLEEVE-SPACER-Ø19,35x18,465-304	1
		> SHAFT-SLEEVE-D16xD20x18-CW	1
13.3	4174090	INTERMEDIATE STAGE HELIX 6 1.4301 KIT	1
		> MACH.STD-STG-CASING-WGV+NR-M+6-304	1
		> IMPELLER-M+6-304	1
		> IMPELLER SPACER Ø16,05X19,45-L36,465-304	1



HELIX V615-1/16/E/S/400-50 (4201434)

Item	Article no.	Description	Quantity
1	4169944	MOTOR 3/2/100 3~230/400V 50HZ IE3 VP.	1
		SPARE PARTS MOTOR:ON REQUEST	1
2	4159707	SCREW M8X30 (4 PIECES)	1
3	4214473	LANTERN FT130 HELIX KIT	1
3.1		> LANT-MOT-VMI-ReDTC6"-FT130-MACHINED+CATA	1
3.2	4184852	> EYELET CPL.FT HELIX (2 PIECES)	1
3.3	4213782	> COUPLING PROTECTOR FT115/130 HELIX KIT	1
4	4159710	COUPLING D.16XD.28 FT130 HELIX KIT	1
6	4177852	STUD BOLT M12X788KIT	1
6.1		> TIE BOLT M12-788x18x30-1.4057	1
6.2	2094647	> NUT M12 M12 ISO4032 VP.	1
6.3	2123557	> WASHER CS-12.4-24-1.6-NFE25 (4 PIECES)	1
7	4214481	STATIONARY RING HOLDER HELIX D27 ReDTC	1
7.2	4214479	> STATIONARY RING HOLDER HELIX D27 VP.	1
7.3	4176513	> O-RING FOR PUMP JACKET VP.	1
8	4212724	FILING/PURGING PLUG HELIX ReDTC KIT	1
8.1		> FILLING PLUG MVI6"-304	1
8.2	4177800	> O-RING EPDM PLUG HELIX VP.	1
9	4214483	MECH.SEAL HELIX6-10-16 O/E ReDTC KIT	1
9.1	4177801	> MECH.SEAL HELIX6-10-16 O/E VP.	1
7.3	4176513	> O-RING FOR PUMP JACKET VP.	1
10	4177853	HOUSING PIPES D.152X660 1.4307 KIT	1
7.3	4176513	> O-RING FOR PUMP JACKET VP.	1
10.1		> HOUSING-PIPE Ø152-M+1016/1610-304	1
11	4174087	CENTERING STAGE-RETURN HELIX6 1.4301VP.	1
12	4214486	SHAFT EQUIPMENT HELIX V6 ReDTC KIT	1
12.1		> NUT-H-M10-A4.70	1
12.2		> SERRATED LOCK WASHER M+6M3-316L	1
12.3		> 1/2-SNAP-RING-6/10M3-316L	1
12.4		> STOP-RUSH-1/2-D16xd2-M+316	1
4.11		> SCREW CHC-M6X14-8.8-ISO4762-GEOMET500A	1
4.12		> WASHER D.24 L6U ZINK	1
13		HYDRAULIC HELIX V 615 1.4307	1
14	4214514	SHAFT D.16X728 HELIX 1.4057 VP.	1

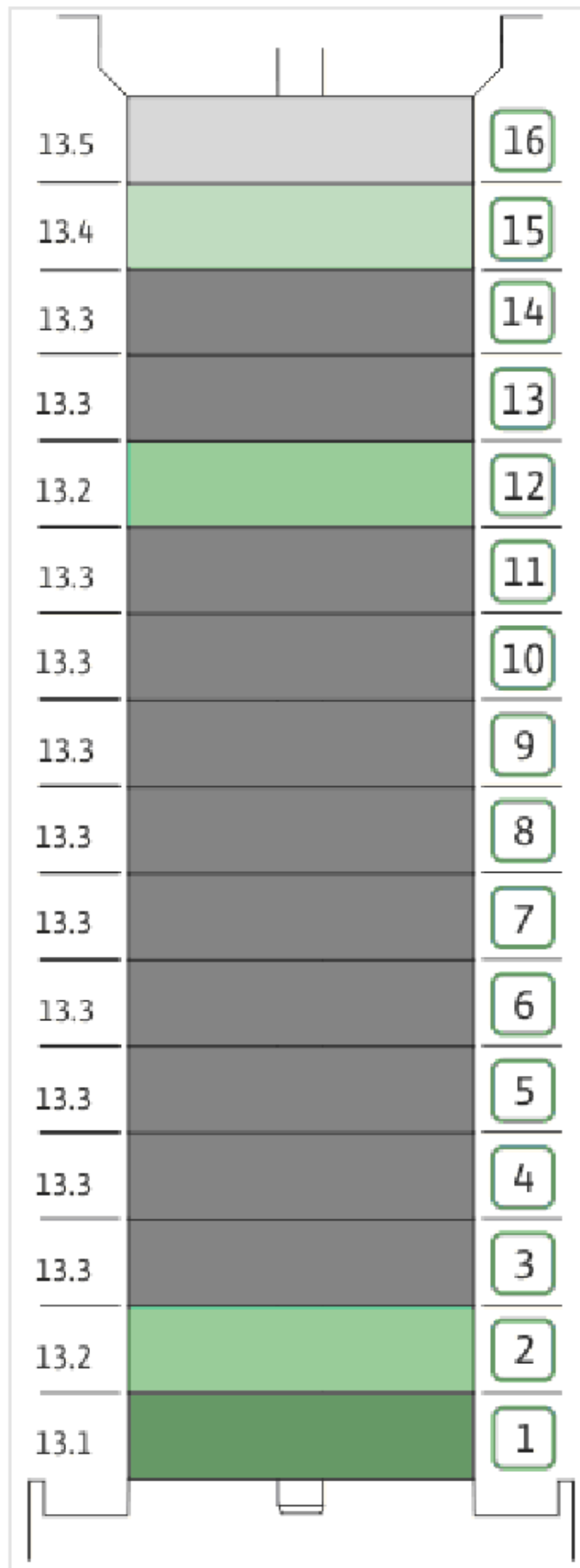
HELIX V615-1/16/E/S/400-50 (4201434)

Item	Article no.	Description	Quantity
15	4217897	PUMP HOUSING HELIX DN32 PN16 1.4301 KIT	1
7.3	4176513	> O-RING FOR PUMP JACKET VP.	1
15.1		> BLASTING PPE HOUSING V-PN16-DN32-5"-304	1
15.2	4217891	> COUNTER FLANGE-G1"1/4-PN16-GJL KIT	1
15.3	4171321	> PRIMING/DRAIN PLUG EPDM HELIX KIT	1
16	4177964	BASEPLATE HELIX V2/4/6 PN16 VP.	1



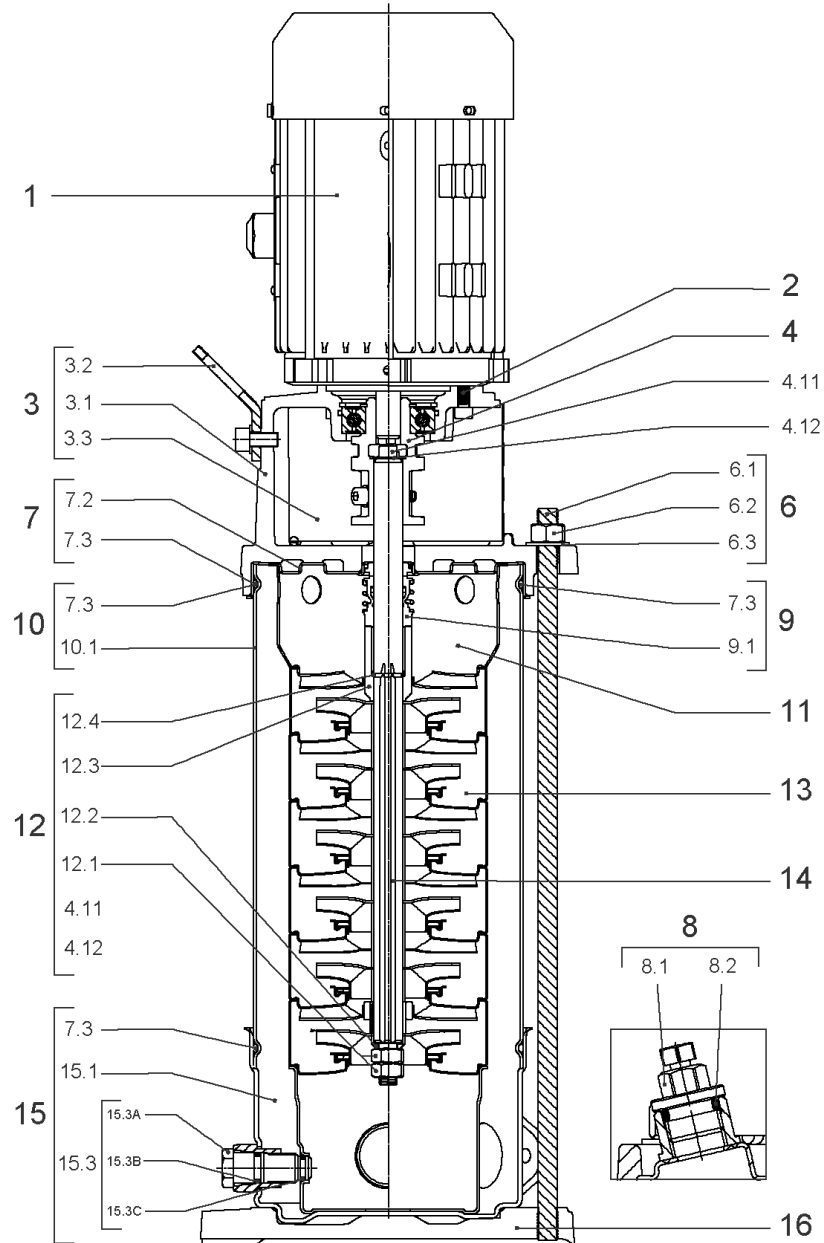
COUPLING D.16XD.28 FT130 HELIX KIT (4159710)

Item	Article no.	Description	Quantity
4.1		COUPLING M+ Ø16XØ28 FT130 MACHINED	1
4.2	2131022	BALL BEARING 6209/ZZ-C3(HT)VP.	1
4.3	4233930	CIRCLIP-FOR-BORES-D45x1,75 VP.	1
4.4	4157726	SCREW KIT M8X30 (4 PIECES)	1
4.5	4234252	CIRCLIPS 85X3 VP.	1
4.6	4234243	O-RING 85X3 VP.	1
		NOMEL CONTACT WASHER 8x16x1,4 STEEL ZC	1



HYDRAULIC HELIX V 615 1.4307

Item	Article no.	Description	Quantity
13.1	4174084	STAGE HELIX 6 1.4301 KIT	1
		> MACH.STG-CASING-WOGV-WNR-M+6-304	1
		> IMPELLER-M+6-304	1
13.2	4174089	INTERMEDIATE STAGE HELIX 6 1.4301 KIT	1
		> MACH.BEARING-STG-CASING-WNR-M+6-304	1
		> IMPELLER-M+6-304	1
		> SHAFT SLEEVE-SPACER-Ø19,35x18,465-304	1
		> SHAFT-SLEEVE-D16xD20x18-CW	1
13.3	4174090	INTERMEDIATE STAGE HELIX 6 1.4301 KIT	1
		> MACH.STD-STG-CASING-WGV+NR-M+6-304	1
		> IMPELLER-M+6-304	1
		> IMPELLER SPACER Ø16,05X19,45-L36,465-304	1
13.4	4174092	EMPTY STAGE HELIX6 1.4301KIT	1
		> MACH.STD-STG-CASING-WGV+NR-M+6-304	1
		> FLAT WASHER-D16.1XD22X1.2-316L	1
		> IMPELLER SPACER Ø16,05X19,45-L36,465-304	1
13.5	4174091	STAGE HELIX 6 1.4301 KIT	1
		> MACH.STG-CASING-WOGV-WNR-M+6-304	1
		> IMPELLER-M+6-304	1
		> IMPELLER SPACER Ø16,05X19,45-L36,465-304	1



HELIX V616-1/16/E/S/400-50 (4201436)

Item	Article no.	Description	Quantity
1	4169945	MO.4/2 3~230/400(460)V 50(60)HZ IE3 VP.	1
		SPARE PARTS MOTOR:ON REQUEST	1
2	4159707	SCREW M8X30 (4 PIECES)	1
3	4214473	LANTERN FT130 HELIX KIT	1
3.1		> LANT-MOT-VMI-ReDTC6"-FT130-MACHINED+CATA	1
3.2	4184852	> EYELET CPL.FT HELIX (2 PIECES)	1
3.3	4213782	> COUPLING PROTECTOR FT115/130 HELIX KIT	1
4	4159710	COUPLING D.16XD.28 FT130 HELIX KIT	1
6	4177852	STUD BOLT M12X788KIT	1
6.1		> TIE BOLT M12-788x18x30-1.4057	1
6.2	2094647	> NUT M12 M12 ISO4032 VP.	1
6.3	2123557	> WASHER CS-12.4-24-1.6-NFE25 (4 PIECES)	1
7	4214481	STATIONARY RING HOLDER HELIX D27 ReDTC	1
7.2	4214479	> STATIONARY RING HOLDER HELIX D27 VP.	1
7.3	4176513	> O-RING FOR PUMP JACKET VP.	1
8	4212724	FILING/PURGING PLUG HELIX ReDTC KIT	1
8.1		> FILLING PLUG MVI6"-304	1
8.2	4177800	> O-RING EPDM PLUG HELIX VP.	1
9	4214483	MECH.SEAL HELIX6-10-16 O/E ReDTC KIT	1
9.1	4177801	> MECH.SEAL HELIX6-10-16 O/E VP.	1
7.3	4176513	> O-RING FOR PUMP JACKET VP.	1
10	4177853	HOUSING PIPES D.152X660 1.4307 KIT	1
7.3	4176513	> O-RING FOR PUMP JACKET VP.	1
10.1		> HOUSING-PIPE Ø152-M+1016/1610-304	1
11	4174087	CENTERING STAGE-RETURN HELIX6 1.4301VP.	1
12	4214486	SHAFT EQUIPMENT HELIX V6 ReDTC KIT	1
12.1		> NUT-H-M10-A4.70	1
12.2		> SERRATED LOCK WASHER M+6M3-316L	1
12.3		> 1/2-SNAP-RING-6/10M3-316L	1
12.4		> STOP-RUSH-1/2-D16xd2-M+316	1
4.11		> SCREW CHC-M6X14-8.8-ISO4762-GEOMET500A	1
4.12		> WASHER D.24 L6U ZINK	1
13		HYDRAULIC HELIX V 616 1.4307	1
14	4214514	SHAFT D.16X728 HELIX 1.4057 VP.	1

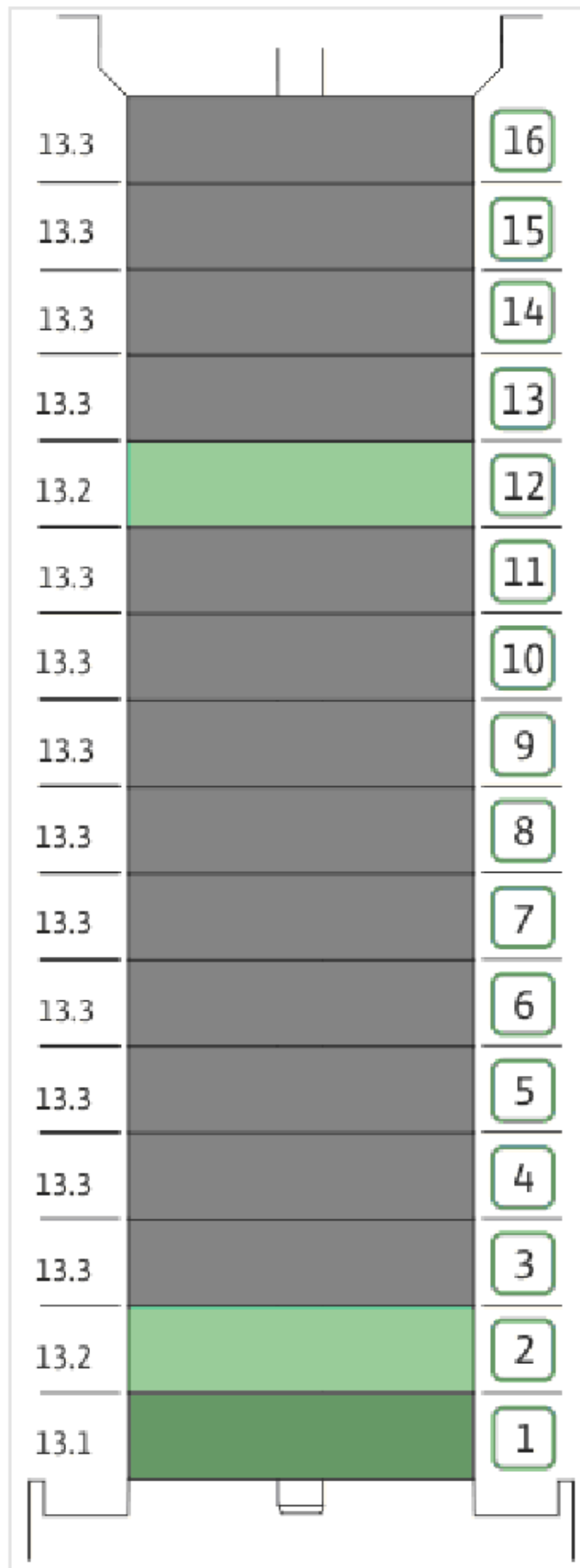
HELIX V616-1/16/E/S/400-50 (4201436)

Item	Article no.	Description	Quantity
15	4217897	PUMP HOUSING HELIX DN32 PN16 1.4301 KIT	1
7.3	4176513	> O-RING FOR PUMP JACKET VP.	1
15.1		> BLASTING PPE HOUSING V-PN16-DN32-5"-304	1
15.2	4217891	> COUNTER FLANGE-G1"1/4-PN16-GJL KIT	1
15.3	4171321	> PRIMING/DRAIN PLUG EPDM HELIX KIT	1
16	4177964	BASEPLATE HELIX V2/4/6 PN16 VP.	1



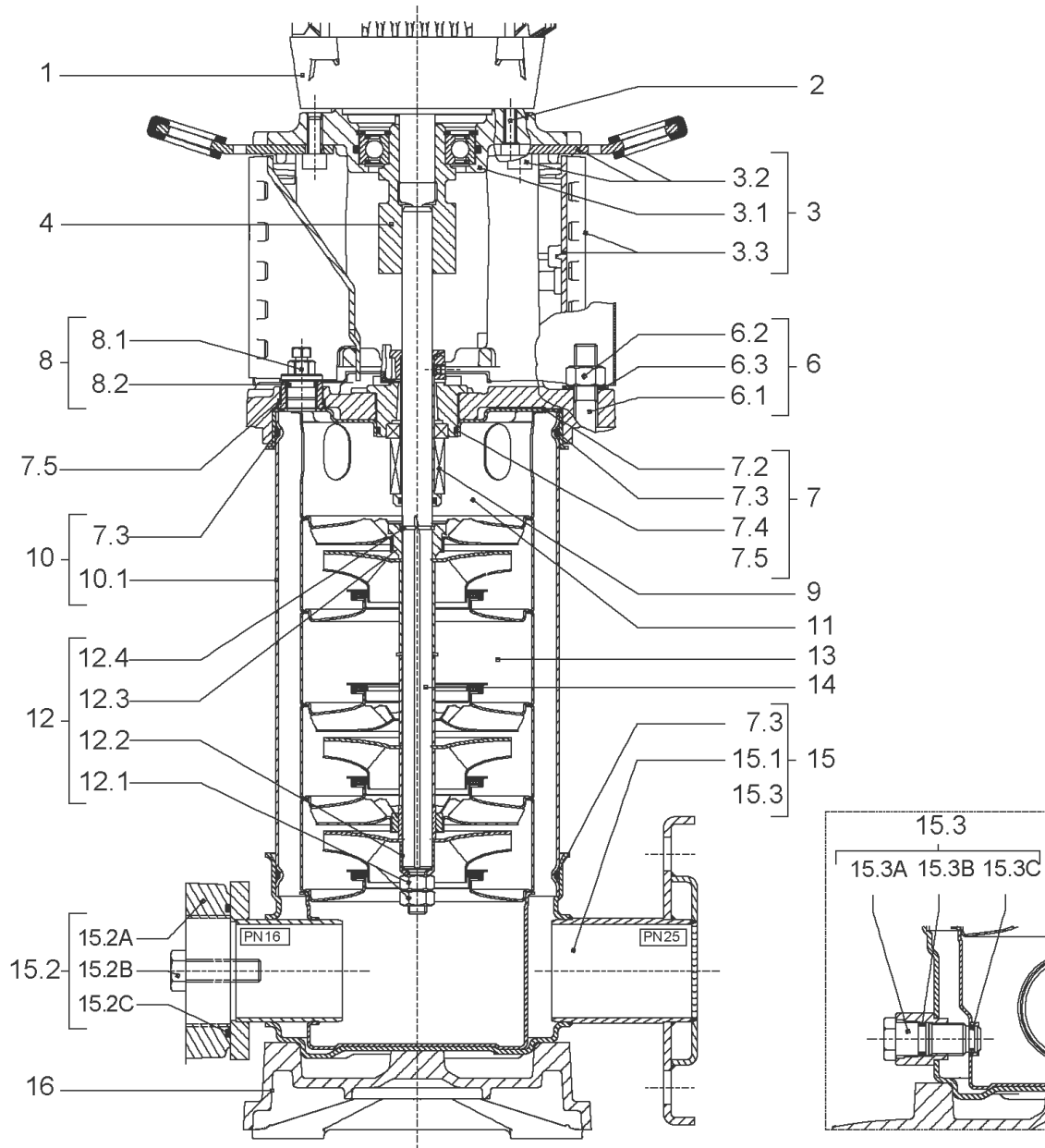
COUPLING D.16XD.28 FT130 HELIX KIT (4159710)

Item	Article no.	Description	Quantity
4.1		COUPLING M+ Ø16XØ28 FT130 MACHINED	1
4.2	2131022	BALL BEARING 6209/ZZ-C3(HT)VP.	1
4.3	4233930	CIRCLIP-FOR-BORES-D45x1,75 VP.	1
4.4	4157726	SCREW KIT M8X30 (4 PIECES)	1
4.5	4234252	CIRCLIPS 85X3 VP.	1
4.6	4234243	O-RING 85X3 VP.	1
		NOMEL CONTACT WASHER 8x16x1,4 STEEL ZC	1



HYDRAULIC HELIX V 616 1.4307

Item	Article no.	Description	Quantity
13.1	4174084	STAGE HELIX 6 1.4301 KIT	1
		> MACH.STG-CASING-WOGV-WNR-M+6-304	1
		> IMPELLER-M+6-304	1
13.2	4174089	INTERMEDIATE STAGE HELIX 6 1.4301 KIT	1
		> MACH.BEARING-STG-CASING-WNR-M+6-304	1
		> IMPELLER-M+6-304	1
		> SHAFT SLEEVE-SPACER-Ø19,35x18,465-304	1
		> SHAFT-SLEEVE-D16xD20x18-CW	1
13.3	4174090	INTERMEDIATE STAGE HELIX 6 1.4301 KIT	1
		> MACH.STD-STG-CASING-WGV+NR-M+6-304	1
		> IMPELLER-M+6-304	1
		> IMPELLER SPACER Ø16,05X19,45-L36,465-304	1



HELIX V602-1/16/E/S/460-60 (4192425)

Item	Article no.	Description	Quantity
1	4169940	MOTOR 0,75/2/80 3~230/400V 50HZ IE3 VP.	1
		SPARE PARTS MOTOR:ON REQUEST	1
2	4159702	SCREW M6X30 (4 PIECES)	1
3	4172790	EQUIPED LANTERN NEXIS FT 100 KIT	1
3.1		> M+5_6_LANTERN_ONE-PIECE_FT100_CATA	1
3.2	2127604	> EYELET CPL.FT HELIX(2 PIECES)	1
3.3	4159692	> COUPLING PROTECTOR FT HELIX KIT	1
4	4159708	COUPLING D.16XD.19 FT100 HELIX KIT	1
6	4177803	STUD BOLT M12X263 KIT	1
6.1		> TIE BOLT M12-263x18x30-1.4057	1
6.2	2094647	> NUT M12 M12 ISO4032 VP.	1
6.3	2123557	> WASHER CS-12.4-24-1.6-NFE25 (4 PIECES)	1
7	4210143	STATIONARY RING HOLDER HELIX 6" EPDM	1
7.2	2127607	> STATIONARY RING HOLDER 6" HELIX 1.4301 V	1
7.3	4176513	> O-RING FOR PUMP JACKET VP.	1
7.4	2127603	> O-RING ID.37,6x2,4 EPDM VP.	1
7.5	2127602	> O-RING ID.21,35x2 EPDM VP.	1
8	4159686	FILING/PURGING PLUG HELIX EPDM KIT	1
9	4171327	SEAL-KIT-HELIX6-10-16 O/E KIT	1
10	4177804	HOUSING PIPES D.152X134 1.4301 KIT	1
7.3	4176513	> O-RING FOR PUMP JACKET VP.	1
10.1		> HOUSING-PIPE Ø152-M+1001/02-304	1
11	4174087	CENTERING STAGE-RETURN HELIX6 1.4301VP.	1
12	4174086	SHAFTS EQUIPMENT HELIX V6 MONOBLOC KIT	1
12.1		> NUT-H-M10-A4.70	1
12.2		> SERRATED LOCK WASHER M+6M3-316L	1
12.3		> IMPELLER STOP RING L33,2-304	1
12.4		> STOP-RUSH-1/2-D16xd2-M+316	1
13		HYDRAULIC HELIX V 602 1.4307	1
14	4177807	SHAFT D.16X255 1.4301 VP.	1
15	4217897	PUMP HOUSING HELIX DN32 PN16 1.4301 KIT	1
7.3	4176513	> O-RING FOR PUMP JACKET VP.	1
15.1		> BLASTING PPE HOUSING V-PN16-DN32-5"-304	1
15.2	4217891	> COUNTER FLANGE-G1"1/4-PN16-GJL KIT	1

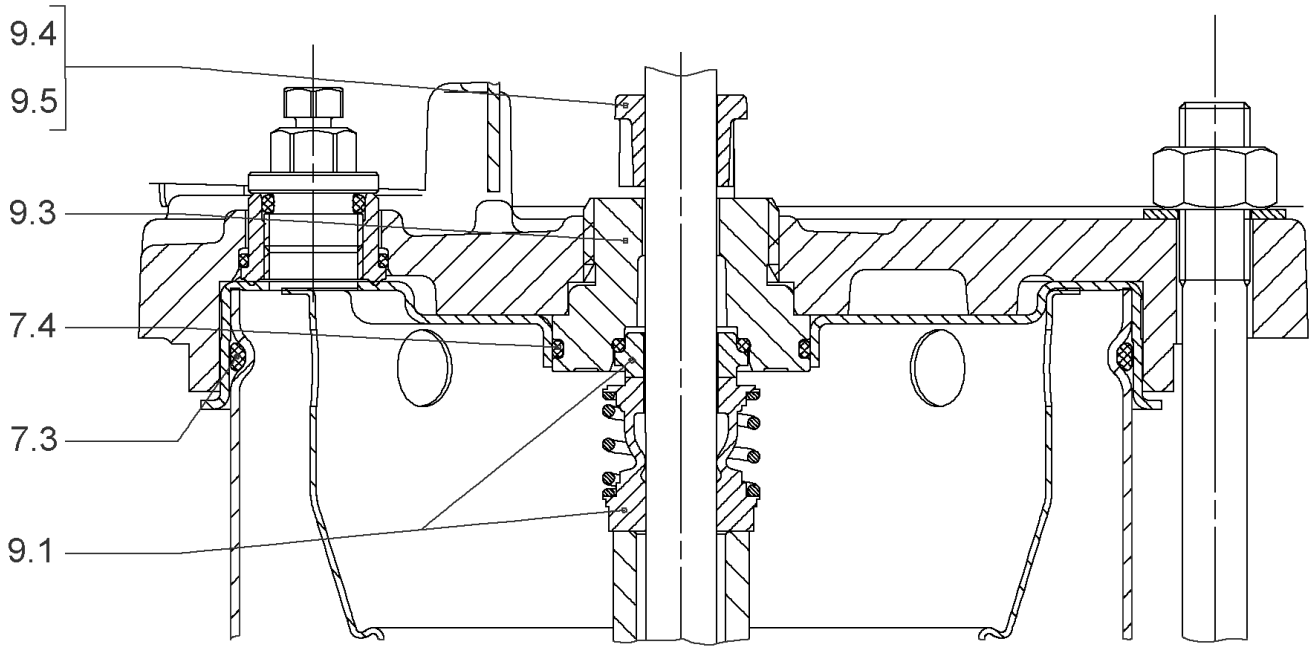
HELIX V602-1/16/E/S/460-60 (4192425)

Item	Article no.	Description	Quantity
15.3	4171321	> PRIMING/DRAIN PLUG EPDM HELIX KIT	1
16	4177964	BASEPLATE HELIX V2/4/6 PN16 VP.	1



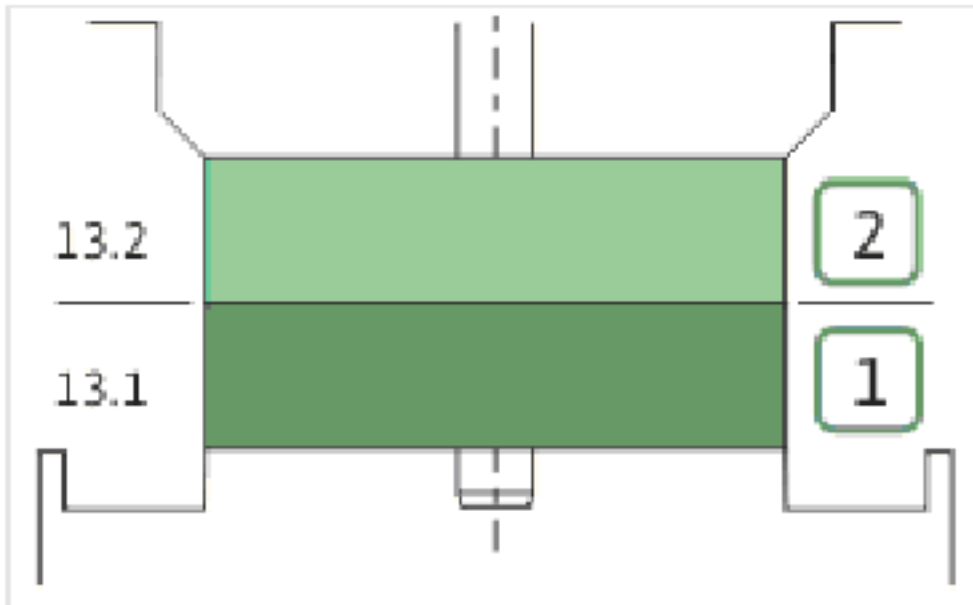
COUPLING D.16XD.19 FT100 HELIX KIT (4159708)

Item	Article no.	Description	Quantity
4.1		COUPLING M+ Ø16XØ19 FT100 MACHINED	1
4.2	2130977	BALL BEARING 6206/ZZ-C3(HT)VP.	1
4.3	4234249	CIRCLIP-FOR-SHAFT-D30x1.5 VP.	1
4.4	4212716	SCREW M6X20 KIT (4PIECES)	1
4.5	4234250	CIRCLIP-D62x2 VP.	1
4.6	4234245	O-RING 63X3 VP.	1
		CONTACT-WASHER-6ETR-6,1x12,2x1,8-STEEL	1



SEAL-KIT-HELIX6-10-16 O/E KIT (4171327)

Item	Article no.	Description	Quantity
7.3	4176513	O-RING FOR PUMP JACKET VP.	1
7.4	2127603	O-RING ID.37,6x2,4 EPDM VP.	1
9.1	4177801	MECH.SEAL HELIX6-10-16 O/E VP.	1
9.3	4177798	MACHINED RING HOLDER M+6" Ø16 304 VP.	1
9.5	4177799	MACHINED DRIVE RING Ø16 VP.	1
9.4	4176520	SCREW CH M5x5 A4-70 (3PIECES)	1



HYDRAULIC HELIX V 602 1.4307

Item	Article no.	Description	Quantity
13.1	4174084	STAGE HELIX 6 1.4301 KIT	1
		> MACH.STG-CASING-WOGV-WNR-M+6-304	1
		> IMPELLER-M+6-304	1
13.2	4174089	INTERMEDIATE STAGE HELIX 6 1.4301 KIT	1
		> MACH.BEARING-STG-CASING-WNR-M+6-304	1
		> IMPELLER-M+6-304	1
		> SHAFT SLEEVE-SPACER-Ø19,35x18,465-304	1
		> SHAFT-SLEEVE-D16xD20x18-CW	1

HELIX V603-1/16/E/S/460-60 (4192426)

Item	Article no.	Description	Quantity
1	4169941	MOTOR 1,1/2/80 3~230/400V 50HZ IE3 VP.	1
		SPARE PARTS MOTOR:ON REQUEST	1
2	4159702	SCREW M6X30 (4 PIECES)	1
3	4172790	EQUIPED LANTERN NEXIS FT 100 KIT	1
3.1		> M+5_6_LANTERN_ONE-PIECE_FT100_CATA	1
3.2	2127604	> EYELET CPL.FT HELIX(2 PIECES)	1
3.3	4159692	> COUPLING PROTECTOR FT HELIX KIT	1
4	4159708	COUPLING D.16XD.19 FT100 HELIX KIT	1
6	4177812	STUD BOLT M12X300KIT	1
6.1		> TIE BOLT M12-300x18x30-1.4057	1
6.2	2094647	> NUT M12 M12 ISO4032 VP.	1
6.3	2123557	> WASHER CS-12.4-24-1.6-NFE25 (4 PIECES)	1
7	4210143	STATIONARY RING HOLDER HELIX 6" EPDM	1
7.2	2127607	> STATIONARY RING HOLDER 6" HELIX 1.4301 V	1
7.3	4176513	> O-RING FOR PUMP JACKET VP.	1
7.4	2127603	> O-RING ID.37,6x2,4 EPDM VP.	1
7.5	2127602	> O-RING ID.21,35x2 EPDM VP.	1
8	4159686	FILING/PURGING PLUG HELIX EPDM KIT	1
9	4171327	SEAL-KIT-HELIX6-10-16 O/E KIT	1
10	4177813	HOUSING PIPE D.152x172 1.4301 KIT	1
7.3	4176513	> O-RING FOR PUMP JACKET VP.	1
10.1		> HOUSING-PIPE Ø152-M+1003-304	1
11	4174087	CENTERING STAGE-RETURN HELIX6 1.4301VP.	1
12	4174086	SHAFTS EQUIPMENT HELIX V6 MONOBLOC KIT	1
12.1		> NUT-H-M10-A4.70	1
12.2		> SERRATED LOCK WASHER M+6M3-316L	1
12.3		> IMPELLER STOP RING L33,2-304	1
12.4		> STOP-RUSH-1/2-D16xd2-M+316	1
13		HYDRAULIC HELIX V 603 1.4307	1
14	4177815	SHAFT D.16X292,5 1.4301 VP.	1
15	4217897	PUMP HOUSING HELIX DN32 PN16 1.4301 KIT	1
7.3	4176513	> O-RING FOR PUMP JACKET VP.	1
15.1		> BLASTING PPE HOUSING V-PN16-DN32-5"-304	1
15.2	4217891	> COUNTER FLANGE-G1"1/4-PN16-GJL KIT	1

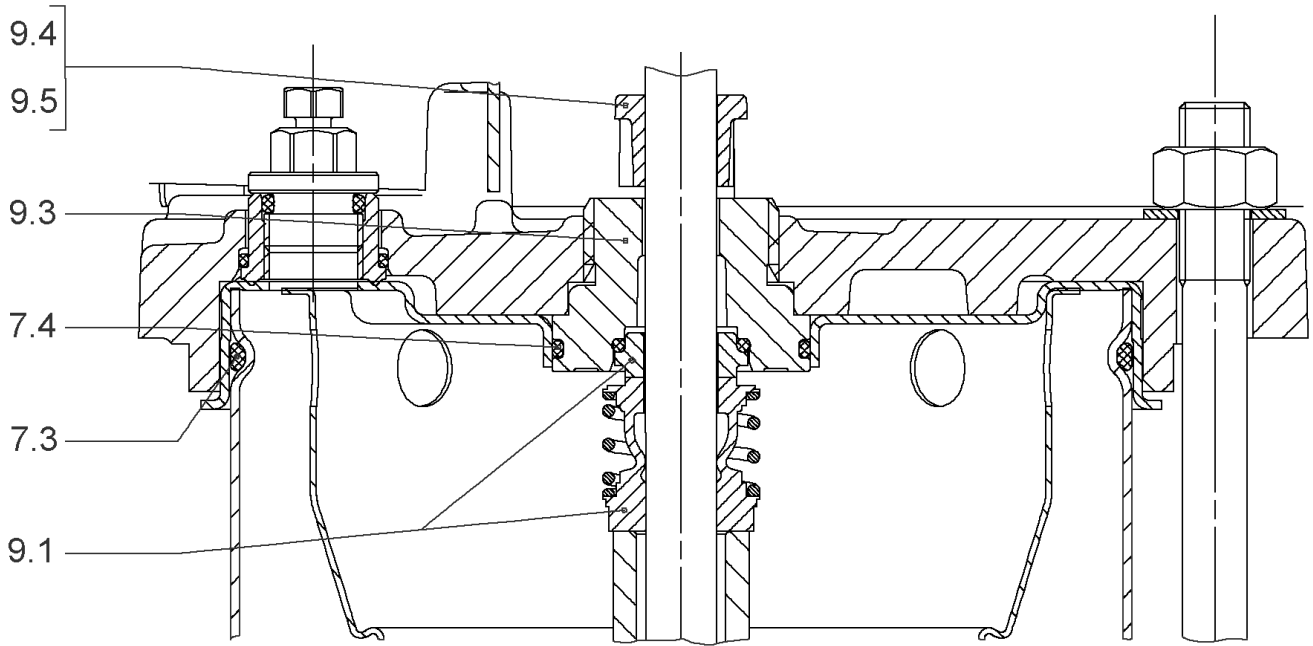
HELIX V603-1/16/E/S/460-60 (4192426)

Item	Article no.	Description	Quantity
15.3	4171321	> PRIMING/DRAIN PLUG EPDM HELIX KIT	1
16	4177964	BASEPLATE HELIX V2/4/6 PN16 VP.	1



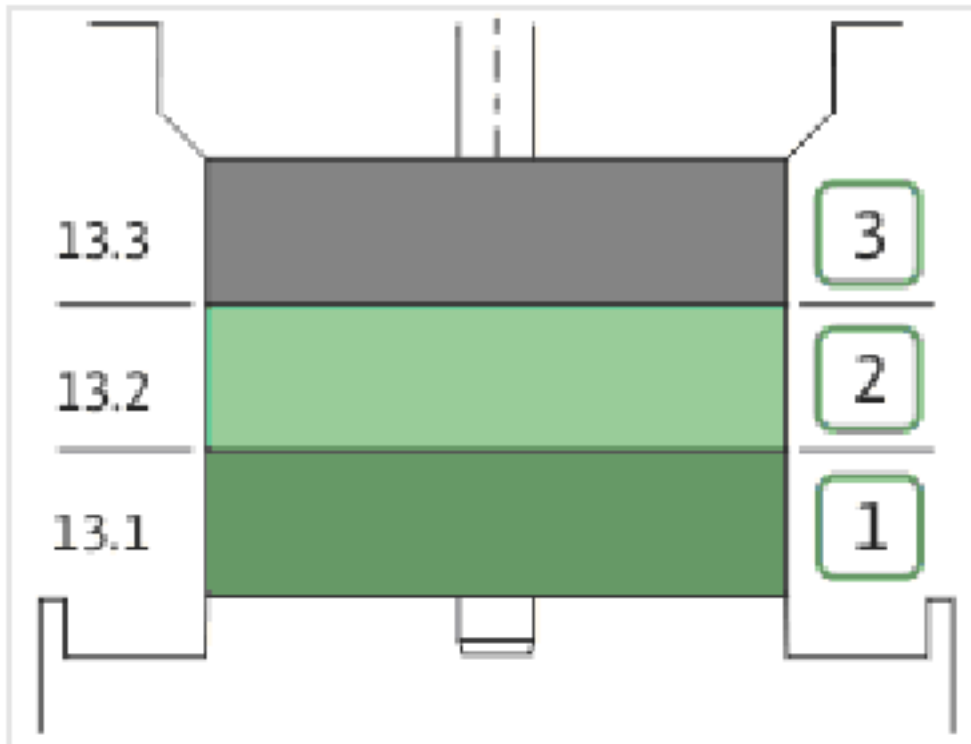
COUPLING D.16XD.19 FT100 HELIX KIT (4159708)

Item	Article no.	Description	Quantity
4.1		COUPLING M+ Ø16XØ19 FT100 MACHINED	1
4.2	2130977	BALL BEARING 6206/ZZ-C3(HT)VP.	1
4.3	4234249	CIRCLIP-FOR-SHAFT-D30x1.5 VP.	1
4.4	4212716	SCREW M6X20 KIT (4PIECES)	1
4.5	4234250	CIRCLIP-D62x2 VP.	1
4.6	4234245	O-RING 63X3 VP.	1
		CONTACT-WASHER-6ETR-6,1x12,2x1,8-STEEL	1



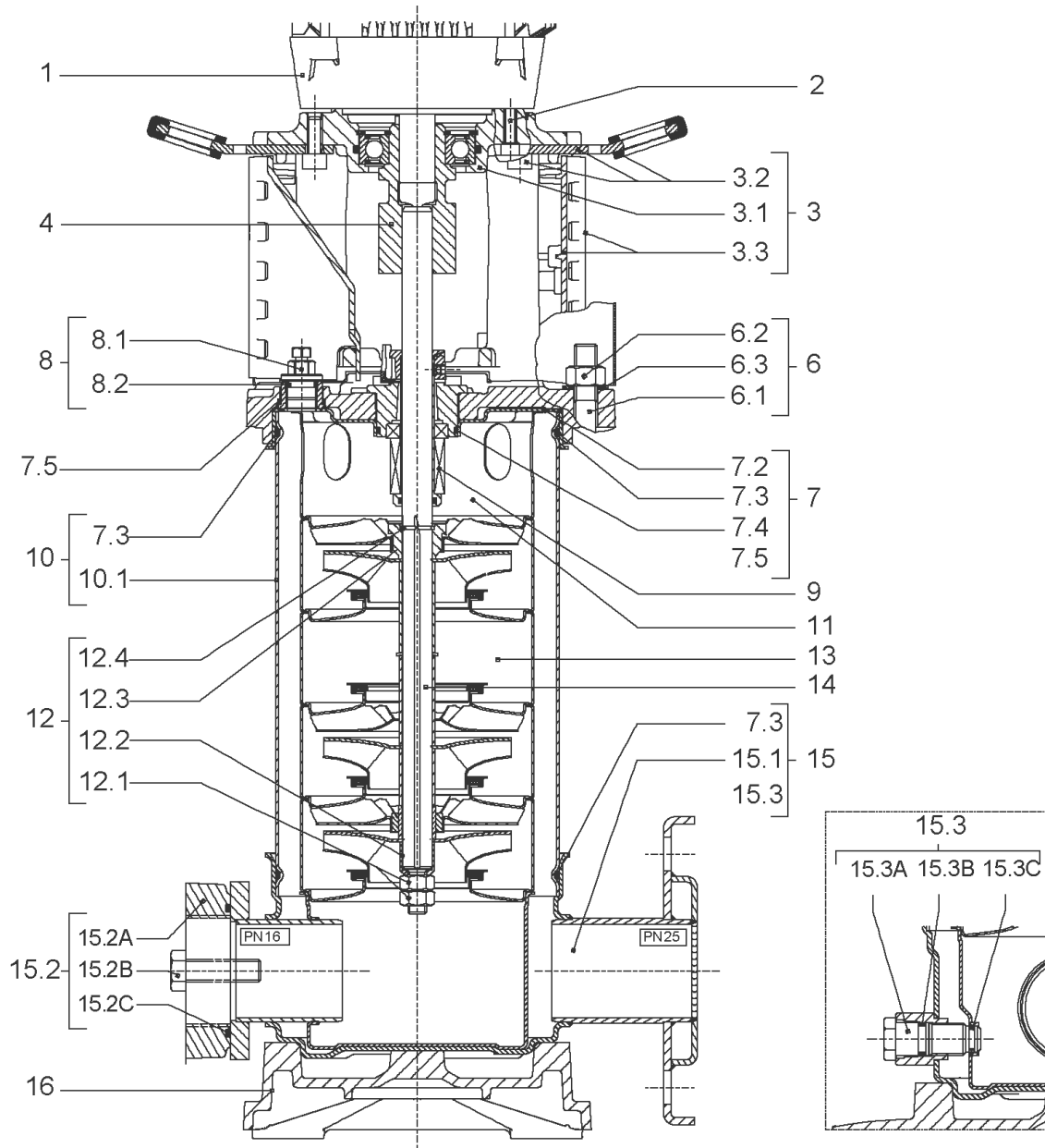
SEAL-KIT-HELIX6-10-16 O/E KIT (4171327)

Item	Article no.	Description	Quantity
7.3	4176513	O-RING FOR PUMP JACKET VP.	1
7.4	2127603	O-RING ID.37,6x2,4 EPDM VP.	1
9.1	4177801	MECH.SEAL HELIX6-10-16 O/E VP.	1
9.3	4177798	MACHINED RING HOLDER M+6" Ø16 304 VP.	1
9.5	4177799	MACHINED DRIVE RING Ø16 VP.	1
9.4	4176520	SCREW CH M5x5 A4-70 (3PIECES)	1



HYDRAULIC HELIX V 603 1.4307

Item	Article no.	Description	Quantity
13.1	4174084	STAGE HELIX 6 1.4301 KIT	1
		> MACH.STG-CASING-WOGV-WNR-M+6-304	1
		> IMPELLER-M+6-304	1
13.2	4174089	INTERMEDIATE STAGE HELIX 6 1.4301 KIT	1
		> MACH.BEARING-STG-CASING-WNR-M+6-304	1
		> IMPELLER-M+6-304	1
		> SHAFT SLEEVE-SPACER-Ø19,35x18,465-304	1
		> SHAFT-SLEEVE-D16xD20x18-CW	1
13.3	4174090	INTERMEDIATE STAGE HELIX 6 1.4301 KIT	1
		> MACH.STD-STG-CASING-WGV+NR-M+6-304	1
		> IMPELLER-M+6-304	1
		> IMPELLER SPACER Ø16,05X19,45-L36,465-304	1



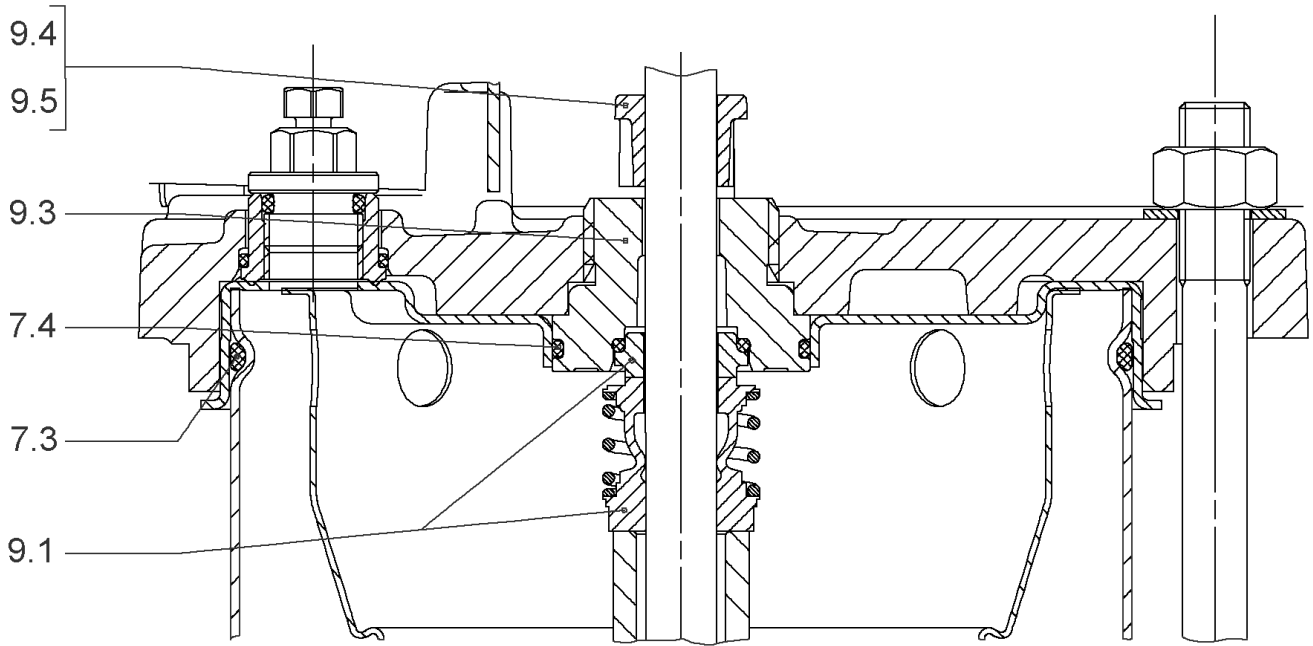
HELIX V604-1/16/E/S/460-60 (4192427)

Item	Article no.	Description	Quantity
1	4169942	MO.1,5/2 3~230/400(440)V 50(60)HZ IE3 VP	1
		SPARE PARTS MOTOR:ON REQUEST	1
2	4159703	SCREW M8X40 (4 PIECES)	1
3	4172795	LANTERNE FT115 HELIX KIT	1
3.1		> M+5_6_LANTERN_ONE-PIECE_FT115_CATA	1
3.2	2127604	> EYELET CPL.FT HELIX(2 PIECES)	1
3.3	4159692	> COUPLING PROTECTOR FT HELIX KIT	1
4	4159709	COUPLING D.16xD.24 FT115 HELIX KIT	1
6	2127553	STUD BOLT M12X341 KIT	1
7	4210143	STATIONARY RING HOLDER HELIX 6" EPDM	1
7.2	2127607	> STATIONARY RING HOLDER 6" HELIX 1.4301 V	1
7.3	4176513	> O-RING FOR PUMP JACKET VP.	1
7.4	2127603	> O-RING ID.37,6x2,4 EPDM VP.	1
7.5	2127602	> O-RING ID.21,35x2 EPDM VP.	1
8	4159686	FILING/PURGING PLUG HELIX EPDM KIT	1
9	4171327	SEAL-KIT-HELIX6-10-16 O/E KIT	1
10	2127575	HOUSING PIPE D.152x210 1.4301 KIT	1
11	4174087	CENTERING STAGE-RETURN HELIX6 1.4301VP.	1
12	4174086	SHAFTS EQUIPMENT HELIX V6 MONOBLOC KIT	1
12.1		> NUT-H-M10-A4.70	1
12.2		> SERRATED LOCK WASHER M+6M3-316L	1
12.3		> IMPELLER STOP RING L33,2-304	1
12.4		> STOP-RUSH-1/2-D16xd2-M+316	1
13		HYDRAULIC HELIX V 604 1.4307	1
14	2127564	SHAFT D.16X330 1.4301 VP.	1
15	4217897	PUMP HOUSING HELIX DN32 PN16 1.4301 KIT	1
7.3	4176513	> O-RING FOR PUMP JACKET VP.	1
15.1		> BLASTING PPE HOUSING V-PN16-DN32-5"-304	1
15.2	4217891	> COUNTER FLANGE-G1"1/4-PN16-GJL KIT	1
15.3	4171321	> PRIMING/DRAIN PLUG EPDM HELIX KIT	1
16	4177964	BASEPLATE HELIX V2/4/6 PN16 VP.	1



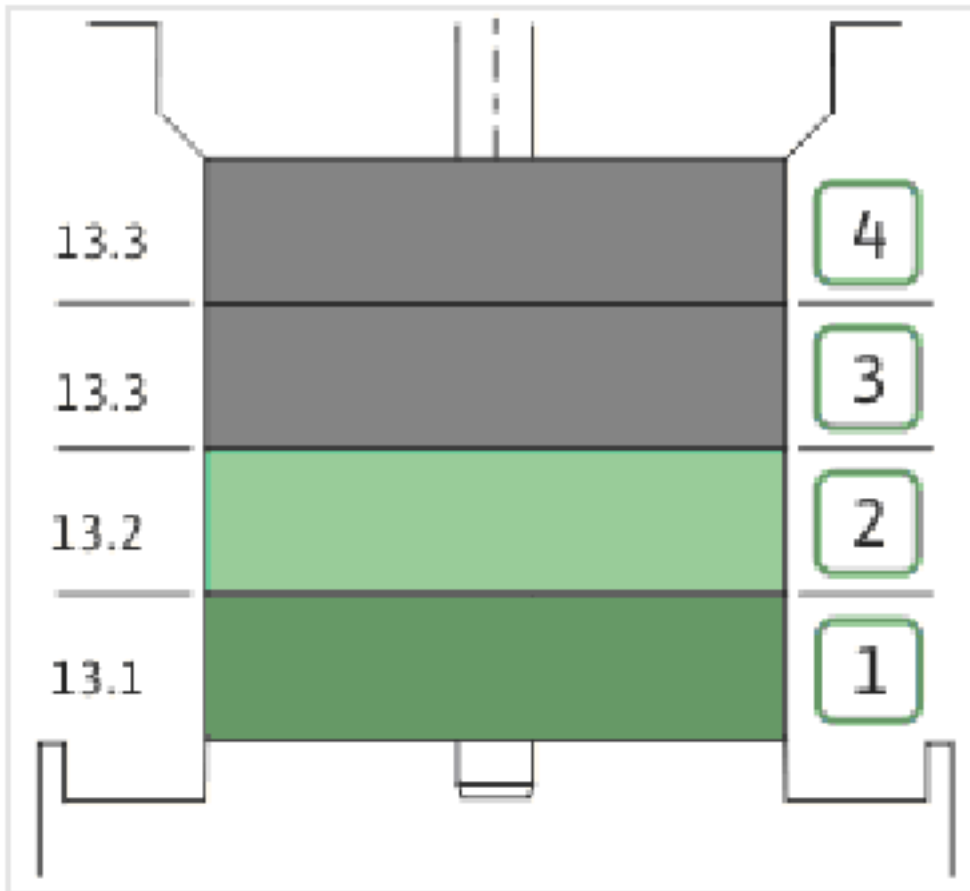
COUPLING D.16xD.24 FT115 HELIX KIT (4159709)

Item	Article no.	Description	Quantity
4.1		COUPLING M+ Ø16XØ24 FT115 MACHINED	1
4.2	2131023	BALL BEARING 6207/ZZ-C3(HT)VP.	1
4.3	4234254	CIRCLIP-FOR-SHAFT-D35x1.5 VP.	1
4.4	4157726	SCREW KIT M8X30 (4 PIECES)	1
4.5	4234251	CIRCLIP-D72x2.5 VP.	1
4.6	4234246	O-RING 72X3 VP.	1
		NOMEL CONTACT WASHER 8x16x1,4 STEEL ZC	1



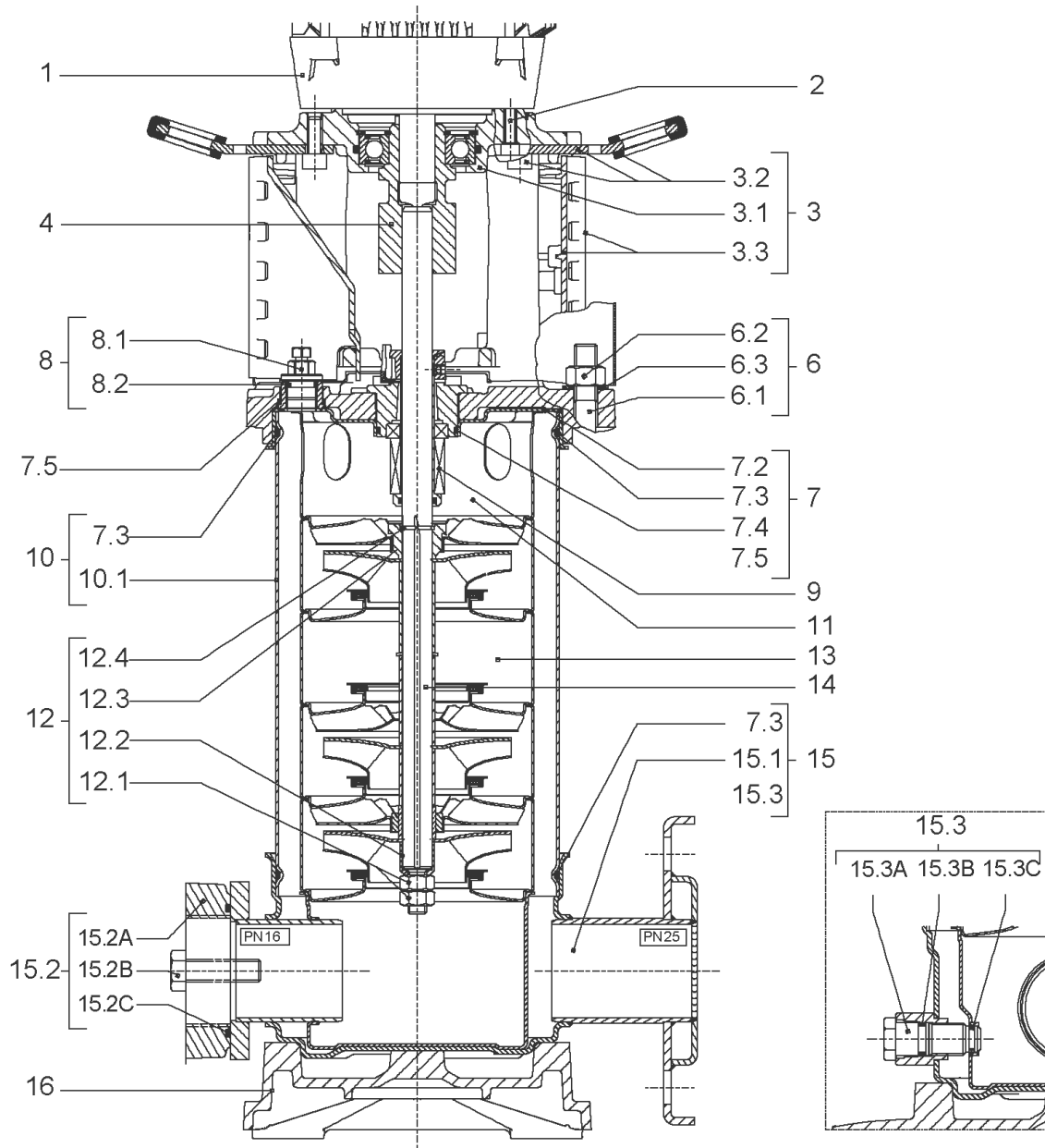
SEAL-KIT-HELIX6-10-16 O/E KIT (4171327)

Item	Article no.	Description	Quantity
7.3	4176513	O-RING FOR PUMP JACKET VP.	1
7.4	2127603	O-RING ID.37,6x2,4 EPDM VP.	1
9.1	4177801	MECH.SEAL HELIX6-10-16 O/E VP.	1
9.3	4177798	MACHINED RING HOLDER M+6" Ø16 304 VP.	1
9.5	4177799	MACHINED DRIVE RING Ø16 VP.	1
9.4	4176520	SCREW CH M5x5 A4-70 (3PIECES)	1



HYDRAULIC HELIX V 604 1.4307

Item	Article no.	Description	Quantity
13.1	4174084	STAGE HELIX 6 1.4301 KIT	1
		> MACH.STG-CASING-WOGV-WNR-M+6-304	1
		> IMPELLER-M+6-304	1
13.2	4174089	INTERMEDIATE STAGE HELIX 6 1.4301 KIT	1
		> MACH.BEARING-STG-CASING-WNR-M+6-304	1
		> IMPELLER-M+6-304	1
		> SHAFT SLEEVE-SPACER-Ø19,35x18,465-304	1
		> SHAFT-SLEEVE-D16xD20x18-CW	1
13.3	4174090	INTERMEDIATE STAGE HELIX 6 1.4301 KIT	1
		> MACH.STD-STG-CASING-WGV+NR-M+6-304	1
		> IMPELLER-M+6-304	1
		> IMPELLER SPACER Ø16,05X19,45-L36,465-304	1



HELIX V605-1/16/E/S/460-60 (4192428)

Item	Article no.	Description	Quantity
1	4169943	MOTOR 2,2/2/90 3~230/400V 50HZ IE3 VP.	1
		SPARE PARTS MOTOR:ON REQUEST	1
2	4159703	SCREW M8X40 (4 PIECES)	1
3	4172795	LANTERNE FT115 HELIX KIT	1
3.1		> M+5_6_LANTERN_ONE-PIECE_FT115_CATA	1
3.2	2127604	> EYELET CPL.FT HELIX(2 PIECES)	1
3.3	4159692	> COUPLING PROTECTOR FT HELIX KIT	1
4	4159709	COUPLING D.16xD.24 FT115 HELIX KIT	1
6	2018576	STUD BOLT M12X377 KIT	1
6.1		> TIE BOLT M12-377x18x30-1.4057	1
6.2	2094647	> NUT M12 M12 ISO4032 VP.	1
6.3	2123557	> WASHER CS-12.4-24-1.6-NFE25 (4 PIECES)	1
7	4210143	STATIONARY RING HOLDER HELIX 6" EPDM	1
7.2	2127607	> STATIONARY RING HOLDER 6" HELIX 1.4301 V	1
7.3	4176513	> O-RING FOR PUMP JACKET VP.	1
7.4	2127603	> O-RING ID.37,6x2,4 EPDM VP.	1
7.5	2127602	> O-RING ID.21,35x2 EPDM VP.	1
8	4159686	FILING/PURGING PLUG HELIX EPDM KIT	1
9	4171327	SEAL-KIT-HELIX6-10-16 O/E KIT	1
10	4176518	HOUSING PIPES D.152X247 1.4301 KIT	1
7.3	4176513	> O-RING FOR PUMP JACKET VP.	1
10.1		> HOUSING-PIPE Ø152-M+1005-304	1
11	4174087	CENTERING STAGE-RETURN HELIX6 1.4301VP.	1
12	4174086	SHAFTS EQUIPMENT HELIX V6 MONOBLOC KIT	1
12.1		> NUT-H-M10-A4.70	1
12.2		> SERRATED LOCK WASHER M+6M3-316L	1
12.3		> IMPELLER STOP RING L33,2-304	1
12.4		> STOP-RUSH-1/2-D16xd2-M+316	1
13		HYDRAULIC HELIX V 605 1.4307	1
14	4176515	SHAFT D.16 X367,5 1. 4301 VP.	1
15	4217897	PUMP HOUSING HELIX DN32 PN16 1.4301 KIT	1
7.3	4176513	> O-RING FOR PUMP JACKET VP.	1
15.1		> BLASTING PPE HOUSING V-PN16-DN32-5"-304	1
15.2	4217891	> COUNTER FLANGE-G1"1/4-PN16-GJL KIT	1

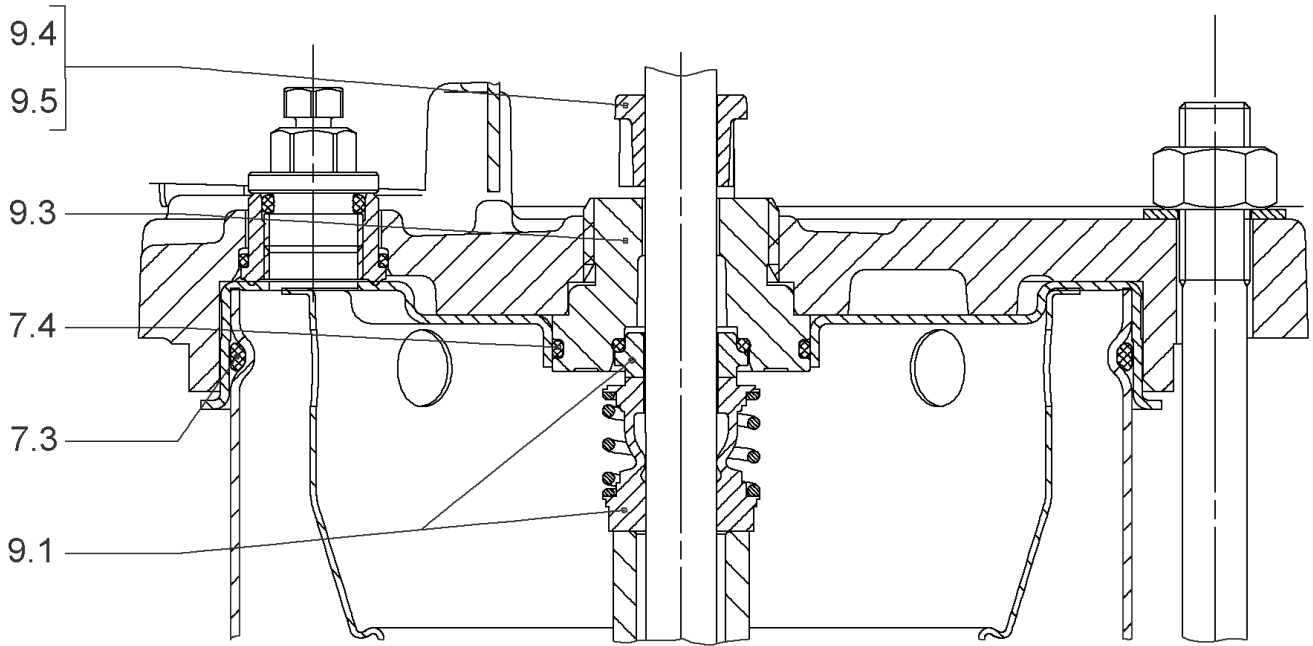
HELIX V605-1/16/E/S/460-60 (4192428)

Item	Article no.	Description	Quantity
15.3	4171321	> PRIMING/DRAIN PLUG EPDM HELIX KIT	1
16	4177964	BASEPLATE HELIX V2/4/6 PN16 VP.	1



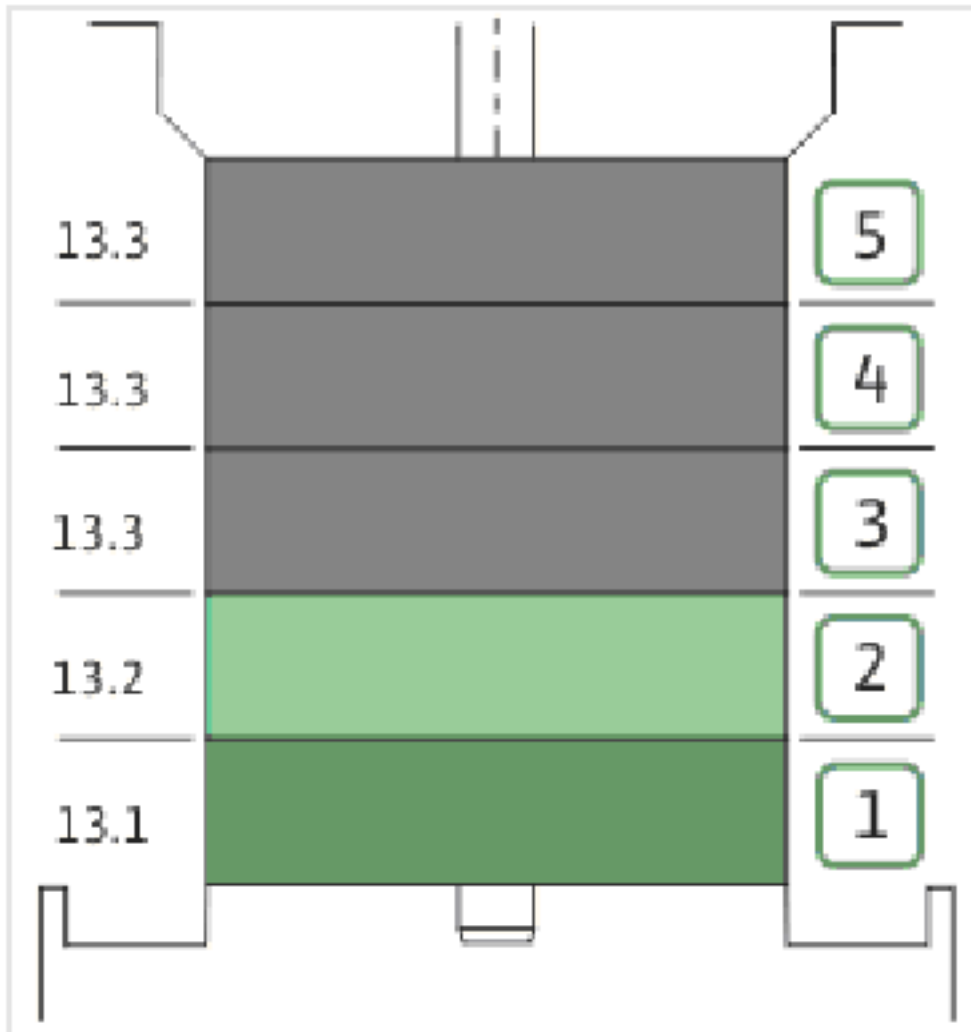
COUPLING D.16xD.24 FT115 HELIX KIT (4159709)

Item	Article no.	Description	Quantity
4.1		COUPLING M+ Ø16XØ24 FT115 MACHINED	1
4.2	2131023	BALL BEARING 6207/ZZ-C3(HT)VP.	1
4.3	4234254	CIRCLIP-FOR-SHAFT-D35x1.5 VP.	1
4.4	4157726	SCREW KIT M8X30 (4 PIECES)	1
4.5	4234251	CIRCLIP-D72x2.5 VP.	1
4.6	4234246	O-RING 72X3 VP.	1
		NOMEL CONTACT WASHER 8x16x1,4 STEEL ZC	1



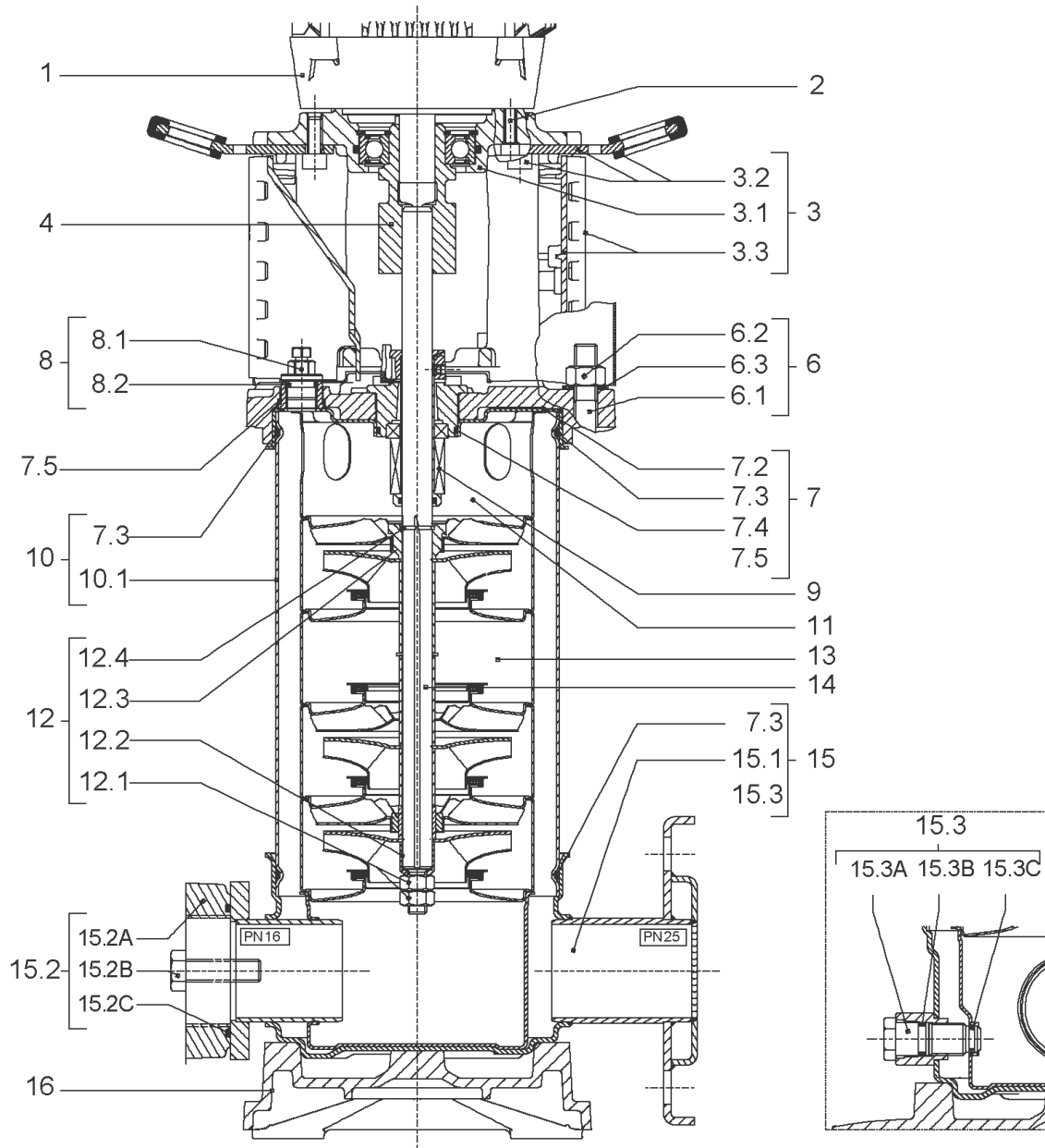
SEAL-KIT-HELIX6-10-16 O/E KIT (4171327)

Item	Article no.	Description	Quantity
7.3	4176513	O-RING FOR PUMP JACKET VP.	1
7.4	2127603	O-RING ID.37,6x2,4 EPDM VP.	1
9.1	4177801	MECH.SEAL HELIX6-10-16 O/E VP.	1
9.3	4177798	MACHINED RING HOLDER M+6" Ø16 304 VP.	1
9.5	4177799	MACHINED DRIVE RING Ø16 VP.	1
9.4	4176520	SCREW CH M5x5 A4-70 (3PIECES)	1



HYDRAULIC HELIX V 605 1.4307

Item	Article no.	Description	Quantity
13.1	4174084	STAGE HELIX 6 1.4301 KIT	1
		> MACH.STG-CASING-WOGV-WNR-M+6-304	1
		> IMPELLER-M+6-304	1
13.2	4174089	INTERMEDIATE STAGE HELIX 6 1.4301 KIT	1
		> MACH.BEARING-STG-CASING-WNR-M+6-304	1
		> IMPELLER-M+6-304	1
		> SHAFT SLEEVE-SPACER-Ø19,35x18,465-304	1
		> SHAFT-SLEEVE-D16xD20x18-CW	1
13.3	4174090	INTERMEDIATE STAGE HELIX 6 1.4301 KIT	1
		> MACH.STD-STG-CASING-WGV+NR-M+6-304	1
		> IMPELLER-M+6-304	1
		> IMPELLER SPACER Ø16,05X19,45-L36,465-304	1



HELIX V606-1/16/E/S/460-60 (4192429)

Item	Article no.	Description	Quantity
1	4169943	MOTOR 2,2/2/90 3~230/400V 50HZ IE3 VP.	1
		SPARE PARTS MOTOR:ON REQUEST	1
2	4159703	SCREW M8X40 (4 PIECES)	1
3	4172795	LANTERNE FT115 HELIX KIT	1
3.1		> M+5_6_LANTERN_ONE-PIECE_FT115_CATA	1
3.2	2127604	> EYELET CPL.FT HELIX(2 PIECES)	1
3.3	4159692	> COUPLING PROTECTOR FT HELIX KIT	1
4	4159709	COUPLING D.16xD.24 FT115 HELIX KIT	1
6	4177822	STUD BOLT M12X413 KIT	1
6.1		> TIE BOLT M12-413x18x30-1.4057	1
6.2	2094647	> NUT M12 M12 ISO4032 VP.	1
6.3	2123557	> WASHER CS-12.4-24-1.6-NFE25 (4 PIECES)	1
7	4210143	STATIONARY RING HOLDER HELIX 6" EPDM	1
7.2	2127607	> STATIONARY RING HOLDER 6" HELIX 1.4301 V	1
7.3	4176513	> O-RING FOR PUMP JACKET VP.	1
7.4	2127603	> O-RING ID.37,6x2,4 EPDM VP.	1
7.5	2127602	> O-RING ID.21,35x2 EPDM VP.	1
8	4159686	FILING/PURGING PLUG HELIX EPDM KIT	1
9	4171327	SEAL-KIT-HELIX6-10-16 O/E KIT	1
10	4177823	HOUSING PIPES D.152X285 1.4301 KIT	1
7.3	4176513	> O-RING FOR PUMP JACKET VP.	1
10.1		> HOUSING-PIPE Ø152-M+1006-304	1
11	4174087	CENTERING STAGE-RETURN HELIX6 1.4301VP.	1
12	4174086	SHAFTS EQUIPMENT HELIX V6 MONOBLOC KIT	1
12.1		> NUT-H-M10-A4.70	1
12.2		> SERRATED LOCK WASHER M+6M3-316L	1
12.3		> IMPELLER STOP RING L33,2-304	1
12.4		> STOP-RUSH-1/2-D16xd2-M+316	1
13		HYDRAULIC HELIX V 606 1.4307	1
14	4177825	SHAFT D.16X405 1.4301 VP.	1
15	4217897	PUMP HOUSING HELIX DN32 PN16 1.4301 KIT	1
7.3	4176513	> O-RING FOR PUMP JACKET VP.	1
15.1		> BLASTING PPE HOUSING V-PN16-DN32-5"-304	1
15.2	4217891	> COUNTER FLANGE-G1"1/4-PN16-GJL KIT	1

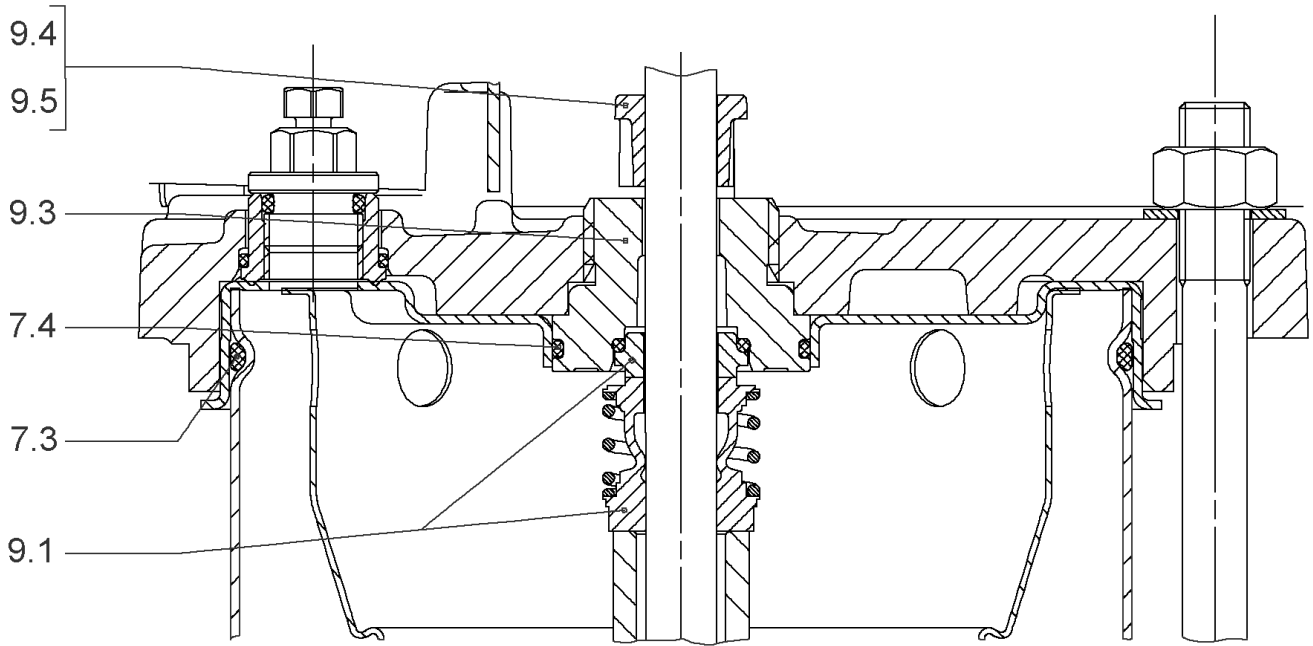
HELIX V606-1/16/E/S/460-60 (4192429)

Item	Article no.	Description	Quantity
15.3	4171321	> PRIMING/DRAIN PLUG EPDM HELIX KIT	1
16	4177964	BASEPLATE HELIX V2/4/6 PN16 VP.	1



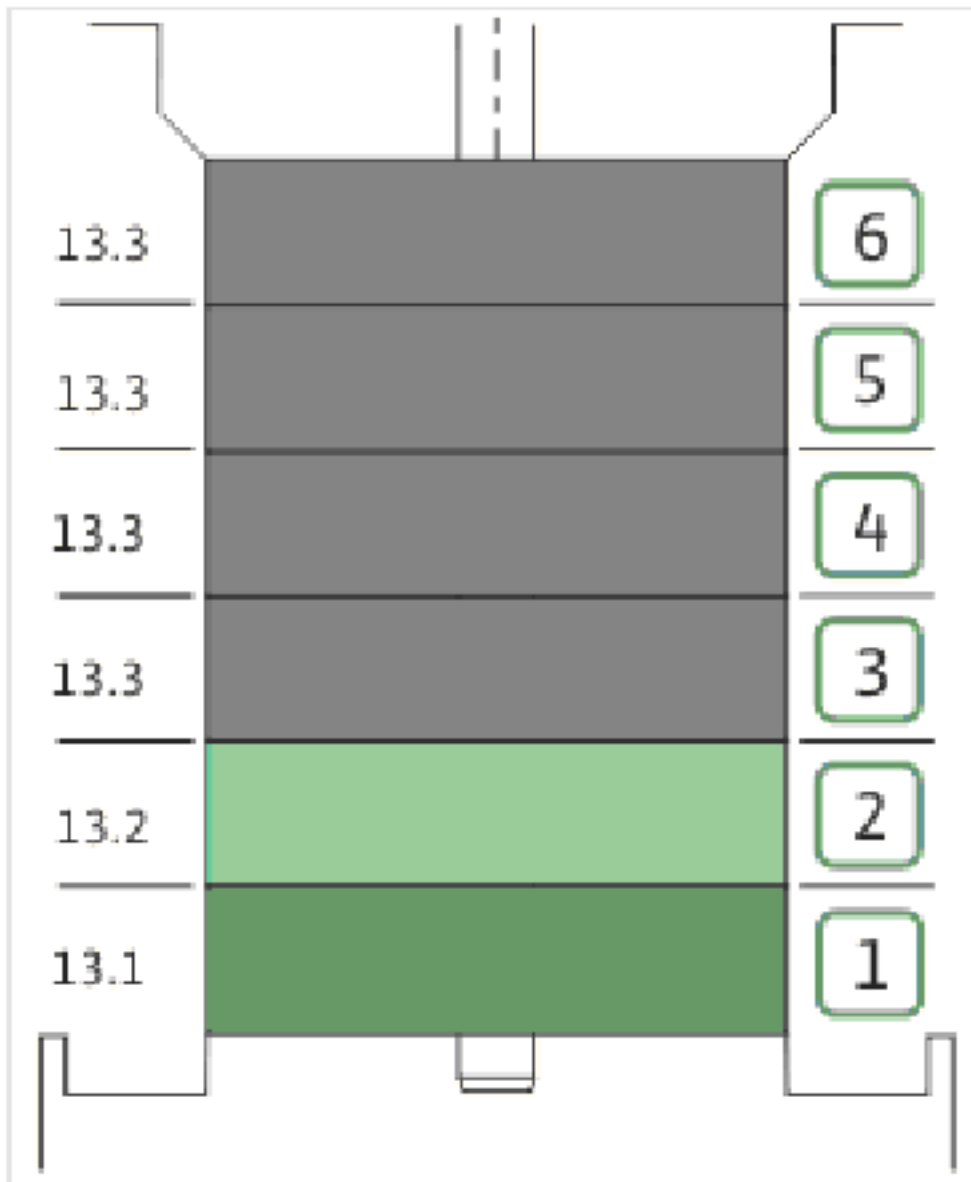
COUPLING D.16xD.24 FT115 HELIX KIT (4159709)

Item	Article no.	Description	Quantity
4.1		COUPLING M+ Ø16XØ24 FT115 MACHINED	1
4.2	2131023	BALL BEARING 6207/ZZ-C3(HT)VP.	1
4.3	4234254	CIRCLIP-FOR-SHAFT-D35x1.5 VP.	1
4.4	4157726	SCREW KIT M8X30 (4 PIECES)	1
4.5	4234251	CIRCLIP-D72x2.5 VP.	1
4.6	4234246	O-RING 72X3 VP.	1
		NOMEL CONTACT WASHER 8x16x1,4 STEEL ZC	1



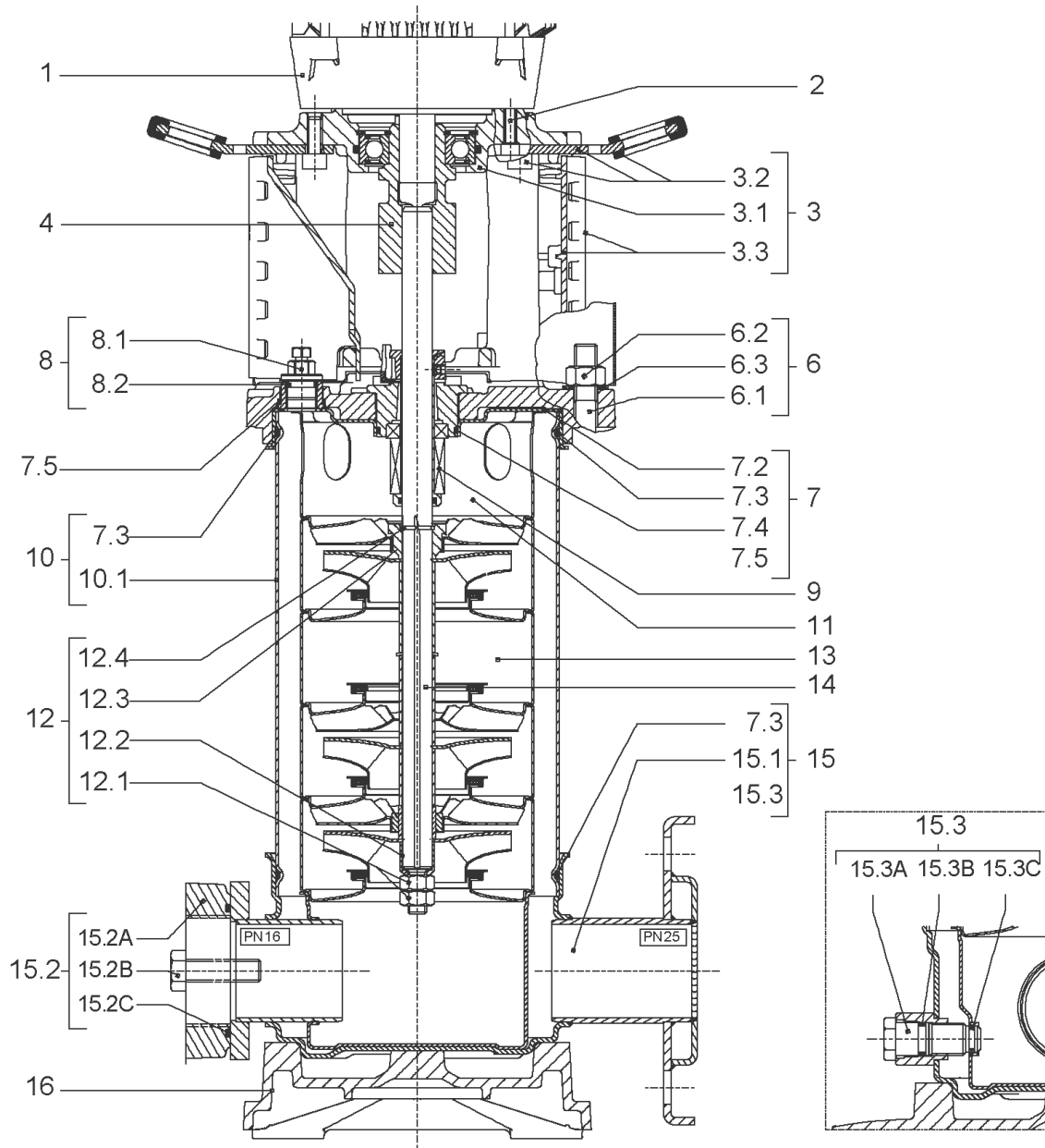
SEAL-KIT-HELIX6-10-16 O/E KIT (4171327)

Item	Article no.	Description	Quantity
7.3	4176513	O-RING FOR PUMP JACKET VP.	1
7.4	2127603	O-RING ID.37,6x2,4 EPDM VP.	1
9.1	4177801	MECH.SEAL HELIX6-10-16 O/E VP.	1
9.3	4177798	MACHINED RING HOLDER M+6" Ø16 304 VP.	1
9.5	4177799	MACHINED DRIVE RING Ø16 VP.	1
9.4	4176520	SCREW CH M5x5 A4-70 (3PIECES)	1



HYDRAULIC HELIX V 606 1.4307

Item	Article no.	Description	Quantity
13.1	4174084	STAGE HELIX 6 1.4301 KIT	1
		> MACH.STG-CASING-WOGV-WNR-M+6-304	1
		> IMPELLER-M+6-304	1
13.2	4174089	INTERMEDIATE STAGE HELIX 6 1.4301 KIT	1
		> MACH.BEARING-STG-CASING-WNR-M+6-304	1
		> IMPELLER-M+6-304	1
		> SHAFT SLEEVE-SPACER-Ø19,35x18,465-304	1
		> SHAFT-SLEEVE-D16xD20x18-CW	1
13.3	4174090	INTERMEDIATE STAGE HELIX 6 1.4301 KIT	1
		> MACH.STD-STG-CASING-WGV+NR-M+6-304	1
		> IMPELLER-M+6-304	1
		> IMPELLER SPACER Ø16,05X19,45-L36,465-304	1

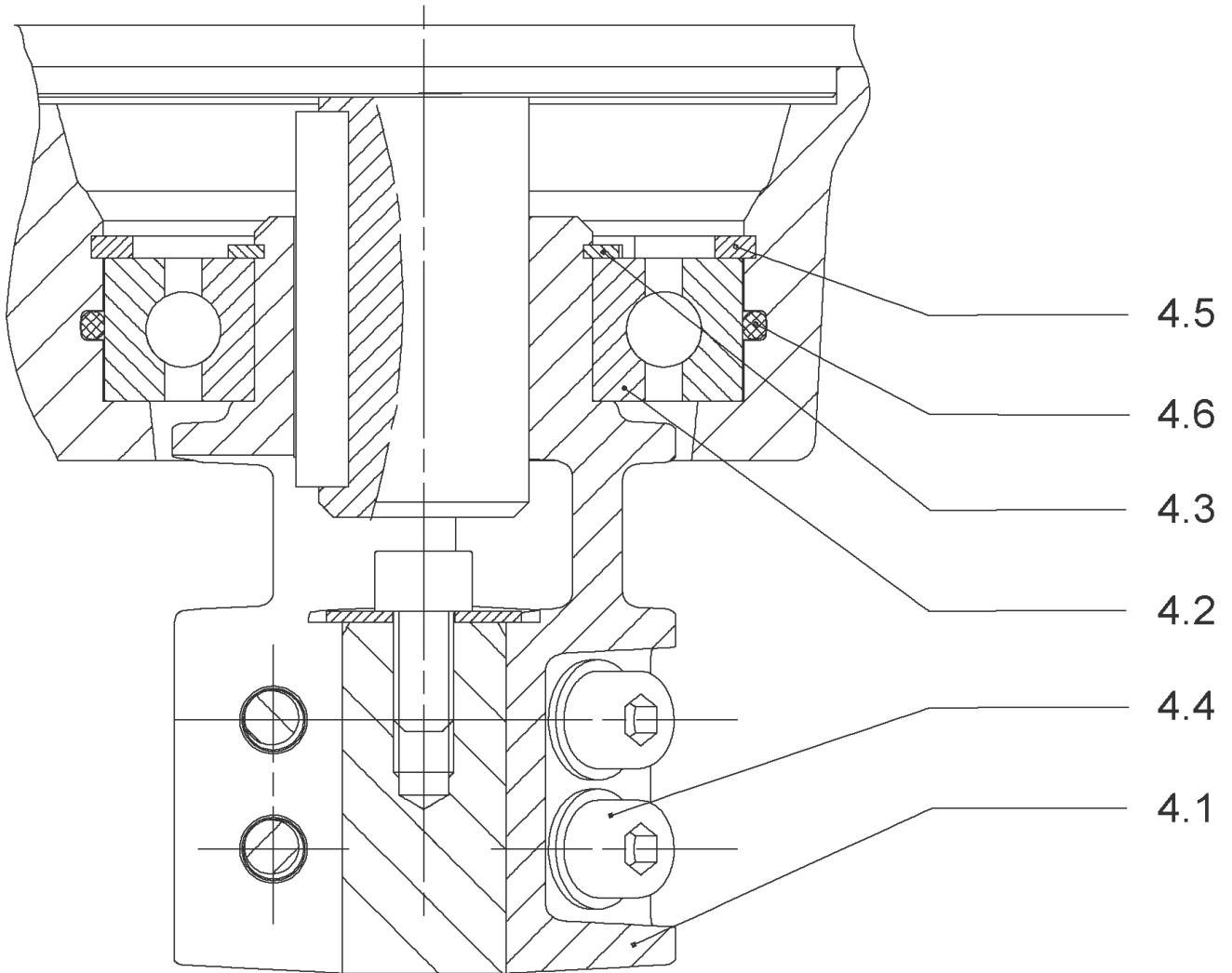


HELIX V607-1/16/E/S/460-60 (4192430)

Item	Article no.	Description	Quantity
1	4169944	MOTOR 3/2/100 3~230/400V 50HZ IE3 VP.	1
		SPARE PARTS MOTOR:ON REQUEST	1
2	4206025	SCREW M8X45 (4 PIECES)	1
3	4172789	LANTERN FT130 HELIX V10 KIT	1
3.1		> M+5_6_LANTERN_ONE-PIECE_FT130_CATA	1
3.2	2127604	> EYELET CPL.FT HELIX(2 PIECES)	1
3.3	4159692	> COUPLING PROTECTOR FT HELIX KIT	1
4	4159710	COUPLING D.16XD.28 FT130 HELIX KIT	1
6	4177806	STUD BOLT M12X450KIT	1
6.1		> TIE BOLT M12-450x18x30-1.4057	1
6.2	2094647	> NUT M12 M12 ISO4032 VP.	1
6.3	2123557	> WASHER CS-12.4-24-1.6-NFE25 (4 PIECES)	1
7	4210143	STATIONARY RING HOLDER HELIX 6" EPDM	1
7.2	2127607	> STATIONARY RING HOLDER 6" HELIX 1.4301 V	1
7.3	4176513	> O-RING FOR PUMP JACKET VP.	1
7.4	2127603	> O-RING ID.37,6x2,4 EPDM VP.	1
7.5	2127602	> O-RING ID.21,35x2 EPDM VP.	1
8	4159686	FILING/PURGING PLUG HELIX EPDM KIT	1
9	4171327	SEAL-KIT-HELIX6-10-16 O/E KIT	1
10	4172794	HOUSING PIPES D.152X322 1.4301 KIT	1
7.3	4176513	> O-RING FOR PUMP JACKET VP.	1
10.1		> HOUSING-PIPE Ø152-M+1007-304	1
11	4174087	CENTERING STAGE-RETURN HELIX6 1.4301VP.	1
12	4174086	SHAFTS EQUIPMENT HELIX V6 MONOBLOC KIT	1
12.1		> NUT-H-M10-A4.70	1
12.2		> SERRATED LOCK WASHER M+6M3-316L	1
12.3		> IMPELLER STOP RING L33,2-304	1
12.4		> STOP-RUSH-1/2-D16xd2-M+316	1
13		HYDRAULIC HELIX V 607 1.4307	1
14	4171324	SHAFT D.16X442,5 1.4301 VP.	1
15	4217897	PUMP HOUSING HELIX DN32 PN16 1.4301 KIT	1
7.3	4176513	> O-RING FOR PUMP JACKET VP.	1
15.1		> BLASTING PPE HOUSING V-PN16-DN32-5"-304	1
15.2	4217891	> COUNTER FLANGE-G1"1/4-PN16-GJL KIT	1

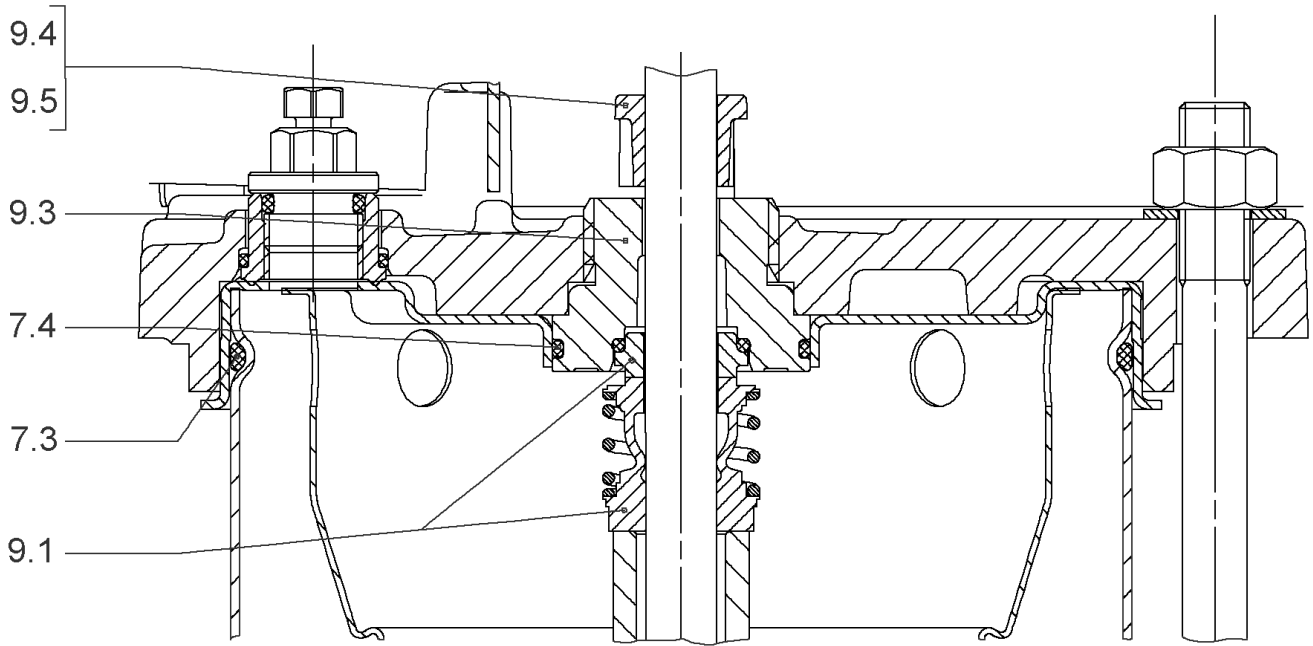
HELIX V607-1/16/E/S/460-60 (4192430)

Item	Article no.	Description	Quantity
15.3	4171321	> PRIMING/DRAIN PLUG EPDM HELIX KIT	1
16	4177964	BASEPLATE HELIX V2/4/6 PN16 VP.	1



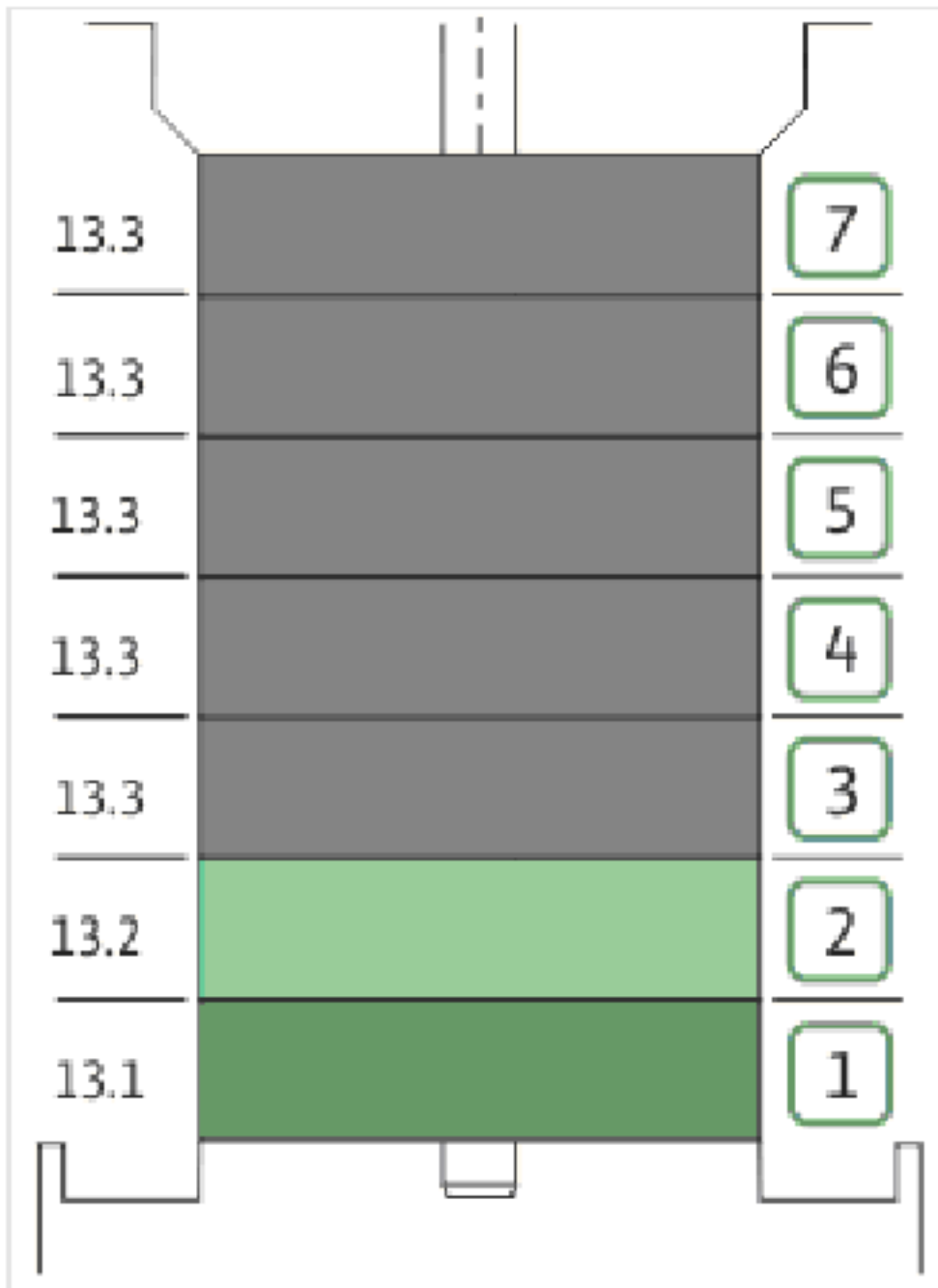
COUPLING D.16XD.28 FT130 HELIX KIT (4159710)

Item	Article no.	Description	Quantity
4.1		COUPLING M+ Ø16XØ28 FT130 MACHINED	1
4.2	2131022	BALL BEARING 6209/ZZ-C3(HT)VP.	1
4.3	4233930	CIRCLIP-FOR-BORES-D45x1,75 VP.	1
4.4	4157726	SCREW KIT M8X30 (4 PIECES)	1
4.5	4234252	CIRCLIPS 85X3 VP.	1
4.6	4234243	O-RING 85X3 VP.	1
		NOMEL CONTACT WASHER 8x16x1,4 STEEL ZC	1



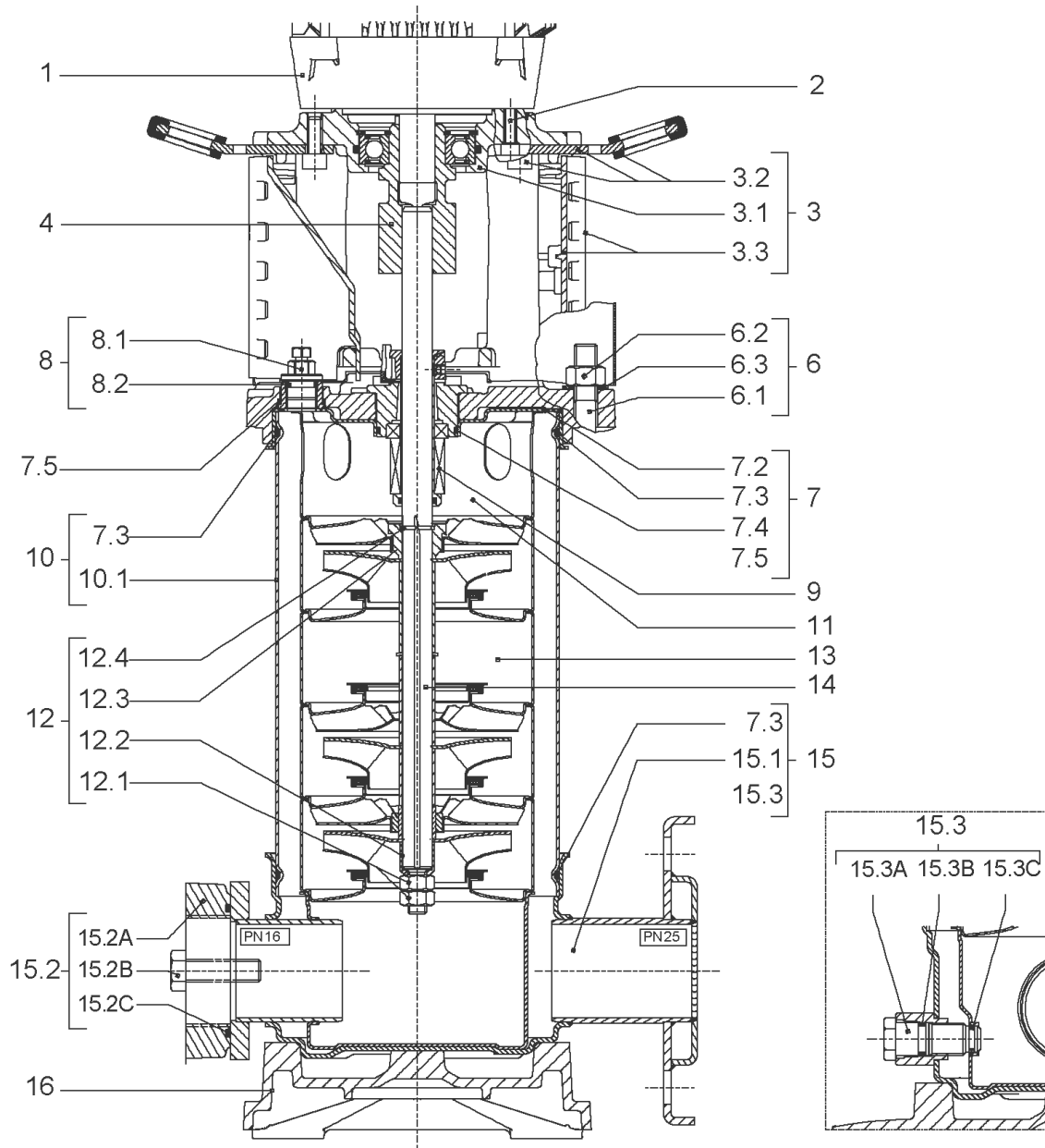
SEAL-KIT-HELIX6-10-16 O/E KIT (4171327)

Item	Article no.	Description	Quantity
7.3	4176513	O-RING FOR PUMP JACKET VP.	1
7.4	2127603	O-RING ID.37,6x2,4 EPDM VP.	1
9.1	4177801	MECH.SEAL HELIX6-10-16 O/E VP.	1
9.3	4177798	MACHINED RING HOLDER M+6" Ø16 304 VP.	1
9.5	4177799	MACHINED DRIVE RING Ø16 VP.	1
9.4	4176520	SCREW CH M5x5 A4-70 (3PIECES)	1



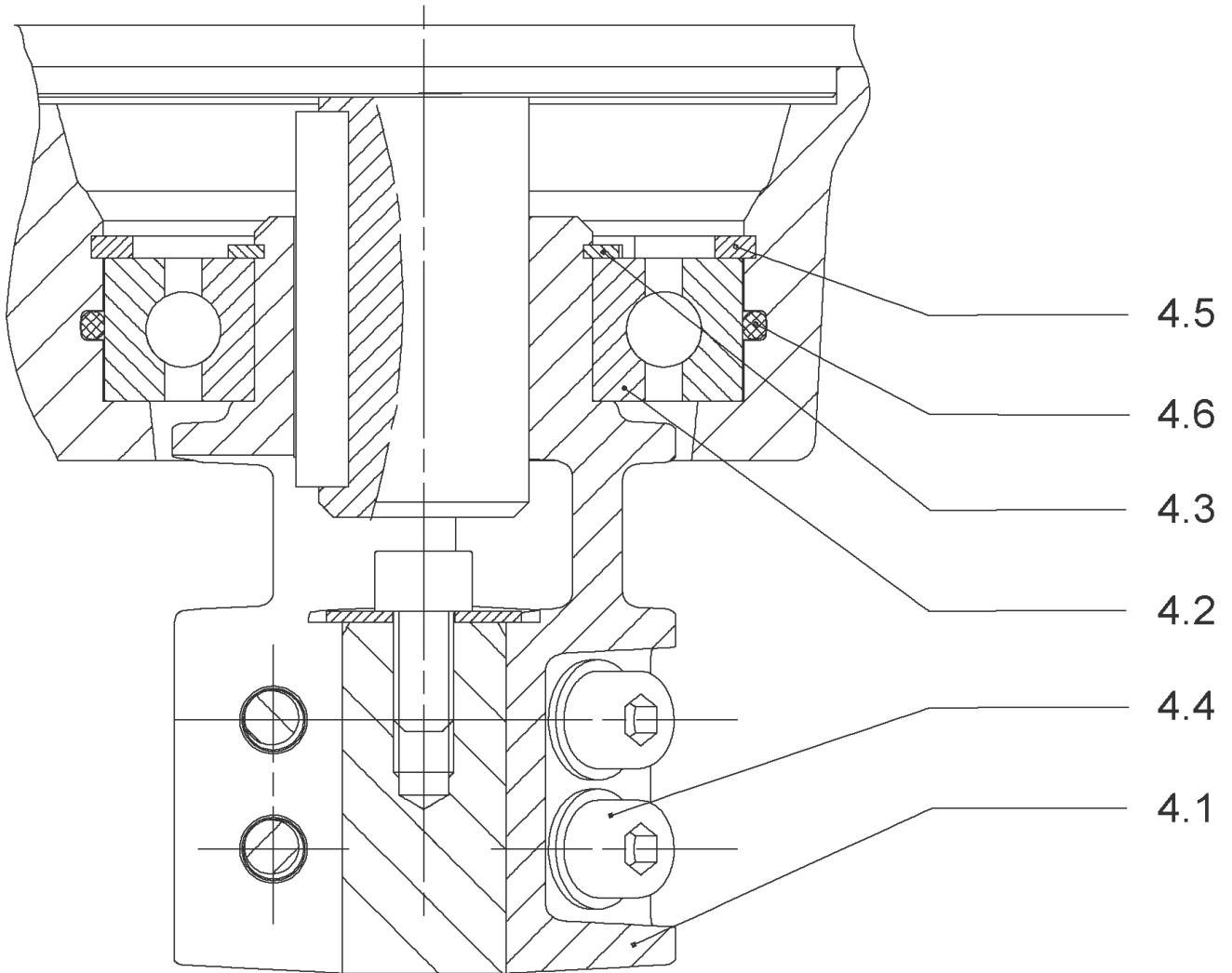
HYDRAULIC HELIX V 607 1.4307

Item	Article no.	Description	Quantity
13.1	4174084	STAGE HELIX 6 1.4301 KIT	1
		> MACH.STG-CASING-WOGV-WNR-M+6-304	1
		> IMPELLER-M+6-304	1
13.2	4174089	INTERMEDIATE STAGE HELIX 6 1.4301 KIT	1
		> MACH.BEARING-STG-CASING-WNR-M+6-304	1
		> IMPELLER-M+6-304	1
		> SHAFT SLEEVE-SPACER-Ø19,35x18,465-304	1
		> SHAFT-SLEEVE-D16xD20x18-CW	1
13.3	4174090	INTERMEDIATE STAGE HELIX 6 1.4301 KIT	1
		> MACH.STD-STG-CASING-WGV+NR-M+6-304	1
		> IMPELLER-M+6-304	1
		> IMPELLER SPACER Ø16,05X19,45-L36,465-304	1



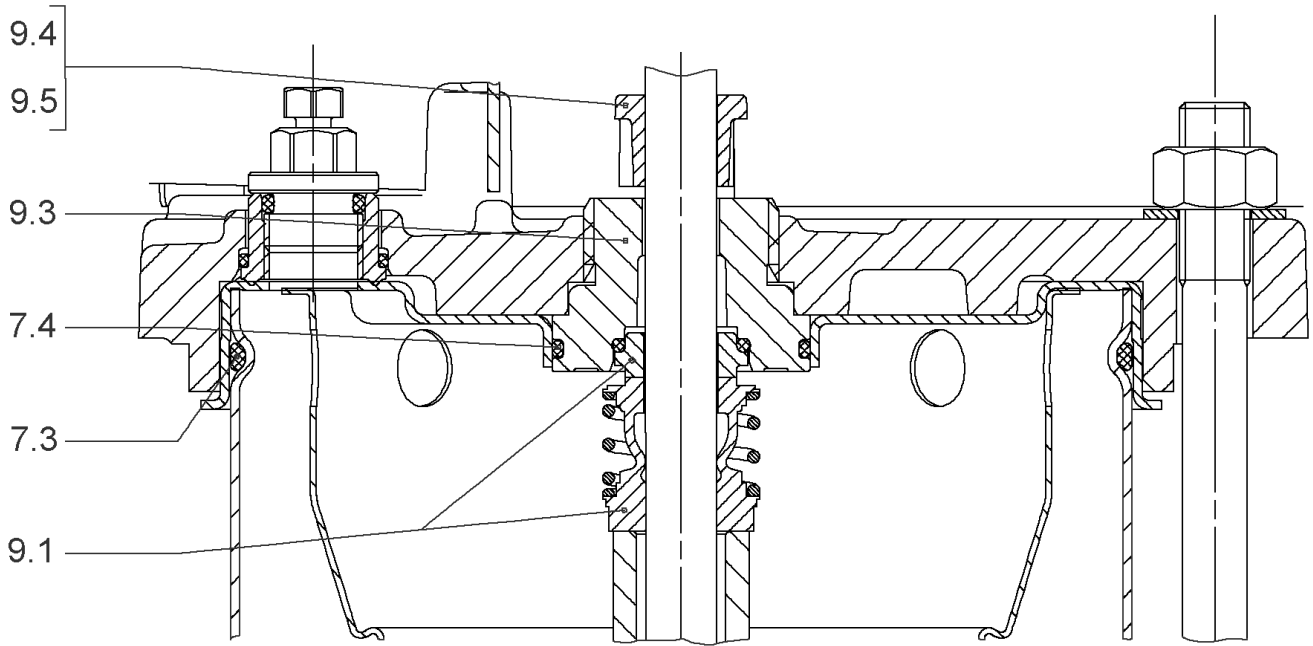
HELIX V608-1/16/E/S/460-60 (4192431)

Item	Article no.	Description	Quantity
1	4169944	MOTOR 3/2/100 3~230/400V 50HZ IE3 VP.	1
		SPARE PARTS MOTOR:ON REQUEST	1
2	4206025	SCREW M8X45 (4 PIECES)	1
3	4172789	LANTERN FT130 HELIX V10 KIT	1
3.1		> M+5_6_LANTERN_ONE-PIECE_FT130_CATA	1
3.2	2127604	> EYELET CPL.FT HELIX(2 PIECES)	1
3.3	4159692	> COUPLING PROTECTOR FT HELIX KIT	1
4	4159710	COUPLING D.16XD.28 FT130 HELIX KIT	1
6	2127555	STUD BOLT M12X485 KIT	1
7	4210143	STATIONARY RING HOLDER HELIX 6" EPDM	1
7.2	2127607	> STATIONARY RING HOLDER 6" HELIX 1.4301 V	1
7.3	4176513	> O-RING FOR PUMP JACKET VP.	1
7.4	2127603	> O-RING ID.37,6x2,4 EPDM VP.	1
7.5	2127602	> O-RING ID.21,35x2 EPDM VP.	1
8	4159686	FILING/PURGING PLUG HELIX EPDM KIT	1
9	4171327	SEAL-KIT-HELIX6-10-16 O/E KIT	1
10	2127578	HOUSING PIPE D.152x360 1.4307 KIT	1
7.3	4176513	> O-RING FOR PUMP JACKET VP.	1
10.1		> HOUSING-PIPE Ø152-M+1008/1606-304	1
11	4174087	CENTERING STAGE-RETURN HELIX6 1.4301VP.	1
12	4174086	SHAFTS EQUIPMENT HELIX V6 MONOBLOC KIT	1
12.1		> NUT-H-M10-A4.70	1
12.2		> SERRATED LOCK WASHER M+6M3-316L	1
12.3		> IMPELLER STOP RING L33,2-304	1
12.4		> STOP-RUSH-1/2-D16xd2-M+316	1
13		HYDRAULIC HELIX V 608 1.4307	1
14	2127397	SHAFT D.16X480 1.4301 VP.	1
15	4217897	PUMP HOUSING HELIX DN32 PN16 1.4301 KIT	1
7.3	4176513	> O-RING FOR PUMP JACKET VP.	1
15.1		> BLASTING PPE HOUSING V-PN16-DN32-5"-304	1
15.2	4217891	> COUNTER FLANGE-G1"1/4-PN16-GJL KIT	1
15.3	4171321	> PRIMING/DRAIN PLUG EPDM HELIX KIT	1
16	4177964	BASEPLATE HELIX V2/4/6 PN16 VP.	1



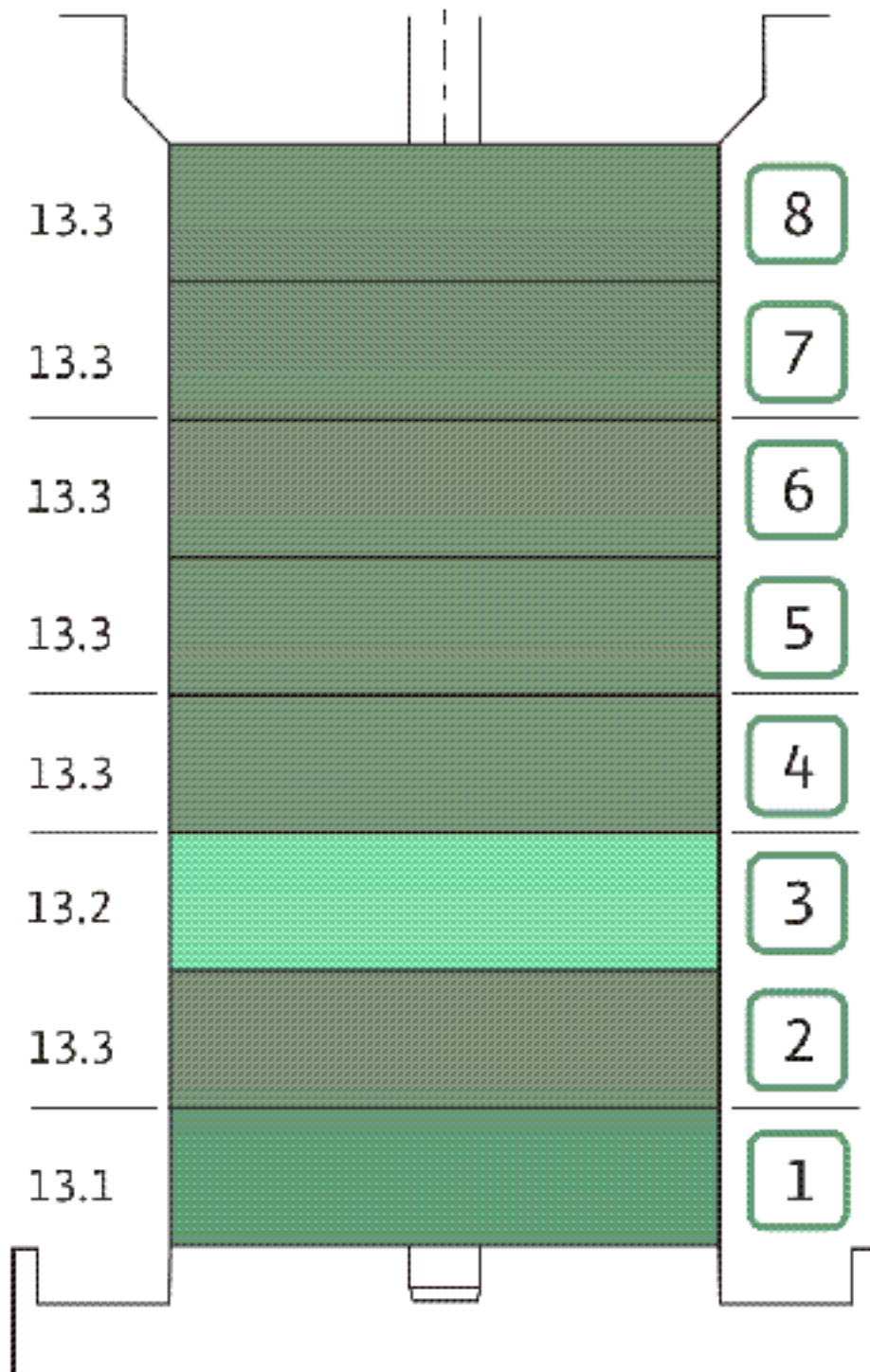
COUPLING D.16XD.28 FT130 HELIX KIT (4159710)

Item	Article no.	Description	Quantity
4.1		COUPLING M+ Ø16XØ28 FT130 MACHINED	1
4.2	2131022	BALL BEARING 6209/ZZ-C3(HT)VP.	1
4.3	4233930	CIRCLIP-FOR-BORES-D45x1,75 VP.	1
4.4	4157726	SCREW KIT M8X30 (4 PIECES)	1
4.5	4234252	CIRCLIPS 85X3 VP.	1
4.6	4234243	O-RING 85X3 VP.	1
		NOMEL CONTACT WASHER 8x16x1,4 STEEL ZC	1



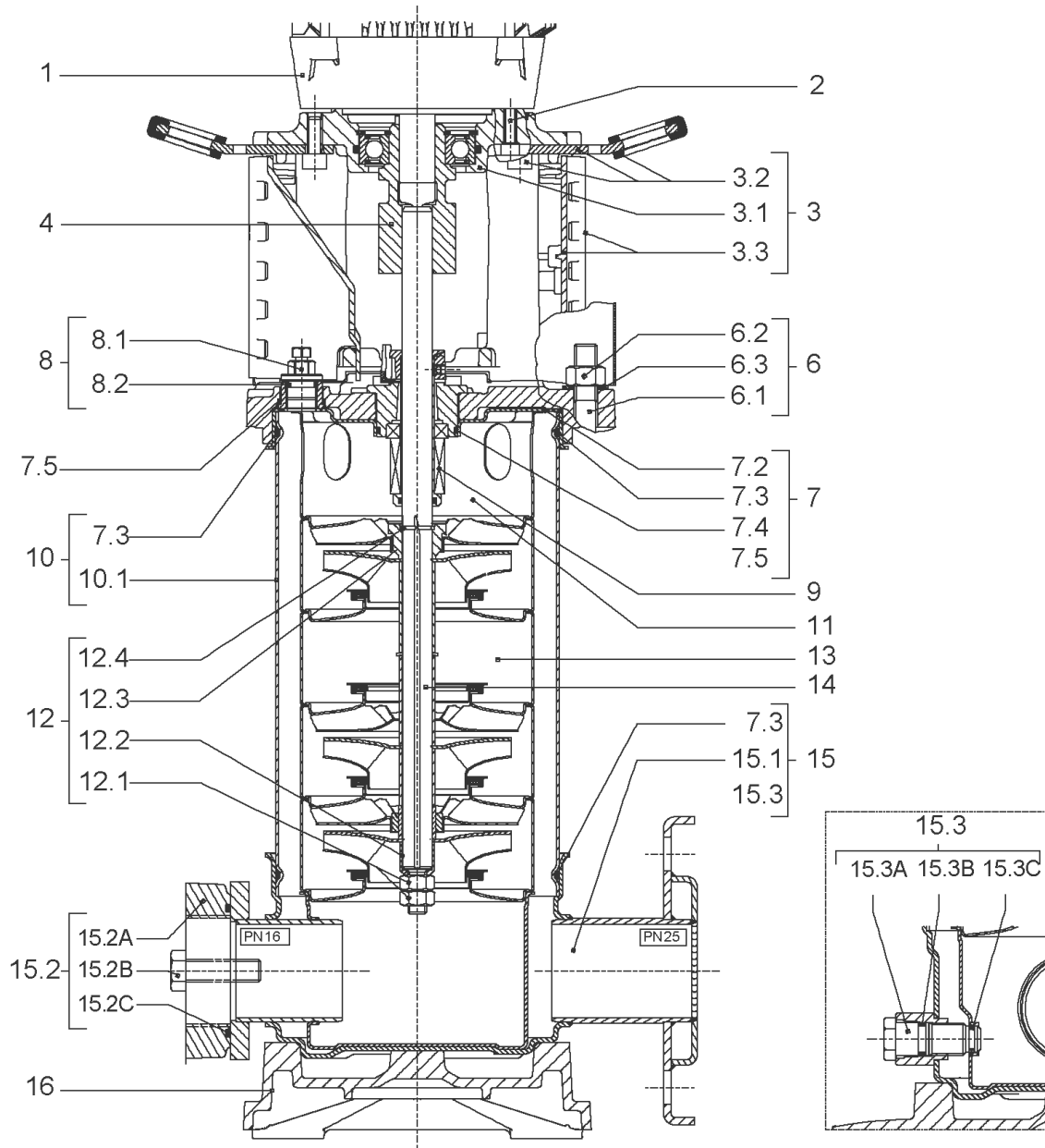
SEAL-KIT-HELIX6-10-16 O/E KIT (4171327)

Item	Article no.	Description	Quantity
7.3	4176513	O-RING FOR PUMP JACKET VP.	1
7.4	2127603	O-RING ID.37,6x2,4 EPDM VP.	1
9.1	4177801	MECH.SEAL HELIX6-10-16 O/E VP.	1
9.3	4177798	MACHINED RING HOLDER M+6" Ø16 304 VP.	1
9.5	4177799	MACHINED DRIVE RING Ø16 VP.	1
9.4	4176520	SCREW CH M5x5 A4-70 (3PIECES)	1



HYDRAULIC HELIX V 608 1.4307

Item	Article no.	Description	Quantity
13.1	4174084	STAGE HELIX 6 1.4301 KIT	1
		> MACH.STG-CASING-WOGV-WNR-M+6-304	1
		> IMPELLER-M+6-304	1
13.2	4174089	INTERMEDIATE STAGE HELIX 6 1.4301 KIT	1
		> MACH.BEARING-STG-CASING-WNR-M+6-304	1
		> IMPELLER-M+6-304	1
		> SHAFT SLEEVE-SPACER-Ø19,35x18,465-304	1
		> SHAFT-SLEEVE-D16xD20x18-CW	1
13.3	4174090	INTERMEDIATE STAGE HELIX 6 1.4301 KIT	1
		> MACH.STD-STG-CASING-WGV+NR-M+6-304	1
		> IMPELLER-M+6-304	1
		> IMPELLER SPACER Ø16,05X19,45-L36,465-304	1

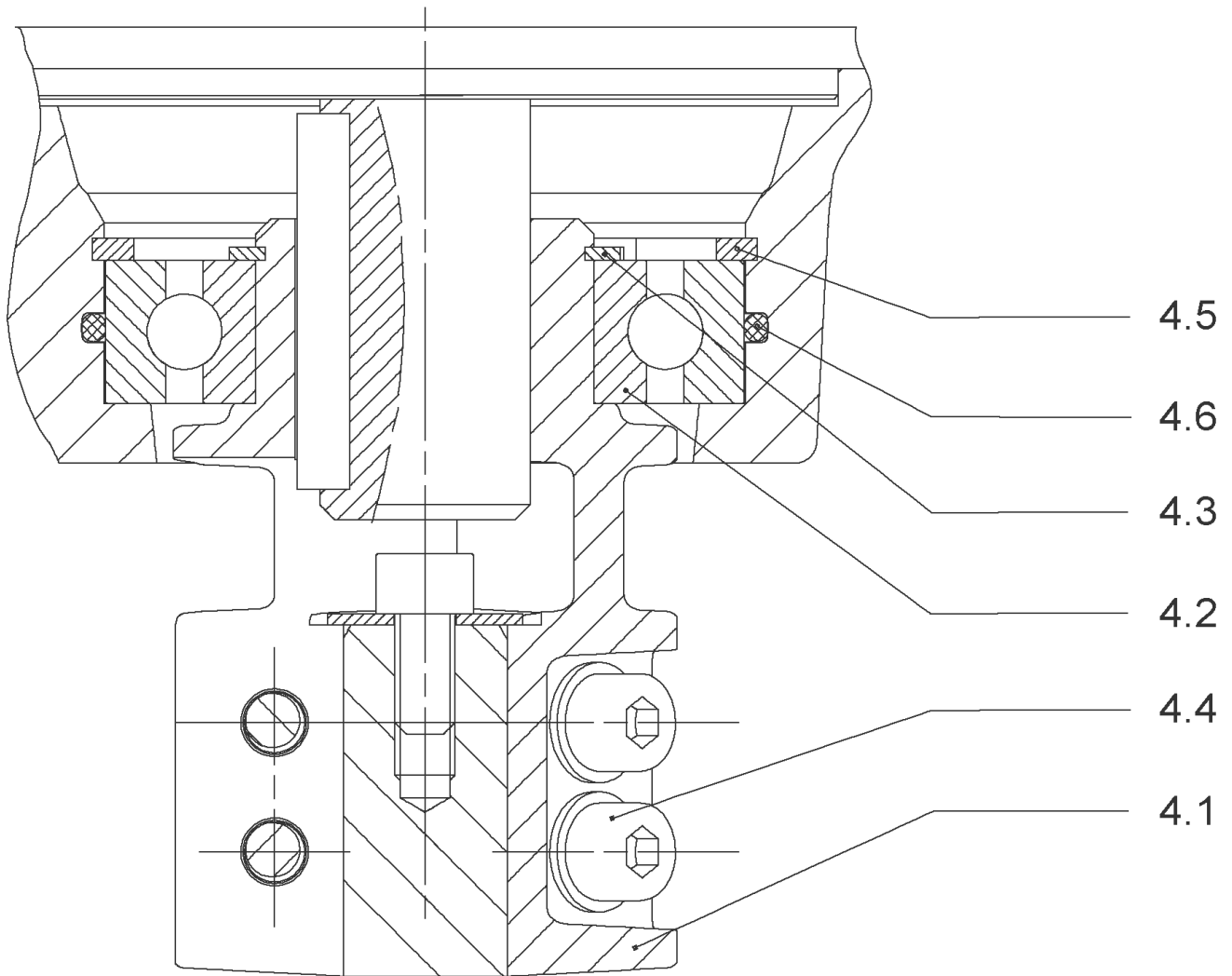


HELIX V609-1/16/E/S/460-60 (4192432)

Item	Article no.	Description	Quantity
1	4169945	MO.4/2 3~230/400(460)V 50(60)HZ IE3 VP.	1
		SPARE PARTS MOTOR:ON REQUEST	1
2	4206025	SCREW M8X45 (4 PIECES)	1
3	4172789	LANTERN FT130 HELIX V10 KIT	1
3.1		> M+5_6_LANTERN_ONE-PIECE_FT130_CATA	1
3.2	2127604	> EYELET CPL.FT HELIX(2 PIECES)	1
3.3	4159692	> COUPLING PROTECTOR FT HELIX KIT	1
4	4159710	COUPLING D.16XD.28 FT130 HELIX KIT	1
6	4177832	STUD BOLT M12X527KIT	1
6.1		> TIE BOLT M12-527x18x30-1.4057	1
6.2	2094647	> NUT M12 M12 ISO4032 VP.	1
6.3	2123557	> WASHER CS-12.4-24-1.6-NFE25 (4 PIECES)	1
7	4210143	STATIONARY RING HOLDER HELIX 6" EPDM	1
7.2	2127607	> STATIONARY RING HOLDER 6" HELIX 1.4301 V	1
7.3	4176513	> O-RING FOR PUMP JACKET VP.	1
7.4	2127603	> O-RING ID.37,6x2,4 EPDM VP.	1
7.5	2127602	> O-RING ID.21,35x2 EPDM VP.	1
8	4159686	FILING/PURGING PLUG HELIX EPDM KIT	1
9	4171327	SEAL-KIT-HELIX6-10-16 O/E KIT	1
10	4177833	HOUSING PIPES D.152X397 1.4301 KIT	1
7.3	4176513	> O-RING FOR PUMP JACKET VP.	1
10.1		> HOUSING-PIPE Ø152-M+1009-304	1
11	4174087	CENTERING STAGE-RETURN HELIX6 1.4301VP.	1
12	4174086	SHAFTS EQUIPMENT HELIX V6 MONOBLOC KIT	1
12.1		> NUT-H-M10-A4.70	1
12.2		> SERRATED LOCK WASHER M+6M3-316L	1
12.3		> IMPELLER STOP RING L33,2-304	1
12.4		> STOP-RUSH-1/2-D16xd2-M+316	1
13		HYDRAULIC HELIX V 609 1.4307	1
14	4177837	SHAFTS D.16X517,5 1.4301 VP.	1
15	4217897	PUMP HOUSING HELIX DN32 PN16 1.4301 KIT	1
7.3	4176513	> O-RING FOR PUMP JACKET VP.	1
15.1		> BLASTING PPE HOUSING V-PN16-DN32-5"-304	1
15.2	4217891	> COUNTER FLANGE-G1"1/4-PN16-GJL KIT	1

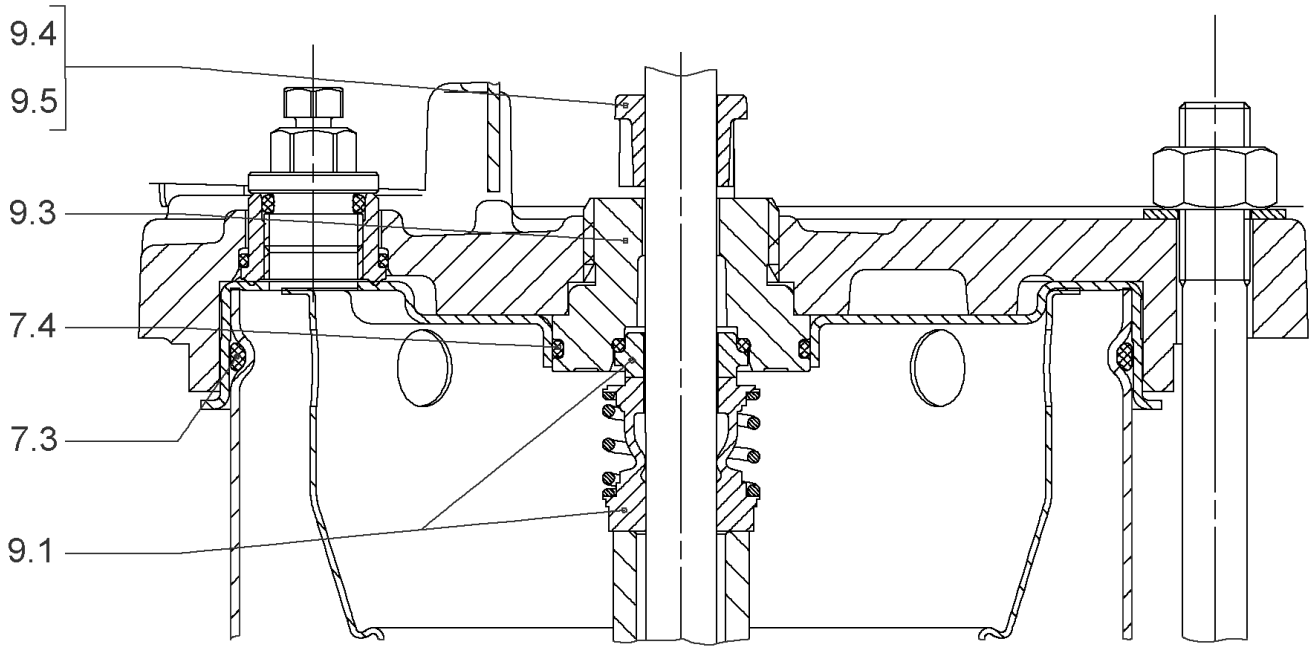
HELIX V609-1/16/E/S/460-60 (4192432)

Item	Article no.	Description	Quantity
15.3	4171321	> PRIMING/DRAIN PLUG EPDM HELIX KIT	1
16	4177964	BASEPLATE HELIX V2/4/6 PN16 VP.	1



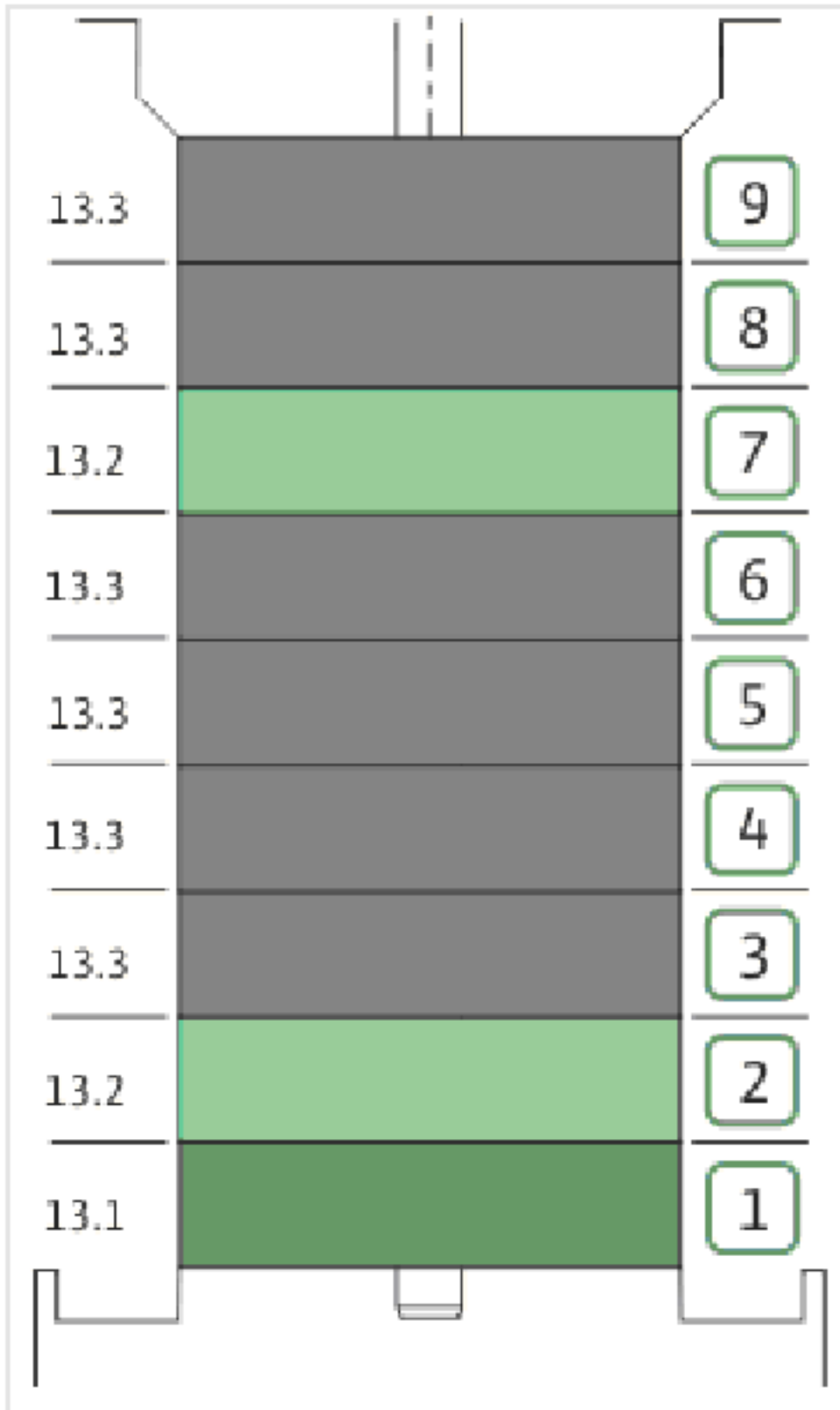
COUPLING D.16XD.28 FT130 HELIX KIT (4159710)

Item	Article no.	Description	Quantity
4.1		COUPLING M+ Ø16XØ28 FT130 MACHINED	1
4.2	2131022	BALL BEARING 6209/ZZ-C3(HT)VP.	1
4.3	4233930	CIRCLIP-FOR-BORES-D45x1,75 VP.	1
4.4	4157726	SCREW KIT M8X30 (4 PIECES)	1
4.5	4234252	CIRCLIPS 85X3 VP.	1
4.6	4234243	O-RING 85X3 VP.	1
		NOMEL CONTACT WASHER 8x16x1,4 STEEL ZC	1



SEAL-KIT-HELIX6-10-16 O/E KIT (4171327)

Item	Article no.	Description	Quantity
7.3	4176513	O-RING FOR PUMP JACKET VP.	1
7.4	2127603	O-RING ID.37,6x2,4 EPDM VP.	1
9.1	4177801	MECH.SEAL HELIX6-10-16 O/E VP.	1
9.3	4177798	MACHINED RING HOLDER M+6" Ø16 304 VP.	1
9.5	4177799	MACHINED DRIVE RING Ø16 VP.	1
9.4	4176520	SCREW CH M5x5 A4-70 (3PIECES)	1



HYDRAULIC HELIX V 609 1.4307

Item	Article no.	Description	Quantity
13.1	4174084	STAGE HELIX 6 1.4301 KIT	1
		> MACH.STG-CASING-WOGV-WNR-M+6-304	1
		> IMPELLER-M+6-304	1
13.2	4174089	INTERMEDIATE STAGE HELIX 6 1.4301 KIT	1
		> MACH.BEARING-STG-CASING-WNR-M+6-304	1
		> IMPELLER-M+6-304	1
		> SHAFT SLEEVE-SPACER-Ø19,35x18,465-304	1
		> SHAFT-SLEEVE-D16xD20x18-CW	1
13.3	4174090	INTERMEDIATE STAGE HELIX 6 1.4301 KIT	1
		> MACH.STD-STG-CASING-WGV+NR-M+6-304	1
		> IMPELLER-M+6-304	1
		> IMPELLER SPACER Ø16,05X19,45-L36,465-304	1