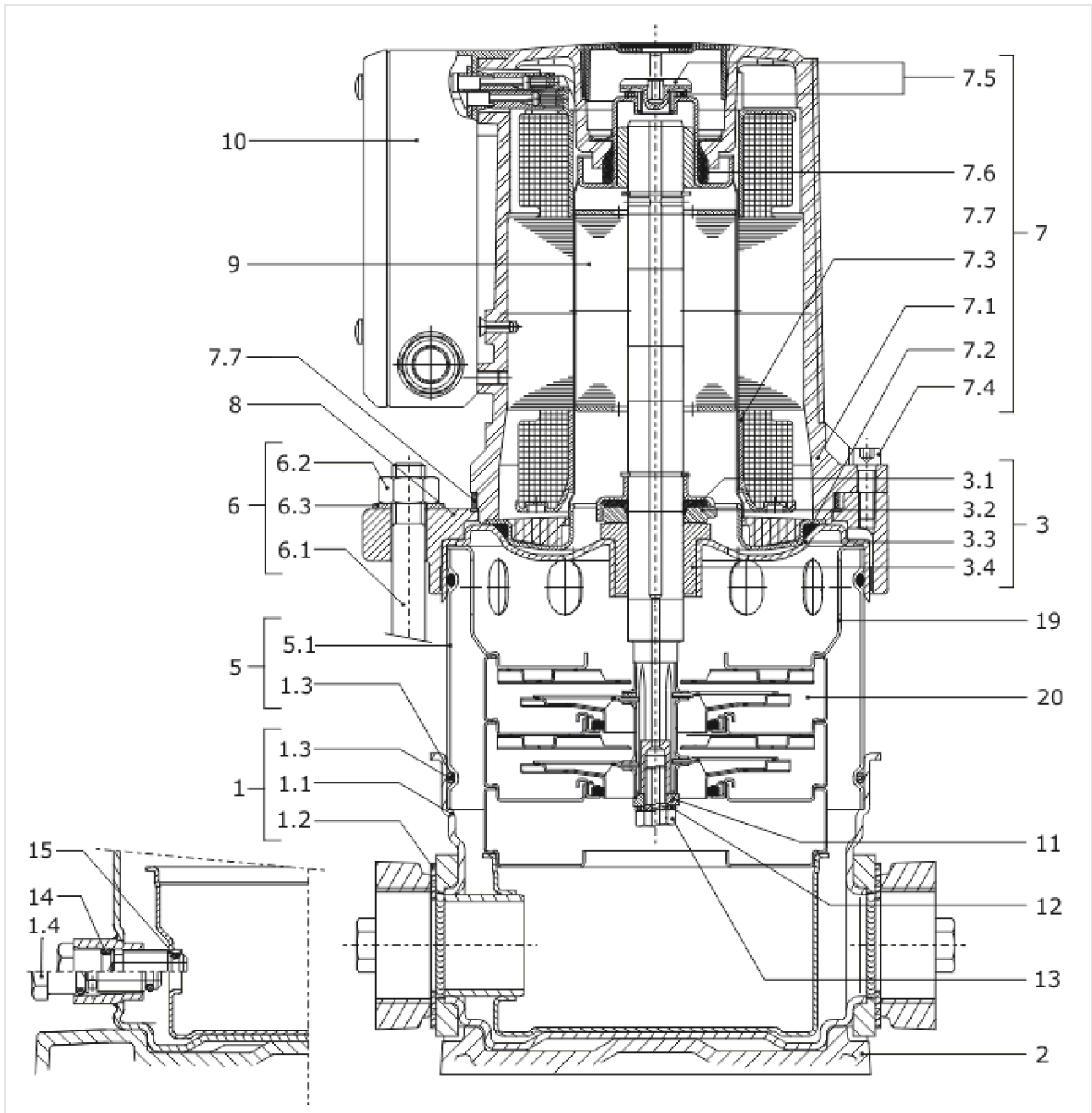




## Multivert MVIS

Article no.	Description
2009033	MVIS202-1/16/K/3-400-50-2
2009034	MVIS203-1/16/K/3-400-50-2
2009035	MVIS204-1/16/K/3-400-50-2
2009036	MVIS205-1/16/K/3-400-50-2
2009037	MVIS206-1/16/K/3-400-50-2
2009038	MVIS207-1/16/K/3-400-50-2
2009039	MVIS208-1/16/K/3-400-50-2
2009040	MVIS209-1/16/K/3-400-50-2
2009041	MVIS210-1/16/K/3-400-50-2
2009042	MVIS402-1/16/K/3-400-50-2
2009043	MVIS403-1/16/K/3-400-50-2
2009044	MVIS404-1/16/K/3-400-50-2
2009045	MVIS405-1/16/K/3-400-50-2
2009046	MVIS406-1/16/K/3-400-50-2
2009047	MVIS407-1/16/K/3-400-50-2
2009048	MVIS408-1/16/K/3-400-50-2
2009049	MVIS409-1/16/K/3-400-50-2
2009050	MVIS410-1/16/K/3-400-50-2
2009051	MVIS802-1/16/K/3-400-50-2
2009052	MVIS803-1/16/K/3-400-50-2
2009053	MVIS804-1/16/K/3-400-50-2
2009054	MVIS805-1/16/K/3-400-50-2
2009055	MVIS806-1/16/K/3-400-50-2

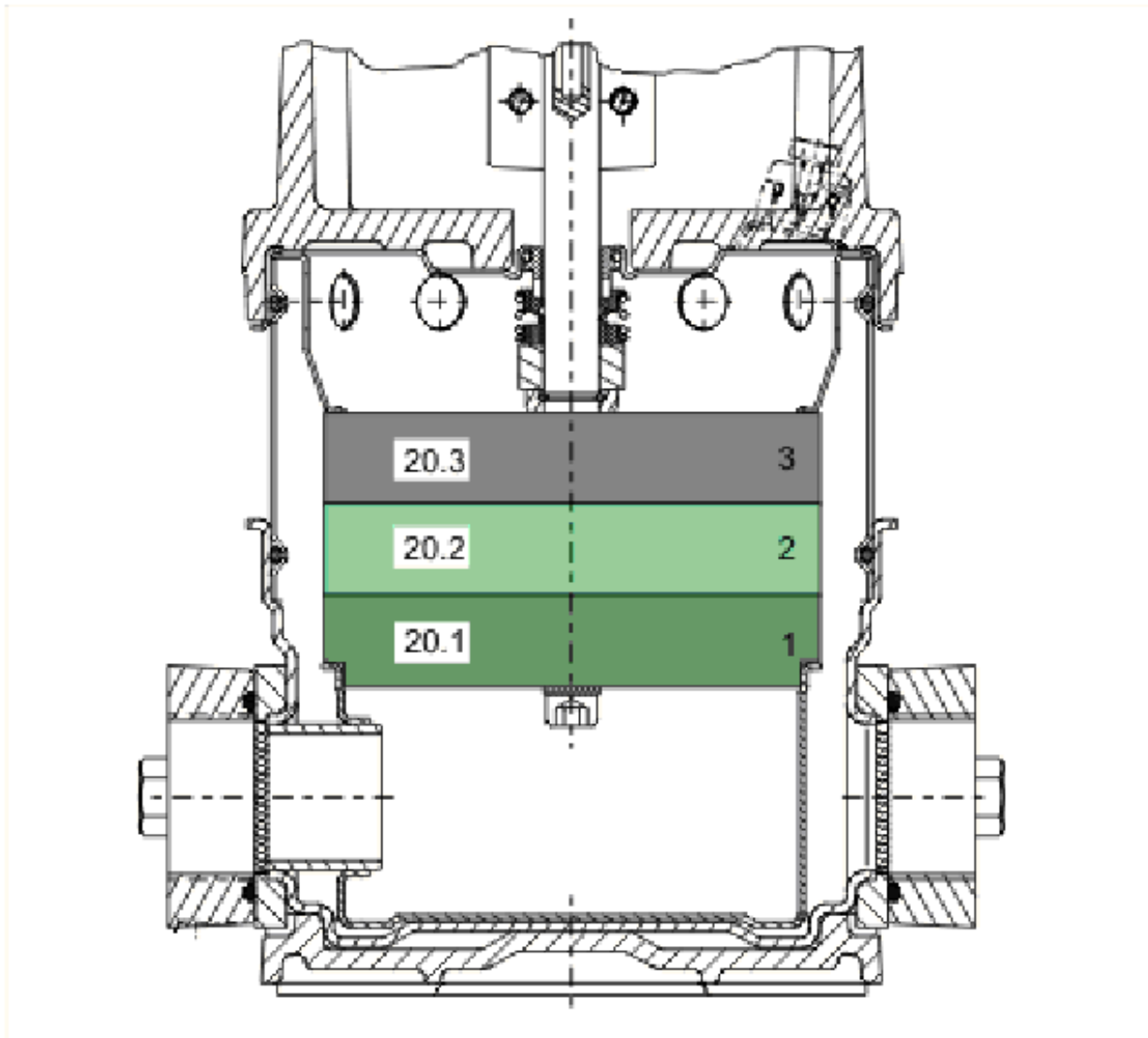


**MVIS202-1/16/K/3-400-50-2 (2009033)**

Item	Article no.	Description	Quantity
1	2023917	PUMP HOUSING MVI/MVIS DN32PN16 1.4301KIT	1
1.1		> CASING-MU-I-D32-PN16-D152-304	1
1.2	4191618	> O-RING ID.44,05x3,53 EPDM VP.	1
Note: FROM / AB / À PARTIR DE: 07/97			
1.3	4176513	> O-RING FOR PUMP JACKET VP.	1
1.4	4234235	> PRIMING/DRAIN PLUG MVI6" 304 VP.	1
3.2	4177800	> O-RING EPDM PLUG HELIX VP.	1
3.3	4234242	> O-RING 9X2 VP.	1
1.2	4234256	FLAT-GASKET 33X60X2 VP.	1
Note: TO / BIS / JUSQU'À: 06/97			
2	2127420	BASE PLATE 212X157 PN16 VP.	1
3	4050646	MVIS 202-204/402 BEARING KIT	1
3.1		> SUPPORT RING D.38/20,1X5 EPDM	1
3.2		> Thrust plate Gr.41 D.38/20,5X6 ceramic	1
3.3		> LANTERN MVIS GR.42 1.4301	1
3.4		> RAD.BEARING D.42/29,5/28/20X26 AG.HT205	1
5	2018374	HOUSING PIPE D.152X 95 1.4301 KIT	1
5.1		> HOUSING-PIPE-D152-VM1203/403-304	1
1.3	4176513	> O-RING FOR PUMP JACKET VP.	1
6	2018358	STUD BOLT M12X221 KIT	1
6.1		> TIE BOLT M12-221x18x30-1.4057	1
6.2	2094647	> NUT M12 M12 ISO4032 VP.	1
6.3	2123557	> WASHER CS-12.4-24-1.6-NFE25 (4 PIECES)	1
7	2531193	STATOR/TERMIN.BOX MVIS 42/350 KIT V.A+B	1
Note: FOR/ FÜR/ POUR: MVIS.../A MVIS.../B			
7.1		> CARC.MOTEUR-EQUIPEE42/350/2	1
7.2	2010300	> O-RING ID.107,54X3,53	1
7.3		> CAN-T42	1
7.4	2010308	> SCREW M6X20 DIN912 (4 PIECES)	1
7.5	4060522	> MVIS VENTING PLUG KIT 202/203/204/402	1
		>> SCREW PLUG M14X1X8 CUZN39PB3 NICKEL	1
		>> FLAT GASKET D.14,5/23X2,4 EPDM	1
7.6	2081104	> GASKET D.36/28X14,5 EPDM VP.	1
7.7	2127488	> JOINT RING CIRCULAR D.129/132X7,6 EPDM V	1

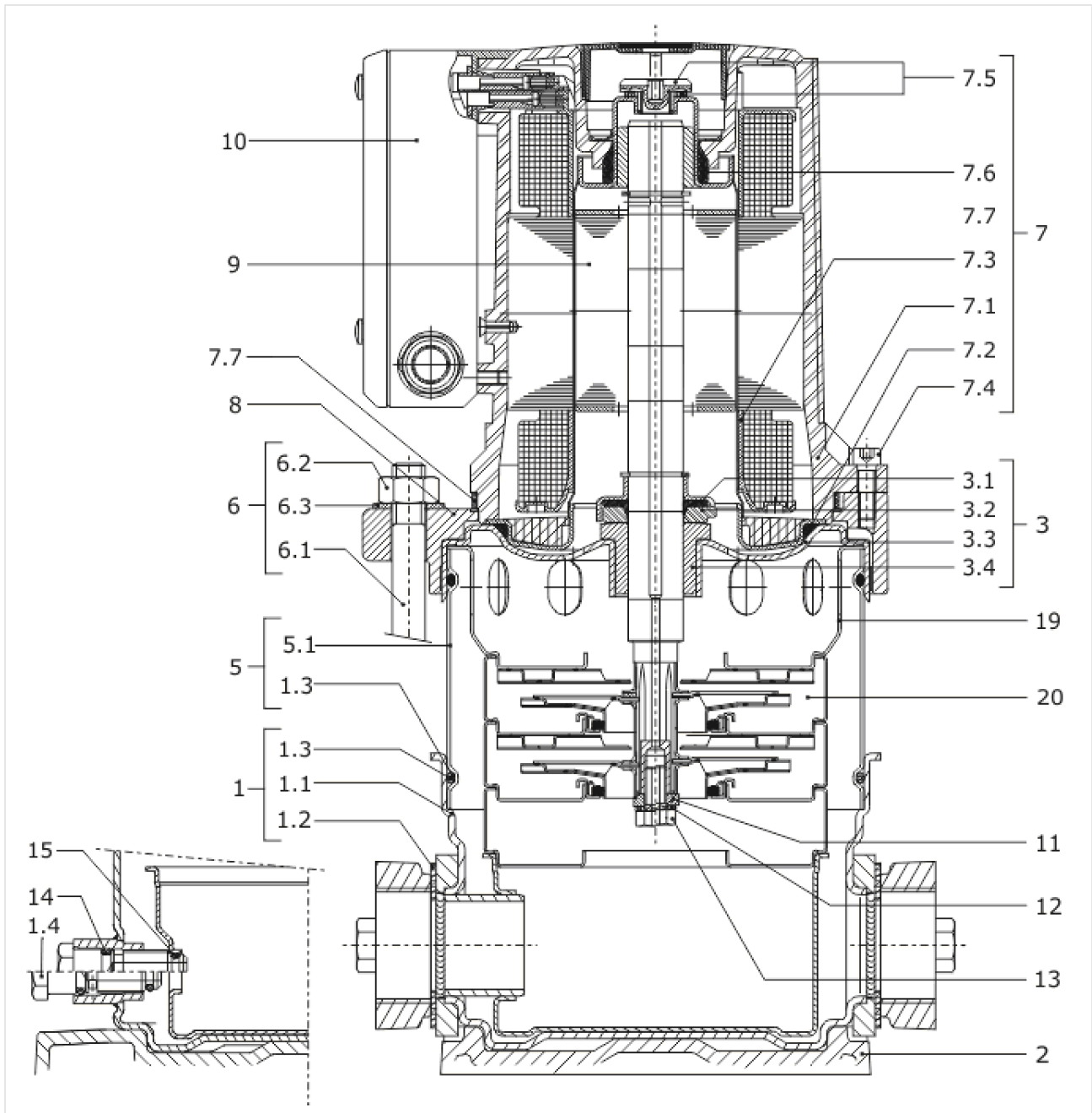
**MVIS202-1/16/K/3-400-50-2 (2009033)**

Item	Article no.	Description	Quantity
10		> TERMINAL BOX MVIS V3	1
		> JOINT-SPECIAL-T42-USINE	1
		> CIRCLIPS GR.42 D.38,1/30,45X7,5 PPN	1
7	2018388	STATOR-UNIT MVIS 42/350/2 VARIANT B KIT	1
Note: FOR/ FÜR/ POUR: MVIS.../B			
7.1		> CARC.MOTEUR-EQUIPEE42/350/2	1
7.2	2010300	> O-RING ID.107,54X3,53	1
7.3		> CAN-T42	1
7.4	2010308	> SCREW M6X20 DIN912 (4 PIECES)	1
7.5	4060522	> MVIS VENTING PLUG KIT 202/203/204/402	1
		>> SCREW PLUG M14X1X8 CUZN39PB3 NICKEL	1
		>> FLAT GASKET D.14,5/23X2,4 EPDM	1
7.6	2081104	> GASKET D.36/28X14,5 EPDM VP.	1
7.7	2127488	> JOINT RING CIRCULAR D.129/132X7,6 EPDM V	1
		> JOINT-SPECIAL-T42-USINE	1
		> CIRCLIPS GR.42 D.38,1/30,45X7,5 PPN	1
8	2008295	FLANGE MVIS GR.42 GG25	1
9	2018341	ROTOR-UNIT 42 MVIS2 KIT	1
10	4050644	TERMINAL BOX MVIS VARIANT A KIT	1
Note: FOR/ FÜR/ POUR: MVIS.../A			
10	4095141	TERMINAL BOX MVIS VARIANT B KIT	1
Note: FOR/ FÜR/ POUR: MVIS.../B			
11	4006203	WASHER D.16/13,8x3 1.4401	1
12	64697	STAINLESS-STEEL-WASHER-DE8	1
13	503144197	Screw M8X16 ISO4017 A4 GEBOHRT	1
14	4177800	O-RING EPDM PLUG HELIX VP.	1
15	4234242	O-RING 9X2 VP.	1
19	4234236	UPPER STAGE RFK.MVI2/4 1.4301 VP.	1
20		SPARE PARTS HYDRAULICS MVIS	1



**SPARE PARTS HYDRAULICS MVIS**

Item	Article no.	Description	Quantity
20.1	4050648	MVIS 202/402 1st STAGE KIT	1
20.2	4050649	MVIS 200 STAGE KIT	1
		> STAGE HOUSING MVIS2/4 1.4301	1
		> IMPELLER MVI2 D.98x2 1.4301	1
		> SPACER IMPELLER MVI2/4 1.4435	1
		> OUTER CAGE OF SUCTION RING 2/4M3 1.4404	1
		> INNER CAGE OF SUCTION RING 2/4M3 1.4404	1
		> SUCTION-RING 2/4M3 PTFE	1
20.3	4050650	MVIS 200 STAGE KIT	1
		> IMPELLER MVI2 D.98x2 1.4301	1
		> SPACER IMPELLER MVI2/4 1.4435	1
		> OUTER CAGE OF SUCTION RING 2/4M3 1.4404	1
		> INNER CAGE OF SUCTION RING 2/4M3 1.4404	1
		> SUCTION-RING 2/4M3 PTFE	1
		> WASHER D.24/14x1,5 1.4401	1
		> ST.CASING-RETURN CH.MVIS2/4-304-MACHI.	1



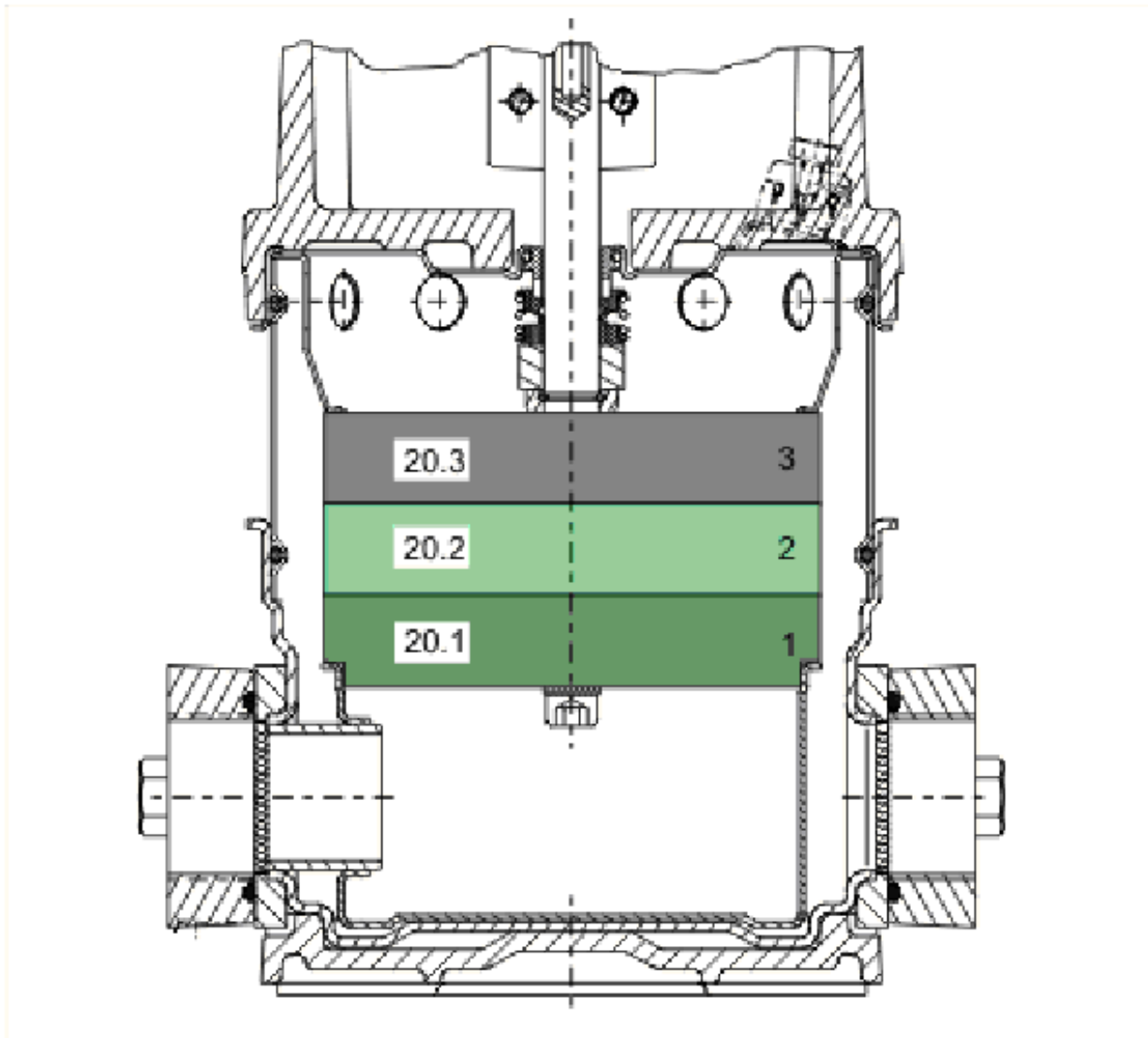


**MVIS203-1/16/K/3-400-50-2 (2009034)**

Item	Article no.	Description	Quantity
1	2023917	PUMP HOUSING MVI/MVIS DN32PN16 1.4301KIT	1
1.1		> CASING-MU-I-D32-PN16-D152-304	1
1.2	4191618	> O-RING ID.44,05x3,53 EPDM VP.	1
Note: FROM / AB / À PARTIR DE: 07/97			
1.3	4176513	> O-RING FOR PUMP JACKET VP.	1
1.4	4234235	> PRIMING/DRAIN PLUG MVI6" 304 VP.	1
3.2	4177800	> O-RING EPDM PLUG HELIX VP.	1
3.3	4234242	> O-RING 9X2 VP.	1
1.2	4234256	FLAT-GASKET 33X60X2 VP.	1
Note: TO / BIS / JUSQU'À: 06/97			
2	2127420	BASE PLATE 212X157 PN16 VP.	1
3	4050646	MVIS 202-204/402 BEARING KIT	1
3.1		> SUPPORT RING D.38/20,1X5 EPDM	1
3.2		> Thrust plate Gr.41 D.38/20,5X6 ceramic	1
3.3		> LANTERN MVIS GR.42 1.4301	1
3.4		> RAD.BEARING D.42/29,5/28/20X26 AG.HT205	1
5	2018374	HOUSING PIPE D.152X 95 1.4301 KIT	1
5.1		> HOUSING-PIPE-D152-VM1203/403-304	1
1.3	4176513	> O-RING FOR PUMP JACKET VP.	1
6	2018358	STUD BOLT M12X221 KIT	1
6.1		> TIE BOLT M12-221x18x30-1.4057	1
6.2	2094647	> NUT M12 M12 ISO4032 VP.	1
6.3	2123557	> WASHER CS-12.4-24-1.6-NFE25 (4 PIECES)	1
7	2531194	STATOR/TERMIN.BOX MVIS 42/450 KIT V.A+B	1
Note: FOR/ FÜR/ POUR: MVIS.../A MVIS.../B			
7.1		> CARC.MOTEUR-EQUIPEE42/450/2	1
7.2	2010300	> O-RING ID.107,54X3,53	1
7.3		> CAN-T42	1
7.4	2010308	> SCREW M6X20 DIN912 (4 PIECES)	1
7.5	4060522	> MVIS VENTING PLUG KIT 202/203/204/402	1
		>> SCREW PLUG M14X1X8 CUZN39PB3 NICKEL	1
		>> FLAT GASKET D.14,5/23X2,4 EPDM	1
7.6	2081104	> GASKET D.36/28X14,5 EPDM VP.	1
7.7	2127488	> JOINT RING CIRCULAR D.129/132X7,6 EPDM V	1

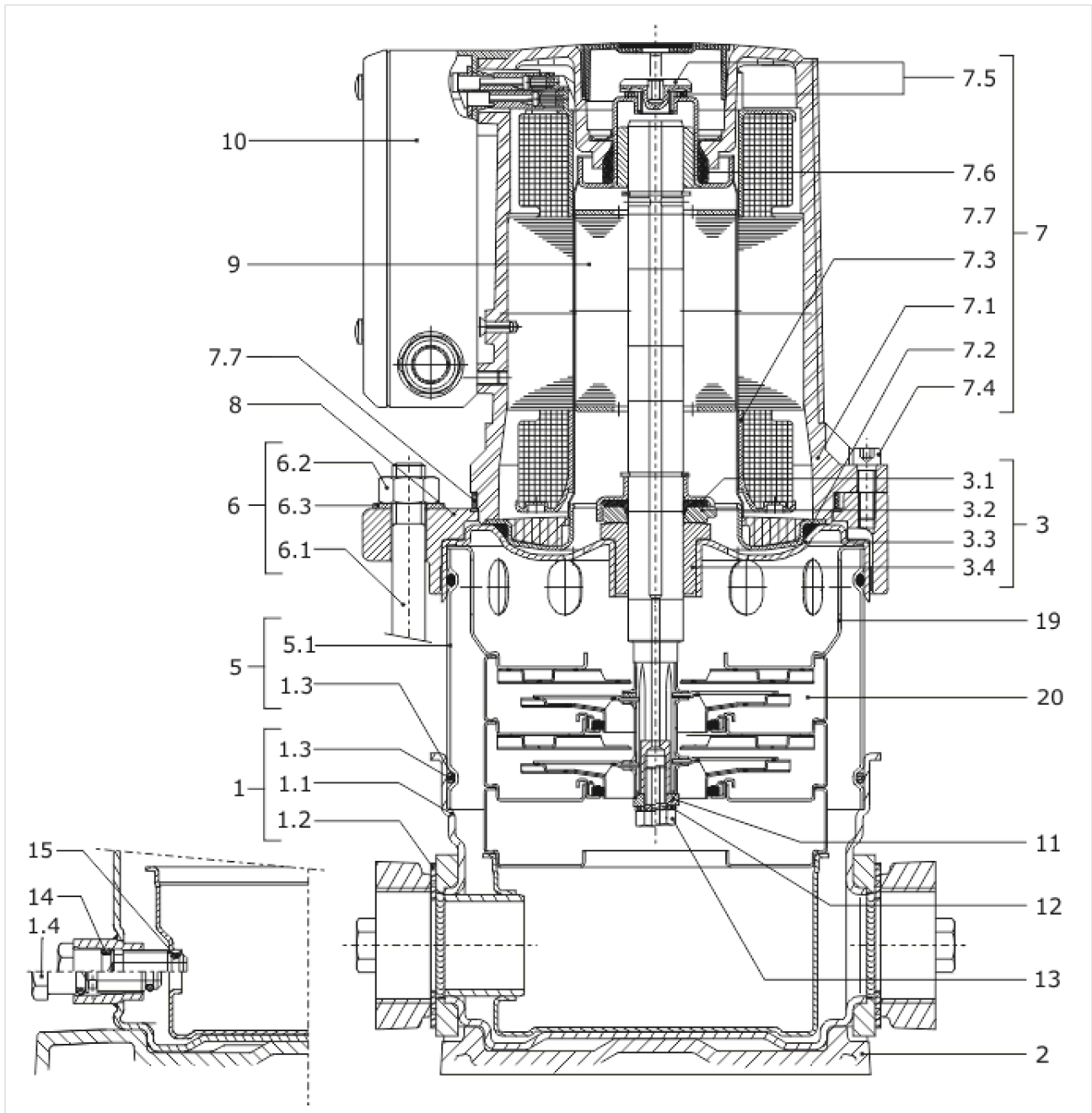
**MVIS203-1/16/K/3-400-50-2 (2009034)**

Item	Article no.	Description	Quantity
10		> TERMINAL BOX MVIS V3	1
		> JOINT-SPECIAL-T42-USINE	1
		> CIRCLIPS GR.42 D.38,1/30,45X7,5 PPN	1
7	2018389	STATOR-UNIT MVIS 42/450/2 VARIANT B KIT	1
Note: FOR/ FÜR/ POUR: MVIS.../B			
7.1		> CARC.MOTEUR-EQUIPEE42/450/2	1
7.2	2010300	> O-RING ID.107,54X3,53	1
7.3		> CAN-T42	1
7.4	2010308	> SCREW M6X20 DIN912 (4 PIECES)	1
7.5	4060522	> MVIS VENTING PLUG KIT 202/203/204/402	1
		>> SCREW PLUG M14X1X8 CUZN39PB3 NICKEL	1
		>> FLAT GASKET D.14,5/23X2,4 EPDM	1
7.6	2081104	> GASKET D.36/28X14,5 EPDM VP.	1
7.7	2127488	> JOINT RING CIRCULAR D.129/132X7,6 EPDM V	1
		> JOINT-SPECIAL-T42-USINE	1
		> CIRCLIPS GR.42 D.38,1/30,45X7,5 PPN	1
8	2008295	FLANGE MVIS GR.42 GG25	1
9	2018342	ROTOR-UNIT 42 MVIS2 KIT	1
10	4050644	TERMINAL BOX MVIS VARIANT A KIT	1
Note: FOR/ FÜR/ POUR: MVIS.../A			
10	4095141	TERMINAL BOX MVIS VARIANT B KIT	1
Note: FOR/ FÜR/ POUR: MVIS.../B			
11	4006203	WASHER D.16/13,8x3 1.4401	1
12	64697	STAINLESS-STEEL-WASHER-DE8	1
13	503144197	Screw M8X16 ISO4017 A4 GEBOHRT	1
14	4177800	O-RING EPDM PLUG HELIX VP.	1
15	4234242	O-RING 9X2 VP.	1
19	4234236	UPPER STAGE RFK.MVI2/4 1.4301 VP.	1
20		SPARE PARTS HYDRAULICS MVIS	1



**SPARE PARTS HYDRAULICS MVIS**

Item	Article no.	Description	Quantity
20.1	4050649	MVIS 200 STAGE KIT	1
		> STAGE HOUSING MVIS2/4 1.4301	1
		> IMPELLER MVI2 D.98x2 1.4301	1
		> SPACER IMPELLER MVI2/4 1.4435	1
		> OUTER CAGE OF SUCTION RING 2/4M3 1.4404	1
		> INNER CAGE OF SUCTION RING 2/4M3 1.4404	1
		> SUCTION-RING 2/4M3 PTFE	1
20.2	4050651	MVIS 200 STAGE KIT	1
		> IMPELLER MVI2 D.98x2 1.4301	1
		> SPACER IMPELLER MVI2/4 1.4435	1
		> OUTER CAGE OF SUCTION RING 2/4M3 1.4404	1
		> INNER CAGE OF SUCTION RING 2/4M3 1.4404	1
		> SUCTION-RING 2/4M3 PTFE	1
		> ST.CASING-RETURN CH.MVIS2/4-304-MACHI.	1
20.3	4050650	MVIS 200 STAGE KIT	1
		> IMPELLER MVI2 D.98x2 1.4301	1
		> SPACER IMPELLER MVI2/4 1.4435	1
		> OUTER CAGE OF SUCTION RING 2/4M3 1.4404	1
		> INNER CAGE OF SUCTION RING 2/4M3 1.4404	1
		> SUCTION-RING 2/4M3 PTFE	1
		> WASHER D.24/14x1,5 1.4401	1
		> ST.CASING-RETURN CH.MVIS2/4-304-MACHI.	1

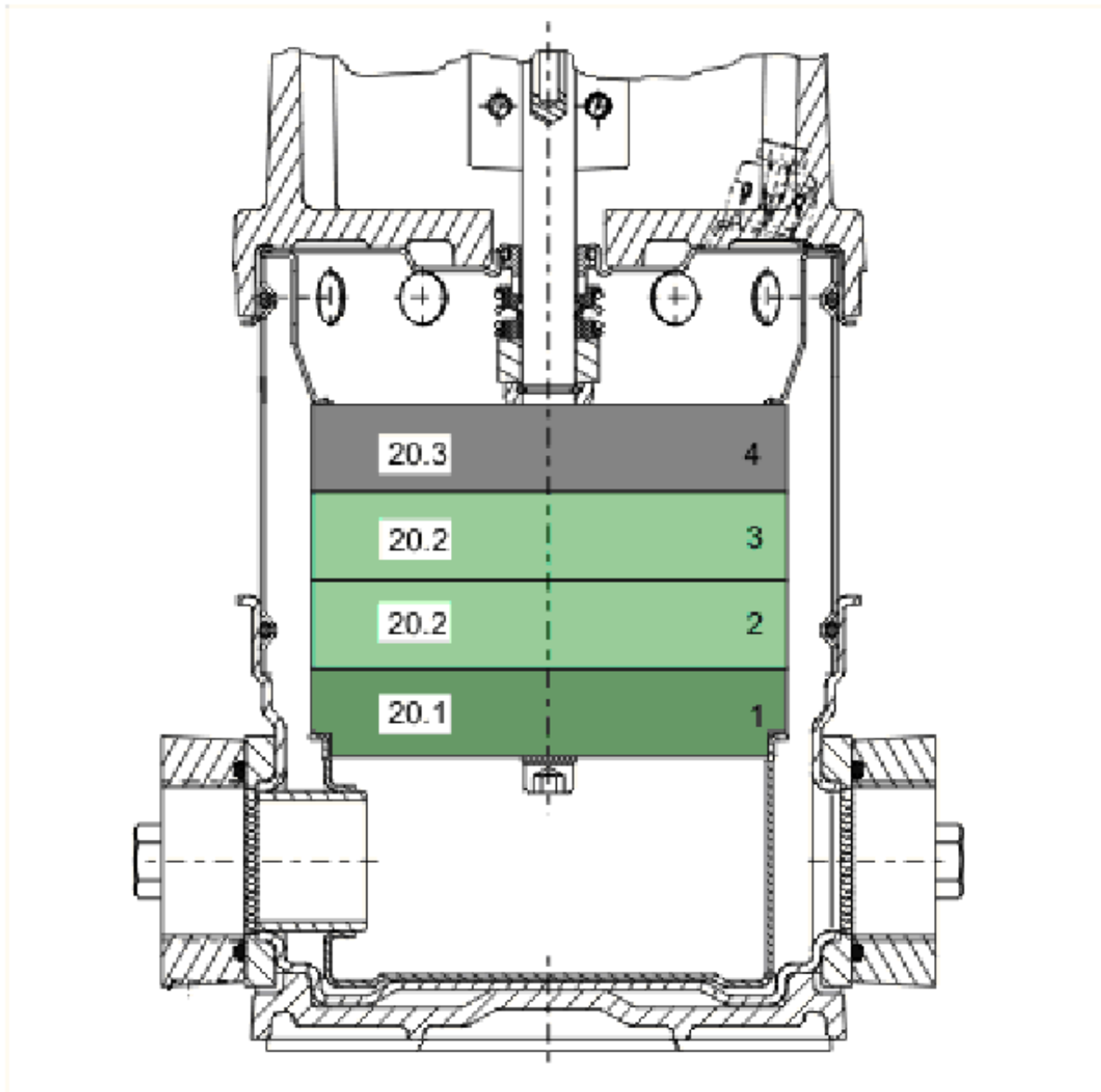


**MVIS204-1/16/K/3-400-50-2 (2009035)**

Item	Article no.	Description	Quantity
1	2023917	PUMP HOUSING MVI/MVIS DN32PN16 1.4301KIT	1
1.1		> CASING-MU-I-D32-PN16-D152-304	1
1.2	4191618	> O-RING ID.44,05x3,53 EPDM VP.	1
Note: FROM / AB / À PARTIR DE: 07/97			
1.3	4176513	> O-RING FOR PUMP JACKET VP.	1
1.4	4234235	> PRIMING/DRAIN PLUG MVI6" 304 VP.	1
3.2	4177800	> O-RING EPDM PLUG HELIX VP.	1
3.3	4234242	> O-RING 9X2 VP.	1
1.2	4234256	FLAT-GASKET 33X60X2 VP.	1
Note: TO / BIS / JUSQU'À: 06/97			
2	2127420	BASE PLATE 212X157 PN16 VP.	1
3	4050646	MVIS 202-204/402 BEARING KIT	1
3.1		> SUPPORT RING D.38/20,1X5 EPDM	1
3.2		> Thrust plate Gr.41 D.38/20,5X6 ceramic	1
3.3		> LANTERN MVIS GR.42 1.4301	1
3.4		> RAD.BEARING D.42/29,5/28/20X26 AG.HT205	1
5	2018375	HOUSING PIPE D.152X119 1.4301 KIT	1
1.3	4176513	> O-RING FOR PUMP JACKET VP.	1
5.1		> HOUSING-PIPE-D152-VMI204/404-304	1
6	2018359	STUD BOLT M12X245 KIT	1
6.1		> TIE BOLT M12-245x18x30-1.4057	1
6.2	2094647	> NUT M12 M12 ISO4032 VP.	1
6.3	2123557	> WASHER CS-12.4-24-1.6-NFE25 (4 PIECES)	1
7	2531194	STATOR/TERMIN.BOX MVIS 42/450 KIT V.A+B	1
Note: FOR/ FÜR/ POUR: MVIS.../A MVIS.../B			
7.1		> CARC.MOTEUR-EQUIPEE42/450/2	1
7.2	2010300	> O-RING ID.107,54X3,53	1
7.3		> CAN-T42	1
7.4	2010308	> SCREW M6X20 DIN912 (4 PIECES)	1
7.5	4060522	> MVIS VENTING PLUG KIT 202/203/204/402	1
		>> SCREW PLUG M14X1X8 CUZN39PB3 NICKEL	1
		>> FLAT GASKET D.14,5/23X2,4 EPDM	1
7.6	2081104	> GASKET D.36/28X14,5 EPDM VP.	1
7.7	2127488	> JOINT RING CIRCULAR D.129/132X7,6 EPDM V	1

**MVIS204-1/16/K/3-400-50-2 (2009035)**

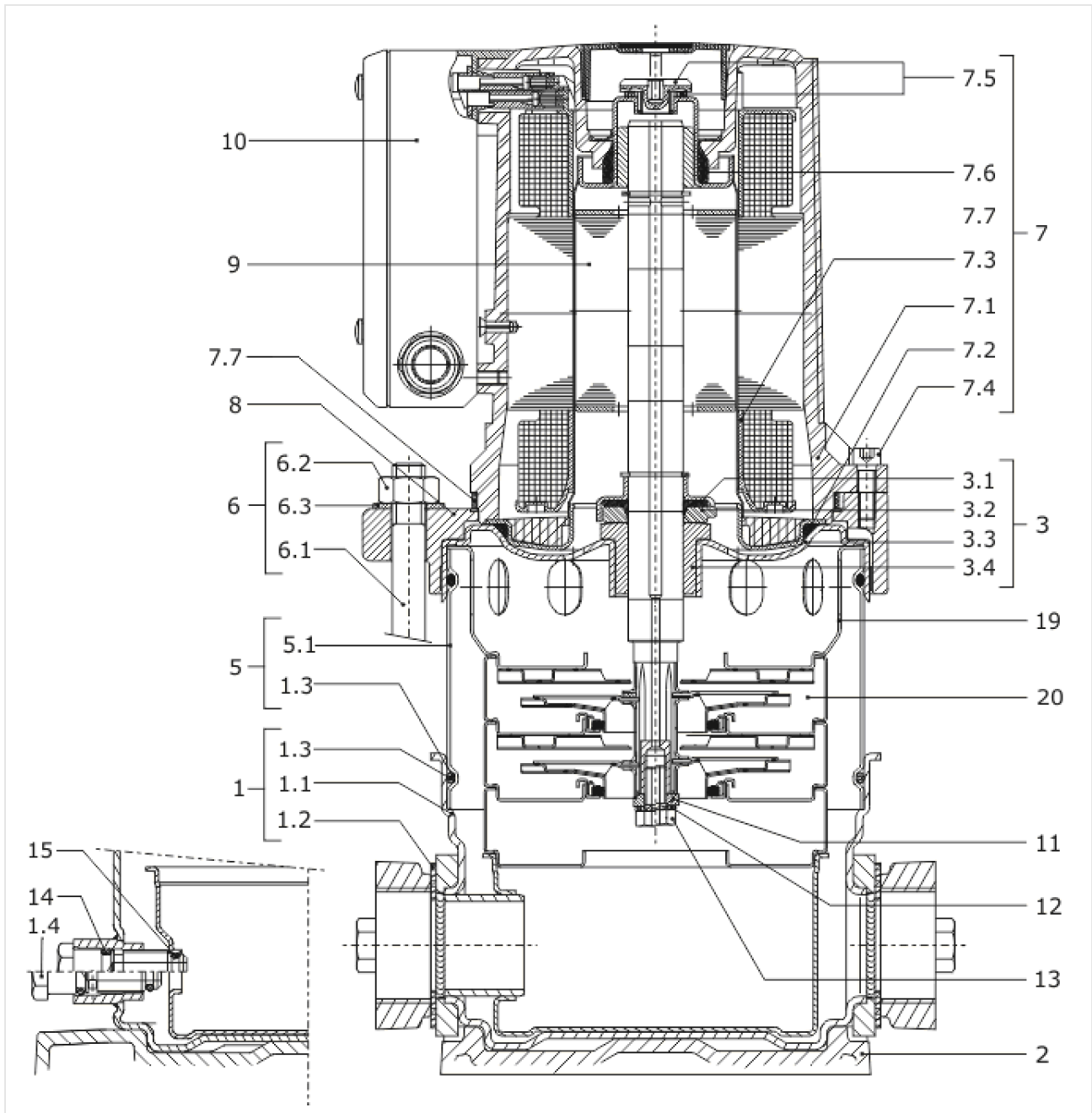
Item	Article no.	Description	Quantity
10		> TERMINAL BOX MVIS V3	1
		> JOINT-SPECIAL-T42-USINE	1
		> CIRCLIPS GR.42 D.38,1/30,45X7,5 PPN	1
7	2018389	STATOR-UNIT MVIS 42/450/2 VARIANT B KIT	1
Note: FOR/ FÜR/ POUR: MVIS.../B			
7.1		> CARC.MOTEUR-EQUIPEE42/450/2	1
7.2	2010300	> O-RING ID.107,54X3,53	1
7.3		> CAN-T42	1
7.4	2010308	> SCREW M6X20 DIN912 (4 PIECES)	1
7.5	4060522	> MVIS VENTING PLUG KIT 202/203/204/402	1
		>> SCREW PLUG M14X1X8 CUZn39PB3 NICKEL	1
		>> FLAT GASKET D.14,5/23X2,4 EPDM	1
7.6	2081104	> GASKET D.36/28X14,5 EPDM VP.	1
7.7	2127488	> JOINT RING CIRCULAR D.129/132X7,6 EPDM V	1
		> JOINT-SPECIAL-T42-USINE	1
		> CIRCLIPS GR.42 D.38,1/30,45X7,5 PPN	1
8	2008295	FLANGE MVIS GR.42 GG25	1
9	2018343	ROTOR-UNIT 42 MVIS2 VP.	1
10	4050644	TERMINAL BOX MVIS VARIANT A KIT	1
Note: FOR/ FÜR/ POUR: MVIS.../A			
10	4095141	TERMINAL BOX MVIS VARIANT B KIT	1
Note: FOR/ FÜR/ POUR: MVIS.../B			
11	4006203	WASHER D.16/13,8x3 1.4401	1
12	64697	STAINLESS-STEEL-WASHER-DE8	1
13	503144197	Screw M8X16 ISO4017 A4 GEBOHRT	1
14	4177800	O-RING EPDM PLUG HELIX VP.	1
15	4234242	O-RING 9X2 VP.	1
19	4234236	UPPER STAGE RFK.MVI2/4 1.4301 VP.	1
20		SPARE PARTS HYDRAULICS MVIS	1





**SPARE PARTS HYDRAULICS MVIS**

Item	Article no.	Description	Quantity
20.1	4050649	MVIS 200 STAGE KIT	1
		> STAGE HOUSING MVIS2/4 1.4301	1
		> IMPELLER MVI2 D.98x2 1.4301	1
		> SPACER IMPELLER MVI2/4 1.4435	1
		> OUTER CAGE OF SUCTION RING 2/4M3 1.4404	1
		> INNER CAGE OF SUCTION RING 2/4M3 1.4404	1
		> SUCTION-RING 2/4M3 PTFE	1
20.2	4050651	MVIS 200 STAGE KIT	1
		> IMPELLER MVI2 D.98x2 1.4301	1
		> SPACER IMPELLER MVI2/4 1.4435	1
		> OUTER CAGE OF SUCTION RING 2/4M3 1.4404	1
		> INNER CAGE OF SUCTION RING 2/4M3 1.4404	1
		> SUCTION-RING 2/4M3 PTFE	1
		> ST.CASING-RETURN CH.MVIS2/4-304-MACHI.	1
20.3	4050650	MVIS 200 STAGE KIT	1
		> IMPELLER MVI2 D.98x2 1.4301	1
		> SPACER IMPELLER MVI2/4 1.4435	1
		> OUTER CAGE OF SUCTION RING 2/4M3 1.4404	1
		> INNER CAGE OF SUCTION RING 2/4M3 1.4404	1
		> SUCTION-RING 2/4M3 PTFE	1
		> WASHER D.24/14x1,5 1.4401	1
		> ST.CASING-RETURN CH.MVIS2/4-304-MACHI.	1

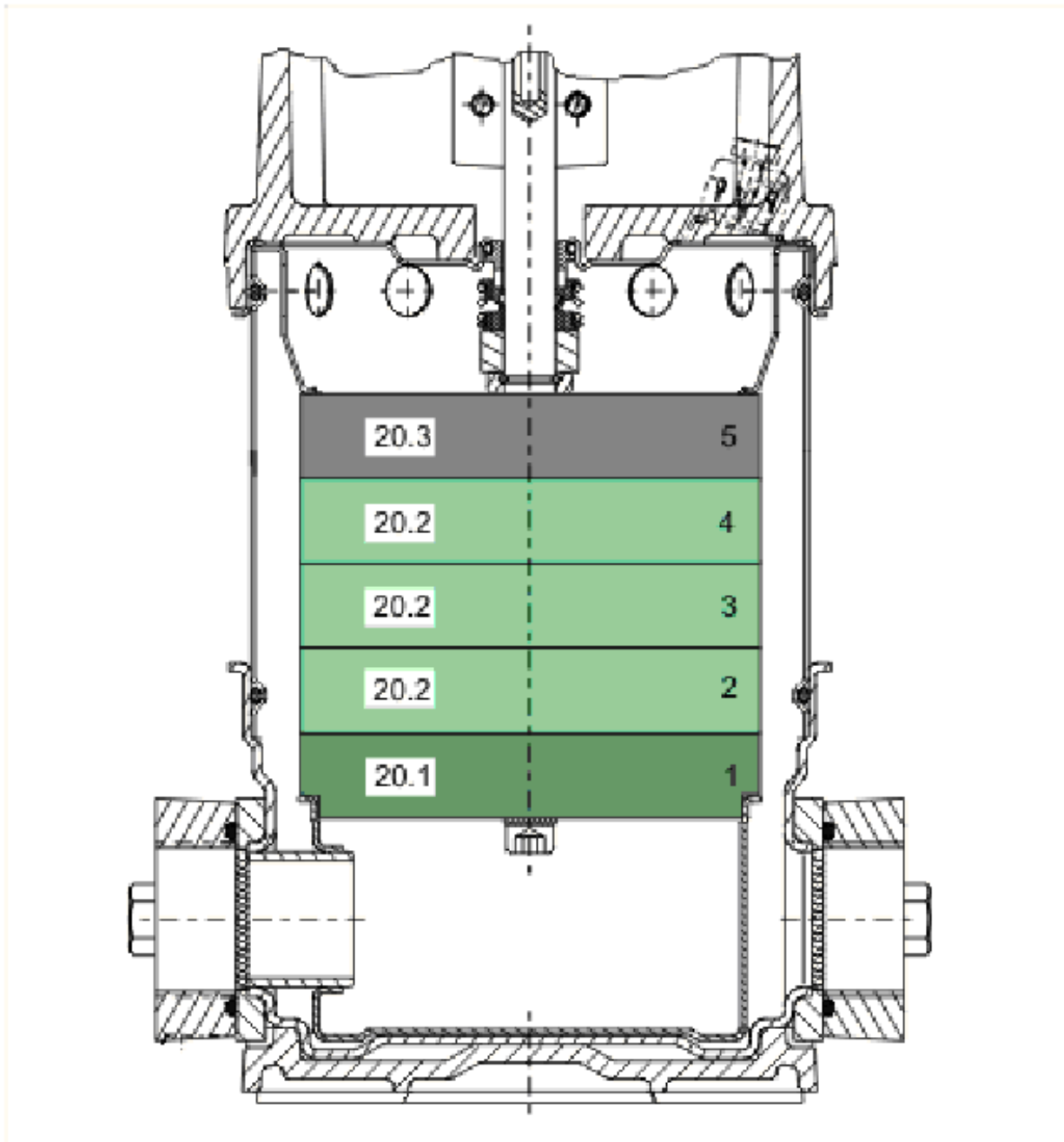


**MVIS205-1/16/K/3-400-50-2 (2009036)**

Item	Article no.	Description	Quantity
1	2023917	PUMP HOUSING MVI/MVIS DN32PN16 1.4301KIT	1
1.1		> CASING-MU-I-D32-PN16-D152-304	1
1.2	4191618	> O-RING ID.44,05x3,53 EPDM VP.	1
Note: FROM / AB / À PARTIR DE: 07/97			
1.3	4176513	> O-RING FOR PUMP JACKET VP.	1
1.4	4234235	> PRIMING/DRAIN PLUG MVI6" 304 VP.	1
3.2	4177800	> O-RING EPDM PLUG HELIX VP.	1
3.3	4234242	> O-RING 9X2 VP.	1
1.2	4234256	FLAT-GASKET 33X60X2 VP.	1
Note: TO / BIS / JUSQU'À: 06/97			
2	2127420	BASE PLATE 212X157 PN16 VP.	1
3	2035465	RADIAL BEARING MVIS2/4/8 KIT	1
3.1		> SUPPORTRING D.58/25,1X5 EPDM	1
3.2		> Thrust plate Gr.52 D.59/25,5X6 ceramic	1
3.3		> LANTERN MVIS GR.52 1.4301	1
3.4		> RADIAL BEARING D.58/40/25X32 AG.HT204	1
5	2018376	HOUSING PIPE D.152X143 1.4301 KIT	1
5.1		> HOUSING-PIPE-D152-VM205/405-304	1
1.3	4176513	> O-RING FOR PUMP JACKET VP.	1
6	2018360	STUD BOLT M12 MVIS2/4 KIT	1
6.1		> TIE BOLT M12-269x18x30-1.4057	1
6.2	2094647	> NUT M12 M12 ISO4032 VP.	1
6.3	2123557	> WASHER CS-12.4-24-1.6-NFE25 (4 PIECES)	1
7	2531195	STATOR/TERMIN.BOX MVIS 52/1100 KIT V.A+B	1
Note: FOR/ FÜR/ POUR: MVIS.../A MVIS.../B			
7.1		> CARC.MOTEUR-EQUIPEE-52/1100/2	1
7.2	2010301	> O-RING ID.117,07X3,53	1
7.3		> CAN GR.52 MWISE CPL.	1
7.4	2010309	> SCREW M10X25 DIN912 (4 PIECES)	1
7.5	4060523	> MVIS VENTING PLUG KIT	1
		>> SCREW PLUG M16X1X8 CUZN39PB3 NICKEL	1
		>> FLAT GASKET D.16,5/24X2,4EP906 TDS	1
7.6	2081105	> GASKET D.46/35X10,5 EPDM VP.	1
7.7	2127484	> JOINT RING CIRCULAR D.145/148X7,6 EPDM V	1

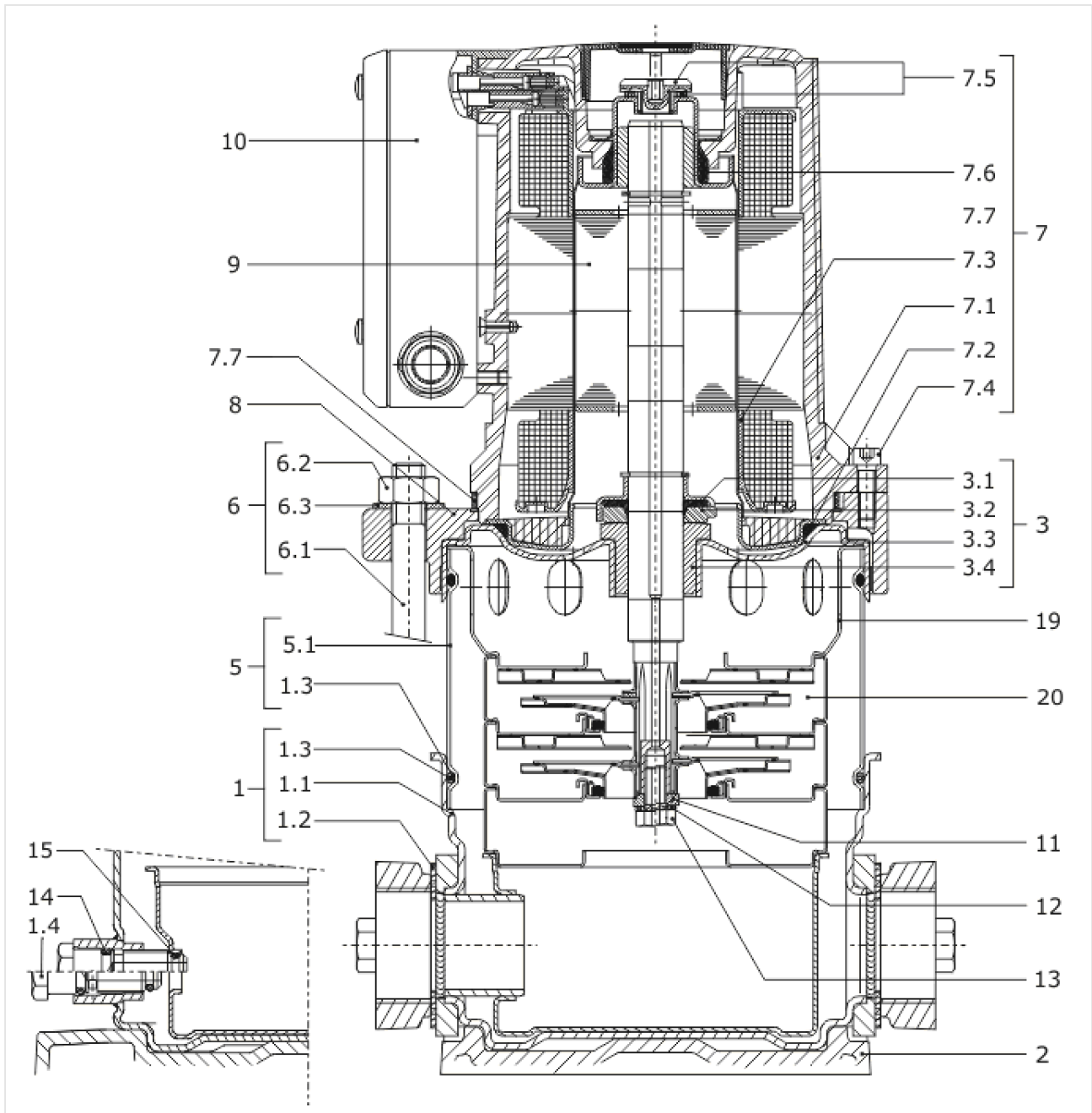
**MVIS205-1/16/K/3-400-50-2 (2009036)**

Item	Article no.	Description	Quantity
10		> TERMINAL BOX MVIS V3	1
		> JOINT-SPECIAL-T52-USINE	1
		> CIRCLIPS GR.52 D.47,1/37,4X9,5 PPN	1
		> JOINT RING CIRCULAR D.145/148X7,6 EPDM V	1
7	2018391	STATOR-UNIT MVIS 52/1100/2 VARIANT B KIT	1
Note: FOR/ FÜR/ POUR: MVIS.../B			
7.1		> CARC.MOTEUR-EQUIPEE-52/1100/2	1
7.2	2010301	> O-RING ID.117,07X3,53	1
7.3		> CAN GR.52 MWISE CPL.	1
7.4	2010309	> SCREW M10X25 DIN912 (4 PIECES)	1
7.5	4060523	> MVIS VENTING PLUG KIT	1
		>> SCREW PLUG M16X1X8 CUZN39PB3 NICKEL	1
		>> FLAT GASKET D.16,5/24X2,4EP906 TDS	1
7.6	2081105	> GASKET D.46/35X10,5 EPDM VP.	1
7.7	2127484	> JOINT RING CIRCULAR D.145/148X7,6 EPDM V	1
		> JOINT-SPECIAL-T52-USINE	1
		> CIRCLIPS GR.52 D.47,1/37,4X9,5 PPN	1
8	2008293	FLANGE MVIS GR.52 GG25	1
9	2018344	ROTOR-UNIT 52 MVIS2/4/8 KIT	1
10	4050644	TERMINAL BOX MVIS VARIANT A KIT	1
Note: FOR/ FÜR/ POUR: MVIS.../A			
10	4095141	TERMINAL BOX MVIS VARIANT B KIT	1
Note: FOR/ FÜR/ POUR: MVIS.../B			
11	4006203	WASHER D.16/13,8x3 1.4401	1
12	64697	STAINLESS-STEEL-WASHER-DE8	1
13	503144197	Screw M8X16 ISO4017 A4 GEBOHRT	1
14	4177800	O-RING EPDM PLUG HELIX VP.	1
15	4234242	O-RING 9X2 VP.	1
19	4234236	UPPER STAGE RFK.MVI2/4 1.4301 VP.	1
20		SPARE PARTS HYDRAULICS MVIS	1



**SPARE PARTS HYDRAULICS MVIS**

Item	Article no.	Description	Quantity
20.1	4050649	MVIS 200 STAGE KIT	1
		> STAGE HOUSING MVIS2/4 1.4301	1
		> IMPELLER MVI2 D.98x2 1.4301	1
		> SPACER IMPELLER MVI2/4 1.4435	1
		> OUTER CAGE OF SUCTION RING 2/4M3 1.4404	1
		> INNER CAGE OF SUCTION RING 2/4M3 1.4404	1
		> SUCTION-RING 2/4M3 PTFE	1
20.2	4050651	MVIS 200 STAGE KIT	1
		> IMPELLER MVI2 D.98x2 1.4301	1
		> SPACER IMPELLER MVI2/4 1.4435	1
		> OUTER CAGE OF SUCTION RING 2/4M3 1.4404	1
		> INNER CAGE OF SUCTION RING 2/4M3 1.4404	1
		> SUCTION-RING 2/4M3 PTFE	1
		> ST.CASING-RETURN CH.MVIS2/4-304-MACHI.	1
20.3	4050650	MVIS 200 STAGE KIT	1
		> IMPELLER MVI2 D.98x2 1.4301	1
		> SPACER IMPELLER MVI2/4 1.4435	1
		> OUTER CAGE OF SUCTION RING 2/4M3 1.4404	1
		> INNER CAGE OF SUCTION RING 2/4M3 1.4404	1
		> SUCTION-RING 2/4M3 PTFE	1
		> WASHER D.24/14x1,5 1.4401	1
		> ST.CASING-RETURN CH.MVIS2/4-304-MACHI.	1



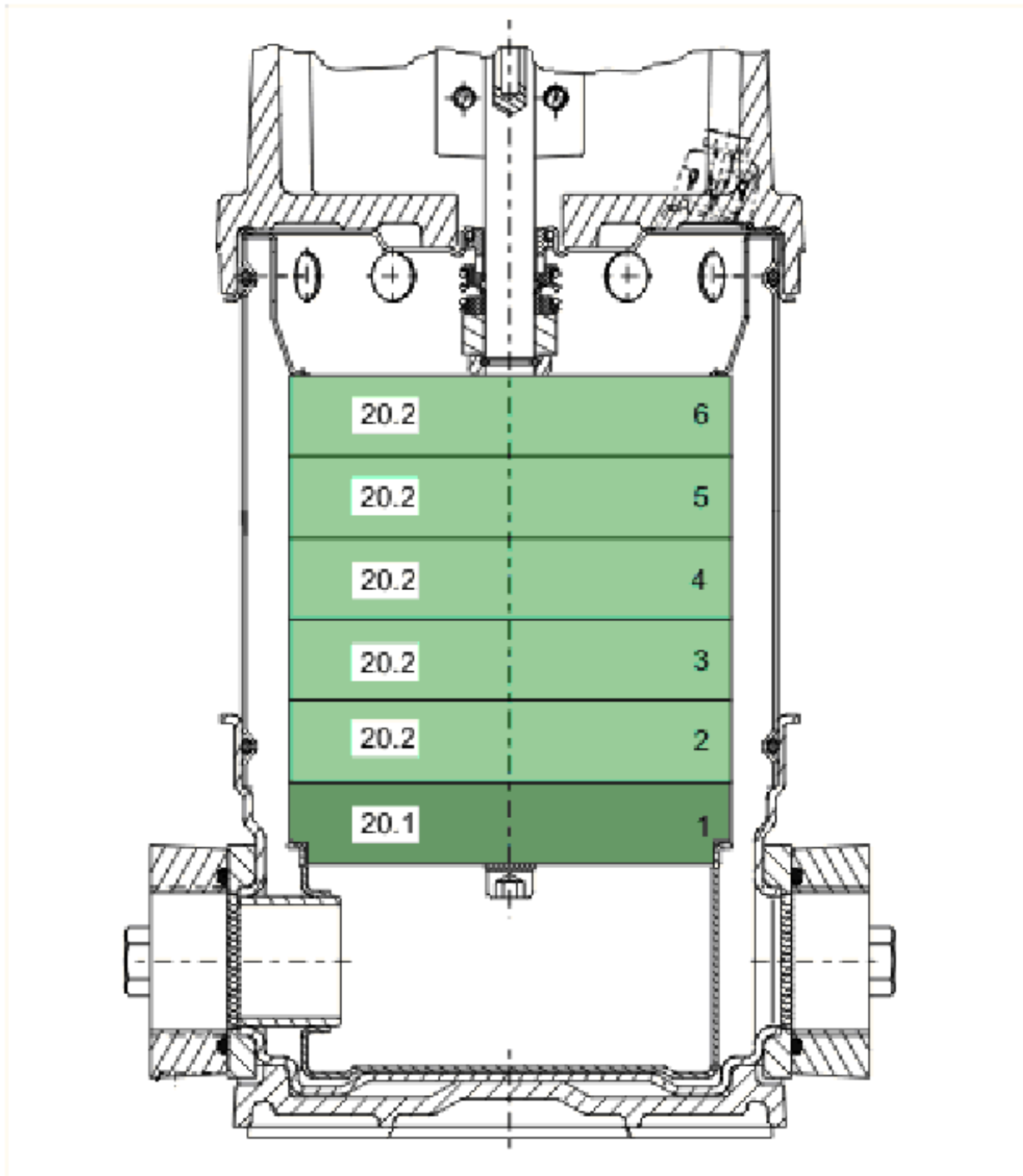
**MVIS206-1/16/K/3-400-50-2 (2009037)**

Item	Article no.	Description	Quantity
1	2023917	PUMP HOUSING MVI/MVIS DN32PN16 1.4301KIT	1
1.1		> CASING-MU-I-D32-PN16-D152-304	1
1.2	4191618	> O-RING ID.44,05x3,53 EPDM VP.	1
Note: FROM / AB / À PARTIR DE: 07/97			
1.3	4176513	> O-RING FOR PUMP JACKET VP.	1
1.4	4234235	> PRIMING/DRAIN PLUG MVI6" 304 VP.	1
3.2	4177800	> O-RING EPDM PLUG HELIX VP.	1
3.3	4234242	> O-RING 9X2 VP.	1
1.2	4234256	FLAT-GASKET 33X60X2 VP.	1
Note: TO / BIS / JUSQU'À: 06/97			
2	2127420	BASE PLATE 212X157 PN16 VP.	1
3	2035465	RADIAL BEARING MVIS2/4/8 KIT	1
3.1		> SUPPORTRING D.58/25,1X5 EPDM	1
3.2		> Thrust plate Gr.52 D.59/25,5X6 ceramic	1
3.3		> LANTERN MVIS GR.52 1.4301	1
3.4		> RADIAL BEARING D.58/40/25X32 AG.HT204	1
5	2018377	HOUSING PIPE D.152X167 1.4301 KIT	1
1.3	4176513	> O-RING FOR PUMP JACKET VP.	1
5.1		> HOUSING-PIPE-D152-VMI206/406-304	1
6	2018361	STUD BOLT M12X293 KIT	1
6.1		> TIE BOLT M12-293x18x30-1.4057	1
6.2	2094647	> NUT M12 M12 ISO4032 VP.	1
6.3	2123557	> WASHER CS-12.4-24-1.6-NFE25 (4 PIECES)	1
7	2531195	STATOR/TERMIN.BOX MVIS 52/1100 KIT V.A+B	1
Note: FOR/ FÜR/ POUR: MVIS.../A MVIS.../B			
7.1		> CARC.MOTEUR-EQUIPEE-52/1100/2	1
7.2	2010301	> O-RING ID.117,07X3,53	1
7.3		> CAN GR.52 MWISE CPL.	1
7.4	2010309	> SCREW M10X25 DIN912 (4 PIECES)	1
7.5	4060523	> MVIS VENTING PLUG KIT	1
		>> SCREW PLUG M16X1X8 CUZN39PB3 NICKEL	1
		>> FLAT GASKET D.16,5/24X2,4EP906 TDS	1
7.6	2081105	> GASKET D.46/35X10,5 EPDM VP.	1
7.7	2127484	> JOINT RING CIRCULAR D.145/148X7,6 EPDM V	1



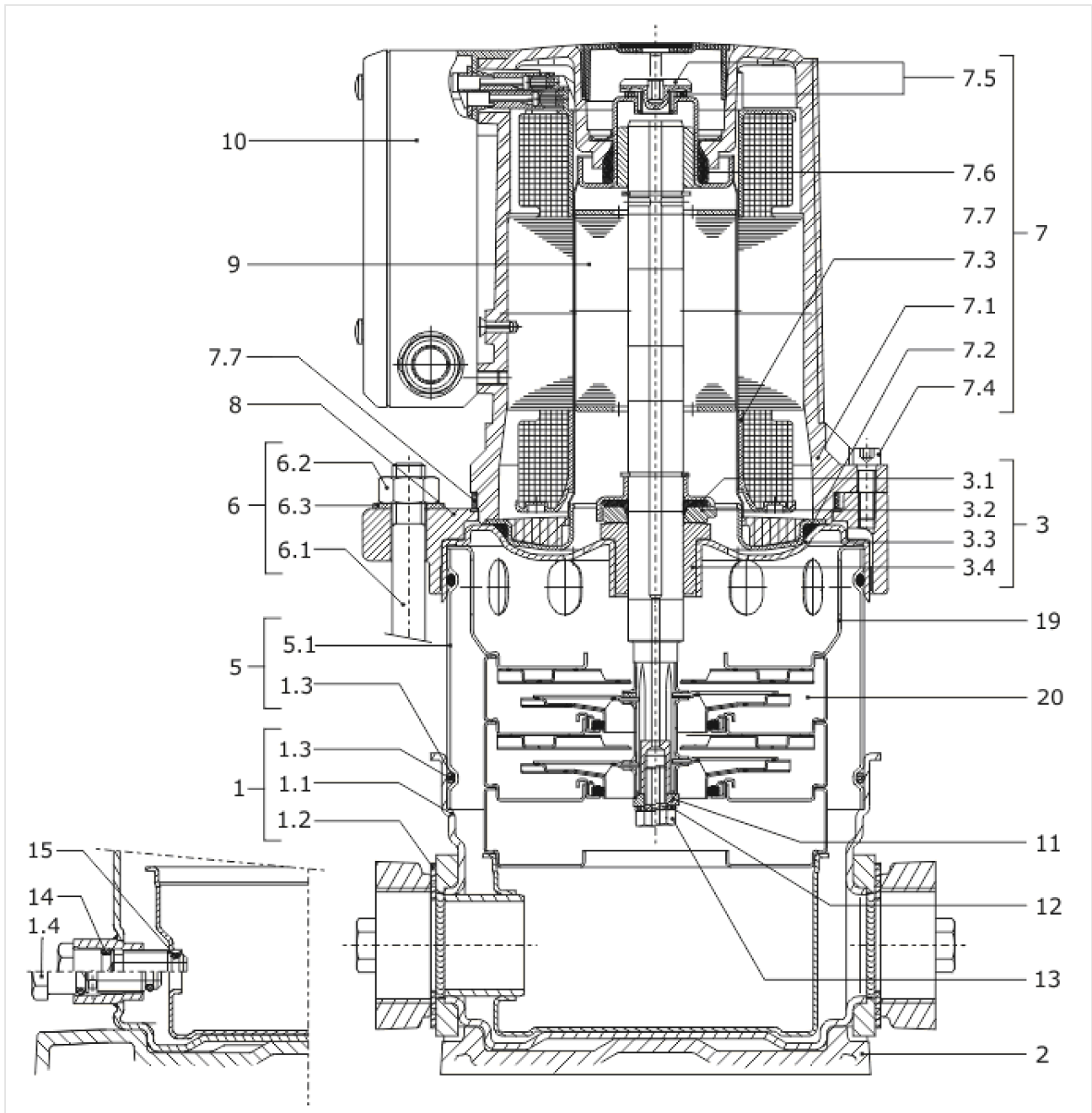
**MVIS206-1/16/K/3-400-50-2 (2009037)**

Item	Article no.	Description	Quantity
10		> TERMINAL BOX MVIS V3	1
		> JOINT-SPECIAL-T52-USINE	1
		> CIRCLIPS GR.52 D.47,1/37,4X9,5 PPN	1
		> JOINT RING CIRCULAR D.145/148X7,6 EPDM V	1
7	2018391	STATOR-UNIT MVIS 52/1100/2 VARIANT B KIT	1
Note: FOR/ FÜR/ POUR: MVIS.../B			
7.1		> CARC.MOTEUR-EQUIPEE-52/1100/2	1
7.2	2010301	> O-RING ID.117,07X3,53	1
7.3		> CAN GR.52 MWISE CPL.	1
7.4	2010309	> SCREW M10X25 DIN912 (4 PIECES)	1
7.5	4060523	> MVIS VENTING PLUG KIT	1
		>> SCREW PLUG M16X1X8 CUZN39PB3 NICKEL	1
		>> FLAT GASKET D.16,5/24X2,4EP906 TDS	1
7.6	2081105	> GASKET D.46/35X10,5 EPDM VP.	1
7.7	2127484	> JOINT RING CIRCULAR D.145/148X7,6 EPDM V	1
		> JOINT-SPECIAL-T52-USINE	1
		> CIRCLIPS GR.52 D.47,1/37,4X9,5 PPN	1
8	2008293	FLANGE MVIS GR.52 GG25	1
9	2018345	ROTOR-UNIT 52 MVIS2/4 KIT	1
10	4050644	TERMINAL BOX MVIS VARIANT A KIT	1
Note: FOR/ FÜR/ POUR: MVIS.../A			
10	4095141	TERMINAL BOX MVIS VARIANT B KIT	1
Note: FOR/ FÜR/ POUR: MVIS.../B			
11	4006203	WASHER D.16/13,8x3 1.4401	1
12	64697	STAINLESS-STEEL-WASHER-DE8	1
13	503144197	Screw M8X16 ISO4017 A4 GEBOHRT	1
14	4177800	O-RING EPDM PLUG HELIX VP.	1
15	4234242	O-RING 9X2 VP.	1
19	4234236	UPPER STAGE RFK.MVI2/4 1.4301 VP.	1
20		SPARE PARTS HYDRAULICS MVIS/MWISE	1



**SPARE PARTS HYDRAULICS MVIS/MVISE**

<b>Item</b>	<b>Article no.</b>	<b>Description</b>	<b>Quantity</b>
20.1	4050649	MVIS 200 STAGE KIT	1
		> STAGE HOUSING MVIS2/4 1.4301	1
		> IMPELLER MVI2 D.98x2 1.4301	1
		> SPACER IMPELLER MVI2/4 1.4435	1
		> OUTER CAGE OF SUCTION RING 2/4M3 1.4404	1
		> INNER CAGE OF SUCTION RING 2/4M3 1.4404	1
		> SUCTION-RING 2/4M3 PTFE	1
20.2	4050650	MVIS 200 STAGE KIT	1
		> IMPELLER MVI2 D.98x2 1.4301	1
		> SPACER IMPELLER MVI2/4 1.4435	1
		> OUTER CAGE OF SUCTION RING 2/4M3 1.4404	1
		> INNER CAGE OF SUCTION RING 2/4M3 1.4404	1
		> SUCTION-RING 2/4M3 PTFE	1
		> WASHER D.24/14x1,5 1.4401	1
		> ST.CASING-RETURN CH.MVIS2/4-304-MACHI.	1

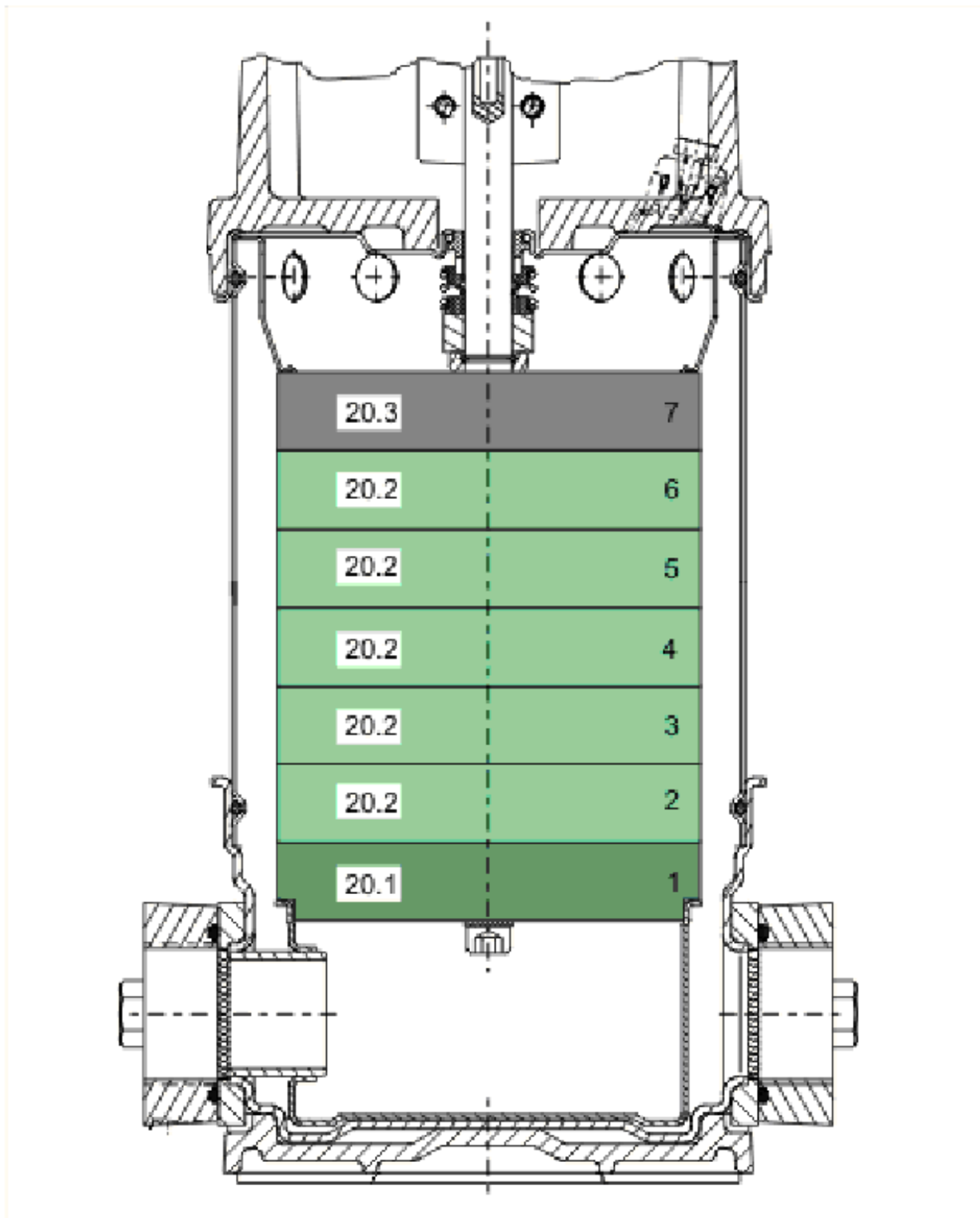


**MVIS207-1/16/K/3-400-50-2 (2009038)**

Item	Article no.	Description	Quantity
1	2023917	PUMP HOUSING MVI/MVIS DN32PN16 1.4301KIT	1
1.1		> CASING-MU-I-D32-PN16-D152-304	1
1.2	4191618	> O-RING ID.44,05x3,53 EPDM VP.	1
Note: FROM / AB / À PARTIR DE: 07/97			
1.3	4176513	> O-RING FOR PUMP JACKET VP.	1
1.4	4234235	> PRIMING/DRAIN PLUG MVI6" 304 VP.	1
3.2	4177800	> O-RING EPDM PLUG HELIX VP.	1
3.3	4234242	> O-RING 9X2 VP.	1
1.2	4234256	FLAT-GASKET 33X60X2 VP.	1
Note: TO / BIS / JUSQU'À: 06/97			
2	2127420	BASE PLATE 212X157 PN16 VP.	1
3	2035465	RADIAL BEARING MVIS2/4/8 KIT	1
3.1		> SUPPORTRING D.58/25,1X5 EPDM	1
3.2		> Thrust plate Gr.52 D.59/25,5X6 ceramic	1
3.3		> LANTERN MVIS GR.52 1.4301	1
3.4		> RADIAL BEARING D.58/40/25X32 AG.HT204	1
5	2018378	HOUSING PIPE D.152X167 1.4301 KIT	1
5.1		> HOUSING-PIPE-D152-VM207/805/1603/04-304	1
1.3	4176513	> O-RING FOR PUMP JACKET VP.	1
6	2018362	STUD BOLT M12X317 KIT	1
6.1		> TIE BOLT M12-317x18x30-1.4057	1
6.2	2094647	> NUT M12 M12 ISO4032 VP.	1
6.3	2123557	> WASHER CS-12.4-24-1.6-NFE25 (4 PIECES)	1
7	2531195	STATOR/TERMIN.BOX MVIS 52/1100 KIT V.A+B	1
Note: FOR/ FÜR/ POUR: MVIS.../A MVIS.../B			
7.1		> CARC.MOTEUR-EQUIPEE-52/1100/2	1
7.2	2010301	> O-RING ID.117,07X3,53	1
7.3		> CAN GR.52 MWISE CPL.	1
7.4	2010309	> SCREW M10X25 DIN912 (4 PIECES)	1
7.5	4060523	> MVIS VENTING PLUG KIT	1
		>> SCREW PLUG M16X1X8 CUZN39PB3 NICKEL	1
		>> FLAT GASKET D.16,5/24X2,4EP906 TDS	1
7.6	2081105	> GASKET D.46/35X10,5 EPDM VP.	1
7.7	2127484	> JOINT RING CIRCULAR D.145/148X7,6 EPDM V	1

**MVIS207-1/16/K/3-400-50-2 (2009038)**

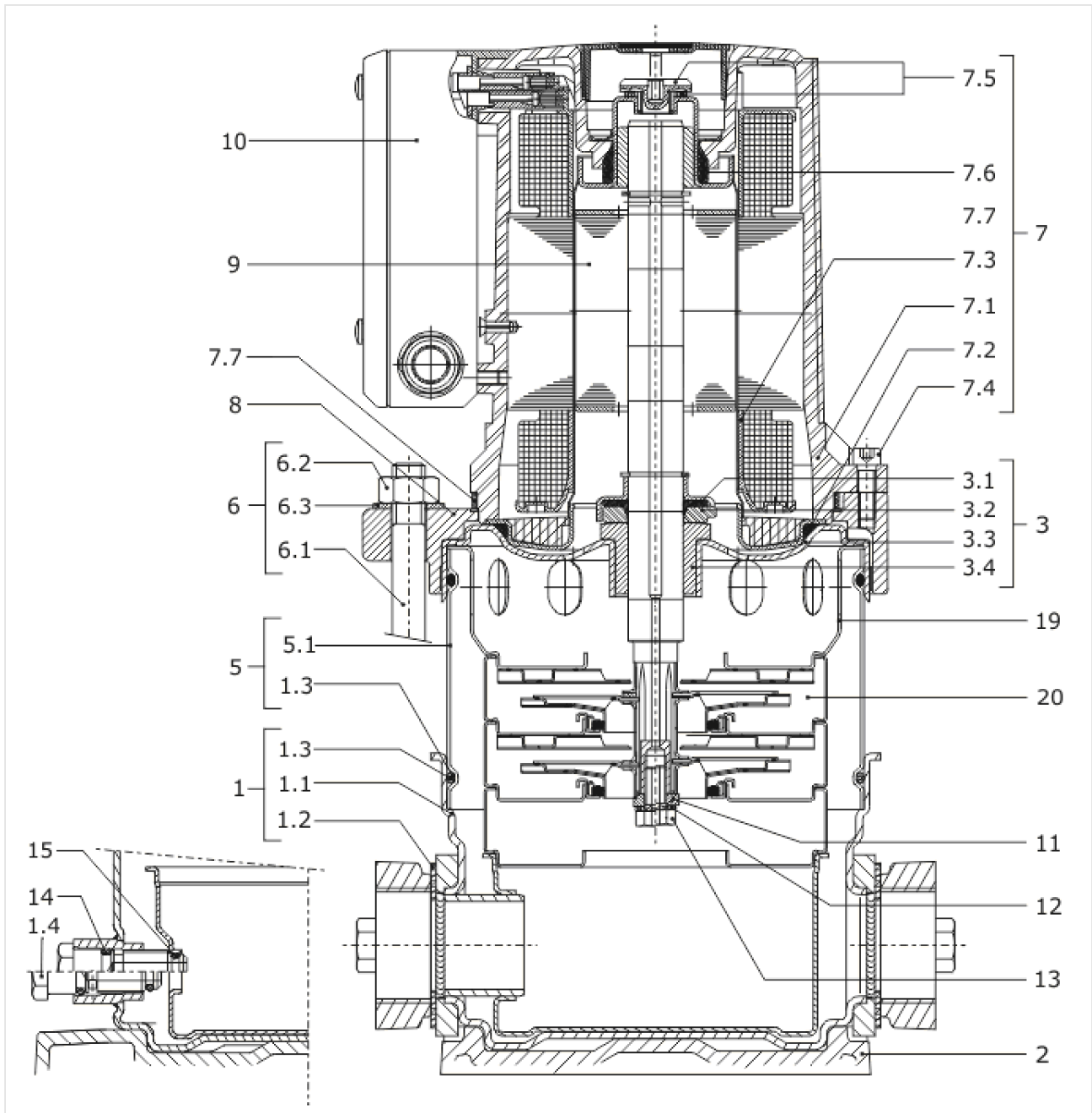
Item	Article no.	Description	Quantity
10		> TERMINAL BOX MVIS V3	1
		> JOINT-SPECIAL-T52-USINE	1
		> CIRCLIPS GR.52 D.47,1/37,4X9,5 PPN	1
		> JOINT RING CIRCULAR D.145/148X7,6 EPDM V	1
7	2018391	STATOR-UNIT MVIS 52/1100/2 VARIANT B KIT	1
Note: FOR/ FÜR/ POUR: MVIS.../B			
7.1		> CARC.MOTEUR-EQUIPEE-52/1100/2	1
7.2	2010301	> O-RING ID.117,07X3,53	1
7.3		> CAN GR.52 MWISE CPL.	1
7.4	2010309	> SCREW M10X25 DIN912 (4 PIECES)	1
7.5	4060523	> MVIS VENTING PLUG KIT	1
		>> SCREW PLUG M16X1X8 CUZN39PB3 NICKEL	1
		>> FLAT GASKET D.16,5/24X2,4EP906 TDS	1
7.6	2081105	> GASKET D.46/35X10,5 EPDM VP.	1
7.7	2127484	> JOINT RING CIRCULAR D.145/148X7,6 EPDM V	1
		> JOINT-SPECIAL-T52-USINE	1
		> CIRCLIPS GR.52 D.47,1/37,4X9,5 PPN	1
8	2008293	FLANGE MVIS GR.52 GG25	1
9	2018346	ROTOR-UNIT 52 MVIS2 KIT	1
10	4050644	TERMINAL BOX MVIS VARIANT A KIT	1
Note: FOR/ FÜR/ POUR: MVIS.../A			
10	4095141	TERMINAL BOX MVIS VARIANT B KIT	1
Note: FOR/ FÜR/ POUR: MVIS.../B			
11	4006203	WASHER D.16/13,8x3 1.4401	1
12	64697	STAINLESS-STEEL-WASHER-DE8	1
13	503144197	Screw M8X16 ISO4017 A4 GEBOHRT	1
14	4177800	O-RING EPDM PLUG HELIX VP.	1
15	4234242	O-RING 9X2 VP.	1
19	4234236	UPPER STAGE RFK.MVI2/4 1.4301 VP.	1
20		SPARE PARTS HYDRAULICS MVIS	1



**SPARE PARTS HYDRAULICS MVIS**

Item	Article no.	Description	Quantity
20.1	4050649	MVIS 200 STAGE KIT	1
		> STAGE HOUSING MVIS2/4 1.4301	1
		> IMPELLER MVI2 D.98x2 1.4301	1
		> SPACER IMPELLER MVI2/4 1.4435	1
		> OUTER CAGE OF SUCTION RING 2/4M3 1.4404	1
		> INNER CAGE OF SUCTION RING 2/4M3 1.4404	1
		> SUCTION-RING 2/4M3 PTFE	1
20.2	4050651	MVIS 200 STAGE KIT	1
		> IMPELLER MVI2 D.98x2 1.4301	1
		> SPACER IMPELLER MVI2/4 1.4435	1
		> OUTER CAGE OF SUCTION RING 2/4M3 1.4404	1
		> INNER CAGE OF SUCTION RING 2/4M3 1.4404	1
		> SUCTION-RING 2/4M3 PTFE	1
		> ST.CASING-RETURN CH.MVIS2/4-304-MACHI.	1
20.3	4050650	MVIS 200 STAGE KIT	1
		> IMPELLER MVI2 D.98x2 1.4301	1
		> SPACER IMPELLER MVI2/4 1.4435	1
		> OUTER CAGE OF SUCTION RING 2/4M3 1.4404	1
		> INNER CAGE OF SUCTION RING 2/4M3 1.4404	1
		> SUCTION-RING 2/4M3 PTFE	1
		> WASHER D.24/14x1,5 1.4401	1
		> ST.CASING-RETURN CH.MVIS2/4-304-MACHI.	1



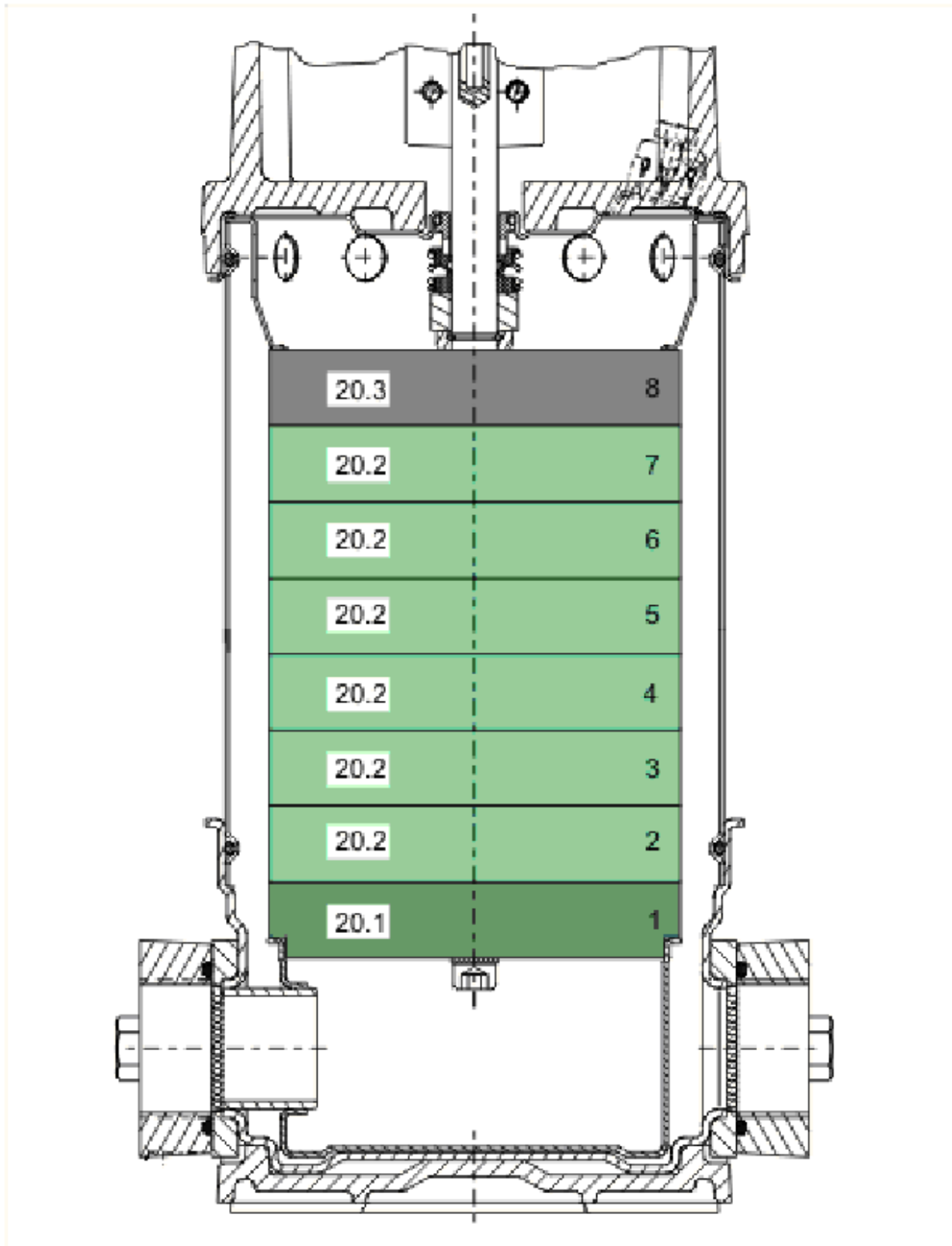


**MVIS208-1/16/K/3-400-50-2 (2009039)**

Item	Article no.	Description	Quantity
1	2023917	PUMP HOUSING MVI/MVIS DN32PN16 1.4301KIT	1
1.1		> CASING-MU-I-D32-PN16-D152-304	1
1.2	4191618	> O-RING ID.44,05x3,53 EPDM VP.	1
Note: FROM / AB / À PARTIR DE: 07/97			
1.3	4176513	> O-RING FOR PUMP JACKET VP.	1
1.4	4234235	> PRIMING/DRAIN PLUG MVI6" 304 VP.	1
3.2	4177800	> O-RING EPDM PLUG HELIX VP.	1
3.3	4234242	> O-RING 9X2 VP.	1
1.2	4234256	FLAT-GASKET 33X60X2 VP.	1
Note: TO / BIS / JUSQU'À: 06/97			
2	2127420	BASE PLATE 212X157 PN16 VP.	1
3	2035465	RADIAL BEARING MVIS2/4/8 KIT	1
3.1		> SUPPORTRING D.58/25,1X5 EPDM	1
3.2		> Thrust plate Gr.52 D.59/25,5X6 ceramic	1
3.3		> LANTERN MVIS GR.52 1.4301	1
3.4		> RADIAL BEARING D.58/40/25X32 AG.HT204	1
5	2018381	HOUSING PIPE D.152X215 1.4301 KIT	1
5.1		> HOUSING-PIPE-D152-VM1208/408-1.4301	1
1.3	4176513	> O-RING FOR PUMP JACKET VP.	1
6	2018363	STUD BOLT M12X341 KIT	1
6.1		> TIE-ROD-M12-341x18x30 CLASS8.8 ZN+FINIG	1
6.2	2094647	> NUT M12 M12 ISO4032 VP.	1
6.3	2123557	> WASHER CS-12.4-24-1.6-NFE25 (4 PIECES)	1
7	2531195	STATOR/TERMIN.BOX MVIS 52/1100 KIT V.A+B	1
Note: FOR/ FÜR/ POUR: MVIS.../A MVIS.../B			
7.1		> CARC.MOTEUR-EQUIPEE-52/1100/2	1
7.2	2010301	> O-RING ID.117,07X3,53	1
7.3		> CAN GR.52 MWISE CPL.	1
7.4	2010309	> SCREW M10X25 DIN912 (4 PIECES)	1
7.5	4060523	> MVIS VENTING PLUG KIT	1
		>> SCREW PLUG M16X1X8 CUZN39PB3 NICKEL	1
		>> FLAT GASKET D.16,5/24X2,4EP906 TDS	1
7.6	2081105	> GASKET D.46/35X10,5 EPDM VP.	1
7.7	2127484	> JOINT RING CIRCULAR D.145/148X7,6 EPDM V	1

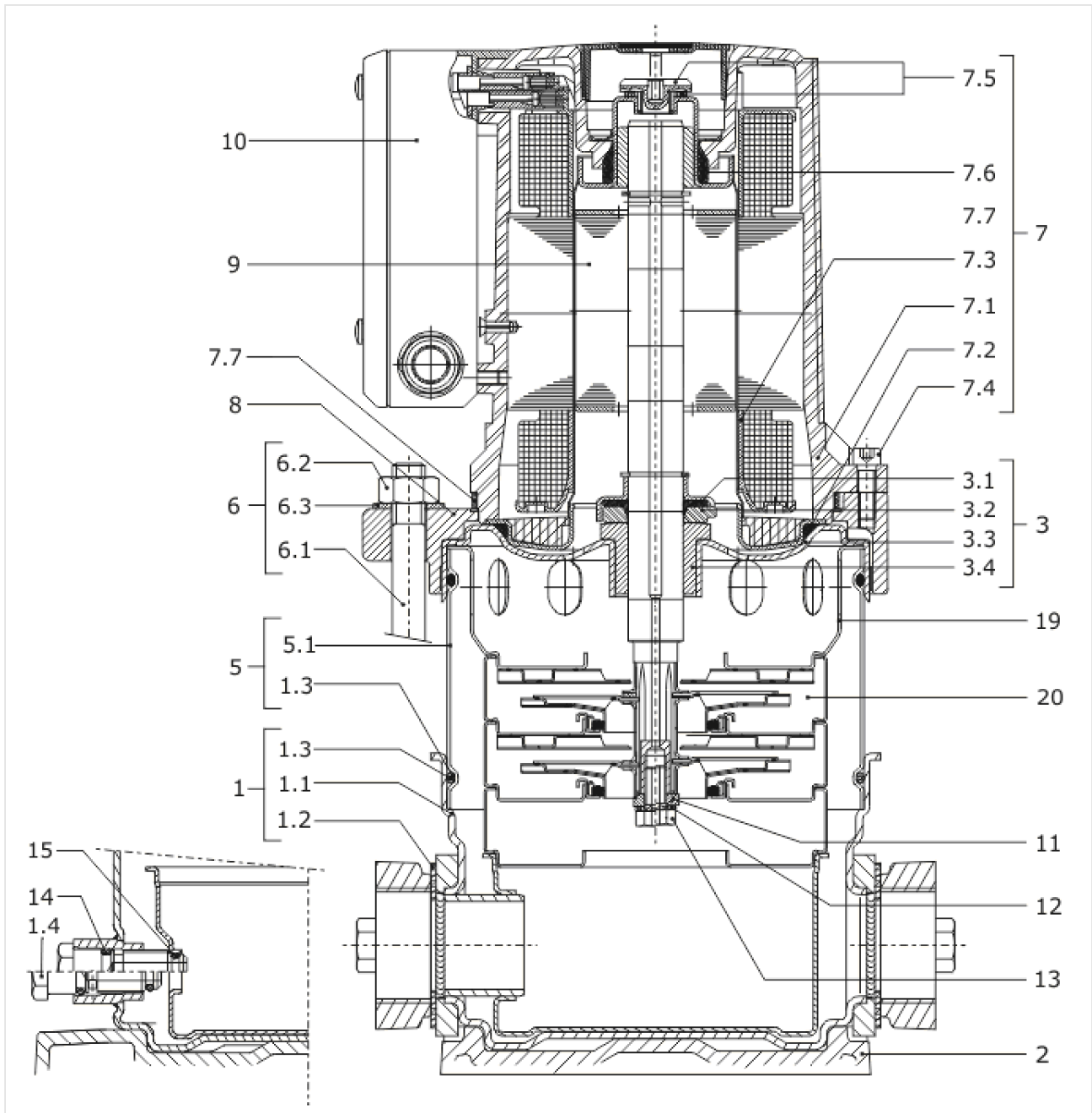
**MVIS208-1/16/K/3-400-50-2 (2009039)**

Item	Article no.	Description	Quantity
10		> TERMINAL BOX MVIS V3	1
		> JOINT-SPECIAL-T52-USINE	1
		> CIRCLIPS GR.52 D.47,1/37,4X9,5 PPN	1
		> JOINT RING CIRCULAR D.145/148X7,6 EPDM V	1
7	2018391	STATOR-UNIT MVIS 52/1100/2 VARIANT B KIT	1
Note: FOR/ FÜR/ POUR: MVIS.../B			
7.1		> CARC.MOTEUR-EQUIPEE-52/1100/2	1
7.2	2010301	> O-RING ID.117,07X3,53	1
7.3		> CAN GR.52 MWISE CPL.	1
7.4	2010309	> SCREW M10X25 DIN912 (4 PIECES)	1
7.5	4060523	> MVIS VENTING PLUG KIT	1
		>> SCREW PLUG M16X1X8 CUZN39PB3 NICKEL	1
		>> FLAT GASKET D.16,5/24X2,4EP906 TDS	1
7.6	2081105	> GASKET D.46/35X10,5 EPDM VP.	1
7.7	2127484	> JOINT RING CIRCULAR D.145/148X7,6 EPDM V	1
		> JOINT-SPECIAL-T52-USINE	1
		> CIRCLIPS GR.52 D.47,1/37,4X9,5 PPN	1
8	2008293	FLANGE MVIS GR.52 GG25	1
9	2018347	ROTOR-UNIT 52 MVIS2 KIT	1
10	4050644	TERMINAL BOX MVIS VARIANT A KIT	1
Note: FOR/ FÜR/ POUR: MVIS.../A			
10	4095141	TERMINAL BOX MVIS VARIANT B KIT	1
Note: FOR/ FÜR/ POUR: MVIS.../B			
11	4006203	WASHER D.16/13,8x3 1.4401	1
12	64697	STAINLESS-STEEL-WASHER-DE8	1
13	503144197	Screw M8X16 ISO4017 A4 GEBOHRT	1
14	4177800	O-RING EPDM PLUG HELIX VP.	1
15	4234242	O-RING 9X2 VP.	1
19	4234236	UPPER STAGE RFK.MVI2/4 1.4301 VP.	1
20		SPARE PARTS HYDRAULICS MVIS	1



**SPARE PARTS HYDRAULICS MVIS**

Item	Article no.	Description	Quantity
20.1	4050649	MVIS 200 STAGE KIT	1
		> STAGE HOUSING MVIS2/4 1.4301	1
		> IMPELLER MVI2 D.98x2 1.4301	1
		> SPACER IMPELLER MVI2/4 1.4435	1
		> OUTER CAGE OF SUCTION RING 2/4M3 1.4404	1
		> INNER CAGE OF SUCTION RING 2/4M3 1.4404	1
		> SUCTION-RING 2/4M3 PTFE	1
20.2	4050651	MVIS 200 STAGE KIT	1
		> IMPELLER MVI2 D.98x2 1.4301	1
		> SPACER IMPELLER MVI2/4 1.4435	1
		> OUTER CAGE OF SUCTION RING 2/4M3 1.4404	1
		> INNER CAGE OF SUCTION RING 2/4M3 1.4404	1
		> SUCTION-RING 2/4M3 PTFE	1
		> ST.CASING-RETURN CH.MVIS2/4-304-MACHI.	1
20.3	4050650	MVIS 200 STAGE KIT	1
		> IMPELLER MVI2 D.98x2 1.4301	1
		> SPACER IMPELLER MVI2/4 1.4435	1
		> OUTER CAGE OF SUCTION RING 2/4M3 1.4404	1
		> INNER CAGE OF SUCTION RING 2/4M3 1.4404	1
		> SUCTION-RING 2/4M3 PTFE	1
		> WASHER D.24/14x1,5 1.4401	1
		> ST.CASING-RETURN CH.MVIS2/4-304-MACHI.	1



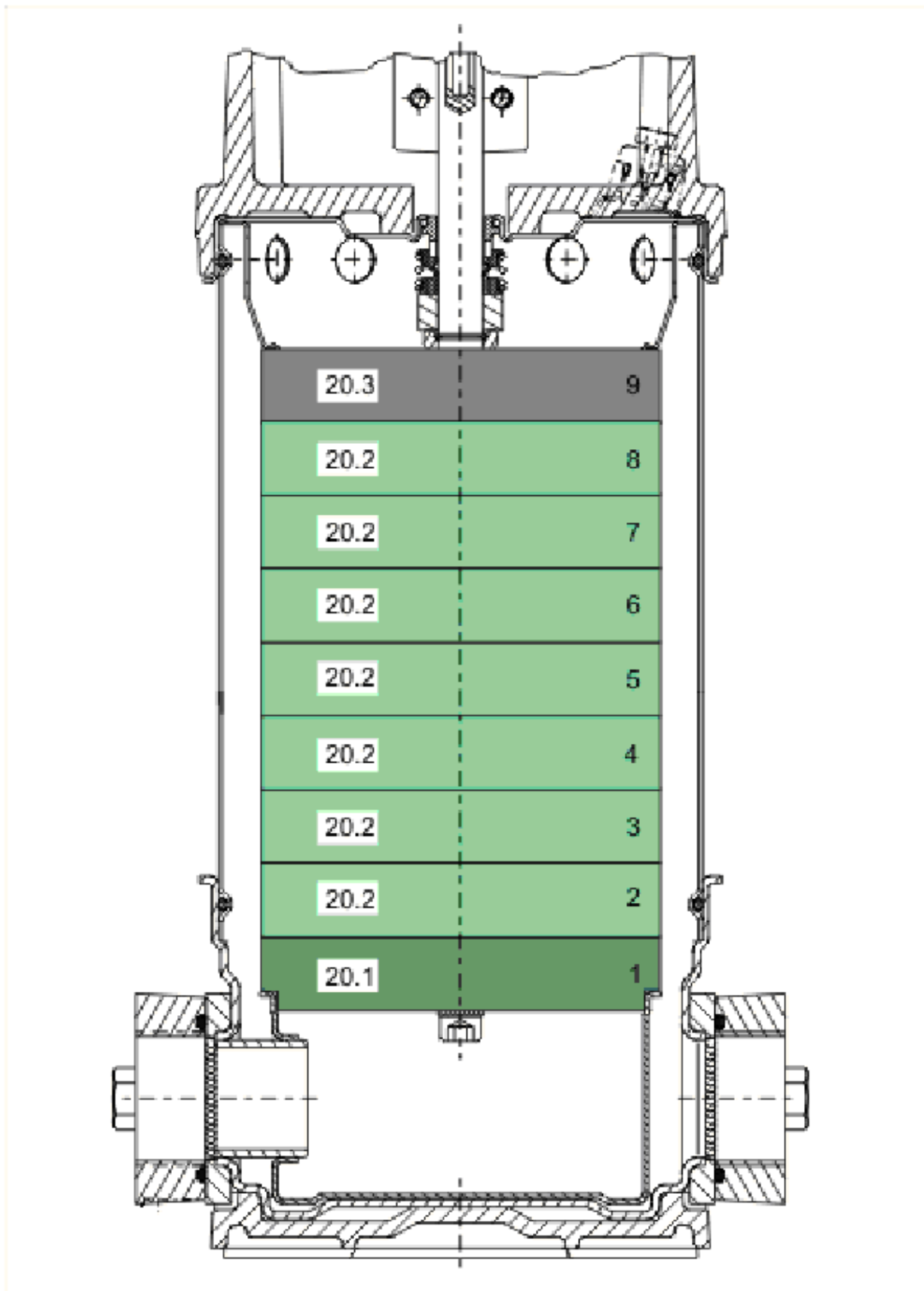
**MVIS209-1/16/K/3-400-50-2 (2009040)**

Item	Article no.	Description	Quantity
1	2023917	PUMP HOUSING MVI/MVIS DN32PN16 1.4301KIT	1
1.1		> CASING-MU-I-D32-PN16-D152-304	1
1.2	4191618	> O-RING ID.44,05x3,53 EPDM VP.	1
Note: FROM / AB / À PARTIR DE: 07/97			
1.3	4176513	> O-RING FOR PUMP JACKET VP.	1
1.4	4234235	> PRIMING/DRAIN PLUG MVI6" 304 VP.	1
3.2	4177800	> O-RING EPDM PLUG HELIX VP.	1
3.3	4234242	> O-RING 9X2 VP.	1
1.2	4234256	FLAT-GASKET 33X60X2 VP.	1
Note: TO / BIS / JUSQU'À: 06/97			
2	2127420	BASE PLATE 212X157 PN16 VP.	1
3	2035465	RADIAL BEARING MVIS2/4/8 KIT	1
3.1		> SUPPORTRING D.58/25,1X5 EPDM	1
3.2		> Thrust plate Gr.52 D.59/25,5X6 ceramic	1
3.3		> LANTERN MVIS GR.52 1.4301	1
3.4		> RADIAL BEARING D.58/40/25X32 AG.HT204	1
5	2018379	PUMP JACKET MVIS2/4 1.4301 KIT	1
5.1		> HOUSING-PIPE-D152-VMIS209-304	1
1.3	4176513	> O-RING FOR PUMP JACKET VP.	1
6	2018364	STUD BOLT M12X365 MVIS2/4 KIT	1
6.1		> STUD BOLT M12 365x18x30 CLASS8.8 ZN+FINI	1
6.2	2094647	> NUT M12 M12 ISO4032 VP.	1
6.3	2123557	> WASHER CS-12.4-24-1.6-NFE25 (4 PIECES)	1
7	2531196	STATOR/TERMIN.BOX MVIS52A/2200 KIT V.A+B	1
Note: FOR/ FÜR/ POUR: MVIS.../A MVIS.../B			
7.1		> CARC.MOTEUR-EQUIPEE-52A/2200/2	1
7.2	2010301	> O-RING ID.117,07X3,53	1
7.3		> CAN GR.52A MWISE CPL.	1
7.4	2010309	> SCREW M10X25 DIN912 (4 PIECES)	1
7.5	4060523	> MVIS VENTING PLUG KIT	1
		>> SCREW PLUG M16X1X8 CUZN39PB3 NICKEL	1
		>> FLAT GASKET D.16,5/24X2,4EP906 TDS	1
7.6	2081105	> GASKET D.46/35X10,5 EPDM VP.	1
7.7	2127484	> JOINT RING CIRCULAR D.145/148X7,6 EPDM V	1

**MVIS209-1/16/K/3-400-50-2 (2009040)**

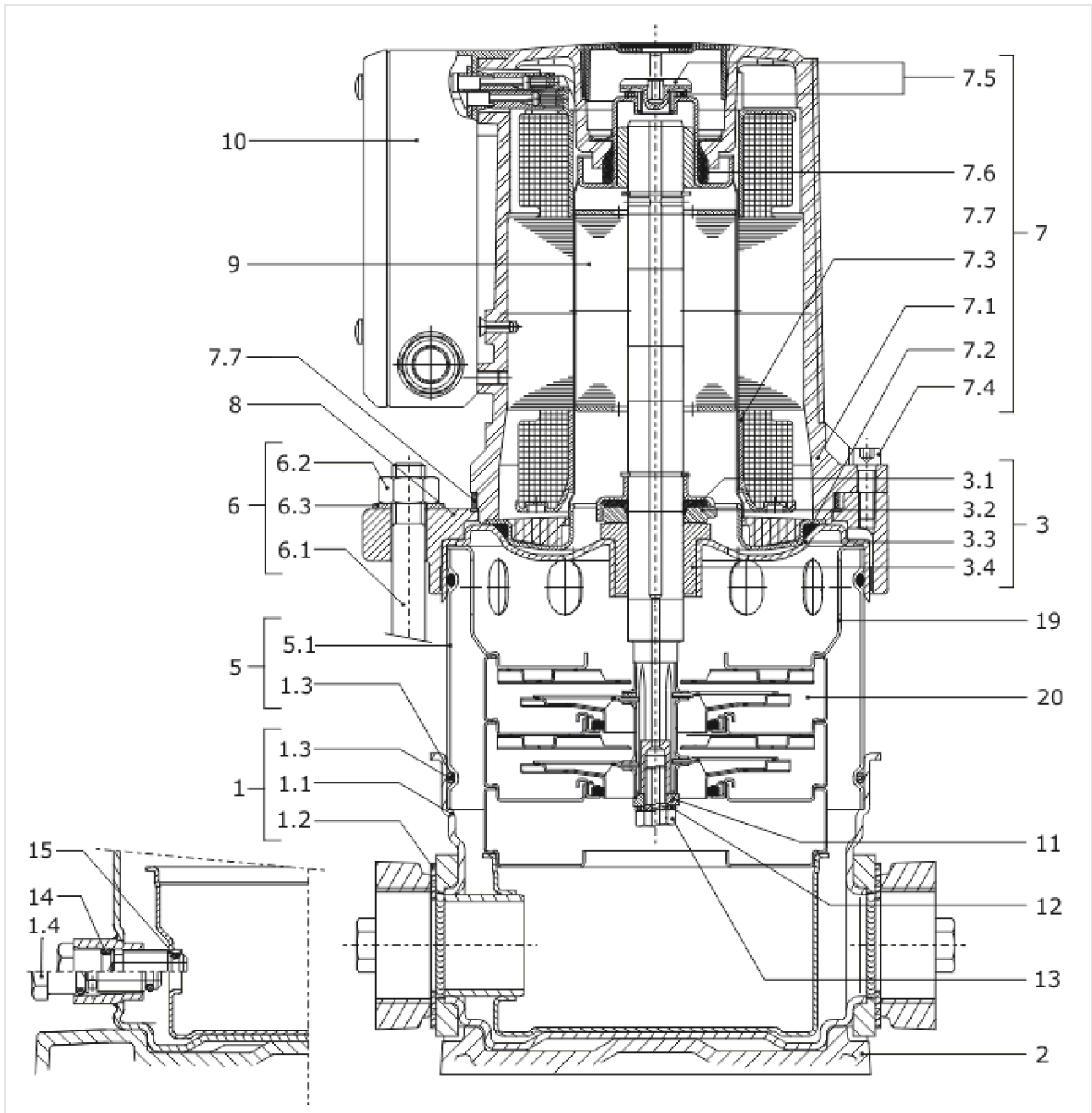
Item	Article no.	Description	Quantity
10		> TERMINAL BOX MVIS V3	1
		> JOINT-SPECIAL-T52-USINE	1
		> CIRCLIPS GR.52 D.47,1/37,4X9,5 PPN	1
7	2018395	STATOR-UNIT MVIS 52A/2200/2 VAR.B KIT	1
Note: FOR/ FÜR/ POUR: MVIS.../B			
7.1		> CARC.MOTEUR-EQUIPEE-52A/2200/2	1
7.2	2010301	> O-RING ID.117,07X3,53	1
7.3		> CAN GR.52A MWISE CPL.	1
7.4	2010309	> SCREW M10X25 DIN912 (4 PIECES)	1
7.5	4060523	> MVIS VENTING PLUG KIT	1
		>> SCREW PLUG M16X1X8 CUZN39PB3 NICKEL	1
		>> FLAT GASKET D.16,5/24X2,4EP906 TDS	1
7.6	2081105	> GASKET D.46/35X10,5 EPDM VP.	1
7.7	2127484	> JOINT RING CIRCULAR D.145/148X7,6 EPDM V	1
		> JOINT-SPECIAL-T52-USINE	1
		> CIRCLIPS GR.52 D.47,1/37,4X9,5 PPN	1
8	2008293	FLANGE MVIS GR.52 GG25	1
9	2018348	ROTOR-UNIT 52A MVIS2/4 KIT	1
10	4050644	TERMINAL BOX MVIS VARIANT A KIT	1
Note: FOR/ FÜR/ POUR: MVIS.../A			
10	4095141	TERMINAL BOX MVIS VARIANT B KIT	1
Note: FOR/ FÜR/ POUR: MVIS.../B			
11	4006203	WASHER D.16/13,8x3 1.4401	1
12	64697	STAINLESS-STEEL-WASHER-DE8	1
13	503144197	Screw M8X16 ISO4017 A4 GEBOHRT	1
14	4177800	O-RING EPDM PLUG HELIX VP.	1
15	4234242	O-RING 9X2 VP.	1
19	4234236	UPPER STAGE RFK.MVI2/4 1.4301 VP.	1
20		SPARE PARTS HYDRAULICS MVIS	1





**SPARE PARTS HYDRAULICS MVIS**

Item	Article no.	Description	Quantity
20.1	4050649	MVIS 200 STAGE KIT	1
		> STAGE HOUSING MVIS2/4 1.4301	1
		> IMPELLER MVI2 D.98x2 1.4301	1
		> SPACER IMPELLER MVI2/4 1.4435	1
		> OUTER CAGE OF SUCTION RING 2/4M3 1.4404	1
		> INNER CAGE OF SUCTION RING 2/4M3 1.4404	1
		> SUCTION-RING 2/4M3 PTFE	1
20.2	4050651	MVIS 200 STAGE KIT	1
		> IMPELLER MVI2 D.98x2 1.4301	1
		> SPACER IMPELLER MVI2/4 1.4435	1
		> OUTER CAGE OF SUCTION RING 2/4M3 1.4404	1
		> INNER CAGE OF SUCTION RING 2/4M3 1.4404	1
		> SUCTION-RING 2/4M3 PTFE	1
		> ST.CASING-RETURN CH.MVIS2/4-304-MACHI.	1
20.3	4050650	MVIS 200 STAGE KIT	1
		> IMPELLER MVI2 D.98x2 1.4301	1
		> SPACER IMPELLER MVI2/4 1.4435	1
		> OUTER CAGE OF SUCTION RING 2/4M3 1.4404	1
		> INNER CAGE OF SUCTION RING 2/4M3 1.4404	1
		> SUCTION-RING 2/4M3 PTFE	1
		> WASHER D.24/14x1,5 1.4401	1
		> ST.CASING-RETURN CH.MVIS2/4-304-MACHI.	1

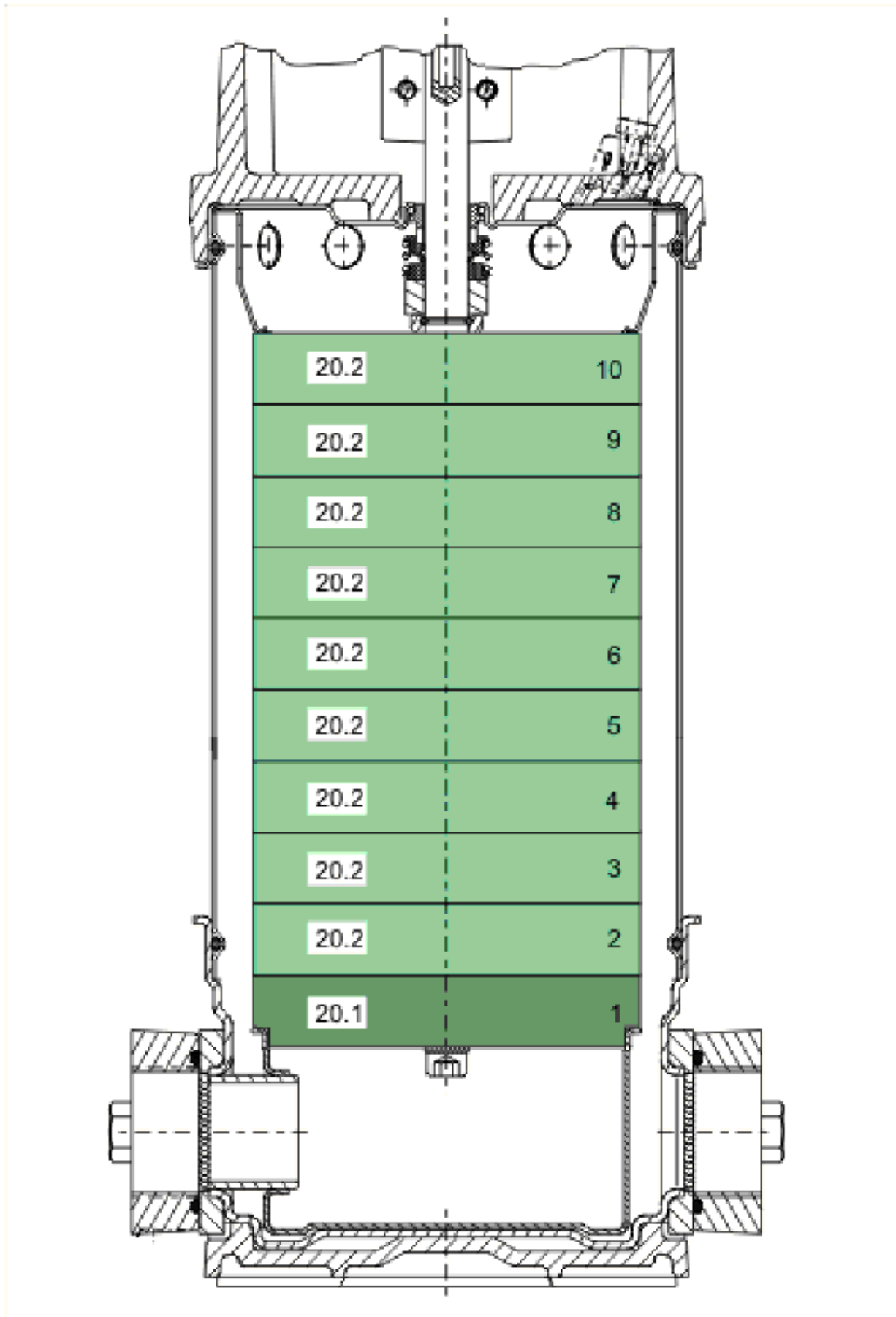


**MVIS210-1/16/K/3-400-50-2 (2009041)**

Item	Article no.	Description	Quantity
1	2023917	PUMP HOUSING MVI/MVIS DN32PN16 1.4301KIT	1
1.1		> CASING-MU-I-D32-PN16-D152-304	1
1.2	4191618	> O-RING ID.44,05x3,53 EPDM VP.	1
Note: FROM / AB / À PARTIR DE: 07/97			
1.3	4176513	> O-RING FOR PUMP JACKET VP.	1
1.4	4234235	> PRIMING/DRAIN PLUG MVI6" 304 VP.	1
3.2	4177800	> O-RING EPDM PLUG HELIX VP.	1
3.3	4234242	> O-RING 9X2 VP.	1
1.2	4234256	FLAT-GASKET 33X60X2 VP.	1
2	2127420	BASE PLATE 212X157 PN16 VP.	1
3	2035465	RADIAL BEARING MVIS2/4/8 KIT	1
3.1		> SUPPORTRING D.58/25,1X5 EPDM	1
3.2		> Thrust plate Gr.52 D.59/25,5X6 ceramic	1
3.3		> LANTERN MVIS GR.52 1.4301	1
3.4		> RADIAL BEARING D.58/40/25X32 AG.HT204	1
5	2018380	HOUSING PIPE D.152X263 1.4301 KIT	1
1.3	4176513	> O-RING FOR PUMP JACKET VP.	1
5.1		> HOUSING-PIPE-D152-VM1210/410-304	1
6	2018365	STUD BOLT M12X392 KIT	1
6.1		> TIE BOLT M12-392x18x30-1.4057	1
6.2	2094647	> NUT M12 M12 ISO4032 VP.	1
6.3	2123557	> WASHER CS-12.4-24-1.6-NFE25 (4 PIECES)	1
7	2531196	STATOR/TERMIN.BOX MVIS52A/2200 KIT V.A+B	1
Note: FOR/ FÜR/ POUR: MVIS.../A MVIS.../B			
7.1		> CARC.MOTEUR-EQUIPEE-52A/2200/2	1
7.2	2010301	> O-RING ID.117,07X3,53	1
7.3		> CAN GR.52A MVISE CPL.	1
7.4	2010309	> SCREW M10X25 DIN912 (4 PIECES)	1
7.5	4060523	> MVIS VENTING PLUG KIT	1
		>> SCREW PLUG M16X1X8 CUZN39PB3 NICKEL	1
		>> FLAT GASKET D.16,5/24X2,4EP906 TDS	1
7.6	2081105	> GASKET D.46/35X10,5 EPDM VP.	1
7.7	2127484	> JOINT RING CIRCULAR D.145/148X7,6 EPDM V	1
10		> TERMINAL BOX MVIS V3	1

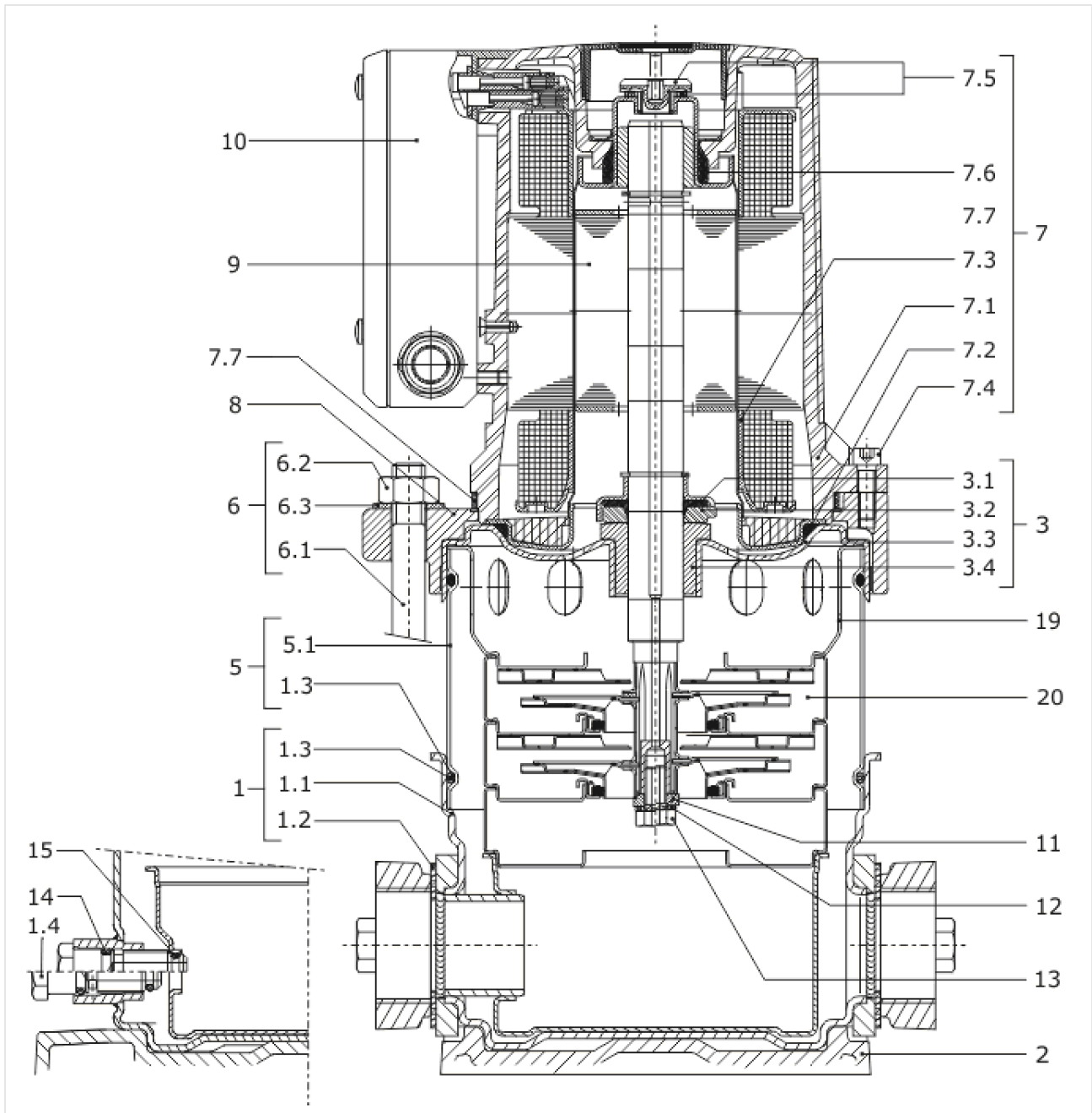
**MVIS210-1/16/K/3-400-50-2 (2009041)**

Item	Article no.	Description	Quantity
		> JOINT-SPECIAL-T52-USINE	1
		> CIRCLIPS GR.52 D.47,1/37,4X9,5 PPN	1
7	2018395	STATOR-UNIT MVIS 52A/2200/2 VAR.B KIT	1
Note: FOR/ FÜR/ POUR: MVIS.../B			
7.1		> CARC.MOTEUR-EQUIPEE-52A/2200/2	1
7.2	2010301	> O-RING ID.117,07X3,53	1
7.3		> CAN GR.52A MWISE CPL.	1
7.4	2010309	> SCREW M10X25 DIN912 (4 PIECES)	1
7.5	4060523	> MVIS VENTING PLUG KIT	1
		>> SCREW PLUG M16X1X8 CUZN39PB3 NICKEL	1
		>> FLAT GASKET D.16,5/24X2,4EP906 TDS	1
7.6	2081105	> GASKET D.46/35X10,5 EPDM VP.	1
7.7	2127484	> JOINT RING CIRCULAR D.145/148X7,6 EPDM V	1
		> JOINT-SPECIAL-T52-USINE	1
		> CIRCLIPS GR.52 D.47,1/37,4X9,5 PPN	1
8	2008293	FLANGE MVIS GR.52 GG25	1
9	2018349	ROTOR-UNIT 52A MVIS2/4 KIT	1
10	4095141	TERMINAL BOX MVIS VARIANT B KIT	1
Note: FOR/ FÜR/ POUR: MVIS.../B			
10	4050644	TERMINAL BOX MVIS VARIANT A KIT	1
Note: FOR/ FÜR/ POUR: MVIS.../A			
11	4006203	WASHER D.16/13,8x3 1.4401	1
12	64697	STAINLESS-STEEL-WASHER-DE8	1
13	503144197	Screw M8X16 ISO4017 A4 GEBOHRT	1
14	4177800	O-RING EPDM PLUG HELIX VP.	1
15	4234242	O-RING 9X2 VP.	1
19	4234236	UPPER STAGE RFK.MVI2/4 1.4301 VP.	1
20		SPARE PARTS HYDRAULICS MVIS/MWISE	1



**SPARE PARTS HYDRAULICS MVIS/MVISE**

<b>Item</b>	<b>Article no.</b>	<b>Description</b>	<b>Quantity</b>
20.1	4050649	MVIS 200 STAGE KIT	1
		> STAGE HOUSING MVIS2/4 1.4301	1
		> IMPELLER MVI2 D.98x2 1.4301	1
		> SPACER IMPELLER MVI2/4 1.4435	1
		> OUTER CAGE OF SUCTION RING 2/4M3 1.4404	1
		> INNER CAGE OF SUCTION RING 2/4M3 1.4404	1
		> SUCTION-RING 2/4M3 PTFE	1
20.2	4050650	MVIS 200 STAGE KIT	1
		> IMPELLER MVI2 D.98x2 1.4301	1
		> SPACER IMPELLER MVI2/4 1.4435	1
		> OUTER CAGE OF SUCTION RING 2/4M3 1.4404	1
		> INNER CAGE OF SUCTION RING 2/4M3 1.4404	1
		> SUCTION-RING 2/4M3 PTFE	1
		> WASHER D.24/14x1,5 1.4401	1
		> ST.CASING-RETURN CH.MVIS2/4-304-MACHI.	1



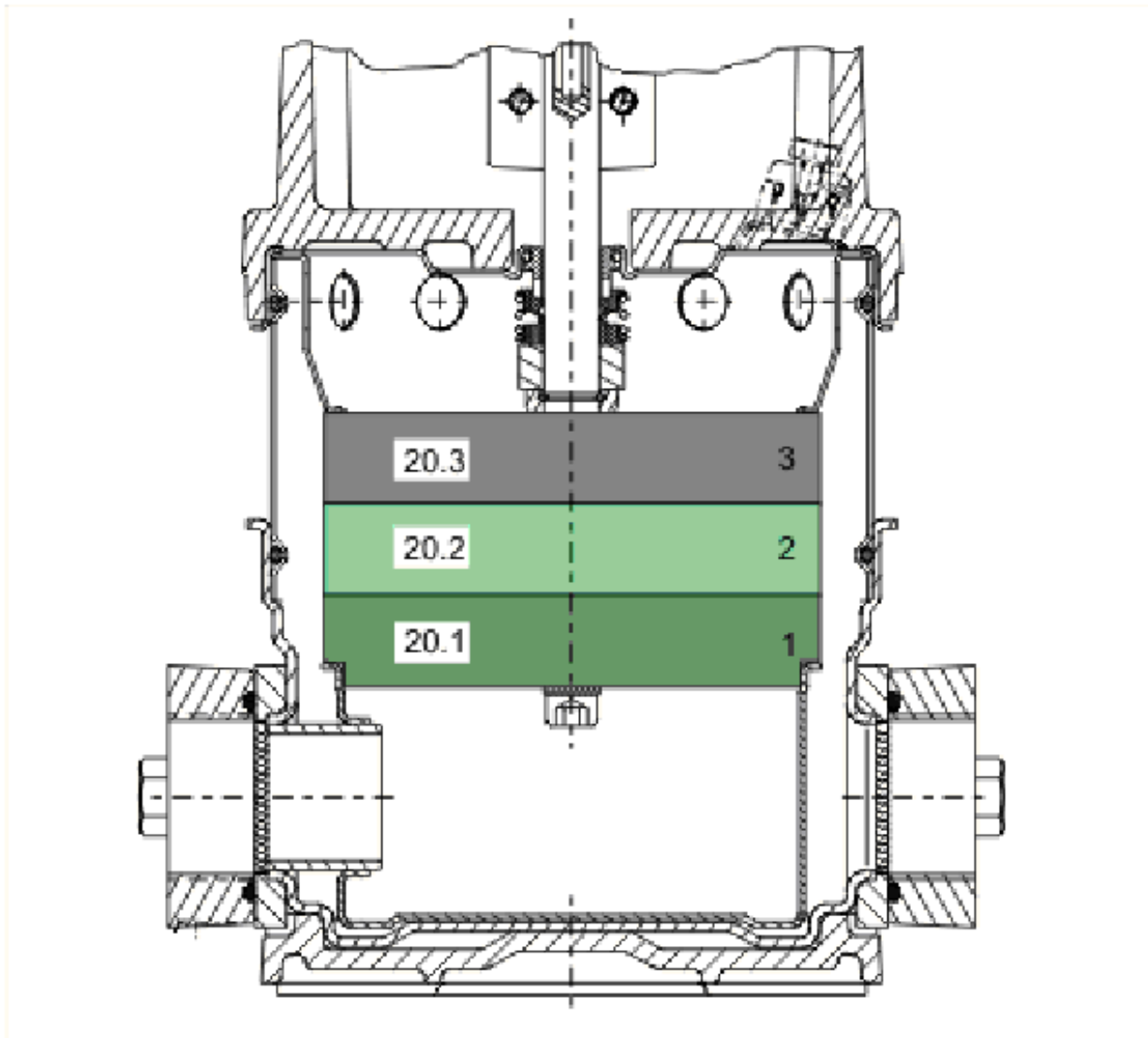


**MVIS402-1/16/K/3-400-50-2 (2009042)**

Item	Article no.	Description	Quantity
1	2023917	PUMP HOUSING MVI/MVIS DN32PN16 1.4301KIT	1
1.1		> CASING-MU-I-D32-PN16-D152-304	1
1.2	4191618	> O-RING ID.44,05x3,53 EPDM VP.	1
Note: FROM / AB / À PARTIR DE: 07/97			
1.3	4176513	> O-RING FOR PUMP JACKET VP.	1
1.4	4234235	> PRIMING/DRAIN PLUG MVI6" 304 VP.	1
3.2	4177800	> O-RING EPDM PLUG HELIX VP.	1
3.3	4234242	> O-RING 9X2 VP.	1
1.2	4234256	FLAT-GASKET 33X60X2 VP.	1
Note: TO / BIS / JUSQU'À: 06/97			
2	2127420	BASE PLATE 212X157 PN16 VP.	1
3	4050646	MVIS 202-204/402 BEARING KIT	1
3.1		> SUPPORT RING D.38/20,1X5 EPDM	1
3.2		> Thrust plate Gr.41 D.38/20,5X6 ceramic	1
3.3		> LANTERN MVIS GR.42 1.4301	1
3.4		> RAD.BEARING D.42/29,5/28/20X26 AG.HT205	1
5	2018374	HOUSING PIPE D.152X 95 1.4301 KIT	1
5.1		> HOUSING-PIPE-D152-VM1203/403-304	1
1.3	4176513	> O-RING FOR PUMP JACKET VP.	1
6	2018358	STUD BOLT M12X221 KIT	1
6.1		> TIE BOLT M12-221x18x30-1.4057	1
6.2	2094647	> NUT M12 M12 ISO4032 VP.	1
6.3	2123557	> WASHER CS-12.4-24-1.6-NFE25 (4 PIECES)	1
7	2531194	STATOR/TERMIN.BOX MVIS 42/450 KIT V.A+B	1
Note: FOR/ FÜR/ POUR: MVIS.../A MVIS.../B			
7.1		> CARC.MOTEUR-EQUIPEE42/450/2	1
7.2	2010300	> O-RING ID.107,54X3,53	1
7.3		> CAN-T42	1
7.4	2010308	> SCREW M6X20 DIN912 (4 PIECES)	1
7.5	4060522	> MVIS VENTING PLUG KIT 202/203/204/402	1
		>> SCREW PLUG M14X1X8 CUZN39PB3 NICKEL	1
		>> FLAT GASKET D.14,5/23X2,4 EPDM	1
7.6	2081104	> GASKET D.36/28X14,5 EPDM VP.	1
7.7	2127488	> JOINT RING CIRCULAR D.129/132X7,6 EPDM V	1

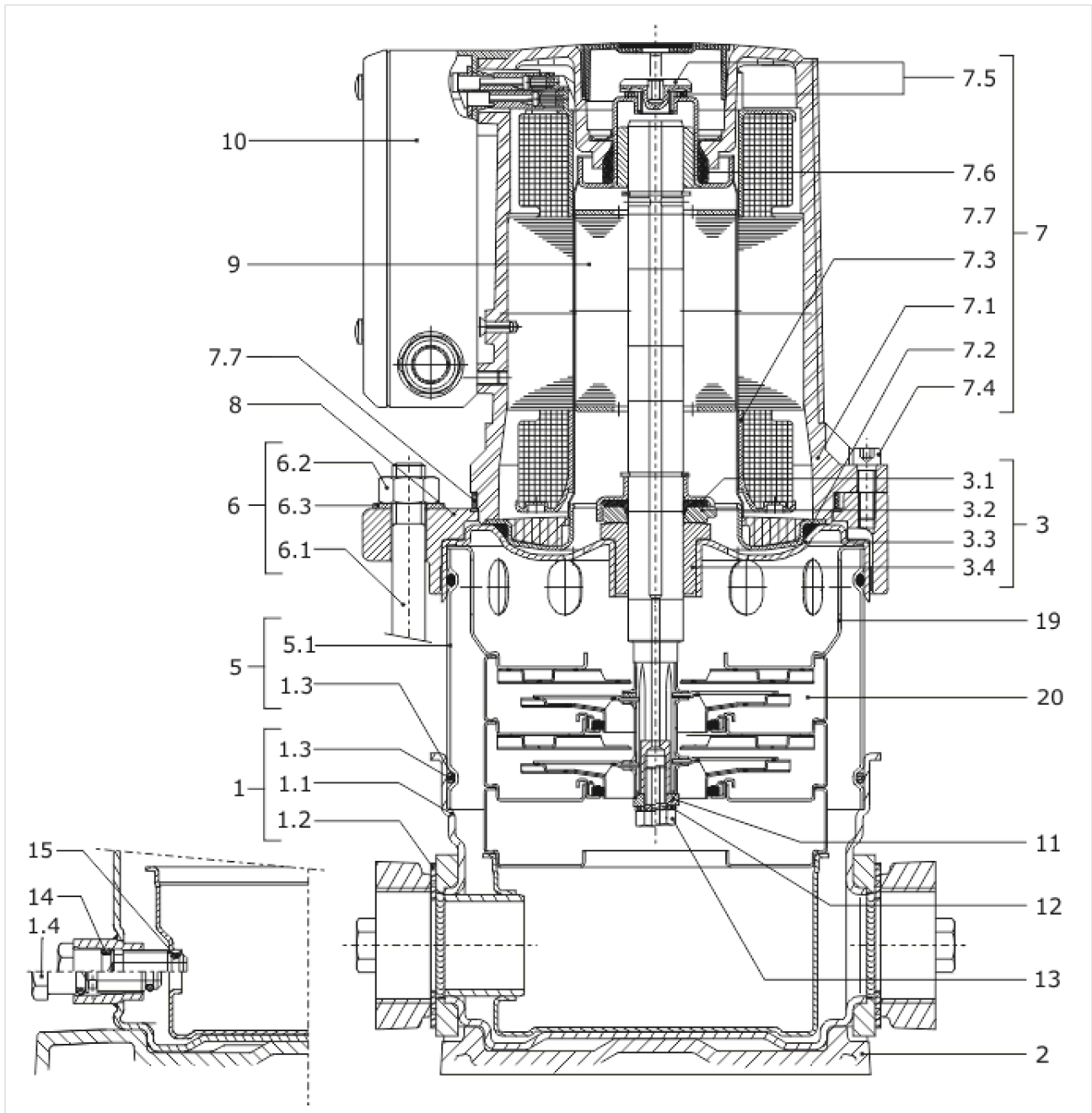
**MVIS402-1/16/K/3-400-50-2 (2009042)**

Item	Article no.	Description	Quantity
10		> TERMINAL BOX MVIS V3	1
		> JOINT-SPECIAL-T42-USINE	1
		> CIRCLIPS GR.42 D.38,1/30,45X7,5 PPN	1
7	2018389	STATOR-UNIT MVIS 42/450/2 VARIANT B KIT	1
Note: FOR/ FÜR/ POUR: MVIS.../B			
7.1		> CARC.MOTEUR-EQUIPEE42/450/2	1
7.2	2010300	> O-RING ID.107,54X3,53	1
7.3		> CAN-T42	1
7.4	2010308	> SCREW M6X20 DIN912 (4 PIECES)	1
7.5	4060522	> MVIS VENTING PLUG KIT 202/203/204/402	1
		>> SCREW PLUG M14X1X8 CUZN39PB3 NICKEL	1
		>> FLAT GASKET D.14,5/23X2,4 EPDM	1
7.6	2081104	> GASKET D.36/28X14,5 EPDM VP.	1
7.7	2127488	> JOINT RING CIRCULAR D.129/132X7,6 EPDM V	1
		> JOINT-SPECIAL-T42-USINE	1
		> CIRCLIPS GR.42 D.38,1/30,45X7,5 PPN	1
8	2008295	FLANGE MVIS GR.42 GG25	1
9	2018350	ROTOR-UNIT 42 MVIS4 KIT	1
10	4050644	TERMINAL BOX MVIS VARIANT A KIT	1
Note: FOR/ FÜR/ POUR: MVIS.../A			
10	4095141	TERMINAL BOX MVIS VARIANT B KIT	1
Note: FOR/ FÜR/ POUR: MVIS.../B			
11	4006203	WASHER D.16/13,8x3 1.4401	1
12	64697	STAINLESS-STEEL-WASHER-DE8	1
13	503144197	Screw M8X16 ISO4017 A4 GEBOHRT	1
14	4177800	O-RING EPDM PLUG HELIX VP.	1
15	4234242	O-RING 9X2 VP.	1
19	4234236	UPPER STAGE RFK.MVI2/4 1.4301 VP.	1
20		SPARE PARTS HYDRAULICS MVIS	1



**SPARE PARTS HYDRAULICS MVIS**

Item	Article no.	Description	Quantity
20.1	4050648	MVIS 202/402 1st STAGE KIT	1
20.2	4050662	MVIS 400 STAGE KIT	1
		> STAGE HOUSING MVIS2/4 1.4301	1
		> IMPELLER MVI4 D.98,5x3,1 1.4301	1
		> SPACER IMPELLER MVI2/4 1.4435	1
		> OUTER CAGE OF SUCTION RING 2/4M3 1.4404	1
		> INNER CAGE OF SUCTION RING 2/4M3 1.4404	1
		> SUCTION-RING 2/4M3 PTFE	1
20.3	4050663	MVIS 400 STAGE KIT	1
		> IMPELLER MVI4 D.98,5x3,1 1.4301	1
		> SPACER IMPELLER MVI2/4 1.4435	1
		> OUTER CAGE OF SUCTION RING 2/4M3 1.4404	1
		> INNER CAGE OF SUCTION RING 2/4M3 1.4404	1
		> SUCTION-RING 2/4M3 PTFE	1
		> ST.CASING-RETURN CH.MVIS2/4-304-MACHI.	1

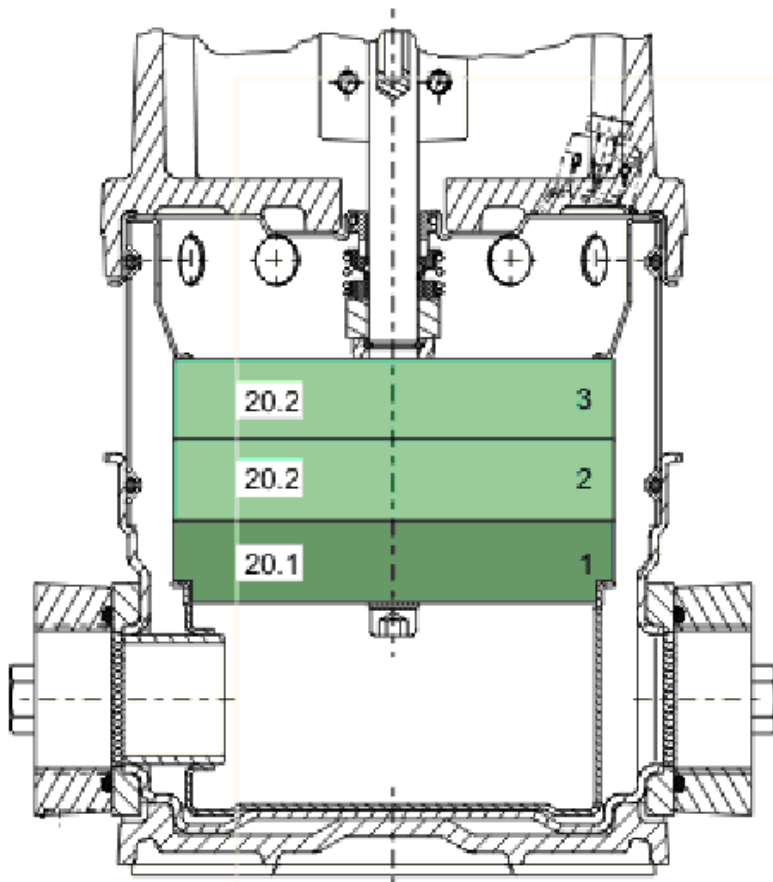


**MVIS403-1/16/K/3-400-50-2 (2009043)**

Item	Article no.	Description	Quantity
1	2023917	PUMP HOUSING MVI/MVIS DN32PN16 1.4301KIT	1
1.1		> CASING-MU-I-D32-PN16-D152-304	1
1.2	4191618	> O-RING ID.44,05x3,53 EPDM VP.	1
Note: FROM / AB / À PARTIR DE: 07/97			
1.3	4176513	> O-RING FOR PUMP JACKET VP.	1
1.4	4234235	> PRIMING/DRAIN PLUG MVI6" 304 VP.	1
3.2	4177800	> O-RING EPDM PLUG HELIX VP.	1
3.3	4234242	> O-RING 9X2 VP.	1
1.2	4234256	FLAT-GASKET 33X60X2 VP.	1
Note: TO / BIS / JUSQU'À: 06/97			
2	2127420	BASE PLATE 212X157 PN16 VP.	1
3	2035465	RADIAL BEARING MVIS2/4/8 KIT	1
3.1		> SUPPORTRING D.58/25,1X5 EPDM	1
3.2		> Thrust plate Gr.52 D.59/25,5X6 ceramic	1
3.3		> LANTERN MVIS GR.52 1.4301	1
3.4		> RADIAL BEARING D.58/40/25X32 AG.HT204	1
5	2018374	HOUSING PIPE D.152X 95 1.4301 KIT	1
5.1		> HOUSING-PIPE-D152-VM1203/403-304	1
1.3	4176513	> O-RING FOR PUMP JACKET VP.	1
6	2018358	STUD BOLT M12X221 KIT	1
6.1		> TIE BOLT M12-221x18x30-1.4057	1
6.2	2094647	> NUT M12 M12 ISO4032 VP.	1
6.3	2123557	> WASHER CS-12.4-24-1.6-NFE25 (4 PIECES)	1
7	2531195	STATOR/TERMIN.BOX MVIS 52/1100 KIT V.A+B	1
Note: FOR/ FÜR/ POUR: MVIS.../A MVIS.../B			
7.1		> CARC.MOTEUR-EQUIPEE-52/1100/2	1
7.2	2010301	> O-RING ID.117,07X3,53	1
7.3		> CAN GR.52 MWISE CPL.	1
7.4	2010309	> SCREW M10X25 DIN912 (4 PIECES)	1
7.5	4060523	> MVIS VENTING PLUG KIT	1
		>> SCREW PLUG M16X1X8 CUZN39PB3 NICKEL	1
		>> FLAT GASKET D.16,5/24X2,4EP906 TDS	1
7.6	2081105	> GASKET D.46/35X10,5 EPDM VP.	1
7.7	2127484	> JOINT RING CIRCULAR D.145/148X7,6 EPDM V	1

**MVIS403-1/16/K/3-400-50-2 (2009043)**

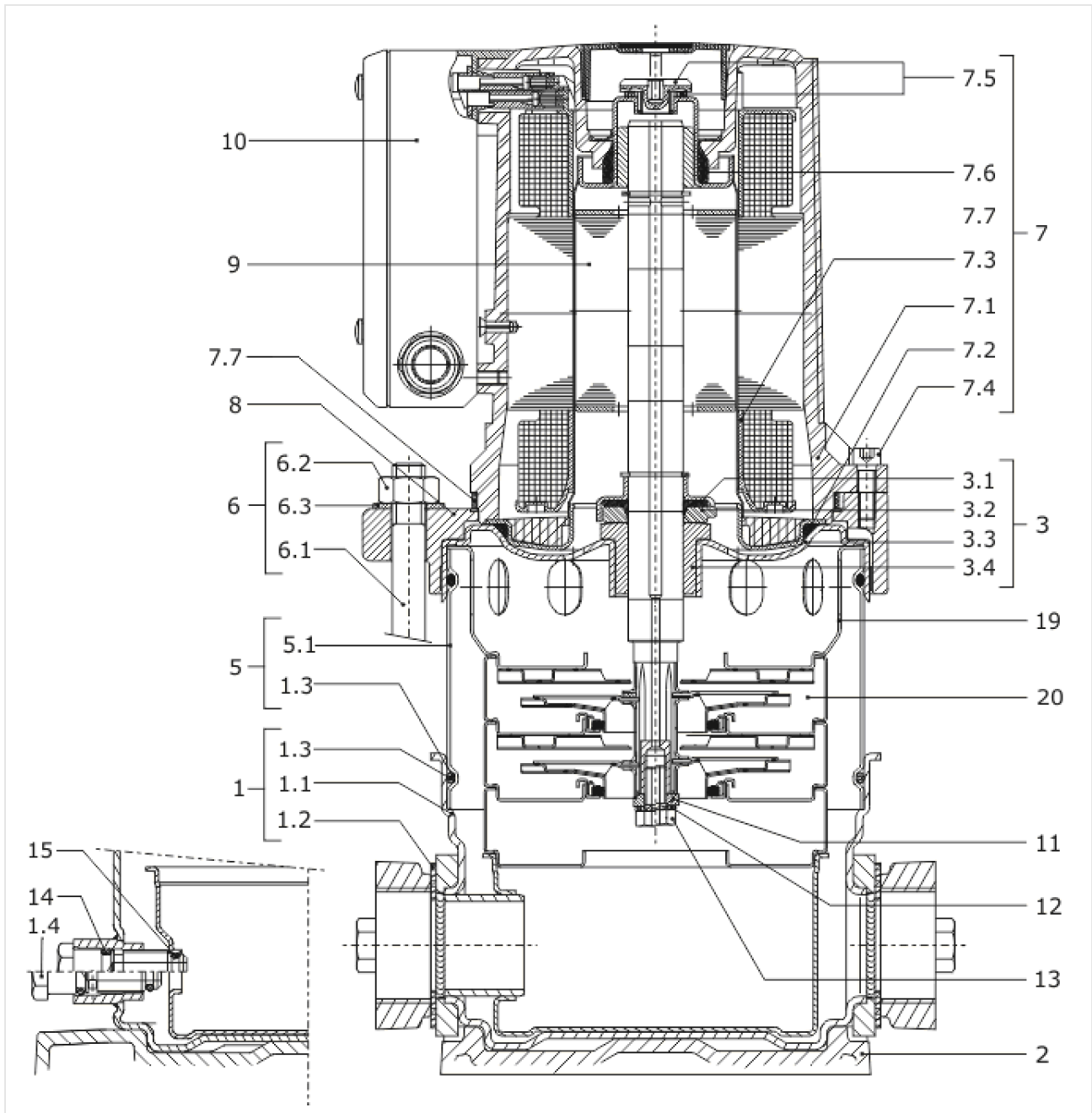
Item	Article no.	Description	Quantity
10		> TERMINAL BOX MVIS V3	1
		> JOINT-SPECIAL-T52-USINE	1
		> CIRCLIPS GR.52 D.47,1/37,4X9,5 PPN	1
		> JOINT RING CIRCULAR D.145/148X7,6 EPDM V	1
7	2018391	STATOR-UNIT MVIS 52/1100/2 VARIANT B KIT	1
Note: FOR/ FÜR/ POUR: MVIS.../B			
7.1		> CARC.MOTEUR-EQUIPEE-52/1100/2	1
7.2	2010301	> O-RING ID.117,07X3,53	1
7.3		> CAN GR.52 MWISE CPL.	1
7.4	2010309	> SCREW M10X25 DIN912 (4 PIECES)	1
7.5	4060523	> MVIS VENTING PLUG KIT	1
		>> SCREW PLUG M16X1X8 CUZN39PB3 NICKEL	1
		>> FLAT GASKET D.16,5/24X2,4EP906 TDS	1
7.6	2081105	> GASKET D.46/35X10,5 EPDM VP.	1
7.7	2127484	> JOINT RING CIRCULAR D.145/148X7,6 EPDM V	1
		> JOINT-SPECIAL-T52-USINE	1
		> CIRCLIPS GR.52 D.47,1/37,4X9,5 PPN	1
8	2008293	FLANGE MVIS GR.52 GG25	1
9	2018351	ROTOR-UNIT 52 MVIS4 KIT	1
10	4050644	TERMINAL BOX MVIS VARIANT A KIT	1
Note: FOR/ FÜR/ POUR: MVIS.../A			
10	4095141	TERMINAL BOX MVIS VARIANT B KIT	1
Note: FOR/ FÜR/ POUR: MVIS.../B			
11	4006203	WASHER D.16/13,8x3 1.4401	1
12	64697	STAINLESS-STEEL-WASHER-DE8	1
13	503144197	Screw M8X16 ISO4017 A4 GEBOHRT	1
14	4177800	O-RING EPDM PLUG HELIX VP.	1
15	4234242	O-RING 9X2 VP.	1
19	4234236	UPPER STAGE RFK.MVI2/4 1.4301 VP.	1
20		SPARE PARTS HYDRAULICS MVIS	1





**SPARE PARTS HYDRAULICS MVIS**

<b>Item</b>	<b>Article no.</b>	<b>Description</b>	<b>Quantity</b>
20.1	4050662	MVIS 400 STAGE KIT	1
		> STAGE HOUSING MVIS2/4 1.4301	1
		> IMPELLER MVI4 D.98,5x3,1 1.4301	1
		> SPACER IMPELLER MVI2/4 1.4435	1
		> OUTER CAGE OF SUCTION RING 2/4M3 1.4404	1
		> INNER CAGE OF SUCTION RING 2/4M3 1.4404	1
		> SUCTION-RING 2/4M3 PTFE	1
20.2	4050663	MVIS 400 STAGE KIT	1
		> IMPELLER MVI4 D.98,5x3,1 1.4301	1
		> SPACER IMPELLER MVI2/4 1.4435	1
		> OUTER CAGE OF SUCTION RING 2/4M3 1.4404	1
		> INNER CAGE OF SUCTION RING 2/4M3 1.4404	1
		> SUCTION-RING 2/4M3 PTFE	1
		> ST.CASING-RETURN CH.MVIS2/4-304-MACHI.	1

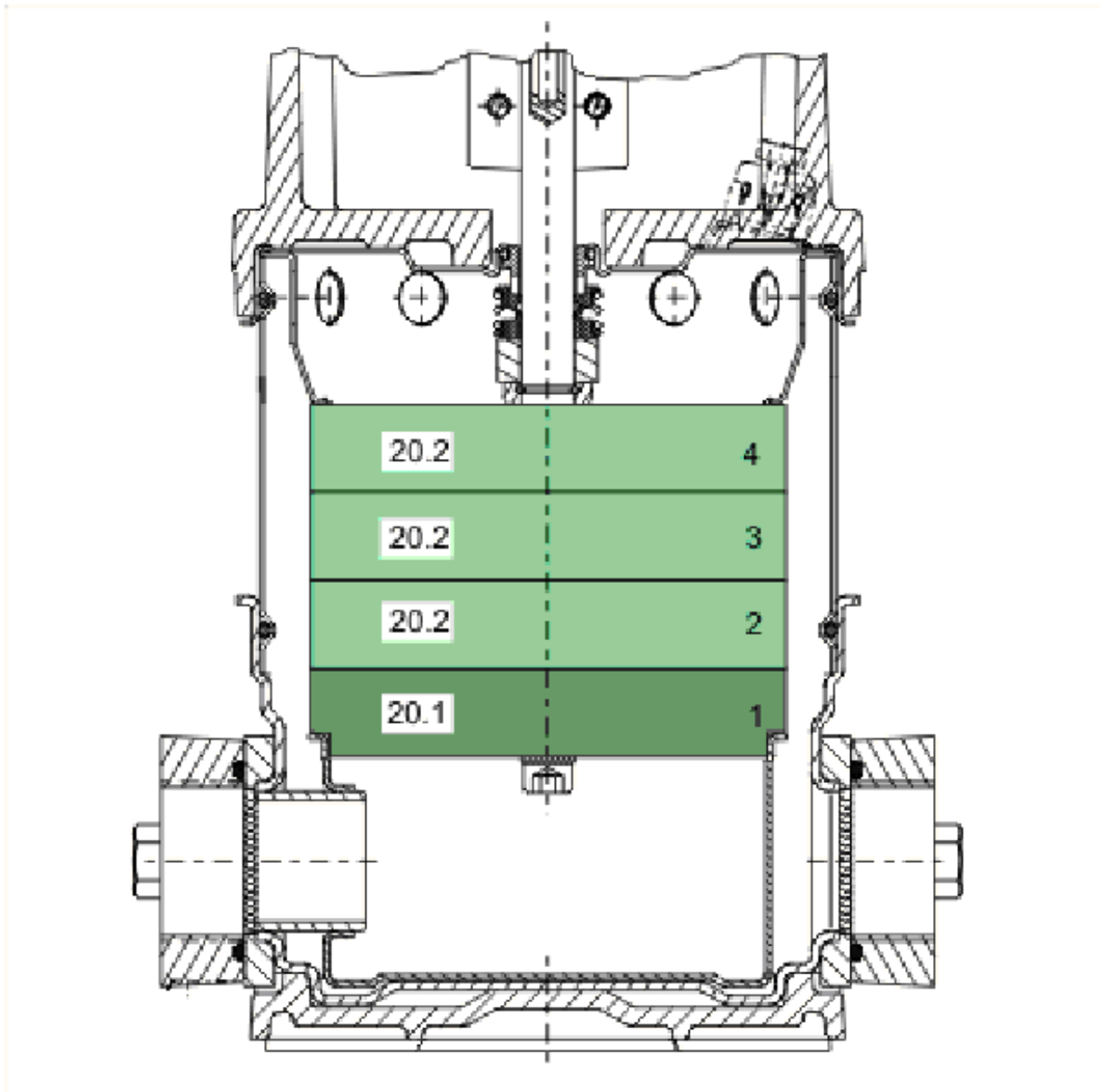


**MVIS404-1/16/K/3-400-50-2 (2009044)**

Item	Article no.	Description	Quantity
1	2023917	PUMP HOUSING MVI/MVIS DN32PN16 1.4301KIT	1
1.1		> CASING-MU-I-D32-PN16-D152-304	1
1.2	4191618	> O-RING ID.44,05x3,53 EPDM VP.	1
Note: FROM / AB / À PARTIR DE: 07/97			
1.3	4176513	> O-RING FOR PUMP JACKET VP.	1
1.4	4234235	> PRIMING/DRAIN PLUG MVI6" 304 VP.	1
3.2	4177800	> O-RING EPDM PLUG HELIX VP.	1
3.3	4234242	> O-RING 9X2 VP.	1
1.2	4234256	FLAT-GASKET 33X60X2 VP.	1
Note: TO / BIS / JUSQU'À: 06/97			
2	2127420	BASE PLATE 212X157 PN16 VP.	1
3	2035465	RADIAL BEARING MVIS2/4/8 KIT	1
3.1		> SUPPORTRING D.58/25,1X5 EPDM	1
3.2		> Thrust plate Gr.52 D.59/25,5X6 ceramic	1
3.3		> LANTERN MVIS GR.52 1.4301	1
3.4		> RADIAL BEARING D.58/40/25X32 AG.HT204	1
5	2018375	HOUSING PIPE D.152X119 1.4301 KIT	1
1.3	4176513	> O-RING FOR PUMP JACKET VP.	1
5.1		> HOUSING-PIPE-D152-VMI204/404-304	1
6	2018359	STUD BOLT M12X245 KIT	1
6.1		> TIE BOLT M12-245x18x30-1.4057	1
6.2	2094647	> NUT M12 M12 ISO4032 VP.	1
6.3	2123557	> WASHER CS-12.4-24-1.6-NFE25 (4 PIECES)	1
7	2531195	STATOR/TERMIN.BOX MVIS 52/1100 KIT V.A+B	1
Note: FOR/ FÜR/ POUR: MVIS.../A MVIS.../B			
7.1		> CARC.MOTEUR-EQUIPEE-52/1100/2	1
7.2	2010301	> O-RING ID.117,07X3,53	1
7.3		> CAN GR.52 MWISE CPL.	1
7.4	2010309	> SCREW M10X25 DIN912 (4 PIECES)	1
7.5	4060523	> MVIS VENTING PLUG KIT	1
		>> SCREW PLUG M16X1X8 CUZN39PB3 NICKEL	1
		>> FLAT GASKET D.16,5/24X2,4EP906 TDS	1
7.6	2081105	> GASKET D.46/35X10,5 EPDM VP.	1
7.7	2127484	> JOINT RING CIRCULAR D.145/148X7,6 EPDM V	1

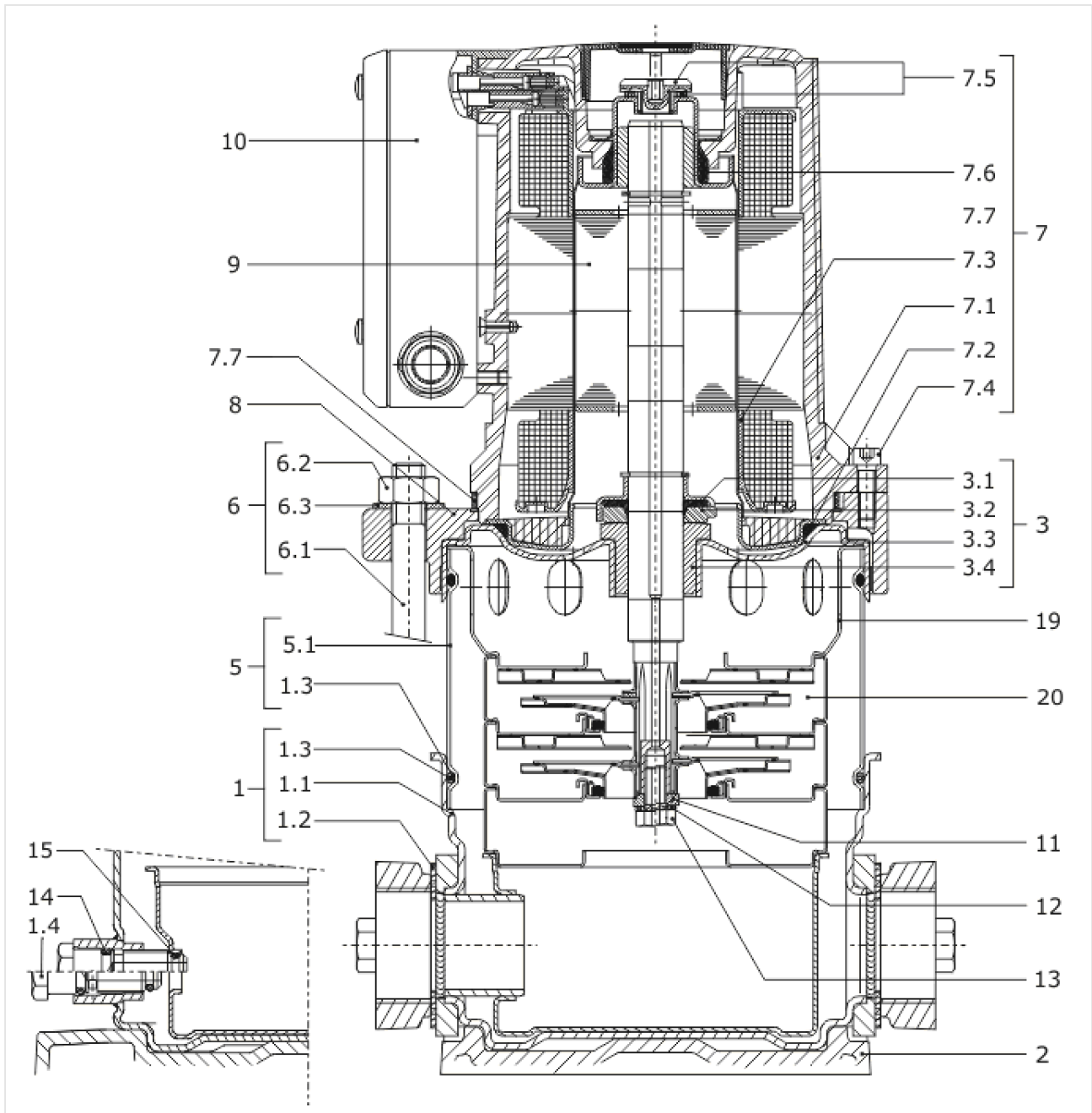
**MVIS404-1/16/K/3-400-50-2 (2009044)**

Item	Article no.	Description	Quantity
10		> TERMINAL BOX MVIS V3	1
		> JOINT-SPECIAL-T52-USINE	1
		> CIRCLIPS GR.52 D.47,1/37,4X9,5 PPN	1
		> JOINT RING CIRCULAR D.145/148X7,6 EPDM V	1
7	2018391	STATOR-UNIT MVIS 52/1100/2 VARIANT B KIT	1
Note: FOR/ FÜR/ POUR: MVIS.../B			
7.1		> CARC.MOTEUR-EQUIPEE-52/1100/2	1
7.2	2010301	> O-RING ID.117,07X3,53	1
7.3		> CAN GR.52 MWISE CPL.	1
7.4	2010309	> SCREW M10X25 DIN912 (4 PIECES)	1
7.5	4060523	> MVIS VENTING PLUG KIT	1
		>> SCREW PLUG M16X1X8 CUZN39PB3 NICKEL	1
		>> FLAT GASKET D.16,5/24X2,4EP906 TDS	1
7.6	2081105	> GASKET D.46/35X10,5 EPDM VP.	1
7.7	2127484	> JOINT RING CIRCULAR D.145/148X7,6 EPDM V	1
		> JOINT-SPECIAL-T52-USINE	1
		> CIRCLIPS GR.52 D.47,1/37,4X9,5 PPN	1
8	2008293	FLANGE MVIS GR.52 GG25	1
9	2008850	ROTOR 52 RPA.80LG.MVIS404 VA-HSE.KPL.	1
10	4050644	TERMINAL BOX MVIS VARIANT A KIT	1
Note: FOR/ FÜR/ POUR: MVIS.../A			
10	4095141	TERMINAL BOX MVIS VARIANT B KIT	1
Note: FOR/ FÜR/ POUR: MVIS.../B			
11	4006203	WASHER D.16/13,8x3 1.4401	1
12	64697	STAINLESS-STEEL-WASHER-DE8	1
13	503144197	Screw M8X16 ISO4017 A4 GEBOHRT	1
14	4177800	O-RING EPDM PLUG HELIX VP.	1
15	4234242	O-RING 9X2 VP.	1
19	4234236	UPPER STAGE RFK.MVI2/4 1.4301 VP.	1
20		SPARE PARTS HYDRAULICS MVIS/MWISE	1



**SPARE PARTS HYDRAULICS MVIS/MVISE**

<b>Item</b>	<b>Article no.</b>	<b>Description</b>	<b>Quantity</b>
20.1	4050662	MVIS 400 STAGE KIT	1
		> STAGE HOUSING MVIS2/4 1.4301	1
		> IMPELLER MVI4 D.98,5x3,1 1.4301	1
		> SPACER IMPELLER MVI2/4 1.4435	1
		> OUTER CAGE OF SUCTION RING 2/4M3 1.4404	1
		> INNER CAGE OF SUCTION RING 2/4M3 1.4404	1
		> SUCTION-RING 2/4M3 PTFE	1
20.2	4050663	MVIS 400 STAGE KIT	1
		> IMPELLER MVI4 D.98,5x3,1 1.4301	1
		> SPACER IMPELLER MVI2/4 1.4435	1
		> OUTER CAGE OF SUCTION RING 2/4M3 1.4404	1
		> INNER CAGE OF SUCTION RING 2/4M3 1.4404	1
		> SUCTION-RING 2/4M3 PTFE	1
		> ST.CASING-RETURN CH.MVIS2/4-304-MACHI.	1



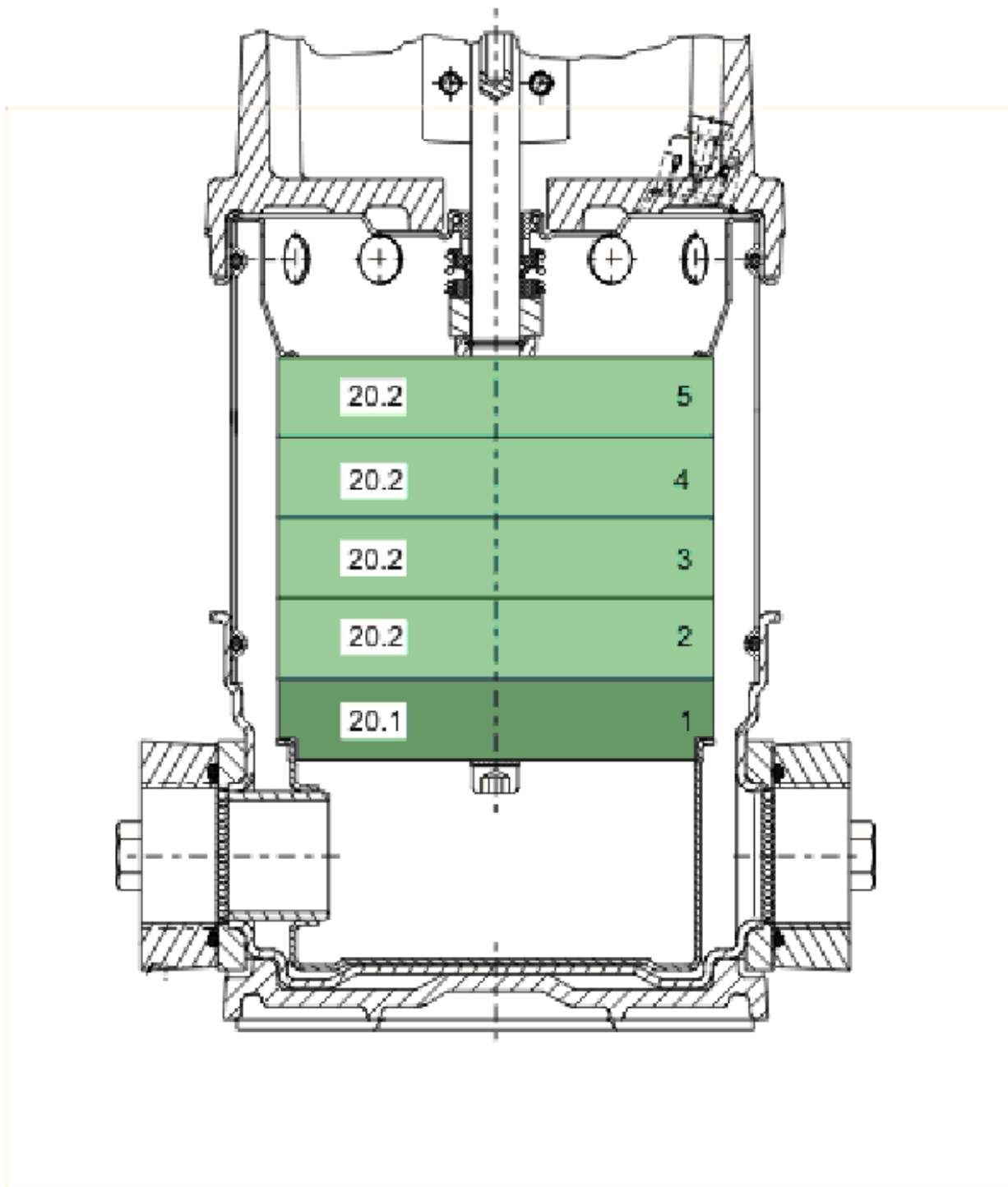
**MVIS405-1/16/K/3-400-50-2 (2009045)**

Item	Article no.	Description	Quantity
1	2023917	PUMP HOUSING MVI/MVIS DN32PN16 1.4301KIT	1
1.1		> CASING-MU-I-D32-PN16-D152-304	1
1.2	4191618	> O-RING ID.44,05x3,53 EPDM VP.	1
Note: FROM / AB / À PARTIR DE: 07/97			
1.3	4176513	> O-RING FOR PUMP JACKET VP.	1
1.4	4234235	> PRIMING/DRAIN PLUG MVI6" 304 VP.	1
3.2	4177800	> O-RING EPDM PLUG HELIX VP.	1
3.3	4234242	> O-RING 9X2 VP.	1
1.2	4234256	FLAT-GASKET 33X60X2 VP.	1
Note: TO / BIS / JUSQU'À: 06/97			
2	2127420	BASE PLATE 212X157 PN16 VP.	1
3	2035465	RADIAL BEARING MVIS2/4/8 KIT	1
3.1		> SUPPORTRING D.58/25,1X5 EPDM	1
3.2		> Thrust plate Gr.52 D.59/25,5X6 ceramic	1
3.3		> LANTERN MVIS GR.52 1.4301	1
3.4		> RADIAL BEARING D.58/40/25X32 AG.HT204	1
5	2018376	HOUSING PIPE D.152X143 1.4301 KIT	1
5.1		> HOUSING-PIPE-D152-VM1205/405-304	1
1.3	4176513	> O-RING FOR PUMP JACKET VP.	1
6	2018360	STUD BOLT M12 MVIS2/4 KIT	1
6.1		> TIE BOLT M12-269x18x30-1.4057	1
6.2	2094647	> NUT M12 M12 ISO4032 VP.	1
6.3	2123557	> WASHER CS-12.4-24-1.6-NFE25 (4 PIECES)	1
7	2531195	STATOR/TERMIN.BOX MVIS 52/1100 KIT V.A+B	1
Note: FOR/ FÜR/ POUR: MVIS.../A MVIS.../B			
7.1		> CARC.MOTEUR-EQUIPEE-52/1100/2	1
7.2	2010301	> O-RING ID.117,07X3,53	1
7.3		> CAN GR.52 MWISE CPL.	1
7.4	2010309	> SCREW M10X25 DIN912 (4 PIECES)	1
7.5	4060523	> MVIS VENTING PLUG KIT	1
		>> SCREW PLUG M16X1X8 CUZN39PB3 NICKEL	1
		>> FLAT GASKET D.16,5/24X2,4EP906 TDS	1
7.6	2081105	> GASKET D.46/35X10,5 EPDM VP.	1
7.7	2127484	> JOINT RING CIRCULAR D.145/148X7,6 EPDM V	1



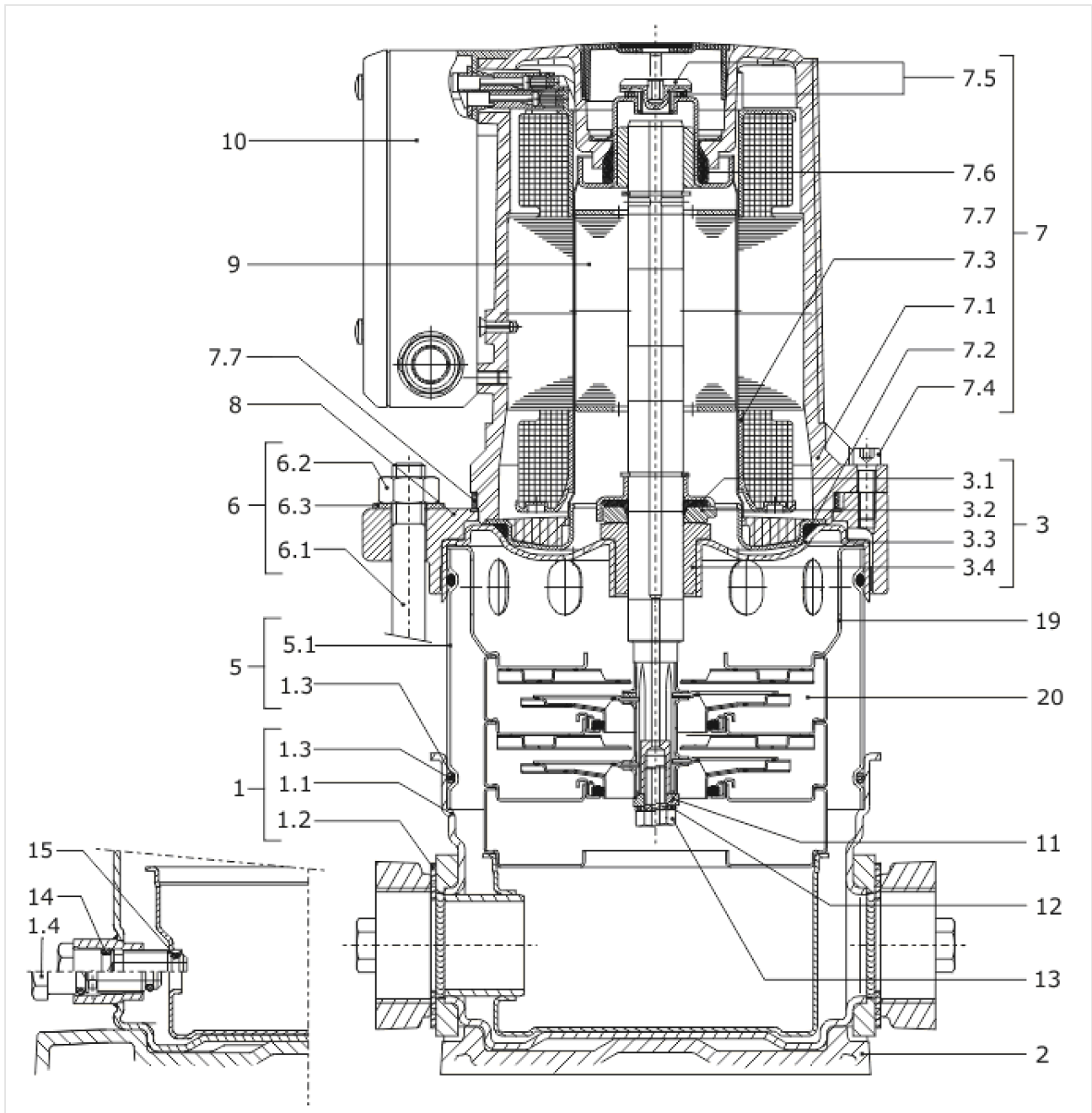
**MVIS405-1/16/K/3-400-50-2 (2009045)**

Item	Article no.	Description	Quantity
10		> TERMINAL BOX MVIS V3	1
		> JOINT-SPECIAL-T52-USINE	1
		> CIRCLIPS GR.52 D.47,1/37,4X9,5 PPN	1
		> JOINT RING CIRCULAR D.145/148X7,6 EPDM V	1
7	2018391	STATOR-UNIT MVIS 52/1100/2 VARIANT B KIT	1
Note: FOR/ FÜR/ POUR: MVIS.../B			
7.1		> CARC.MOTEUR-EQUIPEE-52/1100/2	1
7.2	2010301	> O-RING ID.117,07X3,53	1
7.3		> CAN GR.52 MWISE CPL.	1
7.4	2010309	> SCREW M10X25 DIN912 (4 PIECES)	1
7.5	4060523	> MVIS VENTING PLUG KIT	1
		>> SCREW PLUG M16X1X8 CUZN39PB3 NICKEL	1
		>> FLAT GASKET D.16,5/24X2,4EP906 TDS	1
7.6	2081105	> GASKET D.46/35X10,5 EPDM VP.	1
7.7	2127484	> JOINT RING CIRCULAR D.145/148X7,6 EPDM V	1
		> JOINT-SPECIAL-T52-USINE	1
		> CIRCLIPS GR.52 D.47,1/37,4X9,5 PPN	1
8	2008293	FLANGE MVIS GR.52 GG25	1
9	2018344	ROTOR-UNIT 52 MVIS2/4/8 KIT	1
10	4050644	TERMINAL BOX MVIS VARIANT A KIT	1
Note: FOR/ FÜR/ POUR: MVIS.../A			
10	4095141	TERMINAL BOX MVIS VARIANT B KIT	1
Note: FOR/ FÜR/ POUR: MVIS.../B			
11	4006203	WASHER D.16/13,8x3 1.4401	1
12	64697	STAINLESS-STEEL-WASHER-DE8	1
13	503144197	Screw M8X16 ISO4017 A4 GEBOHRT	1
14	4177800	O-RING EPDM PLUG HELIX VP.	1
15	4234242	O-RING 9X2 VP.	1
19	4234236	UPPER STAGE RFK.MVI2/4 1.4301 VP.	1
20		SPARE PARTS HYDRAULICS MVIS	1



**SPARE PARTS HYDRAULICS MVIS**

<b>Item</b>	<b>Article no.</b>	<b>Description</b>	<b>Quantity</b>
20.1	4050662	MVIS 400 STAGE KIT	1
		> STAGE HOUSING MVIS2/4 1.4301	1
		> IMPELLER MVI4 D.98,5x3,1 1.4301	1
		> SPACER IMPELLER MVI2/4 1.4435	1
		> OUTER CAGE OF SUCTION RING 2/4M3 1.4404	1
		> INNER CAGE OF SUCTION RING 2/4M3 1.4404	1
		> SUCTION-RING 2/4M3 PTFE	1
20.2	4050663	MVIS 400 STAGE KIT	1
		> IMPELLER MVI4 D.98,5x3,1 1.4301	1
		> SPACER IMPELLER MVI2/4 1.4435	1
		> OUTER CAGE OF SUCTION RING 2/4M3 1.4404	1
		> INNER CAGE OF SUCTION RING 2/4M3 1.4404	1
		> SUCTION-RING 2/4M3 PTFE	1
		> ST.CASING-RETURN CH.MVIS2/4-304-MACHI.	1

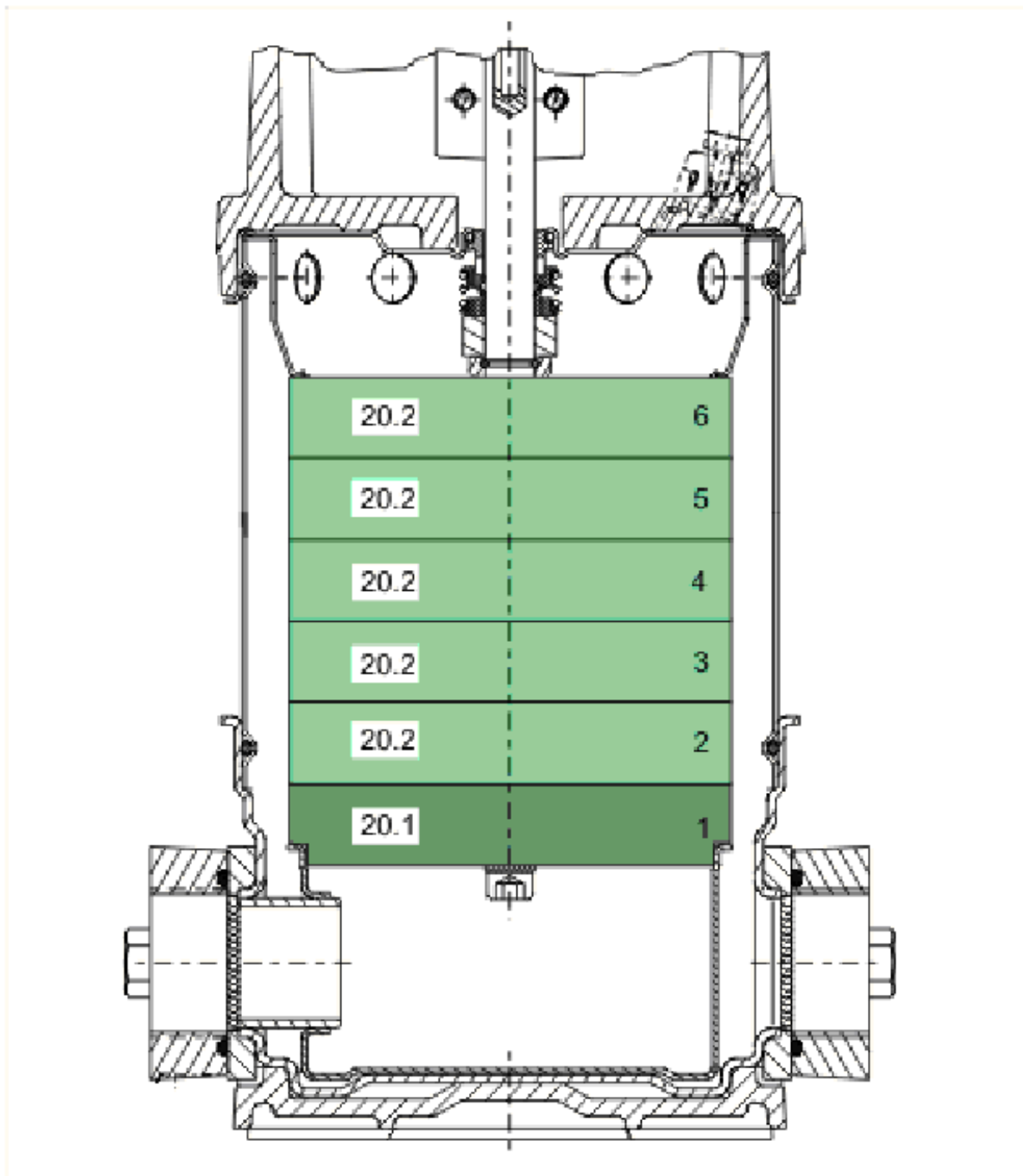


**MVIS406-1/16/K/3-400-50-2 (2009046)**

Item	Article no.	Description	Quantity
1	2023917	PUMP HOUSING MVI/MVIS DN32PN16 1.4301KIT	1
1.1		> CASING-MU-I-D32-PN16-D152-304	1
1.2	4191618	> O-RING ID.44,05x3,53 EPDM VP.	1
Note: FROM / AB / À PARTIR DE: 07/97			
1.3	4176513	> O-RING FOR PUMP JACKET VP.	1
1.4	4234235	> PRIMING/DRAIN PLUG MVI6" 304 VP.	1
3.2	4177800	> O-RING EPDM PLUG HELIX VP.	1
3.3	4234242	> O-RING 9X2 VP.	1
1.2	4234256	FLAT-GASKET 33X60X2 VP.	1
Note: TO / BIS / JUSQU'À: 06/97			
2	2127420	BASE PLATE 212X157 PN16 VP.	1
3	2035465	RADIAL BEARING MVIS2/4/8 KIT	1
3.1		> SUPPORTRING D.58/25,1X5 EPDM	1
3.2		> Thrust plate Gr.52 D.59/25,5X6 ceramic	1
3.3		> LANTERN MVIS GR.52 1.4301	1
3.4		> RADIAL BEARING D.58/40/25X32 AG.HT204	1
5	2018377	HOUSING PIPE D.152X167 1.4301 KIT	1
1.3	4176513	> O-RING FOR PUMP JACKET VP.	1
5.1		> HOUSING-PIPE-D152-VMI206/406-304	1
6	2018361	STUD BOLT M12X293 KIT	1
6.1		> TIE BOLT M12-293x18x30-1.4057	1
6.2	2094647	> NUT M12 M12 ISO4032 VP.	1
6.3	2123557	> WASHER CS-12.4-24-1.6-NFE25 (4 PIECES)	1
7	2531195	STATOR/TERMIN.BOX MVIS 52/1100 KIT V.A+B	1
Note: FOR/ FÜR/ POUR: MVIS.../A MVIS.../B			
7.1		> CARC.MOTEUR-EQUIPEE-52/1100/2	1
7.2	2010301	> O-RING ID.117,07X3,53	1
7.3		> CAN GR.52 MWISE CPL.	1
7.4	2010309	> SCREW M10X25 DIN912 (4 PIECES)	1
7.5	4060523	> MVIS VENTING PLUG KIT	1
		>> SCREW PLUG M16X1X8 CUZN39PB3 NICKEL	1
		>> FLAT GASKET D.16,5/24X2,4EP906 TDS	1
7.6	2081105	> GASKET D.46/35X10,5 EPDM VP.	1
7.7	2127484	> JOINT RING CIRCULAR D.145/148X7,6 EPDM V	1

**MVIS406-1/16/K/3-400-50-2 (2009046)**

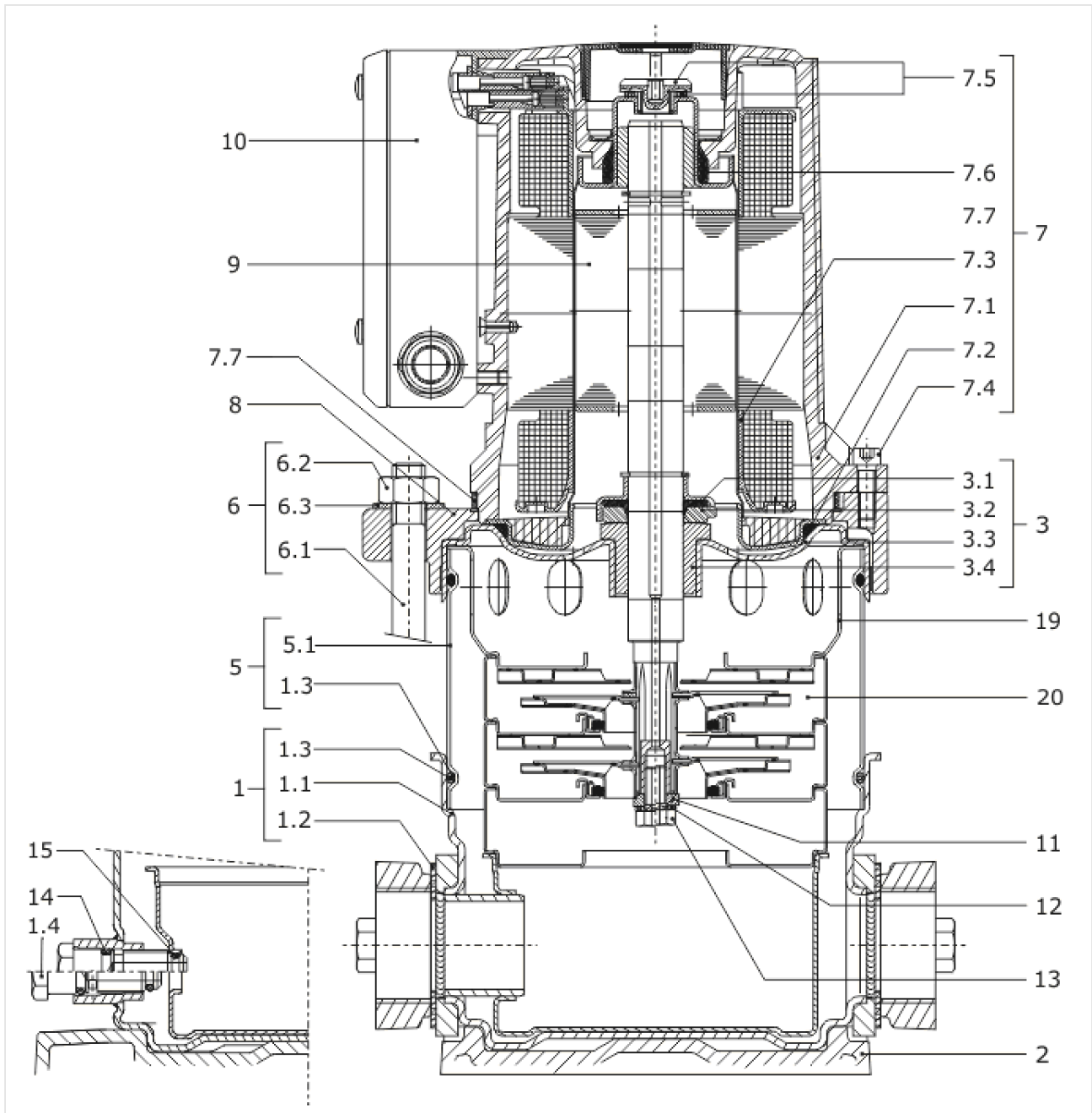
Item	Article no.	Description	Quantity
10		> TERMINAL BOX MVIS V3	1
		> JOINT-SPECIAL-T52-USINE	1
		> CIRCLIPS GR.52 D.47,1/37,4X9,5 PPN	1
		> JOINT RING CIRCULAR D.145/148X7,6 EPDM V	1
7	2018391	STATOR-UNIT MVIS 52/1100/2 VARIANT B KIT	1
Note: FOR/ FÜR/ POUR: MVIS.../B			
7.1		> CARC.MOTEUR-EQUIPEE-52/1100/2	1
7.2	2010301	> O-RING ID.117,07X3,53	1
7.3		> CAN GR.52 MWISE CPL.	1
7.4	2010309	> SCREW M10X25 DIN912 (4 PIECES)	1
7.5	4060523	> MVIS VENTING PLUG KIT	1
		>> SCREW PLUG M16X1X8 CUZN39PB3 NICKEL	1
		>> FLAT GASKET D.16,5/24X2,4EP906 TDS	1
7.6	2081105	> GASKET D.46/35X10,5 EPDM VP.	1
7.7	2127484	> JOINT RING CIRCULAR D.145/148X7,6 EPDM V	1
		> JOINT-SPECIAL-T52-USINE	1
		> CIRCLIPS GR.52 D.47,1/37,4X9,5 PPN	1
8	2008293	FLANGE MVIS GR.52 GG25	1
9	2018345	ROTOR-UNIT 52 MVIS2/4 KIT	1
10	4050644	TERMINAL BOX MVIS VARIANT A KIT	1
Note: FOR/ FÜR/ POUR: MVIS.../A			
10	4095141	TERMINAL BOX MVIS VARIANT B KIT	1
Note: FOR/ FÜR/ POUR: MVIS.../B			
11	4006203	WASHER D.16/13,8x3 1.4401	1
12	64697	STAINLESS-STEEL-WASHER-DE8	1
13	503144197	Screw M8X16 ISO4017 A4 GEBOHRT	1
14	4177800	O-RING EPDM PLUG HELIX VP.	1
15	4234242	O-RING 9X2 VP.	1
19	4234236	UPPER STAGE RFK.MVI2/4 1.4301 VP.	1
20		SPARE PARTS HYDRAULICS MVIS/MWISE	1



**SPARE PARTS HYDRAULICS MVIS/MVISE**

<b>Item</b>	<b>Article no.</b>	<b>Description</b>	<b>Quantity</b>
20.1	4050662	MVIS 400 STAGE KIT	1
		> STAGE HOUSING MVIS2/4 1.4301	1
		> IMPELLER MVI4 D.98,5x3,1 1.4301	1
		> SPACER IMPELLER MVI2/4 1.4435	1
		> OUTER CAGE OF SUCTION RING 2/4M3 1.4404	1
		> INNER CAGE OF SUCTION RING 2/4M3 1.4404	1
		> SUCTION-RING 2/4M3 PTFE	1
20.2	4050663	MVIS 400 STAGE KIT	1
		> IMPELLER MVI4 D.98,5x3,1 1.4301	1
		> SPACER IMPELLER MVI2/4 1.4435	1
		> OUTER CAGE OF SUCTION RING 2/4M3 1.4404	1
		> INNER CAGE OF SUCTION RING 2/4M3 1.4404	1
		> SUCTION-RING 2/4M3 PTFE	1
		> ST.CASING-RETURN CH.MVIS2/4-304-MACHI.	1



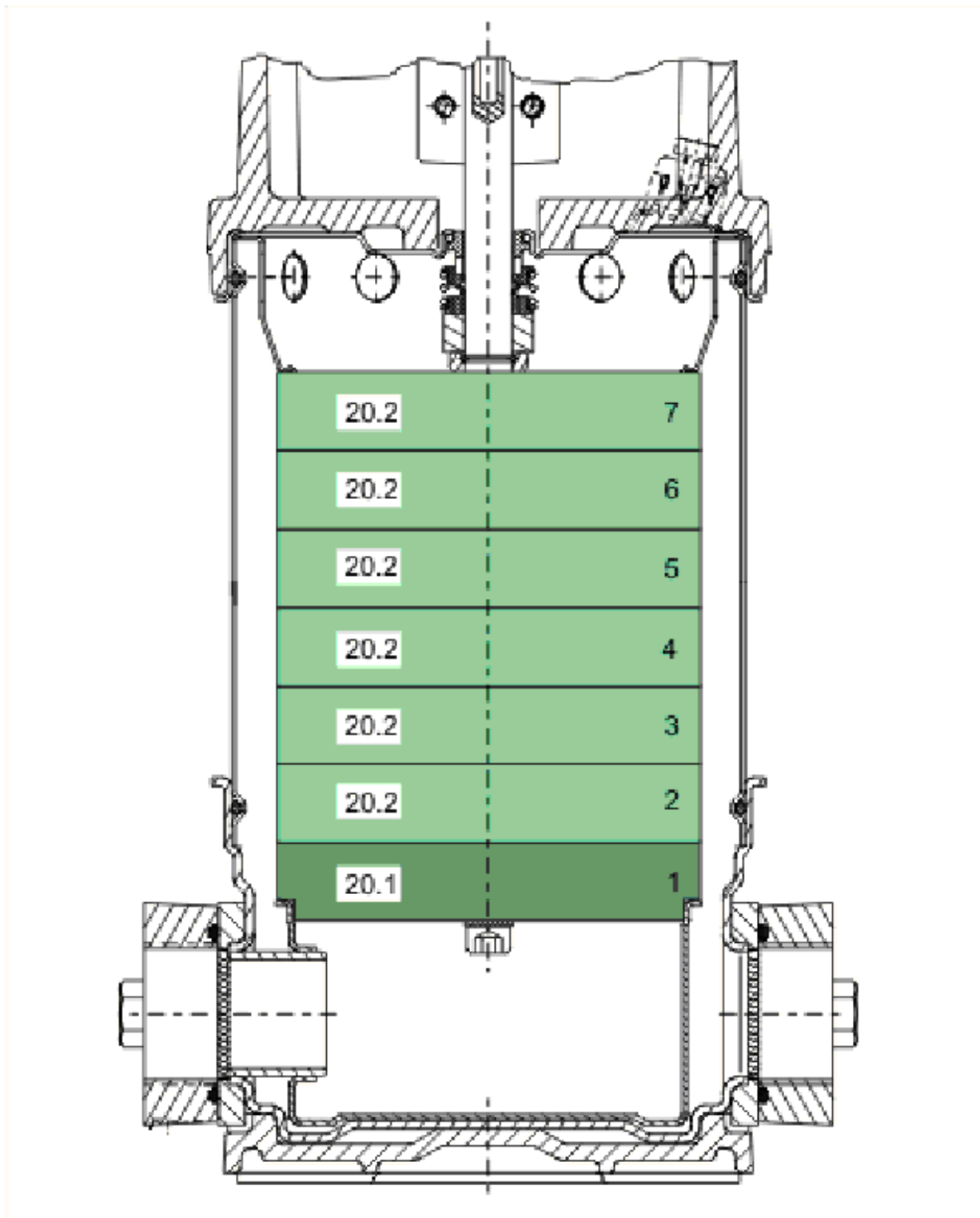


**MVIS407-1/16/K/3-400-50-2 (2009047)**

Item	Article no.	Description	Quantity
1	2023917	PUMP HOUSING MVI/MVIS DN32PN16 1.4301KIT	1
1.1		> CASING-MU-I-D32-PN16-D152-304	1
1.2	4191618	> O-RING ID.44,05x3,53 EPDM VP.	1
Note: FROM / AB / À PARTIR DE: 07/97			
1.3	4176513	> O-RING FOR PUMP JACKET VP.	1
1.4	4234235	> PRIMING/DRAIN PLUG MVI6" 304 VP.	1
3.2	4177800	> O-RING EPDM PLUG HELIX VP.	1
3.3	4234242	> O-RING 9X2 VP.	1
1.2	4234256	FLAT-GASKET 33X60X2 VP.	1
Note: TO / BIS / JUSQU'À: 06/97			
2	2127420	BASE PLATE 212X157 PN16 VP.	1
3	2035465	RADIAL BEARING MVIS2/4/8 KIT	1
3.1		> SUPPORTRING D.58/25,1X5 EPDM	1
3.2		> Thrust plate Gr.52 D.59/25,5X6 ceramic	1
3.3		> LANTERN MVIS GR.52 1.4301	1
3.4		> RADIAL BEARING D.58/40/25X32 AG.HT204	1
5	2018378	HOUSING PIPE D.152X167 1.4301 KIT	1
5.1		> HOUSING-PIPE-D152-VM1207/805/1603/04-304	1
1.3	4176513	> O-RING FOR PUMP JACKET VP.	1
6	2018362	STUD BOLT M12X317 KIT	1
6.1		> TIE BOLT M12-317x18x30-1.4057	1
6.2	2094647	> NUT M12 M12 ISO4032 VP.	1
6.3	2123557	> WASHER CS-12.4-24-1.6-NFE25 (4 PIECES)	1
7	2531196	STATOR/TERMIN.BOX MVIS52A/2200 KIT V.A+B	1
Note: FOR/ FÜR/ POUR: MVIS.../A MVIS.../B			
7.1		> CARC.MOTEUR-EQUIPEE-52A/2200/2	1
7.2	2010301	> O-RING ID.117,07X3,53	1
7.3		> CAN GR.52A MWISE CPL.	1
7.4	2010309	> SCREW M10X25 DIN912 (4 PIECES)	1
7.5	4060523	> MVIS VENTING PLUG KIT	1
		>> SCREW PLUG M16X1X8 CUZN39PB3 NICKEL	1
		>> FLAT GASKET D.16,5/24X2,4EP906 TDS	1
7.6	2081105	> GASKET D.46/35X10,5 EPDM VP.	1
7.7	2127484	> JOINT RING CIRCULAR D.145/148X7,6 EPDM V	1

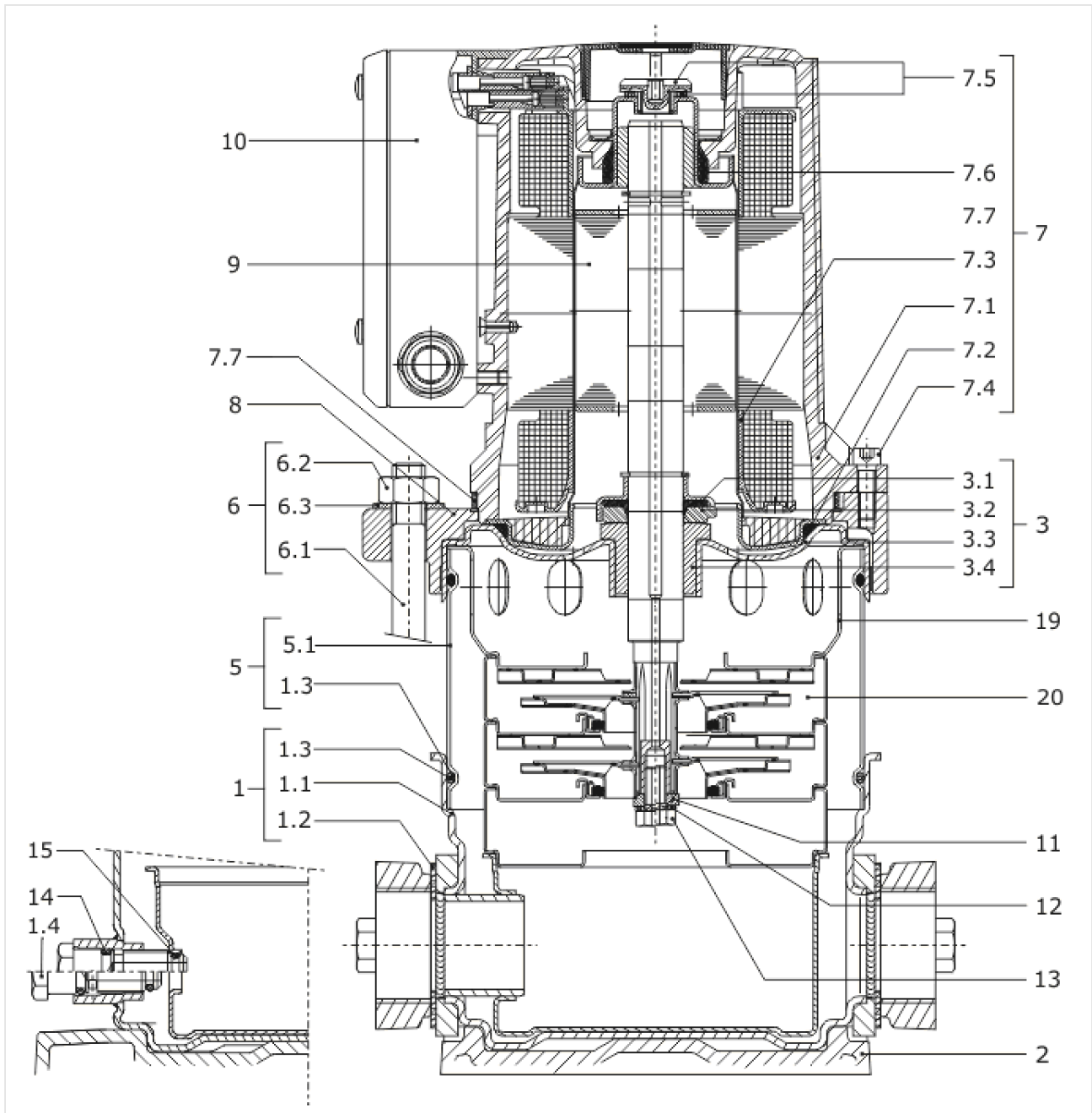
**MVIS407-1/16/K/3-400-50-2 (2009047)**

Item	Article no.	Description	Quantity
10		> TERMINAL BOX MVIS V3	1
		> JOINT-SPECIAL-T52-USINE	1
		> CIRCLIPS GR.52 D.47,1/37,4X9,5 PPN	1
7	2018395	STATOR-UNIT MVIS 52A/2200/2 VAR.B KIT	1
Note: FOR/ FÜR/ POUR: MVIS.../B			
7.1		> CARC.MOTEUR-EQUIPEE-52A/2200/2	1
7.2	2010301	> O-RING ID.117,07X3,53	1
7.3		> CAN GR.52A MWISE CPL.	1
7.4	2010309	> SCREW M10X25 DIN912 (4 PIECES)	1
7.5	4060523	> MVIS VENTING PLUG KIT	1
		>> SCREW PLUG M16X1X8 CUZN39PB3 NICKEL	1
		>> FLAT GASKET D.16,5/24X2,4EP906 TDS	1
7.6	2081105	> GASKET D.46/35X10,5 EPDM VP.	1
7.7	2127484	> JOINT RING CIRCULAR D.145/148X7,6 EPDM V	1
		> JOINT-SPECIAL-T52-USINE	1
		> CIRCLIPS GR.52 D.47,1/37,4X9,5 PPN	1
8	2008293	FLANGE MVIS GR.52 GG25	1
9	2018352	ROTOR-UNIT 52A MVIS4 KIT	1
10	4050644	TERMINAL BOX MVIS VARIANT A KIT	1
Note: FOR/ FÜR/ POUR: MVIS.../A			
10	4095141	TERMINAL BOX MVIS VARIANT B KIT	1
Note: FOR/ FÜR/ POUR: MVIS.../B			
11	4006203	WASHER D.16/13,8x3 1.4401	1
12	64697	STAINLESS-STEEL-WASHER-DE8	1
13	503144197	Screw M8X16 ISO4017 A4 GEBOHRT	1
14	4177800	O-RING EPDM PLUG HELIX VP.	1
15	4234242	O-RING 9X2 VP.	1
19	4234236	UPPER STAGE RFK.MVI2/4 1.4301 VP.	1
20		SPARE PARTS HYDRAULICS MVIS	1



**SPARE PARTS HYDRAULICS MVIS**

<b>Item</b>	<b>Article no.</b>	<b>Description</b>	<b>Quantity</b>
20.1	4050662	MVIS 400 STAGE KIT	1
		> STAGE HOUSING MVIS2/4 1.4301	1
		> IMPELLER MVI4 D.98,5x3,1 1.4301	1
		> SPACER IMPELLER MVI2/4 1.4435	1
		> OUTER CAGE OF SUCTION RING 2/4M3 1.4404	1
		> INNER CAGE OF SUCTION RING 2/4M3 1.4404	1
		> SUCTION-RING 2/4M3 PTFE	1
20.2	4050663	MVIS 400 STAGE KIT	1
		> IMPELLER MVI4 D.98,5x3,1 1.4301	1
		> SPACER IMPELLER MVI2/4 1.4435	1
		> OUTER CAGE OF SUCTION RING 2/4M3 1.4404	1
		> INNER CAGE OF SUCTION RING 2/4M3 1.4404	1
		> SUCTION-RING 2/4M3 PTFE	1
		> ST.CASING-RETURN CH.MVIS2/4-304-MACHI.	1



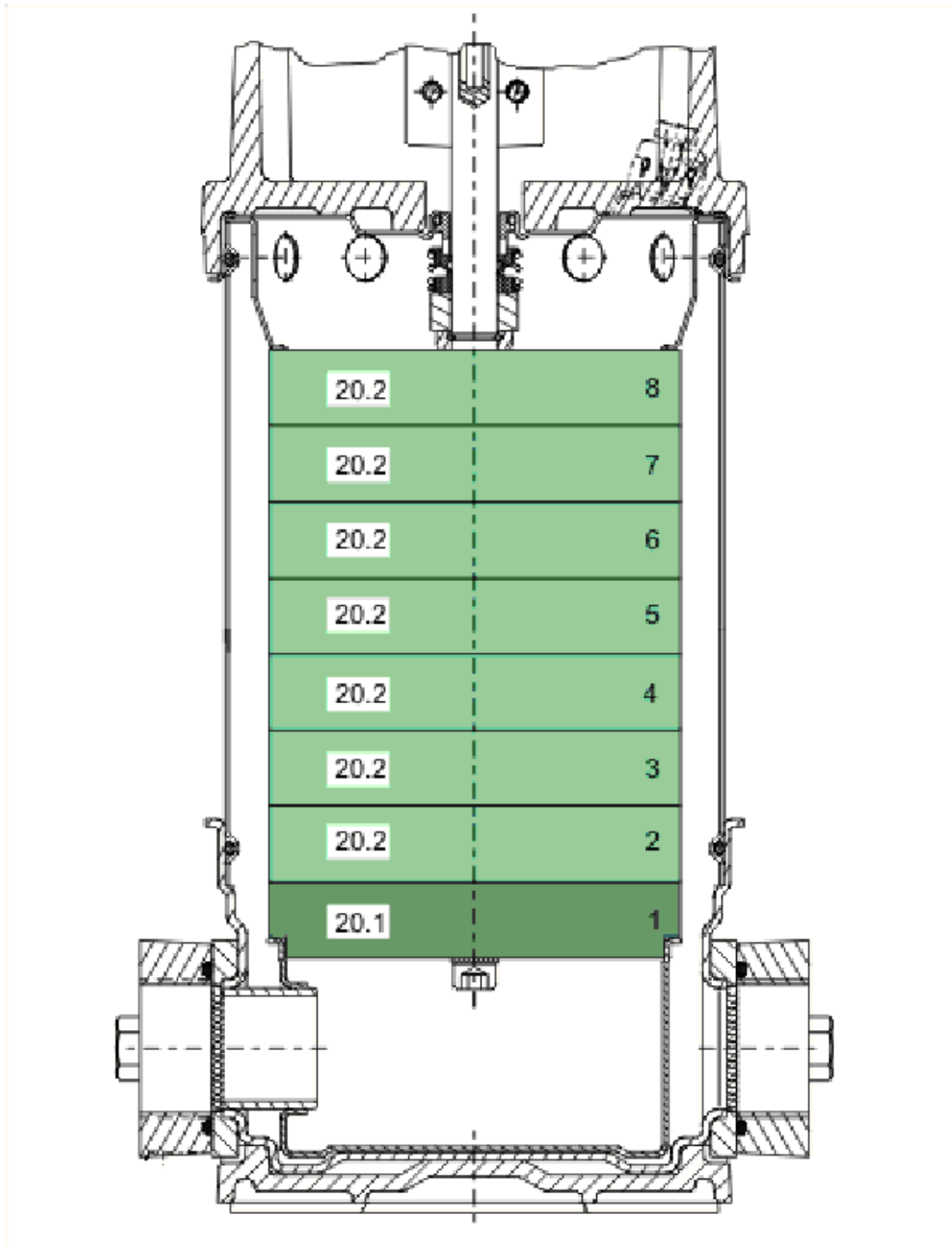
**MVIS408-1/16/K/3-400-50-2 (2009048)**

Item	Article no.	Description	Quantity
1	2023917	PUMP HOUSING MVI/MVIS DN32PN16 1.4301KIT	1
1.1		> CASING-MU-I-D32-PN16-D152-304	1
1.2	4191618	> O-RING ID.44,05x3,53 EPDM VP.	1
Note: FROM / AB / À PARTIR DE: 07/97			
1.3	4176513	> O-RING FOR PUMP JACKET VP.	1
1.4	4234235	> PRIMING/DRAIN PLUG MVI6" 304 VP.	1
3.2	4177800	> O-RING EPDM PLUG HELIX VP.	1
3.3	4234242	> O-RING 9X2 VP.	1
1.2	4234256	FLAT-GASKET 33X60X2 VP.	1
Note: TO / BIS / JUSQU'À: 06/97			
2	2127420	BASE PLATE 212X157 PN16 VP.	1
3	2035465	RADIAL BEARING MVIS2/4/8 KIT	1
3.1		> SUPPORTRING D.58/25,1X5 EPDM	1
3.2		> Thrust plate Gr.52 D.59/25,5X6 ceramic	1
3.3		> LANTERN MVIS GR.52 1.4301	1
3.4		> RADIAL BEARING D.58/40/25X32 AG.HT204	1
5	2018381	HOUSING PIPE D.152X215 1.4301 KIT	1
5.1		> HOUSING-PIPE-D152-VM1208/408-1.4301	1
1.3	4176513	> O-RING FOR PUMP JACKET VP.	1
6	2018363	STUD BOLT M12X341 KIT	1
6.1		> TIE-ROD-M12-341x18x30 CLASS8.8 ZN+FINIG	1
6.2	2094647	> NUT M12 M12 ISO4032 VP.	1
6.3	2123557	> WASHER CS-12.4-24-1.6-NFE25 (4 PIECES)	1
7	2531196	STATOR/TERMIN.BOX MVIS52A/2200 KIT V.A+B	1
Note: FOR/ FÜR/ POUR: MVIS.../A MVIS.../B			
7.1		> CARC.MOTEUR-EQUIPEE-52A/2200/2	1
7.2	2010301	> O-RING ID.117,07X3,53	1
7.3		> CAN GR.52A MWISE CPL.	1
7.4	2010309	> SCREW M10X25 DIN912 (4 PIECES)	1
7.5	4060523	> MVIS VENTING PLUG KIT	1
		>> SCREW PLUG M16X1X8 CUZN39PB3 NICKEL	1
		>> FLAT GASKET D.16,5/24X2,4EP906 TDS	1
7.6	2081105	> GASKET D.46/35X10,5 EPDM VP.	1
7.7	2127484	> JOINT RING CIRCULAR D.145/148X7,6 EPDM V	1

**MVIS408-1/16/K/3-400-50-2 (2009048)**

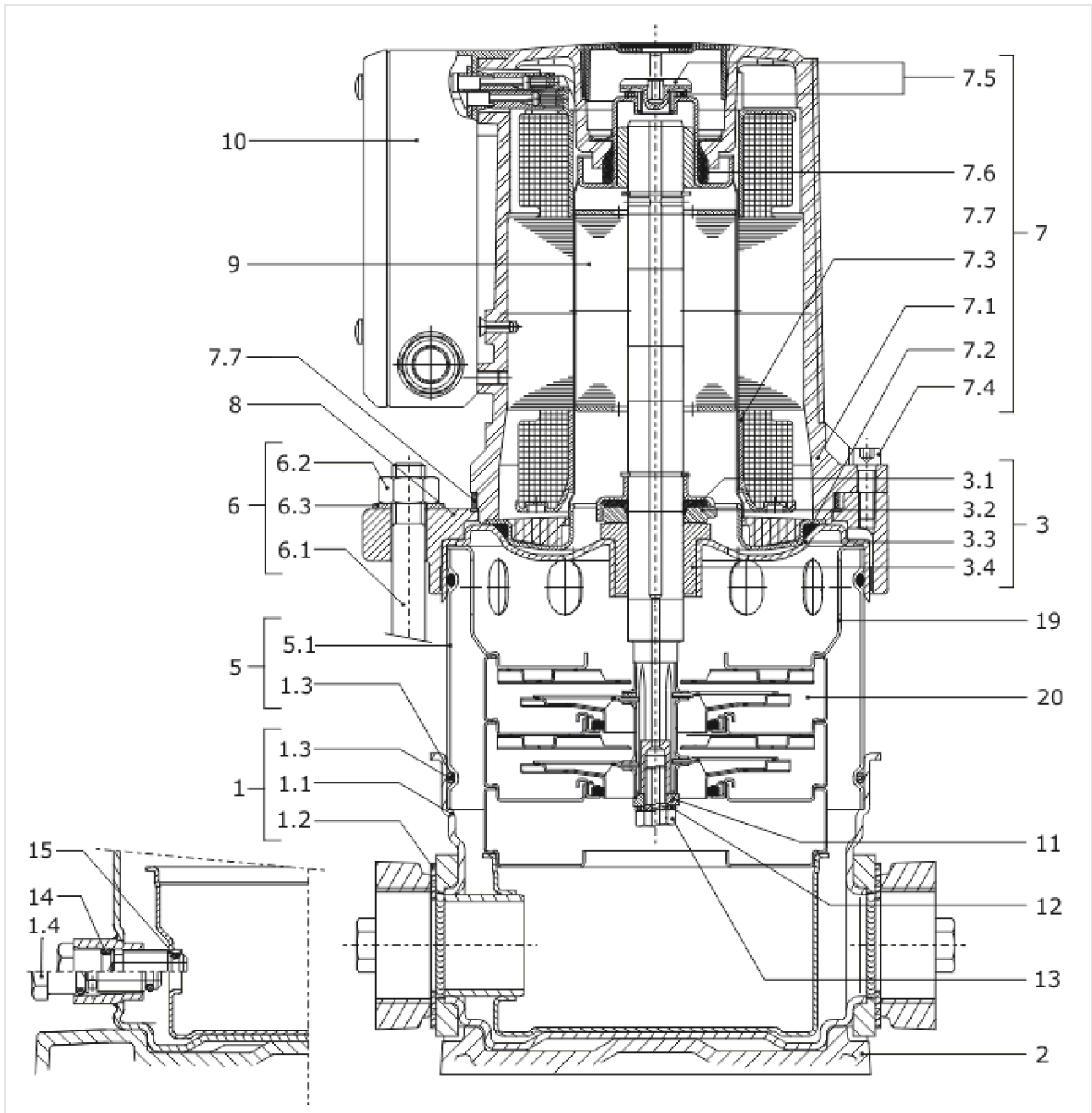
Item	Article no.	Description	Quantity
10		> TERMINAL BOX MVIS V3	1
		> JOINT-SPECIAL-T52-USINE	1
		> CIRCLIPS GR.52 D.47,1/37,4X9,5 PPN	1
7	2018395	STATOR-UNIT MVIS 52A/2200/2 VAR.B KIT	1
Note: FOR/ FÜR/ POUR: MVIS.../B			
7.1		> CARC.MOTEUR-EQUIPEE-52A/2200/2	1
7.2	2010301	> O-RING ID.117,07X3,53	1
7.3		> CAN GR.52A MWISE CPL.	1
7.4	2010309	> SCREW M10X25 DIN912 (4 PIECES)	1
7.5	4060523	> MVIS VENTING PLUG KIT	1
		>> SCREW PLUG M16X1X8 CUZN39PB3 NICKEL	1
		>> FLAT GASKET D.16,5/24X2,4EP906 TDS	1
7.6	2081105	> GASKET D.46/35X10,5 EPDM VP.	1
7.7	2127484	> JOINT RING CIRCULAR D.145/148X7,6 EPDM V	1
		> JOINT-SPECIAL-T52-USINE	1
		> CIRCLIPS GR.52 D.47,1/37,4X9,5 PPN	1
8	2008293	FLANGE MVIS GR.52 GG25	1
9	2018353	ROTOR-UNIT 52A MVIS4 KIT	1
10	4050644	TERMINAL BOX MVIS VARIANT A KIT	1
Note: FOR/ FÜR/ POUR: MVIS.../A			
10	4095141	TERMINAL BOX MVIS VARIANT B KIT	1
Note: FOR/ FÜR/ POUR: MVIS.../B			
11	4006203	WASHER D.16/13,8x3 1.4401	1
12	64697	STAINLESS-STEEL-WASHER-DE8	1
13	503144197	Screw M8X16 ISO4017 A4 GEBOHRT	1
14	4177800	O-RING EPDM PLUG HELIX VP.	1
15	4234242	O-RING 9X2 VP.	1
19	4234236	UPPER STAGE RFK.MVI2/4 1.4301 VP.	1
20		SPARE PARTS HYDRAULICS MVIS	1





**SPARE PARTS HYDRAULICS MVIS**

<b>Item</b>	<b>Article no.</b>	<b>Description</b>	<b>Quantity</b>
20.1	4050662	MVIS 400 STAGE KIT	1
		> STAGE HOUSING MVIS2/4 1.4301	1
		> IMPELLER MVI4 D.98,5x3,1 1.4301	1
		> SPACER IMPELLER MVI2/4 1.4435	1
		> OUTER CAGE OF SUCTION RING 2/4M3 1.4404	1
		> INNER CAGE OF SUCTION RING 2/4M3 1.4404	1
		> SUCTION-RING 2/4M3 PTFE	1
20.2	4050663	MVIS 400 STAGE KIT	1
		> IMPELLER MVI4 D.98,5x3,1 1.4301	1
		> SPACER IMPELLER MVI2/4 1.4435	1
		> OUTER CAGE OF SUCTION RING 2/4M3 1.4404	1
		> INNER CAGE OF SUCTION RING 2/4M3 1.4404	1
		> SUCTION-RING 2/4M3 PTFE	1
		> ST.CASING-RETURN CH.MVIS2/4-304-MACHI.	1

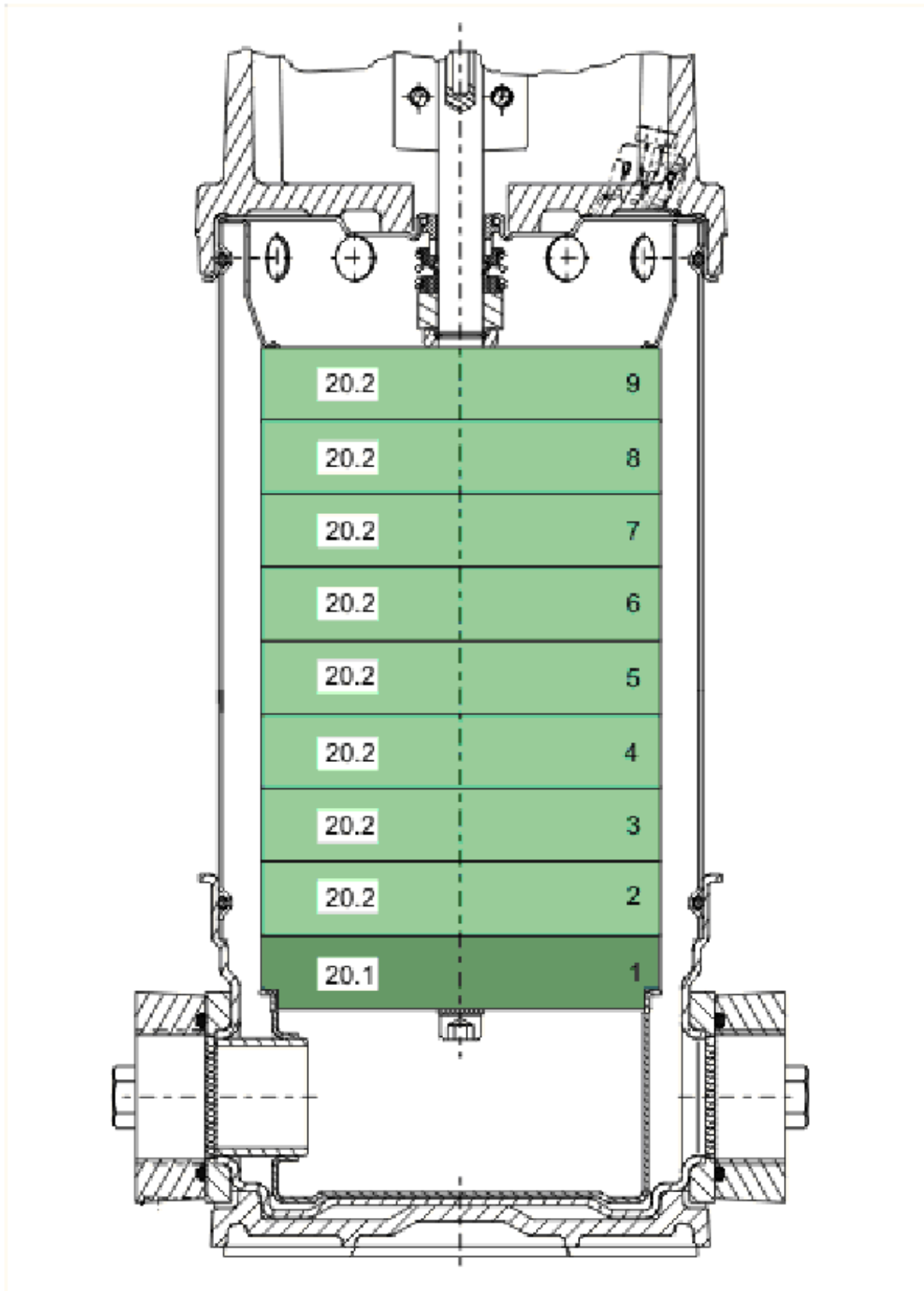


**MVIS409-1/16/K/3-400-50-2 (2009049)**

Item	Article no.	Description	Quantity
1	2023917	PUMP HOUSING MVI/MVIS DN32PN16 1.4301KIT	1
1.1		> CASING-MU-I-D32-PN16-D152-304	1
1.2	4191618	> O-RING ID.44,05x3,53 EPDM VP.	1
Note: FROM / AB / À PARTIR DE: 07/97			
1.3	4176513	> O-RING FOR PUMP JACKET VP.	1
1.4	4234235	> PRIMING/DRAIN PLUG MVI6" 304 VP.	1
3.2	4177800	> O-RING EPDM PLUG HELIX VP.	1
3.3	4234242	> O-RING 9X2 VP.	1
1.2	4234256	FLAT-GASKET 33X60X2 VP.	1
Note: TO / BIS / JUSQU'À: 06/97			
2	2127420	BASE PLATE 212X157 PN16 VP.	1
3	2035465	RADIAL BEARING MVIS2/4/8 KIT	1
3.1		> SUPPORTRING D.58/25,1X5 EPDM	1
3.2		> Thrust plate Gr.52 D.59/25,5X6 ceramic	1
3.3		> LANTERN MVIS GR.52 1.4301	1
3.4		> RADIAL BEARING D.58/40/25X32 AG.HT204	1
5	2018379	PUMP JACKET MVIS2/4 1.4301 KIT	1
5.1		> HOUSING-PIPE-D152-VMIS209-304	1
1.3	4176513	> O-RING FOR PUMP JACKET VP.	1
6	2018364	STUD BOLT M12X365 MVIS2/4 KIT	1
6.1		> STUD BOLT M12 365x18x30 CLASS8.8 ZN+FINI	1
6.2	2094647	> NUT M12 M12 ISO4032 VP.	1
6.3	2123557	> WASHER CS-12.4-24-1.6-NFE25 (4 PIECES)	1
7	2531196	STATOR/TERMIN.BOX MVIS52A/2200 KIT V.A+B	1
Note: FOR/ FÜR/ POUR: MVIS.../A MVIS.../B			
7.1		> CARC.MOTEUR-EQUIPEE-52A/2200/2	1
7.2	2010301	> O-RING ID.117,07X3,53	1
7.3		> CAN GR.52A MWISE CPL.	1
7.4	2010309	> SCREW M10X25 DIN912 (4 PIECES)	1
7.5	4060523	> MVIS VENTING PLUG KIT	1
		>> SCREW PLUG M16X1X8 CUZN39PB3 NICKEL	1
		>> FLAT GASKET D.16,5/24X2,4EP906 TDS	1
7.6	2081105	> GASKET D.46/35X10,5 EPDM VP.	1
7.7	2127484	> JOINT RING CIRCULAR D.145/148X7,6 EPDM V	1

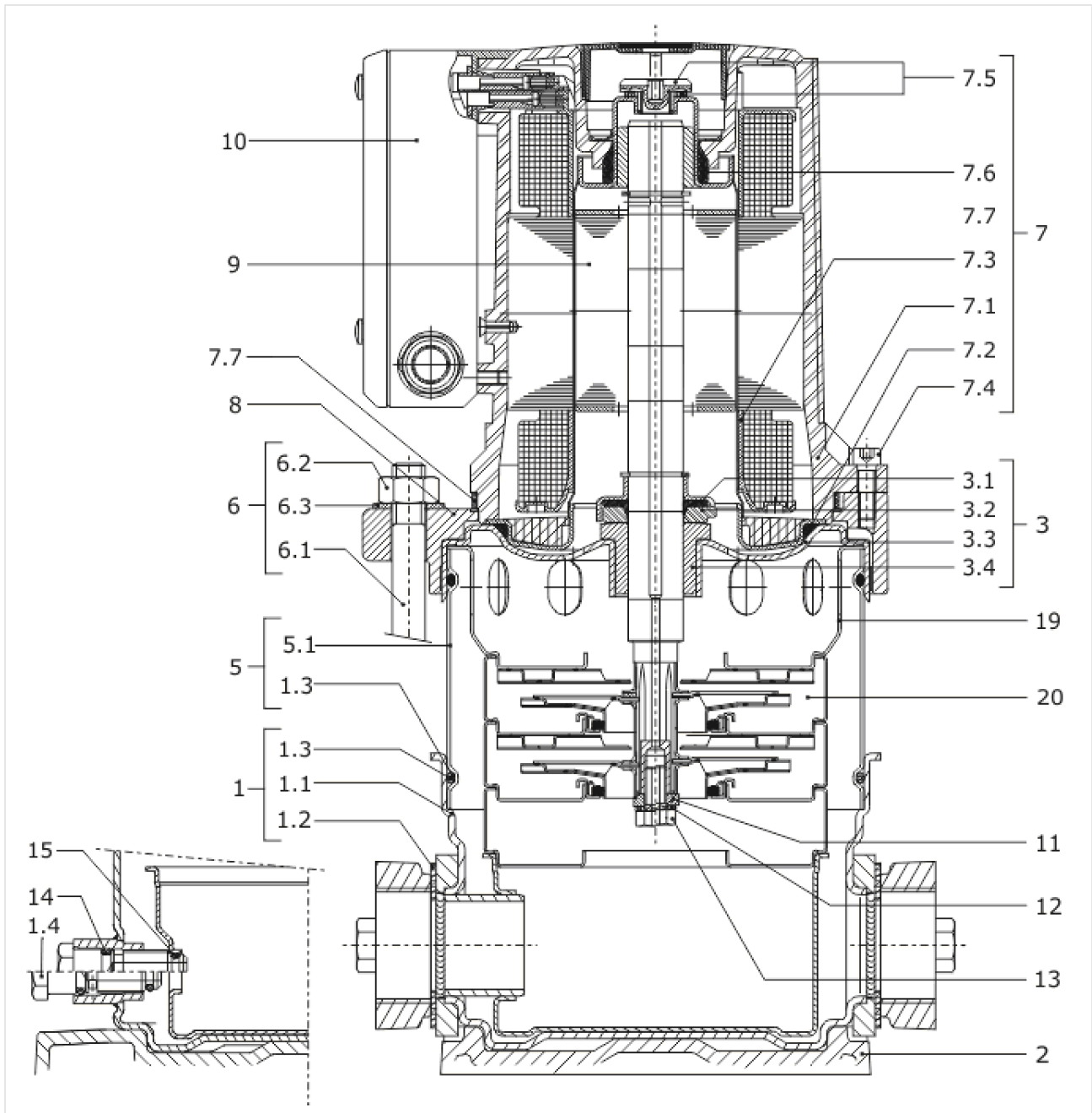
**MVIS409-1/16/K/3-400-50-2 (2009049)**

Item	Article no.	Description	Quantity
10		> TERMINAL BOX MVIS V3	1
		> JOINT-SPECIAL-T52-USINE	1
		> CIRCLIPS GR.52 D.47,1/37,4X9,5 PPN	1
7	2018395	STATOR-UNIT MVIS 52A/2200/2 VAR.B KIT	1
Note: FOR/ FÜR/ POUR: MVIS.../B			
7.1		> CARC.MOTEUR-EQUIPEE-52A/2200/2	1
7.2	2010301	> O-RING ID.117,07X3,53	1
7.3		> CAN GR.52A MWISE CPL.	1
7.4	2010309	> SCREW M10X25 DIN912 (4 PIECES)	1
7.5	4060523	> MVIS VENTING PLUG KIT	1
		>> SCREW PLUG M16X1X8 CUZN39PB3 NICKEL	1
		>> FLAT GASKET D.16,5/24X2,4EP906 TDS	1
7.6	2081105	> GASKET D.46/35X10,5 EPDM VP.	1
7.7	2127484	> JOINT RING CIRCULAR D.145/148X7,6 EPDM V	1
		> JOINT-SPECIAL-T52-USINE	1
		> CIRCLIPS GR.52 D.47,1/37,4X9,5 PPN	1
8	2008293	FLANGE MVIS GR.52 GG25	1
9	2018348	ROTOR-UNIT 52A MVIS2/4 KIT	1
10	4050644	TERMINAL BOX MVIS VARIANT A KIT	1
Note: FOR/ FÜR/ POUR: MVIS.../A			
10	4095141	TERMINAL BOX MVIS VARIANT B KIT	1
Note: FOR/ FÜR/ POUR: MVIS.../B			
11	4006203	WASHER D.16/13,8x3 1.4401	1
12	64697	STAINLESS-STEEL-WASHER-DE8	1
13	503144197	Screw M8X16 ISO4017 A4 GEBOHRT	1
14	4177800	O-RING EPDM PLUG HELIX VP.	1
15	4234242	O-RING 9X2 VP.	1
19	4234236	UPPER STAGE RFK.MVI2/4 1.4301 VP.	1
20		SPARE PARTS HYDRAULICS MVIS	1



**SPARE PARTS HYDRAULICS MVIS**

<b>Item</b>	<b>Article no.</b>	<b>Description</b>	<b>Quantity</b>
20.1	4050662	MVIS 400 STAGE KIT	1
		> STAGE HOUSING MVIS2/4 1.4301	1
		> IMPELLER MVI4 D.98,5x3,1 1.4301	1
		> SPACER IMPELLER MVI2/4 1.4435	1
		> OUTER CAGE OF SUCTION RING 2/4M3 1.4404	1
		> INNER CAGE OF SUCTION RING 2/4M3 1.4404	1
		> SUCTION-RING 2/4M3 PTFE	1
20.2	4050663	MVIS 400 STAGE KIT	1
		> IMPELLER MVI4 D.98,5x3,1 1.4301	1
		> SPACER IMPELLER MVI2/4 1.4435	1
		> OUTER CAGE OF SUCTION RING 2/4M3 1.4404	1
		> INNER CAGE OF SUCTION RING 2/4M3 1.4404	1
		> SUCTION-RING 2/4M3 PTFE	1
		> ST.CASING-RETURN CH.MVIS2/4-304-MACHI.	1



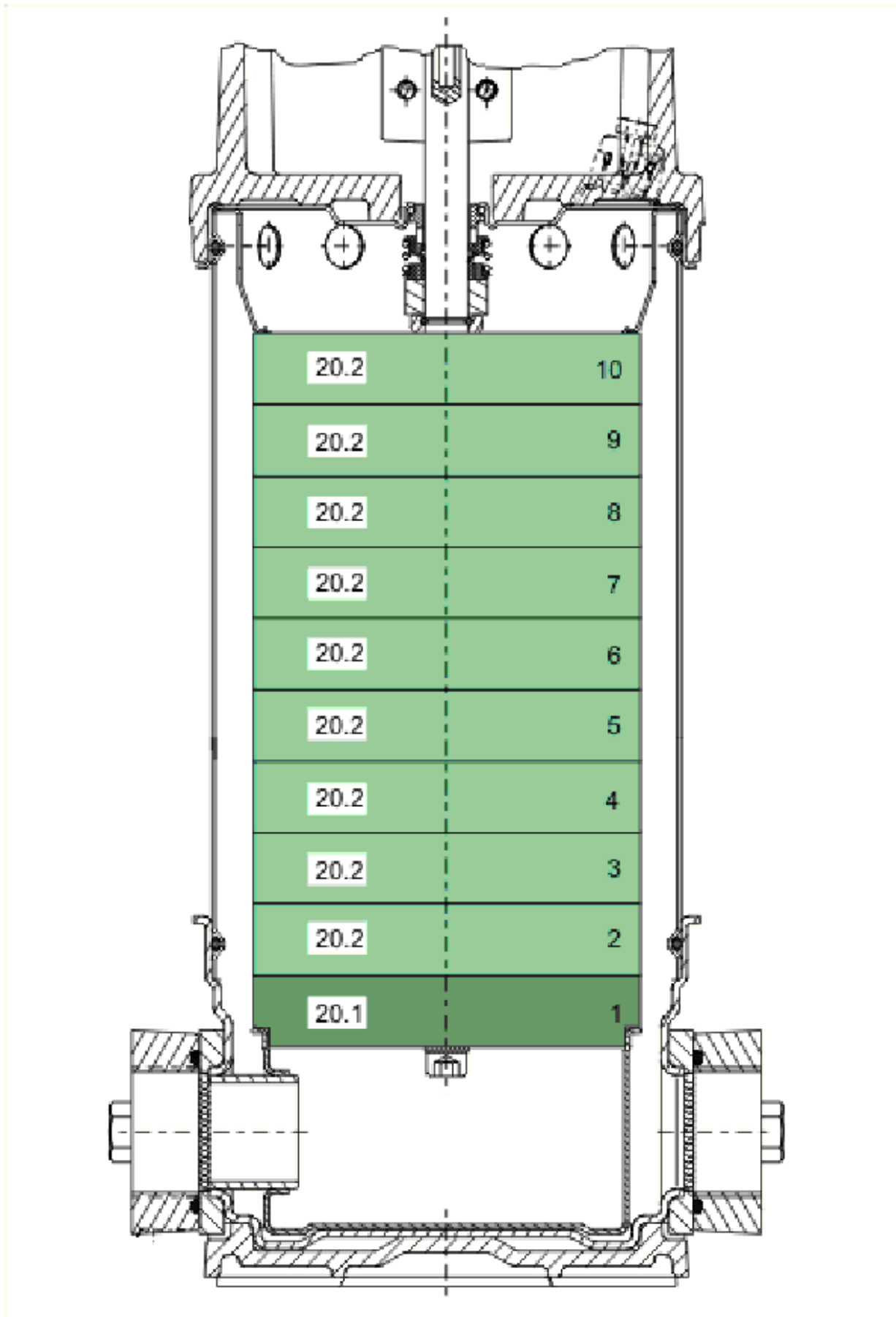


**MVIS410-1/16/K/3-400-50-2 (2009050)**

Item	Article no.	Description	Quantity
1	2023917	PUMP HOUSING MVI/MVIS DN32PN16 1.4301KIT	1
1.1		> CASING-MU-I-D32-PN16-D152-304	1
1.2	4191618	> O-RING ID.44,05x3,53 EPDM VP.	1
Note: FROM / AB / À PARTIR DE: 07/97			
1.3	4176513	> O-RING FOR PUMP JACKET VP.	1
1.4	4234235	> PRIMING/DRAIN PLUG MVI6" 304 VP.	1
3.2	4177800	> O-RING EPDM PLUG HELIX VP.	1
3.3	4234242	> O-RING 9X2 VP.	1
1.2	4234256	FLAT-GASKET 33X60X2 VP.	1
Note: TO / BIS / JUSQU'À: 06/97			
2	2127420	BASE PLATE 212X157 PN16 VP.	1
3	2035465	RADIAL BEARING MVIS2/4/8 KIT	1
3.1		> SUPPORTRING D.58/25,1X5 EPDM	1
3.2		> Thrust plate Gr.52 D.59/25,5X6 ceramic	1
3.3		> LANTERN MVIS GR.52 1.4301	1
3.4		> RADIAL BEARING D.58/40/25X32 AG.HT204	1
5	2018380	HOUSING PIPE D.152X263 1.4301 KIT	1
1.3	4176513	> O-RING FOR PUMP JACKET VP.	1
5.1		> HOUSING-PIPE-D152-VMI210/410-304	1
6	2018365	STUD BOLT M12X392 KIT	1
6.1		> TIE BOLT M12-392x18x30-1.4057	1
6.2	2094647	> NUT M12 M12 ISO4032 VP.	1
6.3	2123557	> WASHER CS-12.4-24-1.6-NFE25 (4 PIECES)	1
7	2531196	STATOR/TERMIN.BOX MVIS52A/2200 KIT V.A+B	1
Note: FOR/ FÜR/ POUR: MVIS.../A MVIS.../B			
7.1		> CARC.MOTEUR-EQUIPEE-52A/2200/2	1
7.2	2010301	> O-RING ID.117,07X3,53	1
7.3		> CAN GR.52A MWISE CPL.	1
7.4	2010309	> SCREW M10X25 DIN912 (4 PIECES)	1
7.5	4060523	> MVIS VENTING PLUG KIT	1
		>> SCREW PLUG M16X1X8 CUZN39PB3 NICKEL	1
		>> FLAT GASKET D.16,5/24X2,4EP906 TDS	1
7.6	2081105	> GASKET D.46/35X10,5 EPDM VP.	1
7.7	2127484	> JOINT RING CIRCULAR D.145/148X7,6 EPDM V	1

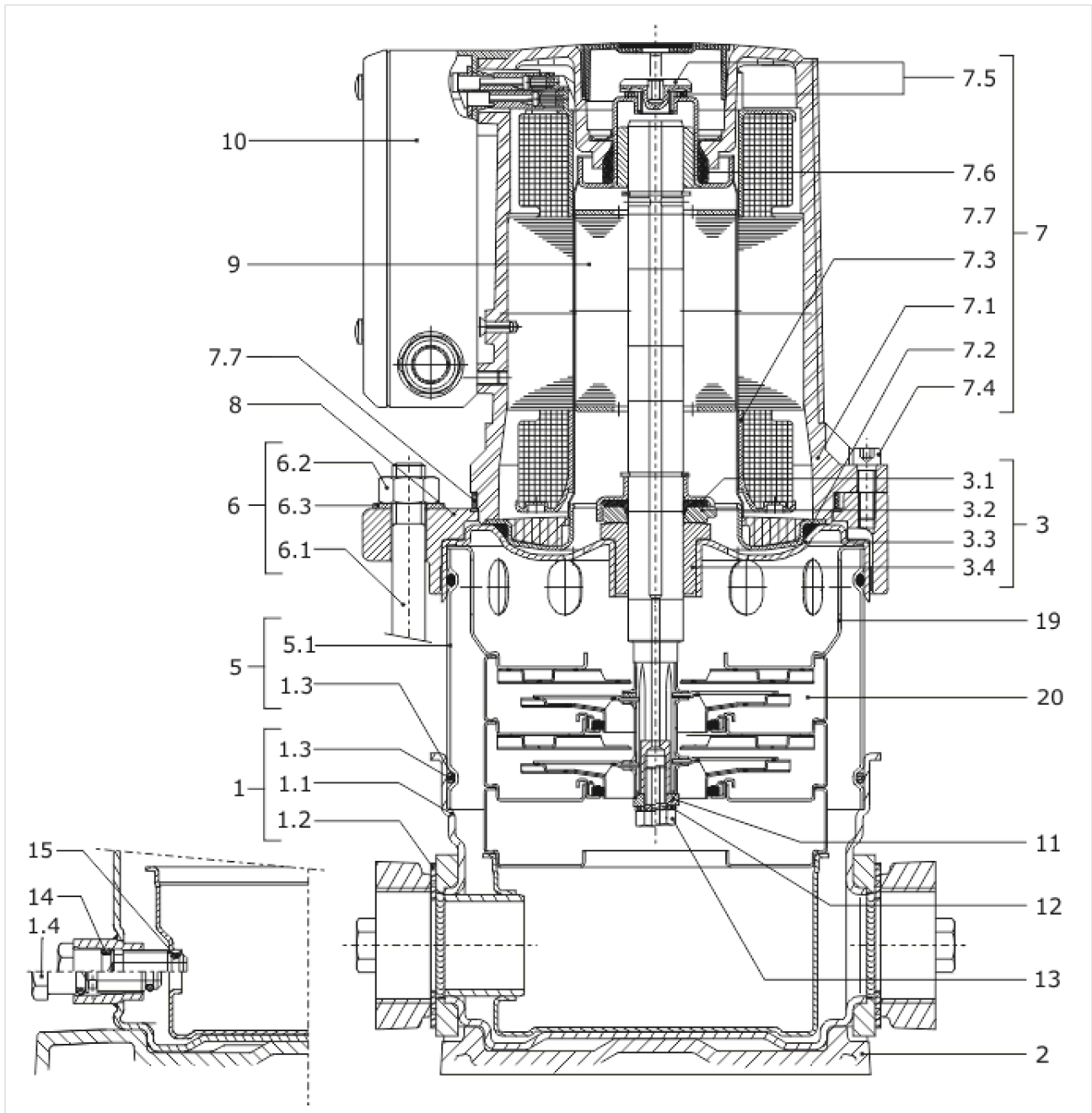
**MVIS410-1/16/K/3-400-50-2 (2009050)**

Item	Article no.	Description	Quantity
10		> TERMINAL BOX MVIS V3	1
		> JOINT-SPECIAL-T52-USINE	1
		> CIRCLIPS GR.52 D.47,1/37,4X9,5 PPN	1
7	2018395	STATOR-UNIT MVIS 52A/2200/2 VAR.B KIT	1
Note: FOR/ FÜR/ POUR: MVIS.../B			
7.1		> CARC.MOTEUR-EQUIPEE-52A/2200/2	1
7.2	2010301	> O-RING ID.117,07X3,53	1
7.3		> CAN GR.52A MWISE CPL.	1
7.4	2010309	> SCREW M10X25 DIN912 (4 PIECES)	1
7.5	4060523	> MVIS VENTING PLUG KIT	1
		>> SCREW PLUG M16X1X8 CUZN39PB3 NICKEL	1
		>> FLAT GASKET D.16,5/24X2,4EP906 TDS	1
7.6	2081105	> GASKET D.46/35X10,5 EPDM VP.	1
7.7	2127484	> JOINT RING CIRCULAR D.145/148X7,6 EPDM V	1
		> JOINT-SPECIAL-T52-USINE	1
		> CIRCLIPS GR.52 D.47,1/37,4X9,5 PPN	1
8	2008293	FLANGE MVIS GR.52 GG25	1
9	2018349	ROTOR-UNIT 52A MVIS2/4 KIT	1
10	4050644	TERMINAL BOX MVIS VARIANT A KIT	1
Note: FOR/ FÜR/ POUR: MVIS.../A			
10	4095141	TERMINAL BOX MVIS VARIANT B KIT	1
Note: FOR/ FÜR/ POUR: MVIS.../B			
11	4006203	WASHER D.16/13,8x3 1.4401	1
12	64697	STAINLESS-STEEL-WASHER-DE8	1
13	503144197	Screw M8X16 ISO4017 A4 GEBOHRT	1
14	4177800	O-RING EPDM PLUG HELIX VP.	1
15	4234242	O-RING 9X2 VP.	1
19	4234236	UPPER STAGE RFK.MVI2/4 1.4301 VP.	1
20		SPARE PARTS HYDRAULICS MVIS/MWISE	1



**SPARE PARTS HYDRAULICS MVIS/MVISE**

<b>Item</b>	<b>Article no.</b>	<b>Description</b>	<b>Quantity</b>
20.1	4050662	MVIS 400 STAGE KIT	1
		> STAGE HOUSING MVIS2/4 1.4301	1
		> IMPELLER MVI4 D.98,5x3,1 1.4301	1
		> SPACER IMPELLER MVI2/4 1.4435	1
		> OUTER CAGE OF SUCTION RING 2/4M3 1.4404	1
		> INNER CAGE OF SUCTION RING 2/4M3 1.4404	1
		> SUCTION-RING 2/4M3 PTFE	1
20.2	4050663	MVIS 400 STAGE KIT	1
		> IMPELLER MVI4 D.98,5x3,1 1.4301	1
		> SPACER IMPELLER MVI2/4 1.4435	1
		> OUTER CAGE OF SUCTION RING 2/4M3 1.4404	1
		> INNER CAGE OF SUCTION RING 2/4M3 1.4404	1
		> SUCTION-RING 2/4M3 PTFE	1
		> ST.CASING-RETURN CH.MVIS2/4-304-MACHI.	1

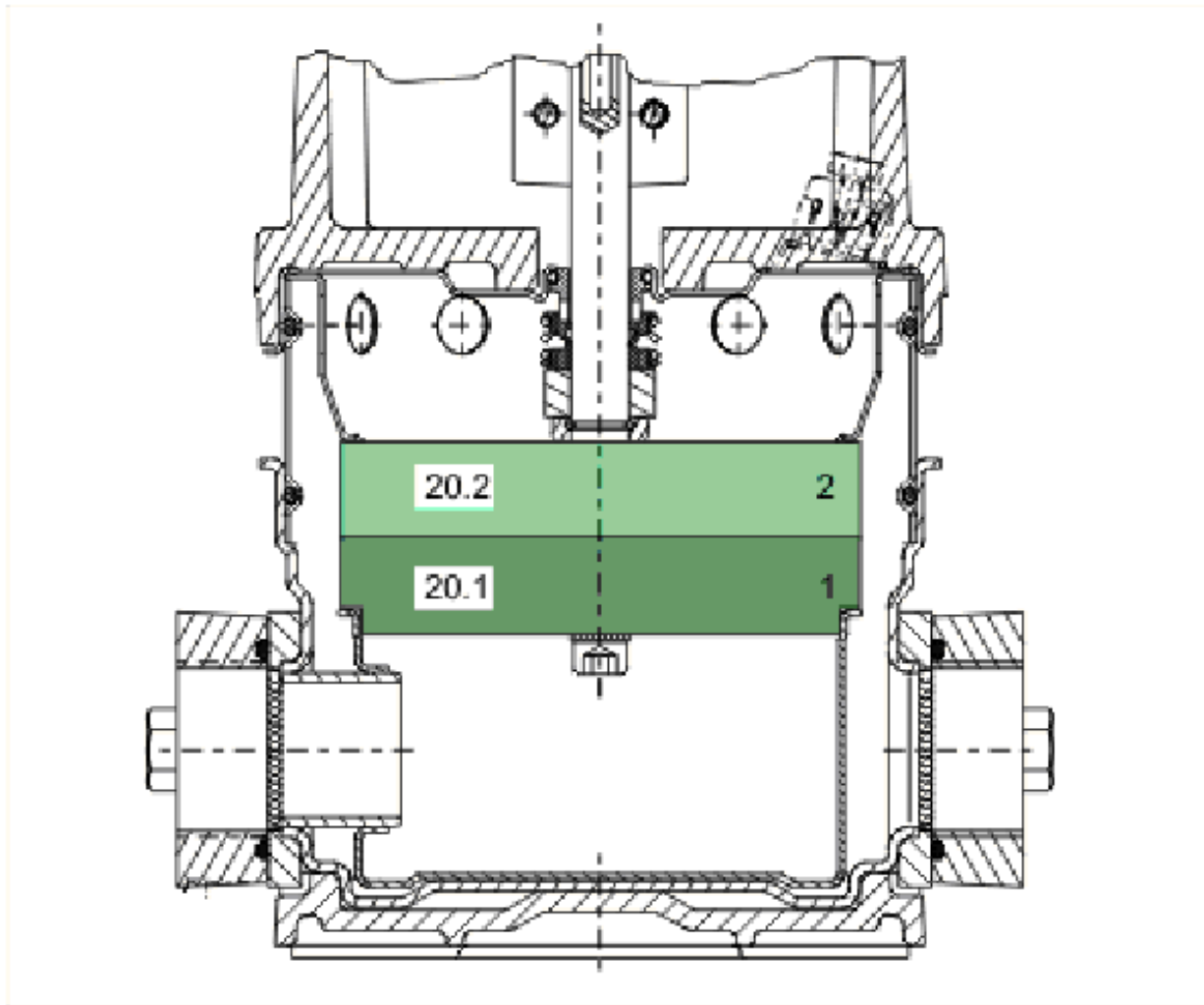


**MVIS802-1/16/K/3-400-50-2 (2009051)**

Item	Article no.	Description	Quantity
1	2027121	PUMP HOUSING MVI/MVIS DN50 PN16 KIT	1
1.1		> PUMP HOUSING MVI D.50 PN16 1.4301	1
1.2	4233954	> O-RING ID.66 EPDM VP.	1
Note: FROM / AB / À PARTIR DE: 07/97			
1.3	4176513	> O-RING FOR PUMP JACKET VP.	1
1.4	4234235	> PRIMING/DRAIN PLUG MVI6" 304 VP.	1
3.2	4177800	> O-RING EPDM PLUG HELIX VP.	1
3.3	4234242	> O-RING 9X2 VP.	1
1.2		FLAT GASKET D.50 C4430	1
Note: TO / BIS / JUSQU'À: 06/97no longer available/nicht mehr lieferbar			
1.2	2036343	COUNTER FLANGE/O-RING MVI/MVIS8 KIT	1
Note: Replacement for flat gasket D.50 /Ersatz für Flachdichtung D.50			
3.1		> OVAL-COUNT-FLANG-1"1/2-PN16-100-PAINT	1
3.2	2036344	> O-RING ID.66,27X3,53 EPDM VP.	1
2	4176517	BASEPLATE V8/10 VP.	1
3	2035465	RADIAL BEARING MVIS2/4/8 KIT	1
3.1		> SUPPORTRING D.58/25,1X5 EPDM	1
3.2		> Thrust plate Gr.52 D.59/25,5X6 ceramic	1
3.3		> LANTERN MVIS GR.52 1.4301	1
3.4		> RADIAL BEARING D.58/40/25X32 AG.HT204	1
5	2018382	HOUSING PIPE D.152X101 1.4301 KIT	1
5.1		> HOUSING-PIPE-D152-VMI802-304	1
1.3	4176513	> O-RING FOR PUMP JACKET VP.	1
6	2018366	STUD BOLT M12X227 MVIS8 KIT	1
6.1		> TIE BOLT M12-229x18x30-1.4057	1
6.2	2094647	> NUT M12 M12 ISO4032 VP.	1
6.3	2123557	> WASHER CS-12.4-24-1.6-NFE25 (4 PIECES)	1
7	2531195	STATOR/TERMIN.BOX MVIS 52/1100 KIT V.A+B	1
Note: FOR/ FÜR/ POUR: MVIS.../A MVIS.../B			
7.1		> CARC.MOTEUR-EQUIPEE-52/1100/2	1
7.2	2010301	> O-RING ID.117,07X3,53	1
7.3		> CAN GR.52 MWISE CPL.	1
7.4	2010309	> SCREW M10X25 DIN912 (4 PIECES)	1
7.5	4060523	> MVIS VENTING PLUG KIT	1

**MVIS802-1/16/K/3-400-50-2 (2009051)**

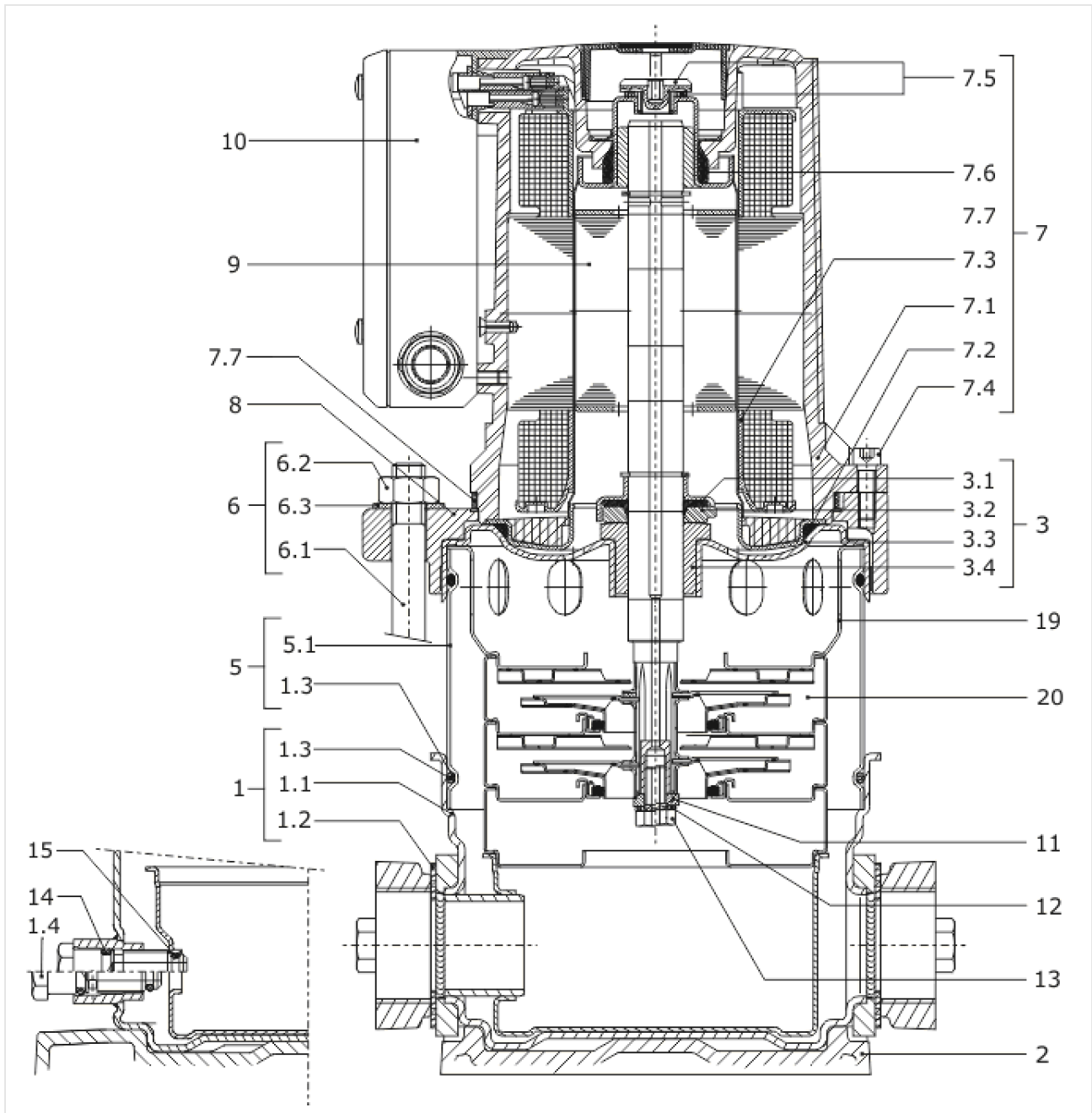
Item	Article no.	Description	Quantity
		>> SCREW PLUG M16X1X8 CUZN39PB3 NICKEL	1
		>> FLAT GASKET D.16,5/24X2,4EP906 TDS	1
7.6	2081105	> GASKET D.46/35X10,5 EPDM VP.	1
7.7	2127484	> JOINT RING CIRCULAR D.145/148X7,6 EPDM V	1
10		> TERMINAL BOX MVIS V3	1
		> JOINT-SPECIAL-T52-USINE	1
		> CIRCLIPS GR.52 D.47,1/37,4X9,5 PPN	1
		> JOINT RING CIRCULAR D.145/148X7,6 EPDM V	1
7	2018391	STATOR-UNIT MVIS 52/1100/2 VARIANT B KIT	1
Note: FOR/ FÜR/ POUR: MVIS.../B			
7.1		> CARC.MOTEUR-EQUIPEE-52/1100/2	1
7.2	2010301	> O-RING ID.117,07X3,53	1
7.3		> CAN GR.52 MWISE CPL.	1
7.4	2010309	> SCREW M10X25 DIN912 (4 PIECES)	1
7.5	4060523	> MVIS VENTING PLUG KIT	1
		>> SCREW PLUG M16X1X8 CUZN39PB3 NICKEL	1
		>> FLAT GASKET D.16,5/24X2,4EP906 TDS	1
7.6	2081105	> GASKET D.46/35X10,5 EPDM VP.	1
7.7	2127484	> JOINT RING CIRCULAR D.145/148X7,6 EPDM V	1
		> JOINT-SPECIAL-T52-USINE	1
		> CIRCLIPS GR.52 D.47,1/37,4X9,5 PPN	1
8	2008293	FLANGE MVIS GR.52 GG25	1
9	2018354	ROTOR-UNIT 52 MVIS8 KIT	1
10	4050644	TERMINAL BOX MVIS VARIANT A KIT	1
Note: FOR/ FÜR/ POUR: MVIS.../A			
10	4095141	TERMINAL BOX MVIS VARIANT B KIT	1
Note: FOR/ FÜR/ POUR: MVIS.../B			
11	4233950	FLAT WASHER-316L VP.	1
12	64697	STAINLESS-STEEL-WASHER-DE8	1
13	503144197	Screw M8X16 ISO4017 A4 GEBOHRT	1
14	4177800	O-RING EPDM PLUG HELIX VP.	1
15	4234242	O-RING 9X2 VP.	1
19	4234241	UPPER STAGE RFK.MVI8 1.4301 VP.	1
20		SPARE PARTS HYDRAULICS MVIS	1





**SPARE PARTS HYDRAULICS MVIS**

<b>Item</b>	<b>Article no.</b>	<b>Description</b>	<b>Quantity</b>
20.1	4050664	MVIS 800 STAGE KIT	1
		> STAGE HOUSING MVIS8 1.4301	1
		> IMPELLER MVI8 D.100,5x5,5 1.4301	1
		> SPACER IMPELLER MVI8 1.4435	1
		> OUTER CAGE OF SUCTION RING 8M3 1.4404	1
		> INNER CAGE OF SUCTION RING 8M3 1.4404	1
		> SUCTION-RING 8M3 PTFE	1
20.2	4050665	MVIS 800 STAGE KIT	1
		> IMPELLER MVI8 D.100,5x5,5 1.4301	1
		> SPACER IMPELLER MVI8 1.4435	1
		> OUTER CAGE OF SUCTION RING 8M3 1.4404	1
		> INNER CAGE OF SUCTION RING 8M3 1.4404	1
		> SUCTION-RING 8M3 PTFE	1
		> ST.CASING-RETURN CH.MVIS8-304-MACHI.	1

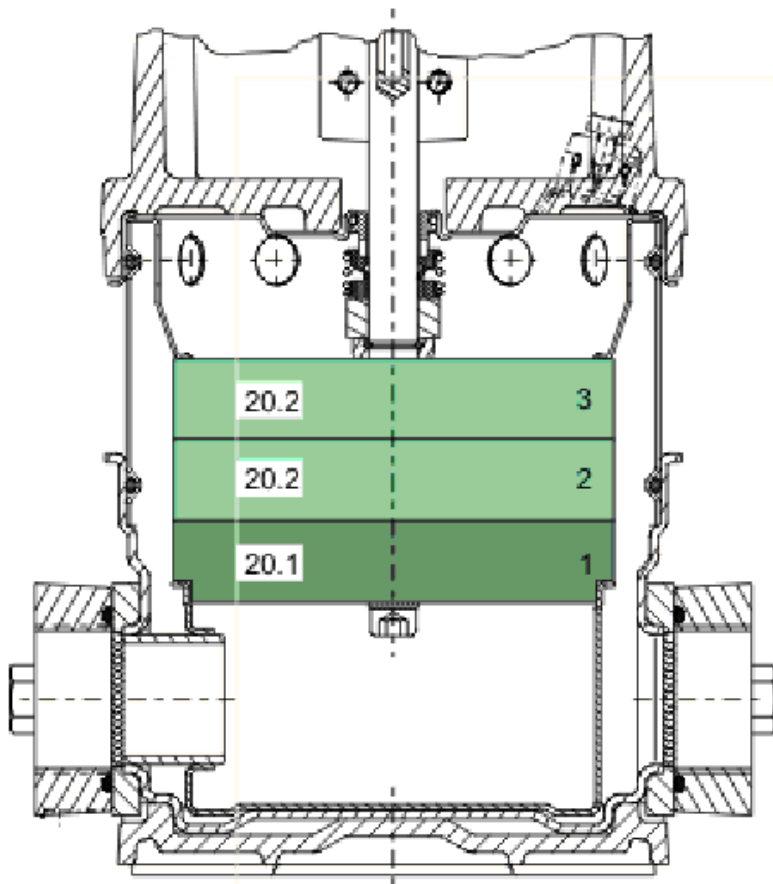


**MVIS803-1/16/K/3-400-50-2 (2009052)**

Item	Article no.	Description	Quantity
1	2027121	PUMP HOUSING MVI/MVIS DN50 PN16 KIT	1
1.1		> PUMP HOUSING MVI D.50 PN16 1.4301	1
1.2	4233954	> O-RING ID.66 EPDM VP.	1
Note: FROM / AB / À PARTIR DE: 07/97			
1.3	4176513	> O-RING FOR PUMP JACKET VP.	1
1.4	4234235	> PRIMING/DRAIN PLUG MVI6" 304 VP.	1
3.2	4177800	> O-RING EPDM PLUG HELIX VP.	1
3.3	4234242	> O-RING 9X2 VP.	1
1.2		FLAT GASKET D.50 C4430	1
Note: TO / BIS / JUSQU'À: 06/97no longer available/nicht mehr lieferbar			
1.2	2036343	COUNTER FLANGE/O-RING MVI/MVIS8 KIT	1
Note: Replacement for flat gasket D.50 /Ersatz für Flachdichtung D.50			
3.1		> OVAL-COUNT-FLANG-1"1/2-PN16-100-PAINT	1
3.2	2036344	> O-RING ID.66,27X3,53 EPDM VP.	1
2	4176517	BASEPLATE V8/10 VP.	1
3	2035465	RADIAL BEARING MVIS2/4/8 KIT	1
3.1		> SUPPORTRING D.58/25,1X5 EPDM	1
3.2		> Thrust plate Gr.52 D.59/25,5X6 ceramic	1
3.3		> LANTERN MVIS GR.52 1.4301	1
3.4		> RADIAL BEARING D.58/40/25X32 AG.HT204	1
5	2018383	HOUSING PIPE D.152X131 1.4301 KIT	1
1.3	4176513	> O-RING FOR PUMP JACKET VP.	1
5.1		> HOUSING-PIPE-D152-VMI803-304	1
6	2018367	STUD BOLT M12X257 KIT	1
6.1		> TIE BOLT M12-257x18x30-1.4057	1
6.2	2094647	> NUT M12 M12 ISO4032 VP.	1
6.3	2123557	> WASHER CS-12.4-24-1.6-NFE25 (4 PIECES)	1
7	2531195	STATOR/TERMIN.BOX MVIS 52/1100 KIT V.A+B	1
Note: FOR/ FÜR/ POUR: MVIS.../A MVIS.../B			
7.1		> CARC.MOTEUR-EQUIPEE-52/1100/2	1
7.2	2010301	> O-RING ID.117,07X3,53	1
7.3		> CAN GR.52 MWISE CPL.	1
7.4	2010309	> SCREW M10X25 DIN912 (4 PIECES)	1
7.5	4060523	> MVIS VENTING PLUG KIT	1

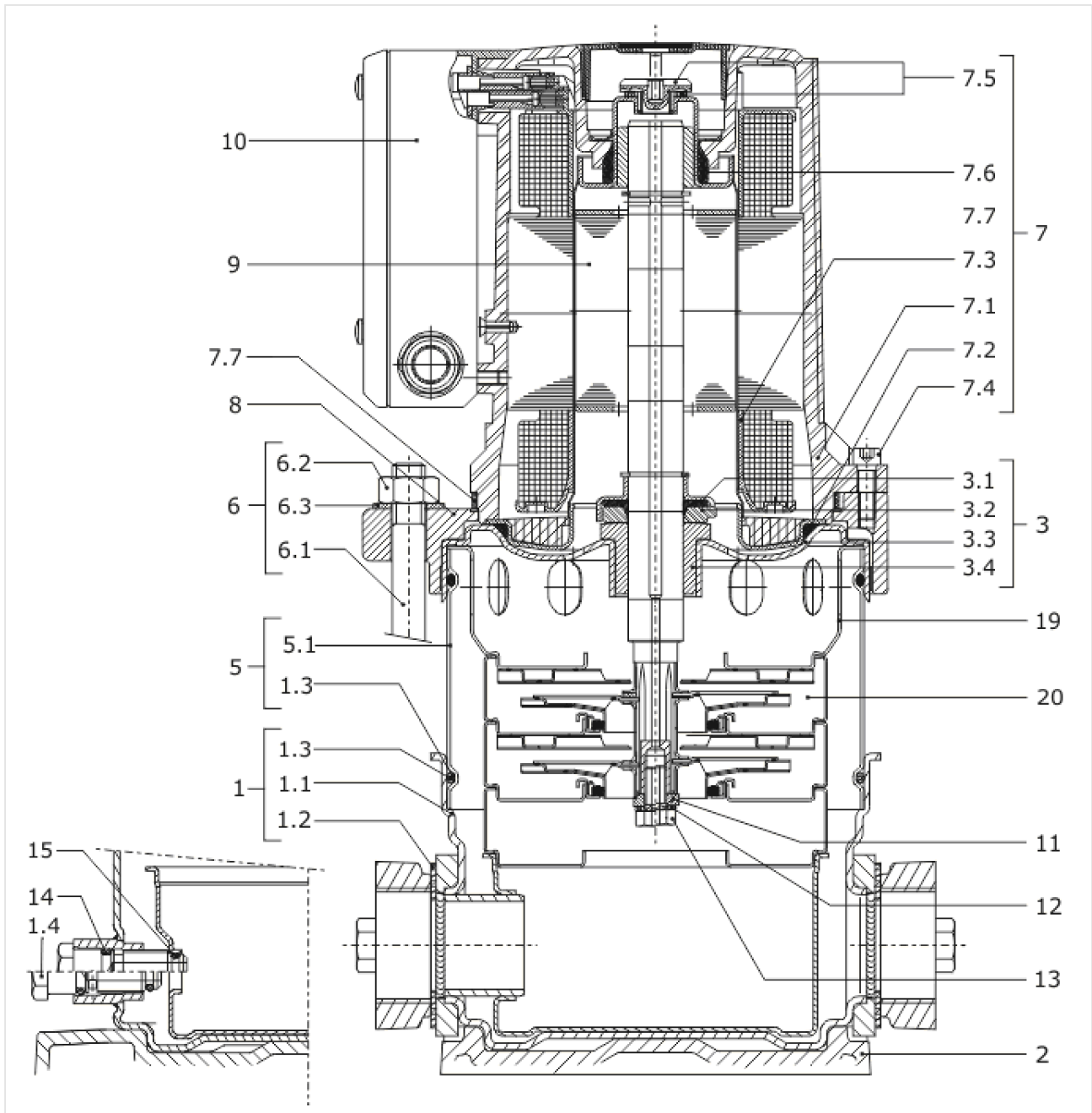
**MVIS803-1/16/K/3-400-50-2 (2009052)**

Item	Article no.	Description	Quantity
		>> SCREW PLUG M16X1X8 CUZN39PB3 NICKEL	1
		>> FLAT GASKET D.16,5/24X2,4EP906 TDS	1
7.6	2081105	> GASKET D.46/35X10,5 EPDM VP.	1
7.7	2127484	> JOINT RING CIRCULAR D.145/148X7,6 EPDM V	1
10		> TERMINAL BOX MVIS V3	1
		> JOINT-SPECIAL-T52-USINE	1
		> CIRCLIPS GR.52 D.47,1/37,4X9,5 PPN	1
		> JOINT RING CIRCULAR D.145/148X7,6 EPDM V	1
7	2018391	STATOR-UNIT MVIS 52/1100/2 VARIANT B KIT	1
Note: FOR/ FÜR/ POUR: MVIS.../B			
7.1		> CARC.MOTEUR-EQUIPEE-52/1100/2	1
7.2	2010301	> O-RING ID.117,07X3,53	1
7.3		> CAN GR.52 MWISE CPL.	1
7.4	2010309	> SCREW M10X25 DIN912 (4 PIECES)	1
7.5	4060523	> MVIS VENTING PLUG KIT	1
		>> SCREW PLUG M16X1X8 CUZN39PB3 NICKEL	1
		>> FLAT GASKET D.16,5/24X2,4EP906 TDS	1
7.6	2081105	> GASKET D.46/35X10,5 EPDM VP.	1
7.7	2127484	> JOINT RING CIRCULAR D.145/148X7,6 EPDM V	1
		> JOINT-SPECIAL-T52-USINE	1
		> CIRCLIPS GR.52 D.47,1/37,4X9,5 PPN	1
8	2008293	FLANGE MVIS GR.52 GG25	1
9	2018355	ROTOR-UNIT 52 MVIS8 KIT	1
10	4050644	TERMINAL BOX MVIS VARIANT A KIT	1
Note: FOR/ FÜR/ POUR: MVIS.../A			
10	4095141	TERMINAL BOX MVIS VARIANT B KIT	1
Note: FOR/ FÜR/ POUR: MVIS.../B			
11	4233950	FLAT WASHER-316L VP.	1
12	64697	STAINLESS-STEEL-WASHER-DE8	1
13	503144197	Screw M8X16 ISO4017 A4 GEBOHRT	1
14	4177800	O-RING EPDM PLUG HELIX VP.	1
15	4234242	O-RING 9X2 VP.	1
19	4234241	UPPER STAGE RFK.MVI8 1.4301 VP.	1
20		SPARE PARTS HYDRAULICS MVIS/MWISE 1.4301	1



**SPARE PARTS HYDRAULICS MVIS/MVISE 1.4301**

Item	Article no.	Description	Quantity
20.1	4050664	MVIS 800 STAGE KIT	1
		> STAGE HOUSING MVIS8 1.4301	1
		> IMPELLER MVI8 D.100,5x5,5 1.4301	1
		> SPACER IMPELLER MVI8 1.4435	1
		> OUTER CAGE OF SUCTION RING 8M3 1.4404	1
		> INNER CAGE OF SUCTION RING 8M3 1.4404	1
		> SUCTION-RING 8M3 PTFE	1
20.2	4050665	MVIS 800 STAGE KIT	1
		> IMPELLER MVI8 D.100,5x5,5 1.4301	1
		> SPACER IMPELLER MVI8 1.4435	1
		> OUTER CAGE OF SUCTION RING 8M3 1.4404	1
		> INNER CAGE OF SUCTION RING 8M3 1.4404	1
		> SUCTION-RING 8M3 PTFE	1
		> ST.CASING-RETURN CH.MVIS8-304-MACHI.	1



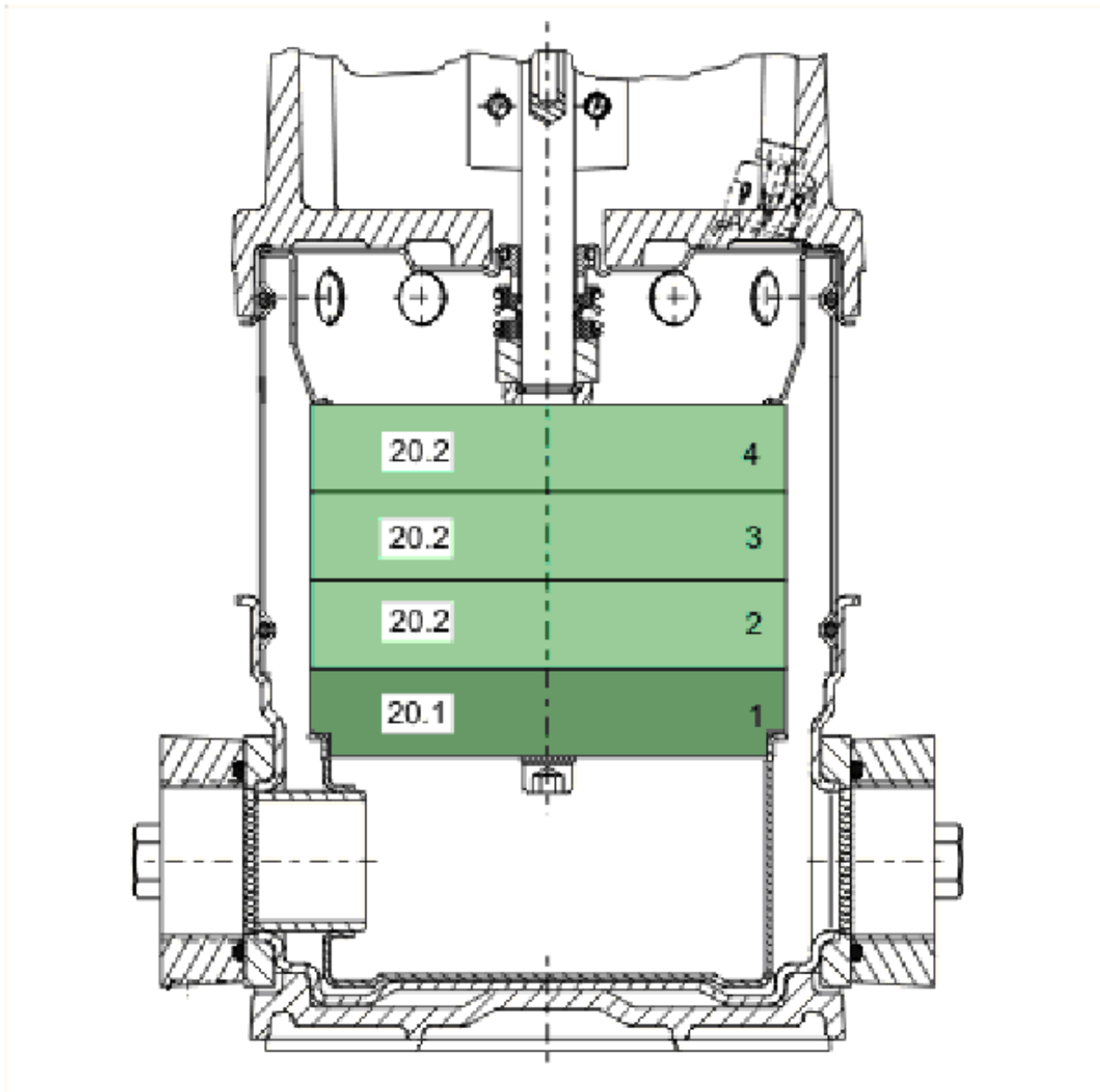
**MVIS804-1/16/K/3-400-50-2 (2009053)**

Item	Article no.	Description	Quantity
1	2027121	PUMP HOUSING MVI/MVIS DN50 PN16 KIT	1
1.1		> PUMP HOUSING MVI D.50 PN16 1.4301	1
1.2	4233954	> O-RING ID.66 EPDM VP.	1
Note: FROM / AB / À PARTIR DE: 07/97			
1.3	4176513	> O-RING FOR PUMP JACKET VP.	1
1.4	4234235	> PRIMING/DRAIN PLUG MVI6" 304 VP.	1
3.2	4177800	> O-RING EPDM PLUG HELIX VP.	1
3.3	4234242	> O-RING 9X2 VP.	1
1.2		FLAT GASKET D.50 C4430	1
Note: TO / BIS / JUSQU'À: 06/97no longer available/nicht mehr lieferbar			
1.2	2036343	COUNTER FLANGE/O-RING MVI/MVIS8 KIT	1
Note: Replacement for flat gasket D.50 /Ersatz für Flachdichtung D.50			
3.1		> OVAL-COUNT-FLANG-1"1/2-PN16-100-PAINT	1
3.2	2036344	> O-RING ID.66,27X3,53 EPDM VP.	1
2	4176517	BASEPLATE V8/10 VP.	1
3	2035465	RADIAL BEARING MVIS2/4/8 KIT	1
3.1		> SUPPORTRING D.58/25,1X5 EPDM	1
3.2		> Thrust plate Gr.52 D.59/25,5X6 ceramic	1
3.3		> LANTERN MVIS GR.52 1.4301	1
3.4		> RADIAL BEARING D.58/40/25X32 AG.HT204	1
5	2018384	HOUSING PIPE D.152X161 1.4301 KIT	1
5.1		> HOUSING-PIPE-D152-VMI804-304	1
1.3	4176513	> O-RING FOR PUMP JACKET VP.	1
6	2018368	STUD BOLT M12X289 KIT	1
6.1		> TIE BOLT M12-289x18x30-1.4057	1
6.2	2094647	> NUT M12 M12 ISO4032 VP.	1
6.3	2123557	> WASHER CS-12.4-24-1.6-NFE25 (4 PIECES)	1
7	2531195	STATOR/TERMIN.BOX MVIS 52/1100 KIT V.A+B	1
Note: FOR/ FÜR/ POUR: MVIS.../A MVIS.../B			
7.1		> CARC.MOTEUR-EQUIPEE-52/1100/2	1
7.2	2010301	> O-RING ID.117,07X3,53	1
7.3		> CAN GR.52 MWISE CPL.	1
7.4	2010309	> SCREW M10X25 DIN912 (4 PIECES)	1
7.5	4060523	> MVIS VENTING PLUG KIT	1



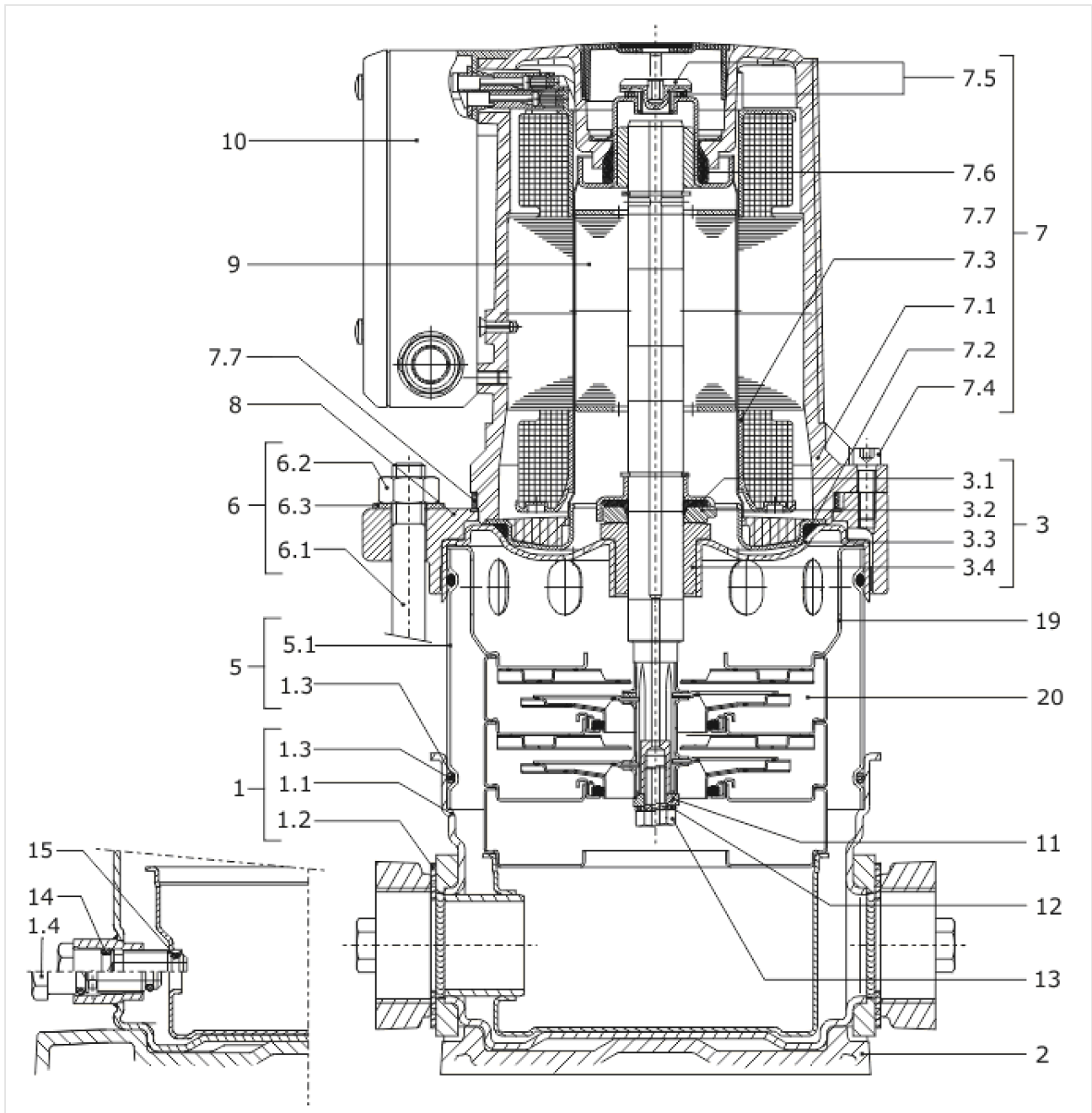
**MVIS804-1/16/K/3-400-50-2 (2009053)**

Item	Article no.	Description	Quantity
		>> SCREW PLUG M16X1X8 CUZN39PB3 NICKEL	1
		>> FLAT GASKET D.16,5/24X2,4EP906 TDS	1
7.6	2081105	> GASKET D.46/35X10,5 EPDM VP.	1
7.7	2127484	> JOINT RING CIRCULAR D.145/148X7,6 EPDM V	1
10		> TERMINAL BOX MVIS V3	1
		> JOINT-SPECIAL-T52-USINE	1
		> CIRCLIPS GR.52 D.47,1/37,4X9,5 PPN	1
		> JOINT RING CIRCULAR D.145/148X7,6 EPDM V	1
7	2018391	STATOR-UNIT MVIS 52/1100/2 VARIANT B KIT	1
Note: FOR/ FÜR/ POUR: MVIS.../B			
7.1		> CARC.MOTEUR-EQUIPEE-52/1100/2	1
7.2	2010301	> O-RING ID.117,07X3,53	1
7.3		> CAN GR.52 MWISE CPL.	1
7.4	2010309	> SCREW M10X25 DIN912 (4 PIECES)	1
7.5	4060523	> MVIS VENTING PLUG KIT	1
		>> SCREW PLUG M16X1X8 CUZN39PB3 NICKEL	1
		>> FLAT GASKET D.16,5/24X2,4EP906 TDS	1
7.6	2081105	> GASKET D.46/35X10,5 EPDM VP.	1
7.7	2127484	> JOINT RING CIRCULAR D.145/148X7,6 EPDM V	1
		> JOINT-SPECIAL-T52-USINE	1
		> CIRCLIPS GR.52 D.47,1/37,4X9,5 PPN	1
8	2008293	FLANGE MVIS GR.52 GG25	1
9	2018344	ROTOR-UNIT 52 MVIS2/4/8 KIT	1
10	4050644	TERMINAL BOX MVIS VARIANT A KIT	1
Note: FOR/ FÜR/ POUR: MVIS.../A			
10	4095141	TERMINAL BOX MVIS VARIANT B KIT	1
Note: FOR/ FÜR/ POUR: MVIS.../B			
11	4233950	FLAT WASHER-316L VP.	1
12	64697	STAINLESS-STEEL-WASHER-DE8	1
13	503144197	Screw M8X16 ISO4017 A4 GEBOHRT	1
14	4177800	O-RING EPDM PLUG HELIX VP.	1
15	4234242	O-RING 9X2 VP.	1
19	4234241	UPPER STAGE RFK.MVI8 1.4301 VP.	1
20		SPARE PARTS HYDRAULICS MVIS	1



**SPARE PARTS HYDRAULICS MVIS**

Item	Article no.	Description	Quantity
20.1	4050664	MVIS 800 STAGE KIT	1
		> STAGE HOUSING MVIS8 1.4301	1
		> IMPELLER MVI8 D.100,5x5,5 1.4301	1
		> SPACER IMPELLER MVI8 1.4435	1
		> OUTER CAGE OF SUCTION RING 8M3 1.4404	1
		> INNER CAGE OF SUCTION RING 8M3 1.4404	1
		> SUCTION-RING 8M3 PTFE	1
20.2	4050665	MVIS 800 STAGE KIT	1
		> IMPELLER MVI8 D.100,5x5,5 1.4301	1
		> SPACER IMPELLER MVI8 1.4435	1
		> OUTER CAGE OF SUCTION RING 8M3 1.4404	1
		> INNER CAGE OF SUCTION RING 8M3 1.4404	1
		> SUCTION-RING 8M3 PTFE	1
		> ST.CASING-RETURN CH.MVIS8-304-MACHI.	1

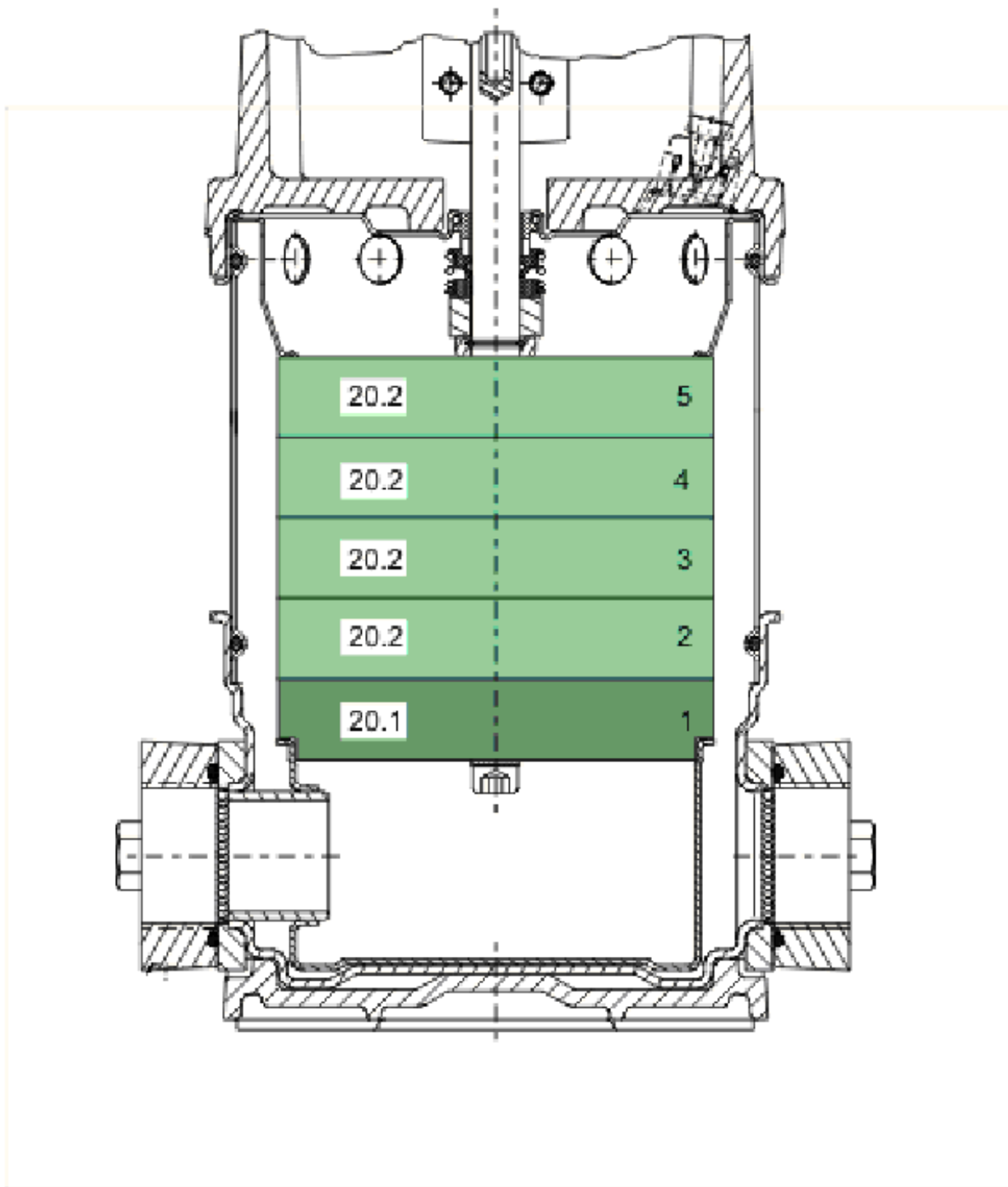


**MVIS805-1/16/K/3-400-50-2 (2009054)**

Item	Article no.	Description	Quantity
1	2027121	PUMP HOUSING MVI/MVIS DN50 PN16 KIT	1
1.1		> PUMP HOUSING MVI D.50 PN16 1.4301	1
1.2	4233954	> O-RING ID.66 EPDM VP.	1
Note: FROM / AB / À PARTIR DE: 07/97			
1.3	4176513	> O-RING FOR PUMP JACKET VP.	1
1.4	4234235	> PRIMING/DRAIN PLUG MVI6" 304 VP.	1
3.2	4177800	> O-RING EPDM PLUG HELIX VP.	1
3.3	4234242	> O-RING 9X2 VP.	1
1.2		FLAT GASKET D.50 C4430	1
Note: TO / BIS / JUSQU'À: 06/97no longer available/nicht mehr lieferbar			
1.2	2036343	COUNTER FLANGE/O-RING MVI/MVIS8 KIT	1
Note: Replacement for flat gasket D.50 /Ersatz für Flachdichtung D.50			
3.1		> OVAL-COUNT-FLANG-1"1/2-PN16-100-PAINT	1
3.2	2036344	> O-RING ID.66,27X3,53 EPDM VP.	1
2	4176517	BASEPLATE V8/10 VP.	1
3	2035465	RADIAL BEARING MVIS2/4/8 KIT	1
3.1		> SUPPORTRING D.58/25,1X5 EPDM	1
3.2		> Thrust plate Gr.52 D.59/25,5X6 ceramic	1
3.3		> LANTERN MVIS GR.52 1.4301	1
3.4		> RADIAL BEARING D.58/40/25X32 AG.HT204	1
5	2018378	HOUSING PIPE D.152X167 1.4301 KIT	1
5.1		> HOUSING-PIPE-D152-VMI207/805/1603/04-304	1
1.3	4176513	> O-RING FOR PUMP JACKET VP.	1
6	2018362	STUD BOLT M12X317 KIT	1
6.1		> TIE BOLT M12-317x18x30-1.4057	1
6.2	2094647	> NUT M12 M12 ISO4032 VP.	1
6.3	2123557	> WASHER CS-12.4-24-1.6-NFE25 (4 PIECES)	1
7	2531196	STATOR/TERMIN.BOX MVIS52A/2200 KIT V.A.+B	1
Note: FOR/ FÜR/ POUR: MVIS.../A MVIS.../B			
7.1		> CARC.MOTEUR-EQUIPEE-52A/2200/2	1
7.2	2010301	> O-RING ID.117,07X3,53	1
7.3		> CAN GR.52A MVI SE CPL.	1
7.4	2010309	> SCREW M10X25 DIN912 (4 PIECES)	1
7.5	4060523	> MVIS VENTING PLUG KIT	1

**MVIS805-1/16/K/3-400-50-2 (2009054)**

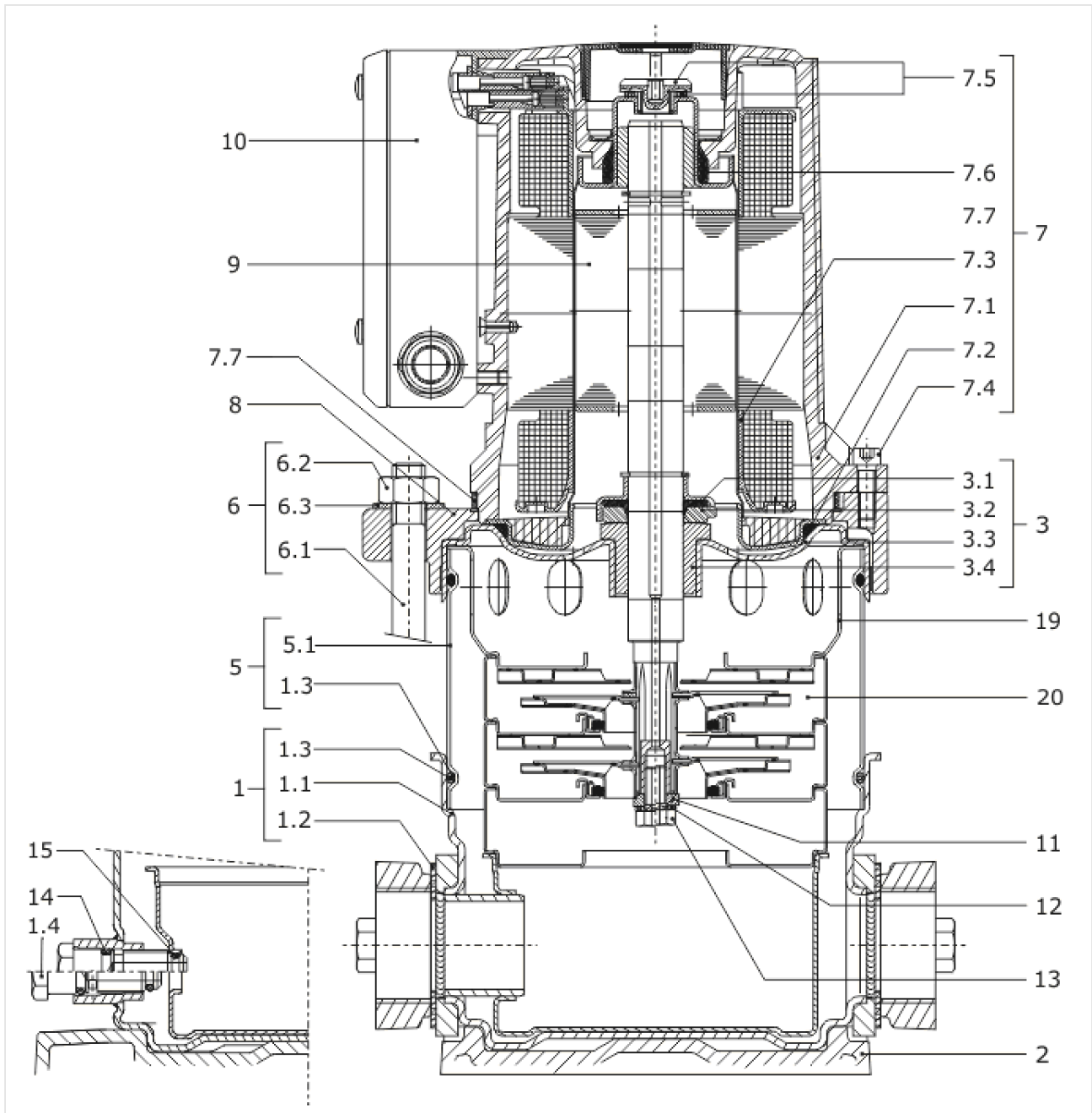
Item	Article no.	Description	Quantity
		>> SCREW PLUG M16X1X8 CUZN39PB3 NICKEL	1
		>> FLAT GASKET D.16,5/24X2,4EP906 TDS	1
7.6	2081105	> GASKET D.46/35X10,5 EPDM VP.	1
7.7	2127484	> JOINT RING CIRCULAR D.145/148X7,6 EPDM V	1
10		> TERMINAL BOX MVIS V3	1
		> JOINT-SPECIAL-T52-USINE	1
		> CIRCLIPS GR.52 D.47,1/37,4X9,5 PPN	1
7	2018395	STATOR-UNIT MVIS 52A/2200/2 VAR.B KIT	1
Note: FOR/ FÜR/ POUR: MVIS.../B			
7.1		> CARC.MOTEUR-EQUIPEE-52A/2200/2	1
7.2	2010301	> O-RING ID.117,07X3,53	1
7.3		> CAN GR.52A MWISE CPL.	1
7.4	2010309	> SCREW M10X25 DIN912 (4 PIECES)	1
7.5	4060523	> MVIS VENTING PLUG KIT	1
		>> SCREW PLUG M16X1X8 CUZN39PB3 NICKEL	1
		>> FLAT GASKET D.16,5/24X2,4EP906 TDS	1
7.6	2081105	> GASKET D.46/35X10,5 EPDM VP.	1
7.7	2127484	> JOINT RING CIRCULAR D.145/148X7,6 EPDM V	1
		> JOINT-SPECIAL-T52-USINE	1
		> CIRCLIPS GR.52 D.47,1/37,4X9,5 PPN	1
8	2008293	FLANGE MVIS GR.52 GG25	1
9	2018356	ROTOR-UNIT 52A MVIS8 KIT	1
10	4050644	TERMINAL BOX MVIS VARIANT A KIT	1
Note: FOR/ FÜR/ POUR: MVIS.../A			
10	4095141	TERMINAL BOX MVIS VARIANT B KIT	1
Note: FOR/ FÜR/ POUR: MVIS.../B			
11	4233950	FLAT WASHER-316L VP.	1
12	64697	STAINLESS-STEEL-WASHER-DE8	1
13	503144197	Screw M8X16 ISO4017 A4 GEBOHRT	1
14	4177800	O-RING EPDM PLUG HELIX VP.	1
15	4234242	O-RING 9X2 VP.	1
19	4234241	UPPER STAGE RFK.MVI8 1.4301 VP.	1
20		SPARE PARTS HYDRAULICS MVIS	1



**SPARE PARTS HYDRAULICS MVIS**

<b>Item</b>	<b>Article no.</b>	<b>Description</b>	<b>Quantity</b>
20.1	4050664	MVIS 800 STAGE KIT	1
		> STAGE HOUSING MVIS8 1.4301	1
		> IMPELLER MVI8 D.100,5x5,5 1.4301	1
		> SPACER IMPELLER MVI8 1.4435	1
		> OUTER CAGE OF SUCTION RING 8M3 1.4404	1
		> INNER CAGE OF SUCTION RING 8M3 1.4404	1
		> SUCTION-RING 8M3 PTFE	1
20.2	4050665	MVIS 800 STAGE KIT	1
		> IMPELLER MVI8 D.100,5x5,5 1.4301	1
		> SPACER IMPELLER MVI8 1.4435	1
		> OUTER CAGE OF SUCTION RING 8M3 1.4404	1
		> INNER CAGE OF SUCTION RING 8M3 1.4404	1
		> SUCTION-RING 8M3 PTFE	1
		> ST.CASING-RETURN CH.MVIS8-304-MACHI.	1



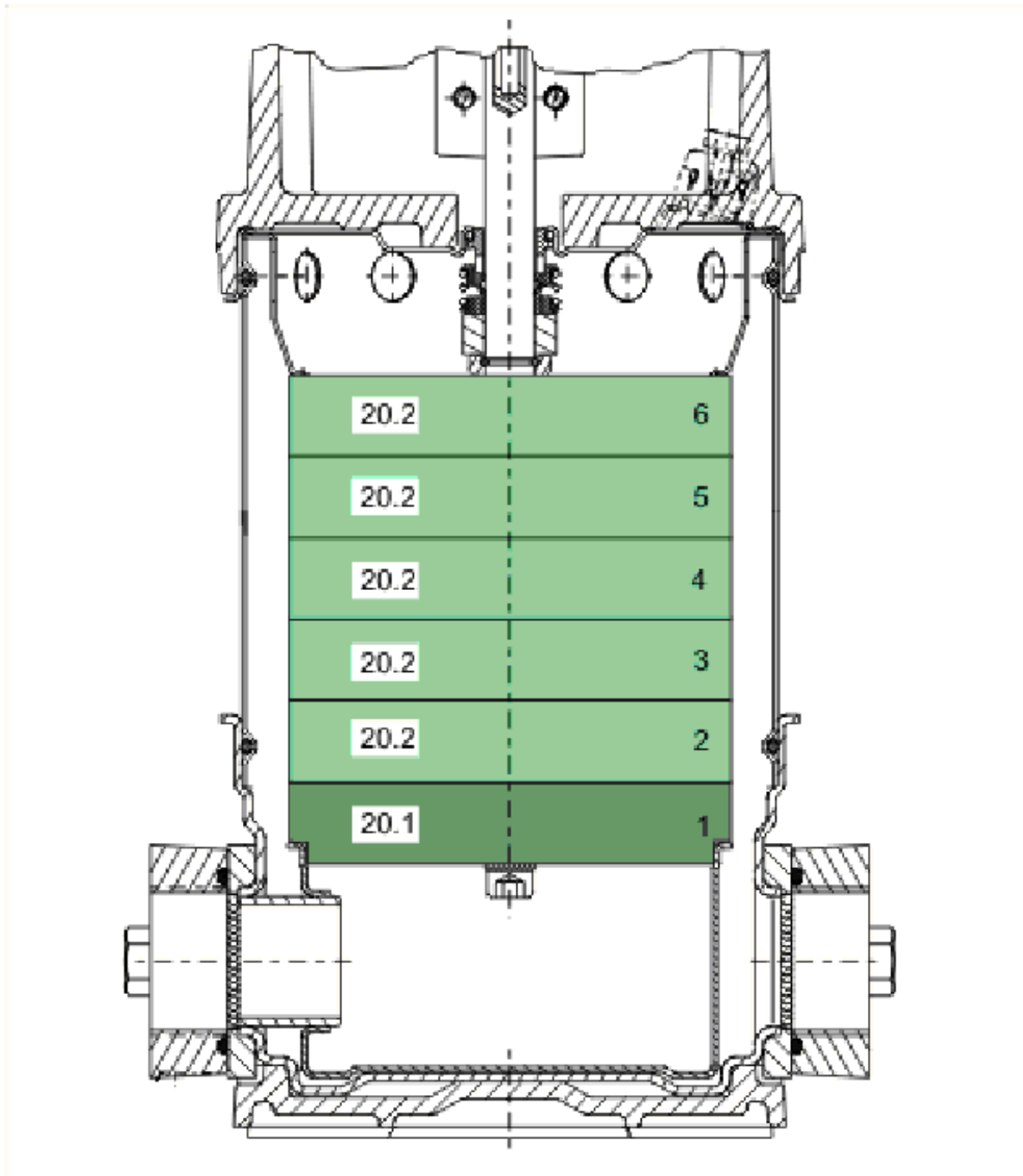


**MVIS806-1/16/K/3-400-50-2 (2009055)**

Item	Article no.	Description	Quantity
1	2027121	PUMP HOUSING MVI/MVIS DN50 PN16 KIT	1
1.1		> PUMP HOUSING MVI D.50 PN16 1.4301	1
1.2	4233954	> O-RING ID.66 EPDM VP.	1
Note: FROM / AB / À PARTIR DE: 07/97			
1.3	4176513	> O-RING FOR PUMP JACKET VP.	1
1.4	4234235	> PRIMING/DRAIN PLUG MVI6" 304 VP.	1
3.2	4177800	> O-RING EPDM PLUG HELIX VP.	1
3.3	4234242	> O-RING 9X2 VP.	1
1.2		FLAT GASKET D.50 C4430	1
Note: TO / BIS / JUSQU'À: 06/97no longer available/nicht mehr lieferbar			
1.2	2036343	COUNTER FLANGE/O-RING MVI/MVIS8 KIT	1
Note: Replacement for flat gasket D.50 /Ersatz für Flachdichtung D.50			
3.1		> OVAL-COUNT-FLANG-1"1/2-PN16-100-PAINT	1
3.2	2036344	> O-RING ID.66,27X3,53 EPDM VP.	1
2	4176517	BASEPLATE V8/10 VP.	1
3	2035465	RADIAL BEARING MVIS2/4/8 KIT	1
3.1		> SUPPORTRING D.58/25,1X5 EPDM	1
3.2		> Thrust plate Gr.52 D.59/25,5X6 ceramic	1
3.3		> LANTERN MVIS GR.52 1.4301	1
3.4		> RADIAL BEARING D.58/40/25X32 AG.HT204	1
5	2018385	HOUSING PIPE D.152X221 1.4301 KIT	1
1.3	4176513	> O-RING FOR PUMP JACKET VP.	1
5.1		> HOUSING-PIPE-D152-VMI806-304	1
6	2018369	STUD BOLT M12X347 KIT	1
6.1		> TIE BOLT M12-349x18x30-1.4057	1
6.2	2094647	> NUT M12 M12 ISO4032 VP.	1
6.3	2123557	> WASHER CS-12.4-24-1.6-NFE25 (4 PIECES)	1
7	2531196	STATOR/TERMIN.BOX MVIS52A/2200 KIT V.A.+B	1
Note: FOR/ FÜR/ POUR: MVIS.../A MVIS.../B			
7.1		> CARC.MOTEUR-EQUIPEE-52A/2200/2	1
7.2	2010301	> O-RING ID.117,07X3,53	1
7.3		> CAN GR.52A MVISE CPL.	1
7.4	2010309	> SCREW M10X25 DIN912 (4 PIECES)	1
7.5	4060523	> MVIS VENTING PLUG KIT	1

**MVIS806-1/16/K/3-400-50-2 (2009055)**

Item	Article no.	Description	Quantity
		>> SCREW PLUG M16X1X8 CUZN39PB3 NICKEL	1
		>> FLAT GASKET D.16,5/24X2,4EP906 TDS	1
7.6	2081105	> GASKET D.46/35X10,5 EPDM VP.	1
7.7	2127484	> JOINT RING CIRCULAR D.145/148X7,6 EPDM V	1
10		> TERMINAL BOX MVIS V3	1
		> JOINT-SPECIAL-T52-USINE	1
		> CIRCLIPS GR.52 D.47,1/37,4X9,5 PPN	1
7	2018395	STATOR-UNIT MVIS 52A/2200/2 VAR.B KIT	1
Note: FOR/ FÜR/ POUR: MVIS.../B			
7.1		> CARC.MOTEUR-EQUIPEE-52A/2200/2	1
7.2	2010301	> O-RING ID.117,07X3,53	1
7.3		> CAN GR.52A MWISE CPL.	1
7.4	2010309	> SCREW M10X25 DIN912 (4 PIECES)	1
7.5	4060523	> MVIS VENTING PLUG KIT	1
		>> SCREW PLUG M16X1X8 CUZN39PB3 NICKEL	1
		>> FLAT GASKET D.16,5/24X2,4EP906 TDS	1
7.6	2081105	> GASKET D.46/35X10,5 EPDM VP.	1
7.7	2127484	> JOINT RING CIRCULAR D.145/148X7,6 EPDM V	1
		> JOINT-SPECIAL-T52-USINE	1
		> CIRCLIPS GR.52 D.47,1/37,4X9,5 PPN	1
8	2008293	FLANGE MVIS GR.52 GG25	1
9	2018357	ROTOR-UNIT 52A MVIS8 KIT	1
10	4050644	TERMINAL BOX MVIS VARIANT A KIT	1
Note: FOR/ FÜR/ POUR: MVIS.../A			
10	4095141	TERMINAL BOX MVIS VARIANT B KIT	1
Note: FOR/ FÜR/ POUR: MVIS.../B			
11	4233950	FLAT WASHER-316L VP.	1
12	64697	STAINLESS-STEEL-WASHER-DE8	1
13	503144197	Screw M8X16 ISO4017 A4 GEBOHRT	1
14	4177800	O-RING EPDM PLUG HELIX VP.	1
15	4234242	O-RING 9X2 VP.	1
19	4234241	UPPER STAGE RFK.MVI8 1.4301 VP.	1
20		SPARE PARTS HYDRAULICS MVIS/MWISE	1



**SPARE PARTS HYDRAULICS MVIS/MVISE**

Item	Article no.	Description	Quantity
20.1	4050664	MVIS 800 STAGE KIT	1
		> STAGE HOUSING MVIS8 1.4301	1
		> IMPELLER MVI8 D.100,5x5,5 1.4301	1
		> SPACER IMPELLER MVI8 1.4435	1
		> OUTER CAGE OF SUCTION RING 8M3 1.4404	1
		> INNER CAGE OF SUCTION RING 8M3 1.4404	1
		> SUCTION-RING 8M3 PTFE	1
20.2	4050665	MVIS 800 STAGE KIT	1
		> IMPELLER MVI8 D.100,5x5,5 1.4301	1
		> SPACER IMPELLER MVI8 1.4435	1
		> OUTER CAGE OF SUCTION RING 8M3 1.4404	1
		> INNER CAGE OF SUCTION RING 8M3 1.4404	1
		> SUCTION-RING 8M3 PTFE	1
		> ST.CASING-RETURN CH.MVIS8-304-MACHI.	1