



Helix V10

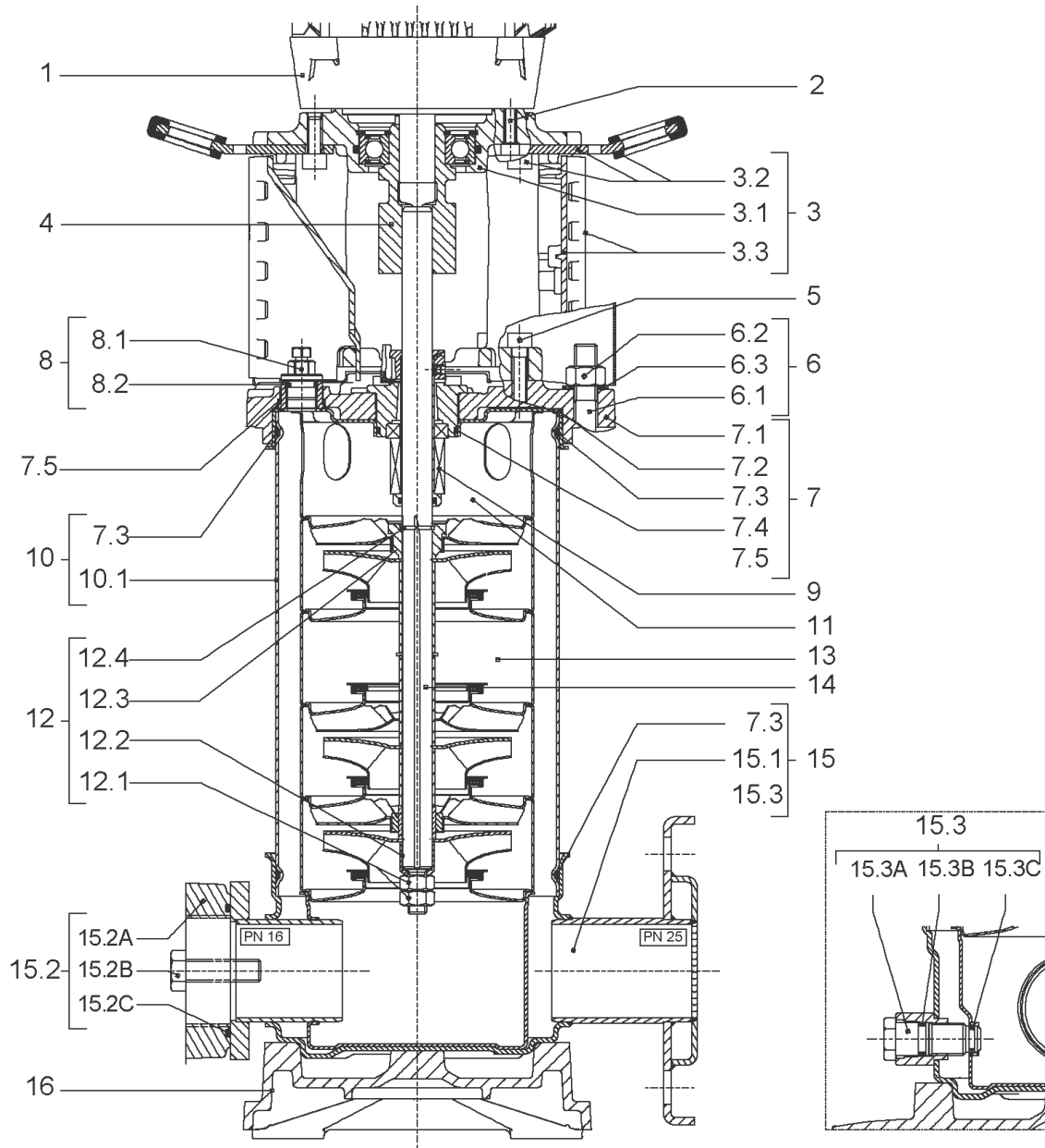
Article no.	Description
4150540	HELIX V1001-1/16/E/KS/400-50
4150572	HELIX V1001-2/25/V/KS/400-50
4150541	HELIX V1002-1/16/E/KS/400-50
4201281	HELIX V1002-1/16/E/S/400-50
4162663	HELIX V1002-1/16/E/S/400-50
4192446	HELIX V1002-1/16/E/S/460-60
4150573	HELIX V1002-2/25/V/KS/400-50
4150542	HELIX V1003-1/16/E/KS/400-50
4201284	HELIX V1003-1/16/E/S/400-50
4162664	HELIX V1003-1/16/E/S/400-50
4192447	HELIX V1003-1/16/E/S/460-60
4150574	HELIX V1003-2/25/V/KS/400-50
4150543	HELIX V1004-1/16/E/KS/400-50
4201287	HELIX V1004-1/16/E/S/400-50
4162665	HELIX V1004-1/16/E/S/400-50
4192448	HELIX V1004-1/16/E/S/460-60
4150575	HELIX V1004-2/25/V/KS/400-50
4150544	HELIX V1005-1/16/E/KS/400-50
4162666	HELIX V1005-1/16/E/S/400-50
4201290	HELIX V1005-1/16/E/S/400-50
4192449	HELIX V1005-1/16/E/S/460-60
4150545	HELIX V1005-1/25/E/KS/400-50
4150576	HELIX V1005-2/25/V/KS/400-50
4150546	HELIX V1006-1/16/E/KS/400-50
4162667	HELIX V1006-1/16/E/S/400-50
4201293	HELIX V1006-1/16/E/S/400-50
4192450	HELIX V1006-1/16/E/S/460-60
4150547	HELIX V1006-1/25/E/KS/400-50
4150577	HELIX V1006-2/25/V/KS/400-50
4150548	HELIX V1007-1/16/E/KS/400-50
4201296	HELIX V1007-1/16/E/S/400-50
4162668	HELIX V1007-1/16/E/S/400-50
4192451	HELIX V1007-1/16/E/S/460-60
4150549	HELIX V1007-1/25/E/KS/400-50

Helix V10

Article no.	Description
4150580	HELIX V1007-2/25/V/KS/400-50
4150550	HELIX V1008-1/16/E/KS/400-50
4162669	HELIX V1008-1/16/E/S/400-50
4201299	HELIX V1008-1/16/E/S/400-50
4192453	HELIX V1008-1/16/E/S/460-60
4150551	HELIX V1008-1/25/E/KS/400-50
4150581	HELIX V1008-2/25/V/KS/400-50
4150552	HELIX V1009-1/16/E/KS/400-50
4162670	HELIX V1009-1/16/E/S/400-50
4201302	HELIX V1009-1/16/E/S/400-50
4150553	HELIX V1009-1/25/E/KS/400-50
4150582	HELIX V1009-2/25/V/KS/400-50
4150554	HELIX V1010-1/16/E/KS/400-50
4162671	HELIX V1010-1/16/E/S/400-50
4201304	HELIX V1010-1/16/E/S/400-50
4150555	HELIX V1010-1/25/E/KS/400-50
4150583	HELIX V1010-2/25/V/KS/400-50
4150556	HELIX V1011-1/16/E/KS/400-50
4201306	HELIX V1011-1/16/E/S/400-50
4162672	HELIX V1011-1/16/E/S/400-50
4150557	HELIX V1011-1/25/E/KS/400-50
4150584	HELIX V1011-2/25/V/KS/400-50
4150558	HELIX V1012-1/16/E/KS/400-50
4201308	HELIX V1012-1/16/E/S/400-50
4162673	HELIX V1012-1/16/E/S/400-50
4150559	HELIX V1012-1/25/E/KS/400-50
4150585	HELIX V1012-2/25/V/KS/400-50
4150560	HELIX V1013-1/16/E/KS/400-50
4162674	HELIX V1013-1/16/E/S/400-50
4201310	HELIX V1013-1/16/E/S/400-50
4150561	HELIX V1013-1/25/E/KS/400-50
4150586	HELIX V1013-2/25/V/KS/400-50
4150563	HELIX V1015-1/25/E/KS/400-50
4150588	HELIX V1015-2/25/V/KS/400-50

Helix V10

Article no.	Description
4150565	HELIX V1017-1/25/E/KS/400-50
4150590	HELIX V1017-2/25/V/KS/400-50
4150567	HELIX V1019-1/25/E/KS/400-50
4150592	HELIX V1019-2/25/V/KS/400-50
4150569	HELIX V1021-1/25/E/KS/400-50
4150594	HELIX V1021-2/25/V/KS/400-50
4175109	HELIX V1021-3/30/E/KS/400-50
4150571	HELIX V1023-1/25/E/KS/400-50
4150596	HELIX V1023-2/25/V/KS/400-50
4175110	HELIX V1023-3/30/E/KS/400-50

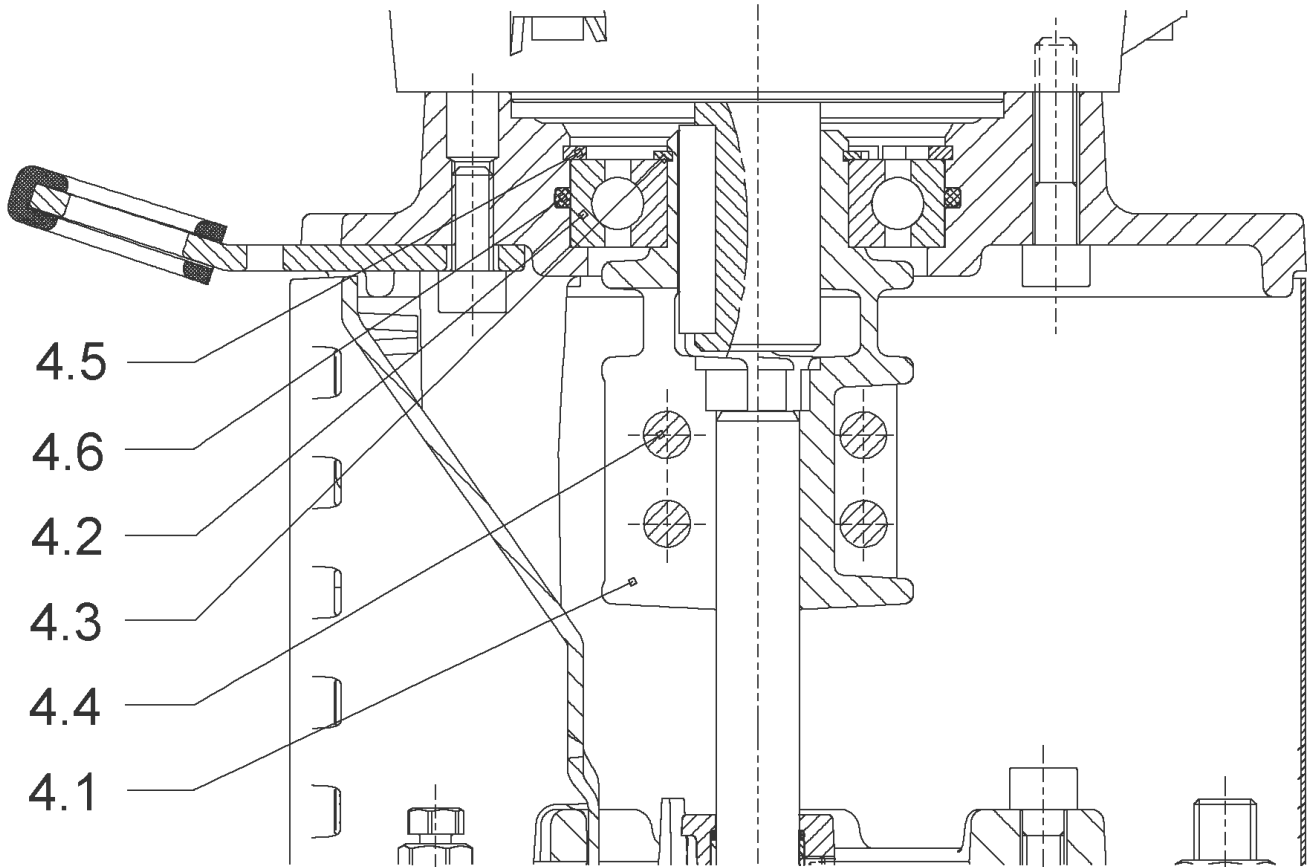


HELIX V1001-1/16/E/KS/400-50 (4150540)

Item	Article no.	Description	Quantity
1	4169939	MO.0,55/2/71 3~400V 50HZ 460V 60HZ IE2VP	1
		SPARE PARTS MOTOR:ON REQUEST	1
2	4159702	SCREW M6X30 (4 PIECES)	1
3	4171323	LANTERN FT85 HELIX KIT	1
3.1		> LANTERN FT85 M+6" GJL MACHINING+CATA	1
3.2	2127604	> EYELET CPL.FT HELIX(2 PIECES)	1
3.3	4159692	> COUPLING PROTECTOR FT HELIX KIT	1
4	4171328	COUPLING FT 85 KIT	1
5	4159707	SCREW M8X30 (4 PIECES)	1
6	4177803	STUD BOLT M12X263 KIT	1
6.1		> TIE BOLT M12-263x18x30-1.4057	1
6.2	2094647	> NUT M12 M12 ISO4032 VP.	1
6.3	2123557	> WASHER CS-12.4-24-1.6-NFE25 (4 PIECES)	1
7	4159685	END SHIELD HELIX EPDM KIT	1
7.1		> END SHIELD M+6" GJL250 MACHINING+CATA	1
7.2	2127607	> STATIONARY RING HOLDER 6" HELIX 1.4301 V	1
7.3	4176513	> O-RING FOR PUMP JACKET VP.	1
7.4	2127603	> O-RING ID.37,6x2,4 EPDM VP.	1
7.5	2127602	> O-RING ID.21,35x2 EPDM VP.	1
8	4159686	FILING/PURGING PLUG HELIX EPDM KIT	1
9	4159696	CARTRIDGE HELIX6-10-16 O/E KIT	1
10	4177804	HOUSING PIPES D.152X134 1.4301 KIT	1
7.3	4176513	> O-RING FOR PUMP JACKET VP.	1
10.1		> HOUSING-PIPE Ø152-M+1001/02-304	1
11	4177805	CENTERING RETURN HELIX1001 1.4301 VP	1
12	4171322	SHAFT EQUIPMENT HELIX V10 KIT	1
4.11	4102901	> SCREW CHC-M6X14-8.8-ISO4762-GEOMET500A	1
4.12	2130995	> SERRATED LOCK WASHER D.6,2XD.14,5X28 VP.	1
12.1		> NUT-H-M10-A4.70	1
12.2		> SERRATED LOCK WASHER M+10M3-316L	1
12.3		> STOP COLLAR OF IMPELLER first stage	1
12.4		> STOP-RUSH-1/2-D16xd2-M+316	1
13		HYDRAULIC HELIX V 1001 1.4307	1
14	4177807	SHAFT D.16X255 1.4301 VP.	1

HELIX V1001-1/16/E/KS/400-50 (4150540)

Item	Article no.	Description	Quantity
15	4159682	PUMP HOUSING HELIX DN50 PN16 1.4301 KIT	1
7.3	4176513	> O-RING FOR PUMP JACKET VP.	1
15.1		> BLASTING PPE HOUSING V-PN16-DN50-304	1
15.2	4217893	> COUNTER FLANGE-G1"1/2-PN16-GJL KIT	1
15.3	4171321	> PRIMING/DRAIN PLUG EPDM HELIX KIT	1
16	4176517	BASEPLATE V8/10 VP.	1



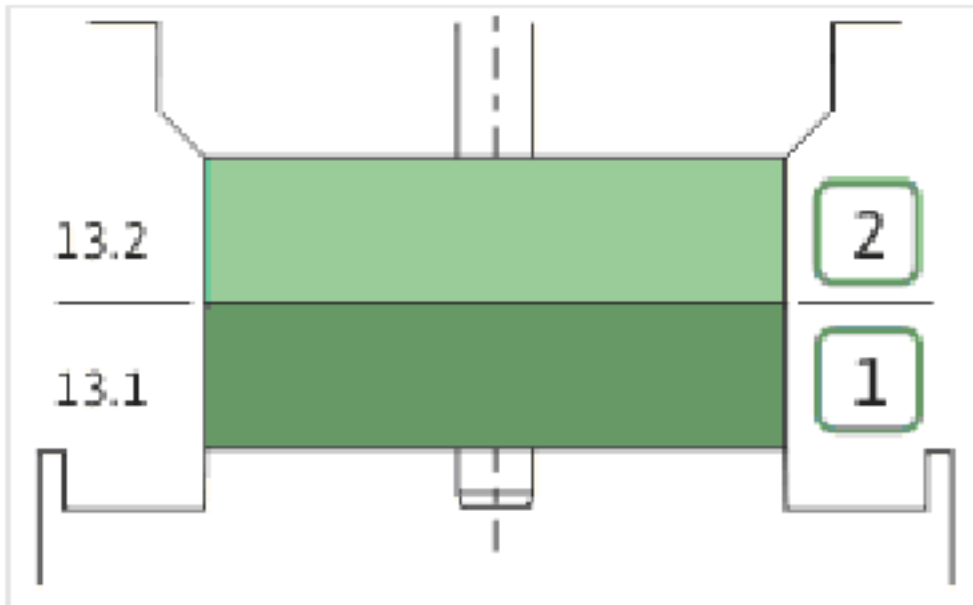
COUPLING FT 85 KIT (4171328)

Item	Article no.	Description	Quantity
4.1		COUPLING-M+ Ø16XØ14-FT85-MACHINED	1
4.2	4177802	BALL BEARING 6205C3-ZZ HTVP.	1
4.3	4208923	CIRCLIP D25X1.2 VP.	1
4.4	4212716	SCREW M6X20 KIT (4PIECES)	1
4.5	4233124	CIRCLIP-FOR-BORES-D52x2 VP.	1
4.6	4234244	O-RING 52X2 VP.	1



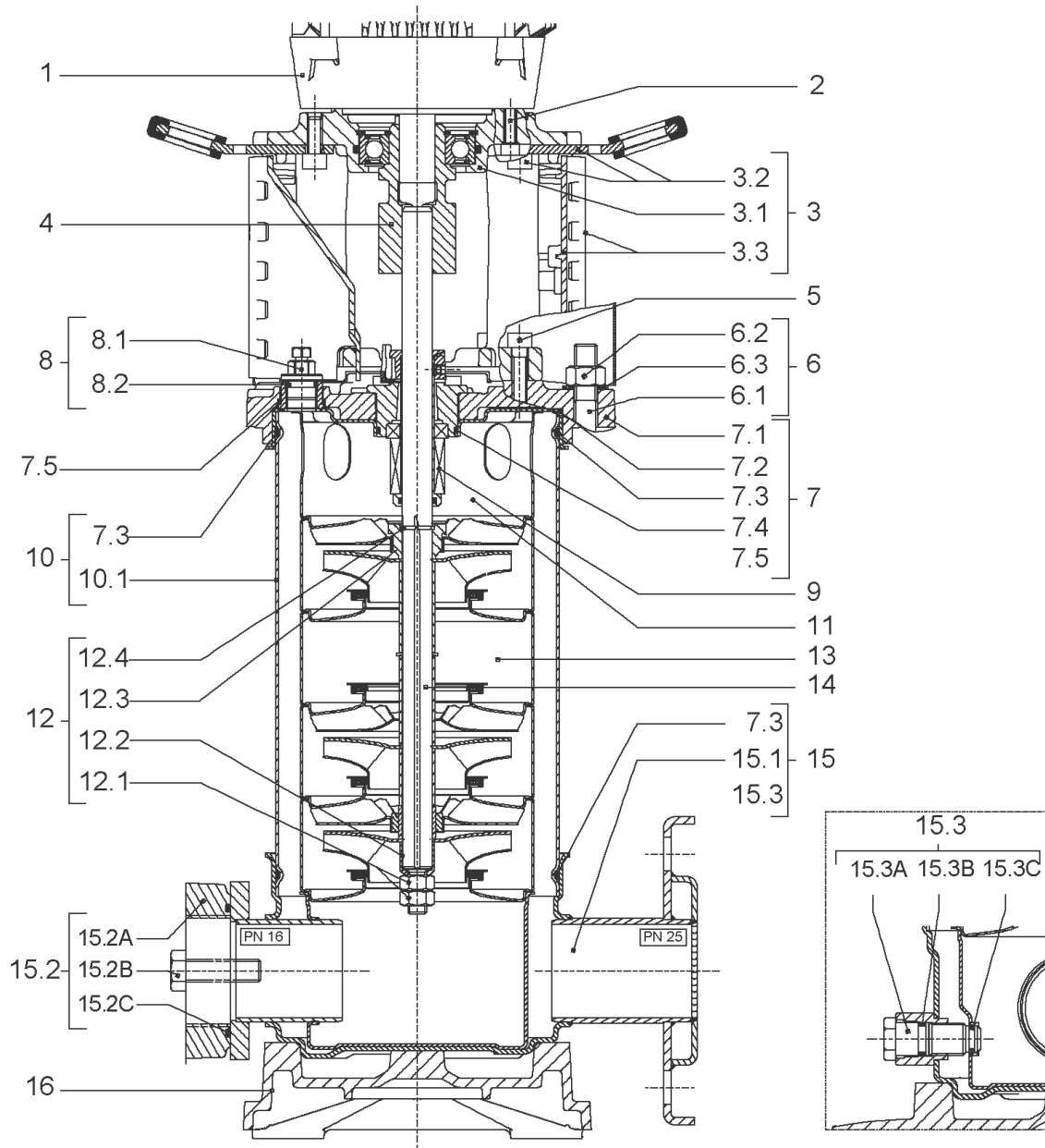
CARTRIDGE HELIX6-10-16 O/E KIT (4159696)

Item	Article no.	Description	Quantity
9.1	4159697	SEAL-KIT-HELIX6-10-16 O/E	1
7.3	4176513	> O-RING FOR PUMP JACKET VP.	1
7.4	2127603	> O-RING ID.37,6x2,4 EPDM VP.	1
9.1A	2130966	> MECH.SEAL HELIX2-4-6-10-16 O/E VP.	1
9.1B	2130967	> O-RING D.16X2,5 EPDM VP.	1
9.1C	4176519	> O-RING Ø16xØ1.25 VP.	1
9.2	2130961	SHAFT SLEEVE D.18/16X72,2 1.4404 VP.	1
9.3	2130962	RING HOLDER D.18 G606/G6 1.4301 VP.	1
9.4	4176520	SCREW CH M5x5 A4-70 (3PIECES)	1
9.5	2130963	DRIVE RING D.29/18x12,4 MACH.VP.	1
9.6	2130964	TOOL M.S.CART.HELIX VP.	1
9.7	2130965	SCREW CHC M5X12 ISO4762 A2.70(4 PIECES)	1



HYDRAULIC HELIX V 1001 1.4307

Item	Article no.	Description	Quantity
13.1	4171331	STAGE HELIX10 1.4301KIT	1
		> MACH.STG-CASING-WOGV-WNR-M+10-304	1
		> IMPELLER-M+10-304	1
13.2	4171330	STAGE BEARING HELIX 16 1.4301 KIT	1
		> MACH.BEARING-STG-CASING-WNR-M+10-304	1
		> STOP COLLAR OF IMPELLER first stage	1
		> SHAFT-SLEEVE-D16xD20x18-CW	1



HELIX V1002-1/16/E/KS/400-50 (4150541)

Item	Article no.	Description	Quantity
1	4169940	MOTOR 0,75/2/80 3~230/400V 50HZ IE3 VP.	1
		SPARE PARTS MOTOR:ON REQUEST	1
2	4159702	SCREW M6X30 (4 PIECES)	1
3	4172788	LANTERN FT100 HELIX KIT	1
3.1		> LANTERN FT100 M+6" GJL MACHINING+CATA	1
3.2	2127604	> EYELET CPL.FT HELIX(2 PIECES)	1
3.3	4159692	> COUPLING PROTECTOR FT HELIX KIT	1
4	4159708	COUPLING D.16XD.19 FT100 HELIX KIT	1
5	4159707	SCREW M8X30 (4 PIECES)	1
6	4177803	STUD BOLT M12X263 KIT	1
6.1		> TIE BOLT M12-263x18x30-1.4057	1
6.2	2094647	> NUT M12 M12 ISO4032 VP.	1
6.3	2123557	> WASHER CS-12.4-24-1.6-NFE25 (4 PIECES)	1
7	4159685	END SHIELD HELIX EPDM KIT	1
7.1		> END SHIELD M+6" GJL250 MACHINING+CATA	1
7.2	2127607	> STATIONARY RING HOLDER 6" HELIX 1.4301 V	1
7.3	4176513	> O-RING FOR PUMP JACKET VP.	1
7.4	2127603	> O-RING ID.37,6x2,4 EPDM VP.	1
7.5	2127602	> O-RING ID.21,35x2 EPDM VP.	1
8	4159686	FILING/PURGING PLUG HELIX EPDM KIT	1
9	4159696	CARTRIDGE HELIX6-10-16 O/E KIT	1
10	4177804	HOUSING PIPES D.152X134 1.4301 KIT	1
7.3	4176513	> O-RING FOR PUMP JACKET VP.	1
10.1		> HOUSING-PIPE Ø152-M+1001/02-304	1
11	4172791	CENTERING STAGE-RETURN HELIX10 1.4301VP.	1
12	4209272	SHAFT EQUIPMENT HELIX V10 BI BLOC KIT	1
12.1		> NUT-H-M10-A4.70	1
12.2		> SERRATED LOCK WASHER M+10M3-316L	1
12.3		> STOP COLLAR OF IMPELLER L16,5-Ø16-316L	1
12.4		> STOP-RUSH-1/2-D16xd2-M+316	1
13		HYDRAULIC HELIX V 1002 1.4307	1
14	4177807	SHAFT D.16X255 1.4301 VP.	1
15	4159682	PUMP HOUSING HELIX DN50 PN16 1.4301 KIT	1
7.3	4176513	> O-RING FOR PUMP JACKET VP.	1

HELIX V1002-1/16/E/KS/400-50 (4150541)

Item	Article no.	Description	Quantity
15.1		> BLASTING PPE HOUSING V-PN16-DN50-304	1
15.2	4217893	> COUNTER FLANGE-G1"1/2-PN16-GJL KIT	1
15.3	4171321	> PRIMING/DRAIN PLUG EPDM HELIX KIT	1
16	4176517	BASEPLATE V8/10 VP.	1



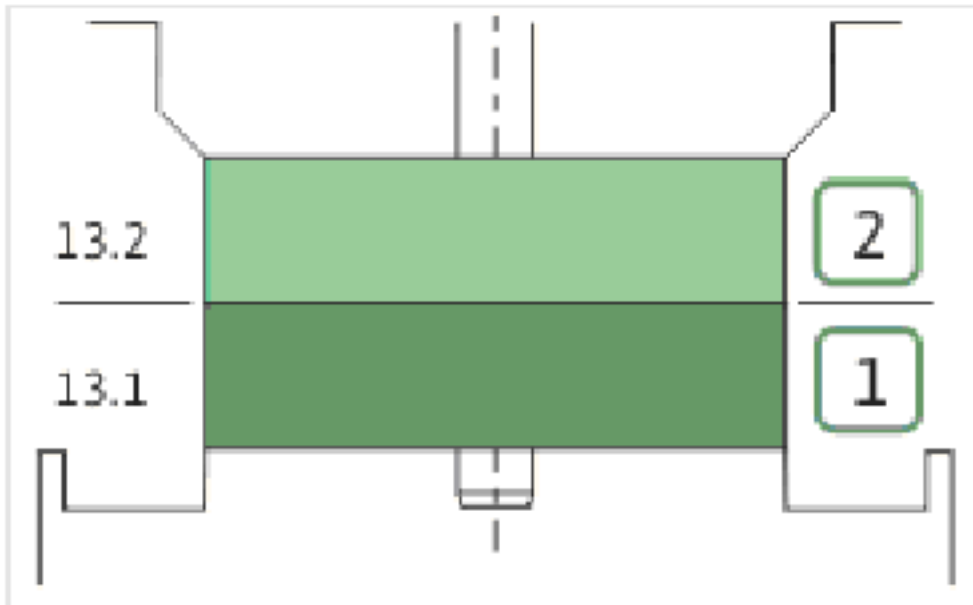
COUPLING D.16XD.19 FT100 HELIX KIT (4159708)

Item	Article no.	Description	Quantity
4.1		COUPLING M+ Ø16XØ19 FT100 MACHINED	1
4.2	2130977	BALL BEARING 6206/ZZ-C3(HT)VP.	1
4.3	4234249	CIRCLIP-FOR-SHAFT-D30x1.5 VP.	1
4.4	4212716	SCREW M6X20 KIT (4PIECES)	1
4.5	4234250	CIRCLIP-D62x2 VP.	1
4.6	4234245	O-RING 63X3 VP.	1
		CONTACT-WASHER-6ETR-6,1x12,2x1,8-STEEL	1



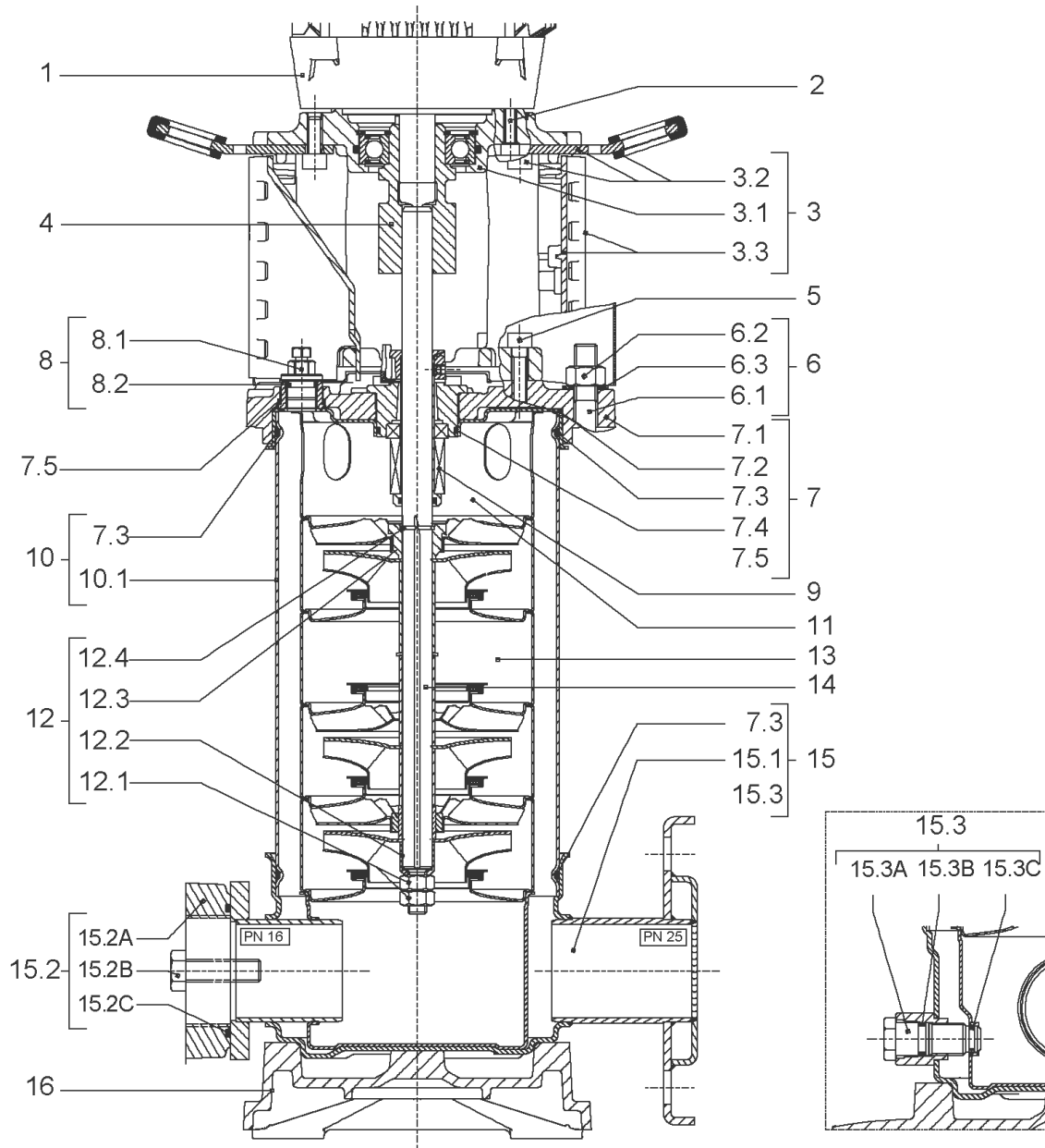
CARTRIDGE HELIX6-10-16 O/E KIT (4159696)

Item	Article no.	Description	Quantity
9.1	4159697	SEAL-KIT-HELIX6-10-16 O/E	1
7.3	4176513	> O-RING FOR PUMP JACKET VP.	1
7.4	2127603	> O-RING ID.37,6x2,4 EPDM VP.	1
9.1A	2130966	> MECH.SEAL HELIX2-4-6-10-16 O/E VP.	1
9.1B	2130967	> O-RING D.16X2,5 EPDM VP.	1
9.1C	4176519	> O-RING Ø16xØ1.25 VP.	1
9.2	2130961	SHAFT SLEEVE D.18/16X72,2 1.4404 VP.	1
9.3	2130962	RING HOLDER D.18 G606/G6 1.4301 VP.	1
9.4	4176520	SCREW CH M5x5 A4-70 (3PIECES)	1
9.5	2130963	DRIVE RING D.29/18x12,4 MACH.VP.	1
9.6	2130964	TOOL M.S.CART.HELIX VP.	1
9.7	2130965	SCREW CHC M5X12 ISO4762 A2.70(4 PIECES)	1



HYDRAULIC HELIX V 1002 1.4307

Item	Article no.	Description	Quantity
13.1	4171331	STAGE HELIX10 1.4301KIT	1
		> MACH.STG-CASING-WOGV-WNR-M+10-304	1
		> IMPELLER-M+10-304	1
13.2	4172792	INTERMEDIATE STAGE HELIX 10 1.4301 KIT	1
		> MACH.BEARING-STG-CASING-WNR-M+10-304	1
		> IMPELLER-M+10-304	1
		> SHAFT SLEEVE-SPACER-Ø19,35x18,465-304	1
		> SHAFT-SLEEVE-D16xD20x18-CW	1



HELIX V1003-1/16/E/KS/400-50 (4150542)

Item	Article no.	Description	Quantity
1	4169941	MOTOR 1,1/2/80 3~230/400V 50HZ IE3 VP.	1
		SPARE PARTS MOTOR:ON REQUEST	1
2	4159702	SCREW M6X30 (4 PIECES)	1
3	4172788	LANTERN FT100 HELIX KIT	1
3.1		> LANTERN FT100 M+6" GJL MACHINING+CATA	1
3.2	2127604	> EYELET CPL.FT HELIX(2 PIECES)	1
3.3	4159692	> COUPLING PROTECTOR FT HELIX KIT	1
4	4159708	COUPLING D.16XD.19 FT100 HELIX KIT	1
5	4159707	SCREW M8X30 (4 PIECES)	1
6	4177812	STUD BOLT M12X300KIT	1
6.1		> TIE BOLT M12-300x18x30-1.4057	1
6.2	2094647	> NUT M12 M12 ISO4032 VP.	1
6.3	2123557	> WASHER CS-12.4-24-1.6-NFE25 (4 PIECES)	1
7	4159685	END SHIELD HELIX EPDM KIT	1
7.1		> END SHIELD M+6" GJL250 MACHINING+CATA	1
7.2	2127607	> STATIONARY RING HOLDER 6" HELIX 1.4301 V	1
7.3	4176513	> O-RING FOR PUMP JACKET VP.	1
7.4	2127603	> O-RING ID.37,6x2,4 EPDM VP.	1
7.5	2127602	> O-RING ID.21,35x2 EPDM VP.	1
8	4159686	FILING/PURGING PLUG HELIX EPDM KIT	1
9	4159696	CARTRIDGE HELIX6-10-16 O/E KIT	1
10	4177813	HOUSING PIPE D.152x172 1.4301 KIT	1
7.3	4176513	> O-RING FOR PUMP JACKET VP.	1
10.1		> HOUSING-PIPE Ø152-M+1003-304	1
11	4172791	CENTERING STAGE-RETURN HELIX10 1.4301VP.	1
12	4209272	SHAFT EQUIPMENT HELIX V10 BI BLOC KIT	1
12.1		> NUT-H-M10-A4.70	1
12.2		> SERRATED LOCK WASHER M+10M3-316L	1
12.3		> STOP COLLAR OF IMPELLER L16,5-Ø16-316L	1
12.4		> STOP-RUSH-1/2-D16xd2-M+316	1
13		HYDRAULIC HELIX V 1003 1.4307	1
14	4177815	SHAFT D.16X292,5 1.4301 VP.	1
15	4159682	PUMP HOUSING HELIX DN50 PN16 1.4301 KIT	1
7.3	4176513	> O-RING FOR PUMP JACKET VP.	1

HELIX V1003-1/16/E/KS/400-50 (4150542)

Item	Article no.	Description	Quantity
15.1		> BLASTING PPE HOUSING V-PN16-DN50-304	1
15.2	4217893	> COUNTER FLANGE-G1"1/2-PN16-GJL KIT	1
15.3	4171321	> PRIMING/DRAIN PLUG EPDM HELIX KIT	1
16	4176517	BASEPLATE V8/10 VP.	1



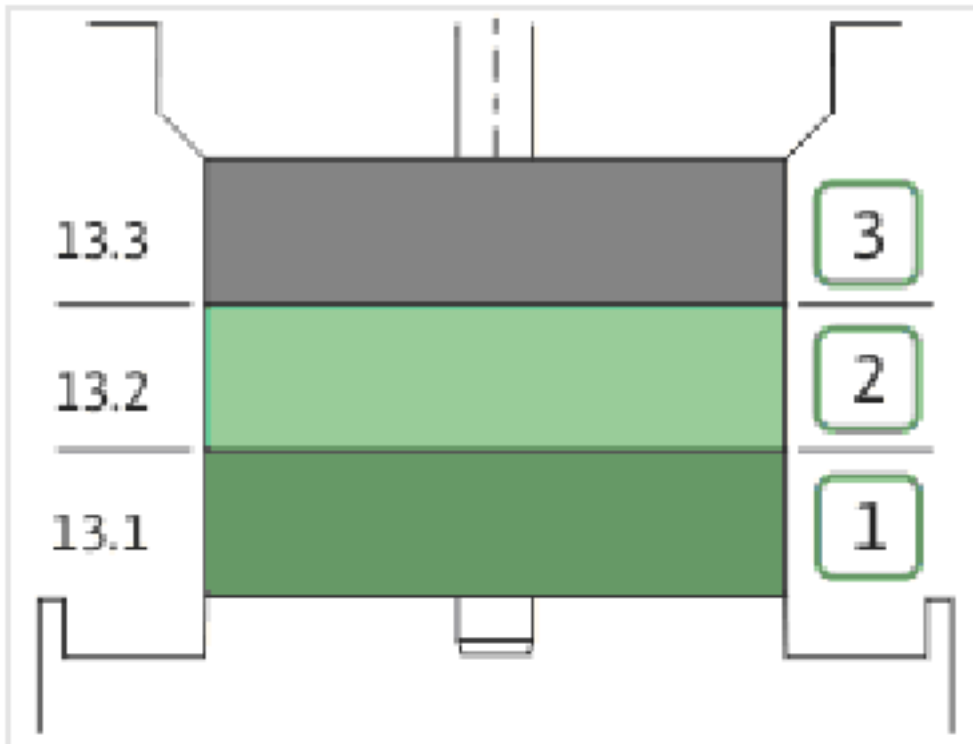
COUPLING D.16XD.19 FT100 HELIX KIT (4159708)

Item	Article no.	Description	Quantity
4.1		COUPLING M+ Ø16XØ19 FT100 MACHINED	1
4.2	2130977	BALL BEARING 6206/ZZ-C3(HT)VP.	1
4.3	4234249	CIRCLIP-FOR-SHAFT-D30x1.5 VP.	1
4.4	4212716	SCREW M6X20 KIT (4PIECES)	1
4.5	4234250	CIRCLIP-D62x2 VP.	1
4.6	4234245	O-RING 63X3 VP.	1
		CONTACT-WASHER-6ETR-6,1x12,2x1,8-STEEL	1



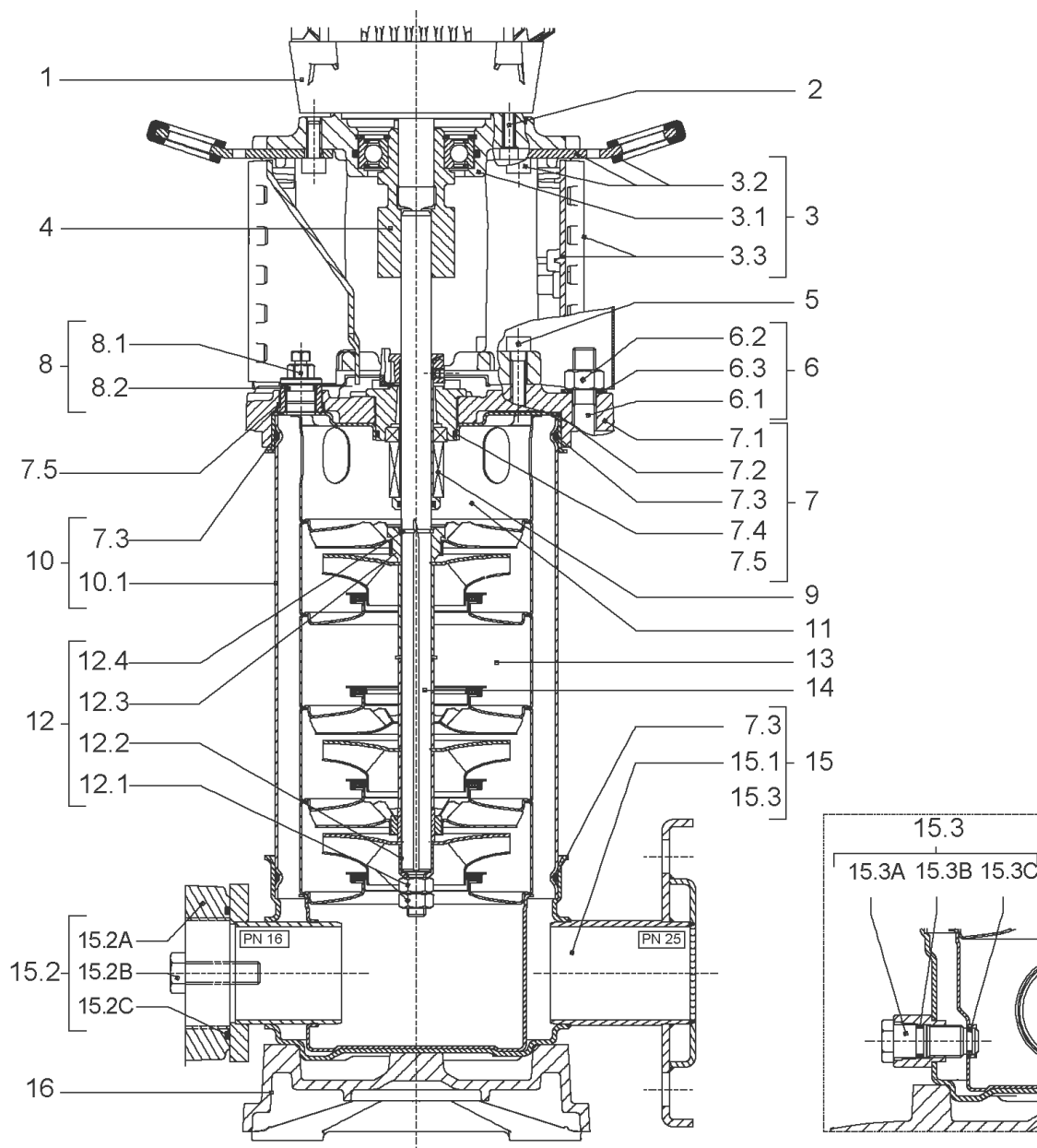
CARTRIDGE HELIX6-10-16 O/E KIT (4159696)

Item	Article no.	Description	Quantity
9.1	4159697	SEAL-KIT-HELIX6-10-16 O/E	1
7.3	4176513	> O-RING FOR PUMP JACKET VP.	1
7.4	2127603	> O-RING ID.37,6x2,4 EPDM VP.	1
9.1A	2130966	> MECH.SEAL HELIX2-4-6-10-16 O/E VP.	1
9.1B	2130967	> O-RING D.16X2,5 EPDM VP.	1
9.1C	4176519	> O-RING Ø16xØ1.25 VP.	1
9.2	2130961	SHAFT SLEEVE D.18/16X72,2 1.4404 VP.	1
9.3	2130962	RING HOLDER D.18 G606/G6 1.4301 VP.	1
9.4	4176520	SCREW CH M5x5 A4-70 (3PIECES)	1
9.5	2130963	DRIVE RING D.29/18x12,4 MACH.VP.	1
9.6	2130964	TOOL M.S.CART.HELIX VP.	1
9.7	2130965	SCREW CHC M5X12 ISO4762 A2.70(4 PIECES)	1



HYDRAULIC HELIX V 1003 1.4307

Item	Article no.	Description	Quantity
13.1	4171331	STAGE HELIX10 1.4301KIT	1
		> MACH.STG-CASING-WOGV-WNR-M+10-304	1
		> IMPELLER-M+10-304	1
13.2	4172792	INTERMEDIATE STAGE HELIX 10 1.4301 KIT	1
		> MACH.BEARING-STG-CASING-WNR-M+10-304	1
		> IMPELLER-M+10-304	1
		> SHAFT SLEEVE-SPACER-Ø19,35x18,465-304	1
		> SHAFT-SLEEVE-D16xD20x18-CW	1
13.3	4172793	INTERMEDIATE STAGE HELIX 10 1.4301 KIT	1
		> MACH.STD-STG-CASING-WGV+NR-M+10-304	1
		> IMPELLER-M+10-304	1
		> IMPELLER SPACER Ø16,05X19,45-L36,465-304	1



HELIX V1004-1/16/E/KS/400-50 (4150543)

Item	Article no.	Description	Quantity
1	4169942	MO.1,5/2 3~230/400(440)V 50(60)HZ IE3 VP	1
		SPARE PARTS MOTOR:ON REQUEST	1
2	4159703	SCREW M8X40 (4 PIECES)	1
3	4159690	LANTERN FT115 HELIX KIT	1
3.1		> LANTERN FT115 M+6" GJL MACHINING+CATA	1
3.2	2127604	> EYELET CPL.FT HELIX(2 PIECES)	1
3.3	4159692	> COUPLING PROTECTOR FT HELIX KIT	1
4	4159709	COUPLING D.16xD.24 FT115 HELIX KIT	1
5	4159707	SCREW M8X30 (4 PIECES)	1
6	2127553	STUD BOLT M12X341 KIT	1
7	4159685	END SHIELD HELIX EPDM KIT	1
7.1		> END SHIELD M+6" GJL250 MACHINING+CATA	1
7.2	2127607	> STATIONARY RING HOLDER 6" HELIX 1.4301 V	1
7.3	4176513	> O-RING FOR PUMP JACKET VP.	1
7.4	2127603	> O-RING ID.37,6x2,4 EPDM VP.	1
7.5	2127602	> O-RING ID.21,35x2 EPDM VP.	1
8	4159686	FILING/PURGING PLUG HELIX EPDM KIT	1
9	4159696	CARTRIDGE HELIX6-10-16 O/E KIT	1
10	2127575	HOUSING PIPE D.152x210 1.4301 KIT	1
11	4172791	CENTERING STAGE-RETURN HELIX10 1.4301VP.	1
12	4209272	SHAFT EQUIPMENT HELIX V10 BI BLOC KIT	1
12.1		> NUT-H-M10-A4.70	1
12.2		> SERRATED LOCK WASHER M+10M3-316L	1
12.3		> STOP COLLAR OF IMPELLER L16,5-Ø16-316L	1
12.4		> STOP-RUSH-1/2-D16xd2-M+316	1
13		HYDRAULIC HELIX V 1004 1.4307	1
14	2127564	SHAFT D.16X330 1.4301 VP.	1
15	4159682	PUMP HOUSING HELIX DN50 PN16 1.4301 KIT	1
7.3	4176513	> O-RING FOR PUMP JACKET VP.	1
15.1		> BLASTING PPE HOUSING V-PN16-DN50-304	1
15.2	4217893	> COUNTER FLANGE-G1"1/2-PN16-GJL KIT	1
15.3	4171321	> PRIMING/DRAIN PLUG EPDM HELIX KIT	1
16	4176517	BASEPLATE V8/10 VP.	1



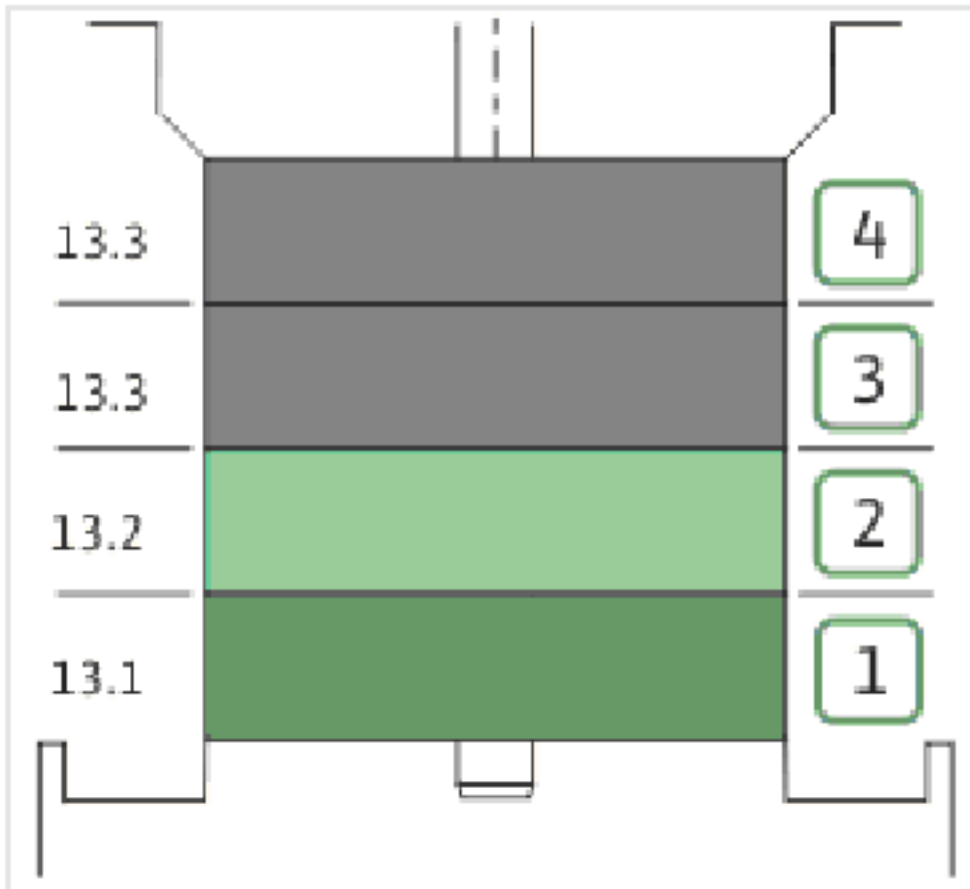
COUPLING D.16xD.24 FT115 HELIX KIT (4159709)

Item	Article no.	Description	Quantity
4.1		COUPLING M+ Ø16XØ24 FT115 MACHINED	1
4.2	2131023	BALL BEARING 6207/ZZ-C3(HT)VP.	1
4.3	4234254	CIRCLIP-FOR-SHAFT-D35x1.5 VP.	1
4.4	4157726	SCREW KIT M8X30 (4 PIECES)	1
4.5	4234251	CIRCLIP-D72x2.5 VP.	1
4.6	4234246	O-RING 72X3 VP.	1
		NOMEL CONTACT WASHER 8x16x1,4 STEEL ZC	1



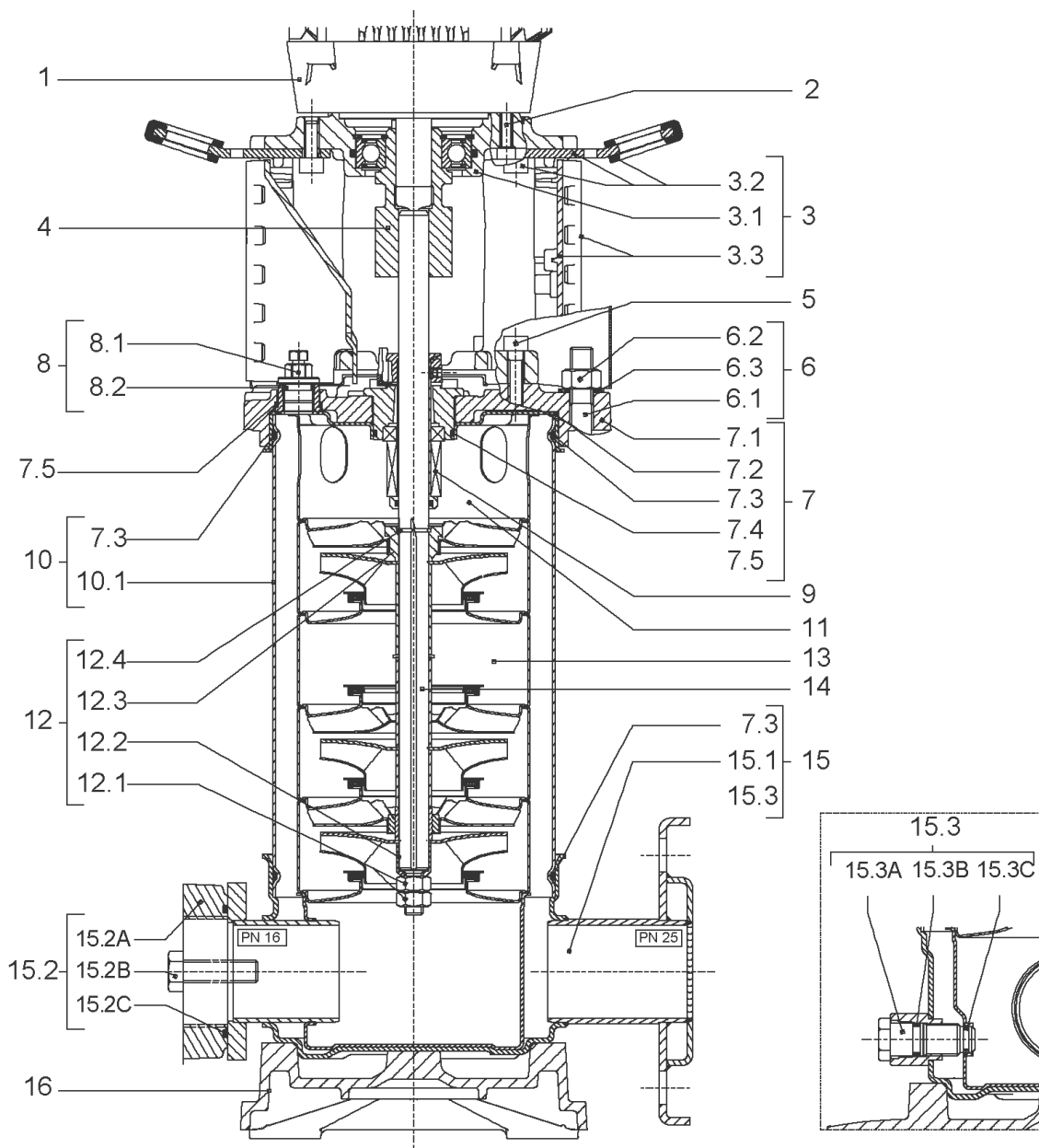
CARTRIDGE HELIX6-10-16 O/E KIT (4159696)

Item	Article no.	Description	Quantity
9.1	4159697	SEAL-KIT-HELIX6-10-16 O/E	1
7.3	4176513	> O-RING FOR PUMP JACKET VP.	1
7.4	2127603	> O-RING ID.37,6x2,4 EPDM VP.	1
9.1A	2130966	> MECH.SEAL HELIX2-4-6-10-16 O/E VP.	1
9.1B	2130967	> O-RING D.16X2,5 EPDM VP.	1
9.1C	4176519	> O-RING Ø16xØ1.25 VP.	1
9.2	2130961	SHAFT SLEEVE D.18/16X72,2 1.4404 VP.	1
9.3	2130962	RING HOLDER D.18 G606/G6 1.4301 VP.	1
9.4	4176520	SCREW CH M5x5 A4-70 (3PIECES)	1
9.5	2130963	DRIVE RING D.29/18x12,4 MACH.VP.	1
9.6	2130964	TOOL M.S.CART.HELIX VP.	1
9.7	2130965	SCREW CHC M5X12 ISO4762 A2.70(4 PIECES)	1



HYDRAULIC HELIX V 1004 1.4307

Item	Article no.	Description	Quantity
13.3	4172793	INTERMEDIATE STAGE HELIX 10 1.4301 KIT	1
		> MACH.STD-STG-CASING-WGV+NR-M+10-304	1
		> IMPELLER-M+10-304	1
		> IMPELLER SPACER Ø16,05X19,45-L36,465-304	1
13.2	4172792	INTERMEDIATE STAGE HELIX 10 1.4301 KIT	1
		> MACH.BEARING-STG-CASING-WNR-M+10-304	1
		> IMPELLER-M+10-304	1
		> SHAFT SLEEVE-SPACER-Ø19,35x18,465-304	1
		> SHAFT-SLEEVE-D16xD20x18-CW	1
13.1	4171331	STAGE HELIX10 1.4301KIT	1
		> MACH.STG-CASING-WOGV-WNR-M+10-304	1
		> IMPELLER-M+10-304	1



HELIX V1005-1/16/E/KS/400-50 (4150544)

Item	Article no.	Description	Quantity
1	4169943	MOTOR 2,2/2/90 3~230/400V 50HZ IE3 VP.	1
		SPARE PARTS MOTOR:ON REQUEST	1
2	4159703	SCREW M8X40 (4 PIECES)	1
3	4159690	LANTERN FT115 HELIX KIT	1
3.1		> LANTERN FT115 M+6" GJL MACHINING+CATA	1
3.2	2127604	> EYELET CPL.FT HELIX(2 PIECES)	1
3.3	4159692	> COUPLING PROTECTOR FT HELIX KIT	1
4	4159709	COUPLING D.16xD.24 FT115 HELIX KIT	1
5	4159707	SCREW M8X30 (4 PIECES)	1
6	2018576	STUD BOLT M12X377 KIT	1
6.1		> TIE BOLT M12-377x18x30-1.4057	1
6.2	2094647	> NUT M12 M12 ISO4032 VP.	1
6.3	2123557	> WASHER CS-12.4-24-1.6-NFE25 (4 PIECES)	1
7	4159685	END SHIELD HELIX EPDM KIT	1
7.1		> END SHIELD M+6" GJL250 MACHINING+CATA	1
7.2	2127607	> STATIONARY RING HOLDER 6" HELIX 1.4301 V	1
7.3	4176513	> O-RING FOR PUMP JACKET VP.	1
7.4	2127603	> O-RING ID.37,6x2,4 EPDM VP.	1
7.5	2127602	> O-RING ID.21,35x2 EPDM VP.	1
8	4159686	FILING/PURGING PLUG HELIX EPDM KIT	1
9	4159696	CARTRIDGE HELIX6-10-16 O/E KIT	1
10	4176518	HOUSING PIPES D.152X247 1.4301 KIT	1
7.3	4176513	> O-RING FOR PUMP JACKET VP.	1
10.1		> HOUSING-PIPE Ø152-M+1005-304	1
11	4172791	CENTERING STAGE-RETURN HELIX10 1.4301VP.	1
12	4209272	SHAFT EQUIPMENT HELIX V10 BI BLOC KIT	1
12.1		> NUT-H-M10-A4.70	1
12.2		> SERRATED LOCK WASHER M+10M3-316L	1
12.3		> STOP COLLAR OF IMPELLER L16,5-Ø16-316L	1
12.4		> STOP-RUSH-1/2-D16xd2-M+316	1
13		HYDRAULIC HELIX V 1005 1.4307	1
14	4176515	SHAFT D.16 X367,5 1. 4301 VP.	1
15	4159682	PUMP HOUSING HELIX DN50 PN16 1.4301 KIT	1
7.3	4176513	> O-RING FOR PUMP JACKET VP.	1

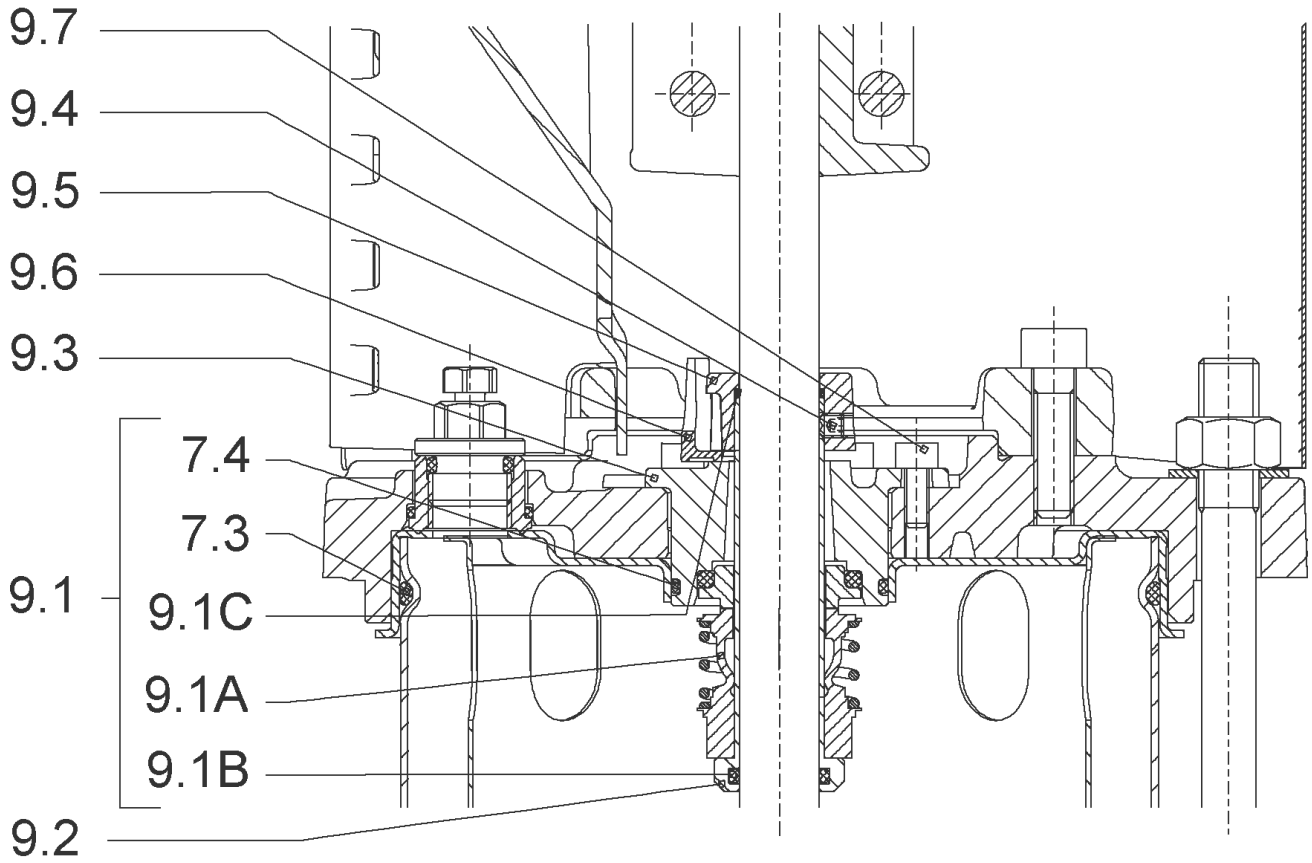
HELIX V1005-1/16/E/KS/400-50 (4150544)

Item	Article no.	Description	Quantity
15.1		> BLASTING PPE HOUSING V-PN16-DN50-304	1
15.2	4217893	> COUNTER FLANGE-G1"1/2-PN16-GJL KIT	1
15.3	4171321	> PRIMING/DRAIN PLUG EPDM HELIX KIT	1
16	4176517	BASEPLATE V8/10 VP.	1



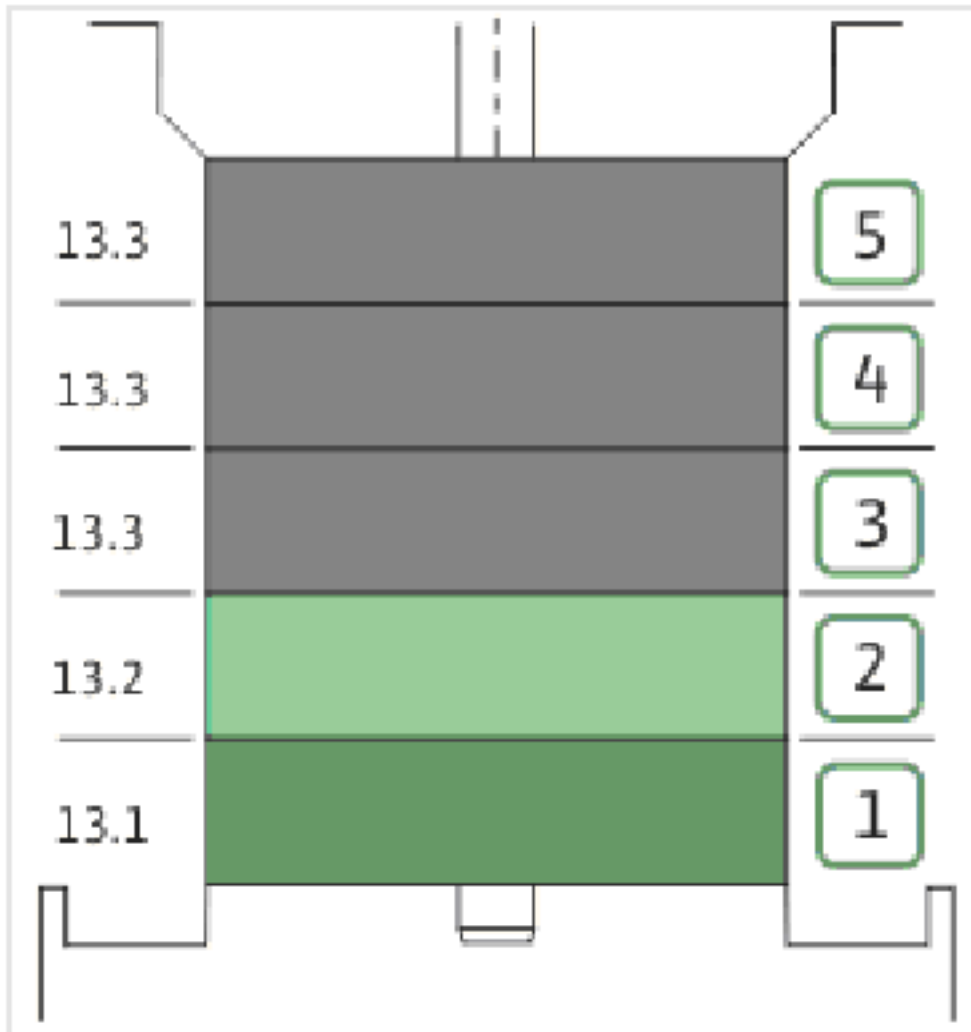
COUPLING D.16xD.24 FT115 HELIX KIT (4159709)

Item	Article no.	Description	Quantity
4.1		COUPLING M+ Ø16XØ24 FT115 MACHINED	1
4.2	2131023	BALL BEARING 6207/ZZ-C3(HT)VP.	1
4.3	4234254	CIRCLIP-FOR-SHAFT-D35x1.5 VP.	1
4.4	4157726	SCREW KIT M8X30 (4 PIECES)	1
4.5	4234251	CIRCLIP-D72x2.5 VP.	1
4.6	4234246	O-RING 72X3 VP.	1
		NOMEL CONTACT WASHER 8x16x1,4 STEEL ZC	1



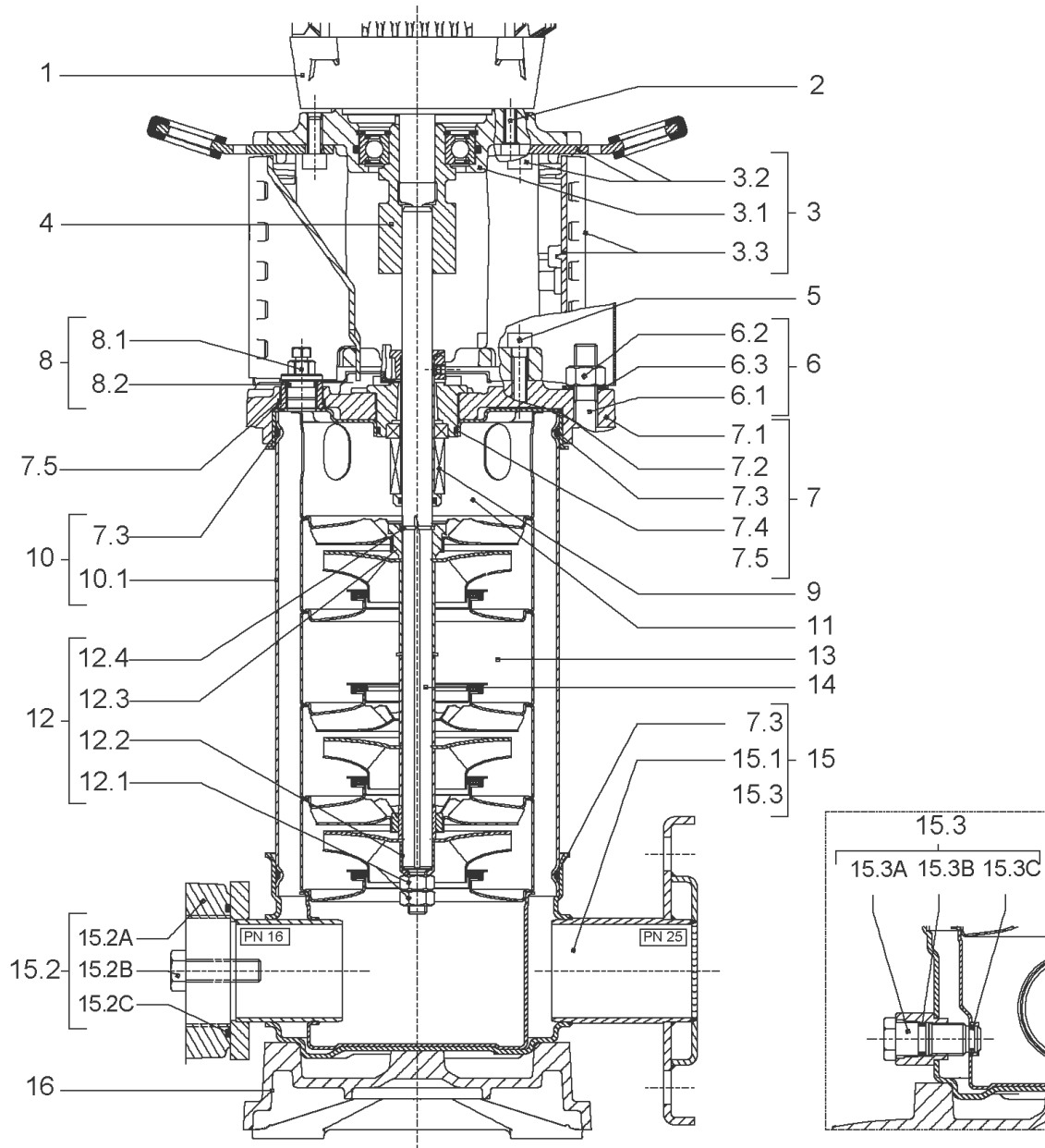
CARTRIDGE HELIX6-10-16 O/E KIT (4159696)

Item	Article no.	Description	Quantity
9.1	4159697	SEAL-KIT-HELIX6-10-16 O/E	1
7.3	4176513	> O-RING FOR PUMP JACKET VP.	1
7.4	2127603	> O-RING ID.37,6x2,4 EPDM VP.	1
9.1A	2130966	> MECH.SEAL HELIX2-4-6-10-16 O/E VP.	1
9.1B	2130967	> O-RING D.16X2,5 EPDM VP.	1
9.1C	4176519	> O-RING Ø16xØ1.25 VP.	1
9.2	2130961	SHAFT SLEEVE D.18/16X72,2 1.4404 VP.	1
9.3	2130962	RING HOLDER D.18 G606/G6 1.4301 VP.	1
9.4	4176520	SCREW CH M5x5 A4-70 (3PIECES)	1
9.5	2130963	DRIVE RING D.29/18x12,4 MACH.VP.	1
9.6	2130964	TOOL M.S.CART.HELIX VP.	1
9.7	2130965	SCREW CHC M5X12 ISO4762 A2.70(4 PIECES)	1



HYDRAULIC HELIX V 1005 1.4307

Item	Article no.	Description	Quantity
13.1	4171331	STAGE HELIX10 1.4301KIT	1
		> MACH.STG-CASING-WOGV-WNR-M+10-304	1
		> IMPELLER-M+10-304	1
13.2	4172792	INTERMEDIATE STAGE HELIX 10 1.4301 KIT	1
		> MACH.BEARING-STG-CASING-WNR-M+10-304	1
		> IMPELLER-M+10-304	1
		> SHAFT SLEEVE-SPACER-Ø19,35x18,465-304	1
		> SHAFT-SLEEVE-D16xD20x18-CW	1
13.3	4172793	INTERMEDIATE STAGE HELIX 10 1.4301 KIT	1
		> MACH.STD-STG-CASING-WGV+NR-M+10-304	1
		> IMPELLER-M+10-304	1
		> IMPELLER SPACER Ø16,05X19,45-L36,465-304	1



HELIX V1005-1/25/E/KS/400-50 (4150545)

Item	Article no.	Description	Quantity
1	4169943	MOTOR 2,2/2/90 3~230/400V 50HZ IE3 VP.	1
		SPARE PARTS MOTOR:ON REQUEST	1
2	4159703	SCREW M8X40 (4 PIECES)	1
3	4159690	LANTERN FT115 HELIX KIT	1
3.1		> LANTERN FT115 M+6" GJL MACHINING+CATA	1
3.2	2127604	> EYELET CPL.FT HELIX(2 PIECES)	1
3.3	4159692	> COUPLING PROTECTOR FT HELIX KIT	1
4	4159709	COUPLING D.16xD.24 FT115 HELIX KIT	1
5	4159707	SCREW M8X30 (4 PIECES)	1
6	2018576	STUD BOLT M12X377 KIT	1
6.1		> TIE BOLT M12-377x18x30-1.4057	1
6.2	2094647	> NUT M12 M12 ISO4032 VP.	1
6.3	2123557	> WASHER CS-12.4-24-1.6-NFE25 (4 PIECES)	1
7	4159685	END SHIELD HELIX EPDM KIT	1
7.1		> END SHIELD M+6" GJL250 MACHINING+CATA	1
7.2	2127607	> STATIONARY RING HOLDER 6" HELIX 1.4301 V	1
7.3	4176513	> O-RING FOR PUMP JACKET VP.	1
7.4	2127603	> O-RING ID.37,6x2,4 EPDM VP.	1
7.5	2127602	> O-RING ID.21,35x2 EPDM VP.	1
8	4159686	FILING/PURGING PLUG HELIX EPDM KIT	1
9	4159698	CARTRIDGE HELIX6-10-16 F/E KIT	1
10	4176518	HOUSING PIPES D.152X247 1.4301 KIT	1
7.3	4176513	> O-RING FOR PUMP JACKET VP.	1
10.1		> HOUSING-PIPE Ø152-M+1005-304	1
11	4172791	CENTERING STAGE-RETURN HELIX10 1.4301VP.	1
12	4209272	SHAFT EQUIPMENT HELIX V10 BI BLOC KIT	1
12.1		> NUT-H-M10-A4.70	1
12.2		> SERRATED LOCK WASHER M+10M3-316L	1
12.3		> STOP COLLAR OF IMPELLER L16,5-Ø16-316L	1
12.4		> STOP-RUSH-1/2-D16xd2-M+316	1
13		HYDRAULIC HELIX V 1005 1.4307	1
14	4176515	SHAFT D.16 X367,5 1. 4301 VP.	1
15	4172797	PUMP HOUSING HELIX DN40 PN25 1.4301 KIT	1
7.3	4176513	> O-RING FOR PUMP JACKET VP.	1

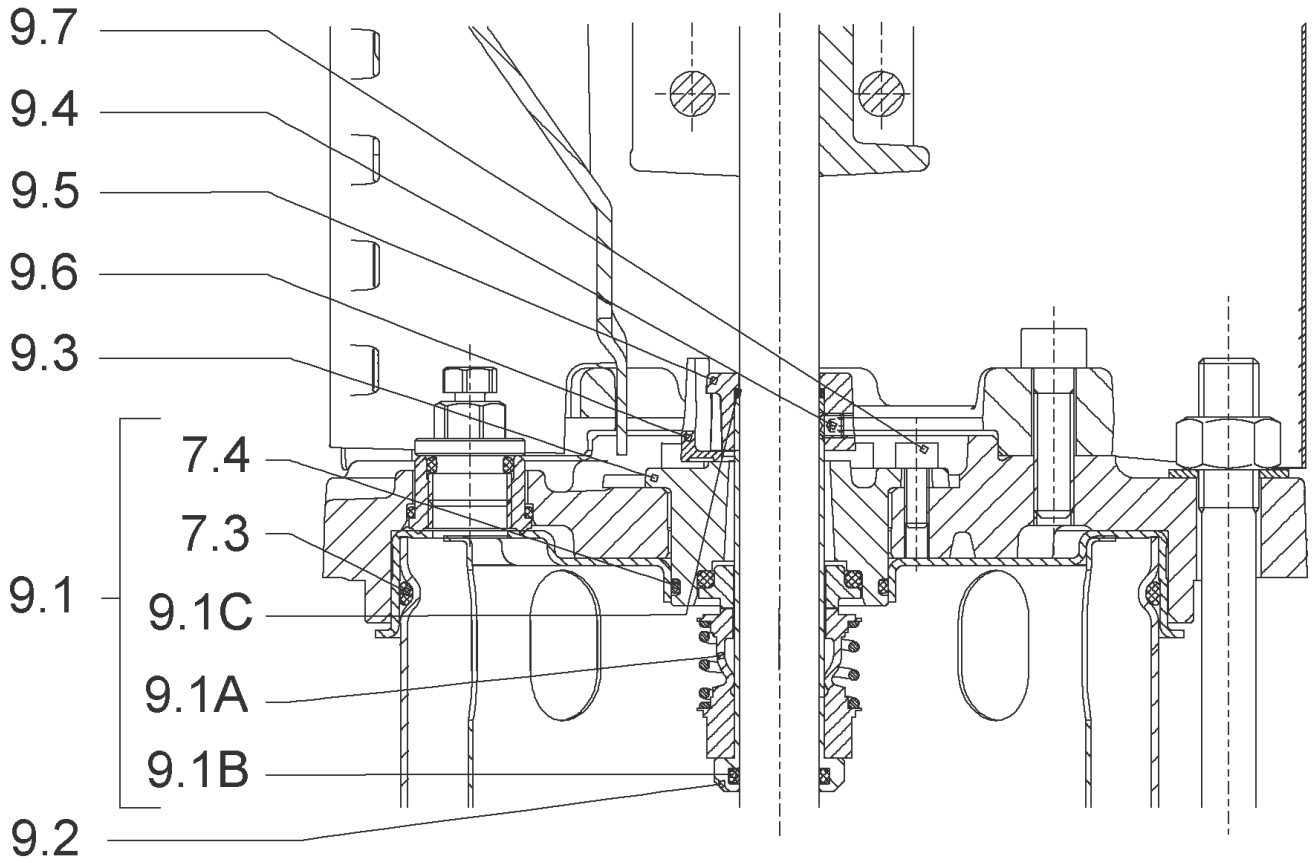
HELIX V1005-1/25/E/KS/400-50 (4150545)

Item	Article no.	Description	Quantity
15.1		> BLASTING PPE HOUSING V-PN25-DN40-304	1
15.3	4171321	> PRIMING/DRAIN PLUG EPDM HELIX KIT	1
16	4176517	BASEPLATE V8/10 VP.	1



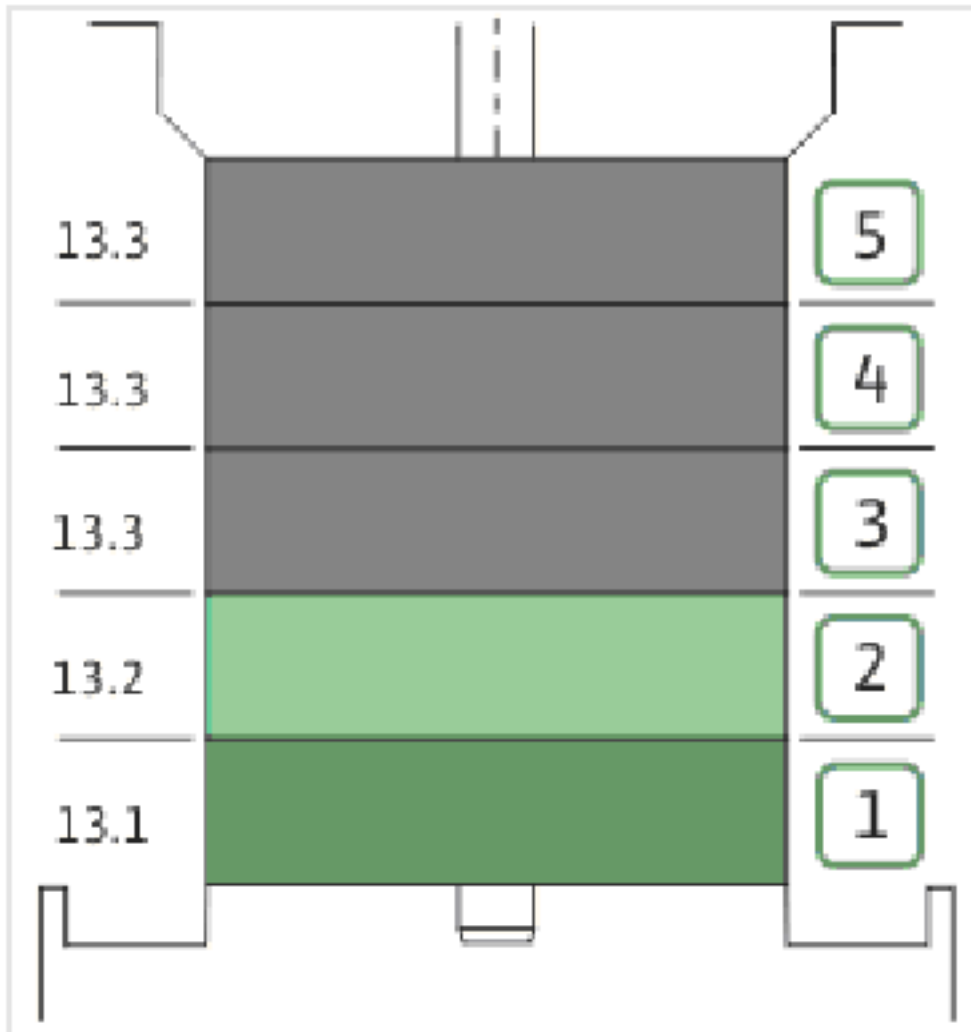
COUPLING D.16xD.24 FT115 HELIX KIT (4159709)

Item	Article no.	Description	Quantity
4.1		COUPLING M+ Ø16XØ24 FT115 MACHINED	1
4.2	2131023	BALL BEARING 6207/ZZ-C3(HT)VP.	1
4.3	4234254	CIRCLIP-FOR-SHAFT-D35x1.5 VP.	1
4.4	4157726	SCREW KIT M8X30 (4 PIECES)	1
4.5	4234251	CIRCLIP-D72x2.5 VP.	1
4.6	4234246	O-RING 72X3 VP.	1
		NOMEL CONTACT WASHER 8x16x1,4 STEEL ZC	1



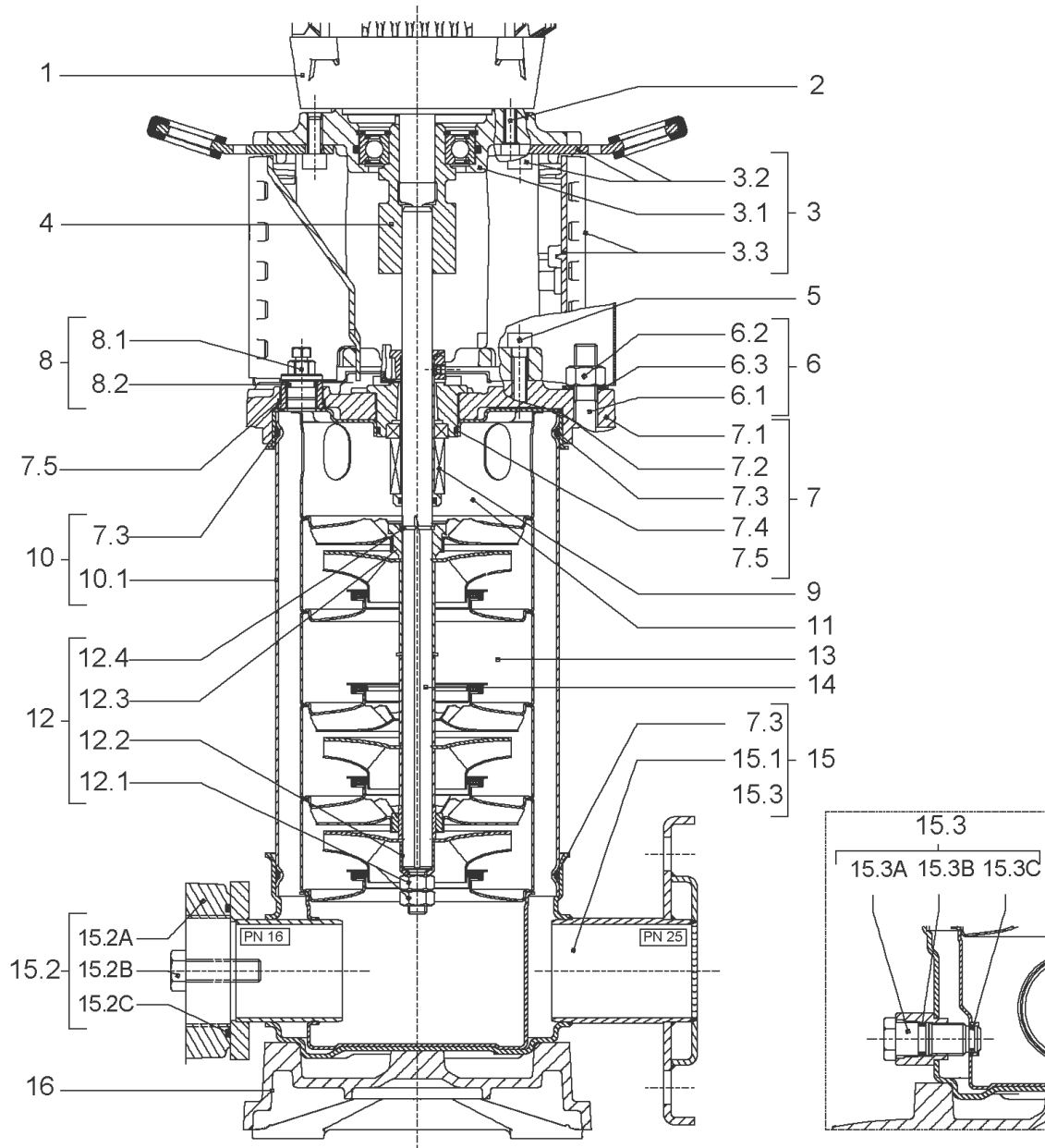
CARTRIDGE HELIX6-10-16 F/E KIT (4159698)

Item	Article no.	Description	Quantity
9.1	4159699	SEAL-KIT-HELIX6-10-16 F/E	1
7.3	4176513	> O-RING FOR PUMP JACKET VP.	1
7.4	2127603	> O-RING ID.37,6x2,4 EPDM VP.	1
9.1A	4176521	> MECH.SEAL HELIX2-4-6-10-16 F/E VP.	1
9.1B	2130967	> O-RING D.16X2,5 EPDM VP.	1
9.1C	4176519	> O-RING Ø16xØ1.25 VP.	1
9.2	2130961	SHAFT SLEEVE D.18/16X72,2 1.4404 VP.	1
9.3	2130962	RING HOLDER D.18 G606/G6 1.4301 VP.	1
9.4	4176520	SCREW CH M5x5 A4-70 (3PIECES)	1
9.5	2130963	DRIVE RING D.29/18x12,4 MACH.VP.	1
9.6	2130964	TOOL M.S.CART.HELIX VP.	1
9.7	2130965	SCREW CHC M5X12 ISO4762 A2.70(4 PIECES)	1



HYDRAULIC HELIX V 1005 1.4307

Item	Article no.	Description	Quantity
13.1	4171331	STAGE HELIX10 1.4301KIT	1
		> MACH.STG-CASING-WOGV-WNR-M+10-304	1
		> IMPELLER-M+10-304	1
13.2	4172792	INTERMEDIATE STAGE HELIX 10 1.4301 KIT	1
		> MACH.BEARING-STG-CASING-WNR-M+10-304	1
		> IMPELLER-M+10-304	1
		> SHAFT SLEEVE-SPACER-Ø19,35x18,465-304	1
		> SHAFT-SLEEVE-D16xD20x18-CW	1
13.3	4172793	INTERMEDIATE STAGE HELIX 10 1.4301 KIT	1
		> MACH.STD-STG-CASING-WGV+NR-M+10-304	1
		> IMPELLER-M+10-304	1
		> IMPELLER SPACER Ø16,05X19,45-L36,465-304	1



HELIX V1006-1/16/E/KS/400-50 (4150546)

Item	Article no.	Description	Quantity
1	4169943	MOTOR 2,2/2/90 3~230/400V 50HZ IE3 VP.	1
		SPARE PARTS MOTOR:ON REQUEST	1
2	4159703	SCREW M8X40 (4 PIECES)	1
3	4159690	LANTERN FT115 HELIX KIT	1
3.1		> LANTERN FT115 M+6" GJL MACHINING+CATA	1
3.2	2127604	> EYELET CPL.FT HELIX(2 PIECES)	1
3.3	4159692	> COUPLING PROTECTOR FT HELIX KIT	1
4	4159709	COUPLING D.16xD.24 FT115 HELIX KIT	1
5	4159707	SCREW M8X30 (4 PIECES)	1
6	4177822	STUD BOLT M12X413 KIT	1
6.1		> TIE BOLT M12-413x18x30-1.4057	1
6.2	2094647	> NUT M12 M12 ISO4032 VP.	1
6.3	2123557	> WASHER CS-12.4-24-1.6-NFE25 (4 PIECES)	1
7	4159685	END SHIELD HELIX EPDM KIT	1
7.1		> END SHIELD M+6" GJL250 MACHINING+CATA	1
7.2	2127607	> STATIONARY RING HOLDER 6" HELIX 1.4301 V	1
7.3	4176513	> O-RING FOR PUMP JACKET VP.	1
7.4	2127603	> O-RING ID.37,6x2,4 EPDM VP.	1
7.5	2127602	> O-RING ID.21,35x2 EPDM VP.	1
8	4159686	FILING/PURGING PLUG HELIX EPDM KIT	1
9	4159696	CARTRIDGE HELIX6-10-16 O/E KIT	1
10	4177823	HOUSING PIPES D.152X285 1.4301 KIT	1
7.3	4176513	> O-RING FOR PUMP JACKET VP.	1
10.1		> HOUSING-PIPE Ø152-M+1006-304	1
11	4172791	CENTERING STAGE-RETURN HELIX10 1.4301VP.	1
12	4209272	SHAFT EQUIPMENT HELIX V10 BI BLOC KIT	1
12.1		> NUT-H-M10-A4.70	1
12.2		> SERRATED LOCK WASHER M+10M3-316L	1
12.3		> STOP COLLAR OF IMPELLER L16,5-Ø16-316L	1
12.4		> STOP-RUSH-1/2-D16xd2-M+316	1
13		HYDRAULIC HELIX V 1006 1.4307	1
14	4177825	SHAFT D.16X405 1.4301 VP.	1
15	4159682	PUMP HOUSING HELIX DN50 PN16 1.4301 KIT	1
7.3	4176513	> O-RING FOR PUMP JACKET VP.	1

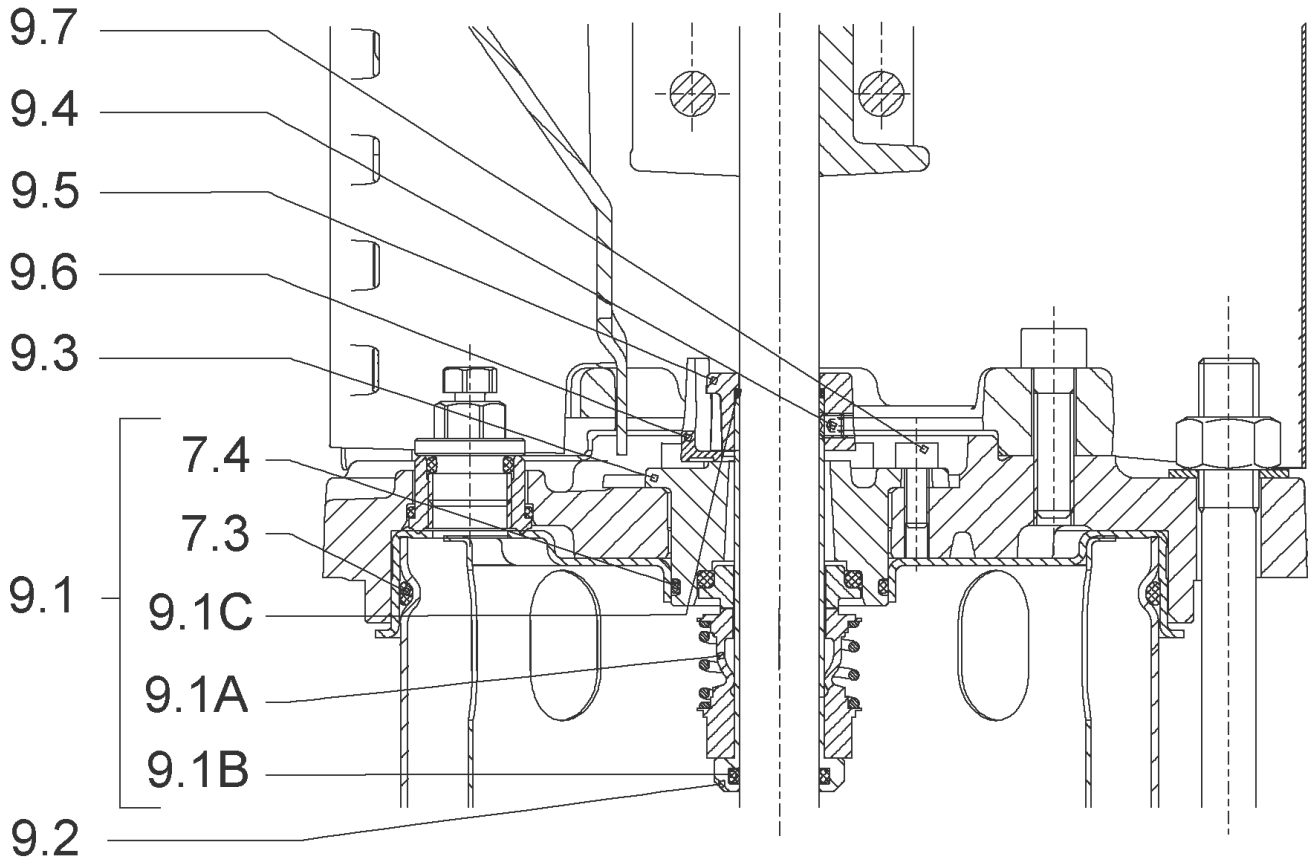
HELIX V1006-1/16/E/KS/400-50 (4150546)

Item	Article no.	Description	Quantity
15.1		> BLASTING PPE HOUSING V-PN16-DN50-304	1
15.2	4217893	> COUNTER FLANGE-G1"1/2-PN16-GJL KIT	1
15.3	4171321	> PRIMING/DRAIN PLUG EPDM HELIX KIT	1
16	4176517	BASEPLATE V8/10 VP.	1



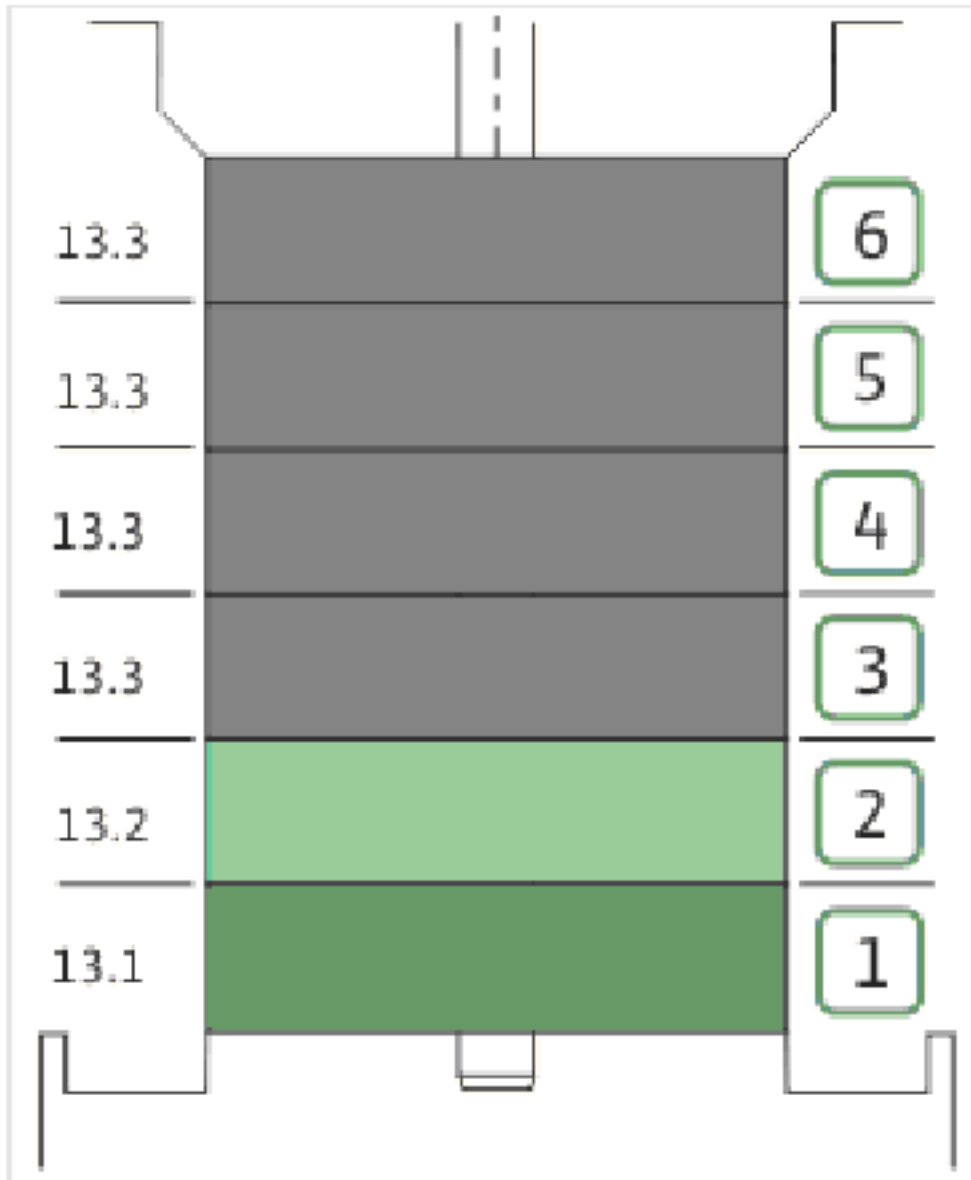
COUPLING D.16xD.24 FT115 HELIX KIT (4159709)

Item	Article no.	Description	Quantity
4.1		COUPLING M+ Ø16XØ24 FT115 MACHINED	1
4.2	2131023	BALL BEARING 6207/ZZ-C3(HT)VP.	1
4.3	4234254	CIRCLIP-FOR-SHAFT-D35x1.5 VP.	1
4.4	4157726	SCREW KIT M8X30 (4 PIECES)	1
4.5	4234251	CIRCLIP-D72x2.5 VP.	1
4.6	4234246	O-RING 72X3 VP.	1
		NOMEL CONTACT WASHER 8x16x1,4 STEEL ZC	1



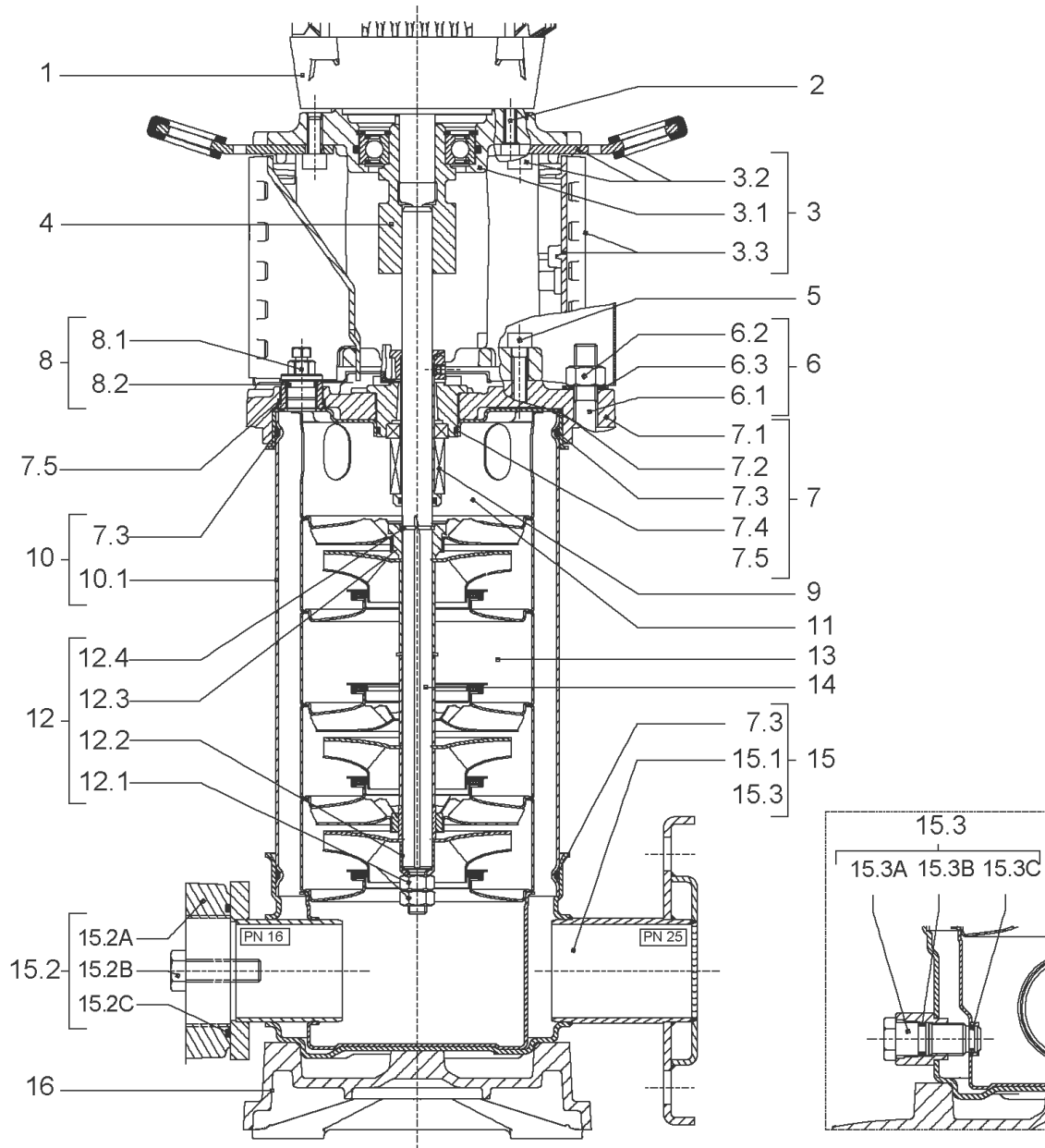
CARTRIDGE HELIX6-10-16 O/E KIT (4159696)

Item	Article no.	Description	Quantity
9.1	4159697	SEAL-KIT-HELIX6-10-16 O/E	1
7.3	4176513	> O-RING FOR PUMP JACKET VP.	1
7.4	2127603	> O-RING ID.37,6x2,4 EPDM VP.	1
9.1A	2130966	> MECH.SEAL HELIX2-4-6-10-16 O/E VP.	1
9.1B	2130967	> O-RING D.16X2,5 EPDM VP.	1
9.1C	4176519	> O-RING Ø16xØ1.25 VP.	1
9.2	2130961	SHAFT SLEEVE D.18/16X72,2 1.4404 VP.	1
9.3	2130962	RING HOLDER D.18 G606/G6 1.4301 VP.	1
9.4	4176520	SCREW CH M5x5 A4-70 (3PIECES)	1
9.5	2130963	DRIVE RING D.29/18x12,4 MACH.VP.	1
9.6	2130964	TOOL M.S.CART.HELIX VP.	1
9.7	2130965	SCREW CHC M5X12 ISO4762 A2.70(4 PIECES)	1



HYDRAULIC HELIX V 1006 1.4307

Item	Article no.	Description	Quantity
13.1	4171331	STAGE HELIX10 1.4301KIT	1
		> MACH.STG-CASING-WOGV-WNR-M+10-304	1
		> IMPELLER-M+10-304	1
13.2	4172792	INTERMEDIATE STAGE HELIX 10 1.4301 KIT	1
		> MACH.BEARING-STG-CASING-WNR-M+10-304	1
		> IMPELLER-M+10-304	1
		> SHAFT SLEEVE-SPACER-Ø19,35x18,465-304	1
		> SHAFT-SLEEVE-D16xD20x18-CW	1
13.3	4172793	INTERMEDIATE STAGE HELIX 10 1.4301 KIT	1
		> MACH.STD-STG-CASING-WGV+NR-M+10-304	1
		> IMPELLER-M+10-304	1
		> IMPELLER SPACER Ø16,05X19,45-L36,465-304	1



HELIX V1006-1/25/E/KS/400-50 (4150547)

Item	Article no.	Description	Quantity
1	4169943	MOTOR 2,2/2/90 3~230/400V 50HZ IE3 VP.	1
		SPARE PARTS MOTOR:ON REQUEST	1
2	4159703	SCREW M8X40 (4 PIECES)	1
3	4159690	LANTERN FT115 HELIX KIT	1
3.1		> LANTERN FT115 M+6" GJL MACHINING+CATA	1
3.2	2127604	> EYELET CPL.FT HELIX(2 PIECES)	1
3.3	4159692	> COUPLING PROTECTOR FT HELIX KIT	1
4	4159709	COUPLING D.16xD.24 FT115 HELIX KIT	1
5	4159707	SCREW M8X30 (4 PIECES)	1
6	4177822	STUD BOLT M12X413 KIT	1
6.1		> TIE BOLT M12-413x18x30-1.4057	1
6.2	2094647	> NUT M12 M12 ISO4032 VP.	1
6.3	2123557	> WASHER CS-12.4-24-1.6-NFE25 (4 PIECES)	1
7	4159685	END SHIELD HELIX EPDM KIT	1
7.1		> END SHIELD M+6" GJL250 MACHINING+CATA	1
7.2	2127607	> STATIONARY RING HOLDER 6" HELIX 1.4301 V	1
7.3	4176513	> O-RING FOR PUMP JACKET VP.	1
7.4	2127603	> O-RING ID.37,6x2,4 EPDM VP.	1
7.5	2127602	> O-RING ID.21,35x2 EPDM VP.	1
8	4159686	FILING/PURGING PLUG HELIX EPDM KIT	1
9	4159698	CARTRIDGE HELIX6-10-16 F/E KIT	1
10	4177823	HOUSING PIPES D.152X285 1.4301 KIT	1
7.3	4176513	> O-RING FOR PUMP JACKET VP.	1
10.1		> HOUSING-PIPE Ø152-M+1006-304	1
11	4172791	CENTERING STAGE-RETURN HELIX10 1.4301VP.	1
12	4209272	SHAFT EQUIPMENT HELIX V10 BI BLOC KIT	1
12.1		> NUT-H-M10-A4.70	1
12.2		> SERRATED LOCK WASHER M+10M3-316L	1
12.3		> STOP COLLAR OF IMPELLER L16,5-Ø16-316L	1
12.4		> STOP-RUSH-1/2-D16xd2-M+316	1
13		HYDRAULIC HELIX V 1006 1.4307	1
14	4177825	SHAFT D.16X405 1.4301 VP.	1
15	4172797	PUMP HOUSING HELIX DN40 PN25 1.4301 KIT	1
7.3	4176513	> O-RING FOR PUMP JACKET VP.	1

HELIX V1006-1/25/E/KS/400-50 (4150547)

Item	Article no.	Description	Quantity
15.1		> BLASTING PPE HOUSING V-PN25-DN40-304	1
15.3	4171321	> PRIMING/DRAIN PLUG EPDM HELIX KIT	1
16	4176517	BASEPLATE V8/10 VP.	1



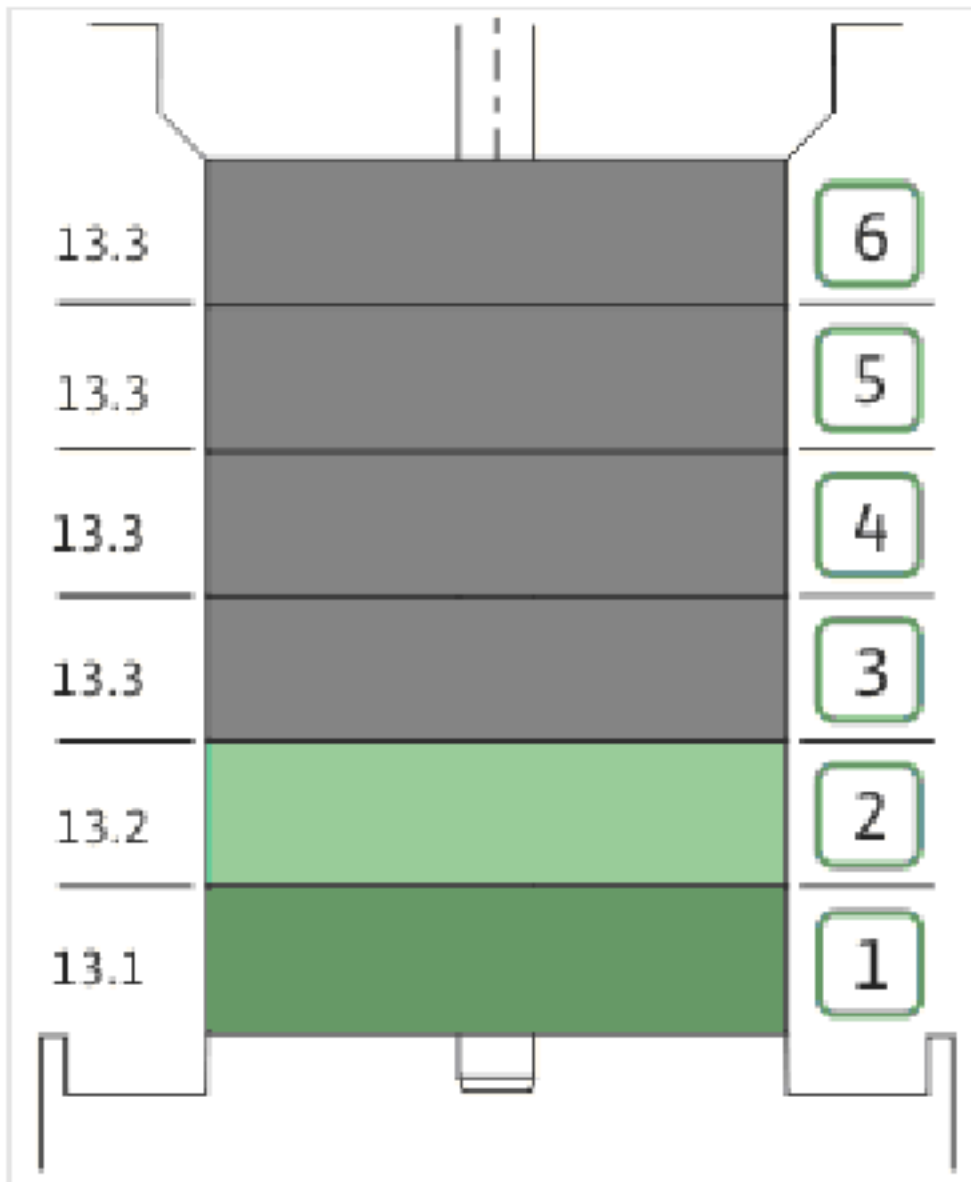
COUPLING D.16xD.24 FT115 HELIX KIT (4159709)

Item	Article no.	Description	Quantity
4.1		COUPLING M+ Ø16XØ24 FT115 MACHINED	1
4.2	2131023	BALL BEARING 6207/ZZ-C3(HT)VP.	1
4.3	4234254	CIRCLIP-FOR-SHAFT-D35x1.5 VP.	1
4.4	4157726	SCREW KIT M8X30 (4 PIECES)	1
4.5	4234251	CIRCLIP-D72x2.5 VP.	1
4.6	4234246	O-RING 72X3 VP.	1
		NOMEL CONTACT WASHER 8x16x1,4 STEEL ZC	1



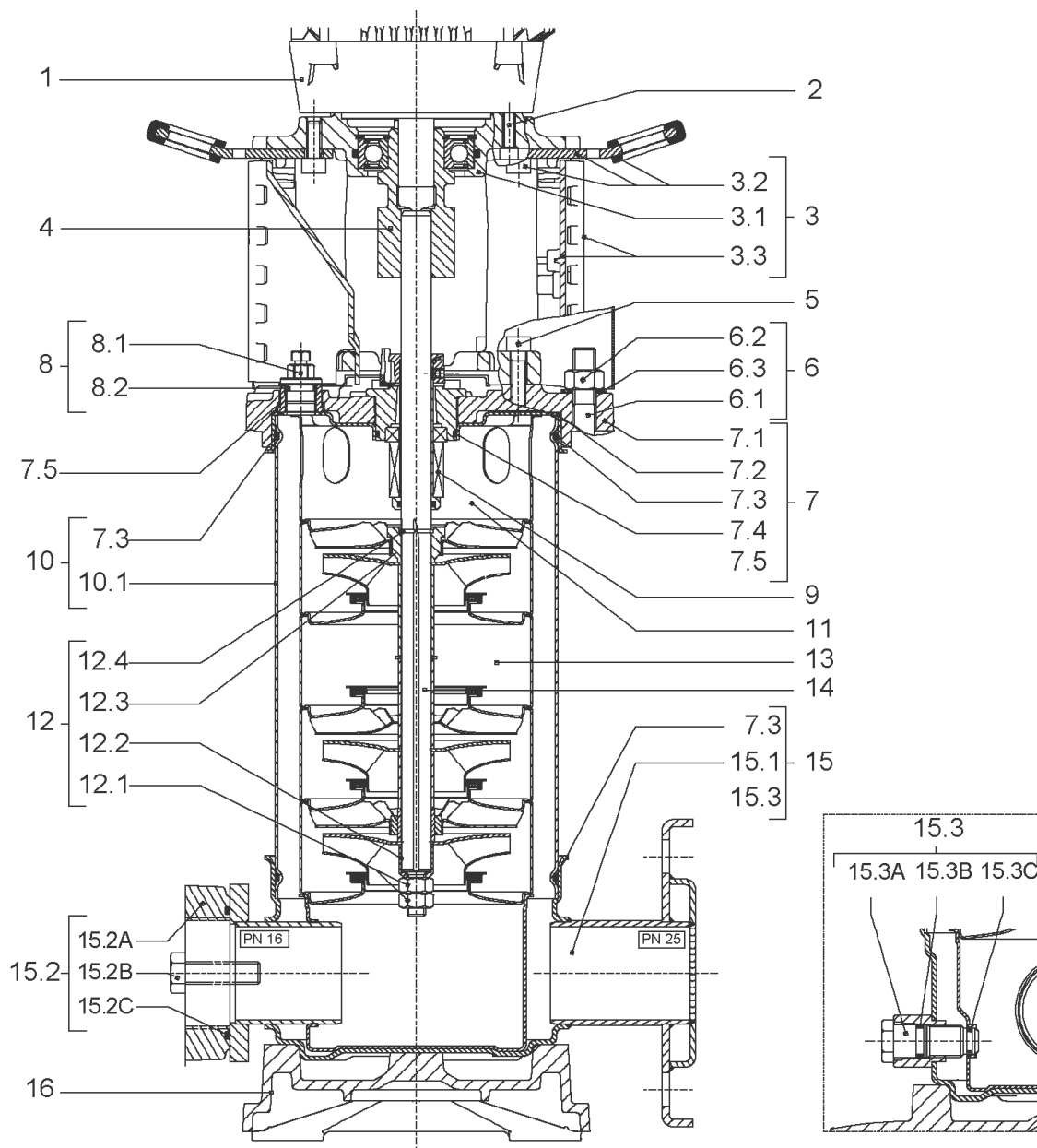
CARTRIDGE HELIX6-10-16 F/E KIT (4159698)

Item	Article no.	Description	Quantity
9.1	4159699	SEAL-KIT-HELIX6-10-16 F/E	1
7.3	4176513	> O-RING FOR PUMP JACKET VP.	1
7.4	2127603	> O-RING ID.37,6x2,4 EPDM VP.	1
9.1A	4176521	> MECH.SEAL HELIX2-4-6-10-16 F/E VP.	1
9.1B	2130967	> O-RING D.16X2,5 EPDM VP.	1
9.1C	4176519	> O-RING Ø16xØ1.25 VP.	1
9.2	2130961	SHAFT SLEEVE D.18/16X72,2 1.4404 VP.	1
9.3	2130962	RING HOLDER D.18 G606/G6 1.4301 VP.	1
9.4	4176520	SCREW CH M5x5 A4-70 (3PIECES)	1
9.5	2130963	DRIVE RING D.29/18x12,4 MACH.VP.	1
9.6	2130964	TOOL M.S.CART.HELIX VP.	1
9.7	2130965	SCREW CHC M5X12 ISO4762 A2.70(4 PIECES)	1



HYDRAULIC HELIX V 1006 1.4307

Item	Article no.	Description	Quantity
13.1	4171331	STAGE HELIX10 1.4301KIT	1
		> MACH.STG-CASING-WOGV-WNR-M+10-304	1
		> IMPELLER-M+10-304	1
13.2	4172792	INTERMEDIATE STAGE HELIX 10 1.4301 KIT	1
		> MACH.BEARING-STG-CASING-WNR-M+10-304	1
		> IMPELLER-M+10-304	1
		> SHAFT SLEEVE-SPACER-Ø19,35x18,465-304	1
		> SHAFT-SLEEVE-D16xD20x18-CW	1
13.3	4172793	INTERMEDIATE STAGE HELIX 10 1.4301 KIT	1
		> MACH.STD-STG-CASING-WGV+NR-M+10-304	1
		> IMPELLER-M+10-304	1
		> IMPELLER SPACER Ø16,05X19,45-L36,465-304	1



HELIX V1007-1/16/E/KS/400-50 (4150548)

Item	Article no.	Description	Quantity
1	4169944	MOTOR 3/2/100 3~230/400V 50HZ IE3 VP.	1
		SPARE PARTS MOTOR:ON REQUEST	1
2	4206025	SCREW M8X45 (4 PIECES)	1
3	4171326	LANTERN FT130 HELIX KIT	1
3.1		> LANTERN FT130 M+6" GJL MACHINING+CATA	1
3.2	2127604	> EYELET CPL.FT HELIX(2 PIECES)	1
3.3	4159692	> COUPLING PROTECTOR FT HELIX KIT	1
4	4159710	COUPLING D.16XD.28 FT130 HELIX KIT	1
5	4159707	SCREW M8X30 (4 PIECES)	1
6	4177806	STUD BOLT M12X450KIT	1
6.1		> TIE BOLT M12-450x18x30-1.4057	1
6.2	2094647	> NUT M12 M12 ISO4032 VP.	1
6.3	2123557	> WASHER CS-12.4-24-1.6-NFE25 (4 PIECES)	1
7	4159685	END SHIELD HELIX EPDM KIT	1
7.1		> END SHIELD M+6" GJL250 MACHINING+CATA	1
7.2	2127607	> STATIONARY RING HOLDER 6" HELIX 1.4301 V	1
7.3	4176513	> O-RING FOR PUMP JACKET VP.	1
7.4	2127603	> O-RING ID.37,6x2,4 EPDM VP.	1
7.5	2127602	> O-RING ID.21,35x2 EPDM VP.	1
8	4159686	FILING/PURGING PLUG HELIX EPDM KIT	1
9	4159696	CARTRIDGE HELIX6-10-16 O/E KIT	1
10	4172794	HOUSING PIPES D.152X322 1.4301 KIT	1
7.3	4176513	> O-RING FOR PUMP JACKET VP.	1
10.1		> HOUSING-PIPE Ø152-M+1007-304	1
11	4172791	CENTERING STAGE-RETURN HELIX10 1.4301VP.	1
12	4209272	SHAFT EQUIPMENT HELIX V10 BI BLOC KIT	1
12.1		> NUT-H-M10-A4.70	1
12.2		> SERRATED LOCK WASHER M+10M3-316L	1
12.3		> STOP COLLAR OF IMPELLER L16,5-Ø16-316L	1
12.4		> STOP-RUSH-1/2-D16xd2-M+316	1
13		HYDRAULIC HELIX V 1007 1.4307	1
14	4171324	SHAFT D.16X442,5 1.4301 VP.	1
15	4159682	PUMP HOUSING HELIX DN50 PN16 1.4301 KIT	1
7.3	4176513	> O-RING FOR PUMP JACKET VP.	1

HELIX V1007-1/16/E/KS/400-50 (4150548)

Item	Article no.	Description	Quantity
15.1		> BLASTING PPE HOUSING V-PN16-DN50-304	1
15.2	4217893	> COUNTER FLANGE-G1"1/2-PN16-GJL KIT	1
15.3	4171321	> PRIMING/DRAIN PLUG EPDM HELIX KIT	1
16	4176517	BASEPLATE V8/10 VP.	1



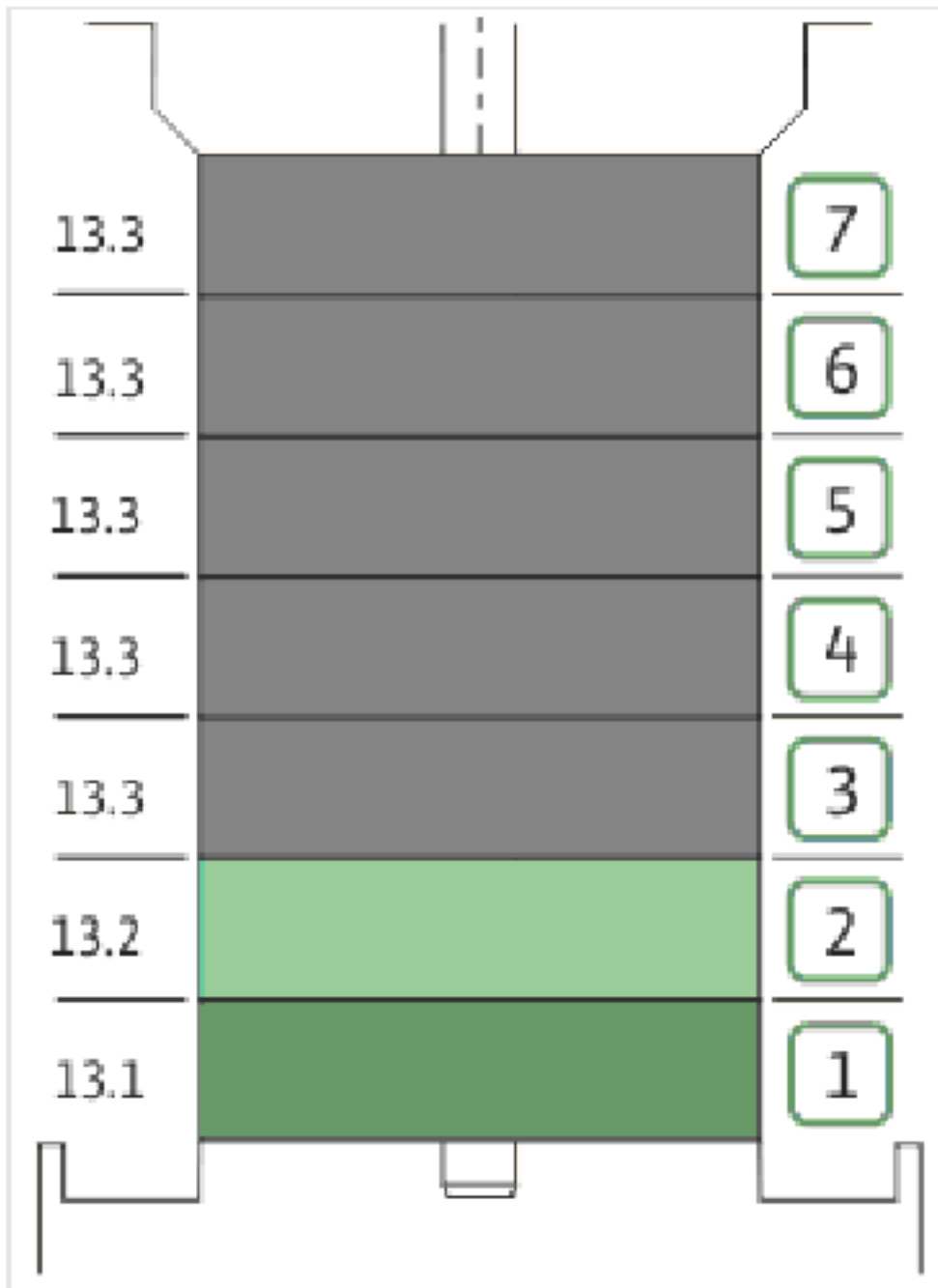
COUPLING D.16XD.28 FT130 HELIX KIT (4159710)

Item	Article no.	Description	Quantity
4.1		COUPLING M+ Ø16XØ28 FT130 MACHINED	1
4.2	2131022	BALL BEARING 6209/ZZ-C3(HT)VP.	1
4.3	4233930	CIRCLIP-FOR-BORES-D45x1,75 VP.	1
4.4	4157726	SCREW KIT M8X30 (4 PIECES)	1
4.5	4234252	CIRCLIPS 85X3 VP.	1
4.6	4234243	O-RING 85X3 VP.	1
		NOMEL CONTACT WASHER 8x16x1,4 STEEL ZC	1



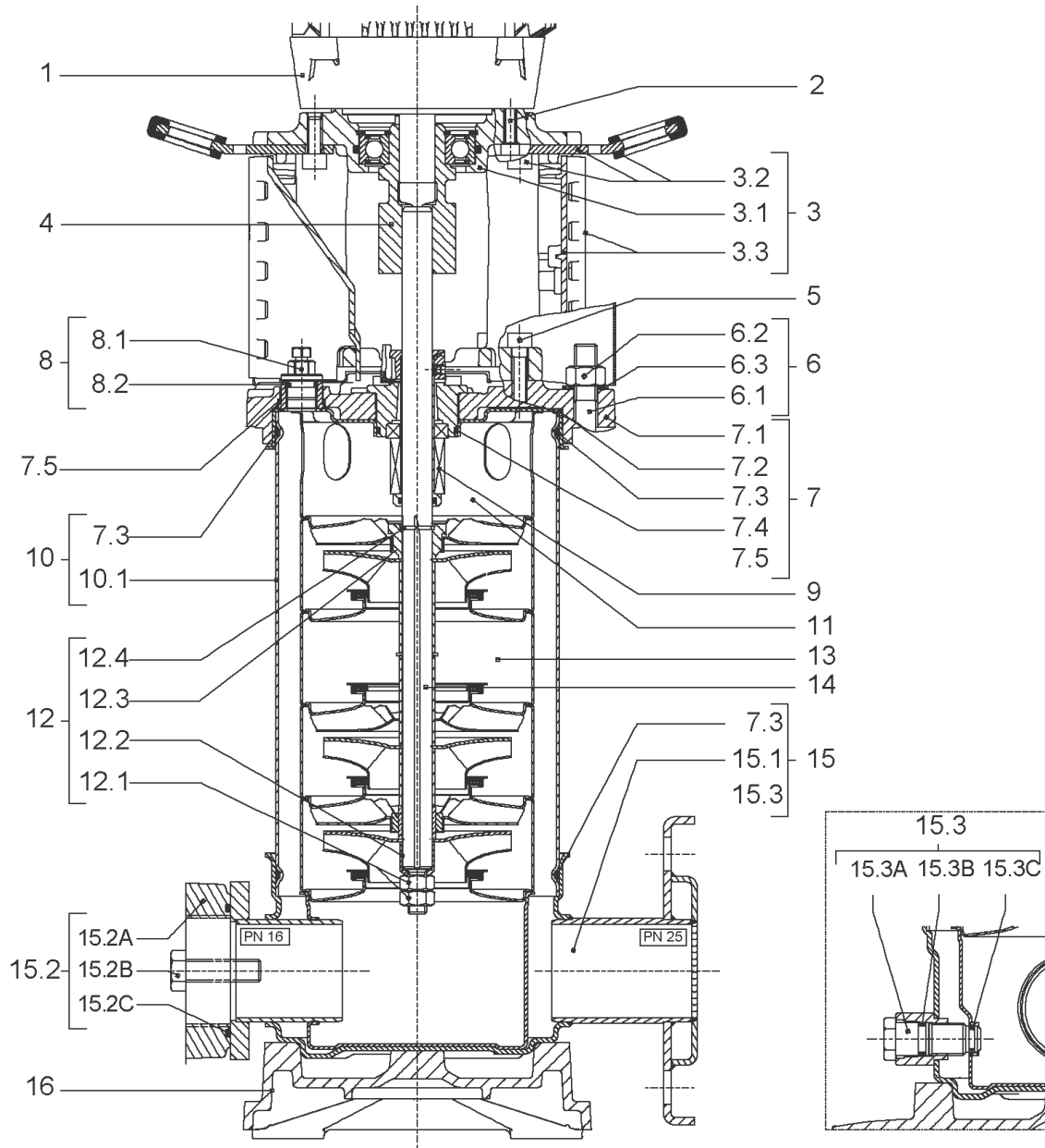
CARTRIDGE HELIX6-10-16 O/E KIT (4159696)

Item	Article no.	Description	Quantity
9.1	4159697	SEAL-KIT-HELIX6-10-16 O/E	1
7.3	4176513	> O-RING FOR PUMP JACKET VP.	1
7.4	2127603	> O-RING ID.37,6x2,4 EPDM VP.	1
9.1A	2130966	> MECH.SEAL HELIX2-4-6-10-16 O/E VP.	1
9.1B	2130967	> O-RING D.16X2,5 EPDM VP.	1
9.1C	4176519	> O-RING Ø16xØ1.25 VP.	1
9.2	2130961	SHAFT SLEEVE D.18/16X72,2 1.4404 VP.	1
9.3	2130962	RING HOLDER D.18 G606/G6 1.4301 VP.	1
9.4	4176520	SCREW CH M5x5 A4-70 (3PIECES)	1
9.5	2130963	DRIVE RING D.29/18x12,4 MACH.VP.	1
9.6	2130964	TOOL M.S.CART.HELIX VP.	1
9.7	2130965	SCREW CHC M5X12 ISO4762 A2.70(4 PIECES)	1



HYDRAULIC HELIX V 1007 1.4307

Item	Article no.	Description	Quantity
13.1	4171331	STAGE HELIX10 1.4301KIT	1
		> MACH.STG-CASING-WOGV-WNR-M+10-304	1
		> IMPELLER-M+10-304	1
13.2	4172792	INTERMEDIATE STAGE HELIX 10 1.4301 KIT	1
		> MACH.BEARING-STG-CASING-WNR-M+10-304	1
		> IMPELLER-M+10-304	1
		> SHAFT SLEEVE-SPACER-Ø19,35x18,465-304	1
		> SHAFT-SLEEVE-D16xD20x18-CW	1
13.3	4172793	INTERMEDIATE STAGE HELIX 10 1.4301 KIT	1
		> MACH.STD-STG-CASING-WGV+NR-M+10-304	1
		> IMPELLER-M+10-304	1
		> IMPELLER SPACER Ø16,05X19,45-L36,465-304	1



HELIX V1007-1/25/E/KS/400-50 (4150549)

Item	Article no.	Description	Quantity
1	4169944	MOTOR 3/2/100 3~230/400V 50HZ IE3 VP.	1
		SPARE PARTS MOTOR:ON REQUEST	1
2	4206025	SCREW M8X45 (4 PIECES)	1
3	4171326	LANTERN FT130 HELIX KIT	1
3.1		> LANTERN FT130 M+6" GJL MACHINING+CATA	1
3.2	2127604	> EYELET CPL.FT HELIX(2 PIECES)	1
3.3	4159692	> COUPLING PROTECTOR FT HELIX KIT	1
4	4159710	COUPLING D.16XD.28 FT130 HELIX KIT	1
5	4159707	SCREW M8X30 (4 PIECES)	1
6	4177806	STUD BOLT M12X450KIT	1
6.1		> TIE BOLT M12-450x18x30-1.4057	1
6.2	2094647	> NUT M12 M12 ISO4032 VP.	1
6.3	2123557	> WASHER CS-12.4-24-1.6-NFE25 (4 PIECES)	1
7	4159685	END SHIELD HELIX EPDM KIT	1
7.1		> END SHIELD M+6" GJL250 MACHINING+CATA	1
7.2	2127607	> STATIONARY RING HOLDER 6" HELIX 1.4301 V	1
7.3	4176513	> O-RING FOR PUMP JACKET VP.	1
7.4	2127603	> O-RING ID.37,6x2,4 EPDM VP.	1
7.5	2127602	> O-RING ID.21,35x2 EPDM VP.	1
8	4159686	FILING/PURGING PLUG HELIX EPDM KIT	1
9	4159698	CARTRIDGE HELIX6-10-16 F/E KIT	1
10	4172794	HOUSING PIPES D.152X322 1.4301 KIT	1
7.3	4176513	> O-RING FOR PUMP JACKET VP.	1
10.1		> HOUSING-PIPE Ø152-M+1007-304	1
11	4172791	CENTERING STAGE-RETURN HELIX10 1.4301VP.	1
12	4209272	SHAFT EQUIPMENT HELIX V10 BI BLOC KIT	1
12.1		> NUT-H-M10-A4.70	1
12.2		> SERRATED LOCK WASHER M+10M3-316L	1
12.3		> STOP COLLAR OF IMPELLER L16,5-Ø16-316L	1
12.4		> STOP-RUSH-1/2-D16xd2-M+316	1
13		HYDRAULIC HELIX V 1007 1.4307	1
14	4171324	SHAFT D.16X442,5 1.4301 VP.	1
15	4172797	PUMP HOUSING HELIX DN40 PN25 1.4301 KIT	1
7.3	4176513	> O-RING FOR PUMP JACKET VP.	1

HELIX V1007-1/25/E/KS/400-50 (4150549)

Item	Article no.	Description	Quantity
15.1		> BLASTING PPE HOUSING V-PN25-DN40-304	1
15.3	4171321	> PRIMING/DRAIN PLUG EPDM HELIX KIT	1
16	4176517	BASEPLATE V8/10 VP.	1



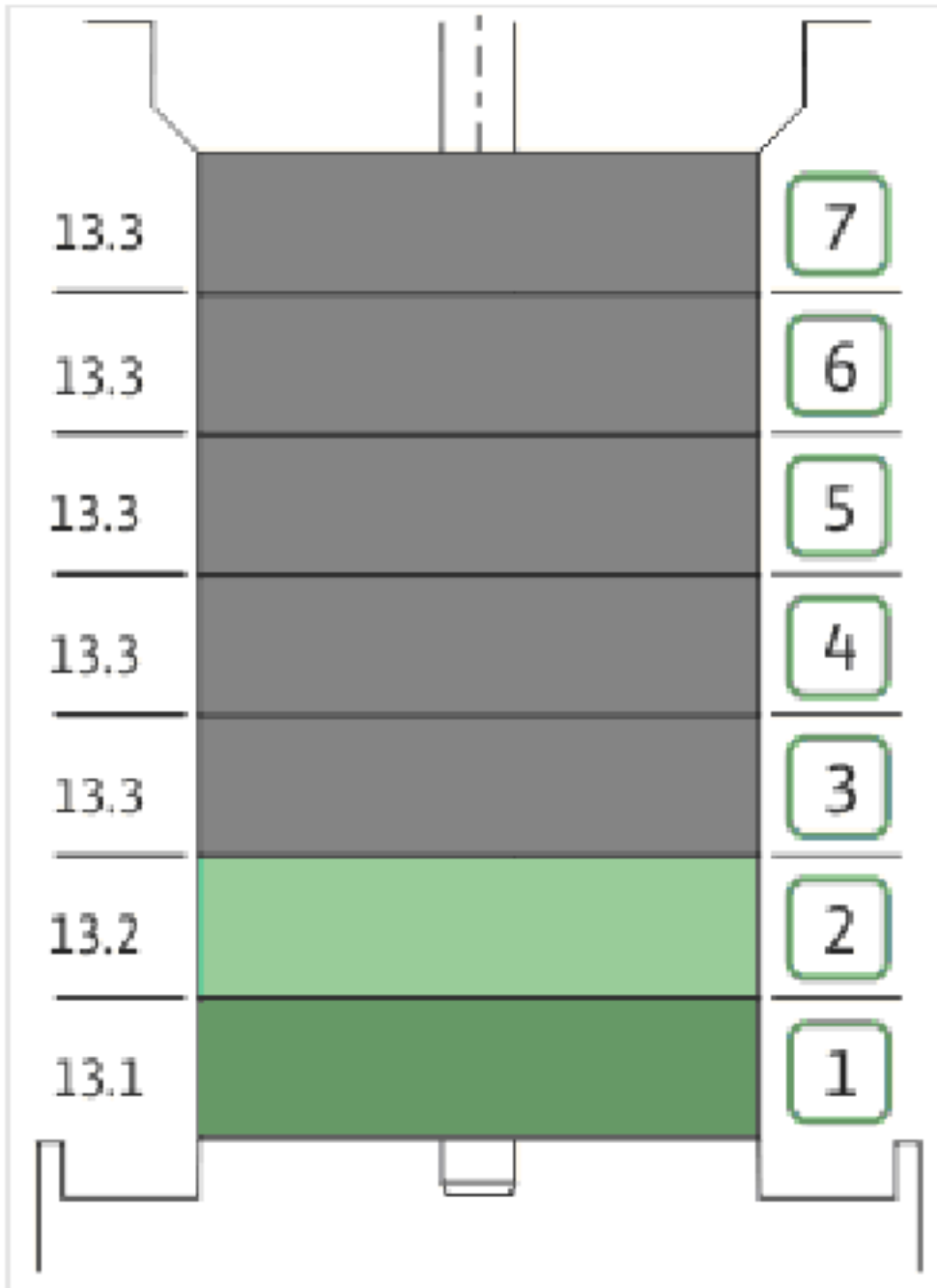
COUPLING D.16XD.28 FT130 HELIX KIT (4159710)

Item	Article no.	Description	Quantity
4.1		COUPLING M+ Ø16XØ28 FT130 MACHINED	1
4.2	2131022	BALL BEARING 6209/ZZ-C3(HT)VP.	1
4.3	4233930	CIRCLIP-FOR-BORES-D45x1,75 VP.	1
4.4	4157726	SCREW KIT M8X30 (4 PIECES)	1
4.5	4234252	CIRCLIPS 85X3 VP.	1
4.6	4234243	O-RING 85X3 VP.	1
		NOMEL CONTACT WASHER 8x16x1,4 STEEL ZC	1



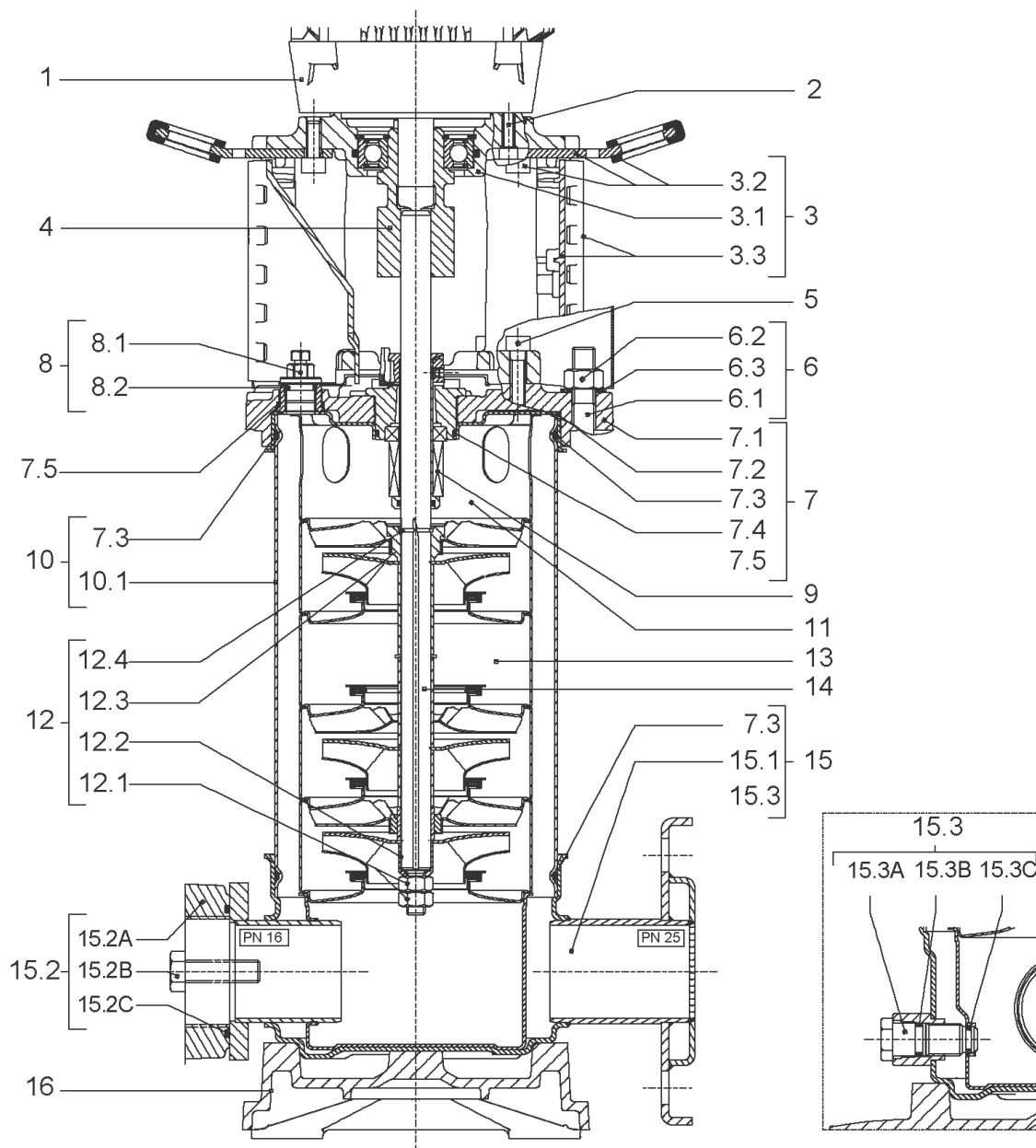
CARTRIDGE HELIX6-10-16 F/E KIT (4159698)

Item	Article no.	Description	Quantity
9.1	4159699	SEAL-KIT-HELIX6-10-16 F/E	1
7.3	4176513	> O-RING FOR PUMP JACKET VP.	1
7.4	2127603	> O-RING ID.37,6x2,4 EPDM VP.	1
9.1A	4176521	> MECH.SEAL HELIX2-4-6-10-16 F/E VP.	1
9.1B	2130967	> O-RING D.16X2,5 EPDM VP.	1
9.1C	4176519	> O-RING Ø16xØ1.25 VP.	1
9.2	2130961	SHAFT SLEEVE D.18/16X72,2 1.4404 VP.	1
9.3	2130962	RING HOLDER D.18 G606/G6 1.4301 VP.	1
9.4	4176520	SCREW CH M5x5 A4-70 (3PIECES)	1
9.5	2130963	DRIVE RING D.29/18x12,4 MACH.VP.	1
9.6	2130964	TOOL M.S.CART.HELIX VP.	1
9.7	2130965	SCREW CHC M5X12 ISO4762 A2.70(4 PIECES)	1



HYDRAULIC HELIX V 1007 1.4307

Item	Article no.	Description	Quantity
13.1	4171331	STAGE HELIX10 1.4301KIT	1
		> MACH.STG-CASING-WOGV-WNR-M+10-304	1
		> IMPELLER-M+10-304	1
13.2	4172792	INTERMEDIATE STAGE HELIX 10 1.4301 KIT	1
		> MACH.BEARING-STG-CASING-WNR-M+10-304	1
		> IMPELLER-M+10-304	1
		> SHAFT SLEEVE-SPACER-Ø19,35x18,465-304	1
		> SHAFT-SLEEVE-D16xD20x18-CW	1
13.3	4172793	INTERMEDIATE STAGE HELIX 10 1.4301 KIT	1
		> MACH.STD-STG-CASING-WGV+NR-M+10-304	1
		> IMPELLER-M+10-304	1
		> IMPELLER SPACER Ø16,05X19,45-L36,465-304	1



HELIX V1008-1/16/E/KS/400-50 (4150550)

Item	Article no.	Description	Quantity
1	4169944	MOTOR 3/2/100 3~230/400V 50HZ IE3 VP.	1
		SPARE PARTS MOTOR:ON REQUEST	1
2	4206025	SCREW M8X45 (4 PIECES)	1
3	4171326	LANTERN FT130 HELIX KIT	1
3.1		> LANTERN FT130 M+6" GJL MACHINING+CATA	1
3.2	2127604	> EYELET CPL.FT HELIX(2 PIECES)	1
3.3	4159692	> COUPLING PROTECTOR FT HELIX KIT	1
4	4159710	COUPLING D.16XD.28 FT130 HELIX KIT	1
5	4159707	SCREW M8X30 (4 PIECES)	1
6	2127555	STUD BOLT M12X485 KIT	1
7	4159685	END SHIELD HELIX EPDM KIT	1
7.1		> END SHIELD M+6" GJL250 MACHINING+CATA	1
7.2	2127607	> STATIONARY RING HOLDER 6" HELIX 1.4301 V	1
7.3	4176513	> O-RING FOR PUMP JACKET VP.	1
7.4	2127603	> O-RING ID.37,6x2,4 EPDM VP.	1
7.5	2127602	> O-RING ID.21,35x2 EPDM VP.	1
8	4159686	FILING/PURGING PLUG HELIX EPDM KIT	1
9	4159696	CARTRIDGE HELIX6-10-16 O/E KIT	1
10	2127578	HOUSING PIPE D.152x360 1.4307 KIT	1
7.3	4176513	> O-RING FOR PUMP JACKET VP.	1
10.1		> HOUSING-PIPE Ø152-M+1008/1606-304	1
11	4172791	CENTERING STAGE-RETURN HELIX10 1.4301VP.	1
12	4209272	SHAFT EQUIPMENT HELIX V10 BI BLOC KIT	1
12.1		> NUT-H-M10-A4.70	1
12.2		> SERRATED LOCK WASHER M+10M3-316L	1
12.3		> STOP COLLAR OF IMPELLER L16,5-Ø16-316L	1
12.4		> STOP-RUSH-1/2-D16xd2-M+316	1
13		HYDRAULIC HELIX V 1008 1.4307	1
14	2127397	SHAFT D.16X480 1.4301 VP.	1
15	4159682	PUMP HOUSING HELIX DN50 PN16 1.4301 KIT	1
7.3	4176513	> O-RING FOR PUMP JACKET VP.	1
15.1		> BLASTING PPE HOUSING V-PN16-DN50-304	1
15.2	4217893	> COUNTER FLANGE-G1"1/2-PN16-GJL KIT	1
15.3	4171321	> PRIMING/DRAIN PLUG EPDM HELIX KIT	1

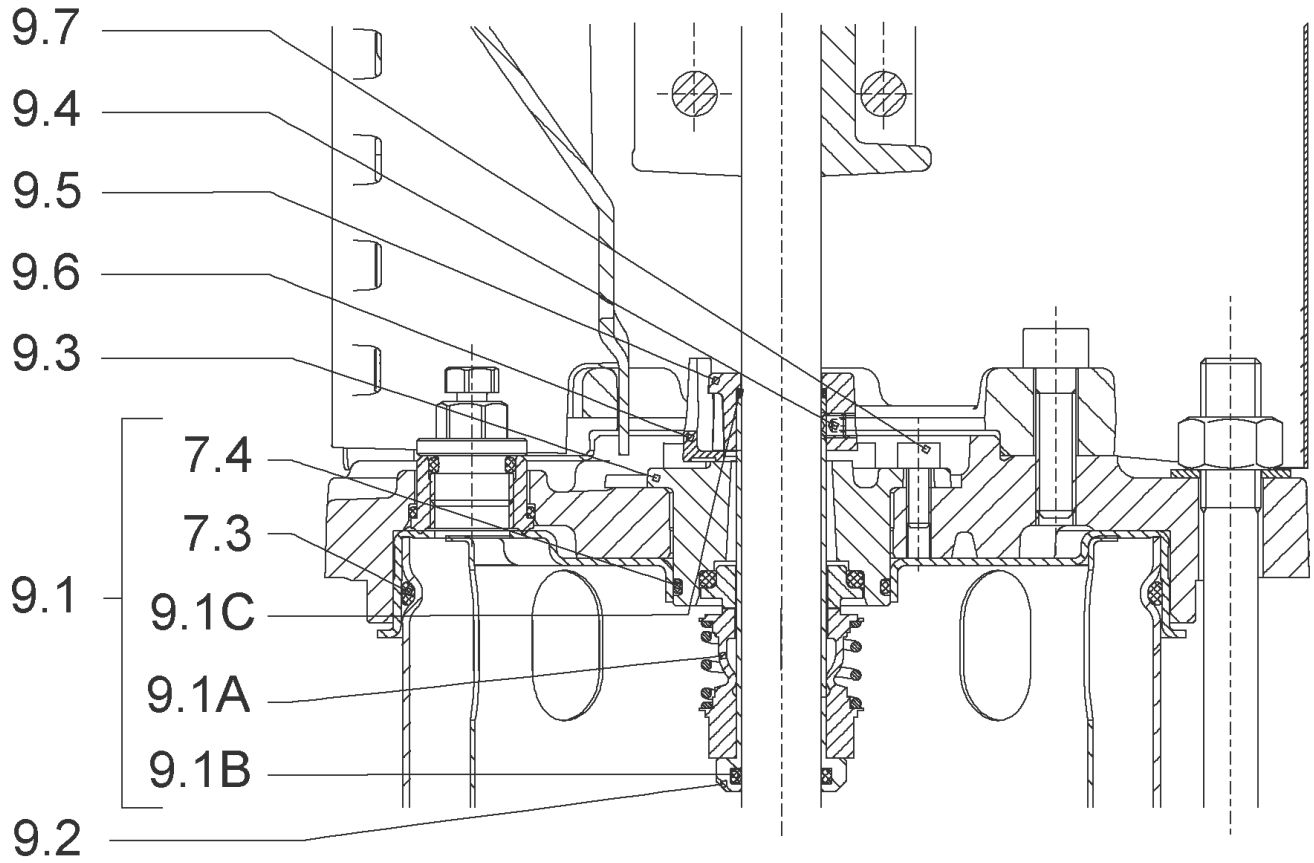
HELIX V1008-1/16/E/KS/400-50 (4150550)

Item	Article no.	Description	Quantity
16	4176517	BASEPLATE V8/10 VP.	1



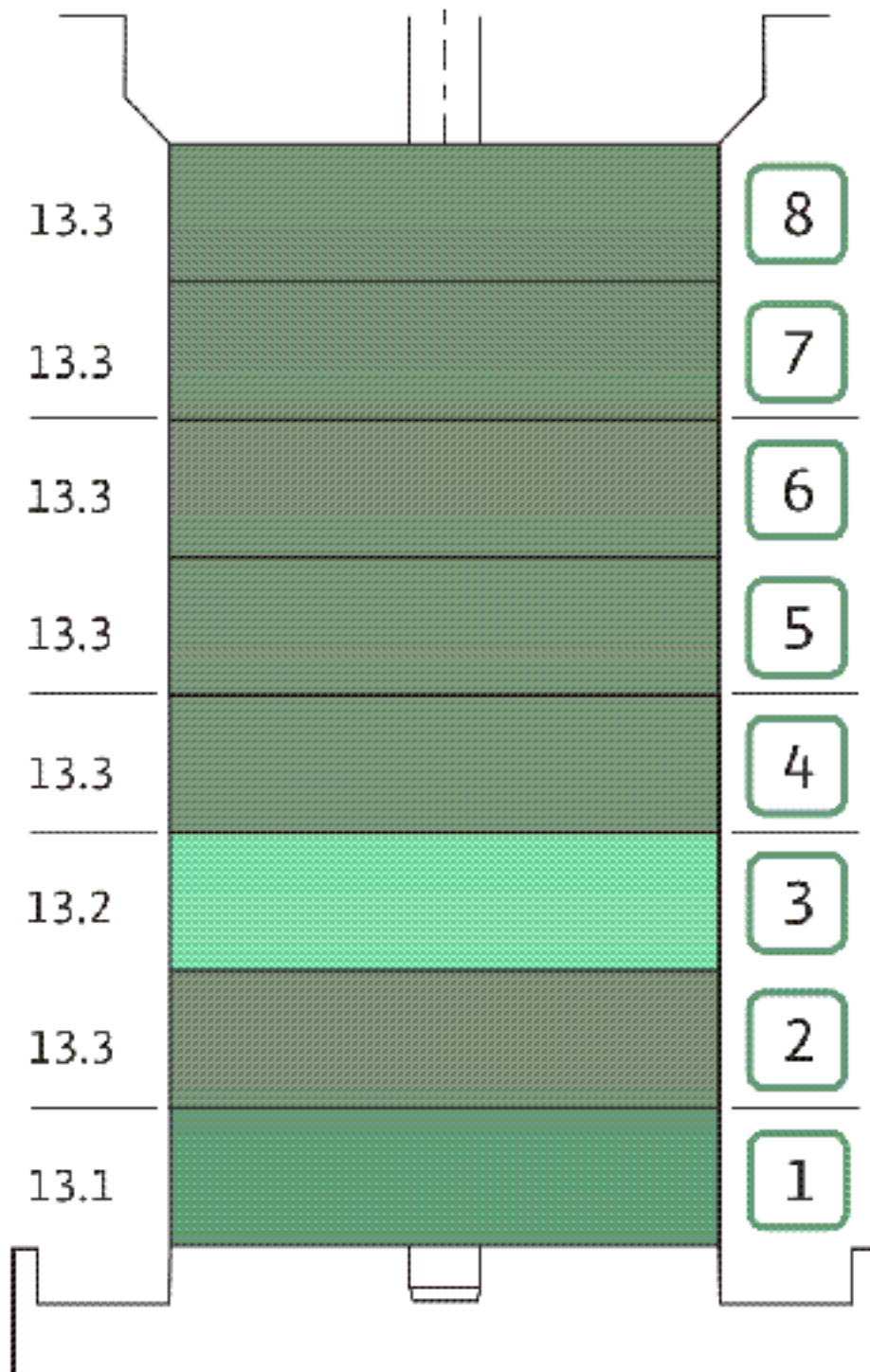
COUPLING D.16XD.28 FT130 HELIX KIT (4159710)

Item	Article no.	Description	Quantity
4.1		COUPLING M+ Ø16XØ28 FT130 MACHINED	1
4.2	2131022	BALL BEARING 6209/ZZ-C3(HT)VP.	1
4.3	4233930	CIRCLIP-FOR-BORES-D45x1,75 VP.	1
4.4	4157726	SCREW KIT M8X30 (4 PIECES)	1
4.5	4234252	CIRCLIPS 85X3 VP.	1
4.6	4234243	O-RING 85X3 VP.	1
		NOMEL CONTACT WASHER 8x16x1,4 STEEL ZC	1



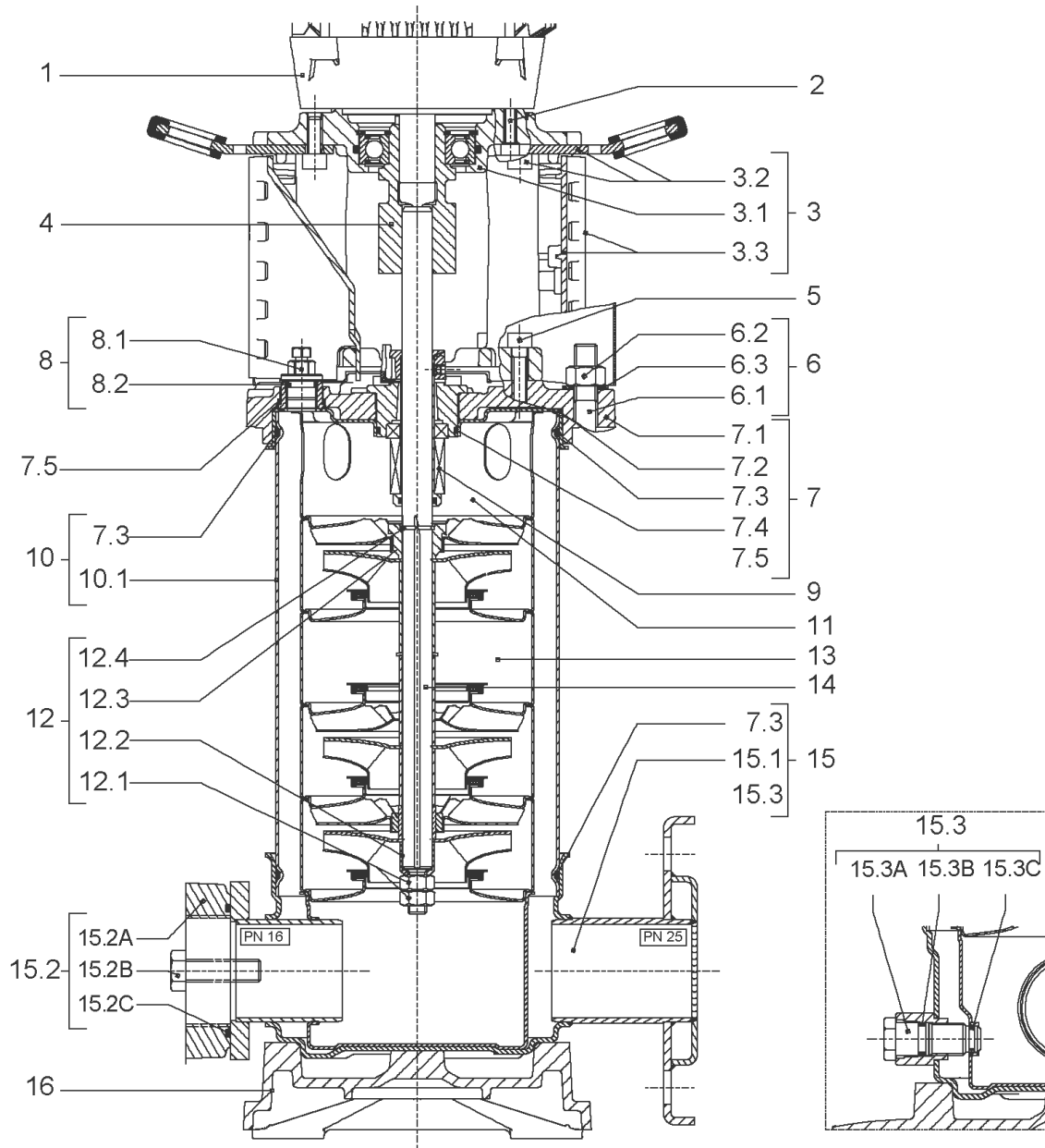
CARTRIDGE HELIX6-10-16 O/E KIT (4159696)

Item	Article no.	Description	Quantity
9.1	4159697	SEAL-KIT-HELIX6-10-16 O/E	1
7.3	4176513	> O-RING FOR PUMP JACKET VP.	1
7.4	2127603	> O-RING ID.37,6x2,4 EPDM VP.	1
9.1A	2130966	> MECH.SEAL HELIX2-4-6-10-16 O/E VP.	1
9.1B	2130967	> O-RING D.16X2,5 EPDM VP.	1
9.1C	4176519	> O-RING Ø16xØ1.25 VP.	1
9.2	2130961	SHAFT SLEEVE D.18/16X72,2 1.4404 VP.	1
9.3	2130962	RING HOLDER D.18 G606/G6 1.4301 VP.	1
9.4	4176520	SCREW CH M5x5 A4-70 (3PIECES)	1
9.5	2130963	DRIVE RING D.29/18x12,4 MACH.VP.	1
9.6	2130964	TOOL M.S.CART.HELIX VP.	1
9.7	2130965	SCREW CHC M5X12 ISO4762 A2.70(4 PIECES)	1



HYDRAULIC HELIX V 1008 1.4307

Item	Article no.	Description	Quantity
13.1	4171331	STAGE HELIX10 1.4301KIT	1
		> MACH.STG-CASING-WOGV-WNR-M+10-304	1
		> IMPELLER-M+10-304	1
13.2	4172792	INTERMEDIATE STAGE HELIX 10 1.4301 KIT	1
		> MACH.BEARING-STG-CASING-WNR-M+10-304	1
		> IMPELLER-M+10-304	1
		> SHAFT SLEEVE-SPACER-Ø19,35x18,465-304	1
		> SHAFT-SLEEVE-D16xD20x18-CW	1
13.3	4172793	INTERMEDIATE STAGE HELIX 10 1.4301 KIT	1
		> MACH.STD-STG-CASING-WGV+NR-M+10-304	1
		> IMPELLER-M+10-304	1
		> IMPELLER SPACER Ø16,05X19,45-L36,465-304	1



HELIX V1008-1/25/E/KS/400-50 (4150551)

Item	Article no.	Description	Quantity
1	4169944	MOTOR 3/2/100 3~230/400V 50HZ IE3 VP.	1
		SPARE PARTS MOTOR:ON REQUEST	1
2	4206025	SCREW M8X45 (4 PIECES)	1
3	4171326	LANTERN FT130 HELIX KIT	1
3.1		> LANTERN FT130 M+6" GJL MACHINING+CATA	1
3.2	2127604	> EYELET CPL.FT HELIX(2 PIECES)	1
3.3	4159692	> COUPLING PROTECTOR FT HELIX KIT	1
4	4159710	COUPLING D.16XD.28 FT130 HELIX KIT	1
5	4159707	SCREW M8X30 (4 PIECES)	1
6	2127555	STUD BOLT M12X485 KIT	1
7	4159685	END SHIELD HELIX EPDM KIT	1
7.1		> END SHIELD M+6" GJL250 MACHINING+CATA	1
7.2	2127607	> STATIONARY RING HOLDER 6" HELIX 1.4301 V	1
7.3	4176513	> O-RING FOR PUMP JACKET VP.	1
7.4	2127603	> O-RING ID.37,6x2,4 EPDM VP.	1
7.5	2127602	> O-RING ID.21,35x2 EPDM VP.	1
8	4159686	FILING/PURGING PLUG HELIX EPDM KIT	1
9	4159698	CARTRIDGE HELIX6-10-16 F/E KIT	1
10	2127578	HOUSING PIPE D.152x360 1.4307 KIT	1
7.3	4176513	> O-RING FOR PUMP JACKET VP.	1
10.1		> HOUSING-PIPE Ø152-M+1008/1606-304	1
11	4172791	CENTERING STAGE-RETURN HELIX10 1.4301VP.	1
12	4209272	SHAFT EQUIPMENT HELIX V10 BI BLOC KIT	1
12.1		> NUT-H-M10-A4.70	1
12.2		> SERRATED LOCK WASHER M+10M3-316L	1
12.3		> STOP COLLAR OF IMPELLER L16,5-Ø16-316L	1
12.4		> STOP-RUSH-1/2-D16xd2-M+316	1
13		HYDRAULIC HELIX V 1008 1.4307	1
14	2127397	SHAFT D.16X480 1.4301 VP.	1
15	4172797	PUMP HOUSING HELIX DN40 PN25 1.4301 KIT	1
7.3	4176513	> O-RING FOR PUMP JACKET VP.	1
15.1		> BLASTING PPE HOUSING V-PN25-DN40-304	1
15.3	4171321	> PRIMING/DRAIN PLUG EPDM HELIX KIT	1
16	4176517	BASEPLATE V8/10 VP.	1



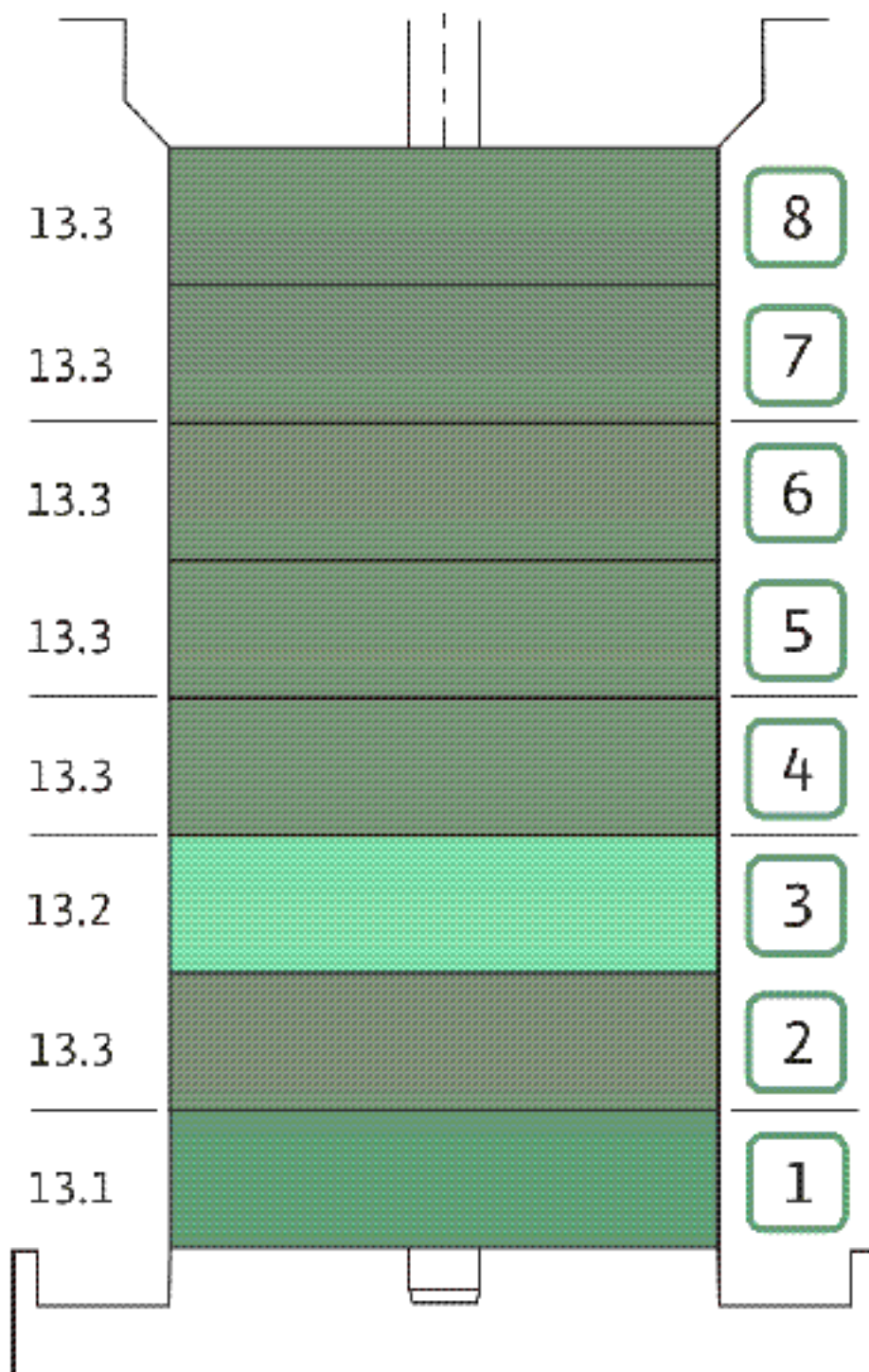
COUPLING D.16XD.28 FT130 HELIX KIT (4159710)

Item	Article no.	Description	Quantity
4.1		COUPLING M+ Ø16XØ28 FT130 MACHINED	1
4.2	2131022	BALL BEARING 6209/ZZ-C3(HT)VP.	1
4.3	4233930	CIRCLIP-FOR-BORES-D45x1,75 VP.	1
4.4	4157726	SCREW KIT M8X30 (4 PIECES)	1
4.5	4234252	CIRCLIPS 85X3 VP.	1
4.6	4234243	O-RING 85X3 VP.	1
		NOMEL CONTACT WASHER 8x16x1,4 STEEL ZC	1



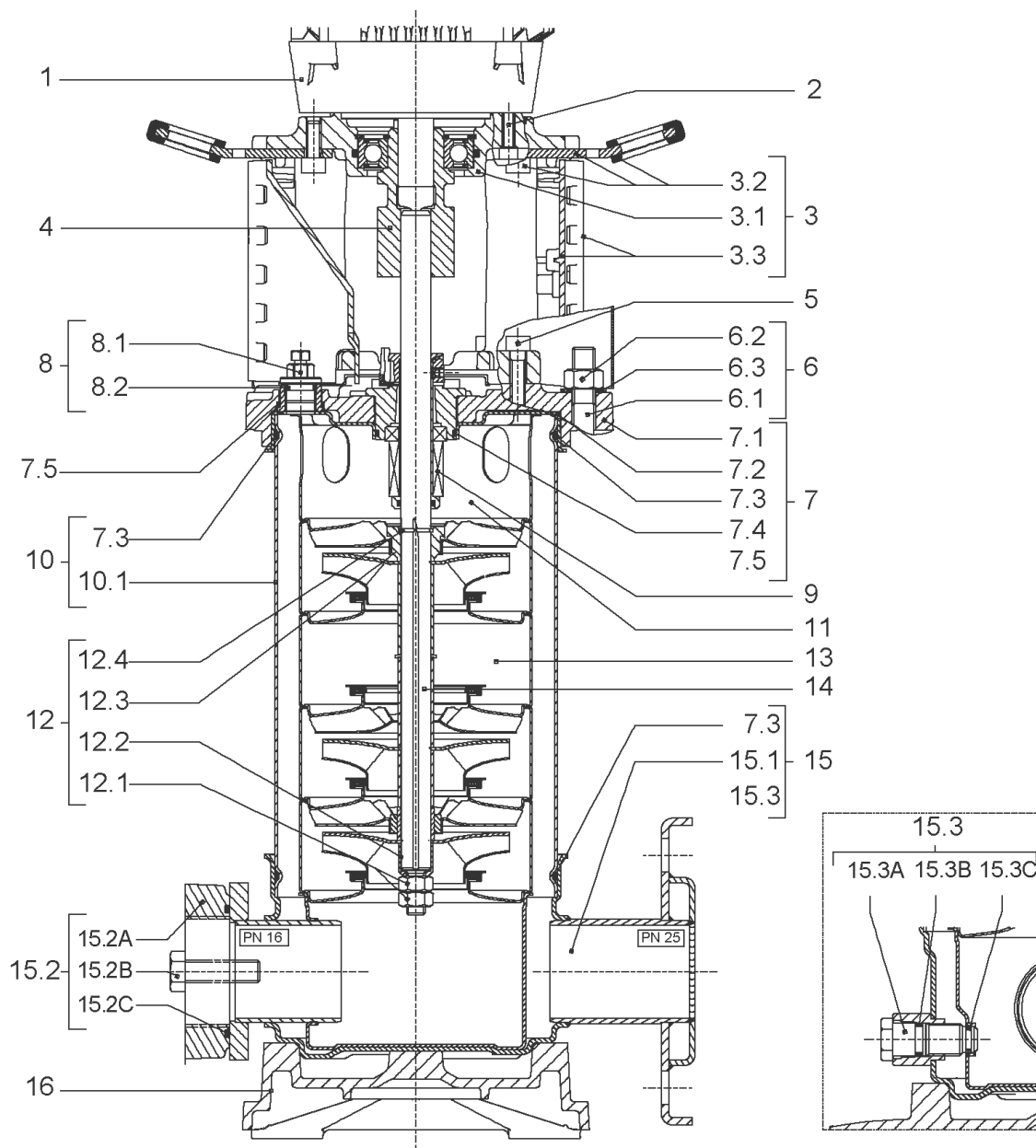
CARTRIDGE HELIX6-10-16 F/E KIT (4159698)

Item	Article no.	Description	Quantity
9.1	4159699	SEAL-KIT-HELIX6-10-16 F/E	1
7.3	4176513	> O-RING FOR PUMP JACKET VP.	1
7.4	2127603	> O-RING ID.37,6x2,4 EPDM VP.	1
9.1A	4176521	> MECH.SEAL HELIX2-4-6-10-16 F/E VP.	1
9.1B	2130967	> O-RING D.16X2,5 EPDM VP.	1
9.1C	4176519	> O-RING Ø16xØ1.25 VP.	1
9.2	2130961	SHAFT SLEEVE D.18/16X72,2 1.4404 VP.	1
9.3	2130962	RING HOLDER D.18 G606/G6 1.4301 VP.	1
9.4	4176520	SCREW CH M5x5 A4-70 (3PIECES)	1
9.5	2130963	DRIVE RING D.29/18x12,4 MACH.VP.	1
9.6	2130964	TOOL M.S.CART.HELIX VP.	1
9.7	2130965	SCREW CHC M5X12 ISO4762 A2.70(4 PIECES)	1



HYDRAULIC HELIX V 1008 1.4307

Item	Article no.	Description	Quantity
13.1	4171331	STAGE HELIX10 1.4301KIT	1
		> MACH.STG-CASING-WOGV-WNR-M+10-304	1
		> IMPELLER-M+10-304	1
13.2	4172792	INTERMEDIATE STAGE HELIX 10 1.4301 KIT	1
		> MACH.BEARING-STG-CASING-WNR-M+10-304	1
		> IMPELLER-M+10-304	1
		> SHAFT SLEEVE-SPACER-Ø19,35x18,465-304	1
		> SHAFT-SLEEVE-D16xD20x18-CW	1
13.3	4172793	INTERMEDIATE STAGE HELIX 10 1.4301 KIT	1
		> MACH.STD-STG-CASING-WGV+NR-M+10-304	1
		> IMPELLER-M+10-304	1
		> IMPELLER SPACER Ø16,05X19,45-L36,465-304	1



HELIX V1009-1/16/E/KS/400-50 (4150552)

Item	Article no.	Description	Quantity
1	4169945	MO.4/2 3~230/400(460)V 50(60)HZ IE3 VP.	1
		SPARE PARTS MOTOR:ON REQUEST	1
2	4206025	SCREW M8X45 (4 PIECES)	1
3	4171326	LANTERN FT130 HELIX KIT	1
3.1		> LANTERN FT130 M+6" GJL MACHINING+CATA	1
3.2	2127604	> EYELET CPL.FT HELIX(2 PIECES)	1
3.3	4159692	> COUPLING PROTECTOR FT HELIX KIT	1
4	4159710	COUPLING D.16XD.28 FT130 HELIX KIT	1
5	4159707	SCREW M8X30 (4 PIECES)	1
6	4177832	STUD BOLT M12X527KIT	1
6.1		> TIE BOLT M12-527x18x30-1.4057	1
6.2	2094647	> NUT M12 M12 ISO4032 VP.	1
6.3	2123557	> WASHER CS-12.4-24-1.6-NFE25 (4 PIECES)	1
7	4159685	END SHIELD HELIX EPDM KIT	1
7.1		> END SHIELD M+6" GJL250 MACHINING+CATA	1
7.2	2127607	> STATIONARY RING HOLDER 6" HELIX 1.4301 V	1
7.3	4176513	> O-RING FOR PUMP JACKET VP.	1
7.4	2127603	> O-RING ID.37,6x2,4 EPDM VP.	1
7.5	2127602	> O-RING ID.21,35x2 EPDM VP.	1
8	4159686	FILING/PURGING PLUG HELIX EPDM KIT	1
9	4159696	CARTRIDGE HELIX6-10-16 O/E KIT	1
10	4177833	HOUSING PIPES D.152X397 1.4301 KIT	1
7.3	4176513	> O-RING FOR PUMP JACKET VP.	1
10.1		> HOUSING-PIPE Ø152-M+1009-304	1
11	4172791	CENTERING STAGE-RETURN HELIX10 1.4301VP.	1
12	4209272	SHAFT EQUIPMENT HELIX V10 BI BLOC KIT	1
12.1		> NUT-H-M10-A4.70	1
12.2		> SERRATED LOCK WASHER M+10M3-316L	1
12.3		> STOP COLLAR OF IMPELLER L16,5-Ø16-316L	1
12.4		> STOP-RUSH-1/2-D16xd2-M+316	1
13		HYDRAULIC HELIX V 1009 1.4307	1
14	4177837	SHAFTS D.16X517,5 1.4301 VP.	1
15	4159682	PUMP HOUSING HELIX DN50 PN16 1.4301 KIT	1
7.3	4176513	> O-RING FOR PUMP JACKET VP.	1

HELIX V1009-1/16/E/KS/400-50 (4150552)

Item	Article no.	Description	Quantity
15.1		> BLASTING PPE HOUSING V-PN16-DN50-304	1
15.2	4217893	> COUNTER FLANGE-G1"1/2-PN16-GJL KIT	1
15.3	4171321	> PRIMING/DRAIN PLUG EPDM HELIX KIT	1
16	4176517	BASEPLATE V8/10 VP.	1



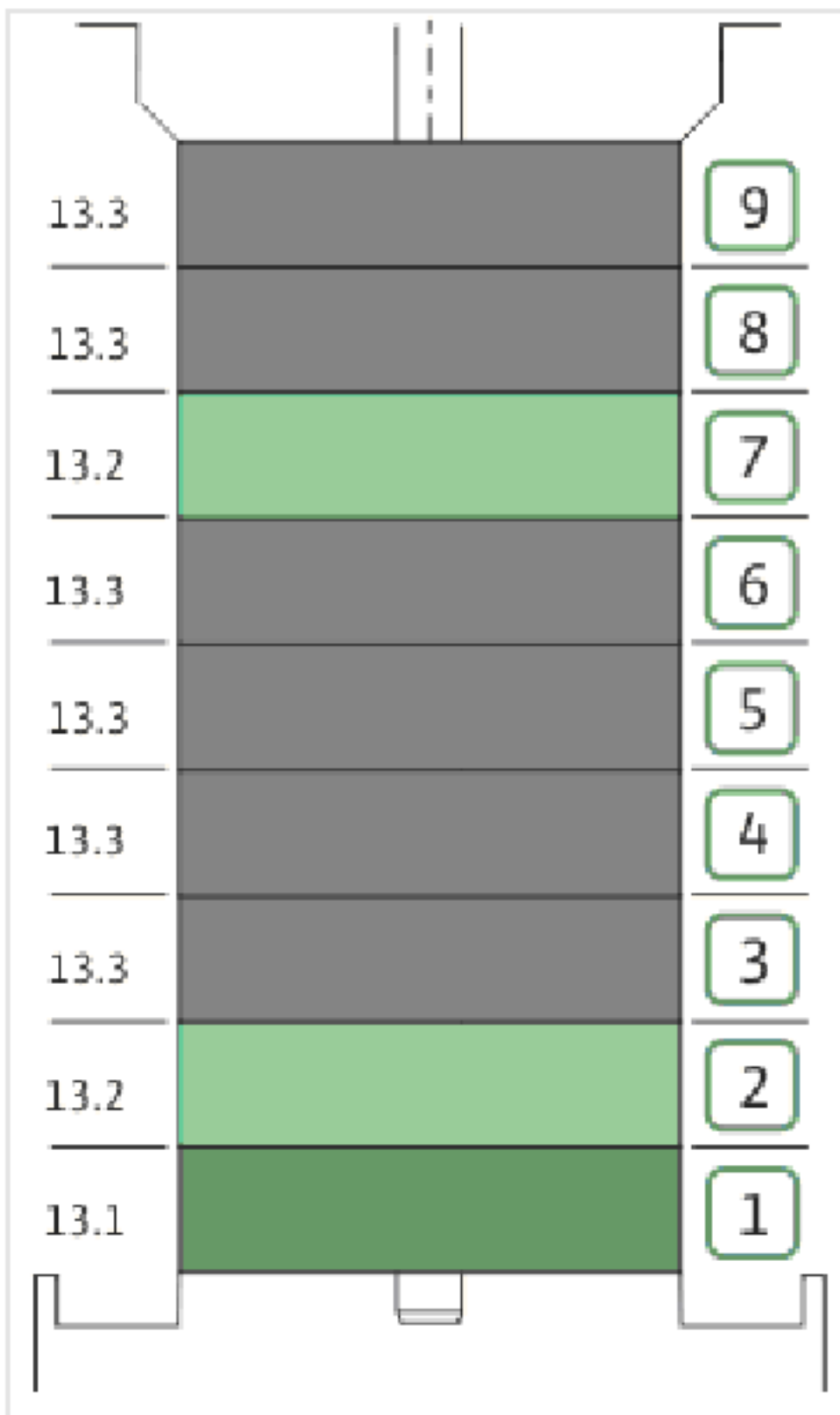
COUPLING D.16XD.28 FT130 HELIX KIT (4159710)

Item	Article no.	Description	Quantity
4.1		COUPLING M+ Ø16XØ28 FT130 MACHINED	1
4.2	2131022	BALL BEARING 6209/ZZ-C3(HT)VP.	1
4.3	4233930	CIRCLIP-FOR-BORES-D45x1,75 VP.	1
4.4	4157726	SCREW KIT M8X30 (4 PIECES)	1
4.5	4234252	CIRCLIPS 85X3 VP.	1
4.6	4234243	O-RING 85X3 VP.	1
		NOMEL CONTACT WASHER 8x16x1,4 STEEL ZC	1



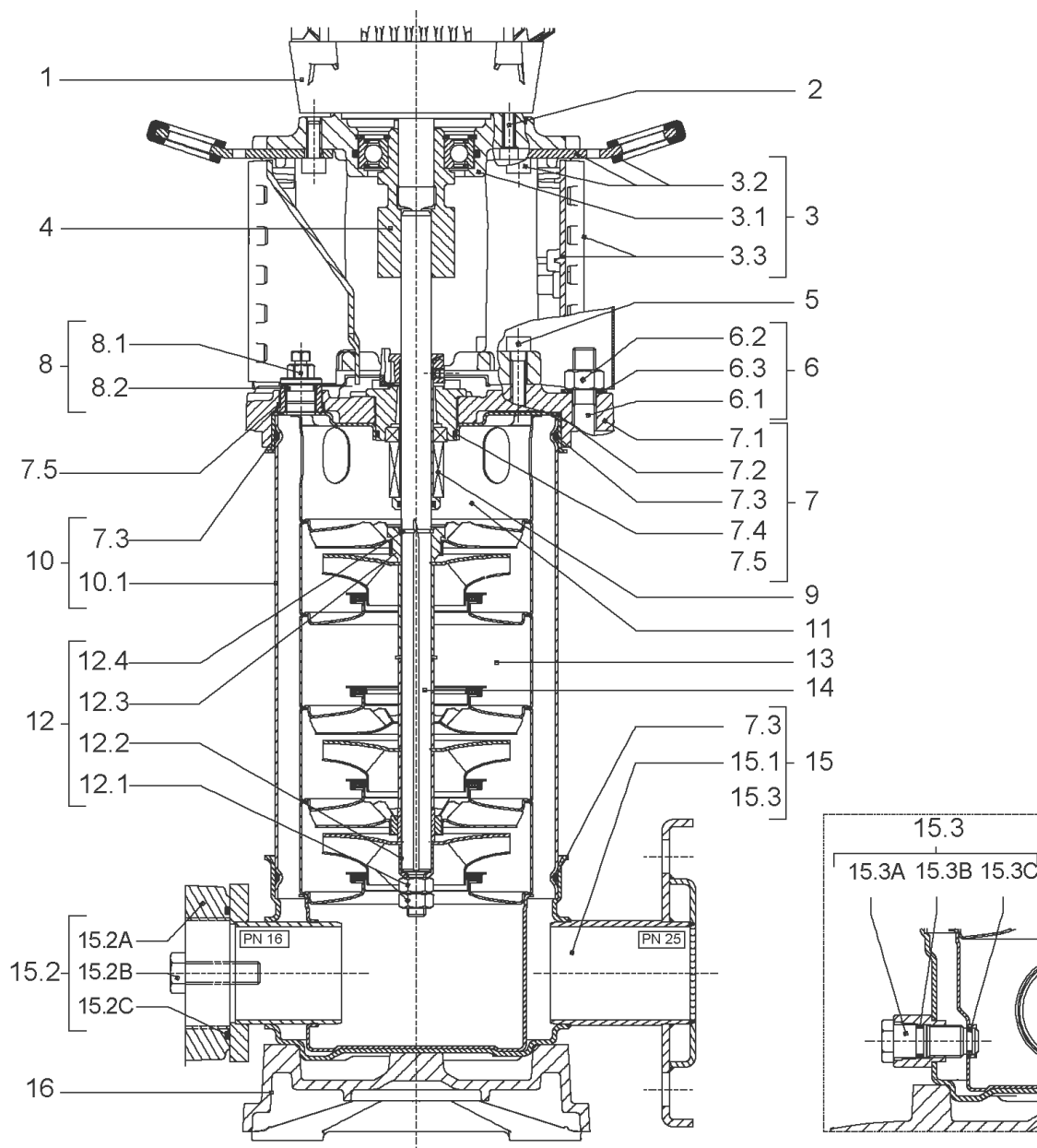
CARTRIDGE HELIX6-10-16 O/E KIT (4159696)

Item	Article no.	Description	Quantity
9.1	4159697	SEAL-KIT-HELIX6-10-16 O/E	1
7.3	4176513	> O-RING FOR PUMP JACKET VP.	1
7.4	2127603	> O-RING ID.37,6x2,4 EPDM VP.	1
9.1A	2130966	> MECH.SEAL HELIX2-4-6-10-16 O/E VP.	1
9.1B	2130967	> O-RING D.16X2,5 EPDM VP.	1
9.1C	4176519	> O-RING Ø16xØ1.25 VP.	1
9.2	2130961	SHAFT SLEEVE D.18/16X72,2 1.4404 VP.	1
9.3	2130962	RING HOLDER D.18 G606/G6 1.4301 VP.	1
9.4	4176520	SCREW CH M5x5 A4-70 (3PIECES)	1
9.5	2130963	DRIVE RING D.29/18x12,4 MACH.VP.	1
9.6	2130964	TOOL M.S.CART.HELIX VP.	1
9.7	2130965	SCREW CHC M5X12 ISO4762 A2.70(4 PIECES)	1



HYDRAULIC HELIX V 1009 1.4307

Item	Article no.	Description	Quantity
13.1	4171331	STAGE HELIX10 1.4301KIT	1
		> MACH.STG-CASING-WOGV-WNR-M+10-304	1
		> IMPELLER-M+10-304	1
13.2	4172792	INTERMEDIATE STAGE HELIX 10 1.4301 KIT	1
		> MACH.BEARING-STG-CASING-WNR-M+10-304	1
		> IMPELLER-M+10-304	1
		> SHAFT SLEEVE-SPACER-Ø19,35x18,465-304	1
		> SHAFT-SLEEVE-D16xD20x18-CW	1
13.3	4172793	INTERMEDIATE STAGE HELIX 10 1.4301 KIT	1
		> MACH.STD-STG-CASING-WGV+NR-M+10-304	1
		> IMPELLER-M+10-304	1
		> IMPELLER SPACER Ø16,05X19,45-L36,465-304	1



HELIX V1009-1/25/E/KS/400-50 (4150553)

Item	Article no.	Description	Quantity
1	4169945	MO.4/2 3~230/400(460)V 50(60)HZ IE3 VP.	1
		SPARE PARTS MOTOR:ON REQUEST	1
2	4206025	SCREW M8X45 (4 PIECES)	1
3	4171326	LANTERN FT130 HELIX KIT	1
3.1		> LANTERN FT130 M+6" GJL MACHINING+CATA	1
3.2	2127604	> EYELET CPL.FT HELIX(2 PIECES)	1
3.3	4159692	> COUPLING PROTECTOR FT HELIX KIT	1
4	4159710	COUPLING D.16XD.28 FT130 HELIX KIT	1
5	4159707	SCREW M8X30 (4 PIECES)	1
6	4177832	STUD BOLT M12X527KIT	1
6.1		> TIE BOLT M12-527x18x30-1.4057	1
6.2	2094647	> NUT M12 M12 ISO4032 VP.	1
6.3	2123557	> WASHER CS-12.4-24-1.6-NFE25 (4 PIECES)	1
7	4159685	END SHIELD HELIX EPDM KIT	1
7.1		> END SHIELD M+6" GJL250 MACHINING+CATA	1
7.2	2127607	> STATIONARY RING HOLDER 6" HELIX 1.4301 V	1
7.3	4176513	> O-RING FOR PUMP JACKET VP.	1
7.4	2127603	> O-RING ID.37,6x2,4 EPDM VP.	1
7.5	2127602	> O-RING ID.21,35x2 EPDM VP.	1
8	4159686	FILING/PURGING PLUG HELIX EPDM KIT	1
9	4159698	CARTRIDGE HELIX6-10-16 F/E KIT	1
10	4177833	HOUSING PIPES D.152X397 1.4301 KIT	1
7.3	4176513	> O-RING FOR PUMP JACKET VP.	1
10.1		> HOUSING-PIPE Ø152-M+1009-304	1
11	4172791	CENTERING STAGE-RETURN HELIX10 1.4301VP.	1
12	4209272	SHAFT EQUIPMENT HELIX V10 BI BLOC KIT	1
12.1		> NUT-H-M10-A4.70	1
12.2		> SERRATED LOCK WASHER M+10M3-316L	1
12.3		> STOP COLLAR OF IMPELLER L16,5-Ø16-316L	1
12.4		> STOP-RUSH-1/2-D16xd2-M+316	1
13		HYDRAULIC HELIX V 1009 1.4307	1
14	4177837	SHAFTS D.16X517,5 1.4301 VP.	1
15	4172797	PUMP HOUSING HELIX DN40 PN25 1.4301 KIT	1
7.3	4176513	> O-RING FOR PUMP JACKET VP.	1

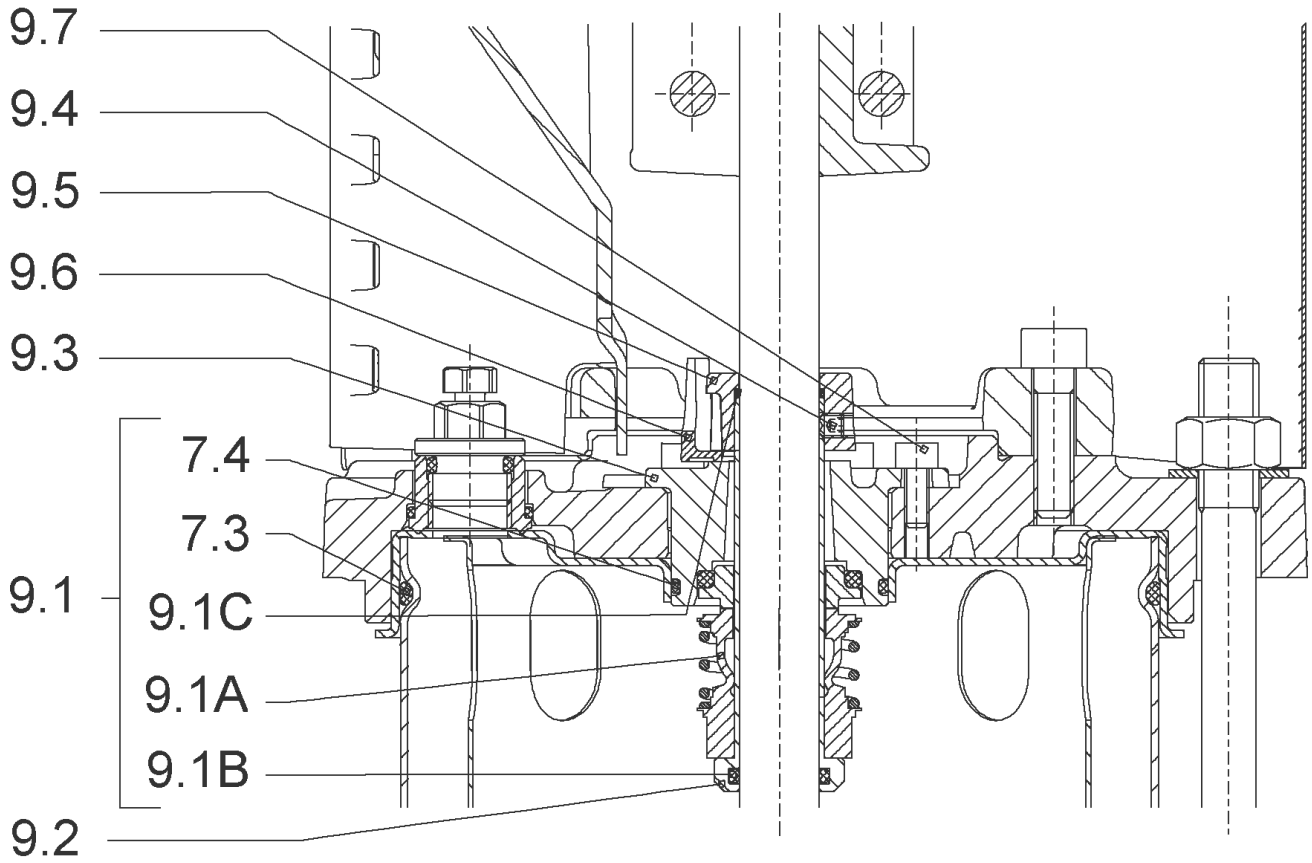
HELIX V1009-1/25/E/KS/400-50 (4150553)

Item	Article no.	Description	Quantity
15.1		> BLASTING PPE HOUSING V-PN25-DN40-304	1
15.3	4171321	> PRIMING/DRAIN PLUG EPDM HELIX KIT	1
16	4176517	BASEPLATE V8/10 VP.	1



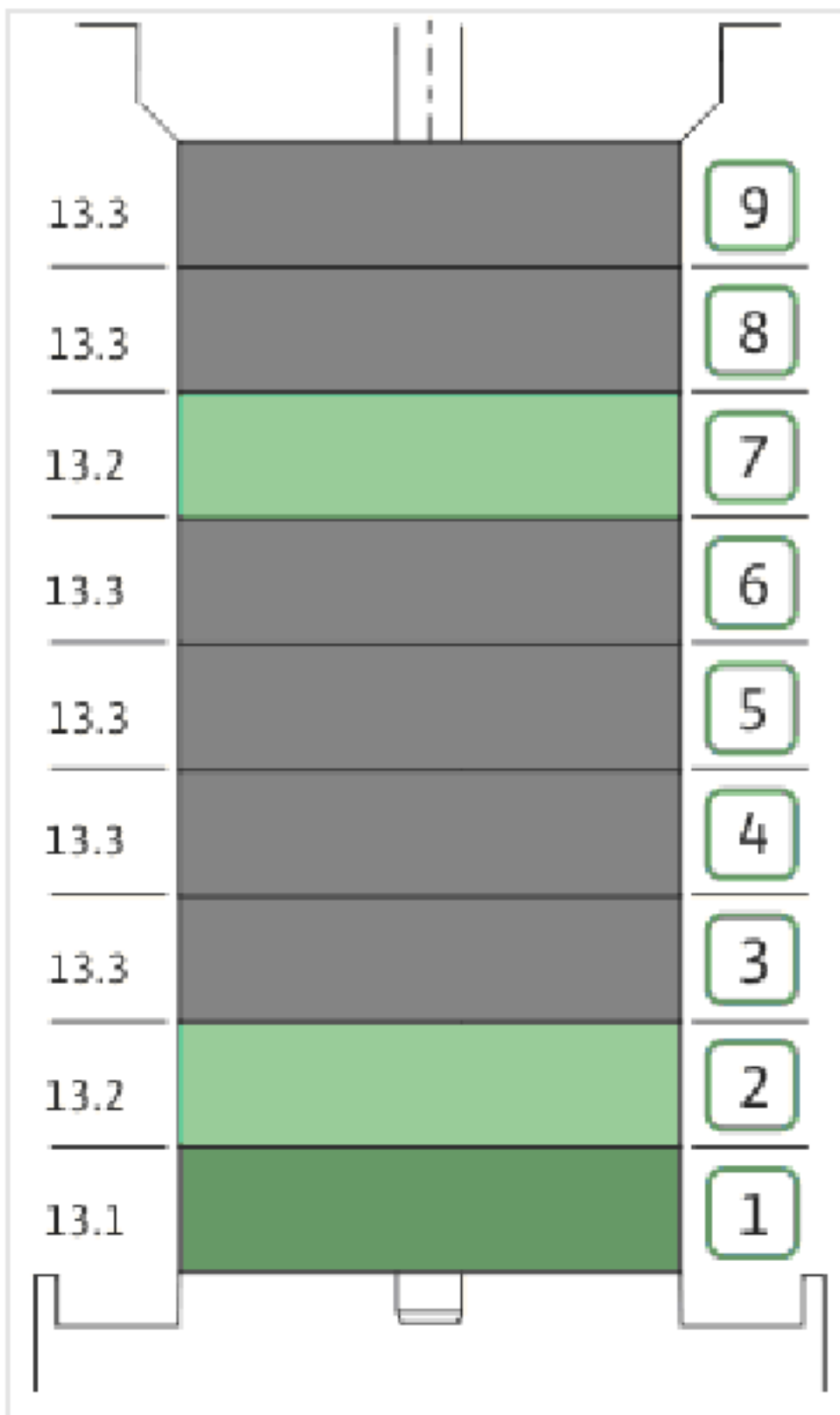
COUPLING D.16XD.28 FT130 HELIX KIT (4159710)

Item	Article no.	Description	Quantity
4.1		COUPLING M+ Ø16XØ28 FT130 MACHINED	1
4.2	2131022	BALL BEARING 6209/ZZ-C3(HT)VP.	1
4.3	4233930	CIRCLIP-FOR-BORES-D45x1,75 VP.	1
4.4	4157726	SCREW KIT M8X30 (4 PIECES)	1
4.5	4234252	CIRCLIPS 85X3 VP.	1
4.6	4234243	O-RING 85X3 VP.	1
		NOMEL CONTACT WASHER 8x16x1,4 STEEL ZC	1



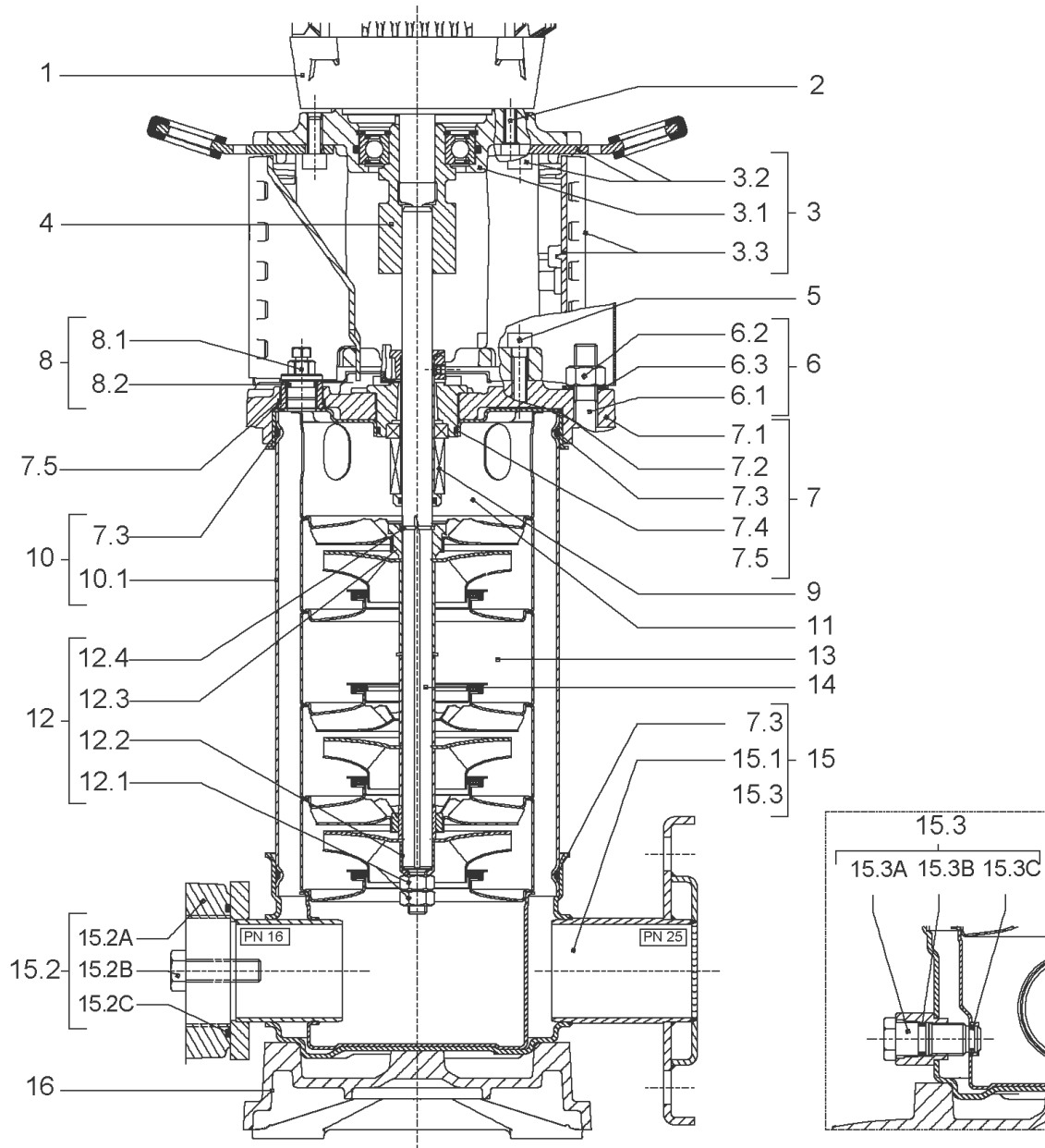
CARTRIDGE HELIX6-10-16 F/E KIT (4159698)

Item	Article no.	Description	Quantity
9.1	4159699	SEAL-KIT-HELIX6-10-16 F/E	1
7.3	4176513	> O-RING FOR PUMP JACKET VP.	1
7.4	2127603	> O-RING ID.37,6x2,4 EPDM VP.	1
9.1A	4176521	> MECH.SEAL HELIX2-4-6-10-16 F/E VP.	1
9.1B	2130967	> O-RING D.16X2,5 EPDM VP.	1
9.1C	4176519	> O-RING Ø16xØ1.25 VP.	1
9.2	2130961	SHAFT SLEEVE D.18/16X72,2 1.4404 VP.	1
9.3	2130962	RING HOLDER D.18 G606/G6 1.4301 VP.	1
9.4	4176520	SCREW CH M5x5 A4-70 (3PIECES)	1
9.5	2130963	DRIVE RING D.29/18x12,4 MACH.VP.	1
9.6	2130964	TOOL M.S.CART.HELIX VP.	1
9.7	2130965	SCREW CHC M5X12 ISO4762 A2.70(4 PIECES)	1



HYDRAULIC HELIX V 1009 1.4307

Item	Article no.	Description	Quantity
13.1	4171331	STAGE HELIX10 1.4301KIT	1
		> MACH.STG-CASING-WOGV-WNR-M+10-304	1
		> IMPELLER-M+10-304	1
13.2	4172792	INTERMEDIATE STAGE HELIX 10 1.4301 KIT	1
		> MACH.BEARING-STG-CASING-WNR-M+10-304	1
		> IMPELLER-M+10-304	1
		> SHAFT SLEEVE-SPACER-Ø19,35x18,465-304	1
		> SHAFT-SLEEVE-D16xD20x18-CW	1
13.3	4172793	INTERMEDIATE STAGE HELIX 10 1.4301 KIT	1
		> MACH.STD-STG-CASING-WGV+NR-M+10-304	1
		> IMPELLER-M+10-304	1
		> IMPELLER SPACER Ø16,05X19,45-L36,465-304	1



HELIX V1010-1/16/E/KS/400-50 (4150554)

Item	Article no.	Description	Quantity
1	4169945	MO.4/2 3~230/400(460)V 50(60)HZ IE3 VP.	1
		SPARE PARTS MOTOR:ON REQUEST	1
2	4206025	SCREW M8X45 (4 PIECES)	1
3	4171326	LANTERN FT130 HELIX KIT	1
3.1		> LANTERN FT130 M+6" GJL MACHINING+CATA	1
3.2	2127604	> EYELET CPL.FT HELIX(2 PIECES)	1
3.3	4159692	> COUPLING PROTECTOR FT HELIX KIT	1
4	4159710	COUPLING D.16XD.28 FT130 HELIX KIT	1
5	4159707	SCREW M8X30 (4 PIECES)	1
6	4177849	STUD BOLT M12X563KIT	1
6.1		> TIE BOLT M12-563x18x30-1.4057	1
6.2	2094647	> NUT M12 M12 ISO4032 VP.	1
6.3	2123557	> WASHER CS-12.4-24-1.6-NFE25 (4 PIECES)	1
7	4159685	END SHIELD HELIX EPDM KIT	1
7.1		> END SHIELD M+6" GJL250 MACHINING+CATA	1
7.2	2127607	> STATIONARY RING HOLDER 6" HELIX 1.4301 V	1
7.3	4176513	> O-RING FOR PUMP JACKET VP.	1
7.4	2127603	> O-RING ID.37,6x2,4 EPDM VP.	1
7.5	2127602	> O-RING ID.21,35x2 EPDM VP.	1
8	4159686	FILING/PURGING PLUG HELIX EPDM KIT	1
9	4159696	CARTRIDGE HELIX6-10-16 O/E KIT	1
10	4177839	HOUSING PIPES D.152X435 1.4301 KIT	1
7.3	4176513	> O-RING FOR PUMP JACKET VP.	1
10.1		> HOUSING-PIPE Ø152-M+1010-304	1
11	4172791	CENTERING STAGE-RETURN HELIX10 1.4301VP.	1
12	4209272	SHAFT EQUIPMENT HELIX V10 BI BLOC KIT	1
12.1		> NUT-H-M10-A4.70	1
12.2		> SERRATED LOCK WASHER M+10M3-316L	1
12.3		> STOP COLLAR OF IMPELLER L16,5-Ø16-316L	1
12.4		> STOP-RUSH-1/2-D16xd2-M+316	1
13		HYDRAULIC HELIX V 1010 1.4307	1
14	4177841	SHAFT D.16X555 1.4301 VP.	1
15	4159682	PUMP HOUSING HELIX DN50 PN16 1.4301 KIT	1
7.3	4176513	> O-RING FOR PUMP JACKET VP.	1

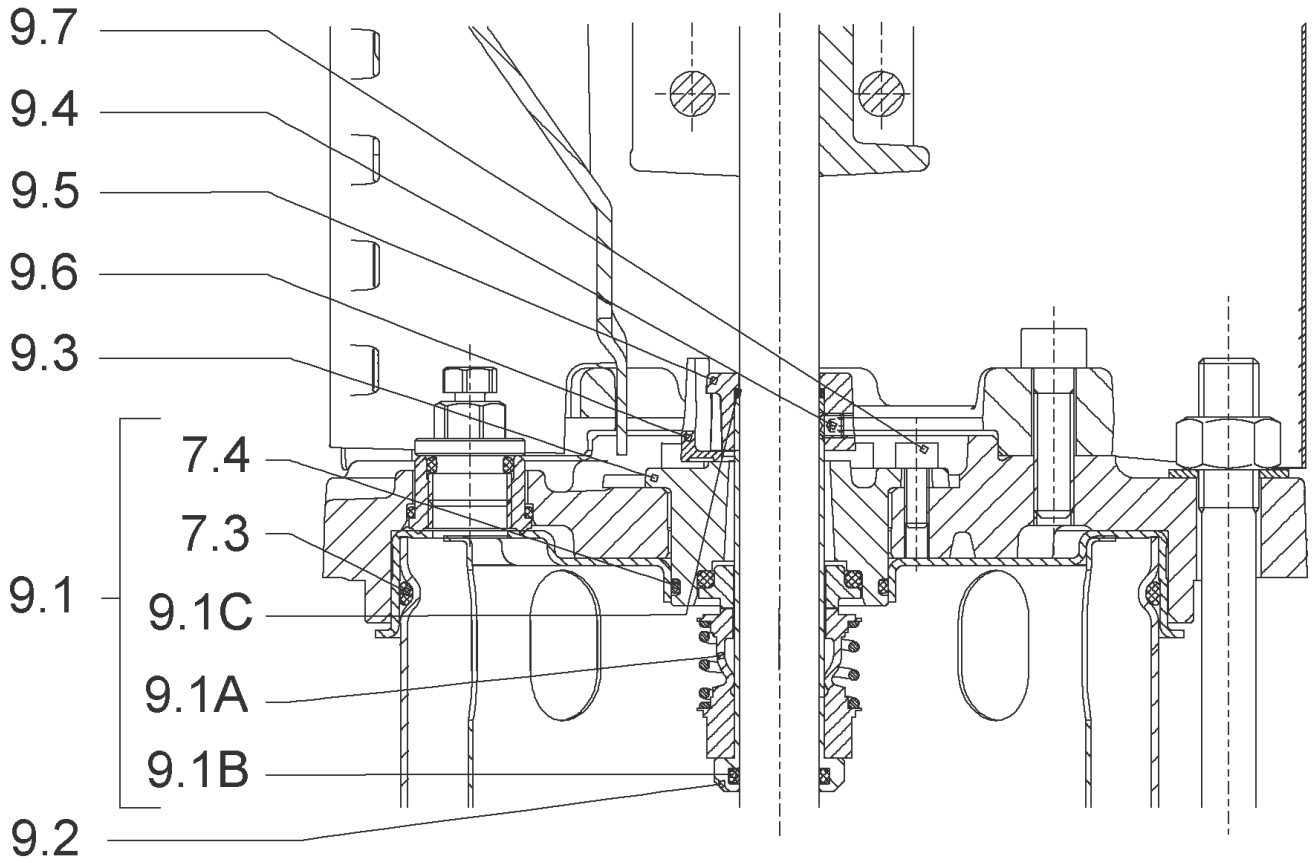
HELIX V1010-1/16/E/KS/400-50 (4150554)

Item	Article no.	Description	Quantity
15.1		> BLASTING PPE HOUSING V-PN16-DN50-304	1
15.2	4217893	> COUNTER FLANGE-G1"1/2-PN16-GJL KIT	1
15.3	4171321	> PRIMING/DRAIN PLUG EPDM HELIX KIT	1
16	4176517	BASEPLATE V8/10 VP.	1



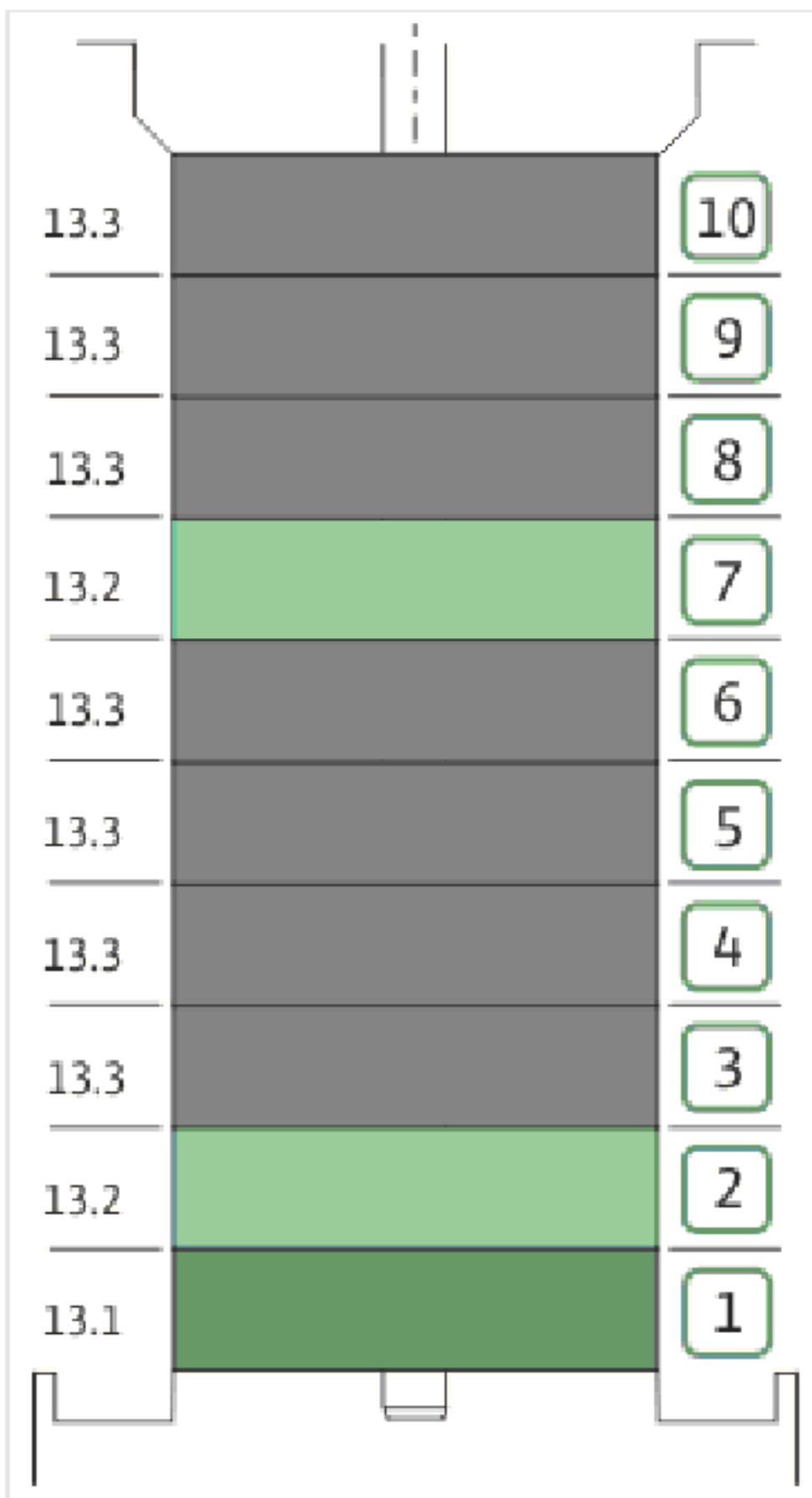
COUPLING D.16XD.28 FT130 HELIX KIT (4159710)

Item	Article no.	Description	Quantity
4.1		COUPLING M+ Ø16XØ28 FT130 MACHINED	1
4.2	2131022	BALL BEARING 6209/ZZ-C3(HT)VP.	1
4.3	4233930	CIRCLIP-FOR-BORES-D45x1,75 VP.	1
4.4	4157726	SCREW KIT M8X30 (4 PIECES)	1
4.5	4234252	CIRCLIPS 85X3 VP.	1
4.6	4234243	O-RING 85X3 VP.	1
		NOMEL CONTACT WASHER 8x16x1,4 STEEL ZC	1



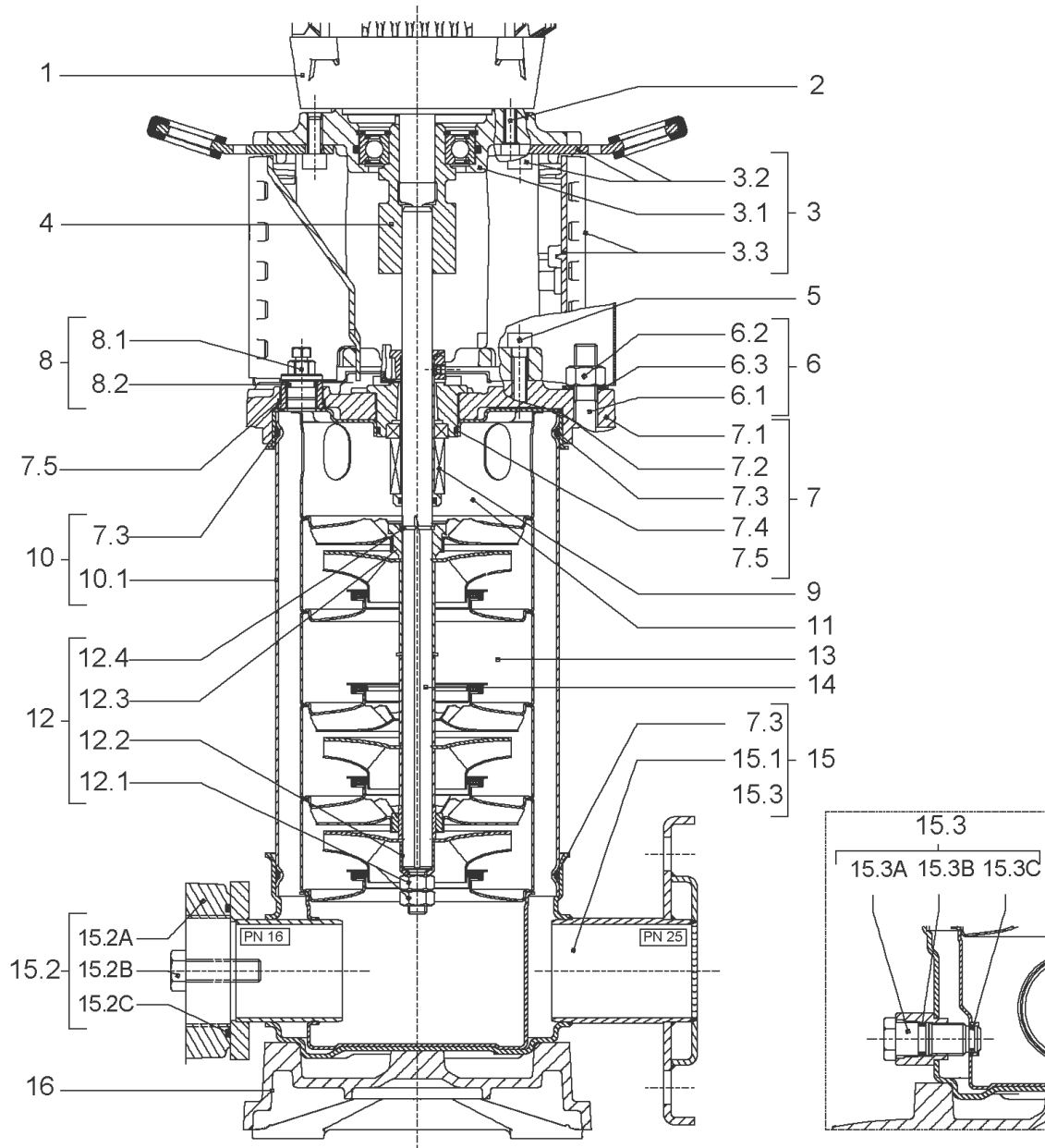
CARTRIDGE HELIX6-10-16 O/E KIT (4159696)

Item	Article no.	Description	Quantity
9.1	4159697	SEAL-KIT-HELIX6-10-16 O/E	1
7.3	4176513	> O-RING FOR PUMP JACKET VP.	1
7.4	2127603	> O-RING ID.37,6x2,4 EPDM VP.	1
9.1A	2130966	> MECH.SEAL HELIX2-4-6-10-16 O/E VP.	1
9.1B	2130967	> O-RING D.16X2,5 EPDM VP.	1
9.1C	4176519	> O-RING Ø16xØ1.25 VP.	1
9.2	2130961	SHAFT SLEEVE D.18/16X72,2 1.4404 VP.	1
9.3	2130962	RING HOLDER D.18 G606/G6 1.4301 VP.	1
9.4	4176520	SCREW CH M5x5 A4-70 (3PIECES)	1
9.5	2130963	DRIVE RING D.29/18x12,4 MACH.VP.	1
9.6	2130964	TOOL M.S.CART.HELIX VP.	1
9.7	2130965	SCREW CHC M5X12 ISO4762 A2.70(4 PIECES)	1



HYDRAULIC HELIX V 1010 1.4307

Item	Article no.	Description	Quantity
13.1	4171331	STAGE HELIX10 1.4301KIT	1
		> MACH.STG-CASING-WOGV-WNR-M+10-304	1
		> IMPELLER-M+10-304	1
13.2	4172792	INTERMEDIATE STAGE HELIX 10 1.4301 KIT	1
		> MACH.BEARING-STG-CASING-WNR-M+10-304	1
		> IMPELLER-M+10-304	1
		> SHAFT SLEEVE-SPACER-Ø19,35x18,465-304	1
		> SHAFT-SLEEVE-D16xD20x18-CW	1
13.3	4172793	INTERMEDIATE STAGE HELIX 10 1.4301 KIT	1
		> MACH.STD-STG-CASING-WGV+NR-M+10-304	1
		> IMPELLER-M+10-304	1
		> IMPELLER SPACER Ø16,05X19,45-L36,465-304	1



HELIX V1010-1/25/E/KS/400-50 (4150555)

Item	Article no.	Description	Quantity
1	4169945	MO.4/2 3~230/400(460)V 50(60)HZ IE3 VP.	1
		SPARE PARTS MOTOR:ON REQUEST	1
2	4206025	SCREW M8X45 (4 PIECES)	1
3	4171326	LANTERN FT130 HELIX KIT	1
3.1		> LANTERN FT130 M+6" GJL MACHINING+CATA	1
3.2	2127604	> EYELET CPL.FT HELIX(2 PIECES)	1
3.3	4159692	> COUPLING PROTECTOR FT HELIX KIT	1
4	4159710	COUPLING D.16XD.28 FT130 HELIX KIT	1
5	4159707	SCREW M8X30 (4 PIECES)	1
6	4177849	STUD BOLT M12X563KIT	1
6.1		> TIE BOLT M12-563x18x30-1.4057	1
6.2	2094647	> NUT M12 M12 ISO4032 VP.	1
6.3	2123557	> WASHER CS-12.4-24-1.6-NFE25 (4 PIECES)	1
7	4159685	END SHIELD HELIX EPDM KIT	1
7.1		> END SHIELD M+6" GJL250 MACHINING+CATA	1
7.2	2127607	> STATIONARY RING HOLDER 6" HELIX 1.4301 V	1
7.3	4176513	> O-RING FOR PUMP JACKET VP.	1
7.4	2127603	> O-RING ID.37,6x2,4 EPDM VP.	1
7.5	2127602	> O-RING ID.21,35x2 EPDM VP.	1
8	4159686	FILING/PURGING PLUG HELIX EPDM KIT	1
9	4159698	CARTRIDGE HELIX6-10-16 F/E KIT	1
10	4177839	HOUSING PIPES D.152X435 1.4301 KIT	1
7.3	4176513	> O-RING FOR PUMP JACKET VP.	1
10.1		> HOUSING-PIPE Ø152-M+1010-304	1
11	4172791	CENTERING STAGE-RETURN HELIX10 1.4301VP.	1
12	4209272	SHAFT EQUIPMENT HELIX V10 BI BLOC KIT	1
12.1		> NUT-H-M10-A4.70	1
12.2		> SERRATED LOCK WASHER M+10M3-316L	1
12.3		> STOP COLLAR OF IMPELLER L16,5-Ø16-316L	1
12.4		> STOP-RUSH-1/2-D16xd2-M+316	1
13		HYDRAULIC HELIX V 1010 1.4307	1
14	4177841	SHAFT D.16X555 1.4301 VP.	1
15	4172797	PUMP HOUSING HELIX DN40 PN25 1.4301 KIT	1
7.3	4176513	> O-RING FOR PUMP JACKET VP.	1

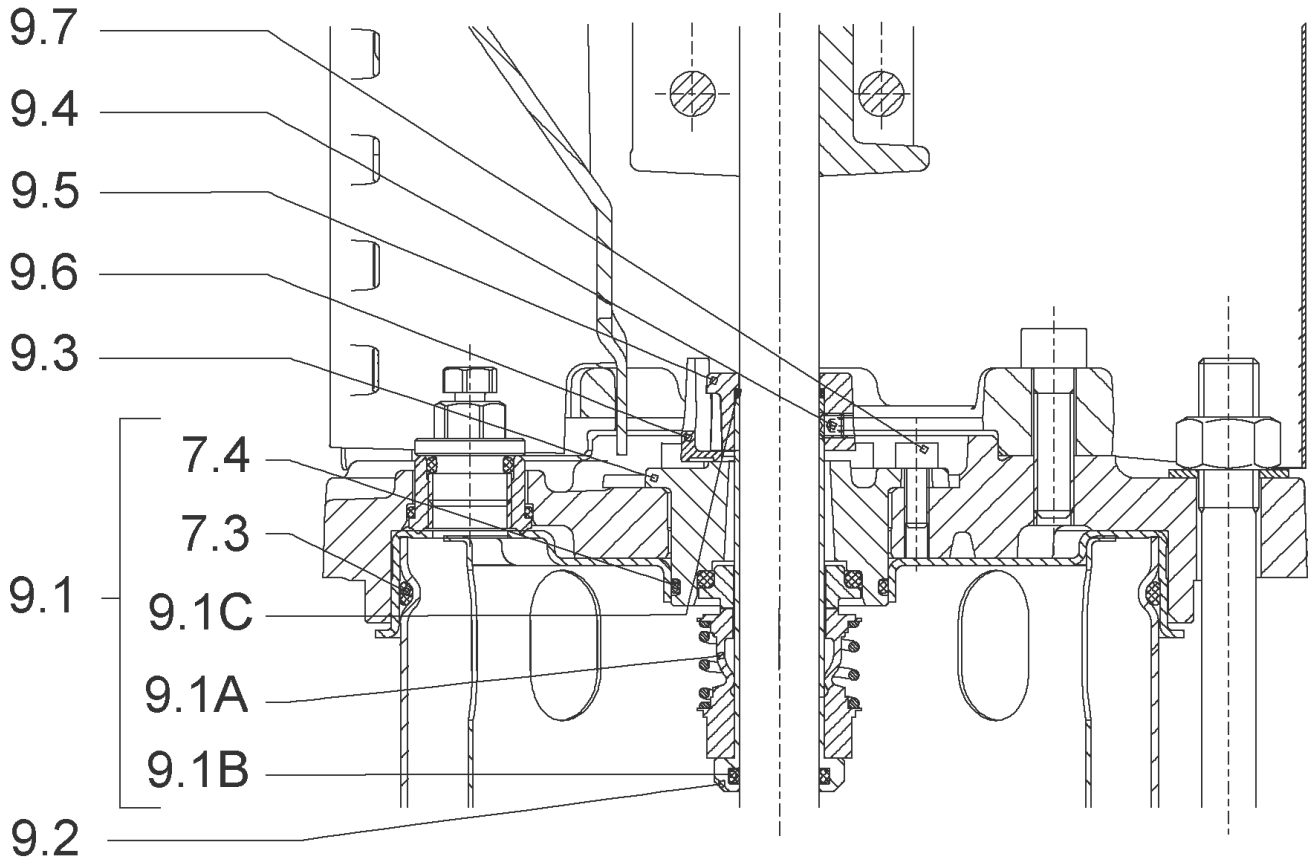
HELIX V1010-1/25/E/KS/400-50 (4150555)

Item	Article no.	Description	Quantity
15.1		> BLASTING PPE HOUSING V-PN25-DN40-304	1
15.3	4171321	> PRIMING/DRAIN PLUG EPDM HELIX KIT	1
16	4176517	BASEPLATE V8/10 VP.	1



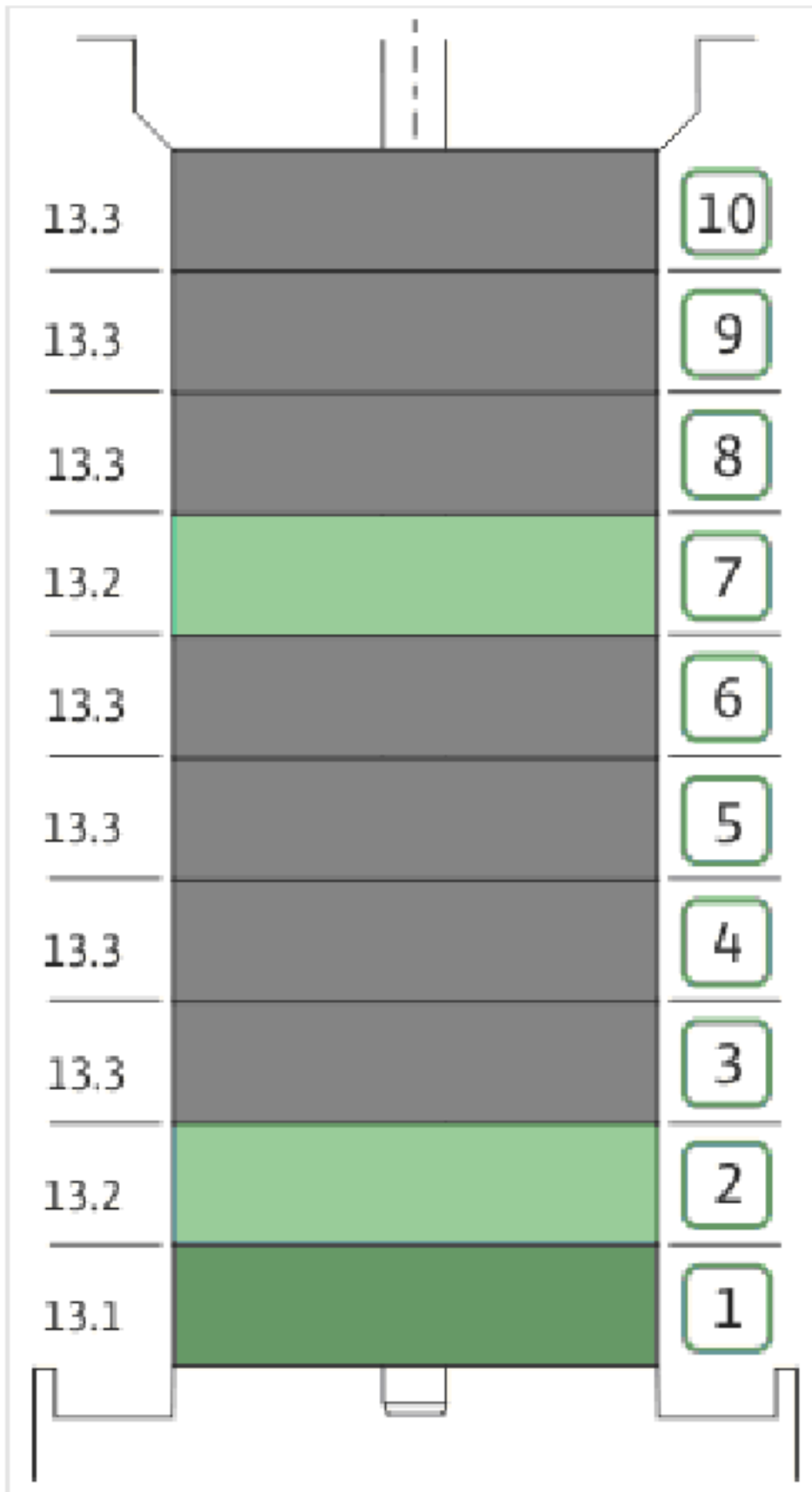
COUPLING D.16XD.28 FT130 HELIX KIT (4159710)

Item	Article no.	Description	Quantity
4.1		COUPLING M+ Ø16XØ28 FT130 MACHINED	1
4.2	2131022	BALL BEARING 6209/ZZ-C3(HT)VP.	1
4.3	4233930	CIRCLIP-FOR-BORES-D45x1,75 VP.	1
4.4	4157726	SCREW KIT M8X30 (4 PIECES)	1
4.5	4234252	CIRCLIPS 85X3 VP.	1
4.6	4234243	O-RING 85X3 VP.	1
		NOMEL CONTACT WASHER 8x16x1,4 STEEL ZC	1



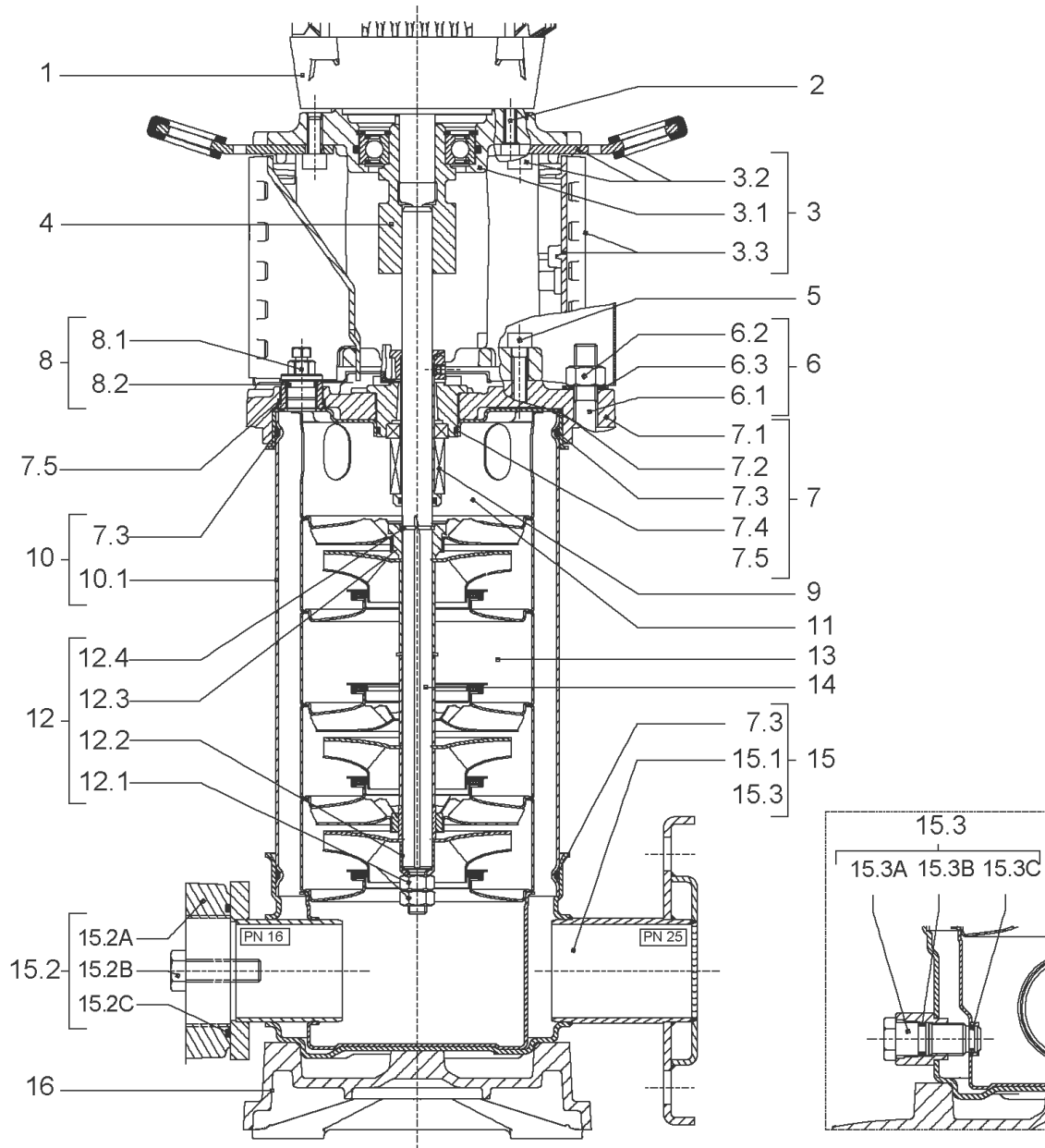
CARTRIDGE HELIX6-10-16 F/E KIT (4159698)

Item	Article no.	Description	Quantity
9.1	4159699	SEAL-KIT-HELIX6-10-16 F/E	1
7.3	4176513	> O-RING FOR PUMP JACKET VP.	1
7.4	2127603	> O-RING ID.37,6x2,4 EPDM VP.	1
9.1A	4176521	> MECH.SEAL HELIX2-4-6-10-16 F/E VP.	1
9.1B	2130967	> O-RING D.16X2,5 EPDM VP.	1
9.1C	4176519	> O-RING Ø16xØ1.25 VP.	1
9.2	2130961	SHAFT SLEEVE D.18/16X72,2 1.4404 VP.	1
9.3	2130962	RING HOLDER D.18 G606/G6 1.4301 VP.	1
9.4	4176520	SCREW CH M5x5 A4-70 (3PIECES)	1
9.5	2130963	DRIVE RING D.29/18x12,4 MACH.VP.	1
9.6	2130964	TOOL M.S.CART.HELIX VP.	1
9.7	2130965	SCREW CHC M5X12 ISO4762 A2.70(4 PIECES)	1



HYDRAULIC HELIX V 1010 1.4307

Item	Article no.	Description	Quantity
13.1	4171331	STAGE HELIX10 1.4301KIT	1
		> MACH.STG-CASING-WOGV-WNR-M+10-304	1
		> IMPELLER-M+10-304	1
13.2	4172792	INTERMEDIATE STAGE HELIX 10 1.4301 KIT	1
		> MACH.BEARING-STG-CASING-WNR-M+10-304	1
		> IMPELLER-M+10-304	1
		> SHAFT SLEEVE-SPACER-Ø19,35x18,465-304	1
		> SHAFT-SLEEVE-D16xD20x18-CW	1
13.3	4172793	INTERMEDIATE STAGE HELIX 10 1.4301 KIT	1
		> MACH.STD-STG-CASING-WGV+NR-M+10-304	1
		> IMPELLER-M+10-304	1
		> IMPELLER SPACER Ø16,05X19,45-L36,465-304	1



HELIX V1011-1/16/E/KS/400-50 (4150556)

Item	Article no.	Description	Quantity
1	4169945	MO.4/2 3~230/400(460)V 50(60)HZ IE3 VP.	1
		SPARE PARTS MOTOR:ON REQUEST	1
2	4206025	SCREW M8X45 (4 PIECES)	1
3	4171326	LANTERN FT130 HELIX KIT	1
3.1		> LANTERN FT130 M+6" GJL MACHINING+CATA	1
3.2	2127604	> EYELET CPL.FT HELIX(2 PIECES)	1
3.3	4159692	> COUPLING PROTECTOR FT HELIX KIT	1
4	4159710	COUPLING D.16XD.28 FT130 HELIX KIT	1
5	4159707	SCREW M8X30 (4 PIECES)	1
6	4177842	STUD BOLT M12X638KIT	1
6.1		> TIE BOLT M12-638x18x30-1.4057	1
6.2	2094647	> NUT M12 M12 ISO4032 VP.	1
6.3	2123557	> WASHER CS-12.4-24-1.6-NFE25 (4 PIECES)	1
7	4159685	END SHIELD HELIX EPDM KIT	1
7.1		> END SHIELD M+6" GJL250 MACHINING+CATA	1
7.2	2127607	> STATIONARY RING HOLDER 6" HELIX 1.4301 V	1
7.3	4176513	> O-RING FOR PUMP JACKET VP.	1
7.4	2127603	> O-RING ID.37,6x2,4 EPDM VP.	1
7.5	2127602	> O-RING ID.21,35x2 EPDM VP.	1
8	4159686	FILING/PURGING PLUG HELIX EPDM KIT	1
9	4159696	CARTRIDGE HELIX6-10-16 O/E KIT	1
10	4177843	HOUSING PIPES D.152X510 1.4307 KIT	1
7.3	4176513	> O-RING FOR PUMP JACKET VP.	1
10.1		> HOUSING-PIPE Ø152-M+1012/1609-304	1
11	4172791	CENTERING STAGE-RETURN HELIX10 1.4301VP.	1
12	4209272	SHAFT EQUIPMENT HELIX V10 BI BLOC KIT	1
12.1		> NUT-H-M10-A4.70	1
12.2		> SERRATED LOCK WASHER M+10M3-316L	1
12.3		> STOP COLLAR OF IMPELLER L16,5-Ø16-316L	1
12.4		> STOP-RUSH-1/2-D16xd2-M+316	1
13		HYDRAULIC HELIX V 1011 1.4307	1
14	4177844	SHAFT D.16X630 1.4301 VP.	1
15	4159682	PUMP HOUSING HELIX DN50 PN16 1.4301 KIT	1
7.3	4176513	> O-RING FOR PUMP JACKET VP.	1

HELIX V1011-1/16/E/KS/400-50 (4150556)

Item	Article no.	Description	Quantity
15.1		> BLASTING PPE HOUSING V-PN16-DN50-304	1
15.2	4217893	> COUNTER FLANGE-G1"1/2-PN16-GJL KIT	1
15.3	4171321	> PRIMING/DRAIN PLUG EPDM HELIX KIT	1
16	4176517	BASEPLATE V8/10 VP.	1



COUPLING D.16XD.28 FT130 HELIX KIT (4159710)

Item	Article no.	Description	Quantity
4.1		COUPLING M+ Ø16XØ28 FT130 MACHINED	1
4.2	2131022	BALL BEARING 6209/ZZ-C3(HT)VP.	1
4.3	4233930	CIRCLIP-FOR-BORES-D45x1,75 VP.	1
4.4	4157726	SCREW KIT M8X30 (4 PIECES)	1
4.5	4234252	CIRCLIPS 85X3 VP.	1
4.6	4234243	O-RING 85X3 VP.	1
		NOMEL CONTACT WASHER 8x16x1,4 STEEL ZC	1



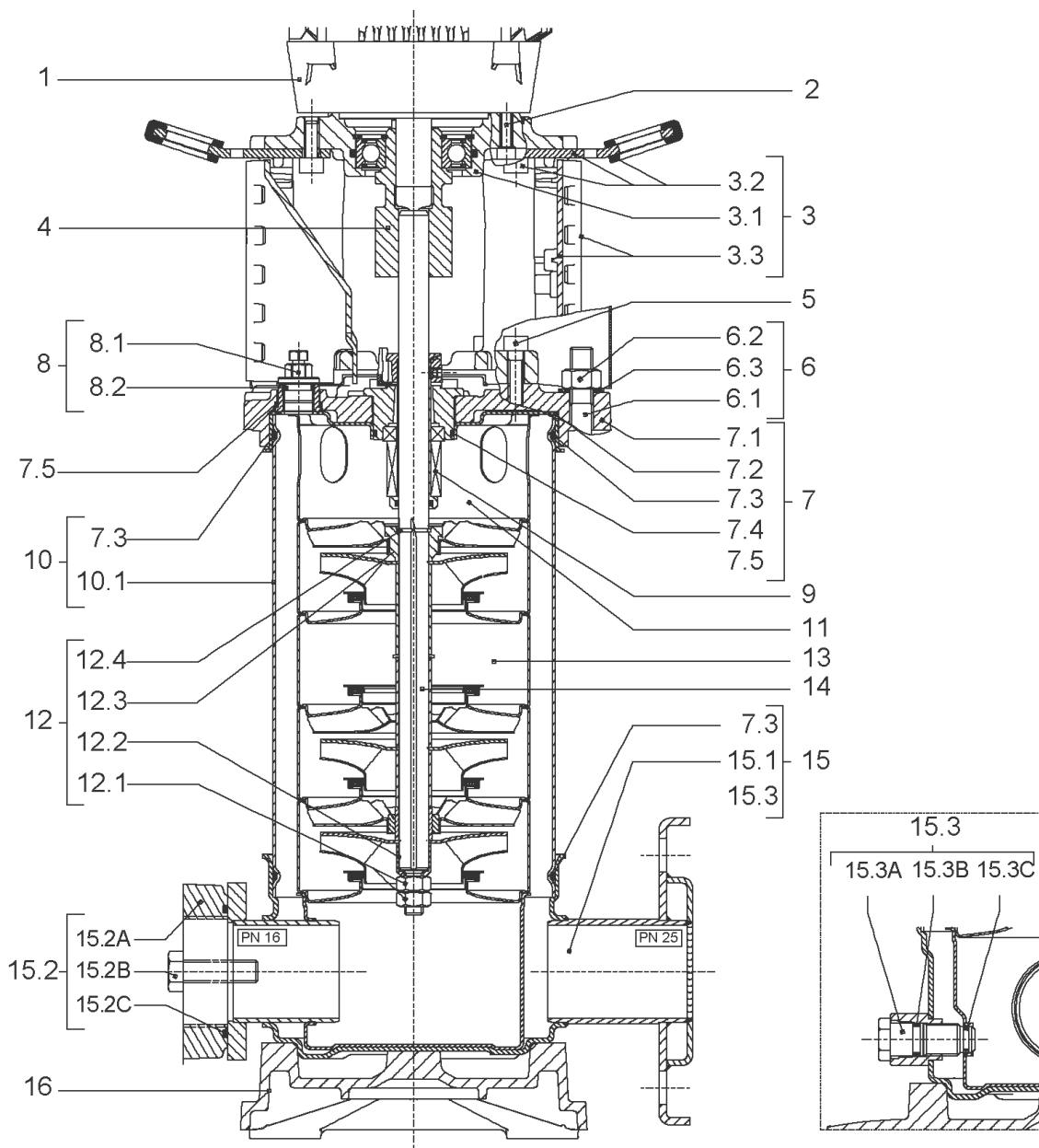
CARTRIDGE HELIX6-10-16 O/E KIT (4159696)

Item	Article no.	Description	Quantity
9.1	4159697	SEAL-KIT-HELIX6-10-16 O/E	1
7.3	4176513	> O-RING FOR PUMP JACKET VP.	1
7.4	2127603	> O-RING ID.37,6x2,4 EPDM VP.	1
9.1A	2130966	> MECH.SEAL HELIX2-4-6-10-16 O/E VP.	1
9.1B	2130967	> O-RING D.16X2,5 EPDM VP.	1
9.1C	4176519	> O-RING Ø16xØ1.25 VP.	1
9.2	2130961	SHAFT SLEEVE D.18/16X72,2 1.4404 VP.	1
9.3	2130962	RING HOLDER D.18 G606/G6 1.4301 VP.	1
9.4	4176520	SCREW CH M5x5 A4-70 (3PIECES)	1
9.5	2130963	DRIVE RING D.29/18x12,4 MACH.VP.	1
9.6	2130964	TOOL M.S.CART.HELIX VP.	1
9.7	2130965	SCREW CHC M5X12 ISO4762 A2.70(4 PIECES)	1



HYDRAULIC HELIX V 1011 1.4307

Item	Article no.	Description	Quantity
13.1	4171331	STAGE HELIX10 1.4301KIT	1
		> MACH.STG-CASING-WOGV-WNR-M+10-304	1
		> IMPELLER-M+10-304	1
13.2	4172792	INTERMEDIATE STAGE HELIX 10 1.4301 KIT	1
		> MACH.BEARING-STG-CASING-WNR-M+10-304	1
		> IMPELLER-M+10-304	1
		> SHAFT SLEEVE-SPACER-Ø19,35x18,465-304	1
		> SHAFT-SLEEVE-D16xD20x18-CW	1
13.3	4172793	INTERMEDIATE STAGE HELIX 10 1.4301 KIT	1
		> MACH.STD-STG-CASING-WGV+NR-M+10-304	1
		> IMPELLER-M+10-304	1
		> IMPELLER SPACER Ø16,05X19,45-L36,465-304	1
13.4	4172800	EMPTY STAGE HELIX10 1.4301 KIT	1
		> MACH.STD-STG-CASING-WGV+NR-M+10-304	1
		> FLAT WASHER-D16.1XD22X1.2-316L	1
		> IMPELLER SPACER Ø16,05X19,45-L36,465-304	1
13.5	4172799	STAGE HELIX 10 1.4301 KIT	1
		> MACH.STG-CASING-WOGV-WNR-M+10-304	1
		> IMPELLER-M+10-304	1
		> IMPELLER SPACER Ø16,05X19,45-L36,465-304	1



HELIX V1011-1/25/E/KS/400-50 (4150557)

Item	Article no.	Description	Quantity
1	4169945	MO.4/2 3~230/400(460)V 50(60)HZ IE3 VP.	1
		SPARE PARTS MOTOR:ON REQUEST	1
2	4206025	SCREW M8X45 (4 PIECES)	1
3	4171326	LANTERN FT130 HELIX KIT	1
3.1		> LANTERN FT130 M+6" GJL MACHINING+CATA	1
3.2	2127604	> EYELET CPL.FT HELIX(2 PIECES)	1
3.3	4159692	> COUPLING PROTECTOR FT HELIX KIT	1
4	4159710	COUPLING D.16XD.28 FT130 HELIX KIT	1
5	4159707	SCREW M8X30 (4 PIECES)	1
6	4177842	STUD BOLT M12X638KIT	1
6.1		> TIE BOLT M12-638x18x30-1.4057	1
6.2	2094647	> NUT M12 M12 ISO4032 VP.	1
6.3	2123557	> WASHER CS-12.4-24-1.6-NFE25 (4 PIECES)	1
7	4159685	END SHIELD HELIX EPDM KIT	1
7.1		> END SHIELD M+6" GJL250 MACHINING+CATA	1
7.2	2127607	> STATIONARY RING HOLDER 6" HELIX 1.4301 V	1
7.3	4176513	> O-RING FOR PUMP JACKET VP.	1
7.4	2127603	> O-RING ID.37,6x2,4 EPDM VP.	1
7.5	2127602	> O-RING ID.21,35x2 EPDM VP.	1
8	4159686	FILING/PURGING PLUG HELIX EPDM KIT	1
9	4159698	CARTRIDGE HELIX6-10-16 F/E KIT	1
10	4177843	HOUSING PIPES D.152X510 1.4307 KIT	1
7.3	4176513	> O-RING FOR PUMP JACKET VP.	1
10.1		> HOUSING-PIPE Ø152-M+1012/1609-304	1
11	4172791	CENTERING STAGE-RETURN HELIX10 1.4301VP.	1
12	4209272	SHAFT EQUIPMENT HELIX V10 BI BLOC KIT	1
12.1		> NUT-H-M10-A4.70	1
12.2		> SERRATED LOCK WASHER M+10M3-316L	1
12.3		> STOP COLLAR OF IMPELLER L16,5-Ø16-316L	1
12.4		> STOP-RUSH-1/2-D16xd2-M+316	1
13		HYDRAULIC HELIX V 1011 1.4307	1
14	4177844	SHAFT D.16X630 1.4301 VP.	1
15	4172797	PUMP HOUSING HELIX DN40 PN25 1.4301 KIT	1
7.3	4176513	> O-RING FOR PUMP JACKET VP.	1

HELIX V1011-1/25/E/KS/400-50 (4150557)

Item	Article no.	Description	Quantity
15.1		> BLASTING PPE HOUSING V-PN25-DN40-304	1
15.3	4171321	> PRIMING/DRAIN PLUG EPDM HELIX KIT	1
16	4176517	BASEPLATE V8/10 VP.	1



COUPLING D.16XD.28 FT130 HELIX KIT (4159710)

Item	Article no.	Description	Quantity
4.1		COUPLING M+ Ø16XØ28 FT130 MACHINED	1
4.2	2131022	BALL BEARING 6209/ZZ-C3(HT)VP.	1
4.3	4233930	CIRCLIP-FOR-BORES-D45x1,75 VP.	1
4.4	4157726	SCREW KIT M8X30 (4 PIECES)	1
4.5	4234252	CIRCLIPS 85X3 VP.	1
4.6	4234243	O-RING 85X3 VP.	1
		NOMEL CONTACT WASHER 8x16x1,4 STEEL ZC	1



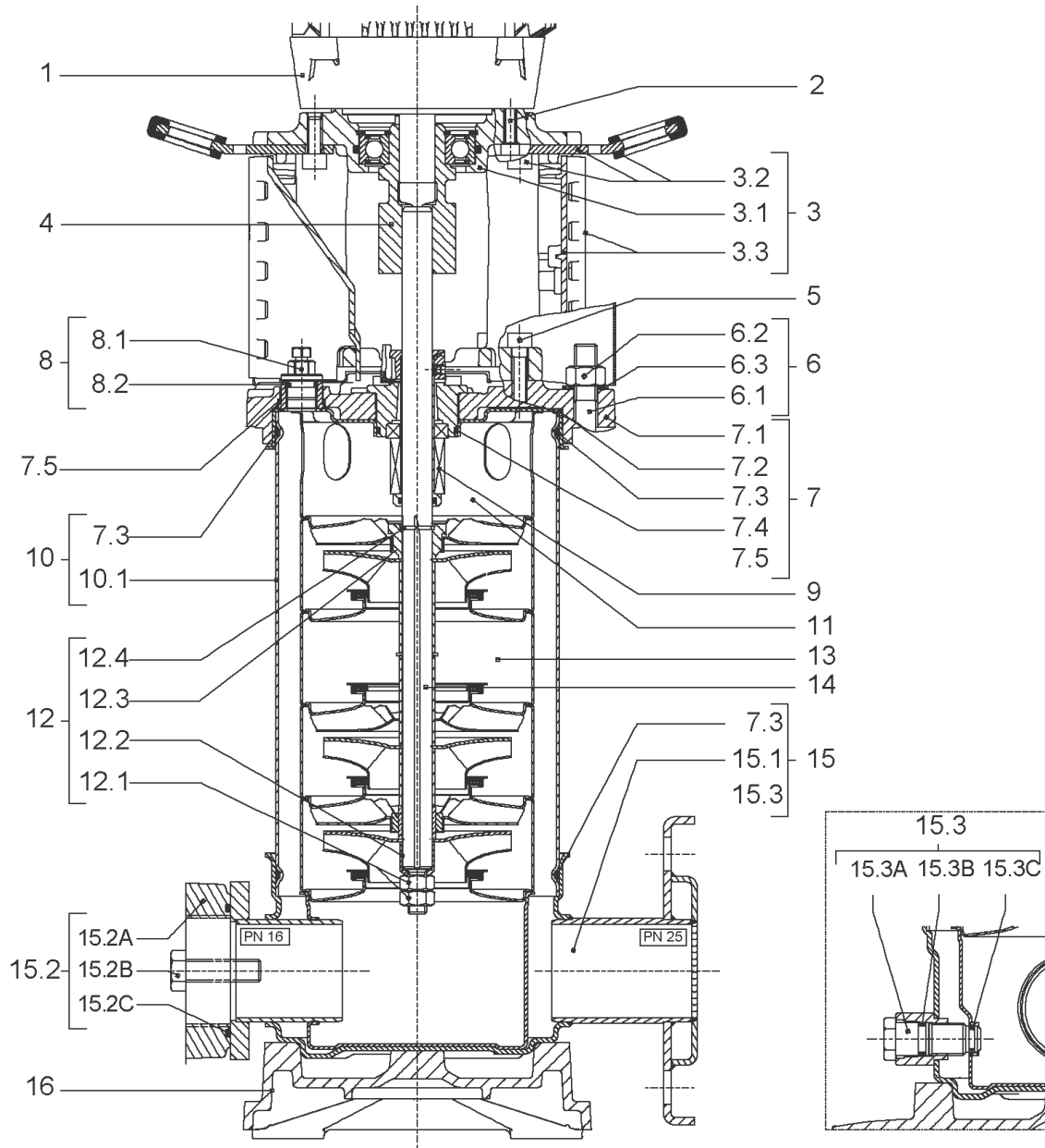
CARTRIDGE HELIX6-10-16 F/E KIT (4159698)

Item	Article no.	Description	Quantity
9.1	4159699	SEAL-KIT-HELIX6-10-16 F/E	1
7.3	4176513	> O-RING FOR PUMP JACKET VP.	1
7.4	2127603	> O-RING ID.37,6x2,4 EPDM VP.	1
9.1A	4176521	> MECH.SEAL HELIX2-4-6-10-16 F/E VP.	1
9.1B	2130967	> O-RING D.16X2,5 EPDM VP.	1
9.1C	4176519	> O-RING Ø16xØ1.25 VP.	1
9.2	2130961	SHAFT SLEEVE D.18/16X72,2 1.4404 VP.	1
9.3	2130962	RING HOLDER D.18 G606/G6 1.4301 VP.	1
9.4	4176520	SCREW CH M5x5 A4-70 (3PIECES)	1
9.5	2130963	DRIVE RING D.29/18x12,4 MACH.VP.	1
9.6	2130964	TOOL M.S.CART.HELIX VP.	1
9.7	2130965	SCREW CHC M5X12 ISO4762 A2.70(4 PIECES)	1



HYDRAULIC HELIX V 1011 1.4307

Item	Article no.	Description	Quantity
13.1	4171331	STAGE HELIX10 1.4301KIT	1
		> MACH.STG-CASING-WOGV-WNR-M+10-304	1
		> IMPELLER-M+10-304	1
13.2	4172792	INTERMEDIATE STAGE HELIX 10 1.4301 KIT	1
		> MACH.BEARING-STG-CASING-WNR-M+10-304	1
		> IMPELLER-M+10-304	1
		> SHAFT SLEEVE-SPACER-Ø19,35x18,465-304	1
		> SHAFT-SLEEVE-D16xD20x18-CW	1
13.3	4172793	INTERMEDIATE STAGE HELIX 10 1.4301 KIT	1
		> MACH.STD-STG-CASING-WGV+NR-M+10-304	1
		> IMPELLER-M+10-304	1
		> IMPELLER SPACER Ø16,05X19,45-L36,465-304	1
13.4	4172800	EMPTY STAGE HELIX10 1.4301 KIT	1
		> MACH.STD-STG-CASING-WGV+NR-M+10-304	1
		> FLAT WASHER-D16.1XD22X1.2-316L	1
		> IMPELLER SPACER Ø16,05X19,45-L36,465-304	1
13.5	4172799	STAGE HELIX 10 1.4301 KIT	1
		> MACH.STG-CASING-WOGV-WNR-M+10-304	1
		> IMPELLER-M+10-304	1
		> IMPELLER SPACER Ø16,05X19,45-L36,465-304	1

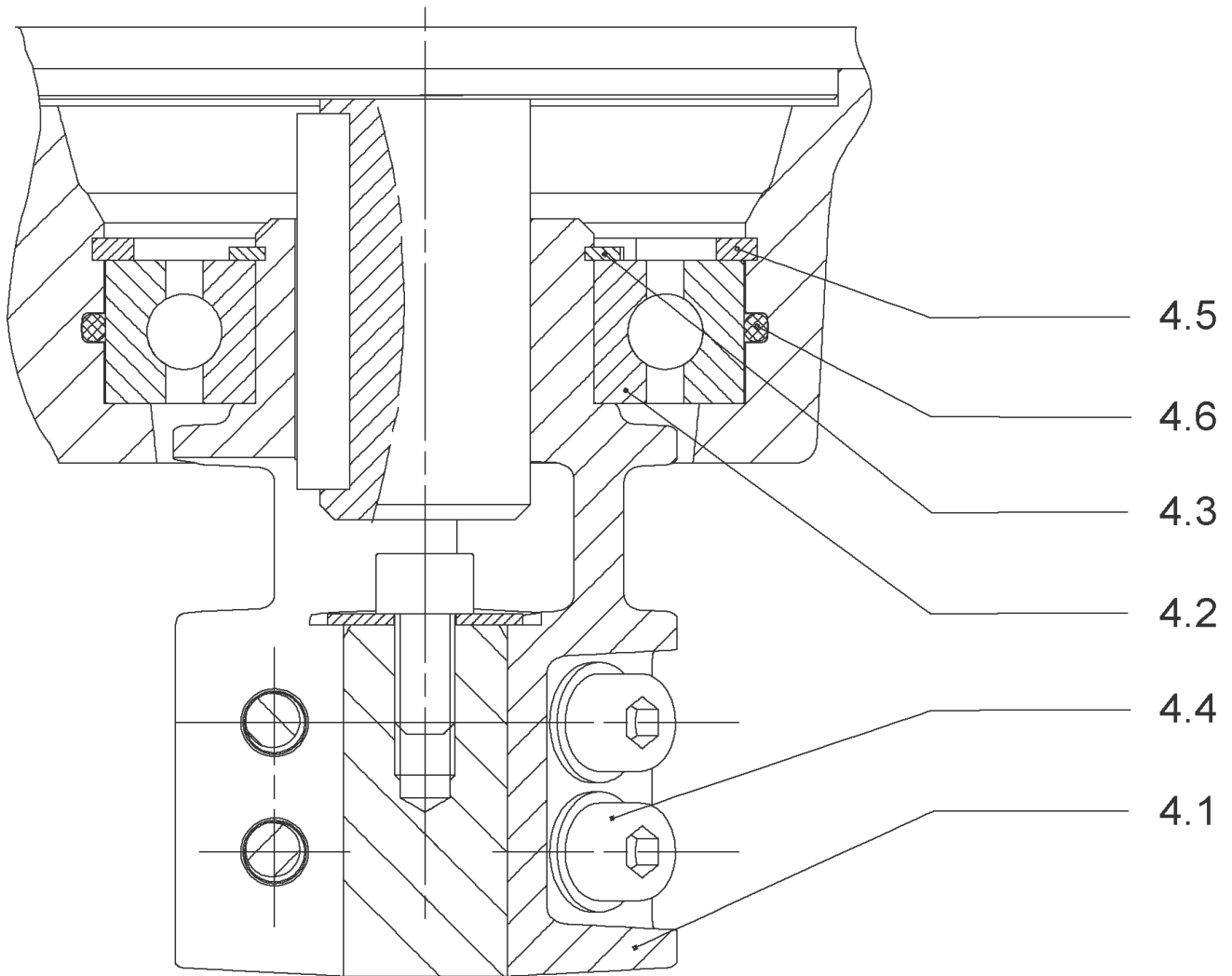


HELIX V1012-1/16/E/KS/400-50 (4150558)

Item	Article no.	Description	Quantity
1	4169947	MO 5,5/2/112 3~400V50Hz 460V60Hz IE3 VP.	1
		SPARE PARTS MOTOR:ON REQUEST	1
2	4206025	SCREW M8X45 (4 PIECES)	1
3	4171326	LANTERN FT130 HELIX KIT	1
3.1		> LANTERN FT130 M+6" GJL MACHINING+CATA	1
3.2	2127604	> EYELET CPL.FT HELIX(2 PIECES)	1
3.3	4159692	> COUPLING PROTECTOR FT HELIX KIT	1
4	4159710	COUPLING D.16XD.28 FT130 HELIX KIT	1
5	4159707	SCREW M8X30 (4 PIECES)	1
6	4177842	STUD BOLT M12X638KIT	1
6.1		> TIE BOLT M12-638x18x30-1.4057	1
6.2	2094647	> NUT M12 M12 ISO4032 VP.	1
6.3	2123557	> WASHER CS-12.4-24-1.6-NFE25 (4 PIECES)	1
7	4159685	END SHIELD HELIX EPDM KIT	1
7.1		> END SHIELD M+6" GJL250 MACHINING+CATA	1
7.2	2127607	> STATIONARY RING HOLDER 6" HELIX 1.4301 V	1
7.3	4176513	> O-RING FOR PUMP JACKET VP.	1
7.4	2127603	> O-RING ID.37,6x2,4 EPDM VP.	1
7.5	2127602	> O-RING ID.21,35x2 EPDM VP.	1
8	4159686	FILING/PURGING PLUG HELIX EPDM KIT	1
9	4159696	CARTRIDGE HELIX6-10-16 O/E KIT	1
10	4177843	HOUSING PIPES D.152X510 1.4307 KIT	1
7.3	4176513	> O-RING FOR PUMP JACKET VP.	1
10.1		> HOUSING-PIPE Ø152-M+1012/1609-304	1
11	4172791	CENTERING STAGE-RETURN HELIX10 1.4301VP.	1
12	4209272	SHAFT EQUIPMENT HELIX V10 BI BLOC KIT	1
12.1		> NUT-H-M10-A4.70	1
12.2		> SERRATED LOCK WASHER M+10M3-316L	1
12.3		> STOP COLLAR OF IMPELLER L16,5-Ø16-316L	1
12.4		> STOP-RUSH-1/2-D16xd2-M+316	1
13		HYDRAULIC HELIX V 1012 1.4307	1
14	4177844	SHAFT D.16X630 1.4301 VP.	1
15	4159682	PUMP HOUSING HELIX DN50 PN16 1.4301 KIT	1
7.3	4176513	> O-RING FOR PUMP JACKET VP.	1

HELIX V1012-1/16/E/KS/400-50 (4150558)

Item	Article no.	Description	Quantity
15.1		> BLASTING PPE HOUSING V-PN16-DN50-304	1
15.2	4217893	> COUNTER FLANGE-G1"1/2-PN16-GJL KIT	1
15.3	4171321	> PRIMING/DRAIN PLUG EPDM HELIX KIT	1
16	4176517	BASEPLATE V8/10 VP.	1



COUPLING D.16XD.28 FT130 HELIX KIT (4159710)

Item	Article no.	Description	Quantity
4.1		COUPLING M+ Ø16XØ28 FT130 MACHINED	1
4.2	2131022	BALL BEARING 6209/ZZ-C3(HT)VP.	1
4.3	4233930	CIRCLIP-FOR-BORES-D45x1,75 VP.	1
4.4	4157726	SCREW KIT M8X30 (4 PIECES)	1
4.5	4234252	CIRCLIPS 85X3 VP.	1
4.6	4234243	O-RING 85X3 VP.	1
		NOMEL CONTACT WASHER 8x16x1,4 STEEL ZC	1



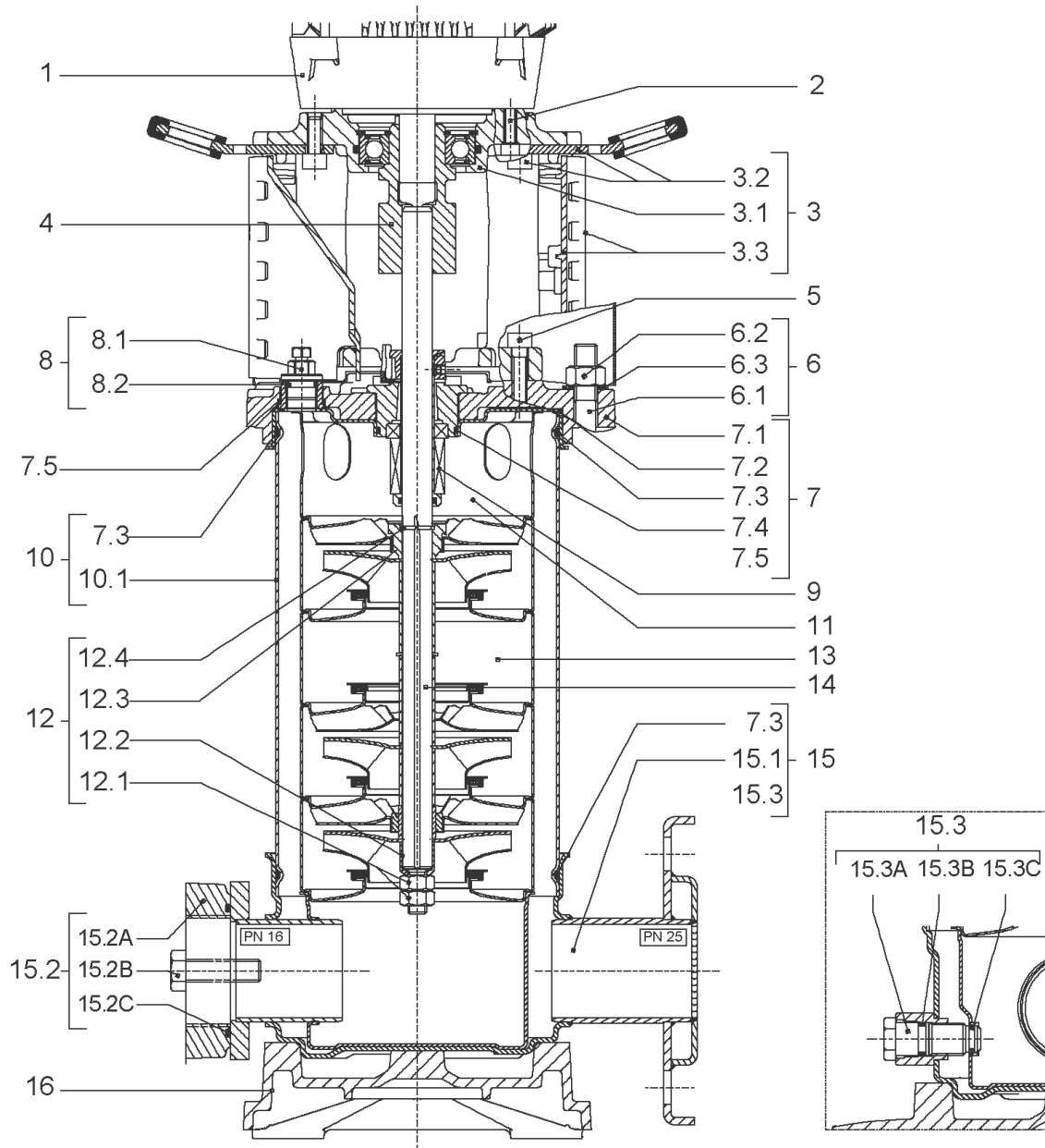
CARTRIDGE HELIX6-10-16 O/E KIT (4159696)

Item	Article no.	Description	Quantity
9.1	4159697	SEAL-KIT-HELIX6-10-16 O/E	1
7.3	4176513	> O-RING FOR PUMP JACKET VP.	1
7.4	2127603	> O-RING ID.37,6x2,4 EPDM VP.	1
9.1A	2130966	> MECH.SEAL HELIX2-4-6-10-16 O/E VP.	1
9.1B	2130967	> O-RING D.16X2,5 EPDM VP.	1
9.1C	4176519	> O-RING Ø16xØ1.25 VP.	1
9.2	2130961	SHAFT SLEEVE D.18/16X72,2 1.4404 VP.	1
9.3	2130962	RING HOLDER D.18 G606/G6 1.4301 VP.	1
9.4	4176520	SCREW CH M5x5 A4-70 (3PIECES)	1
9.5	2130963	DRIVE RING D.29/18x12,4 MACH.VP.	1
9.6	2130964	TOOL M.S.CART.HELIX VP.	1
9.7	2130965	SCREW CHC M5X12 ISO4762 A2.70(4 PIECES)	1



HYDRAULIC HELIX V 1012 1.4307

Item	Article no.	Description	Quantity
13.1	4171331	STAGE HELIX10 1.4301KIT	1
		> MACH.STG-CASING-WOGV-WNR-M+10-304	1
		> IMPELLER-M+10-304	1
13.2	4172792	INTERMEDIATE STAGE HELIX 10 1.4301 KIT	1
		> MACH.BEARING-STG-CASING-WNR-M+10-304	1
		> IMPELLER-M+10-304	1
		> SHAFT SLEEVE-SPACER-Ø19,35x18,465-304	1
		> SHAFT-SLEEVE-D16xD20x18-CW	1
13.3	4172793	INTERMEDIATE STAGE HELIX 10 1.4301 KIT	1
		> MACH.STD-STG-CASING-WGV+NR-M+10-304	1
		> IMPELLER-M+10-304	1
		> IMPELLER SPACER Ø16,05X19,45-L36,465-304	1



HELIX V1012-1/25/E/KS/400-50 (4150559)

Item	Article no.	Description	Quantity
1	4169947	MO 5,5/2/112 3~400V50Hz 460V60Hz IE3 VP.	1
		SPARE PARTS MOTOR:ON REQUEST	1
2	4206025	SCREW M8X45 (4 PIECES)	1
3	4171326	LANTERN FT130 HELIX KIT	1
3.1		> LANTERN FT130 M+6" GJL MACHINING+CATA	1
3.2	2127604	> EYELET CPL.FT HELIX(2 PIECES)	1
3.3	4159692	> COUPLING PROTECTOR FT HELIX KIT	1
4	4159710	COUPLING D.16XD.28 FT130 HELIX KIT	1
5	4159707	SCREW M8X30 (4 PIECES)	1
6	4177842	STUD BOLT M12X638KIT	1
6.1		> TIE BOLT M12-638x18x30-1.4057	1
6.2	2094647	> NUT M12 M12 ISO4032 VP.	1
6.3	2123557	> WASHER CS-12.4-24-1.6-NFE25 (4 PIECES)	1
7	4159685	END SHIELD HELIX EPDM KIT	1
7.1		> END SHIELD M+6" GJL250 MACHINING+CATA	1
7.2	2127607	> STATIONARY RING HOLDER 6" HELIX 1.4301 V	1
7.3	4176513	> O-RING FOR PUMP JACKET VP.	1
7.4	2127603	> O-RING ID.37,6x2,4 EPDM VP.	1
7.5	2127602	> O-RING ID.21,35x2 EPDM VP.	1
8	4159686	FILING/PURGING PLUG HELIX EPDM KIT	1
9	4159698	CARTRIDGE HELIX6-10-16 F/E KIT	1
10	4177843	HOUSING PIPES D.152X510 1.4307 KIT	1
7.3	4176513	> O-RING FOR PUMP JACKET VP.	1
10.1		> HOUSING-PIPE Ø152-M+1012/1609-304	1
11	4172791	CENTERING STAGE-RETURN HELIX10 1.4301VP.	1
12	4209272	SHAFT EQUIPMENT HELIX V10 BI BLOC KIT	1
12.1		> NUT-H-M10-A4.70	1
12.2		> SERRATED LOCK WASHER M+10M3-316L	1
12.3		> STOP COLLAR OF IMPELLER L16,5-Ø16-316L	1
12.4		> STOP-RUSH-1/2-D16xd2-M+316	1
13		HYDRAULIC HELIX V 1012 1.4307	1
14	4177844	SHAFT D.16X630 1.4301 VP.	1
15	4172797	PUMP HOUSING HELIX DN40 PN25 1.4301 KIT	1
7.3	4176513	> O-RING FOR PUMP JACKET VP.	1

HELIX V1012-1/25/E/KS/400-50 (4150559)

Item	Article no.	Description	Quantity
15.1		> BLASTING PPE HOUSING V-PN25-DN40-304	1
15.3	4171321	> PRIMING/DRAIN PLUG EPDM HELIX KIT	1
16	4176517	BASEPLATE V8/10 VP.	1



COUPLING D.16XD.28 FT130 HELIX KIT (4159710)

Item	Article no.	Description	Quantity
4.1		COUPLING M+ Ø16XØ28 FT130 MACHINED	1
4.2	2131022	BALL BEARING 6209/ZZ-C3(HT)VP.	1
4.3	4233930	CIRCLIP-FOR-BORES-D45x1,75 VP.	1
4.4	4157726	SCREW KIT M8X30 (4 PIECES)	1
4.5	4234252	CIRCLIPS 85X3 VP.	1
4.6	4234243	O-RING 85X3 VP.	1
		NOMEL CONTACT WASHER 8x16x1,4 STEEL ZC	1



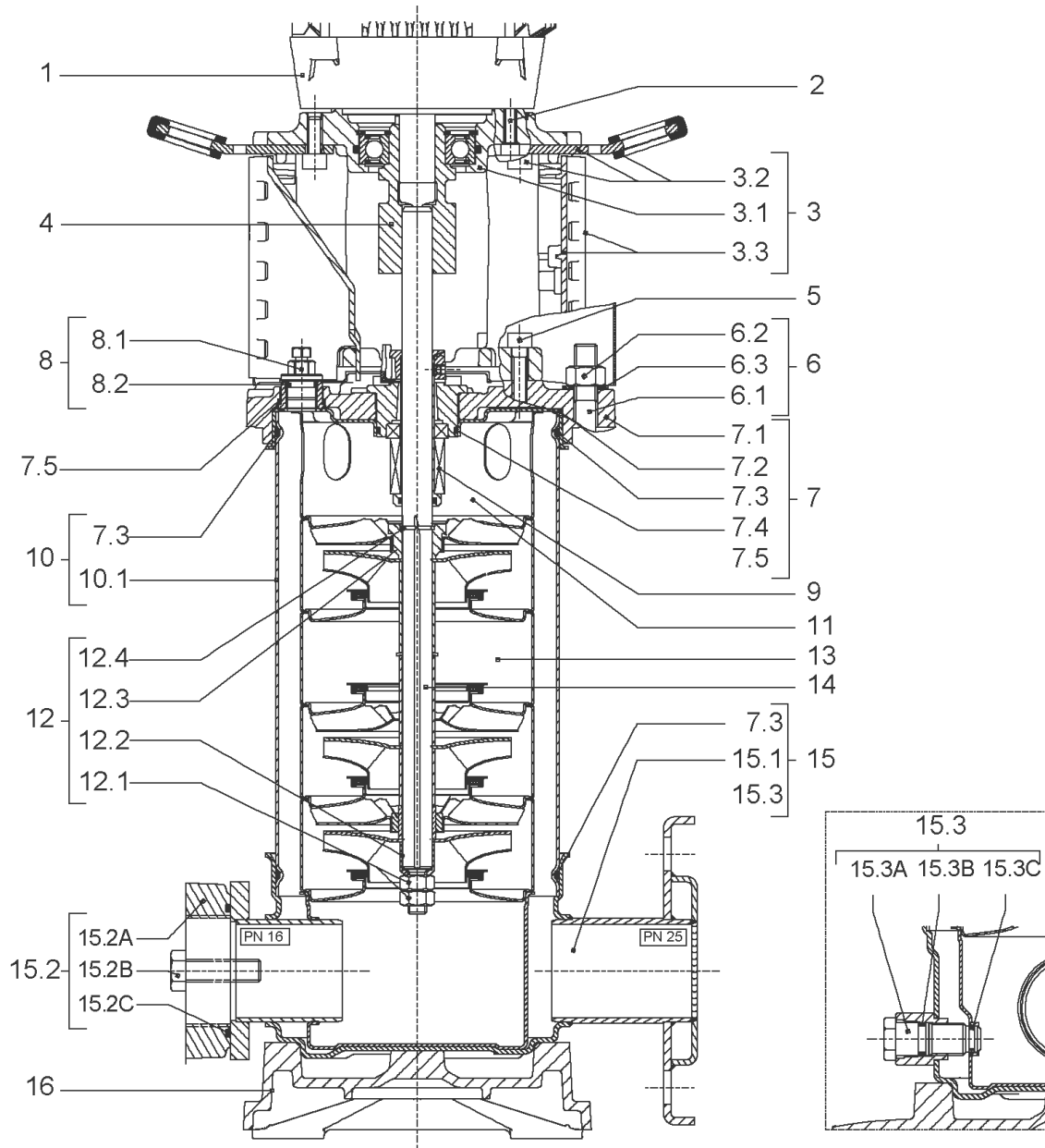
CARTRIDGE HELIX6-10-16 F/E KIT (4159698)

Item	Article no.	Description	Quantity
9.1	4159699	SEAL-KIT-HELIX6-10-16 F/E	1
7.3	4176513	> O-RING FOR PUMP JACKET VP.	1
7.4	2127603	> O-RING ID.37,6x2,4 EPDM VP.	1
9.1A	4176521	> MECH.SEAL HELIX2-4-6-10-16 F/E VP.	1
9.1B	2130967	> O-RING D.16X2,5 EPDM VP.	1
9.1C	4176519	> O-RING Ø16xØ1.25 VP.	1
9.2	2130961	SHAFT SLEEVE D.18/16X72,2 1.4404 VP.	1
9.3	2130962	RING HOLDER D.18 G606/G6 1.4301 VP.	1
9.4	4176520	SCREW CH M5x5 A4-70 (3PIECES)	1
9.5	2130963	DRIVE RING D.29/18x12,4 MACH.VP.	1
9.6	2130964	TOOL M.S.CART.HELIX VP.	1
9.7	2130965	SCREW CHC M5X12 ISO4762 A2.70(4 PIECES)	1



HYDRAULIC HELIX V 1012 1.4307

Item	Article no.	Description	Quantity
13.1	4171331	STAGE HELIX10 1.4301KIT	1
		> MACH.STG-CASING-WOGV-WNR-M+10-304	1
		> IMPELLER-M+10-304	1
13.2	4172792	INTERMEDIATE STAGE HELIX 10 1.4301 KIT	1
		> MACH.BEARING-STG-CASING-WNR-M+10-304	1
		> IMPELLER-M+10-304	1
		> SHAFT SLEEVE-SPACER-Ø19,35x18,465-304	1
		> SHAFT-SLEEVE-D16xD20x18-CW	1
13.3	4172793	INTERMEDIATE STAGE HELIX 10 1.4301 KIT	1
		> MACH.STD-STG-CASING-WGV+NR-M+10-304	1
		> IMPELLER-M+10-304	1
		> IMPELLER SPACER Ø16,05X19,45-L36,465-304	1



HELIX V1013-1/16/E/KS/400-50 (4150560)

Item	Article no.	Description	Quantity
1	4169947	MO 5,5/2/112 3~400V50Hz 460V60Hz IE3 VP.	1
		SPARE PARTS MOTOR:ON REQUEST	1
2	4206025	SCREW M8X45 (4 PIECES)	1
3	4171326	LANTERN FT130 HELIX KIT	1
3.1		> LANTERN FT130 M+6" GJL MACHINING+CATA	1
3.2	2127604	> EYELET CPL.FT HELIX(2 PIECES)	1
3.3	4159692	> COUPLING PROTECTOR FT HELIX KIT	1
4	4159710	COUPLING D.16XD.28 FT130 HELIX KIT	1
5	4159707	SCREW M8X30 (4 PIECES)	1
6	4177848	STUD BOLT M12X713KIT	1
6.1		> TIE BOLT M12-713x18x30-1.4057	1
6.2	2094647	> NUT M12 M12 ISO4032 VP.	1
6.3	2123557	> WASHER CS-12.4-24-1.6-NFE25 (4 PIECES)	1
7	4159685	END SHIELD HELIX EPDM KIT	1
7.1		> END SHIELD M+6" GJL250 MACHINING+CATA	1
7.2	2127607	> STATIONARY RING HOLDER 6" HELIX 1.4301 V	1
7.3	4176513	> O-RING FOR PUMP JACKET VP.	1
7.4	2127603	> O-RING ID.37,6x2,4 EPDM VP.	1
7.5	2127602	> O-RING ID.21,35x2 EPDM VP.	1
8	4159686	FILING/PURGING PLUG HELIX EPDM KIT	1
9	4159696	CARTRIDGE HELIX6-10-16 O/E KIT	1
10	4177850	HOUSING PIPES D.152X585 1.4301 KIT	1
7.3	4176513	> O-RING FOR PUMP JACKET VP.	1
10.1		> HOUSING-PIPE Ø152-M+1013/14-304	1
11	4172791	CENTERING STAGE-RETURN HELIX10 1.4301VP.	1
12	4209272	SHAFT EQUIPMENT HELIX V10 BI BLOC KIT	1
12.1		> NUT-H-M10-A4.70	1
12.2		> SERRATED LOCK WASHER M+10M3-316L	1
12.3		> STOP COLLAR OF IMPELLER L16,5-Ø16-316L	1
12.4		> STOP-RUSH-1/2-D16xd2-M+316	1
13		HYDRAULIC HELIX V 1013 1.4307	1
14	4177851	SHAFT D.16X705 1.4301 VP.	1
15	4159682	PUMP HOUSING HELIX DN50 PN16 1.4301 KIT	1
7.3	4176513	> O-RING FOR PUMP JACKET VP.	1

HELIX V1013-1/16/E/KS/400-50 (4150560)

Item	Article no.	Description	Quantity
15.1		> BLASTING PPE HOUSING V-PN16-DN50-304	1
15.2	4217893	> COUNTER FLANGE-G1"1/2-PN16-GJL KIT	1
15.3	4171321	> PRIMING/DRAIN PLUG EPDM HELIX KIT	1
16	4176517	BASEPLATE V8/10 VP.	1



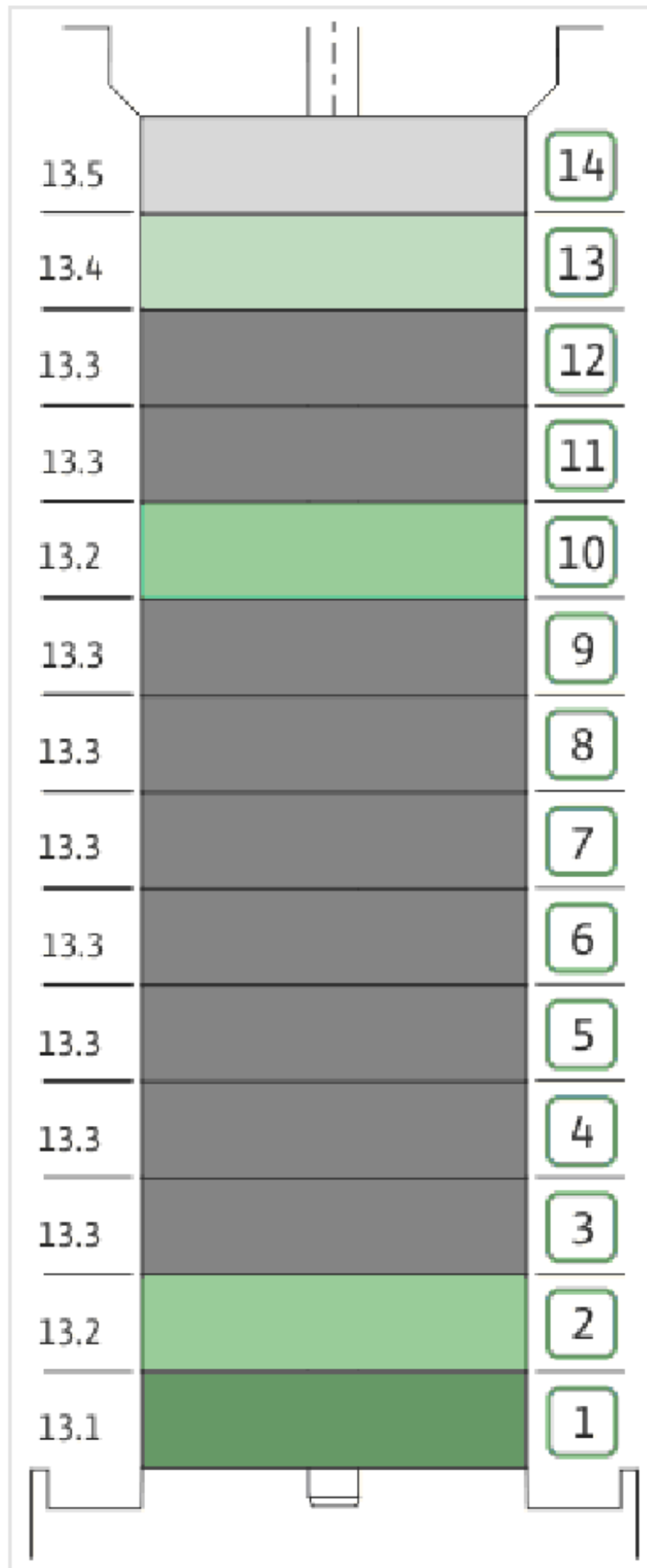
COUPLING D.16XD.28 FT130 HELIX KIT (4159710)

Item	Article no.	Description	Quantity
4.1		COUPLING M+ Ø16XØ28 FT130 MACHINED	1
4.2	2131022	BALL BEARING 6209/ZZ-C3(HT)VP.	1
4.3	4233930	CIRCLIP-FOR-BORES-D45x1,75 VP.	1
4.4	4157726	SCREW KIT M8X30 (4 PIECES)	1
4.5	4234252	CIRCLIPS 85X3 VP.	1
4.6	4234243	O-RING 85X3 VP.	1
		NOMEL CONTACT WASHER 8x16x1,4 STEEL ZC	1



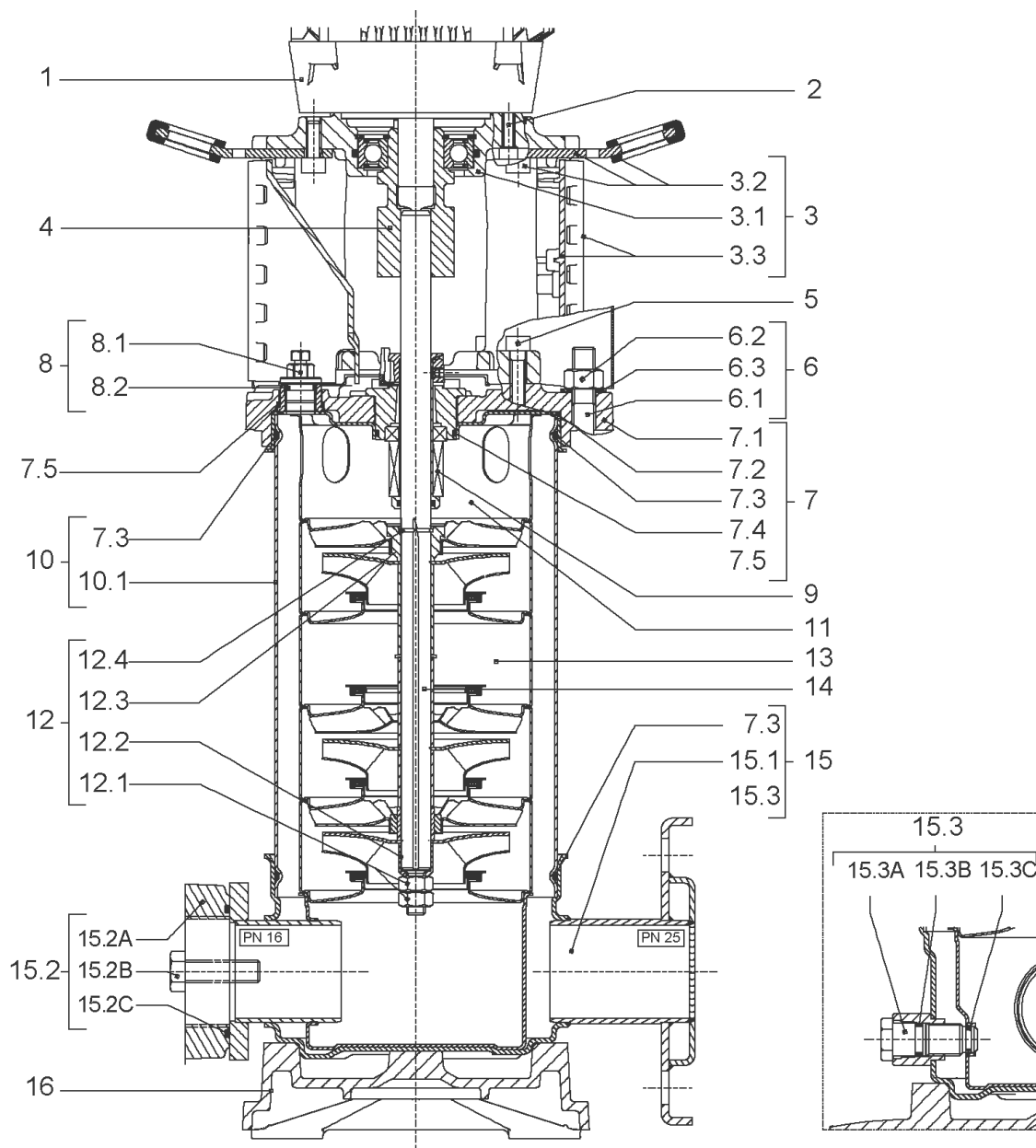
CARTRIDGE HELIX6-10-16 O/E KIT (4159696)

Item	Article no.	Description	Quantity
9.1	4159697	SEAL-KIT-HELIX6-10-16 O/E	1
7.3	4176513	> O-RING FOR PUMP JACKET VP.	1
7.4	2127603	> O-RING ID.37,6x2,4 EPDM VP.	1
9.1A	2130966	> MECH.SEAL HELIX2-4-6-10-16 O/E VP.	1
9.1B	2130967	> O-RING D.16X2,5 EPDM VP.	1
9.1C	4176519	> O-RING Ø16xØ1.25 VP.	1
9.2	2130961	SHAFT SLEEVE D.18/16X72,2 1.4404 VP.	1
9.3	2130962	RING HOLDER D.18 G606/G6 1.4301 VP.	1
9.4	4176520	SCREW CH M5x5 A4-70 (3PIECES)	1
9.5	2130963	DRIVE RING D.29/18x12,4 MACH.VP.	1
9.6	2130964	TOOL M.S.CART.HELIX VP.	1
9.7	2130965	SCREW CHC M5X12 ISO4762 A2.70(4 PIECES)	1



HYDRAULIC HELIX V 1013 1.4307

Item	Article no.	Description	Quantity
13.1	4171331	STAGE HELIX10 1.4301KIT	1
		> MACH.STG-CASING-WOGV-WNR-M+10-304	1
		> IMPELLER-M+10-304	1
13.2	4172792	INTERMEDIATE STAGE HELIX 10 1.4301 KIT	1
		> MACH.BEARING-STG-CASING-WNR-M+10-304	1
		> IMPELLER-M+10-304	1
		> SHAFT SLEEVE-SPACER-Ø19,35x18,465-304	1
		> SHAFT-SLEEVE-D16xD20x18-CW	1
13.3	4172793	INTERMEDIATE STAGE HELIX 10 1.4301 KIT	1
		> MACH.STD-STG-CASING-WGV+NR-M+10-304	1
		> IMPELLER-M+10-304	1
		> IMPELLER SPACER Ø16,05X19,45-L36,465-304	1
13.4	4172800	EMPTY STAGE HELIX10 1.4301 KIT	1
		> MACH.STD-STG-CASING-WGV+NR-M+10-304	1
		> FLAT WASHER-D16.1XD22X1.2-316L	1
		> IMPELLER SPACER Ø16,05X19,45-L36,465-304	1
13.5	4172799	STAGE HELIX 10 1.4301 KIT	1
		> MACH.STG-CASING-WOGV-WNR-M+10-304	1
		> IMPELLER-M+10-304	1
		> IMPELLER SPACER Ø16,05X19,45-L36,465-304	1



HELIX V1013-1/25/E/KS/400-50 (4150561)

Item	Article no.	Description	Quantity
1	4169947	MO 5,5/2/112 3~400V50Hz 460V60Hz IE3 VP.	1
		SPARE PARTS MOTOR:ON REQUEST	1
2	4206025	SCREW M8X45 (4 PIECES)	1
3	4171326	LANTERN FT130 HELIX KIT	1
3.1		> LANTERN FT130 M+6" GJL MACHINING+CATA	1
3.2	2127604	> EYELET CPL.FT HELIX(2 PIECES)	1
3.3	4159692	> COUPLING PROTECTOR FT HELIX KIT	1
4	4159710	COUPLING D.16XD.28 FT130 HELIX KIT	1
5	4159707	SCREW M8X30 (4 PIECES)	1
6	4177848	STUD BOLT M12X713KIT	1
6.1		> TIE BOLT M12-713x18x30-1.4057	1
6.2	2094647	> NUT M12 M12 ISO4032 VP.	1
6.3	2123557	> WASHER CS-12.4-24-1.6-NFE25 (4 PIECES)	1
7	4159685	END SHIELD HELIX EPDM KIT	1
7.1		> END SHIELD M+6" GJL250 MACHINING+CATA	1
7.2	2127607	> STATIONARY RING HOLDER 6" HELIX 1.4301 V	1
7.3	4176513	> O-RING FOR PUMP JACKET VP.	1
7.4	2127603	> O-RING ID.37,6x2,4 EPDM VP.	1
7.5	2127602	> O-RING ID.21,35x2 EPDM VP.	1
8	4159686	FILING/PURGING PLUG HELIX EPDM KIT	1
9	4159698	CARTRIDGE HELIX6-10-16 F/E KIT	1
10	4177850	HOUSING PIPES D.152X585 1.4301 KIT	1
7.3	4176513	> O-RING FOR PUMP JACKET VP.	1
10.1		> HOUSING-PIPE Ø152-M+1013/14-304	1
11	4172791	CENTERING STAGE-RETURN HELIX10 1.4301VP.	1
12	4209272	SHAFT EQUIPMENT HELIX V10 BI BLOC KIT	1
12.1		> NUT-H-M10-A4.70	1
12.2		> SERRATED LOCK WASHER M+10M3-316L	1
12.3		> STOP COLLAR OF IMPELLER L16,5-Ø16-316L	1
12.4		> STOP-RUSH-1/2-D16xd2-M+316	1
13		HYDRAULIC HELIX V 1013 1.4307	1
14	4177851	SHAFT D.16X705 1.4301 VP.	1
15	4172797	PUMP HOUSING HELIX DN40 PN25 1.4301 KIT	1
7.3	4176513	> O-RING FOR PUMP JACKET VP.	1

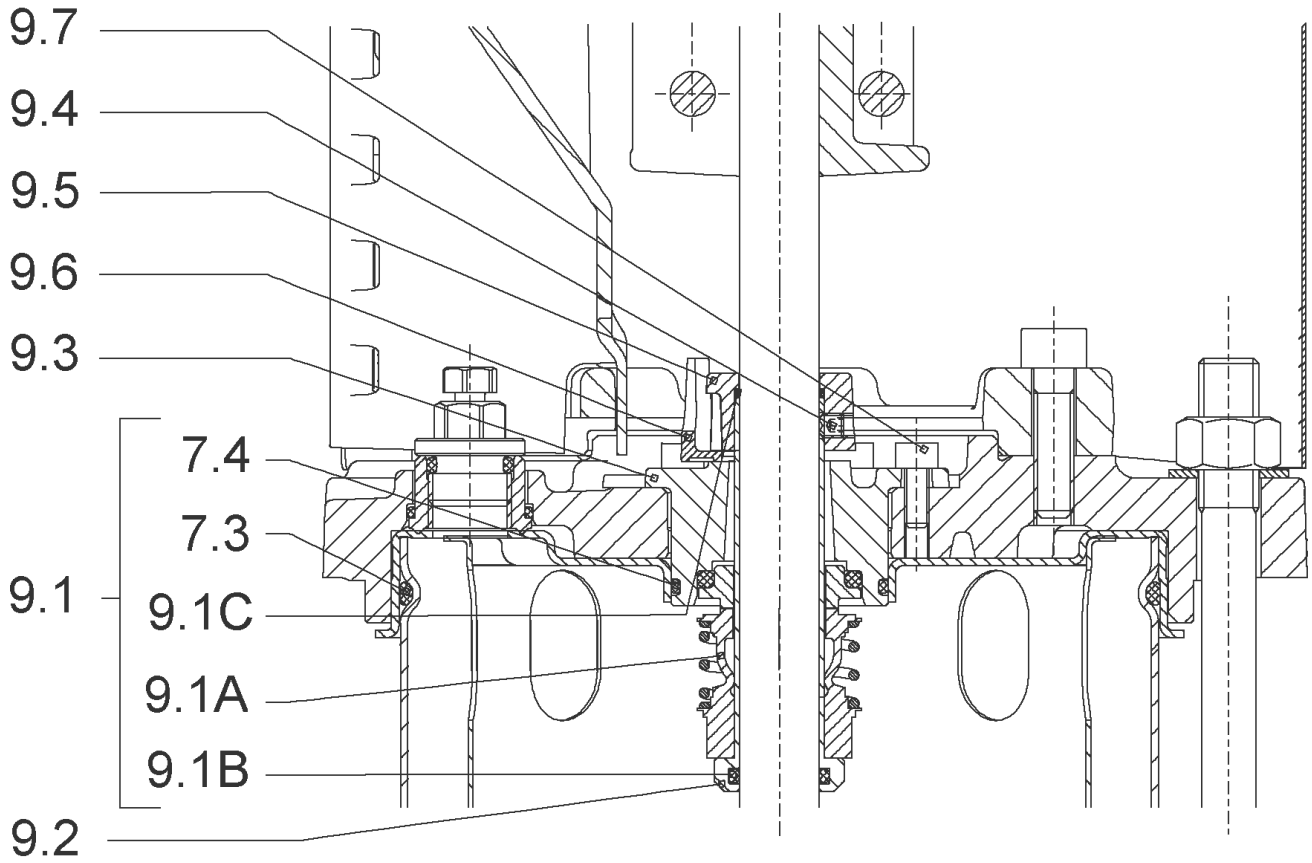
HELIX V1013-1/25/E/KS/400-50 (4150561)

Item	Article no.	Description	Quantity
15.1		> BLASTING PPE HOUSING V-PN25-DN40-304	1
15.3	4171321	> PRIMING/DRAIN PLUG EPDM HELIX KIT	1
16	4176517	BASEPLATE V8/10 VP.	1



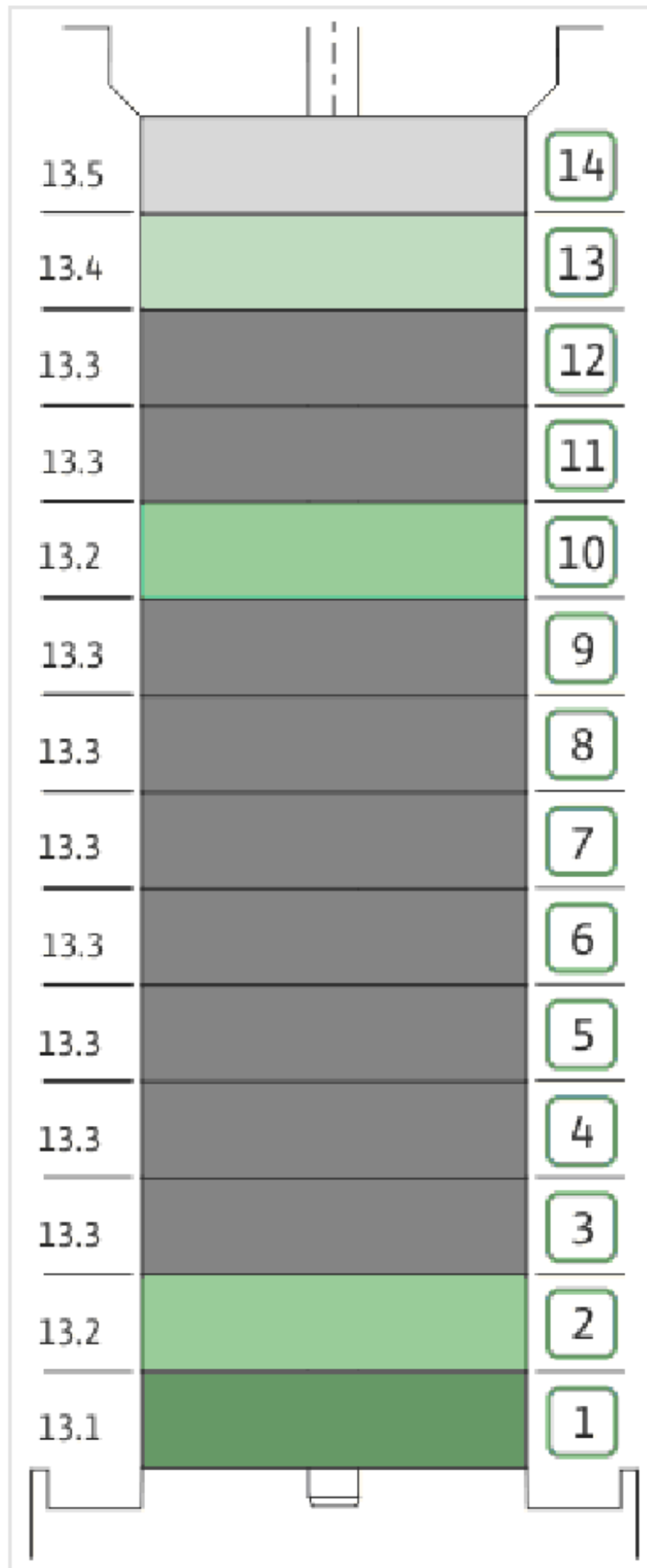
COUPLING D.16XD.28 FT130 HELIX KIT (4159710)

Item	Article no.	Description	Quantity
4.1		COUPLING M+ Ø16XØ28 FT130 MACHINED	1
4.2	2131022	BALL BEARING 6209/ZZ-C3(HT)VP.	1
4.3	4233930	CIRCLIP-FOR-BORES-D45x1,75 VP.	1
4.4	4157726	SCREW KIT M8X30 (4 PIECES)	1
4.5	4234252	CIRCLIPS 85X3 VP.	1
4.6	4234243	O-RING 85X3 VP.	1
		NOMEL CONTACT WASHER 8x16x1,4 STEEL ZC	1



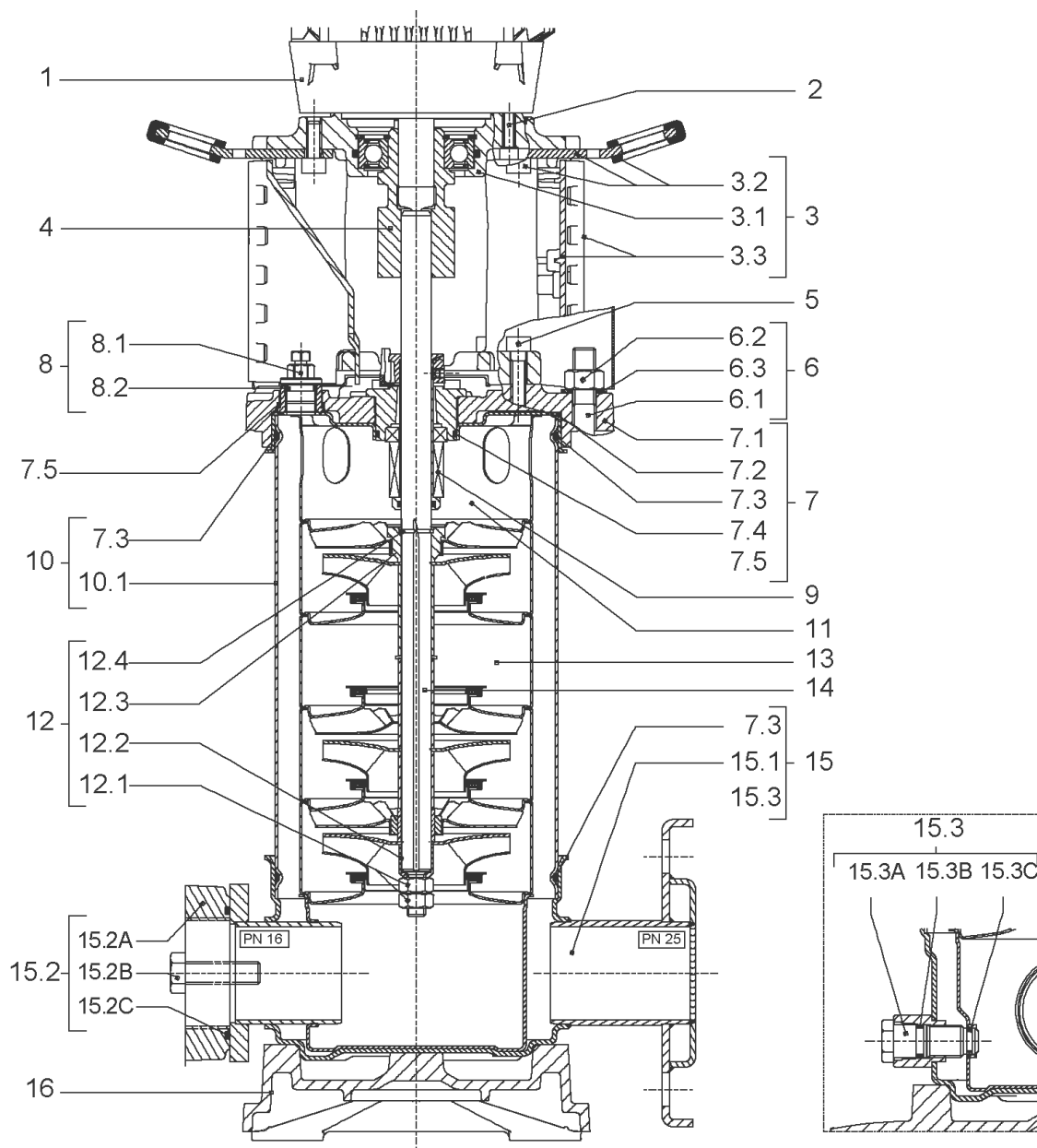
CARTRIDGE HELIX6-10-16 F/E KIT (4159698)

Item	Article no.	Description	Quantity
9.1	4159699	SEAL-KIT-HELIX6-10-16 F/E	1
7.3	4176513	> O-RING FOR PUMP JACKET VP.	1
7.4	2127603	> O-RING ID.37,6x2,4 EPDM VP.	1
9.1A	4176521	> MECH.SEAL HELIX2-4-6-10-16 F/E VP.	1
9.1B	2130967	> O-RING D.16X2,5 EPDM VP.	1
9.1C	4176519	> O-RING Ø16xØ1.25 VP.	1
9.2	2130961	SHAFT SLEEVE D.18/16X72,2 1.4404 VP.	1
9.3	2130962	RING HOLDER D.18 G606/G6 1.4301 VP.	1
9.4	4176520	SCREW CH M5x5 A4-70 (3PIECES)	1
9.5	2130963	DRIVE RING D.29/18x12,4 MACH.VP.	1
9.6	2130964	TOOL M.S.CART.HELIX VP.	1
9.7	2130965	SCREW CHC M5X12 ISO4762 A2.70(4 PIECES)	1



HYDRAULIC HELIX V 1013 1.4307

Item	Article no.	Description	Quantity
13.1	4171331	STAGE HELIX10 1.4301KIT	1
		> MACH.STG-CASING-WOGV-WNR-M+10-304	1
		> IMPELLER-M+10-304	1
13.2	4172792	INTERMEDIATE STAGE HELIX 10 1.4301 KIT	1
		> MACH.BEARING-STG-CASING-WNR-M+10-304	1
		> IMPELLER-M+10-304	1
		> SHAFT SLEEVE-SPACER-Ø19,35x18,465-304	1
		> SHAFT-SLEEVE-D16xD20x18-CW	1
13.3	4172793	INTERMEDIATE STAGE HELIX 10 1.4301 KIT	1
		> MACH.STD-STG-CASING-WGV+NR-M+10-304	1
		> IMPELLER-M+10-304	1
		> IMPELLER SPACER Ø16,05X19,45-L36,465-304	1
13.4	4172800	EMPTY STAGE HELIX10 1.4301 KIT	1
		> MACH.STD-STG-CASING-WGV+NR-M+10-304	1
		> FLAT WASHER-D16.1XD22X1.2-316L	1
		> IMPELLER SPACER Ø16,05X19,45-L36,465-304	1
13.5	4172799	STAGE HELIX 10 1.4301 KIT	1
		> MACH.STG-CASING-WOGV-WNR-M+10-304	1
		> IMPELLER-M+10-304	1
		> IMPELLER SPACER Ø16,05X19,45-L36,465-304	1

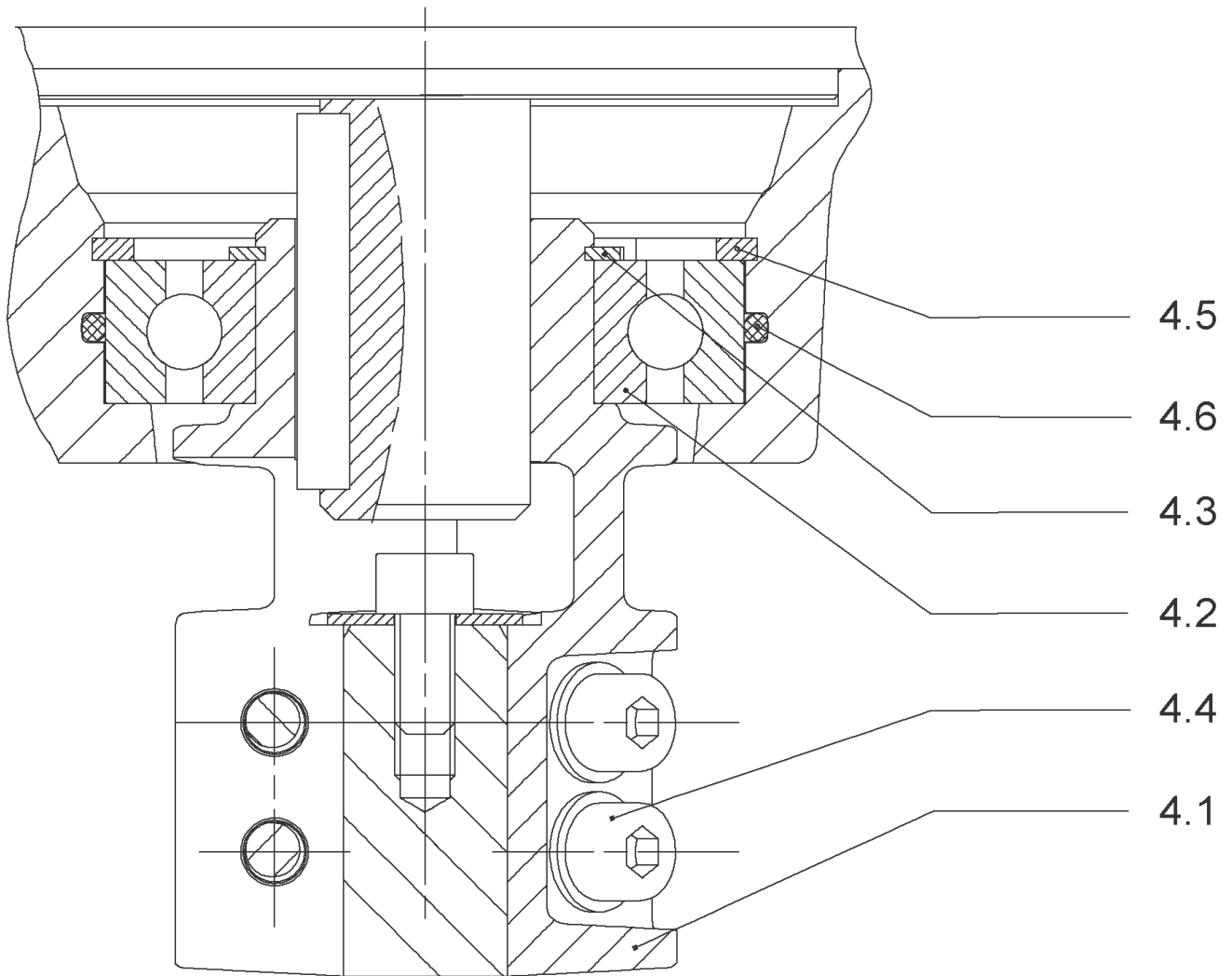


HELIX V1015-1/25/E/KS/400-50 (4150563)

Item	Article no.	Description	Quantity
1	4169947	MO 5,5/2/112 3~400V50Hz 460V60Hz IE3 VP.	1
		SPARE PARTS MOTOR:ON REQUEST	1
2	4206025	SCREW M8X45 (4 PIECES)	1
3	4171326	LANTERN FT130 HELIX KIT	1
3.1		> LANTERN FT130 M+6" GJL MACHINING+CATA	1
3.2	2127604	> EYELET CPL.FT HELIX(2 PIECES)	1
3.3	4159692	> COUPLING PROTECTOR FT HELIX KIT	1
4	4159710	COUPLING D.16XD.28 FT130 HELIX KIT	1
5	4159707	SCREW M8X30 (4 PIECES)	1
6	4177852	STUD BOLT M12X788KIT	1
6.1		> TIE BOLT M12-788x18x30-1.4057	1
6.2	2094647	> NUT M12 M12 ISO4032 VP.	1
6.3	2123557	> WASHER CS-12.4-24-1.6-NFE25 (4 PIECES)	1
7	4159685	END SHIELD HELIX EPDM KIT	1
7.1		> END SHIELD M+6" GJL250 MACHINING+CATA	1
7.2	2127607	> STATIONARY RING HOLDER 6" HELIX 1.4301 V	1
7.3	4176513	> O-RING FOR PUMP JACKET VP.	1
7.4	2127603	> O-RING ID.37,6x2,4 EPDM VP.	1
7.5	2127602	> O-RING ID.21,35x2 EPDM VP.	1
8	4159686	FILING/PURGING PLUG HELIX EPDM KIT	1
9	4159698	CARTRIDGE HELIX6-10-16 F/E KIT	1
10	4177853	HOUSING PIPES D.152X660 1.4307 KIT	1
7.3	4176513	> O-RING FOR PUMP JACKET VP.	1
10.1		> HOUSING-PIPE Ø152-M+1016/1610-304	1
11	4172791	CENTERING STAGE-RETURN HELIX10 1.4301VP.	1
12	4209272	SHAFT EQUIPMENT HELIX V10 BI BLOC KIT	1
12.1		> NUT-H-M10-A4.70	1
12.2		> SERRATED LOCK WASHER M+10M3-316L	1
12.3		> STOP COLLAR OF IMPELLER L16,5-Ø16-316L	1
12.4		> STOP-RUSH-1/2-D16xd2-M+316	1
13		HYDRAULIC HELIX V 1015 1.4307	1
14	4177854	SHAFT D.16 X780 1.4301 VP.	1
15	4172797	PUMP HOUSING HELIX DN40 PN25 1.4301 KIT	1
7.3	4176513	> O-RING FOR PUMP JACKET VP.	1

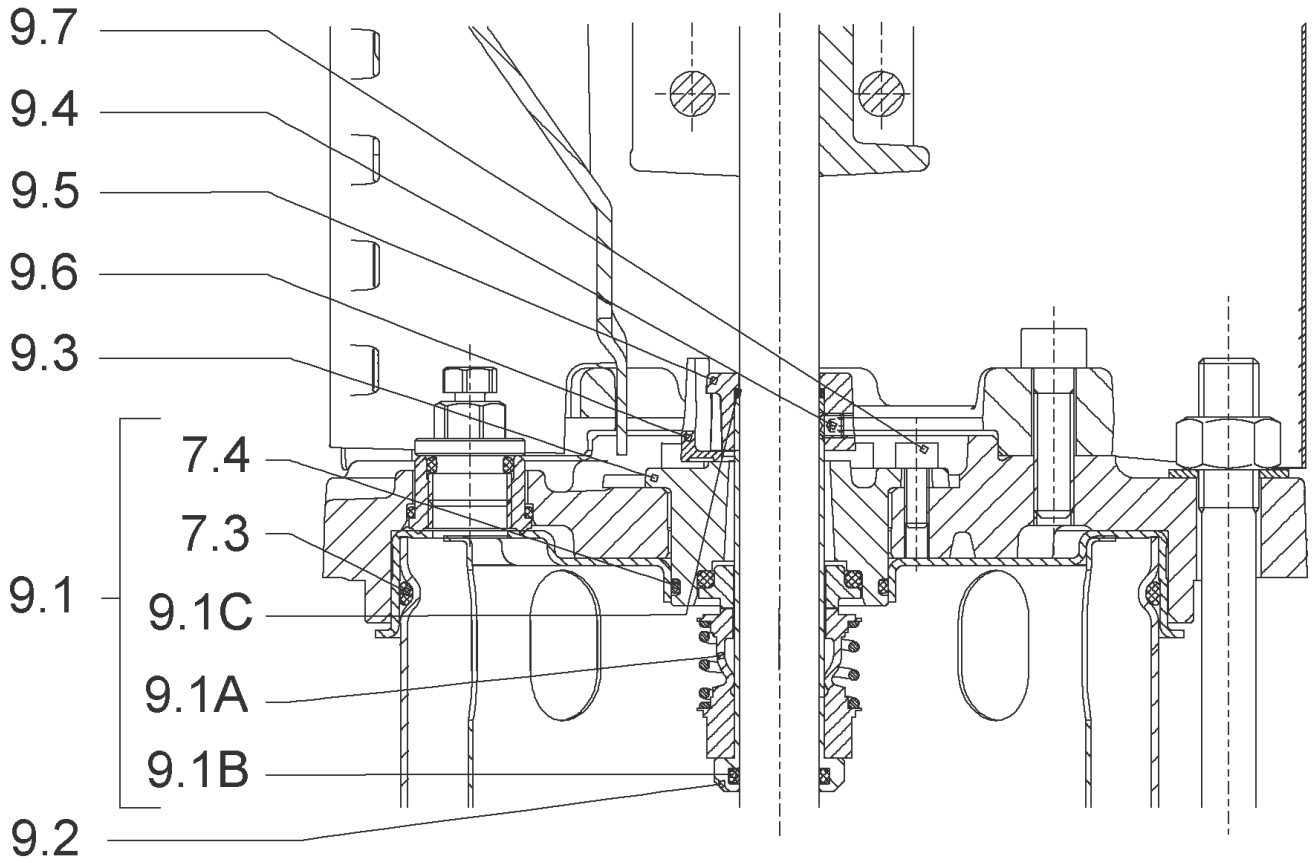
HELIX V1015-1/25/E/KS/400-50 (4150563)

Item	Article no.	Description	Quantity
15.1		> BLASTING PPE HOUSING V-PN25-DN40-304	1
15.3	4171321	> PRIMING/DRAIN PLUG EPDM HELIX KIT	1
16	4176517	BASEPLATE V8/10 VP.	1



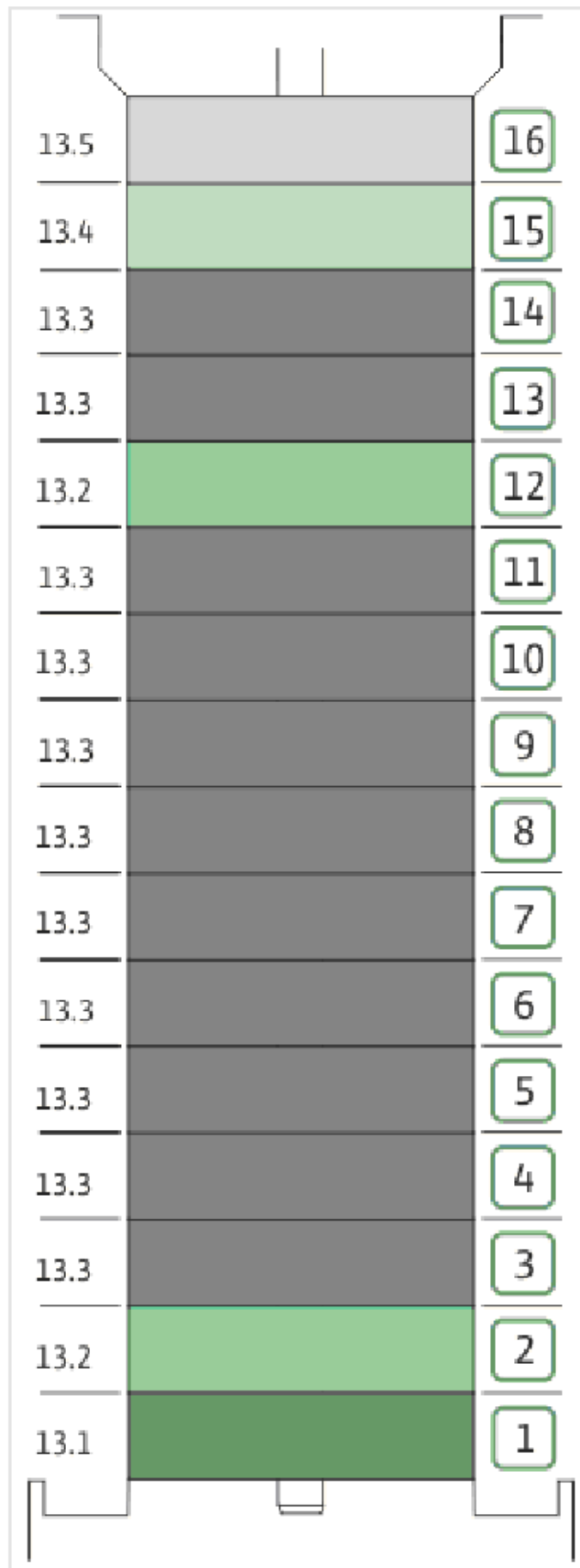
COUPLING D.16XD.28 FT130 HELIX KIT (4159710)

Item	Article no.	Description	Quantity
4.1		COUPLING M+ Ø16XØ28 FT130 MACHINED	1
4.2	2131022	BALL BEARING 6209/ZZ-C3(HT)VP.	1
4.3	4233930	CIRCLIP-FOR-BORES-D45x1,75 VP.	1
4.4	4157726	SCREW KIT M8X30 (4 PIECES)	1
4.5	4234252	CIRCLIPS 85X3 VP.	1
4.6	4234243	O-RING 85X3 VP.	1
		NOMEL CONTACT WASHER 8x16x1,4 STEEL ZC	1



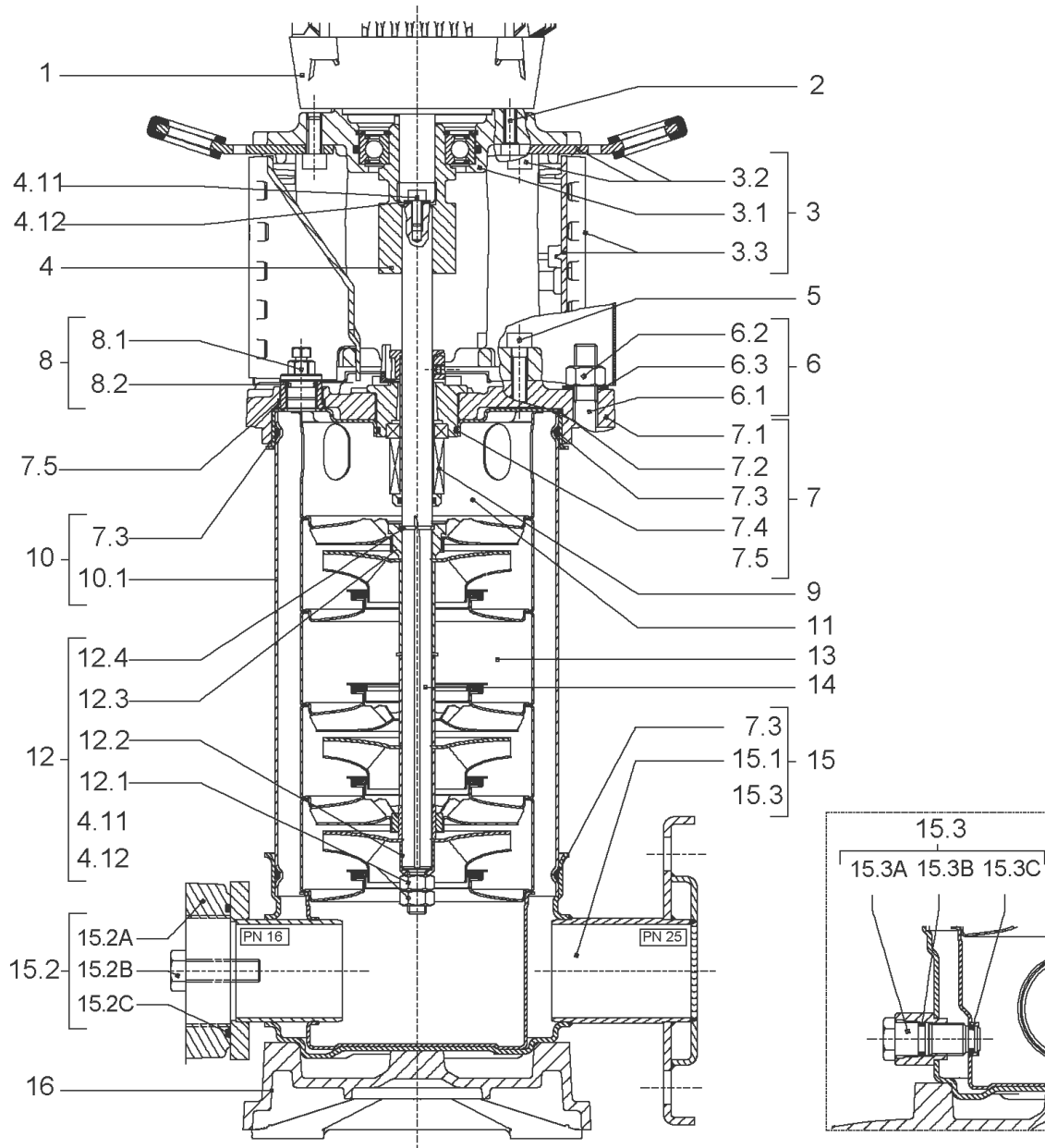
CARTRIDGE HELIX6-10-16 F/E KIT (4159698)

Item	Article no.	Description	Quantity
9.1	4159699	SEAL-KIT-HELIX6-10-16 F/E	1
7.3	4176513	> O-RING FOR PUMP JACKET VP.	1
7.4	2127603	> O-RING ID.37,6x2,4 EPDM VP.	1
9.1A	4176521	> MECH.SEAL HELIX2-4-6-10-16 F/E VP.	1
9.1B	2130967	> O-RING D.16X2,5 EPDM VP.	1
9.1C	4176519	> O-RING Ø16xØ1.25 VP.	1
9.2	2130961	SHAFT SLEEVE D.18/16X72,2 1.4404 VP.	1
9.3	2130962	RING HOLDER D.18 G606/G6 1.4301 VP.	1
9.4	4176520	SCREW CH M5x5 A4-70 (3PIECES)	1
9.5	2130963	DRIVE RING D.29/18x12,4 MACH.VP.	1
9.6	2130964	TOOL M.S.CART.HELIX VP.	1
9.7	2130965	SCREW CHC M5X12 ISO4762 A2.70(4 PIECES)	1



HYDRAULIC HELIX V 1015 1.4307

Item	Article no.	Description	Quantity
13.1	4171331	STAGE HELIX10 1.4301KIT	1
		> MACH.STG-CASING-WOGV-WNR-M+10-304	1
		> IMPELLER-M+10-304	1
13.2	4172792	INTERMEDIATE STAGE HELIX 10 1.4301 KIT	1
		> MACH.BEARING-STG-CASING-WNR-M+10-304	1
		> IMPELLER-M+10-304	1
		> SHAFT SLEEVE-SPACER-Ø19,35x18,465-304	1
		> SHAFT-SLEEVE-D16xD20x18-CW	1
13.3	4172793	INTERMEDIATE STAGE HELIX 10 1.4301 KIT	1
		> MACH.STD-STG-CASING-WGV+NR-M+10-304	1
		> IMPELLER-M+10-304	1
		> IMPELLER SPACER Ø16,05X19,45-L36,465-304	1
13.4	4172800	EMPTY STAGE HELIX10 1.4301 KIT	1
		> MACH.STD-STG-CASING-WGV+NR-M+10-304	1
		> FLAT WASHER-D16.1XD22X1.2-316L	1
		> IMPELLER SPACER Ø16,05X19,45-L36,465-304	1
13.5	4172799	STAGE HELIX 10 1.4301 KIT	1
		> MACH.STG-CASING-WOGV-WNR-M+10-304	1
		> IMPELLER-M+10-304	1
		> IMPELLER SPACER Ø16,05X19,45-L36,465-304	1



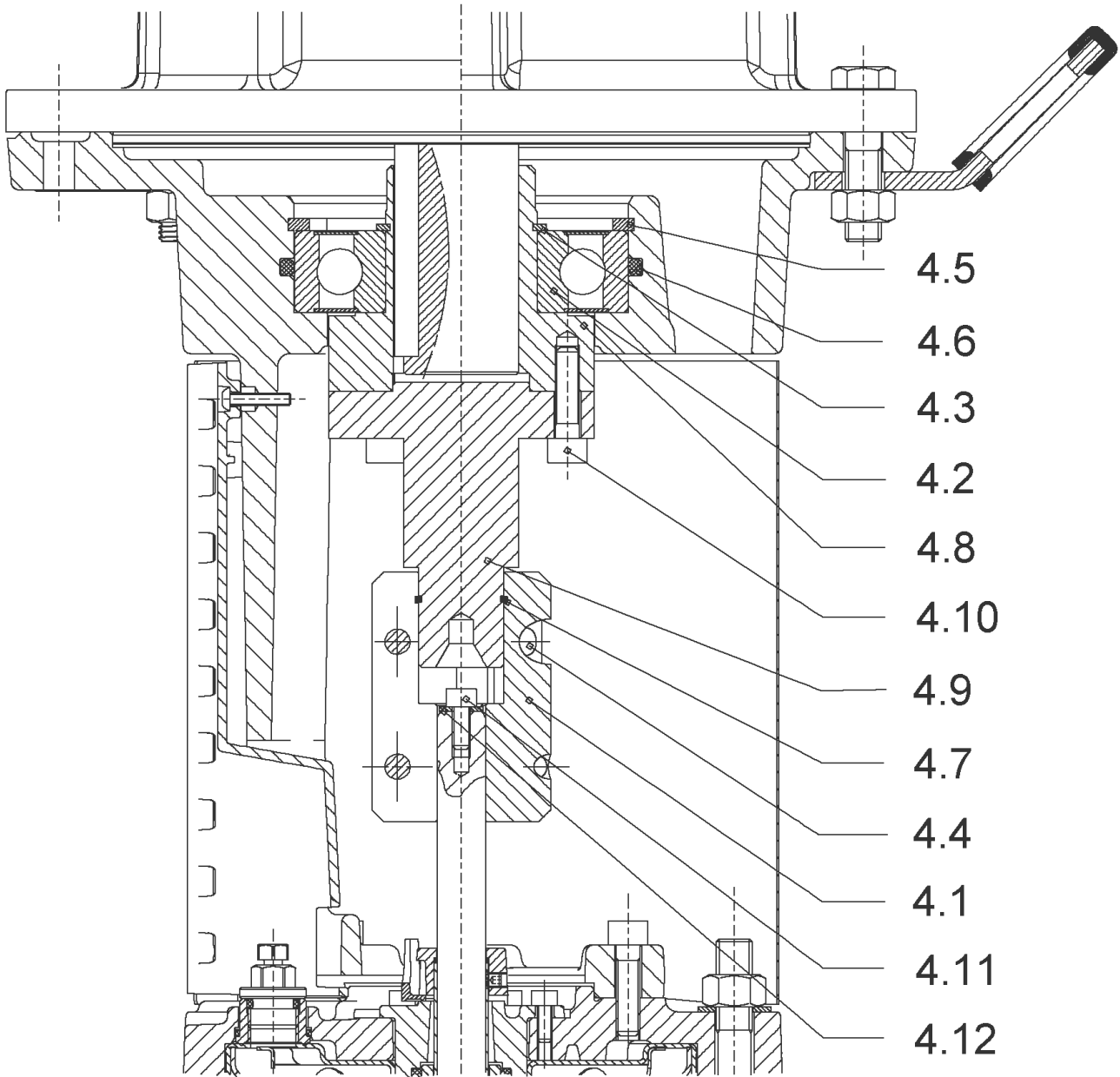
HELIX V1017-1/25/E/KS/400-50 (4150565)

Item	Article no.	Description	Quantity
1	4195450	MOTOR 7,5/2/* 3~400V 50HZ IE3 VP.	1
		SPARE PARTS MOTOR:ON REQUEST	1
2	4174093	SCREW M12X50 (4 PIECES)	1
3	4159693	LANTERN FF265 HELIX KIT	1
3.1		> LANTERN FF265 M+6" GJL MACHINING+CATA	1
3.2	2127605	> EYELET CPL.FF265 HELIX(2 PIECES)	1
3.3	4159695	> COUPLING PROTECTOR FF HELIX KIT	1
4	4159711	COUPLING D.16XD.38 FF265 HELIX KIT	1
5	4159707	SCREW M8X30 (4 PIECES)	1
6	4177859	STUD BOLT M12X863KIT	1
6.1		> TIE BOLT M12-863x18x30-1.4057	1
6.2	2094647	> NUT M12 M12 ISO4032 VP.	1
6.3	2123557	> WASHER CS-12.4-24-1.6-NFE25 (4 PIECES)	1
7	4159685	END SHIELD HELIX EPDM KIT	1
7.1		> END SHIELD M+6" GJL250 MACHINING+CATA	1
7.2	2127607	> STATIONARY RING HOLDER 6" HELIX 1.4301 V	1
7.3	4176513	> O-RING FOR PUMP JACKET VP.	1
7.4	2127603	> O-RING ID.37,6x2,4 EPDM VP.	1
7.5	2127602	> O-RING ID.21,35x2 EPDM VP.	1
8	4159686	FILING/PURGING PLUG HELIX EPDM KIT	1
9	4159698	CARTRIDGE HELIX6-10-16 F/E KIT	1
10	4177860	HOUSING PIPES D.152X735 1.4301 KIT	1
7.3	4176513	> O-RING FOR PUMP JACKET VP.	1
10.1		> HOUSING-PIPE Ø152-M+1017/18-304	1
11	4172791	CENTERING STAGE-RETURN HELIX10 1.4301VP.	1
12	4171332	SHAFT EQUIPMENT HELIX V10 BI BLOC KIT	1
4.11	4102901	> SCREW CHC-M6X14-8.8-ISO4762-GEOMET500A	1
4.12	2130995	> SERRATED LOCK WASHER D.6,2XD.14,5X28 VP.	1
12.1		> NUT-H-M10-A4.70	1
12.2		> SERRATED LOCK WASHER M+10M3-316L	1
12.3		> STOP COLLAR OF IMPELLER L16,5-Ø16-316L	1
12.4		> STOP-RUSH-1/2-D16xd2-M+316	1
13		HYDRAULIC HELIX V 1017 1.4307	1
14	4177862	SHAFT D.16X855 1.4301 VP.	1

HELIX V1017-1/25/E/KS/400-50 (4150565)

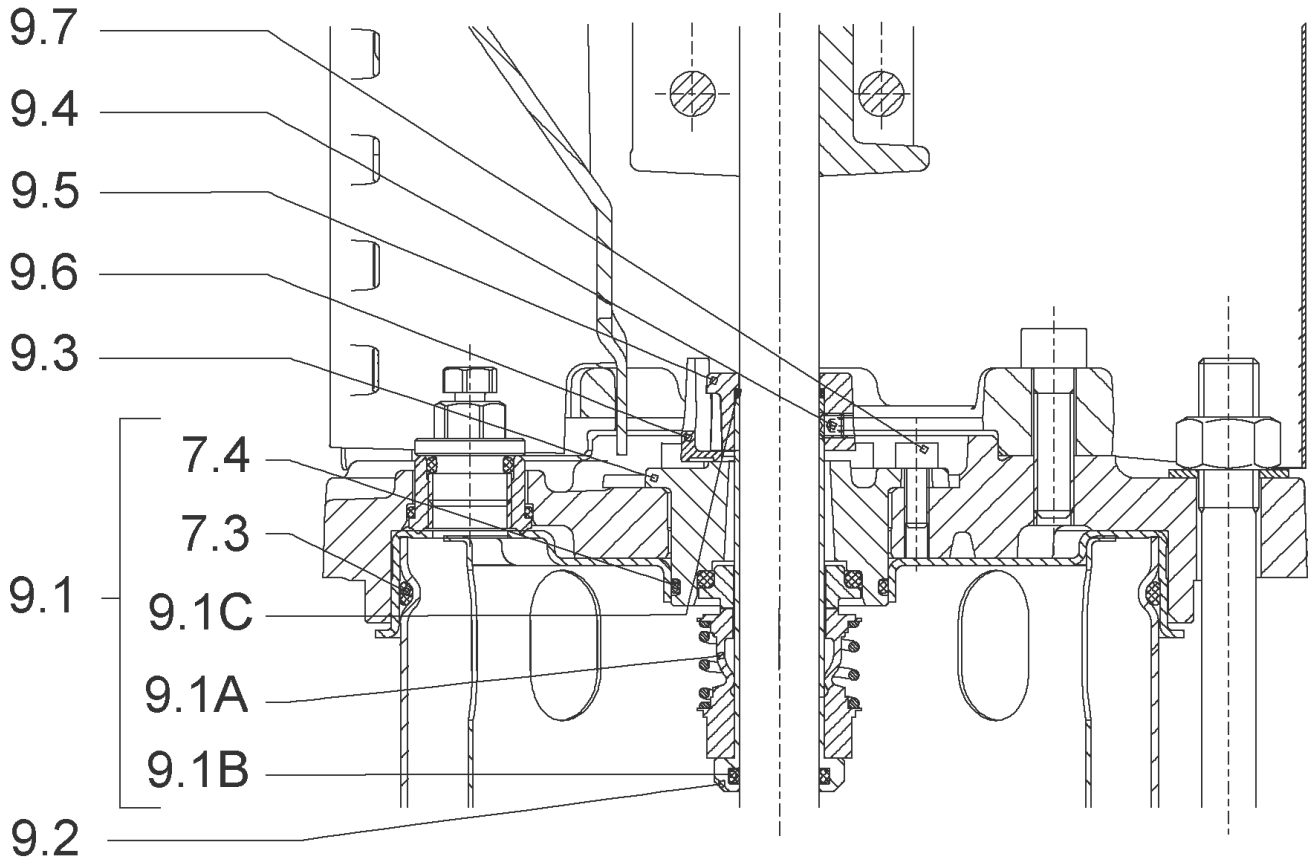
Item	Article no.	Description	Quantity
15	4172797	PUMP HOUSING HELIX DN40 PN25 1.4301 KIT	1
7.3	4176513	> O-RING FOR PUMP JACKET VP.	1
15.1		> BLASTING PPE HOUSING V-PN25-DN40-304	1
15.3	4171321	> PRIMING/DRAIN PLUG EPDM HELIX KIT	1
16	4176517	BASEPLATE V8/10 VP.	1

COUPLING D.16XD.38 FF265 HELIX KIT (4159711)



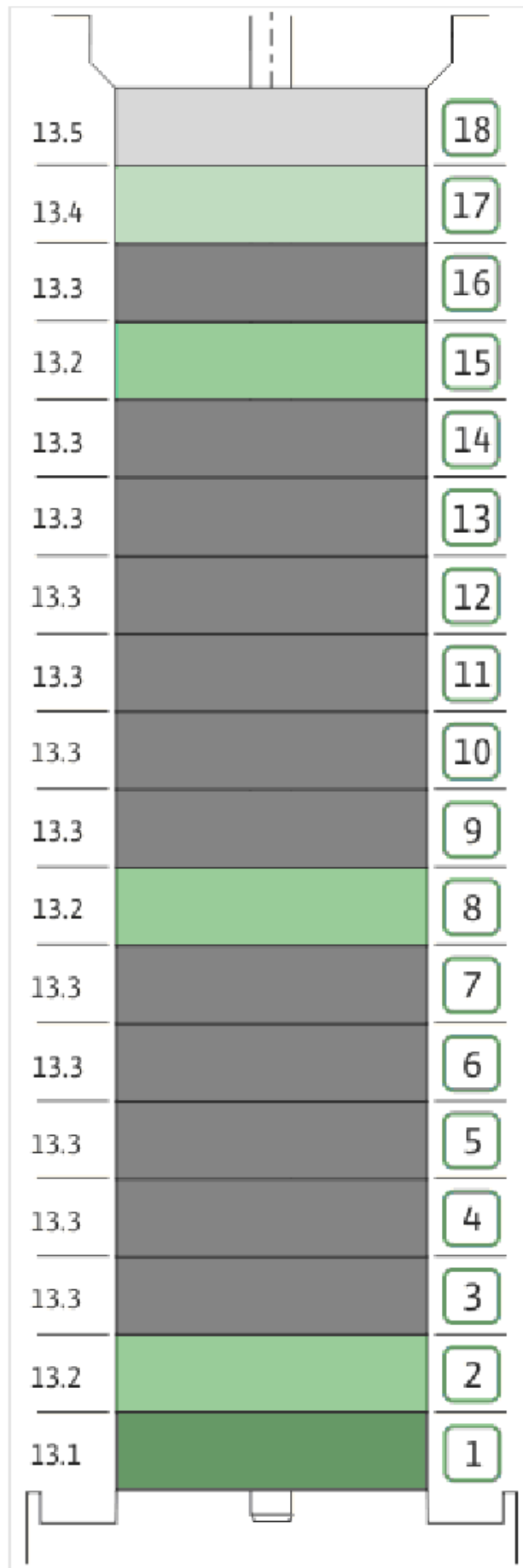
COUPLING D.16XD.38 FF265 HELIX KIT (4159711)

Item	Article no.	Description	Quantity
4.1	2131018	COUPLING 2 PARTS D.16XD.28XL.82,4 VP.	1
4.2	2131017	BALL BEARING 6310/ZZ-C4(HT)VP.	1
4.3	4234253	CIRCLIP-FOR-SHAFT-D50x2 VP.	1
4.4	4157726	SCREW KIT M8X30 (4 PIECES)	1
4.5	4234255	CIRCLIPS 110X4 VP.	1
4.6	4233944	O-RING ID.110 VP.	1
4.7	2131019	RETAINING RING D.26xD.2 DIN7993 VP.	1
4.10	4157726	SCREW KIT M8X30 (4 PIECES)	1
4.11	4102901	SCREW CHC-M6X14-8.8-ISO4762-GEOMET500A	1
4.12	2130995	SERRATED LOCK WASHER D.6,2XD.14,5X28 VP.	1
		NOMEL CONTACT WASHER 8x16x1,4 STEEL ZC	1
4.8	2131020	HUB D.38XD.50 VP.	1
4.9	2131021	SPACER D.28XD.45 VP.	1



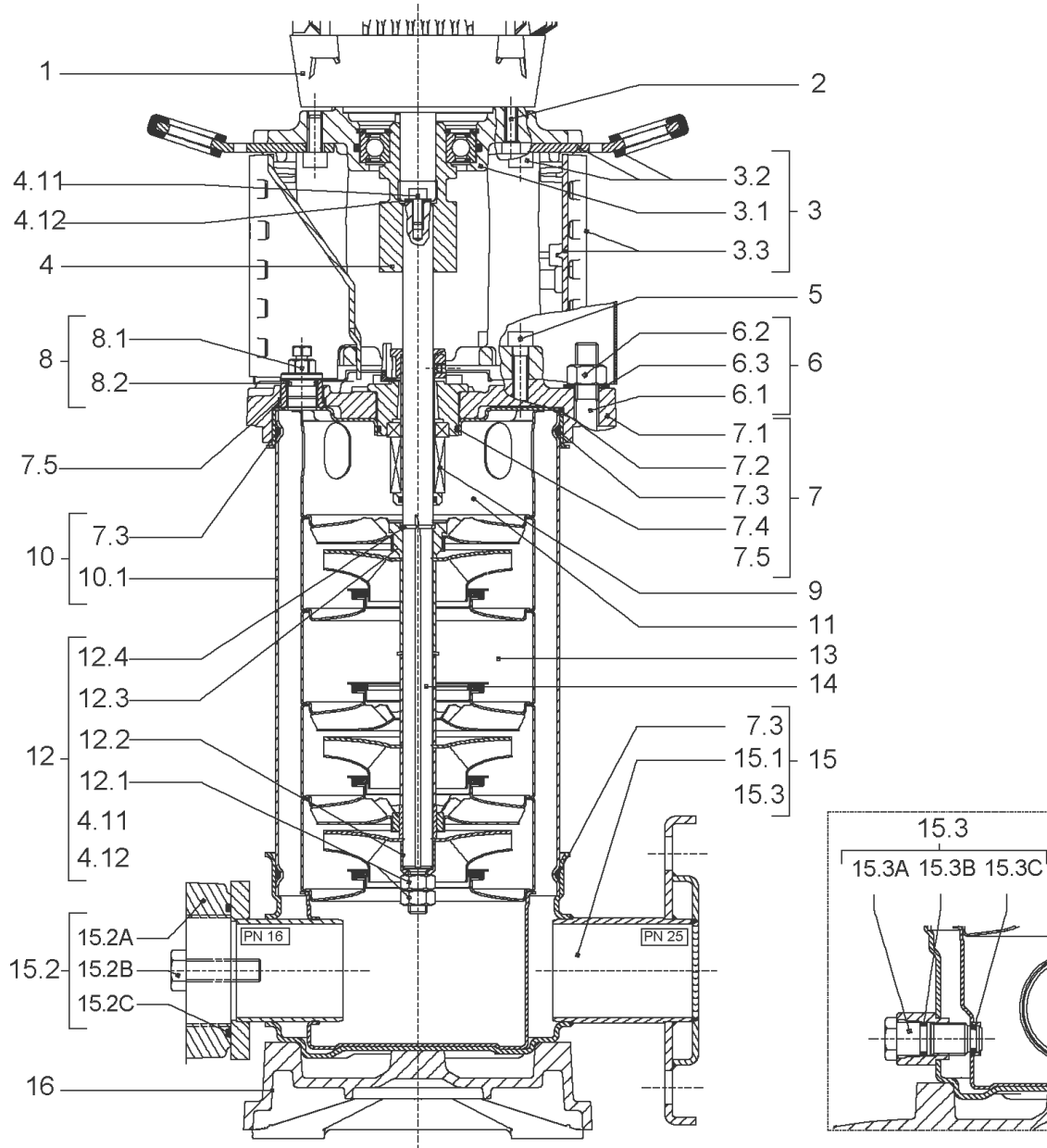
CARTRIDGE HELIX6-10-16 F/E KIT (4159698)

Item	Article no.	Description	Quantity
9.1	4159699	SEAL-KIT-HELIX6-10-16 F/E	1
7.3	4176513	> O-RING FOR PUMP JACKET VP.	1
7.4	2127603	> O-RING ID.37,6x2,4 EPDM VP.	1
9.1A	4176521	> MECH.SEAL HELIX2-4-6-10-16 F/E VP.	1
9.1B	2130967	> O-RING D.16X2,5 EPDM VP.	1
9.1C	4176519	> O-RING Ø16xØ1.25 VP.	1
9.2	2130961	SHAFT SLEEVE D.18/16X72,2 1.4404 VP.	1
9.3	2130962	RING HOLDER D.18 G606/G6 1.4301 VP.	1
9.4	4176520	SCREW CH M5x5 A4-70 (3PIECES)	1
9.5	2130963	DRIVE RING D.29/18x12,4 MACH.VP.	1
9.6	2130964	TOOL M.S.CART.HELIX VP.	1
9.7	2130965	SCREW CHC M5X12 ISO4762 A2.70(4 PIECES)	1



HYDRAULIC HELIX V 1017 1.4307

Item	Article no.	Description	Quantity
13.1	4171331	STAGE HELIX10 1.4301KIT	1
		> MACH.STG-CASING-WOGV-WNR-M+10-304	1
		> IMPELLER-M+10-304	1
13.2	4172792	INTERMEDIATE STAGE HELIX 10 1.4301 KIT	1
		> MACH.BEARING-STG-CASING-WNR-M+10-304	1
		> IMPELLER-M+10-304	1
		> SHAFT SLEEVE-SPACER-Ø19,35x18,465-304	1
		> SHAFT-SLEEVE-D16xD20x18-CW	1
13.3	4172793	INTERMEDIATE STAGE HELIX 10 1.4301 KIT	1
		> MACH.STD-STG-CASING-WGV+NR-M+10-304	1
		> IMPELLER-M+10-304	1
		> IMPELLER SPACER Ø16,05X19,45-L36,465-304	1
13.4	4172800	EMPTY STAGE HELIX10 1.4301 KIT	1
		> MACH.STD-STG-CASING-WGV+NR-M+10-304	1
		> FLAT WASHER-D16.1XD22X1.2-316L	1
		> IMPELLER SPACER Ø16,05X19,45-L36,465-304	1
13.5	4172799	STAGE HELIX 10 1.4301 KIT	1
		> MACH.STG-CASING-WOGV-WNR-M+10-304	1
		> IMPELLER-M+10-304	1
		> IMPELLER SPACER Ø16,05X19,45-L36,465-304	1



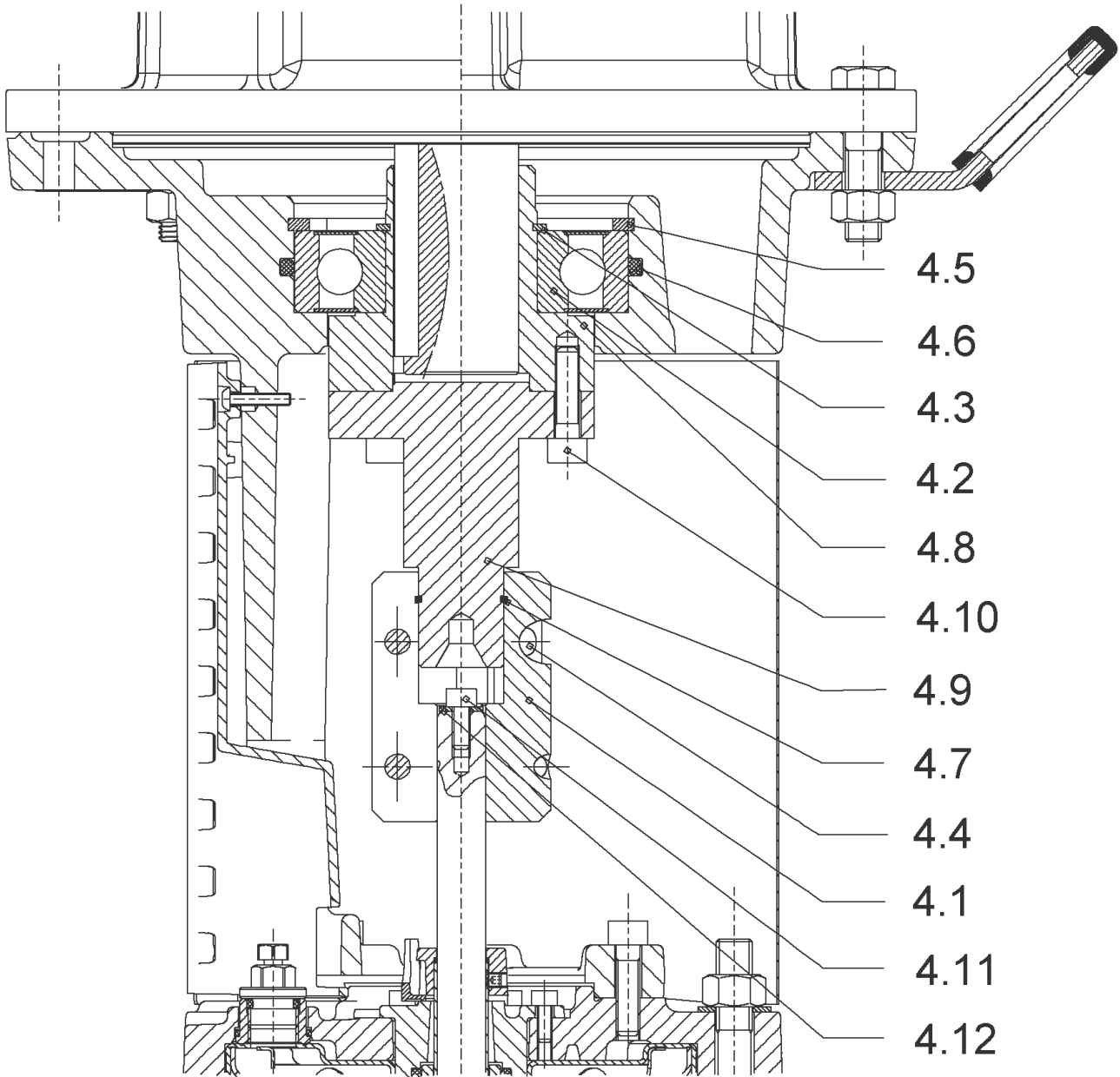
HELIX V1019-1/25/E/KS/400-50 (4150567)

Item	Article no.	Description	Quantity
1	4195450	MOTOR 7,5/2/* 3~400V 50HZ IE3 VP.	1
		SPARE PARTS MOTOR:ON REQUEST	1
2	4174093	SCREW M12X50 (4 PIECES)	1
3	4159693	LANTERN FF265 HELIX KIT	1
3.1		> LANTERN FF265 M+6" GJL MACHINING+CATA	1
3.2	2127605	> EYELET CPL.FF265 HELIX(2 PIECES)	1
3.3	4159695	> COUPLING PROTECTOR FF HELIX KIT	1
4	4159711	COUPLING D.16XD.38 FF265 HELIX KIT	1
5	4159707	SCREW M8X30 (4 PIECES)	1
6	4177863	STUD BOLT M12X938 KIT	1
6.1		> TIE BOLT M12-938x18x30-1.4057	1
6.2	2094647	> NUT M12 M12 ISO4032 VP.	1
6.3	2123557	> WASHER CS-12.4-24-1.6-NFE25 (4 PIECES)	1
7	4159685	END SHIELD HELIX EPDM KIT	1
7.1		> END SHIELD M+6" GJL250 MACHINING+CATA	1
7.2	2127607	> STATIONARY RING HOLDER 6" HELIX 1.4301 V	1
7.3	4176513	> O-RING FOR PUMP JACKET VP.	1
7.4	2127603	> O-RING ID.37,6x2,4 EPDM VP.	1
7.5	2127602	> O-RING ID.21,35x2 EPDM VP.	1
8	4159686	FILING/PURGING PLUG HELIX EPDM KIT	1
9	4159698	CARTRIDGE HELIX6-10-16 F/E KIT	1
10	2127583	HOUSING PIPE D.152x810 1.4301 KIT	1
7.3	4176513	> O-RING FOR PUMP JACKET VP.	1
10.1		> HOUSING-PIPE Ø152-M+1020/1613-304	1
11	4172791	CENTERING STAGE-RETURN HELIX10 1.4301VP.	1
12	4171332	SHAFT EQUIPMENT HELIX V10 BI BLOC KIT	1
4.11	4102901	> SCREW CHC-M6X14-8.8-ISO4762-GEOMET500A	1
4.12	2130995	> SERRATED LOCK WASHER D.6,2XD.14,5X28 VP.	1
12.1		> NUT-H-M10-A4.70	1
12.2		> SERRATED LOCK WASHER M+10M3-316L	1
12.3		> STOP COLLAR OF IMPELLER L16,5-Ø16-316L	1
12.4		> STOP-RUSH-1/2-D16xd2-M+316	1
13		HYDRAULIC HELIX V 1019 1.4307	1
14	2127571	SHAFT D.16X930 1.4301 VP.	1

HELIX V1019-1/25/E/KS/400-50 (4150567)

Item	Article no.	Description	Quantity
15	4172797	PUMP HOUSING HELIX DN40 PN25 1.4301 KIT	1
7.3	4176513	> O-RING FOR PUMP JACKET VP.	1
15.1		> BLASTING PPE HOUSING V-PN25-DN40-304	1
15.3	4171321	> PRIMING/DRAIN PLUG EPDM HELIX KIT	1
16	4176517	BASEPLATE V8/10 VP.	1

COUPLING D.16XD.38 FF265 HELIX KIT (4159711)



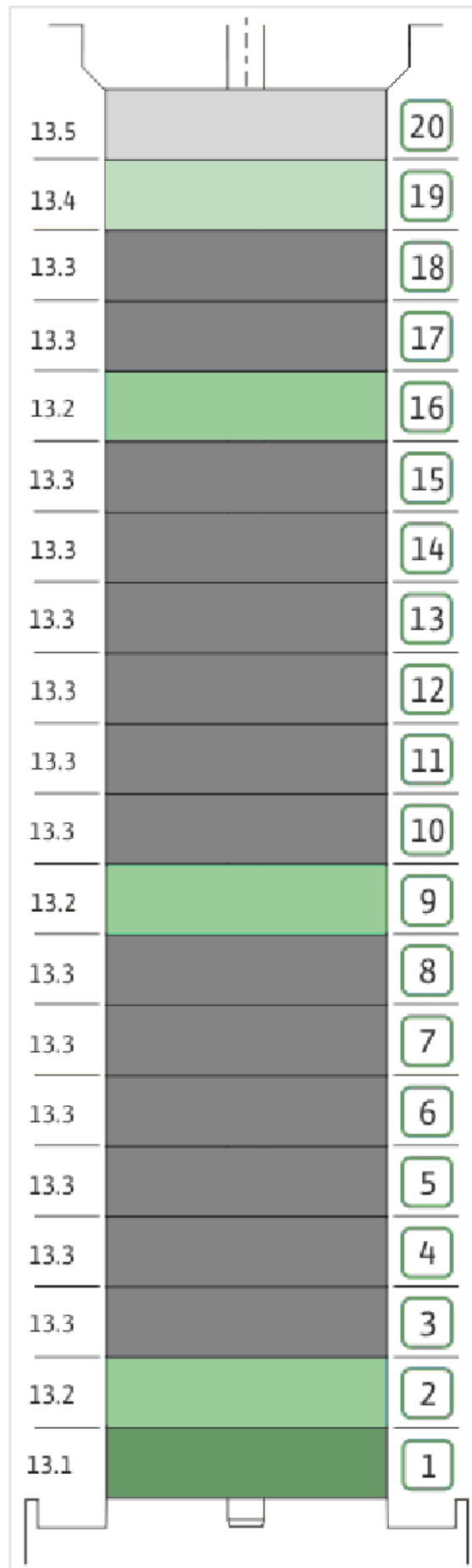
COUPLING D.16XD.38 FF265 HELIX KIT (4159711)

Item	Article no.	Description	Quantity
4.1	2131018	COUPLING 2 PARTS D.16XD.28XL.82,4 VP.	1
4.2	2131017	BALL BEARING 6310/ZZ-C4(HT)VP.	1
4.3	4234253	CIRCLIP-FOR-SHAFT-D50x2 VP.	1
4.4	4157726	SCREW KIT M8X30 (4 PIECES)	1
4.5	4234255	CIRCLIPS 110X4 VP.	1
4.6	4233944	O-RING ID.110 VP.	1
4.7	2131019	RETAINING RING D.26xD.2 DIN7993 VP.	1
4.10	4157726	SCREW KIT M8X30 (4 PIECES)	1
4.11	4102901	SCREW CHC-M6X14-8.8-ISO4762-GEOMET500A	1
4.12	2130995	SERRATED LOCK WASHER D.6,2XD.14,5X28 VP.	1
		NOMEL CONTACT WASHER 8x16x1,4 STEEL ZC	1
4.8	2131020	HUB D.38XD.50 VP.	1
4.9	2131021	SPACER D.28XD.45 VP.	1



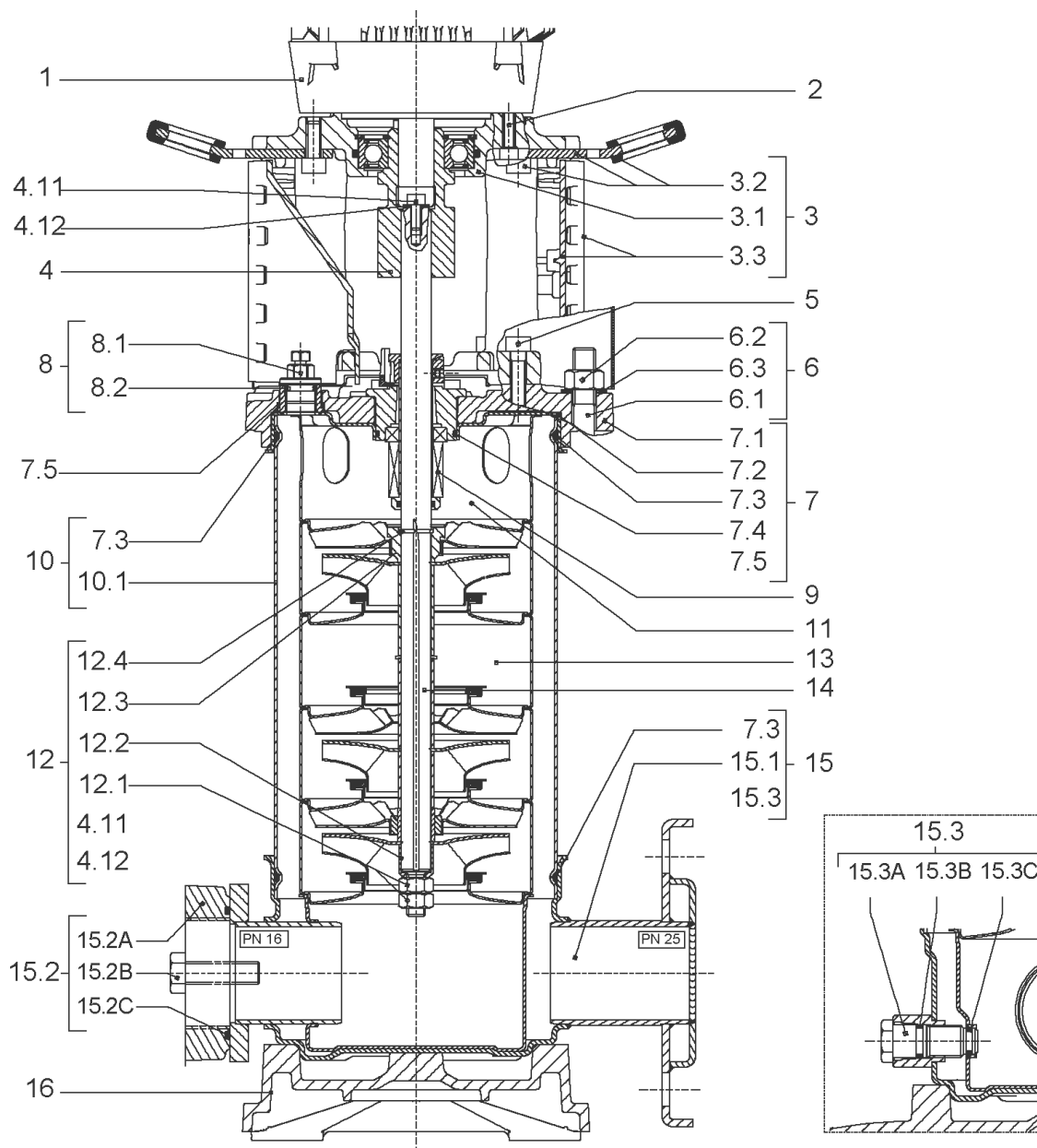
CARTRIDGE HELIX6-10-16 F/E KIT (4159698)

Item	Article no.	Description	Quantity
9.1	4159699	SEAL-KIT-HELIX6-10-16 F/E	1
7.3	4176513	> O-RING FOR PUMP JACKET VP.	1
7.4	2127603	> O-RING ID.37,6x2,4 EPDM VP.	1
9.1A	4176521	> MECH.SEAL HELIX2-4-6-10-16 F/E VP.	1
9.1B	2130967	> O-RING D.16X2,5 EPDM VP.	1
9.1C	4176519	> O-RING Ø16xØ1.25 VP.	1
9.2	2130961	SHAFT SLEEVE D.18/16X72,2 1.4404 VP.	1
9.3	2130962	RING HOLDER D.18 G606/G6 1.4301 VP.	1
9.4	4176520	SCREW CH M5x5 A4-70 (3PIECES)	1
9.5	2130963	DRIVE RING D.29/18x12,4 MACH.VP.	1
9.6	2130964	TOOL M.S.CART.HELIX VP.	1
9.7	2130965	SCREW CHC M5X12 ISO4762 A2.70(4 PIECES)	1



HYDRAULIC HELIX V 1019 1.4307

Item	Article no.	Description	Quantity
13.1	4171331	STAGE HELIX10 1.4301KIT	1
		> MACH.STG-CASING-WOGV-WNR-M+10-304	1
		> IMPELLER-M+10-304	1
13.2	4172792	INTERMEDIATE STAGE HELIX 10 1.4301 KIT	1
		> MACH.BEARING-STG-CASING-WNR-M+10-304	1
		> IMPELLER-M+10-304	1
		> SHAFT SLEEVE-SPACER-Ø19,35x18,465-304	1
		> SHAFT-SLEEVE-D16xD20x18-CW	1
13.3	4172793	INTERMEDIATE STAGE HELIX 10 1.4301 KIT	1
		> MACH.STD-STG-CASING-WGV+NR-M+10-304	1
		> IMPELLER-M+10-304	1
		> IMPELLER SPACER Ø16,05X19,45-L36,465-304	1
13.4	4172800	EMPTY STAGE HELIX10 1.4301 KIT	1
		> MACH.STD-STG-CASING-WGV+NR-M+10-304	1
		> FLAT WASHER-D16.1XD22X1.2-316L	1
		> IMPELLER SPACER Ø16,05X19,45-L36,465-304	1
13.5	4172799	STAGE HELIX 10 1.4301 KIT	1
		> MACH.STG-CASING-WOGV-WNR-M+10-304	1
		> IMPELLER-M+10-304	1
		> IMPELLER SPACER Ø16,05X19,45-L36,465-304	1



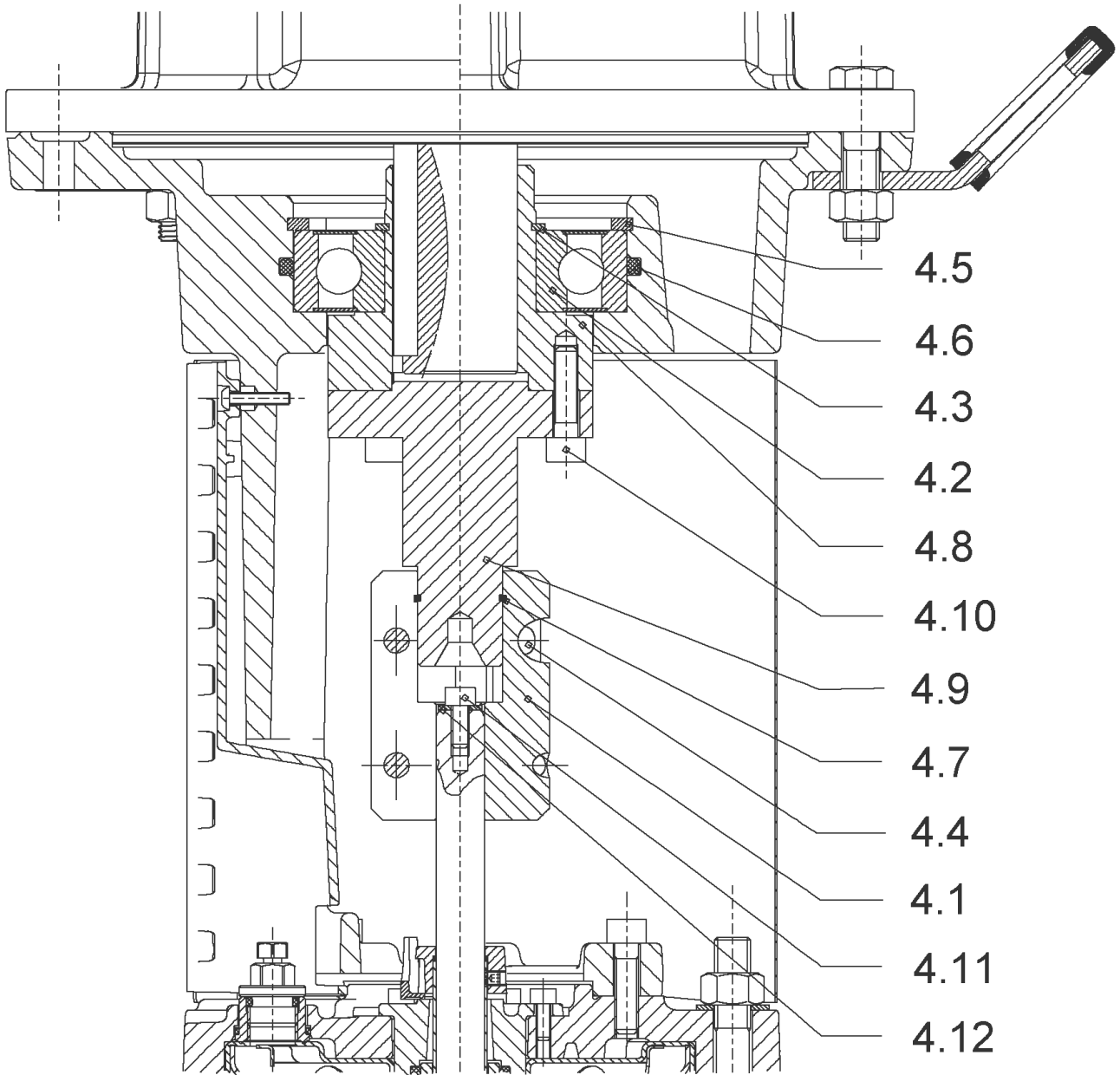
HELIX V1021-1/25/E/KS/400-50 (4150569)

Item	Article no.	Description	Quantity
1	4195450	MOTOR 7,5/2/* 3~400V 50HZ IE3 VP.	1
		SPARE PARTS MOTOR:ON REQUEST	1
2	4174093	SCREW M12X50 (4 PIECES)	1
3	4159693	LANTERN FF265 HELIX KIT	1
3.1		> LANTERN FF265 M+6" GJL MACHINING+CATA	1
3.2	2127605	> EYELET CPL.FF265 HELIX(2 PIECES)	1
3.3	4159695	> COUPLING PROTECTOR FF HELIX KIT	1
4	4159711	COUPLING D.16XD.38 FF265 HELIX KIT	1
5	4159707	SCREW M8X30 (4 PIECES)	1
6	4177865	STUD BOLT M12X1013 KIT	1
6.1		> TIE BOLT M12-1013x18x30-1.4057	1
6.2	2094647	> NUT M12 M12 ISO4032 VP.	1
6.3	2123557	> WASHER CS-12.4-24-1.6-NFE25 (4 PIECES)	1
7	4159685	END SHIELD HELIX EPDM KIT	1
7.1		> END SHIELD M+6" GJL250 MACHINING+CATA	1
7.2	2127607	> STATIONARY RING HOLDER 6" HELIX 1.4301 V	1
7.3	4176513	> O-RING FOR PUMP JACKET VP.	1
7.4	2127603	> O-RING ID.37,6x2,4 EPDM VP.	1
7.5	2127602	> O-RING ID.21,35x2 EPDM VP.	1
8	4159686	FILING/PURGING PLUG HELIX EPDM KIT	1
9	4159698	CARTRIDGE HELIX6-10-16 F/E KIT	1
10	4177873	HOUSING PIPE D.152x885,5 1.4301 KIT	1
7.3	4176513	> O-RING FOR PUMP JACKET VP.	1
10.1		> HOUSING-PIPE Ø152-M+1021/22-304	1
11	4172791	CENTERING STAGE-RETURN HELIX10 1.4301VP.	1
12	4171332	SHAFT EQUIPMENT HELIX V10 BI BLOC KIT	1
4.11	4102901	> SCREW CHC-M6X14-8.8-ISO4762-GEOMET500A	1
4.12	2130995	> SERRATED LOCK WASHER D.6,2XD.14,5X28 VP.	1
12.1		> NUT-H-M10-A4.70	1
12.2		> SERRATED LOCK WASHER M+10M3-316L	1
12.3		> STOP COLLAR OF IMPELLER L16,5-Ø16-316L	1
12.4		> STOP-RUSH-1/2-D16xd2-M+316	1
13		HYDRAULIC HELIX V 1021 1.4307	1
14	4177876	SHAFT D.16X1005 1.4301 VP.	1

HELIX V1021-1/25/E/KS/400-50 (4150569)

Item	Article no.	Description	Quantity
15	4172797	PUMP HOUSING HELIX DN40 PN25 1.4301 KIT	1
7.3	4176513	> O-RING FOR PUMP JACKET VP.	1
15.1		> BLASTING PPE HOUSING V-PN25-DN40-304	1
15.3	4171321	> PRIMING/DRAIN PLUG EPDM HELIX KIT	1
16	4176517	BASEPLATE V8/10 VP.	1

COUPLING D.16XD.38 FF265 HELIX KIT (4159711)



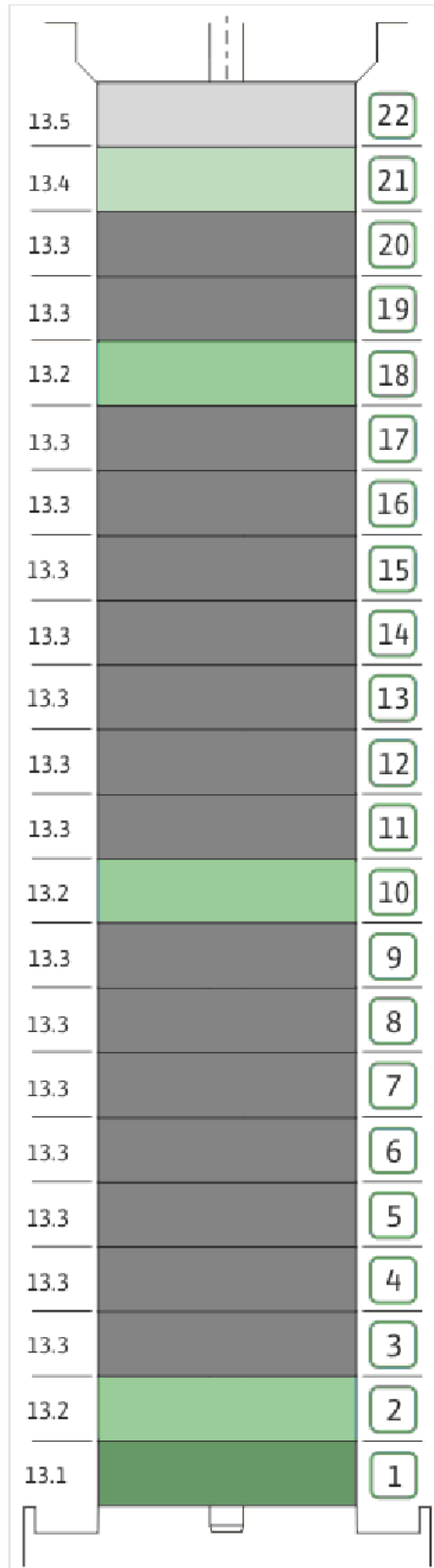
COUPLING D.16XD.38 FF265 HELIX KIT (4159711)

Item	Article no.	Description	Quantity
4.1	2131018	COUPLING 2 PARTS D.16XD.28XL.82,4 VP.	1
4.2	2131017	BALL BEARING 6310/ZZ-C4(HT)VP.	1
4.3	4234253	CIRCLIP-FOR-SHAFT-D50x2 VP.	1
4.4	4157726	SCREW KIT M8X30 (4 PIECES)	1
4.5	4234255	CIRCLIPS 110X4 VP.	1
4.6	4233944	O-RING ID.110 VP.	1
4.7	2131019	RETAINING RING D.26xD.2 DIN7993 VP.	1
4.10	4157726	SCREW KIT M8X30 (4 PIECES)	1
4.11	4102901	SCREW CHC-M6X14-8.8-ISO4762-GEOMET500A	1
4.12	2130995	SERRATED LOCK WASHER D.6,2XD.14,5X28 VP.	1
		NOMEL CONTACT WASHER 8x16x1,4 STEEL ZC	1
4.8	2131020	HUB D.38XD.50 VP.	1
4.9	2131021	SPACER D.28XD.45 VP.	1



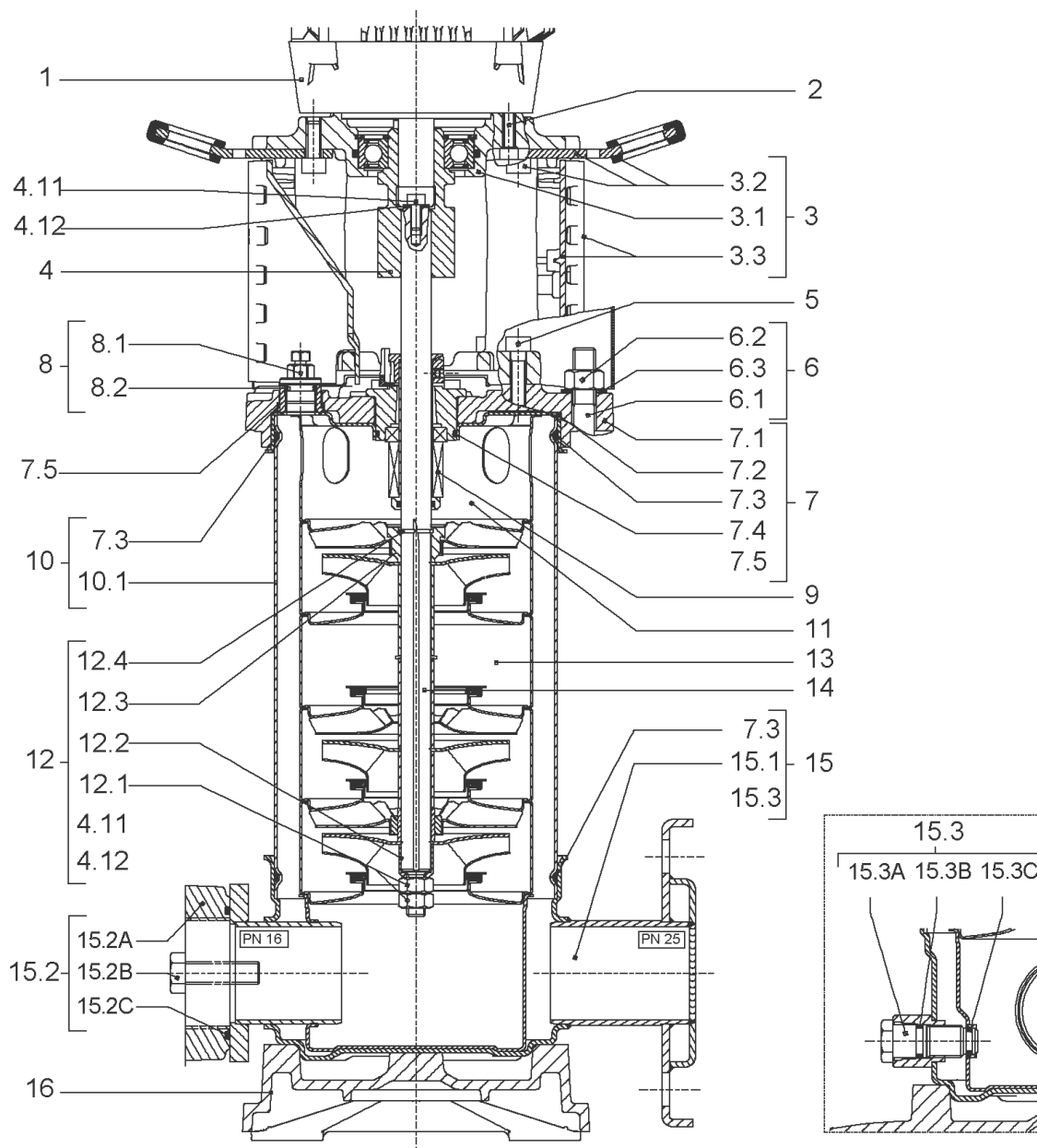
CARTRIDGE HELIX6-10-16 F/E KIT (4159698)

Item	Article no.	Description	Quantity
9.1	4159699	SEAL-KIT-HELIX6-10-16 F/E	1
7.3	4176513	> O-RING FOR PUMP JACKET VP.	1
7.4	2127603	> O-RING ID.37,6x2,4 EPDM VP.	1
9.1A	4176521	> MECH.SEAL HELIX2-4-6-10-16 F/E VP.	1
9.1B	2130967	> O-RING D.16X2,5 EPDM VP.	1
9.1C	4176519	> O-RING Ø16xØ1.25 VP.	1
9.2	2130961	SHAFT SLEEVE D.18/16X72,2 1.4404 VP.	1
9.3	2130962	RING HOLDER D.18 G606/G6 1.4301 VP.	1
9.4	4176520	SCREW CH M5x5 A4-70 (3PIECES)	1
9.5	2130963	DRIVE RING D.29/18x12,4 MACH.VP.	1
9.6	2130964	TOOL M.S.CART.HELIX VP.	1
9.7	2130965	SCREW CHC M5X12 ISO4762 A2.70(4 PIECES)	1



HYDRAULIC HELIX V 1021 1.4307

Item	Article no.	Description	Quantity
13.1	4171331	STAGE HELIX10 1.4301KIT	1
		> MACH.STG-CASING-WOGV-WNR-M+10-304	1
		> IMPELLER-M+10-304	1
13.2	4172792	INTERMEDIATE STAGE HELIX 10 1.4301 KIT	1
		> MACH.BEARING-STG-CASING-WNR-M+10-304	1
		> IMPELLER-M+10-304	1
		> SHAFT SLEEVE-SPACER-Ø19,35x18,465-304	1
		> SHAFT-SLEEVE-D16xD20x18-CW	1
13.3	4172793	INTERMEDIATE STAGE HELIX 10 1.4301 KIT	1
		> MACH.STD-STG-CASING-WGV+NR-M+10-304	1
		> IMPELLER-M+10-304	1
		> IMPELLER SPACER Ø16,05X19,45-L36,465-304	1
13.4	4172800	EMPTY STAGE HELIX10 1.4301 KIT	1
		> MACH.STD-STG-CASING-WGV+NR-M+10-304	1
		> FLAT WASHER-D16.1XD22X1.2-316L	1
		> IMPELLER SPACER Ø16,05X19,45-L36,465-304	1
13.5	4172799	STAGE HELIX 10 1.4301 KIT	1
		> MACH.STG-CASING-WOGV-WNR-M+10-304	1
		> IMPELLER-M+10-304	1
		> IMPELLER SPACER Ø16,05X19,45-L36,465-304	1



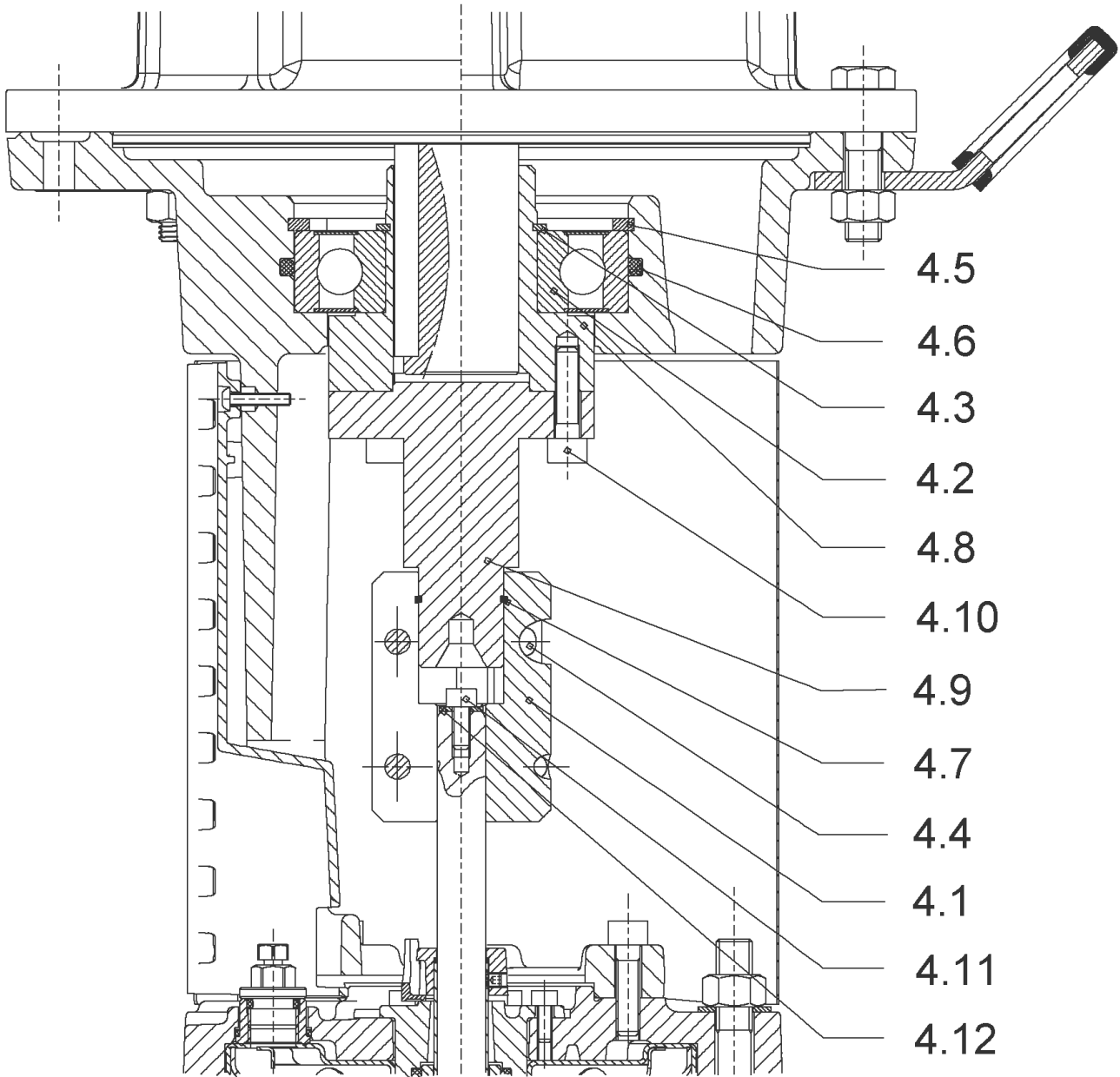
HELIX V1023-1/25/E/KS/400-50 (4150571)

Item	Article no.	Description	Quantity
1	4195483	MOTOR 9/2/132 3~400V 50HZ IE3 VP.	1
		SPARE PARTS MOTOR:ON REQUEST	1
2	4174093	SCREW M12X50 (4 PIECES)	1
3	4159693	LANTERN FF265 HELIX KIT	1
3.1		> LANTERN FF265 M+6" GJL MACHINING+CATA	1
3.2	2127605	> EYELET CPL.FF265 HELIX(2 PIECES)	1
3.3	4159695	> COUPLING PROTECTOR FF HELIX KIT	1
4	4159711	COUPLING D.16XD.38 FF265 HELIX KIT	1
5	4159707	SCREW M8X30 (4 PIECES)	1
6	4177880	STUD BOLT M12X1088 KIT	1
6.1		> TIE BOLT M12-1088x18x30-1.4057	1
6.2	2094647	> NUT M12 M12 ISO4032 VP.	1
6.3	2123557	> WASHER CS-12.4-24-1.6-NFE25 (4 PIECES)	1
7	4159685	END SHIELD HELIX EPDM KIT	1
7.1		> END SHIELD M+6" GJL250 MACHINING+CATA	1
7.2	2127607	> STATIONARY RING HOLDER 6" HELIX 1.4301 V	1
7.3	4176513	> O-RING FOR PUMP JACKET VP.	1
7.4	2127603	> O-RING ID.37,6x2,4 EPDM VP.	1
7.5	2127602	> O-RING ID.21,35x2 EPDM VP.	1
8	4159686	FILING/PURGING PLUG HELIX EPDM KIT	1
9	4159698	CARTRIDGE HELIX6-10-16 F/E KIT	1
10	4177874	HOUSING PIPE D.152x960 1.4307 KIT	1
7.3	4176513	> O-RING FOR PUMP JACKET VP.	1
10.1		> HOUSING-PIPE Ø152-M+1024/1616-304	1
11	4172791	CENTERING STAGE-RETURN HELIX10 1.4301VP.	1
12	4171332	SHAFT EQUIPMENT HELIX V10 BI BLOC KIT	1
4.11	4102901	> SCREW CHC-M6X14-8.8-ISO4762-GEOMET500A	1
4.12	2130995	> SERRATED LOCK WASHER D.6,2XD.14,5X28 VP.	1
12.1		> NUT-H-M10-A4.70	1
12.2		> SERRATED LOCK WASHER M+10M3-316L	1
12.3		> STOP COLLAR OF IMPELLER L16,5-Ø16-316L	1
12.4		> STOP-RUSH-1/2-D16xd2-M+316	1
13		HYDRAULIC HELIX V 1023 1.4307	1
14	4177883	SHAFT D.16X1080 1.4301 VP.	1

HELIX V1023-1/25/E/KS/400-50 (4150571)

Item	Article no.	Description	Quantity
15	4172797	PUMP HOUSING HELIX DN40 PN25 1.4301 KIT	1
7.3	4176513	> O-RING FOR PUMP JACKET VP.	1
15.1		> BLASTING PPE HOUSING V-PN25-DN40-304	1
15.3	4171321	> PRIMING/DRAIN PLUG EPDM HELIX KIT	1
16	4176517	BASEPLATE V8/10 VP.	1

COUPLING D.16XD.38 FF265 HELIX KIT (4159711)



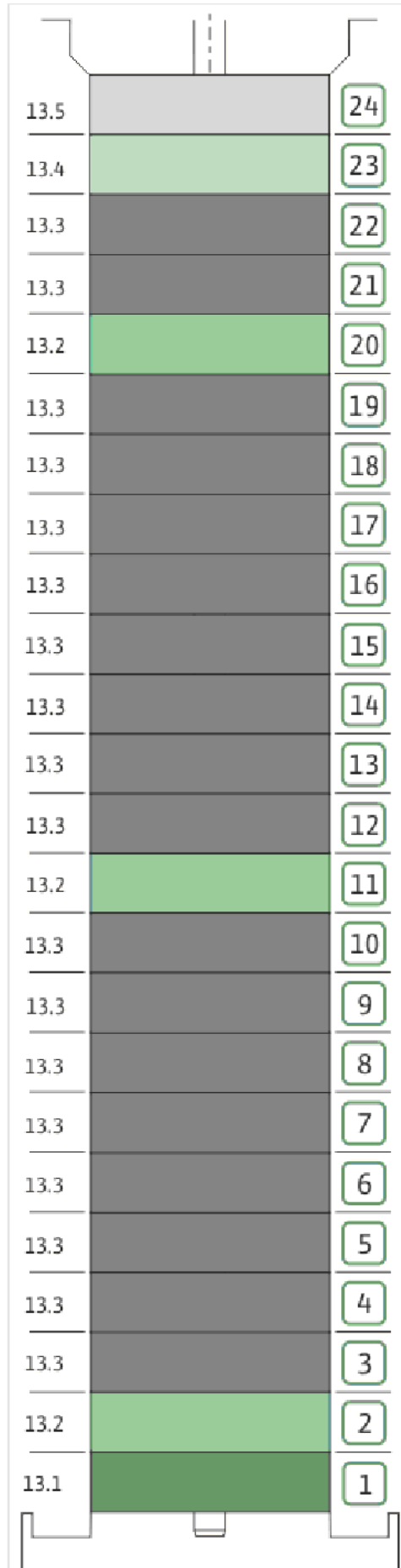
COUPLING D.16XD.38 FF265 HELIX KIT (4159711)

Item	Article no.	Description	Quantity
4.1	2131018	COUPLING 2 PARTS D.16XD.28XL.82,4 VP.	1
4.2	2131017	BALL BEARING 6310/ZZ-C4(HT)VP.	1
4.3	4234253	CIRCLIP-FOR-SHAFT-D50x2 VP.	1
4.4	4157726	SCREW KIT M8X30 (4 PIECES)	1
4.5	4234255	CIRCLIPS 110X4 VP.	1
4.6	4233944	O-RING ID.110 VP.	1
4.7	2131019	RETAINING RING D.26xD.2 DIN7993 VP.	1
4.10	4157726	SCREW KIT M8X30 (4 PIECES)	1
4.11	4102901	SCREW CHC-M6X14-8.8-ISO4762-GEOMET500A	1
4.12	2130995	SERRATED LOCK WASHER D.6,2XD.14,5X28 VP.	1
		NOMEL CONTACT WASHER 8x16x1,4 STEEL ZC	1
4.8	2131020	HUB D.38XD.50 VP.	1
4.9	2131021	SPACER D.28XD.45 VP.	1



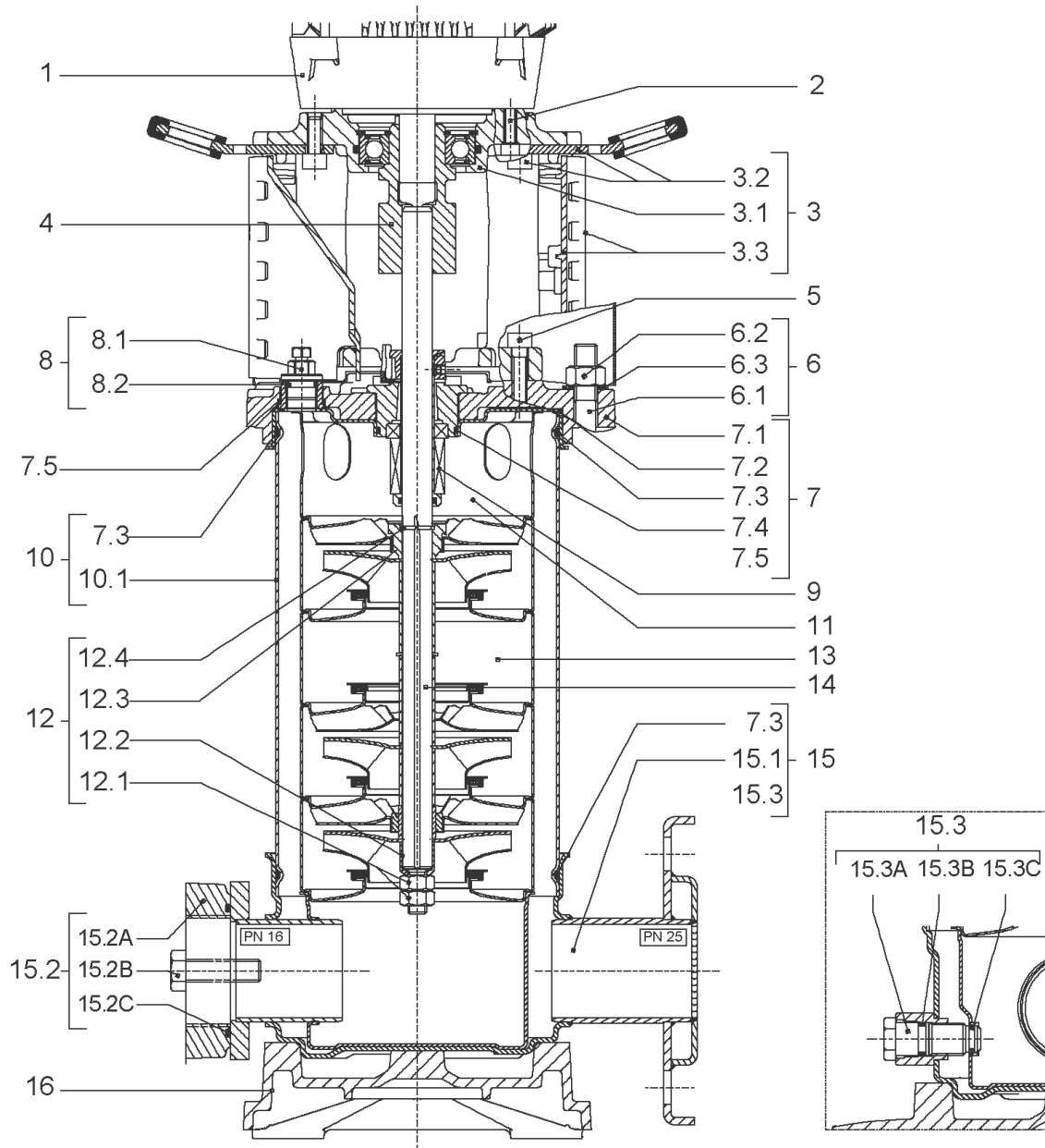
CARTRIDGE HELIX6-10-16 F/E KIT (4159698)

Item	Article no.	Description	Quantity
9.1	4159699	SEAL-KIT-HELIX6-10-16 F/E	1
7.3	4176513	> O-RING FOR PUMP JACKET VP.	1
7.4	2127603	> O-RING ID.37,6x2,4 EPDM VP.	1
9.1A	4176521	> MECH.SEAL HELIX2-4-6-10-16 F/E VP.	1
9.1B	2130967	> O-RING D.16X2,5 EPDM VP.	1
9.1C	4176519	> O-RING Ø16xØ1.25 VP.	1
9.2	2130961	SHAFT SLEEVE D.18/16X72,2 1.4404 VP.	1
9.3	2130962	RING HOLDER D.18 G606/G6 1.4301 VP.	1
9.4	4176520	SCREW CH M5x5 A4-70 (3PIECES)	1
9.5	2130963	DRIVE RING D.29/18x12,4 MACH.VP.	1
9.6	2130964	TOOL M.S.CART.HELIX VP.	1
9.7	2130965	SCREW CHC M5X12 ISO4762 A2.70(4 PIECES)	1



HYDRAULIC HELIX V 1023 1.4307

Item	Article no.	Description	Quantity
13.1	4171331	STAGE HELIX10 1.4301KIT	1
		> MACH.STG-CASING-WOGV-WNR-M+10-304	1
		> IMPELLER-M+10-304	1
13.2	4172792	INTERMEDIATE STAGE HELIX 10 1.4301 KIT	1
		> MACH.BEARING-STG-CASING-WNR-M+10-304	1
		> IMPELLER-M+10-304	1
		> SHAFT SLEEVE-SPACER-Ø19,35x18,465-304	1
		> SHAFT-SLEEVE-D16xD20x18-CW	1
13.3	4172793	INTERMEDIATE STAGE HELIX 10 1.4301 KIT	1
		> MACH.STD-STG-CASING-WGV+NR-M+10-304	1
		> IMPELLER-M+10-304	1
		> IMPELLER SPACER Ø16,05X19,45-L36,465-304	1
13.4	4172800	EMPTY STAGE HELIX10 1.4301 KIT	1
		> MACH.STD-STG-CASING-WGV+NR-M+10-304	1
		> FLAT WASHER-D16.1XD22X1.2-316L	1
		> IMPELLER SPACER Ø16,05X19,45-L36,465-304	1
13.5	4172799	STAGE HELIX 10 1.4301 KIT	1
		> MACH.STG-CASING-WOGV-WNR-M+10-304	1
		> IMPELLER-M+10-304	1
		> IMPELLER SPACER Ø16,05X19,45-L36,465-304	1

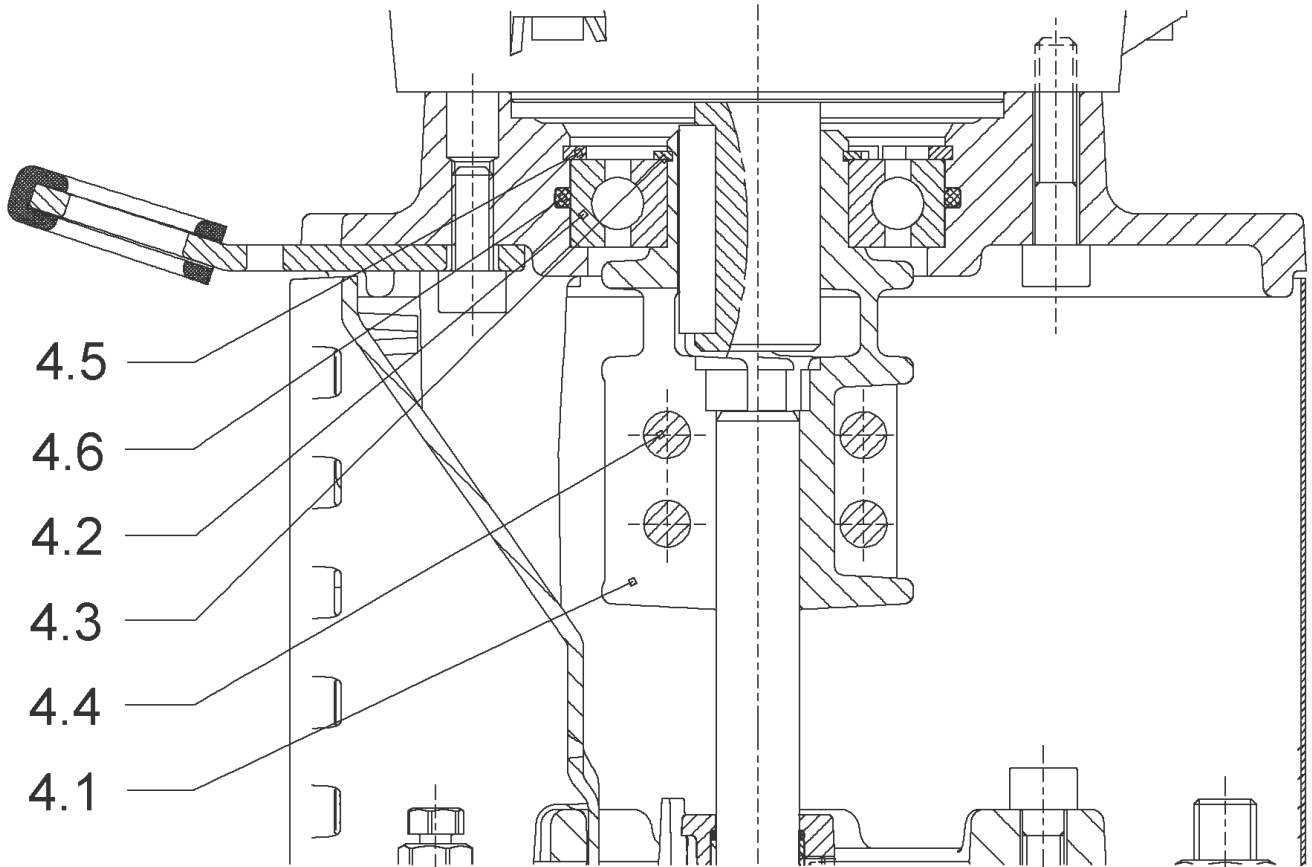


HELIX V1001-2/25/V/KS/400-50 (4150572)

Item	Article no.	Description	Quantity
1	4169939	MO.0,55/2/71 3~400V 50HZ 460V 60HZ IE2VP	1
		SPARE PARTS MOTOR:ON REQUEST	1
2	4159702	SCREW M6X30 (4 PIECES)	1
3	4171323	LANTERN FT85 HELIX KIT	1
3.1		> LANTERN FT85 M+6" GJL MACHINING+CATA	1
3.2	2127604	> EYELET CPL.FT HELIX(2 PIECES)	1
3.3	4159692	> COUPLING PROTECTOR FT HELIX KIT	1
4	4171328	COUPLING FT 85 KIT	1
5	4159707	SCREW M8X30 (4 PIECES)	1
6	4177803	STUD BOLT M12X263 KIT	1
6.1		> TIE BOLT M12-263x18x30-1.4057	1
6.2	2094647	> NUT M12 M12 ISO4032 VP.	1
6.3	2123557	> WASHER CS-12.4-24-1.6-NFE25 (4 PIECES)	1
7	4159783	END SHIELD HELIX FKM 1.4404 KIT	1
7.1		> END SHIELD M+6" GJL250 MACHINING+CATA	1
7.2	2131056	> STATIONARY RING HOLDER 6" HELIX 1.4404 V	1
7.3	4234237	> O-RING 139X3 VITON VP.	1
7.4	2131026	> O-RING ID.37,6X2,4 FKM VP.	1
7.5	2131057	> O-RING ID.21,35X2 FKM VP.	1
8	4159784	FILING/PURGING PLUG HELIX FKM KIT	1
9	4159700	CARTRIDGE HELIX6-10-16 F/V KIT	1
10	4177890	HOUSING PIPES D.152X134 1.4404 KIT	1
7.3	4234237	> O-RING 139X3 VITON VP.	1
10.1		> HOUSING-PIPE Ø152-M+1001/02-316L	1
11	4177891	CENTERING STAGE HELIX V10 1.4404 VP.	1
12	4171322	SHAFT EQUIPMENT HELIX V10 KIT	1
4.11	4102901	> SCREW CHC-M6X14-8.8-ISO4762-GEOMET500A	1
4.12	2130995	> SERRATED LOCK WASHER D.6,2XD.14,5X28 VP.	1
12.1		> NUT-H-M10-A4.70	1
12.2		> SERRATED LOCK WASHER M+10M3-316L	1
12.3		> STOP COLLAR OF IMPELLER first stage	1
12.4		> STOP-RUSH-1/2-D16xd2-M+316	1
13		HYDRAULIC HELIX V 1001	1
14	4177894	SHAFT D.16X255 1.4404 VP.	1

HELIX V1001-2/25/V/KS/400-50 (4150572)

Item	Article no.	Description	Quantity
15	4172809	PUMP HOUSING HELIX DN40 PN25 1.4409 KIT	1
7.3	4176513	> O-RING FOR PUMP JACKET VP.	1
15.1		> BLASTING PPE HOUSING V-PN25-DN40-316L	1
15.3	4159781	> PRIMING/DRAIN PLUG HELIX 16 FKM KIT	1
16	4176517	BASEPLATE V8/10 VP.	1



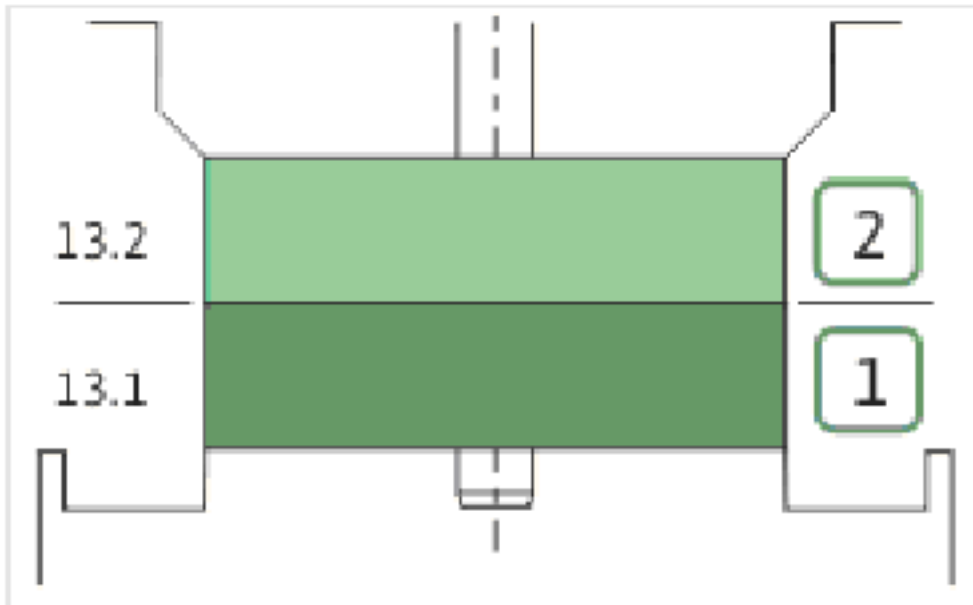
COUPLING FT 85 KIT (4171328)

Item	Article no.	Description	Quantity
4.1		COUPLING-M+ Ø16XØ14-FT85-MACHINED	1
4.2	4177802	BALL BEARING 6205C3-ZZ HTVP.	1
4.3	4208923	CIRCLIP D25X1.2 VP.	1
4.4	4212716	SCREW M6X20 KIT (4PIECES)	1
4.5	4233124	CIRCLIP-FOR-BORES-D52x2 VP.	1
4.6	4234244	O-RING 52X2 VP.	1

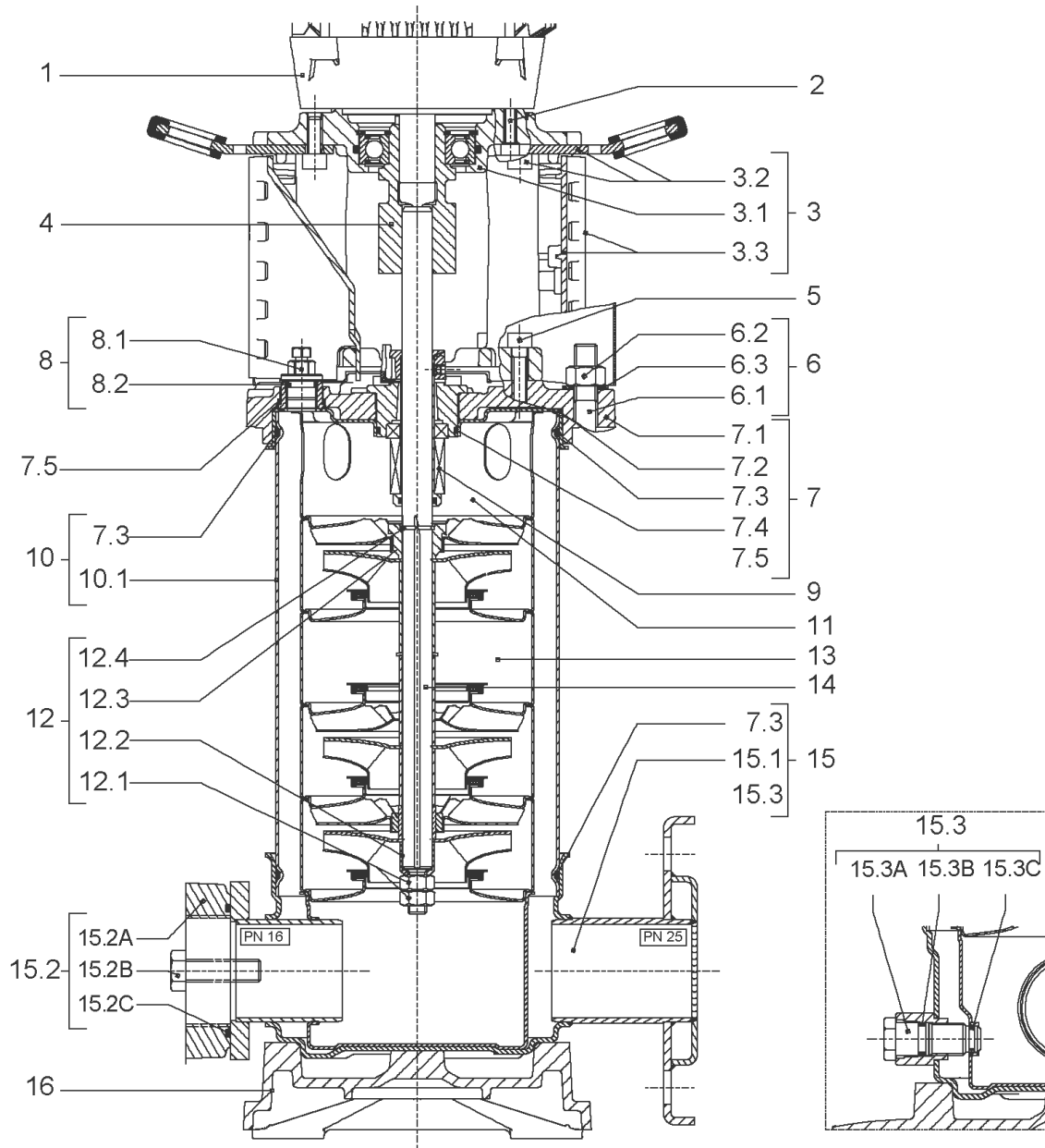


CARTRIDGE HELIX6-10-16 F/V KIT (4159700)

Item	Article no.	Description	Quantity
9.1	4159701	SEAL-KIT-HELIX6-10-16 F/V	1
7.3	4177887	> O-RING ID.145,65X3,53 VITON VP.	1
7.4	4177888	> O-RING ID.37.6xØ2.4 VITON VP.	1
9.1A	2131025	> MECH.SEAL HELIX2-4-6-10-16 F/V VP.	1
9.1B	2131027	> O-RING D.16XD.2,5 FKM VP.	1
9.1C	4177889	> O-RING ID.16x1.25 VITON VP.	1
9.2	2130961	SHAFT SLEEVE D.18/16X72,2 1.4404 VP.	1
9.3	2131024	RING HOLDER D.18 G606/G6 1.4404 VP.	1
9.4	4176520	SCREW CH M5x5 A4-70 (3PIECES)	1
9.5	2130963	DRIVE RING D.29/18x12,4 MACH.VP.	1
9.6	2130964	TOOL M.S.CART.HELIX VP.	1
9.7	2130965	SCREW CHC M5X12 ISO4762 A2.70(4 PIECES)	1



Item	Article no.	Description	Quantity
13.1	4172808	FIRST STAGE HELIX 10 1.4404 KIT	1
		> MACH.STG-CASING-WOGV-WNR-M+10-316	1
		> IMPELLER-H1-M+10-316	1
13.2	4172807	STAGE HELIX 10 .4404 KIT	1
		> MACH.BEARING-STG-CASING-WNR-M+10-316	1
		> IMPELLER-H1-M+10-316	1
		> SHAFT SLEEVE-SPACER-Ø19,35x18,465-316	1
		> SHAFT-SLEEVE-D16xD20x18-CW	1

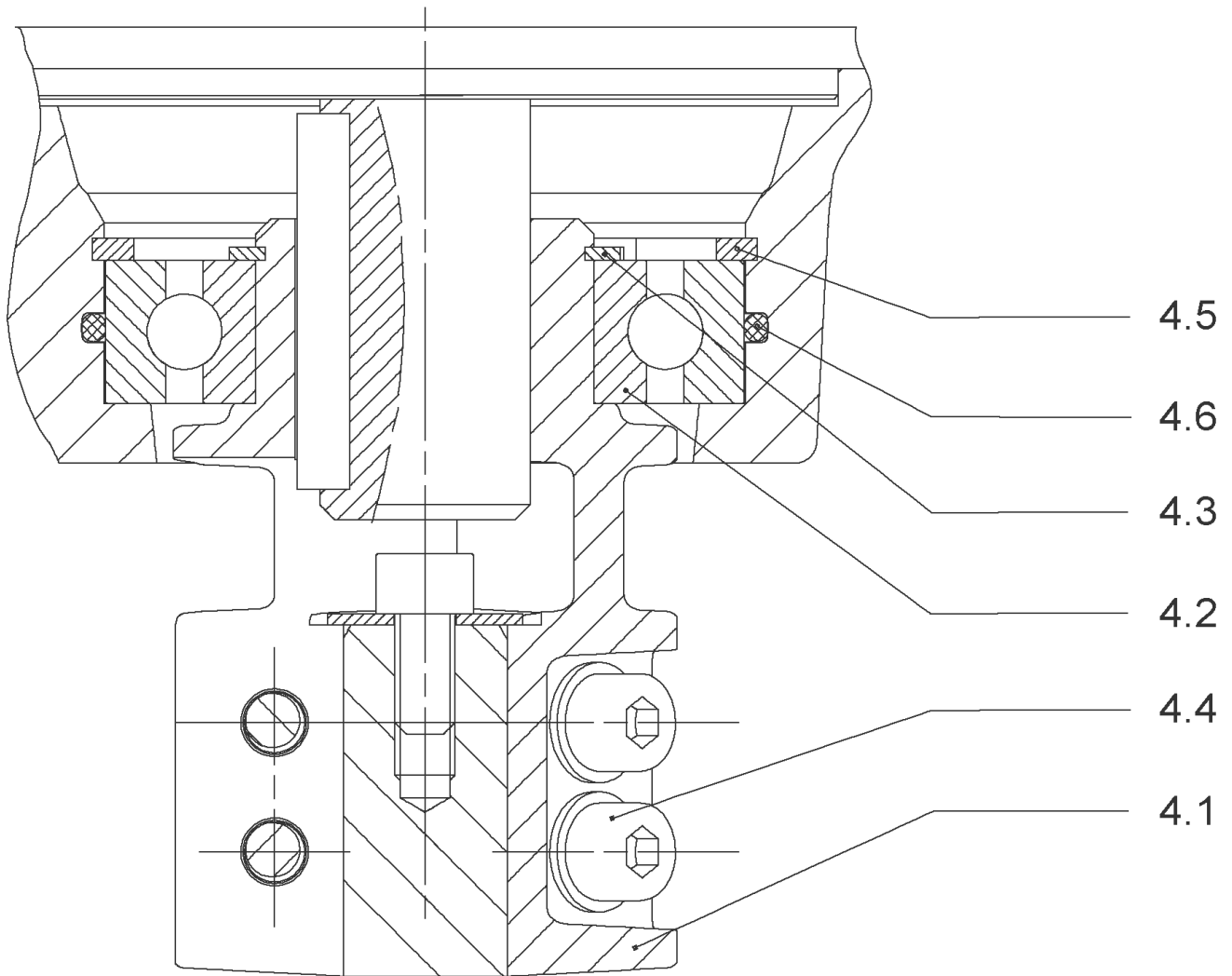


HELIX V1002-2/25/V/KS/400-50 (4150573)

Item	Article no.	Description	Quantity
1	4169940	MOTOR 0,75/2/80 3~230/400V 50HZ IE3 VP.	1
		SPARE PARTS MOTOR:ON REQUEST	1
2	4159702	SCREW M6X30 (4 PIECES)	1
3	4172788	LANTERN FT100 HELIX KIT	1
3.1		> LANTERN FT100 M+6" GJL MACHINING+CATA	1
3.2	2127604	> EYELET CPL.FT HELIX(2 PIECES)	1
3.3	4159692	> COUPLING PROTECTOR FT HELIX KIT	1
4	4159708	COUPLING D.16XD.19 FT100 HELIX KIT	1
5	4159707	SCREW M8X30 (4 PIECES)	1
6	4177803	STUD BOLT M12X263 KIT	1
6.1		> TIE BOLT M12-263x18x30-1.4057	1
6.2	2094647	> NUT M12 M12 ISO4032 VP.	1
6.3	2123557	> WASHER CS-12.4-24-1.6-NFE25 (4 PIECES)	1
7	4159783	END SHIELD HELIX FKM 1.4404 KIT	1
7.1		> END SHIELD M+6" GJL250 MACHINING+CATA	1
7.2	2131056	> STATIONARY RING HOLDER 6" HELIX 1.4404 V	1
7.3	4234237	> O-RING 139X3 VITON VP.	1
7.4	2131026	> O-RING ID.37,6X2,4 FKM VP.	1
7.5	2131057	> O-RING ID.21,35X2 FKM VP.	1
8	4159784	FILING/PURGING PLUG HELIX FKM KIT	1
9	4159700	CARTRIDGE HELIX6-10-16 F/V KIT	1
10	4177890	HOUSING PIPES D.152X134 1.4404 KIT	1
7.3	4234237	> O-RING 139X3 VITON VP.	1
10.1		> HOUSING-PIPE Ø152-M+1001/02-316L	1
11	4172805	CENTERING STAGE-RETURN HELIX10 1.4404 VP	1
12	4171332	SHAFT EQUIPMENT HELIX V10 BI BLOC KIT	1
4.11	4102901	> SCREW CHC-M6X14-8.8-ISO4762-GEOMET500A	1
4.12	2130995	> SERRATED LOCK WASHER D.6,2XD.14,5X28 VP.	1
12.1		> NUT-H-M10-A4.70	1
12.2		> SERRATED LOCK WASHER M+10M3-316L	1
12.3		> STOP COLLAR OF IMPELLER L16,5-Ø16-316L	1
12.4		> STOP-RUSH-1/2-D16xd2-M+316	1
13		HYDRAULIC HELIX V 1001	1
14	4177894	SHAFT D.16X255 1.4404 VP.	1

HELIX V1002-2/25/V/KS/400-50 (4150573)

Item	Article no.	Description	Quantity
15	4172809	PUMP HOUSING HELIX DN40 PN25 1.4409 KIT	1
7.3	4176513	> O-RING FOR PUMP JACKET VP.	1
15.1		> BLASTING PPE HOUSING V-PN25-DN40-316L	1
15.3	4159781	> PRIMING/DRAIN PLUG HELIX 16 FKM KIT	1
16	4176517	BASEPLATE V8/10 VP.	1



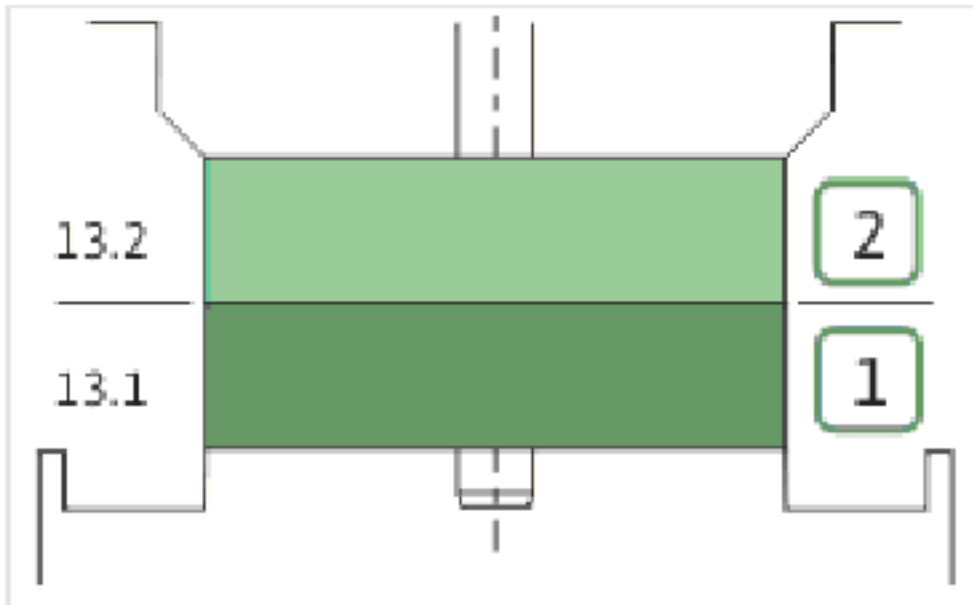
COUPLING D.16XD.19 FT100 HELIX KIT (4159708)

Item	Article no.	Description	Quantity
4.1		COUPLING M+ Ø16XØ19 FT100 MACHINED	1
4.2	2130977	BALL BEARING 6206/ZZ-C3(HT)VP.	1
4.3	4234249	CIRCLIP-FOR-SHAFT-D30x1.5 VP.	1
4.4	4212716	SCREW M6X20 KIT (4PIECES)	1
4.5	4234250	CIRCLIP-D62x2 VP.	1
4.6	4234245	O-RING 63X3 VP.	1
		CONTACT-WASHER-6ETR-6,1x12,2x1,8-STEEL	1

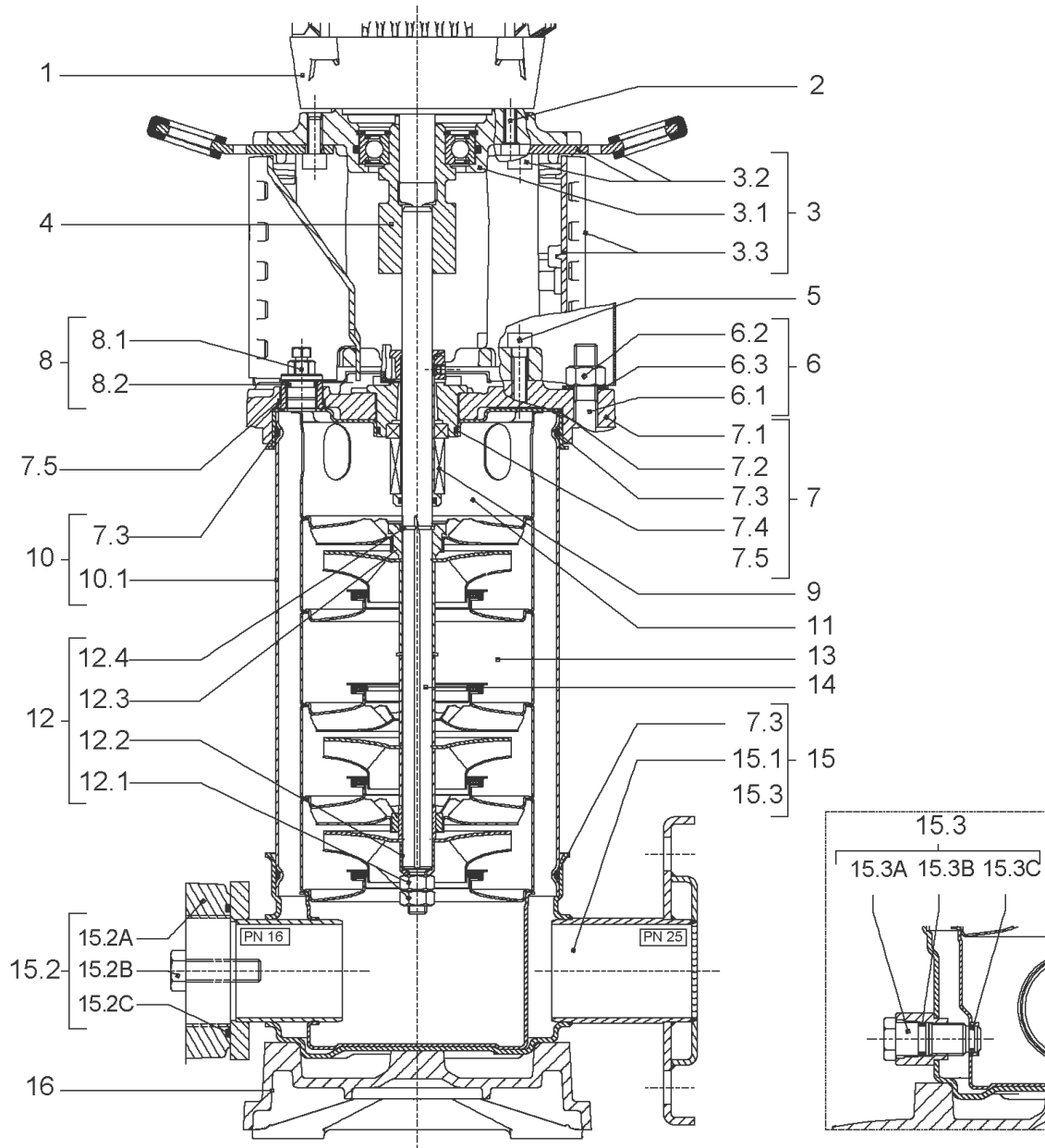


CARTRIDGE HELIX6-10-16 F/V KIT (4159700)

Item	Article no.	Description	Quantity
9.1	4159701	SEAL-KIT-HELIX6-10-16 F/V	1
7.3	4177887	> O-RING ID.145,65X3,53 VITON VP.	1
7.4	4177888	> O-RING ID.37.6xØ2.4 VITON VP.	1
9.1A	2131025	> MECH.SEAL HELIX2-4-6-10-16 F/V VP.	1
9.1B	2131027	> O-RING D.16XD.2,5 FKM VP.	1
9.1C	4177889	> O-RING ID.16x1.25 VITON VP.	1
9.2	2130961	SHAFT SLEEVE D.18/16X72,2 1.4404 VP.	1
9.3	2131024	RING HOLDER D.18 G606/G6 1.4404 VP.	1
9.4	4176520	SCREW CH M5x5 A4-70 (3PIECES)	1
9.5	2130963	DRIVE RING D.29/18x12,4 MACH.VP.	1
9.6	2130964	TOOL M.S.CART.HELIX VP.	1
9.7	2130965	SCREW CHC M5X12 ISO4762 A2.70(4 PIECES)	1



Item	Article no.	Description	Quantity
13.1	4172808	FIRST STAGE HELIX 10 1.4404 KIT	1
		> MACH.STG-CASING-WOGV-WNR-M+10-316	1
		> IMPELLER-H1-M+10-316	1
13.2	4172807	STAGE HELIX 10 .4404 KIT	1
		> MACH.BEARING-STG-CASING-WNR-M+10-316	1
		> IMPELLER-H1-M+10-316	1
		> SHAFT SLEEVE-SPACER-Ø19,35x18,465-316	1
		> SHAFT-SLEEVE-D16xD20x18-CW	1



HELIX V1003-2/25/V/KS/400-50 (4150574)

Item	Article no.	Description	Quantity
1	4169941	MOTOR 1,1/2/80 3~230/400V 50HZ IE3 VP.	1
		SPARE PARTS MOTOR:ON REQUEST	1
2	4159702	SCREW M6X30 (4 PIECES)	1
3	4172788	LANTERN FT100 HELIX KIT	1
3.1		> LANTERN FT100 M+6" GJL MACHINING+CATA	1
3.2	2127604	> EYELET CPL.FT HELIX(2 PIECES)	1
3.3	4159692	> COUPLING PROTECTOR FT HELIX KIT	1
4	4159708	COUPLING D.16XD.19 FT100 HELIX KIT	1
5	4159707	SCREW M8X30 (4 PIECES)	1
6	4177812	STUD BOLT M12X300KIT	1
6.1		> TIE BOLT M12-300x18x30-1.4057	1
6.2	2094647	> NUT M12 M12 ISO4032 VP.	1
6.3	2123557	> WASHER CS-12.4-24-1.6-NFE25 (4 PIECES)	1
7	4159783	END SHIELD HELIX FKM 1.4404 KIT	1
7.1		> END SHIELD M+6" GJL250 MACHINING+CATA	1
7.2	2131056	> STATIONARY RING HOLDER 6" HELIX 1.4404 V	1
7.3	4234237	> O-RING 139X3 VITON VP.	1
7.4	2131026	> O-RING ID.37,6X2,4 FKM VP.	1
7.5	2131057	> O-RING ID.21,35X2 FKM VP.	1
8	4159784	FILING/PURGING PLUG HELIX FKM KIT	1
9	4159700	CARTRIDGE HELIX6-10-16 F/V KIT	1
10	4177918	HOUSING PIPES D.152X172 1.4404 KIT	1
7.3	4234237	> O-RING 139X3 VITON VP.	1
10.1		> HOUSING-PIPE Ø152-M+1003-316L	1
11	4172805	CENTERING STAGE-RETURN HELIX10 1.4404 VP	1
12	4171332	SHAFT EQUIPMENT HELIX V10 BI BLOC KIT	1
4.11	4102901	> SCREW CHC-M6X14-8.8-ISO4762-GEOMET500A	1
4.12	2130995	> SERRATED LOCK WASHER D.6,2XD.14,5X28 VP.	1
12.1		> NUT-H-M10-A4.70	1
12.2		> SERRATED LOCK WASHER M+10M3-316L	1
12.3		> STOP COLLAR OF IMPELLER L16,5-Ø16-316L	1
12.4		> STOP-RUSH-1/2-D16xd2-M+316	1
13		HYDRAULIC HELIX V 1003	1
14	4177920	SHAFT D.16X292,5 1.4404 VP.	1

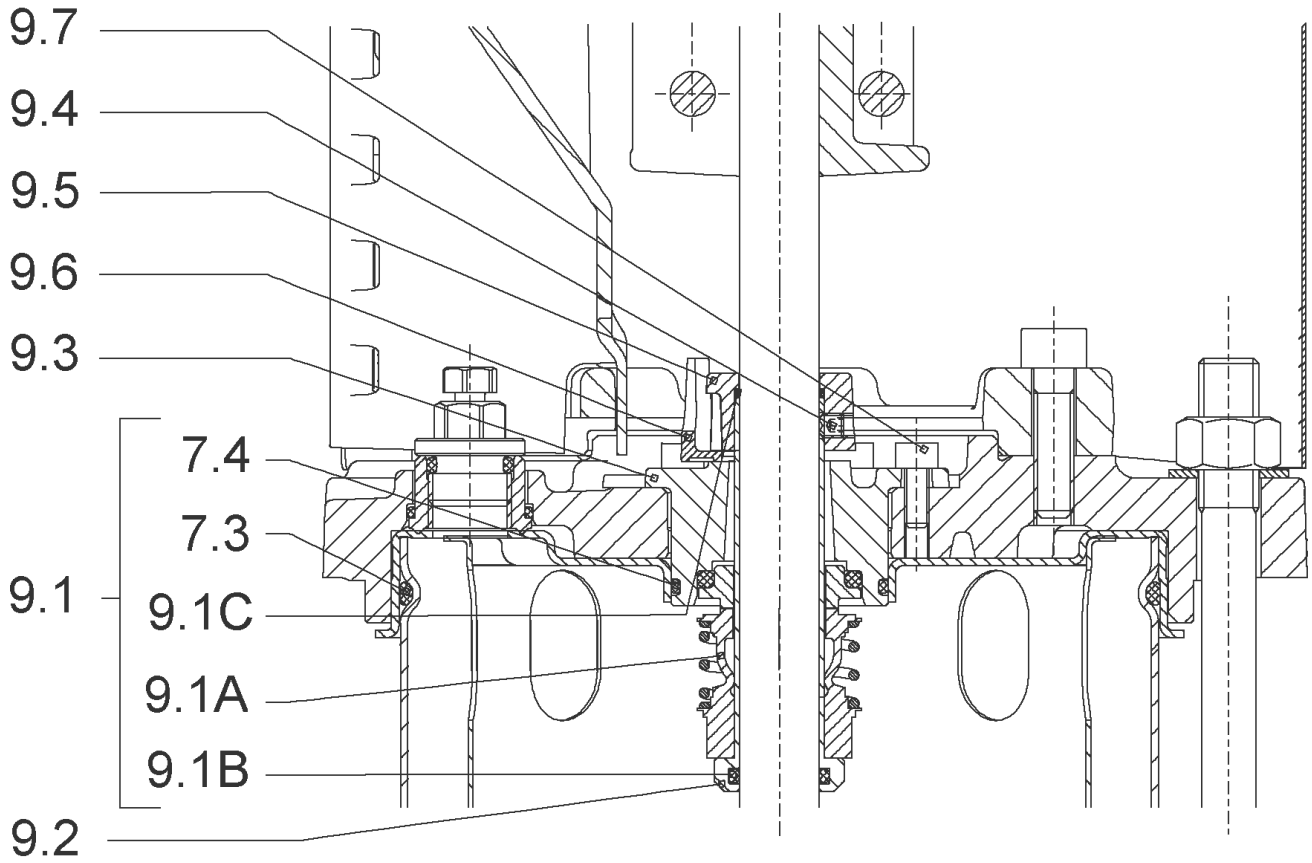
HELIX V1003-2/25/V/KS/400-50 (4150574)

Item	Article no.	Description	Quantity
15	4172809	PUMP HOUSING HELIX DN40 PN25 1.4409 KIT	1
7.3	4176513	> O-RING FOR PUMP JACKET VP.	1
15.1		> BLASTING PPE HOUSING V-PN25-DN40-316L	1
15.3	4159781	> PRIMING/DRAIN PLUG HELIX 16 FKM KIT	1
16	4176517	BASEPLATE V8/10 VP.	1



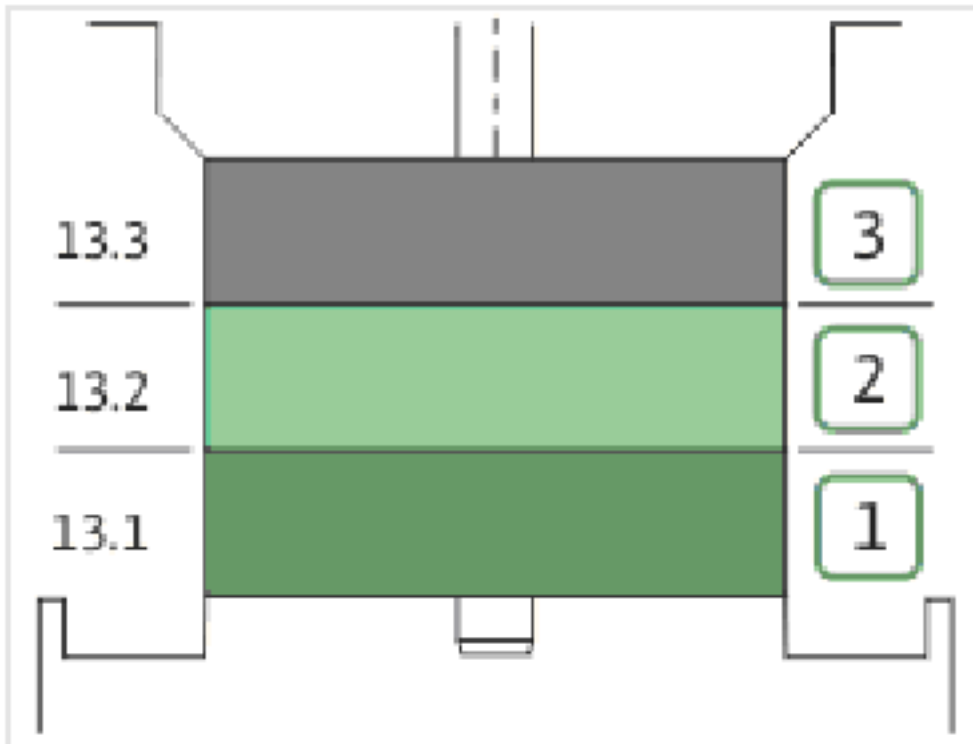
COUPLING D.16XD.19 FT100 HELIX KIT (4159708)

Item	Article no.	Description	Quantity
4.1		COUPLING M+ Ø16XØ19 FT100 MACHINED	1
4.2	2130977	BALL BEARING 6206/ZZ-C3(HT)VP.	1
4.3	4234249	CIRCLIP-FOR-SHAFT-D30x1.5 VP.	1
4.4	4212716	SCREW M6X20 KIT (4PIECES)	1
4.5	4234250	CIRCLIP-D62x2 VP.	1
4.6	4234245	O-RING 63X3 VP.	1
		CONTACT-WASHER-6ETR-6,1x12,2x1,8-STEEL	1

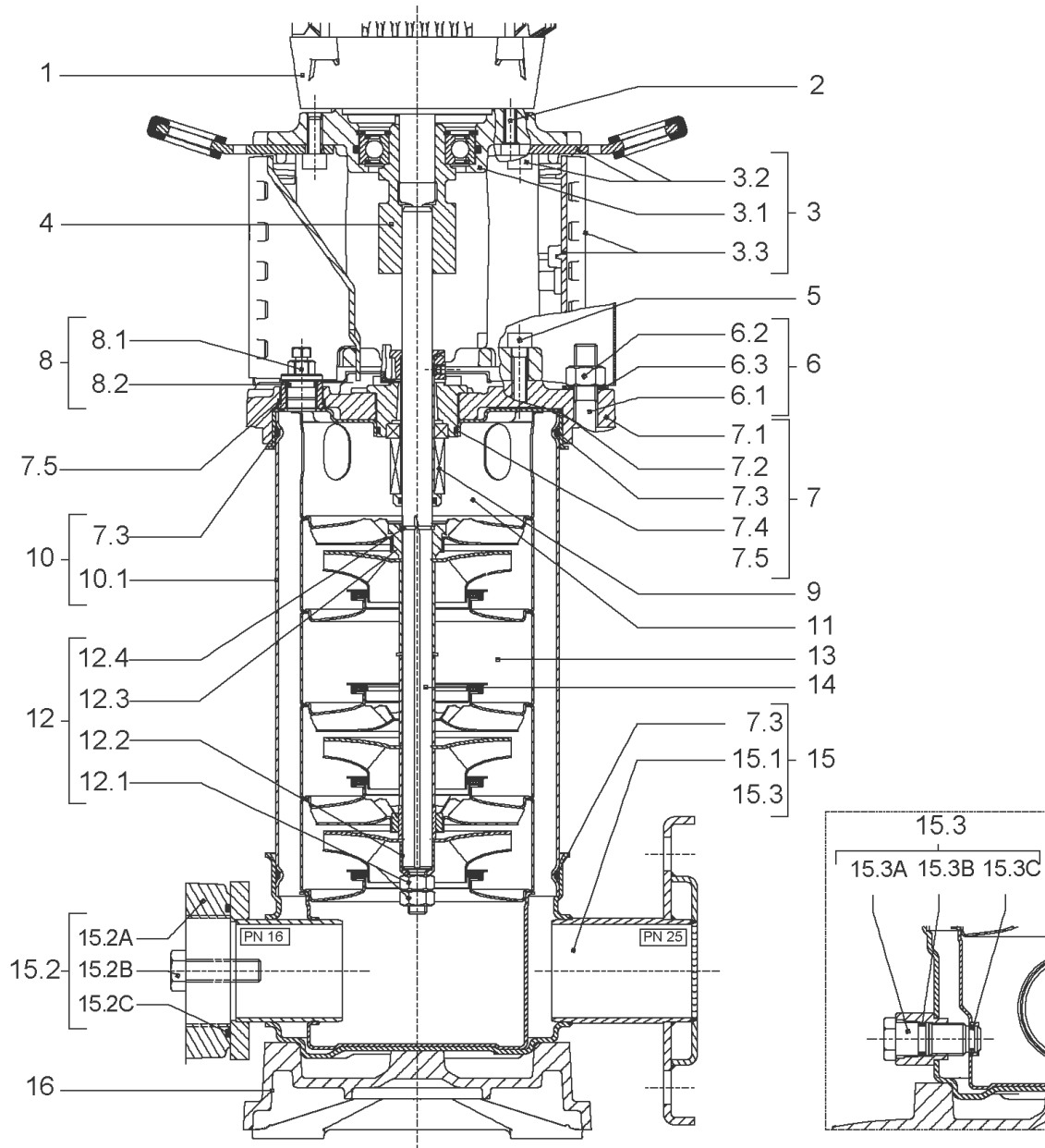


CARTRIDGE HELIX6-10-16 F/V KIT (4159700)

Item	Article no.	Description	Quantity
9.1	4159701	SEAL-KIT-HELIX6-10-16 F/V	1
7.3	4177887	> O-RING ID.145,65X3,53 VITON VP.	1
7.4	4177888	> O-RING ID.37.6xØ2.4 VITON VP.	1
9.1A	2131025	> MECH.SEAL HELIX2-4-6-10-16 F/V VP.	1
9.1B	2131027	> O-RING D.16XD.2,5 FKM VP.	1
9.1C	4177889	> O-RING ID.16x1.25 VITON VP.	1
9.2	2130961	SHAFT SLEEVE D.18/16X72,2 1.4404 VP.	1
9.3	2131024	RING HOLDER D.18 G606/G6 1.4404 VP.	1
9.4	4176520	SCREW CH M5x5 A4-70 (3PIECES)	1
9.5	2130963	DRIVE RING D.29/18x12,4 MACH.VP.	1
9.6	2130964	TOOL M.S.CART.HELIX VP.	1
9.7	2130965	SCREW CHC M5X12 ISO4762 A2.70(4 PIECES)	1



Item	Article no.	Description	Quantity
13.1	4172808	FIRST STAGE HELIX 10 1.4404 KIT	1
		> MACH.STG-CASING-WOGV-WNR-M+10-316	1
		> IMPELLER-H1-M+10-316	1
13.2	4172807	STAGE HELIX 10 .4404 KIT	1
		> MACH.BEARING-STG-CASING-WNR-M+10-316	1
		> IMPELLER-H1-M+10-316	1
		> SHAFT SLEEVE-SPACER-Ø19,35x18,465-316	1
		> SHAFT-SLEEVE-D16xD20x18-CW	1
13.3	4172806	INTERMEDIATE STAGE HELIX10 1.4404 KIT	1
		> MACH.STD-STG-CASING-WGV+NR-M+10-316	1
		> IMPELLER-H1-M+10-316	1
		> IMPELLER SPACER Ø16,05X19,45-L36,465-316	1

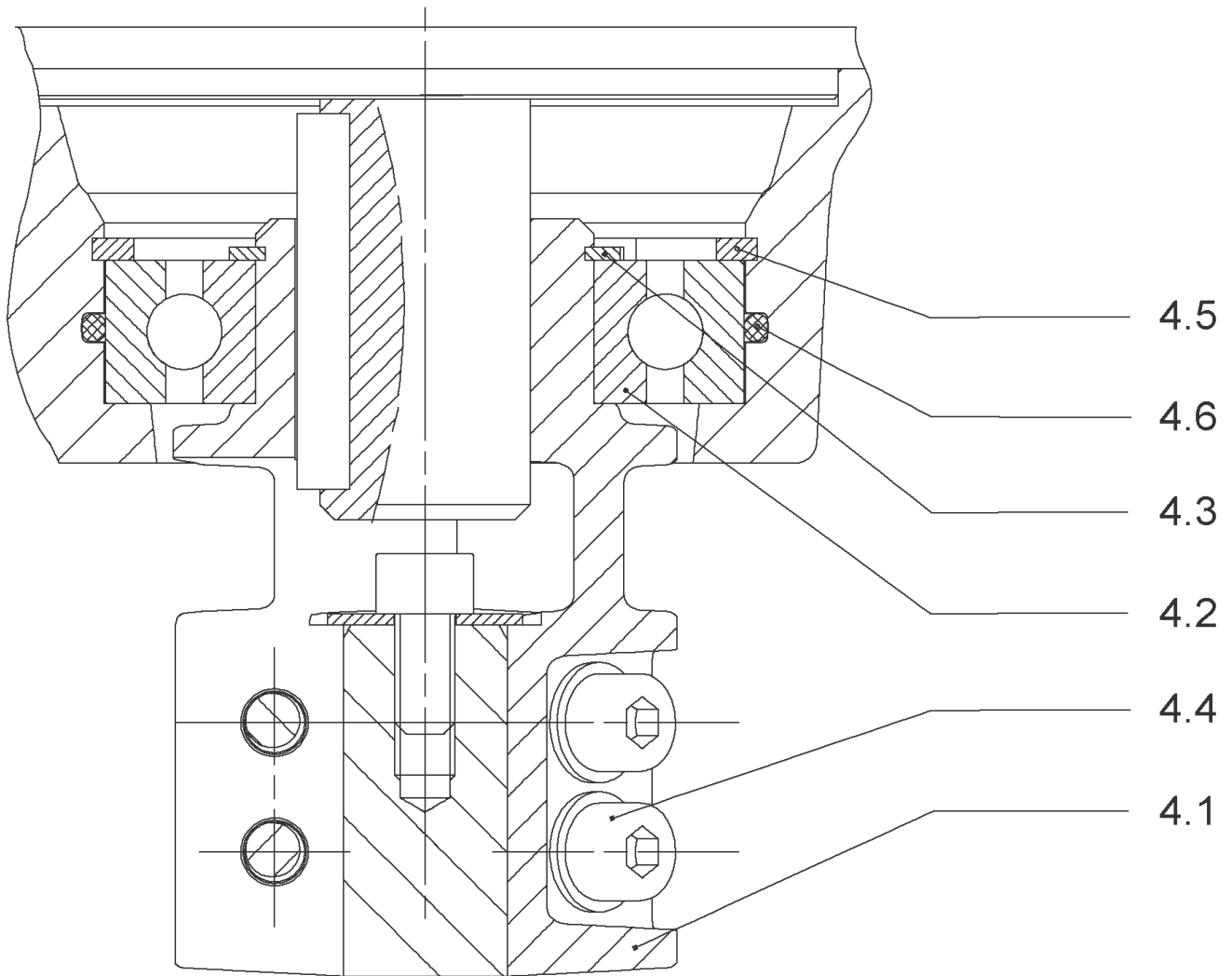


HELIX V1004-2/25/V/KS/400-50 (4150575)

Item	Article no.	Description	Quantity
1	4169942	MO.1,5/2 3~230/400(440)V 50(60)HZ IE3 VP	1
		SPARE PARTS MOTOR:ON REQUEST	1
2	4159703	SCREW M8X40 (4 PIECES)	1
3	4159690	LANTERN FT115 HELIX KIT	1
3.1		> LANTERN FT115 M+6" GJL MACHINING+CATA	1
3.2	2127604	> EYELET CPL.FT HELIX(2 PIECES)	1
3.3	4159692	> COUPLING PROTECTOR FT HELIX KIT	1
4	4159709	COUPLING D.16xD.24 FT115 HELIX KIT	1
5	4159707	SCREW M8X30 (4 PIECES)	1
6	2127553	STUD BOLT M12X341 KIT	1
7	4159783	END SHIELD HELIX FKM 1.4404 KIT	1
7.1		> END SHIELD M+6" GJL250 MACHINING+CATA	1
7.2	2131056	> STATIONARY RING HOLDER 6" HELIX 1.4404 V	1
7.3	4234237	> O-RING 139X3 VITON VP.	1
7.4	2131026	> O-RING ID.37,6X2,4 FKM VP.	1
7.5	2131057	> O-RING ID.21,35X2 FKM VP.	1
8	4159784	FILING/PURGING PLUG HELIX FKM KIT	1
9	4159700	CARTRIDGE HELIX6-10-16 F/V KIT	1
10	4177921	HOUSING PIPES D.152X209 1.4404 KIT	1
7.3	4234237	> O-RING 139X3 VITON VP.	1
10.1		> HOUSING-PIPE Ø152-M+1004/1603-316L	1
11	4172805	CENTERING STAGE-RETURN HELIX10 1.4404 VP	1
12	4171332	SHAFT EQUIPMENT HELIX V10 BI BLOC KIT	1
4.11	4102901	> SCREW CHC-M6X14-8.8-ISO4762-GEOMET500A	1
4.12	2130995	> SERRATED LOCK WASHER D.6,2XD.14,5X28 VP.	1
12.1		> NUT-H-M10-A4.70	1
12.2		> SERRATED LOCK WASHER M+10M3-316L	1
12.3		> STOP COLLAR OF IMPELLER L16,5-Ø16-316L	1
12.4		> STOP-RUSH-1/2-D16xd2-M+316	1
13		HYDRAULIC HELIX V 1004	1
14	4177924	SHAFT D.16X330 1.4404 VP.	1
15	4172809	PUMP HOUSING HELIX DN40 PN25 1.4409 KIT	1
7.3	4176513	> O-RING FOR PUMP JACKET VP.	1
15.1		> BLASTING PPE HOUSING V-PN25-DN40-316L	1

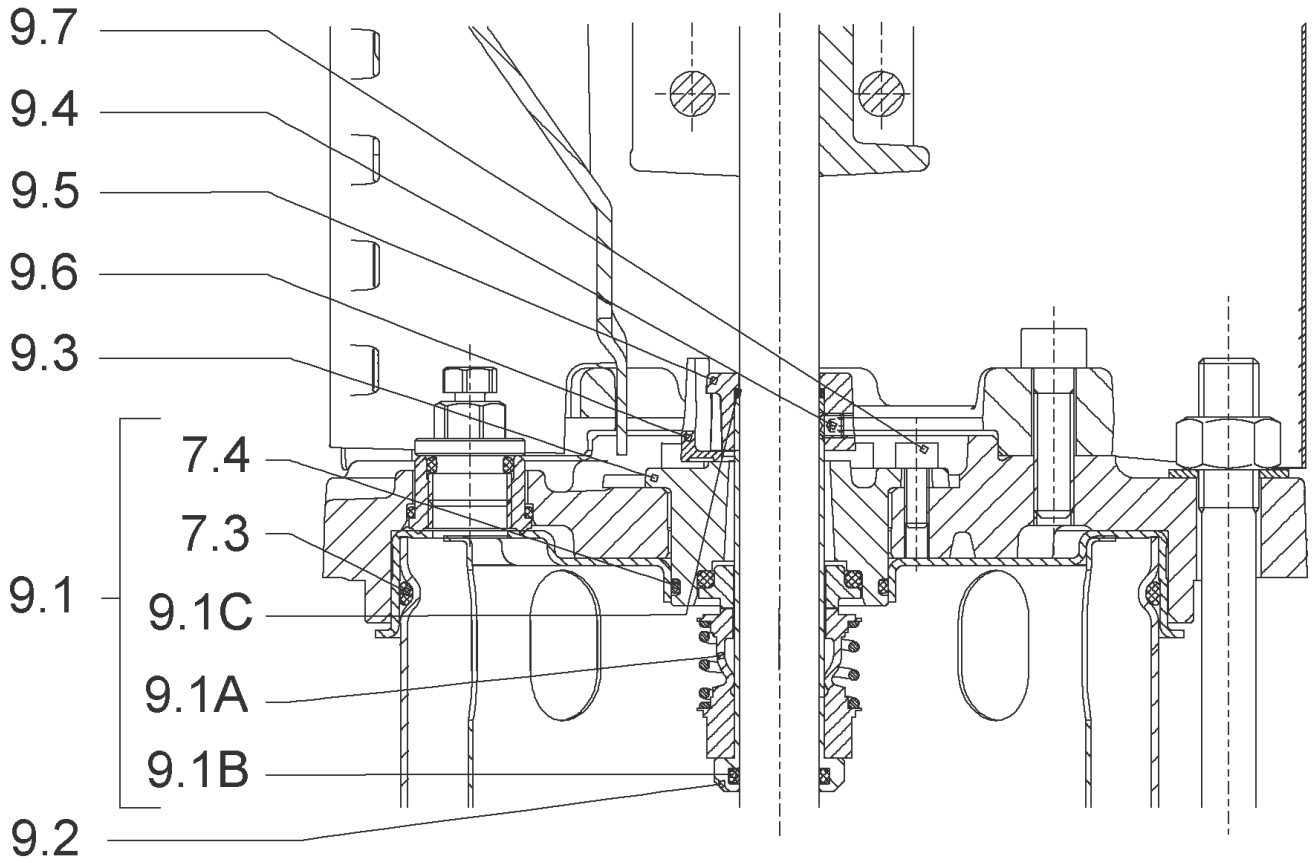
HELIX V1004-2/25/V/KS/400-50 (4150575)

Item	Article no.	Description	Quantity
15.3	4159781	> PRIMING/DRAIN PLUG HELIX 16 FKM KIT	1
16	4176517	BASEPLATE V8/10 VP.	1



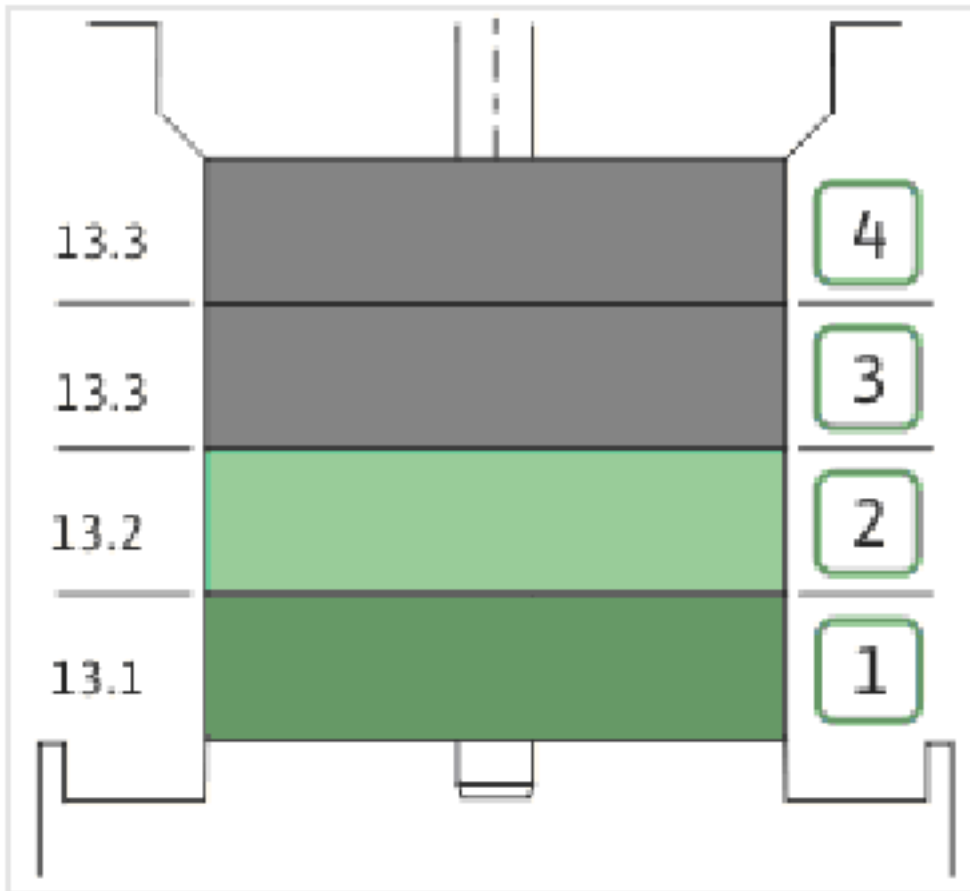
COUPLING D.16xD.24 FT115 HELIX KIT (4159709)

Item	Article no.	Description	Quantity
4.1		COUPLING M+ Ø16XØ24 FT115 MACHINED	1
4.2	2131023	BALL BEARING 6207/ZZ-C3(HT)VP.	1
4.3	4234254	CIRCLIP-FOR-SHAFT-D35x1.5 VP.	1
4.4	4157726	SCREW KIT M8X30 (4 PIECES)	1
4.5	4234251	CIRCLIP-D72x2.5 VP.	1
4.6	4234246	O-RING 72X3 VP.	1
		NOMEL CONTACT WASHER 8x16x1,4 STEEL ZC	1

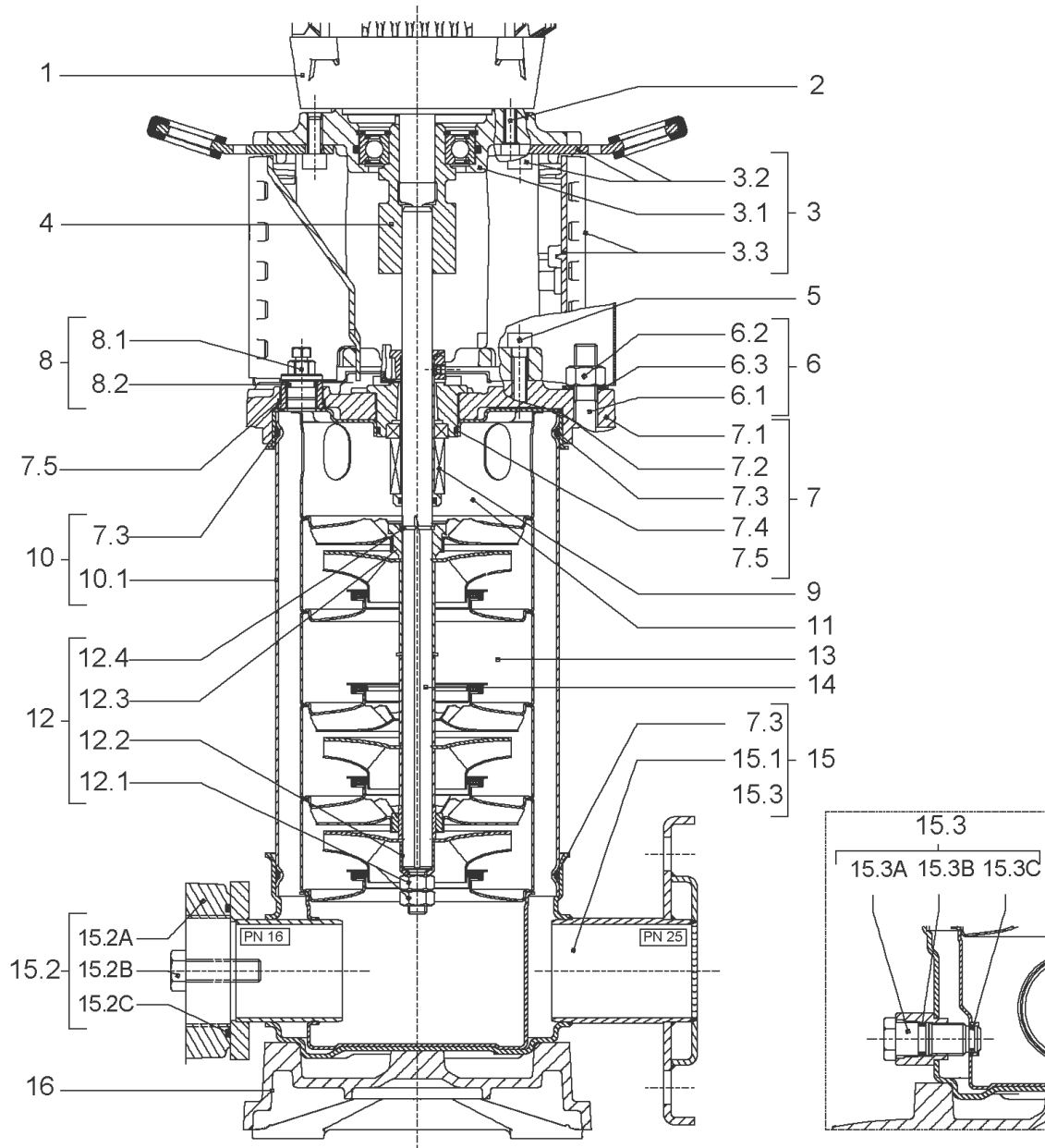


CARTRIDGE HELIX6-10-16 F/V KIT (4159700)

Item	Article no.	Description	Quantity
9.1	4159701	SEAL-KIT-HELIX6-10-16 F/V	1
7.3	4177887	> O-RING ID.145,65X3,53 VITON VP.	1
7.4	4177888	> O-RING ID.37.6xØ2.4 VITON VP.	1
9.1A	2131025	> MECH.SEAL HELIX2-4-6-10-16 F/V VP.	1
9.1B	2131027	> O-RING D.16XD.2,5 FKM VP.	1
9.1C	4177889	> O-RING ID.16x1.25 VITON VP.	1
9.2	2130961	SHAFT SLEEVE D.18/16X72,2 1.4404 VP.	1
9.3	2131024	RING HOLDER D.18 G606/G6 1.4404 VP.	1
9.4	4176520	SCREW CH M5x5 A4-70 (3PIECES)	1
9.5	2130963	DRIVE RING D.29/18x12,4 MACH.VP.	1
9.6	2130964	TOOL M.S.CART.HELIX VP.	1
9.7	2130965	SCREW CHC M5X12 ISO4762 A2.70(4 PIECES)	1



Item	Article no.	Description	Quantity
13.1	4172808	FIRST STAGE HELIX 10 1.4404 KIT	1
		> MACH.STG-CASING-WOGV-WNR-M+10-316	1
		> IMPELLER-H1-M+10-316	1
13.2	4172807	STAGE HELIX 10 .4404 KIT	1
		> MACH.BEARING-STG-CASING-WNR-M+10-316	1
		> IMPELLER-H1-M+10-316	1
		> SHAFT SLEEVE-SPACER-Ø19,35x18,465-316	1
		> SHAFT-SLEEVE-D16xD20x18-CW	1
13.3	4172806	INTERMEDIATE STAGE HELIX10 1.4404 KIT	1
		> MACH.STD-STG-CASING-WGV+NR-M+10-316	1
		> IMPELLER-H1-M+10-316	1
		> IMPELLER SPACER Ø16,05X19,45-L36,465-316	1



HELIX V1005-2/25/V/KS/400-50 (4150576)

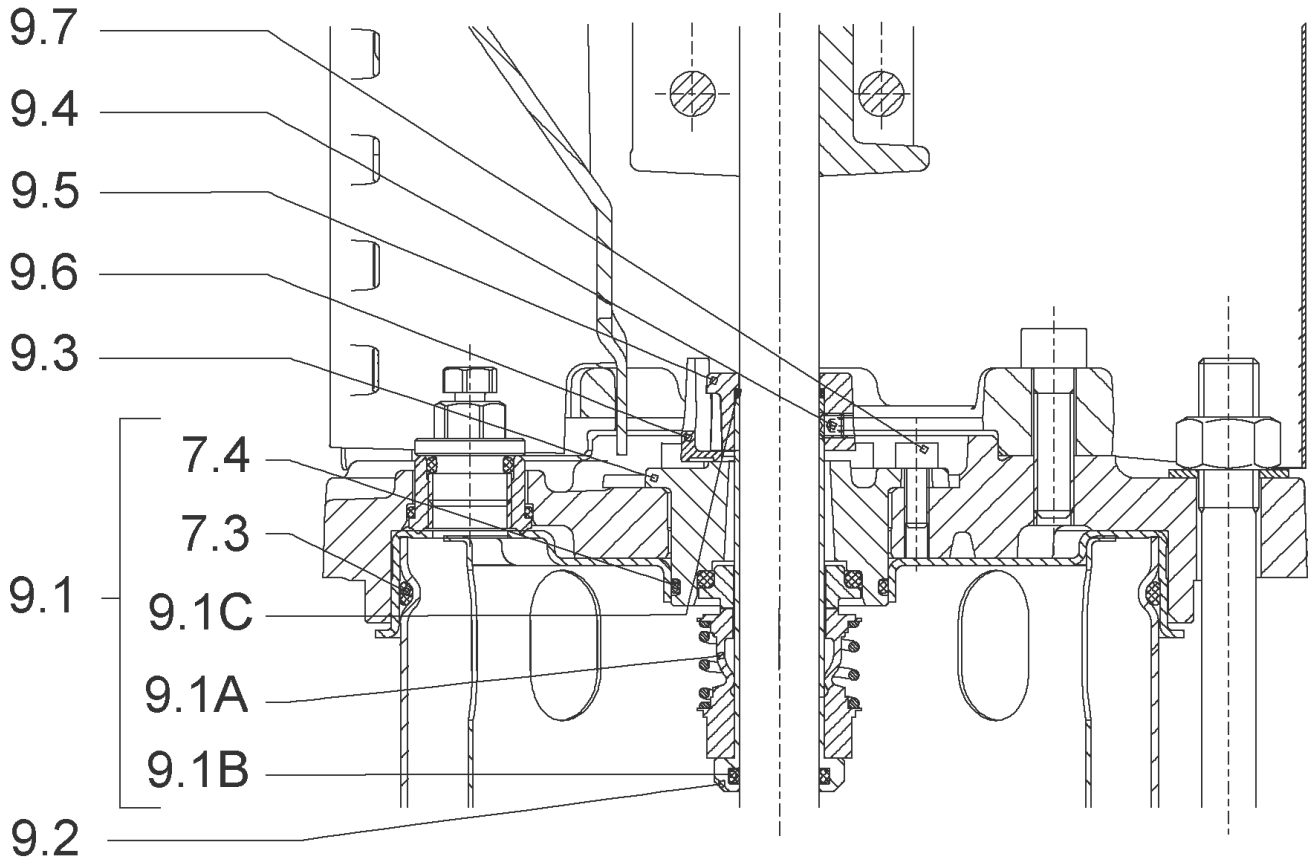
Item	Article no.	Description	Quantity
1	4169943	MOTOR 2,2/2/90 3~230/400V 50HZ IE3 VP.	1
		SPARE PARTS MOTOR:ON REQUEST	1
2	4159703	SCREW M8X40 (4 PIECES)	1
3	4159690	LANTERN FT115 HELIX KIT	1
3.1		> LANTERN FT115 M+6" GJL MACHINING+CATA	1
3.2	2127604	> EYELET CPL.FT HELIX(2 PIECES)	1
3.3	4159692	> COUPLING PROTECTOR FT HELIX KIT	1
4	4159709	COUPLING D.16xD.24 FT115 HELIX KIT	1
5	4159707	SCREW M8X30 (4 PIECES)	1
6	2018576	STUD BOLT M12X377 KIT	1
6.1		> TIE BOLT M12-377x18x30-1.4057	1
6.2	2094647	> NUT M12 M12 ISO4032 VP.	1
6.3	2123557	> WASHER CS-12.4-24-1.6-NFE25 (4 PIECES)	1
7	4159783	END SHIELD HELIX FKM 1.4404 KIT	1
7.1		> END SHIELD M+6" GJL250 MACHINING+CATA	1
7.2	2131056	> STATIONARY RING HOLDER 6" HELIX 1.4404 V	1
7.3	4234237	> O-RING 139X3 VITON VP.	1
7.4	2131026	> O-RING ID.37,6X2,4 FKM VP.	1
7.5	2131057	> O-RING ID.21,35X2 FKM VP.	1
8	4159784	FILING/PURGING PLUG HELIX FKM KIT	1
9	4159700	CARTRIDGE HELIX6-10-16 F/V KIT	1
10	4177925	HOUSING PIPES D.152X247 1.4404 KIT	1
11	4172805	CENTERING STAGE-RETURN HELIX10 1.4404 VP	1
12	4171332	SHAFT EQUIPMENT HELIX V10 BI BLOC KIT	1
4.11	4102901	> SCREW CHC-M6X14-8.8-ISO4762-GEOMET500A	1
4.12	2130995	> SERRATED LOCK WASHER D.6,2XD.14,5X28 VP.	1
12.1		> NUT-H-M10-A4.70	1
12.2		> SERRATED LOCK WASHER M+10M3-316L	1
12.3		> STOP COLLAR OF IMPELLER L16,5-Ø16-316L	1
12.4		> STOP-RUSH-1/2-D16xd2-M+316	1
13		HYDRAULIC HELIX V 1005	1
14	4177926	SHAFT D.16X367,5 1.4404 VP.	1
15	4172809	PUMP HOUSING HELIX DN40 PN25 1.4409 KIT	1
7.3	4176513	> O-RING FOR PUMP JACKET VP.	1

HELIX V1005-2/25/V/KS/400-50 (4150576)

Item	Article no.	Description	Quantity
15.1		> BLASTING PPE HOUSING V-PN25-DN40-316L	1
15.3	4159781	> PRIMING/DRAIN PLUG HELIX 16 FKM KIT	1
16	4176517	BASEPLATE V8/10 VP.	1

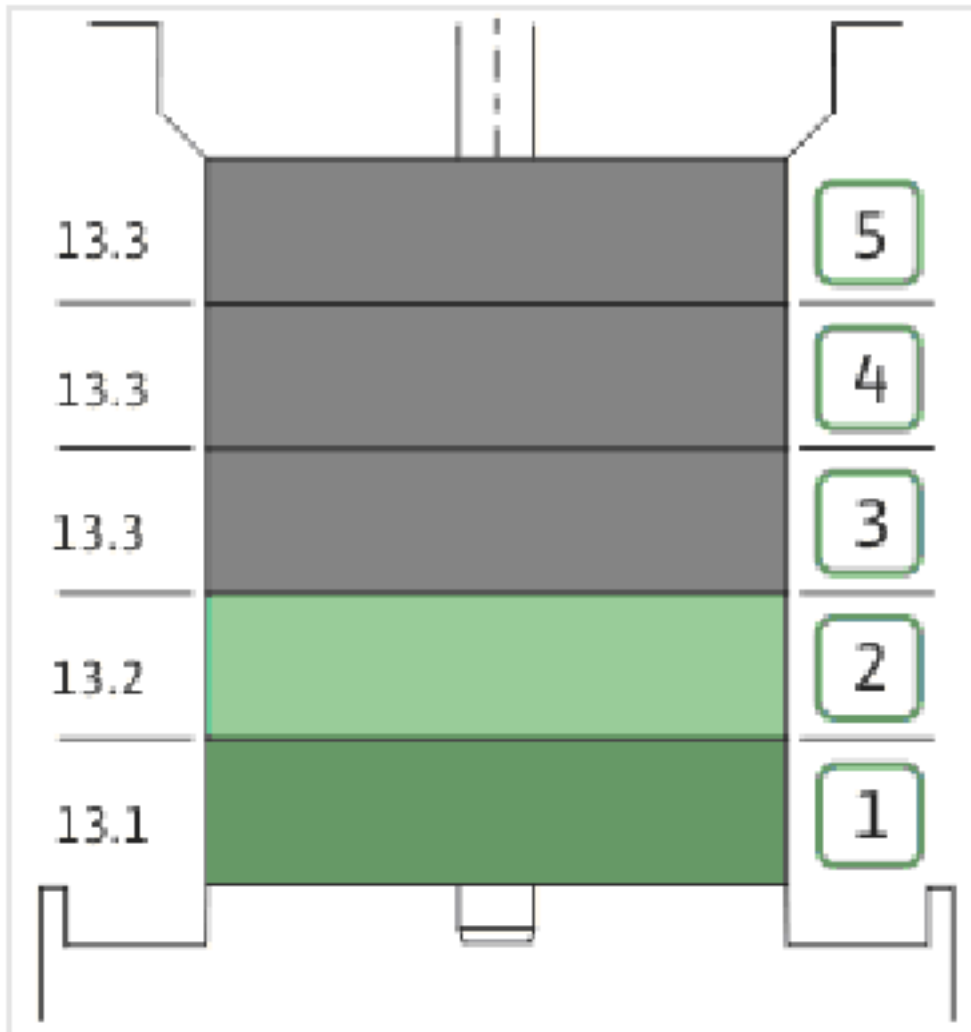
COUPLING D.16xD.24 FT115 HELIX KIT (4159709)

Item	Article no.	Description	Quantity
4.1		COUPLING M+ Ø16XØ24 FT115 MACHINED	1
4.2	2131023	BALL BEARING 6207/ZZ-C3(HT)VP.	1
4.3	4234254	CIRCLIP-FOR-SHAFT-D35x1.5 VP.	1
4.4	4157726	SCREW KIT M8X30 (4 PIECES)	1
4.5	4234251	CIRCLIP-D72x2.5 VP.	1
4.6	4234246	O-RING 72X3 VP.	1
		NOMEL CONTACT WASHER 8x16x1,4 STEEL ZC	1

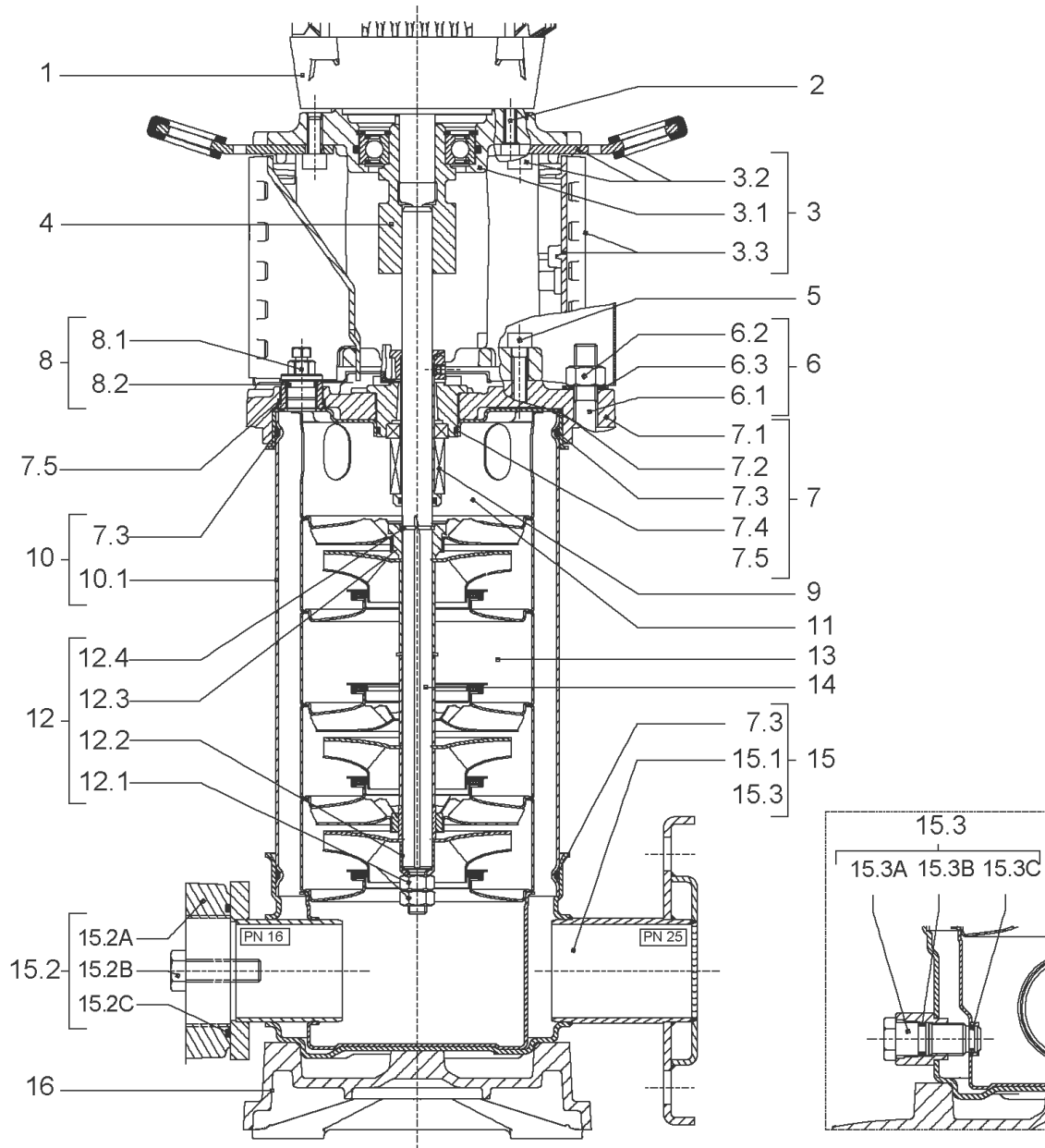


CARTRIDGE HELIX6-10-16 F/V KIT (4159700)

Item	Article no.	Description	Quantity
9.1	4159701	SEAL-KIT-HELIX6-10-16 F/V	1
7.3	4177887	> O-RING ID.145,65X3,53 VITON VP.	1
7.4	4177888	> O-RING ID.37.6xØ2.4 VITON VP.	1
9.1A	2131025	> MECH.SEAL HELIX2-4-6-10-16 F/V VP.	1
9.1B	2131027	> O-RING D.16XD.2,5 FKM VP.	1
9.1C	4177889	> O-RING ID.16x1.25 VITON VP.	1
9.2	2130961	SHAFT SLEEVE D.18/16X72,2 1.4404 VP.	1
9.3	2131024	RING HOLDER D.18 G606/G6 1.4404 VP.	1
9.4	4176520	SCREW CH M5x5 A4-70 (3PIECES)	1
9.5	2130963	DRIVE RING D.29/18x12,4 MACH.VP.	1
9.6	2130964	TOOL M.S.CART.HELIX VP.	1
9.7	2130965	SCREW CHC M5X12 ISO4762 A2.70(4 PIECES)	1



Item	Article no.	Description	Quantity
13.1	4172808	FIRST STAGE HELIX 10 1.4404 KIT	1
		> MACH.STG-CASING-WOGV-WNR-M+10-316	1
		> IMPELLER-H1-M+10-316	1
13.2	4172807	STAGE HELIX 10 .4404 KIT	1
		> MACH.BEARING-STG-CASING-WNR-M+10-316	1
		> IMPELLER-H1-M+10-316	1
		> SHAFT SLEEVE-SPACER-Ø19,35x18,465-316	1
		> SHAFT-SLEEVE-D16xD20x18-CW	1
13.3	4172806	INTERMEDIATE STAGE HELIX10 1.4404 KIT	1
		> MACH.STD-STG-CASING-WGV+NR-M+10-316	1
		> IMPELLER-H1-M+10-316	1
		> IMPELLER SPACER Ø16,05X19,45-L36,465-316	1

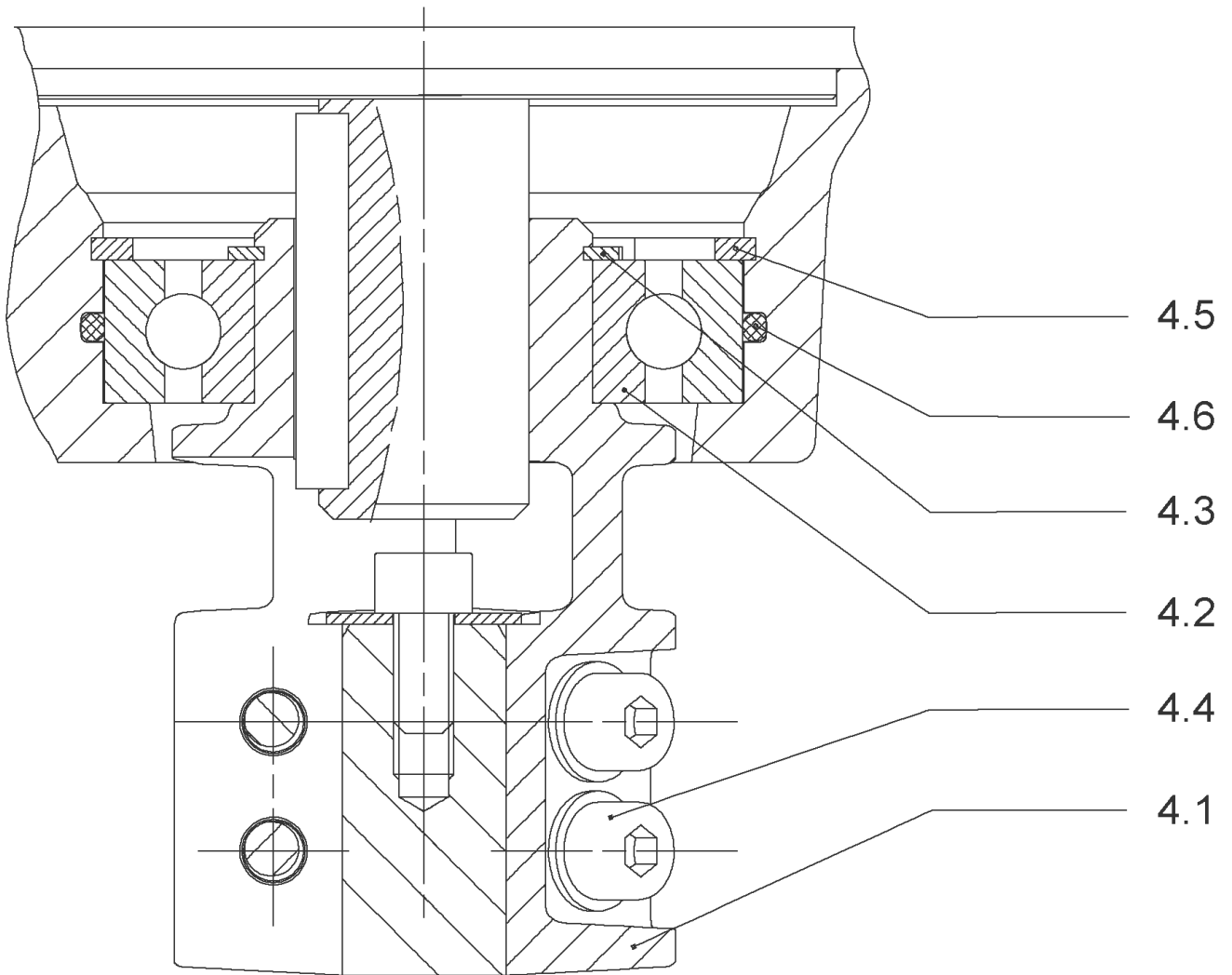


HELIX V1006-2/25/V/KS/400-50 (4150577)

Item	Article no.	Description	Quantity
1	4169943	MOTOR 2,2/2/90 3~230/400V 50HZ IE3 VP.	1
		SPARE PARTS MOTOR:ON REQUEST	1
2	4159703	SCREW M8X40 (4 PIECES)	1
3	4159690	LANTERN FT115 HELIX KIT	1
3.1		> LANTERN FT115 M+6" GJL MACHINING+CATA	1
3.2	2127604	> EYELET CPL.FT HELIX(2 PIECES)	1
3.3	4159692	> COUPLING PROTECTOR FT HELIX KIT	1
4	4159709	COUPLING D.16xD.24 FT115 HELIX KIT	1
5	4159707	SCREW M8X30 (4 PIECES)	1
6	4177822	STUD BOLT M12X413 KIT	1
6.1		> TIE BOLT M12-413x18x30-1.4057	1
6.2	2094647	> NUT M12 M12 ISO4032 VP.	1
6.3	2123557	> WASHER CS-12.4-24-1.6-NFE25 (4 PIECES)	1
7	4159783	END SHIELD HELIX FKM 1.4404 KIT	1
7.1		> END SHIELD M+6" GJL250 MACHINING+CATA	1
7.2	2131056	> STATIONARY RING HOLDER 6" HELIX 1.4404 V	1
7.3	4234237	> O-RING 139X3 VITON VP.	1
7.4	2131026	> O-RING ID.37,6X2,4 FKM VP.	1
7.5	2131057	> O-RING ID.21,35X2 FKM VP.	1
8	4159784	FILING/PURGING PLUG HELIX FKM KIT	1
9	4159700	CARTRIDGE HELIX6-10-16 F/V KIT	1
10	4172796	HOUSING PIPE D.152x285 1.4404 KIT	1
7.3	4234237	> O-RING 139X3 VITON VP.	1
10.1		> HOUSING-PIPE Ø152-M+1006-316L	1
11	4172805	CENTERING STAGE-RETURN HELIX10 1.4404 VP	1
12	4171332	SHAFT EQUIPMENT HELIX V10 BI BLOC KIT	1
4.11	4102901	> SCREW CHC-M6X14-8.8-ISO4762-GEOMET500A	1
4.12	2130995	> SERRATED LOCK WASHER D.6,2XD.14,5X28 VP.	1
12.1		> NUT-H-M10-A4.70	1
12.2		> SERRATED LOCK WASHER M+10M3-316L	1
12.3		> STOP COLLAR OF IMPELLER L16,5-Ø16-316L	1
12.4		> STOP-RUSH-1/2-D16xd2-M+316	1
13		HYDRAULIC HELIX V 1006	1
14	4177922	SHAFT D.16X405 1.4404 VP.	1

HELIX V1006-2/25/V/KS/400-50 (4150577)

Item	Article no.	Description	Quantity
		> MACH.BEARING-STG-CASING-WNR-M+10-316	1
		> IMPELLER-H1-M+10-316	1
		> SHAFT SLEEVE-SPACER-Ø19,35x18,465-316	1
		> SHAFT-SLEEVE-D16xD20x18-CW	1
15	4172809	PUMP HOUSING HELIX DN40 PN25 1.4409 KIT	1
7.3	4176513	> O-RING FOR PUMP JACKET VP.	1
15.1		> BLASTING PPE HOUSING V-PN25-DN40-316L	1
15.3	4159781	> PRIMING/DRAIN PLUG HELIX 16 FKM KIT	1
16	4176517	BASEPLATE V8/10 VP.	1



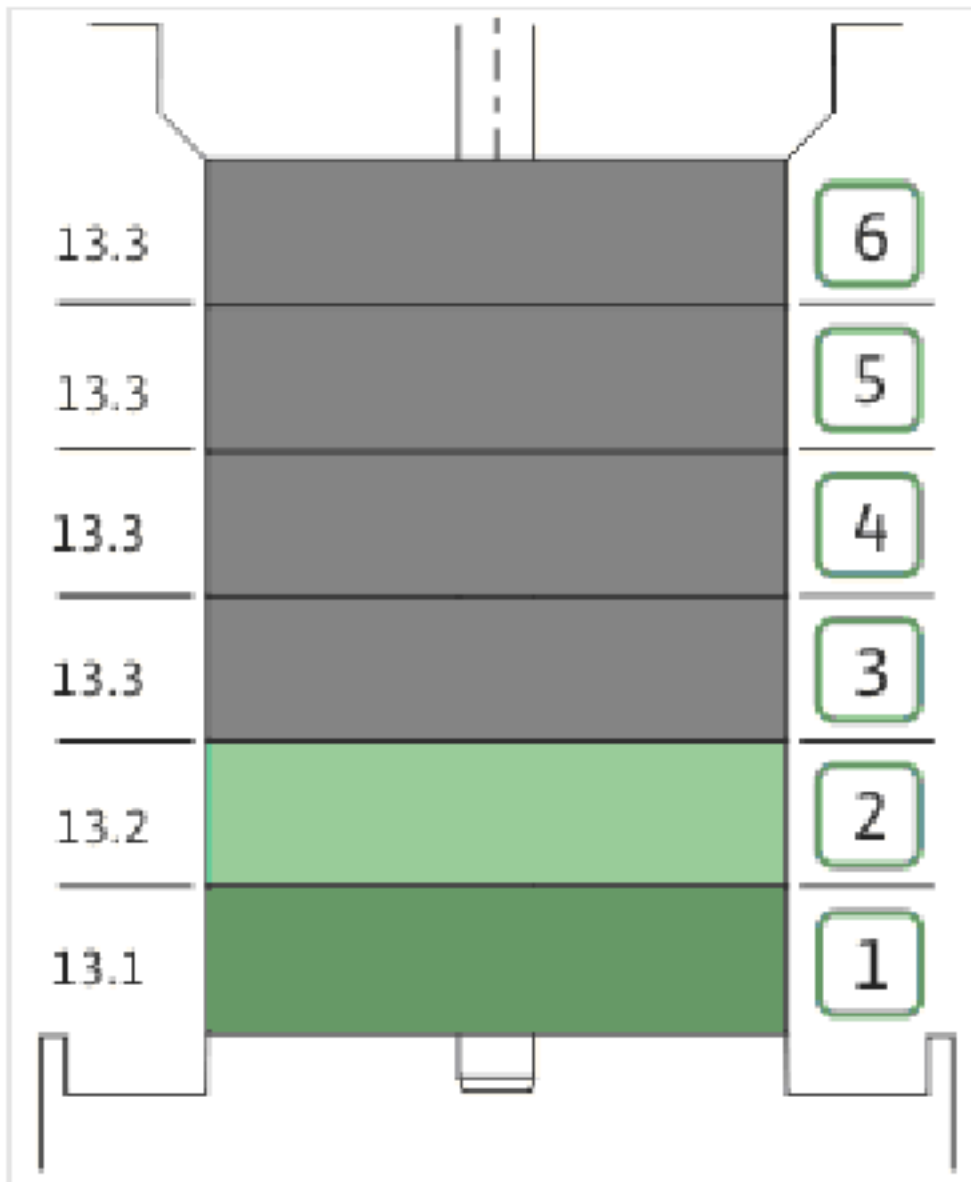
COUPLING D.16xD.24 FT115 HELIX KIT (4159709)

Item	Article no.	Description	Quantity
4.1		COUPLING M+ Ø16XØ24 FT115 MACHINED	1
4.2	2131023	BALL BEARING 6207/ZZ-C3(HT)VP.	1
4.3	4234254	CIRCLIP-FOR-SHAFT-D35x1.5 VP.	1
4.4	4157726	SCREW KIT M8X30 (4 PIECES)	1
4.5	4234251	CIRCLIP-D72x2.5 VP.	1
4.6	4234246	O-RING 72X3 VP.	1
		NOMEL CONTACT WASHER 8x16x1,4 STEEL ZC	1

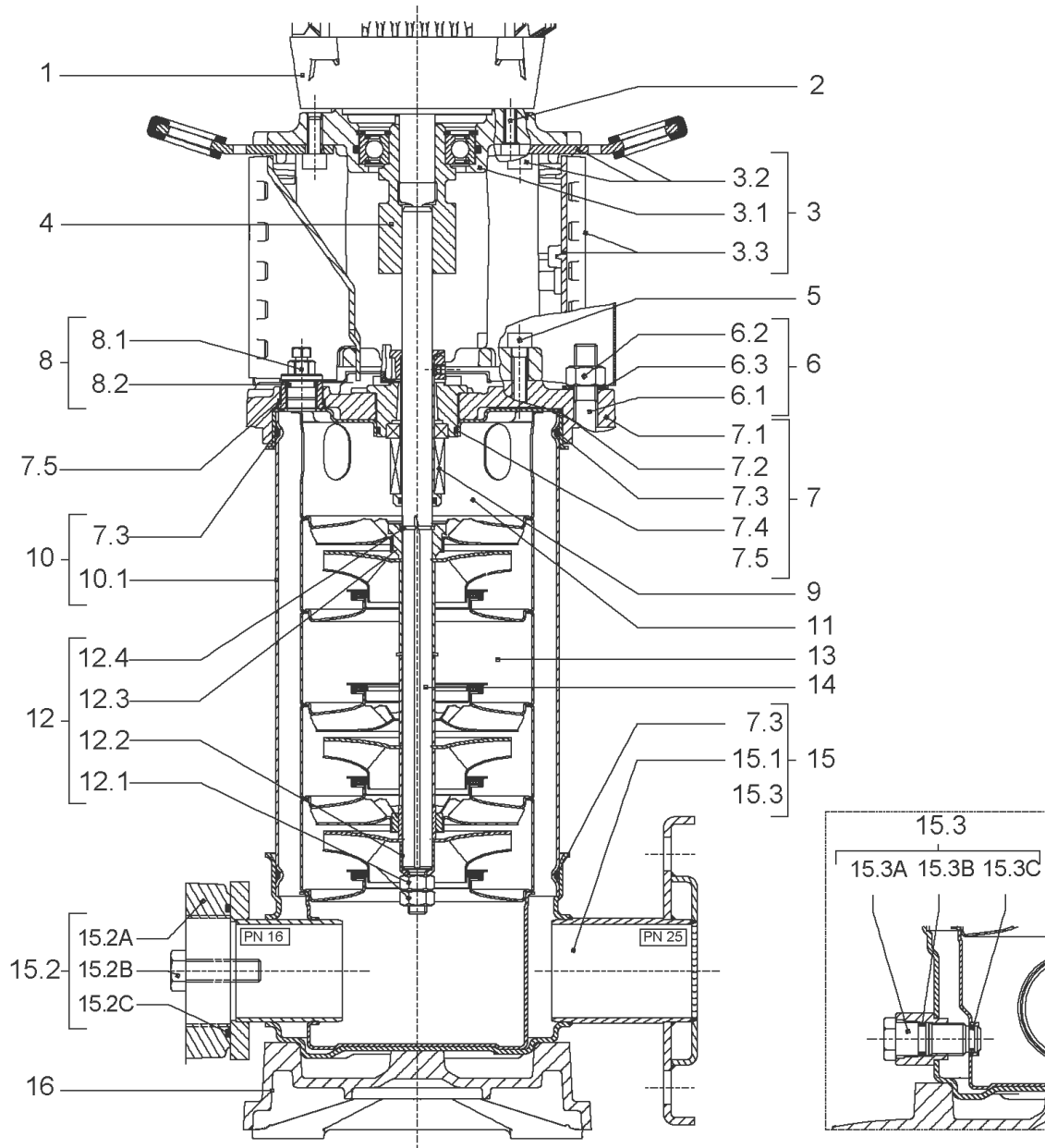


CARTRIDGE HELIX6-10-16 F/V KIT (4159700)

Item	Article no.	Description	Quantity
9.1	4159701	SEAL-KIT-HELIX6-10-16 F/V	1
7.3	4177887	> O-RING ID.145,65X3,53 VITON VP.	1
7.4	4177888	> O-RING ID.37.6xØ2.4 VITON VP.	1
9.1A	2131025	> MECH.SEAL HELIX2-4-6-10-16 F/V VP.	1
9.1B	2131027	> O-RING D.16XD.2,5 FKM VP.	1
9.1C	4177889	> O-RING ID.16x1.25 VITON VP.	1
9.2	2130961	SHAFT SLEEVE D.18/16X72,2 1.4404 VP.	1
9.3	2131024	RING HOLDER D.18 G606/G6 1.4404 VP.	1
9.4	4176520	SCREW CH M5x5 A4-70 (3PIECES)	1
9.5	2130963	DRIVE RING D.29/18x12,4 MACH.VP.	1
9.6	2130964	TOOL M.S.CART.HELIX VP.	1
9.7	2130965	SCREW CHC M5X12 ISO4762 A2.70(4 PIECES)	1



Item	Article no.	Description	Quantity
13.1	4172808	FIRST STAGE HELIX 10 1.4404 KIT	1
		> MACH.STG-CASING-WOGV-WNR-M+10-316	1
		> IMPELLER-H1-M+10-316	1
13.2	4172807	STAGE HELIX 10 .4404 KIT	1
		> MACH.BEARING-STG-CASING-WNR-M+10-316	1
		> IMPELLER-H1-M+10-316	1
		> SHAFT SLEEVE-SPACER-Ø19,35x18,465-316	1
		> SHAFT-SLEEVE-D16xD20x18-CW	1
13.3	4172806	INTERMEDIATE STAGE HELIX10 1.4404 KIT	1
		> MACH.STD-STG-CASING-WGV+NR-M+10-316	1
		> IMPELLER-H1-M+10-316	1
		> IMPELLER SPACER Ø16,05X19,45-L36,465-316	1



HELIX V1007-2/25/V/KS/400-50 (4150580)

Item	Article no.	Description	Quantity
1	4169944	MOTOR 3/2/100 3~230/400V 50HZ IE3 VP.	1
		SPARE PARTS MOTOR:ON REQUEST	1
2	4206025	SCREW M8X45 (4 PIECES)	1
3	4171326	LANTERN FT130 HELIX KIT	1
3.1		> LANTERN FT130 M+6" GJL MACHINING+CATA	1
3.2	2127604	> EYELET CPL.FT HELIX(2 PIECES)	1
3.3	4159692	> COUPLING PROTECTOR FT HELIX KIT	1
4	4159710	COUPLING D.16XD.28 FT130 HELIX KIT	1
5	4159707	SCREW M8X30 (4 PIECES)	1
6	4177806	STUD BOLT M12X450KIT	1
6.1		> TIE BOLT M12-450x18x30-1.4057	1
6.2	2094647	> NUT M12 M12 ISO4032 VP.	1
6.3	2123557	> WASHER CS-12.4-24-1.6-NFE25 (4 PIECES)	1
7	4159783	END SHIELD HELIX FKM 1.4404 KIT	1
7.1		> END SHIELD M+6" GJL250 MACHINING+CATA	1
7.2	2131056	> STATIONARY RING HOLDER 6" HELIX 1.4404 V	1
7.3	4234237	> O-RING 139X3 VITON VP.	1
7.4	2131026	> O-RING ID.37,6X2,4 FKM VP.	1
7.5	2131057	> O-RING ID.21,35X2 FKM VP.	1
8	4159784	FILING/PURGING PLUG HELIX FKM KIT	1
9	4159700	CARTRIDGE HELIX6-10-16 F/V KIT	1
10	4177929	HOUSING PIPES D.152X322 1.4404 KIT	1
7.3	4234237	> O-RING 139X3 VITON VP.	1
10.1		> HOUSING-PIPE Ø152-M+1007-316L	1
11	4172805	CENTERING STAGE-RETURN HELIX10 1.4404 VP	1
12	4171332	SHAFT EQUIPMENT HELIX V10 BI BLOC KIT	1
4.11	4102901	> SCREW CHC-M6X14-8.8-ISO4762-GEOMET500A	1
4.12	2130995	> SERRATED LOCK WASHER D.6,2XD.14,5X28 VP.	1
12.1		> NUT-H-M10-A4.70	1
12.2		> SERRATED LOCK WASHER M+10M3-316L	1
12.3		> STOP COLLAR OF IMPELLER L16,5-Ø16-316L	1
12.4		> STOP-RUSH-1/2-D16xd2-M+316	1
13		HYDRAULIC HELIX V 1007	1
14	4177930	SHAFT D.16X442,5 1.4404 VP.	1

HELIX V1007-2/25/V/KS/400-50 (4150580)

Item	Article no.	Description	Quantity
15	4172809	PUMP HOUSING HELIX DN40 PN25 1.4409 KIT	1
7.3	4176513	> O-RING FOR PUMP JACKET VP.	1
15.1		> BLASTING PPE HOUSING V-PN25-DN40-316L	1
15.3	4159781	> PRIMING/DRAIN PLUG HELIX 16 FKM KIT	1
16	4176517	BASEPLATE V8/10 VP.	1



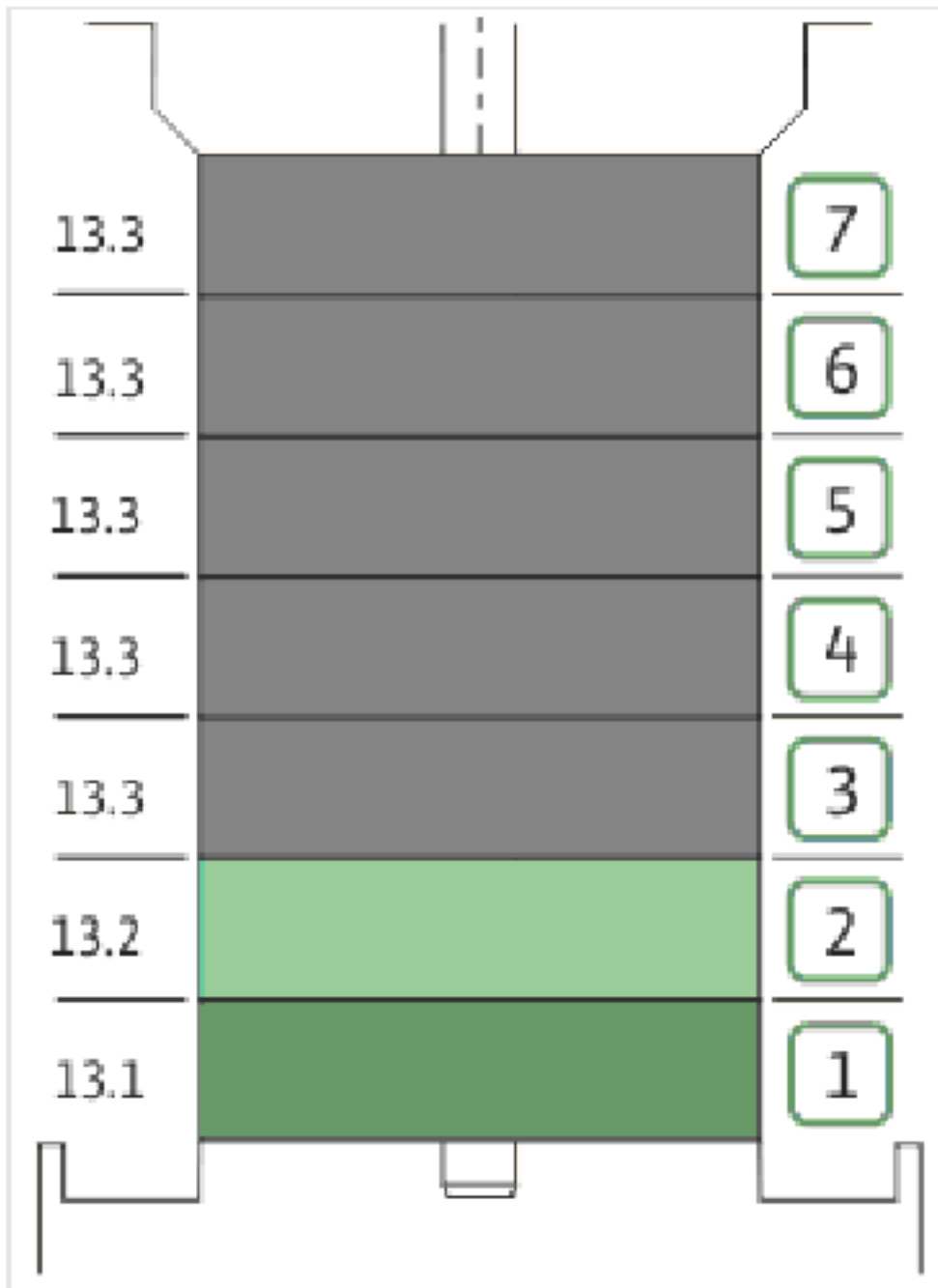
COUPLING D.16XD.28 FT130 HELIX KIT (4159710)

Item	Article no.	Description	Quantity
4.1		COUPLING M+ Ø16XØ28 FT130 MACHINED	1
4.2	2131022	BALL BEARING 6209/ZZ-C3(HT)VP.	1
4.3	4233930	CIRCLIP-FOR-BORES-D45x1,75 VP.	1
4.4	4157726	SCREW KIT M8X30 (4 PIECES)	1
4.5	4234252	CIRCLIPS 85X3 VP.	1
4.6	4234243	O-RING 85X3 VP.	1
		NOMEL CONTACT WASHER 8x16x1,4 STEEL ZC	1

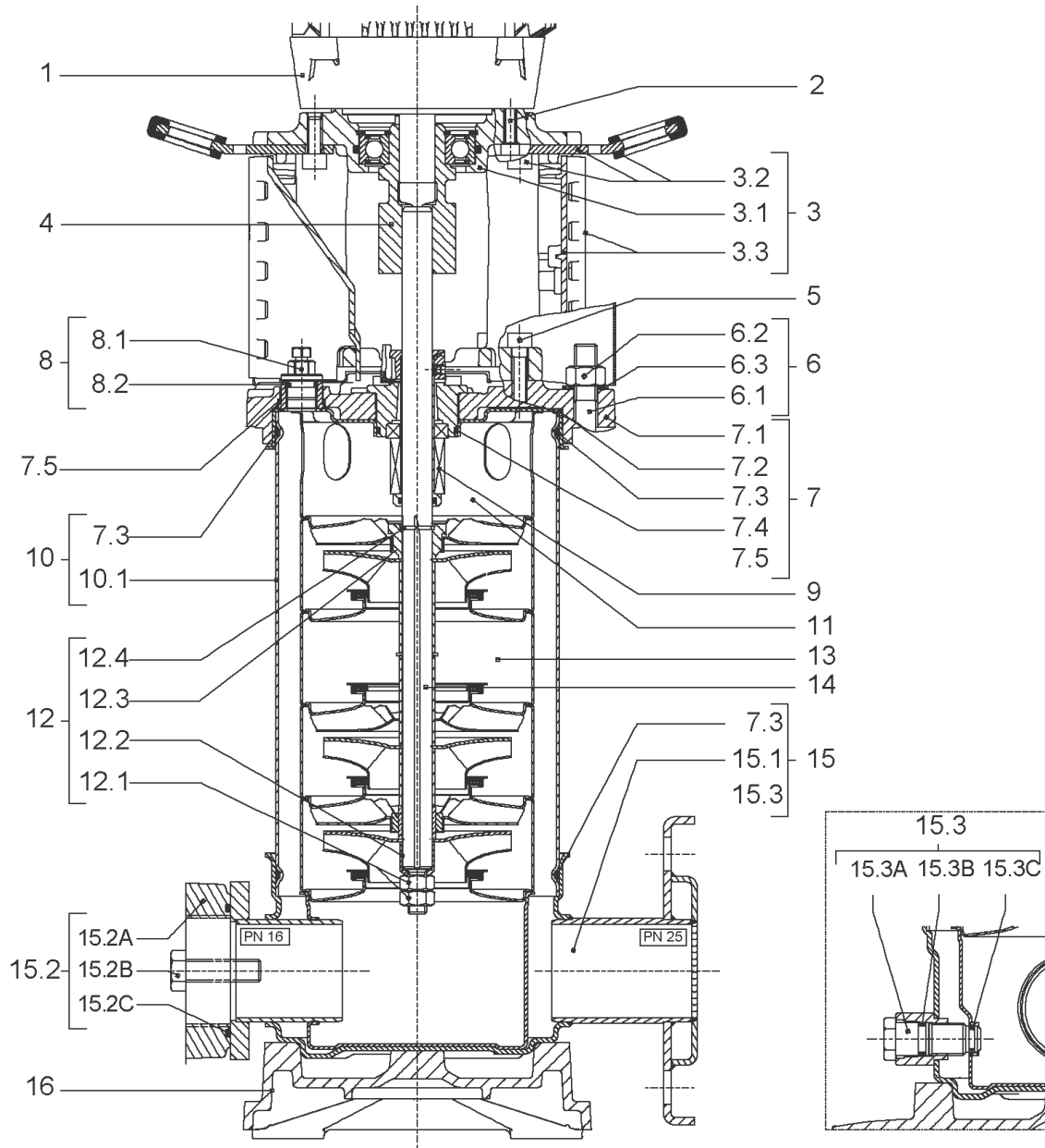


CARTRIDGE HELIX6-10-16 F/V KIT (4159700)

Item	Article no.	Description	Quantity
9.1	4159701	SEAL-KIT-HELIX6-10-16 F/V	1
7.3	4177887	> O-RING ID.145,65X3,53 VITON VP.	1
7.4	4177888	> O-RING ID.37.6xØ2.4 VITON VP.	1
9.1A	2131025	> MECH.SEAL HELIX2-4-6-10-16 F/V VP.	1
9.1B	2131027	> O-RING D.16XD.2,5 FKM VP.	1
9.1C	4177889	> O-RING ID.16x1.25 VITON VP.	1
9.2	2130961	SHAFT SLEEVE D.18/16X72,2 1.4404 VP.	1
9.3	2131024	RING HOLDER D.18 G606/G6 1.4404 VP.	1
9.4	4176520	SCREW CH M5x5 A4-70 (3PIECES)	1
9.5	2130963	DRIVE RING D.29/18x12,4 MACH.VP.	1
9.6	2130964	TOOL M.S.CART.HELIX VP.	1
9.7	2130965	SCREW CHC M5X12 ISO4762 A2.70(4 PIECES)	1



Item	Article no.	Description	Quantity
13.1	4172808	FIRST STAGE HELIX 10 1.4404 KIT	1
		> MACH.STG-CASING-WOGV-WNR-M+10-316	1
		> IMPELLER-H1-M+10-316	1
13.2	4172807	STAGE HELIX 10 .4404 KIT	1
		> MACH.BEARING-STG-CASING-WNR-M+10-316	1
		> IMPELLER-H1-M+10-316	1
		> SHAFT SLEEVE-SPACER-Ø19,35x18,465-316	1
		> SHAFT-SLEEVE-D16xD20x18-CW	1
13.3	4172806	INTERMEDIATE STAGE HELIX10 1.4404 KIT	1
		> MACH.STD-STG-CASING-WGV+NR-M+10-316	1
		> IMPELLER-H1-M+10-316	1
		> IMPELLER SPACER Ø16,05X19,45-L36,465-316	1



HELIX V1008-2/25/V/KS/400-50 (4150581)

Item	Article no.	Description	Quantity
1	4169944	MOTOR 3/2/100 3~230/400V 50HZ IE3 VP.	1
		SPARE PARTS MOTOR:ON REQUEST	1
2	4206025	SCREW M8X45 (4 PIECES)	1
3	4171326	LANTERN FT130 HELIX KIT	1
3.1		> LANTERN FT130 M+6" GJL MACHINING+CATA	1
3.2	2127604	> EYELET CPL.FT HELIX(2 PIECES)	1
3.3	4159692	> COUPLING PROTECTOR FT HELIX KIT	1
4	4159710	COUPLING D.16XD.28 FT130 HELIX KIT	1
5	4159707	SCREW M8X30 (4 PIECES)	1
6	2127555	STUD BOLT M12X485 KIT	1
7	4159783	END SHIELD HELIX FKM 1.4404 KIT	1
7.1		> END SHIELD M+6" GJL250 MACHINING+CATA	1
7.2	2131056	> STATIONARY RING HOLDER 6" HELIX 1.4404 V	1
7.3	4234237	> O-RING 139X3 VITON VP.	1
7.4	2131026	> O-RING ID.37,6X2,4 FKM VP.	1
7.5	2131057	> O-RING ID.21,35X2 FKM VP.	1
8	4159784	FILING/PURGING PLUG HELIX FKM KIT	1
9	4159700	CARTRIDGE HELIX6-10-16 F/V KIT	1
10	4177932	HOUSING PIPES D.152X360 1.4404 KIT	1
7.3	4234237	> O-RING 139X3 VITON VP.	1
10.1		> HOUSING-PIPE Ø152-M+1008/1606-316L	1
11	4172805	CENTERING STAGE-RETURN HELIX10 1.4404 VP	1
12	4171332	SHAFT EQUIPMENT HELIX V10 BI BLOC KIT	1
4.11	4102901	> SCREW CHC-M6X14-8.8-ISO4762-GEOMET500A	1
4.12	2130995	> SERRATED LOCK WASHER D.6,2XD.14,5X28 VP.	1
12.1		> NUT-H-M10-A4.70	1
12.2		> SERRATED LOCK WASHER M+10M3-316L	1
12.3		> STOP COLLAR OF IMPELLER L16,5-Ø16-316L	1
12.4		> STOP-RUSH-1/2-D16xd2-M+316	1
13		HYDRAULIC HELIX V 1008	1
14	2131035	SHAFT D.16X480 1.4404 VP.	1
15	4172809	PUMP HOUSING HELIX DN40 PN25 1.4409 KIT	1
7.3	4176513	> O-RING FOR PUMP JACKET VP.	1
15.1		> BLASTING PPE HOUSING V-PN25-DN40-316L	1

HELIX V1008-2/25/V/KS/400-50 (4150581)

Item	Article no.	Description	Quantity
15.3	4159781	> PRIMING/DRAIN PLUG HELIX 16 FKM KIT	1
16	4176517	BASEPLATE V8/10 VP.	1



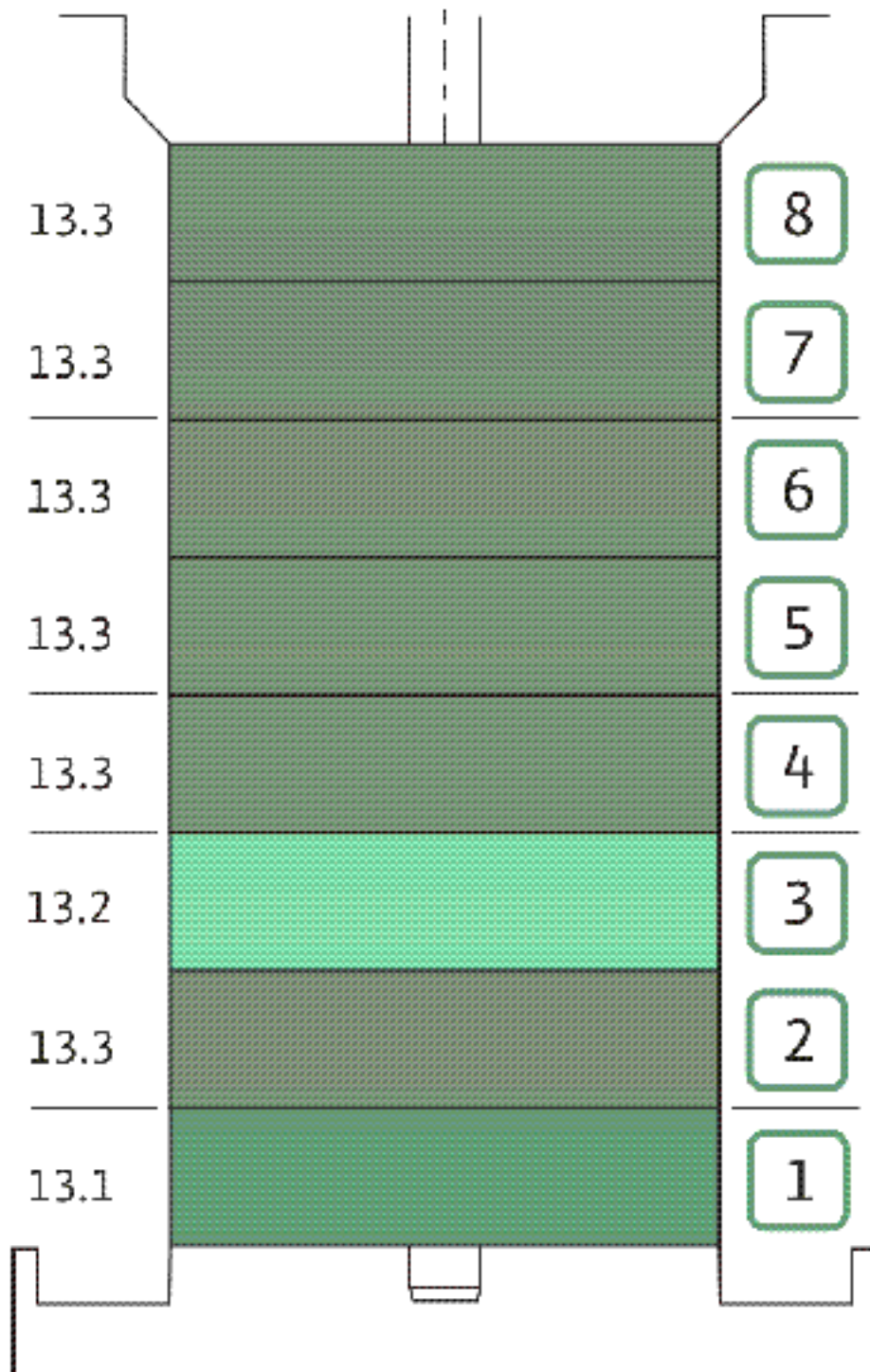
COUPLING D.16XD.28 FT130 HELIX KIT (4159710)

Item	Article no.	Description	Quantity
4.1		COUPLING M+ Ø16XØ28 FT130 MACHINED	1
4.2	2131022	BALL BEARING 6209/ZZ-C3(HT)VP.	1
4.3	4233930	CIRCLIP-FOR-BORES-D45x1,75 VP.	1
4.4	4157726	SCREW KIT M8X30 (4 PIECES)	1
4.5	4234252	CIRCLIPS 85X3 VP.	1
4.6	4234243	O-RING 85X3 VP.	1
		NOMEL CONTACT WASHER 8x16x1,4 STEEL ZC	1

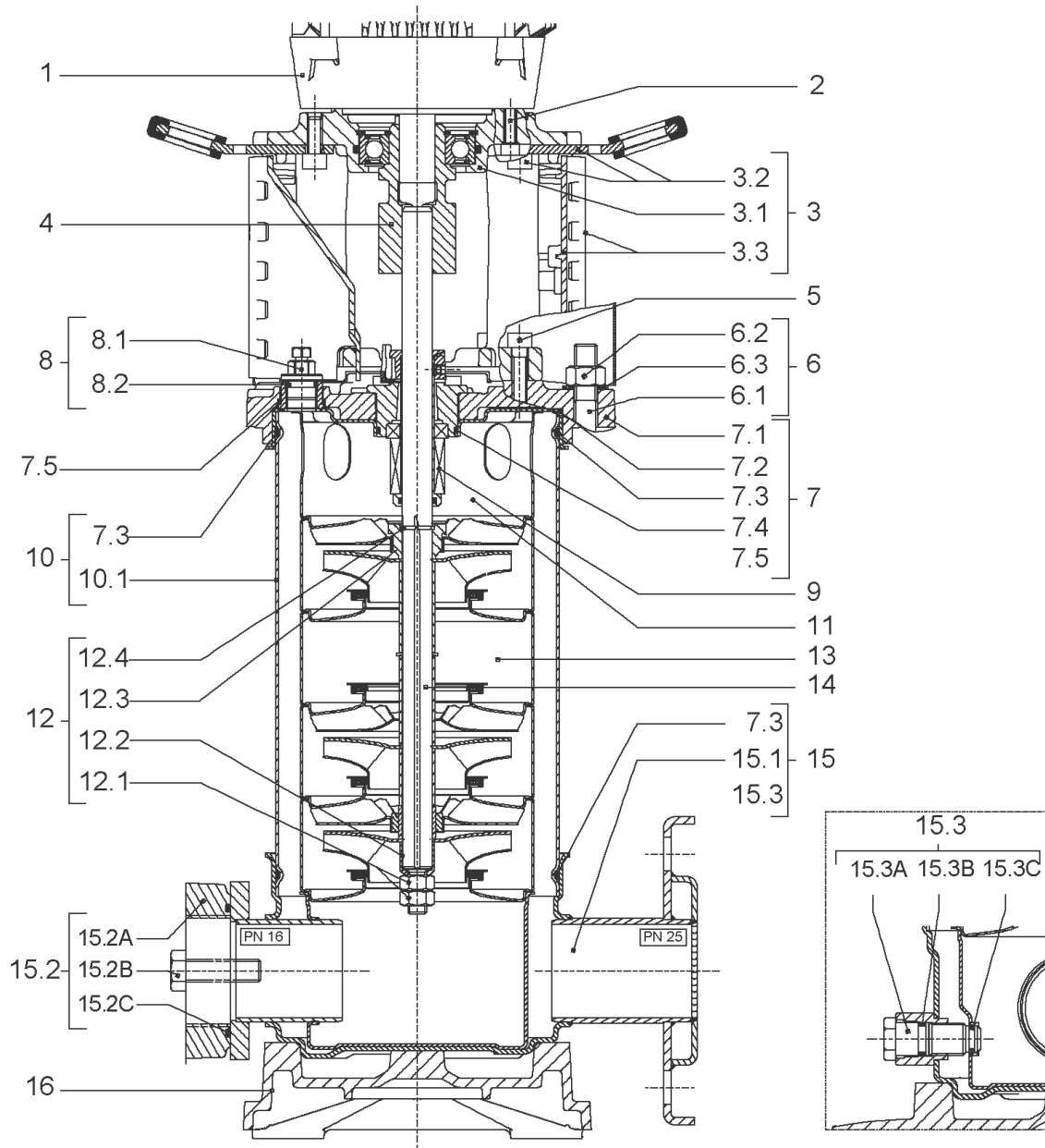


CARTRIDGE HELIX6-10-16 F/V KIT (4159700)

Item	Article no.	Description	Quantity
9.1	4159701	SEAL-KIT-HELIX6-10-16 F/V	1
7.3	4177887	> O-RING ID.145,65X3,53 VITON VP.	1
7.4	4177888	> O-RING ID.37.6xØ2.4 VITON VP.	1
9.1A	2131025	> MECH.SEAL HELIX2-4-6-10-16 F/V VP.	1
9.1B	2131027	> O-RING D.16XD.2,5 FKM VP.	1
9.1C	4177889	> O-RING ID.16x1.25 VITON VP.	1
9.2	2130961	SHAFT SLEEVE D.18/16X72,2 1.4404 VP.	1
9.3	2131024	RING HOLDER D.18 G606/G6 1.4404 VP.	1
9.4	4176520	SCREW CH M5x5 A4-70 (3PIECES)	1
9.5	2130963	DRIVE RING D.29/18x12,4 MACH.VP.	1
9.6	2130964	TOOL M.S.CART.HELIX VP.	1
9.7	2130965	SCREW CHC M5X12 ISO4762 A2.70(4 PIECES)	1



Item	Article no.	Description	Quantity
13.1	4172808	FIRST STAGE HELIX 10 1.4404 KIT	1
		> MACH.STG-CASING-WOGV-WNR-M+10-316	1
		> IMPELLER-H1-M+10-316	1
13.2	4172807	STAGE HELIX 10 .4404 KIT	1
		> MACH.BEARING-STG-CASING-WNR-M+10-316	1
		> IMPELLER-H1-M+10-316	1
		> SHAFT SLEEVE-SPACER-Ø19,35x18,465-316	1
		> SHAFT-SLEEVE-D16xD20x18-CW	1
13.3	4172806	INTERMEDIATE STAGE HELIX10 1.4404 KIT	1
		> MACH.STD-STG-CASING-WGV+NR-M+10-316	1
		> IMPELLER-H1-M+10-316	1
		> IMPELLER SPACER Ø16,05X19,45-L36,465-316	1



HELIX V1009-2/25/V/KS/400-50 (4150582)

Item	Article no.	Description	Quantity
1	4169945	MO.4/2 3~230/400(460)V 50(60)HZ IE3 VP.	1
		SPARE PARTS MOTOR:ON REQUEST	1
2	4206025	SCREW M8X45 (4 PIECES)	1
3	4171326	LANTERN FT130 HELIX KIT	1
3.1		> LANTERN FT130 M+6" GJL MACHINING+CATA	1
3.2	2127604	> EYELET CPL.FT HELIX(2 PIECES)	1
3.3	4159692	> COUPLING PROTECTOR FT HELIX KIT	1
4	4159710	COUPLING D.16XD.28 FT130 HELIX KIT	1
5	4159707	SCREW M8X30 (4 PIECES)	1
6	4177832	STUD BOLT M12X527KIT	1
6.1		> TIE BOLT M12-527x18x30-1.4057	1
6.2	2094647	> NUT M12 M12 ISO4032 VP.	1
6.3	2123557	> WASHER CS-12.4-24-1.6-NFE25 (4 PIECES)	1
7	4159783	END SHIELD HELIX FKM 1.4404 KIT	1
7.1		> END SHIELD M+6" GJL250 MACHINING+CATA	1
7.2	2131056	> STATIONARY RING HOLDER 6" HELIX 1.4404 V	1
7.3	4234237	> O-RING 139X3 VITON VP.	1
7.4	2131026	> O-RING ID.37,6X2,4 FKM VP.	1
7.5	2131057	> O-RING ID.21,35X2 FKM VP.	1
8	4159784	FILING/PURGING PLUG HELIX FKM KIT	1
9	4159700	CARTRIDGE HELIX6-10-16 F/V KIT	1
10	4177935	HOUSING PIPES D.152X397 1.4404 KIT	1
7.3	4234237	> O-RING 139X3 VITON VP.	1
10.1		> HOUSING-PIPE Ø152-M+1009-316L	1
11	4172805	CENTERING STAGE-RETURN HELIX10 1.4404 VP	1
12	4171332	SHAFT EQUIPMENT HELIX V10 BI BLOC KIT	1
4.11	4102901	> SCREW CHC-M6X14-8.8-ISO4762-GEOMET500A	1
4.12	2130995	> SERRATED LOCK WASHER D.6,2XD.14,5X28 VP.	1
12.1		> NUT-H-M10-A4.70	1
12.2		> SERRATED LOCK WASHER M+10M3-316L	1
12.3		> STOP COLLAR OF IMPELLER L16,5-Ø16-316L	1
12.4		> STOP-RUSH-1/2-D16xd2-M+316	1
13		HYDRAULIC HELIX V 1009	1
14	4177934	SHAFT D.16X517,5 1.4404 VP.	1

HELIX V1009-2/25/V/KS/400-50 (4150582)

Item	Article no.	Description	Quantity
15	4172809	PUMP HOUSING HELIX DN40 PN25 1.4409 KIT	1
7.3	4176513	> O-RING FOR PUMP JACKET VP.	1
15.1		> BLASTING PPE HOUSING V-PN25-DN40-316L	1
15.3	4159781	> PRIMING/DRAIN PLUG HELIX 16 FKM KIT	1
16	4176517	BASEPLATE V8/10 VP.	1



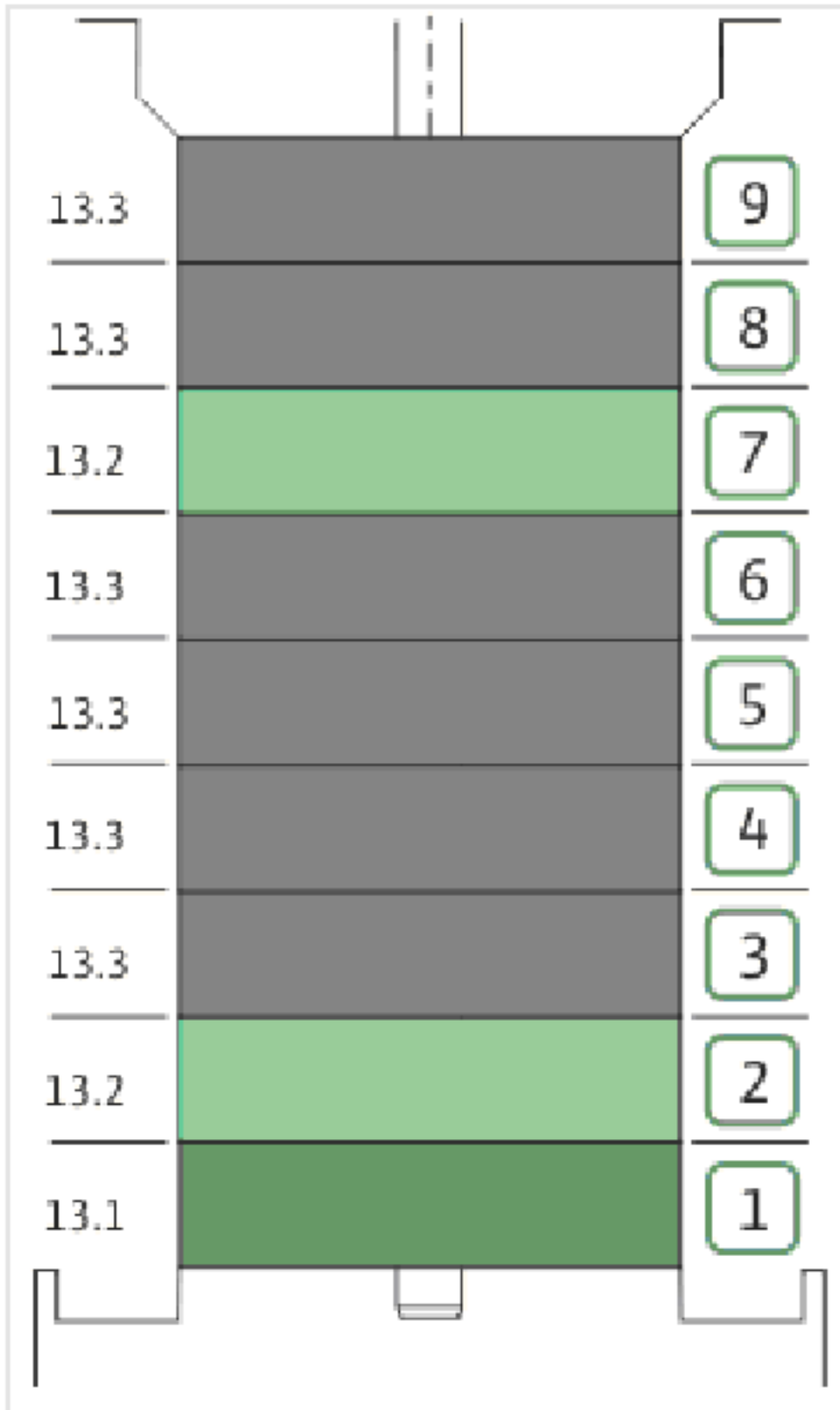
COUPLING D.16XD.28 FT130 HELIX KIT (4159710)

Item	Article no.	Description	Quantity
4.1		COUPLING M+ Ø16XØ28 FT130 MACHINED	1
4.2	2131022	BALL BEARING 6209/ZZ-C3(HT)VP.	1
4.3	4233930	CIRCLIP-FOR-BORES-D45x1,75 VP.	1
4.4	4157726	SCREW KIT M8X30 (4 PIECES)	1
4.5	4234252	CIRCLIPS 85X3 VP.	1
4.6	4234243	O-RING 85X3 VP.	1
		NOMEL CONTACT WASHER 8x16x1,4 STEEL ZC	1

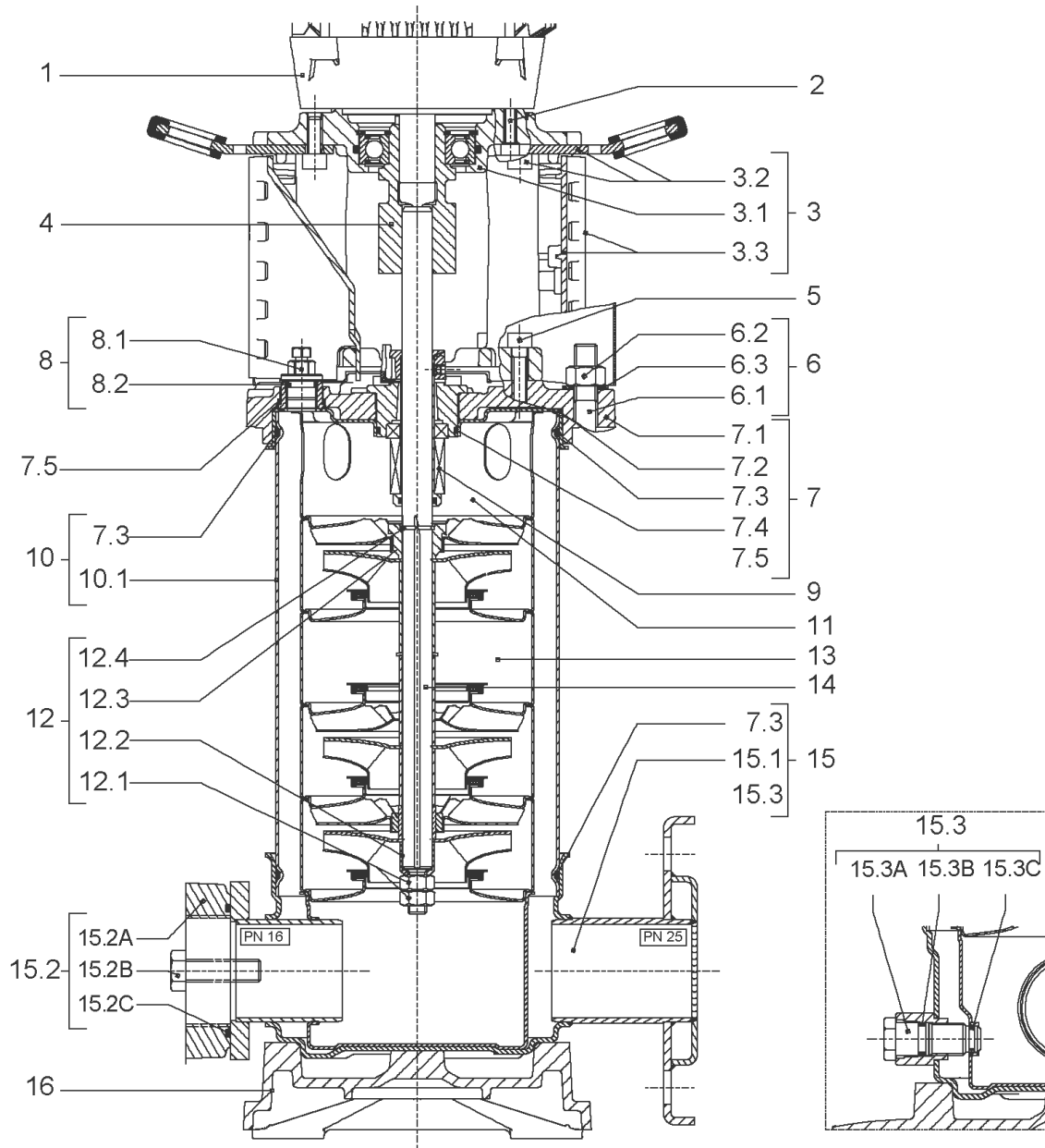


CARTRIDGE HELIX6-10-16 F/V KIT (4159700)

Item	Article no.	Description	Quantity
9.1	4159701	SEAL-KIT-HELIX6-10-16 F/V	1
7.3	4177887	> O-RING ID.145,65X3,53 VITON VP.	1
7.4	4177888	> O-RING ID.37.6xØ2.4 VITON VP.	1
9.1A	2131025	> MECH.SEAL HELIX2-4-6-10-16 F/V VP.	1
9.1B	2131027	> O-RING D.16XD.2,5 FKM VP.	1
9.1C	4177889	> O-RING ID.16x1.25 VITON VP.	1
9.2	2130961	SHAFT SLEEVE D.18/16X72,2 1.4404 VP.	1
9.3	2131024	RING HOLDER D.18 G606/G6 1.4404 VP.	1
9.4	4176520	SCREW CH M5x5 A4-70 (3PIECES)	1
9.5	2130963	DRIVE RING D.29/18x12,4 MACH.VP.	1
9.6	2130964	TOOL M.S.CART.HELIX VP.	1
9.7	2130965	SCREW CHC M5X12 ISO4762 A2.70(4 PIECES)	1



Item	Article no.	Description	Quantity
13.1	4172808	FIRST STAGE HELIX 10 1.4404 KIT	1
		> MACH.STG-CASING-WOGV-WNR-M+10-316	1
		> IMPELLER-H1-M+10-316	1
13.2	4172807	STAGE HELIX 10 .4404 KIT	1
		> MACH.BEARING-STG-CASING-WNR-M+10-316	1
		> IMPELLER-H1-M+10-316	1
		> SHAFT SLEEVE-SPACER-Ø19,35x18,465-316	1
		> SHAFT-SLEEVE-D16xD20x18-CW	1
13.3	4172806	INTERMEDIATE STAGE HELIX10 1.4404 KIT	1
		> MACH.STD-STG-CASING-WGV+NR-M+10-316	1
		> IMPELLER-H1-M+10-316	1
		> IMPELLER SPACER Ø16,05X19,45-L36,465-316	1



HELIX V1010-2/25/V/KS/400-50 (4150583)

Item	Article no.	Description	Quantity
1	4169945	MO.4/2 3~230/400(460)V 50(60)HZ IE3 VP.	1
		SPARE PARTS MOTOR:ON REQUEST	1
2	4206025	SCREW M8X45 (4 PIECES)	1
3	4171326	LANTERN FT130 HELIX KIT	1
3.1		> LANTERN FT130 M+6" GJL MACHINING+CATA	1
3.2	2127604	> EYELET CPL.FT HELIX(2 PIECES)	1
3.3	4159692	> COUPLING PROTECTOR FT HELIX KIT	1
4	4159710	COUPLING D.16XD.28 FT130 HELIX KIT	1
5	4159707	SCREW M8X30 (4 PIECES)	1
6	4177849	STUD BOLT M12X563KIT	1
6.1		> TIE BOLT M12-563x18x30-1.4057	1
6.2	2094647	> NUT M12 M12 ISO4032 VP.	1
6.3	2123557	> WASHER CS-12.4-24-1.6-NFE25 (4 PIECES)	1
7	4159783	END SHIELD HELIX FKM 1.4404 KIT	1
7.1		> END SHIELD M+6" GJL250 MACHINING+CATA	1
7.2	2131056	> STATIONARY RING HOLDER 6" HELIX 1.4404 V	1
7.3	4234237	> O-RING 139X3 VITON VP.	1
7.4	2131026	> O-RING ID.37,6X2,4 FKM VP.	1
7.5	2131057	> O-RING ID.21,35X2 FKM VP.	1
8	4159784	FILING/PURGING PLUG HELIX FKM KIT	1
9	4159700	CARTRIDGE HELIX6-10-16 F/V KIT	1
10	4177938	HOUSING PIPES D.152X435 1.4404 KIT	1
7.3	4234237	> O-RING 139X3 VITON VP.	1
10.1		> HOUSING-PIPE Ø152-M+1010-316L	1
11	4172805	CENTERING STAGE-RETURN HELIX10 1.4404 VP	1
12	4171332	SHAFT EQUIPMENT HELIX V10 BI BLOC KIT	1
4.11	4102901	> SCREW CHC-M6X14-8.8-ISO4762-GEOMET500A	1
4.12	2130995	> SERRATED LOCK WASHER D.6,2XD.14,5X28 VP.	1
12.1		> NUT-H-M10-A4.70	1
12.2		> SERRATED LOCK WASHER M+10M3-316L	1
12.3		> STOP COLLAR OF IMPELLER L16,5-Ø16-316L	1
12.4		> STOP-RUSH-1/2-D16xd2-M+316	1
13		HYDRAULIC HELIX V 1010	1
14	4177937	SHAFT D.16X555 1.4404 VP.	1

HELIX V1010-2/25/V/KS/400-50 (4150583)

Item	Article no.	Description	Quantity
15	4172809	PUMP HOUSING HELIX DN40 PN25 1.4409 KIT	1
7.3	4176513	> O-RING FOR PUMP JACKET VP.	1
15.1		> BLASTING PPE HOUSING V-PN25-DN40-316L	1
15.3	4159781	> PRIMING/DRAIN PLUG HELIX 16 FKM KIT	1
16	4176517	BASEPLATE V8/10 VP.	1



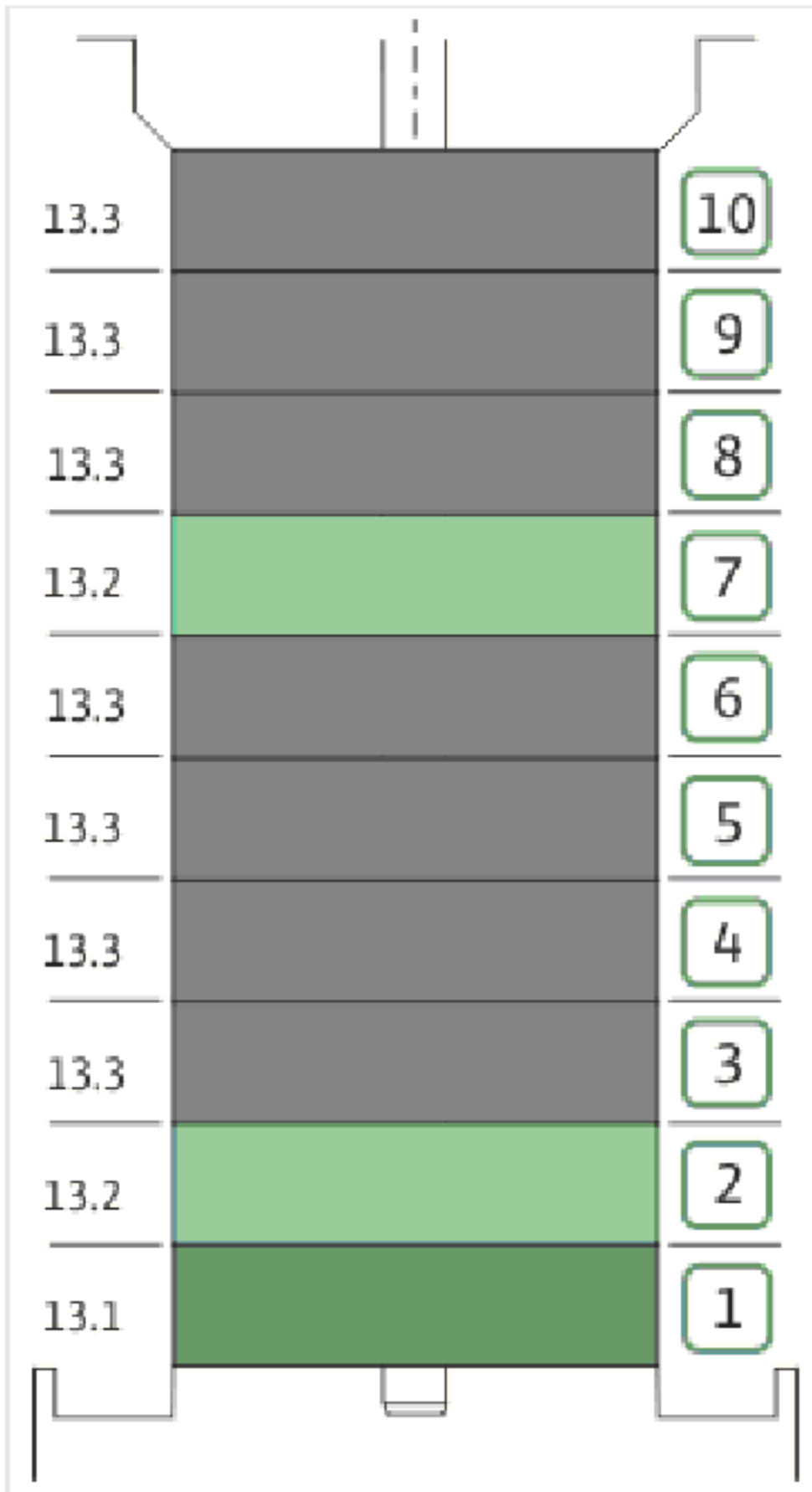
COUPLING D.16XD.28 FT130 HELIX KIT (4159710)

Item	Article no.	Description	Quantity
4.1		COUPLING M+ Ø16XØ28 FT130 MACHINED	1
4.2	2131022	BALL BEARING 6209/ZZ-C3(HT)VP.	1
4.3	4233930	CIRCLIP-FOR-BORES-D45x1,75 VP.	1
4.4	4157726	SCREW KIT M8X30 (4 PIECES)	1
4.5	4234252	CIRCLIPS 85X3 VP.	1
4.6	4234243	O-RING 85X3 VP.	1
		NOMEL CONTACT WASHER 8x16x1,4 STEEL ZC	1

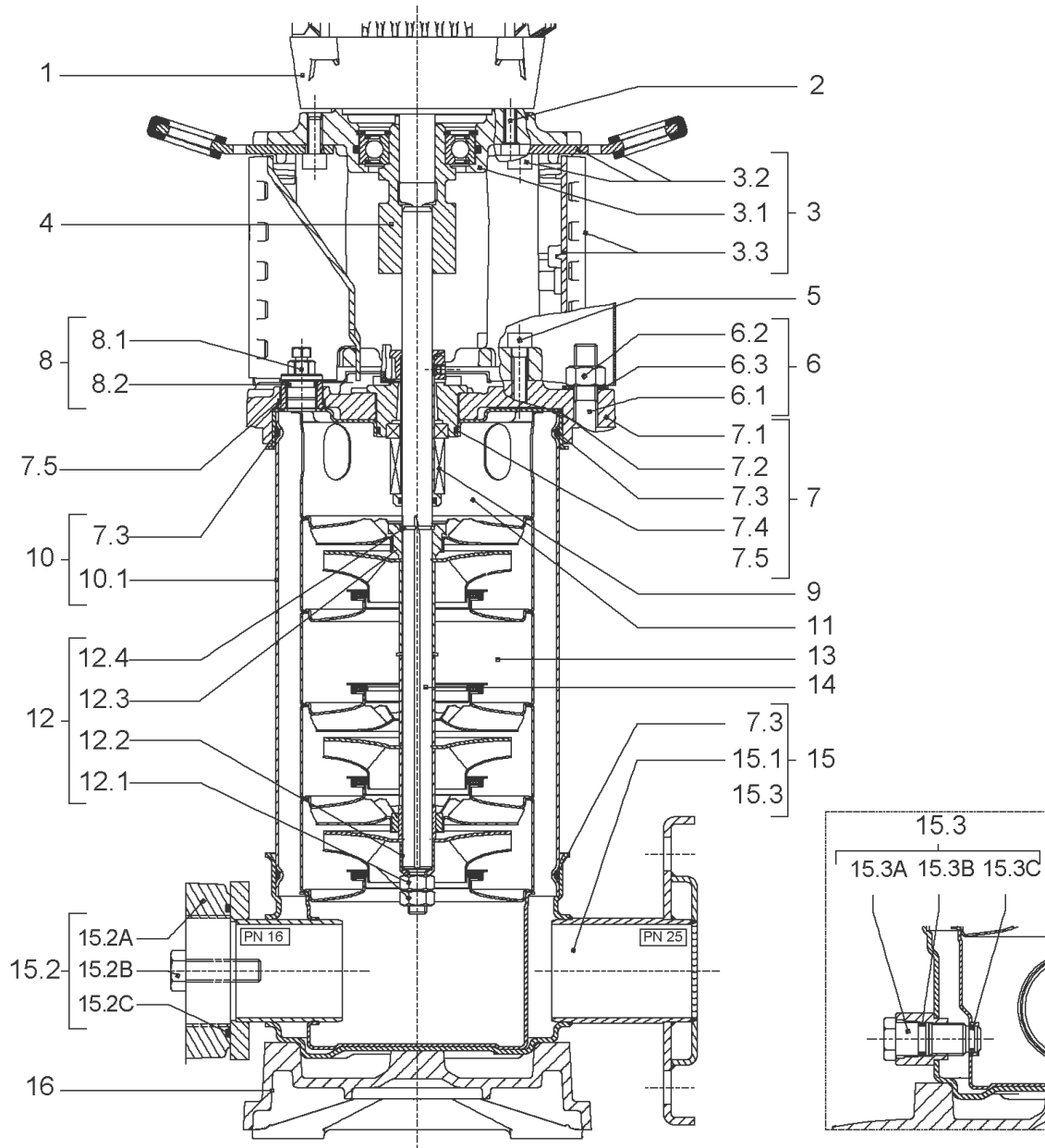


CARTRIDGE HELIX6-10-16 F/V KIT (4159700)

Item	Article no.	Description	Quantity
9.1	4159701	SEAL-KIT-HELIX6-10-16 F/V	1
7.3	4177887	> O-RING ID.145,65X3,53 VITON VP.	1
7.4	4177888	> O-RING ID.37.6xØ2.4 VITON VP.	1
9.1A	2131025	> MECH.SEAL HELIX2-4-6-10-16 F/V VP.	1
9.1B	2131027	> O-RING D.16XD.2,5 FKM VP.	1
9.1C	4177889	> O-RING ID.16x1.25 VITON VP.	1
9.2	2130961	SHAFT SLEEVE D.18/16X72,2 1.4404 VP.	1
9.3	2131024	RING HOLDER D.18 G606/G6 1.4404 VP.	1
9.4	4176520	SCREW CH M5x5 A4-70 (3PIECES)	1
9.5	2130963	DRIVE RING D.29/18x12,4 MACH.VP.	1
9.6	2130964	TOOL M.S.CART.HELIX VP.	1
9.7	2130965	SCREW CHC M5X12 ISO4762 A2.70(4 PIECES)	1



Item	Article no.	Description	Quantity
13.1	4172808	FIRST STAGE HELIX 10 1.4404 KIT	1
		> MACH.STG-CASING-WOGV-WNR-M+10-316	1
		> IMPELLER-H1-M+10-316	1
13.2	4172807	STAGE HELIX 10 .4404 KIT	1
		> MACH.BEARING-STG-CASING-WNR-M+10-316	1
		> IMPELLER-H1-M+10-316	1
		> SHAFT SLEEVE-SPACER-Ø19,35x18,465-316	1
		> SHAFT-SLEEVE-D16xD20x18-CW	1
13.3	4172806	INTERMEDIATE STAGE HELIX10 1.4404 KIT	1
		> MACH.STD-STG-CASING-WGV+NR-M+10-316	1
		> IMPELLER-H1-M+10-316	1
		> IMPELLER SPACER Ø16,05X19,45-L36,465-316	1

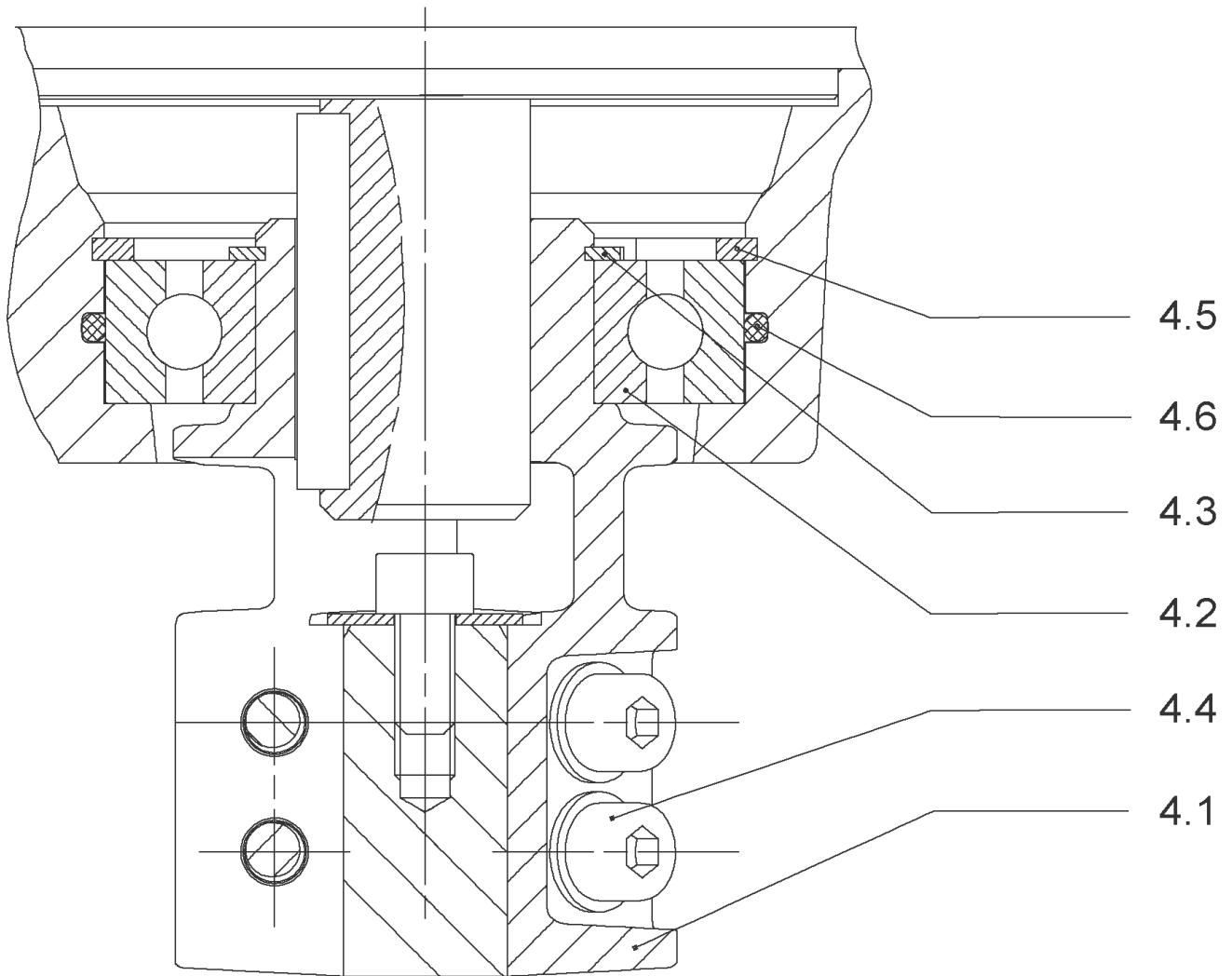


HELIX V1011-2/25/V/KS/400-50 (4150584)

Item	Article no.	Description	Quantity
1	4169945	MO.4/2 3~230/400(460)V 50(60)HZ IE3 VP.	1
		SPARE PARTS MOTOR:ON REQUEST	1
2	4206025	SCREW M8X45 (4 PIECES)	1
3	4171326	LANTERN FT130 HELIX KIT	1
3.1		> LANTERN FT130 M+6" GJL MACHINING+CATA	1
3.2	2127604	> EYELET CPL.FT HELIX(2 PIECES)	1
3.3	4159692	> COUPLING PROTECTOR FT HELIX KIT	1
4	4159710	COUPLING D.16XD.28 FT130 HELIX KIT	1
5	4159707	SCREW M8X30 (4 PIECES)	1
6	4177842	STUD BOLT M12X638KIT	1
6.1		> TIE BOLT M12-638x18x30-1.4057	1
6.2	2094647	> NUT M12 M12 ISO4032 VP.	1
6.3	2123557	> WASHER CS-12.4-24-1.6-NFE25 (4 PIECES)	1
7	4159783	END SHIELD HELIX FKM 1.4404 KIT	1
7.1		> END SHIELD M+6" GJL250 MACHINING+CATA	1
7.2	2131056	> STATIONARY RING HOLDER 6" HELIX 1.4404 V	1
7.3	4234237	> O-RING 139X3 VITON VP.	1
7.4	2131026	> O-RING ID.37,6X2,4 FKM VP.	1
7.5	2131057	> O-RING ID.21,35X2 FKM VP.	1
8	4159784	FILING/PURGING PLUG HELIX FKM KIT	1
9	4159700	CARTRIDGE HELIX6-10-16 F/V KIT	1
10	4177940	HOUSING-PIPE D.152X510 1.4404 KIT	1
7.3	4234237	> O-RING 139X3 VITON VP.	1
10.1		> HOUSING-PIPE Ø152-M+1012/1609-316L	1
11	4172805	CENTERING STAGE-RETURN HELIX10 1.4404 VP	1
12	4171332	SHAFT EQUIPMENT HELIX V10 BI BLOC KIT	1
4.11	4102901	> SCREW CHC-M6X14-8.8-ISO4762-GEOMET500A	1
4.12	2130995	> SERRATED LOCK WASHER D.6,2XD.14,5X28 VP.	1
12.1		> NUT-H-M10-A4.70	1
12.2		> SERRATED LOCK WASHER M+10M3-316L	1
12.3		> STOP COLLAR OF IMPELLER L16,5-Ø16-316L	1
12.4		> STOP-RUSH-1/2-D16xd2-M+316	1
13		HYDRAULIC HELIX V 1011	1
14	2131038	SHAFT D.16X630 1.4404 VP.	1

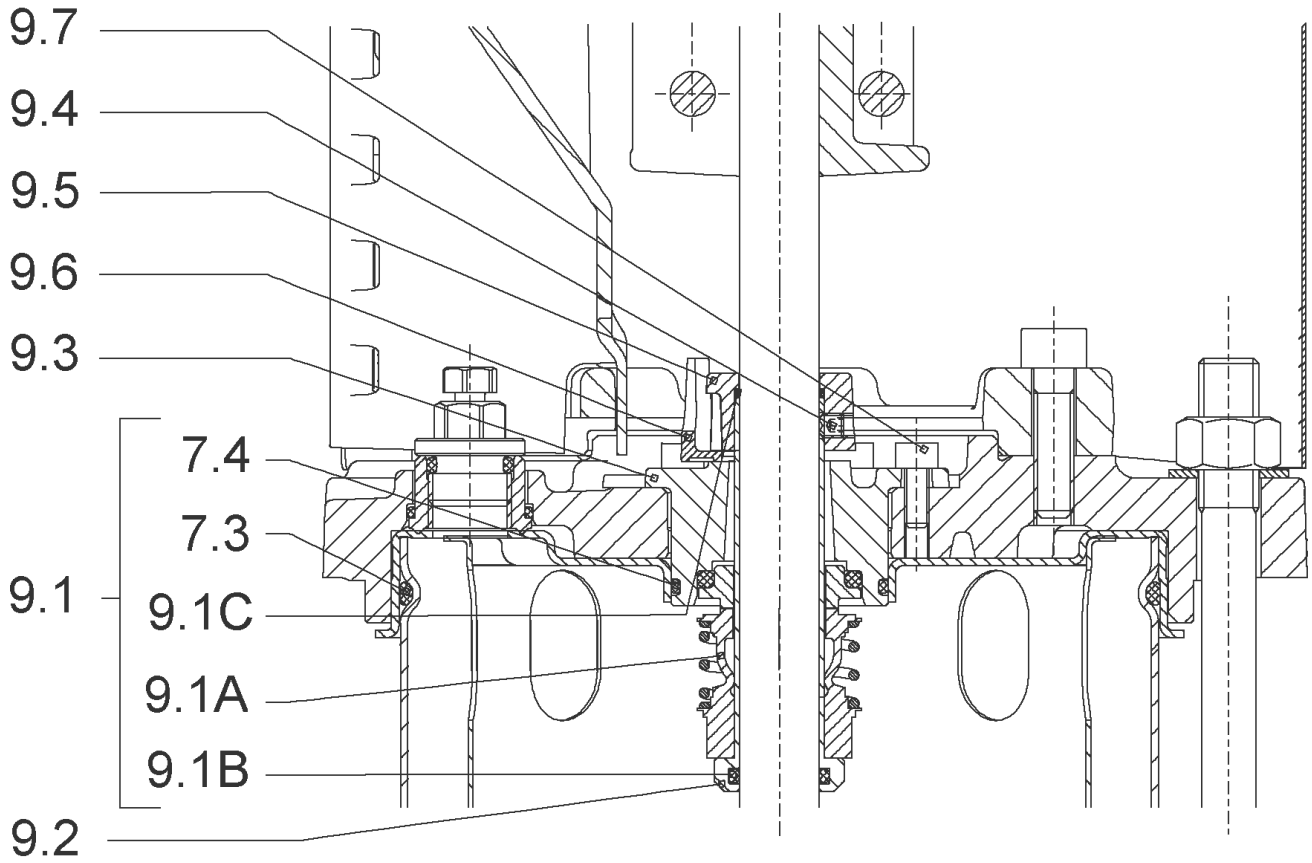
HELIX V1011-2/25/V/KS/400-50 (4150584)

Item	Article no.	Description	Quantity
15	4172809	PUMP HOUSING HELIX DN40 PN25 1.4409 KIT	1
7.3	4176513	> O-RING FOR PUMP JACKET VP.	1
15.1		> BLASTING PPE HOUSING V-PN25-DN40-316L	1
15.3	4159781	> PRIMING/DRAIN PLUG HELIX 16 FKM KIT	1
16	4176517	BASEPLATE V8/10 VP.	1



COUPLING D.16XD.28 FT130 HELIX KIT (4159710)

Item	Article no.	Description	Quantity
4.1		COUPLING M+ Ø16XØ28 FT130 MACHINED	1
4.2	2131022	BALL BEARING 6209/ZZ-C3(HT)VP.	1
4.3	4233930	CIRCLIP-FOR-BORES-D45x1,75 VP.	1
4.4	4157726	SCREW KIT M8X30 (4 PIECES)	1
4.5	4234252	CIRCLIPS 85X3 VP.	1
4.6	4234243	O-RING 85X3 VP.	1
		NOMEL CONTACT WASHER 8x16x1,4 STEEL ZC	1

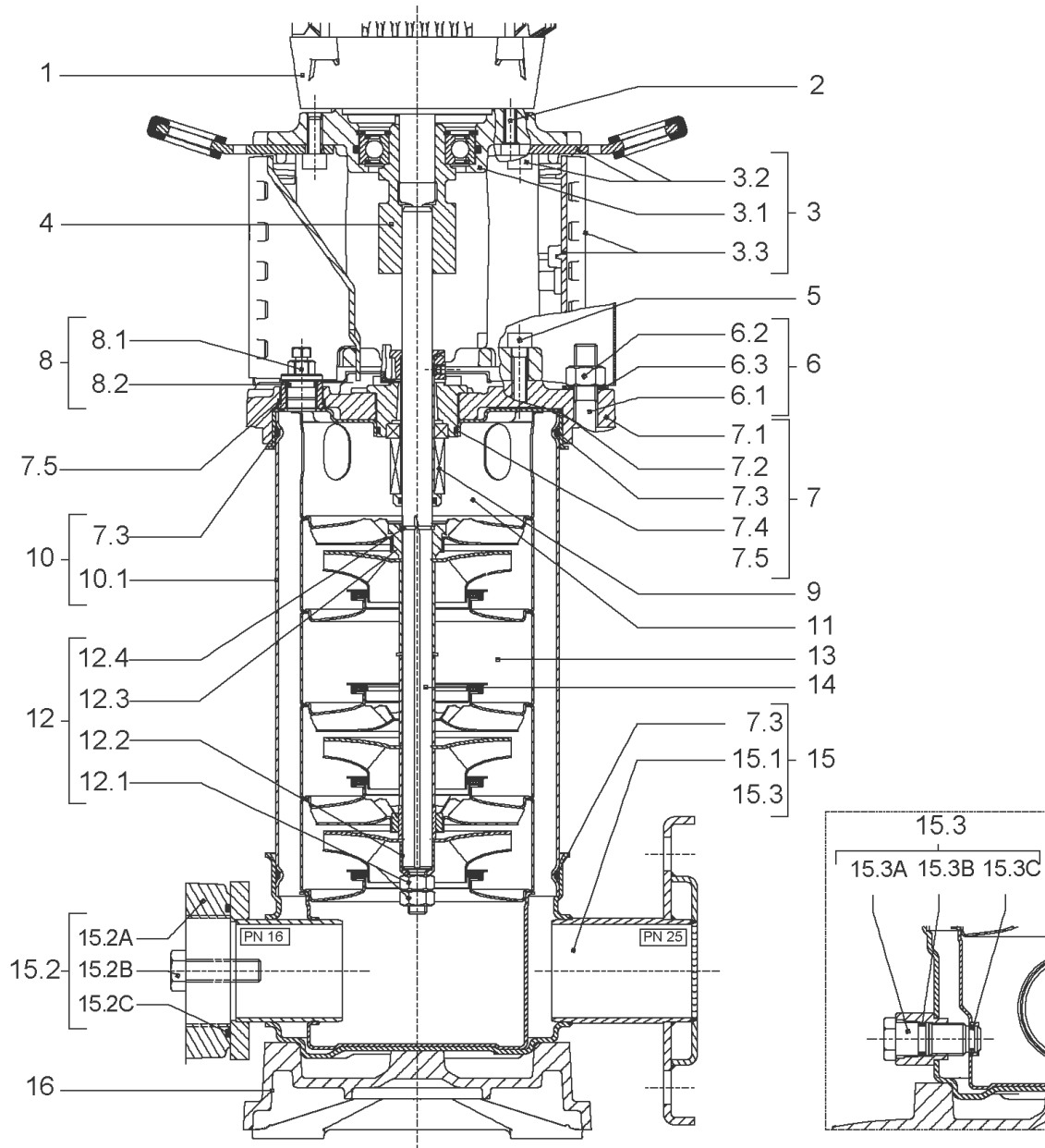


CARTRIDGE HELIX6-10-16 F/V KIT (4159700)

Item	Article no.	Description	Quantity
9.1	4159701	SEAL-KIT-HELIX6-10-16 F/V	1
7.3	4177887	> O-RING ID.145,65X3,53 VITON VP.	1
7.4	4177888	> O-RING ID.37.6xØ2.4 VITON VP.	1
9.1A	2131025	> MECH.SEAL HELIX2-4-6-10-16 F/V VP.	1
9.1B	2131027	> O-RING D.16XD.2,5 FKM VP.	1
9.1C	4177889	> O-RING ID.16x1.25 VITON VP.	1
9.2	2130961	SHAFT SLEEVE D.18/16X72,2 1.4404 VP.	1
9.3	2131024	RING HOLDER D.18 G606/G6 1.4404 VP.	1
9.4	4176520	SCREW CH M5x5 A4-70 (3PIECES)	1
9.5	2130963	DRIVE RING D.29/18x12,4 MACH.VP.	1
9.6	2130964	TOOL M.S.CART.HELIX VP.	1
9.7	2130965	SCREW CHC M5X12 ISO4762 A2.70(4 PIECES)	1



Item	Article no.	Description	Quantity
13.1	4172808	FIRST STAGE HELIX 10 1.4404 KIT	1
		> MACH.STG-CASING-WOGV-WNR-M+10-316	1
		> IMPELLER-H1-M+10-316	1
13.2	4172807	STAGE HELIX 10 .4404 KIT	1
		> MACH.BEARING-STG-CASING-WNR-M+10-316	1
		> IMPELLER-H1-M+10-316	1
		> SHAFT SLEEVE-SPACER-Ø19,35x18,465-316	1
		> SHAFT-SLEEVE-D16xD20x18-CW	1
13.3	4172806	INTERMEDIATE STAGE HELIX10 1.4404 KIT	1
		> MACH.STD-STG-CASING-WGV+NR-M+10-316	1
		> IMPELLER-H1-M+10-316	1
		> IMPELLER SPACER Ø16,05X19,45-L36,465-316	1
13.4	4172811	EMPTY STAGE HELIX10 1.4404 KIT	1
		> MACH.STD-STG-CASING-WGV+NR-M+10-316	1
		> FLAT WASHER-D16.1XD22X1.2-316L	1
		> IMPELLER SPACER Ø16,05X19,45-L36,465-316	1
13.5	4172810	INTERMEDIATE STAGE HELIX10 1.4404 KIT	1
		> MACH.STG-CASING-WOGV-WNR-M+10-316	1
		> IMPELLER-H1-M+10-316	1
		> IMPELLER SPACER Ø16,05X19,45-L36,465-316	1



HELIX V1012-2/25/V/KS/400-50 (4150585)

Item	Article no.	Description	Quantity
1	4169947	MO 5,5/2/112 3~400V50Hz 460V60Hz IE3 VP.	1
		SPARE PARTS MOTOR:ON REQUEST	1
2	4206025	SCREW M8X45 (4 PIECES)	1
3	4171326	LANTERN FT130 HELIX KIT	1
3.1		> LANTERN FT130 M+6" GJL MACHINING+CATA	1
3.2	2127604	> EYELET CPL.FT HELIX(2 PIECES)	1
3.3	4159692	> COUPLING PROTECTOR FT HELIX KIT	1
4	4159710	COUPLING D.16XD.28 FT130 HELIX KIT	1
5	4159707	SCREW M8X30 (4 PIECES)	1
6	4177842	STUD BOLT M12X638KIT	1
6.1		> TIE BOLT M12-638x18x30-1.4057	1
6.2	2094647	> NUT M12 M12 ISO4032 VP.	1
6.3	2123557	> WASHER CS-12.4-24-1.6-NFE25 (4 PIECES)	1
7	4159783	END SHIELD HELIX FKM 1.4404 KIT	1
7.1		> END SHIELD M+6" GJL250 MACHINING+CATA	1
7.2	2131056	> STATIONARY RING HOLDER 6" HELIX 1.4404 V	1
7.3	4234237	> O-RING 139X3 VITON VP.	1
7.4	2131026	> O-RING ID.37,6X2,4 FKM VP.	1
7.5	2131057	> O-RING ID.21,35X2 FKM VP.	1
8	4159784	FILING/PURGING PLUG HELIX FKM KIT	1
9	4159700	CARTRIDGE HELIX6-10-16 F/V KIT	1
10	4177940	HOUSING-PIPE D.152X510 1.4404 KIT	1
7.3	4234237	> O-RING 139X3 VITON VP.	1
10.1		> HOUSING-PIPE Ø152-M+1012/1609-316L	1
11	4172805	CENTERING STAGE-RETURN HELIX10 1.4404 VP	1
12	4171332	SHAFT EQUIPMENT HELIX V10 BI BLOC KIT	1
4.11	4102901	> SCREW CHC-M6X14-8.8-ISO4762-GEOMET500A	1
4.12	2130995	> SERRATED LOCK WASHER D.6,2XD.14,5X28 VP.	1
12.1		> NUT-H-M10-A4.70	1
12.2		> SERRATED LOCK WASHER M+10M3-316L	1
12.3		> STOP COLLAR OF IMPELLER L16,5-Ø16-316L	1
12.4		> STOP-RUSH-1/2-D16xd2-M+316	1
13		HYDRAULIC HELIX V 1012	1
14	2131038	SHAFT D.16X630 1.4404 VP.	1

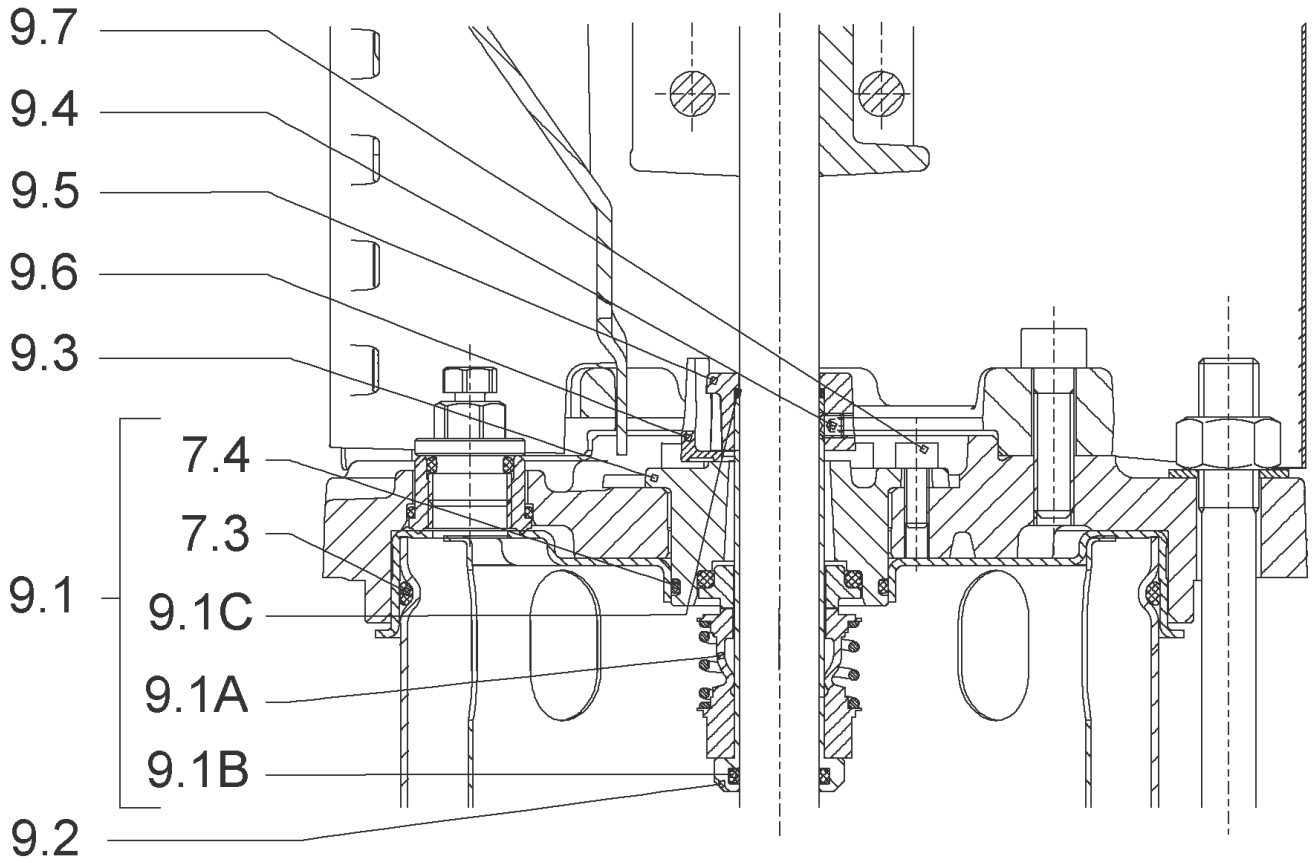
HELIX V1012-2/25/V/KS/400-50 (4150585)

Item	Article no.	Description	Quantity
15	4172809	PUMP HOUSING HELIX DN40 PN25 1.4409 KIT	1
7.3	4176513	> O-RING FOR PUMP JACKET VP.	1
15.1		> BLASTING PPE HOUSING V-PN25-DN40-316L	1
15.3	4159781	> PRIMING/DRAIN PLUG HELIX 16 FKM KIT	1
16	4176517	BASEPLATE V8/10 VP.	1



COUPLING D.16XD.28 FT130 HELIX KIT (4159710)

Item	Article no.	Description	Quantity
4.1		COUPLING M+ Ø16XØ28 FT130 MACHINED	1
4.2	2131022	BALL BEARING 6209/ZZ-C3(HT)VP.	1
4.3	4233930	CIRCLIP-FOR-BORES-D45x1,75 VP.	1
4.4	4157726	SCREW KIT M8X30 (4 PIECES)	1
4.5	4234252	CIRCLIPS 85X3 VP.	1
4.6	4234243	O-RING 85X3 VP.	1
		NOMEL CONTACT WASHER 8x16x1,4 STEEL ZC	1

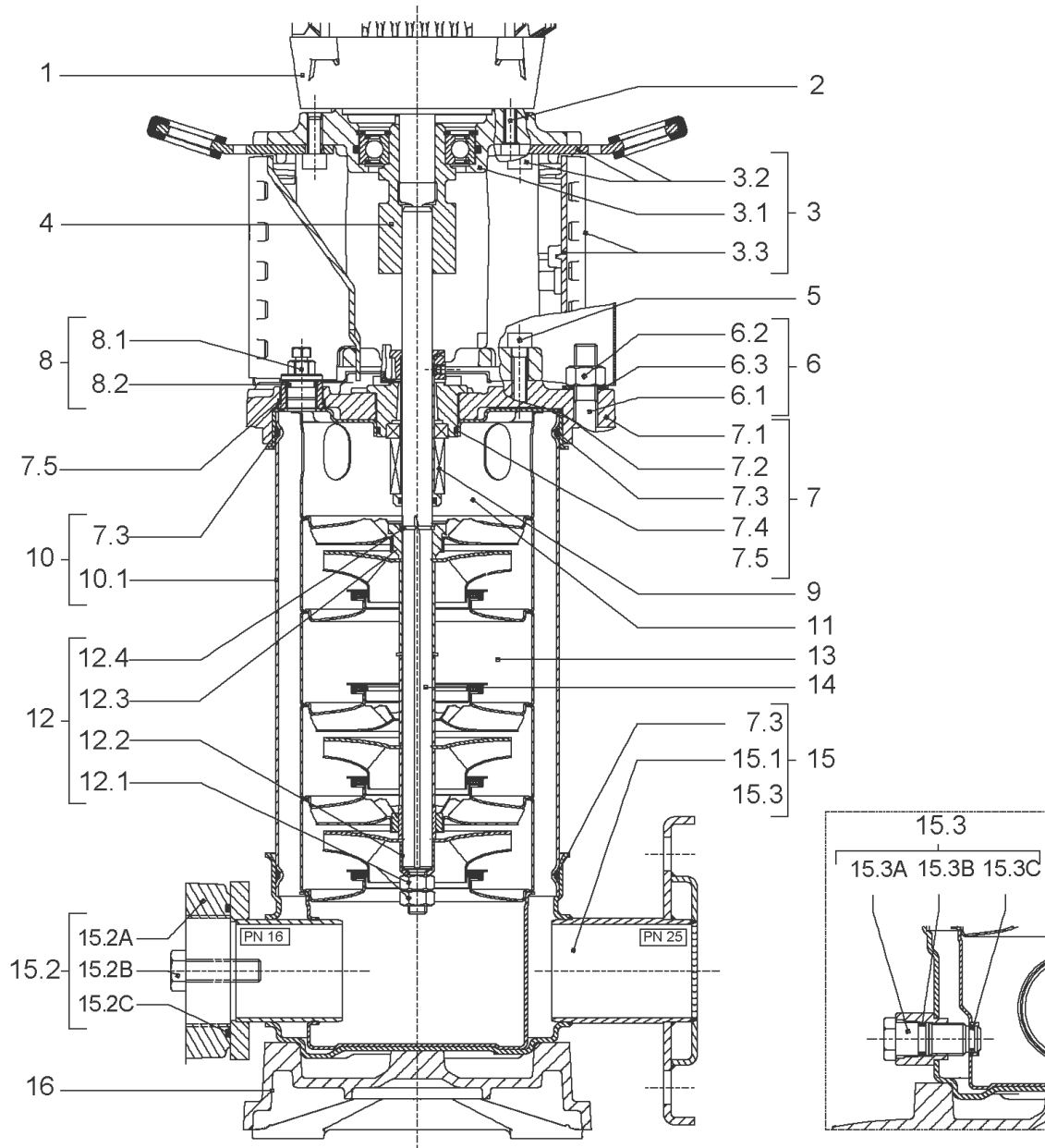


CARTRIDGE HELIX6-10-16 F/V KIT (4159700)

Item	Article no.	Description	Quantity
9.1	4159701	SEAL-KIT-HELIX6-10-16 F/V	1
7.3	4177887	> O-RING ID.145,65X3,53 VITON VP.	1
7.4	4177888	> O-RING ID.37.6xØ2.4 VITON VP.	1
9.1A	2131025	> MECH.SEAL HELIX2-4-6-10-16 F/V VP.	1
9.1B	2131027	> O-RING D.16XD.2,5 FKM VP.	1
9.1C	4177889	> O-RING ID.16x1.25 VITON VP.	1
9.2	2130961	SHAFT SLEEVE D.18/16X72,2 1.4404 VP.	1
9.3	2131024	RING HOLDER D.18 G606/G6 1.4404 VP.	1
9.4	4176520	SCREW CH M5x5 A4-70 (3PIECES)	1
9.5	2130963	DRIVE RING D.29/18x12,4 MACH.VP.	1
9.6	2130964	TOOL M.S.CART.HELIX VP.	1
9.7	2130965	SCREW CHC M5X12 ISO4762 A2.70(4 PIECES)	1



Item	Article no.	Description	Quantity
13.1	4172808	FIRST STAGE HELIX 10 1.4404 KIT	1
		> MACH.STG-CASING-WOGV-WNR-M+10-316	1
		> IMPELLER-H1-M+10-316	1
13.2	4172807	STAGE HELIX 10 .4404 KIT	1
		> MACH.BEARING-STG-CASING-WNR-M+10-316	1
		> IMPELLER-H1-M+10-316	1
		> SHAFT SLEEVE-SPACER-Ø19,35x18,465-316	1
		> SHAFT-SLEEVE-D16xD20x18-CW	1
13.3	4172806	INTERMEDIATE STAGE HELIX10 1.4404 KIT	1
		> MACH.STD-STG-CASING-WGV+NR-M+10-316	1
		> IMPELLER-H1-M+10-316	1
		> IMPELLER SPACER Ø16,05X19,45-L36,465-316	1

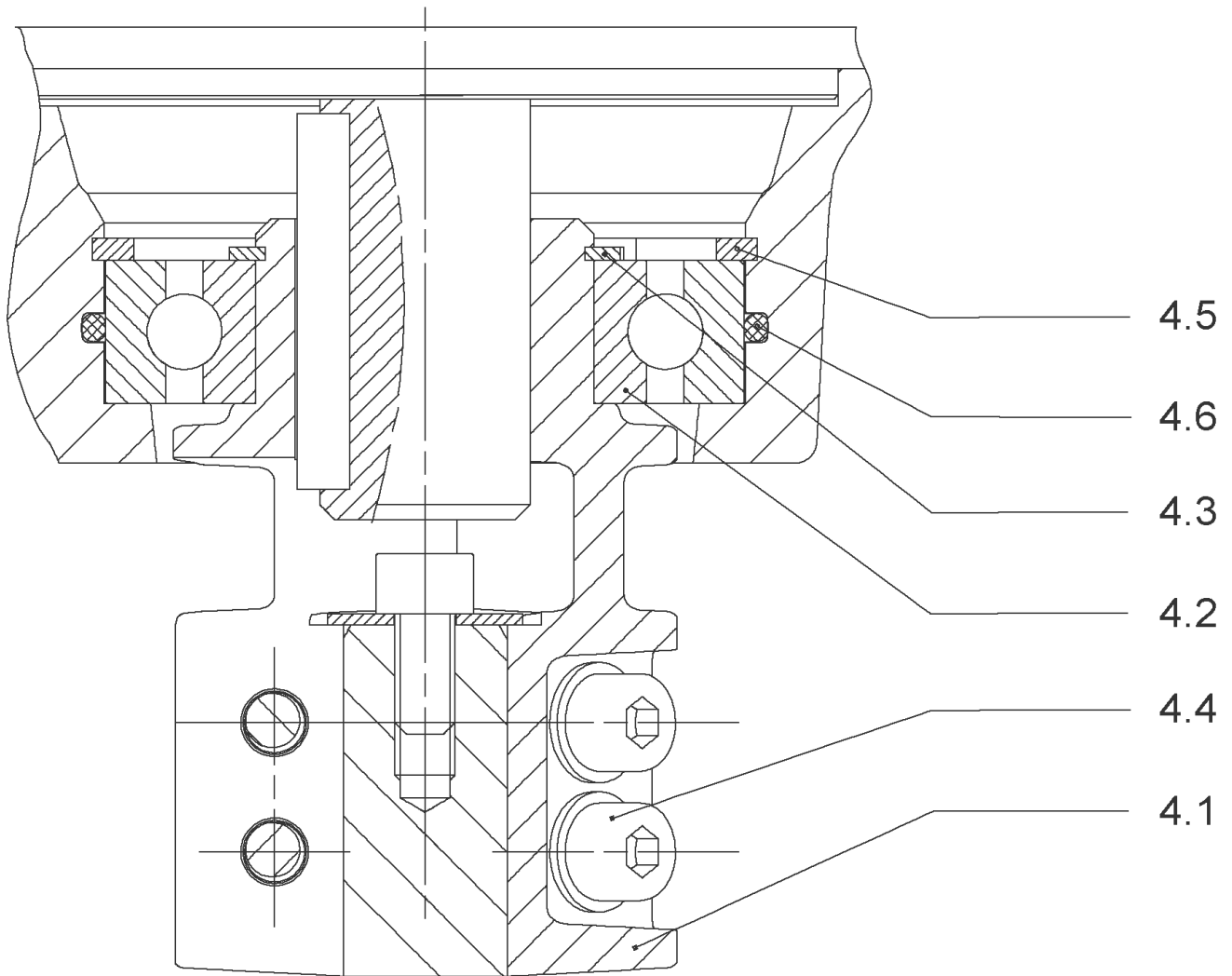


HELIX V1013-2/25/V/KS/400-50 (4150586)

Item	Article no.	Description	Quantity
1	4169947	MO 5,5/2/112 3~400V50Hz 460V60Hz IE3 VP.	1
		SPARE PARTS MOTOR:ON REQUEST	1
2	4206025	SCREW M8X45 (4 PIECES)	1
3	4171326	LANTERN FT130 HELIX KIT	1
3.1		> LANTERN FT130 M+6" GJL MACHINING+CATA	1
3.2	2127604	> EYELET CPL.FT HELIX(2 PIECES)	1
3.3	4159692	> COUPLING PROTECTOR FT HELIX KIT	1
4	4159710	COUPLING D.16XD.28 FT130 HELIX KIT	1
5	4159707	SCREW M8X30 (4 PIECES)	1
6	4177848	STUD BOLT M12X713KIT	1
6.1		> TIE BOLT M12-713x18x30-1.4057	1
6.2	2094647	> NUT M12 M12 ISO4032 VP.	1
6.3	2123557	> WASHER CS-12.4-24-1.6-NFE25 (4 PIECES)	1
7	4159783	END SHIELD HELIX FKM 1.4404 KIT	1
7.1		> END SHIELD M+6" GJL250 MACHINING+CATA	1
7.2	2131056	> STATIONARY RING HOLDER 6" HELIX 1.4404 V	1
7.3	4234237	> O-RING 139X3 VITON VP.	1
7.4	2131026	> O-RING ID.37,6X2,4 FKM VP.	1
7.5	2131057	> O-RING ID.21,35X2 FKM VP.	1
8	4159784	FILING/PURGING PLUG HELIX FKM KIT	1
9	4159700	CARTRIDGE HELIX6-10-16 F/V KIT	1
10	4177943	HOUSING-PIPE D.152X585 1.4404 KIT	1
7.3	4234237	> O-RING 139X3 VITON VP.	1
10.1		> HOUSING-PIPE Ø152-M+1013/14-316L	1
11	4172805	CENTERING STAGE-RETURN HELIX10 1.4404 VP	1
12	4171332	SHAFT EQUIPMENT HELIX V10 BI BLOC KIT	1
4.11	4102901	> SCREW CHC-M6X14-8.8-ISO4762-GEOMET500A	1
4.12	2130995	> SERRATED LOCK WASHER D.6,2XD.14,5X28 VP.	1
12.1		> NUT-H-M10-A4.70	1
12.2		> SERRATED LOCK WASHER M+10M3-316L	1
12.3		> STOP COLLAR OF IMPELLER L16,5-Ø16-316L	1
12.4		> STOP-RUSH-1/2-D16xd2-M+316	1
14	4177944	SHAFT D.16X705 1.4404 VP.	1
15	4172809	PUMP HOUSING HELIX DN40 PN25 1.4409 KIT	1

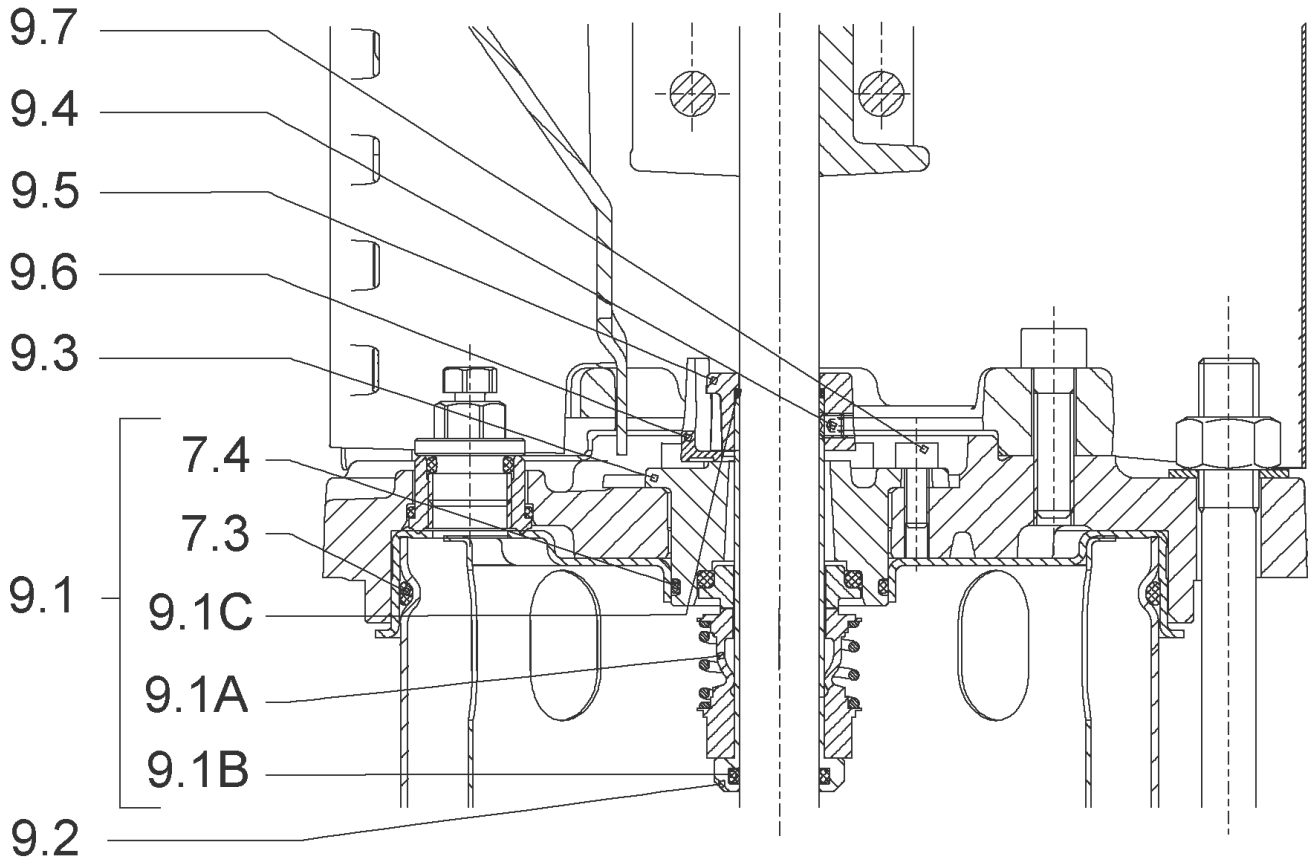
HELIX V1013-2/25/V/KS/400-50 (4150586)

Item	Article no.	Description	Quantity
7.3	4176513	> O-RING FOR PUMP JACKET VP.	1
15.1		> BLASTING PPE HOUSING V-PN25-DN40-316L	1
15.3	4159781	> PRIMING/DRAIN PLUG HELIX 16 FKM KIT	1
16	4176517	BASEPLATE V8/10 VP.	1
13		HYDRAULIC HELIX V 1013	1



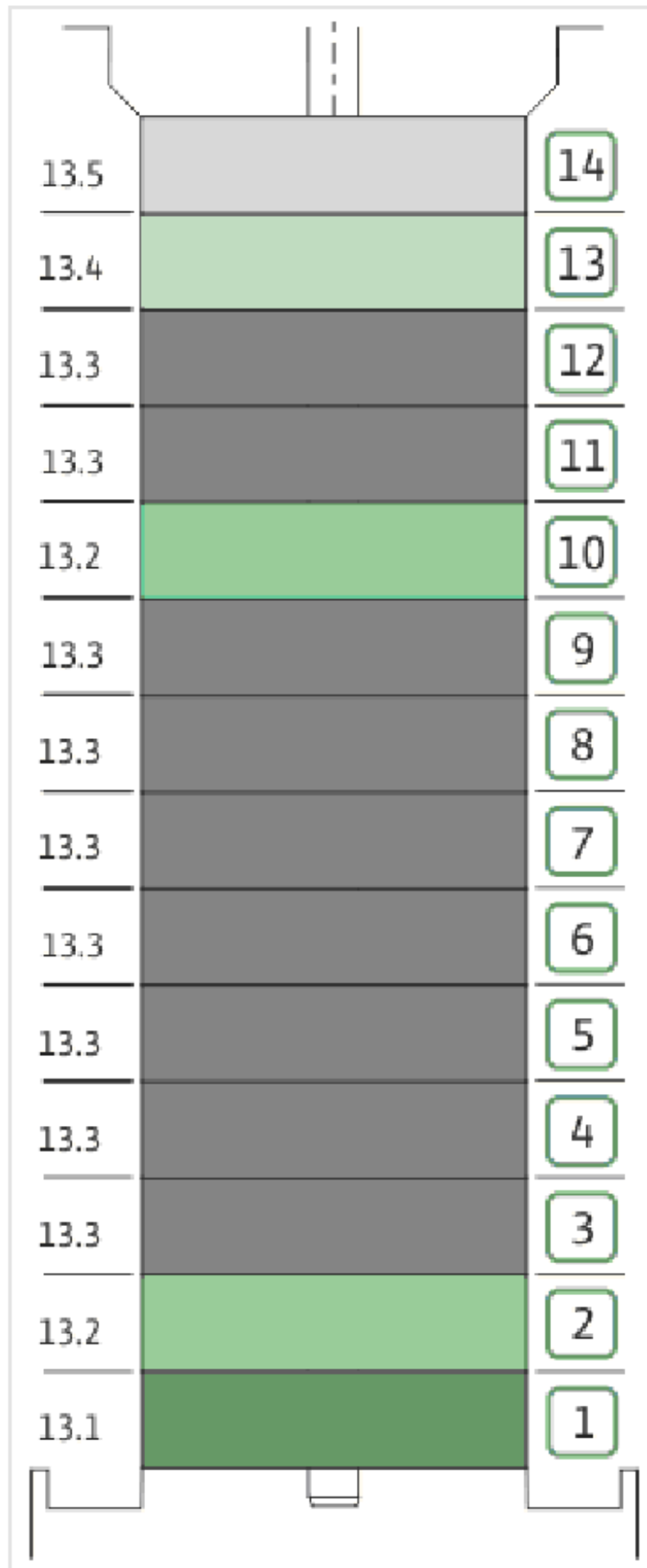
COUPLING D.16XD.28 FT130 HELIX KIT (4159710)

Item	Article no.	Description	Quantity
4.1		COUPLING M+ Ø16XØ28 FT130 MACHINED	1
4.2	2131022	BALL BEARING 6209/ZZ-C3(HT)VP.	1
4.3	4233930	CIRCLIP-FOR-BORES-D45x1,75 VP.	1
4.4	4157726	SCREW KIT M8X30 (4 PIECES)	1
4.5	4234252	CIRCLIPS 85X3 VP.	1
4.6	4234243	O-RING 85X3 VP.	1
		NOMEL CONTACT WASHER 8x16x1,4 STEEL ZC	1

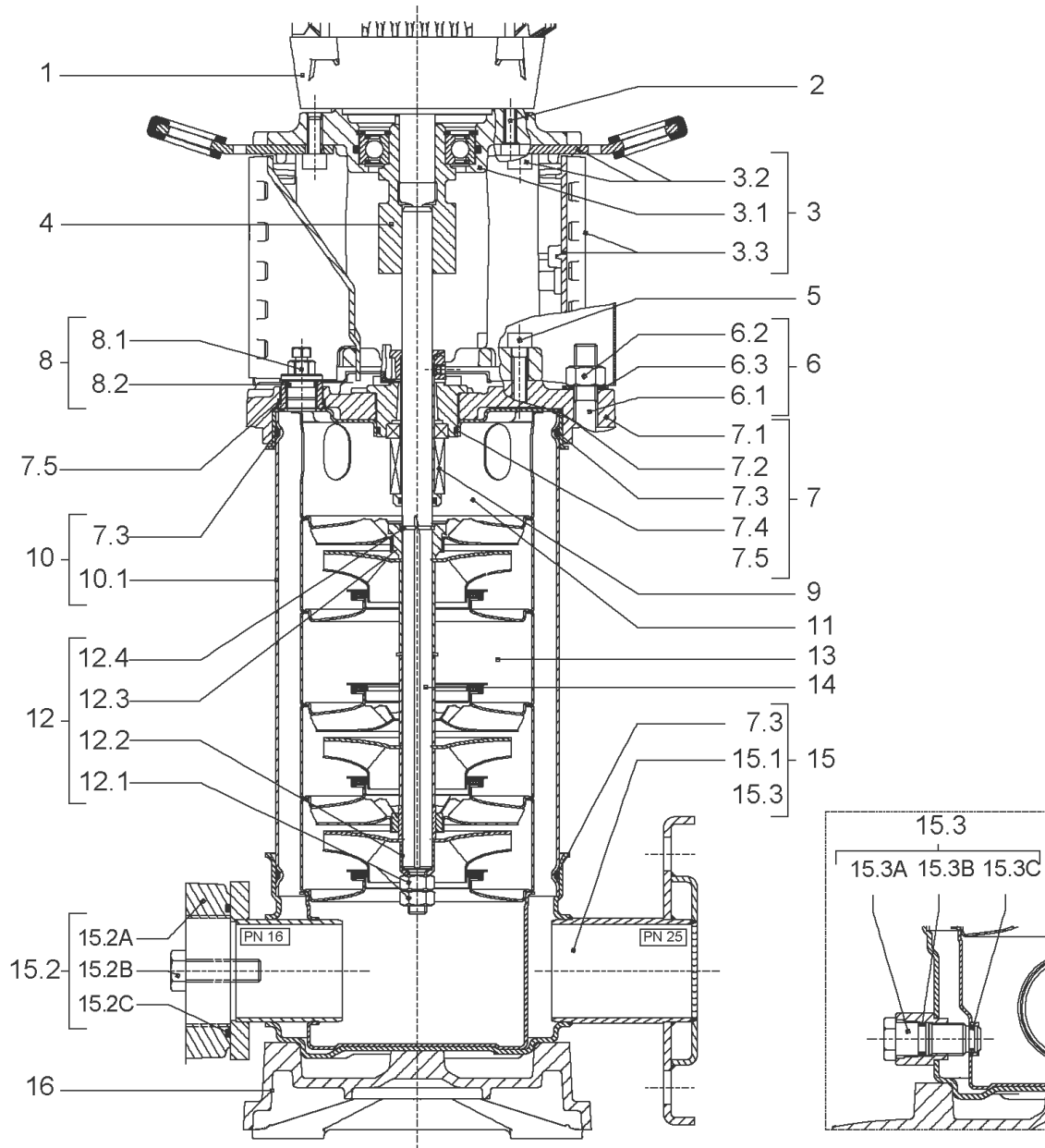


CARTRIDGE HELIX6-10-16 F/V KIT (4159700)

Item	Article no.	Description	Quantity
9.1	4159701	SEAL-KIT-HELIX6-10-16 F/V	1
7.3	4177887	> O-RING ID.145,65X3,53 VITON VP.	1
7.4	4177888	> O-RING ID.37.6xØ2.4 VITON VP.	1
9.1A	2131025	> MECH.SEAL HELIX2-4-6-10-16 F/V VP.	1
9.1B	2131027	> O-RING D.16XD.2,5 FKM VP.	1
9.1C	4177889	> O-RING ID.16x1.25 VITON VP.	1
9.2	2130961	SHAFT SLEEVE D.18/16X72,2 1.4404 VP.	1
9.3	2131024	RING HOLDER D.18 G606/G6 1.4404 VP.	1
9.4	4176520	SCREW CH M5x5 A4-70 (3PIECES)	1
9.5	2130963	DRIVE RING D.29/18x12,4 MACH.VP.	1
9.6	2130964	TOOL M.S.CART.HELIX VP.	1
9.7	2130965	SCREW CHC M5X12 ISO4762 A2.70(4 PIECES)	1



Item	Article no.	Description	Quantity
13.1	4172808	FIRST STAGE HELIX 10 1.4404 KIT	1
		> MACH.STG-CASING-WOGV-WNR-M+10-316	1
		> IMPELLER-H1-M+10-316	1
13.2	4172807	STAGE HELIX 10 .4404 KIT	1
		> MACH.BEARING-STG-CASING-WNR-M+10-316	1
		> IMPELLER-H1-M+10-316	1
		> SHAFT SLEEVE-SPACER-Ø19,35x18,465-316	1
		> SHAFT-SLEEVE-D16xD20x18-CW	1
13.3	4172806	INTERMEDIATE STAGE HELIX10 1.4404 KIT	1
		> MACH.STD-STG-CASING-WGV+NR-M+10-316	1
		> IMPELLER-H1-M+10-316	1
		> IMPELLER SPACER Ø16,05X19,45-L36,465-316	1
13.4	4172811	EMPTY STAGE HELIX10 1.4404 KIT	1
		> MACH.STD-STG-CASING-WGV+NR-M+10-316	1
		> FLAT WASHER-D16.1XD22X1.2-316L	1
		> IMPELLER SPACER Ø16,05X19,45-L36,465-316	1
13.5	4172810	INTERMEDIATE STAGE HELIX10 1.4404 KIT	1
		> MACH.STG-CASING-WOGV-WNR-M+10-316	1
		> IMPELLER-H1-M+10-316	1
		> IMPELLER SPACER Ø16,05X19,45-L36,465-316	1



HELIX V1015-2/25/V/KS/400-50 (4150588)

Item	Article no.	Description	Quantity
1	4169947	MO 5,5/2/112 3~400V50Hz 460V60Hz IE3 VP.	1
		SPARE PARTS MOTOR:ON REQUEST	1
2	4206025	SCREW M8X45 (4 PIECES)	1
3	4171326	LANTERN FT130 HELIX KIT	1
3.1		> LANTERN FT130 M+6" GJL MACHINING+CATA	1
3.2	2127604	> EYELET CPL.FT HELIX(2 PIECES)	1
3.3	4159692	> COUPLING PROTECTOR FT HELIX KIT	1
4	4159710	COUPLING D.16XD.28 FT130 HELIX KIT	1
5	4159707	SCREW M8X30 (4 PIECES)	1
6	4177852	STUD BOLT M12X788KIT	1
6.1		> TIE BOLT M12-788x18x30-1.4057	1
6.2	2094647	> NUT M12 M12 ISO4032 VP.	1
6.3	2123557	> WASHER CS-12.4-24-1.6-NFE25 (4 PIECES)	1
7	4159783	END SHIELD HELIX FKM 1.4404 KIT	1
7.1		> END SHIELD M+6" GJL250 MACHINING+CATA	1
7.2	2131056	> STATIONARY RING HOLDER 6" HELIX 1.4404 V	1
7.3	4234237	> O-RING 139X3 VITON VP.	1
7.4	2131026	> O-RING ID.37,6X2,4 FKM VP.	1
7.5	2131057	> O-RING ID.21,35X2 FKM VP.	1
8	4159784	FILING/PURGING PLUG HELIX FKM KIT	1
9	4159700	CARTRIDGE HELIX6-10-16 F/V KIT	1
10	4177947	HOUSING-PIPE D.152X660 1.4404 KIT	1
7.3	4234237	> O-RING 139X3 VITON VP.	1
10.1		> HOUSING-PIPE Ø152-M+1016/1610-316L	1
11	4172805	CENTERING STAGE-RETURN HELIX10 1.4404 VP	1
12	4171332	SHAFT EQUIPMENT HELIX V10 BI BLOC KIT	1
4.11	4102901	> SCREW CHC-M6X14-8.8-ISO4762-GEOMET500A	1
4.12	2130995	> SERRATED LOCK WASHER D.6,2XD.14,5X28 VP.	1
12.1		> NUT-H-M10-A4.70	1
12.2		> SERRATED LOCK WASHER M+10M3-316L	1
12.3		> STOP COLLAR OF IMPELLER L16,5-Ø16-316L	1
12.4		> STOP-RUSH-1/2-D16xd2-M+316	1
13		HYDRAULIC HELIX V 1015	1
14	2131039	SHAFT D.16X780 1.4462 VP.	1

HELIX V1015-2/25/V/KS/400-50 (4150588)

Item	Article no.	Description	Quantity
15	4172809	PUMP HOUSING HELIX DN40 PN25 1.4409 KIT	1
7.3	4176513	> O-RING FOR PUMP JACKET VP.	1
15.1		> BLASTING PPE HOUSING V-PN25-DN40-316L	1
15.3	4159781	> PRIMING/DRAIN PLUG HELIX 16 FKM KIT	1
16	4176517	BASEPLATE V8/10 VP.	1



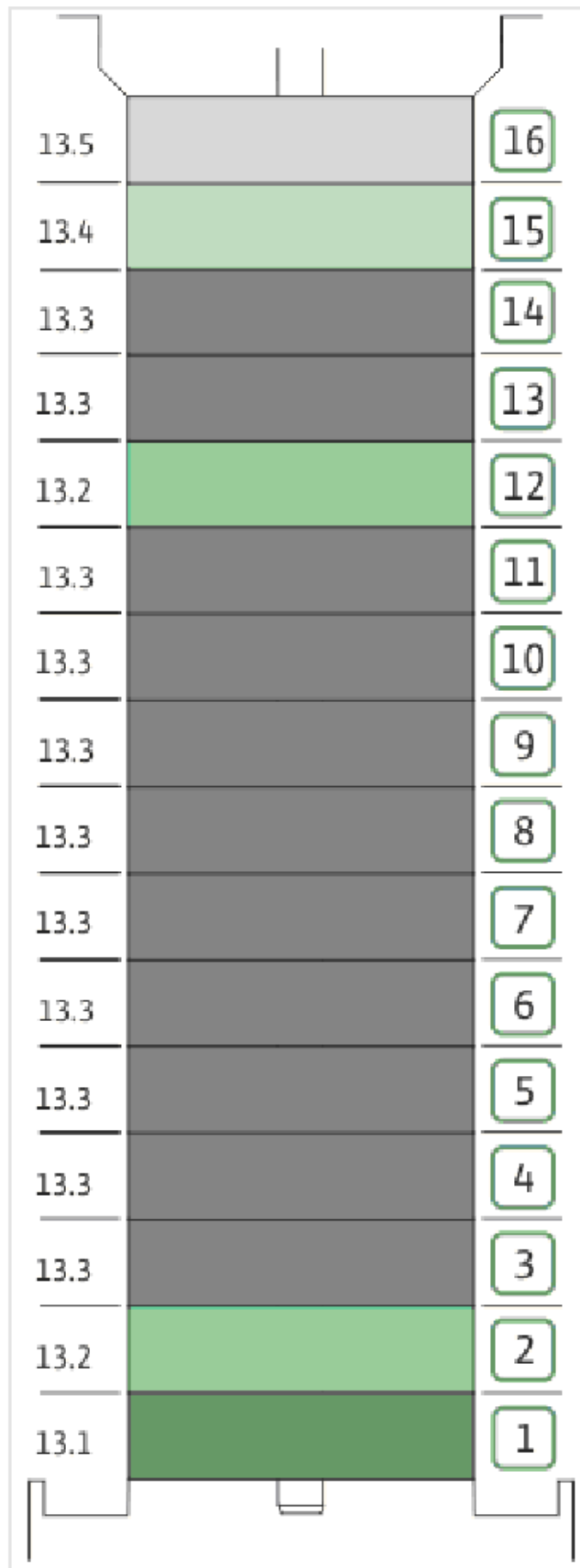
COUPLING D.16XD.28 FT130 HELIX KIT (4159710)

Item	Article no.	Description	Quantity
4.1		COUPLING M+ Ø16XØ28 FT130 MACHINED	1
4.2	2131022	BALL BEARING 6209/ZZ-C3(HT)VP.	1
4.3	4233930	CIRCLIP-FOR-BORES-D45x1,75 VP.	1
4.4	4157726	SCREW KIT M8X30 (4 PIECES)	1
4.5	4234252	CIRCLIPS 85X3 VP.	1
4.6	4234243	O-RING 85X3 VP.	1
		NOMEL CONTACT WASHER 8x16x1,4 STEEL ZC	1

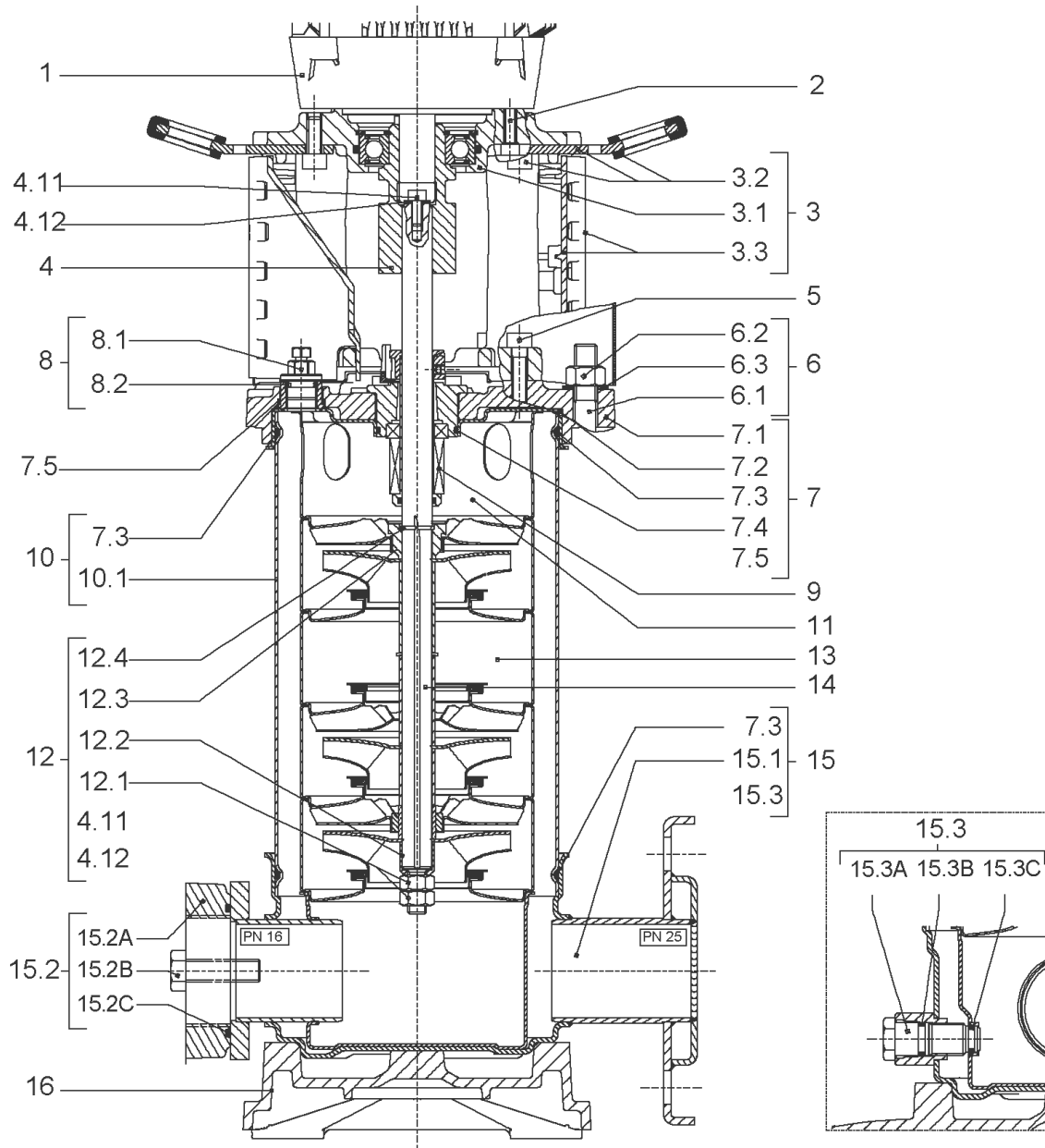


CARTRIDGE HELIX6-10-16 F/V KIT (4159700)

Item	Article no.	Description	Quantity
9.1	4159701	SEAL-KIT-HELIX6-10-16 F/V	1
7.3	4177887	> O-RING ID.145,65X3,53 VITON VP.	1
7.4	4177888	> O-RING ID.37.6xØ2.4 VITON VP.	1
9.1A	2131025	> MECH.SEAL HELIX2-4-6-10-16 F/V VP.	1
9.1B	2131027	> O-RING D.16XD.2,5 FKM VP.	1
9.1C	4177889	> O-RING ID.16x1.25 VITON VP.	1
9.2	2130961	SHAFT SLEEVE D.18/16X72,2 1.4404 VP.	1
9.3	2131024	RING HOLDER D.18 G606/G6 1.4404 VP.	1
9.4	4176520	SCREW CH M5x5 A4-70 (3PIECES)	1
9.5	2130963	DRIVE RING D.29/18x12,4 MACH.VP.	1
9.6	2130964	TOOL M.S.CART.HELIX VP.	1
9.7	2130965	SCREW CHC M5X12 ISO4762 A2.70(4 PIECES)	1



Item	Article no.	Description	Quantity
13.1	4172808	FIRST STAGE HELIX 10 1.4404 KIT	1
		> MACH.STG-CASING-WOGV-WNR-M+10-316	1
		> IMPELLER-H1-M+10-316	1
13.2	4172807	STAGE HELIX 10 .4404 KIT	1
		> MACH.BEARING-STG-CASING-WNR-M+10-316	1
		> IMPELLER-H1-M+10-316	1
		> SHAFT SLEEVE-SPACER-Ø19,35x18,465-316	1
		> SHAFT-SLEEVE-D16xD20x18-CW	1
13.3	4172806	INTERMEDIATE STAGE HELIX10 1.4404 KIT	1
		> MACH.STD-STG-CASING-WGV+NR-M+10-316	1
		> IMPELLER-H1-M+10-316	1
		> IMPELLER SPACER Ø16,05X19,45-L36,465-316	1
13.4	4172811	EMPTY STAGE HELIX10 1.4404 KIT	1
		> MACH.STD-STG-CASING-WGV+NR-M+10-316	1
		> FLAT WASHER-D16.1XD22X1.2-316L	1
		> IMPELLER SPACER Ø16,05X19,45-L36,465-316	1
13.5	4172810	INTERMEDIATE STAGE HELIX10 1.4404 KIT	1
		> MACH.STG-CASING-WOGV-WNR-M+10-316	1
		> IMPELLER-H1-M+10-316	1
		> IMPELLER SPACER Ø16,05X19,45-L36,465-316	1



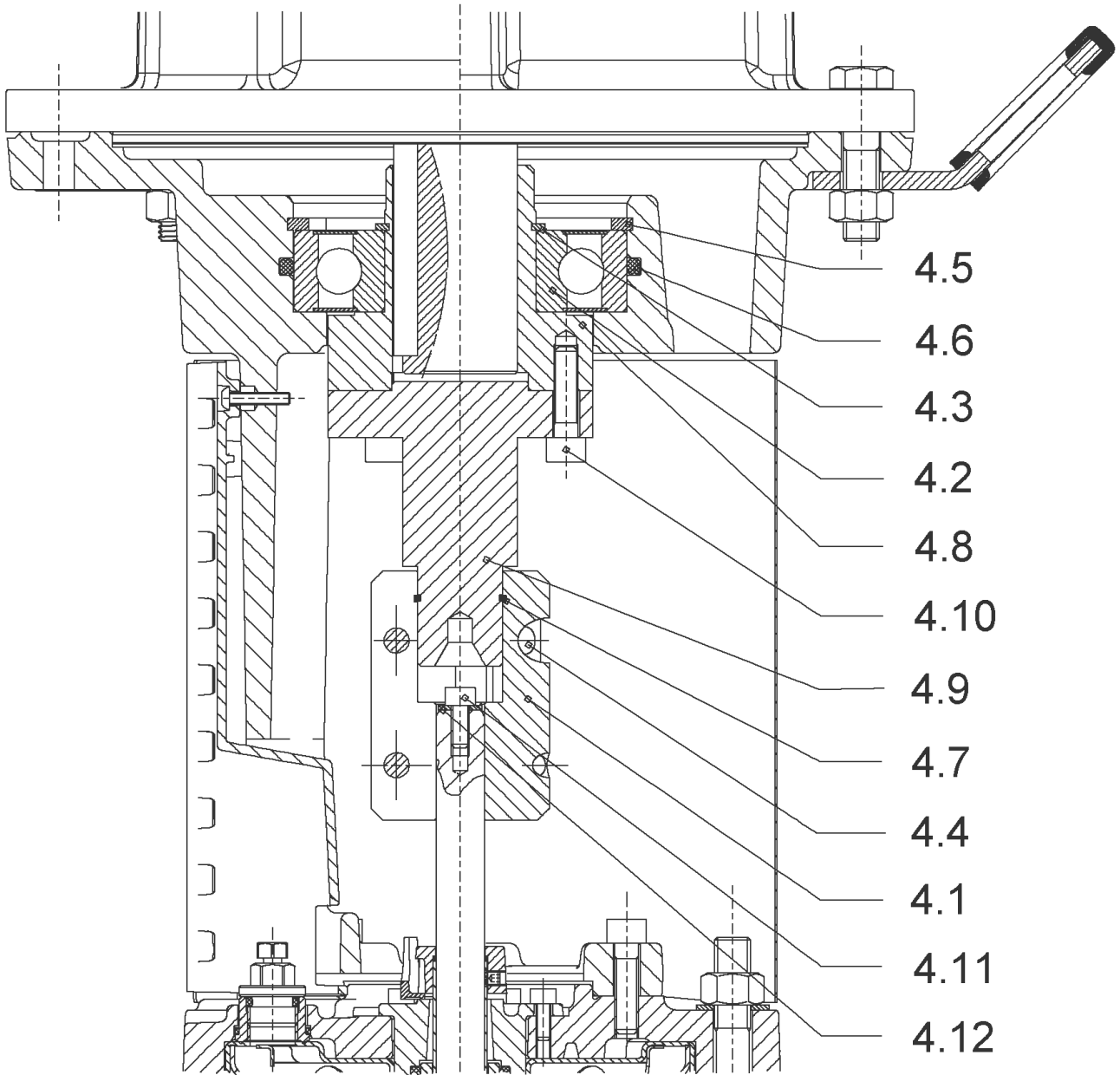
HELIX V1017-2/25/V/KS/400-50 (4150590)

Item	Article no.	Description	Quantity
1	4195450	MOTOR 7,5/2/* 3~400V 50HZ IE3 VP.	1
		SPARE PARTS MOTOR:ON REQUEST	1
2	4174093	SCREW M12X50 (4 PIECES)	1
3	4159693	LANTERN FF265 HELIX KIT	1
3.1		> LANTERN FF265 M+6" GJL MACHINING+CATA	1
3.2	2127605	> EYELET CPL.FF265 HELIX(2 PIECES)	1
3.3	4159695	> COUPLING PROTECTOR FF HELIX KIT	1
4	4159711	COUPLING D.16XD.38 FF265 HELIX KIT	1
5	4159707	SCREW M8X30 (4 PIECES)	1
6	4177859	STUD BOLT M12X863KIT	1
6.1		> TIE BOLT M12-863x18x30-1.4057	1
6.2	2094647	> NUT M12 M12 ISO4032 VP.	1
6.3	2123557	> WASHER CS-12.4-24-1.6-NFE25 (4 PIECES)	1
7	4159783	END SHIELD HELIX FKM 1.4404 KIT	1
7.1		> END SHIELD M+6" GJL250 MACHINING+CATA	1
7.2	2131056	> STATIONARY RING HOLDER 6" HELIX 1.4404 V	1
7.3	4234237	> O-RING 139X3 VITON VP.	1
7.4	2131026	> O-RING ID.37,6X2,4 FKM VP.	1
7.5	2131057	> O-RING ID.21,35X2 FKM VP.	1
8	4159784	FILING/PURGING PLUG HELIX FKM KIT	1
9	4159700	CARTRIDGE HELIX6-10-16 F/V KIT	1
10	4177950	HOUSING-PIPE D.152X735 1.4404 KIT	1
7.3	4234237	> O-RING 139X3 VITON VP.	1
10.1		> HOUSING-PIPE Ø152-M+1017/18-316L	1
11	4172805	CENTERING STAGE-RETURN HELIX10 1.4404 VP	1
12	4171332	SHAFT EQUIPMENT HELIX V10 BI BLOC KIT	1
4.11	4102901	> SCREW CHC-M6X14-8.8-ISO4762-GEOMET500A	1
4.12	2130995	> SERRATED LOCK WASHER D.6,2XD.14,5X28 VP.	1
12.1		> NUT-H-M10-A4.70	1
12.2		> SERRATED LOCK WASHER M+10M3-316L	1
12.3		> STOP COLLAR OF IMPELLER L16,5-Ø16-316L	1
12.4		> STOP-RUSH-1/2-D16xd2-M+316	1
13		HYDRAULIC HELIX V 1017	1
14	4177949	SHAFT D.16X855 1.4404 VP.	1

HELIX V1017-2/25/V/KS/400-50 (4150590)

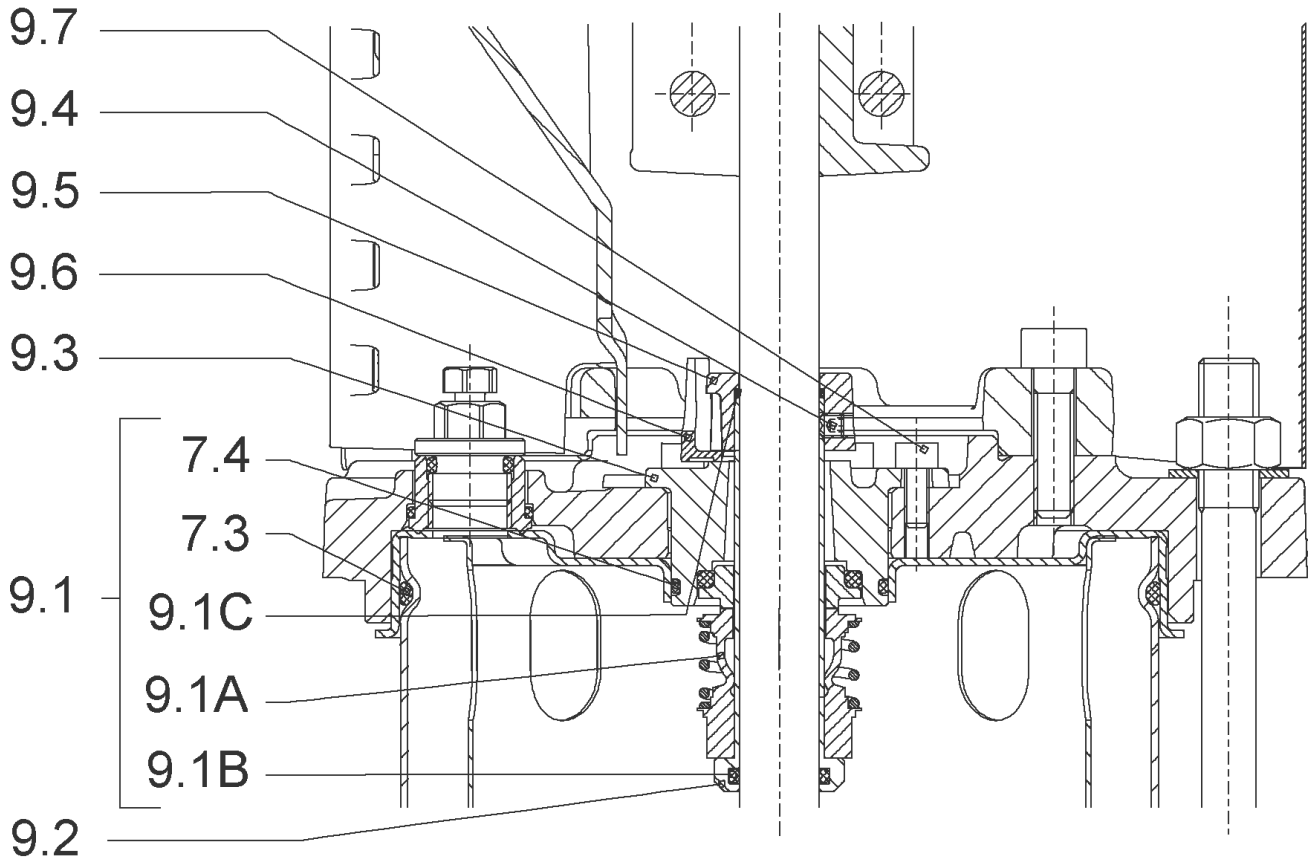
Item	Article no.	Description	Quantity
15	4172809	PUMP HOUSING HELIX DN40 PN25 1.4409 KIT	1
7.3	4176513	> O-RING FOR PUMP JACKET VP.	1
15.1		> BLASTING PPE HOUSING V-PN25-DN40-316L	1
15.3	4159781	> PRIMING/DRAIN PLUG HELIX 16 FKM KIT	1
16	4176517	BASEPLATE V8/10 VP.	1

COUPLING D.16XD.38 FF265 HELIX KIT (4159711)



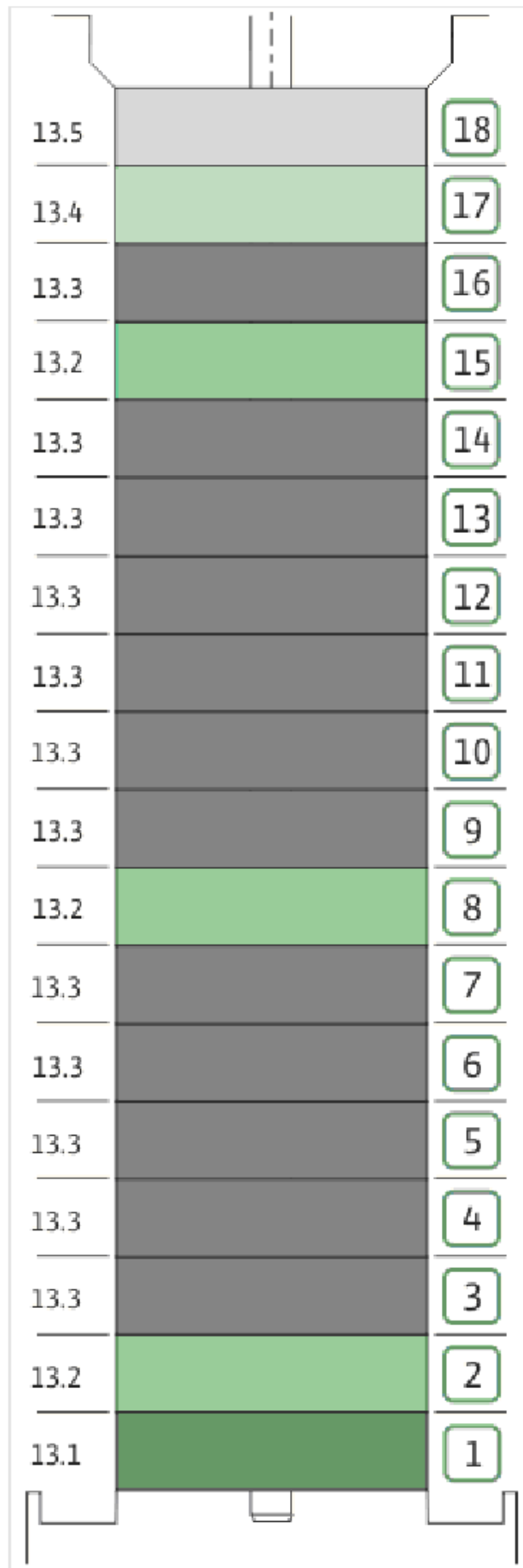
COUPLING D.16XD.38 FF265 HELIX KIT (4159711)

Item	Article no.	Description	Quantity
4.1	2131018	COUPLING 2 PARTS D.16XD.28XL.82,4 VP.	1
4.2	2131017	BALL BEARING 6310/ZZ-C4(HT)VP.	1
4.3	4234253	CIRCLIP-FOR-SHAFT-D50x2 VP.	1
4.4	4157726	SCREW KIT M8X30 (4 PIECES)	1
4.5	4234255	CIRCLIPS 110X4 VP.	1
4.6	4233944	O-RING ID.110 VP.	1
4.7	2131019	RETAINING RING D.26xD.2 DIN7993 VP.	1
4.10	4157726	SCREW KIT M8X30 (4 PIECES)	1
4.11	4102901	SCREW CHC-M6X14-8.8-ISO4762-GEOMET500A	1
4.12	2130995	SERRATED LOCK WASHER D.6,2XD.14,5X28 VP.	1
		NOMEL CONTACT WASHER 8x16x1,4 STEEL ZC	1
4.8	2131020	HUB D.38XD.50 VP.	1
4.9	2131021	SPACER D.28XD.45 VP.	1

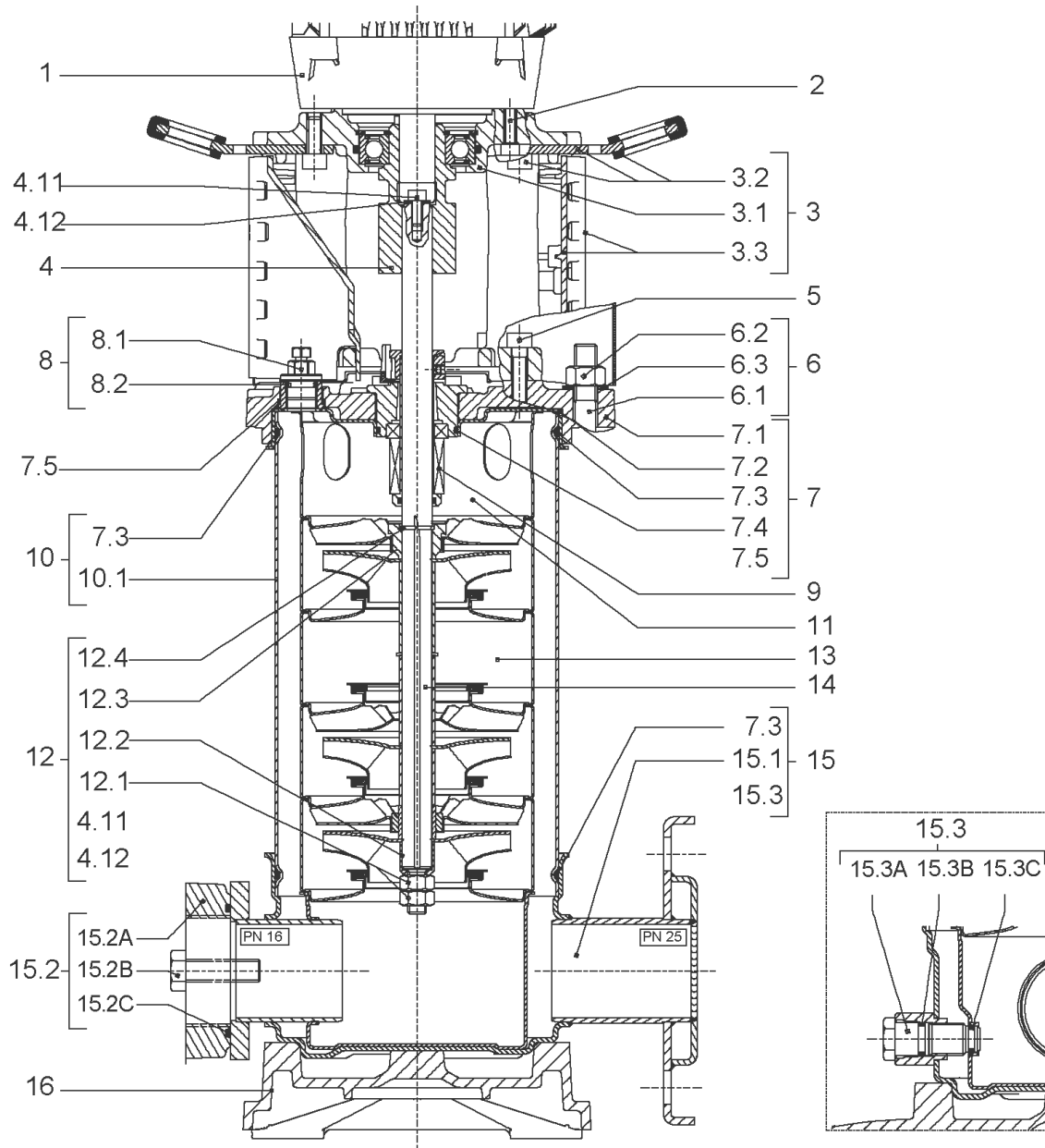


CARTRIDGE HELIX6-10-16 F/V KIT (4159700)

Item	Article no.	Description	Quantity
9.1	4159701	SEAL-KIT-HELIX6-10-16 F/V	1
7.3	4177887	> O-RING ID.145,65X3,53 VITON VP.	1
7.4	4177888	> O-RING ID.37.6xØ2.4 VITON VP.	1
9.1A	2131025	> MECH.SEAL HELIX2-4-6-10-16 F/V VP.	1
9.1B	2131027	> O-RING D.16XD.2,5 FKM VP.	1
9.1C	4177889	> O-RING ID.16x1.25 VITON VP.	1
9.2	2130961	SHAFT SLEEVE D.18/16X72,2 1.4404 VP.	1
9.3	2131024	RING HOLDER D.18 G606/G6 1.4404 VP.	1
9.4	4176520	SCREW CH M5x5 A4-70 (3PIECES)	1
9.5	2130963	DRIVE RING D.29/18x12,4 MACH.VP.	1
9.6	2130964	TOOL M.S.CART.HELIX VP.	1
9.7	2130965	SCREW CHC M5X12 ISO4762 A2.70(4 PIECES)	1



Item	Article no.	Description	Quantity
13.1	4172808	FIRST STAGE HELIX 10 1.4404 KIT	1
		> MACH.STG-CASING-WOGV-WNR-M+10-316	1
		> IMPELLER-H1-M+10-316	1
13.2	4172807	STAGE HELIX 10 .4404 KIT	1
		> MACH.BEARING-STG-CASING-WNR-M+10-316	1
		> IMPELLER-H1-M+10-316	1
		> SHAFT SLEEVE-SPACER-Ø19,35x18,465-316	1
		> SHAFT-SLEEVE-D16xD20x18-CW	1
13.3	4172806	INTERMEDIATE STAGE HELIX10 1.4404 KIT	1
		> MACH.STD-STG-CASING-WGV+NR-M+10-316	1
		> IMPELLER-H1-M+10-316	1
		> IMPELLER SPACER Ø16,05X19,45-L36,465-316	1
13.4	4172811	EMPTY STAGE HELIX10 1.4404 KIT	1
		> MACH.STD-STG-CASING-WGV+NR-M+10-316	1
		> FLAT WASHER-D16.1XD22X1.2-316L	1
		> IMPELLER SPACER Ø16,05X19,45-L36,465-316	1
13.5	4172810	INTERMEDIATE STAGE HELIX10 1.4404 KIT	1
		> MACH.STG-CASING-WOGV-WNR-M+10-316	1
		> IMPELLER-H1-M+10-316	1
		> IMPELLER SPACER Ø16,05X19,45-L36,465-316	1



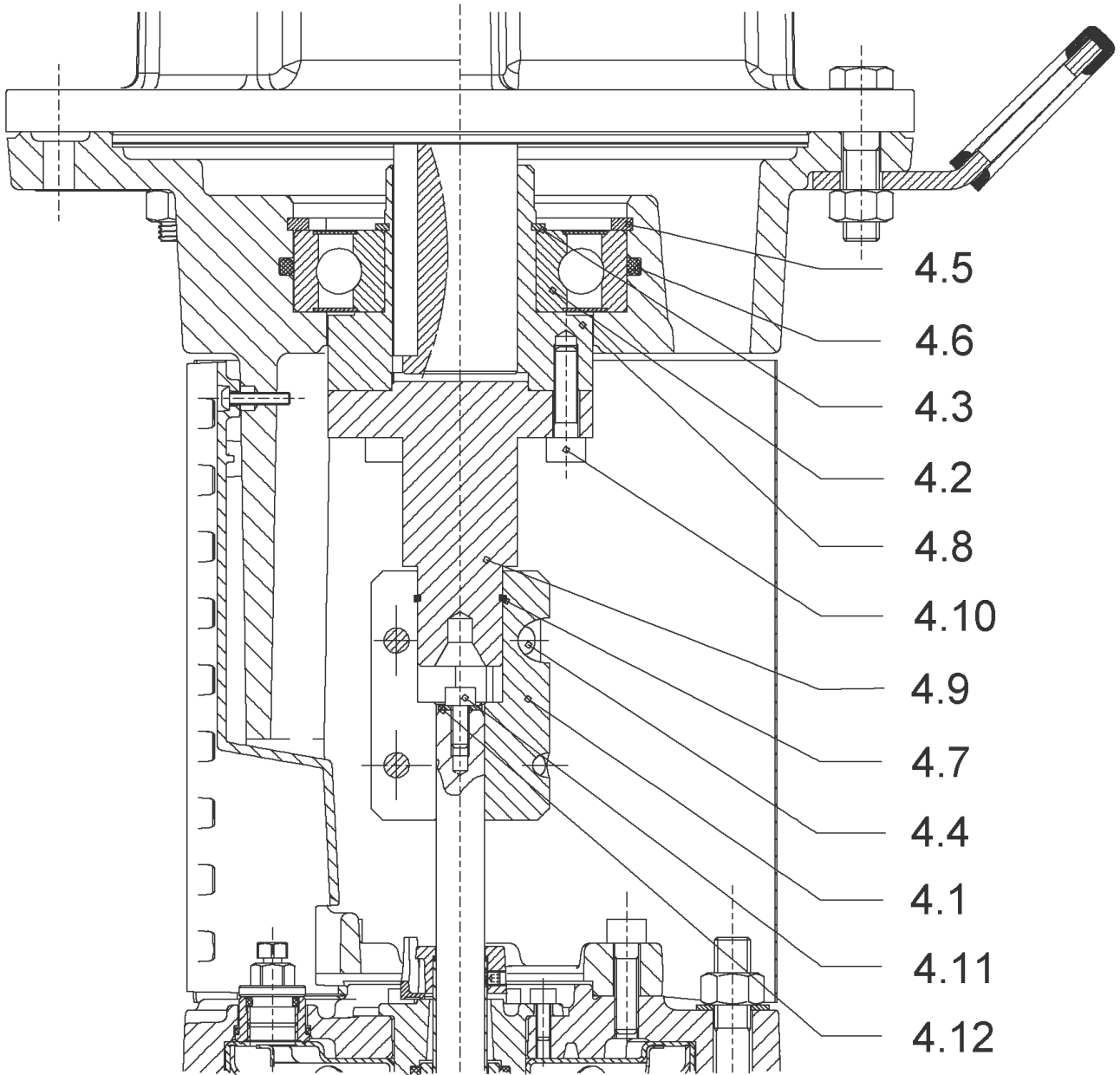
HELIX V1019-2/25/V/KS/400-50 (4150592)

Item	Article no.	Description	Quantity
1	4195450	MOTOR 7,5/2/* 3~400V 50HZ IE3 VP.	1
		SPARE PARTS MOTOR:ON REQUEST	1
2	4174093	SCREW M12X50 (4 PIECES)	1
3	4159693	LANTERN FF265 HELIX KIT	1
3.1		> LANTERN FF265 M+6" GJL MACHINING+CATA	1
3.2	2127605	> EYELET CPL.FF265 HELIX(2 PIECES)	1
3.3	4159695	> COUPLING PROTECTOR FF HELIX KIT	1
4	4159711	COUPLING D.16XD.38 FF265 HELIX KIT	1
5	4159707	SCREW M8X30 (4 PIECES)	1
6	4177863	STUD BOLT M12X938 KIT	1
6.1		> TIE BOLT M12-938x18x30-1.4057	1
6.2	2094647	> NUT M12 M12 ISO4032 VP.	1
6.3	2123557	> WASHER CS-12.4-24-1.6-NFE25 (4 PIECES)	1
7	4159783	END SHIELD HELIX FKM 1.4404 KIT	1
7.1		> END SHIELD M+6" GJL250 MACHINING+CATA	1
7.2	2131056	> STATIONARY RING HOLDER 6" HELIX 1.4404 V	1
7.3	4234237	> O-RING 139X3 VITON VP.	1
7.4	2131026	> O-RING ID.37,6X2,4 FKM VP.	1
7.5	2131057	> O-RING ID.21,35X2 FKM VP.	1
8	4159784	FILING/PURGING PLUG HELIX FKM KIT	1
9	4159700	CARTRIDGE HELIX6-10-16 F/V KIT	1
10	4177953	HOUSING-PIPE D.152X810 1.4404 KIT	1
7.3	4234237	> O-RING 139X3 VITON VP.	1
10.1		> HOUSING-PIPE Ø152-M+1020/1613-316L	1
11	4172805	CENTERING STAGE-RETURN HELIX10 1.4404 VP	1
12	4171332	SHAFT EQUIPMENT HELIX V10 BI BLOC KIT	1
4.11	4102901	> SCREW CHC-M6X14-8.8-ISO4762-GEOMET500A	1
4.12	2130995	> SERRATED LOCK WASHER D.6,2XD.14,5X28 VP.	1
12.1		> NUT-H-M10-A4.70	1
12.2		> SERRATED LOCK WASHER M+10M3-316L	1
12.3		> STOP COLLAR OF IMPELLER L16,5-Ø16-316L	1
12.4		> STOP-RUSH-1/2-D16xd2-M+316	1
13		HYDRAULIC HELIX V 1019	1
14	4177952	SHAFT D.16X930 1.4462 VP.	1

HELIX V1019-2/25/V/KS/400-50 (4150592)

Item	Article no.	Description	Quantity
15	4172809	PUMP HOUSING HELIX DN40 PN25 1.4409 KIT	1
7.3	4176513	> O-RING FOR PUMP JACKET VP.	1
15.1		> BLASTING PPE HOUSING V-PN25-DN40-316L	1
15.3	4159781	> PRIMING/DRAIN PLUG HELIX 16 FKM KIT	1
16	4176517	BASEPLATE V8/10 VP.	1

COUPLING D.16XD.38 FF265 HELIX KIT (4159711)



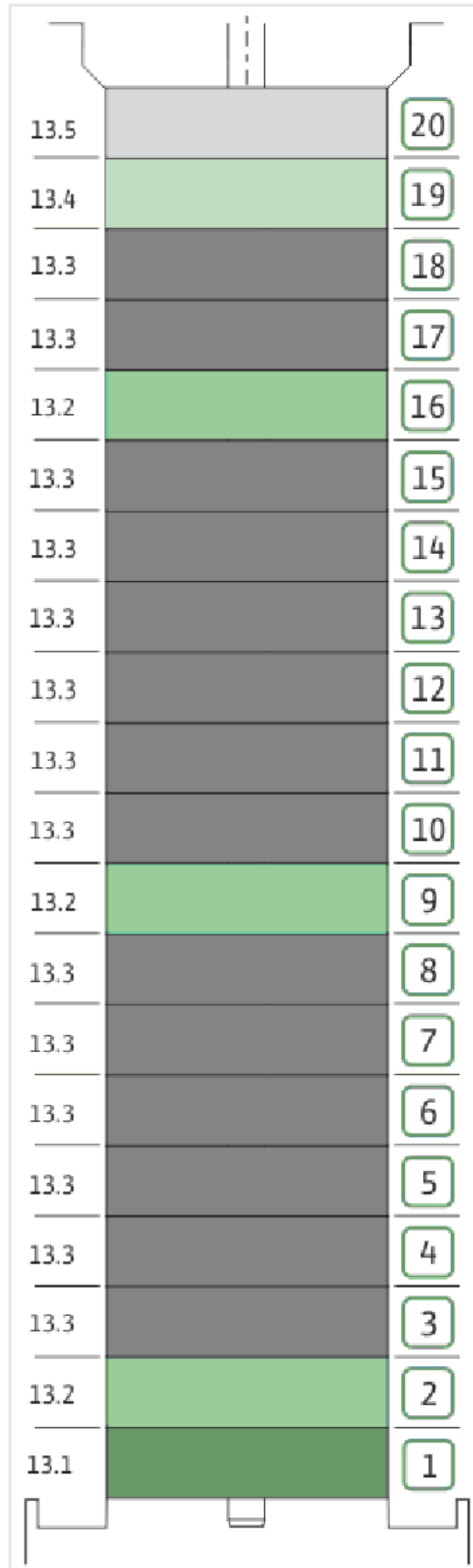
COUPLING D.16XD.38 FF265 HELIX KIT (4159711)

Item	Article no.	Description	Quantity
4.1	2131018	COUPLING 2 PARTS D.16XD.28XL.82,4 VP.	1
4.2	2131017	BALL BEARING 6310/ZZ-C4(HT)VP.	1
4.3	4234253	CIRCLIP-FOR-SHAFT-D50x2 VP.	1
4.4	4157726	SCREW KIT M8X30 (4 PIECES)	1
4.5	4234255	CIRCLIPS 110X4 VP.	1
4.6	4233944	O-RING ID.110 VP.	1
4.7	2131019	RETAINING RING D.26xD.2 DIN7993 VP.	1
4.10	4157726	SCREW KIT M8X30 (4 PIECES)	1
4.11	4102901	SCREW CHC-M6X14-8.8-ISO4762-GEOMET500A	1
4.12	2130995	SERRATED LOCK WASHER D.6,2XD.14,5X28 VP.	1
		NOMEL CONTACT WASHER 8x16x1,4 STEEL ZC	1
4.8	2131020	HUB D.38XD.50 VP.	1
4.9	2131021	SPACER D.28XD.45 VP.	1

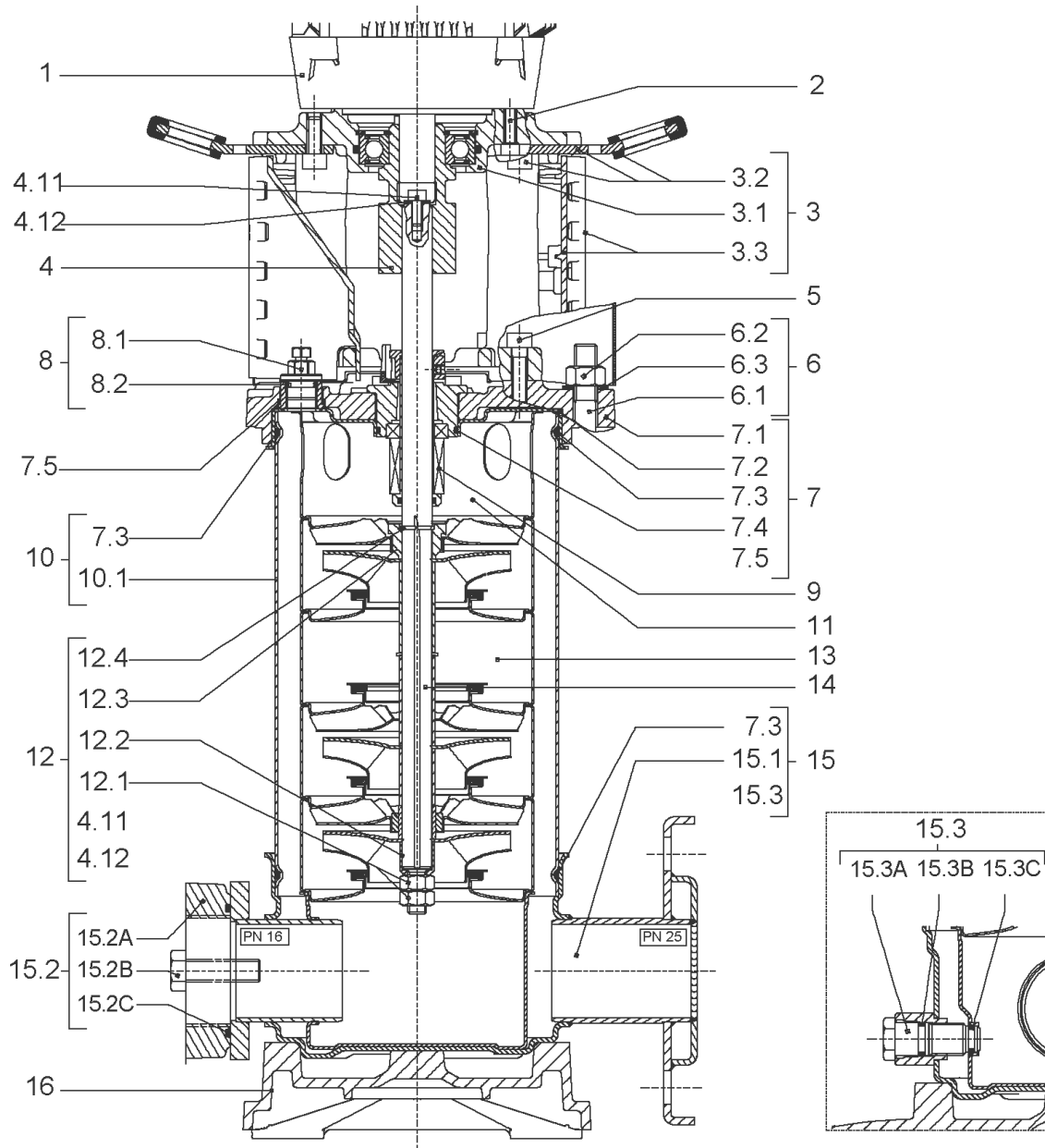


CARTRIDGE HELIX6-10-16 F/V KIT (4159700)

Item	Article no.	Description	Quantity
9.1	4159701	SEAL-KIT-HELIX6-10-16 F/V	1
7.3	4177887	> O-RING ID.145,65X3,53 VITON VP.	1
7.4	4177888	> O-RING ID.37.6xØ2.4 VITON VP.	1
9.1A	2131025	> MECH.SEAL HELIX2-4-6-10-16 F/V VP.	1
9.1B	2131027	> O-RING D.16XD.2,5 FKM VP.	1
9.1C	4177889	> O-RING ID.16x1.25 VITON VP.	1
9.2	2130961	SHAFT SLEEVE D.18/16X72,2 1.4404 VP.	1
9.3	2131024	RING HOLDER D.18 G606/G6 1.4404 VP.	1
9.4	4176520	SCREW CH M5x5 A4-70 (3PIECES)	1
9.5	2130963	DRIVE RING D.29/18x12,4 MACH.VP.	1
9.6	2130964	TOOL M.S.CART.HELIX VP.	1
9.7	2130965	SCREW CHC M5X12 ISO4762 A2.70(4 PIECES)	1



Item	Article no.	Description	Quantity
13.1	4172808	FIRST STAGE HELIX 10 1.4404 KIT	1
		> MACH.STG-CASING-WOGV-WNR-M+10-316	1
		> IMPELLER-H1-M+10-316	1
13.2	4172807	STAGE HELIX 10 .4404 KIT	1
		> MACH.BEARING-STG-CASING-WNR-M+10-316	1
		> IMPELLER-H1-M+10-316	1
		> SHAFT SLEEVE-SPACER-Ø19,35x18,465-316	1
		> SHAFT-SLEEVE-D16xD20x18-CW	1
13.3	4172806	INTERMEDIATE STAGE HELIX10 1.4404 KIT	1
		> MACH.STD-STG-CASING-WGV+NR-M+10-316	1
		> IMPELLER-H1-M+10-316	1
		> IMPELLER SPACER Ø16,05X19,45-L36,465-316	1
13.4	4172811	EMPTY STAGE HELIX10 1.4404 KIT	1
		> MACH.STD-STG-CASING-WGV+NR-M+10-316	1
		> FLAT WASHER-D16.1XD22X1.2-316L	1
		> IMPELLER SPACER Ø16,05X19,45-L36,465-316	1
13.5	4172810	INTERMEDIATE STAGE HELIX10 1.4404 KIT	1
		> MACH.STG-CASING-WOGV-WNR-M+10-316	1
		> IMPELLER-H1-M+10-316	1
		> IMPELLER SPACER Ø16,05X19,45-L36,465-316	1



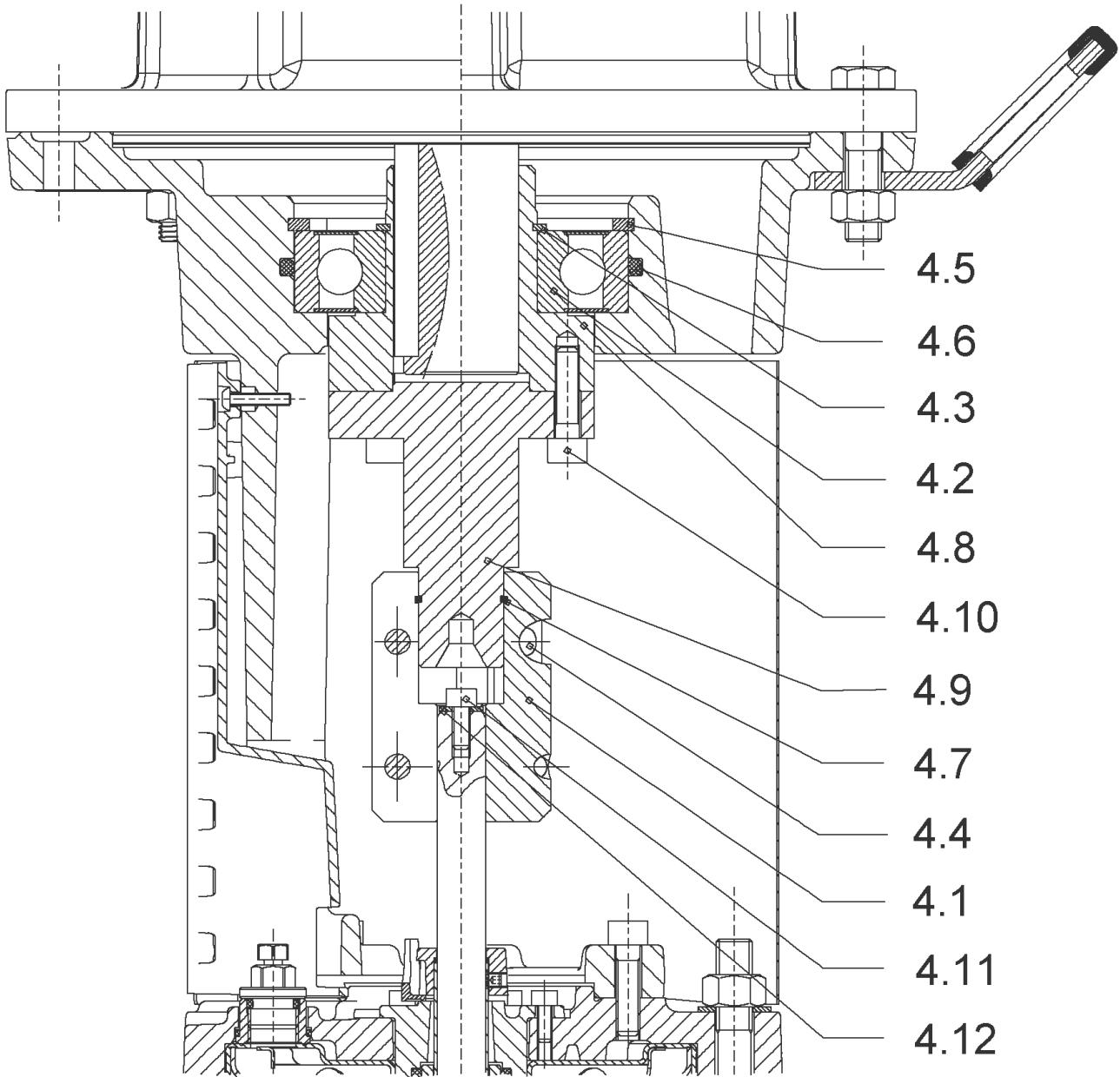
HELIX V1021-2/25/V/KS/400-50 (4150594)

Item	Article no.	Description	Quantity
1	4195450	MOTOR 7,5/2/* 3~400V 50HZ IE3 VP.	1
		SPARE PARTS MOTOR:ON REQUEST	1
2	4174093	SCREW M12X50 (4 PIECES)	1
3	4159693	LANTERN FF265 HELIX KIT	1
3.1		> LANTERN FF265 M+6" GJL MACHINING+CATA	1
3.2	2127605	> EYELET CPL.FF265 HELIX(2 PIECES)	1
3.3	4159695	> COUPLING PROTECTOR FF HELIX KIT	1
4	4159711	COUPLING D.16XD.38 FF265 HELIX KIT	1
5	4159707	SCREW M8X30 (4 PIECES)	1
6	4177865	STUD BOLT M12X1013 KIT	1
6.1		> TIE BOLT M12-1013x18x30-1.4057	1
6.2	2094647	> NUT M12 M12 ISO4032 VP.	1
6.3	2123557	> WASHER CS-12.4-24-1.6-NFE25 (4 PIECES)	1
7	4159783	END SHIELD HELIX FKM 1.4404 KIT	1
7.1		> END SHIELD M+6" GJL250 MACHINING+CATA	1
7.2	2131056	> STATIONARY RING HOLDER 6" HELIX 1.4404 V	1
7.3	4234237	> O-RING 139X3 VITON VP.	1
7.4	2131026	> O-RING ID.37,6X2,4 FKM VP.	1
7.5	2131057	> O-RING ID.21,35X2 FKM VP.	1
8	4159784	FILING/PURGING PLUG HELIX FKM KIT	1
9	4159700	CARTRIDGE HELIX6-10-16 F/V KIT	1
10	4177955	HOUSING-PIPE D.152X885 1.4404 KIT	1
7.3	4234237	> O-RING 139X3 VITON VP.	1
10.1		> HOUSING-PIPE Ø152-M+1021/22-316L	1
11	4172805	CENTERING STAGE-RETURN HELIX10 1.4404 VP	1
12	4171332	SHAFT EQUIPMENT HELIX V10 BI BLOC KIT	1
4.11	4102901	> SCREW CHC-M6X14-8.8-ISO4762-GEOMET500A	1
4.12	2130995	> SERRATED LOCK WASHER D.6,2XD.14,5X28 VP.	1
12.1		> NUT-H-M10-A4.70	1
12.2		> SERRATED LOCK WASHER M+10M3-316L	1
12.3		> STOP COLLAR OF IMPELLER L16,5-Ø16-316L	1
12.4		> STOP-RUSH-1/2-D16xd2-M+316	1
13		HYDRAULIC HELIX V 1021	1
14	4177956	SHAFT D.16X1005 1.4404 VP.	1

HELIX V1021-2/25/V/KS/400-50 (4150594)

Item	Article no.	Description	Quantity
15	4172809	PUMP HOUSING HELIX DN40 PN25 1.4409 KIT	1
7.3	4176513	> O-RING FOR PUMP JACKET VP.	1
15.1		> BLASTING PPE HOUSING V-PN25-DN40-316L	1
15.3	4159781	> PRIMING/DRAIN PLUG HELIX 16 FKM KIT	1
16	4176517	BASEPLATE V8/10 VP.	1

COUPLING D.16XD.38 FF265 HELIX KIT (4159711)



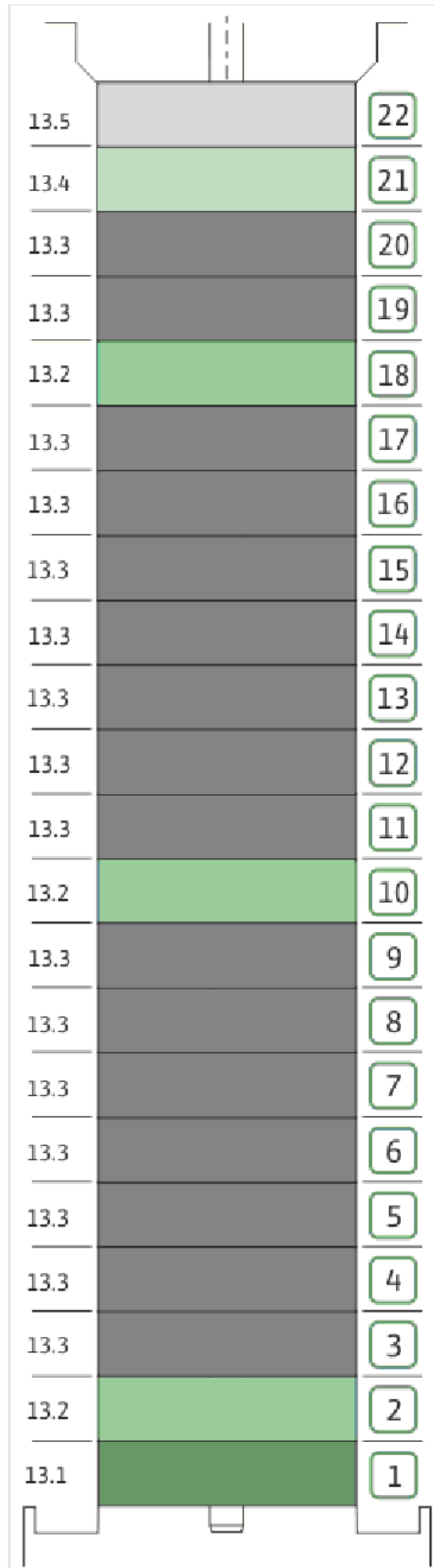
COUPLING D.16XD.38 FF265 HELIX KIT (4159711)

Item	Article no.	Description	Quantity
4.1	2131018	COUPLING 2 PARTS D.16XD.28XL.82,4 VP.	1
4.2	2131017	BALL BEARING 6310/ZZ-C4(HT)VP.	1
4.3	4234253	CIRCLIP-FOR-SHAFT-D50x2 VP.	1
4.4	4157726	SCREW KIT M8X30 (4 PIECES)	1
4.5	4234255	CIRCLIPS 110X4 VP.	1
4.6	4233944	O-RING ID.110 VP.	1
4.7	2131019	RETAINING RING D.26xD.2 DIN7993 VP.	1
4.10	4157726	SCREW KIT M8X30 (4 PIECES)	1
4.11	4102901	SCREW CHC-M6X14-8.8-ISO4762-GEOMET500A	1
4.12	2130995	SERRATED LOCK WASHER D.6,2XD.14,5X28 VP.	1
		NOMEL CONTACT WASHER 8x16x1,4 STEEL ZC	1
4.8	2131020	HUB D.38XD.50 VP.	1
4.9	2131021	SPACER D.28XD.45 VP.	1



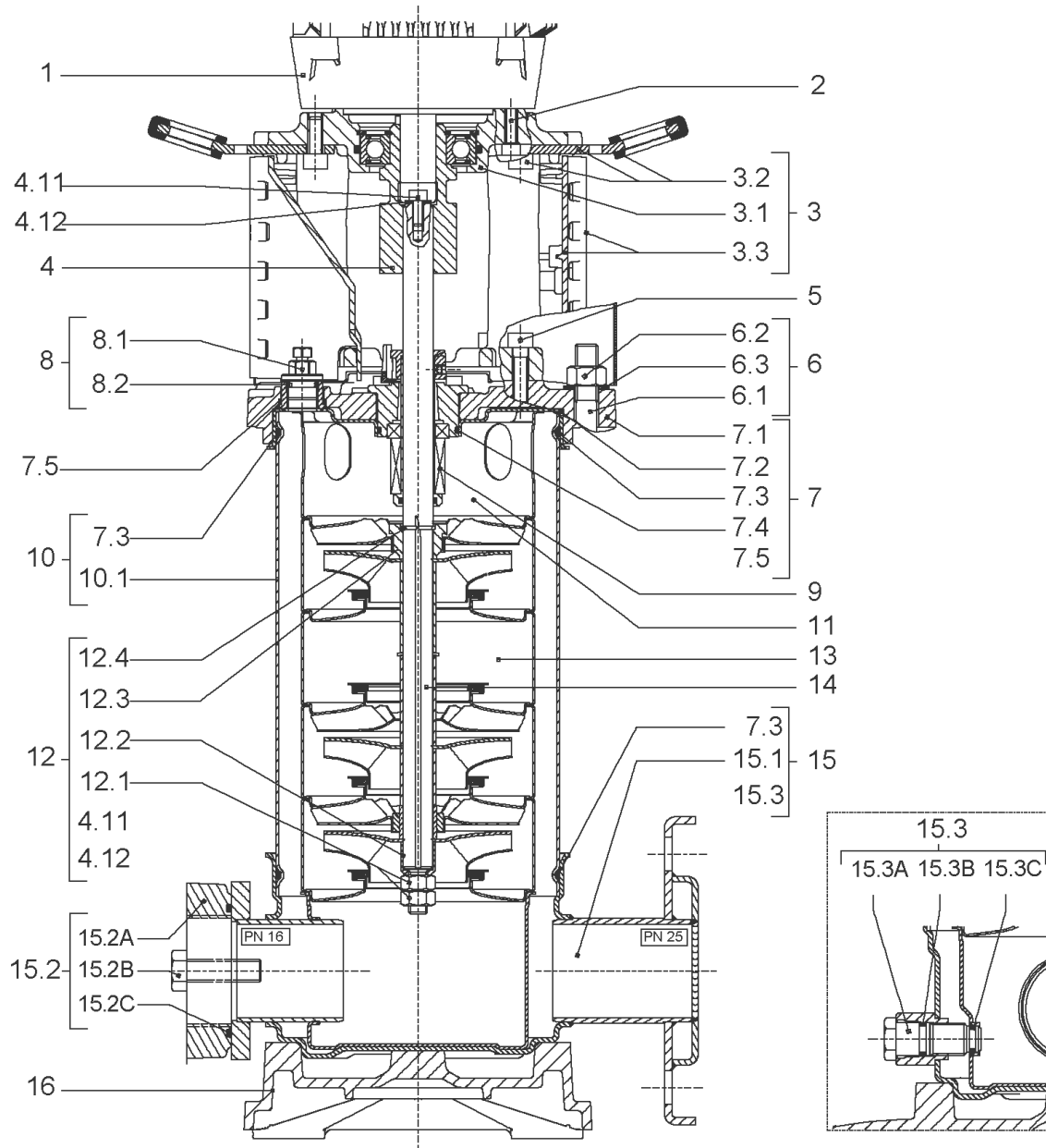
CARTRIDGE HELIX6-10-16 F/V KIT (4159700)

Item	Article no.	Description	Quantity
9.1	4159701	SEAL-KIT-HELIX6-10-16 F/V	1
7.3	4177887	> O-RING ID.145,65X3,53 VITON VP.	1
7.4	4177888	> O-RING ID.37.6xØ2.4 VITON VP.	1
9.1A	2131025	> MECH.SEAL HELIX2-4-6-10-16 F/V VP.	1
9.1B	2131027	> O-RING D.16XD.2,5 FKM VP.	1
9.1C	4177889	> O-RING ID.16x1.25 VITON VP.	1
9.2	2130961	SHAFT SLEEVE D.18/16X72,2 1.4404 VP.	1
9.3	2131024	RING HOLDER D.18 G606/G6 1.4404 VP.	1
9.4	4176520	SCREW CH M5x5 A4-70 (3PIECES)	1
9.5	2130963	DRIVE RING D.29/18x12,4 MACH.VP.	1
9.6	2130964	TOOL M.S.CART.HELIX VP.	1
9.7	2130965	SCREW CHC M5X12 ISO4762 A2.70(4 PIECES)	1



HYDRAULIC HELIX V 1021

Item	Article no.	Description	Quantity
13.1	4172808	FIRST STAGE HELIX 10 1.4404 KIT	1
		> MACH.STG-CASING-WOGV-WNR-M+10-316	1
		> IMPELLER-H1-M+10-316	1
13.2	4172807	STAGE HELIX 10 .4404 KIT	1
		> MACH.BEARING-STG-CASING-WNR-M+10-316	1
		> IMPELLER-H1-M+10-316	1
		> SHAFT SLEEVE-SPACER-Ø19,35x18,465-316	1
		> SHAFT-SLEEVE-D16xD20x18-CW	1
13.3	4172806	INTERMEDIATE STAGE HELIX10 1.4404 KIT	1
		> MACH.STD-STG-CASING-WGV+NR-M+10-316	1
		> IMPELLER-H1-M+10-316	1
		> IMPELLER SPACER Ø16,05X19,45-L36,465-316	1
13.4	4172811	EMPTY STAGE HELIX10 1.4404 KIT	1
		> MACH.STD-STG-CASING-WGV+NR-M+10-316	1
		> FLAT WASHER-D16.1XD22X1.2-316L	1
		> IMPELLER SPACER Ø16,05X19,45-L36,465-316	1
13.5	4172810	INTERMEDIATE STAGE HELIX10 1.4404 KIT	1
		> MACH.STG-CASING-WOGV-WNR-M+10-316	1
		> IMPELLER-H1-M+10-316	1
		> IMPELLER SPACER Ø16,05X19,45-L36,465-316	1



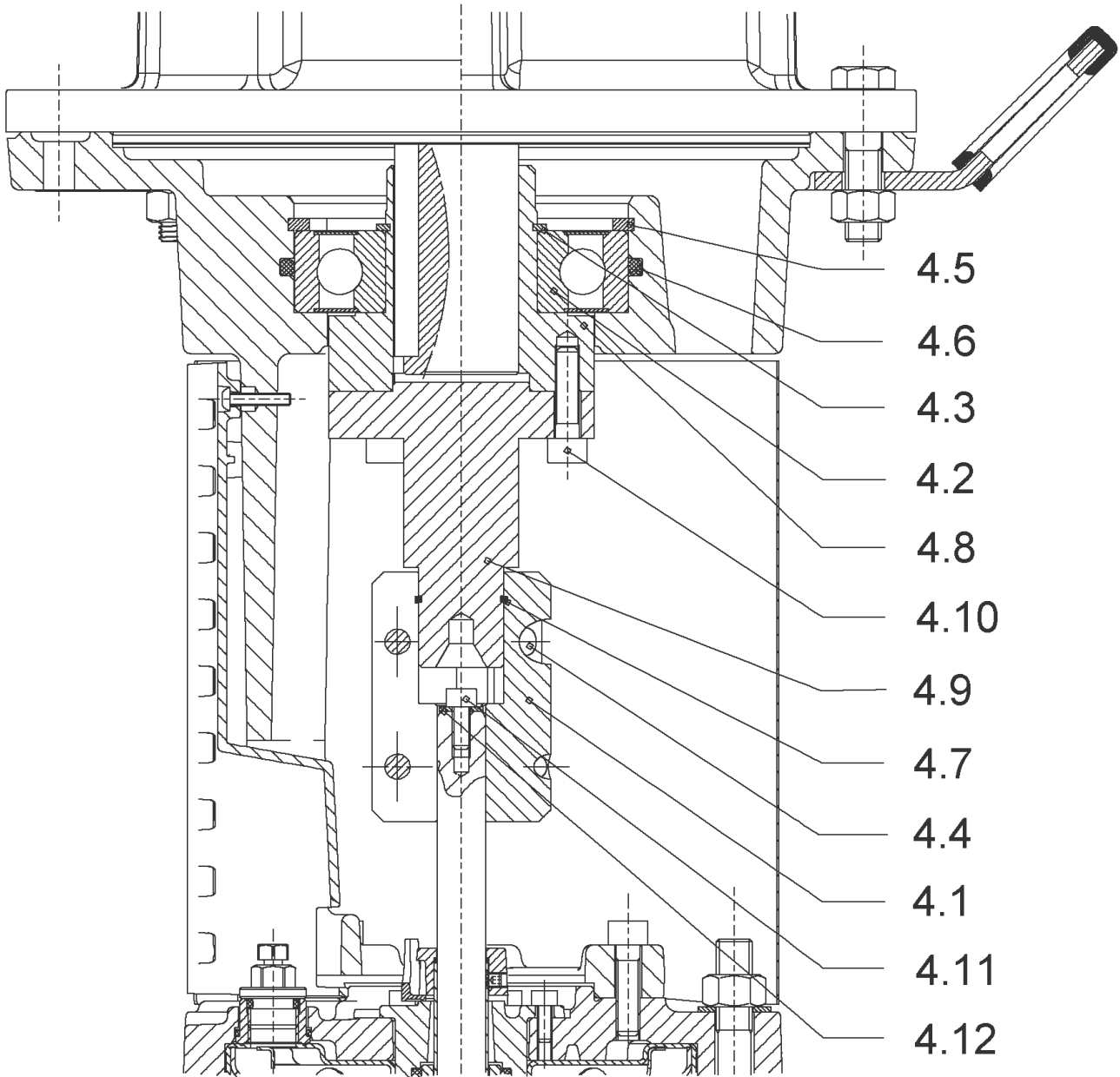
HELIX V1023-2/25/V/KS/400-50 (4150596)

Item	Article no.	Description	Quantity
1	4195483	MOTOR 9/2/132 3~400V 50HZ IE3 VP.	1
		SPARE PARTS MOTOR:ON REQUEST	1
2	4174093	SCREW M12X50 (4 PIECES)	1
3	4159693	LANTERN FF265 HELIX KIT	1
3.1		> LANTERN FF265 M+6" GJL MACHINING+CATA	1
3.2	2127605	> EYELET CPL.FF265 HELIX(2 PIECES)	1
3.3	4159695	> COUPLING PROTECTOR FF HELIX KIT	1
4	4159711	COUPLING D.16XD.38 FF265 HELIX KIT	1
5	4159707	SCREW M8X30 (4 PIECES)	1
6	4177880	STUD BOLT M12X1088 KIT	1
6.1		> TIE BOLT M12-1088x18x30-1.4057	1
6.2	2094647	> NUT M12 M12 ISO4032 VP.	1
6.3	2123557	> WASHER CS-12.4-24-1.6-NFE25 (4 PIECES)	1
7	4159783	END SHIELD HELIX FKM 1.4404 KIT	1
7.1		> END SHIELD M+6" GJL250 MACHINING+CATA	1
7.2	2131056	> STATIONARY RING HOLDER 6" HELIX 1.4404 V	1
7.3	4234237	> O-RING 139X3 VITON VP.	1
7.4	2131026	> O-RING ID.37,6X2,4 FKM VP.	1
7.5	2131057	> O-RING ID.21,35X2 FKM VP.	1
8	4159784	FILING/PURGING PLUG HELIX FKM KIT	1
9	4159700	CARTRIDGE HELIX6-10-16 F/V KIT	1
10	4177959	HOUSING-PIPE D.152X960 1.4404 KIT	1
7.3	4234237	> O-RING 139X3 VITON VP.	1
10.1		> HOUSING-PIPE Ø152-M+1024/1616-316L	1
11	4172805	CENTERING STAGE-RETURN HELIX10 1.4404 VP	1
12	4171332	SHAFT EQUIPMENT HELIX V10 BI BLOC KIT	1
4.11	4102901	> SCREW CHC-M6X14-8.8-ISO4762-GEOMET500A	1
4.12	2130995	> SERRATED LOCK WASHER D.6,2XD.14,5X28 VP.	1
12.1		> NUT-H-M10-A4.70	1
12.2		> SERRATED LOCK WASHER M+10M3-316L	1
12.3		> STOP COLLAR OF IMPELLER L16,5-Ø16-316L	1
12.4		> STOP-RUSH-1/2-D16xd2-M+316	1
13		HYDRAULIC HELIX V 1023	1
14	4177958	SHAFT D.16X1080 1.4404 VP.	1

HELIX V1023-2/25/V/KS/400-50 (4150596)

Item	Article no.	Description	Quantity
15	4172809	PUMP HOUSING HELIX DN40 PN25 1.4409 KIT	1
7.3	4176513	> O-RING FOR PUMP JACKET VP.	1
15.1		> BLASTING PPE HOUSING V-PN25-DN40-316L	1
15.3	4159781	> PRIMING/DRAIN PLUG HELIX 16 FKM KIT	1
16	4176517	BASEPLATE V8/10 VP.	1

COUPLING D.16XD.38 FF265 HELIX KIT (4159711)



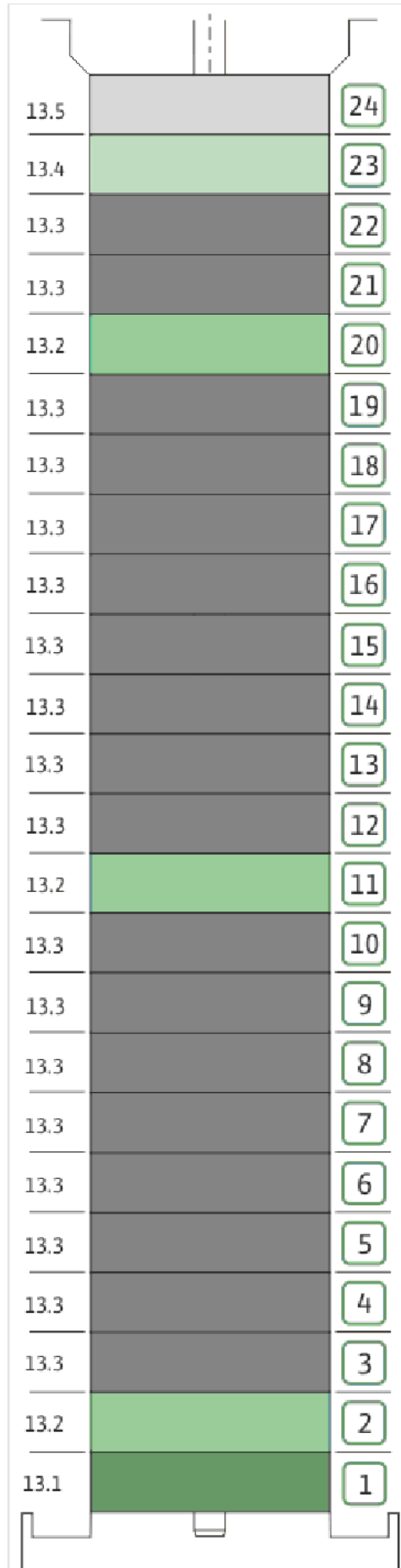
COUPLING D.16XD.38 FF265 HELIX KIT (4159711)

Item	Article no.	Description	Quantity
4.1	2131018	COUPLING 2 PARTS D.16XD.28XL.82,4 VP.	1
4.2	2131017	BALL BEARING 6310/ZZ-C4(HT)VP.	1
4.3	4234253	CIRCLIP-FOR-SHAFT-D50x2 VP.	1
4.4	4157726	SCREW KIT M8X30 (4 PIECES)	1
4.5	4234255	CIRCLIPS 110X4 VP.	1
4.6	4233944	O-RING ID.110 VP.	1
4.7	2131019	RETAINING RING D.26xD.2 DIN7993 VP.	1
4.10	4157726	SCREW KIT M8X30 (4 PIECES)	1
4.11	4102901	SCREW CHC-M6X14-8.8-ISO4762-GEOMET500A	1
4.12	2130995	SERRATED LOCK WASHER D.6,2XD.14,5X28 VP.	1
		NOMEL CONTACT WASHER 8x16x1,4 STEEL ZC	1
4.8	2131020	HUB D.38XD.50 VP.	1
4.9	2131021	SPACER D.28XD.45 VP.	1

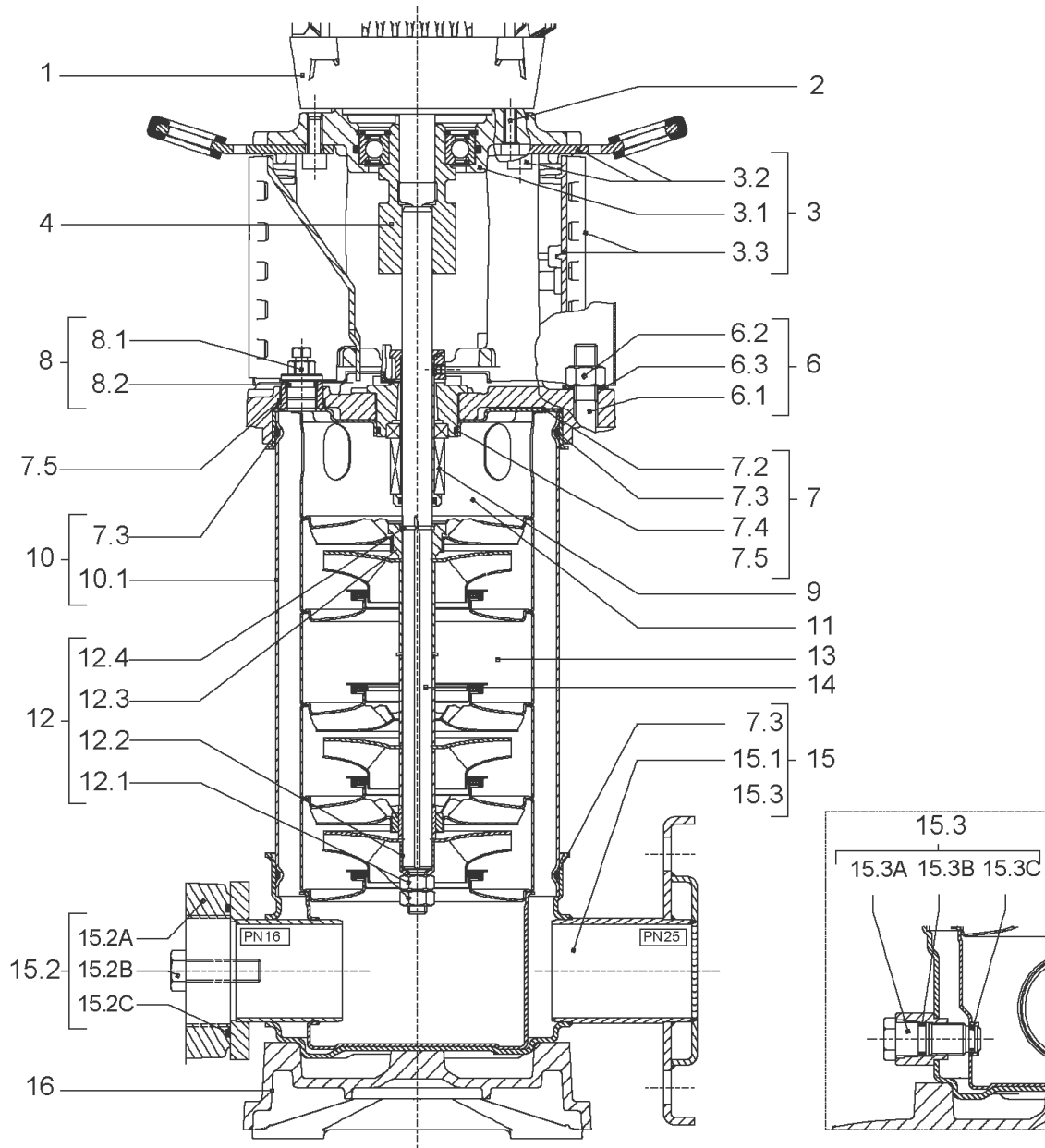


CARTRIDGE HELIX6-10-16 F/V KIT (4159700)

Item	Article no.	Description	Quantity
9.1	4159701	SEAL-KIT-HELIX6-10-16 F/V	1
7.3	4177887	> O-RING ID.145,65X3,53 VITON VP.	1
7.4	4177888	> O-RING ID.37.6xØ2.4 VITON VP.	1
9.1A	2131025	> MECH.SEAL HELIX2-4-6-10-16 F/V VP.	1
9.1B	2131027	> O-RING D.16XD.2,5 FKM VP.	1
9.1C	4177889	> O-RING ID.16x1.25 VITON VP.	1
9.2	2130961	SHAFT SLEEVE D.18/16X72,2 1.4404 VP.	1
9.3	2131024	RING HOLDER D.18 G606/G6 1.4404 VP.	1
9.4	4176520	SCREW CH M5x5 A4-70 (3PIECES)	1
9.5	2130963	DRIVE RING D.29/18x12,4 MACH.VP.	1
9.6	2130964	TOOL M.S.CART.HELIX VP.	1
9.7	2130965	SCREW CHC M5X12 ISO4762 A2.70(4 PIECES)	1



Item	Article no.	Description	Quantity
13.1	4172808	FIRST STAGE HELIX 10 1.4404 KIT	1
		> MACH.STG-CASING-WOGV-WNR-M+10-316	1
		> IMPELLER-H1-M+10-316	1
13.2	4172807	STAGE HELIX 10 .4404 KIT	1
		> MACH.BEARING-STG-CASING-WNR-M+10-316	1
		> IMPELLER-H1-M+10-316	1
		> SHAFT SLEEVE-SPACER-Ø19,35x18,465-316	1
		> SHAFT-SLEEVE-D16xD20x18-CW	1
13.3	4172806	INTERMEDIATE STAGE HELIX10 1.4404 KIT	1
		> MACH.STD-STG-CASING-WGV+NR-M+10-316	1
		> IMPELLER-H1-M+10-316	1
		> IMPELLER SPACER Ø16,05X19,45-L36,465-316	1
13.4	4172811	EMPTY STAGE HELIX10 1.4404 KIT	1
		> MACH.STD-STG-CASING-WGV+NR-M+10-316	1
		> FLAT WASHER-D16.1XD22X1.2-316L	1
		> IMPELLER SPACER Ø16,05X19,45-L36,465-316	1
13.5	4172810	INTERMEDIATE STAGE HELIX10 1.4404 KIT	1
		> MACH.STG-CASING-WOGV-WNR-M+10-316	1
		> IMPELLER-H1-M+10-316	1
		> IMPELLER SPACER Ø16,05X19,45-L36,465-316	1



HELIX V1002-1/16/E/S/400-50 (4162663)

Item	Article no.	Description	Quantity
1	4169940	MOTOR 0,75/2/80 3~230/400V 50HZ IE3 VP.	1
		SPARE PARTS MOTOR:ON REQUEST	1
2	4159702	SCREW M6X30 (4 PIECES)	1
3	4172790	EQUIPED LANTERN NEXIS FT 100 KIT	1
3.1		> M+5_6_LANTERN_ONE-PIECE_FT100_CATA	1
3.2	2127604	> EYELET CPL.FT HELIX(2 PIECES)	1
3.3	4159692	> COUPLING PROTECTOR FT HELIX KIT	1
4	4159708	COUPLING D.16XD.19 FT100 HELIX KIT	1
6	4177803	STUD BOLT M12X263 KIT	1
6.1		> TIE BOLT M12-263x18x30-1.4057	1
6.2	2094647	> NUT M12 M12 ISO4032 VP.	1
6.3	2123557	> WASHER CS-12.4-24-1.6-NFE25 (4 PIECES)	1
7	4210143	STATIONARY RING HOLDER HELIX 6" EPDM	1
7.2	2127607	> STATIONARY RING HOLDER 6" HELIX 1.4301 V	1
7.3	4176513	> O-RING FOR PUMP JACKET VP.	1
7.4	2127603	> O-RING ID.37,6x2,4 EPDM VP.	1
7.5	2127602	> O-RING ID.21,35x2 EPDM VP.	1
8	4159686	FILING/PURGING PLUG HELIX EPDM KIT	1
9	4171327	SEAL-KIT-HELIX6-10-16 O/E KIT	1
10	4177804	HOUSING PIPES D.152X134 1.4301 KIT	1
7.3	4176513	> O-RING FOR PUMP JACKET VP.	1
10.1		> HOUSING-PIPE Ø152-M+1001/02-304	1
11	4172791	CENTERING STAGE-RETURN HELIX10 1.4301VP.	1
12	4209273	SHAFT EQUIPMENT HELIX V10 KIT	1
12.1		> NUT-H-M10-A4.70	1
12.2		> SERRATED LOCK WASHER M+10M3-316L	1
12.3		> IMPELLER STOP RING L33,6-304	1
12.4		> STOP-RUSH-1/2-D16xd2-M+316	1
13		HYDRAULIC HELIX V 1002 1.4307	1
14	4177807	SHAFT D.16X255 1.4301 VP.	1
15	4159682	PUMP HOUSING HELIX DN50 PN16 1.4301 KIT	1
7.3	4176513	> O-RING FOR PUMP JACKET VP.	1
15.1		> BLASTING PPE HOUSING V-PN16-DN50-304	1
15.2	4217893	> COUNTER FLANGE-G1"1/2-PN16-GJL KIT	1

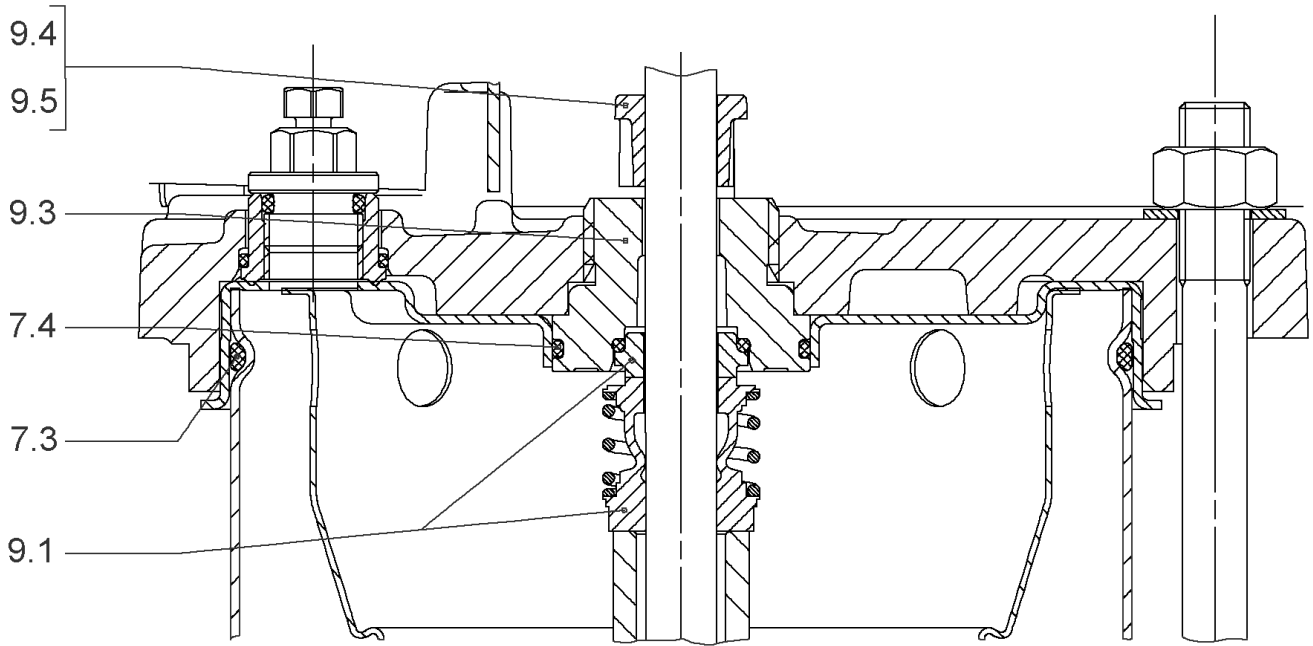
HELIX V1002-1/16/E/S/400-50 (4162663)

Item	Article no.	Description	Quantity
15.3	4171321	> PRIMING/DRAIN PLUG EPDM HELIX KIT	1
16	4176517	BASEPLATE V8/10 VP.	1



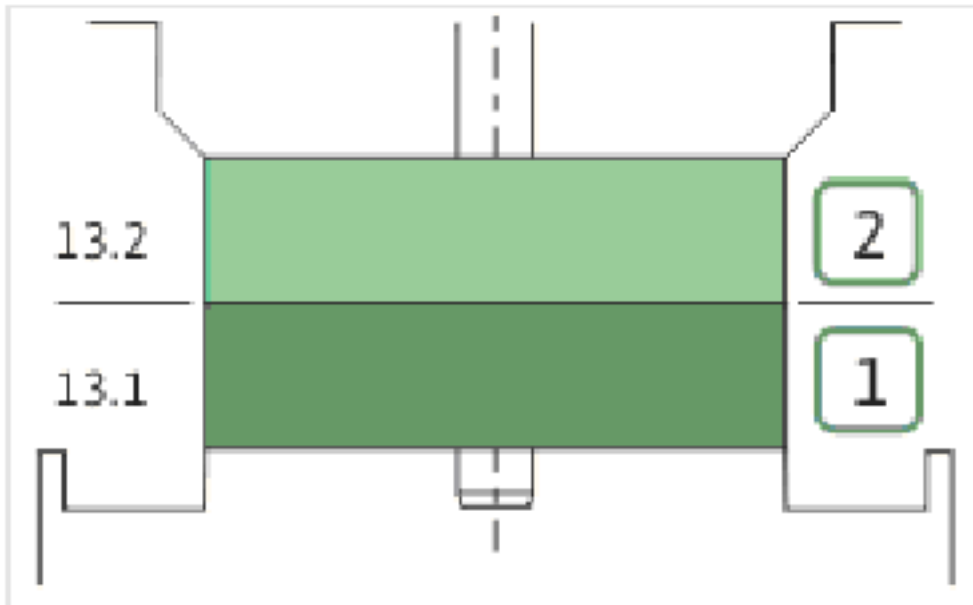
COUPLING D.16XD.19 FT100 HELIX KIT (4159708)

Item	Article no.	Description	Quantity
4.1		COUPLING M+ Ø16XØ19 FT100 MACHINED	1
4.2	2130977	BALL BEARING 6206/ZZ-C3(HT)VP.	1
4.3	4234249	CIRCLIP-FOR-SHAFT-D30x1.5 VP.	1
4.4	4212716	SCREW M6X20 KIT (4PIECES)	1
4.5	4234250	CIRCLIP-D62x2 VP.	1
4.6	4234245	O-RING 63X3 VP.	1
		CONTACT-WASHER-6ETR-6,1x12,2x1,8-STEEL	1



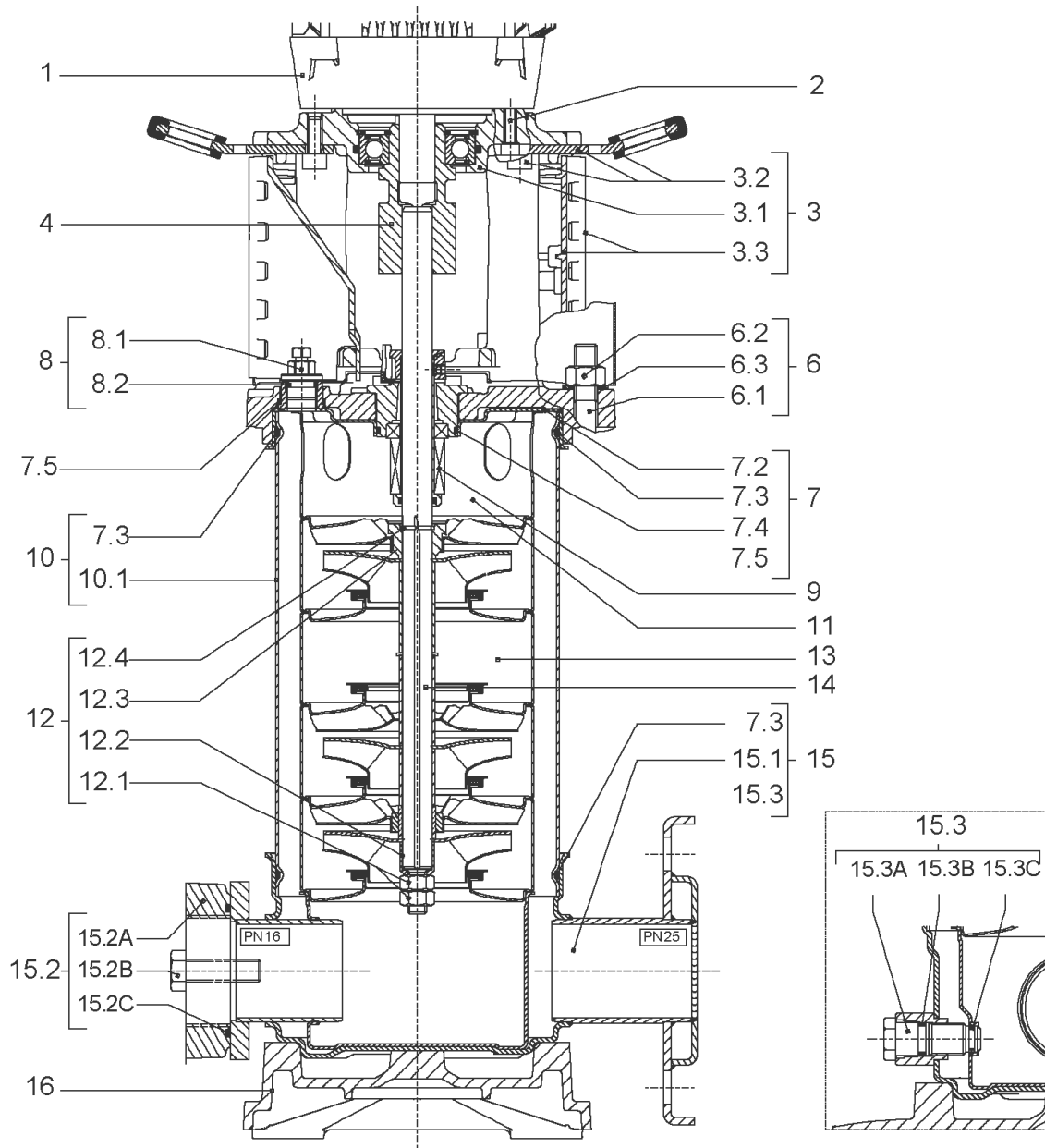
SEAL-KIT-HELIX6-10-16 O/E KIT (4171327)

Item	Article no.	Description	Quantity
7.3	4176513	O-RING FOR PUMP JACKET VP.	1
7.4	2127603	O-RING ID.37,6x2,4 EPDM VP.	1
9.1	4177801	MECH.SEAL HELIX6-10-16 O/E VP.	1
9.3	4177798	MACHINED RING HOLDER M+6" Ø16 304 VP.	1
9.5	4177799	MACHINED DRIVE RING Ø16 VP.	1
9.4	4176520	SCREW CH M5x5 A4-70 (3PIECES)	1



HYDRAULIC HELIX V 1002 1.4307

Item	Article no.	Description	Quantity
13.1	4171331	STAGE HELIX10 1.4301KIT	1
		> MACH.STG-CASING-WOGV-WNR-M+10-304	1
		> IMPELLER-M+10-304	1
13.2	4172792	INTERMEDIATE STAGE HELIX 10 1.4301 KIT	1
		> MACH.BEARING-STG-CASING-WNR-M+10-304	1
		> IMPELLER-M+10-304	1
		> SHAFT SLEEVE-SPACER-Ø19,35x18,465-304	1
		> SHAFT-SLEEVE-D16xD20x18-CW	1



HELIX V1003-1/16/E/S/400-50 (4162664)

Item	Article no.	Description	Quantity
1	4169941	MOTOR 1,1/2/80 3~230/400V 50HZ IE3 VP.	1
		SPARE PARTS MOTOR:ON REQUEST	1
2	4159702	SCREW M6X30 (4 PIECES)	1
3	4172790	EQUIPED LANTERN NEXIS FT 100 KIT	1
3.1		> M+5_6_LANTERN_ONE-PIECE_FT100_CATA	1
3.2	2127604	> EYELET CPL.FT HELIX(2 PIECES)	1
3.3	4159692	> COUPLING PROTECTOR FT HELIX KIT	1
4	4159708	COUPLING D.16XD.19 FT100 HELIX KIT	1
6	4177812	STUD BOLT M12X300KIT	1
6.1		> TIE BOLT M12-300x18x30-1.4057	1
6.2	2094647	> NUT M12 M12 ISO4032 VP.	1
6.3	2123557	> WASHER CS-12.4-24-1.6-NFE25 (4 PIECES)	1
7	4210143	STATIONARY RING HOLDER HELIX 6" EPDM	1
7.2	2127607	> STATIONARY RING HOLDER 6" HELIX 1.4301 V	1
7.3	4176513	> O-RING FOR PUMP JACKET VP.	1
7.4	2127603	> O-RING ID.37,6x2,4 EPDM VP.	1
7.5	2127602	> O-RING ID.21,35x2 EPDM VP.	1
8		FILING/PURGING PLUG HELIX EPDM KIT	1
9	4171327	SEAL-KIT-HELIX6-10-16 O/E KIT	1
10	4177813	HOUSING PIPE D.152x172 1.4301 KIT	1
7.3	4176513	> O-RING FOR PUMP JACKET VP.	1
10.1		> HOUSING-PIPE Ø152-M+1003-304	1
11	4172791	CENTERING STAGE-RETURN HELIX10 1.4301VP.	1
12	4209273	SHAFT EQUIPMENT HELIX V10 KIT	1
12.1		> NUT-H-M10-A4.70	1
12.2		> SERRATED LOCK WASHER M+10M3-316L	1
12.3		> IMPELLER STOP RING L33,6-304	1
12.4		> STOP-RUSH-1/2-D16xd2-M+316	1
13		HYDRAULIC HELIX V 1003 1.4307	1
14	4177815	SHAFT D.16X292,5 1.4301 VP.	1
15	4159682	PUMP HOUSING HELIX DN50 PN16 1.4301 KIT	1
7.3	4176513	> O-RING FOR PUMP JACKET VP.	1
15.1		> BLASTING PPE HOUSING V-PN16-DN50-304	1
15.2	4217893	> COUNTER FLANGE-G1"1/2-PN16-GJL KIT	1

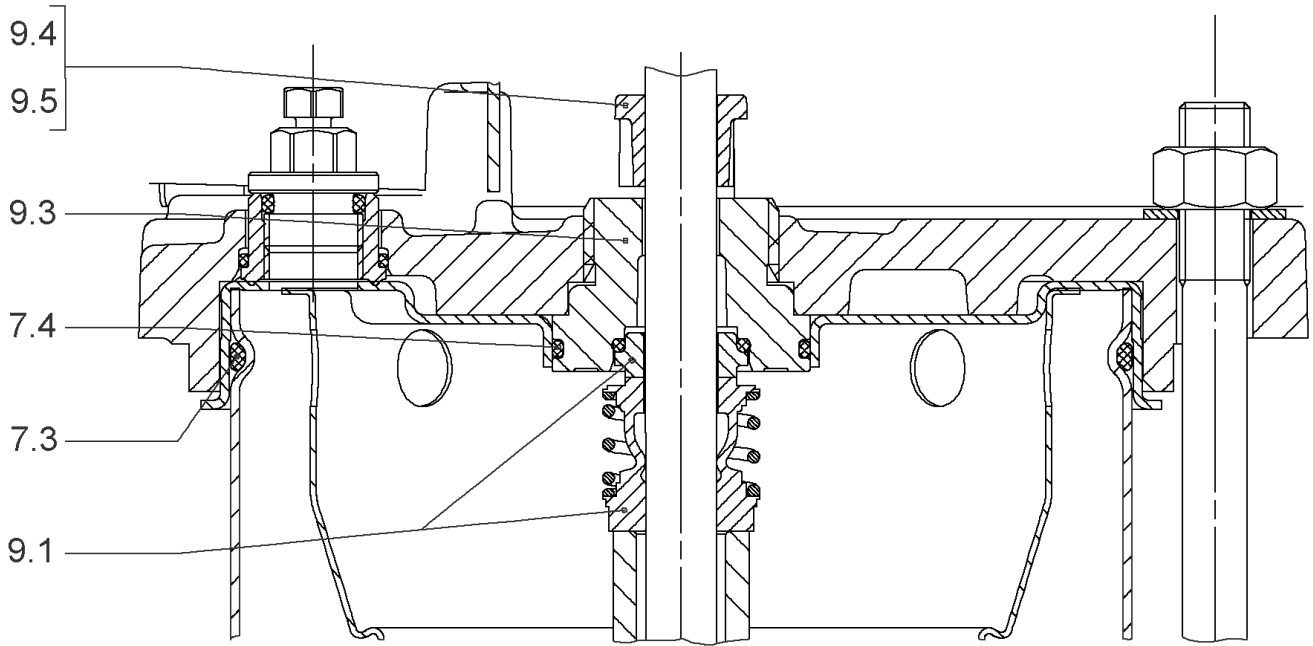
HELIX V1003-1/16/E/S/400-50 (4162664)

Item	Article no.	Description	Quantity
15.3	4171321	> PRIMING/DRAIN PLUG EPDM HELIX KIT	1
16	4176517	BASEPLATE V8/10 VP.	1



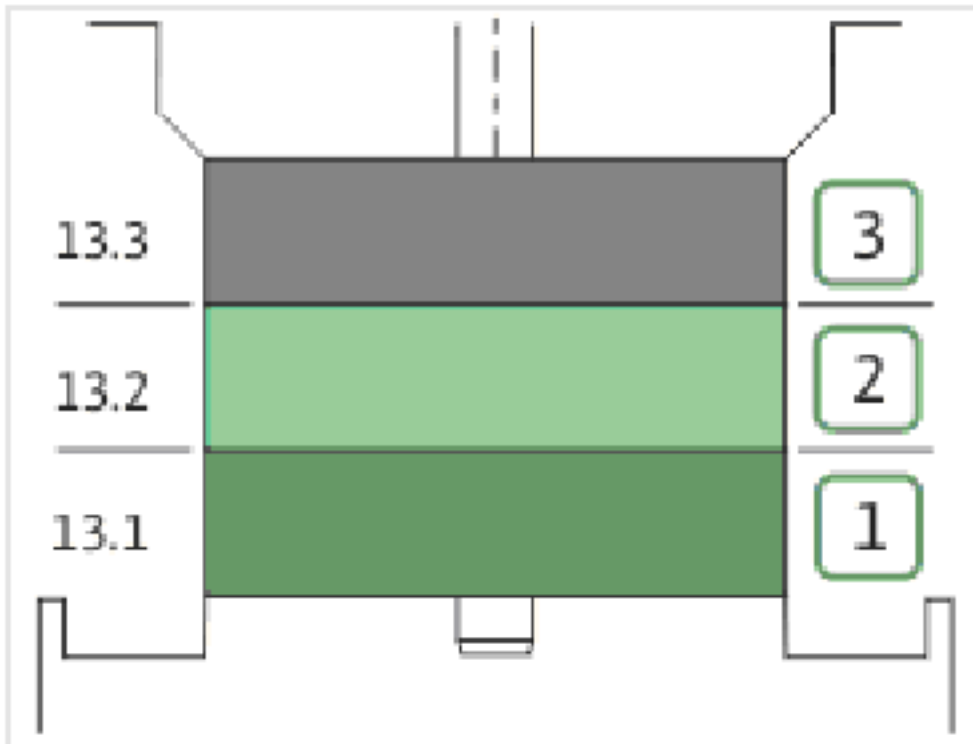
COUPLING D.16XD.19 FT100 HELIX KIT (4159708)

Item	Article no.	Description	Quantity
4.1		COUPLING M+ Ø16XØ19 FT100 MACHINED	1
4.2	2130977	BALL BEARING 6206/ZZ-C3(HT)VP.	1
4.3	4234249	CIRCLIP-FOR-SHAFT-D30x1.5 VP.	1
4.4	4212716	SCREW M6X20 KIT (4PIECES)	1
4.5	4234250	CIRCLIP-D62x2 VP.	1
4.6	4234245	O-RING 63X3 VP.	1
		CONTACT-WASHER-6ETR-6,1x12,2x1,8-STEEL	1



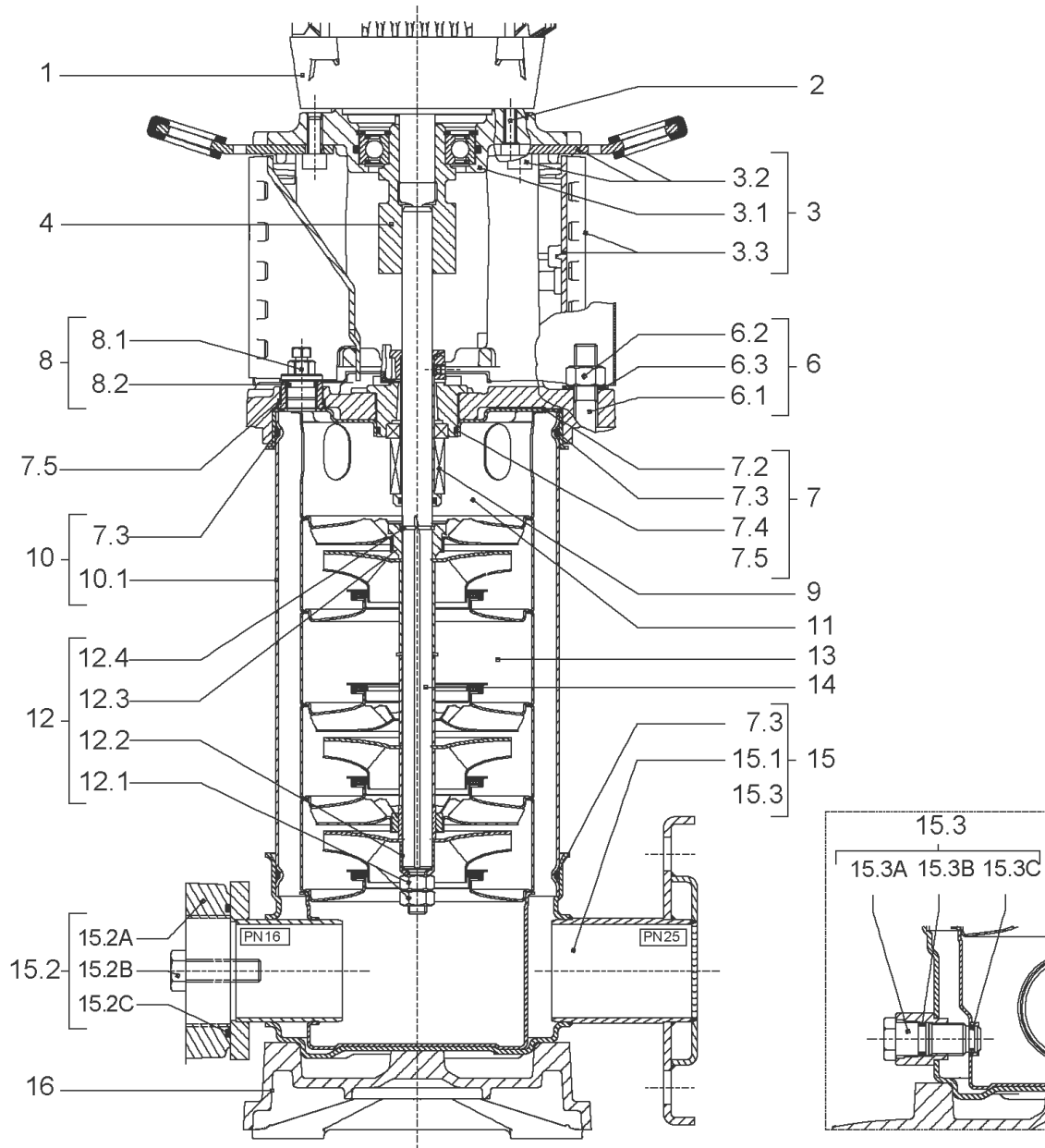
SEAL-KIT-HELIX6-10-16 O/E KIT (4171327)

Item	Article no.	Description	Quantity
7.3	4176513	O-RING FOR PUMP JACKET VP.	1
7.4	2127603	O-RING ID.37,6x2,4 EPDM VP.	1
9.1	4177801	MECH.SEAL HELIX6-10-16 O/E VP.	1
9.3	4177798	MACHINED RING HOLDER M+6" Ø16 304 VP.	1
9.5	4177799	MACHINED DRIVE RING Ø16 VP.	1
9.4	4176520	SCREW CH M5x5 A4-70 (3PIECES)	1



HYDRAULIC HELIX V 1003 1.4307

Item	Article no.	Description	Quantity
13.1	4171331	STAGE HELIX10 1.4301KIT	1
		> MACH.STG-CASING-WOGV-WNR-M+10-304	1
		> IMPELLER-M+10-304	1
13.2	4172792	INTERMEDIATE STAGE HELIX 10 1.4301 KIT	1
		> MACH.BEARING-STG-CASING-WNR-M+10-304	1
		> IMPELLER-M+10-304	1
		> SHAFT SLEEVE-SPACER-Ø19,35x18,465-304	1
		> SHAFT-SLEEVE-D16xD20x18-CW	1
13.3	4172793	INTERMEDIATE STAGE HELIX 10 1.4301 KIT	1
		> MACH.STD-STG-CASING-WGV+NR-M+10-304	1
		> IMPELLER-M+10-304	1
		> IMPELLER SPACER Ø16,05X19,45-L36,465-304	1



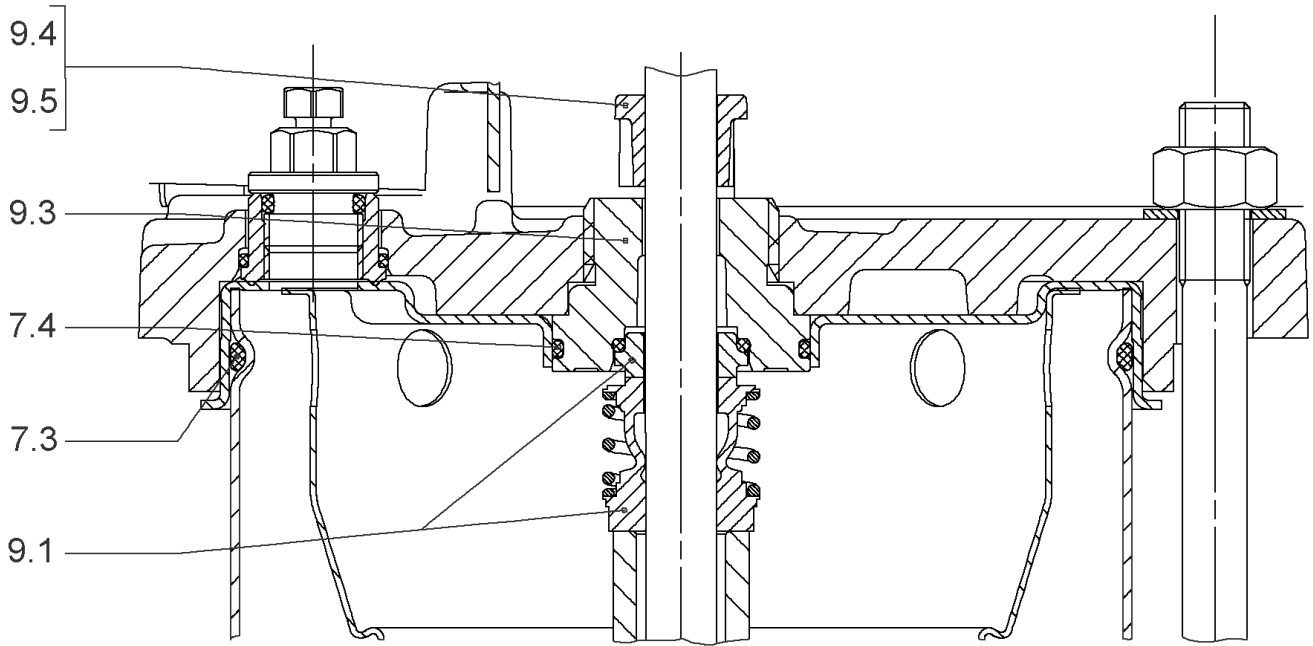
HELIX V1004-1/16/E/S/400-50 (4162665)

Item	Article no.	Description	Quantity
1	4169942	MO.1,5/2 3~230/400(440)V 50(60)HZ IE3 VP	1
		SPARE PARTS MOTOR:ON REQUEST	1
2	4159703	SCREW M8X40 (4 PIECES)	1
3	4172795	LANTERNE FT115 HELIX KIT	1
3.1		> M+5_6_LANTERN_ONE-PIECE_FT115_CATA	1
3.2	2127604	> EYELET CPL.FT HELIX(2 PIECES)	1
3.3	4159692	> COUPLING PROTECTOR FT HELIX KIT	1
4	4159709	COUPLING D.16xD.24 FT115 HELIX KIT	1
6	2127553	STUD BOLT M12X341 KIT	1
7	4210143	STATIONARY RING HOLDER HELIX 6" EPDM	1
7.2	2127607	> STATIONARY RING HOLDER 6" HELIX 1.4301 V	1
7.3	4176513	> O-RING FOR PUMP JACKET VP.	1
7.4	2127603	> O-RING ID.37,6x2,4 EPDM VP.	1
7.5	2127602	> O-RING ID.21,35x2 EPDM VP.	1
8	4159686	FILING/PURGING PLUG HELIX EPDM KIT	1
9	4171327	SEAL-KIT-HELIX6-10-16 O/E KIT	1
10	2127575	HOUSING PIPE D.152x210 1.4301 KIT	1
11	4172791	CENTERING STAGE-RETURN HELIX10 1.4301VP.	1
12	4209273	SHAFT EQUIPMENT HELIX V10 KIT	1
12.1		> NUT-H-M10-A4.70	1
12.2		> SERRATED LOCK WASHER M+10M3-316L	1
12.3		> IMPELLER STOP RING L33,6-304	1
12.4		> STOP-RUSH-1/2-D16xd2-M+316	1
13		HYDRAULIC HELIX V 1004 1.4307	1
14	2127564	SHAFT D.16X330 1.4301 VP.	1
15	4159682	PUMP HOUSING HELIX DN50 PN16 1.4301 KIT	1
7.3	4176513	> O-RING FOR PUMP JACKET VP.	1
15.1		> BLASTING PPE HOUSING V-PN16-DN50-304	1
15.2	4217893	> COUNTER FLANGE-G1"1/2-PN16-GJL KIT	1
15.3	4171321	> PRIMING/DRAIN PLUG EPDM HELIX KIT	1
16	4176517	BASEPLATE V8/10 VP.	1



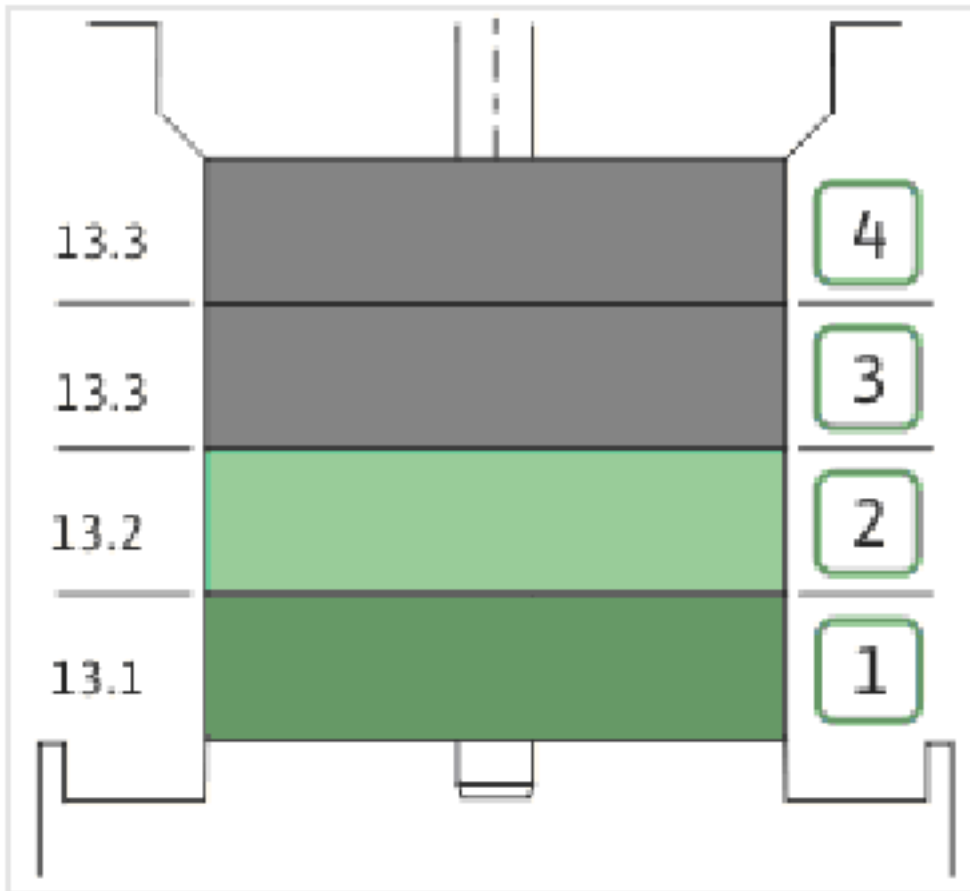
COUPLING D.16xD.24 FT115 HELIX KIT (4159709)

Item	Article no.	Description	Quantity
4.1		COUPLING M+ Ø16XØ24 FT115 MACHINED	1
4.2	2131023	BALL BEARING 6207/ZZ-C3(HT)VP.	1
4.3	4234254	CIRCLIP-FOR-SHAFT-D35x1.5 VP.	1
4.4	4157726	SCREW KIT M8X30 (4 PIECES)	1
4.5	4234251	CIRCLIP-D72x2.5 VP.	1
4.6	4234246	O-RING 72X3 VP.	1
		NOMEL CONTACT WASHER 8x16x1,4 STEEL ZC	1



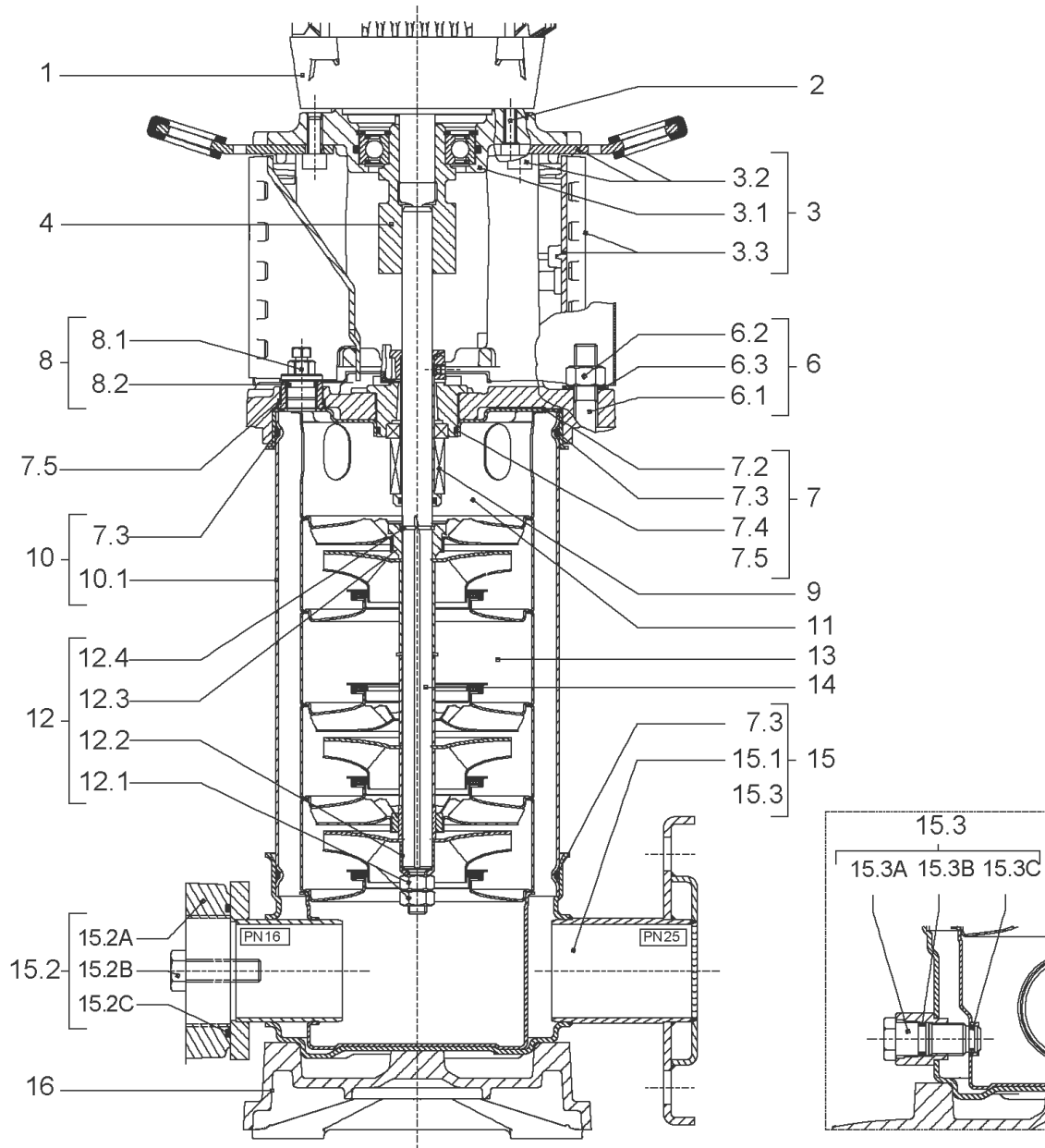
SEAL-KIT-HELIX6-10-16 O/E KIT (4171327)

Item	Article no.	Description	Quantity
7.3	4176513	O-RING FOR PUMP JACKET VP.	1
7.4	2127603	O-RING ID.37,6x2,4 EPDM VP.	1
9.1	4177801	MECH.SEAL HELIX6-10-16 O/E VP.	1
9.3	4177798	MACHINED RING HOLDER M+6" Ø16 304 VP.	1
9.5	4177799	MACHINED DRIVE RING Ø16 VP.	1
9.4	4176520	SCREW CH M5x5 A4-70 (3PIECES)	1



HYDRAULIC HELIX V 1004 1.4307

Item	Article no.	Description	Quantity
13.3	4172793	INTERMEDIATE STAGE HELIX 10 1.4301 KIT	1
		> MACH.STD-STG-CASING-WGV+NR-M+10-304	1
		> IMPELLER-M+10-304	1
		> IMPELLER SPACER Ø16,05X19,45-L36,465-304	1
13.2	4172792	INTERMEDIATE STAGE HELIX 10 1.4301 KIT	1
		> MACH.BEARING-STG-CASING-WNR-M+10-304	1
		> IMPELLER-M+10-304	1
		> SHAFT SLEEVE-SPACER-Ø19,35x18,465-304	1
		> SHAFT-SLEEVE-D16xD20x18-CW	1
13.1	4171331	STAGE HELIX10 1.4301KIT	1
		> MACH.STG-CASING-WOGV-WNR-M+10-304	1
		> IMPELLER-M+10-304	1

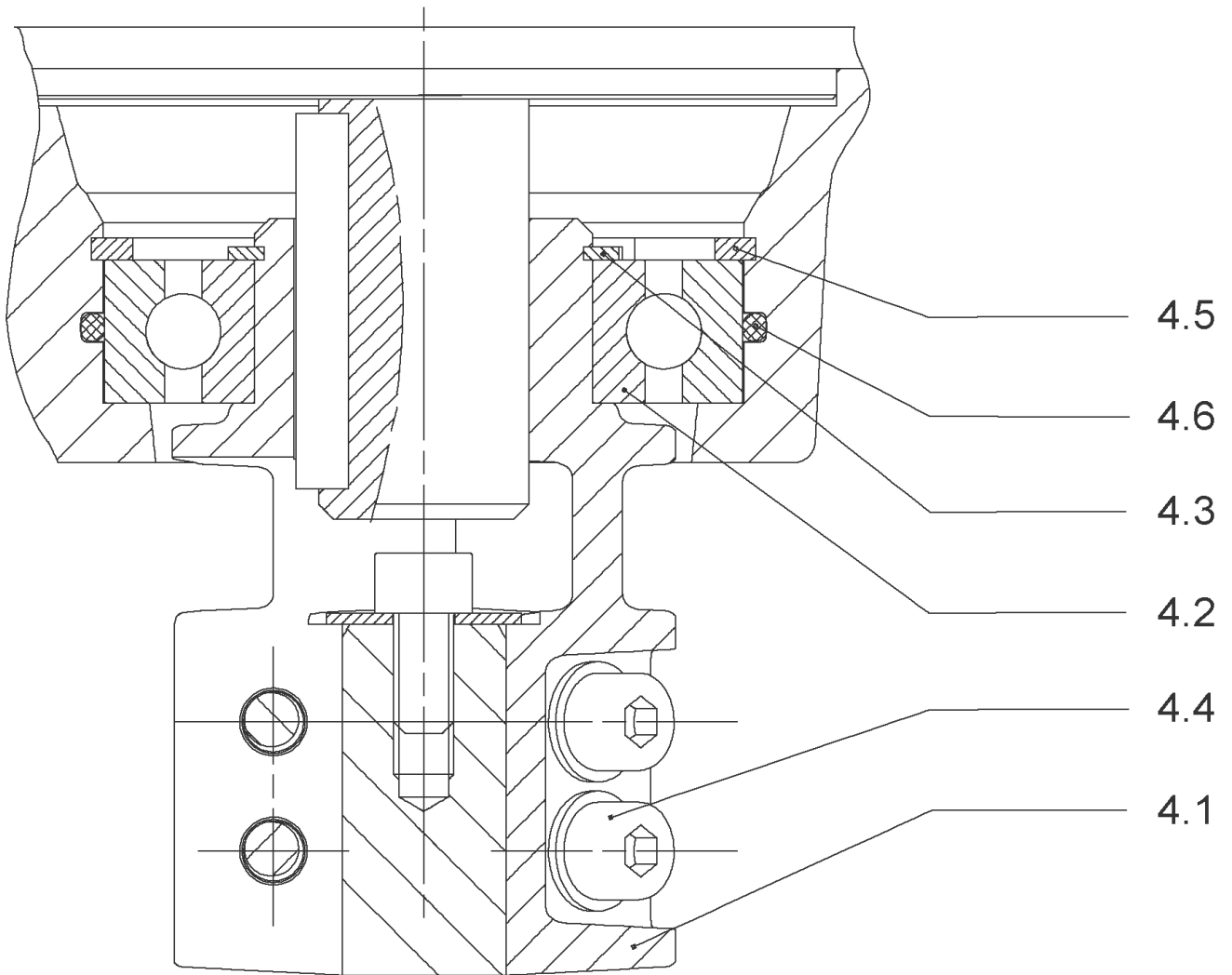


HELIX V1005-1/16/E/S/400-50 (4162666)

Item	Article no.	Description	Quantity
1	4169943	MOTOR 2,2/2/90 3~230/400V 50HZ IE3 VP.	1
		SPARE PARTS MOTOR:ON REQUEST	1
2	4159703	SCREW M8X40 (4 PIECES)	1
3	4172795	LANTERNE FT115 HELIX KIT	1
3.1		> M+5_6_LANTERN_ONE-PIECE_FT115_CATA	1
3.2	2127604	> EYELET CPL.FT HELIX(2 PIECES)	1
3.3	4159692	> COUPLING PROTECTOR FT HELIX KIT	1
4	4159709	COUPLING D.16xD.24 FT115 HELIX KIT	1
6	2018576	STUD BOLT M12X377 KIT	1
6.1		> TIE BOLT M12-377x18x30-1.4057	1
6.2	2094647	> NUT M12 M12 ISO4032 VP.	1
6.3	2123557	> WASHER CS-12.4-24-1.6-NFE25 (4 PIECES)	1
7	4210143	STATIONARY RING HOLDER HELIX 6" EPDM	1
7.2	2127607	> STATIONARY RING HOLDER 6" HELIX 1.4301 V	1
7.3	4176513	> O-RING FOR PUMP JACKET VP.	1
7.4	2127603	> O-RING ID.37,6x2,4 EPDM VP.	1
7.5	2127602	> O-RING ID.21,35x2 EPDM VP.	1
8	4159686	FILING/PURGING PLUG HELIX EPDM KIT	1
9	4171327	SEAL-KIT-HELIX6-10-16 O/E KIT	1
10	4176518	HOUSING PIPES D.152X247 1.4301 KIT	1
7.3	4176513	> O-RING FOR PUMP JACKET VP.	1
10.1		> HOUSING-PIPE Ø152-M+1005-304	1
11	4172791	CENTERING STAGE-RETURN HELIX10 1.4301VP.	1
12	4209273	SHAFT EQUIPMENT HELIX V10 KIT	1
12.1		> NUT-H-M10-A4.70	1
12.2		> SERRATED LOCK WASHER M+10M3-316L	1
12.3		> IMPELLER STOP RING L33,6-304	1
12.4		> STOP-RUSH-1/2-D16xd2-M+316	1
13		HYDRAULIC HELIX V 1005 1.4307	1
14	4176515	SHAFT D.16 X367,5 1. 4301 VP.	1
15	4159682	PUMP HOUSING HELIX DN50 PN16 1.4301 KIT	1
7.3	4176513	> O-RING FOR PUMP JACKET VP.	1
15.1		> BLASTING PPE HOUSING V-PN16-DN50-304	1
15.2	4217893	> COUNTER FLANGE-G1"1/2-PN16-GJL KIT	1

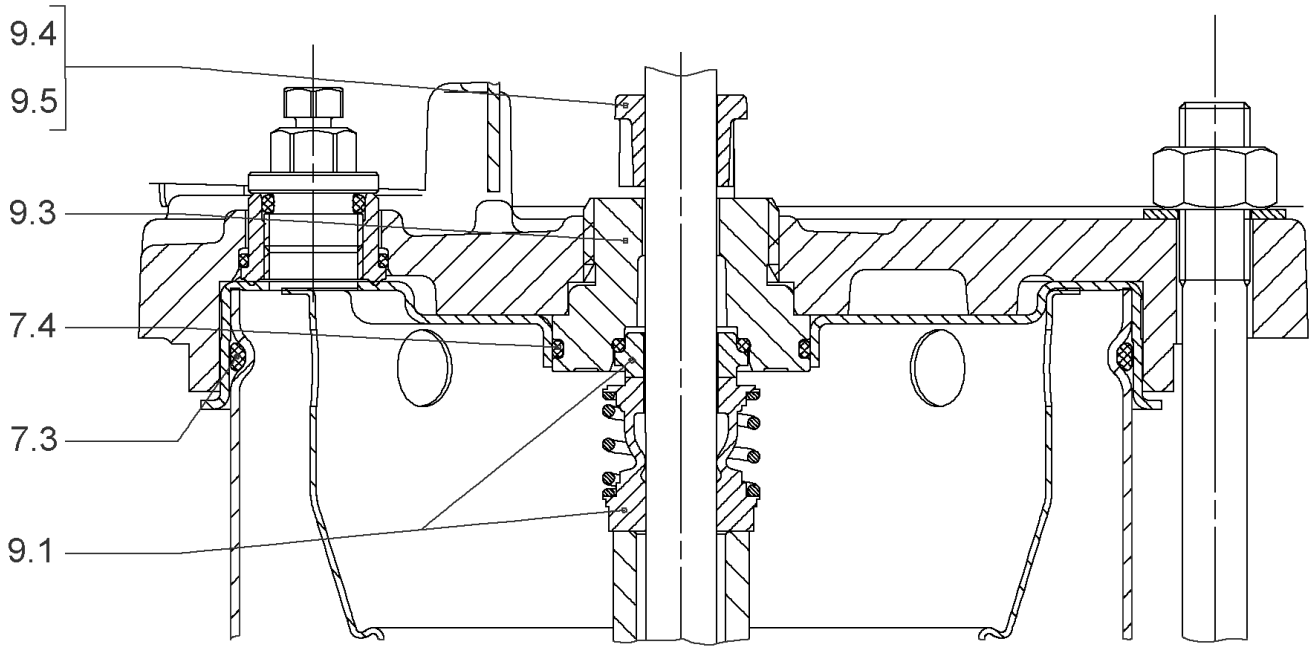
HELIX V1005-1/16/E/S/400-50 (4162666)

Item	Article no.	Description	Quantity
15.3	4171321	> PRIMING/DRAIN PLUG EPDM HELIX KIT	1
16	4176517	BASEPLATE V8/10 VP.	1



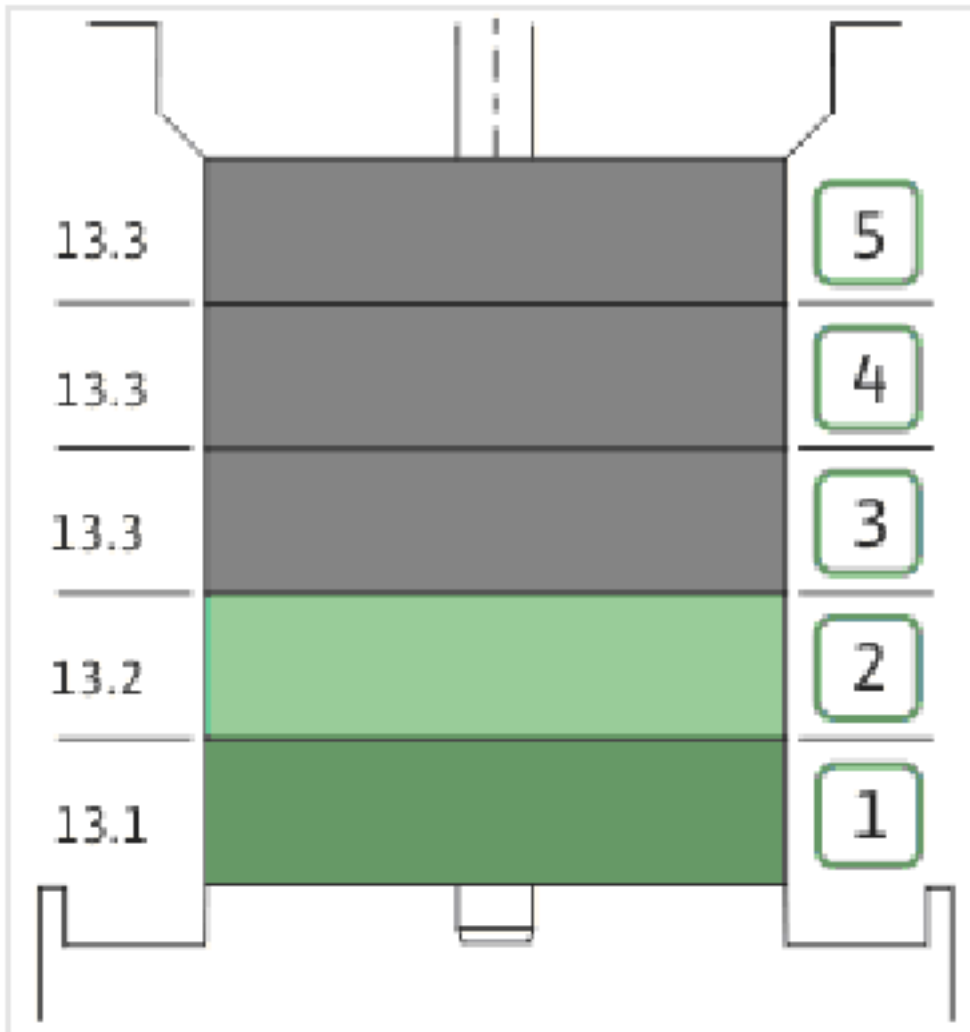
COUPLING D.16xD.24 FT115 HELIX KIT (4159709)

Item	Article no.	Description	Quantity
4.1		COUPLING M+ Ø16XØ24 FT115 MACHINED	1
4.2	2131023	BALL BEARING 6207/ZZ-C3(HT)VP.	1
4.3	4234254	CIRCLIP-FOR-SHAFT-D35x1.5 VP.	1
4.4	4157726	SCREW KIT M8X30 (4 PIECES)	1
4.5	4234251	CIRCLIP-D72x2.5 VP.	1
4.6	4234246	O-RING 72X3 VP.	1
		NOMEL CONTACT WASHER 8x16x1,4 STEEL ZC	1



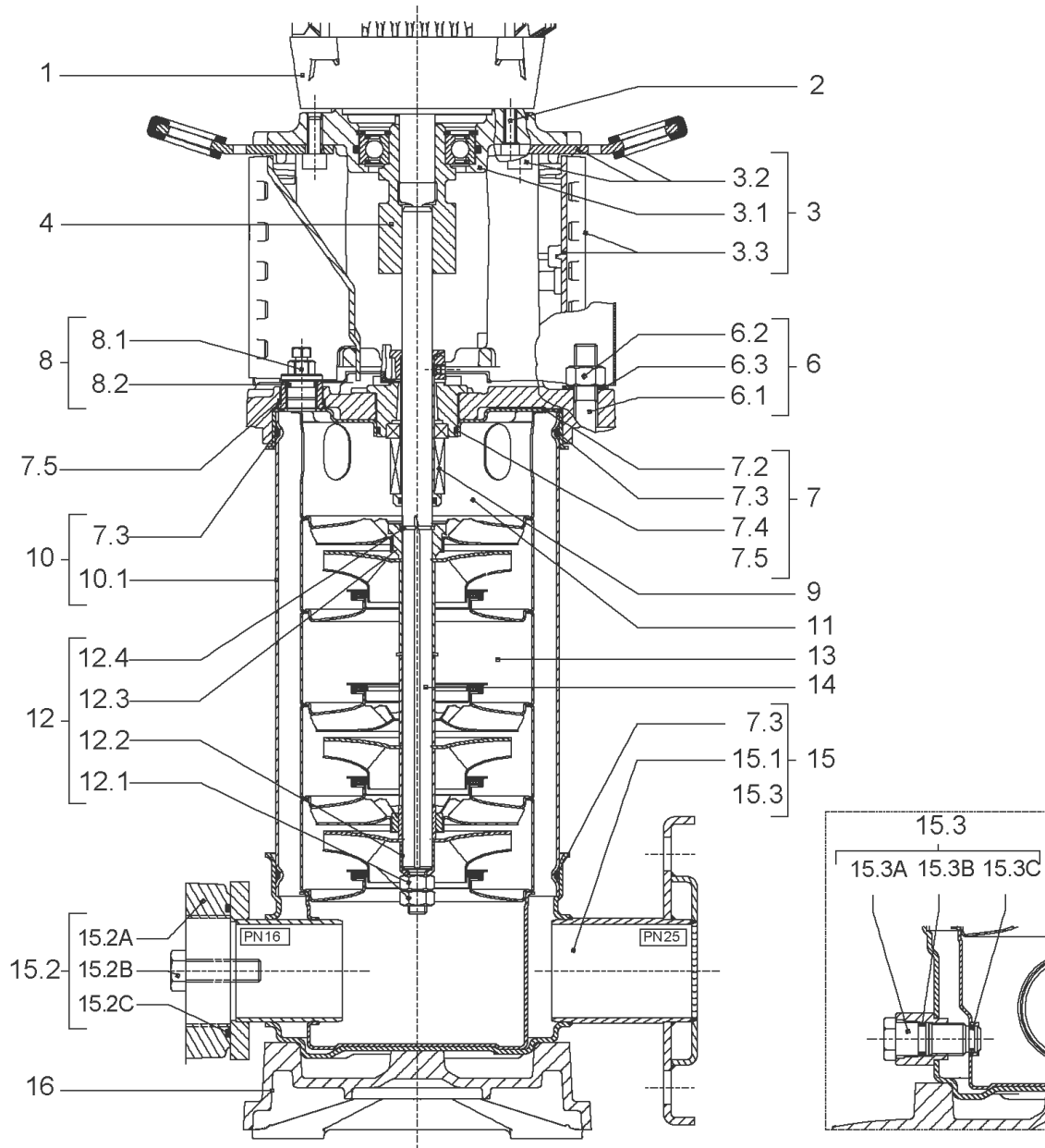
SEAL-KIT-HELIX6-10-16 O/E KIT (4171327)

Item	Article no.	Description	Quantity
7.3	4176513	O-RING FOR PUMP JACKET VP.	1
7.4	2127603	O-RING ID.37,6x2,4 EPDM VP.	1
9.1	4177801	MECH.SEAL HELIX6-10-16 O/E VP.	1
9.3	4177798	MACHINED RING HOLDER M+6" Ø16 304 VP.	1
9.5	4177799	MACHINED DRIVE RING Ø16 VP.	1
9.4	4176520	SCREW CH M5x5 A4-70 (3PIECES)	1



HYDRAULIC HELIX V 1005 1.4307

Item	Article no.	Description	Quantity
13.1	4171331	STAGE HELIX10 1.4301KIT	1
		> MACH.STG-CASING-WOGV-WNR-M+10-304	1
		> IMPELLER-M+10-304	1
13.2	4172792	INTERMEDIATE STAGE HELIX 10 1.4301 KIT	1
		> MACH.BEARING-STG-CASING-WNR-M+10-304	1
		> IMPELLER-M+10-304	1
		> SHAFT SLEEVE-SPACER-Ø19,35x18,465-304	1
		> SHAFT-SLEEVE-D16xD20x18-CW	1
13.3	4172793	INTERMEDIATE STAGE HELIX 10 1.4301 KIT	1
		> MACH.STD-STG-CASING-WGV+NR-M+10-304	1
		> IMPELLER-M+10-304	1
		> IMPELLER SPACER Ø16,05X19,45-L36,465-304	1



HELIX V1006-1/16/E/S/400-50 (4162667)

Item	Article no.	Description	Quantity
1	4169943	MOTOR 2,2/2/90 3~230/400V 50HZ IE3 VP.	1
		SPARE PARTS MOTOR:ON REQUEST	1
2	4159703	SCREW M8X40 (4 PIECES)	1
3	4172795	LANTERNE FT115 HELIX KIT	1
3.1		> M+5_6_LANTERN_ONE-PIECE_FT115_CATA	1
3.2	2127604	> EYELET CPL.FT HELIX(2 PIECES)	1
3.3	4159692	> COUPLING PROTECTOR FT HELIX KIT	1
4	4159709	COUPLING D.16xD.24 FT115 HELIX KIT	1
6	4177822	STUD BOLT M12X413 KIT	1
6.1		> TIE BOLT M12-413x18x30-1.4057	1
6.2	2094647	> NUT M12 M12 ISO4032 VP.	1
6.3	2123557	> WASHER CS-12.4-24-1.6-NFE25 (4 PIECES)	1
7	4210143	STATIONARY RING HOLDER HELIX 6" EPDM	1
7.2	2127607	> STATIONARY RING HOLDER 6" HELIX 1.4301 V	1
7.3	4176513	> O-RING FOR PUMP JACKET VP.	1
7.4	2127603	> O-RING ID.37,6x2,4 EPDM VP.	1
7.5	2127602	> O-RING ID.21,35x2 EPDM VP.	1
8	4159686	FILING/PURGING PLUG HELIX EPDM KIT	1
9	4171327	SEAL-KIT-HELIX6-10-16 O/E KIT	1
10	4177823	HOUSING PIPES D.152X285 1.4301 KIT	1
7.3	4176513	> O-RING FOR PUMP JACKET VP.	1
10.1		> HOUSING-PIPE Ø152-M+1006-304	1
11	4172791	CENTERING STAGE-RETURN HELIX10 1.4301VP.	1
12	4209273	SHAFT EQUIPMENT HELIX V10 KIT	1
12.1		> NUT-H-M10-A4.70	1
12.2		> SERRATED LOCK WASHER M+10M3-316L	1
12.3		> IMPELLER STOP RING L33,6-304	1
12.4		> STOP-RUSH-1/2-D16xd2-M+316	1
13		HYDRAULIC HELIX V 1006 1.4307	1
14	4177825	SHAFT D.16X405 1.4301 VP.	1
15	4159682	PUMP HOUSING HELIX DN50 PN16 1.4301 KIT	1
7.3	4176513	> O-RING FOR PUMP JACKET VP.	1
15.1		> BLASTING PPE HOUSING V-PN16-DN50-304	1
15.2	4217893	> COUNTER FLANGE-G1"1/2-PN16-GJL KIT	1

HELIX V1006-1/16/E/S/400-50 (4162667)

Item	Article no.	Description	Quantity
15.3	4171321	> PRIMING/DRAIN PLUG EPDM HELIX KIT	1
16	4176517	BASEPLATE V8/10 VP.	1

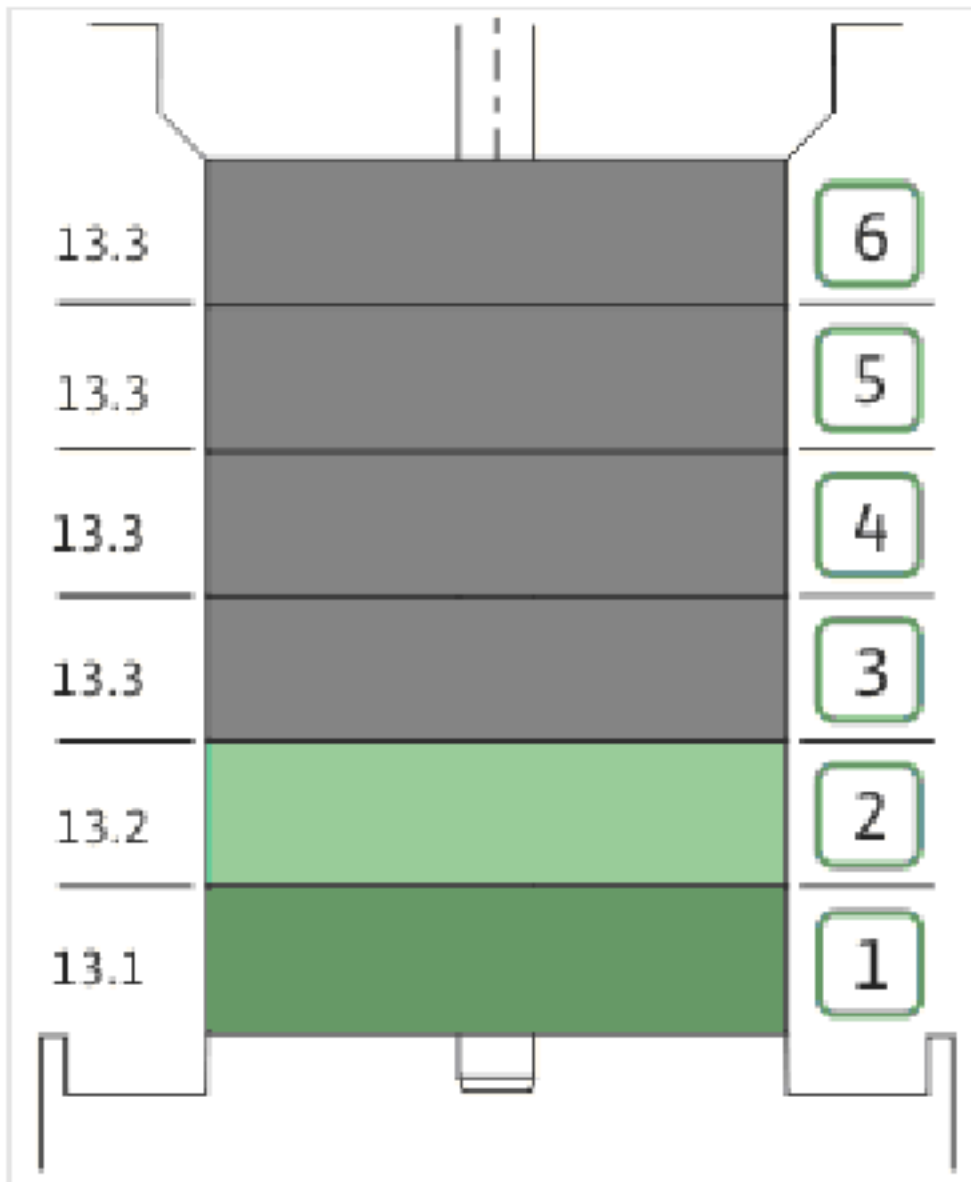


COUPLING D.16xD.24 FT115 HELIX KIT (4159709)

Item	Article no.	Description	Quantity
4.1		COUPLING M+ Ø16XØ24 FT115 MACHINED	1
4.2	2131023	BALL BEARING 6207/ZZ-C3(HT)VP.	1
4.3	4234254	CIRCLIP-FOR-SHAFT-D35x1.5 VP.	1
4.4	4157726	SCREW KIT M8X30 (4 PIECES)	1
4.5	4234251	CIRCLIP-D72x2.5 VP.	1
4.6	4234246	O-RING 72X3 VP.	1
		NOMEL CONTACT WASHER 8x16x1,4 STEEL ZC	1

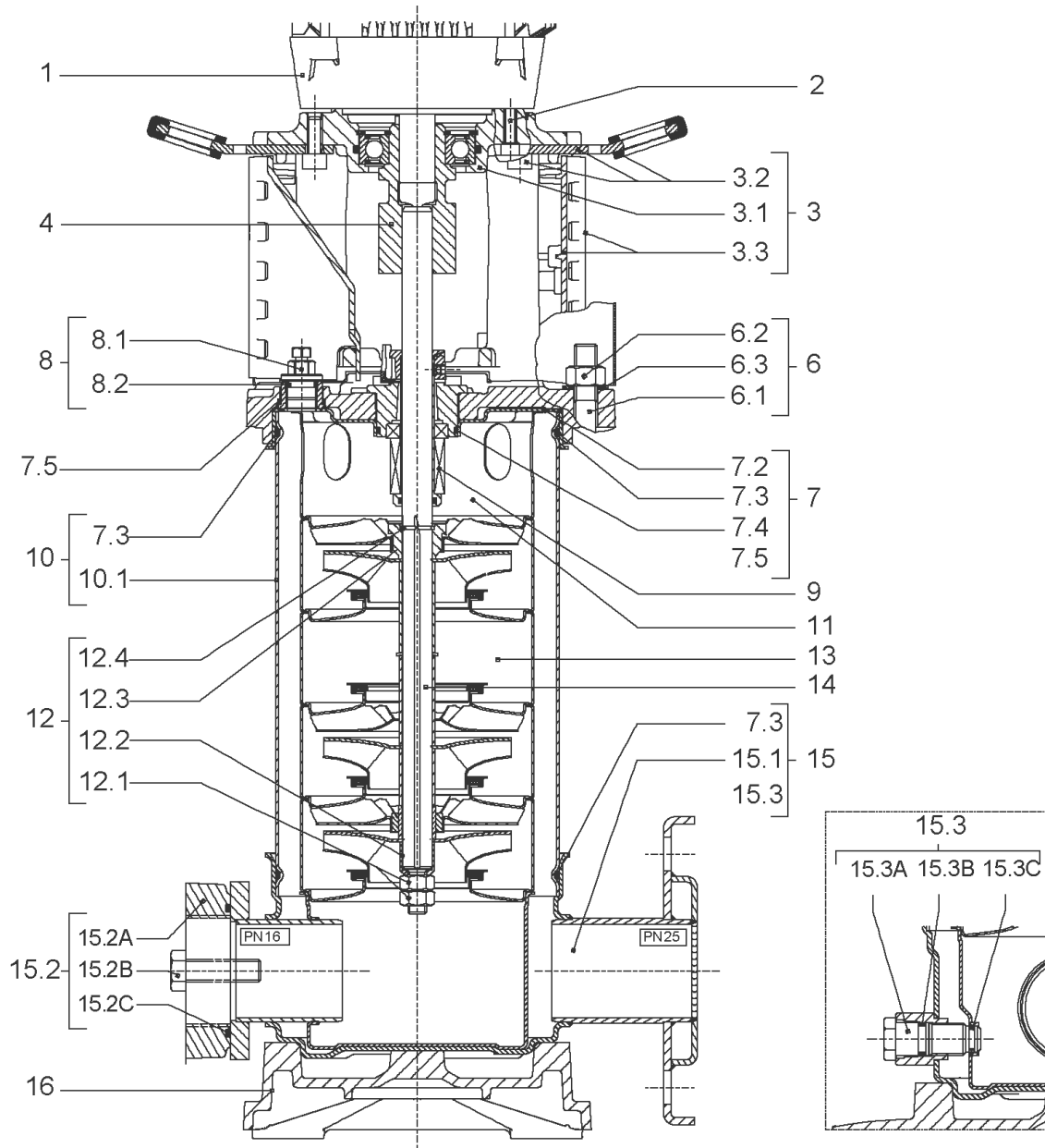
SEAL-KIT-HELIX6-10-16 O/E KIT (4171327)

Item	Article no.	Description	Quantity
7.3	4176513	O-RING FOR PUMP JACKET VP.	1
7.4	2127603	O-RING ID.37,6x2,4 EPDM VP.	1
9.1	4177801	MECH.SEAL HELIX6-10-16 O/E VP.	1
9.3	4177798	MACHINED RING HOLDER M+6" Ø16 304 VP.	1
9.5	4177799	MACHINED DRIVE RING Ø16 VP.	1
9.4	4176520	SCREW CH M5x5 A4-70 (3PIECES)	1



HYDRAULIC HELIX V 1006 1.4307

Item	Article no.	Description	Quantity
13.1	4171331	STAGE HELIX10 1.4301KIT	1
		> MACH.STG-CASING-WOGV-WNR-M+10-304	1
		> IMPELLER-M+10-304	1
13.2	4172792	INTERMEDIATE STAGE HELIX 10 1.4301 KIT	1
		> MACH.BEARING-STG-CASING-WNR-M+10-304	1
		> IMPELLER-M+10-304	1
		> SHAFT SLEEVE-SPACER-Ø19,35x18,465-304	1
		> SHAFT-SLEEVE-D16xD20x18-CW	1
13.3	4172793	INTERMEDIATE STAGE HELIX 10 1.4301 KIT	1
		> MACH.STD-STG-CASING-WGV+NR-M+10-304	1
		> IMPELLER-M+10-304	1
		> IMPELLER SPACER Ø16,05X19,45-L36,465-304	1



HELIX V1007-1/16/E/S/400-50 (4162668)

Item	Article no.	Description	Quantity
1	4169944	MOTOR 3/2/100 3~230/400V 50HZ IE3 VP.	1
		SPARE PARTS MOTOR:ON REQUEST	1
2	4206025	SCREW M8X45 (4 PIECES)	1
3	4172789	LANTERN FT130 HELIX V10 KIT	1
3.1		> M+5_6_LANTERN_ONE-PIECE_FT130_CATA	1
3.2	2127604	> EYELET CPL.FT HELIX(2 PIECES)	1
3.3	4159692	> COUPLING PROTECTOR FT HELIX KIT	1
4	4159710	COUPLING D.16XD.28 FT130 HELIX KIT	1
6	4177806	STUD BOLT M12X450KIT	1
6.1		> TIE BOLT M12-450x18x30-1.4057	1
6.2	2094647	> NUT M12 M12 ISO4032 VP.	1
6.3	2123557	> WASHER CS-12.4-24-1.6-NFE25 (4 PIECES)	1
7	4210143	STATIONARY RING HOLDER HELIX 6" EPDM	1
7.2	2127607	> STATIONARY RING HOLDER 6" HELIX 1.4301 V	1
7.3	4176513	> O-RING FOR PUMP JACKET VP.	1
7.4	2127603	> O-RING ID.37,6x2,4 EPDM VP.	1
7.5	2127602	> O-RING ID.21,35x2 EPDM VP.	1
8	4159686	FILING/PURGING PLUG HELIX EPDM KIT	1
9	4171327	SEAL-KIT-HELIX6-10-16 O/E KIT	1
10	4172794	HOUSING PIPES D.152X322 1.4301 KIT	1
7.3	4176513	> O-RING FOR PUMP JACKET VP.	1
10.1		> HOUSING-PIPE Ø152-M+1007-304	1
11	4172791	CENTERING STAGE-RETURN HELIX10 1.4301VP.	1
12	4209273	SHAFT EQUIPMENT HELIX V10 KIT	1
12.1		> NUT-H-M10-A4.70	1
12.2		> SERRATED LOCK WASHER M+10M3-316L	1
12.3		> IMPELLER STOP RING L33,6-304	1
12.4		> STOP-RUSH-1/2-D16xd2-M+316	1
13		HYDRAULIC HELIX V 1007 1.4307	1
14	4171324	SHAFT D.16X442,5 1.4301 VP.	1
15	4159682	PUMP HOUSING HELIX DN50 PN16 1.4301 KIT	1
7.3	4176513	> O-RING FOR PUMP JACKET VP.	1
15.1		> BLASTING PPE HOUSING V-PN16-DN50-304	1
15.2	4217893	> COUNTER FLANGE-G1"1/2-PN16-GJL KIT	1

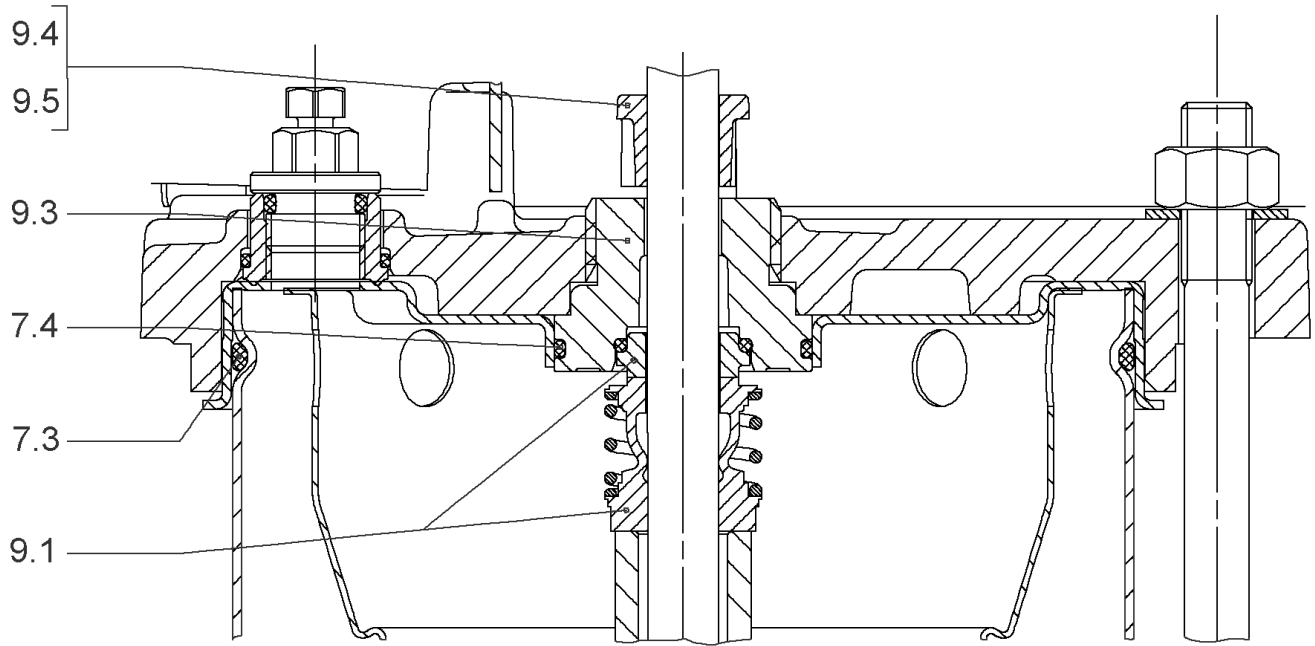
HELIX V1007-1/16/E/S/400-50 (4162668)

Item	Article no.	Description	Quantity
15.3	4171321	> PRIMING/DRAIN PLUG EPDM HELIX KIT	1
16	4176517	BASEPLATE V8/10 VP.	1



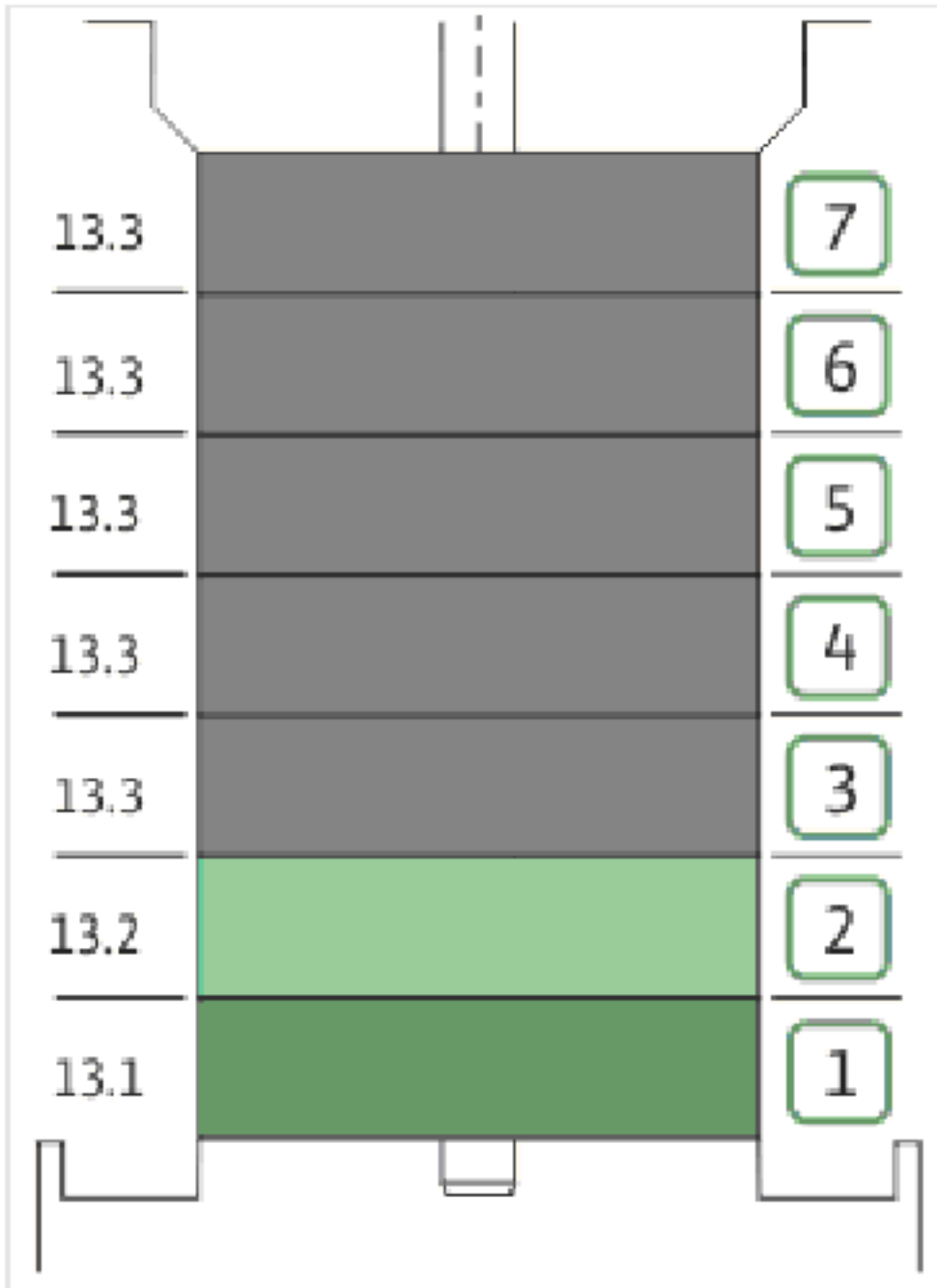
COUPLING D.16XD.28 FT130 HELIX KIT (4159710)

Item	Article no.	Description	Quantity
4.1		COUPLING M+ Ø16XØ28 FT130 MACHINED	1
4.2	2131022	BALL BEARING 6209/ZZ-C3(HT)VP.	1
4.3	4233930	CIRCLIP-FOR-BORES-D45x1,75 VP.	1
4.4	4157726	SCREW KIT M8X30 (4 PIECES)	1
4.5	4234252	CIRCLIPS 85X3 VP.	1
4.6	4234243	O-RING 85X3 VP.	1
		NOMEL CONTACT WASHER 8x16x1,4 STEEL ZC	1



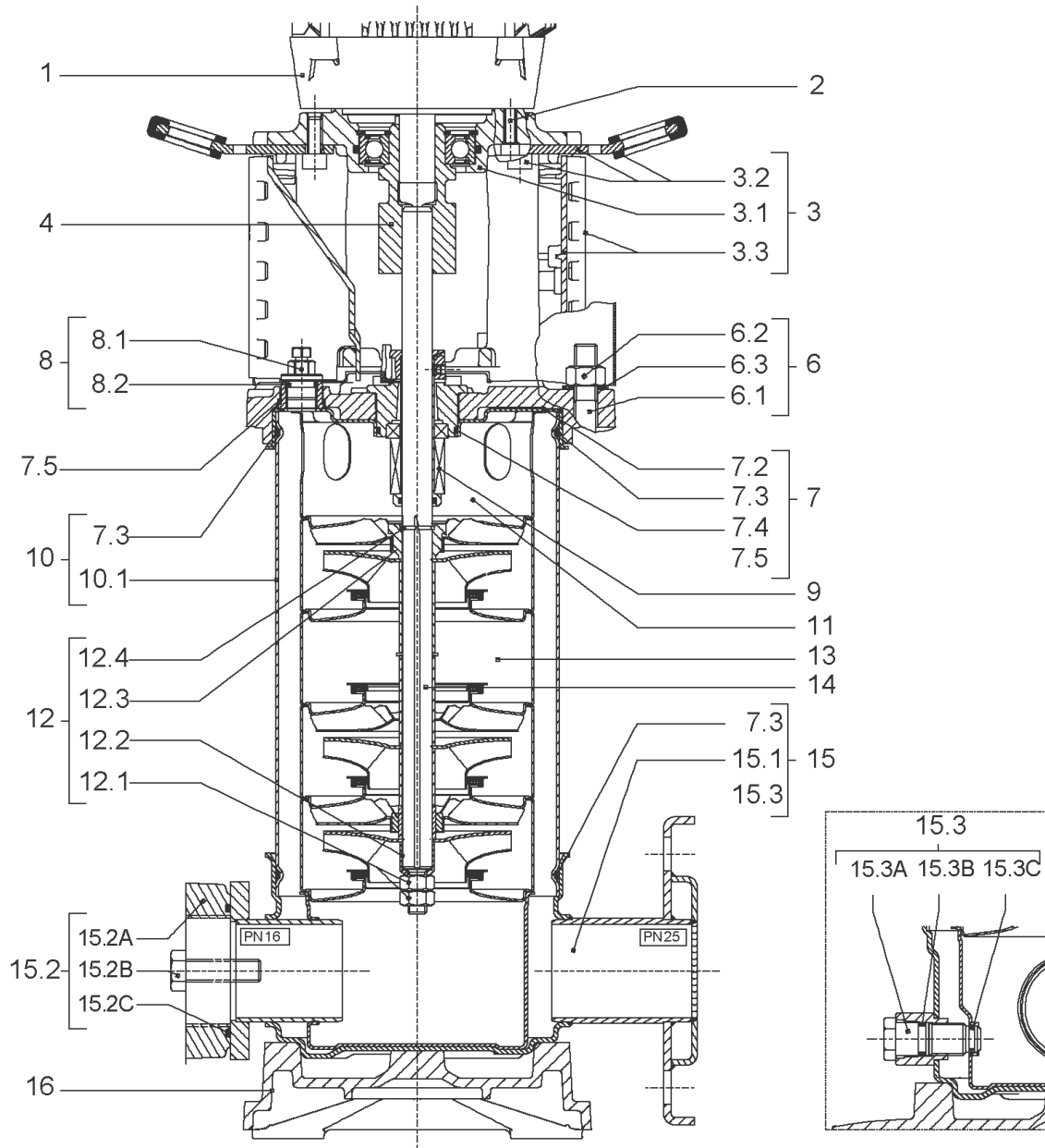
SEAL-KIT-HELIX6-10-16 O/E KIT (4171327)

Item	Article no.	Description	Quantity
7.3	4176513	O-RING FOR PUMP JACKET VP.	1
7.4	2127603	O-RING ID.37,6x2,4 EPDM VP.	1
9.1	4177801	MECH.SEAL HELIX6-10-16 O/E VP.	1
9.3	4177798	MACHINED RING HOLDER M+6" Ø16 304 VP.	1
9.5	4177799	MACHINED DRIVE RING Ø16 VP.	1
9.4	4176520	SCREW CH M5x5 A4-70 (3PIECES)	1



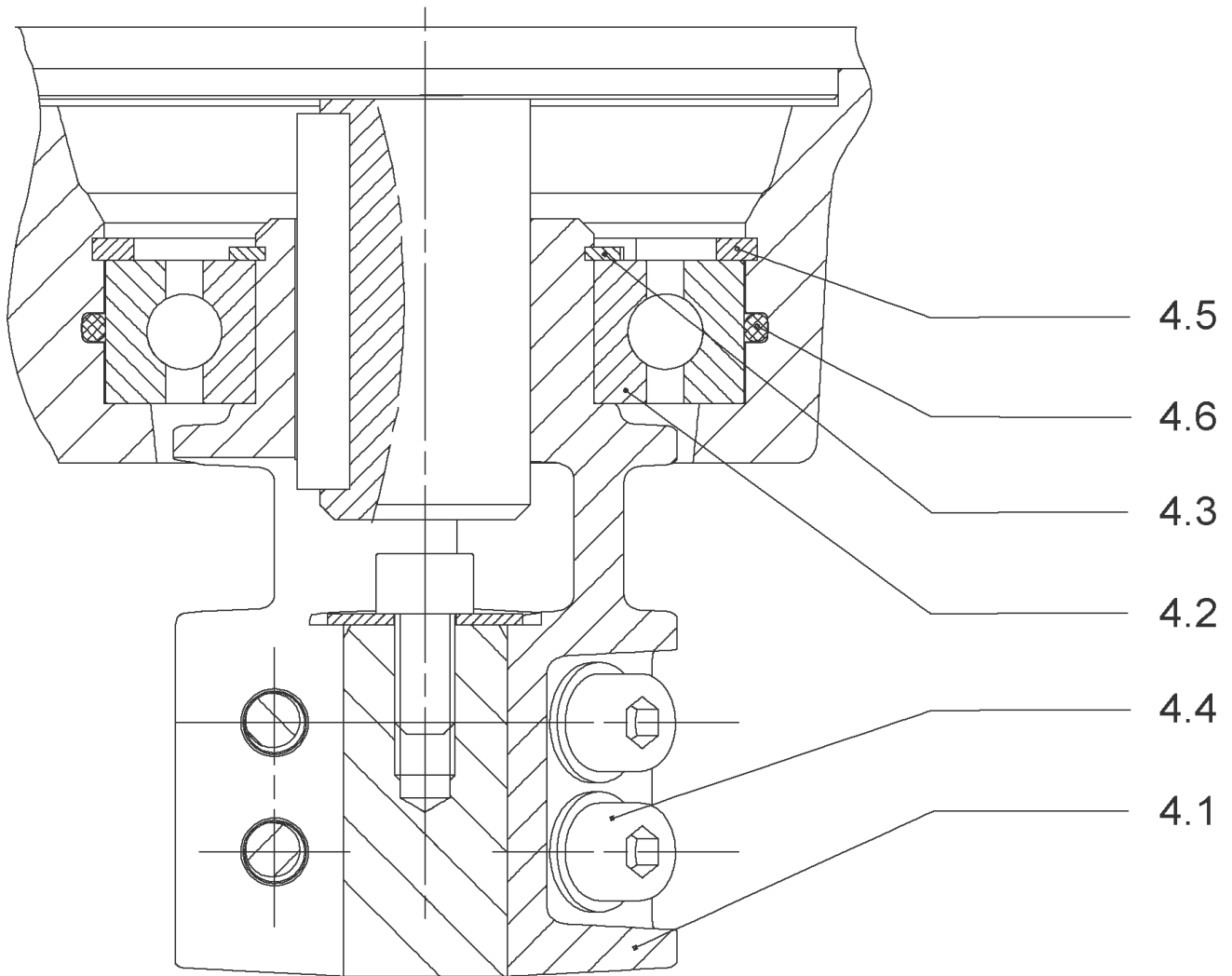
HYDRAULIC HELIX V 1007 1.4307

Item	Article no.	Description	Quantity
13.1	4171331	STAGE HELIX10 1.4301KIT	1
		> MACH.STG-CASING-WOGV-WNR-M+10-304	1
		> IMPELLER-M+10-304	1
13.2	4172792	INTERMEDIATE STAGE HELIX 10 1.4301 KIT	1
		> MACH.BEARING-STG-CASING-WNR-M+10-304	1
		> IMPELLER-M+10-304	1
		> SHAFT SLEEVE-SPACER-Ø19,35x18,465-304	1
		> SHAFT-SLEEVE-D16xD20x18-CW	1
13.3	4172793	INTERMEDIATE STAGE HELIX 10 1.4301 KIT	1
		> MACH.STD-STG-CASING-WGV+NR-M+10-304	1
		> IMPELLER-M+10-304	1
		> IMPELLER SPACER Ø16,05X19,45-L36,465-304	1



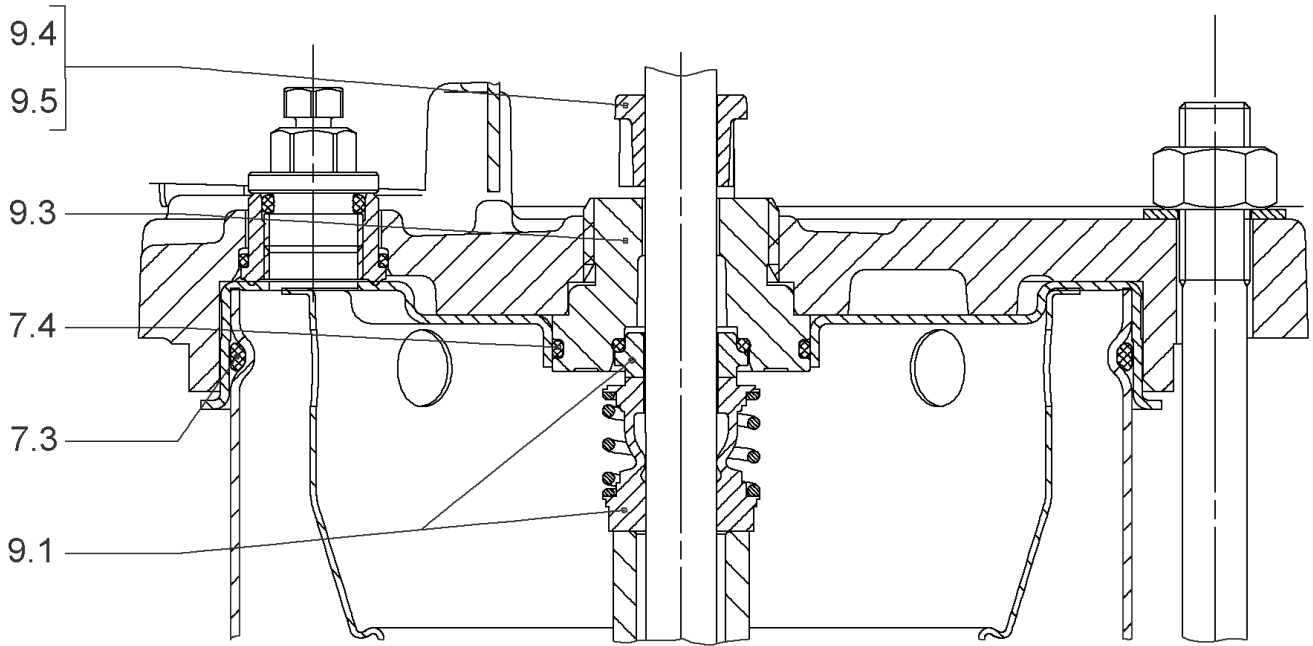
HELIX V1008-1/16/E/S/400-50 (4162669)

Item	Article no.	Description	Quantity
1	4169944	MOTOR 3/2/100 3~230/400V 50HZ IE3 VP.	1
		SPARE PARTS MOTOR:ON REQUEST	1
2	4206025	SCREW M8X45 (4 PIECES)	1
3	4172789	LANTERN FT130 HELIX V10 KIT	1
3.1		> M+5_6_LANTERN_ONE-PIECE_FT130_CATA	1
3.2	2127604	> EYELET CPL.FT HELIX(2 PIECES)	1
3.3	4159692	> COUPLING PROTECTOR FT HELIX KIT	1
4	4159710	COUPLING D.16XD.28 FT130 HELIX KIT	1
6	2127555	STUD BOLT M12X485 KIT	1
7	4210143	STATIONARY RING HOLDER HELIX 6" EPDM	1
7.2	2127607	> STATIONARY RING HOLDER 6" HELIX 1.4301 V	1
7.3	4176513	> O-RING FOR PUMP JACKET VP.	1
7.4	2127603	> O-RING ID.37,6x2,4 EPDM VP.	1
7.5	2127602	> O-RING ID.21,35x2 EPDM VP.	1
8	4159686	FILING/PURGING PLUG HELIX EPDM KIT	1
9	4171327	SEAL-KIT-HELIX6-10-16 O/E KIT	1
10	2127578	HOUSING PIPE D.152x360 1.4307 KIT	1
7.3	4176513	> O-RING FOR PUMP JACKET VP.	1
10.1		> HOUSING-PIPE Ø152-M+1008/1606-304	1
11	4172791	CENTERING STAGE-RETURN HELIX10 1.4301VP.	1
12	4209273	SHAFT EQUIPMENT HELIX V10 KIT	1
12.1		> NUT-H-M10-A4.70	1
12.2		> SERRATED LOCK WASHER M+10M3-316L	1
12.3		> IMPELLER STOP RING L33,6-304	1
12.4		> STOP-RUSH-1/2-D16xd2-M+316	1
13		HYDRAULIC HELIX V 1008 1.4307	1
14	2127397	SHAFT D.16X480 1.4301 VP.	1
15	4159682	PUMP HOUSING HELIX DN50 PN16 1.4301 KIT	1
7.3	4176513	> O-RING FOR PUMP JACKET VP.	1
15.1		> BLASTING PPE HOUSING V-PN16-DN50-304	1
15.2	4217893	> COUNTER FLANGE-G1"1/2-PN16-GJL KIT	1
15.3	4171321	> PRIMING/DRAIN PLUG EPDM HELIX KIT	1
16	4176517	BASEPLATE V8/10 VP.	1



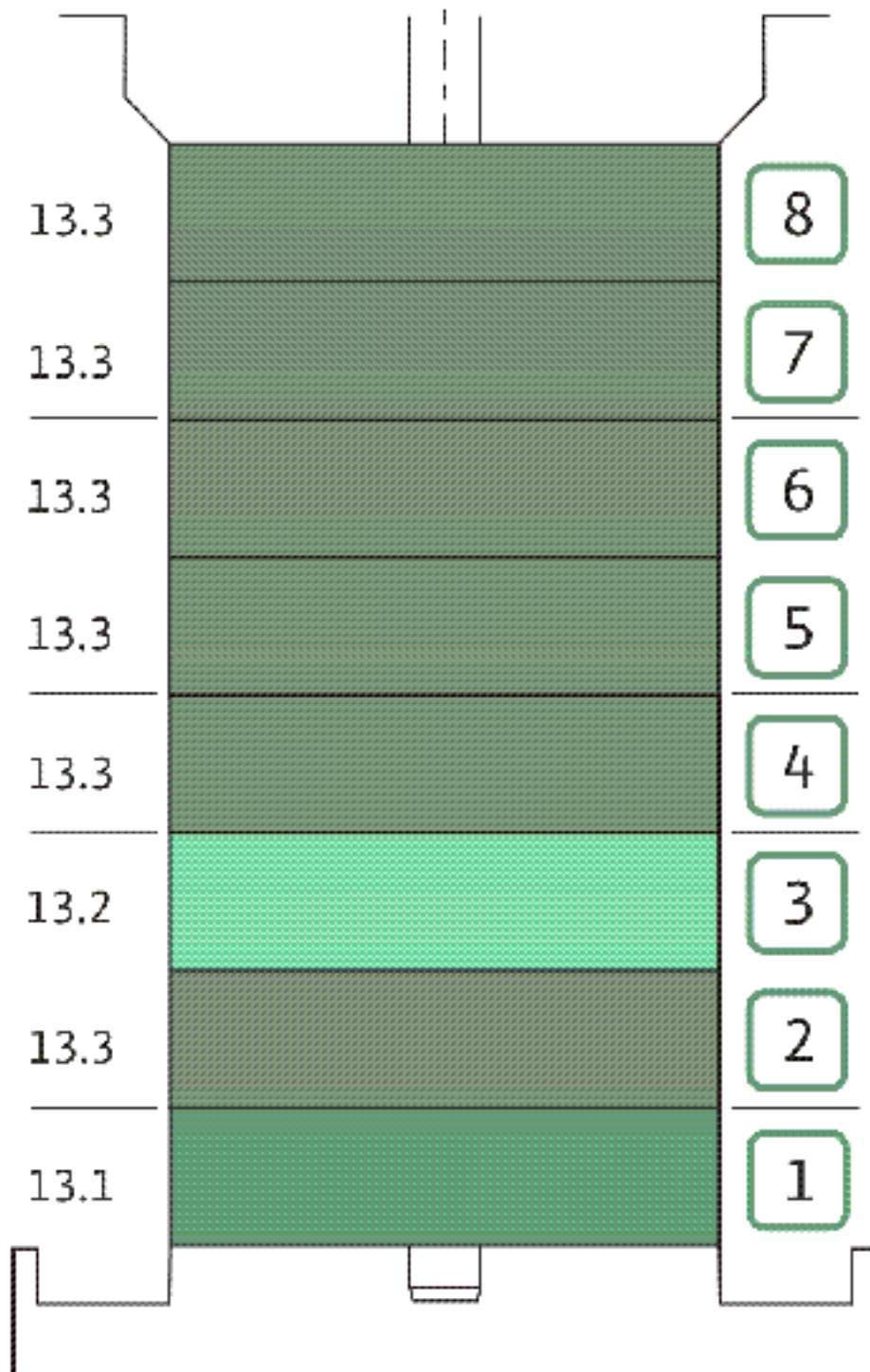
COUPLING D.16XD.28 FT130 HELIX KIT (4159710)

Item	Article no.	Description	Quantity
4.1		COUPLING M+ Ø16XØ28 FT130 MACHINED	1
4.2	2131022	BALL BEARING 6209/ZZ-C3(HT)VP.	1
4.3	4233930	CIRCLIP-FOR-BORES-D45x1,75 VP.	1
4.4	4157726	SCREW KIT M8X30 (4 PIECES)	1
4.5	4234252	CIRCLIPS 85X3 VP.	1
4.6	4234243	O-RING 85X3 VP.	1
		NOMEL CONTACT WASHER 8x16x1,4 STEEL ZC	1



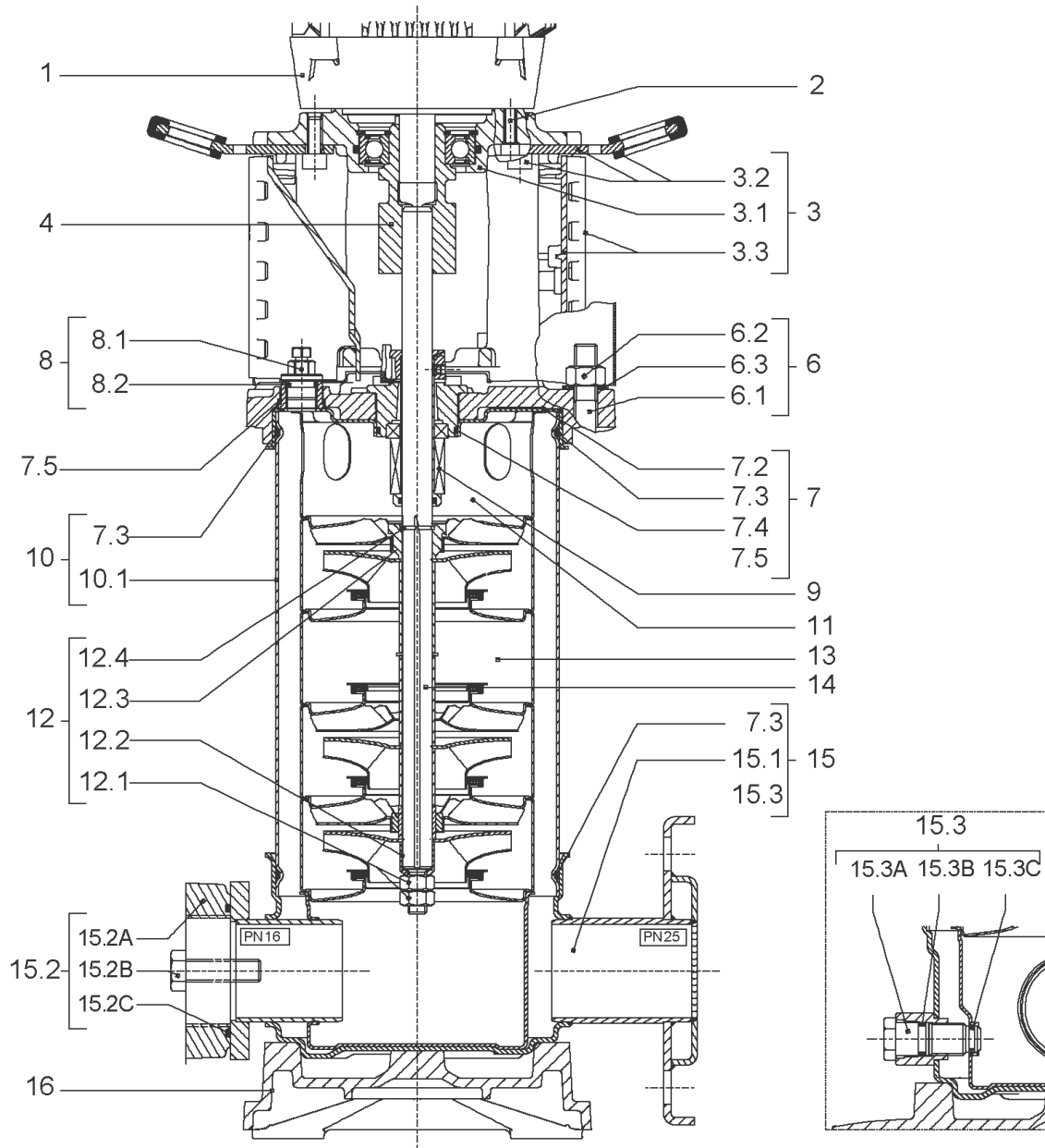
SEAL-KIT-HELIX6-10-16 O/E KIT (4171327)

Item	Article no.	Description	Quantity
7.3	4176513	O-RING FOR PUMP JACKET VP.	1
7.4	2127603	O-RING ID.37,6x2,4 EPDM VP.	1
9.1	4177801	MECH.SEAL HELIX6-10-16 O/E VP.	1
9.3	4177798	MACHINED RING HOLDER M+6" Ø16 304 VP.	1
9.5	4177799	MACHINED DRIVE RING Ø16 VP.	1
9.4	4176520	SCREW CH M5x5 A4-70 (3PIECES)	1



HYDRAULIC HELIX V 1008 1.4307

Item	Article no.	Description	Quantity
13.1	4171331	STAGE HELIX10 1.4301KIT	1
		> MACH.STG-CASING-WOGV-WNR-M+10-304	1
		> IMPELLER-M+10-304	1
13.2	4172792	INTERMEDIATE STAGE HELIX 10 1.4301 KIT	1
		> MACH.BEARING-STG-CASING-WNR-M+10-304	1
		> IMPELLER-M+10-304	1
		> SHAFT SLEEVE-SPACER-Ø19,35x18,465-304	1
		> SHAFT-SLEEVE-D16xD20x18-CW	1
13.3	4172793	INTERMEDIATE STAGE HELIX 10 1.4301 KIT	1
		> MACH.STD-STG-CASING-WGV+NR-M+10-304	1
		> IMPELLER-M+10-304	1
		> IMPELLER SPACER Ø16,05X19,45-L36,465-304	1



HELIX V1009-1/16/E/S/400-50 (4162670)

Item	Article no.	Description	Quantity
1	4169945	MO.4/2 3~230/400(460)V 50(60)HZ IE3 VP.	1
		SPARE PARTS MOTOR:ON REQUEST	1
2	4206025	SCREW M8X45 (4 PIECES)	1
3	4172789	LANTERN FT130 HELIX V10 KIT	1
3.1		> M+5_6_LANTERN_ONE-PIECE_FT130_CATA	1
3.2	2127604	> EYELET CPL.FT HELIX(2 PIECES)	1
3.3	4159692	> COUPLING PROTECTOR FT HELIX KIT	1
4	4159710	COUPLING D.16XD.28 FT130 HELIX KIT	1
6	4177832	STUD BOLT M12X527KIT	1
6.1		> TIE BOLT M12-527x18x30-1.4057	1
6.2	2094647	> NUT M12 M12 ISO4032 VP.	1
6.3	2123557	> WASHER CS-12.4-24-1.6-NFE25 (4 PIECES)	1
7	4210143	STATIONARY RING HOLDER HELIX 6" EPDM	1
7.2	2127607	> STATIONARY RING HOLDER 6" HELIX 1.4301 V	1
7.3	4176513	> O-RING FOR PUMP JACKET VP.	1
7.4	2127603	> O-RING ID.37,6x2,4 EPDM VP.	1
7.5	2127602	> O-RING ID.21,35x2 EPDM VP.	1
8	4159686	FILING/PURGING PLUG HELIX EPDM KIT	1
9	4171327	SEAL-KIT-HELIX6-10-16 O/E KIT	1
10	4177833	HOUSING PIPES D.152X397 1.4301 KIT	1
7.3	4176513	> O-RING FOR PUMP JACKET VP.	1
10.1		> HOUSING-PIPE Ø152-M+1009-304	1
11	4172791	CENTERING STAGE-RETURN HELIX10 1.4301VP.	1
12	4209273	SHAFT EQUIPMENT HELIX V10 KIT	1
12.1		> NUT-H-M10-A4.70	1
12.2		> SERRATED LOCK WASHER M+10M3-316L	1
12.3		> IMPELLER STOP RING L33,6-304	1
12.4		> STOP-RUSH-1/2-D16xd2-M+316	1
13		HYDRAULIC HELIX V 1009 1.4307	1
14	4177837	SHAFTS D.16X517,5 1.4301 VP.	1
15	4159682	PUMP HOUSING HELIX DN50 PN16 1.4301 KIT	1
7.3	4176513	> O-RING FOR PUMP JACKET VP.	1
15.1		> BLASTING PPE HOUSING V-PN16-DN50-304	1
15.2	4217893	> COUNTER FLANGE-G1"1/2-PN16-GJL KIT	1

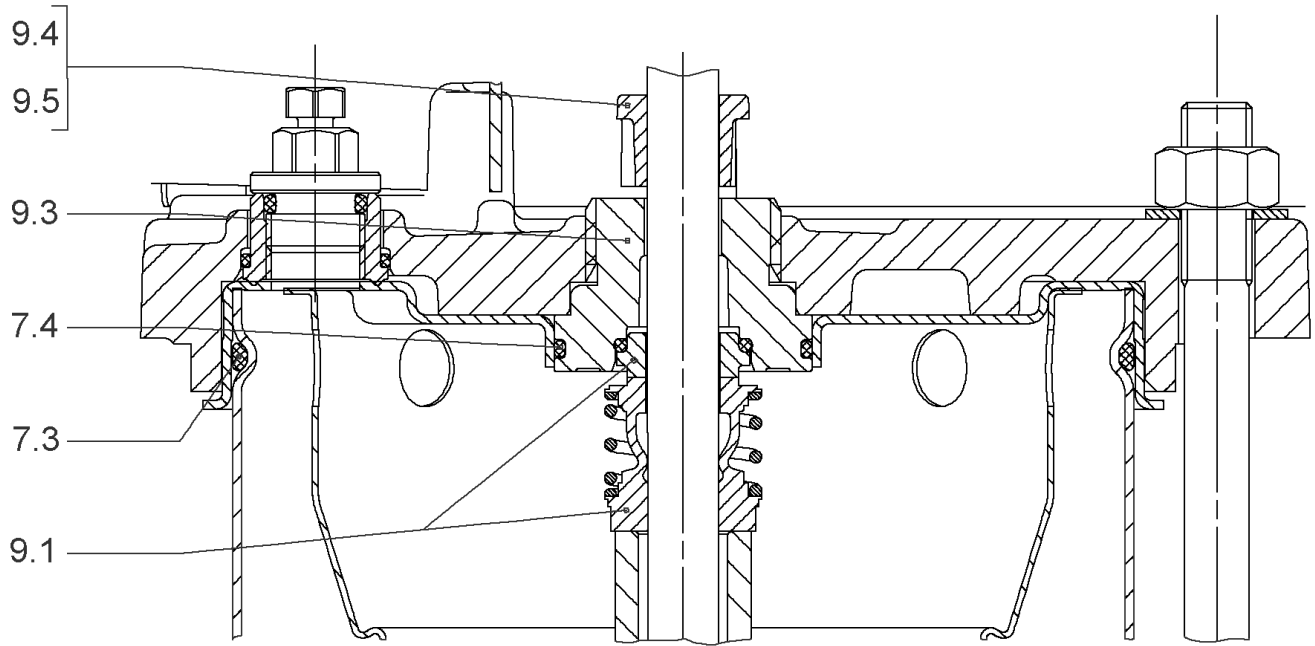
HELIX V1009-1/16/E/S/400-50 (4162670)

Item	Article no.	Description	Quantity
15.3	4171321	> PRIMING/DRAIN PLUG EPDM HELIX KIT	1
16	4176517	BASEPLATE V8/10 VP.	1



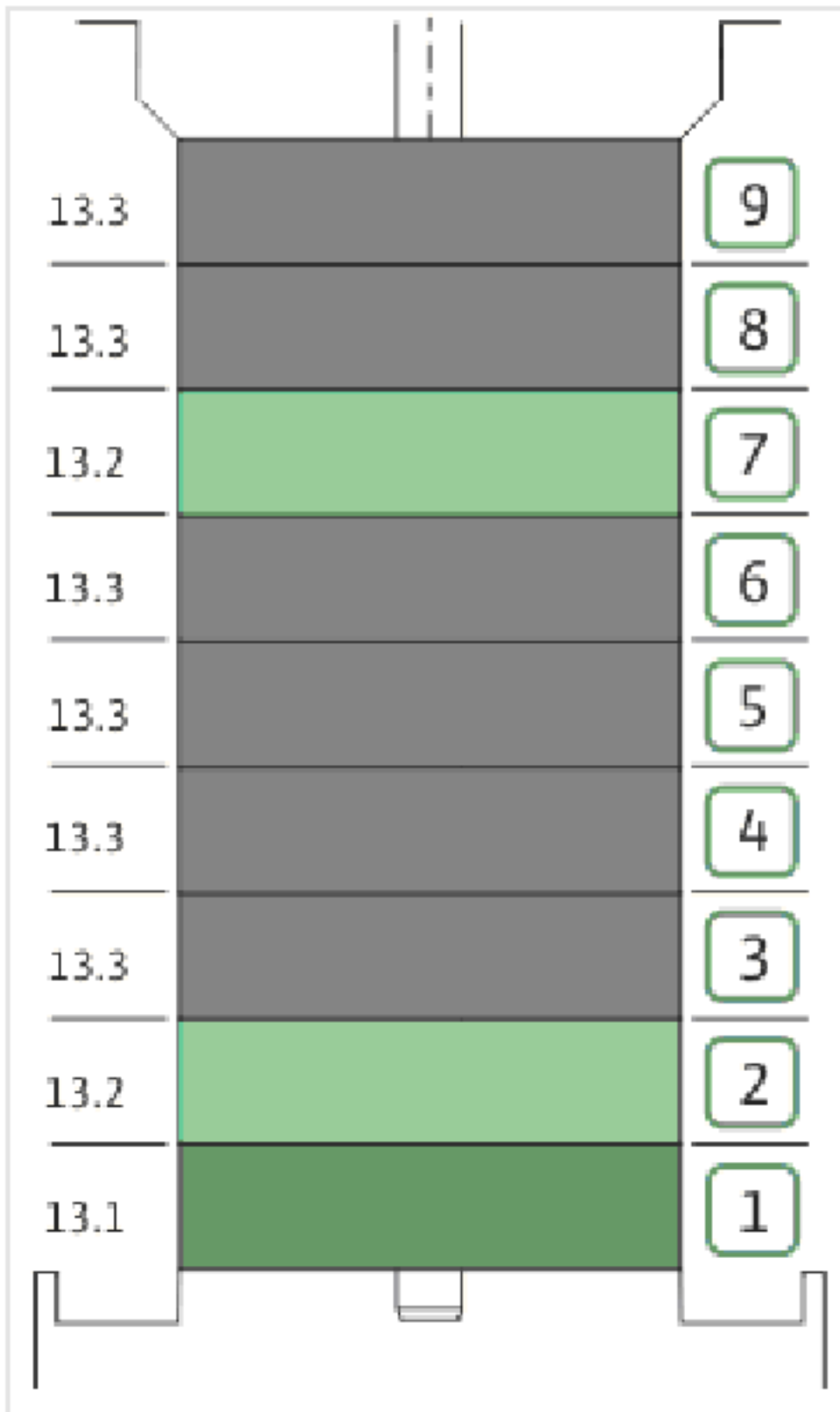
COUPLING D.16XD.28 FT130 HELIX KIT (4159710)

Item	Article no.	Description	Quantity
4.1		COUPLING M+ Ø16XØ28 FT130 MACHINED	1
4.2	2131022	BALL BEARING 6209/ZZ-C3(HT)VP.	1
4.3	4233930	CIRCLIP-FOR-BORES-D45x1,75 VP.	1
4.4	4157726	SCREW KIT M8X30 (4 PIECES)	1
4.5	4234252	CIRCLIPS 85X3 VP.	1
4.6	4234243	O-RING 85X3 VP.	1
		NOMEL CONTACT WASHER 8x16x1,4 STEEL ZC	1



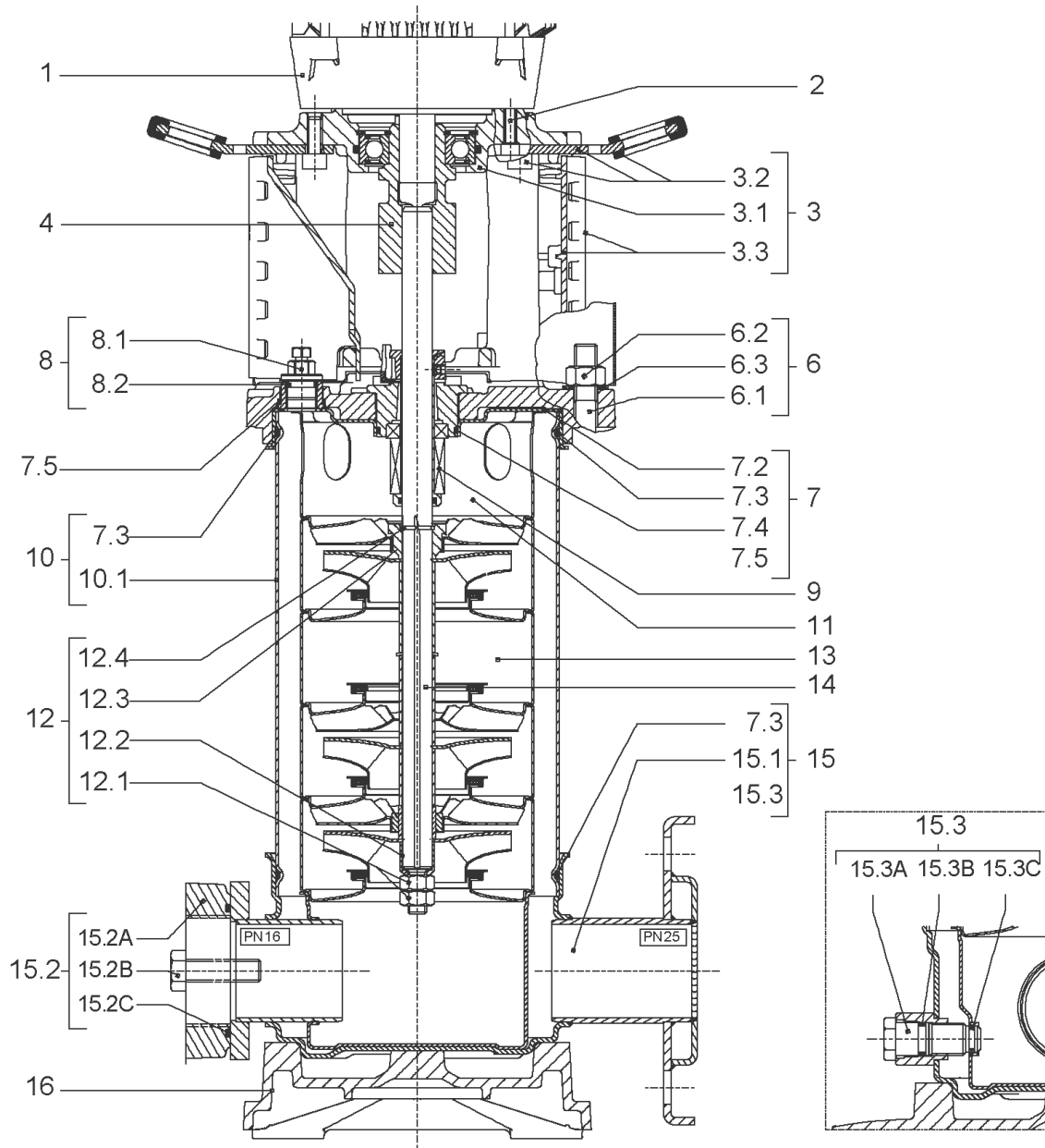
SEAL-KIT-HELIX6-10-16 O/E KIT (4171327)

Item	Article no.	Description	Quantity
7.3	4176513	O-RING FOR PUMP JACKET VP.	1
7.4	2127603	O-RING ID.37,6x2,4 EPDM VP.	1
9.1	4177801	MECH.SEAL HELIX6-10-16 O/E VP.	1
9.3	4177798	MACHINED RING HOLDER M+6" Ø16 304 VP.	1
9.5	4177799	MACHINED DRIVE RING Ø16 VP.	1
9.4	4176520	SCREW CH M5x5 A4-70 (3PIECES)	1



HYDRAULIC HELIX V 1009 1.4307

Item	Article no.	Description	Quantity
13.1	4171331	STAGE HELIX10 1.4301KIT	1
		> MACH.STG-CASING-WOGV-WNR-M+10-304	1
		> IMPELLER-M+10-304	1
13.2	4172792	INTERMEDIATE STAGE HELIX 10 1.4301 KIT	1
		> MACH.BEARING-STG-CASING-WNR-M+10-304	1
		> IMPELLER-M+10-304	1
		> SHAFT SLEEVE-SPACER-Ø19,35x18,465-304	1
		> SHAFT-SLEEVE-D16xD20x18-CW	1
13.3	4172793	INTERMEDIATE STAGE HELIX 10 1.4301 KIT	1
		> MACH.STD-STG-CASING-WGV+NR-M+10-304	1
		> IMPELLER-M+10-304	1
		> IMPELLER SPACER Ø16,05X19,45-L36,465-304	1



HELIX V1010-1/16/E/S/400-50 (4162671)

Item	Article no.	Description	Quantity
1	4169945	MO.4/2 3~230/400(460)V 50(60)HZ IE3 VP.	1
		SPARE PARTS MOTOR:ON REQUEST	1
2	4206025	SCREW M8X45 (4 PIECES)	1
3	4172789	LANTERN FT130 HELIX V10 KIT	1
3.1		> M+5_6_LANTERN_ONE-PIECE_FT130_CATA	1
3.2	2127604	> EYELET CPL.FT HELIX(2 PIECES)	1
3.3	4159692	> COUPLING PROTECTOR FT HELIX KIT	1
4	4159710	COUPLING D.16XD.28 FT130 HELIX KIT	1
6	4177849	STUD BOLT M12X563KIT	1
6.1		> TIE BOLT M12-563x18x30-1.4057	1
6.2	2094647	> NUT M12 M12 ISO4032 VP.	1
6.3	2123557	> WASHER CS-12.4-24-1.6-NFE25 (4 PIECES)	1
7	4210143	STATIONARY RING HOLDER HELIX 6" EPDM	1
7.2	2127607	> STATIONARY RING HOLDER 6" HELIX 1.4301 V	1
7.3	4176513	> O-RING FOR PUMP JACKET VP.	1
7.4	2127603	> O-RING ID.37,6x2,4 EPDM VP.	1
7.5	2127602	> O-RING ID.21,35x2 EPDM VP.	1
8	4159686	FILING/PURGING PLUG HELIX EPDM KIT	1
9	4171327	SEAL-KIT-HELIX6-10-16 O/E KIT	1
10	4177839	HOUSING PIPES D.152X435 1.4301 KIT	1
7.3	4176513	> O-RING FOR PUMP JACKET VP.	1
10.1		> HOUSING-PIPE Ø152-M+1010-304	1
11	4172791	CENTERING STAGE-RETURN HELIX10 1.4301VP.	1
12	4209273	SHAFT EQUIPMENT HELIX V10 KIT	1
12.1		> NUT-H-M10-A4.70	1
12.2		> SERRATED LOCK WASHER M+10M3-316L	1
12.3		> IMPELLER STOP RING L33,6-304	1
12.4		> STOP-RUSH-1/2-D16xd2-M+316	1
13		HYDRAULIC HELIX V 1010 1.4307	1
14	4177841	SHAFT D.16X555 1.4301 VP.	1
15	4159682	PUMP HOUSING HELIX DN50 PN16 1.4301 KIT	1
7.3	4176513	> O-RING FOR PUMP JACKET VP.	1
15.1		> BLASTING PPE HOUSING V-PN16-DN50-304	1
15.2	4217893	> COUNTER FLANGE-G1"1/2-PN16-GJL KIT	1

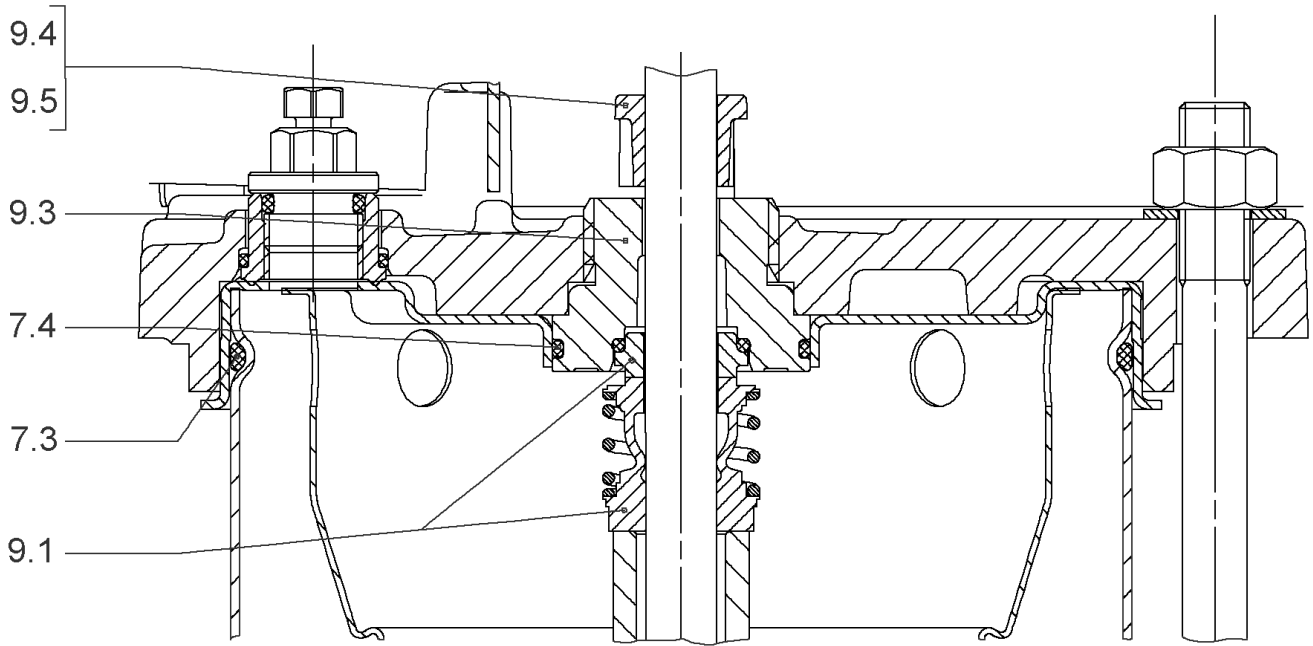
HELIX V1010-1/16/E/S/400-50 (4162671)

Item	Article no.	Description	Quantity
15.3	4171321	> PRIMING/DRAIN PLUG EPDM HELIX KIT	1
16	4176517	BASEPLATE V8/10 VP.	1



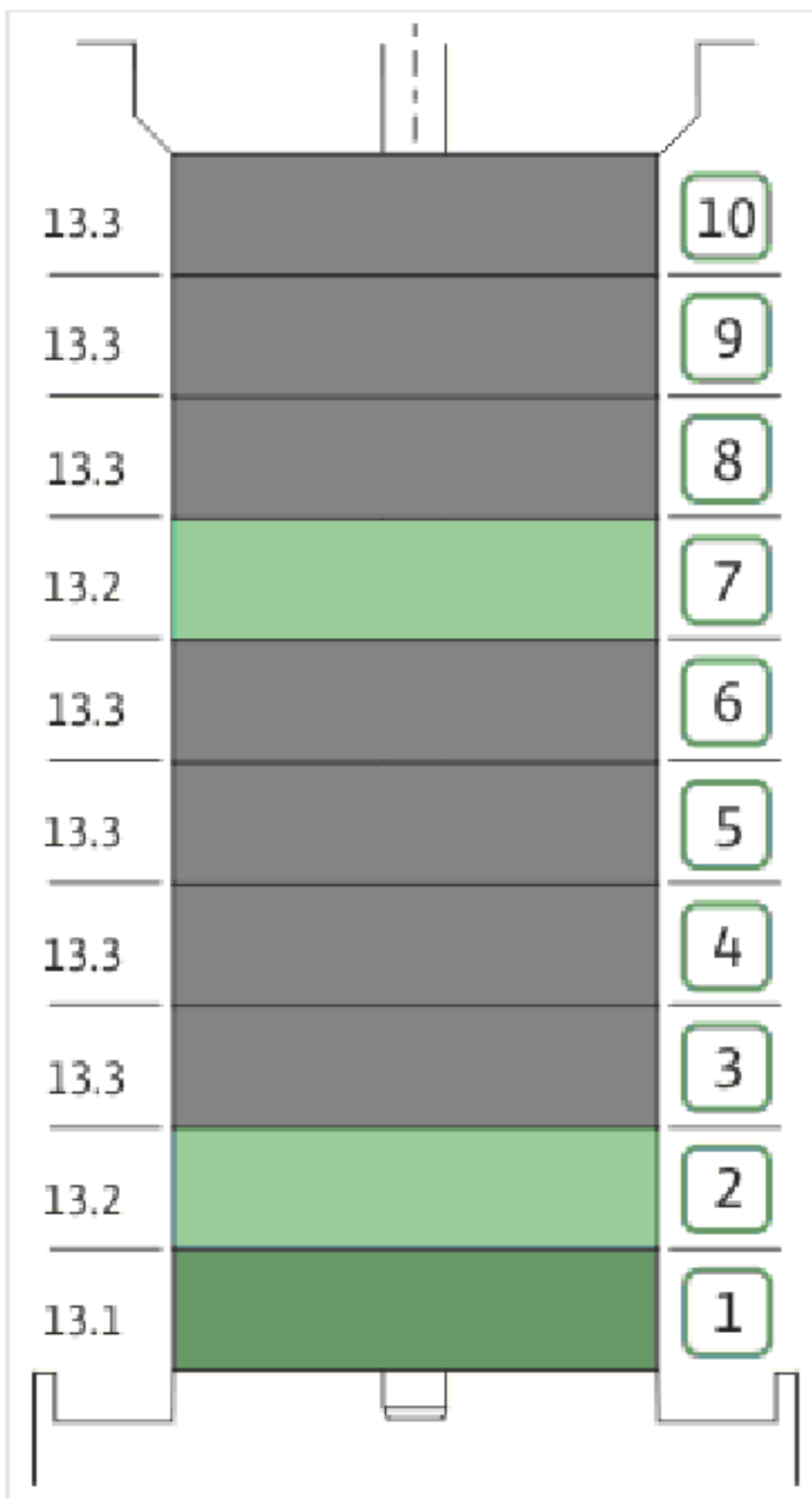
COUPLING D.16XD.28 FT130 HELIX KIT (4159710)

Item	Article no.	Description	Quantity
4.1		COUPLING M+ Ø16XØ28 FT130 MACHINED	1
4.2	2131022	BALL BEARING 6209/ZZ-C3(HT)VP.	1
4.3	4233930	CIRCLIP-FOR-BORES-D45x1,75 VP.	1
4.4	4157726	SCREW KIT M8X30 (4 PIECES)	1
4.5	4234252	CIRCLIPS 85X3 VP.	1
4.6	4234243	O-RING 85X3 VP.	1
		NOMEL CONTACT WASHER 8x16x1,4 STEEL ZC	1



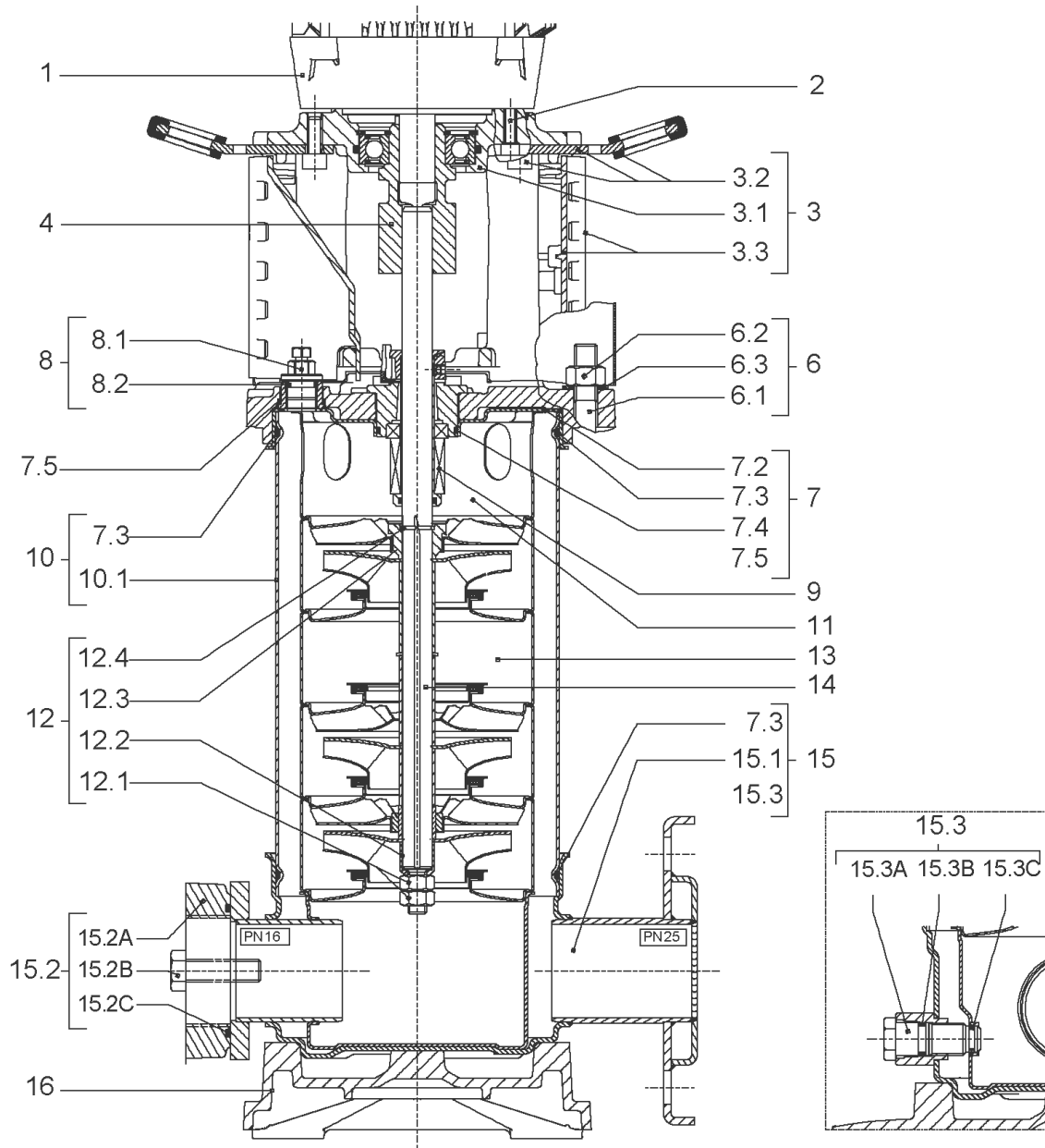
SEAL-KIT-HELIX6-10-16 O/E KIT (4171327)

Item	Article no.	Description	Quantity
7.3	4176513	O-RING FOR PUMP JACKET VP.	1
7.4	2127603	O-RING ID.37,6x2,4 EPDM VP.	1
9.1	4177801	MECH.SEAL HELIX6-10-16 O/E VP.	1
9.3	4177798	MACHINED RING HOLDER M+6" Ø16 304 VP.	1
9.5	4177799	MACHINED DRIVE RING Ø16 VP.	1
9.4	4176520	SCREW CH M5x5 A4-70 (3PIECES)	1



HYDRAULIC HELIX V 1010 1.4307

Item	Article no.	Description	Quantity
13.1	4171331	STAGE HELIX10 1.4301KIT	1
		> MACH.STG-CASING-WOGV-WNR-M+10-304	1
		> IMPELLER-M+10-304	1
13.2	4172792	INTERMEDIATE STAGE HELIX 10 1.4301 KIT	1
		> MACH.BEARING-STG-CASING-WNR-M+10-304	1
		> IMPELLER-M+10-304	1
		> SHAFT SLEEVE-SPACER-Ø19,35x18,465-304	1
		> SHAFT-SLEEVE-D16xD20x18-CW	1
13.3	4172793	INTERMEDIATE STAGE HELIX 10 1.4301 KIT	1
		> MACH.STD-STG-CASING-WGV+NR-M+10-304	1
		> IMPELLER-M+10-304	1
		> IMPELLER SPACER Ø16,05X19,45-L36,465-304	1



HELIX V1011-1/16/E/S/400-50 (4162672)

Item	Article no.	Description	Quantity
1	4169945	MO.4/2 3~230/400(460)V 50(60)HZ IE3 VP.	1
		SPARE PARTS MOTOR:ON REQUEST	1
2	4206025	SCREW M8X45 (4 PIECES)	1
3	4172789	LANTERN FT130 HELIX V10 KIT	1
3.1		> M+5_6_LANTERN_ONE-PIECE_FT130_CATA	1
3.2	2127604	> EYELET CPL.FT HELIX(2 PIECES)	1
3.3	4159692	> COUPLING PROTECTOR FT HELIX KIT	1
4	4159710	COUPLING D.16XD.28 FT130 HELIX KIT	1
6	4177842	STUD BOLT M12X638KIT	1
6.1		> TIE BOLT M12-638x18x30-1.4057	1
6.2	2094647	> NUT M12 M12 ISO4032 VP.	1
6.3	2123557	> WASHER CS-12.4-24-1.6-NFE25 (4 PIECES)	1
7	4210143	STATIONARY RING HOLDER HELIX 6" EPDM	1
7.2	2127607	> STATIONARY RING HOLDER 6" HELIX 1.4301 V	1
7.3	4176513	> O-RING FOR PUMP JACKET VP.	1
7.4	2127603	> O-RING ID.37,6x2,4 EPDM VP.	1
7.5	2127602	> O-RING ID.21,35x2 EPDM VP.	1
8	4159686	FILING/PURGING PLUG HELIX EPDM KIT	1
9	4171327	SEAL-KIT-HELIX6-10-16 O/E KIT	1
10	4177843	HOUSING PIPES D.152X510 1.4307 KIT	1
7.3	4176513	> O-RING FOR PUMP JACKET VP.	1
10.1		> HOUSING-PIPE Ø152-M+1012/1609-304	1
11	4172791	CENTERING STAGE-RETURN HELIX10 1.4301VP.	1
12	4209273	SHAFT EQUIPMENT HELIX V10 KIT	1
12.1		> NUT-H-M10-A4.70	1
12.2		> SERRATED LOCK WASHER M+10M3-316L	1
12.3		> IMPELLER STOP RING L33,6-304	1
12.4		> STOP-RUSH-1/2-D16xd2-M+316	1
13		HYDRAULIC HELIX V 1011 1.4307	1
14	4177844	SHAFT D.16X630 1.4301 VP.	1
15	4159682	PUMP HOUSING HELIX DN50 PN16 1.4301 KIT	1
7.3	4176513	> O-RING FOR PUMP JACKET VP.	1
15.1		> BLASTING PPE HOUSING V-PN16-DN50-304	1
15.2	4217893	> COUNTER FLANGE-G1"1/2-PN16-GJL KIT	1

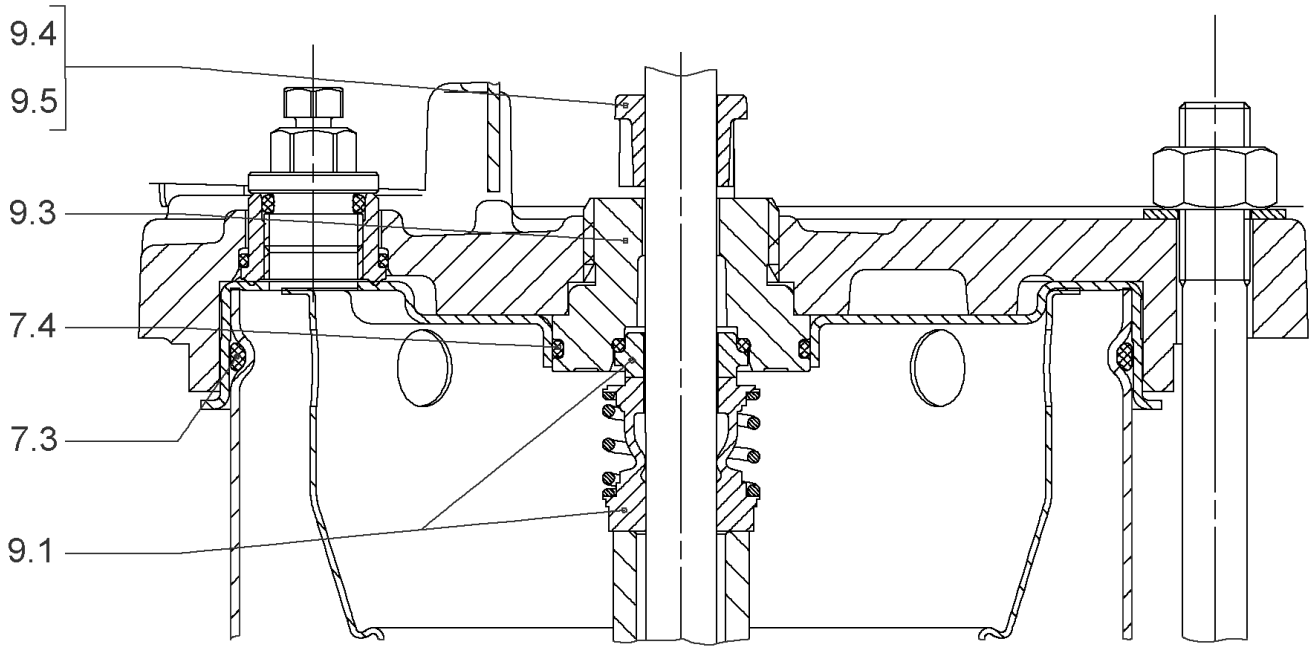
HELIX V1011-1/16/E/S/400-50 (4162672)

Item	Article no.	Description	Quantity
15.3	4171321	> PRIMING/DRAIN PLUG EPDM HELIX KIT	1
16	4176517	BASEPLATE V8/10 VP.	1



COUPLING D.16XD.28 FT130 HELIX KIT (4159710)

Item	Article no.	Description	Quantity
4.1		COUPLING M+ Ø16XØ28 FT130 MACHINED	1
4.2	2131022	BALL BEARING 6209/ZZ-C3(HT)VP.	1
4.3	4233930	CIRCLIP-FOR-BORES-D45x1,75 VP.	1
4.4	4157726	SCREW KIT M8X30 (4 PIECES)	1
4.5	4234252	CIRCLIPS 85X3 VP.	1
4.6	4234243	O-RING 85X3 VP.	1
		NOMEL CONTACT WASHER 8x16x1,4 STEEL ZC	1



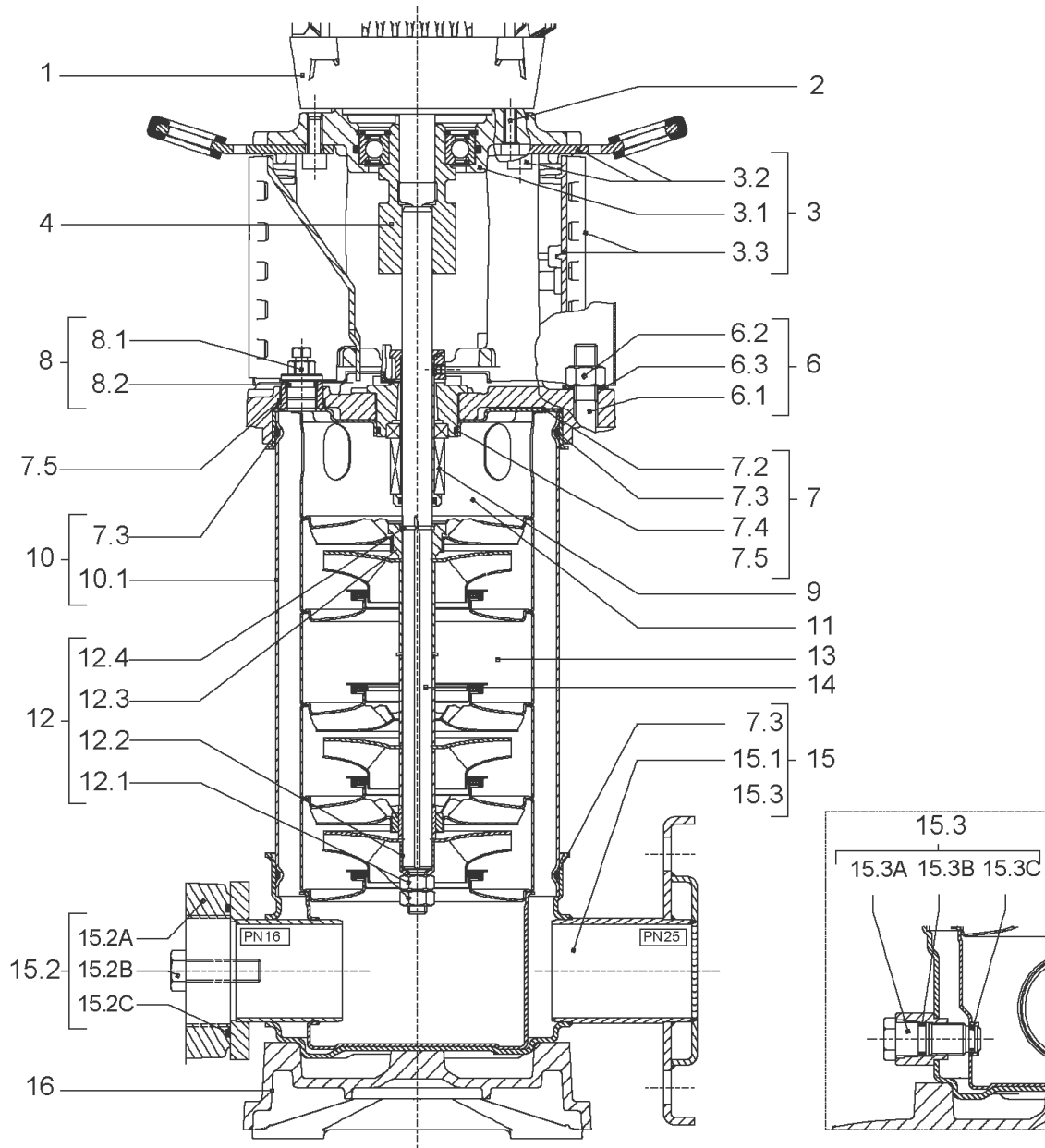
SEAL-KIT-HELIX6-10-16 O/E KIT (4171327)

Item	Article no.	Description	Quantity
7.3	4176513	O-RING FOR PUMP JACKET VP.	1
7.4	2127603	O-RING ID.37,6x2,4 EPDM VP.	1
9.1	4177801	MECH.SEAL HELIX6-10-16 O/E VP.	1
9.3	4177798	MACHINED RING HOLDER M+6" Ø16 304 VP.	1
9.5	4177799	MACHINED DRIVE RING Ø16 VP.	1
9.4	4176520	SCREW CH M5x5 A4-70 (3PIECES)	1



HYDRAULIC HELIX V 1011 1.4307

Item	Article no.	Description	Quantity
13.1	4171331	STAGE HELIX10 1.4301KIT	1
		> MACH.STG-CASING-WOGV-WNR-M+10-304	1
		> IMPELLER-M+10-304	1
13.2	4172792	INTERMEDIATE STAGE HELIX 10 1.4301 KIT	1
		> MACH.BEARING-STG-CASING-WNR-M+10-304	1
		> IMPELLER-M+10-304	1
		> SHAFT SLEEVE-SPACER-Ø19,35x18,465-304	1
		> SHAFT-SLEEVE-D16xD20x18-CW	1
13.3	4172793	INTERMEDIATE STAGE HELIX 10 1.4301 KIT	1
		> MACH.STD-STG-CASING-WGV+NR-M+10-304	1
		> IMPELLER-M+10-304	1
		> IMPELLER SPACER Ø16,05X19,45-L36,465-304	1
13.4	4172800	EMPTY STAGE HELIX10 1.4301 KIT	1
		> MACH.STD-STG-CASING-WGV+NR-M+10-304	1
		> FLAT WASHER-D16.1XD22X1.2-316L	1
		> IMPELLER SPACER Ø16,05X19,45-L36,465-304	1
13.5	4172799	STAGE HELIX 10 1.4301 KIT	1
		> MACH.STG-CASING-WOGV-WNR-M+10-304	1
		> IMPELLER-M+10-304	1
		> IMPELLER SPACER Ø16,05X19,45-L36,465-304	1



HELIX V1012-1/16/E/S/400-50 (4162673)

Item	Article no.	Description	Quantity
1	4169947	MO 5,5/2/112 3~400V50Hz 460V60Hz IE3 VP.	1
		SPARE PARTS MOTOR:ON REQUEST	1
2	4206025	SCREW M8X45 (4 PIECES)	1
3	4172789	LANTERN FT130 HELIX V10 KIT	1
3.1		> M+5_6_LANTERN_ONE-PIECE_FT130_CATA	1
3.2	2127604	> EYELET CPL.FT HELIX(2 PIECES)	1
3.3	4159692	> COUPLING PROTECTOR FT HELIX KIT	1
4	4159710	COUPLING D.16XD.28 FT130 HELIX KIT	1
6	4177842	STUD BOLT M12X638KIT	1
6.1		> TIE BOLT M12-638x18x30-1.4057	1
6.2	2094647	> NUT M12 M12 ISO4032 VP.	1
6.3	2123557	> WASHER CS-12.4-24-1.6-NFE25 (4 PIECES)	1
7	4210143	STATIONARY RING HOLDER HELIX 6" EPDM	1
7.2	2127607	> STATIONARY RING HOLDER 6" HELIX 1.4301 V	1
7.3	4176513	> O-RING FOR PUMP JACKET VP.	1
7.4	2127603	> O-RING ID.37,6x2,4 EPDM VP.	1
7.5	2127602	> O-RING ID.21,35x2 EPDM VP.	1
8	4159686	FILING/PURGING PLUG HELIX EPDM KIT	1
9	4171327	SEAL-KIT-HELIX6-10-16 O/E KIT	1
10	4177843	HOUSING PIPES D.152X510 1.4307 KIT	1
7.3	4176513	> O-RING FOR PUMP JACKET VP.	1
10.1		> HOUSING-PIPE Ø152-M+1012/1609-304	1
11	4172791	CENTERING STAGE-RETURN HELIX10 1.4301VP.	1
12	4209273	SHAFT EQUIPMENT HELIX V10 KIT	1
12.1		> NUT-H-M10-A4.70	1
12.2		> SERRATED LOCK WASHER M+10M3-316L	1
12.3		> IMPELLER STOP RING L33,6-304	1
12.4		> STOP-RUSH-1/2-D16xd2-M+316	1
13		HYDRAULIC HELIX V 1012 1.4307	1
14	4177844	SHAFT D.16X630 1.4301 VP.	1
15	4159682	PUMP HOUSING HELIX DN50 PN16 1.4301 KIT	1
7.3	4176513	> O-RING FOR PUMP JACKET VP.	1
15.1		> BLASTING PPE HOUSING V-PN16-DN50-304	1
15.2	4217893	> COUNTER FLANGE-G1"1/2-PN16-GJL KIT	1

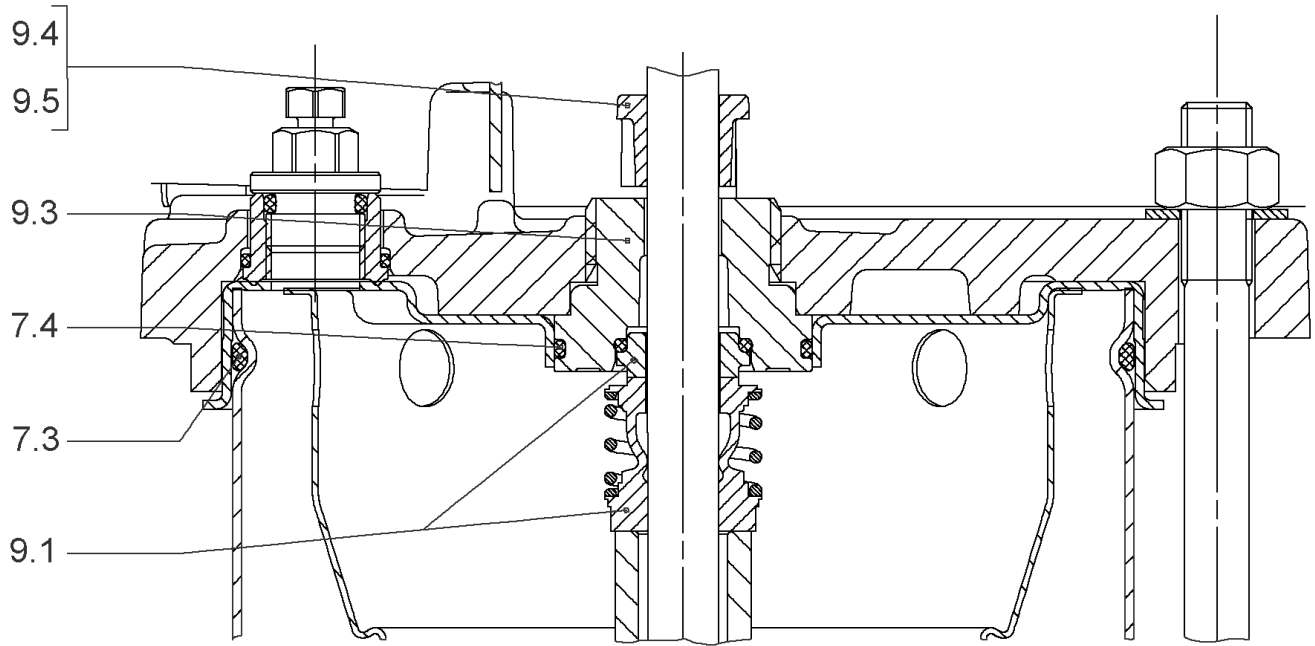
HELIX V1012-1/16/E/S/400-50 (4162673)

Item	Article no.	Description	Quantity
15.3	4171321	> PRIMING/DRAIN PLUG EPDM HELIX KIT	1
16	4176517	BASEPLATE V8/10 VP.	1



COUPLING D.16XD.28 FT130 HELIX KIT (4159710)

Item	Article no.	Description	Quantity
4.1		COUPLING M+ Ø16XØ28 FT130 MACHINED	1
4.2	2131022	BALL BEARING 6209/ZZ-C3(HT)VP.	1
4.3	4233930	CIRCLIP-FOR-BORES-D45x1,75 VP.	1
4.4	4157726	SCREW KIT M8X30 (4 PIECES)	1
4.5	4234252	CIRCLIPS 85X3 VP.	1
4.6	4234243	O-RING 85X3 VP.	1
		NOMEL CONTACT WASHER 8x16x1,4 STEEL ZC	1



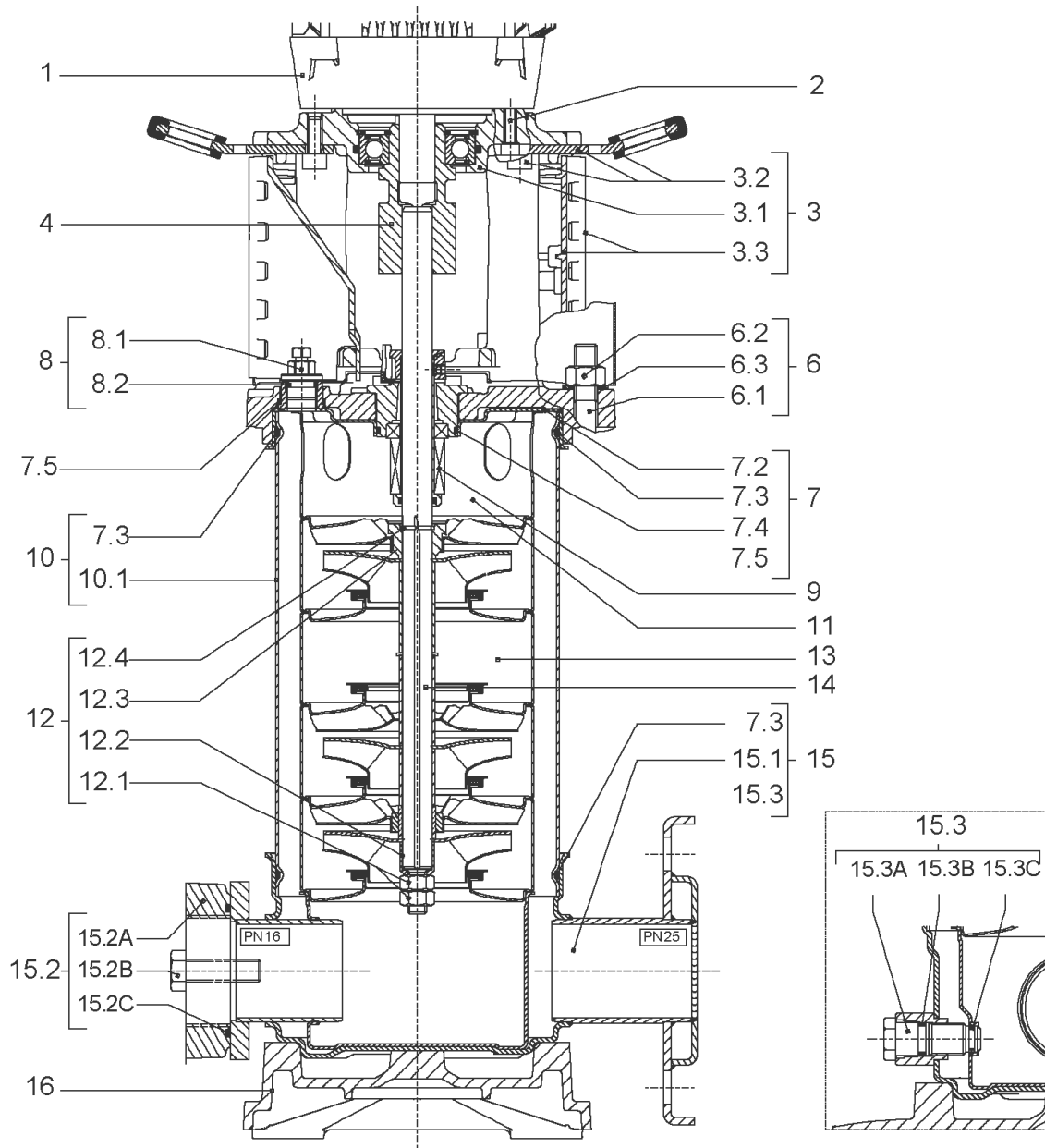
SEAL-KIT-HELIX6-10-16 O/E KIT (4171327)

Item	Article no.	Description	Quantity
7.3	4176513	O-RING FOR PUMP JACKET VP.	1
7.4	2127603	O-RING ID.37,6x2,4 EPDM VP.	1
9.1	4177801	MECH.SEAL HELIX6-10-16 O/E VP.	1
9.3	4177798	MACHINED RING HOLDER M+6" Ø16 304 VP.	1
9.5	4177799	MACHINED DRIVE RING Ø16 VP.	1
9.4	4176520	SCREW CH M5x5 A4-70 (3PIECES)	1



HYDRAULIC HELIX V 1012 1.4307

Item	Article no.	Description	Quantity
13.1	4171331	STAGE HELIX10 1.4301KIT	1
		> MACH.STG-CASING-WOGV-WNR-M+10-304	1
		> IMPELLER-M+10-304	1
13.2	4172792	INTERMEDIATE STAGE HELIX 10 1.4301 KIT	1
		> MACH.BEARING-STG-CASING-WNR-M+10-304	1
		> IMPELLER-M+10-304	1
		> SHAFT SLEEVE-SPACER-Ø19,35x18,465-304	1
		> SHAFT-SLEEVE-D16xD20x18-CW	1
13.3	4172793	INTERMEDIATE STAGE HELIX 10 1.4301 KIT	1
		> MACH.STD-STG-CASING-WGV+NR-M+10-304	1
		> IMPELLER-M+10-304	1
		> IMPELLER SPACER Ø16,05X19,45-L36,465-304	1



HELIX V1013-1/16/E/S/400-50 (4162674)

Item	Article no.	Description	Quantity
1	4169947	MO 5,5/2/112 3~400V50Hz 460V60Hz IE3 VP.	1
		SPARE PARTS MOTOR:ON REQUEST	1
2	4206025	SCREW M8X45 (4 PIECES)	1
3	4172789	LANTERN FT130 HELIX V10 KIT	1
3.1		> M+5_6_LANTERN_ONE-PIECE_FT130_CATA	1
3.2	2127604	> EYELET CPL.FT HELIX(2 PIECES)	1
3.3	4159692	> COUPLING PROTECTOR FT HELIX KIT	1
4	4159710	COUPLING D.16XD.28 FT130 HELIX KIT	1
6	4177848	STUD BOLT M12X713KIT	1
6.1		> TIE BOLT M12-713x18x30-1.4057	1
6.2	2094647	> NUT M12 M12 ISO4032 VP.	1
6.3	2123557	> WASHER CS-12.4-24-1.6-NFE25 (4 PIECES)	1
7	4210143	STATIONARY RING HOLDER HELIX 6" EPDM	1
7.2	2127607	> STATIONARY RING HOLDER 6" HELIX 1.4301 V	1
7.3	4176513	> O-RING FOR PUMP JACKET VP.	1
7.4	2127603	> O-RING ID.37,6x2,4 EPDM VP.	1
7.5	2127602	> O-RING ID.21,35x2 EPDM VP.	1
8	4159686	FILING/PURGING PLUG HELIX EPDM KIT	1
9	4171327	SEAL-KIT-HELIX6-10-16 O/E KIT	1
10	4177850	HOUSING PIPES D.152X585 1.4301 KIT	1
7.3	4176513	> O-RING FOR PUMP JACKET VP.	1
10.1		> HOUSING-PIPE Ø152-M+1013/14-304	1
11	4172791	CENTERING STAGE-RETURN HELIX10 1.4301VP.	1
12	4209273	SHAFT EQUIPMENT HELIX V10 KIT	1
12.1		> NUT-H-M10-A4.70	1
12.2		> SERRATED LOCK WASHER M+10M3-316L	1
12.3		> IMPELLER STOP RING L33,6-304	1
12.4		> STOP-RUSH-1/2-D16xd2-M+316	1
13		HYDRAULIC HELIX V 1013 1.4307	1
14	4177851	SHAFT D.16X705 1.4301 VP.	1
15	4159682	PUMP HOUSING HELIX DN50 PN16 1.4301 KIT	1
7.3	4176513	> O-RING FOR PUMP JACKET VP.	1
15.1		> BLASTING PPE HOUSING V-PN16-DN50-304	1
15.2	4217893	> COUNTER FLANGE-G1"1/2-PN16-GJL KIT	1

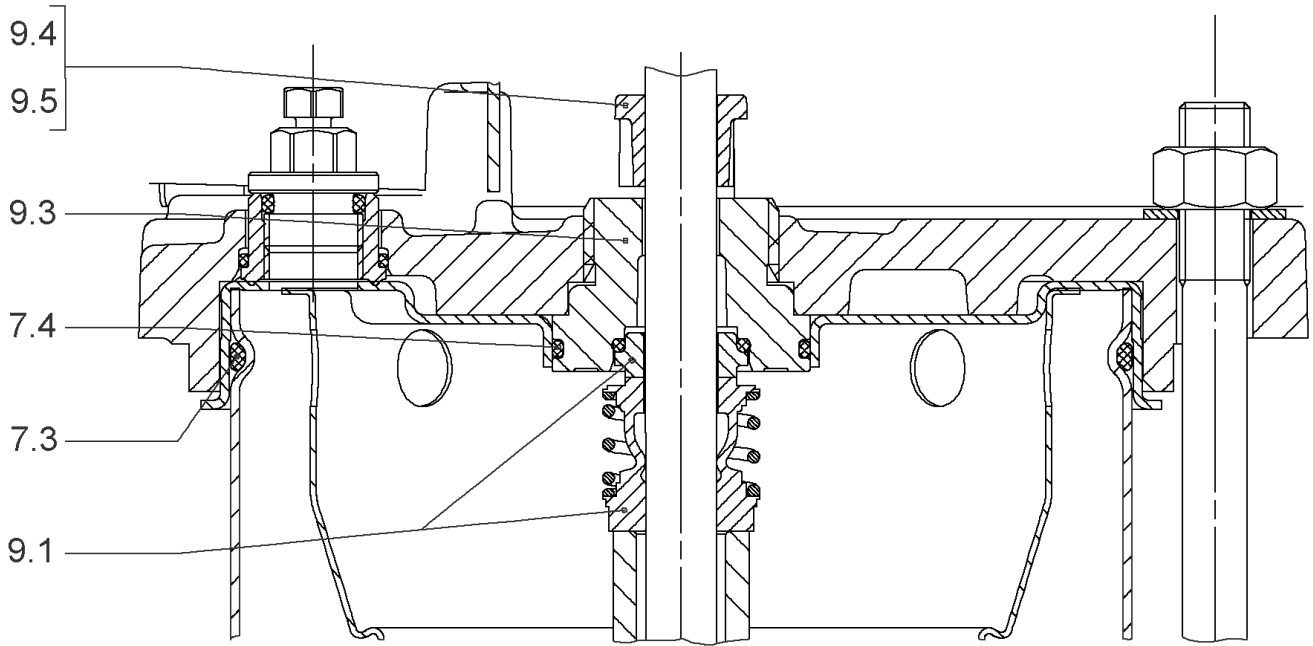
HELIX V1013-1/16/E/S/400-50 (4162674)

Item	Article no.	Description	Quantity
15.3	4171321	> PRIMING/DRAIN PLUG EPDM HELIX KIT	1
16	4176517	BASEPLATE V8/10 VP.	1



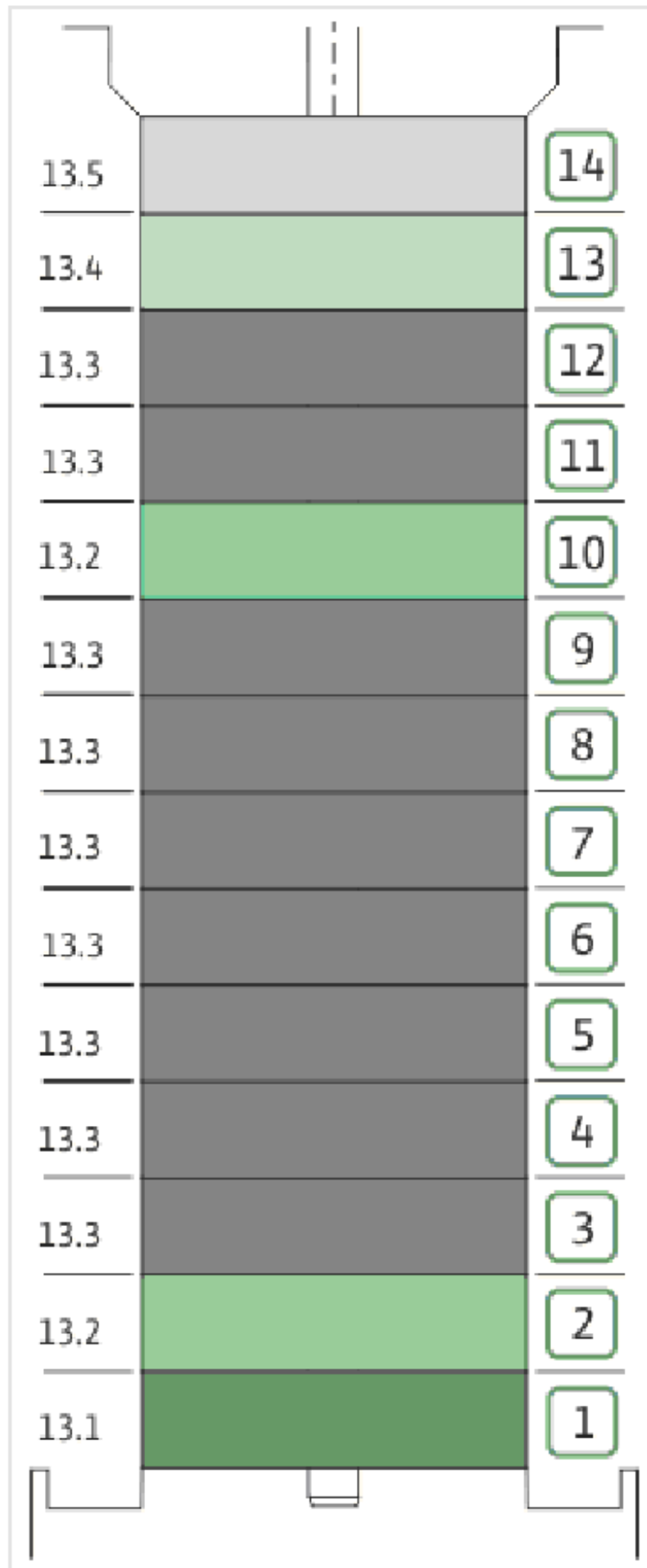
COUPLING D.16XD.28 FT130 HELIX KIT (4159710)

Item	Article no.	Description	Quantity
4.1		COUPLING M+ Ø16XØ28 FT130 MACHINED	1
4.2	2131022	BALL BEARING 6209/ZZ-C3(HT)VP.	1
4.3	4233930	CIRCLIP-FOR-BORES-D45x1,75 VP.	1
4.4	4157726	SCREW KIT M8X30 (4 PIECES)	1
4.5	4234252	CIRCLIPS 85X3 VP.	1
4.6	4234243	O-RING 85X3 VP.	1
		NOMEL CONTACT WASHER 8x16x1,4 STEEL ZC	1



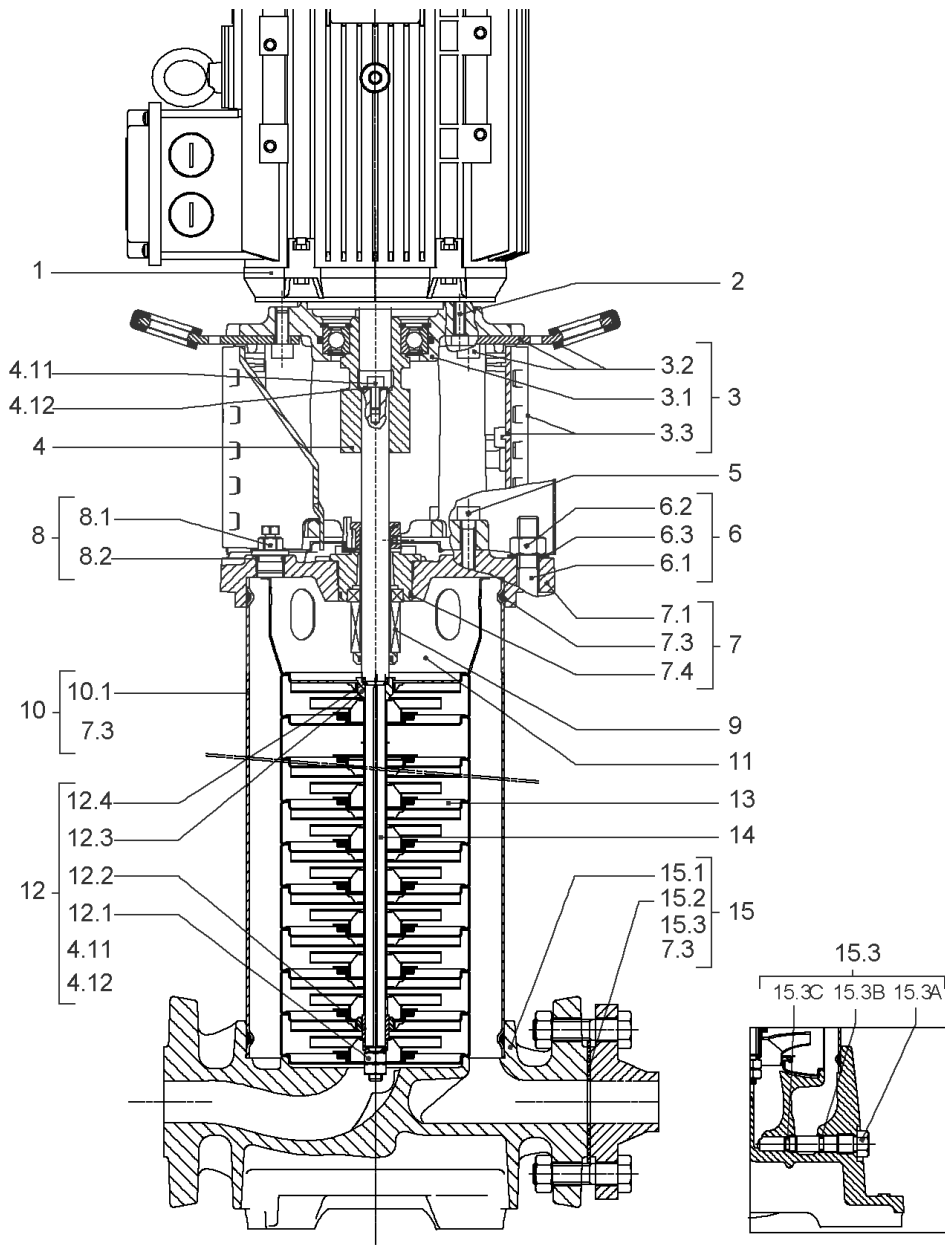
SEAL-KIT-HELIX6-10-16 O/E KIT (4171327)

Item	Article no.	Description	Quantity
7.3	4176513	O-RING FOR PUMP JACKET VP.	1
7.4	2127603	O-RING ID.37,6x2,4 EPDM VP.	1
9.1	4177801	MECH.SEAL HELIX6-10-16 O/E VP.	1
9.3	4177798	MACHINED RING HOLDER M+6" Ø16 304 VP.	1
9.5	4177799	MACHINED DRIVE RING Ø16 VP.	1
9.4	4176520	SCREW CH M5x5 A4-70 (3PIECES)	1



HYDRAULIC HELIX V 1013 1.4307

Item	Article no.	Description	Quantity
13.1	4171331	STAGE HELIX10 1.4301KIT	1
		> MACH.STG-CASING-WOGV-WNR-M+10-304	1
		> IMPELLER-M+10-304	1
13.2	4172792	INTERMEDIATE STAGE HELIX 10 1.4301 KIT	1
		> MACH.BEARING-STG-CASING-WNR-M+10-304	1
		> IMPELLER-M+10-304	1
		> SHAFT SLEEVE-SPACER-Ø19,35x18,465-304	1
		> SHAFT-SLEEVE-D16xD20x18-CW	1
13.3	4172793	INTERMEDIATE STAGE HELIX 10 1.4301 KIT	1
		> MACH.STD-STG-CASING-WGV+NR-M+10-304	1
		> IMPELLER-M+10-304	1
		> IMPELLER SPACER Ø16,05X19,45-L36,465-304	1
13.4	4172800	EMPTY STAGE HELIX10 1.4301 KIT	1
		> MACH.STD-STG-CASING-WGV+NR-M+10-304	1
		> FLAT WASHER-D16.1XD22X1.2-316L	1
		> IMPELLER SPACER Ø16,05X19,45-L36,465-304	1
13.5	4172799	STAGE HELIX 10 1.4301 KIT	1
		> MACH.STG-CASING-WOGV-WNR-M+10-304	1
		> IMPELLER-M+10-304	1
		> IMPELLER SPACER Ø16,05X19,45-L36,465-304	1



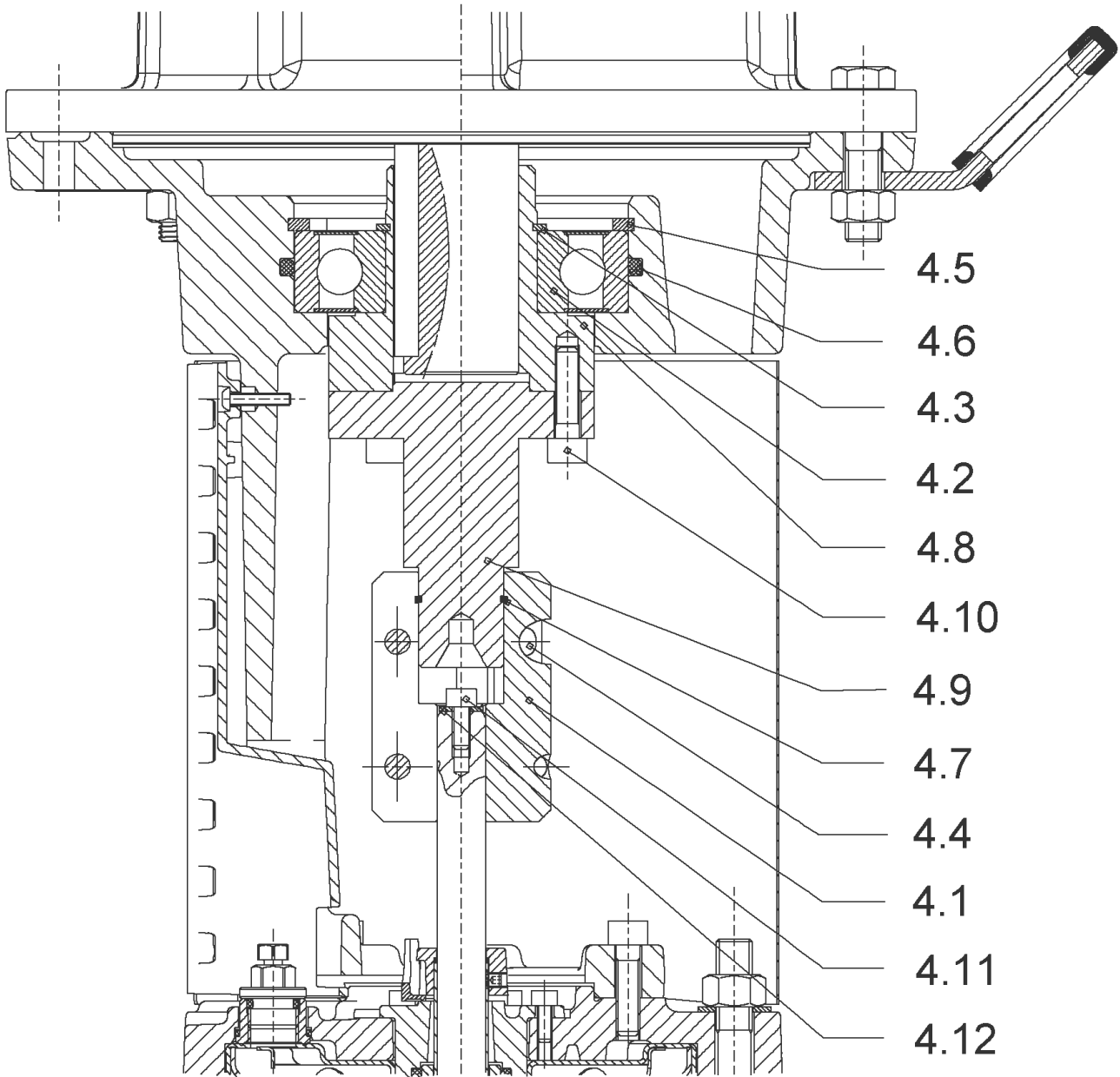
HELIX V1021-3/30/E/KS/400-50 (4175109)

Item	Article no.	Description	Quantity
1	4195450	MOTOR 7,5/2/* 3~400V 50HZ IE3 VP.	1
		SPARE PARTS MOTOR:ON REQUEST	1
2	4174093	SCREW M12X50 (4 PIECES)	1
3	4159693	LANTERN FF265 HELIX KIT	1
3.1		> LANTERN FF265 M+6" GJL MACHINING+CATA	1
3.2	2127605	> EYELET CPL.FF265 HELIX(2 PIECES)	1
3.3	4159695	> COUPLING PROTECTOR FF HELIX KIT	1
4	4159711	COUPLING D.16XD.38 FF265 HELIX KIT	1
5	4159707	SCREW M8X30 (4 PIECES)	1
6	4177866	STUD BOLT M12X915 KIT	1
6.1		> TIE BOLT M12-915x18x30-1.4057	1
6.2	2094647	> NUT M12 M12 ISO4032 VP.	1
6.3	2123557	> WASHER CS-12.4-24-1.6-NFE25 (4 PIECES)	1
7	4177867	END SHIELD PN30 HELIX EPDM KIT	1
7.1		> END SHIELD M+ JL VERSION 1 MACHINED+CATA	1
7.3	4176513	> O-RING FOR PUMP JACKET VP.	1
7.4	2127603	> O-RING ID.37,6x2,4 EPDM VP.	1
8	4159686	FILING/PURGING PLUG HELIX EPDM KIT	1
9	4177872	MECH.SEAL+CART. HELIX6-10-16 T/E KIT	1
10	4177873	HOUSING PIPE D.152x885,5 1.4301 KIT	1
7.3	4176513	> O-RING FOR PUMP JACKET VP.	1
10.1		> HOUSING-PIPE Ø152-M+1021/22-304	1
11	4172791	CENTERING STAGE-RETURN HELIX10 1.4301VP.	1
12	4171332	SHAFT EQUIPMENT HELIX V10 BI BLOC KIT	1
4.11	4102901	> SCREW CHC-M6X14-8.8-ISO4762-GEOMET500A	1
4.12	2130995	> SERRATED LOCK WASHER D.6,2XD.14,5X28 VP.	1
12.1		> NUT-H-M10-A4.70	1
12.2		> SERRATED LOCK WASHER M+10M3-316L	1
12.3		> STOP COLLAR OF IMPELLER L16,5-Ø16-316L	1
12.4		> STOP-RUSH-1/2-D16xd2-M+316	1
13		HYDRAULIC HELIX V 1021 1.4307	1
14	4177876	SHAFT D.16X1005 1.4301 VP.	1
15	4177878	PUMP HOUSING HELIX V10 DN40 PN30 KIT	1
7.3	4176513	> O-RING FOR PUMP JACKET VP.	1

HELIX V1021-3/30/E/KS/400-50 (4175109)

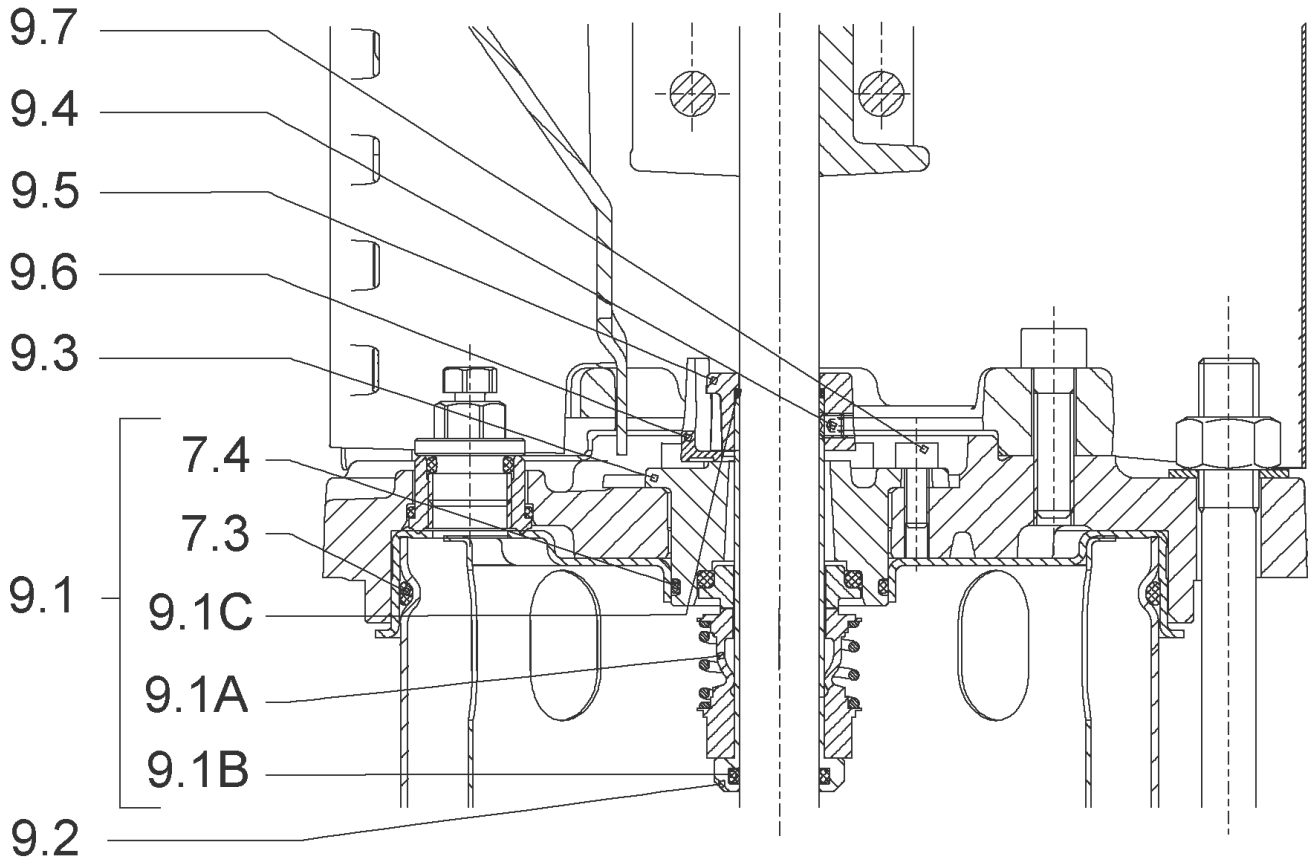
Item	Article no.	Description	Quantity
15.1		> MACH+CATA PUMP CASING M+6" DN40 PN25 GJL	1
15.2	4010032	> FLAT GASKET_Ø40xØ92x2_DN40_PN25_FIBRE	2
15.3	4177877	> PRIMING/DRAIN PLUG HELIX PN30 KIT	1
15.3A		>> PRIMING/DRAIN PLUG M+6" 304	1
15.3B	4233957	>> O-RING ID.9 EPDM VP.	1
15.3C		>> O-RING Ø8xØ2 EPDM KTW/WRC	1

COUPLING D.16XD.38 FF265 HELIX KIT (4159711)



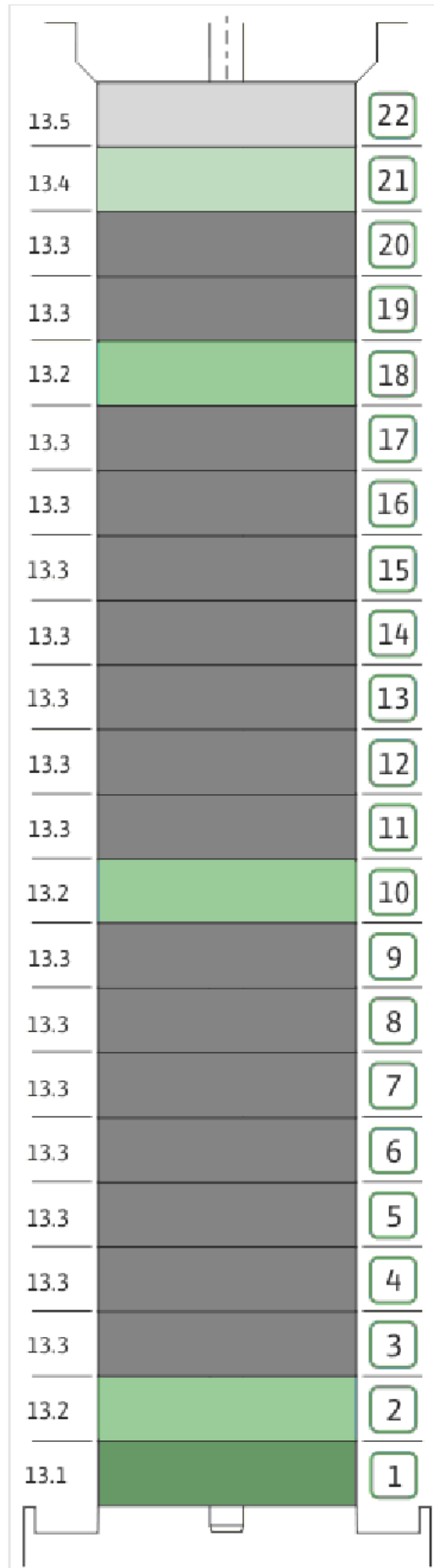
COUPLING D.16XD.38 FF265 HELIX KIT (4159711)

Item	Article no.	Description	Quantity
4.1	2131018	COUPLING 2 PARTS D.16XD.28XL.82,4 VP.	1
4.2	2131017	BALL BEARING 6310/ZZ-C4(HT)VP.	1
4.3	4234253	CIRCLIP-FOR-SHAFT-D50x2 VP.	1
4.4	4157726	SCREW KIT M8X30 (4 PIECES)	1
4.5	4234255	CIRCLIPS 110X4 VP.	1
4.6	4233944	O-RING ID.110 VP.	1
4.7	2131019	RETAINING RING D.26xD.2 DIN7993 VP.	1
4.10	4157726	SCREW KIT M8X30 (4 PIECES)	1
4.11	4102901	SCREW CHC-M6X14-8.8-ISO4762-GEOMET500A	1
4.12	2130995	SERRATED LOCK WASHER D.6,2XD.14,5X28 VP.	1
		NOMEL CONTACT WASHER 8x16x1,4 STEEL ZC	1
4.8	2131020	HUB D.38XD.50 VP.	1
4.9	2131021	SPACER D.28XD.45 VP.	1



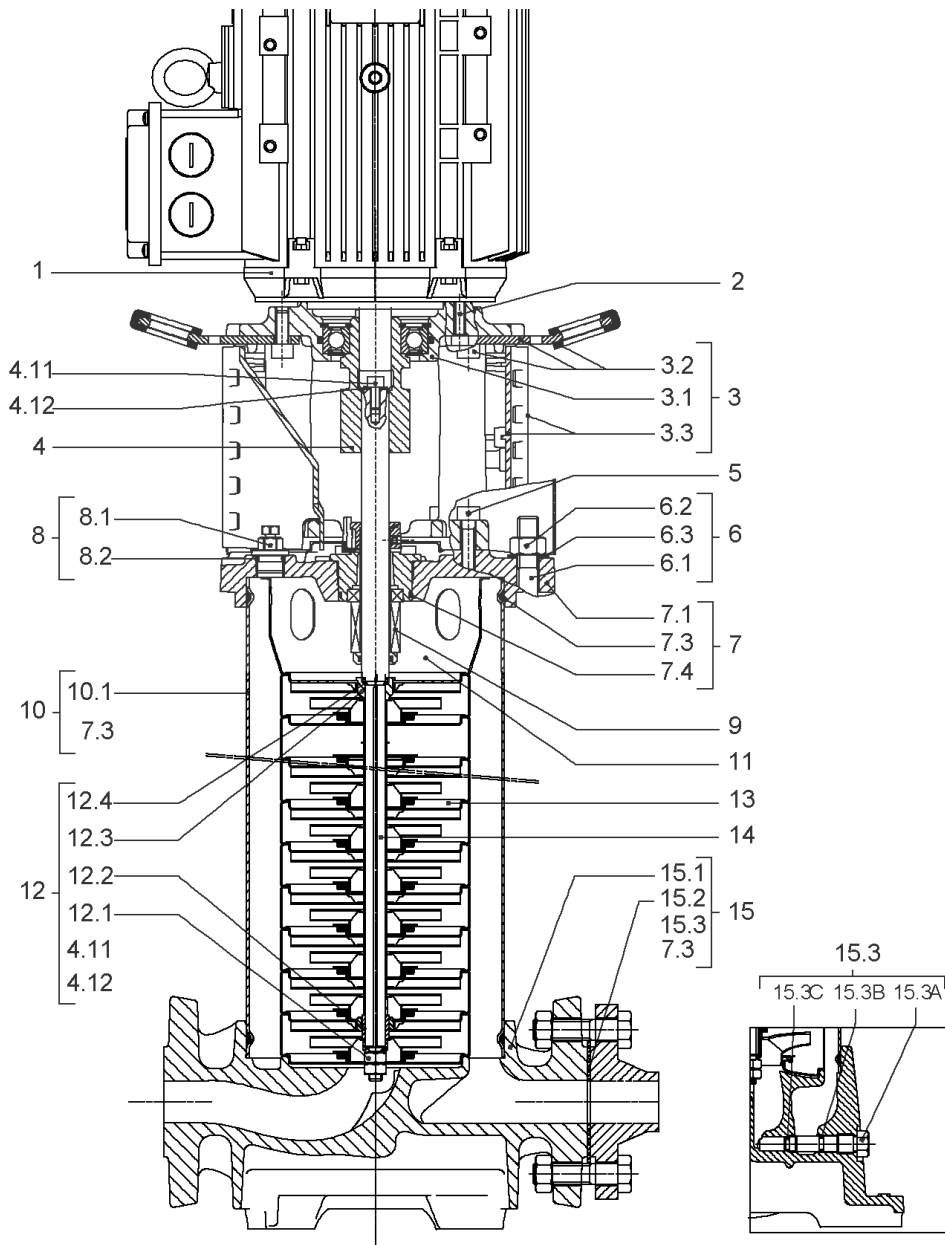
MECH.SEAL+CART. HELIX6-10-16 T/E KIT (4177872)

Item	Article no.	Description	Quantity
9.1	4177871	SEAL-KIT-HELIX6-10-16 T/E	1
7.3	4176513	> O-RING FOR PUMP JACKET VP.	1
7.4	2127603	> O-RING ID.37,6x2,4 EPDM VP.	1
9.1A	4177870	> MECH.SEAL HELIX2-4-6-10-16 T/E VP.	1
9.1B	2130967	> O-RING D.16X2,5 EPDM VP.	1
9.1C	4176519	> O-RING Ø16xØ1.25 VP.	1
9.2	4177869	SHAFT SLEEVE Ø16XØ18/22-G9-PN30 VP.	1
9.3	4177868	RING-HOLDER MS G9 316 VP.	1
9.4	4176520	SCREW CH M5x5 A4-70 (3PIECES)	1
9.5	2130963	DRIVE RING D.29/18x12,4 MACH.VP.	1
9.6	2130964	TOOL M.S.CART.HELIX VP.	1
9.7	2130965	SCREW CHC M5X12 ISO4762 A2.70(4 PIECES)	1



HYDRAULIC HELIX V 1021 1.4307

Item	Article no.	Description	Quantity
13.1	4171331	STAGE HELIX10 1.4301KIT	1
		> MACH.STG-CASING-WOGV-WNR-M+10-304	1
		> IMPELLER-M+10-304	1
13.2	4172792	INTERMEDIATE STAGE HELIX 10 1.4301 KIT	1
		> MACH.BEARING-STG-CASING-WNR-M+10-304	1
		> IMPELLER-M+10-304	1
		> SHAFT SLEEVE-SPACER-Ø19,35x18,465-304	1
		> SHAFT-SLEEVE-D16xD20x18-CW	1
13.3	4172793	INTERMEDIATE STAGE HELIX 10 1.4301 KIT	1
		> MACH.STD-STG-CASING-WGV+NR-M+10-304	1
		> IMPELLER-M+10-304	1
		> IMPELLER SPACER Ø16,05X19,45-L36,465-304	1
13.4	4172800	EMPTY STAGE HELIX10 1.4301 KIT	1
		> MACH.STD-STG-CASING-WGV+NR-M+10-304	1
		> FLAT WASHER-D16.1XD22X1.2-316L	1
		> IMPELLER SPACER Ø16,05X19,45-L36,465-304	1
13.5	4172799	STAGE HELIX 10 1.4301 KIT	1
		> MACH.STG-CASING-WOGV-WNR-M+10-304	1
		> IMPELLER-M+10-304	1
		> IMPELLER SPACER Ø16,05X19,45-L36,465-304	1



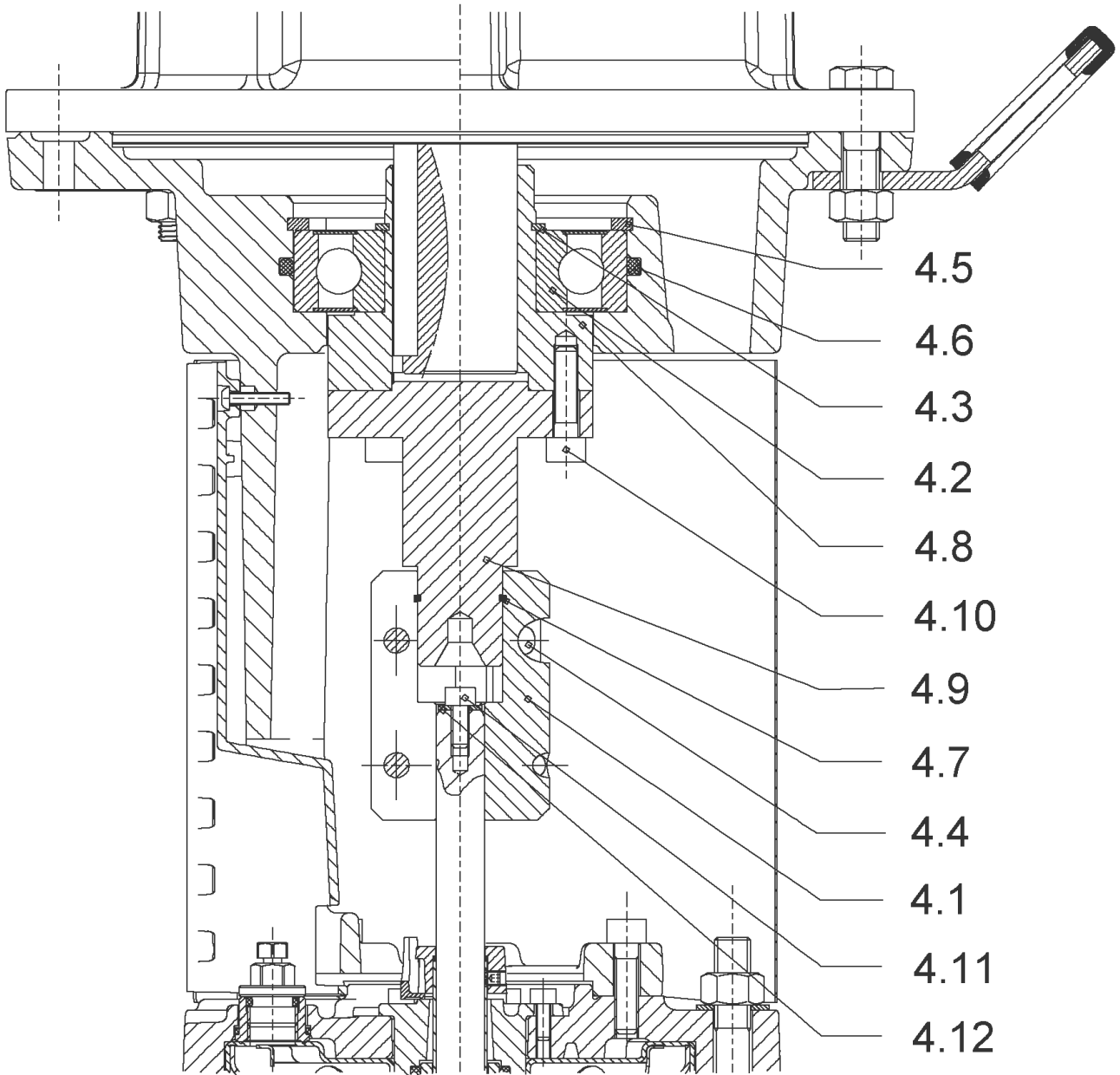
HELIX V1023-3/30/E/KS/400-50 (4175110)

Item	Article no.	Description	Quantity
1	4195483	MOTOR 9/2/132 3~400V 50HZ IE3 VP.	1
		SPARE PARTS MOTOR:ON REQUEST	1
2	4174093	SCREW M12X50 (4 PIECES)	1
3	4159693	LANTERN FF265 HELIX KIT	1
3.1		> LANTERN FF265 M+6" GJL MACHINING+CATA	1
3.2	2127605	> EYELET CPL.FF265 HELIX(2 PIECES)	1
3.3	4159695	> COUPLING PROTECTOR FF HELIX KIT	1
4	4159711	COUPLING D.16XD.38 FF265 HELIX KIT	1
5	4159707	SCREW M8X30 (4 PIECES)	1
6	4177881	STUD BOLT M12X990 KIT	1
6.1		> TIE BOLT M12-990x18x30-1.4057	1
6.2	2094647	> NUT M12 M12 ISO4032 VP.	1
6.3	2123557	> WASHER CS-12.4-24-1.6-NFE25 (4 PIECES)	1
7	4177867	END SHIELD PN30 HELIX EPDM KIT	1
7.1		> END SHIELD M+ JL VERSION 1 MACHINED+CATA	1
7.3	4176513	> O-RING FOR PUMP JACKET VP.	1
7.4	2127603	> O-RING ID.37,6x2,4 EPDM VP.	1
8	4159686	FILING/PURGING PLUG HELIX EPDM KIT	1
9	4177872	MECH.SEAL+CART. HELIX6-10-16 T/E KIT	1
10	4177874	HOUSING PIPE D.152x960 1.4307 KIT	1
7.3	4176513	> O-RING FOR PUMP JACKET VP.	1
10.1		> HOUSING-PIPE Ø152-M+1024/1616-304	1
11	4172791	CENTERING STAGE-RETURN HELIX10 1.4301VP.	1
12	4171332	SHAFT EQUIPMENT HELIX V10 BI BLOC KIT	1
4.11	4102901	> SCREW CHC-M6X14-8.8-ISO4762-GEOMET500A	1
4.12	2130995	> SERRATED LOCK WASHER D.6,2XD.14,5X28 VP.	1
12.1		> NUT-H-M10-A4.70	1
12.2		> SERRATED LOCK WASHER M+10M3-316L	1
12.3		> STOP COLLAR OF IMPELLER L16,5-Ø16-316L	1
12.4		> STOP-RUSH-1/2-D16xd2-M+316	1
13		HYDRAULIC HELIX V 1023 1.4307	1
14	4177883	SHAFT D.16X1080 1.4301 VP.	1
15	4177878	PUMP HOUSING HELIX V10 DN40 PN30 KIT	1
7.3	4176513	> O-RING FOR PUMP JACKET VP.	1

HELIX V1023-3/30/E/KS/400-50 (4175110)

Item	Article no.	Description	Quantity
15.1		> MACH+CATA PUMP CASING M+6" DN40 PN25 GJL	1
15.2	4010032	> FLAT GASKET_Ø40xØ92x2_DN40_PN25_FIBRE	2
15.3	4177877	> PRIMING/DRAIN PLUG HELIX PN30 KIT	1
15.3A		>> PRIMING/DRAIN PLUG M+6" 304	1
15.3B	4233957	>> O-RING ID.9 EPDM VP.	1
15.3C		>> O-RING Ø8xØ2 EPDM KTW/WRC	1

COUPLING D.16XD.38 FF265 HELIX KIT (4159711)



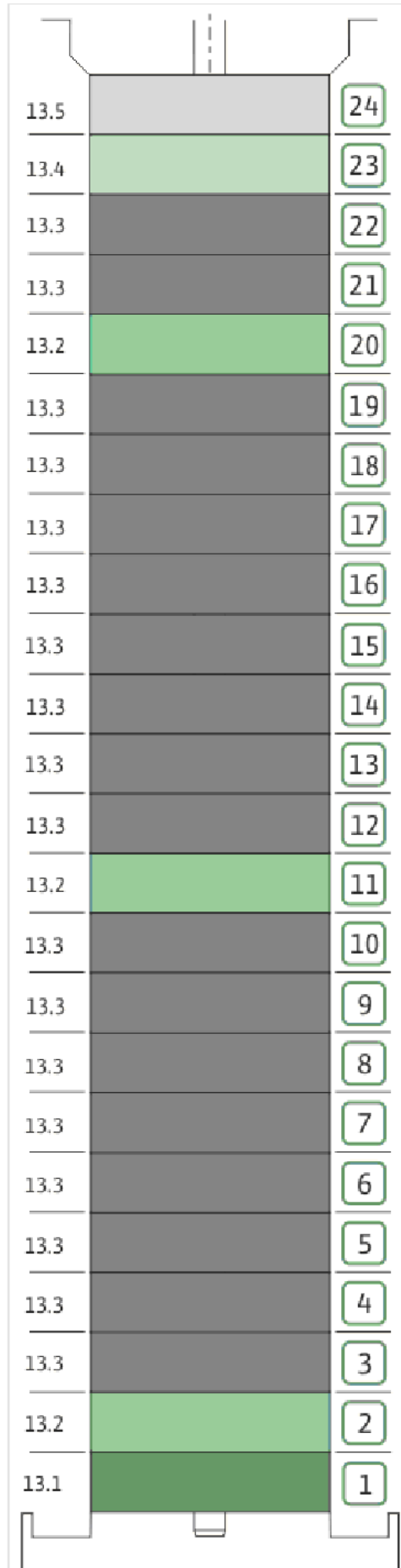
COUPLING D.16XD.38 FF265 HELIX KIT (4159711)

Item	Article no.	Description	Quantity
4.1	2131018	COUPLING 2 PARTS D.16XD.28XL.82,4 VP.	1
4.2	2131017	BALL BEARING 6310/ZZ-C4(HT)VP.	1
4.3	4234253	CIRCLIP-FOR-SHAFT-D50x2 VP.	1
4.4	4157726	SCREW KIT M8X30 (4 PIECES)	1
4.5	4234255	CIRCLIPS 110X4 VP.	1
4.6	4233944	O-RING ID.110 VP.	1
4.7	2131019	RETAINING RING D.26xD.2 DIN7993 VP.	1
4.10	4157726	SCREW KIT M8X30 (4 PIECES)	1
4.11	4102901	SCREW CHC-M6X14-8.8-ISO4762-GEOMET500A	1
4.12	2130995	SERRATED LOCK WASHER D.6,2XD.14,5X28 VP.	1
		NOMEL CONTACT WASHER 8x16x1,4 STEEL ZC	1
4.8	2131020	HUB D.38XD.50 VP.	1
4.9	2131021	SPACER D.28XD.45 VP.	1



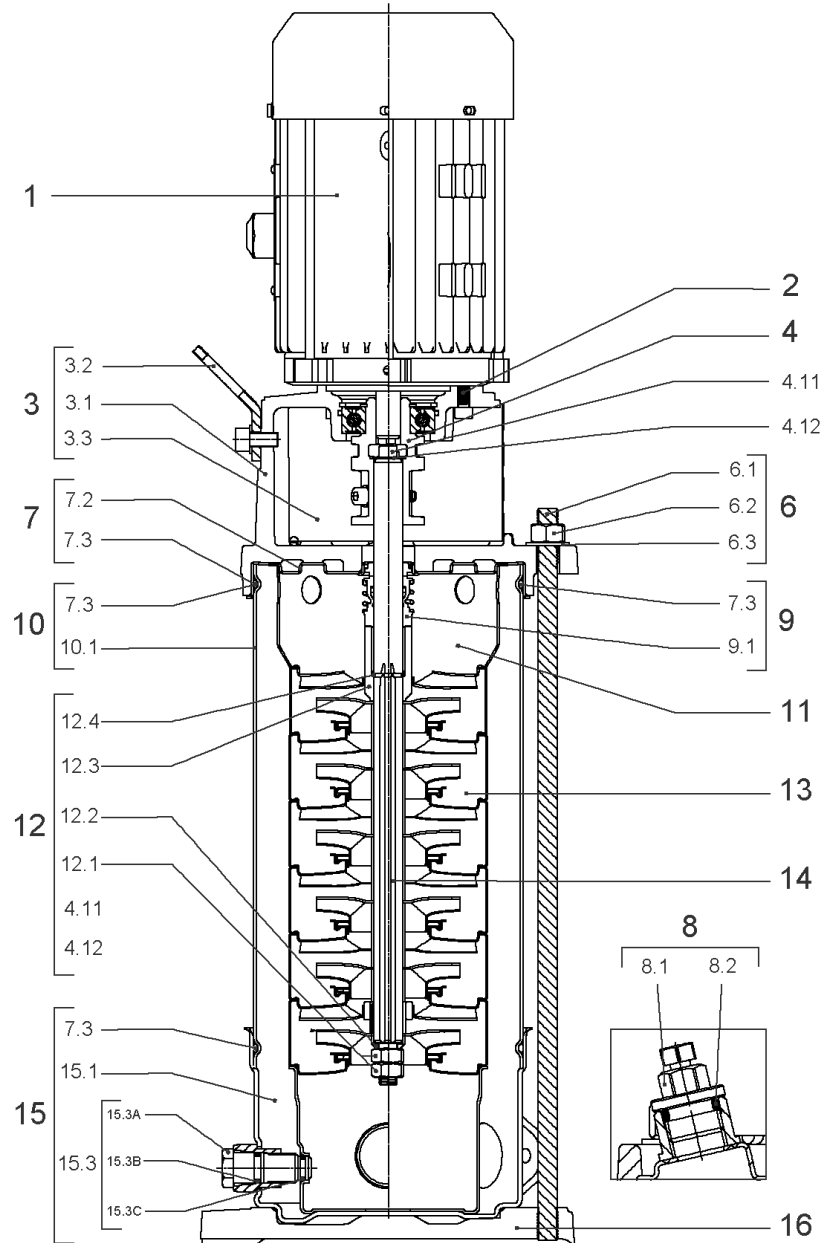
MECH.SEAL+CART. HELIX6-10-16 T/E KIT (4177872)

Item	Article no.	Description	Quantity
9.1	4177871	SEAL-KIT-HELIX6-10-16 T/E	1
7.3	4176513	> O-RING FOR PUMP JACKET VP.	1
7.4	2127603	> O-RING ID.37,6x2,4 EPDM VP.	1
9.1A	4177870	> MECH.SEAL HELIX2-4-6-10-16 T/E VP.	1
9.1B	2130967	> O-RING D.16X2,5 EPDM VP.	1
9.1C	4176519	> O-RING Ø16xØ1.25 VP.	1
9.2	4177869	SHAFT SLEEVE Ø16XØ18/22-G9-PN30 VP.	1
9.3	4177868	RING-HOLDER MS G9 316 VP.	1
9.4	4176520	SCREW CH M5x5 A4-70 (3PIECES)	1
9.5	2130963	DRIVE RING D.29/18x12,4 MACH.VP.	1
9.6	2130964	TOOL M.S.CART.HELIX VP.	1
9.7	2130965	SCREW CHC M5X12 ISO4762 A2.70(4 PIECES)	1



HYDRAULIC HELIX V 1023 1.4307

Item	Article no.	Description	Quantity
13.1	4171331	STAGE HELIX10 1.4301KIT	1
		> MACH.STG-CASING-WOGV-WNR-M+10-304	1
		> IMPELLER-M+10-304	1
13.2	4172792	INTERMEDIATE STAGE HELIX 10 1.4301 KIT	1
		> MACH.BEARING-STG-CASING-WNR-M+10-304	1
		> IMPELLER-M+10-304	1
		> SHAFT SLEEVE-SPACER-Ø19,35x18,465-304	1
		> SHAFT-SLEEVE-D16xD20x18-CW	1
13.3	4172793	INTERMEDIATE STAGE HELIX 10 1.4301 KIT	1
		> MACH.STD-STG-CASING-WGV+NR-M+10-304	1
		> IMPELLER-M+10-304	1
		> IMPELLER SPACER Ø16,05X19,45-L36,465-304	1
13.4	4172800	EMPTY STAGE HELIX10 1.4301 KIT	1
		> MACH.STD-STG-CASING-WGV+NR-M+10-304	1
		> FLAT WASHER-D16.1XD22X1.2-316L	1
		> IMPELLER SPACER Ø16,05X19,45-L36,465-304	1
13.5	4172799	STAGE HELIX 10 1.4301 KIT	1
		> MACH.STG-CASING-WOGV-WNR-M+10-304	1
		> IMPELLER-M+10-304	1
		> IMPELLER SPACER Ø16,05X19,45-L36,465-304	1

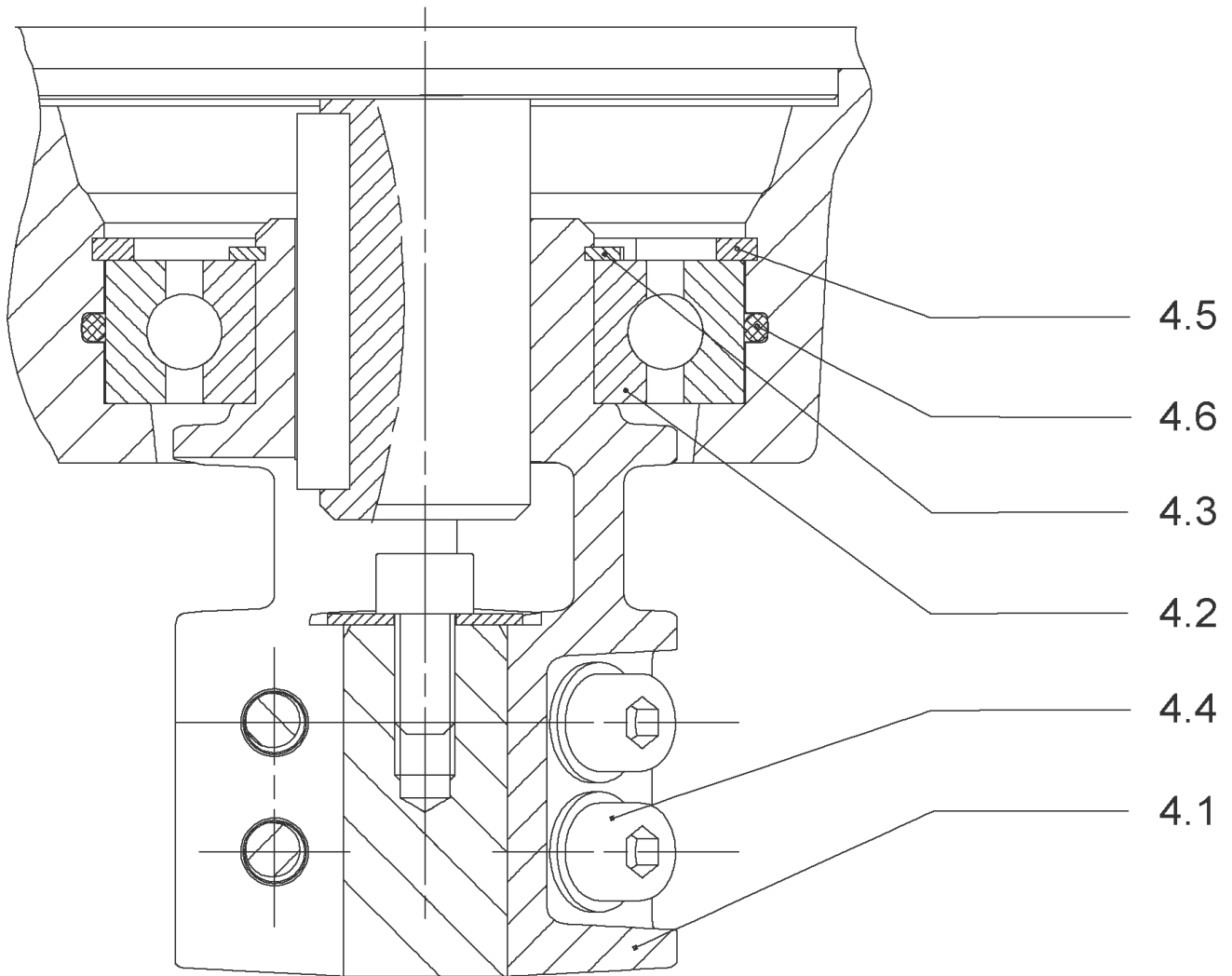


HELIX V1002-1/16/E/S/400-50 (4201281)

Item	Article no.	Description	Quantity
1	4169940	MOTOR 0,75/2/80 3~230/400V 50HZ IE3 VP.	1
		SPARE PARTS MOTOR:ON REQUEST	1
2	4212716	SCREW M6X20 KIT (4PIECES)	1
3	4213752	LANTERN FT100 HELIX KIT	1
3.1		> LANT-MOT-VMI-ReDTC6"-FT100-MACHINED+CATA	1
3.2	4184852	> EYELET CPL.FT HELIX (2 PIECES)	1
3.3	4213713	> COUPLING PROTECTOR FT85/100 HELIX KIT	1
4	4159708	COUPLING D.16XD.19 FT100 HELIX KIT	1
6	4177803	STUD BOLT M12X263 KIT	1
6.1		> TIE BOLT M12-263x18x30-1.4057	1
6.2	2094647	> NUT M12 M12 ISO4032 VP.	1
6.3	2123557	> WASHER CS-12.4-24-1.6-NFE25 (4 PIECES)	1
7	4214481	STATIONARY RING HOLDER HELIX D27 ReDTC	1
7.2	4214479	> STATIONARY RING HOLDER HELIX D27 VP.	1
7.3	4176513	> O-RING FOR PUMP JACKET VP.	1
8	4212724	FILING/PURGING PLUG HELIX ReDTC KIT	1
8.1		> FILLING PLUG MVI6"-304	1
8.2	4177800	> O-RING EPDM PLUG HELIX VP.	1
9	4214483	MECH.SEAL HELIX6-10-16 O/E ReDTC KIT	1
9.1	4177801	> MECH.SEAL HELIX6-10-16 O/E VP.	1
7.3	4176513	> O-RING FOR PUMP JACKET VP.	1
10	4177804	HOUSING PIPES D.152X134 1.4301 KIT	1
7.3	4176513	> O-RING FOR PUMP JACKET VP.	1
10.1		> HOUSING-PIPE Ø152-M+1001/02-304	1
11	4172791	CENTERING STAGE-RETURN HELIX10 1.4301VP.	1
12	4214517	SHAFT EQUIPMENT HELIX V10 ReDTC KIT	1
12.1		> NUT-H-M10-A4.70	1
12.2		> SERRATED LOCK WASHER M+10M3-316L	1
12.3		> 1/2-SNAP-RING-6/10M3-316L	1
12.4		> STOP-RUSH-1/2-D16xd2-M+316	1
4.11		> SCREW CHC-M6X14-8.8-ISO4762-GEOMET500A	1
4.12		> WASHER D.24 L6U ZINK	1
13		HYDRAULIC HELIX V 1002 1.4307	1
14	4214488	SHAFT D.16X203 HELIX 1.4057 VP.	1

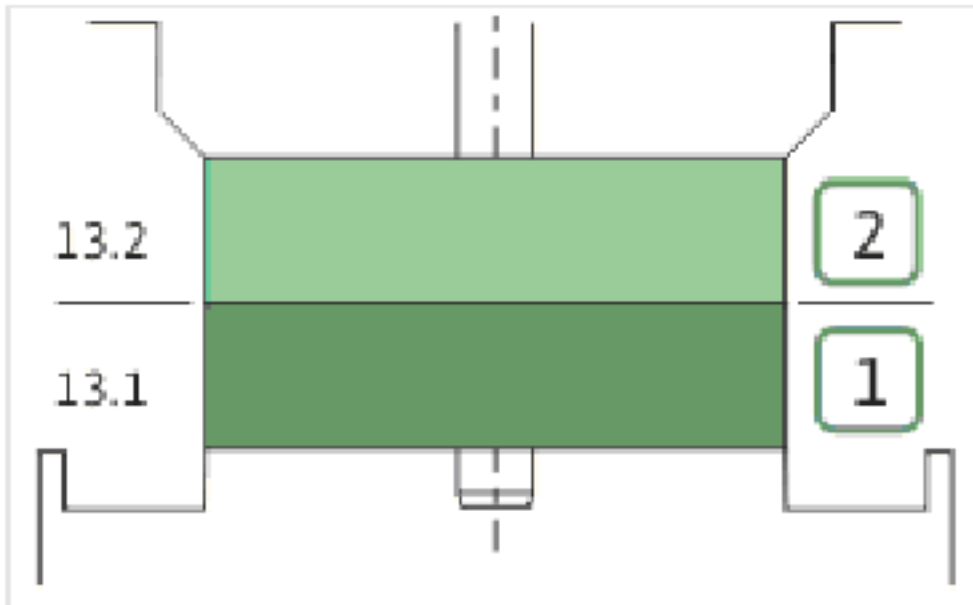
HELIX V1002-1/16/E/S/400-50 (4201281)

Item	Article no.	Description	Quantity
15	4159682	PUMP HOUSING HELIX DN50 PN16 1.4301 KIT	1
7.3	4176513	> O-RING FOR PUMP JACKET VP.	1
15.1		> BLASTING PPE HOUSING V-PN16-DN50-304	1
15.2	4217893	> COUNTER FLANGE-G1"1/2-PN16-GJL KIT	1
15.3	4171321	> PRIMING/DRAIN PLUG EPDM HELIX KIT	1
16	4176517	BASEPLATE V8/10 VP.	1



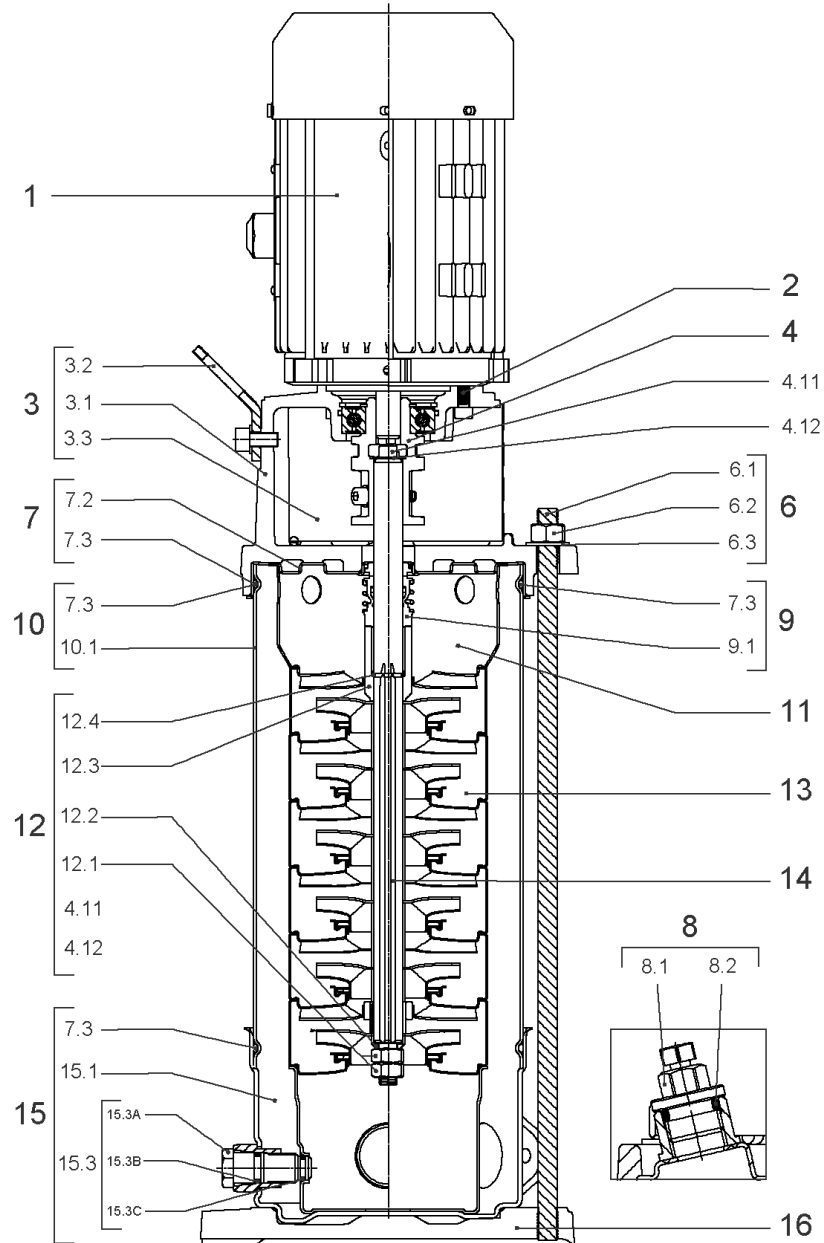
COUPLING D.16XD.19 FT100 HELIX KIT (4159708)

Item	Article no.	Description	Quantity
4.1		COUPLING M+ Ø16XØ19 FT100 MACHINED	1
4.2	2130977	BALL BEARING 6206/ZZ-C3(HT)VP.	1
4.3	4234249	CIRCLIP-FOR-SHAFT-D30x1.5 VP.	1
4.4	4212716	SCREW M6X20 KIT (4PIECES)	1
4.5	4234250	CIRCLIP-D62x2 VP.	1
4.6	4234245	O-RING 63X3 VP.	1
		CONTACT-WASHER-6ETR-6,1x12,2x1,8-STEEL	1



HYDRAULIC HELIX V 1002 1.4307

Item	Article no.	Description	Quantity
13.1	4171331	STAGE HELIX10 1.4301KIT	1
		> MACH.STG-CASING-WOGV-WNR-M+10-304	1
		> IMPELLER-M+10-304	1
13.2	4172792	INTERMEDIATE STAGE HELIX 10 1.4301 KIT	1
		> MACH.BEARING-STG-CASING-WNR-M+10-304	1
		> IMPELLER-M+10-304	1
		> SHAFT SLEEVE-SPACER-Ø19,35x18,465-304	1
		> SHAFT-SLEEVE-D16xD20x18-CW	1

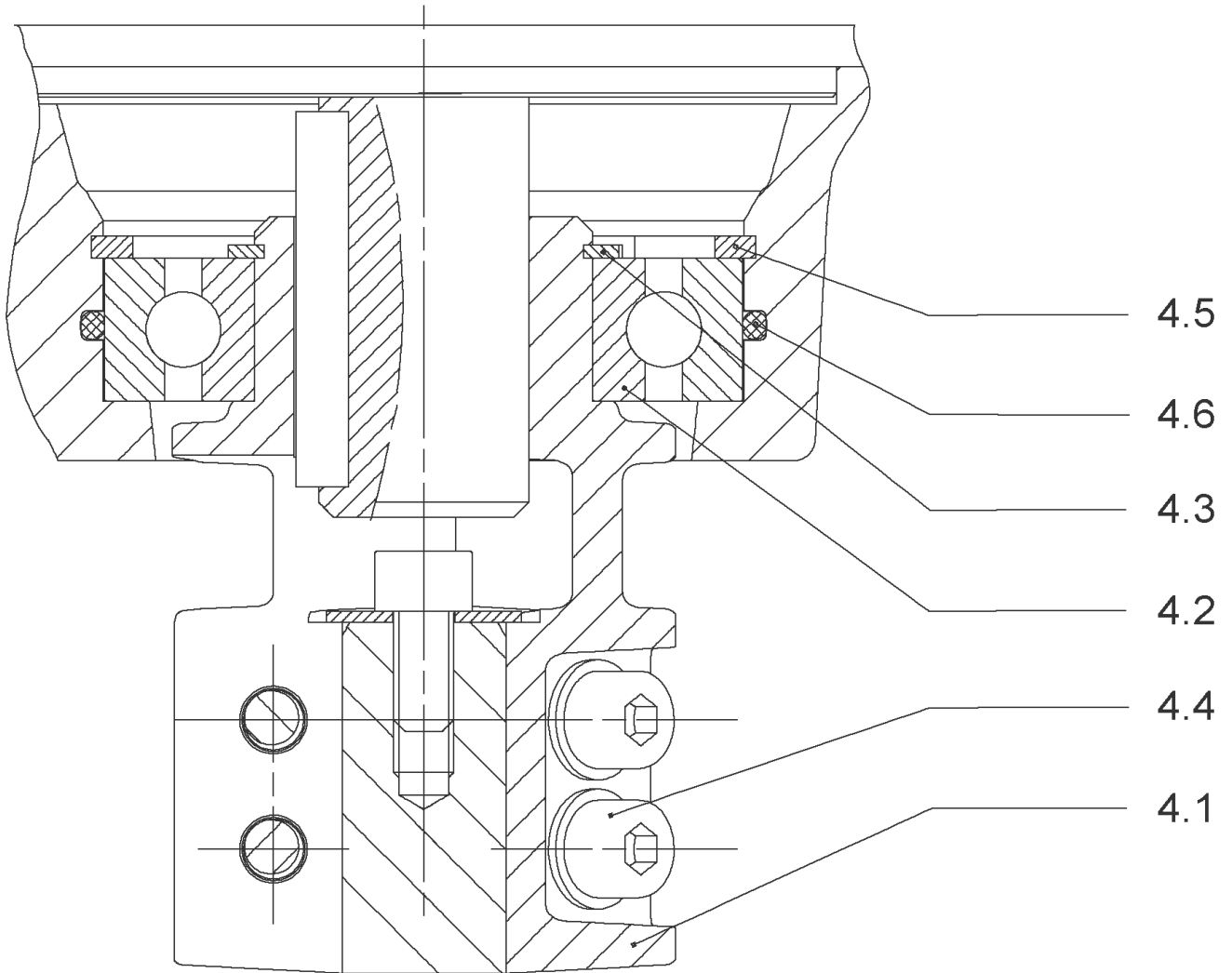


HELIX V1003-1/16/E/S/400-50 (4201284)

Item	Article no.	Description	Quantity
1	4169941	MOTOR 1,1/2/80 3~230/400V 50HZ IE3 VP.	1
		SPARE PARTS MOTOR:ON REQUEST	1
2	4212716	SCREW M6X20 KIT (4PIECES)	1
3	4213752	LANTERN FT100 HELIX KIT	1
3.1		> LANT-MOT-VMI-ReDTC6"-FT100-MACHINED+CATA	1
3.2	4184852	> EYELET CPL.FT HELIX (2 PIECES)	1
3.3	4213713	> COUPLING PROTECTOR FT85/100 HELIX KIT	1
4	4159708	COUPLING D.16XD.19 FT100 HELIX KIT	1
6	4177812	STUD BOLT M12X300KIT	1
6.1		> TIE BOLT M12-300x18x30-1.4057	1
6.2	2094647	> NUT M12 M12 ISO4032 VP.	1
6.3	2123557	> WASHER CS-12.4-24-1.6-NFE25 (4 PIECES)	1
7	4214481	STATIONARY RING HOLDER HELIX D27 ReDTC	1
7.2	4214479	> STATIONARY RING HOLDER HELIX D27 VP.	1
7.3	4176513	> O-RING FOR PUMP JACKET VP.	1
8	4212724	FILING/PURGING PLUG HELIX ReDTC KIT	1
8.1		> FILLING PLUG MVI6"-304	1
8.2	4177800	> O-RING EPDM PLUG HELIX VP.	1
9	4214483	MECH.SEAL HELIX6-10-16 O/E ReDTC KIT	1
9.1	4177801	> MECH.SEAL HELIX6-10-16 O/E VP.	1
7.3	4176513	> O-RING FOR PUMP JACKET VP.	1
10	4177813	HOUSING PIPE D.152x172 1.4301 KIT	1
7.3	4176513	> O-RING FOR PUMP JACKET VP.	1
10.1		> HOUSING-PIPE Ø152-M+1003-304	1
11	4172791	CENTERING STAGE-RETURN HELIX10 1.4301VP.	1
12	4214517	SHAFT EQUIPMENT HELIX V10 ReDTC KIT	1
12.1		> NUT-H-M10-A4.70	1
12.2		> SERRATED LOCK WASHER M+10M3-316L	1
12.3		> 1/2-SNAP-RING-6/10M3-316L	1
12.4		> STOP-RUSH-1/2-D16xd2-M+316	1
4.11		> SCREW CHC-M6X14-8.8-ISO4762-GEOMET500A	1
4.12		> WASHER D.24 L6U ZINK	1
13		HYDRAULIC HELIX V 1003 1.4307	1
14	4214493	SHAFT D.16X241 HELIX 1.4057 VP.	1

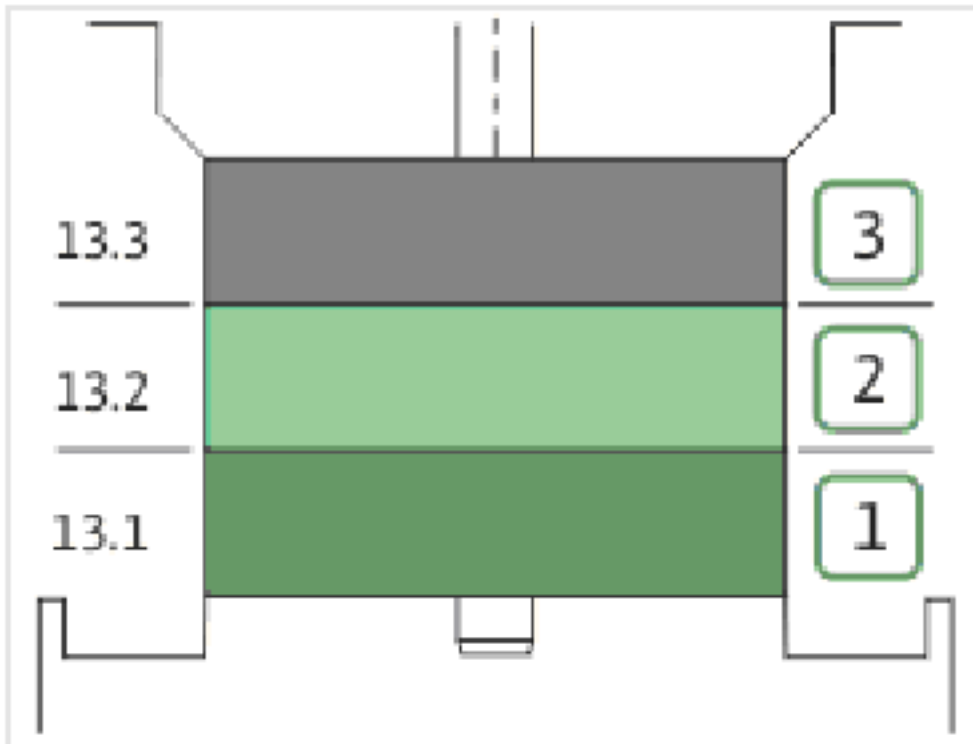
HELIX V1003-1/16/E/S/400-50 (4201284)

Item	Article no.	Description	Quantity
15	4159682	PUMP HOUSING HELIX DN50 PN16 1.4301 KIT	1
7.3	4176513	> O-RING FOR PUMP JACKET VP.	1
15.1		> BLASTING PPE HOUSING V-PN16-DN50-304	1
15.2	4217893	> COUNTER FLANGE-G1"1/2-PN16-GJL KIT	1
15.3	4171321	> PRIMING/DRAIN PLUG EPDM HELIX KIT	1
16	4176517	BASEPLATE V8/10 VP.	1



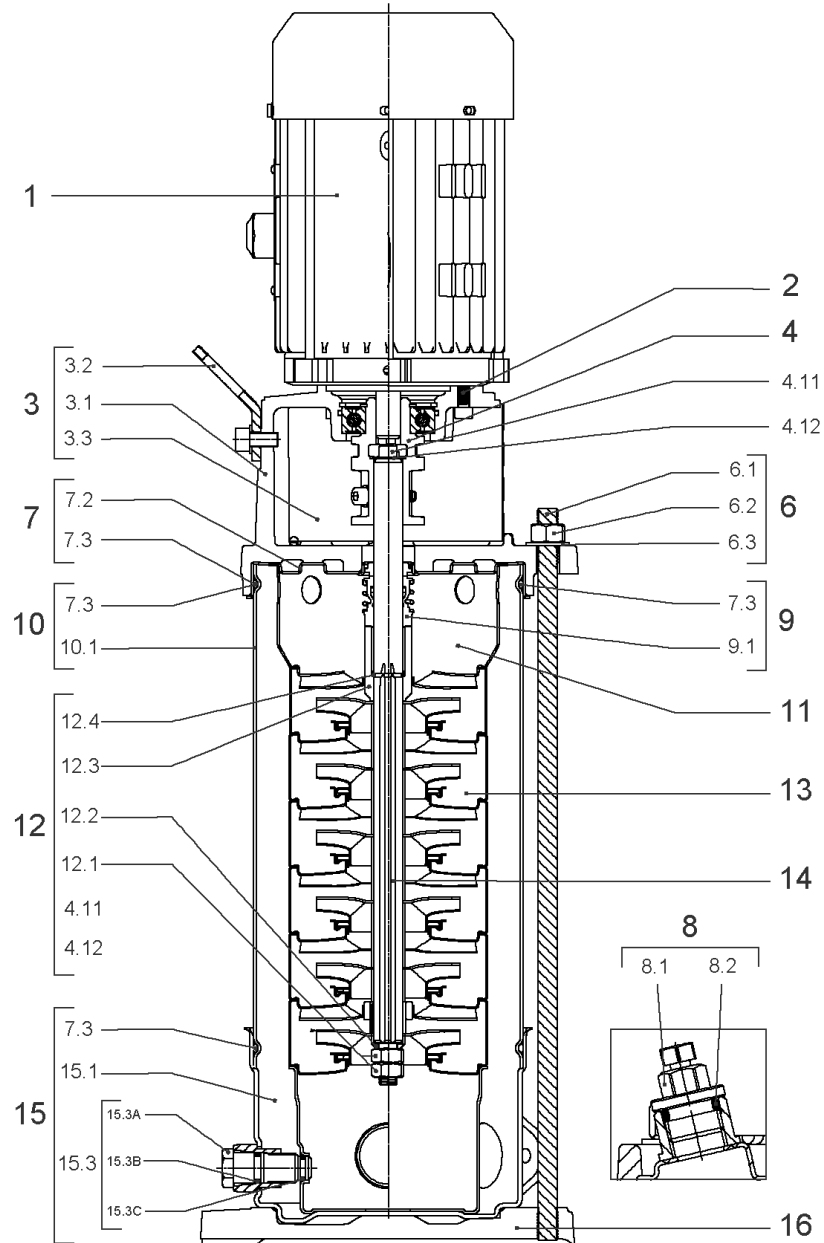
COUPLING D.16XD.19 FT100 HELIX KIT (4159708)

Item	Article no.	Description	Quantity
4.1		COUPLING M+ Ø16XØ19 FT100 MACHINED	1
4.2	2130977	BALL BEARING 6206/ZZ-C3(HT)VP.	1
4.3	4234249	CIRCLIP-FOR-SHAFT-D30x1.5 VP.	1
4.4	4212716	SCREW M6X20 KIT (4PIECES)	1
4.5	4234250	CIRCLIP-D62x2 VP.	1
4.6	4234245	O-RING 63X3 VP.	1
		CONTACT-WASHER-6ETR-6,1x12,2x1,8-STEEL	1



HYDRAULIC HELIX V 1003 1.4307

Item	Article no.	Description	Quantity
13.1	4171331	STAGE HELIX10 1.4301KIT	1
		> MACH.STG-CASING-WOGV-WNR-M+10-304	1
		> IMPELLER-M+10-304	1
13.2	4172792	INTERMEDIATE STAGE HELIX 10 1.4301 KIT	1
		> MACH.BEARING-STG-CASING-WNR-M+10-304	1
		> IMPELLER-M+10-304	1
		> SHAFT SLEEVE-SPACER-Ø19,35x18,465-304	1
		> SHAFT-SLEEVE-D16xD20x18-CW	1
13.3	4172793	INTERMEDIATE STAGE HELIX 10 1.4301 KIT	1
		> MACH.STD-STG-CASING-WGV+NR-M+10-304	1
		> IMPELLER-M+10-304	1
		> IMPELLER SPACER Ø16,05X19,45-L36,465-304	1



HELIX V1004-1/16/E/S/400-50 (4201287)

Item	Article no.	Description	Quantity
1	4169942	MO.1,5/2 3~230/400(440)V 50(60)HZ IE3 VP	1
		SPARE PARTS MOTOR:ON REQUEST	1
2	4159707	SCREW M8X30 (4 PIECES)	1
3	4213784	LANTERN FT115 HELIX KIT	1
3.1		> LANT-MOT-VMI-ReDTC6"-FT115-MACHINED+CATA	1
3.2	4184852	> EYELET CPL.FT HELIX (2 PIECES)	1
3.3	4213782	> COUPLING PROTECTOR FT115/130 HELIX KIT	1
4	4159709	COUPLING D.16xD.24 FT115 HELIX KIT	1
6	4177817	STUD BOLT M12X341 KIT	1
6.1		> TIE BOLT M12-341x18x30-1.4057	1
6.2	2094647	> NUT M12 M12 ISO4032 VP.	1
6.3	2123557	> WASHER CS-12.4-24-1.6-NFE25 (4 PIECES)	1
7	4214481	STATIONARY RING HOLDER HELIX D27 ReDTC	1
7.2	4214479	> STATIONARY RING HOLDER HELIX D27 VP.	1
7.3	4176513	> O-RING FOR PUMP JACKET VP.	1
8	4212724	FILING/PURGING PLUG HELIX ReDTC KIT	1
8.1		> FILLING PLUG MVI6"-304	1
8.2	4177800	> O-RING EPDM PLUG HELIX VP.	1
9	4214483	MECH.SEAL HELIX6-10-16 O/E ReDTC KIT	1
9.1	4177801	> MECH.SEAL HELIX6-10-16 O/E VP.	1
7.3	4176513	> O-RING FOR PUMP JACKET VP.	1
10	4177818	HOUSING PIPES Ø152-M+1004-304 KIT	1
7.3	4176513	> O-RING FOR PUMP JACKET VP.	1
10.1		> HOUSING-PIPE Ø152-M+1004/1603-304	1
11	4172791	CENTERING STAGE-RETURN HELIX10 1.4301VP.	1
12	4214517	SHAFT EQUIPMENT HELIX V10 ReDTC KIT	1
12.1		> NUT-H-M10-A4.70	1
12.2		> SERRATED LOCK WASHER M+10M3-316L	1
12.3		> 1/2-SNAP-RING-6/10M3-316L	1
12.4		> STOP-RUSH-1/2-D16xd2-M+316	1
4.11		> SCREW CHC-M6X14-8.8-ISO4762-GEOMET500A	1
4.12		> WASHER D.24 L6U ZINK	1
13		HYDRAULIC HELIX V 1004 1.4307	1
14	4214495	SHAFT D.16X278 HELIX 1.4057 VP.	1

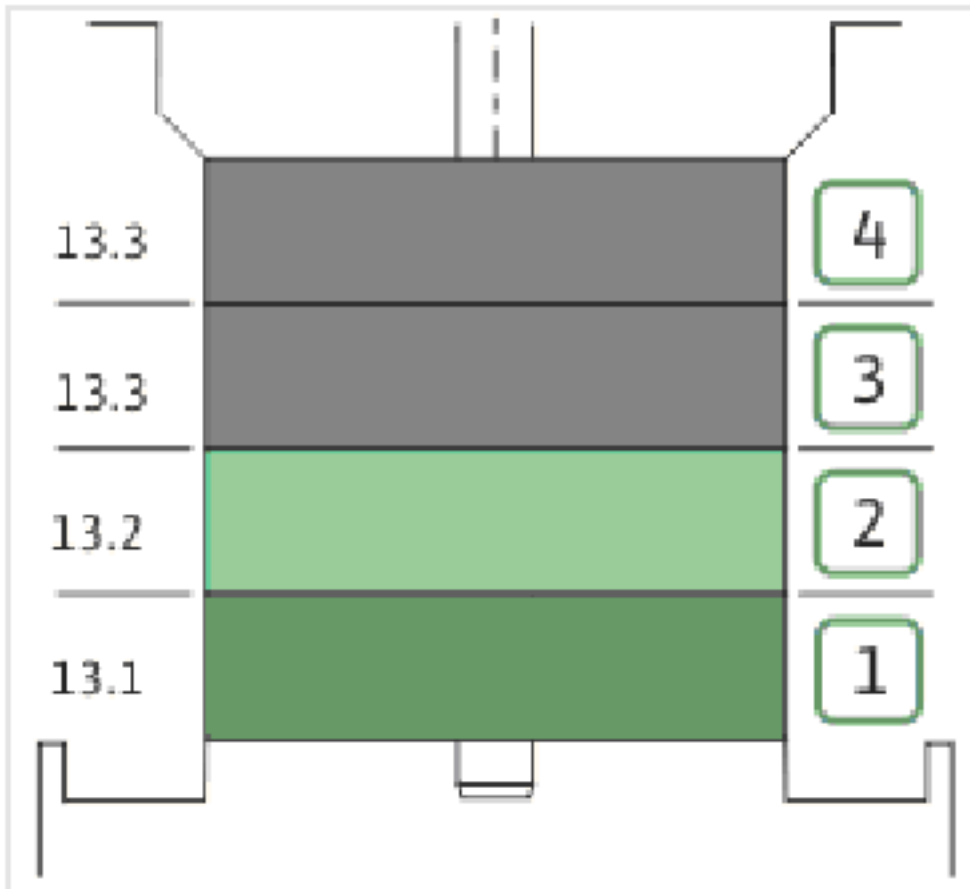
HELIX V1004-1/16/E/S/400-50 (4201287)

Item	Article no.	Description	Quantity
15	4159682	PUMP HOUSING HELIX DN50 PN16 1.4301 KIT	1
7.3	4176513	> O-RING FOR PUMP JACKET VP.	1
15.1		> BLASTING PPE HOUSING V-PN16-DN50-304	1
15.2	4217893	> COUNTER FLANGE-G1"1/2-PN16-GJL KIT	1
15.3	4171321	> PRIMING/DRAIN PLUG EPDM HELIX KIT	1
16	4176517	BASEPLATE V8/10 VP.	1



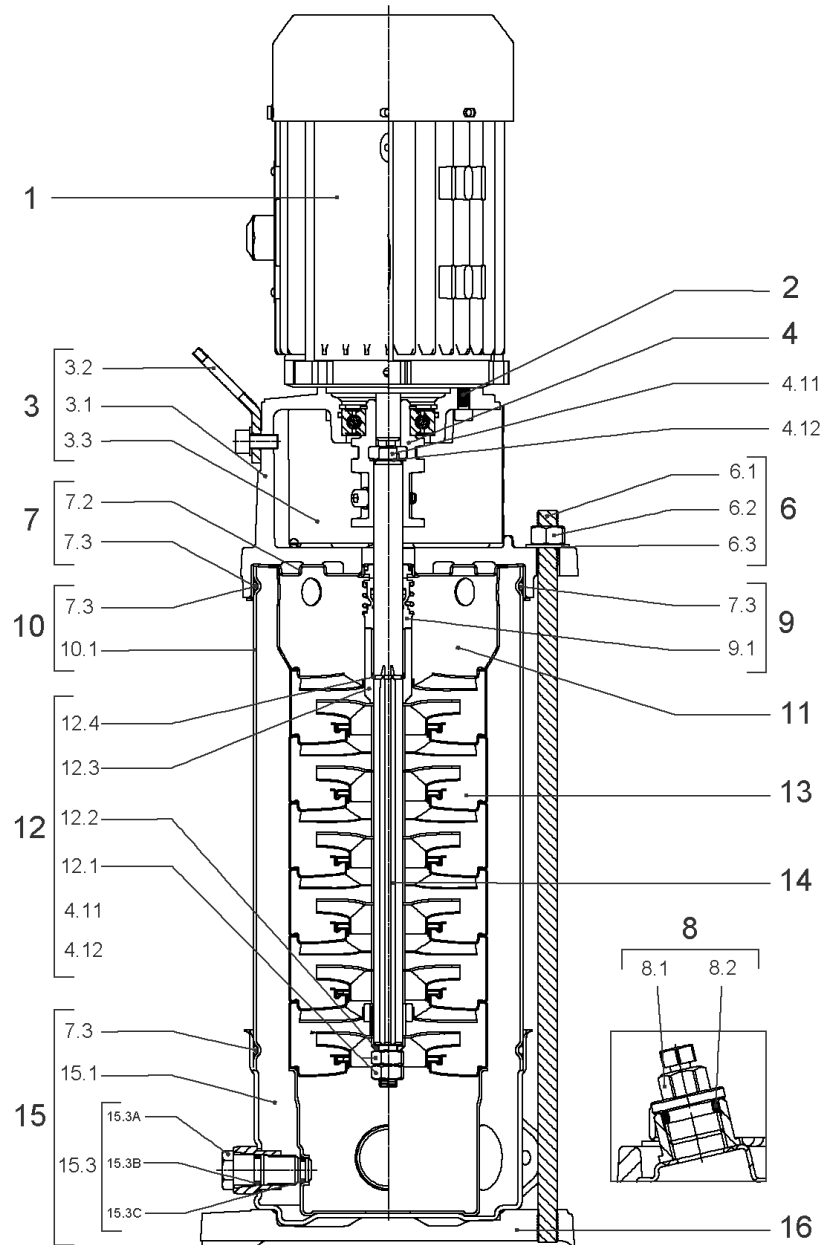
COUPLING D.16xD.24 FT115 HELIX KIT (4159709)

Item	Article no.	Description	Quantity
4.1		COUPLING M+ Ø16XØ24 FT115 MACHINED	1
4.2	2131023	BALL BEARING 6207/ZZ-C3(HT)VP.	1
4.3	4234254	CIRCLIP-FOR-SHAFT-D35x1.5 VP.	1
4.4	4157726	SCREW KIT M8X30 (4 PIECES)	1
4.5	4234251	CIRCLIP-D72x2.5 VP.	1
4.6	4234246	O-RING 72X3 VP.	1
		NOMEL CONTACT WASHER 8x16x1,4 STEEL ZC	1



HYDRAULIC HELIX V 1004 1.4307

Item	Article no.	Description	Quantity
13.3	4172793	INTERMEDIATE STAGE HELIX 10 1.4301 KIT	1
		> MACH.STD-STG-CASING-WGV+NR-M+10-304	1
		> IMPELLER-M+10-304	1
		> IMPELLER SPACER Ø16,05X19,45-L36,465-304	1
13.2	4172792	INTERMEDIATE STAGE HELIX 10 1.4301 KIT	1
		> MACH.BEARING-STG-CASING-WNR-M+10-304	1
		> IMPELLER-M+10-304	1
		> SHAFT SLEEVE-SPACER-Ø19,35x18,465-304	1
		> SHAFT-SLEEVE-D16xD20x18-CW	1
13.1	4171331	STAGE HELIX10 1.4301KIT	1
		> MACH.STG-CASING-WOGV-WNR-M+10-304	1
		> IMPELLER-M+10-304	1



HELIX V1005-1/16/E/S/400-50 (4201290)

Item	Article no.	Description	Quantity
1	4169943	MOTOR 2,2/2/90 3~230/400V 50HZ IE3 VP.	1
		SPARE PARTS MOTOR:ON REQUEST	1
2	4159707	SCREW M8X30 (4 PIECES)	1
3	4213784	LANTERN FT115 HELIX KIT	1
3.1		> LANT-MOT-VMI-ReDTC6"-FT115-MACHINED+CATA	1
3.2	4184852	> EYELET CPL.FT HELIX (2 PIECES)	1
3.3	4213782	> COUPLING PROTECTOR FT115/130 HELIX KIT	1
4	4159709	COUPLING D.16xD.24 FT115 HELIX KIT	1
6	2018576	STUD BOLT M12X377 KIT	1
6.1		> TIE BOLT M12-377x18x30-1.4057	1
6.2	2094647	> NUT M12 M12 ISO4032 VP.	1
6.3	2123557	> WASHER CS-12.4-24-1.6-NFE25 (4 PIECES)	1
7	4214481	STATIONARY RING HOLDER HELIX D27 ReDTC	1
7.2	4214479	> STATIONARY RING HOLDER HELIX D27 VP.	1
7.3	4176513	> O-RING FOR PUMP JACKET VP.	1
8	4212724	FILING/PURGING PLUG HELIX ReDTC KIT	1
8.1		> FILLING PLUG MVI6"-304	1
8.2	4177800	> O-RING EPDM PLUG HELIX VP.	1
9	4214483	MECH.SEAL HELIX6-10-16 O/E ReDTC KIT	1
9.1	4177801	> MECH.SEAL HELIX6-10-16 O/E VP.	1
7.3	4176513	> O-RING FOR PUMP JACKET VP.	1
10	4176518	HOUSING PIPES D.152X247 1.4301 KIT	1
7.3	4176513	> O-RING FOR PUMP JACKET VP.	1
10.1		> HOUSING-PIPE Ø152-M+1005-304	1
11	4172791	CENTERING STAGE-RETURN HELIX10 1.4301VP.	1
12	4214517	SHAFT EQUIPMENT HELIX V10 ReDTC KIT	1
12.1		> NUT-H-M10-A4.70	1
12.2		> SERRATED LOCK WASHER M+10M3-316L	1
12.3		> 1/2-SNAP-RING-6/10M3-316L	1
12.4		> STOP-RUSH-1/2-D16xd2-M+316	1
4.11		> SCREW CHC-M6X14-8.8-ISO4762-GEOMET500A	1
4.12		> WASHER D.24 L6U ZINK	1
13		HYDRAULIC HELIX V 1005 1.4307	1
14	4214498	SHAFT D.16X316 HELIX 1.4057 VP.	1

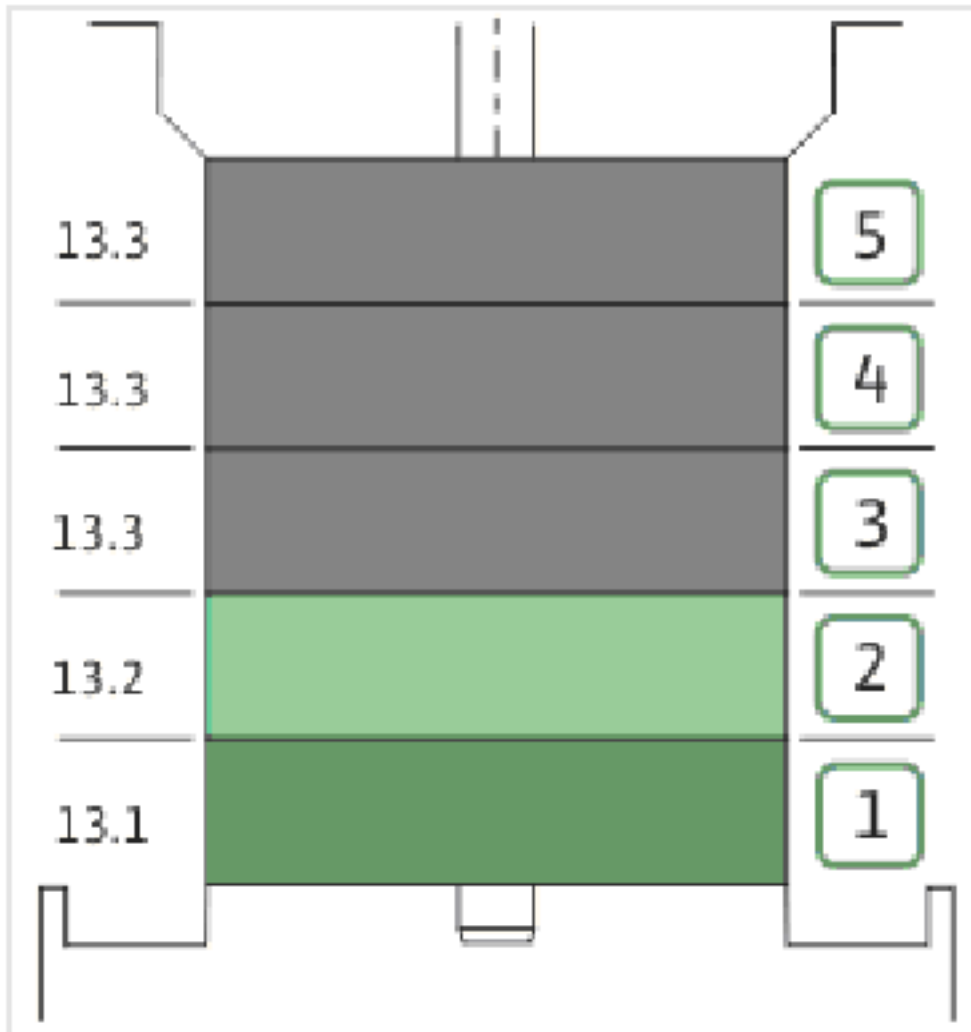
HELIX V1005-1/16/E/S/400-50 (4201290)

Item	Article no.	Description	Quantity
15	4159682	PUMP HOUSING HELIX DN50 PN16 1.4301 KIT	1
7.3	4176513	> O-RING FOR PUMP JACKET VP.	1
15.1		> BLASTING PPE HOUSING V-PN16-DN50-304	1
15.2	4217893	> COUNTER FLANGE-G1"1/2-PN16-GJL KIT	1
15.3	4171321	> PRIMING/DRAIN PLUG EPDM HELIX KIT	1
16	4176517	BASEPLATE V8/10 VP.	1



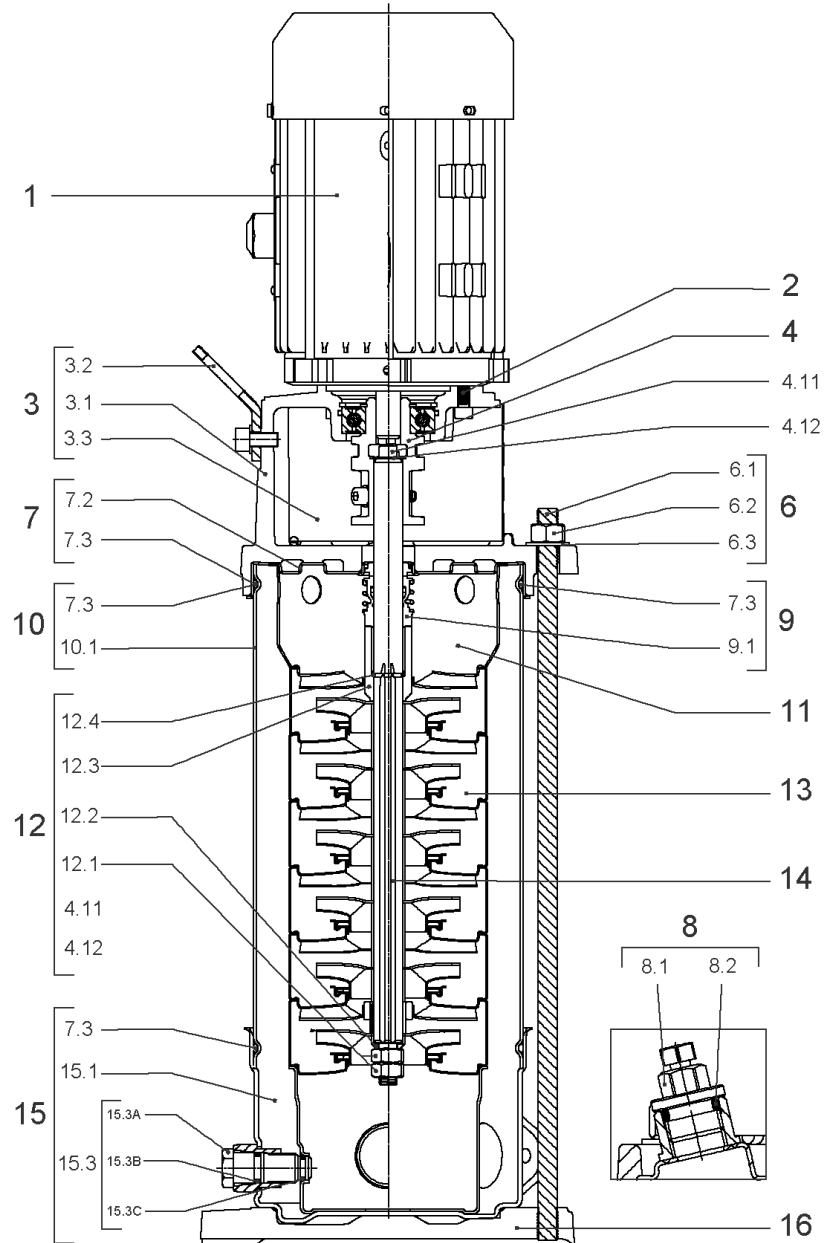
COUPLING D.16xD.24 FT115 HELIX KIT (4159709)

Item	Article no.	Description	Quantity
4.1		COUPLING M+ Ø16XØ24 FT115 MACHINED	1
4.2	2131023	BALL BEARING 6207/ZZ-C3(HT)VP.	1
4.3	4234254	CIRCLIP-FOR-SHAFT-D35x1.5 VP.	1
4.4	4157726	SCREW KIT M8X30 (4 PIECES)	1
4.5	4234251	CIRCLIP-D72x2.5 VP.	1
4.6	4234246	O-RING 72X3 VP.	1
		NOMEL CONTACT WASHER 8x16x1,4 STEEL ZC	1



HYDRAULIC HELIX V 1005 1.4307

Item	Article no.	Description	Quantity
13.1	4171331	STAGE HELIX10 1.4301KIT	1
		> MACH.STG-CASING-WOGV-WNR-M+10-304	1
		> IMPELLER-M+10-304	1
13.2	4172792	INTERMEDIATE STAGE HELIX 10 1.4301 KIT	1
		> MACH.BEARING-STG-CASING-WNR-M+10-304	1
		> IMPELLER-M+10-304	1
		> SHAFT SLEEVE-SPACER-Ø19,35x18,465-304	1
		> SHAFT-SLEEVE-D16xD20x18-CW	1
13.3	4172793	INTERMEDIATE STAGE HELIX 10 1.4301 KIT	1
		> MACH.STD-STG-CASING-WGV+NR-M+10-304	1
		> IMPELLER-M+10-304	1
		> IMPELLER SPACER Ø16,05X19,45-L36,465-304	1



HELIX V1006-1/16/E/S/400-50 (4201293)

Item	Article no.	Description	Quantity
1	4169943	MOTOR 2,2/2/90 3~230/400V 50HZ IE3 VP.	1
		SPARE PARTS MOTOR:ON REQUEST	1
2	4159707	SCREW M8X30 (4 PIECES)	1
3	4213784	LANTERN FT115 HELIX KIT	1
3.1		> LANT-MOT-VMI-ReDTC6"-FT115-MACHINED+CATA	1
3.2	4184852	> EYELET CPL.FT HELIX (2 PIECES)	1
3.3	4213782	> COUPLING PROTECTOR FT115/130 HELIX KIT	1
4	4159709	COUPLING D.16xD.24 FT115 HELIX KIT	1
6	4177822	STUD BOLT M12X413 KIT	1
6.1		> TIE BOLT M12-413x18x30-1.4057	1
6.2	2094647	> NUT M12 M12 ISO4032 VP.	1
6.3	2123557	> WASHER CS-12.4-24-1.6-NFE25 (4 PIECES)	1
7	4214481	STATIONARY RING HOLDER HELIX D27 ReDTC	1
7.2	4214479	> STATIONARY RING HOLDER HELIX D27 VP.	1
7.3	4176513	> O-RING FOR PUMP JACKET VP.	1
8	4212724	FILING/PURGING PLUG HELIX ReDTC KIT	1
8.1		> FILLING PLUG MVI6"-304	1
8.2	4177800	> O-RING EPDM PLUG HELIX VP.	1
9	4214483	MECH.SEAL HELIX6-10-16 O/E ReDTC KIT	1
9.1	4177801	> MECH.SEAL HELIX6-10-16 O/E VP.	1
7.3	4176513	> O-RING FOR PUMP JACKET VP.	1
10	4177823	HOUSING PIPES D.152X285 1.4301 KIT	1
7.3	4176513	> O-RING FOR PUMP JACKET VP.	1
10.1		> HOUSING-PIPE Ø152-M+1006-304	1
11	4172791	CENTERING STAGE-RETURN HELIX10 1.4301VP.	1
12	4214517	SHAFT EQUIPMENT HELIX V10 ReDTC KIT	1
12.1		> NUT-H-M10-A4.70	1
12.2		> SERRATED LOCK WASHER M+10M3-316L	1
12.3		> 1/2-SNAP-RING-6/10M3-316L	1
12.4		> STOP-RUSH-1/2-D16xd2-M+316	1
4.11		> SCREW CHC-M6X14-8.8-ISO4762-GEOMET500A	1
4.12		> WASHER D.24 L6U ZINK	1
13		HYDRAULIC HELIX V 1006 1.4307	1
14	4214500	SHAFT D.16X353 HELIX 1.4057 VP.	1

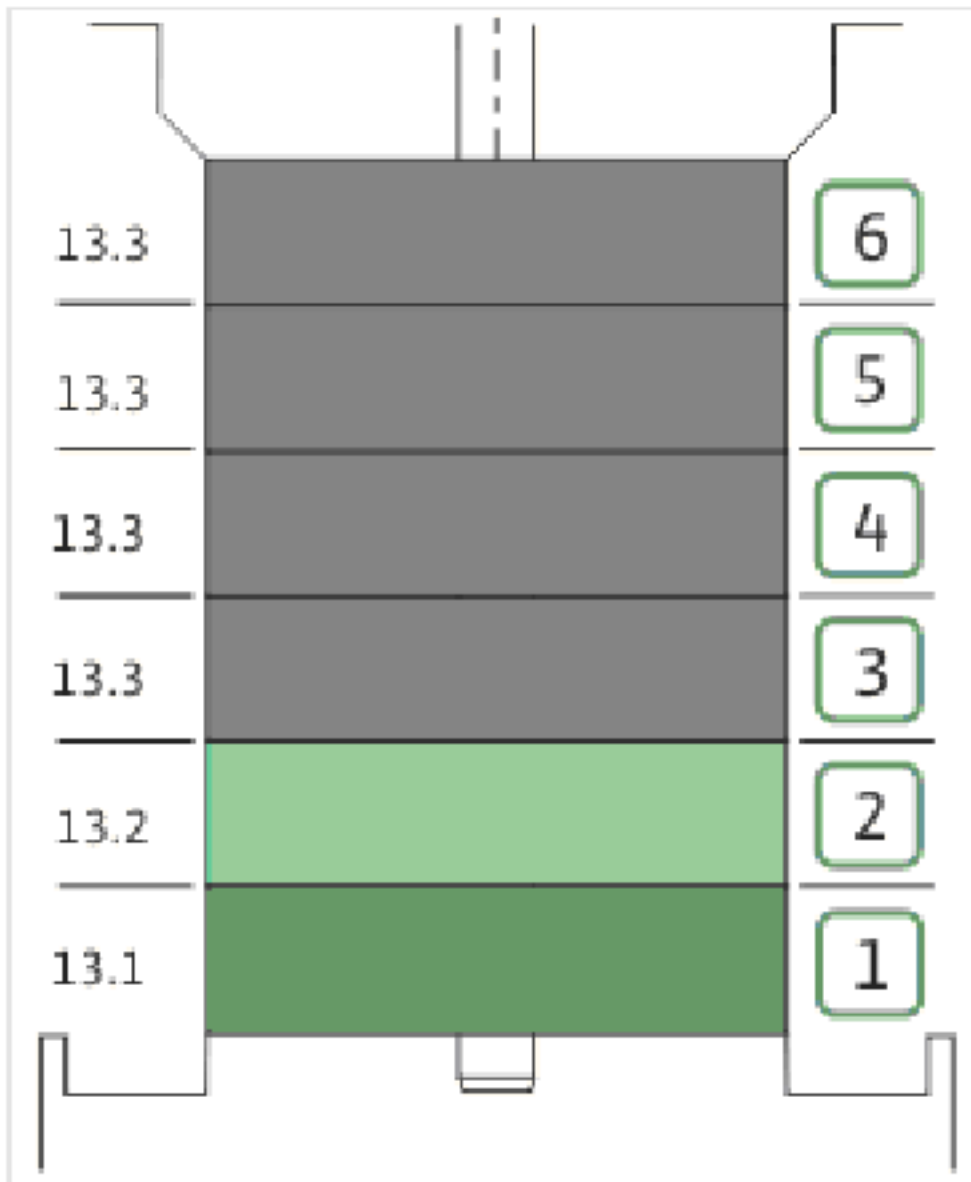
HELIX V1006-1/16/E/S/400-50 (4201293)

Item	Article no.	Description	Quantity
15	4159682	PUMP HOUSING HELIX DN50 PN16 1.4301 KIT	1
7.3	4176513	> O-RING FOR PUMP JACKET VP.	1
15.1		> BLASTING PPE HOUSING V-PN16-DN50-304	1
15.2	4217893	> COUNTER FLANGE-G1"1/2-PN16-GJL KIT	1
15.3	4171321	> PRIMING/DRAIN PLUG EPDM HELIX KIT	1
16	4176517	BASEPLATE V8/10 VP.	1



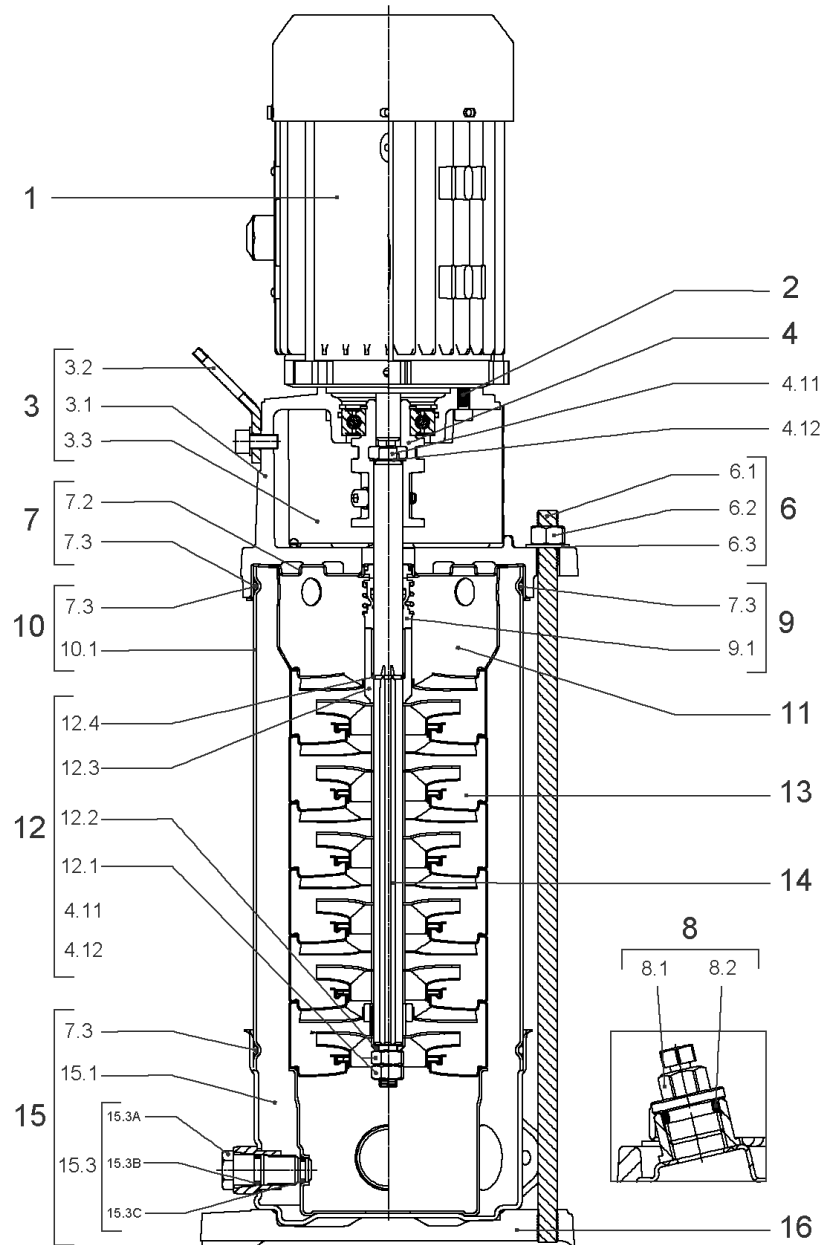
COUPLING D.16xD.24 FT115 HELIX KIT (4159709)

Item	Article no.	Description	Quantity
4.1		COUPLING M+ Ø16XØ24 FT115 MACHINED	1
4.2	2131023	BALL BEARING 6207/ZZ-C3(HT)VP.	1
4.3	4234254	CIRCLIP-FOR-SHAFT-D35x1.5 VP.	1
4.4	4157726	SCREW KIT M8X30 (4 PIECES)	1
4.5	4234251	CIRCLIP-D72x2.5 VP.	1
4.6	4234246	O-RING 72X3 VP.	1
		NOMEL CONTACT WASHER 8x16x1,4 STEEL ZC	1



HYDRAULIC HELIX V 1006 1.4307

Item	Article no.	Description	Quantity
13.1	4171331	STAGE HELIX10 1.4301KIT	1
		> MACH.STG-CASING-WOGV-WNR-M+10-304	1
		> IMPELLER-M+10-304	1
13.2	4172792	INTERMEDIATE STAGE HELIX 10 1.4301 KIT	1
		> MACH.BEARING-STG-CASING-WNR-M+10-304	1
		> IMPELLER-M+10-304	1
		> SHAFT SLEEVE-SPACER-Ø19,35x18,465-304	1
		> SHAFT-SLEEVE-D16xD20x18-CW	1
13.3	4172793	INTERMEDIATE STAGE HELIX 10 1.4301 KIT	1
		> MACH.STD-STG-CASING-WGV+NR-M+10-304	1
		> IMPELLER-M+10-304	1
		> IMPELLER SPACER Ø16,05X19,45-L36,465-304	1



HELIX V1007-1/16/E/S/400-50 (4201296)

Item	Article no.	Description	Quantity
1	4169944	MOTOR 3/2/100 3~230/400V 50HZ IE3 VP.	1
		SPARE PARTS MOTOR:ON REQUEST	1
2	4159707	SCREW M8X30 (4 PIECES)	1
3	4214473	LANTERN FT130 HELIX KIT	1
3.1		> LANT-MOT-VMI-ReDTC6"-FT130-MACHINED+CATA	1
3.2	4184852	> EYELET CPL.FT HELIX (2 PIECES)	1
3.3	4213782	> COUPLING PROTECTOR FT115/130 HELIX KIT	1
4	4159710	COUPLING D.16XD.28 FT130 HELIX KIT	1
6	4177806	STUD BOLT M12X450KIT	1
6.1		> TIE BOLT M12-450x18x30-1.4057	1
6.2	2094647	> NUT M12 M12 ISO4032 VP.	1
6.3	2123557	> WASHER CS-12.4-24-1.6-NFE25 (4 PIECES)	1
7	4214481	STATIONARY RING HOLDER HELIX D27 ReDTC	1
7.2	4214479	> STATIONARY RING HOLDER HELIX D27 VP.	1
7.3	4176513	> O-RING FOR PUMP JACKET VP.	1
8	4212724	FILING/PURGING PLUG HELIX ReDTC KIT	1
8.1		> FILLING PLUG MVI6"-304	1
8.2	4177800	> O-RING EPDM PLUG HELIX VP.	1
9	4214483	MECH.SEAL HELIX6-10-16 O/E ReDTC KIT	1
9.1	4177801	> MECH.SEAL HELIX6-10-16 O/E VP.	1
7.3	4176513	> O-RING FOR PUMP JACKET VP.	1
10	4172794	HOUSING PIPES D.152X322 1.4301 KIT	1
7.3	4176513	> O-RING FOR PUMP JACKET VP.	1
10.1		> HOUSING-PIPE Ø152-M+1007-304	1
11	4172791	CENTERING STAGE-RETURN HELIX10 1.4301VP.	1
12	4214517	SHAFT EQUIPMENT HELIX V10 ReDTC KIT	1
12.1		> NUT-H-M10-A4.70	1
12.2		> SERRATED LOCK WASHER M+10M3-316L	1
12.3		> 1/2-SNAP-RING-6/10M3-316L	1
12.4		> STOP-RUSH-1/2-D16xd2-M+316	1
4.11		> SCREW CHC-M6X14-8.8-ISO4762-GEOMET500A	1
4.12		> WASHER D.24 L6U ZINK	1
13		HYDRAULIC HELIX V 1007 1.4307	1
14	4214502	SHAFT D.16X391 HELIX 1.4057 VP.	1

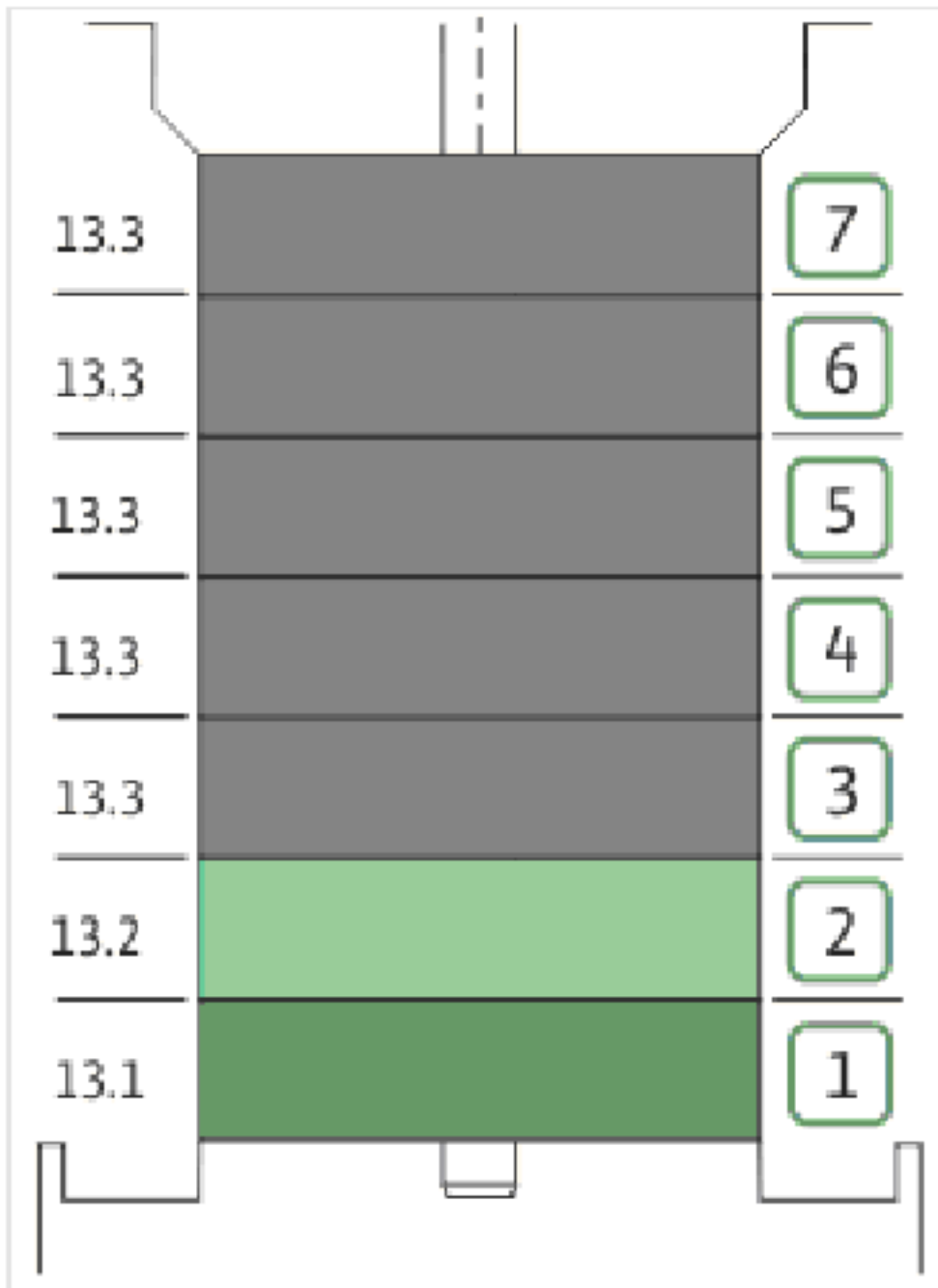
HELIX V1007-1/16/E/S/400-50 (4201296)

Item	Article no.	Description	Quantity
15	4159682	PUMP HOUSING HELIX DN50 PN16 1.4301 KIT	1
7.3	4176513	> O-RING FOR PUMP JACKET VP.	1
15.1		> BLASTING PPE HOUSING V-PN16-DN50-304	1
15.2	4217893	> COUNTER FLANGE-G1"1/2-PN16-GJL KIT	1
15.3	4171321	> PRIMING/DRAIN PLUG EPDM HELIX KIT	1
16	4176517	BASEPLATE V8/10 VP.	1



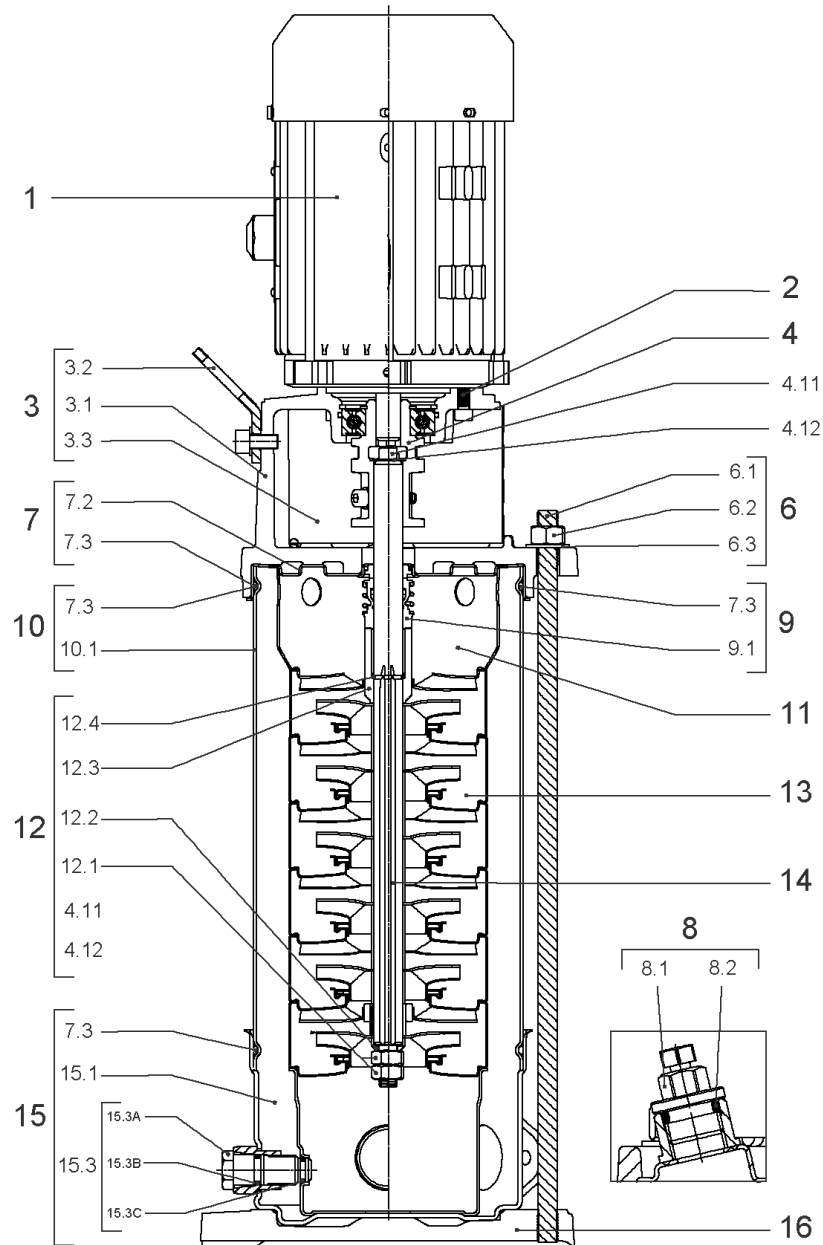
COUPLING D.16XD.28 FT130 HELIX KIT (4159710)

Item	Article no.	Description	Quantity
4.1		COUPLING M+ Ø16XØ28 FT130 MACHINED	1
4.2	2131022	BALL BEARING 6209/ZZ-C3(HT)VP.	1
4.3	4233930	CIRCLIP-FOR-BORES-D45x1,75 VP.	1
4.4	4157726	SCREW KIT M8X30 (4 PIECES)	1
4.5	4234252	CIRCLIPS 85X3 VP.	1
4.6	4234243	O-RING 85X3 VP.	1
		NOMEL CONTACT WASHER 8x16x1,4 STEEL ZC	1



HYDRAULIC HELIX V 1007 1.4307

Item	Article no.	Description	Quantity
13.1	4171331	STAGE HELIX10 1.4301KIT	1
		> MACH.STG-CASING-WOGV-WNR-M+10-304	1
		> IMPELLER-M+10-304	1
13.2	4172792	INTERMEDIATE STAGE HELIX 10 1.4301 KIT	1
		> MACH.BEARING-STG-CASING-WNR-M+10-304	1
		> IMPELLER-M+10-304	1
		> SHAFT SLEEVE-SPACER-Ø19,35x18,465-304	1
		> SHAFT-SLEEVE-D16xD20x18-CW	1
13.3	4172793	INTERMEDIATE STAGE HELIX 10 1.4301 KIT	1
		> MACH.STD-STG-CASING-WGV+NR-M+10-304	1
		> IMPELLER-M+10-304	1
		> IMPELLER SPACER Ø16,05X19,45-L36,465-304	1

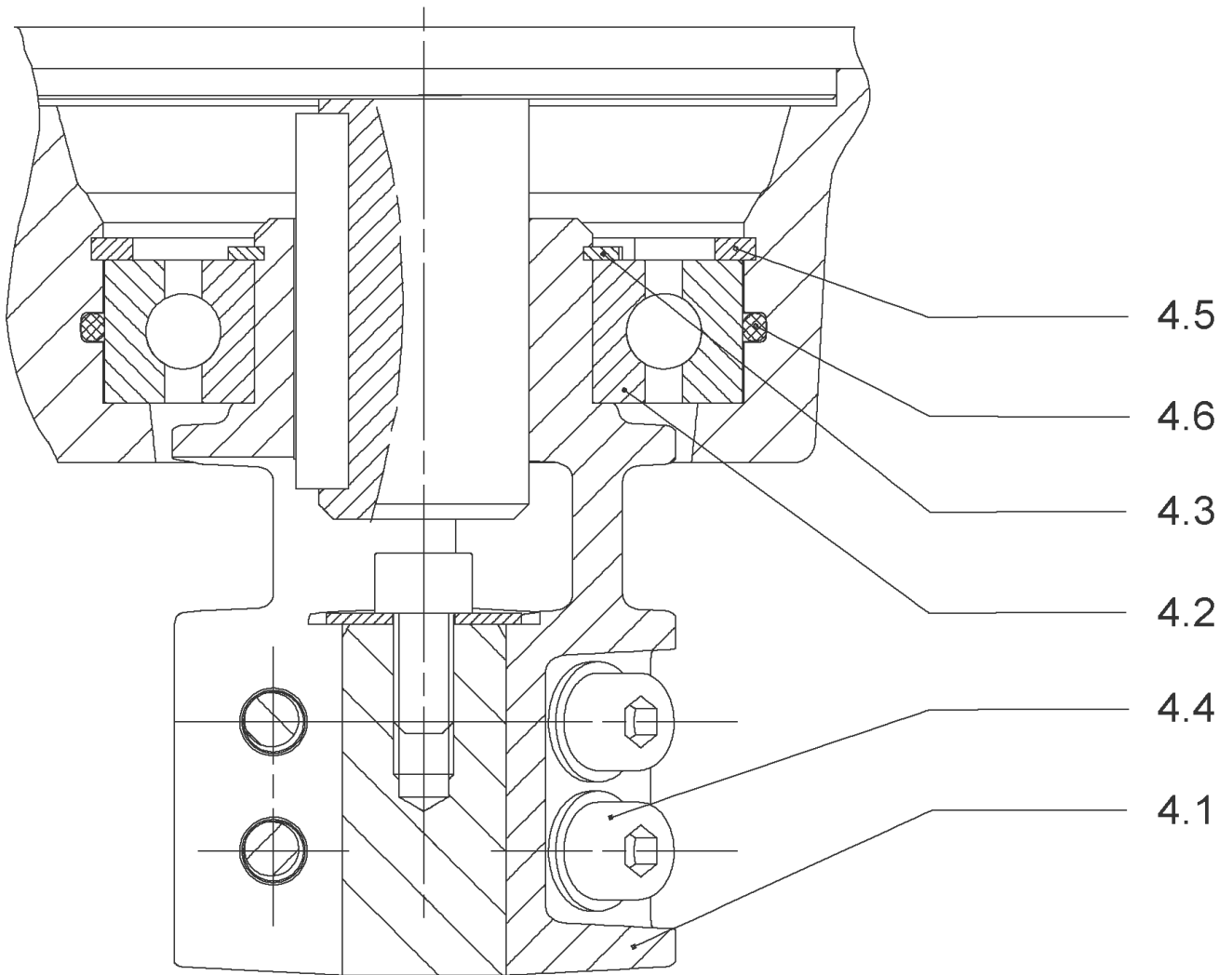


HELIX V1008-1/16/E/S/400-50 (4201299)

Item	Article no.	Description	Quantity
1	4169944	MOTOR 3/2/100 3~230/400V 50HZ IE3 VP.	1
		SPARE PARTS MOTOR:ON REQUEST	1
2	4159707	SCREW M8X30 (4 PIECES)	1
3	4214473	LANTERN FT130 HELIX KIT	1
3.1		> LANT-MOT-VMI-ReDTC6"-FT130-MACHINED+CATA	1
3.2	4184852	> EYELET CPL.FT HELIX (2 PIECES)	1
3.3	4213782	> COUPLING PROTECTOR FT115/130 HELIX KIT	1
4	4159710	COUPLING D.16XD.28 FT130 HELIX KIT	1
6	4177821	STUD BOLT M12X485 KIT	1
6.1		> TIE BOLT M12-485x18x30-1.4057	1
6.2	2094647	> NUT M12 M12 ISO4032 VP.	1
6.3	2123557	> WASHER CS-12.4-24-1.6-NFE25 (4 PIECES)	1
7	4214481	STATIONARY RING HOLDER HELIX D27 ReDTC	1
7.2	4214479	> STATIONARY RING HOLDER HELIX D27 VP.	1
7.3	4176513	> O-RING FOR PUMP JACKET VP.	1
8	4212724	FILING/PURGING PLUG HELIX ReDTC KIT	1
8.1		> FILLING PLUG MVI6"-304	1
8.2	4177800	> O-RING EPDM PLUG HELIX VP.	1
9	4214483	MECH.SEAL HELIX6-10-16 O/E ReDTC KIT	1
9.1	4177801	> MECH.SEAL HELIX6-10-16 O/E VP.	1
7.3	4176513	> O-RING FOR PUMP JACKET VP.	1
10	2127578	HOUSING PIPE D.152x360 1.4307 KIT	1
7.3	4176513	> O-RING FOR PUMP JACKET VP.	1
10.1		> HOUSING-PIPE Ø152-M+1008/1606-304	1
11	4172791	CENTERING STAGE-RETURN HELIX10 1.4301VP.	1
12	4214517	SHAFT EQUIPMENT HELIX V10 ReDTC KIT	1
12.1		> NUT-H-M10-A4.70	1
12.2		> SERRATED LOCK WASHER M+10M3-316L	1
12.3		> 1/2-SNAP-RING-6/10M3-316L	1
12.4		> STOP-RUSH-1/2-D16xd2-M+316	1
4.11		> SCREW CHC-M6X14-8.8-ISO4762-GEOMET500A	1
4.12		> WASHER D.24 L6U ZINK	1
13		HYDRAULIC HELIX V 1008 1.4307	1
14	4214504	SHAFT D.16X428 HELIX 1.4057 VP.	1

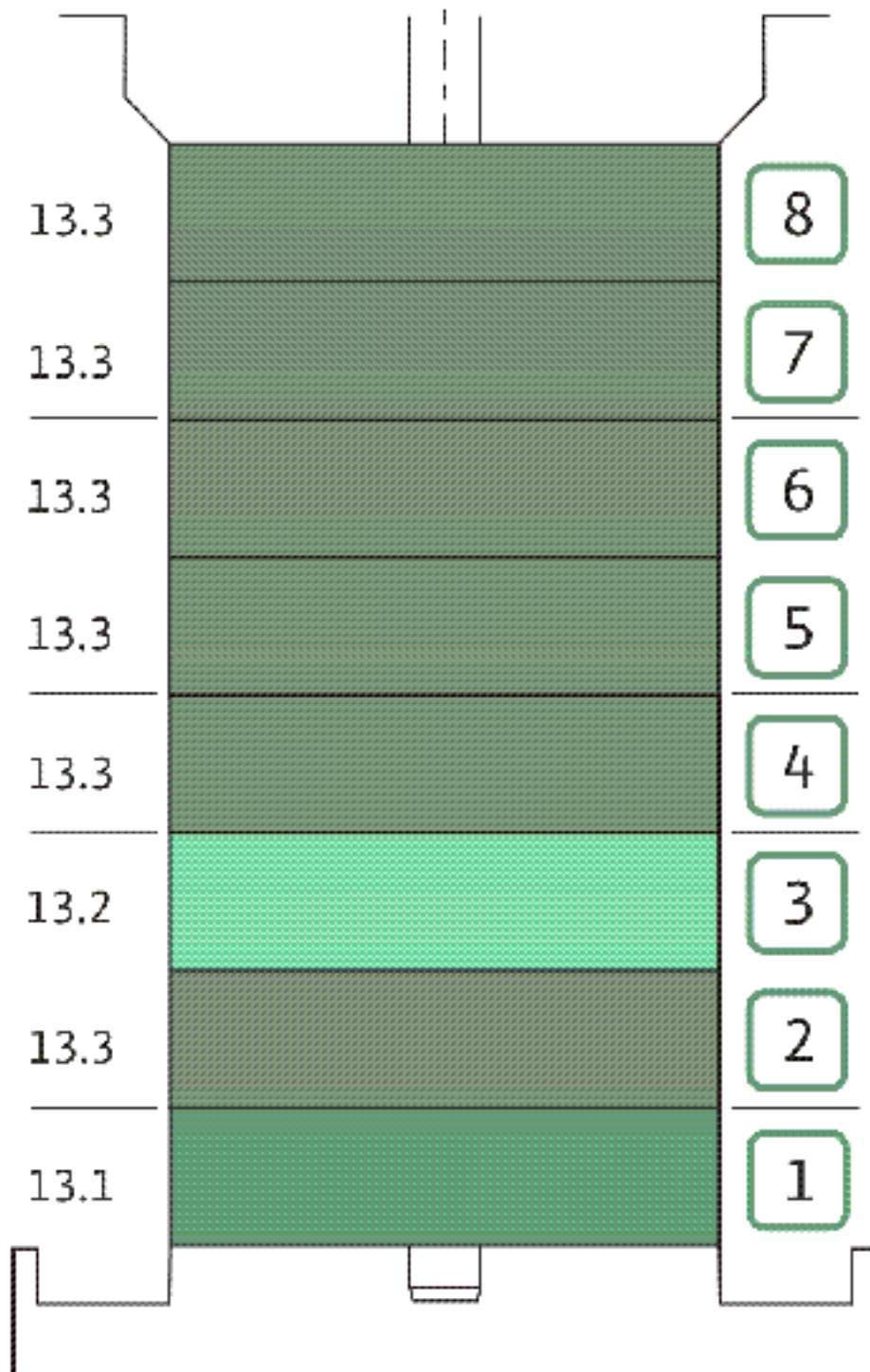
HELIX V1008-1/16/E/S/400-50 (4201299)

Item	Article no.	Description	Quantity
15	4159682	PUMP HOUSING HELIX DN50 PN16 1.4301 KIT	1
7.3	4176513	> O-RING FOR PUMP JACKET VP.	1
15.1		> BLASTING PPE HOUSING V-PN16-DN50-304	1
15.2	4217893	> COUNTER FLANGE-G1"1/2-PN16-GJL KIT	1
15.3	4171321	> PRIMING/DRAIN PLUG EPDM HELIX KIT	1
16	4176517	BASEPLATE V8/10 VP.	1



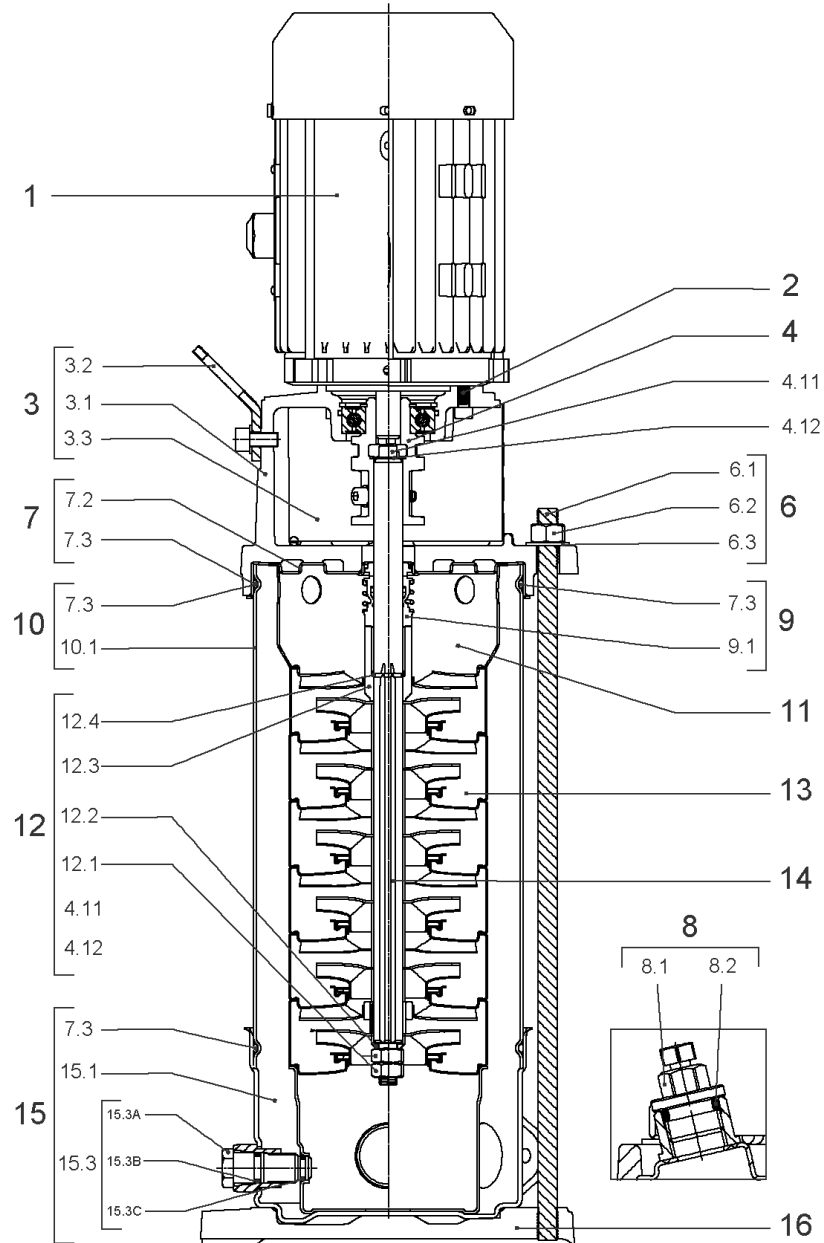
COUPLING D.16XD.28 FT130 HELIX KIT (4159710)

Item	Article no.	Description	Quantity
4.1		COUPLING M+ Ø16XØ28 FT130 MACHINED	1
4.2	2131022	BALL BEARING 6209/ZZ-C3(HT)VP.	1
4.3	4233930	CIRCLIP-FOR-BORES-D45x1,75 VP.	1
4.4	4157726	SCREW KIT M8X30 (4 PIECES)	1
4.5	4234252	CIRCLIPS 85X3 VP.	1
4.6	4234243	O-RING 85X3 VP.	1
		NOMEL CONTACT WASHER 8x16x1,4 STEEL ZC	1



HYDRAULIC HELIX V 1008 1.4307

Item	Article no.	Description	Quantity
13.1	4171331	STAGE HELIX10 1.4301KIT	1
		> MACH.STG-CASING-WOGV-WNR-M+10-304	1
		> IMPELLER-M+10-304	1
13.2	4172792	INTERMEDIATE STAGE HELIX 10 1.4301 KIT	1
		> MACH.BEARING-STG-CASING-WNR-M+10-304	1
		> IMPELLER-M+10-304	1
		> SHAFT SLEEVE-SPACER-Ø19,35x18,465-304	1
		> SHAFT-SLEEVE-D16xD20x18-CW	1
13.3	4172793	INTERMEDIATE STAGE HELIX 10 1.4301 KIT	1
		> MACH.STD-STG-CASING-WGV+NR-M+10-304	1
		> IMPELLER-M+10-304	1
		> IMPELLER SPACER Ø16,05X19,45-L36,465-304	1



HELIX V1009-1/16/E/S/400-50 (4201302)

Item	Article no.	Description	Quantity
1	4169945	MO.4/2 3~230/400(460)V 50(60)HZ IE3 VP.	1
		SPARE PARTS MOTOR:ON REQUEST	1
2	4159707	SCREW M8X30 (4 PIECES)	1
3	4214473	LANTERN FT130 HELIX KIT	1
3.1		> LANT-MOT-VMI-ReDTC6"-FT130-MACHINED+CATA	1
3.2	4184852	> EYELET CPL.FT HELIX (2 PIECES)	1
3.3	4213782	> COUPLING PROTECTOR FT115/130 HELIX KIT	1
4	4159710	COUPLING D.16XD.28 FT130 HELIX KIT	1
6	4177832	STUD BOLT M12X527KIT	1
6.1		> TIE BOLT M12-527x18x30-1.4057	1
6.2	2094647	> NUT M12 M12 ISO4032 VP.	1
6.3	2123557	> WASHER CS-12.4-24-1.6-NFE25 (4 PIECES)	1
7	4214481	STATIONARY RING HOLDER HELIX D27 ReDTC	1
7.2	4214479	> STATIONARY RING HOLDER HELIX D27 VP.	1
7.3	4176513	> O-RING FOR PUMP JACKET VP.	1
8	4212724	FILING/PURGING PLUG HELIX ReDTC KIT	1
8.1		> FILLING PLUG MVI6"-304	1
8.2	4177800	> O-RING EPDM PLUG HELIX VP.	1
9	4214483	MECH.SEAL HELIX6-10-16 O/E ReDTC KIT	1
9.1	4177801	> MECH.SEAL HELIX6-10-16 O/E VP.	1
7.3	4176513	> O-RING FOR PUMP JACKET VP.	1
10	4177833	HOUSING PIPES D.152X397 1.4301 KIT	1
7.3	4176513	> O-RING FOR PUMP JACKET VP.	1
10.1		> HOUSING-PIPE Ø152-M+1009-304	1
11	4172791	CENTERING STAGE-RETURN HELIX10 1.4301VP.	1
12	4214517	SHAFT EQUIPMENT HELIX V10 ReDTC KIT	1
12.1		> NUT-H-M10-A4.70	1
12.2		> SERRATED LOCK WASHER M+10M3-316L	1
12.3		> 1/2-SNAP-RING-6/10M3-316L	1
12.4		> STOP-RUSH-1/2-D16xd2-M+316	1
4.11		> SCREW CHC-M6X14-8.8-ISO4762-GEOMET500A	1
4.12		> WASHER D.24 L6U ZINK	1
13		HYDRAULIC HELIX V 1009 1.4307	1
14	4214506	SHAFT D.16X466 HELIX 1.4057 VP.	1

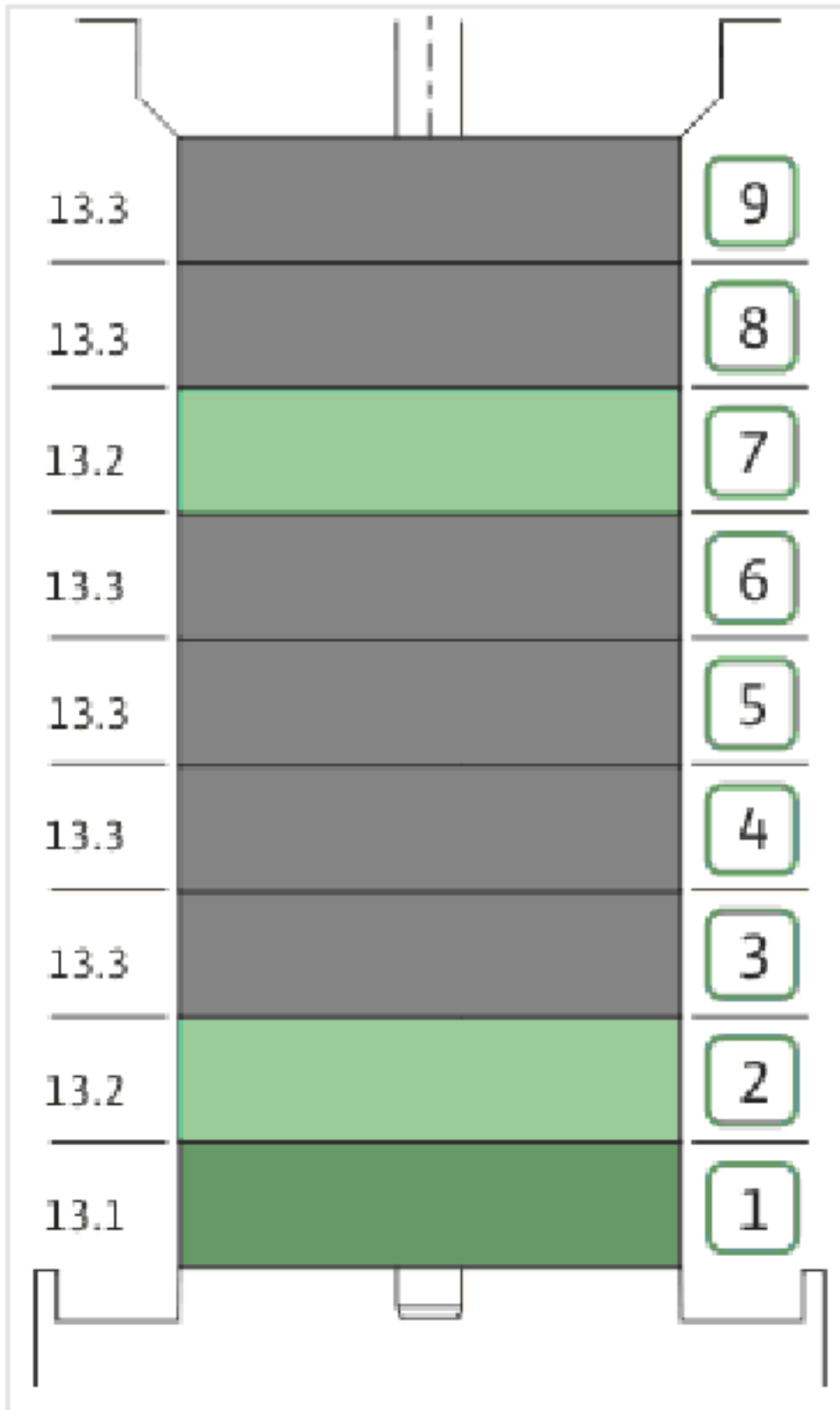
HELIX V1009-1/16/E/S/400-50 (4201302)

Item	Article no.	Description	Quantity
15	4159682	PUMP HOUSING HELIX DN50 PN16 1.4301 KIT	1
7.3	4176513	> O-RING FOR PUMP JACKET VP.	1
15.1		> BLASTING PPE HOUSING V-PN16-DN50-304	1
15.2	4217893	> COUNTER FLANGE-G1"1/2-PN16-GJL KIT	1
15.3	4171321	> PRIMING/DRAIN PLUG EPDM HELIX KIT	1
16	4176517	BASEPLATE V8/10 VP.	1



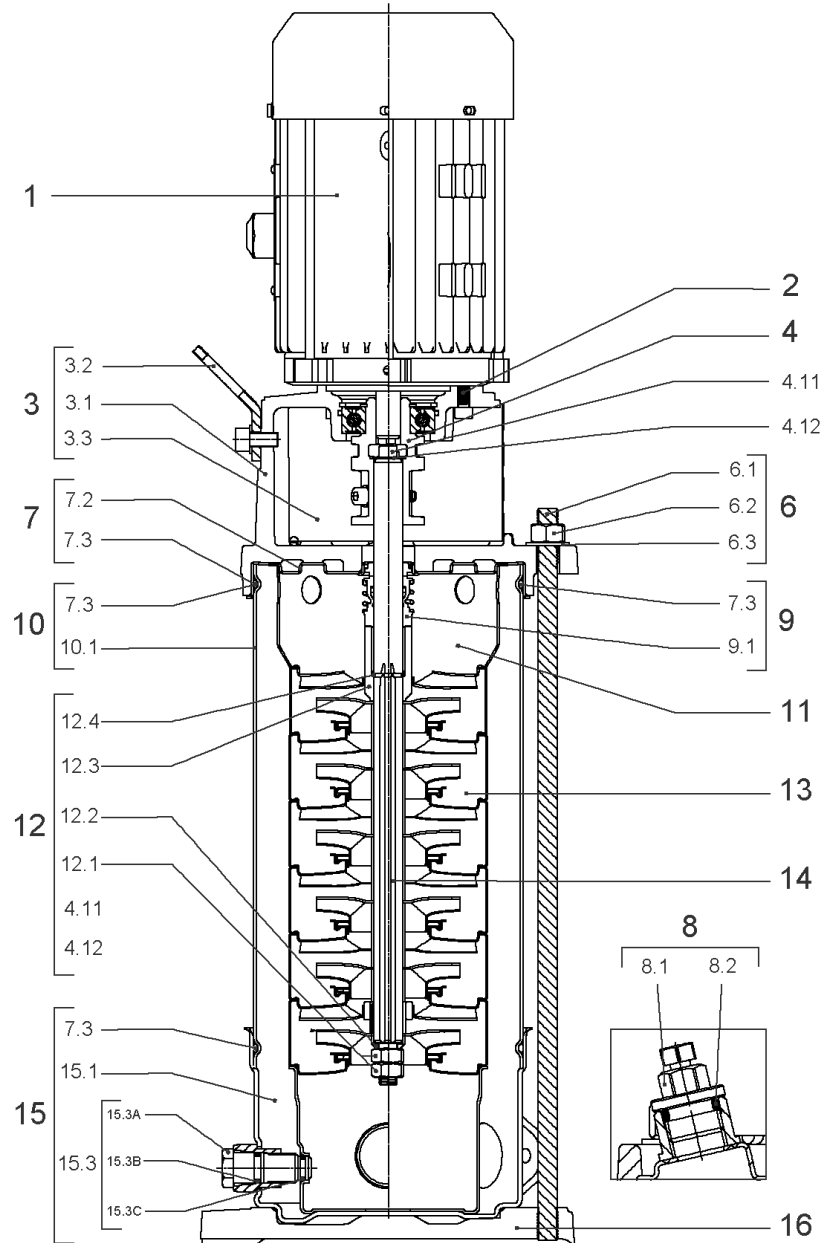
COUPLING D.16XD.28 FT130 HELIX KIT (4159710)

Item	Article no.	Description	Quantity
4.1		COUPLING M+ Ø16XØ28 FT130 MACHINED	1
4.2	2131022	BALL BEARING 6209/ZZ-C3(HT)VP.	1
4.3	4233930	CIRCLIP-FOR-BORES-D45x1,75 VP.	1
4.4	4157726	SCREW KIT M8X30 (4 PIECES)	1
4.5	4234252	CIRCLIPS 85X3 VP.	1
4.6	4234243	O-RING 85X3 VP.	1
		NOMEL CONTACT WASHER 8x16x1,4 STEEL ZC	1



HYDRAULIC HELIX V 1009 1.4307

Item	Article no.	Description	Quantity
13.1	4171331	STAGE HELIX10 1.4301KIT	1
		> MACH.STG-CASING-WOGV-WNR-M+10-304	1
		> IMPELLER-M+10-304	1
13.2	4172792	INTERMEDIATE STAGE HELIX 10 1.4301 KIT	1
		> MACH.BEARING-STG-CASING-WNR-M+10-304	1
		> IMPELLER-M+10-304	1
		> SHAFT SLEEVE-SPACER-Ø19,35x18,465-304	1
		> SHAFT-SLEEVE-D16xD20x18-CW	1
13.3	4172793	INTERMEDIATE STAGE HELIX 10 1.4301 KIT	1
		> MACH.STD-STG-CASING-WGV+NR-M+10-304	1
		> IMPELLER-M+10-304	1
		> IMPELLER SPACER Ø16,05X19,45-L36,465-304	1

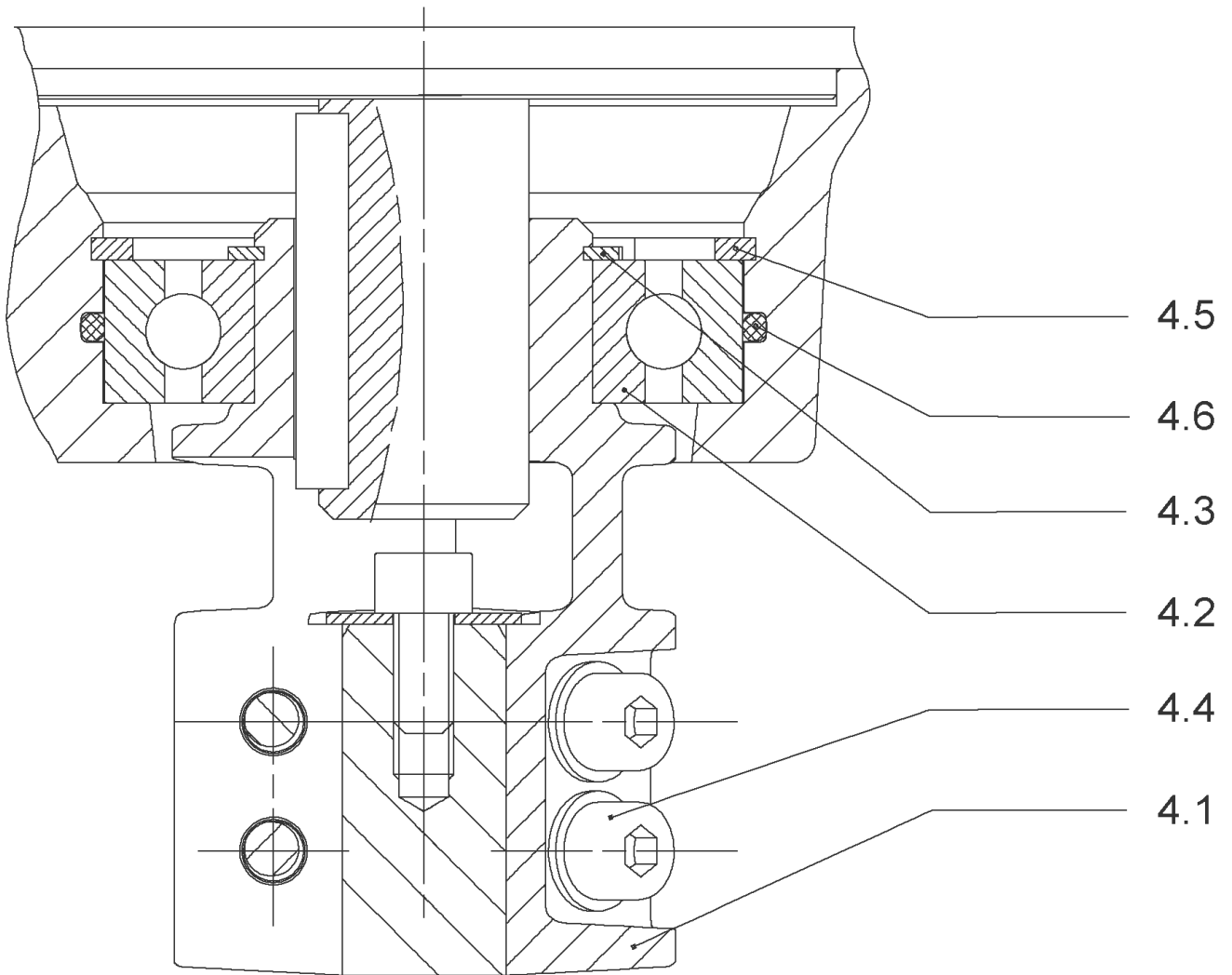


HELIX V1010-1/16/E/S/400-50 (4201304)

Item	Article no.	Description	Quantity
1	4169945	MO.4/2 3~230/400(460)V 50(60)HZ IE3 VP.	1
		SPARE PARTS MOTOR:ON REQUEST	1
2	4159707	SCREW M8X30 (4 PIECES)	1
3	4214473	LANTERN FT130 HELIX KIT	1
3.1		> LANT-MOT-VMI-ReDTC6"-FT130-MACHINED+CATA	1
3.2	4184852	> EYELET CPL.FT HELIX (2 PIECES)	1
3.3	4213782	> COUPLING PROTECTOR FT115/130 HELIX KIT	1
4	4159710	COUPLING D.16XD.28 FT130 HELIX KIT	1
6	4177849	STUD BOLT M12X563KIT	1
6.1		> TIE BOLT M12-563x18x30-1.4057	1
6.2	2094647	> NUT M12 M12 ISO4032 VP.	1
6.3	2123557	> WASHER CS-12.4-24-1.6-NFE25 (4 PIECES)	1
7	4214481	STATIONARY RING HOLDER HELIX D27 ReDTC	1
7.2	4214479	> STATIONARY RING HOLDER HELIX D27 VP.	1
7.3	4176513	> O-RING FOR PUMP JACKET VP.	1
8	4212724	FILING/PURGING PLUG HELIX ReDTC KIT	1
8.1		> FILLING PLUG MVI6"-304	1
8.2	4177800	> O-RING EPDM PLUG HELIX VP.	1
9	4214483	MECH.SEAL HELIX6-10-16 O/E ReDTC KIT	1
9.1	4177801	> MECH.SEAL HELIX6-10-16 O/E VP.	1
7.3	4176513	> O-RING FOR PUMP JACKET VP.	1
10	4177839	HOUSING PIPES D.152X435 1.4301 KIT	1
7.3	4176513	> O-RING FOR PUMP JACKET VP.	1
10.1		> HOUSING-PIPE Ø152-M+1010-304	1
11	4172791	CENTERING STAGE-RETURN HELIX10 1.4301VP.	1
12	4214517	SHAFT EQUIPMENT HELIX V10 ReDTC KIT	1
12.1		> NUT-H-M10-A4.70	1
12.2		> SERRATED LOCK WASHER M+10M3-316L	1
12.3		> 1/2-SNAP-RING-6/10M3-316L	1
12.4		> STOP-RUSH-1/2-D16xd2-M+316	1
4.11		> SCREW CHC-M6X14-8.8-ISO4762-GEOMET500A	1
4.12		> WASHER D.24 L6U ZINK	1
13		HYDRAULIC HELIX V 1010 1.4307	1
14	4214508	SHAFT D.16X503 HELIX 1.4057 VP.	1

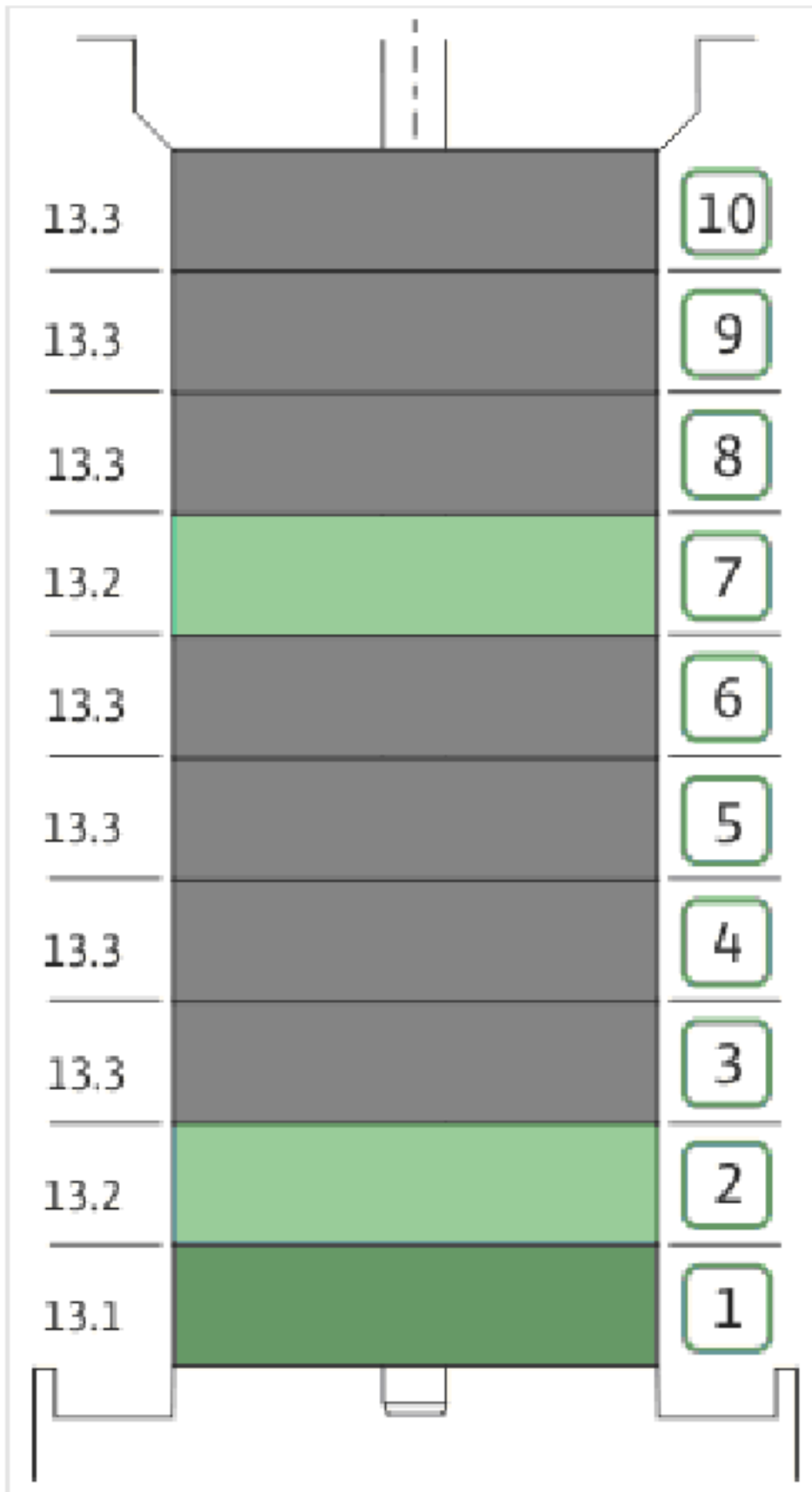
HELIX V1010-1/16/E/S/400-50 (4201304)

Item	Article no.	Description	Quantity
15	4159682	PUMP HOUSING HELIX DN50 PN16 1.4301 KIT	1
7.3	4176513	> O-RING FOR PUMP JACKET VP.	1
15.1		> BLASTING PPE HOUSING V-PN16-DN50-304	1
15.2	4217893	> COUNTER FLANGE-G1"1/2-PN16-GJL KIT	1
15.3	4171321	> PRIMING/DRAIN PLUG EPDM HELIX KIT	1
16	4176517	BASEPLATE V8/10 VP.	1



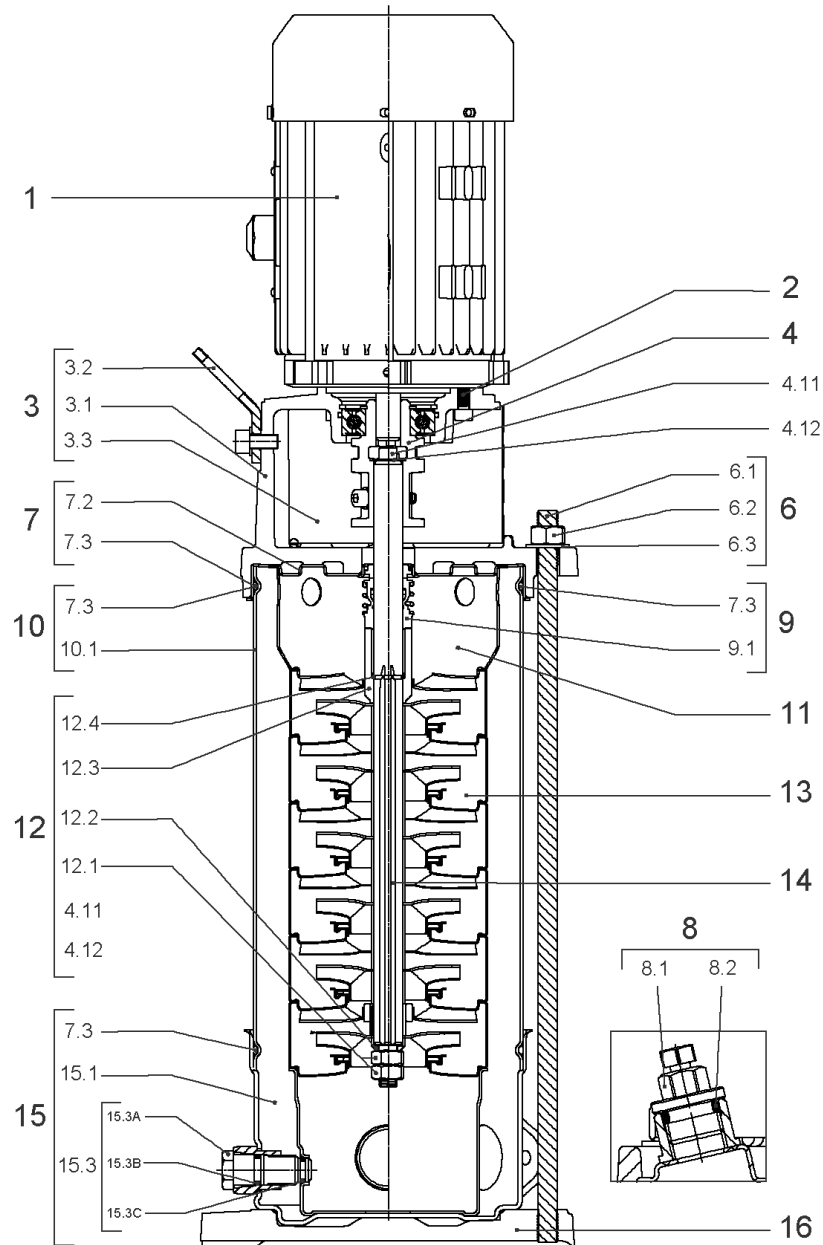
COUPLING D.16XD.28 FT130 HELIX KIT (4159710)

Item	Article no.	Description	Quantity
4.1		COUPLING M+ Ø16XØ28 FT130 MACHINED	1
4.2	2131022	BALL BEARING 6209/ZZ-C3(HT)VP.	1
4.3	4233930	CIRCLIP-FOR-BORES-D45x1,75 VP.	1
4.4	4157726	SCREW KIT M8X30 (4 PIECES)	1
4.5	4234252	CIRCLIPS 85X3 VP.	1
4.6	4234243	O-RING 85X3 VP.	1
		NOMEL CONTACT WASHER 8x16x1,4 STEEL ZC	1



HYDRAULIC HELIX V 1010 1.4307

Item	Article no.	Description	Quantity
13.1	4171331	STAGE HELIX10 1.4301KIT	1
		> MACH.STG-CASING-WOGV-WNR-M+10-304	1
		> IMPELLER-M+10-304	1
13.2	4172792	INTERMEDIATE STAGE HELIX 10 1.4301 KIT	1
		> MACH.BEARING-STG-CASING-WNR-M+10-304	1
		> IMPELLER-M+10-304	1
		> SHAFT SLEEVE-SPACER-Ø19,35x18,465-304	1
		> SHAFT-SLEEVE-D16xD20x18-CW	1
13.3	4172793	INTERMEDIATE STAGE HELIX 10 1.4301 KIT	1
		> MACH.STD-STG-CASING-WGV+NR-M+10-304	1
		> IMPELLER-M+10-304	1
		> IMPELLER SPACER Ø16,05X19,45-L36,465-304	1



HELIX V1011-1/16/E/S/400-50 (4201306)

Item	Article no.	Description	Quantity
1	4169945	MO.4/2 3~230/400(460)V 50(60)HZ IE3 VP.	1
		SPARE PARTS MOTOR:ON REQUEST	1
2	4159707	SCREW M8X30 (4 PIECES)	1
3	4214473	LANTERN FT130 HELIX KIT	1
3.1		> LANT-MOT-VMI-ReDTC6"-FT130-MACHINED+CATA	1
3.2	4184852	> EYELET CPL.FT HELIX (2 PIECES)	1
3.3	4213782	> COUPLING PROTECTOR FT115/130 HELIX KIT	1
4	4159710	COUPLING D.16XD.28 FT130 HELIX KIT	1
6	4177842	STUD BOLT M12X638KIT	1
6.1		> TIE BOLT M12-638x18x30-1.4057	1
6.2	2094647	> NUT M12 M12 ISO4032 VP.	1
6.3	2123557	> WASHER CS-12.4-24-1.6-NFE25 (4 PIECES)	1
7	4214481	STATIONARY RING HOLDER HELIX D27 ReDTC	1
7.2	4214479	> STATIONARY RING HOLDER HELIX D27 VP.	1
7.3	4176513	> O-RING FOR PUMP JACKET VP.	1
8	4212724	FILING/PURGING PLUG HELIX ReDTC KIT	1
8.1		> FILLING PLUG MVI6"-304	1
8.2	4177800	> O-RING EPDM PLUG HELIX VP.	1
9	4214483	MECH.SEAL HELIX6-10-16 O/E ReDTC KIT	1
9.1	4177801	> MECH.SEAL HELIX6-10-16 O/E VP.	1
7.3	4176513	> O-RING FOR PUMP JACKET VP.	1
10	4177843	HOUSING PIPES D.152X510 1.4307 KIT	1
7.3	4176513	> O-RING FOR PUMP JACKET VP.	1
10.1		> HOUSING-PIPE Ø152-M+1012/1609-304	1
11	4172791	CENTERING STAGE-RETURN HELIX10 1.4301VP.	1
12	4214517	SHAFT EQUIPMENT HELIX V10 ReDTC KIT	1
12.1		> NUT-H-M10-A4.70	1
12.2		> SERRATED LOCK WASHER M+10M3-316L	1
12.3		> 1/2-SNAP-RING-6/10M3-316L	1
12.4		> STOP-RUSH-1/2-D16xd2-M+316	1
4.11		> SCREW CHC-M6X14-8.8-ISO4762-GEOMET500A	1
4.12		> WASHER D.24 L6U ZINK	1
13		HYDRAULIC HELIX V 1011 1.4307	1
14	4214510	SHAFT D.16X578 HELIX 1.4057 VP.	1

HELIX V1011-1/16/E/S/400-50 (4201306)

Item	Article no.	Description	Quantity
15	4159682	PUMP HOUSING HELIX DN50 PN16 1.4301 KIT	1
7.3	4176513	> O-RING FOR PUMP JACKET VP.	1
15.1		> BLASTING PPE HOUSING V-PN16-DN50-304	1
15.2	4217893	> COUNTER FLANGE-G1"1/2-PN16-GJL KIT	1
15.3	4171321	> PRIMING/DRAIN PLUG EPDM HELIX KIT	1
16	4176517	BASEPLATE V8/10 VP.	1



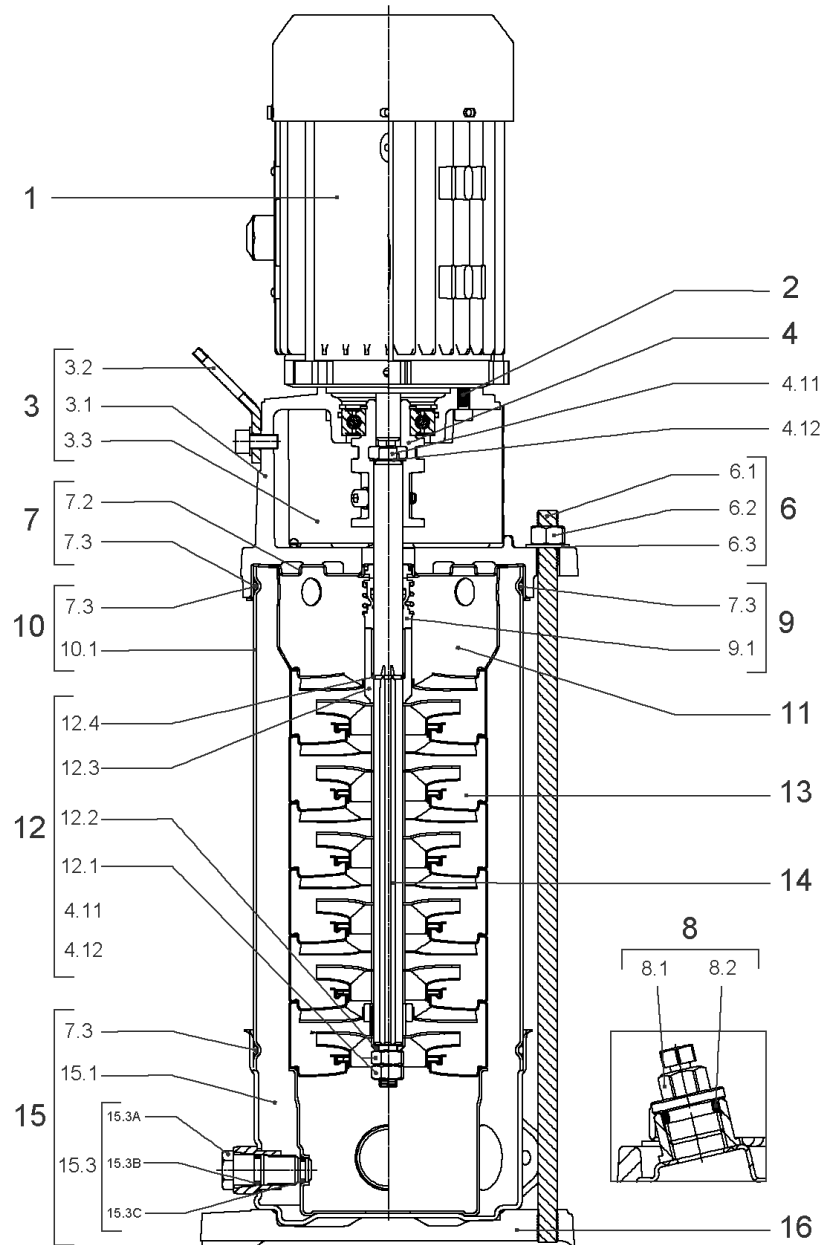
COUPLING D.16XD.28 FT130 HELIX KIT (4159710)

Item	Article no.	Description	Quantity
4.1		COUPLING M+ Ø16XØ28 FT130 MACHINED	1
4.2	2131022	BALL BEARING 6209/ZZ-C3(HT)VP.	1
4.3	4233930	CIRCLIP-FOR-BORES-D45x1,75 VP.	1
4.4	4157726	SCREW KIT M8X30 (4 PIECES)	1
4.5	4234252	CIRCLIPS 85X3 VP.	1
4.6	4234243	O-RING 85X3 VP.	1
		NOMEL CONTACT WASHER 8x16x1,4 STEEL ZC	1



HYDRAULIC HELIX V 1011 1.4307

Item	Article no.	Description	Quantity
13.1	4171331	STAGE HELIX10 1.4301KIT	1
		> MACH.STG-CASING-WOGV-WNR-M+10-304	1
		> IMPELLER-M+10-304	1
13.2	4172792	INTERMEDIATE STAGE HELIX 10 1.4301 KIT	1
		> MACH.BEARING-STG-CASING-WNR-M+10-304	1
		> IMPELLER-M+10-304	1
		> SHAFT SLEEVE-SPACER-Ø19,35x18,465-304	1
		> SHAFT-SLEEVE-D16xD20x18-CW	1
13.3	4172793	INTERMEDIATE STAGE HELIX 10 1.4301 KIT	1
		> MACH.STD-STG-CASING-WGV+NR-M+10-304	1
		> IMPELLER-M+10-304	1
		> IMPELLER SPACER Ø16,05X19,45-L36,465-304	1
13.4	4172800	EMPTY STAGE HELIX10 1.4301 KIT	1
		> MACH.STD-STG-CASING-WGV+NR-M+10-304	1
		> FLAT WASHER-D16.1XD22X1.2-316L	1
		> IMPELLER SPACER Ø16,05X19,45-L36,465-304	1
13.5	4172799	STAGE HELIX 10 1.4301 KIT	1
		> MACH.STG-CASING-WOGV-WNR-M+10-304	1
		> IMPELLER-M+10-304	1
		> IMPELLER SPACER Ø16,05X19,45-L36,465-304	1



HELIX V1012-1/16/E/S/400-50 (4201308)

Item	Article no.	Description	Quantity
1	4169947	MO 5,5/2/112 3~400V50Hz 460V60Hz IE3 VP.	1
		SPARE PARTS MOTOR:ON REQUEST	1
2	4159707	SCREW M8X30 (4 PIECES)	1
3	4214473	LANTERN FT130 HELIX KIT	1
3.1		> LANT-MOT-VMI-ReDTC6"-FT130-MACHINED+CATA	1
3.2	4184852	> EYELET CPL.FT HELIX (2 PIECES)	1
3.3	4213782	> COUPLING PROTECTOR FT115/130 HELIX KIT	1
4	4159710	COUPLING D.16XD.28 FT130 HELIX KIT	1
6	4177842	STUD BOLT M12X638KIT	1
6.1		> TIE BOLT M12-638x18x30-1.4057	1
6.2	2094647	> NUT M12 M12 ISO4032 VP.	1
6.3	2123557	> WASHER CS-12.4-24-1.6-NFE25 (4 PIECES)	1
7	4214481	STATIONARY RING HOLDER HELIX D27 ReDTC	1
7.2	4214479	> STATIONARY RING HOLDER HELIX D27 VP.	1
7.3	4176513	> O-RING FOR PUMP JACKET VP.	1
8	4212724	FILING/PURGING PLUG HELIX ReDTC KIT	1
8.1		> FILLING PLUG MVI6"-304	1
8.2	4177800	> O-RING EPDM PLUG HELIX VP.	1
9	4214483	MECH.SEAL HELIX6-10-16 O/E ReDTC KIT	1
9.1	4177801	> MECH.SEAL HELIX6-10-16 O/E VP.	1
7.3	4176513	> O-RING FOR PUMP JACKET VP.	1
10	4177843	HOUSING PIPES D.152X510 1.4307 KIT	1
7.3	4176513	> O-RING FOR PUMP JACKET VP.	1
10.1		> HOUSING-PIPE Ø152-M+1012/1609-304	1
11	4172791	CENTERING STAGE-RETURN HELIX10 1.4301VP.	1
12	4214517	SHAFT EQUIPMENT HELIX V10 ReDTC KIT	1
12.1		> NUT-H-M10-A4.70	1
12.2		> SERRATED LOCK WASHER M+10M3-316L	1
12.3		> 1/2-SNAP-RING-6/10M3-316L	1
12.4		> STOP-RUSH-1/2-D16xd2-M+316	1
4.11		> SCREW CHC-M6X14-8.8-ISO4762-GEOMET500A	1
4.12		> WASHER D.24 L6U ZINK	1
13		HYDRAULIC HELIX V 1012 1.4307	1
14	4214510	SHAFT D.16X578 HELIX 1.4057 VP.	1

HELIX V1012-1/16/E/S/400-50 (4201308)

Item	Article no.	Description	Quantity
15	4159682	PUMP HOUSING HELIX DN50 PN16 1.4301 KIT	1
7.3	4176513	> O-RING FOR PUMP JACKET VP.	1
15.1		> BLASTING PPE HOUSING V-PN16-DN50-304	1
15.2	4217893	> COUNTER FLANGE-G1"1/2-PN16-GJL KIT	1
15.3	4171321	> PRIMING/DRAIN PLUG EPDM HELIX KIT	1
16	4176517	BASEPLATE V8/10 VP.	1



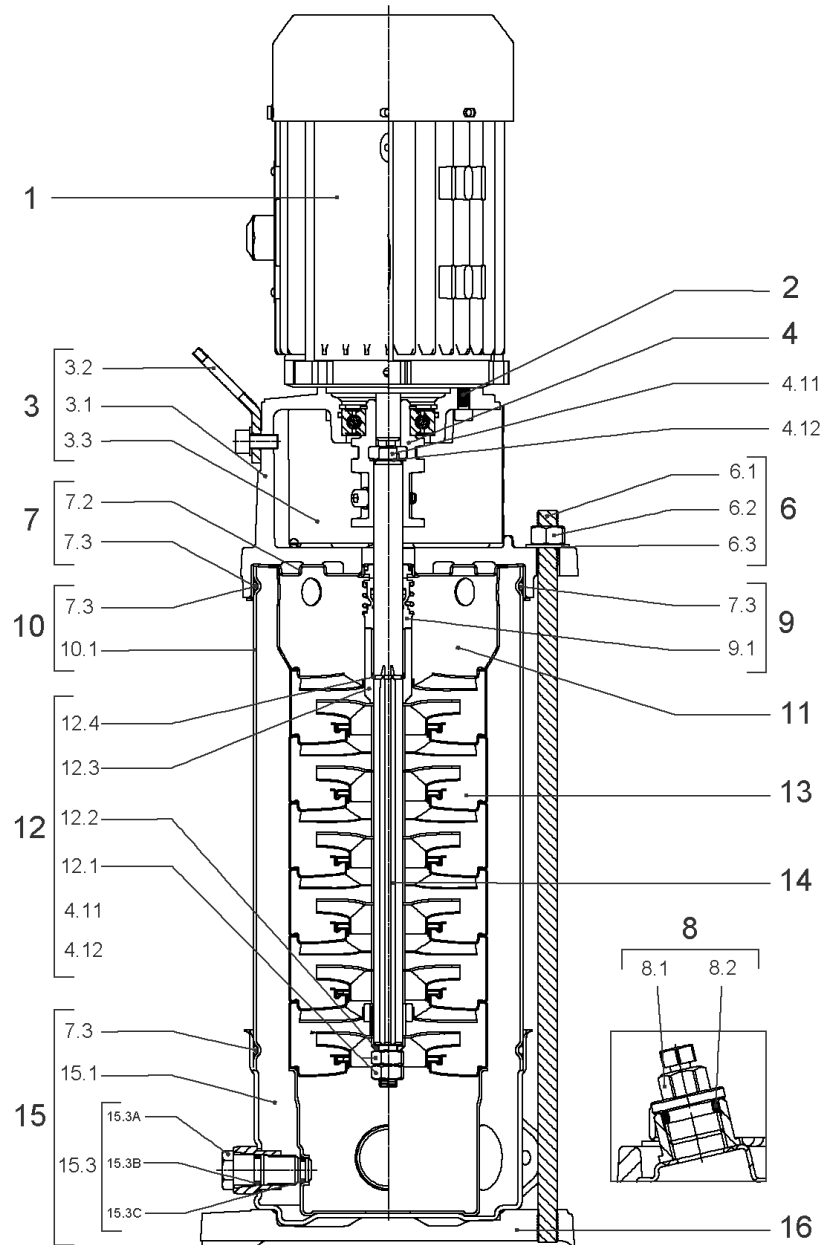
COUPLING D.16XD.28 FT130 HELIX KIT (4159710)

Item	Article no.	Description	Quantity
4.1		COUPLING M+ Ø16XØ28 FT130 MACHINED	1
4.2	2131022	BALL BEARING 6209/ZZ-C3(HT)VP.	1
4.3	4233930	CIRCLIP-FOR-BORES-D45x1,75 VP.	1
4.4	4157726	SCREW KIT M8X30 (4 PIECES)	1
4.5	4234252	CIRCLIPS 85X3 VP.	1
4.6	4234243	O-RING 85X3 VP.	1
		NOMEL CONTACT WASHER 8x16x1,4 STEEL ZC	1



HYDRAULIC HELIX V 1012 1.4307

Item	Article no.	Description	Quantity
13.1	4171331	STAGE HELIX10 1.4301KIT	1
		> MACH.STG-CASING-WOGV-WNR-M+10-304	1
		> IMPELLER-M+10-304	1
13.2	4172792	INTERMEDIATE STAGE HELIX 10 1.4301 KIT	1
		> MACH.BEARING-STG-CASING-WNR-M+10-304	1
		> IMPELLER-M+10-304	1
		> SHAFT SLEEVE-SPACER-Ø19,35x18,465-304	1
		> SHAFT-SLEEVE-D16xD20x18-CW	1
13.3	4172793	INTERMEDIATE STAGE HELIX 10 1.4301 KIT	1
		> MACH.STD-STG-CASING-WGV+NR-M+10-304	1
		> IMPELLER-M+10-304	1
		> IMPELLER SPACER Ø16,05X19,45-L36,465-304	1



HELIX V1013-1/16/E/S/400-50 (4201310)

Item	Article no.	Description	Quantity
1	4169947	MO 5,5/2/112 3~400V50Hz 460V60Hz IE3 VP.	1
		SPARE PARTS MOTOR:ON REQUEST	1
2	4159707	SCREW M8X30 (4 PIECES)	1
3	4214473	LANTERN FT130 HELIX KIT	1
3.1		> LANT-MOT-VMI-ReDTC6"-FT130-MACHINED+CATA	1
3.2	4184852	> EYELET CPL.FT HELIX (2 PIECES)	1
3.3	4213782	> COUPLING PROTECTOR FT115/130 HELIX KIT	1
4	4159710	COUPLING D.16XD.28 FT130 HELIX KIT	1
6	4177848	STUD BOLT M12X713KIT	1
6.1		> TIE BOLT M12-713x18x30-1.4057	1
6.2	2094647	> NUT M12 M12 ISO4032 VP.	1
6.3	2123557	> WASHER CS-12.4-24-1.6-NFE25 (4 PIECES)	1
7	4214481	STATIONARY RING HOLDER HELIX D27 ReDTC	1
7.2	4214479	> STATIONARY RING HOLDER HELIX D27 VP.	1
7.3	4176513	> O-RING FOR PUMP JACKET VP.	1
8	4212724	FILING/PURGING PLUG HELIX ReDTC KIT	1
8.1		> FILLING PLUG MVI6"-304	1
8.2	4177800	> O-RING EPDM PLUG HELIX VP.	1
9	4214483	MECH.SEAL HELIX6-10-16 O/E ReDTC KIT	1
9.1	4177801	> MECH.SEAL HELIX6-10-16 O/E VP.	1
7.3	4176513	> O-RING FOR PUMP JACKET VP.	1
10	4177850	HOUSING PIPES D.152X585 1.4301 KIT	1
7.3	4176513	> O-RING FOR PUMP JACKET VP.	1
10.1		> HOUSING-PIPE Ø152-M+1013/14-304	1
11	4172791	CENTERING STAGE-RETURN HELIX10 1.4301VP.	1
12	4214517	SHAFT EQUIPMENT HELIX V10 ReDTC KIT	1
12.1		> NUT-H-M10-A4.70	1
12.2		> SERRATED LOCK WASHER M+10M3-316L	1
12.3		> 1/2-SNAP-RING-6/10M3-316L	1
12.4		> STOP-RUSH-1/2-D16xd2-M+316	1
4.11		> SCREW CHC-M6X14-8.8-ISO4762-GEOMET500A	1
4.12		> WASHER D.24 L6U ZINK	1
13		HYDRAULIC HELIX V 1013 1.4307	1
14	4214512	SHAFT D.16X653 HELIX 1.4057 VP.	1

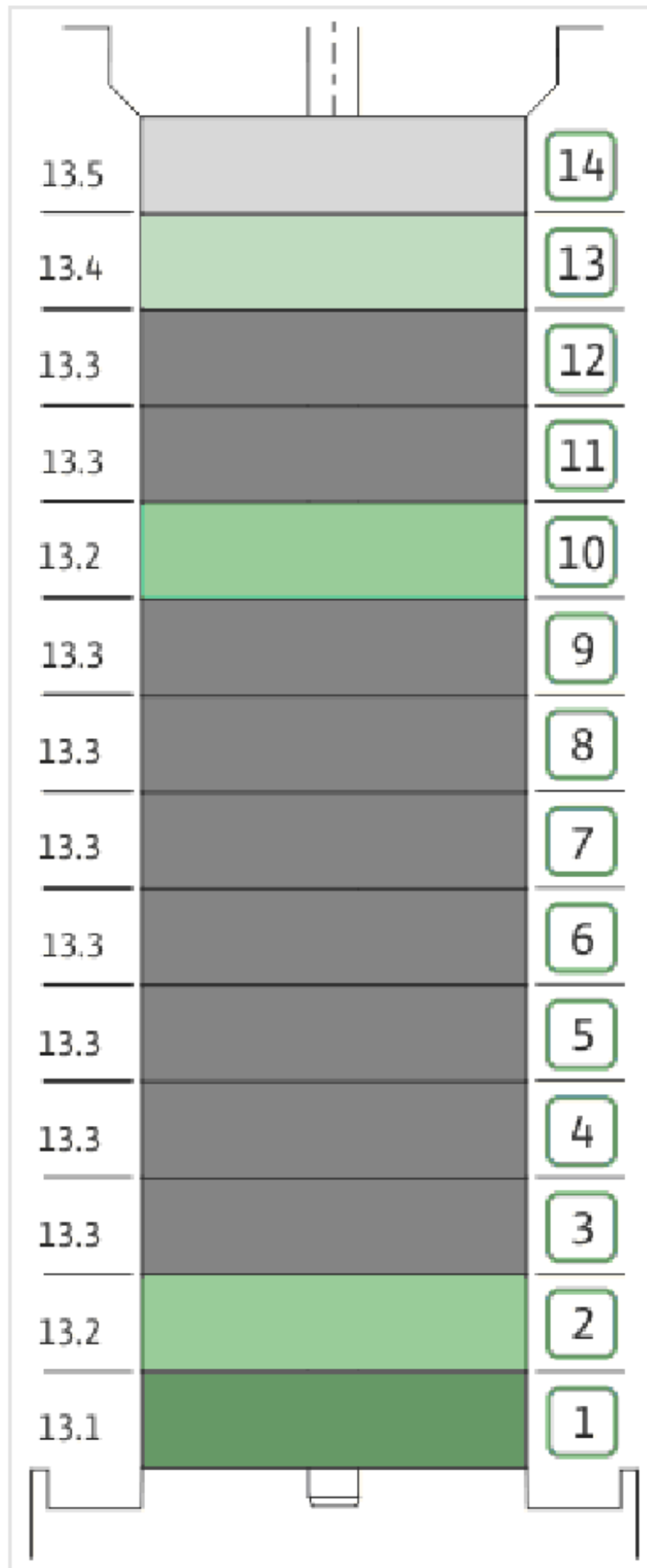
HELIX V1013-1/16/E/S/400-50 (4201310)

Item	Article no.	Description	Quantity
15	4159682	PUMP HOUSING HELIX DN50 PN16 1.4301 KIT	1
7.3	4176513	> O-RING FOR PUMP JACKET VP.	1
15.1		> BLASTING PPE HOUSING V-PN16-DN50-304	1
15.2	4217893	> COUNTER FLANGE-G1"1/2-PN16-GJL KIT	1
15.3	4171321	> PRIMING/DRAIN PLUG EPDM HELIX KIT	1
16	4176517	BASEPLATE V8/10 VP.	1



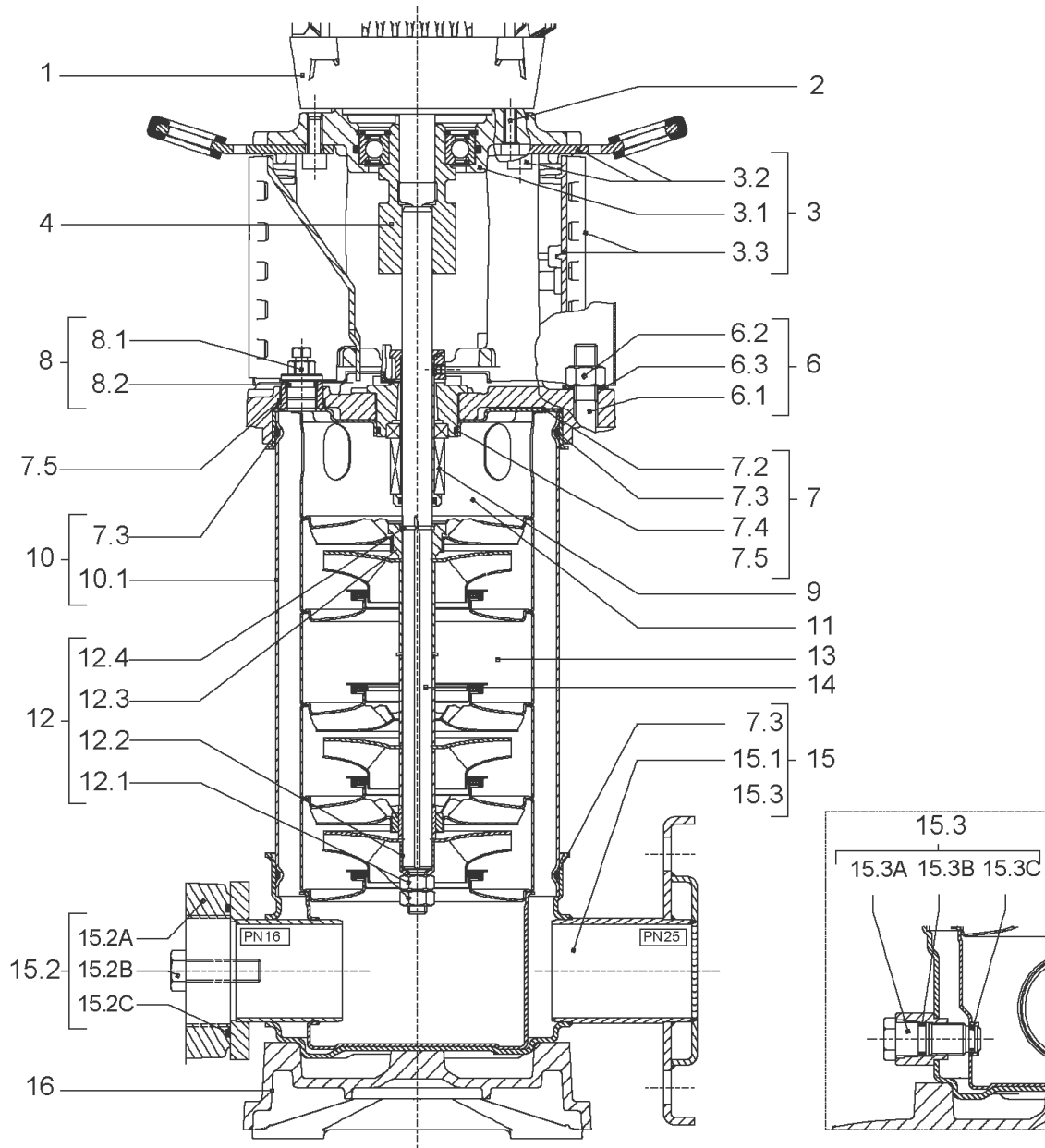
COUPLING D.16XD.28 FT130 HELIX KIT (4159710)

Item	Article no.	Description	Quantity
4.1		COUPLING M+ Ø16XØ28 FT130 MACHINED	1
4.2	2131022	BALL BEARING 6209/ZZ-C3(HT)VP.	1
4.3	4233930	CIRCLIP-FOR-BORES-D45x1,75 VP.	1
4.4	4157726	SCREW KIT M8X30 (4 PIECES)	1
4.5	4234252	CIRCLIPS 85X3 VP.	1
4.6	4234243	O-RING 85X3 VP.	1
		NOMEL CONTACT WASHER 8x16x1,4 STEEL ZC	1



HYDRAULIC HELIX V 1013 1.4307

Item	Article no.	Description	Quantity
13.1	4171331	STAGE HELIX10 1.4301KIT	1
		> MACH.STG-CASING-WOGV-WNR-M+10-304	1
		> IMPELLER-M+10-304	1
13.2	4172792	INTERMEDIATE STAGE HELIX 10 1.4301 KIT	1
		> MACH.BEARING-STG-CASING-WNR-M+10-304	1
		> IMPELLER-M+10-304	1
		> SHAFT SLEEVE-SPACER-Ø19,35x18,465-304	1
		> SHAFT-SLEEVE-D16xD20x18-CW	1
13.3	4172793	INTERMEDIATE STAGE HELIX 10 1.4301 KIT	1
		> MACH.STD-STG-CASING-WGV+NR-M+10-304	1
		> IMPELLER-M+10-304	1
		> IMPELLER SPACER Ø16,05X19,45-L36,465-304	1
13.4	4172800	EMPTY STAGE HELIX10 1.4301 KIT	1
		> MACH.STD-STG-CASING-WGV+NR-M+10-304	1
		> FLAT WASHER-D16.1XD22X1.2-316L	1
		> IMPELLER SPACER Ø16,05X19,45-L36,465-304	1
13.5	4172799	STAGE HELIX 10 1.4301 KIT	1
		> MACH.STG-CASING-WOGV-WNR-M+10-304	1
		> IMPELLER-M+10-304	1
		> IMPELLER SPACER Ø16,05X19,45-L36,465-304	1

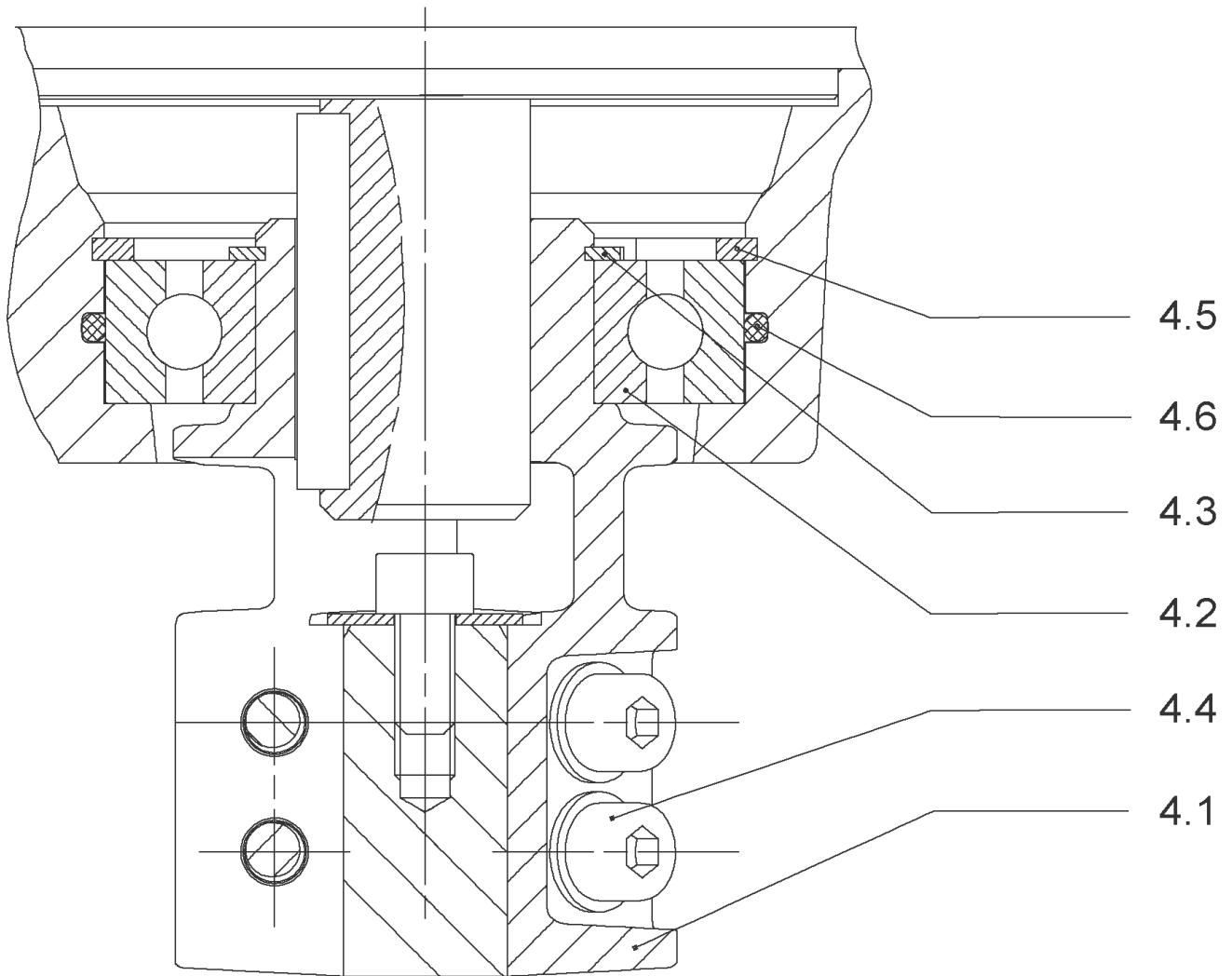


HELIX V1002-1/16/E/S/460-60 (4192446)

Item	Article no.	Description	Quantity
1	4169942	MO.1,5/2 3~230/400(440)V 50(60)HZ IE3 VP	1
		SPARE PARTS MOTOR:ON REQUEST	1
2	4159703	SCREW M8X40 (4 PIECES)	1
3	4172795	LANTERNE FT115 HELIX KIT	1
3.1		> M+5_6_LANTERN_ONE-PIECE_FT115_CATA	1
3.2	2127604	> EYELET CPL.FT HELIX(2 PIECES)	1
3.3	4159692	> COUPLING PROTECTOR FT HELIX KIT	1
4	4159709	COUPLING D.16xD.24 FT115 HELIX KIT	1
6	4177803	STUD BOLT M12X263 KIT	1
6.1		> TIE BOLT M12-263x18x30-1.4057	1
6.2	2094647	> NUT M12 M12 ISO4032 VP.	1
6.3	2123557	> WASHER CS-12.4-24-1.6-NFE25 (4 PIECES)	1
7	4210143	STATIONARY RING HOLDER HELIX 6" EPDM	1
7.2	2127607	> STATIONARY RING HOLDER 6" HELIX 1.4301 V	1
7.3	4176513	> O-RING FOR PUMP JACKET VP.	1
7.4	2127603	> O-RING ID.37,6x2,4 EPDM VP.	1
7.5	2127602	> O-RING ID.21,35x2 EPDM VP.	1
8	4159686	FILING/PURGING PLUG HELIX EPDM KIT	1
9	4171327	SEAL-KIT-HELIX6-10-16 O/E KIT	1
10	4177804	HOUSING PIPES D.152X134 1.4301 KIT	1
7.3	4176513	> O-RING FOR PUMP JACKET VP.	1
10.1		> HOUSING-PIPE Ø152-M+1001/02-304	1
11	4172791	CENTERING STAGE-RETURN HELIX10 1.4301VP.	1
12	4209273	SHAFT EQUIPMENT HELIX V10 KIT	1
12.1		> NUT-H-M10-A4.70	1
12.2		> SERRATED LOCK WASHER M+10M3-316L	1
12.3		> IMPELLER STOP RING L33,6-304	1
12.4		> STOP-RUSH-1/2-D16xd2-M+316	1
13		HYDRAULIC HELIX V 1002 1.4307	1
14	4177807	SHAFT D.16X255 1.4301 VP.	1
15	4159682	PUMP HOUSING HELIX DN50 PN16 1.4301 KIT	1
7.3	4176513	> O-RING FOR PUMP JACKET VP.	1
15.1		> BLASTING PPE HOUSING V-PN16-DN50-304	1
15.2	4217893	> COUNTER FLANGE-G1"1/2-PN16-GJL KIT	1

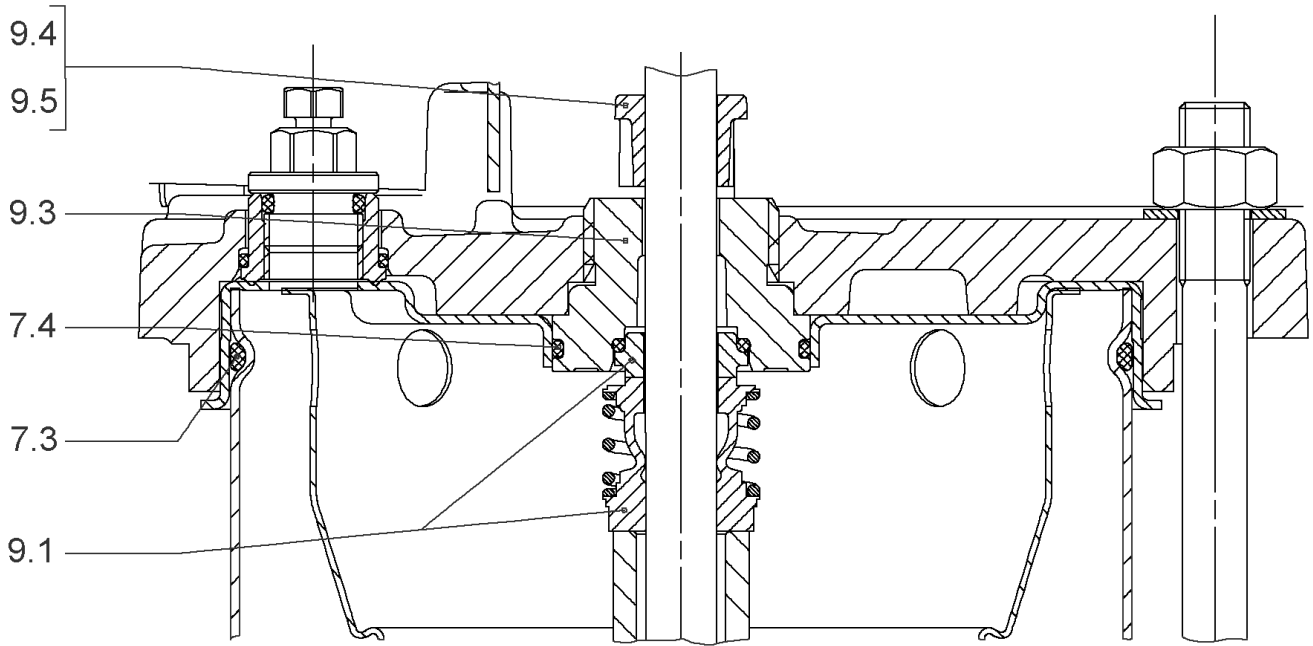
HELIX V1002-1/16/E/S/460-60 (4192446)

Item	Article no.	Description	Quantity
15.3	4171321	> PRIMING/DRAIN PLUG EPDM HELIX KIT	1
16	4176517	BASEPLATE V8/10 VP.	1



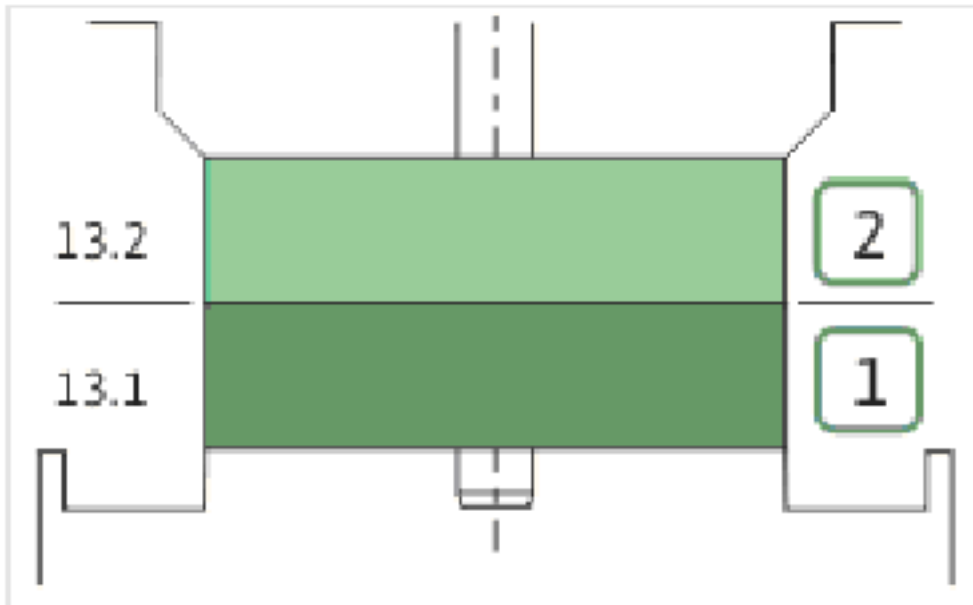
COUPLING D.16xD.24 FT115 HELIX KIT (4159709)

Item	Article no.	Description	Quantity
4.1		COUPLING M+ Ø16XØ24 FT115 MACHINED	1
4.2	2131023	BALL BEARING 6207/ZZ-C3(HT)VP.	1
4.3	4234254	CIRCLIP-FOR-SHAFT-D35x1.5 VP.	1
4.4	4157726	SCREW KIT M8X30 (4 PIECES)	1
4.5	4234251	CIRCLIP-D72x2.5 VP.	1
4.6	4234246	O-RING 72X3 VP.	1
		NOMEL CONTACT WASHER 8x16x1,4 STEEL ZC	1



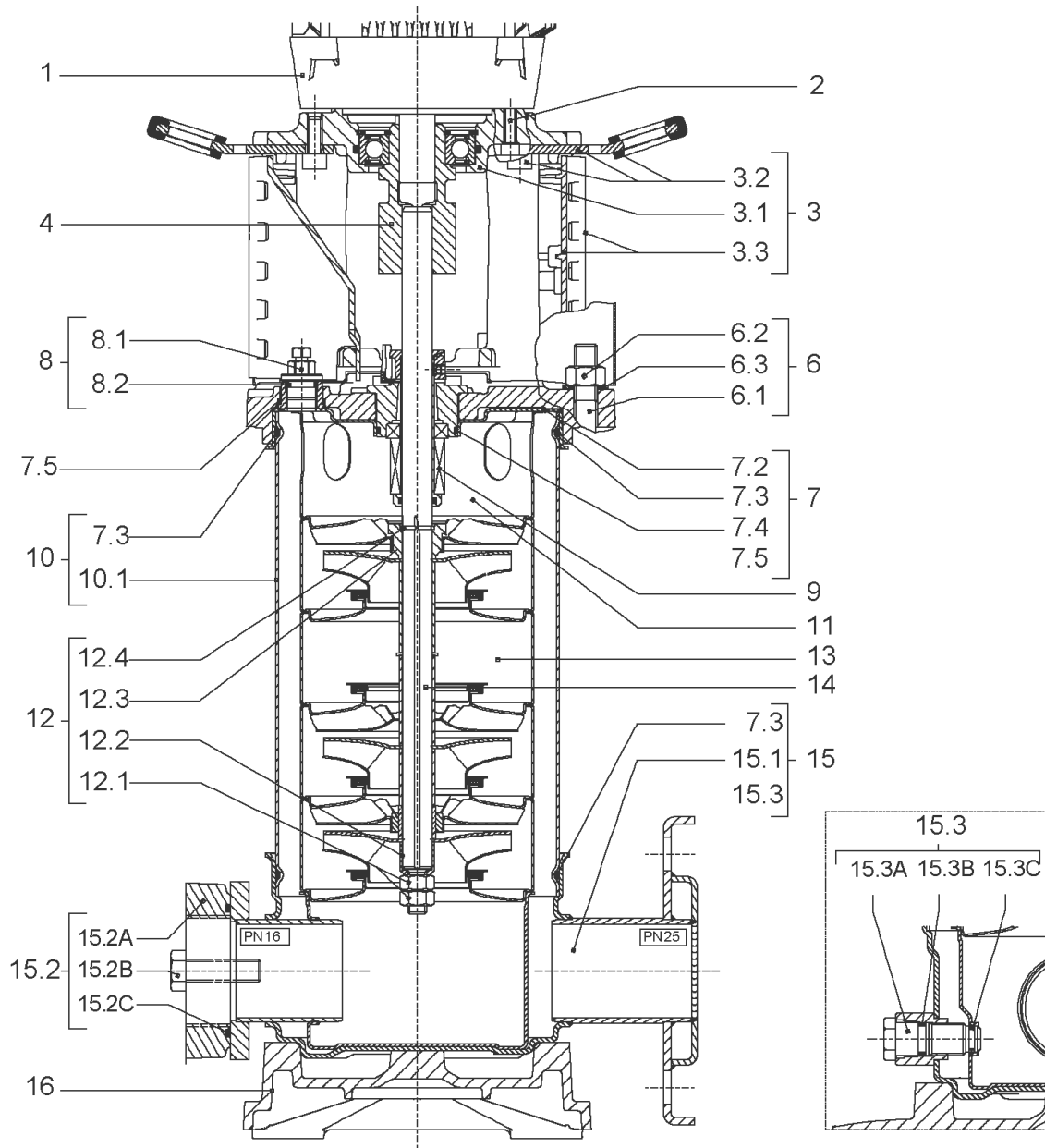
SEAL-KIT-HELIX6-10-16 O/E KIT (4171327)

Item	Article no.	Description	Quantity
7.3	4176513	O-RING FOR PUMP JACKET VP.	1
7.4	2127603	O-RING ID.37,6x2,4 EPDM VP.	1
9.1	4177801	MECH.SEAL HELIX6-10-16 O/E VP.	1
9.3	4177798	MACHINED RING HOLDER M+6" Ø16 304 VP.	1
9.5	4177799	MACHINED DRIVE RING Ø16 VP.	1
9.4	4176520	SCREW CH M5x5 A4-70 (3PIECES)	1



HYDRAULIC HELIX V 1002 1.4307

Item	Article no.	Description	Quantity
13.1	4171331	STAGE HELIX10 1.4301KIT	1
		> MACH.STG-CASING-WOGV-WNR-M+10-304	1
		> IMPELLER-M+10-304	1
13.2	4172792	INTERMEDIATE STAGE HELIX 10 1.4301 KIT	1
		> MACH.BEARING-STG-CASING-WNR-M+10-304	1
		> IMPELLER-M+10-304	1
		> SHAFT SLEEVE-SPACER-Ø19,35x18,465-304	1
		> SHAFT-SLEEVE-D16xD20x18-CW	1



HELIX V1003-1/16/E/S/460-60 (4192447)

Item	Article no.	Description	Quantity
1	4169943	MOTOR 2,2/2/90 3~230/400V 50HZ IE3 VP.	1
		SPARE PARTS MOTOR:ON REQUEST	1
2	4159703	SCREW M8X40 (4 PIECES)	1
3	4172795	LANTERNE FT115 HELIX KIT	1
3.1		> M+5_6_LANTERN_ONE-PIECE_FT115_CATA	1
3.2	2127604	> EYELET CPL.FT HELIX(2 PIECES)	1
3.3	4159692	> COUPLING PROTECTOR FT HELIX KIT	1
4	4159709	COUPLING D.16xD.24 FT115 HELIX KIT	1
6	4177812	STUD BOLT M12X300KIT	1
6.1		> TIE BOLT M12-300x18x30-1.4057	1
6.2	2094647	> NUT M12 M12 ISO4032 VP.	1
6.3	2123557	> WASHER CS-12.4-24-1.6-NFE25 (4 PIECES)	1
7	4210143	STATIONARY RING HOLDER HELIX 6" EPDM	1
7.2	2127607	> STATIONARY RING HOLDER 6" HELIX 1.4301 V	1
7.3	4176513	> O-RING FOR PUMP JACKET VP.	1
7.4	2127603	> O-RING ID.37,6x2,4 EPDM VP.	1
7.5	2127602	> O-RING ID.21,35x2 EPDM VP.	1
8	4159686	FILING/PURGING PLUG HELIX EPDM KIT	1
9	4171327	SEAL-KIT-HELIX6-10-16 O/E KIT	1
10	4177813	HOUSING PIPE D.152x172 1.4301 KIT	1
7.3	4176513	> O-RING FOR PUMP JACKET VP.	1
10.1		> HOUSING-PIPE Ø152-M+1003-304	1
11	4172791	CENTERING STAGE-RETURN HELIX10 1.4301VP.	1
12	4209273	SHAFT EQUIPMENT HELIX V10 KIT	1
12.1		> NUT-H-M10-A4.70	1
12.2		> SERRATED LOCK WASHER M+10M3-316L	1
12.3		> IMPELLER STOP RING L33,6-304	1
12.4		> STOP-RUSH-1/2-D16xd2-M+316	1
13		HYDRAULIC HELIX V 1003 1.4307	1
14	4177815	SHAFT D.16X292,5 1.4301 VP.	1
15	4159682	PUMP HOUSING HELIX DN50 PN16 1.4301 KIT	1
7.3	4176513	> O-RING FOR PUMP JACKET VP.	1
15.1		> BLASTING PPE HOUSING V-PN16-DN50-304	1
15.2	4217893	> COUNTER FLANGE-G1"1/2-PN16-GJL KIT	1

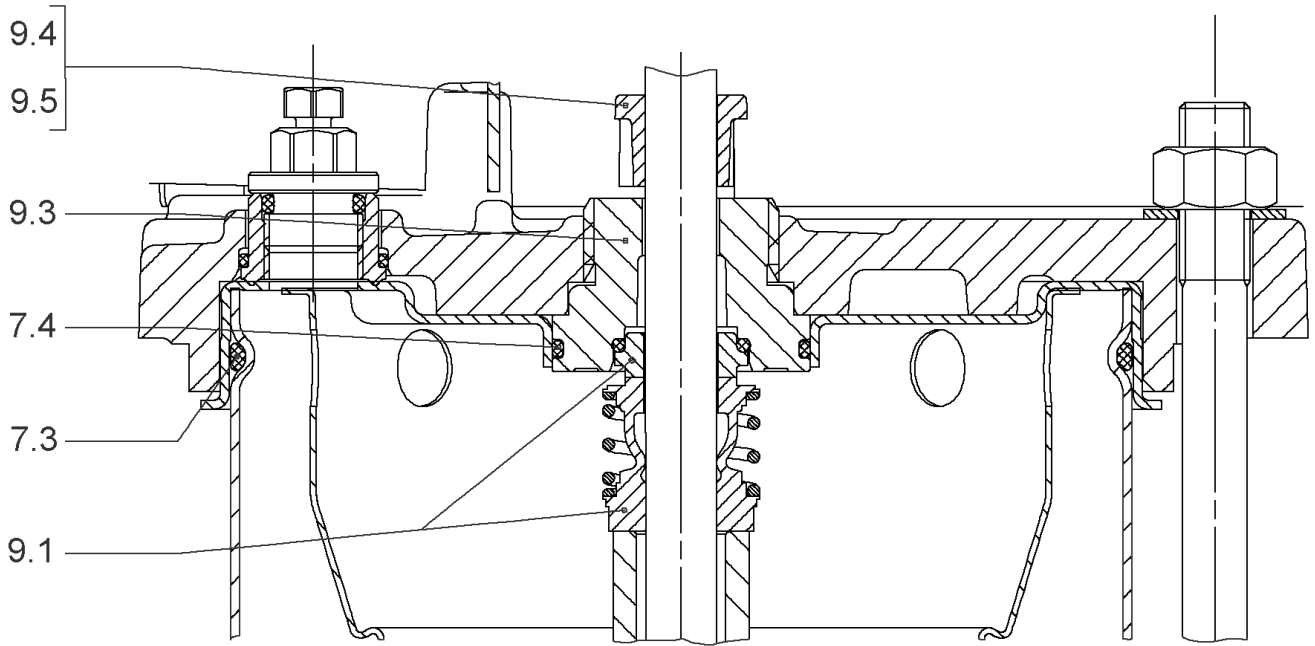
HELIX V1003-1/16/E/S/460-60 (4192447)

Item	Article no.	Description	Quantity
15.3	4171321	> PRIMING/DRAIN PLUG EPDM HELIX KIT	1
16	4176517	BASEPLATE V8/10 VP.	1



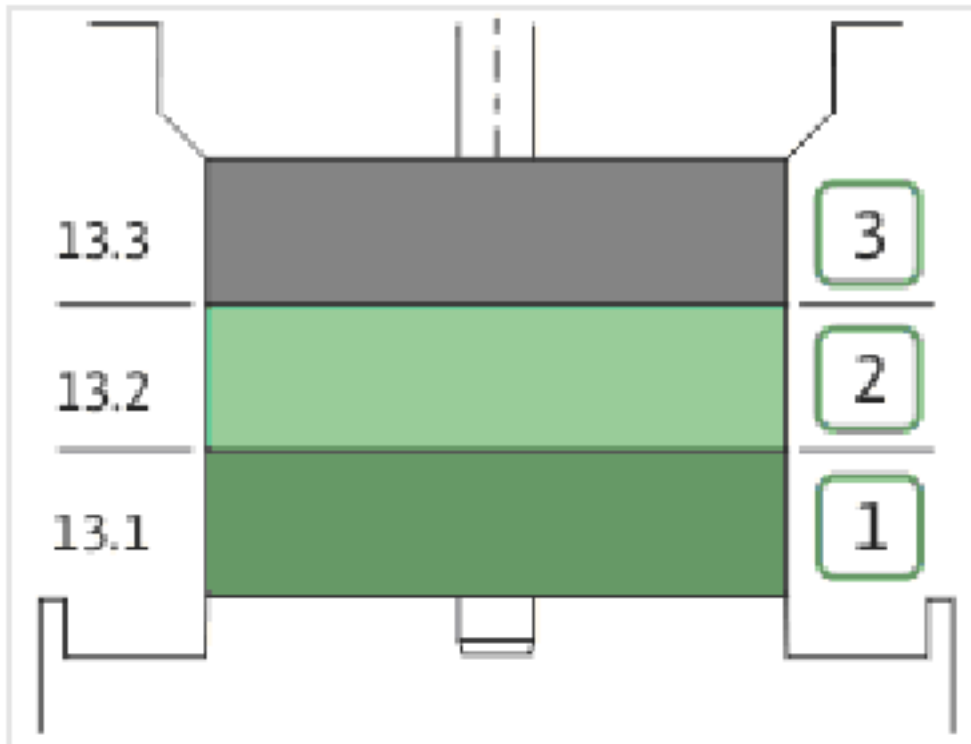
COUPLING D.16xD.24 FT115 HELIX KIT (4159709)

Item	Article no.	Description	Quantity
4.1		COUPLING M+ Ø16XØ24 FT115 MACHINED	1
4.2	2131023	BALL BEARING 6207/ZZ-C3(HT)VP.	1
4.3	4234254	CIRCLIP-FOR-SHAFT-D35x1.5 VP.	1
4.4	4157726	SCREW KIT M8X30 (4 PIECES)	1
4.5	4234251	CIRCLIP-D72x2.5 VP.	1
4.6	4234246	O-RING 72X3 VP.	1
		NOMEL CONTACT WASHER 8x16x1,4 STEEL ZC	1



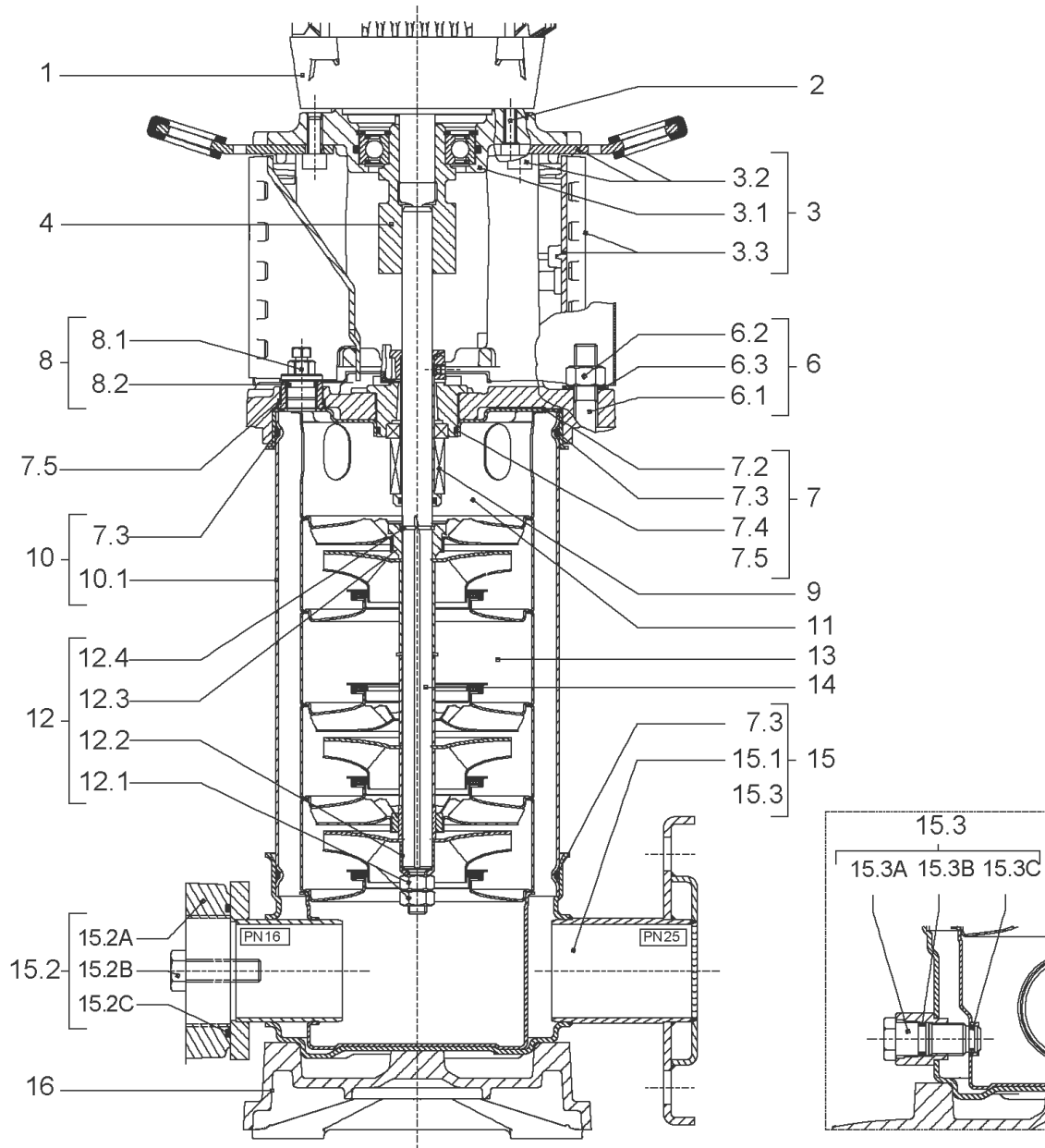
SEAL-KIT-HELIX6-10-16 O/E KIT (4171327)

Item	Article no.	Description	Quantity
7.3	4176513	O-RING FOR PUMP JACKET VP.	1
7.4	2127603	O-RING ID.37,6x2,4 EPDM VP.	1
9.1	4177801	MECH.SEAL HELIX6-10-16 O/E VP.	1
9.3	4177798	MACHINED RING HOLDER M+6" Ø16 304 VP.	1
9.5	4177799	MACHINED DRIVE RING Ø16 VP.	1
9.4	4176520	SCREW CH M5x5 A4-70 (3PIECES)	1



HYDRAULIC HELIX V 1003 1.4307

Item	Article no.	Description	Quantity
13.1	4171331	STAGE HELIX10 1.4301KIT	1
		> MACH.STG-CASING-WOGV-WNR-M+10-304	1
		> IMPELLER-M+10-304	1
13.2	4172792	INTERMEDIATE STAGE HELIX 10 1.4301 KIT	1
		> MACH.BEARING-STG-CASING-WNR-M+10-304	1
		> IMPELLER-M+10-304	1
		> SHAFT SLEEVE-SPACER-Ø19,35x18,465-304	1
		> SHAFT-SLEEVE-D16xD20x18-CW	1
13.3	4172793	INTERMEDIATE STAGE HELIX 10 1.4301 KIT	1
		> MACH.STD-STG-CASING-WGV+NR-M+10-304	1
		> IMPELLER-M+10-304	1
		> IMPELLER SPACER Ø16,05X19,45-L36,465-304	1



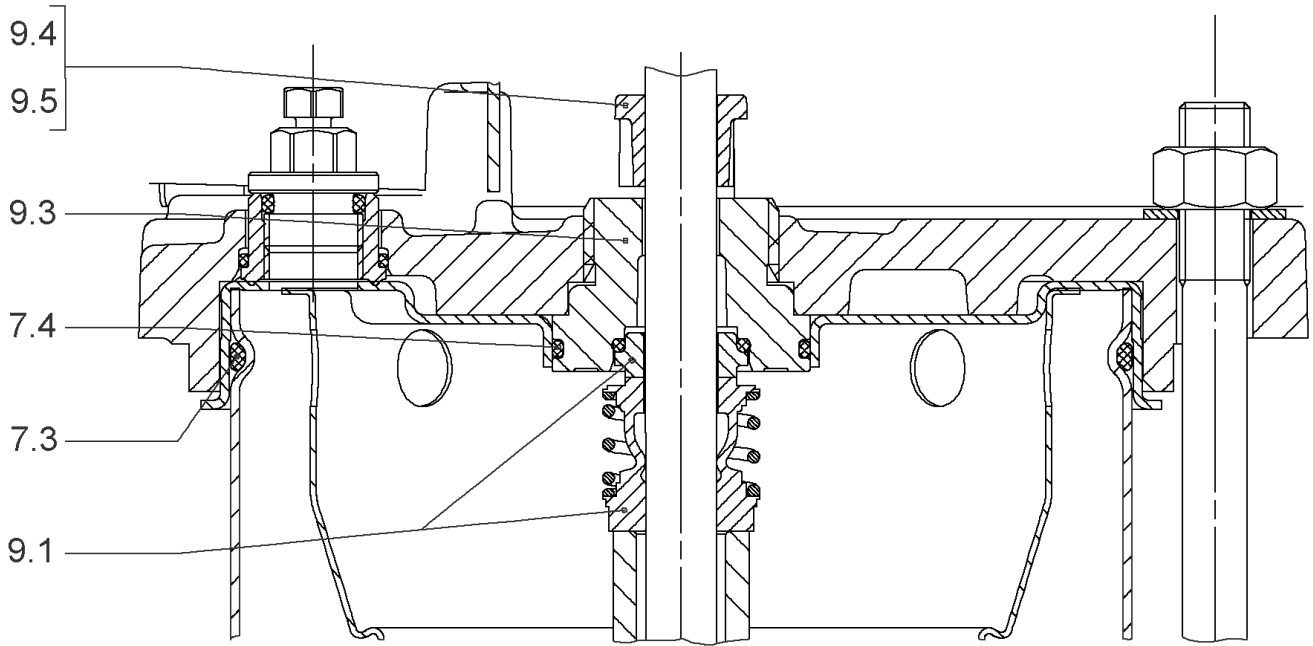
HELIX V1004-1/16/E/S/460-60 (4192448)

Item	Article no.	Description	Quantity
1	4169944	MOTOR 3/2/100 3~230/400V 50HZ IE3 VP.	1
		SPARE PARTS MOTOR:ON REQUEST	1
2	4206025	SCREW M8X45 (4 PIECES)	1
3	4172789	LANTERN FT130 HELIX V10 KIT	1
3.1		> M+5_6_LANTERN_ONE-PIECE_FT130_CATA	1
3.2	2127604	> EYELET CPL.FT HELIX(2 PIECES)	1
3.3	4159692	> COUPLING PROTECTOR FT HELIX KIT	1
4	4159710	COUPLING D.16XD.28 FT130 HELIX KIT	1
6	2127553	STUD BOLT M12X341 KIT	1
7	4210143	STATIONARY RING HOLDER HELIX 6" EPDM	1
7.2	2127607	> STATIONARY RING HOLDER 6" HELIX 1.4301 V	1
7.3	4176513	> O-RING FOR PUMP JACKET VP.	1
7.4	2127603	> O-RING ID.37,6x2,4 EPDM VP.	1
7.5	2127602	> O-RING ID.21,35x2 EPDM VP.	1
8	4159686	FILING/PURGING PLUG HELIX EPDM KIT	1
9	4171327	SEAL-KIT-HELIX6-10-16 O/E KIT	1
10	2127575	HOUSING PIPE D.152x210 1.4301 KIT	1
11	4172791	CENTERING STAGE-RETURN HELIX10 1.4301VP.	1
12	4209273	SHAFT EQUIPMENT HELIX V10 KIT	1
12.1		> NUT-H-M10-A4.70	1
12.2		> SERRATED LOCK WASHER M+10M3-316L	1
12.3		> IMPELLER STOP RING L33,6-304	1
12.4		> STOP-RUSH-1/2-D16xd2-M+316	1
13		HYDRAULIC HELIX V 1004 1.4307	1
14	2127564	SHAFT D.16X330 1.4301 VP.	1
15	4159682	PUMP HOUSING HELIX DN50 PN16 1.4301 KIT	1
7.3	4176513	> O-RING FOR PUMP JACKET VP.	1
15.1		> BLASTING PPE HOUSING V-PN16-DN50-304	1
15.2	4217893	> COUNTER FLANGE-G1"1/2-PN16-GJL KIT	1
15.3	4171321	> PRIMING/DRAIN PLUG EPDM HELIX KIT	1
16	4176517	BASEPLATE V8/10 VP.	1



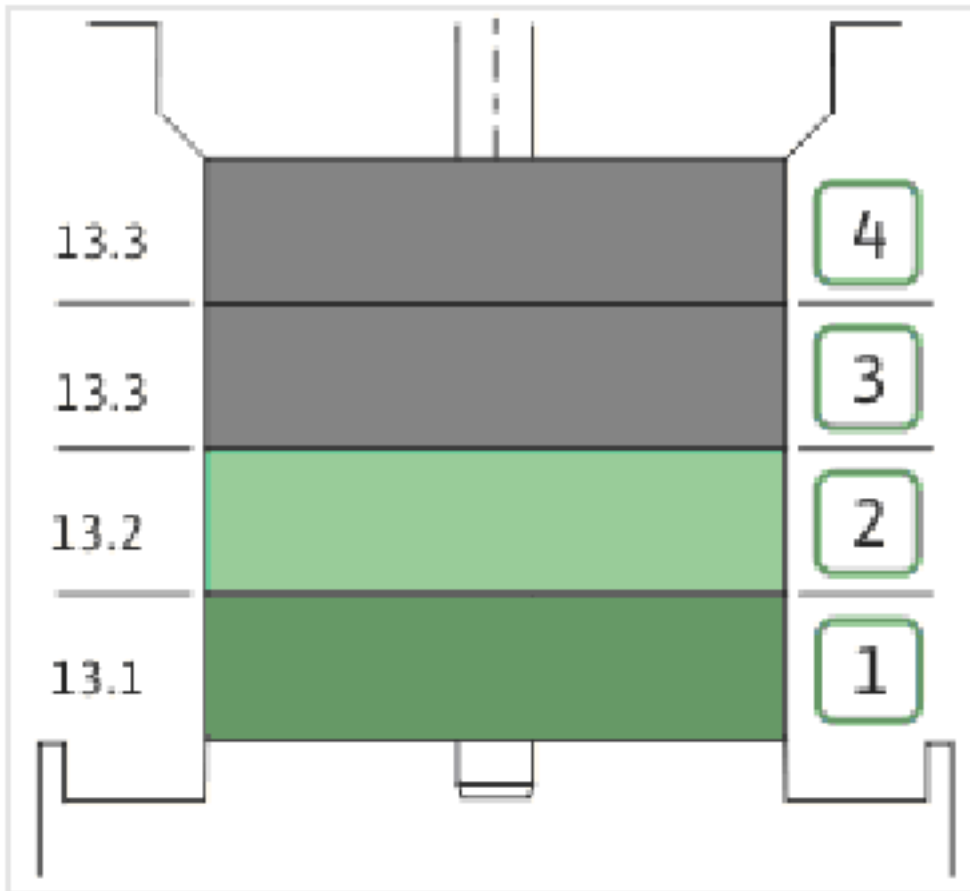
COUPLING D.16XD.28 FT130 HELIX KIT (4159710)

Item	Article no.	Description	Quantity
4.1		COUPLING M+ Ø16XØ28 FT130 MACHINED	1
4.2	2131022	BALL BEARING 6209/ZZ-C3(HT)VP.	1
4.3	4233930	CIRCLIP-FOR-BORES-D45x1,75 VP.	1
4.4	4157726	SCREW KIT M8X30 (4 PIECES)	1
4.5	4234252	CIRCLIPS 85X3 VP.	1
4.6	4234243	O-RING 85X3 VP.	1
		NOMEL CONTACT WASHER 8x16x1,4 STEEL ZC	1



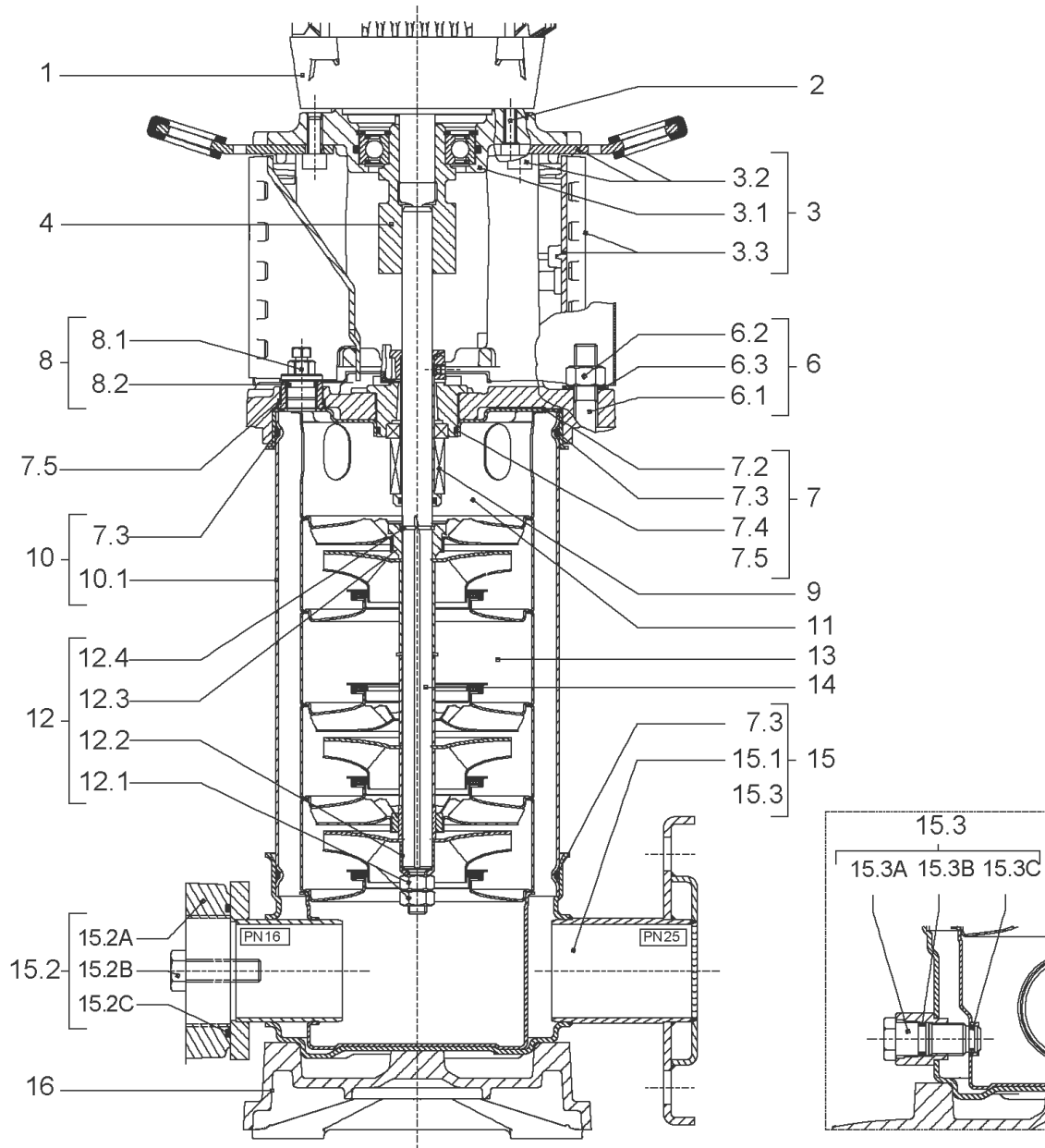
SEAL-KIT-HELIX6-10-16 O/E KIT (4171327)

Item	Article no.	Description	Quantity
7.3	4176513	O-RING FOR PUMP JACKET VP.	1
7.4	2127603	O-RING ID.37,6x2,4 EPDM VP.	1
9.1	4177801	MECH.SEAL HELIX6-10-16 O/E VP.	1
9.3	4177798	MACHINED RING HOLDER M+6" Ø16 304 VP.	1
9.5	4177799	MACHINED DRIVE RING Ø16 VP.	1
9.4	4176520	SCREW CH M5x5 A4-70 (3PIECES)	1



HYDRAULIC HELIX V 1004 1.4307

Item	Article no.	Description	Quantity
13.3	4172793	INTERMEDIATE STAGE HELIX 10 1.4301 KIT	1
		> MACH.STD-STG-CASING-WGV+NR-M+10-304	1
		> IMPELLER-M+10-304	1
		> IMPELLER SPACER Ø16,05X19,45-L36,465-304	1
13.2	4172792	INTERMEDIATE STAGE HELIX 10 1.4301 KIT	1
		> MACH.BEARING-STG-CASING-WNR-M+10-304	1
		> IMPELLER-M+10-304	1
		> SHAFT SLEEVE-SPACER-Ø19,35x18,465-304	1
		> SHAFT-SLEEVE-D16xD20x18-CW	1
13.1	4171331	STAGE HELIX10 1.4301KIT	1
		> MACH.STG-CASING-WOGV-WNR-M+10-304	1
		> IMPELLER-M+10-304	1



HELIX V1005-1/16/E/S/460-60 (4192449)

Item	Article no.	Description	Quantity
1	4169945	MO.4/2 3~230/400(460)V 50(60)HZ IE3 VP.	1
		SPARE PARTS MOTOR:ON REQUEST	1
2	4206025	SCREW M8X45 (4 PIECES)	1
3	4172789	LANTERN FT130 HELIX V10 KIT	1
3.1		> M+5_6_LANTERN_ONE-PIECE_FT130_CATA	1
3.2	2127604	> EYELET CPL.FT HELIX(2 PIECES)	1
3.3	4159692	> COUPLING PROTECTOR FT HELIX KIT	1
4	4159710	COUPLING D.16XD.28 FT130 HELIX KIT	1
6	2018576	STUD BOLT M12X377 KIT	1
6.1		> TIE BOLT M12-377x18x30-1.4057	1
6.2	2094647	> NUT M12 M12 ISO4032 VP.	1
6.3	2123557	> WASHER CS-12.4-24-1.6-NFE25 (4 PIECES)	1
7	4210143	STATIONARY RING HOLDER HELIX 6" EPDM	1
7.2	2127607	> STATIONARY RING HOLDER 6" HELIX 1.4301 V	1
7.3	4176513	> O-RING FOR PUMP JACKET VP.	1
7.4	2127603	> O-RING ID.37,6x2,4 EPDM VP.	1
7.5	2127602	> O-RING ID.21,35x2 EPDM VP.	1
8	4159686	FILING/PURGING PLUG HELIX EPDM KIT	1
9	4171327	SEAL-KIT-HELIX6-10-16 O/E KIT	1
10	4176518	HOUSING PIPES D.152X247 1.4301 KIT	1
7.3	4176513	> O-RING FOR PUMP JACKET VP.	1
10.1		> HOUSING-PIPE Ø152-M+1005-304	1
11	4172791	CENTERING STAGE-RETURN HELIX10 1.4301VP.	1
12	4209273	SHAFT EQUIPMENT HELIX V10 KIT	1
12.1		> NUT-H-M10-A4.70	1
12.2		> SERRATED LOCK WASHER M+10M3-316L	1
12.3		> IMPELLER STOP RING L33,6-304	1
12.4		> STOP-RUSH-1/2-D16xd2-M+316	1
13		HYDRAULIC HELIX V 1005 1.4307	1
14	4176515	SHAFT D.16 X367,5 1. 4301 VP.	1
15	4159682	PUMP HOUSING HELIX DN50 PN16 1.4301 KIT	1
7.3	4176513	> O-RING FOR PUMP JACKET VP.	1
15.1		> BLASTING PPE HOUSING V-PN16-DN50-304	1
15.2	4217893	> COUNTER FLANGE-G1"1/2-PN16-GJL KIT	1

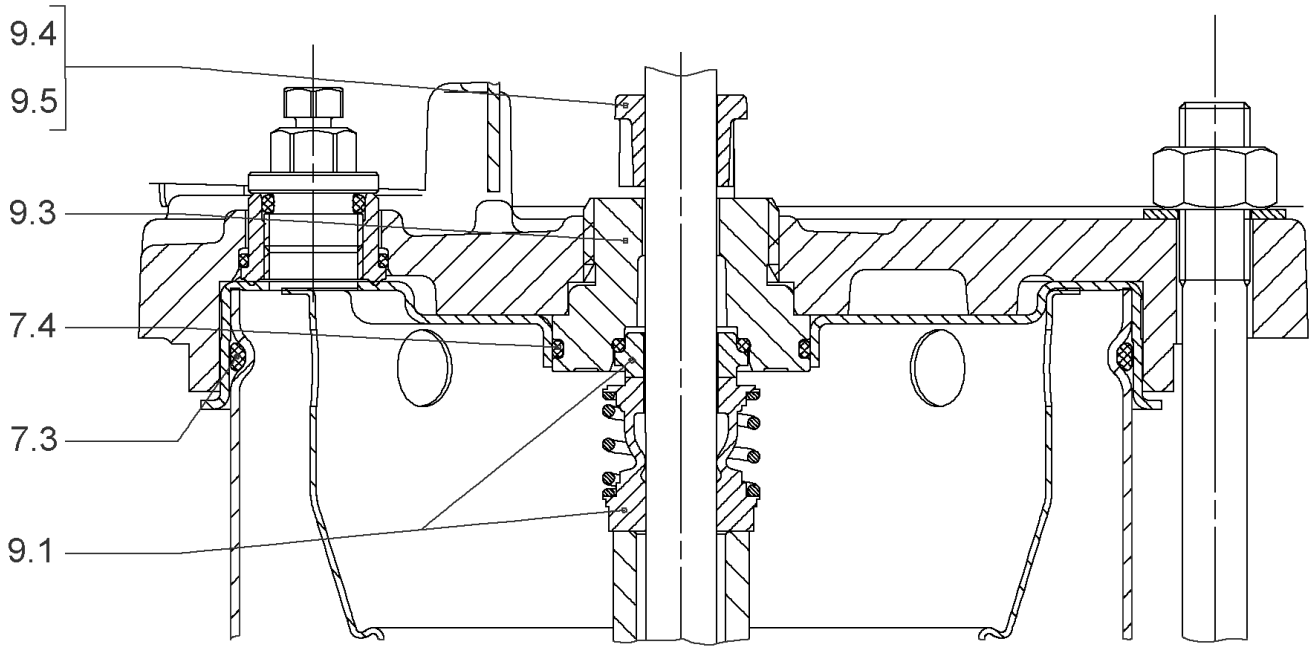
HELIX V1005-1/16/E/S/460-60 (4192449)

Item	Article no.	Description	Quantity
15.3	4171321	> PRIMING/DRAIN PLUG EPDM HELIX KIT	1
16	4176517	BASEPLATE V8/10 VP.	1



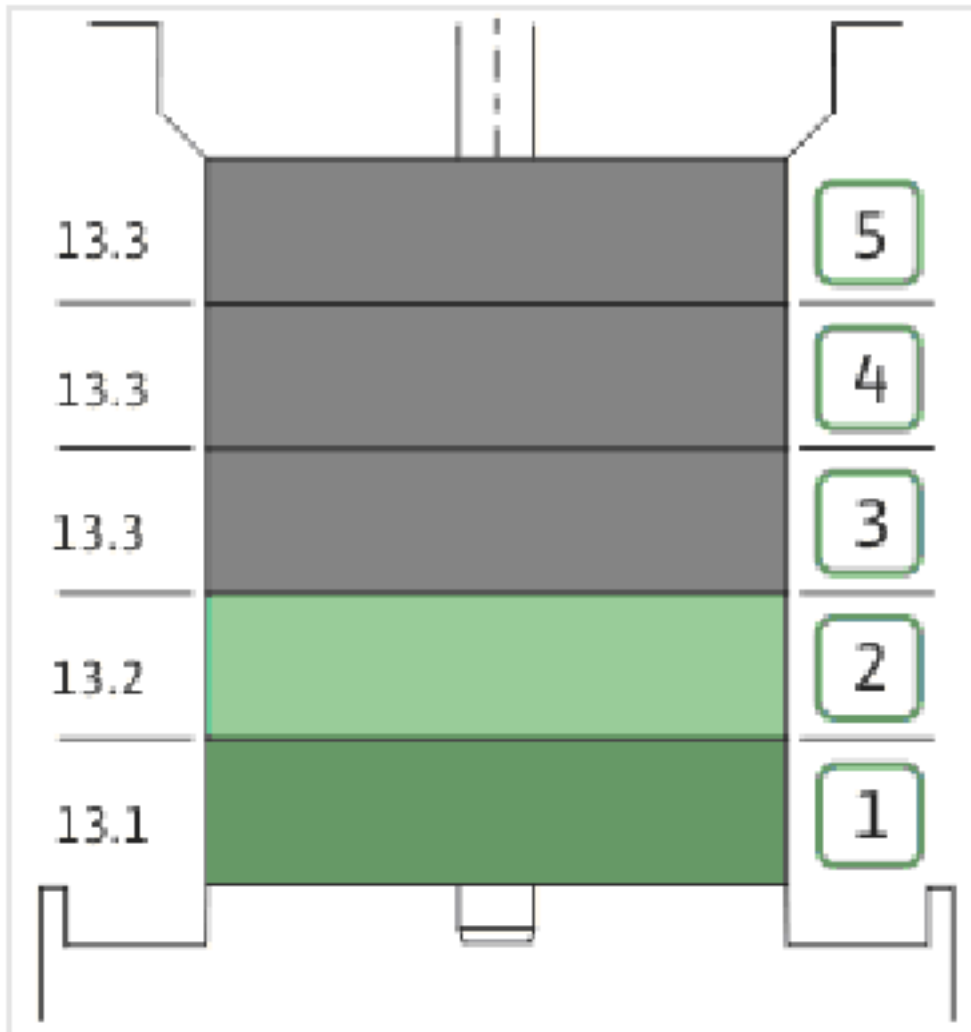
COUPLING D.16XD.28 FT130 HELIX KIT (4159710)

Item	Article no.	Description	Quantity
4.1		COUPLING M+ Ø16XØ28 FT130 MACHINED	1
4.2	2131022	BALL BEARING 6209/ZZ-C3(HT)VP.	1
4.3	4233930	CIRCLIP-FOR-BORES-D45x1,75 VP.	1
4.4	4157726	SCREW KIT M8X30 (4 PIECES)	1
4.5	4234252	CIRCLIPS 85X3 VP.	1
4.6	4234243	O-RING 85X3 VP.	1
		NOMEL CONTACT WASHER 8x16x1,4 STEEL ZC	1



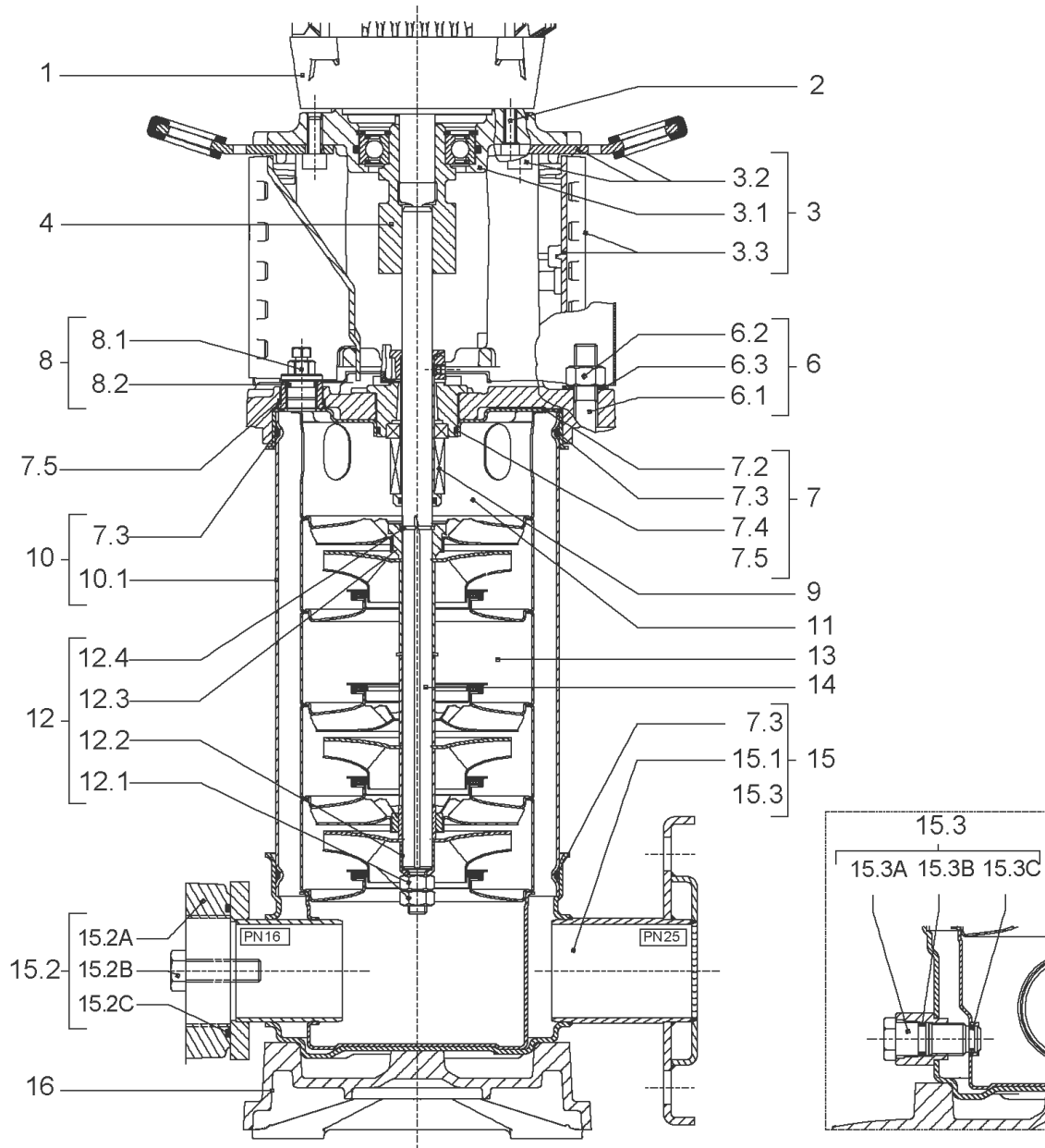
SEAL-KIT-HELIX6-10-16 O/E KIT (4171327)

Item	Article no.	Description	Quantity
7.3	4176513	O-RING FOR PUMP JACKET VP.	1
7.4	2127603	O-RING ID.37,6x2,4 EPDM VP.	1
9.1	4177801	MECH.SEAL HELIX6-10-16 O/E VP.	1
9.3	4177798	MACHINED RING HOLDER M+6" Ø16 304 VP.	1
9.5	4177799	MACHINED DRIVE RING Ø16 VP.	1
9.4	4176520	SCREW CH M5x5 A4-70 (3PIECES)	1



HYDRAULIC HELIX V 1005 1.4307

Item	Article no.	Description	Quantity
13.1	4171331	STAGE HELIX10 1.4301KIT	1
		> MACH.STG-CASING-WOGV-WNR-M+10-304	1
		> IMPELLER-M+10-304	1
13.2	4172792	INTERMEDIATE STAGE HELIX 10 1.4301 KIT	1
		> MACH.BEARING-STG-CASING-WNR-M+10-304	1
		> IMPELLER-M+10-304	1
		> SHAFT SLEEVE-SPACER-Ø19,35x18,465-304	1
		> SHAFT-SLEEVE-D16xD20x18-CW	1
13.3	4172793	INTERMEDIATE STAGE HELIX 10 1.4301 KIT	1
		> MACH.STD-STG-CASING-WGV+NR-M+10-304	1
		> IMPELLER-M+10-304	1
		> IMPELLER SPACER Ø16,05X19,45-L36,465-304	1



HELIX V1006-1/16/E/S/460-60 (4192450)

Item	Article no.	Description	Quantity
1	4169945	MO.4/2 3~230/400(460)V 50(60)HZ IE3 VP.	1
		SPARE PARTS MOTOR:ON REQUEST	1
2	4206025	SCREW M8X45 (4 PIECES)	1
3	4172789	LANTERN FT130 HELIX V10 KIT	1
3.1		> M+5_6_LANTERN_ONE-PIECE_FT130_CATA	1
3.2	2127604	> EYELET CPL.FT HELIX(2 PIECES)	1
3.3	4159692	> COUPLING PROTECTOR FT HELIX KIT	1
4	4159710	COUPLING D.16XD.28 FT130 HELIX KIT	1
6	4177822	STUD BOLT M12X413 KIT	1
6.1		> TIE BOLT M12-413x18x30-1.4057	1
6.2	2094647	> NUT M12 M12 ISO4032 VP.	1
6.3	2123557	> WASHER CS-12.4-24-1.6-NFE25 (4 PIECES)	1
7	4210143	STATIONARY RING HOLDER HELIX 6" EPDM	1
7.2	2127607	> STATIONARY RING HOLDER 6" HELIX 1.4301 V	1
7.3	4176513	> O-RING FOR PUMP JACKET VP.	1
7.4	2127603	> O-RING ID.37,6x2,4 EPDM VP.	1
7.5	2127602	> O-RING ID.21,35x2 EPDM VP.	1
8	4159686	FILING/PURGING PLUG HELIX EPDM KIT	1
9	4171327	SEAL-KIT-HELIX6-10-16 O/E KIT	1
10	4177823	HOUSING PIPES D.152X285 1.4301 KIT	1
7.3	4176513	> O-RING FOR PUMP JACKET VP.	1
10.1		> HOUSING-PIPE Ø152-M+1006-304	1
11	4172791	CENTERING STAGE-RETURN HELIX10 1.4301VP.	1
12	4209273	SHAFT EQUIPMENT HELIX V10 KIT	1
12.1		> NUT-H-M10-A4.70	1
12.2		> SERRATED LOCK WASHER M+10M3-316L	1
12.3		> IMPELLER STOP RING L33,6-304	1
12.4		> STOP-RUSH-1/2-D16xd2-M+316	1
13		HYDRAULIC HELIX V 1006 1.4307	1
14	4177825	SHAFT D.16X405 1.4301 VP.	1
15	4159682	PUMP HOUSING HELIX DN50 PN16 1.4301 KIT	1
7.3	4176513	> O-RING FOR PUMP JACKET VP.	1
15.1		> BLASTING PPE HOUSING V-PN16-DN50-304	1
15.2	4217893	> COUNTER FLANGE-G1"1/2-PN16-GJL KIT	1

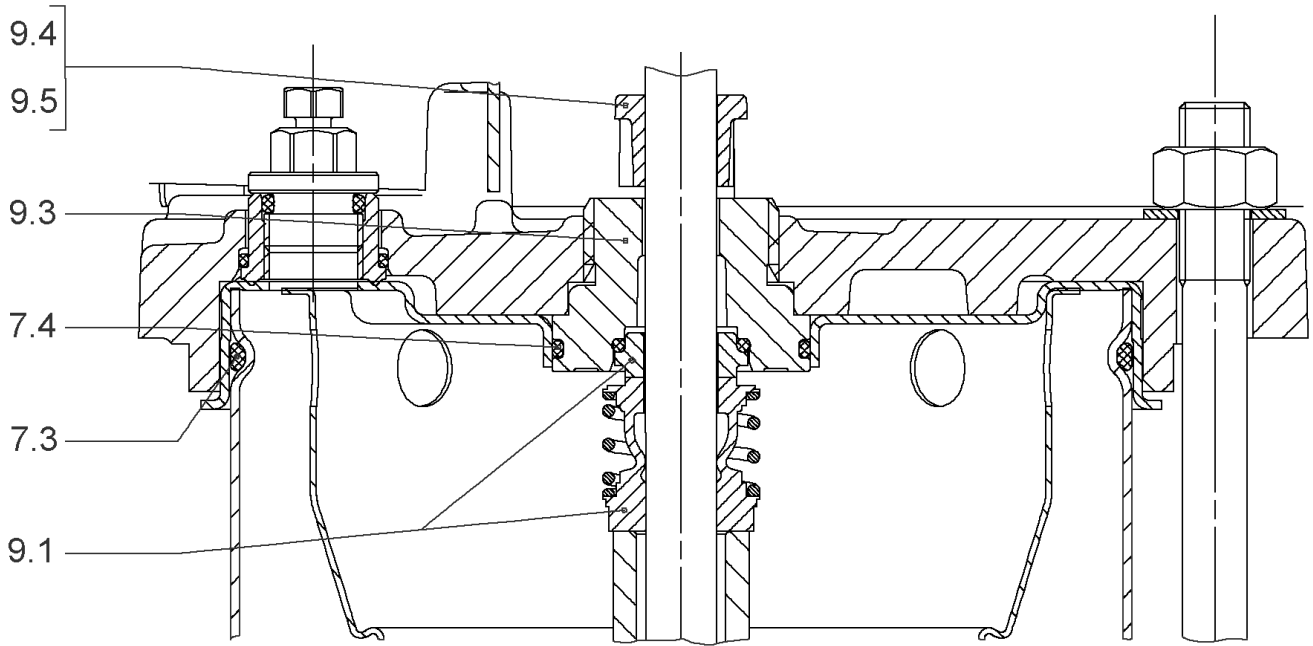
HELIX V1006-1/16/E/S/460-60 (4192450)

Item	Article no.	Description	Quantity
15.3	4171321	> PRIMING/DRAIN PLUG EPDM HELIX KIT	1
16	4176517	BASEPLATE V8/10 VP.	1



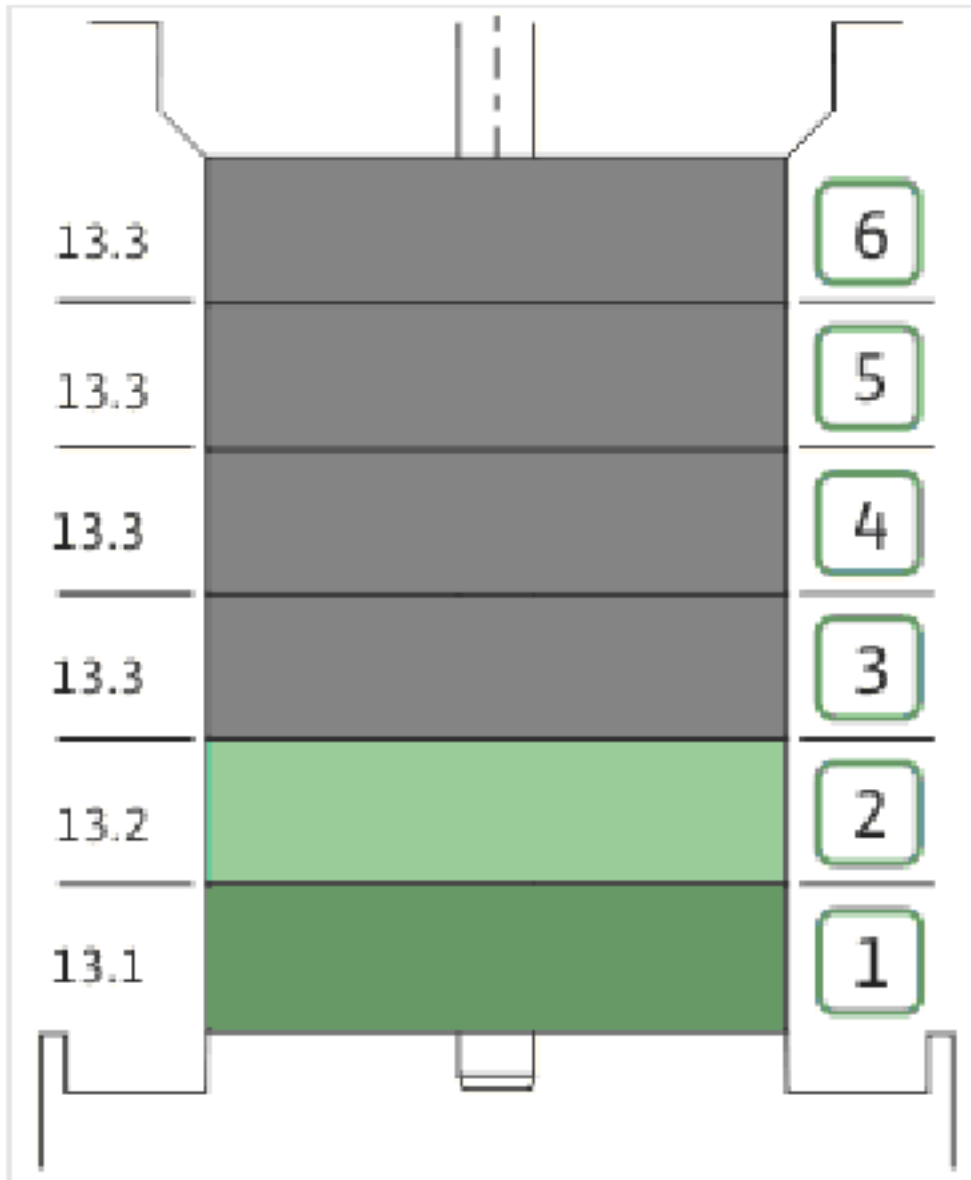
COUPLING D.16XD.28 FT130 HELIX KIT (4159710)

Item	Article no.	Description	Quantity
4.1		COUPLING M+ Ø16XØ28 FT130 MACHINED	1
4.2	2131022	BALL BEARING 6209/ZZ-C3(HT)VP.	1
4.3	4233930	CIRCLIP-FOR-BORES-D45x1,75 VP.	1
4.4	4157726	SCREW KIT M8X30 (4 PIECES)	1
4.5	4234252	CIRCLIPS 85X3 VP.	1
4.6	4234243	O-RING 85X3 VP.	1
		NOMEL CONTACT WASHER 8x16x1,4 STEEL ZC	1



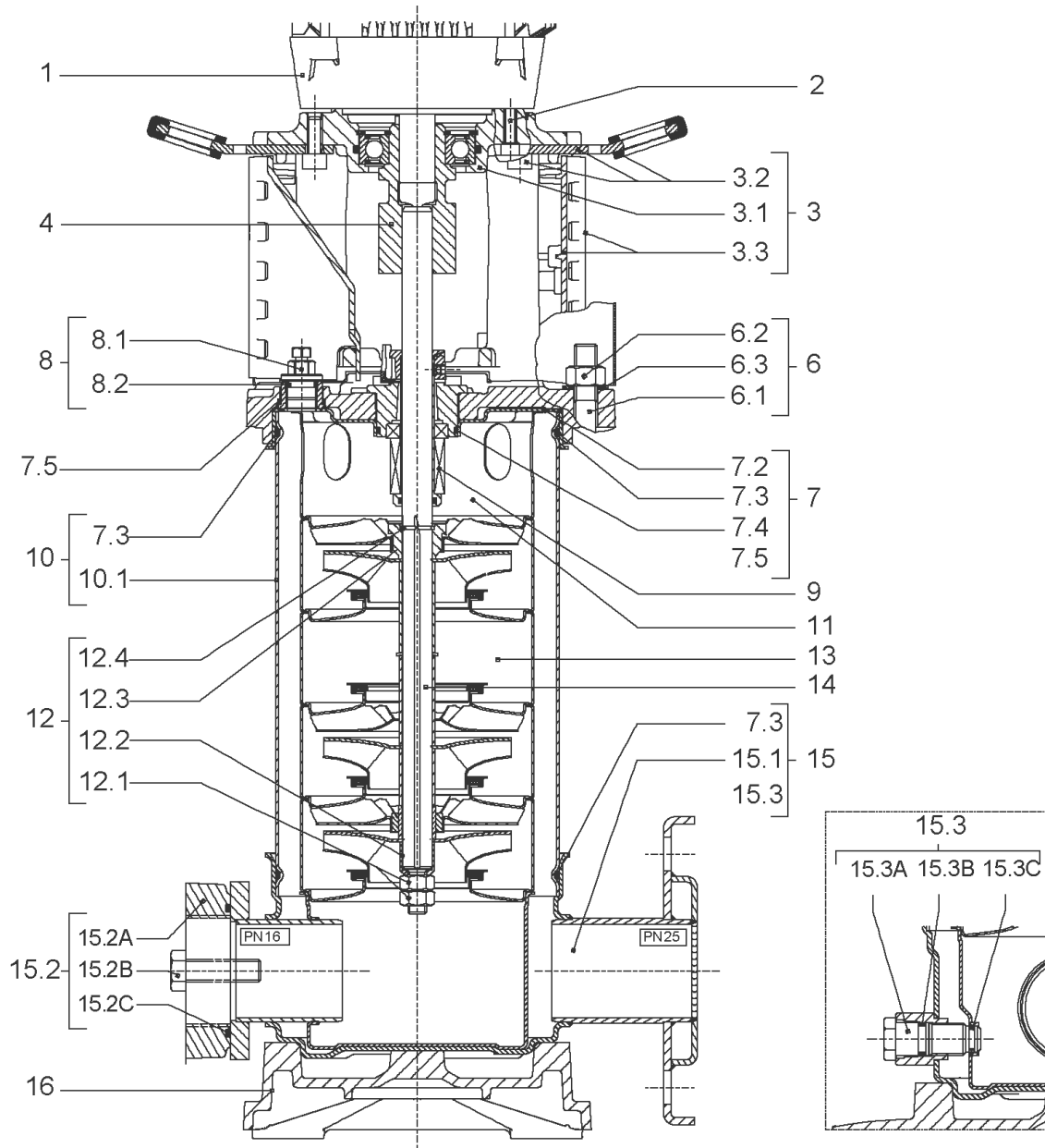
SEAL-KIT-HELIX6-10-16 O/E KIT (4171327)

Item	Article no.	Description	Quantity
7.3	4176513	O-RING FOR PUMP JACKET VP.	1
7.4	2127603	O-RING ID.37,6x2,4 EPDM VP.	1
9.1	4177801	MECH.SEAL HELIX6-10-16 O/E VP.	1
9.3	4177798	MACHINED RING HOLDER M+6" Ø16 304 VP.	1
9.5	4177799	MACHINED DRIVE RING Ø16 VP.	1
9.4	4176520	SCREW CH M5x5 A4-70 (3PIECES)	1



HYDRAULIC HELIX V 1006 1.4307

Item	Article no.	Description	Quantity
13.1	4171331	STAGE HELIX10 1.4301KIT	1
		> MACH.STG-CASING-WOGV-WNR-M+10-304	1
		> IMPELLER-M+10-304	1
13.2	4172792	INTERMEDIATE STAGE HELIX 10 1.4301 KIT	1
		> MACH.BEARING-STG-CASING-WNR-M+10-304	1
		> IMPELLER-M+10-304	1
		> SHAFT SLEEVE-SPACER-Ø19,35x18,465-304	1
		> SHAFT-SLEEVE-D16xD20x18-CW	1
13.3	4172793	INTERMEDIATE STAGE HELIX 10 1.4301 KIT	1
		> MACH.STD-STG-CASING-WGV+NR-M+10-304	1
		> IMPELLER-M+10-304	1
		> IMPELLER SPACER Ø16,05X19,45-L36,465-304	1

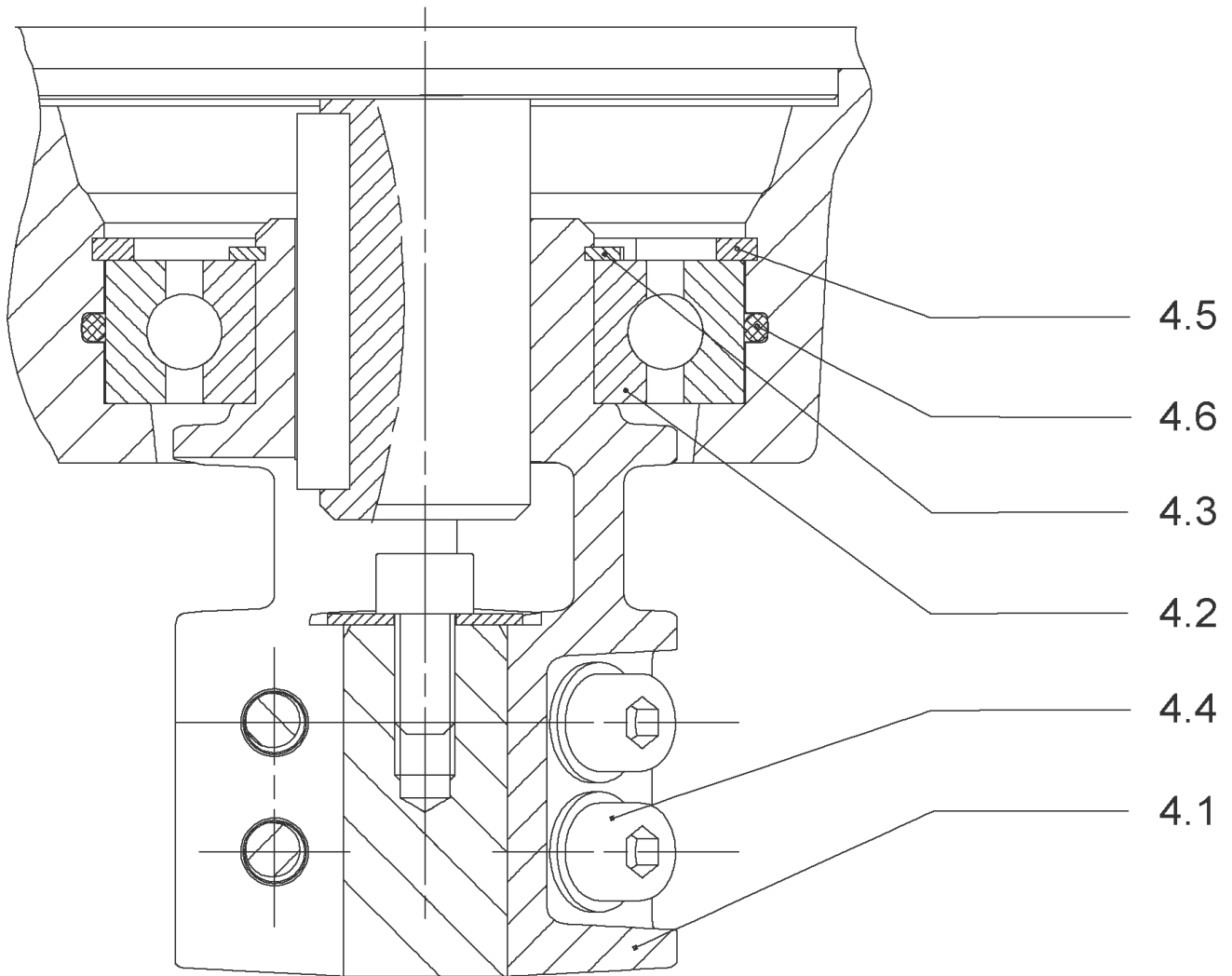


HELIX V1007-1/16/E/S/460-60 (4192451)

Item	Article no.	Description	Quantity
1	4169947	MO 5,5/2/112 3~400V50Hz 460V60Hz IE3 VP.	1
		SPARE PARTS MOTOR:ON REQUEST	1
2	4206025	SCREW M8X45 (4 PIECES)	1
3	4172789	LANTERN FT130 HELIX V10 KIT	1
3.1		> M+5_6_LANTERN_ONE-PIECE_FT130_CATA	1
3.2	2127604	> EYELET CPL.FT HELIX(2 PIECES)	1
3.3	4159692	> COUPLING PROTECTOR FT HELIX KIT	1
4	4159710	COUPLING D.16XD.28 FT130 HELIX KIT	1
6	4177806	STUD BOLT M12X450KIT	1
6.1		> TIE BOLT M12-450x18x30-1.4057	1
6.2	2094647	> NUT M12 M12 ISO4032 VP.	1
6.3	2123557	> WASHER CS-12.4-24-1.6-NFE25 (4 PIECES)	1
7	4210143	STATIONARY RING HOLDER HELIX 6" EPDM	1
7.2	2127607	> STATIONARY RING HOLDER 6" HELIX 1.4301 V	1
7.3	4176513	> O-RING FOR PUMP JACKET VP.	1
7.4	2127603	> O-RING ID.37,6x2,4 EPDM VP.	1
7.5	2127602	> O-RING ID.21,35x2 EPDM VP.	1
8	4159686	FILING/PURGING PLUG HELIX EPDM KIT	1
9	4171327	SEAL-KIT-HELIX6-10-16 O/E KIT	1
10	4172794	HOUSING PIPES D.152X322 1.4301 KIT	1
7.3	4176513	> O-RING FOR PUMP JACKET VP.	1
10.1		> HOUSING-PIPE Ø152-M+1007-304	1
11	4172791	CENTERING STAGE-RETURN HELIX10 1.4301VP.	1
12	4209273	SHAFT EQUIPMENT HELIX V10 KIT	1
12.1		> NUT-H-M10-A4.70	1
12.2		> SERRATED LOCK WASHER M+10M3-316L	1
12.3		> IMPELLER STOP RING L33,6-304	1
12.4		> STOP-RUSH-1/2-D16xd2-M+316	1
13		HYDRAULIC HELIX V 1007 1.4307	1
14	4171324	SHAFT D.16X442,5 1.4301 VP.	1
15	4159682	PUMP HOUSING HELIX DN50 PN16 1.4301 KIT	1
7.3	4176513	> O-RING FOR PUMP JACKET VP.	1
15.1		> BLASTING PPE HOUSING V-PN16-DN50-304	1
15.2	4217893	> COUNTER FLANGE-G1"1/2-PN16-GJL KIT	1

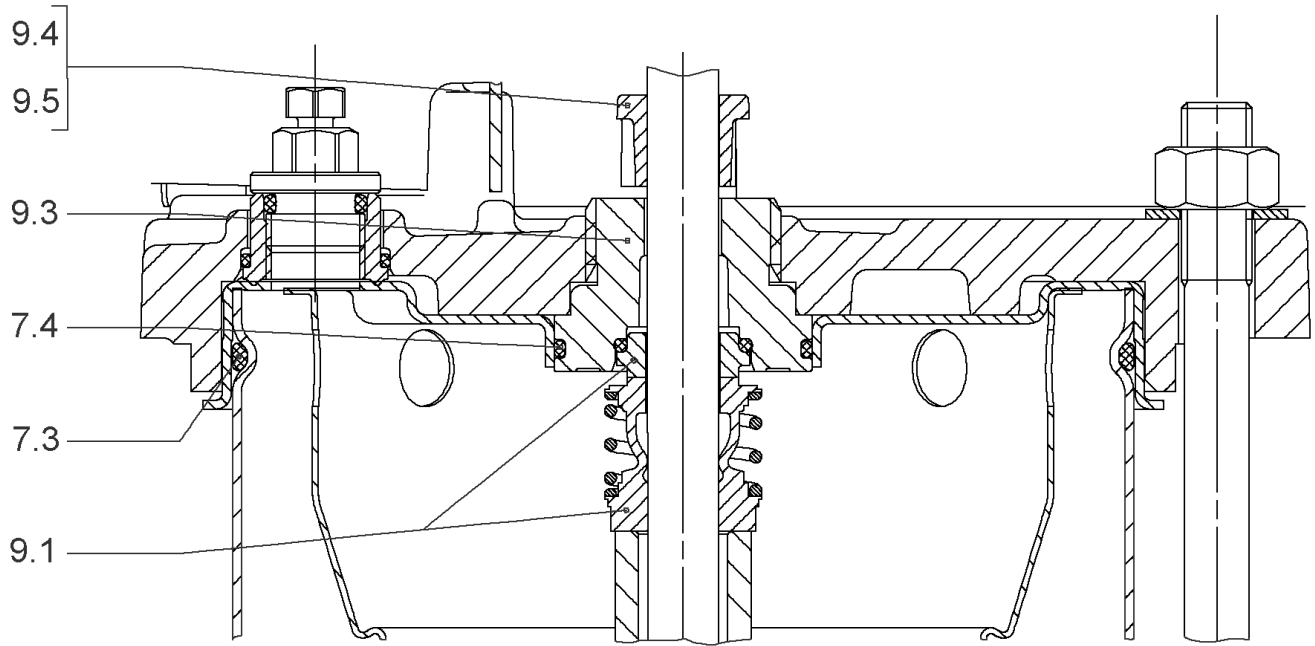
HELIX V1007-1/16/E/S/460-60 (4192451)

Item	Article no.	Description	Quantity
15.3	4171321	> PRIMING/DRAIN PLUG EPDM HELIX KIT	1
16	4176517	BASEPLATE V8/10 VP.	1



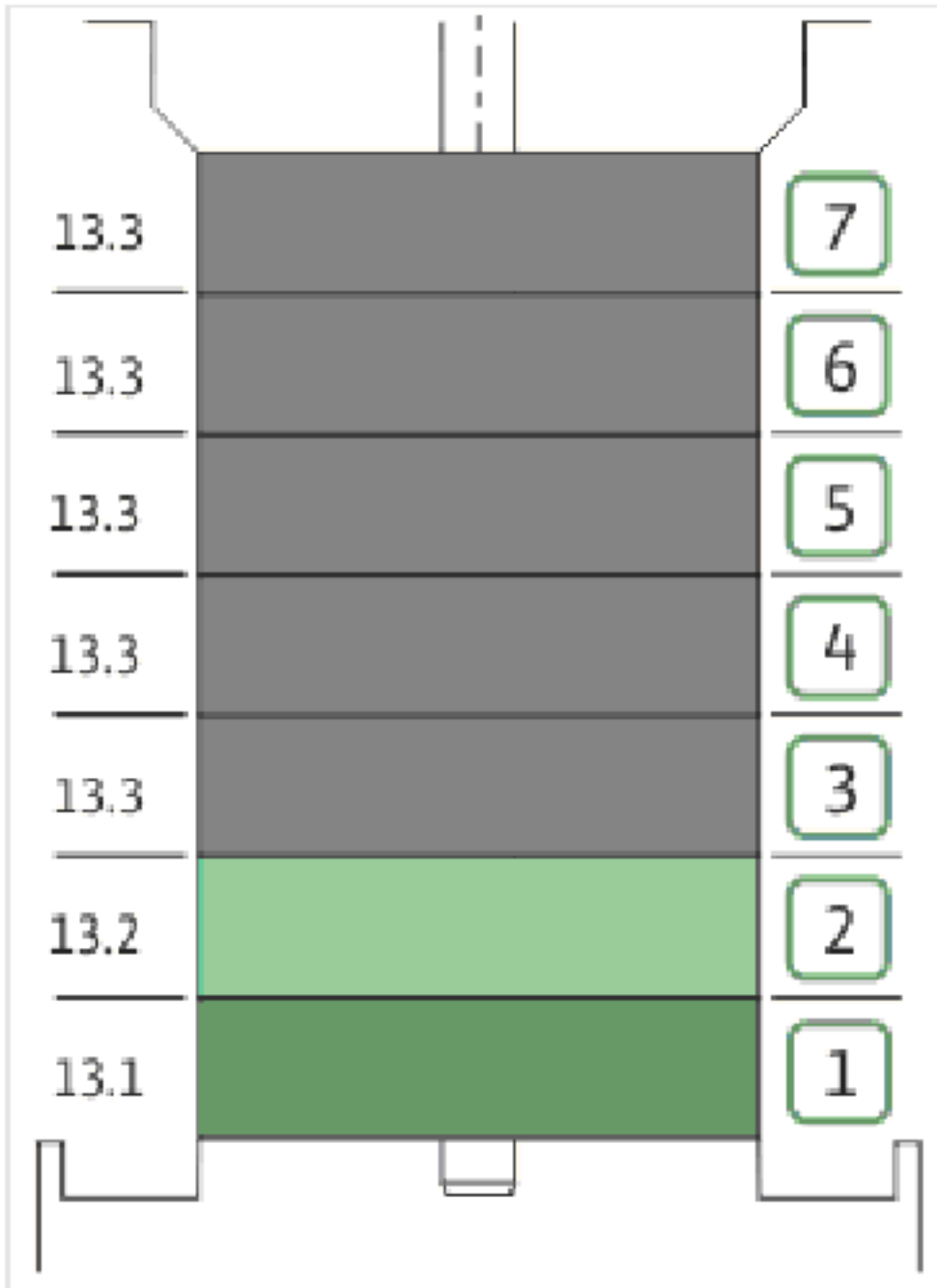
COUPLING D.16XD.28 FT130 HELIX KIT (4159710)

Item	Article no.	Description	Quantity
4.1		COUPLING M+ Ø16XØ28 FT130 MACHINED	1
4.2	2131022	BALL BEARING 6209/ZZ-C3(HT)VP.	1
4.3	4233930	CIRCLIP-FOR-BORES-D45x1,75 VP.	1
4.4	4157726	SCREW KIT M8X30 (4 PIECES)	1
4.5	4234252	CIRCLIPS 85X3 VP.	1
4.6	4234243	O-RING 85X3 VP.	1
		NOMEL CONTACT WASHER 8x16x1,4 STEEL ZC	1



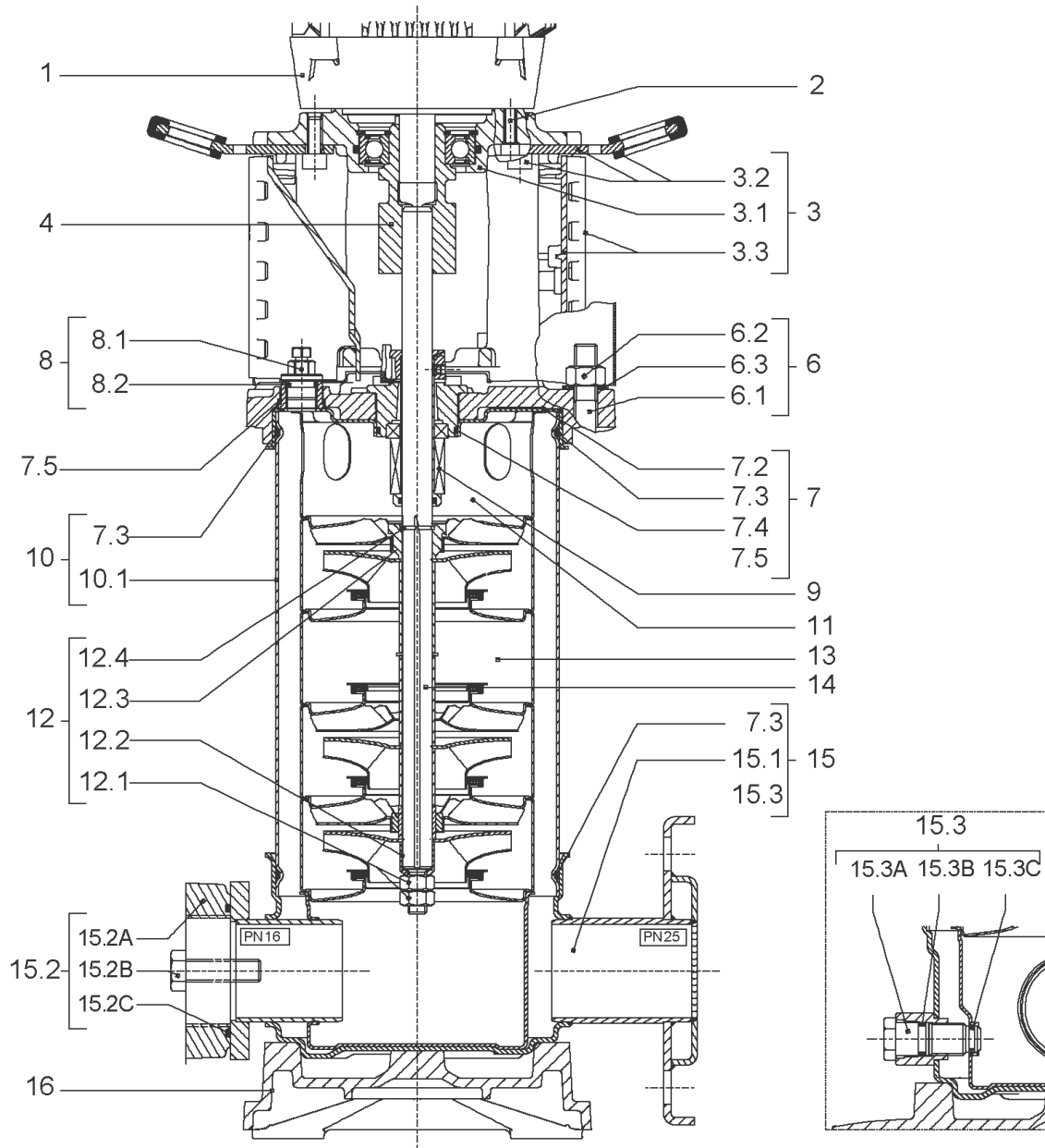
SEAL-KIT-HELIX6-10-16 O/E KIT (4171327)

Item	Article no.	Description	Quantity
7.3	4176513	O-RING FOR PUMP JACKET VP.	1
7.4	2127603	O-RING ID.37,6x2,4 EPDM VP.	1
9.1	4177801	MECH.SEAL HELIX6-10-16 O/E VP.	1
9.3	4177798	MACHINED RING HOLDER M+6" Ø16 304 VP.	1
9.5	4177799	MACHINED DRIVE RING Ø16 VP.	1
9.4	4176520	SCREW CH M5x5 A4-70 (3PIECES)	1



HYDRAULIC HELIX V 1007 1.4307

Item	Article no.	Description	Quantity
13.1	4171331	STAGE HELIX10 1.4301KIT	1
		> MACH.STG-CASING-WOGV-WNR-M+10-304	1
		> IMPELLER-M+10-304	1
13.2	4172792	INTERMEDIATE STAGE HELIX 10 1.4301 KIT	1
		> MACH.BEARING-STG-CASING-WNR-M+10-304	1
		> IMPELLER-M+10-304	1
		> SHAFT SLEEVE-SPACER-Ø19,35x18,465-304	1
		> SHAFT-SLEEVE-D16xD20x18-CW	1
13.3	4172793	INTERMEDIATE STAGE HELIX 10 1.4301 KIT	1
		> MACH.STD-STG-CASING-WGV+NR-M+10-304	1
		> IMPELLER-M+10-304	1
		> IMPELLER SPACER Ø16,05X19,45-L36,465-304	1



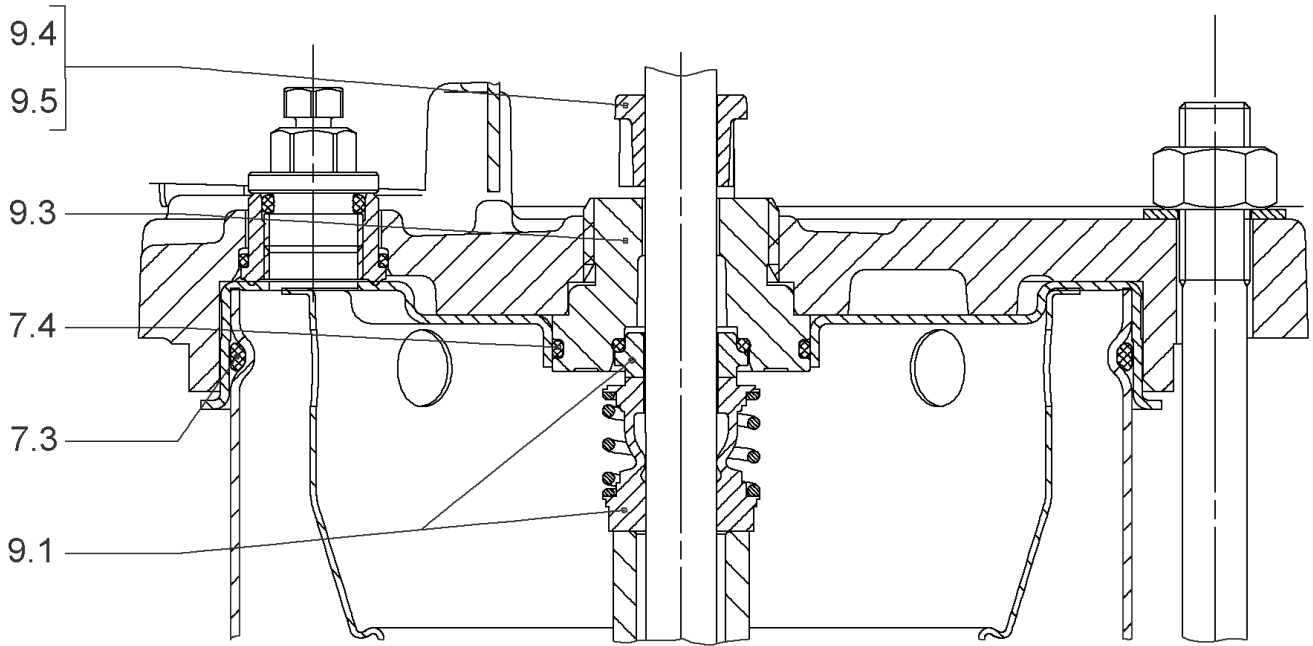
HELIX V1008-1/16/E/S/460-60 (4192453)

Item	Article no.	Description	Quantity
1	4169947	MO 5,5/2/112 3~400V50Hz 460V60Hz IE3 VP.	1
		SPARE PARTS MOTOR:ON REQUEST	1
2	4206025	SCREW M8X45 (4 PIECES)	1
3	4172789	LANTERN FT130 HELIX V10 KIT	1
3.1		> M+5_6_LANTERN_ONE-PIECE_FT130_CATA	1
3.2	2127604	> EYELET CPL.FT HELIX(2 PIECES)	1
3.3	4159692	> COUPLING PROTECTOR FT HELIX KIT	1
4	4159710	COUPLING D.16XD.28 FT130 HELIX KIT	1
6	2127555	STUD BOLT M12X485 KIT	1
7	4210143	STATIONARY RING HOLDER HELIX 6" EPDM	1
7.2	2127607	> STATIONARY RING HOLDER 6" HELIX 1.4301 V	1
7.3	4176513	> O-RING FOR PUMP JACKET VP.	1
7.4	2127603	> O-RING ID.37,6x2,4 EPDM VP.	1
7.5	2127602	> O-RING ID.21,35x2 EPDM VP.	1
8	4159686	FILING/PURGING PLUG HELIX EPDM KIT	1
9	4171327	SEAL-KIT-HELIX6-10-16 O/E KIT	1
10	2127578	HOUSING PIPE D.152x360 1.4307 KIT	1
7.3	4176513	> O-RING FOR PUMP JACKET VP.	1
10.1		> HOUSING-PIPE Ø152-M+1008/1606-304	1
11	4172791	CENTERING STAGE-RETURN HELIX10 1.4301VP.	1
12	4209273	SHAFT EQUIPMENT HELIX V10 KIT	1
12.1		> NUT-H-M10-A4.70	1
12.2		> SERRATED LOCK WASHER M+10M3-316L	1
12.3		> IMPELLER STOP RING L33,6-304	1
12.4		> STOP-RUSH-1/2-D16xd2-M+316	1
13		HYDRAULIC HELIX V 1008 1.4307	1
14	2127397	SHAFT D.16X480 1.4301 VP.	1
15	4159682	PUMP HOUSING HELIX DN50 PN16 1.4301 KIT	1
7.3	4176513	> O-RING FOR PUMP JACKET VP.	1
15.1		> BLASTING PPE HOUSING V-PN16-DN50-304	1
15.2	4217893	> COUNTER FLANGE-G1"1/2-PN16-GJL KIT	1
15.3	4171321	> PRIMING/DRAIN PLUG EPDM HELIX KIT	1
16	4176517	BASEPLATE V8/10 VP.	1



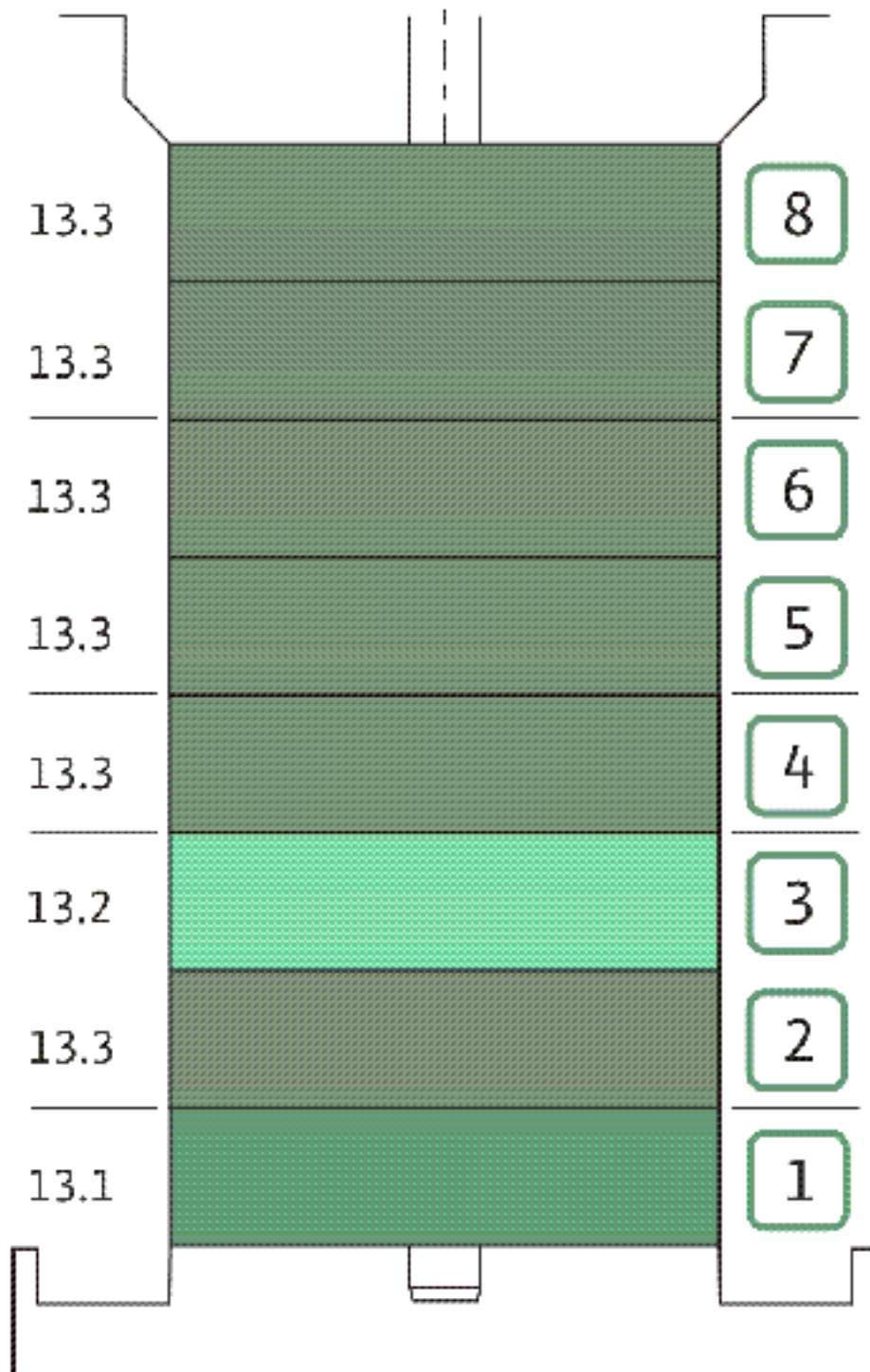
COUPLING D.16XD.28 FT130 HELIX KIT (4159710)

Item	Article no.	Description	Quantity
4.1		COUPLING M+ Ø16XØ28 FT130 MACHINED	1
4.2	2131022	BALL BEARING 6209/ZZ-C3(HT)VP.	1
4.3	4233930	CIRCLIP-FOR-BORES-D45x1,75 VP.	1
4.4	4157726	SCREW KIT M8X30 (4 PIECES)	1
4.5	4234252	CIRCLIPS 85X3 VP.	1
4.6	4234243	O-RING 85X3 VP.	1
		NOMEL CONTACT WASHER 8x16x1,4 STEEL ZC	1



SEAL-KIT-HELIX6-10-16 O/E KIT (4171327)

Item	Article no.	Description	Quantity
7.3	4176513	O-RING FOR PUMP JACKET VP.	1
7.4	2127603	O-RING ID.37,6x2,4 EPDM VP.	1
9.1	4177801	MECH.SEAL HELIX6-10-16 O/E VP.	1
9.3	4177798	MACHINED RING HOLDER M+6" Ø16 304 VP.	1
9.5	4177799	MACHINED DRIVE RING Ø16 VP.	1
9.4	4176520	SCREW CH M5x5 A4-70 (3PIECES)	1



HYDRAULIC HELIX V 1008 1.4307

Item	Article no.	Description	Quantity
13.1	4171331	STAGE HELIX10 1.4301KIT	1
		> MACH.STG-CASING-WOGV-WNR-M+10-304	1
		> IMPELLER-M+10-304	1
13.2	4172792	INTERMEDIATE STAGE HELIX 10 1.4301 KIT	1
		> MACH.BEARING-STG-CASING-WNR-M+10-304	1
		> IMPELLER-M+10-304	1
		> SHAFT SLEEVE-SPACER-Ø19,35x18,465-304	1
		> SHAFT-SLEEVE-D16xD20x18-CW	1
13.3	4172793	INTERMEDIATE STAGE HELIX 10 1.4301 KIT	1
		> MACH.STD-STG-CASING-WGV+NR-M+10-304	1
		> IMPELLER-M+10-304	1
		> IMPELLER SPACER Ø16,05X19,45-L36,465-304	1