

PRIOX

DIRTY WATER DRENA-LINE



- Automatic airventing
- Completely in stainless steel
- Large free passage
- Reliable vortex impeller
- Powerful pump
- Wide range

DESCRIPTION

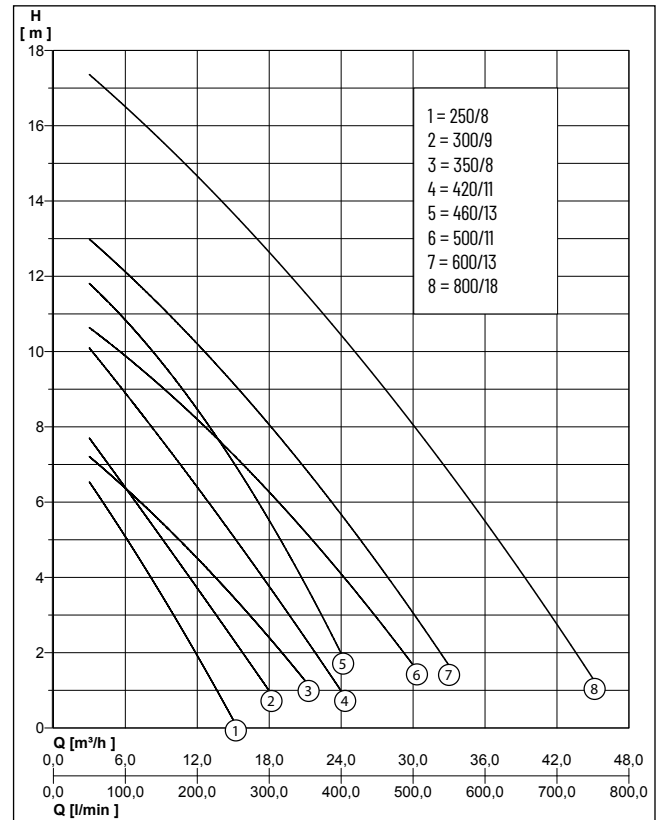
The PRIOX series pumps are made completely with stainless steel AISI 304. They operate completely immersed in the liquid to be pumped which provides for the cooling of the motor from the outside. Made with a retreated impeller on the principle of vortex operation. Automatic version (AUT) equipped with float switch.

Minimum drying level 60 mm (in manual version).

APPLICATIONS

- All lifting and emptying operations of dirty water with suspended solids.
- Lifting stations with one or more pumps for agricultural and civil use.

PERFORMANCE



Type	Delivery head H [m]	2	3	4	5	6	7	8	9	10	11	12	14	16
PRIOX 250/8 M	Flow rate Q [m³/h]	11.8	10.0	8.2	6.2	4.2	2.0							
PRIOX 300/9 M/T		15.6	13.5	11.6	9.0	6.8	4.7	2.7						
PRIOX 420/11 M/T		21.5	19.6	17.8	15.5	13.0	10.5	8.1	5.7	3.5				
PRIOX 460/13 M/T			22.4	20.6	18.9	17.0	15.1	13.8	10.8	8.2	5.5			
PRIOX 50-350/8 M/T			16.5	13.5	10.5	7.1	3.7							
PRIOX 50-500/11 M/T		29.1	26.8	24.3	21.5	18.8	15.8	12.5	9.0	5.5				
PRIOX 50-600/13 T		32.1	30.0	28.0	25.5	23.2	20.5	18.2	15.1	12.5	9.7	6.3		
PRIOX 50-800/18 T				39.0	36.9	34.8	31.0	30.0	27.5	25.0	22.8	19.9	14.0	7.8

PRIOX

DIRTY WATER DRENA-LINE

MECHANICAL DATA

Bearing	Self-lubricating ball bearings.	Submersible	Yes
Oil chamber	Yes	Mechanical seal	Silicon carbide. Lubricated in oil chamber.
Shaft	Stainless steel	Counterface	Silicon carbide. Lubricated in oil chamber.
Impeller	Stainless steel X5CrNi18-10 (AISI 304)	Type of liquid	discharge water with solids
Pump housing	Stainless steel Europe: EN10088-1 X 5 CrNi 1810 (1.4301) USA: AISI 304	Temperature of the liquid max.	40 °C
		Diving depth	7 m

ELECTRICAL DATA

Power line	10m H07RN-F	Insulation class	F
Type of enclosure	IP 68	Rotation speed	2850 rpm

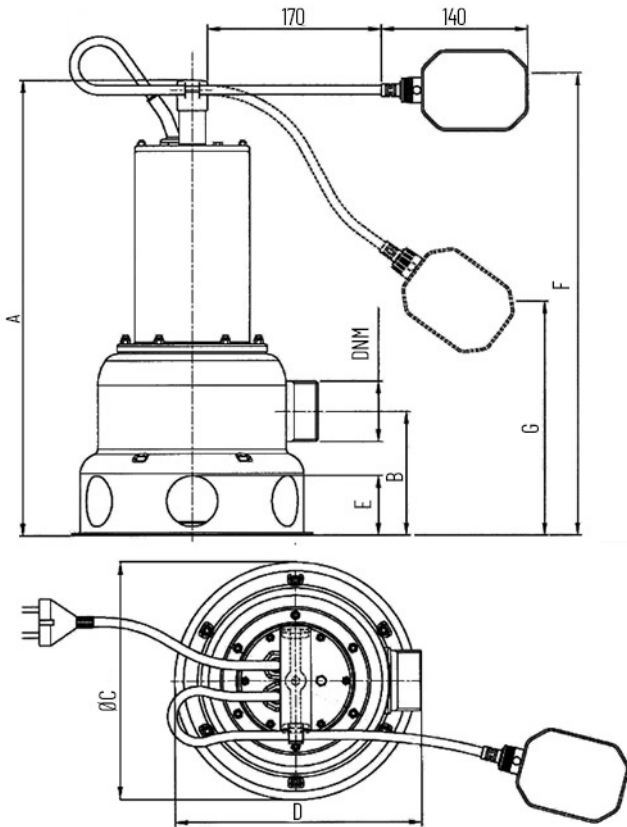
PRIOX

Type	Code No.	Voltage	Motor rating		Current	Free pas- sage	Weight
			P1	P2			
PRIOX 250/8 M	N2110100	1/N/PE~230 V	0.80 kW	0.55 kW	3.60 A	40 mm	9.4 kg
PRIOX 250/8 M AUT	N2110110	1/N/PE~230 V	0.80 kW	0.55 kW	3.60 A	40 mm	9.4 kg
PRIOX 300/9 M	N2110040	1/N/PE~230 V	0.90 kW	0.60 kW	4.10 A	40 mm	9.6 kg
PRIOX 300/9 M AUT	N2110050	1/N/PE~230 V	0.90 kW	0.60 kW	4.10 A	40 mm	9.6 kg
PRIOX 300/9 T	N2110090	3/N/PE~400 V	0.90 kW	0.60 kW	1.55 A	40 mm	9.6 kg
PRIOX 420/11 M	N2110020	1/N/PE~230 V	1.30 kW	0.90 kW	6.00 A	40 mm	11.2 kg
PRIOX 420/11 M AUT	N2110030	1/N/PE~230 V	1.30 kW	0.90 kW	6.00 A	40 mm	11.2 kg
PRIOX 420/11 T	N2110080	3/N/PE~400 V	1.30 kW	0.90 kW	2.30 A	40 mm	11.2 kg
PRIOX 460/13 M	N2110000	1/N/PE~230 V	1.60 kW	1.10 kW	7.20 A	40 mm	11.7 kg
PRIOX 460/13 M AUT	N2110010	1/N/PE~230 V	1.60 kW	1.10 kW	7.20 A	40 mm	11.7 kg
PRIOX 460/13 T	N2110070	3/N/PE~400 V	1.45 kW	1.00 kW	2.40 A	40 mm	11.7 kg
PRIOX 50-350/8 M	N2110140	1/N/PE~230 V	1.00 kW	0.65 kW	3.80 A	50 mm	9.6 kg
PRIOX 50-350/8 M AUT	N2110150	1/N/PE~230 V	1.00 kW	0.65 kW	3.80 A	50 mm	9.6 kg
PRIOX 50-350/8 T	N2110160	3/N/PE~400 V	0.98 kW	0.65 kW	1.70 A	50 mm	9.6 kg
PRIOX 50-500/11 M	N2110170	1/N/PE~230 V	1.55 kW	1.00 kW	7.00 A	50 mm	11.7 kg
PRIOX 50-500/11 M AUT	N2110180	1/N/PE~230 V	1.55 kW	1.00 kW	7.00 A	50 mm	11.7 kg
PRIOX 50-500/11 T	N2110190	3/N/PE~400 V	1.40 kW	1.00 kW	2.40 A	50 mm	11.7 kg
PRIOX 50-600/13 T	N2110060	3/N/PE~400 V	1.80 kW	1.20 kW	3.10 A	50 mm	12.6 kg
PRIOX 50-800/18 T	N2110130	3/N/PE~400 V	3.00 kW	2.40 kW	5.50 A	50 mm	20.2 kg

PRIOX

DIRTY WATER DRENA-LINE

PRIOX AUT



DIMENSIONS [mm]

Type	A	B	C	D	F	G	DNM	E
PRIOX 250/8 M	420	122,5	235	249			1 1/2"	63
PRIOX 250/8 M AUT	420	122,5	235	249	550	290	1 1/2"	63
PRIOX 300/9 M/T	420	122,5	235	249			2"	63
PRIOX 300/9 M AUT	420	122,5	235	249	550	290	2"	63
PRIOX 420/11 M/T	450	122,5	235	249			2"	63
PRIOX 420/11 M AUT	450	122,5	235	249	550	290	2"	63
PRIOX 460/13 M/T	450	122,5	235	249			2"	63
PRIOX 460/13 M AUT	450	122,5	235	249	580	320	2"	63
PRIOX 50-350/8 M/T	420	122,5	235	249			2"	63
PRIOX 50-350/8 M AUT	420	122,5	235	249	550	290	2"	63
PRIOX 50-500/11 M/T	450	122,5	235	249			2"	63
PRIOX 50-500/11 M AUT	450	122,5	235	249	550	290	2"	63
PRIOX 50-600/13 T	450	122,5	235	249			2"	63
PRIOX 50-800/18 T	485	122,5	235	249	580	320	2"	63