

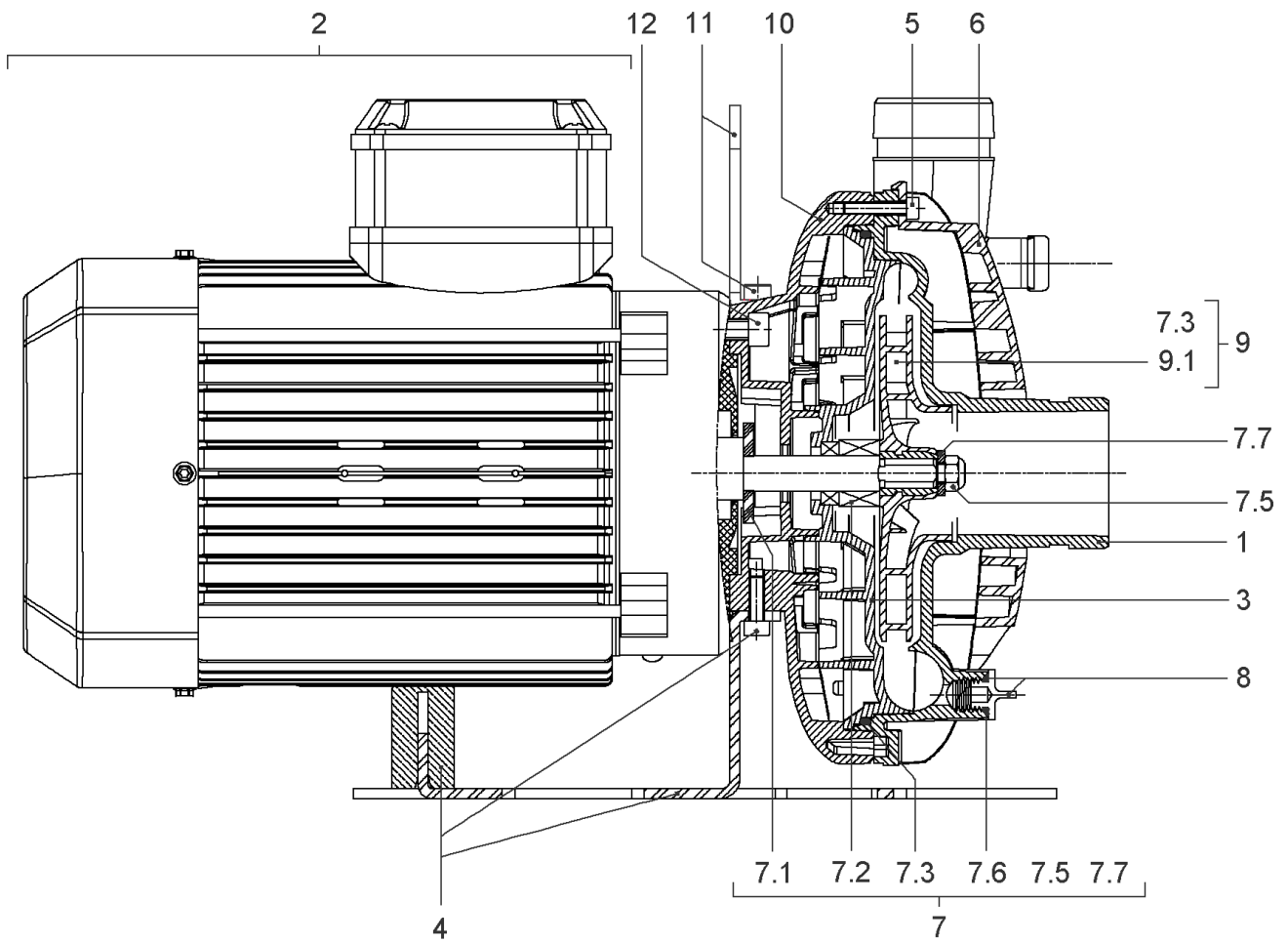


**BAC**

Article no.	Description
4158648	BAC40-125-0.75/2-DM/R-2
4203789	BAC40-125-0.75/2-DM/R-2-IE3
4158652	BAC40-125-0.75/2-DM/S-2
4203793	BAC40-125-0.75/2-DM/S-2-IE3
4213181	BAC40-125-0.75_71/2-DM/R-2-IE3
4213186	BAC40-125-0.75_71/2-DM/S-2-IE3
4158646	BAC40-126-1.5/2-DM/R-2
4203787	BAC40-126-1.5/2-DM/R-2-IE3
4158650	BAC40-126-1.5/2-DM/S-2
4203791	BAC40-126-1.5/2-DM/S-2-IE3
4213183	BAC40-126-1.5_80/2-DM/R-2-IE3
4213188	BAC40-126-1.5_80/2-DM/S-2-IE3
4059540	BAC40-128-1.5/2-DM/R-2-IE1
4059544	BAC40-128-1.5/2-DM/S-2-IE1
4059542	BAC40-129-0.75/2-DM/R-2-IE1
4059546	BAC40-129-0.75/2-DM/S-2-IE1
4213184	BAC40-129-1.85_80/2-DM/R-2-IE3
4213189	BAC40-129-1.85_80/2-DM/S-2-IE3
4059539	BAC40-134-1.85/2-DM/R-2-IE1
4059543	BAC40-134-1.85/2-DM/S-2-IE1
4158645	BAC40-134-2.2/2-DM/R-2
4203786	BAC40-134-2.2/2-DM/R-2-IE3
4158649	BAC40-134-2.2/2-DM/S-2
4203790	BAC40-134-2.2/2-DM/S-2-IE3
4213185	BAC40-134-2.2_90/2-DM/R-2-IE3
4213190	BAC40-134-2.2_90/2-DM/S-2-IE3
4158647	BAC40-136-1.1/2-DM/R-2
4059541	BAC40-136-1.1/2-DM/R-2-IE1
4203788	BAC40-136-1.1/2-DM/R-2-IE3
4158651	BAC40-136-1.1/2-DM/S-2
4059545	BAC40-136-1.1/2-DM/S-2-IE1
4203792	BAC40-136-1.1/2-DM/S-2-IE3
4213182	BAC40-136-1.1_71/2-DM/R-2-IE3
4213187	BAC40-136-1.1_71/2-DM/S-2-IE3

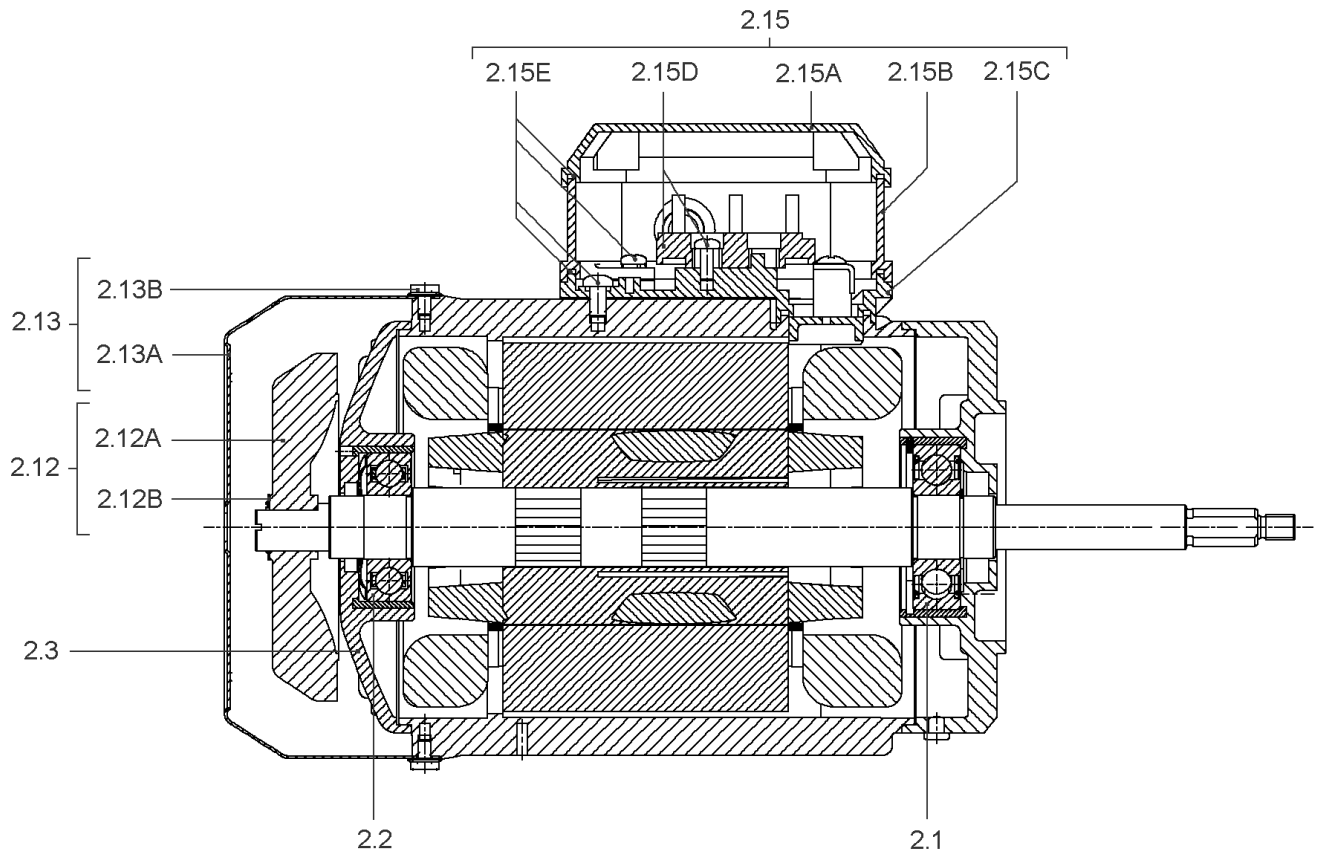
**BAC**

Article no.	Description
4160298	BAC70-135-3/2-DM/R-2
4095273	BAC70-135-3/2-DM/R-2-IE1
4176472	BAC70-135-3/2-DM/R-2-N7
4203811	BAC70-135-3/2-DM/R-2-N7-IE3
4213201	BAC70-135-3_100/2-DM/R-2-N7-IE3
4160299	BAC70-135-4/2-DM/R-2
4095274	BAC70-135-4/2-DM/R-2-IE1
4176474	BAC70-135-4/2-DM/R-2-N7
4203813	BAC70-135-4/2-DM/R-2-N7-IE3
4213202	BAC70-135-4_100/2-DM/R-2-N7-IE3



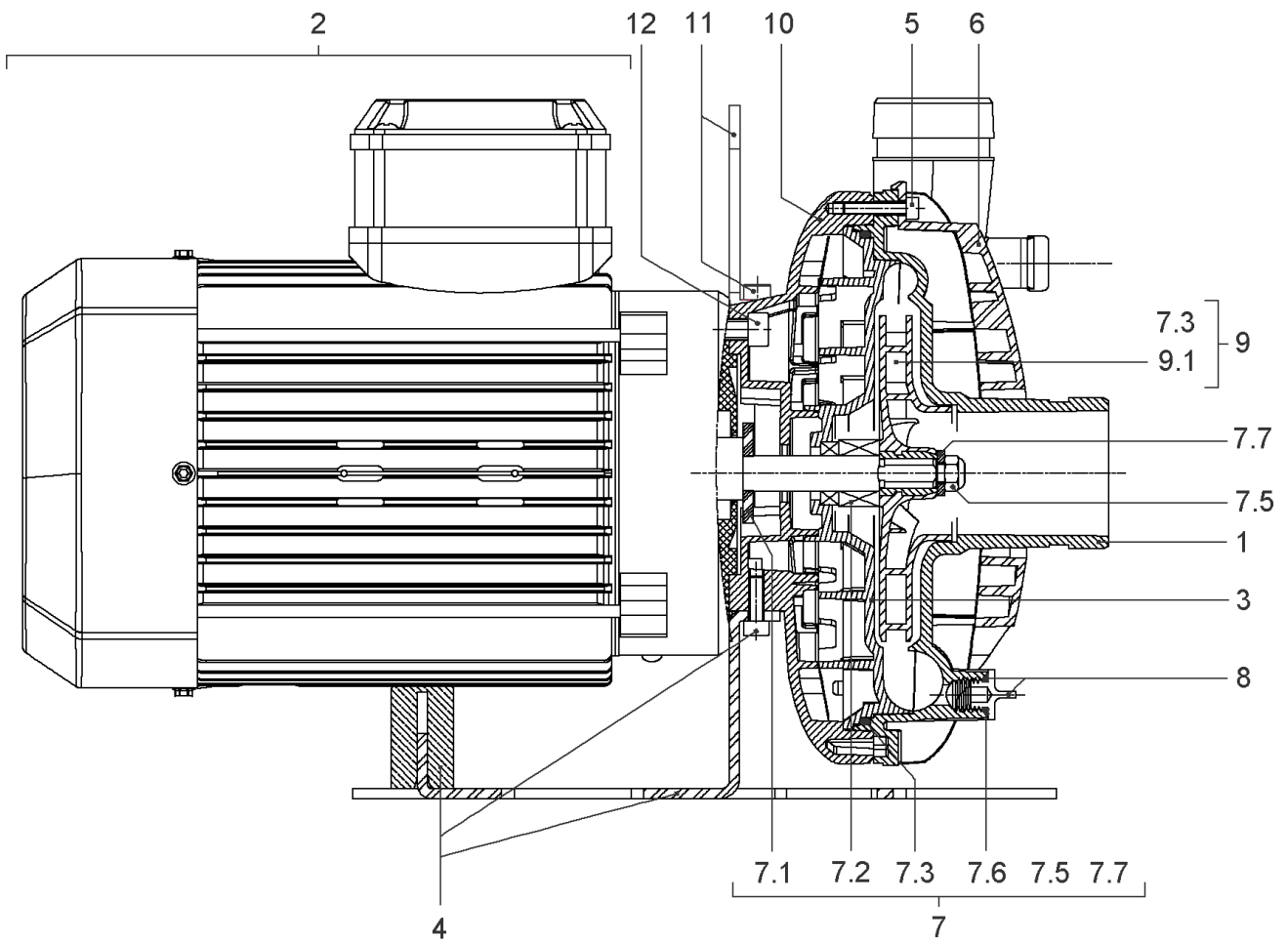
**BAC40-125-0.75/2-DM/R-2 (4158648)**

Item	Article no.	Description	Quantity
1	2153159	Pump casing BAC-1"1/2-2" VICTAULIC VP.	1
2		Spare parts motor BAC40 BG80	1
3	2164003	Stationary ring holder-PPA6.6-50-FV VP.	1
4	2188191	Pump support foot BAC40 BG80 cpl.VP.	1
5	2188192	Screw M5X25 12.9 ISO4762(4 Pieces)	1
6	2179107	Reinforcing piece for casingG BAC40 VP.	1
7	4067796	MECHANICAL SEAL KIT BAC	1
7.1		> THROWER-RUBBER-SH65/70	1
7.2		> MECHANICAL-SEAL-MG1/14-G6-BQ1EGG-BURGMAN	1
7.3	2188193	> O-Ring 190,09X3,53 EPDM VP.	1
7.4		> pin cylindrical Ø4x24-overall-stainless	1
7.5		> LOCKNUT-M8-STAINLESS-STEEL-316	1
7.6	4006396	> O-RING ID.9.9x2.62-EPDM 70SH	1
7.7		> FLAT WASHER-D8.2XD18X3-304L	1
8	2188170	Drain plug/o-ring G1/4" KIT	1
9	2131081	IMPELLER 12M3/H-D125 KIT	1
7.3	2188193	> O-Ring 190,09X3,53 EPDM VP.	1
9.1		> IMPELLER SHC 12M3/H-D125-PA6-INSERT	1
10	2188194	Lantern BAC40 BG80 VP.	1
11	2190953	Eyelet/screw BAC VP.	1
12	2010882	SCREW M6X18 ISO4762 (4 PIECES)	1
	2190952	Washer Z 5,3X10X1 Inox A2(4 Piece)	1



## Spare parts motor BAC40 BG80

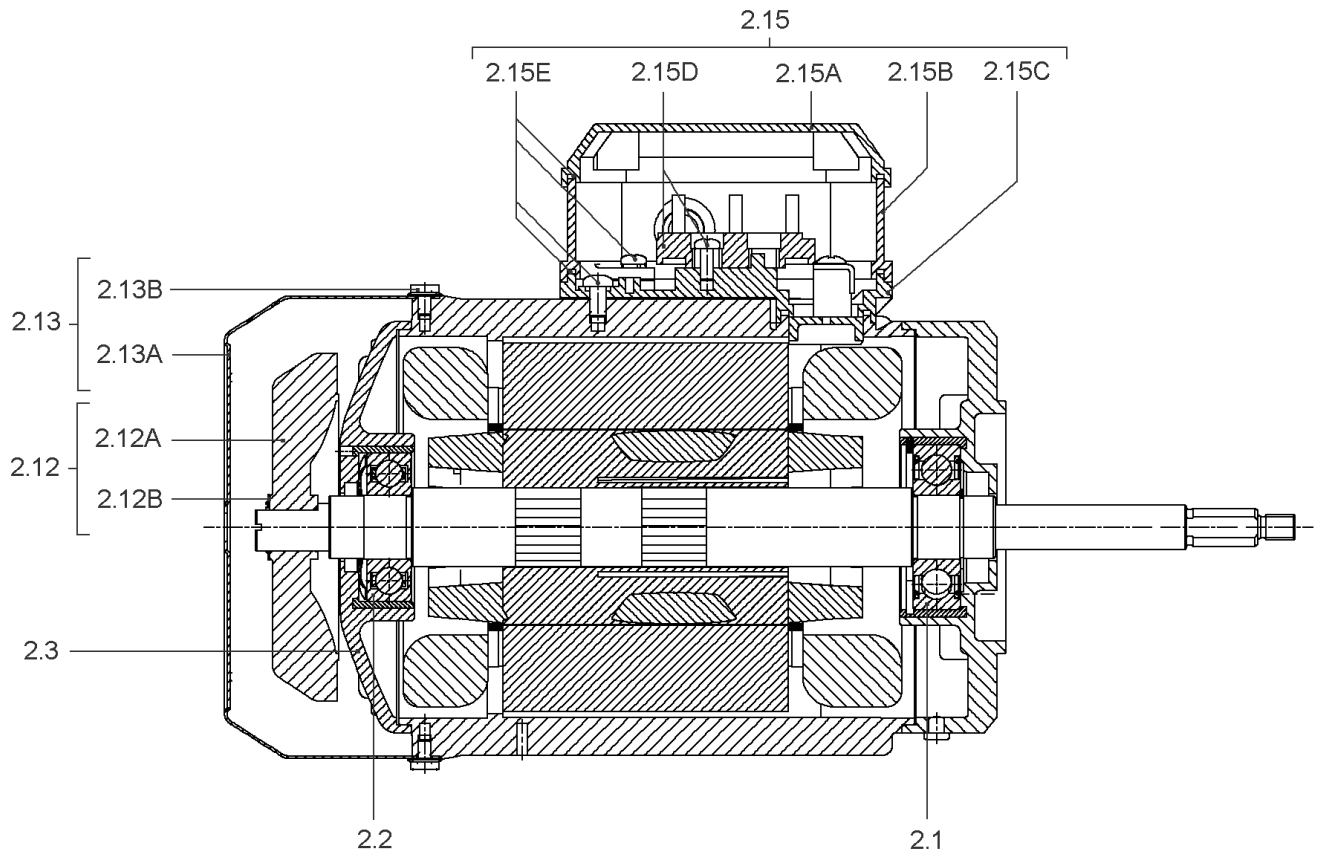
Item	Article no.	Description	Quantity
2.1	2111343	BALL BEARING 6304 DDW C3 EA6 VP.	1
2.2	2111342	BALL BEARING 6204 DDW C3 EA3 VP.	1
2.3	2162607	End shield BG80 N.D.E.ELEC KIT	1
		> Flange IEC80 NDS with slot new	1
		> O-RING ID47.2*3.53 EPDM	1
2.12	2107778	FAN WHEEL BG71/80 ELEC KIT	1
2.12A		> FAN 110x15x15.3 GP2200 G/F20%	1
2.12B	2111321	> STOP-RING D.14,8x0,4 VP.	1
Note: Please give the data from type plate of the motor			
2.13	2107779	FAN HOOD BG80 ELEC KIT	1
2.13A		> FAN COVER IEC80 KTL ST14 T0.8 H60	1
2.13B	2111323	> SCREW M4X6 (4 PIECES)	1
Note: Please give the data from type plate of the motor			
2.15	2111330	TERMINAL BOX CPL.BG71/80 ELEC KIT	1
2.15A	2111325	> TERMINAL BOX COVER/GASK.BG71-90 ELEC KIT	1
Note: Please give the data from type plate of the motor			
2.15B		> Terminal Box Coupling ADC12 32.5mm M20	1
2.15C		> Terminal Box Base 3~ ADC12 IEC	1
2.15D	2111327	> TERMINAL BOARD 50X32 M4 3~ CPL. ELEC KIT	1
Note: Please give the data from type plate of the motor			
2.15E	2111328	> GASKETS/SCREWS F.TERM.BOX 71/80 ELEC KIT	1
Note: Please give the data from type plate of the motor			
2.15F		> Frame Closing IEC	1





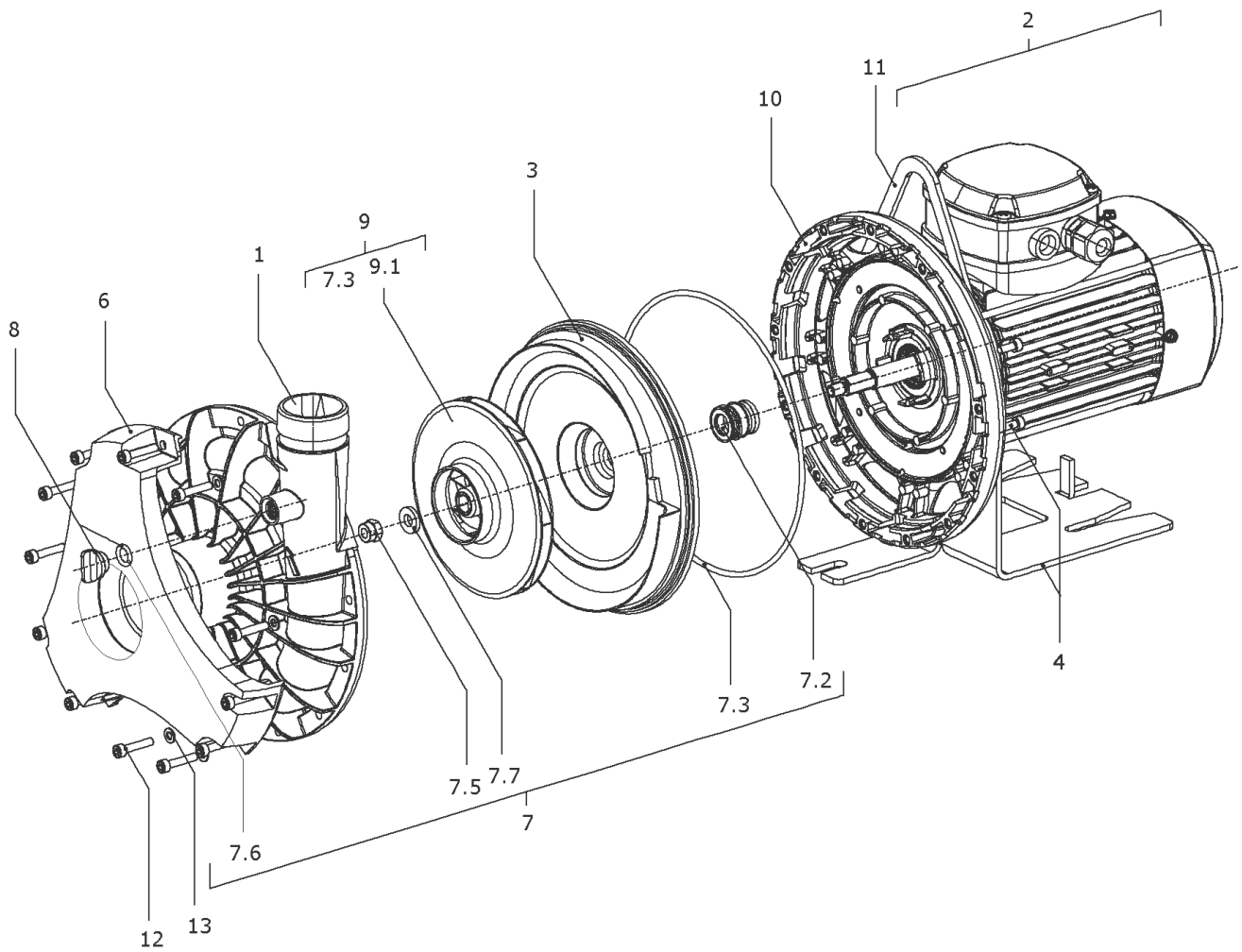
**BAC40-125-0.75/2-DM/S-2 (4158652)**

Item	Article no.	Description	Quantity
1	2164006	Pump casing BAC 1 1/2"-2" VP.	1
2		Spare parts motor BAC40 BG80	1
3	2164003	Stationary ring holder-PPA6.6-50-FV VP.	1
4	2188191	Pump support foot BAC40 BG80 cpl.VP.	1
5	2188192	Screw M5X25 12.9 ISO4762(4 Pieces)	1
6	2179107	Reinforcing piece for casingG BAC40 VP.	1
7	4067796	MECHANICAL SEAL KIT BAC	1
7.1		> THROWER-RUBBER-SH65/70	1
7.2		> MECHANICAL-SEAL-MG1/14-G6-BQ1EGG-BURGMAN	1
7.3	2188193	> O-Ring 190,09X3,53 EPDM VP.	1
7.4		> pin cylindrical Ø4x24-overall-stainless	1
7.5		> LOCKNUT-M8-STAINLESS-STEEL-316	1
7.6	4006396	> O-RING ID.9.9x2.62-EPDM 70SH	1
7.7		> FLAT WASHER-D8.2XD18X3-304L	1
8	2188170	Drain plug/o-ring G1/4" KIT	1
9	2131081	IMPELLER 12M3/H-D125 KIT	1
7.3	2188193	> O-Ring 190,09X3,53 EPDM VP.	1
9.1		> IMPELLER SHC 12M3/H-D125-PA6-INSERT	1
10	2188194	Lantern BAC40 BG80 VP.	1
11	2190953	Eyelet/screw BAC VP.	1
12	2010882	SCREW M6X18 ISO4762 (4 PIECES)	1
	2190952	Washer Z 5,3X10X1 Inox A2(4 Piece)	1



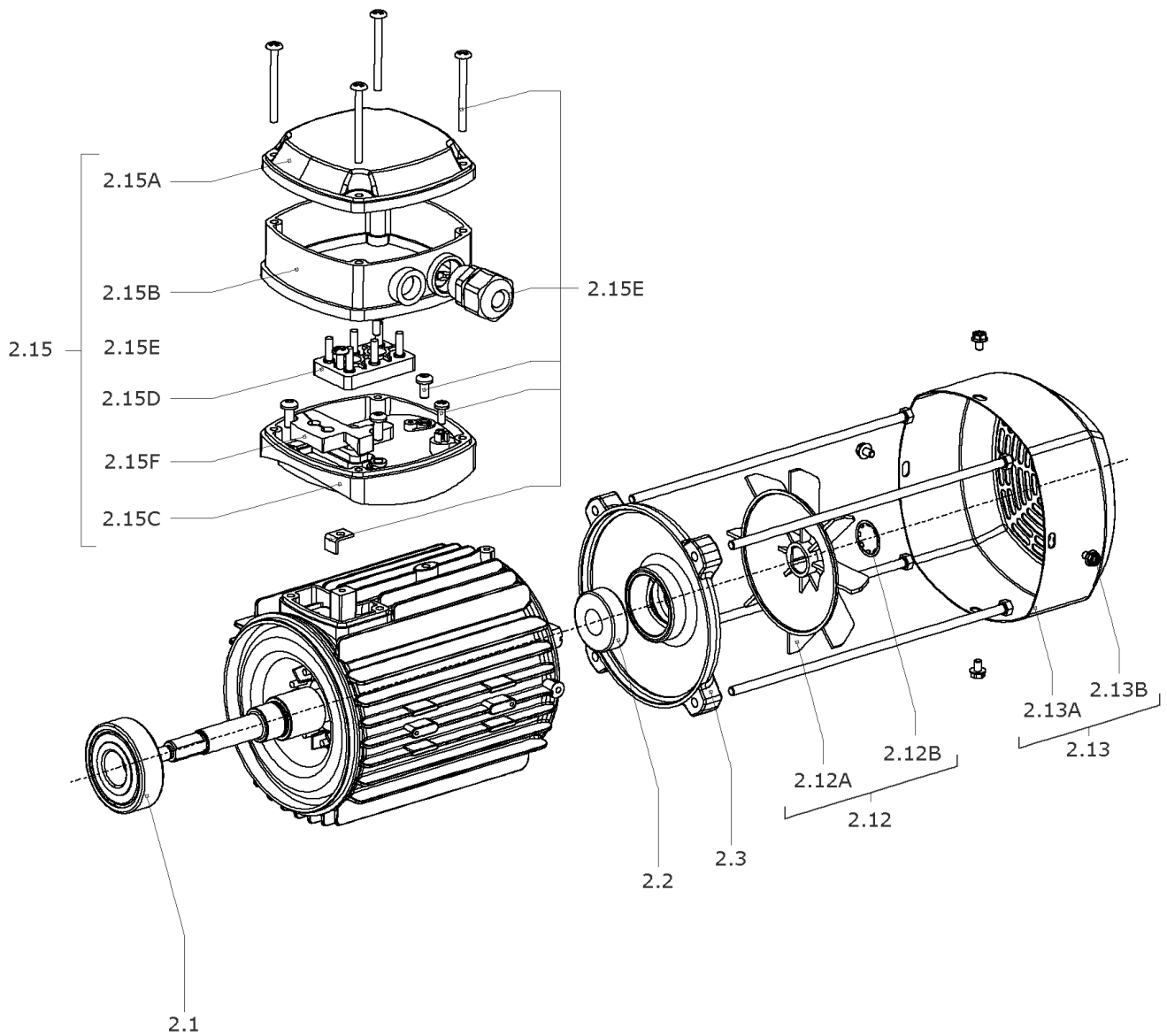
## Spare parts motor BAC40 BG80

Item	Article no.	Description	Quantity
2.1	2111343	BALL BEARING 6304 DDW C3 EA6 VP.	1
2.2	2111342	BALL BEARING 6204 DDW C3 EA3 VP.	1
2.3	2162607	End shield BG80 N.D.E.ELEC KIT	1
		> Flange IEC80 NDS with slot new	1
		> O-RING ID47.2*3.53 EPDM	1
2.12	2107778	FAN WHEEL BG71/80 ELEC KIT	1
2.12A		> FAN 110x15x15.3 GP2200 G/F20%	1
2.12B	2111321	> STOP-RING D.14,8x0,4 VP.	1
Note: Please give the data from type plate of the motor			
2.13	2107779	FAN HOOD BG80 ELEC KIT	1
2.13A		> FAN COVER IEC80 KTL ST14 T0.8 H60	1
2.13B	2111323	> SCREW M4X6 (4 PIECES)	1
Note: Please give the data from type plate of the motor			
2.15	2111330	TERMINAL BOX CPL.BG71/80 ELEC KIT	1
2.15A	2111325	> TERMINAL BOX COVER/GASK.BG71-90 ELEC KIT	1
Note: Please give the data from type plate of the motor			
2.15B		> Terminal Box Coupling ADC12 32.5mm M20	1
2.15C		> Terminal Box Base 3~ ADC12 IEC	1
2.15D	2111327	> TERMINAL BOARD 50X32 M4 3~ CPL. ELEC KIT	1
Note: Please give the data from type plate of the motor			
2.15E	2111328	> GASKETS/SCREWS F.TERM.BOX 71/80 ELEC KIT	1
Note: Please give the data from type plate of the motor			
2.15F		> Frame Closing IEC	1



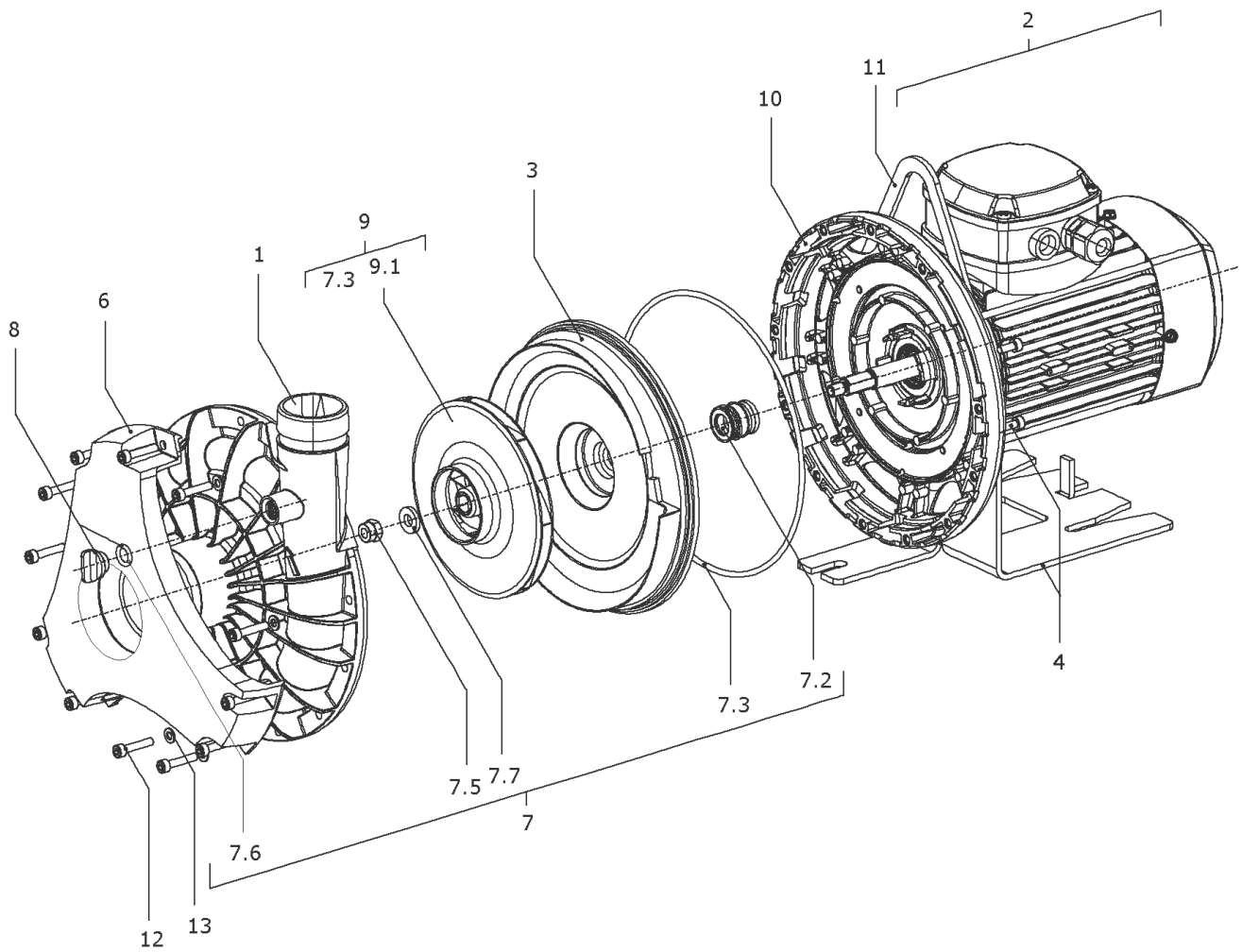
**BAC40-125-0.75/2-DM/R-2-IE3 (4203789)**

Item	Article no.	Description	Quantity
1	2153159	Pump casing BAC-1"1/2-2" VICTAULIC VP.	1
2		Spare parts motor BAC40 BG80 IE3	1
3	2164003	Stationary ring holder-PPA6.6-50-FV VP.	1
4	2188191	Pump support foot BAC40 BG80 cpl.VP.	1
5	2188192	Screw M5X25 12.9 ISO4762(4 Pieces)	1
6	2179107	Reinforcing piece for casingG BAC40 VP.	1
7	4067796	MECHANICAL SEAL KIT BAC	1
7.1		> THROWER-RUBBER-SH65/70	1
7.2		> MECHANICAL-SEAL-MG1/14-G6-BQ1EGG-BURGMAN	1
7.3	2188193	> O-Ring 190,09X3,53 EPDM VP.	1
7.4		> pin cylindrical Ø4x24-overall-stainless	1
7.5		> LOCKNUT-M8-STAINLESS-STEEL-316	1
7.6	4006396	> O-RING ID.9.9x2.62-EPDM 70SH	1
7.7		> FLAT WASHER-D8.2XD18X3-304L	1
8	2188170	Drain plug/o-ring G1/4" KIT	1
9	2131081	IMPELLER 12M3/H-D125 KIT	1
7.3	2188193	> O-Ring 190,09X3,53 EPDM VP.	1
9.1		> IMPELLER SHC 12M3/H-D125-PA6-INSERT	1
10	2188194	Lantern BAC40 BG80 VP.	1
11	2190953	Eyelet/screw BAC VP.	1
12	2010882	SCREW M6X18 ISO4762 (4 PIECES)	1
13	2190952	Washer Z 5,3X10X1 Inox A2(4 Piece)	1



## Spare parts motor BAC40 BG80 IE3

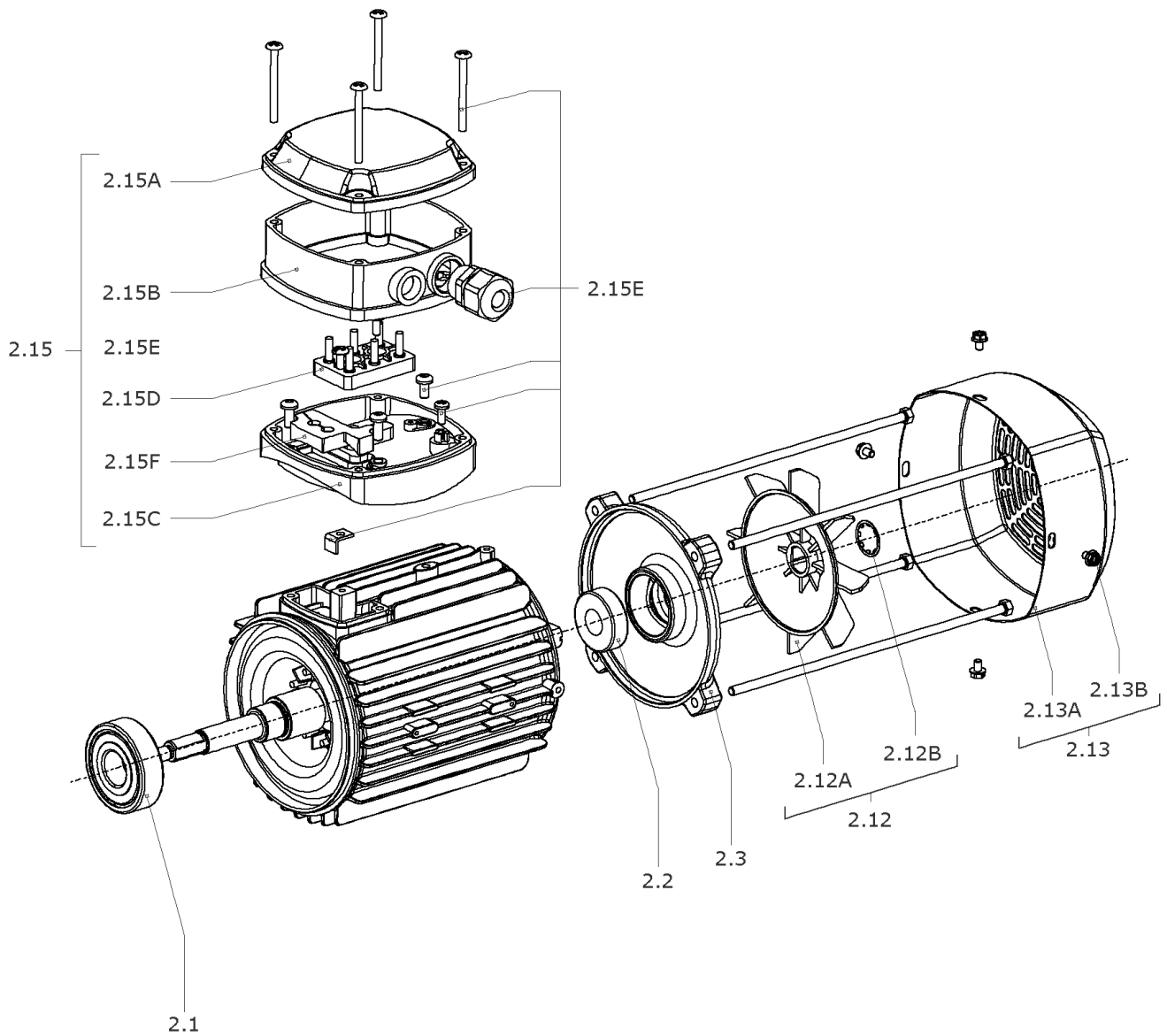
Item	Article no.	Description	Quantity
2.1	2153169	Ball bearing 6304/VV-C3 VP.	1
2.2	2153168	Ball bearing 6204/VV-C3 VP.	1
2.3	2162607	End shield BG80 N.D.E.ELEC KIT	1
		> Flange IEC80 NDS with slot new	1
		> O-RING ID47.2*3.53 EPDM	1
2.12	2107778	FAN WHEEL BG71/80 ELEC KIT	1
2.12A		> FAN 110x15x15.3 GP2200 G/F20%	1
2.12B	2111321	> STOP-RING D.14,8x0,4 VP.	1
Note: Please give the data from type plate of the motor			
2.13	2107779	FAN HOOD BG80 ELEC KIT	1
2.13A		> FAN COVER IEC80 KTL ST14 T0.8 H60	1
2.13B	2111323	> SCREW M4X6 (4 PIECES)	1
Note: Please give the data from type plate of the motor			
2.15	2191000	Terminal box cpl.BG80 ELEC KIT	1
2.15A	2111325	> TERMINAL BOX COVER/GASK.BG71-90 ELEC KIT	1
Note: Please give the data from type plate of the motor			
2.15B		> Terminal Box coupling 3~ ADC12	1
2.15C		> Terminal Box Base 3~ ADC12 IEC	1
2.15D	2191001	> Terminal board 50X40 M4 3~ cpl.ELEC KIT	1
Note: Please give the data from type plate of the motor			
2.15E	2111328	> GASKETS/SCREWS F.TERM.BOX 71/80 ELEC KIT	1
Note: Please give the data from type plate of the motor			
2.15F		> Frame Closing IEC	1





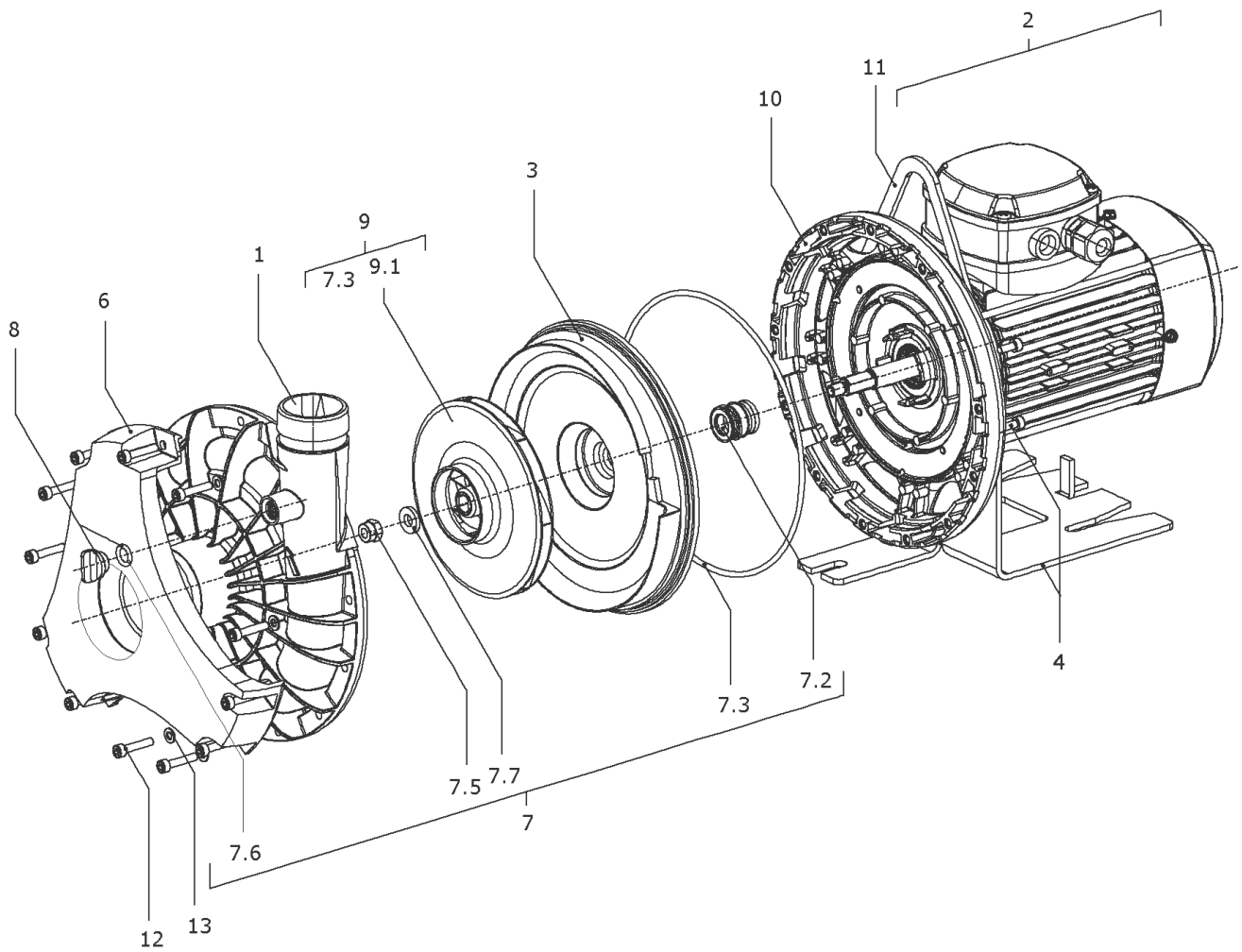
**BAC40-125-0.75/2-DM/S-2-IE3 (4203793)**

Item	Article no.	Description	Quantity
1	2164006	Pump casing BAC 1 1/2"-2" VP.	1
2		Spare parts motor BAC40 BG80 IE3	1
3	2164003	Stationary ring holder-PPA6.6-50-FV VP.	1
4	2188191	Pump support foot BAC40 BG80 cpl.VP.	1
5	2188192	Screw M5X25 12.9 ISO4762(4 Pieces)	1
6	2179107	Reinforcing piece for casingG BAC40 VP.	1
7	4067796	MECHANICAL SEAL KIT BAC	1
7.1		> THROWER-RUBBER-SH65/70	1
7.2		> MECHANICAL-SEAL-MG1/14-G6-BQ1EGG-BURGMAN	1
7.3	2188193	> O-Ring 190,09X3,53 EPDM VP.	1
7.4		> pin cylindrical Ø4x24-overall-stainless	1
7.5		> LOCKNUT-M8-STAINLESS-STEEL-316	1
7.6	4006396	> O-RING ID.9.9x2.62-EPDM 70SH	1
7.7		> FLAT WASHER-D8.2XD18X3-304L	1
8	2188170	Drain plug/o-ring G1/4" KIT	1
9	2131081	IMPELLER 12M3/H-D125 KIT	1
7.3	2188193	> O-Ring 190,09X3,53 EPDM VP.	1
9.1		> IMPELLER SHC 12M3/H-D125-PA6-INSERT	1
10	2188194	Lantern BAC40 BG80 VP.	1
11	2190953	Eyelet/screw BAC VP.	1
12	2010882	SCREW M6X18 ISO4762 (4 PIECES)	1
13	2190952	Washer Z 5,3X10X1 Inox A2(4 Piece)	1



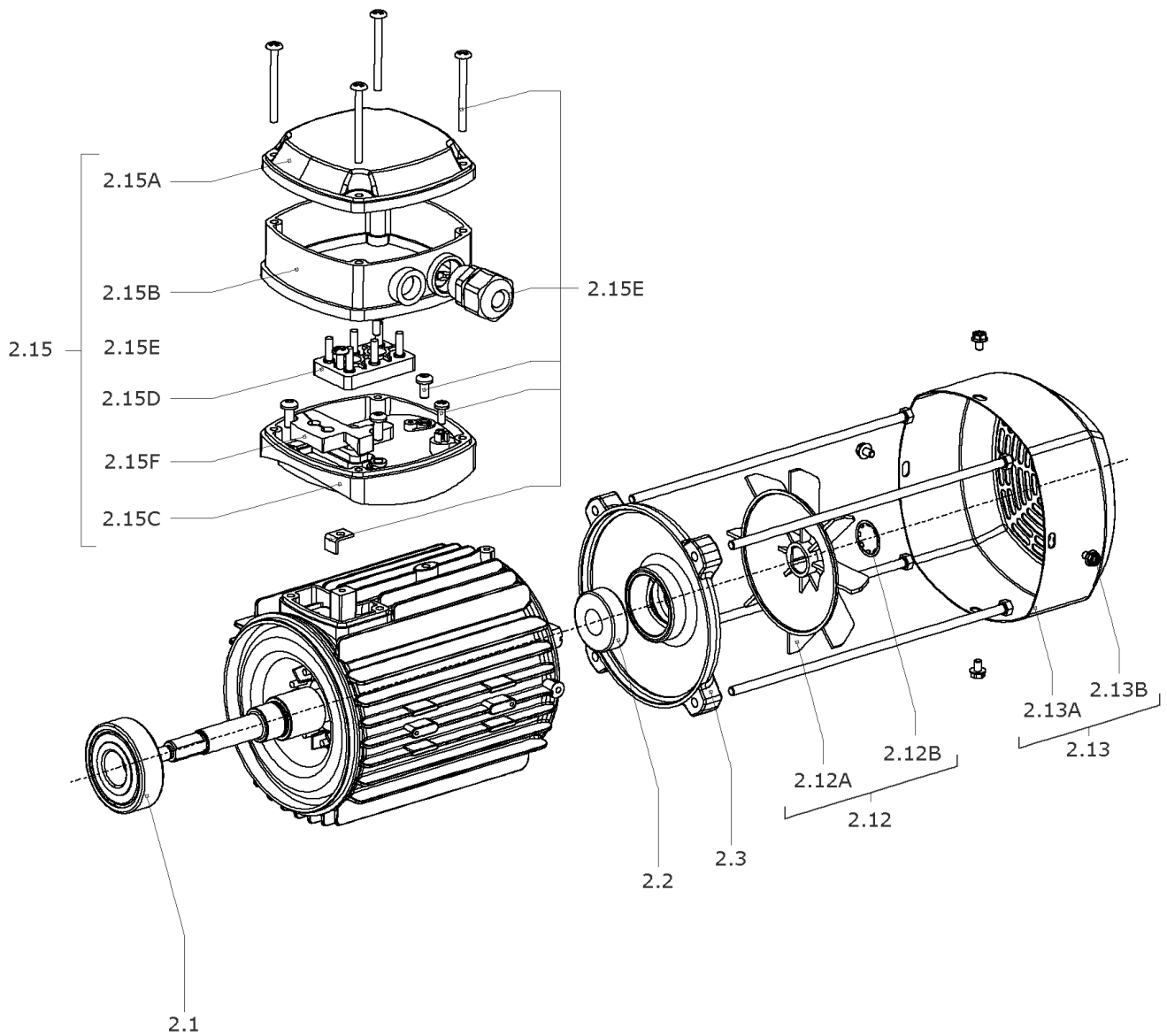
## Spare parts motor BAC40 BG80 IE3

Item	Article no.	Description	Quantity
2.1	2153169	Ball bearing 6304/VV-C3 VP.	1
2.2	2153168	Ball bearing 6204/VV-C3 VP.	1
2.3	2162607	End shield BG80 N.D.E.ELEC KIT	1
		> Flange IEC80 NDS with slot new	1
		> O-RING ID47.2*3.53 EPDM	1
2.12	2107778	FAN WHEEL BG71/80 ELEC KIT	1
2.12A		> FAN 110x15x15.3 GP2200 G/F20%	1
2.12B	2111321	> STOP-RING D.14,8x0,4 VP.	1
Note: Please give the data from type plate of the motor			
2.13	2107779	FAN HOOD BG80 ELEC KIT	1
2.13A		> FAN COVER IEC80 KTL ST14 T0.8 H60	1
2.13B	2111323	> SCREW M4X6 (4 PIECES)	1
Note: Please give the data from type plate of the motor			
2.15	2191000	Terminal box cpl.BG80 ELEC KIT	1
2.15A	2111325	> TERMINAL BOX COVER/GASK.BG71-90 ELEC KIT	1
Note: Please give the data from type plate of the motor			
2.15B		> Terminal Box coupling 3~ ADC12	1
2.15C		> Terminal Box Base 3~ ADC12 IEC	1
2.15D	2191001	> Terminal board 50X40 M4 3~ cpl.ELEC KIT	1
Note: Please give the data from type plate of the motor			
2.15E	2111328	> GASKETS/SCREWS F.TERM.BOX 71/80 ELEC KIT	1
Note: Please give the data from type plate of the motor			
2.15F		> Frame Closing IEC	1



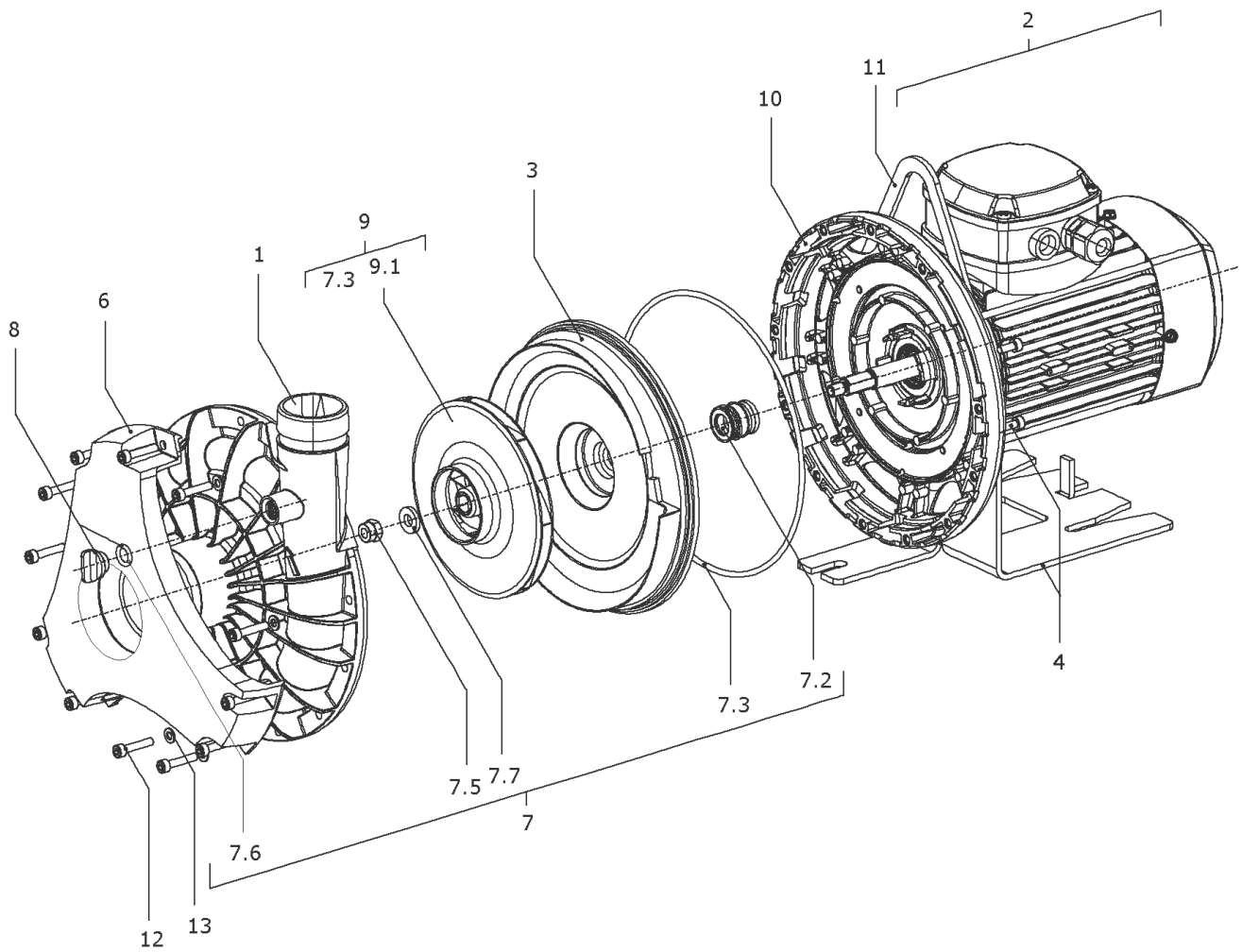
**BAC40-125-0.75\_71/2-DM/R-2-IE3 (4213181)**

Item	Article no.	Description	Quantity
1	2153159	Pump casing BAC-1"1/2-2" VICTAULIC VP.	1
2		Spare parts motor BAC40 BG71 IE3	1
3	2164003	Stationary ring holder-PPA6.6-50-FV VP.	1
4	2190984	Pump support foot BAC40 BG71 cpl.VP.	1
5	2188192	Screw M5X25 12.9 ISO4762(4 Pieces)	1
6	2179107	Reinforcing piece for casingG BAC40 VP.	1
7	4067796	MECHANICAL SEAL KIT BAC	1
7.1		> THROWER-RUBBER-SH65/70	1
7.2		> MECHANICAL-SEAL-MG1/14-G6-BQ1EGG-BURGMAN	1
7.3	2188193	> O-Ring 190,09X3,53 EPDM VP.	1
7.4		> pin cylindrical Ø4x24-overall-stainless	1
7.5		> LOCKNUT-M8-STAINLESS-STEEL-316	1
7.6	4006396	> O-RING ID.9.9x2.62-EPDM 70SH	1
7.7		> FLAT WASHER-D8.2XD18X3-304L	1
8	2188170	Drain plug/o-ring G1/4" KIT	1
9	2131081	IMPELLER 12M3/H-D125 KIT	1
7.3	2188193	> O-Ring 190,09X3,53 EPDM VP.	1
9.1		> IMPELLER SHC 12M3/H-D125-PA6-INSERT	1
10	2190988	Lantern BAC40 BG70 VP.	1
11	2191009	Eyelet/screw BAC40 IE3 VP.	1
12	2188192	Screw M5X25 12.9 ISO4762(4 Pieces)	1
13	2190952	Washer Z 5,3X10X1 Inox A2(4 Piece)	1



## Spare parts motor BAC40 BG71 IE3

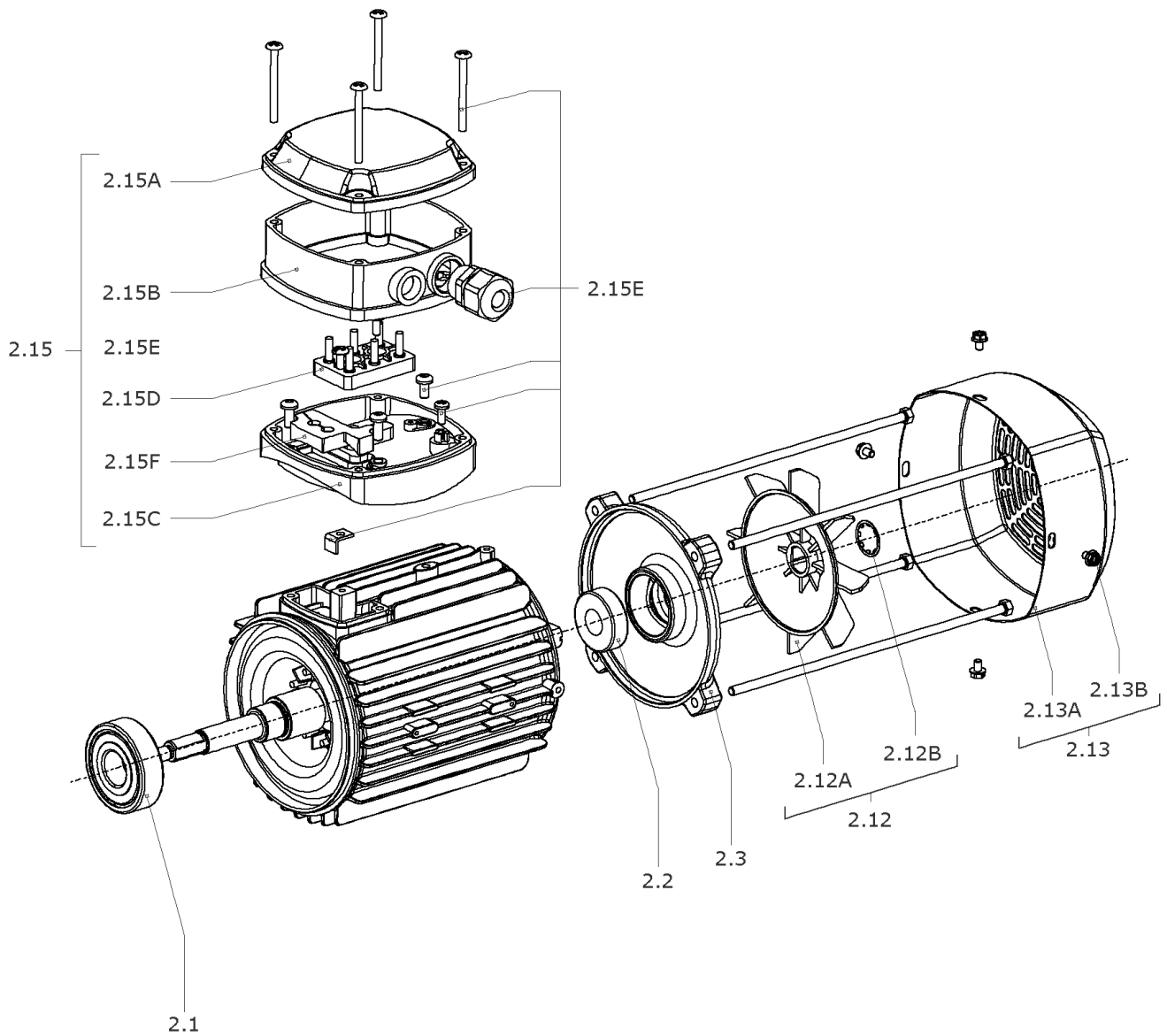
Item	Article no.	Description	Quantity
2.1	2153169	Ball bearing 6304/VV-C3 VP.	1
2.2	2153167	Ball bearing 6202/VV-C3 VP.	1
2.3	2163997	Flange BG71 N.D.E.Elec KIT	1
		> Flange IEC71 NDS with slot reduce0.5	1
		> O-RING ID35*3 EPDM	1
2.12	2107778	FAN WHEEL BG71/80 ELEC KIT	1
2.12A		> FAN 110x15x15.3 GP2200 G/F20%	1
2.12B	2111321	> STOP-RING D.14,8x0,4 VP.	1
Note: Please give the data from type plate of the motor			
2.13	2107783	FAN HOOD BG71 ELEC KIT	1
2.13A		> FAN COVER IEC71 KTL ST14 T0.8 H60	1
2.13B	2111323	> SCREW M4X6 (4 PIECES)	1
Note: Please give the data from type plate of the motor			
2.15	2111330	TERMINAL BOX CPL.BG71/80 ELEC KIT	1
2.15A	2111325	> TERMINAL BOX COVER/GASK.BG71-90 ELEC KIT	1
Note: Please give the data from type plate of the motor			
2.15B		> Terminal Box Coupling ADC12 32.5mm M20	1
2.15C		> Terminal Box Base 3~ ADC12 IEC	1
2.15D	2111327	> TERMINAL BOARD 50X32 M4 3~ CPL. ELEC KIT	1
Note: Please give the data from type plate of the motor			
2.15E	2111328	> GASKETS/SCREWS F.TERM.BOX 71/80 ELEC KIT	1
Note: Please give the data from type plate of the motor			
2.15F		> Frame Closing IEC	1





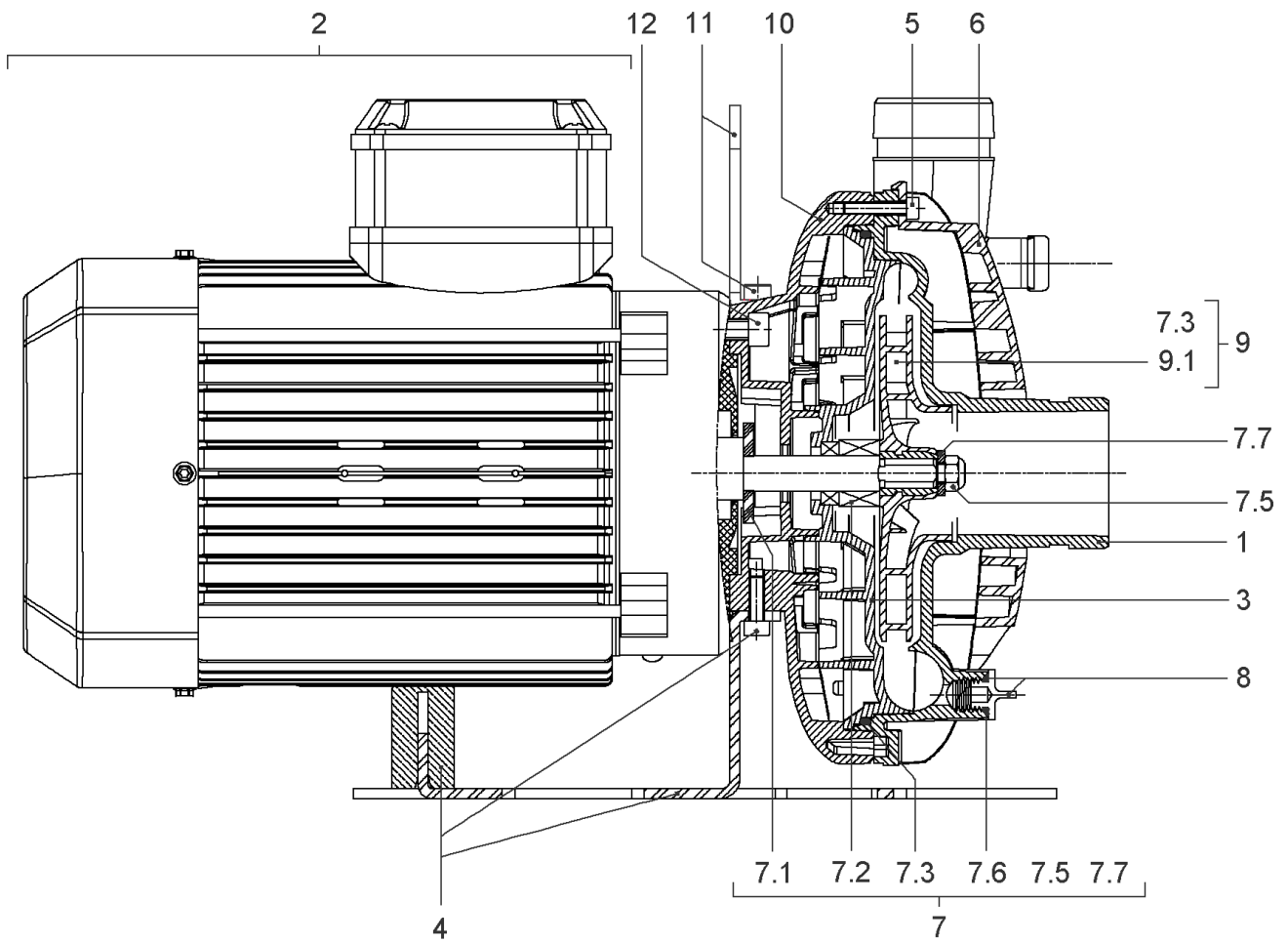
**BAC40-125-0.75\_71/2-DM/S-2-IE3 (4213186)**

Item	Article no.	Description	Quantity
1	2164006	Pump casing BAC 1 1/2"-2" VP.	1
2		Spare parts motor BAC40 BG71 IE3	1
3	2164003	Stationary ring holder-PPA6.6-50-FV VP.	1
4	2190984	Pump support foot BAC40 BG71 cpl.VP.	1
5	2188192	Screw M5X25 12.9 ISO4762(4 Pieces)	1
6	2179107	Reinforcing piece for casingG BAC40 VP.	1
7	4067796	MECHANICAL SEAL KIT BAC	1
7.1		> THROWER-RUBBER-SH65/70	1
7.2		> MECHANICAL-SEAL-MG1/14-G6-BQ1EGG-BURGMAN	1
7.3	2188193	> O-Ring 190,09X3,53 EPDM VP.	1
7.4		> pin cylindrical Ø4x24-overall-stainless	1
7.5		> LOCKNUT-M8-STAINLESS-STEEL-316	1
7.6	4006396	> O-RING ID.9.9x2.62-EPDM 70SH	1
7.7		> FLAT WASHER-D8.2XD18X3-304L	1
8	2188170	Drain plug/o-ring G1/4" KIT	1
9	2131081	IMPELLER 12M3/H-D125 KIT	1
7.3	2188193	> O-Ring 190,09X3,53 EPDM VP.	1
9.1		> IMPELLER SHC 12M3/H-D125-PA6-INSERT	1
10	2190988	Lantern BAC40 BG70 VP.	1
11	2191009	Eyelet/screw BAC40 IE3 VP.	1
12	2188192	Screw M5X25 12.9 ISO4762(4 Pieces)	1
13	2190952	Washer Z 5,3X10X1 Inox A2(4 Piece)	1



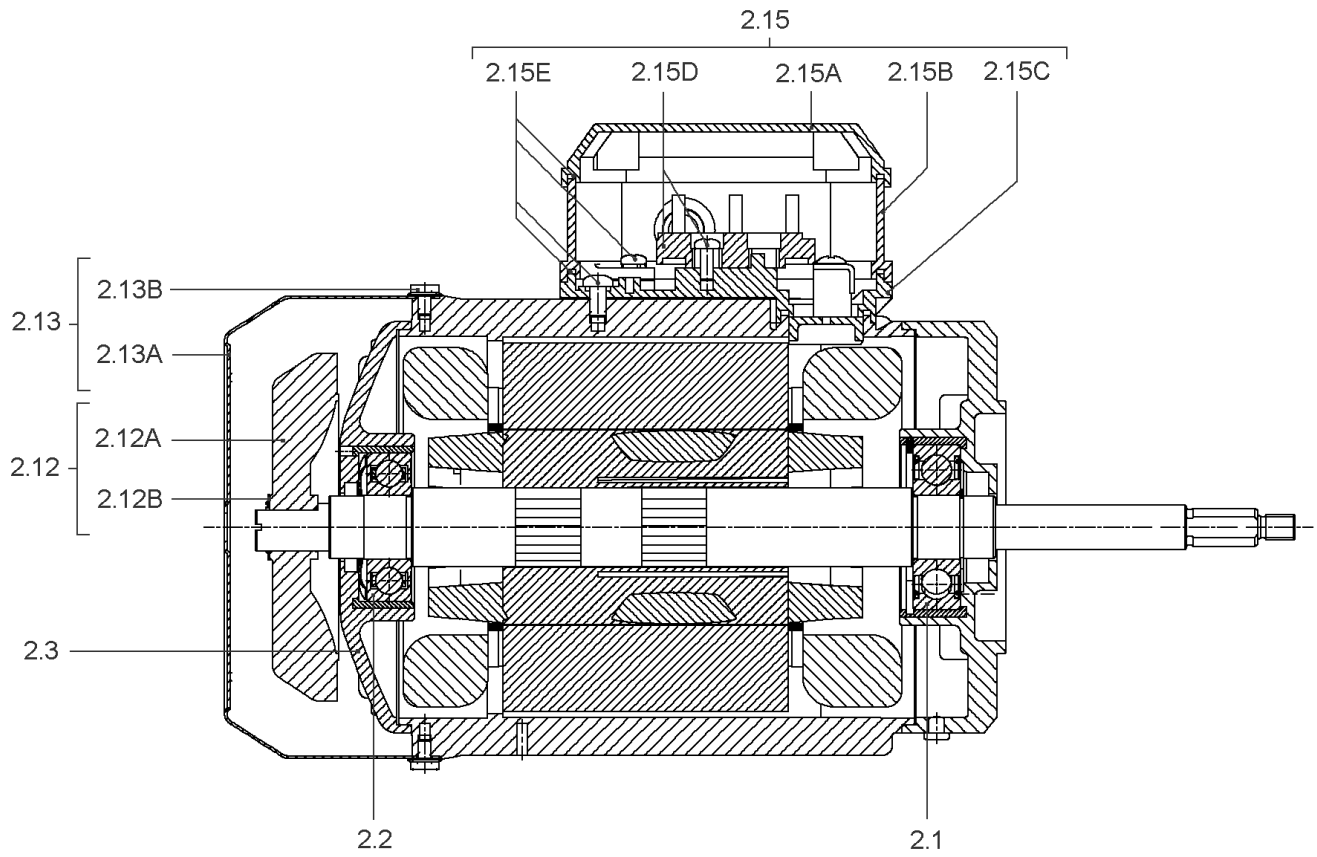
## Spare parts motor BAC40 BG71 IE3

Item	Article no.	Description	Quantity
2.1	2153169	Ball bearing 6304/VV-C3 VP.	1
2.2	2153167	Ball bearing 6202/VV-C3 VP.	1
2.3	2163997	Flange BG71 N.D.E.Elec KIT	1
		> Flange IEC71 NDS with slot reduce0.5	1
		> O-RING ID35*3 EPDM	1
2.12	2107778	FAN WHEEL BG71/80 ELEC KIT	1
2.12A		> FAN 110x15x15.3 GP2200 G/F20%	1
2.12B	2111321	> STOP-RING D.14,8x0,4 VP.	1
Note: Please give the data from type plate of the motor			
2.13	2107783	FAN HOOD BG71 ELEC KIT	1
2.13A		> FAN COVER IEC71 KTL ST14 T0.8 H60	1
2.13B	2111323	> SCREW M4X6 (4 PIECES)	1
Note: Please give the data from type plate of the motor			
2.15	2111330	TERMINAL BOX CPL.BG71/80 ELEC KIT	1
2.15A	2111325	> TERMINAL BOX COVER/GASK.BG71-90 ELEC KIT	1
Note: Please give the data from type plate of the motor			
2.15B		> Terminal Box Coupling ADC12 32.5mm M20	1
2.15C		> Terminal Box Base 3~ ADC12 IEC	1
2.15D	2111327	> TERMINAL BOARD 50X32 M4 3~ CPL. ELEC KIT	1
Note: Please give the data from type plate of the motor			
2.15E	2111328	> GASKETS/SCREWS F.TERM.BOX 71/80 ELEC KIT	1
Note: Please give the data from type plate of the motor			
2.15F		> Frame Closing IEC	1



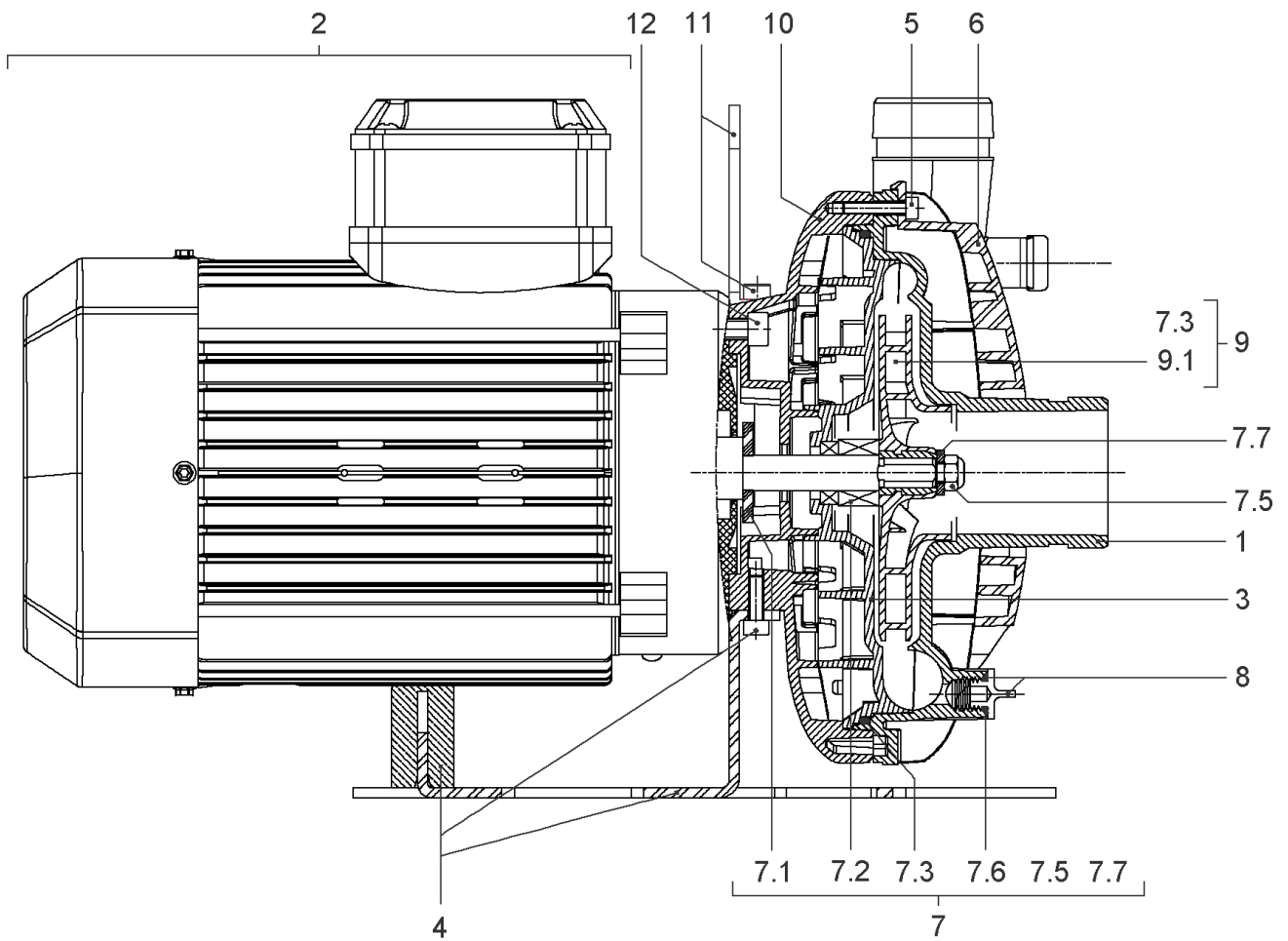
**BAC40-126-1.5/2-DM/R-2 (4158646)**

Item	Article no.	Description	Quantity
1	2153159	Pump casing BAC-1"1/2-2" VICTAULIC VP.	1
2		Spare parts motor BAC40 BG90	1
3	2164003	Stationary ring holder-PPA6.6-50-FV VP.	1
4	2190983	Pump support foot BAC40 BG90 cpl.VP.	1
5	2188192	Screw M5X25 12.9 ISO4762(4 Pieces)	1
6	2179107	Reinforcing piece for casingG BAC40 VP.	1
7	4067796	MECHANICAL SEAL KIT BAC	1
7.1		> THROWER-RUBBER-SH65/70	1
7.2		> MECHANICAL-SEAL-MG1/14-G6-BQ1EGG-BURGMAN	1
7.3	2188193	> O-Ring 190,09X3,53 EPDM VP.	1
7.4		> pin cylindrical Ø4x24-overall-stainless	1
7.5		> LOCKNUT-M8-STAINLESS-STEEL-316	1
7.6	4006396	> O-RING ID.9.9x2.62-EPDM 70SH	1
7.7		> FLAT WASHER-D8.2XD18X3-304L	1
8	2188170	Drain plug/o-ring G1/4" KIT	1
9	2150881	Impeller BAC40 20M3/H-D126 KIT	1
7.3	2188193	> O-Ring 190,09X3,53 EPDM VP.	1
9.1		> IMPELLER SHC 20M3/H-D126-PA6-INSERT	1
10	2188195	Lantern BAC40 BG90 VP.	1
11	2190953	Eyelet/screw BAC VP.	1
12	2190951	Screw M8X20 ISO4762 8.8(4 Piece)	1
	2190952	Washer Z 5,3X10X1 Inox A2(4 Piece)	1



## Spare parts motor BAC40 BG90

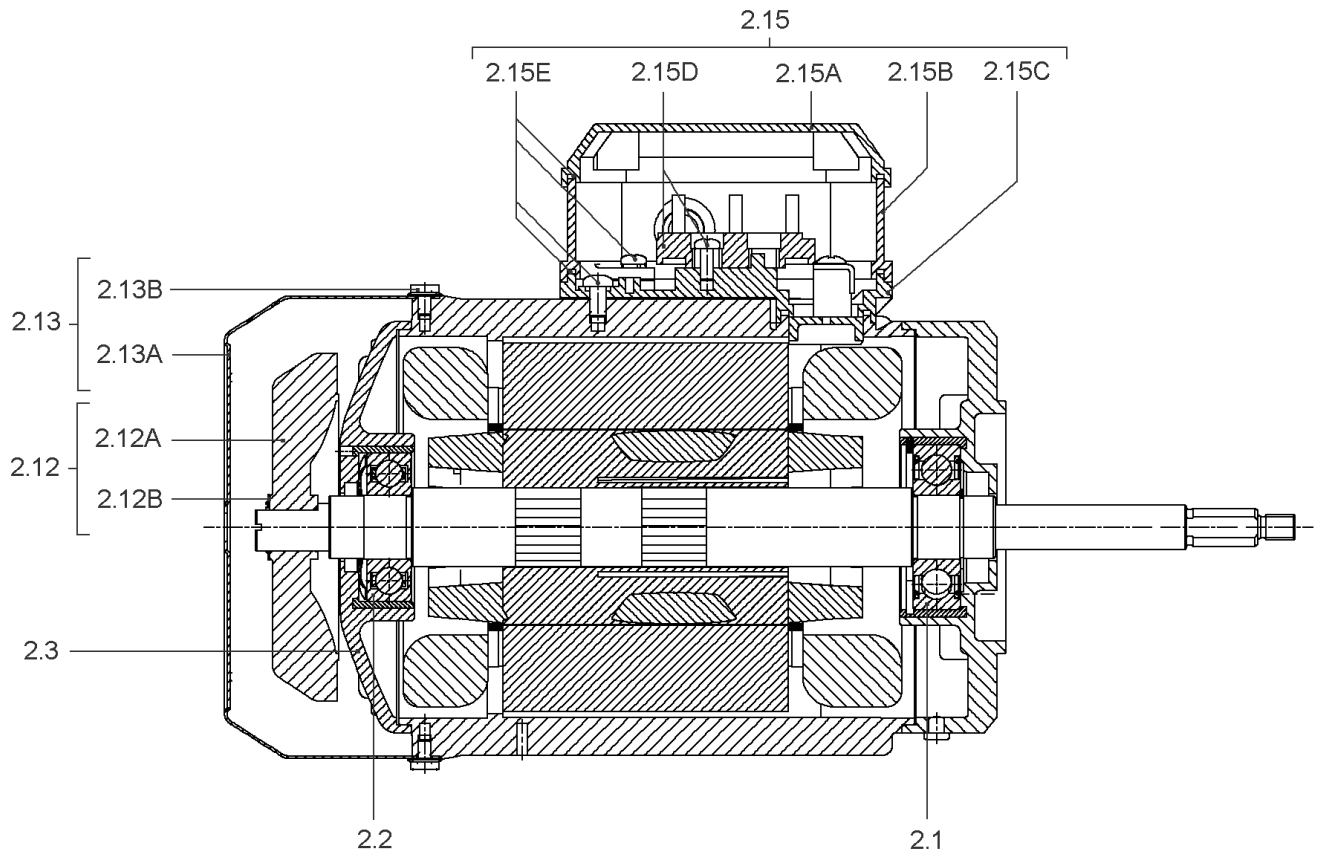
Item	Article no.	Description	Quantity
2.1	2118385	BALL BEARING 6306 DDW C3 EA6 VP.	1
2.2	2111342	BALL BEARING 6204 DDW C3 EA3 VP.	1
2.3	2157920	End shield BG90 N.D.E.ELEC KIT	1
		> Flange IEC90 NDS with slot reduce0.5	1
		> O-RING ID47.2*3.53 EPDM	1
2.12	2107782	FAN WHEEL BG90 ELEC KIT	1
2.12A		> FAN 122.6X15X17 GP2200 G/F20%	1
2.12B	2111321	> STOP-RING D.14,8x0,4 VP.	1
Note: Please give the data from type plate of the motor			
2.13	2111322	FAN HOOD BG90 ELEC KIT	1
2.13A		> FAN COVER IEC90 KTL ST14 T0.8 H70	1
2.13B	2111323	> SCREW M4X6 (4 PIECES)	1
Note: Please give the data from type plate of the motor			
2.15	2111331	TERMINAL BOX CPL.BG90 ELEC KIT	1
2.15A	2111326	> KIT TERMINAL BOX COV./GASK. BG90-112ELEC	1
Note: Please give the data from type plate of the motor			
2.15B		> Terminal Box Coupling 3~ ADC12 40mm M25	1
2.15C		> Terminal Box Base 3~ ADC12 IEC	1
2.15D	2111327	> TERMINAL BOARD 50X32 M4 3~ CPL. ELEC KIT	1
Note: Please give the data from type plate of the motor			
2.15E	2111329	> GASKETS/SCREWS F.TERM.BOX BG90 ELEC KIT	1
Note: Please give the data from type plate of the motor			
2.15F		> Frame Closing IEC	1





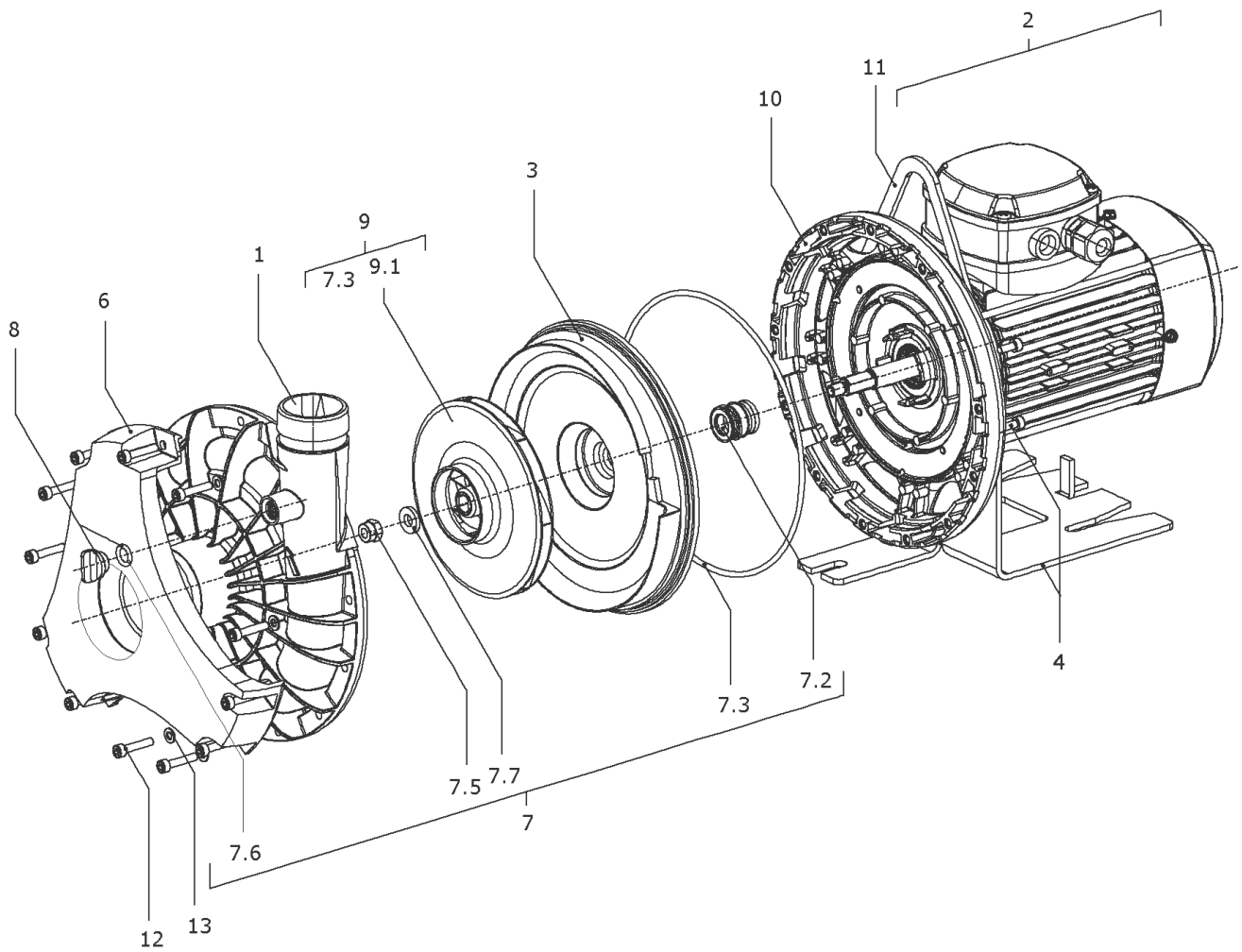
**BAC40-126-1.5/2-DM/S-2 (4158650)**

Item	Article no.	Description	Quantity
1	2164006	Pump casing BAC 1 1/2"-2" VP.	1
2		Spare parts motor BAC40 BG90	1
3	2164003	Stationary ring holder-PPA6.6-50-FV VP.	1
4	2190983	Pump support foot BAC40 BG90 cpl.VP.	1
5	2188192	Screw M5X25 12.9 ISO4762(4 Pieces)	1
6	2179107	Reinforcing piece for casingG BAC40 VP.	1
7	4067796	MECHANICAL SEAL KIT BAC	1
7.1		> THROWER-RUBBER-SH65/70	1
7.2		> MECHANICAL-SEAL-MG1/14-G6-BQ1EGG-BURGMAN	1
7.3	2188193	> O-Ring 190,09X3,53 EPDM VP.	1
7.4		> pin cylindrical Ø4x24-overall-stainless	1
7.5		> LOCKNUT-M8-STAINLESS-STEEL-316	1
7.6	4006396	> O-RING ID.9.9x2.62-EPDM 70SH	1
7.7		> FLAT WASHER-D8.2XD18X3-304L	1
8	2188170	Drain plug/o-ring G1/4" KIT	1
9	2150881	Impeller BAC40 20M3/H-D126 KIT	1
7.3	2188193	> O-Ring 190,09X3,53 EPDM VP.	1
9.1		> IMPELLER SHC 20M3/H-D126-PA6-INSERT	1
10	2188195	Lantern BAC40 BG90 VP.	1
11	2190953	Eyelet/screw BAC VP.	1
12	2190951	Screw M8X20 ISO4762 8.8(4 Piece)	1
	2190952	Washer Z 5,3X10X1 Inox A2(4 Piece)	1



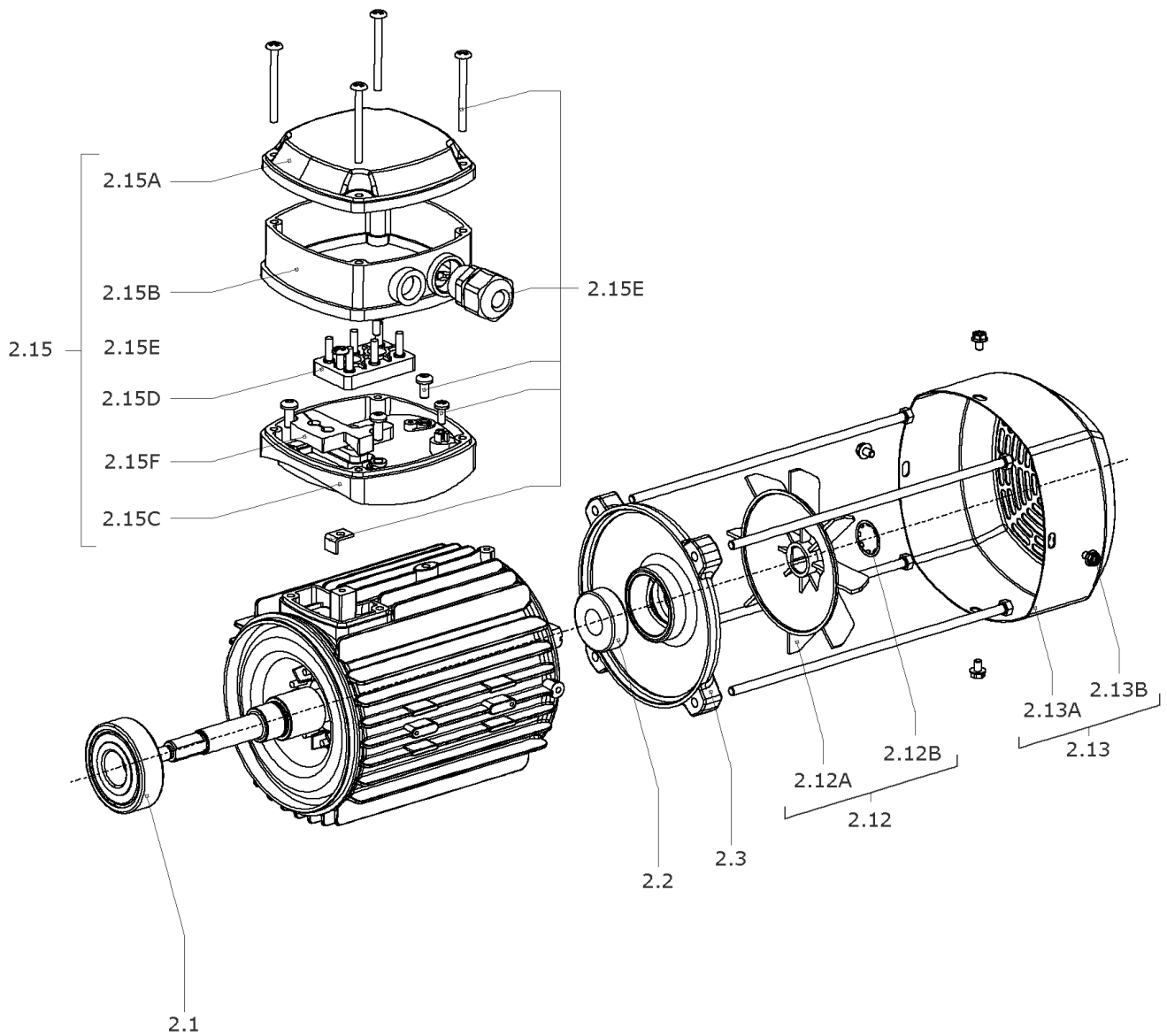
## Spare parts motor BAC40 BG90

Item	Article no.	Description	Quantity
2.1	2118385	BALL BEARING 6306 DDW C3 EA6 VP.	1
2.2	2111342	BALL BEARING 6204 DDW C3 EA3 VP.	1
2.3	2157920	End shield BG90 N.D.E.ELEC KIT	1
		> Flange IEC90 NDS with slot reduce0.5	1
		> O-RING ID47.2*3.53 EPDM	1
2.12	2107782	FAN WHEEL BG90 ELEC KIT	1
2.12A		> FAN 122.6X15X17 GP2200 G/F20%	1
2.12B	2111321	> STOP-RING D.14,8x0,4 VP.	1
Note: Please give the data from type plate of the motor			
2.13	2111322	FAN HOOD BG90 ELEC KIT	1
2.13A		> FAN COVER IEC90 KTL ST14 T0.8 H70	1
2.13B	2111323	> SCREW M4X6 (4 PIECES)	1
Note: Please give the data from type plate of the motor			
2.15	2111331	TERMINAL BOX CPL.BG90 ELEC KIT	1
2.15A	2111326	> KIT TERMINAL BOX COV./GASK. BG90-112ELEC	1
Note: Please give the data from type plate of the motor			
2.15B		> Terminal Box Coupling 3~ ADC12 40mm M25	1
2.15C		> Terminal Box Base 3~ ADC12 IEC	1
2.15D	2111327	> TERMINAL BOARD 50X32 M4 3~ CPL. ELEC KIT	1
Note: Please give the data from type plate of the motor			
2.15E	2111329	> GASKETS/SCREWS F.TERM.BOX BG90 ELEC KIT	1
Note: Please give the data from type plate of the motor			
2.15F		> Frame Closing IEC	1



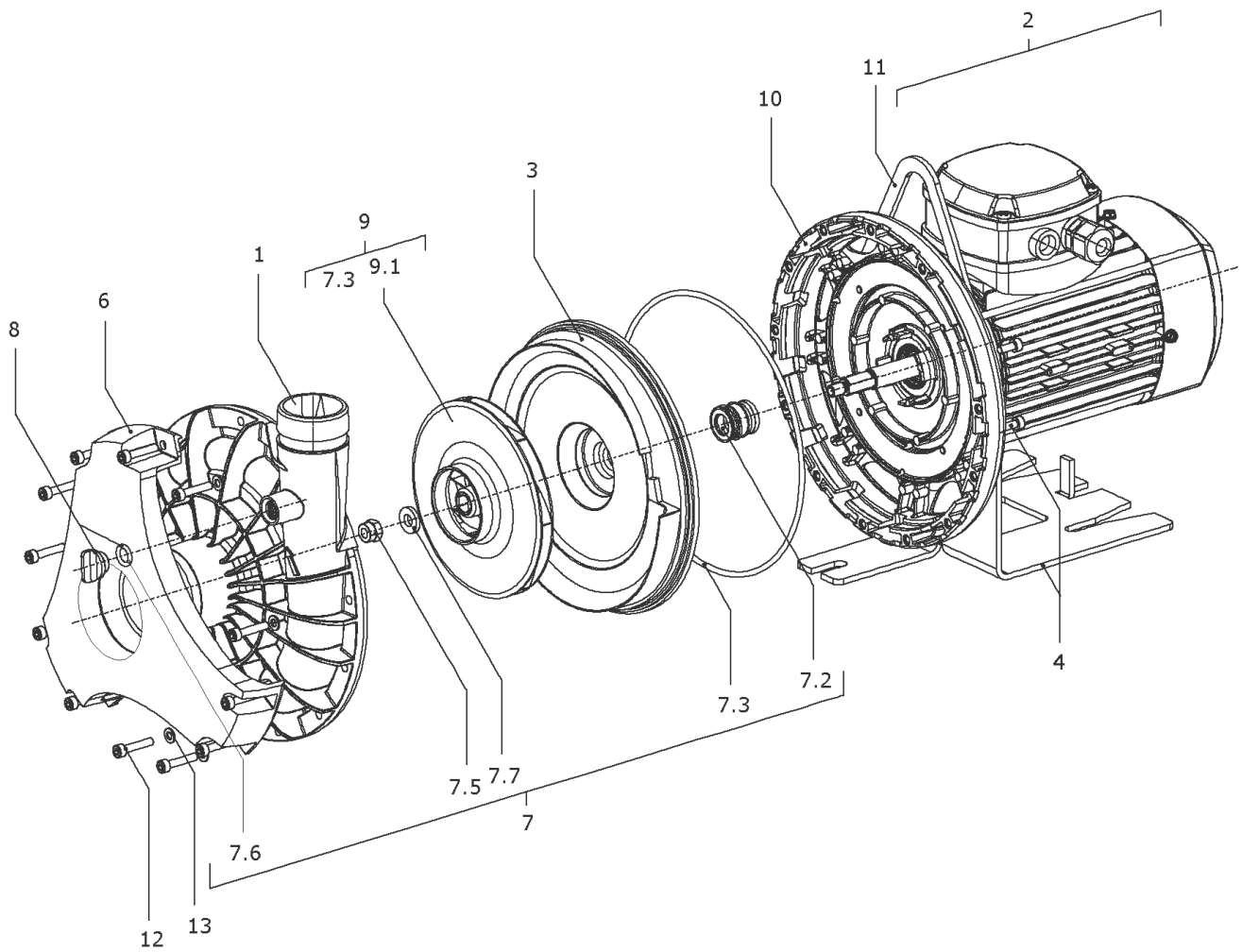
**BAC40-126-1.5/2-DM/R-2-IE3 (4203787)**

Item	Article no.	Description	Quantity
1	2153159	Pump casing BAC-1"1/2-2" VICTAULIC VP.	1
2		Spare parts motor BAC40 BG90 IE3	1
3	2164003	Stationary ring holder-PPA6.6-50-FV VP.	1
4	2190983	Pump support foot BAC40 BG90 cpl.VP.	1
5	2188192	Screw M5X25 12.9 ISO4762(4 Pieces)	1
6	2179107	Reinforcing piece for casingG BAC40 VP.	1
7	4067796	MECHANICAL SEAL KIT BAC	1
7.1		> THROWER-RUBBER-SH65/70	1
7.2		> MECHANICAL-SEAL-MG1/14-G6-BQ1EGG-BURGMAN	1
7.3	2188193	> O-Ring 190,09X3,53 EPDM VP.	1
7.4		> pin cylindrical Ø4x24-overall-stainless	1
7.5		> LOCKNUT-M8-STAINLESS-STEEL-316	1
7.6	4006396	> O-RING ID.9.9x2.62-EPDM 70SH	1
7.7		> FLAT WASHER-D8.2XD18X3-304L	1
8	2188170	Drain plug/o-ring G1/4" KIT	1
9	2150881	Impeller BAC40 20M3/H-D126 KIT	1
7.3	2188193	> O-Ring 190,09X3,53 EPDM VP.	1
9.1		> IMPELLER SHC 20M3/H-D126-PA6-INSERT	1
10	2188195	Lantern BAC40 BG90 VP.	1
11	2190953	Eyelet/screw BAC VP.	1
12	2190951	Screw M8X20 ISO4762 8.8(4 Piece)	1
13	2190952	Washer Z 5,3X10X1 Inox A2(4 Piece)	1



## Spare parts motor BAC40 BG90 IE3

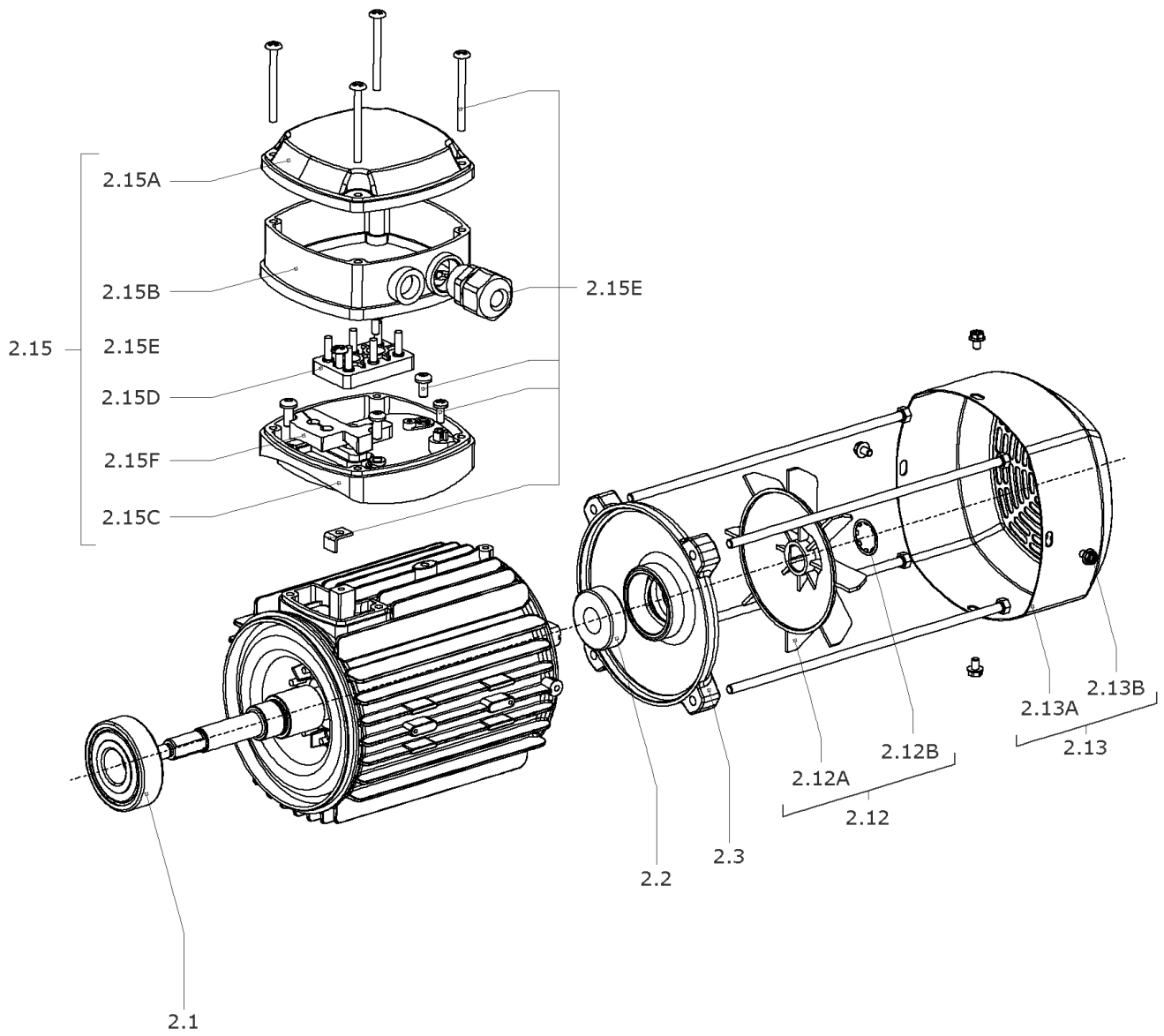
Item	Article no.	Description	Quantity
2.1	2153170	Ball bearing 6306/VV-C3 VP.	1
2.2	2153168	Ball bearing 6204/VV-C3 VP.	1
2.3	2164024	End shield BG90 N.D.E.ELEC KIT	1
		> Flange IEC90 NDS with slot reduce0.5	1
		> O-RING ID47.2*3.53 EPDM	1
2.12	2107782	FAN WHEEL BG90 ELEC KIT	1
2.12A		> FAN 122.6X15X17 GP2200 G/F20%	1
2.12B	2111321	> STOP-RING D.14,8x0,4 VP.	1
Note: Please give the data from type plate of the motor			
2.13	2111322	FAN HOOD BG90 ELEC KIT	1
2.13A		> FAN COVER IEC90 KTL ST14 T0.8 H70	1
2.13B	2111323	> SCREW M4X6 (4 PIECES)	1
Note: Please give the data from type plate of the motor			
2.15	2191002	Terminal box cpl.BG90 ELEC KIT	1
2.15A	2111325	> TERMINAL BOX COVER/GASK.BG71-90 ELEC KIT	1
Note: Please give the data from type plate of the motor			
2.15B		> TERMINAL BOX COUPLING 40 MM M25 M16	1
2.15C		> Terminal Box Base 3~ ADC12 IEC	1
2.15D	2191001	> Terminal board 50X40 M4 3~ cpl.ELEC KIT	1
Note: Please give the data from type plate of the motor			
2.15E	2111328	> GASKETS/SCREWS F.TERM.BOX 71/80 ELEC KIT	1
Note: Please give the data from type plate of the motor			
2.15F		> Frame Closing IEC	1





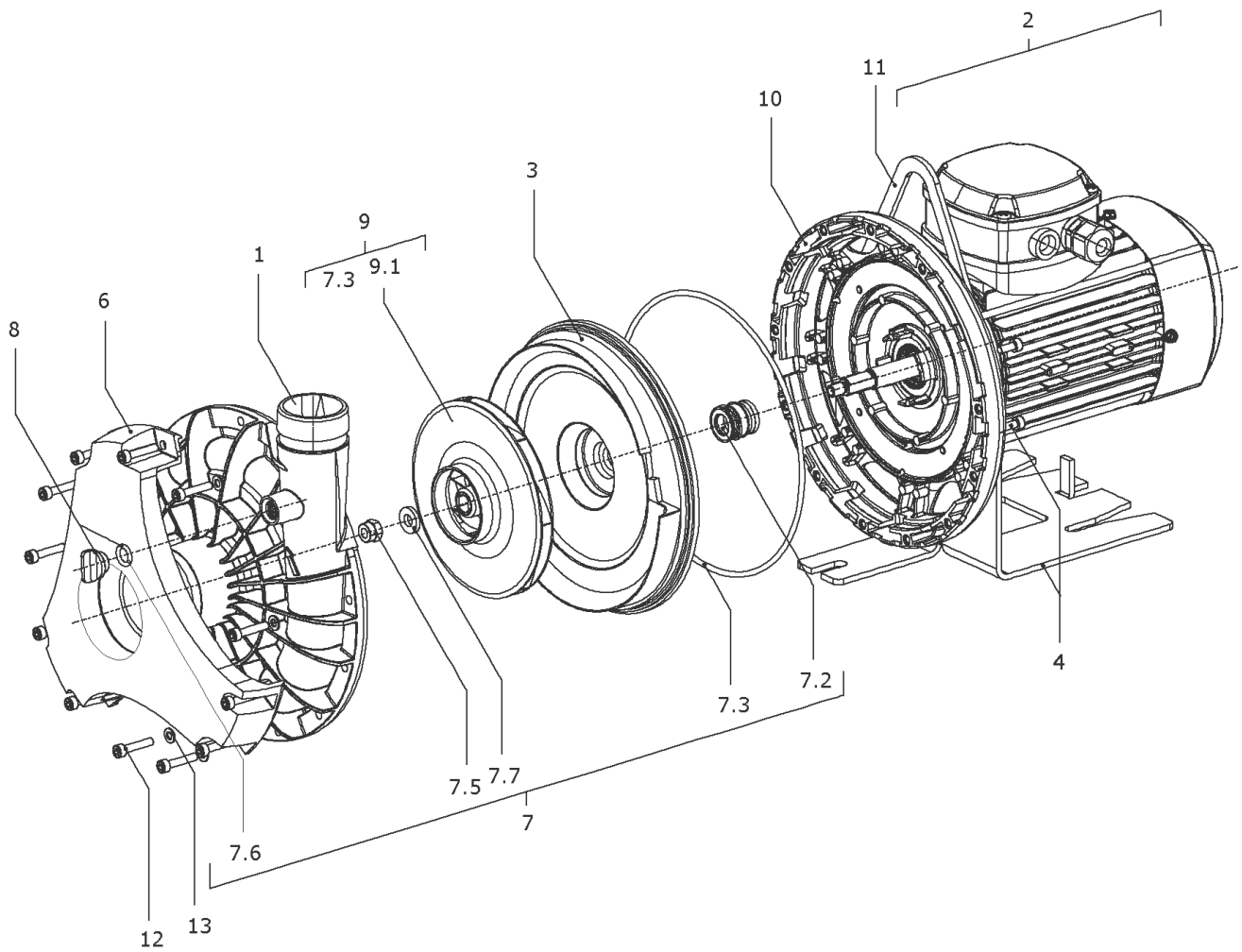
**BAC40-126-1.5/2-DM/S-2-IE3 (4203791)**

Item	Article no.	Description	Quantity
1	2164006	Pump casing BAC 1 1/2"-2" VP.	1
2		Spare parts motor BAC40 BG90 IE3	1
3	2164003	Stationary ring holder-PPA6.6-50-FV VP.	1
4	2190983	Pump support foot BAC40 BG90 cpl.VP.	1
5	2188192	Screw M5X25 12.9 ISO4762(4 Pieces)	1
6	2179107	Reinforcing piece for casingG BAC40 VP.	1
7	4067796	MECHANICAL SEAL KIT BAC	1
7.1		> THROWER-RUBBER-SH65/70	1
7.2		> MECHANICAL-SEAL-MG1/14-G6-BQ1EGG-BURGMAN	1
7.3	2188193	> O-Ring 190,09X3,53 EPDM VP.	1
7.4		> pin cylindrical Ø4x24-overall-stainless	1
7.5		> LOCKNUT-M8-STAINLESS-STEEL-316	1
7.6	4006396	> O-RING ID.9.9x2.62-EPDM 70SH	1
7.7		> FLAT WASHER-D8.2XD18X3-304L	1
8	2188170	Drain plug/o-ring G1/4" KIT	1
9	2150881	Impeller BAC40 20M3/H-D126 KIT	1
7.3	2188193	> O-Ring 190,09X3,53 EPDM VP.	1
9.1		> IMPELLER SHC 20M3/H-D126-PA6-INSERT	1
10	2188195	Lantern BAC40 BG90 VP.	1
11	2190953	Eyelet/screw BAC VP.	1
12	2190951	Screw M8X20 ISO4762 8.8(4 Piece)	1
13	2190952	Washer Z 5,3X10X1 Inox A2(4 Piece)	1



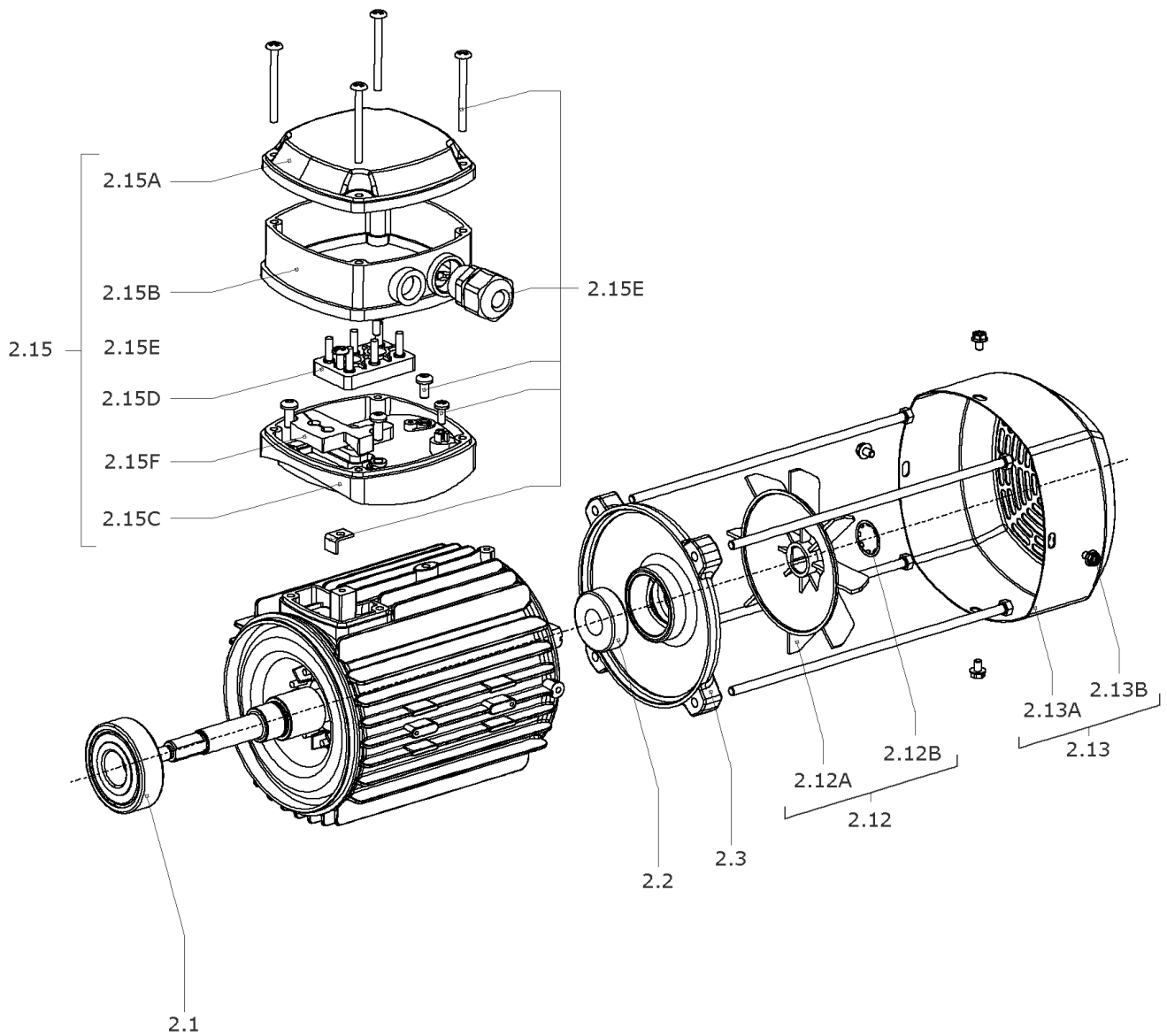
## Spare parts motor BAC40 BG90 IE3

Item	Article no.	Description	Quantity
2.1	2153170	Ball bearing 6306/VV-C3 VP.	1
2.2	2153168	Ball bearing 6204/VV-C3 VP.	1
2.3	2164024	End shield BG90 N.D.E.ELEC KIT	1
		> Flange IEC90 NDS with slot reduce0.5	1
		> O-RING ID47.2*3.53 EPDM	1
2.12	2107782	FAN WHEEL BG90 ELEC KIT	1
2.12A		> FAN 122.6X15X17 GP2200 G/F20%	1
2.12B	2111321	> STOP-RING D.14,8x0,4 VP.	1
Note: Please give the data from type plate of the motor			
2.13	2111322	FAN HOOD BG90 ELEC KIT	1
2.13A		> FAN COVER IEC90 KTL ST14 T0.8 H70	1
2.13B	2111323	> SCREW M4X6 (4 PIECES)	1
Note: Please give the data from type plate of the motor			
2.15	2191002	Terminal box cpl.BG90 ELEC KIT	1
2.15A	2111325	> TERMINAL BOX COVER/GASK.BG71-90 ELEC KIT	1
Note: Please give the data from type plate of the motor			
2.15B		> TERMINAL BOX COUPLING 40 MM M25 M16	1
2.15C		> Terminal Box Base 3~ ADC12 IEC	1
2.15D	2191001	> Terminal board 50X40 M4 3~ cpl.ELEC KIT	1
Note: Please give the data from type plate of the motor			
2.15E	2111328	> GASKETS/SCREWS F.TERM.BOX 71/80 ELEC KIT	1
Note: Please give the data from type plate of the motor			
2.15F		> Frame Closing IEC	1



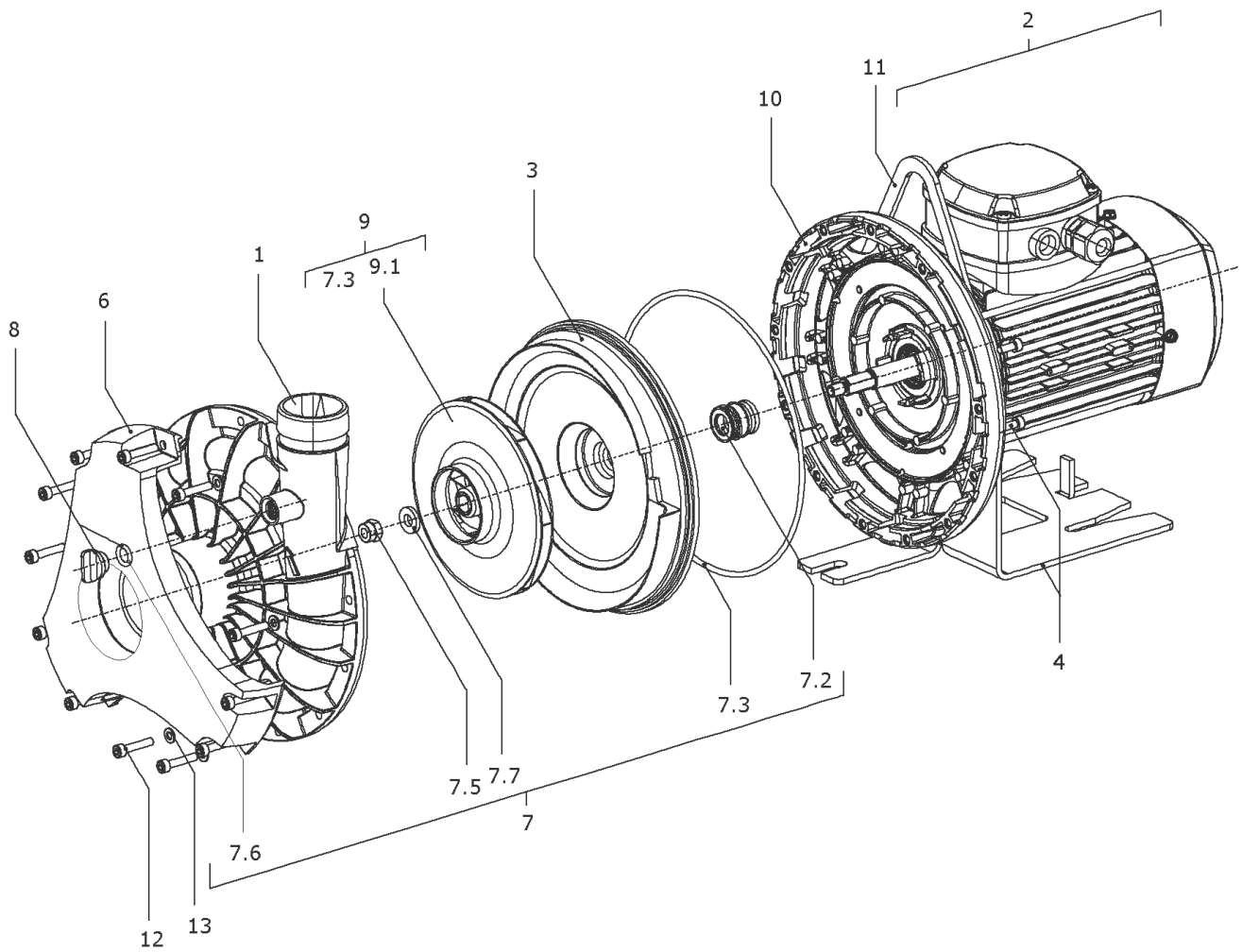
**BAC40-126-1.5\_80/2-DM/R-2-IE3 (4213183)**

Item	Article no.	Description	Quantity
1	2153159	Pump casing BAC-1"1/2-2" VICTAULIC VP.	1
2		Spare parts motor BAC40 BG80 IE3	1
3	2164003	Stationary ring holder-PPA6.6-50-FV VP.	1
4	2190985	Pump support foot BAC40 BG80 cpl.VP.	1
5	2188192	Screw M5X25 12.9 ISO4762(4 Pieces)	1
6	2179107	Reinforcing piece for casingG BAC40 VP.	1
7	4067796	MECHANICAL SEAL KIT BAC	1
7.1		> THROWER-RUBBER-SH65/70	1
7.2		> MECHANICAL-SEAL-MG1/14-G6-BQ1EGG-BURGMAN	1
7.3	2188193	> O-Ring 190,09X3,53 EPDM VP.	1
7.4		> pin cylindrical Ø4x24-overall-stainless	1
7.5		> LOCKNUT-M8-STAINLESS-STEEL-316	1
7.6	4006396	> O-RING ID.9.9x2.62-EPDM 70SH	1
7.7		> FLAT WASHER-D8.2XD18X3-304L	1
8	2188170	Drain plug/o-ring G1/4" KIT	1
9	2150881	Impeller BAC40 20M3/H-D126 KIT	1
7.3	2188193	> O-Ring 190,09X3,53 EPDM VP.	1
9.1		> IMPELLER SHC 20M3/H-D126-PA6-INSERT	1
10	2190989	Lantern BAC40 BG80 VP.	1
11	2191009	Eyelet/screw BAC40 IE3 VP.	1
12	2188192	Screw M5X25 12.9 ISO4762(4 Pieces)	1
13	2190952	Washer Z 5,3X10X1 Inox A2(4 Piece)	1



## Spare parts motor BAC40 BG80 IE3

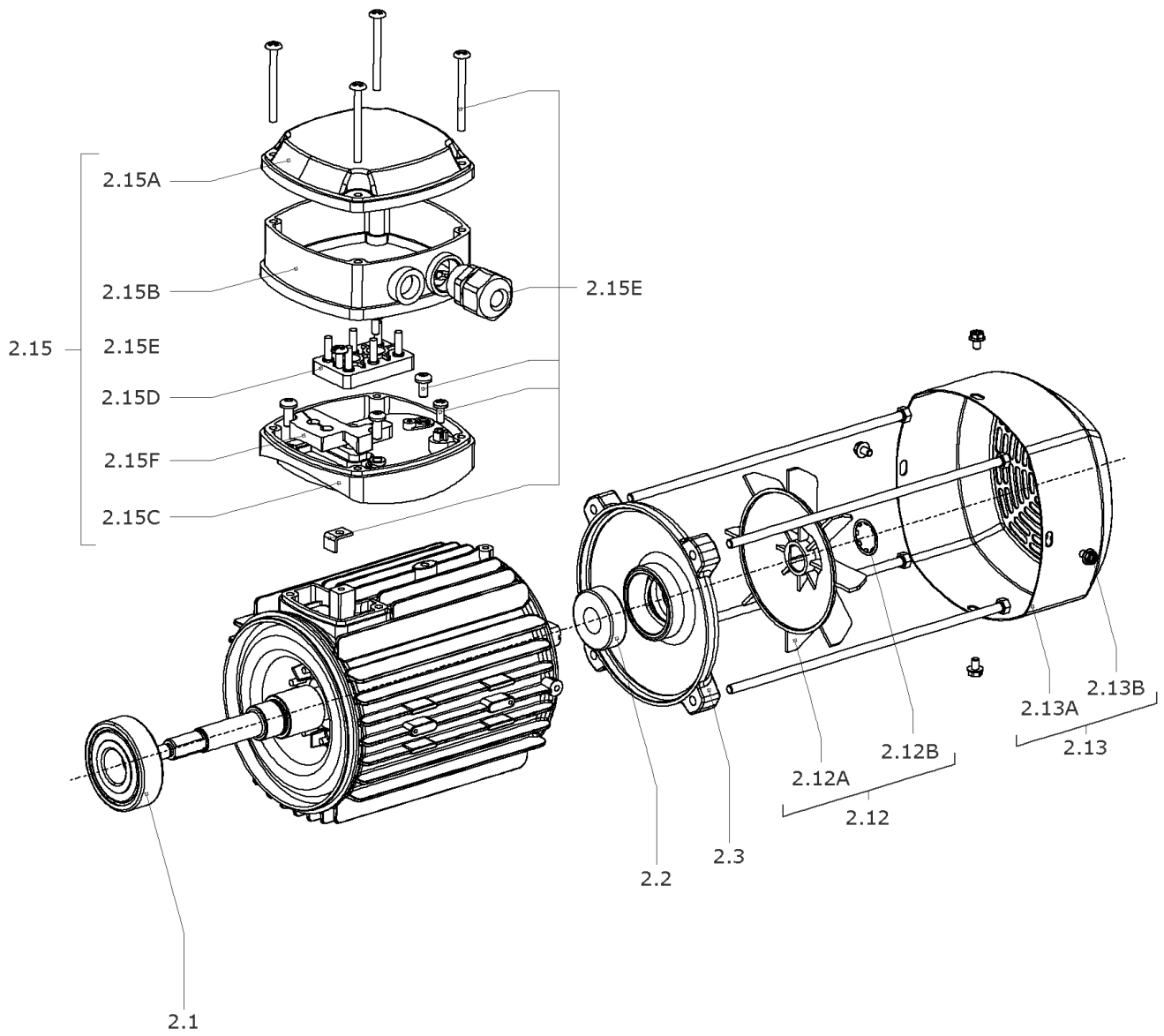
Item	Article no.	Description	Quantity
2.1	2153169	Ball bearing 6304/VV-C3 VP.	1
2.2	2153168	Ball bearing 6204/VV-C3 VP.	1
2.3	2163997	Flange BG71 N.D.E.Elec KIT	1
		> Flange IEC71 NDS with slot reduce0.5	1
		> O-RING ID35*3 EPDM	1
2.12	2107778	FAN WHEEL BG71/80 ELEC KIT	1
2.12A		> FAN 110x15x15.3 GP2200 G/F20%	1
2.12B	2111321	> STOP-RING D.14,8x0,4 VP.	1
Note: Please give the data from type plate of the motor			
2.13	2107783	FAN HOOD BG71 ELEC KIT	1
2.13A		> FAN COVER IEC71 KTL ST14 T0.8 H60	1
2.13B	2111323	> SCREW M4X6 (4 PIECES)	1
Note: Please give the data from type plate of the motor			
2.15	2111330	TERMINAL BOX CPL.BG71/80 ELEC KIT	1
2.15A	2111325	> TERMINAL BOX COVER/GASK.BG71-90 ELEC KIT	1
Note: Please give the data from type plate of the motor			
2.15B		> Terminal Box Coupling ADC12 32.5mm M20	1
2.15C		> Terminal Box Base 3~ ADC12 IEC	1
2.15D	2111327	> TERMINAL BOARD 50X32 M4 3~ CPL. ELEC KIT	1
Note: Please give the data from type plate of the motor			
2.15E	2111328	> GASKETS/SCREWS F.TERM.BOX 71/80 ELEC KIT	1
Note: Please give the data from type plate of the motor			
2.15F		> Frame Closing IEC	1





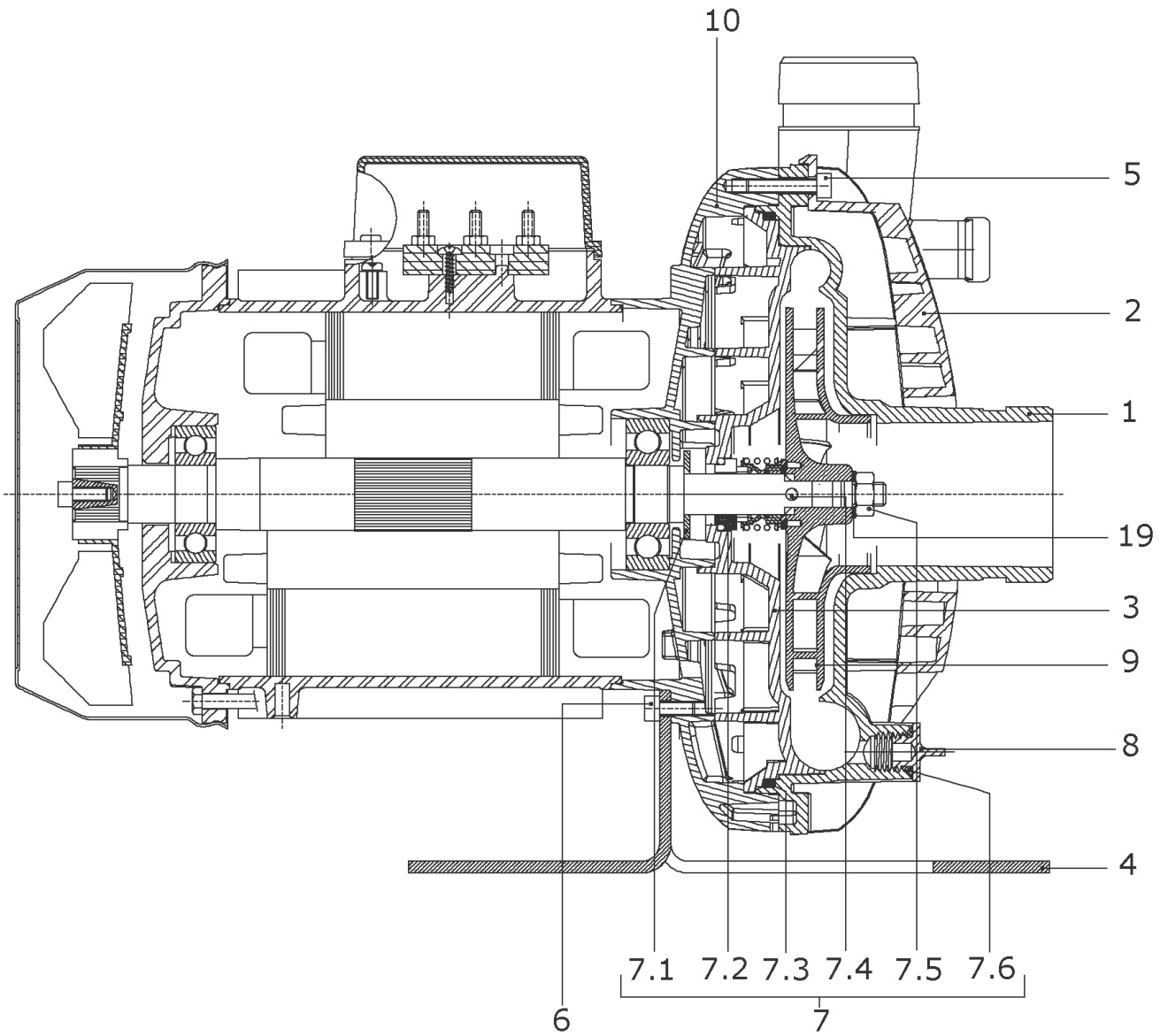
**BAC40-126-1.5\_80/2-DM/S-2-IE3 (4213188)**

Item	Article no.	Description	Quantity
1	2164006	Pump casing BAC 1 1/2"-2" VP.	1
2		Spare parts motor BAC40 BG80 IE3	1
3	2164003	Stationary ring holder-PPA6.6-50-FV VP.	1
4	2190985	Pump support foot BAC40 BG80 cpl.VP.	1
5	2188192	Screw M5X25 12.9 ISO4762(4 Pieces)	1
6	2179107	Reinforcing piece for casingG BAC40 VP.	1
7	4067796	MECHANICAL SEAL KIT BAC	1
7.1		> THROWER-RUBBER-SH65/70	1
7.2		> MECHANICAL-SEAL-MG1/14-G6-BQ1EGG-BURGMAN	1
7.3	2188193	> O-Ring 190,09X3,53 EPDM VP.	1
7.4		> pin cylindrical Ø4x24-overall-stainless	1
7.5		> LOCKNUT-M8-STAINLESS-STEEL-316	1
7.6	4006396	> O-RING ID.9.9x2.62-EPDM 70SH	1
7.7		> FLAT WASHER-D8.2XD18X3-304L	1
8	2188170	Drain plug/o-ring G1/4" KIT	1
9	2150881	Impeller BAC40 20M3/H-D126 KIT	1
7.3	2188193	> O-Ring 190,09X3,53 EPDM VP.	1
9.1		> IMPELLER SHC 20M3/H-D126-PA6-INSERT	1
10	2190989	Lantern BAC40 BG80 VP.	1
11	2191009	Eyelet/screw BAC40 IE3 VP.	1
12	2188192	Screw M5X25 12.9 ISO4762(4 Pieces)	1
13	2190952	Washer Z 5,3X10X1 Inox A2(4 Piece)	1



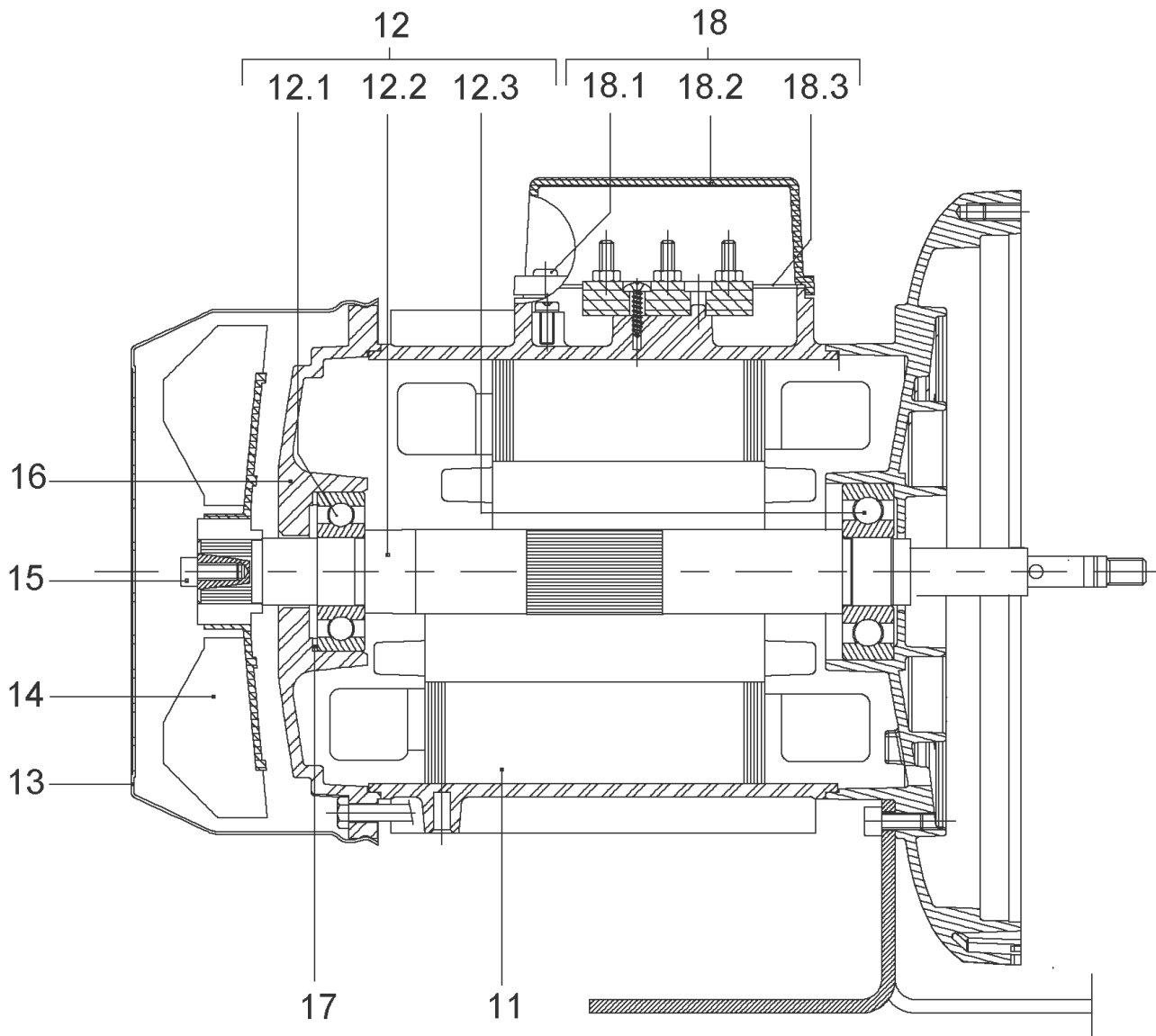
## Spare parts motor BAC40 BG80 IE3

Item	Article no.	Description	Quantity
2.1	2153169	Ball bearing 6304/VV-C3 VP.	1
2.2	2153168	Ball bearing 6204/VV-C3 VP.	1
2.3	2163997	Flange BG71 N.D.E.Elec KIT	1
		> Flange IEC71 NDS with slot reduce0.5	1
		> O-RING ID35*3 EPDM	1
2.12	2107778	FAN WHEEL BG71/80 ELEC KIT	1
2.12A		> FAN 110x15x15.3 GP2200 G/F20%	1
2.12B	2111321	> STOP-RING D.14,8x0,4 VP.	1
Note: Please give the data from type plate of the motor			
2.13	2107783	FAN HOOD BG71 ELEC KIT	1
2.13A		> FAN COVER IEC71 KTL ST14 T0.8 H60	1
2.13B	2111323	> SCREW M4X6 (4 PIECES)	1
Note: Please give the data from type plate of the motor			
2.15	2111330	TERMINAL BOX CPL.BG71/80 ELEC KIT	1
2.15A	2111325	> TERMINAL BOX COVER/GASK.BG71-90 ELEC KIT	1
Note: Please give the data from type plate of the motor			
2.15B		> Terminal Box Coupling ADC12 32.5mm M20	1
2.15C		> Terminal Box Base 3~ ADC12 IEC	1
2.15D	2111327	> TERMINAL BOARD 50X32 M4 3~ CPL. ELEC KIT	1
Note: Please give the data from type plate of the motor			
2.15E	2111328	> GASKETS/SCREWS F.TERM.BOX 71/80 ELEC KIT	1
Note: Please give the data from type plate of the motor			
2.15F		> Frame Closing IEC	1



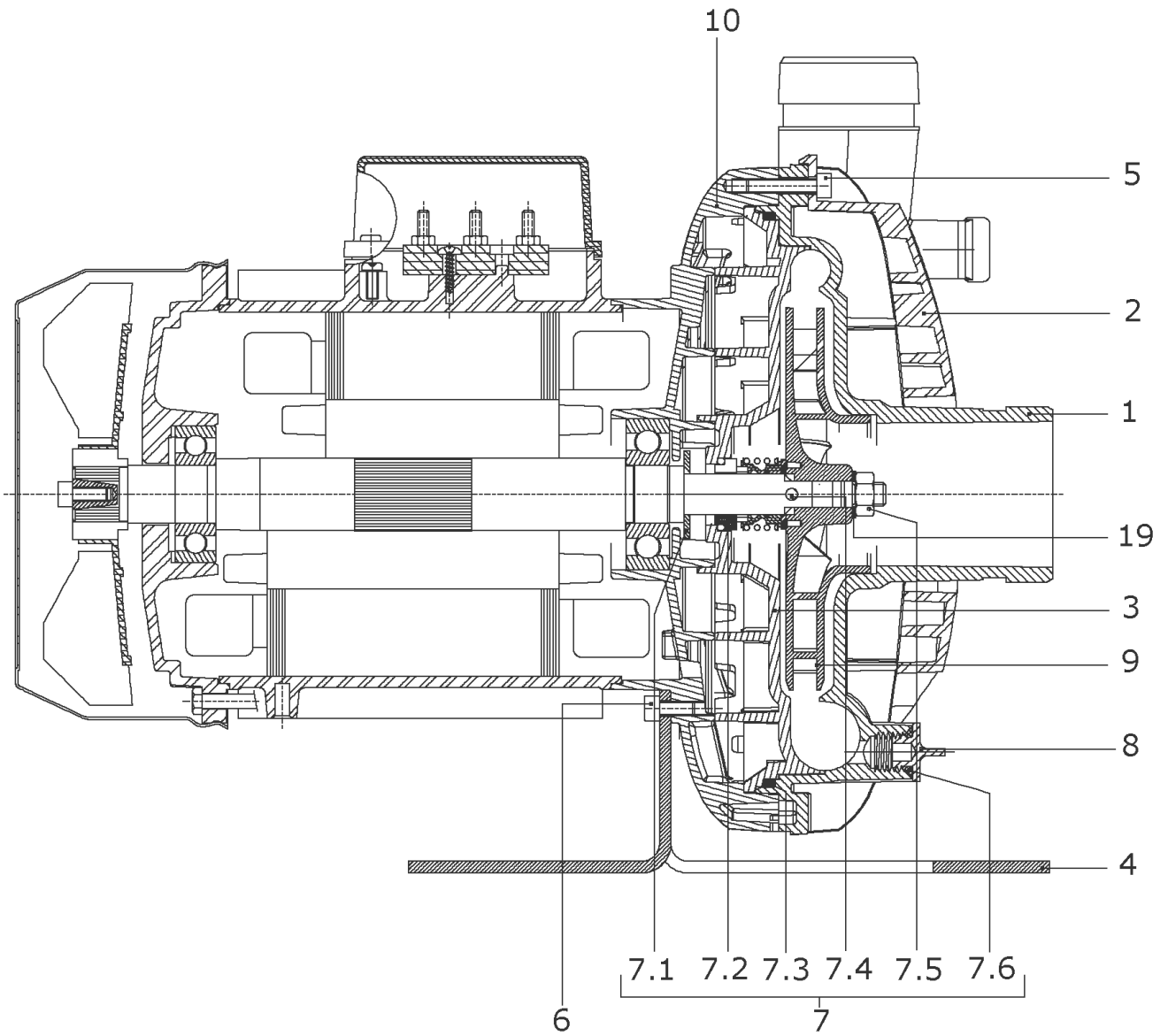
**BAC40-128-1.5/2-DM/R-2-IE1 (4059540)**

Item	Article no.	Description	Quantity
1	2153159	Pump casing BAC-1"1/2-2" VICTAULIC VP.	1
2	4057002	REINFORCING PIECE FOR CASING SHC	1
3	2067835	STATION.RING HOLDER/GLRD.BAC VAR.A KIT	1
Note: TO / BIS / JUSQU'À: VAR.A			
3	2164003	Staionary ring holder-PPA6.6-50-FV VP.	1
Note: FROM / AB / À PARTIR DE: VAR.B			
4	4056998	PUMP SUPPORT BASE SHC	1
5	2188192	Screw M5X25 12.9 ISO4762(4 Pieces)	1
6	4103733	SCREW CHC-M5X12-8.8-ISO4762-GEOMET500B+L	1
7	4067796	MECHANICAL SEAL KIT BAC	1
7.1		> THROWER-RUBBER-SH65/70	1
Note: on request:type plate datas necessary/ Auf Anfrage:Typenschild-Daten angeben/ sur demande: données plaque d'identité nécessaire			
7.2		> MECHANICAL-SEAL-MG1/14-G6-BQ1EGG-BURGMAN	1
7.3	2188193	> O-Ring 190,09X3,53 EPDM VP.	1
7.4		> pin cylindrical Ø4x24-overall-stainless	1
7.5		> LOCKNUT-M8-STAINLESS-STEEL-316	1
7.6	4006396	> O-RING ID.9.9x2.62-EPDM 70SH	1
7.7		> FLAT WASHER-D8.2XD18X3-304L	1
8	2188170	Drain plug/o-ring G1/4" KIT	1
9		IMPELLER SHC 16M3/H-D128-PA6	1
Note: on request:type plate datas necessary/Auf Anfrage:Typenschild-Daten angeben/			
10	2175877	Bearing bracket BAC 128/134 VP.	1
		SPARE PARTS MOTOR BAC40/128	1
19	2168963	Flat washer D.8,2x18X3 304L VP.	1
	2190952	Wacher Z 5,3X10X1 Inox A2(4 Piece)	1



**SPARE PARTS MOTOR BAC40/128**

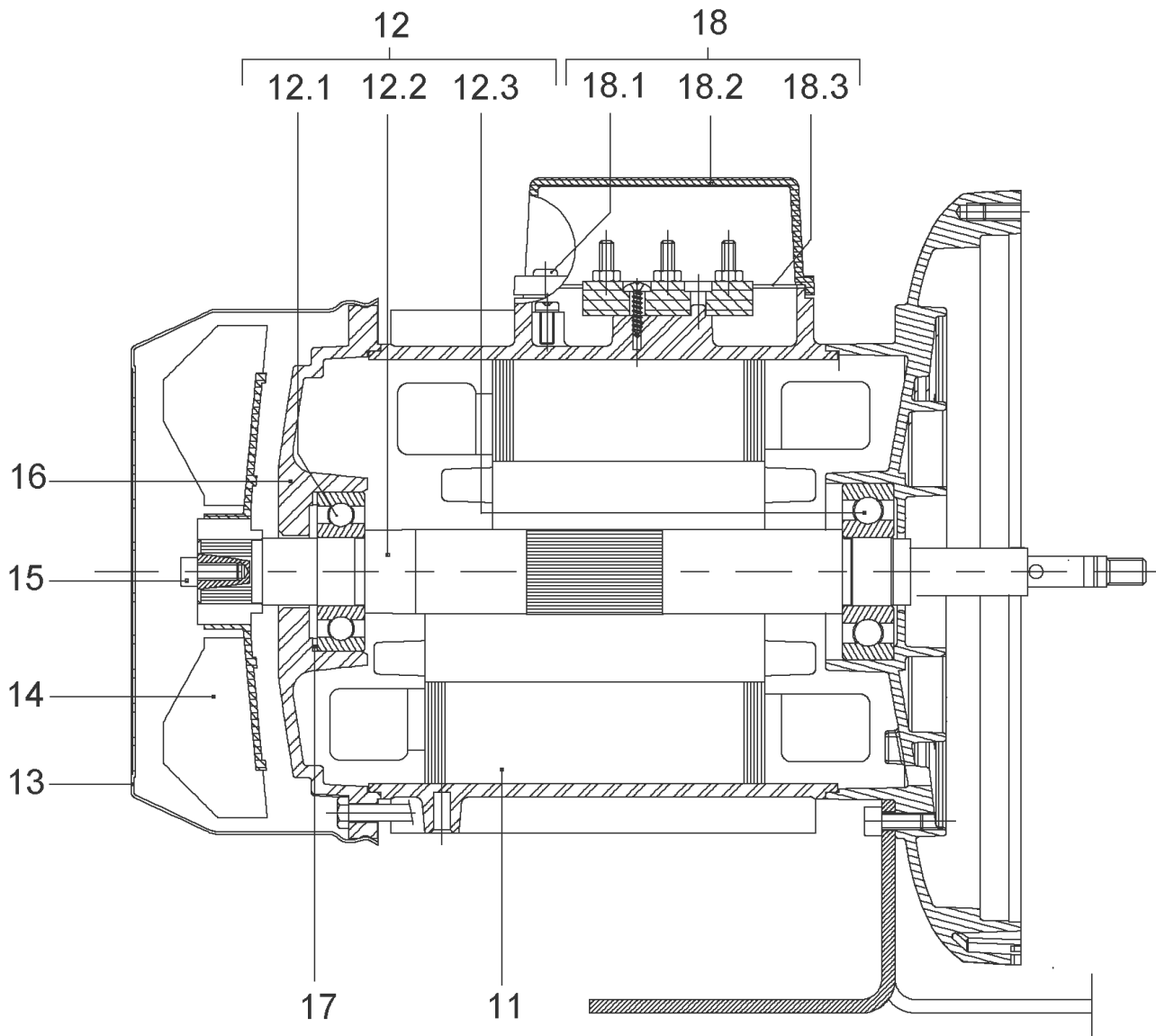
Item	Article no.	Description	Quantity
11	4049553	MOTOR HOUSING-1,5-2P-T24-80N	1
12		ROTOR SHAFT SHC 1.5KW THREE PHASE	1
Note: on request:type plate datas necessary/Auf Anfrage:Typenschild-Daten angeben/			
12.1	121084499	> BALL BEARING 6204/2Z-C3 (HT) VP.	1
12.2		> SHAFT SHC MOT80 X30CR13	1
12.3	2021067	> BALL BEARING 6304/2Z-C3 (HT) VP.	1
13	4191473	FAN-COVER-MOTOR80-D125-LOCKING VP.	1
14	4007267	MOTOR-FAN-80-MHI Ø143	1
Note: on request:type plate datas necessary/ Auf Anfrage:Typenschild-Daten angeben/ sur demande: données plaque d'identité nécessaire			
15	4061836	SCREW M6X10 ISO4762 8.8 A2	1
16	4098074	Motor rear bearing BAC128/134 KIT	1
17	63852	SPRING-WASHER-A46B35-A	1
18	4062361	BOX CONNECTION KIT BAC 40-128/134	1
18.1		> SCREW-CBL-Z-C/AT-ST3,5L13DACRO500/B+PLUS	1
18.2		> TERMINAL-BOX-COVER-MOT-TRI-80/90	1
18.3		> FLAT-GASKET-BAB-MOT80/90	1





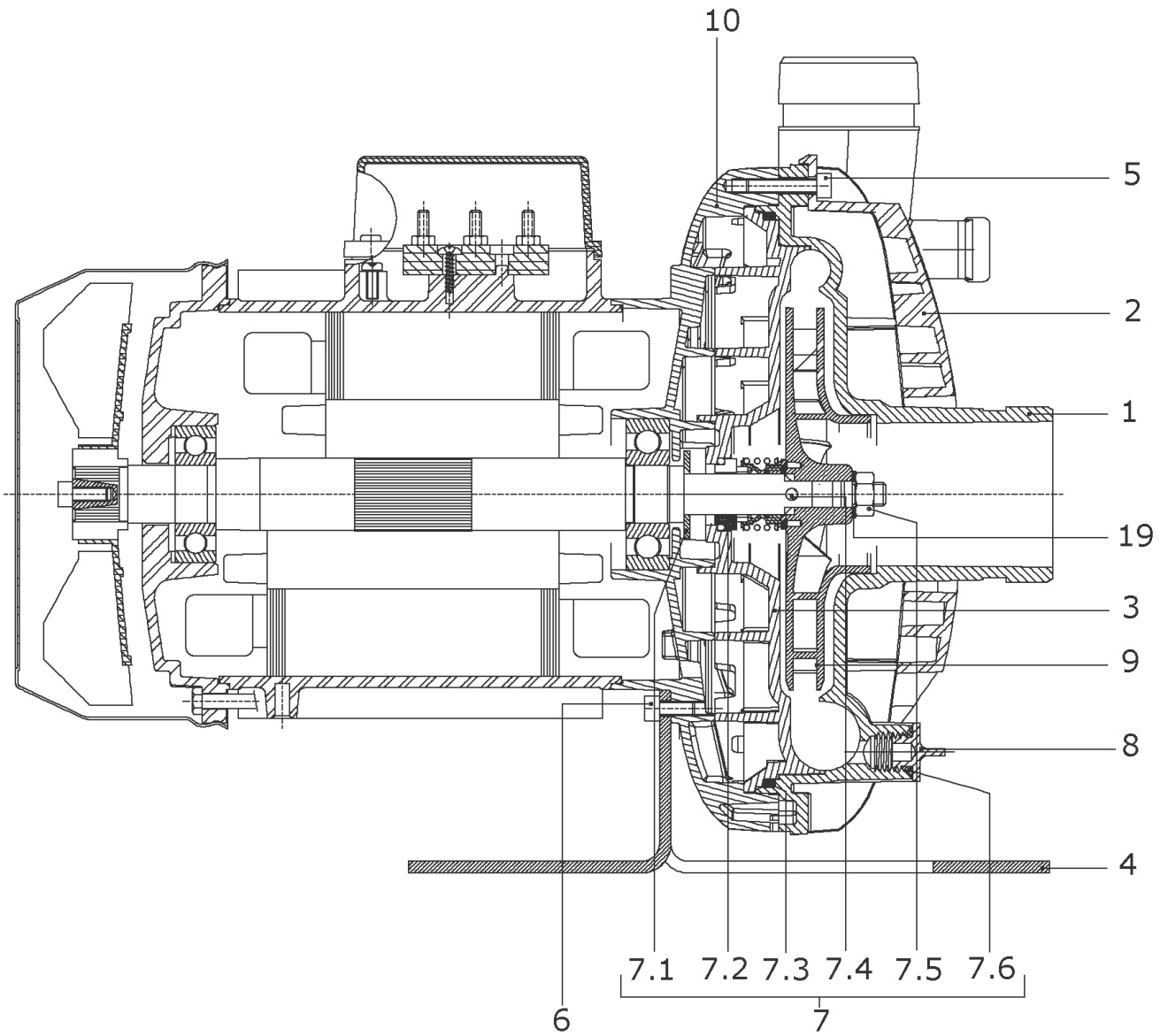
**BAC40-128-1.5/2-DM/S-2-IE1 (4059544)**

Item	Article no.	Description	Quantity
1	2164006	Pump casing BAC 1 1/2"-2" VP.	1
2	4057002	REINFORCING PIECE FOR CASING SHC	1
3	2067835	STATION.RING HOLDER/GLRD.BAC VAR.A KIT	1
Note: TO / BIS / JUSQU'À: VAR.A			
3	2164003	Stationary ring holder-PPA6.6-50-FV VP.	1
Note: FROM / AB / À PARTIR DE: VAR.B			
4	4056998	PUMP SUPPORT BASE SHC	1
5	2188192	Screw M5X25 12.9 ISO4762(4 Pieces)	1
6	4103733	SCREW CHC-M5X12-8.8-ISO4762-GEOMET500B+L	1
7	4067796	MECHANICAL SEAL KIT BAC	1
7.1		> THROWER-RUBBER-SH65/70	1
Note: on request:type plate datas necessary/ Auf Anfrage:Typenschild-Daten angeben/ sur demande: données plaque d'identité nécessaire			
7.2		> MECHANICAL-SEAL-MG1/14-G6-BQ1EGG-BURGMAN	1
7.3	2188193	> O-Ring 190,09X3,53 EPDM VP.	1
7.4		> pin cylindrical Ø4x24-overall-stainless	1
7.5		> LOCKNUT-M8-STAINLESS-STEEL-316	1
7.6	4006396	> O-RING ID.9.9x2.62-EPDM 70SH	1
7.7		> FLAT WASHER-D8.2XD18X3-304L	1
8	2188170	Drain plug/o-ring G1/4" KIT	1
9		IMPELLER SHC 16M3/H-D128-PA6	1
Note: on request:type plate datas necessary/Auf Anfrage:Typenschild-Daten angeben/			
10	2175877	Bearing bracket BAC 128/134 VP.	1
		SPARE PARTS MOTOR BAC40/128	1
19	2168963	Flat washer D.8,2x18X3 304L VP.	1
	2190952	Washer Z 5,3X10X1 Inox A2(4 Piece)	1



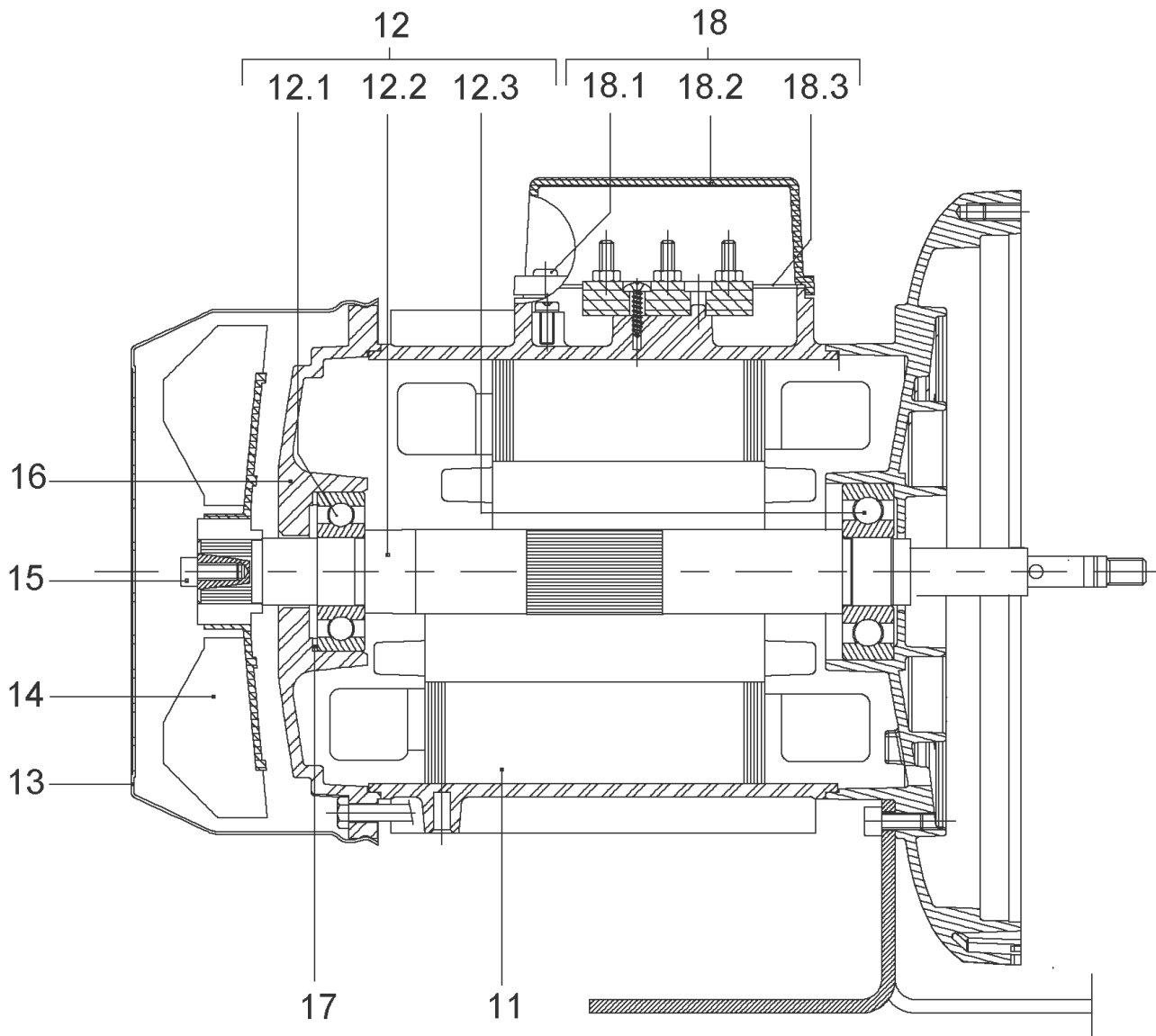
**SPARE PARTS MOTOR BAC40/128**

Item	Article no.	Description	Quantity
11	4049553	MOTOR HOUSING-1,5-2P-T24-80N	1
12		ROTOR SHAFT SHC 1.5KW THREE PHASE	1
Note: on request:type plate datas necessary/Auf Anfrage:Typenschild-Daten angeben/			
12.1	121084499	> BALL BEARING 6204/2Z-C3 (HT) VP.	1
12.2		> SHAFT SHC MOT80 X30CR13	1
12.3	2021067	> BALL BEARING 6304/2Z-C3 (HT) VP.	1
13	4191473	FAN-COVER-MOTOR80-D125-LOCKING VP.	1
14	4007267	MOTOR-FAN-80-MHI Ø143	1
Note: on request:type plate datas necessary/ Auf Anfrage:Typenschild-Daten angeben/ sur demande: données plaque d'identité nécessaire			
15	4061836	SCREW M6X10 ISO4762 8.8 A2	1
16	4098074	Motor rear bearing BAC128/134 KIT	1
17	63852	SPRING-WASHER-A46B35-A	1
18	4062361	BOX CONNECTION KIT BAC 40-128/134	1
18.1		> SCREW-CBL-Z-C/AT-ST3,5L13DACRO500/B+PLUS	1
18.2		> TERMINAL-BOX-COVER-MOT-TRI-80/90	1
18.3		> FLAT-GASKET-BAB-MOT80/90	1



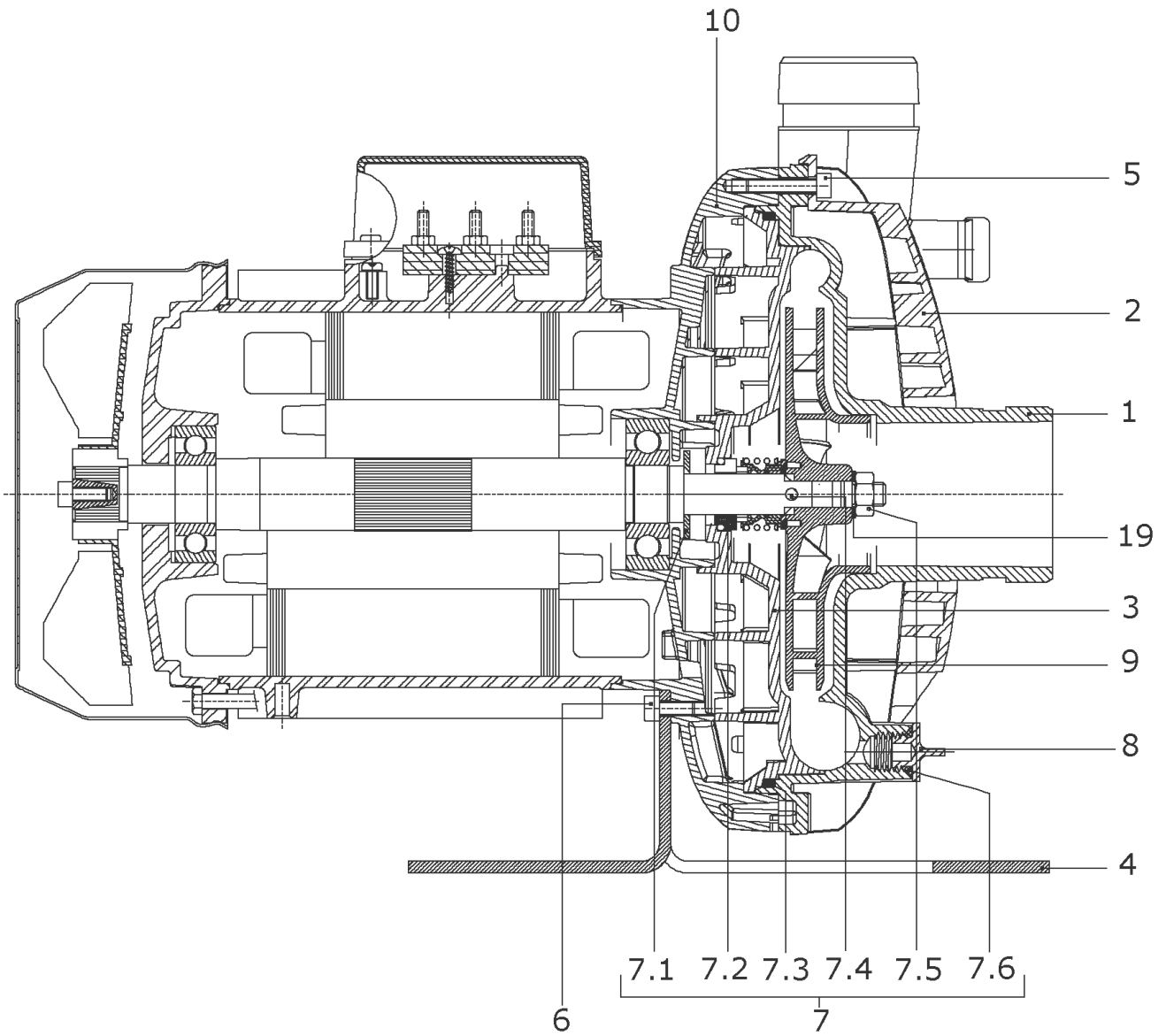
**BAC40-129-0.75/2-DM/R-2-IE1 (4059542)**

Item	Article no.	Description	Quantity
1	2153159	Pump casing BAC-1"1/2-2" VICTAULIC VP.	1
2	4057002	REINFORCING PIECE FOR CASING SHC	1
3	2067835	STATION.RING HOLDER/GLRD.BAC VAR.A KIT	1
Note: TO / BIS / JUSQU'À: VAR.A			
3	2164003	Staionary ring holder-PPA6.6-50-FV VP.	1
Note: FROM / AB / À PARTIR DE: VAR.B			
4	4056998	PUMP SUPPORT BASE SHC	1
5	2188192	Screw M5X25 12.9 ISO4762(4 Pieces)	1
6	4103733	SCREW CHC-M5X12-8.8-ISO4762-GEOMET500B+L	1
7	4067796	MECHANICAL SEAL KIT BAC	1
7.1		> THROWER-RUBBER-SH65/70	1
Note: on request:type plate datas necessary/ Auf Anfrage:Typenschild-Daten angeben/ sur demande: données plaque d'identité nécessaire			
7.2		> MECHANICAL-SEAL-MG1/14-G6-BQ1EGG-BURGMAN	1
7.3	2188193	> O-Ring 190,09X3,53 EPDM VP.	1
7.4		> pin cylindrical Ø4x24-overall-stainless	1
7.5		> LOCKNUT-M8-STAINLESS-STEEL-316	1
7.6	4006396	> O-RING ID.9.9x2.62-EPDM 70SH	1
7.7		> FLAT WASHER-D8.2XD18X3-304L	1
8	2188170	Drain plug/o-ring G1/4" KIT	1
9		IMPELLER SHC 8M3/H-D129-PA6	1
Note: on request:type plate datas necessary/Auf Anfrage:Typenschild-Daten angeben/			
10	4056177	SHC BEARING HOUSING P216-M125-WORKED	1
		SPARE PARTS MOTOR BAC40/129	1
19	2168963	Flat washer D.8,2x18X3 304L VP.	1
	2190952	Wacher Z 5,3X10X1 Inox A2(4 Piece)	1



**SPARE PARTS MOTOR BAC40/129**

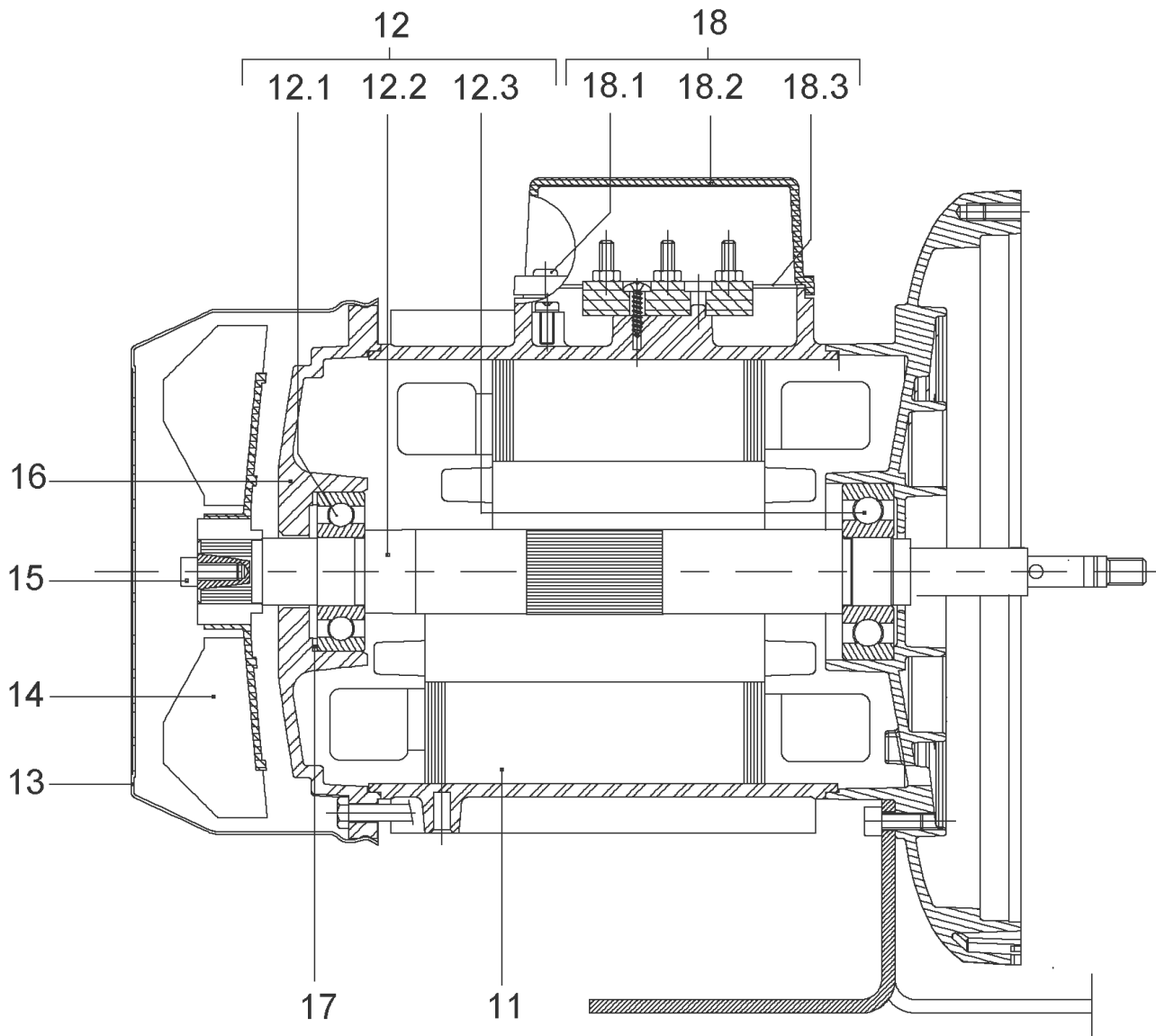
Item	Article no.	Description	Quantity
11	4049545	MOTOR HOUSING-0,75-2P-T24-71N	1
12		ROTOR SHAFT SHC 0.75KW THREE-PHASE	1
Note: on request:type plate datas necessary/Auf Anfrage:Typenschild-Daten angeben/			
12.1	122097891	> BALL BEARING 6202/2Z-C3 (HT) VP.	1
12.2		> SHAFT SHC MOT71 X30CR13	1
12.3	2021067	> BALL BEARING 6304/2Z-C3 (HT) VP.	1
13	4193313	FAN-COVER-MOTOR71-D110-LOCKING VP.	1
14	4210072	Motor-fan-71-MHI Ø128 VP.	1
Note: on request:type plate datas necessary/ Auf Anfrage:Typenschild-Daten angeben/ sur demande: données plaque d'identité nécessaire			
15	4061836	SCREW M6X10 ISO4762 8.8 A2	1
16	4098073	Motor rear bearing KIT BAC 129/136	1
17	4215742	Crinkled washer 6202/6300-C3 VP.	1
18	4062360	BOX CONNECTION KIT BAC 40-129/136	1
18.1		> SCREW-CBL-Z-C/AT-ST3,5L13DACRO500/B+PLUS	1
18.2		> TERMINAL-BOX-COVER-MOT-TRI-71	1
18.3		> FLAT-GASKET-BAB-MOT71	1





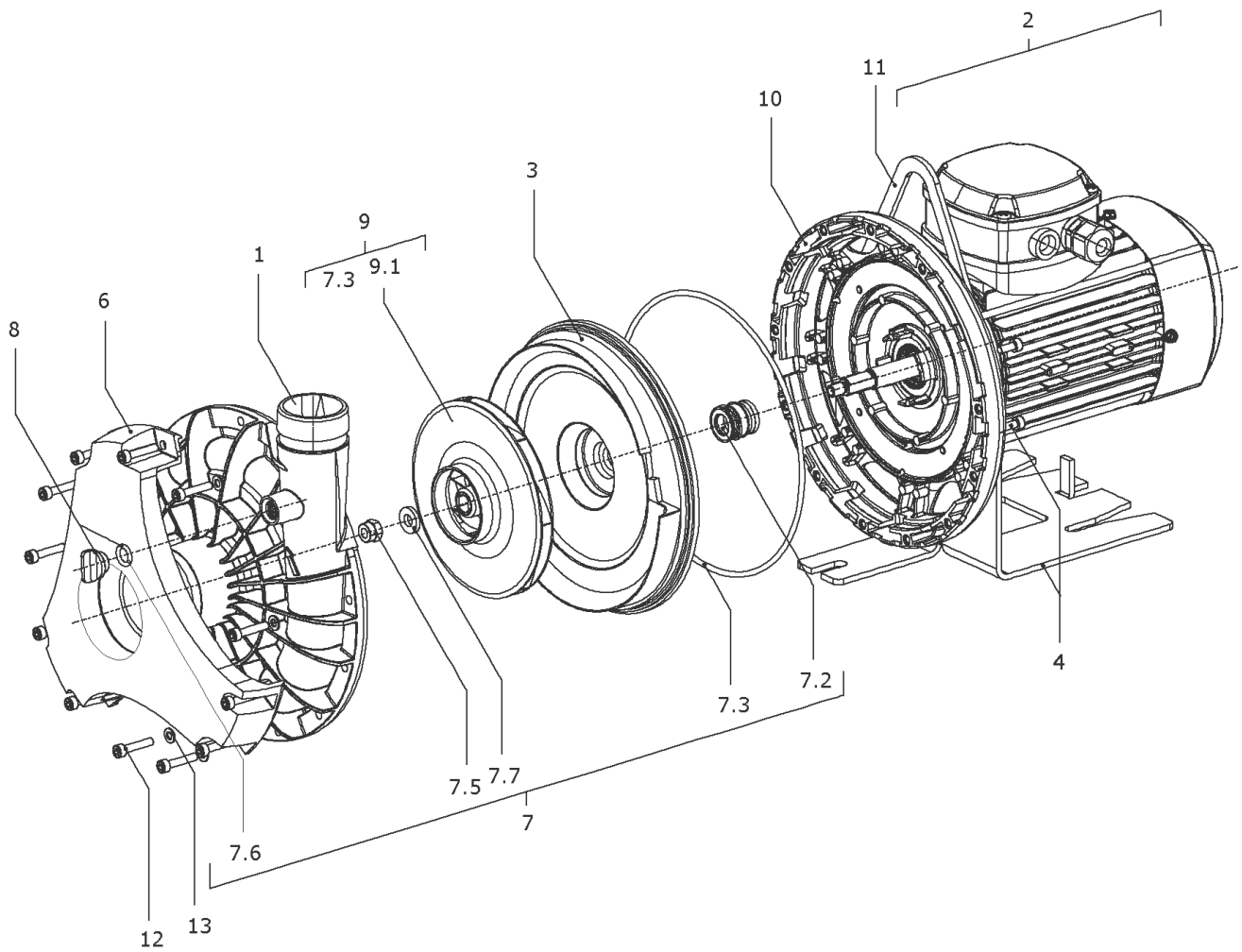
**BAC40-129-0.75/2-DM/S-2-IE1 (4059546)**

Item	Article no.	Description	Quantity
1	2164006	Pump casing BAC 1 1/2"-2" VP.	1
2	4057002	REINFORCING PIECE FOR CASING SHC	1
3	2067835	STATION.RING HOLDER/GLRD.BAC VAR.A KIT	1
Note: TO / BIS / JUSQU'À: VAR.A			
3	2164003	Stationary ring holder-PPA6.6-50-FV VP.	1
Note: FROM / AB / À PARTIR DE: VAR.B			
4	4056998	PUMP SUPPORT BASE SHC	1
5	2188192	Screw M5X25 12.9 ISO4762(4 Pieces)	1
6	4103733	SCREW CHC-M5X12-8.8-ISO4762-GEOMET500B+L	1
7	4067796	MECHANICAL SEAL KIT BAC	1
7.1		> THROWER-RUBBER-SH65/70	1
Note: on request:type plate datas necessary/ Auf Anfrage:Typenschild-Daten angeben/ sur demande: données plaque d'identité nécessaire			
7.2		> MECHANICAL-SEAL-MG1/14-G6-BQ1EGG-BURGMAN	1
7.3	2188193	> O-Ring 190,09X3,53 EPDM VP.	1
7.4		> pin cylindrical Ø4x24-overall-stainless	1
7.5		> LOCKNUT-M8-STAINLESS-STEEL-316	1
7.6	4006396	> O-RING ID.9.9x2.62-EPDM 70SH	1
7.7		> FLAT WASHER-D8.2XD18X3-304L	1
8	2188170	Drain plug/o-ring G1/4" KIT	1
9		IMPELLER SHC 8M3/H-D129-PA6	1
Note: on request:type plate datas necessary/Auf Anfrage:Typenschild-Daten angeben/			
10	4056177	SHC BEARING HOUSING P216-M125-WORKED	1
		SPARE PARTS MOTOR BAC40/129	1
19	2168963	Flat washer D.8,2x18X3 304L VP.	1
	2190952	Washer Z 5,3X10X1 Inox A2(4 Piece)	1



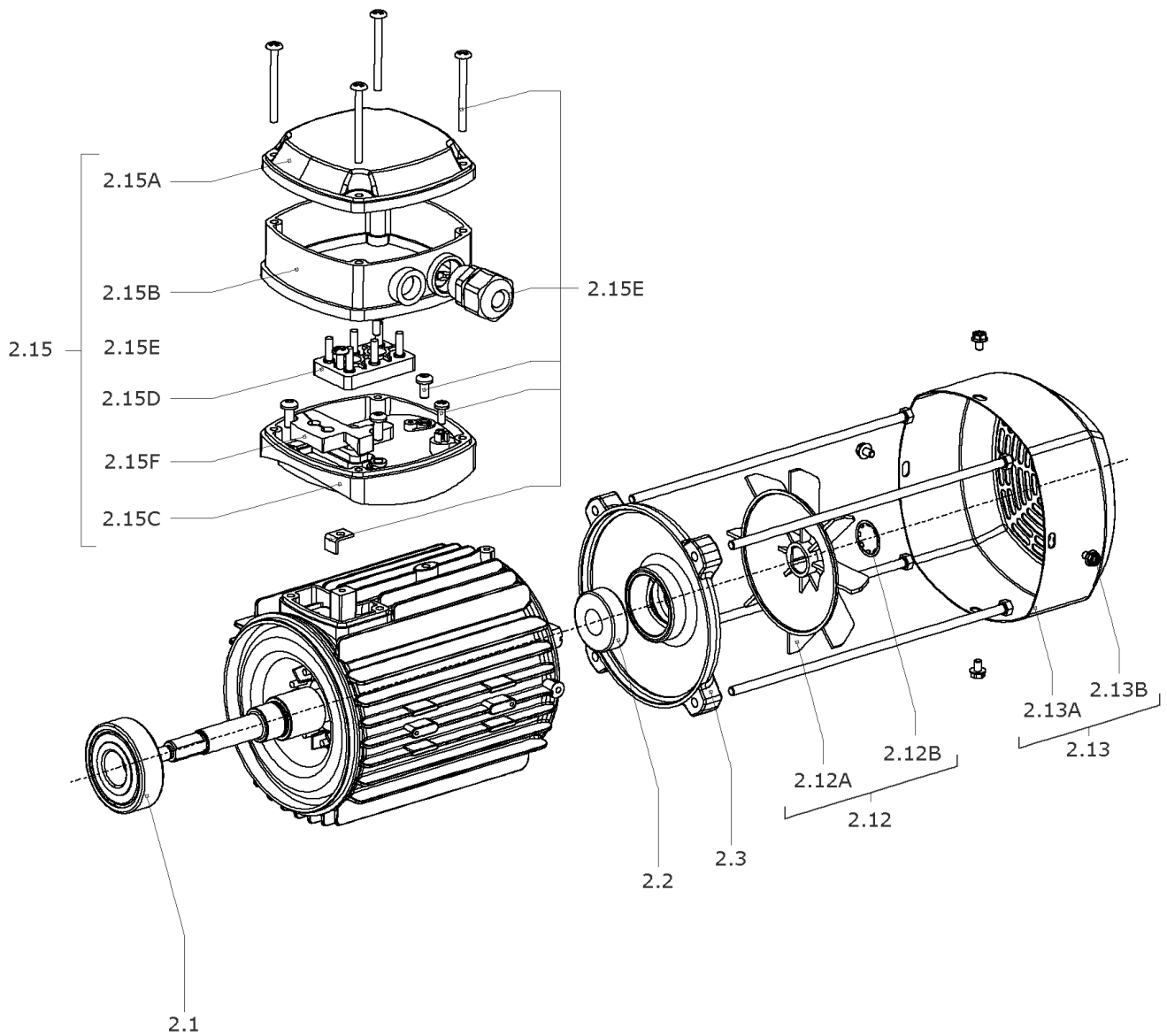
**SPARE PARTS MOTOR BAC40/129**

Item	Article no.	Description	Quantity
11	4049545	MOTOR HOUSING-0,75-2P-T24-71N	1
12		ROTOR SHAFT SHC 0.75KW THREE-PHASE	1
Note: on request:type plate datas necessary/Auf Anfrage:Typenschild-Daten angeben/			
12.1	122097891	> BALL BEARING 6202/2Z-C3 (HT) VP.	1
12.2		> SHAFT SHC MOT71 X30CR13	1
12.3	2021067	> BALL BEARING 6304/2Z-C3 (HT) VP.	1
13	4193313	FAN-COVER-MOTOR71-D110-LOCKING VP.	1
14	4210072	Motor-fan-71-MHI Ø128 VP.	1
Note: on request:type plate datas necessary/ Auf Anfrage:Typenschild-Daten angeben/ sur demande: données plaque d'identité nécessaire			
15	4061836	SCREW M6X10 ISO4762 8.8 A2	1
16	4098073	Motor rear bearing KIT BAC 129/136	1
17	4215742	Crinkled washer 6202/6300-C3 VP.	1
18	4062360	BOX CONNECTION KIT BAC 40-129/136	1
18.1		> SCREW-CBL-Z-C/AT-ST3,5L13DACRO500/B+PLUS	1
18.2		> TERMINAL-BOX-COVER-MOT-TRI-71	1
18.3		> FLAT-GASKET-BAB-MOT71	1



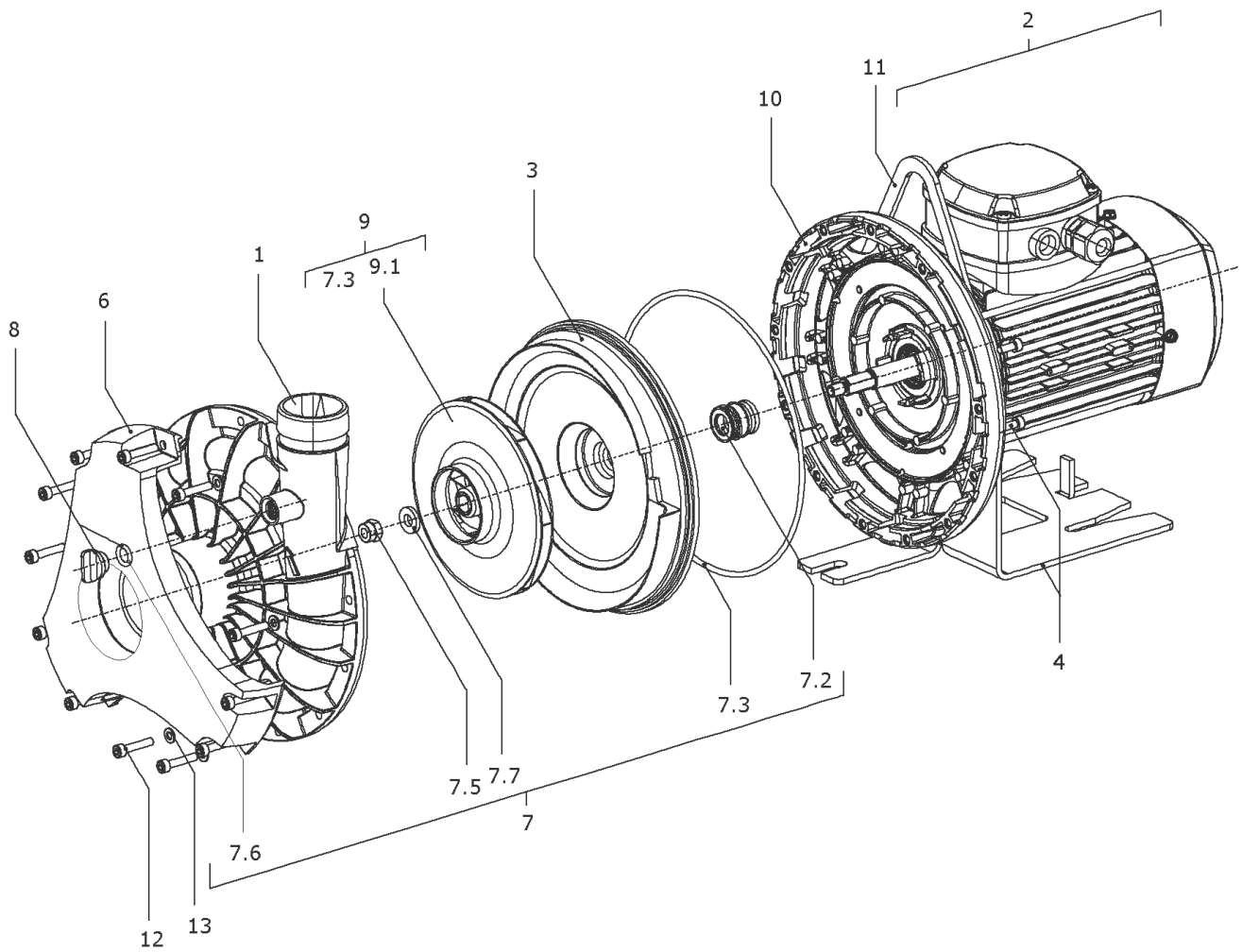
**BAC40-129-1.85\_80/2-DM/R-2-IE3 (4213184)**

Item	Article no.	Description	Quantity
1	2153159	Pump casing BAC-1"1/2-2" VICTAULIC VP.	1
2		Spare parts motor BAC40 BG80 IE3	1
3	2164003	Stationary ring holder-PPA6.6-50-FV VP.	1
4	2190985	Pump support foot BAC40 BG80 cpl.VP.	1
5	2188192	Screw M5X25 12.9 ISO4762(4 Pieces)	1
6	2179107	Reinforcing piece for casingG BAC40 VP.	1
7	4067796	MECHANICAL SEAL KIT BAC	1
7.1		> THROWER-RUBBER-SH65/70	1
7.2		> MECHANICAL-SEAL-MG1/14-G6-BQ1EGG-BURGMAN	1
7.3	2188193	> O-Ring 190,09X3,53 EPDM VP.	1
7.4		> pin cylindrical Ø4x24-overall-stainless	1
7.5		> LOCKNUT-M8-STAINLESS-STEEL-316	1
7.6	4006396	> O-RING ID.9.9x2.62-EPDM 70SH	1
7.7		> FLAT WASHER-D8.2XD18X3-304L	1
8	2188170	Drain plug/o-ring G1/4" KIT	1
9	2190987	Impeller BAC40 D.129 KIT	1
7.3	2188193	> O-Ring 190,09X3,53 EPDM VP.	1
9.1		> IMPELLER SHC20-D129-PA6-INSERT	1
10	2190989	Lantern BAC40 BG80 VP.	1
11	2191009	Eyelet/screw BAC40 IE3 VP.	1
12	2188192	Screw M5X25 12.9 ISO4762(4 Pieces)	1
13	2190952	Washer Z 5,3X10X1 Inox A2(4 Piece)	1



## Spare parts motor BAC40 BG80 IE3

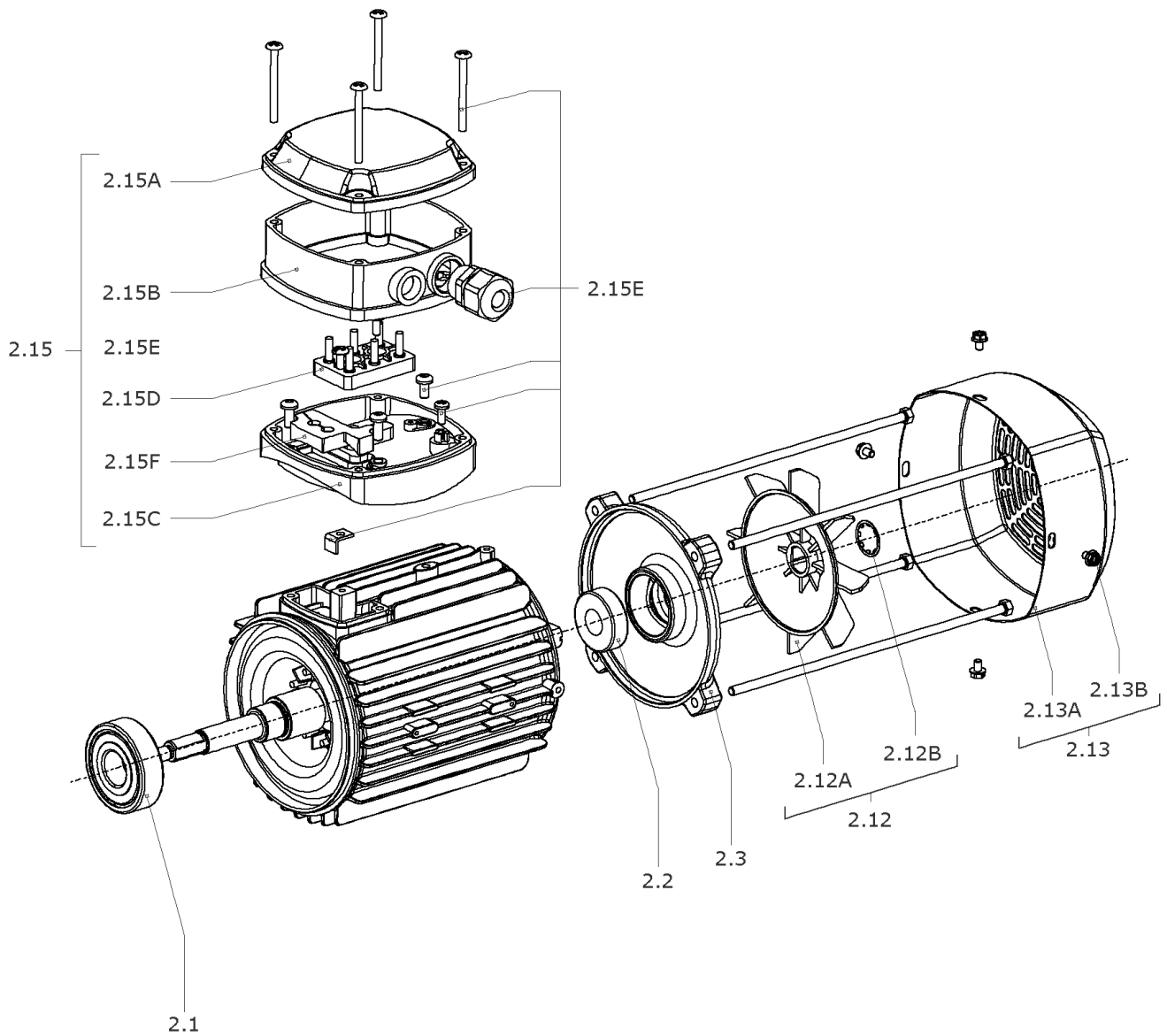
Item	Article no.	Description	Quantity
2.1	2153169	Ball bearing 6304/VV-C3 VP.	1
2.2	2153168	Ball bearing 6204/VV-C3 VP.	1
2.3	2163997	Flange BG71 N.D.E.Elec KIT	1
		> Flange IEC71 NDS with slot reduce0.5	1
		> O-RING ID35*3 EPDM	1
2.12	2107778	FAN WHEEL BG71/80 ELEC KIT	1
2.12A		> FAN 110x15x15.3 GP2200 G/F20%	1
2.12B	2111321	> STOP-RING D.14,8x0,4 VP.	1
Note: Please give the data from type plate of the motor			
2.13	2107783	FAN HOOD BG71 ELEC KIT	1
2.13A		> FAN COVER IEC71 KTL ST14 T0.8 H60	1
2.13B	2111323	> SCREW M4X6 (4 PIECES)	1
Note: Please give the data from type plate of the motor			
2.15	2111330	TERMINAL BOX CPL.BG71/80 ELEC KIT	1
2.15A	2111325	> TERMINAL BOX COVER/GASK.BG71-90 ELEC KIT	1
Note: Please give the data from type plate of the motor			
2.15B		> Terminal Box Coupling ADC12 32.5mm M20	1
2.15C		> Terminal Box Base 3~ ADC12 IEC	1
2.15D	2111327	> TERMINAL BOARD 50X32 M4 3~ CPL. ELEC KIT	1
Note: Please give the data from type plate of the motor			
2.15E	2111328	> GASKETS/SCREWS F.TERM.BOX 71/80 ELEC KIT	1
Note: Please give the data from type plate of the motor			
2.15F		> Frame Closing IEC	1





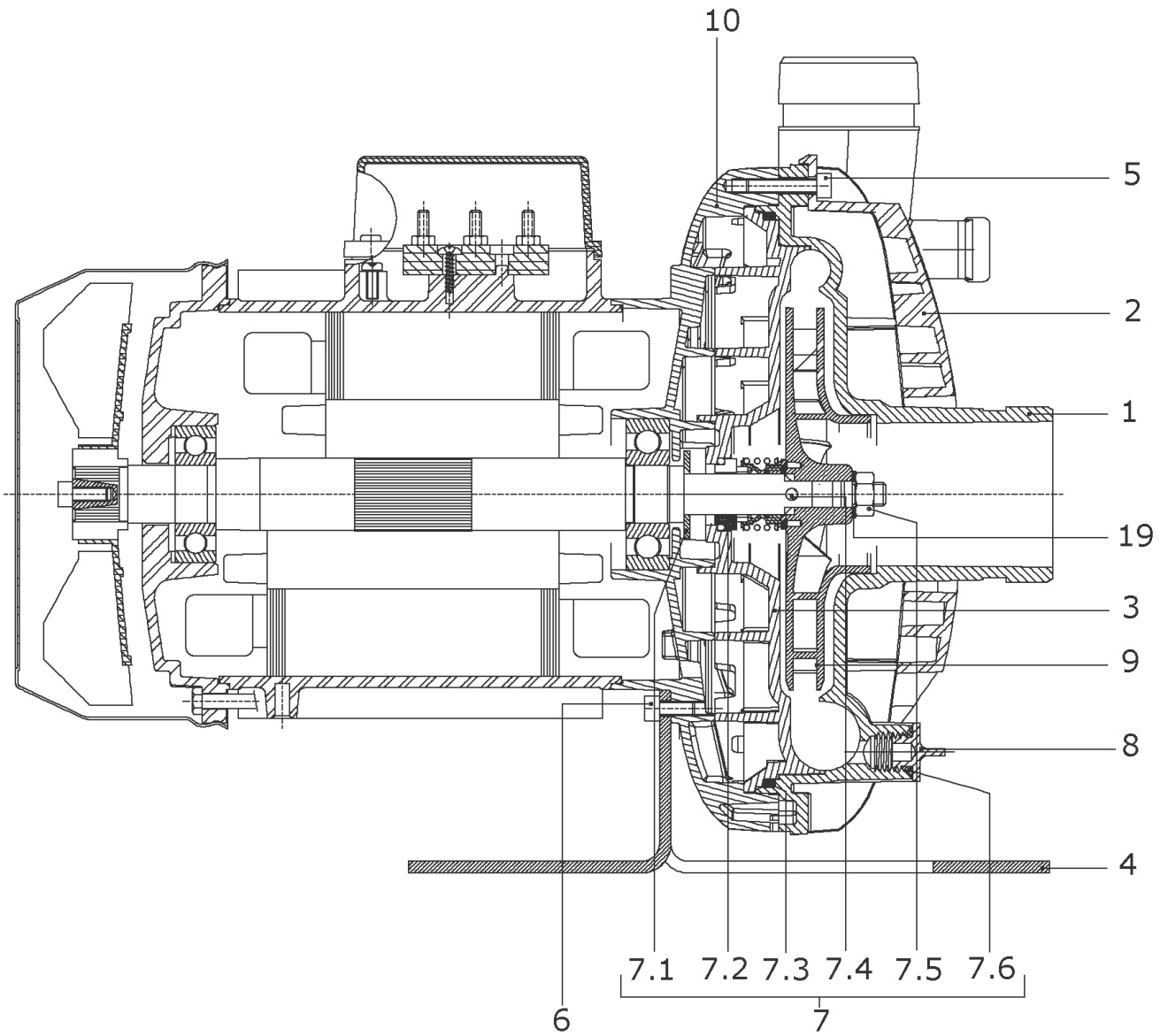
**BAC40-129-1.85\_80/2-DM/S-2-IE3 (4213189)**

Item	Article no.	Description	Quantity
1	2164006	Pump casing BAC 1 1/2"-2" VP.	1
2		Spare parts motor BAC40 BG80 IE3	1
3	2164003	Stationary ring holder-PPA6.6-50-FV VP.	1
4	2190985	Pump support foot BAC40 BG80 cpl.VP.	1
5	2188192	Screw M5X25 12.9 ISO4762(4 Pieces)	1
6	2179107	Reinforcing piece for casingG BAC40 VP.	1
7	4067796	MECHANICAL SEAL KIT BAC	1
7.1		> THROWER-RUBBER-SH65/70	1
7.2		> MECHANICAL-SEAL-MG1/14-G6-BQ1EGG-BURGMAN	1
7.3	2188193	> O-Ring 190,09X3,53 EPDM VP.	1
7.4		> pin cylindrical Ø4x24-overall-stainless	1
7.5		> LOCKNUT-M8-STAINLESS-STEEL-316	1
7.6	4006396	> O-RING ID.9.9x2.62-EPDM 70SH	1
7.7		> FLAT WASHER-D8.2XD18X3-304L	1
8	2188170	Drain plug/o-ring G1/4" KIT	1
9	2190987	Impeller BAC40 D.129 KIT	1
7.3	2188193	> O-Ring 190,09X3,53 EPDM VP.	1
9.1		> IMPELLER SHC20-D129-PA6-INSERT	1
10	2190989	Lantern BAC40 BG80 VP.	1
11	2191009	Eyelet/screw BAC40 IE3 VP.	1
12	2188192	Screw M5X25 12.9 ISO4762(4 Pieces)	1
13	2190952	Washer Z 5,3X10X1 Inox A2(4 Piece)	1



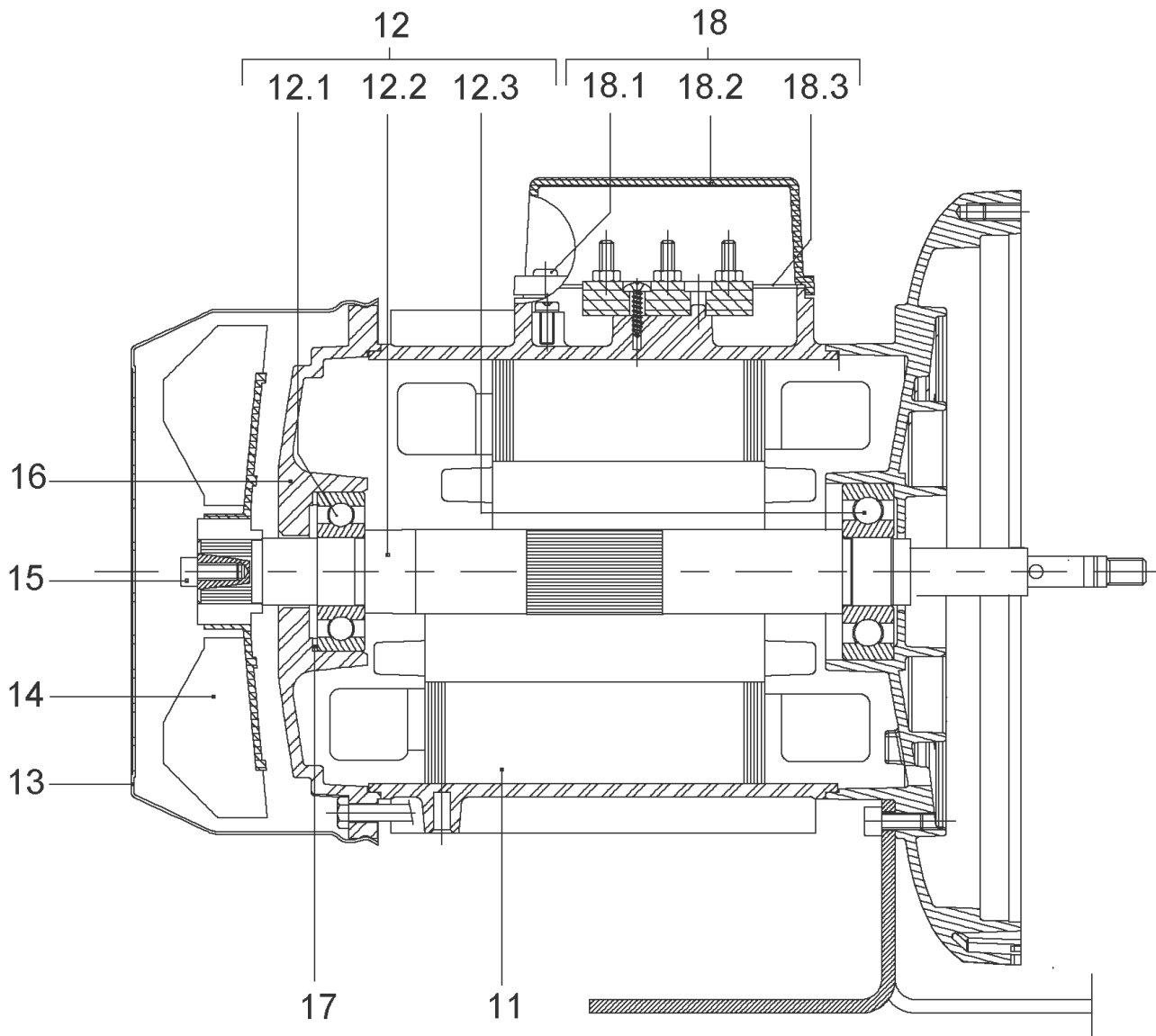
## Spare parts motor BAC40 BG80 IE3

Item	Article no.	Description	Quantity
2.1	2153169	Ball bearing 6304/VV-C3 VP.	1
2.2	2153168	Ball bearing 6204/VV-C3 VP.	1
2.3	2163997	Flange BG71 N.D.E.Elec KIT	1
		> Flange IEC71 NDS with slot reduce0.5	1
		> O-RING ID35*3 EPDM	1
2.12	2107778	FAN WHEEL BG71/80 ELEC KIT	1
2.12A		> FAN 110x15x15.3 GP2200 G/F20%	1
2.12B	2111321	> STOP-RING D.14,8x0,4 VP.	1
Note: Please give the data from type plate of the motor			
2.13	2107783	FAN HOOD BG71 ELEC KIT	1
2.13A		> FAN COVER IEC71 KTL ST14 T0.8 H60	1
2.13B	2111323	> SCREW M4X6 (4 PIECES)	1
Note: Please give the data from type plate of the motor			
2.15	2111330	TERMINAL BOX CPL.BG71/80 ELEC KIT	1
2.15A	2111325	> TERMINAL BOX COVER/GASK.BG71-90 ELEC KIT	1
Note: Please give the data from type plate of the motor			
2.15B		> Terminal Box Coupling ADC12 32.5mm M20	1
2.15C		> Terminal Box Base 3~ ADC12 IEC	1
2.15D	2111327	> TERMINAL BOARD 50X32 M4 3~ CPL. ELEC KIT	1
Note: Please give the data from type plate of the motor			
2.15E	2111328	> GASKETS/SCREWS F.TERM.BOX 71/80 ELEC KIT	1
Note: Please give the data from type plate of the motor			
2.15F		> Frame Closing IEC	1



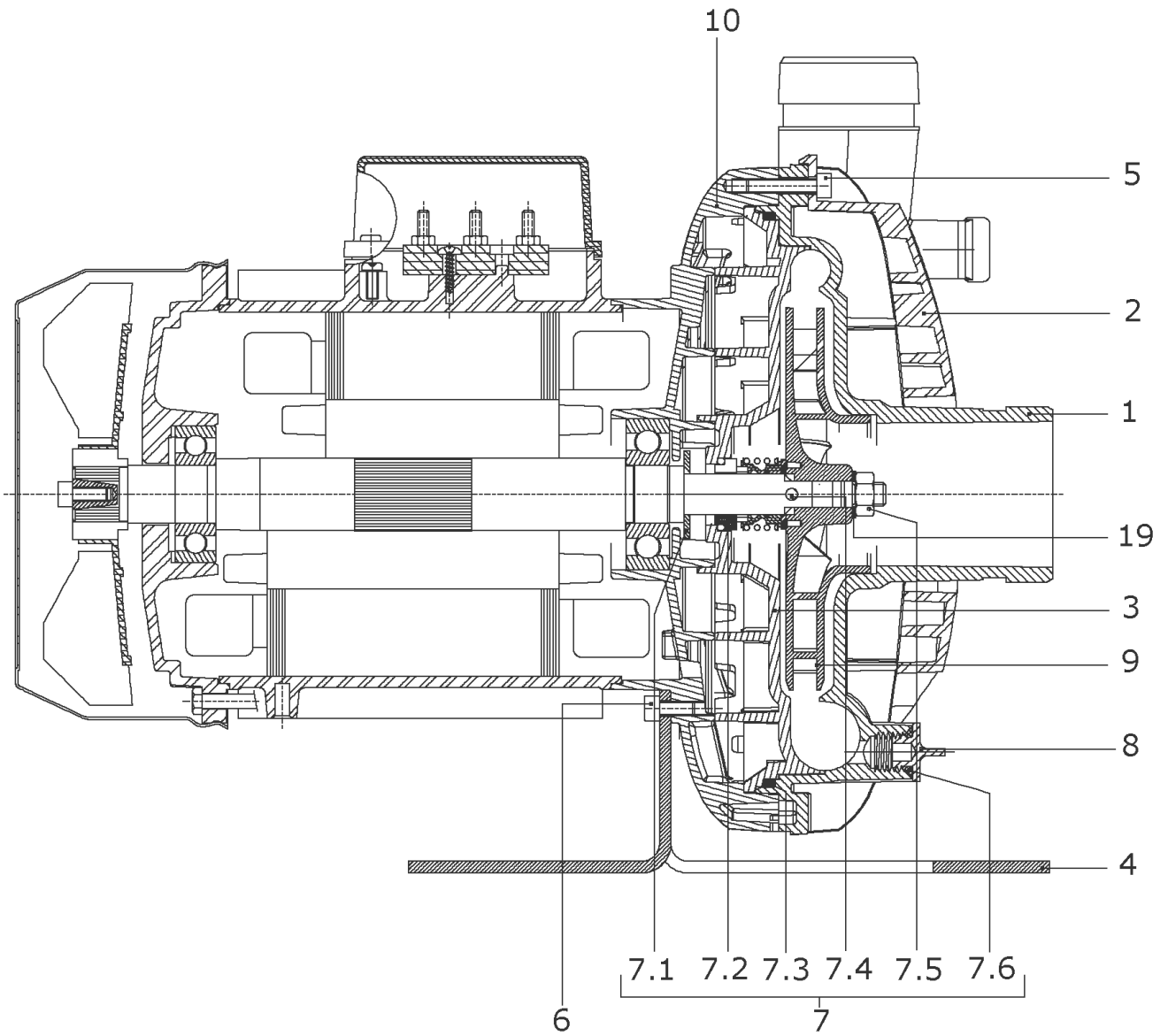
**BAC40-134-1.85/2-DM/R-2-IE1 (4059539)**

Item	Article no.	Description	Quantity
1	2153159	Pump casing BAC-1"1/2-2" VICTAULIC VP.	1
2	4057002	REINFORCING PIECE FOR CASING SHC	1
3	2067835	STATION.RING HOLDER/GLRD.BAC VAR.A KIT	1
Note: TO / BIS / JUSQU'À: VAR.A			
3	2164003	Stationary ring holder-PPA6.6-50-FV VP.	1
Note: FROM / AB / À PARTIR DE: VAR.B			
4	4056998	PUMP SUPPORT BASE SHC	1
5	2188192	Screw M5X25 12.9 ISO4762(4 Pieces)	1
6	4103733	SCREW CHC-M5X12-8.8-ISO4762-GEOMET500B+L	1
7	4067796	MECHANICAL SEAL KIT BAC	1
7.1		> THROWER-RUBBER-SH65/70	1
Note: on request:type plate datas necessary/ Auf Anfrage:Typenschild-Daten angeben/ sur demande: données plaque d'identité nécessaire			
7.2		> MECHANICAL-SEAL-MG1/14-G6-BQ1EGG-BURGMAN	1
7.3	2188193	> O-Ring 190,09X3,53 EPDM VP.	1
7.4		> pin cylindrical Ø4x24-overall-stainless	1
7.5		> LOCKNUT-M8-STAINLESS-STEEL-316	1
7.6	4006396	> O-RING ID.9.9x2.62-EPDM 70SH	1
7.7		> FLAT WASHER-D8.2XD18X3-304L	1
8	2188170	Drain plug/o-ring G1/4" KIT	1
9		RAW IMPELLER Ø134 SHC 20M3/H PA6	1
Note: on request:type plate datas necessary/Auf Anfrage:Typenschild-Daten angeben/			
10	2175877	Bearing bracket BAC 128/134 VP.	1
		SPARE PARTS MOTOR BAC40/134	1
19	2168963	Flat washer D.8,2x18X3 304L VP.	1
	2190952	Washer Z 5,3X10X1 Inox A2(4 Piece)	1



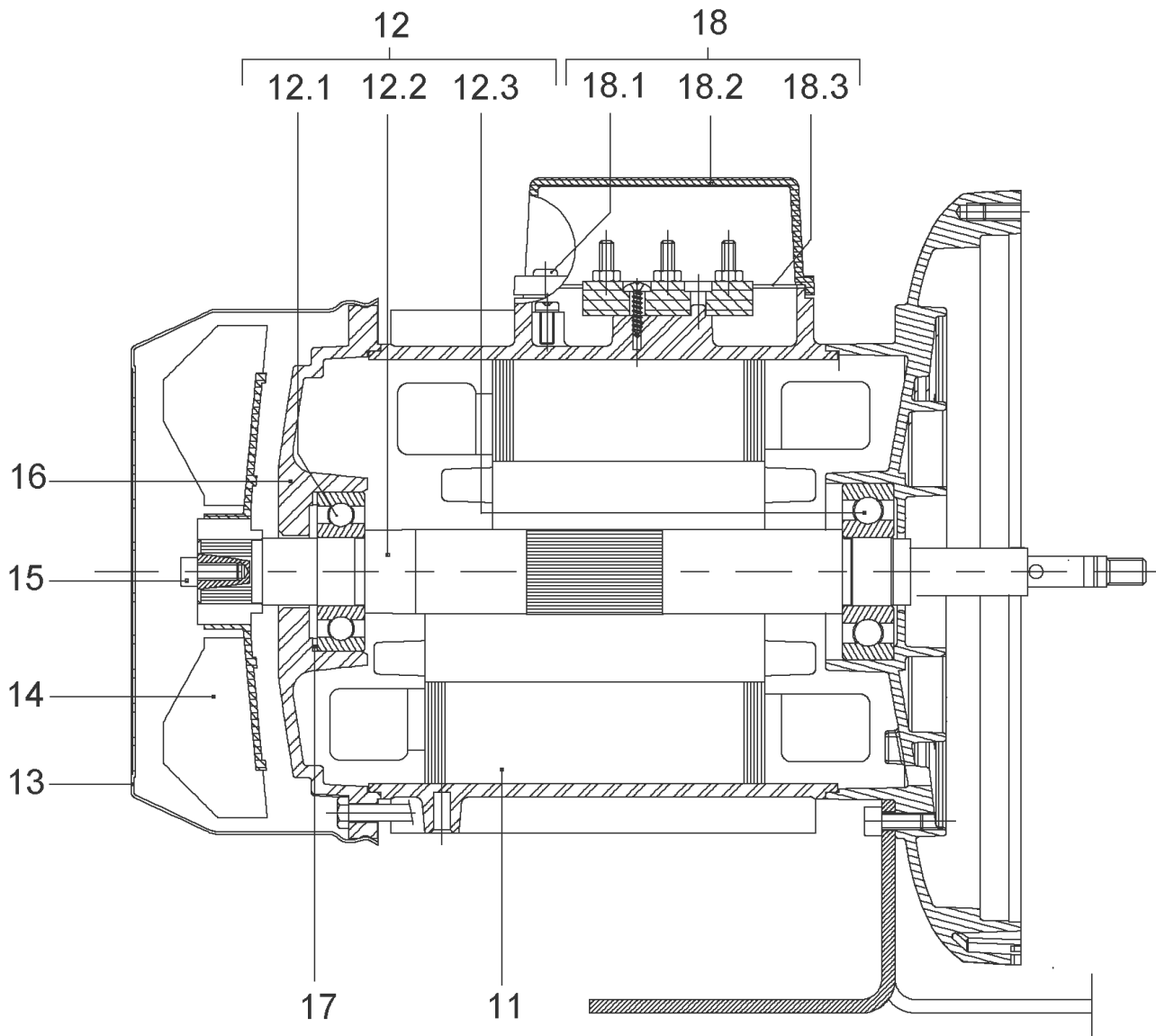
**SPARE PARTS MOTOR BAC40/134**

Item	Article no.	Description	Quantity
11	4049555	CARC.EQUIP.1850W-2P-T-230/400-50-D125	1
12		ROTOR SHAFT SHC 1.85KW THREE PHASE	1
Note: on request:type plate datas necessary/Auf Anfrage:Typenschild-Daten angeben/			
12.1	121084499	> BALL BEARING 6204/2Z-C3 (HT) VP.	1
12.2		> SHAFT SHC MOT80 X30CR13	1
12.3	2021067	> BALL BEARING 6304/2Z-C3 (HT) VP.	1
13	4191473	FAN-COVER-MOTOR80-D125-LOCKING VP.	1
14	4007267	MOTOR-FAN-80-MHI Ø143	1
Note: on request:type plate datas necessary/ Auf Anfrage:Typenschild-Daten angeben/ sur demande: données plaque d'identité nécessaire			
15	4061836	SCREW M6X10 ISO4762 8.8 A2	1
16	4098074	Motor rear bearing BAC128/134 KIT	1
17	63852	SPRING-WASHER-A46B35-A	1
18	4062361	BOX CONNECTION KIT BAC 40-128/134	1
18.1		> SCREW-CBL-Z-C/AT-ST3,5L13DACRO500/B+PLUS	1
18.2		> TERMINAL-BOX-COVER-MOT-TRI-80/90	1
18.3		> FLAT-GASKET-BAB-MOT80/90	1



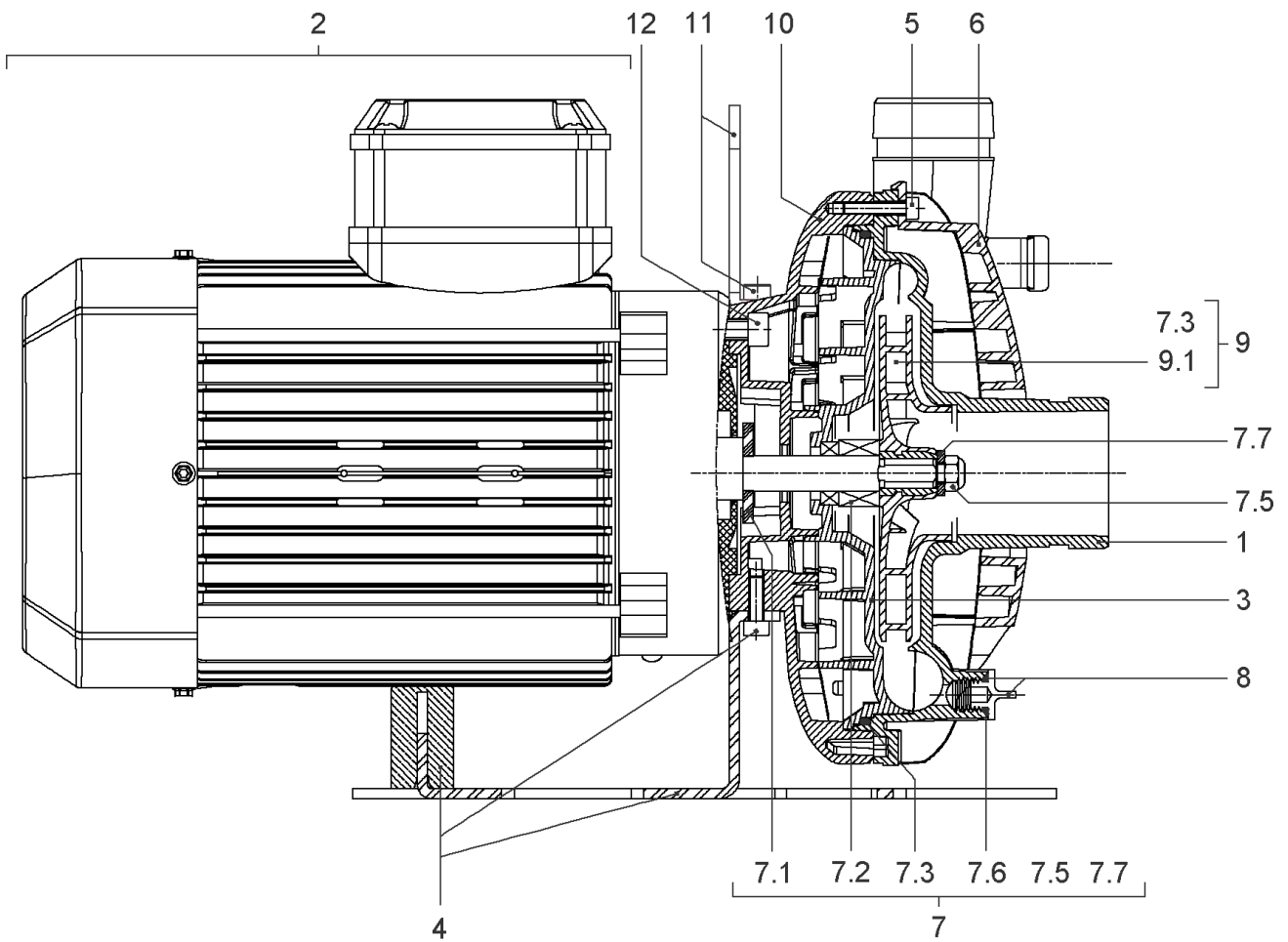


Item	Article no.	Description	Quantity
1	2164006	Pump casing BAC 1 1/2"-2" VP.	1
2	4057002	REINFORCING PIECE FOR CASING SHC	1
3	2067835	STATION.RING HOLDER/GLRD.BAC VAR.A KIT	1
Note: TO / BIS / JUSQU'À: VAR.A			
3	2164003	Stationary ring holder-PPA6.6-50-FV VP.	1
Note: FROM / AB / À PARTIR DE: VAR.B			
4	4056998	PUMP SUPPORT BASE SHC	1
5	2188192	Screw M5X25 12.9 ISO4762(4 Pieces)	1
6	4103733	SCREW CHC-M5X12-8.8-ISO4762-GEOMET500B+L	1
7	4067796	MECHANICAL SEAL KIT BAC	1
7.1		> THROWER-RUBBER-SH65/70	1
Note: on request:type plate datas necessary/ Auf Anfrage:Typenschild-Daten angeben/ sur demande: données plaque d'identité nécessaire			
7.2		> MECHANICAL-SEAL-MG1/14-G6-BQ1EGG-BURGMAN	1
7.3	2188193	> O-Ring 190,09X3,53 EPDM VP.	1
7.4		> pin cylindrical Ø4x24-overall-stainless	1
7.5		> LOCKNUT-M8-STAINLESS-STEEL-316	1
7.6	4006396	> O-RING ID.9.9x2.62-EPDM 70SH	1
7.7		> FLAT WASHER-D8.2XD18X3-304L	1
8	2188170	Drain plug/o-ring G1/4" KIT	1
9		RAW IMPELLER Ø134 SHC 20M3/H PA6	1
Note: on request:type plate datas necessary/Auf Anfrage:Typenschild-Daten angeben/			
10	2175877	Bearing bracket BAC 128/134 VP.	1
		SPARE PARTS MOTOR BAC40/134	1
19	2168963	Flat washer D.8,2x18X3 304L VP.	1
	2190952	Washer Z 5,3X10X1 Inox A2(4 Piece)	1



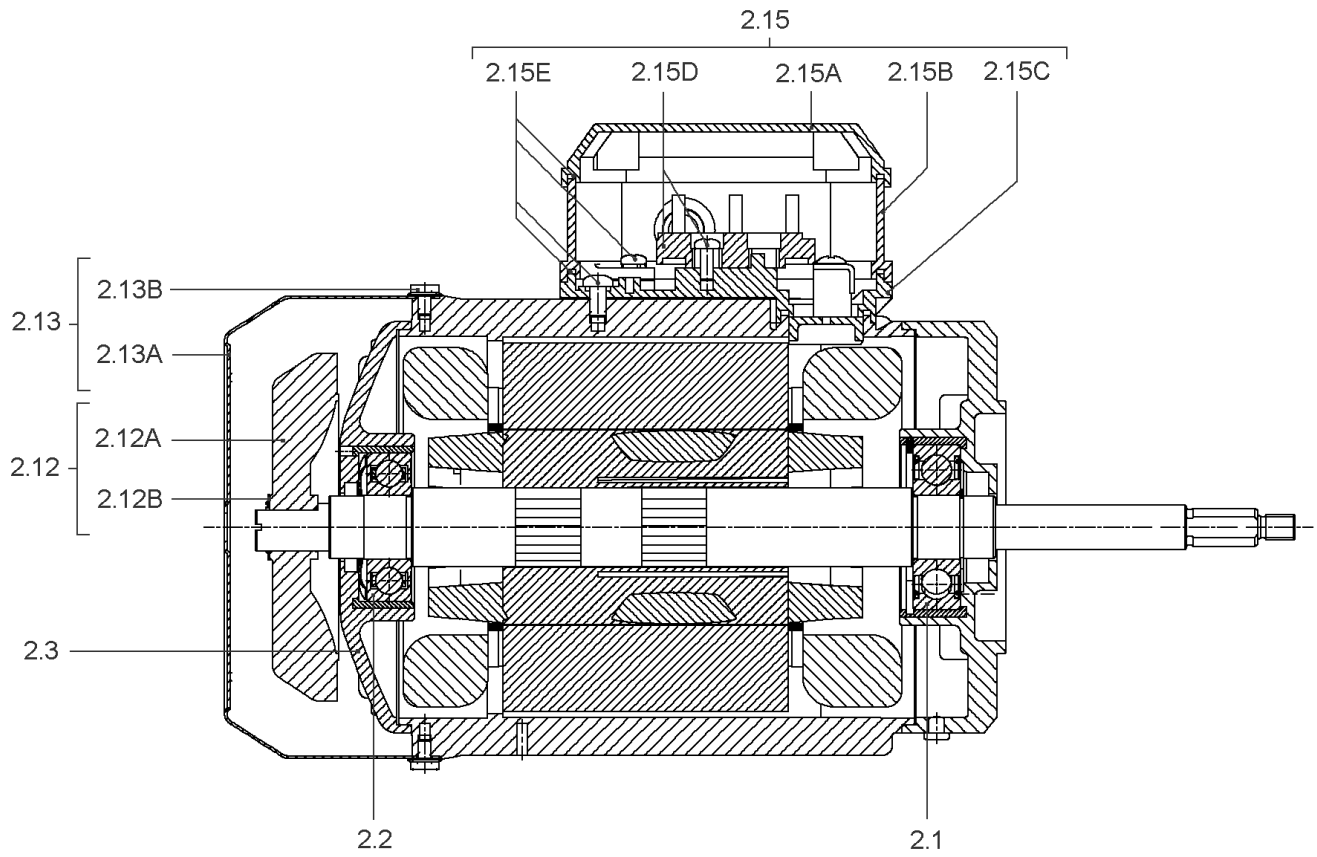
**SPARE PARTS MOTOR BAC40/134**

Item	Article no.	Description	Quantity
11	4049555	CARC.EQUIP.1850W-2P-T-230/400-50-D125	1
12		ROTOR SHAFT SHC 1.85KW THREE PHASE	1
Note: on request:type plate datas necessary/Auf Anfrage:Typenschild-Daten angeben/			
12.1	121084499	> BALL BEARING 6204/2Z-C3 (HT) VP.	1
12.2		> SHAFT SHC MOT80 X30CR13	1
12.3	2021067	> BALL BEARING 6304/2Z-C3 (HT) VP.	1
13	4191473	FAN-COVER-MOTOR80-D125-LOCKING VP.	1
14	4007267	MOTOR-FAN-80-MHI Ø143	1
Note: on request:type plate datas necessary/ Auf Anfrage:Typenschild-Daten angeben/ sur demande: données plaque d'identité nécessaire			
15	4061836	SCREW M6X10 ISO4762 8.8 A2	1
16	4098074	Motor rear bearing BAC128/134 KIT	1
17	63852	SPRING-WASHER-A46B35-A	1
18	4062361	BOX CONNECTION KIT BAC 40-128/134	1
18.1		> SCREW-CBL-Z-C/AT-ST3,5L13DACRO500/B+PLUS	1
18.2		> TERMINAL-BOX-COVER-MOT-TRI-80/90	1
18.3		> FLAT-GASKET-BAB-MOT80/90	1



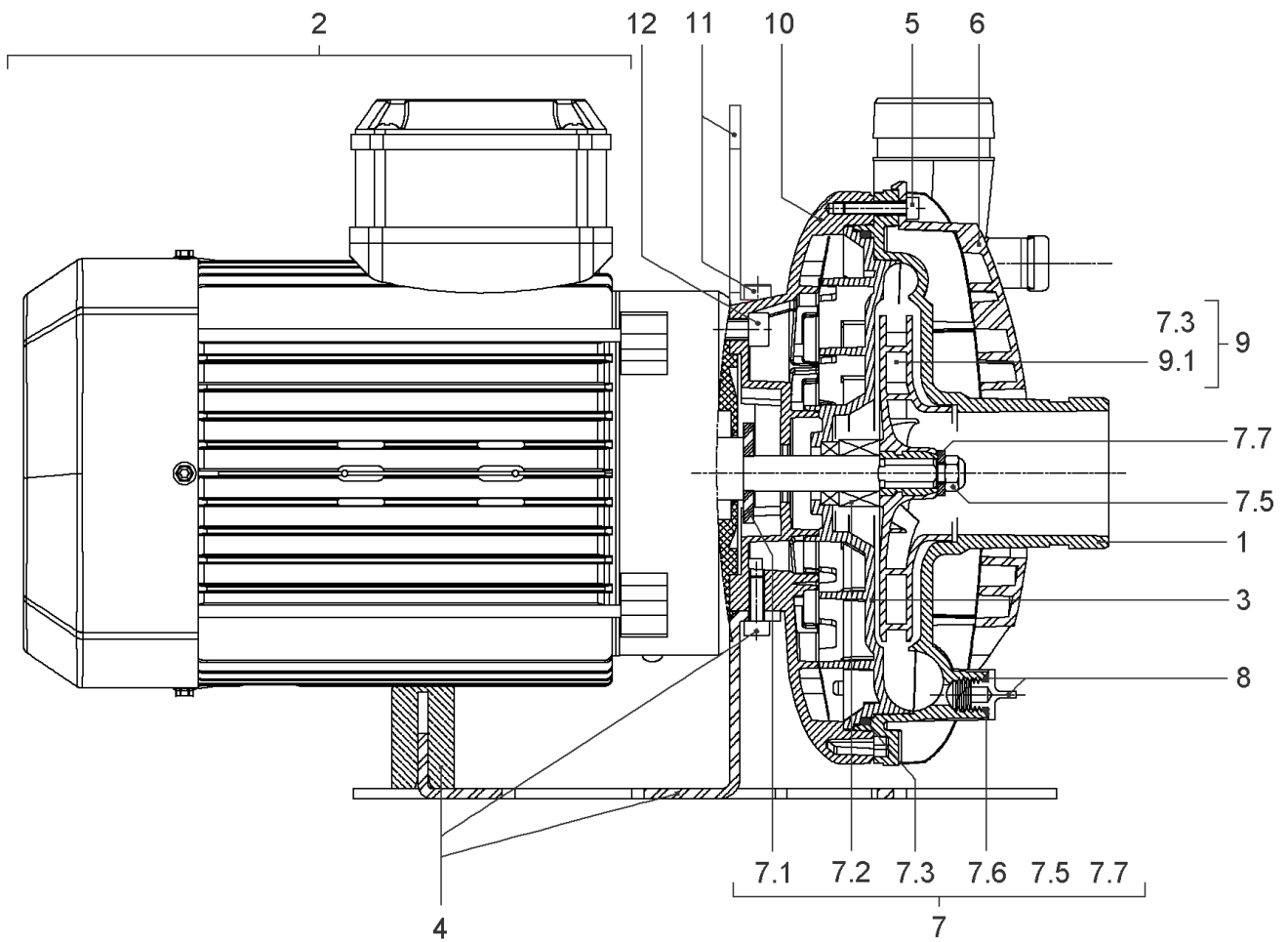
**BAC40-134-2.2/2-DM/R-2 (4158645)**

Item	Article no.	Description	Quantity
1	2153159	Pump casing BAC-1"1/2-2" VICTAULIC VP.	1
2		Spare parts motor BAC40 BG90	1
3	2164003	Stationary ring holder-PPA6.6-50-FV VP.	1
4	2190983	Pump support foot BAC40 BG90 cpl.VP.	1
5	2188192	Screw M5X25 12.9 ISO4762(4 Pieces)	1
6	2179107	Reinforcing piece for casingG BAC40 VP.	1
7	4067796	MECHANICAL SEAL KIT BAC	1
7.1		> THROWER-RUBBER-SH65/70	1
7.2		> MECHANICAL-SEAL-MG1/14-G6-BQ1EGG-BURGMAN	1
7.3	2188193	> O-Ring 190,09X3,53 EPDM VP.	1
7.4		> pin cylindrical Ø4x24-overall-stainless	1
7.5		> LOCKNUT-M8-STAINLESS-STEEL-316	1
7.6	4006396	> O-RING ID.9.9x2.62-EPDM 70SH	1
7.7		> FLAT WASHER-D8.2XD18X3-304L	1
8	2188170	Drain plug/o-ring G1/4" KIT	1
9	2157969	Impeller BAC D.134 20m3 PA6 Ins.KIT	1
7.3	2188193	> O-Ring 190,09X3,53 EPDM VP.	1
9.1		> RAW IMPELLER Ø134 SHC 20M3/H PA6-INSERT	1
10	2188195	Lantern BAC40 BG90 VP.	1
11	2190953	Eyelet/screw BAC VP.	1
12	2190951	Screw M8X20 ISO4762 8.8(4 Piece)	1
	2190952	Washer Z 5,3X10X1 Inox A2(4 Piece)	1



## Spare parts motor BAC40 BG90

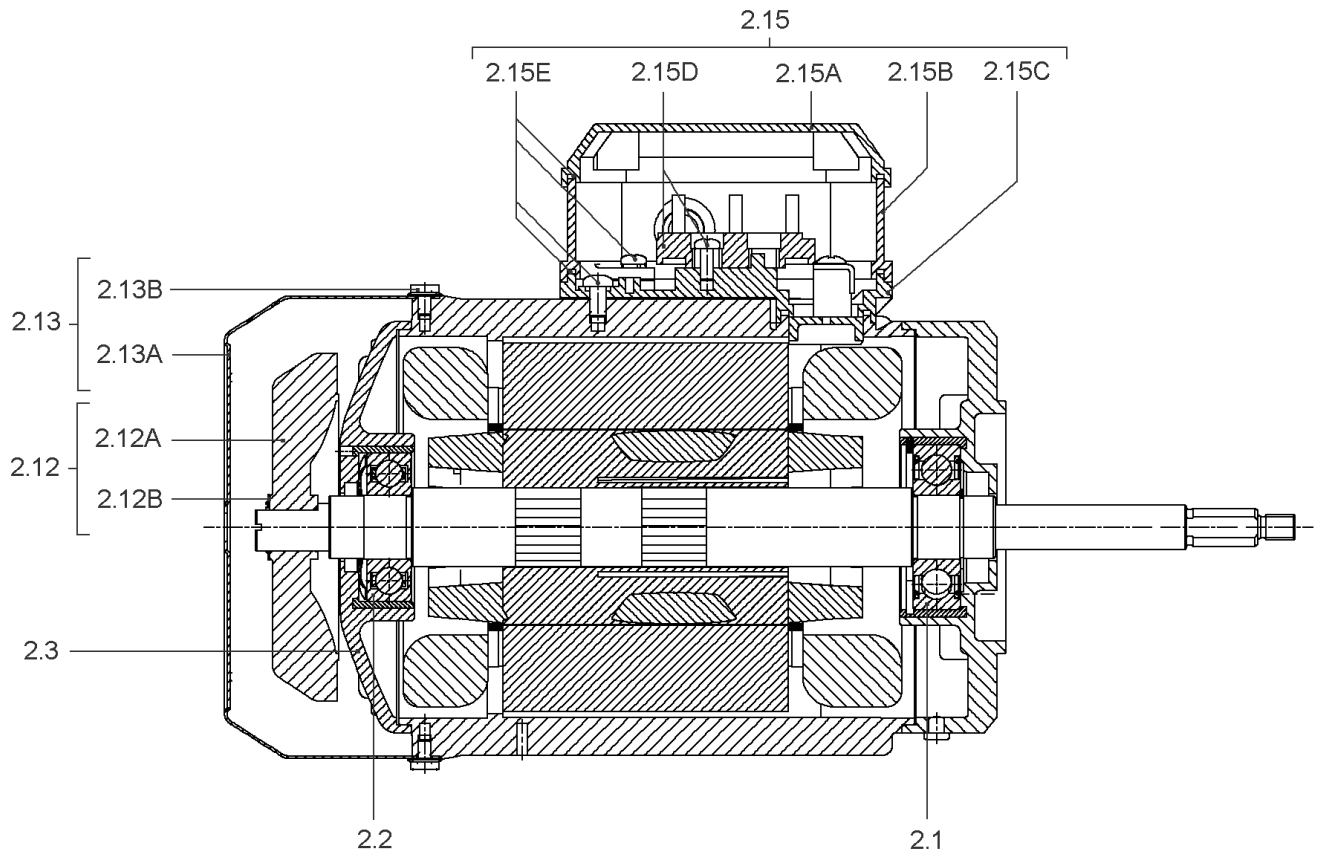
Item	Article no.	Description	Quantity
2.1	2118385	BALL BEARING 6306 DDW C3 EA6 VP.	1
2.2	2111342	BALL BEARING 6204 DDW C3 EA3 VP.	1
2.3	2157920	End shield BG90 N.D.E.ELEC KIT	1
		> Flange IEC90 NDS with slot reduce0.5	1
		> O-RING ID47.2*3.53 EPDM	1
2.12	2107782	FAN WHEEL BG90 ELEC KIT	1
2.12A		> FAN 122.6X15X17 GP2200 G/F20%	1
2.12B	2111321	> STOP-RING D.14,8x0,4 VP.	1
Note: Please give the data from type plate of the motor			
2.13	2111322	FAN HOOD BG90 ELEC KIT	1
2.13A		> FAN COVER IEC90 KTL ST14 T0.8 H70	1
2.13B	2111323	> SCREW M4X6 (4 PIECES)	1
Note: Please give the data from type plate of the motor			
2.15	2111331	TERMINAL BOX CPL.BG90 ELEC KIT	1
2.15A	2111326	> KIT TERMINAL BOX COV./GASK. BG90-112ELEC	1
Note: Please give the data from type plate of the motor			
2.15B		> Terminal Box Coupling 3~ ADC12 40mm M25	1
2.15C		> Terminal Box Base 3~ ADC12 IEC	1
2.15D	2111327	> TERMINAL BOARD 50X32 M4 3~ CPL. ELEC KIT	1
Note: Please give the data from type plate of the motor			
2.15E	2111329	> GASKETS/SCREWS F.TERM.BOX BG90 ELEC KIT	1
Note: Please give the data from type plate of the motor			
2.15F		> Frame Closing IEC	1





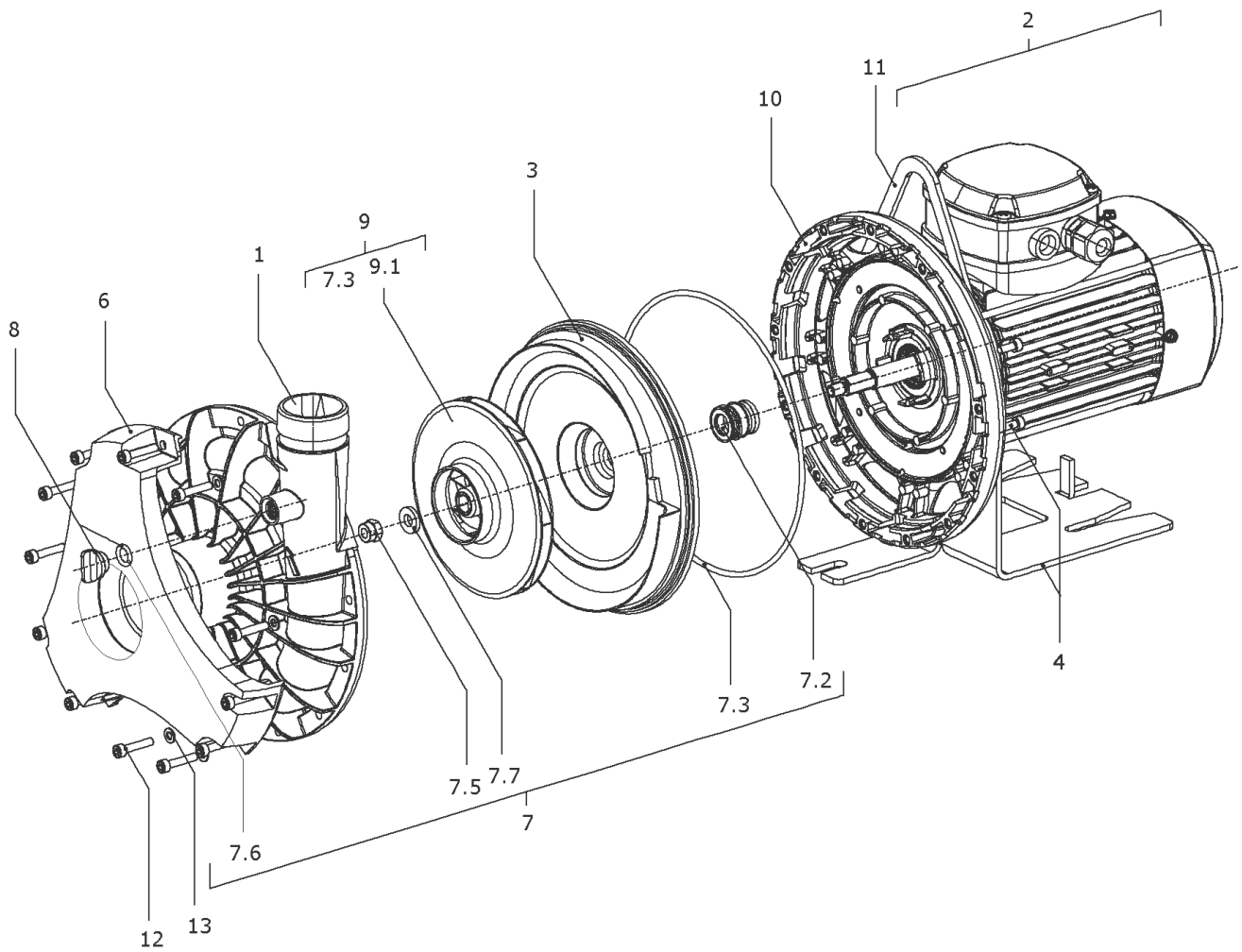
**BAC40-134-2.2/2-DM/S-2 (4158649)**

Item	Article no.	Description	Quantity
1	2164006	Pump casing BAC 1 1/2"-2" VP.	1
2		Spare parts motor BAC40 BG90	1
3	2164003	Stationary ring holder-PPA6.6-50-FV VP.	1
4	2190983	Pump support foot BAC40 BG90 cpl.VP.	1
5	2188192	Screw M5X25 12.9 ISO4762(4 Pieces)	1
6	2179107	Reinforcing piece for casingG BAC40 VP.	1
7	4067796	MECHANICAL SEAL KIT BAC	1
7.1		> THROWER-RUBBER-SH65/70	1
7.2		> MECHANICAL-SEAL-MG1/14-G6-BQ1EGG-BURGMAN	1
7.3	2188193	> O-Ring 190,09X3,53 EPDM VP.	1
7.4		> pin cylindrical Ø4x24-overall-stainless	1
7.5		> LOCKNUT-M8-STAINLESS-STEEL-316	1
7.6	4006396	> O-RING ID.9.9x2.62-EPDM 70SH	1
7.7		> FLAT WASHER-D8.2XD18X3-304L	1
8	2188170	Drain plug/o-ring G1/4" KIT	1
9	2157969	Impeller BAC D.134 20m3 PA6 Ins.KIT	1
7.3	2188193	> O-Ring 190,09X3,53 EPDM VP.	1
9.1		> RAW IMPELLER Ø134 SHC 20M3/H PA6-INSERT	1
10	2188195	Lantern BAC40 BG90 VP.	1
11	2190953	Eyelet/screw BAC VP.	1
12	2190951	Screw M8X20 ISO4762 8.8(4 Piece)	1
	2190952	Washer Z 5,3X10X1 Inox A2(4 Piece)	1



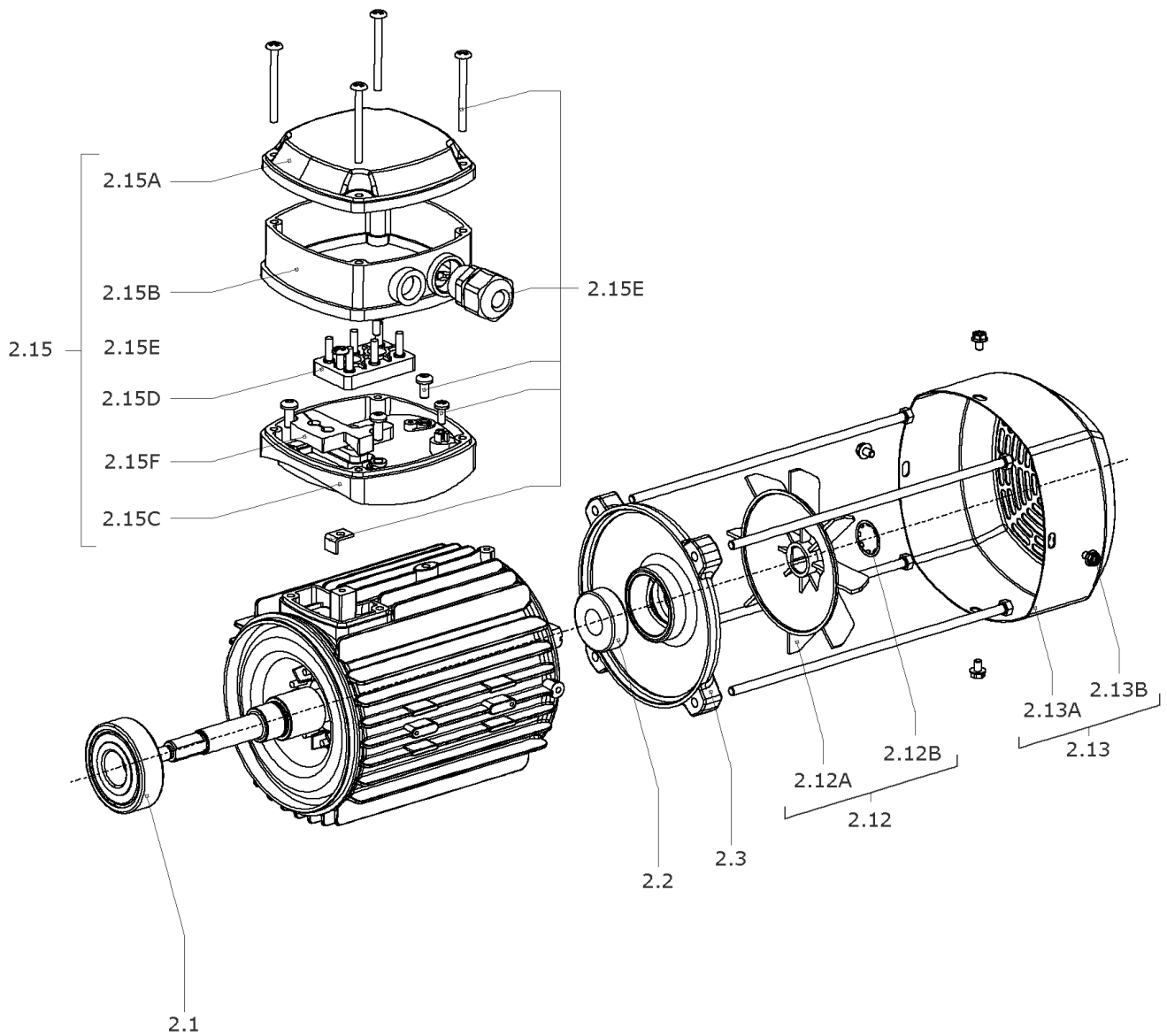
## Spare parts motor BAC40 BG90

Item	Article no.	Description	Quantity
2.1	2118385	BALL BEARING 6306 DDW C3 EA6 VP.	1
2.2	2111342	BALL BEARING 6204 DDW C3 EA3 VP.	1
2.3	2157920	End shield BG90 N.D.E.ELEC KIT	1
		> Flange IEC90 NDS with slot reduce0.5	1
		> O-RING ID47.2*3.53 EPDM	1
2.12	2107782	FAN WHEEL BG90 ELEC KIT	1
2.12A		> FAN 122.6X15X17 GP2200 G/F20%	1
2.12B	2111321	> STOP-RING D.14,8x0,4 VP.	1
Note: Please give the data from type plate of the motor			
2.13	2111322	FAN HOOD BG90 ELEC KIT	1
2.13A		> FAN COVER IEC90 KTL ST14 T0.8 H70	1
2.13B	2111323	> SCREW M4X6 (4 PIECES)	1
Note: Please give the data from type plate of the motor			
2.15	2111331	TERMINAL BOX CPL.BG90 ELEC KIT	1
2.15A	2111326	> KIT TERMINAL BOX COV./GASK. BG90-112ELEC	1
Note: Please give the data from type plate of the motor			
2.15B		> Terminal Box Coupling 3~ ADC12 40mm M25	1
2.15C		> Terminal Box Base 3~ ADC12 IEC	1
2.15D	2111327	> TERMINAL BOARD 50X32 M4 3~ CPL. ELEC KIT	1
Note: Please give the data from type plate of the motor			
2.15E	2111329	> GASKETS/SCREWS F.TERM.BOX BG90 ELEC KIT	1
Note: Please give the data from type plate of the motor			
2.15F		> Frame Closing IEC	1



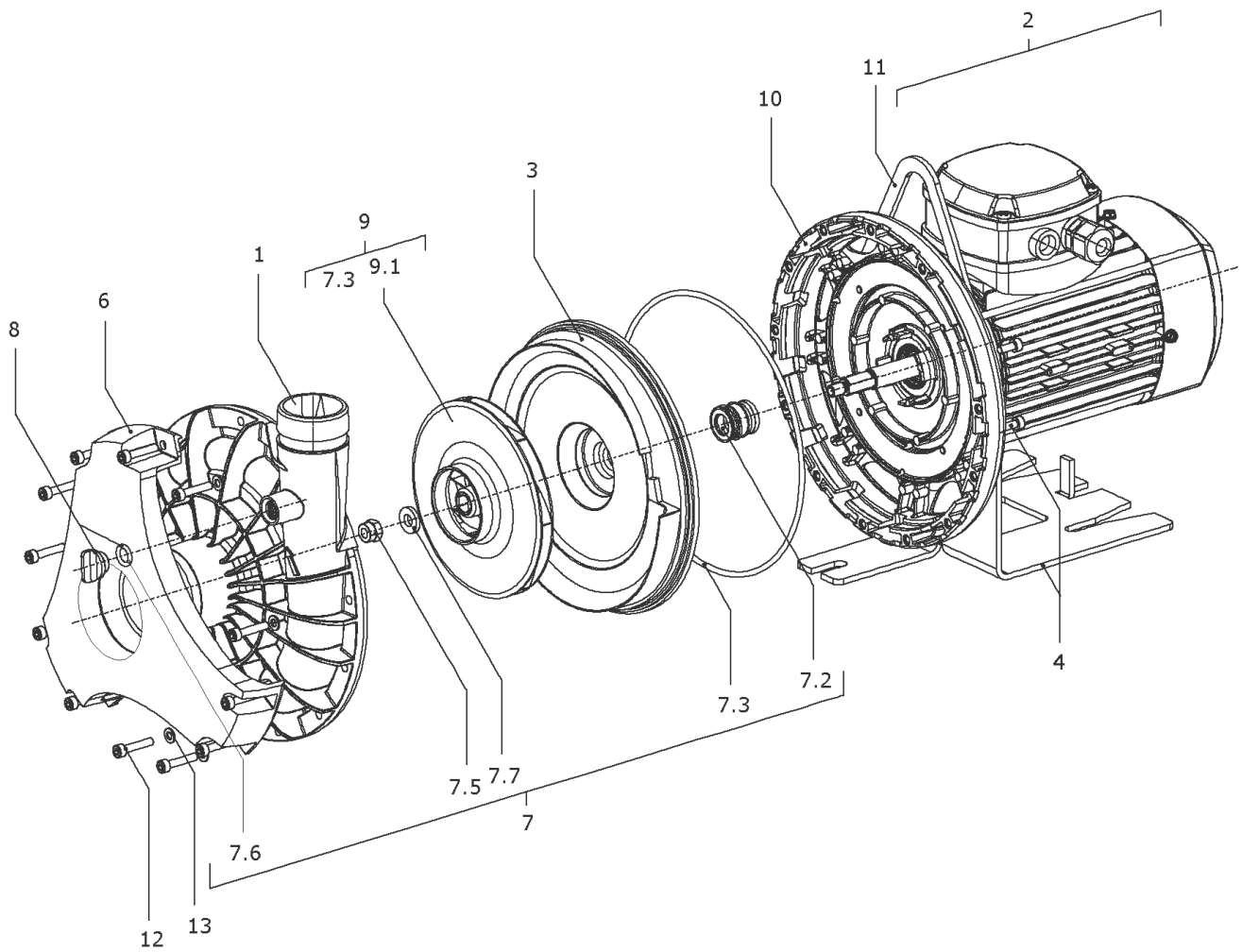
**BAC40-134-2.2/2-DM/R-2-IE3 (4203786)**

Item	Article no.	Description	Quantity
1	2153159	Pump casing BAC-1"1/2-2" VICTAULIC VP.	1
2		Spare parts motor BAC40 BG90 IE3	1
3	2164003	Stationary ring holder-PPA6.6-50-FV VP.	1
4	2190983	Pump support foot BAC40 BG90 cpl.VP.	1
5	2188192	Screw M5X25 12.9 ISO4762(4 Pieces)	1
6	2179107	Reinforcing piece for casingG BAC40 VP.	1
7	4067796	MECHANICAL SEAL KIT BAC	1
7.1		> THROWER-RUBBER-SH65/70	1
7.2		> MECHANICAL-SEAL-MG1/14-G6-BQ1EGG-BURGMAN	1
7.3	2188193	> O-Ring 190,09X3,53 EPDM VP.	1
7.4		> pin cylindrical Ø4x24-overall-stainless	1
7.5		> LOCKNUT-M8-STAINLESS-STEEL-316	1
7.6	4006396	> O-RING ID.9.9x2.62-EPDM 70SH	1
7.7		> FLAT WASHER-D8.2XD18X3-304L	1
8	2188170	Drain plug/o-ring G1/4" KIT	1
9	2157969	Impeller BAC D.134 20m3 PA6 Ins.KIT	1
7.3	2188193	> O-Ring 190,09X3,53 EPDM VP.	1
9.1		> RAW IMPELLER Ø134 SHC 20M3/H PA6-INSERT	1
10	2188195	Lantern BAC40 BG90 VP.	1
11	2190953	Eyelet/screw BAC VP.	1
12	2190951	Screw M8X20 ISO4762 8.8(4 Piece)	1
13	2190952	Washer Z 5,3X10X1 Inox A2(4 Piece)	1



## Spare parts motor BAC40 BG90 IE3

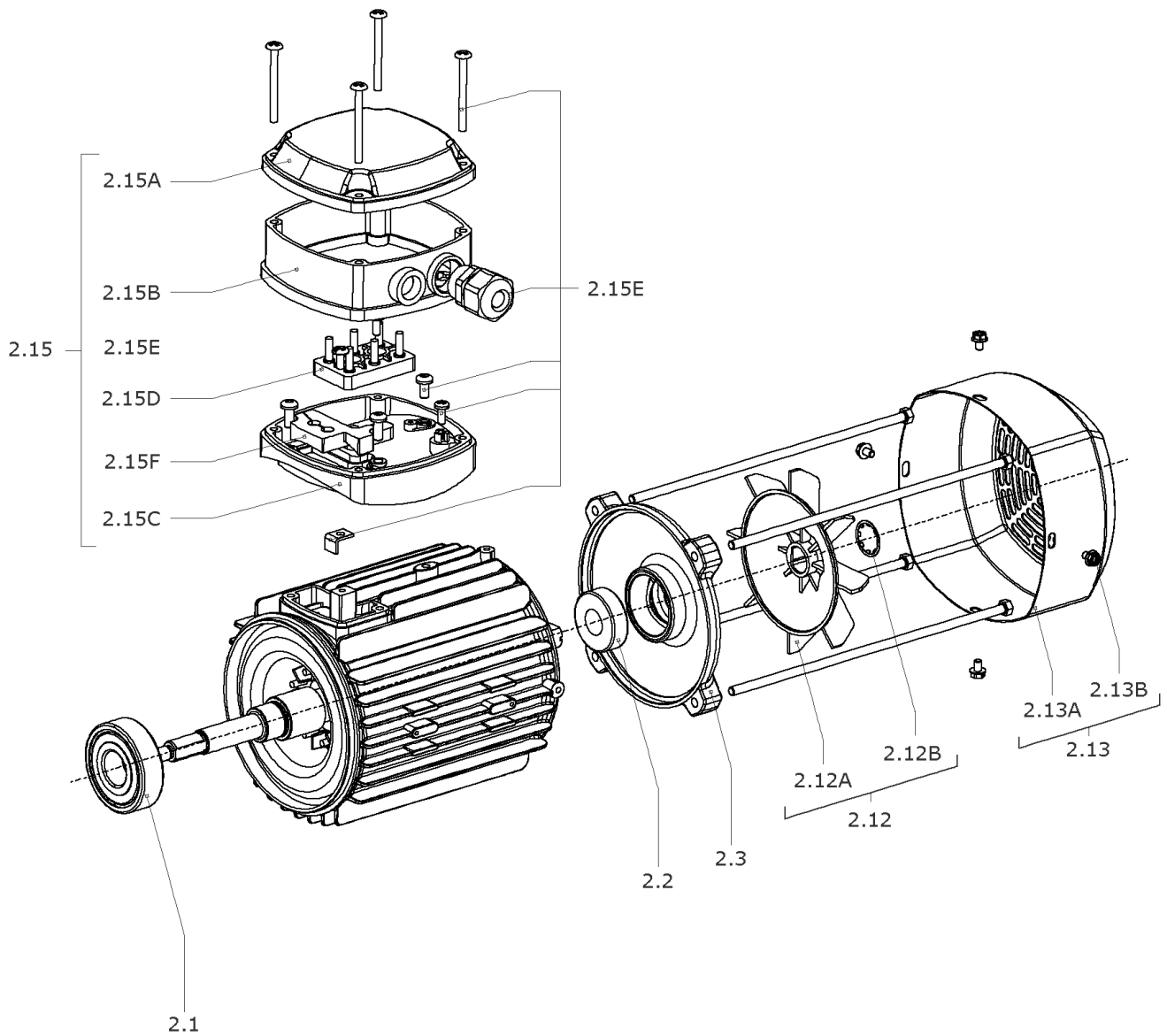
Item	Article no.	Description	Quantity
2.1	2153170	Ball bearing 6306/VV-C3 VP.	1
2.2	2153168	Ball bearing 6204/VV-C3 VP.	1
2.3	2164024	End shield BG90 N.D.E.ELEC KIT	1
		> Flange IEC90 NDS with slot reduce0.5	1
		> O-RING ID47.2*3.53 EPDM	1
2.12	2107782	FAN WHEEL BG90 ELEC KIT	1
2.12A		> FAN 122.6X15X17 GP2200 G/F20%	1
2.12B	2111321	> STOP-RING D.14,8x0,4 VP.	1
Note: Please give the data from type plate of the motor			
2.13	2111322	FAN HOOD BG90 ELEC KIT	1
2.13A		> FAN COVER IEC90 KTL ST14 T0.8 H70	1
2.13B	2111323	> SCREW M4X6 (4 PIECES)	1
Note: Please give the data from type plate of the motor			
2.15	2191002	Terminal box cpl.BG90 ELEC KIT	1
2.15A	2111325	> TERMINAL BOX COVER/GASK.BG71-90 ELEC KIT	1
Note: Please give the data from type plate of the motor			
2.15B		> TERMINAL BOX COUPLING 40 MM M25 M16	1
2.15C		> Terminal Box Base 3~ ADC12 IEC	1
2.15D	2191001	> Terminal board 50X40 M4 3~ cpl.ELEC KIT	1
Note: Please give the data from type plate of the motor			
2.15E	2111328	> GASKETS/SCREWS F.TERM.BOX 71/80 ELEC KIT	1
Note: Please give the data from type plate of the motor			
2.15F		> Frame Closing IEC	1





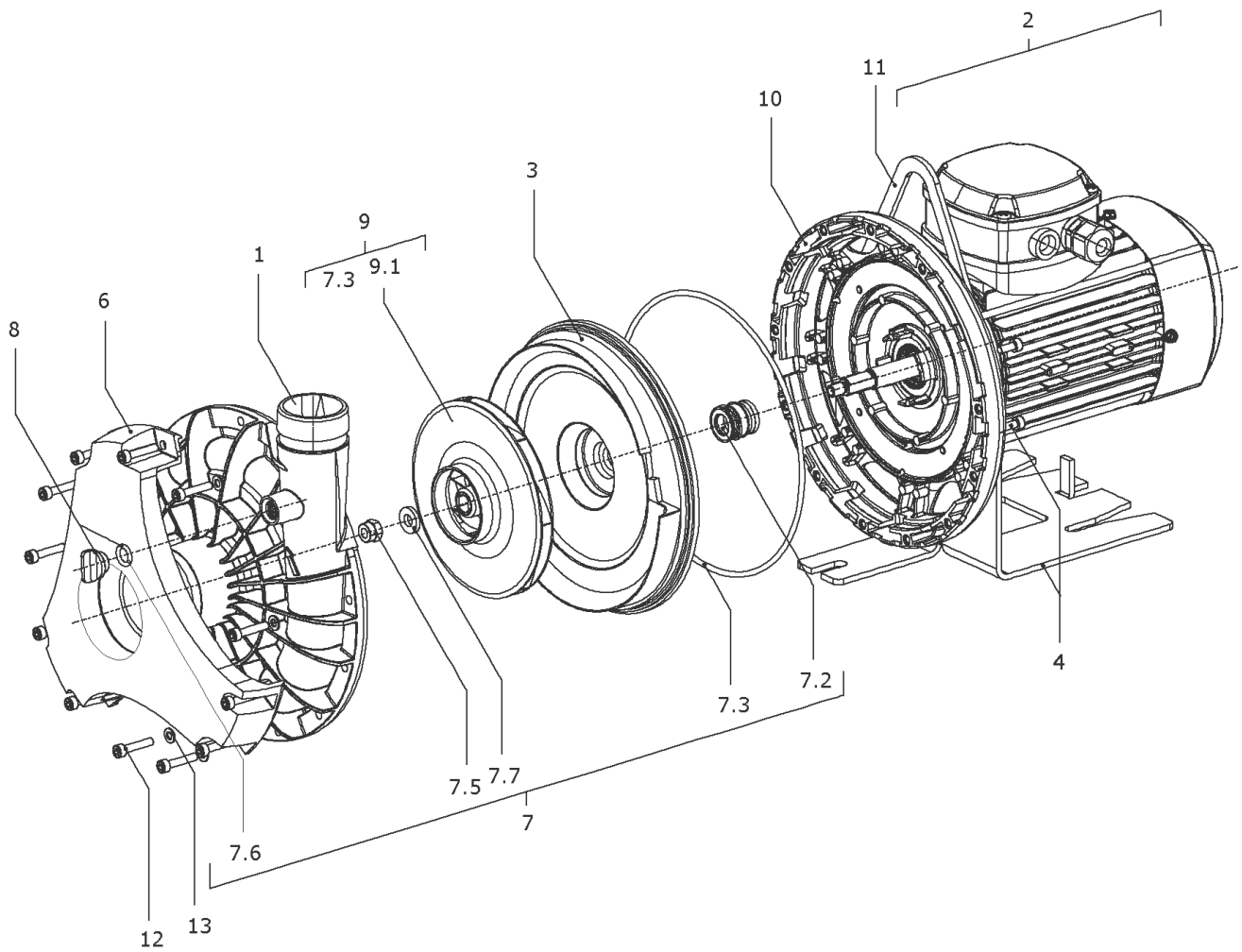
**BAC40-134-2.2/2-DM/S-2-IE3 (4203790)**

Item	Article no.	Description	Quantity
1	2164006	Pump casing BAC 1 1/2"-2" VP.	1
2		Spare parts motor BAC40 BG90 IE3	1
3	2164003	Stationary ring holder-PPA6.6-50-FV VP.	1
4	2190983	Pump support foot BAC40 BG90 cpl.VP.	1
5	2188192	Screw M5X25 12.9 ISO4762(4 Pieces)	1
6	2179107	Reinforcing piece for casingG BAC40 VP.	1
7	4067796	MECHANICAL SEAL KIT BAC	1
7.1		> THROWER-RUBBER-SH65/70	1
7.2		> MECHANICAL-SEAL-MG1/14-G6-BQ1EGG-BURGMAN	1
7.3	2188193	> O-Ring 190,09X3,53 EPDM VP.	1
7.4		> pin cylindrical Ø4x24-overall-stainless	1
7.5		> LOCKNUT-M8-STAINLESS-STEEL-316	1
7.6	4006396	> O-RING ID.9.9x2.62-EPDM 70SH	1
7.7		> FLAT WASHER-D8.2XD18X3-304L	1
8	2188170	Drain plug/o-ring G1/4" KIT	1
9	2157969	Impeller BAC D.134 20m3 PA6 Ins.KIT	1
7.3	2188193	> O-Ring 190,09X3,53 EPDM VP.	1
9.1		> RAW IMPELLER Ø134 SHC 20M3/H PA6-INSERT	1
10	2188195	Lantern BAC40 BG90 VP.	1
11	2190953	Eyelet/screw BAC VP.	1
12	2190951	Screw M8X20 ISO4762 8.8(4 Piece)	1
13	2190952	Washer Z 5,3X10X1 Inox A2(4 Piece)	1



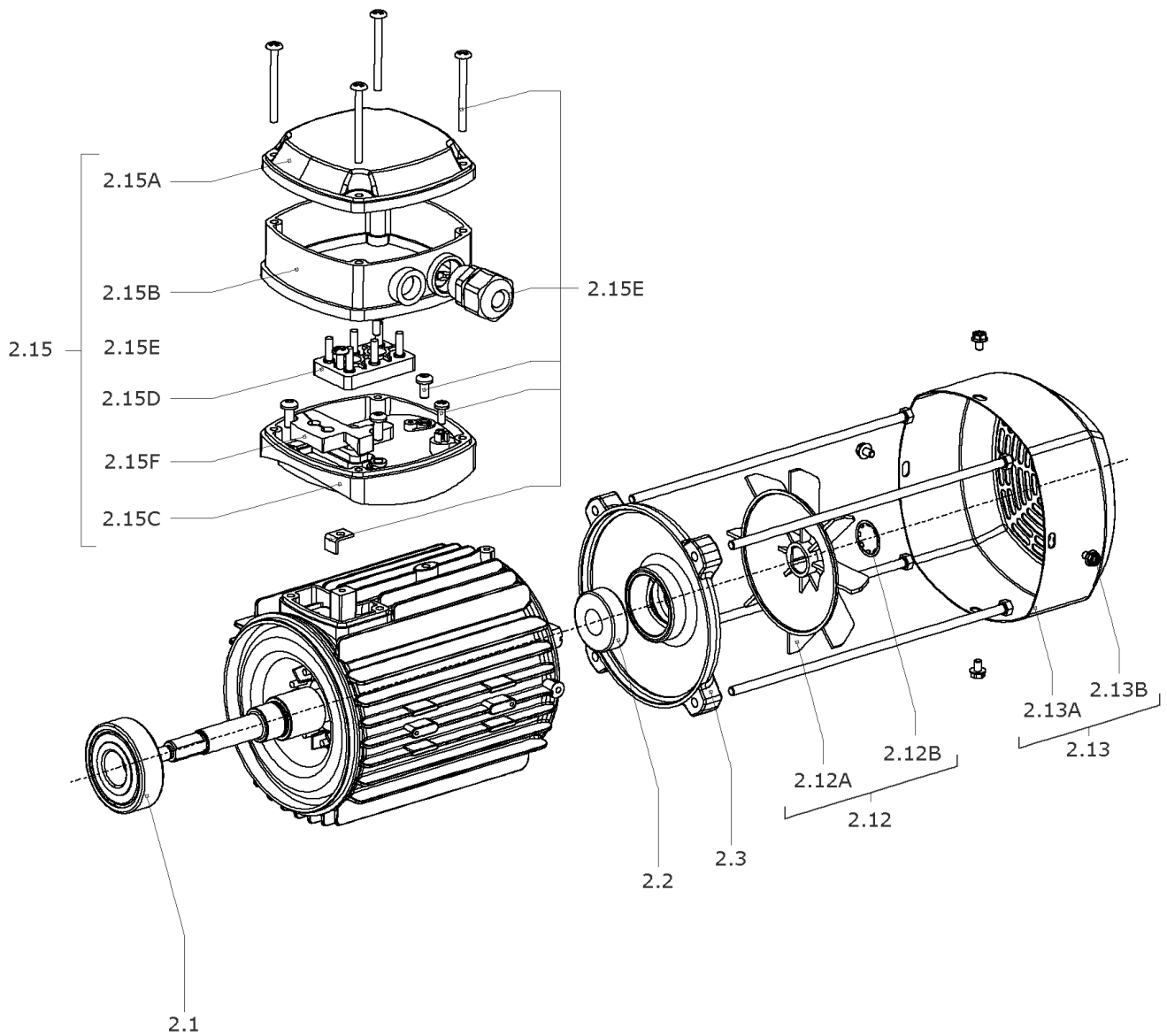
## Spare parts motor BAC40 BG90 IE3

Item	Article no.	Description	Quantity
2.1	2153170	Ball bearing 6306/VV-C3 VP.	1
2.2	2153168	Ball bearing 6204/VV-C3 VP.	1
2.3	2164024	End shield BG90 N.D.E.ELEC KIT	1
		> Flange IEC90 NDS with slot reduce0.5	1
		> O-RING ID47.2*3.53 EPDM	1
2.12	2107782	FAN WHEEL BG90 ELEC KIT	1
2.12A		> FAN 122.6X15X17 GP2200 G/F20%	1
2.12B	2111321	> STOP-RING D.14,8x0,4 VP.	1
Note: Please give the data from type plate of the motor			
2.13	2111322	FAN HOOD BG90 ELEC KIT	1
2.13A		> FAN COVER IEC90 KTL ST14 T0.8 H70	1
2.13B	2111323	> SCREW M4X6 (4 PIECES)	1
Note: Please give the data from type plate of the motor			
2.15	2191002	Terminal box cpl.BG90 ELEC KIT	1
2.15A	2111325	> TERMINAL BOX COVER/GASK.BG71-90 ELEC KIT	1
Note: Please give the data from type plate of the motor			
2.15B		> TERMINAL BOX COUPLING 40 MM M25 M16	1
2.15C		> Terminal Box Base 3~ ADC12 IEC	1
2.15D	2191001	> Terminal board 50X40 M4 3~ cpl.ELEC KIT	1
Note: Please give the data from type plate of the motor			
2.15E	2111328	> GASKETS/SCREWS F.TERM.BOX 71/80 ELEC KIT	1
Note: Please give the data from type plate of the motor			
2.15F		> Frame Closing IEC	1



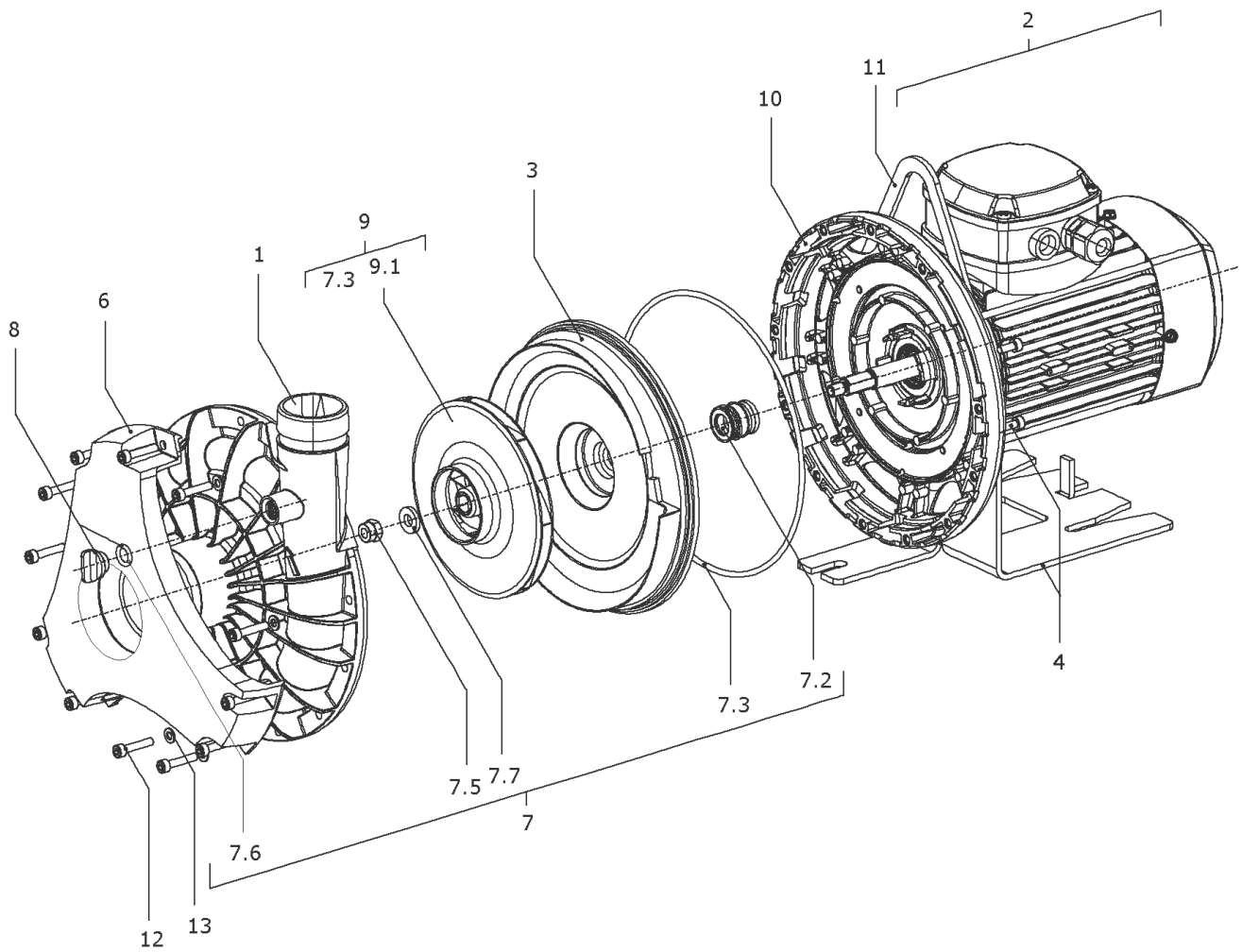
**BAC40-134-2.2\_90/2-DM/R-2-IE3 (4213185)**

Item	Article no.	Description	Quantity
1	2153159	Pump casing BAC-1"1/2-2" VICTAULIC VP.	1
2		Spare parts motor BAC40 BG90 IE3	1
3	2164003	Stationary ring holder-PPA6.6-50-FV VP.	1
4	2190986	Pump support foot BAC40 BG90 cpl.VP.	1
5	2188192	Screw M5X25 12.9 ISO4762(4 Pieces)	1
6	2179107	Reinforcing piece for casingG BAC40 VP.	1
7	4067796	MECHANICAL SEAL KIT BAC	1
7.1		> THROWER-RUBBER-SH65/70	1
7.2		> MECHANICAL-SEAL-MG1/14-G6-BQ1EGG-BURGMAN	1
7.3	2188193	> O-Ring 190,09X3,53 EPDM VP.	1
7.4		> pin cylindrical Ø4x24-overall-stainless	1
7.5		> LOCKNUT-M8-STAINLESS-STEEL-316	1
7.6	4006396	> O-RING ID.9.9x2.62-EPDM 70SH	1
7.7		> FLAT WASHER-D8.2XD18X3-304L	1
8	2188170	Drain plug/o-ring G1/4" KIT	1
9	2157969	Impeller BAC D.134 20m3 PA6 Ins.KIT	1
7.3	2188193	> O-Ring 190,09X3,53 EPDM VP.	1
9.1		> RAW IMPELLER Ø134 SHC 20M3/H PA6-INSERT	1
10	2190990	Lantern BAC40 BG90 VP.	1
11	2191010	Eyelet/screw BAC40-2,2kW IE3 VP.	1
12	2188192	Screw M5X25 12.9 ISO4762(4 Pieces)	1
13	2190952	Washer Z 5,3X10X1 Inox A2(4 Piece)	1



## Spare parts motor BAC40 BG90 IE3

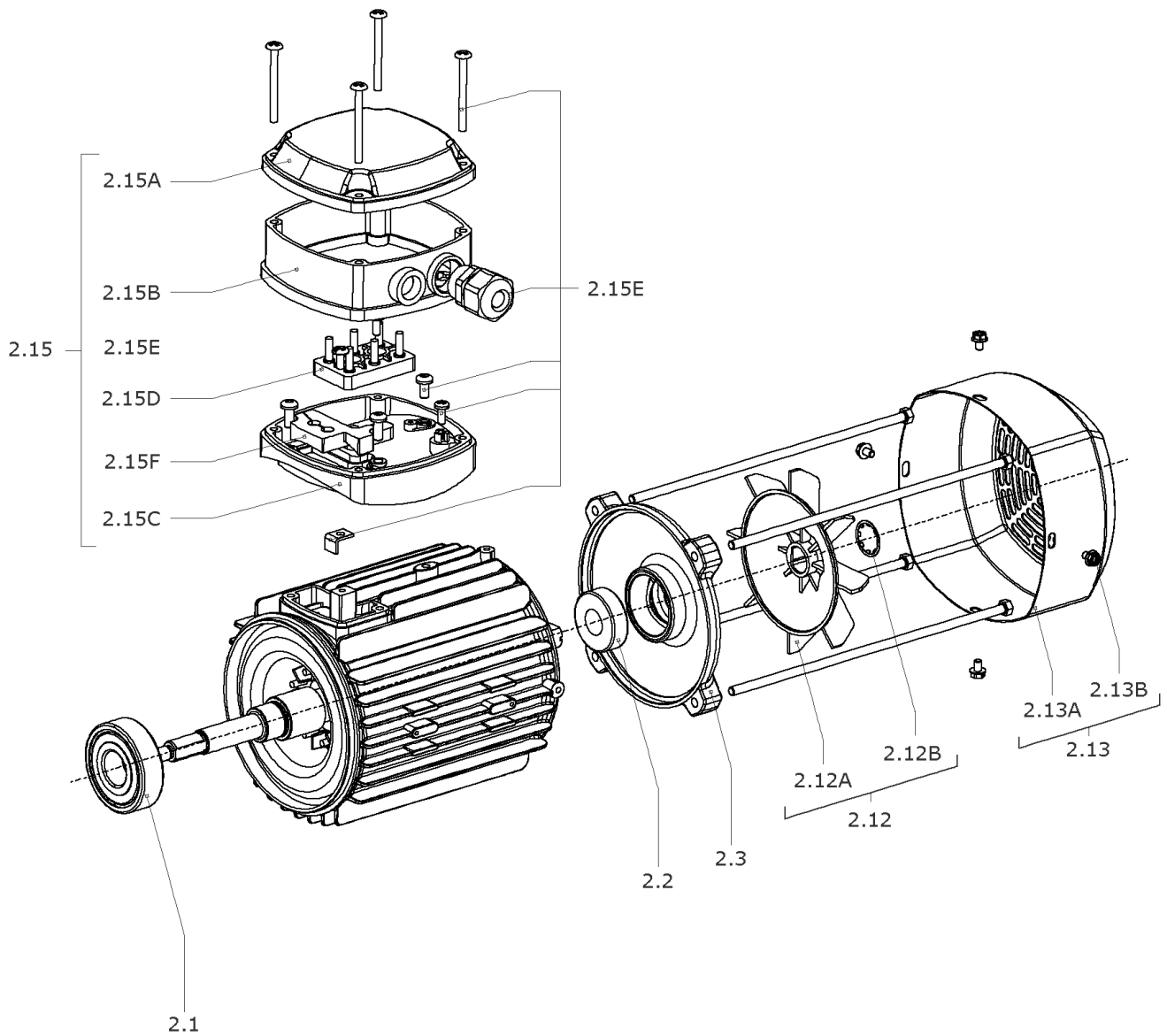
Item	Article no.	Description	Quantity
2.1	2153169	Ball bearing 6304/VV-C3 VP.	1
2.2	2153168	Ball bearing 6204/VV-C3 VP.	1
2.3	2164024	End shield BG90 N.D.E.ELEC KIT	1
		> Flange IEC90 NDS with slot reduce0.5	1
		> O-RING ID47.2*3.53 EPDM	1
2.12	2107782	FAN WHEEL BG90 ELEC KIT	1
2.12A		> FAN 122.6X15X17 GP2200 G/F20%	1
2.12B	2111321	> STOP-RING D.14,8x0,4 VP.	1
Note: Please give the data from type plate of the motor			
2.13	2111322	FAN HOOD BG90 ELEC KIT	1
2.13A		> FAN COVER IEC90 KTL ST14 T0.8 H70	1
2.13B	2111323	> SCREW M4X6 (4 PIECES)	1
Note: Please give the data from type plate of the motor			
2.15	2191003	Terminal box cpl.BG90 ELEC KIT	1
2.15A	2111325	> TERMINAL BOX COVER/GASK.BG71-90 ELEC KIT	1
Note: Please give the data from type plate of the motor			
2.15B		> Terminal Box Coupling 3~ ADC12 40mm M25	1
2.15C		> Terminal Box Base 3~ ADC12 IEC	1
2.15D	2111327	> TERMINAL BOARD 50X32 M4 3~ CPL. ELEC KIT	1
Note: Please give the data from type plate of the motor			
2.15E	2111328	> GASKETS/SCREWS F.TERM.BOX 71/80 ELEC KIT	1
Note: Please give the data from type plate of the motor			
2.15F		> Frame Closing IEC	1





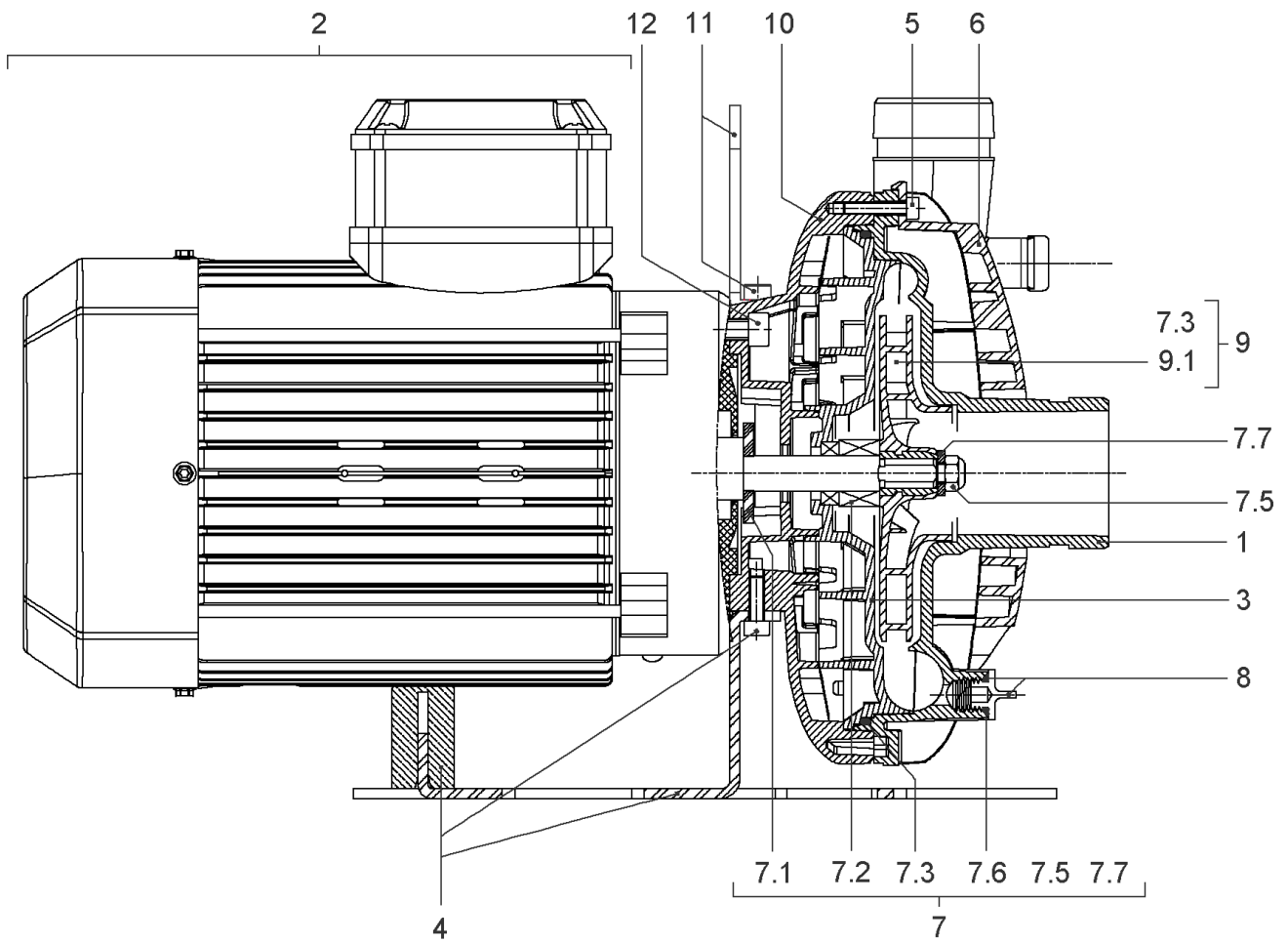
**BAC40-134-2.2\_90/2-DM/S-2-IE3 (4213190)**

Item	Article no.	Description	Quantity
1	2164006	Pump casing BAC 1 1/2"-2" VP.	1
2		Spare parts motor BAC40 BG90 IE3	1
3	2164003	Stationary ring holder-PPA6.6-50-FV VP.	1
4	2190986	Pump support foot BAC40 BG90 cpl.VP.	1
5	2188192	Screw M5X25 12.9 ISO4762(4 Pieces)	1
6	2179107	Reinforcing piece for casingG BAC40 VP.	1
7	4067796	MECHANICAL SEAL KIT BAC	1
7.1		> THROWER-RUBBER-SH65/70	1
7.2		> MECHANICAL-SEAL-MG1/14-G6-BQ1EGG-BURGMAN	1
7.3	2188193	> O-Ring 190,09X3,53 EPDM VP.	1
7.4		> pin cylindrical Ø4x24-overall-stainless	1
7.5		> LOCKNUT-M8-STAINLESS-STEEL-316	1
7.6	4006396	> O-RING ID.9.9x2.62-EPDM 70SH	1
7.7		> FLAT WASHER-D8.2XD18X3-304L	1
8	2188170	Drain plug/o-ring G1/4" KIT	1
9	2157969	Impeller BAC D.134 20m3 PA6 Ins.KIT	1
7.3	2188193	> O-Ring 190,09X3,53 EPDM VP.	1
9.1		> RAW IMPELLER Ø134 SHC 20M3/H PA6-INSERT	1
10	2190990	Lantern BAC40 BG90 VP.	1
11	2191010	Eyelet/screw BAC40-2,2kW IE3 VP.	1
12	2188192	Screw M5X25 12.9 ISO4762(4 Pieces)	1
13	2190952	Washer Z 5,3X10X1 Inox A2(4 Piece)	1



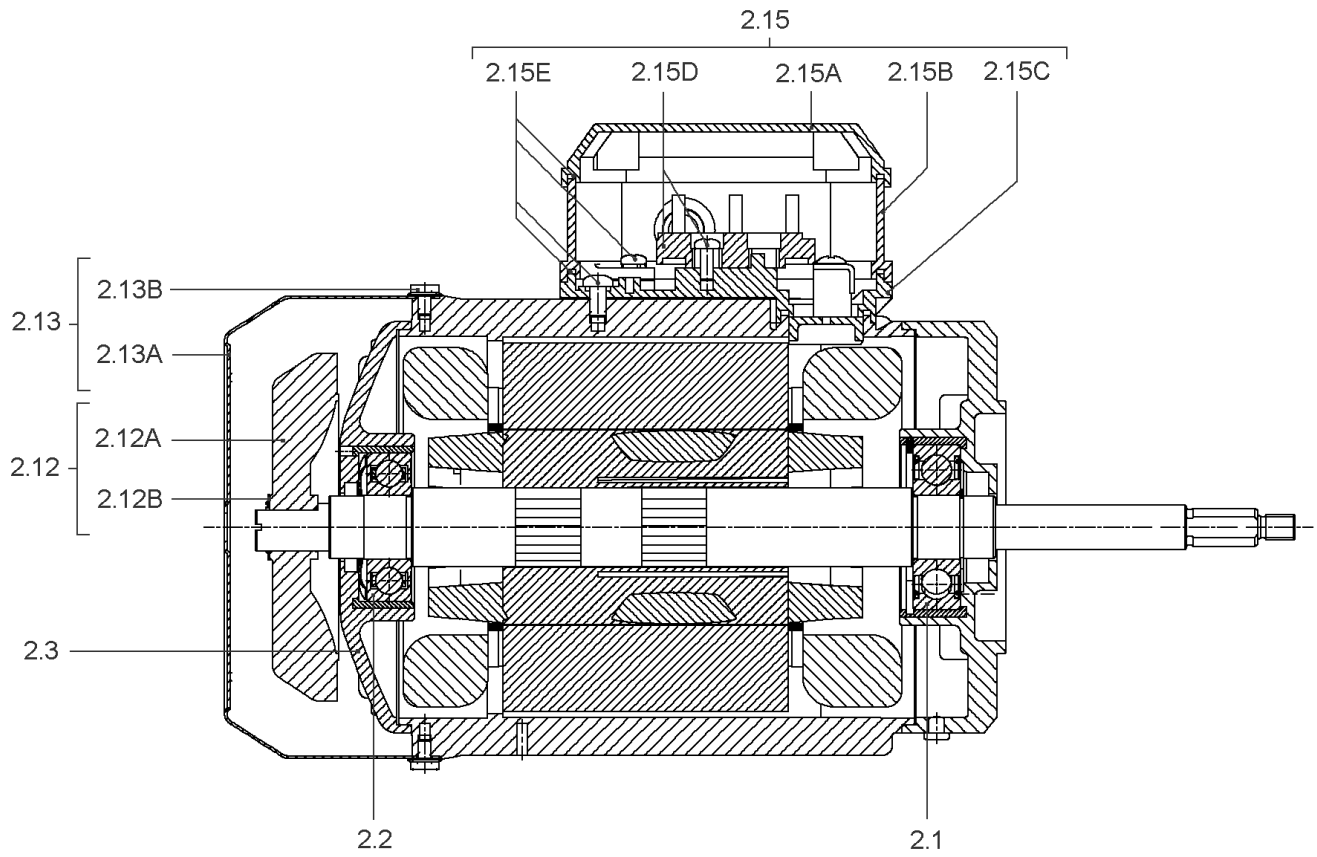
## Spare parts motor BAC40 BG90 IE3

Item	Article no.	Description	Quantity
2.1	2153169	Ball bearing 6304/VV-C3 VP.	1
2.2	2153168	Ball bearing 6204/VV-C3 VP.	1
2.3	2164024	End shield BG90 N.D.E.ELEC KIT	1
		> Flange IEC90 NDS with slot reduce0.5	1
		> O-RING ID47.2*3.53 EPDM	1
2.12	2107782	FAN WHEEL BG90 ELEC KIT	1
2.12A		> FAN 122.6X15X17 GP2200 G/F20%	1
2.12B	2111321	> STOP-RING D.14,8x0,4 VP.	1
Note: Please give the data from type plate of the motor			
2.13	2111322	FAN HOOD BG90 ELEC KIT	1
2.13A		> FAN COVER IEC90 KTL ST14 T0.8 H70	1
2.13B	2111323	> SCREW M4X6 (4 PIECES)	1
Note: Please give the data from type plate of the motor			
2.15	2191003	Terminal box cpl.BG90 ELEC KIT	1
2.15A	2111325	> TERMINAL BOX COVER/GASK.BG71-90 ELEC KIT	1
Note: Please give the data from type plate of the motor			
2.15B		> Terminal Box Coupling 3~ ADC12 40mm M25	1
2.15C		> Terminal Box Base 3~ ADC12 IEC	1
2.15D	2111327	> TERMINAL BOARD 50X32 M4 3~ CPL. ELEC KIT	1
Note: Please give the data from type plate of the motor			
2.15E	2111328	> GASKETS/SCREWS F.TERM.BOX 71/80 ELEC KIT	1
Note: Please give the data from type plate of the motor			
2.15F		> Frame Closing IEC	1



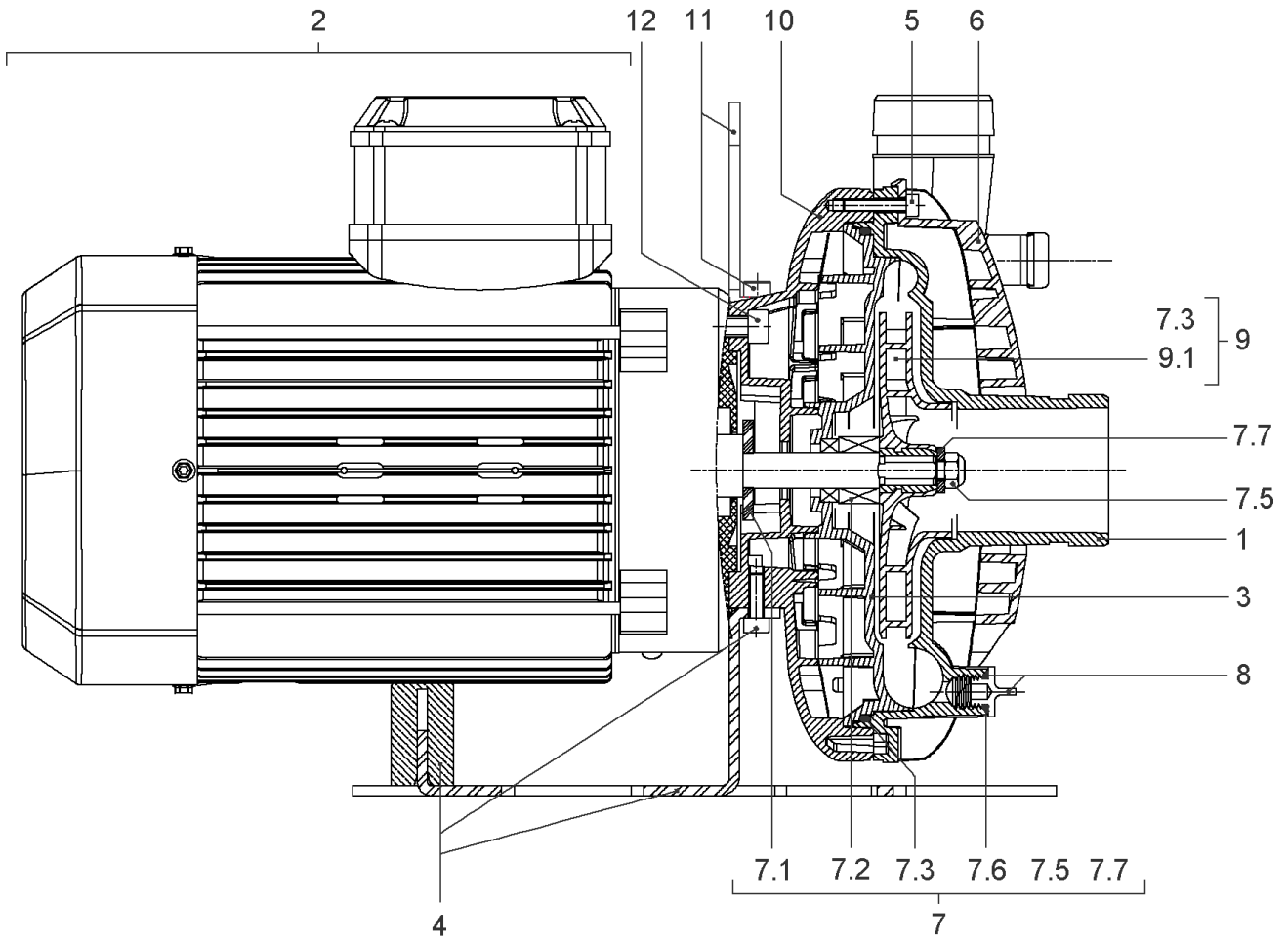
**BAC40-136-1.1/2-DM/R-2 (4158647)**

Item	Article no.	Description	Quantity
1	2153159	Pump casing BAC-1"1/2-2" VICTAULIC VP.	1
2		Spare parts motor BAC40 BG80	1
3	2164003	Stationary ring holder-PPA6.6-50-FV VP.	1
4	2188191	Pump support foot BAC40 BG80 cpl.VP.	1
5	2188192	Screw M5X25 12.9 ISO4762(4 Pieces)	1
6	2179107	Reinforcing piece for casingG BAC40 VP.	1
7	4067796	MECHANICAL SEAL KIT BAC	1
7.1		> THROWER-RUBBER-SH65/70	1
7.2		> MECHANICAL-SEAL-MG1/14-G6-BQ1EGG-BURGMAN	1
7.3	2188193	> O-Ring 190,09X3,53 EPDM VP.	1
7.4		> pin cylindrical Ø4x24-overall-stainless	1
7.5		> LOCKNUT-M8-STAINLESS-STEEL-316	1
7.6	4006396	> O-RING ID.9.9x2.62-EPDM 70SH	1
7.7		> FLAT WASHER-D8.2XD18X3-304L	1
8	2188170	Drain plug/o-ring G1/4" KIT	1
9	2150948	Impeller BAC D136-12m3-PA6 KIT	1
7.3	2188193	> O-Ring 190,09X3,53 EPDM VP.	1
9.1		> RAW IMPELLER SHC-D136-12m3-PA6-INSERT	1
10	2188194	Lantern BAC40 BG80 VP.	1
11	2190953	Eyelet/screw BAC VP.	1
12	2010882	SCREW M6X18 ISO4762 (4 PIECES)	1
	2190952	Washer Z 5,3X10X1 Inox A2(4 Piece)	1



## Spare parts motor BAC40 BG80

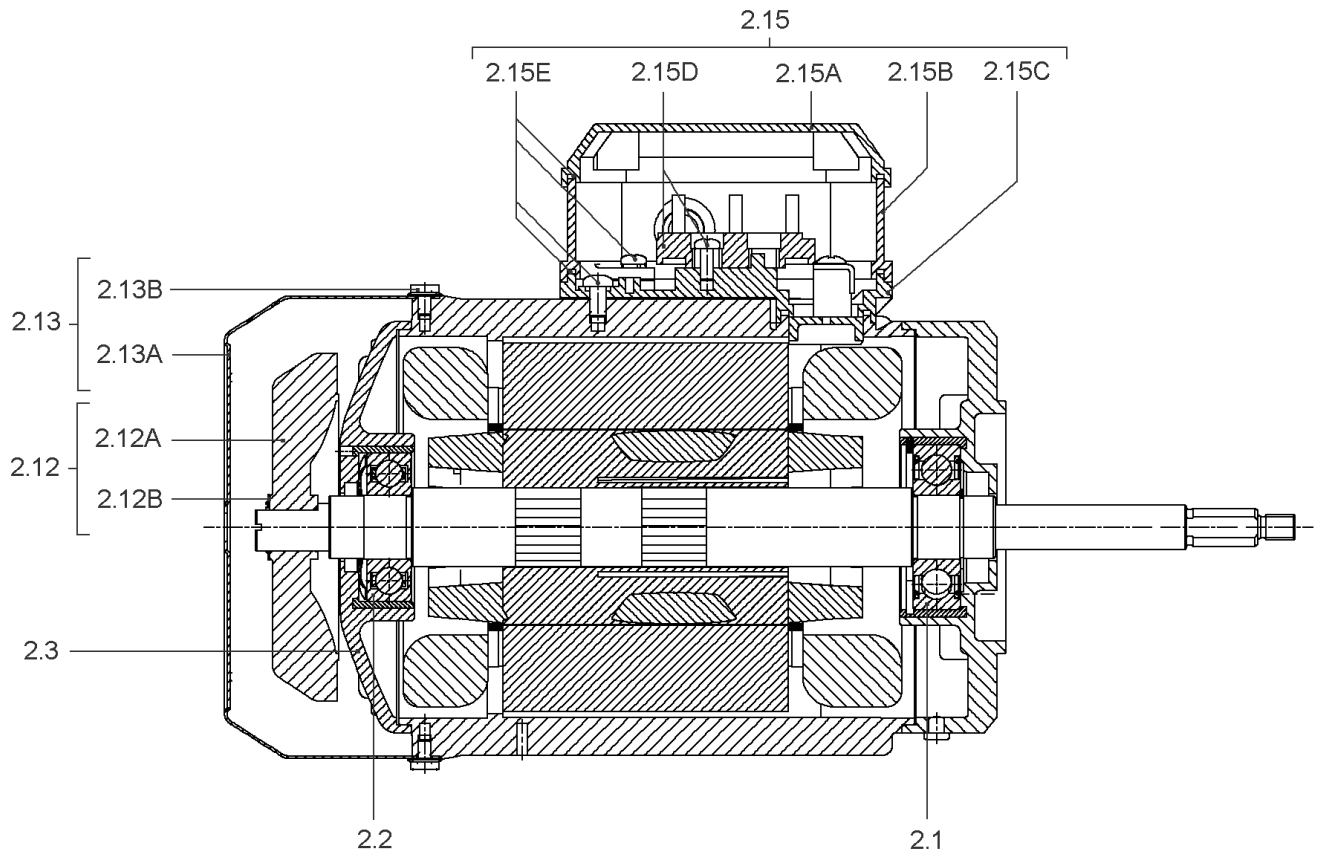
Item	Article no.	Description	Quantity
2.1	2111343	BALL BEARING 6304 DDW C3 EA6 VP.	1
2.2	2111342	BALL BEARING 6204 DDW C3 EA3 VP.	1
2.3	2162607	End shield BG80 N.D.E.ELEC KIT	1
		> Flange IEC80 NDS with slot new	1
		> O-RING ID47.2*3.53 EPDM	1
2.12	2107778	FAN WHEEL BG71/80 ELEC KIT	1
2.12A		> FAN 110x15x15.3 GP2200 G/F20%	1
2.12B	2111321	> STOP-RING D.14,8x0,4 VP.	1
Note: Please give the data from type plate of the motor			
2.13	2107779	FAN HOOD BG80 ELEC KIT	1
2.13A		> FAN COVER IEC80 KTL ST14 T0.8 H60	1
2.13B	2111323	> SCREW M4X6 (4 PIECES)	1
Note: Please give the data from type plate of the motor			
2.15	2111330	TERMINAL BOX CPL.BG71/80 ELEC KIT	1
2.15A	2111325	> TERMINAL BOX COVER/GASK.BG71-90 ELEC KIT	1
Note: Please give the data from type plate of the motor			
2.15B		> Terminal Box Coupling ADC12 32.5mm M20	1
2.15C		> Terminal Box Base 3~ ADC12 IEC	1
2.15D	2111327	> TERMINAL BOARD 50X32 M4 3~ CPL. ELEC KIT	1
Note: Please give the data from type plate of the motor			
2.15E	2111328	> GASKETS/SCREWS F.TERM.BOX 71/80 ELEC KIT	1
Note: Please give the data from type plate of the motor			
2.15F		> Frame Closing IEC	1





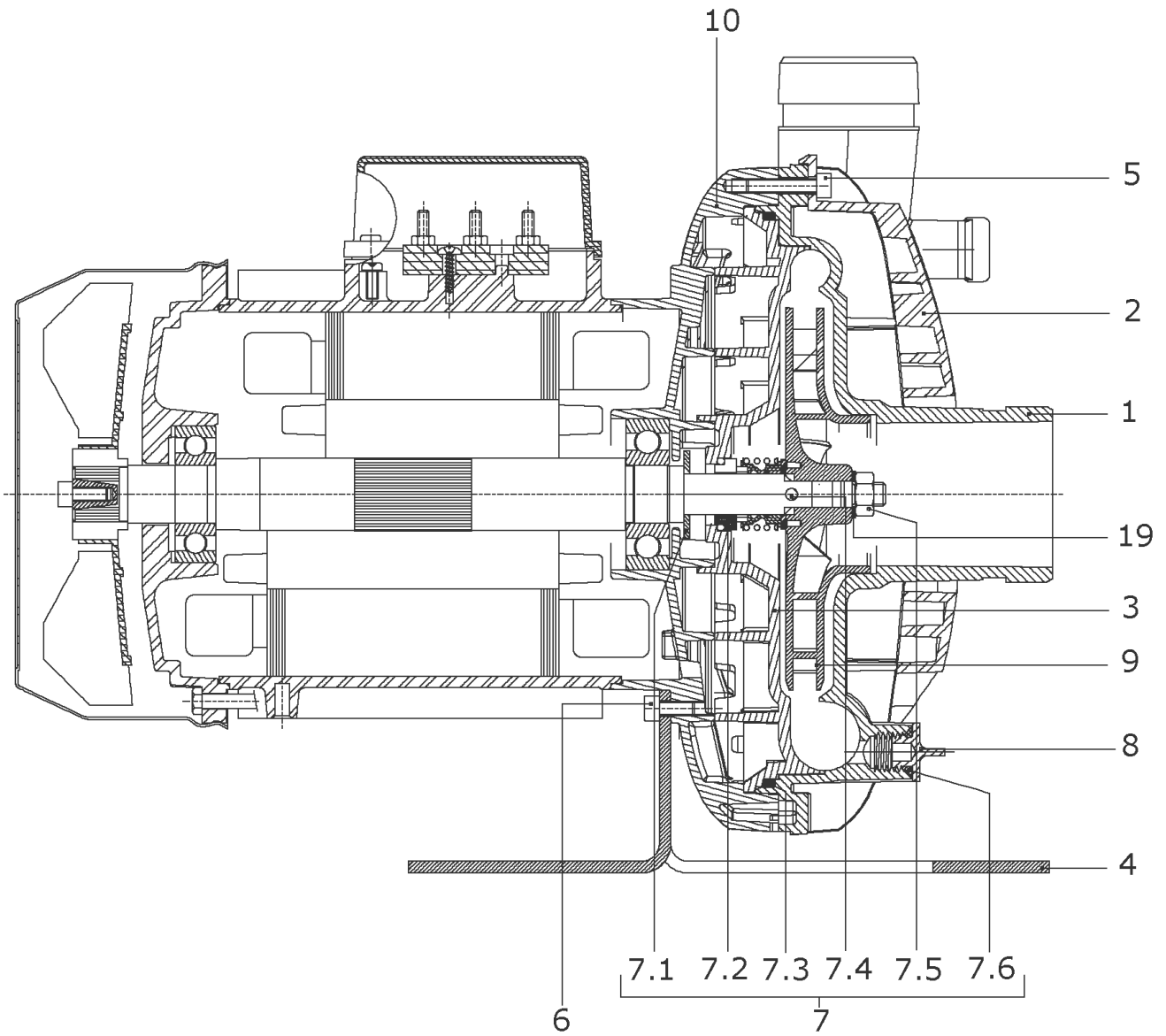
**BAC40-136-1.1/2-DM/S-2 (4158651)**

Item	Article no.	Description	Quantity
1	2164006	Pump casing BAC 1 1/2"-2" VP.	1
2		Spare parts motor BAC40 BG80	1
3	2164003	Stationary ring holder-PPA6.6-50-FV VP.	1
4	2188191	Pump support foot BAC40 BG80 cpl.VP.	1
5	2188192	Screw M5X25 12.9 ISO4762(4 Pieces)	1
6	2179107	Reinforcing piece for casingG BAC40 VP.	1
7	4067796	MECHANICAL SEAL KIT BAC	1
7.1		> THROWER-RUBBER-SH65/70	1
7.2		> MECHANICAL-SEAL-MG1/14-G6-BQ1EGG-BURGMAN	1
7.3	2188193	> O-Ring 190,09X3,53 EPDM VP.	1
7.4		> pin cylindrical Ø4x24-overall-stainless	1
7.5		> LOCKNUT-M8-STAINLESS-STEEL-316	1
7.6	4006396	> O-RING ID.9.9x2.62-EPDM 70SH	1
7.7		> FLAT WASHER-D8.2XD18X3-304L	1
8	2188170	Drain plug/o-ring G1/4" KIT	1
9	2150948	Impeller BAC D136-12m3-PA6 KIT	1
7.3	2188193	> O-Ring 190,09X3,53 EPDM VP.	1
9.1		> RAW IMPELLER SHC-D136-12m3-PA6-INSERT	1
10	2188194	Lantern BAC40 BG80 VP.	1
11	2190953	Eyelet/screw BAC VP.	1
12	2010882	SCREW M6X18 ISO4762 (4 PIECES)	1
	2190952	Washer Z 5,3X10X1 Inox A2(4 Piece)	1



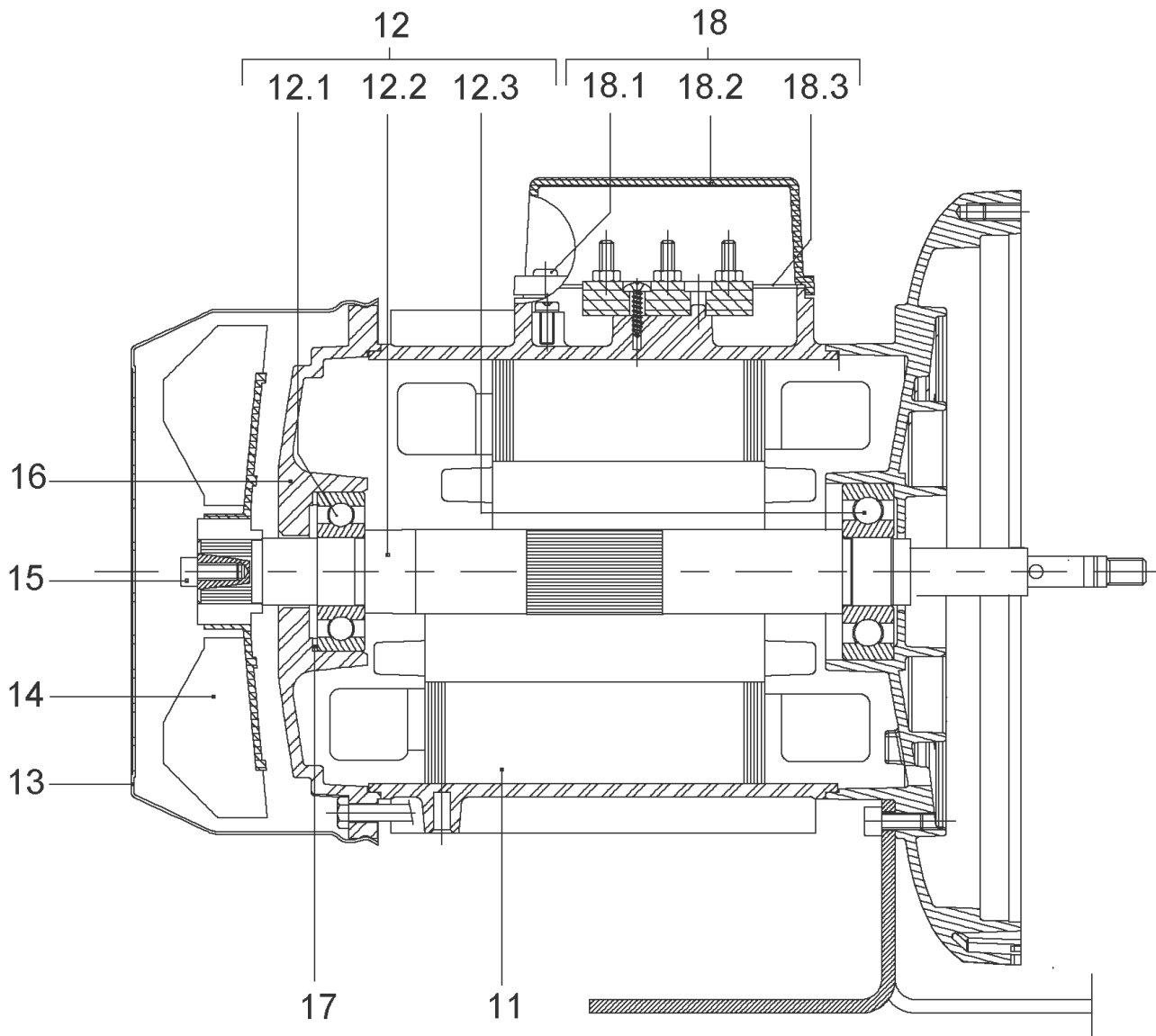
## Spare parts motor BAC40 BG80

Item	Article no.	Description	Quantity
2.1	2111343	BALL BEARING 6304 DDW C3 EA6 VP.	1
2.2	2111342	BALL BEARING 6204 DDW C3 EA3 VP.	1
2.3	2162607	End shield BG80 N.D.E.ELEC KIT	1
		> Flange IEC80 NDS with slot new	1
		> O-RING ID47.2*3.53 EPDM	1
2.12	2107778	FAN WHEEL BG71/80 ELEC KIT	1
2.12A		> FAN 110x15x15.3 GP2200 G/F20%	1
2.12B	2111321	> STOP-RING D.14,8x0,4 VP.	1
Note: Please give the data from type plate of the motor			
2.13	2107779	FAN HOOD BG80 ELEC KIT	1
2.13A		> FAN COVER IEC80 KTL ST14 T0.8 H60	1
2.13B	2111323	> SCREW M4X6 (4 PIECES)	1
Note: Please give the data from type plate of the motor			
2.15	2111330	TERMINAL BOX CPL.BG71/80 ELEC KIT	1
2.15A	2111325	> TERMINAL BOX COVER/GASK.BG71-90 ELEC KIT	1
Note: Please give the data from type plate of the motor			
2.15B		> Terminal Box Coupling ADC12 32.5mm M20	1
2.15C		> Terminal Box Base 3~ ADC12 IEC	1
2.15D	2111327	> TERMINAL BOARD 50X32 M4 3~ CPL. ELEC KIT	1
Note: Please give the data from type plate of the motor			
2.15E	2111328	> GASKETS/SCREWS F.TERM.BOX 71/80 ELEC KIT	1
Note: Please give the data from type plate of the motor			
2.15F		> Frame Closing IEC	1



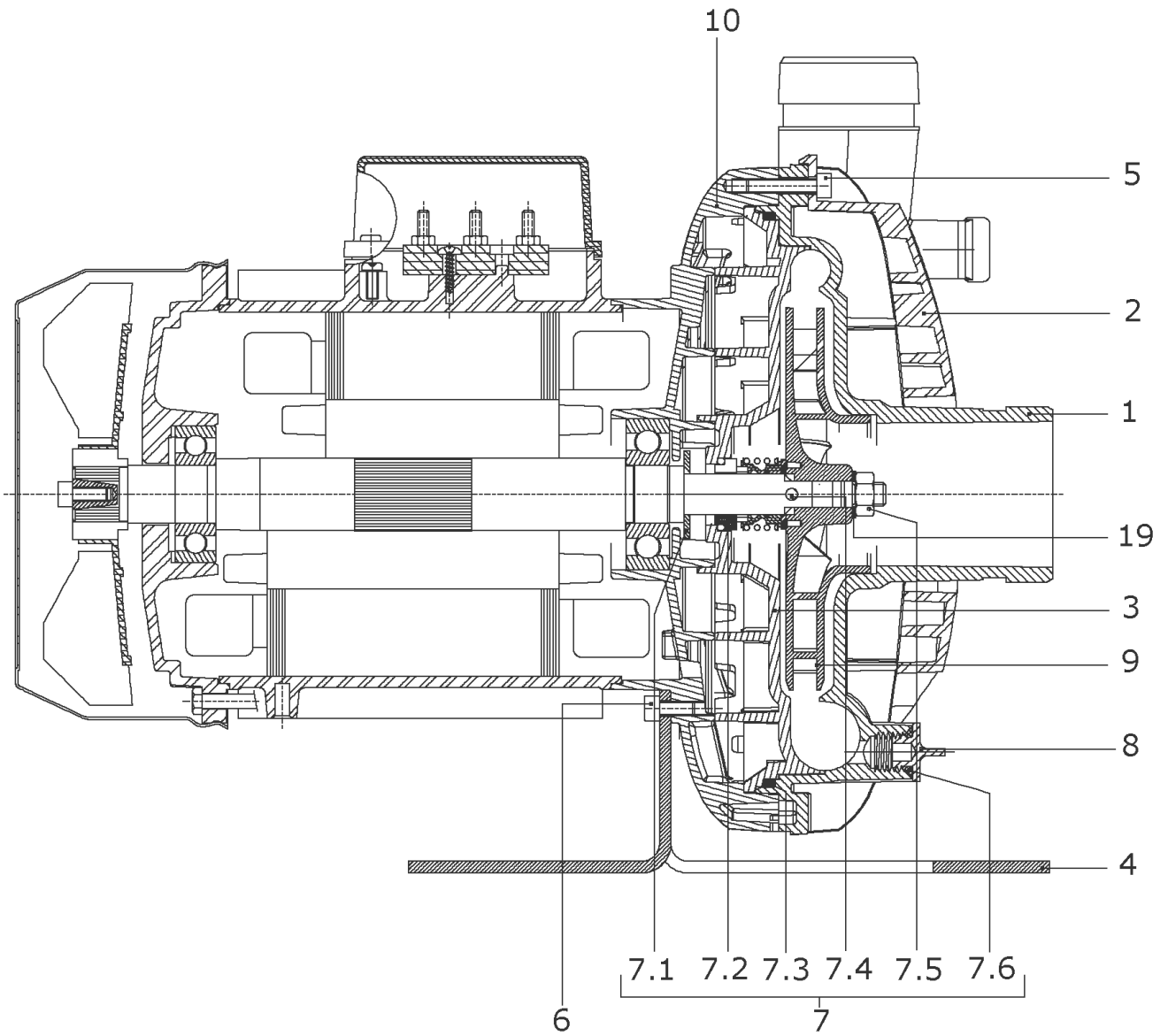
**BAC40-136-1.1/2-DM/R-2-IE1 (4059541)**

Item	Article no.	Description	Quantity
1	2153159	Pump casing BAC-1"1/2-2" VICTAULIC VP.	1
2	4057002	REINFORCING PIECE FOR CASING SHC	1
3	2067835	STATION.RING HOLDER/GLRD.BAC VAR.A KIT	1
Note: TO / BIS / JUSQU'À: VAR.A			
3	2164003	Stationary ring holder-PPA6.6-50-FV VP.	1
Note: FROM / AB / À PARTIR DE: VAR.B			
4	4056998	PUMP SUPPORT BASE SHC	1
5	2188192	Screw M5X25 12.9 ISO4762(4 Pieces)	1
6	4103733	SCREW CHC-M5X12-8.8-ISO4762-GEOMET500B+L	1
7	4067796	MECHANICAL SEAL KIT BAC	1
7.1		> THROWER-RUBBER-SH65/70	1
Note: on request:type plate datas necessary/ Auf Anfrage:Typenschild-Daten angeben/ sur demande: données plaque d'identité nécessaire			
7.2		> MECHANICAL-SEAL-MG1/14-G6-BQ1EGG-BURGMAN	1
7.3	2188193	> O-Ring 190,09X3,53 EPDM VP.	1
7.4		> pin cylindrical Ø4x24-overall-stainless	1
7.5		> LOCKNUT-M8-STAINLESS-STEEL-316	1
7.6	4006396	> O-RING ID.9.9x2.62-EPDM 70SH	1
7.7		> FLAT WASHER-D8.2XD18X3-304L	1
8	2188170	Drain plug/o-ring G1/4" KIT	1
9		RAW IMPELLER SHC-D136-12m3-PA6-INSERT	1
Note: on request:type plate datas necessary/Auf Anfrage:Typenschild-Daten angeben/			
10	4056177	SHC BEARING HOUSING P216-M125-WORKED	1
		SPARE PARTS MOTOR BAC40/136	1
19	2168963	Flat washer D.8,2x18X3 304L VP.	1
	2190952	Washer Z 5,3X10X1 Inox A2(4 Piece)	1



**SPARE PARTS MOTOR BAC40/136**

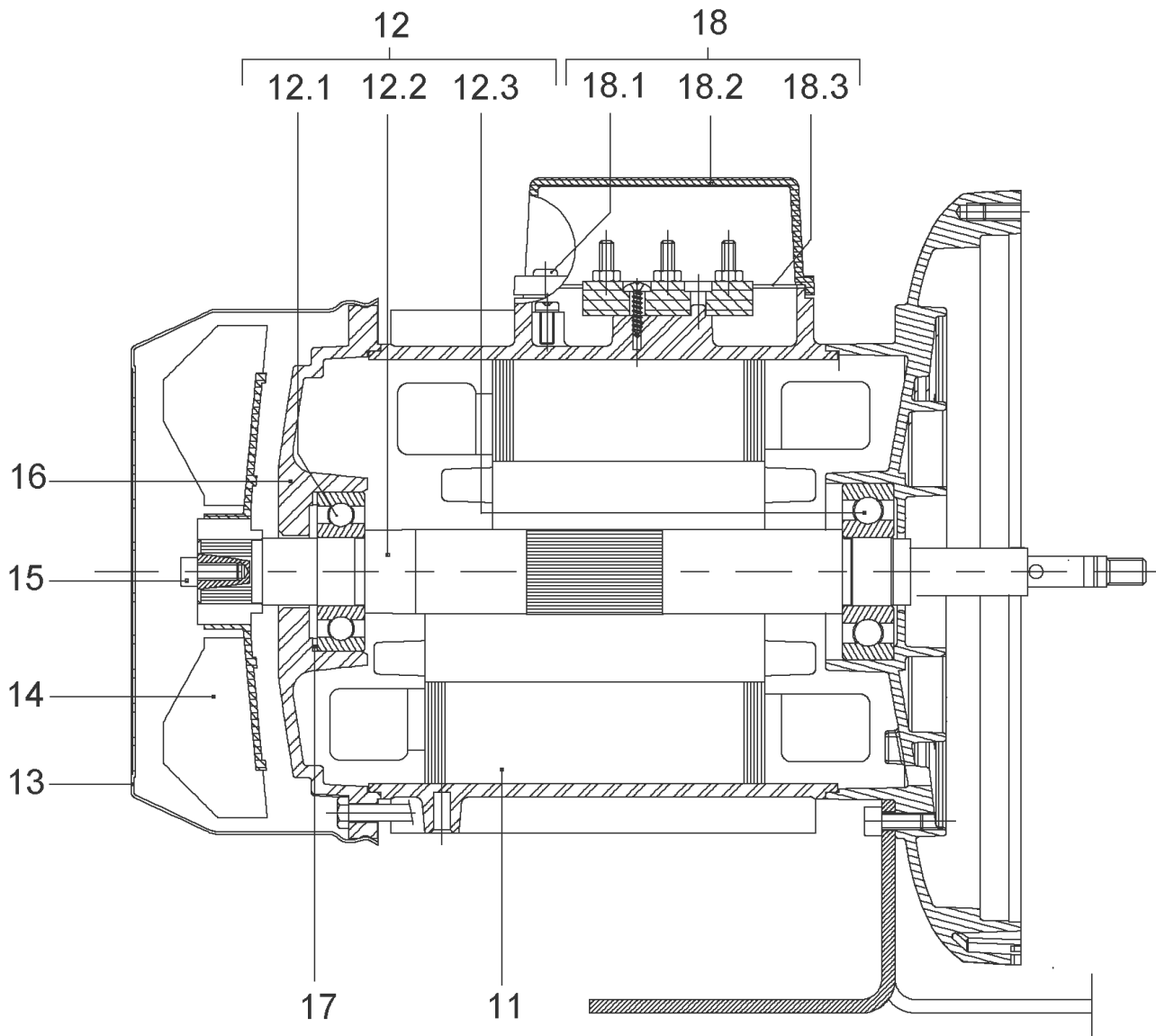
Item	Article no.	Description	Quantity
11	4049551	MOTOR HOUSING-1,1-2P-T24-71N	1
12		ROTOR SHAFT SHC 1.1KW THREE-PHASE	1
Note: on request:type plate datas necessary/Auf Anfrage:Typenschild-Daten angeben/			
12.1	122097891	> BALL BEARING 6202/2Z-C3 (HT) VP.	1
12.2		> SHAFT SHC MOT71 X30CR13	1
12.3	2021067	> BALL BEARING 6304/2Z-C3 (HT) VP.	1
13	4193313	FAN-COVER-MOTOR71-D110-LOCKING VP.	1
14	4210072	Motor-fan-71-MHI Ø128 VP.	1
Note: on request:type plate datas necessary/ Auf Anfrage:Typenschild-Daten angeben/ sur demande: données plaque d'identité nécessaire			
15	4061836	SCREW M6X10 ISO4762 8.8 A2	1
16	4098073	Motor rear bearing KIT BAC 129/136	1
17	4215742	Crinkled washer 6202/6300-C3 VP.	1
18	4062360	BOX CONNECTION KIT BAC 40-129/136	1
18.1		> SCREW-CBL-Z-C/AT-ST3,5L13DACRO500/B+PLUS	1
18.2		> TERMINAL-BOX-COVER-MOT-TRI-71	1
18.3		> FLAT-GASKET-BAB-MOT71	1





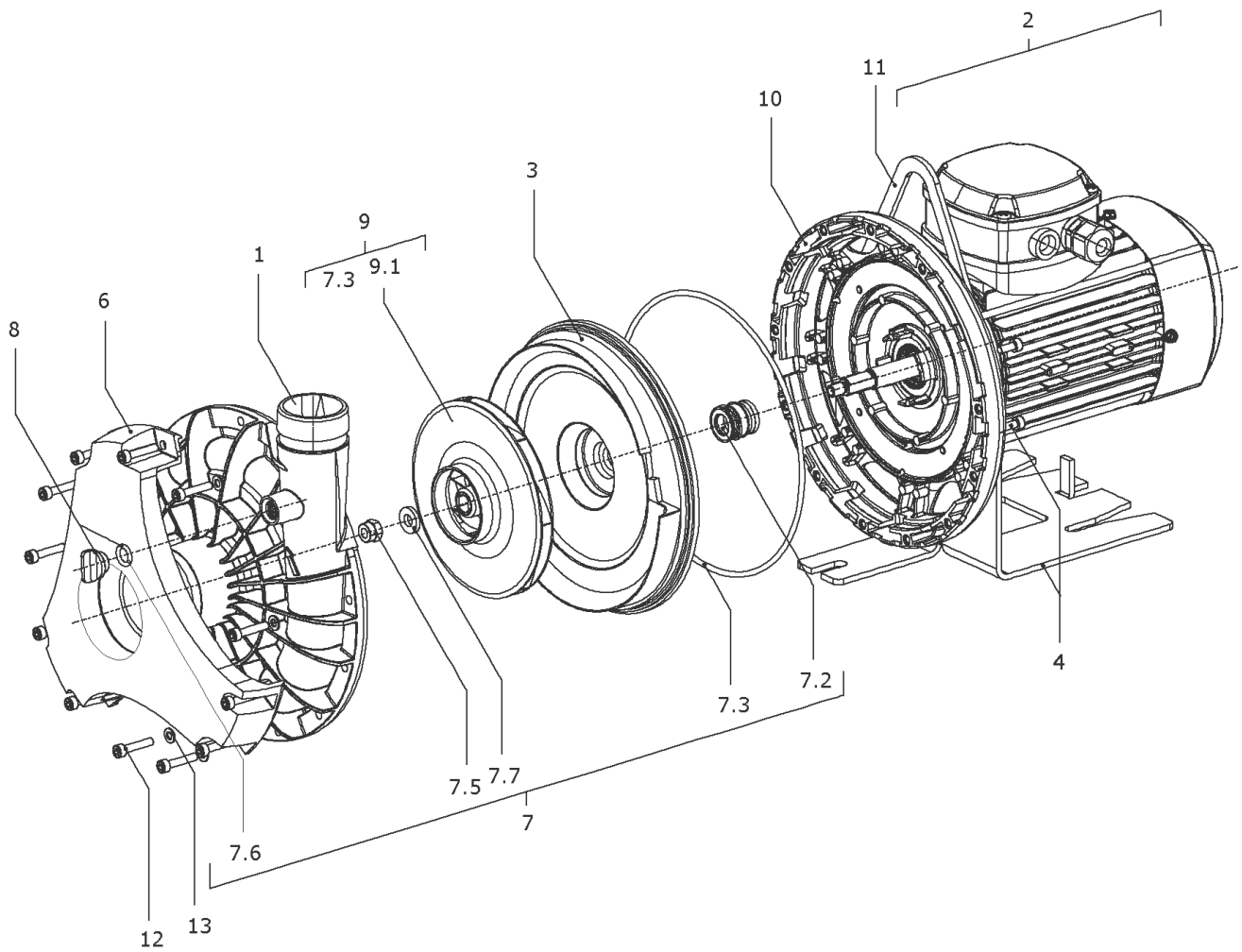
**BAC40-136-1.1/2-DM/S-2-IE1 (4059545)**

Item	Article no.	Description	Quantity
1	2164006	Pump casing BAC 1 1/2"-2" VP.	1
2	4057002	REINFORCING PIECE FOR CASING SHC	1
3	2067835	STATION.RING HOLDER/GLRD.BAC VAR.A KIT	1
Note: TO / BIS / JUSQU'À: VAR.A			
3	2164003	Stationary ring holder-PPA6.6-50-FV VP.	1
Note: FROM / AB / À PARTIR DE: VAR.B			
4	4056998	PUMP SUPPORT BASE SHC	1
5	2188192	Screw M5X25 12.9 ISO4762(4 Pieces)	1
6	4103733	SCREW CHC-M5X12-8.8-ISO4762-GEOMET500B+L	1
7	4067796	MECHANICAL SEAL KIT BAC	1
7.1		> THROWER-RUBBER-SH65/70	1
Note: on request:type plate datas necessary/ Auf Anfrage:Typenschild-Daten angeben/ sur demande: données plaque d'identité nécessaire			
7.2		> MECHANICAL-SEAL-MG1/14-G6-BQ1EGG-BURGMAN	1
7.3	2188193	> O-Ring 190,09X3,53 EPDM VP.	1
7.4		> pin cylindrical Ø4x24-overall-stainless	1
7.5		> LOCKNUT-M8-STAINLESS-STEEL-316	1
7.6	4006396	> O-RING ID.9.9x2.62-EPDM 70SH	1
7.7		> FLAT WASHER-D8.2XD18X3-304L	1
8	2188170	Drain plug/o-ring G1/4" KIT	1
9		RAW IMPELLER SHC-D136-12m3-PA6-INSERT	1
Note: on request:type plate datas necessary/Auf Anfrage:Typenschild-Daten angeben/			
10	4056177	SHC BEARING HOUSING P216-M125-WORKED	1
		SPARE PARTS MOTOR BAC40/136	1
19	2168963	Flat washer D.8,2x18X3 304L VP.	1
	2190952	Washer Z 5,3X10X1 Inox A2(4 Piece)	1



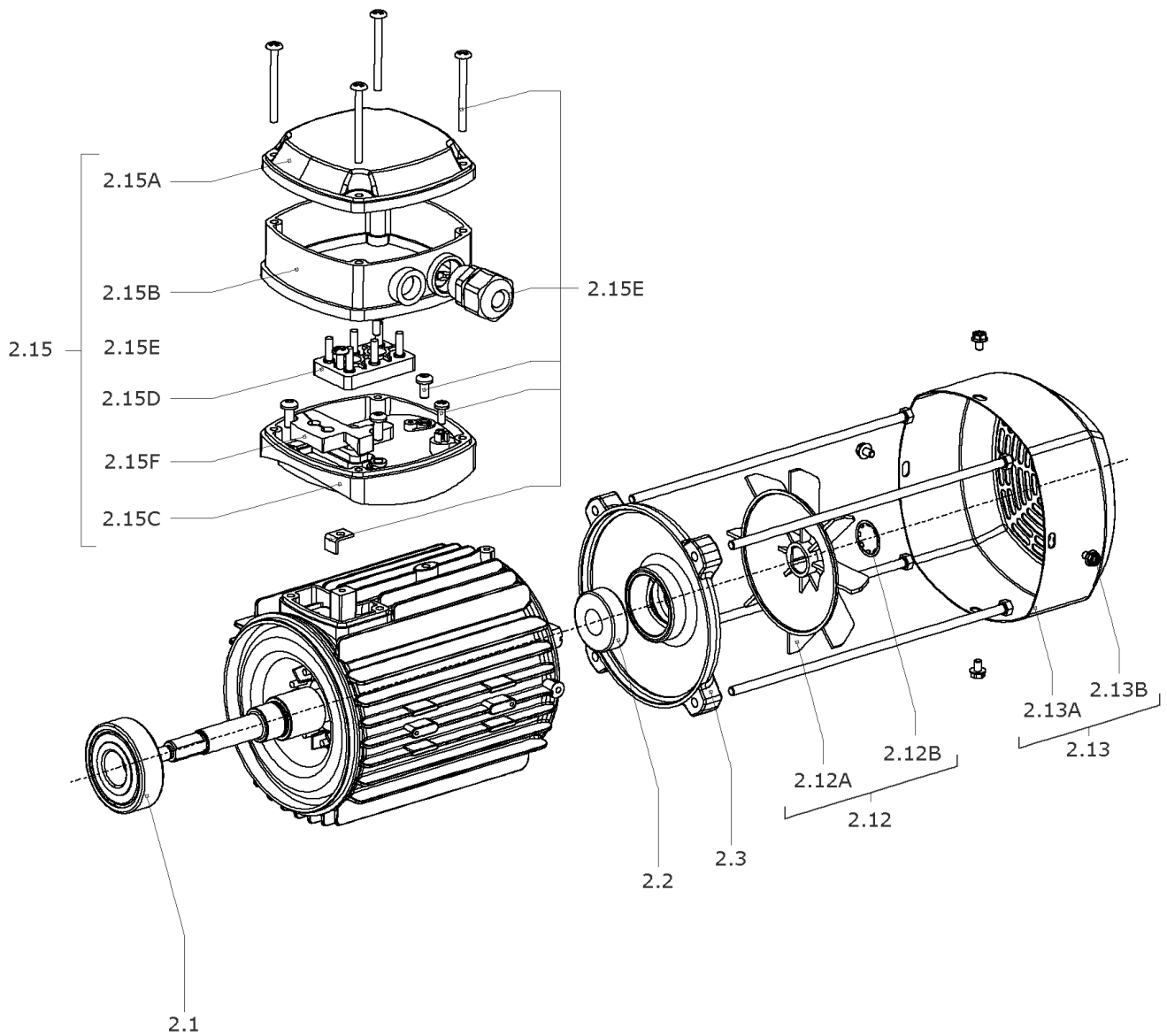
**SPARE PARTS MOTOR BAC40/136**

Item	Article no.	Description	Quantity
11	4049551	MOTOR HOUSING-1,1-2P-T24-71N	1
12		ROTOR SHAFT SHC 1.1KW THREE-PHASE	1
Note: on request:type plate datas necessary/Auf Anfrage:Typenschild-Daten angeben/			
12.1	122097891	> BALL BEARING 6202/2Z-C3 (HT) VP.	1
12.2		> SHAFT SHC MOT71 X30CR13	1
12.3	2021067	> BALL BEARING 6304/2Z-C3 (HT) VP.	1
13	4193313	FAN-COVER-MOTOR71-D110-LOCKING VP.	1
14	4210072	Motor-fan-71-MHI Ø128 VP.	1
Note: on request:type plate datas necessary/ Auf Anfrage:Typenschild-Daten angeben/ sur demande: données plaque d'identité nécessaire			
15	4061836	SCREW M6X10 ISO4762 8.8 A2	1
16	4098073	Motor rear bearing KIT BAC 129/136	1
17	4215742	Crinkled washer 6202/6300-C3 VP.	1
18	4062360	BOX CONNECTION KIT BAC 40-129/136	1
18.1		> SCREW-CBL-Z-C/AT-ST3,5L13DACRO500/B+PLUS	1
18.2		> TERMINAL-BOX-COVER-MOT-TRI-71	1
18.3		> FLAT-GASKET-BAB-MOT71	1



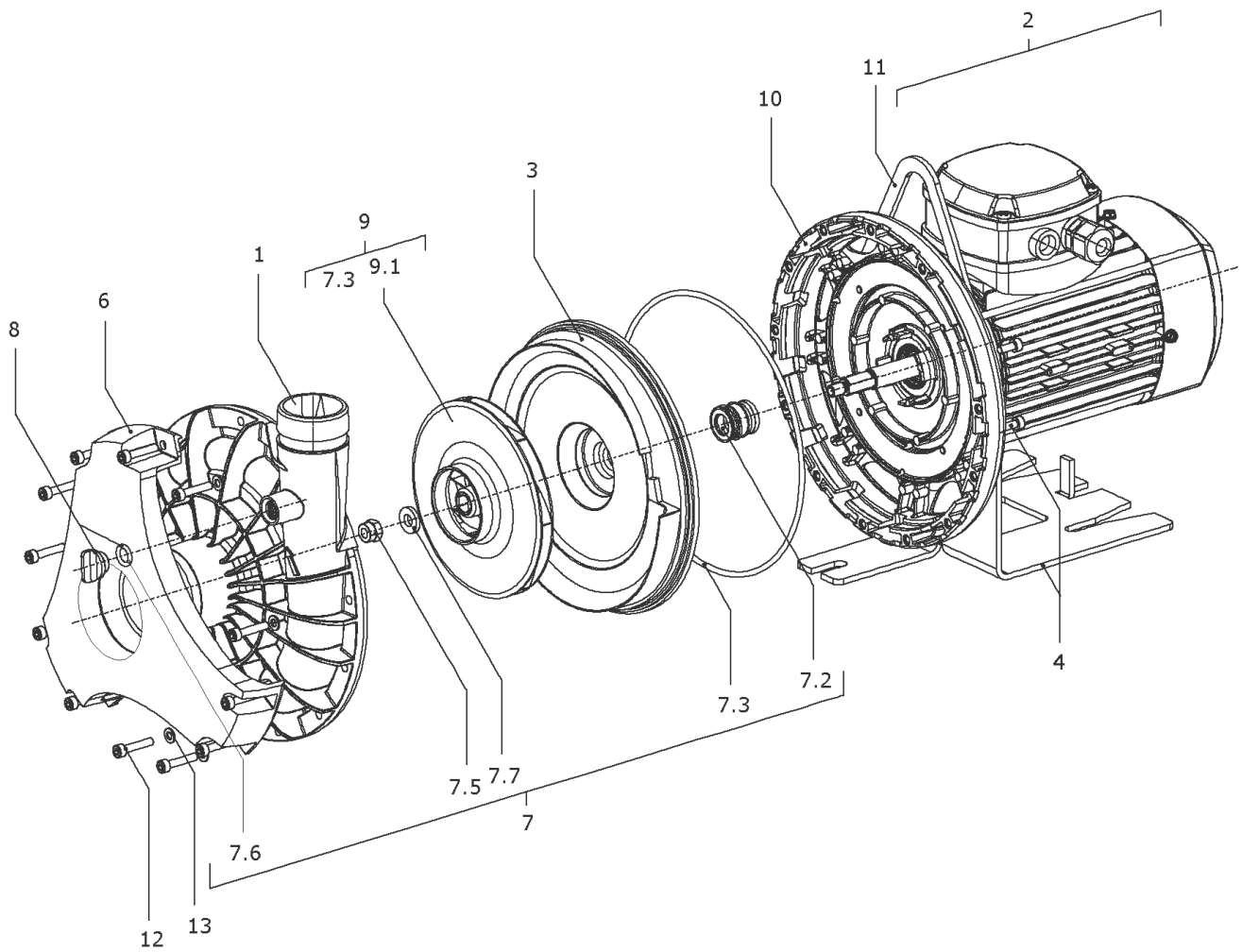
**BAC40-136-1.1/2-DM/R-2-IE3 (4203788)**

Item	Article no.	Description	Quantity
1	2153159	Pump casing BAC-1"1/2-2" VICTAULIC VP.	1
2		Spare parts motor BAC40 BG80 IE3	1
3	2164003	Stationary ring holder-PPA6.6-50-FV VP.	1
4	2188191	Pump support foot BAC40 BG80 cpl.VP.	1
5	2188192	Screw M5X25 12.9 ISO4762(4 Pieces)	1
6	2179107	Reinforcing piece for casingG BAC40 VP.	1
7	4067796	MECHANICAL SEAL KIT BAC	1
7.1		> THROWER-RUBBER-SH65/70	1
7.2		> MECHANICAL-SEAL-MG1/14-G6-BQ1EGG-BURGMAN	1
7.3	2188193	> O-Ring 190,09X3,53 EPDM VP.	1
7.4		> pin cylindrical Ø4x24-overall-stainless	1
7.5		> LOCKNUT-M8-STAINLESS-STEEL-316	1
7.6	4006396	> O-RING ID.9.9x2.62-EPDM 70SH	1
7.7		> FLAT WASHER-D8.2XD18X3-304L	1
8	2188170	Drain plug/o-ring G1/4" KIT	1
9	2150948	Impeller BAC D136-12m3-PA6 KIT	1
7.3	2188193	> O-Ring 190,09X3,53 EPDM VP.	1
9.1		> RAW IMPELLER SHC-D136-12m3-PA6-INSERT	1
10	2188194	Lantern BAC40 BG80 VP.	1
11	2190953	Eyelet/screw BAC VP.	1
12	2010882	SCREW M6X18 ISO4762 (4 PIECES)	1
13	2190952	Washer Z 5,3X10X1 Inox A2(4 Piece)	1



## Spare parts motor BAC40 BG80 IE3

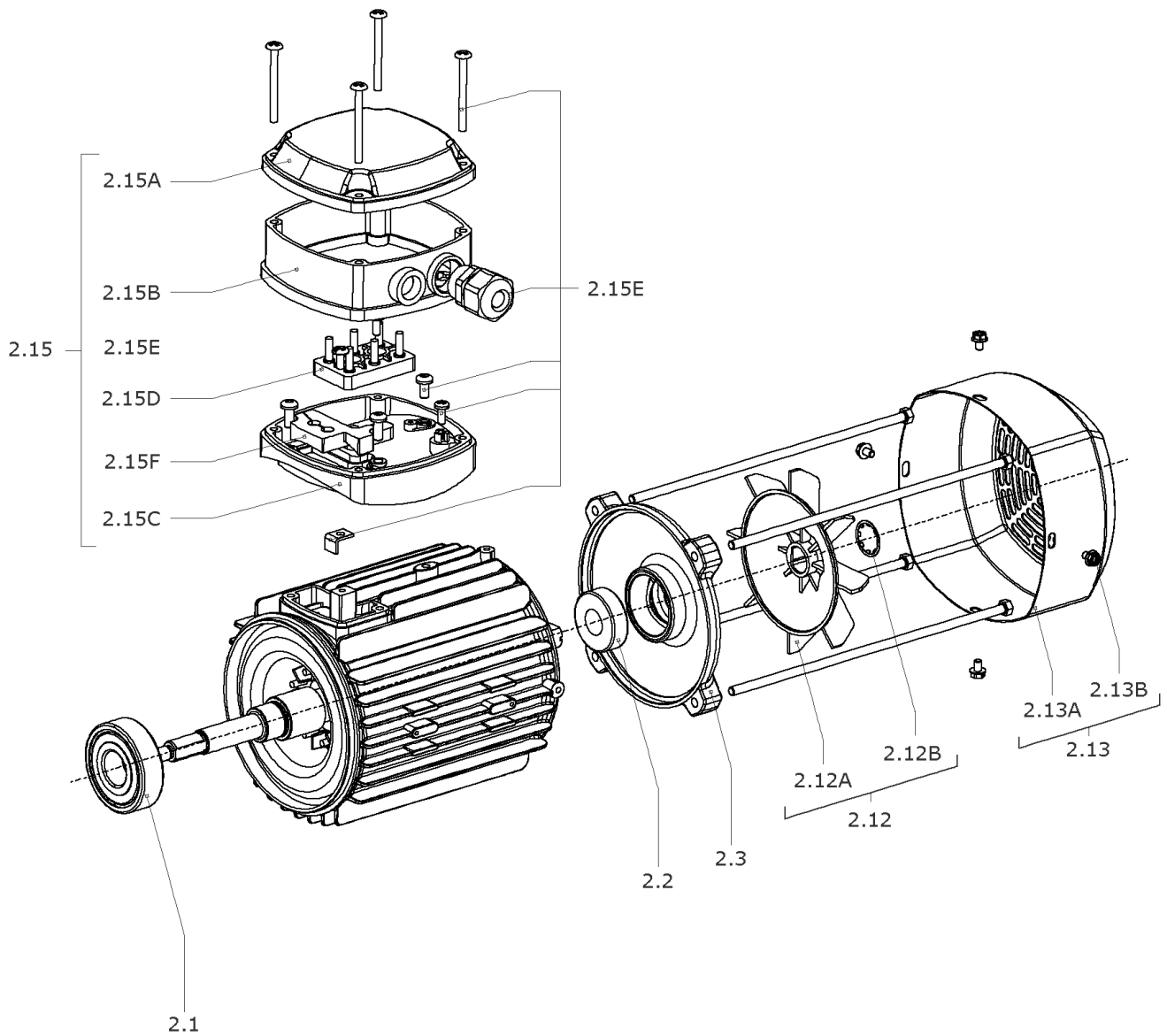
Item	Article no.	Description	Quantity
2.1	2153169	Ball bearing 6304/VV-C3 VP.	1
2.2	2153168	Ball bearing 6204/VV-C3 VP.	1
2.3	2162607	End shield BG80 N.D.E.ELEC KIT	1
		> Flange IEC80 NDS with slot new	1
		> O-RING ID47.2*3.53 EPDM	1
2.12	2107778	FAN WHEEL BG71/80 ELEC KIT	1
2.12A		> FAN 110x15x15.3 GP2200 G/F20%	1
2.12B	2111321	> STOP-RING D.14,8x0,4 VP.	1
Note: Please give the data from type plate of the motor			
2.13	2107779	FAN HOOD BG80 ELEC KIT	1
2.13A		> FAN COVER IEC80 KTL ST14 T0.8 H60	1
2.13B	2111323	> SCREW M4X6 (4 PIECES)	1
Note: Please give the data from type plate of the motor			
2.15	2191000	Terminal box cpl.BG80 ELEC KIT	1
2.15A	2111325	> TERMINAL BOX COVER/GASK.BG71-90 ELEC KIT	1
Note: Please give the data from type plate of the motor			
2.15B		> Terminal Box coupling 3~ ADC12	1
2.15C		> Terminal Box Base 3~ ADC12 IEC	1
2.15D	2191001	> Terminal board 50X40 M4 3~ cpl.ELEC KIT	1
Note: Please give the data from type plate of the motor			
2.15E	2111328	> GASKETS/SCREWS F.TERM.BOX 71/80 ELEC KIT	1
Note: Please give the data from type plate of the motor			
2.15F		> Frame Closing IEC	1





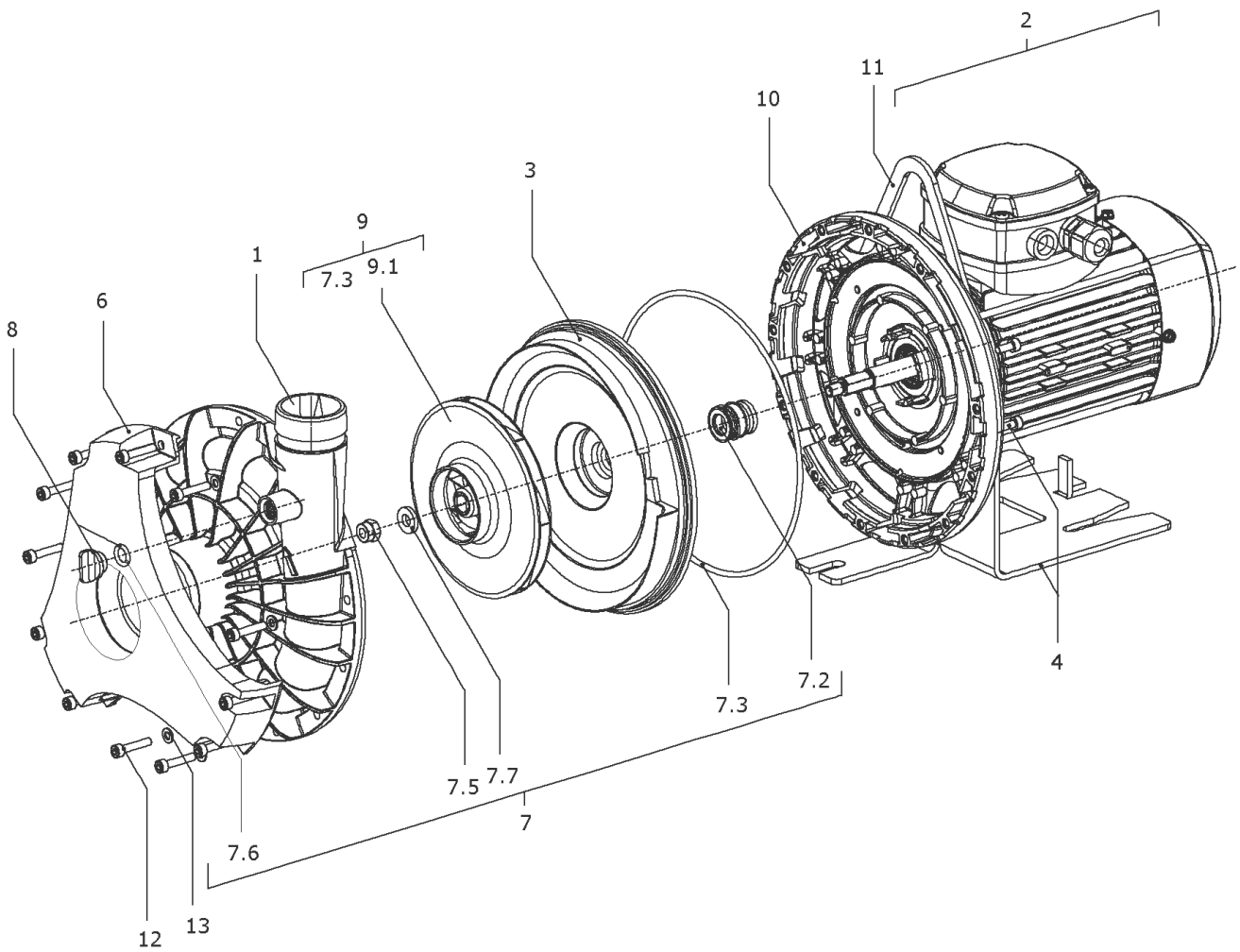
**BAC40-136-1.1/2-DM/S-2-IE3 (4203792)**

Item	Article no.	Description	Quantity
1	2164006	Pump casing BAC 1 1/2"-2" VP.	1
2		Spare parts motor BAC40 BG80 IE3	1
3	2164003	Stationary ring holder-PPA6.6-50-FV VP.	1
4	2188191	Pump support foot BAC40 BG80 cpl.VP.	1
5	2188192	Screw M5X25 12.9 ISO4762(4 Pieces)	1
6	2179107	Reinforcing piece for casingG BAC40 VP.	1
7	4067796	MECHANICAL SEAL KIT BAC	1
7.1		> THROWER-RUBBER-SH65/70	1
7.2		> MECHANICAL-SEAL-MG1/14-G6-BQ1EGG-BURGMAN	1
7.3	2188193	> O-Ring 190,09X3,53 EPDM VP.	1
7.4		> pin cylindrical Ø4x24-overall-stainless	1
7.5		> LOCKNUT-M8-STAINLESS-STEEL-316	1
7.6	4006396	> O-RING ID.9.9x2.62-EPDM 70SH	1
7.7		> FLAT WASHER-D8.2XD18X3-304L	1
8	2188170	Drain plug/o-ring G1/4" KIT	1
9	2150948	Impeller BAC D136-12m3-PA6 KIT	1
7.3	2188193	> O-Ring 190,09X3,53 EPDM VP.	1
9.1		> RAW IMPELLER SHC-D136-12m3-PA6-INSERT	1
10	2188194	Lantern BAC40 BG80 VP.	1
11	2190953	Eyelet/screw BAC VP.	1
12	2010882	SCREW M6X18 ISO4762 (4 PIECES)	1
13	2190952	Washer Z 5,3X10X1 Inox A2(4 Piece)	1



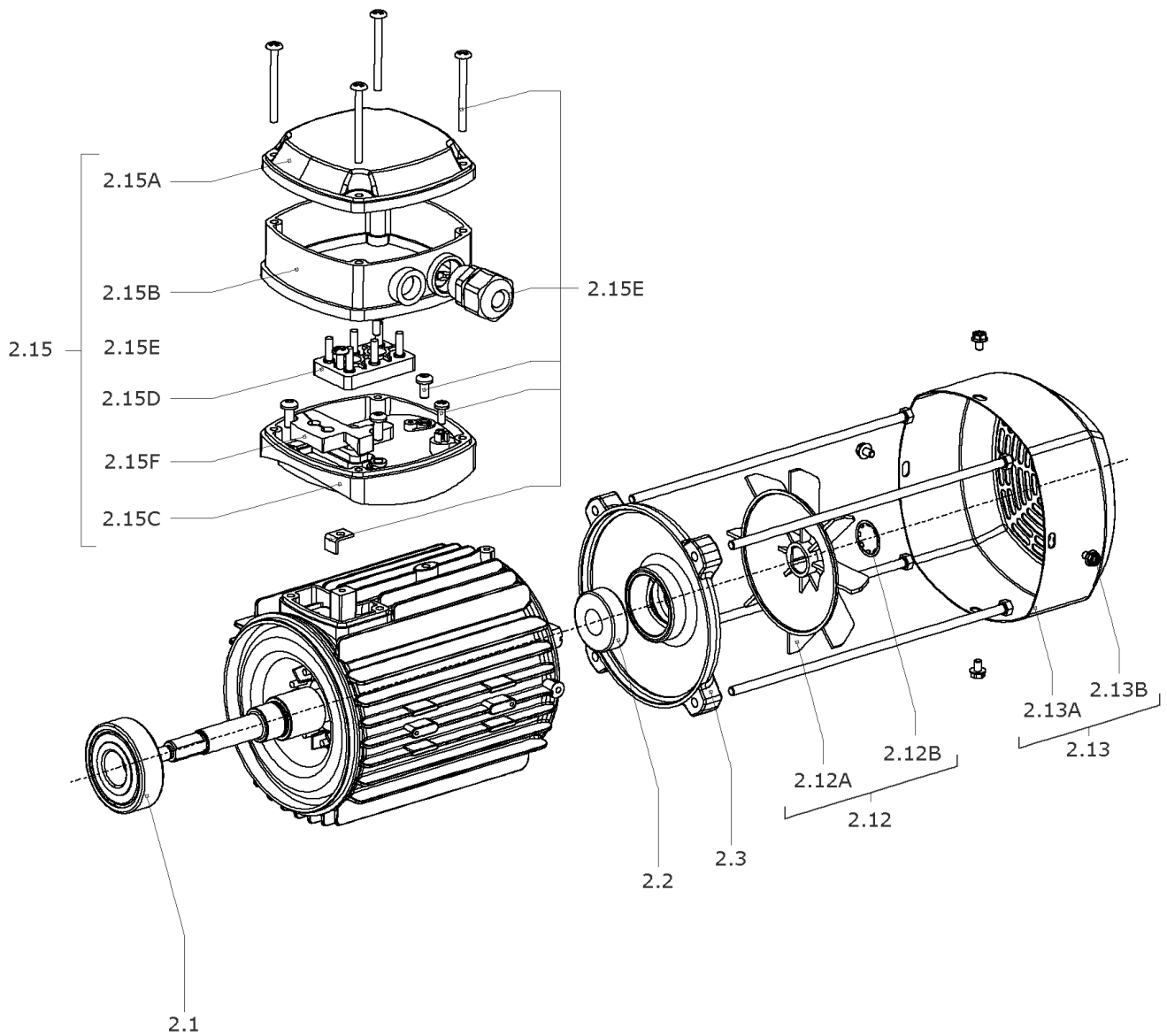
## Spare parts motor BAC40 BG80 IE3

Item	Article no.	Description	Quantity
2.1	2153169	Ball bearing 6304/VV-C3 VP.	1
2.2	2153168	Ball bearing 6204/VV-C3 VP.	1
2.3	2162607	End shield BG80 N.D.E.ELEC KIT	1
		> Flange IEC80 NDS with slot new	1
		> O-RING ID47.2*3.53 EPDM	1
2.12	2107778	FAN WHEEL BG71/80 ELEC KIT	1
2.12A		> FAN 110x15x15.3 GP2200 G/F20%	1
2.12B	2111321	> STOP-RING D.14,8x0,4 VP.	1
Note: Please give the data from type plate of the motor			
2.13	2107779	FAN HOOD BG80 ELEC KIT	1
2.13A		> FAN COVER IEC80 KTL ST14 T0.8 H60	1
2.13B	2111323	> SCREW M4X6 (4 PIECES)	1
Note: Please give the data from type plate of the motor			
2.15	2191000	Terminal box cpl.BG80 ELEC KIT	1
2.15A	2111325	> TERMINAL BOX COVER/GASK.BG71-90 ELEC KIT	1
Note: Please give the data from type plate of the motor			
2.15B		> Terminal Box coupling 3~ ADC12	1
2.15C		> Terminal Box Base 3~ ADC12 IEC	1
2.15D	2191001	> Terminal board 50X40 M4 3~ cpl.ELEC KIT	1
Note: Please give the data from type plate of the motor			
2.15E	2111328	> GASKETS/SCREWS F.TERM.BOX 71/80 ELEC KIT	1
Note: Please give the data from type plate of the motor			
2.15F		> Frame Closing IEC	1



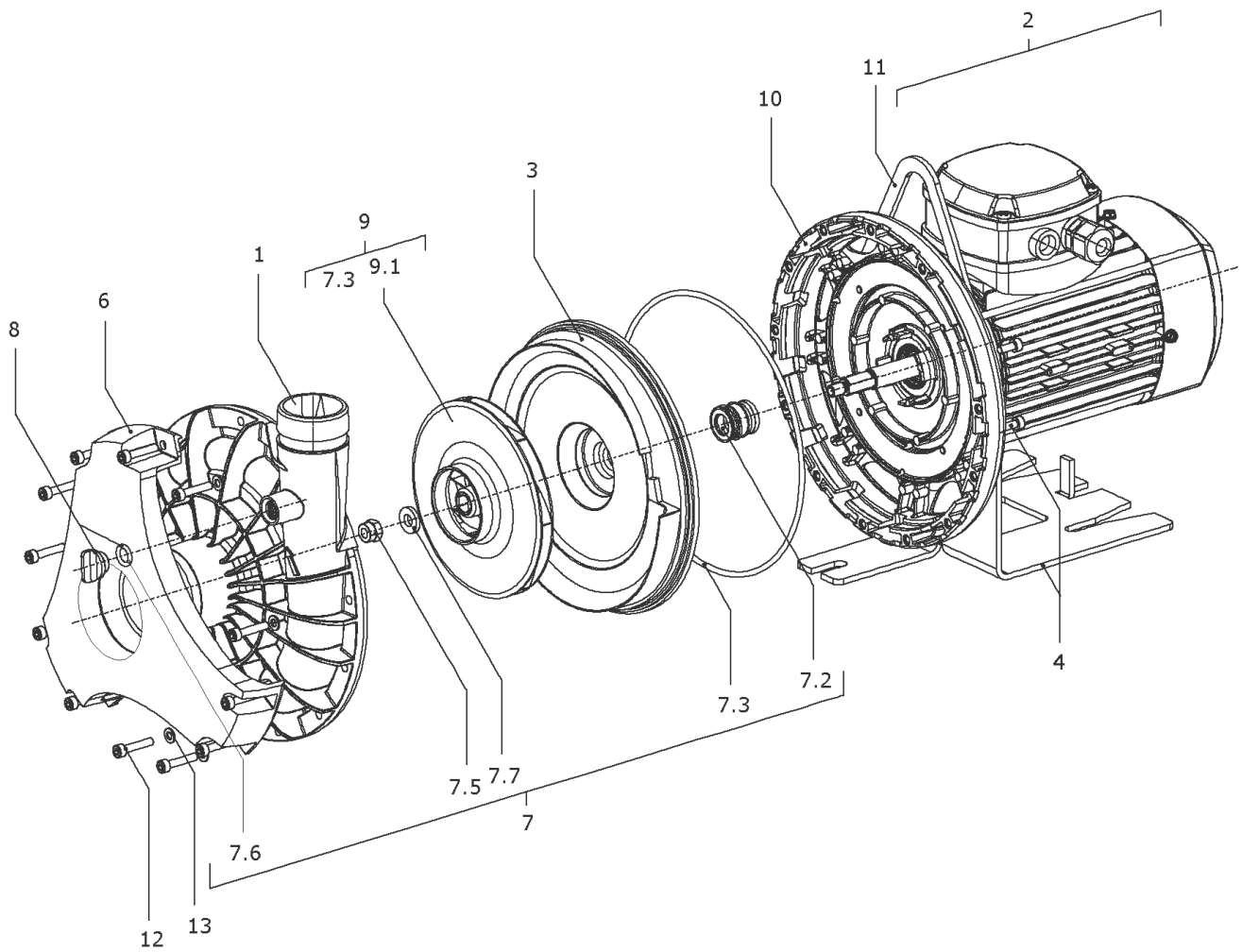
**BAC40-136-1.1\_71/2-DM/R-2-IE3 (4213182)**

Item	Article no.	Description	Quantity
1	2153159	Pump casing BAC-1"1/2-2" VICTAULIC VP.	1
2		Spare parts motor BAC40 BG71 IE3	1
3	2164003	Stationary ring holder-PPA6.6-50-FV VP.	1
4	2190984	Pump support foot BAC40 BG71 cpl.VP.	1
5	2188192	Screw M5X25 12.9 ISO4762(4 Pieces)	1
6	2179107	Reinforcing piece for casingG BAC40 VP.	1
7	4067796	MECHANICAL SEAL KIT BAC	1
7.1		> THROWER-RUBBER-SH65/70	1
7.2		> MECHANICAL-SEAL-MG1/14-G6-BQ1EGG-BURGMAN	1
7.3	2188193	> O-Ring 190,09X3,53 EPDM VP.	1
7.4		> pin cylindrical Ø4x24-overall-stainless	1
7.5		> LOCKNUT-M8-STAINLESS-STEEL-316	1
7.6	4006396	> O-RING ID.9.9x2.62-EPDM 70SH	1
7.7		> FLAT WASHER-D8.2XD18X3-304L	1
8	2188170	Drain plug/o-ring G1/4" KIT	1
9	2150948	Impeller BAC D136-12m3-PA6 KIT	1
7.3	2188193	> O-Ring 190,09X3,53 EPDM VP.	1
9.1		> RAW IMPELLER SHC-D136-12m3-PA6-INSERT	1
10	2190988	Lantern BAC40 BG70 VP.	1
11	2191009	Eyelet/screw BAC40 IE3 VP.	1
12	2188192	Screw M5X25 12.9 ISO4762(4 Pieces)	1
13	2190952	Washer Z 5,3X10X1 Inox A2(4 Piece)	1



## Spare parts motor BAC40 BG71 IE3

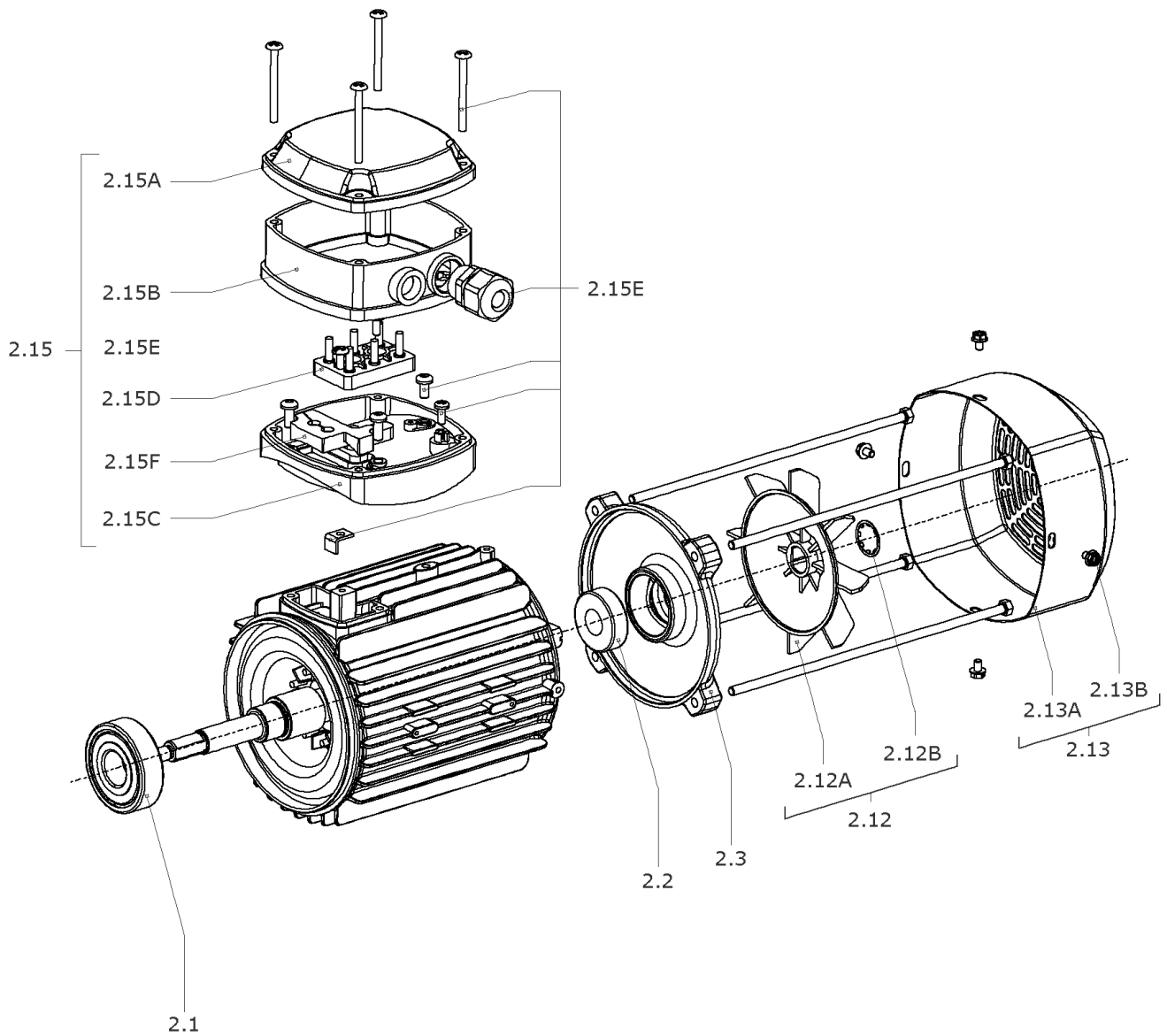
Item	Article no.	Description	Quantity
2.1	2153169	Ball bearing 6304/VV-C3 VP.	1
2.2	2153167	Ball bearing 6202/VV-C3 VP.	1
2.3	2163997	Flange BG71 N.D.E.Elec KIT	1
		> Flange IEC71 NDS with slot reduce0.5	1
		> O-RING ID35*3 EPDM	1
2.12	2107778	FAN WHEEL BG71/80 ELEC KIT	1
2.12A		> FAN 110x15x15.3 GP2200 G/F20%	1
2.12B	2111321	> STOP-RING D.14,8x0,4 VP.	1
Note: Please give the data from type plate of the motor			
2.13	2107783	FAN HOOD BG71 ELEC KIT	1
2.13A		> FAN COVER IEC71 KTL ST14 T0.8 H60	1
2.13B	2111323	> SCREW M4X6 (4 PIECES)	1
Note: Please give the data from type plate of the motor			
2.15	2111330	TERMINAL BOX CPL.BG71/80 ELEC KIT	1
2.15A	2111325	> TERMINAL BOX COVER/GASK.BG71-90 ELEC KIT	1
Note: Please give the data from type plate of the motor			
2.15B		> Terminal Box Coupling ADC12 32.5mm M20	1
2.15C		> Terminal Box Base 3~ ADC12 IEC	1
2.15D	2111327	> TERMINAL BOARD 50X32 M4 3~ CPL. ELEC KIT	1
Note: Please give the data from type plate of the motor			
2.15E	2111328	> GASKETS/SCREWS F.TERM.BOX 71/80 ELEC KIT	1
Note: Please give the data from type plate of the motor			
2.15F		> Frame Closing IEC	1





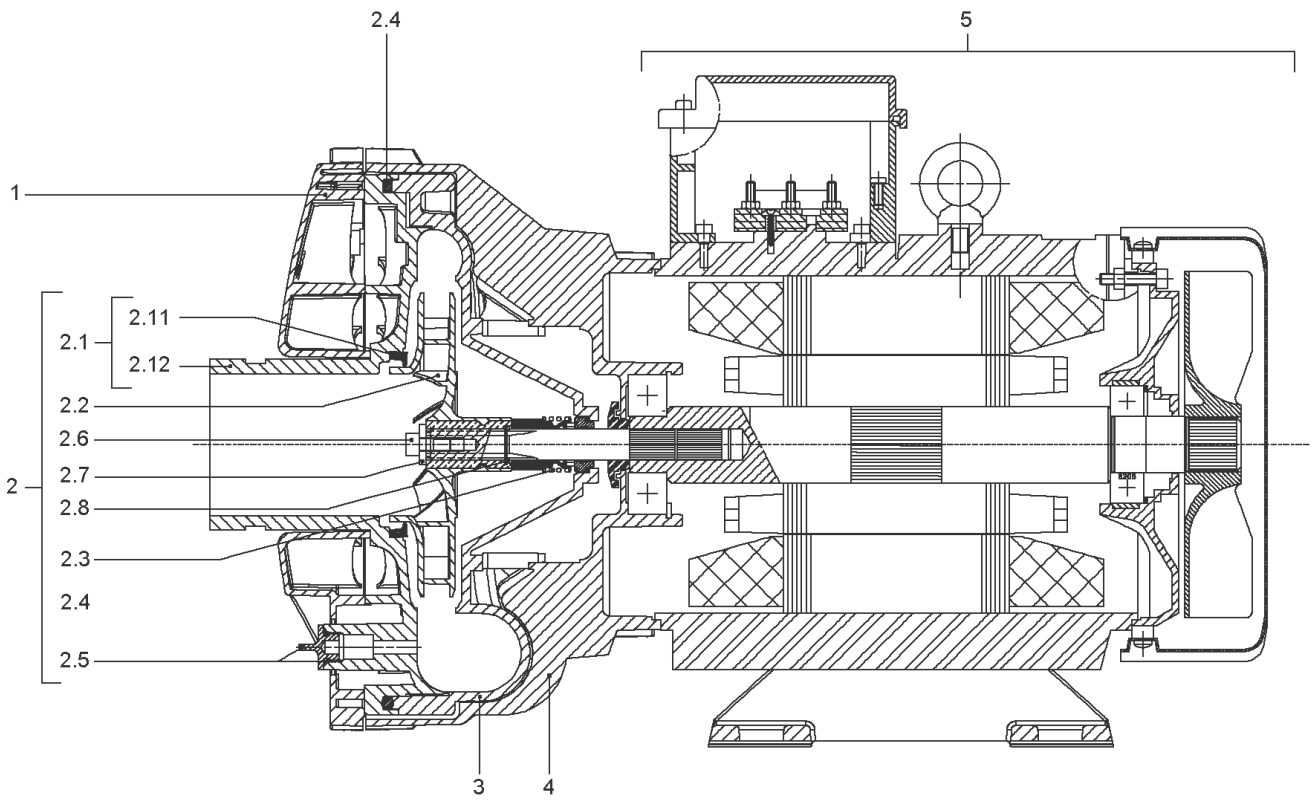
**BAC40-136-1.1\_71/2-DM/S-2-IE3 (4213187)**

Item	Article no.	Description	Quantity
1	2164006	Pump casing BAC 1 1/2"-2" VP.	1
2		Spare parts motor BAC40 BG71 IE3	1
3	2164003	Stationary ring holder-PPA6.6-50-FV VP.	1
4	2190984	Pump support foot BAC40 BG71 cpl.VP.	1
5	2188192	Screw M5X25 12.9 ISO4762(4 Pieces)	1
6	2179107	Reinforcing piece for casingG BAC40 VP.	1
7	4067796	MECHANICAL SEAL KIT BAC	1
7.1		> THROWER-RUBBER-SH65/70	1
7.2		> MECHANICAL-SEAL-MG1/14-G6-BQ1EGG-BURGMAN	1
7.3	2188193	> O-Ring 190,09X3,53 EPDM VP.	1
7.4		> pin cylindrical Ø4x24-overall-stainless	1
7.5		> LOCKNUT-M8-STAINLESS-STEEL-316	1
7.6	4006396	> O-RING ID.9.9x2.62-EPDM 70SH	1
7.7		> FLAT WASHER-D8.2XD18X3-304L	1
8	2188170	Drain plug/o-ring G1/4" KIT	1
9	2150948	Impeller BAC D136-12m3-PA6 KIT	1
7.3	2188193	> O-Ring 190,09X3,53 EPDM VP.	1
9.1		> RAW IMPELLER SHC-D136-12m3-PA6-INSERT	1
10	2190988	Lantern BAC40 BG70 VP.	1
11	2191009	Eyelet/screw BAC40 IE3 VP.	1
12	2188192	Screw M5X25 12.9 ISO4762(4 Pieces)	1
13	2190952	Washer Z 5,3X10X1 Inox A2(4 Piece)	1



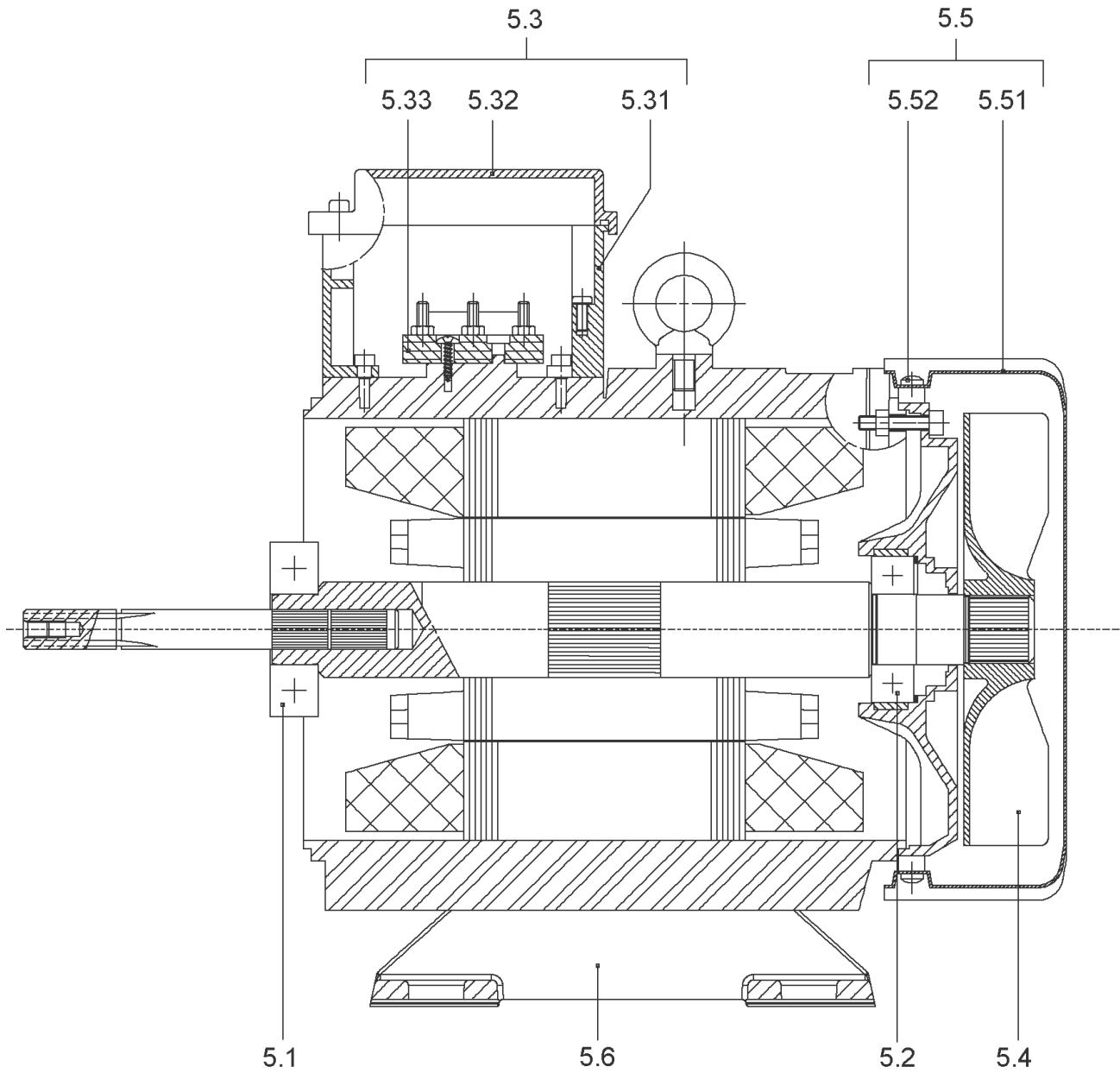
## Spare parts motor BAC40 BG71 IE3

Item	Article no.	Description	Quantity
2.1	2153169	Ball bearing 6304/VV-C3 VP.	1
2.2	2153167	Ball bearing 6202/VV-C3 VP.	1
2.3	2163997	Flange BG71 N.D.E.Elec KIT	1
		> Flange IEC71 NDS with slot reduce0.5	1
		> O-RING ID35*3 EPDM	1
2.12	2107778	FAN WHEEL BG71/80 ELEC KIT	1
2.12A		> FAN 110x15x15.3 GP2200 G/F20%	1
2.12B	2111321	> STOP-RING D.14,8x0,4 VP.	1
Note: Please give the data from type plate of the motor			
2.13	2107783	FAN HOOD BG71 ELEC KIT	1
2.13A		> FAN COVER IEC71 KTL ST14 T0.8 H60	1
2.13B	2111323	> SCREW M4X6 (4 PIECES)	1
Note: Please give the data from type plate of the motor			
2.15	2111330	TERMINAL BOX CPL.BG71/80 ELEC KIT	1
2.15A	2111325	> TERMINAL BOX COVER/GASK.BG71-90 ELEC KIT	1
Note: Please give the data from type plate of the motor			
2.15B		> Terminal Box Coupling ADC12 32.5mm M20	1
2.15C		> Terminal Box Base 3~ ADC12 IEC	1
2.15D	2111327	> TERMINAL BOARD 50X32 M4 3~ CPL. ELEC KIT	1
Note: Please give the data from type plate of the motor			
2.15E	2111328	> GASKETS/SCREWS F.TERM.BOX 71/80 ELEC KIT	1
Note: Please give the data from type plate of the motor			
2.15F		> Frame Closing IEC	1



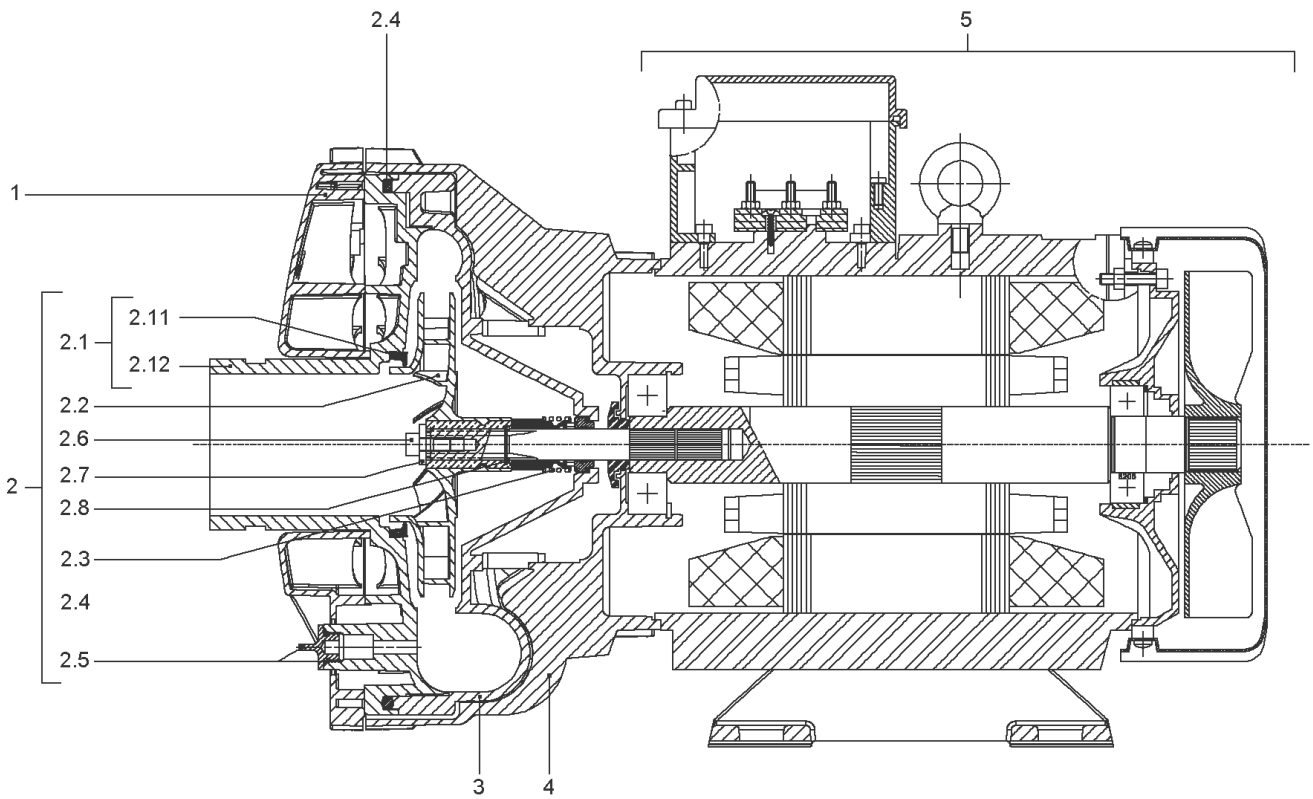
**BAC70-135-3/2-DM/R-2 (4160298)**

Item	Article no.	Description	Quantity
1	2122258	REINFORCING PIECE FOR CASING BAC70 VP.	1
2	2188097	Replacement Casing BAC70/135-3/2 KIT	1
2.1	2168957	> Suction housing BAC Victaulic 2"1/2 KIT	1
		>> SUCTION HOUSING SHC VICTAULIC 2"1/2	1
		>> IMPELLER GASKET SHC 2"1/2	1
2.2		> IMPELLER SHC 35 D135 NORYL	1
2.3		> MECHANICAL SEAL MG12/14-G6-BQ1E3GG-BURG.	1
2.4	2120144	> O-RING D221,6x5,33 EPDM VP.	1
2.5	2188170	> Drain plug/o-ring G1/4" KIT	1
2.6		> SCREW M6X18 ISO4762 8.8 ZnNi dk-glatt	1
2.7		> WASHER Ø18XØ6.2X3-AISI316L	1
2.8		> STOP-RUSH-1/2-D14-VMI/HMI-316	1
2.9	2122255	> SCREW M6X30 12.9 ISO4762(4 PIECES)	1
3	2120143	DELIVERY CASING BAC VICTAULIC 2"1/2 VP.	1
4	2120017	LANTERN BAC70 VP.	1
5		Spare parts motor BAC70 BG100 IE2	1



## Spare parts motor BAC70 BG100 IE2

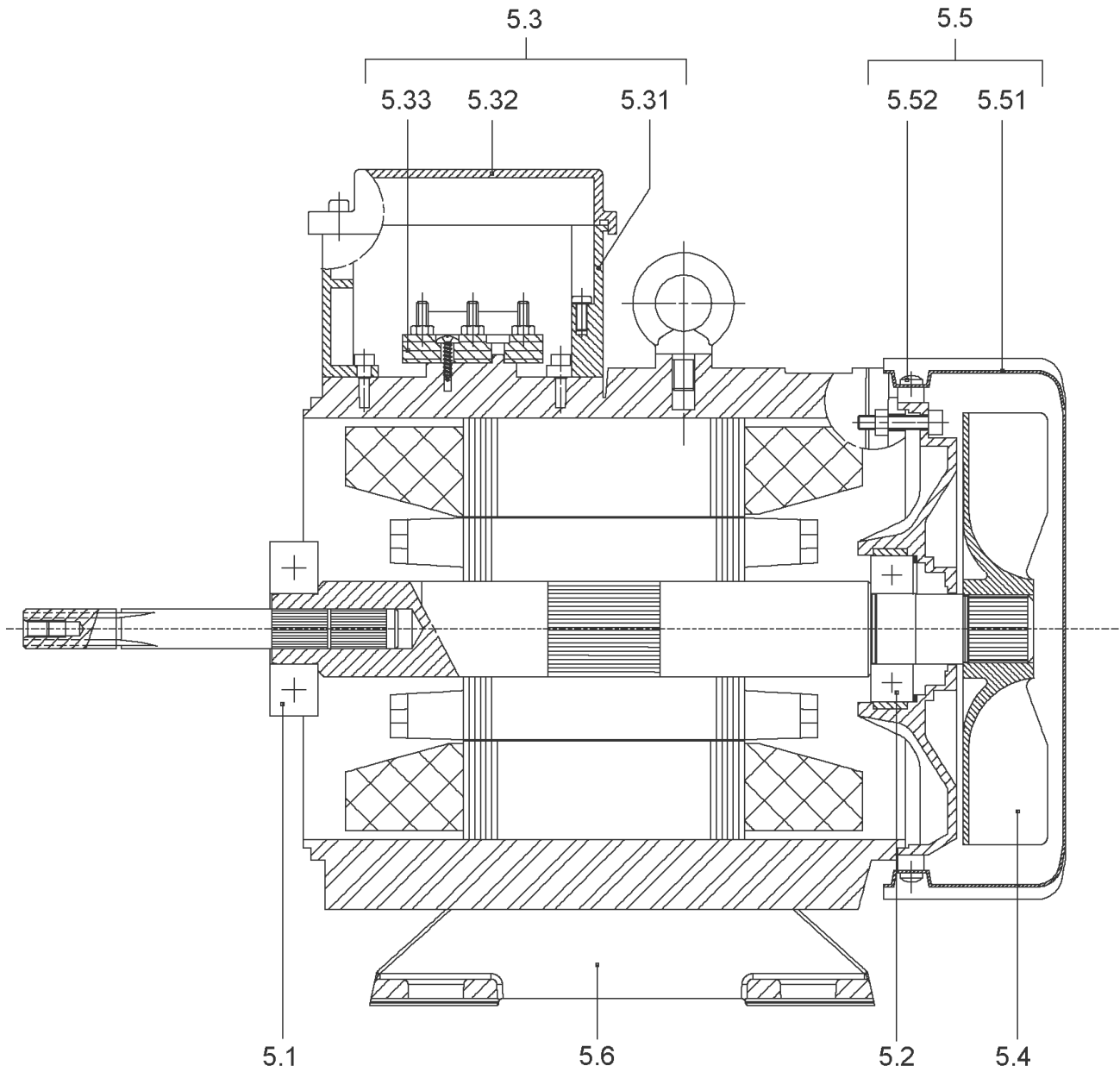
Item	Article no.	Description	Quantity
5.1	4180822	BALL BEARING 6305-C3-DDU-E-EA6 VP.	1
5.2	4180340	BALL-BEARING-6205-C3-DDU-E-EA6 VP.	1
5.3	2188205	Terminal box BG90/100 KIT	1
5.31		> EMBASE BAB 105X105 QS/Q2E90-112	1
5.32	2188206	> Terminal box cover BAC70 110X110 KIT	1
		>> Gasket term.box cover 30X47X7 BG100/112	1
		>> TERMINAL BOX COVER 110X110 QS/Q2E90-112	1
5.33	2188207	> Terminal board cpl.BG90-112 VP.	1
5.4	2098058	FAN WHEEL MOT.90 D.128 VP.	1
5.5	2188175	Fan cover BG100 D.195 KIT	1
5.51		> FAN-COVER-MOTOR100-D195-CATAPH	1
5.52		> M4 X 6 TAPTITE TORX SCREW SE20/SE60	1
5.6	2122260	MOTOR SUPPORT BAC70 VP.	1





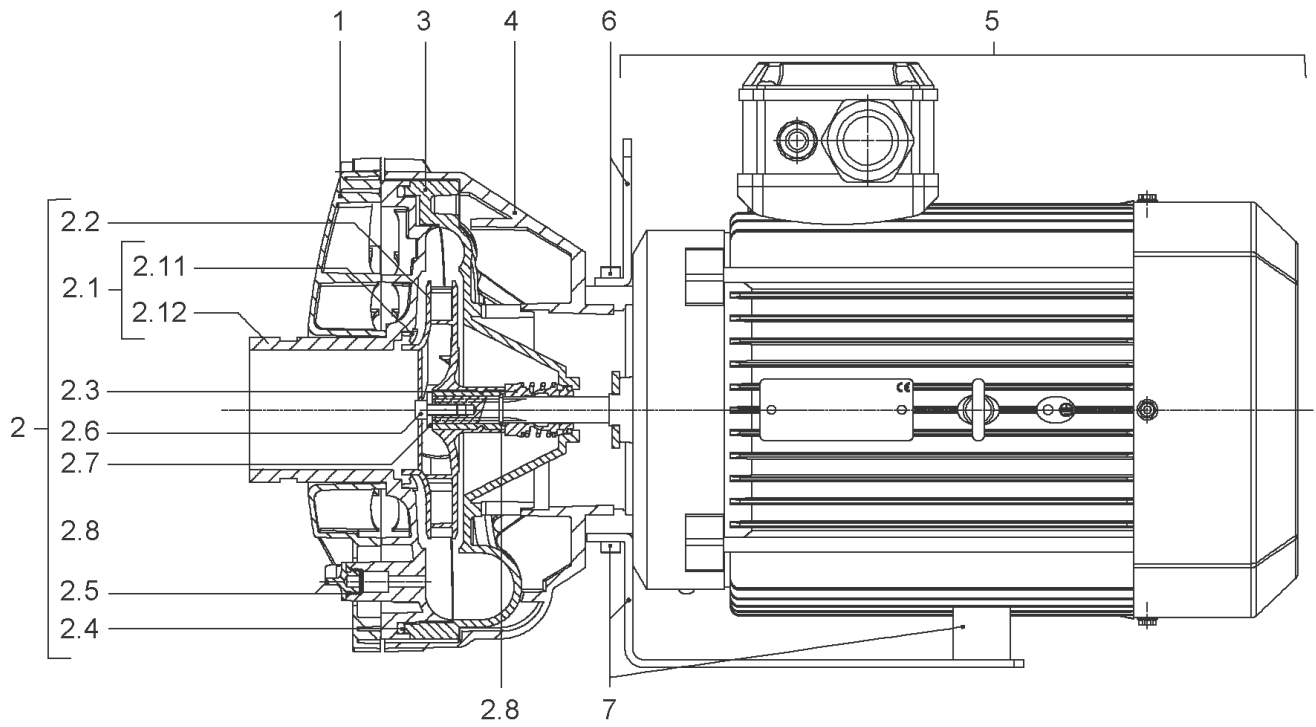
**BAC70-135-3/2-DM/R-2-IE1 (4095273)**

Item	Article no.	Description	Quantity
1	2122258	REINFORCING PIECE FOR CASING BAC70 VP.	1
2	2188097	Replacement Casing BAC70/135-3/2 KIT	1
2.1	2168957	> Suction housing BAC Victaulic 2"1/2 KIT	1
		>> SUCTION HOUSING SHC VICTAULIC 2"1/2	1
		>> IMPELLER GASKET SHC 2"1/2	1
2.2		> IMPELLER SHC 35 D135 NORYL	1
2.3		> MECHANICAL SEAL MG12/14-G6-BQ1E3GG-BURG.	1
2.4	2120144	> O-RING D221,6x5,33 EPDM VP.	1
2.5	2188170	> Drain plug/o-ring G1/4" KIT	1
2.6		> SCREW M6X18 ISO4762 8.8 ZnNi dk-glatt	1
2.7		> WASHER Ø18XØ6.2X3-AISI316L	1
2.8		> STOP-RUSH-1/2-D14-VMI/HMI-316	1
2.9	2122255	> SCREW M6X30 12.9 ISO4762(4 PIECES)	1
3	2120143	DELIVERY CASING BAC VICTAULIC 2"1/2 VP.	1
4	2120017	LANTERN BAC70 VP.	1
5		Spare parts motor BAC70 BG100 IE1	1



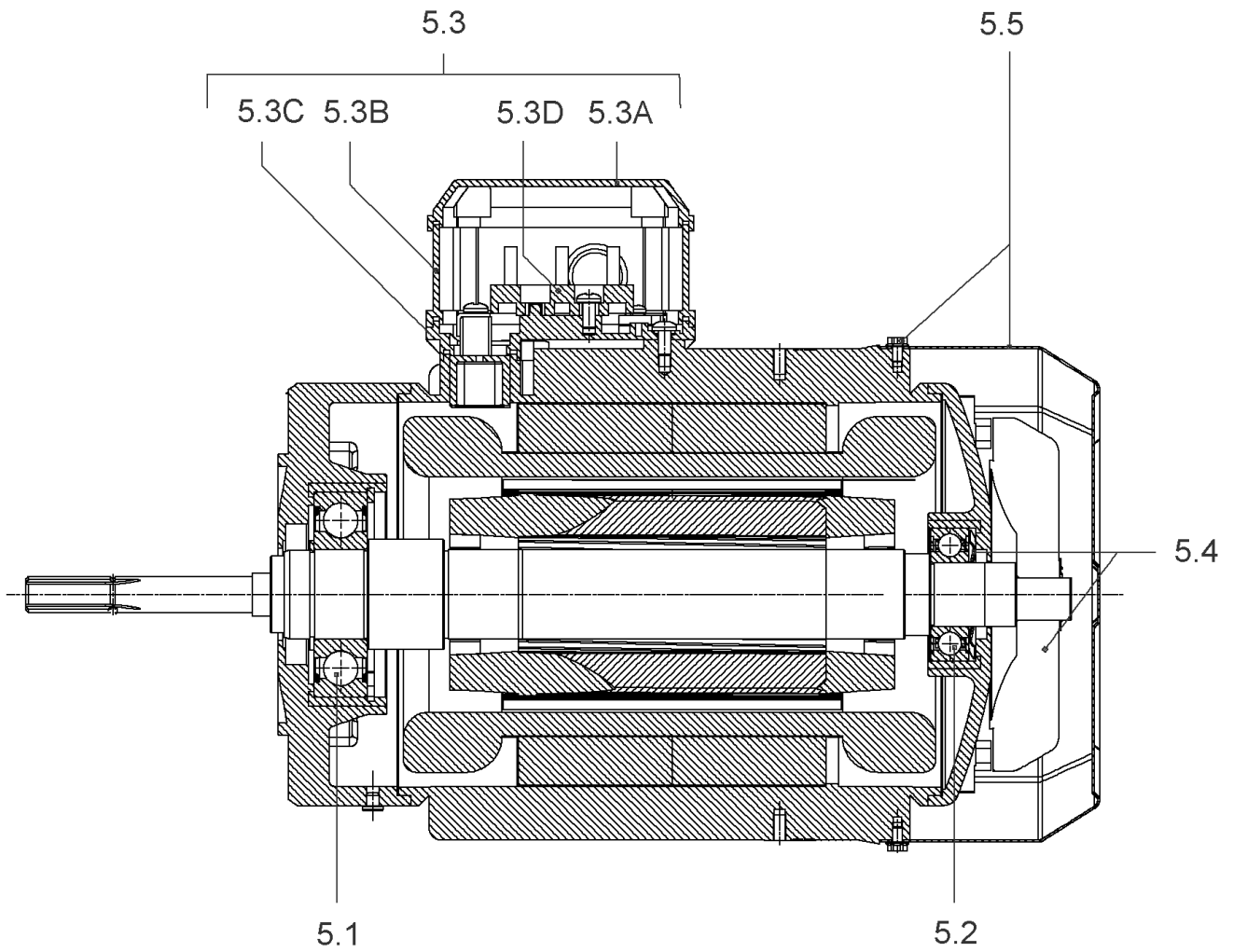
## Spare parts motor BAC70 BG100 IE1

Item	Article no.	Description	Quantity
5.1	4180822	BALL BEARING 6305-C3-DDU-E-EA6 VP.	1
5.2	4180340	BALL-BEARING-6205-C3-DDU-E-EA6 VP.	1
5.3	2188205	Terminal box BG90/100 KIT	1
5.31		> EMBASE BAB 105X105 QS/Q2E90-112	1
5.32	2188206	> Terminal box cover BAC70 110X110 KIT	1
		>> Gasket term.box cover 30X47X7 BG100/112	1
		>> TERMINAL BOX COVER 110X110 QS/Q2E90-112	1
5.33	2188207	> Terminal board cpl.BG90-112 VP.	1
5.4	2188174	Fan BG100 D24.2-144 VP.	1
5.5	2188175	Fan cover BG100 D.195 KIT	1
5.51		> FAN-COVER-MOTOR100-D195-CATAPH	1
5.52		> M4 X 6 TAPTITE TORX SCREW SE20/SE60	1
5.6	2122260	MOTOR SUPPORT BAC70 VP.	1



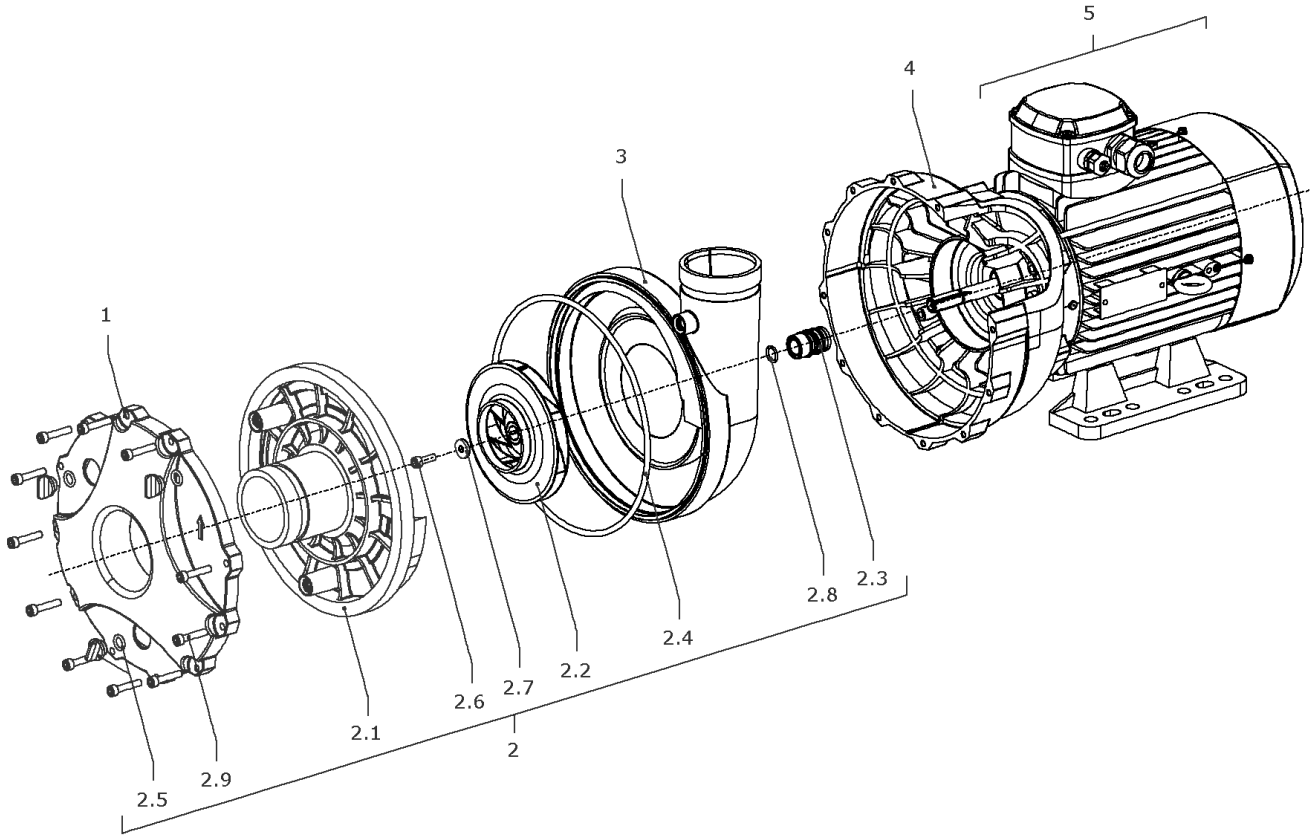
**BAC70-135-3/2-DM/R-2-N7 (4176472)**

Item	Article no.	Description	Quantity
1	2122258	REINFORCING PIECE FOR CASING BAC70 VP.	1
2	2188097	Replacement Casing BAC70/135-3/2 KIT	1
2.1	2168957	> Suction housing BAC Victaulic 2"1/2 KIT	1
		>> SUCTION HOUSING SHC VICTAULIC 2"1/2	1
		>> IMPELLER GASKET SHC 2"1/2	1
2.2		> IMPELLER SHC 35 D135 NORYL	1
2.3		> MECHANICAL SEAL MG12/14-G6-BQ1E3GG-BURG.	1
2.4	2120144	> O-RING D221,6x5,33 EPDM VP.	1
2.5	2188170	> Drain plug/o-ring G1/4" KIT	1
2.6		> SCREW M6X18 ISO4762 8.8 ZnNi dk-glatt	1
2.7		> WASHER Ø18XØ6.2X3-AISI316L	1
2.8		> STOP-RUSH-1/2-D14-VMI/HMI-316	1
2.9	2122255	> SCREW M6X30 12.9 ISO4762(4 PIECES)	1
3	2120143	DELIVERY CASING BAC VICTAULIC 2"1/2 VP.	1
4	2188171	Lantern BAC70 IEC100/112 VP.	1
5		Spare parts motor BAC70-3/2 IE2	1
6	2190953	Eyelet/screw BAC VP.	1
7	2188176	Foot BG100 BAC KIT	1



## Spare parts motor BAC70-3/2 IE2

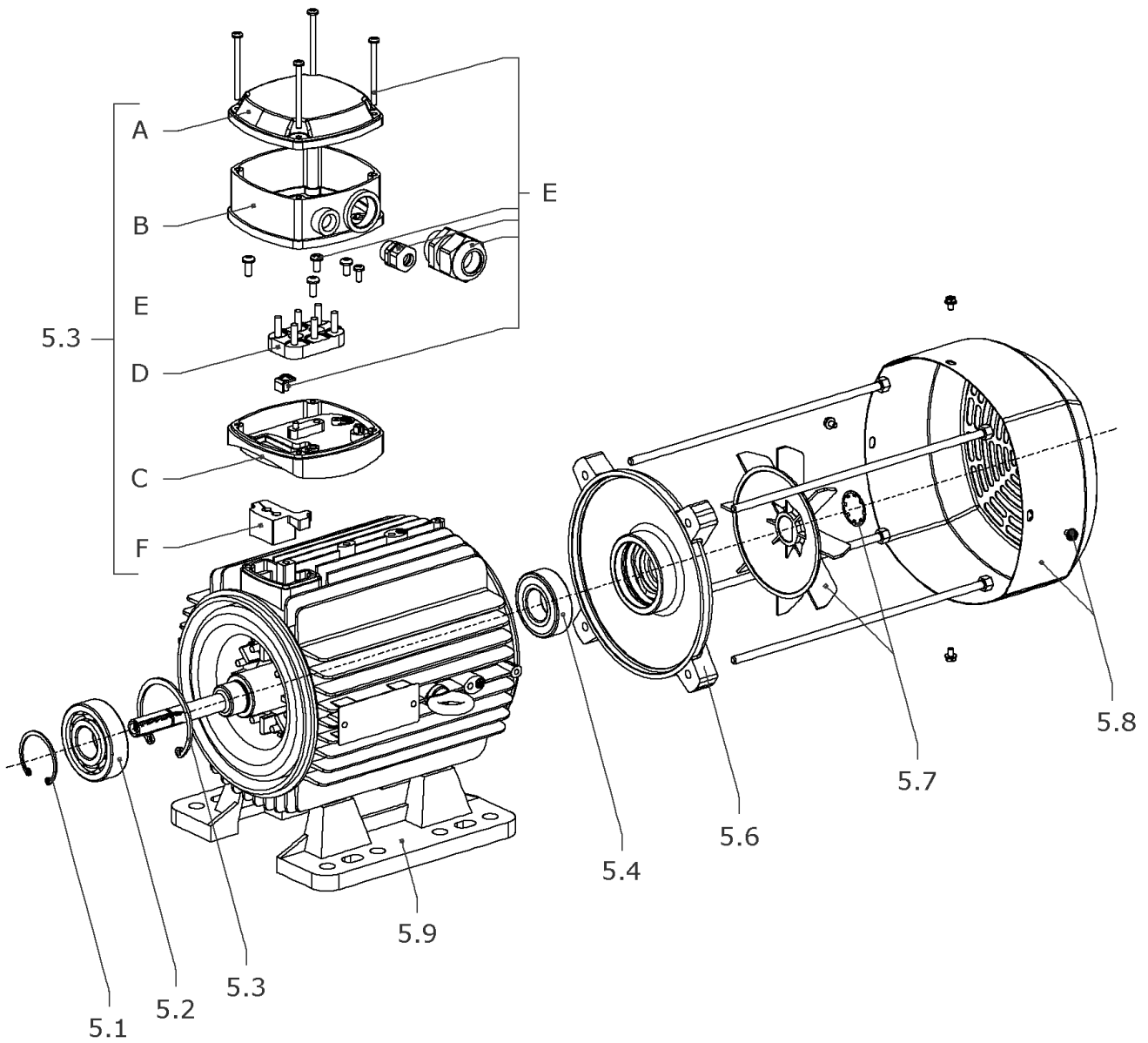
Item	Article no.	Description	Quantity
5.1	2153172	Ball bearing 6307/VV-C3 VP.	1
5.2	2118391	BALL BEARING 6205 DDW C3 EA6 VP.	1
5.3	2188172	Terminal box cpl.BG100 ELEC KIT	1
5.3A	2111326	> KIT TERMINAL BOX COV./GASK. BG90-112ELEC	1
Note: Please give the data from type plate of the motor			
5.3B		> TERMINAL BOX COUPLING 40 MM M25 M16	1
5.3C		> Terminal Box Base 3~ ADC12 IEC100~112	1
5.3D	2188173	> Terminal Block 74x36 M5 3~ cpl.ELEC KIT	1
Note: Please give the data from type plate of the motor			
5.3E	2118400	> GASKETS/SCREWS F.TERM.BOX BG100 ELEC KIT	1
Note: Please give the data from type plate of the motor			
5.3F		> Frame Closing IEC	1
5.4	2118395	FAN WHEEL 138X20X17 ELEC KIT	1
2.12A		> FAN 138X20X17 GP2200 G/F20%	1
2.12B	2118396	> Tooth lock washer D.19,8x0,4 VP.	1
Note: Please give the data from type plate of the motor			
5.5	2118397	FAN HOOD BG100 ELEC KIT	1
2.13A		> FAN COVER IEC100 KTL ST14 T0.8 H86	1
2.13B	2111323	> SCREW M4X6 (4 PIECES)	1
Note: Please give the data from type plate of the motor			





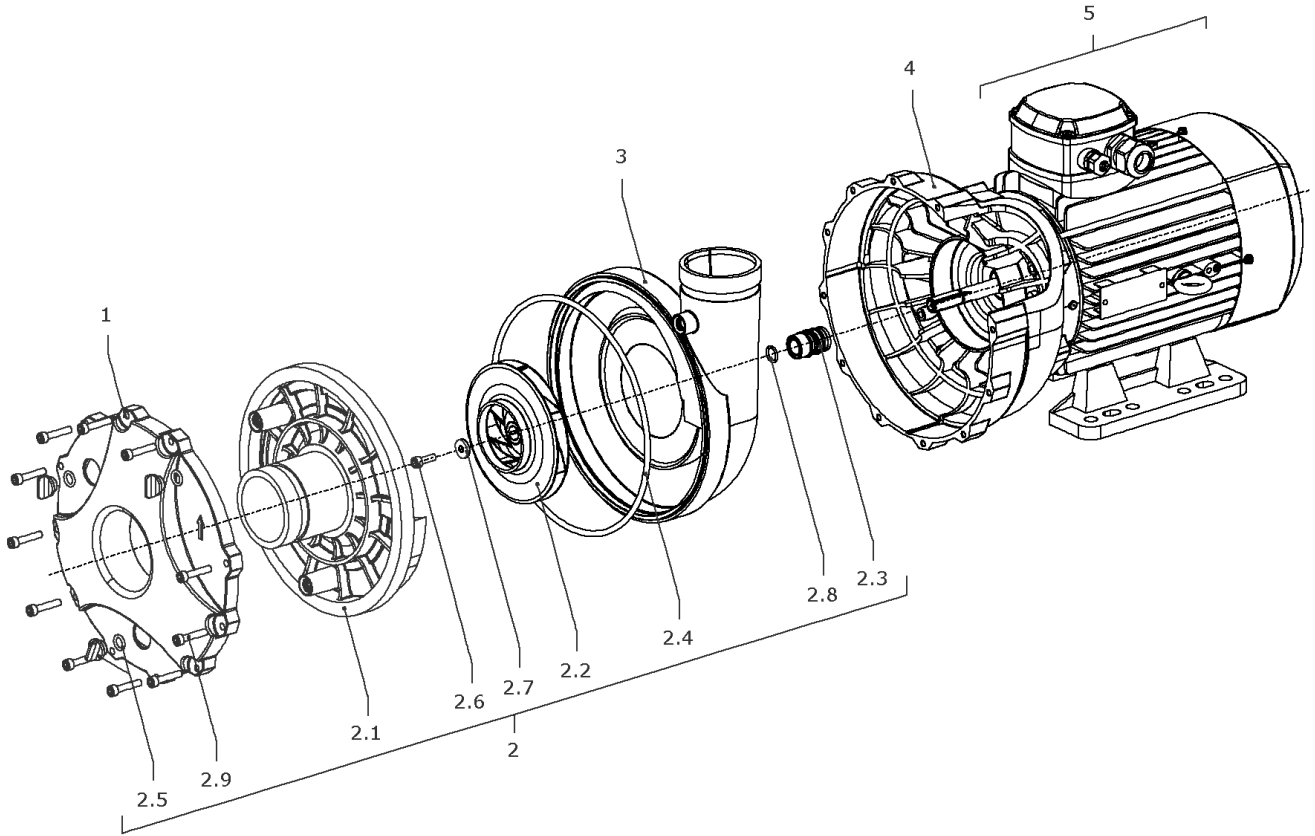
**BAC70-135-3/2-DM/R-2-N7-IE3 (4203811)**

Item	Article no.	Description	Quantity
1	2122258	REINFORCING PIECE FOR CASING BAC70 VP.	1
2	2188097	Replacement Casing BAC70/135-3/2 KIT	1
2.1	2168957	> Suction housing BAC Victaulic 2"1/2 KIT	1
		>> SUCTION HOUSING SHC VICTAULIC 2"1/2	1
		>> IMPELLER GASKET SHC 2"1/2	1
2.2		> IMPELLER SHC 35 D135 NORYL	1
2.3		> MECHANICAL SEAL MG12/14-G6-BQ1E3GG-BURG.	1
2.4	2120144	> O-RING D221,6x5,33 EPDM VP.	1
2.5	2188170	> Drain plug/o-ring G1/4" KIT	1
2.6		> SCREW M6X18 ISO4762 8.8 ZnNi dk-glatt	1
2.7		> WASHER Ø18XØ6.2X3-AISI316L	1
2.8		> STOP-RUSH-1/2-D14-VMI/HMI-316	1
2.9	2122255	> SCREW M6X30 12.9 ISO4762(4 PIECES)	1
3	2120143	DELIVERY CASING BAC VICTAULIC 2"1/2 VP.	1
4	2188171	Lantern BAC70 IEC100/112 VP.	1
5		Spare parts motor BAC70-3/2 IE3	1
	2190953	Eyelet/screw BAC VP.	1



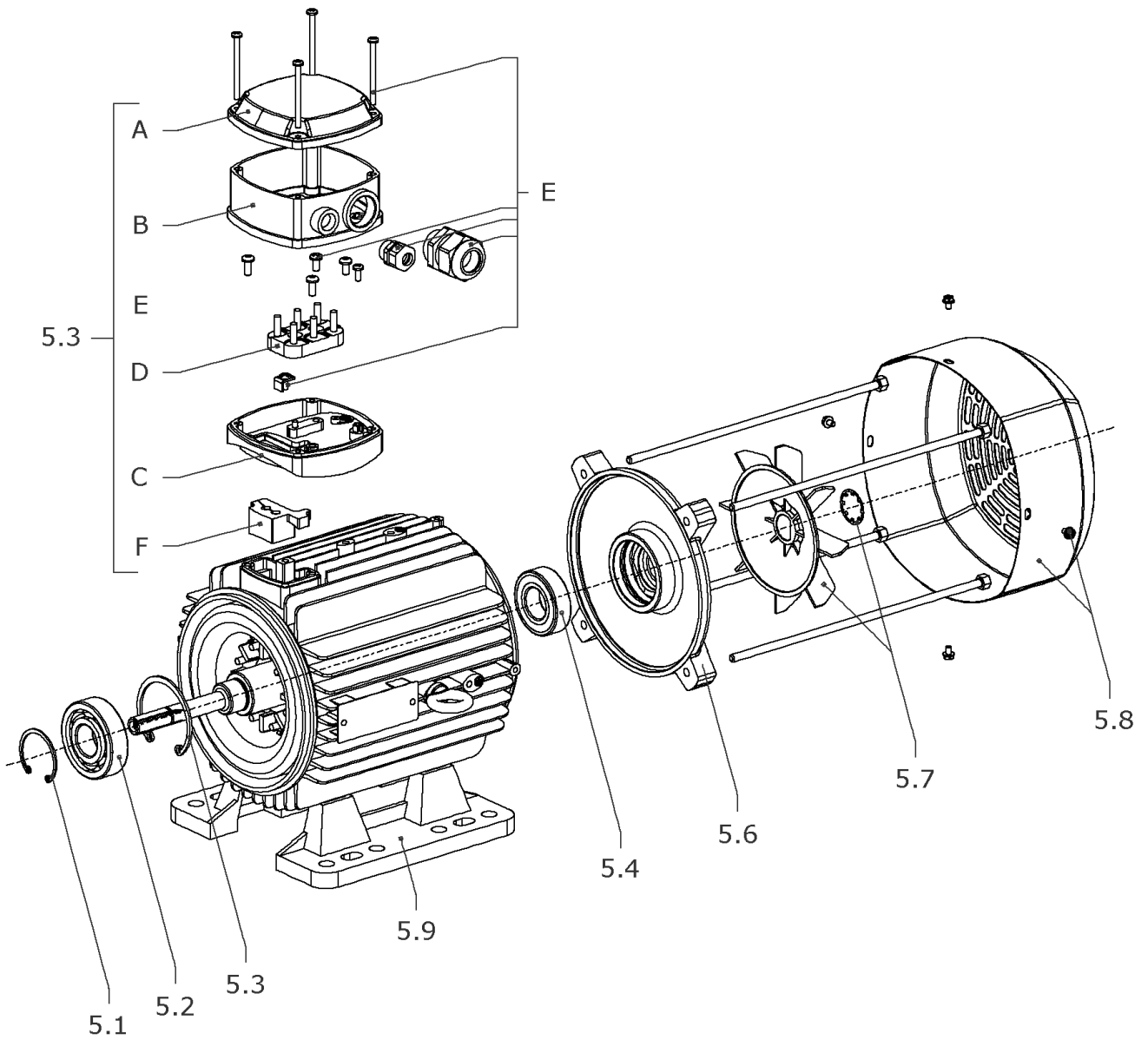
## Spare parts motor BAC70-3/2 IE3

Item	Article no.	Description	Quantity
5.1	2118388	CIRCLIP D.35 GB894.1 VP.	1
5.2	2149118	Ball bearing 6307/ZZ-C3 E2 VP.	1
5.3	2118390	CIRCLIP D.80 GB893.1 VP.	1
5.4	2153171	Ball bearing 6205/VV-C3 VP.	1
5.5	2188172	Terminal box cpl.BG100 ELEC KIT	1
5.3A	2111326	> KIT TERMINAL BOX COV./GASK. BG90-112ELEC	1
Note: Please give the data from type plate of the motor			
5.3B		> TERMINAL BOX COUPLING 40 MM M25 M16	1
5.3C		> Terminal Box Base 3~ ADC12 IEC100~112	1
5.3D	2188173	> Terminal Block 74x36 M5 3~ cpl.ELEC KIT	1
Note: Please give the data from type plate of the motor			
5.3E	2118400	> GASKETS/SCREWS F.TERM.BOX BG100 ELEC KIT	1
Note: Please give the data from type plate of the motor			
5.3F		> Frame Closing IEC	1
5.6	2164074	End shield BG100 N.D.E.ELEC KIT	1
		> FLANGE IEC100 NDS with slot	1
		> O-RING ID52.4*3.53 EPDM	1
5.7	2118395	FAN WHEEL 138X20X17 ELEC KIT	1
2.12A		> FAN 138X20X17 GP2200 G/F20%	1
2.12B	2118396	> Tooth lock washer D.19,8x0,4 VP.	1
Note: Please give the data from type plate of the motor			
5.8	2118397	FAN HOOD BG100 ELEC KIT	1
2.13A		> FAN COVER IEC100 KTL ST14 T0.8 H86	1
2.13B	2111323	> SCREW M4X6 (4 PIECES)	1
Note: Please give the data from type plate of the motor			
5.9	2188176	Foot BG100 BAC KIT	1



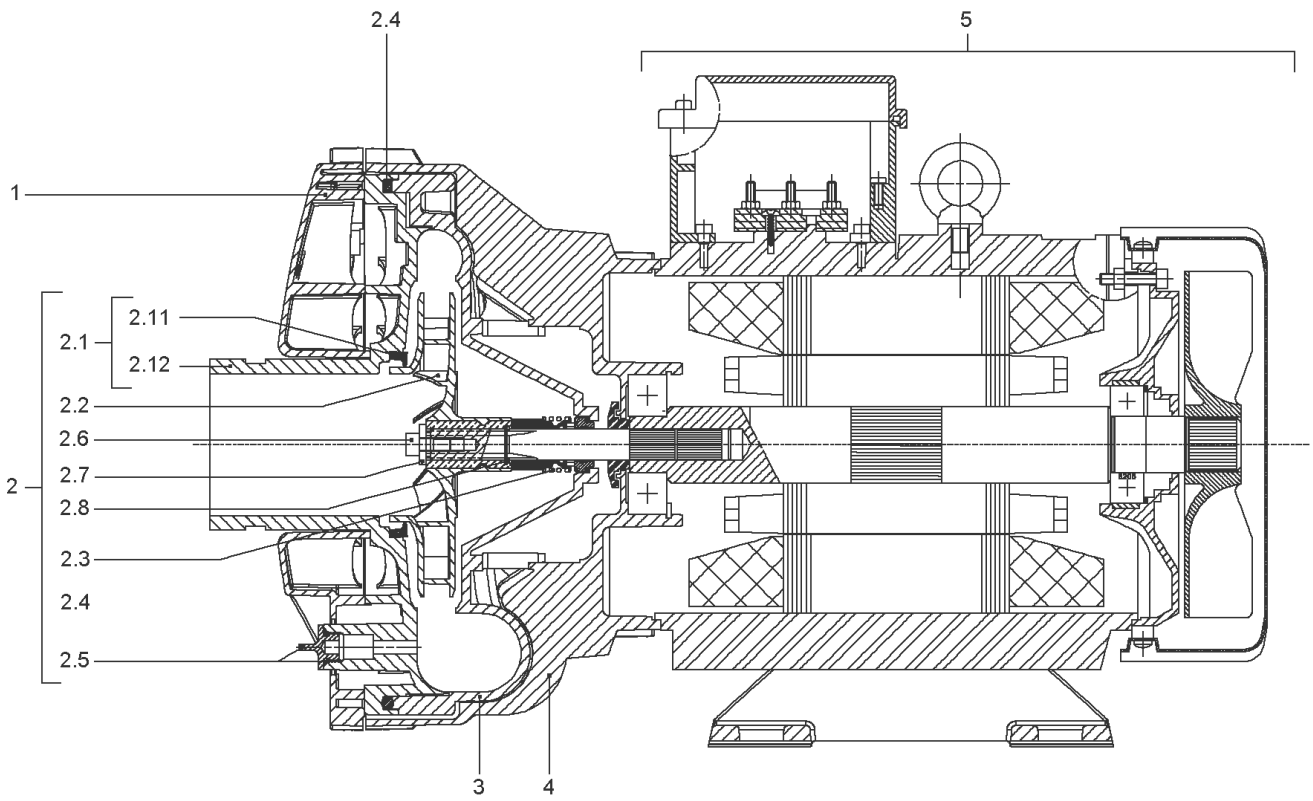
**BAC70-135-3\_100/2-DM/R-2-N7-IE3 (4213201)**

Item	Article no.	Description	Quantity
1	2122258	REINFORCING PIECE FOR CASING BAC70 VP.	1
2	2188097	Replacement Casing BAC70/135-3/2 KIT	1
2.1	2168957	> Suction housing BAC Victaulic 2"1/2 KIT	1
		>> SUCTION HOUSING SHC VICTAULIC 2"1/2	1
		>> IMPELLER GASKET SHC 2"1/2	1
2.2		> IMPELLER SHC 35 D135 NORYL	1
2.3		> MECHANICAL SEAL MG12/14-G6-BQ1E3GG-BURG.	1
2.4	2120144	> O-RING D221,6x5,33 EPDM VP.	1
2.5	2188170	> Drain plug/o-ring G1/4" KIT	1
2.6		> SCREW M6X18 ISO4762 8.8 ZnNi dk-glatt	1
2.7		> WASHER Ø18XØ6.2X3-AISI316L	1
2.8		> STOP-RUSH-1/2-D14-VMI/HMI-316	1
2.9	2122255	> SCREW M6X30 12.9 ISO4762(4 PIECES)	1
3	2120143	DELIVERY CASING BAC VICTAULIC 2"1/2 VP.	1
4	2191034	Lantern BG100 BAC70 IE3 VP.	1
5		Spare parts motor BAC70 BG100 IE3	1
	2191037	Eye Bolt M8 B L15 GB825-88 A2F VP.	1



## Spare parts motor BAC70 BG100 IE3

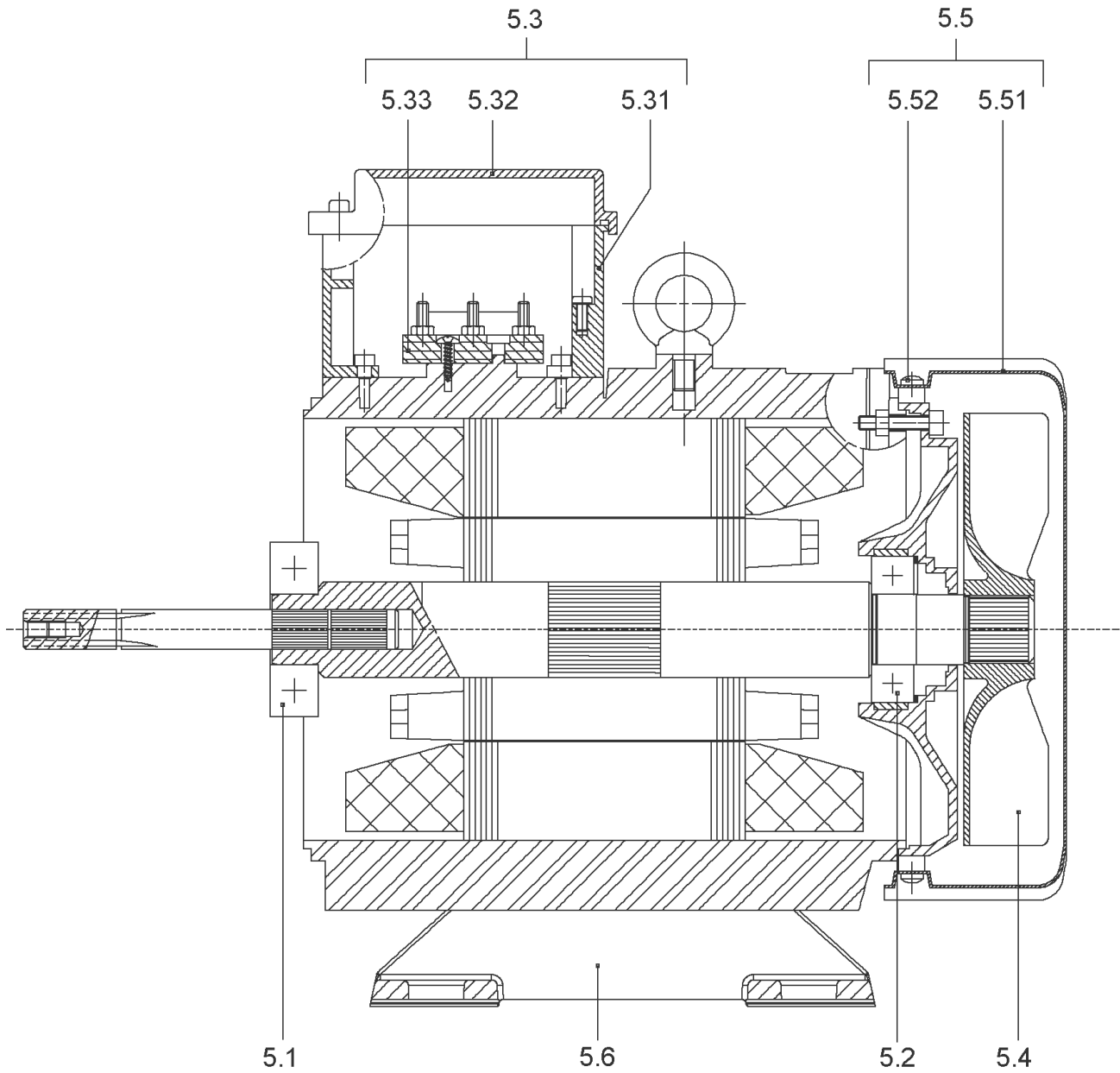
Item	Article no.	Description	Quantity
5.2	2191035	Ball bearing 6305T1XLVVC3E EA7L6 VP.	1
5.3	2191108	Circlip D.62 S±0.08 GB893.1 VP.	1
5.4	2153171	Ball bearing 6205/VV-C3 VP.	1
5.5	2118398	TERMINAL BOX CPL.BG100 ELEC KIT	1
2.15A	2111326	> KIT TERMINAL BOX COV./GASK. BG90-112ELEC	1
Note: Please give the data from type plate of the motor			
2.15B		> Terminal Box Coupling 3~ ADC12 40mm M25	1
2.15C		> Terminal Box Base 3~ ADC12 IEC100~112	1
2.15D	2118399	> TERMINAL BOARD 56X36 M5 3~ CPL.ELEC KIT	1
Note: Please give the data from type plate of the motor			
2.15E	2118400	> GASKETS/SCREWS F.TERM.BOX BG100 ELEC KIT	1
Note: Please give the data from type plate of the motor			
2.15F		> Frame Closing IEC	1
5.6	2164074	End shield BG100 N.D.E.ELEC KIT	1
		> FLANGE IEC100 NDS with slot	1
		> O-RING ID52.4*3.53 EPDM	1
5.7	2118395	FAN WHEEL 138X20X17 ELEC KIT	1
2.12A		> FAN 138X20X17 GP2200 G/F20%	1
2.12B	2118396	> Tooth lock washer D.19,8x0,4 VP.	1
Note: Please give the data from type plate of the motor			
5.8	2118397	FAN HOOD BG100 ELEC KIT	1
2.13A		> FAN COVER IEC100 KTL ST14 T0.8 H86	1
2.13B	2111323	> SCREW M4X6 (4 PIECES)	1
Note: Please give the data from type plate of the motor			
5.9	2191036	Foot BG100 135mm BAC KIT	1





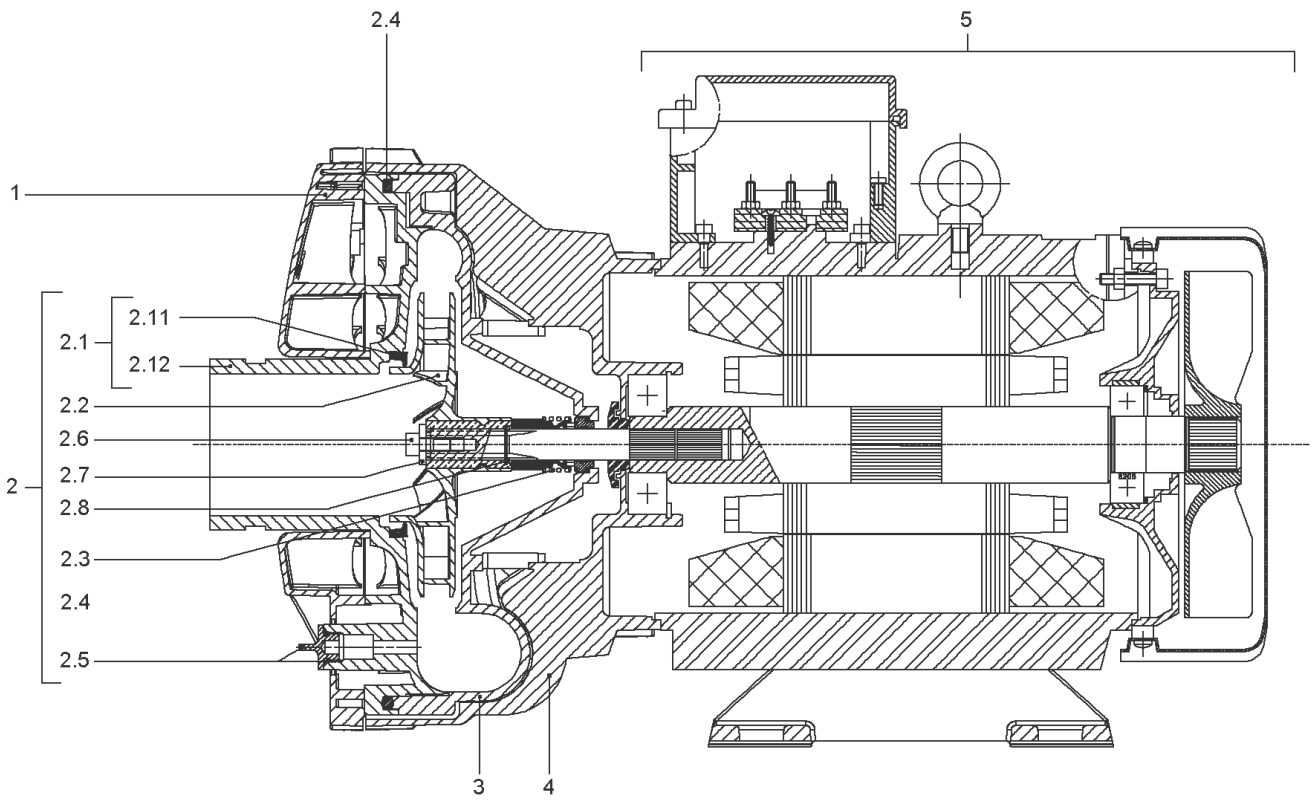
**BAC70-135-4/2-DM/R-2 (4160299)**

Item	Article no.	Description	Quantity
1	2122258	REINFORCING PIECE FOR CASING BAC70 VP.	1
2	2188098	Replacement Casing BAC70/135-4/2 KIT	1
2.1	2168957	> Suction housing BAC Victaulic 2"1/2 KIT	1
		>> SUCTION HOUSING SHC VICTAULIC 2"1/2	1
		>> IMPELLER GASKET SHC 2"1/2	1
2.2		> IMPELLER SHC 50 D135 NORYL	1
2.3		> MECHANICAL SEAL MG12/14-G6-BQ1E3GG-BURG.	1
2.4	2120144	> O-RING D221,6x5,33 EPDM VP.	1
2.5	2188170	> Drain plug/o-ring G1/4" KIT	1
2.6		> SCREW M6X18 ISO4762 8.8 ZnNi dk-glatt	1
2.7		> WASHER Ø18XØ6.2X3-AISI316L	1
2.8		> STOP-RUSH-1/2-D14-VMI/HMI-316	1
2.9	2122255	> SCREW M6X30 12.9 ISO4762(4 PIECES)	1
3	2120143	DELIVERY CASING BAC VICTAULIC 2"1/2 VP.	1
4	2120017	LANTERN BAC70 VP.	1
5		Spare parts motor BAC70 BG100 IE2	1



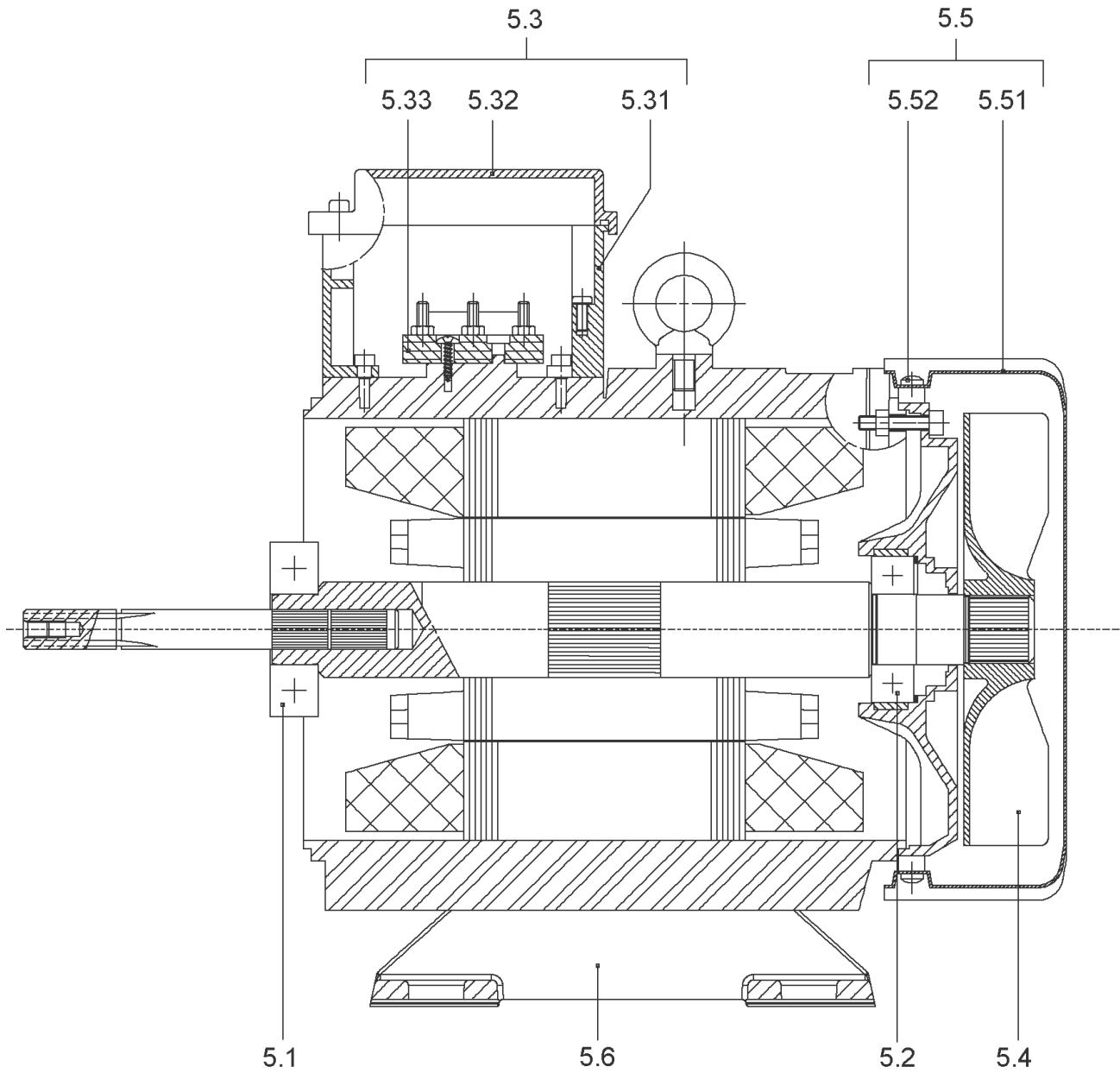
## Spare parts motor BAC70 BG100 IE2

Item	Article no.	Description	Quantity
5.1	4180822	BALL BEARING 6305-C3-DDU-E-EA6 VP.	1
5.2	4180340	BALL-BEARING-6205-C3-DDU-E-EA6 VP.	1
5.3	2188205	Terminal box BG90/100 KIT	1
5.31		> EMBASE BAB 105X105 QS/Q2E90-112	1
5.32	2188206	> Terminal box cover BAC70 110X110 KIT	1
		>> Gasket term.box cover 30X47X7 BG100/112	1
		>> TERMINAL BOX COVER 110X110 QS/Q2E90-112	1
5.33	2188207	> Terminal board cpl.BG90-112 VP.	1
5.4	2098058	FAN WHEEL MOT.90 D.128 VP.	1
5.5	2188175	Fan cover BG100 D.195 KIT	1
5.51		> FAN-COVER-MOTOR100-D195-CATAPH	1
5.52		> M4 X 6 TAPTITE TORX SCREW SE20/SE60	1
5.6	2122260	MOTOR SUPPORT BAC70 VP.	1



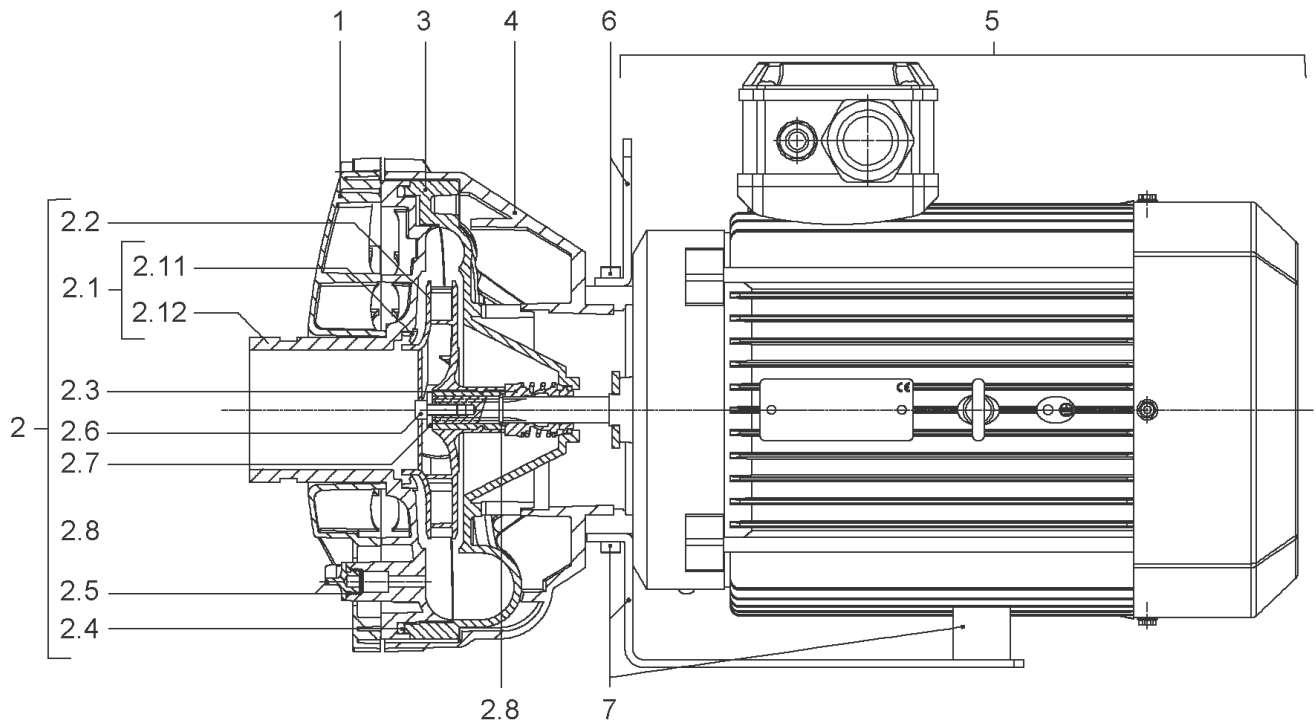
**BAC70-135-4/2-DM/R-2-IE1 (4095274)**

Item	Article no.	Description	Quantity
1	2122258	REINFORCING PIECE FOR CASING BAC70 VP.	1
2	2188098	Replacement Casing BAC70/135-4/2 KIT	1
2.1	2168957	> Suction housing BAC Victaulic 2"1/2 KIT	1
		>> SUCTION HOUSING SHC VICTAULIC 2"1/2	1
		>> IMPELLER GASKET SHC 2"1/2	1
2.2		> IMPELLER SHC 50 D135 NORYL	1
2.3		> MECHANICAL SEAL MG12/14-G6-BQ1E3GG-BURG.	1
2.4	2120144	> O-RING D221,6x5,33 EPDM VP.	1
2.5	2188170	> Drain plug/o-ring G1/4" KIT	1
2.6		> SCREW M6X18 ISO4762 8.8 ZnNi dk-glatt	1
2.7		> WASHER Ø18XØ6.2X3-AISI316L	1
2.8		> STOP-RUSH-1/2-D14-VMI/HMI-316	1
2.9	2122255	> SCREW M6X30 12.9 ISO4762(4 PIECES)	1
3	2120143	DELIVERY CASING BAC VICTAULIC 2"1/2 VP.	1
4	2120017	LANTERN BAC70 VP.	1
5		Spare parts motor BAC70 BG100 IE1	1



## Spare parts motor BAC70 BG100 IE1

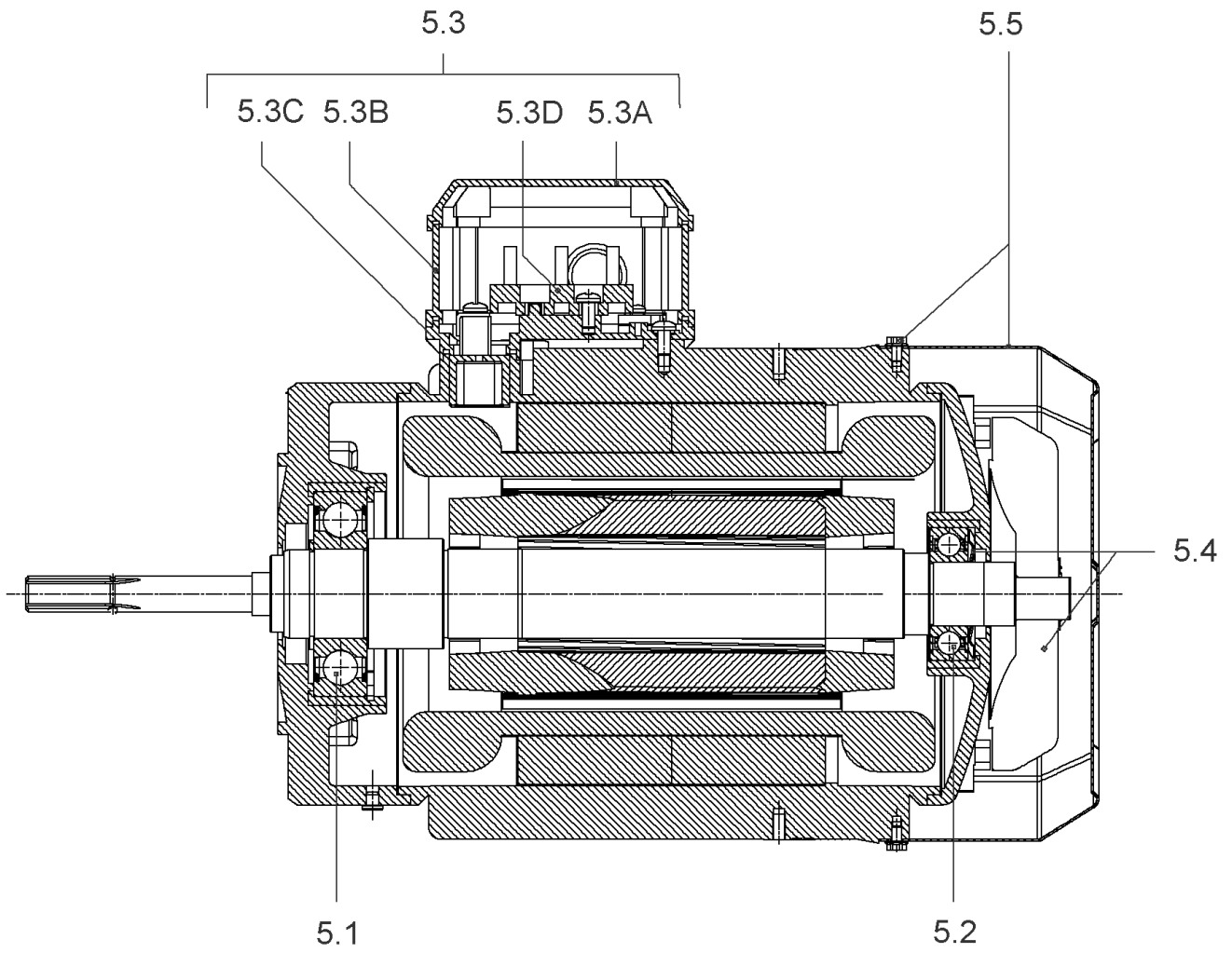
Item	Article no.	Description	Quantity
5.1	4180822	BALL BEARING 6305-C3-DDU-E-EA6 VP.	1
5.2	4180340	BALL-BEARING-6205-C3-DDU-E-EA6 VP.	1
5.3	2188205	Terminal box BG90/100 KIT	1
5.31		> EMBASE BAB 105X105 QS/Q2E90-112	1
5.32	2188206	> Terminal box cover BAC70 110X110 KIT	1
		>> Gasket term.box cover 30X47X7 BG100/112	1
		>> TERMINAL BOX COVER 110X110 QS/Q2E90-112	1
5.33	2188207	> Terminal board cpl.BG90-112 VP.	1
5.4	2188174	Fan BG100 D24.2-144 VP.	1
5.5	2188175	Fan cover BG100 D.195 KIT	1
5.51		> FAN-COVER-MOTOR100-D195-CATAPH	1
5.52		> M4 X 6 TAPTITE TORX SCREW SE20/SE60	1
5.6	2122260	MOTOR SUPPORT BAC70 VP.	1





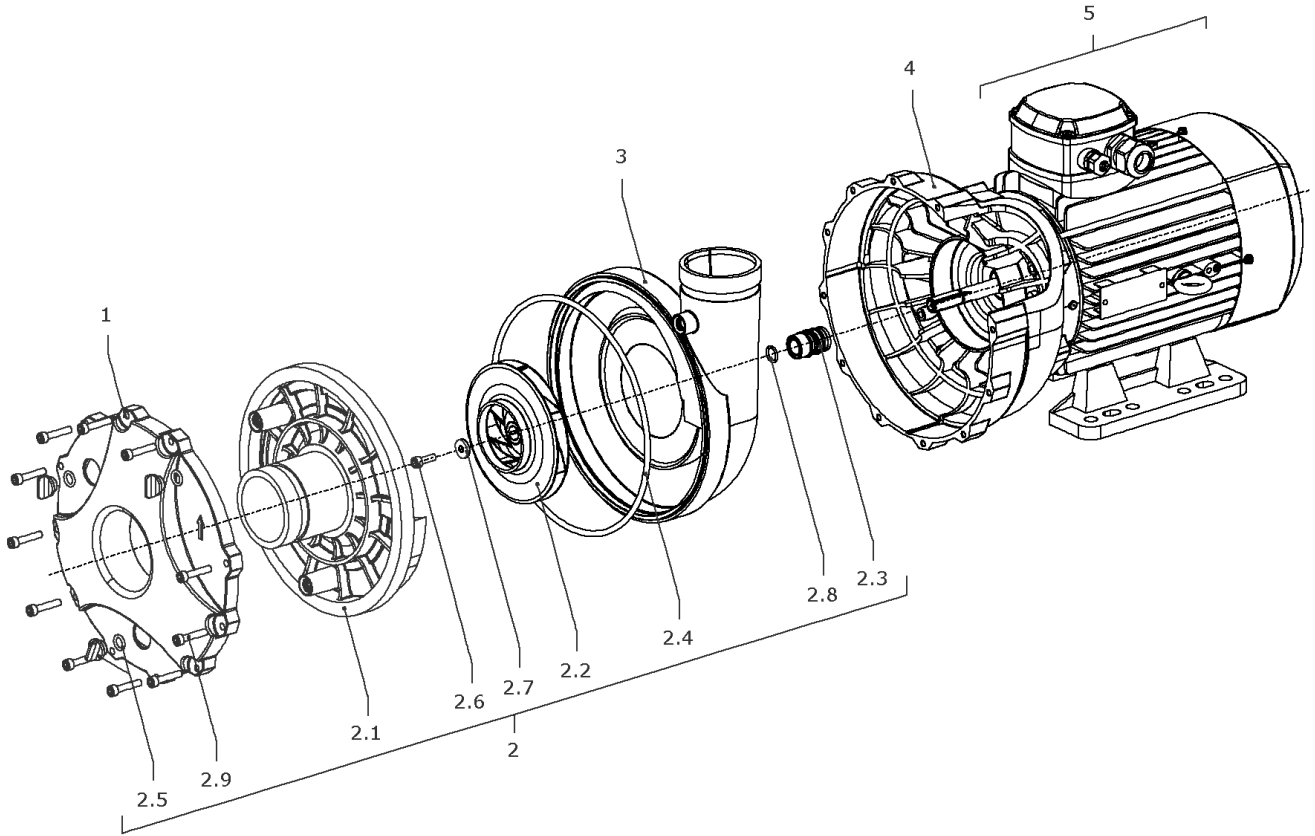
**BAC70-135-4/2-DM/R-2-N7 (4176474)**

Item	Article no.	Description	Quantity
1	2122258	REINFORCING PIECE FOR CASING BAC70 VP.	1
2	2188098	Replacement Casing BAC70/135-4/2 KIT	1
2.1	2168957	> Suction housing BAC Victaulic 2"1/2 KIT	1
		>> SUCTION HOUSING SHC VICTAULIC 2"1/2	1
		>> IMPELLER GASKET SHC 2"1/2	1
2.2		> IMPELLER SHC 50 D135 NORYL	1
2.3		> MECHANICAL SEAL MG12/14-G6-BQ1E3GG-BURG.	1
2.4	2120144	> O-RING D221,6x5,33 EPDM VP.	1
2.5	2188170	> Drain plug/o-ring G1/4" KIT	1
2.6		> SCREW M6X18 ISO4762 8.8 ZnNi dk-glatt	1
2.7		> WASHER Ø18XØ6.2X3-AISI316L	1
2.8		> STOP-RUSH-1/2-D14-VMI/HMI-316	1
2.9	2122255	> SCREW M6X30 12.9 ISO4762(4 PIECES)	1
3	2120143	DELIVERY CASING BAC VICTAULIC 2"1/2 VP.	1
4	2188171	Lantern BAC70 IEC100/112 VP.	1
5		Spare parts motor BAC70-4/2 IE2	1
6	2190953	Eyelet/screw BAC VP.	1
7	2188177	Foot BG112 BAC KIT	1



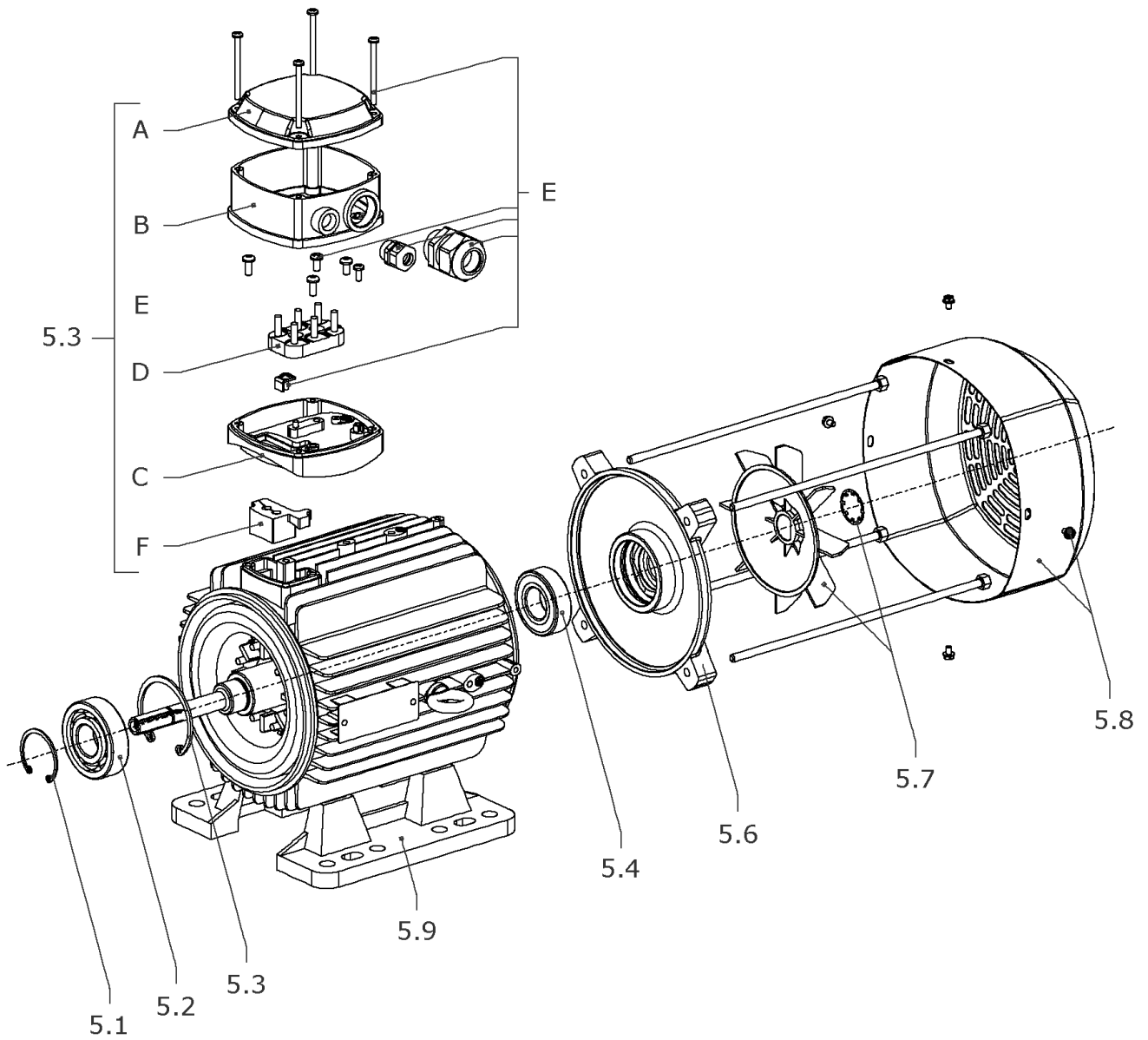
## Spare parts motor BAC70-4/2 IE2

Item	Article no.	Description	Quantity
5.1	2153172	Ball bearing 6307/VV-C3 VP.	1
5.2	2132467	BALL BEARING 6206 DDW C3 EA6 VP.	1
5.3	2188172	Terminal box cpl.BG100 ELEC KIT	1
5.3A	2111326	> KIT TERMINAL BOX COV./GASK. BG90-112ELEC	1
Note: Please give the data from type plate of the motor			
5.3B		> TERMINAL BOX COUPLING 40 MM M25 M16	1
5.3C		> Terminal Box Base 3~ ADC12 IEC100~112	1
5.3D	2188173	> Terminal Block 74x36 M5 3~ cpl.ELEC KIT	1
Note: Please give the data from type plate of the motor			
5.3E	2118400	> GASKETS/SCREWS F.TERM.BOX BG100 ELEC KIT	1
Note: Please give the data from type plate of the motor			
5.3F		> Frame Closing IEC	1
5.4	2118395	FAN WHEEL 138X20X17 ELEC KIT	1
2.12A		> FAN 138X20X17 GP2200 G/F20%	1
2.12B	2118396	> Tooth lock washer D.19,8x0,4 VP.	1
Note: Please give the data from type plate of the motor			
5.5	2132475	FAN HOOD BG112 ELEC KIT	1
2.13A		> FAN COVER IEC112 KTL ST14 T0.8 H86	1
2.13B	2111323	> SCREW M4X6 (4 PIECES)	1
Note: Please give the data from type plate of the motor			



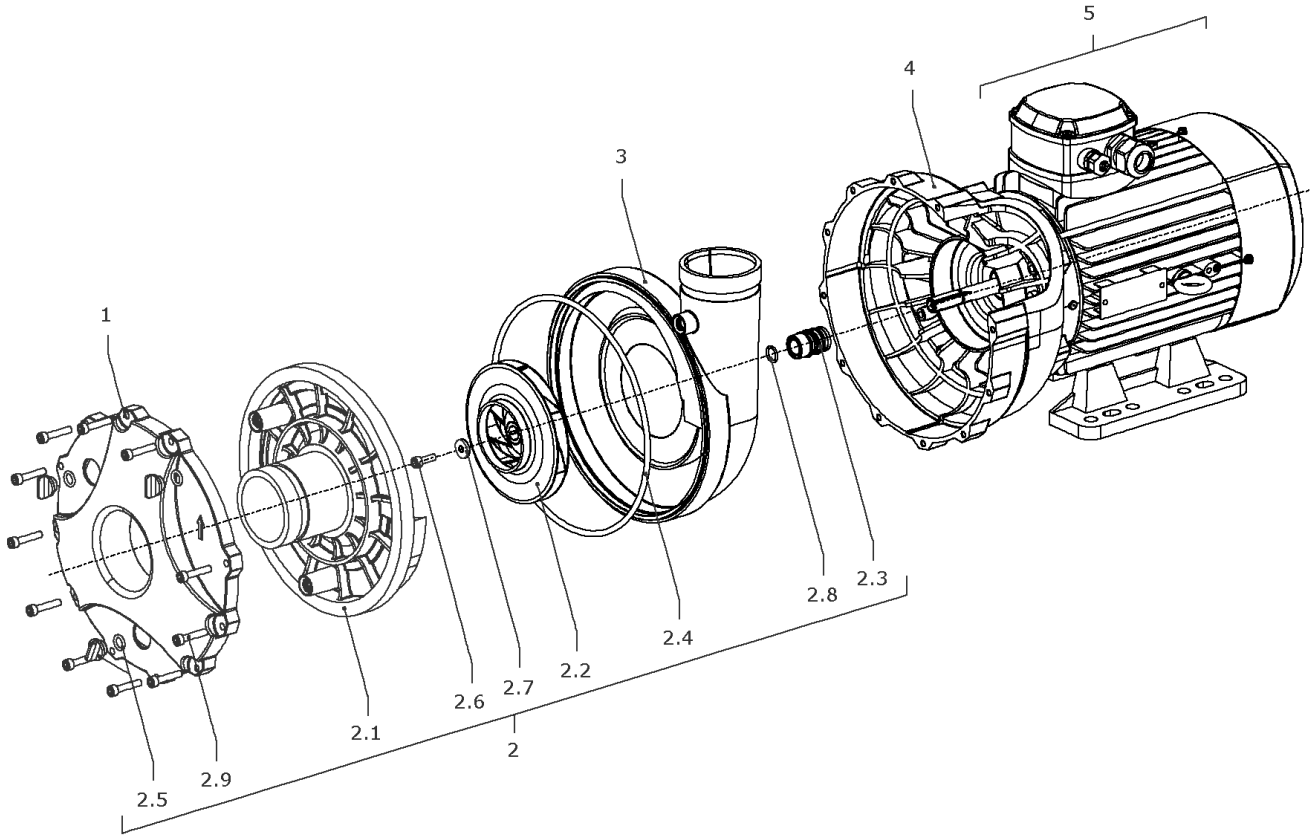
**BAC70-135-4/2-DM/R-2-N7-IE3 (4203813)**

Item	Article no.	Description	Quantity
1	2122258	REINFORCING PIECE FOR CASING BAC70 VP.	1
2	2188098	Replacement Casing BAC70/135-4/2 KIT	1
2.1	2168957	> Suction housing BAC Victaulic 2"1/2 KIT	1
		>> SUCTION HOUSING SHC VICTAULIC 2"1/2	1
		>> IMPELLER GASKET SHC 2"1/2	1
2.2		> IMPELLER SHC 50 D135 NORYL	1
2.3		> MECHANICAL SEAL MG12/14-G6-BQ1E3GG-BURG.	1
2.4	2120144	> O-RING D221,6x5,33 EPDM VP.	1
2.5	2188170	> Drain plug/o-ring G1/4" KIT	1
2.6		> SCREW M6X18 ISO4762 8.8 ZnNi dk-glatt	1
2.7		> WASHER Ø18XØ6.2X3-AISI316L	1
2.8		> STOP-RUSH-1/2-D14-VMI/HMI-316	1
2.9	2122255	> SCREW M6X30 12.9 ISO4762(4 PIECES)	1
3	2120143	DELIVERY CASING BAC VICTAULIC 2"1/2 VP.	1
4	2188171	Lantern BAC70 IEC100/112 VP.	1
5		Spare parts motor BAC70-4/2 IE3	1
	2190953	Eyelet/screw BAC VP.	1



## Spare parts motor BAC70-4/2 IE3

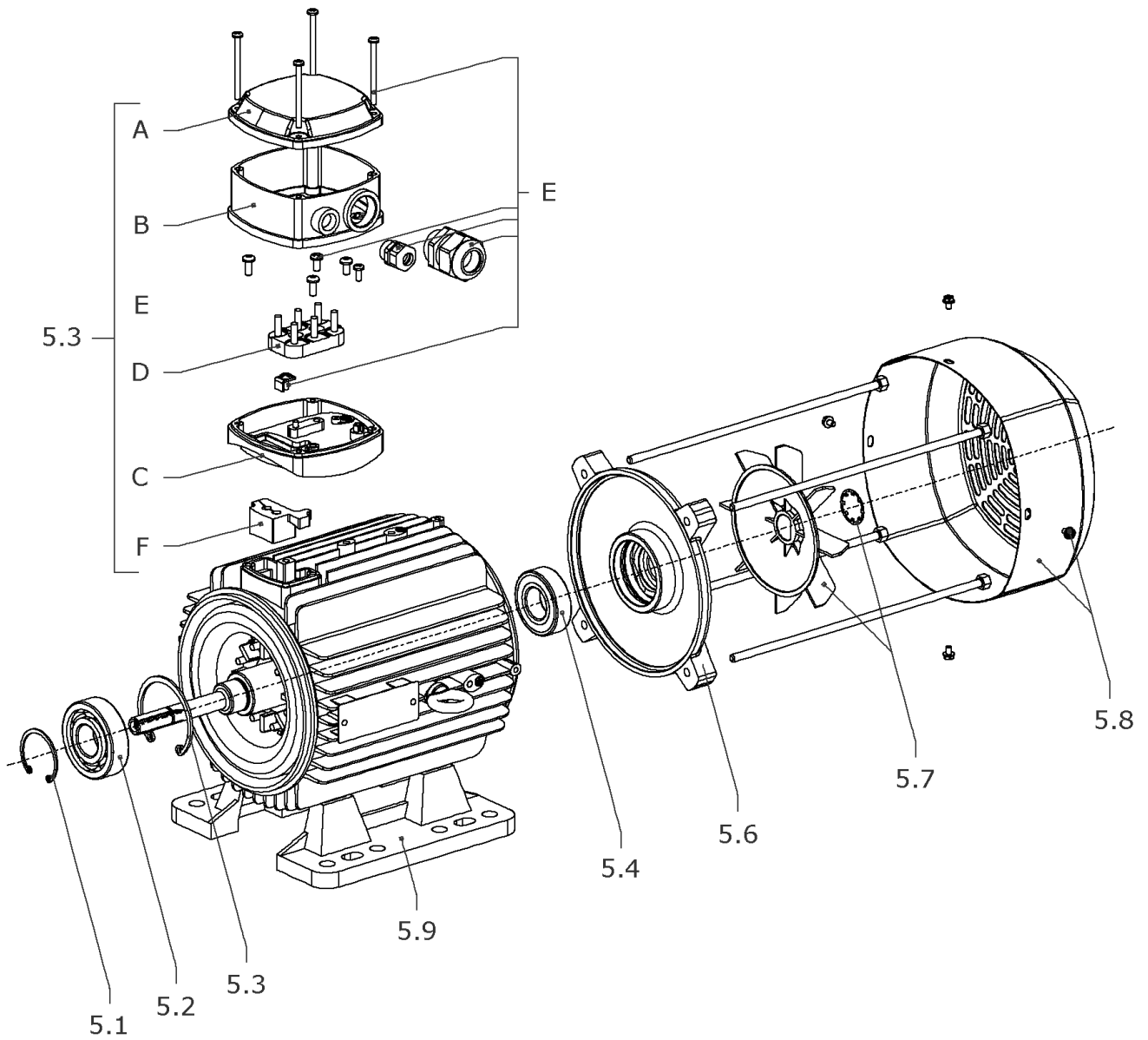
Item	Article no.	Description	Quantity
5.1	2118388	CIRCLIP D.35 GB894.1 VP.	1
5.2	2149118	Ball bearing 6307/ZZ-C3 E2 VP.	1
5.3	2118390	CIRCLIP D.80 GB893.1 VP.	1
5.4	2153173	Ball bearing 6206/VV-C3 VP.	1
5.5	2188172	Terminal box cpl.BG100 ELEC KIT	1
5.3A	2111326	> KIT TERMINAL BOX COV./GASK. BG90-112ELEC	1
Note: Please give the data from type plate of the motor			
5.3B		> TERMINAL BOX COUPLING 40 MM M25 M16	1
5.3C		> Terminal Box Base 3~ ADC12 IEC100~112	1
5.3D	2188173	> Terminal Block 74x36 M5 3~ cpl.ELEC KIT	1
Note: Please give the data from type plate of the motor			
5.3E	2118400	> GASKETS/SCREWS F.TERM.BOX BG100 ELEC KIT	1
Note: Please give the data from type plate of the motor			
5.3F		> Frame Closing IEC	1
5.6	2164025	End shield BG112 N.D.E.ELEC KIT	1
		> FLANGE IEC112 NDS with slot	1
		> O-RING ID62.4*3.53 EPDM	1
5.7	2118395	FAN WHEEL 138X20X17 ELEC KIT	1
2.12A		> FAN 138X20X17 GP2200 G/F20%	1
2.12B	2118396	> Tooth lock washer D.19,8x0,4 VP.	1
Note: Please give the data from type plate of the motor			
5.8	2132475	FAN HOOD BG112 ELEC KIT	1
2.13A		> FAN COVER IEC112 KTL ST14 T0.8 H86	1
2.13B	2111323	> SCREW M4X6 (4 PIECES)	1
Note: Please give the data from type plate of the motor			
5.9	2188177	Foot BG112 BAC KIT	1





**BAC70-135-4\_100/2-DM/R-2-N7-IE3 (4213202)**

Item	Article no.	Description	Quantity
1	2122258	REINFORCING PIECE FOR CASING BAC70 VP.	1
2	2188098	Replacement Casing BAC70/135-4/2 KIT	1
2.1	2168957	> Suction housing BAC Victaulic 2"1/2 KIT	1
		>> SUCTION HOUSING SHC VICTAULIC 2"1/2	1
		>> IMPELLER GASKET SHC 2"1/2	1
2.2		> IMPELLER SHC 50 D135 NORYL	1
2.3		> MECHANICAL SEAL MG12/14-G6-BQ1E3GG-BURG.	1
2.4	2120144	> O-RING D221,6x5,33 EPDM VP.	1
2.5	2188170	> Drain plug/o-ring G1/4" KIT	1
2.6		> SCREW M6X18 ISO4762 8.8 ZnNi dk-glatt	1
2.7		> WASHER Ø18XØ6.2X3-AISI316L	1
2.8		> STOP-RUSH-1/2-D14-VMI/HMI-316	1
2.9	2122255	> SCREW M6X30 12.9 ISO4762(4 PIECES)	1
3	2120143	DELIVERY CASING BAC VICTAULIC 2"1/2 VP.	1
4	2191034	Lantern BG100 BAC70 IE3 VP.	1
5		Spare parts motor BAC70 BG100 IE3	1
	2191037	Eye Bolt M8 B L15 GB825-88 A2F VP.	1



## Spare parts motor BAC70 BG100 IE3

Item	Article no.	Description	Quantity
5.2	2191035	Ball bearing 6305T1XLVVC3E EA7L6 VP.	1
5.3	2191108	Circlip D.62 S±0.08 GB893.1 VP.	1
5.4	2153171	Ball bearing 6205/VV-C3 VP.	1
5.5	2118398	TERMINAL BOX CPL.BG100 ELEC KIT	1
2.15A	2111326	> KIT TERMINAL BOX COV./GASK. BG90-112ELEC	1
Note: Please give the data from type plate of the motor			
2.15B		> Terminal Box Coupling 3~ ADC12 40mm M25	1
2.15C		> Terminal Box Base 3~ ADC12 IEC100~112	1
2.15D	2118399	> TERMINAL BOARD 56X36 M5 3~ CPL.ELEC KIT	1
Note: Please give the data from type plate of the motor			
2.15E	2118400	> GASKETS/SCREWS F.TERM.BOX BG100 ELEC KIT	1
Note: Please give the data from type plate of the motor			
2.15F		> Frame Closing IEC	1
5.6	2164074	End shield BG100 N.D.E.ELEC KIT	1
		> FLANGE IEC100 NDS with slot	1
		> O-RING ID52.4*3.53 EPDM	1
5.7	2118395	FAN WHEEL 138X20X17 ELEC KIT	1
2.12A		> FAN 138X20X17 GP2200 G/F20%	1
2.12B	2118396	> Tooth lock washer D.19,8x0,4 VP.	1
Note: Please give the data from type plate of the motor			
5.8	2118397	FAN HOOD BG100 ELEC KIT	1
2.13A		> FAN COVER IEC100 KTL ST14 T0.8 H86	1
2.13B	2111323	> SCREW M4X6 (4 PIECES)	1
Note: Please give the data from type plate of the motor			
5.9	2191036	Foot BG100 135mm BAC KIT	1