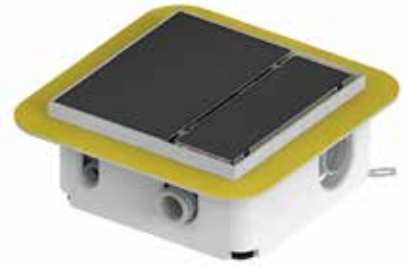


PLANCOFIX

FLOOR DRAINAGE PUMPS

- Installation depth 10.5 cm
- Inlet from above through the floor drain or from the side
- Drain can be tiled or in stainless steel
- Seal collar for the connection to the damp room insulation at site
- Easy cleaning and maintenance
- Optional secondary drain



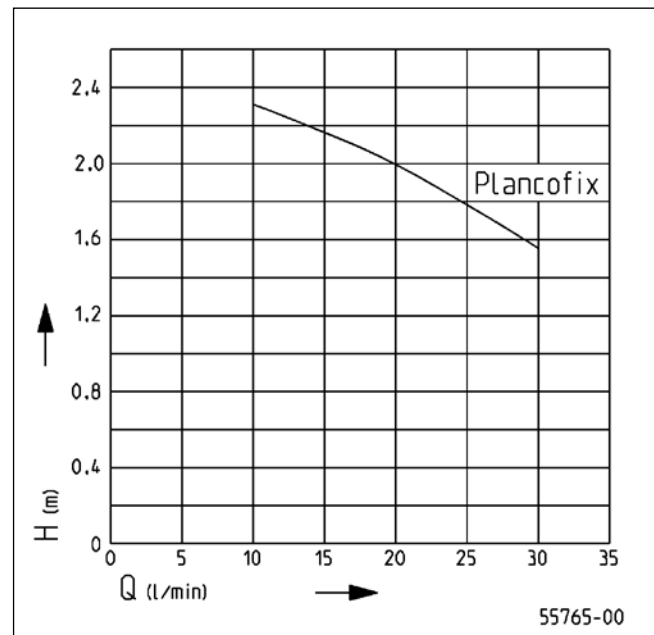
DESCRIPTION

Plancofix is a floor drainage pump that allows barrier-free or low entry showers to be fitted even where the lack of a gravity drain ruled out this option in the past. It must not be used for back flow protection.

Set into the screed, the Plancofix forms the floor drain in tiled showers. The incoming water is pumped to the nearest downpipe through a 1 inch pressure pipe. The transfer point into the downpipe must be at least 25 cm above the Plancofix.

The inflow from the shower can enter either directly from above through the floor drain, or from the side through a connecting branch.

PERFORMANCE



Type	Delivery head H [m]	1.5	2	2.3
Plancofix	Flow rate Q [l/min]	31	20	10

Specifications can be changed without notice. Performance subject to ISO 9906 tolerances.



PLANCOFIX

FLOOR DRAINAGE PUMPS

SCOPE OF SUPPLY

Ready to connect unit with tileable floor drain, synchronous motor with non-chlogging hydraulics, insulating tray for sound

compensation, height adjustment feet and ready-prepared for connection to a sealing membrane.

MECHANICAL DATA

Pump	Horizontal, single-stage	Pressure outlet	1" IG
Mounted circuit	Yes	Weight	3.7 kg

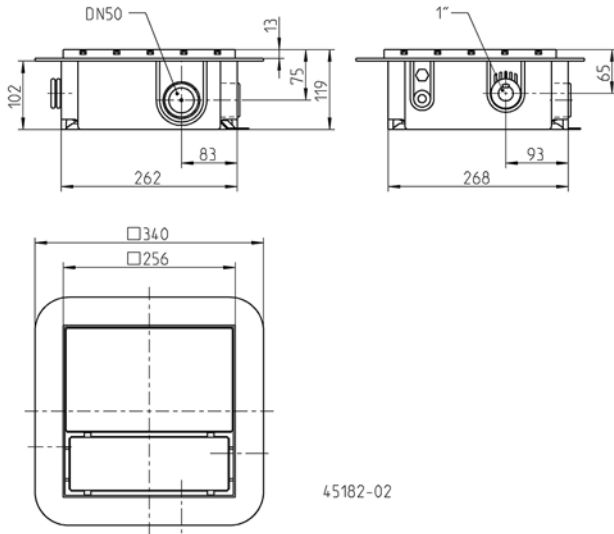
ELECTRICAL DATA

Voltage	1/N/PE~230 V	Wires	3G0,75 GR
Motor rating P1	65 W	Winding thermostat	Yes
Current	0.44 A	Motor protection	Installed in the winding
Power line	5m H05VV-F	Plug	Without

PLANCOFIX

Type	Code No.
Plancofix	JP44685

Dimensions Plancofix (mm)



Example of installation

